

ELECTRICAL SYSTEM

SECTION **EL**

CONTENTS

PRECAUTIONS	5	Bulb Replacement	49	GI
Supplemental Restraint System (SRS) "AIR BAG" and "SEAT BELT PRE-TENSIONER"	5	Aiming Adjustment	51	MA
Precautions for Trouble Diagnosis	5	HEADLAMP (FOR CANADA) - DAYTIME LIGHT SYSTEM -	52	EM
Precautions for Harness Repair	5	Component Parts and Harness Connector		LC
Wiring Diagrams and Trouble Diagnosis	6	Location	52	EC
HARNESS CONNECTOR	7	System Description	52	FE
Description	7	Schematic	55	CL
STANDARDIZED RELAY	9	Wiring Diagram - DTRL -	56	MT
Description	9	Trouble Diagnoses	61	AT
POWER SUPPLY ROUTING	11	Bulb Replacement	64	AX
Schematic	11	Aiming Adjustment	65	SU
Wiring Diagram - POWER -	12	PARKING, LICENSE AND TAIL LAMPS	66	BR
Inspection	19	System Description	66	ST
GROUND	20	Schematic	68	RS
Ground Distribution	20	Wiring Diagram - TAIL/L -	69	BT
COMBINATION SWITCH	32	Trouble Diagnoses	73	HA
Check	32	STOP LAMP	74	SC
Replacement	33	Wiring Diagram - STOP/L -	74	EL
STEERING SWITCH	34	BACK-UP LAMP	75	IDX
Check	34	Wiring Diagram - BACK/L -	75	
HEATED STEERING	35	FRONT FOG LAMP	76	
Component Parts and Harness Connector		System Description	76	
Location	35	Wiring Diagram - F/FOG -	77	
System Description	35	Aiming Adjustment	80	
Wiring Diagram - H/STRG -	37	TURN SIGNAL AND HAZARD WARNING LAMPS	81	
HEADLAMP (FOR USA)	38	System Description	81	
Component Parts and Harness Connector		Wiring Diagram - TURN -	83	
Location	38	Trouble Diagnoses	85	
System Description	38	Electrical Components Inspection	85	
Schematic	41	ILLUMINATION	86	
Wiring Diagram - H/LAMP -	42	System Description	86	
CONSULT-II Inspection Procedure	46	Schematic	87	
CONSULT-II Application Items	47	Wiring Diagram - ILL -	88	
Trouble Diagnoses	47			

CONTENTS (Cont'd)

INTERIOR, STEP, SPOT, VANITY MIRROR AND TRUNK ROOM LAMPS93	CLOCK170
System Description.....93	Wiring Diagram - CLOCK -170
Schematic96	REAR WINDOW DEFOGGER171
Wiring Diagram - INT/L -97	Component Parts and Harness Connector
CONSULT-II Inspection Procedure.....102	Location171
CONSULT-II Application Items103	System Description.....171
Trouble Diagnoses for Interior Lamp Timer.....105	Wiring Diagram - DEF -173
METERS AND GAUGES118	CONSULT-II Inspection Procedure.....175
Component Parts and Harness Connector	CONSULT-II Application Items176
Location118	Trouble Diagnoses.....177
System Description.....118	Electrical Components Inspection181
Combination Meter120	Filament Check.....182
Schematic121	Filament Repair183
Wiring Diagram - METER -122	AUDIO184
Meter/Gauge Operation and Odo/Trip Meter	System Description.....184
Segment Check in Diagnosis Mode.....123	Schematic186
Trouble Diagnoses.....124	Wiring Diagram - AUDIO -187
Electrical Components Inspection130	Trouble Diagnoses.....194
BOARD COMPUTER131	Inspection.....195
System Description.....131	Wiring Diagram - REMOTE -196
Wiring Diagram - B/COMP -133	AUDIO ANTENNA197
Trouble Diagnoses.....135	Wiring Diagram - W/ANT -197
Electrical Components Inspection136	Location of Antenna.....198
COMPASS137	Window Antenna Repair198
System Description.....137	POWER SUNROOF200
Wiring Diagram - COMPAS -139	System Description.....200
WARNING LAMPS140	Wiring Diagram - SROOF -201
Schematic140	CONSULT-II Inspection Procedure.....202
Wiring Diagram - WARN -141	CONSULT-II Application Items203
Electrical Components Inspection145	Trouble Diagnoses.....203
A/T INDICATOR146	DOOR MIRROR205
Wiring Diagram - AT/IND -146	Wiring Diagram - MIRROR -205
WARNING CHIME148	AUTO ANTI-DAZZLING INSIDE MIRROR206
Component Parts and Harness Connector	Wiring Diagram - I/MIRR -206
Location148	TRUNK LID AND FUEL FILLER LID OPENER207
System Description.....148	Wiring Diagram - T&FLID -207
Wiring Diagram - CHIME -150	TELEPHONE (PRE WIRE)208
CONSULT-II Inspection Procedure.....153	Wiring Diagram - PHONE -208
CONSULT-II Application Items154	POWER SEAT209
Trouble Diagnoses.....155	Wiring Diagram - SEAT -209
FRONT WIPER AND WASHER163	HEATED SEAT212
System Description.....163	Wiring Diagram - HSEAT -212
Wiring Diagram - WIPER -165	Seatback Heating Unit.....213
Removal and Installation166	AUTOMATIC DRIVE POSITIONER214
Washer Nozzle Adjustment167	Component Parts and Harness Connector
Washer Tube Layout167	Location214
HORN168	System Description.....215
Wiring Diagram - HORN -168	Schematic218
CIGARETTE LIGHTER169	Wiring Diagram - AUT/DP -219
Wiring Diagram - CIGAR -169	On Board Diagnosis226
	Trouble Diagnoses.....228

CONTENTS (Cont'd)

AUTOMATIC SPEED CONTROL DEVICE (ASCD) ...250	System Description.....361	GI
System Description.....250	System Composition.....361	
POWER WINDOW251	Wiring Diagram - NATS -362	MA
System Description.....251	CONSULT-II363	
Schematic254	Trouble Diagnoses.....366	EM
Wiring Diagram - WINDOW -255	How to Replace NVIS (NATS) IMMU.....379	
CONSULT-II Inspection Procedure.....260	NAVIGATION SYSTEM380	EM
CONSULT-II Application Items261	System Description.....380	
Trouble Diagnoses.....261	Schematic387	LC
POWER DOOR LOCK265	Wiring Diagram - NAVI -388	
Component Parts and Harness Connector	Self-diagnosis Mode391	
Location265	Confirmation/Adjustment Mode394	EC
System Description.....265	Setting Mode.....404	
Schematic266	Trouble diagnoses412	FE
Wiring Diagram - D/LOCK -267	This Condition is Not Abnormal.....418	
CONSULT-II Inspection Procedure.....271	Program Loading429	
CONSULT-II Application Items272	Initialization430	CL
Trouble Diagnoses.....273	CAN COMMUNICATION433	
REMOTE KEYLESS ENTRY SYSTEM281	System Description.....433	
Component Parts and Harness Connector	CAN SYSTEM (FOR A/T MODELS)434	MT
Location281	Component Parts and Harness Connector	
System Description.....281	Location434	
Schematic285	System Description.....434	AT
Wiring Diagram - KEYLES -286	Wiring Diagram - CAN -435	
CONSULT-II Inspection Procedure.....291	Trouble Diagnoses.....436	AX
CONSULT-II Application Items292	Component Inspection.....439	
Trouble Diagnoses.....293	CAN SYSTEM (FOR TCS MODELS)440	
ID Code Entry Procedure307	Component Parts and Harness Connector	SU
Keyfob Battery Replacement.....311	Location440	
VEHICLE SECURITY (THEFT WARNING)	System Description.....440	
SYSTEM312	Wiring Diagram - CAN -441	BR
Component Parts and Harness Connector	Trouble Diagnoses.....442	
Location312	Component Inspection.....452	ST
System Description.....313	ELECTRICAL UNITS LOCATION453	
Schematic318	Engine Compartment.....453	
Wiring Diagram - VEHSEC -320	Passenger Compartment.....454	RS
CONSULT-II Inspection Procedure.....326	HARNES LAYOUT457	
CONSULT-II Application Item327	How to Read Harness Layout457	
Trouble Diagnoses.....328	Outline.....458	BT
SMART ENTRANCE CONTROL UNIT346	Main Harness.....460	
Description.....346	Engine Room Harness464	HA
CONSULT-II348	Engine Control Harness468	
Schematic352	Body Harness470	SC
Smart Entrance Control Unit Inspection Table354	Body No. 2 Harness472	
HOMELINK UNIVERSAL TRANSCEIVER357	Tail Harness474	
Wiring Diagram - TRNSCV-.....357	Room Lamp Harness.....475	
Trouble Diagnoses.....358	Front Door Harness476	EL
NVIS (NISSAN VEHICLE IMMOBILIZER SYSTEM	Rear Door Harness.....478	
- NATS)360	BULB SPECIFICATIONS480	
Component Parts and Harness Connector	Headlamp.....480	IDX
Location360	Exterior Lamp480	

CONTENTS (Cont'd)

Interior Lamp.....	480	WIRING DIAGRAM CODES (CELL CODES).....	481
--------------------	-----	--	-----

PRECAUTIONS

Supplemental Restraint System (SRS) "AIR BAG" and "SEAT BELT PRE-TENSIONER"

Supplemental Restraint System (SRS) "AIR BAG" and "SEAT BELT PRE-TENSIONER"

NFEL0001

The Supplemental Restraint System such as "AIR BAG" and "SEAT BELT PRE-TENSIONER" used along with a seat belt, helps to reduce the risk or severity of injury to the driver and front passenger for certain types of collision. This system includes seat belt switch inputs and dual stage front air bag modules. The SRS system uses the seat belt switches to determine the front air bag deployment, and may only deploy one front air bag, depending on the severity of a collision and whether the front occupants are belted or unbelted. The SRS system composition which is available to NISSAN MODEL A33 is as follows:

- For a frontal collision
The Supplemental Restraint System consists of driver air bag module (located in the center of the steering wheel), front passenger air bag module (located on the instrument panel on passenger side), seat belt pre-tensioners, a diagnosis sensor unit, crash zone sensor, warning lamp, wiring harness and spiral cable.
- For a side collision
The Supplemental Restraint System consists of front side air bag module (located in the outer side of front seat), satellite sensor, diagnosis sensor unit (one of components of air bags for a frontal collision), wiring harness, warning lamp (one of components of air bags for a frontal collision).

Information necessary to service the system safely is included in the **RS section** of this Service Manual.

WARNING:

- To avoid rendering the SRS inoperative, which could increase the risk of personal injury or death in the event of a collision which would result in air bag inflation, all maintenance should be performed by an authorized NISSAN dealer.
- Improper maintenance, including incorrect removal and installation of the SRS, can lead to personal injury caused by unintentional activation of the system. For removal of Spiral Cable and Air Bag Module, see the RS section.
- Do not use electrical test equipment on any circuit related to the SRS unless instructed to in this Service Manual. SRS wiring harnesses can be identified by yellow and/or orange harness connector.

Precautions for Trouble Diagnosis

NFEL0265

CAN SYSTEM

NFEL0265S01

- Do not apply voltage of 7.0V or higher to the measurement terminals.
- Use the tester with its open terminal voltage being 7.0V or less.

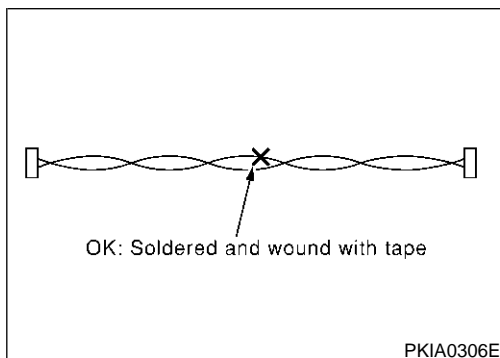
Precautions for Harness Repair

NFEL0266

CAN SYSTEM

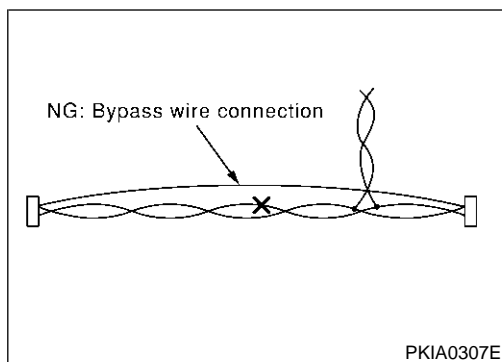
NFEL0266S01

- Solder the repaired parts, and wrap with tape. [Frays of twisted line must be within 110 mm (4.33 in)]



PRECAUTIONS

Precautions for Harness Repair (Cont'd)



- Do not perform bypass wire connections for the repair parts. (The spliced wire will become separated and the characteristics of twisted line will be lost.)

Wiring Diagrams and Trouble Diagnosis

NFEL0002

When you read wiring diagrams, refer to the following:

- GI-11, "HOW TO READ WIRING DIAGRAMS"
- EL-11, "POWER SUPPLY ROUTING" for power distribution circuit

When you perform trouble diagnosis, refer to the following:

- GI-35, "HOW TO FOLLOW TEST GROUPS IN TROUBLE DIAGNOSES"
- GI-24, "HOW TO PERFORM EFFICIENT DIAGNOSIS FOR AN ELECTRICAL INCIDENT"

Check for any Service bulletins before servicing the vehicle.

Description

NFEL0003

NFEL0003S01

HARNESS CONNECTOR (TAB-LOCKING TYPE)

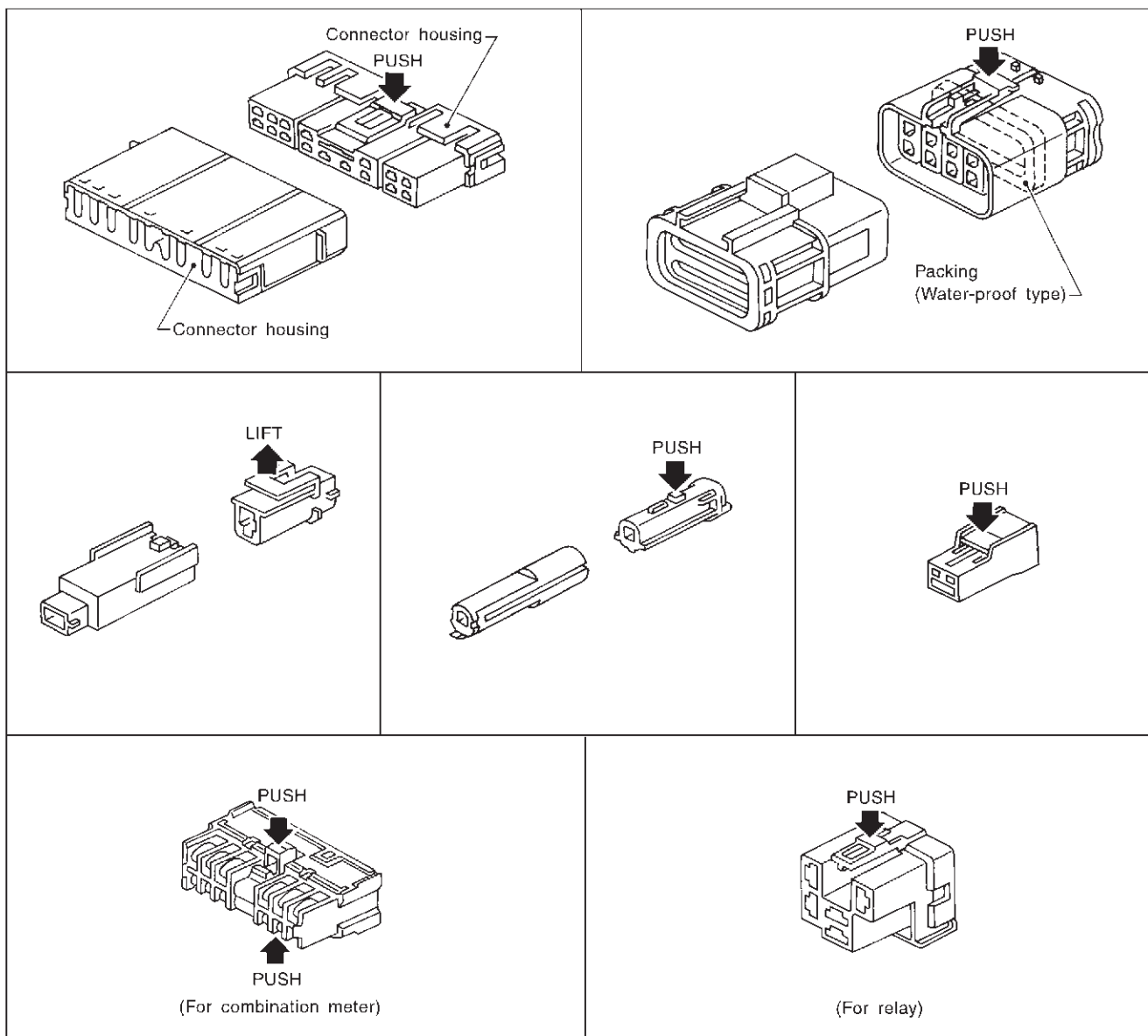
- The tab-locking type connectors help prevent accidental looseness or disconnection.
- The tab-locking type connectors are disconnected by pushing or lifting the locking tab(s). Refer to the illustration below.

Refer to the next page for description of the slide-locking type connector.

CAUTION:

Do not pull the harness or wires when disconnecting the connector.

[Example]



GI

MA

EM

LC

EC

FE

CL

MT

AT

AX

SU

BR

ST

RS

BT

HA

SC

EL

SEL769DA

IDX

HARNESS CONNECTOR

Description (Cont'd)

HARNESS CONNECTOR (SLIDE-LOCKING TYPE)

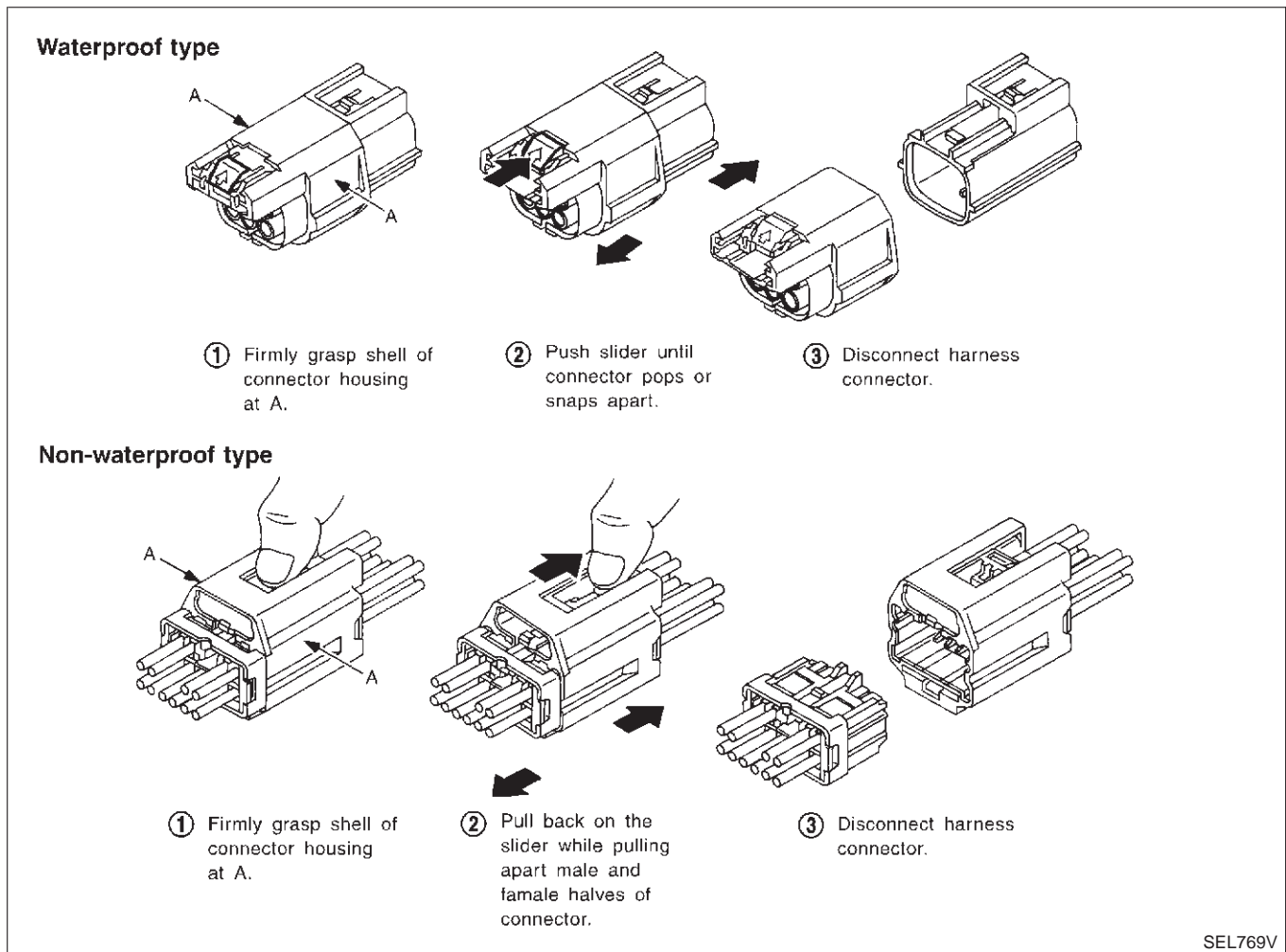
=NFEL0003S02

- A new style slide-locking type connector is used on certain systems and components, especially those related to OBD.
- The slide-locking type connectors help prevent incomplete locking and accidental looseness or disconnection.
- The slide-locking type connectors are disconnected by pushing or pulling the slider. Refer to the illustration below.

CAUTION:

- Do not pull the harness or wires when disconnecting the connector.
- Be careful not to damage the connector support bracket when disconnecting the connector.

[Example]



SEL769V

STANDARDIZED RELAY

Description

Description

NORMAL OPEN, NORMAL CLOSED AND MIXED TYPE RELAYS

Relays can mainly be divided into three types: normal open, normal closed and mixed type relays.

NFEL0004

NFEL0004S01

GI

MA

EM

LC

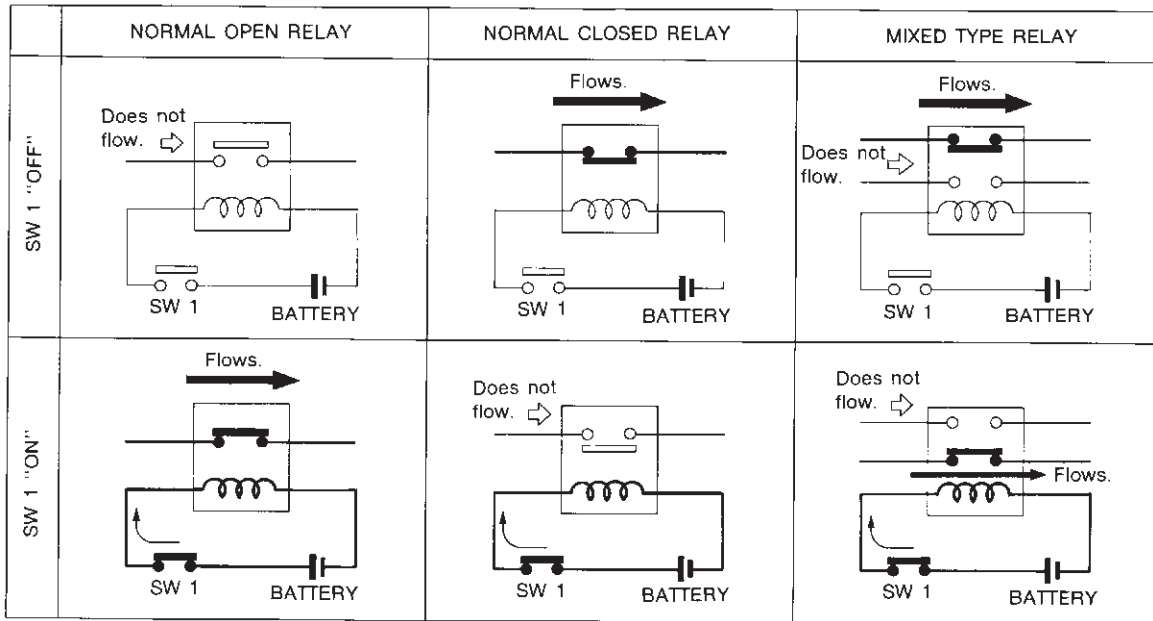
EC

FE

CL

MT

SEL881H



TYPE OF STANDARDIZED RELAYS

NFEL0004S02

AT

1M	1 Make	2M	2 Make
1T	1 Transfer	1M-1B	1 Make 1 Break

AX

SU

BR

ST

RS

BT

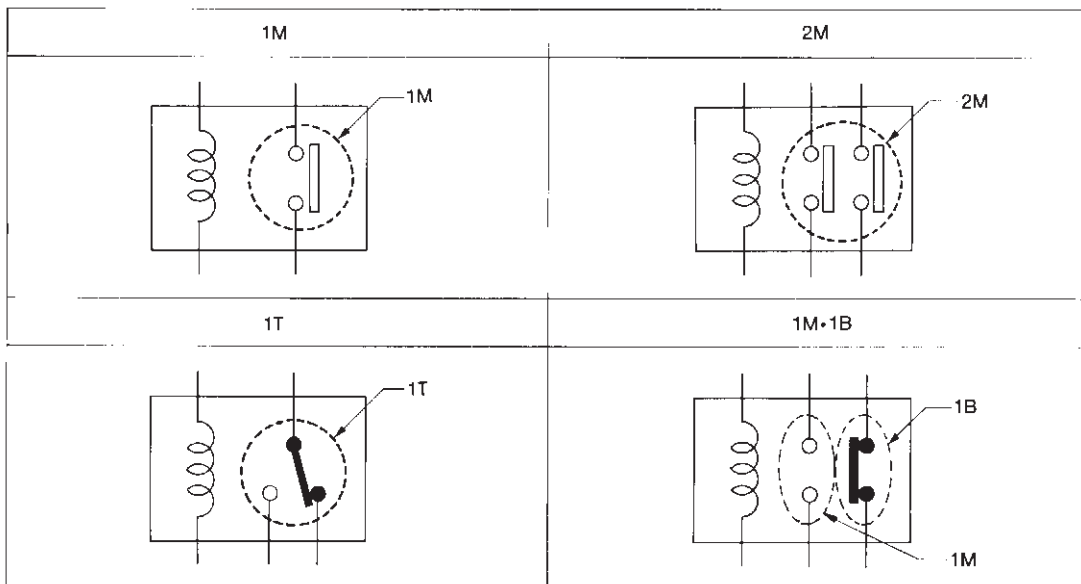
HA

SC

SEL882H

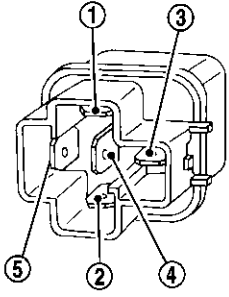
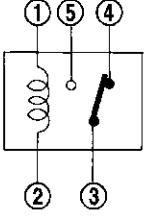
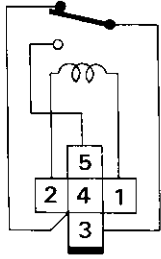
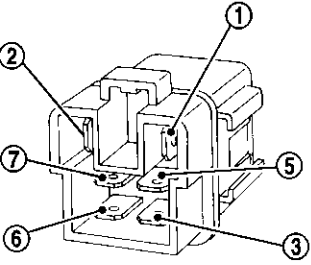
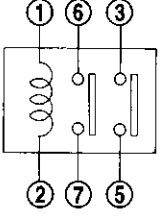
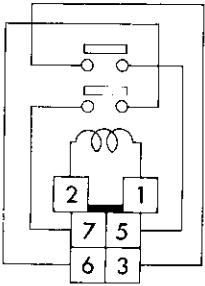
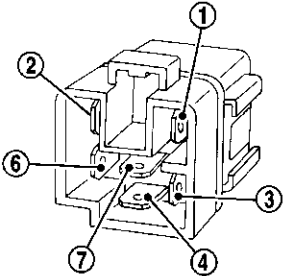
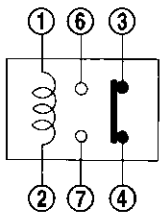
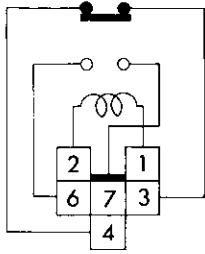
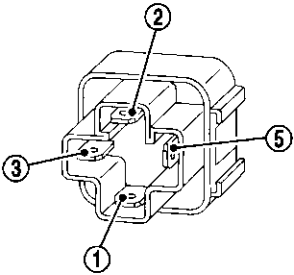
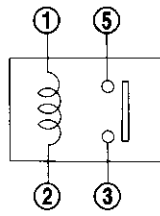
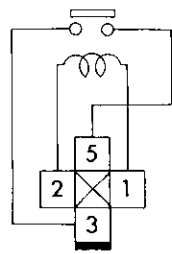
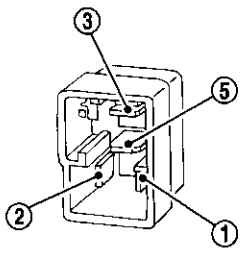
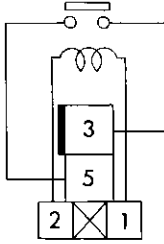
EL

IDX



STANDARDIZED RELAY

Description (Cont'd)

Type	Outer view	Circuit	Connector symbol and connection	Case color
1T				BLACK
2M				BROWN
1M•1B				GRAY
1M				BLUE
				

The arrangement of terminal numbers on the actual relays may differ from those shown above.

SEL188W

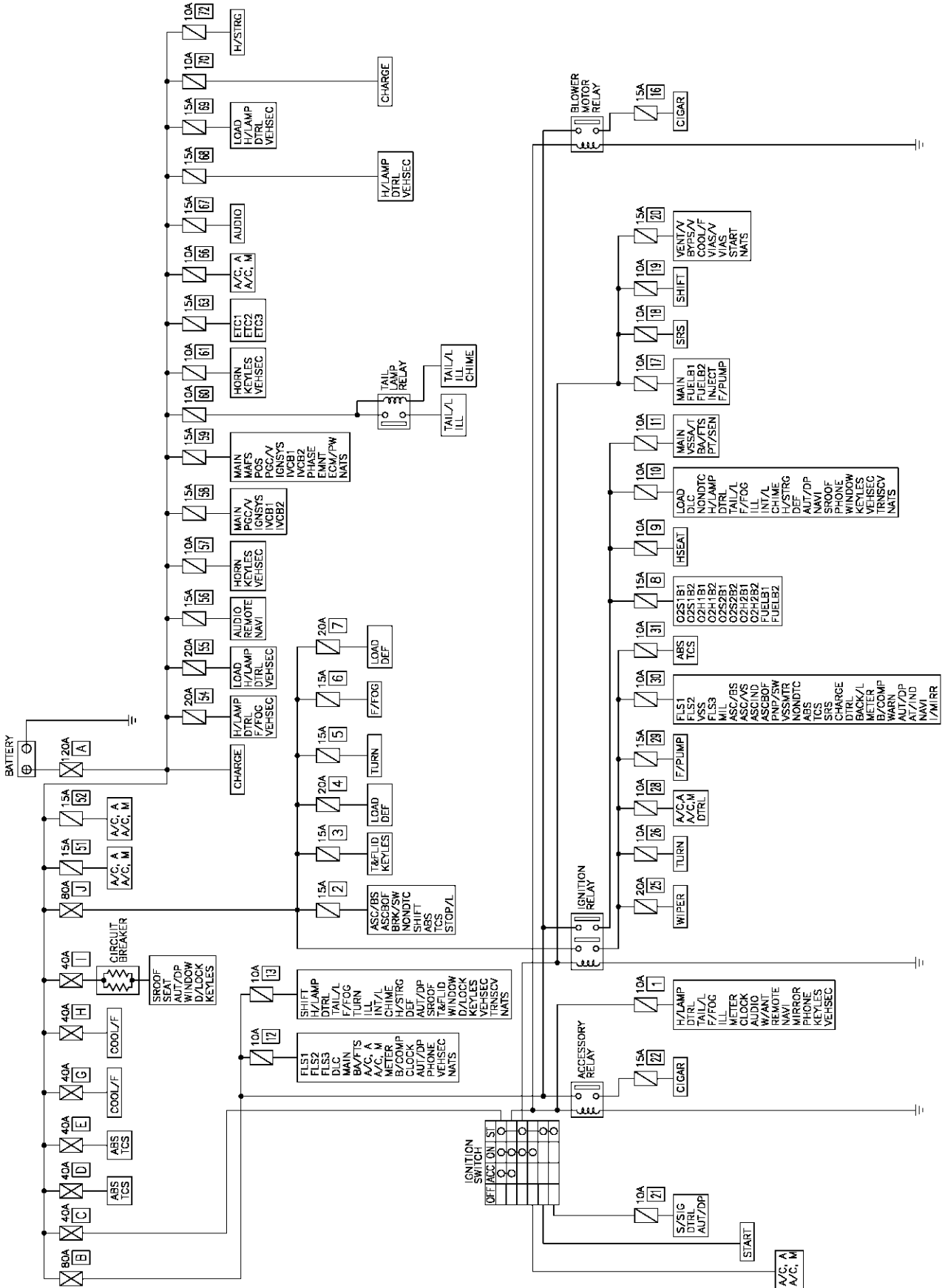
POWER SUPPLY ROUTING

Schematic

Schematic

NFEL0005

For detailed ground distribution information, refer to "GROUND DISTRIBUTION", EL-20.



GI
MA
EM
LC
EC
FE
CL
MT
AT
AX
SU
BR
ST
RS
BT
HA
SC
EL
IDX

POWER SUPPLY ROUTING

Wiring Diagram — POWER —

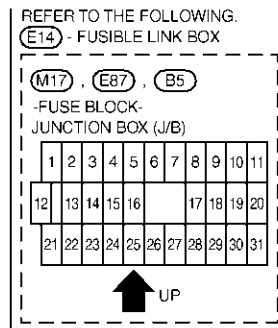
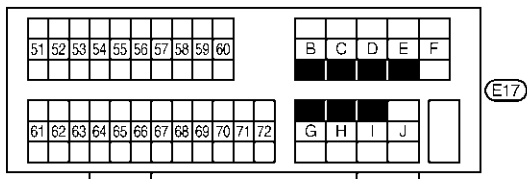
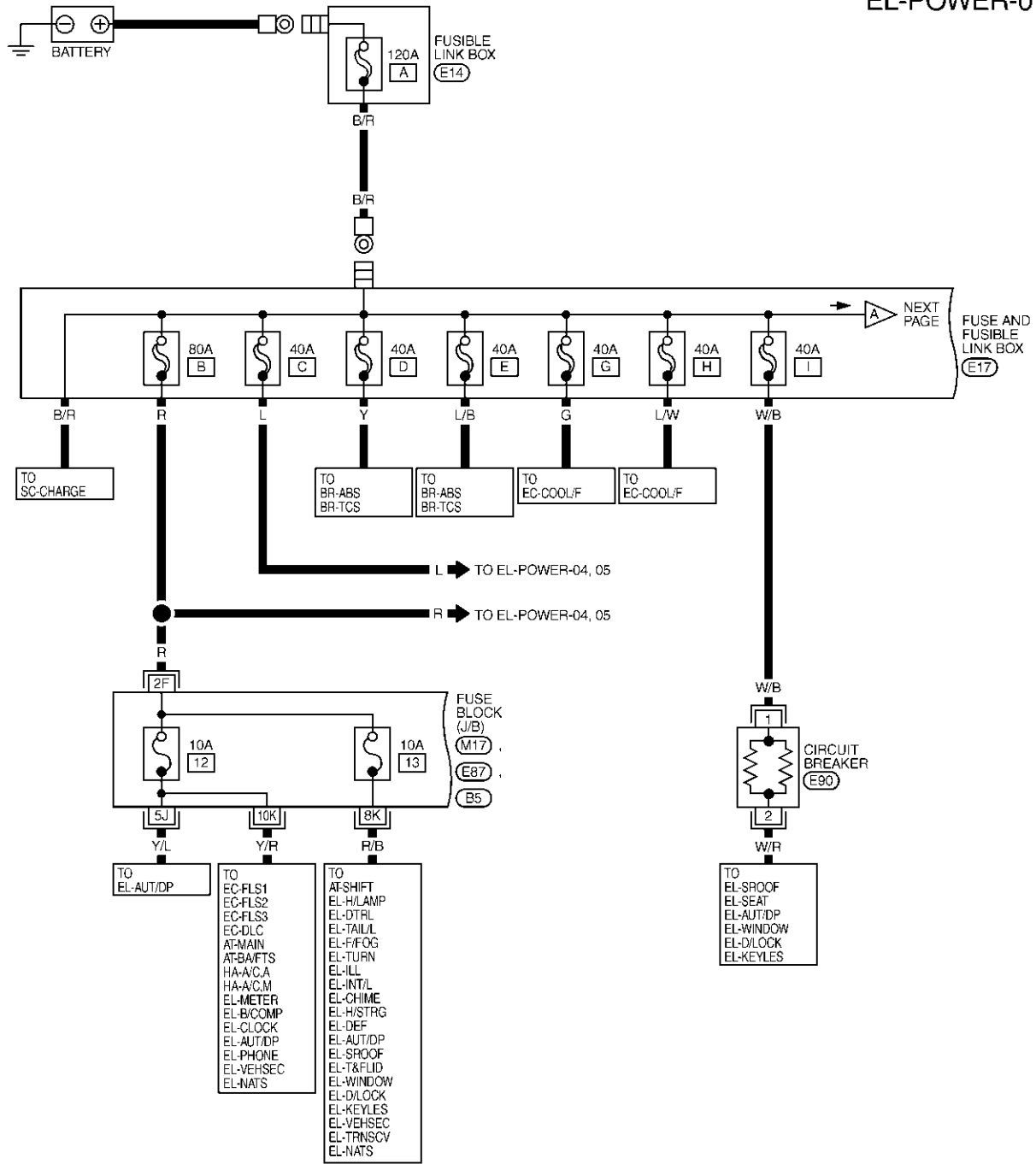
Wiring Diagram — POWER —

BATTERY POWER SUPPLY — IGNITION SW. IN ANY POSITION

NFEL0006

NFEL0006S01

EL-POWER-01

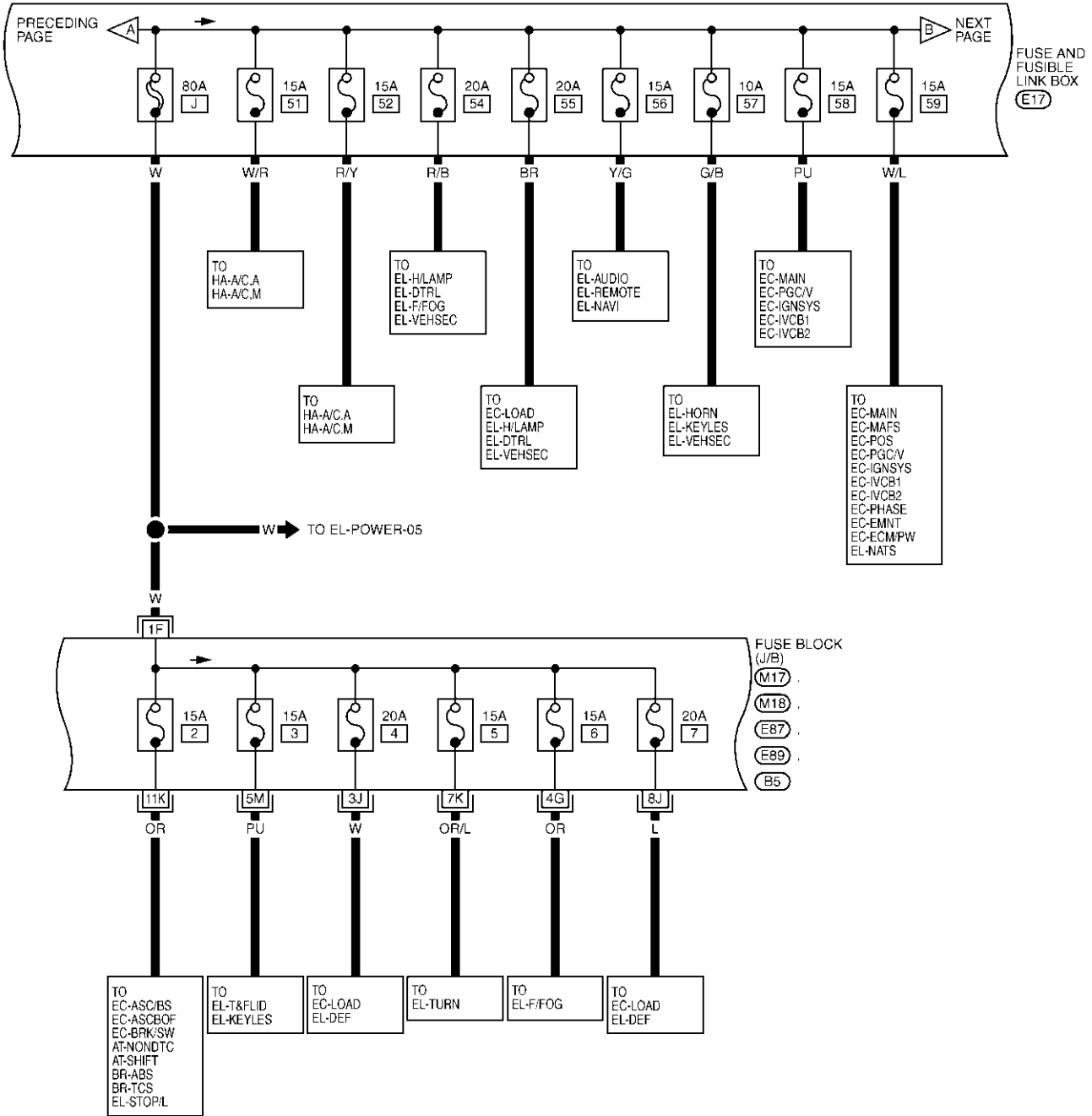


MEL910P

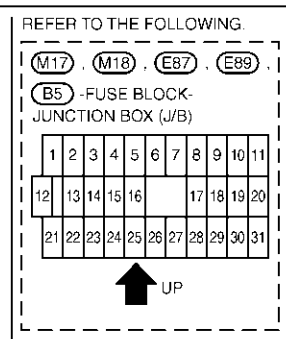
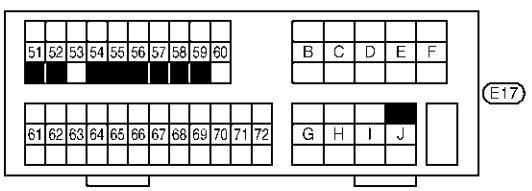
POWER SUPPLY ROUTING

Wiring Diagram — POWER — (Cont'd)

EL-POWER-02



GI
MA
EM
LC
EC
FE
CL
MT
AT
AX
SU
BR
ST
RS
BT
HA
SC
EL
IDX

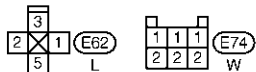
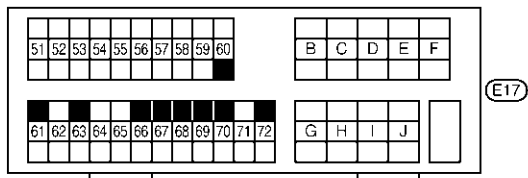
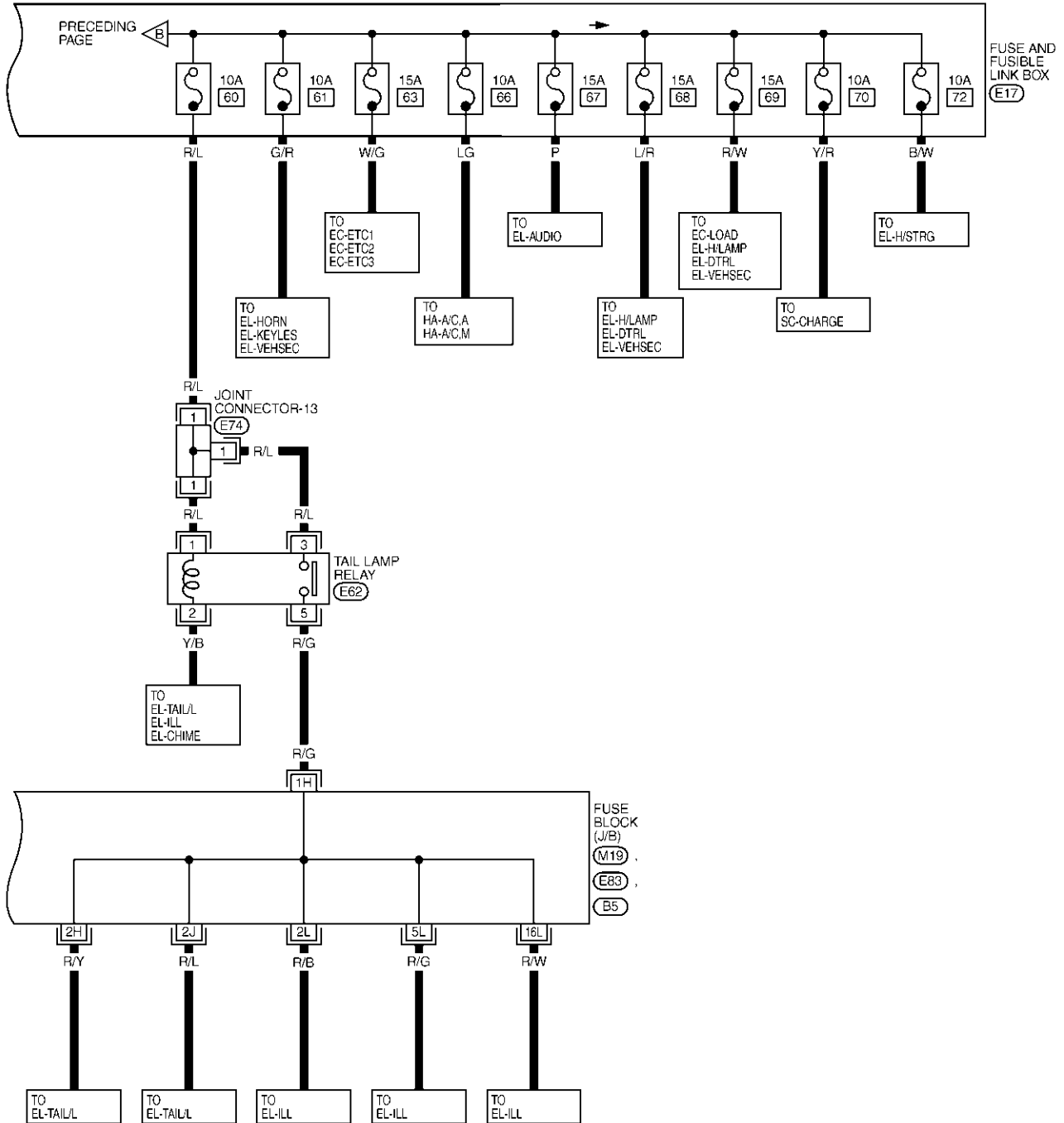


MEL911P

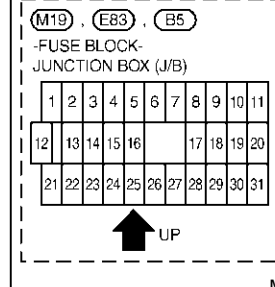
POWER SUPPLY ROUTING

Wiring Diagram — POWER — (Cont'd)

EL-POWER-03



REFER TO THE FOLLOWING.



MEL912P

POWER SUPPLY ROUTING

Wiring Diagram — POWER — (Cont'd)

ACCESSORY POWER SUPPLY — IGNITION SW. IN "ACC" OR "ON"

NFEL0006S02

EL-POWER-04

GI

MA

EM

LC

EC

FE

CL

MT

AT

AX

SU

BR

ST

RS

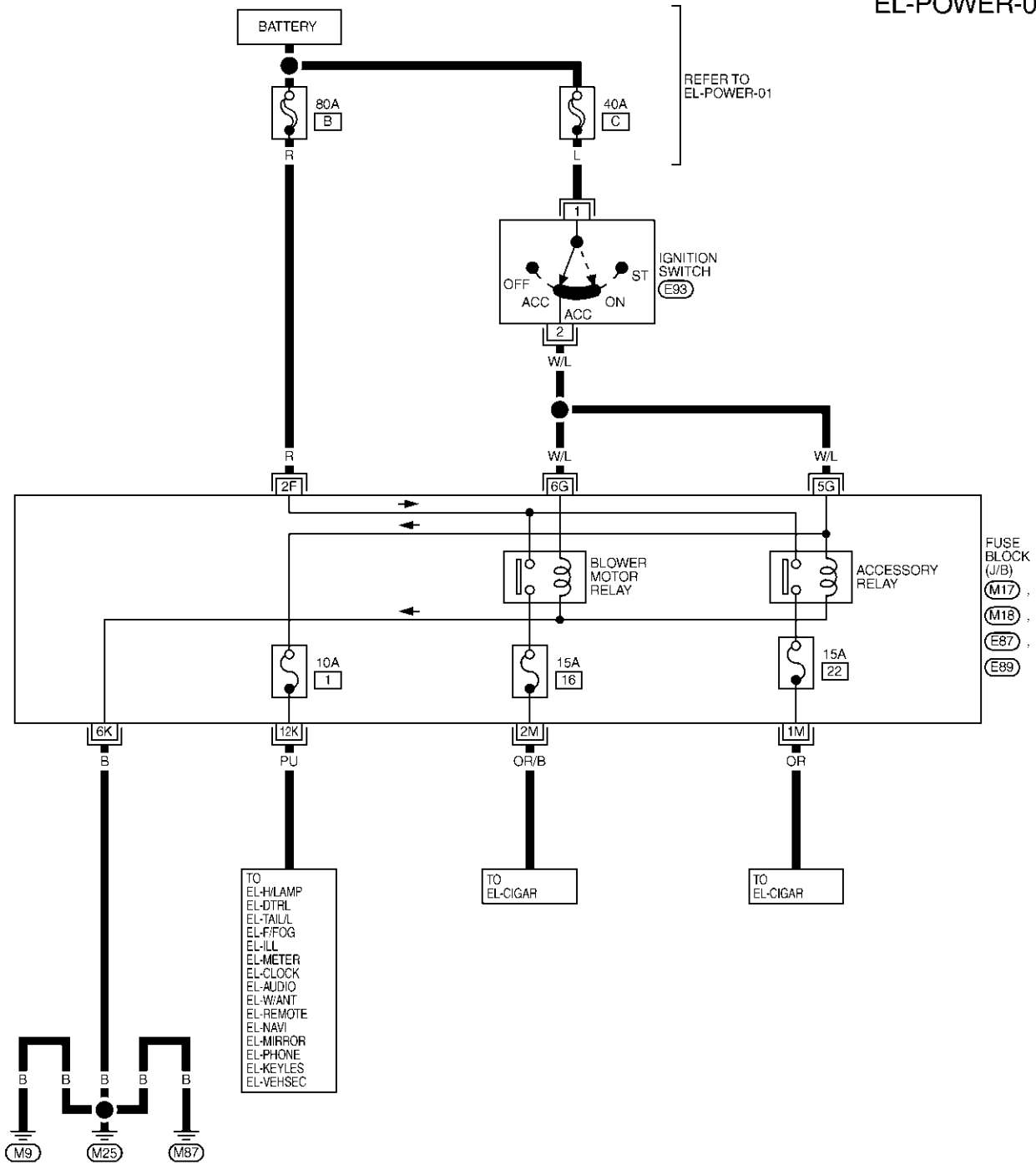
BT

HA

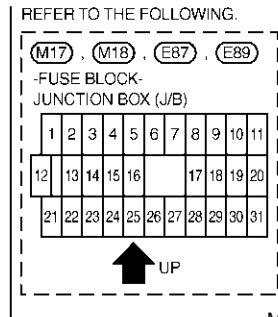
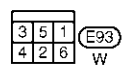
SC

EL

IDX



FUSE BLOCK (J/B)
 (M17)
 (M18)
 (E87)
 (E89)



MEL0860

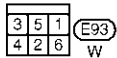
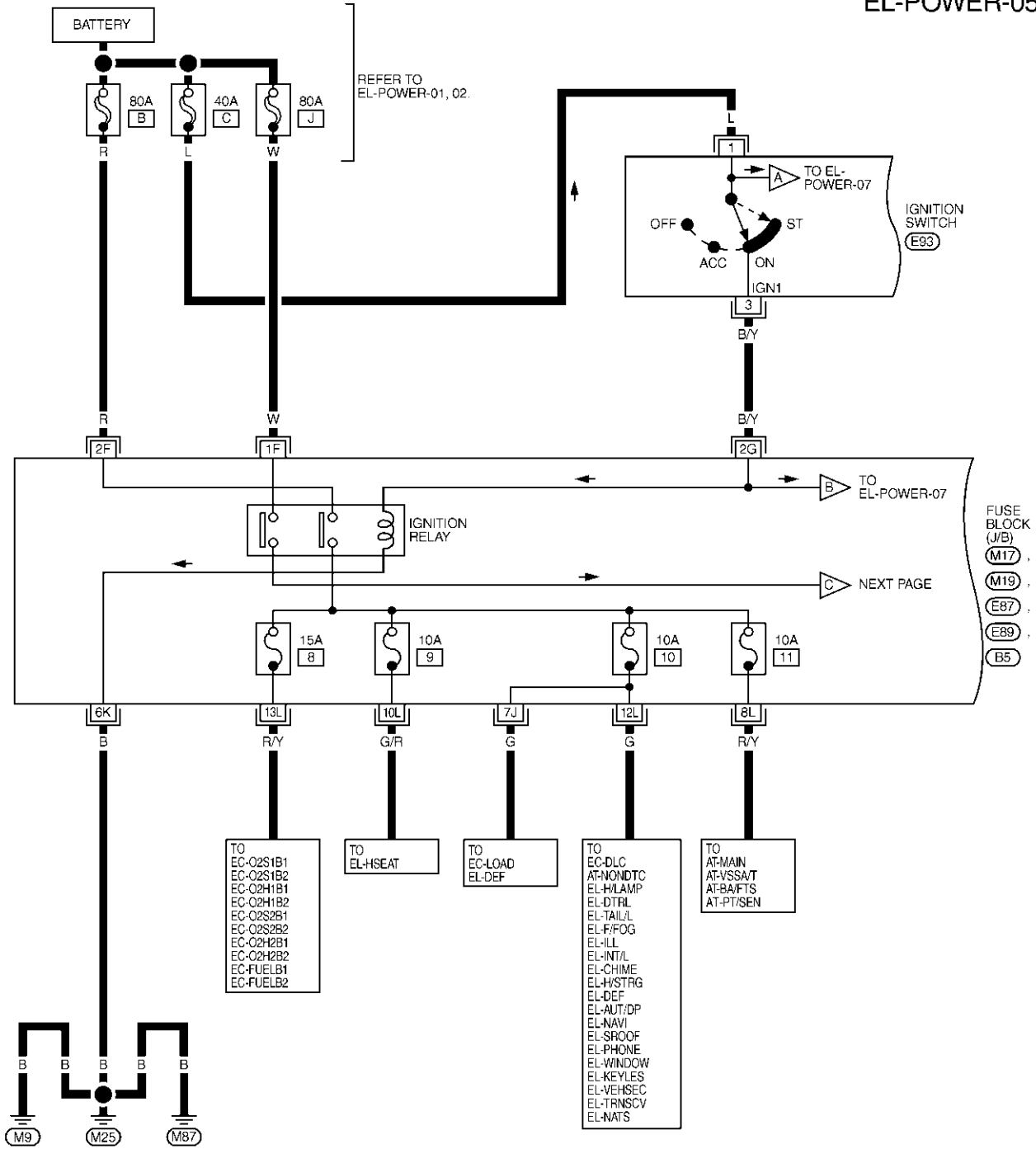
POWER SUPPLY ROUTING

Wiring Diagram — POWER — (Cont'd)

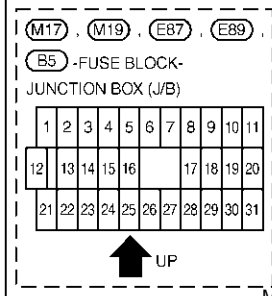
IGNITION POWER SUPPLY — IGNITION SW. IN “ON” AND/OR “START”

NFEL0006S03

EL-POWER-05



REFER TO THE FOLLOWING.

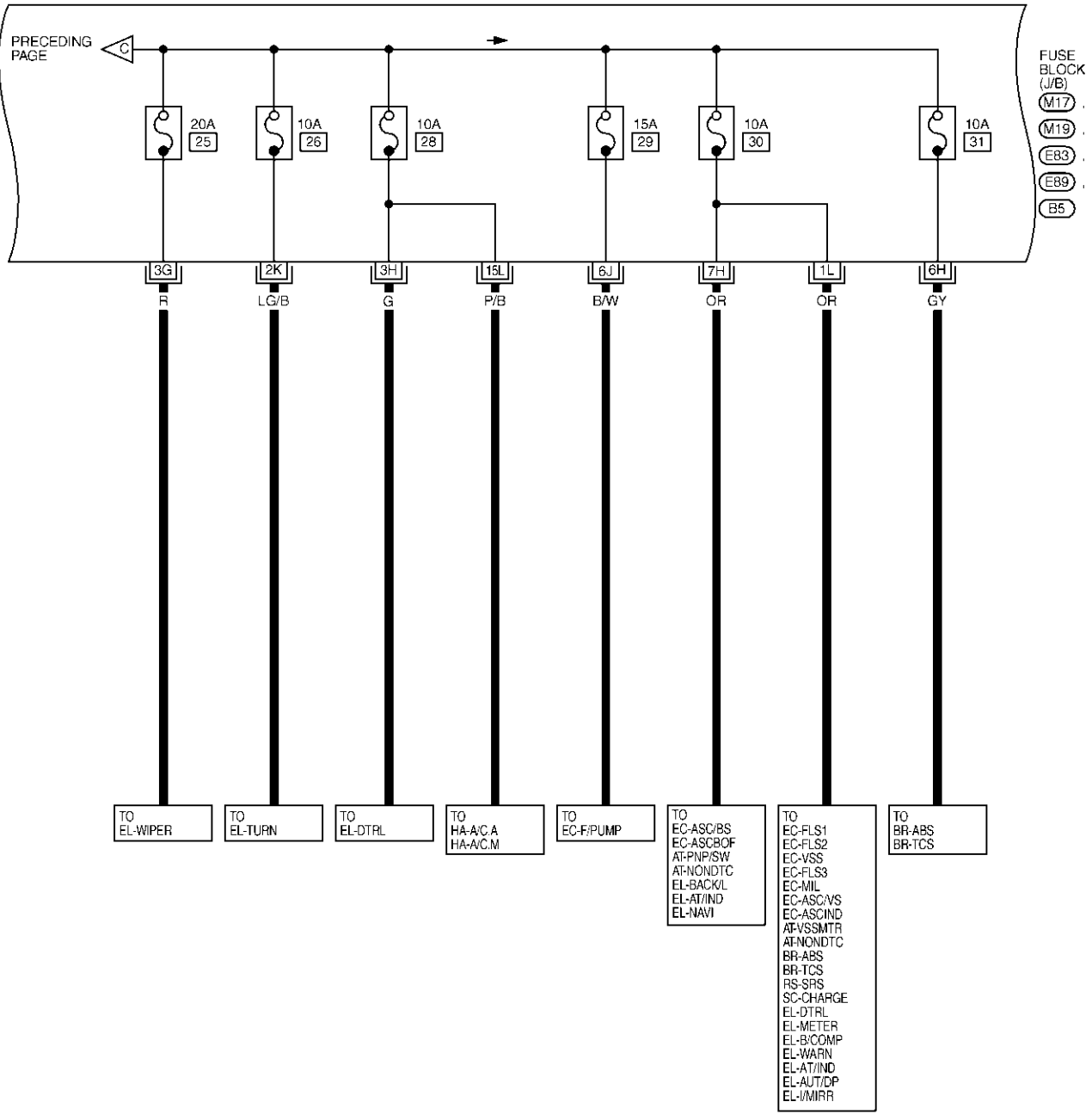


MEL0870

POWER SUPPLY ROUTING

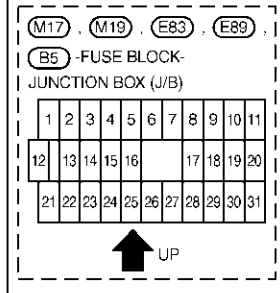
Wiring Diagram — POWER — (Cont'd)

EL-POWER-06



GI
MA
EM
LC
EC
FE
CL
MT
AT
AX
SU
BR
ST
RS
BT
HA
SC
EL
IDX

REFER TO THE FOLLOWING.

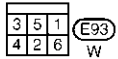
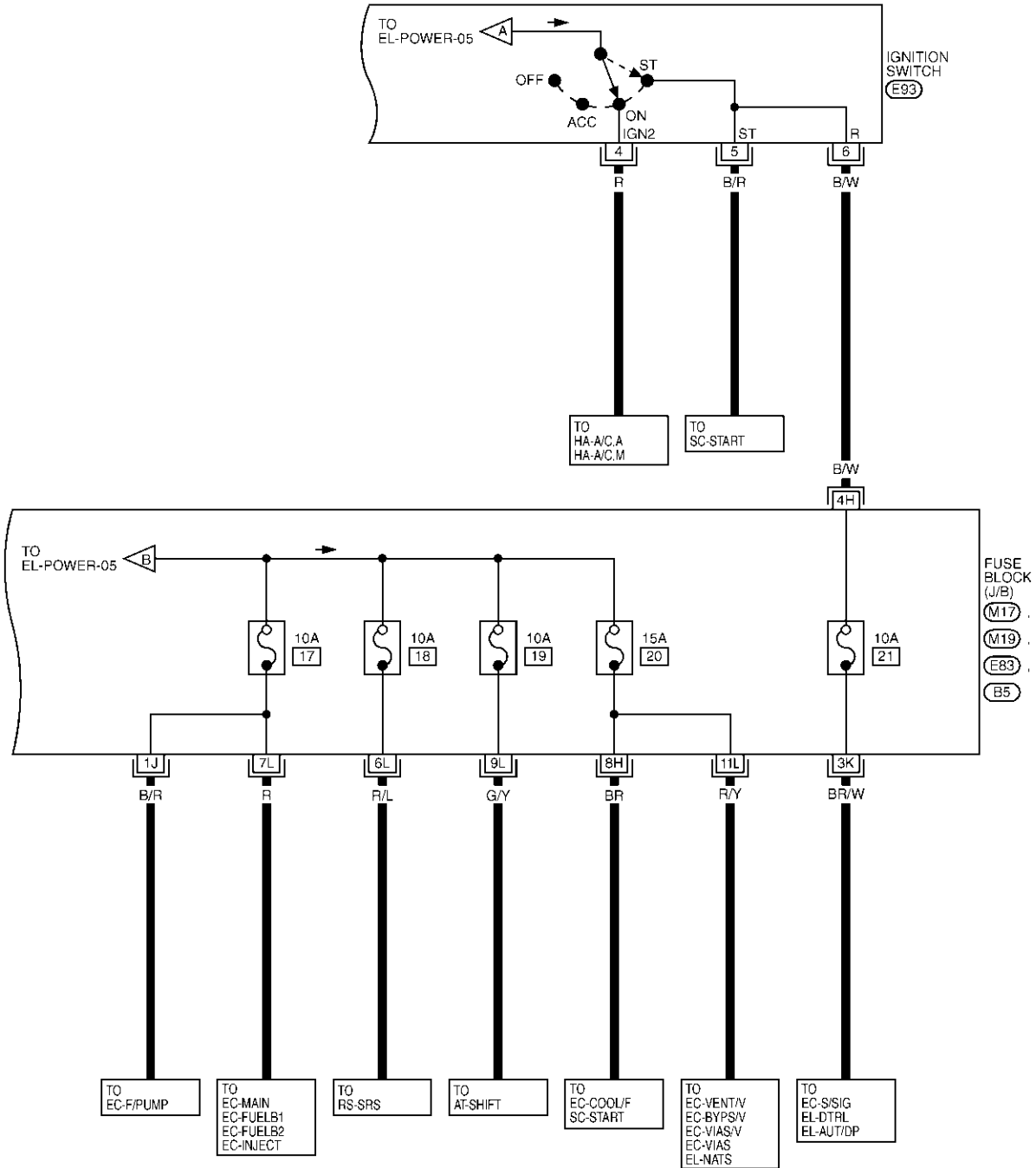


MEL913P

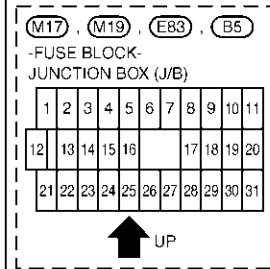
POWER SUPPLY ROUTING

Wiring Diagram — POWER — (Cont'd)

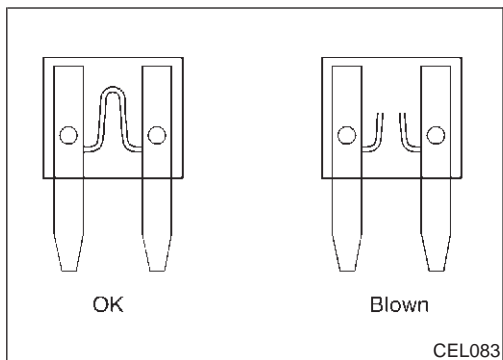
EL-POWER-07



REFER TO THE FOLLOWING.



MEL436R



Inspection

FUSE

NFEL0007

NFEL0007S01

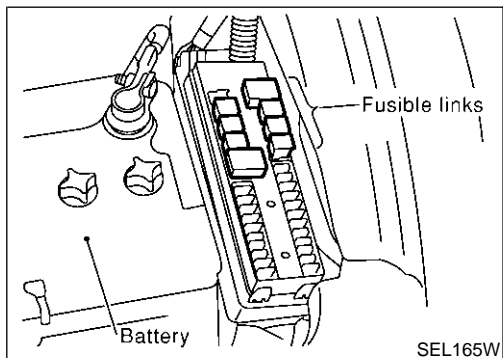
- If fuse is blown, be sure to eliminate cause of problem before installing new fuse.
- Use fuse of specified rating. Never use fuse of more than specified rating.
- Do not partially install fuse; always insert it into fuse holder properly.
- Remove fuse for "ELECTRICAL PARTS (BAT)" if vehicle is not used for a long period of time.

GI

MA

EM

LC



FUSIBLE LINK

NFEL0007S02

A melted fusible link can be detected either by visual inspection or by feeling with finger tip. If its condition is questionable, use circuit tester or test lamp.

CAUTION:

- If fusible link should melt, it is possible that critical circuit (power supply or large current carrying circuit) is shorted. In such a case, carefully check and eliminate cause of problem.
- Never wrap outside of fusible link with vinyl tape. Important: Never let fusible link touch any other wiring harness, vinyl or rubber parts.

EC

FE

CL

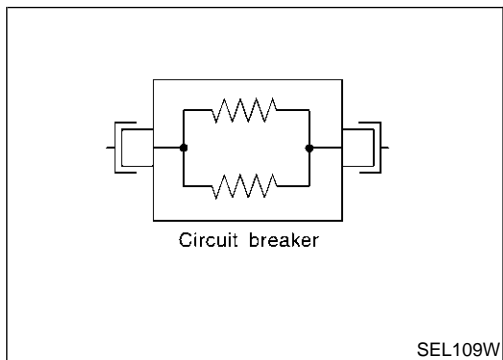
MT

AT

AX

SU

BR



CIRCUIT BREAKER (PTC THERMISTOR TYPE)

NFEL0007S03

The PTC thermistor generates heat in response to current flow. The temperature (and resistance) of the thermistor element varies with current flow. Excessive current flow will cause the element's temperature to rise. When the temperature reaches a specified level, the electrical resistance will rise sharply to control the circuit current.

Reduced current flow will cause the element to cool. Resistance falls accordingly and normal circuit current flow is allowed to resume.

ST

RS

BT

HA

SC

EL

IDX

GROUND

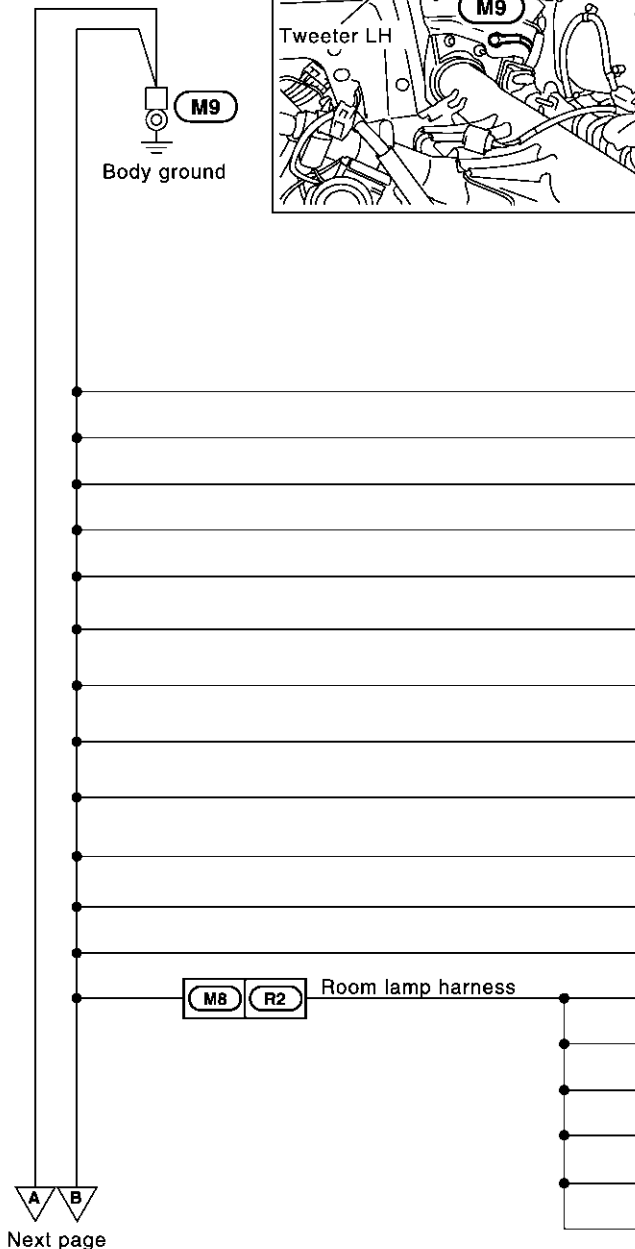
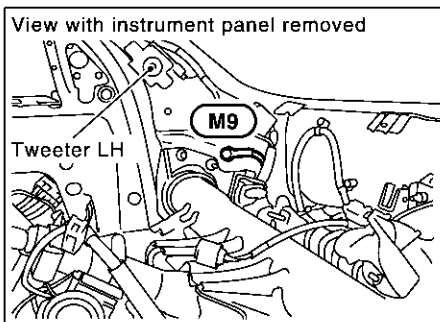
Ground Distribution

Ground Distribution

NFEL0008

NFEL0008S01

MAIN HARNESS



CON-NECTOR NUMBER	CONNECT TO
M20	Power window relay
M24	Door mirror remote control switch
M28	Data link connector (Terminal No. 4)
M45	TCS ON/OFF switch (With TCS)
M154	Memory seat cancel switch (With memory seat)
M155	Heated steering switch (With heated steering) (Terminal No. 2)
M155	Heated steering switch (With heated steering) (Terminal No. 5)
M156	Combination switch (With heated steering) (Terminal No. 2)
M160	Rear window defogger switch (With navigation system) (Terminal No. 2)
M160	Rear window defogger switch (With navigation system) (Terminal No. 5)
M165	A/T device (With A/T) (Terminal No. 2)
M165	A/T device (With A/T) (Terminal No. 8)
R4	Vanity mirror LH (Illumination)
R4	Homelink universal transceiver
R5	Sunroof motor (With sunroof)
R7	Spot lamp
R8	Vanity mirror RH (Illumination)
R15	Auto anti-dazzling inside mirror

MEL915P

GROUND

Ground Distribution (Cont'd)

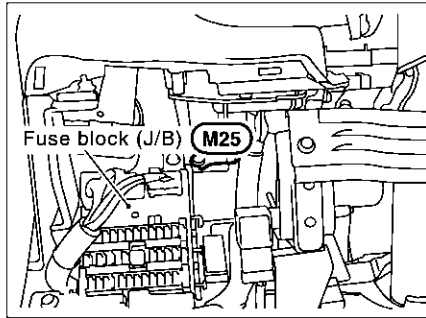
GI
MA
EM
LC
EC
FE
CL
MT
AT
AX
SU
BR
ST
RS
BT
HA
SC
EL
IDX

Preceding page



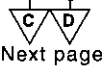
Front door harness LH

CON-NECTOR NUMBER	CONNECT TO
D14	Memory seat switch
D7	Trunk and fuel lid opener switch (Terminal No. 2)
D7	Trunk and fuel lid opener switch (Terminal No. 3)
D8	Front door key cylinder switch LH
D11	Door mirror actuator LH (With door mirror defogger)
D13	Front power window main switch



Body ground

CON-NECTOR NUMBER	CONNECT TO
M16	Telephone
M17	Fuse block (J/B) (Terminal No. 6K) • Accessory relay • Blower motor relay • Ignition relay
M21	Combination flasher unit
M23	Illumination control switch
M32	Combination meter (Terminal No. 30) • ABS indicator • A/T indicator (With A/T) • TCS off indicator (With TCS) • Turn signal indicator
M33	Combination meter (Terminal No. 22) • Air bag warning lamp • Fuel gauge • Odo/trip meter • Speedometer • Tachometer • Water temp. gauge • Board computer
M53	Cigarette lighter
M72	Ashtray illumination
M78	Power socket
M82	Glove box lamp



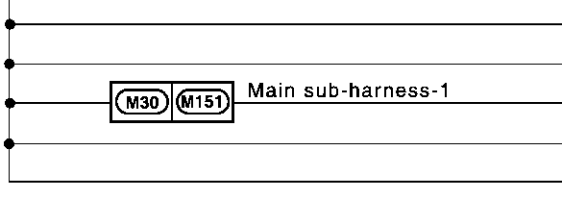
Next page

MEL916P

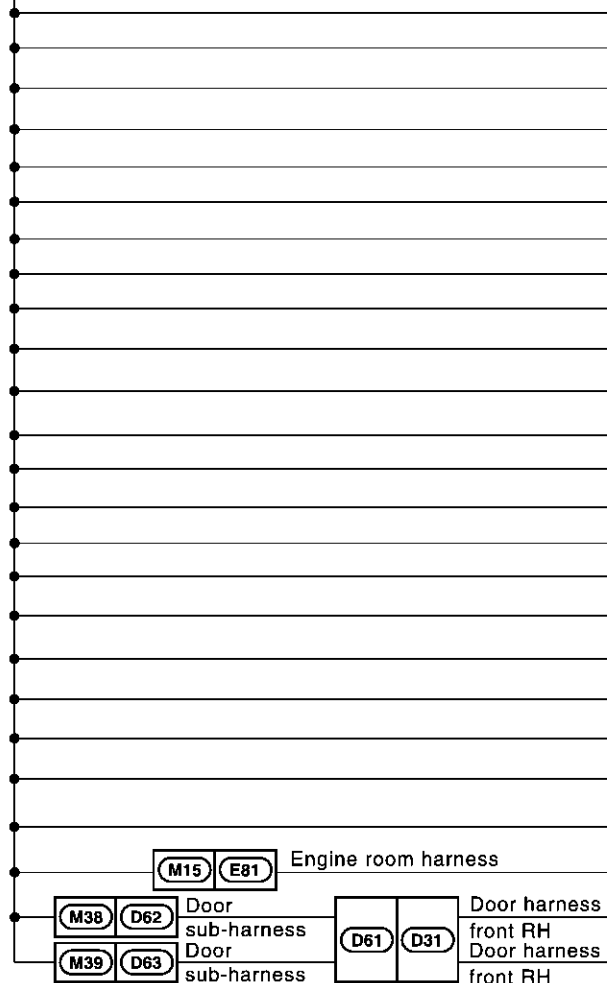
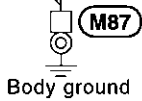
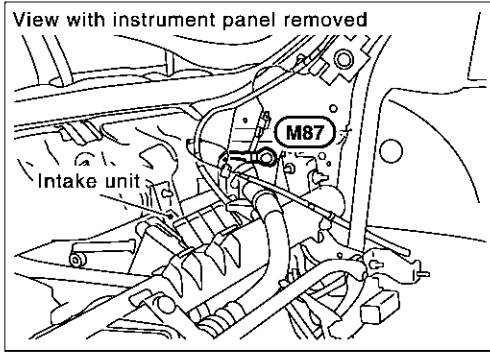
GROUND

Ground Distribution (Cont'd)

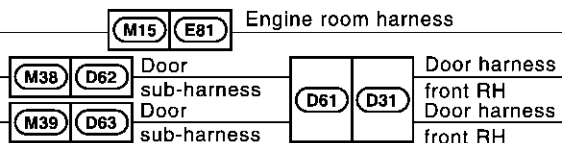
Preceding page



CON-NECTOR NUMBER	CONNECT TO
(M144)	Smart entrance control unit (Terminal No. 43)
(M146)	Air bag diagnosis sensor unit (Terminal No. 2)
(M152)	Clock
(M163)	Shift lock control unit (With A/T)
(M169)	Display and NAVI control unit (Terminal No. 33)



CON-NECTOR NUMBER	CONNECT TO
(M31)	Fan control amp. (With auto A/C)
(M58)	Fan switch (With manual A/C)
(M34)	Combination meter (Terminal No. 59) • Board computer
(M44)	In-vehicle sensor (With auto A/C)
(M48)	Mode door motor (With manual A/C)
(M49)	Mode door motor (With auto A/C)
(M50)	Air mix door motor (With manual A/C)
(M51)	Air mix door motor (With auto A/C)
(M56)	A/C control unit (With manual A/C)
(M59)	A/C auto amp. (With auto A/C) (Without navigation system) (Terminal No. 11)
(M60)	A/C auto amp. (With auto A/C) (Without navigation system) (Terminal No. 32)
(M74)	Heated seat switch LH
(M75)	Heated seat switch RH
(M80)	Intake sensor (With auto A/C)
(M83)	Intake door motor (With manual A/C)
(M84)	Intake door motor (With auto A/C)
(M85)	Sunload sensor (With auto A/C)
(M145)	Smart entrance control unit (Terminal No. 64)
(M168)	Display and NAVI control unit (Terminal No. 3)
(M168)	Display and NAVI control unit (Terminal No. 4)
(M170)	A/C auto amp. (With auto A/C) (With navigation system) (Terminal No. 11)
(M171)	A/C auto amp. (With auto A/C) (With navigation system) (Terminal No. 24)
(E55)	Ambient sensor
(D32)	Door mirror actuator RH (With door mirror defogger)
(D43)	Front power window switch RH

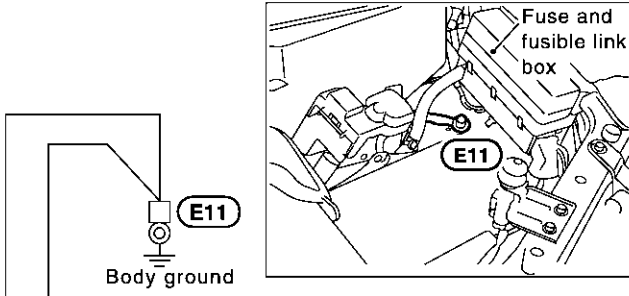


MEL917P

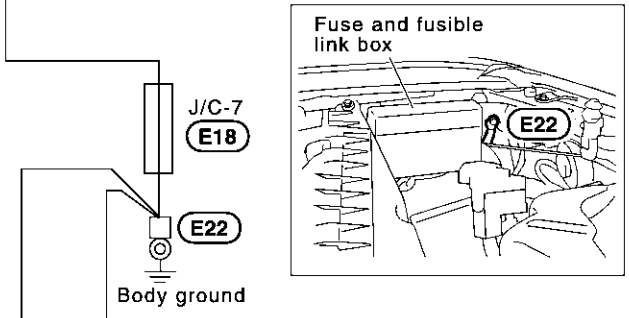
ENGINE ROOM HARNESS

NFEL0008S02

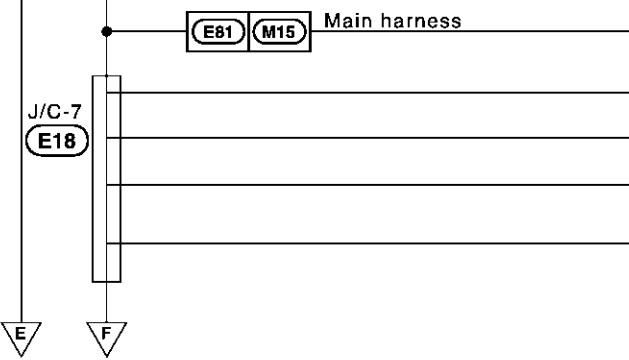
GI
MA
EM
LC
EC
FE
CL
MT
AT
AX
SU
BR
ST
RS
BT
HA
SC
EL
IDX



CON-NECTOR NUMBER	CONNECT TO
E9	ABS actuator and electric unit (With M/T) (Terminal No. 16)
E169	ABS actuator and electric unit (Without TCS for A/T models) (Terminal No. 16)
E171	ABS/TCS control unit (With TCS) (Terminal No. 19)
E9	ABS actuator and electric unit (With M/T) (Terminal No. 30)
E169	ABS actuator and electric unit (Without TCS for A/T models) (Terminal No. 30)
E171	ABS/TCS control unit (With TCS) (Terminal No. 16)
E28	Cooling fan relay-2
E31	Cooling fan relay-3
E38	Cooling fan motor-1
E43	Cooling fan motor-2



CON-NECTOR NUMBER	CONNECT TO
M59	A/C auto amp. (With auto A/C) (Without navigation system)
E23	Front side marker lamp LH
E78	Front wiper motor
E103	Blower motor relay
E153	Combination switch (Front wiper switch) (Terminal No. 17)



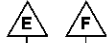
Next page

MEL918P

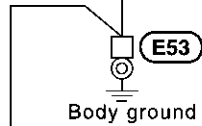
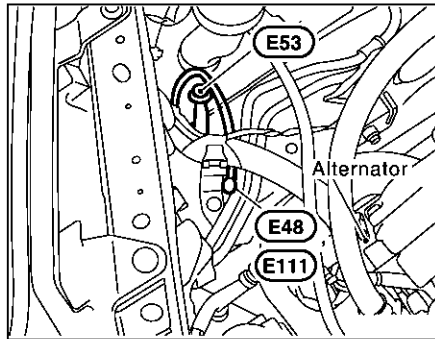
GROUND

Ground Distribution (Cont'd)

Preceding page



CON-NECTOR NUMBER	CONNECT TO
E63	Vehicle security horn relay-2
E84	Clutch interlock switch (With M/T)
E151	Combination switch (Lighting switch) (Terminal No. 5)
E164	Front turn signal lamp LH
E165	Headlamp LH (Low and parking lamp)
E167	Front fog lamp LH

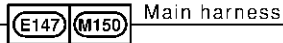
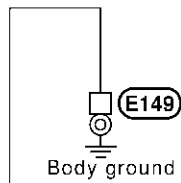
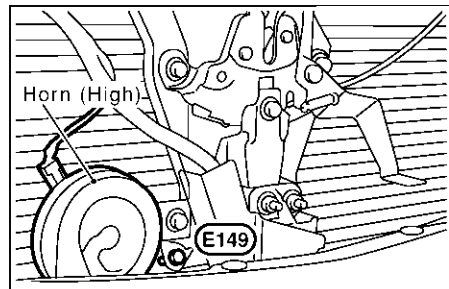
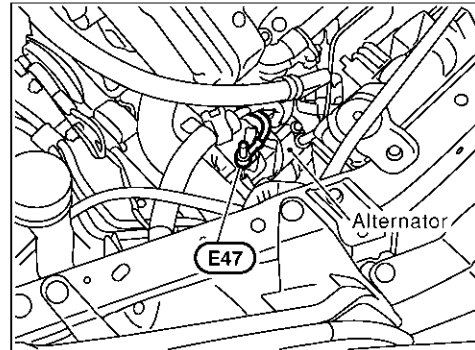
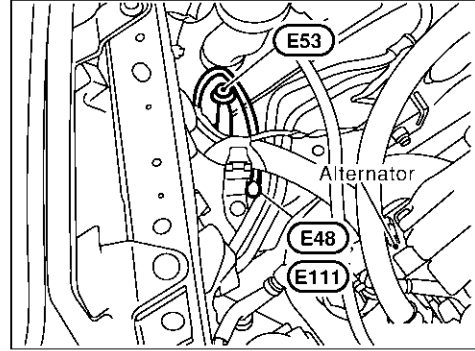
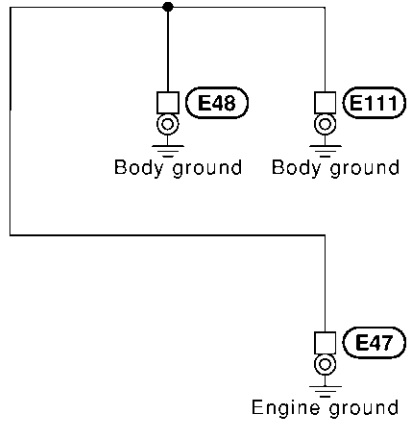


CON-NECTOR NUMBER	CONNECT TO
E1	Brake fluid level switch
E26	Hood switch
E42	Washer level switch
E49	Front side marker lamp RH
E59	Daytime light control unit (For Canada) (Terminal No. 16)
E69	Door mirror defogger relay (With door mirror defogger)
E151	Combination switch (Lighting switch) (Terminal No. 8)
E154	Front fog lamp RH
E160	Front turn signal lamp RH
E161	Headlamp RH (Low and parking lamp)

MEL0650

GROUND

Ground Distribution (Cont'd)



CON-NECTOR NUMBER	CONNECT TO
(M146)	Shield wire (Air bag diagnosis sensor unit) (Terminal No. 16)

GI

MA

EM

LC

EC

FE

CL

MT

AT

AX

SU

BR

ST

RS

BT

HA

SC

EL

IDX

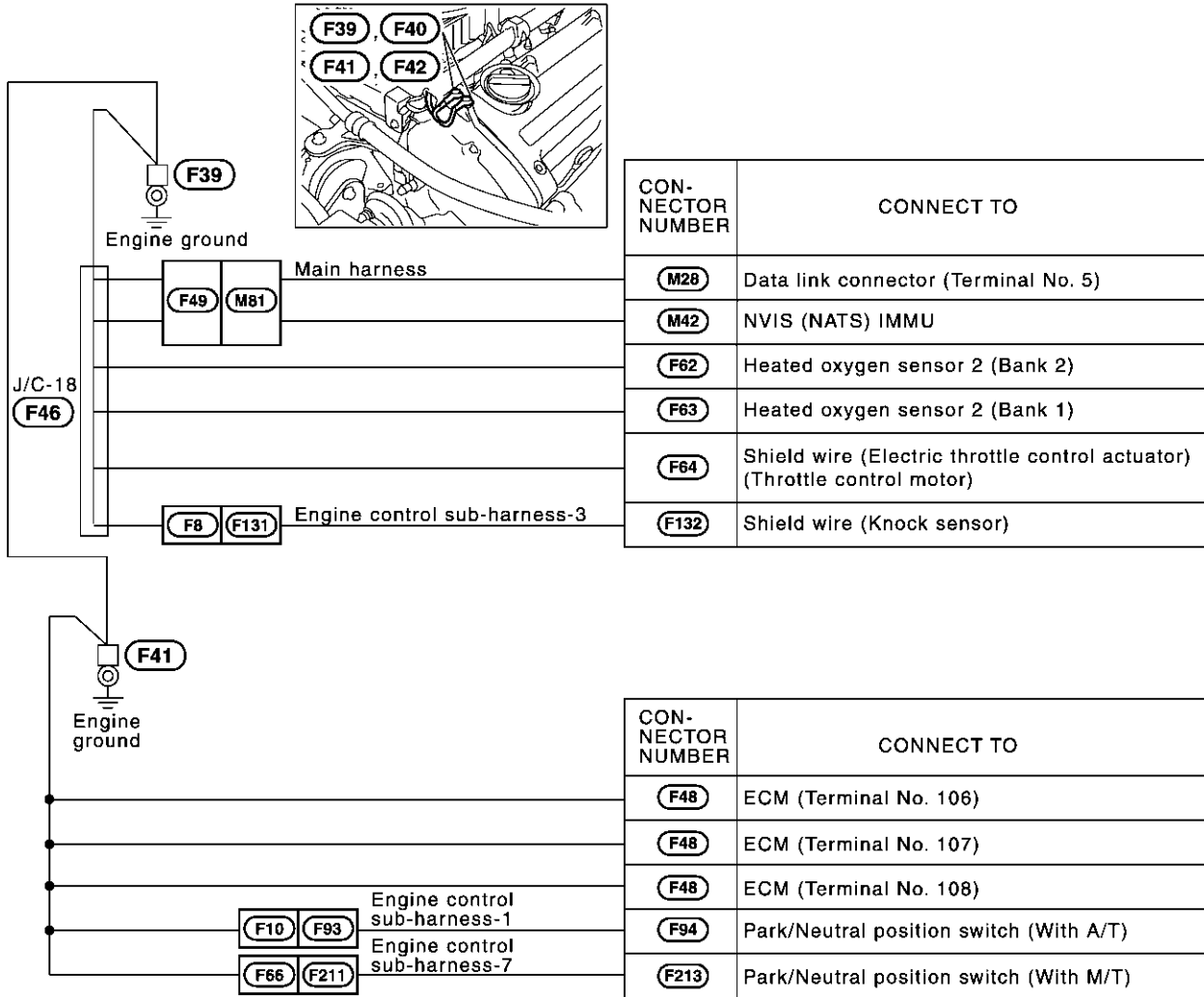
MEL066O

GROUND

Ground Distribution (Cont'd)

ENGINE CONTROL HARNESS

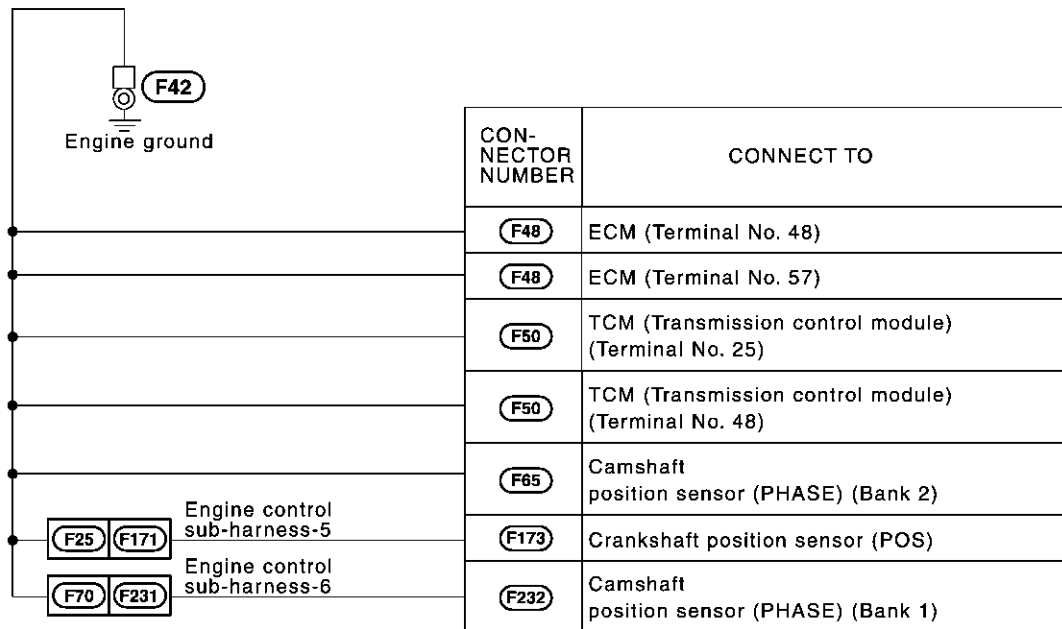
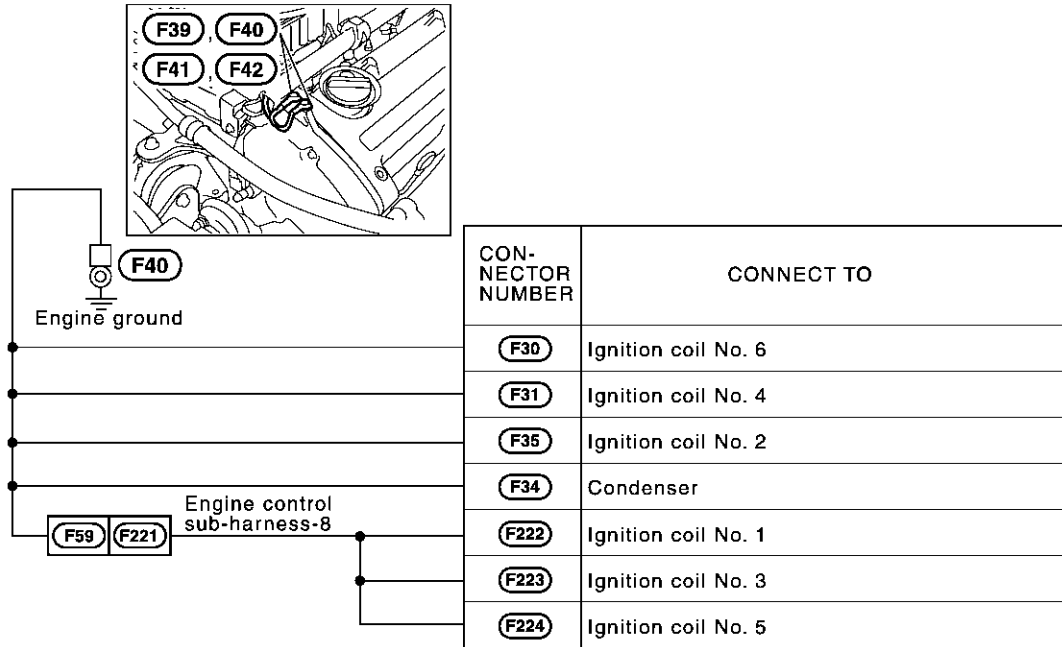
NFEL0008S03



MEL919P

GROUND

Ground Distribution (Cont'd)



GI

MA

EM

LC

EC

FE

CL

MT

AT

AX

SU

BR

ST

RS

BT

HA

SC

EL

IDX

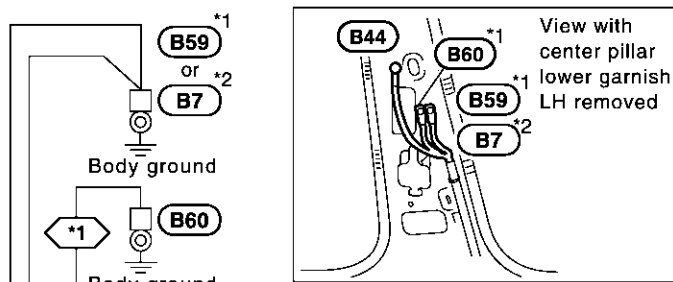
MEL920P

GROUND

Ground Distribution (Cont'd)

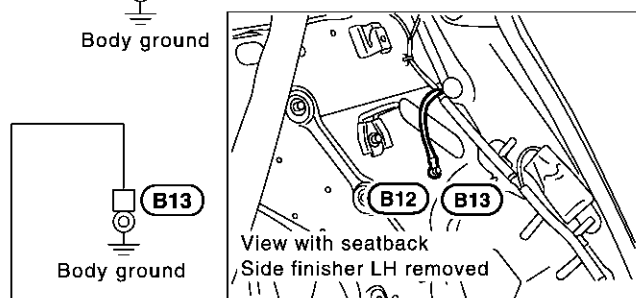
NFEL0008S04

BODY HARNESS

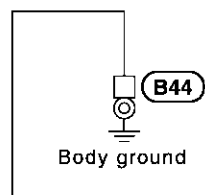


* 1: With automatic drive positioner
* 2: Without automatic drive positioner

CON-NECTOR NUMBER	CONNECT TO
B512	Seat control unit LH (Terminal No. 33)
B513	Seat control unit LH (Terminal No. 16)
B514	Power seat switch LH
B550	Power seat switch LH
B14	High-mounted stop lamp (Without rear air spoiler)
B29	Front door switch LH
B34	Seat belt buckle switch LH
B57	CD auto changer
B581	Seatback heater LH
D85	Rear power window switch LH



CON-NECTOR NUMBER	CONNECT TO
F48	ECM (Terminal No. 78)
B19	Fuel level sensor unit and fuel pump (Terminal No. 5)
B19	Fuel level sensor unit and fuel pump (Terminal No. 3)
B27	Condenser



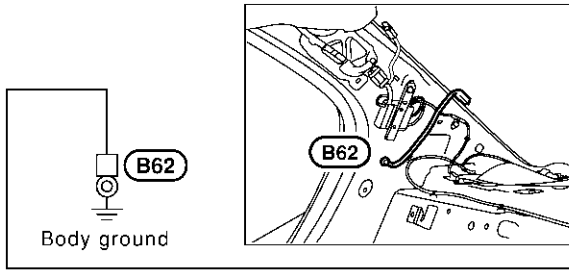
CON-NECTOR NUMBER	CONNECT TO
B42	Shield wire (Air bag diagnosis sensor unit) (With side air bag system) (Terminal No. 44)

*: This sub-harness is not shown in "Harness layout", EL section.

MEL921P

GROUND

Ground Distribution (Cont'd)



CON-NECTOR NUMBER	CONNECT TO
B61	Rear window defogger (-)

MEL347K

GI

MA

EM

LC

EC

FE

CL

MT

AT

AX

SU

BR

ST

RS

BT

HA

SC

EL

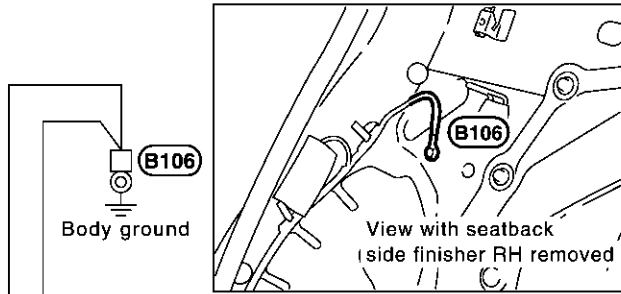
IDX

GROUND

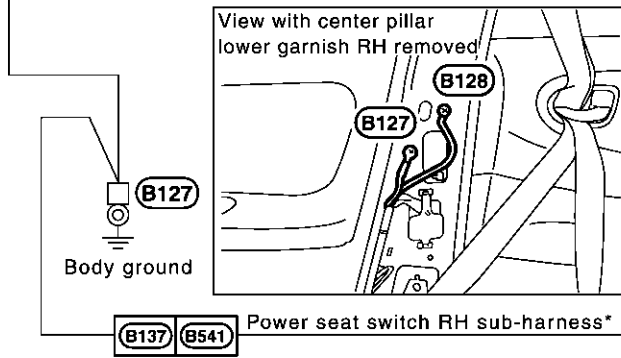
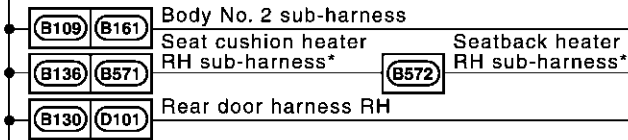
Ground Distribution (Cont'd)

BODY NO. 2 HARNESS

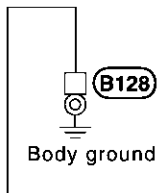
=NFEL0008S05



CON-NECTOR NUMBER	CONNECT TO
(B123)	Woofer (With BOSE system)
(B124)	BOSE speaker amp. (With BOSE system)
(B108)	Trunk lid key cylinder switch
(B110)	License lamp RH
(B111)	License lamp LH
(B129)	Front door switch RH
(B146)	Seat belt buckle switch RH
(B162)	High-mounted stop lamp (With rear air spoiler)
(B591)	Seatback heater RH
(D102)	Rear power window switch RH



CON-NECTOR NUMBER	CONNECT TO
(B543)	Power seat switch RH



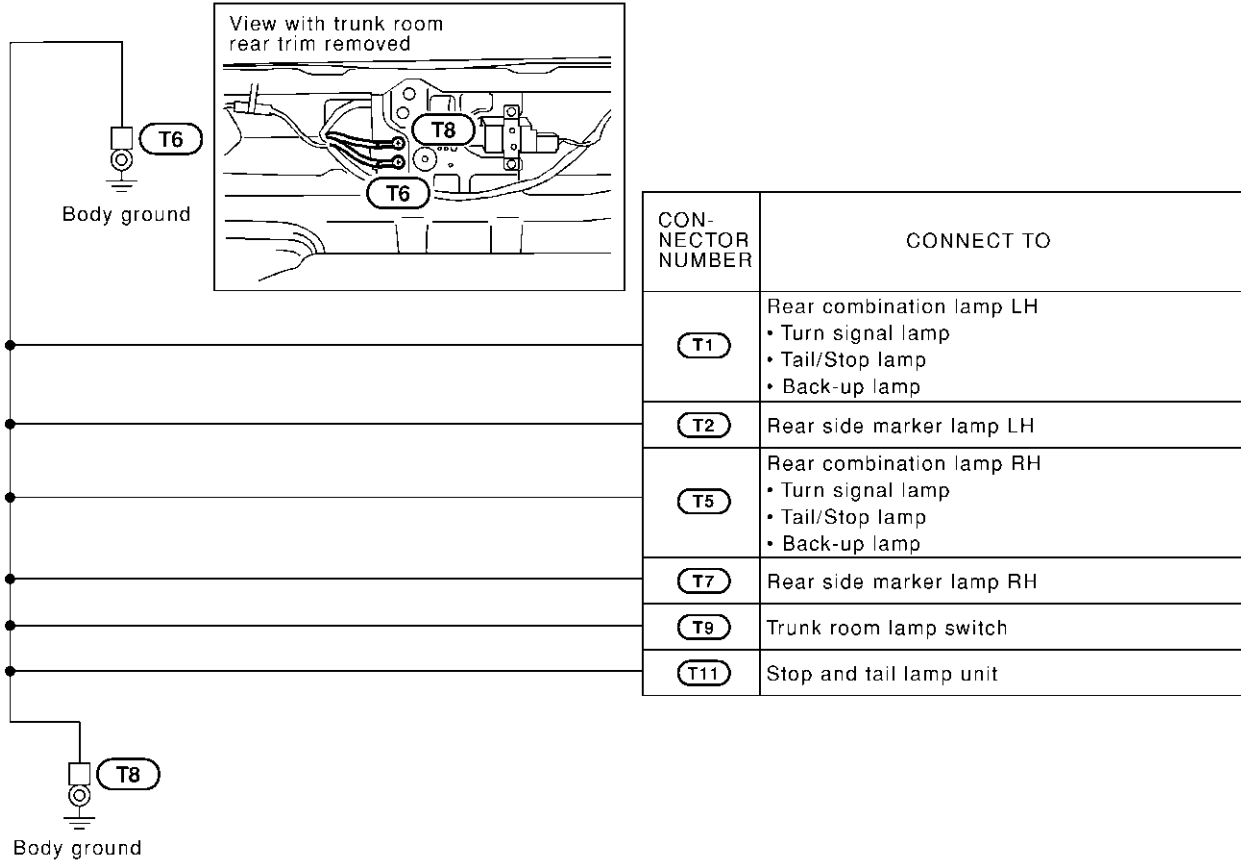
CON-NECTOR NUMBER	CONNECT TO
(B135)	Shield wire (Air bag diagnosis sensor unit) (With side air bag system) (Terminal No. 40)

*: This sub-harness is not shown in "Harness layout", EL section.

MEL0700

TAIL HARNESS

NFEL0008S06



GI
 MA
 EM
 LC
 EC
 FE
 CL
 MT
 AT
 AX
 SU
 BR
 ST
 RS
 BT
 HA
 SC
EL
 IDX

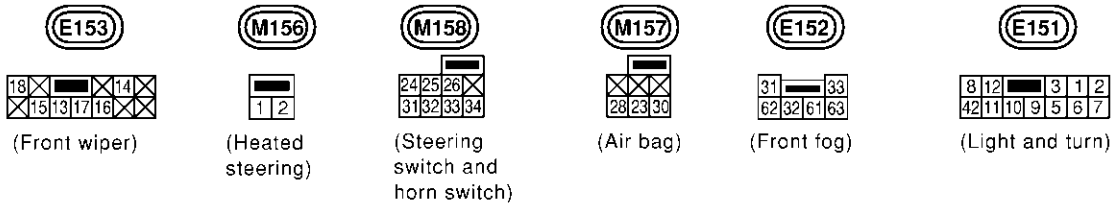
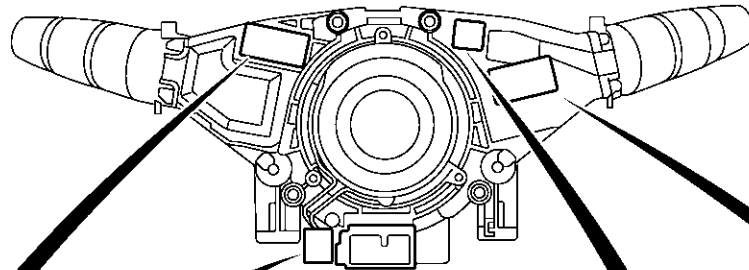
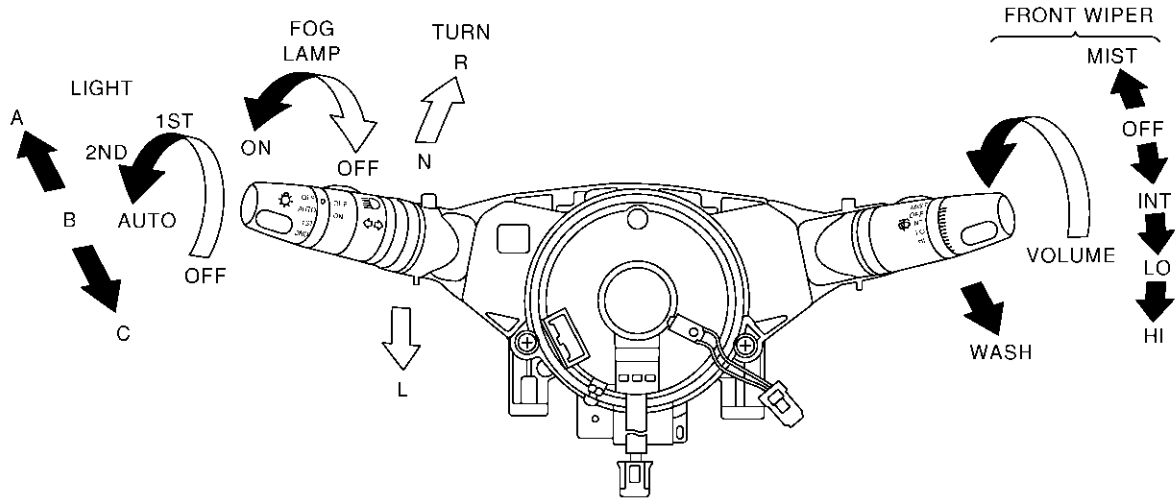
MEL2030

COMBINATION SWITCH

Check

Check

NFEL0009



LIGHTING SWITCH

	OFF	AUTO	1ST	2ND
5			○	○
11			○	○
8				○
12				○
42	○			
(8)	○			

	A	B	C
(5)	○	○	○
7	○	○	○
6	○	○	○
(8)	○	○	○
10	○	○	○
9	○	○	○
(12)	○	○	○

FRONT WIPER AND WASHER SWITCH

	LO	AUTO STOP	AMP	WASH	HI	EARTH
MIST	○					○
OFF	○	○				○
INT	○	○	○			○
LO	○					○
HI					○	○
WASH				○		○

WIPER AMP. terminals: 14, 15, 13, 16, 17, 18

VARIABLE INTERMITTENT WIPER VOLUME



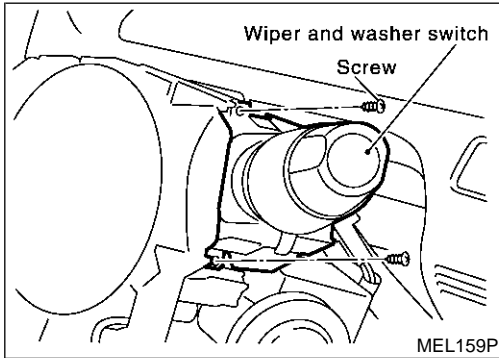
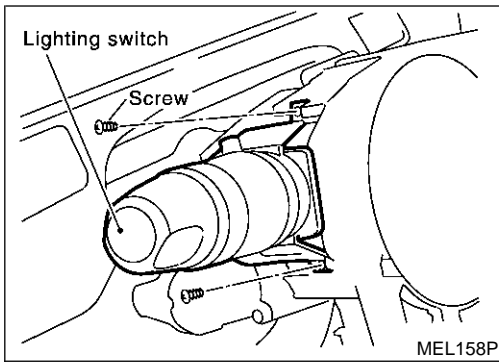
FRONT FOG LAMP SWITCH

	OFF	ON
31		○
32		○

TURN SIGNAL LAMP SWITCH

	L	N	R
1	○		○
2			○
3	○		

MEL0780



Replacement

For removal and installation of spiral cable, refer to RS-21, ^{NFEL0010} "Installation — Air Bag Module and Spiral Cable".

- Each switch can be replaced without removing spiral cable.
1. Remove the instrument lower panel on driver side.
 2. Remove the steering column cover.
 3. Remove lighting switch or wiper and washer switch mounting screw.
 4. Remove lighting switch or wiper and washer switch from the spiral cable.
 5. Disconnect lighting switch or wiper and washer switch connector.

GI

MA

EM

LC

EC

FE

CL

MT

AT

AX

SU

BR

ST

RS

BT

HA

SC

EL

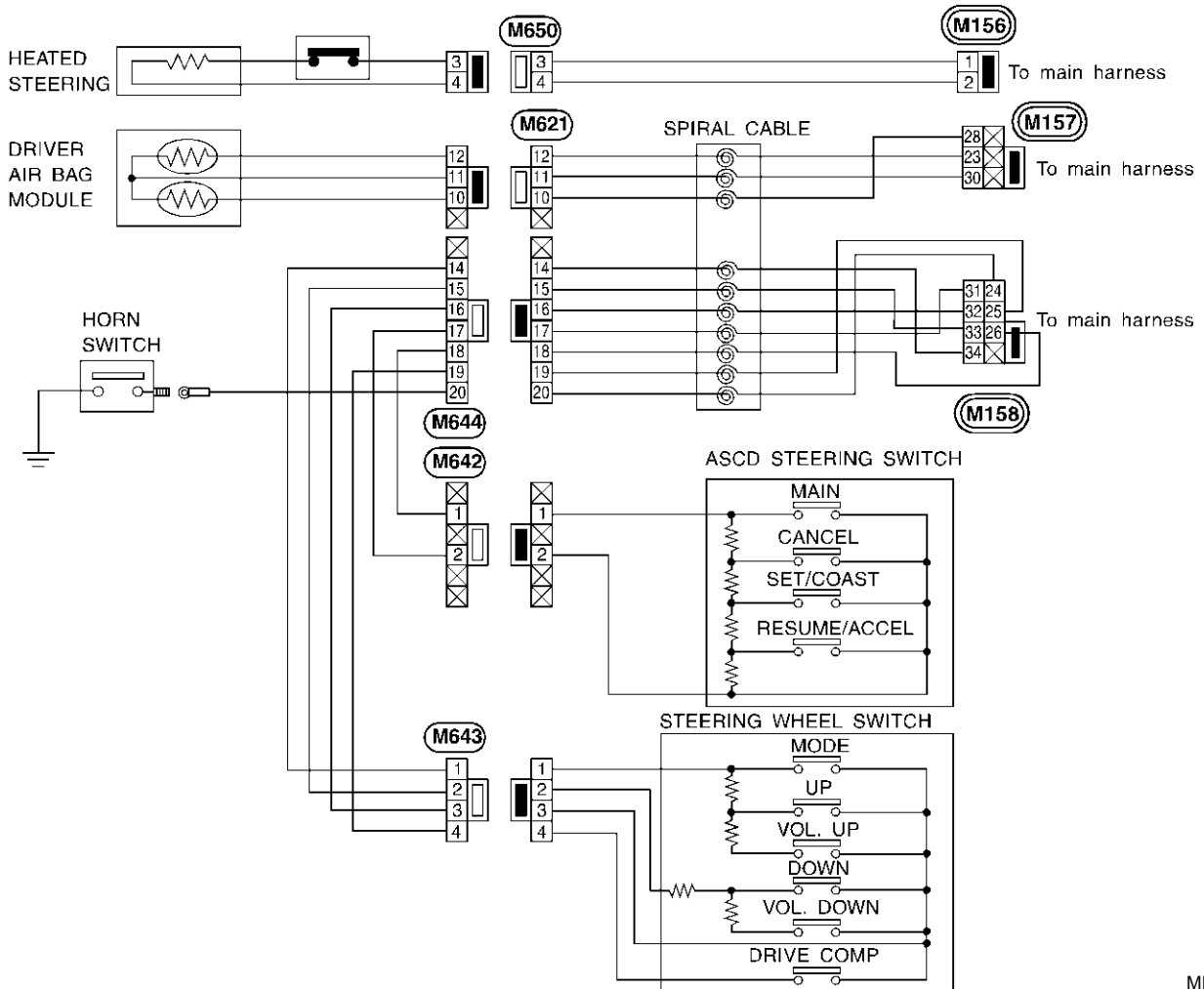
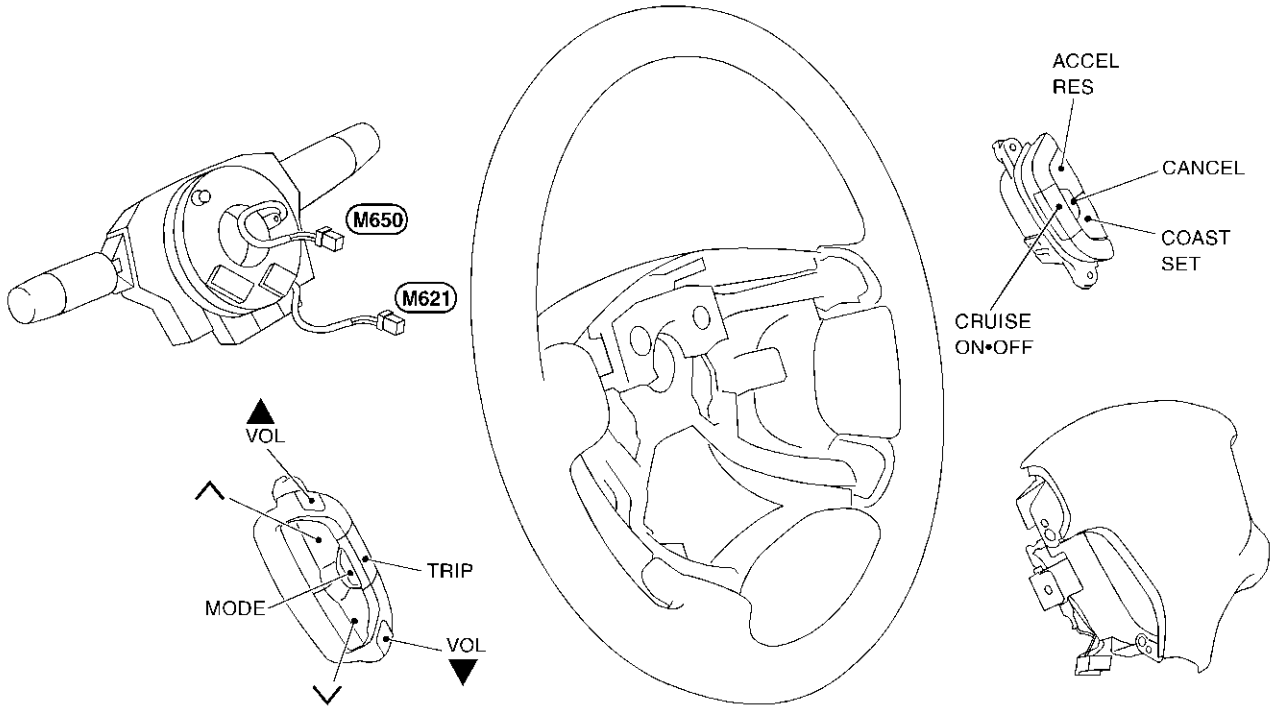
IDX

STEERING SWITCH

Check

NFEL0011

Check



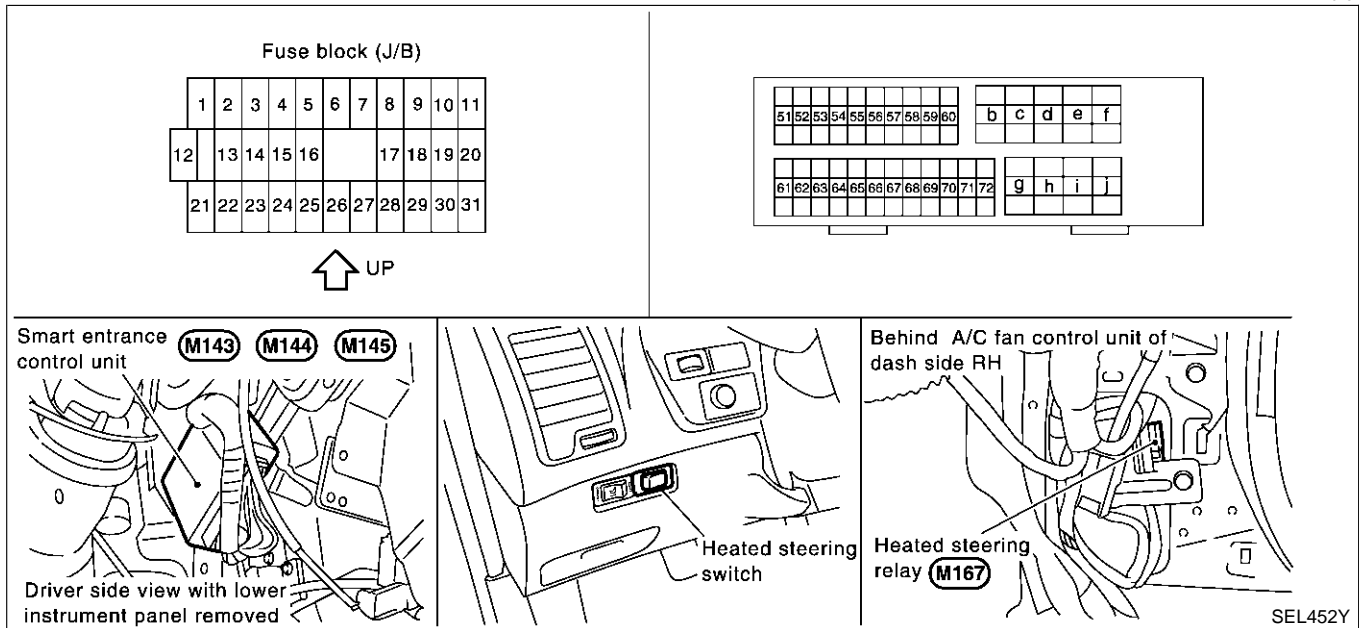
MEL0790

HEATED STEERING

Component Parts and Harness Connector Location

Component Parts and Harness Connector Location

NFEL0281



System Description

NFEL0282

The heated steering system is controlled by the smart entrance control unit. The heated steering system operates only for approximately 30 minutes after heated steering switch is turned "ON".

Then the heated steering system is turned "OFF" when the heated steering switch is turned "ON" again or ignition switch "OFF" within 30 minutes after heated steering system "ON".

Power is supplied at all times

- to smart entrance control unit terminal 49
- through 10A fuse [No. 13, located in the fuse block (J/B)]
- to heated steering relay terminal 3
- through 10A fuse (No. 72, located in the fuse and fusible link box)

With the ignition switch in the ON or START position, power is supplied.

- through 10A fuse [No. 10, located in the fuse block (J/B)]
- to the heated steering relay terminal 1 and
- to smart entrance control unit terminal 27.

Ground is supplied

- to terminal 2 and 5 of heated steering switch and
- to combination switch (heated steering switch) terminal 2
- through body grounds M9, M25 and M87.

When the heated steering switch is turned ON, ground is supplied

- through terminal 1 of heated steering switch
- to smart entrance control unit terminal 4.

Terminal 40 of the smart entrance control unit then supplies ground to the heated steering relay terminal 2. With power and ground supplied, the heated steering relay is energized.

Power is supplied

- through terminal 5 of heated steering relay
- to heated steering switch terminal 4 and
- to combination switch (heated steering switch) terminal 1.
- through terminal 3 of combination switch (heated steering switch)
- to the heated steering (thermostat).

Ground is supplied for heated steering

- through heated steering

GI

MA

EM

LC

EC

FE

CL

MT

AT

AX

SU

BR

ST

RS

BT

HA

SC

EL

IDX

HEATED STEERING

System Description (Cont'd)

- to combination switch (heated steering switch) terminal 4.

With power and ground supplied, the heated steering heats.

When the system is activated, the heated steering indicator lamp illuminates in the heated steering switch.

HEATED STEERING

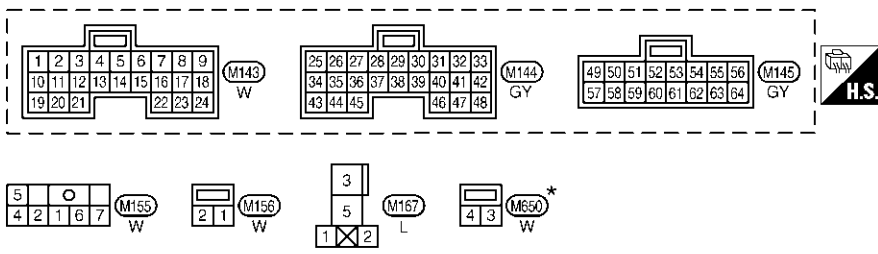
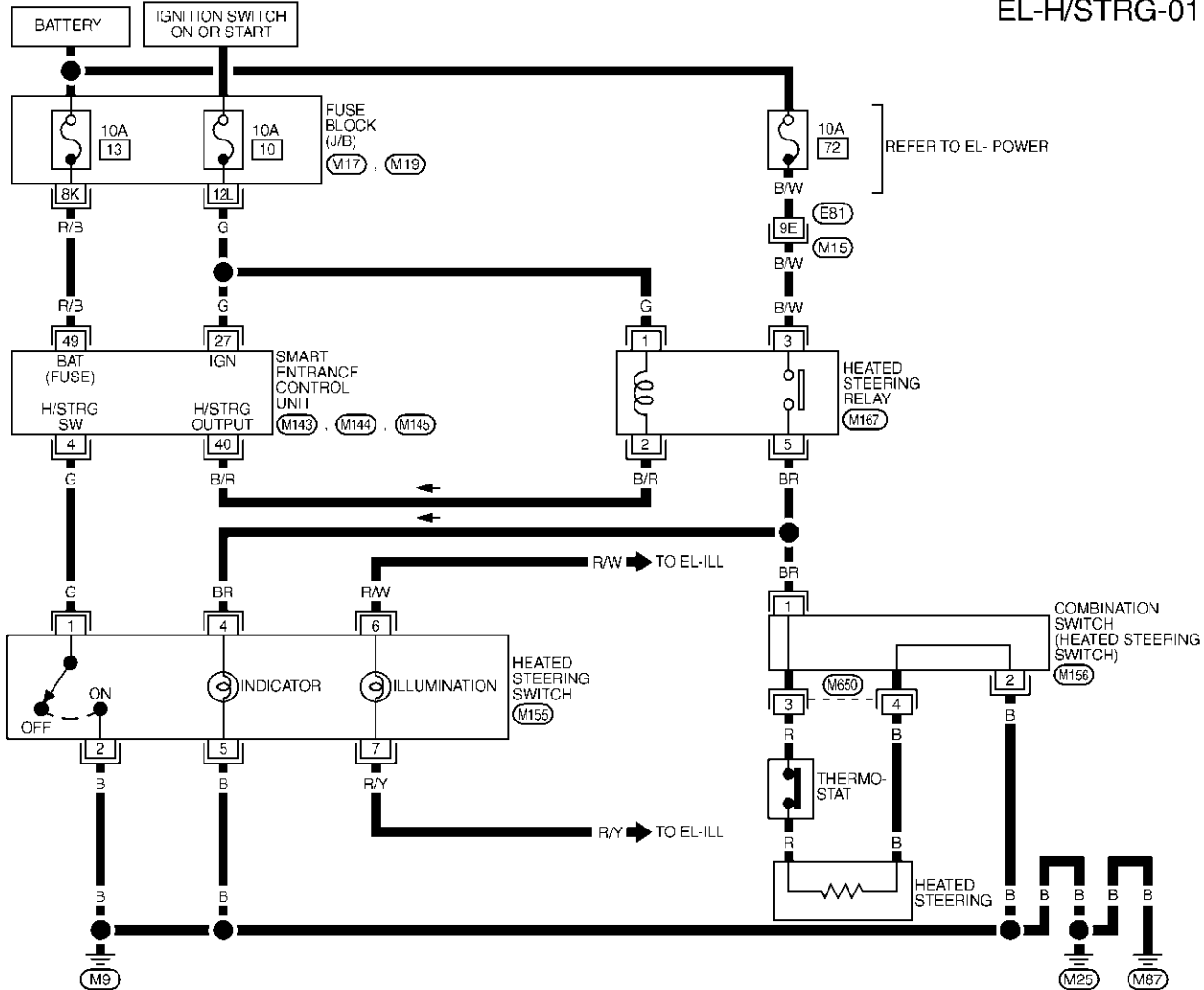
Wiring Diagram — H/STRG —

Wiring Diagram — H/STRG —

=NFEL0267

EL-H/STRG-01

GI
MA
EM
LC
EC
FE
CL
MT
AT
AX
SU
BR
ST
RS
BT
HA
SC
EL
IDX



REFER TO THE FOLLOWING.
 (M15) -SUPER
 MULTIPLE JUNCTION (SMJ)
 (M17) . (M19) -FUSE BLOCK-
 JUNCTION BOX (J/B)

* : THIS CONNECTOR IS NOT SHOWN IN "HARNESS LAYOUT" , EL SECTION.

MEL837P

SMART ENTRANCE CONTROL UNIT TERMINALS AND REFERENCE VALUE BETWEEN EACH TERMINAL AND GROUND

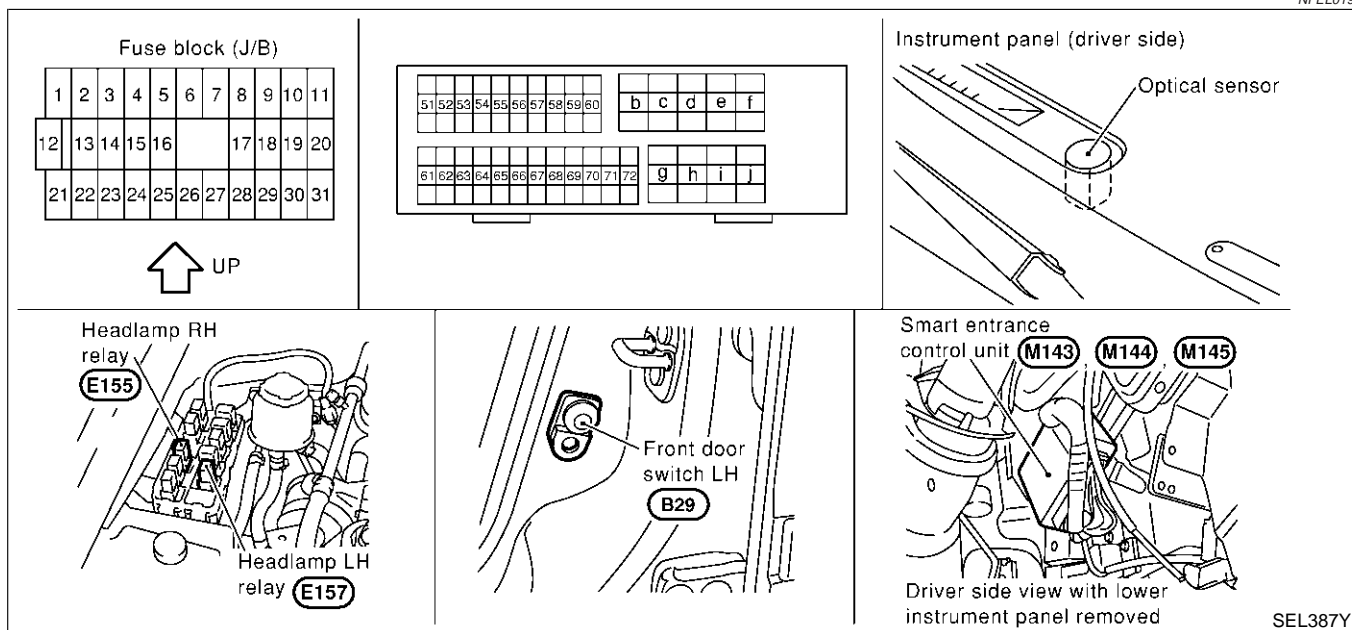
TERMINAL	WIRE COLOR	ITEM	CONDITION	DATA (DC)
4	G	HEATED STEERING SWITCH	OFF → ON (ONLY WHEN PUSHED)	5V → 0V
27	G	IGNITION SWITCH (ON)	IGNITION SWITCH IS IN "ON" POSITION	12V
40	B/R	HEATED STEERING RELAY	OFF → ON (IGNITION KEY IS IN "ON" POSITION)	12V → 0V
49	R/B	POWER SOURCE (FUSE)	-	12V

HEADLAMP (FOR USA)

Component Parts and Harness Connector Location

Component Parts and Harness Connector Location

NFEL0197



System Description

NFEL0198

The headlamp operation is controlled by the lighting switch which is built into the combination switch and smart entrance control unit. And the headlamp battery saver system is controlled by the smart entrance control unit.

OUTLINE

NFEL0198S01

Power is supplied at all times

- to headlamp LH relay terminals 1 and 6
- through 20A fuse (No. 54, located in the fuse and fusible link box), and
- to headlamp LH relay terminal 3
- through 15A fuse (No. 68, located in the fuse and fusible link box), and
- to headlamp RH relay terminals 1 and 6
- through 20A fuse (No. 55, located in the fuse and fusible link box), and
- to headlamp RH relay terminal 3
- through 15A fuse (No. 69, located in the fuse and fusible link box), and
- to smart entrance control unit terminal 49
- through 10A fuse [No. 13, located in the fuse block (J/B)].

When the ignition switch is in the ON or START position, power is supplied

- to smart entrance control unit terminal 27
- through 10A fuse [No. 10, located in the fuse block (J/B)].

When the ignition switch is in the ACC or ON position, power is supplied

- to smart entrance control unit terminal 26
- through 10A fuse [No. 1, located in the fuse block (J/B)]

Ground is supplied

- to smart entrance control unit terminals 43 and 64
- through body grounds M9, M25 and M87.

POWER SUPPLY TO LOW BEAM AND HIGH BEAM

NFEL0198S07

When lighting switch is in 2ND or PASS position, ground is supplied

- to headlamp LH relay terminal 2 from smart entrance control unit terminal 21
- through smart entrance control unit terminal 22,
- from lighting switch terminal 12, and
- to headlamp RH relay terminal 2 from smart entrance control unit terminal 59

- through smart entrance control unit terminal 60,
- from lighting switch terminal 12.

Headlamp relays (LH and RH) are energized and then power is supplied to headlamps (LH and RH).

GI

LOW BEAM OPERATION

When the lighting switch is turned to the 2ND position and placed in LOW ("B") position, power is supplied

NFEL0198S02

MA

- from terminal 7 of each headlamp relay
- to terminal 1 of each headlamp

EM

Ground is supplied

- to headlamp LH terminal 2
- through body grounds E11, E22 and E53, and
- to headlamp RH terminal 2
- through body grounds E11, E22 and E53.

LC

EC

With power and ground supplied, the headlamp(s) will illuminate.

HIGH BEAM OPERATION/FLASH-TO-PASS OPERATION

When the lighting switch is turned to the 2ND position and placed in HIGH ("A") position or PASS ("C") position, power is supplied

NFEL0198S03

FE

- from terminal 5 of each headlamp relay
- to terminal 4 of each headlamp, and
- to combination meter terminal 26 for the HIGH BEAM indicator.

CL

MT

Ground is supplied

- to headlamp LH terminal 5
- through lighting switch terminals 6 and 5
- through body grounds E11, E22 and E53, and
- to headlamp RH terminal 5
- to combination meter terminal 27 for the HIGH BEAM indicator
- through lighting switch terminals 9 and 8
- through body grounds E11, E22 and E53.

AT

AX

SU

With power and ground supplied, the high beams and the high beam indicator illuminate.

EXTERIOR LAMP BATTERY SAVER CONTROL

While the headlamp is turned ON by "2ND" of light switch, the 5 minute timer is activated when the ignition switch is turned from ON (or START) to OFF (ACC OFF).

NFEL0198S04

BR

Continuity between terminals 21 and 22, and between terminals 59 and 60 of smart entrance control unit will be disturbed after 5 minutes, then the headlamps will be turned off.

ST

While the headlamp is turned ON by "AUTO" of light switch, the 5 minutes timer is activated when the ignition switch signal changes from ON (or START) to OFF (ACC OFF), and either one of LH or RH front door switch ON signal is input.

RS

The auto light delay off timer is activated as the following:

- When the door switch signal changes from ON to OFF while the timer is activated, the timer in operation is discontinued and the 45 second timer is reset.
- When the door switch signal changes from OFF to ON while the timer is activated, the timer is discontinued and the 45 second timer is reset.
- When the one of four door switch signals changes from OFF to ON while the timer is activated, the timer is discontinued and the 5 minute timer is reset.
- When all the door switch ON signals are input while the timer is activated, the timer is discontinued and the 45 second timer is reset.

BT

HA

SC

Exterior lamp battery saver control mode and auto light delay off timer period can be changed by the function setting of CONSULT-II (EL-47).

EL

When the lighting switch is turned from OFF to 2ND after headlamps are turned to off by the battery saver control, ground is supplied

IDX

- to smart entrance control unit terminals 20 and 58 from lighting switch terminal 11, and then,
- to headlamp LH and RH relays terminal 2 from smart entrance control unit terminals 21 and 59,
- through smart entrance control unit terminals 22 and 60 and
- through lighting switch terminal 12.

HEADLAMP (FOR USA)

System Description (Cont'd)

Then headlamps illuminate again.

AUTO LIGHT OPERATION

The auto light control system has an auto light sensor inside it that detects outside brightness. When lighting switch is in "AUTO" position, ground is supplied

NFEL0198S06

- to smart entrance control unit terminal 23
- from lighting switch terminal 42.

When ignition switch is turn to "ON" or "START" position and Outside brightness is darker than prescribed level. Ground is supplied

- to headlamp relay LH and RH terminals 2
- through smart entrance control unit terminal 21, 59 and 43, 64.

Then both headlamp relays and tail lamp relay are energized, headlamps (low or high) and tail lamps are illuminate according to switch position.

Auto light operation allows headlamps and tail lamps to go off when outside brightness is brighter than prescribed level.

NOTE:

The delay time changes (maximum of 20 seconds) as the outside brightness changes.

For parking license and tail lamp auto operation, refer to "PARKING, LICENSE AND TAIL LAMPS".

VEHICLE SECURITY SYSTEM

The vehicle security system will flash the low beams if the system is triggered. Refer to "VEHICLE SECURITY (THEFT WARNING) SYSTEM" (EL-315).

NFEL0198S05

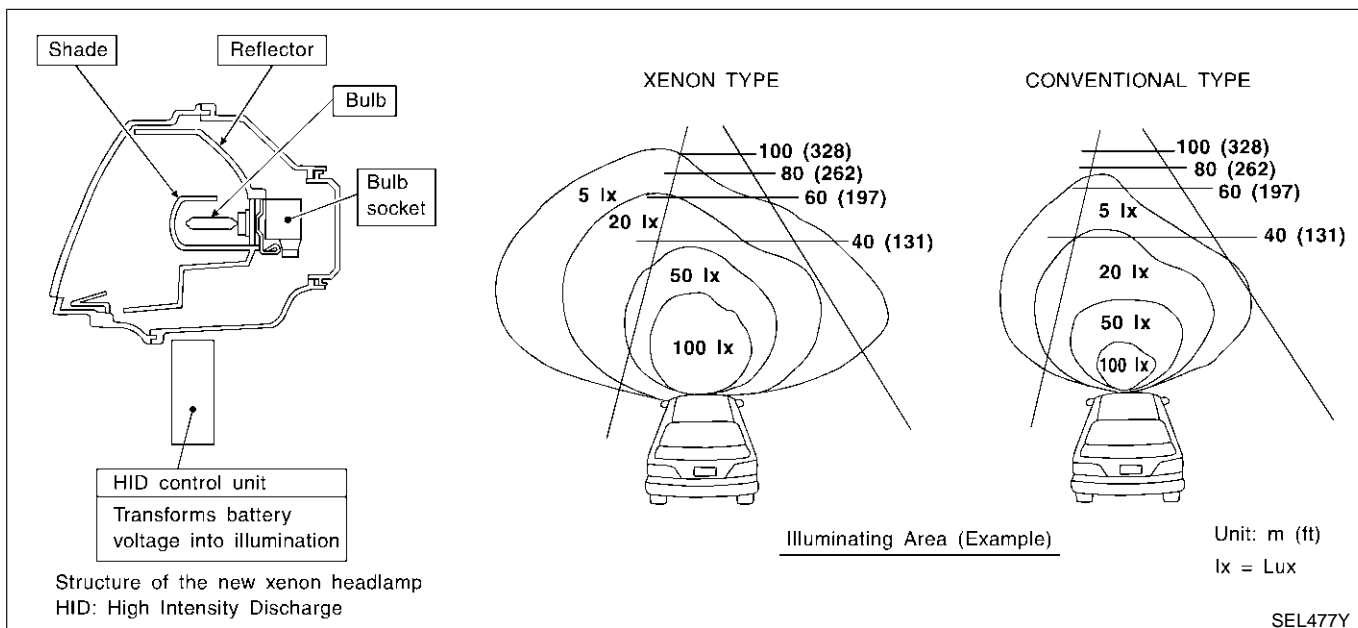
XENON HEADLAMP

Xenon type headlamp is adopted to the low beam headlamps. Xenon bulbs do not use a filament. Instead, they produce light when a high voltage current is passed between two tungsten electrodes through a mixture of xenon (an inert gas) and certain other metal halides. In addition to added lighting power, electronic control of the power supply gives the headlamps stable quality and tone color.

NFEL0198S08

Following are some of the many advantage of the xenon type headlamp.

- The light produced by the headlamps is white color approximating sunlight that is easy on the eyes.
- Light output is nearly double that of halogen headlamps, affording increased area of illumination.
- The light features a high relative spectral distribution at wavelengths to the human eye is most sensitive, which means that even in the rain, more light is reflected back from the road surface toward the vehicle, for added visibility.
- Power consumption is approximately 25 percent less than halogen headlamps, reducing battery load.

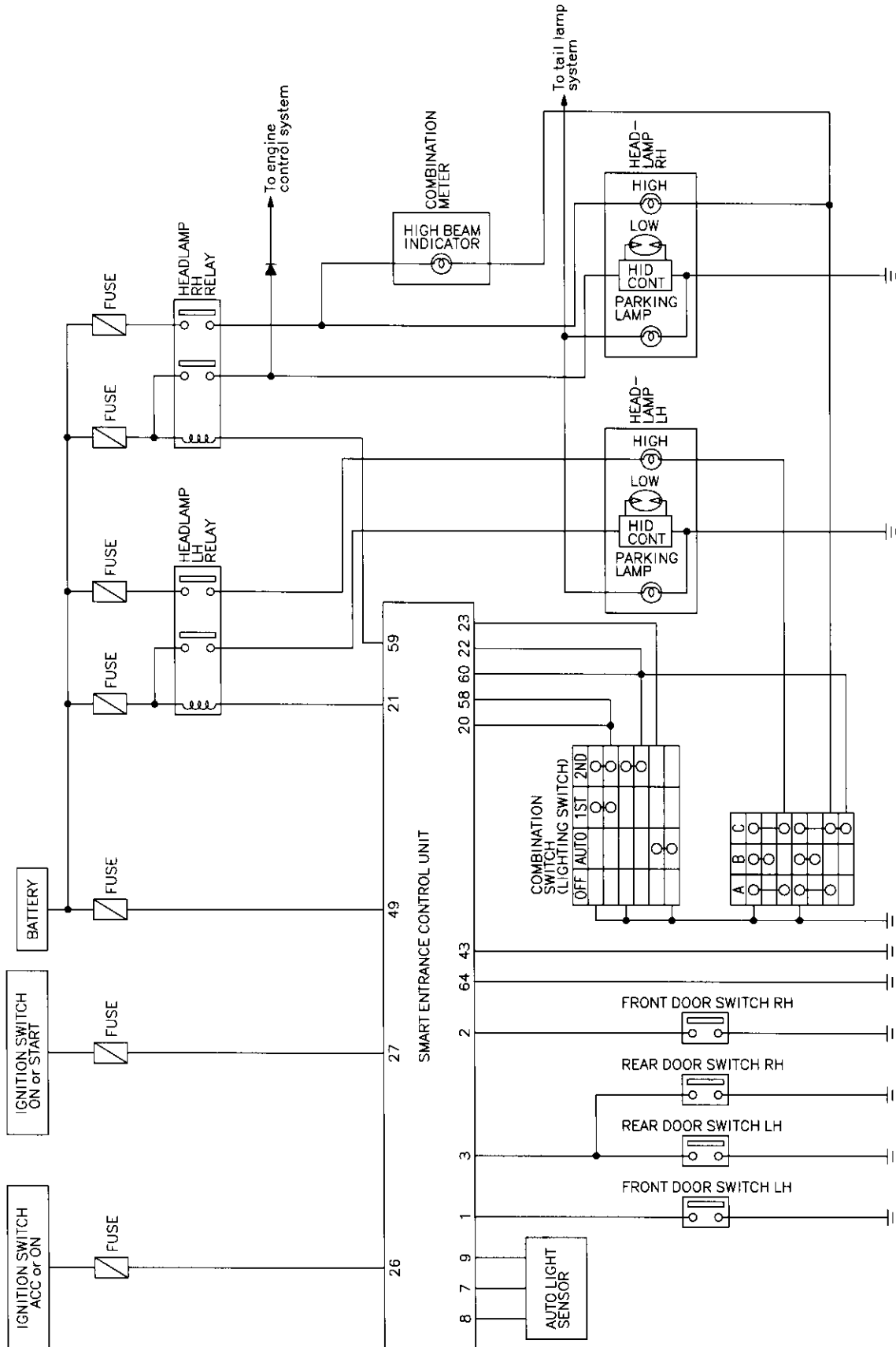


HEADLAMP (FOR USA)

Schematic

NFEL0199

Schematic



- GI
- MA
- EM
- LC
- EC
- FE
- CL
- MT
- AT
- AX
- SU
- BR
- ST
- RS
- BT
- HA
- SC
- EL**
- IDX

HEADLAMP (FOR USA)

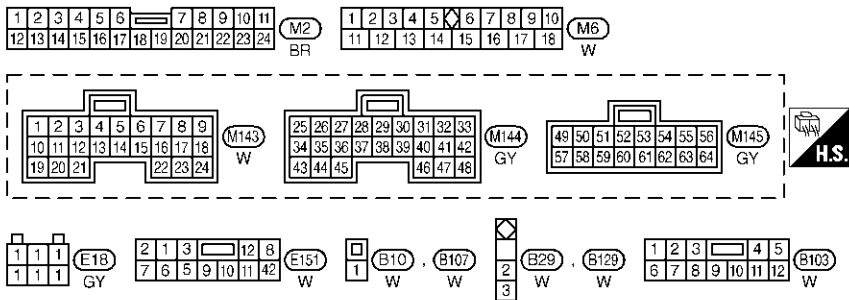
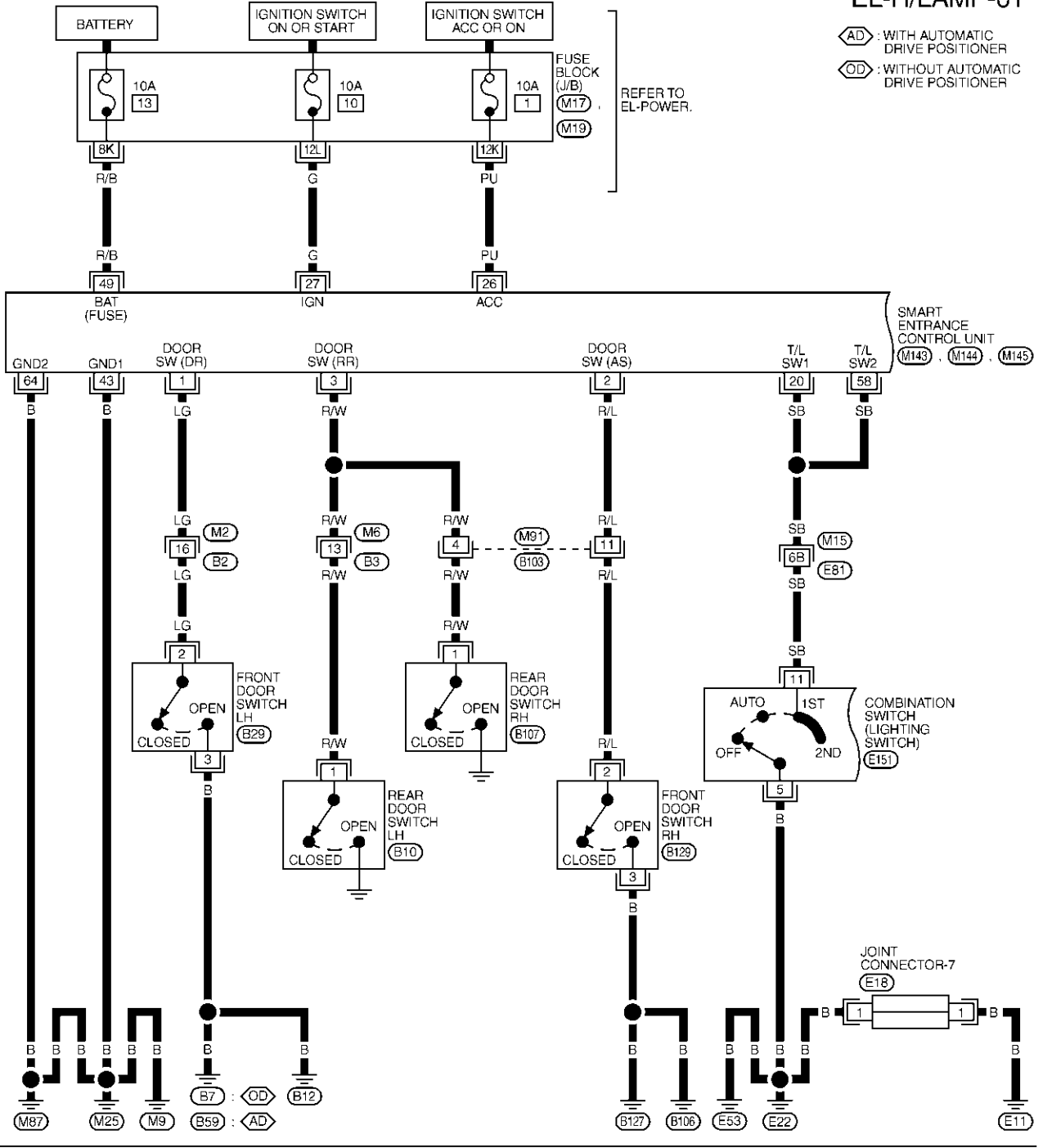
Wiring Diagram — H/LAMP —

Wiring Diagram — H/LAMP —

NFEL0013

EL-H/LAMP-01

- : WITH AUTOMATIC DRIVE POSITIONER
- : WITHOUT AUTOMATIC DRIVE POSITIONER



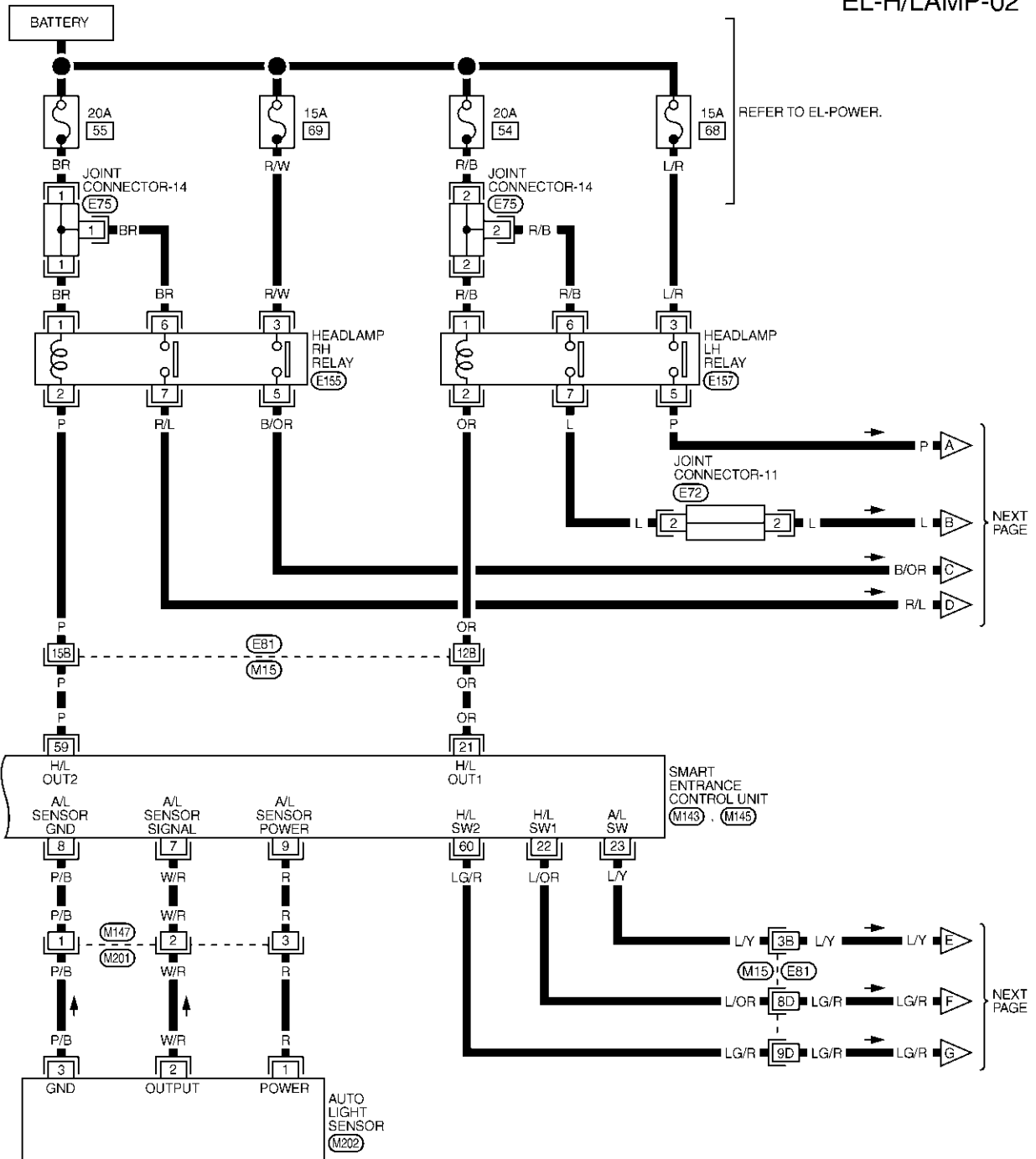
REFER TO THE FOLLOWING.
 (M15) - SUPER
 MULTIPLE JUNCTION (SMJ)
 (M17), (M19) - FUSE BLOCK-
 JUNCTION BOX (J/B)

MEL839P

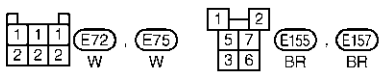
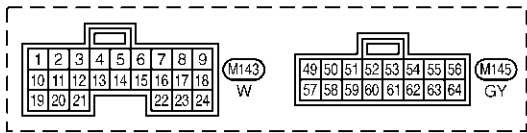
HEADLAMP (FOR USA)

Wiring Diagram — H/LAMP — (Cont'd)

EL-H/LAMP-02



GI
MA
EM
LC
EC
FE
CL
MT
AT
AX
SU
BR
ST
RS
BT
HA
SC
EL
IDX



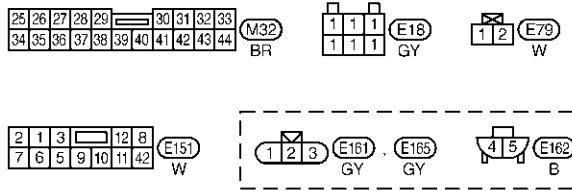
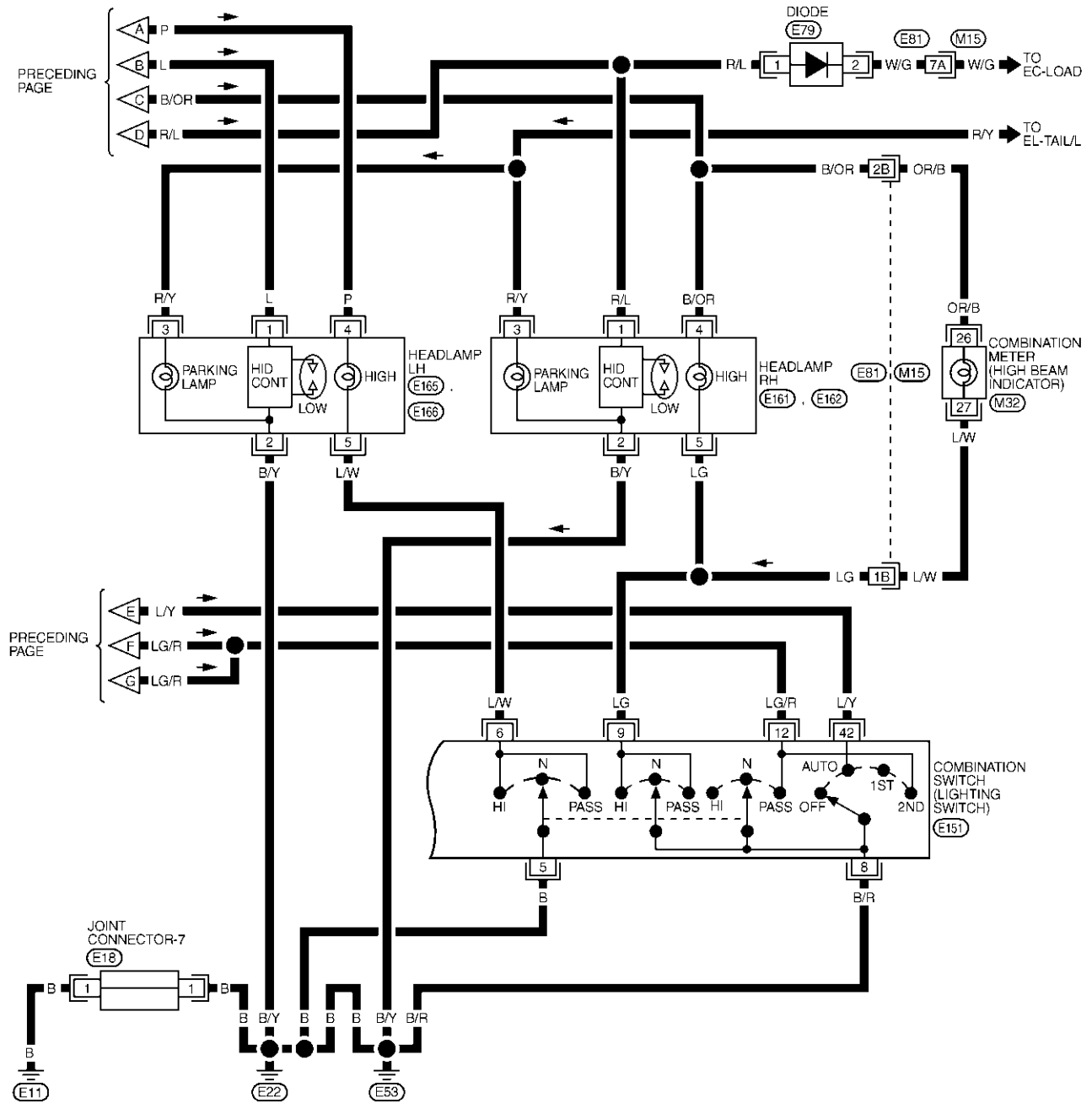
REFER TO THE FOLLOWING.
(M15) - SUPER
MULTIPLE JUNCTION (SMJ)

MEL0920

HEADLAMP (FOR USA)

Wiring Diagram — H/LAMP — (Cont'd)

EL-H/LAMP-03



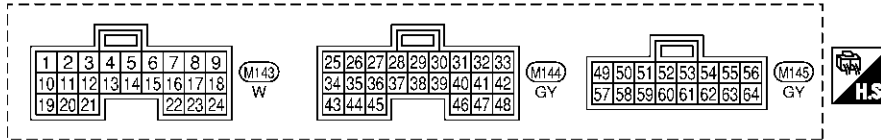
REFER TO THE FOLLOWING.
(M15) - SUPER
MULTIPLE JUNCTION (SMJ)

MEL840P

HEADLAMP (FOR USA)

Wiring Diagram — H/LAMP — (Cont'd)

SMART ENTRANCE CONTROL UNIT CONNECTOR



SMART ENTRANCE CONTROL UNIT TERMINALS AND REFERENCE VALUE BETWEEN EACH TERMINAL AND GROUND

TERMINAL	WIRE COLOR	ITEM	CONDITION		DATA (DC)	
1	LG	DRIVER DOOR SWITCH	OFF (CLOSED) → ON (OPEN)		12V → 0V	
2	R/L	PASSENGER DOOR SWITCH	OFF (CLOSED) → ON (OPEN)		5V → 0V	
3	R/W	REAR DOOR SWITCH	OFF (CLOSED) → ON (OPEN)		5V → 0V	
7	W/R	AUTO LIGHT SENSOR (SIGNAL)	IGNITION SWITCH "ON" POSITION	LIGHT IS APPLIED TO AUTO LIGHT SENSOR	1 TO 5V	
8	P/B	AUTO LIGHT SENSOR (GND)	-		-	
9	R	AUTO LIGHT SENSOR (POWER)	IGNITION SWITCH (OFF → ON)		0V → 5V	
20	SB	TAIL LAMP SWITCH	LIGHTING SWITCH (OFF OR AUTO → 1ST OR 2ND POSITION)		12V → 0V	
21	OR	HEADLAMP LH RELAY	IGNITION SWITCH (WITH LIGHTING SWITCH 2ND)	ON OR START → OFF	MORE THAN 5 MINUTES	12V
				ON OR START	WITHIN 5 MINUTES	0V
			HEADLAMPS ILLUMINATE BY AUTO LIGHT CONTROL		0V	
22	L/OR	HEADLAMP SWITCH	LIGHTING SWITCH	EXCEPT PASS OR 2ND POSITION	12V	
				PASS OR 2ND POSITION	0V	
			HEADLAMPS ILLUMINATE BY AUTO LIGHT CONTROL (OPERATE → NOT OPERATE)		10V → 12V	
23	L/Y	HEADLAMP SWITCH	IGNITION SWITCH "ON" POSITION	LIGHTING SWITCH (EXCEPT AUTO → AUTO POSITION)	12V → 0V	
26	PU	IGNITION SWITCH (ACC)	"ACC" POSITION		12V	
27	G	IGNITION SWITCH (ON)	IGNITION SWITCH IS IN "ON" POSITION		12V	
43	B	GROUND	-		-	
49	R/B	POWER SOURCE (FUSE)	-		12V	
58	SB	TAIL LAMP SWITCH	LIGHTING SWITCH (OFF OR AUTO → 1ST OR 2ND POSITION)		12V → 0V	
59	P	HEADLAMP RH RELAY	IGNITION SWITCH (WITH LIGHTING SWITCH 2ND)	ON OR START → OFF	MORE THAN 5 MINUTES	12V
				ON OR START	WITHIN 5 MINUTES	0V
			HEADLAMPS ILLUMINATE BY AUTO LIGHT CONTROL (OPERATE → NOT OPERATE)		LESS THAN 1V → 12V	
60	LG/R	HEADLAMP SWITCH	LIGHTING SWITCH	EXCEPT PASS OR 2ND POSITION	12V	
				PASS OR 2ND POSITION	0V	
			HEADLAMPS ILLUMINATE BY AUTO LIGHT CONTROL (OPERATE → NOT OPERATE)		10V → 12V	
64	B	GROUND	-		-	

GI

MA

EM

LC

EC

FE

CL

MT

AT

AX

SU

BR

ST

RS

BT

HA

SC

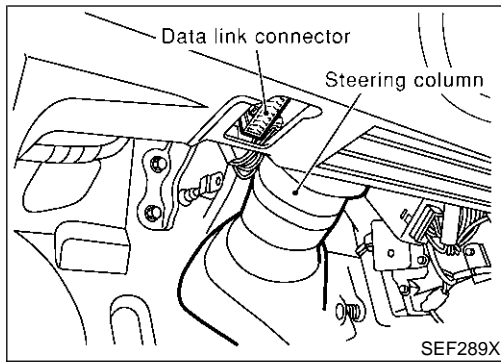
EL

IDX

SEL583Y

HEADLAMP (FOR USA)

CONSULT-II Inspection Procedure

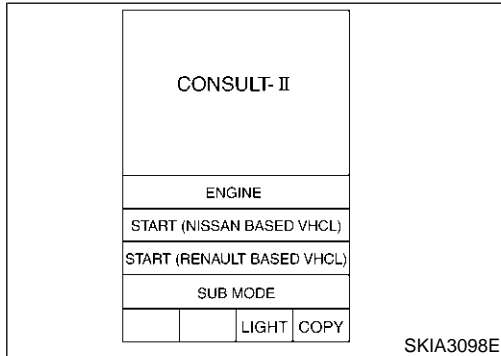


CONSULT-II Inspection Procedure “HEAD LAMP”

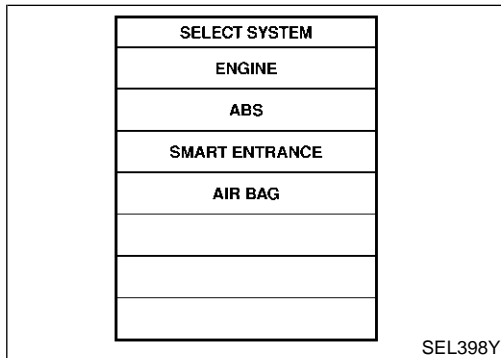
NFEL0200

NFEL0200S01

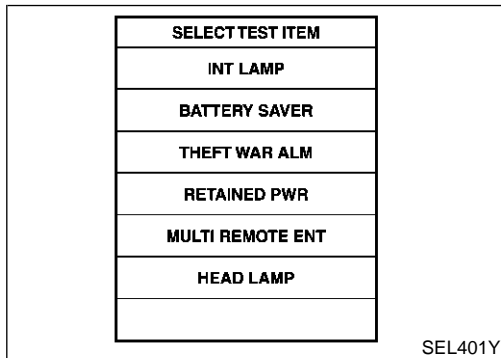
1. Turn ignition switch “OFF”.
2. Connect “CONSULT-II” and “CONSULT-II CONVERTER” to the data link connector.



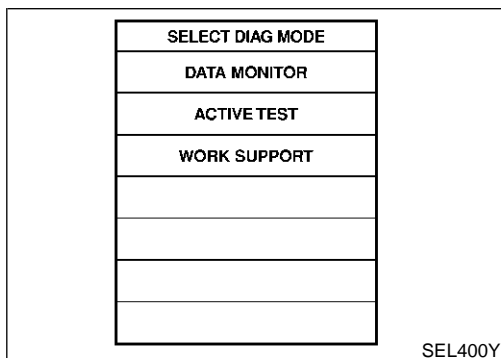
3. Turn ignition switch “ON”.
4. Touch “START (NISSAN BASED VHCL)”.



5. Touch “SMART ENTRANCE”.



6. Touch “HEAD LAMP”.



7. Select diagnosis mode. “DATA MONITOR”, “ACTIVE TEST” and “WORK SUPPORT” are available.

CONSULT-II Application Items

“HEAD LAMP” Data Monitor

NFEL0201

NFEL0201S02

NFEL0201S0201

Monitored Item	Description
IGN ON SW	Indicates [ON/OFF] condition of ignition switch in ON position.
ACC ON SW	Indicates [ON/OFF] condition of ignition switch in ACC position.
AUTO LIGT SW	Displays status of the lighting switch as judged from the lighting switch signal. (AUTO position: ON/Other than AUTO position: OFF)
AUTO LIGT SENS	Displays “Illumination outside of the vehicle (close to 5V when light/close to 0V when dark)” as judged from the optical sensor signal.
LIGHT SW 1ST	Displays status of the lighting switch as judged from the lighting switch signal. (1ST or 2ND position: ON/Other than 1ST and 2ND position: OFF)
LIGHT SW 2ND	Displays status of the lighting switch as judged from the lighting switch signal. (2ND position: ON/Other than 2ND position: OFF)
DOOR SW-DR	Indicates [ON/OFF] condition of front door switch LH.
DOOR SW-AS	Indicates [ON/OFF] condition of door switch RH.
DOOR SW-RR	Indicates [ON/OFF] condition of rear door switch.

Active Test

NFEL0201S0202

Test Item	Description
TAIL LAMP	Tail lamp relay can be operated by on-off operation of the tail lamp.
HEAD LAMP	Headlamp relay can be operated by on-off operation of the headlamp.
AUTO LIGHT	Night time dimming signal can be operated by on-off operation.

Work Support

NFEL0201S0203

Work Item	Description
AUTO LIGHT SET	Auto light sensitivity can be changed in this mode. Sensitivity can be adjusted in four modes. ● MODE 1 (Normal)/MODE 2 (Sensitive)/MODE 3 (Desensitized)/MODE 4 (Insensitive)
BATTERY SAVER SET	Exterior lamp battery saver control mode can be changed in this mode. Selects exterior lamp battery saver control mode between two modes. ● MODE 1 (ON)/MODE 2 (OFF)
ILL DELAY SET	Auto light delay off timer period can be changed in this mode. Selects auto light delay off timer period among eight modes. ● MODE 1 (45 sec.)/MODE 2 (OFF)/MODE 3 (30 sec.)/MODE 4 (60 sec.)/ MODE 5 (90 sec.)/ MODE 6 (120 sec.)/MODE 7 (150 sec.)/MODE 8 (180 sec.)

Trouble Diagnoses

NFEL0268

WARNING:

- The xenon headlamp has a high-tension current generating area. Be extremely careful when removing and installing. Be certain to disconnect the battery negative cable prior to removing or installing.
- When the xenon headlamp is lit, do not touch the harness (covered with red or amber insulation), bulb itself or the bulb socket with your bare hands.
- Never service a xenon headlamp with wet hands.
- When checking body side harness with a circuit tester, be certain to disconnect the harness connector from the xenon headlamp.
- When the xenon headlamp is lit, the xenon bulb must be installed in the headlamp housing. (Never turn on xenon headlamp, if the bulb is out of the headlamp housing.)

HEADLAMP (FOR USA)

Trouble Diagnoses (Cont'd)

CAUTION:

Make sure to install the bulb securely; if the xenon bulb is improperly installed in its socket, high-tension current leaks occur. This may lead to a melted bulb and/or bulb socket.

Symptom	Possible cause	Repair order
Neither headlamp operates.	<ol style="list-style-type: none"> 1. 10A fuse 2. Lighting switch 3. Smart entrance control unit 	<ol style="list-style-type: none"> 1. Check 10A fuse [No. 13, located in fuse block (J/B)]. Verify battery positive voltage is present at terminal 49 of smart entrance control unit. 2. Check Lighting switch. 3. Check smart entrance control unit. (EL-354)
LH headlamp (low and high beam) does not operate, but RH headlamp (low and high beam) does operate.	<ol style="list-style-type: none"> 1. 20A fuse 2. Headlamp LH relay 3. Headlamp LH relay circuit 4. Lighting switch circuit 5. Smart entrance control unit 	<ol style="list-style-type: none"> 1. Check 20A fuse (No. 54, located in fuse and fusible link box). Verify battery positive voltage is present at terminals 1 and 6 of headlamp LH relay. 2. Check headlamp LH relay. 3. Check harness between headlamp LH relay and smart entrance control unit. 4. Check harness between smart entrance control unit and lighting switch. 5. Check smart entrance control unit. (EL-354)
RH headlamp (low and high beam) does not operate, but LH headlamp (low and high beam) does operate.	<ol style="list-style-type: none"> 1. 20A fuse 2. Headlamp RH relay 3. Headlamp RH relay circuit 4. Lighting switch circuit 5. Smart entrance control unit 	<ol style="list-style-type: none"> 1. Check 20A fuse (No. 55, located in fuse and fusible link box). Verify battery positive voltage is present at terminals 1 and 6 of headlamp RH relay. 2. Check headlamp RH relay. 3. Check harness between headlamp RH relay and smart entrance control unit. 4. Check harness between smart entrance control unit and lighting switch. 5. Check smart entrance control unit. (EL-354)
LH high beam does not operate, but LH low beam operates.	<ol style="list-style-type: none"> 1. Bulb 2. 15A fuse 3. Headlamp LH relay 4. Open in the LH high beams circuit 5. Lighting switch 6. Lighting switch ground circuit 	<ol style="list-style-type: none"> 1. Check bulb. 2. Check 15A fuse (No. 68, located in fuse and fusible link box). Verify battery positive voltage is present at terminal 3 of headlamp LH relay. 3. Check headlamp LH relay. 4. Check the following. <ol style="list-style-type: none"> a. Harness between headlamp relay LH terminal 5 and LH headlamp for open circuit b. Harness between LH headlamp and lighting switch for open circuit 5. Check lighting switch. 6. Check harness between lighting switch and ground.
LH low beam does not operate, but LH high beam operates.	<ol style="list-style-type: none"> 1. Headlamp relay LH 2. Open in the LH low beam circuit 3. LH low beam ground circuit 4. Xenon bulb 5. HID control unit 	<ol style="list-style-type: none"> 1. Check headlamp relay LH 2. Check harness between headlamp relay LH terminal 7 and LH headlamp for open circuit. 3. Check harness between LH headlamp and ground. 4. Replace the xenon bulb with other side bulb or new one. (If headlamps illuminate correctly, replace the bulb.) 5. Replace the HID control unit with other side control unit or new one. (If headlamps illuminate correctly, replace the control unit.)
RH high beam does not operate, but RH low beam operates.	<ol style="list-style-type: none"> 1. Bulb 2. 15A fuse 3. Headlamp RH relay 4. Open in the RH high beams circuit 5. Lighting switch 6. Lighting switch ground circuit 	<ol style="list-style-type: none"> 1. Check bulb. 2. Check 15A fuse (No. 69, located in fuse and fusible link box). Verify battery positive voltage is present at terminal 3 of headlamp RH relay. 3. Check headlamp RH relay. 4. Check the following. <ol style="list-style-type: none"> a. Harness between headlamp relay RH terminal 5 and RH headlamp for open circuit b. Harness between RH headlamp and lighting switch for open circuit 5. Check lighting switch. 6. Check harness between lighting switch and ground.

HEADLAMP (FOR USA)

Trouble Diagnoses (Cont'd)

Symptom	Possible cause	Repair order	
RH low beam does not operate, but RH high beam operates.	<ol style="list-style-type: none"> 1. Headlamp relay RH 2. Open in the RH low beam circuit 3. RH low beam ground circuit 4. Xenon bulb 5. HID control unit 	<ol style="list-style-type: none"> 1. Check headlamp relay RH 2. Check harness between headlamp relay RH terminal 7 and RH headlamp for open circuit. 3. Check harness between RH headlamp and ground. 4. Replace the xenon bulb with other side bulb or new one. (If headlamps illuminate correctly, replace the bulb.) 5. Replace the HID control unit with other side control unit or new one. (If headlamps illuminate correctly, replace the control unit.) 	GI MA EM LC
High beam indicator does not work.	<ol style="list-style-type: none"> 1. Bulb 2. Open in high beam circuit 	<ol style="list-style-type: none"> 1. Check bulb in combination meter. 2. Check the following. <ol style="list-style-type: none"> a. Harness between headlamp RH relay and combination meter for an open circuit b. Harness between high beam indicator and lighting switch 	EC FE
Exterior lamp battery saver control does not operate properly.	<ol style="list-style-type: none"> 1. Door switch LH or RH circuit 2. Smart entrance control unit 	<ol style="list-style-type: none"> 1. Check the following. <ol style="list-style-type: none"> a. Harness between smart entrance control unit and LH or RH door switch for open or short circuit b. LH or RH door switch ground circuit c. LH or RH door switch 2. Check smart entrance control unit. (EL-354) 	CL MT

Bulb Replacement

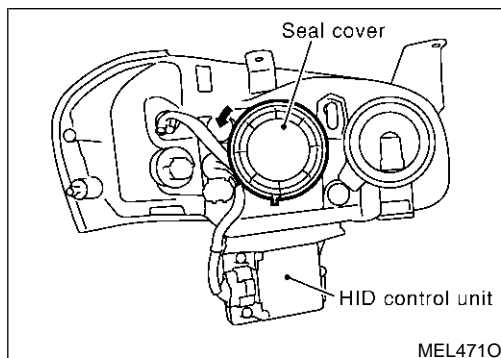
NFEL0269

CAUTION:

- After replacing a new xenon bulb, be sure to make aiming adjustments.
 - Hold only the plastic base when handling the bulb. Never touch the glass envelope.
 - Do not leave headlamp reflector without bulb for a long period of time. Dust, moisture, smoke, etc. entering headlamp body may affect the performance of the headlamp. Remove headlamp bulb from the headlamp reflector just before a replacement bulb is installed.
1. Disconnect negative battery cable.
 2. Disconnect headlamp connector.

WARNING:

Never service a xenon headlamp without disconnecting negative battery cable and with wet hands.



XENON BULB (LOW BEAM)

NFEL0269S01

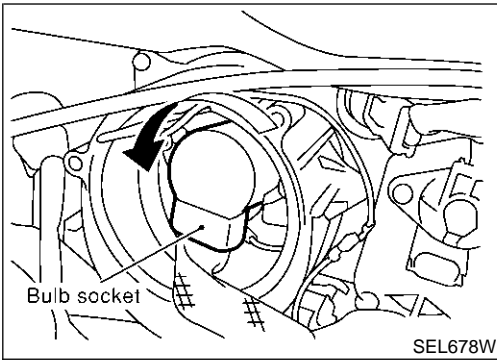
1. Remove headlamp seal cover by turning it counterclockwise.

EL

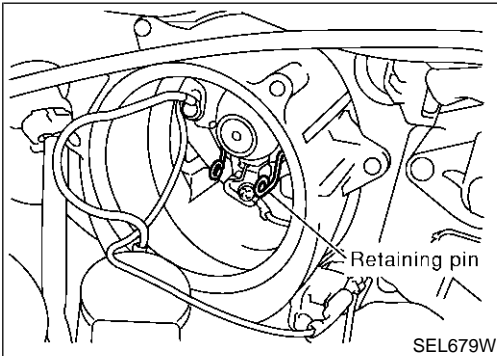
IDX

HEADLAMP (FOR USA)

Bulb Replacement (Cont'd)



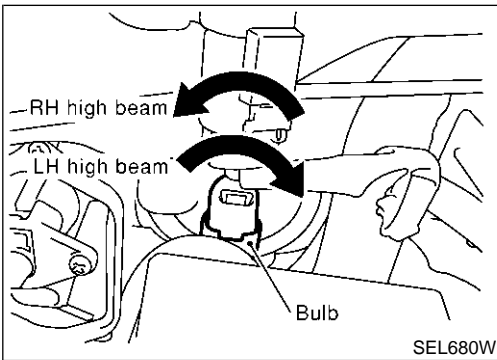
2. Turn bulb socket counterclockwise with keep pushing, then remove it.



3. Release retaining pin.
4. Remove the xenon bulb.
5. Install in the reverse order of removal.

CAUTION:

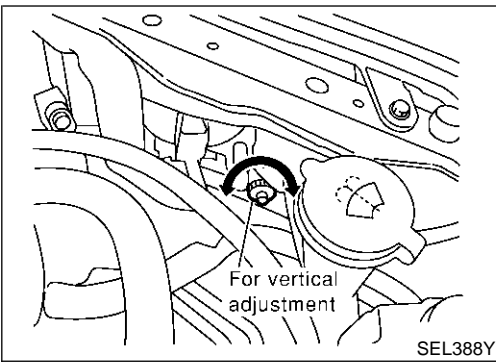
- When disposing of the xenon bulb, do not break it; always dispose of it as is.
- Make sure to install the bulb securely; if the xenon bulb is improperly installed in its socket, high-tension current leaks occur. This may lead to a melted bulb and/or bulb socket.



HIGH BEAM

NFEL0269S02

1. Turn the bulb clockwise (LH high beam) or counterclockwise (RH high beam).
2. Remove the bulb.
3. Install in the reverse order of removal.



Aiming Adjustment

LOW BEAM

1. Turn headlamp low beam on.
 2. Use adjusting screw to perform aiming adjustment.
- **First tighten the adjusting screw all the way and then make adjustment by loosening the screw.**

=NFEL0270

NFEL0270S01

GI

MA

EM

LC

EC

FE

CL

MT

AT

AX

SU

BR

ST

MEL4720

RS

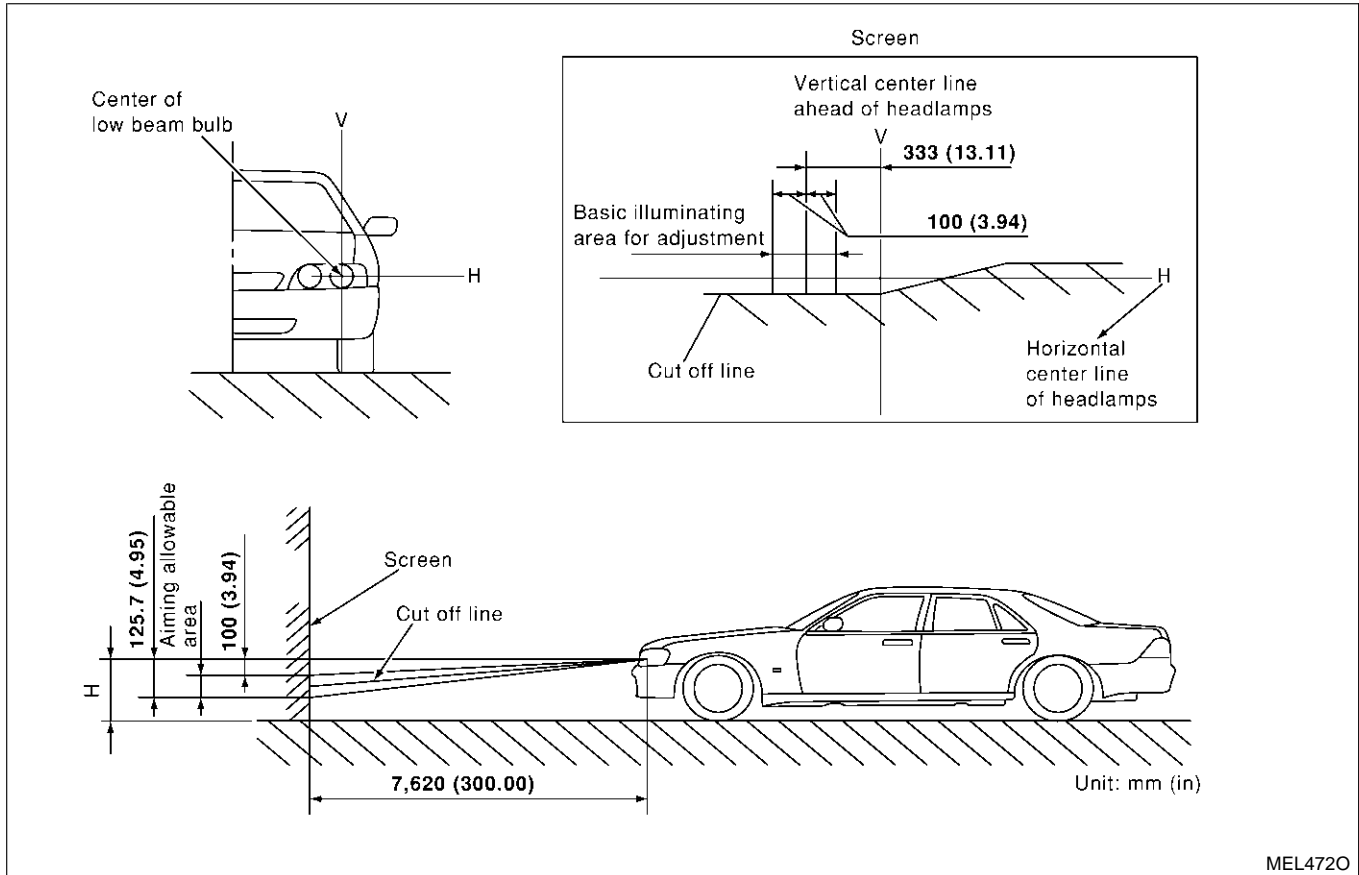
BT

HA

SC

EL

IDX

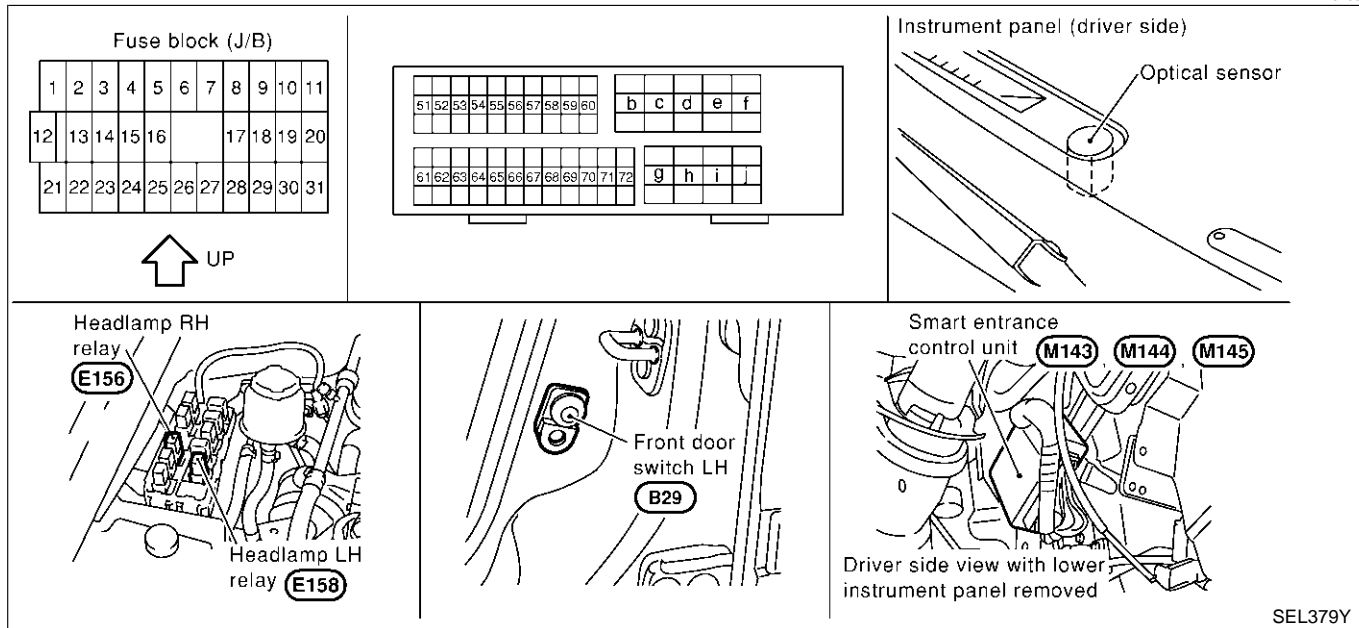


HEADLAMP (FOR CANADA) — DAYTIME LIGHT SYSTEM —

Component Parts and Harness Connector Location

Component Parts and Harness Connector Location

NFEL0203



System Description

NFEL0204

The headlamp system for Canada vehicles contains a daytime light control unit that activates the high beam headlamps at approximately half illumination whenever the engine is running. If the parking brake is applied before the engine is started the daytime lights will not be illuminated. The daytime lights will illuminate once the parking brake is released. Thereafter, the daytime lights will continue to operate when the parking brake is applied.

And battery saver system is controlled by the smart entrance control unit.

Power is supplied at all times

- to headlamp LH relay terminals 1 and 6
- through 20A fuse (No. 54, located in the fuse and fusible link box), and
- to headlamp RH relay terminals 1 and 6
- through 20A fuse (No. 55, located in the fuse and fusible link box), and
- to smart entrance control unit terminal 49
- through 10A fuse [No. 13, located in the fuse block (J/B)].

Ground is supplied

- to daytime light control unit terminal 16
- through body grounds E11, E22 and E53, and
- to smart entrance control unit terminals 43 and 64
- through body grounds M9, M25 and M87.

When the ignition switch is in the ON or START position, power is also supplied

- to daytime light control unit terminal 3
- through 10A fuse [No. 28, located in the fuse block (J/B)], and
- to smart entrance control unit terminal 27
- through 10A fuse [No. 10, located in the fuse block (J/B)].

When the ignition switch is in the ACC or ON position, power is supplied

- to smart entrance control unit terminal 26
- through 10A fuse [No. 1, located in the fuse block (J/B)].

When the ignition switch is in the START position, power is supplied

- to daytime light control unit terminal 2
- through 10A fuse [No. 21, located in the fuse block (J/B)].

HEADLAMP OPERATION

Power Supply to Low Beam and High Beam

NFEL0204S01

NFEL0204S0107

When lighting switch is in 2ND or PASS position, ground is supplied

- to headlamp LH relay terminal 2 from smart entrance control unit terminal 21
- through smart entrance control unit terminal 22
- from lighting switch terminal 12, and
- to headlamp RH relay terminal 2 from smart entrance control unit terminal 59
- through smart entrance control unit terminal 60
- from lighting switch terminal 12.

Headlamp relays (LH and RH) are energized and then power is supplied to headlamps (LH and RH).

Low Beam Operation

NFEL0204S0103

When the lighting switch is turned to 2ND and LOW (“B”) positions, ground is supplied

- to terminal 2 of the headlamp LH
- through body grounds E11, E22 and E53.

Ground is also supplied

- to terminal 2 of the headlamp RH
- through body grounds E11, E22 and E53.

With power and ground supplied, the low beam headlamps illuminate.

High Beam Operation/Flash-to-pass Operation

NFEL0204S0104

When the lighting switch is turned to 2ND and HIGH (“A”) or PASS (“C”) positions, ground is supplied

- to terminal 5 of LH headlamp
- through daytime light control unit terminals 10 and 14, and
- to combination meter terminal 27 for the HIGH BEAM indicator
- through lighting switch terminals 9 and 8
- through body grounds E11, E22 and E53.

Ground is also supplied

- to terminal 5 of RH headlamp
- through daytime light control unit terminals 9 and 13
- through lighting switch terminals 6 and 5
- through body grounds E11, E22 and E53.

With power and ground supplied, the high beam headlamps and HIGH BEAM indicator illuminate.

EXTERIOR LAMP BATTERY SAVER CONTROL

NFEL0204S02

While the headlamp is turned ON by “2ND” of light switch, the 5 minute timer is activated when the ignition switch is turned from ON (or START) to OFF (ACC OFF).

Continuity between terminals 21 and 22, and between terminals 59 and 60 of smart entrance control unit will be disturbed after 5 minutes, then the headlamps will be turned off.

While the headlamp is turned ON by “AUTO” of light switch, the 5 minute timer is activated when the ignition switch signal changes from ON (or START) to OFF (ACC OFF), and either one of LH or RH front door switch ON signal is input.

The auto light delay off timer is activated as the following:

- When the door switch signal changes from ON to OFF while the timer is activated, the timer in operation is discontinued and the 45 second timer is reset.
- When the door switch signal changes from OFF to ON while the timer is activated, the timer is discontinued and the 45 second timer is reset.
- When the one of four door switch signals changes from OFF to ON while the timer is activated, the timer is discontinued and the 5 minute timer is reset.
- When all the door switch ON signals are input while the timer is activated, the timer is discontinued and the 45 second timer is reset.

Exterior lamp battery saver control mode and auto light delay off timer period can be changed by the function setting of CONSULT-II (EL-47).

When the lighting switch is turned from OFF to 2ND after headlamps are turned to off by the battery saver control, ground is supply

GI

MA

EM

LC

EC

FE

CL

MT

AT

AX

SU

BR

ST

RS

BT

HA

SC

EL

IDX

HEADLAMP (FOR CANADA) — DAYTIME LIGHT SYSTEM —

System Description (Cont'd)

- to smart entrance control unit terminals 20 and 58 from lighting switch terminal 11, and then
- to headlamp LH and RH relays terminal 2 from headlamp battery saver control unit terminals 21 and 59
- through smart entrance control unit terminals 22 and 60, and
- through lighting switch terminal 12.

Then headlamps illuminate again.

AUTO LIGHT OPERATION

For auto light operation, refer to “HEADLAMP” (EL-40).

NFEL0204S05

DAYTIME LIGHT OPERATION

With the engine running, the lighting switch in the OFF or 1ST position and parking brake released, power is supplied

NFEL0204S03

- through daytime light control unit terminal 7
- to terminal 4 of RH headlamp
- through terminal 5 of RH headlamp
- to daytime light control unit terminal 9
- through daytime light control unit terminal 6
- to terminal 4 of LH headlamp.

Ground is supplied to terminal 5 of LH headlamp.

- through daytime light control unit terminal 16
- through body grounds E11, E22 and E53.

Because the high beam headlamps are now wired in series, they operate at half illumination.

OPERATION

After starting the engine with the lighting switch in the “OFF” or “1ST” position, the headlamp high beam automatically turns on. Lighting switch operations other than the above are the same as conventional light systems.

NFEL0204S04

Engine		With engine stopped									With engine running								
		OFF			1ST			2ND			OFF			1ST			2ND		
Lighting switch		A	B	C	A	B	C	A	B	C	A	B	C	A	B	C	A	B	C
		Headlamp	High beam	X	X	X	X	X	O	O	X	O	△*	△*	O	△*	△*	O	O
Low beam	X		X	X	X	X	O	O	O	O	X	X	X	X	X	O	O	O	O
Clearance and tail lamp		X	X	X	O	O	O	O	O	O	X	X	X	O	O	O	O	O	O
License and instrument illumination lamp		X	X	X	O	O	O	O	O	O	X	X	X	O	O	O	O	O	O

A: “HIGH BEAM” position

B: “LOW BEAM” position

C: “FLASH TO PASS” position

O : Lamp “ON”

X : Lamp “OFF”

△ : Lamp dims. (Added functions)

*: When starting the engine with the parking brake released, the daytime light will come ON.

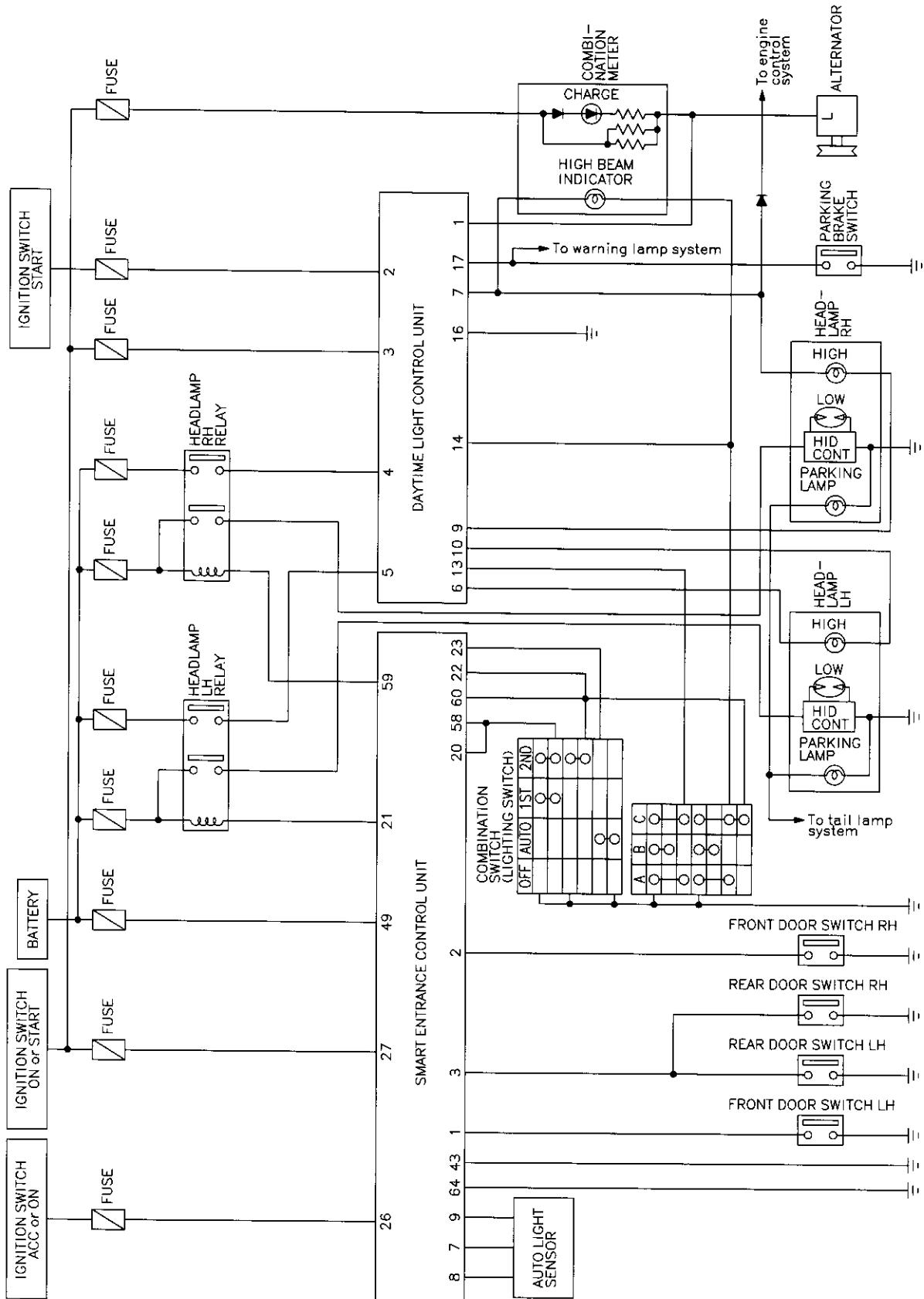
When starting the engine with the parking brake pulled, the daytime light won't come ON.

HEADLAMP (FOR CANADA) — DAYTIME LIGHT SYSTEM —

Schematic

Schematic

NFEL0205



GI
MA
EM
LC
EC
FE
CL
MT
AT
AX
SU
BR
ST
RS
BT
HA
SC
EL
IDX

MEL717P

HEADLAMP (FOR CANADA) — DAYTIME LIGHT SYSTEM —

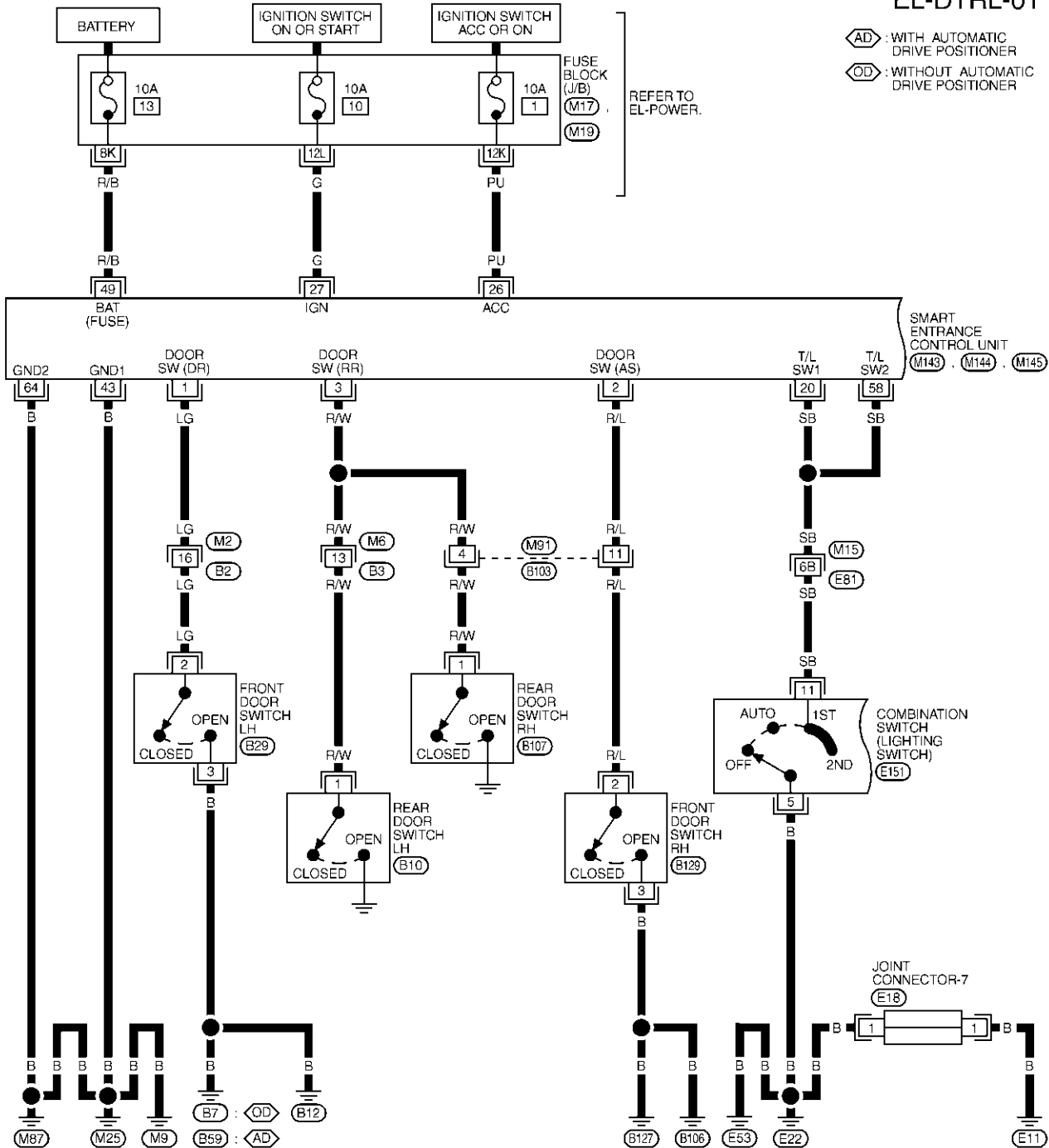
Wiring Diagram — DTRL —

Wiring Diagram — DTRL —

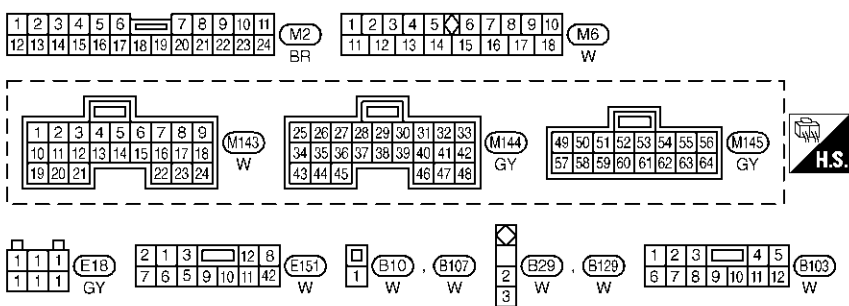
NFEL0020

EL-DTRL-01

- ◊AD : WITH AUTOMATIC DRIVE POSITIONER
- ◊OD : WITHOUT AUTOMATIC DRIVE POSITIONER



SMART ENTRANCE CONTROL UNIT (M143, M144, M145)



REFER TO THE FOLLOWING.
 (M15) - SUPER
 MULTIPLE JUNCTION (SMJ)
 (M17), (M19) - FUSE BLOCK-JUNCTION BOX (J/B)

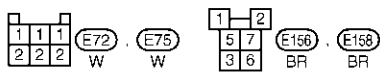
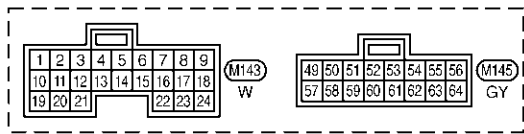
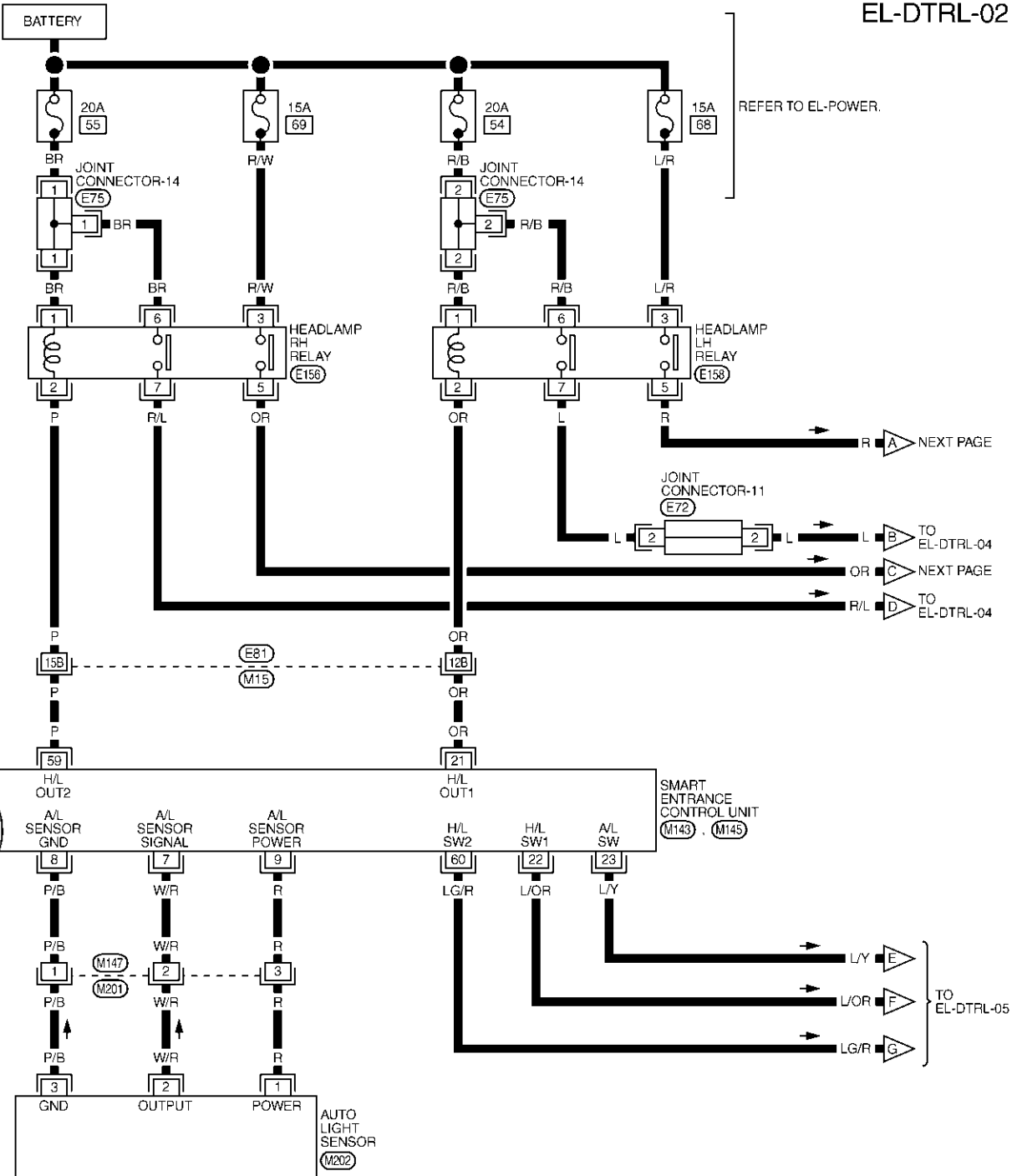


MEL841P

HEADLAMP (FOR CANADA) — DAYTIME LIGHT SYSTEM —

Wiring Diagram — DTRL — (Cont'd)

EL-DTRL-02



REFER TO THE FOLLOWING.
 (M15) - SUPER
 MULTIPLE JUNCTION (SMJ)

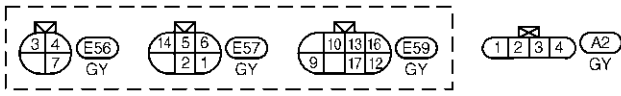
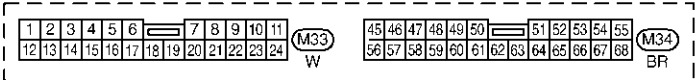
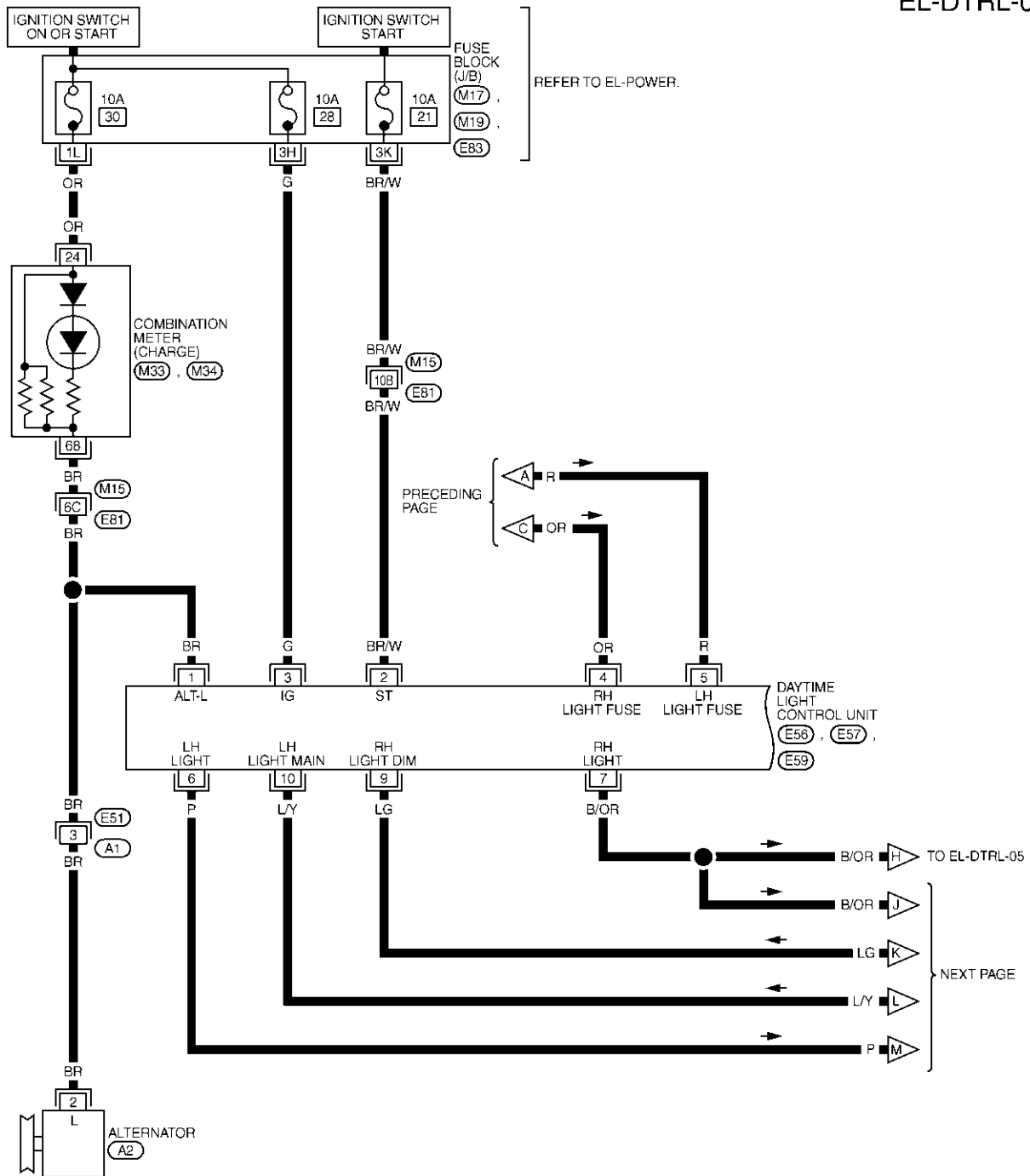
GI
 MA
 EM
 LC
 EC
 FE
 CL
 MT
 AT
 AX
 SU
 BR
 ST
 RS
 BT
 HA
 SC
 EL
 IDX

MEL842P

HEADLAMP (FOR CANADA) — DAYTIME LIGHT SYSTEM —

Wiring Diagram — DTRL — (Cont'd)

EL-DTRL-03



REFER TO THE FOLLOWING.

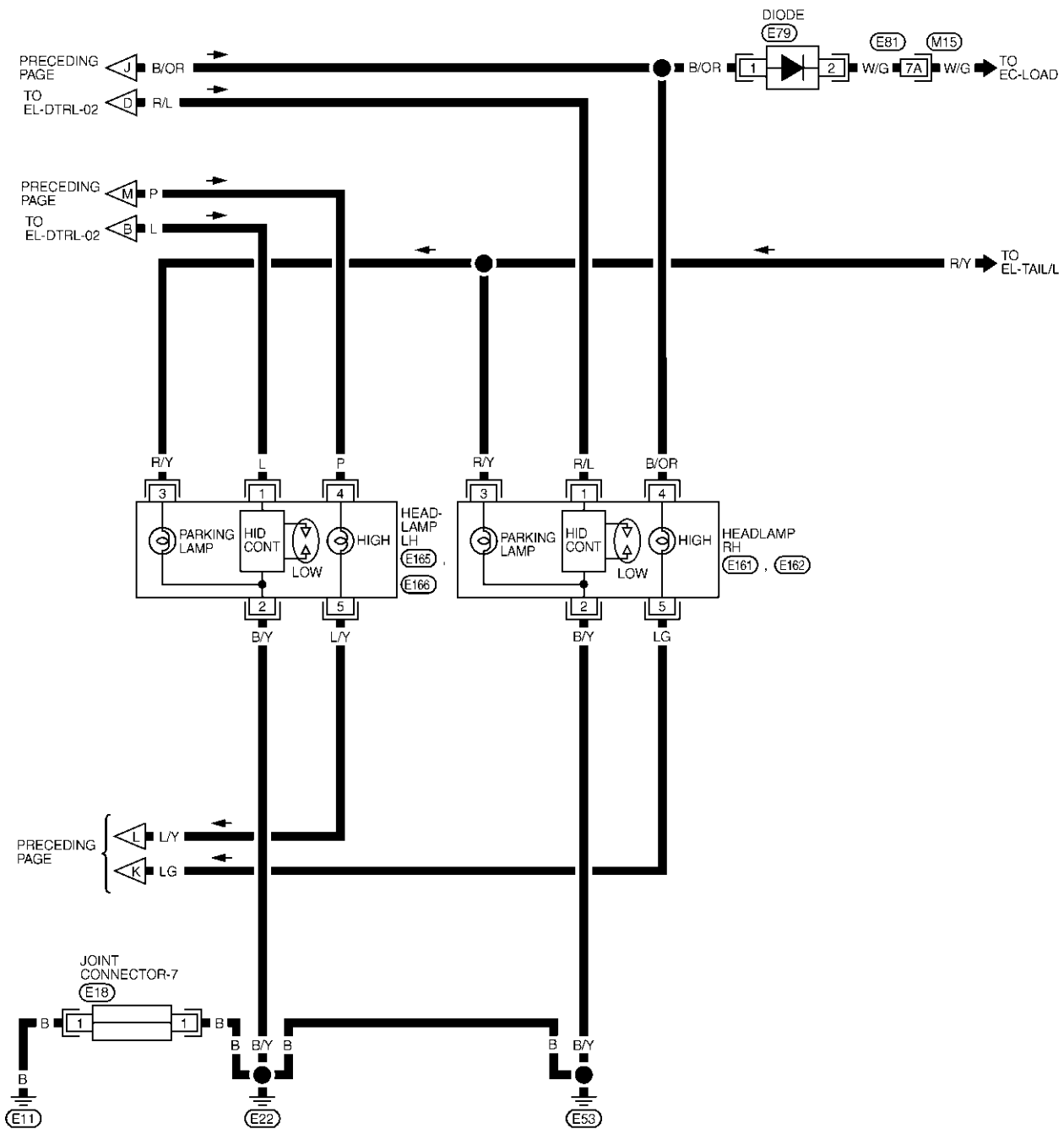
- (M15) -SUPER
- MULTIPLE JUNCTION (SMJ)
- (M17) . (M19) . (E83)
- FUSE BLOCK-
- JUNCTION BOX (J/B)

MEL719P

HEADLAMP (FOR CANADA) — DAYTIME LIGHT SYSTEM —

Wiring Diagram — DTRL — (Cont'd)

EL-DTRL-04



REFER TO THE FOLLOWING:
 (M15) - SUPER
 MULTIPLE JUNCTION (SMJ)

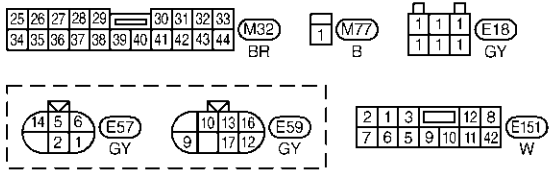
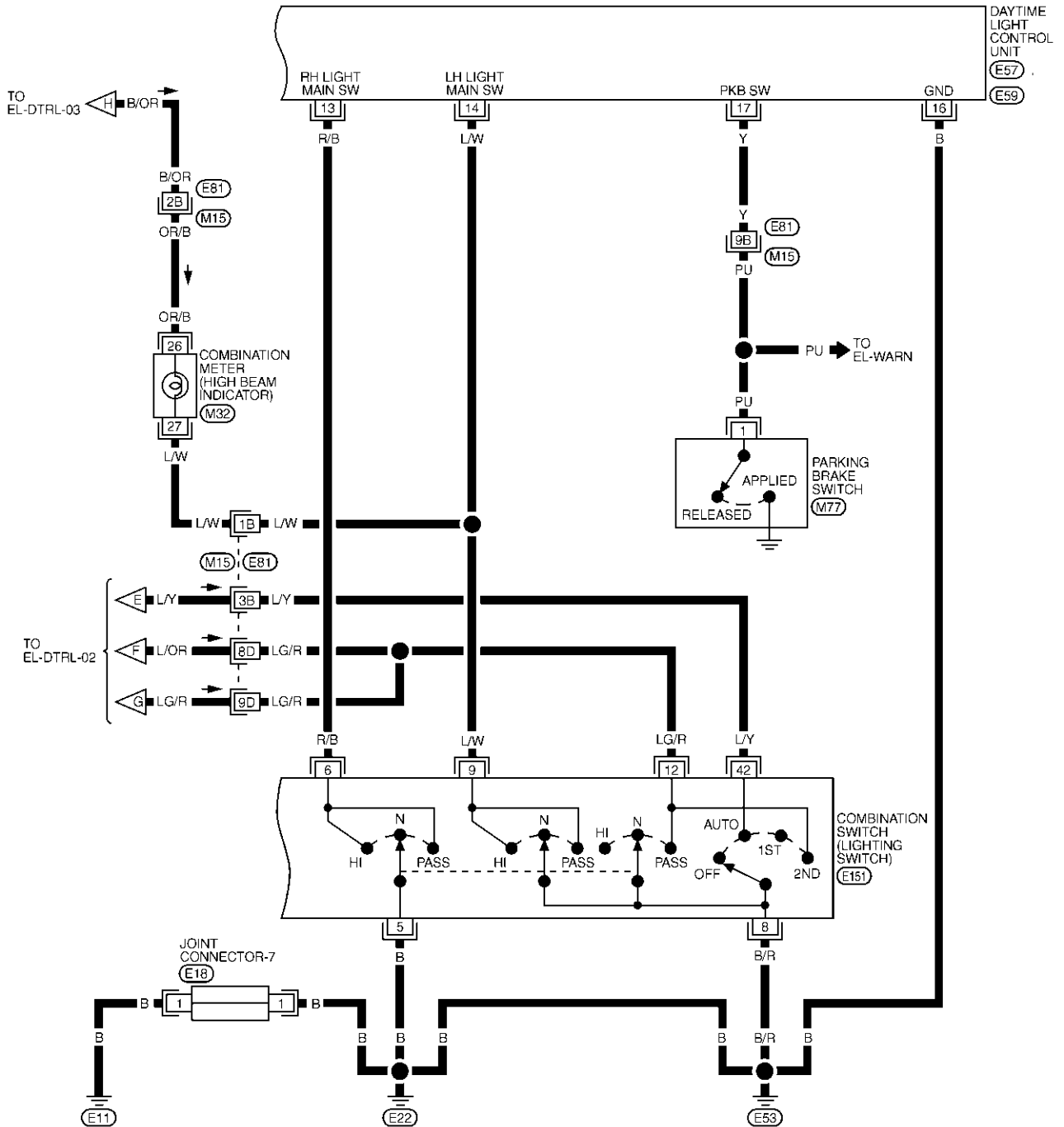
GI
 MA
 EM
 LC
 EC
 FE
 CL
 MT
 AT
 AX
 SU
 BR
 ST
 RS
 BT
 HA
 SC
EL
 IDX

MEL843P

HEADLAMP (FOR CANADA) — DAYTIME LIGHT SYSTEM —

Wiring Diagram — DTRL — (Cont'd)

EL-DTRL-05



REFER TO THE FOLLOWING.
 (M15) -SUPER
 MULTIPLE JUNCTION (SMJ)

MEL844P

Trouble Diagnoses

NFEL0206

WARNING:

- The xenon headlamp has a high-tension current generating area. Be extremely careful when removing and installing. Be certain to disconnect the battery negative cable prior to removing or installing.
- When the xenon headlamp is lit, do not touch the harness (covered with red or amber insulation), bulb itself or the bulb socket with your bare hands.
- Never service a xenon headlamp with wet hands.
- When checking body side harness with a circuit tester, be certain to disconnect the harness connector from the xenon headlamp.
- When the xenon headlamp is lit, the xenon bulb must be installed in the headlamp housing. (Never turn on xenon headlamp, if the bulb is out of the headlamp housing.)

CAUTION:

Make sure to install the bulb securely; if the xenon bulb is improperly installed in its socket, high-tension current leaks occur. This may lead to a melted bulb and/or bulb socket.

Symptom	Possible cause	Repair order
Neither headlamp operates.	<ol style="list-style-type: none"> 1. 10A fuse 2. Lighting switch 3. Smart entrance control unit 	<ol style="list-style-type: none"> 1. Check 10A fuse [No. 13, located in fuse block (J/B)]. Verify battery positive voltage is present at terminal 49 of smart entrance control unit. 2. Check Lighting switch. 3. Check smart entrance control unit. (EL-354)
LH headlamp (low and high beam) does not operate, but RH headlamp (low and high beam) does operate.	<ol style="list-style-type: none"> 1. 20A fuse 2. Headlamp LH relay 3. Headlamp LH relay circuit 4. Lighting switch circuit 5. Smart entrance control unit 	<ol style="list-style-type: none"> 1. Check 20A fuse (No. 54, located in fuse and fusible link box). Verify battery positive voltage is present at terminals 1 and 6 of headlamp LH relay. 2. Check headlamp LH relay. 3. Check harness between headlamp LH relay and smart entrance control unit. 4. Check harness between smart entrance control unit and lighting switch. 5. Check smart entrance control unit. (EL-354)
RH headlamp (low and high beam) does not operate, but LH headlamp (low and high beam) does operate.	<ol style="list-style-type: none"> 1. 20A fuse 2. Headlamp RH relay 3. Headlamp RH relay circuit 4. Lighting switch circuit 5. Smart entrance control unit 	<ol style="list-style-type: none"> 1. Check 20A fuse (No. 55, located in fuse and fusible link box). Verify battery positive voltage is present at terminals 1 and 6 of headlamp RH relay. 2. Check headlamp RH relay. 3. Check harness between headlamp RH relay and smart entrance control unit. 4. Check harness between smart entrance control unit and lighting switch. 5. Check smart entrance control unit. (EL-354)
LH high beam does not operate, but LH low beam operates.	<ol style="list-style-type: none"> 1. Bulb 2. 15A fuse 3. Headlamp LH relay 4. Headlamp LH relay circuit 5. Headlamp LH high beams circuit 6. Lighting switch 7. Lighting switch circuit 8. Daytime light control unit 	<ol style="list-style-type: none"> 1. Check bulb. 2. Check 15A fuse (No. 68, located in fuse and fusible link box). Verify battery positive voltage is present at terminal 3 of headlamp LH relay. 3. Check headlamp LH relay. 4. Check harness between headlamp LH relay and daytime light control unit. 5. Check harness between LH headlamp and lighting switch. 6. Check lighting switch. 7. Check the following. <ol style="list-style-type: none"> a. Harness between daytime light control unit and lighting switch b. Harness between lighting switch and ground 8. Check daytime light control unit.

HEADLAMP (FOR CANADA) — DAYTIME LIGHT SYSTEM —

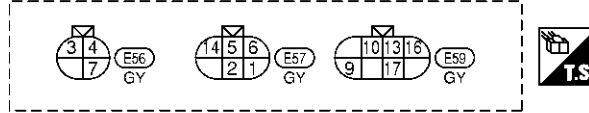
Trouble Diagnoses (Cont'd)

Symptom	Possible cause	Repair order
LH low beam does not operate, but LH high beam operates.	<ol style="list-style-type: none"> 1. Headlamp relay LH 2. Open in the LH low beam circuit 3. LH low beam ground circuit 4. Xenon bulb 5. HID control unit 	<ol style="list-style-type: none"> 1. Check headlamp relay LH. 2. Check harness between headlamp relay LH terminal 7 and LH headlamp for open circuit. 3. Check harness between LH headlamp and ground. 4. Replace the xenon bulb with other side bulb or new one. (If headlamps illuminate correctly, replace the bulb.) 5. Replace the HID control unit with other side control unit or new one. (If headlamps illuminate correctly, replace the control unit.)
RH high beam does not operate, but RH low beam operates.	<ol style="list-style-type: none"> 1. Bulb 2. 15A fuse 3. Headlamp RH relay 4. Headlamp RH relay circuit 5. Open in the RH high beams circuit 6. Lighting switch 7. Lighting switch circuit 8. Daytime light control unit 	<ol style="list-style-type: none"> 1. Check bulb. 2. Check 15A fuse (No. 69, located in fuse and fusible link box). Verify battery positive voltage is present at terminal 3 of headlamp RH relay. 3. Check headlamp RH relay. 4. Check harness between headlamp RH relay and daytime light control unit. 5. Check harness between RH headlamp and lighting switch. 6. Check lighting switch. 7. Check the following. <ol style="list-style-type: none"> a. Harness between daytime control unit and lighting switch b. Harness between lighting switch and ground 8. Check daytime light control unit.
RH low beam does not operate, but RH high beam operates.	<ol style="list-style-type: none"> 1. Headlamp relay RH 2. Open in the RH low beam circuit 3. RH low beam ground circuit 4. Xenon bulb 5. HID control unit 	<ol style="list-style-type: none"> 1. Check headlamp relay RH. 2. Check harness between headlamp relay RH terminal 7 and RH headlamp for open circuit. 3. Check harness between RH headlamp and ground. 4. Replace the xenon bulb with other side bulb or new one. (If headlamps illuminate correctly, replace the bulb.) 5. Replace the HID control unit with other side control unit or new one. (If headlamps illuminate correctly, replace the control unit.)
High beam indicator does not work.	<ol style="list-style-type: none"> 1. Bulb 2. Open in high beam circuit 	<ol style="list-style-type: none"> 1. Check bulb in combination meter. 2. Check the following. <ol style="list-style-type: none"> a. Harness between daytime light control unit and combination meter for an open circuit b. Harness between high beam indicator and lighting switch
Exterior lamp battery saver control does not operate properly.	<ol style="list-style-type: none"> 1. Door switch LH or RH circuit 2. Smart entrance control unit 	<ol style="list-style-type: none"> 1. Check the following. <ol style="list-style-type: none"> a. Harness between smart entrance control unit and LH or RH door switch for open or short circuit b. LH or RH door switch ground circuit c. LH or RH door switch 2. Check smart entrance control unit. (EL-354)
Daytime light control does not operate properly.	<ol style="list-style-type: none"> 1. Bulb 2. Fuse check 3. Parking brake switch 4. Parking brake switch circuit 5. Daytime control unit 	<ol style="list-style-type: none"> 1. Check bulb. 2. Check the following. <ol style="list-style-type: none"> a. 10A fuse [No. 28, located in fuse block (J/B)]. Verify battery positive voltage is present at terminal 3 of daytime light control unit. b. 10A fuse [No. 21, located in fuse block (J/B)]. Verify battery positive voltage is present at terminal 2 of daytime light control unit. 3. Check parking brake switch. 4. Check harness between parking brake switch and daytime light control unit. 5. Check daytime light control unit. (EL-63)

HEADLAMP (FOR CANADA) — DAYTIME LIGHT SYSTEM —

Trouble Diagnoses (Cont'd)




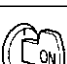

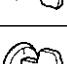
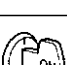

DAYTIME LIGHT CONTROL UNIT CONNECTOR



SEL584Y






DAYTIME LIGHT CONTROL UNIT INSPECTION TABLE

NFEL0206S01

Terminal No.	Wire color	Item	Condition	Voltage (Approximate values)
1	BR	Alternator	 When turning ignition switch to "ON"	Less than 1V
			 When engine is running	Battery voltage
			 When turning ignition switch to "OFF"	Less than 1V
2	BR/W	Start signal	 When turning ignition switch to "ST"	Battery voltage
			 When turning ignition switch to "ON" from "ST"	Less than 1V
			 When turning ignition switch to "OFF"	Less than 1V
3	G	Power source	 When turning ignition switch to "ON"	Battery voltage
			 When turning ignition switch to "ST"	Battery voltage
			 When turning ignition switch to "OFF"	Less than 1V
4	OR	Power source	 When turning ignition switch to "ON"	Battery voltage
			 When turning ignition switch to "OFF"	Battery voltage
5	R	Power source	 When turning ignition switch to "ON"	Battery voltage
			 When turning ignition switch to "OFF"	Battery voltage

HEADLAMP (FOR CANADA) — DAYTIME LIGHT SYSTEM —

Trouble Diagnoses (Cont'd)

Terminal No.	Wire color	Item	Condition		Voltage (Approximate values)
6	P	LH hi beam		When lighting switch is turned to the 2ND position with "HI BEAM" position	Battery voltage
				When releasing parking brake with engine running and turning lighting switch to "OFF" (daytime light operation) CAUTION: Block wheels and ensure selector lever is in N or P position.	Approx. half battery voltage
7	B/OR	RH hi beam		When lighting switch is turned to the 2ND position with "HI BEAM" position	Battery voltage
				When releasing parking brake with engine running and turning lighting switch to "OFF" (daytime light operation) CAUTION: Block wheels and ensure selector lever is in N or P position.	Approx. half battery voltage
9	LG	RH hi beam (ground)		When lighting switch is turned to the 2ND position with "HI BEAM" position	Less than 1V
				When releasing parking brake with engine running and turning lighting switch to "OFF" (daytime light operation) CAUTION: Block wheels and ensure selector lever is in N or P position.	Approx. half battery voltage
10	L/Y	LH hi beam (ground)		When lighting switch is turned to the 2ND position with "HI BEAM" position	Less than 1V
				When releasing parking brake with engine running and turning lighting switch to "OFF" (daytime light operation) CAUTION: Block wheels and ensure selector lever is in N or P position.	Approx. half battery voltage
13	R/B	Lighting switch (Hi beam)		When turning lighting switch to "HI BEAM"	Battery voltage
14	L/W			When turning lighting switch to "FLASH TO PASS"	Battery voltage
16	B	Ground		—	—
17	Y	Parking brake switch		When parking brake is released	Battery voltage
				When parking brake is set	Less than 1.5V

Bulb Replacement

Refer to "HEADLAMP (FOR USA)" (EL-49).

NFEL0022

Aiming Adjustment

Refer to “HEADLAMP (FOR USA)” (EL-51).

NFEL0023

GI

MA

EM

LC

EC

FE

CL

MT

AT

AX

SU

BR

ST

RS

BT

HA

SC

EL

IDX

PARKING, LICENSE AND TAIL LAMPS

System Description

System Description

NFEL0256

The parking, license and tail lamp operation is controlled by the lighting switch which is built into the combination switch and smart entrance control unit. The battery saver system is controlled by the smart entrance control unit.

Power is supplied at all times

- to tail lamp relay terminals 1 and 3
- through 10A fuse (No. 60, located in the fuse and fusible link box), and
- to smart entrance control unit terminal 49
- through 10A fuse [No. 13, located in the fuse block (J/B)].

When ignition switch is in ON or START position, power is supplied

- to smart entrance control unit terminal 27
- through 10A fuse [No. 10, located in the fuse block (J/B)].

When the ignition switch is in the ACC or ON position, power is supplied

- to smart entrance control unit terminal 26
- through 10A fuse [No. 1, located in the fuse block (J/B)].

Ground is supplied to smart entrance control unit terminals 43 and 64

- through body grounds M9, M25 and M87.

LIGHTING OPERATION BY LIGHTING SWITCH

NFEL0256S01

When lighting switch is in 1ST (or 2ND) position, ground is supplied

- to tail lamp relay terminal 2 from smart entrance control unit terminals 19 and 57
- through smart entrance control unit terminals 20 and 58, and
- through lighting switch and body grounds E11, E22 and E53.
- to stop and tail lamp unit terminal 6
- through body grounds T6 and T8.

Tail lamp relay is energized and power is supplied

- to stop and tail lamp unit terminal 4
- through tail lamp relay terminal 5
- to each rear combination lamp terminals 1
- through stop and tail lamp unit terminal 3.

When the tail lamp illuminates, ground is supplied

- through body grounds T6 and T8
- to each rear combination lamp terminal 6.

Tail lamp relay is then energized and the parking, license, side marker and tail lamps illuminate.

LIGHTING OPERATION BY AUTO LIGHT CONTROL SYSTEM

NFEL0256S02

When lighting switch is in AUTO position, ground is supplied

- to tail lamp relay terminal 2 from smart entrance control unit terminals 19 and 57
- through smart entrance control unit terminals 43 and 64, and
- to body grounds M9, M25 and M87.

Tail lamp relay is then energized and the parking, license, side marker and tail lamps illuminate.

EXTERIOR LAMP BATTERY SAVER CONTROL

NFEL0256S03

While parking, license, side marker and tail lamps are turned ON by "1ST" or "2ND" of lighting switch, the 5 minutes timer is activated when the ignition switch is turned from ON (or START) to OFF (ACC OFF).

Continuity between terminals 19 and 20, and between terminals 57 and 58 of smart entrance control unit will be disturbed after 5 minutes, then the headlamps will be turned off.

Then the parking, license, side marker and tail lamps are turned off.

While the headlamp is turned ON by "AUTO" of lighting switch, the 5 minute timer is activated when the ignition switch signal changes from ON (or START) to OFF (ACC OFF), and either one of LH or RH front door switch ON signal is input.

The auto light delay off timer is activated as the following:

- When the door switch signal changes from ON to OFF while the timer is activated, the timer in operation is discontinued and the 45 second timer is reset.

PARKING, LICENSE AND TAIL LAMPS

System Description (Cont'd)

- When the door switch signal changes from OFF to ON while the timer is activated, the timer is discontinued and the 45 second timer is reset.
- When the one of four door switch signals changes from OFF to ON while the timer is activated, the timer is discontinued and the 5 minute timer is reset. GI
- When all the door switch ON signals are input while the timer is activated, the timer is discontinued and the 45 second timer is reset. MA

Exterior lamp battery saver control mode and auto light delay off timer period can be changed by the function setting of CONSULT-II (EL-47).

When the lighting switch is turned from OFF to 1ST (or 2ND) after the parking, license, side marker and tail lamps are turned off by the battery saver control, ground is supplied. EM

- to smart entrance control unit terminals 20 and 58 from lighting switch terminal 11, and LC
- to tail lamp relay terminal 2 from smart entrance control unit terminals 19 and 57.

Then the parking, license, side marker and tail lamps illuminate again. EC

FE

CL

MT

AT

AX

SU

BR

ST

RS

BT

HA

SC

EL

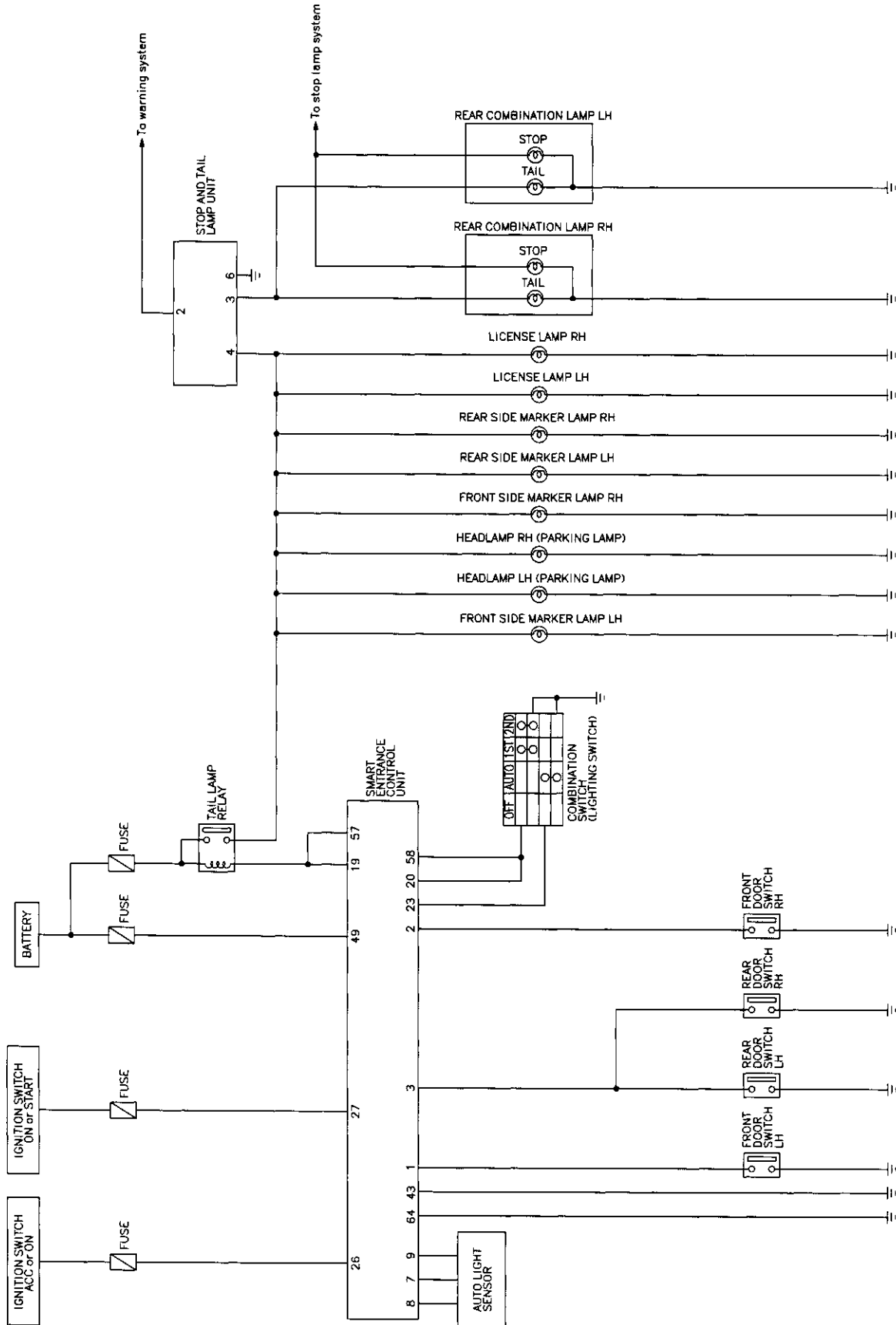
IDX

PARKING, LICENSE AND TAIL LAMPS

Schematic

NFEL0208

Schematic



MEL721P

PARKING, LICENSE AND TAIL LAMPS

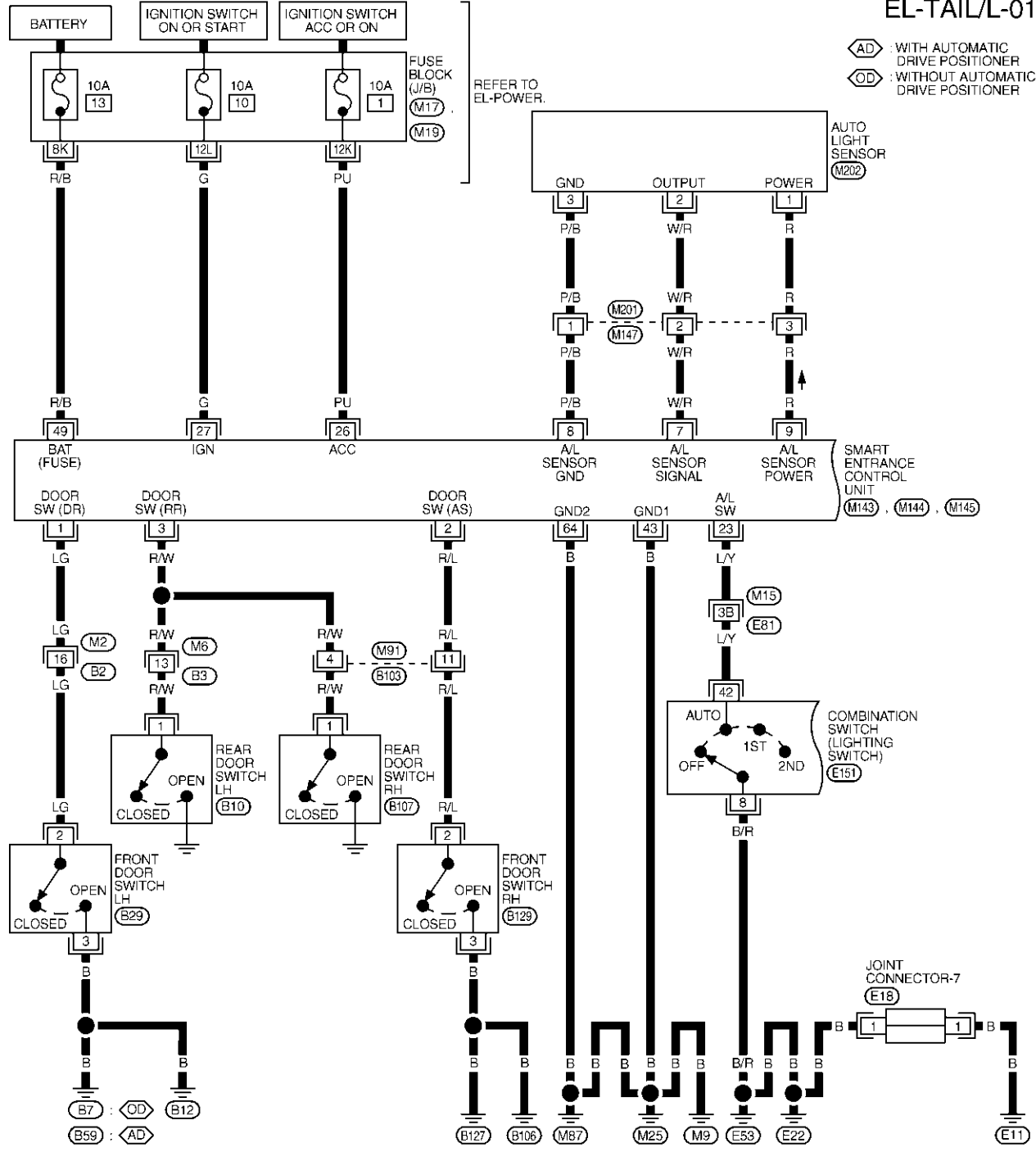
Wiring Diagram — TAIL/L —

Wiring Diagram — TAIL/L —

NFEL0024

EL-TAIL/L-01

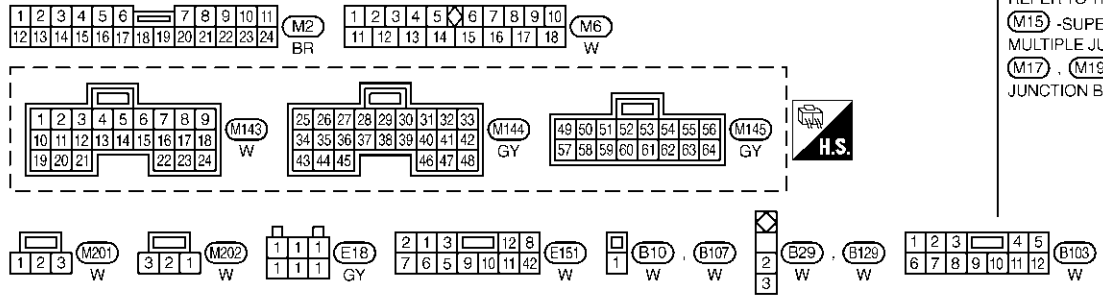
GI
MA
EM
LC
EC
FE
CL
MT
AT
AX
SU
BR
ST
RS
BT
HA
SC
EL
IDX



(AD) : WITH AUTOMATIC DRIVE POSITIONER
 (OD) : WITHOUT AUTOMATIC DRIVE POSITIONER

REFER TO EL-POWER.

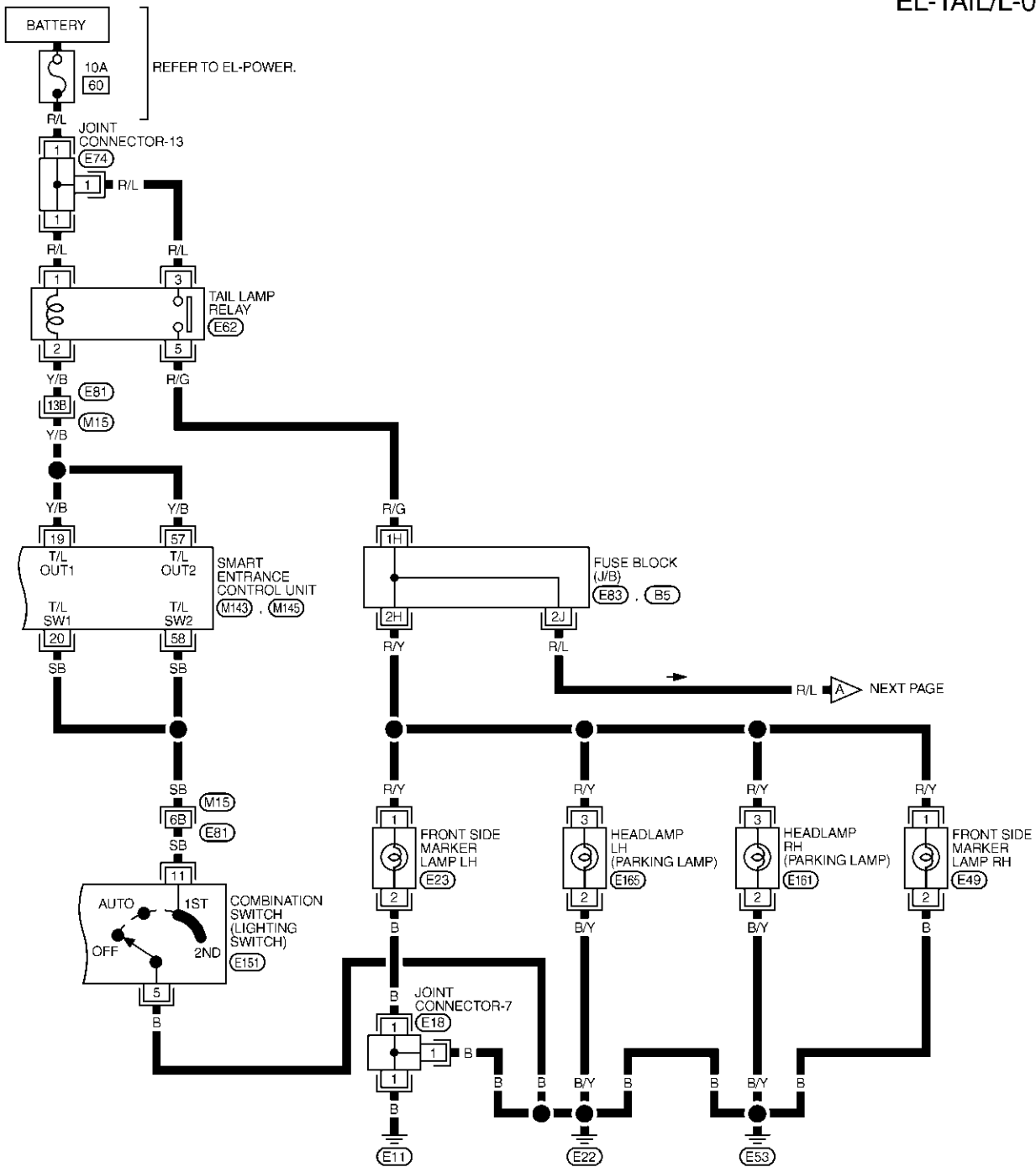
REFER TO THE FOLLOWING.
 (M15) -SUPER MULTIPLE JUNCTION (SMJ)
 (M17) . (M19) -FUSE BLOCK-JUNCTION BOX (J/B)



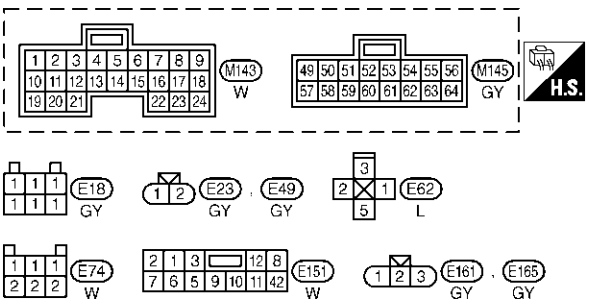
PARKING, LICENSE AND TAIL LAMPS

Wiring Diagram — TAIL/L — (Cont'd)

EL-TAIL/L-02



REFER TO THE FOLLOWING:
 (M15) -SUPER
 MULTIPLE JUNCTION (SMJ)
 (E83) , (B5) -FUSE BLOCK-
 JUNCTION BOX (J/B)

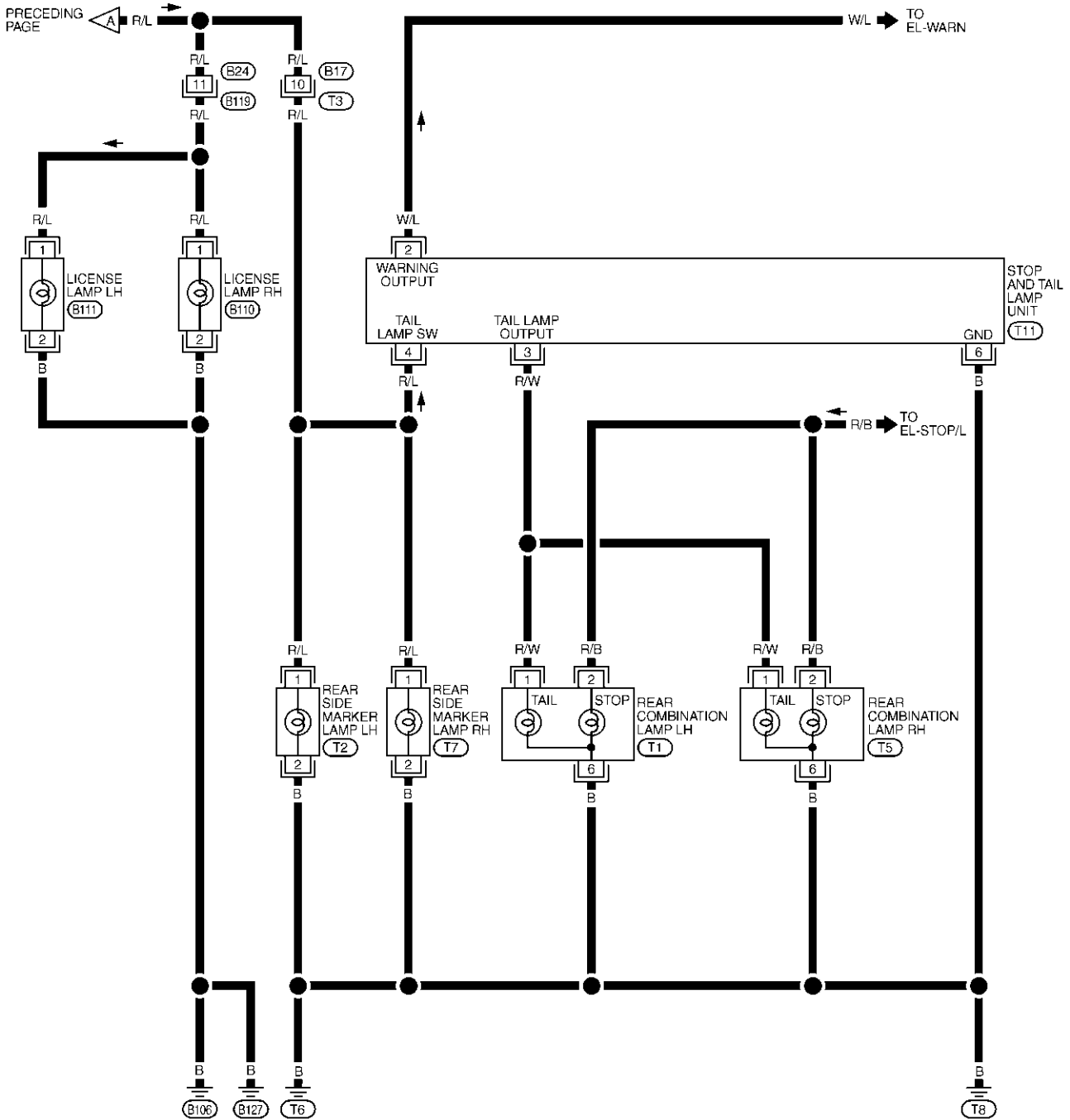


MEL846P

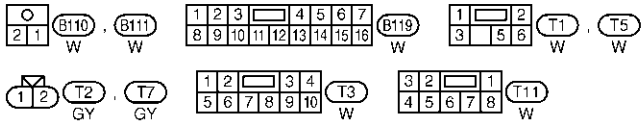
PARKING, LICENSE AND TAIL LAMPS

Wiring Diagram — TAIL/L — (Cont'd)

EL-TAIL/L-03



GI
MA
EM
LC
EC
FE
CL
MT
AT
AX
SU
BR
ST
RS
BT
HA
SC
EL
IDX

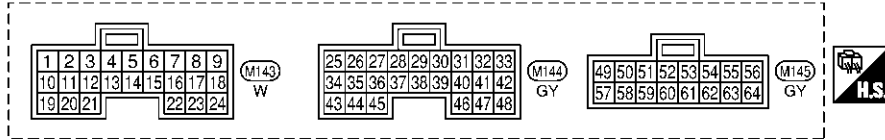


MEL847P

PARKING, LICENSE AND TAIL LAMPS

Wiring Diagram — TAIL/L — (Cont'd)

SMART ENTRANCE CONTROL UNIT CONNECTOR



SMART ENTRANCE CONTROL UNIT TERMINALS AND REFERENCE VALUE BETWEEN EACH TERMINAL AND GROUND

TERMINAL	WIRE COLOR	ITEM	CONDITION		DATA (DC)	
1	LG	DRIVER DOOR SWITCH	OFF (CLOSED) → ON (OPEN)		12V → 0V	
2	R/L	PASSENGER DOOR SWITCH	OFF (CLOSED) → ON (OPEN)		5V → 0V	
3	R/W	REAR DOOR SWITCH	OFF (CLOSED) → ON (OPEN)		5V → 0V	
7	W/R	AUTO LIGHT SENSOR (SIGNAL)	IGNITION SWITCH "ON" POSITION	LIGHT IS APPLIED TO AUTO LIGHT SENSOR LIGHT IS NOT APPLIED TO AUTO LIGHT SENSOR	1 TO 5V LESS THAN 1V	
8	P/B	AUTO LIGHT SENSOR (GND)	-		-	
9	R	AUTO LIGHT SENSOR (POWER)	IGNITION SWITCH (OFF → ON)		0V → 5V	
19	Y/B	TAIL LAMP RELAY (Out put)	IGNITION SWITCH (WITH LIGHTING SWITCH 1ST OR 2ND)	ON OR START → OFF	MORE THAN 5 MINUTES WITHIN 5 MINUTES	12V 0V
			ON OR START			0V
			HEADLAMPS ILLUMINATE BY AUTO LIGHT CONTROL (OPERATE → NOT OPERATE)			LESS THAN 1V → 12V
20	SB	TAIL LAMP SWITCH	LIGHTING SWITCH (OFF OR AUTO → 1ST OR 2ND POSITION)		12V → 0V	
23	L/Y	HEADLAMP SWITCH	IGNITION SWITCH "ON" POSITION	LIGHTING SWITCH (EXCEPT AUTO → AUTO POSITION)	12V → 0V	
26	PU	IGNITION SWITCH (ACC)	"ACC" POSITION		12V	
27	G	IGNITION SWITCH (ON)	IGNITION SWITCH IS IN "ON" POSITION		12V	
43	B	GROUND	-		-	
49	R/B	POWER SOURCE (FUSE)	-		12V	
57	Y/B	TAIL LAMP RELAY	IGNITION SWITCH (WITH LIGHTING SWITCH 1ST OR 2ND)	ON OR START → OFF	MORE THAN 5 MINUTES WITHIN 5 MINUTES	12V 0V
			ON OR START			0V
			HEADLAMPS ILLUMINATE BY AUTO LIGHT CONTROL (OPERATE → NOT OPERATE)			LESS THAN 1V → 12V
58	SB	TAIL LAMP SWITCH	LIGHTING SWITCH (OFF OR AUTO → 1ST OR 2ND POSITION)		12V → 0V	
64	B	GROUND	-		-	

SEL585Y

NOTE:

For CONSULT-II Inspection Procedure, refer to "HEADLAMP (FOR USA)" (EL-46).

For CONSULT-II Application Items, refer to "HEADLAMP (FOR USA)" (EL-47).

PARKING, LICENSE AND TAIL LAMPS

Trouble Diagnoses

Trouble Diagnoses

=NFEL0257

Symptom	Possible cause	Repair order	
No lamps operate (including head-lamps).	<ol style="list-style-type: none"> 10A fuse Lighting switch Smart entrance control unit 	<ol style="list-style-type: none"> Check 10A fuse [No. 13, located in fuse block (J/B)]. Verify battery positive voltage is present at terminal 49 of smart entrance control unit. Check lighting switch. Check smart entrance control unit. (EL-354) 	GI MA EM
No parking, side marker, license and tail lamps operate, but head-lamps do operate.	<ol style="list-style-type: none"> 10A fuse Tail lamp relay Tail lamp relay circuit Lighting switch Lighting switch circuit Smart entrance control unit 	<ol style="list-style-type: none"> Check 10A fuse (No. 60, located in fuse and fusible link box). Verify battery positive voltage is present at terminals 1 and 3 of tail lamp relay. Check tail lamp relay. Check harness between smart entrance control unit terminals 19 and 57 and tail lamp relay terminal 2. Check harness between tail lamp relay terminal 5 and ground. Check lighting switch. Check harness between lighting switch terminal 11 and smart entrance control unit terminals 20 and 58. Check harness between lighting switch terminal 5 and ground. Check smart entrance control unit. (EL-354) 	LC EC FE CL
Tail lamp only does not operate.	<ol style="list-style-type: none"> Tail lamp relay circuit Rear combination lamp circuit Stop and tail lamp unit 	<ol style="list-style-type: none"> Check harness between tail lamp relay terminal 5 and stop and tail lamp unit terminal 4. Check harness between each rear combination lamp terminal 1 and stop and tail lamp unit terminal 3. Check stop and tail lamp unit. 	MT AT
Exterior lamp battery saver control does not operate properly.	<ol style="list-style-type: none"> Door switch LH or RH circuit Smart entrance control unit 	<ol style="list-style-type: none"> Check the following. <ol style="list-style-type: none"> Harness between smart entrance control unit and LH or RH door switch for open or short circuit LH or RH door switch ground circuit LH or RH door switch Check smart entrance control unit. (EL-354) 	AX SU

BR

ST

RS

BT

HA

SC

EL

IDX

STOP LAMP

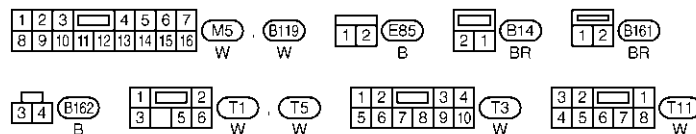
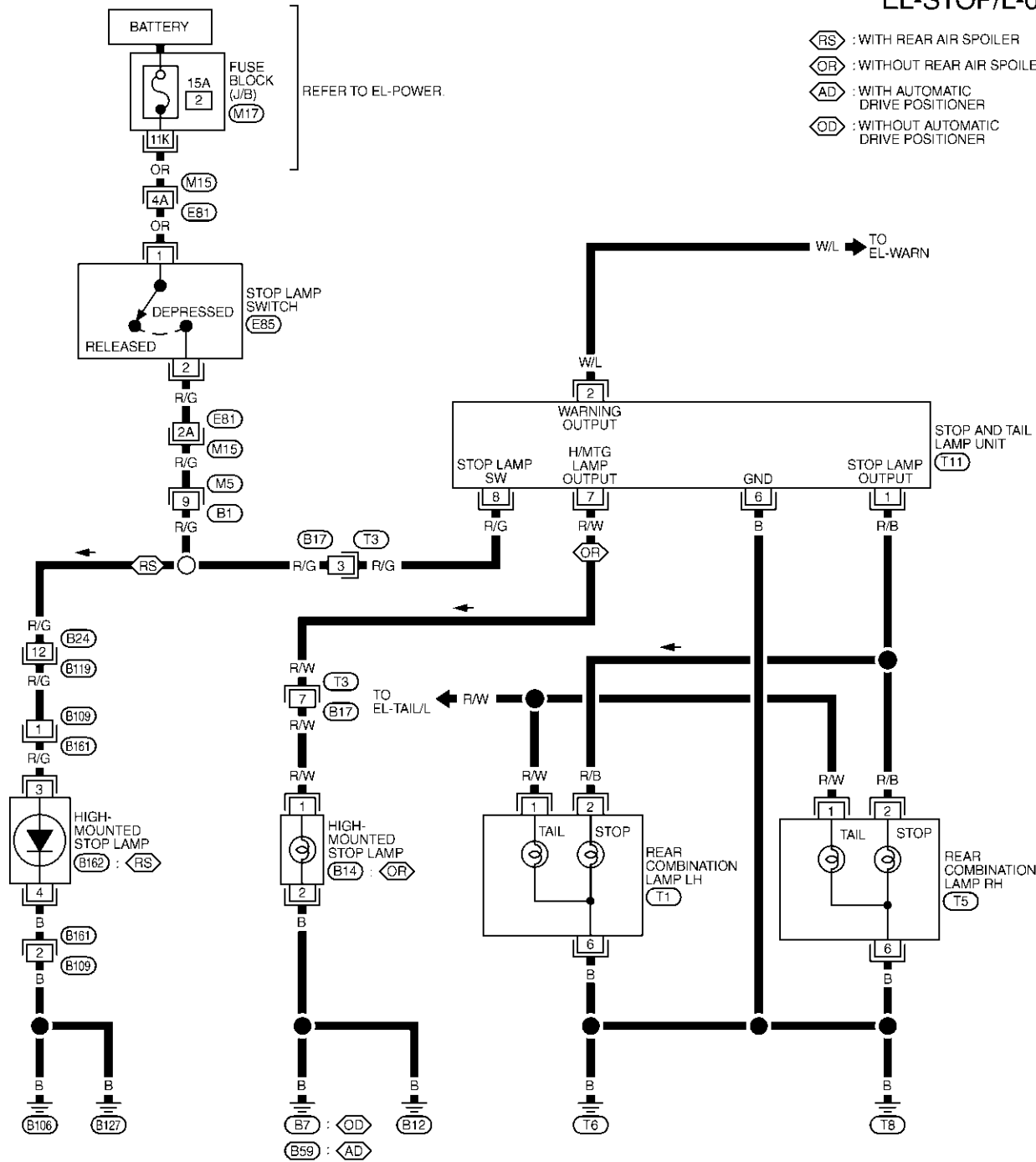
Wiring Diagram — STOP/L —

Wiring Diagram — STOP/L —

NFEL0025

EL-STOP/L-01

- RS : WITH REAR AIR SPOILER
- OR : WITHOUT REAR AIR SPOILER
- AD : WITH AUTOMATIC DRIVE POSITIONER
- OD : WITHOUT AUTOMATIC DRIVE POSITIONER



REFER TO THE FOLLOWING.
M15 -SUPER
 MULTIPLE JUNCTION (SMJ)
M17 -FUSE BLOCK-
 JUNCTION BOX (J/B)

MEL848P

BACK-UP LAMP

Wiring Diagram — BACK/L —

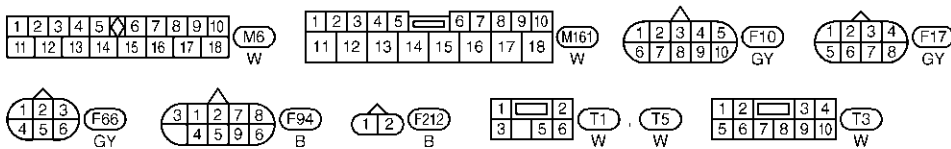
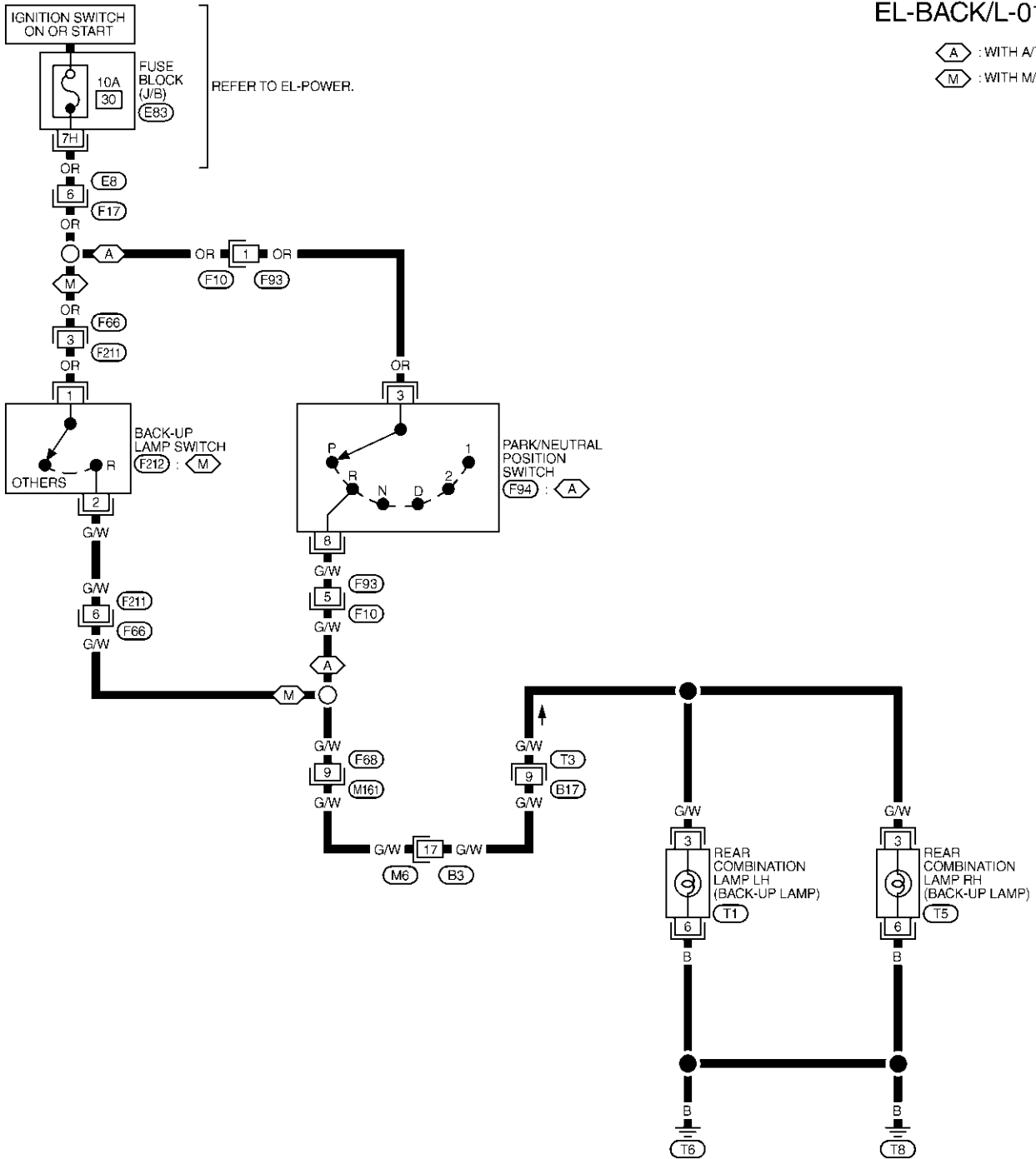
Wiring Diagram — BACK/L —

NFEL0026

EL-BACK/L-01

⬡ : WITH A/T
⬢ : WITH M/T

GI
MA
EM
LC
EC
FE
CL
MT
AT
AX
SU
BR
ST
RS
BT
HA



REFER TO THE FOLLOWING.
E83 - FUSE BLOCK-
JUNCTION BOX (J/B)

SC
EL
IDX

MEL849P

FRONT FOG LAMP

System Description

System Description

NFEL0164

NFEL0164S01

OUTLINE

Power is supplied at all times

- to headlamp LH relay terminals 1 and 6
- through 20A fuse (No. 54, located in the fuse and fusible link box) and
- to smart entrance control unit terminal 49
- through 10A fuse [No. 13, located in the fuse block (J/B)], and
- to front fog lamp relay terminal 3
- through 15A fuse [No. 6, located in the fuse block (J/B)].

When ignition switch is in ON or START position, power is supplied

- to smart entrance control unit terminal 27
- through 10A fuse [No. 10, located in the fuse block (J/B)].

When the ignition switch is in the ACC or ON position, power is supplied

- to smart entrance control unit terminal 26
- through 10A fuse [No. 1, located in the fuse block (J/B)].

Ground is supplied to smart entrance control unit terminals 43 and 64.

When lighting switch is in 2ND position, ground is supplied

- to headlamp LH relay terminal 2 from smart entrance control unit terminal 21.
- through smart entrance control unit terminals 22 and 60, and
- through lighting switch, and body grounds E11, E22 and E53.

Headlamp LH relay is then energized.

FOG LAMP OPERATION

NFEL0164S02

The fog lamp switch is built into the combination switch. The lighting switch must be in the 2ND position for fog lamp operation.

With the fog lamp switch in the ON position, ground is supplied

- to fog lamp relay terminal 2
- through the fog lamp switch and body grounds E11, E22 and E53.

The fog lamp relay is energized and power is supplied

- from fog lamp relay terminal 5
- to terminal 2 of each fog lamp.

Ground is supplied to terminal 1 of each fog lamp through body grounds E11, E22 and E53.

With power and ground supplied, the fog lamps illuminate.

EXTERIOR LAMP BATTERY SAVER CONTROL

NFEL0164S03

Fog lamps will remain on for a short while after the ignition switch is turned OFF (ACC OFF) from ON (or START).

Continuity between terminals 21 and 60 of smart entrance control unit will be disturbed after 5 minutes, then the headlamps will be turned off.

Then fog lamps are turned to off.

Exterior lamp battery saver control mode can be changed by the function setting of CONSULT-II (EL-47).

When the lighting switch is turned from OFF to 2ND after fog lamps are turned off by the battery saver control, ground is supplied

- to smart entrance control unit terminals 20 and 58 from lighting switch terminal 11, and then
- to headlamp LH relay terminal 2 from smart entrance control unit terminal 21
- through smart entrance control unit terminals 22 and 60 from lighting switch terminal 12.

Then the fog lamps illuminate again.

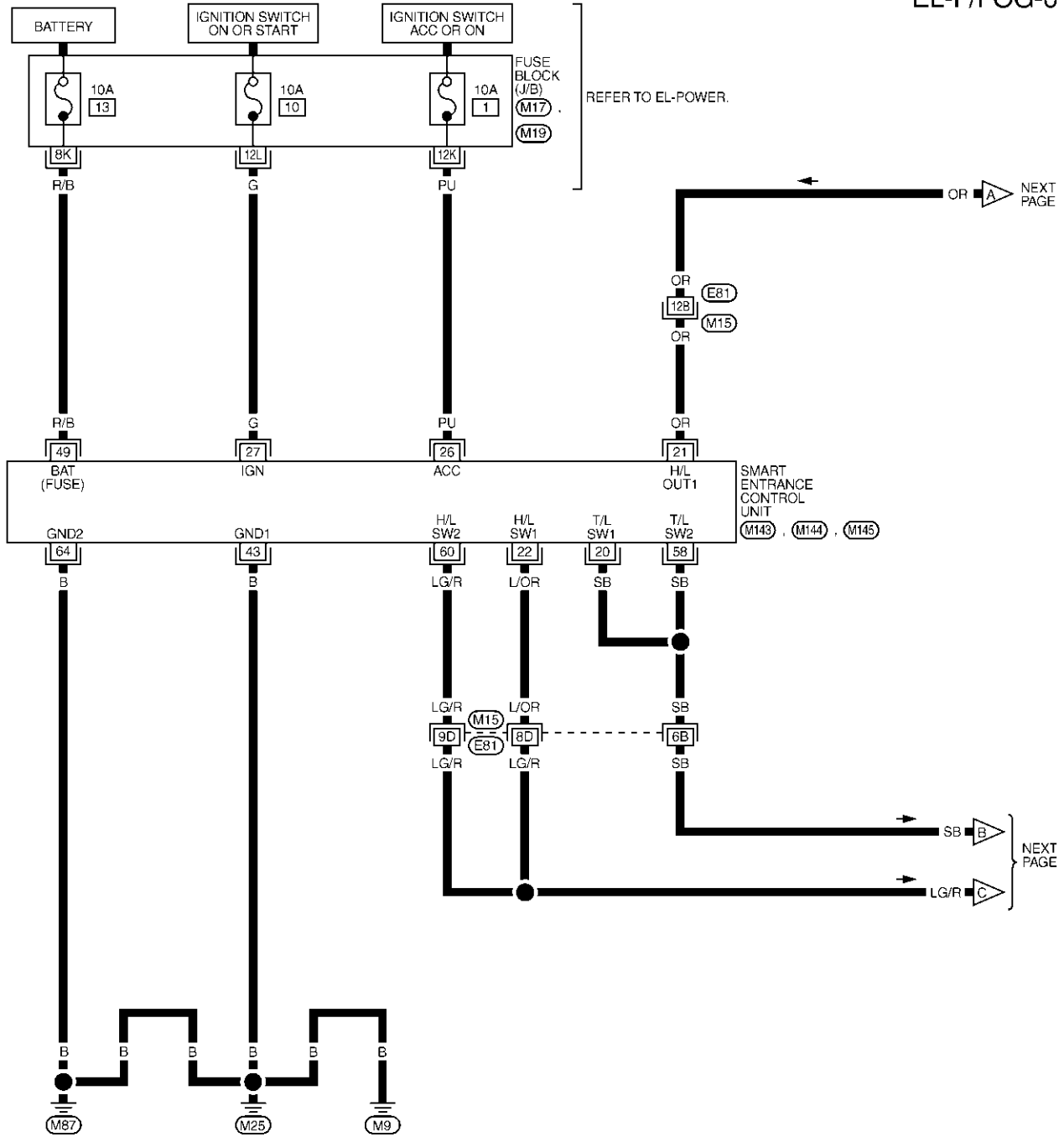
FRONT FOG LAMP

Wiring Diagram — F/FOG —

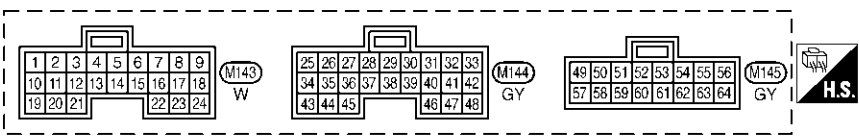
Wiring Diagram — F/FOG —

NFEL0028

EL-F/FOG-01



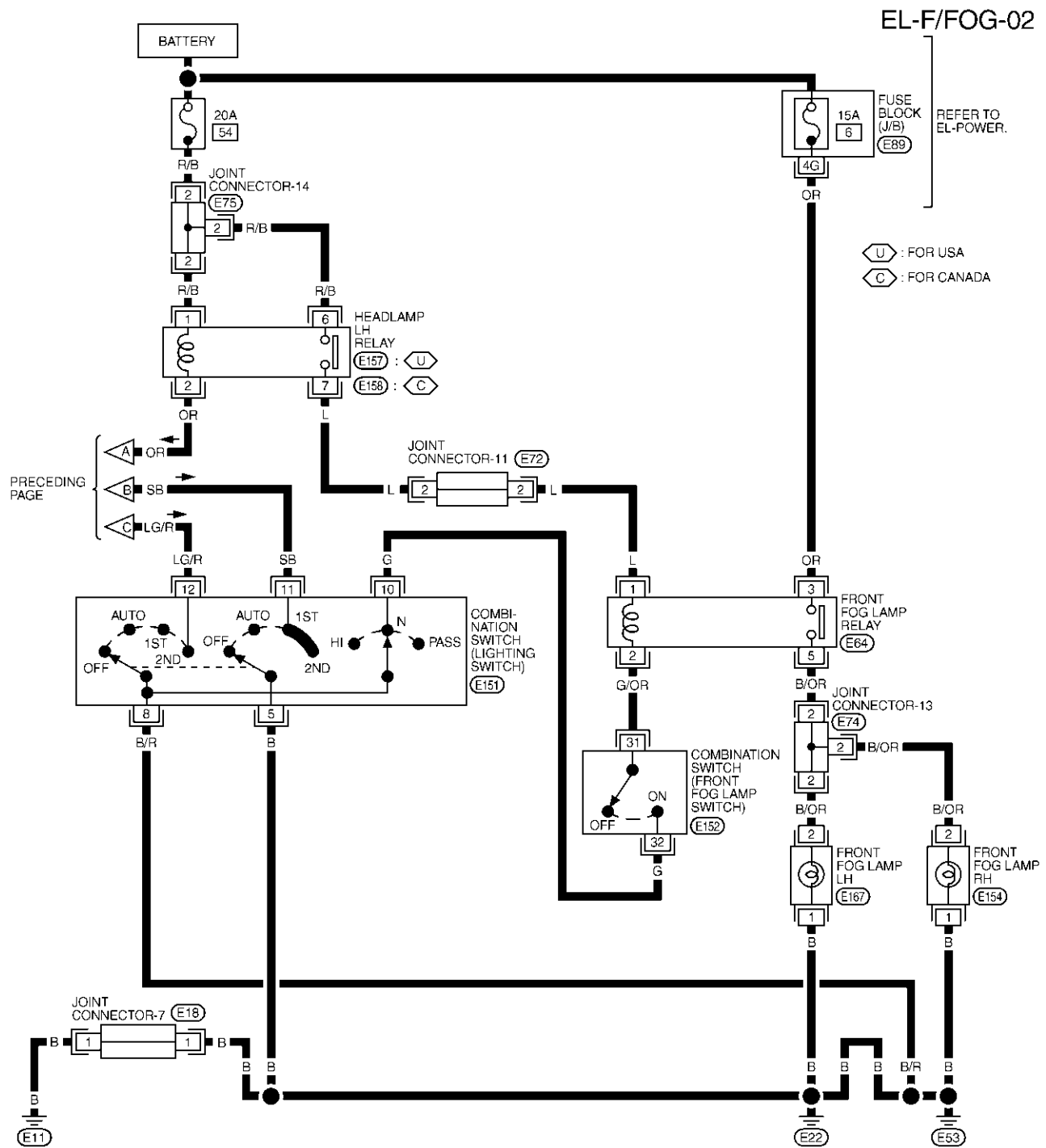
- GI
- MA
- EM
- LC
- EC
- FE
- CL
- MT
- AT
- AX
- SU
- BR
- ST
- RS
- BT
- HA
- SC
- EL
- IDX



REFER TO THE FOLLOWING.
 (M15) -SUPER
 MULTIPLE JUNCTION (SMJ)
 (M17) . (M19) -FUSE BLOCK-
 JUNCTION BOX (J/B)

FRONT FOG LAMP

Wiring Diagram — F/FOG — (Cont'd)

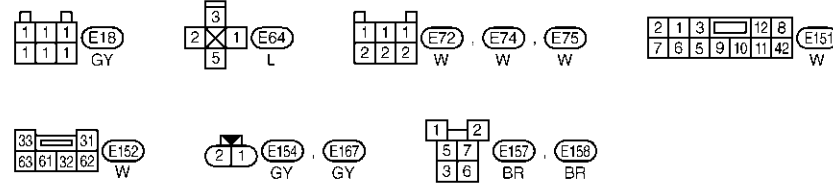


EL-F/FOG-02

REFER TO EL-POWER.

U : FOR USA
C : FOR CANADA

PRECEDING PAGE



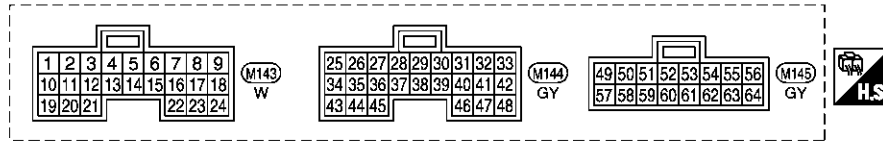
REFER TO THE FOLLOWING.
E89 - FUSE BLOCK-JUNCTION BOX (J/B)

MEL1070

FRONT FOG LAMP

Wiring Diagram — F/FOG — (Cont'd)

SMART ENTRANCE CONTROL UNIT CONNECTOR



GI
MA
EM
LC
EC
FE
CL
MT
AT
AX
SU
BR
ST
RS
BT
HA
SC
EL
IDX

SMART ENTRANCE CONTROL UNIT TERMINALS AND REFERENCE VALUE BETWEEN EACH TERMINAL AND GROUND

TERMINAL	WIRE COLOR	ITEM	CONDITION	DATA (DC)	
20	SB	TAIL LAMP SWITCH	LIGHTING SWITCH (OFF OR AUTO → 1ST OR 2ND POSITION)	12V → 0V	
21	OR	HEADLAMP LH RELAY	IGNITION SWITCH (WITH LIGHTING SWITCH OFF OR 1ST)	ON OR START MORE THAN 5 MINUTES → OFF WITHIN 5 MINUTES	12V 0V
			HEADLAMPS ILLUMINATE BY AUTO LIGHT CONTROL	ON OR START	0V
			HEADLAMPS ILLUMINATE BY PASS OR 2ND POSITION	EXCEPT PASS OR 2ND POSITION PASS OR 2ND POSITION	12V 0V
22	L/OR	HEADLAMP SWITCH	HEADLAMPS ILLUMINATE BY AUTO LIGHT CONTROL (OPERATE → NOT OPERATE)	10V → 12V	
			HEADLAMPS ILLUMINATE BY PASS OR 2ND POSITION	EXCEPT PASS OR 2ND POSITION PASS OR 2ND POSITION	12V 0V
26	PU	IGNITION SWITCH (ACC)	"ACC" POSITION	12V	
27	G	IGNITION SWITCH (ON)	IGNITION SWITCH IS IN "ON" POSITION	12V	
43	B	GROUND	-	-	
49	R/B	POWER SOURCE (FUSE)	-	12V	
58	SB	TAIL LAMP SWITCH	LIGHTING SWITCH (OFF OR AUTO → 1ST OR 2ND POSITION)	12V → 0V	
60	LG/R	HEADLAMP SWITCH	HEADLAMPS ILLUMINATE BY AUTO LIGHT CONTROL (OPERATE → NOT OPERATE)	10V → 12V	
			HEADLAMPS ILLUMINATE BY PASS OR 2ND POSITION	EXCEPT PASS OR 2ND POSITION PASS OR 2ND POSITION	12V 0V
			HEADLAMPS ILLUMINATE BY AUTO LIGHT CONTROL (OPERATE → NOT OPERATE)	10V → 12V	
64	B	GROUND	-	-	

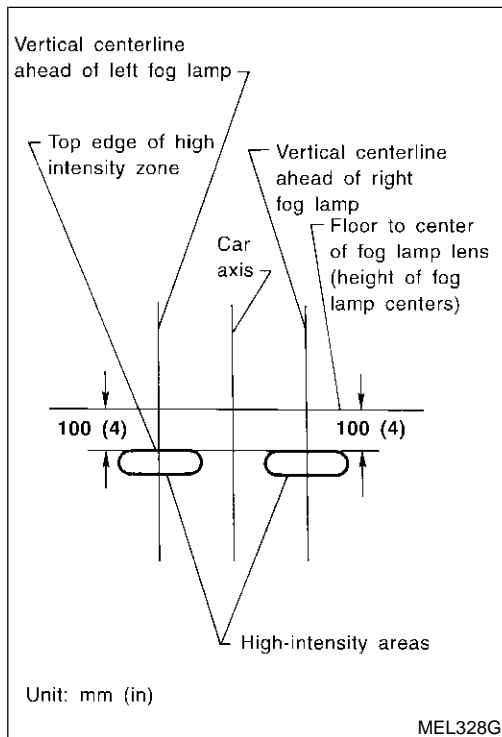
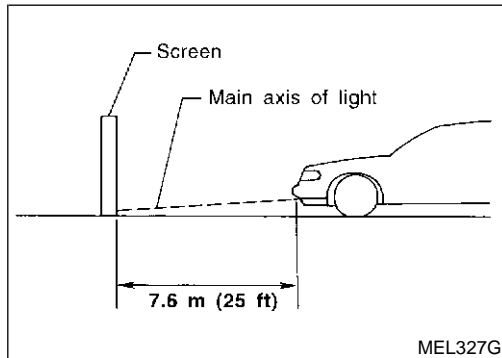
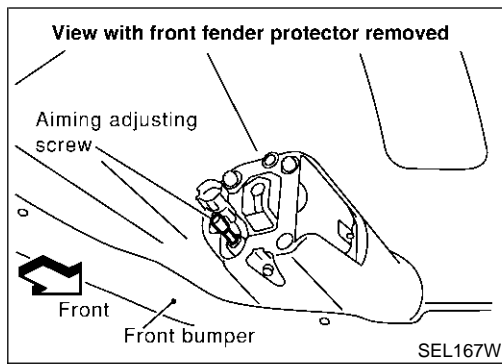
SEL664Y

NOTE:

For CONSULT-II Inspection Procedure, refer to "HEADLAMP (FOR USA)" (EL-46).
 For CONSULT-II Application Items, refer to "HEADLAMP (FOR USA)" (EL-47).
 Trouble Diagnoses for exterior lamp battery saver control, refer to "HEADLAMP (FOR USA)" (EL-47).

FRONT FOG LAMP

Aiming Adjustment



Aiming Adjustment

=NFEL0029

Before performing aiming adjustment, make sure of the following.

- 1) Keep all tires inflated to correct pressure.
- 2) Place vehicle on level ground.
- 3) See that vehicle is unloaded (except for full levels of coolant, engine oil and fuel, and spare tire, jack, and tools). Have the driver or equivalent weight placed in driver's seat.

Adjust aiming in the vertical direction by turning the adjusting screw.

1. Set the distance between the screen and the center of the fog lamp lens as shown at left.
 2. Remove front fog lamp rim. For detail, refer to "BODY END" in BT section.
 3. Turn front fog lamps ON.
 4. Adjust front fog lamps so that the top edge of the high intensity zone is 100 mm (4 in) below the height of the fog lamp centers as shown at left.
- When performing adjustment, if necessary, cover the headlamps and opposite fog lamp.

System Description

NFEL0030

TURN SIGNAL OPERATION

NFEL0030S01

With the hazard switch in the OFF position and the ignition switch in the ON or START position, power is supplied

- through 10A fuse [No. 26, located in the fuse block (J/B)]
- to hazard switch terminal 2
- through terminal 1 of the hazard switch
- to combination flasher unit terminal 1
- through terminal 3 of the combination flasher unit
- to turn signal switch terminal 1.

Ground is supplied to combination flasher unit terminal 2 through body grounds M9, M25 and M87.

LH Turn

NFEL0030S0101

When the turn signal switch is moved to the LH position, power is supplied from turn signal switch terminal 3 to

- front turn signal lamp LH terminal 1
- combination meter terminal 25
- rear combination lamp LH terminal 5.

Ground is supplied to the front turn signal lamp LH terminal 2 through body grounds E11, E22 and E53.

Ground is supplied to the rear combination lamp LH terminal 6 through body grounds T6 and T8.

Ground is supplied to combination meter terminal 30 through body grounds M9, M25 and M87.

With power and ground supplied, the combination flasher unit controls the flashing of the LH turn signal lamps.

RH Turn

NFEL0030S0102

When the turn signal switch is moved to the RH position, power is supplied from turn signal switch terminal 2 to

- front turn signal lamp RH terminal 1
- combination meter terminal 29
- rear combination lamp RH terminal 5.

Ground is supplied to the front turn signal lamp RH terminal 2 through body grounds E11, E22 and E53.

Ground is supplied to the rear combination lamp RH terminal 6 through body grounds T6 and T8.

Ground is supplied to combination meter terminal 30 through body grounds M9, M25 and M87.

With power and ground supplied, the combination flasher unit controls the flashing of the RH turn signal lamps.

HAZARD LAMP OPERATION

NFEL0030S02

Power is supplied at all times to hazard switch terminal 3 through:

- 15A fuse [No. 5, located in the fuse block (J/B)].

With the hazard switch in the ON position, power is supplied

- through terminal 1 of the hazard switch
- to combination flasher unit terminal 1
- through terminal 3 of the combination flasher unit
- to hazard switch terminal 4.

Ground is supplied to combination flasher unit terminal 2 through body grounds M9, M25 and M87.

Power is supplied through terminal 5 of the hazard switch to

- front turn signal lamp LH terminal 1
- combination meter terminal 25
- rear combination lamp LH terminal 5.

Power is supplied through terminal 6 of the hazard switch to

- front turn signal lamp RH terminal 1
- combination meter terminal 29
- rear combination lamp RH terminal 5.

GI

MA

EM

LC

EC

FE

CL

MT

AT

AX

SU

BR

ST

RS

BT

HA

SC

EL

IDX

TURN SIGNAL AND HAZARD WARNING LAMPS

System Description (Cont'd)

Ground is supplied to terminal 2 of each front turn signal lamp through body grounds E11, E22 and E53.

Ground is supplied to terminal 6 of each rear combination lamp through body grounds T6 and T8.

Ground is supplied to combination meter terminal 30 through body grounds M9, M25 and M87.

With power and ground supplied, the combination flasher unit controls the flashing of the hazard warning lamps.

REMOTE KEYLESS ENTRY SYSTEM OPERATION

NFEL0030S03

Power is supplied at all times.

- to smart entrance control unit terminal 49
- through 10A fuse [No. 13, located in the fuse block (J/B)].

Ground is supplied to smart entrance control unit terminal 43 and 64.

Refer to "REMOTE KEYLESS ENTRY SYSTEM", EL-281.

When smart entrance control unit receives LOCK or UNLOCK signal from keyfob with all doors closed, power is supplied

- through smart entrance control unit terminal 47
- to front turn signal lamp LH terminal 1 and
- to combination meter terminal 25 and
- to rear combination lamp LH terminal 5, and
- through smart entrance control unit terminal 48
- to front turn signal lamp RH terminal 1 and
- to combination meter terminal 29 and
- to rear combination lamp RH terminal 5

Ground is supplied to terminal 2 of each front turn signal lamp through body grounds E11, E22 and E53.

Ground is supplied to terminal 6 of each rear combination lamp through body grounds T6 and T8.

Ground is supplied to combination meter terminal 30 through body grounds M9, M25 and M87.

With power and ground supplied, the smart entrance control unit controls the flashing of the hazard warning lamps.

TURN SIGNAL AND HAZARD WARNING LAMPS

Wiring Diagram — TURN —

Wiring Diagram — TURN —

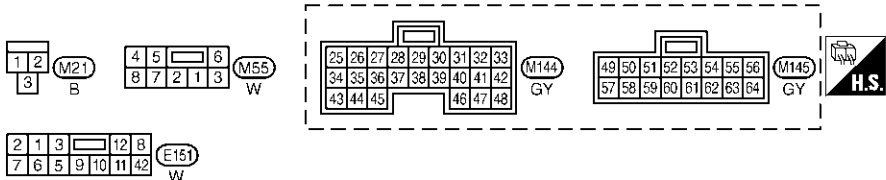
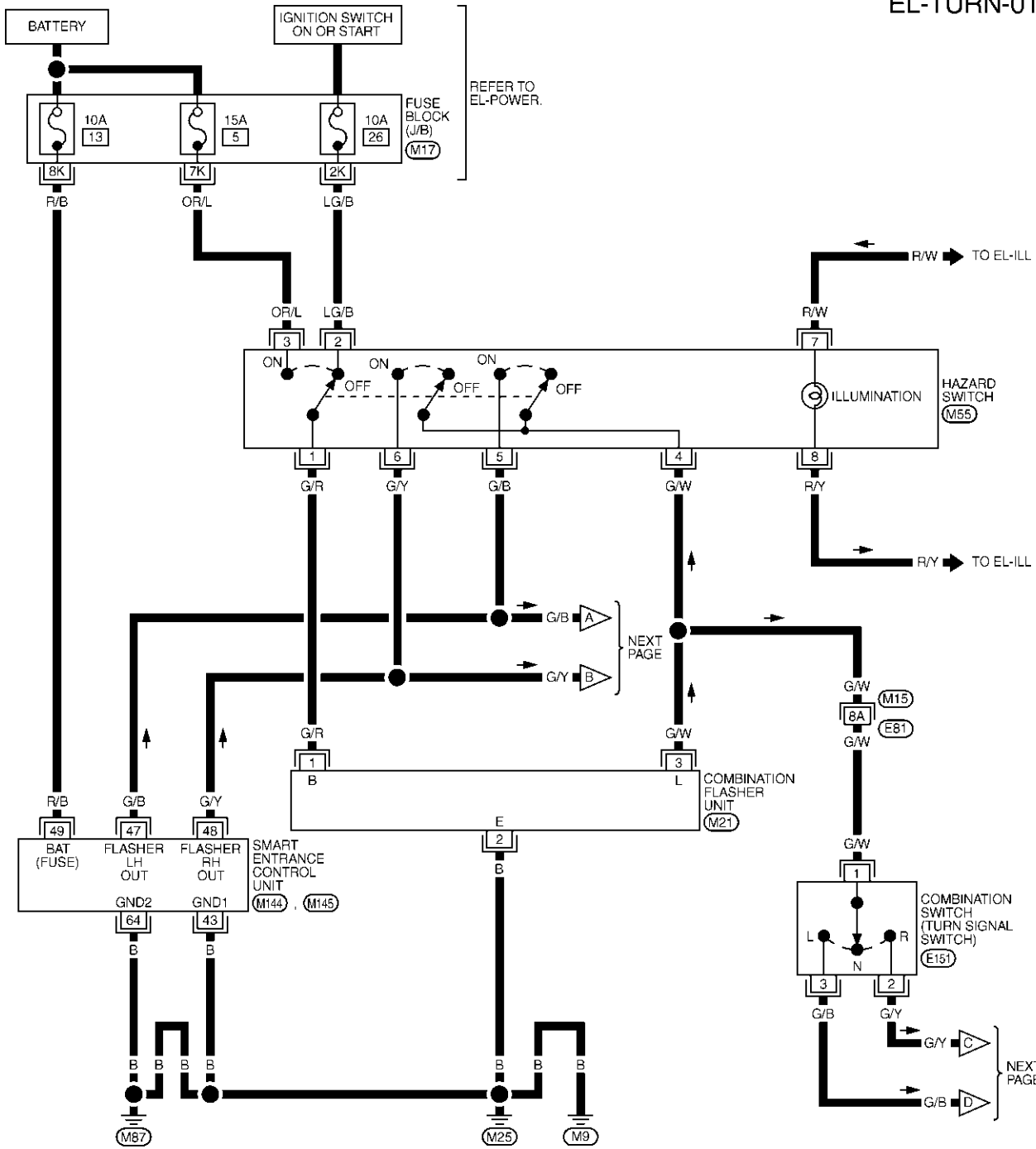
NFEL0032

EL-TURN-01

GI
MA
EM
LC
EC
FE
CL
MT
AT
AX
SU
BR
ST
RS
BT
HA
SC

EL

IDX



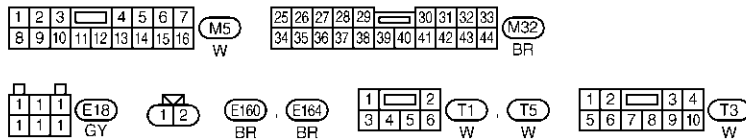
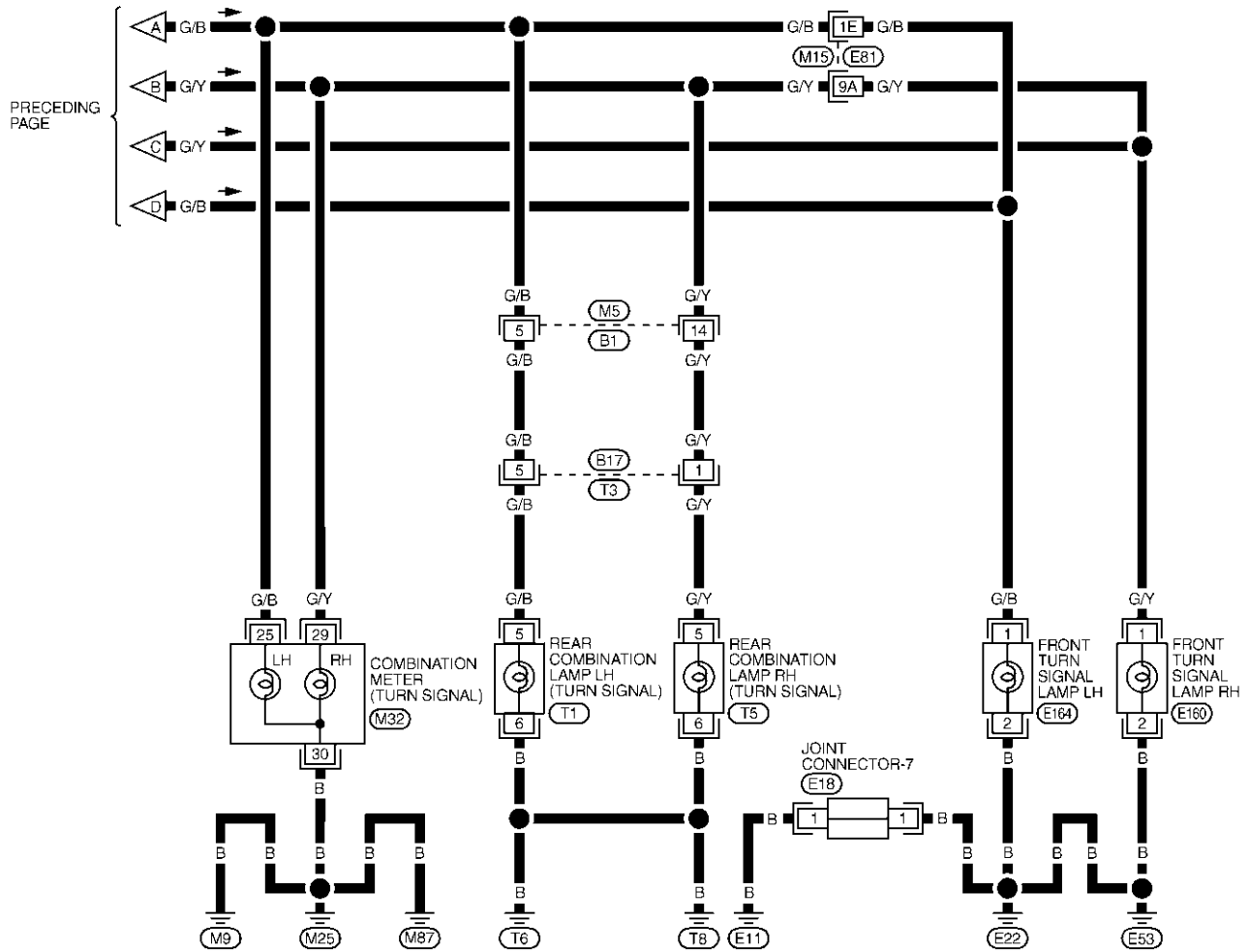
REFER TO THE FOLLOWING.
 (M15) -SUPER
 MULTIPLE JUNCTION (SMJ)
 (M17) -FUSE BLOCK-
 JUNCTION BOX (J/B)

MEL851P

TURN SIGNAL AND HAZARD WARNING LAMPS

Wiring Diagram — TURN — (Cont'd)

EL-TURN-02



REFER TO THE FOLLOWING.
 (M15) -SUPER
 MULTIPLE JUNCTION (SMJ)

MEL1090

SMART ENTRANCE CONTROL UNIT TERMINALS AND REFERENCE VALUE BETWEEN EACH TERMINAL AND GROUND

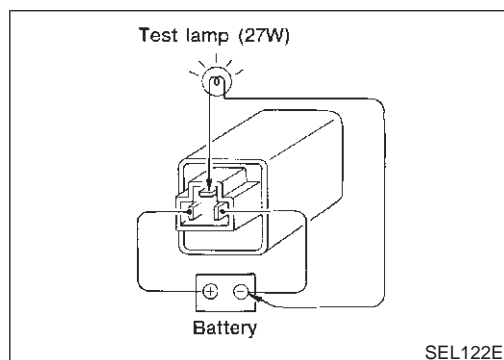
TERMINAL	WIRE COLOR	ITEM	CONDITION	DATA (DC)
43	B	GROUND	-	-
47	G/B	LH TURN SIGNAL LAMP	WHEN DOOR LOCK OR UNLOCK IS OPERATED USING KEYFOB (ON → OFF)	12V → 0V
48	G/Y	RH TURN SIGNAL LAMP	WHEN DOOR LOCK OR UNLOCK IS OPERATED USING KEYFOB (ON → OFF)	12V → 0V
49	R/B	POWER SOURCE (FUSE)	-	12V
64	B	GROUND	-	-

SEL392YA

Trouble Diagnoses

NFEL0033

Symptom	Possible cause	Repair order	
Turn signal and hazard warning lamps do not operate.	<ol style="list-style-type: none"> 1. Hazard switch 2. Combination flasher unit 3. Open in combination flasher unit circuit 	<ol style="list-style-type: none"> 1. Check hazard switch. 2. Refer to combination flasher unit check. 3. Check wiring to combination flasher unit for open circuit. 	GI MA
Turn signal lamps do not operate but hazard warning lamps operate.	<ol style="list-style-type: none"> 1. 10A fuse 2. Hazard switch 3. Turn signal switch 4. Open in turn signal switch circuit 	<ol style="list-style-type: none"> 1. Check 10A fuse [No. 26, located in fuse block (J/B)]. Turn ignition switch ON and verify battery positive voltage is present at terminal 2 of hazard switch. 2. Check hazard switch. 3. Check turn signal switch. 4. Check the wire between combination flasher unit terminal 3 and turn signal switch terminal 1 for open circuit. 	EM LC EC
Hazard warning lamps do not operate but turn signal lamps operate.	<ol style="list-style-type: none"> 1. 15A fuse 2. Hazard switch 3. Open in hazard switch circuit 	<ol style="list-style-type: none"> 1. Check 15A fuse [No. 5, located in fuse block (J/B)]. Verify battery positive voltage is present at terminal 3 of hazard switch. 2. Check hazard switch. 3. Check the wire between combination flasher unit terminal 3 and hazard switch terminal 4 for open circuit. 	FE CL
Front turn signal lamp LH or RH does not operate.	<ol style="list-style-type: none"> 1. Bulb 2. Grounds E11, E22 and E53 3. Front turn signal lamp circuit 	<ol style="list-style-type: none"> 1. Check bulb. 2. Check grounds E11, E22 and E53. 3. Check the wire between combination switch and front turn signal lamp. 	MT AT
Rear turn signal lamp LH or RH does not operate.	<ol style="list-style-type: none"> 1. Bulb 2. Grounds T6 and T8 3. Rear turn signal lamp circuit 	<ol style="list-style-type: none"> 1. Check bulb. 2. Check grounds T6 and T8. 3. Check the wire between combination switch and rear turn signal lamp. 	AX
LH and RH turn indicators do not operate.	<ol style="list-style-type: none"> 1. Ground 	<ol style="list-style-type: none"> 1. Check grounds M9, M25 and M87. 	SU
LH or RH turn indicator does not operate.	<ol style="list-style-type: none"> 1. Bulb 2. Turn indicator circuit 	<ol style="list-style-type: none"> 1. Check bulb in combination meter. 2. Check the wire between hazard switch and combination meter. 	BR



Electrical Components Inspection COMBINATION FLASHER UNIT CHECK

NFEL0034

NFEL0034S01

- Before checking, ensure that bulbs meet specifications.
- Connect a battery and test lamp to the combination flasher unit, as shown. Combination flasher unit is properly functioning if it blinks when power is supplied to the circuit.

EL

IDX

ILLUMINATION

System Description

System Description

NFEL0258

The illumination lamp operation is controlled by the lighting switch which is built into the combination switch and smart entrance control unit. The battery saver system is controlled by smart entrance control unit.

Power is supplied at all times

- to tail lamp relay terminals 1 and 3
- through 10A fuse (No. 60, located in the fuse and fusible link box), and
- to smart entrance control unit terminal 49
- through 10A fuse [No. 13, located in the fuse block (J/B)].

When ignition switch is in ON or START position, power is supplied

- to smart entrance control unit terminal 27
- through 10A fuse [No. 10, located in the fuse block (J/B)], and

When the ignition switch is in ACC or ON position, power is supplied

- to smart entrance control unit terminal 26
- through 10A fuse [No. 1, located in the fuse block (J/B)].

Ground is supplied to smart entrance control unit terminals 43 and 64 from body grounds M9, M25 and M87.

LIGHTING OPERATION BY LIGHTING SWITCH

NFEL0258S01

When lighting switch is 1ST (or 2ND) position, ground is supplied

- to tail lamp relay terminal 2 from smart entrance control unit terminals 19 and 57
- through smart entrance control unit terminals 20 and 58, and
- through lighting switch and body grounds E11, E22 and E53.

Tail lamp relay is then energized and illumination lamps illuminate.

The lighting switch must be in the 1ST or 2ND position for illumination.

The illumination control switch that controls the amount of current to the illumination system. As the amount of current increases, the illumination becomes brighter.

The ground for all of the components except for door mirror remote control switch, clock and glove box lamp ashtray are controlled through terminals 2 and 3 of the illumination control switch and body grounds M9, M25 and M87.

EXTERIOR LAMP BATTERY SAVER CONTROL

NFEL0258S02

Illumination lamps will remain on for a short while after the ignition switch is turned OFF (ACC OFF) from ON (or START).

Continuity between terminals 19 and 20, and between terminals 57 and 58 of smart entrance control unit will be disturbed after 5 minutes, then the headlamps will be turned off.

Then illumination lamps are turned off.

Exterior lamp battery saver control mode can be changed by the function setting of CONSULT-II (EL-47).

When the lighting switch is turned from OFF to 1ST (or 2ND) after illumination lamps are turned off by the battery saver control, ground is supplied

- to smart entrance control unit terminals 20 and 58 from lighting switch terminal 11, and
- to tail lamp relay terminal 2 from smart entrance control unit terminals 19 and 57.

Then illumination lamps illuminate again.

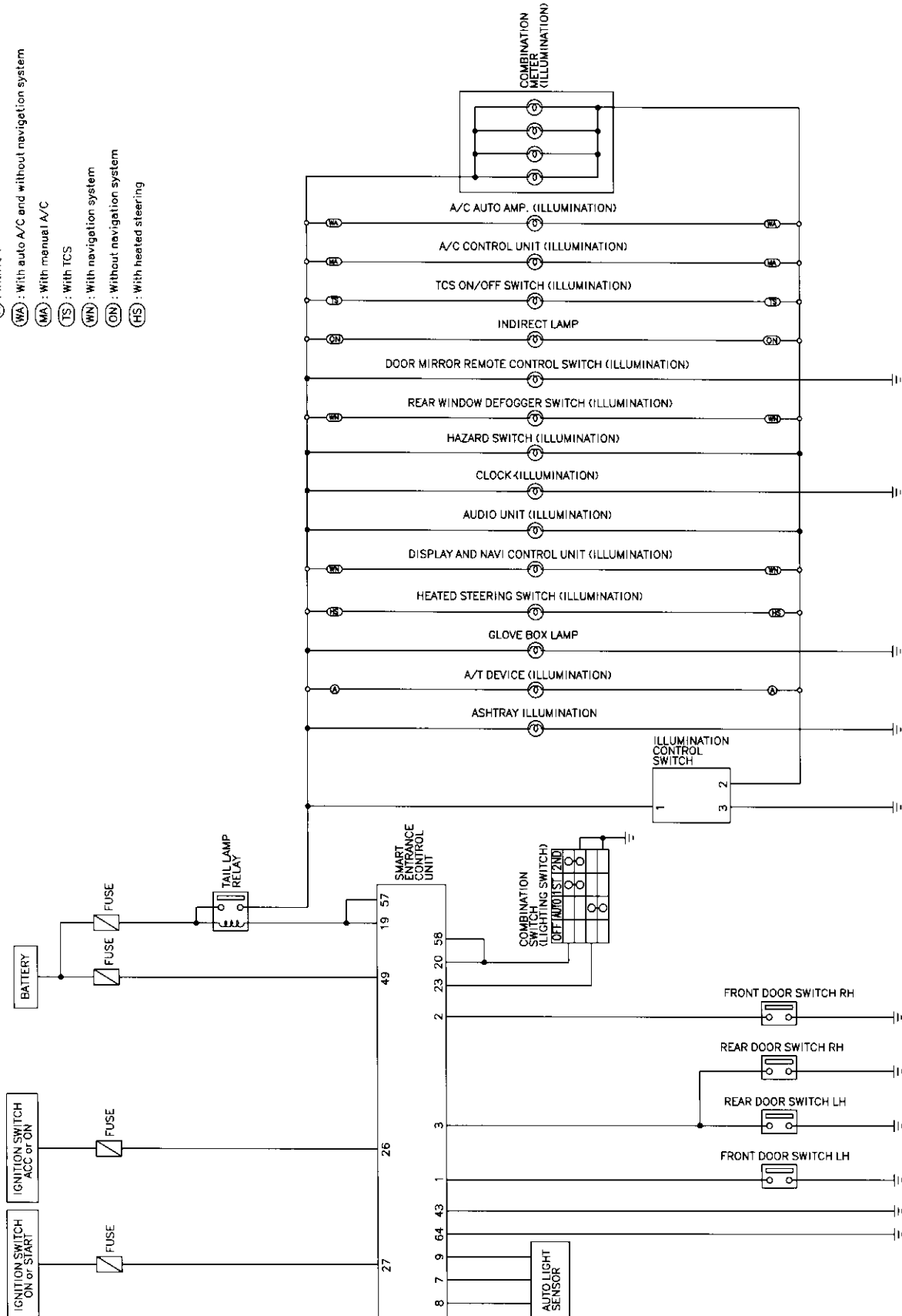
ILLUMINATION

Schematic

Schematic

NFEL0036

- (A) : With A/T
- (WA) : With auto A/C and without navigation system
- (MA) : With manual A/C
- (TS) : With TCS
- (WN) : With navigation system
- (ON) : Without navigation system
- (HS) : With heated steering



GI

MA

EM

LC

EC

FE

CL

MT

AT

AX

SU

BR

ST

RS

BT

HA

SC

EL

IDX

MEL852P

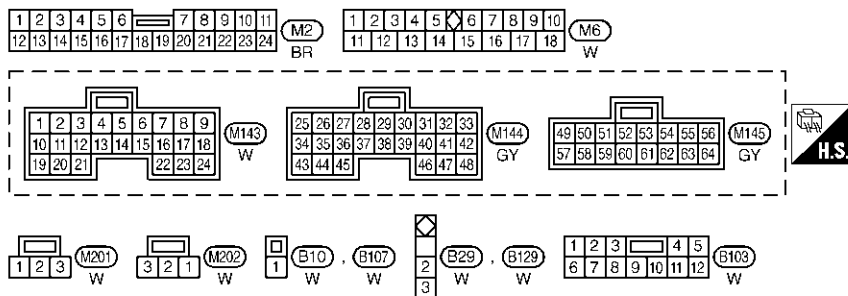
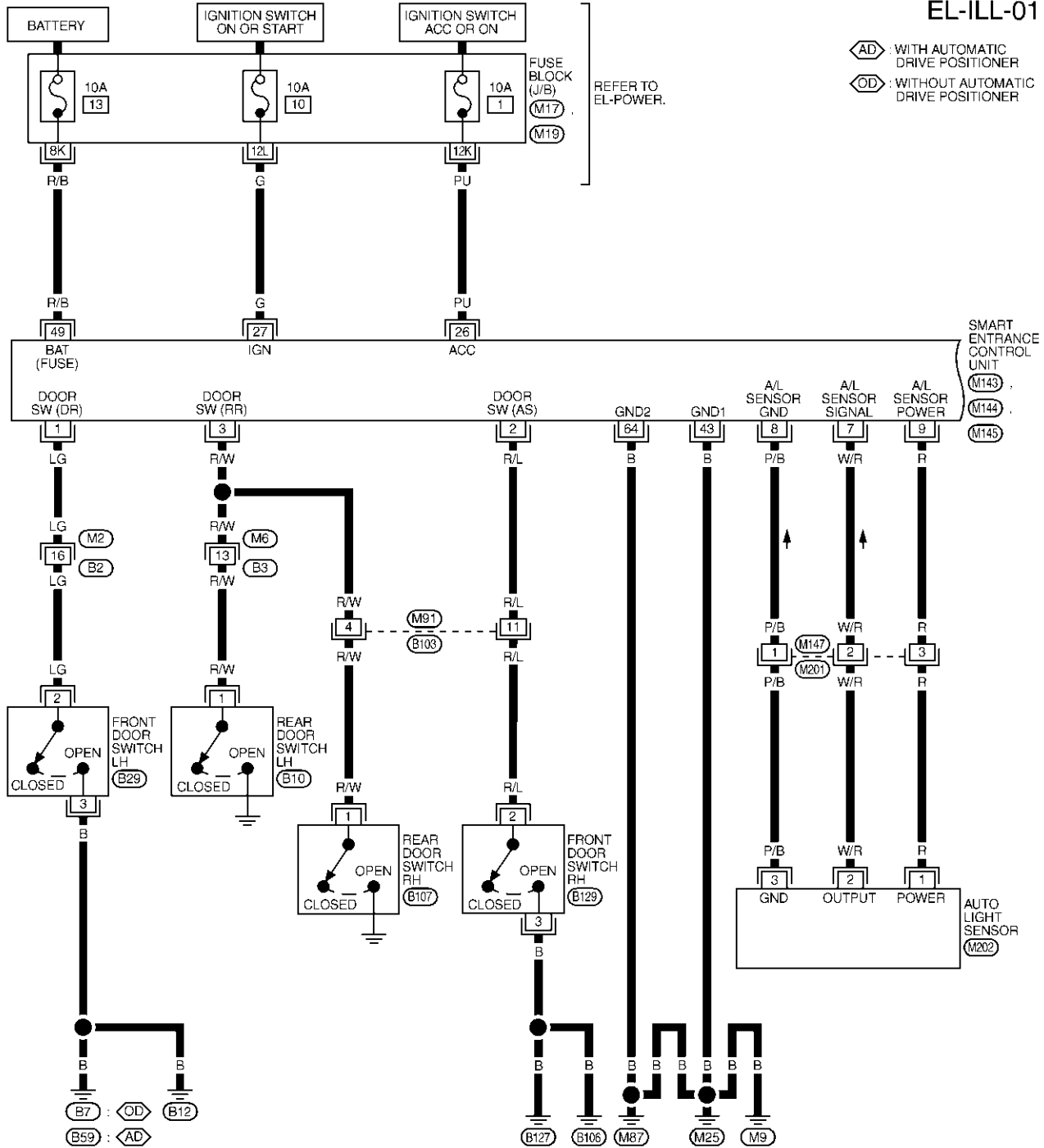
ILLUMINATION

Wiring Diagram — ILL —

Wiring Diagram — ILL —

NFEL0037

EL-ILL-01



REFER TO THE FOLLOWING.
(M17) . (M19) - FUSE BLOCK-
JUNCTION BOX (J/B)

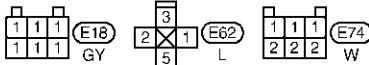
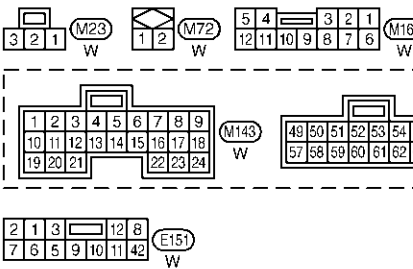
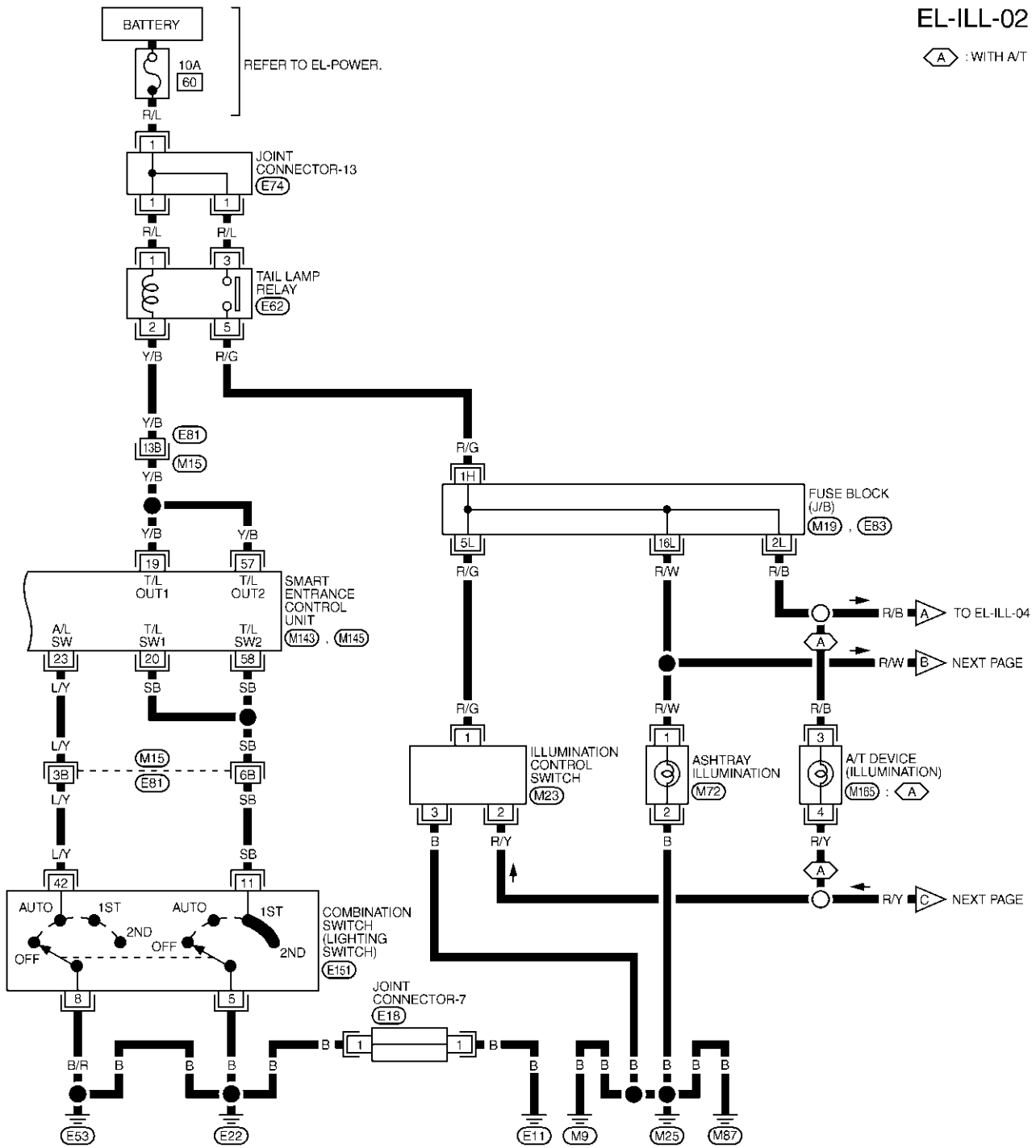
MEL853P

ILLUMINATION

Wiring Diagram — ILL — (Cont'd)

EL-ILL-02

⬡ : WITH A/T



REFER TO THE FOLLOWING.
 (M15) -SUPER
 MULTIPLE JUNCTION (SMJ)
 (M19) , (E83) -FUSE BLOCK-
 JUNCTION BOX (J/B)





GI
 MA
 EM
 LC
 EC
 FE
 CL
 MT
 AT
 AX
 SU
 BR
 ST
 RS
 BT
 HA
 SC
 EL
 IDX

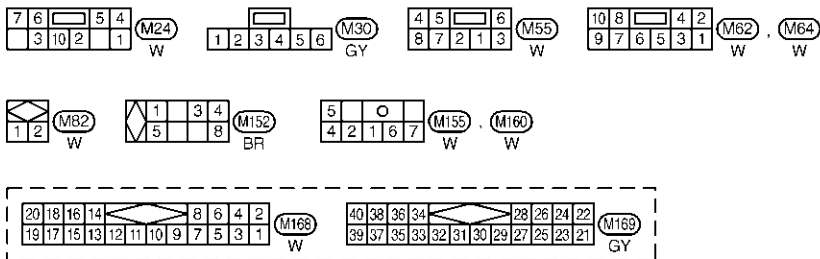
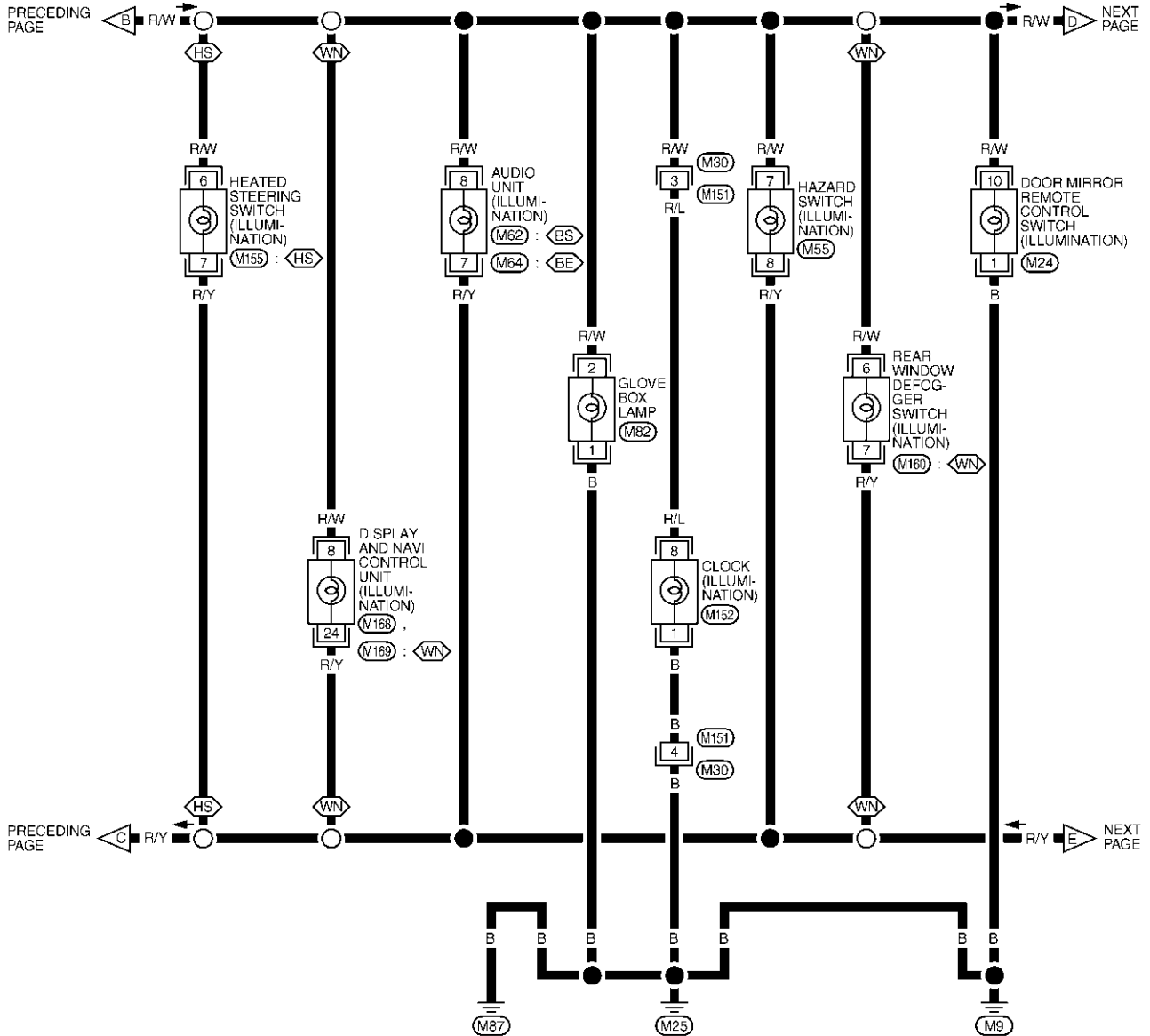
MEL854P

ILLUMINATION

Wiring Diagram — ILL — (Cont'd)

EL-ILL-03

-  WITH BOSE SYSTEM
-  WITH BASE SYSTEM
-  WITH NAVIGATION SYSTEM
-  WITH HEATED STEERING



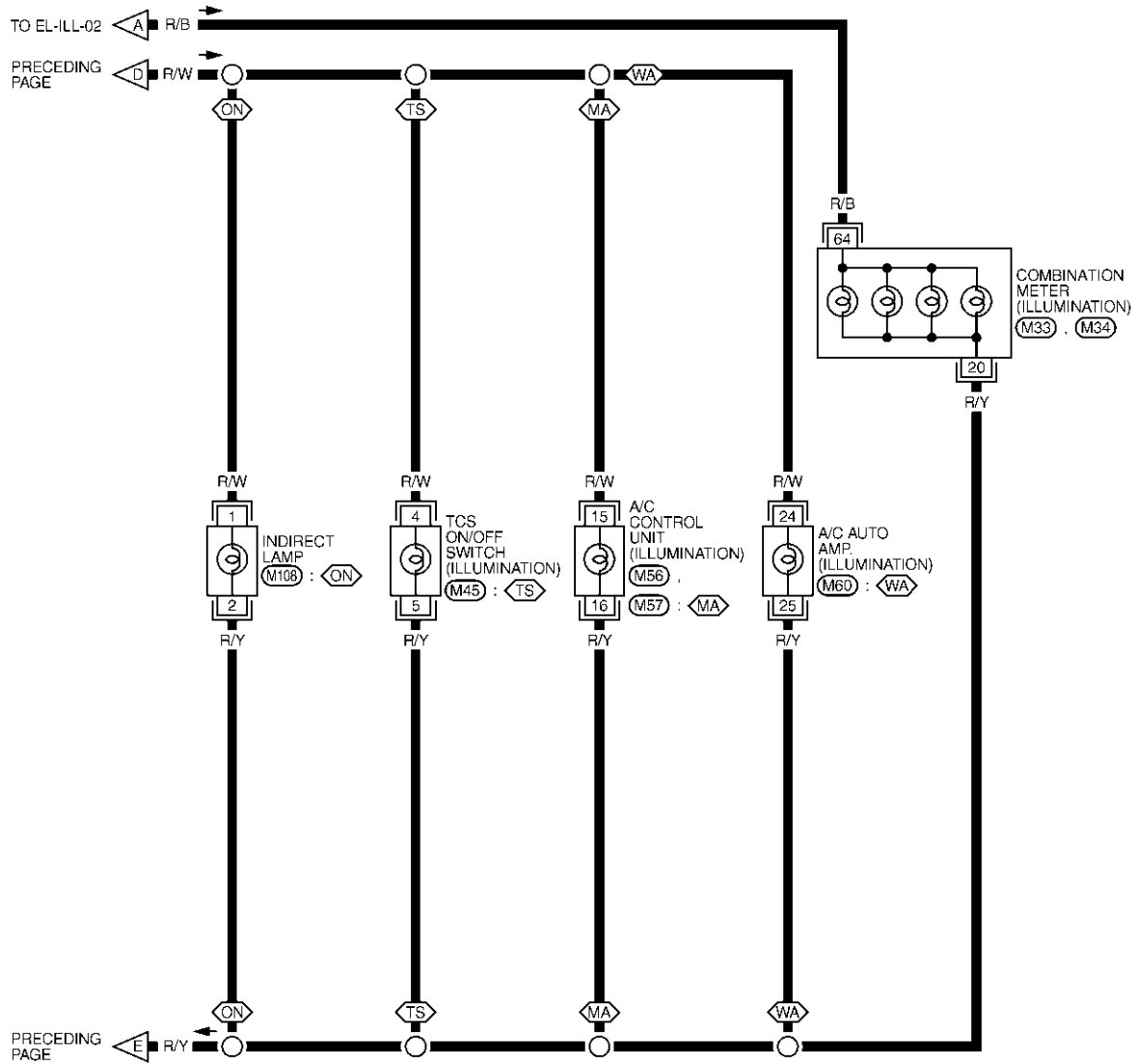
MEL855P

ILLUMINATION

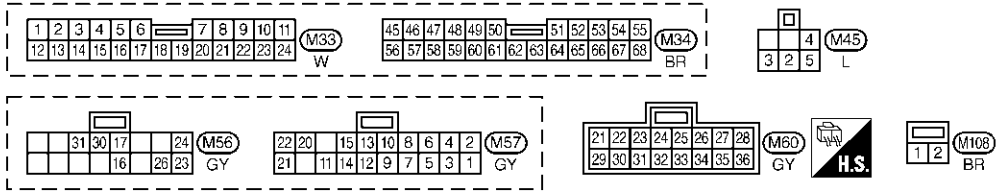
Wiring Diagram — ILL — (Cont'd)

EL-ILL-04

- : WITH AUTO A/C AND WITHOUT NAVIGATION SYSTEM
- : WITH MANUAL A/C
- : WITH TCS
- : WITHOUT NAVIGATION SYSTEM



GI
MA
EM
LC
EC
FE
CL
MT
AT
AX
SU
BR
ST
RS
BT
HA
SC
EL
IDX

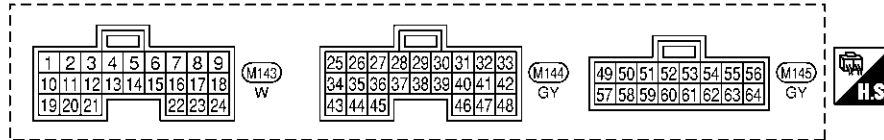


MEL856P

ILLUMINATION

Wiring Diagram — ILL — (Cont'd)

SMART ENTRANCE CONTROL UNIT CONNECTOR



SMART ENTRANCE CONTROL UNIT TERMINALS AND REFERENCE VALUE BETWEEN EACH TERMINAL AND GROUND

TERMINAL	WIRE COLOR	ITEM	CONDITION		DATA (DC)	
1	LG	DRIVER DOOR SWITCH	OFF (CLOSED) → ON (OPEN)		12V → 0V	
2	R/L	PASSENGER DOOR SWITCH	OFF (CLOSED) → ON (OPEN)		5V → 0V	
3	R/W	REAR DOOR SWITCH	OFF (CLOSED) → ON (OPEN)		5V → 0V	
7	W/R	AUTO LIGHT SENSOR (SIGNAL)	IGNITION SWITCH "ON" POSITION	LIGHT IS APPLIED TO AUTO LIGHT SENSOR	1 TO 5V	
8	P/B	AUTO LIGHT SENSOR (GND)	-		-	
9	R	AUTO LIGHT SENSOR (POWER)	IGNITION SWITCH (OFF → ON)		0V → 5V	
19	Y/B	TAIL LAMP RELAY (Out put)	IGNITION SWITCH (WITH LIGHTING SWITCH 1ST OR 2ND)	ON OR START → OFF	MORE THAN 5 MINUTES	12V
				ON OR START	WITHIN 5 MINUTES	0V
			HEADLAMPS ILLUMINATE BY AUTO LIGHT CONTROL (OPERATE → NOT OPERATE)		0V → 12V	
20	SB	TAIL LAMP SWITCH	LIGHTING SWITCH (OFF OR AUTO → 1ST OR 2ND POSITION)		12V → 0V	
23	L/Y	HEADLAMP SWITCH	IGNITION SWITCH "ON" POSITION	LIGHTING SWITCH (EXCEPT AUTO → AUTO POSITION)	12V → 0V	
26	PU	IGNITION SWITCH (ACC)	"ACC" POSITION		12V	
27	G	IGNITION SWITCH (ON)	IGNITION SWITCH IS IN "ON" POSITION		12V	
43	B	GROUND	-		-	
49	R/B	POWER SOURCE (FUSE)	-		12V	
57	Y/B	TAIL LAMP RELAY	IGNITION SWITCH (WITH LIGHTING SWITCH 1ST OR 2ND)	ON OR START → OFF	MORE THAN 5 MINUTES	12V
				ON OR START	WITHIN 5 MINUTES	0V
			HEADLAMPS ILLUMINATE BY AUTO LIGHT CONTROL (OPERATE → NOT OPERATE)		LESS THAN 1V → 12V	
58	SB	TAIL LAMP SWITCH	LIGHTING SWITCH (OFF OR AUTO → 1ST OR 2ND POSITION)		12V → 0V	
64	B	GROUND	-		-	

SEL587Y

NOTE:

For CONSULT-II Inspection Procedure, refer to "HEADLAMP (FOR USA)" (EL-46).

For CONSULT-II Application Items, refer to "HEADLAMP (FOR USA)" (EL-47).

Trouble Diagnoses for exterior lamp battery saver control, refer to "HEADLAMP (FOR USA)" (EL-47).

System Description

POWER SUPPLY AND GROUND

NFEL0165

NFEL0165S01

Power is supplied at all times:

- through 10A fuse [No. 13, located in the fuse block (J/B)]
- to key switch terminals 2 (M/T) or 3 (A/T) and
- to smart entrance control unit terminal 49.

GI

MA

When the key is removed from ignition key cylinder, power is interrupted:

- through key switch terminals 1 (M/T) or 4 (A/T)
- to smart entrance control unit terminal 25.

EM

With the ignition switch in the ON or START position, power is supplied:

- through 10A fuse [No. 10, located in the fuse block (J/B)]
- to smart entrance control unit terminal 27.

LC

EC

Ground is supplied:

- to smart entrance control unit terminal 43 and 64
- through body grounds terminals M9, M25 and M87.

FE

When the front driver side door is opened, ground is supplied:

- through body grounds B12 and B7 (without automatic drive positioner), or B59 (with automatic drive positioner)
- to front door switch LH terminal 3
- from front door switch LH terminal 2
- to smart entrance control unit terminal 1.

CL

MT

When the front passenger side door is opened, ground is supplied:

- through body grounds B106 and B127
- to front door switch RH terminal 3
- from front door switch RH terminal 2
- to smart entrance control unit terminal 2.

AT

AX

When any other door (except front door) is opened, ground is supplied to smart entrance control unit terminal 3 in the same manner as the front door switch.

SU

When the front driver side door is unlocked by the door lock and unlock switch, the smart entrance control unit receives a ground signal:

- through body grounds terminals M9, M25 and M87
- to front power window switch terminal 17 (LH) or 11 (RH)
- from front power window switch terminal 14 (LH) or 16 (RH)
- to smart entrance control unit terminal 33.

BR

ST

When the front driver side door is unlocked by the front door key cylinder switch, the smart entrance control unit receives a ground signal:

- through body grounds terminals M9, M25 and M87
- to front door key cylinder switch LH terminal 2
- from front door key cylinder switch LH terminal 1
- to front power window main switch terminal 6
- from front power window main switch terminal 14
- to smart entrance control unit terminal 33.

RS

BT

HA

When a signal, or combination of signals is received by the smart entrance control unit, ground is supplied:

- through smart entrance control unit terminal 31
- to interior lamp terminal 2.

SC

EL

With power and ground supplied, the interior lamp illuminates.

SWITCH OPERATION

NFEL0165S02

IDX

When interior lamp switch is ON, ground is supplied:

- through case grounds of interior lamp
- to interior lamp.

And power is supplied:

INTERIOR, STEP, SPOT, VANITY MIRROR AND TRUNK ROOM LAMPS

System Description (Cont'd)

- to interior lamp terminal 1
- from smart entrance control unit terminal 50.

When spot lamp (LH and/or RH) is ON, ground is supplied:

- through body grounds M9, M25 and M87
- to spot lamp terminal 2.

And power is supplied:

- to spot lamp terminal 1
- from smart entrance control unit terminal 50.

When vanity mirror illumination (LH and/or RH) is ON, ground is supplied:

- through body grounds M9, M25 and M87
- to vanity mirror illuminations (LH and RH) terminal 2.

And power is supplied:

- to vanity mirror illuminations (LH and RH) terminal 1
- from smart entrance control unit terminal 50.

When rear door switch LH and/or RH is ON (door is opened), the smart entrance control unit receives a ground signal:

- through case ground of the rear door switch
- from the rear door switch terminal 1
- to smart entrance control unit terminal 3.
- from smart entrance control unit terminal 32
- to front step lamp LH and RH terminal 1.

And power is supplied:

- to front step lamp LH and RH terminal 2
- from smart entrance control unit terminal 50.

When front door switch LH and/or RH is ON (door is opened), ground is supplied:

- through body grounds B12 and B7 (without automatic drive positioner), or B59 (with automatic drive positioner), and/or B106 and B127
- to the front door switch terminal 3
- from the front door switch terminal 2
- to smart entrance control unit terminal 1 and/or 2
- from smart entrance control unit terminal 32
- to front step lamp LH and RH terminal 1.

And power is supplied:

- to front step lamp LH and RH terminal 2
- from smart entrance control unit terminal 50.

When trunk room lamp switch is ON (trunk lid is opened), ground is supplied:

- through body grounds T6 and T8
- to trunk room lamp switch terminal 2
- from trunk room lamp switch terminal 1
- to trunk room lamp terminal 1

And power is supplied:

- to trunk room lamp terminal 2
- through 10A fuse [No. 13, located in the fuse block (J/B)].

With power and ground supplied, interior lamps turn ON.

INTERIOR LAMP TIMER OPERATION

When interior lamp switch is in the "DOOR" position, the smart entrance control unit keeps the interior lamp illuminated for about 30 seconds when:

- unlock signal is supplied from driver's door unlock sensor while all doors are closed and key is out of ignition key cylinder
- unlock signal is supplied from keyfob or door key cylinder while driver's door is locked and all doors are closed

NFEL0165S03

INTERIOR, STEP, SPOT, VANITY MIRROR AND TRUNK ROOM LAMPS

System Description (Cont'd)

- key is removed from ignition key cylinder while all doors are closed
- driver's door is opened and then closed while key is out of the ignition key cylinder. (However, if the driver's door is closed with the key inserted in the ignition key cylinder after the driver's door is opened with the key removed, the timer is operated.)

The timer is canceled when:

- driver's door is locked,
- driver's door is opened, or
- ignition switch is turned ON.

When driver's door is locked, interior room lamp timer is canceled as described before.

However, ignition key hole illumination remains on for about 30 seconds after driver's door has been locked.

ON-OFF CONTROL

When the driver side door, front passenger door, rear LH or RH door is opened, the interior room lamp turns on while the interior room lamp switch is in the "DOOR" position.

When any door is opened, step lamps turn ON.

INTERIOR LAMP BATTERY SAVER CONTROL

The lamp turns off automatically when interior lamp, step lamp, spot lamp and/or vanity mirror illumination is illuminated with the ignition key is in OFF position, if the lamp remains lit by the door switch open signal or if the lamp switch is in ON position for more than 30 minutes.

After lamps turn OFF by the battery saver system, the lamps illuminate again when:

- driver's door is locked or unlocked,
- door is opened or closed,
- key is removed from ignition key cylinder or inserted in ignition key cylinder.

Interior lamp battery saver control period can be changed by the function setting of CONSULT-II (EL-103).

GI

MA

EM

LC

EC

FE

CL

MT

AT

AX

SU

BR

ST

RS

BT

HA

SC

EL

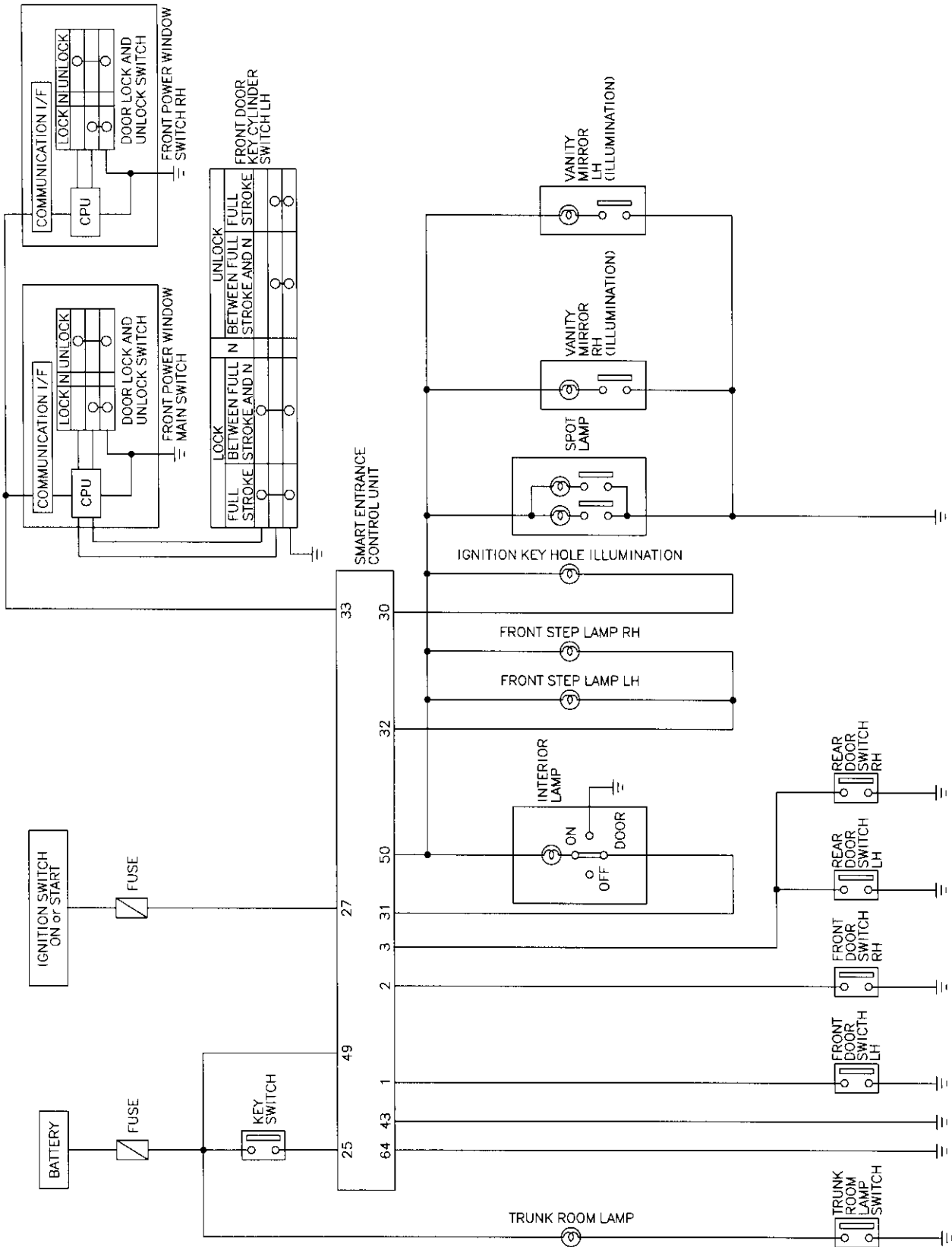
IDX

INTERIOR, STEP, SPOT, VANITY MIRROR AND TRUNK ROOM LAMPS

Schematic

Schematic

NFEL0212



MEL1150

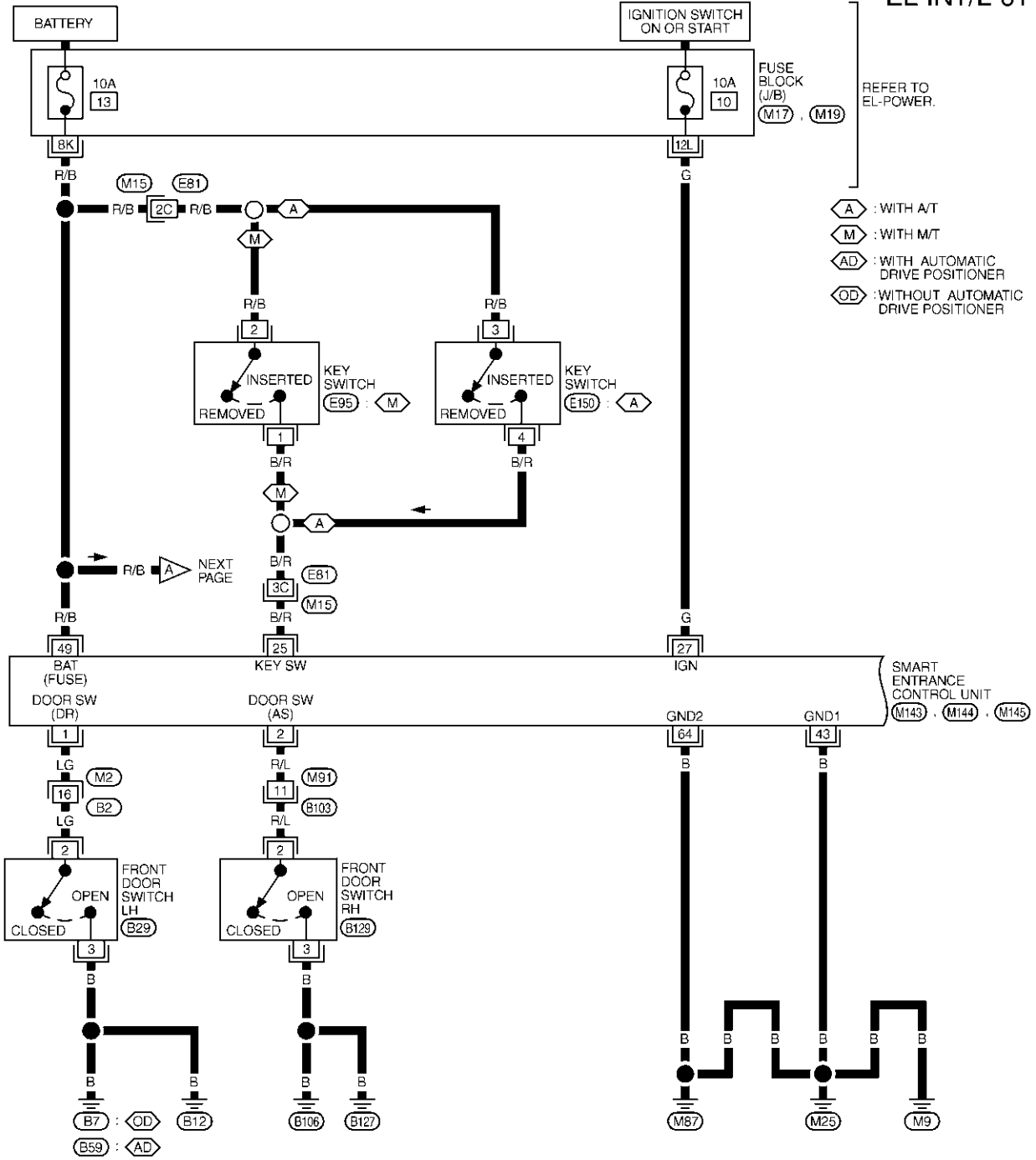
INTERIOR, STEP, SPOT, VANITY MIRROR AND TRUNK ROOM LAMPS

Wiring Diagram — INT/L —

Wiring Diagram — INT/L —

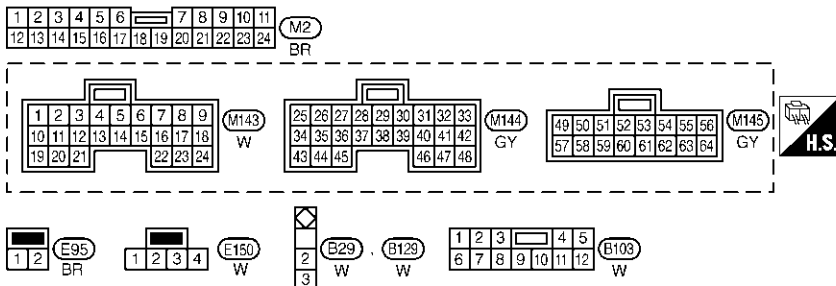
NFEL0163

EL-INT/L-01



GI
MA
EM
LC
EC
FE
CL
MT
AT
AX
SU
BR
ST
RS
BT
HA

SC
EL
IDX



REFER TO THE FOLLOWING.
 (M15) - SUPER
 MULTIPLE JUNCTION (SMJ)
 (M17) . (M19) - FUSE BLOCK-
 JUNCTION BOX (J/B)

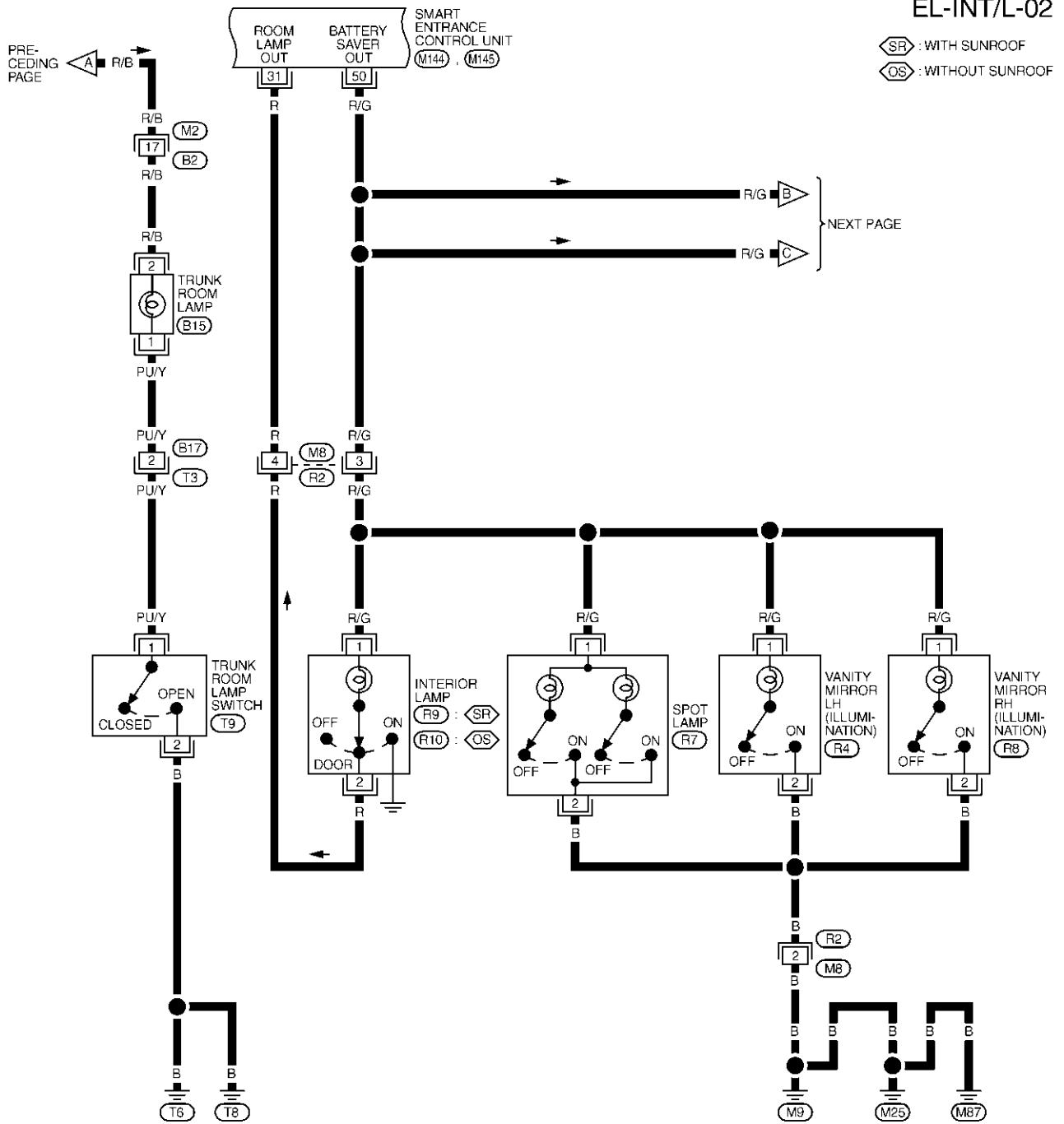


MEL857P

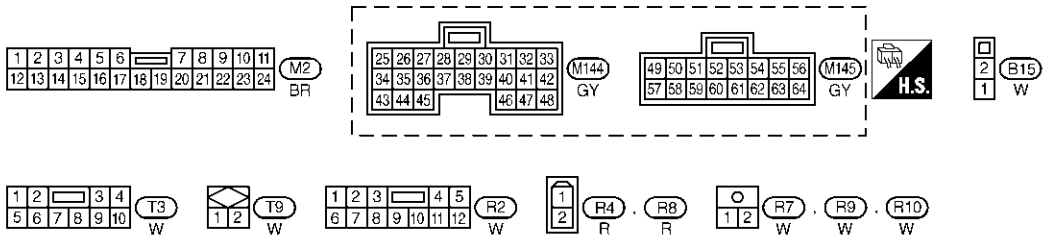
INTERIOR, STEP, SPOT, VANITY MIRROR AND TRUNK ROOM LAMPS

Wiring Diagram — INT/L — (Cont'd)

EL-INT/L-02



SR : WITH SUNROOF
OS : WITHOUT SUNROOF

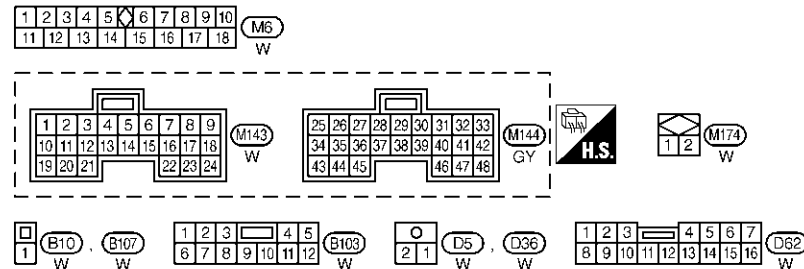
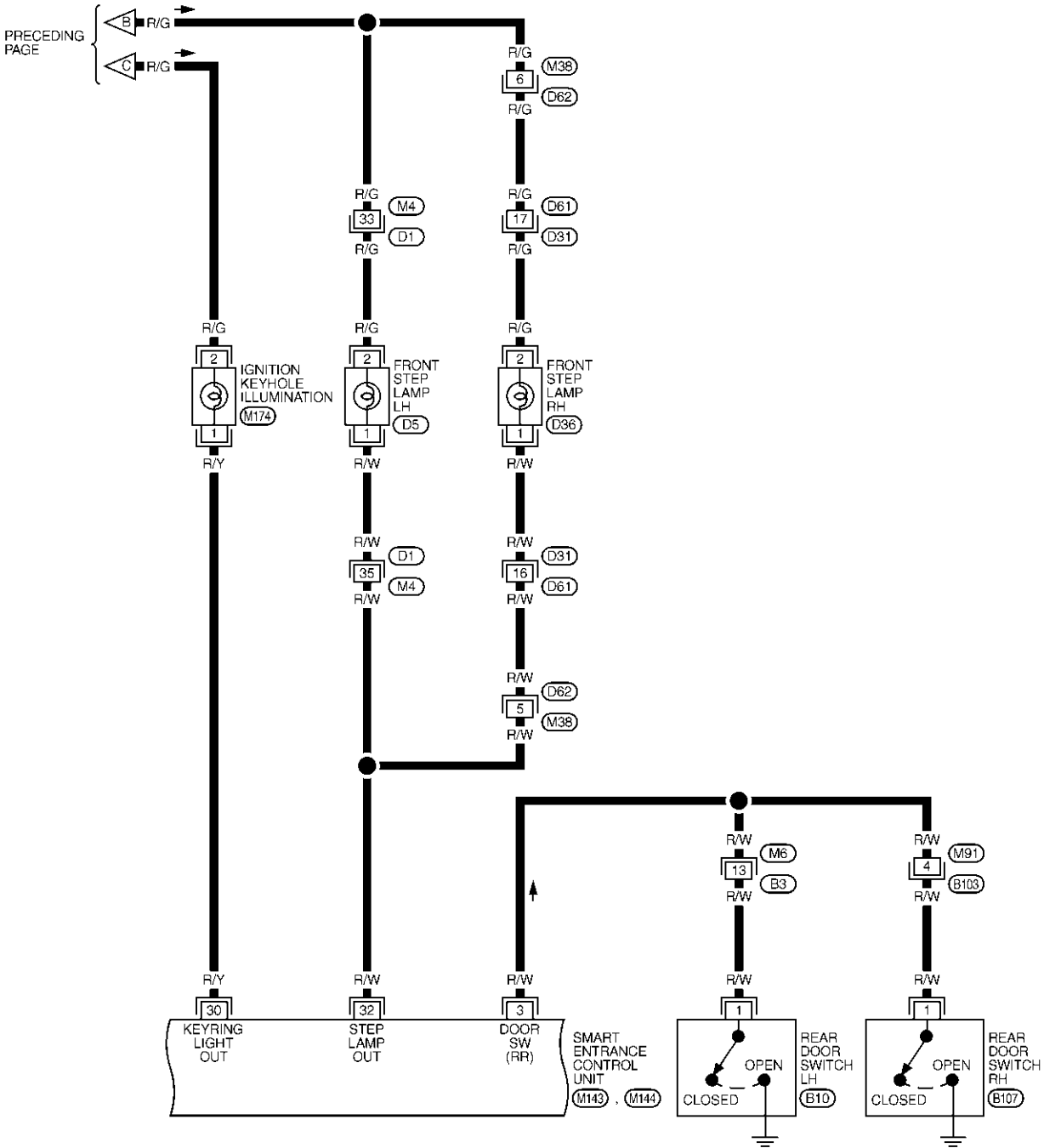


MEL1170

INTERIOR, STEP, SPOT, VANITY MIRROR AND TRUNK ROOM LAMPS

Wiring Diagram — INT/L — (Cont'd)

EL-INT/L-03



REFER TO THE FOLLOWING:
 (D1), (D31) -SUPER
 MULTIPLE JUNCTION (SMJ)

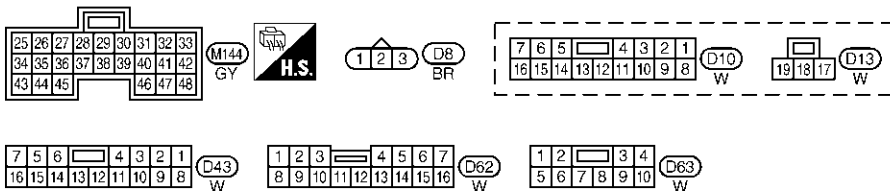
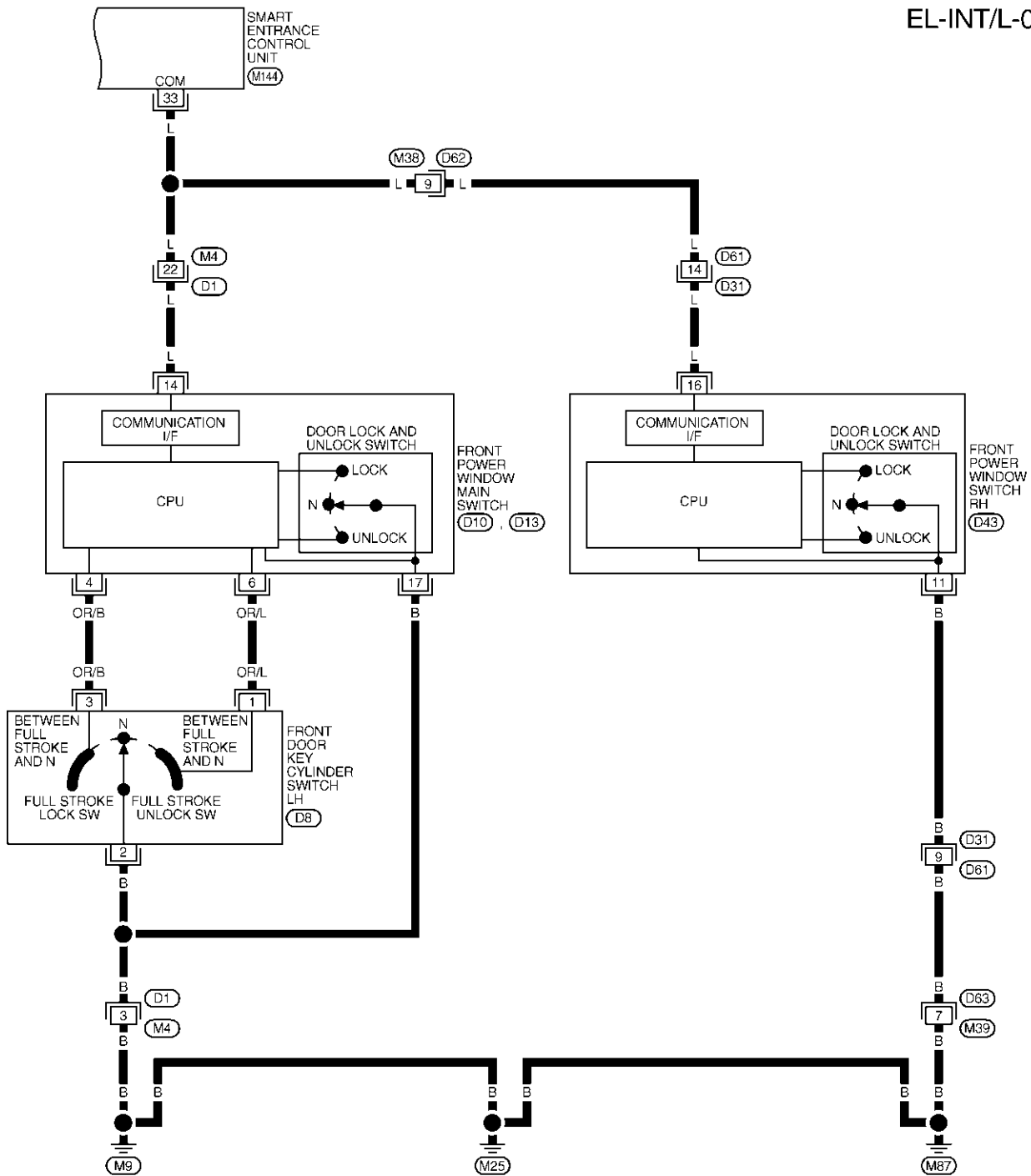
GI
 MA
 EM
 LC
 EC
 FE
 CL
 MT
 AT
 AX
 SU
 BR
 ST
 RS
 BT
 HA
 SC
EL
 IDX

MEL7510

INTERIOR, STEP, SPOT, VANITY MIRROR AND TRUNK ROOM LAMPS

Wiring Diagram — INT/L — (Cont'd)

EL-INT/L-04



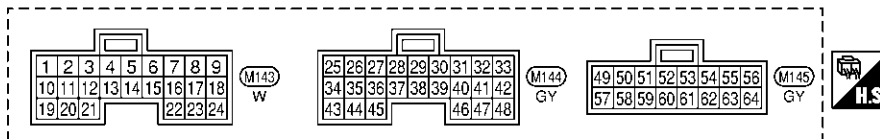
REFER TO THE FOLLOWING.
 (D1), (D31) -SUPER
 MULTIPLE JUNCTION (SMJ)

MEL858P

INTERIOR, STEP, SPOT, VANITY MIRROR AND TRUNK ROOM LAMPS

Wiring Diagram — INT/L — (Cont'd)

SMART ENTRANCE CONTROL UNIT CONNECTOR



SMART ENTRANCE CONTROL UNIT TERMINALS AND REFERENCE VALUE BETWEEN EACH TERMINAL AND GROUND

TERMINAL	WIRE COLOR	ITEM	CONDITION	DATA (DC)
1	LG	DRIVER DOOR SWITCH	OFF (CLOSED) → ON (OPEN)	12V → 0V
2	R/L	PASSENGER DOOR SWITCH	OFF (CLOSED) → ON (OPEN)	5V → 0V
3	R/W	REAR DOOR SWITCH	OFF (CLOSED) → ON (OPEN)	5V → 0V
25	B/R	IGNITION KEY SWITCH (INSERT)	KEY INSERTED → KEY REMOVED FROM IGN KEY CYLINDER	12V → 0V
27	G	IGNITION SWITCH (ON)	IGNITION SWITCH IS IN "ON" POSITION	12V
30	R/Y	IGNITION KEYHOLE ILLUMINATION	WHEN DOORS ARE UNLOCKED USING KEYFOB (OFF → UNLOCK)	12V → 0V
31	R	INTERIOR LAMP	WHEN DOORS ARE LOCKED USING KEYFOB (UNLOCK → LOCK WITH LAMP SWITCH IN "DOOR" POSITION)	12V
32	R/W	FRONT STEP LAMP	ANY DOOR SWITCH ON (OPEN) → OFF (CLOSED)	0V → 12V
33	L	COMMUNICATION INTERFACE	DOOR LOCK & UNLOCK SWITCHES (NEUTRAL → LOCK/UNLOCK)	*1
			FRONT DOOR KEY CYLINDER SWITCH LH (NEUTRAL → LOCK/UNLOCK)	
43	B	GROUND	-	-
49	R/B	POWER SOURCE (FUSE)	-	12V
50	R/G	BATTERY SAVER (INTERIOR LAMP)	BATTERY SAVER DOSE OPERATE → DOES NOT OPERATE (ON → OFF)	12V → 0V
64	B	GROUND	-	-

*1: REFER TO "SMART ENTRANCE CONTROL UNIT INSPECTION TABLE" IN "SMART ENTRANCE CONTROL UNIT".

GI

MA

EM

LC

EC

FE

CL

MT

AT

AX

SU

BR

ST

RS

BT

HA

SC

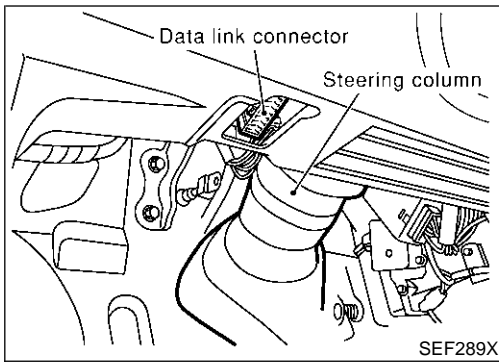
EL

IDX

SEL588Y

INTERIOR, STEP, SPOT, VANITY MIRROR AND TRUNK ROOM LAMPS

CONSULT-II Inspection Procedure



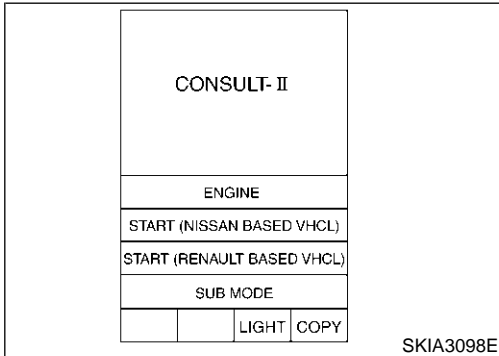
CONSULT-II Inspection Procedure

=NFEL0213

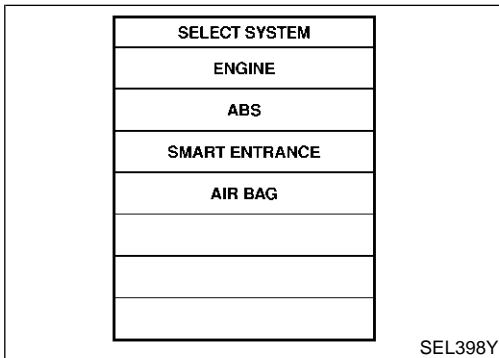
“INT LAMP”/“BATTERY SAVER”

NFEL0213S01

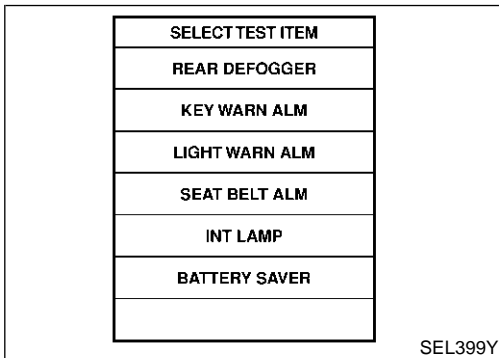
1. Turn ignition switch “OFF”.
2. Connect “CONSULT-II” and “CONSULT-II CONVERTER” to the data link connector.



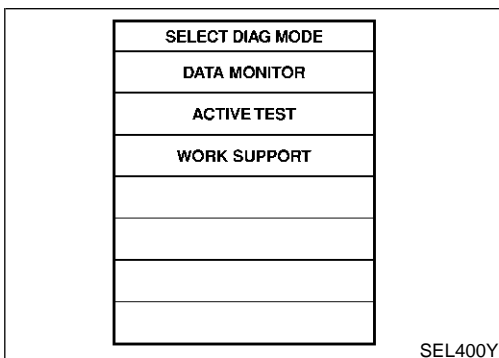
3. Turn ignition switch “ON”.
4. Touch “START (NISSAN BASED VHCL)”.



5. Touch “SMART ENTRANCE”.



6. Touch “INT LAMP” or “BATTERY SAVER”.



7. Select diagnosis mode. “DATA MONITOR”, “ACTIVE TEST” and “WORK SUPPORT” are available for “INT LAMP” and “BATTERY SAVER”.

INTERIOR, STEP, SPOT, VANITY MIRROR AND TRUNK ROOM LAMPS

CONSULT-II Application Items

CONSULT-II Application Items

“INT LAMP” Data Monitor

NFEL0259

NFEL0259S01

NFEL0259S0101

Monitored Item	Description
IGN ON SW	Indicates [ON/OFF] condition of ignition switch.
DOOR SW-RR	Indicates [ON/OFF] condition of ignition switch.
KEY ON SW	Indicates [ON/OFF] condition of key switch.
DOOR SW-DR	Indicates [ON/OFF] condition of front door switch LH.
DOOR SW-AS	Indicates [ON/OFF] condition of front door switch RH.
LOCK SW DR/AS	Indicates [ON/OFF] condition of front door lock switch.
UNLK SW DR/AS	Indicates [ON/OFF] condition of front door lock switch.
KEY CYL LK-SW	Indicates [ON/OFF] condition of front door key cylinder switch.
KEY CYL UN-SW	Indicates [ON/OFF] condition of front door key cylinder switch.
LK BUTTON/SIG	Indicates [ON/OFF] condition of unlock signal from keyfob.
UN BUTTON/SIG	Indicates [ON/OFF] condition of unlock signal from keyfob.

Active Test

NFEL0259S0102

Test Item	Description
INT LAMP	This test enables to check interior lamp operation. When “ON” on CONSULT-II screen is touched: <ul style="list-style-type: none"> Interior lamp turns on when the switch is at DOOR. (Smart entrance control unit supplies power and ground to interior lamp.)
IGN ILLUM	This test enables to check ignition key hole illumination operation. The illumination turns on when “ON” on CONSULT-II screen is touched.
STEP LAMP	This test enables to check step lamp operation. The illumination turns on when “ON” on CONSULT-II screen is touched.

Work Support

NFEL0259S0103

Work Item	Description
ROOM LAMP TIMER SET	Interior lamp timer mode can be changed by mode setting. Selects ON-OFF of the room lamp illumination at the time the driver door is unlocked.

“BATTERY SAVER” Data Monitor

NFEL0259S02

NFEL0259S0201

Monitored Item	Description
IGN ON SW	Indicates [ON/OFF] condition of ignition switch.
DOOR SW-RR	Indicates [ON/OFF] condition of ignition switch.
KEY ON SW	Indicates [ON/OFF] condition of key switch.
DOOR SW-DR	Indicates [ON/OFF] condition of front door switch LH.
DOOR SW-AS	Indicates [ON/OFF] condition of front door switch RH.
LOCK SW DR/AS	Indicates [ON/OFF] condition of front door lock switch.
UNLK SW DR/AS	Indicates [ON/OFF] condition of front door lock switch.
KEY CYL LK-SW	Indicates [ON/OFF] condition of front door key cylinder switch.

INTERIOR, STEP, SPOT, VANITY MIRROR AND TRUNK ROOM LAMPS

CONSULT-II Application Items (Cont'd)

Monitored Item	Description
KEY CYL UN-SW	Indicates [ON/OFF] condition of front door key cylinder switch.
LK BUTTON/SIG	Indicates [ON/OFF] condition of unlock signal from keyfob.
UN BUTTON/SIG	Indicates [ON/OFF] condition of unlock signal from keyfob.

Active Test

NFEL0259S0202

Test Item	Description
BATTERY SAVER	<p>This test enables to check interior lamp, front step lamps, spot lamp and vanity mirror illuminations operations.</p> <p>When touching "ON" on CONSULT-II screen.</p> <ul style="list-style-type: none"> ● Interior lamp turns on when the switch is in ON. (Smart entrance control unit supplies power to interior lamp.) ● Front step lamps turn on when any doors are open. (Smart entrance control unit supplies power to front step lamps.) ● Spot lamp, vanity mirror illuminations turn on when the switch is in ON. (Smart entrance control unit supplies power to Spot lamp, vanity mirror illuminations.)

Work Support

NFEL0259S0203

Work Item	Description
ROOM LAMP BAT SAV SET	<p>Interior lamp battery saver control period can be changed by mode setting. Selects interior lamp battery saver control period between two modes.</p> <ul style="list-style-type: none"> ● MODE 1 (30 minutes)/MODE 2 (60 minutes)

INTERIOR, STEP, SPOT, VANITY MIRROR AND TRUNK ROOM LAMPS

Trouble Diagnoses for Interior Lamp Timer

Trouble Diagnoses for Interior Lamp Timer

=NFEL0215

DIAGNOSTIC PROCEDURE 1

NFEL0215S01

SYMPTOM: Interior lamp timer does not operate.

1	CHECK IGNITION ON SIGNAL																
<p>Ⓔ With CONSULT-II Check ignition switch ON signal ("IGN ON SW") in "DATA MONITOR" mode with CONSULT-II.</p> <div style="display: flex; justify-content: space-around; align-items: flex-start;"> <table border="1" style="border-collapse: collapse; text-align: center;"> <thead> <tr> <th colspan="2">DATA MONITOR</th> </tr> <tr> <th>MONITOR</th> <th></th> </tr> </thead> <tbody> <tr> <td>IGN ON SW</td> <td>ON</td> </tr> </tbody> </table> <div style="text-align: left;"> <p>When ignition switch is ON: IGN ON SW ON</p> <p>When ignition switch is OFF: IGN ON SW OFF</p> </div> </div> <p style="text-align: right;">SEL318W</p>			DATA MONITOR		MONITOR		IGN ON SW	ON									
DATA MONITOR																	
MONITOR																	
IGN ON SW	ON																
<p>ⓧ Without CONSULT-II Check voltage between smart entrance control unit harness connector M144 terminal 27 (G) and ground.</p> <div style="display: flex; justify-content: space-between; align-items: flex-start;"> <div style="text-align: center;"> <p>Smart entrance control unit connector</p> </div> <table border="1" style="border-collapse: collapse; text-align: center;"> <thead> <tr> <th colspan="2">Terminals</th> <th colspan="3">Ignition switch position</th> </tr> <tr> <th>(+)</th> <th>(-)</th> <th>OFF</th> <th>ACC</th> <th>ON</th> </tr> </thead> <tbody> <tr> <td>27</td> <td>Ground</td> <td>0V</td> <td>0V</td> <td>Battery voltage</td> </tr> </tbody> </table> </div> <p style="text-align: right;">SEL003Y</p> <p style="text-align: center;">OK or NG</p>			Terminals		Ignition switch position			(+)	(-)	OFF	ACC	ON	27	Ground	0V	0V	Battery voltage
Terminals		Ignition switch position															
(+)	(-)	OFF	ACC	ON													
27	Ground	0V	0V	Battery voltage													
OK	▶	GO TO 2.															
NG	▶	<p>Check the following.</p> <ul style="list-style-type: none"> ● 10A fuse [No. 10, located in fuse block (J/B)] ● Harness for open or short between smart entrance control unit and fuse 															

GI

MA

EM

LC

EC

FE

CL

MT

AT

AX

SU

BR

ST

RS

BT

HA

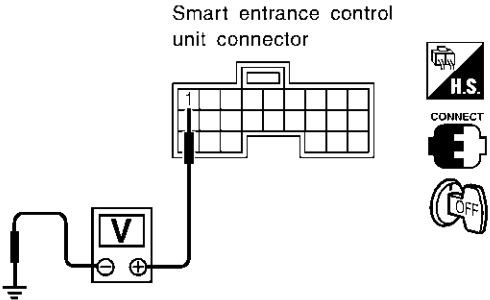
SC

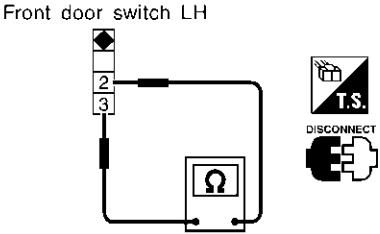
EL

IDX

INTERIOR, STEP, SPOT, VANITY MIRROR AND TRUNK ROOM LAMPS

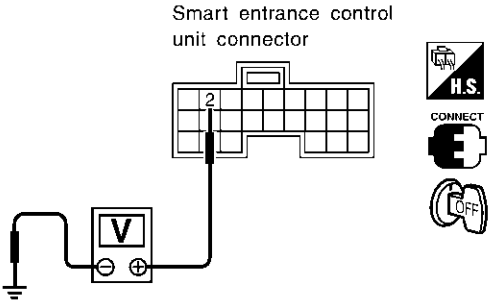
Trouble Diagnoses for Interior Lamp Timer (Cont'd)

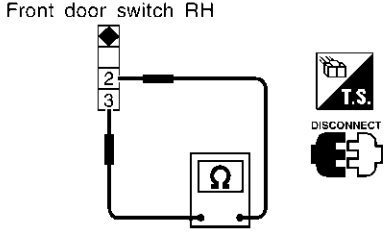
2	CHECK FRONT LH DOOR SWITCH INPUT SIGNAL						
<p>Ⓔ With CONSULT-II Check driver door switch signal ("DOOR SW-DR") in "DATA MONITOR" mode with CONSULT-II.</p>							
<table border="1" style="margin: auto;"> <tr><th colspan="2">DATA MONITOR</th></tr> <tr><th colspan="2">MONITOR</th></tr> <tr><td>DOOR SW-DR</td><td>OFF</td></tr> </table>		DATA MONITOR		MONITOR		DOOR SW-DR	OFF
DATA MONITOR							
MONITOR							
DOOR SW-DR	OFF						
<p>When front LH door is open: DOOR SW-DR ON</p> <p>When driver's door is closed: DOOR SW-DR OFF</p>							
SEL319WA							
<p>⊗ Without CONSULT-II Check voltage between smart entrance control unit harness connector M143 terminal 1 (LG) and ground.</p>							
<p>Smart entrance control unit connector</p> 							
<p>Voltage [V]: Condition of driver's door: CLOSED Approx. 12 Condition of driver's door: OPEN 0</p>							
SEL004YC							
OK or NG							
OK	▶ GO TO 4.						
NG	▶ GO TO 3.						

3	CHECK FRONT LH DOOR SWITCH
<p>Check continuity between door switch connector B29 terminals 2 and 3.</p>	
<p>Front door switch LH</p> 	
<p>Continuity: Door switch is pushed. No Door switch is released. Yes</p>	
SEL325WB	
OK or NG	
OK	▶ Check the following. <ul style="list-style-type: none"> ● Front LH door switch ground circuit and condition ● Harness for open or short between smart entrance control unit and front LH door switch
NG	▶ Replace front LH door switch.

INTERIOR, STEP, SPOT, VANITY MIRROR AND TRUNK ROOM LAMPS

Trouble Diagnoses for Interior Lamp Timer (Cont'd)

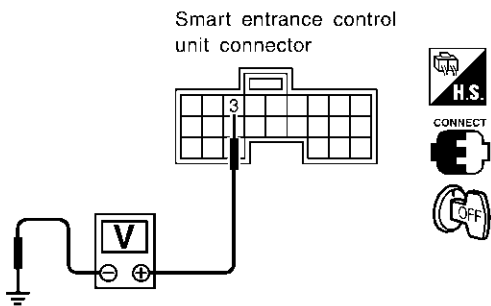

4	CHECK FRONT RH DOOR SWITCH INPUT SIGNAL						
<p>E With CONSULT-II Check driver door switch signal ("DOOR SW-AS") in "DATA MONITOR" mode with CONSULT-II.</p>							
<table border="1" style="margin: auto;"> <tr><th colspan="2">DATA MONITOR</th></tr> <tr><th colspan="2">MONITOR</th></tr> <tr><td>DOOR SW-AS</td><td>OFF</td></tr> </table>		DATA MONITOR		MONITOR		DOOR SW-AS	OFF
DATA MONITOR							
MONITOR							
DOOR SW-AS	OFF						
<p>When front RH door is open: DOOR SW-AS ON</p> <p>When driver's door is closed: DOOR SW-AS OFF</p>							
SEL153Y							
<p>X Without CONSULT-II Check voltage between smart entrance control unit harness connector M143 terminal 2 (R/L) and ground.</p>							
<p>Smart entrance control unit connector</p> 							
<p>Voltage [V]: Condition of front RH door: CLOSED Approx. 5 Condition of front RH door: OPEN 0</p>							
SEL152YA							
OK or NG							
OK	▶ GO TO 6.						
NG	▶ GO TO 5.						

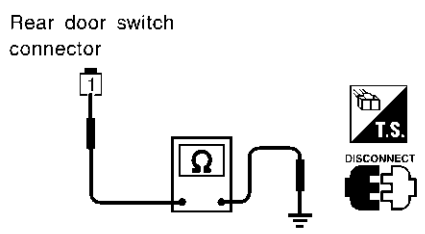

5	CHECK FRONT RH DOOR SWITCH
Check continuity between door switch connector B129 terminals 2 and 3.	
<p>Front door switch RH</p> 	
<p>Continuity: Door switch is pushed. No Door switch is released. Yes</p>	
SEL325WC	
OK or NG	
OK	▶ Check the following. <ul style="list-style-type: none"> ● Front RH door switch ground circuit and condition ● Harness for open or short between smart entrance control unit and front RH door switch
NG	▶ Replace front RH door switch.

GI
MA
EM
LC
EC
FE
CL
MT
AT
AX
SU
BR
ST
RS
BT
HA
SC
EL
IDX

INTERIOR, STEP, SPOT, VANITY MIRROR AND TRUNK ROOM LAMPS

Trouble Diagnoses for Interior Lamp Timer (Cont'd)

6	CHECK REAR LH AND RH DOOR SWITCHES INPUT SIGNAL							
<p>E With CONSULT-II Check door switches ("DOOR SW-RR") in "DATA MONITOR" mode with CONSULT-II.</p> <div style="display: flex; align-items: flex-start;"> <table border="1" style="margin-right: 20px;"> <thead> <tr> <th colspan="2">DATA MONITOR</th> </tr> <tr> <th colspan="2">MONITOR</th> </tr> </thead> <tbody> <tr> <td>DOOR SW-RR</td> <td>OFF</td> </tr> </tbody> </table> <div style="flex: 1;"> <p>When rear door LH and/or RH is open: DOOR SW-RR ON</p> <p>When driver's door is closed: DOOR SW-RR OFF</p> </div> </div> <p style="text-align: right;">SEL154Y</p>			DATA MONITOR		MONITOR		DOOR SW-RR	OFF
DATA MONITOR								
MONITOR								
DOOR SW-RR	OFF							
<p>X Without CONSULT-II Check voltage between smart entrance control unit harness connector M143 terminals 3 (R/W) and ground.</p> <div style="display: flex; align-items: center;"> <div style="margin-right: 20px;"> <p>Smart entrance control unit connector</p>  </div> <div style="margin-right: 20px;">  </div> <div style="flex: 1;"> <p>Voltage [V]:</p> <p>Condition of rear LH and/or RH door: CLOSED Approx. 5</p> <p>Condition of rear LH and/or RH door: OPEN 0</p> </div> </div> <p style="text-align: right;">SEL155YA</p> <p style="text-align: center;">OK or NG</p>								
OK	▶	GO TO 8.						
NG	▶	GO TO 7.						

7	CHECK REAR LH AND RH DOOR SWITCHES	
<p>1. Disconnect door switch harness connector. 2. Check continuity between door switch terminal 1 and ground.</p> <div style="display: flex; align-items: center;"> <div style="margin-right: 20px;"> <p>Rear door switch connector</p>  </div> <div style="margin-right: 20px;">  </div> <div style="flex: 1;"> <p>Continuity:</p> <p>Door switch is pushed. No</p> <p>Door switch is released. Yes</p> </div> </div> <p style="text-align: right;">SEL156Y</p> <p style="text-align: center;">OK or NG</p>		
OK	▶	<p>Check the following.</p> <ul style="list-style-type: none"> ● Rear LH and/or RH door switch ground circuit or door switch ground condition ● Harness for open or short between smart entrance control unit and rear LH and/or RH door switch
NG	▶	Replace rear LH and/or RH door switch.

INTERIOR, STEP, SPOT, VANITY MIRROR AND TRUNK ROOM LAMPS

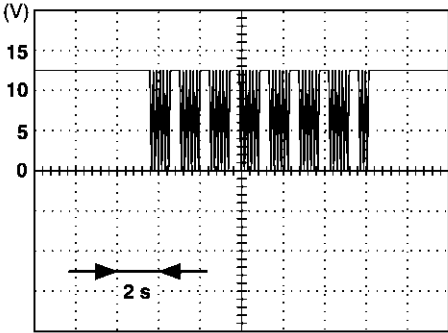
Trouble Diagnoses for Interior Lamp Timer (Cont'd)

8	CHECK KEY SWITCH INPUT SIGNAL	<p>E With CONSULT-II Check key switch ("KEY ON SW") in "DATA MONITOR" mode with CONSULT-II.</p> <div style="display: flex; align-items: flex-start;"> <table border="1" style="margin-right: 20px;"> <thead> <tr><th colspan="2">DATA MONITOR</th></tr> <tr><th colspan="2">MONITOR</th></tr> </thead> <tbody> <tr> <td>KEY ON SW</td> <td>ON</td> </tr> </tbody> </table> <div style="margin-top: 10px;"> <p>When key is inserted to ignition key cylinder: KEY ON SW ON</p> <p>When key is removed from ignition key cylinder: KEY ON SW OFF</p> </div> </div> <p style="text-align: right; font-size: small;">SEL315W</p>	DATA MONITOR		MONITOR		KEY ON SW	ON	GI MA EM LC EC
DATA MONITOR									
MONITOR									
KEY ON SW	ON								
<p>X Without CONSULT-II Check voltage between smart entrance control unit harness connector M144 terminal 25 (B/R) and ground.</p> <p>Smart entrance control unit connector</p> <div style="display: flex; align-items: center;"> <div style="margin-right: 20px;"> <p>H.S. CONNECT</p> <p>Key inserted: Approx. 12V</p> <p>Key removed: 0V</p> </div> <div style="margin-top: 10px;"> <p>Voltage [V]:</p> <p>Condition of key switch: Key is inserted. Approx. 12</p> <p>Condition of key switch: Key is removed. 0</p> </div> </div> <p style="text-align: center; margin-top: 10px;">OK or NG</p> <p style="text-align: right; font-size: small;">SEL011Y</p>		FE CL MT AT AX							
OK	▶	GO TO 10.							
NG	▶	GO TO 9.							

9	CHECK KEY SWITCH (INSERT)	<p>Check the following.</p> <ul style="list-style-type: none"> ● Continuity between key switch harness connector E95 terminals 1 and 2 (M/T models) ● Continuity between key switch harness connector E150 terminals 3 and 4 (A/T models) <p>Key switch connector</p> <div style="display: flex; align-items: center;"> <div style="margin-right: 20px;"> <p>M/T models</p> </div> <div style="margin-right: 20px;"> <p>A/T models</p> </div> <div style="margin-right: 20px;"> <p>T.S. DISCONNECT</p> </div> <div style="margin-top: 10px;"> <p>Continuity:</p> <p>Condition of key switch: Key is inserted. Yes</p> <p>Condition of key switch: Key is removed. No</p> </div> </div> <p style="text-align: center; margin-top: 10px;">OK or NG</p> <p style="text-align: right; font-size: small;">SEL395YA</p>	BR ST RS BT HA SC
OK	▶	<p>Check the following.</p> <ul style="list-style-type: none"> ● 10A fuse [No. 13, located in fuse block (J/B)] ● Harness for open or short between key switch and fuse ● Harness for open or short between smart entrance control unit and key switch 	
NG	▶	Replace key switch.	

INTERIOR, STEP, SPOT, VANITY MIRROR AND TRUNK ROOM LAMPS

Trouble Diagnoses for Interior Lamp Timer (Cont'd)

10	CHECK DOOR LOCK/UNLOCK SWITCH INPUT SIGNAL									
<p>E With CONSULT-II Check door lock/unlock switch ("LOCK SW DR/AS"/"UNLK SW DR/AS") in "DATA MONITOR" mode with CONSULT-II.</p>										
<table border="1" data-bbox="349 273 610 598"> <thead> <tr> <th colspan="2" data-bbox="349 273 610 302">DATA MONITOR</th> </tr> <tr> <th colspan="2" data-bbox="349 302 610 338">MONITOR</th> </tr> </thead> <tbody> <tr> <td data-bbox="349 338 516 367">LOCK SW DR/AS</td> <td data-bbox="516 338 610 367">OFF</td> </tr> <tr> <td data-bbox="349 367 516 396">UNLK SW DR/AS</td> <td data-bbox="516 367 610 396">OFF</td> </tr> </tbody> </table> <div data-bbox="818 365 1320 426" style="margin-left: 200px;"> <p>When lock/unlock switch is turned to LOCK: LOCK SW DR/AS ON</p> </div> <div data-bbox="818 436 1356 497" style="margin-left: 200px;"> <p>When lock/unlock switch is turned to UNLOCK: UNLK SW DR/AS ON</p> </div>			DATA MONITOR		MONITOR		LOCK SW DR/AS	OFF	UNLK SW DR/AS	OFF
DATA MONITOR										
MONITOR										
LOCK SW DR/AS	OFF									
UNLK SW DR/AS	OFF									
SEL341W										
<p>X Without CONSULT-II</p> <ol style="list-style-type: none"> Remove key from ignition switch. Check the signal between smart entrance control unit harness connector M144 terminal 33 (L) and ground with oscilloscope when door lock/unlock switch is turned "LOCK" or "UNLOCK". Make sure signals which are shown in the figure below can be detected during 10 sec. just after door lock/unlock switch is turned "LOCK" or "UNLOCK". 										
<div style="display: flex; align-items: center;">  <div style="margin-left: 20px;"> <p>Voltage: 12V → 9V (10 sec.) measurement by analog circuit tester.</p> </div> </div>										
SEL396Y										
OK or NG										
OK	▶	GO TO 11.								
NG	▶	<p>Check the following.</p> <ul style="list-style-type: none"> ● Ground circuit for each front power window switch ● Harness for open or short between each front power window switch and smart entrance control unit connector <p>If above systems are normal, replace the front power window switch.</p>								

INTERIOR, STEP, SPOT, VANITY MIRROR AND TRUNK ROOM LAMPS

Trouble Diagnoses for Interior Lamp Timer (Cont'd)

11 CHECK DOOR KEY CYLINDER SWITCH INPUT SIGNAL (LOCK/UNLOCK SIGNAL)

Ⓔ With CONSULT-II

Check front door key cylinder switch ("KEY CYL LK-SW"/"KEY CYL UN-SW") in "DATA MONITOR" mode with CONSULT-II.

DATA MONITOR	
MONITOR	
KEY CYL LK-SW	OFF
KEY CYL UN-SW	OFF

When key inserted in front key cylinder is turned to LOCK:

KEY CYL LK-SW ON

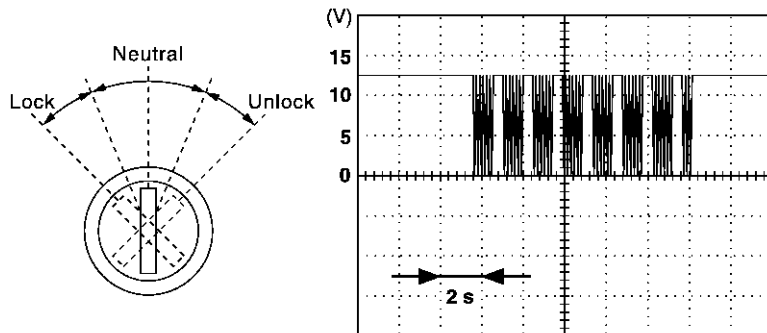
When key inserted in front key cylinder is turned to UNLOCK:

KEY CYL UN-SW ON

SEL342W

ⓧ Without CONSULT-II

1. Check the signal between smart entrance control unit harness connector M144 terminal 33 (L) and ground with oscilloscope when key inserted in front key cylinder is turned "LOCK" or "UNLOCK".
2. Make sure signals which are shown in the figure below can be detected during 10 sec. just after key is turned "LOCK" or "UNLOCK".



Voltage:

**12V → 9V (10 sec.) measurement
by analog circuit tester.**

SEL397Y

OK or NG

OK	▶	Replace smart entrance control unit.
NG	▶	GO TO 12.

GI

MA

EM

LC

EC

FE

CL

MT

AT

AX

SU

BR

ST

RS

BT

HA

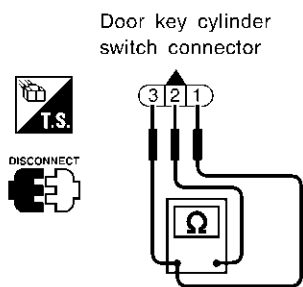
SC

EL

IDX

INTERIOR, STEP, SPOT, VANITY MIRROR AND TRUNK ROOM LAMPS

Trouble Diagnoses for Interior Lamp Timer (Cont'd)

12	CHECK DOOR KEY CYLINDER SWITCH														
1. Disconnect door key cylinder switch harness connector D8. 2. Check continuity between door key cylinder switch terminals.															
<div style="display: flex; justify-content: space-between; align-items: flex-start;"> <div style="text-align: center;">  <p>Door key cylinder switch connector</p> </div> <div style="text-align: left;"> <p>① : Door unlock switch terminal ② : Ground terminal ③ : Door lock switch terminal</p> <table border="1" data-bbox="763 388 1307 546"> <thead> <tr> <th>Terminals</th> <th>Key position</th> <th>Continuity</th> </tr> </thead> <tbody> <tr> <td rowspan="2">③ - ②</td> <td>Neutral/Unlock</td> <td>No</td> </tr> <tr> <td>Lock</td> <td>Yes</td> </tr> <tr> <td rowspan="2">① - ②</td> <td>Neutral/Lock</td> <td>No</td> </tr> <tr> <td>Unlock</td> <td>Yes</td> </tr> </tbody> </table> </div> </div> <div style="text-align: right; margin-top: 10px;">SEL187Y</div>			Terminals	Key position	Continuity	③ - ②	Neutral/Unlock	No	Lock	Yes	① - ②	Neutral/Lock	No	Unlock	Yes
Terminals	Key position	Continuity													
③ - ②	Neutral/Unlock	No													
	Lock	Yes													
① - ②	Neutral/Lock	No													
	Unlock	Yes													
OK or NG															
OK	▶	<p>Check the following.</p> <ul style="list-style-type: none"> ● Door key cylinder switch ground circuit ● Harness for open or short between front power window main switch and door key cylinder switch <p>If above systems are normal, replace the front power window main switch.</p>													
NG	▶	Replace door key cylinder switch.													


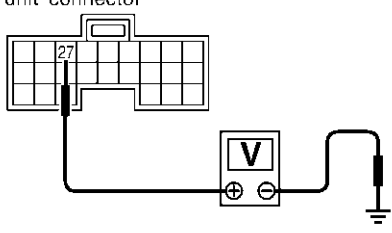
INTERIOR, STEP, SPOT, VANITY MIRROR AND TRUNK ROOM LAMPS

Trouble Diagnoses for Interior Lamp Timer (Cont'd)

DIAGNOSTIC PROCEDURE 2

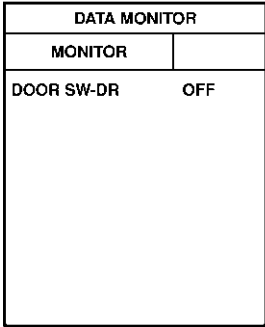
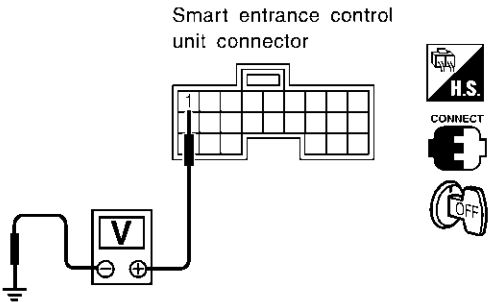
NFEL0215S02

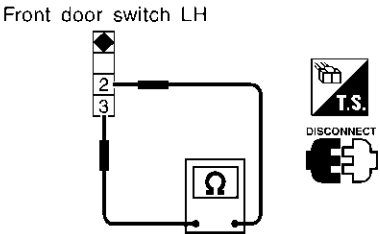
SYMPTOM: Interior lamp timer does not cancel properly.

1	CHECK IGNITION ON SIGNAL		GI MA EM LC EC FE															
		<p>Ⓔ With CONSULT-II Check ignition switch ON signal ("IGN ON SW") in "DATA MONITOR" mode with CONSULT-II.</p> <table border="1" style="margin-left: auto; margin-right: auto; border-collapse: collapse;"> <thead> <tr> <th colspan="2" style="text-align: center;">DATA MONITOR</th> </tr> <tr> <th style="text-align: center;">MONITOR</th> <th style="text-align: center;">ON</th> </tr> </thead> <tbody> <tr> <td style="text-align: center;">IGN ON SW</td> <td style="text-align: center;">ON</td> </tr> </tbody> </table> <p style="margin-left: 200px;">When ignition switch is ON: IGN ON SW ON</p> <p style="margin-left: 200px;">When ignition switch is OFF: IGN ON SW OFF</p> <p style="text-align: right;">SEL318W</p>	DATA MONITOR		MONITOR	ON	IGN ON SW	ON	CL MT AT AX SU									
DATA MONITOR																		
MONITOR	ON																	
IGN ON SW	ON																	
		<p>ⓧ Without CONSULT-II Check voltage between smart entrance control unit harness connector M144 terminal 27 (G) and ground.</p> <div style="display: flex; align-items: center;"> <div style="margin-right: 20px;">  <p>Smart entrance control unit connector</p> </div> <div style="flex-grow: 1;">  </div> <div style="margin-left: 20px;"> <table border="1" style="border-collapse: collapse; text-align: center;"> <thead> <tr> <th colspan="2" style="text-align: center;">Terminals</th> <th colspan="3" style="text-align: center;">Ignition switch position</th> </tr> <tr> <th style="text-align: center;">(+)</th> <th style="text-align: center;">(-)</th> <th style="text-align: center;">OFF</th> <th style="text-align: center;">ACC</th> <th style="text-align: center;">ON</th> </tr> </thead> <tbody> <tr> <td style="text-align: center;">27</td> <td style="text-align: center;">Ground</td> <td style="text-align: center;">0V</td> <td style="text-align: center;">0V</td> <td style="text-align: center;">Battery voltage</td> </tr> </tbody> </table> </div> </div> <p style="text-align: right;">SEL995X</p> <p style="text-align: center;">OK or NG</p>	Terminals		Ignition switch position			(+)	(-)	OFF	ACC	ON	27	Ground	0V	0V	Battery voltage	BR ST RS BT HA SC
Terminals		Ignition switch position																
(+)	(-)	OFF	ACC	ON														
27	Ground	0V	0V	Battery voltage														
		<table style="width: 100%; border-collapse: collapse;"> <tr> <td style="width: 20%; padding: 5px;">OK</td> <td style="width: 5%; text-align: center; padding: 5px;">▶</td> <td style="padding: 5px;">GO TO 2.</td> </tr> <tr> <td style="padding: 5px;">NG</td> <td style="text-align: center; padding: 5px;">▶</td> <td style="padding: 5px;"> Check the following. <ul style="list-style-type: none"> 10A fuse [No. 10, located in fuse block (J/B)] Harness for open or short between smart entrance control unit and fuse </td> </tr> </table>	OK	▶	GO TO 2.	NG	▶	Check the following. <ul style="list-style-type: none"> 10A fuse [No. 10, located in fuse block (J/B)] Harness for open or short between smart entrance control unit and fuse 	EL IDX									
OK	▶	GO TO 2.																
NG	▶	Check the following. <ul style="list-style-type: none"> 10A fuse [No. 10, located in fuse block (J/B)] Harness for open or short between smart entrance control unit and fuse 																

INTERIOR, STEP, SPOT, VANITY MIRROR AND TRUNK ROOM LAMPS

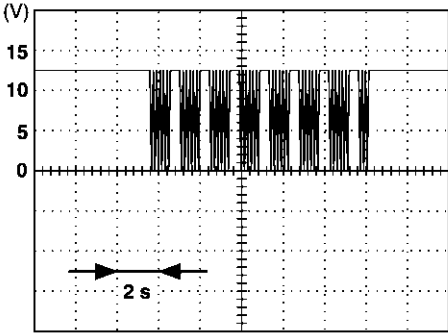
Trouble Diagnoses for Interior Lamp Timer (Cont'd)

2	CHECK FRONT LH DOOR SWITCH INPUT SIGNAL	
<p>Ⓔ With CONSULT-II Check driver door switch signal ("DOOR SW-DR") in "DATA MONITOR" mode with CONSULT-II.</p>		
		<p>When front LH door is open: DOOR SW-DR ON</p> <p>When driver's door is closed: DOOR SW-DR OFF</p>
SEL319WA		
<p>⊗ Without CONSULT-II Check voltage between smart entrance control unit harness connector M143 terminal 1 (LG) and ground.</p>		
<p>Smart entrance control unit connector</p> 		<p>Voltage [V]: Condition of driver's door: CLOSED Approx. 12 Condition of driver's door: OPEN 0</p>
SEL004YC		
OK or NG		
OK	▶	GO TO 4.
NG	▶	GO TO 3.

3	CHECK FRONT LH DOOR SWITCH	
<p>Check continuity between door switch connector B29 terminals 2 and 3.</p>		
<p>Front door switch LH</p> 		<p>Continuity: Door switch is pushed. No Door switch is released. Yes</p>
SEL325WB		
OK or NG		
OK	▶	<p>Check the following.</p> <ul style="list-style-type: none"> ● Front LH door switch ground circuit and condition ● Harness for open or short between smart entrance control unit and front LH door switch
NG	▶	Replace front LH door switch.

INTERIOR, STEP, SPOT, VANITY MIRROR AND TRUNK ROOM LAMPS

Trouble Diagnoses for Interior Lamp Timer (Cont'd)

4	CHECK DOOR LOCK/UNLOCK SWITCH INPUT SIGNAL									
<p>E With CONSULT-II Check door lock/unlock switch ("LOCK SW DR/AS"/"UNLK SW DR/AS") in "DATA MONITOR" mode with CONSULT-II.</p>										
<table border="1" style="margin-left: auto; margin-right: auto;"> <thead> <tr> <th colspan="2" style="text-align: center;">DATA MONITOR</th> </tr> <tr> <th colspan="2" style="text-align: center;">MONITOR</th> </tr> </thead> <tbody> <tr> <td style="text-align: left;">LOCK SW DR/AS</td> <td style="text-align: center;">OFF</td> </tr> <tr> <td style="text-align: left;">UNLK SW DR/AS</td> <td style="text-align: center;">OFF</td> </tr> </tbody> </table>			DATA MONITOR		MONITOR		LOCK SW DR/AS	OFF	UNLK SW DR/AS	OFF
DATA MONITOR										
MONITOR										
LOCK SW DR/AS	OFF									
UNLK SW DR/AS	OFF									
<p>When lock/unlock switch is turned to LOCK: LOCK SW DR/AS ON</p> <p>When lock/unlock switch is turned to UNLOCK: UNLK SW DR/AS ON</p>										
SEL341W										
<p>X Without CONSULT-II</p> <ol style="list-style-type: none"> Remove key from ignition switch. Check the signal between smart entrance control unit harness connector M144 terminal 33 (L) and ground with oscilloscope when door lock/unlock switch is turned "LOCK" or "UNLOCK". Make sure signals which are shown in the figure below can be detected during 10 sec. just after door lock/unlock switch is turned "LOCK" or "UNLOCK". 										
<div style="display: flex; align-items: center;"> <div style="flex: 1;">  <p style="font-size: small;">(V) 15 10 5 0</p> <p style="font-size: small;">2 s</p> </div> <div style="flex: 1; padding-left: 20px;"> <p>Voltage: 12V → 9V (10 sec.) measurement by analog circuit tester.</p> </div> </div>										
OK or NG										
OK	▶	GO TO 5.								
NG	▶	<p>Check the following.</p> <ul style="list-style-type: none"> ● Ground circuit for each front power window switch ● Harness for open or short between each front power window switch and smart entrance control unit connector <p>If above systems are normal, replace the front power window switch.</p>								

GI
MA
EM
LC
EC
FE
CL
MT
AT
AX
SU
BR
ST
RS
BT
HA
SC
EL
IDX

INTERIOR, STEP, SPOT, VANITY MIRROR AND TRUNK ROOM LAMPS

Trouble Diagnoses for Interior Lamp Timer (Cont'd)

5 CHECK DOOR KEY CYLINDER SWITCH INPUT SIGNAL (LOCK/UNLOCK SIGNAL)

Ⓔ With CONSULT-II

Check front door key cylinder switch ("KEY CYL LK-SW"/"KEY CYL UN-SW") in "DATA MONITOR" mode with CONSULT-II.

DATA MONITOR	
MONITOR	
KEY CYL LK-SW	OFF
KEY CYL UN-SW	OFF

When key inserted in front key cylinder is turned to LOCK:

KEY CYL LK-SW ON

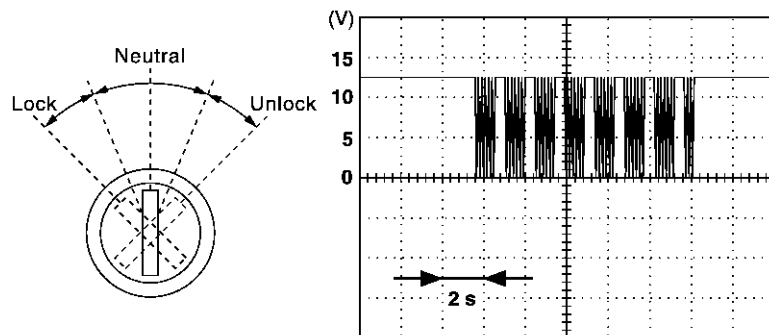
When key inserted in front key cylinder is turned to UNLOCK:

KEY CYL UN-SW ON

SEL342W

ⓧ Without CONSULT-II

1. Check the signal between smart entrance control unit harness connector M144 terminal 33 (L) and ground with oscilloscope when key inserted in front key cylinder is turned "LOCK" or "UNLOCK".
2. Make sure signals which are shown in the figure below can be detected during 10 sec. just after key is turned "LOCK" or "UNLOCK".



Voltage:
12V → 9V (10 sec.) measurement
by analog circuit tester.


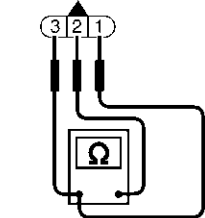
SEL397Y

OK or NG

OK	▶	Replace smart entrance control unit.
NG	▶	GO TO 6.

INTERIOR, STEP, SPOT, VANITY MIRROR AND TRUNK ROOM LAMPS

Trouble Diagnoses for Interior Lamp Timer (Cont'd)

6	CHECK DOOR KEY CYLINDER SWITCH													
<p>1. Disconnect door key cylinder switch harness connector D8. 2. Check continuity between door key cylinder switch terminals.</p> <div style="display: flex; justify-content: space-around; align-items: flex-start;"> <div style="text-align: center;">  <p>DISCONNECT</p> </div> <div style="text-align: center;">  <p>Door key cylinder switch connector</p> </div> <div style="text-align: left;"> <p>① : Door unlock switch terminal ② : Ground terminal ③ : Door lock switch terminal</p> <table border="1" style="margin-left: auto; margin-right: auto;"> <thead> <tr> <th>Terminals</th> <th>Key position</th> <th>Continuity</th> </tr> </thead> <tbody> <tr> <td rowspan="2">③ - ②</td> <td>Neutral/Unlock</td> <td>No</td> </tr> <tr> <td>Lock</td> <td>Yes</td> </tr> <tr> <td rowspan="2">① - ②</td> <td>Neutral/Lock</td> <td>No</td> </tr> <tr> <td>Unlock</td> <td>Yes</td> </tr> </tbody> </table> </div> </div> <div style="text-align: right; margin-top: 10px;">SEL187Y</div>		Terminals	Key position	Continuity	③ - ②	Neutral/Unlock	No	Lock	Yes	① - ②	Neutral/Lock	No	Unlock	Yes
Terminals	Key position	Continuity												
③ - ②	Neutral/Unlock	No												
	Lock	Yes												
① - ②	Neutral/Lock	No												
	Unlock	Yes												
OK or NG														
OK	<p>▶ Check the following.</p> <ul style="list-style-type: none"> ● Door key cylinder switch ground circuit ● Harness for open or short between front power window main switch and door key cylinder switch <p style="padding-left: 20px;">If above systems are normal, replace the front power window main switch.</p>													
NG	<p>▶ Replace door key cylinder switch.</p>													

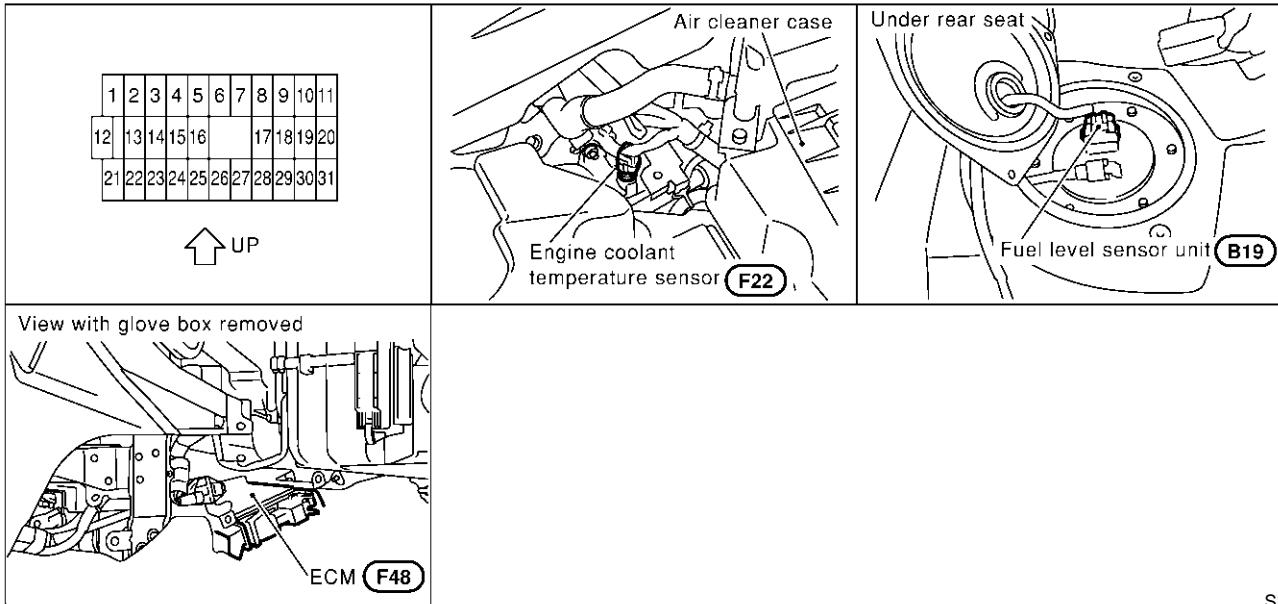
GI
 MA
 EM
 LC
 EC
 FE
 CL
 MT
 AT
 AX
 SU
 BR
 ST
 RS
 BT
 HA
 SC
 EL
 IDX

METERS AND GAUGES

Component Parts and Harness Connector Location

Component Parts and Harness Connector Location

NFEL0041



SEL380Y

System Description

NFEL0042

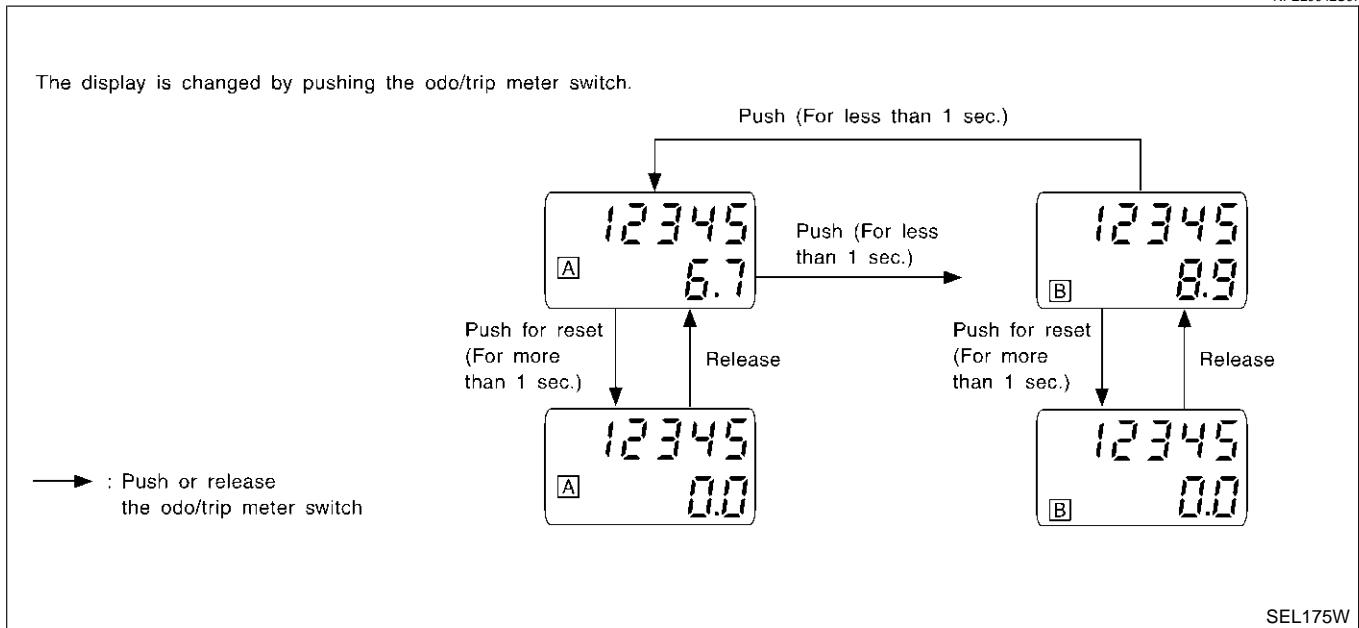
UNIFIED CONTROL METER

NFEL0042S06

- Speedometer, odo/trip meter, tachometer, fuel gauge and water temperature gauge are controlled totally by control unit built-in combination meter.
- Digital meter is adopted for odo/trip meter.*
*The record of the odo meter is kept even if the battery cable is disconnected. The record of the trip meter is erased when the battery cable is disconnected.
- Odo/trip meter segment can be checked in diagnosis mode.
- Meter/gauge can be checked in diagnosis mode.

HOW TO CHANGE THE DISPLAY FOR ODO/TRIP METER

NFEL0042S07



SEL175W

NOTE:

Turn ignition switch to the "ON" position to operate odo/trip meter.

POWER SUPPLY AND GROUND CIRCUIT

NFEL0042S08

Power is supplied at all times

- through 10A fuse [No. 12, located in the fuse block (J/B)]
- to combination meter terminal 23.

GI

With the ignition switch in the ACC or ON position, power is supplied.

- through 10A fuse [No. 1, located in the fuse block (J/B)]
- to combination meter terminal 31.

MA

With the ignition switch in the ON or START position, power is supplied

- through 10A fuse [No. 30, located in the fuse block (J/B)]
- to combination meter terminal 24.

EM

LC

Ground is supplied

- to combination meter terminal 22
- through body grounds M9, M25 and M87.

EC

WATER TEMPERATURE GAUGE

NFEL0042S01

The water temperature gauge indicates the engine coolant temperature. The reading on the gauge is received engine coolant temperature signal from ECM. ECM is detected by water temperature sensor.

FE

The water temperature gauge is received by a signal

- from ECM terminal 18
- to combination meter terminal 18

CL

The needle on the gauge moves from “C” to “H”

MT

TACHOMETER

NFEL0042S02

The tachometer indicates engine speed in revolutions per minute (rpm).

AT

The tachometer is regulated by a signal

- from terminal 34 of the ECM
- to combination meter terminal 16 for the tachometer.

AX

FUEL GAUGE

NFEL0042S03

The fuel gauge indicates the approximate fuel level in the fuel tank.

SU

The fuel gauge is regulated by a variable ground signal supplied

- to combination meter terminal 17 for the fuel gauge
- from terminal 2 of the fuel level sensor unit
- through terminal 5 of the fuel level sensor unit and
- through body ground B13.

BR

ST

SPEEDOMETER

NFEL0042S04

The combination meter provides a voltage signal to the vehicle speed sensor for the speedometer.

RS

The voltage is supplied

- from combination meter terminal 15 for the speedometer
- to terminal 22 of ABS/TCS control unit (with TCS).
- to terminal 18 (A/T) or 19 (M/T) of ABS actuator and electric unit (without TCS).

BT

The speedometer converts the voltage into the vehicle speed displayed.

HA

SC

EL

IDX

METERS AND GAUGES

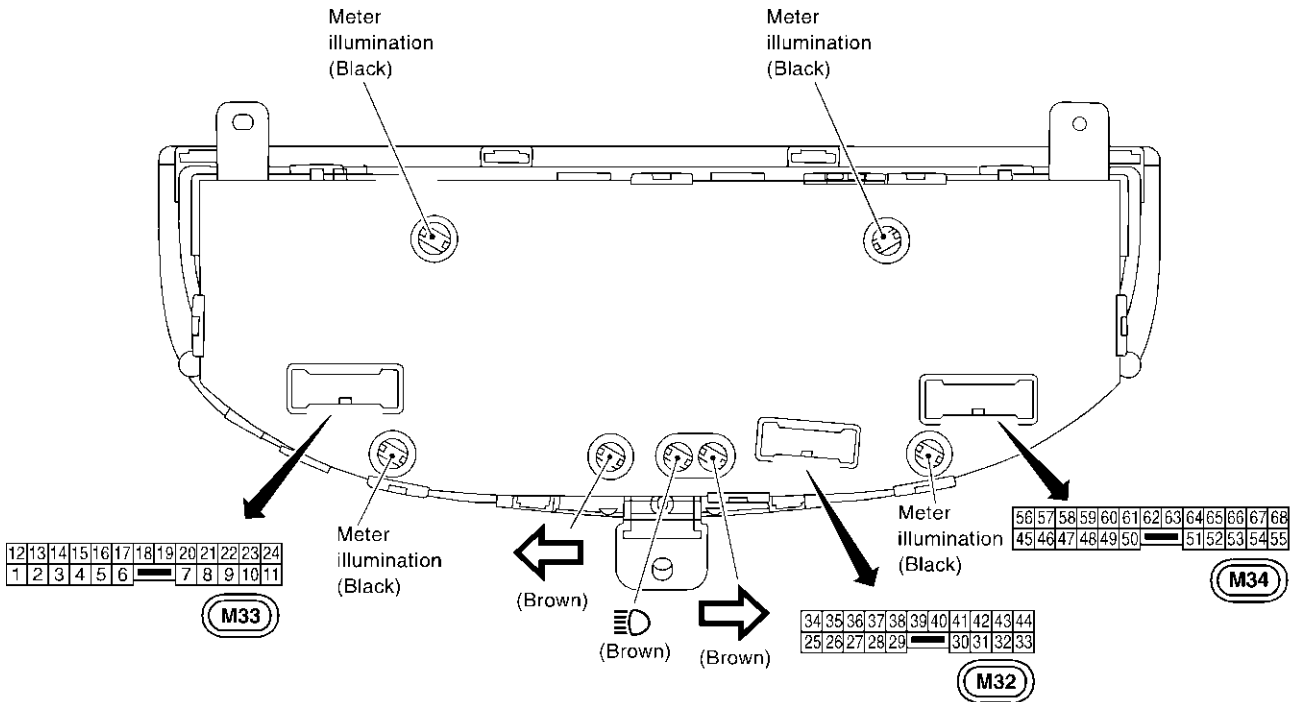
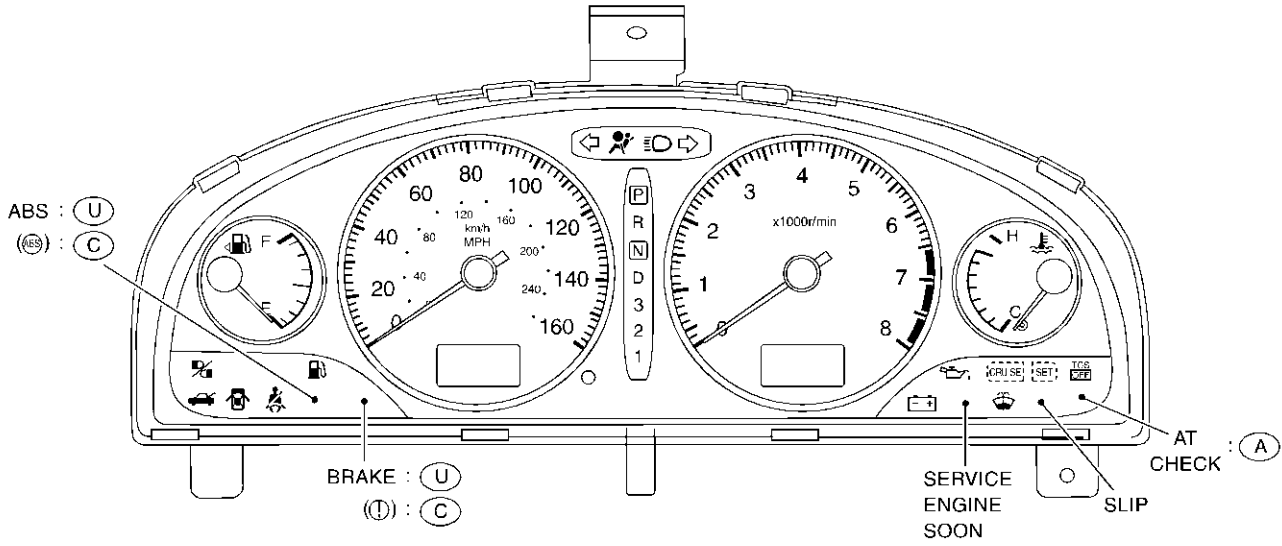
Combination Meter

Combination Meter

NFEL0043

NFEL0043S01

CHECK



Bulb socket color	Bulb wattage
Brown	1.4W
Black	3W

() : Bulb socket color

- (U) : For USA
- (C) : For Canada
- (A) : With A/T

MEL922P

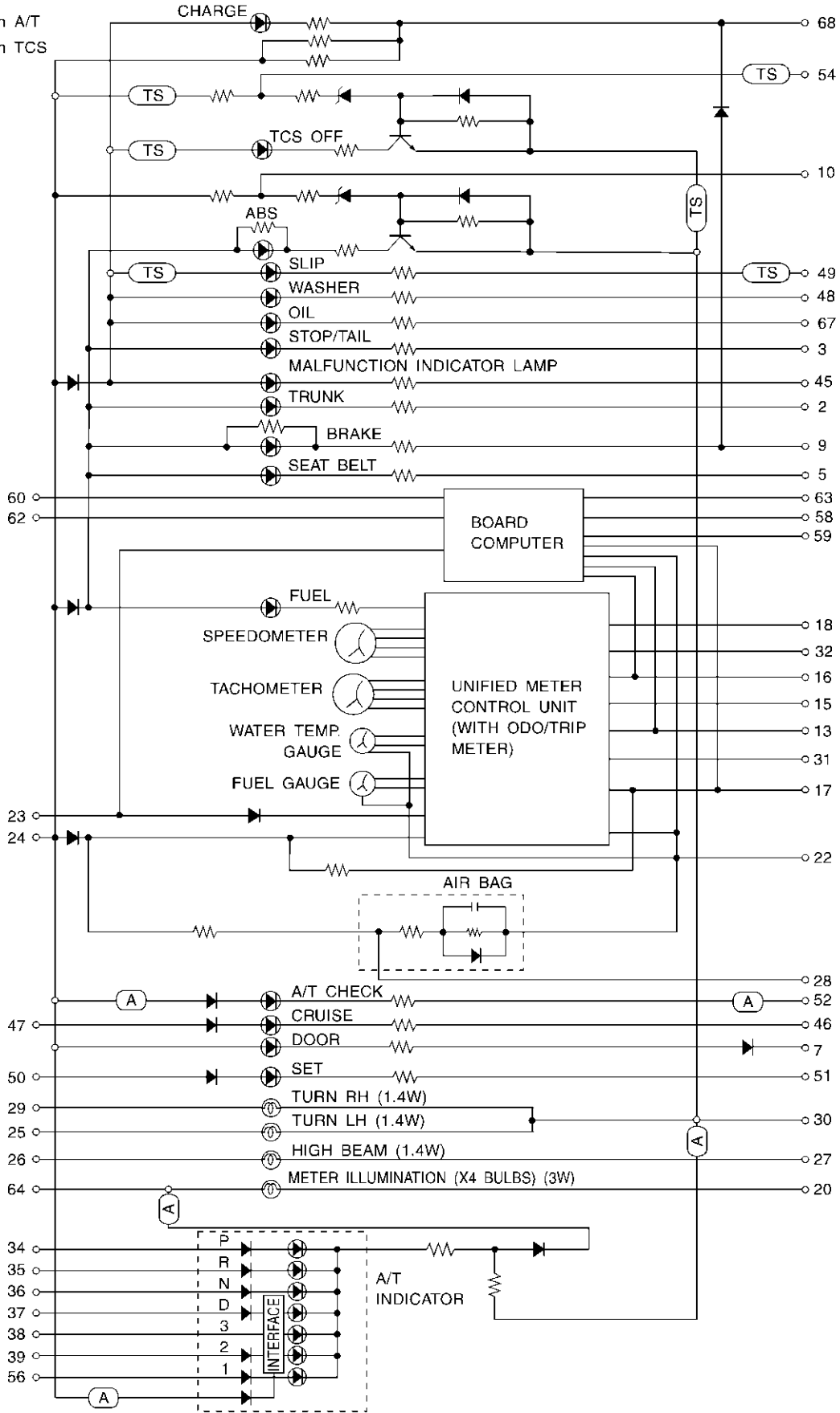
METERS AND GAUGES

Schematic

Schematic

NFEL0254

(A) : With A/T
(TS) : With TCS



GI
MA
EM
LC
EC
FE
CL
MT
AT
AX
SU
BR
ST
RS
BT
HA
SC
EL
IDX

MEL923P

METERS AND GAUGES

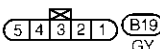
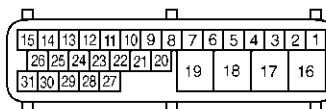
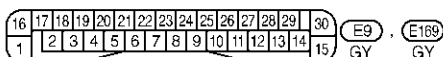
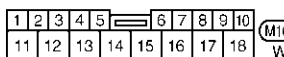
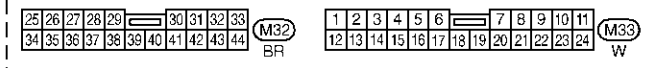
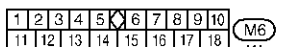
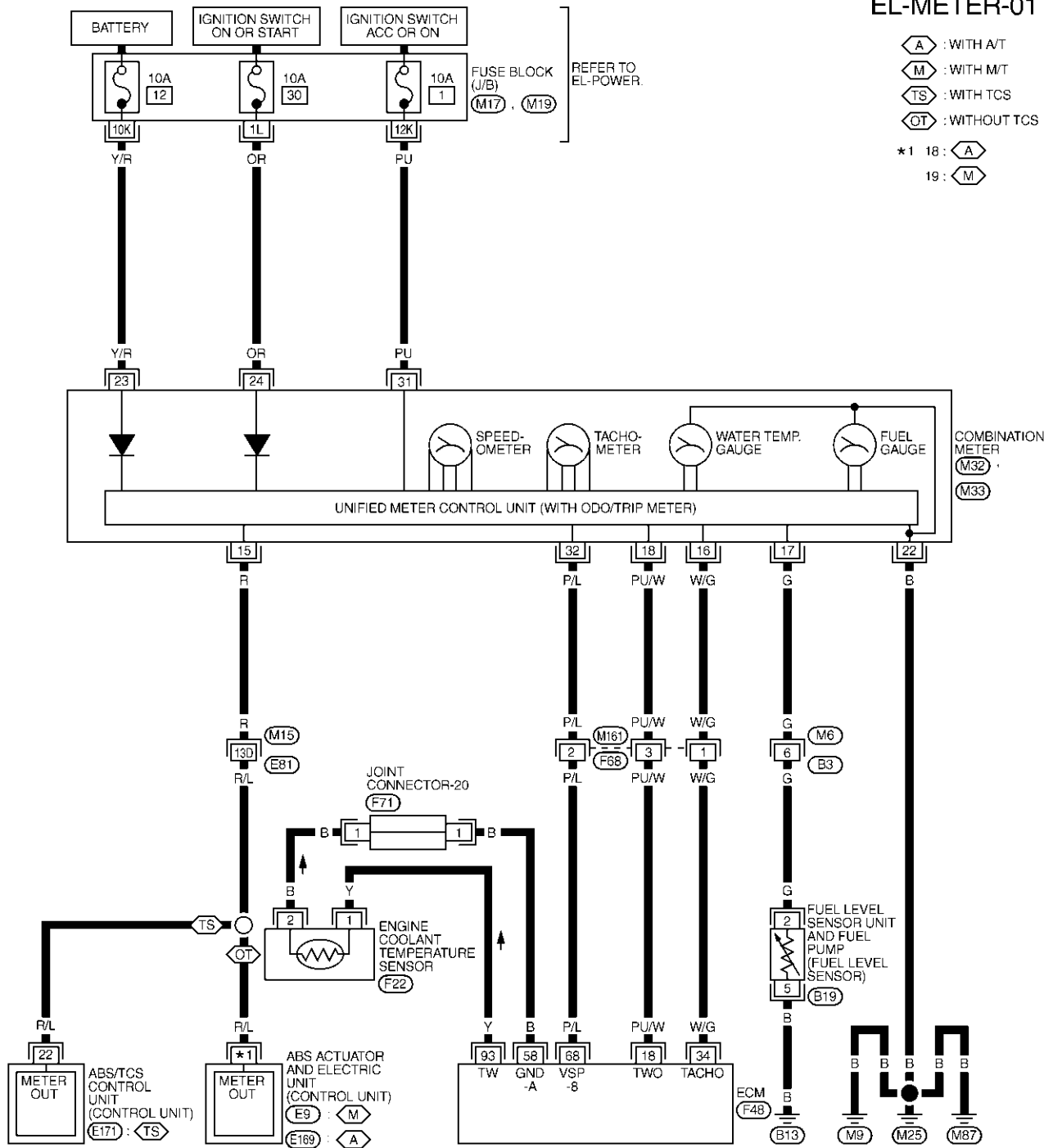
Wiring Diagram — METER —

Wiring Diagram — METER —

NFEL0045

EL-METER-01

- : WITH A/T
 - : WITH M/T
 - : WITH TCS
 - : WITHOUT TCS
- *1 18:
- 19:



REFER TO THE FOLLOWING.
 (M15) - SUPER
 MULTIPLE JUNCTION (SMJ)
 (M17), (M19) - FUSE BLOCK -
 JUNCTION BOX (J/B)
 (F48) - ELECTRICAL UNITS

MEL859P

METERS AND GAUGES

Meter/Gauge Operation and Odo/Trip Meter Segment Check in Diagnosis Mode

Meter/Gauge Operation and Odo/Trip Meter Segment Check in Diagnosis Mode

DIAGNOSIS FUNCTION

- Odo/trip meter segment can be checked in diagnosis mode. NFEL0151
- Meters/gauges can be checked in diagnosis mode. NFEL0151S01

HOW TO ALTERNATE DIAGNOSIS MODE

1. Turn ignition switch to ON and change odo/trip meter to "TRIP". NFEL0151S02
2. Turn ignition switch to OFF.
3. Turn ignition switch to ON when pushing odo/trip meter switch.
4. Release odo/trip meter switch 1 second after ignition switch is turned ON.
5. Push odo/trip meter switch more than three times within 7 seconds.

6. All odo/trip meter segments should be turned on.

NOTE:

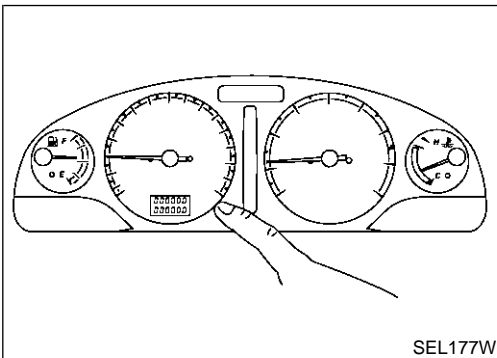
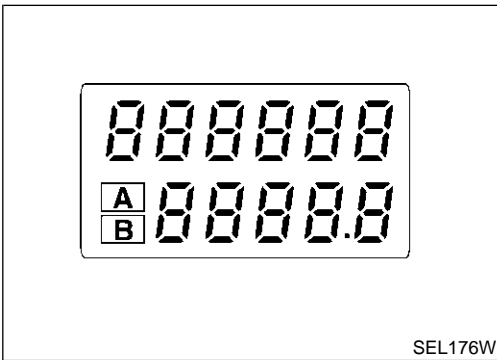
If some segments are not turned on, unified meter control unit assembly should be replaced.

At this point, the unified control meter is turned to diagnosis mode.

7. Push odo/trip meter switch. Indication of each meter/gauge should be as shown left during pushing odo/trip meter switch if it is no malfunctioning.

NOTE:

It takes about a few seconds for indication of fuel gauge and water temperature gauge to become stable.



GI

MA

EM

LC

EC

FE

CL

MT

AT

AX

SU

BR

ST

RS

BT

HA

SC

EL

IDX

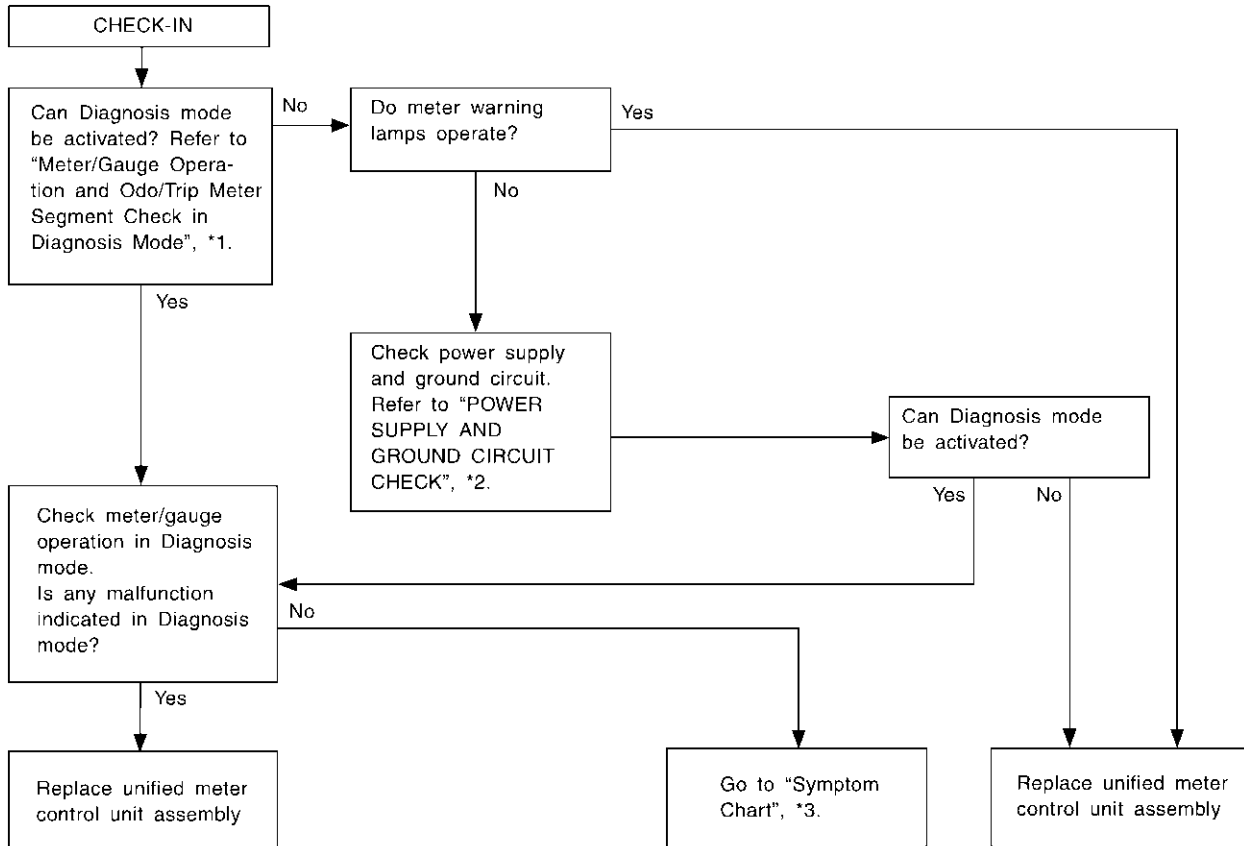
METERS AND GAUGES

Trouble Diagnoses

Trouble Diagnoses PRELIMINARY CHECK

NFEL0046

NFEL0046S04



SEL479Y

*1: Meter/Gauge Operation and Odo/Trip Meter Segment Check in Diagnosis Mode (EL-123)

*2: POWER SUPPLY AND GROUND CIRCUIT CHECK (EL-125)

*3: Symptom Chart (EL-125)

METERS AND GAUGES

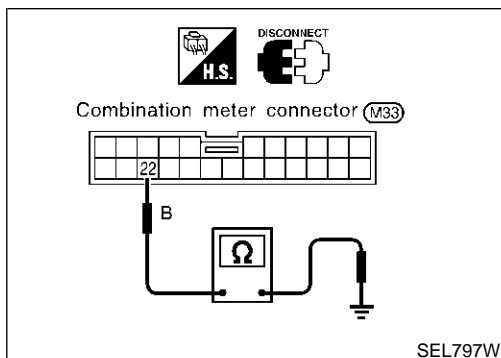
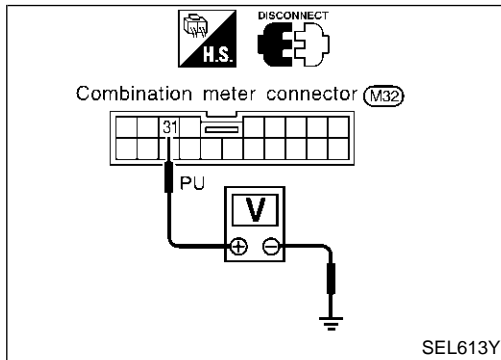
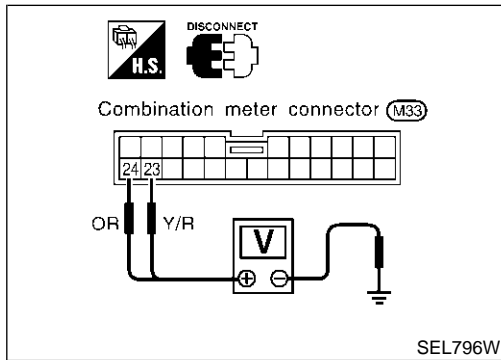
Trouble Diagnoses (Cont'd)

SYMPTOM CHART

NFEL0046S10

Symptom	Possible causes	Repair order
One of speedometer/tachometer/fuel gauge/water temp. gauge is malfunctioning.	1. Sensor signal - Vehicle speed signal - Engine revolution signal - Fuel gauge - Water temp. gauge 2. Unified meter control unit	1. Check the sensor for malfunctioning meter/gauge. INSPECTION/VEHICLE SPEED SENSOR (Refer to EL-126.) INSPECTION/ENGINE REVOLUTION SIGNAL (Refer to EL-127.) INSPECTION/FUEL LEVEL SENSOR UNIT (Refer to EL-128.) INSPECTION/THERMAL TRANSMITTER (Refer to EL-129.) 2. Replace unified meter control unit assembly.
Multiple meter/gauge are malfunctioning. (except odo/trip meter)	Unified meter control unit	

Before starting trouble diagnoses below, perform PRELIMINARY CHECK, EL-124.



POWER SUPPLY AND GROUND CIRCUIT CHECK

NFEL0046S07

Power Supply Circuit Check

NFEL0046S0701

Terminals		Ignition switch position		
(+)	(-)	OFF	ACC	ON
23	Ground	Battery voltage	Battery voltage	Battery voltage
24	Ground	0V	0V	Battery voltage
31	Ground	0V	Battery voltage	Battery voltage

If NG, check the following.

- 10A fuse [No. 12, located in fuse block (J/B)]
- 10A fuse [No. 30, located in fuse block (J/B)]
- 10A fuse [No. 1, located in fuse block (J/B)]
- Harness for open or short between fuse and combination meter

Ground Circuit Check

NFEL0046S0702

Terminals	Continuity
22 - Ground	Yes

METERS AND GAUGES

Trouble Diagnoses (Cont'd)

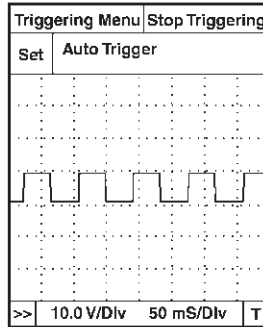
INSPECTION/VEHICLE SPEED SENSOR

=NFEL0046S03

1 CHECK ABS CONTROL UNIT OUTPUT SIGNAL

Ⓔ With CONSULT-II

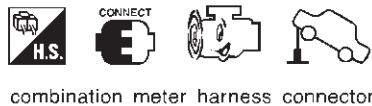
- Lift up drive wheels.
- Start engine and drive vehicle at more than 20 km/h (12 MPH).
- Check signal between combination meter terminal 15 and ground when rotating wheels with engine at idle. (Use "SIMPLE OSCILLOSCOPE" in "SUB MODE" with CONSULT-II.)



SEL938W

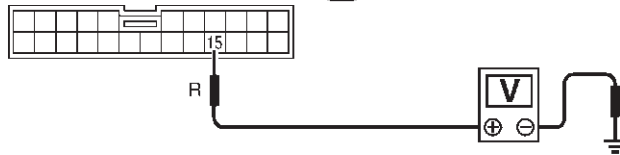
⊗ Without CONSULT-II

- Lift up drive wheels.
- Start engine and drive vehicle at more than 20 km/h (12 MPH).
- Check voltage between combination meter terminal 15 and ground when rotating wheels with engine at idle.



combination meter harness connector (M33)

Voltage: Approx. 0 - 5V



SEL939W

OK or NG

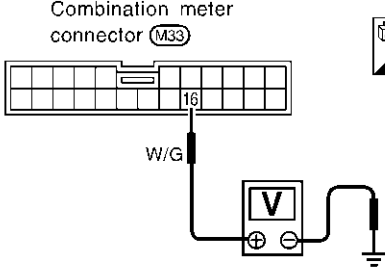



OK ► ABS/TCS control unit or ABS actuator and electric unit is OK.

NG ► **Check the following.**

- Harness for open or short between ABS/TCS control unit or ABS actuator and electric unit and combination meter.
- ABS/TCS control unit or ABS actuator and electric unit. Refer to BR-112 (with TCS), BR-63 (without TCS), "Wheel Sensor or Rotor".

INSPECTION/ENGINE REVOLUTION SIGNAL

NFEL0046S02

1	CHECK ECM OUTPUT	<p>1. Start engine. 2. Check voltage between combination meter terminals 16 and ground at idle and 2,000 rpm.</p> <div style="display: flex; justify-content: space-around; align-items: center;"> <div style="text-align: center;"> <p>Combination meter connector (M33)</p>  </div> <div style="text-align: center;">    </div> <div style="text-align: left;"> <p>Higher rpm = Higher voltage Lower rpm = Lower voltage Voltage should change with rpm.</p> </div> </div> <p style="text-align: right;">SEL364W</p> <p style="text-align: center;">OK or NG</p>	<p>GI</p> <p>MA</p> <p>EM</p> <p>LC</p> <p>EC</p> <p>FE</p> <p>CL</p> <p>MT</p> <p>AT</p> <p>AX</p> <p>SU</p> <p>BR</p> <p>ST</p> <p>RS</p> <p>BT</p> <p>HA</p> <p>SC</p> <p>EL</p> <p>IDX</p>
OK	▶	Engine revolution signal is OK.	
NG	▶	Harness for open or short between ECM and combination meter	

METERS AND GAUGES

Trouble Diagnoses (Cont'd)

INSPECTION/FUEL LEVEL SENSOR UNIT

=NFEL0046S08


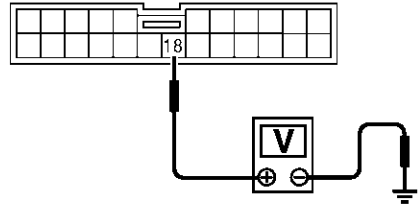
1	CHECK GROUND CIRCUIT FOR FUEL LEVEL SENSOR UNIT		
<p>Check harness continuity between fuel level sensor unit and fuel pump connector terminal 5 and ground.</p>			
<p>Fuel level sensor unit and fuel pump connector (B19)</p> <p>Continuity should exist.</p>			
SEL182W			
OK or NG			
OK	▶	GO TO 2.	
NG	▶	Repair harness or connector.	

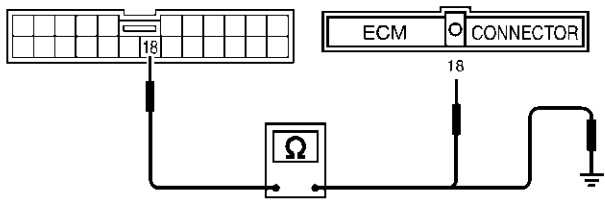


2	CHECK FUEL LEVEL SENSOR UNIT		
<p>Refer to "FUEL LEVEL SENSOR UNIT CHECK" (EL-130).</p>			
OK or NG			
OK	▶	GO TO 3.	
NG	▶	Replace fuel level sensor unit.	

3	CHECK HARNESS FOR OPEN OR SHORT		
<p>1. Disconnect combination meter connector and fuel level sensor unit and fuel pump connector. 2. Check continuity between combination meter terminal 17 and fuel level sensor unit and fuel pump connector terminal 2. Continuity should exist. 3. Check continuity between combination meter terminal 17 and ground. Continuity should not exist.</p>			
<p>Combination meter connector (M33)</p> <p>Fuel level sensor unit and fuel pump connector (B19)</p>			
SEL183W			
OK or NG			
OK	▶	Fuel level sensor unit is OK.	
NG	▶	Repair harness or connector.	

INSPECTION/THERMAL TRANSMITTER

=NFEL0046S09

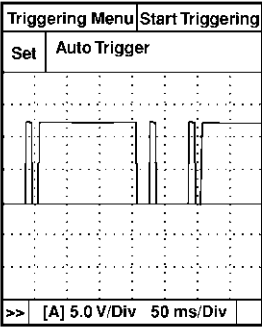
1	CHECK ECM OUTPUT	<p>1. Disconnect combination meter.</p> <p>2. Check voltage between combination meter harness connector M33 terminal 18 (PU/W) and ground.</p> <p style="color: blue;">Battery voltage should exist.</p> <div style="display: flex; justify-content: space-around; align-items: center;"> <div style="text-align: center;">  <p>Combination meter connector</p>  </div> <table border="1" style="border-collapse: collapse; text-align: center;"> <thead> <tr> <th colspan="2">Terminals</th> <th colspan="3">Ignition switch position</th> </tr> <tr> <th>(+)</th> <th>(-)</th> <th>OFF</th> <th>ACC</th> <th>ON</th> </tr> </thead> <tbody> <tr> <td>18</td> <td>Ground</td> <td>0V</td> <td>0V</td> <td>Battery voltage</td> </tr> </tbody> </table> </div> <p style="text-align: center;">OK or NG</p>	Terminals		Ignition switch position			(+)	(-)	OFF	ACC	ON	18	Ground	0V	0V	Battery voltage	SEL413Y
Terminals		Ignition switch position																
(+)	(-)	OFF	ACC	ON														
18	Ground	0V	0V	Battery voltage														
OK	▶	GO TO 2.																
NG	▶	Replace combination meter.																

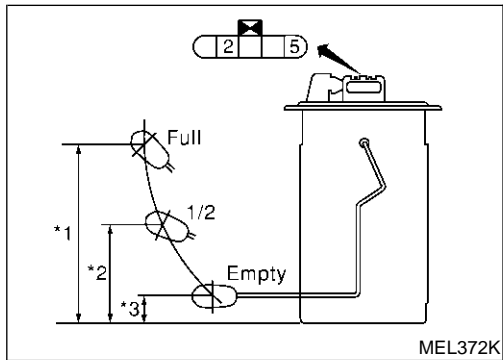
2	CHECK HARNESS FOR OPEN OR SHORT	<p>1. Disconnect combination meter connector and ECM connector.</p> <p>2. Check continuity between combination meter terminal 18 and ECM terminal 18.</p> <p style="color: blue;">Continuity should exist.</p> <p>3. Check continuity between combination meter terminal 18 and ground.</p> <p style="color: blue;">Continuity should not exist.</p> <div style="display: flex; justify-content: space-around; align-items: center;"> <div style="text-align: center;"> <p>Combination meter connector</p>  </div> <div style="text-align: center;"> <p>ECM CONNECTOR</p>  </div> <div style="text-align: center;">  </div> </div> <p style="text-align: center;">OK or NG</p>	SEL417Y
OK	▶	GO TO 3.	
NG	▶	Repair harness or connector.	

GI
MA
EM
LC
EC
FE
CL
MT
AT
AX
SU
BR
ST
RS
BT
HA
SC
EL
IDX

METERS AND GAUGES

Trouble Diagnoses (Cont'd)

3	CHECK WATER TEMPERATURE OUTPUT SIGNAL
<ol style="list-style-type: none"> 1. Connect combination meter connector and ECM connector. 2. Start engine. 3. Check output signal between combination meter harness connector M33 terminal 18 (PU/W) and ground. (Use "SIMPLE OSCILLOSCOPE" in "SUB MODE" with CONSULT-II. 	
	
SEL414Y	
OK or NG	
OK	▶ Replace combination meter.
NG	▶ Check ECM.



Electrical Components Inspection FUEL LEVEL SENSOR UNIT CHECK

NFEL0047

NFEL0047S01

- For removal, refer to FE-6.

Check the resistance between terminals 2 and 5.

Ohmmeter		Float position mm (in)			Resistance value Ω
(+)	(-)				
2	5	*1	Full	158 (6.22)	Approx. 4.5 - 5.5
		*2	1/2	89.7 (3.531)	
		*3	Empty	22.1 (0.870)	

*1 and *3: When float rod is in contact with stopper.

System Description

NFEL0283

NFEL0283S01

FUNCTION

This board computer can indicate following items.

- Outside air temperature
- Range (Cruising possible distance)
- Journey time (hour meter)
- Average fuel consumption
- Average vehicle speed

GI

MA

EM

Outside air temperature indication

- This indicator shows indication of outside air temperature while ignition switch is in ON position.
- Ambient sensor is used commonly by auto air conditioner and this board computer. When auto air conditioner operates, board computer will correct ambient sensor signal based on positive voltage signal to terminal 60 of board computer from A/C auto amp.
- Indication range is between -30 and +55°C (-22 and 131°F). (When outside temperature is less than -30°C (-22°F) or more than +55°C (131°F), display shows “- - -”.)
- When outside temperature is less than 3°C (37°F) continuously, display will blink as a warning. In this case, the display will change to the OUTSIDE AIR TEMPERATURE mode even though the display is showing a different item. (See NOTE.)
- The indicated temperature is not affected by engine heat. It changes only when one of the following condition exists.
 - a) When vehicle speed is more than 20 km/h (12 MPH).
 - b) The ignition key has been turned to OFF position for more than 3.5 hours.
 - c) When outside temperature is lower than indicated temperature.

LC

EC

FE

CL

MT

AT

Range (Cruising possible distance) indication

- The range indication provides driver with an estimation of the distance that can be driven before refueling. The range is conducted by fuel tank gauge unit (fuel remaining), ECM pulse signal (fuel consumption) and vehicle speed signal.
- Indication will be refreshed every 30 seconds.
- When fuel remaining is less than approx. 10.8 ℓ (11-3/8 US qt, 9-1/2 Imp qt), indication will blink as a warning. If the fuel remaining less than approx. 10.5 ℓ (11-1/8 US qt, 9-1/4 Imp qt), indication will show “- - -”. In this case, the display will change to the RANGE mode automatically even though the display is showing a different item. (See NOTE.)

AX

SU

BR

Average fuel consumption

- Average fuel consumption indication is conducted by ECM pulse signal and vehicle speed signal after system is reset.
- Indication will be refreshed every 30 seconds.
- After reset operation, the display shows “....” until the vehicle is driven 500 m (1,600 ft) and 30 seconds has passed.

ST

RS

Average vehicle speed

- Average vehicle speed indication is conducted by running distance and running time.
- Indication will be refreshed every 30 seconds.
- After reset operation, the displays shows “....” for 30 seconds.

BT

HA

Journey time

- Journey time indication is conducted by integration of ignition ON time.

SC

HOW TO CHANGE/RESET INDICATION

- Indication can be changed by in following order by pushing board computer steering switch “TRIP”.
 OUTSIDE AIR TEMPERATURE → RANGE → AVERAGE FUEL CONSUMPTION → AVERAGE VEHICLE SPEED → JOURNEY TIME
- Continuous pushing the switch (more than 0.8 second) can reset the indication of journey time (hour meter), average vehicle speed and average fuel consumption.

NFEL0283S02

EL

IDX

NOTE:

- After the display changes automatically, the indication can be changed to the last mode by pushing the board computer steering switch. In this case, the cursor (“▲”) will blink as a warning.

BOARD COMPUTER

System Description (Cont'd)

- **When the OUTSIDE AIR TEMPERATURE warning and the RANGE warning match warning conditions at the same time, the display automatically indicates the OUTSIDE AIR TEMPERATURE.**

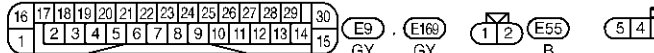
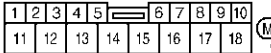
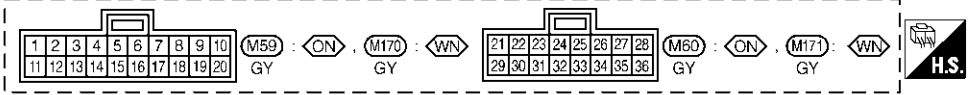
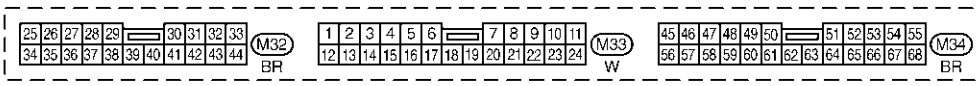
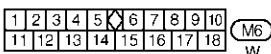
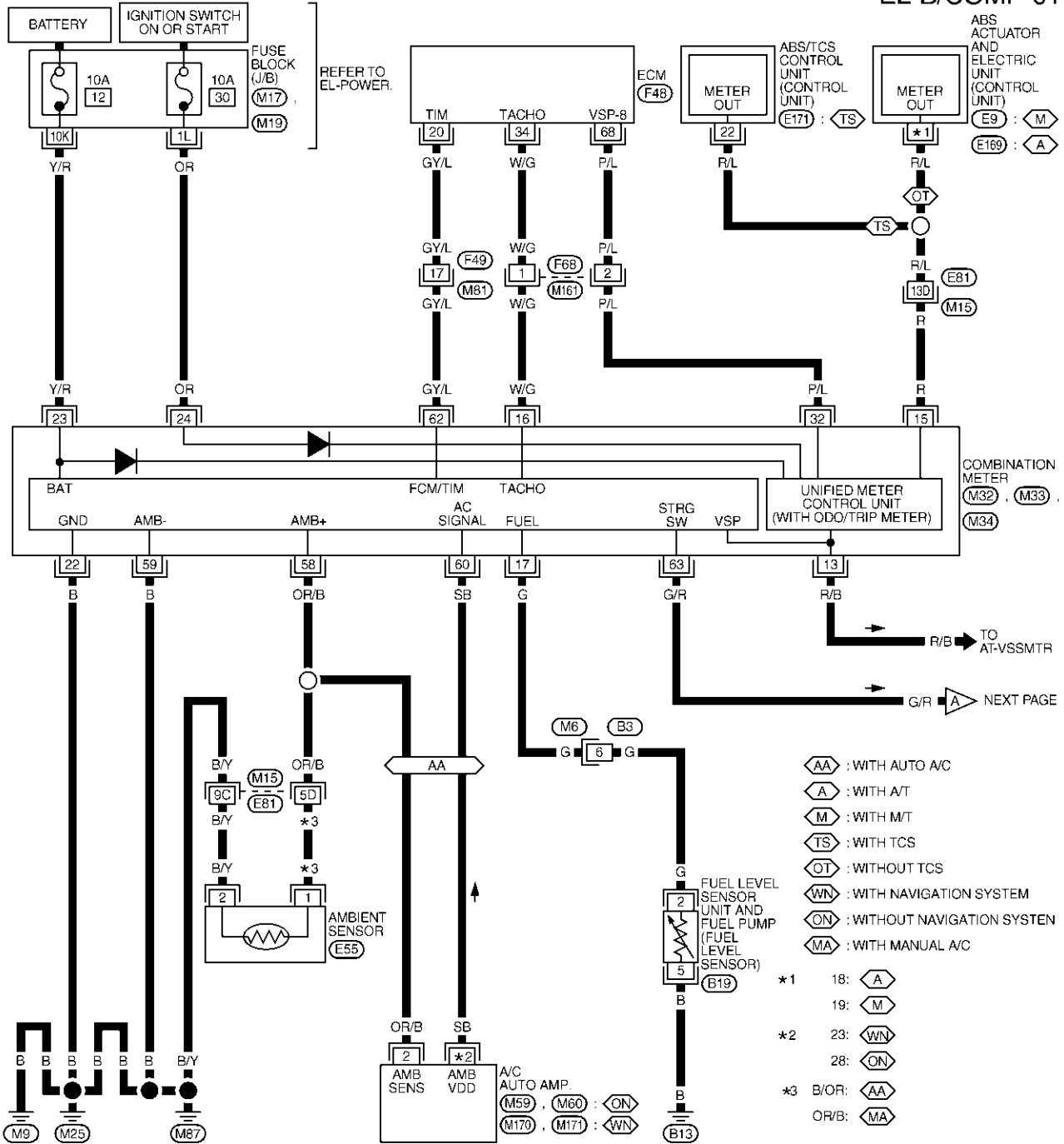
BOARD COMPUTER

Wiring Diagram — B/COMP —

Wiring Diagram — B/COMP —

NFEL0284

EL-B/COMP-01



REFER TO THE FOLLOWING.

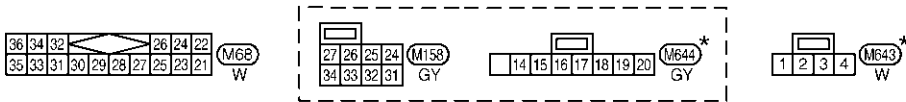
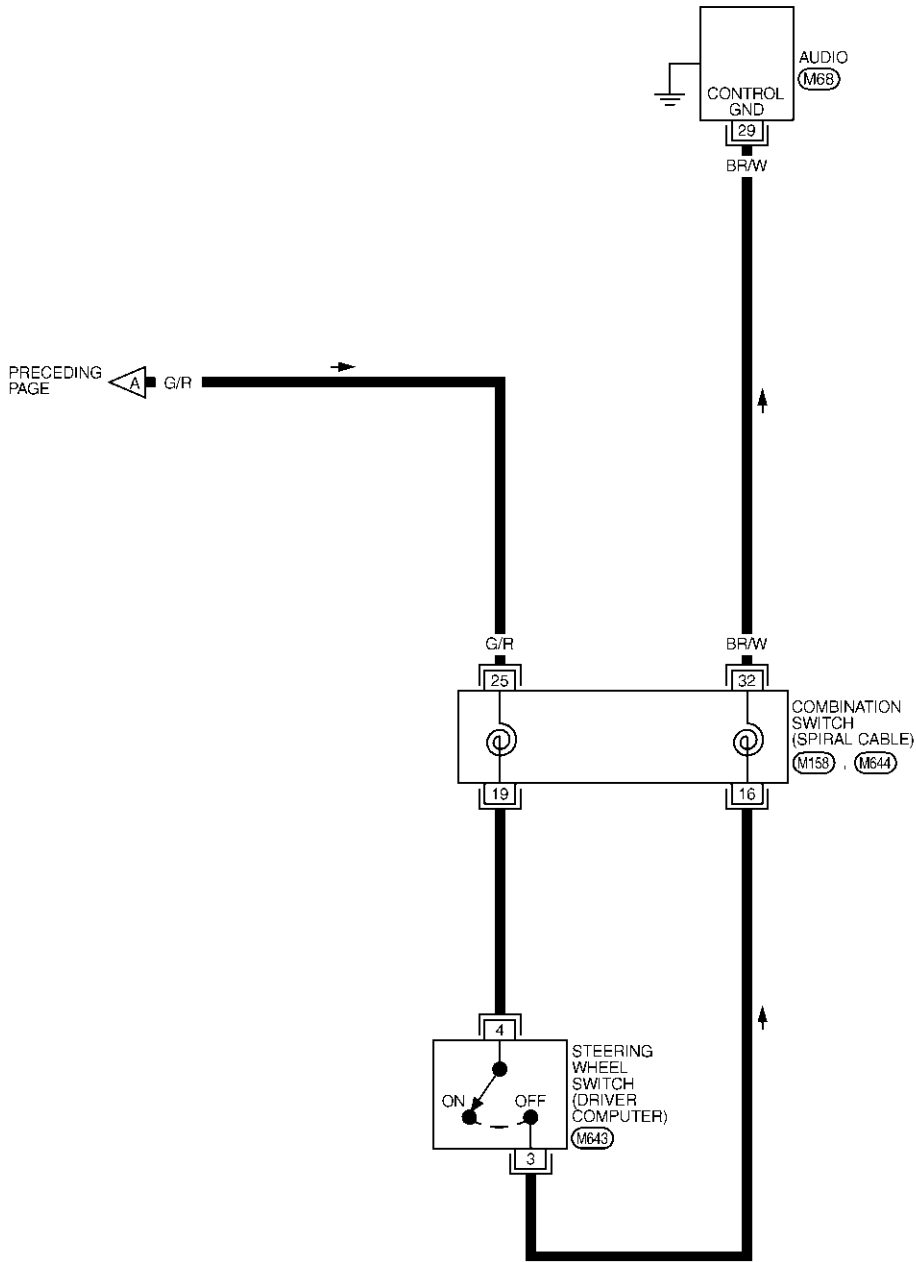
(M15) - SUPER
MULTIPLE JUNCTION (SMJ)
(M17), (M19) - FUSE BLOCK -
JUNCTION BOX (J/B)
(E171), (F48) - ELECTRICAL UNITS

GI
MA
EM
LC
EC
FE
CL
MT
AT
AX
SU
BR
ST
RS
BT
HA
SC
EL
IDX

BOARD COMPUTER

Wiring Diagram — B/COMP — (Cont'd)

EL-B/COMP-02



* : THIS CONNECTOR IS NOT SHOWN IN "HARNESS LAYOUT" , EL SECTION.

MEL727P

Trouble Diagnoses

=NFEL0285

NFEL0285S01

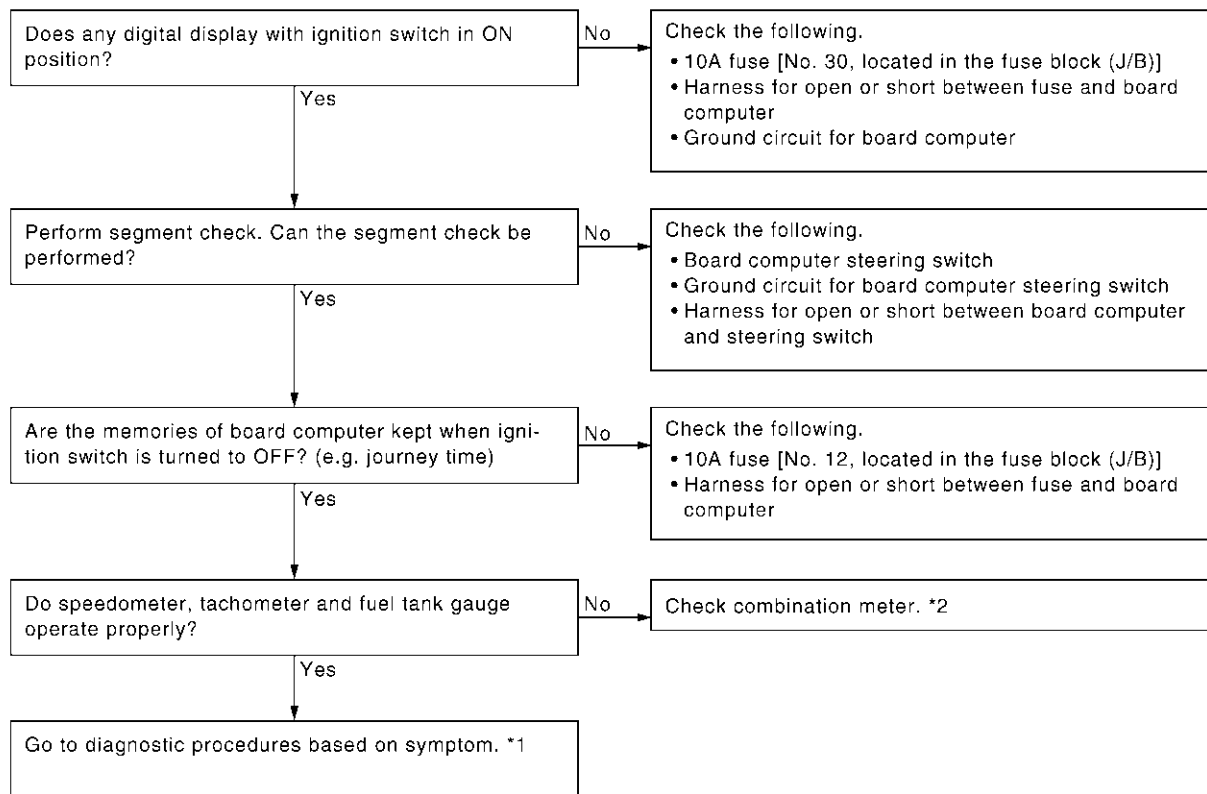
SEGMENT CHECK

Board computer display segment can be checked by the procedure shown below.

1. Turn ignition switch to ON position with pushing board computer steering switch "TRIP". Then segment check will start.
2. Segment check will end after 1 cycle of segment check is performed or any of following conditions exists.
 - Ignition switch is returned to ACC or OFF position.
 - Vehicle speed signal is input.

PRELIMINARY CHECK

NFEL0285S02



SEL831W

*1 EL-135

*2 EL-123

DIAGNOSES PROCEDURE

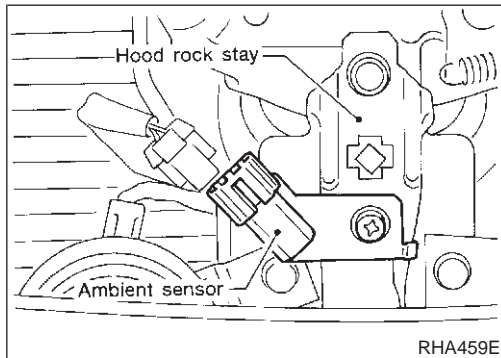
NFEL0285S03

Symptom	Possible cause	Repair order
Outside air temperature is not displayed properly. (It may take a short time to steady the indication after ignition switch is turned to ON.)	<ol style="list-style-type: none"> 1. Ambient sensor 2. Ambient sensor circuit 3. A/C on signal (For models with auto A/C) 4. Vehicle speed sensor signal 	<ol style="list-style-type: none"> 1. Check ambient sensor. Refer to "Electrical Components Inspection", EL-136. 2. Check harness for open or short between ambient sensor and board computer. 3. Verify more than 4V is present at terminal 60 of board computer when A/C is operated. 4. Make sure journey distance (trip) is displayed properly. If NG, check journey distance (trip) display.
Range (Cruising possible distance) is not displayed properly.	<ol style="list-style-type: none"> 1. Average fuel consumption display 2. Fuel tank gauge signal circuit 	<ol style="list-style-type: none"> 1. Make sure fuel consumption is displayed properly. If NG, check fuel consumption display. 2. Make sure fuel gauge operates properly. If NG, check fuel gauge. Refer to EL-128.

BOARD COMPUTER

Trouble Diagnoses (Cont'd)

Symptom	Possible cause	Repair order
Journey time (hour meter) is not indicated properly.	1. 10A fuse	1. 10A fuse [No. 12, located in the fuse block (J/B)]. Verify battery voltage is present at terminal 23 of combination meter.
Average fuel consumption is not displayed properly.	Fuel consumption signal	Check harness for open or short between ECM terminals (20, 34) and combination meter terminals (62, 16).
Average vehicle speed is not indicated properly.	Journey time (hour meter) display	Make sure journey time is displayed properly. If NG, check journey time display.



Electrical Components Inspection

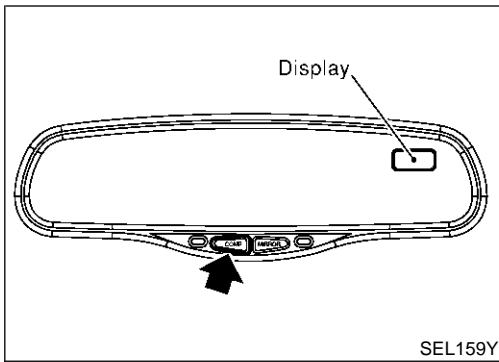
NFEL0286

AMBIENT SENSOR

NFEL0286S01

The ambient sensor is attached to the radiator core support. It detects ambient temperature and converts it into a resistance value which is then input to A/C auto amp. and board computer. After disconnecting ambient sensor harness connector, measure resistance between terminals 1 and 2, using the table below.

Temperature °C (°F)	Resistance kΩ
-15 (5)	12.73
-10 (14)	9.92
-5 (23)	7.80
0 (32)	6.19
5 (41)	4.95
10 (50)	3.99
15 (59)	3.24
20 (68)	2.65
25 (77)	2.19
30 (86)	1.81
35 (95)	1.51
40 (104)	1.27
45 (113)	1.07



System Description

This unit displays earth magnetism and heading direction of vehicle. NFEL0305

DIRECTION DISPLAY

Push the "COMP" switch when the ignition key is in the "ACC" or "ON" position. The direction will be displayed. NFEL0305S01

Pushing the "COMP" switch a second time will turn off the display.

1. If the display reads "C", calibrate the compass by driving the vehicle in 3 complete circles at less than 5 MPH.

2. To adjust for Compass Variance:

- a. Press the "COMP" button for more than 3 seconds. The current zone number will appear in the display.
- b. Find your current location and variance zone number on the zone map.
- c. Press the "COMP" button until the new zone number appears in the display. After you stop pressing the button in, the display will show a compass direction within a few seconds.

NOTE:

- 1) Do not install the ski rack, antenna, etc. which are attached to the vehicle by means of a magnet. They affect the operation of the compass.
 - 2) If the compass deviates from the correct indication soon after repeated adjustment, have the compass checked at an authorized dealer.
 - 3) The compass may not indicate the correct compass point in tunnels or while driving up or down a steep hill. (The compass returns to the correct compass point when the vehicle moves to an area where the geomagnetism is stabilized.)
3. Cleaning the Mirror
When cleaning the mirror, use a paper towel or similar material dampened with glass cleaner. Do not spray glass cleaner directly on the mirror as that may cause the liquid cleaner to enter the mirror housing.

GI

MA

EM

LC

EC

FE

CL

MT

AT

AX

SU

BR

ST

RS

BT

HA

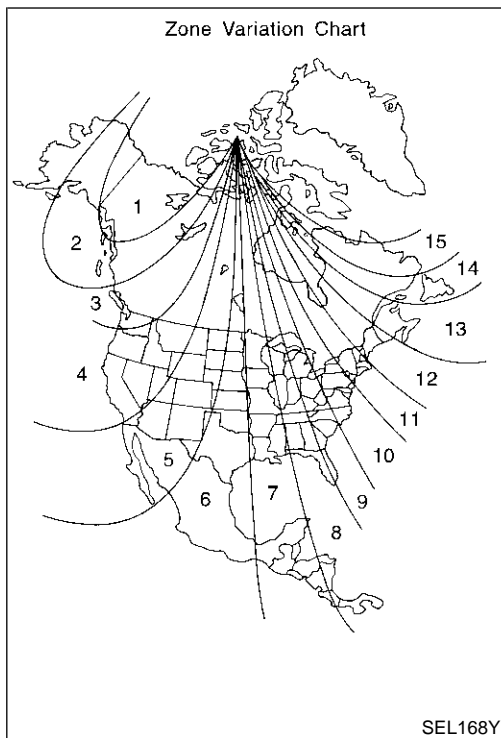
SC

EL

IDX

COMPASS

System Description (Cont'd)



“C” is displayed in the compass window.

The compass needs to be calibrated. Drive the vehicle in 3 circles at 5 MPH or less until the display reads a direction. You can also calibrate the compass by driving your vehicle on your everyday routine. The compass will be calibrated once it has tracked 3 complete circles.

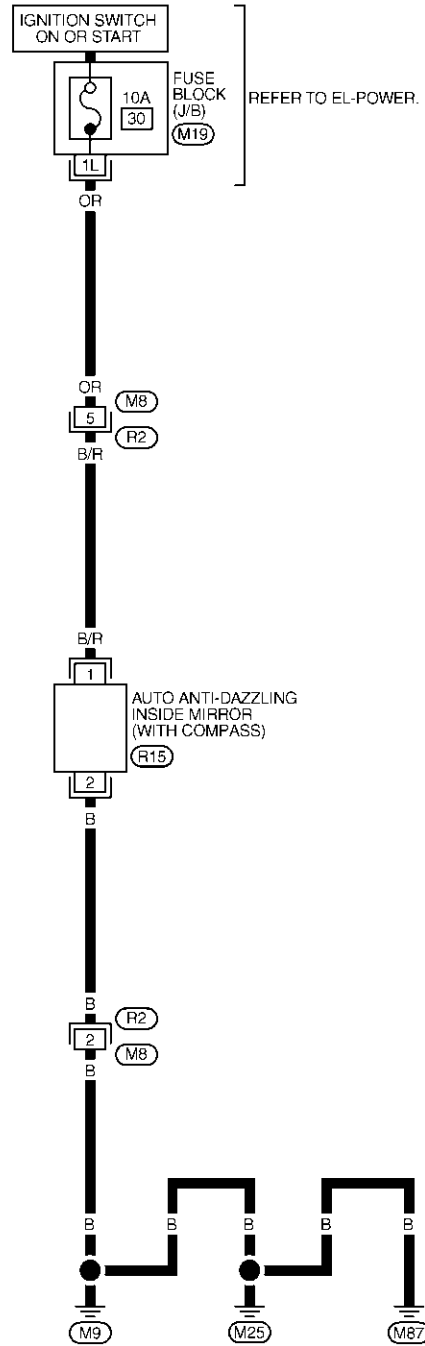
Inaccurate compass direction

- With the display turned on, push the “COMP” button for 3 seconds, until the Zone selection comes up (a number will be displayed in the mirror compass window).
- Toggle until correct zone is found and release switch.
- The display will show all segments, and return to the normal compass mode within 10 seconds of no switch activity.
- If the vehicle changes zone, repeat steps 1 thru 3. See map.

Wiring Diagram — COMPAS —

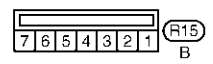
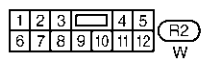
NFEL0306

EL-COMPAS-01



REFER TO EL-POWER.

- GI
- MA
- EM
- LC
- EC
- FE
- CL
- MT
- AT
- AX
- SU
- BR
- ST
- RS
- BT
- HA



REFER TO THE FOLLOWING.
 (M19) - FUSE BLOCK -
 JUNCTION BOX (J/B)

EL

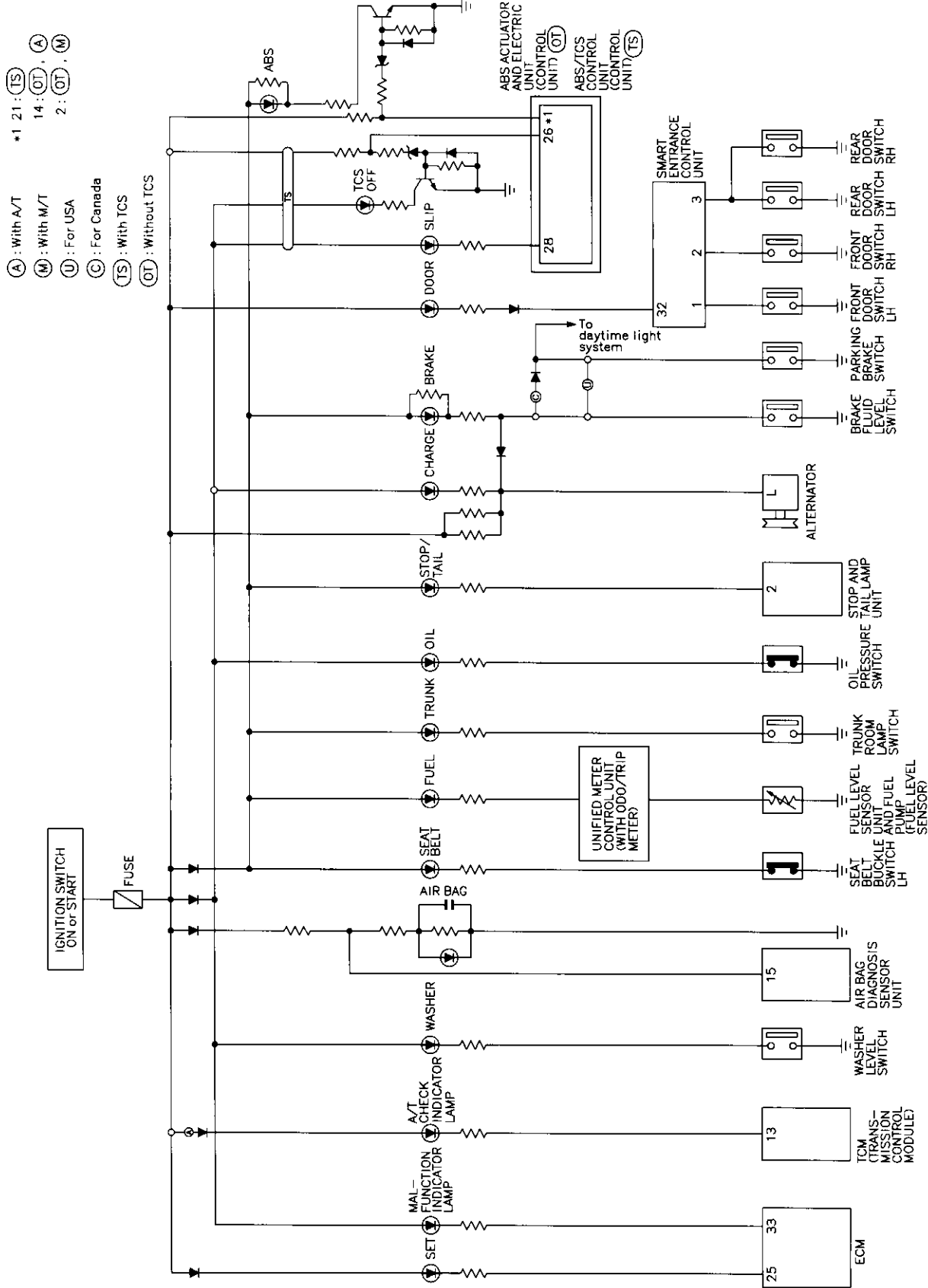
IDX

WARNING LAMPS

Schematic

NFEL0049

Schematic



MEL861P

WARNING LAMPS

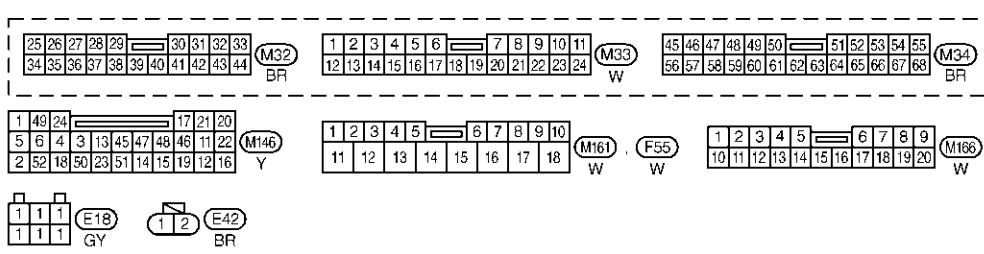
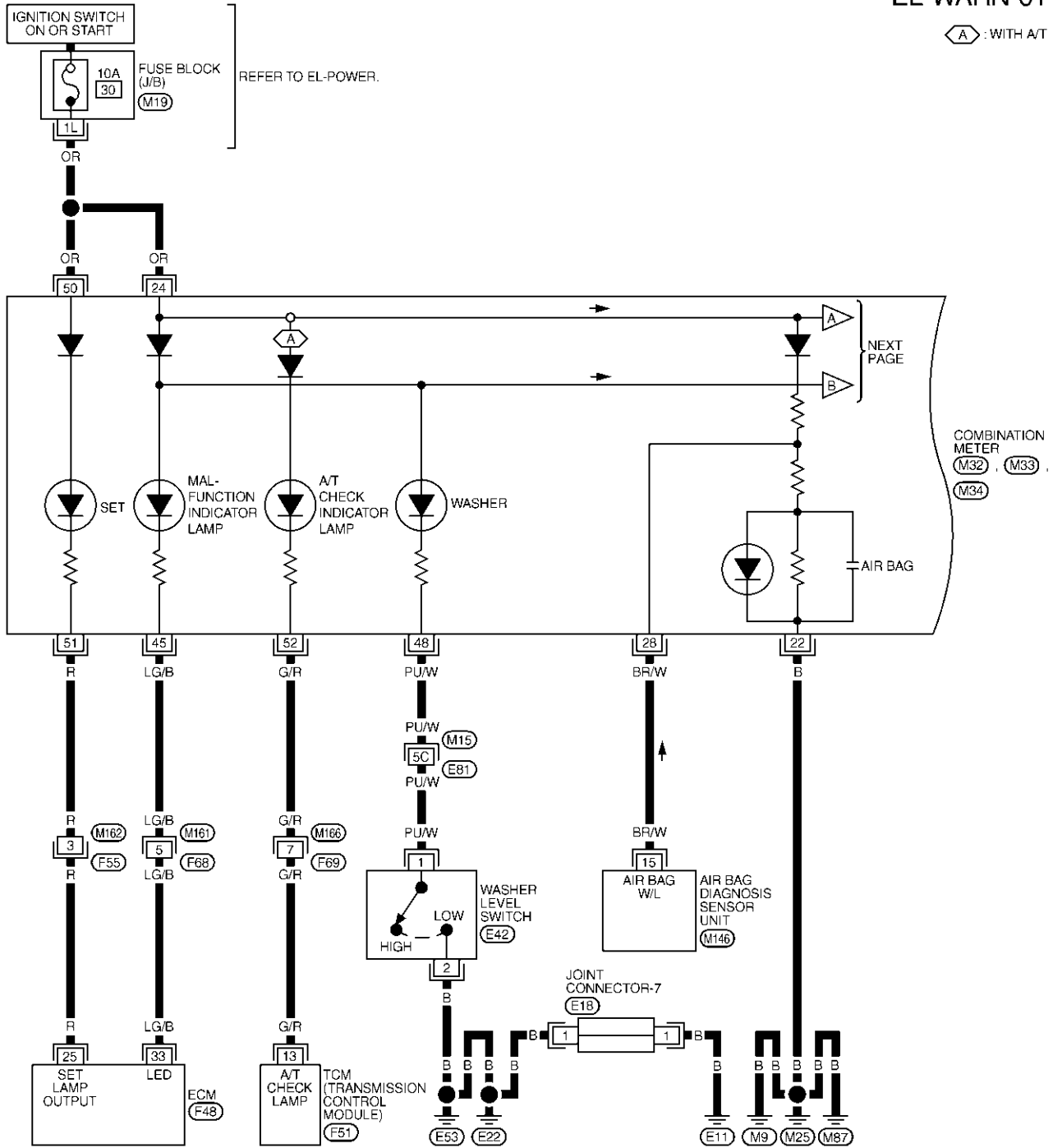
Wiring Diagram — WARN —

Wiring Diagram — WARN —

NFEL0050

EL-WARN-01

⬡ A : WITH AT



REFER TO THE FOLLOWING.

(M15) -SUPER

MULTIPLE JUNCTION (SMJ)

(M19) -FUSE BLOCK- JUNCTION BOX (J/B)

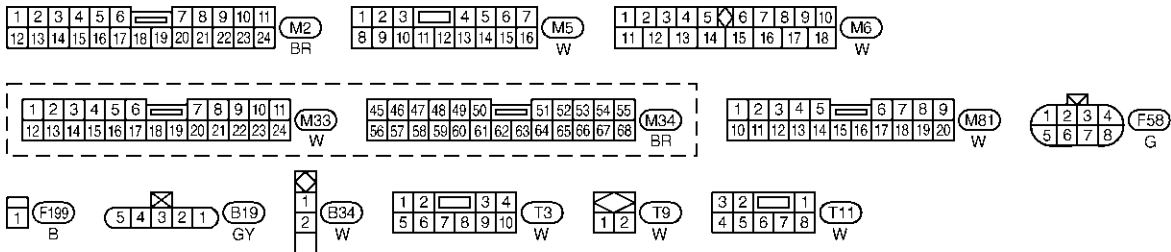
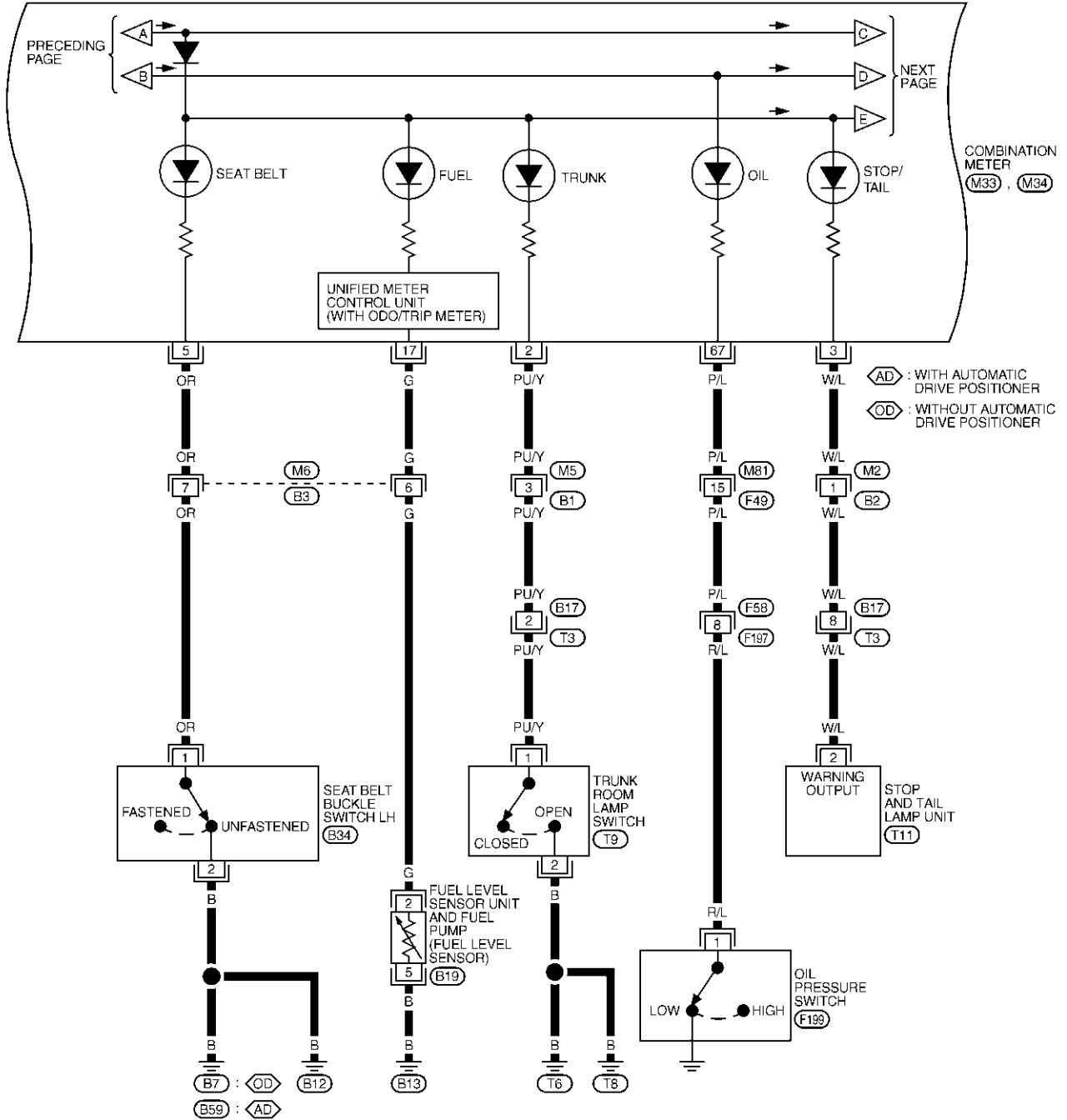
(F48) . (F51) -ELECTRICAL UNITS

GI
MA
EM
LC
EC
FE
CL
MT
AT
AX
SU
BR
ST
RS
BT
HA
SC
EL
IDX

WARNING LAMPS

Wiring Diagram — WARN — (Cont'd)

EL-WARN-02

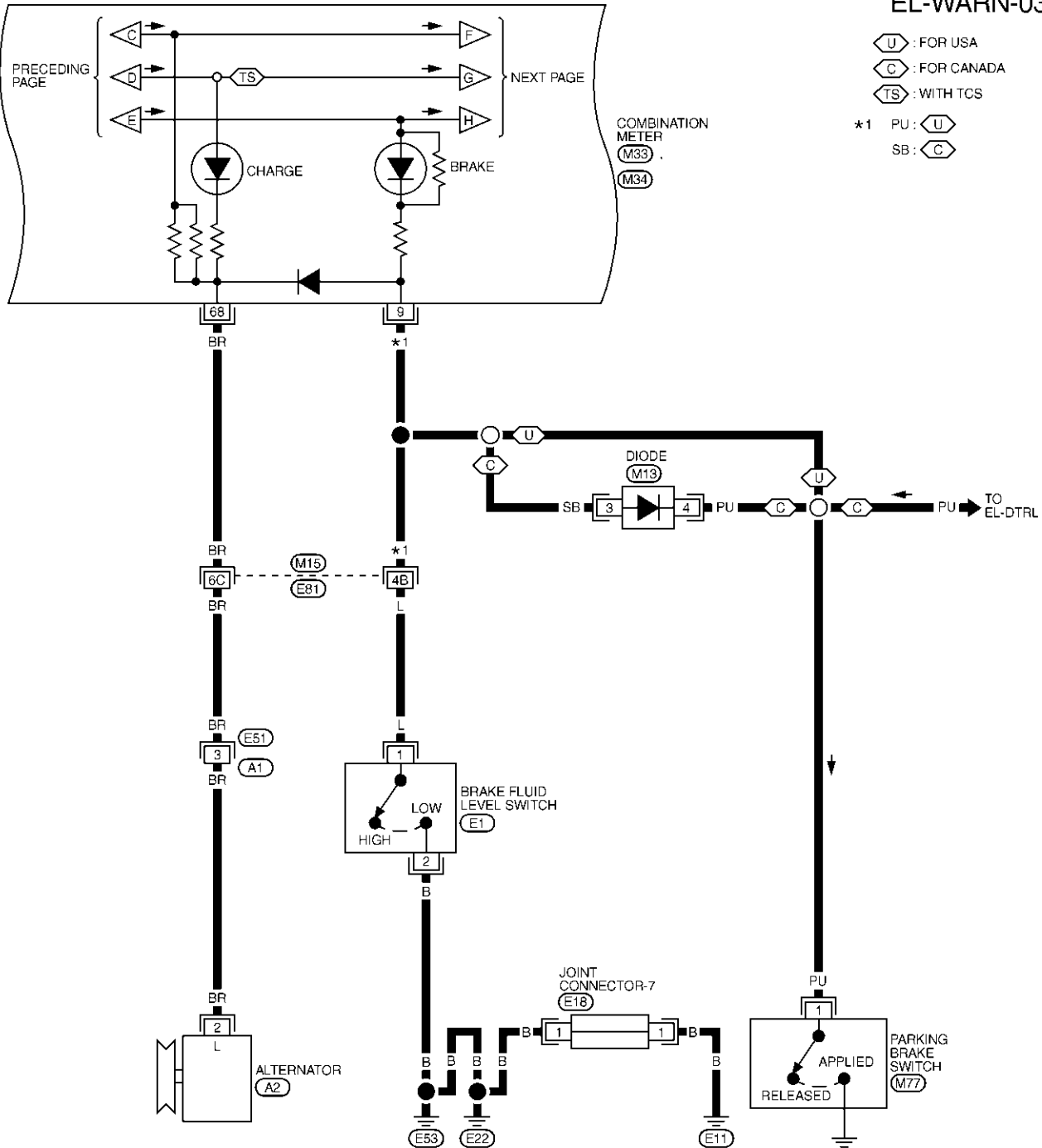


MEL863P

WARNING LAMPS

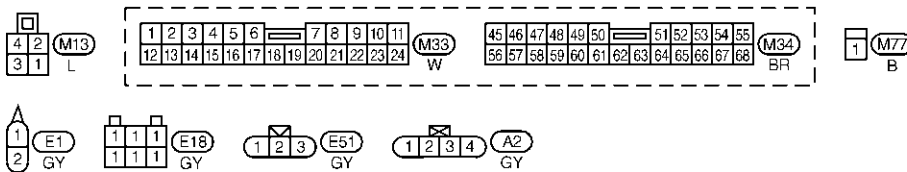
Wiring Diagram — WARN — (Cont'd)

EL-WARN-03



- U : FOR USA
- C : FOR CANADA
- TS : WITH TCS
- *1 PU : U
- SB : C

GI
MA
EM
LC
EC
FE
CL
MT
AT
AX
SU
BR
ST
RS
BT
HA
SC
EL
IDX

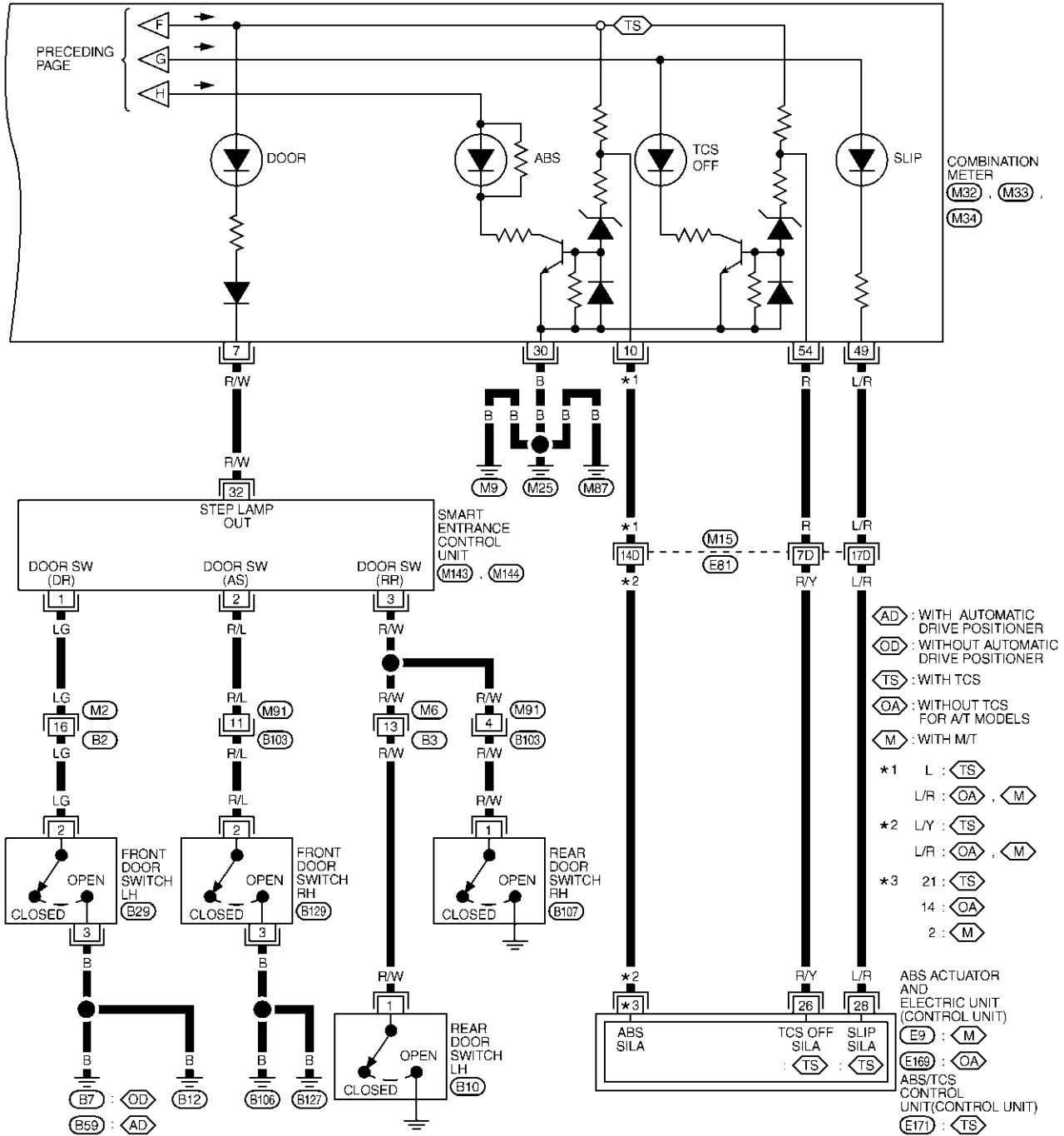


REFER TO THE FOLLOWING.
 (M15) -SUPER
 MULTIPLE JUNCTION (SMJ)

WARNING LAMPS

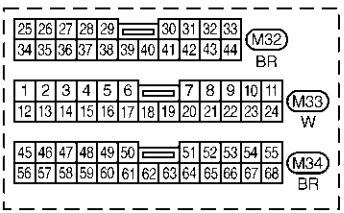
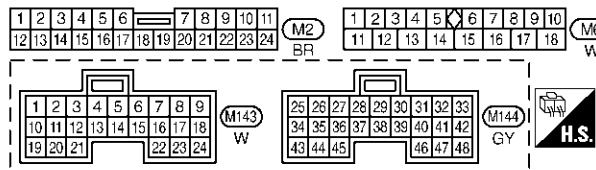
Wiring Diagram — WARN — (Cont'd)

EL-WARN-04

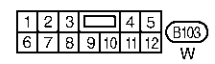
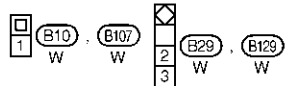
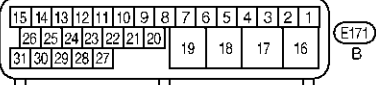
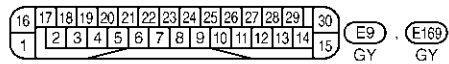


- ◊AD : WITH AUTOMATIC DRIVE POSITIONER
- ◊OD : WITHOUT AUTOMATIC DRIVE POSITIONER
- ◊TS : WITH TCS
- ◊OA : WITHOUT TCS FOR A/T MODELS
- ◊M : WITH M/T
- *1 L : ◊TS
L/R : ◊OA , ◊M
- *2 L/Y : ◊TS
L/R : ◊OA , ◊M
- *3 21 : ◊TS
14 : ◊OA
2 : ◊M

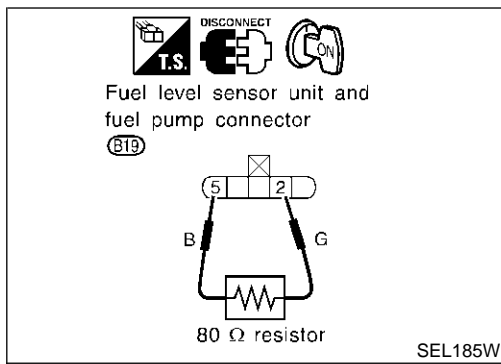
- ABS ACTUATOR AND ELECTRIC UNIT (CONTROL UNIT)
- ◊E9 : ◊M
 - ◊E169 : ◊OA
- ABS/TCS CONTROL UNIT (CONTROL UNIT)
- ◊E171 : ◊TS



REFER TO THE FOLLOWING.
◊M15 -SUPER
MULTIPLE JUNCTION (SMJ)



MEL865P



Electrical Components Inspection

FUEL WARNING LAMP OPERATION CHECK

NFEL0051

NFEL0051S01

1. Turn ignition switch "OFF".
2. Disconnect fuel level sensor unit and fuel pump harness connector B19.
3. Connect a resistor (80Ω) between fuel level sensor unit and fuel pump harness connector terminals 2 and 5.
4. Turn ignition switch "ON".

The fuel warning lamp should come on.

NOTE:

ECM might store the 1st trip DTC P0180 and the 1st trip DTC P0464 during this inspection.

If the DTC is stored in ECM memory, erase the DTC after reconnecting fuel level sensor unit and fuel pump harness connector. Refer to EC-90, "HOW TO ERASE EMISSION-RELATED DIAGNOSTIC INFORMATION".

GI

MA

EM

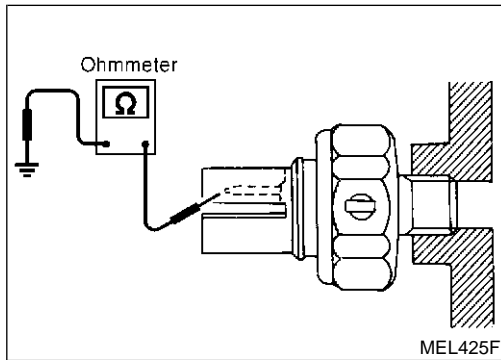
LC

EC

FE

CL

MT

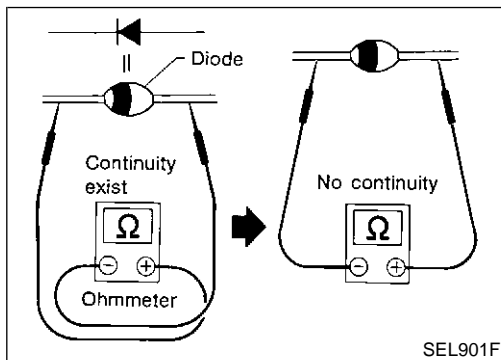


OIL PRESSURE SWITCH CHECK

NFEL0051S02

	Oil pressure kPa (kg/cm ² , psi)	Continuity
Engine running	More than 10 - 20 (0.1 - 0.2, 1 - 3)	No
Engine not running	Less than 10 - 20 (0.1 - 0.2, 1 - 3)	Yes

Check the continuity between the terminals of oil pressure switch and body ground.



DIODE CHECK

NFEL0051S03

- Check continuity using an ohmmeter.
- Diode is functioning properly if test results are as shown in the figure at left.
- Check diodes at the combination meter harness connector instead of on the combination meter assembly. Refer to EL-141, "WARNING LAMP" wiring diagrams.

NOTE:

Specification may vary depending on the type of tester. Before performing this inspection, be sure to refer to the instruction manual for the tester to be used.

AT

AX

SU

BR

ST

RS

BT

HA

SC

EL

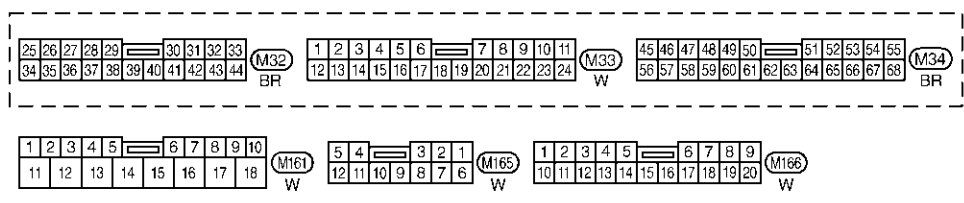
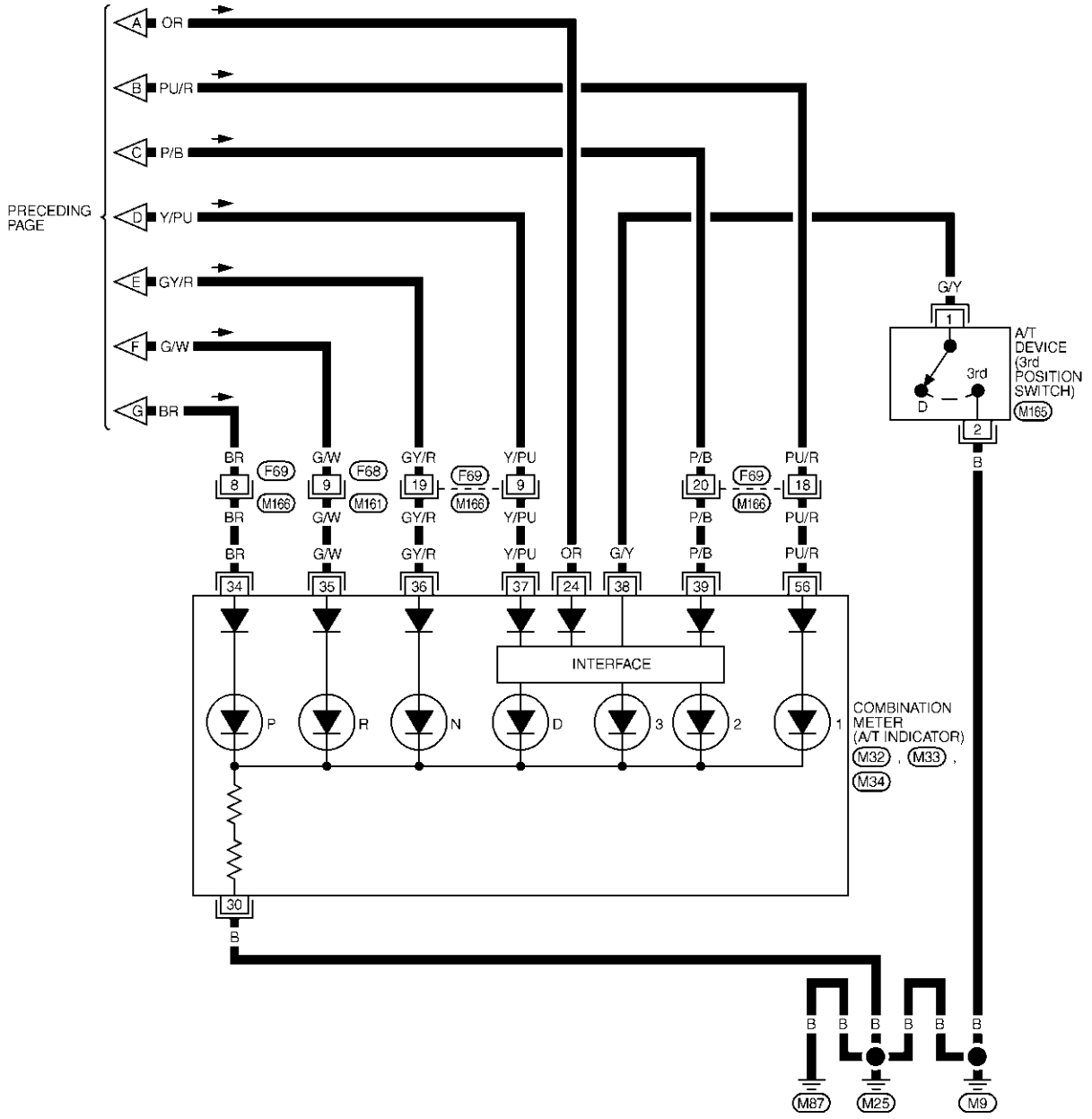
IDX

A/T INDICATOR

Wiring Diagram — AT/IND — (Cont'd)

EL-AT/IND-02

GI
MA
EM
LC
EC
FE
CL
MT
AT
AX
SU
BR
ST
RS
BT
HA
SC
EL
IDX

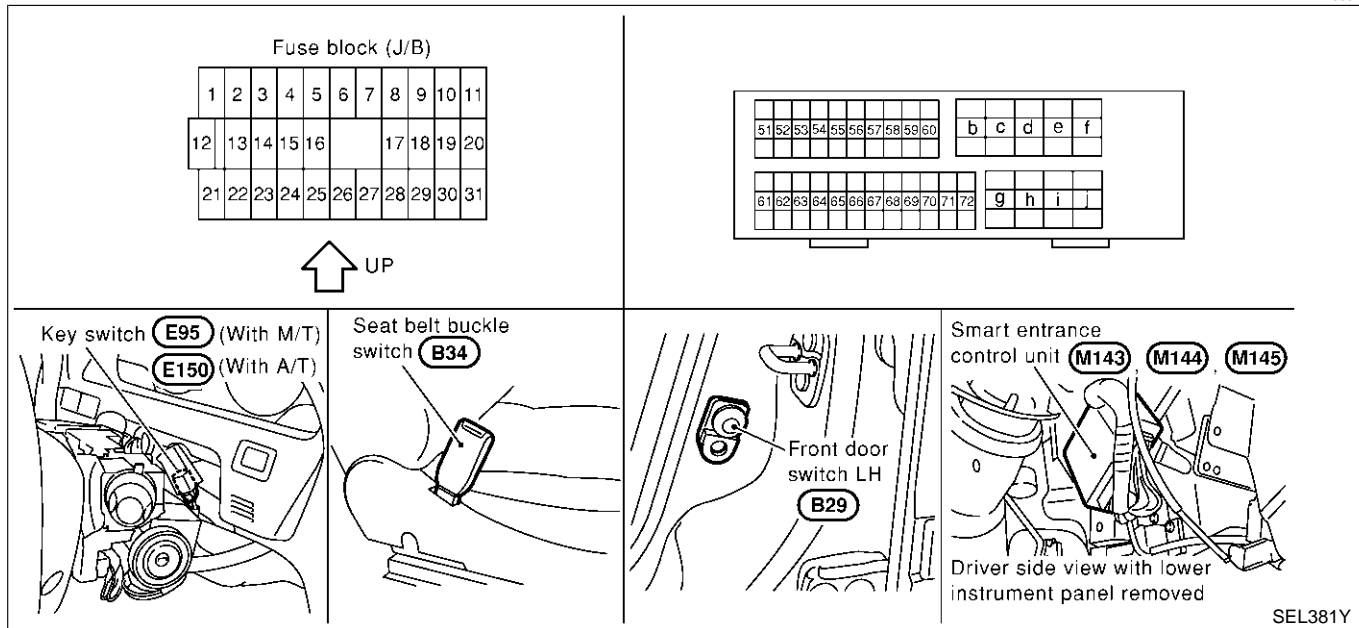


WARNING CHIME

Component Parts and Harness Connector Location

Component Parts and Harness Connector Location

NFEL0052



System Description

NFEL0053

The warning chime is controlled by the smart entrance control unit.
The warning chime is located in the smart entrance control unit.
Power is supplied at all times

- through 10A fuse [No. 13, located in fuse block (J/B)]
- to smart entrance control unit terminal 49 and
- to key switch terminal 2 (M/T) or 3 (A/T)
- through 10A fuse (No. 60, located in the fuse and fusible link box)
- to tail lamp relay terminals 1 and 3.

With the ignition switch in the ON or START position, power is supplied

- through 10A fuse [No. 10, located in the fuse block (J/B)]
- to smart entrance control unit terminal 27.

Ground is supplied to smart entrance control unit terminals 43 and 64 through body grounds M9, M25 and M87.

When a signal, or combination of signals, is received by the smart entrance control unit, the warning chime will sound.

IGNITION KEY WARNING CHIME

NFEL0053S01

With the key in the ignition switch in the OFF position, and the driver's door open, the warning chime will sound.
Power is supplied

- from key switch terminal 1 (M/T) or 4 (A/T)
- to smart entrance control unit terminal 25.

Ground is supplied

- from front door switch LH (driver side) terminal 2
- to smart entrance control unit terminal 1.

Front door switch LH (driver side) terminal 3 is grounded through body grounds B7 (without automatic drive positioner) or B59 (with automatic drive positioner) and B12.

LIGHT WARNING CHIME

NFEL0053S02

With ignition switch OFF, driver's door open, and lighting switch in 1ST or 2ND position, warning chime will sound. Power is supplied.

- from tail lamp relay terminal 2
- to smart entrance control unit terminals 19 and 57.

WARNING CHIME

System Description (Cont'd)

Ground is supplied

- from front door switch LH (driver side) terminal 2
- to smart entrance control unit terminal 1.

Front door switch LH (driver side) terminal 3 is grounded through body grounds B7 (without automatic drive positioner) or B59 (with automatic drive positioner) and B12.

SEAT BELT WARNING CHIME

With ignition switch turned ON and seat belt unfastened (seat belt switch ON), warning chime will sound for approximately 6 seconds.

Ground is supplied

- from seat belt switch terminal 1
- to smart entrance control unit terminal 28.

Seat belt switch terminal 2 is grounded through body grounds B7 (without automatic drive positioner) or B59 (with automatic drive positioner) and B12.

GI

MA

EM

LC

EC

FE

CL

MT

AT

AX

SU

BR

ST

RS

BT

HA

SC

EL

IDX

WARNING CHIME

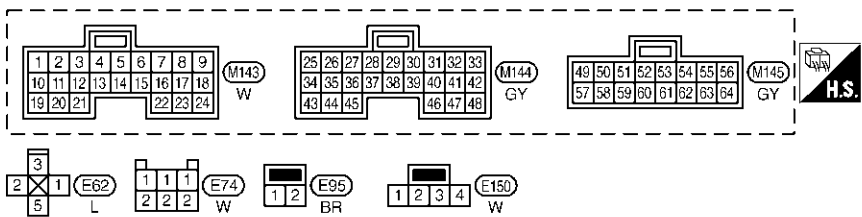
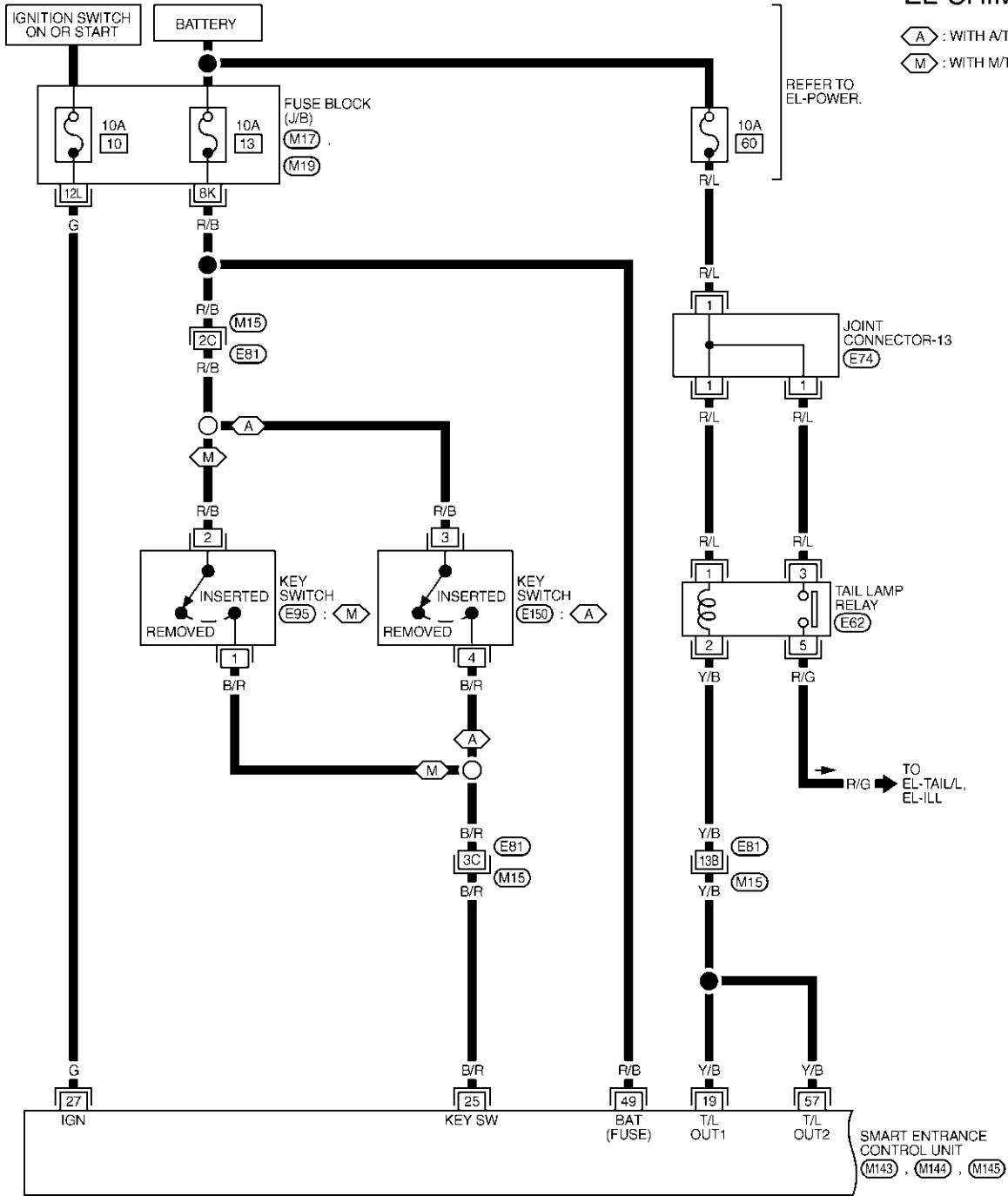
Wiring Diagram — CHIME —

Wiring Diagram — CHIME —

NFEL0054

EL-CHIME-01

- : WITH A/T
- : WITH M/T



REFER TO THE FOLLOWING.

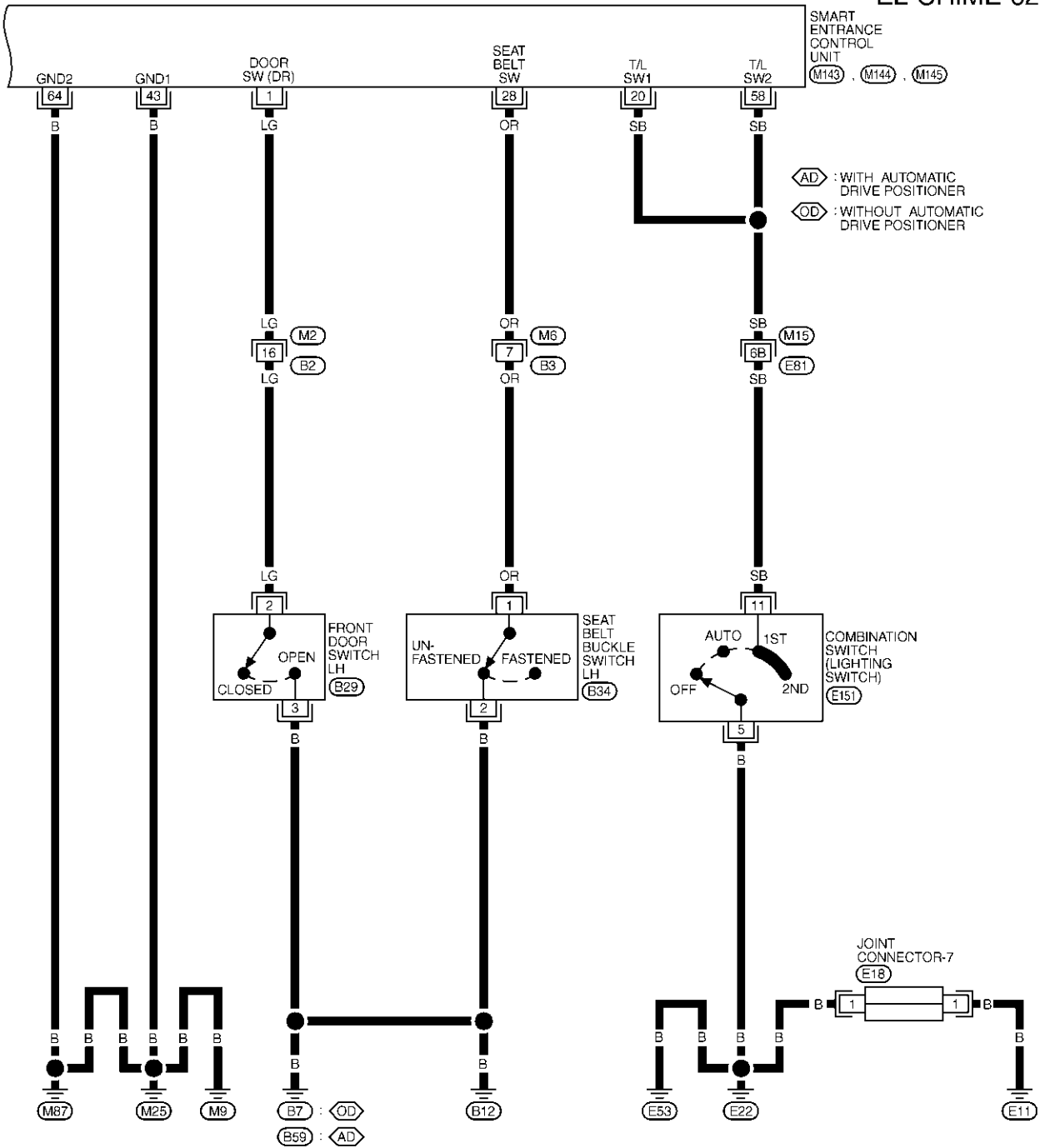
- (M15) -SUPER
- MULTIPLE JUNCTION (SMJ)
- (M17) (M19) -FUSE BLOCK-JUNCTION BOX (J/B)

MEL1290

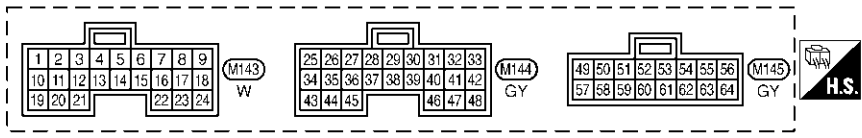
WARNING CHIME

Wiring Diagram — CHIME — (Cont'd)

EL-CHIME-02



GI
MA
EM
LC
EC
FE
CL
MT
AT
AX
SU
BR
ST
RS
BT
HA
SC
EL
IDX



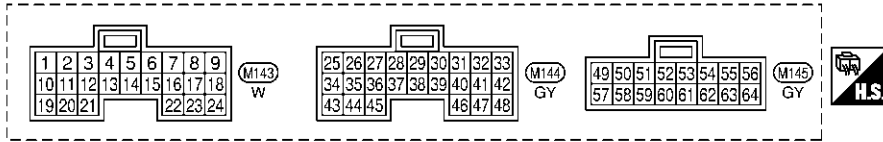
REFER TO THE FOLLOWING.
 (M15) -SUPER
 MULTIPLE JUNCTION (SMJ)



WARNING CHIME

Wiring Diagram — CHIME — (Cont'd)

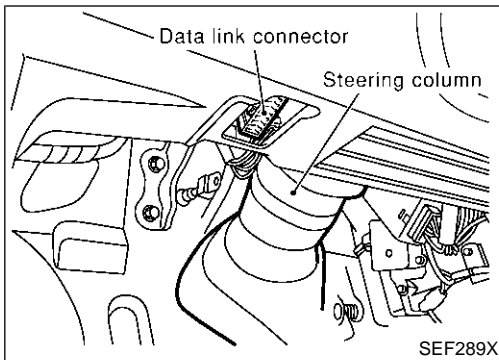
SMART ENTRANCE CONTROL UNIT CONNECTOR



SMART ENTRANCE CONTROL UNIT TERMINALS AND REFERENCE VALUE BETWEEN EACH TERMINAL AND GROUND

TERMINAL	WIRE COLOR	ITEM	CONDITION	DATA (DC)		
1	LG	DRIVER DOOR SWITCH	OFF (CLOSED) → ON (OPEN)	12V → 0V		
19	Y/B	TAIL LAMP RELAY	IGNITION SWITCH (WITH LIGHTING SWITCH 1ST OR 2ND)	ON OR START → OFF	MORE THAN 5 MINUTES WITHIN 5 MINUTES	12V 0V
			HEADLAMPS ILLUMINATE BY AUTO LIGHT CONTROL (OPERATE → NOT OPERATE)	ON OR START		0V
						LESS THAN 1V → 12V
20	SB	TAIL LAMP SWITCH	LIGHTING SWITCH (OFF OR AUTO → 1ST OR 2ND POSITION)	12V → 0V		
25	B/R	IGNITION KEY SWITCH (INSERT)	KEY INSERTED → KEY REMOVED FROM IGN KEY CYLINDER	12V → 0V		
27	G	IGNITION SWITCH (ON)	IGNITION SWITCH IS IN "ON" POSITION	12V		
28	OR	SEAT BELT BUCKLE SWITCH	UNFASTENED → FASTENED (IGNITION SWITCH IS IN "ON" POSITION)	0V → 12V		
43	B	GROUND	-	-		
49	R/B	POWER SOURCE (FUSE)	-	12V		
57	Y/B	TAIL LAMP RELAY	IGNITION SWITCH (WITH LIGHTING SWITCH 1ST OR 2ND)	ON OR START → OFF	MORE THAN 5 MINUTES WITHIN 5 MINUTES	12V 0V
			HEADLAMPS ILLUMINATE BY AUTO LIGHT CONTROL (OPERATE → NOT OPERATE)	ON OR START		0V
						LESS THAN 1V → 12V
58	SB	TAIL LAMP SWITCH	LIGHTING SWITCH (OFF OR AUTO → 1ST OR 2ND POSITION)	12V → 0V		
64	B	GROUND	-	-		

SEL589Y



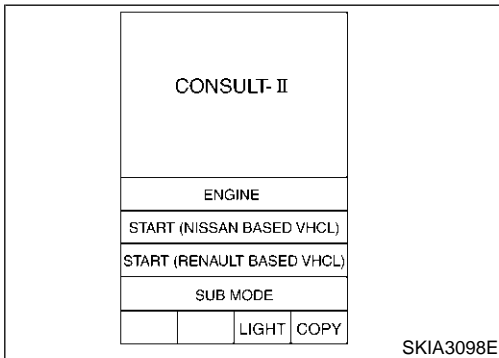
CONSULT-II Inspection Procedure

=NFEL0216

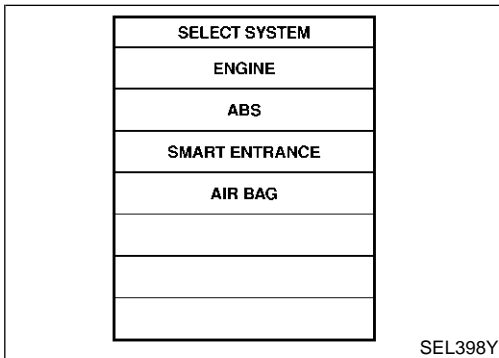
“KEY WARN ALM”/“LIGHT WARN ALM”/“SEAT BELT ALM”

NFEL0216S01

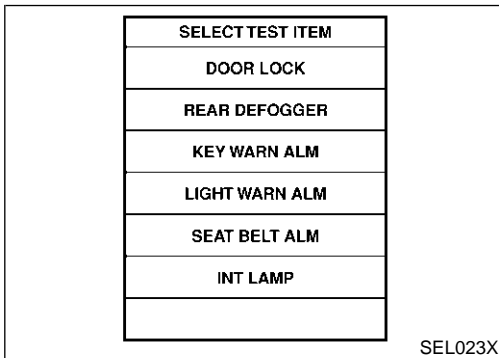
1. Turn ignition switch “OFF”.
2. Connect “CONSULT-II” and “CONSULT-II CONVERTER” to the data link connector.



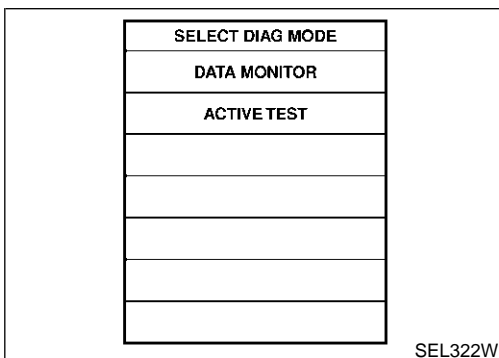
3. Turn ignition switch “ON”.
4. Touch “START (NISSAN BASED VHCL)”.



5. Touch “SMART ENTRANCE”.



6. Touch “KEY WARN ALM”, “LIGHT WARN ALM” or “SEAT BELT ALM”.



- DATA MONITOR and ACTIVE TEST are available for the warning chime.

GI
MA
EM
LC
EC
FE
CL
MT
AT
AX
SU
BR
ST
RS
BT
HA
SC
EL
IDX

WARNING CHIME

CONSULT-II Application Items

CONSULT-II Application Items

NFEL0217

“KEY WARNING ALARM”

NFEL0217S01

Data Monitor

NFEL0217S0101

Monitored Item	Description
IGN ON SW	Indicates [ON/OFF] condition of ignition switch.
KEY ON SW	Indicates [ON/OFF] condition of key switch.
DOOR SW DR	Indicates [ON/OFF] condition of front door switch LH.

Active Test

NFEL0217S0102

Test Item	Description
CHIME	This test is able to check key warning chime operation. Key warning chime sounds for 2 seconds after touching “ON” on CONSULT-II screen.

“LIGHT WARN ALM”

NFEL0217S02

Data Monitor

NFEL0217S0201

Monitored Item	Description
LIGHT SW 1ST	Indicates [ON/OFF] condition of lighting switch.
IGN ON SW	Indicates [ON/OFF] condition of ignition switch.
DOOR SW-DR	Indicates [ON/OFF] condition of front door switch LH.

Active Test

NFEL0217S0202

Test Item	Description
CHIME	This test is able to check light warning chime operation. Light warning chime sounds for 2 seconds after touching “ON” on CONSULT-II screen.

“SEAT BELT WARM ALM”

NFEL0217S03

Data Monitor

NFEL0217S0301

Monitored Item	Description
IGN ON SW	Indicates [ON/OFF] condition of ignition switch.
SEAT BELT SW	Indicates [ON/OFF] condition of seat belt switch.

Active Test

NFEL0217S0302

Test Item	Description
CHIME	This test is able to check seat belt warning chime operation. Seat belt warning chime sounds for 2 seconds after touching “ON” on CONSULT-II screen.

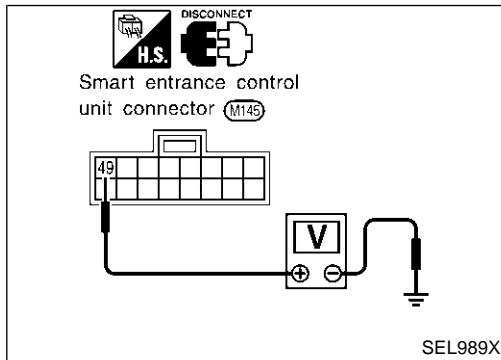
Trouble Diagnoses SYMPTOM CHART

NFEL0055

NFEL0055S01

REFERENCE PAGE (EL-)	155	157	158	159	160
SYMPTOM	POWER SUPPLY AND GROUND CIRCUIT CHECK	DIAGNOSTIC PROCEDURE 1 (LIGHTING SWITCH INPUT SIGNAL CHECK)	DIAGNOSTIC PROCEDURE 2 (KEY SWITCH INSERT SIGNAL CHECK)	DIAGNOSTIC PROCEDURE 3 (SEAT BELT BUCKLE SWITCH CHECK)	DIAGNOSTIC PROCEDURE 4
Light warning chime does not activate.	X	X			X
Ignition key warning chime does not activate.	X		X		X
Seat belt warning chime does not activate.	X			X	X
All warning chimes do not activate.	X				X

GI
MA
EM
LC
EC
FE
CL
MT
AT
AX
SU
BR
ST
RS
BT
HA
SC
EL
IDX



POWER SUPPLY AND GROUND CIRCUIT CHECK Power Supply Circuit Check

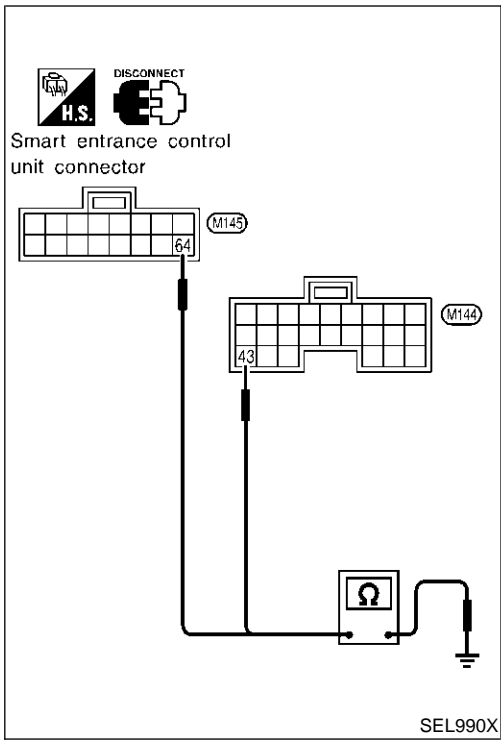
NFEL0055S02

NFEL0055S0201

Terminals (Wire color)	Voltage
49 (R/B) - Ground	Battery voltage

WARNING CHIME

Trouble Diagnoses (Cont'd)



Ground Circuit Check

NFEL0055S0202

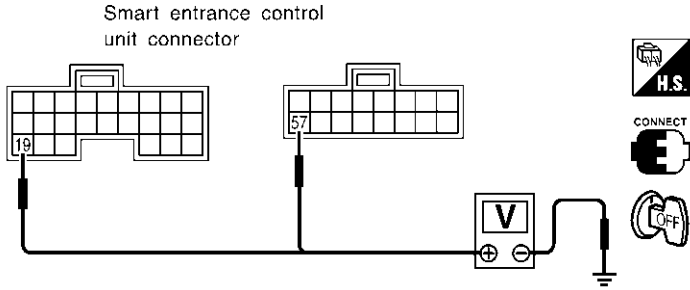
Terminals (Wire color)	Continuity
43 (B) - Ground	Yes
64 (B) - Ground	Yes

WARNING CHIME

Trouble Diagnoses (Cont'd)

DIAGNOSTIC PROCEDURE 1 (LIGHTING SWITCH INPUT SIGNAL CHECK)

-NFEL0055S03

1	CHECK LIGHTING SWITCH INPUT SIGNAL		GI						
<p>Ⓔ With CONSULT-II Check lighting switch ("LIGHT SW 1ST") in "DATA MONITOR" mode with CONSULT-II.</p>		<table border="1" style="margin-left: auto; margin-right: auto;"> <thead> <tr> <th colspan="2">DATA MONITOR</th> </tr> <tr> <th>MONITOR</th> <th></th> </tr> </thead> <tbody> <tr> <td>LIGHT SW 1ST</td> <td>OFF</td> </tr> </tbody> </table> <p>When lighting switch is in 1st or 2nd position: LIGHT SW 1ST ON</p> <p>When lighting switch is in OFF position: LIGHT SW 1ST OFF</p>	DATA MONITOR		MONITOR		LIGHT SW 1ST	OFF	MA EM LC EC FE
DATA MONITOR									
MONITOR									
LIGHT SW 1ST	OFF								
		SEL991X							
<p>ⓧ Without CONSULT-II Check voltage between smart entrance control unit harness connector M143 terminal 19 (Y/B), connector M145 terminal 57 (Y/B) and ground.</p>		 <p>Smart entrance control unit connector</p> <p>Voltage [V]: Condition of lighting switch: 1ST or 2ND 0 Condition of lighting switch: OFF Approx. 12</p>	CL MT AT AX SU						
		SEL654Y							
OK or NG									
OK	▶	Lighting switch is OK.	BR						
NG	▶	<p>Check the following.</p> <ul style="list-style-type: none"> ● 10A fuse (No. 60, located in the fuse and fusible link box) ● Harness for open or short between smart entrance control unit and tail lamp relay 	ST						

EL

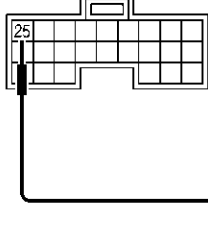

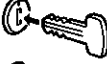

IDX

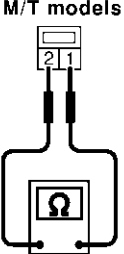
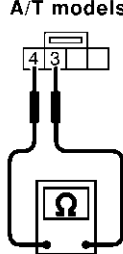

WARNING CHIME

Trouble Diagnoses (Cont'd)

DIAGNOSTIC PROCEDURE 2 (KEY SWITCH INSERT SIGNAL CHECK)

-NFEL0055S04

1	CHECK KEY SWITCH INPUT SIGNAL	<p>Ⓔ With CONSULT-II Check key switch ("KEY ON SW") in "DATA MONITOR" mode with CONSULT-II.</p> <div style="display: flex; align-items: flex-start;"> <div style="border: 1px solid black; padding: 5px; margin-right: 20px;"> <table border="1" style="width: 100%; border-collapse: collapse;"> <thead> <tr> <th colspan="2" style="text-align: center;">DATA MONITOR</th> </tr> <tr> <th style="width: 50%;">MONITOR</th> <th style="width: 50%;"></th> </tr> </thead> <tbody> <tr> <td>KEY ON SW</td> <td style="text-align: center;">ON</td> </tr> </tbody> </table> </div> <div style="margin-left: 20px;"> <p>When key is inserted to ignition key cylinder: KEY ON SW ON</p> <p>When key is removed from ignition key cylinder: KEY ON SW OFF</p> </div> </div>	DATA MONITOR		MONITOR		KEY ON SW	ON	SEL315W
DATA MONITOR									
MONITOR									
KEY ON SW	ON								
<p>ⓧ Without CONSULT-II Check voltage between smart entrance control unit harness connector M144 terminal 25 (B/R) and ground.</p> <p>Smart entrance control unit connector</p> <div style="display: flex; align-items: center;">  <div style="margin-left: 20px;"> <p>CONNECT</p>  </div> </div> <div style="display: flex; align-items: center; margin-top: 10px;">  : Approx. 12V  : 0V </div> <div style="margin-left: 20px;"> <p>Voltage [V]:</p> <p>Condition of key switch: Key is inserted. Approx. 12</p> <p>Condition of key switch: Key is removed. 0</p> </div>		SEL011Y							
OK or NG									
OK	▶	Key switch is OK.							
NG	▶	GO TO 2.							

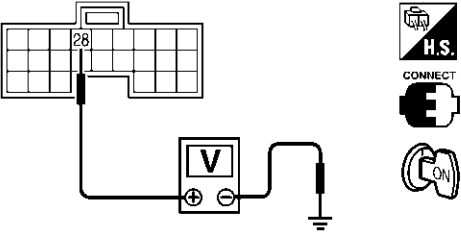
2	CHECK KEY SWITCH (INSERT)	<p>Check continuity between connector E95 terminals 1 and 2 or connector E150 terminals 3 and 4.</p> <p>Key switch connector</p> <div style="display: flex; align-items: center;"> <div style="margin-right: 20px;"> <p>M/T models</p>  </div> <div style="margin-right: 20px;"> <p>A/T models</p>  </div> <div> <p>DISCONNECT</p>  </div> </div> <div style="margin-left: 20px;"> <p>Continuity:</p> <p>Condition of key switch: Key is inserted. Yes</p> <p>Condition of key switch: Key is removed. No</p> </div>	SEL614Y
OK or NG			
OK	▶	<p>Check the following.</p> <ul style="list-style-type: none"> ● 10A fuse [No. 13, located in fuse block (J/B)] ● Harness for open or short between key switch and fuse ● Harness for open or short between smart entrance control unit and key switch 	
NG	▶	Replace key switch.	

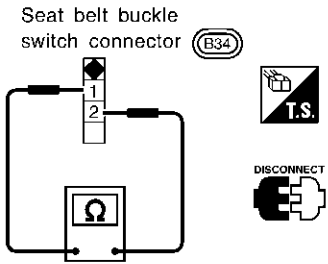
WARNING CHIME

Trouble Diagnoses (Cont'd)

DIAGNOSTIC PROCEDURE 3 (SEAT BELT BUCKLE SWITCH CHECK)

-NFEL0055S05

1	CHECK SEAT BELT BUCKLE SWITCH INPUT SIGNAL						
<p>Ⓔ With CONSULT-II Check seat belt buckle switch ("SEAT BELT SW") in "DATA MONITOR" mode with CONSULT-II.</p>							
<table border="1" style="margin: auto;"> <tr><th colspan="2">DATA MONITOR</th></tr> <tr><th>MONITOR</th><th></th></tr> <tr><td>SEAT BELT SW</td><td>ON</td></tr> </table>		DATA MONITOR		MONITOR		SEAT BELT SW	ON
DATA MONITOR							
MONITOR							
SEAT BELT SW	ON						
<p>When seat belt is fastened: SEAT BELT SW ON</p> <p>When seat belt is released: SEAT BELT SW OFF</p>							
SEL317W							
<p>ⓧ Without CONSULT-II</p> <ol style="list-style-type: none"> Turn ignition switch "ON". Check voltage between smart entrance control unit harness connector M144 terminal 28 (OR) and ground. 							
<div style="display: flex; align-items: center;"> <div style="flex: 1;"> <p>Smart entrance control unit connector</p>  </div> <div style="flex: 1; padding-left: 20px;"> <p>Voltage [V]:</p> <p>Condition of seat belt buckle switch: Fastened Approx. 12</p> <p>Condition of seat belt buckle switch: Unfastened 0</p> </div> </div>							
SEL994XA							
OK or NG							
OK	▶ Seat belt buckle switch is OK.						
NG	▶ GO TO 2.						

2	CHECK SEAT BELT BUCKLE SWITCH
<p>Check continuity between terminals 1 and 2 when seat belt is fastened and unfastened.</p>	
<div style="display: flex; align-items: center;"> <div style="flex: 1;"> <p>Seat belt buckle switch connector (B34)</p>  </div> <div style="flex: 1; padding-left: 20px;"> <p>Continuity:</p> <p>Seat belt is fastened. No</p> <p>Seat belt is unfastened. Yes</p> </div> </div>	
SEL313W	
OK or NG	
OK	▶ Check the following. <ul style="list-style-type: none"> ● Seat belt buckle switch ground circuit ● Harness for open or short between smart entrance control unit and seat belt buckle switch
NG	▶ Replace seat belt buckle switch.

GI
MA
EM
LC
EC
FE
CL
MT
AT
AX
SU
BR
ST
RS
BT
HA
SC
EL
IDX

WARNING CHIME

Trouble Diagnoses (Cont'd)

DIAGNOSTIC PROCEDURE 4

NFEL0055S06

1 CHECK IGNITION ON SIGNAL

With CONSULT-II

Check ignition switch ON signal ("IGN ON SW") in "DATA MONITOR" mode with CONSULT-II.

DATA MONITOR	
MONITOR	
IGN ON SW	ON

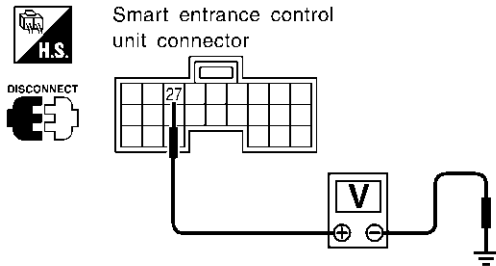
When ignition switch is ON:
IGN ON SW ON

When ignition switch is OFF:
IGN ON SW OFF

SEL318W

Without CONSULT-II

Check voltage between smart entrance control unit harness connector M144 terminal 27 (G) and ground.



Terminals		Ignition switch position		
(+)	(-)	OFF	ACC	ON
27	Ground	0V	0V	Battery voltage

SEL995X

OK or NG

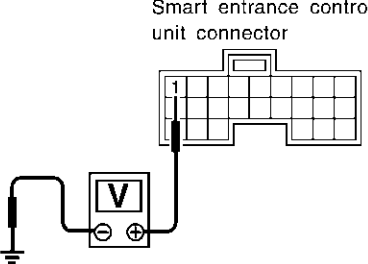

OK ► GO TO 2.

NG ► **Check the following.**

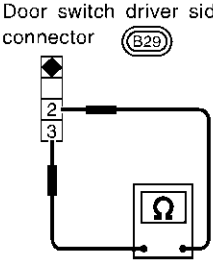

- 10A fuse [No. 10, located in fuse block (J/B)]
- Harness for open or short between smart entrance control unit and fuse

WARNING CHIME

Trouble Diagnoses (Cont'd)


2	CHECK DOOR SWITCH INPUT SIGNAL						
<p>E With CONSULT-II Check driver door switch signal ("DOOR SW-DR") in "DATA MONITOR" mode with CONSULT-II.</p> <div style="display: flex; justify-content: space-between; align-items: flex-start;"> <table border="1" style="border-collapse: collapse; text-align: center;"> <thead> <tr> <th colspan="2">DATA MONITOR</th> </tr> <tr> <th>MONITOR</th> <th></th> </tr> </thead> <tbody> <tr> <td>DOOR SW-DR</td> <td>OFF</td> </tr> </tbody> </table> <div style="margin-left: 20px;"> <p>When driver's door is open: DOOR SW-DR ON</p> <p>When driver's door is closed: DOOR SW-DR OFF</p> </div> </div> <p style="text-align: right; font-size: small;">SEL319W</p>		DATA MONITOR		MONITOR		DOOR SW-DR	OFF
DATA MONITOR							
MONITOR							
DOOR SW-DR	OFF						
<p>X Without CONSULT-II Check voltage between smart entrance control unit harness connector M143 terminal 1 (LG) and ground.</p> <div style="display: flex; justify-content: space-between; align-items: flex-start;"> <div style="text-align: center;"> <p>Smart entrance control unit connector</p>  </div> <div style="margin-left: 20px;">  </div> <div style="margin-left: 20px;"> <p>Voltage [V]:</p> <p>Condition of driver's door: CLOSED Approx. 12</p> <p>Condition of driver's door: OPEN 0</p> </div> </div> <p style="text-align: right; font-size: small;">SEL655Y</p> <p style="text-align: center; margin-top: 10px;">OK or NG</p>							
OK	▶ GO TO 4.						
NG	▶ GO TO 3.						

GI
MA
EM
LC
EC
FE
CL
MT
AT
AX
SU
BR
ST
RS
BT
HA
SC
EL
IDX

3	CHECK DRIVER SIDE DOOR SWITCH
<p>Check continuity between terminals 2 and 3.</p> <div style="display: flex; justify-content: space-between; align-items: flex-start;"> <div style="text-align: center;"> <p>Door switch driver side connector (B29)</p>  </div> <div style="margin-left: 20px;">  </div> <div style="margin-left: 20px;"> <p>Continuity:</p> <p>Door switch is pushed. No</p> <p>Door switch is released. Yes</p> </div> </div> <p style="text-align: right; font-size: small;">SEL325W</p> <p style="text-align: center; margin-top: 10px;">OK or NG</p>	
OK	▶ Check the following.
	<ul style="list-style-type: none"> ● Driver side door switch ground circuit and condition ● Harness for open or short between smart entrance control unit and driver side door switch
NG	▶ Replace driver side door switch.

WARNING CHIME

Trouble Diagnoses (Cont'd)

4	CHECK WARNING CHIME						
<p> With CONSULT-II Perform "CHIME" in "ACTIVE TEST" mode with CONSULT-II.</p> <div data-bbox="459 275 721 596" style="border: 1px solid black; padding: 5px; margin: 10px auto; width: fit-content;"><table border="1" style="width: 100%; text-align: center;"><thead><tr><th colspan="2">ACTIVE TEST</th></tr></thead><tbody><tr><td>CHIME</td><td>OFF</td></tr><tr><td>ON</td><td></td></tr></tbody></table></div> <p style="text-align: center; margin-top: 20px;">Warning chime should operate.</p> <p style="text-align: right; margin-top: 20px;">SEL320W</p> <p style="text-align: center; margin-top: 20px;">OK or NG</p>		ACTIVE TEST		CHIME	OFF	ON	
ACTIVE TEST							
CHIME	OFF						
ON							
OK	▶ System is OK.						
NG	▶ Replace smart entrance control unit.						

System Description

NFEL0057

WIPER OPERATION

NFEL0057S01

GI

The wiper switch is controlled by a lever built into the combination switch. There are three wiper switch positions:

- LO speed
- HI speed
- INT (Intermittent)

MA

With the ignition switch in the ON or START position, power is supplied

- through 20A fuse [No. 25, located in the fuse block (J/B)]
- to wiper motor terminal 4 and
- to wiper switch terminal 15.

EM

LC

Low (Mist) and High Speed Wiper Operation

NFEL0057S0101

EC

Ground is supplied to wiper switch terminal 17 through body grounds E11, E22 and E53.

When the wiper switch is placed in the LO or MIST position, ground is supplied

- through terminal 14 of the wiper switch
- to wiper motor terminal 3.

FE

With power and ground supplied, the wiper motor operates at low speed.

CL

When the wiper switch is placed in the HI position, ground is supplied

- through terminal 16 of the wiper switch
- to wiper motor terminal 1.

MT

With power and ground supplied, the wiper motor operates at high speed.

Auto Stop Operation

NFEL0057S0102

AT

With wiper switch turned OFF, wiper motor will continue to operate until wiper arms reach windshield base.

When wiper arms are not located at base of windshield with wiper switch OFF, ground is provided

- from terminal 14 of the wiper switch
- to wiper motor terminal 3, in order to continue wiper motor operation at low speed.

AX

Ground is also supplied

- through terminal 13 of the wiper switch
- to wiper motor terminal 2
- through terminal 6 of the wiper motor, and
- through body grounds E11, E22 and E53.

SU

BR

When wiper arms reach base of windshield, wiper motor terminals 2 and 4 are connected instead of terminals 2 and 6. Wiper motor will then stop wiper arms at the STOP position.

ST

Intermittent Operation

NFEL0057S0103

RS

The wiper motor operates the wiper arms one time at low speed at a set interval of approximately 3 to 13 seconds. This feature is controlled by the wiper amplifier (INT SW) combined with wiper switch.

When the wiper switch is placed in the INT position, ground is supplied to wiper amplifier.

The desired interval time is input to wiper amplifier (INT VR) from wiper volume switch combined with wiper switch.

BT

Then intermittent ground is supplied

- to wiper motor terminal 3
- from terminal 14 of wiper switch
- through wiper amplifier (OUTPUT).

HA

SC

The wiper motor operates at low speed at the desired interval.

WASHER OPERATION

NFEL0057S02

EL

With the ignition switch in the ON or START position, power is supplied

- through 20A fuse [No. 25, located in the fuse block (J/B)]
- to washer motor terminal 1.

IDX

When the lever is pulled to the WASH position, ground is supplied

- to washer motor terminal 2, and
- from terminal 18 of the wiper switch

FRONT WIPER AND WASHER

System Description (Cont'd)

- through terminal 17 of the wiper switch, and
- through body grounds E11, E22 and E53.

With power and ground supplied, the washer motor operates.

When the lever is pulled to the WASH position for one second or more, the wiper motor operates at low speed for approximately 3 seconds to clean windshield. This feature is controlled by the wiper amplifier in the same manner as the intermittent operation.

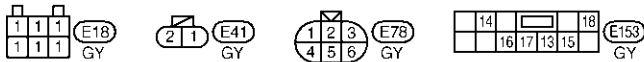
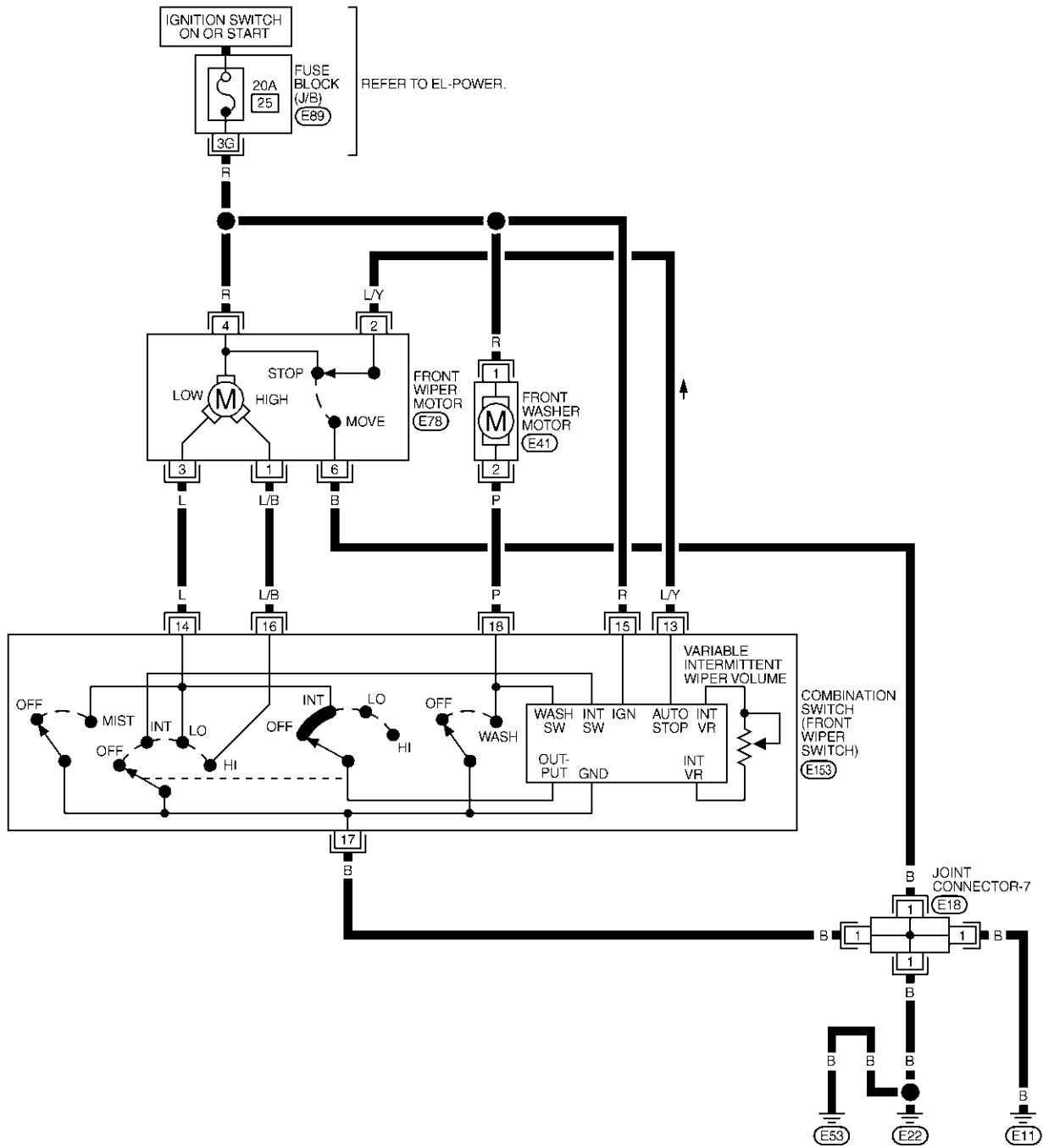
FRONT WIPER AND WASHER

Wiring Diagram — WIPER —

Wiring Diagram — WIPER —

NFEL0058

EL-WIPER-01



REFER TO THE FOLLOWING:
 (E89) - FUSE BLOCK-
 JUNCTION BOX (J/B)

GI

MA

EM

LC

EC

FE

CL

MT

AT

AX

SU

BR

ST

RS

BT

HA

SC

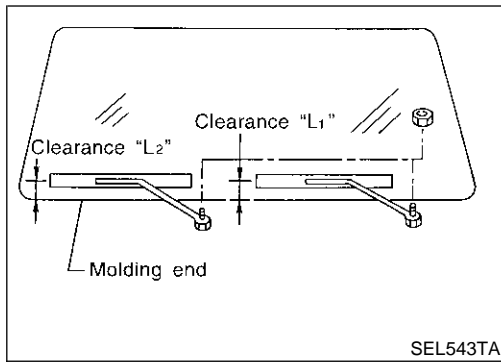
EL

IDX

MEL1310

FRONT WIPER AND WASHER

Removal and Installation



Removal and Installation

NFEL0060

WIPER ARMS

NFEL0060S01

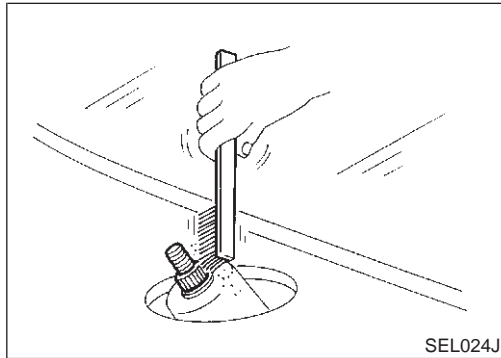
1. Prior to wiper arm installation, turn on wiper switch to operate wiper motor and then turn it "OFF" (Auto Stop).
2. Lift the blade up and then set it down onto glass surface to set the blade center to clearance "L₁" & "L₂" immediately before tightening nut.
3. Eject washer fluid. Turn on wiper switch to operate wiper motor and then turn it "OFF".
4. Ensure that wiper blades stop within clearance "L₁" & "L₂".

Clearance "L₁": 48 - 64 mm (1.89 - 2.52 in)

Clearance "L₂": 40 - 56 mm (1.57 - 2.20 in)

- Tighten wiper arm nuts to specified torque.

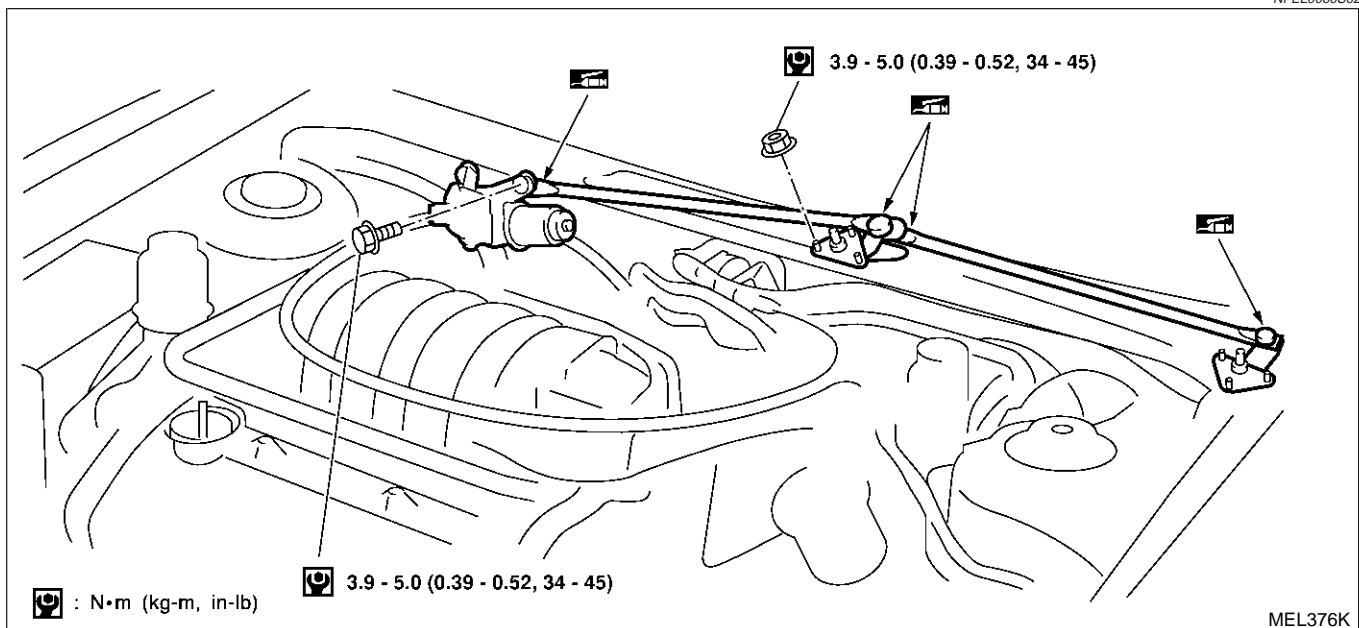
Front wiper: 21 - 26 N·m (2.1 - 2.7 kg·m, 16 - 19 ft·lb)



- Before reinstalling wiper arm, clean up the pivot area as illustrated. This will reduce possibility of wiper arm looseness.

WIPER LINKAGE

NFEL0060S02



FRONT WIPER AND WASHER

Removal and Installation (Cont'd)

Removal

NFEL0060S0201

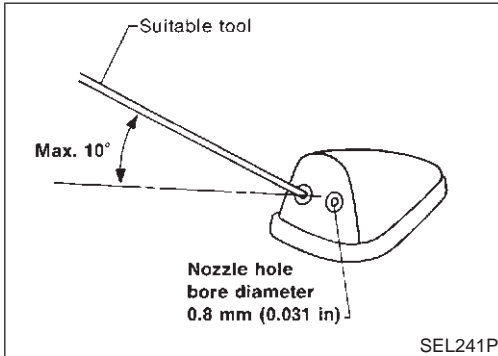
1. Remove 4 bolts that secure wiper motor.
2. Detach wiper motor from wiper linkage at ball joint.
3. Remove wiper linkage.

Be careful not to break ball joint rubber boot.

Installation

NFEL0060S0202

- Grease ball joint portion before installation.
1. Installation is the reverse order of removal.

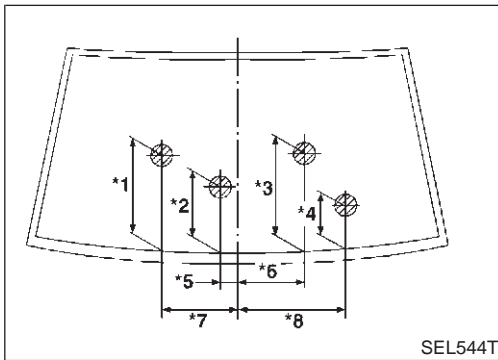


Washer Nozzle Adjustment

NFEL0061

- Adjust washer nozzle with suitable tool as shown in the figure at left.

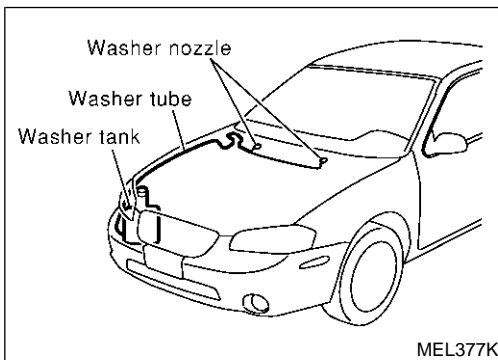
Adjustable range: ±10°



Unit: mm (in)

*1	341 (13.43)	*5	154 (6.06)
*2	286 (11.26)	*6	203 (7.99)
*3	285 (11.22)	*7	382 (15.04)
*4	152 (5.98)	*8	385 (15.16)

*: The diameters of these circles are less than 80 mm (3.15 in).



Washer Tube Layout

NFEL0062

GI

MA

EM

LC

EC

FE

CL

MT

AT

AX

SU

BR

ST

RS

BT

HA

SC

EL

IDX

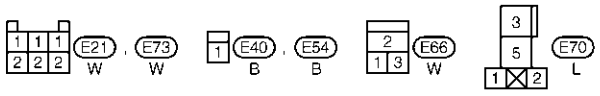
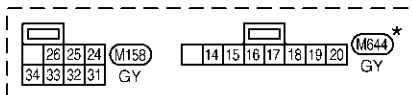
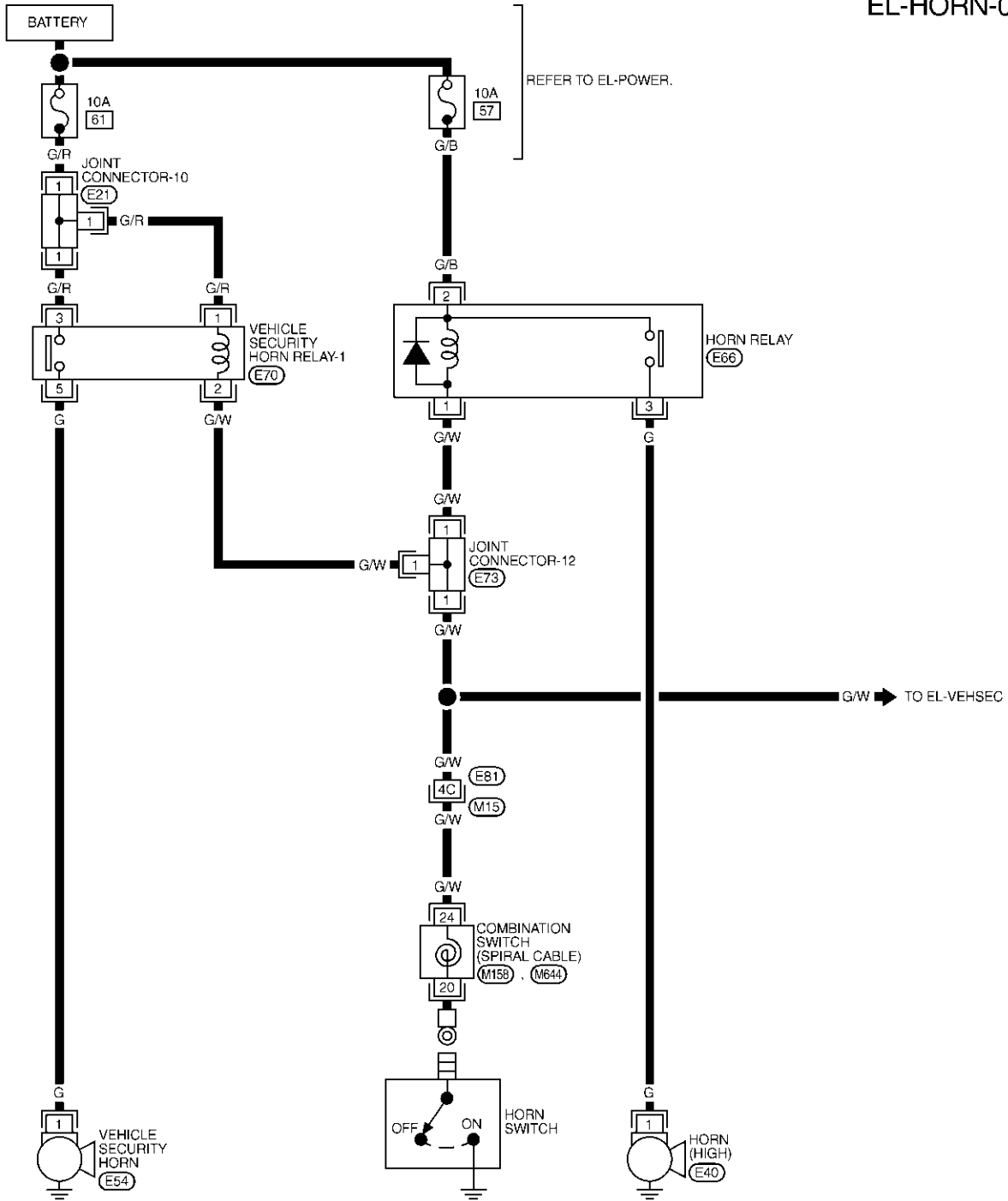
HORN

Wiring Diagram — HORN —

Wiring Diagram — HORN —

NFEL0071

EL-HORN-01



*: THIS CONNECTOR IS NOT SHOWN IN "HARNESS LAYOUT", EL SECTION

REFER TO THE FOLLOWING.
 (M15) -SUPER
 MULTIPLE JUNCTION (SMJ)

MEL729P

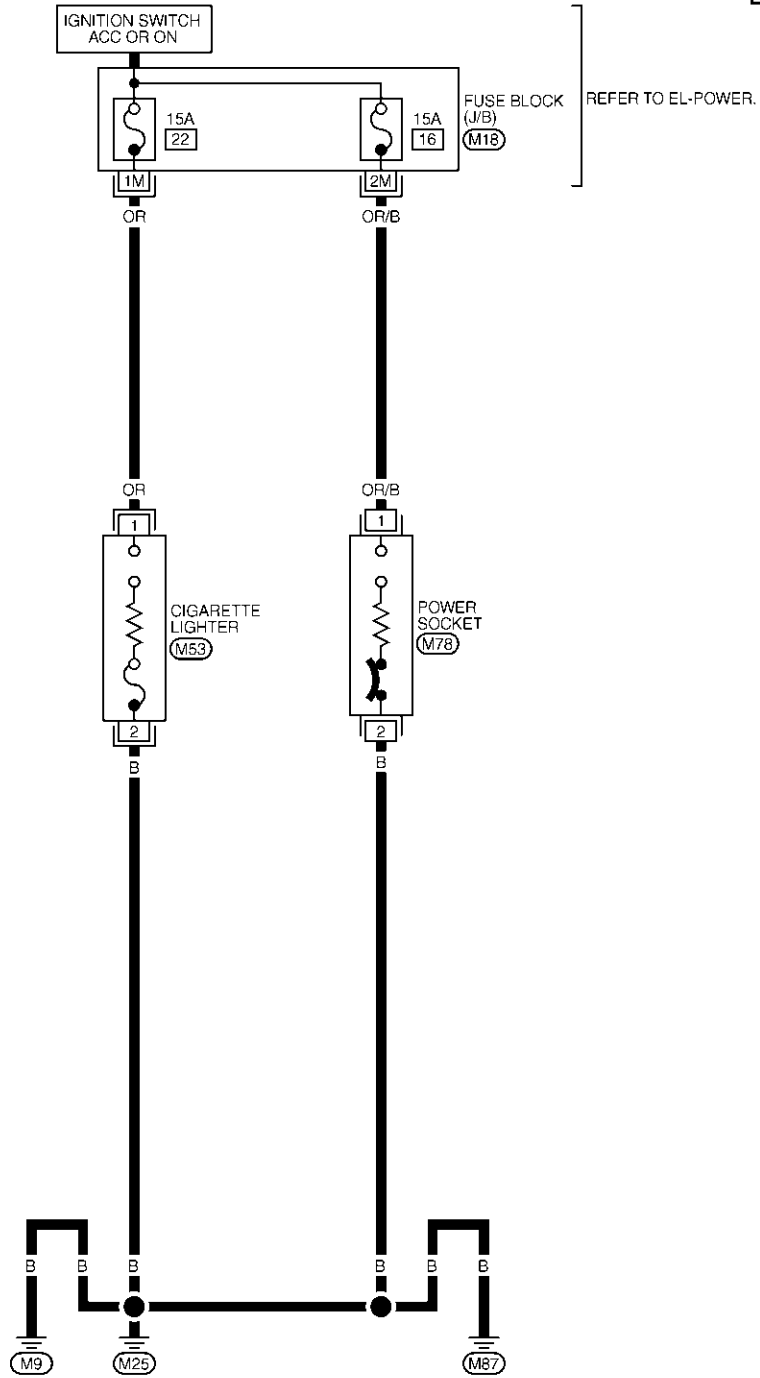
CIGARETTE LIGHTER

Wiring Diagram — CIGAR —

Wiring Diagram — CIGAR —

NFEL0156

EL-CIGAR-01

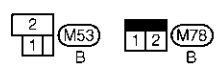


GI
MA
EM
LC
EC
FE
CL
MT
AT
AX
SU
BR
ST
RS
BT
HA
SC

EL

IDX

REFER TO THE FOLLOWING.
M18 - FUSE BLOCK-
JUNCTION BOX (J/B)



MEL2040

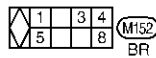
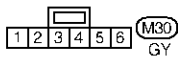
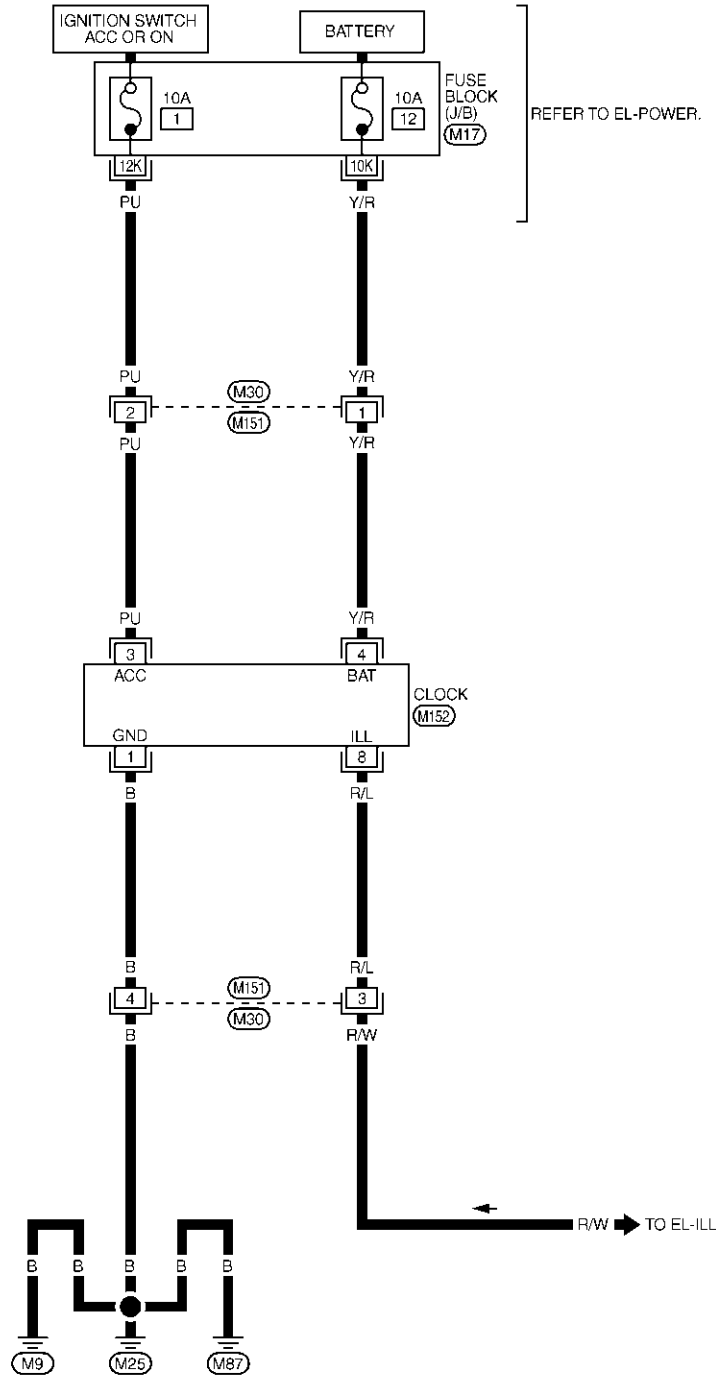
CLOCK

Wiring Diagram — CLOCK —

Wiring Diagram — CLOCK —

NFEL0166

EL-CLOCK-01



REFER TO THE FOLLOWING.
 (M17) - FUSE BLOCK-
 JUNCTION BOX (J/B)

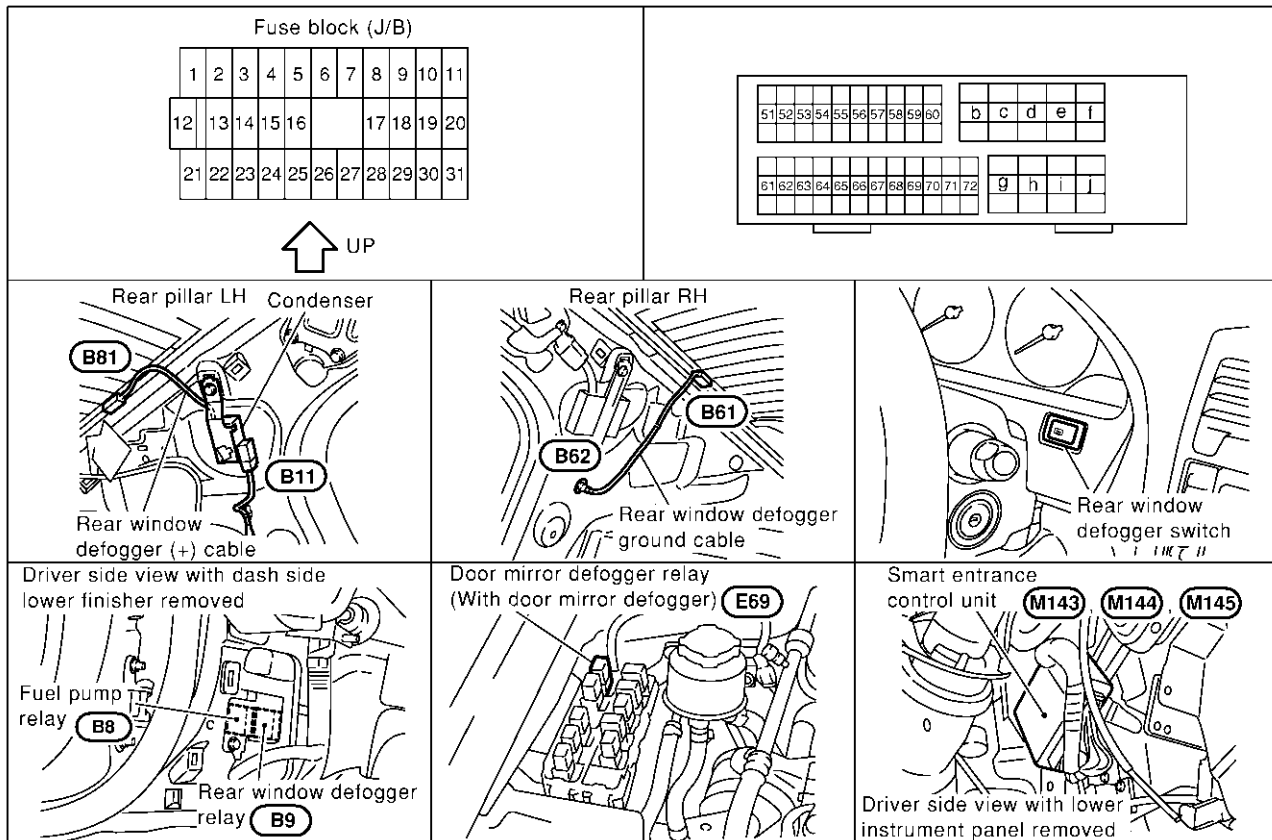
MEL277K

REAR WINDOW DEFOGGER

Component Parts and Harness Connector Location

Component Parts and Harness Connector Location

NFEL0072



SEL382Y

System Description

NFEL0073

The rear window defogger system is controlled by the smart entrance control unit. The rear window defogger operates only for approximately 15 minutes.

Power is supplied at all times

- to rear window defogger relay terminal 3
- through 20A fuse [No. 7, located in the fuse block (J/B)] and
- to rear window defogger relay terminal 6
- through 20A fuse [No. 4, located in the fuse block (J/B)].
- to smart entrance control unit terminal 49
- through 10A fuse [No. 13, located in the fuse block (J/B)].

With the ignition switch in the ON or START position, power is supplied

- through 10A fuse [No. 10, located in the fuse block (J/B)]
- to the rear window defogger relay terminal 1 and
- to smart entrance control unit terminal 27.

Ground is supplied

- to terminals 2 and 5 of the rear window defogger switch
- through body grounds M9, M25 and M87 (with navigation system),
- to terminal 32 of the A/C auto amp. (with auto A/C) or
- to terminal 17 of the A/C control unit (with manual A/C)
- through body grounds M9, M25 and M87 (without navigation system).
- to smart entrance control unit terminals 43 and 64 and rear window defogger switch terminal 5

GI
MA
EM
LC
EC
FE
CL
MT
AT
AX
SU
BR
ST
RS
BT
HA
SC
EL
IDX

REAR WINDOW DEFOGGER

System Description (Cont'd)

- through body grounds M9, M25 and M87.

When the rear defogger switch is turned ON, ground is supplied

- through terminal 1 of the rear window defogger switch (with navigation system),
- through terminal 31 of the A/C auto amp. or 9 of the A/C control unit (with manual A/C)
- to smart entrance control unit terminal 14.

Terminal 37 of the smart entrance control unit then supplies ground to the rear window defogger relay terminal 2.

With power and ground supplied, the rear window defogger relay is energized.

Power is supplied

- through terminals 5 and 7 of the rear window defogger relay
- to the rear window defogger and
- to terminal 30 of the A/C auto amp. (with auto A/C) or
- to terminal 10 of the A/C control unit (with manual A/C)
- to rear window defogger switch terminal 4 (with navigation system).

The rear window defogger has an independent ground.

With power and ground supplied, the rear window defogger filaments heat and defog the rear window.

When the system is activated, the rear window defogger indicator illuminates in the rear window defogger switch.

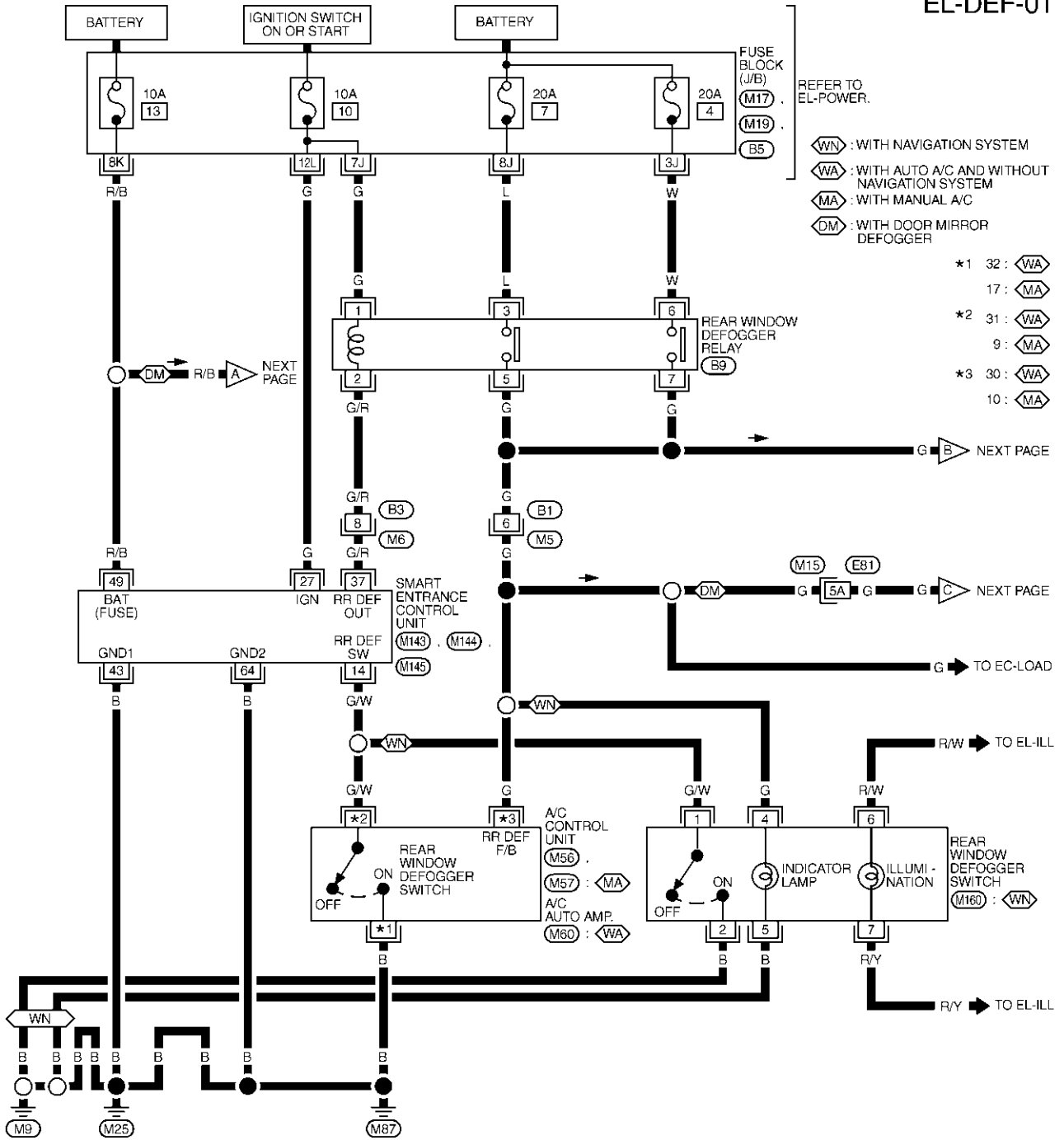
REAR WINDOW DEFOGGER

Wiring Diagram — DEF —

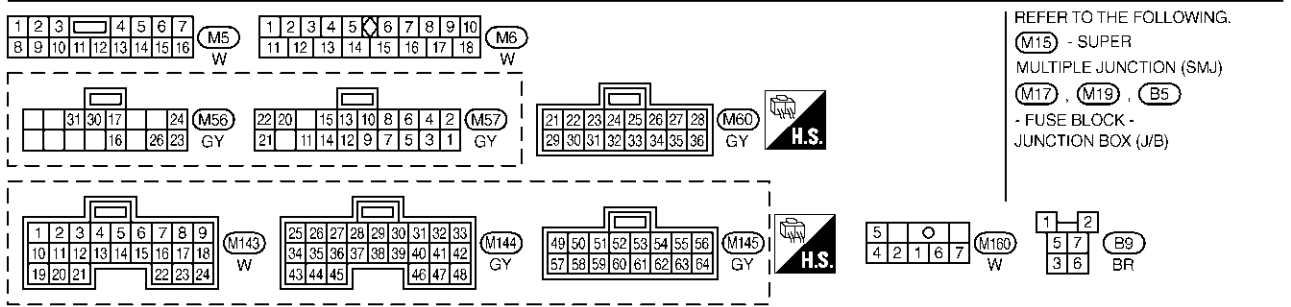
Wiring Diagram — DEF —

=NFEL0074

EL-DEF-01



- REFER TO EL-POWER.
- ◊WN : WITH NAVIGATION SYSTEM
 - ◊WA : WITH AUTO A/C AND WITHOUT NAVIGATION SYSTEM
 - ◊MA : WITH MANUAL A/C
 - ◊DM : WITH DOOR MIRROR DEFOGGER
- *1 32 : ◊WA
 - 17 : ◊MA
 - *2 31 : ◊WA
 - 9 : ◊MA
 - *3 30 : ◊WA
 - 10 : ◊MA



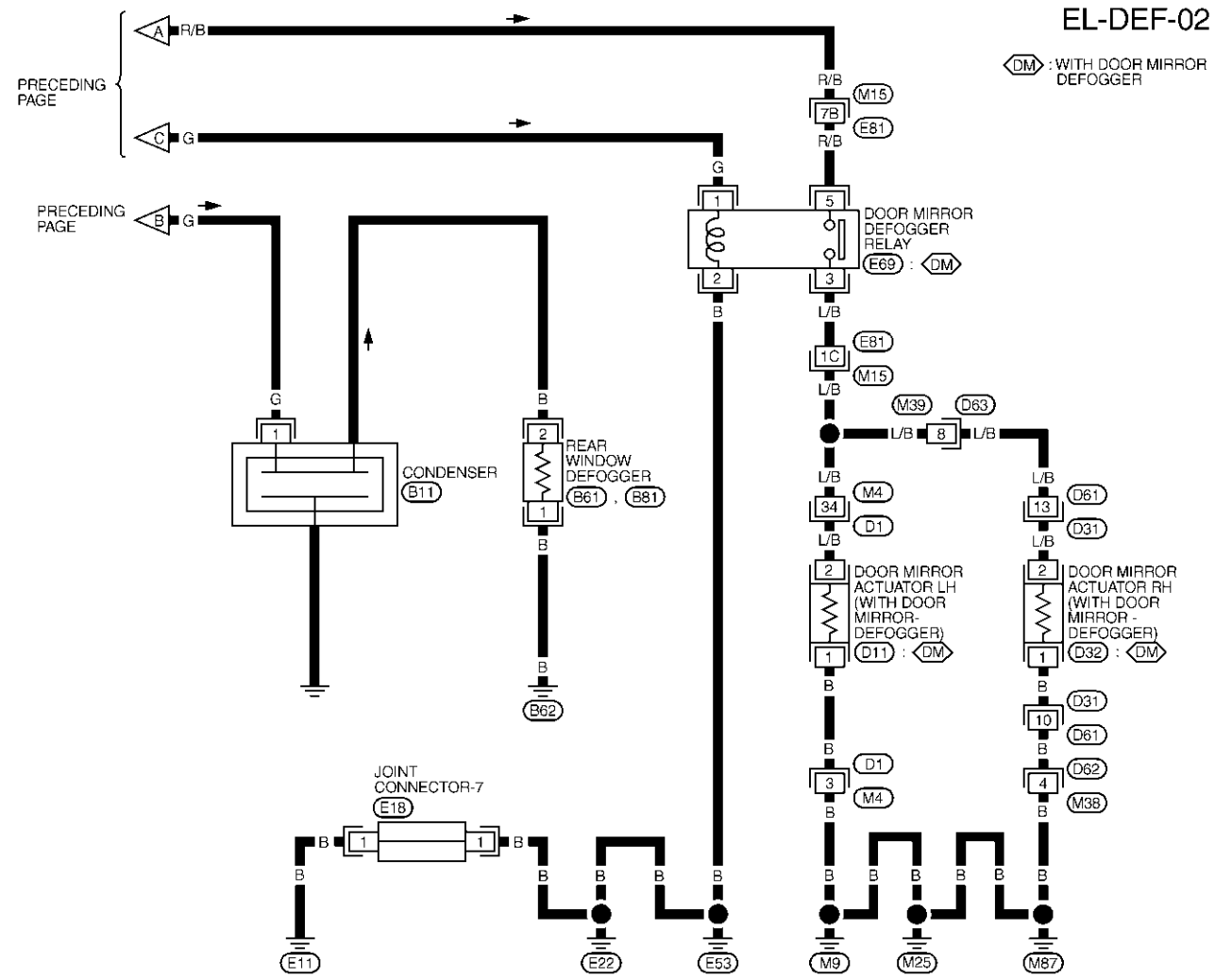
GI
MA
EM
LC
EC
FE
CL
MT
AT
AX
SU
BR
ST
RS
BT
HA

SC
EL

IDX

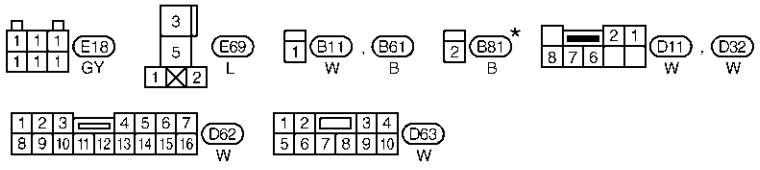
REAR WINDOW DEFOGGER

Wiring Diagram — DEF — (Cont'd)



EL-DEF-02

DM : WITH DOOR MIRROR DEFOGGER



REFER TO THE FOLLOWING.
 (M15) , (D1) , (D31) -SUPER
 MULTIPLE JUNCTION (SMJ)

* : THIS CONNECTOR IS NOT SHOWN IN "HARNESS LAYOUT", EL SECTION.

MEL870P

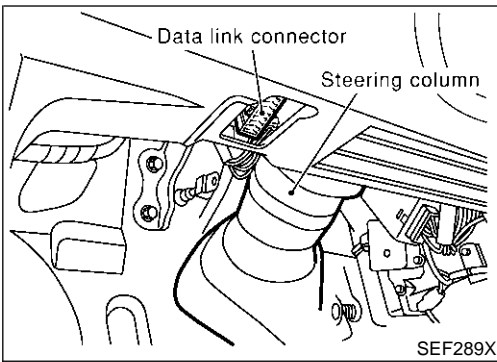
SMART ENTRANCE CONTROL UNIT TERMINALS AND REFERENCE VALUE BETWEEN EACH TERMINAL AND GROUND

TERMINAL	WIRE COLOR	ITEM	CONDITION	DATA (DC)
14	G/W	REAR WINDOW DEFOGGER SWITCH	OFF → ON (WHEN ONLY PUSHED)	5V → 0V
27	G	IGNITION SWITCH (ON)	IGNITION SWITCH IS IN "ON" POSITION	12V
37	G/R	REAR WINDOW DEFOGGER RELAY	OFF → ON (IGNITION SWITCH IS IN "ON" POSITION)	12V → 0V
43	B	GROUND	-	-
49	R/B	POWER SOURCE (FUSE)	-	12V
64	B	GROUND	-	-

SEL199YA

REAR WINDOW DEFOGGER

CONSULT-II Inspection Procedure



CONSULT-II Inspection Procedure

NFEL0218

NFEL0218S01

“REAR DEFOGGER”

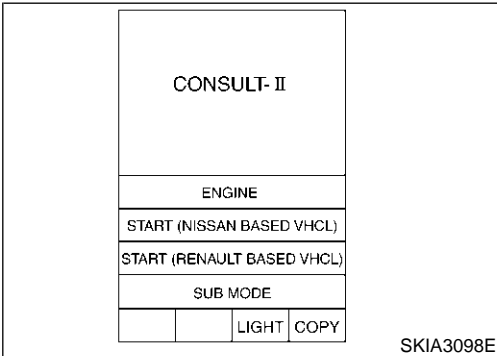
1. Turn ignition switch “OFF”.
2. Connect “CONSULT-II” and “CONSULT-II CONVERTER” to the data link connector.

GI

MA

EM

LC

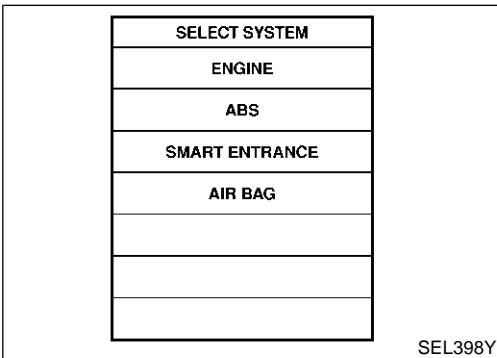


3. Turn ignition switch “ON”.
4. Touch “START (NISSAN BASED VHCL)”.

EC

FE

CL

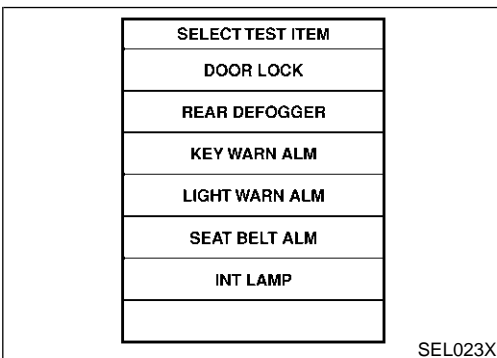


5. Touch “SMART ENTRANCE”.

MT

AT

AX



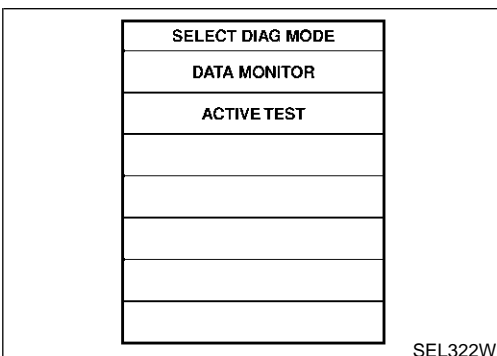
6. Touch “REAR DEFOGGER”.

SU

BR

ST

RS



7. Select diagnosis mode.
“DATA MONITOR” and “ACTIVE TEST” are available.

BT

HA

SC

EL

IDX

REAR WINDOW DEFOGGER

CONSULT-II Application Items

CONSULT-II Application Items

NFEL0219

“REAR DEFOGGER”

NFEL0219S01

Data Monitor

NFEL0219S0101

Monitored Item	Description
IGN ON SW	Indicates [ON/OFF] condition of ignition switch.
REAR DEF SW	Indicates [ON/OFF] condition of rear window defogger switch.

Active Test

NFEL0219S0102

Test Item	Description
REAR DEFOGGER	This test is able to check rear window defogger operation. Rear window defogger activates when “ON” on CONSULT-II screen is touched.

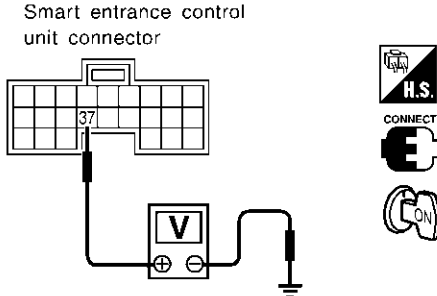
Trouble Diagnoses DIAGNOSTIC PROCEDURE

SYMPTOM: Rear window defogger does not activate, or does not go off after activating.

NFEL0075

NFEL0075S01

GI
MA
EM
LC
EC
FE
CL
MT
AT
AX
SU
BR
ST
RS
BT
HA
SC
EL
IDX

1	CHECK REAR WINDOW DEFOGGER OUTPUT SIGNAL			
<p>E With CONSULT-II Select "ACTIVE TEST" in "REAR DEFOGGER" with CONSULT-II.</p> <div style="display: flex; align-items: center;"> <div style="border: 1px solid black; padding: 5px; margin-right: 20px;"> <p style="text-align: center; margin: 0;">ACTIVE TEST</p> <table border="1" style="width: 100%; border-collapse: collapse;"> <tr> <td style="padding: 2px;">REAR DEFOGGER</td> <td style="padding: 2px;">OFF</td> </tr> </table> <p style="text-align: center; margin-top: 10px; background-color: black; color: white; padding: 2px;">ON</p> </div> <div> <p>Rear window defogger and rear window defogger switch indicator should operate when the "ON" button on the CONSULT-II screen is touched.</p> </div> </div> <p style="text-align: right; margin-top: 10px;">SEL353W</p>			REAR DEFOGGER	OFF
REAR DEFOGGER	OFF			
<p>X Without CONSULT-II</p> <ol style="list-style-type: none"> Turn ignition switch to ON position. Check voltage between smart entrance control unit harness connector M144 terminal 37 (G/R) and ground. <div style="display: flex; align-items: center; margin-top: 10px;"> <div style="margin-right: 20px;"> <p>Smart entrance control unit connector</p>  </div> <div> <p>Voltage [V]:</p> <p>Rear window defogger switch is "OFF". Approx. 12</p> <p>Rear window defogger switch is "ON". 0</p> </div> </div> <p style="text-align: right; margin-top: 10px;">SEL997X</p> <p style="text-align: center; margin-top: 10px;">OK or NG</p>				
OK	▶	<p>Check the following.</p> <ul style="list-style-type: none"> Rear window defogger relay (Refer to EL-181.) Rear window defogger circuit Rear window defogger filament (Refer to EL-182.) 		
NG	▶	GO TO 2.		

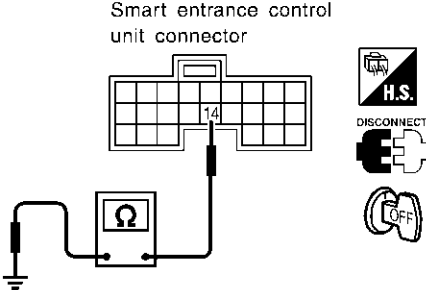
REAR WINDOW DEFOGGER

Trouble Diagnoses (Cont'd)

2	CHECK DEFOGGER RELAY COIL SIDE CIRCUIT	
	<p>1. Disconnect control unit connector. 2. Turn ignition switch to ON position. 3. Check voltage between smart entrance control unit harness connector M144 terminal 37 (G/R) and ground.</p> <div style="display: flex; justify-content: space-around; align-items: center;"> <div data-bbox="370 323 711 617"> <p>Smart entrance control unit connector</p> </div> <div data-bbox="753 338 824 537"> </div> <div data-bbox="922 443 1273 474"> <p>Battery voltage should exist.</p> </div> </div> <p style="text-align: right;">SEL998X</p> <p style="text-align: center;">OK or NG</p>	
OK	▶	GO TO 3.
NG	▶	<p>Check the following.</p> <ul style="list-style-type: none"> ● 10A fuse [No. 10, located in the fuse block (J/B)] ● Rear window defogger relay ● Harness for open or short between 10A fuse [No. 10, located in the fuse block (J/B)] and rear window defogger relay ● Harness for open or short between rear window defogger relay and smart entrance control unit

REAR WINDOW DEFOGGER

Trouble Diagnoses (Cont'd)

3	CHECK REAR WINDOW DEFOGGER SWITCH INPUT SIGNAL							
<p>Ⓔ With CONSULT-II Select "REAR DEF SW" in "DATA MONITOR" mode with CONSULT-II.</p>								
<table border="1" style="margin: auto;"> <tr><th colspan="2">DATA MONITOR</th></tr> <tr><th colspan="2">MONITOR</th></tr> <tr><td>REAR DEF SW</td><td>ON</td></tr> </table>			DATA MONITOR		MONITOR		REAR DEF SW	ON
DATA MONITOR								
MONITOR								
REAR DEF SW	ON							
<p>When rear window defogger switch is pushed: REAR DEF SW should be ON.</p>								
SEL352W								
<p>⊗ Without CONSULT-II Check continuity between smart entrance control unit harness connector M143 terminal 14 (G/W) and ground.</p>								
								
<p>Continuity: Rear window defogger switch is pushed. Continuity should exist. Rear window defogger switch is released. Continuity should not exist.</p>								
SEL999X								
OK or NG								
OK	▶	GO TO 4.						
NG	▶	<p>Check the following.</p> <ul style="list-style-type: none"> ● Rear window defogger switch (Refer to EL-181.) ● Harness for open or short between smart entrance control unit and rear window defogger switch ● Rear window defogger switch ground circuit 						

GI
MA
EM
LC
EC
FE
CL
MT
AT
AX
SU
BR
ST
RS
BT
HA
SC
EL
IDX

REAR WINDOW DEFOGGER

Trouble Diagnoses (Cont'd)

4 CHECK POWER SUPPLY AND IGNITION INPUT SIGNAL

Check voltage between smart entrance control unit harness connector M144 terminal 27 (G), M145 terminal 49 (R/B) and ground.

Terminals		Ignition switch position		
(+)	(-)	OFF	ACC	ON
49	Ground	Battery voltage	Battery voltage	Battery voltage
27	Ground	0V	0V	Battery voltage

SEL001Y

OK or NG

OK	▶	GO TO 5.
NG	▶	Check the following. <ul style="list-style-type: none"> • 10A fuse [No. 10 or No. 13, located in the fuse block (J/B)] • Harness for open or short between smart entrance control unit and fuse

5 CHECK CONTROL UNIT GROUND CIRCUIT

Check continuity between smart entrance control unit harness connector M144 terminal 43 (B), M145 terminal 64 (B) and ground.

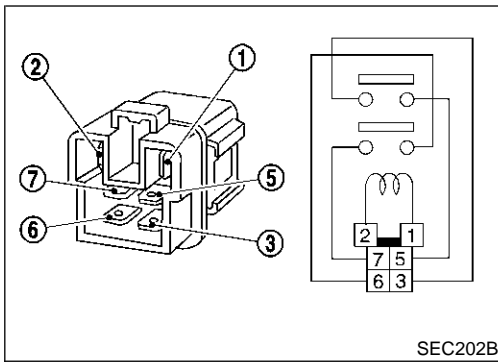
Continuity should exist.

SEL002Y

Yes	▶	Replace smart entrance control unit.
No	▶	Repair harness or connectors.

REAR WINDOW DEFOGGER

Electrical Components Inspection



Electrical Components Inspection

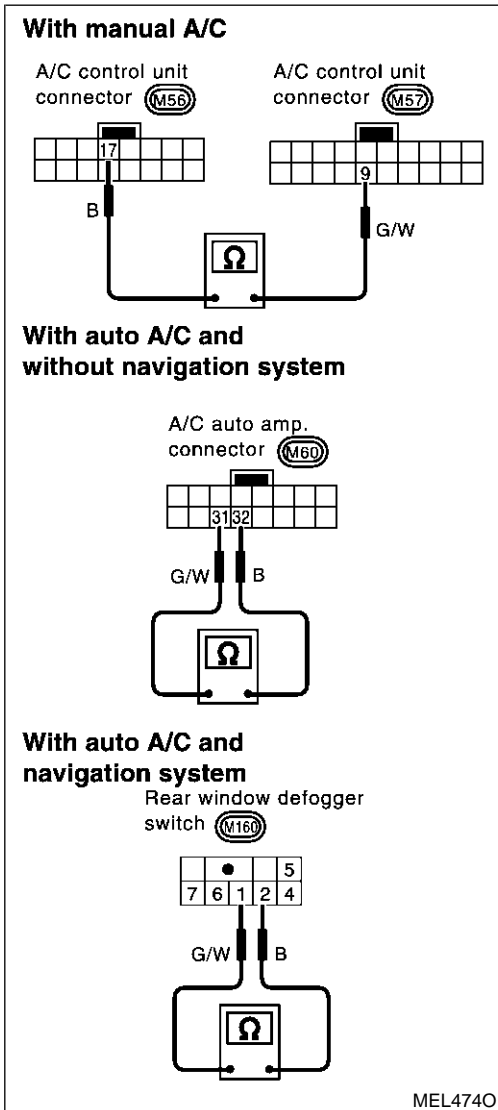
=NFEL0076

REAR WINDOW DEFOGGER RELAY

NFEL0076S01

Check continuity between terminals 3 and 5, 6 and 7.

Condition	Continuity
12V direct current supply between terminals 1 and 2	Yes
No current supply	No



REAR WINDOW DEFOGGER SWITCH

NFEL0076S02

Check continuity between terminals when rear window defogger switch is pushed and released.

Terminals	Condition	Continuity
9 - 17 (with manual A/C) 31 - 32 (with auto A/C and without navigation system)	Rear window defogger switch is pushed.	Yes
1 - 2 (with auto A/C and navigation system)	Rear window defogger switch is released.	No

GI

MA

EM

LC

EC

FE

CL

MT

AT

AX

SU

BR

ST

RS

BT

HA

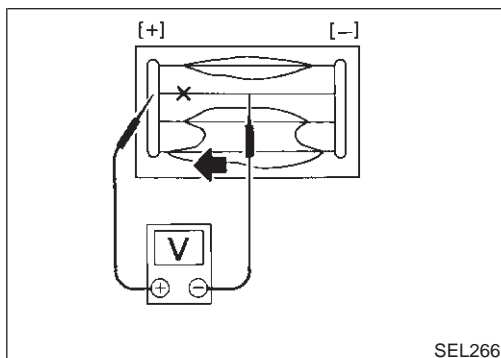
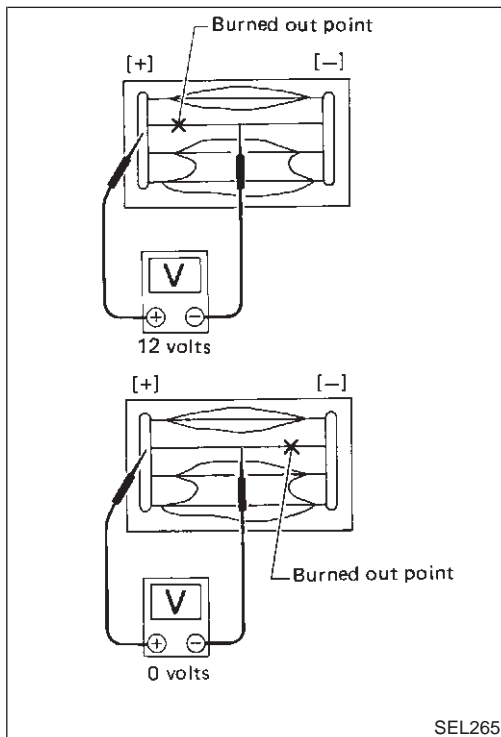
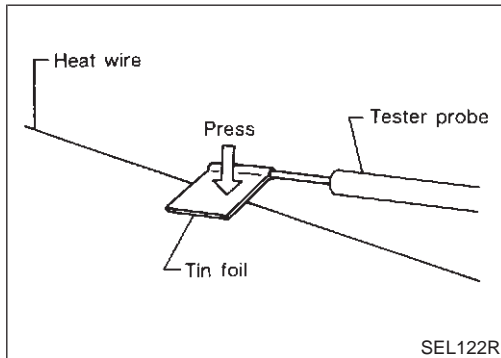
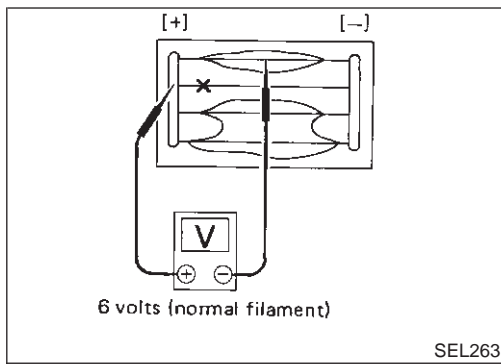
SC

EL

IDX

REAR WINDOW DEFOGGER

Filament Check



Filament Check

=NFEL0077

1. Attach probe circuit tester (in volt range) to middle portion of each filament.

- When measuring voltage, wrap tin foil around the top of the negative probe. Then press the foil against the wire with your finger.

2. If a filament is burned out, circuit tester registers 0 or 12 volts.

3. To locate burned out point, move probe to left and right along filament. Test needle will swing abruptly when probe passes the point.

Filament Repair

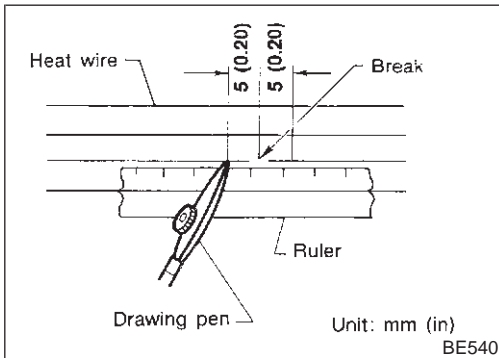
REPAIR EQUIPMENT

- 1) Conductive silver composition (Dupont No. 4817 or equivalent)
- 2) Ruler 30 cm (11.8 in) long
- 3) Drawing pen
- 4) Heat gun
- 5) Alcohol
- 6) Cloth

NFEL0078

NFEL0078S01

NFEL0078S02



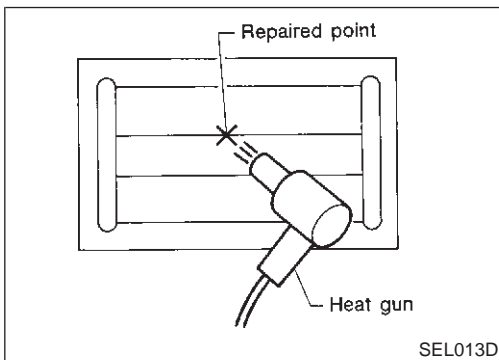
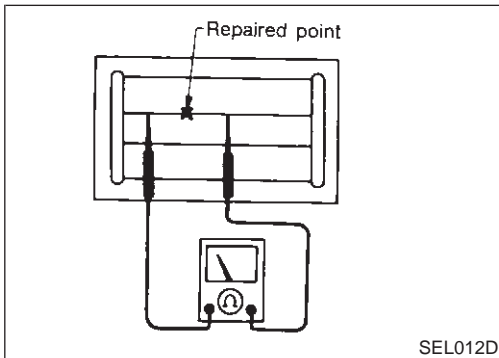
REPAIRING PROCEDURE

1. Wipe broken heat wire and its surrounding area clean with a cloth dampened in alcohol.
2. Apply a small amount of conductive silver composition to tip of drawing pen.

Shake silver composition container before use.

3. Place ruler on glass along broken line. Deposit conductive silver composition on break with drawing pen. Slightly overlap existing heat wire on both sides [preferably 5 mm (0.20 in)] of the break.
4. After repair has been completed, check repaired wire for continuity. This check should be conducted 10 minutes after silver composition is deposited.

Do not touch repaired area while test is being conducted.



5. Apply a constant stream of hot air directly to the repaired area for approximately 20 minutes with a heat gun. A minimum distance of 3 cm (1.2 in) should be kept between repaired area and hot air outlet. If a heat gun is not available, let the repaired area dry for 24 hours.

GI

MA

EM

LC

EC

FE

CL

MT

AT

AX

SU

BR

ST

RS

BT

HA

SC

EL

IDX

System Description

NFEL0079

NFEL0079S01

BASE SYSTEM

Refer to Owner's Manual for audio system operating instructions.

Power is supplied at all times

- through 15A fuse (No. 56, located in the fuse and fusible link box)
- to audio unit terminal 6.

With the ignition switch in the ACC or ON position, power is supplied

- through 10A fuse [No. 1, located in the fuse block (J/B)]
- to audio unit terminal 10.

Ground is supplied through the case of the audio unit.

Audio signals are supplied

- through audio unit terminals 1, 2, 3, 4, 13, 14, 15 and 16
- to terminals 1 and 2 of front door speaker LH and RH
- to terminals 1 and 2 of rear door speaker LH and RH
- to terminals 1 and 2 of tweeter LH and RH (with 6 speakers).

BOSE SYSTEM

Refer to Owner's Manual for audio system operating instructions.

Power is supplied at all times

- through 15A fuse (No. 56, located in the fuse and fusible link box)
- to Bose speaker amp. terminal 27, and
- to CD auto changer terminal 3 (with CD auto changer)
- to audio unit terminal 6.
- through 15A fuse (No. 67, located in the fuse and fusible link box)
- to woofer terminal 48.

With the ignition switch in the ACC or ON position, power is supplied

- through 10A fuse [No. 1, located in the fuse block (J/B)]
- to CD auto changer terminal 1 (with CD auto changer) and
- to audio unit terminal 10.

Ground is supplied through the case of the audio unit.

Ground is supplied

- to Bose speaker amp. terminal 40, and
- to woofer terminal 47
- through body grounds B106 and B127.
- to CD auto changer terminal 7 (with CD auto changer)
- through body grounds B12 and B7 (without automatic drive positioner), or B59 (with automatic drive positioner).

When the audio unit POWER button is pressed, power is supplied to BOSE speaker amp. terminal 25 and woofer terminal 45 from audio unit terminal 12.

CD (audio) signals are supplied (with CD auto changer)

- through CD auto changer terminals 16, 6, 15 and 5
- to terminals 41, 42, 43 and 44 of the audio unit.

Audio signals are supplied

- through audio unit terminals 2, 1, 4, 3, 14, 13, 16 and 15
- to Bose speaker amp. terminals 33, 20, 35, 22, 34, 21, 36 and 23.
- through audio unit terminal 12
- to Bose speaker amp. terminal 25 and
- to woofer terminal 45.

Audio signals are amplified by the Bose speaker amp.

The amplified audio signals are supplied

- through Bose speaker amp. terminals 30, 31, 28, 29, 18, 17, 41 and 42
- to terminals 1 and 2 of the front door speaker LH and RH
- to terminals 1 and 2 of the tweeter LH and RH,

NFEL0079S02

AUDIO

System Description (Cont'd)

- to terminals 1 and 2 of the rear speaker LH and RH.
- through Bose speaker amp. terminals 24 and 37
- to terminal 44 and 43 of the woofer.

GI

MA

EM

LC

EC

FE

CL

MT

AT

AX

SU

BR

ST

RS

BT

HA

SC

EL

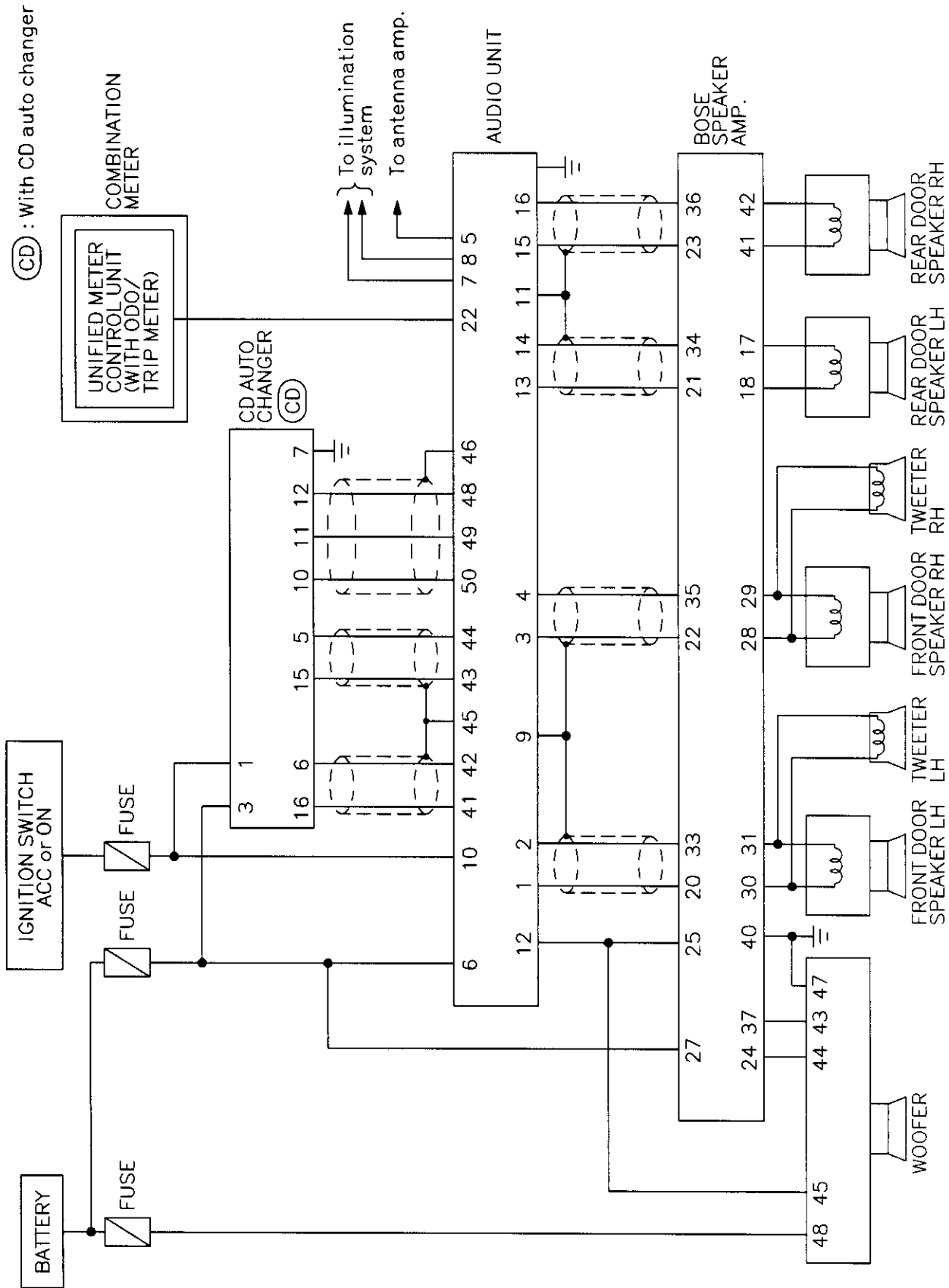
IDX

Schematic

BOSE SYSTEM

NFEL0167

NFEL0167S01



AUDIO

Wiring Diagram — AUDIO —

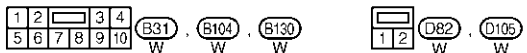
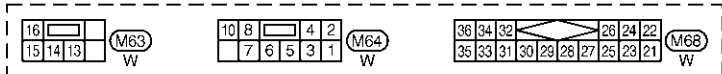
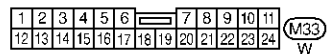
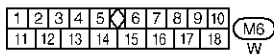
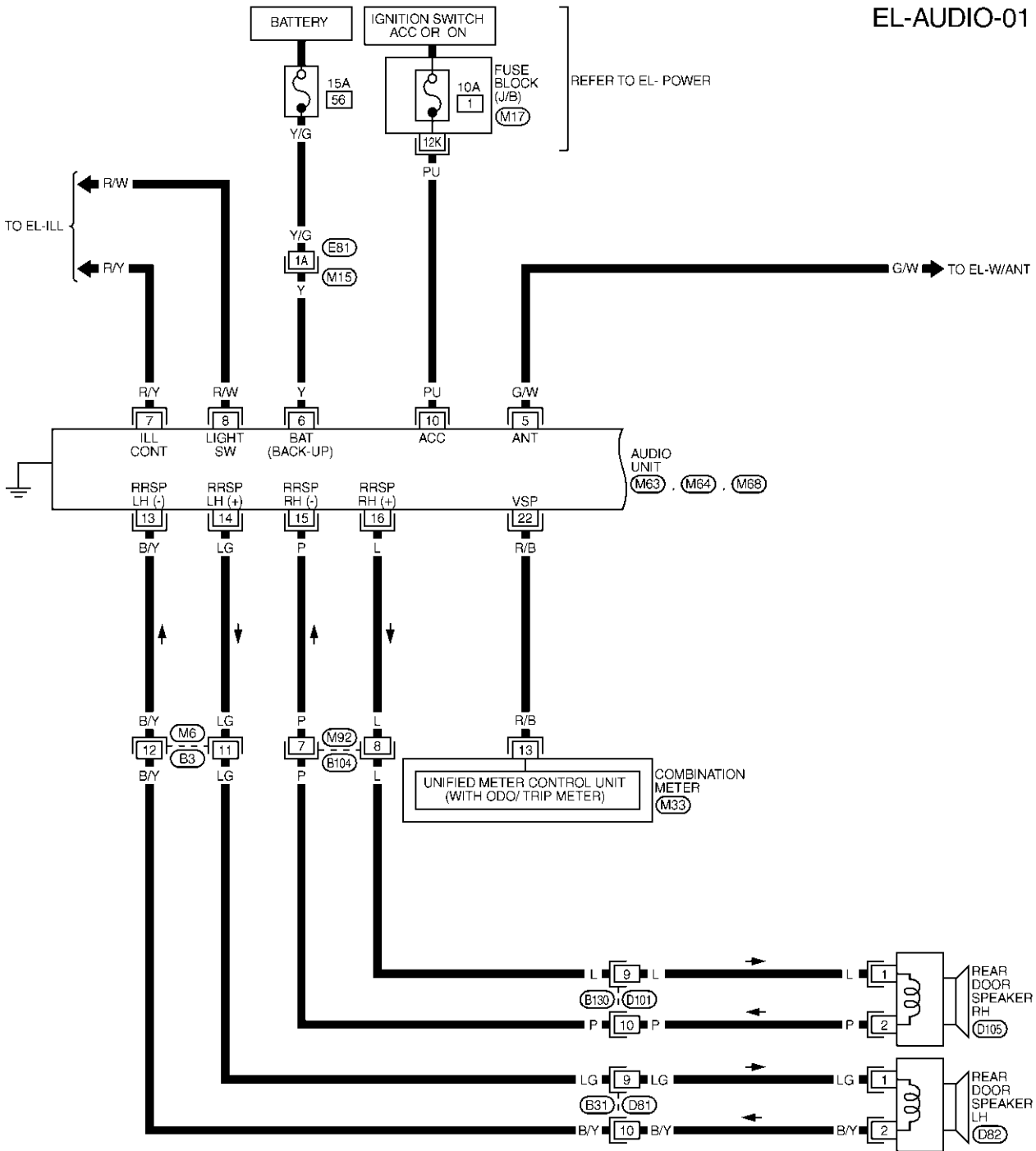
Wiring Diagram — AUDIO —

NFEL0081

NFEL0081S01

BASE SYSTEM

EL-AUDIO-01



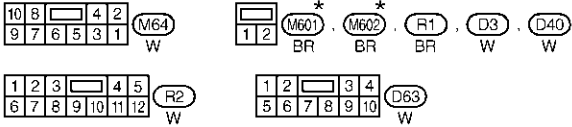
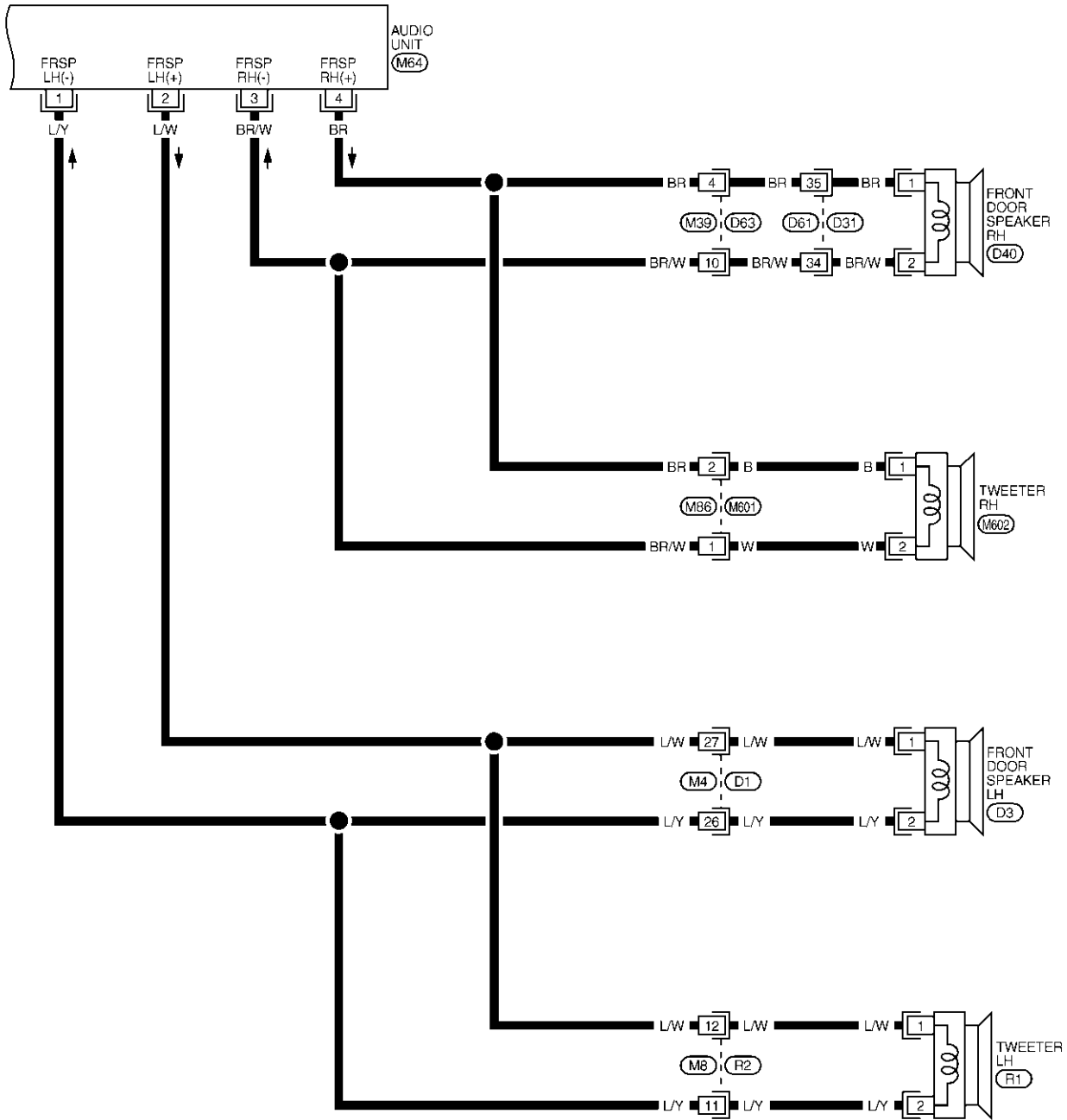
REFER TO THE FOLLOWING.
 (M15) -SUPER
 MULTIPLE JUNCTION (SMJ)
 (M17) -FUSE BLOCK-
 JUNCTION BOX (J/B)

GI
MA
EM
LG
EC
FE
CL
MT
AT
AX
SU
BR
ST
RS
BT
HA
SC
EL
IDX

AUDIO

Wiring Diagram — AUDIO — (Cont'd)

EL-AUDIO-02



* : THIS CONNECTOR IS NOT SHOWN IN "HARNESS LAYOUT", EL SECTION.

REFER TO THE FOLLOWING.
 (D1) . (D31) - SUPER
 MULTIPLE JUNCTION (SMJ)

MEL871P

AUDIO

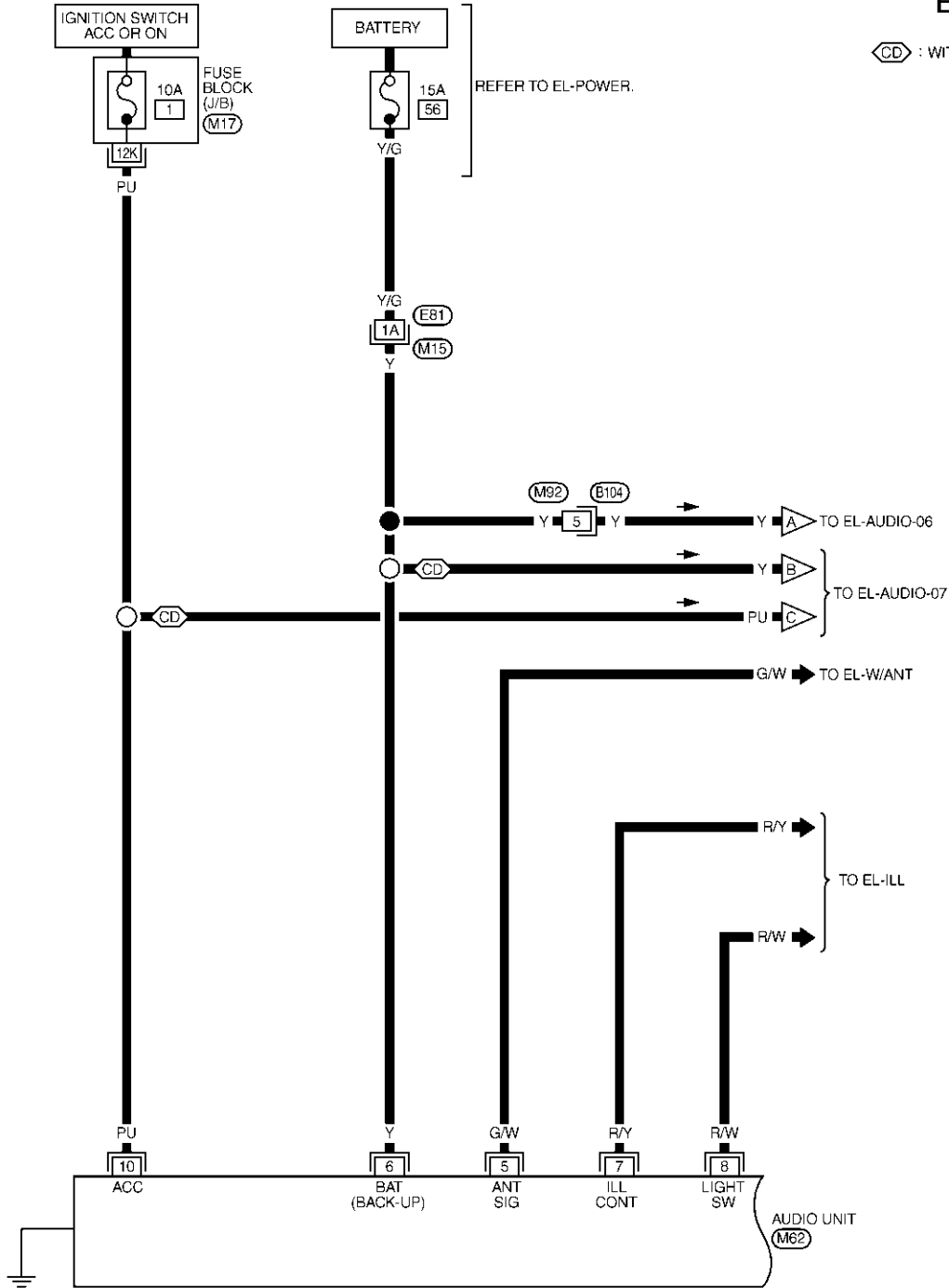
Wiring Diagram — AUDIO — (Cont'd)

BOSE SYSTEM

NFEL0081S02

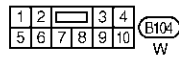
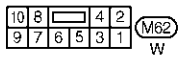
EL-AUDIO-03

(CD) : WITH CD AUTO CHANGER



GI
MA
EM
LC
EC
FE
CL
MT
AT
AX
SU
BR
ST
RS
BT
HA

SC
EL
IDX



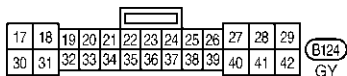
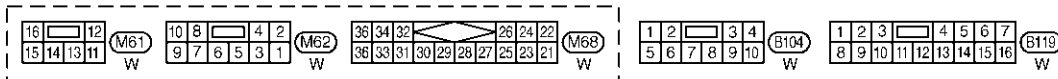
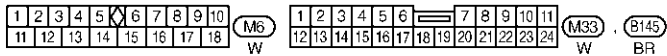
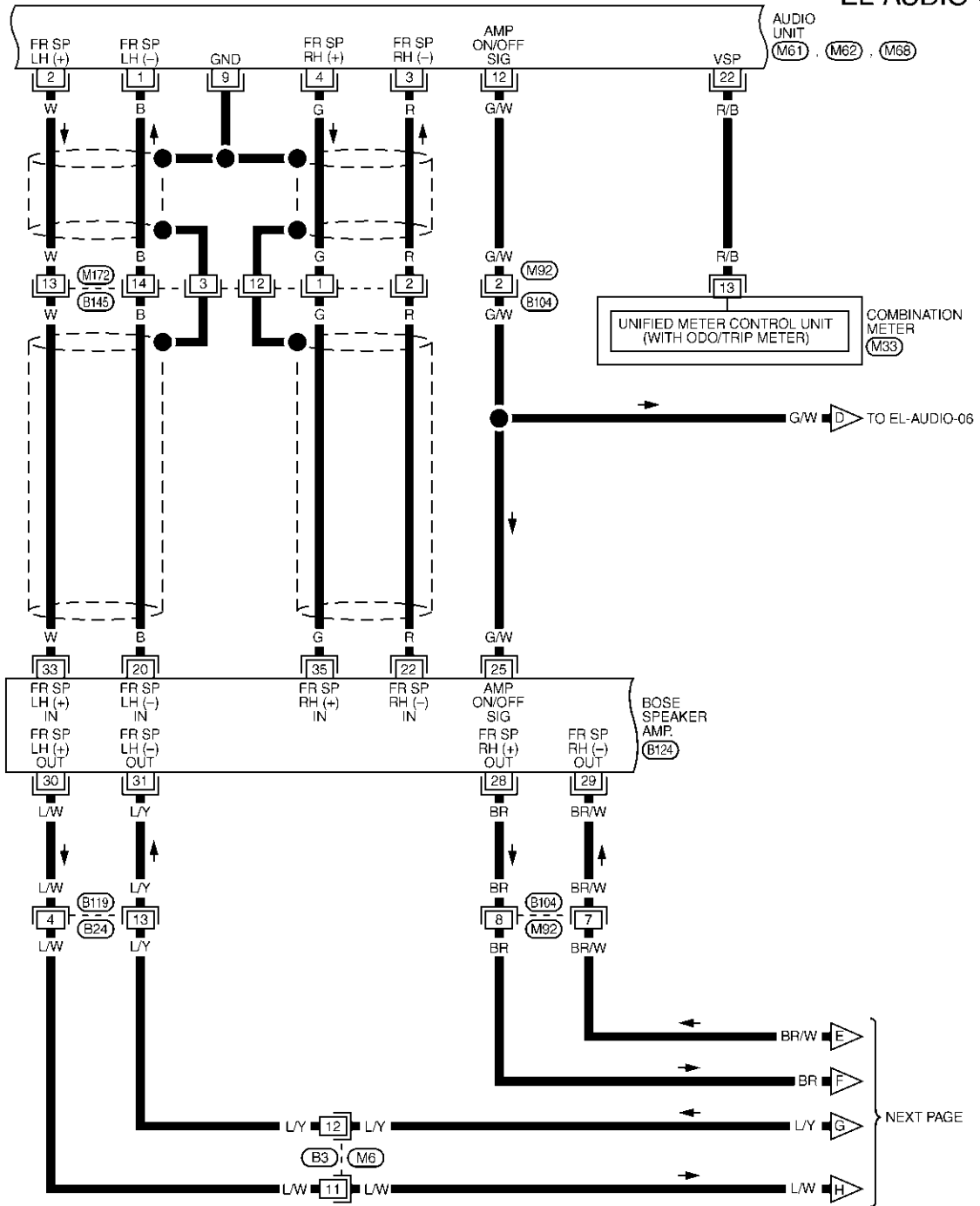
REFER TO THE FOLLOWING.
 (M15) -SUPER
 MULTIPLE JUNCTION (SMJ)
 (M17) -FUSE BLOCK-
 JUNCTION BOX (J/B)

MEL872P

AUDIO

Wiring Diagram — AUDIO — (Cont'd)

EL-AUDIO-04



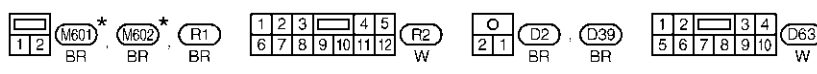
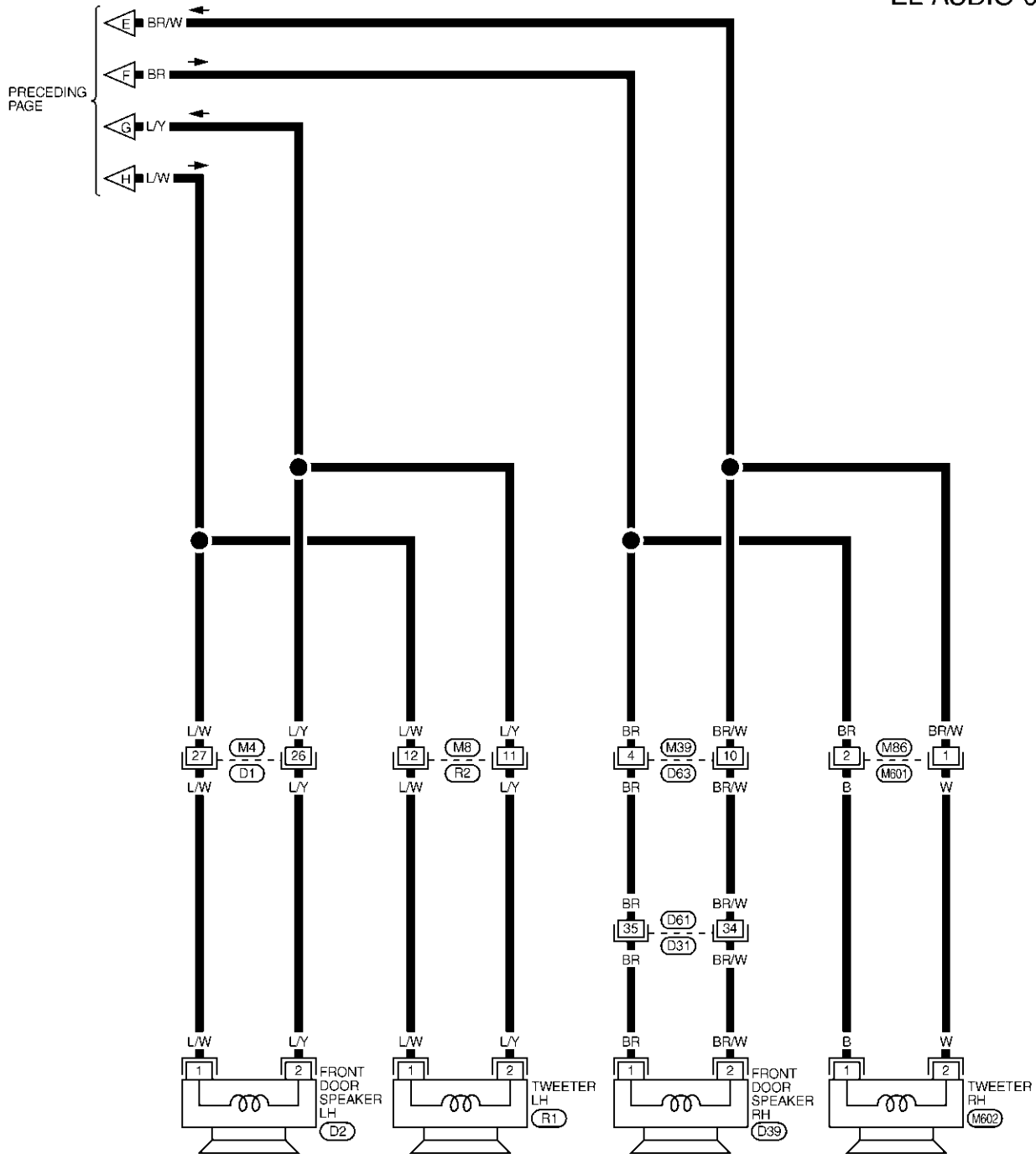
MEL1420

AUDIO

Wiring Diagram — AUDIO — (Cont'd)

EL-AUDIO-05

GI
MA
EM
LC
EC
FE
CL
MT
AT
AX
SU
BR
ST
RS
BT
HA
SC
EL
IDX



REFER TO THE FOLLOWING:
 (D1), (D31) - SUPER
 MULTIPLE JUNCTION (SMJ)

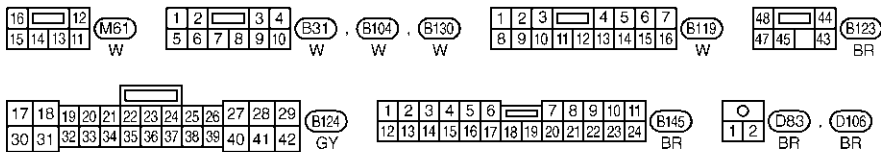
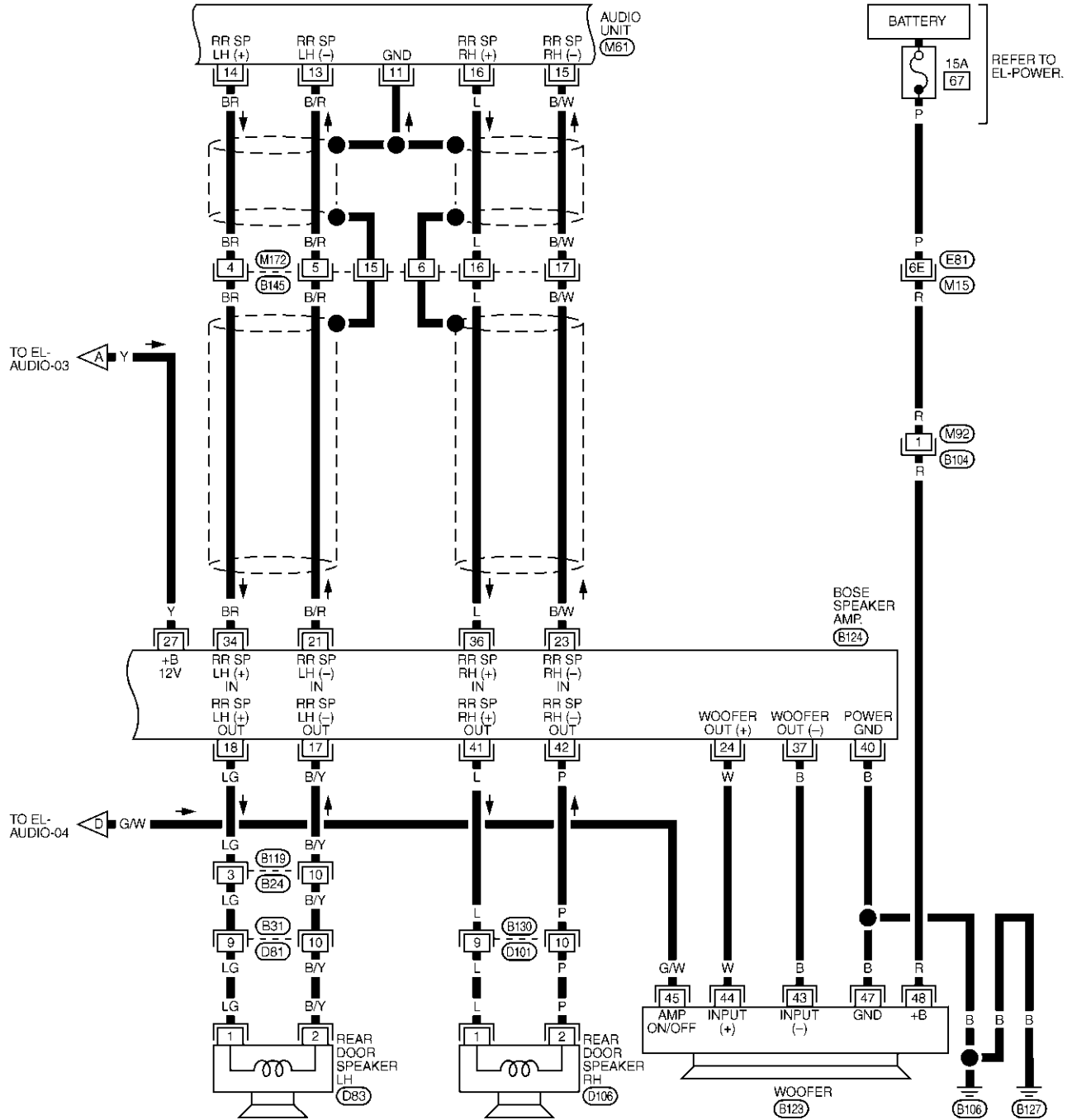
* : THIS CONNECTOR IS NOT SHOWN IN "HARNESS LAYOUT", EL SECTION.

MEL873P

AUDIO

Wiring Diagram — AUDIO — (Cont'd)

EL-AUDIO-06



REFER TO THE FOLLOWING:
 (M15) - SUPER
 MULTIPLE JUNCTION (SMJ)

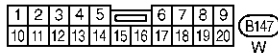
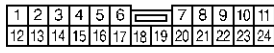
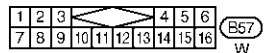
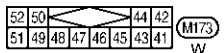
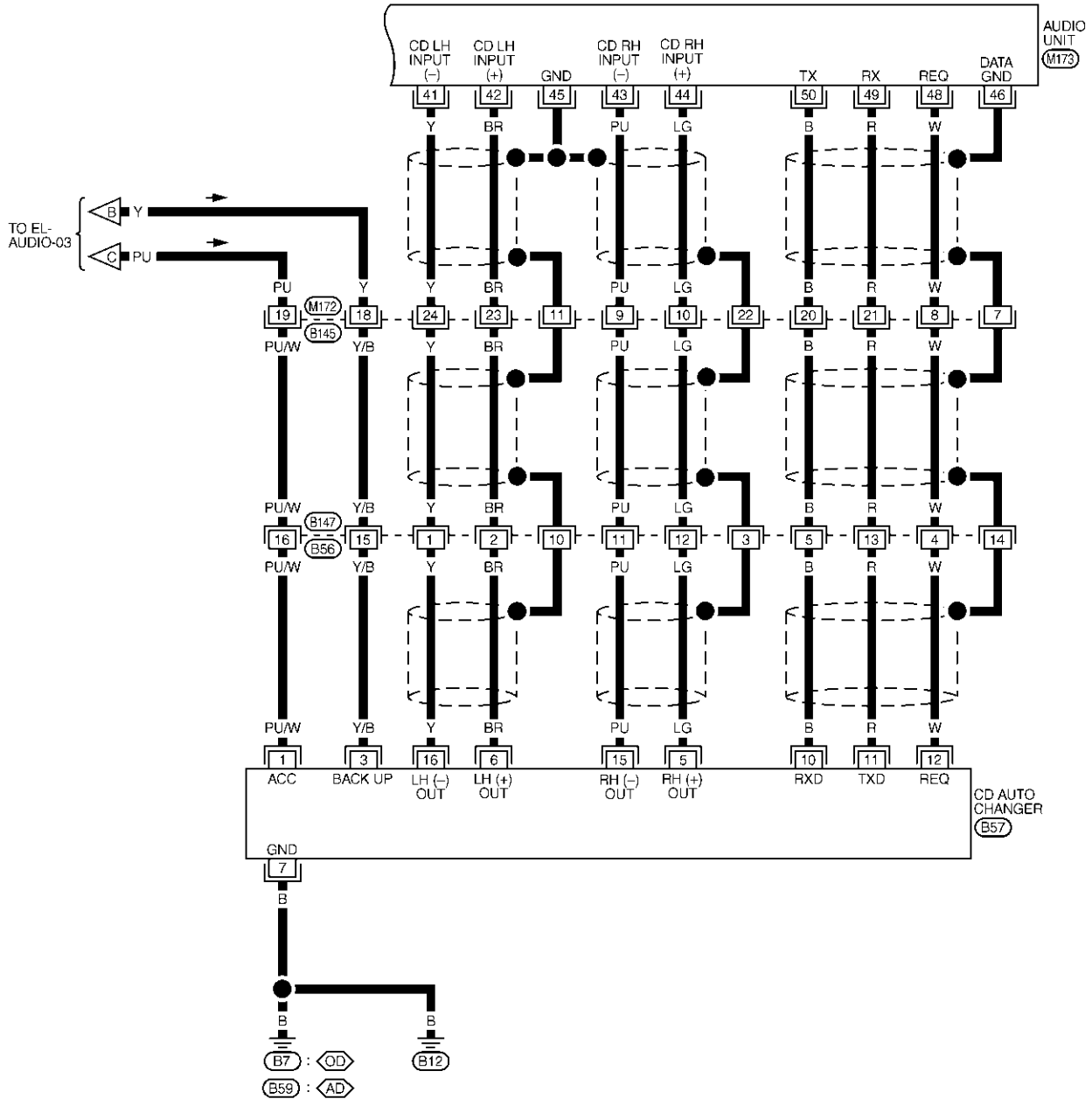
MEL1430

AUDIO

Wiring Diagram — AUDIO — (Cont'd)

EL-AUDIO-07

AD : WITH AUTOMATIC DRIVE POSITIONER
OD : WITHOUT AUTOMATIC DRIVE POSITIONER



GI
MA
EM
LC
EC
FE
CL
MT
AT
AX
SU
BR
ST
RS
BT
HA
SC
EL
IDX

MEL874P

AUDIO

Trouble Diagnoses

Trouble Diagnoses

NFEL0220

NFEL0220S01

AUDIO UNIT

Symptom	Possible causes	Repair order
Audio unit inoperative (no digital display and no sound from speakers).	<ol style="list-style-type: none"> 10A fuse Poor audio unit case ground Audio unit 	<ol style="list-style-type: none"> Check 10A fuse [No. 1, located in fuse block (J/B)]. Turn ignition switch ON and verify that battery positive voltage is present at terminal 10 of audio unit. Check audio unit case ground. Remove audio unit for repair.
Audio unit presets are lost when ignition switch is turned OFF.	<ol style="list-style-type: none"> 15A fuse Audio unit 	<ol style="list-style-type: none"> Check 15A fuse (No. 56, located in fuse and fusible link box) and verify that battery positive voltage is present at terminal 6 of audio unit. Remove audio unit for repair.
AM/FM stations are weak or noisy.	<ol style="list-style-type: none"> Window antenna Audio unit ground Audio unit 	<ol style="list-style-type: none"> Check window antenna. Check audio unit ground condition. Remove audio unit for repair.
Audio unit generates noise in AM and FM modes with engine running.	<ol style="list-style-type: none"> Poor audio unit ground Loose or missing ground bonding straps Ignition condenser or rear window defogger noise suppressor condenser Ignition coil or secondary wiring Audio unit 	<ol style="list-style-type: none"> Check audio unit ground. Check ground bonding straps. Replace ignition condenser or rear window defogger noise suppressor condenser. Check ignition coil and secondary wiring. Remove audio unit for repair.
Audio unit generates noise in AM and FM modes with accessories on (switch pops and motor noise).	<ol style="list-style-type: none"> Poor audio unit ground Antenna Accessory ground Faulty accessory 	<ol style="list-style-type: none"> Check audio unit ground. Check antenna. Check accessory ground. Replace accessory.

BASE SYSTEM

NFEL0220S02

Symptom	Possible causes	Repair order
Individual speaker is noisy or inoperative.	<ol style="list-style-type: none"> Speaker Audio unit output Speaker circuit Audio unit 	<ol style="list-style-type: none"> Check speaker. Check audio unit output voltages. Check wires for open or short between audio unit and speaker. Remove audio unit for repair.

BOSE SYSTEM

NFEL0220S03

Symptom	Possible causes	Repair order
Audio unit controls are operational, but no sound is heard from any speaker.	<ol style="list-style-type: none"> 15A fuse Amp. ON/OFF signal circuit Speaker amp. ground 	<ol style="list-style-type: none"> Check 15A fuse (No. 56, located in fuse and fusible link box). Verify battery positive voltage is present at terminal 27 of speaker amp. Check harness continuity between audio unit terminal 12 and speaker amp. terminal 25. Check harness continuity between speaker amp. terminal 40 and ground.
Individual rear speaker is noisy or inoperative.	<ol style="list-style-type: none"> Each speaker Output circuit to each speaker 	<ol style="list-style-type: none"> Check speaker. Check the output circuits to each speaker <ul style="list-style-type: none"> between audio unit and speaker amp. between speaker amp. and each speaker.
Woofer does not operate.	<ol style="list-style-type: none"> Power supply to woofer Amp. ON/OFF signal circuit Speaker amp. ground Output circuit to woofer 	<ol style="list-style-type: none"> Check 15A fuse [No. 67, located in fuse block (J/B)]. Verify battery positive voltage is present at terminal 48 of woofer. Check harness continuity between audio unit terminal 12 and woofer terminal 45. Check harness continuity between woofer terminal 47 and ground. Check the output circuits to woofer from speaker amp.

Inspection

AUDIO UNIT AND AMP.

NFEL0221

NFEL0221S01

All voltage inspections are made with:

- Ignition switch ON or ACC
- Audio unit ON
- Audio unit and amps. connected (If audio unit or amp. is removed for inspection, supply a ground to the case using a jumper wire.)

GI

MA

EM

ANTENNA

NFEL0221S02

Using a jumper wire, clip an auxiliary ground between antenna and body.

- If reception improves, check antenna ground (at body surface).
- If reception does not improve, check main feeder cable for short circuit or open circuit.

LC

EC

FE

CL

MT

AT

AX

SU

BR

ST

RS

BT

HA

SC

EL

IDX

AUDIO

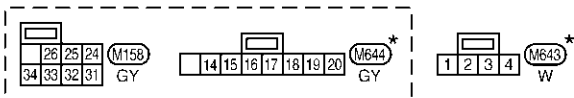
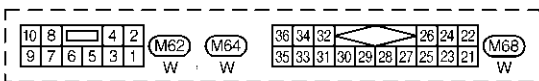
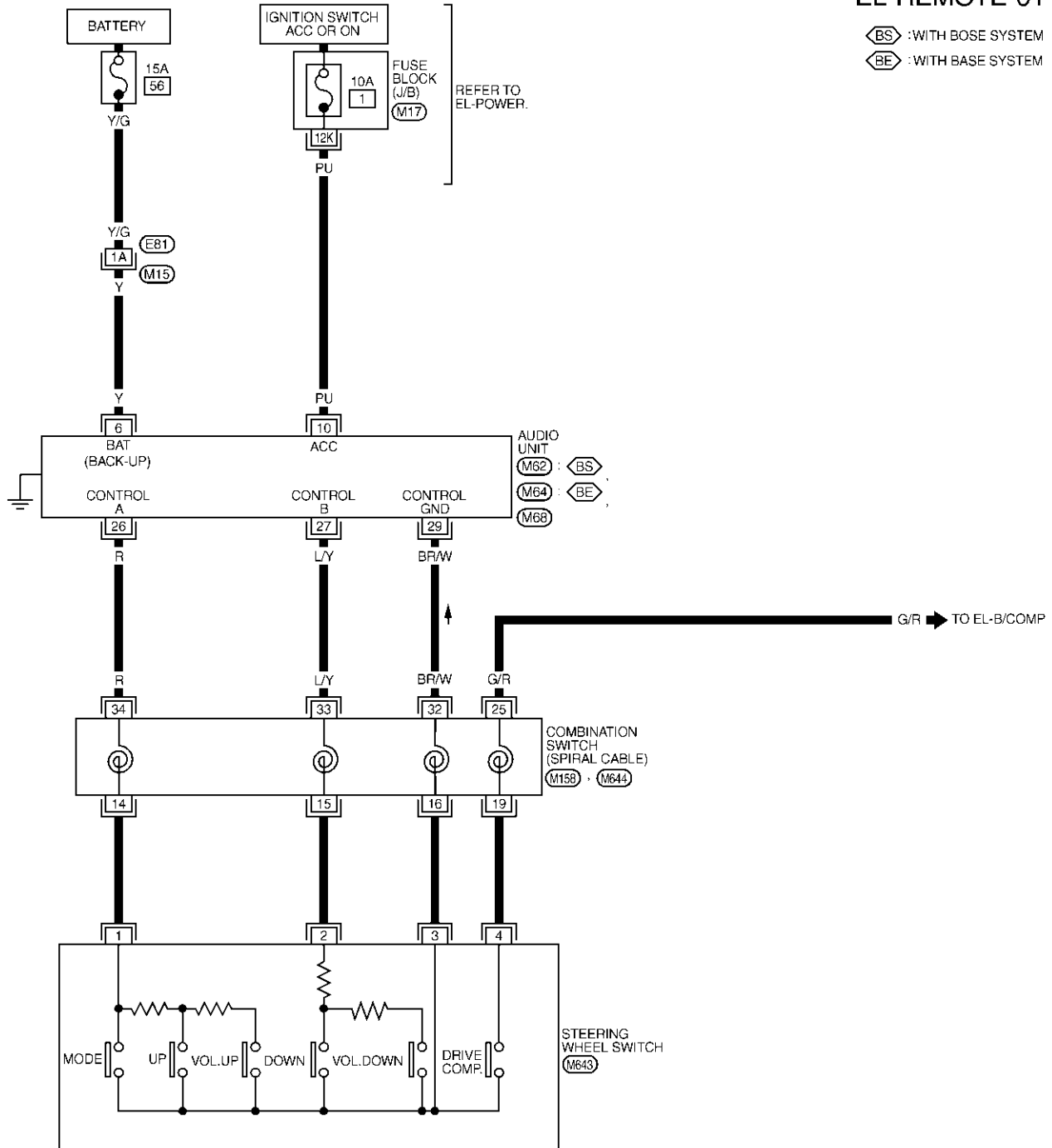
Wiring Diagram — REMOTE —

Wiring Diagram — REMOTE —

NFEL0260

EL-REMOTE-01

- ⬡BS : WITH BOSE SYSTEM
- ⬡BE : WITH BASE SYSTEM



* : THIS CONNECTOR IS NOT SHOWN IN "HARNESS LAYOUT", EL SECTION.

REFER TO THE FOLLOWING.
 (M15) -SUPER
 MULTIPLE JUNCTION (SMJ)
 (M17) -FUSE BLOCK-
 JUNCTION BOX (J/B)

MEL875P

AUDIO ANTENNA

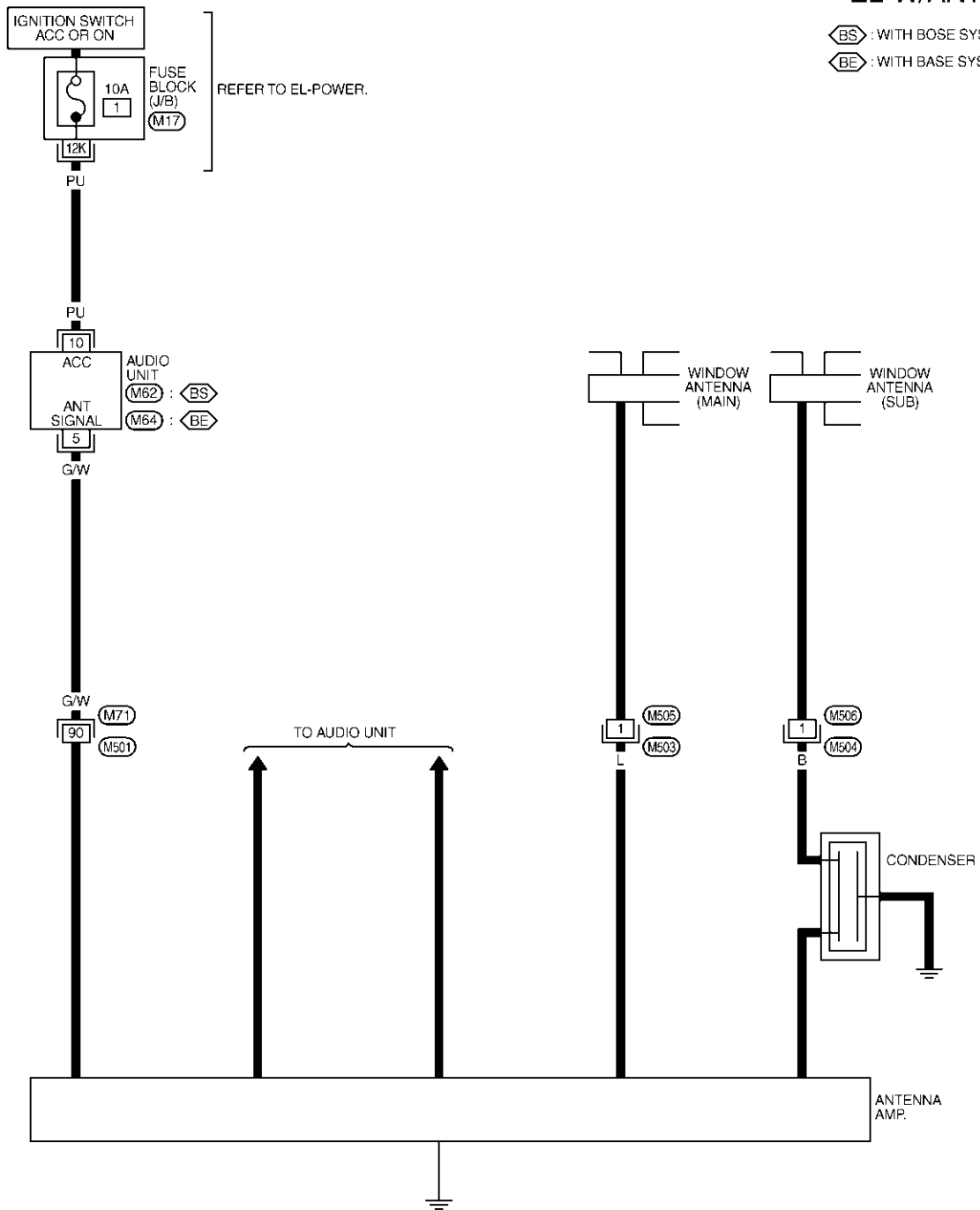
Wiring Diagram — W/ANT —

Wiring Diagram — W/ANT —

NFEL0085

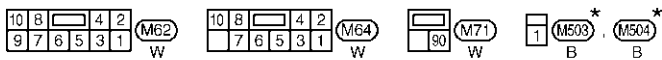
EL-W/ANT-01

◁BS▷ : WITH BOSE SYSTEM
 ▷BE◁ : WITH BASE SYSTEM



GI
MA
EM
LC
EC
FE
CL
MT
AT
AX
SU
BR
ST
RS
BT
HA

SC
EL
IDX



*: THIS CONNECTOR IS NOT SHOWN IN "HARNESS LAYOUT", EL-SECTION.

REFER TO THE FOLLOWING.
 (M17) - FUSE BLOCK-JUNCTION BOX (J/B)

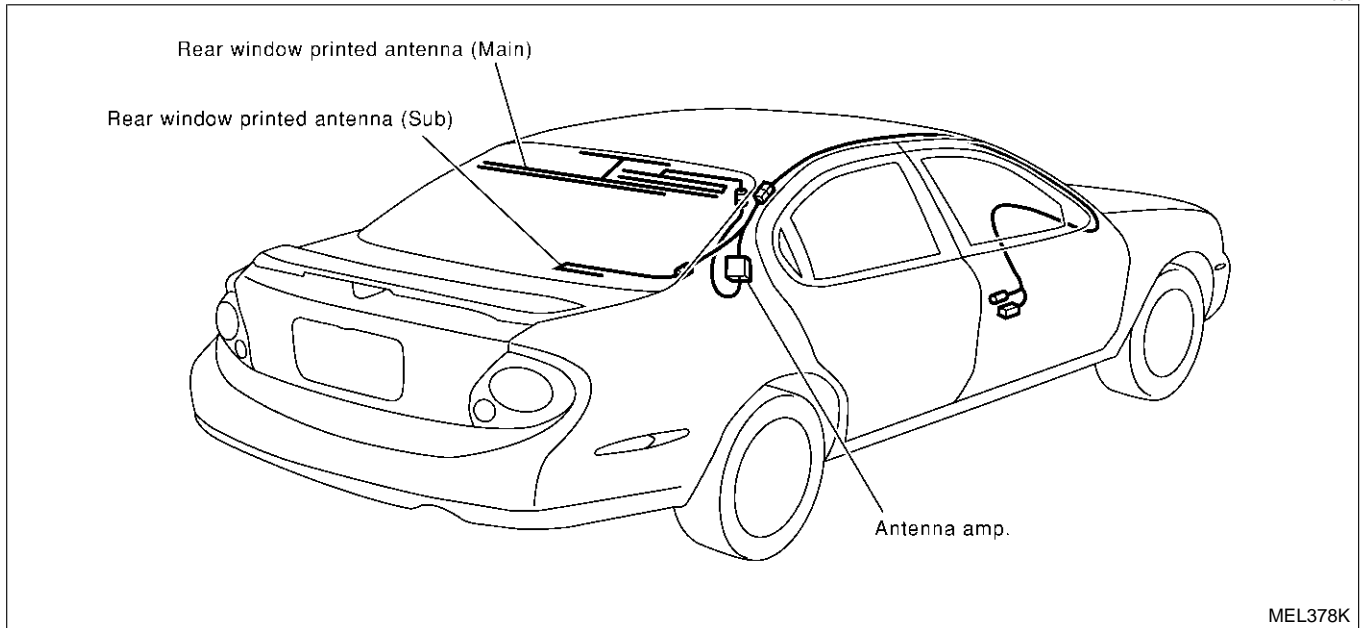
MEL1450

AUDIO ANTENNA

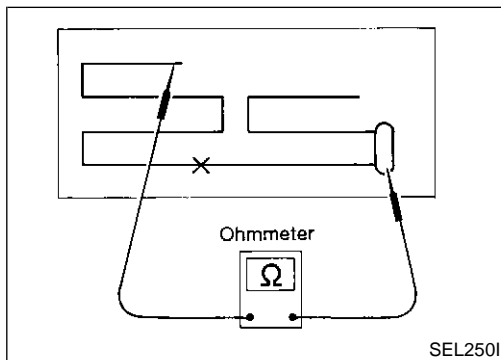
Location of Antenna

Location of Antenna

NFEL0087



MEL378K



SEL250I

Window Antenna Repair

NFEL0250

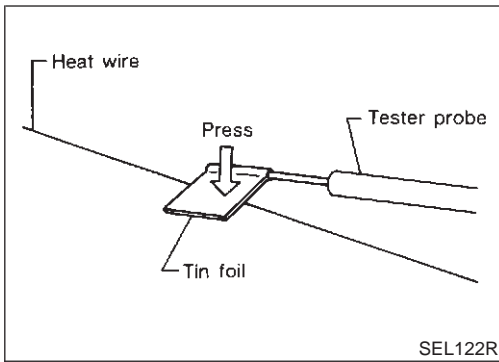
ELEMENT CHECK

NFEL0250S01

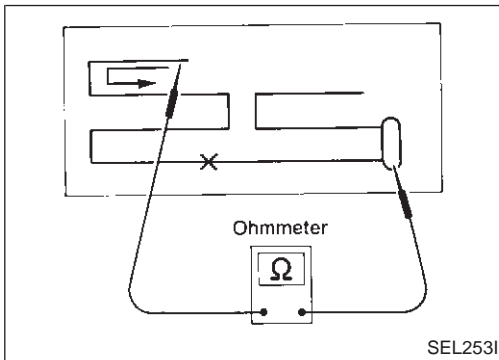
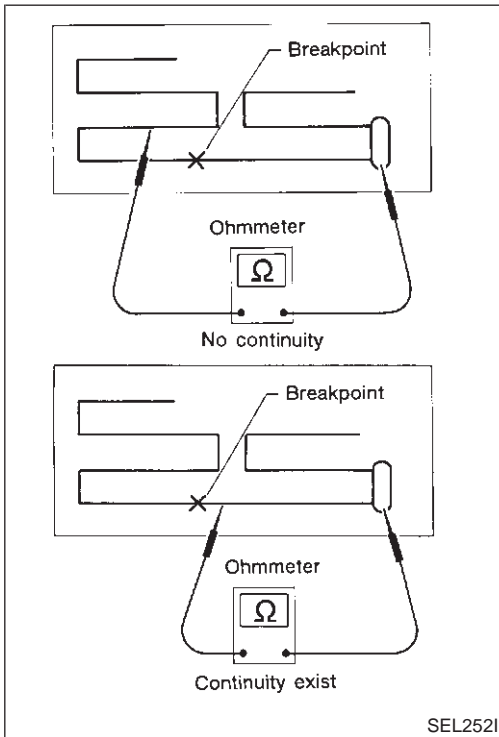
1. Attach probe circuit tester (in ohm range) to antenna terminal on each side.
If an element is OK, continuity should exist.
If an element is broken, no continuity should exist. Go to step 2.

AUDIO ANTENNA

Window Antenna Repair (Cont'd)



- When measuring continuity, wrap tin foil around the top of probe. Then press the foil against the wire with your finger.



2. To locate broken point, move probe along element. Tester needle will swing abruptly when probe passes the point.

ELEMENT REPAIR

Refer to "Filament Repair", "REAR WINDOW DEFOGGER" (EL-182).^{NFEL0250S02}

GI

MA

EM

LC

EC

FE

CL

MT

AT

AX

SU

BR

ST

RS

BT

HA

SC

EL

IDX

System Description

NFEL0222

OUTLINE

NFEL0222S01

Electric sunroof system consists of

- Sunroof switch
- Sunroof motor
- Smart entrance control unit

Smart entrance control unit controls retained power operation.

OPERATION

NFEL0222S03

The sunroof can be opened or closed and tilted up or down with the sunroof switch.

RETAINED POWER OPERATION

NFEL0222S02

When the ignition switch is turned to OFF position from ON or START position, power is supplied for 45 seconds.

- to sunroof motor terminal 6
- from smart entrance control unit terminal 46.

When power is supplied, the electrical sunroof can be operated.

The retained power operation is canceled when the driver or passenger side door is opened.

RAP signal period can be changed by CONSULT-II (EL-203).

INTERRUPTION DETECTION FUNCTION

NFEL0222S04

The CPU of sunroof motor monitors the sunroof motor operation and the sunroof position (full closed or other) for sunroof by the signals from encoder and limit switch in sunroof motor.

When sunroof motor detects interruption during the following close operation,

- automatic close operation when ignition switch is in the "ON" position
- automatic close operation during retained power operation

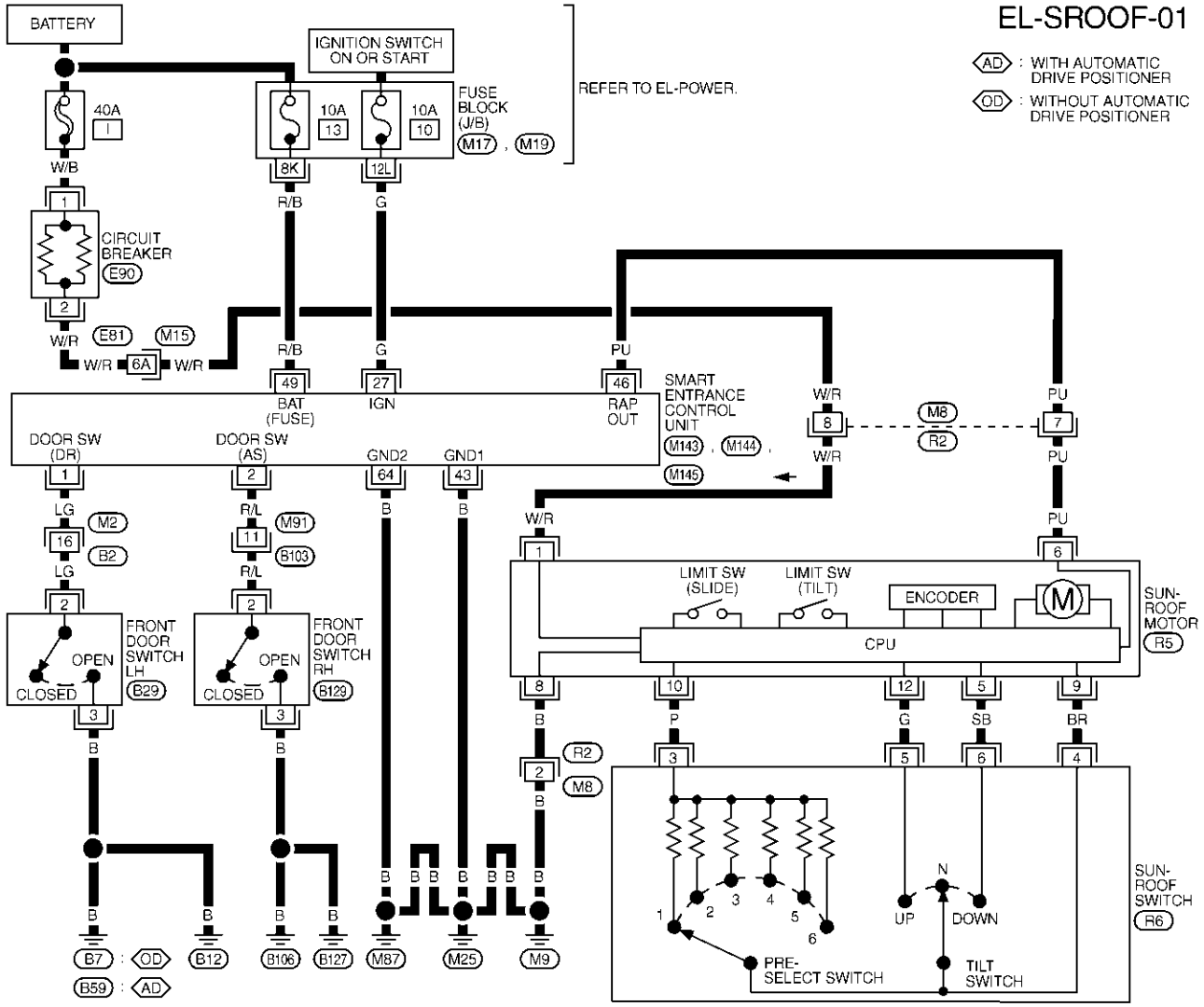
sunroof switch controls the motor for open and the sunroof will operate about 150 mm (5.91 in).

POWER SUNROOF

Wiring Diagram — SROOF —

Wiring Diagram — SROOF —

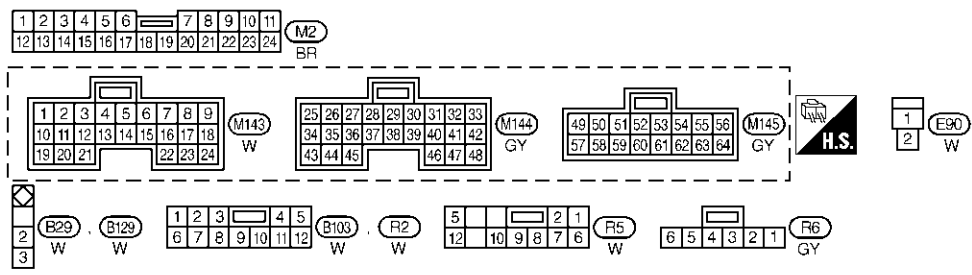
NFEL0089



EL-SROOF-01

- ⓂAD : WITH AUTOMATIC DRIVE POSITIONER
- ⓂOD : WITHOUT AUTOMATIC DRIVE POSITIONER

GI
MA
EM
LC
EC
FE
CL
MT
AT
AX
SU
BR
ST
RS
BT
HA



REFER TO THE FOLLOWING.
 ⓂM15 - SUPER MULTIPLE JUNCTION (SMJ)
 ⓂM17, ⓂM19 - FUSE BLOCK - JUNCTION BOX (J/B)

MEL876P

EL
IDX

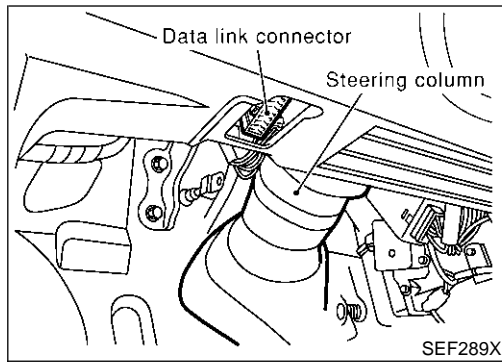
SMART ENTRANCE CONTROL UNIT TERMINALS AND REFERENCE VALUE BETWEEN EACH TERMINAL AND GROUND

TERMINAL	WIRE COLOR	ITEM	CONDITION	DATA (DC)
1	LG	DRIVER DOOR SWITCH	OFF (CLOSED) → ON (OPEN)	12V → 0V
2	R/L	PASSENGER DOOR SWITCH	OFF (CLOSED) → ON (OPEN)	5V → 0V
27	G	IGNITION SWITCH (ON)	IGNITION SWITCH IS IN "ON" POSITION	12V
43	B	GROUND	-	-
46	PU	SUNROOF MOTOR	RETAINED POWER OPERATION IS OPERATED (ON → OFF)	12V → 0V
49	R/B	POWER SOURCE (FUSE)	-	12V
64	B	GROUND	-	-

SEL986XB

POWER SUNROOF

CONSULT-II Inspection Procedure



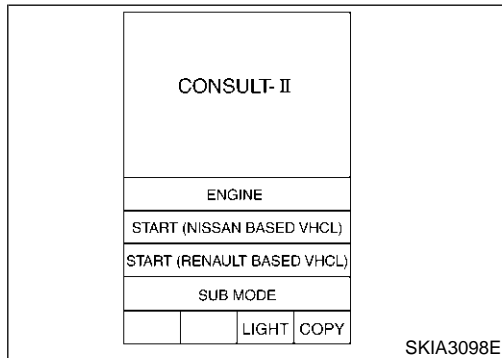
CONSULT-II Inspection Procedure

=NFEL0223

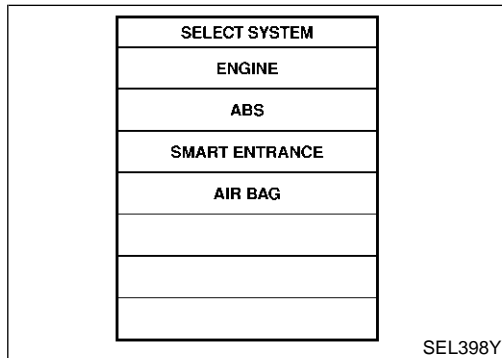
NFEL0223S01

“RETAINED PWR”

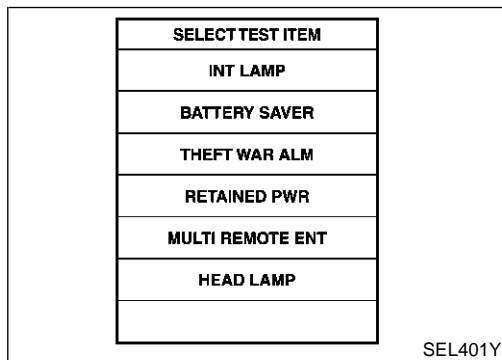
1. Turn ignition switch “OFF”.
2. Connect “CONSULT-II” and “CONSULT-II CONVERTER” to the data link connector.



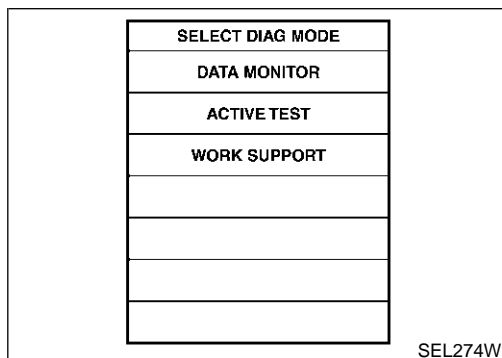
3. Turn ignition switch “ON”.
4. Touch “START (NISSAN BASED VHCL)”.



5. Touch “SMART ENTRANCE”.



6. Touch “RETAINED PWR”.



7. Select diagnosis mode. “DATA MONITOR”, “ACTIVE TEST” and “WORK SUPPORT” are available.

CONSULT-II Application Items

“RETAINED PWR” Data Monitor

NFEL0224

NFEL0224S01

NFEL0224S0101

Monitored Item	Description
IGN ON SW	Indicates [ON/OFF] condition of ignition switch.
DOOR SW-DR	Indicates [ON/OFF] condition of front door switch LH.
DOOR SW-AS	Indicates [ON/OFF] condition of front door switch RH.

Active Test

NFEL0224S0102

Test Item	Description
RETAINED PWR	<p>This test is able to supply RAP signal (power) from smart entrance control unit to power window system, power sunroof system. Those systems can be operated when turning on “RETAINED PWR” on CONSULT-II screen even if the ignition switch is tuned OFF.</p> <p>NOTE: During this test, CONSULT-II can be operated with ignition switch “OFF” position. “RETAINED PWR” should be turned “ON” or “OFF” on CONSULT-II screen when ignition switch is ON. Then turn ignition switch OFF for checking retained power operation. CONSULT-II might be stuck if “RETAINED PWR” is turned “ON” or “OFF” on CONSULT-II screen when ignition switch is OFF.</p>

Work Support

NFEL0224S0103

Work Item	Description
RETAINED PWR SET	<p>RAP signal's power supply period can be changed by mode setting. Selects RAP signal's power supply period between two steps.</p> <ul style="list-style-type: none"> ● MODE 1 (45 sec.)/MODE 2 (OFF)/MODE 3 (2 min.)

Trouble Diagnoses

NFEL0225

Symptom	Possible cause	Repair order
Power sunroof cannot be operated using any switch.	<ol style="list-style-type: none"> 1. 10A fuse, 40A fusible link and E90 circuit breaker 2. Grounds M9, M25 and M87 3. Sunroof switch 4. Sunroof switch circuit 5. Sunroof motor 	<ol style="list-style-type: none"> 1. Check 10A fuse [No. 10, located in fuse block (J/B)], 40A fusible link (letter I, located in fuse and fusible link box) and E90 circuit breaker. Turn ignition switch “ON” and verify battery positive voltage is present at terminals 1 and 6 of sunroof motor. 2. Check grounds M9, M25, M87. 3. Check sunroof switch. 4. Check harness between sunroof switch and sunroof motor. 5. Replace sunroof motor.
Power sunroof cannot be operated using one of the sunroof switches.	<ol style="list-style-type: none"> 1. Sunroof switch 2. Sunroof switch circuit 	<ol style="list-style-type: none"> 1. Check sunroof switch. 2. Check the harness between sunroof motor and sunroof switch.

POWER SUNROOF

Trouble Diagnoses (Cont'd)

Symptom	Possible cause	Repair order
Power sunroof cannot be opened or closed fully.	<ol style="list-style-type: none"> 1. Full closed position not initialized 2. Sunroof slide mechanism 3. Sunroof switch 4. Sunroof switch circuit 5. Sunroof motor 	<ol style="list-style-type: none"> 1. Initialize full closed position. 2. Check the following. <ol style="list-style-type: none"> a. Check obstacles in sunroof, etc. b. Check worn or deformed sunroof. c. Check sunroof sash tilted too far inward or outward. 3. Check sunroof switch. 4. Check harness between sunroof motor and sunroof switch. 5. Replace sunroof motor.
Retained power operation does not operate properly.	<ol style="list-style-type: none"> 1. RAP signal circuit 2. Driver or passenger side door switch circuit 3. Smart entrance control unit 	<ol style="list-style-type: none"> 1. Check RAP signal. <ol style="list-style-type: none"> a. (With CONSULT-II) Check RAP signal with CONSULT-II. Use "ACTIVE TEST" mode, "RETAINED PWR" in "SMART ENTRANCE". (Refer to EL-202.) If NG, go to the step b. below. b. Verify 12 positive voltage from smart entrance control unit is present at terminal 6 of sunroof motor: <ul style="list-style-type: none"> ● Within 45 seconds after ignition switch turns off. ● When front door LH and RH is closed. 2. Check harness between smart entrance control unit and driver or passenger side door switch. Check driver or passenger side door switch. 3. Check smart entrance control unit. (EL-354)

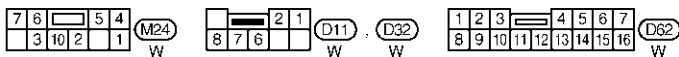
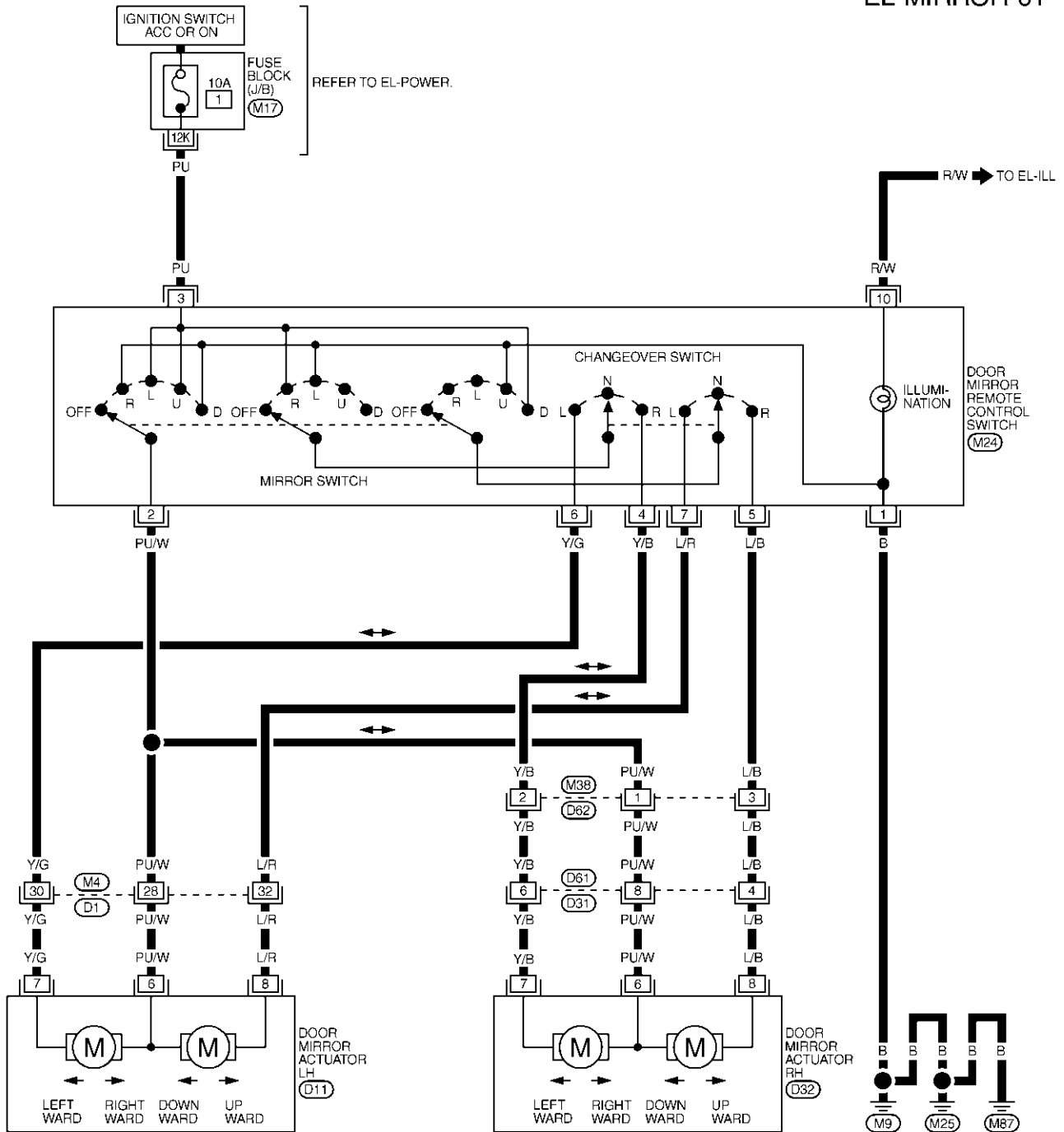
DOOR MIRROR

Wiring Diagram — MIRROR —

Wiring Diagram — MIRROR —

NFEL0090

EL-MIRROR-01



REFER TO THE FOLLOWING.
 (D1) , (D31) -SUPER
 MULTIPLE JUNCTION (SMJ)
 (M17) - FUSE BLOCK-
 JUNCTION BOX (J/B)

GI

MA

EM

LC

EC

FE

CL

MT

AT

AX

SU

BR

ST

RS

BT

HA

SC

EL

IDX

MEL747P

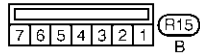
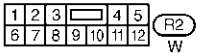
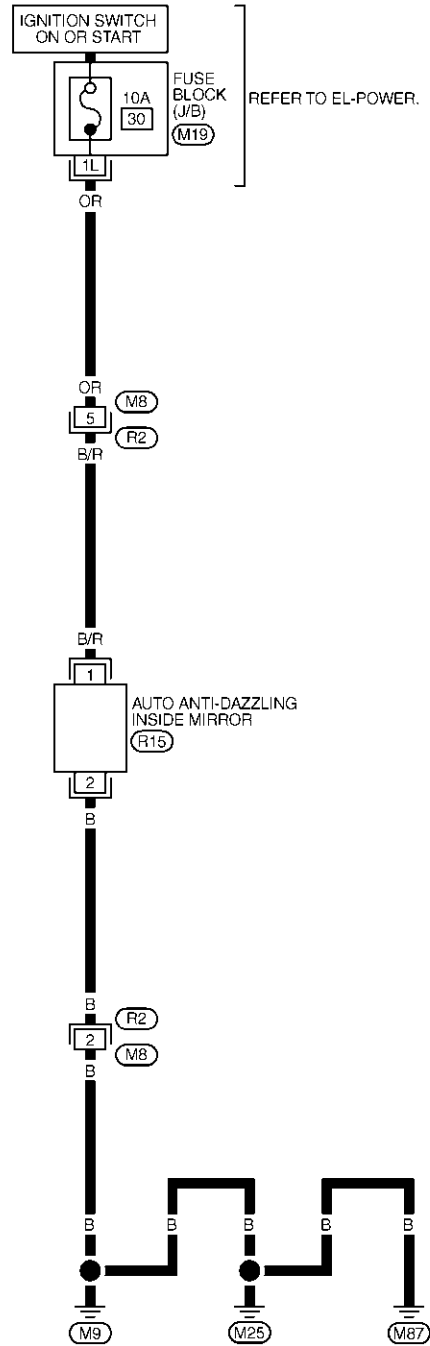
AUTO ANTI-DAZZLING INSIDE MIRROR

Wiring Diagram — I/MIRR —

Wiring Diagram — I/MIRR —

NFEL0264

EL-I/MIRR-01



REFER TO THE FOLLOWING.
 (M19) - FUSE BLOCK -
 JUNCTION BOX (J/B)

MEL877P

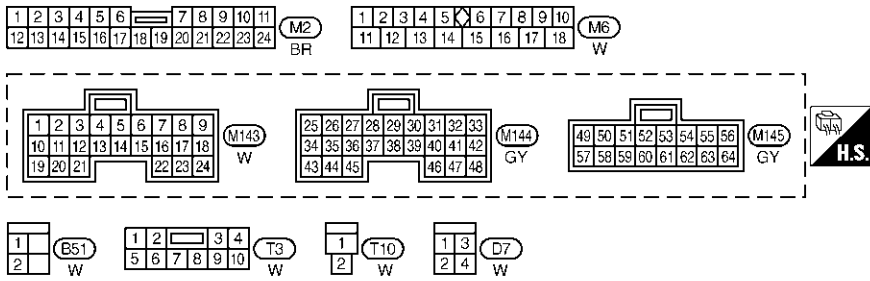
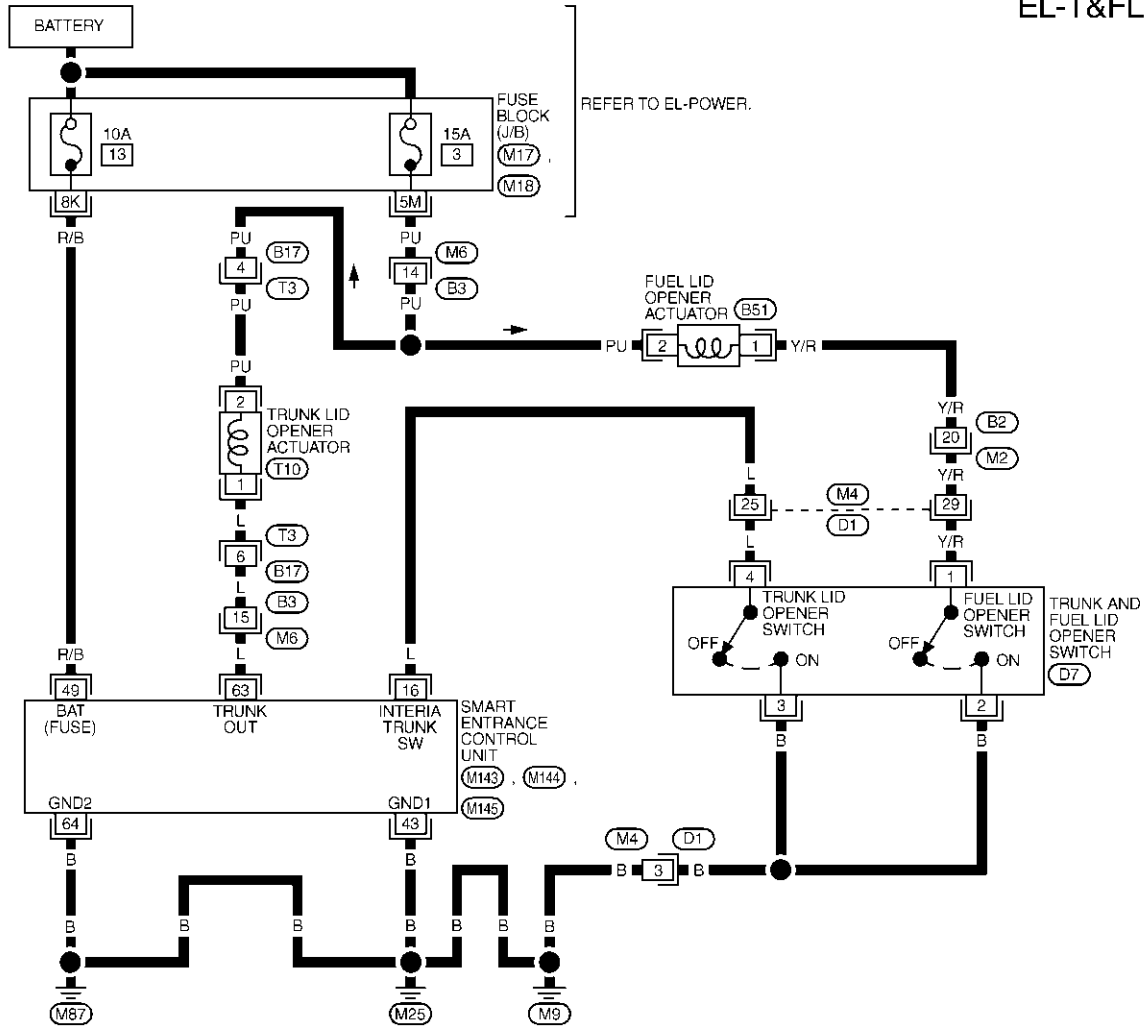
TRUNK LID AND FUEL FILLER LID OPENER

Wiring Diagram — T&FLID —

Wiring Diagram — T&FLID —

NFEL0168

EL-T&FLID-01



REFER TO THE FOLLOWING.
 (D1) -SUPER
 MULTIPLE JUNCTION (SMJ)
 (M17) , (M18) -FUSE BLOCK-
 JUNCTION BOX (J/B)

MEL878P

SMART ENTRANCE CONTROL UNIT TERMINALS AND REFERENCE VALUE BETWEEN EACH TERMINAL AND GROUND

TERMINAL	WIRE COLOR	ITEM	CONDITION	DATA (DC)
16	L	TRUNK AND FUEL LID OPENER SWITCH	OFF → ON (when only pulled)	12V → 0V
43	B	GROUND	-	-
49	R/B	POWER SOURCE (FUSE)	-	12V
63	L	TRUNK LID OPENER ACTUATOR	WHEN TRUNK LID OPENER ACTUATOR IS OPERATED USING KEYFOB (ON → OFF)	0V → 12V
64	B	GROUND	-	-

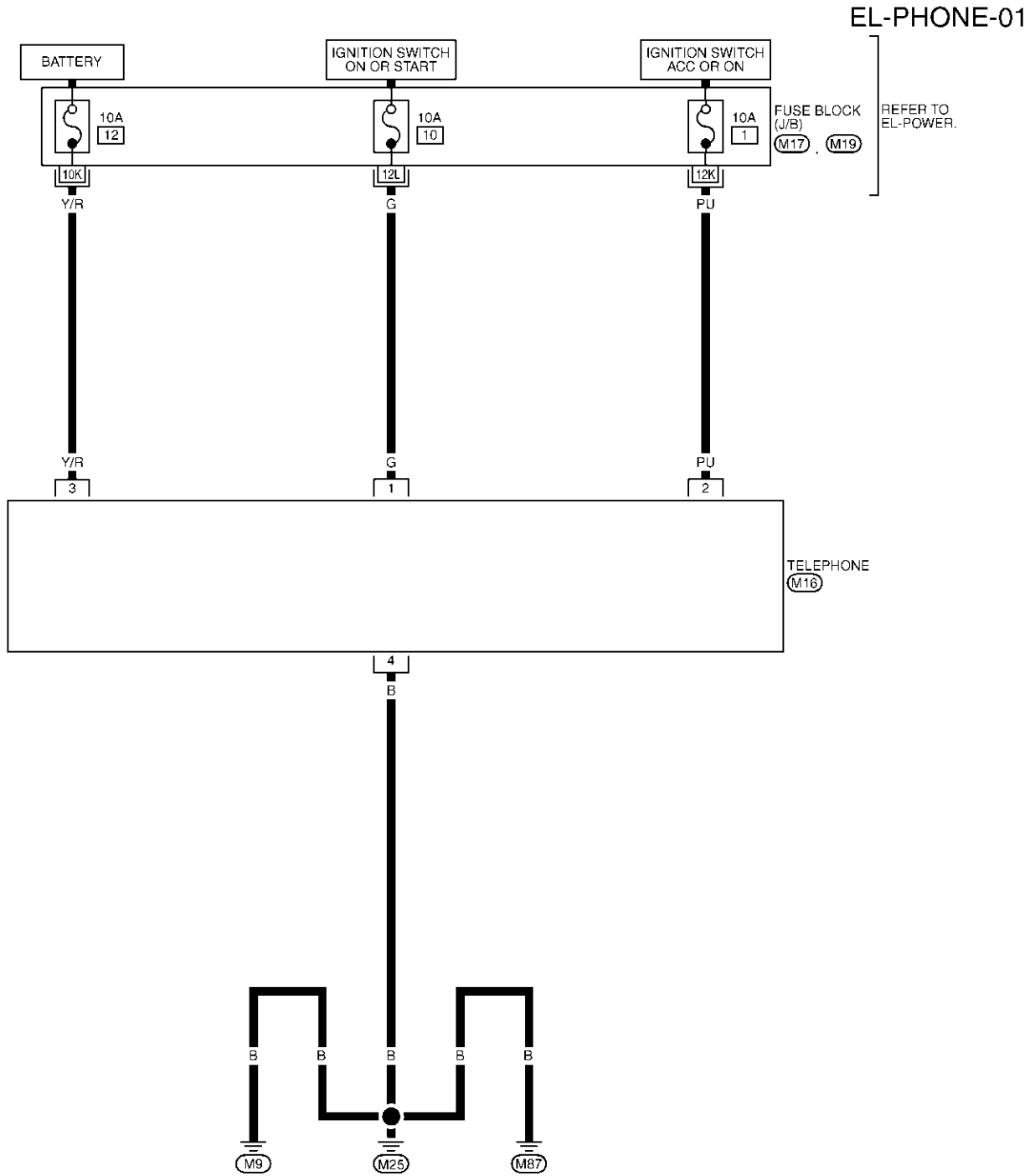
SEL987XA

TELEPHONE (PRE WIRE)

Wiring Diagram — PHONE —

Wiring Diagram — PHONE —

NFEL0170



REFER TO THE FOLLOWING.
 (M17) - FUSE BLOCK-JUNCTION BOX (J/B)
 (M19) - FUSE BLOCK-JUNCTION BOX (J/B)

MEL295K

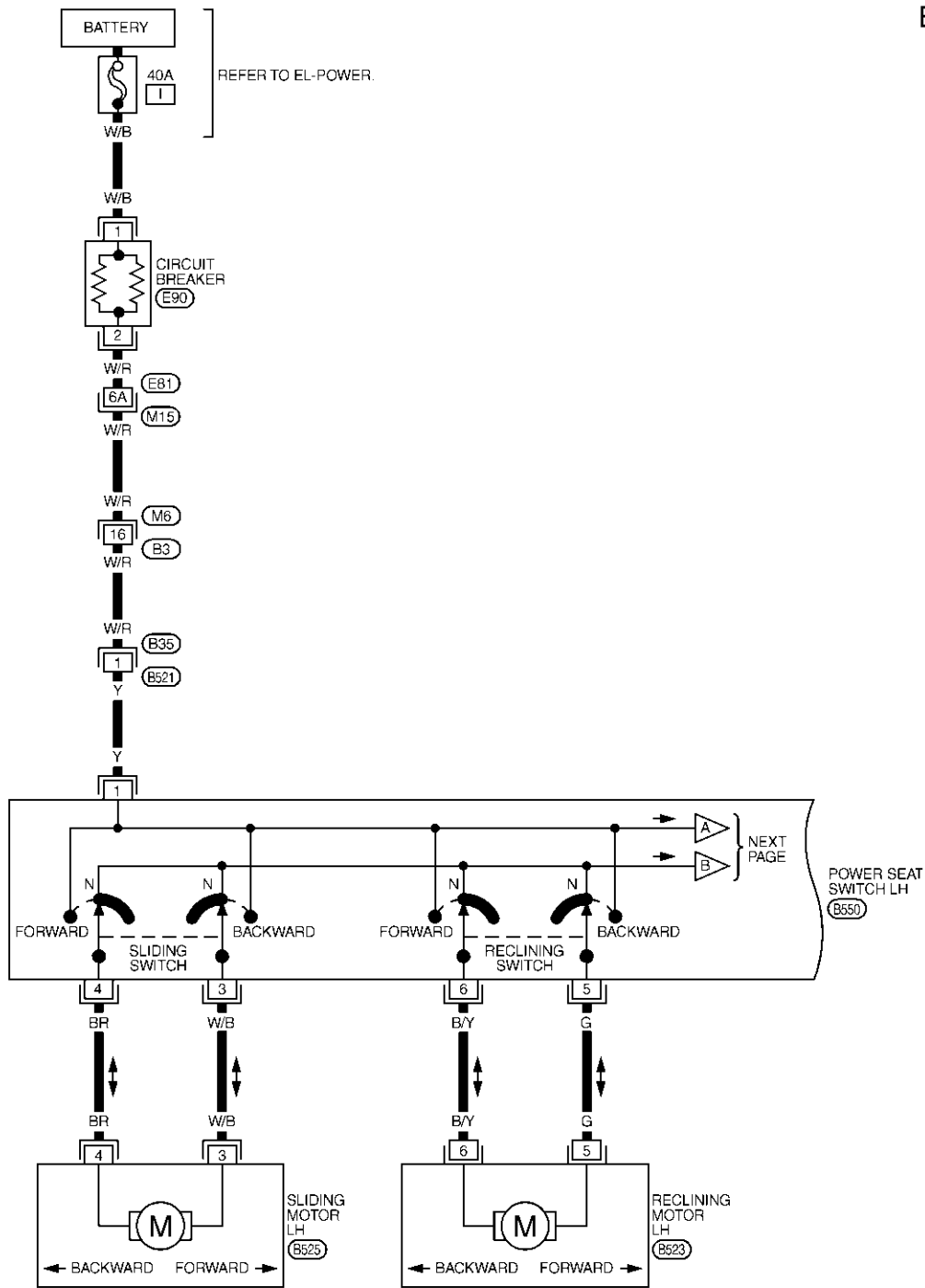
POWER SEAT

Wiring Diagram — SEAT —

Wiring Diagram — SEAT —

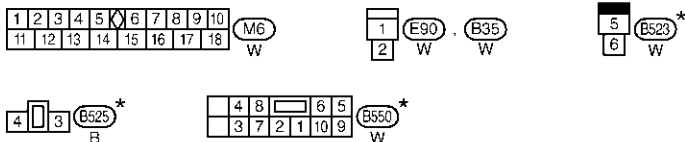
NFEL0092

EL-SEAT-01



GI
MA
EM
LC
EC
FE
CL
MT
AT
AX
SU
BR
ST
RS
BT
HA

SC
EL
IDX



* : THIS CONNECTOR IS NOT SHOWN IN "HARNESS LAYOUT", EL-SECTION.

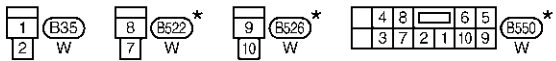
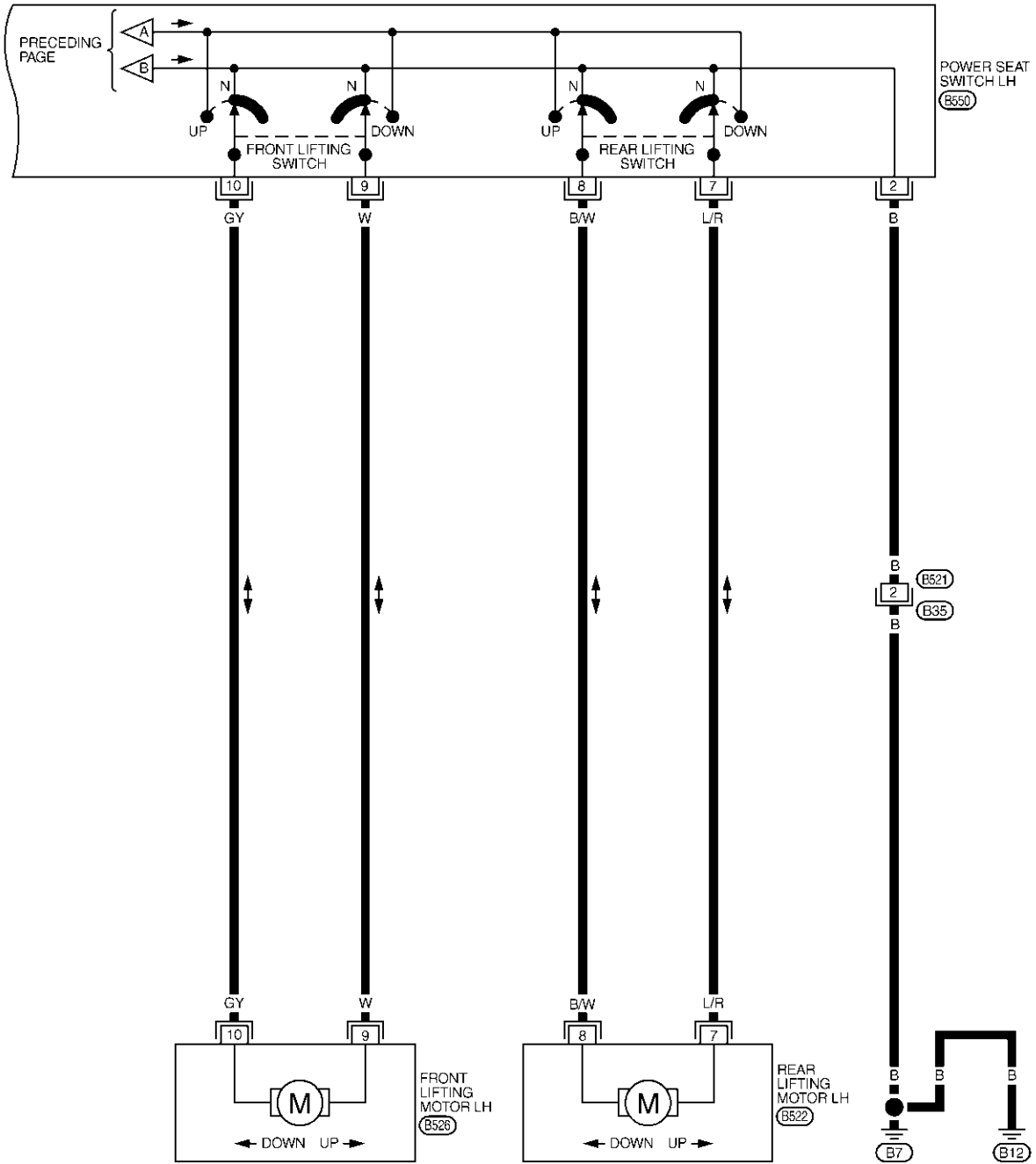
REFER TO THE FOLLOWING.
(M15) - SUPER
MULTIPLE JUNCTION (SMJ)

MEL1540

POWER SEAT

Wiring Diagram — SEAT — (Cont'd)

EL-SEAT-02



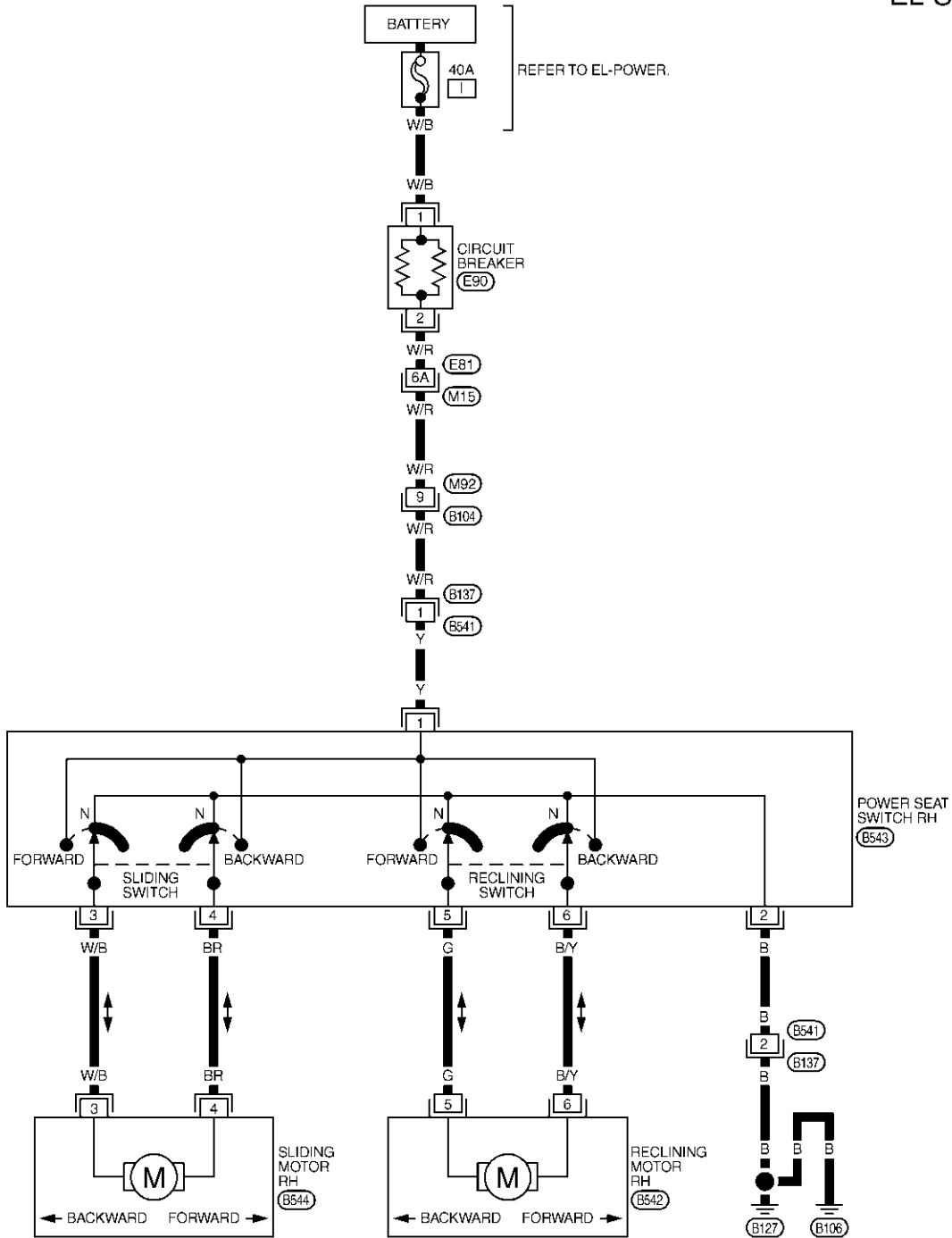
* : THIS CONNECTOR IS NOT SHOWN IN "HARNESS LAYOUT", EL SECTION.

MEL879P

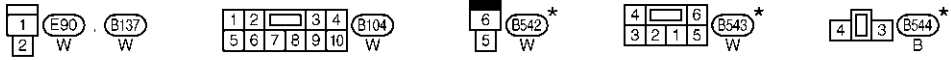
POWER SEAT

Wiring Diagram — SEAT — (Cont'd)

EL-SEAT-03



GI
MA
EM
LC
EC
FE
CL
MT
AT
AX
SU
BR
ST
RS
BT
HA
SC
EL
IDX



REFER TO THE FOLLOWING.
(M15) -SUPER MULTIPLE JUNCTION (SMJ)

* : THIS CONNECTOR IS NOT SHOWN IN 'HARNESS LAYOUT', EL SECTION.


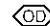
HEATED SEAT

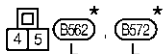
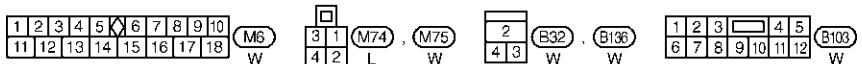
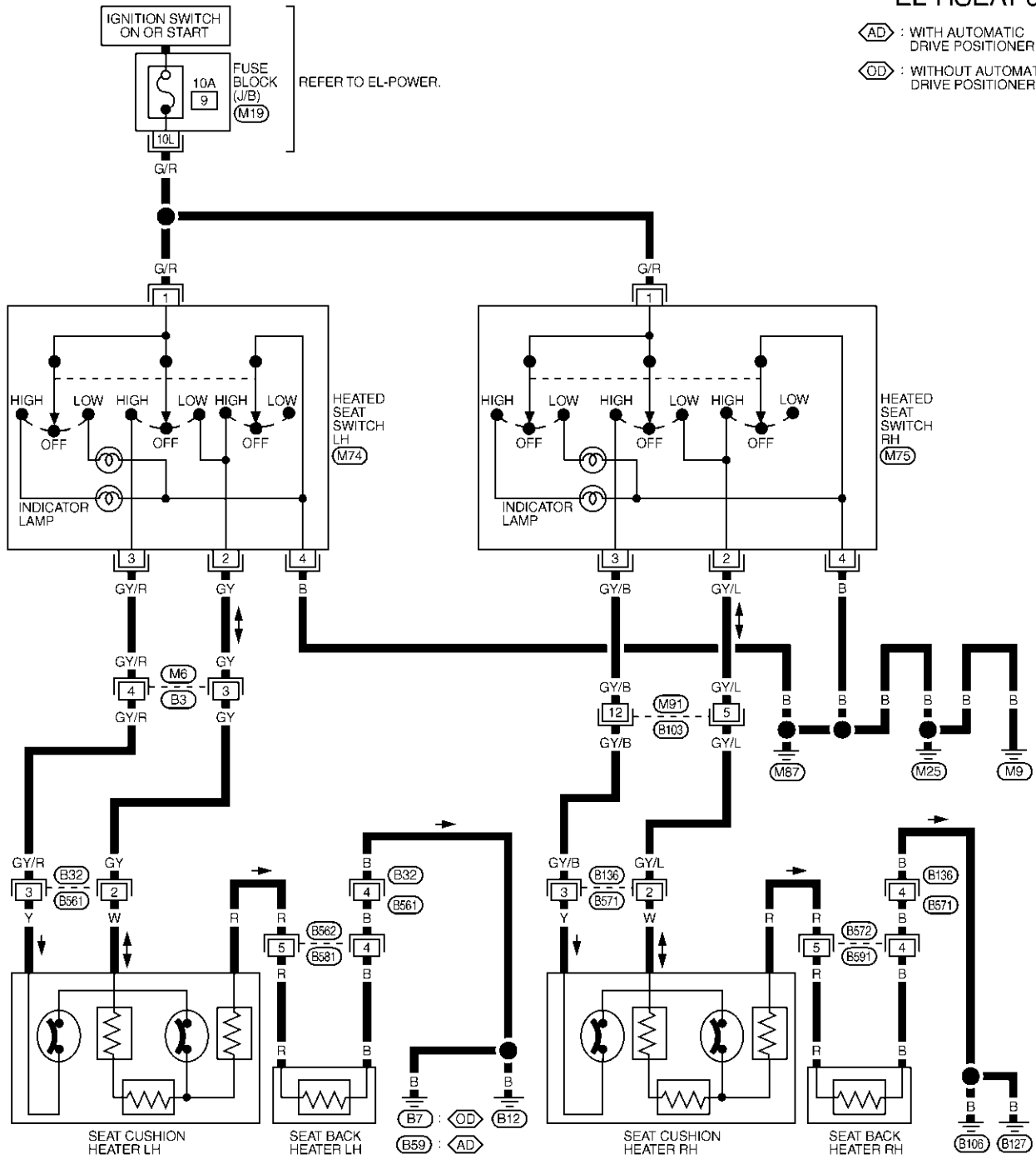
Wiring Diagram — HSEAT —

Wiring Diagram — HSEAT —

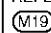
NFEL0093

EL-HSEAT-01

-  WITH AUTOMATIC DRIVE POSITIONER
-  WITHOUT AUTOMATIC DRIVE POSITIONER



* : THIS CONNECTOR IS NOT SHOWN IN 'HARNESS LAYOUT', EL SECTION.

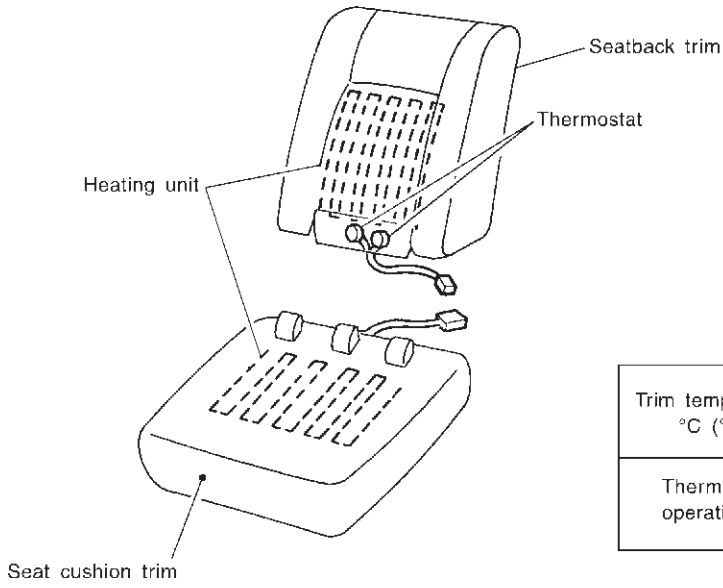
REFER TO THE FOLLOWING.
 - FUSE BLOCK-JUNCTION BOX (J/B)

HEATED SEAT

Seatback Heating Unit

Seatback Heating Unit

NFEL0261



Trim temperature °C (°F)	Increasing to 35 - 45 (95 - 113)	Decreasing to 25 - 35 (77 - 95)
Thermostat operation	OFF	ON

SBT314

GI

MA

EM

LC

EC

FE

CL

MT

AT

AX

SU

BR

ST

RS

BT

HA

SC

EL

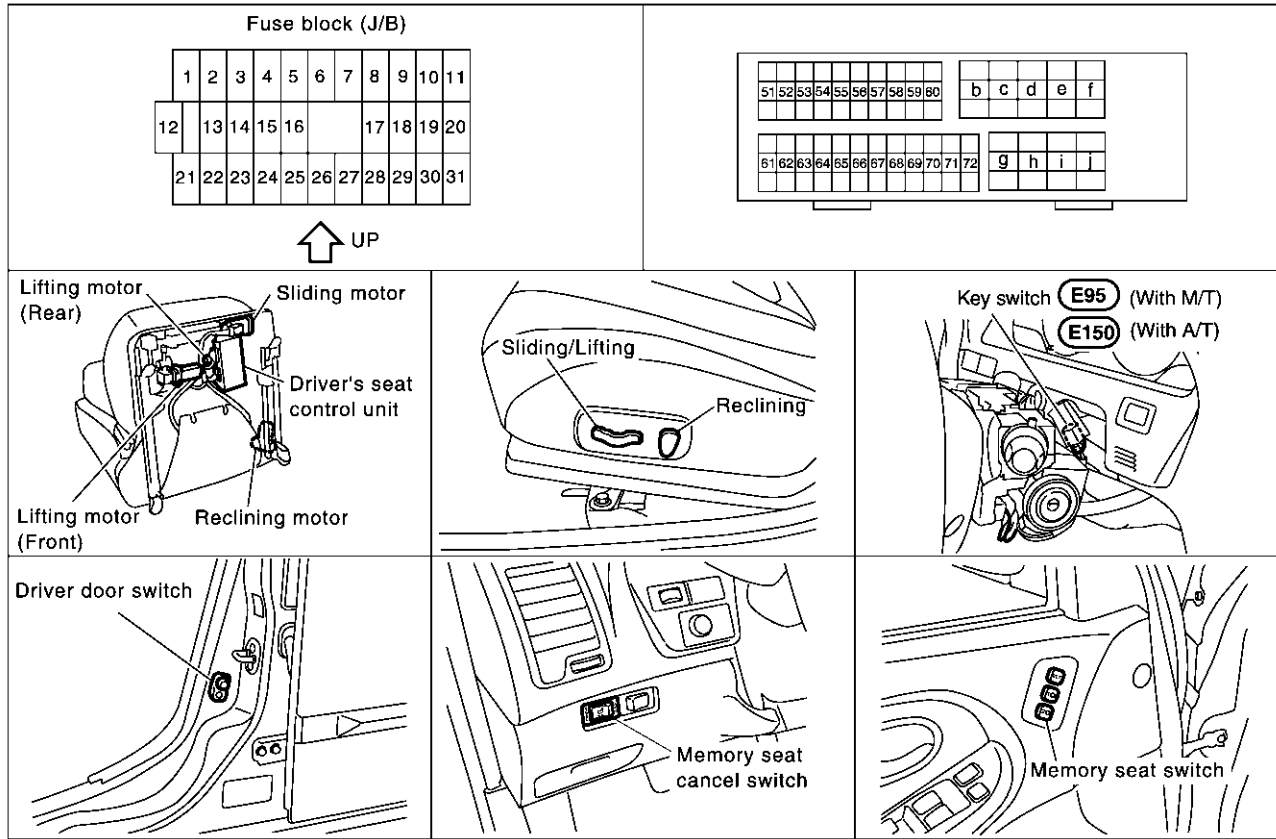
IDX

AUTOMATIC DRIVE POSITIONER

Component Parts and Harness Connector Location

Component Parts and Harness Connector Location

NFEL0287



SEL383YB

System Description

OPERATIVE CONDITION

The drive position can be set in 2 ways, manually and automatically.

=NFEL0288

NFEL0288S01

GI

Manual Operation

The driver's seat can be adjusted for sliding, reclining, front cushion height and rear cushion height with the LH power seat switches. The manual operation can be adjusted with the IGN key in any position.

NFEL0288S0101

MA

Automatic Operation

The driver's seat is adjusted to the proper positions for the driver automatically, in 3 different ways: MEMORY AUTOMATIC SET, AUTOMATIC EXITING SETTING and AUTOMATIC SET RETURN. (Automatic Drive Positioner = ADP)

NFEL0288S0102

EM

LC

CONDITIONS INHIBITING AUTOMATIC OPERATION

Automatic memory setting procedures are suspended under any of the following conditions:

NFEL0288S02

EC

- 1) When vehicle speed is more than 7 km/h (4 MPH).
- 2) When driver's side power seat switch is turned on.
- 3) When any two of the switches (set switch and memory switches 1 and 2) are turned ON.
- 4) When cancel switch is turned on.
- 5) When selector lever is in any position other than "P" (A/T) or parking brake is released (M/T).
- 6) When ignition switch is turned to "START" position.
(Operation resumes when ignition switch is returned to "ON".)
- 7) When detention switch malfunction is detected:
 - Detention switch failure is sensed when detention switch remains off for at least 2 seconds at a vehicle speed of greater than 7 km/h (4 MPH).

FE

CL

MT

AT

FAIL-SAFE SYSTEM

Output Failure

When the ignition switch is in the ON position, if any of the parts (indicated in the following chart) move more than the specified amount within a period "T2" when no "ON" input is sent from any of the switches (indicated in the following chart), or an output from the automatic drive positioner is not produced, an output failure is sensed. Motor operation will be suspended automatically, and all automatic operations will be ineffective. (In this case, the motor will not operate manually.)

NFEL0288S03

AX

NFEL0288S0301

SU

OPERATED PORTION	T2	Allowable measurement
Seat sliding	Approx. 2.5 sec.	Within 6 mm (0.24 in)
Seat reclining	Same as above	Change angle within 1°

BR

ST

Absolving

When moving selector lever back to "P" position after having moved it to any position except "P" (A/T) or applying parking brake after having released it (M/T), fail-safe operation will be canceled.

NFEL0288S0302

RS

BT

INITIALIZATION (A/T MODEL ONLY)

After reconnecting battery cable, perform initialization procedure A or B. If initialization has not been performed, automatic drive positioner will not operate.

NFEL0288S04

HA

PROCEDURE A

- 1) Insert key in the ignition key cylinder. (Ignition switch is in "OFF" position.)
- 2) Open → close → open driver side door. (Do not perform with the door switch operation.)
- 3) End

SC

PROCEDURE B

- 1) Drive the vehicle at more than 25 km/h (16 MPH).
- 2) End

EL

IDX

AUTOMATIC DRIVE POSITIONER

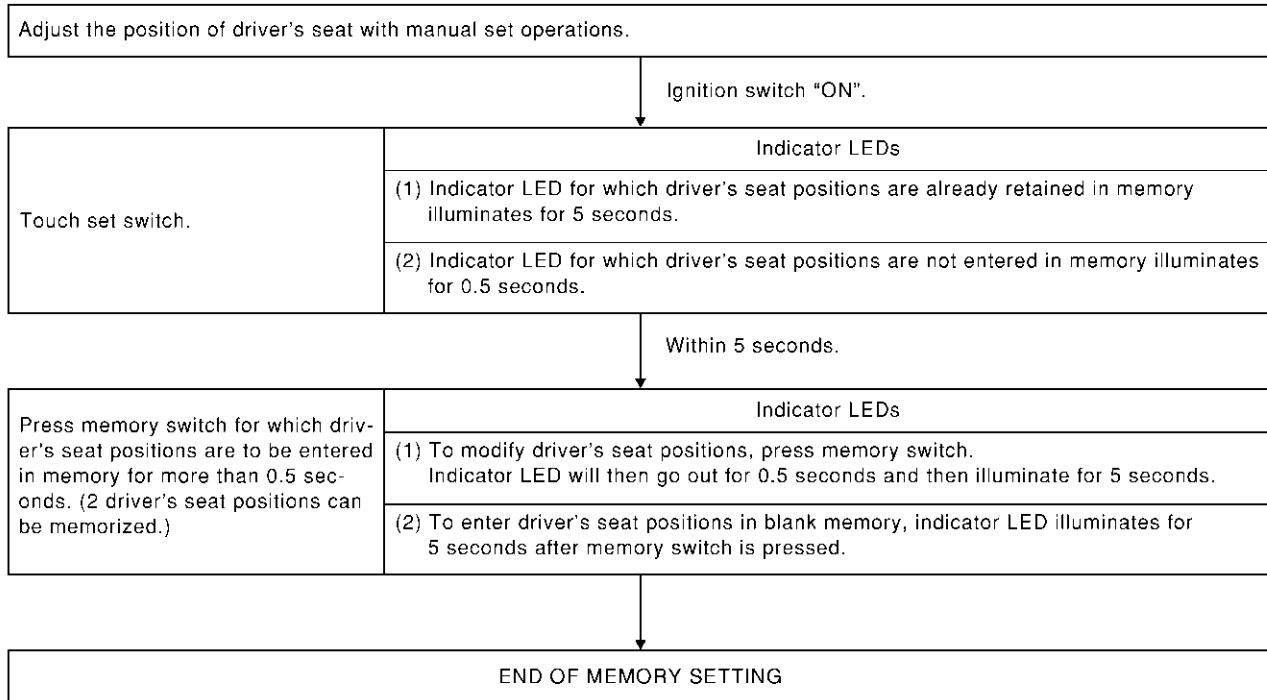
System Description (Cont'd)

MEMORY AUTOMATIC SET

=NFEL0288S05

Two drive positions can be retained in the memory. Press memory switch to set driver's seat to preset position.

PROCEDURE FOR STORING MEMORY

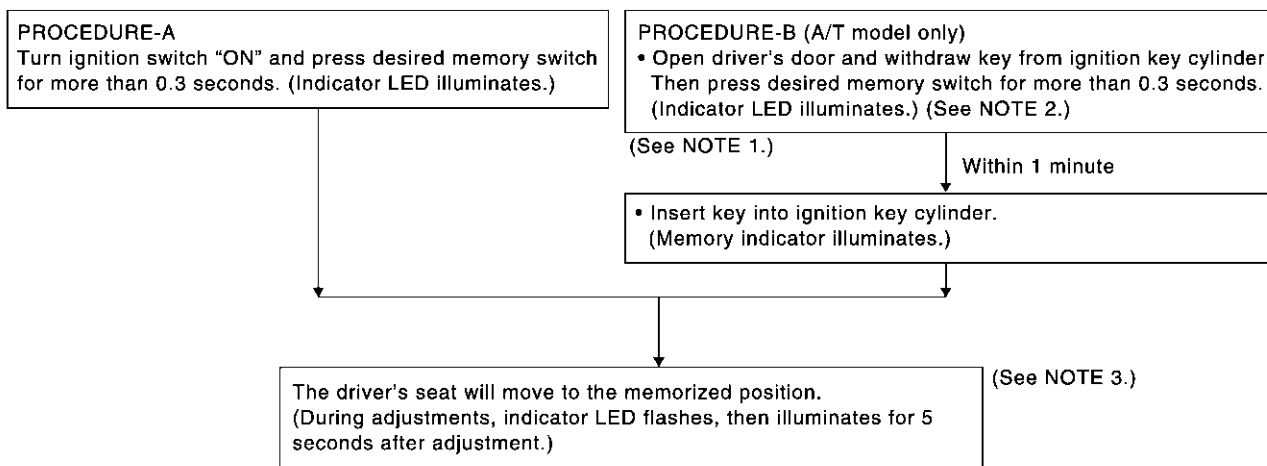


SEL592W

NOTE:

- When memory switch for which driver's seat positions are already retained in memory is pressed, new seat positions will be retained in memory in place of the previously set positions.
- Drive position is erased from the memory when battery cable is disconnected more than 30 seconds. After connecting battery cable, perform initialization procedures.

SELECTING THE MEMORIZED POSITION



SEL425Y

AUTOMATIC DRIVE POSITIONER

System Description (Cont'd)

NOTE:

- 1) Do not keep cancel switch pressed as it will not operate.
- 2) Automatic exiting setting will be performed.
- 3) The driver's seat position (see the following Table) operates in the order of priority.

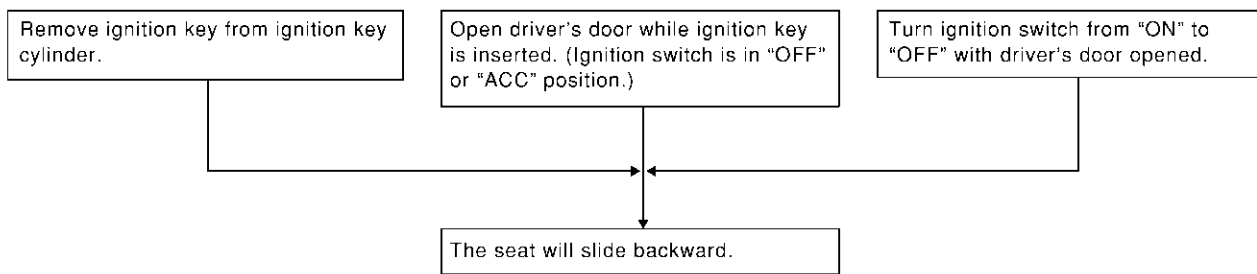
The order of priority	Operated portion
1	Seat sliding
2	Seat reclining
3	Seat front lifting
4	Seat rear lifting

AUTOMATIC EXITING SETTING (A/T MODEL ONLY)

NFEL0288S06

"Exiting" positions:

Driver's seat ... Slides about 40 mm (1.57 in) rear from normal sitting position.

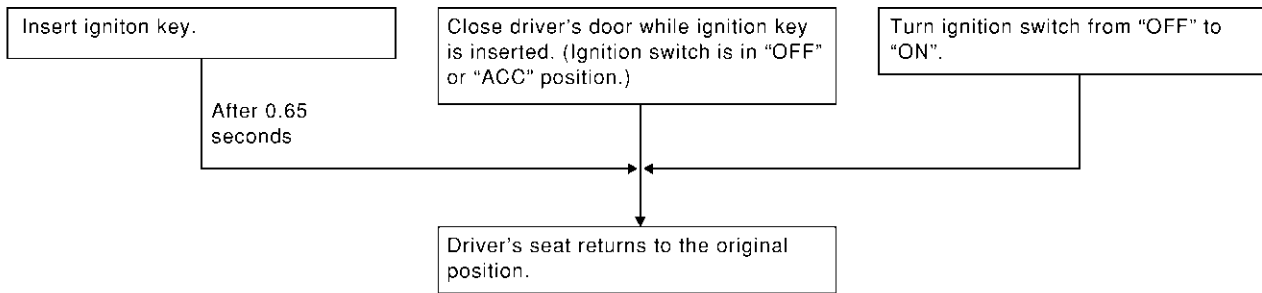


SEL594W

AUTOMATIC SET RETURN (A/T MODEL ONLY)

NFEL0288S07

With driver's seat set to the "exiting" position, operating one of the following procedures moves it to the position previously retained in memory.



SEL595W

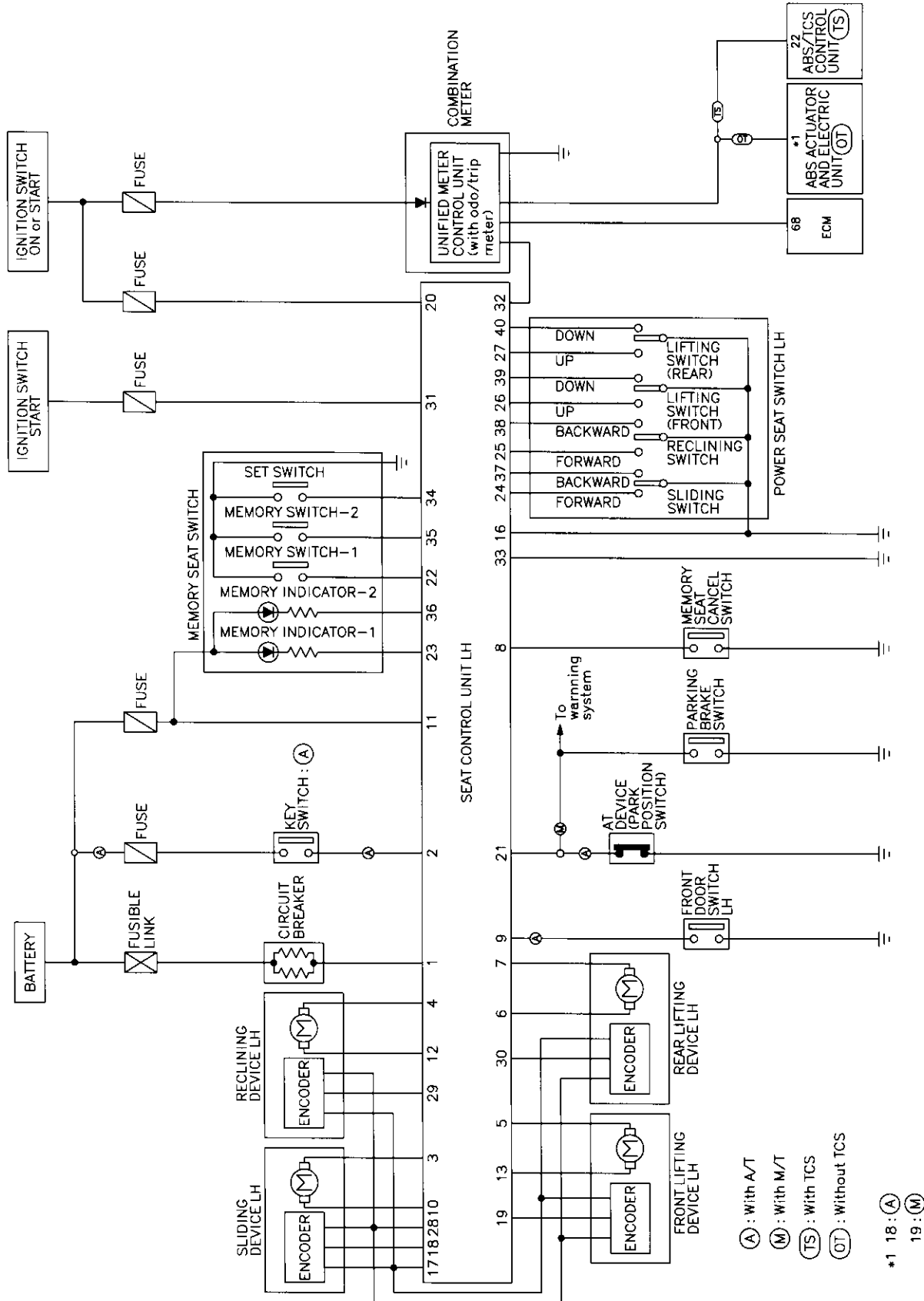
GI
MA
EM
LC
EC
FE
CL
MT
AT
AX
SU
BR
ST
RS
BT
HA
SC
EL
IDX

AUTOMATIC DRIVE POSITIONER

Schematic

Schematic

NFEL0289



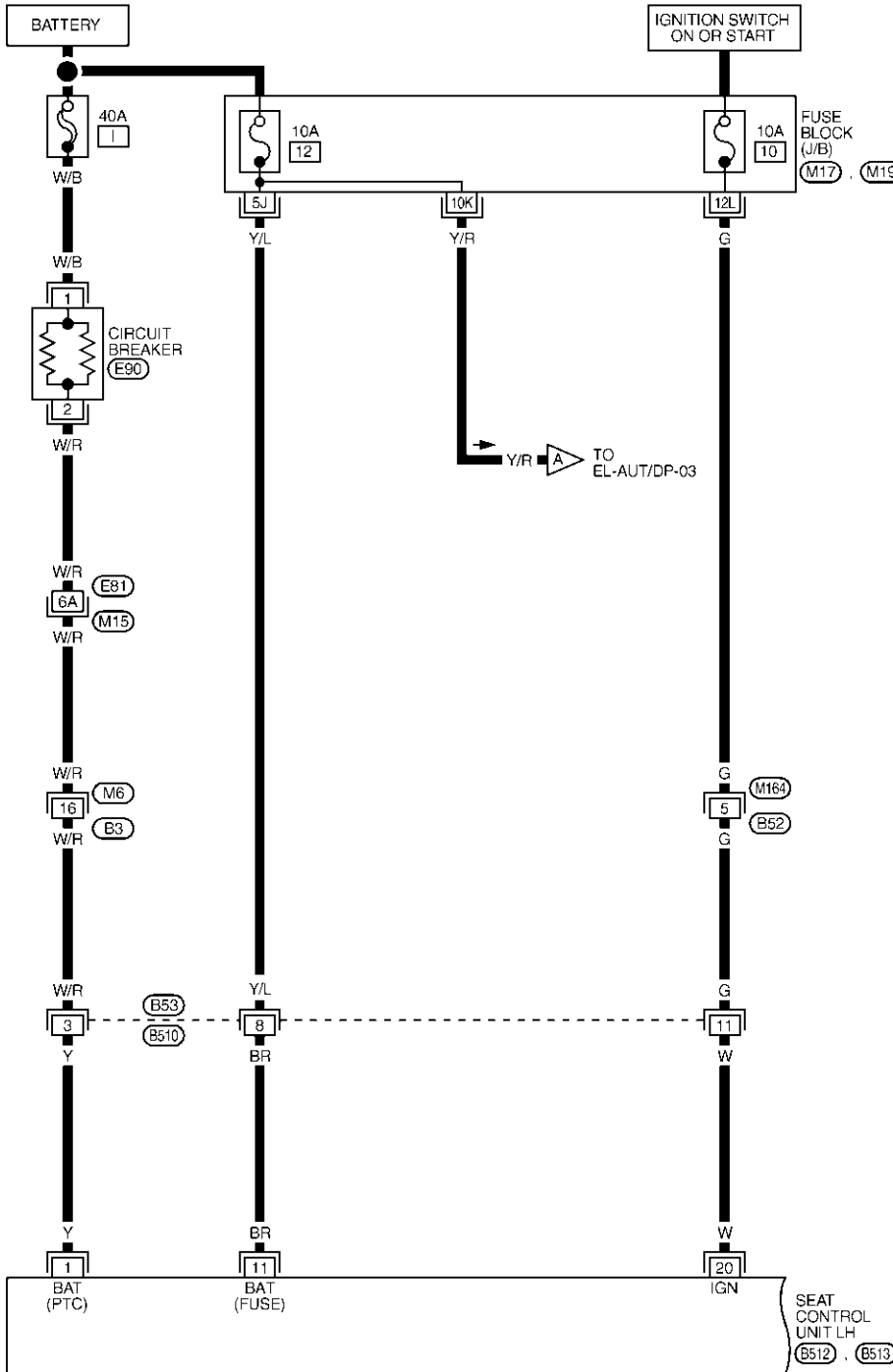
MEL882P

AUTOMATIC DRIVE POSITIONER

Wiring Diagram — AUT/DP —

Wiring Diagram — AUT/DP —

NFEL0290

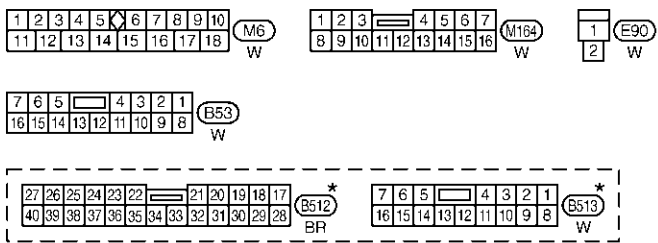


EL-AUT/DP-01

REFER TO EL-POWER.

GI
MA
EM
LC
EC
FE
CL
MT
AT
AX
SU
BR
ST
RS
BT
HA

SC
EL
IDX



REFER TO THE FOLLOWING.
 (M15) -SUPER
 MULTIPLE JUNCTION (SMJ)
 (M17) . (M19) . (B5)
 -FUSE BLOCK-
 JUNCTION BOX (J/B)

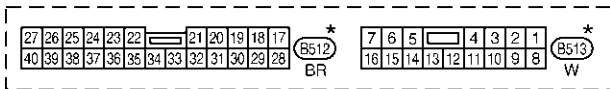
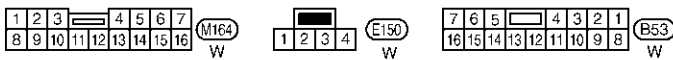
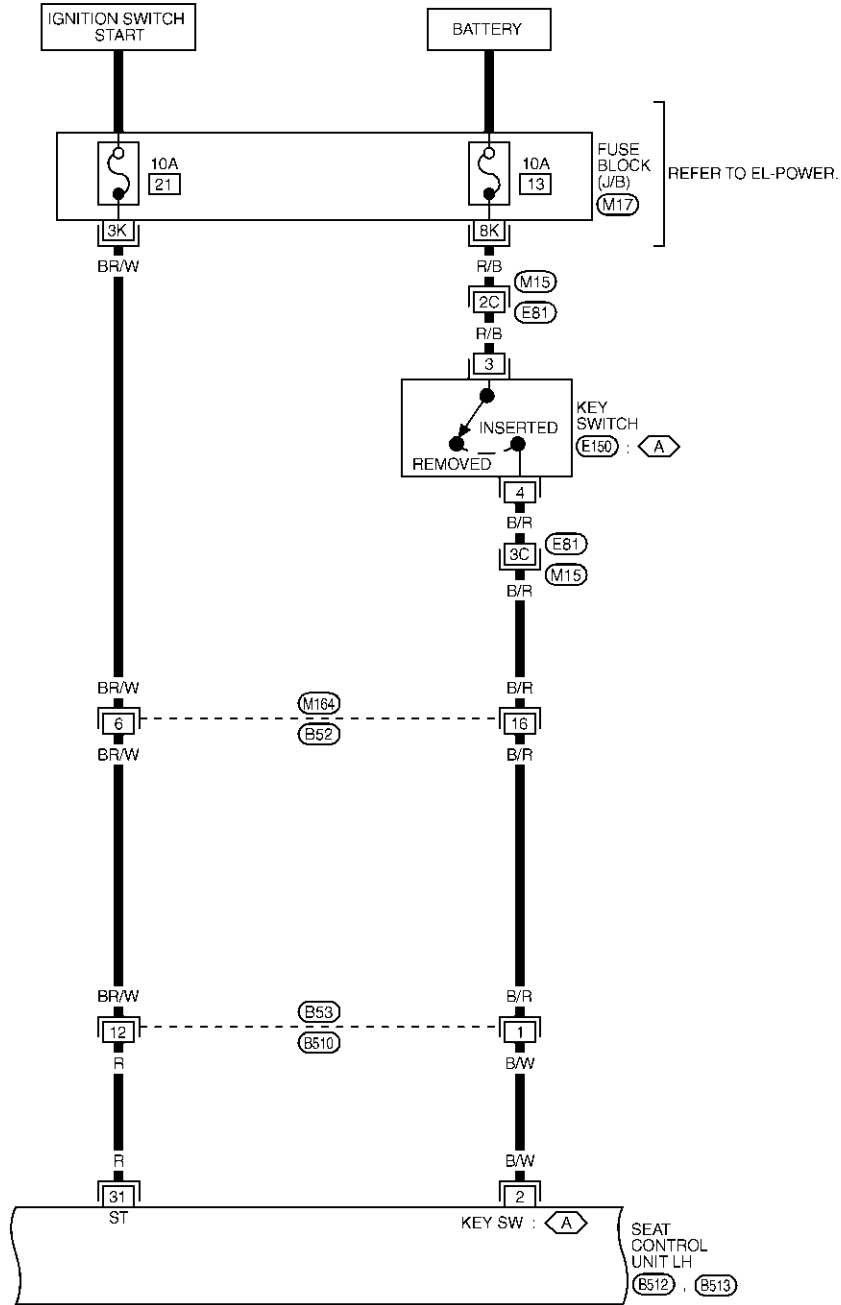
* : THIS CONNECTOR IS NOT SHOWN IN "HARNESS LAYOUT", EL SECTION

AUTOMATIC DRIVE POSITIONER

Wiring Diagram — AUT/DP — (Cont'd)

EL-AUT/DP-02

◊ A : WITH A/T



*: THIS CONNECTOR IS NOT SHOWN IN "HARNESS LAYOUT", EL SECTION.

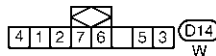
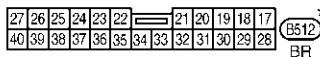
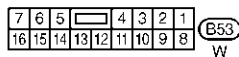
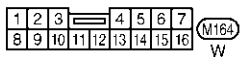
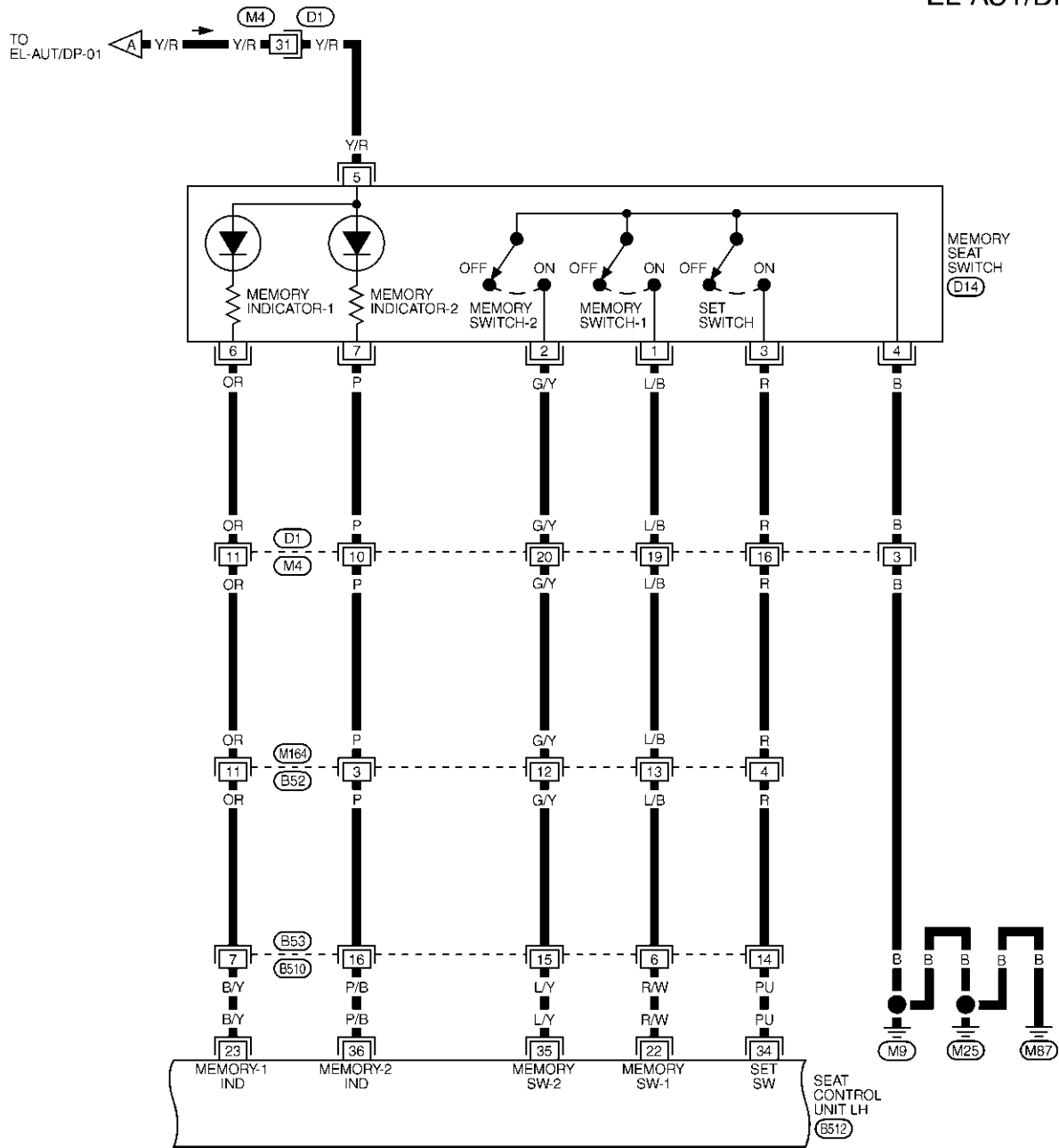
REFER TO THE FOLLOWING.
 (M15) - SUPER
 MULTIPLE JUNCTION (SMJ)
 (M17) - FUSE BLOCK -
 JUNCTION BOX (J/B)

MEL1480

AUTOMATIC DRIVE POSITIONER

Wiring Diagram — AUT/DP — (Cont'd)

EL-AUT/DP-03



REFER TO THE FOLLOWING.
 (D1) -SUPER
 MULTIPLE JUNCTION (SMJ)

* : THIS CONNECTOR IS NOT SHOWN IN "HARNESS LAYOUT", EL SECTION.

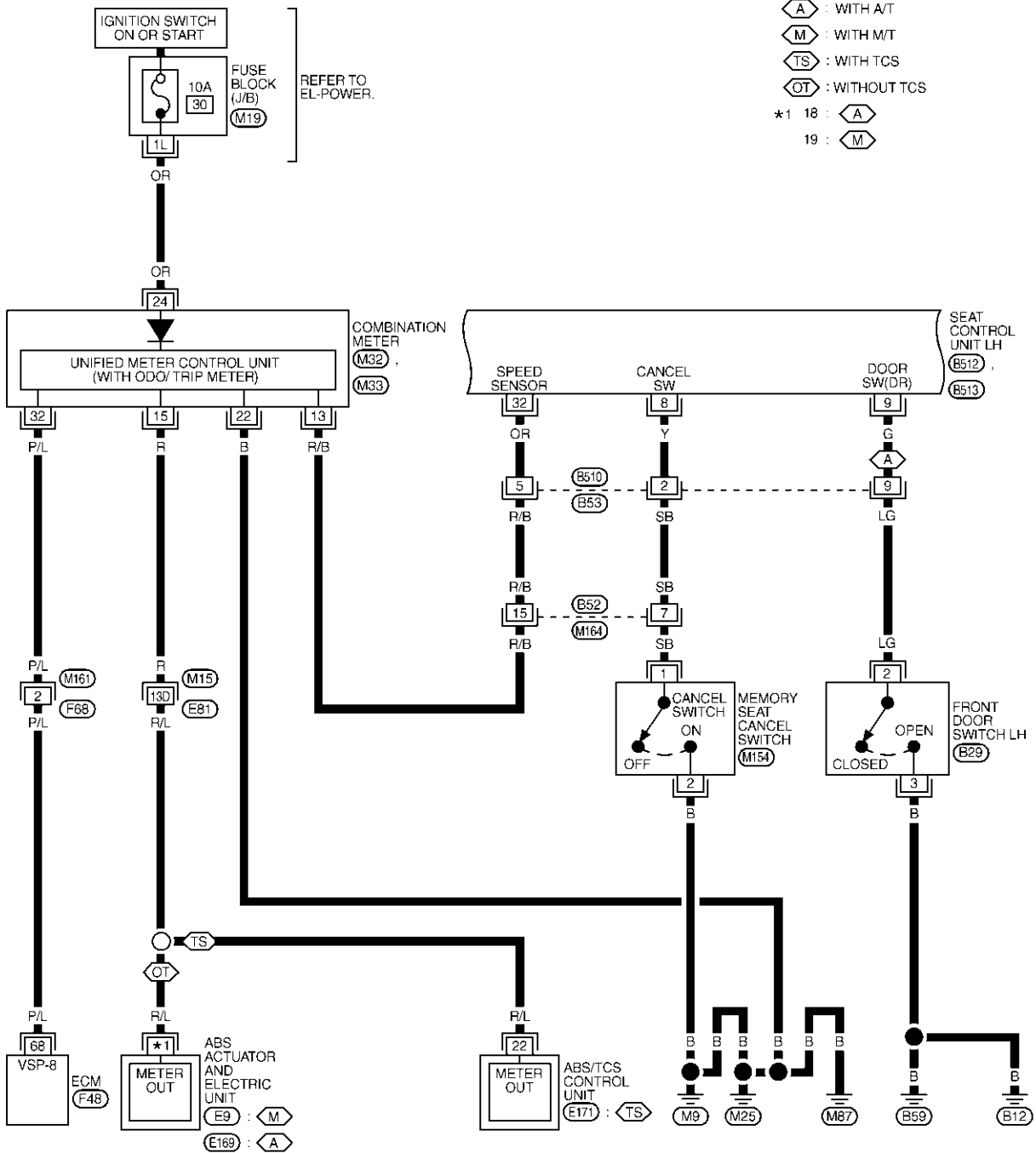
GI
 MA
 EM
 LC
 EC
 FE
 CL
 MT
 AT
 AX
 SU
 BR
 ST
 RS
 BT
 HA
 SC
 EL
 IDX

MEL1490

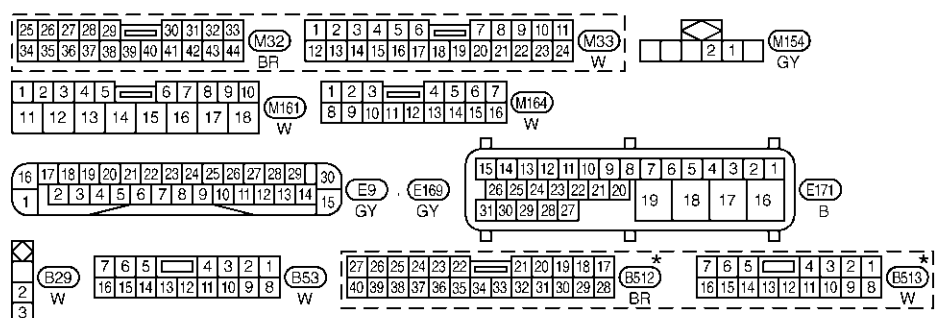
AUTOMATIC DRIVE POSITIONER

Wiring Diagram — AUT/DP — (Cont'd)

EL-AUT/DP-04



- ⬡ : WITH A/T
- ⬡ : WITH M/T
- ⬡ : WITH TCS
- ⬡ : WITHOUT TCS
- *1 18 : ⬡
- 19 : ⬡



REFER TO THE FOLLOWING.
 (M15) - SUPER
 MULTIPLE JUNCTION (SMJ)
 (M19) - FUSE BLOCK - JUNCTION BOX (J/B)
 (F48) - ELECTRICAL UNITS

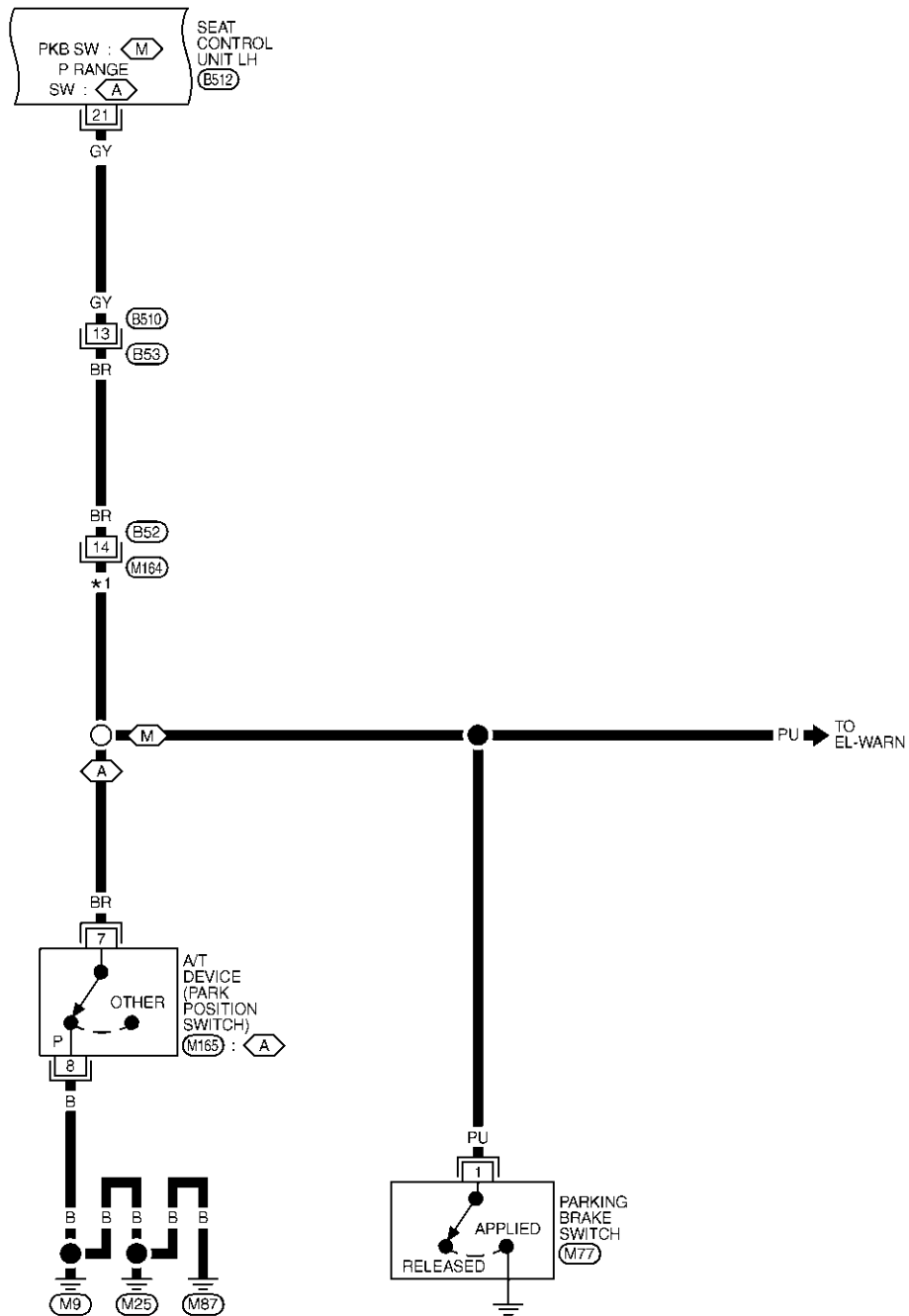
*: THIS CONNECTOR IS NOT SHOWN IN "HARNESS LAYOUT", EL SECTION.

MEL884P

AUTOMATIC DRIVE POSITIONER

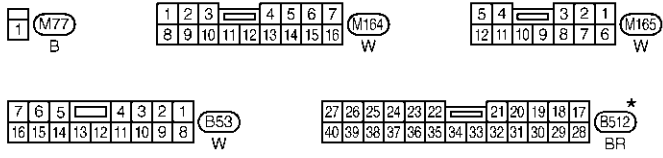
Wiring Diagram — AUT/DP — (Cont'd)

EL-AUT/DP-05



A : WITH A/T
 M : WITH M/T
 *1 BR : A
 PU : M

GI
 MA
 EM
 LC
 EC
 FE
 CL
 MT
 AT
 AX
 SU
 BR
 ST
 RS
 BT
 HA
 SC
 EL
 IDX



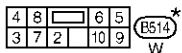
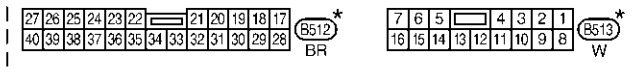
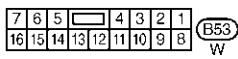
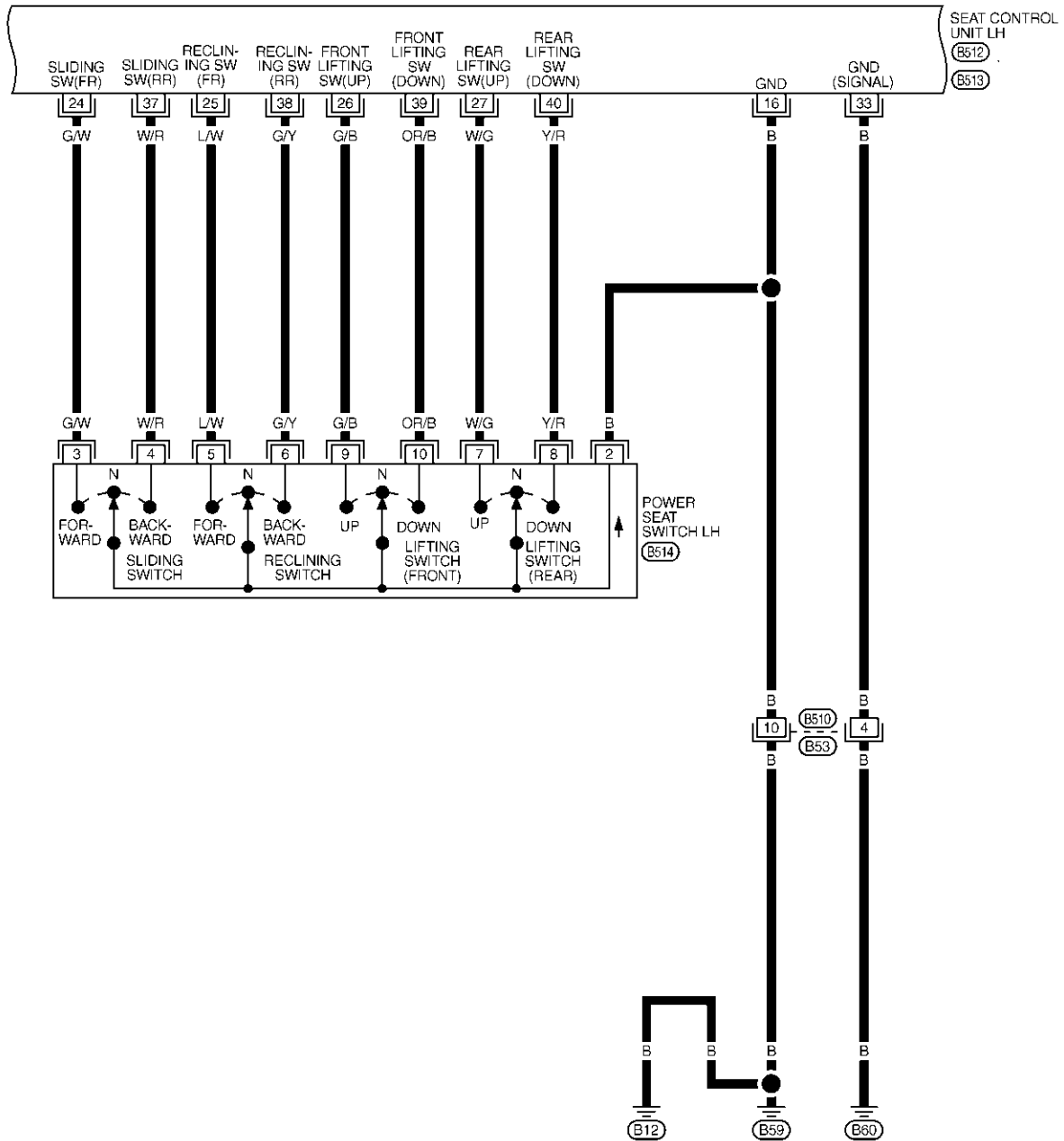
*: THIS CONNECTOR IS NOT SHOWN IN "HARNESS LAYOUT", EL SECTION.

MEL885P

AUTOMATIC DRIVE POSITIONER

Wiring Diagram — AUT/DP — (Cont'd)

EL-AUT/DP-06



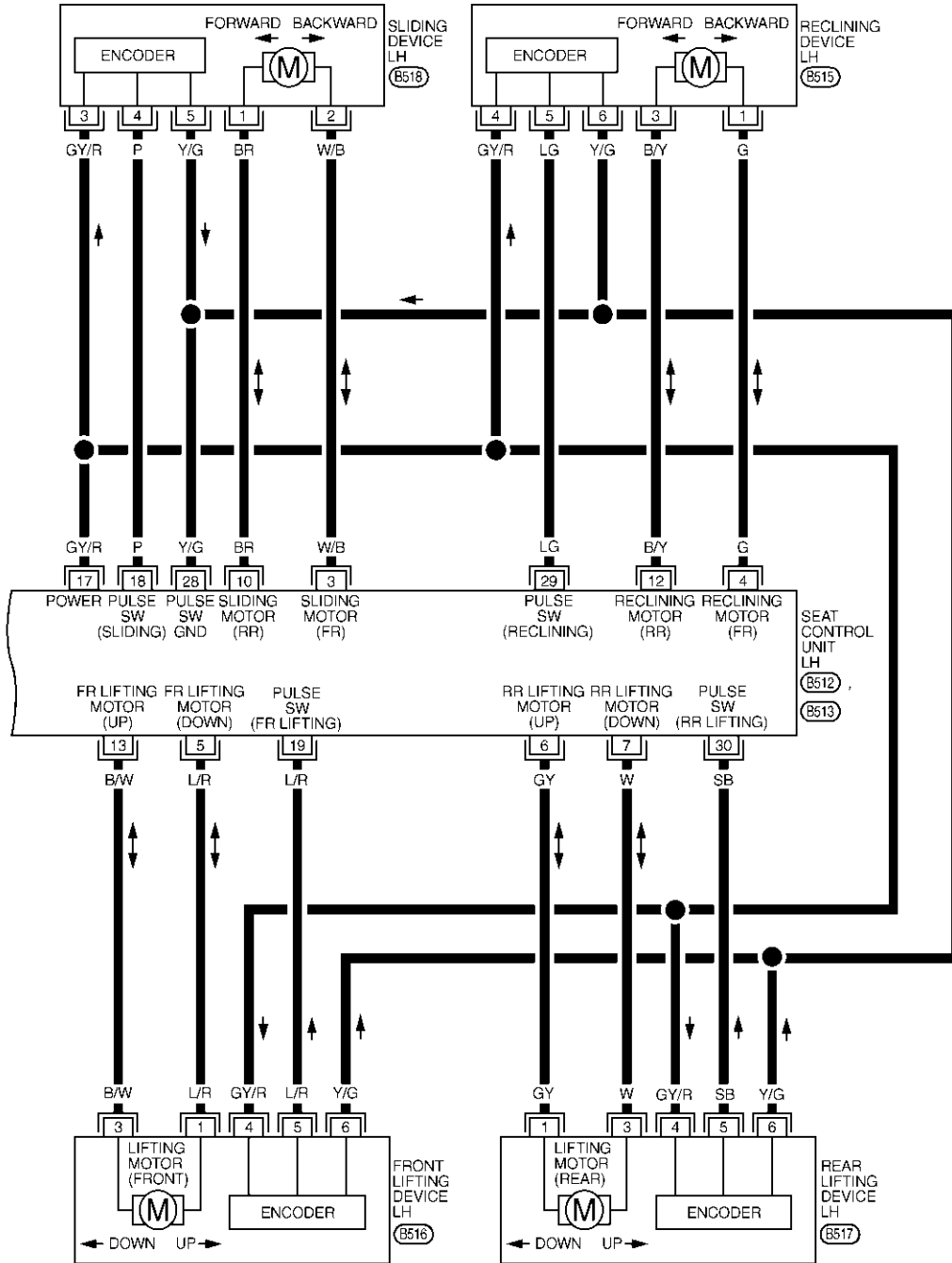
*: THIS CONNECTOR IS NOT SHOWN IN "HARNESS LAYOUT", EL SECTION.

MEL886P

AUTOMATIC DRIVE POSITIONER

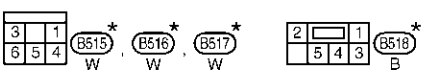
Wiring Diagram — AUT/DP — (Cont'd)

EL-AUT/DP-07



GI
MA
EM
LC
EC
FE
CL
MT
AT
AX
SU
BR
ST
RS
BT
HA
SC
EL
IDX

27	26	25	24	23	22	21	20	19	18	17	(B512)*	7	6	5	4	3	2	1	(B513)*			
40	39	38	37	36	35	34	33	32	31	30	29	28	16	15	14	13	12	11	10	9	8	W



*: THIS CONNECTOR IS NOT SHOWN IN "HARNESS LAYOUT", EL SECTION.

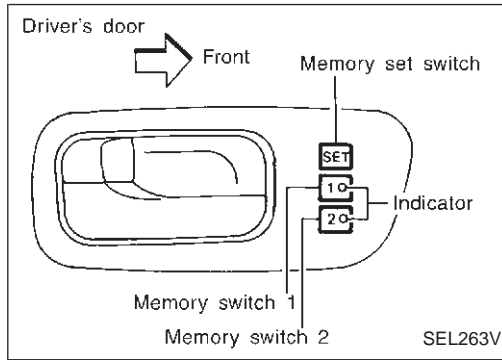
MEL750P

AUTOMATIC DRIVE POSITIONER

On Board Diagnosis

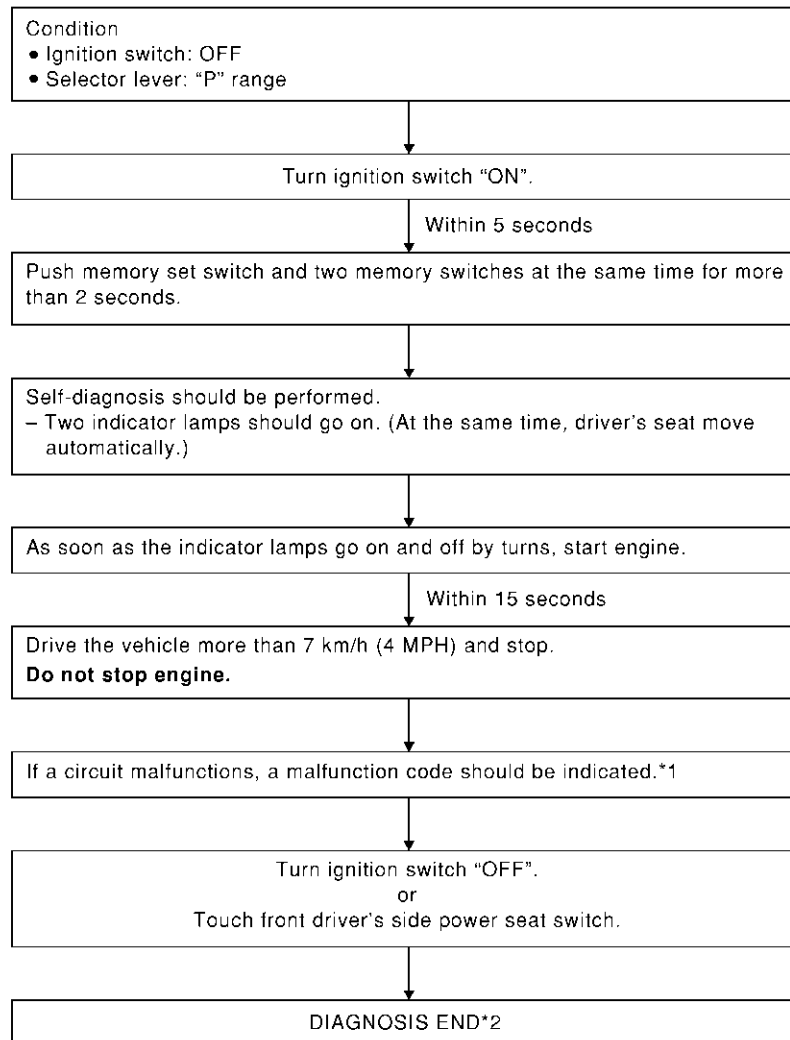
On Board Diagnosis

NFEL0291



HOW TO PERFORM SELF-DIAGNOSIS

NFEL0291S01



SEL596W

*1: If no malfunction is indicated, self-diagnosis will end after the vehicle speed sensor diagnosis is performed.

*2: Diagnosis ends after self-diagnostic results have been indicated for 10 minutes if left unattended.

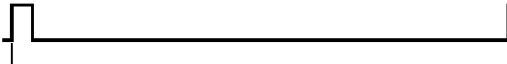
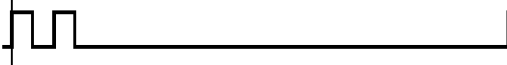
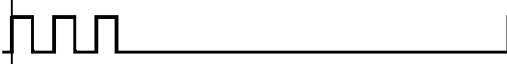
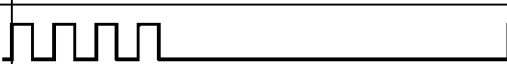
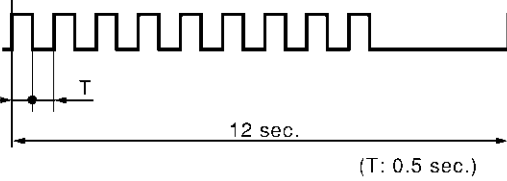
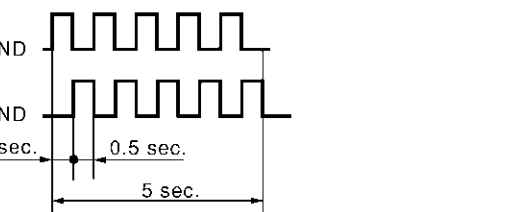
AUTOMATIC DRIVE POSITIONER

On Board Diagnosis (Cont'd)

MALFUNCTION CODE TABLE

=NFEL0291S02

In this mode, a malfunction code is indicated by the number of flashes from the automatic drive positioner indicator lamps (indicator lamp 1, indicator lamp 2) as shown below.

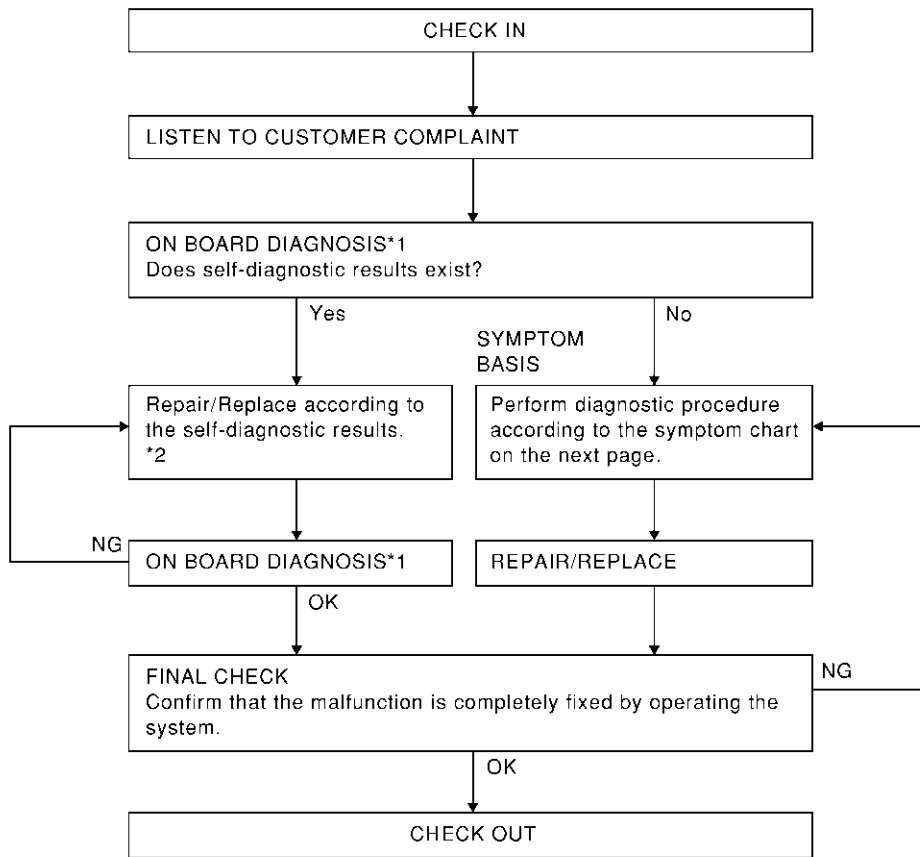
Code No.	Detected items	Indication of seat memory switches 1 and 2	Explanation
1	Seat sliding	IND1, IND2 	While the seat motors are moving for 2.5 seconds, if the number of seat sliding/reclining/lifting encoder pulses changes 2 times or less, the seat device is determined to be malfunctioning.
2	Seat reclining	IND1, IND2 	
3	Seat lifting front	IND1, IND2 	
4	Seat lifting rear	IND1, IND2 	
9	Vehicle speed sensor circuit	IND1, IND2 	If the vehicle speed sensor output of less than 7 km/h (4 MPH) is detected, the vehicle speed sensor is determined to be malfunctioning.
-	No malfunction in the above items	SW1 IND  SW2 IND	—

SEL597W

Code No.	Detected items	Diagnostic procedure	Reference page	Code No.	Detected items	Diagnostic procedure	Reference page
1	Seat sliding	PROCEDURE 2 (Sliding encoder check) PROCEDURE 6 (Sliding motor check)	EL-233 EL-241	4	Seat lifting rear	PROCEDURE 5 [Lifting encoder (rear) check] PROCEDURE 9 [Lifting motor (rear) check]	EL-239 EL-244
2	Seat reclining	PROCEDURE 3 (Reclining encoder check) PROCEDURE 7 (Reclining motor check)	EL-235 EL-242	9	Vehicle speed sensor	PROCEDURE 12 (Vehicle speed sensor check)	EL-246
3	Seat lifting front	PROCEDURE 4 [Lifting encoder (front) check] PROCEDURE 8 [Lifting motor (front) check]	EL-237 EL-243				

AUTOMATIC DRIVE POSITIONER

Trouble Diagnoses WORK FLOW



*1 EL-226

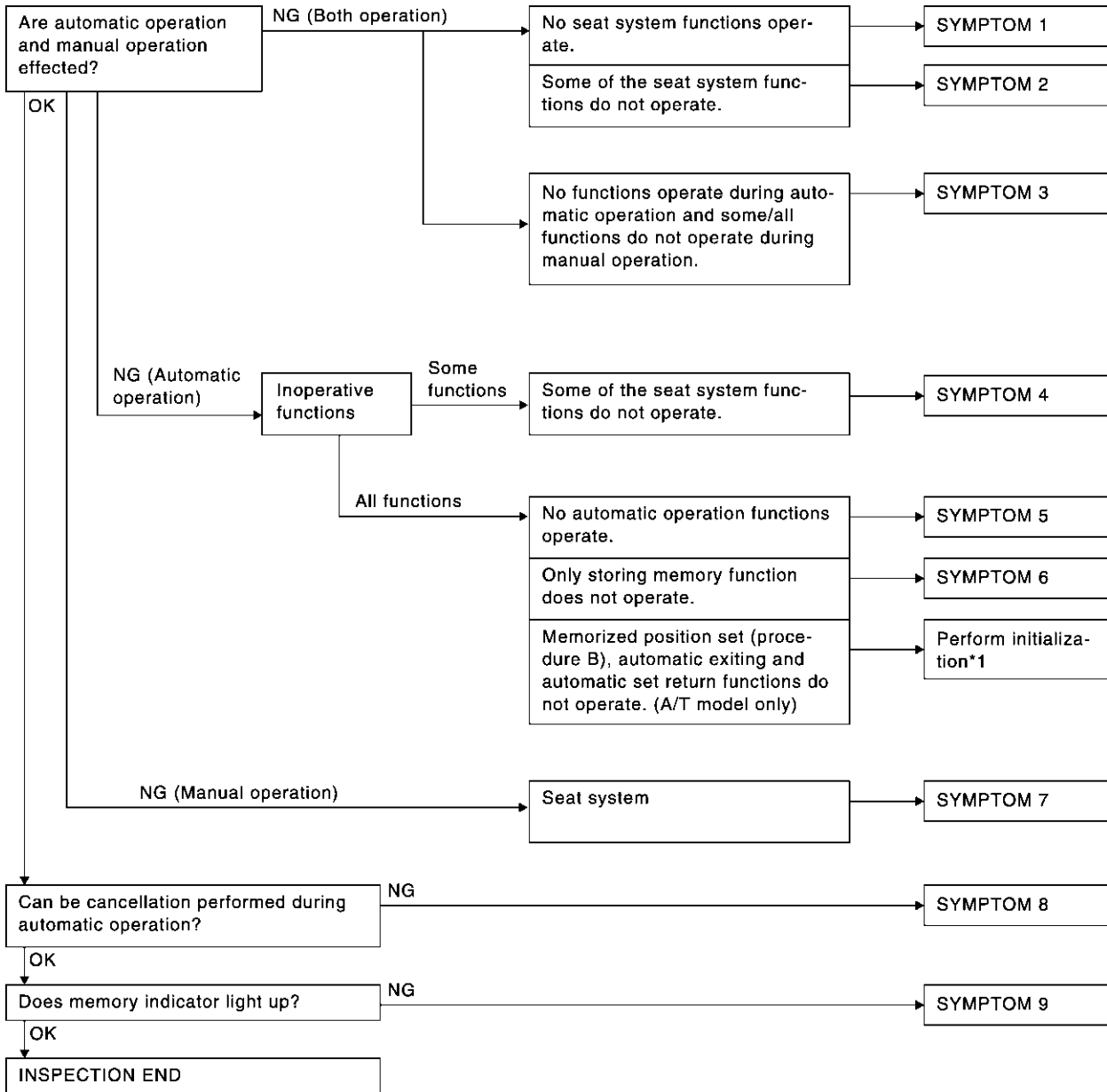
*2 EL-227

AUTOMATIC DRIVE POSITIONER

Trouble Diagnoses (Cont'd)

PRELIMINARY CHECK

NFEL0292S02



GI
MA
EM
LC
EC
FE
CL
MT
AT
AX
SU
BR
ST
RS
BT

SEL600WA

HA
SC

*1: After reconnecting battery cable, perform initialization procedure A or B.
If initialization has not been performed, automatic drive positioner will not operate.

PROCEDURE A

- 1) Insert key in the ignition key cylinder. (Ignition switch is in "OFF" position.)
- 2) Open → close → open driver side door. (Do not perform with the door switch operation.)
- 3) End

PROCEDURE B

- 1) Drive the vehicle at more than 25 km/h (16 MPH).

EL

IDX

AUTOMATIC DRIVE POSITIONER

Trouble Diagnoses (Cont'd)

2) End

After performing preliminary check, go to symptom chart below.

Before starting trouble diagnoses below, perform preliminary check, EL-229. Symptom numbers in the symptom chart correspond with those of preliminary check.

SYMPTOM CHART

NFEL0292S03

PROCEDURE		Diagnostic procedure							
REFERENCE PAGE (EL-)		232	233	235	237	239	241	242	
SYMPTOM		DIAGNOSTIC PROCEDURE 1 (Power supply and ground circuit for Driver's seat control unit)	DIAGNOSTIC PROCEDURE 2 (Sliding encoder check)	DIAGNOSTIC PROCEDURE 3 (Reclining encoder check)	DIAGNOSTIC PROCEDURE 4 [Lifting encoder (front) check]	DIAGNOSTIC PROCEDURE 5 [Lifting encoder (rear) check]	DIAGNOSTIC PROCEDURE 6 (Sliding motor check)	DIAGNOSTIC PROCEDURE 7 (Reclining motor check)	
1	No seat system functions operate.	X							
2	Some of the seat system functions do not operate during automatic/manual operation.	Sliding					X		
		Reclining						X	
		Lifting (Front)							
		Lifting (Rear)							
3	No functions operate during automatic operation, and some/all functions do not during manual operation.								
4	Some of the seat system functions do not operate during automatic operation.	Sliding	X						
		Reclining		X					
		Lifting (Front)			X				
		Lifting (Rear)					X		
5	No automatic operation functions operate.								
6	Drive position cannot be retained in the memory.								
7	Does not operate during manual operation. (Operates during automatic operation.)	Sliding							
		Reclining							
		Lifting (Front)							
		Lifting (Rear)							
8	Automatic operation cannot be canceled.								
9	Memory indicator does not light up.								

X : Applicable

AUTOMATIC DRIVE POSITIONER

Trouble Diagnoses (Cont'd)

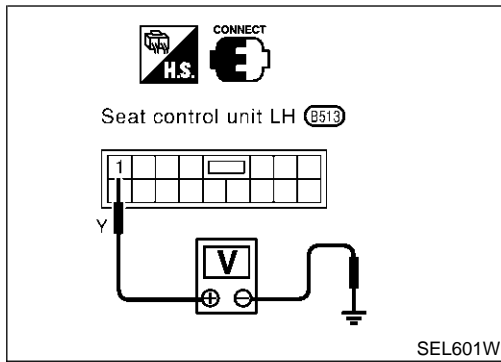
PROCEDURE		Diagnostic procedure							
REFERENCE PAGE (EL-)		243	244	245	245	246	248	249	
SYMPTOM		DIAGNOSTIC PROCEDURE 8 [Lifting motor (front) check]	DIAGNOSTIC PROCEDURE 9 [Lifting motor (rear) check]	DIAGNOSTIC PROCEDURE 10 (Power seat switch check)	DIAGNOSTIC PROCEDURE 11 (Cancel switch check)	DIAGNOSTIC PROCEDURE 12 (Key, park position, parking brake, door switch and vehicle speed sensor check)	DIAGNOSTIC PROCEDURE 13 (Seat memory switch check)	DIAGNOSTIC PROCEDURE 14 (Memory indicator check)	
1	No seat system functions operate.								GI
2	Some of the seat system functions do not operate during automatic/manual operation.	Sliding							MA
		Reclining							EM
		Lifting (Front)	X						LC
		Lifting (Rear)		X					EC
3	No functions operate during automatic operation, and some/all functions do not during manual operation.			X		X (ACC, ON START signal)			FE
4	Some of the seat system functions do not operate during automatic operation.	Sliding							CL
		Reclining							MT
		Lifting (Front)							AT
		Lifting (Rear)							AX
5	No automatic operation functions operate.				X	X			SU
6	Drive position cannot be retained in the memory.					X (IGN ON signal)	X		BR
7	Does not operate during manual operation. (Operates during automatic operation.)	Sliding			X				ST
		Reclining			X				RS
		Lifting (Front)			X				BT
		Lifting (Rear)			X				HA
8	Automatic operation cannot be canceled.				X				SC
9	Memory indicator does not light up.							X	EL

X : Applicable

IDX

AUTOMATIC DRIVE POSITIONER

Trouble Diagnoses (Cont'd)



DIAGNOSTIC PROCEDURE 1

(Power supply and ground circuit for driver's seat control unit) =NFEL0292S04

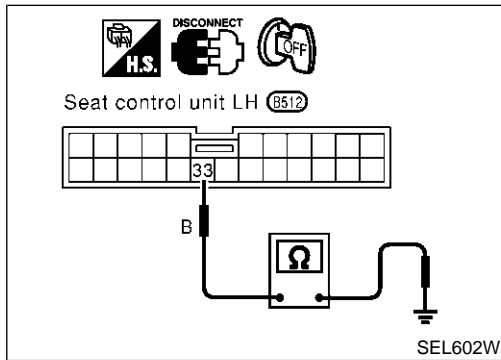
Power Supply Circuit Check

Check voltage between seat control unit LH terminal 1 and ground. NFEL0292S0401
(Refer to wiring diagram in EL-219.)

Terminals	Ignition switch position			
	OFF	ACC	ON	START
1 - Ground	Battery voltage			

If NG, check the following.

- Circuit breaker
- Harness for open or short between circuit breaker and seat control unit LH



Ground Circuit Check

Check continuity between seat control unit LH terminal 33 and ground. NFEL0292S0402
(Refer to wiring diagram in EL-219.)

Terminals	Continuity
33 - Ground	Yes

AUTOMATIC DRIVE POSITIONER

Trouble Diagnoses (Cont'd)

DIAGNOSTIC PROCEDURE 2 (Sliding encoder check)

=NFEL0292S05

1	CHECK SLIDING ENCODER OUTPUT SIGNAL	<p>Measure voltage between seat control unit LH terminal 18 and ground with CONSULT-II or oscilloscope when power seat slide is operated.</p> <div style="display: flex; justify-content: space-around; align-items: flex-start;"> <div style="text-align: center;"> <p>Seat control unit LH (8512)</p> </div> <div style="text-align: center;"> <p>HI: Approx. 5V LO: Approx. 0V</p> </div> </div> <p style="text-align: right;">SEL603W</p>
OK or NG		

OK	▶	Sliding encoder is OK.
NG	▶	GO TO 2.

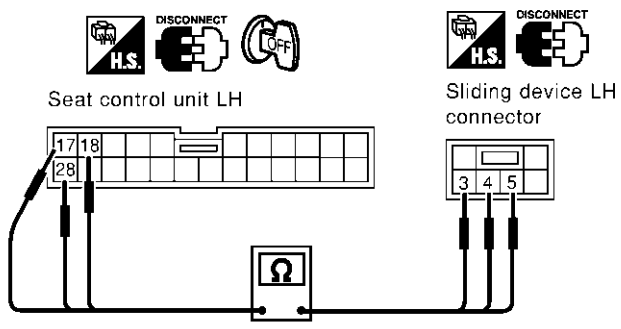
2	CHECK SLIDING ENCODER INPUT SIGNAL	<p>Check voltage between seat control unit LH terminal 17 and ground.</p> <div style="display: flex; justify-content: space-around; align-items: flex-start;"> <div style="text-align: center;"> <p>Seat control unit LH (8512)</p> </div> <div style="text-align: center;"> <p>Battery voltage should exist.</p> </div> </div> <p style="text-align: right;">SEL604W</p>
OK or NG		

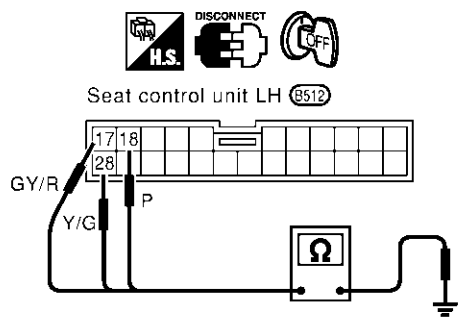
OK	▶	GO TO 3.
NG	▶	Replace seat control unit LH.

GI
MA
EM
LC
EC
FE
CL
MT
AT
AX
SU
BR
ST
RS
BT
HA
SC
EL
IDX

AUTOMATIC DRIVE POSITIONER

Trouble Diagnoses (Cont'd)

3	CHECK SLIDING ENCODER OPEN CIRCUIT	
<p>1. Disconnect seat control unit LH connector and sliding device LH connector.</p> <p>2. Check harness continuity between seat control unit LH connector B512 terminals 17 (GY/R), 18 (P), 28 (Y/G) and sliding device LH connector B518 terminals 3 (GY/R), 4 (P), 5 (Y/G).</p>		
		
		SEL605WB
OK or NG		
OK	▶	GO TO 4.
NG	▶	Repair harness.


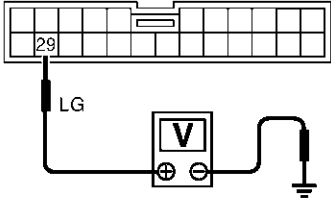
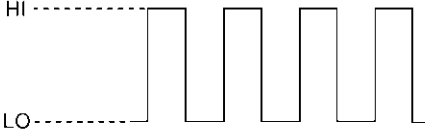
4	CHECK SLIDING ENCODER SHORT CIRCUIT	
<p>Check harness continuity between seat control unit LH connector and ground.</p>		
		
		SEL606W
OK or NG		
OK	▶	Replace sliding encoder.
NG	▶	Repair harness.


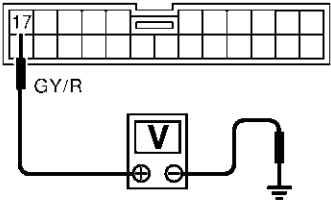
AUTOMATIC DRIVE POSITIONER

Trouble Diagnoses (Cont'd)

DIAGNOSTIC PROCEDURE 3 (Reclining encoder check)

=NFEL0292S06

1	CHECK RECLINING ENCODER OUTPUT SIGNAL	<p>Measure voltage between seat control unit LH terminal 29 and ground with CONSULT-II or oscilloscope when power seat reclining is operated.</p> <div style="display: flex; justify-content: space-around; align-items: flex-start;"> <div style="text-align: center;">  <p>Seat control unit LH (B512)</p>  </div> <div style="text-align: center;">  <p>HI: Approx. 5V LO: Approx. 0V</p> </div> </div> <p style="text-align: right;">SEL607W</p> <p style="text-align: center;">OK or NG</p> <table border="1" style="width: 100%; border-collapse: collapse;"> <tr> <td style="width: 15%;">OK</td> <td style="width: 10%; text-align: center;">▶</td> <td>Reclining encoder is OK.</td> </tr> <tr> <td>NG</td> <td style="text-align: center;">▶</td> <td>GO TO 2.</td> </tr> </table>	OK	▶	Reclining encoder is OK.	NG	▶	GO TO 2.	GI MA EM LC EC FE CL MT
OK	▶	Reclining encoder is OK.							
NG	▶	GO TO 2.							

2	CHECK RECLINING ENCODER INPUT SIGNAL	<p>Check voltage between seat control unit LH terminal 17 and ground.</p> <div style="display: flex; justify-content: space-around; align-items: flex-start;"> <div style="text-align: center;">  <p>Seat control unit LH (B512)</p>  </div> <div style="text-align: center;"> <p>Battery voltage should exist.</p> </div> </div> <p style="text-align: right;">SEL608W</p> <p style="text-align: center;">OK or NG</p> <table border="1" style="width: 100%; border-collapse: collapse;"> <tr> <td style="width: 15%;">OK</td> <td style="width: 10%; text-align: center;">▶</td> <td>GO TO 3.</td> </tr> <tr> <td>NG</td> <td style="text-align: center;">▶</td> <td>Replace seat control unit LH.</td> </tr> </table>	OK	▶	GO TO 3.	NG	▶	Replace seat control unit LH.	AT AX SU BR ST RS BT HA SC EL IDX
OK	▶	GO TO 3.							
NG	▶	Replace seat control unit LH.							

AUTOMATIC DRIVE POSITIONER

Trouble Diagnoses (Cont'd)

3	CHECK RECLINING ENCODER OPEN CIRCUIT												
<p>1. Disconnect seat control unit LH connector and reclining device LH connector.</p> <p>2. Check harness continuity between seat control unit LH connector B512 terminal 17 (GY/R), 28 (Y/G), 29 (LG) and reclining LH connector B515 terminals 4 (GY/R), 6 (Y/G), 5 (LG).</p>													
<table border="1" style="margin-left: auto;"> <thead> <tr> <th colspan="2">Terminals</th> <th rowspan="2">Continuity</th> </tr> <tr> <th>Seat control unit LH</th> <th>Reclining device LH (Reclining encoder)</th> </tr> </thead> <tbody> <tr> <td>17</td> <td>4</td> <td rowspan="3" style="text-align: center;">Yes</td> </tr> <tr> <td>28</td> <td>6</td> </tr> <tr> <td>29</td> <td>5</td> </tr> </tbody> </table>		Terminals		Continuity	Seat control unit LH	Reclining device LH (Reclining encoder)	17	4	Yes	28	6	29	5
Terminals		Continuity											
Seat control unit LH	Reclining device LH (Reclining encoder)												
17	4	Yes											
28	6												
29	5												
SEL609WB													
OK or NG													
OK	▶	GO TO 4.											
NG	▶	Repair harness.											

4	CHECK RECLINING ENCODER SHORT CIRCUIT						
<p>Check harness continuity between seat control unit LH connector and ground.</p>							
<table border="1" style="margin-left: auto;"> <thead> <tr> <th>Terminals</th> <th>Continuity</th> </tr> </thead> <tbody> <tr> <td>17 - Ground</td> <td rowspan="3" style="text-align: center;">No</td> </tr> <tr> <td>28 - Ground</td> </tr> <tr> <td>29 - Ground</td> </tr> </tbody> </table>		Terminals	Continuity	17 - Ground	No	28 - Ground	29 - Ground
Terminals	Continuity						
17 - Ground	No						
28 - Ground							
29 - Ground							
SEL610W							
OK or NG							
OK	▶	Replace reclining encoder.					
NG	▶	Repair harness.					

DIAGNOSTIC PROCEDURE 4

[Lifting encoder (front) check]

=NFEL0292S07

1	CHECK LIFTING ENCODER (FRONT) OUTPUT SIGNAL	
<p>Measure voltage between seat control unit LH terminal 19 and ground with CONSULT-II or oscilloscope when power seat lifting (front) is operated.</p>		
SEL611W		
OK or NG		
OK	▶	Lifting encoder (front) is OK.
NG	▶	GO TO 2.

2	CHECK LIFTING ENCODER (FRONT) INPUT SIGNAL	
<p>Check voltage between seat control unit LH terminal 17 and ground.</p>		
SEL612W		
OK or NG		
OK	▶	GO TO 3.
NG	▶	Replace seat control unit LH.

GI
MA
EM
LC
EC
FE
CL
MT
AT
AX
SU
BR
ST
RS
BT
HA
SC
EL
IDX

AUTOMATIC DRIVE POSITIONER

Trouble Diagnoses (Cont'd)

3	CHECK LIFTING ENCODER (FRONT) OPEN CIRCUIT												
<p>1. Disconnect seat control unit LH connector and front lifting device LH connector.</p> <p>2. Check harness continuity between seat control unit LH connector B512 terminals 17 (GY/R), 19 (L/R), 28 (Y/G) and front lifting device LH connector B516 terminals 4 (G/Y), 5 (L/R), 6 (Y/G).</p>													
<table border="1" style="margin-left: auto;"> <thead> <tr> <th colspan="2">Terminals</th> <th rowspan="2">Continuity</th> </tr> <tr> <th>Seat control unit LH</th> <th>Front lifting device LH Lifting encoder (front)</th> </tr> </thead> <tbody> <tr> <td>17</td> <td>4</td> <td rowspan="3" style="text-align: center;">Yes</td> </tr> <tr> <td>19</td> <td>5</td> </tr> <tr> <td>28</td> <td>6</td> </tr> </tbody> </table>		Terminals		Continuity	Seat control unit LH	Front lifting device LH Lifting encoder (front)	17	4	Yes	19	5	28	6
Terminals		Continuity											
Seat control unit LH	Front lifting device LH Lifting encoder (front)												
17	4	Yes											
19	5												
28	6												
SEL613WB													
OK or NG													
OK	▶	GO TO 4.											
NG	▶	Repair harness.											

4	CHECK LIFTING ENCODER (FRONT) SHORT CIRCUIT						
<p>Check harness continuity between seat control unit LH connector and ground.</p>							
<table border="1" style="margin-left: auto;"> <thead> <tr> <th>Terminals</th> <th>Continuity</th> </tr> </thead> <tbody> <tr> <td>17 - Ground</td> <td rowspan="3" style="text-align: center;">No</td> </tr> <tr> <td>19 - Ground</td> </tr> <tr> <td>28 - Ground</td> </tr> </tbody> </table>		Terminals	Continuity	17 - Ground	No	19 - Ground	28 - Ground
Terminals	Continuity						
17 - Ground	No						
19 - Ground							
28 - Ground							
SEL614W							
OK or NG							
OK	▶	Replace lifting encoder (front).					
NG	▶	Repair harness.					

DIAGNOSTIC PROCEDURE 5

[Lifting encoder (rear) check]

=NFEL0292S08

1	CHECK LIFTING ENCODER (REAR) OUTPUT SIGNAL	
<p>Measure voltage between seat control unit LH terminal 30 and ground with CONSULT-II or oscilloscope when power seat lifting (rear) is operated.</p>		
SEL615W		
OK or NG		
OK	▶	Lifting encoder (rear) is OK.
NG	▶	GO TO 2.

2	CHECK LIFTING ENCODER (REAR) INPUT SIGNAL	
<p>Check voltage between seat control unit LH terminal 17 and ground.</p>		
SEL616W		
OK or NG		
OK	▶	GO TO 3.
NG	▶	Replace seat control unit LH.

GI
 MA
 EM
 LC
 EC
 FE
 CL
 MT
 AT
 AX
 SU
 BR
 ST
 RS
 BT
 HA
 SC
 EL
 IDX

AUTOMATIC DRIVE POSITIONER

Trouble Diagnoses (Cont'd)

3	CHECK LIFTING ENCODER (REAR) OPEN CIRCUIT	
<p>1. Disconnect seat control unit LH connector and rear lifting device LH connector.</p> <p>2. Check harness continuity between seat control unit LH connector B512 terminals 17 (GY/R), 28 (Y/G), 30 (SB) and rear lifting device LH connector B517 terminals 4 (GY/R), 6 (Y/G), 5 (SB).</p>		
SEL617WB		
OK or NG		
OK	▶	GO TO 4.
NG	▶	Repair harness.


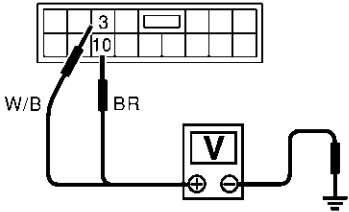
4	CHECK LIFTING ENCODER (REAR) SHORT CIRCUIT	
<p>Check harness continuity between seat control unit LH connector and ground.</p>		
SEL618W		
OK or NG		
OK	▶	Replace lifting encoder (rear).
NG	▶	Repair harness.

AUTOMATIC DRIVE POSITIONER


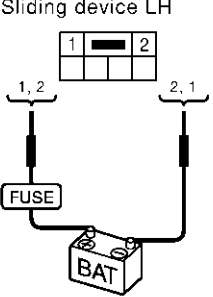
Trouble Diagnoses (Cont'd)

DIAGNOSTIC PROCEDURE 6 (Sliding motor check)

=NFEL0292S09

1	CHECK OUTPUT SIGNAL TO SLIDING MOTOR	<p>Check voltage between seat control unit LH terminals 3 or 10 and ground.</p> <div style="display: flex; justify-content: space-around; align-items: flex-start;"> <div style="text-align: center;">  <p>Seat control unit LH (B513)</p>  </div> <table border="1" style="border-collapse: collapse; text-align: center;"> <thead> <tr> <th rowspan="2">Condition of sliding switch</th> <th colspan="2">Terminals</th> <th rowspan="2">Voltage [V]</th> </tr> <tr> <th>+</th> <th>-</th> </tr> </thead> <tbody> <tr> <td>Forward</td> <td>3</td> <td>Ground</td> <td>Approx. 12</td> </tr> <tr> <td>Backward</td> <td>10</td> <td>Ground</td> <td>Approx. 12</td> </tr> </tbody> </table> </div>		Condition of sliding switch	Terminals		Voltage [V]	+	-	Forward	3	Ground	Approx. 12	Backward	10	Ground	Approx. 12
Condition of sliding switch	Terminals		Voltage [V]														
	+	-															
Forward	3	Ground	Approx. 12														
Backward	10	Ground	Approx. 12														
OK or NG																	
OK		▶	GO TO 2.														
NG		▶	Replace seat control unit LH.														

GI
MA
EM
LC
EC
FE
CL

2	CHECK SLIDING MOTOR	<p>1. Disconnect sliding device LH connector B518. 2. Apply 12V DC direct current to motor and check operation.</p> <div style="display: flex; justify-content: space-around; align-items: flex-start;"> <div style="text-align: center;">  <p>Sliding device LH</p>  </div> <table border="1" style="border-collapse: collapse; text-align: center;"> <thead> <tr> <th colspan="2">Terminals</th> <th rowspan="2">Operation</th> </tr> <tr> <th>+</th> <th>-</th> </tr> </thead> <tbody> <tr> <td>2</td> <td>1</td> <td>Forward</td> </tr> <tr> <td>1</td> <td>2</td> <td>Backward</td> </tr> </tbody> </table> </div>		Terminals		Operation	+	-	2	1	Forward	1	2	Backward
Terminals		Operation												
+	-													
2	1	Forward												
1	2	Backward												
OK or NG														
OK		▶	Check harness for operation between seat control unit LH and sliding motor.											
NG		▶	Replace sliding motor.											

MT
AT
AX
SU
BR
ST

BT
HA
SC

EL

IDX

AUTOMATIC DRIVE POSITIONER

Trouble Diagnoses (Cont'd)

DIAGNOSTIC PROCEDURE 7 (Reclining motor check)

=NFEL0292S10

1	CHECK OUTPUT SIGNAL TO RECLINING MOTOR	<p>Check voltage between seat control unit LH terminals 4 or 12 and ground.</p> <div style="display: flex; justify-content: space-around; align-items: flex-start;"> <div style="text-align: center;"> <p>Seat control unit LH (B513)</p> </div> <table border="1" style="border-collapse: collapse; text-align: center;"> <thead> <tr> <th rowspan="2">Condition of reclining switch</th> <th colspan="2">Terminals</th> <th rowspan="2">Voltage [V]</th> </tr> <tr> <th>+</th> <th>-</th> </tr> </thead> <tbody> <tr> <td>Forward</td> <td>4</td> <td>Ground</td> <td>Approx. 12</td> </tr> <tr> <td>Backward</td> <td>12</td> <td>Ground</td> <td>Approx. 12</td> </tr> </tbody> </table> </div>		Condition of reclining switch	Terminals		Voltage [V]	+	-	Forward	4	Ground	Approx. 12	Backward	12	Ground	Approx. 12
Condition of reclining switch	Terminals		Voltage [V]														
	+	-															
Forward	4	Ground	Approx. 12														
Backward	12	Ground	Approx. 12														
SEL621W																	
OK or NG																	
OK	▶	GO TO 2.															
NG	▶	Replace seat control unit LH.															

2	CHECK RECLINING MOTOR	<p>1. Disconnect reclining device LH connector B515. 2. Apply 12V DC direct current to motor and check operation.</p> <div style="display: flex; justify-content: space-around; align-items: center;"> <div style="text-align: center;"> <p>Reclining device LH</p> </div> <table border="1" style="border-collapse: collapse; text-align: center;"> <thead> <tr> <th colspan="2">Terminals</th> <th rowspan="2">Operation</th> </tr> <tr> <th>+</th> <th>-</th> </tr> </thead> <tbody> <tr> <td>1</td> <td>3</td> <td>Forward</td> </tr> <tr> <td>3</td> <td>1</td> <td>Backward</td> </tr> </tbody> </table> </div>		Terminals		Operation	+	-	1	3	Forward	3	1	Backward
Terminals		Operation												
+	-													
1	3	Forward												
3	1	Backward												
SEL622WB														
OK or NG														
OK	▶	Check harness for operation between seat control unit LH and reclining motor.												
NG	▶	Replace reclining motor.												

AUTOMATIC DRIVE POSITIONER

Trouble Diagnoses (Cont'd)

DIAGNOSTIC PROCEDURE 8

[Lifting motor (front) check]

=NFEL0292S11

1	CHECK OUTPUT SIGNAL TO LIFTING MOTOR (FRONT)																
<p>Check voltage between seat control unit LH terminals 5 or 13 and ground.</p>																	
<p>Seat control unit LH (B513)</p>		<table border="1" style="width: 100%; border-collapse: collapse;"> <thead> <tr> <th rowspan="2">Condition of lifting switch (front)</th> <th colspan="2">Terminals</th> <th rowspan="2">Voltage [V]</th> </tr> <tr> <th>+</th> <th>-</th> </tr> </thead> <tbody> <tr> <td>Up</td> <td>13</td> <td>Ground</td> <td>Approx. 12</td> </tr> <tr> <td>Down</td> <td>5</td> <td>Ground</td> <td>Approx. 12</td> </tr> </tbody> </table>		Condition of lifting switch (front)	Terminals		Voltage [V]	+	-	Up	13	Ground	Approx. 12	Down	5	Ground	Approx. 12
Condition of lifting switch (front)	Terminals		Voltage [V]														
	+	-															
Up	13	Ground	Approx. 12														
Down	5	Ground	Approx. 12														
SEL623W																	
OK or NG																	
OK	▶	GO TO 2.															
NG	▶	Replace seat control unit LH.															

2	CHECK LIFTING MOTOR (FRONT)													
<p>1. Disconnect front lifting device LH connector B516. 2. Apply 12V DC direct current to motor and check operation.</p>														
<p>Front lifting device LH</p>		<table border="1" style="width: 100%; border-collapse: collapse;"> <thead> <tr> <th colspan="2">Terminals</th> <th rowspan="2">Operation</th> </tr> <tr> <th>+</th> <th>-</th> </tr> </thead> <tbody> <tr> <td>3</td> <td>1</td> <td>Up</td> </tr> <tr> <td>1</td> <td>3</td> <td>Down</td> </tr> </tbody> </table>		Terminals		Operation	+	-	3	1	Up	1	3	Down
Terminals		Operation												
+	-													
3	1	Up												
1	3	Down												
SEL624WB														
OK or NG														
OK	▶	Check harness for operation between seat control unit LH and lifting motor (front).												
NG	▶	Replace lifting motor (front).												

GI
MA
EM
LC
EC
FE
CL
MT
AT
AX
SU
BR
ST
RS
BT
HA
SC
EL
IDX




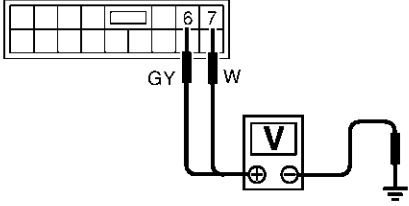
AUTOMATIC DRIVE POSITIONER



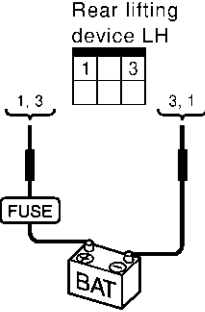
Trouble Diagnoses (Cont'd)

DIAGNOSTIC PROCEDURE 9

[Lifting motor (rear) check]

=NFEL0292S12

1	CHECK OUTPUT SIGNAL TO LIFTING MOTOR (REAR)	<p>Check voltage between seat control unit LH terminals 6 or 7 and ground.</p> <div style="display: flex; justify-content: space-around; align-items: flex-start;"> <div style="text-align: center;">  <p>H.S.</p> </div> <div style="text-align: center;">  <p>CONNECT</p> </div> <div style="text-align: center;">  <p>OFF</p> </div> </div> <p>Seat control unit LH (8513)</p> 															
		<table border="1" style="width: 100%; border-collapse: collapse;"> <thead> <tr> <th rowspan="2">Condition of lifting switch (rear)</th> <th colspan="2">Terminals</th> <th rowspan="2">Voltage [V]</th> </tr> <tr> <th>+</th> <th>-</th> </tr> </thead> <tbody> <tr> <td>Up</td> <td style="text-align: center;">6</td> <td style="text-align: center;">Ground</td> <td style="text-align: center;">Approx. 12</td> </tr> <tr> <td>Down</td> <td style="text-align: center;">7</td> <td style="text-align: center;">Ground</td> <td style="text-align: center;">Approx. 12</td> </tr> </tbody> </table>	Condition of lifting switch (rear)	Terminals		Voltage [V]	+	-	Up	6	Ground	Approx. 12	Down	7	Ground	Approx. 12	SEL625W
Condition of lifting switch (rear)	Terminals			Voltage [V]													
	+	-															
Up	6	Ground	Approx. 12														
Down	7	Ground	Approx. 12														
OK or NG																	
OK	▶	GO TO 2.															
NG	▶	Replace seat control unit LH.															

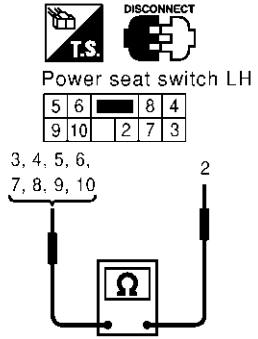
2	CHECK LIFTING MOTOR (REAR)	<p>1. Disconnect rear lifting device LH connector B517. 2. Apply 12V DC direct current to motor and check operation.</p> <div style="display: flex; justify-content: space-around; align-items: center;"> <div style="text-align: center;">  <p>T.S.</p> </div> <div style="text-align: center;">  <p>DISCONNECT</p> </div> </div> 												
		<table border="1" style="width: 100%; border-collapse: collapse;"> <thead> <tr> <th colspan="2">Terminals</th> <th rowspan="2">Operation</th> </tr> <tr> <th>+</th> <th>-</th> </tr> </thead> <tbody> <tr> <td style="text-align: center;">1</td> <td style="text-align: center;">3</td> <td style="text-align: center;">Up</td> </tr> <tr> <td style="text-align: center;">3</td> <td style="text-align: center;">1</td> <td style="text-align: center;">Down</td> </tr> </tbody> </table>	Terminals		Operation	+	-	1	3	Up	3	1	Down	SEL626WB
Terminals		Operation												
+	-													
1	3	Up												
3	1	Down												
OK or NG														
OK	▶	Check harness for operation between seat control unit LH and lifting motor (rear).												
NG	▶	Replace lifting motor (rear).												

AUTOMATIC DRIVE POSITIONER

Trouble Diagnoses (Cont'd)

DIAGNOSTIC PROCEDURE 10 (Power seat switch check)

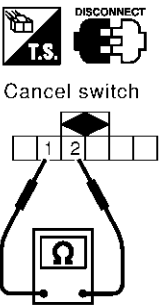
=NFEL0292S13

1	CHECK POWER SEAT SWITCH																																																																																																																		
<p>1. Disconnect power seat switch LH connector. 2. Check continuity between power seat switch terminals (B514).</p>																																																																																																																			
 <p style="text-align: center;">Power seat switch LH</p>		<table border="1" style="border-collapse: collapse;"> <thead> <tr> <th rowspan="2">Switch</th> <th rowspan="2">Condition</th> <th colspan="9">Terminals</th> </tr> <tr> <th>2</th> <th>5</th> <th>6</th> <th>8</th> <th>4</th> <th>9</th> <th>10</th> <th>7</th> <th>3</th> </tr> </thead> <tbody> <tr> <td rowspan="2">Sliding</td> <td>Forward</td> <td style="text-align: center;">○</td> <td></td> <td></td> <td></td> <td></td> <td></td> <td></td> <td></td> <td></td> <td style="text-align: center;">○</td> </tr> <tr> <td>Backward</td> <td style="text-align: center;">○</td> <td></td> <td></td> <td></td> <td style="text-align: center;">○</td> <td></td> <td></td> <td></td> <td></td> <td></td> </tr> <tr> <td rowspan="2">Reclining</td> <td>Forward</td> <td style="text-align: center;">○</td> <td style="text-align: center;">○</td> <td></td> <td></td> <td></td> <td></td> <td></td> <td></td> <td></td> <td></td> </tr> <tr> <td>Backward</td> <td style="text-align: center;">○</td> <td></td> <td style="text-align: center;">○</td> <td></td> <td></td> <td></td> <td></td> <td></td> <td></td> <td></td> </tr> <tr> <td rowspan="2">Lifting (Front)</td> <td>Up</td> <td style="text-align: center;">○</td> <td></td> <td></td> <td></td> <td></td> <td></td> <td style="text-align: center;">○</td> <td></td> <td></td> <td></td> </tr> <tr> <td>Down</td> <td style="text-align: center;">○</td> <td></td> <td></td> <td></td> <td></td> <td></td> <td></td> <td style="text-align: center;">○</td> <td></td> <td></td> </tr> <tr> <td rowspan="2">Lifting (Rear)</td> <td>Up</td> <td style="text-align: center;">○</td> <td></td> <td></td> <td></td> <td></td> <td></td> <td></td> <td></td> <td style="text-align: center;">○</td> <td></td> </tr> <tr> <td>Down</td> <td style="text-align: center;">○</td> <td></td> <td></td> <td style="text-align: center;">○</td> <td></td> <td></td> <td></td> <td></td> <td></td> <td></td> </tr> </tbody> </table>		Switch	Condition	Terminals									2	5	6	8	4	9	10	7	3	Sliding	Forward	○									○	Backward	○				○						Reclining	Forward	○	○									Backward	○		○								Lifting (Front)	Up	○						○				Down	○							○			Lifting (Rear)	Up	○								○		Down	○			○						
Switch	Condition	Terminals																																																																																																																	
		2	5	6	8	4	9	10	7	3																																																																																																									
Sliding	Forward	○									○																																																																																																								
	Backward	○				○																																																																																																													
Reclining	Forward	○	○																																																																																																																
	Backward	○		○																																																																																																															
Lifting (Front)	Up	○						○																																																																																																											
	Down	○							○																																																																																																										
Lifting (Rear)	Up	○								○																																																																																																									
	Down	○			○																																																																																																														
SEL615Y																																																																																																																			
OK or NG																																																																																																																			
OK	▶	<p>Check the following.</p> <ul style="list-style-type: none"> ● Ground circuit for power seat switch ● Harness for open or short between seat control unit LH and power seat switch 																																																																																																																	
NG	▶	Replace power seat switch.																																																																																																																	

GI
MA
EM
LC
EC
FE
CL
MT
AT
AX
SU
BR
ST
RS
BT
HA
SC
EL
IDX

DIAGNOSTIC PROCEDURE 11 (Cancel switch check)

NFEL0292S14

1	CHECK CANCEL SWITCH										
<p>1. Disconnect cancel switch connector. 2. Check continuity between cancel switch terminals (M154).</p>											
 <p style="text-align: center;">Cancel switch</p>		<table border="1" style="border-collapse: collapse;"> <thead> <tr> <th>Terminals</th> <th>Cancel switch condition</th> <th>Continuity</th> </tr> </thead> <tbody> <tr> <td rowspan="2" style="text-align: center;">1-2</td> <td style="text-align: center;">ON</td> <td style="text-align: center;">Yes</td> </tr> <tr> <td style="text-align: center;">OFF</td> <td style="text-align: center;">No</td> </tr> </tbody> </table>		Terminals	Cancel switch condition	Continuity	1-2	ON	Yes	OFF	No
Terminals	Cancel switch condition	Continuity									
1-2	ON	Yes									
	OFF	No									
SEL628WB											
OK or NG											
OK	▶	<p>Check the following.</p> <ul style="list-style-type: none"> ● Ground circuit for cancel switch ● Harness for open or short between seat control unit LH and cancel switch 									
NG	▶	Replace cancel switch.									


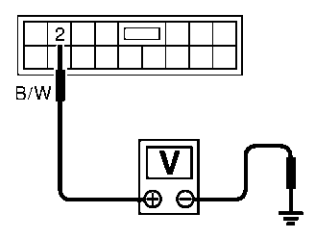
AUTOMATIC DRIVE POSITIONER


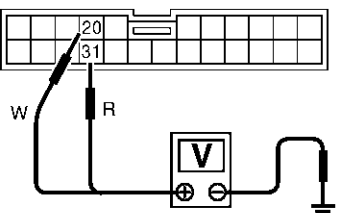
Trouble Diagnoses (Cont'd)

DIAGNOSTIC PROCEDURE 12

=NFEL0292S15

(Key, detention, stop lamp, parking brake, door switch and vehicle speed sensor check)

1	CHECK KEY SWITCH INPUT SIGNAL (A/T MODEL ONLY)							
<p>Check voltage between seat control unit LH terminal 2 (BW) and ground.</p> <div style="display: flex; justify-content: space-between; align-items: flex-start;"> <div style="text-align: center;">  <p>Seat control unit LH (6513)</p>  </div> <table border="1" style="border-collapse: collapse; text-align: center;"> <thead> <tr> <th style="border: none;">Condition</th> <th style="border: none;">Voltage [V]</th> </tr> </thead> <tbody> <tr> <td style="border: none;">Key is inserted</td> <td style="border: none;">Approx. 12</td> </tr> <tr> <td style="border: none;">Key is removed</td> <td style="border: none;">0</td> </tr> </tbody> </table> </div> <p style="text-align: right; margin-top: 10px;">SEL629W</p>			Condition	Voltage [V]	Key is inserted	Approx. 12	Key is removed	0
Condition	Voltage [V]							
Key is inserted	Approx. 12							
Key is removed	0							
OK or NG								
OK	▶	GO TO 2.						
NG	▶	<p>Check the following.</p> <ul style="list-style-type: none"> ● 10A fuse [No. 13, located in fuse block (J/B)] ● Key switch ● Harness for open or short between key switch and fuse ● Harness for open or short between seat control unit LH and key switch 						

2	CHECK IGNITION SWITCH INPUT SIGNAL (ON AND START)																					
<p>Check voltage between seat control unit LH terminals and ground.</p> <div style="display: flex; justify-content: space-between; align-items: flex-start;"> <div style="text-align: center;">  <p>Seat control unit LH (6512)</p>  </div> <table border="1" style="border-collapse: collapse; text-align: center;"> <thead> <tr> <th colspan="2" style="border: none;">Terminals</th> <th colspan="3" style="border: none;">Ignition switch position</th> </tr> <tr> <th style="border: none;">+</th> <th style="border: none;">-</th> <th style="border: none;">OFF</th> <th style="border: none;">ON</th> <th style="border: none;">START</th> </tr> </thead> <tbody> <tr> <td style="border: none;">20</td> <td style="border: none;">Ground</td> <td style="border: none;">Approx. 0V</td> <td colspan="2" style="border: none;">Battery voltage</td> </tr> <tr> <td style="border: none;">31</td> <td style="border: none;">Ground</td> <td colspan="2" style="border: none;">Approx. 0V</td> <td style="border: none;">Batttery voltage</td> </tr> </tbody> </table> </div> <p style="text-align: right; margin-top: 10px;">SEL630W</p>			Terminals		Ignition switch position			+	-	OFF	ON	START	20	Ground	Approx. 0V	Battery voltage		31	Ground	Approx. 0V		Batttery voltage
Terminals		Ignition switch position																				
+	-	OFF	ON	START																		
20	Ground	Approx. 0V	Battery voltage																			
31	Ground	Approx. 0V		Batttery voltage																		
OK or NG																						
OK	▶	GO TO 3.																				
NG	▶	<p>Check the following.</p> <ul style="list-style-type: none"> ● 10A fuse [No. 10, located in fuse block (J/B)] ● 10A fuse [No. 21, located in fuse block (J/B)] ● Harness for open or short between seat control unit LH and fuse 																				

AUTOMATIC DRIVE POSITIONER

Trouble Diagnoses (Cont'd)

3	CHECK PARK POSITION SWITCH (A/T) OR PARKING BRAKE SWITCH (M/T) INPUT SIGNAL														
<p>Check voltage between seat control unit LH harness connector B512 terminal 21 (GY) and ground.</p>															
<p>Seat control unit LH</p>															
<table border="1" style="border-collapse: collapse;"> <thead> <tr> <th style="width: 10%;"></th> <th style="width: 40%;">Condition</th> <th style="width: 50%;">Voltage [V]</th> </tr> </thead> <tbody> <tr> <td rowspan="2" style="text-align: center; vertical-align: middle;">A/T</td> <td>Selector lever is in "P" position</td> <td style="text-align: center;">0</td> </tr> <tr> <td>Except above</td> <td style="text-align: center;">Approx. 12</td> </tr> <tr> <td rowspan="2" style="text-align: center; vertical-align: middle;">M/T</td> <td>Parking brake is applied</td> <td style="text-align: center;">0</td> </tr> <tr> <td>Parking brake is released</td> <td style="text-align: center;">Approx. 12</td> </tr> </tbody> </table>				Condition	Voltage [V]	A/T	Selector lever is in "P" position	0	Except above	Approx. 12	M/T	Parking brake is applied	0	Parking brake is released	Approx. 12
	Condition	Voltage [V]													
A/T	Selector lever is in "P" position	0													
	Except above	Approx. 12													
M/T	Parking brake is applied	0													
	Parking brake is released	Approx. 12													
SEL416Y															
OK or NG															
OK	▶	GO TO 4.													
NG	▶	<p>Check the following.</p> <ul style="list-style-type: none"> ● Park position switch (A/T) or parking brake switch (M/T) ● Park position switch ground circuit (A/T) ● Harness for open or short between seat control unit LH and park position switch (A/T) or parking brake switch (M/T) 													

GI
MA
EM
LC
EC
FE
CL
MT

4	CHECK DRIVER DOOR SWITCH INPUT SIGNAL (A/T MODEL ONLY)										
<p>Check voltage between seat control unit LH terminal 9 and ground.</p>											
<p>Seat control unit LH (S13)</p>											
<table border="1" style="border-collapse: collapse;"> <thead> <tr> <th style="width: 10%;"></th> <th style="width: 40%;">Condition</th> <th style="width: 50%;">Voltage [V]</th> </tr> </thead> <tbody> <tr> <td></td> <td>Driver's door is open</td> <td style="text-align: center;">0</td> </tr> <tr> <td></td> <td>Driver's door is closed</td> <td style="text-align: center;">Approx. 12</td> </tr> </tbody> </table>				Condition	Voltage [V]		Driver's door is open	0		Driver's door is closed	Approx. 12
	Condition	Voltage [V]									
	Driver's door is open	0									
	Driver's door is closed	Approx. 12									
SEL632W											
OK or NG											
OK	▶	GO TO 5.									
NG	▶	<p>Check the following.</p> <ul style="list-style-type: none"> ● Driver door switch ● Driver door switch ground circuit ● Harness for open or short between seat control unit LH and driver door switch 									

AT
AX
SU
BR
ST
RS
BT
HA

5	CHECK VEHICLE SPEED SENSOR	
<p>Does speedometer operate normally?</p>		
Yes or No		
OK	▶	GO TO 6.
NG	▶	Check speedometer and vehicle speed sensor circuit. Refer to EL-126.

SC
EL

IDX

AUTOMATIC DRIVE POSITIONER

Trouble Diagnoses (Cont'd)

6	CHECK VEHICLE SPEED SENSOR PULL UP VOLTAGE
<p>1. Turn ignition switch "ON". 2. Check voltage between seat control unit LH terminal 32 and ground.</p>	
SEL633W	
OK or NG	
OK	▶ Harness for open or short between seat control unit LH and combination meter.
NG	▶ Repair harness.

DIAGNOSTIC PROCEDURE 13 (Memory seat switch check)

NFEL0292S16

1	CHECK SEAT MEMORY SWITCH
<p>1. Disconnect memory seat switch connector. 2. Check continuity between memory seat switch terminals (D14).</p>	
SEL634WC	
OK or NG	
OK	▶ Check the following. <ul style="list-style-type: none"> ● Ground circuit for memory seat switch ● Harness for open or short between seat control unit LH and memory seat switch
NG	▶ Replace memory seat switch.

Switch	Condition	Terminals			
		1	2	3	4
Memory-1	ON	○			○
Memory-2	ON		○		○
Set	ON			○	○

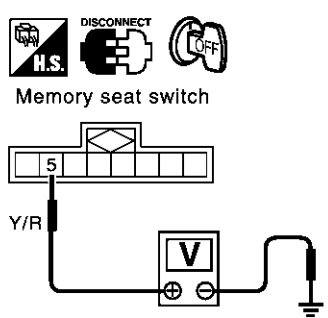
AUTOMATIC DRIVE POSITIONER

Trouble Diagnoses (Cont'd)

DIAGNOSTIC PROCEDURE 14 (Memory indicator check)

=NFEL0292S17

1	CHECK INDICATOR LAMP	
Check indicator lamp illumination.		
OK or NG		
OK	▶	GO TO 2.
NG	▶	Replace memory seat switch (indicator lamp).

2	CHECK POWER SUPPLY CIRCUIT FOR INDICATOR LAMP	
<p>1. Disconnect memory seat switch connector (D14). 2. Check voltage between memory seat switch terminal 5 and ground.</p>		
 <p style="text-align: center;">Battery voltage should exist.</p>		
SEL635WC		
OK or NG		
OK	▶	Check harness for open or short between seat control unit LH and memory seat switch
NG	▶	Check the following. <ul style="list-style-type: none"> ● 10A fuse [No. 12 located in the fuse block (J/B)] ● Harness for open or short between fuse and indicator lamp

GI
 MA
 EM
 LC
 EC
 FE
 CL
 MT
 AT
 AX
 SU
 BR
 ST
 RS
 BT
 HA
 SC
 EL
 IDX

AUTOMATIC SPEED CONTROL DEVICE (ASCD)

System Description

System Description

Refer to EC-54, "Automatic Speed Control Device (ASCD) System" in "ENGINE AND EMISSION BASIC DESCRIPTION CONTROL SYSTEM". ^{NFEL0190}

System Description

NFEL0191

Power is supplied at all times

- from 40A fusible link (letter I, located in the fuse and fusible link box)
- to circuit breaker terminal 1
- through circuit breaker terminal 2
- to power window relay terminal 3 and
- to front power window main switch terminal 19
- to front power window switch RH terminal 10.

GI

MA

EM

With ignition switch in ON or START position, power is supplied

- through 10A fuse [No. 10, located in the fuse block (J/B)]
- to rear power window switch LH and RH terminal 6
- to smart entrance control unit terminal 27.

LC

EC

Ground is supplied to power window relay terminal 1

- through body grounds M9, M25 and M87.

FE

Ground is supplied to rear power window switch LH terminal 7

- through body ground B12 and B7 (without automatic drive positioner), or B59 (with automatic drive positioner).

CL

Ground is supplied to rear power window switch RH terminal 7

- through body grounds B106 and B127.

MT

The power window relay is energized and power is supplied

- through power window relay terminal 5
- to front power window main switch terminal 10,
- to rear power window switch LH and RH terminal 1.

AT

MANUAL OPERATION

Front Door LH

Ground is supplied

- to front power window main switch terminal 17
- through body grounds M9, M25 and M87.

WINDOW UP

When the front LH switch in the front power window main switch is pressed in the UP position, power is supplied

- to front power window regulator LH terminal 1
- through front power window main switch terminal 8.

Ground is supplied

- to front power window regulator LH terminal 3
- through front power window main switch terminal 11.

Then, the motor raises the window until the switch is released.

WINDOW DOWN

When the LH switch in the power window main switch is pressed in the down position, power is supplied

- to front power window regulator LH terminal 3
- through front power window main switch terminal 11.

Ground is supplied

- to front power window regulator LH terminal 1
- through front power window main switch terminal 8.

Then, the motor lowers the window until the switch is released.

Front Door RH

Ground is supplied

- to front power window switch RH terminal 11
- through body grounds M9, M25 and M87.

WINDOW UP

When the front RH switch in the front power window switch is pressed in the UP position, power is supplied

NFEL0191S01

AX

NFEL0191S0101

SU

BR

ST

RS

BT

HA

SC

EL

NFEL0191S0102

IDX

POWER WINDOW

System Description (Cont'd)

- to front power window regulator RH terminal 1
- through front power window switch RH terminal 8.

Ground is supplied

- to front power window regulator RH terminal 3
- through front power window switch RH terminal 9.

Then, the motor raises the window until the switch is released.

WINDOW DOWN

When the RH switch in the front power window switch is pressed in the DOWN position, power is supplied

- to front power window regulator RH terminal 3
- through front power window switch RH terminal 9.

Ground is supplied

- to front power window regulator RH terminal 1
- through front power window switch RH terminal 8.

Then, the motor lowers the window until the switch is released.

Rear Door

REAR DOOR

MAIN SWITCH OPERATION

Rear Door LH

Power is supplied

- through front power window main switch terminal (1, 3)
- to rear power window switch LH terminal (2, 3)

The subsequent operation is the same as front power window switch RH operation.

REAR POWER WINDOW SWITCH LH OPERATION

Power is supplied

- through rear power window switch LH terminal (5, 4)
- to rear power window regulator LH terminal (1, 2)

Ground is supplied

- to rear power window regulator LH terminal (2, 1)
- through rear power window switch LH terminal (4, 5)
- to rear power window switch LH terminal (3, 2)
- through front power window main switch terminal (3, 1)

Then, the motor raises or lowers the window until the switch is released.

Rear Door RH

Power is supplied

- through front power window main switch terminal (7, 5)
- to rear power window switch RH terminal (2, 3)
- through rear power window switch RH terminal (5, 4)
- to rear power window regulator RH terminal (1, 2)

Ground is supplied

- to rear power window regulator RH terminal (2, 1)
- through rear power window switch RH terminal (4, 5)
- to rear power window switch RH terminal (3, 2)
- through front power window main switch terminal (5, 7)

Then, the motor raises or lowers the window until the switch is released.

Power Window Opened/Closed Operation

- When ignition key switch is OFF, front power window can be opened or closed by turning the front door key cylinder to UNLOCK/LOCK direction.
- Power window can be opened as the door key cylinder is kept fully turning to the UNLOCK direction.
- Power window can be closed as the door key cylinder is kept fully turning to the LOCK direction.

The power window opening stops when the following operations are carried out:

- While performing open/close the window, power window is stopped at the position as the door key cylinder is placed on Neutral.

NFEL0191S0103

NFEL0191S0104

- When the ignition switch is turned ON while the power window opening is operated.

AUTO OPERATION

The power window AUTO feature enables the driver to open or close the driver's and passenger's side windows without holding the window switch in the down or up position.

The AUTO feature only operates on the driver's and passenger's side windows.

POWER WINDOW LOCK

The power window lock is designed to lock operation of all windows except for driver's door window.

When the lock switch is pressed to lock position, ground of the front and rear power window switches in the power window main switch is disconnected. This prevents the power window motors from operating.

RETAINED POWER OPERATION

When the ignition switch is turned to OFF position from ON or START position, power is supplied for 45 seconds

- to power window relay terminal 2
- from smart entrance control unit terminal 46.

Ground is always supplied

- to power window relay terminal 1
- through body grounds M9, M25 and M87.

When power and ground are supplied, the power window relay continues to be energized, and the power window can be operated.

The retained power operation is canceled when the driver or passenger side door is opened.

RAP signal's period can be changed by CONSULT-II. (Refer to EL-261.)

INTERRUPTION DETECTION FUNCTION

Power window main switch monitors the power window regulator motor operation and the power window position (full closed or other) for driver's and passenger's side power window by the signals from encoder and limit switch in front power window regulator (driver's and passenger's side).

When power window main switch detects interruption during the following close operation in the driver's side door,

- automatic close operation when ignition switch is in the "ON" position
- automatic close operation during retained power operation
- manual close operation during retained power operation

power window main switch controls driver's and passenger's side power window regulator motor for open and the power window will be lowered about 150 mm (5.91 in).

GI

MA

EM

LC

EC

FE

CL

MT

AT

AX

SU

BR

ST

RS

BT

HA

SC

EL

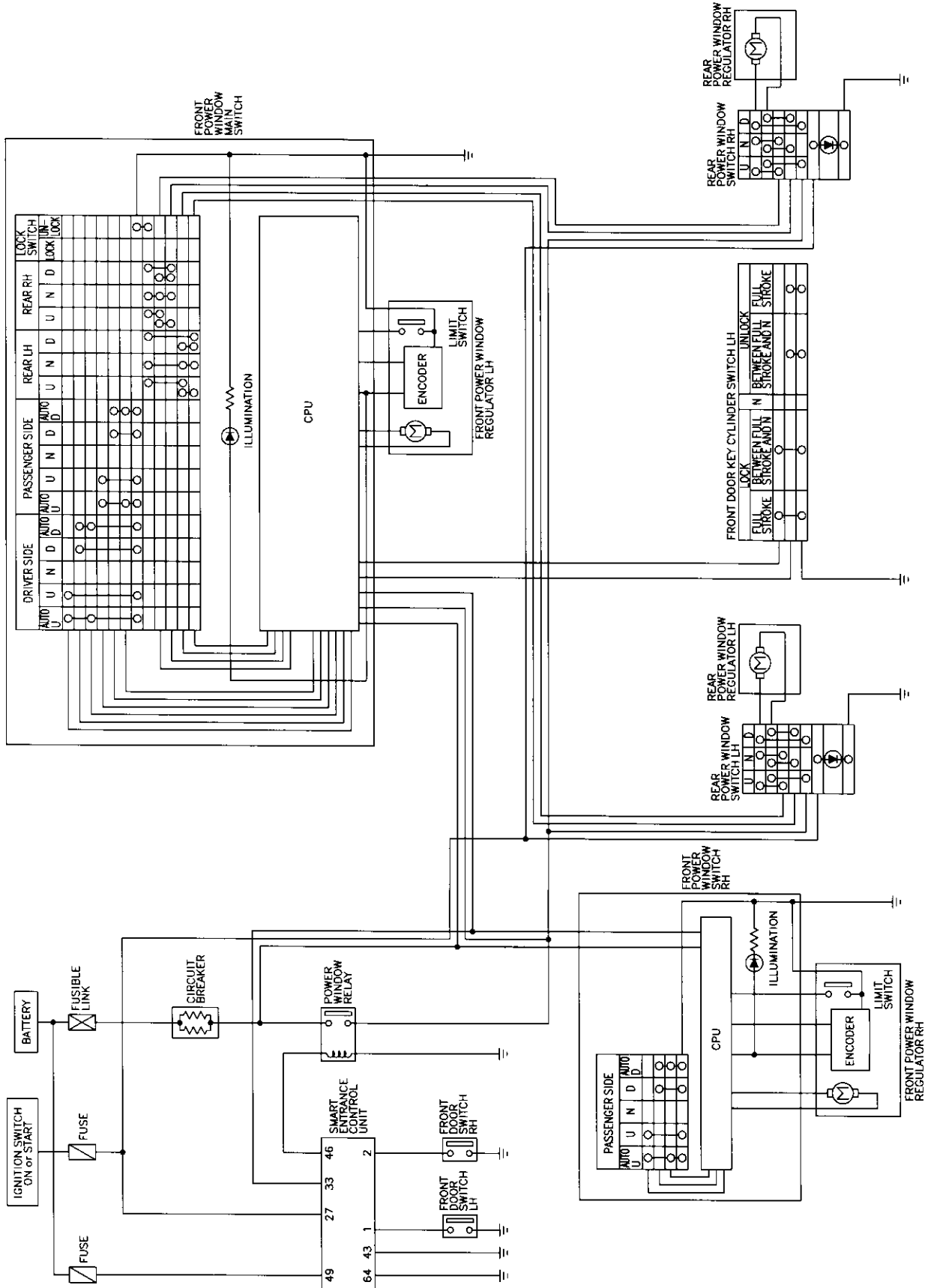
IDX

POWER WINDOW

Schematic

Schematic

NFEL0103



MEL887P

POWER WINDOW

Wiring Diagram — WINDOW —

NFEL0104

EL-WINDOW-01

GI

MA

EM

LC

EC

FE

CL

MT

AT

AX

SU

BR

ST

RS

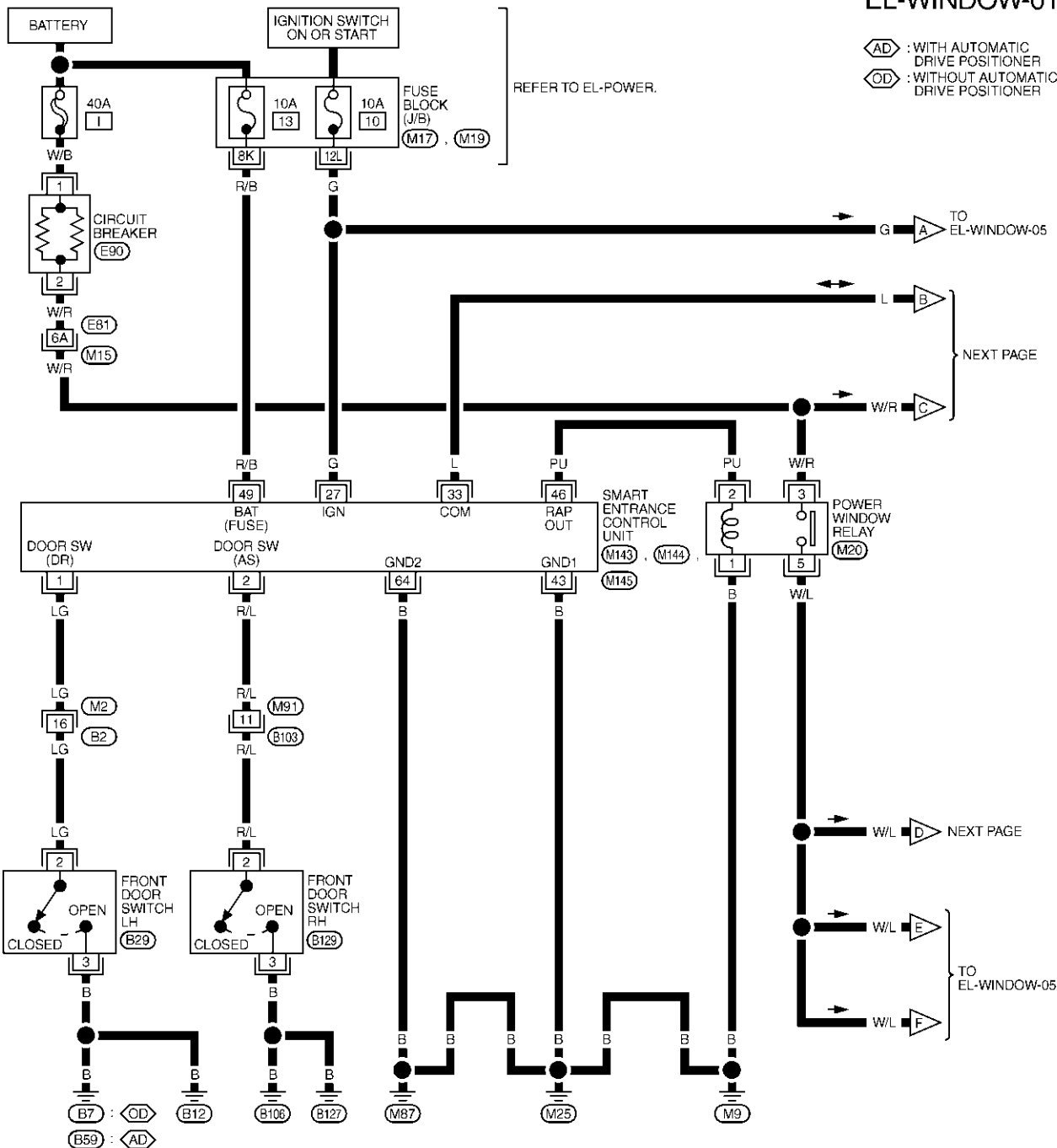
BT

HA

SC

EL

IDX



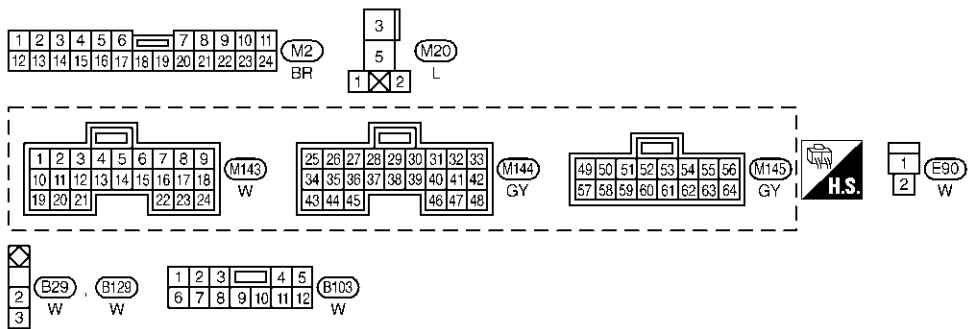
AD : WITH AUTOMATIC DRIVE POSITIONER
 OD : WITHOUT AUTOMATIC DRIVE POSITIONER

TO EL-WINDOW-05

NEXT PAGE

NEXT PAGE

TO EL-WINDOW-05

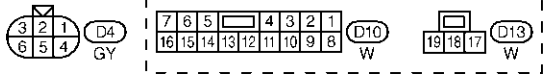
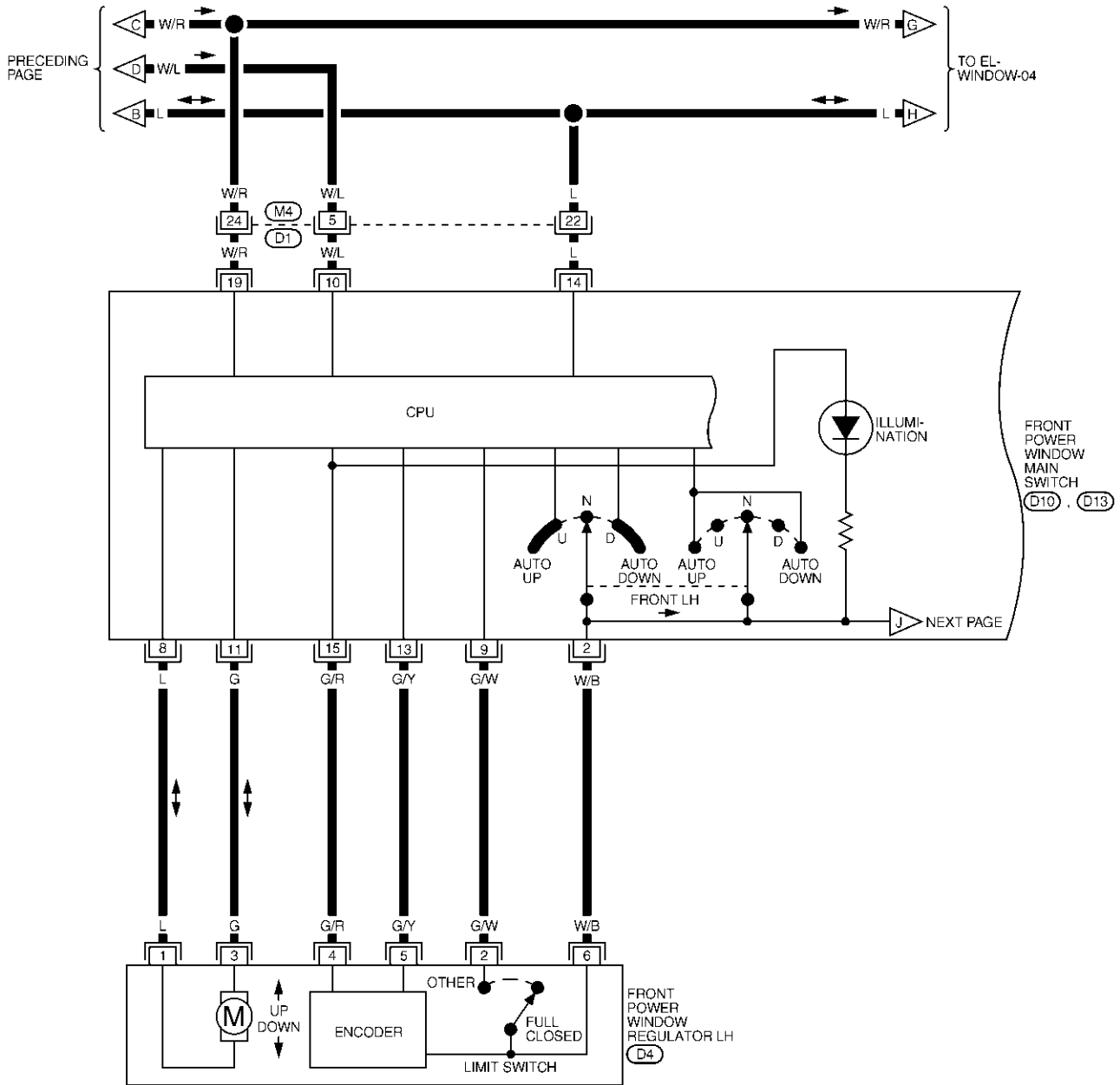


REFER TO THE FOLLOWING.
 M15 - SUPER
 MULTIPLE JUNCTION (SMJ)
 M17, M19 - FUSE BLOCK-JUNCTION BOX (J/B)

POWER WINDOW

Wiring Diagram — WINDOW — (Cont'd)

EL-WINDOW-02



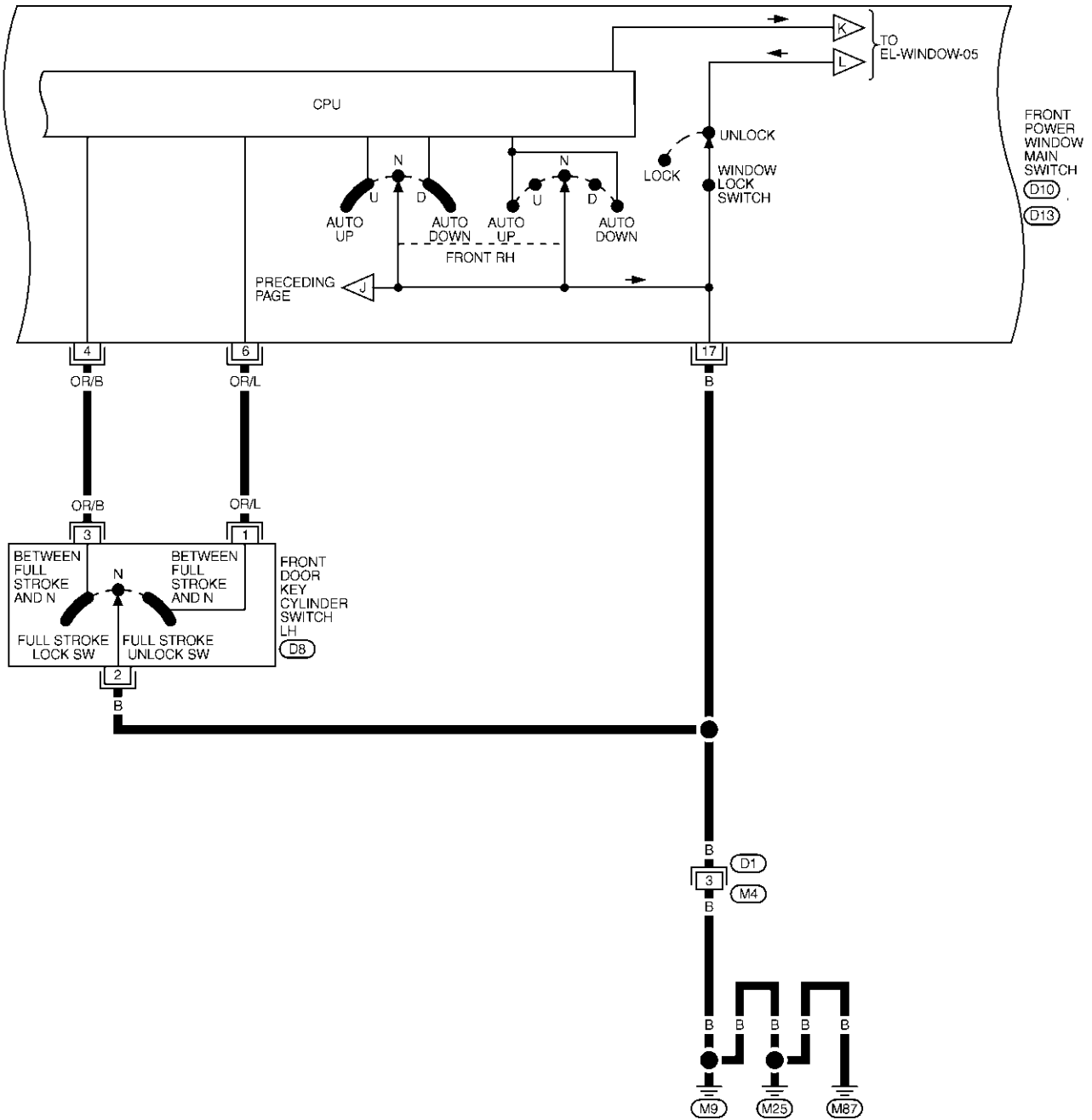
REFER TO THE FOLLOWING.
 (D1) -SUPER
 MULTIPLE JUNCTION (SMJ)

MEL889P

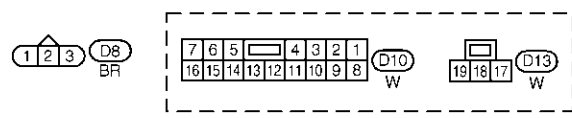
POWER WINDOW

Wiring Diagram — WINDOW — (Cont'd)

EL-WINDOW-03



GI
MA
EM
LC
EC
FE
CL
MT
AT
AX
SU
BR
ST
RS
BT
HA
SC
EL
IDX



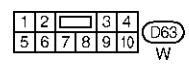
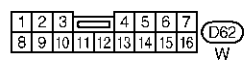
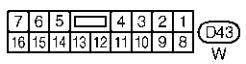
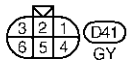
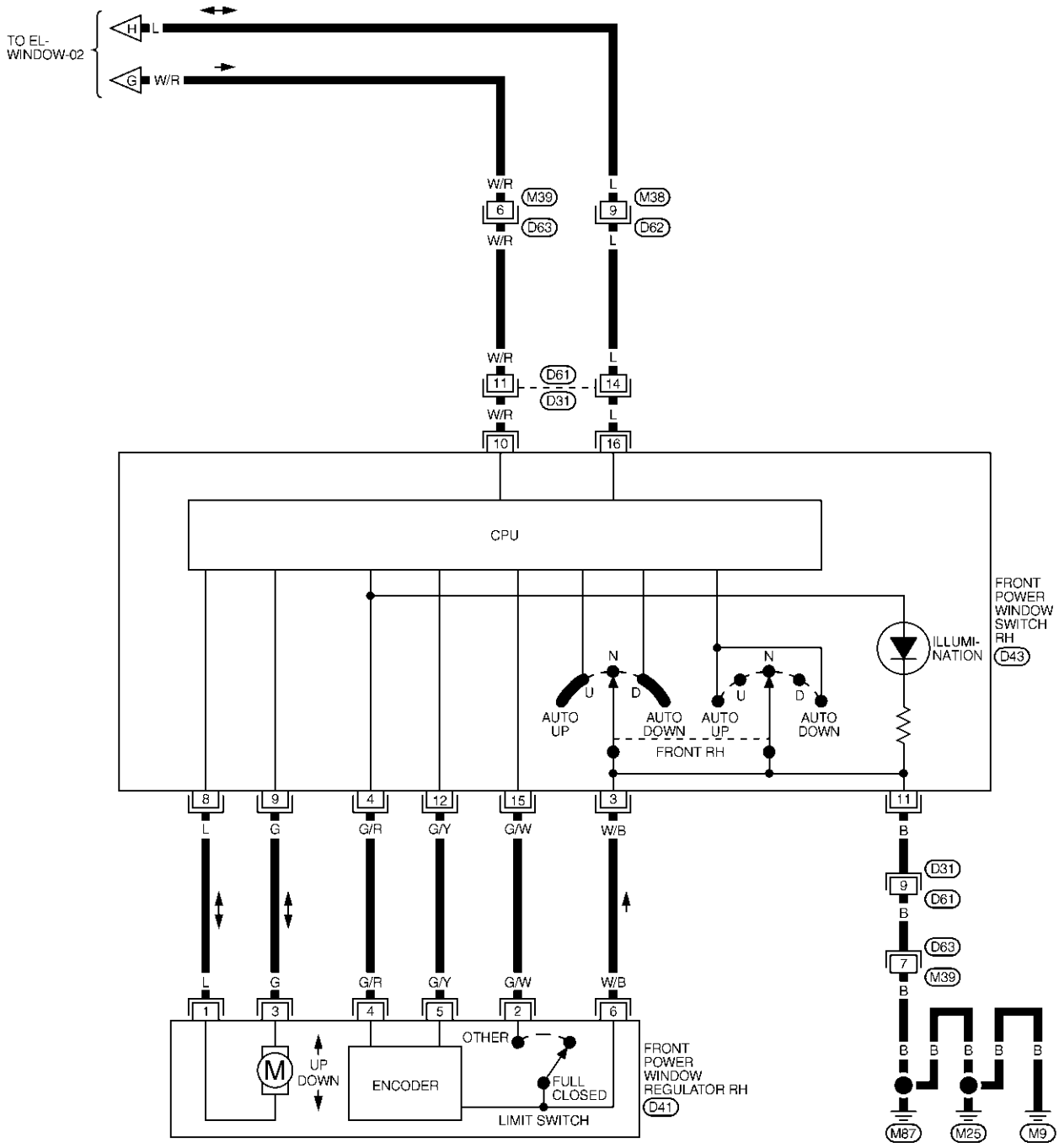
REFER TO THE FOLLOWING.
 (D1) - SUPER
 MULTIPLE JUNCTION (SMJ)

MEL890P

POWER WINDOW

Wiring Diagram — WINDOW — (Cont'd)

EL-WINDOW-04

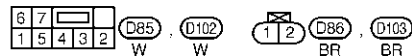
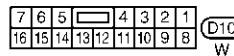
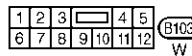
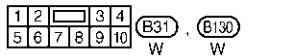
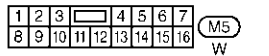
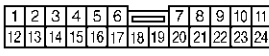
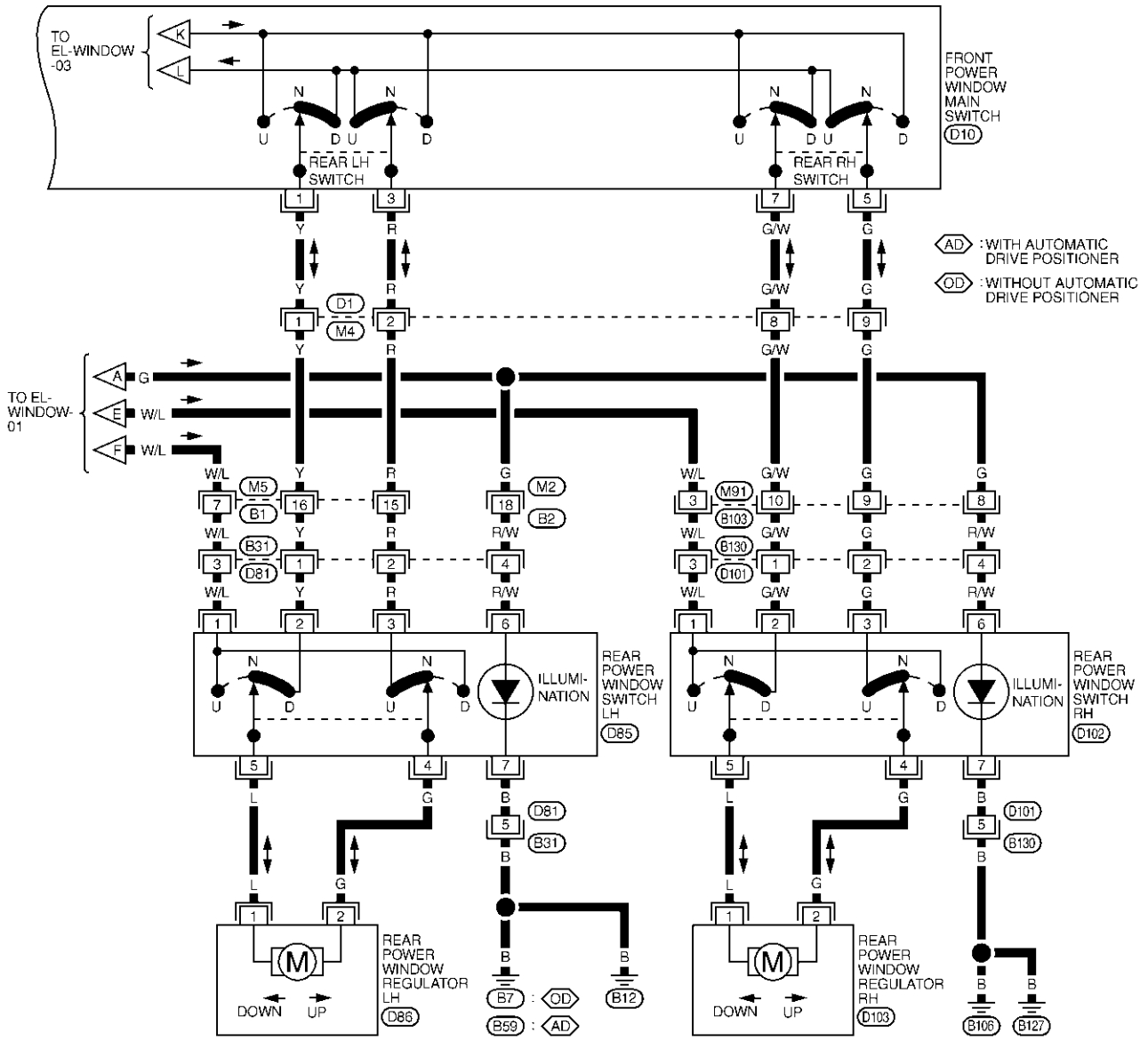


REFER TO THE FOLLOWING.
 (D31) - SUPER
 MULTIPLE JUNCTION (SMJ)

POWER WINDOW

Wiring Diagram — WINDOW — (Cont'd)

EL-WINDOW-05



REFER TO THE FOLLOWING.
 (D1) - SUPER
 MULTIPLE JUNCTION (SMJ)

MEL892P

SMART ENTRANCE CONTROL UNIT TERMINALS AND REFERENCE VALUE BETWEEN EACH TERMINAL AND GROUND

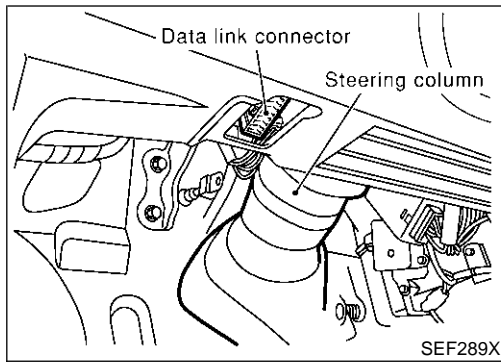
TERMINAL	WIRE COLOR	ITEM	CONDITION	DATA (DC)
1	LG	DRIVER DOOR SWITCH	OFF (CLOSED) → ON (OPEN)	12V → 0V
2	R/L	PASSENGER DOOR SWITCH	OFF (CLOSED) → ON (OPEN)	5V → 0V
27	G	IGNITION SWITCH (ON)	IGNITION KEY IS IN "ON" POSITION	12V
33	L	COMMUNICATION INTERFACE	DOOR LOCK & UNLOCK SWITCHES (NEUTRAL → LOCK/UNLOCK)	*1
			FRONT DOOR KEY CYLINDER SWITCH LH (NEUTRAL → LOCK/UNLOCK)	
43	B	GROUND	-	-
46	PU	POWER WINDOW RELAY	RETAINED POWER OPERATION IS OPERATED (ON → OFF)	12V → 0V
49	R/B	POWER SOURCE (FUSE)	-	12V
64	B	GROUND	-	-

*1: REFER TO "SMART ENTRANCE CONTROL UNIT INSPECTION TABLE" IN "SMART ENTRANCE CONTROL UNIT".

SEL480Y

POWER WINDOW

CONSULT-II Inspection Procedure

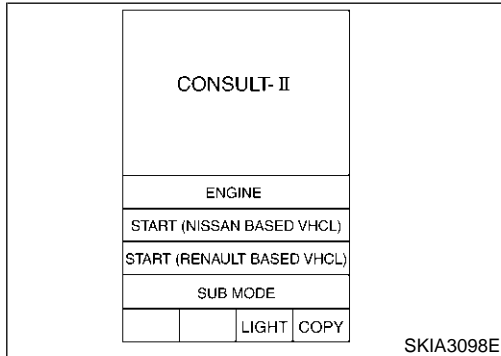


CONSULT-II Inspection Procedure "RETAINED PWR"

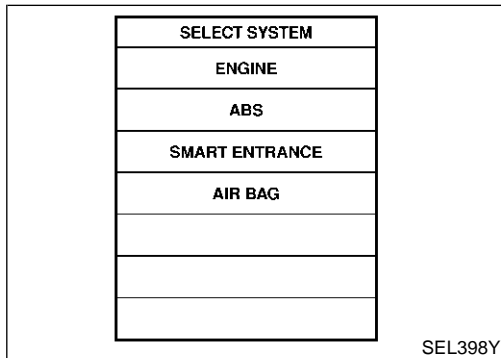
NFEL0235

NFEL0235S01

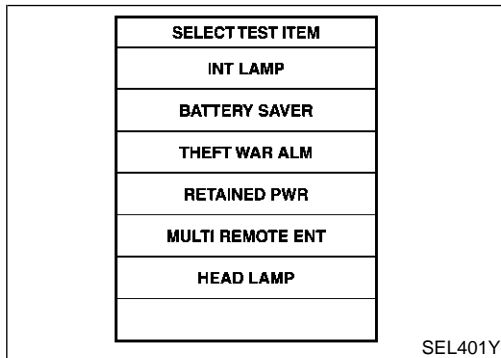
1. Turn ignition switch "OFF".
2. Connect "CONSULT-II" and "CONSULT-II CONVERTER" to the data link connector.



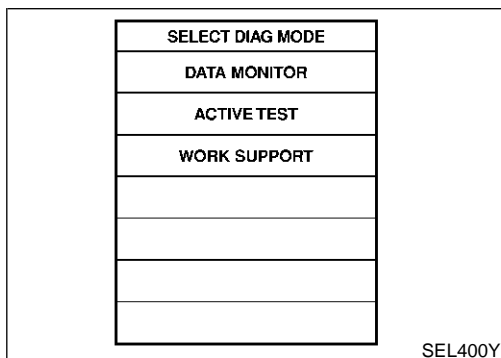
3. Turn ignition switch "ON".
4. Touch "START (NISSAN BASED VHCL)".



5. Touch "SMART ENTRANCE".



6. Touch "RETAINED PWR".



7. Select diagnosis mode. "DATA MONITOR", "ACTIVE TEST" and "WORK SUPPORT" are available.

CONSULT-II Application Items

NFEL0236

NFEL0236S01

NFEL0236S0101

“RETAINED PWR”

Data Monitor

Monitored Item	Description
IGN ON SW	Indicates [ON/OFF] condition of ignition switch.
DOOR SW-DR	Indicates [ON/OFF] condition of front door switch LH.
DOOR SW-AS	Indicates [ON/OFF] condition of front door switch RH.

Active Test

NFEL0236S0102

Test Item	Description
RETAINED PWR	<p>This test is able to supply RAP signal (power) from smart entrance control unit to power window system, power sunroof system and headlamp battery saver control unit. Those systems can be operated when turning on “RETAINED PWR” on CONSULT-II screen even if the ignition switch is tuned OFF.</p> <p>NOTE: During this test, CONSULT-II can be operated with ignition switch in “OFF” position. “RETAINED PWR” should be turned “ON” or “OFF” on CONSULT-II screen when ignition switch is ON. Then turn ignition switch OFF to check retained power operation. CONSULT-II might be stuck if “RETAINED PWR” is turned “ON” or “OFF” on CONSULT-II screen when ignition switch is OFF.</p>

Work Support

NFEL0236S0103

Work Item	Description
RETAINED PWR SET	<p>Rap signal's power supply period can be changed by mode setting. Selects rap signal's power supply period between two steps.</p> <ul style="list-style-type: none"> ● MODE 1 (45 sec.)/MODE 2 (OFF)

Trouble Diagnoses

NFEL0105

Symptom	Possible cause	Repair order
None of the power windows can be operated using any switch.	<ol style="list-style-type: none"> 1. 10A fuse, 40A fusible link 2. E90 circuit breaker 3. Power window relay 4. E90 circuit breaker circuit 5. Power window relay circuit 6. Ground circuit 7. Front power window main switch 	<ol style="list-style-type: none"> 1. Check 10A fuse [No. 13 located in fuse block (J/B)], 40A fusible link (letter I, located in fuse and fusible link box). 2. Check E90 circuit breaker. 3. Check power window relay. 4. Check the following. <ol style="list-style-type: none"> a. Check harness between E90 circuit breaker and 40A fusible link (letter I, located in fuse and fusible link box). b. Check harness between E90 circuit breaker and power window main switch. 5. Check the following. <ol style="list-style-type: none"> a. Check harness between E90 circuit breaker and power window relay. b. Check harness between fuse and power window relay. 6. Check the following. <ol style="list-style-type: none"> a. Check ground circuit of front power window main switch terminal 17. b. Check power window relay ground circuit. 7. Check front power window main switch.

POWER WINDOW

Trouble Diagnoses (Cont'd)

Symptom	Possible cause	Repair order
Driver side power window cannot be operated but other windows can be operated.	<ol style="list-style-type: none"> 1. Driver side power window regulator circuit 2. Driver side power window regulator 3. Front power window main switch 	<ol style="list-style-type: none"> 1. Check harness between front power window main switch and driver side power window regulator for open or short circuit. 2. Check driver side power window regulator. 3. Check front power window main switch.
One or more power windows except driver's side window cannot be operated.	<ol style="list-style-type: none"> 1. Power window switches 2. Power window regulators 3. Power window main switch 4. Power window circuit 	<ol style="list-style-type: none"> 1. Check power window switch. 2. Check power window regulator. 3. Check power window main switch. 4. Check the following. <ol style="list-style-type: none"> a. Check harness between the rear power window switch (LH and RH) terminal 1 and power window relay terminal 5. b. Check harnesses between power window main switch and power window switch for open/short circuit. c. Check harnesses between power window switch and power window regulator for open/short circuit.
Power windows except driver's side window cannot be operated using power window main switch but can be operated by power window switch.	<ol style="list-style-type: none"> 1. Power window main switch 	<ol style="list-style-type: none"> 1. Check front power window main switch.
Driver side power window automatic operation does not function properly.	<ol style="list-style-type: none"> 1. Front power window main switch 2. Encoder and limit switch 	<ol style="list-style-type: none"> 1. Check front power window main switch. 2. Check encoder and limit switch. (EL-263)
Retained power operation does not operate properly.	<ol style="list-style-type: none"> 1. RAP signal circuit 2. Driver or passenger side door switch circuit 3. Smart entrance control unit 	<ol style="list-style-type: none"> 1. Check RAP signal. <ol style="list-style-type: none"> a. (With CONSULT-II) <ul style="list-style-type: none"> ● Check RAP signal with CONSULT-II. Use "WORK SUPPORT" mode, "RETAINED PWR" in "SMART ENTRANCE". (Refer to EL-260.) ● Check RAP signal with CONSULT-II. Use "ACTIVE TEST" mode, "RETAINED PWR" in "SMART ENTRANCE". (Refer to EL-260.) <p>If NG, go to the step b. below.</p> b. Verify 12 positive voltage from smart entrance control unit is present at terminal 2 of power window relay: <ul style="list-style-type: none"> ● Within 45 seconds after ignition switch turns off.*1 ● When front door LH and RH is closed. 2. Check harness between smart entrance control unit and driver or passenger side door switch for short circuit. <p>Check driver or passenger side door switch ground circuit.</p> <p>Check driver or passenger side door switch.</p> 3. Check smart entrance control unit. (EL-354)
Interruption detection function does not operate properly.	<ol style="list-style-type: none"> 1. Encoder and limit switch 	<ol style="list-style-type: none"> 1. Check encoder and limit switch. (EL-263)

NOTE: *1 RAP signal's period can be changed by CONSULT-II. (EL-261)

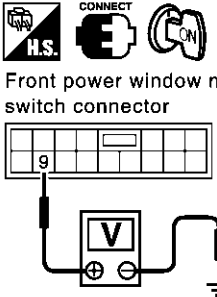
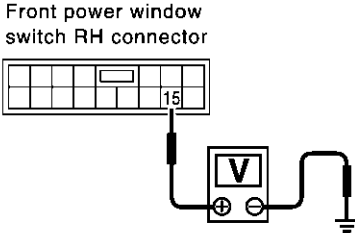
POWER WINDOW

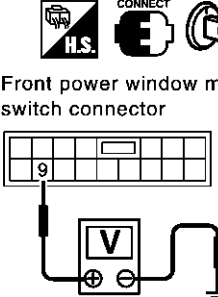
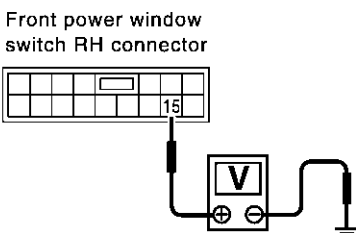
Trouble Diagnoses (Cont'd)

ENCODER AND LIMIT SWITCH CHECK

=NFEL0105S01


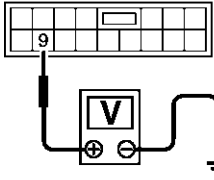
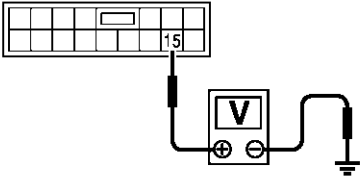
1	CHECK DOOR WINDOW SLIDE MECHANISM	<p>Check the following.</p> <ul style="list-style-type: none"> ● Obstacles in window, glass molding, etc. ● Worn or deformed glass molding ● Door sash tilted too far inward or outward ● Door window regulator <p style="text-align: center;">OK or NG</p>	GI MA EM LC
OK	▶	GO TO 2.	
NG	▶	Remove obstacles or repair door window slide mechanism.	


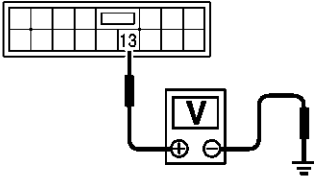
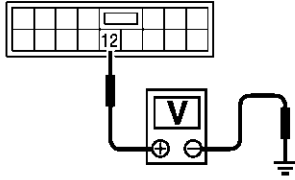
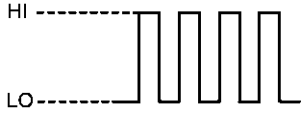
2	CHECK POWER SUPPLY TO LIMIT SWITCH	<p>Check voltage between front power window main switch harness connector D10 terminal 9 (G/W) and ground or front power window switch RH harness connector D43 terminal 15 (G/W) and ground.</p> <div style="display: flex; justify-content: space-around; align-items: flex-start;"> <div style="text-align: center;">  <p>Front power window main switch connector</p> </div> <div style="text-align: center;">  <p>Front power window switch RH connector</p> </div> <div style="text-align: center;"> <p>Voltage: 5V</p> </div> </div> <p>NOTE: Check voltage when front power window regulator LH or RH harness connector is disconnected.</p> <p style="text-align: right;">SEL656Y</p> <p style="text-align: center;">OK or NG</p>	EC FE CL MT AT AX SU
OK	▶	GO TO 3.	
NG	▶	Replace front power window main switch or front power window switch RH.	

3	CHECK LIMIT SWITCH OPERATION	<p>Check voltage between front power window main switch harness connector D10 terminal 9 (G/W) and ground or front power window switch RH harness connector D43 terminal 15 (G/W) and ground during power window closing operation.</p> <div style="display: flex; justify-content: space-around; align-items: flex-start;"> <div style="text-align: center;">  <p>Front power window main switch connector</p> </div> <div style="text-align: center;">  <p>Front power window switch RH connector</p> </div> <div style="margin-left: 20px;"> <table border="1" style="border-collapse: collapse; width: 100%;"> <thead> <tr> <th colspan="2">Terminal No.</th> <th rowspan="2">Condition</th> <th rowspan="2">Voltage (DCV)</th> </tr> <tr> <th>(+)</th> <th>(-)</th> </tr> </thead> <tbody> <tr> <td rowspan="2" style="text-align: center;">9 or 15</td> <td style="text-align: center;">Ground</td> <td>Approx. 15 mm (0.59 in)-below the full closed position to full closed position</td> <td style="text-align: center;">Approx. 5</td> </tr> <tr> <td></td> <td>Other positions</td> <td style="text-align: center;">Approx. 0</td> </tr> </tbody> </table> </div> </div> <p style="text-align: right;">SEL657Y</p> <p style="text-align: center;">OK or NG</p>	Terminal No.		Condition	Voltage (DCV)	(+)	(-)	9 or 15	Ground	Approx. 15 mm (0.59 in)-below the full closed position to full closed position	Approx. 5		Other positions	Approx. 0	BR ST RS BT HA SC EL
Terminal No.		Condition	Voltage (DCV)													
(+)	(-)															
9 or 15	Ground	Approx. 15 mm (0.59 in)-below the full closed position to full closed position	Approx. 5													
		Other positions	Approx. 0													
OK	▶	GO TO 5.														
NG	▶	GO TO 4.														

POWER WINDOW

Trouble Diagnoses (Cont'd)

4	RESET LIMIT SWITCH																
<p>Reset limit switch. Refer to BT-22, "Front Door Glass Limit Switch Reset". Then check voltage between front power window main switch harness connector D10 terminal 9 (G/W) and ground or front power window switch RH harness connector D43 terminal 15 (G/W) and ground during power window closing operation at least ten times.</p>																	
																	
<p>Front power window main switch connector</p> 		<p>Front power window switch RH connector</p> 															
		<table border="1" style="border-collapse: collapse;"> <thead> <tr> <th colspan="2">Terminal No.</th> <th rowspan="2">Condition</th> <th rowspan="2">Voltage (DCV)</th> </tr> <tr> <th>(+)</th> <th>(-)</th> </tr> </thead> <tbody> <tr> <td>9 or 15</td> <td>Ground</td> <td>Approx. 15 mm (0.59 in)-below the full closed position to full closed position</td> <td>Approx. 5</td> </tr> <tr> <td></td> <td></td> <td>Other positions</td> <td>Approx. 0</td> </tr> </tbody> </table>	Terminal No.		Condition	Voltage (DCV)	(+)	(-)	9 or 15	Ground	Approx. 15 mm (0.59 in)-below the full closed position to full closed position	Approx. 5			Other positions	Approx. 0	
Terminal No.		Condition	Voltage (DCV)														
(+)	(-)																
9 or 15	Ground	Approx. 15 mm (0.59 in)-below the full closed position to full closed position	Approx. 5														
		Other positions	Approx. 0														
SEL658Y																	
OK or NG																	
OK	▶	GO TO 5.															
NG	▶	Replace power window regulator motor (front driver side or passenger side).															

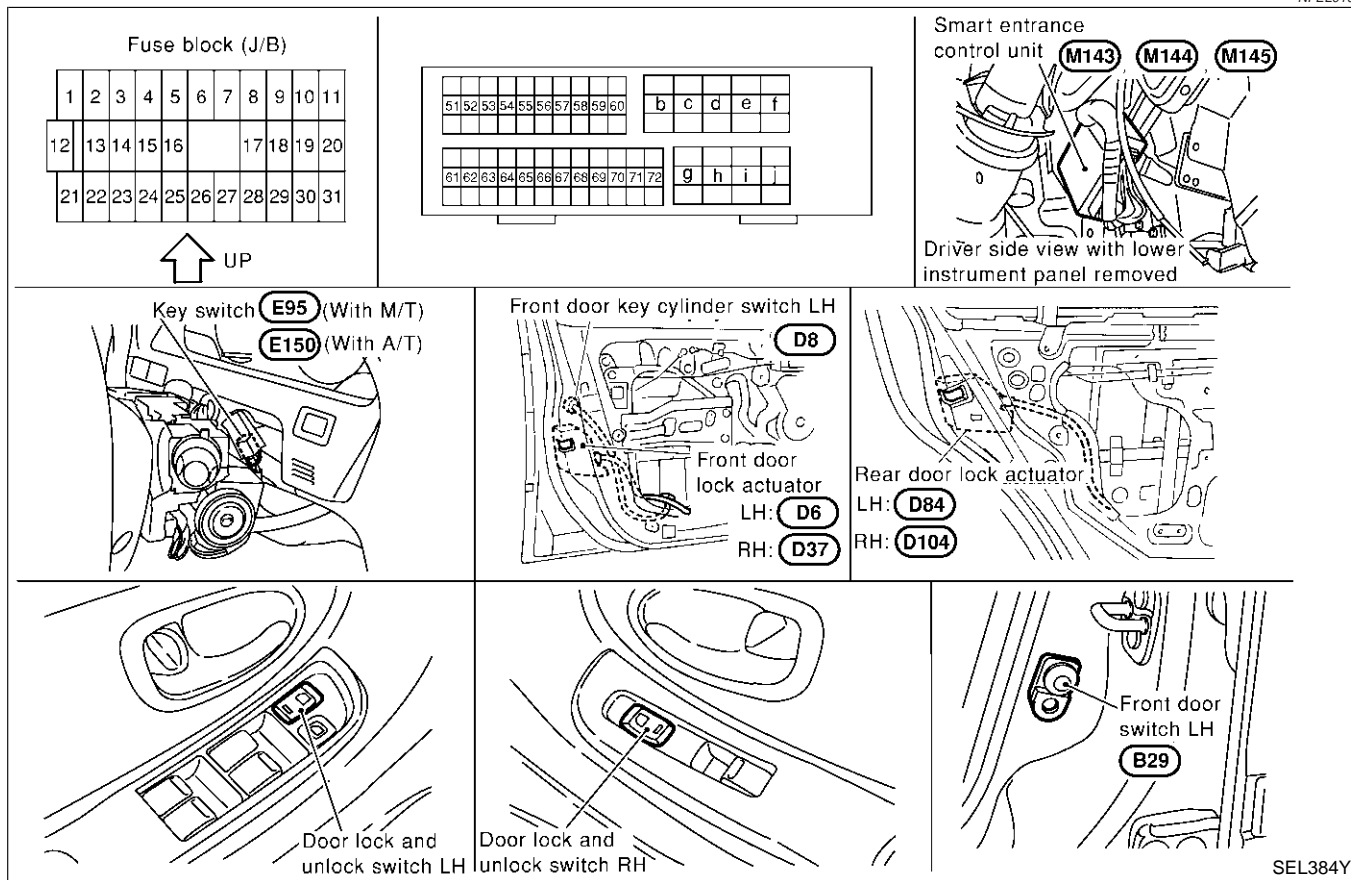
5	CHECK ENCODER		
<p>Measure voltage between front power window main switch harness connector D10 terminal 13 (G/Y) and ground or front power window switch RH harness connector D43 terminal 12 (G/Y) and ground with oscilloscope when power window is in automatic closing operation.</p>			
			
<p>Front power window main switch connector</p> 		<p>Front power window switch RH connector</p> 	
			
		<p>HI: Approx. 5V LO: Approx. 0V</p>	
SEL659Y			
OK or NG			
OK	▶	Replace power window main switch.	
NG	▶	Replace power window regulator motor (front driver side or passenger side).	

POWER DOOR LOCK

Component Parts and Harness Connector Location

Component Parts and Harness Connector Location

NFEL0106



SEL384Y

System Description

NFEL0107

NFEL0107S04

OPERATION

- The lock/unlock switches (LH and RH) on door trim can lock and unlock all doors.
- With the door key inserted in the key cylinder on front LH, turning it to "LOCK", will lock all doors; turning it to "UNLOCK" once unlocks the corresponding door; turning it to "UNLOCK" again within 5 seconds after the first unlock operation unlocks all of the other doors. (Signals from door key cylinder switch)
Select unlock mode can be changed by CONSULT-II (EL-272).
- If the ignition key is in the ignition key cylinder and one or more of the doors are open, setting the lock/unlock switch to "LOCK" locks the doors once but then immediately unlocks them. Key reminder door mode can be changed by CONSULT-II (EL-272).

GI

MA

EM

LC

EC

FE

CL

MT

AT

AX

SU

BR

ST

RS

BT

HA

SC

EL

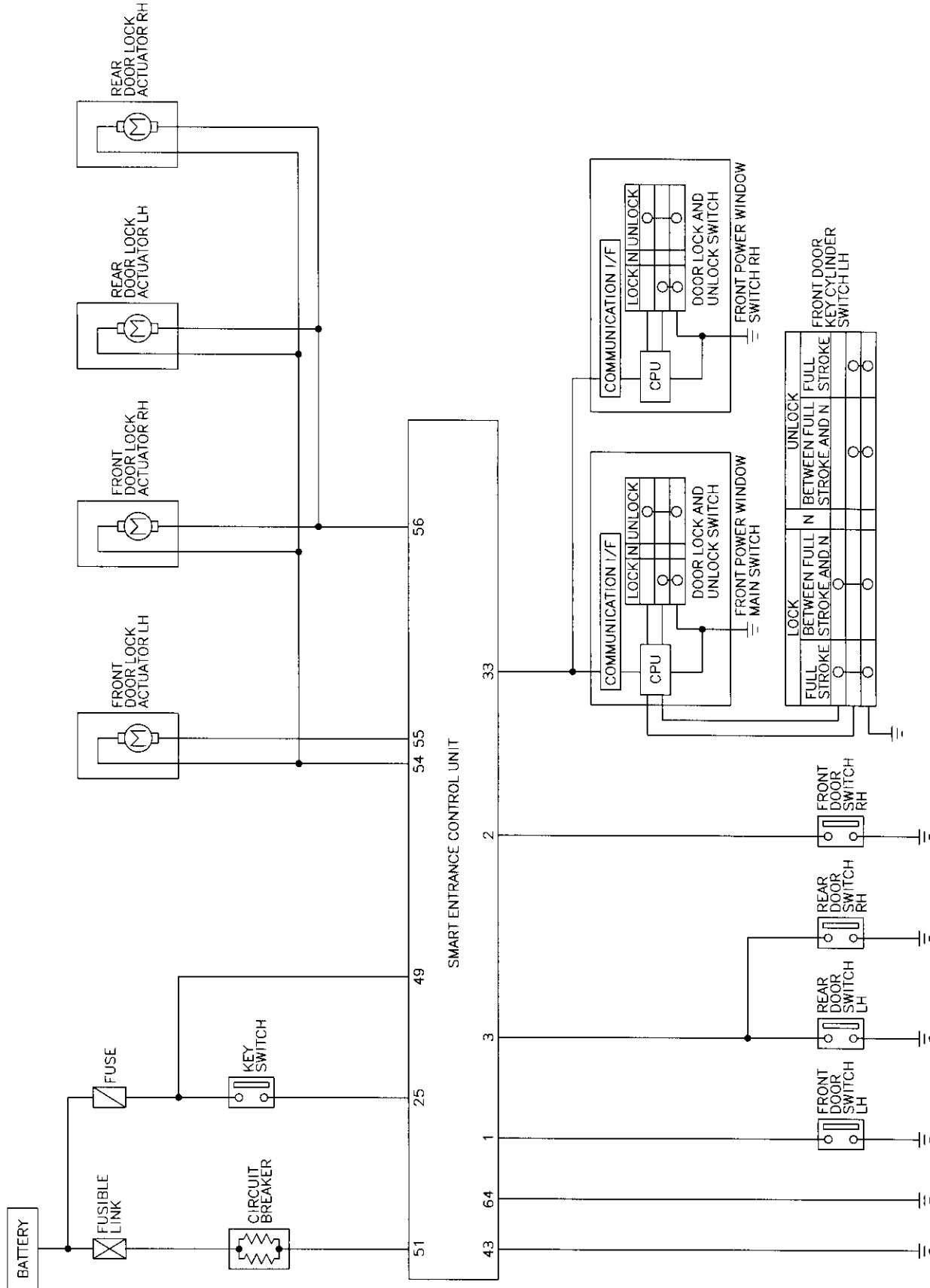
IDX

POWER DOOR LOCK

Schematic

Schematic

NFEL0108



MEL1750

POWER DOOR LOCK

Wiring Diagram — D/LOCK —

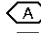



Wiring Diagram — D/LOCK —

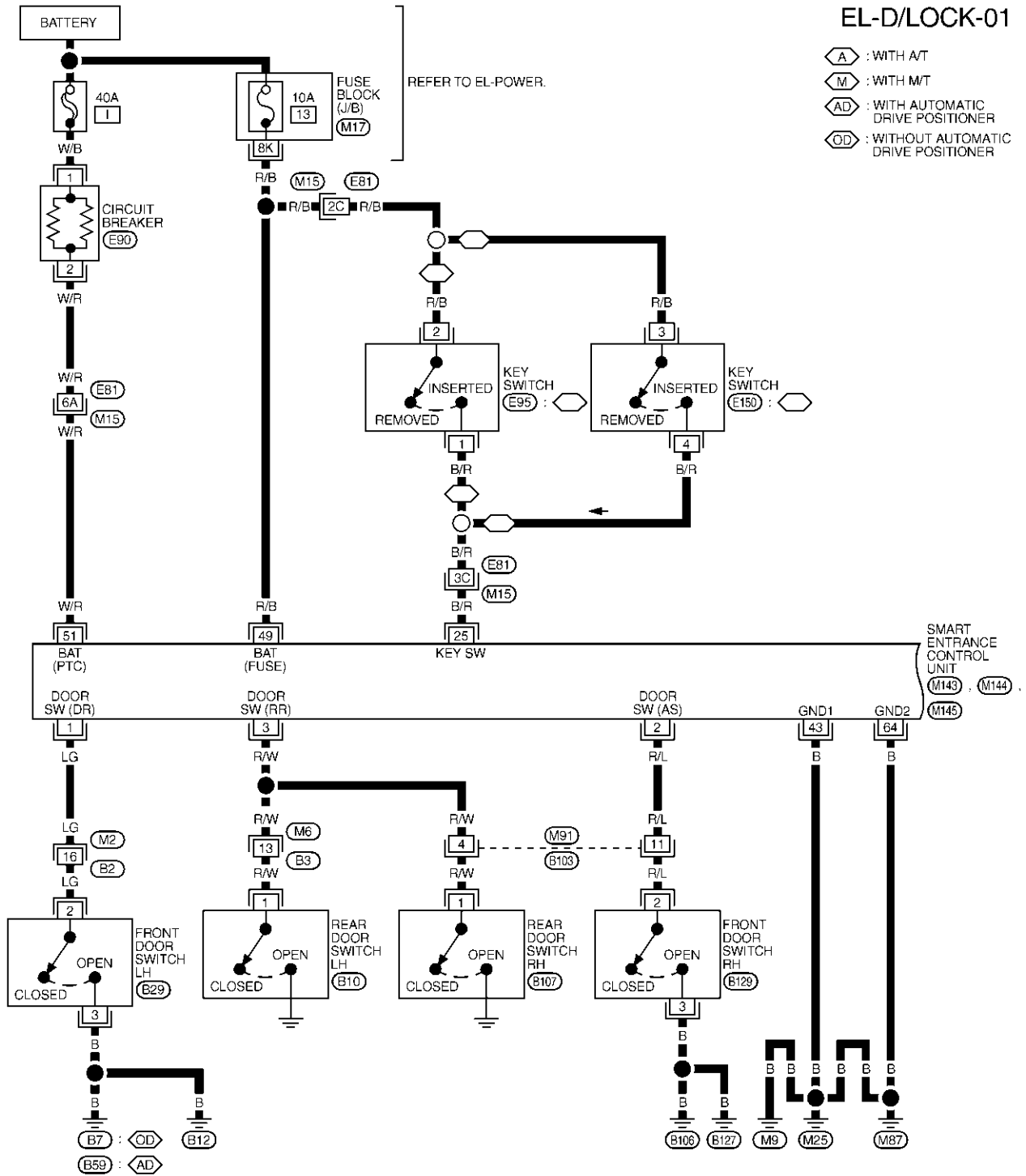
NFEL0109

NFEL0109S01

FIG. 1

EL-D/LOCK-01

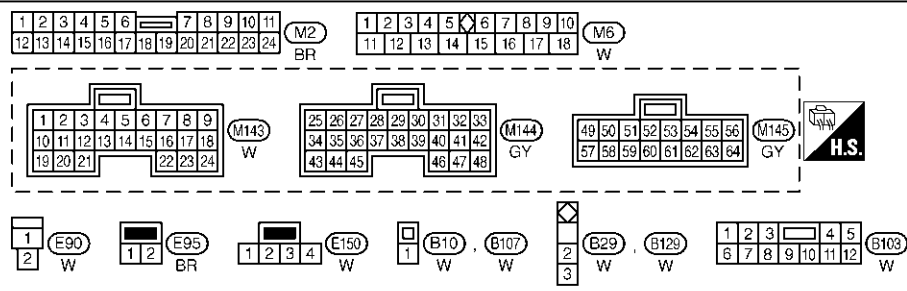
-  : WITH A/T
-  : WITH M/T
-  : WITH AUTOMATIC DRIVE POSITIONER
-  : WITHOUT AUTOMATIC DRIVE POSITIONER



GI
MA
EM
LC
EC
FE
CL
MT
AT
AX
SU
BR
ST
RS
BT
HA
SC

EL

IDX



REFER TO THE FOLLOWING.
 (M15) -SUPER
 MULTIPLE JUNCTION (SMJ)
 (M17) -FUSE BLOCK-
 JUNCTION BOX (J/B)

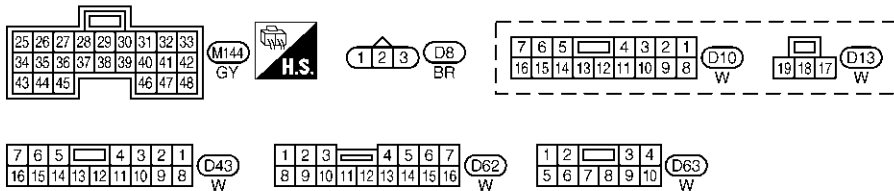
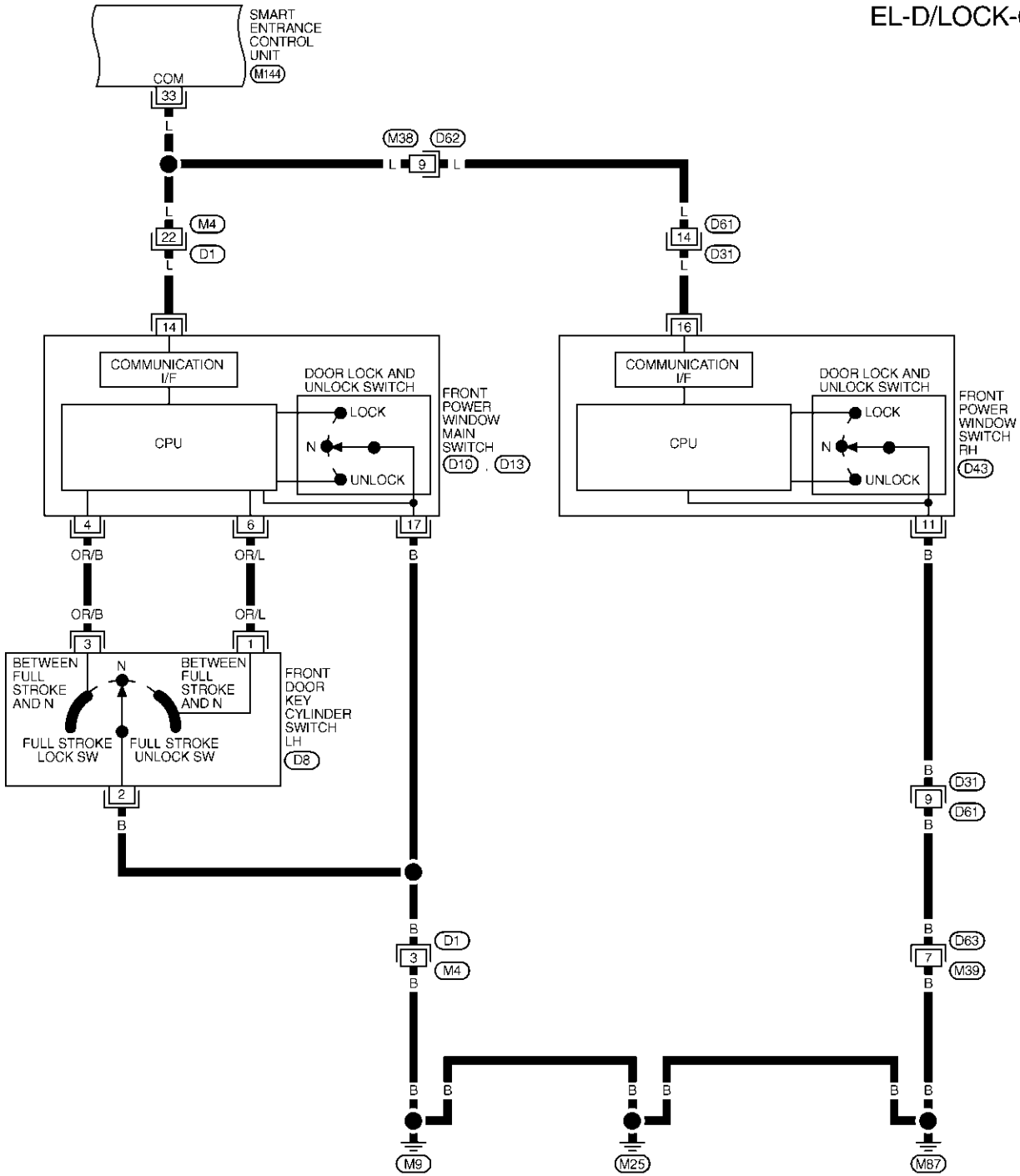
POWER DOOR LOCK

Wiring Diagram — D/LOCK — (Cont'd)

FIG. 2

NFEL0109S02

EL-D/LOCK-02



REFER TO THE FOLLOWING.
 (D1), (D31) -SUPER
 MULTIPLE JUNCTION (SMJ)

MEL894P

POWER DOOR LOCK

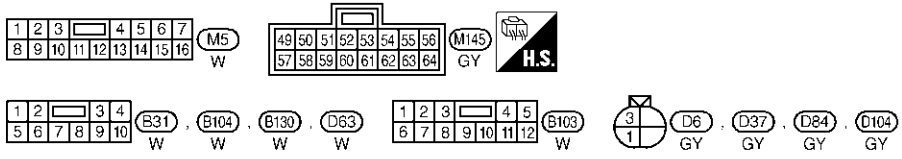
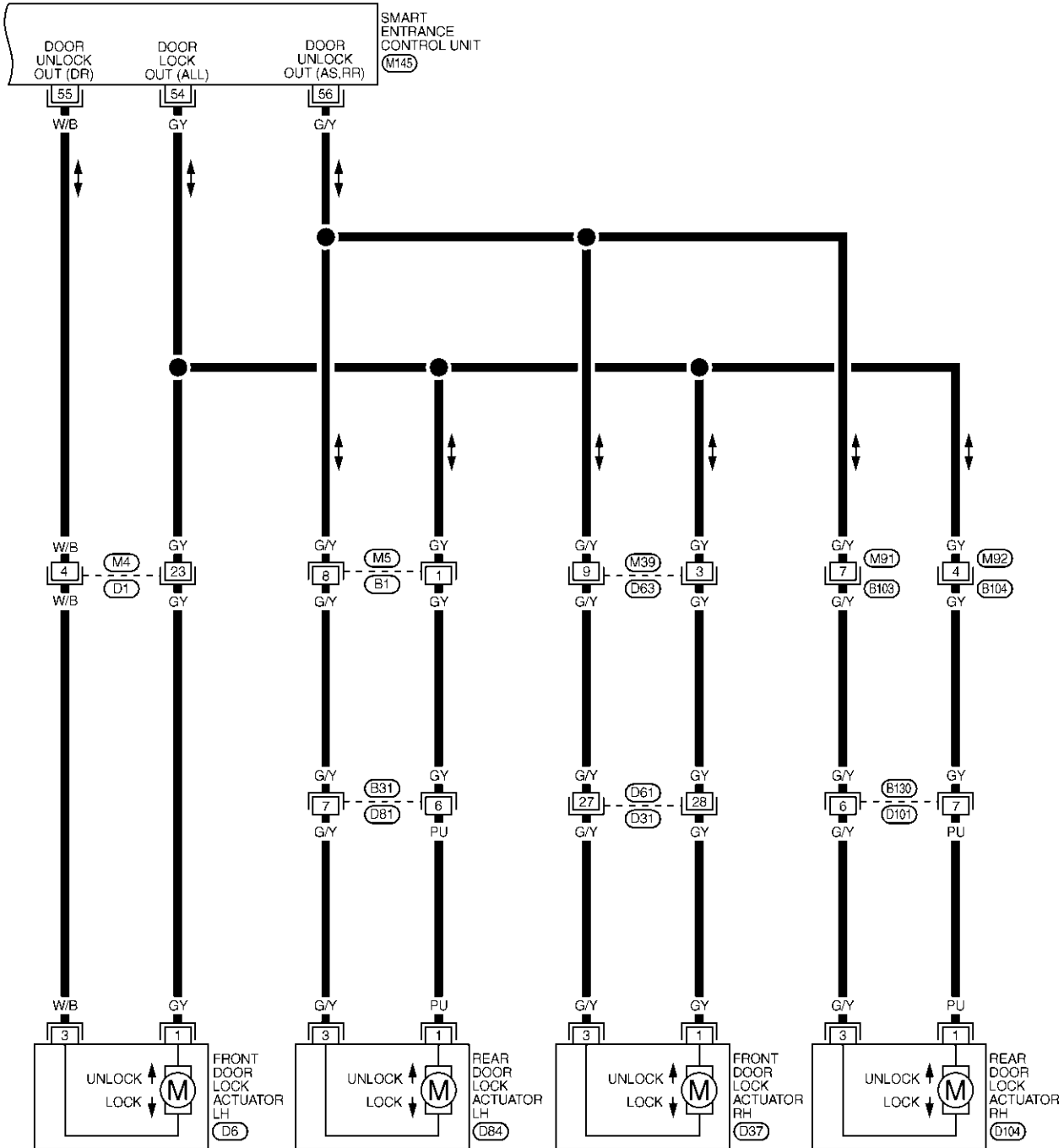
Wiring Diagram — D/LOCK — (Cont'd)

FIG. 3

NFEL0109S03

EL-D/LOCK-03

GI
MA
EM
LC
EC
FE
CL
MT
AT
AX
SU
BR
ST
RS
BT
HA



REFER TO THE FOLLOWING.
 (D1), (D31) -SUPER
 MULTIPLE JUNCTION (SMJ)

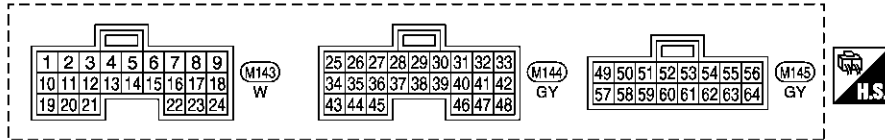
EL

IDX

POWER DOOR LOCK

Wiring Diagram — D/LOCK — (Cont'd)

SMART ENTRANCE CONTROL UNIT CONNECTOR

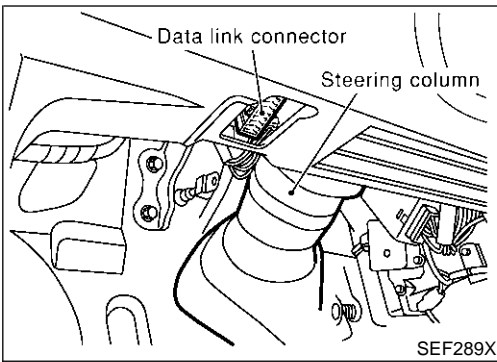


SMART ENTRANCE CONTROL UNIT TERMINALS AND REFERENCE VALUE BETWEEN EACH TERMINAL AND GROUND

TERMINAL	WIRE COLOR	ITEM	CONDITION	DATA (DC)
1	LG	DRIVER DOOR SWITCH	OFF (CLOSED) → ON (OPEN)	12V → 0V
2	R/L	PASSENGER DOOR SWITCH	OFF (CLOSED) → ON (OPEN)	5V → 0V
3	R/W	REAR DOOR SWITCH	OFF (CLOSED) → ON (OPEN)	5V → 0V
25	B/R	IGNITION KEY SWITCH (INSERT)	KEY INSERTED → KEY REMOVED FROM IGN KEY CYLINDER	12V → 0V
33	L	COMMUNICATION INTERFACE	DOOR LOCK & UNLOCK SWITCHES (NEUTRAL → LOCK/UNLOCK)	*1
			FRONT DOOR KEY CYLINDER SWITCH LH (NEUTRAL → LOCK/UNLOCK)	
43	B	GROUND	-	-
49	R/B	POWER SOURCE (FUSE)	-	12V
51	W/R	POWER SOURCE (PTC)	-	12V
54	GY	DOOR LOCK ACTUATORS	DOOR LOCK & UNLOCK SWITCH (FREE → LOCK)	0V → 12V
55	W/B	DRIVER DOOR LOCK ACTUATOR	DOOR LOCK & UNLOCK SWITCH (FREE → UNLOCK)	0V → 12V
56	G/Y	PASSENGER AND REAR DOORS LOCK ACTUATOR	DOOR LOCK & UNLOCK SWITCH (FREE → UNLOCK)	0V → 12V
64	B	GROUND	-	-

*1: REFER TO "SMART ENTRANCE CONTROL UNIT INSPECTION TABLE" IN "SMART ENTRANCE CONTROL UNIT".

SEL590YA

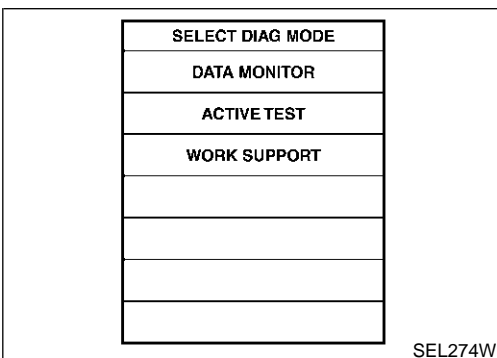
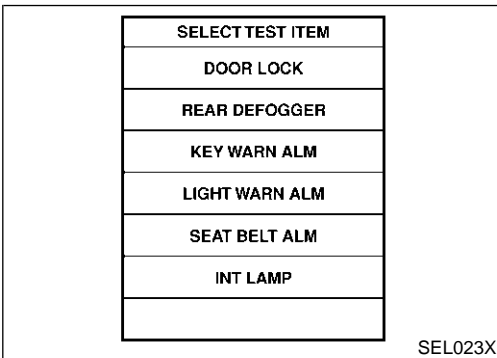
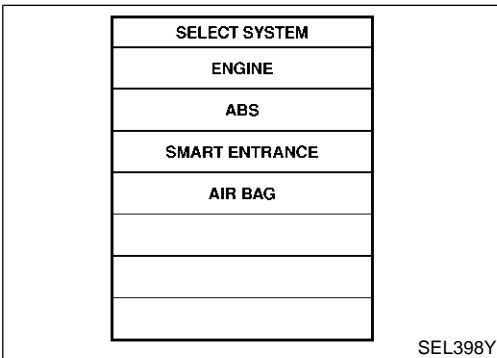
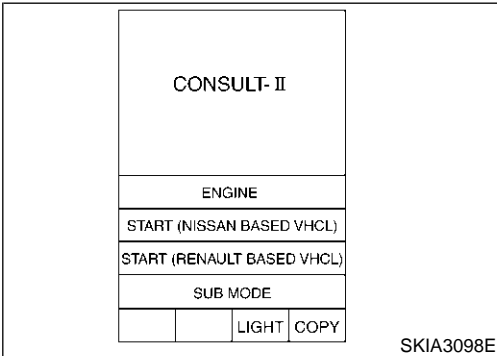


CONSULT-II Inspection Procedure

=NFEL0238

“DOOR LOCK”

NFEL0238S01



1. Turn ignition switch “OFF”.
2. Connect “CONSULT-II” and “CONSULT-II CONVERTER” to the data link connector.
3. Turn ignition switch “ON”.
4. Touch “START (NISSAN BASED VHCL)”.
5. Touch “SMART ENTRANCE”.
6. Touch “DOOR LOCK”.
7. Select diagnosis mode. “DATA MONITOR”, “ACTIVE TEST” and “WORK SUPPORT” are available.

GI
MA
EM
LC
EC
FE
CL
MT
AT
AX
SU
BR
ST
RS
BT
HA
SC
EL
IDX

POWER DOOR LOCK

CONSULT-II Application Items

CONSULT-II Application Items

NFEL0239

NFEL0239S01

NFEL0239S0101

“DOOR LOCK”

Data Monitor

Monitored Item	Description
KEY ON SW	Indicates [ON/OFF] condition of key switch.
LOCK SW DR/AS	Indicates [ON/OFF] condition of lock signal from lock/unlock switch LH and RH.
DOOR SW-RR	Indicates [ON/OFF] condition of door switch (Rear).
UNLK SW DR/AS	Indicates [ON/OFF] condition of unlock signal from lock/unlock switch LH and RH.
KEY CYL LK-SW	Indicates [ON/OFF] condition of lock signal from key cylinder.
KEY CYL UN-SW	Indicates [ON/OFF] condition of unlock signal from key cylinder.
LK BUTTON/SIG	Indicates [ON/OFF] condition of lock signal from keyfob.
UN BUTTON/SIG	Indicates [ON/OFF] condition of unlock signal from keyfob.
IGN ON SW	Indicates [ON/OFF] condition of ignition switch.
DOOR SW-DR	Indicates [ON/OFF] condition of front door switch LH.
DOOR SW-AS	Indicates [ON/OFF] condition of front door switch RH.

Active Test

NFEL0239S0102

Test Item	Description
ALL D/LK MTR	This test is able to check all door lock actuators lock operation. These actuators lock when “ON” on CONSULT-II screen is touched.
DR D/UN MTR	This test is able to check front door lock actuator LH unlock operation. The actuator unlocks when “ON” on CONSULT-II screen is touched.
NON DR D/UN	This test is able to check door lock actuators (except front door lock actuator LH) unlock operation. These actuators unlock when “ON” on CONSULT-II screen is touched.

Work Support

NFEL0239S0103

Work Item	Description
DOOR LOCK-UNLOCK SET	Select unlock mode can be changed in this mode. Selects ON-OFF of select unlock mode.
ANTI-LOCK OUT SET	Key reminder door mode can be changed in this mode. Selects ON-OFF of key reminder door mode.

POWER DOOR LOCK

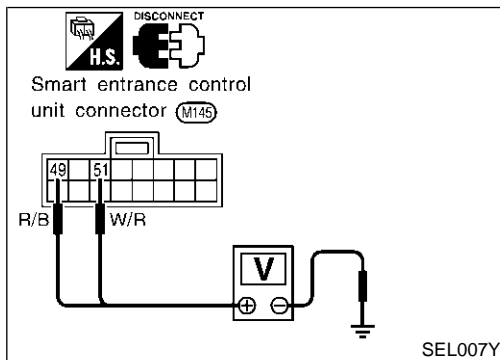
Trouble Diagnoses

Trouble Diagnoses SYMPTOM CHART

=NFEL0193

NFEL0193S01

REFERENCE PAGE (EL-)	273	274	275	277	278	279
SYMPTOM	MAIN POWER SUPPLY AND GROUND CIRCUIT CHECK	DOOR SWITCH CHECK	KEY SWITCH (INSERT) CHECK	DOOR LOCK/UNLOCK SWITCH CHECK	FRONT DOOR KEY CYLINDER SWITCH CHECK	DOOR LOCK ACTUATOR CHECK
Key reminder door system does not operate properly.	X	X	X			X
Specific door lock actuator does not operate.	X					X
Power door lock does not operate with door lock and unlock switch (LH and RH) on door trim.	X			X		
Power door lock does not operate with front door key cylinder operation.	X				X	



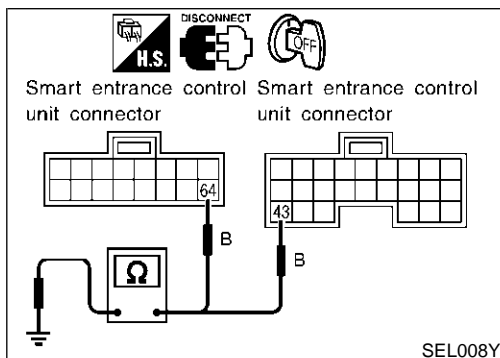
MAIN POWER SUPPLY AND GROUND CIRCUIT CHECK

NFEL0193S02

Main Power Supply Circuit Check

NFEL0193S0201

Terminals		Ignition switch		
(+)	(-)	OFF	ACC	ON
49	Ground	Battery voltage	Battery voltage	Battery voltage
51				



Ground Circuit Check

NFEL0193S0202

Terminals	Continuity
43 - Ground	Yes
64 - Ground	Yes

POWER DOOR LOCK

Trouble Diagnoses (Cont'd)

DOOR SWITCH CHECK

=NFEL0193S03

1 CHECK DOOR SWITCHES INPUT SIGNAL

With CONSULT-II

Check door switches ("DOOR SW-DR", "DOOR SW-AS", "DOOR SW-RR") in "DATA MONITOR" mode with CONSULT-II.

DATA MONITOR	
MONITOR	
DOOR SW-RR	OFF
DOOR SW-DR	OFF
DOOR SW-AS	OFF

When any doors are open:

DOOR SW-DR ON
DOOR SW-AS ON
DOOR SW-RR ON

When any doors are closed:

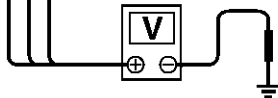
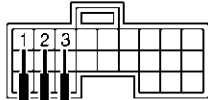
DOOR SW-DR OFF
DOOR SW-AS OFF
DOOR SW-RR OFF

SEL009Y

Without CONSULT-II

Check voltage between smart entrance control unit harness connector M143 terminals 1 (LG), 2 (R/L) or 3 (R/W) and ground.

Smart entrance control unit connector



	Terminals		Condition	Voltage [V]
	(+)	(-)		
Front LH door switch	1	Ground	Open	0
			Closed	Approx. 12
Front RH door switch	2	Ground	Open	0
			Closed	Approx. 5
Rear door switches	3	Ground	Open	0
			Closed	Approx. 5

SEL010YA

Refer to wiring diagram in EL-267.

OK or NG

OK ► Door switch is OK.

NG ► GO TO 2.

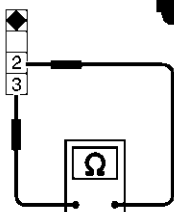
2 CHECK DOOR SWITCHES

1. Disconnect door switch harness connector.
2. Check continuity between door switch connector terminals.

Door switch connector

Front LH : (B29)

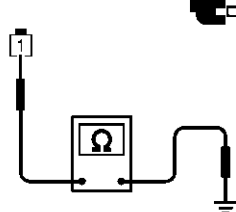
Front RH : (B129)



Door switch connector

Rear LH : (B10)

Rear RH : (B107)



	Terminals	Condition	Continuity
Front door switches	2 - 3	Closed	No
		Open	Yes
Rear door switches	1 - Ground	Closed	No
		Open	Yes

SEL192W

OK or NG

OK ► **Check the following.**

- Door switch ground circuit or door switch ground condition
- Harness for open or short between smart entrance control unit and door switch

NG ► Replace door switch.

KEY SWITCH (INSERT) CHECK

=NFEL0193S04

1 CHECK KEY SWITCH INPUT SIGNAL

With CONSULT-II

Check key switch ("KEY ON SW") in "DATA MONITOR" mode with CONSULT-II.

DATA MONITOR	
MONITOR	
KEY ON SW	ON

When key is inserted to ignition key cylinder:

KEY ON SW ON

When key is removed from ignition key cylinder:

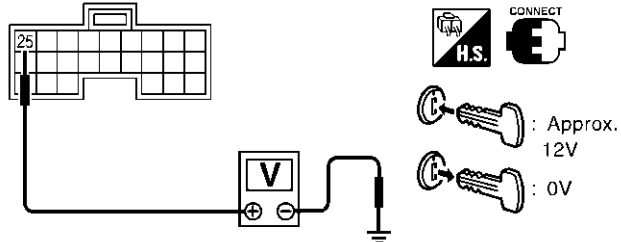
KEY ON SW OFF

SEL315W

Without CONSULT-II

Check voltage between smart entrance control unit harness connector M144 terminal 25 (B/R) and ground.

Smart entrance control unit connector



Voltage [V]:

Condition of key switch: Key is inserted.
Approx. 12

Condition of key switch: Key is removed.
0

SEL011Y

Refer to wiring diagram in EL-267.

OK or NG

OK	▶	Key switch is OK.
NG	▶	GO TO 2.

GI

MA

EM

LC

EC

FE

CL

MT

AT

AX

SU

BR

ST

RS

BT

HA

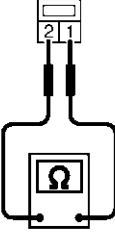
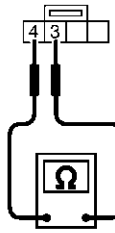



SC

EL

IDX

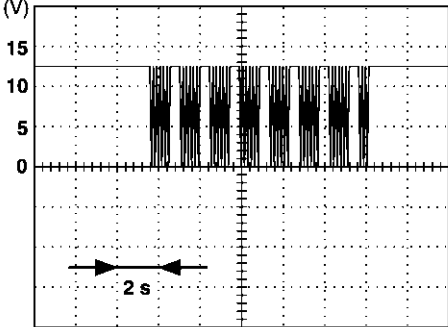
POWER DOOR LOCK

Trouble Diagnoses (Cont'd)

2	CHECK KEY SWITCH (INSERT)	
<p>Check the following.</p> <ul style="list-style-type: none"> ● Continuity between key switch harness connector E95 terminals 1 and 2. (M/T models) ● Continuity between key switch harness connector E150 terminals 3 and 4. (A/T models) <p>Key switch connector</p> <div style="display: flex; justify-content: space-around; align-items: flex-start;"> <div style="text-align: center;"> <p>M/T models</p>  </div> <div style="text-align: center;"> <p>A/T models</p>  </div> <div style="text-align: center;">    </div> <div style="text-align: left;"> <p>Continuity:</p> <p>Condition of key switch: Key is inserted. Yes</p> <p>Condition of key switch: Key is removed. No</p> </div> </div> <p style="text-align: right;">SEL614Y</p> <p style="text-align: center;">OK or NG</p>		
OK	▶	<p>Check the following.</p> <ul style="list-style-type: none"> ● 10A fuse [No. 13, located in fuse block (J/B)] ● Harness for open or short between key switch and fuse ● Harness for open or short between smart entrance control unit and key switch
NG	▶	Replace key switch.

DOOR LOCK/UNLOCK SWITCH CHECK

=NFEL0193S05

1	CHECK DOOR LOCK/UNLOCK SWITCH INPUT SIGNAL	GI MA EM LC EC FE CL MT AT AX SU BR ST RS BT HA SC EL IDX							
<p>Ⓔ With CONSULT-II Check door lock/unlock switch ("LOCK SW DR/AS"/"UNLK SW DR/AS") in "DATA MONITOR" mode with CONSULT-II.</p> <table border="1" style="margin-left: auto; margin-right: auto;"> <thead> <tr> <th colspan="2">DATA MONITOR</th> </tr> <tr> <th colspan="2">MONITOR</th> </tr> </thead> <tbody> <tr> <td>LOCK SW DR/AS</td> <td>OFF</td> </tr> <tr> <td>UNLK SW DR/AS</td> <td>OFF</td> </tr> </tbody> </table> <p style="margin-left: 200px;">When lock/unlock switch is turned to LOCK: LOCK SW DR/AS ON</p> <p style="margin-left: 200px;">When lock/unlock switch is turned to UNLOCK: UNLK SW DR/AS ON</p> <p style="text-align: right;">SEL341W</p>		DATA MONITOR		MONITOR		LOCK SW DR/AS	OFF	UNLK SW DR/AS	OFF
DATA MONITOR									
MONITOR									
LOCK SW DR/AS	OFF								
UNLK SW DR/AS	OFF								
<p>ⓧ Without CONSULT-II</p> <ol style="list-style-type: none"> Remove key from ignition switch. Check the signal between smart entrance control unit harness connector M144 terminal 33 (L) and ground with oscilloscope when door lock/unlock switch is turned "LOCK" or "UNLOCK". Make sure signals which are shown in the figure below can be detected during 10 sec. just after door lock/unlock switch is turned "LOCK" or "UNLOCK". <div style="display: flex; align-items: center;">  <div style="margin-left: 20px;"> <p>Voltage: 12V → 9V (10 sec.) measurement by analog circuit tester.</p> <p style="text-align: right;">SEL396Y</p> </div> </div> <p style="margin-left: 20px;">Refer to wiring diagram in EL-268.</p> <p style="text-align: center;">OK or NG</p>									
OK	▶	Door lock/unlock switch is OK.							
NG	▶	<p>Check the following.</p> <ul style="list-style-type: none"> ● Ground circuit for each front power window switch ● Harness for open or short between each front power window switch and smart entrance control unit connector <p>If above systems are normal, replace the front power window switch.</p>							

POWER DOOR LOCK

Trouble Diagnoses (Cont'd)

FRONT DOOR KEY CYLINDER SWITCH CHECK

=NFEL0193S06

1 CHECK DOOR KEY CYLINDER SWITCH INPUT SIGNAL (LOCK/UNLOCK SIGNAL)

Ⓔ With CONSULT-II

Check front door key cylinder switch ("KEY CYL LK-SW"/"KEY CYL UN-SW") in "DATA MONITOR" mode with CONSULT-II.

DATA MONITOR	
MONITOR	
KEY CYL LK-SW	OFF
KEY CYL UN-SW	OFF

When key inserted in front key cylinder is turned to LOCK:

KEY CYL LK-SW ON

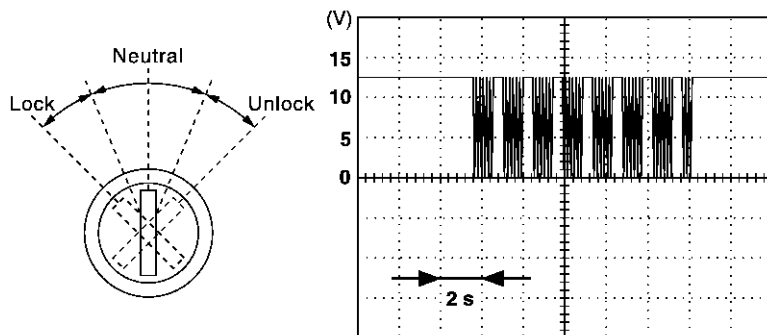
When key inserted in front key cylinder is turned to UNLOCK:

KEY CYL UN-SW ON

SEL342W

ⓧ Without CONSULT-II

1. Check the signal between smart entrance control unit harness connector M144 terminal 33 (L) and ground with oscilloscope when key inserted in front key cylinder is turned "LOCK" or "UNLOCK".
2. Make sure signals which are shown in the figure below can be detected during 10 sec. just after key is turned "LOCK" or "UNLOCK".



Voltage:
12V → 9V (10 sec.) measurement
by analog circuit tester.

SEL397Y



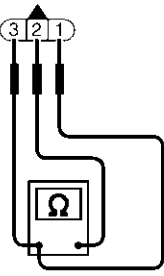
Refer to wiring diagram in EL-268.

OK or NG

OK	▶	Door key cylinder switch is OK.
NG	▶	GO TO 2.

POWER DOOR LOCK

Trouble Diagnoses (Cont'd)

2	CHECK DOOR KEY CYLINDER SWITCH	<p>1. Disconnect door key cylinder switch harness connector. 2. Check continuity between door key cylinder switch terminals.</p> <div style="display: flex; align-items: flex-start;"> <div style="margin-right: 20px;">  <p>Door key cylinder switch connector</p> </div> <div style="margin-right: 20px;">  </div> <div style="margin-right: 20px;">  </div> <div> <p>① : Door unlock switch terminal ② : Ground terminal ③ : Door lock switch terminal</p> <table border="1" style="margin-top: 10px;"> <thead> <tr> <th>Terminals</th> <th>Key position</th> <th>Continuity</th> </tr> </thead> <tbody> <tr> <td rowspan="2">③ - ②</td> <td>Neutral/Unlock</td> <td>No</td> </tr> <tr> <td>Lock</td> <td>Yes</td> </tr> <tr> <td rowspan="2">① - ②</td> <td>Neutral/Lock</td> <td>No</td> </tr> <tr> <td>Unlock</td> <td>Yes</td> </tr> </tbody> </table> </div> </div> <p style="text-align: right; margin-top: 10px;">SEL034X</p>	Terminals	Key position	Continuity	③ - ②	Neutral/Unlock	No	Lock	Yes	① - ②	Neutral/Lock	No	Unlock	Yes
Terminals	Key position	Continuity													
③ - ②	Neutral/Unlock	No													
	Lock	Yes													
① - ②	Neutral/Lock	No													
	Unlock	Yes													
OK or NG															
OK	▶	<p>Check the following.</p> <ul style="list-style-type: none"> ● Door key cylinder switch ground circuit ● Harness for open or short between front power window main switch and door key cylinder switch <p>If above systems are normal, replace the front power window main switch.</p>													
NG	▶	Replace door key cylinder switch.													

GI
MA
EM
LC
EC
FE
CL
MT

DOOR LOCK ACTUATOR CHECK

NFEL0193S08

1	CHECK DOOR LOCK ACTUATOR OPERATION	<p>Ⓔ With CONSULT-II</p> <ol style="list-style-type: none"> 1. Select "ACTIVE TEST" in "DOOR LOCK" with CONSULT-II. 2. Select "ALL D/LK MTR" and touch "ON". 3. Then, select "DR D/UN MTR" and touch "ON". 4. Select "NON DR D/UN" and touch "ON". <div style="display: flex; align-items: center; justify-content: center; margin-top: 20px;"> <div style="border: 1px solid black; padding: 5px; text-align: center;"> <table border="1" style="border-collapse: collapse;"> <thead> <tr> <th colspan="2">ACTIVE TEST</th> </tr> </thead> <tbody> <tr> <td>ALL D/LK MTR</td> <td>OFF</td> </tr> <tr> <td colspan="2" style="text-align: center;">or</td> </tr> <tr> <td>(DR D/UN MTR</td> <td>OFF)</td> </tr> <tr> <td>(NON DR D/UN</td> <td>OFF)</td> </tr> <tr> <td colspan="2" style="background-color: black; color: white; padding: 2px;">ON</td> </tr> </tbody> </table> </div> <div style="margin-left: 20px;"> <p>Door lock motor should operate.</p> </div> </div> <p style="text-align: right; margin-top: 10px;">SEL343W</p>	ACTIVE TEST		ALL D/LK MTR	OFF	or		(DR D/UN MTR	OFF)	(NON DR D/UN	OFF)	ON	
ACTIVE TEST														
ALL D/LK MTR	OFF													
or														
(DR D/UN MTR	OFF)													
(NON DR D/UN	OFF)													
ON														
NOTE:														
If CONSULT-II is not available, skip this procedure and go to the next step.														
OK or NG														
OK	▶	Door lock actuator is OK.												
NG	▶	GO TO 2.												

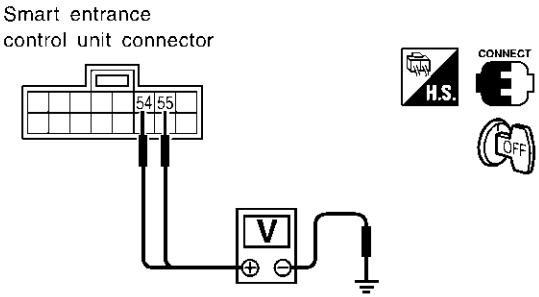
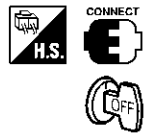
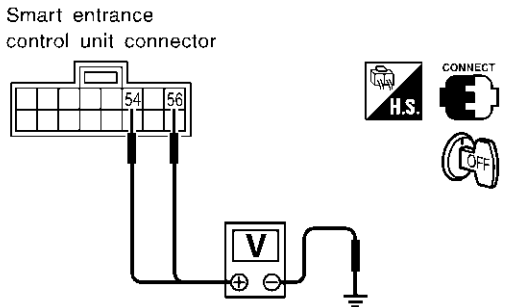

AT
AX
SU
BR
ST
RS
BT
HA
SC

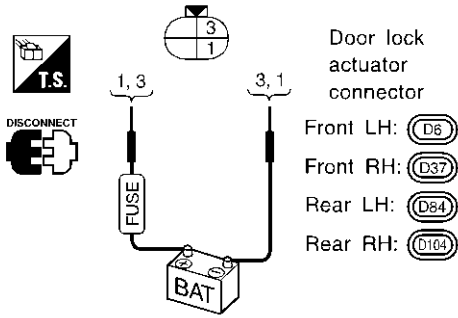
EL

IDX

POWER DOOR LOCK

Trouble Diagnoses (Cont'd)

2	CHECK DOOR LOCK ACTUATOR CIRCUIT													
<ul style="list-style-type: none"> Door lock actuator front LH Check voltage between smart entrance control unit harness connector M145 terminal 54 (GY), 55 (W/B) and ground. 														
<div style="display: flex; align-items: flex-start;"> <div style="flex: 1;"> <p>Smart entrance control unit connector</p>  </div> <div style="flex: 0.5; text-align: center;">  </div> <div style="flex: 1.5;"> <table border="1" style="width: 100%; border-collapse: collapse;"> <thead> <tr> <th rowspan="2">Door lock/unlock switch condition</th> <th colspan="2">Terminal No.</th> <th rowspan="2">Voltage V</th> </tr> <tr> <th>(+)</th> <th>(-)</th> </tr> </thead> <tbody> <tr> <td>Lock</td> <td>54</td> <td>Ground</td> <td rowspan="2" style="text-align: center;">Approx. 12</td> </tr> <tr> <td>Unlock</td> <td>55</td> <td>Ground</td> </tr> </tbody> </table> </div> </div>		Door lock/unlock switch condition	Terminal No.		Voltage V	(+)	(-)	Lock	54	Ground	Approx. 12	Unlock	55	Ground
Door lock/unlock switch condition	Terminal No.		Voltage V											
	(+)	(-)												
Lock	54	Ground	Approx. 12											
Unlock	55	Ground												
SEL014Y														
<ul style="list-style-type: none"> Door lock actuator front RH and rear Check voltage between smart entrance control unit harness connector M145 terminal 54 (GY), 56 (G/Y) and ground. 														
<div style="display: flex; align-items: flex-start;"> <div style="flex: 1;"> <p>Smart entrance control unit connector</p>  </div> <div style="flex: 0.5; text-align: center;">  </div> <div style="flex: 1.5;"> <table border="1" style="width: 100%; border-collapse: collapse;"> <thead> <tr> <th rowspan="2">Door lock/unlock switch condition</th> <th colspan="2">Terminal No.</th> <th rowspan="2">Voltage V</th> </tr> <tr> <th>(+)</th> <th>(-)</th> </tr> </thead> <tbody> <tr> <td>Lock</td> <td>54</td> <td>Ground</td> <td rowspan="2" style="text-align: center;">Approx. 12</td> </tr> <tr> <td>Unlock</td> <td>56</td> <td>Ground</td> </tr> </tbody> </table> </div> </div>		Door lock/unlock switch condition	Terminal No.		Voltage V	(+)	(-)	Lock	54	Ground	Approx. 12	Unlock	56	Ground
Door lock/unlock switch condition	Terminal No.		Voltage V											
	(+)	(-)												
Lock	54	Ground	Approx. 12											
Unlock	56	Ground												
SEL015Y														
Refer to wiring diagram in EL-269.														
OK or NG														
OK	▶	GO TO 3.												
NG	▶	Replace smart entrance control unit. (Before replacing the control unit, perform "DOOR LOCK/UNLOCK SWITCH CHECK".)												

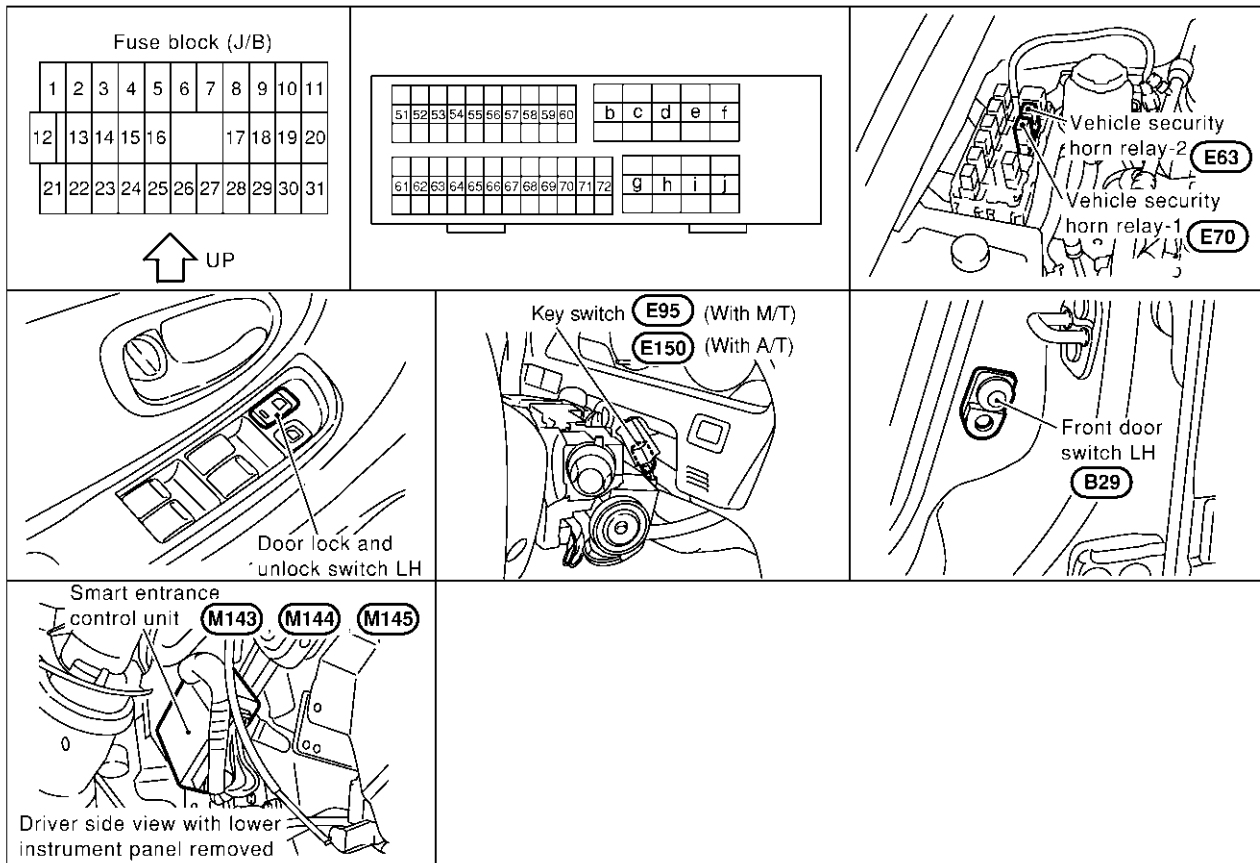
3	CHECK DOOR LOCK ACTUATOR	
<ol style="list-style-type: none"> Disconnect door lock actuator harness connector. Apply 12V direct current to door lock actuator and check operation. 		
<div style="display: flex; align-items: center;"> <div style="flex: 1;">  </div> <div style="flex: 1;"> <p>Door lock actuator connector</p> <p>Front LH: (D6)</p> <p>Front RH: (D37)</p> <p>Rear LH: (D84)</p> <p>Rear RH: (D164)</p> </div> <div style="flex: 1;"> <p>Door lock actuator operation: Terminals between (+): 1 and (-): 3 Unlocked → Locked Terminals between (+): 3 and (-): 1 Locked → Unlocked</p> </div> </div>		
SEL222W		
OK or NG		
OK	▶	Check harness for open or short between smart entrance control unit connector and door lock actuator.
NG	▶	Replace door lock actuator.

REMOTE KEYLESS ENTRY SYSTEM

Component Parts and Harness Connector Location

Component Parts and Harness Connector Location

NFEL0111



GI

MA

EM

LC

EC

FE

CL

MT

AT

AX

SU

SEL385Y

BR

System Description

NFEL0194

ST

NFEL0194S01

INPUTS

Power is supplied at all times

- from 40A fusible link (letter I, located in the fuse and fusible link box)
- to circuit breaker terminal 1
- through circuit breaker terminal 2
- to smart entrance control unit terminal 51
- to smart entrance control unit terminal 49 and
- to key switch terminal 2 (M/T models) or 3 (A/T models)
- through 10A fuse [No. 13, located in the fuse block (J/B)].

When the key switch is ON (ignition key is inserted in key cylinder), power is supplied

- through key switch terminal 1 (M/T models) or 4 (A/T models)
- to smart entrance control unit terminal 25.

When the front door switch LH is ON (door is OPEN), ground is supplied

- to smart entrance control unit terminal 1
- through front door switch LH terminal 2
- to front door switch LH terminal 3
- through body grounds B7 (without automatic drive positioner) or B59 (with automatic drive positioner) and B12.

When the front door switch RH is ON (door is OPEN), ground is supplied

EL

IDX

REMOTE KEYLESS ENTRY SYSTEM

System Description (Cont'd)

- to smart entrance control unit terminal 2
- through front door switch RH terminal 2, and
- to front door switch RH terminal 3
- through body grounds B106 and B127.

When the rear door switches are ON (door is OPEN), ground is supplied

- to smart entrance control unit terminal 3
- through rear door switches terminal 1
- to rear door switches case grounds.

When door lock/unlock switch of front power window main switch is LOCK/UNLOCK, ground is supplied

- to smart entrance control unit terminal 33
- through front power window main switch terminals 14 and 17, and
- through body grounds M9, M25 and M87.

Keyfob signal is inputted to smart entrance control unit (The antenna of the system is combined with smart entrance control unit).

The remote keyless entry system controls operation of the

- power door lock
- auto door lock
- trunk lid opener
- interior lamp
- panic alarm
- hazard and horn reminder
- power window opener

OPERATED PROCEDURE

Power Door Lock Operation

NFEL0194S02

Smart entrance control unit receives a LOCK signal from keyfob. Smart entrance control unit locks all doors with input of LOCK signal from keyfob.

When an UNLOCK signal is sent from keyfob once, driver's door will be unlocked.

Then, if an UNLOCK signal is sent from keyfob again within 5 seconds, all other door will be unlocked.

Select unlock mode can be changed by CONSULT-II (EL-292).

Auto Door Lock Operation

Auto lock function signal is sent for operation when any of the following signals are not sent within 5 minutes after the unlock signal is sent from the keyfob:

- when door switch is turned ON for open.
- when the ignition switch is turned ON.
- when the lock signal is sent from the keyfob.

Auto door lock mode can be changed by CONSULT-II (EL-292).

Hazard and Horn Reminder

Power is supplied at all times

- to vehicle security horn relay-1 terminals 1 and 3, and
- to vehicle security horn relay-2 terminal 1
- through 10A fuse (No. 61, located in the fusible link and fuse box), and
- to horn relay terminal 2
- through 10A fuse (No. 57, located in the fusible link and fuse box)

When smart entrance control unit receives LOCK or UNLOCK signal from keyfob with all doors closed, ground is supplied

- to vehicle security horn relay-2 terminal 2
- through smart entrance control unit terminal 42

Vehicle security horn relay-2 is then energized

- to horn relay terminal 1, and
- to vehicle security horn relay-1 terminal 2
- through vehicle security horn relay-2 terminals 5 and 3, and

NFEL0194S0206

REMOTE KEYLESS ENTRY SYSTEM

System Description (Cont'd)

- through body ground E11, E22 and E53
- to smart entrance control unit terminals 47 and 48 from hazard warning lamp system.

Vehicle security horn relay-1 and horn relay are now energized, and hazard warning lamp flashes and horn sounds as a reminder.

The hazard and horn reminder has six steps.

Operating function of hazard and horn reminder

	Lock		Unlock	
	Hazard warning lamp flash	Horn sound	Hazard warning lamp flash	Horn sound
C MODE	Twice	Once	Once	—
S MODE	Twice	—	—	—
MODE 3	—	—	—	—
MODE 4	Twice	—	Once	—
MODE 5	Twice	Once	—	—
MODE 6	—	Once	Once	—

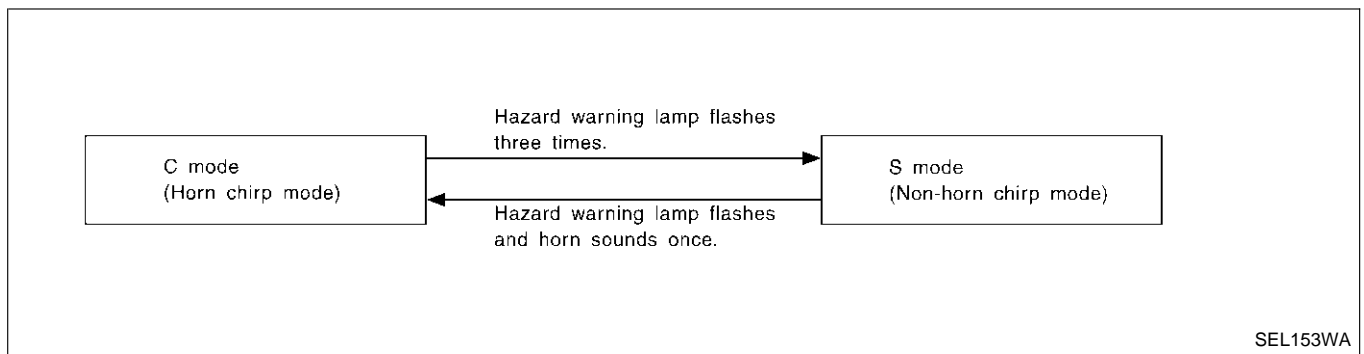
How to change hazard and horn reminder mode

Ⓔ With CONSULT-II

Hazard and horn reminder can be changed by CONSULT-II (EL-292).

ⓧ Without CONSULT-II

When LOCK and UNLOCK signals are sent from the keyfob for more than 2 seconds at the same time, the hazard and horn reminder mode is changed and hazard warning lamp flashes and horn sounds as follows:



NOTE:

Reminder mode setting cannot be changed without CONSULT-II for MODES 3,4, 5, and 6. However, C and S MODES can be changed without CONSULT-II.

Interior Lamp Operation

NFEL0194S0203

When the following input signals are both supplied:

- door switch CLOSED (when all the doors are closed);
- driver's door LOCKED;

remote keyless entry system turns on interior lamp and key hole illumination (for 30 seconds) with input of UNLOCK signal from keyfob.

For detailed description, refer to "INTERIOR, STEP, SPOT, VANITY MIRROR AND TRUNK ROOM LAMPS" (EL-93).

Panic Alarm Operation

NFEL0194S0204

When key switch is OFF (when ignition key is not inserted in key cylinder), remote keyless entry system turns on and off horn and headlamp intermittently with input of PANIC ALARM signal from keyfob.

The alarm automatically turns off after 25 seconds or when smart entrance control unit receives any signal from keyfob.

For detailed description, refer to "VEHICLE SECURITY SYSTEM" (EL-316).

The panic alarm button's pressing time on keyfob can be changed by CONSULT-II (EL-292).

REMOTE KEYLESS ENTRY SYSTEM

System Description (Cont'd)

Trunk Lid Opener Operation

NFEL0194S0205

Power is supplied at all times

- through 15A fuse [No. 3, located in the fuse block (J/B)]
- to trunk lid opener actuator terminal 2.

When a TRUNK OPEN signal is sent with key OFF (ignition key removed from key cylinder) from keyfob, ground is supplied

- to trunk lid opener actuator terminal 1
- through smart entrance control unit terminal 63.

Then power and ground are supplied, trunk lid opener actuator opens trunk lid.

The trunk lid opener button's pressing time on keyfob can be changed by CONSULT-II (EL-292).

Power Window Opener Operation

NFEL0194S0207

The front power windows open when the unlock button on keyfob is activated and kept pressed for more than 3 seconds with the ignition key OFF. The windows keep opening if the unlock button is continuously pressed.

The power window opening stops when the following operations are carried out:

- When the unlock button is kept pressed more than 15 seconds.
- When the ignition switch is turned ON while the power window opening is operated.
- When the unlock button is released.

The unlock button's pressing time can be changed by CONSULT-II (EL-292).

Door Lock/Unlock and front power window down signal is supplied

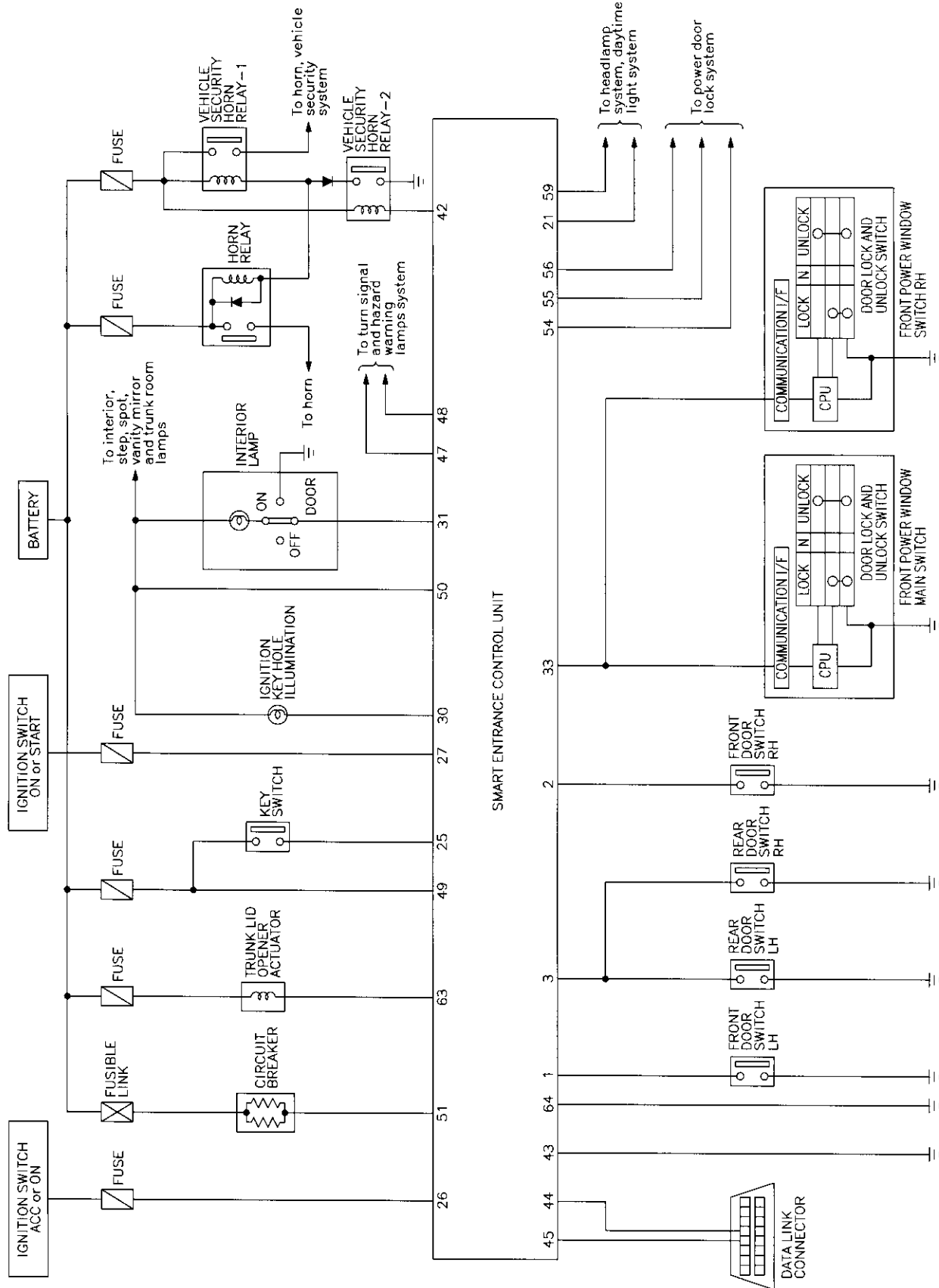
- through smart entrance control unit terminal 33
- to front power window main switch terminal 14 and
- to front power window switch RH terminal 16.

REMOTE KEYLESS ENTRY SYSTEM

Schematic

Schematic

NFEL0171



GI
MA
EM
LC
EC
FE
CL
MT
AT
AX
SU
BR
ST
RS
BT
HA
SC
EL
IDX

MEL1790

REMOTE KEYLESS ENTRY SYSTEM

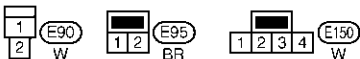
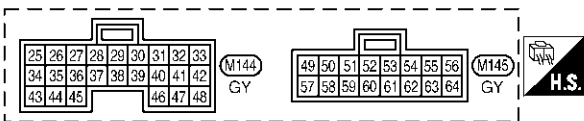
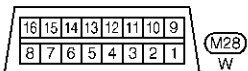
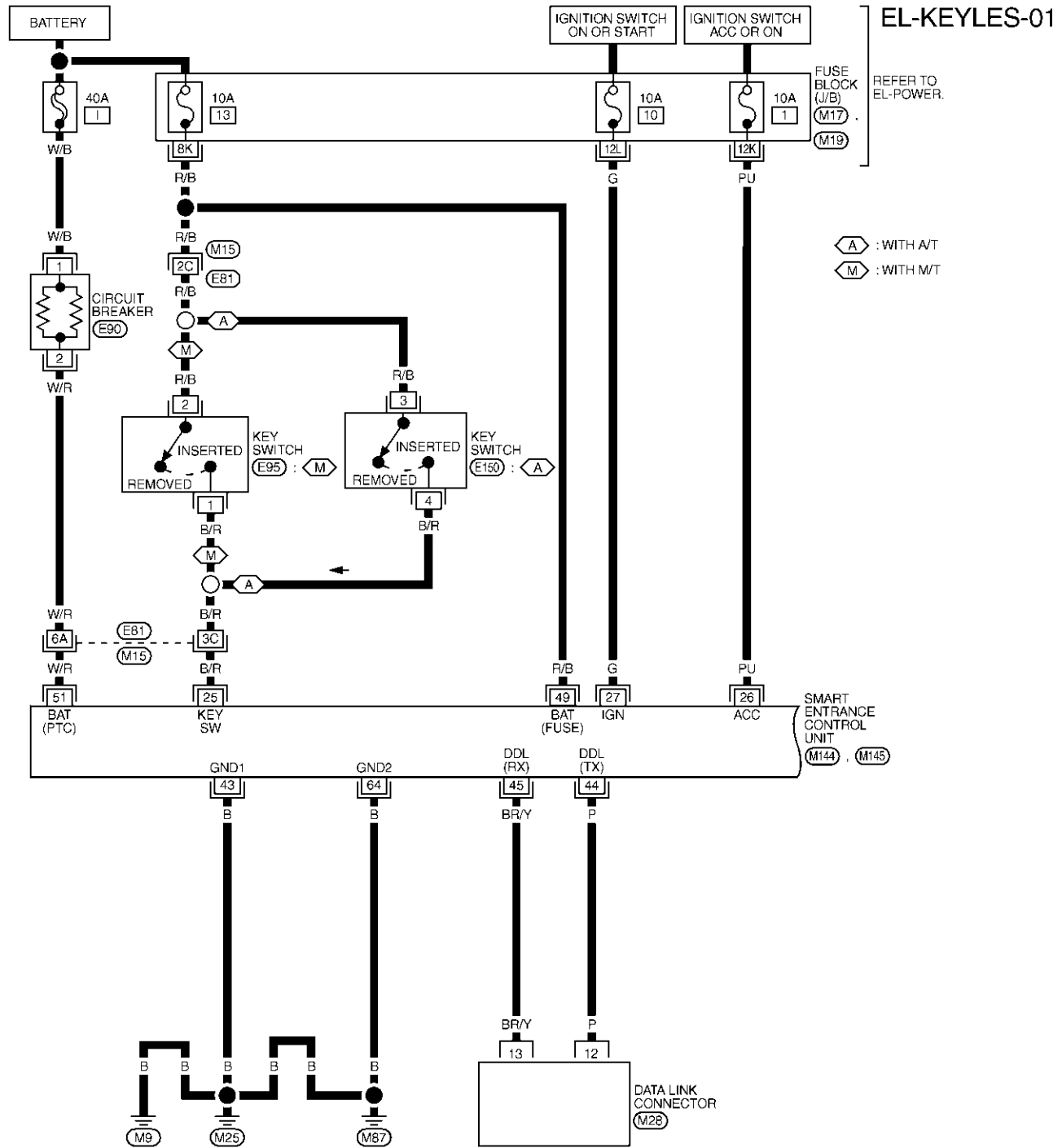
Wiring Diagram — KEYLES —

Wiring Diagram — KEYLES —

NFEL0114

NFEL0114S01

FIG. 1



REFER TO THE FOLLOWING.
M15 -SUPER
 MULTIPLE JUNCTION (SMJ)
M17 . M19 -FUSE BLOCK-
 JUNCTION BOX (J/B)

MEL895P

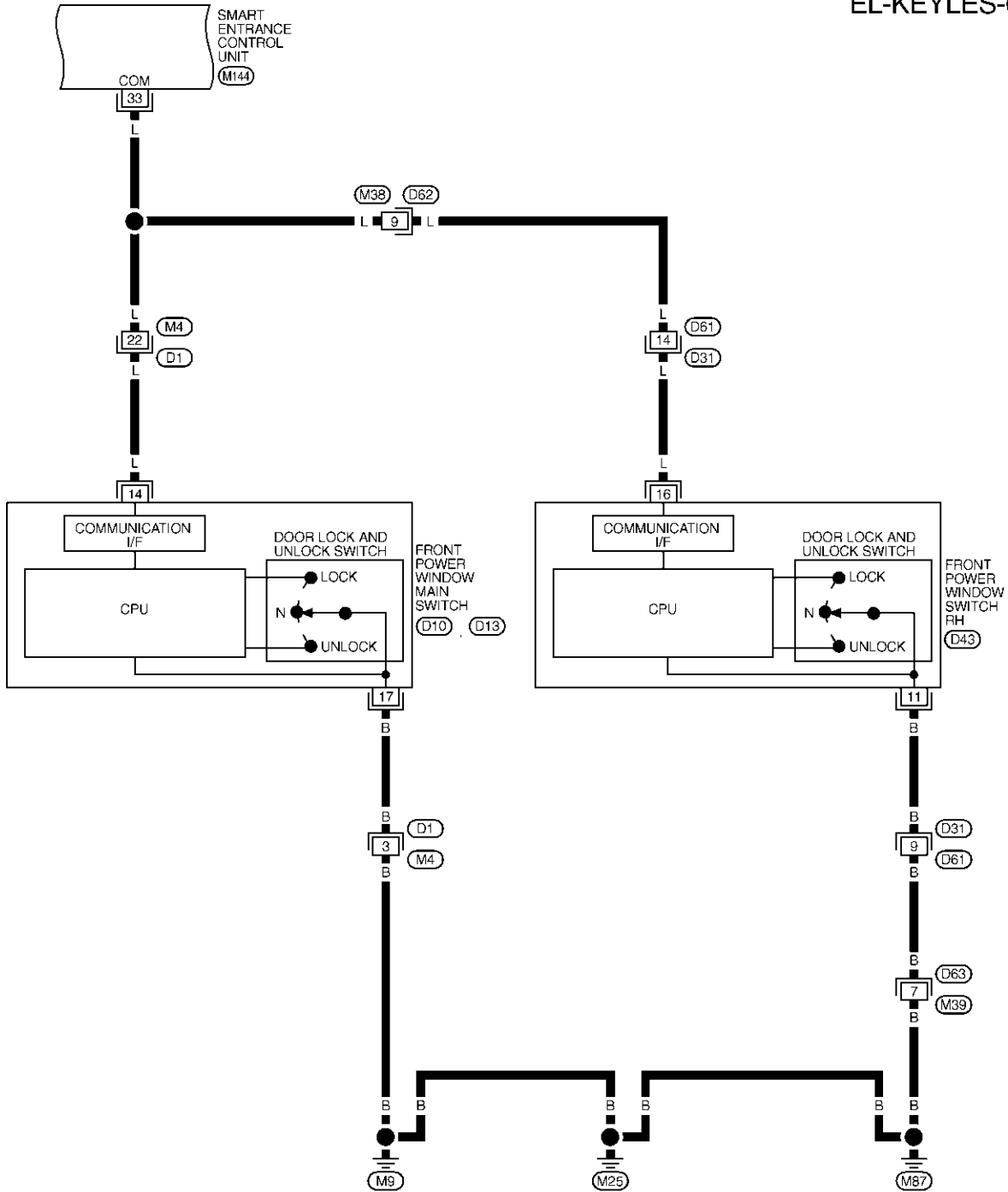
REMOTE KEYLESS ENTRY SYSTEM

Wiring Diagram — KEYLES — (Cont'd)

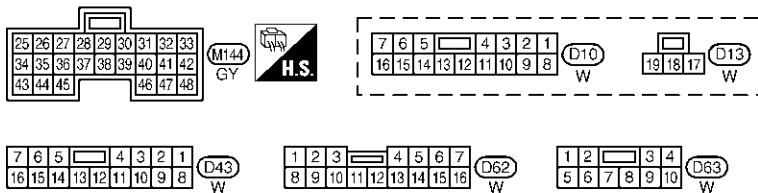
FIG. 2

NFEL0114S02

EL-KEYLES-02



GI
MA
EM
LC
EC
FE
CL
MT
AT
AX
SU
BR
ST
RS
BT
HA
SC
EL
IDX



REFER TO THE FOLLOWING.
 (D1) . (D31) -SUPER
 MULTIPLE JUNCTION (SMJ)

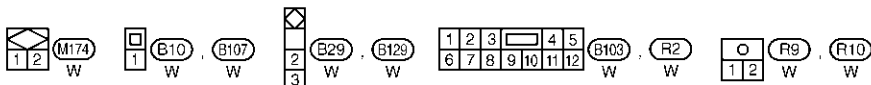
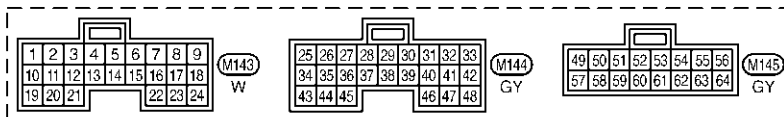
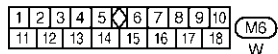
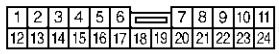
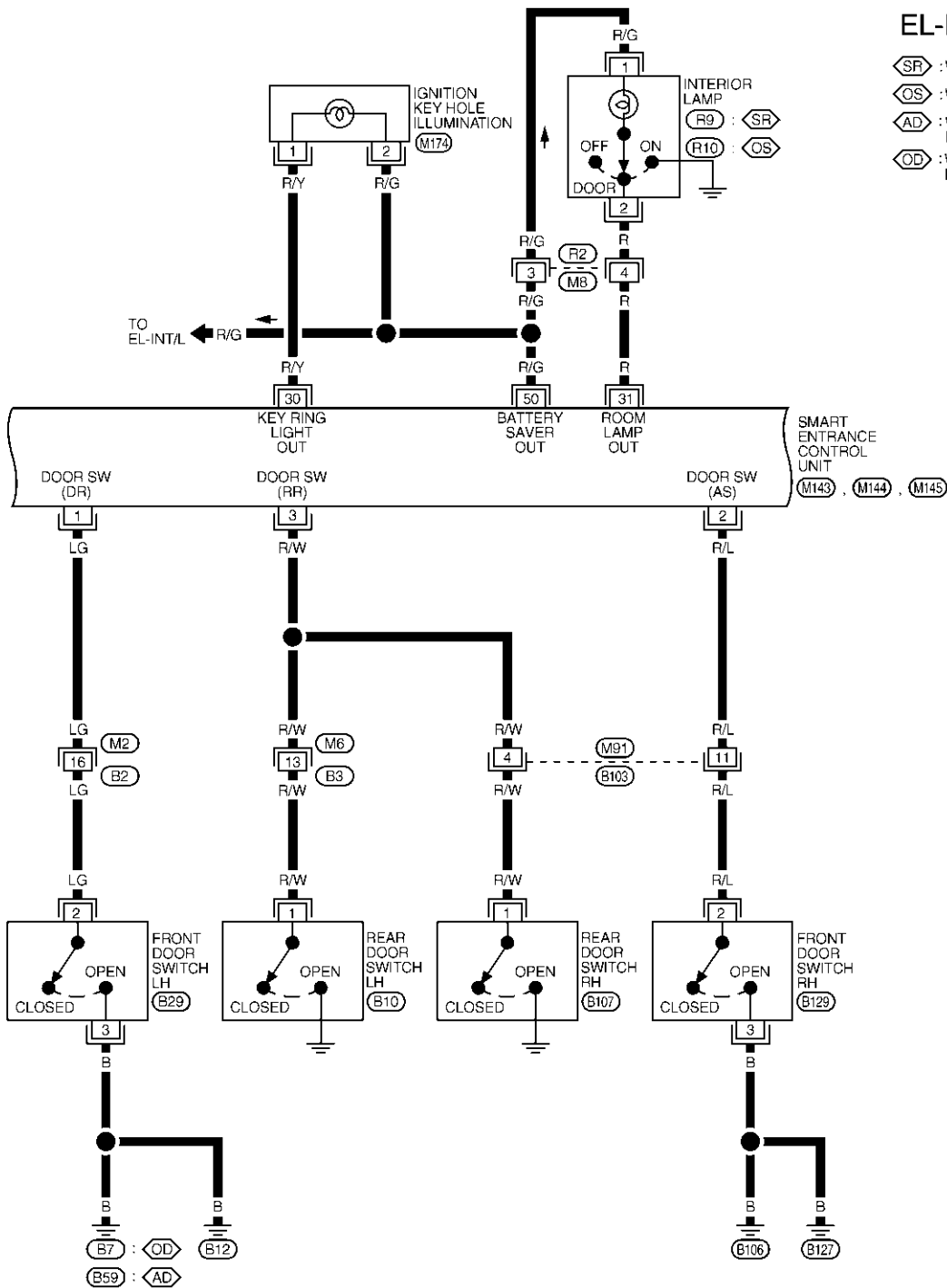
MEL896P

REMOTE KEYLESS ENTRY SYSTEM

Wiring Diagram — KEYLES — (Cont'd)

FIG. 3

NFEL0114S05



MEL897P

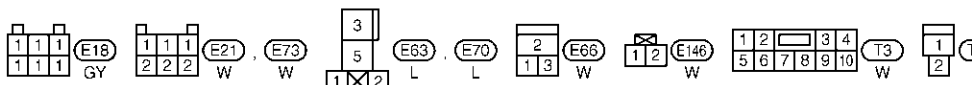
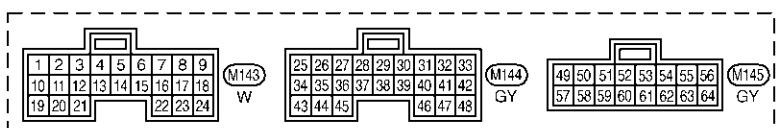
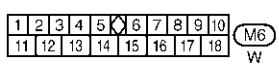
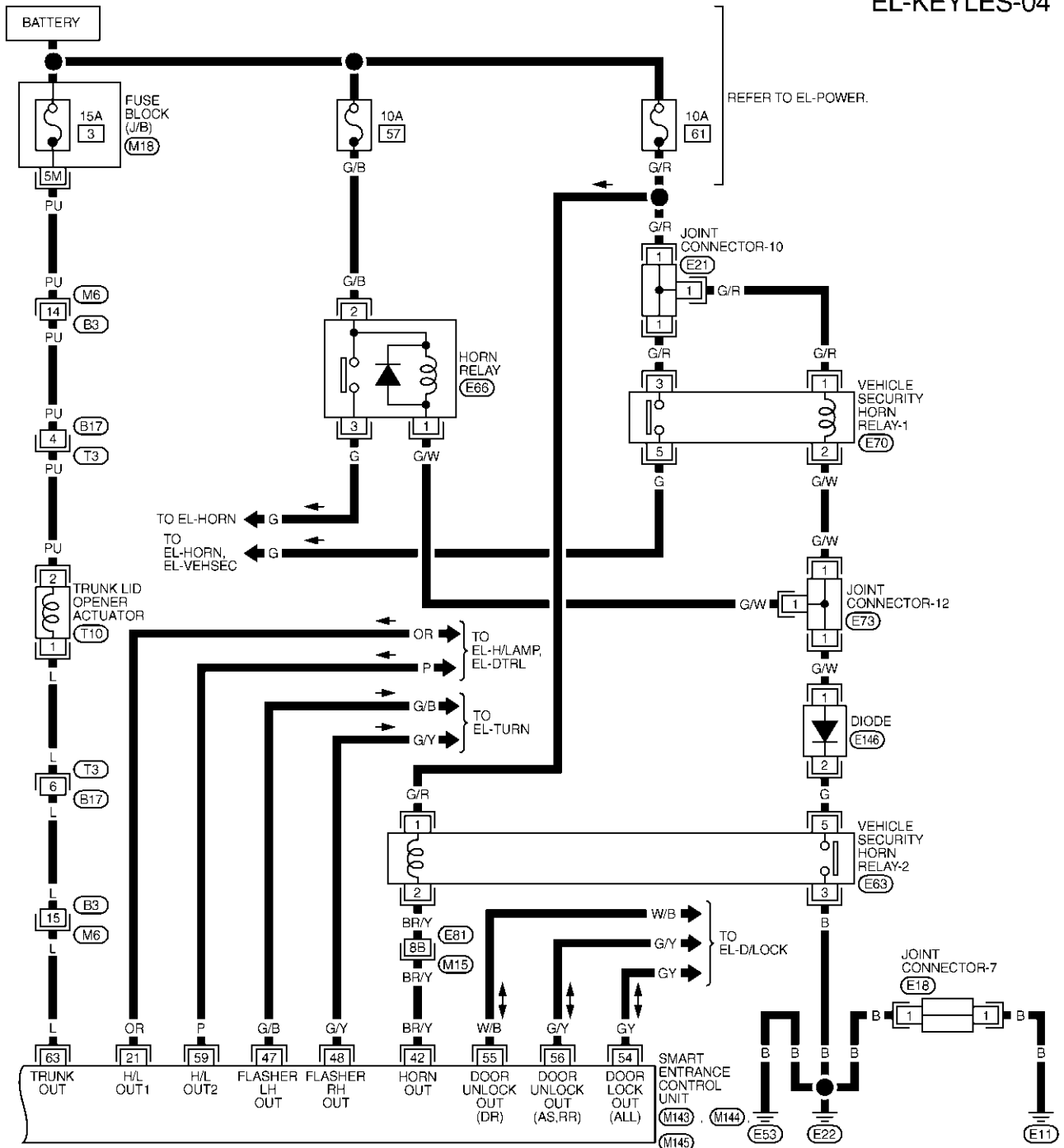
REMOTE KEYLESS ENTRY SYSTEM

Wiring Diagram — KEYLES — (Cont'd)

FIG. 4

NFEL0114S06

EL-KEYLES-04



REFER TO THE FOLLOWING.
 (M15) -SUPER
 MULTIPLE JUNCTION (SMJ)
 (M18) -FUSE BLOCK-
 JUNCTION BOX (J/B)

GI
MA
EM
LC
EC
FE
CL
MT
AT
AX
SU
BR
ST
RS
BT
HA

EL

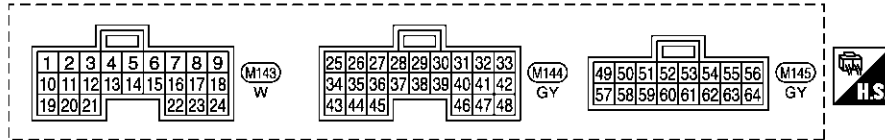
IDX

MEL898P

REMOTE KEYLESS ENTRY SYSTEM

Wiring Diagram — KEYLES — (Cont'd)

SMART ENTRANCE CONTROL UNIT CONNECTOR



SMART ENTRANCE CONTROL UNIT TERMINALS AND REFERENCE VALUE BETWEEN EACH TERMINAL AND GROUND

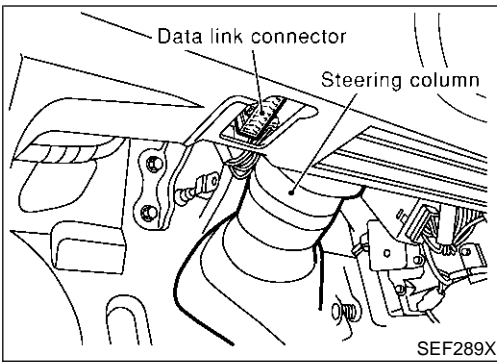
TERMINAL	WIRE COLOR	ITEM	CONDITION	DATA (DC)	
1	LG	DRIVER DOOR SWITCH	OFF (CLOSED) → ON (OPEN)	12V → 0V	
2	R/L	PASSENGER DOOR SWITCH	OFF (CLOSED) → ON (OPEN)	5V → 0V	
3	R/W	REAR DOOR SWITCH	OFF (CLOSED) → ON (OPEN)	5V → 0V	
21	OR	HEADLAMP LH RELAY	IGNITION SWITCH (WITH LIGHTING SWITCH 2ND)	ON OR START MORE THAN 5 MINUTES	12V
				→ OFF WITHIN 5 MINUTES	0V
				ON OR START	0V
				HEADLAMPS ILLUMINATE BY AUTO LIGHT CONTROL	0V
25	B/R	IGNITION KEY SWITCH (INSERT)	KEY INSERTED → KEY REMOVED FROM IGN KEY CYLINDER	12V → 0V	
26	PU	IGNITION SWITCH (ACC)	"ACC" POSITION	12V	
27	G	IGNITION SWITCH (ON)	IGNITION SWITCH IS IN "ON" POSITION	12V	
30	R/Y	IGNITION KEYHOLE ILLUMINATION	WHEN DOORS ARE UNLOCKED USING KEYFOB (OFF → UNLOCK)	12V → 0V	
31	R	INTERIOR LAMP	WHEN DOORS ARE LOCKED USING KEYFOB (UNLOCK → LOCK WITH LAMP SWITCH IN "DOOR" POSITION)	0V → 12V	
33	L	COMMUNICATION INTERFACE	DOOR LOCK & UNLOCK SWITCHES (NEUTRAL → LOCK/UNLOCK)	*1	
			FRONT DOOR KEY CYLINDER SWITCH LH (NEUTRAL → LOCK/UNLOCK)		
42	BR/Y	VEHICLE SECURITY HORN RELAY	WHEN PANIC ALARM IS OPERATED USING KEYFOB (ON → OFF)	12V → 0V	
43	B	GROUND	-	-	
47	G/B	LH TURN SIGNAL LAMP	WHEN DOOR LOCK OR UNLOCK IS OPERATED USING KEYFOB (ON → OFF)	12V → 0V	
48	G/Y	RH TURN SIGNAL LAMP	WHEN DOOR LOCK OR UNLOCK IS OPERATED USING KEYFOB (ON → OFF)	12V → 0V	
49	R/B	POWER SOURCE (FUSE)	-	12V	
50	R/G	BATTERY SAVER (INTERIOR LAMP)	BATTERY SAVER DOSE OPERATE → DOES NOT OPERATE (ON → OFF)	12V → 0V	
51	W/R	POWER SOURCE (PTC)	-	12V	
54	GY	DOOR LOCK ACTUATORS	DOOR LOCK & UNLOCK SWITCH (FREE → LOCK)	0V → 12V	
55	W/B	DRIVER DOOR LOCK ACTUATORS	DOOR LOCK & UNLOCK SWITCH (FREE → UNLOCK)	0V → 12V	
56	G/Y	PASSENGER AND REAR DOORS LOCK ACTUATOR	DOOR LOCK & UNLOCK SWITCH (FREE → UNLOCK)	0V → 12V	
59	P	HEADLAMP RH RELAY	IGNITION SWITCH (WITH LIGHTING SWITCH 2ND)	ON OR START MORE THAN 5 MINUTES	12V
				→ OFF WITHIN 5 MINUTES	0V
				ON OR START	0V
				HEADLAMPS ILLUMINATE BY AUTO LIGHT CONTROL (OPERATE → NOT OPERATE)	LESS THAN 1V → 12V
63	L	TRUNK LID OPENER ACTUATOR	WHEN TRUNK LID OPENER ACTUATOR IS OPERATED USING KEYFOB (ON → OFF)	0V → 12V	
64	B	GROUND	-	-	

*1: REFER TO "SMART ENTRANCE CONTROL UNIT INSPECTION TABLE" IN "SMART ENTRANCE CONTROL UNIT".

SEL591YA

REMOTE KEYLESS ENTRY SYSTEM

CONSULT-II Inspection Procedure



CONSULT-II Inspection Procedure

NFEL0241

“MULTI REMOTE ENT”

NFEL0241S01

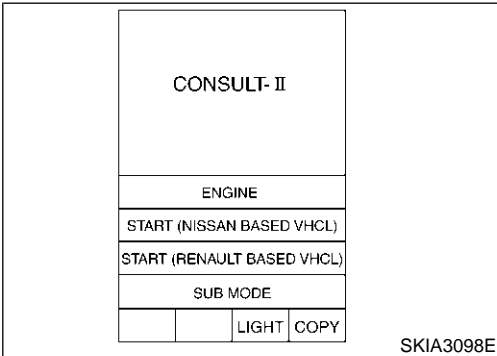
1. Turn ignition switch “OFF”.
2. Connect “CONSULT-II” and “CONSULT-II CONVERTER” to the data link connector.

GI

MA

EM

LC



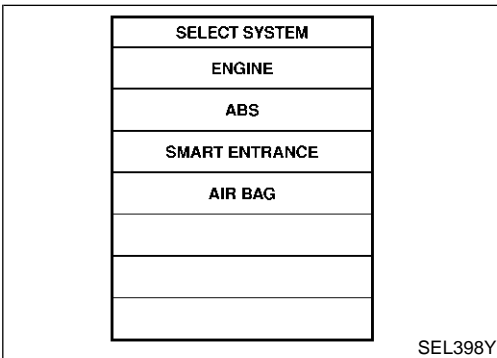
3. Turn ignition switch “ON”.
4. Touch “START (NISSAN BASED VHCL)”.

EC

FE

CL

MT



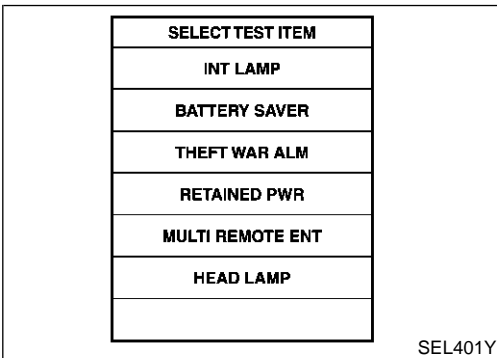
5. Touch “SMART ENTRANCE”.

AT

AX

SU

BR



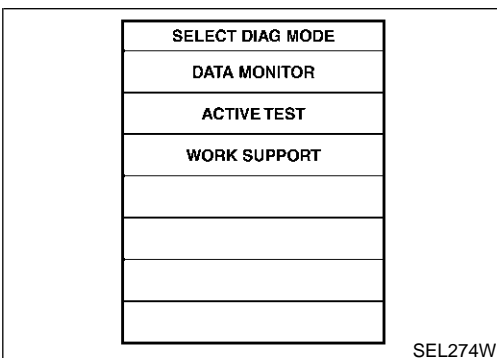
6. Touch “MULTI REMOTE ENT”.

ST

RS

BT

HA



7. Select diagnosis mode. “DATA MONITOR”, “ACTIVE TEST” and “WORK SUPPORT” are available.

SC

EL

IDX

REMOTE KEYLESS ENTRY SYSTEM

CONSULT-II Application Items

CONSULT-II Application Items

NFEL0242

“MULTI REMOTE ENT” Data Monitor

NFEL0242S01

NFEL0242S0101

Monitored Item	Description
IGN ON SW	Indicates [ON/OFF] condition of ignition switch in ON position.
ACC ON SW	Indicates [ON/OFF] condition of ignition switch in ACC position.
DOOR SW-RR	Indicates [ON/OFF] condition of rear door switch.
KEY ON SW	Indicates [ON/OFF] condition of key switch.
DOOR SW-DR	Indicates [ON/OFF] condition of front door switch LH.
DOOR SW-AS	Indicates [ON/OFF] condition of door switch RH.
LOCK SW DR/AS	Indicates [ON/OFF] condition of lock signal from lock/unlock switch LH and RH.
UNLK SW DR/AS	Indicates [ON/OFF] condition of unlock signal from lock/unlock switch LH and RH.
KEY CYL LK-SW	Indicates [ON/OFF] condition of lock signal from key cylinder switch.
LK BUTTON/SIG	Indicates [ON/OFF] condition of lock signal from keyfob.
UN BUTTON/SIG	Indicates [ON/OFF] condition of unlock signal from keyfob.
TRUNK BTN/SIG	Indicates [ON/OFF] condition of trunk open signal from keyfob.
PANIC BTN	Indicates [ON/OFF] condition of panic signal from keyfob.
UN BUTTON ON	Indicates [ON/OFF] condition of unlock switch form keyfob.
LK/UN BTN ON	Indicates [ON/OFF] condition of lock/unlock signal at the same time from keyfob.

Active Test

NFEL0242S0102

Test Item	Description
INT/IGN ILLUM	This test is able to check interior lamp and ignition key hole illumination operation. The interior lamp and ignition key hole illumination are turned on when “ON” on CONSULT-II screen is touched.
HAZARD	This test is able to check hazard reminder operation. The hazard lamp turns on when “ON” on CONSULT-II screen is touched.
TRUNK OUTPUT	This test is able to check trunk lid opener actuator operation. The trunk is unlocked when “ON” on CONSULT-II screen is touched.
HORN	This test is able to check panic alarm and horn reminder operations. The alarm activate for 0.5 seconds after “ON” on CONSULT-II screen is touched.
HEAD LAMP	This test is able to check headlamps panic alarm operation. The headlamp illuminates for 0.5 seconds after “ON” on CONSULT-II screen is touched.
PW REMOTE DOWN SET	This test is able to check power window open operation. The front power windows activate for 10 seconds after “ON” on CONSULT-II screen is touched.

Work Support

NFEL0242S0103

Test Item	Description
REMO CONT ID CONFIR	It can be checked whether keyfob ID code is registered or not in this mode.
REMO CONT ID REGIST	Keyfob ID code can be registered.
REMO CONT ID ERASUR	Keyfob ID code can be erased.
MULTI ANSWER BACK SET	Hazard and horn reminder mode can be changed with this mode. Selects hazard and horn reminder mode among six steps (EL-282).

REMOTE KEYLESS ENTRY SYSTEM

CONSULT-II Application Items (Cont'd)

Test Item	Description	
AUTO LOCK SET	Auto door lock mode can be selected among the following periods: ● MODE 1 (5 min.)/MODE 2 (OFF-Mode)/MODE 3 (1 min.)	GI
PANIC ALARM SET	The panic alarm button's pressing time on keyfob can be selected among the following periods: ● MODE 1 (0.5 sec.)/MODE 2 (OFF-Mode)/MODE 3 (1.5 sec.)	MA
TRUNK OPENER	The trunk lid opener button's pressing time on keyfob can be selected among the following periods: ● MODE 1 (0.5 sec.)/MODE 2 (OFF-Mode)/MODE 3 (1.5 sec.)	EM
PW DOWN SET	The unlock button's pressing time on keyfob can be selected among the following periods: ● MODE 1 (3 sec.)/MODE 2 (OFF-Mode)/MODE 3 (5 sec.)	LC

GI
MA
EM
LC
EC
FE
CL
MT

Trouble Diagnoses SYMPTOM CHART

NFEL0195

NFEL0195S01

NOTE:

- Always check keyfob battery before replacing keyfob.
- The panic alarm operation and trunk lid opener operation of keyfob system do not activate with the ignition key inserted in the ignition key cylinder.

AT
AX
SU

Symptom	Diagnoses/service procedure	Reference page (EL-)	
All function of remote keyless entry system do not operate.	1. Keyfob battery and function check	295	BR
	2. Power supply and ground circuit for smart entrance control unit check	296	ST
	3. Replace keyfob. Refer to ID Code Entry Procedure. NOTE: If the result of keyfob function check with CONSULT-II is OK, keyfob is not malfunctioning.	307	RS
The new ID of keyfob cannot be entered.	1. Keyfob battery and function check	295	BT
	2. Key switch (insert) check	299	HA
	3. Door switch check	298	SC
	4. Door lock/unlock switch LH check	300	
	5. Power supply and ground circuit for smart entrance control unit check	296	
	6. Replace keyfob. Refer to ID Code Entry Procedure. NOTE: If the result of keyfob function check with CONSULT-II is OK, keyfob is not malfunctioning.	307	EL
Door lock or unlock does not function. (If the power door lock system does not operate manually, check power door lock system. Refer to EL-273)	1. Keyfob battery and function check	295	IDX
	2. Replace keyfob. Refer to ID Code Entry Procedure. NOTE: If the result of keyfob function check with CONSULT-II is OK, keyfob is not malfunctioning.	307	

REMOTE KEYLESS ENTRY SYSTEM

Trouble Diagnoses (Cont'd)

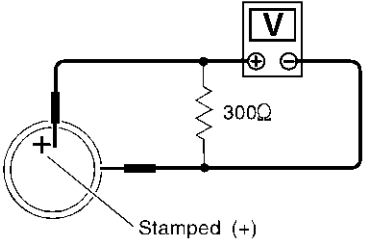
Symptom	Diagnoses/service procedure	Reference page (EL-)
Hazard and horn reminder does not activate properly when pressing lock or unlock button of keyfob.	1. Keyfob battery and function check	295
	2. Hazard reminder check	302
	3. Horn reminder check* *: Horn chirp can be activated or deactivated. First check the horn chirp setting. Refer to "System Description", EL-281.	303
	4. Door switch check	298
	5. Replace keyfob. Refer to ID Code Entry Procedure. NOTE: If the result of keyfob function check with CONSULT-II is OK, keyfob is not malfunctioning.	307
Interior lamp and key hole illumination operation do not activate properly.	1. Interior lamp operation check	305
	2. Key hole illumination operation check	306
	3. Door switch check	298
Panic alarm (horn and headlamp) does not activate when panic alarm button is continuously pressed.	1. Keyfob battery and function check	295
	2. Theft warning operation check. Refer to "PRELIMINARY CHECK" in "VEHICLE SECURITY SYSTEM".	328
	3. Key switch (insert) check	299
	4. Replace keyfob. Refer to ID Code Entry Procedure. NOTE: If the result of keyfob function check with CONSULT-II is OK, keyfob is not malfunctioning.	307
Trunk lid does not open when trunk opener button is continuously pressed.	1. Keyfob battery and function check	295
	2. Trunk lid opener actuator check	301
	3. Key switch (insert) check	299
	4. Replace keyfob. Refer to ID Code Entry Procedure. NOTE: If the result of keyfob function check with CONSULT-II is OK, keyfob is not malfunctioning.	307

REMOTE KEYLESS ENTRY SYSTEM

Trouble Diagnoses (Cont'd)

KEYFOB BATTERY AND FUNCTION CHECK

=NFEL0195S02

1	CHECK KEYFOB BATTERY	<p>Remove battery (refer to EL-311) and measure voltage across battery positive and negative terminals, (+) and (-).</p> <p>Voltage [V]: 2.5 - 3.0</p> <p>NOTE: Keyfob does not function if battery is not set correctly.</p> <div style="text-align: center;">  </div> <p style="text-align: right;">SEL237W</p> <p style="text-align: center;">OK or NG</p>	GI MA EM LC EC FE CL MT
OK	▶	GO TO 2.	
NG	▶	Replace battery.	

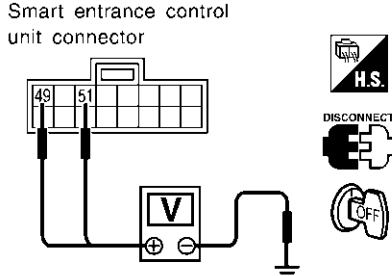
2	CHECK KEYFOB FUNCTION	<p>ⓔ With CONSULT-II Check keyfob function ("LK BUTTON/SIG", "UN BUTTON/SIG", "TRUNK BTN/SIG", "PANIC BTN", "UN BUTTON ON" and "LK/UN BTN ON") in "DATA MONITOR" mode with CONSULT-II.</p> <table border="1" style="width: 100%; border-collapse: collapse;"> <thead> <tr> <th colspan="2">DATA MONITOR</th> </tr> <tr> <th>MONITOR</th> <th></th> </tr> </thead> <tbody> <tr> <td>LK BUTTON/SIG</td> <td>ON</td> </tr> <tr> <td>UN BUTTON/SIG</td> <td>ON</td> </tr> <tr> <td>TRUNK BTN/SIG</td> <td>ON</td> </tr> <tr> <td>PANIC BTN</td> <td>ON</td> </tr> <tr> <td>UN BUTTON ON</td> <td>ON</td> </tr> <tr> <td>LK/UN BTN ON</td> <td>ON</td> </tr> </tbody> </table> <p>When pushing each button of keyfob, the corresponding monitor item should be turned as follows.</p> <table border="1" style="width: 100%; border-collapse: collapse;"> <thead> <tr> <th>Condition</th> <th colspan="2">Monitor item</th> </tr> </thead> <tbody> <tr> <td>Pushing LOCK</td> <td>LK BUTTON/SIG</td> <td>ON</td> </tr> <tr> <td>Pushing UNLOCK</td> <td>UN BUTTON/SIG</td> <td>ON</td> </tr> <tr> <td>Pushing TRUNK</td> <td>TRUNK BTN/SIG</td> <td>ON</td> </tr> <tr> <td>Pushing PANIC</td> <td>PANIC BTN/SIG</td> <td>ON</td> </tr> <tr> <td>Pushing UNLOCK</td> <td>UN BUTTON ON</td> <td>ON</td> </tr> <tr> <td>Pushing LOCK and UNLOCK at the same time</td> <td>LK/UN BTN ON</td> <td>ON</td> </tr> </tbody> </table> <p style="text-align: right;">SEL423Y</p> <p style="text-align: center;">OK or NG</p>	DATA MONITOR		MONITOR		LK BUTTON/SIG	ON	UN BUTTON/SIG	ON	TRUNK BTN/SIG	ON	PANIC BTN	ON	UN BUTTON ON	ON	LK/UN BTN ON	ON	Condition	Monitor item		Pushing LOCK	LK BUTTON/SIG	ON	Pushing UNLOCK	UN BUTTON/SIG	ON	Pushing TRUNK	TRUNK BTN/SIG	ON	Pushing PANIC	PANIC BTN/SIG	ON	Pushing UNLOCK	UN BUTTON ON	ON	Pushing LOCK and UNLOCK at the same time	LK/UN BTN ON	ON	AT AX SU BR ST RS BT HA SC EL IDX
DATA MONITOR																																								
MONITOR																																								
LK BUTTON/SIG	ON																																							
UN BUTTON/SIG	ON																																							
TRUNK BTN/SIG	ON																																							
PANIC BTN	ON																																							
UN BUTTON ON	ON																																							
LK/UN BTN ON	ON																																							
Condition	Monitor item																																							
Pushing LOCK	LK BUTTON/SIG	ON																																						
Pushing UNLOCK	UN BUTTON/SIG	ON																																						
Pushing TRUNK	TRUNK BTN/SIG	ON																																						
Pushing PANIC	PANIC BTN/SIG	ON																																						
Pushing UNLOCK	UN BUTTON ON	ON																																						
Pushing LOCK and UNLOCK at the same time	LK/UN BTN ON	ON																																						
OK	▶	Keyfob is OK. Further inspection is necessary. Refer to "SYMPTOM CHART", EL-293.																																						
NG	▶	Replace keyfob. Refer to ID Code Entry Procedure.																																						

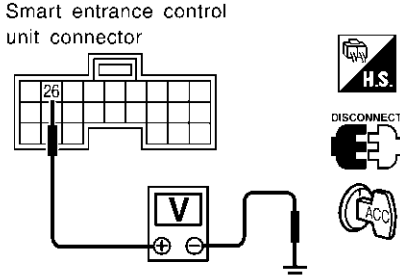
REMOTE KEYLESS ENTRY SYSTEM

Trouble Diagnoses (Cont'd)

POWER SUPPLY AND GROUND CIRCUIT CHECK

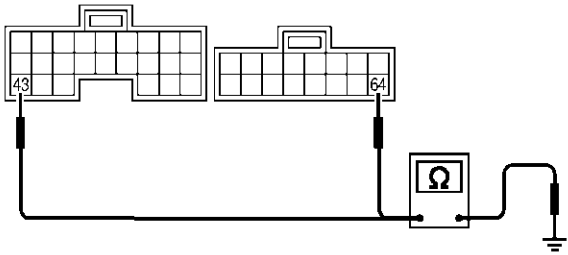

=NFEL0195S03

1	CHECK MAIN POWER SUPPLY CIRCUIT FOR SMART ENTRANCE CONTROL UNIT	
<p>1. Disconnect smart entrance control unit harness connector. 2. Check voltage between smart entrance control unit harness connector M145 terminal 49 (R/B) or 51 (W/R) and ground.</p>		
 <p>Smart entrance control unit connector</p> <p>Battery voltage should exist.</p>		
<p>Refer to wiring diagram in EL-286.</p> <p style="text-align: right;">SEL018Y</p>		
OK or NG		
OK	▶	GO TO 2.
NG	▶	<p>Check the following.</p> <ul style="list-style-type: none"> ● 40A fusible link (letter I, located in fuse and fusible link box) ● 10A fuse [No. 13, located in fuse block (J/B)] ● E90 circuit breaker ● Harness for open or short between smart entrance control unit and fuse

2	CHECK IGNITION SWITCH “ACC” CIRCUIT	
<p>1. Disconnect smart entrance control unit harness connector. 2. Check voltage between smart entrance control unit harness connector M144 terminal 26 (PU) and ground while ignition switch is “ACC”.</p>		
 <p>Smart entrance control unit connector</p> <p>Battery voltage should exist.</p>		
<p>Refer to wiring diagram in EL-286.</p> <p style="text-align: right;">SEL019Y</p>		
OK or NG		
OK	▶	GO TO 3.
NG	▶	<p>Check the following.</p> <ul style="list-style-type: none"> ● 10A fuse [No. 1, located in fuse block (J/B)] ● Harness for open or short between smart entrance control unit and fuse

REMOTE KEYLESS ENTRY SYSTEM

Trouble Diagnoses (Cont'd)

3	CHECK GROUND CIRCUIT FOR SMART ENTRANCE CONTROL UNIT	
Check continuity between smart entrance control unit harness connector M144 terminal 43 (B) or M145 terminal 64 (B) and ground.		
<div style="display: flex; align-items: center; justify-content: space-between;"> <div style="text-align: center;"> <p>Smart entrance control unit connector</p>  </div> <div style="text-align: center;">  <p>Continuity should exist.</p> </div> <div style="text-align: right;"> <p>SEL020Y</p> </div> </div>		
OK or NG		
OK	▶	Power supply and ground circuits are OK.
NG	▶	Check ground harness.

GI
MA
EM
LC
EC
FE
CL
MT
AT
AX
SU
BR
ST
RS
BT
HA
SC
EL
IDX

REMOTE KEYLESS ENTRY SYSTEM

Trouble Diagnoses (Cont'd)

DOOR SWITCH CHECK

=NFEL0195S04

1 CHECK DOOR SWITCH INPUT SIGNAL

ⓔ With CONSULT-II

Check door switches ("DOOR SW-RR", "DOOR SW-DR" and "DOOR SW-AS") in "DATA MONITOR" mode with CONSULT-II.

DATA MONITOR	
MONITOR	
DOOR SW-RR	OFF
DOOR SW-DR	OFF
DOOR SW-AS	OFF

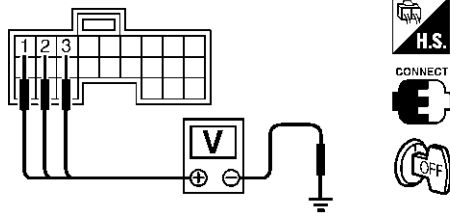
	Monitor item	Condition	Condition
DOOR SW-RR	Rear doors switch	Open	ON
		Closed	OFF
DOOR SW-DR	Door switch LH	Open	ON
		Closed	OFF
DOOR SW-AS	Door switch RH	Open	ON
		Closed	OFF

SEL024Y

ⓧ Without CONSULT-II

Check voltage between smart entrance control unit harness connector M143 terminals 1 (LG), 2 (R/L) or 3 (R/W) and ground.

Smart entrance control unit connector



	Terminals		Condition	Voltage [V]
	(+)	(-)		
Front door switch LH	1	Ground	Open	0
			Closed	Approx. 12
Front door switch RH	2	Ground	Open	0
			Closed	Approx. 5
Rear door switches	3	Ground	Open	0
			Closed	Approx. 5

SEL021YC

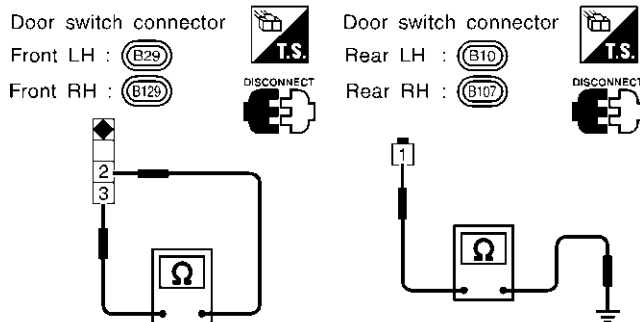
Refer to wiring diagram in EL-288.

OK or NG

OK	▶	Door switch is OK.
NG	▶	GO TO 2.

2 CHECK DOOR SWITCH

1. Disconnect door switch harness connector.
2. Check continuity between door switch terminals.



	Terminals	Condition	Continuity
Front door switches	2 - 3	Closed	No
		Open	Yes
Rear door switches	1 - Ground	Closed	No
		Open	Yes

SEL192W

OK or NG

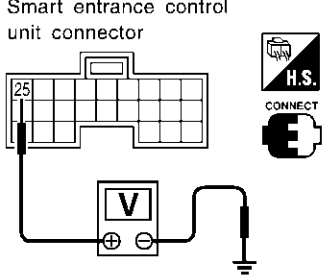
OK	▶	Check the following. <ul style="list-style-type: none"> • Door switch ground circuit or door switch ground condition • Harness for open or short between smart entrance control unit and door switch
NG	▶	Replace door switch.

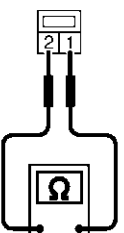
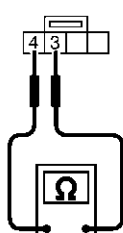
REMOTE KEYLESS ENTRY SYSTEM

Trouble Diagnoses (Cont'd)

KEY SWITCH (INSERT) CHECK

=NFEL0195S05

1	CHECK KEY SWITCH INPUT SIGNAL	GI MA EM LC EC FE CL MT AT AX SU BR						
<p>Ⓔ With CONSULT-II Check key switch ("KEY ON SW") in "DATA MONITOR" mode with CONSULT-II.</p> <div style="display: flex; align-items: center;"> <table border="1" style="border-collapse: collapse; text-align: center;"> <thead> <tr> <th colspan="2">DATA MONITOR</th> </tr> <tr> <th>MONITOR</th> <th></th> </tr> </thead> <tbody> <tr> <td>KEY ON SW</td> <td>ON</td> </tr> </tbody> </table> <div style="margin-left: 20px;"> <p>When key is inserted to ignition key cylinder: KEY ON SW ON</p> <p>When key is removed from ignition key cylinder: KEY ON SW OFF</p> </div> </div>		DATA MONITOR		MONITOR		KEY ON SW	ON	SEL315W
DATA MONITOR								
MONITOR								
KEY ON SW	ON							
<p>ⓧ Without CONSULT-II Check voltage between control unit harness connector M144 terminal 25 (B/R) and ground. Refer to wiring diagram in EL-286.</p> <div style="display: flex; align-items: center;"> <div style="flex: 1;"> <p>Smart entrance control unit connector</p>  </div> <div style="flex: 1;"> <p>Voltage [V]: Condition of key switch : Key is inserted. Approx. 12 Condition of key switch : Key is removed. 0</p> </div> </div>		CL AT AX SU BR						
OK or NG		ST RS BT HA SC						
OK	▶ Key switch is OK.							
NG	▶ GO TO 2.							

2	CHECK KEY SWITCH (INSERT)	ST RS BT HA SC
<p>Check continuity between key switch harness connector E95 terminals 1 and 2 (M/T models) or E150 terminals 3 and 4 (A/T models).</p> <div style="display: flex; align-items: center;"> <div style="flex: 1;"> <p>Key switch connector</p> <div style="display: flex; justify-content: space-around;"> <div style="text-align: center;"> <p>M/T models</p>  </div> <div style="text-align: center;"> <p>A/T models</p>  </div> </div> </div> <div style="flex: 1;"> <p>Continuity: Condition of key switch: Key is inserted. Yes Condition of key switch: Key is removed. No</p> </div> </div>		EL IDX
OK or NG		EL IDX
OK	▶ Check the following. <ul style="list-style-type: none"> ● 10A fuse [No. 13, located in fuse block (J/B)] ● Harness for open or short between key switch and fuse ● Harness for open or short between smart entrance control unit and key switch 	
NG	▶ Replace key switch.	

REMOTE KEYLESS ENTRY SYSTEM

Trouble Diagnoses (Cont'd)

DOOR LOCK/UNLOCK SWITCH LH CHECK

=NFEL0195S06

1 CHECK DOOR LOCK/UNLOCK SWITCH INPUT SIGNAL

Ⓔ With CONSULT-II

Check door lock/unlock switch ("LOCK SW DR/AS"/"UNLK SW DR/AS") in "DATA MONITOR" mode with CONSULT-II.

DATA MONITOR	
MONITOR	
LOCK SW DR/AS	OFF
UNLK SW DR/AS	OFF

When lock/unlock switch is turned to LOCK:

LOCK SW DR/AS ON

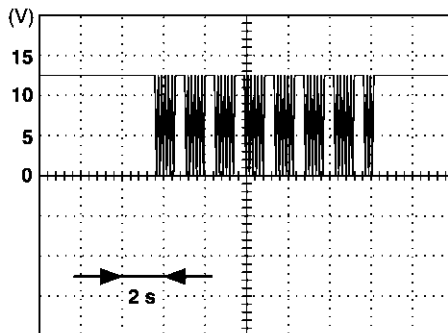
When lock/unlock switch is turned to UNLOCK:

UNLK SW DR/AS ON

SEL341W

ⓧ Without CONSULT-II

1. Remove key from ignition switch.
2. Check the signal between smart entrance control unit harness connector M144 terminal 33 (L) and ground with oscilloscope when door lock/unlock switch is turned "LOCK" or "UNLOCK".
3. Make sure signals which are shown in the figure below can be detected during 10 sec. just after door lock/unlock switch is turned "LOCK" or "UNLOCK".



Voltage:

**12V → 9V (10 sec.) measurement
by analog circuit tester.**

SEL396Y

Refer to wiring diagram in EL-287.

OK or NG

OK ► Door lock/unlock switch is OK.

NG ► **Check the following.**

- Ground circuit for each front power window switch.
- Harness for open or short between each front power window switch and smart entrance control unit connector

If above systems are normal, replace the front power window switch.

REMOTE KEYLESS ENTRY SYSTEM

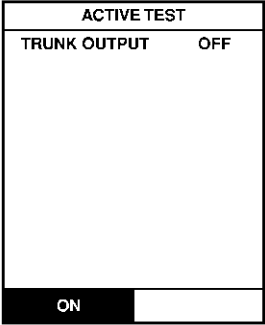
Trouble Diagnoses (Cont'd)

TRUNK LID OPENER ACTUATOR CHECK

=NFEL0195S12

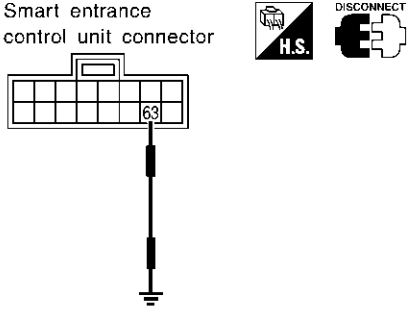
1	CHECK TRUNK LID OPENER	
Check trunk lid opener operation with trunk lid opener switch. NOTE: First check trunk lid opener cancel lever position.		
Does trunk lid open?		
Yes	▶	GO TO 2.
No	▶	Check trunk lid opener actuator and the circuit.

GI
MA
EM

2	CHECK TRUNK LID OPENER ACTUATOR OPERATION	
Ⓜ With CONSULT-II 1. Select "ACTIVE TEST" in "MULTI REMOTE ENT" with CONSULT-II. 2. Select "TRUNK OUTPUT" and touch "ON".		
		
Trunk lid opener should operate.		
NOTE: If CONSULT-II is not available, skip this procedure and go to the next step.		
OK or NG		
OK	▶	Trunk lid opener actuator circuit is OK.
NG	▶	Check harness for open or short between smart entrance control unit and trunk lid opener actuator.

LC
EC
FE
CL
MT
AT
AX

SEL345W

3	CHECK TRUNK LID OPENER ACTUATOR CIRCUIT	
ⓧ Without CONSULT-II 1. Disconnect smart entrance control unit harness connector. 2. Apply ground to smart entrance control unit harness connector M145 terminal 63 (L).		
		
Refer to wiring diagram in EL-289.		
Does trunk lid open?		
Yes	▶	Replace smart entrance control unit.
No	▶	Check harness for open or short between smart entrance control unit and trunk lid opener actuator.

BR
ST
RS
BT
HA
SC
EL
IDX

SEL026Y

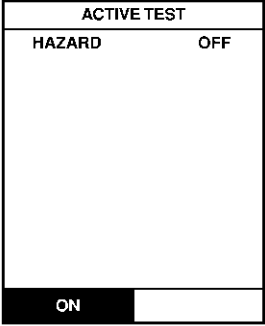
REMOTE KEYLESS ENTRY SYSTEM

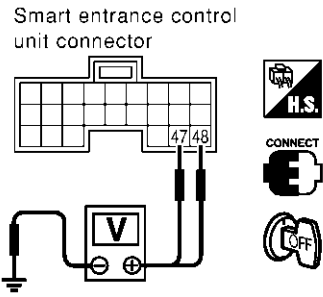
Trouble Diagnoses (Cont'd)

HAZARD REMINDER CHECK

=NFEL0195S08

1	CHECK HAZARD INDICATOR	
Check if hazard indicator flashes with hazard switch.		
Does hazard indicator operate?		
Yes	▶	GO TO 2.
No	▶	Check "hazard indicator" circuit.

2	CHECK HAZARD REMINDER OPERATION WITH CONSULT-II	
<p>Ⓔ With CONSULT-II</p> <p>1. Select "ACTIVE TEST" in "MULTI REMOTE ENT" with CONSULT-II.</p> <p>2. Select "HAZARD" and touch "ON".</p>		
		
Hazard indicator should illuminate.		
SEL347W		
NOTE: If CONSULT-II is not available, skip this procedure and go to the next step.		
OK or NG		
OK	▶	Hazard reminder operation is OK.
NG	▶	Replace smart entrance control unit.

3	CHECK HAZARD REMINDER OPERATION WITHOUT CONSULT-II							
<p>ⓧ Without CONSULT-II</p> <p>Check voltage between smart entrance control unit harness connector M144 terminal 47 (G/B) or 48 (G/Y) and ground.</p>								
<p>Smart entrance control unit connector</p> 								
SEL592Y								
<table border="1" style="width: 100%;"> <thead> <tr> <th>Condition of lock or unlock button</th> <th>Voltage (V)</th> </tr> </thead> <tbody> <tr> <td style="text-align: center;">Push.</td> <td style="text-align: center;">Approx. 0 - 12</td> </tr> <tr> <td style="text-align: center;">Do not push.</td> <td style="text-align: center;">0</td> </tr> </tbody> </table>			Condition of lock or unlock button	Voltage (V)	Push.	Approx. 0 - 12	Do not push.	0
Condition of lock or unlock button	Voltage (V)							
Push.	Approx. 0 - 12							
Do not push.	0							
OK or NG								
Refer to wiring diagram in EL-289.								
OK	▶	System is OK.						
NG	▶	Replace smart entrance control unit.						

REMOTE KEYLESS ENTRY SYSTEM

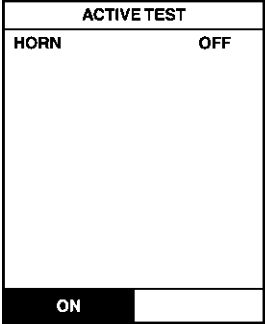
Trouble Diagnoses (Cont'd)

HORN REMINDER CHECK

=NFEL0195S09

1	CHECK HORN	
Check if horn sounds with horn switch.		
Does horn operate?		
Yes	▶	GO TO 2.
No	▶	Check horn circuit.

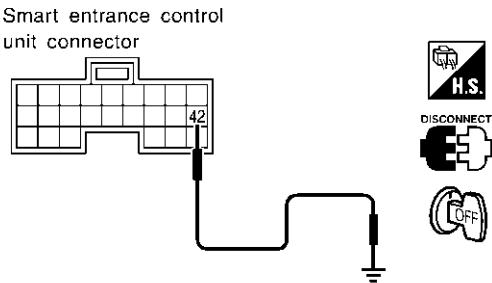
GI
MA
EM

2	CHECK HORN REMINDER OPERATION WITH CONSULT-II	
<p>Ⓔ With CONSULT-II</p> <p>1. Select "ACTIVE TEST" in "MULTI REMOTE ENT" with CONSULT-II.</p> <p>2. Select "HORN" and touch "ON".</p>		
		
Horn should sound.		
<p>NOTE: If CONSULT-II is not available, skip this procedure and go to the next step.</p> <p style="text-align: center;">OK or NG</p>		
OK	▶	Horn reminder operation is OK.
NG	▶	GO TO 4.

LC
EC
FE
CL
MT
AT

SEL451Y

AX
SU

3	CHECK HORN REMINDER OPERATION WITHOUT CONSULT-II	
<p>⊗ Without CONSULT-II</p> <p>1. Disconnect smart entrance control unit harness connector.</p> <p>2. Apply ground to smart entrance control unit harness connector M144 terminal 42 (BR/Y).</p>		
		
Refer to wiring diagram in EL-289.		
Does horn sound?		
Yes	▶	Replace smart entrance control unit.
No	▶	GO TO 4.

BR
ST
RS
BT
HA
SC

SEL028Y

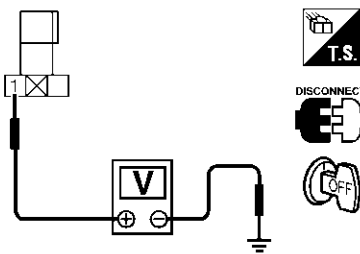
EL

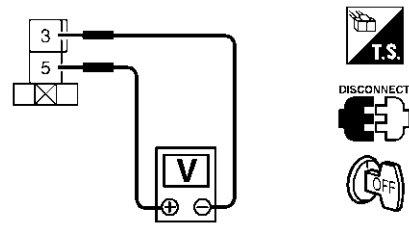
IDX

REMOTE KEYLESS ENTRY SYSTEM

Trouble Diagnoses (Cont'd)

4	CHECK VEHICLE SECURITY HORN RELAY-2
Check vehicle security horn relay-2.	
OK or NG	
OK	▶ GO TO 5.
NG	▶ Replace vehicle security horn relay-2.

5	CHECK POWER SUPPLY FOR VEHICLE SECURITY HORN RELAY-2
1. Disconnect vehicle security horn relay-2 harness connector. 2. Check voltage between vehicle security horn relay-2 harness connector E63 terminal 1 (G/R) and ground.	
Vehicle security horn relay-2 	
SEL031Y	
Does battery voltage exist?	
Yes	▶ GO TO 6.
No	▶ Check the following. <ul style="list-style-type: none"> ● 10A fuse (No. 61, located in the fuse and fusible link box) ● Harness for open or short between vehicle security horn relay-2 and fuse

6	CHECK VEHICLE SECURITY HORN RELAY-2
1. Disconnect vehicle security horn relay-2 harness connector. 2. Check voltage between vehicle security horn relay-2 harness connector E63 terminals 5 (G) and 3 (B).	
Vehicle security horn relay-2 	
SEL032Y	
Battery voltage should exist.	
OK or NG	
OK	▶ Check harness for open or short between smart entrance control unit and vehicle security horn relay-2.
NG	▶ Check the following. <ul style="list-style-type: none"> ● Harness for open or short between vehicle security horn relay-2 and fuse ● Harness for open or short between horn relay and vehicle security horn relay-2 ● Harness for open or short between vehicle security horn relay-2 and body grounds

REMOTE KEYLESS ENTRY SYSTEM

Trouble Diagnoses (Cont'd)

INTERIOR LAMP OPERATION CHECK

=NFEL0195S10

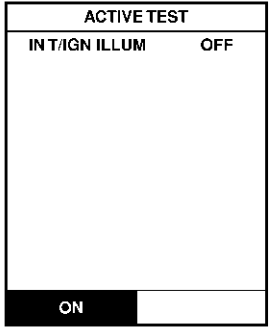
1	CHECK INTERIOR LAMP	
Check if the interior lamp switch is in the "ON" position and the lamp illuminates.		
Does interior lamp illuminate?		
Yes	▶	GO TO 2.
No	▶	Check the following. <ul style="list-style-type: none"> ● Harness for open or short between smart entrance control unit and interior lamp ● Interior lamp

GI

MA

EM

LC

2	CHECK INTERIOR LAMP OPERATION	
<p>ⓔ With CONSULT-II</p> <p>1. Select "ACTIVE TEST" in "MULTI REMOTE ENT" with CONSULT-II.</p> <p>2. Select "INT/IGN ILLUM" and touch "ON".</p>		
		
Interior lamp should illuminate.		
SEL349W		

EC

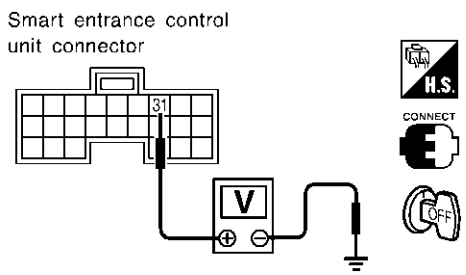
FE

CL

MT

AT

AX

<p>ⓧ Without CONSULT-II</p> <p>Push unlock button of keyfob with all doors closed and driver's door locked, and check voltage between smart entrance control unit harness connector M144 terminal 31 (R) and ground.</p>		
		
<p>Voltage [V]:</p> <p>Unlock button is pushed. 0 (For approx. 30 seconds.)</p> <p>Unlock button is not pushed. Battery voltage</p>		
SEL029Y		
OK or NG		

BR

ST

RS

BT

OK	▶	System is OK.
NG	▶	Check harness open or short between smart entrance control unit and interior lamp.

HA

SC

EL

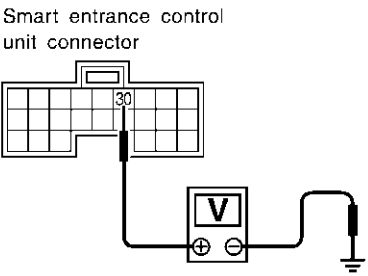

IDX

REMOTE KEYLESS ENTRY SYSTEM

Trouble Diagnoses (Cont'd)

KEY HOLE ILLUMINATION OPERATION CHECK

NFEL0195S13

1	CHECK KEY HOLE ILLUMINATION OPERATION
<p>Ⓔ With CONSULT-II</p> <p>1. Select "ACTIVE TEST" IN "MULTI REMOTE ENT" with CONSULT-II. 2. Select "INT/IGN ILLUM" and touch "ON".</p> <div style="display: flex; justify-content: space-around; align-items: center;"> <div style="border: 1px solid black; padding: 5px; text-align: center;"> <p>ACTIVE TEST</p> <p>INT/IGN ILLUM OFF</p> <hr/> <p>ON</p> </div> <div style="text-align: center;"> <p>Key hole illuminate should illuminate.</p> </div> </div> <p style="text-align: right;">SEL350W</p>	
<p>⊗ Without CONSULT-II</p> <p>Push unlock button of keyfob with all doors closed and driver's door locked, and check voltage between smart entrance control unit harness connector M144 terminal 30 (R/Y) and ground.</p> <div style="display: flex; justify-content: space-between; align-items: center;"> <div style="text-align: center;"> <p>Smart entrance control unit connector</p>  </div> <div style="text-align: center;">  </div> <div style="text-align: left;"> <p>Voltage [V]:</p> <p>Unlock button is pushed. 0 (For approx. 30 seconds)</p> <p>Unlock button is not pushed. Battery voltage</p> </div> </div> <p style="text-align: right;">SEL030Y</p>	
<p>Refer to wiring diagram in EL-288.</p> <p>OK or NG</p>	
OK	▶ System is OK.
NG	▶ Check the following.
	<ul style="list-style-type: none"> ● Harness for open or short between smart entrance control unit and key hole illumination. ● Key hole illumination

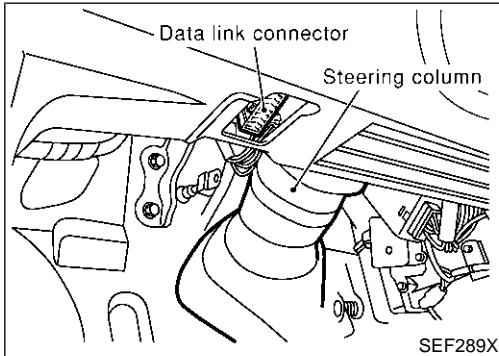
ID Code Entry Procedure KEYFOB ID SET UP WITH CONSULT-II

=NFEL0117

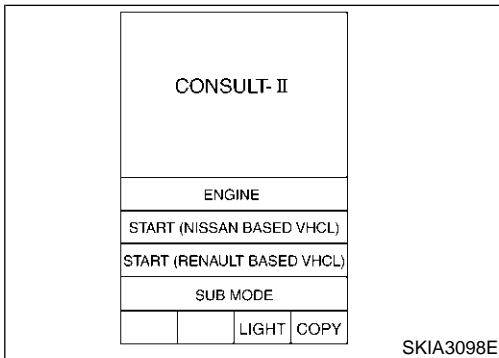
NFEL0117S01

NOTE:

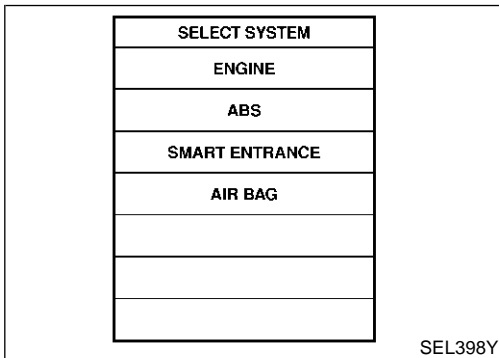
If a keyfob is lost, the ID code of the lost keyfob must be erased to prevent unauthorized use. When the ID code of a lost keyfob is not known, all keyfob ID codes should be erased. After all ID codes are erased, the ID codes of all remaining and/or new keyfob must be re-registered.



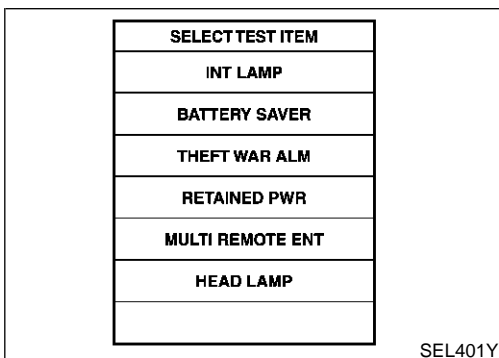
1. Turn ignition switch "OFF".
2. Connect "CONSULT-II" and "CONSULT-II CONVERTER" to the data link connector.



3. Turn ignition switch "ON".
4. Touch "START (NISSAN BASED VHCL)".



5. Touch "SMART ENTRANCE".



6. Touch "MULTI REMOTE ENT".

GI
MA
EM
LC
EC
FE
CL
MT
AT
AX
SU
BR
ST
RS
BT
HA
SC
EL
IDX

REMOTE KEYLESS ENTRY SYSTEM

ID Code Entry Procedure (Cont'd)

SELECT DIAG MODE
DATA MONITOR
ACTIVE TEST
WORK SUPPORT

SEL274W

SELECT WORK ITEM
REMO CONT ID CONFIR
REMO CONT ID REGIST
REMO CONT ID ERASUR
MULTI ANSWER BACK SET
AUTO LOCK SET
PANIC ALARM SET

SEL424Y

7. Touch "WORK SUPPORT".

8. The items are shown on the figure at left can be set up.

- "REMO CONT ID CONFIR"
Use this mode to confirm if a keyfob ID code is registered or not.
- "REMO CONT ID REGIST"
Use this mode to register a keyfob ID code.

NOTE:

Register the ID code when keyfob or smart entrance control unit is replaced, or when additional keyfob is required.

- "REMO CONT ID ERASUR"
Use this mode to erase a keyfob ID code.

Refer to the EL-292 "Work Support" in "CONSULT-II Application Items" for the following items.

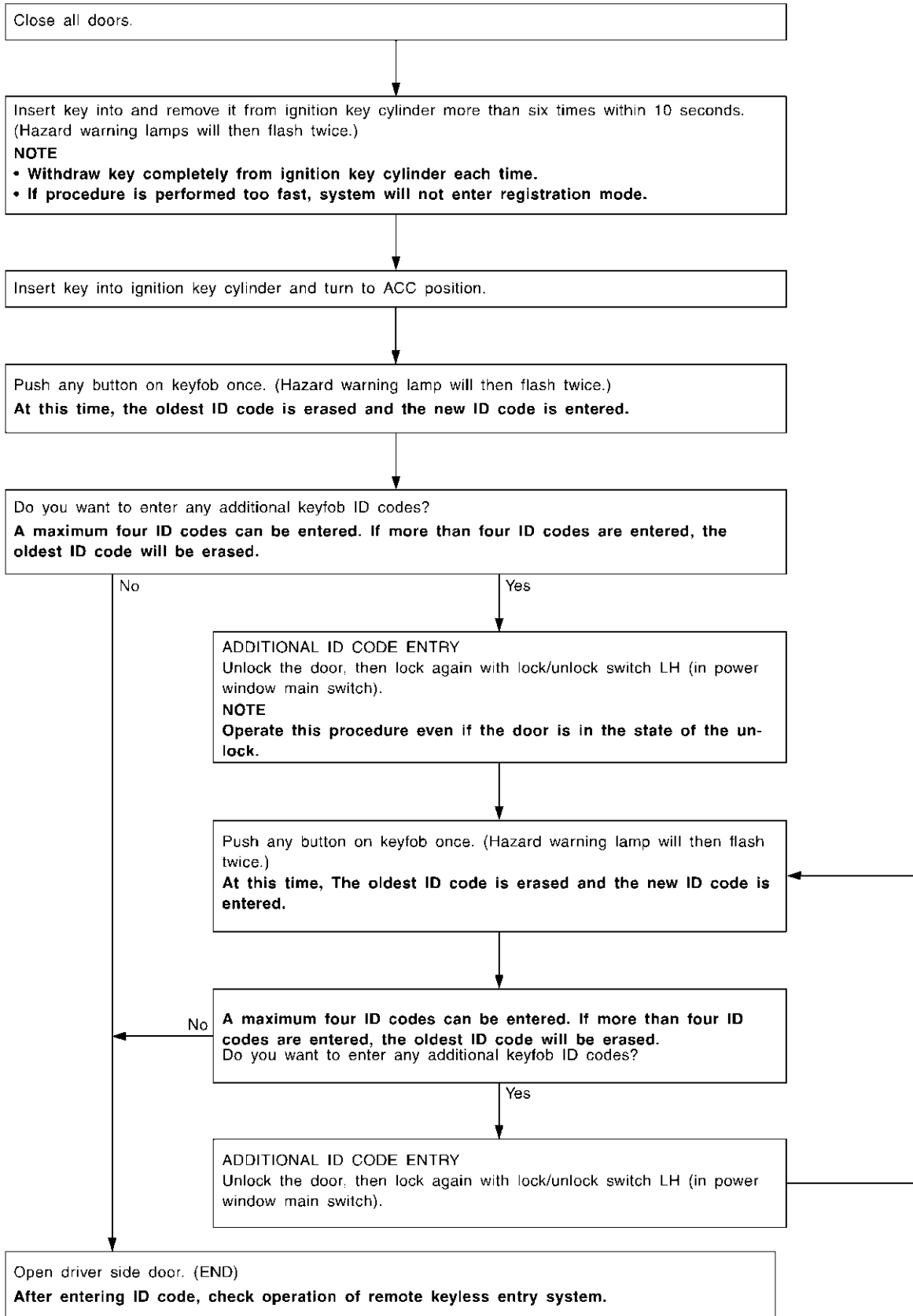
- "MULTI ANSWER BACK SET"
- "AUTO LOCK SET"
- "PANIC ALARM SET"
- "TRUNK OPENER"
- "PW DOWN SET"

REMOTE KEYLESS ENTRY SYSTEM

ID Code Entry Procedure (Cont'd)

KEYFOB ID SET UP WITHOUT CONSULT-II

NFEL0117S02



GI
MA
EM
LC
EC
FE
CL
MT
AT
AX
SU
BR
ST
RS
BT
HA
SC
EL
IDX

SEL170YA

REMOTE KEYLESS ENTRY SYSTEM

ID Code Entry Procedure (Cont'd)

NOTE:

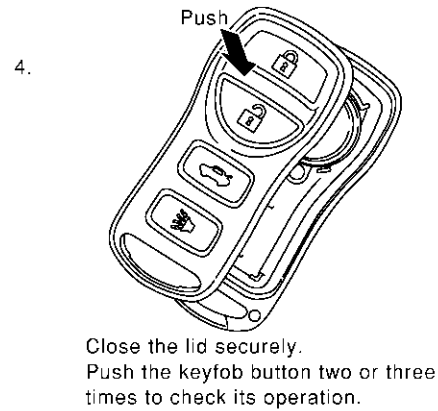
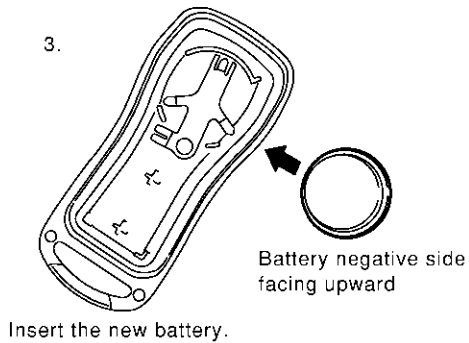
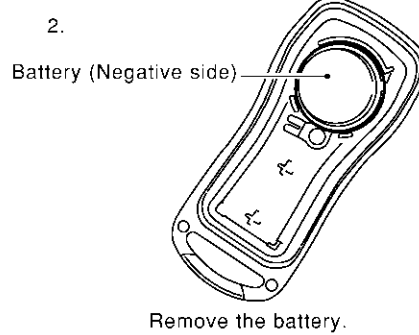
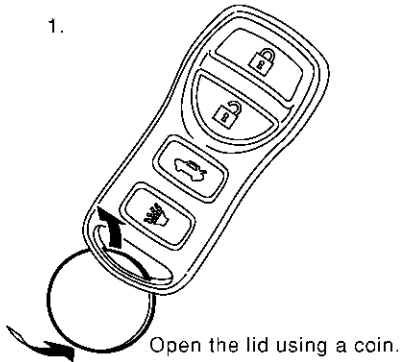
- If a keyfob is lost, the ID code of the lost keyfob must be erased to prevent unauthorized use. A specific ID code can be erased with CONSULT-II. However, when the ID code of a lost keyfob is not known, all keyfob ID codes should be erased. After all ID codes are erased, the ID codes of all remaining and/or new keyfobs must be re-registered.
To erase all ID codes in memory, register one ID code (keyfob) four times. After all ID codes are erased, the ID codes of all remaining and/or new keyfobs must be re-registered.
- When registering an additional keyfob, the existing ID codes in memory may or may not be erased. If four ID codes are stored in memory, when an additional code is registered, only the oldest code is erased. If less than four ID codes are stored in memory, when an additional ID code is registered, the new ID code is added and no ID codes are erased.
- If you need to activate more than two additional new keyfobs, repeat the procedure "Additional ID code entry" for each new keyfob.
- Entry of maximum four ID codes is allowed. When more than four ID codes are entered, the oldest ID code will be erased.
- Even if same ID code that is already in the memory is input, the same ID code can be entered. The code is counted as an additional code.

Keyfob Battery Replacement

NFEL0118

NOTE:

- Be careful not to touch the circuit board or battery terminal.
- The keyfob is water-resistant. However, if it does get wet, immediately wipe it dry.



SEL411Y

GI

MA

EM

LC

EC

FE

CL

MT

AT

AX

SU

BR

ST

RS

BT

HA

SC

EL

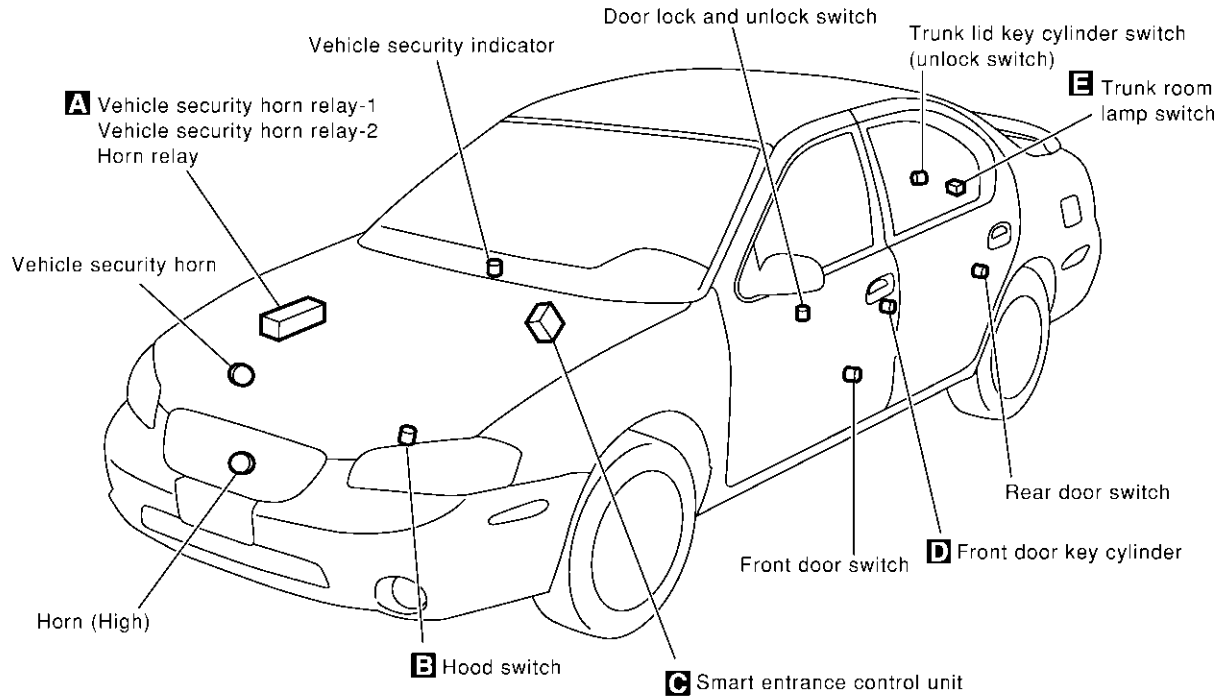
IDX

VEHICLE SECURITY (THEFT WARNING) SYSTEM

Component Parts and Harness Connector Location

Component Parts and Harness Connector Location

NFEL0119



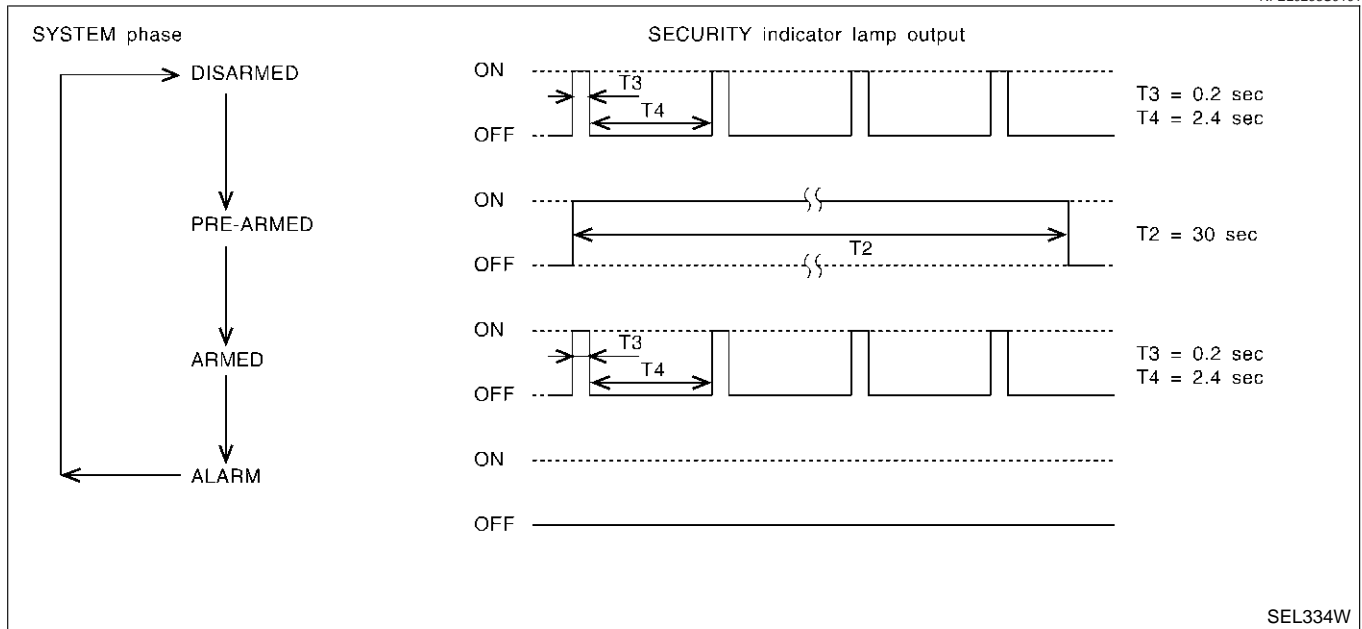
<p>Fuse block (J/B)</p> <table border="1"> <tr><td>1</td><td>2</td><td>3</td><td>4</td><td>5</td><td>6</td><td>7</td><td>8</td><td>9</td><td>10</td><td>11</td></tr> <tr><td>12</td><td>13</td><td>14</td><td>15</td><td>16</td><td></td><td></td><td></td><td>17</td><td>18</td><td>19</td><td>20</td></tr> <tr><td>21</td><td>22</td><td>23</td><td>24</td><td>25</td><td>26</td><td>27</td><td>28</td><td>29</td><td>30</td><td>31</td></tr> </table> <p>↑ UP</p>	1	2	3	4	5	6	7	8	9	10	11	12	13	14	15	16				17	18	19	20	21	22	23	24	25	26	27	28	29	30	31	<table border="1"> <tr><td>51</td><td>52</td><td>53</td><td>54</td><td>55</td><td>56</td><td>57</td><td>58</td><td>59</td><td>60</td><td>b</td><td>c</td><td>d</td><td>e</td><td>f</td></tr> <tr><td>61</td><td>62</td><td>63</td><td>64</td><td>65</td><td>66</td><td>67</td><td>68</td><td>69</td><td>70</td><td>71</td><td>72</td><td>g</td><td>h</td><td>i</td><td>j</td></tr> </table>	51	52	53	54	55	56	57	58	59	60	b	c	d	e	f	61	62	63	64	65	66	67	68	69	70	71	72	g	h	i	j	<p>A</p>
1	2	3	4	5	6	7	8	9	10	11																																																									
12	13	14	15	16				17	18	19	20																																																								
21	22	23	24	25	26	27	28	29	30	31																																																									
51	52	53	54	55	56	57	58	59	60	b	c	d	e	f																																																					
61	62	63	64	65	66	67	68	69	70	71	72	g	h	i	j																																																				
<p>B</p>	<p>C Smart entrance control unit M143 M144 M145</p> <p>Driver side view with lower instrument panel removed</p>	<p>D</p>																																																																	
<p>E Trunk room lamp switch T9</p>																																																																			

SEL386Y

System Description

DESCRIPTION

1. Operation Flow



2. Setting The Vehicle Security System

Initial condition

- 1) Ignition switch is in OFF position.

Disarmed phase

When the vehicle security system is in the disarmed phase, the security indicator lamp blinks every 2.6 seconds.

Pre-armed phase and armed phase

When the following operation 1) or 2) is performed, the vehicle security system turns into the “pre-armed” phase. (The security indicator lamp illuminates.)

- 1) Smart entrance control unit receives LOCK signal from key cylinder switch or keyfob after hood, trunk lid and all doors are closed.
 - 2) Hood, trunk lid and all doors are closed after front doors are locked by key, lock/unlock switch or keyfob.
- After about 30 seconds, the system automatically shifts into the “armed” phase (the system is set). (The security indicator lamp blinks every 2.6 seconds.)

3. Canceling The Set Vehicle Security System

When the following 1) or 2) operation is performed, the armed phase is canceled.

- 1) Unlock the doors with the key or keyfob.
- 2) Open the trunk lid with the key or keyfob.

4. Activating The Alarm Operation of The Vehicle Security System

Make sure the system is in the armed phase. (The security indicator lamp blinks every 2.6 seconds.)

When the following operation 1) or 2) is performed, the system sounds the horns and flashes the headlamps for about 50 seconds.

- 1) Engine hood, trunk lid or any door is opened during armed phase.
- 2) Disconnecting and connecting the battery connector before canceling armed phase.

POWER SUPPLY AND GROUND

Power is supplied at all times

- through 10A fuse [No. 12, located in the fuse block (J/B)]
- to security indicator lamp terminal 4.

Power is supplied at all times

- through 10A fuse [No. 13, located in the fuse block (J/B)]

VEHICLE SECURITY (THEFT WARNING) SYSTEM

System Description (Cont'd)

- to smart entrance control unit terminal 49.

With the ignition switch in the ON or START position, power is supplied

- through 10A fuse [No. 10, located in the fuse block (J/B)]
- to smart entrance control unit terminal 27.

With the ignition switch in the ACC or ON position, power is supplied

- through 10A fuse [No. 1, located in the fuse block (J/B)]
- to smart entrance control unit terminal 26.

Ground is supplied

- to smart entrance control unit terminals 43 and 64
- through body grounds M9, M25 and M87.

INITIAL CONDITION TO ACTIVATE THE SYSTEM

The operation of the vehicle security system is controlled by the doors, hood and trunk lid.

NFEL0263S03

Pattern A

To activate the vehicle security system, the smart entrance control unit must receive signals indicating the doors, hood and trunk lid are closed.

NFEL0263S0301

When a door is open, smart entrance control unit terminal 1, 2 or 3 receives a ground signal from each door switch.

When the hood is open, smart entrance control unit terminal 6 receives a ground signal

- from terminal 1 of the hood switch
- through body grounds E11, E22 and E53.

When the trunk lid is open, smart entrance control unit terminal 13 receives a ground signal

- from terminal 1 of the trunk room lamp switch
- through body grounds T6 and T8.

When smart entrance control unit receives LOCK signal from key cylinder switch or keyfob and none of the described conditions exist, the vehicle security system will automatically shift to armed mode.

Pattern B

To activate the vehicle security system, the smart entrance control unit must receive signal indicating any door (including hood and trunk lid) is opened.

NFEL0263S0302

When the front doors are locked with key, lock/unlock switch or keyfob and then all doors are closed, the vehicle security system will automatically shift to armed mode.

VEHICLE SECURITY SYSTEM ACTIVATION

Pattern A

With all doors (including hood and trunk lid) closed if the key is used to lock doors, front power window main switch terminal 4 receives a ground signal

NFEL0263S04

- from terminal 3 of the key cylinder switch LH
- through body grounds M9, M25 and M87.

If this signal, or lock signal from keyfob is received by the smart entrance control unit, the vehicle security system will activate automatically.

NOTE:

Vehicle security system can be set even though all doors are not locked.

Pattern B

With any door (including hood and trunk lid) open if lock/unlock switch is used to lock doors, smart entrance control unit terminal 33 receives a ground signal

NFEL0263S0402

- from terminal 14 of lock/unlock switch LH, or
- from terminal 16 of lock/unlock switch RH
- through body grounds M9, M25 and M87, or

With any door (including hood and trunk lid) open if the key is used to lock doors, front power window main switch terminal 4 receives a ground signal

- from terminal 3 of the key cylinder switch LH
- through body grounds M9, M25 and M87.

VEHICLE SECURITY (THEFT WARNING) SYSTEM

System Description (Cont'd)

If these signals and lock signal from keyfob are received by the smart entrance control unit, ground signals of terminals 1, 2 and 3 are interrupted and all doors are closed, the vehicle security system will activate automatically.

NOTE:

Vehicle security system can be set even though the rear door is not locked.

Once the vehicle security system has been activated, smart entrance control unit terminal 38 supplies ground to terminal 5 of the security indicator lamp.

The security lamp will illuminate for approximately 30 seconds and then blinks every 2.6 seconds.

Now the vehicle security system is in armed phase.

VEHICLE SECURITY SYSTEM ALARM OPERATION

The vehicle security system is triggered by

- opening a door
- opening the hood or the trunk lid
- detection of battery disconnect and connect.

Once the vehicle security system is in armed phase, if the smart entrance control unit receives a ground signal at terminal 1, 2, 3 (door switch), 13 (trunk room lamp switch) or 6 (hood switch), the vehicle security system will be triggered. The headlamps flash and the horn sounds intermittently.

Power is supplied at all times

- through 10A fuse (No. 61 located in fuse and fusible link box)
- to vehicle security horn relay-1 terminals 1 and 3, and
- to vehicle security horn relay-2 terminal 1
- through 10A fuse (No. 57, located in fuse and fusible link box)
- to horn relay terminal 2.

Power is also supplied at all times

- through 15A fuse (No. 68, located in fuse and fusible link box)
- to headlamp relay LH terminal 3,
- through 20A fuse (No. 54, located in fuse and fusible link box)
- to headlamp relay LH terminals 1 and 6,
- through 15A fuse (No. 69, located in fuse and fusible link box)
- to headlamp relay RH terminal 3, and
- through 20A fuse (No. 55, located in fuse and fusible link box)
- to headlamp relay RH terminals 1 and 6.

When the vehicle security system is triggered, ground is supplied intermittently

- to headlamp LH relay terminal 2 from smart entrance control unit terminal 21 and
- to headlamp RH relay terminal 2 from smart entrance control unit terminal 59
- through smart entrance control unit terminals 43 and 64.

When headlamp relays (LH and RH) are energized and then power is supplied to headlamps (LH and RH). The headlamps flash intermittently.

When the vehicle security system is triggered, ground is supplied intermittently

- from smart entrance control unit terminal 42
- to vehicle security horn relay-2 terminal 2.

When vehicle security horn relay-2 is energized, ground is supplied intermittently

- to vehicle security horn relay-1 terminal 2, and
- to horn relay terminal 1.

When vehicle security horn relay-1 and horn relay are energized, then power is supplied to vehicle security horn and horn.

The horn sounds intermittently.

The alarm automatically turns off after 50 seconds but will reactivate if the vehicle is tampered with again.

VEHICLE SECURITY SYSTEM DEACTIVATION

To deactivate the vehicle security system, a door or trunk lid must be unlocked with the key or keyfob.

When the key is used to unlock the door, front power window main switch terminal 6 receives a ground signal

- from terminal 1 of the LH key cylinder switch.

GI

MA

EM

NFEL0263S05

LC

EC

FE

CL

MT

AT

AX

SU

BR

ST

RS

BT

HA

SC

EL

IDX

NFEL0263S06

VEHICLE SECURITY (THEFT WARNING) SYSTEM

System Description (Cont'd)

When the key is used to open the trunk lid, smart entrance control unit terminal 12 receives a ground signal from terminal 1 of the trunk lid key cylinder switch.

When the smart entrance control unit receives either one of these signals or unlock signal from keyfob, the vehicle security system is deactivated. (Disarmed phase)

PANIC ALARM OPERATION

Remote keyless entry system may or may not operate vehicle security system (horn and headlamps) as required. NFEL0263S07

When the remote keyless entry system (panic alarm) is triggered, ground is supplied intermittently

- from smart entrance control unit terminal 42
- to vehicle security horn relay-2 terminal 2,
- from smart entrance control unit terminal 21
- to headlamp LH relay terminal 2 and
- from smart entrance control unit terminal 59
- to headlamp RH relay terminal 2

The headlamp flashes and the horn sounds intermittently.

The alarm automatically turns off after 25 seconds or when smart entrance control unit receives any signal from keyfob.

VEHICLE SECURITY (THEFT WARNING) SYSTEM

System Description (Cont'd)

NOTE:

GI

MA

EM

LC

EC

FE

CL

MT

AT

AX

SU

BR

ST

RS

BT

HA

SC

EL

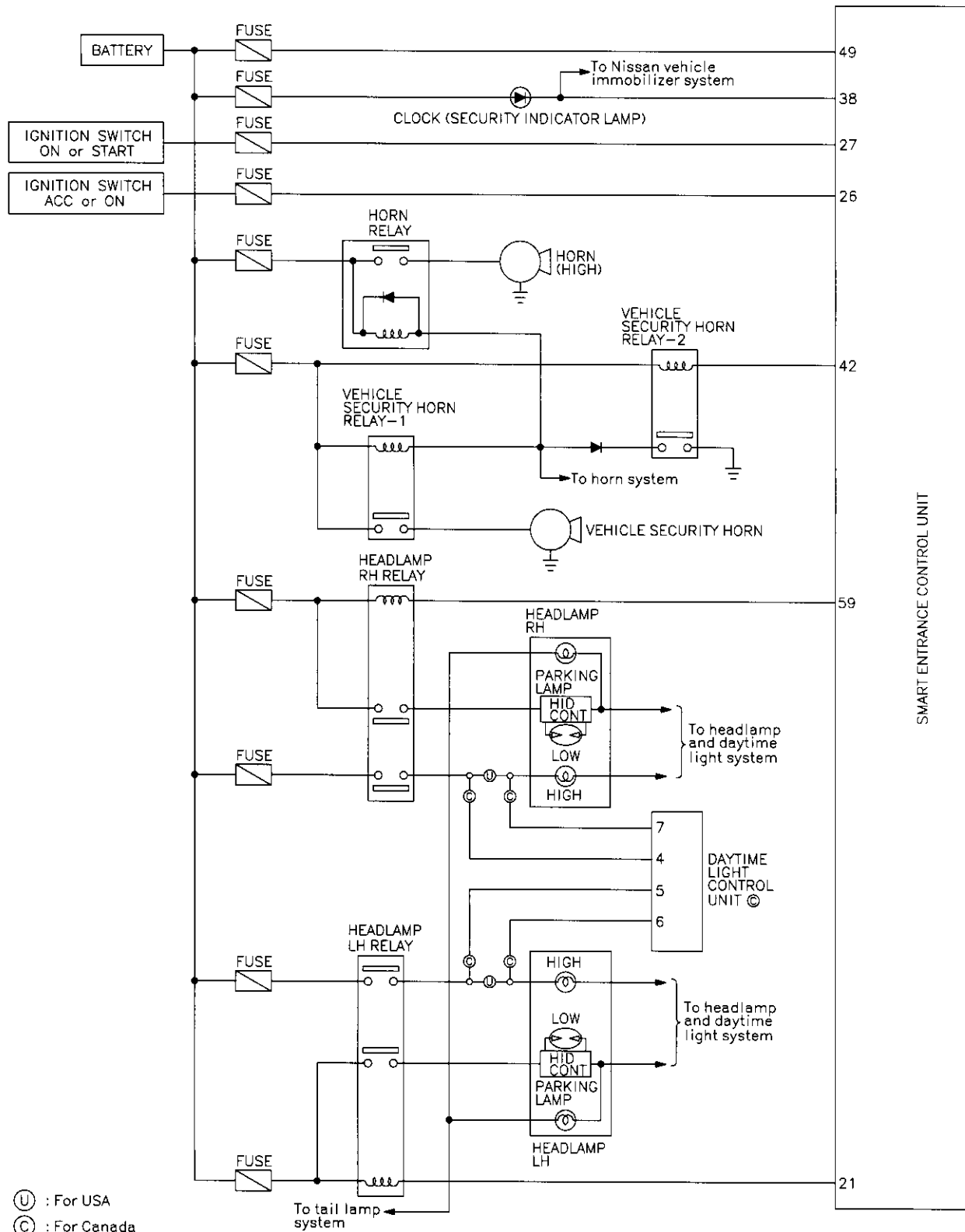
IDX

VEHICLE SECURITY (THEFT WARNING) SYSTEM

Schematic

Schematic

NFEL0121

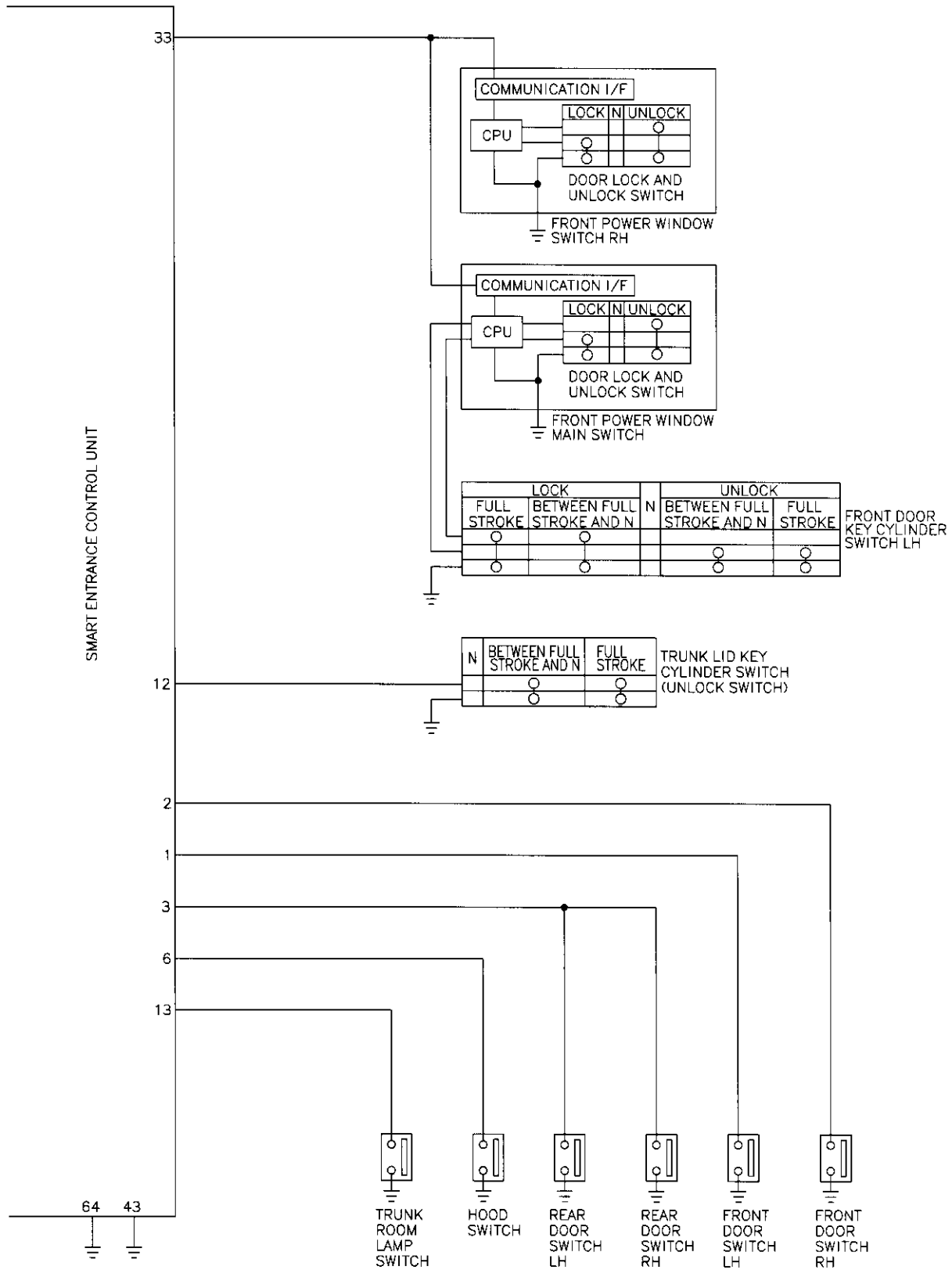


Ⓢ : For USA
 Ⓢ : For Canada

MEL1820

VEHICLE SECURITY (THEFT WARNING) SYSTEM

Schematic (Cont'd)



GI

MA

EM

LC

EC

FE

CL

MT

AT

AX

SU

BR

ST

RS

BT

HA

SC

EL

IDX

MEL1830

VEHICLE SECURITY (THEFT WARNING) SYSTEM

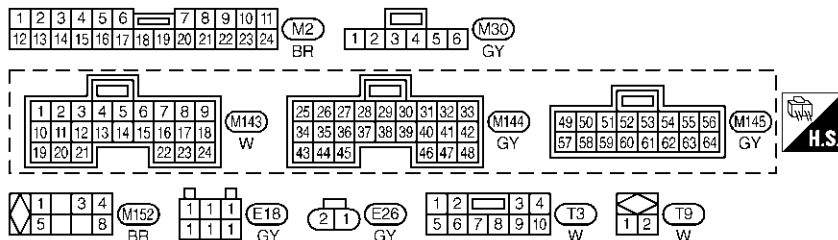
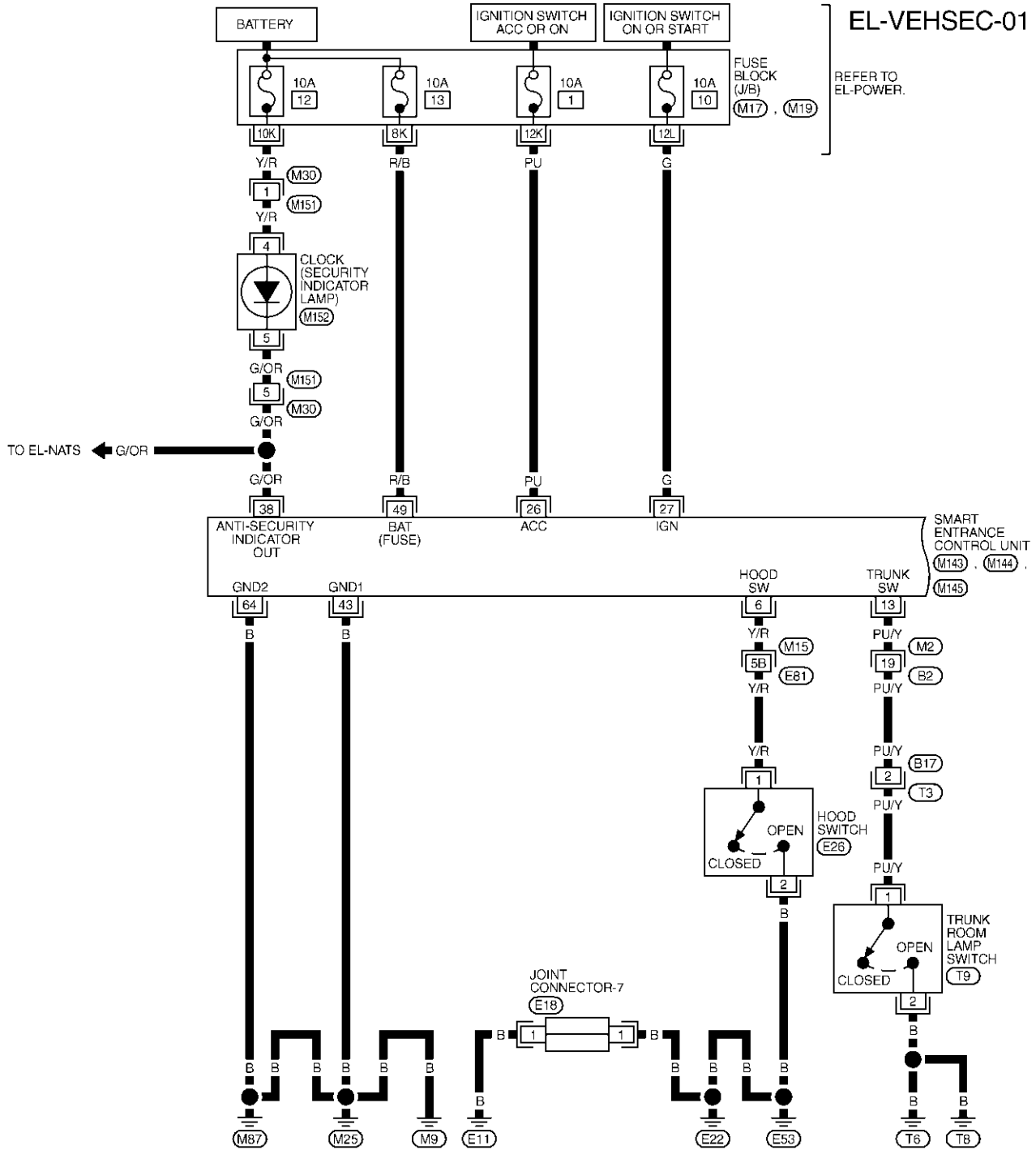
Wiring Diagram — VEHSEC —

Wiring Diagram — VEHSEC —

NFEL0122

NFEL0122S01

FIG. 1



REFER TO THE FOLLOWING.

- (M15) - SUPER MULTIPLE JUNCTION (SMJ)
- (M17), (M19) - FUSE BLOCK-JUNCTION BOX (J/B)

MEL899P

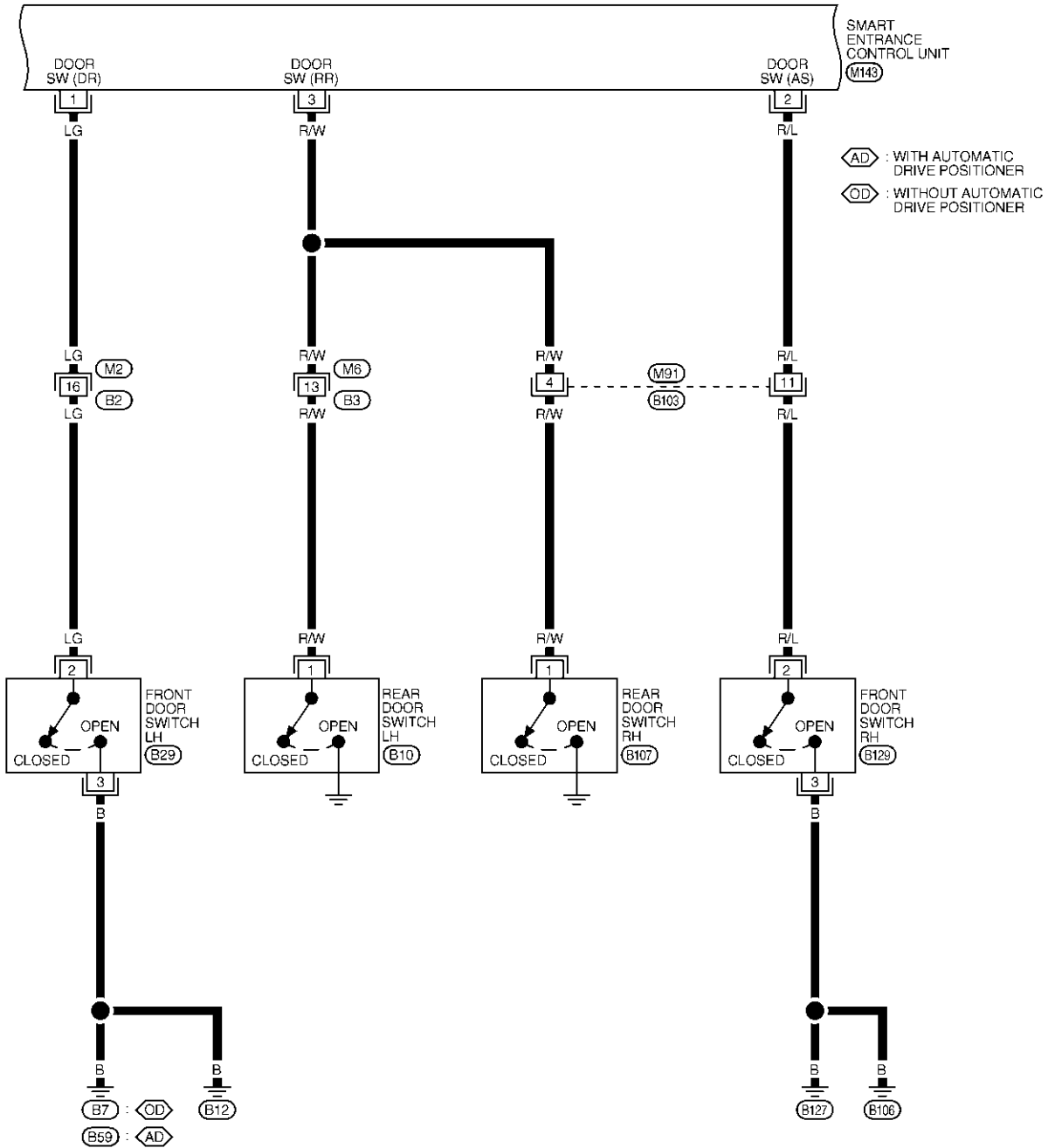
VEHICLE SECURITY (THEFT WARNING) SYSTEM

Wiring Diagram — VEHSEC — (Cont'd)

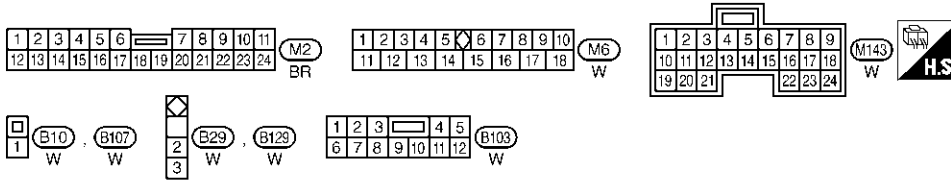
FIG. 2

NFEL0122S02

EL-VEHSEC-02



GI
MA
EM
LC
EC
FE
CL
MT
AT
AX
SU
BR
ST
RS
BT
HA
SC
EL
IDX



MEL900P

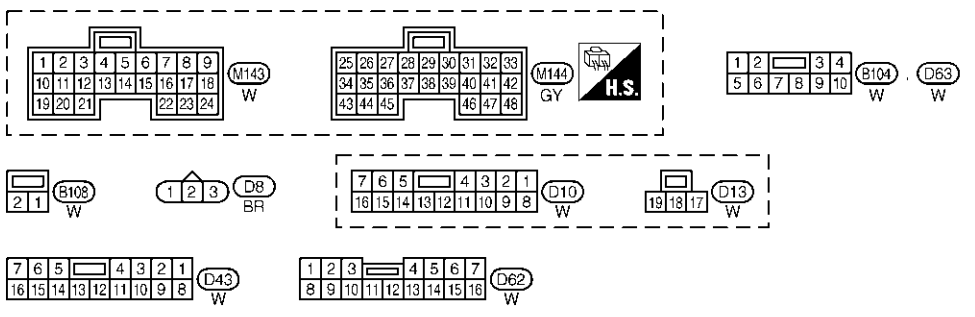
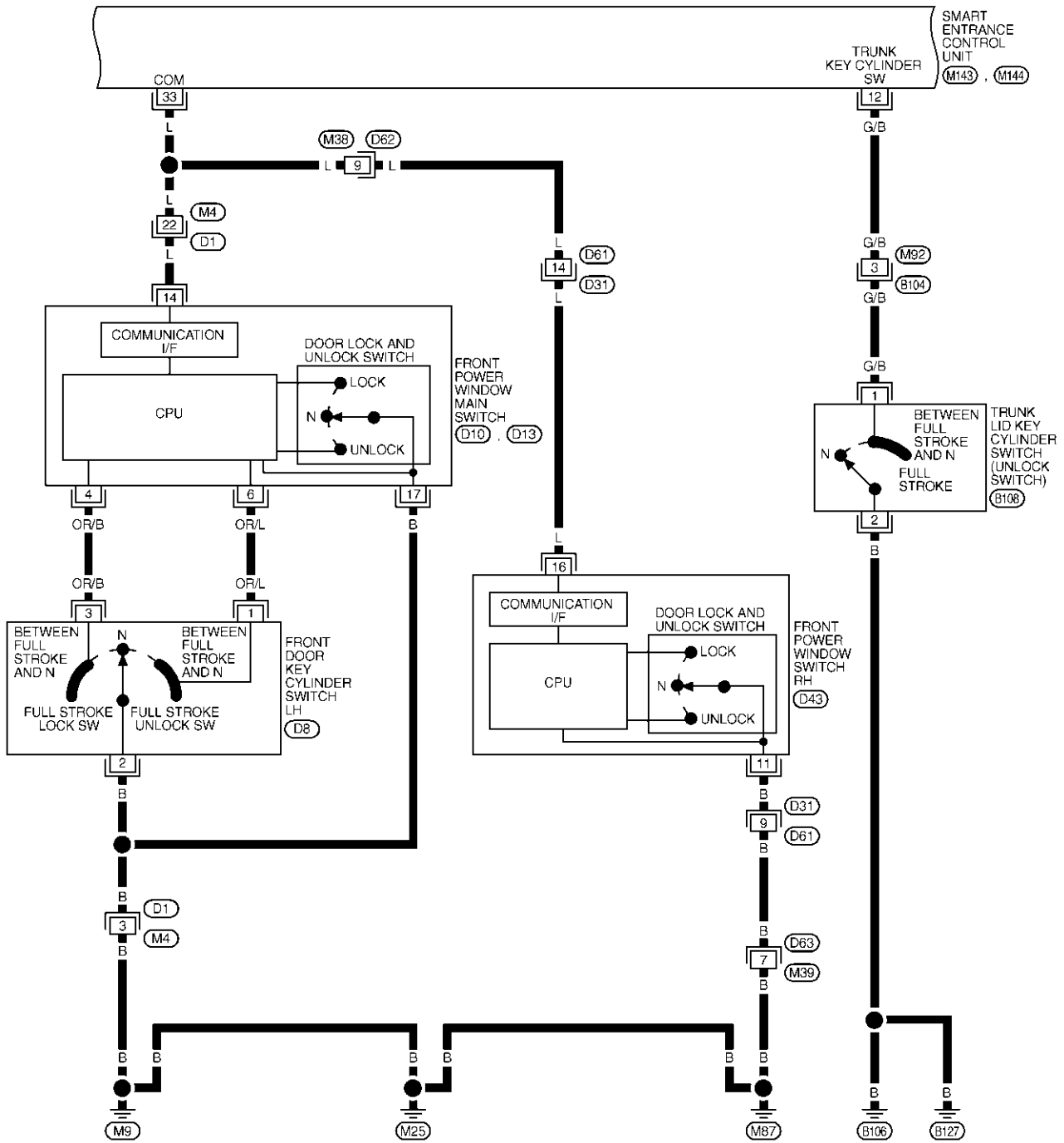
VEHICLE SECURITY (THEFT WARNING) SYSTEM

Wiring Diagram — VEHSEC — (Cont'd)

FIG. 3

NFEL0122S03

EL-VEHSEC-03



REFER TO THE FOLLOWING.
 (D1), (D31) -SUPER
 MULTIPLE JUNCTION (SMJ)

MEL901P

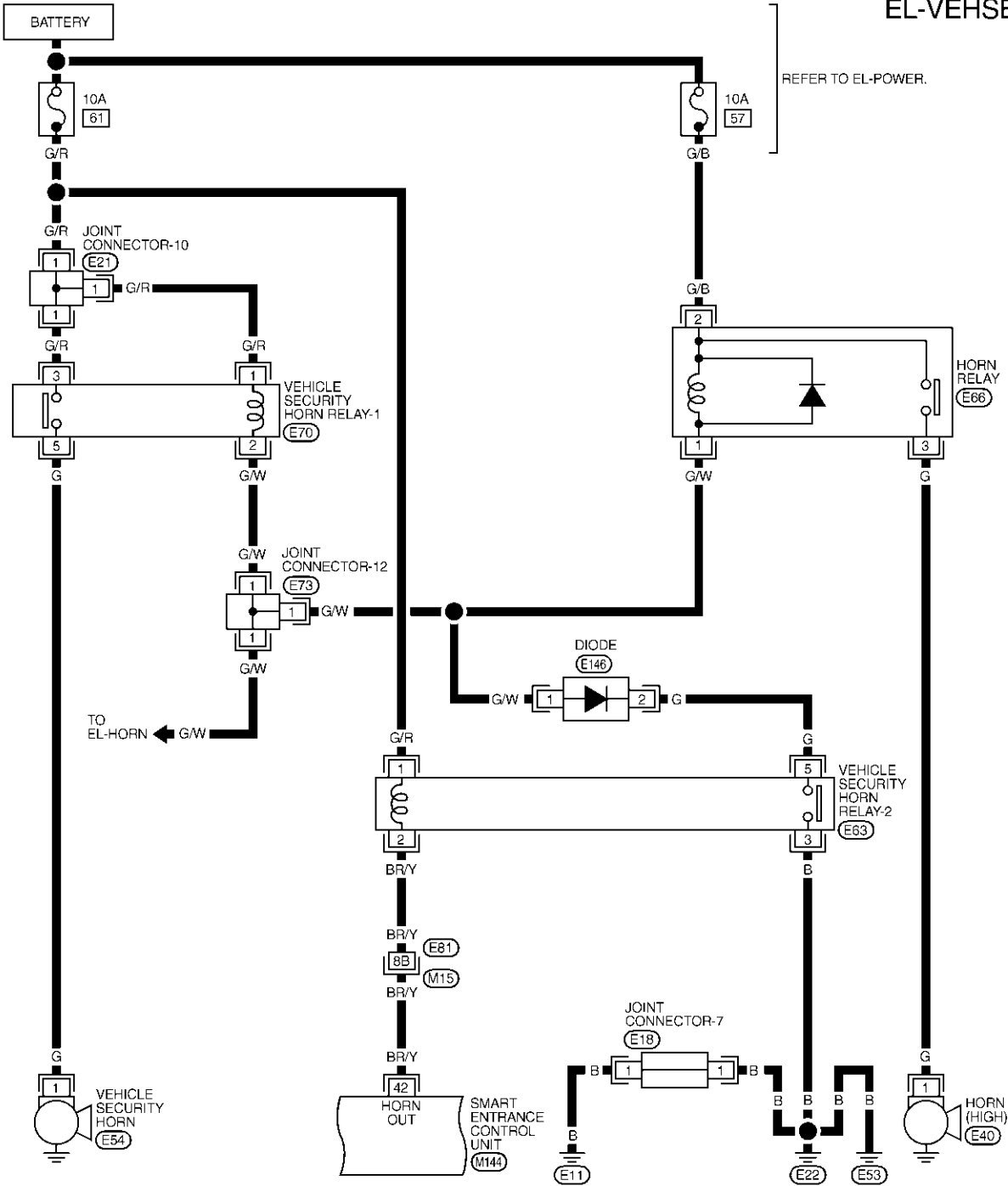
VEHICLE SECURITY (THEFT WARNING) SYSTEM

Wiring Diagram — VEHSEC — (Cont'd)

FIG. 4

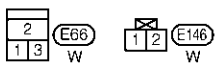
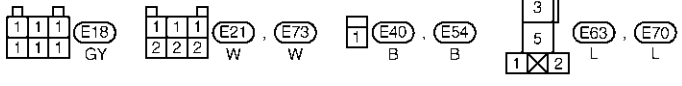
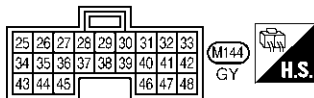
NFEL0122S04

EL-VEHSEC-04



GI
MA
EM
LC
EC
FE
CL
MT
AT
AX
SU
BR
ST
RS
BT
HA

SC
EL
IDX



REFER TO THE FOLLOWING.

(M15) -SUPER
MULTIPLE JUNCTION (SMJ)

MEL1860

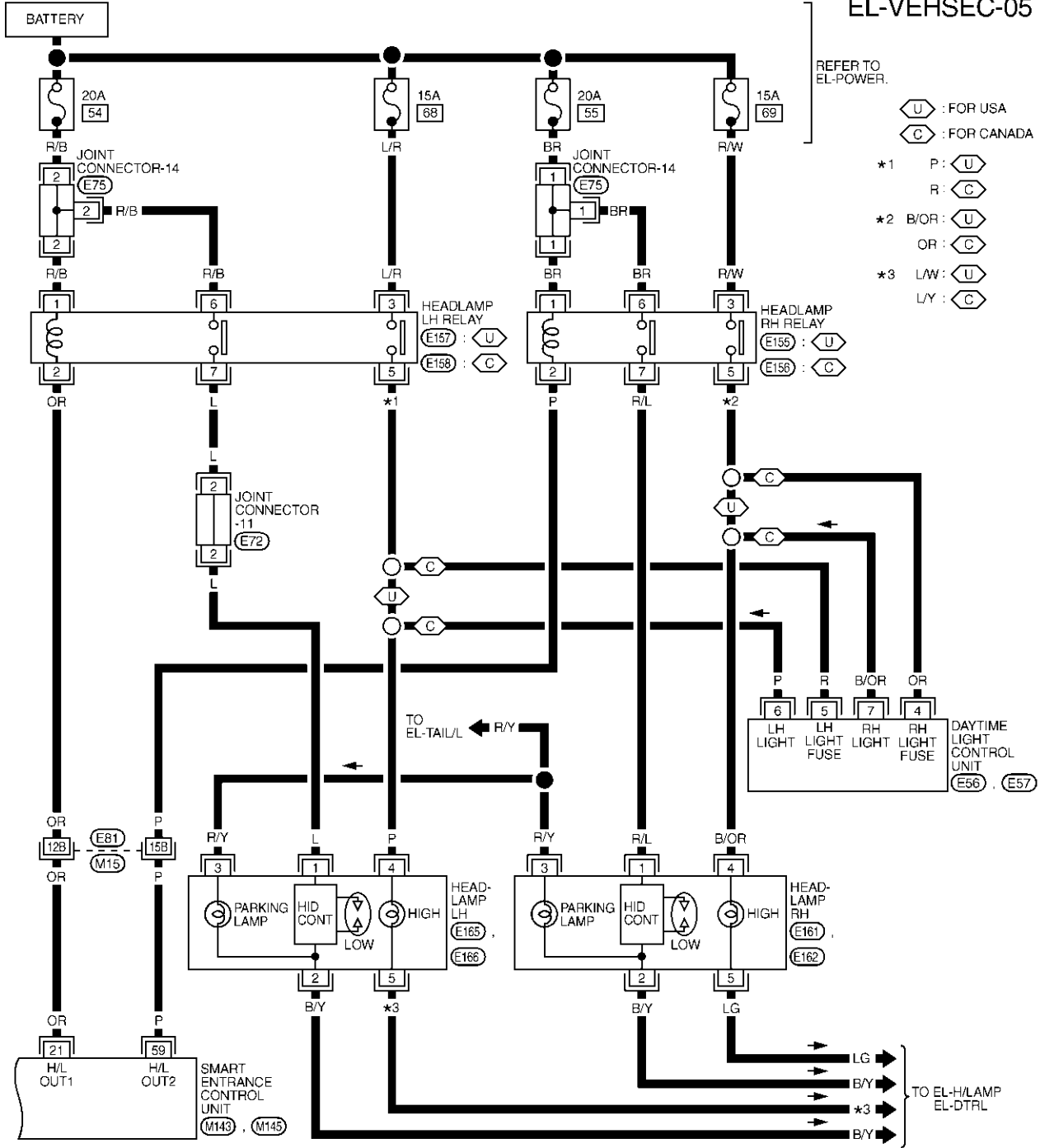
VEHICLE SECURITY (THEFT WARNING) SYSTEM

Wiring Diagram — VEHSEC — (Cont'd)

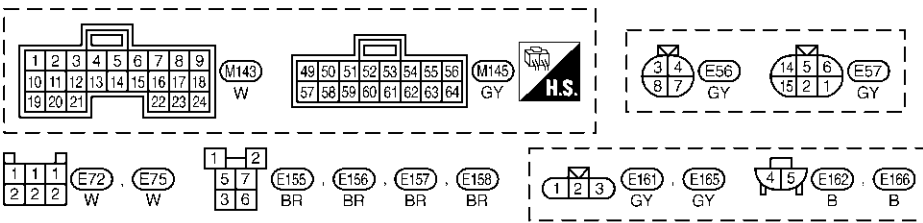
FIG. 5

NFEL0122S07

EL-VEHSEC-05



- REFER TO EL-POWER.
- U : FOR USA
 - C : FOR CANADA
- *1 P: U
R: C
 - *2 B/OR: U
OR: C
 - *3 LW: U
LY: C



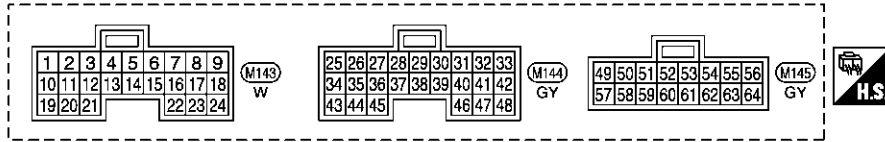
REFER TO THE FOLLOWING.
(M15) -SUPER
MULTIPLE JUNCTION (SMJ)

MEL902P

VEHICLE SECURITY (THEFT WARNING) SYSTEM

Wiring Diagram — VEHSEC — (Cont'd)

SMART ENTRANCE CONTROL UNIT CONNECTOR



SMART ENTRANCE CONTROL UNIT TERMINALS AND REFERENCE VALUE BETWEEN EACH TERMINAL AND GROUND

TERMINAL	WIRE COLOR	ITEM	CONDITION	DATA (DC)		
1	LG	DRIVER DOOR SWITCH	OFF (CLOSED) → ON (OPEN)	12V → 0V		
2	R/L	PASSENGER DOOR SWITCH	OFF (CLOSED) → ON (OPEN)	5V → 0V		
3	R/W	REAR DOOR SWITCH	OFF (CLOSED) → ON (OPEN)	5V → 0V		
6	Y/R	HOOD SWITCH	ON (OPEN) → OFF (CLOSED)	0V → 12V		
12	G/B	TRUNK LID KEY CYLINDER SWITCH	OFF (NEUTRAL) → ON (UNLOCK)	5V → 0V		
13	PU/Y	TRUNK ROOM LAMP SWITCH	ON (OPEN) → OFF (CLOSED)	0V → 12V		
21	OR	HEADLAMP LH RELAY	IGNITION SWITCH (WITH LIGHTING SWITCH 2ND)	ON OR START → OFF	MORE THAN 5 MINUTES WITHIN 5 MINUTES	12V 0V
			ON OR START		0V	
			HEADLAMPS ILLUMINATE BY AUTO LIGHT CONTROL		0V	
			IGNITION SWITCH (ACC)	"ACC" POSITION	12V	
26	PU	IGNITION SWITCH (ACC)	"ACC" POSITION	12V		
27	G	IGNITION SWITCH (ON)	IGNITION KEY IS IN "ON" POSITION	12V		
33	L	COMMUNICATION INTERFACE	DOOR LOCK & UNLOCK SWITCHES (NEUTRAL → LOCK/UNLOCK)		*1	
			FRONT DOOR KEY CYLINDER SWITCH LH (NEUTRAL → LOCK/UNLOCK)			
38	G/OR	SECURITY INDICATOR	GOES OFF → ILLUMINATES	12V → 0V		
42	BR/Y	VEHICLE SECURITY HORN RELAY	WHEN PANIC ALARM IS OPERATED USING KEYFOB (ON → OFF)	12V → 0V		
43	B	GROUND	-	-		
49	R/B	POWER SOURCE (FUSE)	-	12V		
59	P	HEADLAMP RH RELAY	IGNITION SWITCH (WITH LIGHTING SWITCH 2ND)	ON OR START → OFF	MORE THAN 5 MINUTES WITHIN 5 MINUTES	12V 0V
			ON OR START		0V	
			HEAD LAMP ILLUMINATE BY AUTO LIGHT CONTROL (OPERATE → NOT OPERATE)		LESS THAN 1V → 12V	
			GROUND	-	-	
64	B	GROUND	-	-		

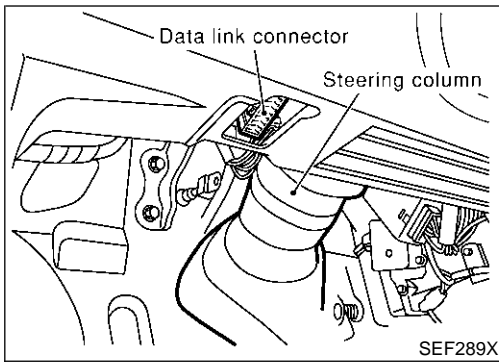
*1: REFER TO "SMART ENTRANCE CONTROL UNIT INSPECTION TABLE" IN "SMART ENTRANCE CONTROL UNIT".

GI
MA
EM
LC
EC
FE
CL
MT
AT
AX
SU
BR
ST
RS
BT
HA
SC
EL
IDX

SEL593YA

VEHICLE SECURITY (THEFT WARNING) SYSTEM

CONSULT-II Inspection Procedure



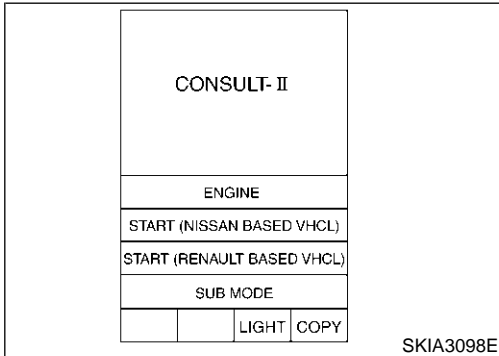
CONSULT-II Inspection Procedure

=NFEL0244

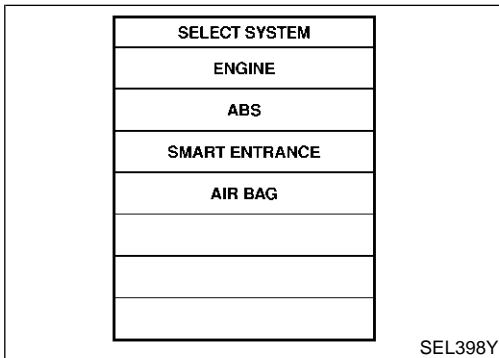
NFEL0244S01

"THEFT WAR ALM"

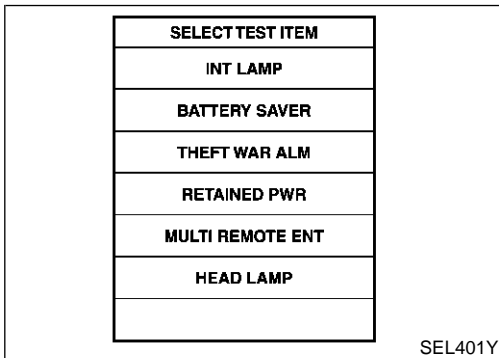
1. Turn ignition switch "OFF".
2. Connect "CONSULT-II" and "CONSULT-II CONVERTER" to the data link connector.



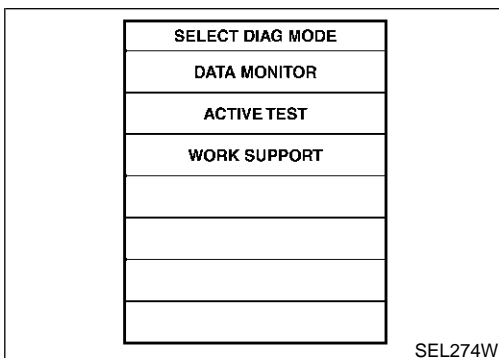
3. Turn ignition switch "ON".
4. Touch "START (NISSAN BASED VHCL)".



5. Touch "SMART ENTRANCE".



6. Touch "THEFT WAR ALM".



7. Select diagnosis mode.
"DATA MONITOR", "ACTIVE TEST" and "WORK SUPPORT" are available.

VEHICLE SECURITY (THEFT WARNING) SYSTEM

CONSULT-II Application Item

CONSULT-II Application Item

“THEFT WAR ALM” Data Monitor

NFEL0245

NFEL0245S01

NFEL0245S0101

Monitored Item	Description
IGN ON SW	Indicates [ON/OFF] condition of ignition switch.
ACC ON SW	Indicates [ON/OFF] condition of ignition switch in ACC position.
KEY CYL LK SW	Indicates [ON/OFF] condition of lock signal from key cylinder switch.
KEY CYL UN SW	Indicates [ON/OFF] condition of unlock signal from key cylinder switch.
DOOR SW-RR	Indicates [ON/OFF] condition of rear door switch.
DOOR SW-DR	Indicates [ON/OFF] condition of front door switch LH.
DOOR SW-AS	Indicates [ON/OFF] condition of front door switch RH.
TRUNK SW	Indicates [ON/OFF] condition of trunk switch.
TRUNK KEY SW	Indicates [ON/OFF] condition of trunk key cylinder switch.
HOOD SWITCH	Indicates [ON/OFF] condition of hood switch.
LOCK SW DR/AS	Indicates [ON/OFF] condition of lock signal from door lock/unlock switch LH and RH.
UNLK SW DR/AS	Indicates [ON/OFF] condition of unlock signal from door lock/unlock LH and RH.
LK BUTTON/SIG	Indicates [ON/OFF] condition of lock signal from keyfob.
UN BUTTON/SIG	Indicates [ON/OFF] condition of unlock signal from keyfob.
TRUNK BTN/SIG	Indicates [ON/OFF] condition of trunk open signal from keyfob.

Active Test

NFEL0245S0102

Test Item	Description
THEFT IND	This test is able to check security indicator lamp operation. The lamp will be turned on when “ON” on CONSULT-II screen is touched.
HORN	This test is able to check vehicle security alarm operation. The alarm will be activated for 0.5 seconds after “ON” on CONSULT-II screen is touched.
HEADLAMP	This test is able to check vehicle security alarm headlamp operation. The headlamp illuminates for 0.5 seconds after “ON” on CONSULT-II screen is touched.

Work Support

NFEL0245S0103

Test Item	Description
THEFT ALM TRG	The switch which triggered theft warning alarm is recorded. This mode is able to confirm and erase the record of theft warning alarm. The trigger data can be erased by touching “CLEAR” on CONSULT-II screen.
SECURITY ALARM SET	This mode is able to confirm and change security alarm ON-OFF setting.

GI

MA

EM

LC

EC

FE

CL

MT

AT

AX

SU

BR

ST

RS

BT

HA

SC

EL

IDX

VEHICLE SECURITY (THEFT WARNING) SYSTEM

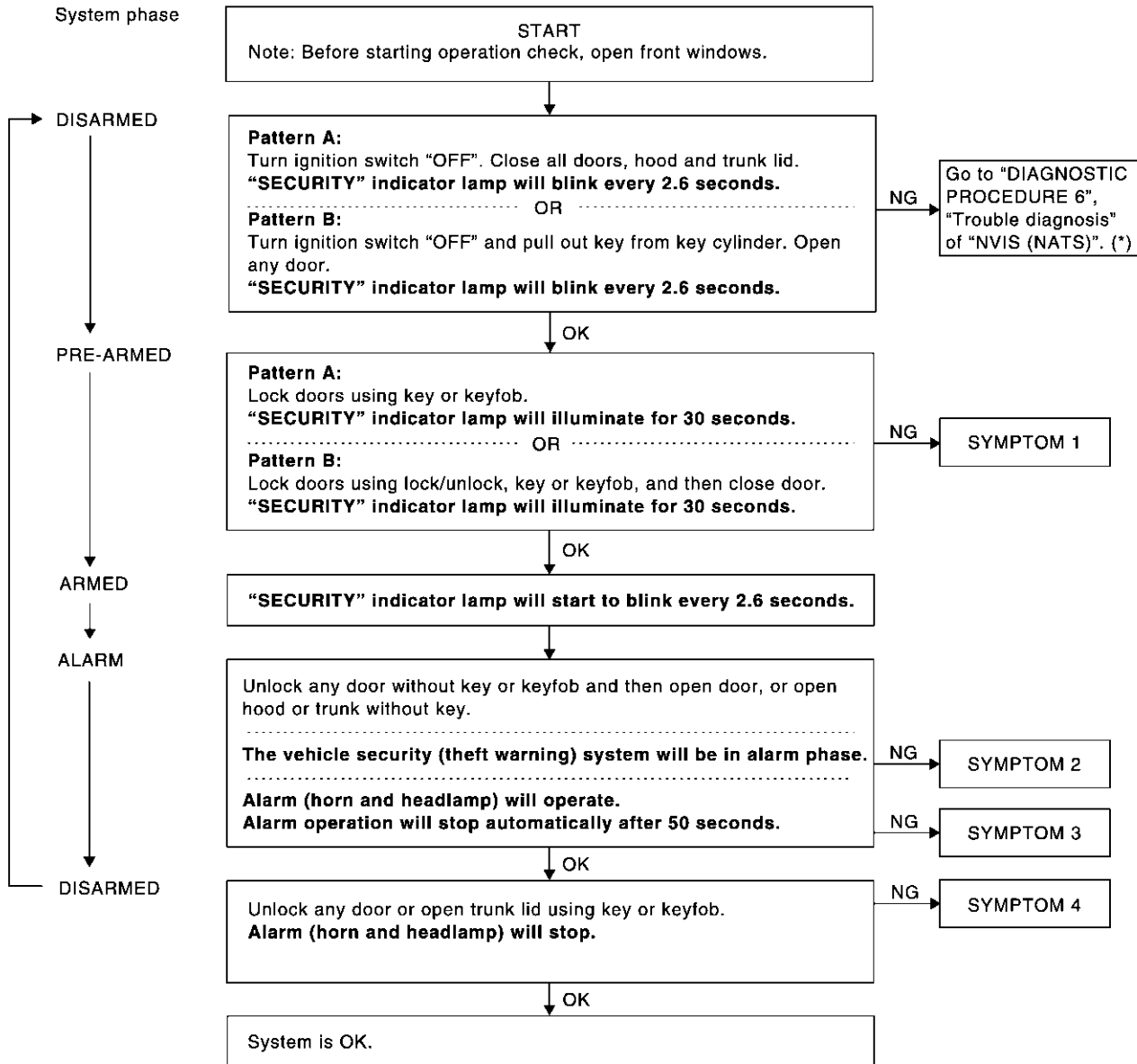
Trouble Diagnoses

=NFEL0123

PRELIMINARY CHECK

NFEL0123S01

The system operation is canceled by turning ignition switch to "ACC" at any step between START and ARMED in the following flow chart.



SEL254WC

For details of "Pattern A" and "Pattern B" about vehicle security (theft warning) system setting, refer to EL-313.

*: Refer to EL-376.

After performing preliminary check, go to symptom chart on next page.

VEHICLE SECURITY (THEFT WARNING) SYSTEM

Trouble Diagnoses (Cont'd)

SYMPTOM CHART

NFEL0123S02

REFERENCE PAGE (EL-)		328	330	331	337	339	341	342	343	293	
SYMPTOM		PRELIMINARY CHECK	POWER SUPPLY AND GROUND CIRCUIT CHECK	DOOR, HOOD AND TRUNK ROOM LAMP SWITCH CHECK	SECURITY INDICATOR LAMP CHECK	DOOR KEY CYLINDER SWITCH CHECK	TRUNK LID KEY CYLINDER SWITCH CHECK	DOOR LOCK/UNLOCK SWITCH CHECK	VEHICLE SECURITY HORN AND HEADLAMP ALARM CHECK	Check "REMOTE KEYLESS ENTRY SYSTEM".	GI MA EM LC EC FE CL MT
1	Vehicle security indicator does not illuminate for 30 seconds.	X	X		X						AT
	Vehicle security system cannot be set by ...										AX
	All items	X	X	X							
	Door outside key	X				X					
	Lock/unlock switch	X						X			SU
	Keyfob	X								X	
2	*1 Vehicle security system does not alarm when ...										BR
	One of the door is opened	X		X							ST
3	Vehicle security alarm does not activate.										RS
	Horn or headlamp alarm	X		X					X		BT
											HA
4	Vehicle security system cannot be canceled by ...										SC
	Door outside key	X				X					
	Trunk lid key	X					X				
	Keyfob	X								X	EL

X : Applicable

*1: Make sure the system is in the armed phase.

Before starting trouble diagnoses above, perform preliminary check, EL-328.

Symptom numbers in the symptom chart correspond with those of preliminary check.

VEHICLE SECURITY (THEFT WARNING) SYSTEM

Trouble Diagnoses (Cont'd)

POWER SUPPLY AND GROUND CIRCUIT CHECK

NFEL0123S03

Power Supply Circuit Check

NFEL0123S0301

1. Disconnect smart entrance control unit harness connector.
2. Check voltage between smart entrance control unit harness connector M144 terminals 26 (PU), 27 (G), M145 terminal 49 (R/B) and ground.

Terminals		Ignition switch position		
(+)	(-)	OFF	ACC	ON
49	Ground	Battery voltage	Battery voltage	Battery voltage
27	Ground	0V	0V	Battery voltage
26	Ground	0V	Battery voltage	Battery voltage

SEL594Y

Ground Circuit Check

NFEL0123S0302

1. Disconnect smart entrance control unit harness connector.
2. Check continuity between smart entrance control unit harness connector M144 terminal 43 (B), M145 terminal 64 (B) and ground.

Terminals	Continuity
43 - Ground	Yes
64 - Ground	Yes

SEL034Y

VEHICLE SECURITY (THEFT WARNING) SYSTEM

Trouble Diagnoses (Cont'd)


DOOR, HOOD AND TRUNK ROOM LAMP SWITCH CHECK


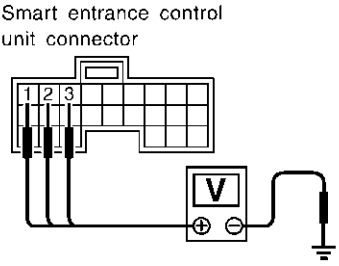



Door Switch Check

=NFEL0123S04

NFEL0123S0401

1	PRELIMINARY CHECK	
<p>1. Turn ignition switch OFF and remove key from ignition key cylinder. “SECURITY” indicator lamp should blink every 2.6 seconds.</p> <p>2. Close all doors, hood and trunk lid.</p> <p>3. Lock doors with keyfob from inside the vehicle. “SECURITY” indicator lamp should turn on for 30 seconds.</p> <p>4. Unlock any door with the door lock knob and open the door within 30 seconds after door is locked. “SECURITY” indicator lamp should turn off.</p> <p style="text-align: center;">OK or NG</p>		
OK	▶	Door switch is OK, and go to hood switch check.
NG	▶	GO TO 2.

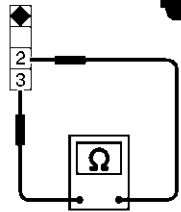
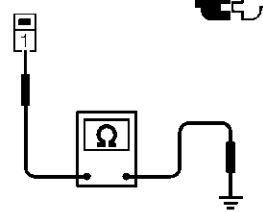
2	CHECK DOOR SWITCH INPUT SIGNAL																																	
<p> With CONSULT-II Check door switches (“DOOR SW-RR”, “DOOR SW-DR” and “DOOR SW-AS”) in “DATA MONITOR” mode with CONSULT-II.</p>																																		
<table border="1" style="margin-bottom: 20px;"> <thead> <tr> <th colspan="2">DATA MONITOR</th> </tr> <tr> <th>MONITOR</th> <th></th> </tr> </thead> <tbody> <tr> <td>DOOR SW-RR</td> <td style="text-align: center;">OFF</td> </tr> <tr> <td>DOOR SW-DR</td> <td style="text-align: center;">OFF</td> </tr> <tr> <td>DOOR SW-AS</td> <td style="text-align: center;">OFF</td> </tr> </tbody> </table> <table border="1" style="margin-bottom: 20px;"> <thead> <tr> <th></th> <th>Monitor item</th> <th>Condition</th> <th>Condition</th> </tr> </thead> <tbody> <tr> <td rowspan="2">DOOR SW-RR</td> <td rowspan="2">Rear doors switch</td> <td>Open</td> <td>ON</td> </tr> <tr> <td>Closed</td> <td>OFF</td> </tr> <tr> <td rowspan="2">DOOR SW-DR</td> <td rowspan="2">Door switch LH</td> <td>Open</td> <td>ON</td> </tr> <tr> <td>Closed</td> <td>OFF</td> </tr> <tr> <td rowspan="2">DOOR SW-AS</td> <td rowspan="2">Door switch RH</td> <td>Open</td> <td>ON</td> </tr> <tr> <td>Closed</td> <td>OFF</td> </tr> </tbody> </table>			DATA MONITOR		MONITOR		DOOR SW-RR	OFF	DOOR SW-DR	OFF	DOOR SW-AS	OFF		Monitor item	Condition	Condition	DOOR SW-RR	Rear doors switch	Open	ON	Closed	OFF	DOOR SW-DR	Door switch LH	Open	ON	Closed	OFF	DOOR SW-AS	Door switch RH	Open	ON	Closed	OFF
DATA MONITOR																																		
MONITOR																																		
DOOR SW-RR	OFF																																	
DOOR SW-DR	OFF																																	
DOOR SW-AS	OFF																																	
	Monitor item	Condition	Condition																															
DOOR SW-RR	Rear doors switch	Open	ON																															
		Closed	OFF																															
DOOR SW-DR	Door switch LH	Open	ON																															
		Closed	OFF																															
DOOR SW-AS	Door switch RH	Open	ON																															
		Closed	OFF																															
SEL024Y																																		

<p> Without CONSULT-II Check voltage between smart entrance control unit harness connector M143 terminals 1 (LG), 2 (R/L) or 3 (R/W) and ground.</p>																														
<div style="display: flex; align-items: flex-start;"> <div style="flex: 1;"> <p>Smart entrance control unit connector</p>  </div> <div style="flex: 1; text-align: center;">    </div> <div style="flex: 2;"> <table border="1" style="margin-left: auto; margin-right: auto;"> <thead> <tr> <th rowspan="2"></th> <th colspan="2">Terminals</th> <th rowspan="2">Condition</th> <th rowspan="2">Voltage [V]</th> </tr> <tr> <th>(+)</th> <th>(-)</th> </tr> </thead> <tbody> <tr> <td rowspan="2">Front door switch LH</td> <td rowspan="2">1</td> <td rowspan="2">Ground</td> <td>Open</td> <td>0</td> </tr> <tr> <td>Closed</td> <td>Approx. 12</td> </tr> <tr> <td rowspan="2">Front door switch RH</td> <td rowspan="2">2</td> <td rowspan="2">Ground</td> <td>Open</td> <td>0</td> </tr> <tr> <td>Closed</td> <td>Approx. 5</td> </tr> <tr> <td rowspan="2">Rear door switches</td> <td rowspan="2">3</td> <td rowspan="2">Ground</td> <td>Open</td> <td>0</td> </tr> <tr> <td>Closed</td> <td>Approx. 5</td> </tr> </tbody> </table> </div> </div>				Terminals		Condition	Voltage [V]	(+)	(-)	Front door switch LH	1	Ground	Open	0	Closed	Approx. 12	Front door switch RH	2	Ground	Open	0	Closed	Approx. 5	Rear door switches	3	Ground	Open	0	Closed	Approx. 5
	Terminals			Condition	Voltage [V]																									
	(+)	(-)																												
Front door switch LH	1	Ground	Open	0																										
			Closed	Approx. 12																										
Front door switch RH	2	Ground	Open	0																										
			Closed	Approx. 5																										
Rear door switches	3	Ground	Open	0																										
			Closed	Approx. 5																										
SEL021YC																														
OK or NG																														
OK	▶	Door switch is OK, and go to hood switch check.																												
NG	▶	GO TO 3.																												

GI
MA
EM
LC
EC
FE
CL
MT
AT
AX
SU
BR
ST
RS
BT
HA
SC
EL
IDX

VEHICLE SECURITY (THEFT WARNING) SYSTEM

Trouble Diagnoses (Cont'd)

3	CHECK DOOR SWITCH			
<p>1. Disconnect door switch connector. 2. Check continuity between door switch terminals.</p>				
<div style="display: flex; justify-content: space-between;"> <div style="width: 45%;"> <p>Door switch connector</p> <p>Front LH : (B29)</p> <p>Front RH : (B129)</p>  </div> <div style="width: 45%;"> <p>Door switch connector</p> <p>Rear LH : (B10)</p> <p>Rear RH : (B107)</p>  </div> </div>				
SEL665Y				
OK or NG				
OK	▶	<p>Check the following.</p> <ul style="list-style-type: none"> ● Door switch ground circuit or door switch ground condition ● Harness for open or short between smart entrance control unit and door switch 		
NG	▶	Replace door switch.		

	Terminals	Condition	Continuity
Front door switches	2 - 3	Closed	No
		Open	Yes
Rear door switches	1 - Ground	Closed	No
		Open	Yes

VEHICLE SECURITY (THEFT WARNING) SYSTEM


Trouble Diagnoses (Cont'd)


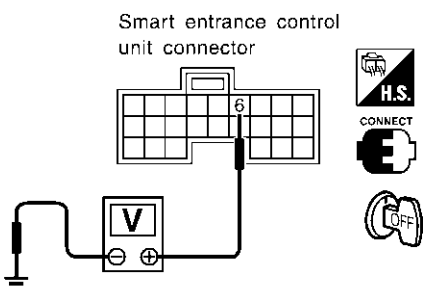
Hood Switch Check

=NFEL0123S0402

1	PRELIMINARY CHECK	
<p>1. Turn ignition switch OFF and remove key from ignition key cylinder. "SECURITY" indicator lamp should blink every 2.6 seconds.</p> <p>2. Close all doors, hood and trunk lid.</p> <p>3. Lock doors with keyfob from inside the vehicle. "SECURITY" indicator lamp should turn on for 30 seconds.</p> <p>4. Unlock hood with hood opener within 30 seconds after door is locked. "SECURITY" indicator lamp should turn off.</p> <p style="text-align: center;">OK or NG</p>		
OK	▶	Hood switch is OK, and go to trunk room lamp switch check.
NG	▶	GO TO 2.

2	CHECK HOOD SWITCH FITTING CONDITION	
OK or NG		
OK	▶	GO TO 3.
NG	▶	Adjust installation of hood switch or hood.

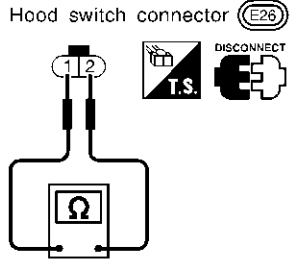
3	CHECK HOOD SWITCH INPUT SIGNAL							
<p> With CONSULT-II Check hood switch ("HOOD SWITCH") in "DATA MONITOR" mode with CONSULT-II.</p>								
<table border="1" style="margin: auto;"> <tr><th colspan="2">DATA MONITOR</th></tr> <tr><th>MONITOR</th><th></th></tr> <tr><td>HOOD SWITCH</td><td>OFF</td></tr> </table>			DATA MONITOR		MONITOR		HOOD SWITCH	OFF
DATA MONITOR								
MONITOR								
HOOD SWITCH	OFF							
<p>When hood is open: HOOD SWITCH ON</p> <p>When hood is closed: HOOD SWITCH OFF</p>								
SEL354W								

<p> Without CONSULT-II Check voltage between smart entrance control unit harness connector M143 terminal 6 (Y/R) and ground.</p>		
		
<p>Voltage [V]: Engine hood is open. 0 Engine hood is closed. Approx. 12</p>		
SEL035YA		
OK or NG		
OK	▶	Hood switch is OK, and go to trunk room lamp switch check.
NG	▶	GO TO 4.

GI
MA
EM
LC
EC
FE
CL
MT
AT
AX
SU
BR
ST
RS
BT
HA
SC
EL
IDX

VEHICLE SECURITY (THEFT WARNING) SYSTEM

Trouble Diagnoses (Cont'd)

4	CHECK HOOD SWITCH
<p>1. Disconnect hood switch connector. 2. Check continuity between hood switch terminals 1 and 2.</p> <div data-bbox="386 283 673 541"><p>Hood switch connector (E26)</p></div> <div data-bbox="893 357 1153 483"><p>Continuity: Condition: Pushed No Condition: Released Yes</p></div> <p data-bbox="1380 577 1469 604">SEL240W</p> <p data-bbox="755 619 868 646">OK or NG</p>	
OK	<p>▶ Check the following.</p> <ul style="list-style-type: none">● Hood switch ground circuit● Harness for open or short between smart entrance control unit and hood switch
NG	<p>▶ Replace hood switch.</p>

VEHICLE SECURITY (THEFT WARNING) SYSTEM

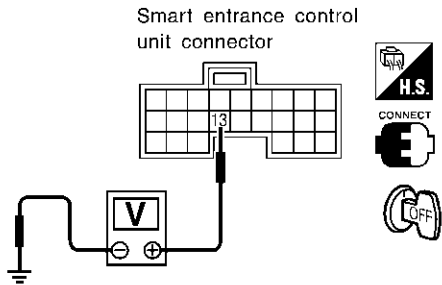
Trouble Diagnoses (Cont'd)

Trunk Room Lamp Switch Check

=NFEL0123S0403

1	PRELIMINARY CHECK	
<p>1. Turn ignition switch OFF and remove key from ignition key cylinder. "SECURITY" indicator lamp should blink every 2.6 seconds.</p> <p>2. Close all doors, hood and trunk lid.</p> <p>3. Lock doors with keyfob from inside the vehicle. "SECURITY" indicator lamp should turn on for 30 seconds.</p> <p>4. Open trunk lid with trunk lid opener switch (on driver side door trim) within 30 seconds after door is locked. "SECURITY" indicator lamp should turn off.</p> <p style="text-align: center;">OK or NG</p>		
OK	▶	Trunk room lamp switch is OK.
NG	▶	GO TO 2.

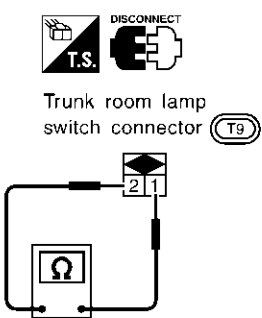
2	CHECK TRUNK ROOM LAMP SWITCH INPUT SIGNAL							
<p>E With CONSULT-II Check trunk room lamp switch ("TRUNK SW"), in "DATA MONITOR" mode with CONSULT-II.</p>								
<table border="1" style="margin: auto;"> <tr><th colspan="2">DATA MONITOR</th></tr> <tr><th>MONITOR</th><th></th></tr> <tr><td>TRUNK SW</td><td>OFF</td></tr> </table>			DATA MONITOR		MONITOR		TRUNK SW	OFF
DATA MONITOR								
MONITOR								
TRUNK SW	OFF							
<p>When trunk lid is open: TRUNK SW ON</p> <p>When trunk lid is closed: TRUNK SW OFF</p>								
SEL355W								

<p>X Without CONSULT-II Check voltage between smart entrance control unit harness connector M143 terminal 13 (PU/Y) and ground.</p>		
		
<p>Voltage [V]: Trunk lid is open. Approx. 0 Trunk lid is closed. Approx. 12</p>		
SEL036Y		
OK or NG		
OK	▶	Trunk room lamp switch is OK.
NG	▶	GO TO 3.

GI
MA
EM
LC
EC
FE
CL
MT
AT
AX
SU
BR
ST
RS
BT
HA
SC
EL
IDX

VEHICLE SECURITY (THEFT WARNING) SYSTEM

Trouble Diagnoses (Cont'd)

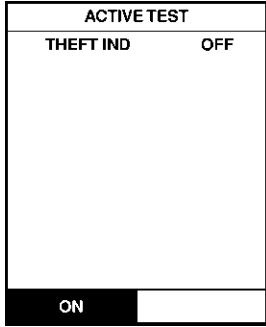
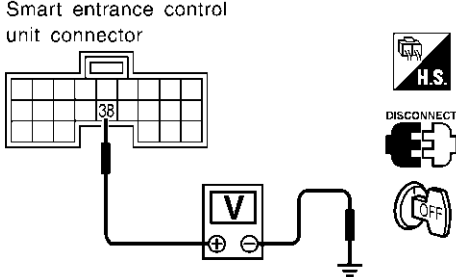
3	CHECK TRUNK ROOM LAMP SWITCH	
<p>1. Disconnect trunk room lamp switch connector. 2. Check continuity between trunk room lamp switch terminals 1 and 2.</p> <div style="display: flex; justify-content: space-around; align-items: center;"> <div style="text-align: center;">  <p>Trunk room lamp switch connector (T9)</p> </div> <div style="text-align: center;"> <p>Continuity: Condition: Closed No Condition: Open Yes</p> </div> </div> <p style="text-align: right;">SEL242W</p> <p style="text-align: center;">OK or NG</p>		
OK	▶	<p>Check the following.</p> <ul style="list-style-type: none"> ● Trunk room lamp switch ground circuit ● Harness for open or short between smart entrance control unit and trunk room lamp switch
NG	▶	Replace trunk room lamp switch.

VEHICLE SECURITY (THEFT WARNING) SYSTEM

Trouble Diagnoses (Cont'd)

SECURITY INDICATOR LAMP CHECK

=NFEL0123S05

1	CHECK INDICATOR LAMP OPERATION	GI MA EM LC EC FE CL MT AT AX SU BR
<p>E With CONSULT-II</p> <p>1. Select "ACTIVE TEST" in "THEFT WAR ALM" with CONSULT-II.</p> <p>2. Select "THEFT IND" and touch "ON".</p> <div style="display: flex; align-items: center; justify-content: center;">  <div style="margin-left: 20px;"> <p>Security indicator lamp should illuminate.</p> </div> </div> <p style="text-align: right;">SEL356W</p>		ST
<p>X Without CONSULT-II</p> <p>1. Disconnect smart entrance control unit harness connector.</p> <p>2. Check voltage between smart entrance control unit harness connector M144 terminal 38 (G/OR) and ground.</p> <div style="display: flex; align-items: center; justify-content: center;">  <div style="margin-left: 20px;"> <p>Battery voltage should exist.</p> </div> </div> <p>Refer to wiring diagram in EL-320.</p> <p style="text-align: center;">OK or NG</p>		ST
OK	▶	Security indicator lamp is OK.
NG	▶	GO TO 2.

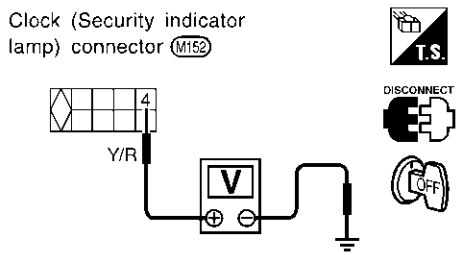
2	CHECK INDICATOR LAMP	RS
OK or NG		BT
OK	▶	GO TO 3.
NG	▶	Replace indicator lamp.

EL

IDX

VEHICLE SECURITY (THEFT WARNING) SYSTEM

Trouble Diagnoses (Cont'd)

3	CHECK POWER SUPPLY CIRCUIT FOR INDICATOR LAMP	
<p>1. Disconnect security lamp connector.</p> <p>2. Check voltage between indicator lamp terminal 4 and ground.</p> <div style="text-align: center;">  </div> <p style="text-align: right;">SEL244W</p> <p style="text-align: center;">Does battery voltage exist?</p>		
Yes	▶	Check harness for open or short between security indicator lamp and smart entrance control unit.
No	▶	<p>Check the following.</p> <ul style="list-style-type: none"> ● 10A fuse [No. 12, located in fuse block (J/B)] ● Harness for open or short between security indicator lamp and fuse

VEHICLE SECURITY (THEFT WARNING) SYSTEM

Trouble Diagnoses (Cont'd)

DOOR KEY CYLINDER SWITCH CHECK

=NFEL0123S07

1 CHECK DOOR KEY CYLINDER SWITCH INPUT SIGNAL (LOCK/UNLOCK SIGNAL)

Ⓔ With CONSULT-II

Check front door key cylinder switch ("KEY CYL LK-SW"/"KEY CYL UN-SW") in "DATA MONITOR" mode with CONSULT-II.

DATA MONITOR	
MONITOR	
KEY CYL LK-SW	OFF
KEY CYL UN-SW	OFF

When key inserted in front key cylinder is turned to LOCK:

KEY CYL LK-SW ON

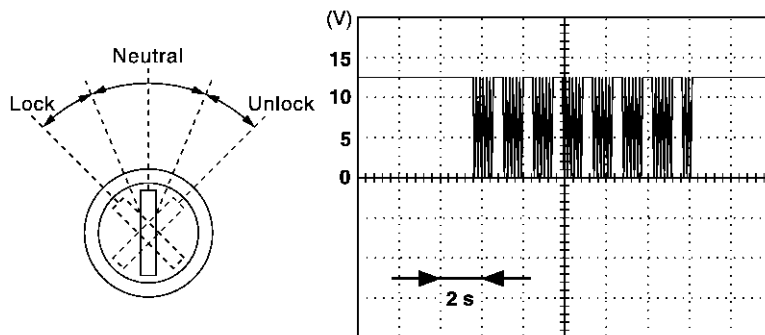
When key inserted in front key cylinder is turned to UNLOCK:

KEY CYL UN-SW ON

SEL342W

ⓧ Without CONSULT-II

1. Check the signal between smart entrance control unit harness connector M144 terminal 33 (L) and ground with oscilloscope when key inserted in front key cylinder is turned to "LOCK" or "UNLOCK".
2. Make sure signals which are shown in the figure below can be detected during 10 sec. just after key is turned to "LOCK" or "UNLOCK".



Voltage:
12V → 9V (10 sec.) measurement
by analog circuit tester.

SEL397Y

Refer to wiring diagram in EL-322.


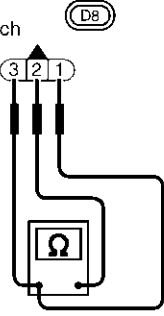
OK or NG

OK	▶	Door key cylinder switch is OK.
NG	▶	GO TO 2.

GI
MA
EM
LC
EC
FE
CL
MT
AT
AX
SU
BR
ST
RS
BT
HA
SC
EL
IDX

VEHICLE SECURITY (THEFT WARNING) SYSTEM

Trouble Diagnoses (Cont'd)

2	CHECK DOOR KEY CYLINDER SWITCH		
<p>1. Disconnect door key cylinder switch connector. 2. Check continuity between door key cylinder switch connector terminals.</p>			
<div style="display: flex; justify-content: space-between; align-items: flex-start;"> <div style="width: 20%;">  </div> <div style="width: 30%;"> <p>Door key cylinder switch connector</p>  </div> <div style="width: 40%;"> <p>① : Door unlock switch terminal ② : Ground terminal ③ : Door lock switch terminal</p> </div> </div>			
SEL034X			
OK or NG			
OK	▶	<p>Check the following.</p> <ul style="list-style-type: none"> ● Door key cylinder switch ground circuit ● Harness for open or short between smart entrance control unit and door key cylinder switch 	
NG	▶	Replace door key cylinder switch.	

Terminals	Key position	Continuity
③ - ②	Neutral/Unlock	No
	Lock	Yes
① - ②	Neutral/Lock	No
	Unlock	Yes

VEHICLE SECURITY (THEFT WARNING) SYSTEM

Trouble Diagnoses (Cont'd)

TRUNK LID KEY CYLINDER SWITCH CHECK

=NFEL0123S08

1	CHECK TRUNK LID KEY CYLINDER SWITCH INPUT SIGNAL (UNLOCK SIGNAL)																		
<p>Ⓔ With CONSULT-II Check trunk lid key cylinder switch ("TRUNK KEY SW") in "DATA MONITOR" mode with CONSULT-II.</p> <div style="display: flex; justify-content: space-between; align-items: flex-start;"> <div style="border: 1px solid black; padding: 5px; margin-bottom: 10px;"> <table border="1" style="width: 100%; border-collapse: collapse; text-align: center;"> <tr><th colspan="2">DATA MONITOR</th></tr> <tr><th>MONITOR</th><th></th></tr> <tr><td>TRUNK KEY SW</td><td>OFF</td></tr> </table> </div> <div style="margin-left: 20px;"> <p>When key in key cylinder is at Neutral position: TRUNK KEY SW OFF</p> <p>When key in key cylinder is at Unlock position: TRUNK KEY SW ON</p> </div> </div> <p style="text-align: right; margin-top: 10px;">SEL358W</p>		DATA MONITOR		MONITOR		TRUNK KEY SW	OFF												
DATA MONITOR																			
MONITOR																			
TRUNK KEY SW	OFF																		
<p>ⓧ Without CONSULT-II Check voltage between smart entrance control unit harness connector M143 terminal 12 (G/B) and ground.</p> <div style="display: flex; justify-content: space-between; align-items: flex-start;"> <div style="text-align: center;"> <p>Continuity exist</p> </div> <div style="text-align: center;"> <p>Smart entrance control unit connector</p> </div> <div style="margin-left: 20px;"> <table border="1" style="width: 100%; border-collapse: collapse; text-align: center;"> <thead> <tr> <th colspan="2">Terminal</th> <th rowspan="2">Key position</th> <th rowspan="2">Voltage [V]</th> </tr> <tr> <th>(+)</th> <th>(-)</th> </tr> </thead> <tbody> <tr> <td rowspan="2">12</td> <td rowspan="2">Ground</td> <td>Neutral</td> <td>Approx. 5</td> </tr> <tr> <td>Unlock</td> <td>0</td> </tr> </tbody> </table> </div> </div> <p style="text-align: right; margin-top: 10px;">SEL039Y</p> <p>Refer to wiring diagram in EL-322.</p> <p style="text-align: center; margin-top: 10px;">OK or NG</p> <table border="1" style="width: 100%; border-collapse: collapse;"> <tr> <td style="width: 20%;">OK</td> <td style="width: 10%; text-align: center;">▶</td> <td>Trunk lid key cylinder switch is OK.</td> </tr> <tr> <td>NG</td> <td style="text-align: center;">▶</td> <td>GO TO 2.</td> </tr> </table>		Terminal		Key position	Voltage [V]	(+)	(-)	12	Ground	Neutral	Approx. 5	Unlock	0	OK	▶	Trunk lid key cylinder switch is OK.	NG	▶	GO TO 2.
Terminal		Key position	Voltage [V]																
(+)	(-)																		
12	Ground	Neutral	Approx. 5																
		Unlock	0																
OK	▶	Trunk lid key cylinder switch is OK.																	
NG	▶	GO TO 2.																	

2	CHECK TRUNK LID KEY CYLINDER SWITCH												
<p>1. Disconnect trunk lid key cylinder switch connector. 2. Check continuity between trunk lid key cylinder switch terminals.</p> <div style="display: flex; justify-content: space-between; align-items: flex-start;"> <div style="text-align: center;"> <p>Trunk lid key cylinder switch</p> </div> <div style="margin-left: 20px;"> <table border="1" style="width: 100%; border-collapse: collapse; text-align: center;"> <thead> <tr> <th>Key position</th> <th>Continuity</th> </tr> </thead> <tbody> <tr> <td>Neutral</td> <td>No</td> </tr> <tr> <td>Unlock</td> <td>Yes</td> </tr> </tbody> </table> </div> </div> <p style="text-align: right; margin-top: 10px;">SEL248W</p> <p style="text-align: center; margin-top: 10px;">OK or NG</p> <table border="1" style="width: 100%; border-collapse: collapse;"> <tr> <td style="width: 20%;">OK</td> <td style="width: 10%; text-align: center;">▶</td> <td> <p>Check the following.</p> <ul style="list-style-type: none"> ● Trunk lid key cylinder switch ground circuit ● Harness for open or short between smart entrance control unit and trunk lid key cylinder switch </td> </tr> <tr> <td>NG</td> <td style="text-align: center;">▶</td> <td>Replace trunk lid key cylinder switch.</td> </tr> </table>		Key position	Continuity	Neutral	No	Unlock	Yes	OK	▶	<p>Check the following.</p> <ul style="list-style-type: none"> ● Trunk lid key cylinder switch ground circuit ● Harness for open or short between smart entrance control unit and trunk lid key cylinder switch 	NG	▶	Replace trunk lid key cylinder switch.
Key position	Continuity												
Neutral	No												
Unlock	Yes												
OK	▶	<p>Check the following.</p> <ul style="list-style-type: none"> ● Trunk lid key cylinder switch ground circuit ● Harness for open or short between smart entrance control unit and trunk lid key cylinder switch 											
NG	▶	Replace trunk lid key cylinder switch.											

GI
MA
EM
LC
EC
FE
CL
MT
AT
AX
SU
BR
ST
RS
BT
HA
SC
EL
IDX

VEHICLE SECURITY (THEFT WARNING) SYSTEM

Trouble Diagnoses (Cont'd)

DOOR LOCK/UNLOCK SWITCH CHECK

NFEL0123S13

1 CHECK DOOR LOCK/UNLOCK SWITCH INPUT SIGNAL

With CONSULT-II

Check door lock/unlock switch ("LOCK SW DR/AS"/"UNLK SW DR/AS") in "DATA MONITOR" mode with CONSULT-II.

DATA MONITOR	
MONITOR	
LOCK SW DR/AS	OFF
UNLK SW DR/AS	OFF

When lock/unlock switch is turned to LOCK:

LOCK SW DR/AS ON

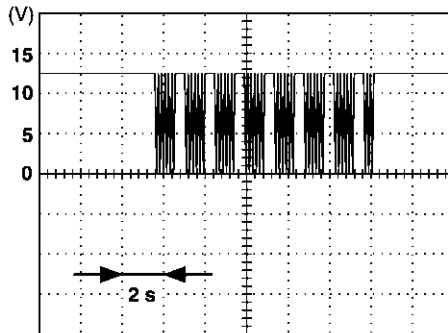
When lock/unlock switch is turned to UNLOCK:

UNLK SW DR/AS ON

SEL341W

Without CONSULT-II

1. Remove key from ignition switch.
2. Check the signal between smart entrance control unit harness connector M144 terminal 33 (L) and ground with oscilloscope when door lock/unlock switch is turned to "LOCK" or "UNLOCK".
3. Make sure signals which are shown in the figure below can be detected during 10 sec. just after door lock/unlock switch is turned to "LOCK" or "UNLOCK".



Voltage:

**12V → 9V (10 sec.) measurement
by analog circuit tester.**

SEL396Y

Refer to wiring diagram in EL-322.

OK or NG

OK



Door lock/unlock switch is OK.

NG



Check the following.

- Ground circuit for front power window switch.
- Harness for open or short between front power window switch and smart entrance control unit.

If above systems are normal, replace front power window switch.

VEHICLE SECURITY (THEFT WARNING) SYSTEM

Trouble Diagnoses (Cont'd)

VEHICLE SECURITY HORN AND HEADLAMP ALARM CHECK

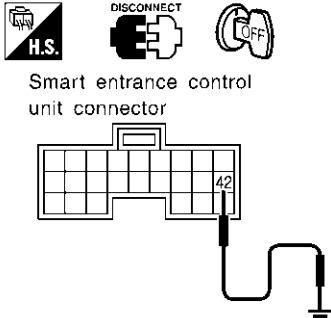
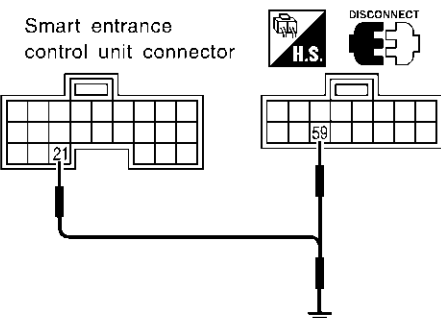
-NFEL0123S09

1	CHECK VEHICLE SECURITY HORN AND HEADLAMP ALARM OPERATION WITH CONSULT-II	GI								
<p>E With CONSULT-II</p> <p>1. Select "ACTIVE TEST" in "THEFT WAR ALM" with CONSULT-II.</p> <p>2. Select "HORN" and touch "ON".</p> <div style="display: flex; align-items: center; justify-content: center;"> <div style="border: 1px solid black; padding: 5px; margin-right: 20px;"> <table style="width: 100%; border-collapse: collapse;"> <tr><th colspan="2" style="text-align: center; border-bottom: 1px solid black;">ACTIVE TEST</th></tr> <tr><td style="width: 50%;">HORN</td><td style="width: 50%;">OFF</td></tr> <tr><td colspan="2" style="height: 100px;"></td></tr> <tr><td style="text-align: center; background-color: black; color: white;">ON</td><td></td></tr> </table> </div> <div style="text-align: center;"> <p>Vehicle security horn alarm should operate.</p> </div> </div> <p style="text-align: right; margin-right: 20px;">SEL041Y</p>		ACTIVE TEST		HORN	OFF			ON		MA EM LC EC FE
ACTIVE TEST										
HORN	OFF									
ON										
<p>3. Select "HEADLAMP" and touch "ON".</p> <div style="display: flex; align-items: center; justify-content: center;"> <div style="border: 1px solid black; padding: 5px; margin-right: 20px;"> <table style="width: 100%; border-collapse: collapse;"> <tr><th colspan="2" style="text-align: center; border-bottom: 1px solid black;">ACTIVE TEST</th></tr> <tr><td style="width: 50%;">HEAD LAMP</td><td style="width: 50%;">OFF</td></tr> <tr><td colspan="2" style="height: 100px;"></td></tr> <tr><td style="text-align: center; background-color: black; color: white;">ON</td><td></td></tr> </table> </div> <div style="text-align: center;"> <p>Vehicle security headlamp alarm should operate.</p> </div> </div> <p style="text-align: right; margin-right: 20px;">SEL042Y</p>		ACTIVE TEST		HEAD LAMP	OFF			ON		CL MT AT AX
ACTIVE TEST										
HEAD LAMP	OFF									
ON										
<p>NOTE: If CONSULT-II is not available, skip this procedure and go to the next step.</p> <p style="text-align: center;">OK or NG</p>		SU								
OK	▶	Vehicle security horn and headlamp alarm operation are OK.	BR							
NG	▶	GO TO 3.	ST							

GI
MA
EM
LC
EC
FE
CL
MT
AT
AX
SU
BR
ST
RS
BT
HA
SC
EL
IDX

VEHICLE SECURITY (THEFT WARNING) SYSTEM

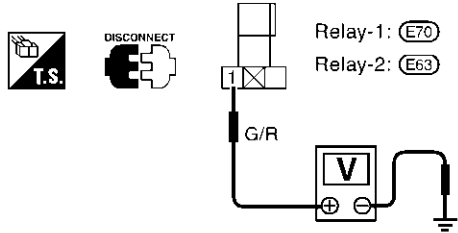
Trouble Diagnoses (Cont'd)

2	CHECK VEHICLE SECURITY HORN AND HEADLAMP ALARM OPERATION WITHOUT CONSULT-II	
<p>⊗ Without CONSULT-II</p> <p>1. Disconnect smart entrance control unit harness connector.</p> <p>2. Apply ground to smart entrance control unit harness connector M144 terminal 42 (BR/Y).</p>		
		
		Vehicle security horn should operate.
SEL043YA		
<p>Refer to wiring diagram in EL-323.</p> <p>3. Apply ground to smart entrance control unit harness connector M143 and M145 terminal 21 (OR) and 59 (P).</p>		
		
		Vehicle security headlamp alarm should operate.
SEL198Y		
<p>Refer to wiring diagram in EL-324.</p> <p style="text-align: center;">OK or NG</p>		
OK	▶	Horn and headlamp alarm is OK.
NG	▶	GO TO 3.

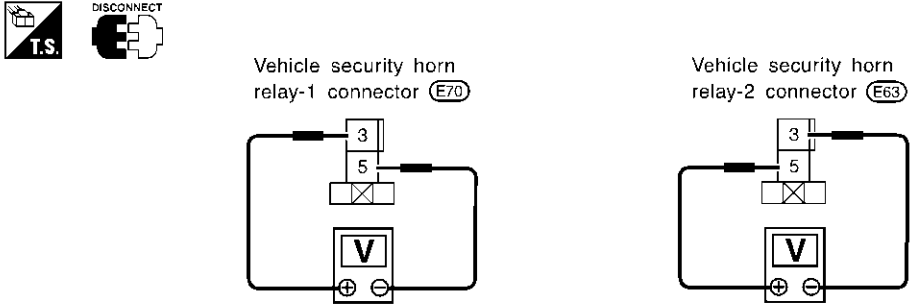
3	CHECK VEHICLE SECURITY HORN RELAYS	
<p>Check vehicle security horn relay-1 and relay-2.</p> <p style="text-align: center;">OK or NG</p>		
OK	▶	GO TO 4.
NG	▶	Replace.

VEHICLE SECURITY (THEFT WARNING) SYSTEM

Trouble Diagnoses (Cont'd)

4	CHECK POWER SUPPLY FOR VEHICLE SECURITY HORN RELAYS	
<p>1. Disconnect vehicle security horn relay-1 and relay-2 connectors. 2. Check voltage between terminal 1 and ground.</p>		
<p>Vehicle security horn relay connectors</p> 		
SEL044Y		
Does battery voltage exist?		
Yes	▶	GO TO 5.
No	▶	<p>Check the following.</p> <ul style="list-style-type: none"> ● 10A fuse (No. 61 located in the fuse and fusible link box) ● Harness for open or short between vehicle security horn relays and fuse

GI
MA
EM
LC
EC
FE
CL

5	CHECK VEHICLE SECURITY HORN RELAYS CIRCUIT	
<p>1. Disconnect vehicle security horn relay-1 and relay-2 connectors. 2. Check voltage between terminals of each relay. Battery voltage should exist.</p>		
		
SEL045Y		
OK or NG		
OK	▶	Check harness for open or short between vehicle security horn relay-2 and headlamp relays.
NG	▶	<p>Check the following.</p> <ul style="list-style-type: none"> ● Harness for open or short between vehicle security horn relay-1 and fuse ● Harness for open or short between vehicle security horn relay-1 and relay-2 ● Harness for open or short between vehicle security horn relay-1 and vehicle security horn

MT
AT
AX
SU
BR
ST
RS
BT
HA

SC

EL

IDX

SMART ENTRANCE CONTROL UNIT

Description

Description

NFEL0124

NFEL0124S01

OUTLINE

The smart entrance control unit totally controls the following body electrical system operations.

- Heated steering
- Headlamp system
- Warning chime
- Rear defogger and door mirror defogger
- Power door lock
- Remote keyless entry system
- Vehicle security system
- Interior lamp

In addition, the following timer operations are controlled by the smart entrance control unit.

- Battery saver control
- Retained power control

BATTERY SAVER CONTROL

NFEL0124S02

Headlamps/Parking Lamps/License Lamps/Tail Lamps/Fog Lamps/Illumination Lamps

NFEL0124S0201

While the headlamp is turned ON by “1st” or “2ND” step of light switch, the 5 minute timer is activated when the ignition switch signal changes from ON (or START) to OFF (ACC OFF). The headlamps (including parking, license, tail, fog and illumination lamps) are turned off after 5 minutes.

While the headlamp is turned ON by “AUTO” of light switch, the 5 minute timer is activated when the ignition switch signal changes from ON (or START) to OFF (ACC OFF), and either one of LH or RH front door switch ON signal is input.

The auto light delay off timer is activated as the following:

- When the door switch signal changes from ON to OFF while the timer is activated, the timer in operation is discontinued and the 45 second timer is reset.
- When the door switch signal changes from OFF to ON while the timer is activated, the timer is discontinued and the 45 second timer is reset.
- When the one of four door switch signals changes from OFF to ON while the timer is activated, the timer is discontinued and the 5 minute timer is reset.
- When all the door switch ON signals are input while the timer is activated, the timer is discontinued and the 45 second timer is reset.

Exterior lamp battery saver control mode and auto light delay off timer period can be changed by the function setting of CONSULT-II.

Interior Lamp/Spot Lamp/Vanity Mirror Illumination

NFEL0124S0202

The lamps turn off automatically when the interior lamp, spot lamp or/and vanity mirror illumination are illuminated with the ignition key in the OFF position, if the lamp remains lit by the door switch open signal or if the lamp switch is in the ON position for more than 30 minutes.

After lamps are turned off by the battery saver system, the lamps illuminate again when:

- Driver's door is locked or unlocked with keyfob, door lock/unlock switch or door key cylinder.
- Ignition switch is turned to ON.
- Door is opened or closed,
- Key is inserted into ignition key cylinder.

Interior lamp battery saver control period can be changed by the function setting of CONSULT-II.

Rear Window Defogger/Door Mirror Defogger

NFEL0124S0203

Rear window defogger and door mirror defogger are turned off in approximately 15 minutes after the rear window defogger switch is turned on.

Heated Steering

NFEL0124S0204

Heated steering is turned off in approximately 30 minutes after the heated steering switch is turned ON.

RETAINED POWER CONTROL

NFEL0124S03

When the ignition switch is turned to OFF (or ACC) position from ON or START position, the following systems can be operated for 45 seconds by the RAP signal from the smart entrance control unit terminal 46.

- Electric sunroof

SMART ENTRANCE CONTROL UNIT

Description (Cont'd)

- Power window

The retained power operation is canceled when the driver or passenger side door is opened.
RAP signal period can be changed by CONSULT-II.

INPUT/OUTPUT

NFEL0124S04

System	Input	Output	
Power door lock	Door lock and unlock switch LH and RH Key switch (Insert) Door switches Door key cylinder switches	Door lock actuators	GI MA EM
Remote keyless entry	Key switch (Insert) Ignition switch (ACC) Door switches Keyfob signal Door lock/unlock switch LH	Horn relay Vehicle security horn relay-1 Vehicle security horn relay-2 Hazard warning lamp Interior lamp Ignition key hole illumination Door lock actuator Trunk lid opener actuator	LC EC FE
Warning chime	Key switch (Insert) Ignition switch (ON) Lighting switch (1st) Seat belt switch (driver's seat) Front door switch LH	Warning chime (located in smart entrance control unit)	CL MT
Rear window defogger and door mirror defogger	Ignition switch (ON) Rear window defogger switch	Rear window defogger relay	AT
Vehicle security	Ignition switch (ACC, ON) Door switches Hood switch Trunk room lamp switch Door lock/unlock switches Door key cylinder switches (lock/unlock) Trunk lid key cylinder switch (unlock)	Vehicle security horn relay-2 Headlamp relay Security indicator	AX SU
Interior lamp	Door switches Keyfob signal (lock/unlock) Door lock/unlock switches (lock/unlock) Door key cylinder switch (lock/unlock) Ignition switch (ON) Key switch (Insert)	Interior lamp Key hole illumination Step lamp Door indicator	BR ST
Battery saver control for headlamps/parking lamps/licence lamps/tail lamps/fog lamps/illumination lamps	Ignition switch (ON) Front door switches Lighting switches	Headlamps Parking lamps Licence lamps Tail lamps Fog lamps Illumination lamps	RS BT
Battery saver control for interior lamp/spot lamp/vanity mirror illumination	Ignition switch (ON) Front door switches Lamp switches	Interior lamp Step lamp Spot lamp Vanity mirror illumination	HA SC
Battery saver control for rear window defogger and door mirror defogger	Ignition switch (ON) Rear window defogger switch	Rear window defogger relay	EL
Retained power control for electric sunroof	Ignition switch (ON) Front door switches	Sunroof motor	IDX
Retained power control for power window	Ignition switch (ON) Front door switches	Power window relay	

SMART ENTRANCE CONTROL UNIT

Description (Cont'd)

System	Input	Output
Heated steering	Ignition switch (ON) Heated steering switch (ON)	Heated steering relay

CONSULT-II DIAGNOSTIC ITEMS APPLICATION

NFEL0247

NFEL0247S01

Item (CONSULT-II screen terms)	Diagnosed system	DATA MONITOR	ACTIVE TEST	WORK SUPPORT
DOOR LOCK	Power door lock	X	X	X
REAR DEFOGGER	Rear window defogger	X	X	
KEY WARN ALM	Warning chime	X	X	
LIGHT WARN ALM	Warning chime	X	X	
SEAT BELT ALM	Warning chime	X	X	
INT LAMP	Interior lamps	X	X	X
BATTERY SAVER	Battery saver control for interior lamp	X	X	X
THEFT WAR ALM	Vehicle security system	X	X	X
RETAINED PWR	Retained power control	X	X	X
MULTI REMOTE ENT	Remote keyless entry system	X	X	X
HEAD LAMP	Headlamp	X	X	X

X: Applicable

For diagnostic item in each control system, refer to the relevant pages for each system.

SMART ENTRANCE CONTROL UNIT

CONSULT-II (Cont'd)

DIAGNOSTIC ITEM DESCRIPTION

=NFEL0247S02

MODE	Description	
DATA MONITOR	Input/output data in the smart entrance control unit can be read.	GI
ACTIVE TEST	Diagnostic Test Mode in which CONSULT-II drives some systems apart from the smart entrance control unit.	MA
WORK SUPPORT for DOOR LOCK	<ul style="list-style-type: none"> Select unlock mode ON-OFF setting can be changed. Key reminder door mode ON-OFF setting can be changed. 	EM
WORK SUPPORT for INT LAMP	Interior lamp timer mode ON-OFF setting can be changed.	LC
WORK SUPPORT for BATTERY SAVER	Interior lamp battery saver period can be changed.	
WORK SUPPORT for THEFT WAR ALM	<ul style="list-style-type: none"> The recorded trigger signal when vehicle security system was activated can be checked. Security alarm ON-OFF setting can be changed. 	EC
WORK SUPPORT for RETAINED PWR SET	RAP signal's power supply period can be changed.	FE
WORK SUPPORT for MULTI REMOTE ENT	<ul style="list-style-type: none"> ID code of keyfob can be registered and erased. Keyless answer back mode can be changed. Pressing time of panic alarm, trunk lid opener and door unlock (for power window down operation) buttons on keyfob can be changed. Auto lock operation starting time can be changed. 	CL MT
WORK SUPPORT for HEAD LAMP	<ul style="list-style-type: none"> Auto light sensitivity can be changed. Exterior lamp battery saver control ON-OFF setting can be changed. Auto light delay off time can be changed. 	AT

AX

SU

BR

ST

RS

BT

HA

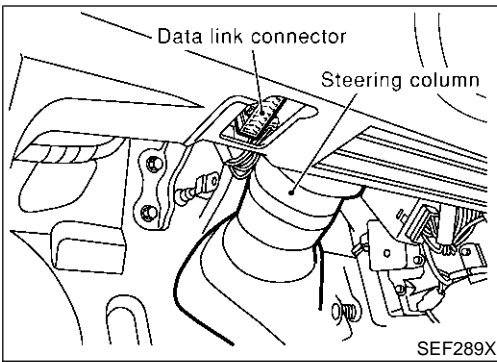
SC

EL

IDX

SMART ENTRANCE CONTROL UNIT

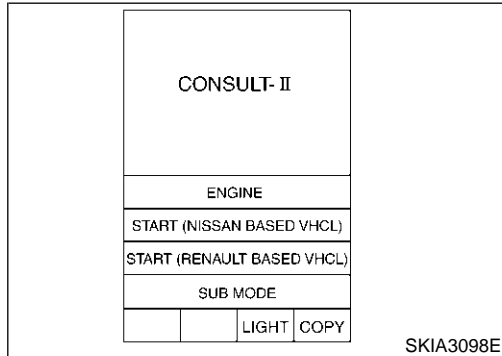
CONSULT-II (Cont'd)



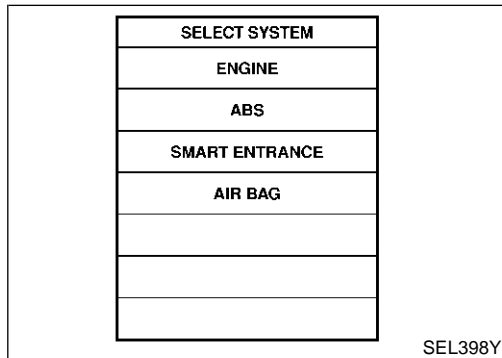
CONSULT-II INSPECTION PROCEDURE

=NFEL0247S03

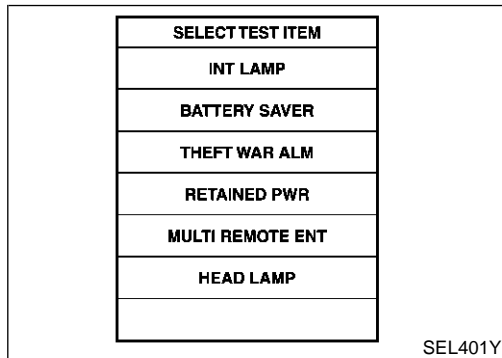
1. Turn the ignition switch "OFF".
2. Connect "CONSULT-II" and "CONSULT-II CONVERTER" to the data link connector.



3. Turn ignition switch "ON".
4. Touch "START (NISSAN BASED VHCL)".



5. Touch "SMART ENTRANCE".



6. Perform each diagnostic item according to "DIAGNOSTIC ITEMS APPLICATION". Refer to EL-348.

SMART ENTRANCE CONTROL UNIT

CONSULT-II (Cont'd)

NOTE:

GI

MA

EM

LC

EC

FE

CL

MT

AT

AX

SU

BR

ST

RS

BT

HA

SC

EL

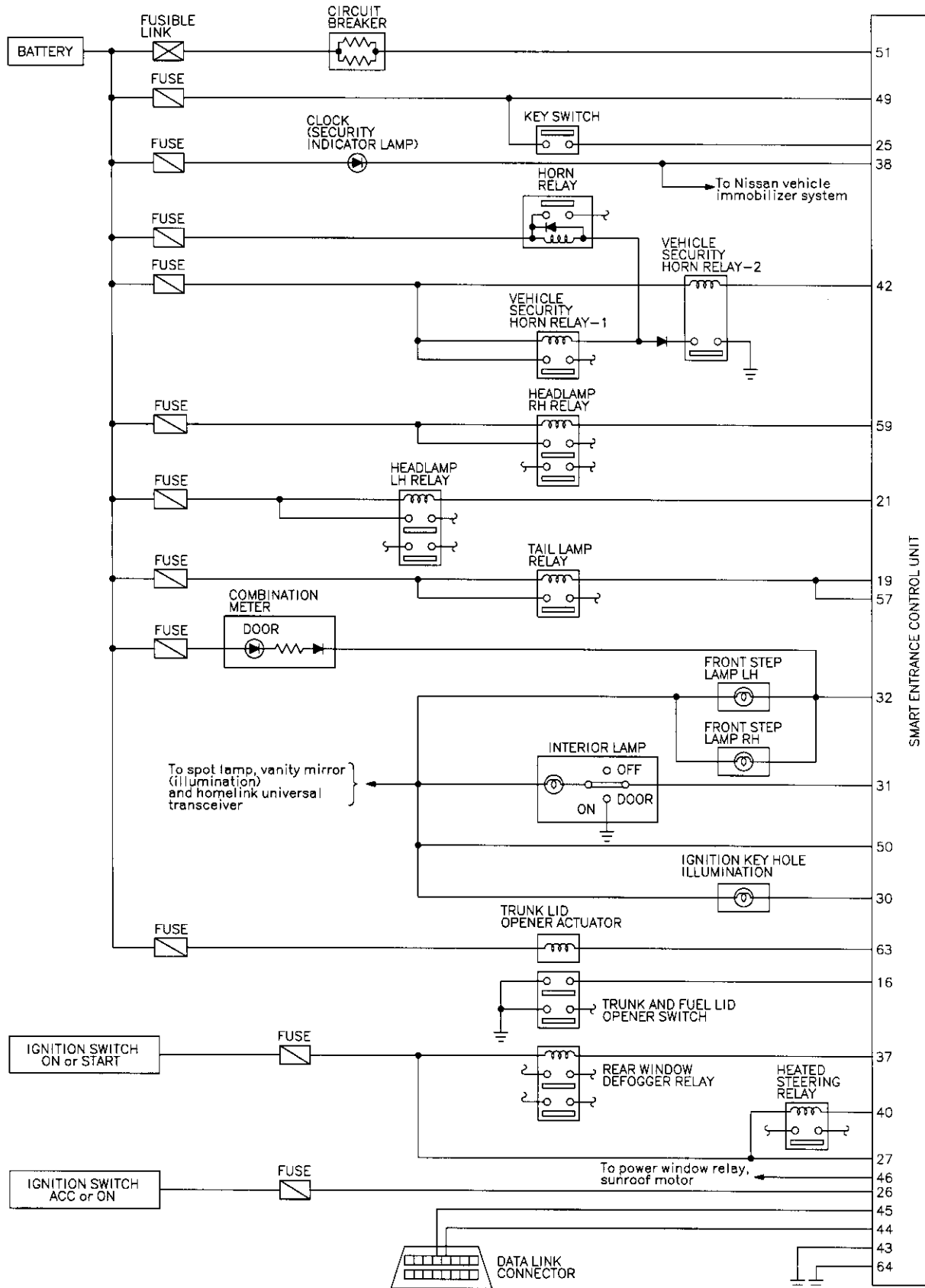
IDX

SMART ENTRANCE CONTROL UNIT

Schematic

NFEL0125

Schematic

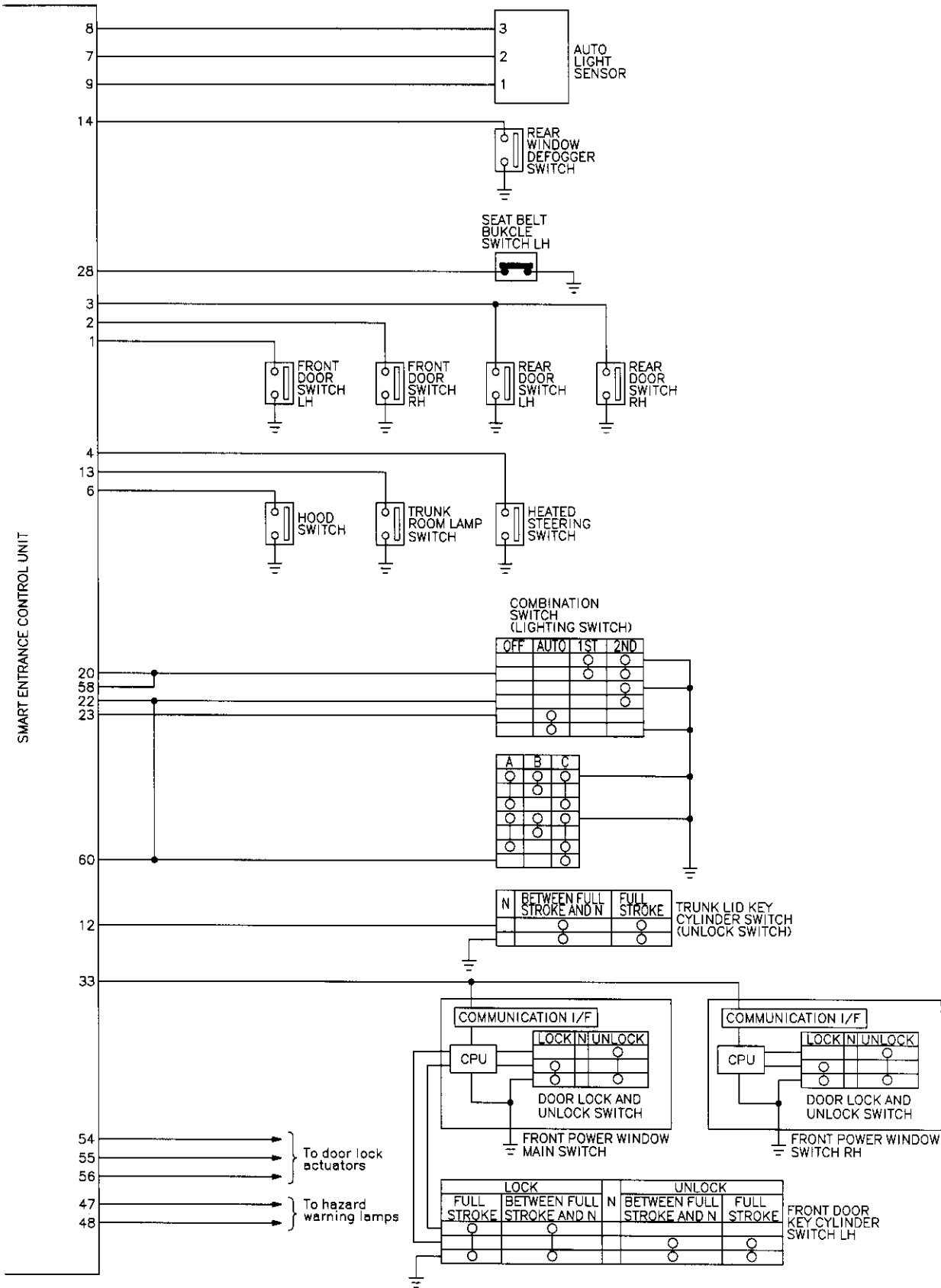


SMART ENTRANCE CONTROL UNIT

MEL1880

SMART ENTRANCE CONTROL UNIT

Schematic (Cont'd)



GI

MA

EM

LC

EC

FE

CL

MT

AT

AX

SU

BR

ST

RS

BT

HA

SC

EL

IDX

MEL1890

SMART ENTRANCE CONTROL UNIT

Smart Entrance Control Unit Inspection Table

Smart Entrance Control Unit Inspection Table

NFEL0262

Terminal No.	Wire color	Connections	Operated condition		Voltage (Approximate values)	
1	LG	Driver door switch	OFF (Closed) → ON (Open)		12V → 0V	
2	R/L	Passenger door switch	OFF (Closed) → ON (Open)		5V → 0V	
3	R/W	Rear door switch	OFF (Closed) → ON (Open)		5V → 0V	
4	G	Heated steering switch	OFF → ON (Only when pushed)		5V → 0V	
6	Y/R	Hood switch	ON (Open) → OFF (Closed)		0V → 12V	
7	W/R	Auto light sensor (Signal)	Ignition switch ON position	Light is applied to auto light sensor.	1 to 5V	
				Light is not applied to auto light sensor.	Less than 1V	
8	P/B	Auto light sensor (GND)	—		—	
9	R	Auto light sensor (Power)	Ignition switch (OFF → ON)		0V → 5V	
12	G/B	Trunk lid key cylinder switch	OFF (Neutral) → ON (Unlock)		5V → 0V	
13	PU/Y	Trunk room lamp switch	ON (Open) → OFF (Closed)		0V → 12V	
14	G/W	Rear window defogger switch	OFF → ON (Only when pushed)		5V → 0V	
16	L	Trunk and fuel lid opener switch	OFF → ON (Only when pulled)		12V → 0V	
19	Y/B	Tail lamp relay (Output)	Ignition switch (with lighting switch 1ST or 2ND)	ON or START → OFF position	More than 5 minutes after ignition switch is turned to OFF position	12V
					Within 5 minutes after ignition switch is turned to OFF position	0V
				ON or START position	0V	
			Headlamps illuminate by auto light control. (Operate → Not operate)			
20	SB	Tail lamp switch	Light switch (OFF or AUTO → 1ST or 2ND position)		12V → 0V	
21	OR	Headlamp LH relay	Ignition switch (with lighting switch 2ND)	ON or START → OFF position	More than 5 minutes after ignition switch is turned to OFF position	12V
					Within 5 minutes after ignition switch is turned to OFF position	0V
				ON or START position	0V	
			Headlamps illuminate by auto light control.			

SMART ENTRANCE CONTROL UNIT

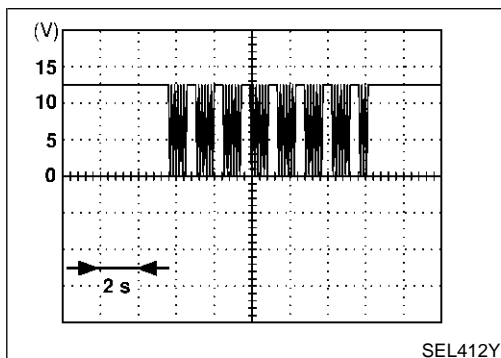
Smart Entrance Control Unit Inspection Table (Cont'd)

Terminal No.	Wire color	Connections	Operated condition		Voltage (Approximate values)	
22	L/OR	Headlamp switch	Lighting switch	Except PASS or 2ND position	12V	GI
				PASS or 2ND position	0V	MA
			Headlamps illuminate by auto light control. (Operate → Not operate)	10V → 12V	EM	
23	L/Y	Headlamp switch	Ignition switch "ON" position	Lighting switch (Except AUTO → AUTO position)	12V → 0V	LC
25	B/R	Ignition key switch (Insert)	Key inserted → Key removed from IGN key cylinder		12V → 0V	
26	PU	Ignition switch (ACC)	"ACC" position		12V	EC
27	G	Ignition switch (ON)	Ignition switch is in "ON" position		12V	
28	OR	Seat belt buckle switch	Unfastened → Fastened (Ignition key is in "ON" position)		0V → 12V	FE
30	R/Y	Ignition keyhole illumination	When doors are unlocked using keyfob (OFF → Unlock)		12V → 0V	CL
31	R	Interior lamp	When doors are locked using keyfob (Unlock → lock with lamp switch in "DOOR" position)		0V → 12V	MT
32	R/W	Front step lamp	Any door switch	ON (Open) → OFF (Closed)	0V → 12V	
33	L	Communication interface	Door lock & unlock switches (Neutral → Lock/Unlock)		EL-356	AT
			Front door key cylinder switch LH (Neutral → Lock/Unlock)			AX
37	G/R	Rear window defogger relay	OFF → ON (Ignition key is in "ON" position)		12V → 0V	
38	G/OR	Security indicator	Goes off → Illuminates		12V → 0V	SU
40	B/R	Heated steering relay	OFF → ON (Ignition key is in "ON" position)		12 → 0V	
42	BR/Y	Vehicle Security horn relay	When panic alarm is operated using keyfob (ON → OFF)		12V → 0V	BR
43	B	Ground	—		—	ST
46	PU	Power window relay	Retained power operation is operated (ON → OFF)		12V → 0V	
47	G/B	LH turn signal lamp	When door lock or unlock is operated using keyfob (ON → OFF)		12V → 0V	RS
48	G/Y	RH turn signal lamp	When door lock or unlock is operated using keyfob (ON → OFF)		12V → 0V	BT
49	R/B	Power source (Fuse)	—		12V	
50	R/G	Battery saver (Interior lamp)	Battery saver operates → Does not operate (ON → OFF)		12V → 0V	HA
51	W/R	Power source (PTC)	—		12V	SC
54	GY	Door lock actuators	Door lock & unlock switch (Free → Lock)		0V → 12V	
55	W/B	Driver door lock actuator	Door lock & unlock switch (Free → Unlock)		0V → 12V	EL
56	G/Y	Passenger and rear doors lock actuator	Door lock & unlock switch (Free → Unlock)		0V → 12V	IDX

SMART ENTRANCE CONTROL UNIT

Smart Entrance Control Unit Inspection Table (Cont'd)

Terminal No.	Wire color	Connections	Operated condition		Voltage (Approximate values)	
57	Y/B	Tail lamp relay	Ignition switch (with lighting switch 1ST or 2ND)	ON or START → OFF position	More than 5 minutes after ignition switch is turned to OFF position	12V
					Within 5 minutes after ignition switch is turned to OFF position	0V
				ON or START position		0V
			Headlamps illuminate by auto light control. (Operate → Not operate)			Less than 1V → 12V
58	SB	Tail lamp switch	Lighting switch (OFF or AUTO → 1ST or 2ND)		12V → 0V	
59	P	Headlamp RH relay	Ignition switch (with lighting switch 2ND)	ON or START → OFF position	More than 5 minutes after ignition switch is turned to OFF position	12V
					Within 5 minutes after ignition switch is turned to OFF position	0V
				ON or START position		0V
			Headlamps illuminate by auto light control. (Operate → Not operate)			Less than 1V → 12V
60	LG/R	Headlamp switch	Lighting switch	Except PASS or 2ND position	12V	
				PASS or 2ND position	0V	
			Headlamps illuminate by auto light control. (Operate → Not operate)			10V → 12V
63	L	Trunk lid opener actuator	When trunk lid opener actuator is operated using keyfob. (ON → OFF)		0V → 12V	
64	B	Ground	—		—	



COMMUNICATION INTERFACE SIGNAL

NFEL0262S01

Voltage:

12 V → 9V (10 sec.) measurement by analog circuit tester.

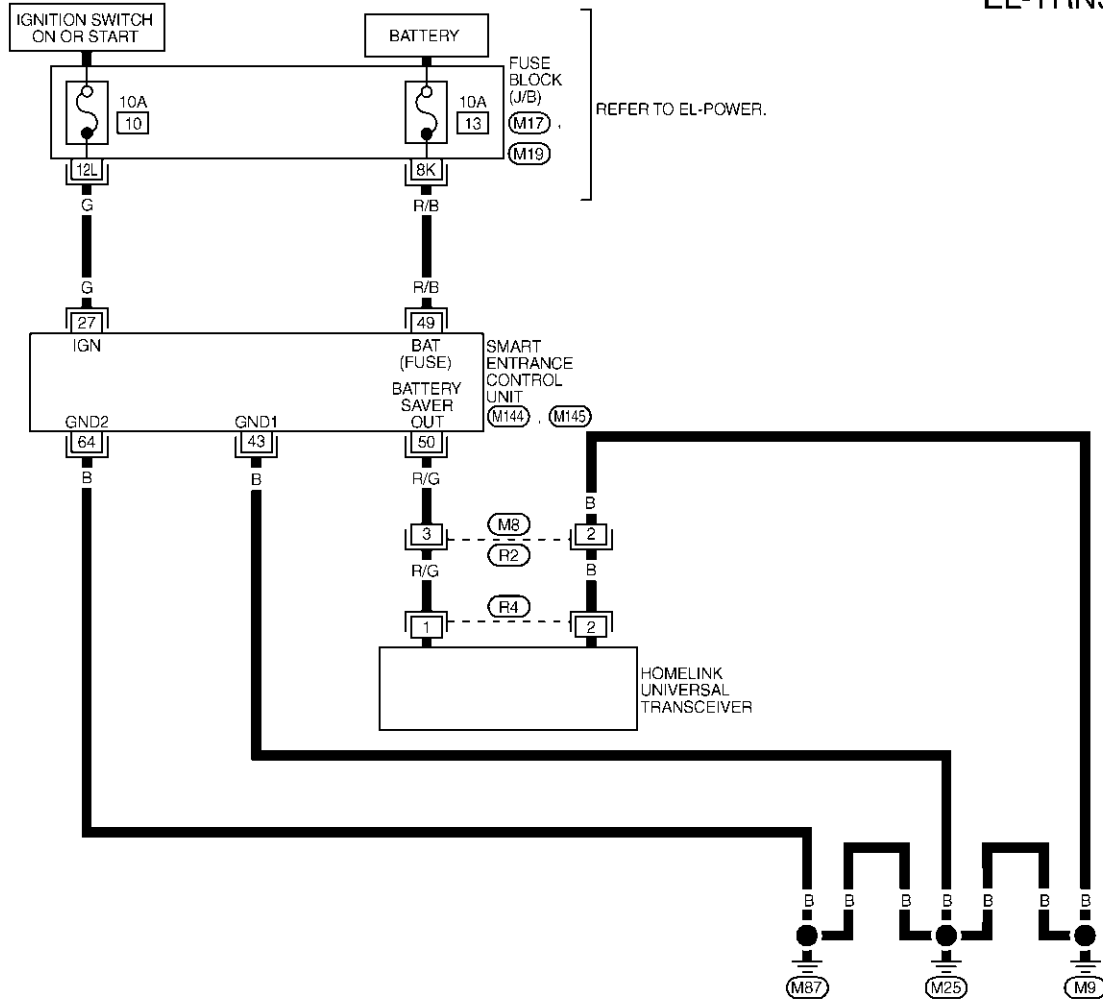
HOMELINK UNIVERSAL TRANSCEIVER

Wiring Diagram — TRNSCV—

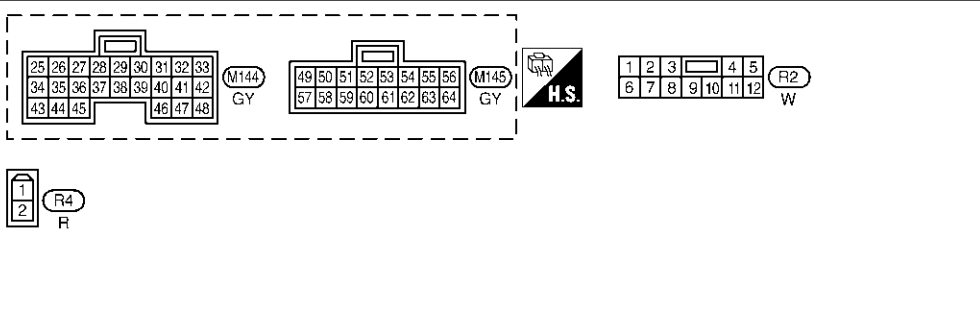
Wiring Diagram — TRNSCV—

NFEL0127

EL-TRNSCV-01



GI
MA
EM
LC
EC
FE
CL
MT
AT
AX
SU
BR
ST
RS
BT
HA
SC
EL
IDX



MEL903P

SMART ENTRANCE CONTROL UNIT TERMINALS AND REFERENCE VALUE BETWEEN EACH TERMINAL AND GROUND

TERMINAL	WIRE COLOR	ITEM	CONDITION	DATA (DC)
27	G	IGNITION SWITCH (ON)	IGNITION KEY IS IN "ON" POSITION	12V
43	B	GROUND	-	-
49	R/B	POWER SOURCE (FUSE)	-	12V
50	R/G	BATTERY SAVER (INTERIOR LAMP)	BATTERY SAVER DOSE OPERATE → DOES NOT OPERATE (ON → OFF)	12V → 0V
64	B	GROUND	-	-

SEL983X

HOMELINK UNIVERSAL TRANSCEIVER

Trouble Diagnoses

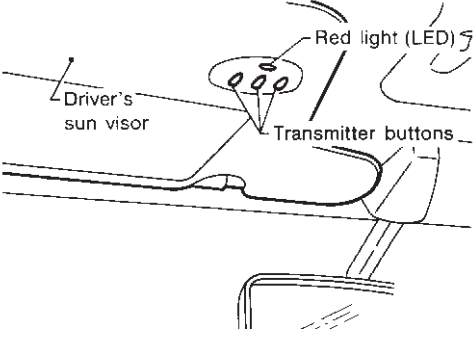
Trouble Diagnoses DIAGNOSTIC PROCEDURE

NFEL0128

NFEL0128S01


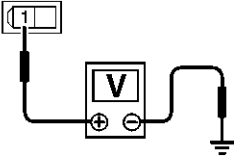
SYMPTOM: Transmitter does not activate receiver.

Before conducting the procedure given below, make sure that system receiver (garage door opener, etc.) operates with original, hand-held transmitter. If NG, receiver or hand-held transmitter is malfunctioning, not vehicle related.

1	PRELIMINARY CHECK
<p>1. Turn ignition switch "OFF". 2. Does red light (LED) of transmitter illuminate when any button is pressed?</p>	
	
Yes or No	
Yes	▶ GO TO 2.
No	▶ GO TO 3.

SEL442U


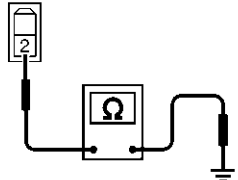
2	CHECK TRANSMITTER FUNCTION
<p>Check transmitter with Tool. For details, refer to Technical Service Bulletin.</p>	
OK or NG	
OK	▶ Receiver or handheld transmitter is malfunctioning, not vehicle related.
NG	▶ Replace transmitter with sun visor assembly.

3	CHECK POWER SUPPLY
<p>1. Disconnect transmitter connector. 2. Turn ignition switch "OFF". 3. Check voltage between terminal 1 and body ground. (Within 10 minutes after turn ignition switch "OFF".)</p>	
	
<p>Homelink universal transceiver connector</p>	
	
Battery voltage should exist.	
OK or NG	
OK	▶ GO TO 4.
NG	▶ Check fuse (10A) and repair harness.

SEL367WA

HOMELINK UNIVERSAL TRANSCEIVER

Trouble Diagnoses (Cont'd)

4	CHECK GROUND CIRCUIT
<p>Check continuity between terminal 2 and ground.</p> <div style="display: flex; justify-content: space-around; align-items: center;"> <div style="text-align: center;">  <p>Homelink universal transceiver connector</p> </div> <div style="text-align: center;"> <p>Continuity should exist.</p>  </div> </div> <p style="text-align: right;">SEL368WA</p>	
OK or NG	
OK	▶ Replace transmitter with sun visor assembly.
NG	▶ Repair harness.

GI

MA

EM

LC

EC

FE

CL

MT

AT

AX

SU

BR

ST

RS

BT

HA

SC

EL

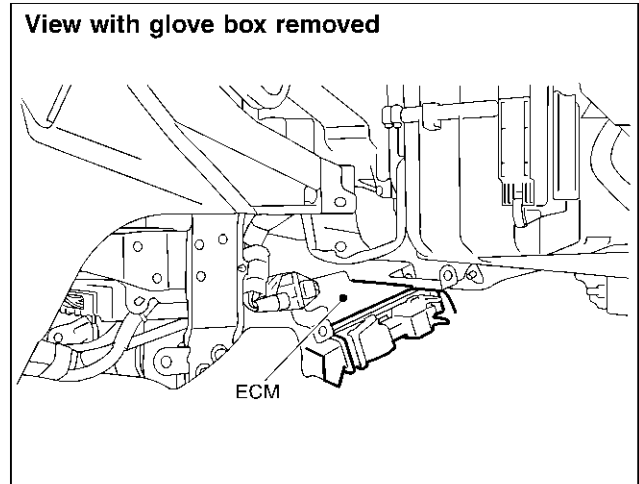
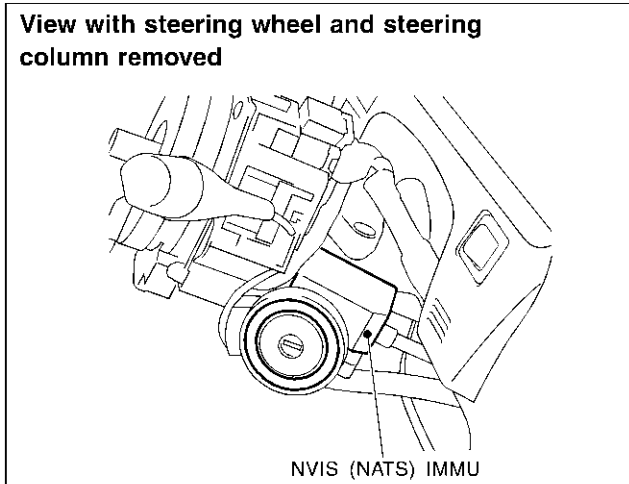
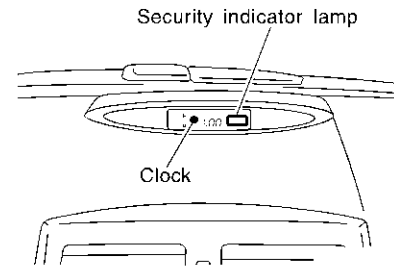
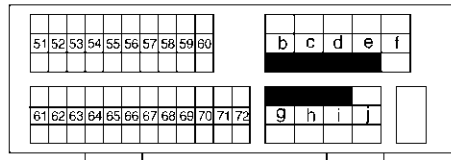
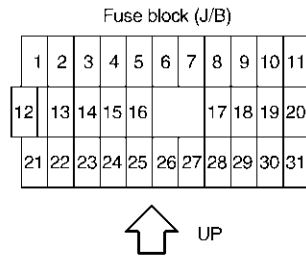
IDX

NVIS (NISSAN VEHICLE IMMOBILIZER SYSTEM — NATS)

Component Parts and Harness Connector Location

Component Parts and Harness Connector Location

NFEL0172



SEL301W

NOTE:

If customer reports a “No Start” condition, request ALL KEYS be brought to a NISSAN dealer to check for an NVIS (NATS) malfunction.

System Description

=NFEL0173

NVIS (Nissan Vehicle Immobilizer System-NATS) has the following immobilizer functions:

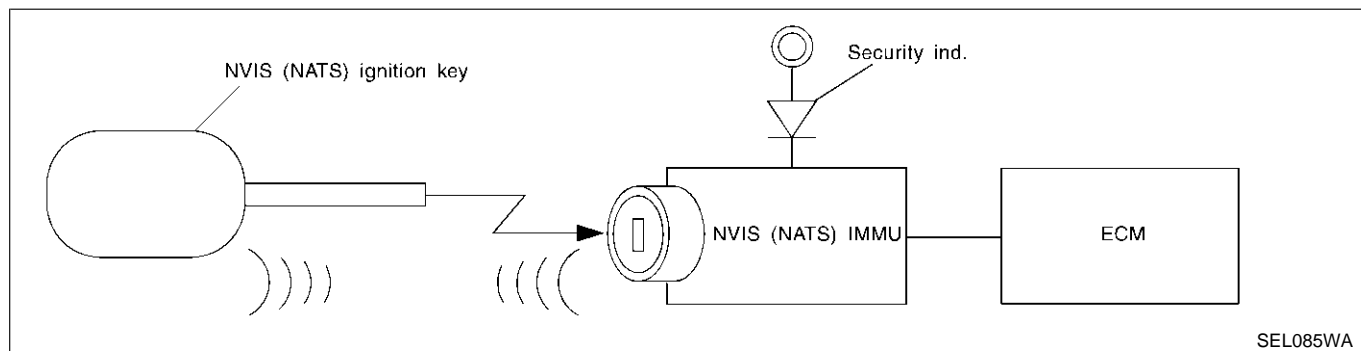
- Since only NVIS (NATS) ignition keys, whose ID nos. have been registered into the ECM and IMMU of NVIS (NATS), allow the engine to run, operation of a stolen vehicle without an NVIS (NATS) registered key is prevented by NVIS (NATS).
That is to say, NVIS (NATS) will immobilize the engine if someone tries to start it without the registered key of NVIS (NATS).
- All of the originally supplied ignition key IDs have been NVIS (NATS) registered.
If requested by the vehicle owner, a maximum of five key IDs can be registered into the NVIS (NATS) components.
- The security indicator blinks when the ignition switch is in “OFF” or “ACC” position. Therefore, NVIS (NATS) warns outsiders that the vehicle is equipped with the anti-theft system.
- When NVIS (NATS) detects trouble, the security indicator lamp lights up while ignition key is in the “ON” position.
- NVIS (NATS) trouble diagnoses, system initialization and additional registration of other NVIS (NATS) ignition key IDs must be carried out using CONSULT-II hardware and CONSULT-II NVIS (NATS) software. Regarding the procedures of NVIS (NATS) initialization and NVIS (NATS) ignition key ID registration, refer to CONSULT-II operation manual, IVIS/NVIS.
- **When servicing a malfunction of the NVIS (indicated by lighting up of Security Indicator Lamp) or registering another NVIS ignition key ID no., it is necessary to re-register original key identification. Therefore, be sure to receive ALL KEYS from vehicle owner.**

System Composition

NFEL0174

The immobilizer function of the NVIS (NATS) consists of the following:

- NVIS (NATS) ignition key
- NVIS (NATS) immobilizer control unit (IMMU) located in the ignition key cylinder
- Engine control module (ECM)
- Security indicator



GI
MA
EM
LC
EC
FE
CL
MT
AT
AX
SU
BR
ST
RS
BT
HA
SC
EL
IDX

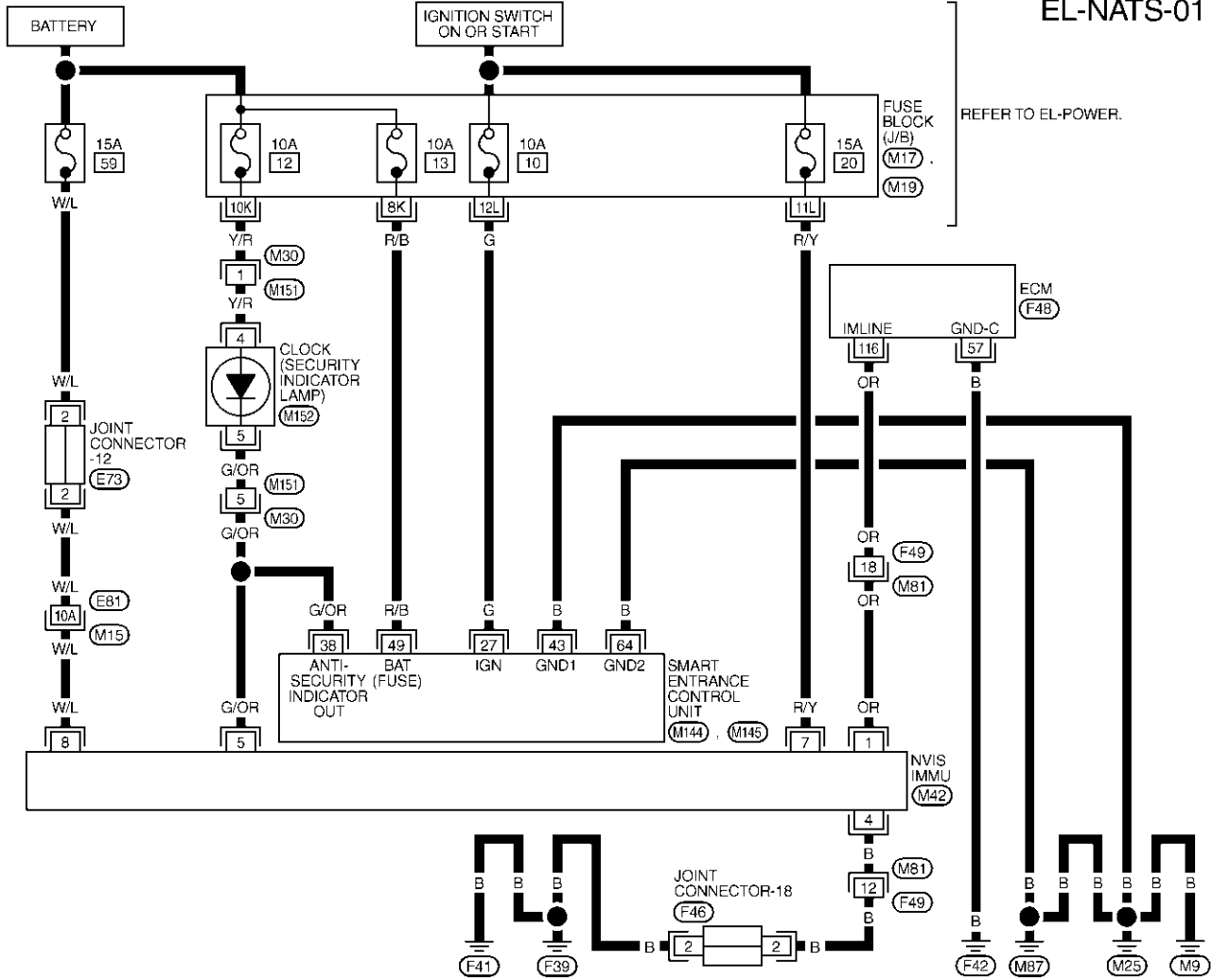
NVIS (NISSAN VEHICLE IMMOBILIZER SYSTEM — NATS)

Wiring Diagram — NATS —

Wiring Diagram — NATS —

NFEL0175

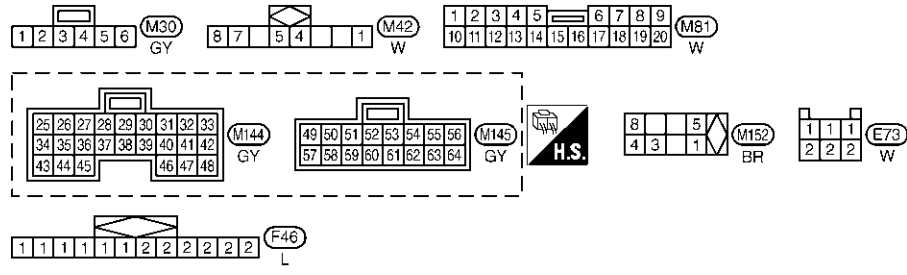
EL-NATS-01



REFER TO EL-POWER.

REFER TO THE FOLLOWING.

- (M15) -SUPER
- MULTIPLE JUNCTION (SMJ)
- (M17) , (M19) -FUSE BLOCK-JUNCTION BOX (J/B)
- (F48) -ELECTRICAL UNITS-

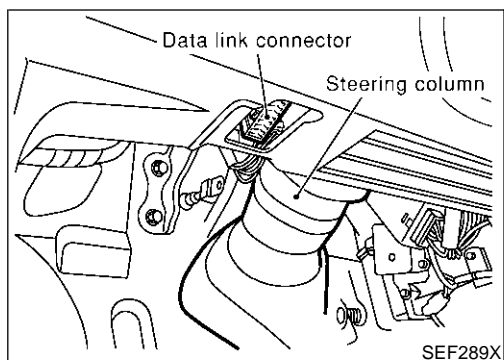


MEL904P

SMART ENTRANCE CONTROL UNIT TERMINALS AND REFERENCE VALUE BETWEEN EACH TERMINAL AND GROUND

TERMINAL	WIRE COLOR	ITEM	CONDITION	DATA (DC)
27	G	IGNITION SWITCH (ON)	IGNITION KEY IS IN "ON" POSITION	12V
38	G/OR	SECURITY INDICATOR	GOES OFF → ILLUMINATES	12V → 0V
43	B	GROUND	-	-
49	R/B	POWER SOURCE (FUSE)	-	12V
64	B	GROUND	-	-

SEL984X



CONSULT-II

CONSULT-II INSPECTION PROCEDURE

NFEL0176

NFEL0176S01

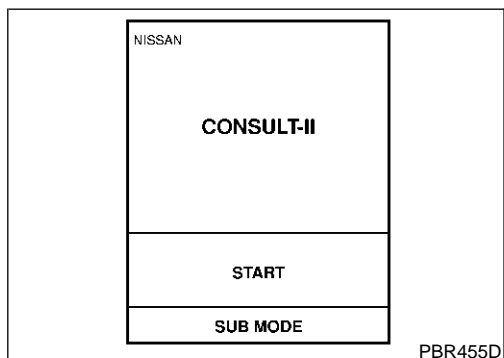
1. Turn ignition switch OFF.
2. Connect "CONSULT-II" and "CONSULT-II CONVERTER" to Data link connector.

GI

MA

EM

LC



3. Insert NVIS (NATS) program card into CONSULT-II.

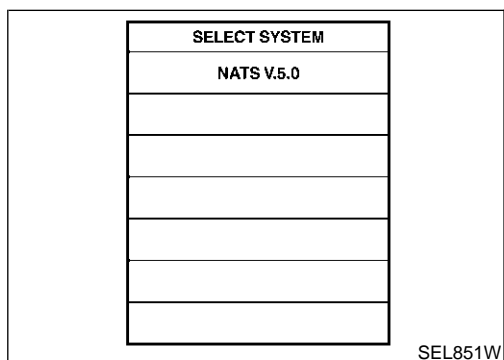
◀ : Program card
NATS (AEN02C)

EC

4. Turn ignition switch ON.
5. Touch "START".

FE

CL



6. Select "NATS V.5.0".

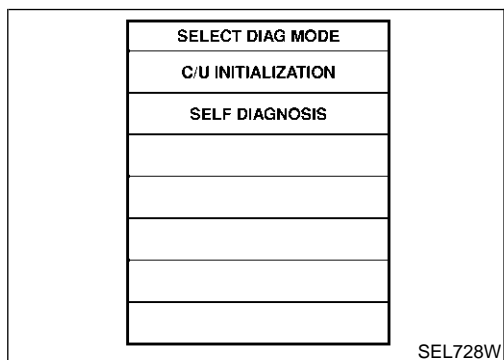
MT

AT

AX

SU

BR



7. Perform each diagnostic test mode according to each service procedure.

ST

For further information, see the CONSULT-II Operation Manual, IVIS/NVIS.

RS

BT

HA

CONSULT-II DIAGNOSTIC TEST MODE FUNCTION

NFEL0176S02

CONSULT-II DIAGNOSTIC TEST MODE	Description
C/U INITIALIZATION	When replacing any of the following three components, C/U initialization is necessary. [NVIS (NATS) ignition key/IMMU/ECM]
SELF DIAGNOSIS	Detected items (screen terms) are as shown in the chart EL-364.

EL

IDX

NVIS (NISSAN VEHICLE IMMOBILIZER SYSTEM — NATS)

CONSULT-II (Cont'd)

Detected items (NATS program card screen terms)	P No. Code (Self-diagnostic result of "ENGINE")	Malfunction is detected when	Reference page
LOCK MODE	NATS MAL-FUNCTION P1610	When the starting operation is carried out five or more times consecutively under the following conditions, NVIS (NATS) will shift the mode to one which prevents the engine from being started. <ul style="list-style-type: none"> ● Unregistered ignition key is used. ● IMMU or ECM's malfunctioning. 	EL-378
DON'T ERASE BEFORE CHECKING ENG DIAG	—	All engine trouble codes except NVIS (NATS) trouble code has been detected in ECM.	EL-366

GI

MA

EM

LC

EC

FE

CL

MT

AT

AX

SU

BR

ST

RS

BT

HA

SC

EL

IDX

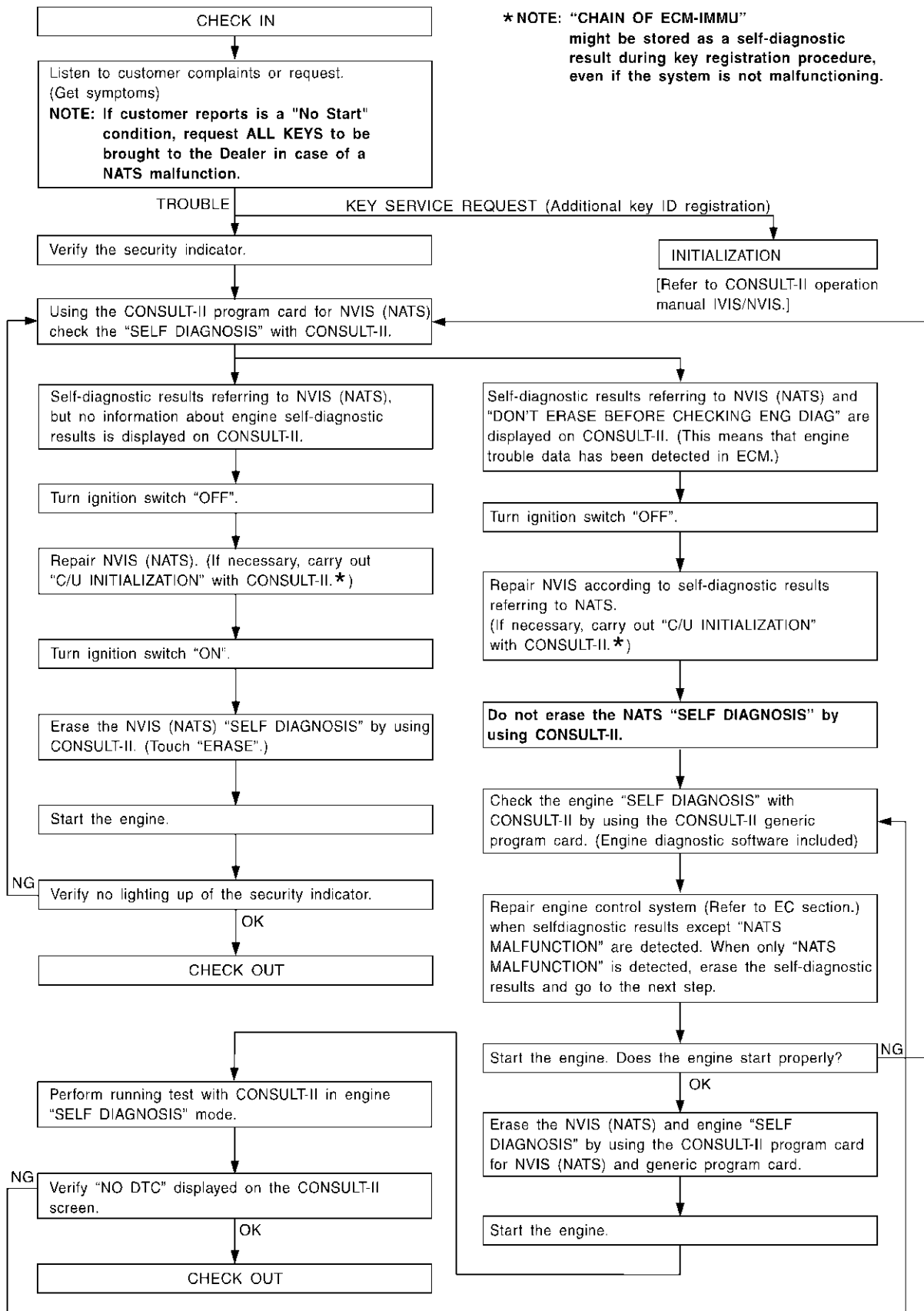
NVIS (NISSAN VEHICLE IMMOBILIZER SYSTEM — NATS)

Trouble Diagnoses

Trouble Diagnoses WORK FLOW

NFEL0177

NFEL0177S01



SEL004XA

NVIS (NISSAN VEHICLE IMMOBILIZER SYSTEM — NATS)

Trouble Diagnoses (Cont'd)

SYMPTOM MATRIX CHART 1 (Self-diagnosis related item)

NFEL0177S02

SYMPTOM	Displayed "SELF-DIAG RESULTS" on CONSULT-II screen.	DIAGNOSTIC PROCEDURE (Reference page)	SYSTEM (Malfunctioning part or mode)	REFERENCE PART NO. OF ILLUSTRATION ON NEXT PAGE	
<ul style="list-style-type: none"> Security indicator lighting up* Engine hard to start 	ECM INT CIRC-IMMU	PROCEDURE 1 (EL-368)	ECM	B	GI
	CHAIN OF ECM-IMMU	PROCEDURE 2 (EL-369)	In rare cases, "CHAIN OF ECM-IMMU" might be stored during the key registration procedure, even if the system is not malfunctioning.	—	MA
			Open circuit in battery voltage line of IMMU circuit	C1	EM
			Open circuit in ignition line of IMMU circuit	C2	LC
			Open circuit in ground line of IMMU circuit	C3	EC
			Open circuit in communication line between IMMU and ECM	C4	FE
			Short circuit between IMMU and ECM communication line and battery voltage line	C4	CL
			Short circuit between IMMU and ECM communication line and ground line	C4	MT
			ECM	B	AT
			IMMU	A	AX
			DIFFERENCE OF KEY	PROCEDURE 3 (EL-373)	Unregistered key
	CHAIN OF IMMU-KEY	PROCEDURE 4 (EL-374)	Malfunction of key ID chip	E	BR
			IMMU	A	ST
	ID DISCORD, IMM-ECM	PROCEDURE 5 (EL-375)	System initialisation has not yet been completed.	F	RS
			ECM	F	BT
LOCK MODE	PROCEDURE 7 (EL-378)	LOCK MODE	D	HA	
<ul style="list-style-type: none"> MIL staying ON Security indicator lighting up* 	DON'T ERASE BEFORE CHECKING ENG DIAG	WORK FLOW (EL-366)	Engine trouble data and NVIS (NATS) trouble data have been detected in ECM	—	SC

*: When NVIS (NATS) detects trouble, the security indicator lights up while ignition key is in the "ON" position.

NVIS (NISSAN VEHICLE IMMOBILIZER SYSTEM — NATS)

Trouble Diagnoses (Cont'd)

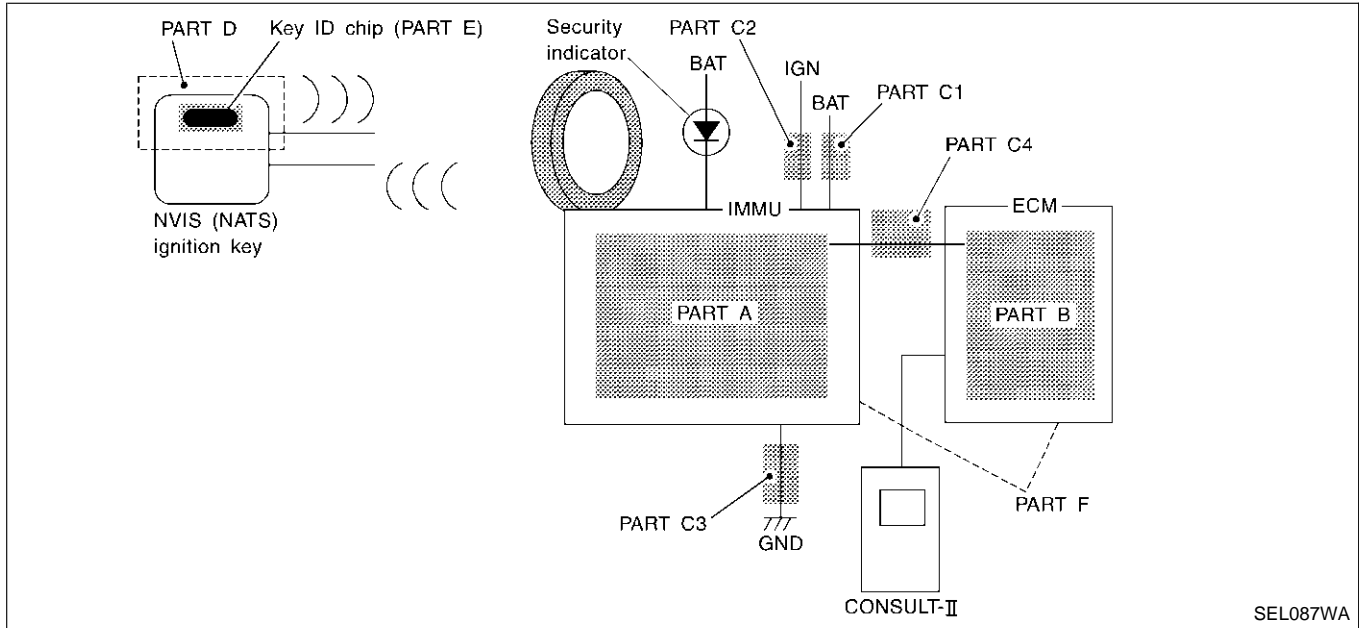
SYMPTOM MATRIX CHART 2 (Non self-diagnosis related item)

NFEL0177S03

SYMPTOM	DIAGNOSTIC PROCEDURE (Reference page)	SYSTEM (Malfunctioning part or mode)
Security ind. does not light up.	PROCEDURE 6 (EL-376)	Security ind.
		Open circuit between Fuse and IMMU
		Continuation of initialization mode
		IMMU

DIAGNOSTIC SYSTEM DIAGRAM

NFEL0177S04



SEL087WA

SELF DIAGNOSIS	
DTC RESULTS	TIME
ECM INT CIRC-IMMU	0

SEL314W

DIAGNOSTIC PROCEDURE 1

NFEL0177S06

Self-diagnostic results:

"ECM INT CIRC-IMMU" displayed on CONSULT-II screen

1. Confirm SELF-DIAGNOSTIC RESULTS "ECM INT CIRC-IMMU" displayed on CONSULT-II screen. Ref. part No. B.
2. Replace ECM.
3. Perform initialization with CONSULT-II.
For initialization, refer to "CONSULT-II operation manual IVIS/NVIS".

NVIS (NISSAN VEHICLE IMMOBILIZER SYSTEM — NATS)

Trouble Diagnoses (Cont'd)

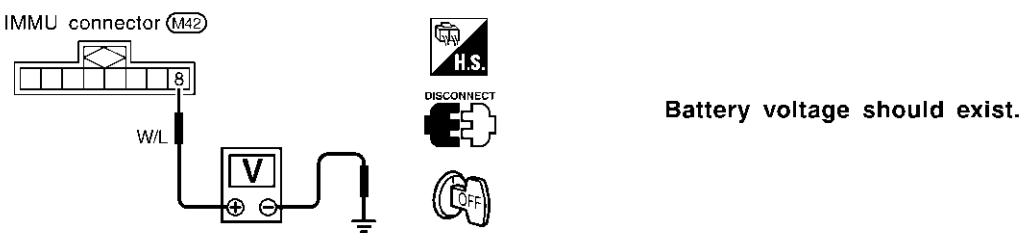
DIAGNOSTIC PROCEDURE 2

=NFEL0177S07

Self-diagnostic results:

“CHAIN OF ECM-IMMU” displayed on CONSULT-II screen

1	CONFIRM SELF-DIAGNOSTIC RESULTS											
<p>Confirm SELF-DIAGNOSTIC RESULTS “CHAIN OF ECM-IMMU” displayed on CONSULT-II screen.</p> <p>NOTE: In rare cases “CHAIN OF ECM-IMMU” might be stored during the key registration procedure, even if the system is not malfunctioning.</p>												
<table border="1"> <thead> <tr> <th colspan="2">SELF DIAGNOSIS</th> </tr> <tr> <th>DTC RESULTS</th> <th>TIME</th> </tr> </thead> <tbody> <tr> <td>CHAIN OF ECM-IMMU</td> <td>0</td> </tr> <tr> <td> </td> <td> </td> </tr> <tr> <td> </td> <td> </td> </tr> </tbody> </table>			SELF DIAGNOSIS		DTC RESULTS	TIME	CHAIN OF ECM-IMMU	0				
SELF DIAGNOSIS												
DTC RESULTS	TIME											
CHAIN OF ECM-IMMU	0											
SEL292W												
Is CONSULT-II screen displayed as above?												
Yes	▶	GO TO 2.										
No	▶	GO TO SYMPTOM MATRIX CHART 1.										

2	CHECK POWER SUPPLY CIRCUIT FOR IMMU	
<p>1. Disconnect IMMU connector.</p> <p>2. Check voltage between terminal 8 of IMMU and ground with CONSULT-II or tester.</p>		
		
SEL302W		
OK or NG		
OK	▶	GO TO 3.
NG	▶	<p>Check the following</p> <ul style="list-style-type: none"> ● 15A fuse (No. 59, located in the fuse and fusible link box) ● Harness for open or short between fuse and IMMU connector <p>Ref. Part No. C1</p>

GI

MA

EM

LC

EC

FE

CL

MT

AT

AX

SU

BR

ST

RS

BT

HA

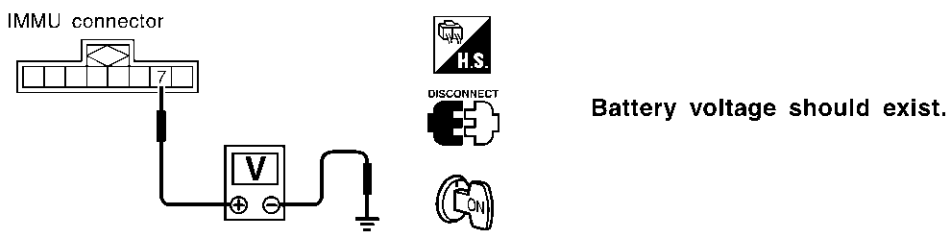
SC

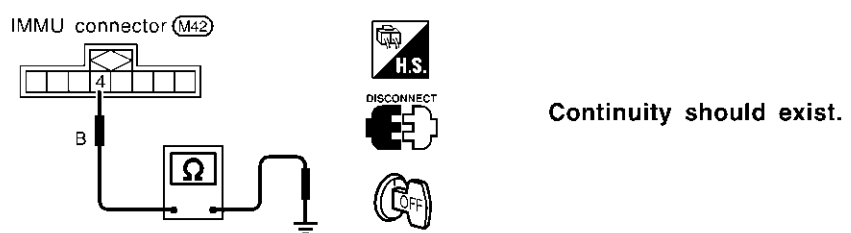
EL

IDX

NVIS (NISSAN VEHICLE IMMOBILIZER SYSTEM — NATS)

Trouble Diagnoses (Cont'd)

3	CHECK IGN SW. ON SIGNAL	
<p>1. Turn ignition switch ON. 2. Check voltage between terminal 7 (R/Y) of IMMU connector (M42) and ground with CONSULT-II or tester.</p>		
		
SEL303WK		
OK or NG		
OK	▶	GO TO 4.
NG	▶	<p>Check the following</p> <ul style="list-style-type: none"> ● 15A fuse [No. 20, located in the fuse block (J/B)] ● Harness for open or short between fuse and IMMU connector <p>Ref. part No. C2</p>

4	CHECK GROUND CIRCUIT FOR IMMU	
<p>1. Turn ignition OFF. 2. Check harness continuity between IMMU terminal 4 and ground.</p>		
		
SEL304W		
OK or NG		
OK	▶	GO TO 5.
NG	▶	Repair harness. Ref. part No. C3

NVIS (NISSAN VEHICLE IMMOBILIZER SYSTEM — NATS)

Trouble Diagnoses (Cont'd)

5	CHECK COMMUNICATION LINE OPEN CIRCUIT	
<p>1. Disconnect ECM connector. 2. Check harness continuity between ECM terminal 116 and IMMU terminal 1.</p>		
<p style="text-align: right;">Continuity should exist.</p> <p style="text-align: right;">SEL305W</p>		
OK or NG		
OK	▶	GO TO 6.
NG	▶	Repair harness or connector. Ref. part No. C4

6	CHECK COMMUNICATION LINE BATTERY SHORT CIRCUIT	
<p>1. Turn ignition ON. 2. Check voltage between ECM terminal 116 or IMMU terminal 1 and ground.</p>		
<p style="text-align: right;">Voltage: 0V</p> <p style="text-align: right;">SEL306W</p>		
OK or NG		
OK	▶	GO TO 7.
NG	▶	Communication line is short-circuited with battery voltage line or ignition switch ON line. Repair harness or connectors. Ref. part No. C4

GI
MA
EM
LC
EC
FE
CL
MT
AT
AX
SU
BR
ST
RS
BT
HA
SC
EL
IDX

NVIS (NISSAN VEHICLE IMMOBILIZER SYSTEM — NATS)

Trouble Diagnoses (Cont'd)

7	CHECK COMMUNICATION LINE GROUND SHORT CIRCUIT	
<p>1. Turn ignition switch OFF. 2. Check continuity between ECM terminal 116 or IMMU terminal 1 and ground.</p>		
<p style="text-align: right;">Continuity should not exist.</p>		
SEL307W		
OK or NG		
OK	▶	GO TO 8.
NG	▶	Communication line is short-circuited with ground line. Repair harness or connectors. Ref. part No. C4

8	SIGNAL FROM ECM TO IMMU CHECK	
<p>1. Check the signal between ECM terminal 116 and ground with CONSULT-II or oscilloscope when ignition switch is turned "ON". 2. Make sure signals which are shown in the figure below can be detected during 750 msec. just after ignition switch is turned "ON".</p>		
SEL730W		
OK or NG		
OK	▶	IMMU is malfunctioning. Replace IMMU. Ref. part No. A Perform initialization with CONSULT-II. For the operation of initialization, refer to "CONSULT-II Operation Manual IVIS/NVIS".
NG	▶	ECM is malfunctioning. Replace ECM. Ref. part No. B Perform initialization with CONSULT-II. For the operation of initialization, refer to "CONSULT-II Operation Manual IVIS/NVIS".

NVIS (NISSAN VEHICLE IMMOBILIZER SYSTEM — NATS)

Trouble Diagnoses (Cont'd)

DIAGNOSTIC PROCEDURE 3

=NFEL0177S08

Self-diagnostic results:
 “DIFFERENCE OF KEY” displayed on CONSULT-II screen

1	CONFIRM SELF-DIAGNOSTIC RESULTS											
Confirm SELF-DIAGNOSTIC RESULTS “DIFFERENCE OF KEY” displayed on CONSULT-II screen.												
<table border="1"> <thead> <tr> <th colspan="2">SELF DIAGNOSIS</th> </tr> <tr> <th>DTC RESULTS</th> <th>TIME</th> </tr> </thead> <tbody> <tr> <td>DIFFERENCE OF KEY</td> <td>0</td> </tr> <tr> <td> </td> <td> </td> </tr> <tr> <td> </td> <td> </td> </tr> </tbody> </table>			SELF DIAGNOSIS		DTC RESULTS	TIME	DIFFERENCE OF KEY	0				
SELF DIAGNOSIS												
DTC RESULTS	TIME											
DIFFERENCE OF KEY	0											
SEL293W												
Is CONSULT-II screen displayed as above?												
Yes	▶	GO TO 2.										
No	▶	GO TO SYMPTOM MATRIX CHART 1.										

2	PERFORM INITIALIZATION WITH CONSULT-II				
Perform initialization with CONSULT-II. Re-register all NVIS (NATS) ignition key IDs. For initialization, refer to “CONSULT-II operation manual IVIS/NVIS”.					
<table border="1"> <thead> <tr> <th>IMMU INITIALIZATION</th> </tr> </thead> <tbody> <tr> <td style="text-align: center;">INITIALIZATION FAIL</td> </tr> <tr> <td>THEN IGN KEY SW ‘OFF’ AND ‘ON’, AFTER CONFIRMING SELF-DIAG AND PASSWORD, PERFORM C/U INITIALIZATION AGAIN.</td> </tr> </tbody> </table>			IMMU INITIALIZATION	INITIALIZATION FAIL	THEN IGN KEY SW ‘OFF’ AND ‘ON’, AFTER CONFIRMING SELF-DIAG AND PASSWORD, PERFORM C/U INITIALIZATION AGAIN.
IMMU INITIALIZATION					
INITIALIZATION FAIL					
THEN IGN KEY SW ‘OFF’ AND ‘ON’, AFTER CONFIRMING SELF-DIAG AND PASSWORD, PERFORM C/U INITIALIZATION AGAIN.					
SEL297W					
NOTE: If the initialization is not completed or fails, CONSULT-II shows above message on the screen.					
Can the system be initialized and can the engine be started with re-registered NVIS (NATS) ignition key?					
Yes	▶	Ignition key ID was unregistered. Ref. part No. D			
No	▶	IMMU is malfunctioning. Replace IMMU. Ref. part No. A Perform initialization with CONSULT-II. For initialization, refer to “CONSULT-II operation manual IVIS/NVIS”.			

GI
 MA
 EM
 LC
 EC
 FE
 CL
 MT
 AT
 AX
 SU
 BR
 ST
 RS
 BT
 HA
 SC
 EL
 IDX

NVIS (NISSAN VEHICLE IMMOBILIZER SYSTEM — NATS)

Trouble Diagnoses (Cont'd)

DIAGNOSTIC PROCEDURE 4

=NFEL0177S09

Self-diagnostic results:

“CHAIN OF IMMU-KEY” displayed on CONSULT-II screen

1	CONFIRM SELF-DIAGNOSTIC RESULTS											
Confirm SELF-DIAGNOSTIC RESULTS “CHAIN OF IMMU-KEY” displayed on CONSULT-II screen.												
<table border="1"> <thead> <tr> <th colspan="2">SELF DIAGNOSIS</th> </tr> <tr> <th>DTC RESULTS</th> <th>TIME</th> </tr> </thead> <tbody> <tr> <td>CHAIN OF IMMU-KEY</td> <td>0</td> </tr> <tr> <td> </td> <td> </td> </tr> <tr> <td> </td> <td> </td> </tr> </tbody> </table>			SELF DIAGNOSIS		DTC RESULTS	TIME	CHAIN OF IMMU-KEY	0				
SELF DIAGNOSIS												
DTC RESULTS	TIME											
CHAIN OF IMMU-KEY	0											
SEL294W												
Is CONSULT-II screen displayed as above?												
Yes	▶	GO TO 2.										
No	▶	GO TO SYMPTOM MATRIX CHART 1.										

2	CHECK NVIS (NATS) IGNITION KEY ID CHIP	
Start engine with another registered NVIS (NATS) ignition key.		
Does the engine start?		
Yes	▶	Ignition key ID chip is malfunctioning. Replace the ignition key. Ref. part No. E Perform initialization with CONSULT-II. For initialization, refer to “CONSULT-II operation manual IVIS/NVIS”.
No	▶	GO TO 3.

3	CHECK IMMU INSTALLATION	
Check IMMU installation. Refer to “How to Replace IMMU” in EL-379.		
OK or NG		
OK	▶	IMMU is malfunctioning. Replace IMMU. Ref. part No. A Perform initialization with CONSULT-II. For initialization, refer to “CONSULT-II operation manual IVIS/NVIS”.
NG	▶	Reinstall IMMU correctly.

NVIS (NISSAN VEHICLE IMMOBILIZER SYSTEM — NATS)

Trouble Diagnoses (Cont'd)

DIAGNOSTIC PROCEDURE 5

=NFEL0177S10

Self-diagnostic results:

“ID DISCORD, IMM-ECM” displayed on CONSULT-II screen

1	CONFIRM SELF-DIAGNOSTIC RESULTS											
Confirm SELF-DIAGNOSTIC RESULTS “ID DISCORD, IMM-ECM” displayed on CONSULT-II screen.												
<table border="1"> <thead> <tr> <th colspan="2">SELF DIAGNOSIS</th> </tr> <tr> <th>DTC RESULTS</th> <th>TIME</th> </tr> </thead> <tbody> <tr> <td>ID DISCORD, IMM-ECM</td> <td style="text-align: center;">0</td> </tr> <tr> <td> </td> <td> </td> </tr> <tr> <td> </td> <td> </td> </tr> </tbody> </table>			SELF DIAGNOSIS		DTC RESULTS	TIME	ID DISCORD, IMM-ECM	0				
SELF DIAGNOSIS												
DTC RESULTS	TIME											
ID DISCORD, IMM-ECM	0											
SEL298W												
<p>NOTE: “ID DISCORD IMM-ECM”: Registered ID of IMM-ECM is in discord with that of ECM.</p>												
Is CONSULT-II screen displayed as above?												
Yes	▶	GO TO 2.										
No	▶	GO TO SYMPTOM MATRIX CHART 1.										

2	PERFORM INITIALIZATION WITH CONSULT-II				
Perform initialization with CONSULT-II. Re-register all NVIS (NATS) ignition key IDs. For initialization, refer to “CONSULT-II operation manual IVIS/NVIS”.					
<table border="1"> <thead> <tr> <th>IMMU INITIALIZATION</th> </tr> </thead> <tbody> <tr> <td style="text-align: center;">INITIALIZATION FAIL</td> </tr> <tr> <td style="text-align: center;">THEN IGN KEY SW ‘OFF’ AND ‘ON’, AFTER CONFIRMING SELF-DIAG AND PASSWORD, PERFORM C/U INITIALIZATION AGAIN.</td> </tr> </tbody> </table>			IMMU INITIALIZATION	INITIALIZATION FAIL	THEN IGN KEY SW ‘OFF’ AND ‘ON’, AFTER CONFIRMING SELF-DIAG AND PASSWORD, PERFORM C/U INITIALIZATION AGAIN.
IMMU INITIALIZATION					
INITIALIZATION FAIL					
THEN IGN KEY SW ‘OFF’ AND ‘ON’, AFTER CONFIRMING SELF-DIAG AND PASSWORD, PERFORM C/U INITIALIZATION AGAIN.					
SEL297W					
<p>NOTE: If the initialization is not completed or fails, CONSULT-II shows above message on the screen.</p>					
Can the system be initialized?					
Yes	▶	Start engine. (END) (System initialization had not been completed. Ref. part No. F)			
No	▶	ECM is malfunctioning. Replace ECM. Ref. part No. F Perform initialization with CONSULT-II. For initialization, refer to “CONSULT-II operation manual IVIS/NVIS”.			

GI
MA
EM
LC
EC
FE
CL
MT
AT
AX
SU
BR
ST
RS
BT
HA
SC
EL
IDX

NVIS (NISSAN VEHICLE IMMOBILIZER SYSTEM — NATS)

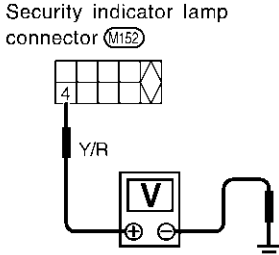

Trouble Diagnoses (Cont'd)

DIAGNOSTIC PROCEDURE 6 “SECURITY INDICATOR LAMP DOES NOT LIGHT UP”

=NFEL0177S12

1	CHECK FUSE	
Check 10A fuse [No. 12, located in the fuse block (J/B)].		
Is 10A fuse OK?		
Yes	▶	GO TO 2.
No	▶	Replace fuse.

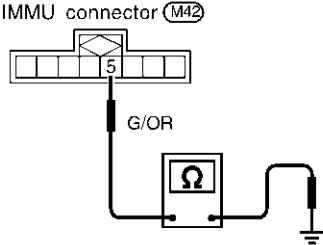

2	CHECK SECURITY INDICATOR LAMP	
1. Perform initialization with CONSULT-II. For initialization, refer to “CONSULT-II operation manual IVIS/NVIS”. 2. Turn ignition switch OFF. 3. Start engine and turn ignition switch OFF. 4. Check the security indicator lamp lighting. Security indicator lamp should be blinking.		
OK or NG		
OK	▶	INSPECTION END
NG	▶	GO TO 3.

3	CHECK SECURITY INDICATOR LAMP POWER SUPPLY CIRCUIT	
1. Disconnect security indicator lamp connector. 2. Check voltage between security indicator lamp connector terminal 4 and ground.		
<div style="display: flex; align-items: center; justify-content: space-around;"> <div style="text-align: center;"> <p>Security indicator lamp connector (M152)</p>  </div> <div style="text-align: center;">  </div> <div style="text-align: center;"> <p>Battery voltage should exist.</p> </div> </div>		
SEL299W		
OK or NG		
OK	▶	GO TO 4.
NG	▶	Check harness for open or short between fuse and security indicator lamp.

4	CHECK SECURITY INDICATOR LAMP	
Check security Indicator Lamp.		
Is security indicator lamp OK?		
Yes	▶	GO TO 5.
No	▶	Replace security indicator lamp.

NVIS (NISSAN VEHICLE IMMOBILIZER SYSTEM — NATS)

Trouble Diagnoses (Cont'd)

5	CHECK IMMU FUNCTION		
<ol style="list-style-type: none"> 1. Connect IMMU connector. 2. Disconnect security indicator lamp connector. 3. Check continuity between IMMU terminal 5 and ground. 	<div style="display: flex; align-items: center;"> <div style="flex: 1;">  </div> <div style="flex: 1; text-align: center;">  </div> <div style="flex: 2; text-align: center;"> <p>Continuity should exist intermittently.</p> </div> </div> <p style="text-align: right; margin-top: 20px;">SEL300W</p> <p style="text-align: center; margin-top: 10px;">OK or NG</p>	<p>GI</p> <p>MA</p> <p>EM</p> <p>LC</p> <p>EC</p> <p>FE</p>	
OK	▶	Check harness for open or short between security indicator lamp and IMMU.	
NG	▶	IMMU is malfunctioning. Replace IMMU. Perform initialization with CONSULT-II. For initialization, refer to "CONSULT-II operation manual IVIS/NVIS".	<p>CL</p> <p>MT</p> <p>AT</p> <p>AX</p> <p>SU</p> <p>BR</p> <p>ST</p> <p>RS</p> <p>BT</p> <p>HA</p> <p>SC</p> <p style="background-color: black; color: white; padding: 2px;">EL</p> <p>IDX</p>

NVIS (NISSAN VEHICLE IMMOBILIZER SYSTEM — NATS)

Trouble Diagnoses (Cont'd)

DIAGNOSTIC PROCEDURE 7

=NFEL0177S13

Self-diagnostic results:
"LOCK MODE" displayed on CONSULT-II screen

1	CONFIRM SELF-DIAGNOSTIC RESULTS											
Confirm SELF-DIAGNOSTIC RESULTS "LOCK MODE" is displayed on CONSULT-II screen.												
<table border="1"> <thead> <tr> <th colspan="2">SELF DIAGNOSIS</th> </tr> <tr> <th>DTC RESULTS</th> <th>TIME</th> </tr> </thead> <tbody> <tr> <td>LOCK MODE</td> <td>0</td> </tr> <tr> <td> </td> <td> </td> </tr> <tr> <td> </td> <td> </td> </tr> </tbody> </table>			SELF DIAGNOSIS		DTC RESULTS	TIME	LOCK MODE	0				
SELF DIAGNOSIS												
DTC RESULTS	TIME											
LOCK MODE	0											
SEL295W												
Is CONSULT-II screen displayed as above?												
Yes	▶	GO TO 2.										
No	▶	GO TO SYMPTOM MATRIX CHART 1.										

2	ESCAPE FROM LOCK MODE	
<ol style="list-style-type: none"> 1. Turn ignition switch OFF. 2. Turn ignition switch ON with registered key. (Do not start engine.) Wait 5 seconds. 3. Return the key to OFF position. 4. Repeat steps 2 and 3 twice (total of three cycles). 5. Start the engine. 		
Does engine start?		
Yes	▶	System is OK. (Now system is escaped from "LOCK MODE".)
No	▶	GO TO 3.

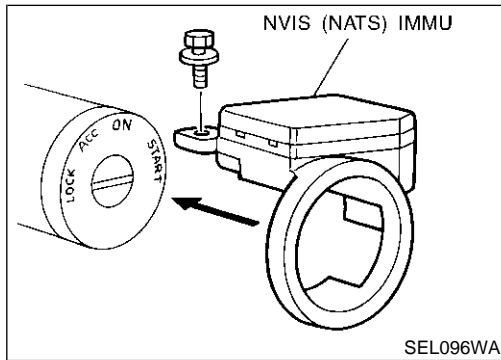
3	CHECK IMMU ILLUSTRATION	
Check IMMU installation. Refer to "How to Replace IMMU" in EL-379.		
OK or NG		
OK	▶	GO TO 4.
NG	▶	Reinstall IMMU correctly.

NVIS (NISSAN VEHICLE IMMOBILIZER SYSTEM — NATS)

Trouble Diagnoses (Cont'd)

4	PERFORM INITIALIZATION WITH CONSULT-II				
Perform initialization with CONSULT-II. For initialization, refer to "CONSULT-II operation manual IVIS/NVIS".					
<table border="1" style="margin: auto;"> <tr> <th style="text-align: center;">IMMU INITIALIZATION</th> </tr> <tr> <td style="text-align: center;">INITIALIZATION FAIL</td> </tr> <tr> <td style="text-align: center;">THEN IGN KEY SW 'OFF' AND 'ON', AFTER CONFIRMING SELF-DIAG AND PASSWORD, PERFORM C/U INITIALIZATION AGAIN.</td> </tr> </table>			IMMU INITIALIZATION	INITIALIZATION FAIL	THEN IGN KEY SW 'OFF' AND 'ON', AFTER CONFIRMING SELF-DIAG AND PASSWORD, PERFORM C/U INITIALIZATION AGAIN.
IMMU INITIALIZATION					
INITIALIZATION FAIL					
THEN IGN KEY SW 'OFF' AND 'ON', AFTER CONFIRMING SELF-DIAG AND PASSWORD, PERFORM C/U INITIALIZATION AGAIN.					
<p>NOTE: If the initialization is not completed or fails, CONSULT-II shows the above message on the screen.</p> <p style="text-align: right;">SEL297W</p>					
Can the system be initialized?					
Yes	▶	System is OK.			
No	▶	GO TO DIAGNOSTIC PROCEDURE 5 to check "CHAIN OF IMMU-KEY", refer to EL-374.			

GI
MA
EM
LC
EC
FE
CL
MT
AT
AX
SU
BR
ST
RS
BT
HA
SC
EL
IDX



How to Replace NVIS (NATS) IMMU

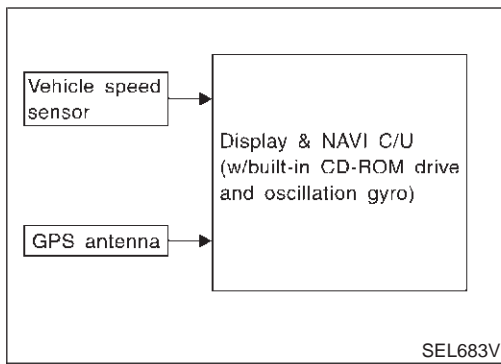
NFEL0178

NOTE:

- If NVIS (NATS) IMMU is not installed correctly, NVIS (NATS) system will not operate properly and SELF-DIAG RESULTS on CONSULT-II screen will show "LOCK MODE" or "CHAIN OF IMMU-KEY".

NAVIGATION SYSTEM

System Description



System Description

=NFEL0294

OUTLINE

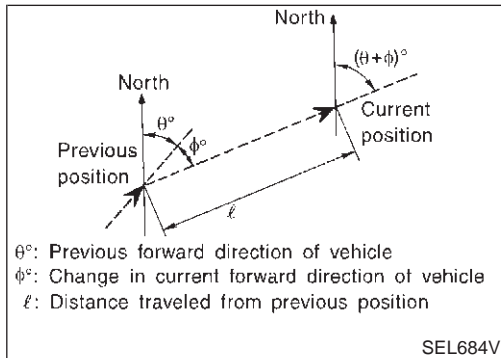
NFEL0294S01

The Navigation System (Multi-AV System) relies upon three sensing devices in order to determine vehicle location at regular time intervals.

1. Vehicle speed sensor: Determines the distance the vehicle has traveled.
2. Gyro (Angular velocity sensor): Determines vehicle steering angle and directional change.
3. GPS antenna (GPS data): Determines vehicle forward movement and direction.

The data provided by the three sensing functions together with a comparison of the mapping information read from the CD-ROM drive permit accurate determination of the vehicle's current location and subsequent course (map matching). The information appears on a liquid crystal display.

This comparison of GPS data (vehicle position sensing) and map matching permits precise determination of vehicle location.



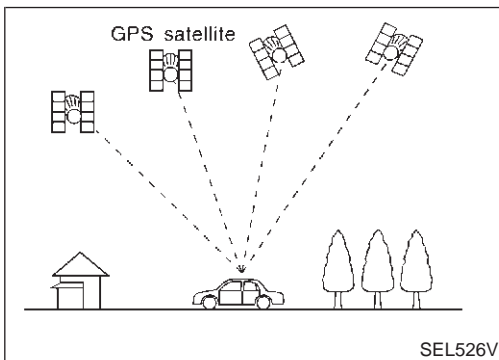
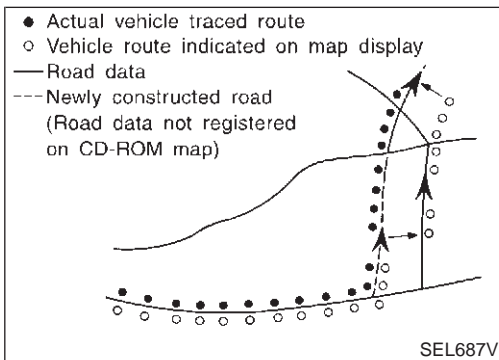
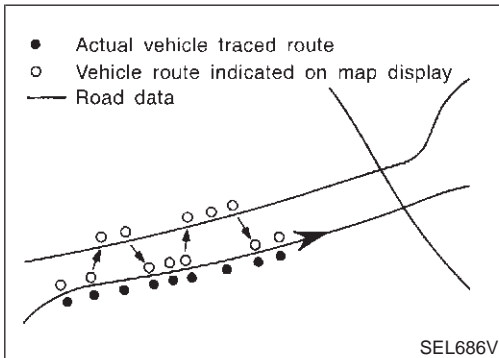
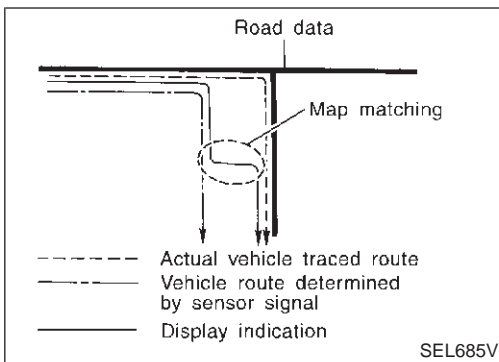
Position Sensor Operating Principles

NFEL0294S0101

The sensor determines current vehicle location by calculating the previously sensed position, the distance traveled from this position, and the directional changes occurring during this travel.

1. Distance traveled
The distance traveled is calculated using signals received from the vehicle speed sensor. The sensor automatically compensates for the slightly reduced wheel and tire diameter resulting from tire wear.
2. Forward movement (Direction)
Changes in the direction of forward movement are calculated by the gyro (angular velocity sensor) and the GPS antenna (GPS data). Each of these functions has its advantage and disadvantages. Depending upon conditions, one function takes precedence over the other to accurately determine the direction of forward movement.

Function type	Advantage	Disadvantage
Gyro (Angular velocity sensor)	<ul style="list-style-type: none"> • Able to accurately detect minute changes in steering angle and direction. 	<ul style="list-style-type: none"> • Calculation errors may accumulate over a long period of continuous vehicle travel.
GPS antenna (GPS data)	<ul style="list-style-type: none"> • Able to sense vehicle travel in four general directions (North, South, East, and West) 	<ul style="list-style-type: none"> • Unable to detect direction of vehicle travel at low vehicle speeds.



Map Matching

NFEL0294S0102

Map matching allows the driver to compare the sensed vehicle location data with the road map contained in the CD-ROM drive. Vehicle position is marked on the CD-ROM map. This permits the driver to accurately determine his/her present position on the highway and to make appropriate course decisions.

When GPS data reception is poor during travel, the vehicle position is not amended. At this time, manual manipulation of the CD-ROM map position marker is required.

Map matching permits the driver to make priority judgments about possible appropriate roads other than the one currently being traveled.

If there is an error in the distance or direction of travel, there will also be an error in the relative position of other routes. When two routes are closely parallel to one another, the indicated position for both routes will be nearly the same priority. This is so that, slight changes in the steering direction may cause the marker to indicate both routes alternately.

Newly constructed roads may not appear on the CD-ROM map. In this case, map matching is not possible. Changes in the course of a road will also prevent accurate map matching.

When driving on a road not shown on the CD-ROM map, the position marker used for map matching may indicate a different route. Even after returning to a route shown on the map, the position marker may jump to the position currently detected.

GPS (Global Positioning System)

NFEL0294S0103

GPS is the global positioning system developed and operated by the US Department of Defense. GPS satellites (NAVSTAR) transmit radio waves and orbit around the earth at an altitude of approximately 21,000 km (13,000 miles).

GPS receiver calculates the three-dimensional position of the vehicle (latitude, longitude, and altitude from the sea level) by the time difference of the radio wave arriving from more than four GPS satellites (three-dimensional positioning).

When the radio wave is received from only three GPS satellites, the two-dimensional position (latitude and longitude) is calculated, using the altitude from the sea level data calculated by using four GPS satellites (two-dimensional positioning).

Positioning capability is degraded in the following cases.

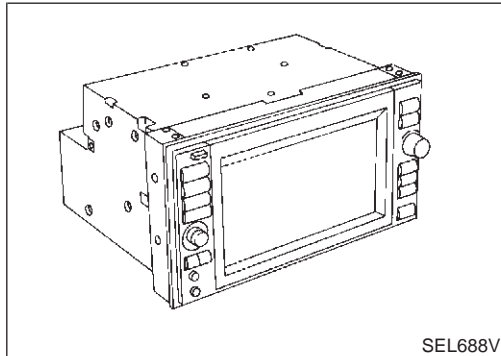
- In two-dimensional positioning, when the vehicle's altitude from the sea level changes, the precision becomes lower.
- The location detection performance can have an error of about 100 m (300 ft) even in three-dimensional positioning with high precision. Because the precision is influenced by the location of GPS satellites used for positioning, the location detection performance may drop depending on the location of GPS satellites.
- When the radio wave from GPS satellites cannot be received,

GI
MA
EM
LC
EC
FE
CL
MT
AT
AX
SU
BR
ST
RS
BT
HA
SC
EL
IDX

NAVIGATION SYSTEM

System Description (Cont'd)

for example, when the vehicle is in a tunnel, in a parking lot inside building, under an elevated superhighway or near strong power lines, the location may not be detected. Turbulent/electric weather conditions may also affect positioning performance. If something is placed on the antenna, the radio wave from GPS satellites may not be received.



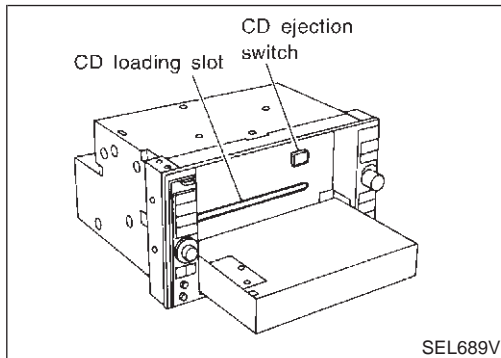
COMPONENT DESCRIPTION

Display & NAVI Control Unit

NFEL0294S02

NFEL0294S0201

- The gyro (angular speed sensor) and the CD-ROM drive are built-in units that control the navigation functions.
- Signals are received from the gyro, the vehicle speed sensor, and the GPS antenna. Vehicle location is determined by combining this data with the data contained in the CD-ROM map. Locational information is shown on liquid crystal display panel.
- Finger-operated touch switches are positioned on the liquid crystal display panel for easy operation.
- The touch switches used to control the equipment are beneath a glass sheet and two resistance membranes at the top of the liquid crystal display panel. The switches are sensitive to resistance value where touched with your finger to detect operating status.



CD-ROM Driver

NFEL0294S0202

Maps, traffic control regulations, and other pertinent information can be easily read from the CD-ROM disc.

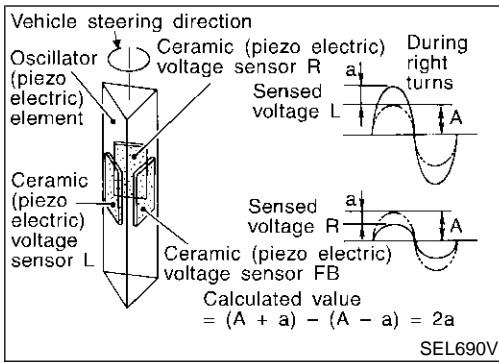
NOTE:

- When removing the CD-ROM, allow it to remain open until the liquid crystal display locks.
- The liquid crystal display must be closed when the vehicle is running.
- Do not place cups, cans or other containers containing liquids on top of the liquid crystal display.

Map CD-ROM

NFEL0294S0203

- The map CD-ROM has maps, traffic control regulations, and other pertinent information.
- To improve CD-ROM map matching and route determination functions, the CD-ROM uses an exclusive Nissan format. Therefore, the use of a CD-ROM provided by other manufacturers cannot be used.



Gyro (Angular Speed Sensor)

NFEL0294S0204

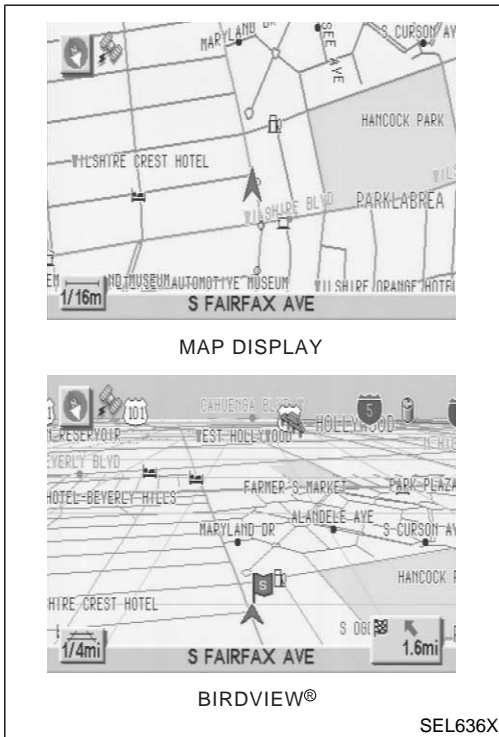
- The oscillator gyro sensor is used to detect changes in vehicle steering angle.
- The oscillator gyro periodically senses oscillatory variation at the oscillation terminals. This variation is caused by changes in the vehicle angular velocity. Voltage variations are sensed by ceramic voltage sensors at the left and right sides of the terminals. Vehicle angular velocity corresponds directly with these changes in voltage.
- The gyro is built into the display & navigation (NAVI) control unit.

GI
MA
EM
LC

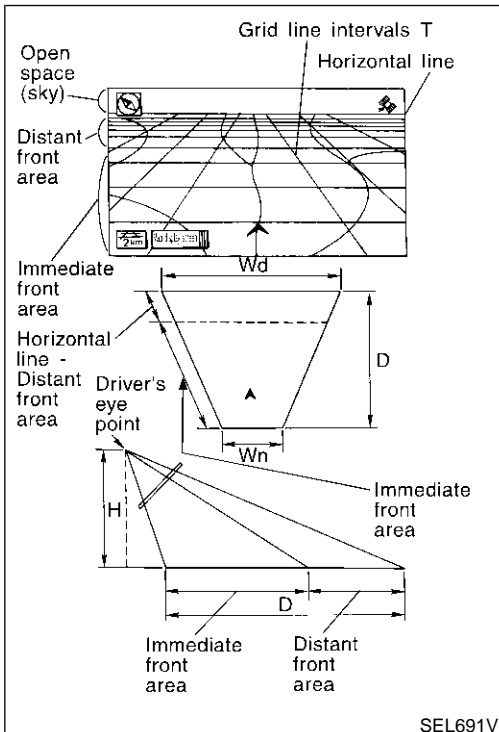
BIRDVIEW®

NFEL0294S0205

The BIRDVIEW® provides a detailed and easily seen display of road conditions covering the vehicle's immediate to distant area.



EC
FE
CL
MT
AT
AX
SU
BR



Description

NFEL0294S0206

- Display area: Trapezoidal representation showing approximate distances (W_n , D , and W_d).
- Ten horizontal grid lines indicate display width while six vertical grid lines indicate display depth and direction.
- Drawing line area shows open space, depth, and immediate front area. Each area is to a scale of approximately 5:6:25.
- When the "ZM-" button is pushed, the view point height is increased. Pushing the "ZM+" button decreases the height. Pushing the "ZM-" button or the "ZM+" button during operation indicates the scale change and the view point height at the left-hand side of the screen.

ST
RS
BT
HA
SC

EL
IDX

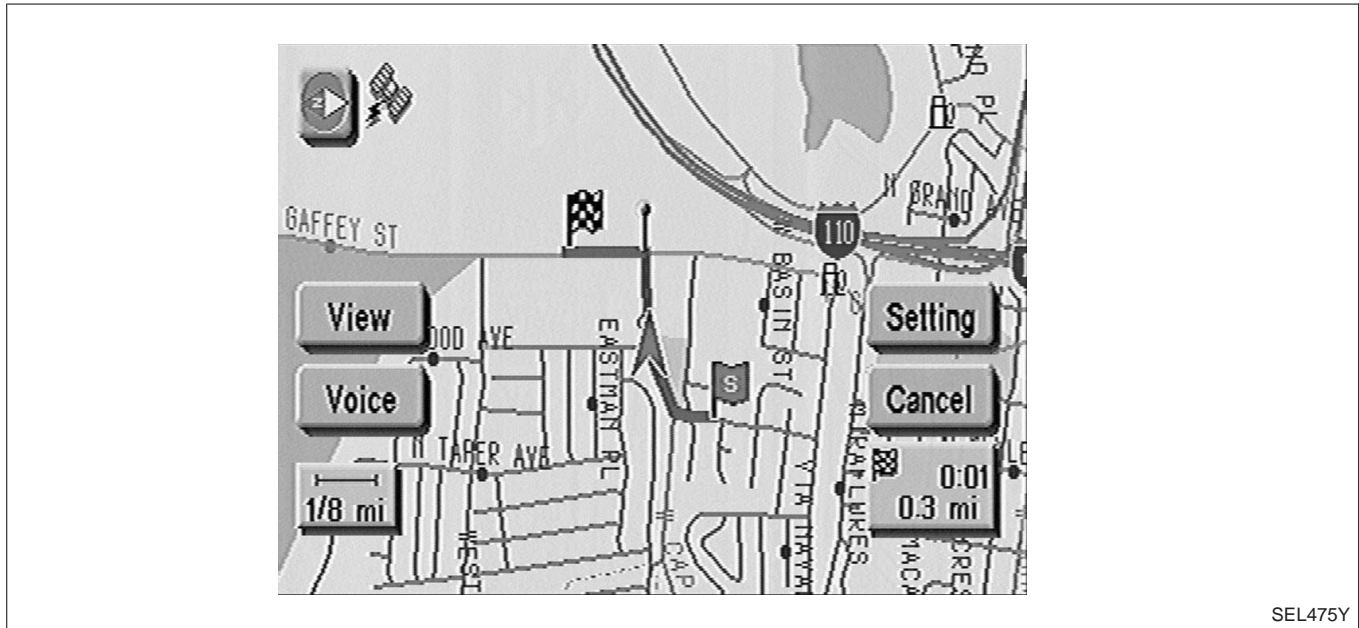
NAVIGATION SYSTEM

System Description (Cont'd)

FUNCTION OF TOUCH SWITCH (SUMMARY) Display with Pushed "MAP" Switch

=NFEL0294S03

NFEL0294S0301

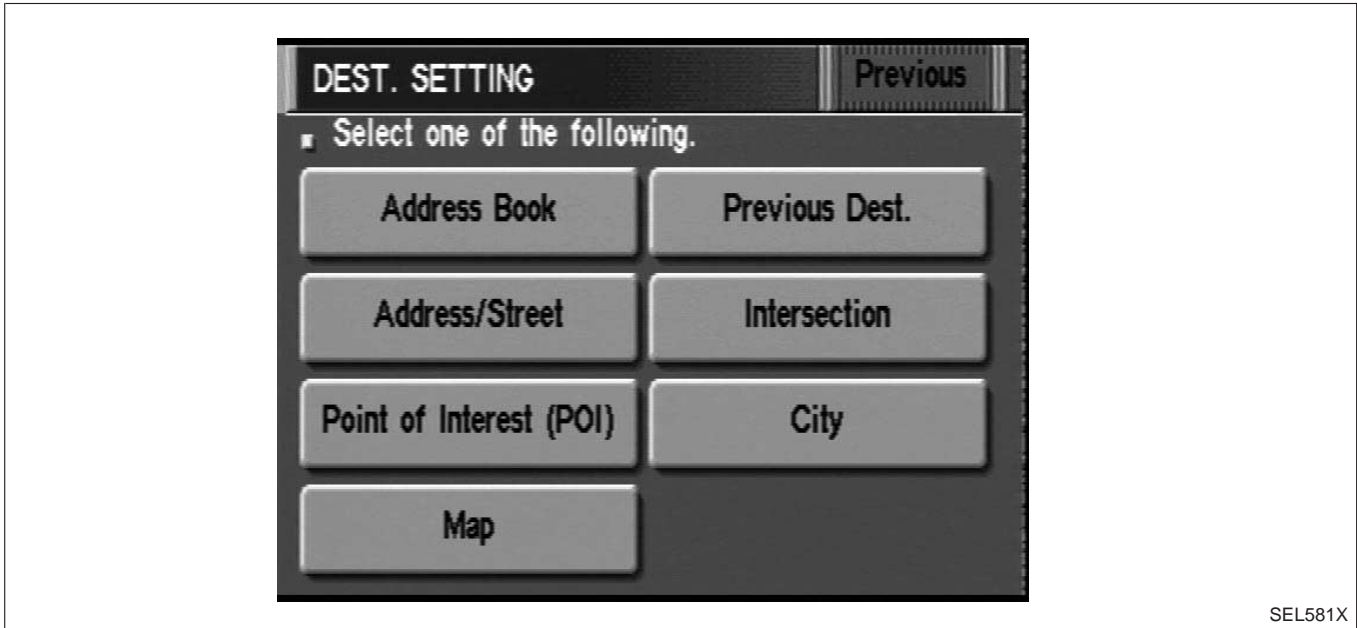


The function of each touch switch is as follows:

- 1) Azimuth indication
- 2) Position marker
The tip of the arrow shows the current position. The shaft of the arrow indicates the direction in which the vehicle is traveling.
- 3) GPS reception signal (indicates current reception conditions)
- 4) Distance display (shows the distance in a reduced scale)
- 5) Current location voice information
(this information is available when the route guide is being activated and the designated route is being traveled.)
- 6) Switch display from map screen to BIRDVIEW[®] screen
(change to map screen on display when the BIRDVIEW[®] is being used.)
- 7) The following items can be set.
 - Save Current Location
 - Edit Address Book
 - Guide Volume
 - System Setting
- 8) The route guide operation can be canceled.

Display with Pushed "DEST" Switch

=NFEL0294S0302



SEL581X

The function of each touch switch is as follows:

Icon	Description
Address Book	Favorite place can be saved to memory. The destination can be selected from the memory.
Address/Street	The destination can be searched from the address.
Point of Interest (POI)	The destination of favorite facility can be searched.
Previous Dest.	The previous ten destinations stored in memory are displayed.
Intersection	The destination from the intersection name can be retrieved.
City	The destination can be searched from city name.
Map	The destination can be searched from the map.

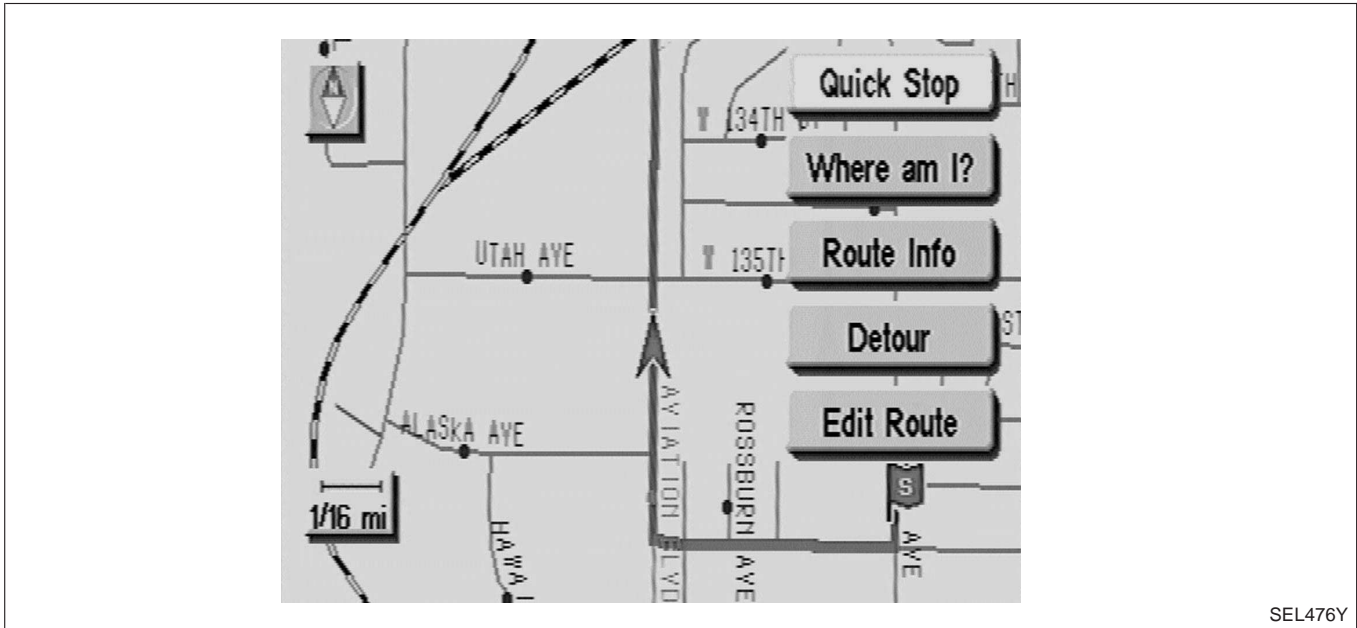
GI
 MA
 EM
 LC
 EC
 FE
 CL
 MT
 AT
 AX
 SU
 BR
 ST
 RS
 BT
 HA
 SC
EL
 IDX

NAVIGATION SYSTEM

System Description (Cont'd)

Display with Touch Screen

NFEL0294S0303



SEL476Y

The function of each touch switch is as follows:

Icon	Description
Quick Stop	The selected facility is set as the destination or way-point. (Route guidance has been turned OFF or the destination has been reached.)
Where am I?	Next, current and previous street names can be displayed.
Route Info.*	The following items can be set. <ul style="list-style-type: none"> ● Complete Route ● Turn List ● Route Simulation (Displayed only when the destination area has been set.)
Detour*	Based on the selected distance, an alternative route is searched. [Displayed only when the recommended route (not its reverse) is followed.]
Edit Route*	Change the destination or add the transit points of the route set in the route guide. (Displayed only when the automatic reroute function has been turned OFF and the recommended route is not followed.)

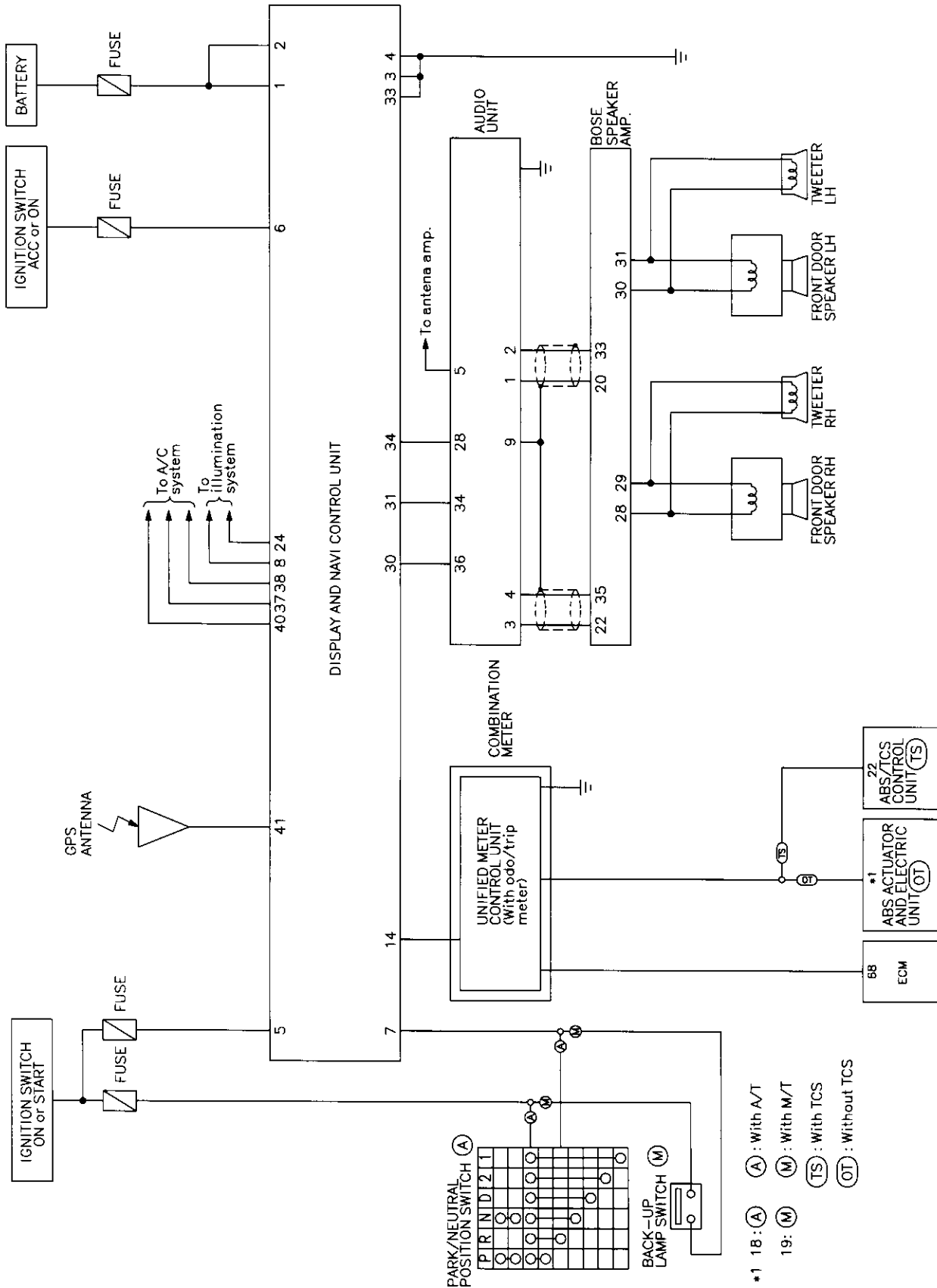
*: When destinations have been entered, route guidance has been turned OFF or destination has been reached, "Route Info.", "Detour" and "Edit Route" are not displayed.

NAVIGATION SYSTEM

Schematic

NFEL0295

Schematic



GI
MA
EM
LC
EC
FE
CL
MT
AT
AX
SU
BR
ST
RS
BT
HA
SC
EL
IDX

NAVIGATION SYSTEM

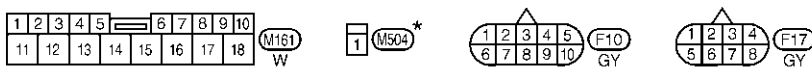
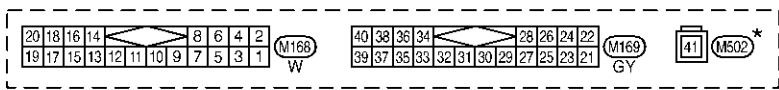
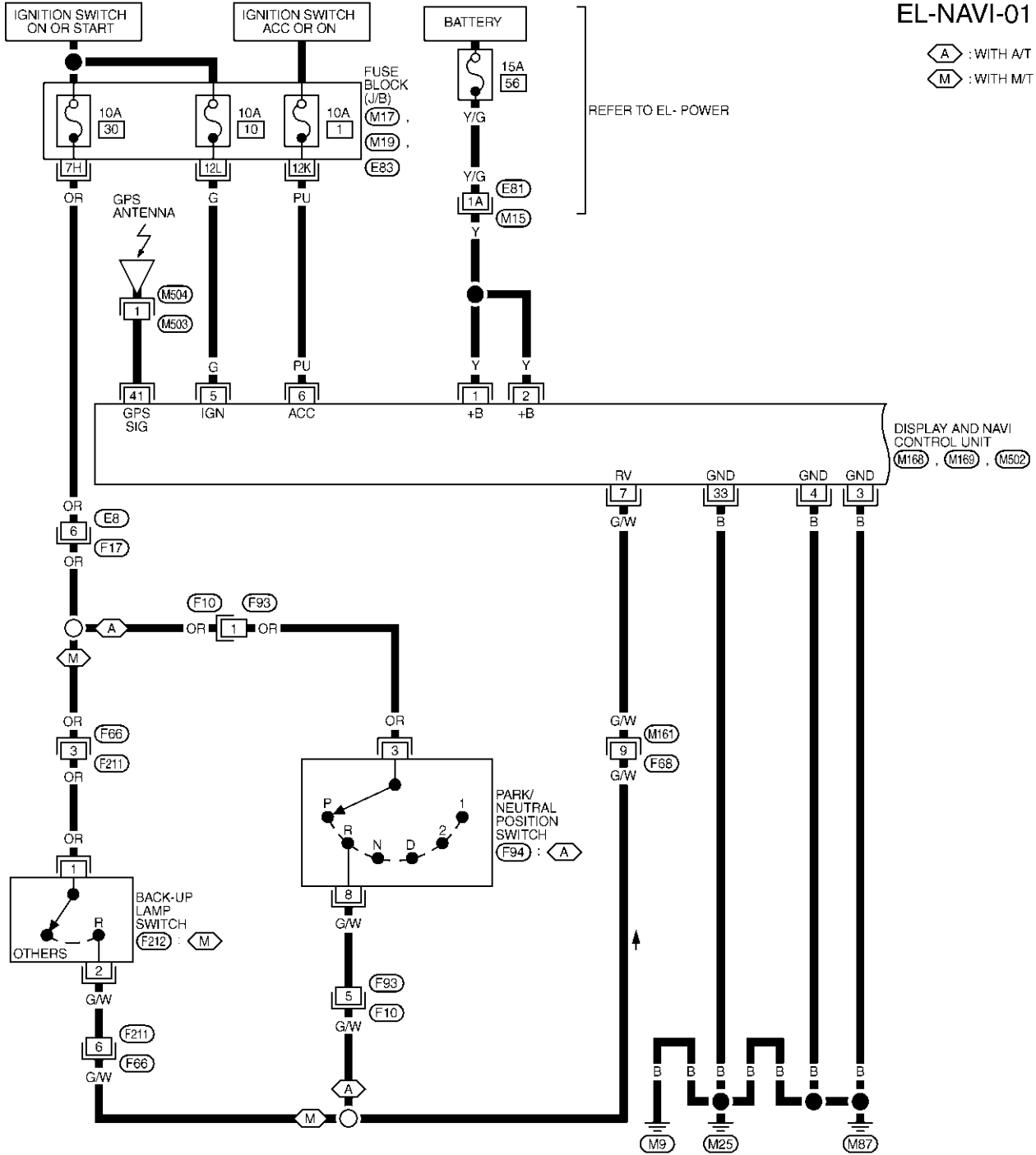
Wiring Diagram — NAVI —

Wiring Diagram — NAVI —

NFEL0296

EL-NAVI-01

(A) : WITH A/T
(M) : WITH M/T

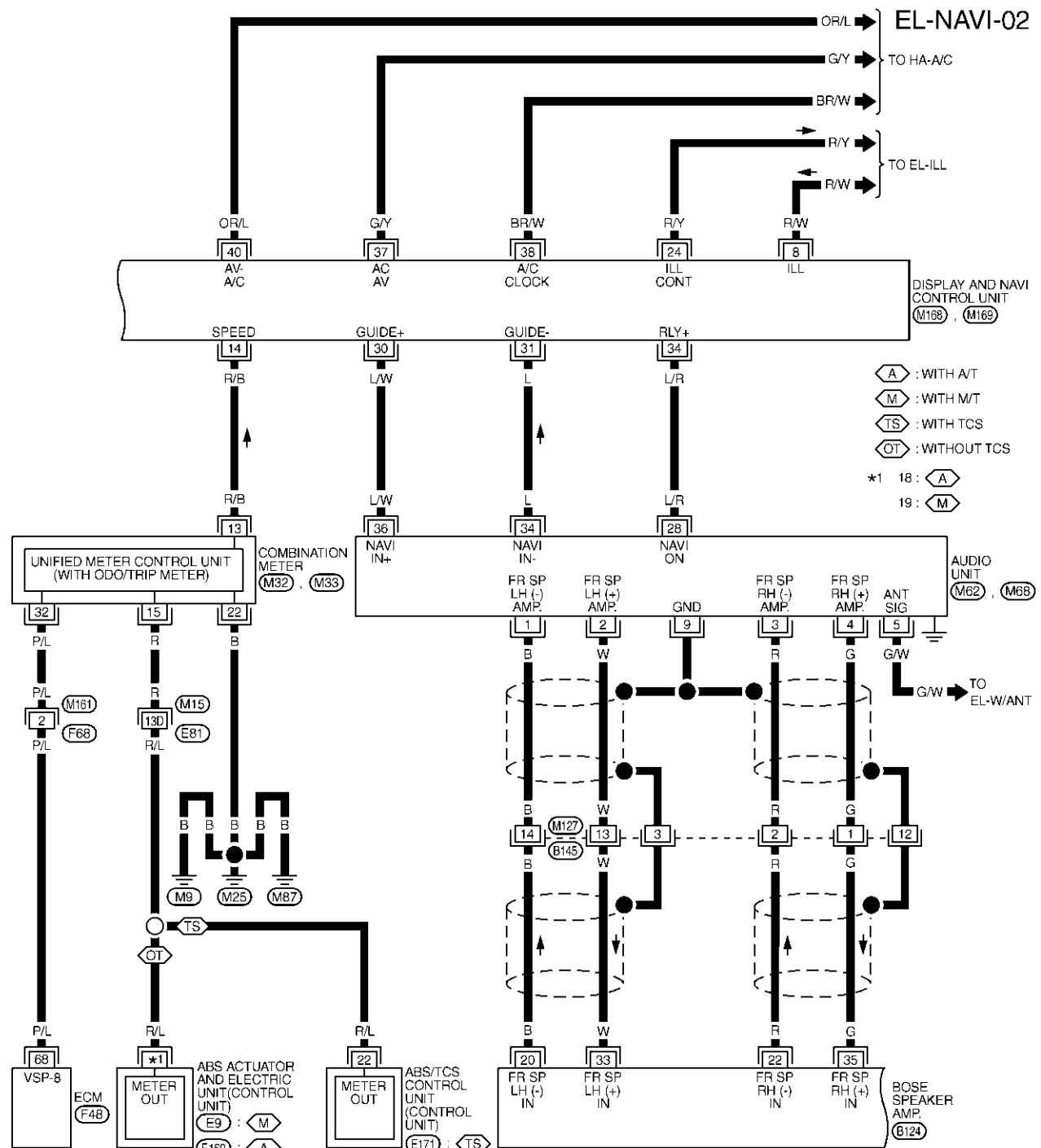


REFER TO THE FOLLOWING.
(M15) -SUPER
MULTIPLE JUNCTION (SMJ)
(M17) . (M19) . (E83)
- FUSE BLOCK -
JUNCTION BOX (J/B)

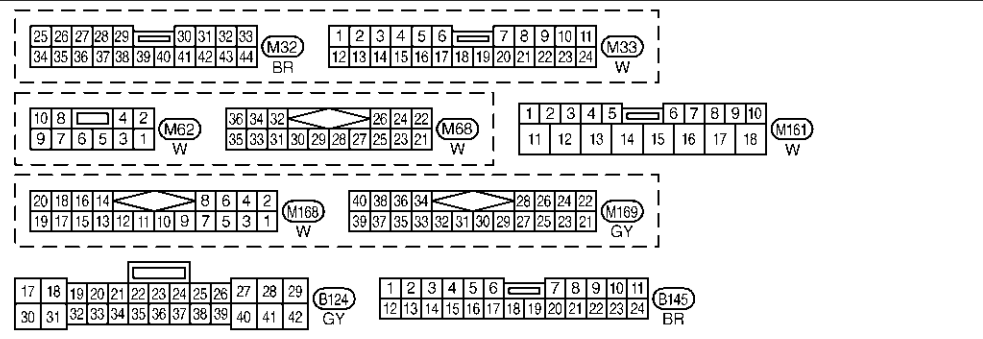
* : THIS CONNECTOR IS NOT SHOWN IN "HARNESS LAYOUT", EL SECTION.

NAVIGATION SYSTEM

Wiring Diagram — NAVI — (Cont'd)



(A) : WITH A/T
 (M) : WITH M/T
 (TS) : WITH TCS
 (OT) : WITHOUT TCS
 *1 18 : (A)
 19 : (M)



REFER TO THE FOLLOWING.

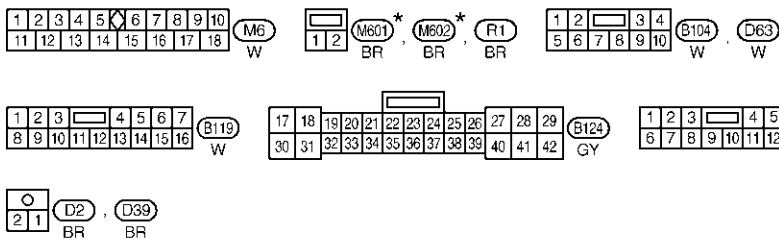
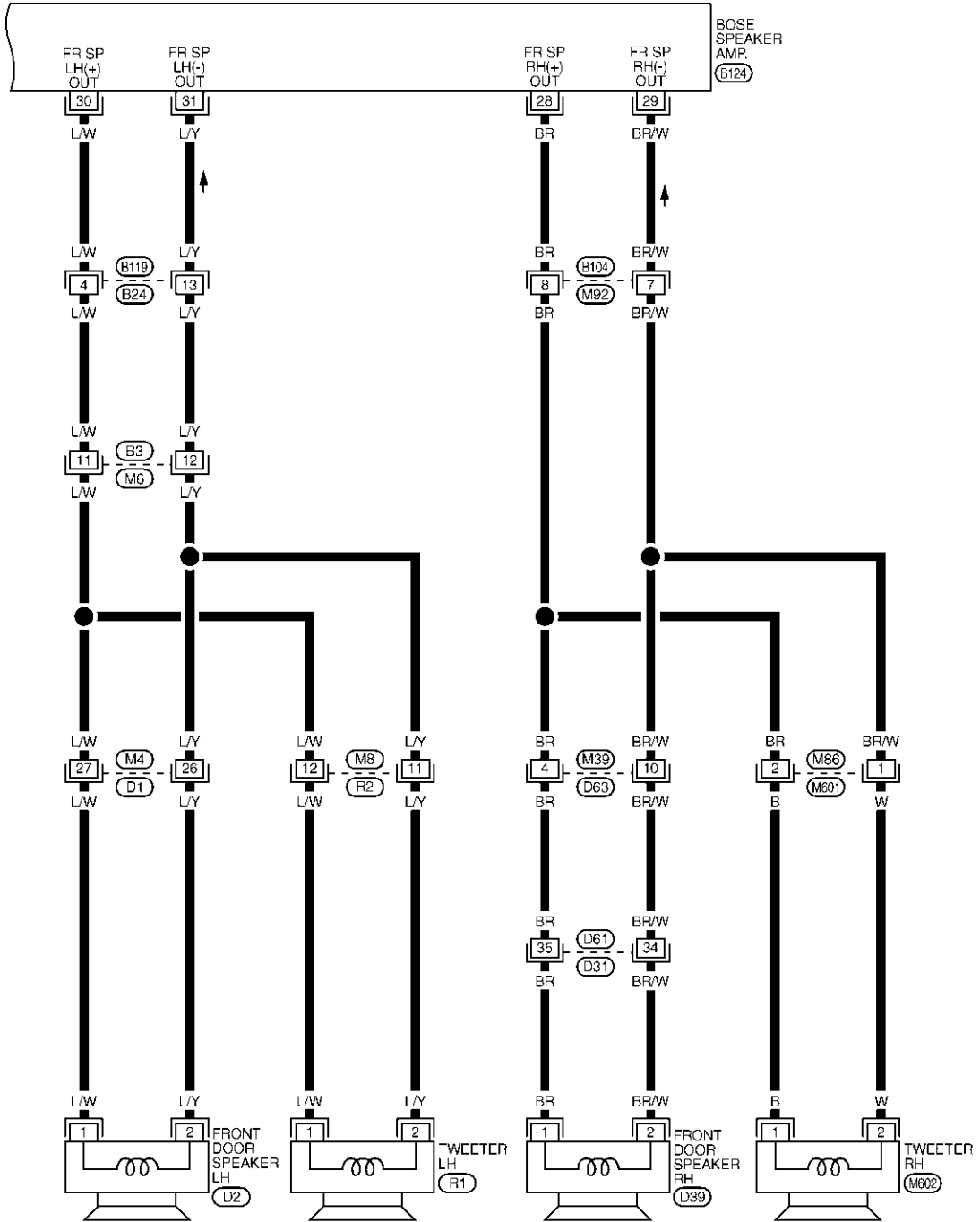
- (M15) -SUPER
- MULTIPLE JUNCTION (SMJ)
- (E9, E169, E171, F48)
- ELECTRICAL UNITS

GI
MA
EM
LC
EC
FE
CL
MT
AT
AX
SU
BR
ST
RS
BT
HA
SC
EL
IDX

NAVIGATION SYSTEM

Wiring Diagram — NAVI — (Cont'd)

EL-NAVI-03



REFER TO THE FOLLOWING:
 (D1), (D31) - SUPER
 MULTIPLE JUNCTION (SMJ)

* : THIS CONNECTOR IS NOT SHOWN IN "HARNESS LAYOUT", EL SECTION.

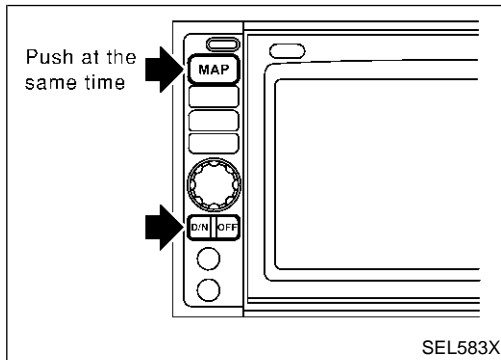
MEL908P

Self-diagnosis Mode APPLICATION ITEMS

NFEL0297

NFEL0297S01

Mode	Description	Reference page	
Self Diagnosis	Self-diagnosis for display & NAVI control unit, CD-ROM and GPS antenna connection.	EL-392	
Confirmation/ adjustment	Display Diagnosis	Color and gray gradation of display can be checked in this mode.	
	Diagnostic Signals from the Car	Several input signals to display & NAVI control unit, can be monitored in this mode.	
	Navigation	Check the Map CD-ROM Version	The version (parts number) of inserted CD-ROM can be checked in this mode.
		History of Errors	Diagnosis results previously stored in the memory (before turning ignition switch ON) are displayed in this mode. Time and location when/where the errors occurred are also displayed.
		Display Longitude & Latitude	Display the map. Use the joystick to adjust position. Longitude and latitude will be displayed.
		Angle Adjustment	Turning angle of the vehicle on the display can be adjusted in this mode.
		Speed Calibration	Under ordinary conditions, the navigation system distance measuring function will automatically compensate for minute decreases in wheel and tire diameter caused by tire wear or low pressure. Speed calibration immediately restores system accuracy in cases such as when distance calibration is needed because of the use of tire chains in inclement weather.
Initialize Location	This mode is for initializing the current location. Use when the vehicle is transported a long distance on a trailer, etc.		



HOW TO PERFORM SELF-DIAGNOSIS MODE

NFEL0297S02

1. Start the engine.
2. Push both of "MAP" and "D/N" switches at the same time for more than 5 seconds.



3. Touch "Self Diagnosis" or "Confirmation/ adjustment".
- For further procedure, refer to the following pages which describe each application item of the self-diagnosis mode.

GI
MA
EM
LC
EC
FE
CL
MT
AT
AX
SU
BR
ST
RS
BT
HA
SC
EL
IDX

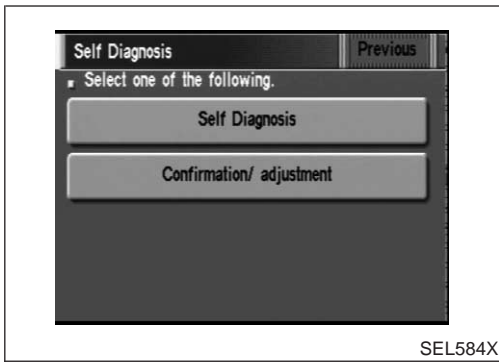
NAVIGATION SYSTEM

Self-diagnosis Mode (Cont'd)

NFEL0297S0201

“Self Diagnosis”

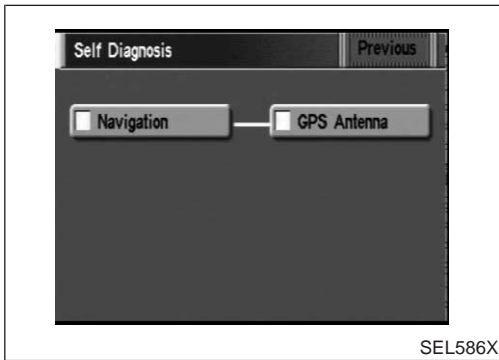
1. Start the engine.
2. Push both “MAP” and “D/N” switches at the same time for more than 5 seconds.
3. Touch “Self Diagnosis”.



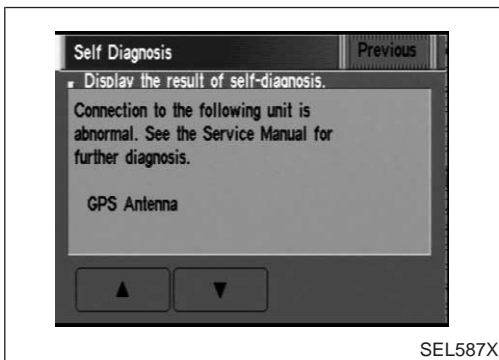
4. Self-diagnosis will be performed.



5. Diagnosis results will be displayed. Diagnosis results are indicated by display color. For details refer to “SELF-DIAGNOSIS RESULTS”.



To obtain detailed diagnosis results on the screen, touch “Navigation” or “GPS Antenna”.



NAVIGATION SYSTEM

Self-diagnosis Mode (Cont'd)

SELF-DIAGNOSIS RESULTS

=NFEL0297S03

Diagnosed item	Displayed color	Detailed result	Description	Diagnoses/service procedure Recheck system at each check or replacement (When malfunction is eliminated, further repair work is not required.)	
"GPS Antenna" (GPS antenna connection)	Green	—	GPS antenna is connected to display & NAVI control unit correctly.	—	GI MA EM
	Yellow	Connection to the following unit is abnormal. See the Service Manual for further diagnosis.	GPS antenna connection error is detected.	<ol style="list-style-type: none"> 1. Check GPS antenna feeder cable connection at display & NAVI control unit. 2. Visually check GPS antenna feeder cable. If NG, replace GPS antenna assembly. 3. Replace GPS antenna. 	LC EC
"Navigation" (Display & NAVI control unit)	Green	—	No failure is detected.	—	FE
	Red	[*** is abnormal.]	Display & NAVI control unit is malfunctioning.	Replace display & NAVI control unit.	CL
	Gray	Self-diagnosis for CD-ROM DRIVER of NAVI was not conducted because no CD-ROM was available.	Any CD-ROM is not inserted or display & NAVI control unit is malfunctioning.	<ol style="list-style-type: none"> 1. Confirm that map CD-ROM is not inserted into display & NAVI control unit. 2. Replace display & NAVI control unit. 	MT
	Yellow	CD-ROM or CD-ROM DRIVER of DISP & NAVI is abnormal. See the Service Manual for further diagnosis.	Display & NAVI control unit judges that inserted CD-ROM is malfunctioning. Map CD-ROM or CD-ROM driver of the unit is malfunctioning.	<ol style="list-style-type: none"> 1. Confirm the disk is installed correctly (not up side down.) 2. Perform "CHECK THE MAP CD-ROM VERSION" in EL-399 to confirm whether correct CD-ROM is inserted or not. 3. Check the disk surface. Are there any scratches, abrasions or pits on the surface? 4. Replace the CD-ROM. 5. Replace display & NAVI control unit. 	AT AX SU
		CD-ROM is abnormal. Please check the disc.	Inserted map CD-ROM can not be read. Map CD-ROM or CD-ROM driver of the unit is malfunctioning.		BR
		Connection to the following unit is abnormal. See the Service Manual for further diagnosis.	GPS antenna connection error is detected.	<ol style="list-style-type: none"> 1. Check GPS antenna feeder cable connection at display & NAVI control unit. 2. Visually check GPS antenna feeder cable. If NG, replace GPS antenna assembly. 3. Replace GPS antenna. 	ST RS BT

EL

IDX

Confirmation/Adjustment Mode

=NFEL0298

“HISTORY OF ERRORS” MODE

NFEL0298S01

Description

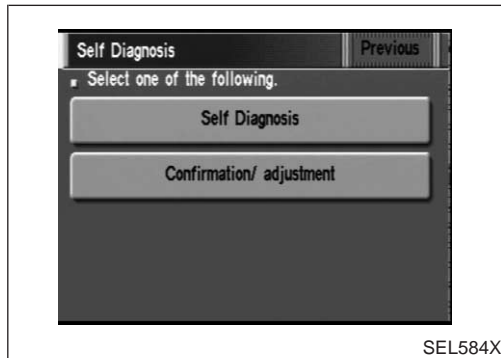
NFEL0298S0101

In this mode, historical errors of the system are displayed with the following data.

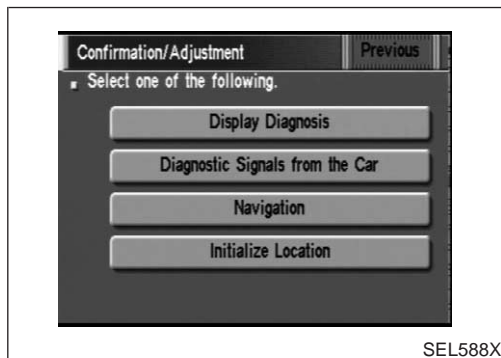
- How many times the error was detected
- The last time data when the error was detected
- The last place where the error was detected

NOTE:

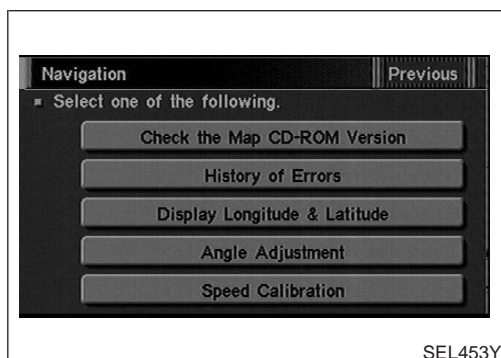
- The number of errors can be counted up to 50 times. More than 51 times will be indicated as 50 times.
- Malfunction of the GPS board (inside the display & NAVI control unit) will result in the display of incorrect time data.
- When an error occurs, an incorrect position marker appears on the display. The accuracy of the display data (position marker) will be affected.



SEL584X



SEL588X

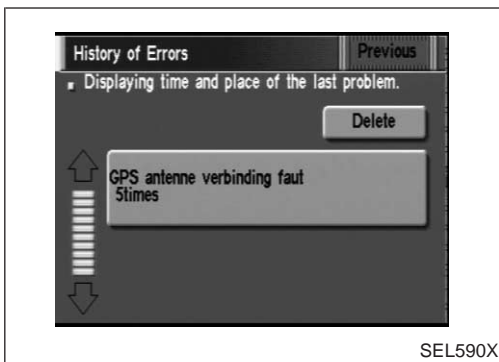


SEL453Y

How to Perform

NFEL0298S0102

1. Start the engine.
2. Push both “MAP” and “D/N” switch at the same time for more than 5 seconds.
3. Touch “Confirmation/ adjustment”.
4. Touch “Navigation”.
5. Touch “History of Errors”.



6. If trouble items are displayed with time count, repair/replace the system according to "HISTORY OF ERRORS" TABLE, EL-396.
7. If necessary, touch error item to display the time when the error was detected and the place where the error was detected.
8. After repairing the system, erase the diagnosis memory.

NOTE:

When the display & NAVI control unit must be replaced, do not erase the diagnosis memory for further inspection of malfunctions.

- a. Start the engine.
- b. Push both "Map" and "D/N" switches at the same time for more than 5 seconds.
- c. Touch "Confirmation/ adjustment".
- d. Touch "Navigation".
- e. Touch "History of Errors".
- f. Touch "Delete".
- g. Touch "Yes".

GI

MA

EM

LC

EC

FE

CL

MT

AT

AX

SU

BR

ST

RS

BT

HA

SC

EL

IDX

NAVIGATION SYSTEM

Confirmation/Adjustment Mode (Cont'd)

“HISTORY OF ERRORS” TABLE

=NFEL0298S02

Detected items	Description	Diagnosis/service procedure	Reference page
Gyro sensor disconnected	Communications malfunction between display & NAVI control unit and internal gyro	Perform self-diagnosis to confirm whether the display & NAVI control unit is malfunctioning or not. If no failure is detected, a momentary and/or temporary malfunction may have been caused by strong electromagnetic wave interference.	EL-391
Connection problem of speed sensor	Input malfunction of display & NAVI control unit and speed sensor	Check vehicle speed sensor signal in “DIAGNOSTIC SIGNALS FROM THE CAR” mode. If the input signal is not detected correctly, check harness for open or short between combination meter and display & NAVI control unit.	EL-398
GPS disconnected	Communications malfunction between display & NAVI control unit and GPS board	Perform self-diagnosis to confirm whether the display & NAVI control unit is malfunctioning or not. If no failure is detected, a momentary and/or temporary malfunction may have been caused by strong electromagnetic wave interference.	EL-391
GPS transmission cable malfunction			
GPS input line connection error			
GPS TCXO over	The transmission circuit of the GPS board frequency synchronization oscillator (inside the display & NAVI control unit) is sending an oscillation frequency that is greater or less than the set value.	A location error occurs. Strong electromagnetic wave interference may have occurred. The GPS antenna may be in a very hot or very cold environment. This is usually a temporary malfunction.	—
GPS TCXO under			
GPS ROM malfunction	Internal malfunction of GPS board RAM or ROM inside the display & NAVI control unit.	Perform self-diagnosis to confirm whether the display & NAVI control unit is malfunctioning or not. If no failure is detected, a momentary and/or temporary malfunction may have been caused by strong electromagnetic wave interference.	EL-391
GPS RAM malfunction			
GPS RTC malfunction			
GPS antenna disconnected	—	Perform self-diagnosis to confirm GPS antenna connection. If no failure is detected, a momentary and/or temporary malfunction may have been caused by a strong impact.	EL-392
Low voltage of GPS	Power supply voltage for GPS board inside the display & NAVI control unit is low.	1. Check power supply circuits for display & NAVI control unit.	EL-415
		2. Perform self-diagnosis to confirm GPS antenna connection.	EL-392
		3. If above diagnosis results are OK, a momentary and/or temporary malfunction may have been caused by a strong impact.	—
CD-ROM communication error	CD-ROM driver malfunction (inside the display & NAVI control unit)	Perform self-diagnosis to confirm whether the display & NAVI control unit is malfunctioning or not. If no failure is detected, a momentary and/or temporary malfunction may have been caused by strong electromagnetic wave interference.	EL-391

NAVIGATION SYSTEM

Confirmation/Adjustment Mode (Cont'd)

Detected items	Description	Diagnosis/service procedure	Reference page
Loading mechanism malfunction	—	Check that whether the disc can be inserted and ejected correctly. If the loading function does not operate correctly, replace display & NAVI control unit.	—
CD-ROM reading error	It is confirmed that the appropriate CD-ROM disc is positioned in the CD-ROM loader. However, no data can be read.	Perform self-diagnosis to confirm whether the inserted disc is malfunctioning or not.	EL-391
Malfunctioning of error correction for CD-ROM	Erroneous data is read from the CD-ROM. The errors cannot be corrected.		
CD-ROM focus error	CD-ROM data reading beam is out of focus.	Rough road driving might create CD skipping like music CD audio unit.	—
CD-ROM malfunction	—	Perform self-diagnosis to confirm whether the inserted disc is malfunctioning or not.	EL-391

GI

MA

EM

LC

EC

FE

CL

MT

AT

AX

SU

BR

ST

RS

BT

HA

SC

EL

IDX

NAVIGATION SYSTEM

Confirmation/Adjustment Mode (Cont'd)

“DIAGNOSTIC SIGNALS FROM THE CAR” MODE

=NFEL0298S03

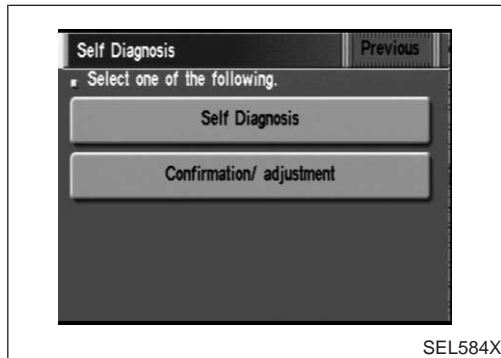
Description

NFEL0298S0301

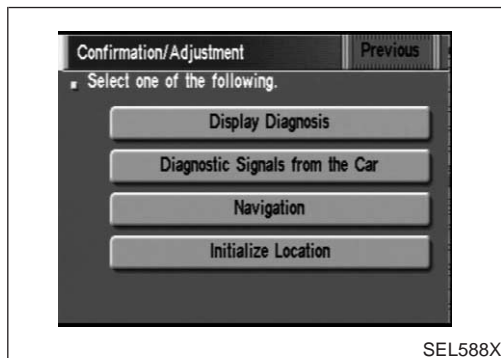
In “Diagnostic Signals From the Car” mode, following input signals to the display & NAVI control unit can be checked on the display.

Item	Indication	Vehicle condition
Vehicle Speed*	ON	Vehicle speed is greater than 0 km/h (0 MPH).
	OFF	Vehicle speed is 0 km/h (0 MPH).
Light	ON	Lighting switch is in 1st or 2nd position.
	OFF	Lighting switch is in “OFF” position.
IGN	ON	Ignition switch is in “ON” position.
	OFF	Ignition switch is in “ACC” position.
Reverse	ON	Selector/shift lever is in “reverse” position.
	OFF	Selector/shift lever is in other than “reverse” position.

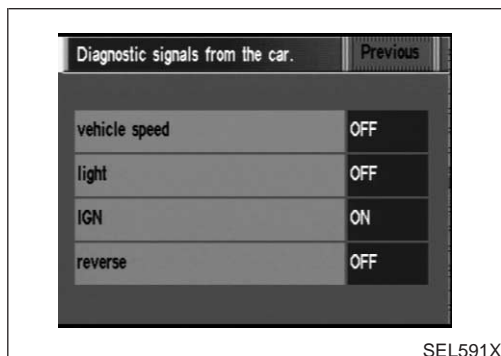
*: When ignition switch is in “ACC” position, indication will be changed to “—”.



SEL584X



SEL588X

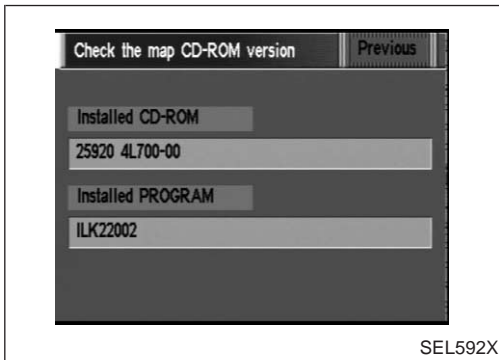
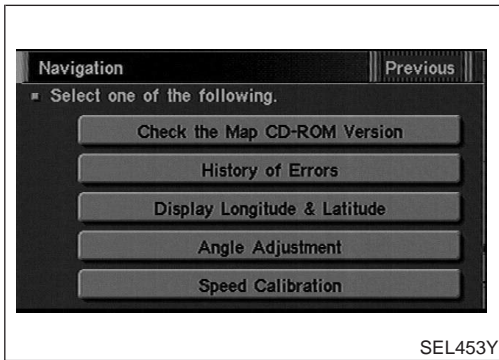
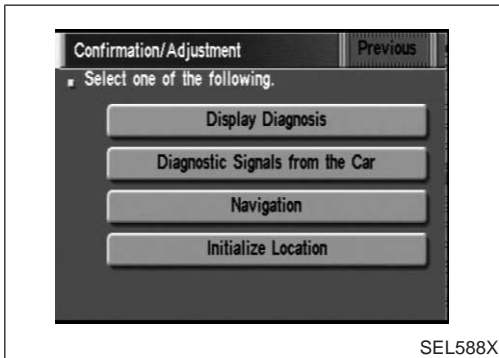
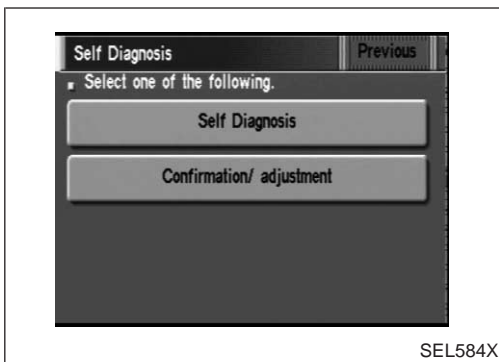


SEL591X

How to Perform

NFEL0298S0302

1. Start the engine.
2. Push both “MAP” and “D/N” switches at the same time for more than 5 seconds.
3. Touch “Confirmation/ adjustment”.
4. Touch “Diagnostic Signals from the Car”.
5. Then “Diagnostic Signals from the Car” mode is performed.



“CHECK THE MAP CD-ROM VERSION” MODE

=NFEL0298S04

How to Perform

NFEL0298S0401

1. Start the engine.
2. Push both “MAP” and “D/N” switches at the same time for more than 5 seconds.
3. Touch “Confirmation/ adjustment”.
4. Touch “Navigation”.
5. Touch “Check the Map CD-ROM Version”.
6. The version (parts number) of CD-ROM loaded to the display and NAVI control unit will be displayed.

GI

MA

EM

LC

EC

FE

CL

MT

AT

AX

SU

BR

ST

RS

BT

HA

SC

EL

IDX

NAVIGATION SYSTEM

Confirmation/Adjustment Mode (Cont'd)

“DISPLAY DIAGNOSIS” MODE

=NFEL0298S05

Description

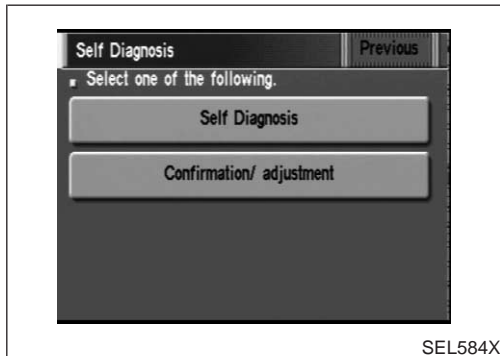
NFEL0298S0501

Use the “Display Diagnosis” mode to check the display color brightness and shading. The display & NAVI control unit must be replaced if the color brightness and shading are abnormal.

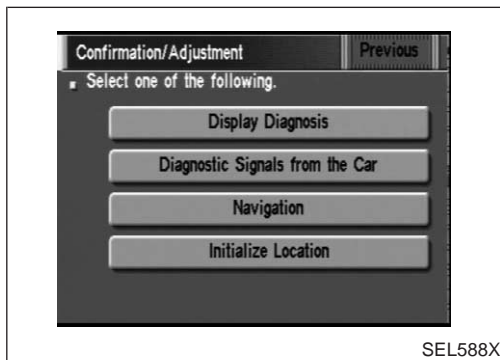
How to Perform

NFEL0298S0502

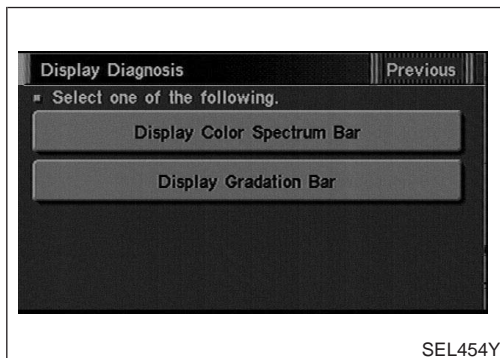
1. Start the engine.
2. Push both “MAP” and “D/N” switches at the same time for more than 5 seconds.
3. Touch “Confirmation/ adjustment”.
4. Touch “Display Diagnosis”.
5. Touch “Display Color Spectrum Bar” or “Display Gradation Bar”.
6. Then color bar/gray scale will be displayed.



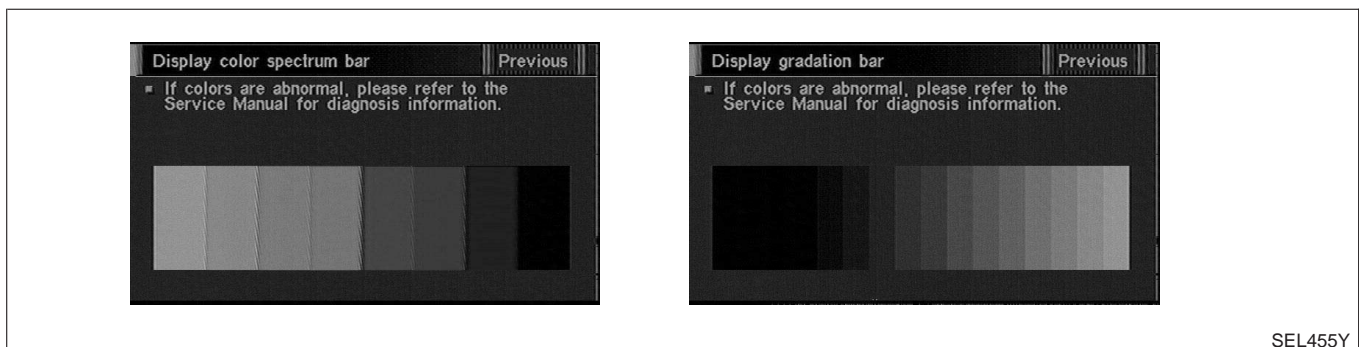
SEL584X



SEL588X



SEL454Y



SEL455Y

“DISPLAY LONGITUDE & LATITUDE” MODE

NFEL0298S06

Description

NFEL0298S0601

The “Display Longitude & Latitude” is used to confirm the longitude and latitude of some optional area point.

GI

MA

EM

LC

How to Perform

NFEL0298S0602

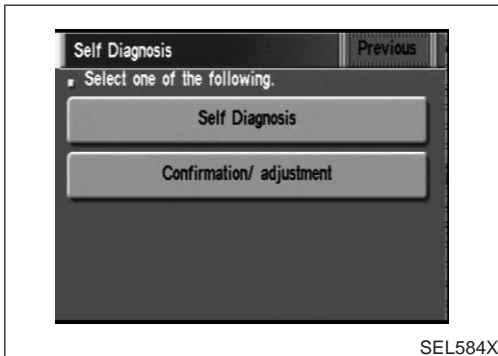
1. Start the engine.
2. Push both “MAP” and “D/N” switches at the same time for more than 5 seconds.
3. Touch “Confirmation/ adjustment”.

EC

FE

CL

MT

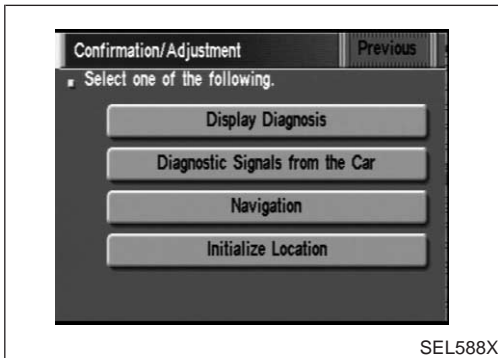


SEL584X

4. Touch “Navigation”.

AT

AX



SEL588X

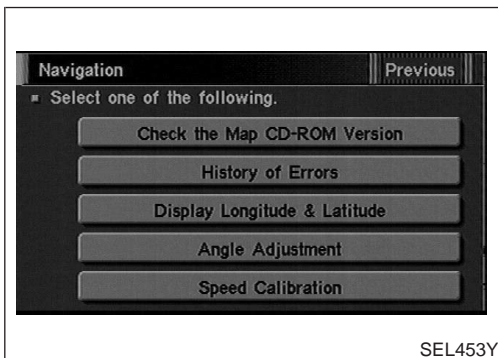
5. Touch “Display Longitude & Latitude”.

ST

RS

BT

HA



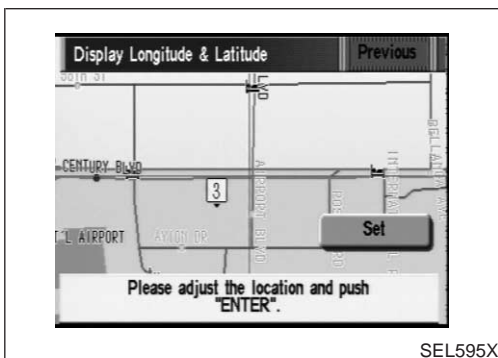
SEL453Y

6. Adjust the pointer with using the joystick and touch “Set”.
7. The display longitude and latitude are displayed.

SC

EL

IDX



SEL595X

NAVIGATION SYSTEM

Confirmation/Adjustment Mode (Cont'd)

“ANGLE ADJUSTMENT” MODE

=NFEL0298S07

Description

NFEL0298S0701

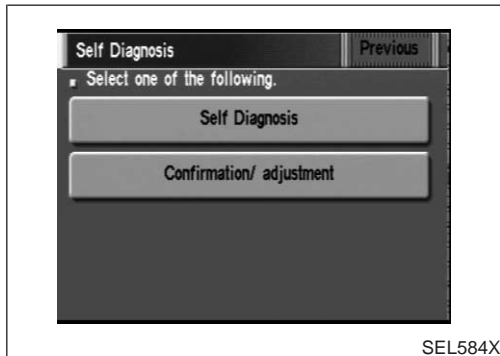
If the display indicates a larger or smaller turning angle than the actual turning angle, the gyro (angular speed sensor) sensing values must be checked.

In case that the vehicle on the display makes larger angle turn than reality, touch “-”. In case that the vehicle on the display makes smaller angle turn than reality, touch “+”.

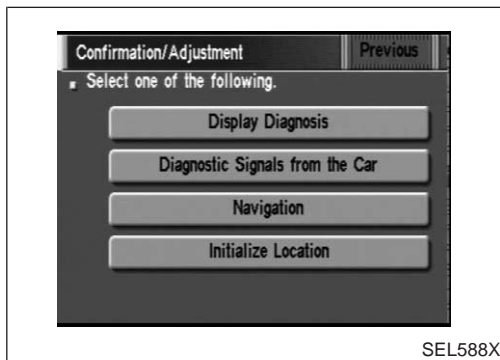
How to Perform

NFEL0298S0702

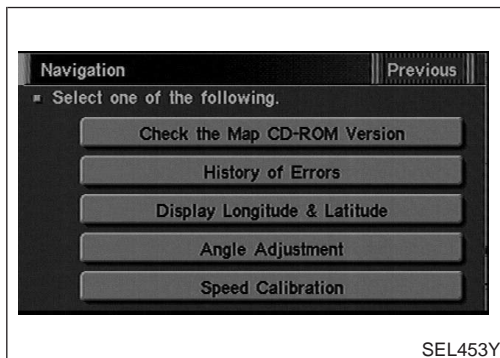
1. Start the engine.
2. Push both “MAP” and “D/N” switches at the same time for more than 5 seconds.
3. Touch “Confirmation/ adjustment”.



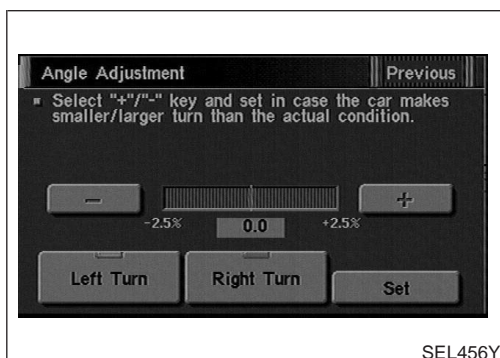
4. Touch “Navigation”.



5. Touch “Angle Adjustment”.



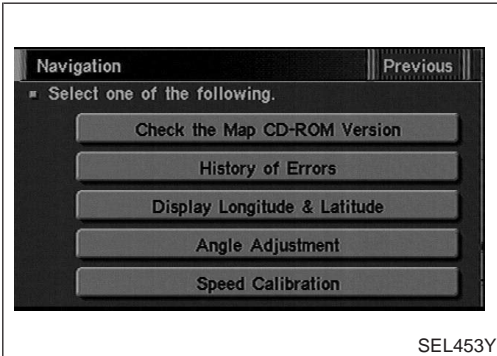
6. Touch “Left Turn” to adjust the angle to the left. Touch “Right Turn” to adjust the angle to the right.
7. Touch “+” to increase the angle change coefficient or “-” to reduce the angle change coefficient.
8. Touch “Set” to save the changed values in memory.
9. Then the vehicle turning angle on the display has adjusted.



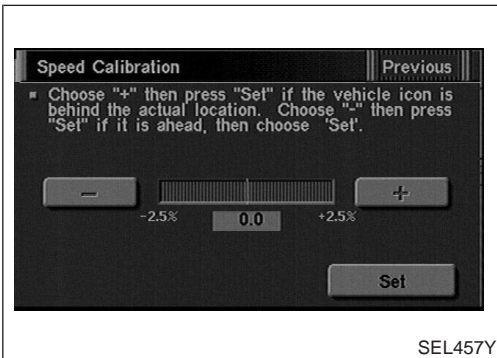
=NFEL0298S08



SEL584X



SEL453Y



SEL457Y

SPEED CALIBRATION

1. Start the engine.
2. Push both "MAP" and "D/N" switches at the same time for more than 5 seconds.
3. Touch "Confirmation/ adjustment".
4. Touch "Navigation".

5. Touch "Speed Calibration".

6. Touch "+" or "-" to adjust the distance change coefficient.
 - To make the distance change coefficient smaller, touch "-".
 - To make the distance change coefficient larger, touch "+".
7. Touch "Set".

GI

MA

EM

LC

EC

FE

CL

MT

AT

AX

SU

BR

ST

RS

BT

HA

SC

EL

IDX

NAVIGATION SYSTEM

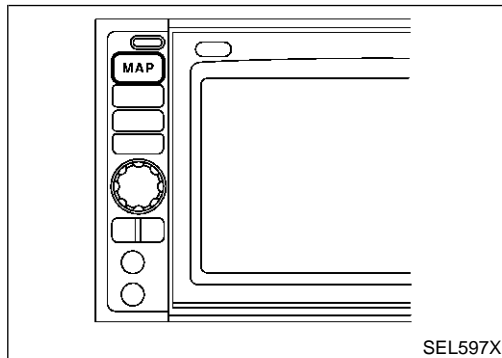
Setting Mode

Setting Mode APPLICATION ITEMS

=NFEL0299

NFEL0299S01

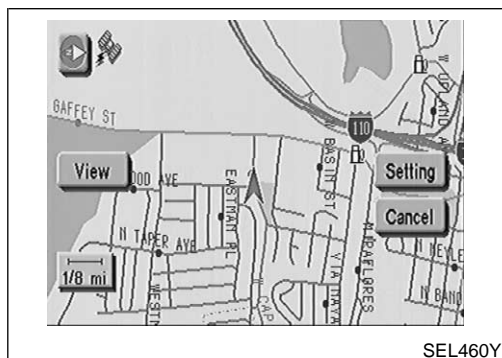
Mode	Description	Reference page
Display Setting	The following display settings can be customized. <ul style="list-style-type: none"> ● Display color (Day mode or Night mode) ● Brightness of display 	EL-406
Heading	Heading of the map display can be customized for either north heading or the actual driving direction of the vehicle.	EL-409
Nearby Display Icons	Icons of facilities can be displayed. Facilities to be displayed can be selected from the variety of selections.	EL-410
Adjust Current Location	Current location of position marker can be adjusted. Direction of position marker also can be calibrated when heading direction of the vehicle on the display is not matched with the actual direction.	EL-405
Avoid Area Setting	Particular area can be avoided when routing.	—
Beep on/off	Beep sounds which correspond to the system operation can be activated/deactivated.	EL-406
Clear Memory	Address book, Previous destination or Avoid area can be deleted.	EL-410
GPS Information	The GPS includes longitude, latitude and altitude (distance above sea level) of the present vehicle position, and current date and time for the area in which the vehicle is being driven. Also indicated are the GPS reception conditions and the GPS satellite position.	EL-404
Map & A/C	The map and A/C settings can be displayed at the same time.	EL-411
Quick Stop Customer Setting	One facility of your selection can be added to your Quick Stop.	EL-407
Route Priorities	Priorities of search request and automatic re-searching can be set for route search.	EL-408
Tracking	Tracking to the present vehicle position can be displayed.	EL-409



HOW TO PERFORM CONTROL PANEL MODE

NFEL0299S02

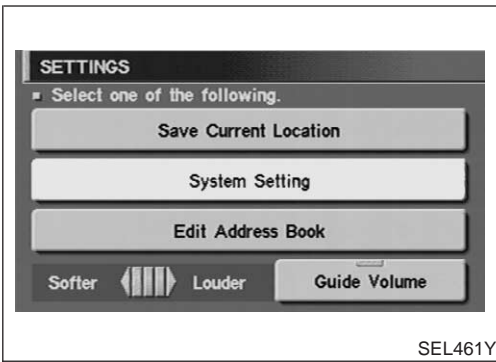
1. Start the engine.
2. Push "MAP" switch.
 - For further procedures, refer to the following pages which describe each application item of the control panel mode.



"GPS INFORMATION" SETTING

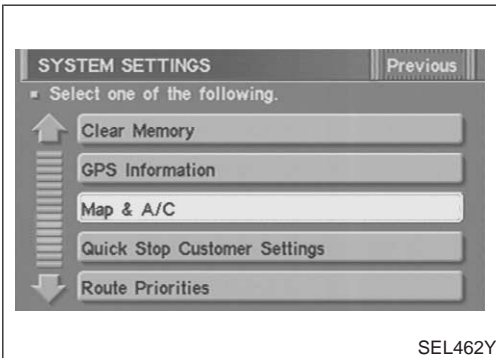
NFEL0299S03

1. Start the engine.
2. Push "MAP" switch.
3. Touch "Setting".



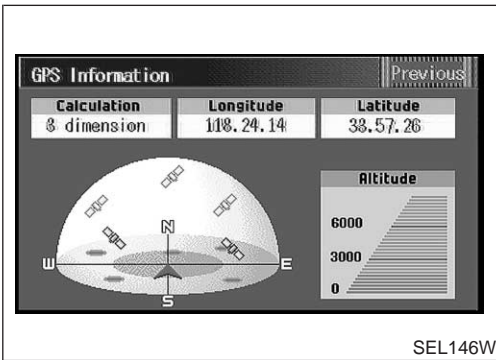
SEL461Y

4. Touch "System Setting".



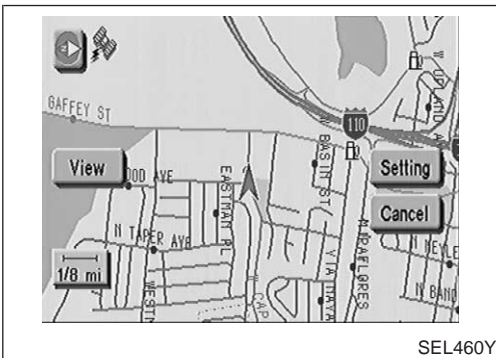
SEL462Y

5. Touch "GPS Information".



SEL146W

6. Then GPS information will be displayed.

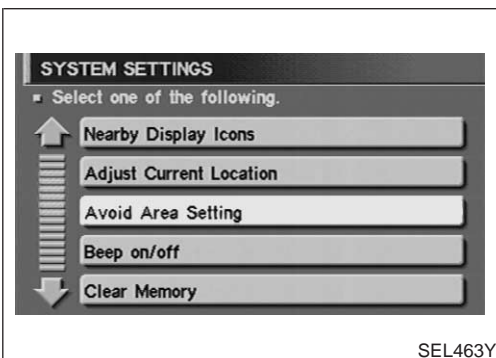


SEL460Y

"ADJUST CURRENT LOCATION" SETTING

NFEL0299S04

1. Start the engine.
2. Push "MAP" switch.
3. Touch "Setting".
4. Touch "System Setting".



SEL463Y

5. Touch "Adjust Current Location".

GI

MA

EM

LC

EC

FE

CL

MT

AT

AX

SU

BR

ST

RS

BT

HA

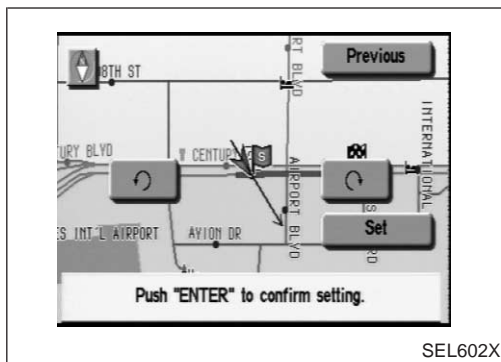
SC

EL

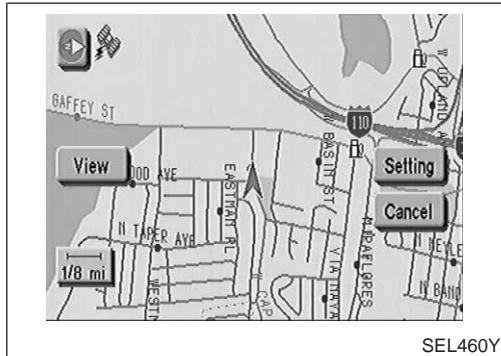
IDX

NAVIGATION SYSTEM

Setting Mode (Cont'd)



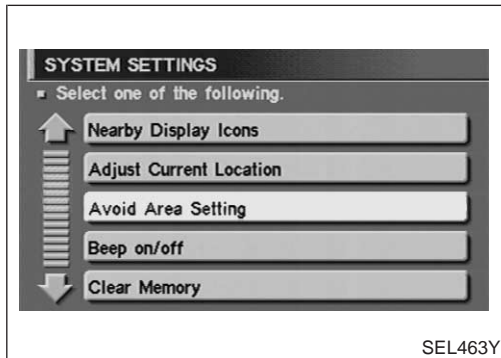
6. Touch “↶” or “↷” to calibrate the heading direction. (Arrow marks will rotate corresponding to the calibration key.)
7. Touch “Set”. Then the vehicle mark will be matched to the arrow mark.
8. Display will show “Heading direction has been calibrated” and then go back to the current location map.



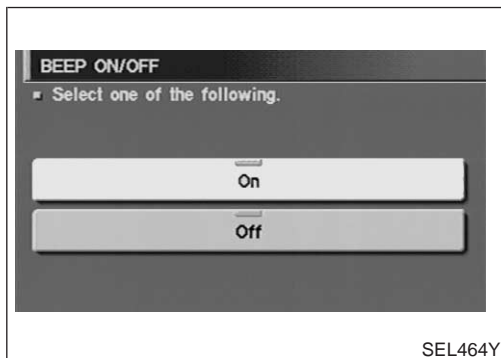
BEEP ON/OFF SETTING

NFEL0299S05

1. Start the engine.
2. Push “MAP” switch.
3. Touch “Setting”.
4. Touch “System Setting”.



5. Touch “Beep on/off”.



6. Touch “On” or “Off” icon.
 - If you want the beep sound, select “ON”.
 - If you do not want the beep sound, select “OFF”.
7. Push “MAP” switch, then the display will go back to the current location map.

DISPLAY SETTING

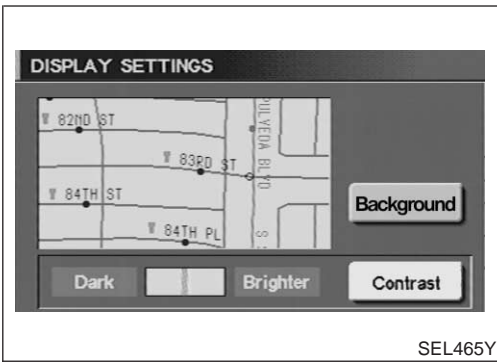
NFEL0299S06

Description

NFEL0299S0601

The following display setting can be changed in this mode.

- Dimmer operation (when lighting switch is turned on.)
- Display color (Day mode or Night mode)
- Brightness of display



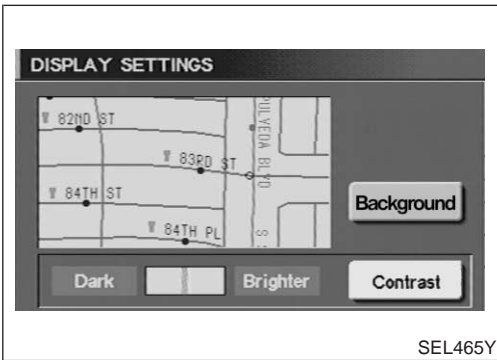
DISPLAY COLOR SETTING

NFEL0299S07

1. Start the engine.
2. Push "MAP" switch.
3. Touch "Setting".
4. Touch "System Setting".
5. Touch "Display Setting".
6. Touch "Background". Display color will change to Day mode/
Night mode.
7. Touch "Previous".

NOTE:

- Display color can be changed independently when lighting switch is turned on and off.
- The D/N button is used to change the display color the same way as the "Background" icon.
- Initial setting of the color is as follows:
When lighting switch is turned off: Day mode
When lighting switch is turned on: Night mode
Day mode: White background
Night mode: Black background



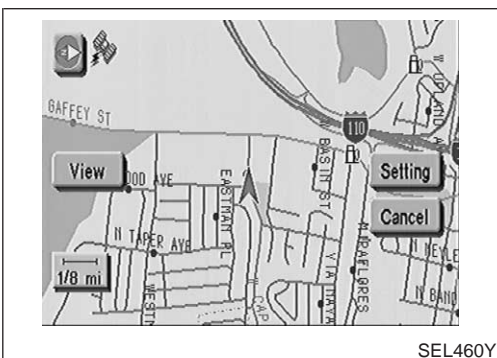
BRIGHTNESS SETTING

NFEL0299S08

1. Start the engine.
2. Push "MAP" switch.
3. Touch "Setting".
4. Touch "System Setting".
5. Touch "Display Setting".
6. Touch "Brighter" or "Dark" to adjust the brightness of display.
7. Touch "Previous".

NOTE:

Display brightness can be adjusted independently when lighting switch is turned on and off.



"QUICK STOP CUSTOMER SETTING" MODE

NFEL0299S09

1. Start the engine.
2. Push the "MAP" switch.
3. Touch "Setting".
4. Touch "System Setting".

GI

MA

EM

LC

EC

FE

CL

MT

AT

AX

SU

BR

ST

RS

BT

HA

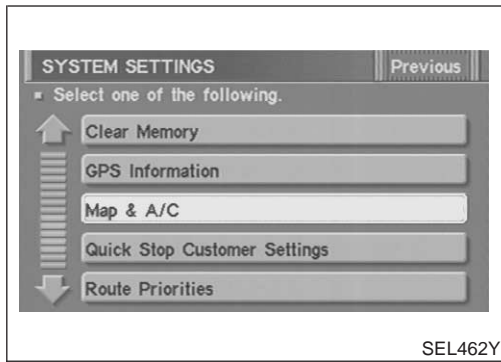
SC

EL

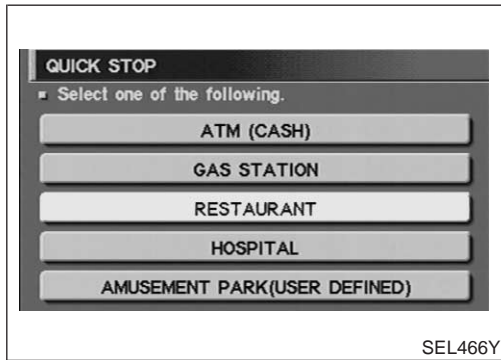
IDX

NAVIGATION SYSTEM

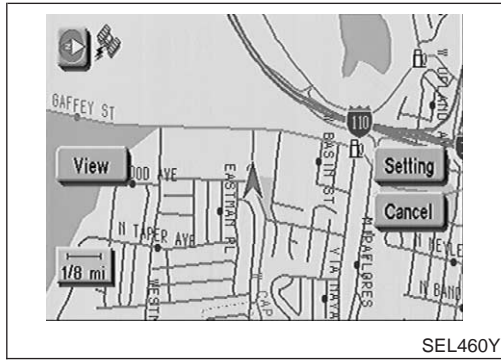
Setting Mode (Cont'd)



5. Touch "Quick Stop Customer Setting".



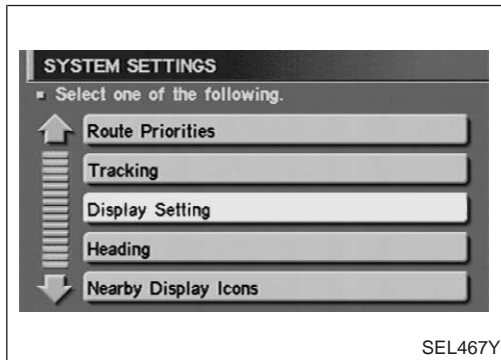
6. Select from the itemized list.



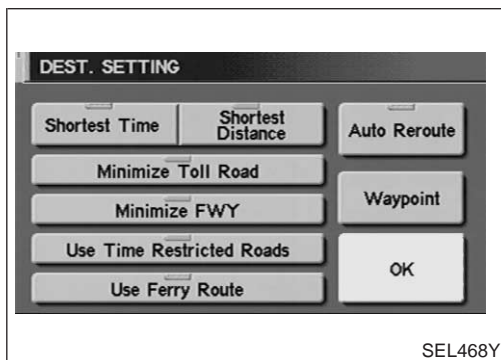
"ROUTE PRIORITIES" MODE

NFEL0299S10

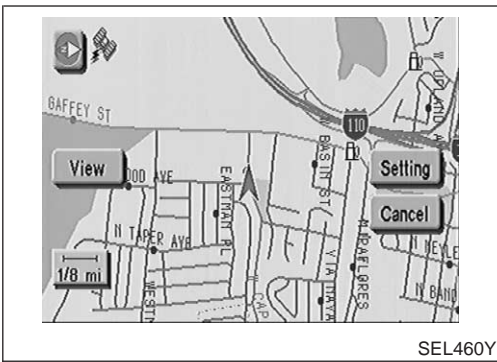
1. Start the engine.
2. Push the "MAP" switch.
3. Touch "Setting".
4. Touch "System Setting".



5. Touch "Route Priorities".



6. Select from the itemized list.



“TRACKING” MODE

NFEL0299S11

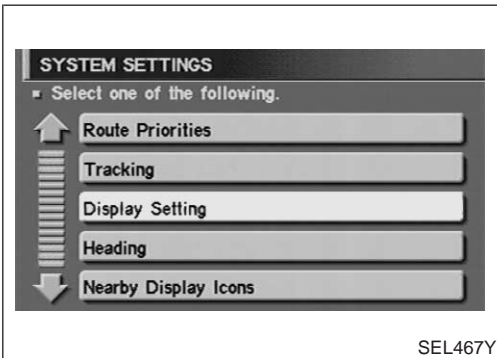
1. Start the engine.
2. Push the “MAP” switch.
3. Touch “Setting”.
4. Touch “System Setting”.

GI

MA

EM

LC



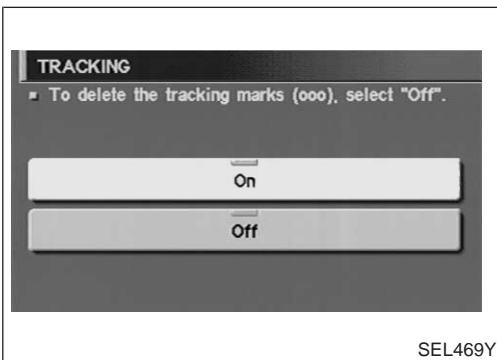
5. Touch “Tracking”.

EC

FE

CL

MT



6. Touch the “On” or “Off” icon.
 - If you don’t need a trail on the map, select “Off”.
 - If you need a trail on the map, select “On”.
7. Push the “MAP” switch to return the display to the current location map.

AT

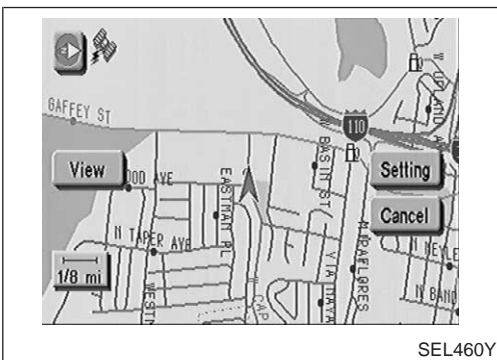
AX

NOTE:

When a trail display is turned OFF, trail data is erased from the memory.

SU

BR



“HEADING” MODE

NFEL0299S12

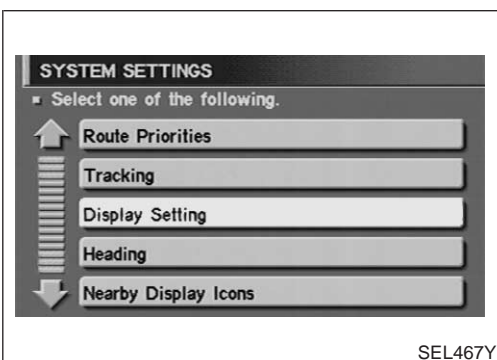
1. Start the engine.
2. Push the “MAP” switch.
3. Touch “Setting”.
4. Touch “System Setting”.

ST

RS

BT

HA



5. Touch “Heading”.

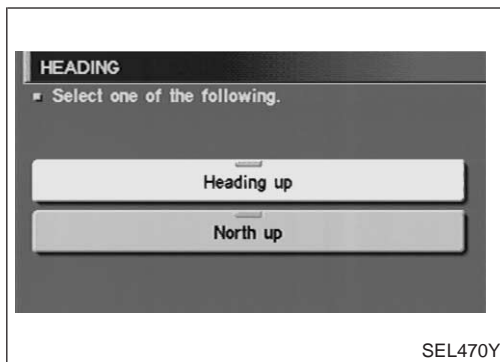
SC

EL

IDX

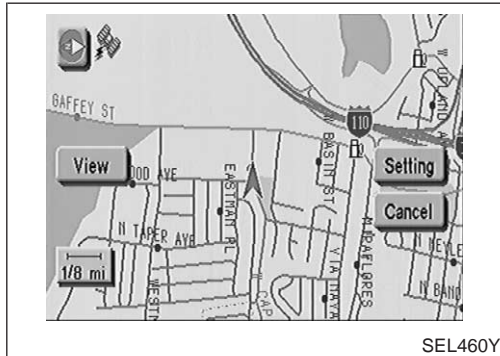
NAVIGATION SYSTEM

Setting Mode (Cont'd)



SEL470Y

6. Touch the "Heading up" or "North up" icon.
 - To display North up, select "North up".
 - To display the car heading up, select "Heading up".
7. Push the "MAP" switch, then the display will go back to the current location map.

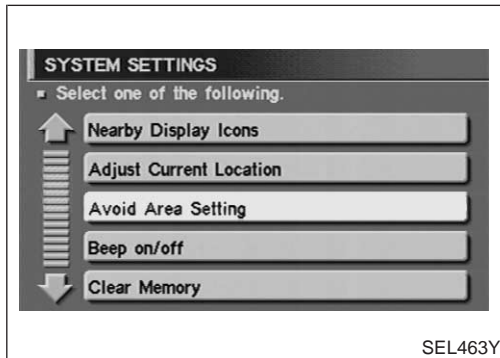


SEL460Y

"NEARBY DISPLAY ICONS" MODE

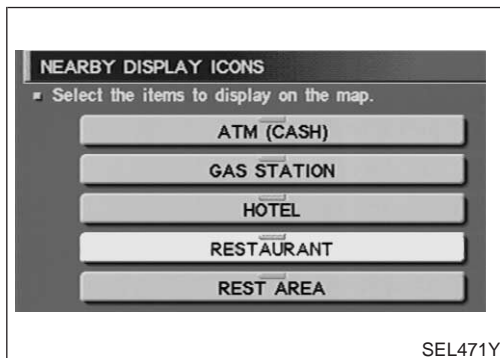
NFEL0299S13

1. Start the engine.
2. Push the "MAP" switch.
3. Touch "Setting".
4. Touch "System Setting".



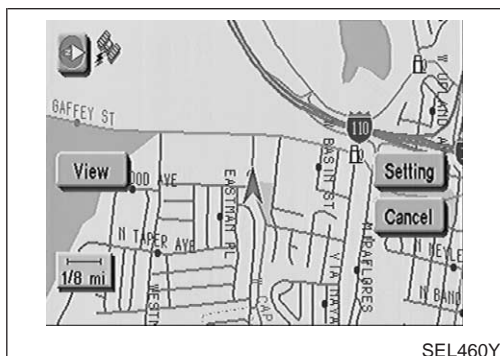
SEL463Y

5. Touch "Nearby Display Icons".



SEL471Y

6. Select and touch the itemized list.
7. Push the "MAP" switch to return the display to the current location map.

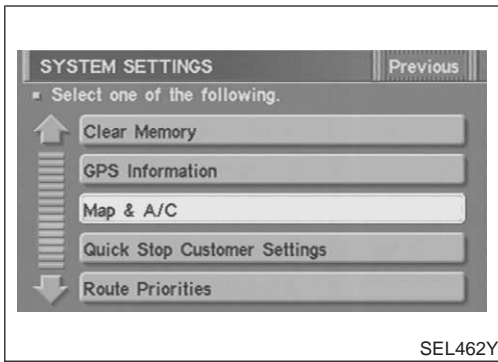


SEL460Y

"CLEAR MEMORY" MODE

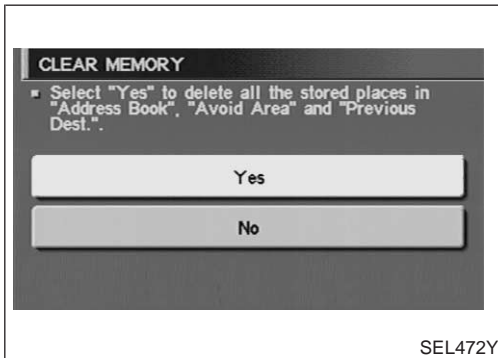
NFEL0299S14

1. Start the engine.
2. Push the "MAP" switch.
3. Touch "Setting".
4. Touch "System Setting".



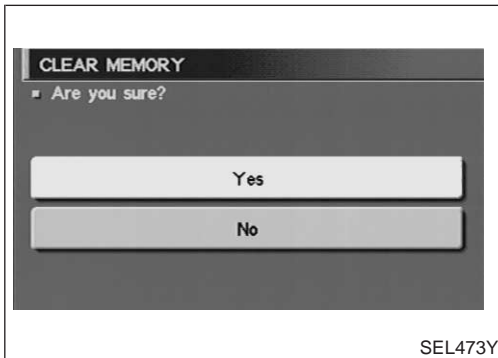
SEL462Y

5. Touch "Clear Memory".



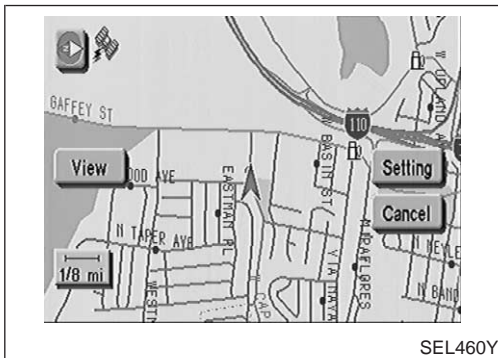
SEL472Y

6. To delete all the stored places in the "Address Book", "Avoid Area" and "Previous Dest.", select "Yes".



SEL473Y

7. When the "Yes" icon is selected, the stored data will be cleared, and the [SYSTEM SETTINGS] screen will appear.

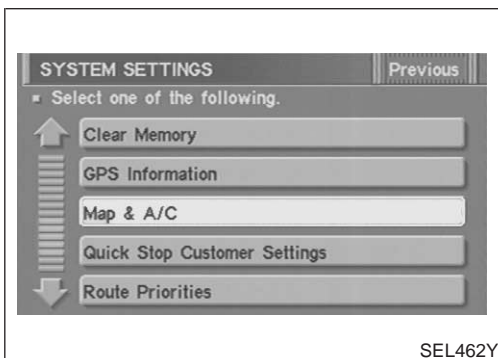


SEL460Y

"MAP & A/C" MODE

NFEL0299S15

1. Start the engine.
2. Push "MAP" switch.
3. Touch "Setting".
4. Touch "System Setting".



SEL462Y

5. Touch "MAP & A/C".

GI

MA

EM

LC

EC

FE

CL

MT

AT

AX

SU

BR

ST

RS

BT

HA

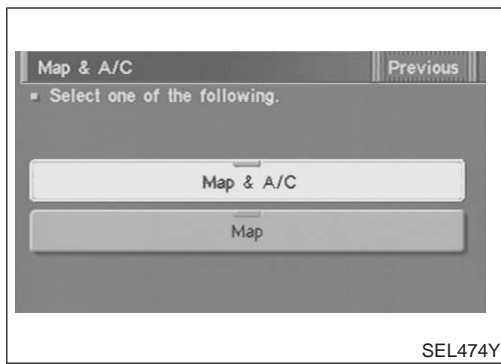
SC

EL

IDX

NAVIGATION SYSTEM

Setting Mode (Cont'd)



6. Touch "Map & A/C" or "Map" icon.
 - To set the split display with both the map and the air conditioner information as the initial setting of the NAVI system, select "MAP & A/C".
 - To set the map only display as the initial setting of the NAVI system, select "MAP".
7. Push "MAP" switch, then the display will go back to the current location map.

NOTE:

When the enlarged view is displayed, the air conditioner control screen will not be displayed.

Trouble diagnoses SYMPTOM CHART

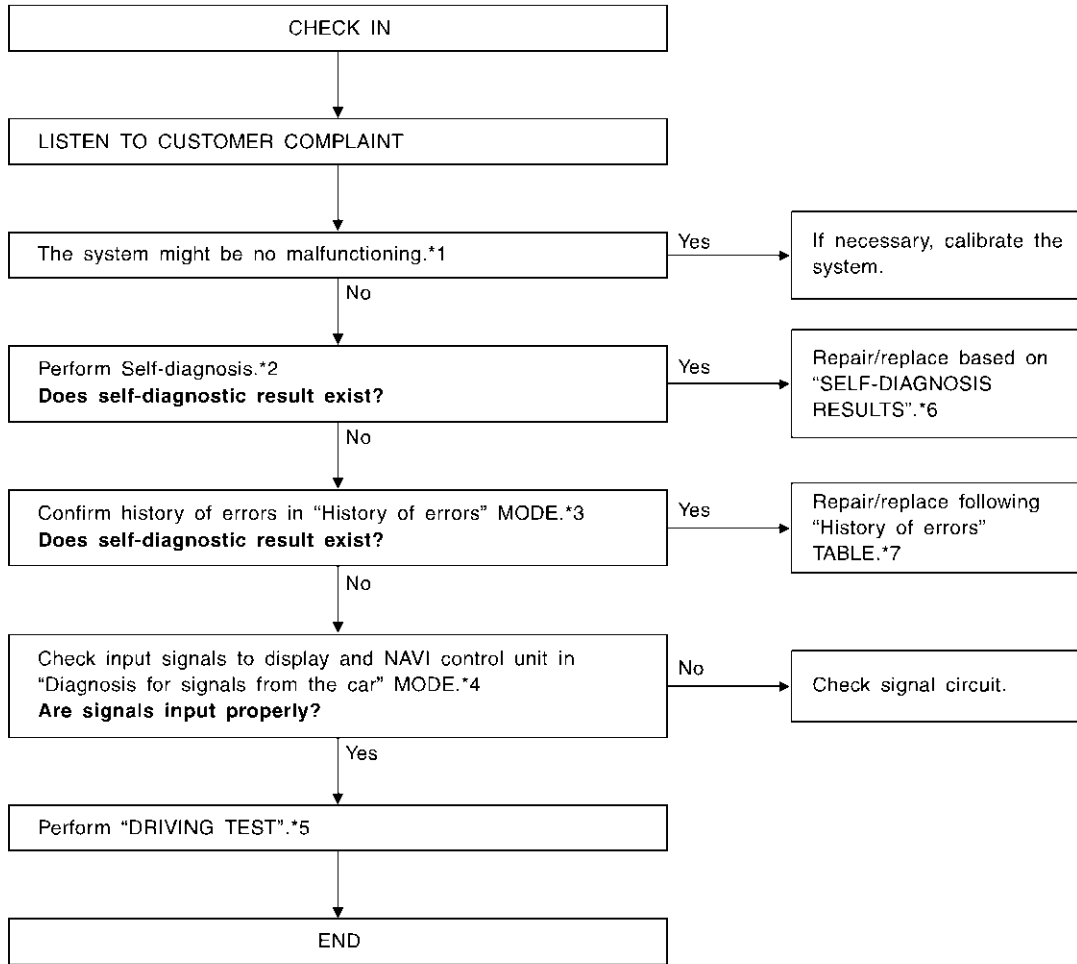
NFEL0300

NFEL0300S01

Symptom	Diagnoses/service procedure	Reference page
Any function of the system does not operate.	Check power supply and ground circuit for display & NAVI control unit.	EL-415
Strange screen color or unusual screen brightness.	1. Check "DISPLAY SETTING".	EL-406
	2. Check display in "Diagnosis of Display" MODE.	—
The display is not dimmed when turning lighting switch to ON.	1. Check "DISPLAY SETTING".	EL-406
	2. Check lighting switch signal input to display & NAVI control unit correctly in "DIAGNOSTIC SIGNAL FROM THE CAR" MODE.	EL-398
No navigation guide voice are heard from both front speakers.	1. Check "Voice Guidance Setting".	—
	2. Check voice guide operation.	EL-416
Beep does not sound when the system guides route.	Check "BEEP ON/OFF SETTING".	EL-406
Position marker does not trace along the route being traveled.	Go to "WORK FLOW FOR NAVIGATION INSPECTION".	EL-413
Position marker does not indicate forward or backward movement.	Check reverse signal input to display & NAVI control unit correctly by "DIAGNOSTIC SIGNAL FROM THE CAR" MODE.	EL-398
Radio wave of GPS cannot be received. (GPS marker on the display does not become green color.)	1. Is there anything obstructing the GPS antenna on the rear parcel finisher? (GPS antenna located under the rear parcel finisher.)	—
	2. Check GPS radio wave receive condition in "GPS INFORMATION SETTING".	EL-404
	3. Check GPS antenna in "Self Diagnosis".	EL-391
Heading direction of position marker does not match vehicle direction.	1. Perform "ADJUST CURRENT LOCATION" SETTING.	EL-405
	2. Go to "WORK FLOW FOR NAVIGATION INSPECTION".	EL-413
Stored location in the address book and other memory functions are lost when battery is disconnected or becomes discharged.	Stored location in the address book and other memory functions may be lost if the battery is disconnected or becomes discharged. If this should occur, charge or replace the battery as necessary and re-enter the information.	—
Map appears grey and cannot be scrolled.	The current location in the memory is out of the map data area. Perform "Initialize Location".	EL-430

WORK FLOW FOR NAVIGATION INSPECTION

NFEL0300S02



*1: EL-418
*2: EL-391
*3: EL-394

*4: EL-398
*5: EL-414

*6: EL-393
*7: EL-396

SEL629XA

GI
MA
EM
LC
EC
FE
CL
MT
AT
AX
SU
BR
ST
RS
BT
HA
SC
EL
IDX

DRIVING TEST

=NFEL0300S03

During the driving test, diagnose the system by checking the difference of symptoms with each sensor ON or OFF.

Test pattern 1

Test method in which current position adjustment is not made according to GPS data.

- Remove the GPS antenna connector from the display & NAVI control unit. Drive the vehicle.
Before driving the vehicle, perform "ADJUST CURRENT LOCATION" (EL-405).

Test pattern 2

Test procedure in which map matching is not used.

- Before driving the vehicle, perform "ADJUST CURRENT LOCATION" (EL-405). With the ignition switch OFF and the map CD-ROM removed from the display & NAVI control unit, drive the vehicle. After driving the vehicle, reinstall the map CD-ROM. Compare the saved driving tracks for the vehicle's current location with roads on the map.

Example

<The position marker consistently indicates the wrong position when driving in the same area. Determine if this is the result of the map matching function or the GPS function.>

→ Perform test pattern 1.

<To verify the accuracy of the road configuration shown on the display>

→ Perform test patterns 1 and 2.

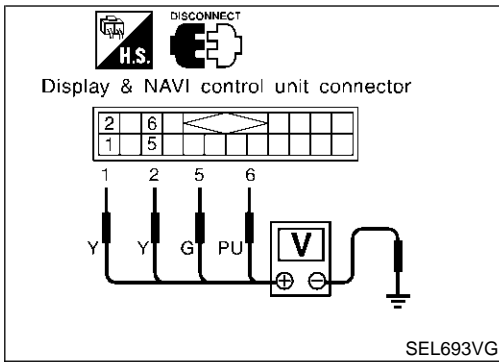
- Compare the map and the saved driving tracks. The precision of the saved driving tracks is within several hundred meters.

<To make distance calibration and adjustments>

→ Perform test patterns 1 and 2.

- Make adjustments by driving the vehicle over a known course (highway or other road where distances are clearly marked). Calibrate the distance against the known distance. Use the formula below.

Calibration value = Screen display distance/Actual distance



POWER SUPPLY AND GROUND CIRCUIT CHECK FOR DISPLAY & NAVI CONTROL UNIT

=NFEL0300S04

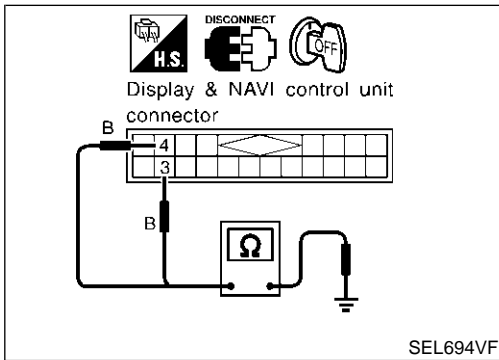
Power Supply Circuit Check

NFEL0300S0401

Terminals		Ignition switch			
Con- nector	Terminal (Wire color)	(-)	OFF	ACC	ON
			(+)		
M168	1 (Y)	Ground	Battery voltage	Battery voltage	Battery voltage
	2 (Y)	Ground	Battery voltage	Battery voltage	Battery voltage
	5 (G)	Ground	0V	0V	Battery voltage
	6 (PU)	Ground	0V	Battery voltage	Battery voltage

If NG, check the following.

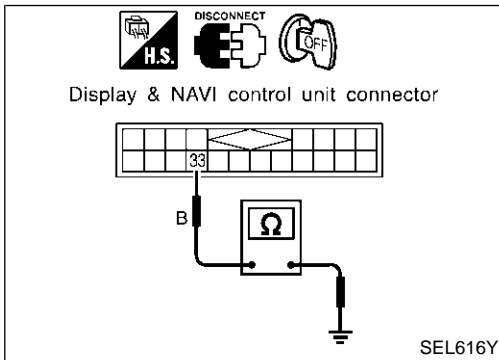
- 10A fuse [No. 1, located in the fuse block (J/B)]
- 10A fuse [No. 10, located in the fuse block (J/B)]
- 15A fuse [No. 56, located in the fuse block (J/B)]
- Harness for open or short between fuse and display & NAVI control unit



Ground Circuit Check

NFEL0300S0402

Connector	Terminals	Continuity
M168	3 (B) - Ground	Yes
	4 (B) - Ground	Yes
M169	33 (B) - Ground	Yes



GI
MA
EM
LC
EC
FE
CL
MT
AT
AX
SU
BR
ST
RS
BT
HA
SC
EL
IDX




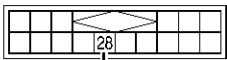
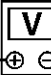
NAVIGATION SYSTEM



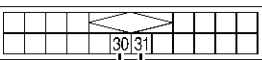

Trouble diagnoses (Cont'd)


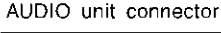
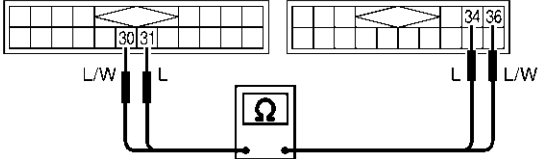
VOICE GUIDE OPERATION CHECK

=NFEL0300S05

1	PRELIMINARY CHECK	
1. Turn ignition switch to ACC position. 2. Insert the music CD into the radio and CD player. 3. Try to play the music CD. Is the sound emitted from all speakers? <p style="text-align: right;">Yes or No</p>		
Yes	▶	GO TO 2.
No	▶	Repair or replace audio system. Refer to "AUDIO", EL-184.

2	CHECK NAVI OPERATION ON SIGNAL	
1. Disconnect audio unit connector. 2. Push "VOICE" button. 3. Check voltage between audio unit harness connector M68 terminal 28 (L/R) and ground.		
<div style="display: flex; align-items: center;"> <div style="margin-right: 20px;">    </div> <div style="margin-right: 20px;"> <p>AUDIO unit connector</p>  <p>L/R</p> </div> <div style="margin-right: 20px;">  </div> <div> <p>Voltage [V]: Condition of VOICE button: Push. Approx. More than 0 - 10 Condition of VOICE button: Do not push. 0</p> </div> </div> <p style="text-align: right;">SEL645XB</p> <p style="text-align: center;">OK or NG</p>		
OK	▶	GO TO 3.
NG	▶	Repair or replace harness or display and NAVI control unit.

3	CHECK VOICE SIGNAL CIRCUIT	
1. Push "VOICE" button. 2. Check voltage between display and NAVI control unit harness connector M169 terminal 30 (L/W) or 31 (L/Y) and ground.		
<div style="display: flex; align-items: center;"> <div style="margin-right: 20px;">   </div> <div style="margin-right: 20px;"> <p>Display and NAVI control unit connector</p>  <p>L/W L</p> </div> <div style="margin-right: 20px;">  </div> <div> <p>Voltage [V]: Condition of VOICE button: Push. Approx. 5 Condition of VOICE button: Do not push. 0</p> </div> </div> <p style="text-align: right;">SEL458Y</p> <p style="text-align: center;">OK or NG</p>		
OK	▶	GO TO 4.
NG	▶	Repair or replace display and NAVI control unit.

4	CHECK VOICE SIGNAL CIRCUIT
<p>1. Turn ignition switch OFF. 2. Disconnect display and NAVI control unit connector and AUDIO unit connector. 3. Check continuity between display and NAVI control unit harness connector M169 terminal 30 (L/W) and AUDIO unit harness connector M68 terminal 36 (L/W). 4. Check continuity between display and NAVI control unit harness connector M169 terminal 31 (L) and AUDIO unit harness connector M68 terminal 34 (L).</p> <div style="display: flex; align-items: center; justify-content: space-around;"> <div style="text-align: center;">  <p>Display and NAVI control unit connector</p> </div> <div style="text-align: center;">  <p>AUDIO unit connector</p> </div> <div style="text-align: center;"> <p>Does continuity exist?</p> </div> </div>  <p style="text-align: right;">SEL459Y</p>	
Yes or No	
Yes	▶ Repair or replace audio system. Refer to "AUDIO", EL-184.
No	▶ Repair or replace harness or connector.

GI
 MA
 EM
 LC
 EC
 FE
 CL
 MT
 AT
 AX
 SU
 BR
 ST
 RS
 BT
 HA
 SC
EL
 IDX

NAVIGATION SYSTEM

This Condition is Not Abnormal

This Condition is Not Abnormal

=NFEL0301

BASIC OPERATIONS

NFEL0301S01

Symptom	Possible cause	Remedy
No image comes on.	The brightness adjustment is at the lowest setting.	Adjust it brighter.
No map comes on the screen.	No map CD-ROM is inserted, or it is inserted upside down.	Insert the CD-ROM correctly.
	The map display mode is switched off.	Press the MAP button.
No voice guide is available. or The volume is not high enough.	The volume is not set correctly or turned off.	Adjust the volume correctly.
The screen is too dim. The movement is slow.	The temperature in the vehicle is low.	Wait for the temperature to rise.
There are darker or brighter dots in the display.	It is inherent to displays.	This is not abnormal.

- Stored location in the address book and other memory functions may be lost if the car's battery is disconnected or becomes discharged for a long time.

If this should occur, service the car's battery as necessary and re-enter the address book information.

Area place names are not displayed.

If area place names do not appear on the map display, these names may not be available. Use the BIRDVIEW® flat surface map display function. Display output may differ. Note the items related to BIRDVIEW® below.

- Priority is given to the display of place names in the direction of vehicle travel.
- Extended display of vehicle travel distance for both surfaces and steering angle (flat directional changes). This phenomenon disappears after the display image has been replaced by another one.
- The names of route and area might vary between the immediate front area and distance front area.
- Alphanumeric display characters are limited to maintain display simplicity and clarity. Display details may differ with time and place.
- Identical place and road names may appear on the display at more than one location.

VEHICLE ICONS

NFEL0301S08

Symptom	Possible cause	Remedy
The location names differ, between Plan-view and Birdview™.	This is because the displayed information is reduced so that the screen does not become too crowded. There is also a chance that names of the roads or locations will be repeatedly displayed. The name appearing on the screen may be different because of the processing procedure.	It should not be regarded as abnormal.
The vehicle icon is not shown correctly.	The vehicle might have moved with the ignition off, for example on a ferry boat or car transporter.	Drive the vehicle with GPS on for some distance.
The screen does not switch to night screen even after turning the headlights on.	The last setting is the daytime screen, when you turned on the lights the last time.	Turn the headlights on again, go to [DISPLAY SETTING] screen and set it to the night screen.
The map does not scroll even when the vehicle is traveling.	The display is not switched to the map screen.	Press the MAP button.
The vehicle icon does not show up.	The display is not switched to the map screen.	Press the MAP button.

NAVIGATION SYSTEM

This Condition is Not Abnormal (Cont'd)

Symptom	Possible cause	Remedy	
GPS indicator on the screen remains gray.	GPS signals are not received because the vehicle is indoors or in the shade of buildings.	Move the vehicle to outdoors with a clear view of the sky.	GI
	GPS signals are not received because some objects are placed on the instrumental panel.	Remove the objects from the instrumental panel.	MA EM
	GPS satellites are in poor locations.	Please wait for the satellites to move to better locations.	EM
The location of vehicle icon does not match the actual position.	Driving on slippery road surface	If the position marker does not move to the correct position even after the vehicle has been driven approximately 6 miles (10 km), adjust the current location. If necessary, adjust the moving speed of the vehicle.	LC
	Driving on slanted area		EC
	Rough or violent driving	If the position marker does not move to the correct position even after the vehicle has been driven approximately 6 miles (10 km), adjust the current location.	FE CL
	GPS indicator remains gray.		MT
	Because the vehicle has tire chains on, or the system was transferred to a different vehicle, errors (gain or loss) result in calculating the speed from the speed pulse.	It will move by driving the vehicle for 30 minutes [in case it is running at 18-3/4 miles/hour (30 km/h)]. If you still notice errors, adjust moving speed.	AT
	The map data has an error or is incomplete (if the location error happens always in the same area).	Please wait for the update of the Map CD-ROM.	AX

MAP CD-ROM

NFEL0301S09

Symptom	Possible cause	Remedy	
The message "Error" appears after operation.	Map CD-ROM is soiled or partially damaged.	Check the CD-ROM and wipe it clean with a soft cloth.	BR
		In case you see any damage, replace the CD-ROM.	ST

DESTINATION, WAY POINTS OR MENU CONTENTS

NFEL0301S10

Symptom	Possible cause	Remedy	
Turn list is not displayed.	Route search does not occur.	Set designation areas and perform route search.	BT
	Car marker does not appear on recommended route.	Drive on the recommended route.	HA
	Route guide is OFF.	Turn the route guide ON.	SC
In rerouting, the waypoints are not included in the calculation.	The system has judged that the vehicle has already passed the point.	If you want to go to that point again, edit the route again.	EL

IDX

NAVIGATION SYSTEM

This Condition is Not Abnormal (Cont'd)


CANNOT BE CHOSEN OR SET

NFEL0301S11

Symptom	Possible cause	Remedy
Route information is not displayed.	Route calculation has not yet been requested.	Set the destination and request route calculation.
	The vehicle icon is not on the suggested route.	Please drive the vehicle along the suggested route.
	Route guidance is off.	Turn the route guidance on.
Route is not calculated automatically.	The vehicle is not running on a route that can be calculated from.	Enter the route that can be calculated from. Alternatively, you can calculate the route manually. In this case, the entire route will be calculated again.
It is impossible to request a detour.	Your vehicle is not running on the suggested route.	Restart route calculation or join the suggested route.
The detour found is the same as the previous suggestion.	The system took many conditions into consideration, but the same result was obtained.	This is not abnormal.
It is impossible to set the waypoints.	The number of waypoints exceeds 5.	It is impossible to set more than 5 waypoints. Please divide them in groups to find them all.
Some items in the menu cannot be selected.	The vehicle is moving.	Park the vehicle in a safe place and select the marks relevant to the suggested route.

VOICE GUIDANCE

NFEL0301S12

Symptom	Possible cause	Remedy
The voice guidance is not available.	Voice guidance is only available at certain intersections marked with  . In some cases, the guidance is not available even when the vehicle should make a turn.	This is not abnormal.
	The vehicle is off the suggested route.	Go back to the suggested route or request route calculation again.
	Voice guidance is set OFF.	Turn the voice guidance ON.
	Route guidance is set OFF.	Turn the route guidance ON.
The guidance content does not correspond to the actual condition.	The content of the voice guidance may vary, depending on the types of junctions to make turns on.	Follow the actual rules and regulations.

ROUTE CALCULATION

NFEL0301S13

Symptom	Possible cause	Remedy
Although the system is set with the moving direction as the preference, it does not find the route by matching the preference.	There is no route found in that direction.	This is not abnormal.
Route is not indicated.	There is no road that can be found by this system close to the destination.	Reset the destination close to the road displayed with orange, or wider ones. Especially with roads which have separate lanes for opposite directions, be careful in setting the destination or way points on it, because results may differ depending on the lane you choose.
	The starting point to the destination is too close.	Set more distant destinations.

NAVIGATION SYSTEM

This Condition is Not Abnormal (Cont'd)

Symptom	Possible cause	Remedy	
The route is not displayed continuously at way points, for example, that are not calculated route from the vehicle's current position.	Suggested routes may be displayed discontinuously near way points as route calculation is done at each way point.	This is not abnormal.	GI
The suggested route the vehicle has traveled is erased.	Suggested routes are stored in memory by the blocks; if the vehicle travels past way point 1, the former data will be erased.	This is not abnormal.	MA EM
A very detoured route is suggested.	If there are restrictions (such as one-way traffic) on roads close to the starting point or destination, the system may suggest a detoured route.	Try slightly moving the starting point or destination.	LC EC
The landmark description does not correspond to the actual one.	It may be caused by insufficient or incorrect data on the CD-ROM.	Exchange the Map CD-ROM. It will be updated.	FE
The suggested route does not exactly connect to the starting point, way points, or destination.	There is no data for route calculation closer to these points.	Set these points on the main road displayed in thick orange. Please note that in some cases even main roads lack the data for route calculation.	CL

MT

AT

AX

SU

BR

ST

RS

BT

HA

SC

EL

IDX

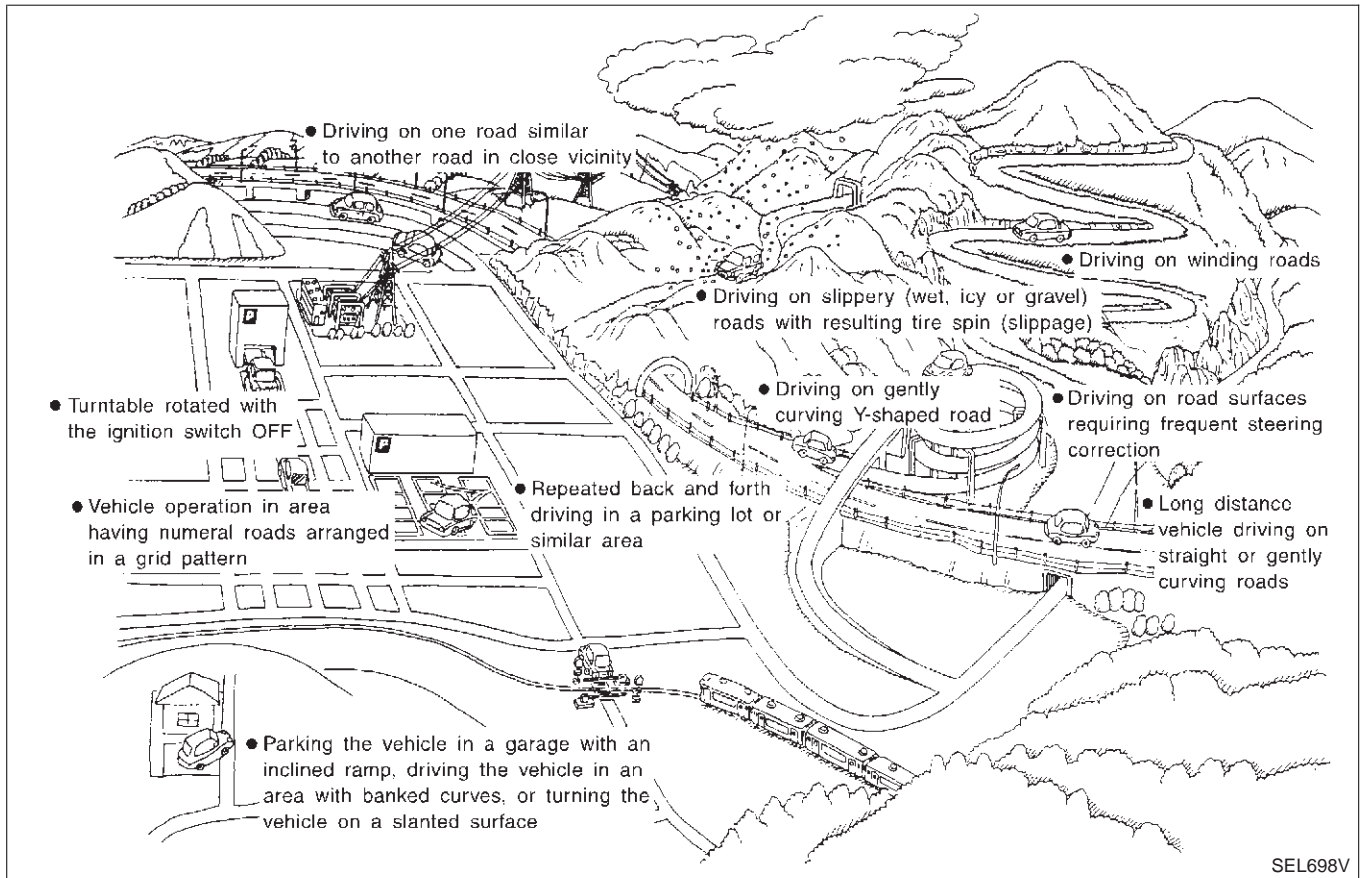
NAVIGATION SYSTEM

This Condition is Not Abnormal (Cont'd)

EXAMPLE OF CURRENT VEHICLE POSITION MARKER ERROR

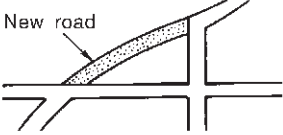

=NFEL0301S02

The navigation system reads the vehicle distance and steering angle data. Because the vehicle is moving, there will be an error in the current position indication. After the error appears, drive the vehicle for a short distance. Stop the vehicle. If the position marker does not return to its original position, perform "ADJUST CURRENT LOCATION" (EL-405).



NAVIGATION SYSTEM

This Condition is Not Abnormal (Cont'd)

	Possible cause	Drive condition	Service procedure
Area	Slippery road surface	On wet, icy, or gravel road where frequent wheel slippage occurs, distance calculations may be erroneous. The position marker may show the vehicle to be in inaccurate position.	
	Slanted area	Hilly areas where the road has banked curves. When the vehicle enters these banked curves, there may be an error in steering angle measurement. The position marker may show the vehicle to be in inaccurate position.	
Map data	Map display for a given road does not appear.  SEL699V	When the vehicle is driven on a newly constructed road that does not appear on the existing map. Map marking and calibration are not possible. The position marker may indicate inaccurate position in close proximity to the actual position. Subsequently, when the vehicle is driven on a road which is available as map data, the position marker may still indicate an inaccurate position.	If the position marker does not move to the correct position even after the vehicle has been driven approximately 10 km (6 miles), perform "ADJUST CURRENT LOCATION" (EL-405). If necessary, perform "SPEED CALIBRATION" (EL-403).
	The vehicle is driven on a road whose course has been altered (usually to improve the road or to eliminate some hazard).  SEL700V	When the map data shown on the display and the actual conditions are different. Map matching will not be possible. The position marker may indicate inaccurate position in close proximity to the actual position. If the vehicle is driven on the indicated road, further errors may occur.	
Vehicle	Use of tire chains (Stormy weather)	Tire chains will affect distance sensing. The position marker may indicate inaccurate position.	If the position marker does not move to the correct position even after the vehicle has been driven approximately 10 km (6 miles), perform "SPEED CALIBRATION" (EL-403). After removing the tire chains, sensing accuracy may recover by itself.

GI

MA

EM

LC

EC

FE

CL

MT

AT

AX

SU

BR

ST

RS

BT

HA

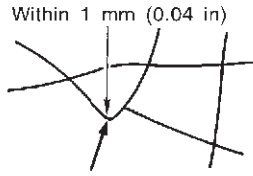
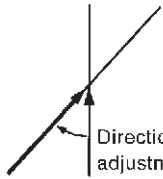
SC

EL

IDX

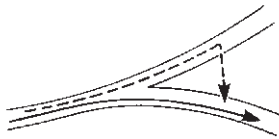
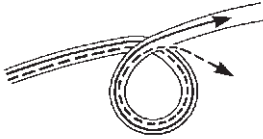
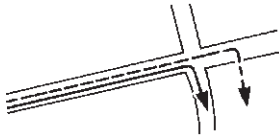


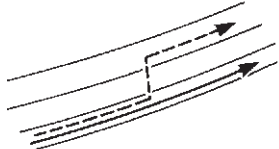
NAVIGATION SYSTEM

This Condition is Not Abnormal (Cont'd)

	Possible cause	Drive condition	Service procedure
Operation	Driving immediately after starting engine.	The gyro (angular velocity sensor) needs about 15 seconds after the engine is started to precisely sense the angular velocity. Directional sensing errors will occur if the vehicle is moved immediately after starting the engine. The position marker may indicate inaccurate position.	Wait a few moments between starting the engine and actually driving the vehicle.
	Continuous driving for long distances (non-stop)	When the vehicle is driven continuously without stopping over a long distance, errors in directional sensing may occur. The position marker may indicate inaccurate position.	Stop the vehicle. Perform "SPEED CALIBRATION" (EL-403).
	Rough or violent driving	Wheel spinning (peeling out) or similar rough driving techniques can adversely affect sensing accuracy. The position marker may indicate inaccurate position.	If the position marker does not move to the correct position even after the vehicle has been driven approximately 10 km (6 miles), perform "ADJUST CURRENT LOCATION" (EL-405).
Positional calibration procedures	Positional calibration precision Within 1 mm (0.04 in)  SEL701V	If current vehicle location is roughly set, the system may be unable to locate the road that the vehicle is traveling on. (This is especially true in an area where there are many roads.)	Perform "ADJUST CURRENT LOCATION" (EL-405) within a precision standard of 1 mm (0.04 in) on the display. Note: During calibration, use the most detailed map possible.
	Position calibration direction  SEL702V	When calibrating the position, check the vehicle direction. If the vehicle direction is not correct, subsequent precision of current location will be affected.	Perform "ADJUST CURRENT LOCATION", refer to EL-405.

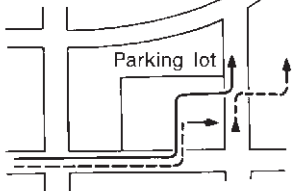
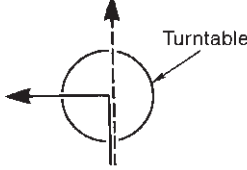
NAVIGATION SYSTEM

This Condition is Not Abnormal (Cont'd)

	Possible cause: —: Vehicle running ---: Indication	Drive condition	Service procedure	
Road shapes	<p>Y-intersection</p>  <p>SEL703V</p>	<p>In Y-intersections with a very gradual change in course, a directional sensing may be inaccurate. This may result in the position marker giving the wrong road indication.</p>		GI MA EM LC
	<p>Spiral road</p>  <p>SEL704V</p>	<p>On loop bridges and similar structures which result in a large and continuous turn, turning angle may be sensed inaccurately. As a result, the position marker may separate from the route on the map.</p>		EC FE CL
	<p>Straight road</p>  <p>SEL705V</p>	<p>In long distance driving on a straight road or road with very gradual curves, map marking inaccuracies may occur. In such cases, the position marker may stray from the route being traveled during subsequent turns due to inaccurate distance calculation.</p>	<p>If the position marker does not move to the correct position even after the vehicle has been driven approximately 10 km (6 miles), perform "Store place". If required, also perform "ADJUST CURRENT LOCATION" (EL-405).</p>	MT AT AX
	<p>Winding road</p>  <p>SEL706V</p>	<p>Directional sensing precision errors may occur when traveling on winding roads. During map matching, the position marker may stray to an adjacent road having a similar shape. Subsequent position marker error may occur.</p>		SU BR ST
	<p>Grid-like road shape</p>  <p>SEL707V</p>	<p>Directional sensing and distance sensing, precision errors may occur because of many roads having a similar shape in the immediate area. During map matching, the position marker may stray to an adjacent road having a similar shape. Subsequent position marker error may occur.</p>		RS BT HA
	<p>Parallel roads</p>  <p>SEL708V</p>	<p>When driving on a parallel road, map matching errors may occur. Subsequent position marker error may also occur.</p>		SC EL IDX

NAVIGATION SYSTEM

This Condition is Not Abnormal (Cont'd)

Possible cause: —: Vehicle running ---: Indication		Drive condition	Service procedure
Location	Parking lot or similar area  SEL709V	When the vehicle is driven in a parking lot or similar area, such as in an area not normally marked as a road on map, during map matching, the system may select nearby roads. This error may continue after the vehicle exits the parking area and begins to run on ordinary roads. Vehicle operation in a parking area may involve frequent turns and up and/or down operation. Directional sensing errors may occur leading to subsequent route and position mistakes.	
	Turntable  SEL710V	When the ignition switch is OFF (the usual situation when the vehicle is on a turntable), the navigation system receives no data from the gyro (angular velocity sensor). When the turntable rotates, no directional change is sensed. During subsequent vehicle operation, directional and route errors may occur.	

Position marker displays a completely different location

In circumstances such as those described below, GPS signal reception conditions may result in an erroneous position of the position marker. Perform "ADJUST CURRENT LOCATION" (EL-405).

NOTE:

- When GPS satellite signal reception conditions are poor, the position of position marker may be erroneous. If correction is not made immediately, the position marker error will be compounded and a completely different location will be indicated. In an area where GPS satellite signal reception conditions are good, the system can be returned to normal operation.
- The vehicle is driven aboard a car ferry or is towed for some distance with the ignition switch OFF. Vehicle movement is not sensed. Current location calculations do not occur and current location data does not appear on the display screen. Use GPS to accurately determine actual vehicle position. The system can be returned to normal operation when the GPS satellite signal reception conditions are good.

Position marker jumps

In circumstances such as those described below, the position marker may jump as a result of automatic current location corrections made by the system.

During map matching

- During map matching, the position marker may jump from one spot to another. In this case, it may be corrected to a wrong road or to an area where no road exist.

GPS location correcting

- Vehicle current location is sensed using the GPS data. Positional calibration is performed. The position marker continues to be in the wrong position. It may jump about from one area of the screen to another. In this case, it may be corrected to a wrong road or to an area where no road exist.

Position marker indicates that the vehicle is in the middle of an ocean or large river

The navigation system does not distinguish between land and water surfaces. In some cases, a position marker error may cause the display to show the vehicle above a water surface.

Position of position marker varies when the vehicle is repeatedly operated on the same road

Driving lane and steering wheel movement results in a variety of different positions of the position mark when traveling on the same road based on sensing results by the GPS antenna and gyro (angular velocity sensor).

Slow locational correction using map matching

- The map matching function requires verification of local data. To make the map matching function, some distance needs to be driven.
- The map matching function may not provide accurate performance in an area where there are numerous parallel roads. Until the system judges the road characteristics, an incorrect position may be shown.

GPS signal reception conditions are good. However, the position mark does not return to its proper position.

- The system senses the vehicle location with an error of approximately 100 m (328 ft). Due to the limitation of precision, the position marker may be inaccurate even if the GPS signal reception condition is good. GI
- The navigation system uses GPS data to determine vehicle location. GPS data is compared with other locational sensing data during the map matching process. The system decides which data is more precise and uses that data. MA
- When the vehicle is stationary, GPS data cannot be used to make system corrections. EM

Area designations on the map display and the BIRDVIEW® display differ.

To prevent the display from becoming congested, alphanumeric information is abridged.

[No problem] LC

Correct position of your vehicle is not displayed.

Vehicle position changed after ignition key was turned to the OFF position (Vehicle is transported on car ferry, car train, or by some other means). EC

[Operate vehicle for short time under GPS receiving conditions.]

The display does not change to night-time mode even though the light switch has been turned ON.

Lights have been turned on. In "DISPLAY CHANGE" mode, night-time mode on display has been switched to day-time mode and still is. FE

[Turn lights on again. Set the display to night-time mode. Refer to EL-406.]

Map does not scroll even though the position of your vehicle is changed.

Present area does not appear on the display. CL

[Press the "MAP" switch.]

Vehicle position marker does not appear.

Present area does not appear on the display. MT

[Press the "MAP" switch.]

The map surface precision display (GPS satellite marker) still remains gray.

Vehicle is parked inside a building or in the shadow of a large building. This intercepts the GPS signal. AT

[Move the vehicle to a more open position.]

GPS signal is not received because objects are placed on the rear parcel shelf. AX

[Remove objects from the rear parcel shelf.]

GPS satellite position is bad.

[Wait until GPS satellite position improves.] SU

Vehicle position precision is bad.

The map surface precision display (GPS satellite marker) still remains gray.

[Refer to "The map surface precision display (GPS satellite marker) still remains gray" item (Symptoms)] BR

Vehicle speed and elapsed distance is calculated from the vehicle speed pulse. This pulse is dependent upon tire size. If tire chains are used on the vehicle, accuracy will be affected (pulse rate will be too fast or too slow). The same is true if the system installed to your vehicle is removed and installed on another vehicle. ST

[Drive the vehicle at a speed higher than 30 km/h (19 MPH) for approximately 30 minutes. Automatic readjustment should occur. If it does not (remains too fast or too slow), distance calibration is required. Or, drive the vehicle for a short distance. Perform "SPEED CALIBRATION" (EL-403). After removing the tire chains, sensing accuracy may recover by itself.] RS

Bad map data or system defect (same error consistently occurs in the same area) BT

ROUTE SEARCH/ROUTE GUIDE

- If the present location or the destination location is displayed in the avoid area, it is not possible to search routes. NFEL0301S03
HA
- If the avoid area is set to wide range area, it may not be possible to find appropriate routes or search for alternate routes. SC
- The automatic re-route calculates a return to the original route. Because of this, it may not be possible to search appropriate new routes. If you deviate from the original route and wish to select an appropriate new route, touch "Route Calculation".
- The automatic re-route function may sometimes require considerable time.
- Displayed route number and directional information at a highway junction may differ from the information posted on the actual road signs.
- Displayed street name information at a highway exit may differ from the information posted on the actual road signs.
- Street name information displayed on the enlarged intersection map may differ from the information posted on the actual road signs.

EL

IDX

NAVIGATION SYSTEM

This Condition is Not Abnormal (Cont'd)

- The enlarged intersection map may display an “Unknown Street” message at some street intersections.
- Because of road configuration, etc. the guide may finish early. If this occurs, follow the marker to reach your destination.
- Destination area side information (left side and right side) may differ from actual conditions because of data error.

LOCATION OF CAR MARKER

- If the vehicle has been parked in a multi-level parking facility or underground parking facility, the car marker position may be inaccurate immediately after exiting the parking facility. NFEL0301S04
- The GPS accuracy is within ± 100 m (300 ft). Even when receiving conditions are excellent, further positional correction may not occur.

STREET INDICATION

- Street names displayed on the map may differ from the actual street names. NFEL0301S05
- An “Unknown Street” message may appear on the map in place of street name information.

RESEARCH

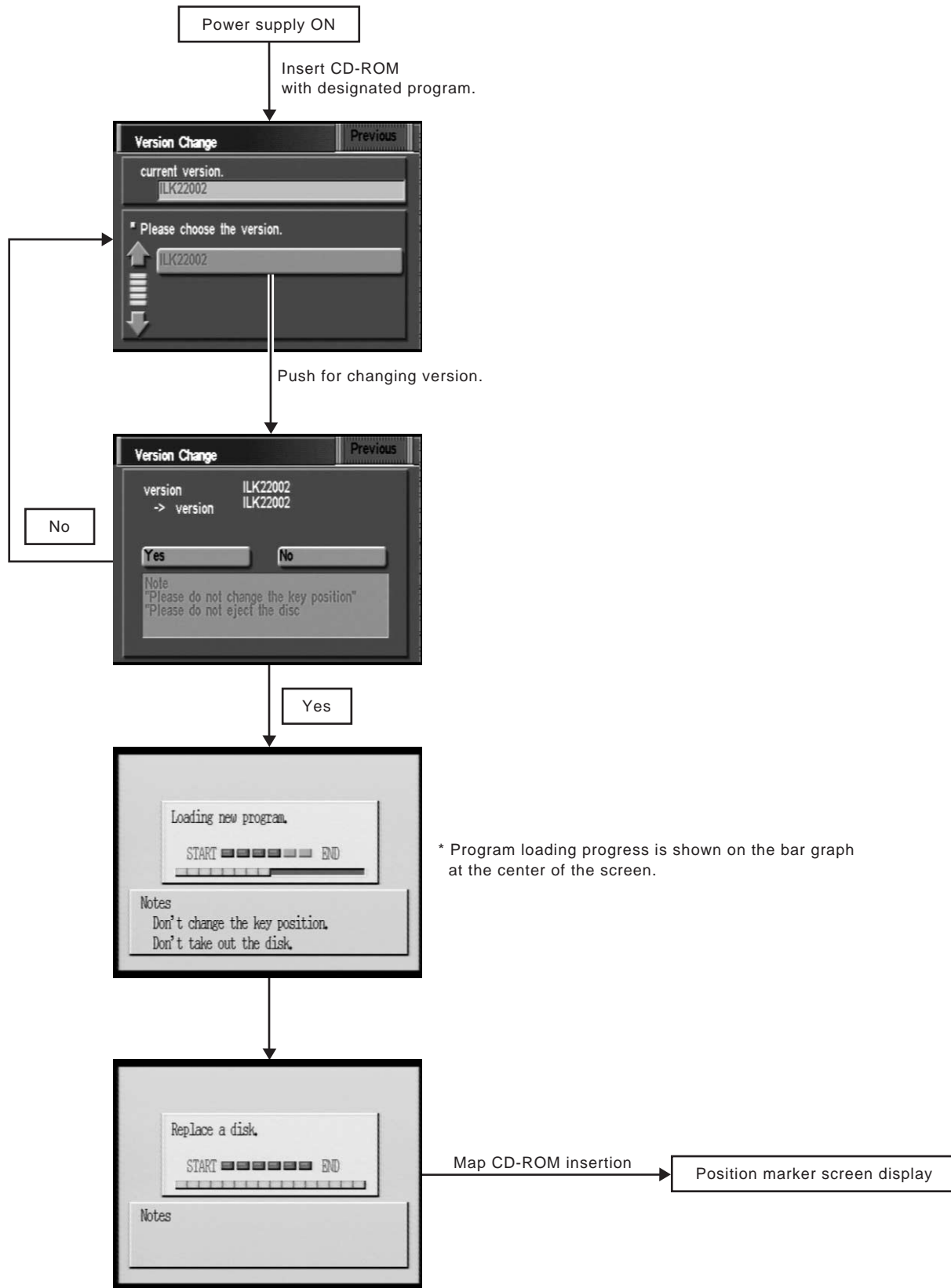
- Position may be searched by house number. However, the displayed position and street may differ from the actual position and street. NFEL0301S06
- When position is searched using POI, the displayed position may differ from the actual position.
- Some data may not be available for new buildings and other structures in a map.

GPS ANTENNA

- Do not place metal objects above the GPS antenna mounted on the rear parcel shelf. This will cause interference with signal reception. NFEL0301S07
- Do not place mobile telephones or vehicle radio transceivers in close proximity to the GPS antenna mounted on the rear parcel shelf. This may cause interference with signal reception.

Program Loading

NFEL0302



GI
MA
EM
LC
EC
FE
CL
MT
AT
AX
SU
BR
ST
RS
BT
HA
SC
EL
IDX

Note: Load the program only after the engine has been started.

SEL612X

Initialization

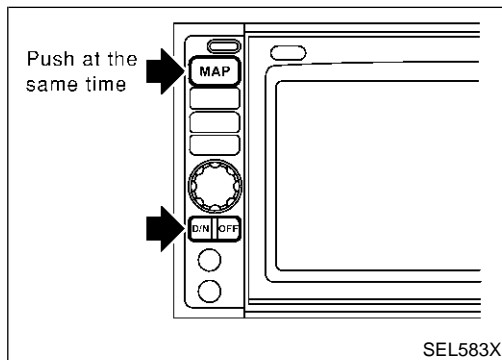
This procedure is for initializing the current location. Perform "Initialize Location" when the vehicle is transported a long distance by trailer, etc. NFEL0303

Map with grey background appears and the vehicle location cannot be adjusted by scrolling the display when the vehicle location in the memory is out of the area of the inserted map data.

Perform "Initialize Location" when this occurs.

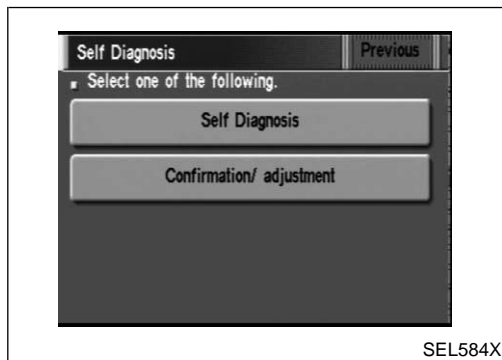
NOTE:

- Only initialize the system when the display & NAVI control unit is replaced. If the system is initialized in other cases, it may cause inaccurate positioning of the position marker for a while.
- Initialize the system outside for receiving the radio wave from the GPS satellite.

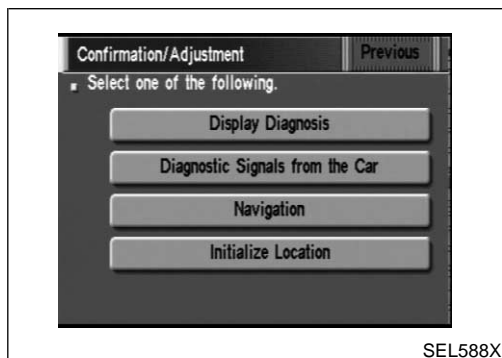


HOW TO PERFORM

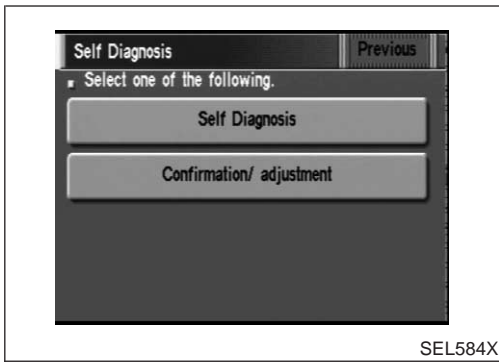
1. Switch the navigation system mode to self-diagnosis by pushing both "MAP" and "D/N" switches at the same time for more than 5 seconds. NFEL0303S01



2. Touch "Confirmation/ adjustment".



3. Touch "Initialize Location". Then the previous screen is displayed.



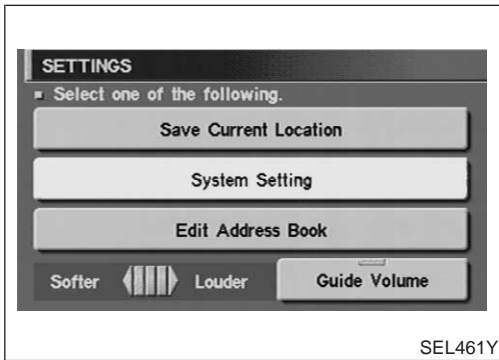
SEL584X

4. Push "Previous" switch.



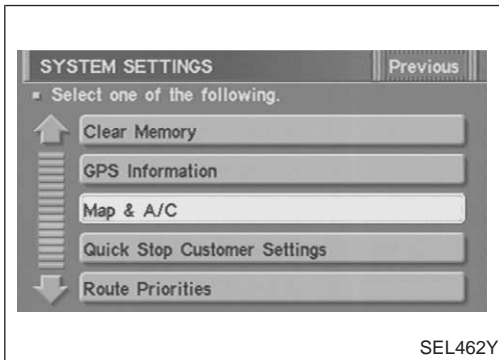
SEL460Y

5. Push the "MAP" switch.
6. Touch "Setting".



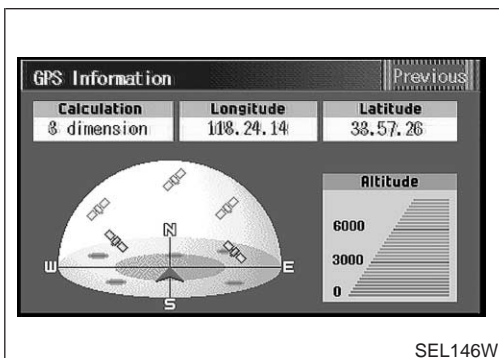
SEL461Y

7. Touch "System Setting".



SEL462Y

8. Touch "GPS Information".



SEL146W

9. More than one GPS satellite icon turns green. (It may take 1 to 15 minutes.)

NOTE:

Drive the vehicle for a while* in order to change the receiving condition of the radio wave from the GPS satellite if the GPS icon does not turn green.

* The driving distance which is necessary depends on the receiving condition of the radio wave from the GPS satellite.

GI

MA

EM

LC

EC

FE

CL

MT

AT

AX

SU

BR

ST

RS

BT

HA

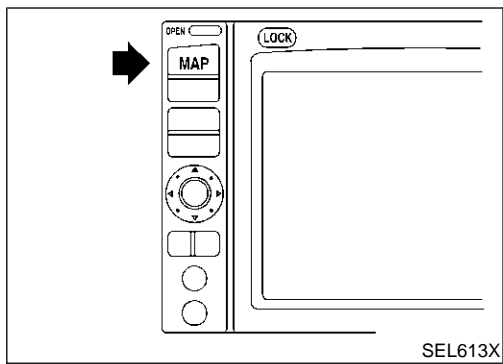
SC

EL

IDX

NAVIGATION SYSTEM

Initialization (Cont'd)



10. Push "MAP" switch and check the following.
 - Confirm that the GPS icon on the map turns green.
 - Then the position marker should show the current location.
 - Position marker rotates corresponding to the movement of the vehicle.
11. Initialization is completed.

System Description

NFEL0304

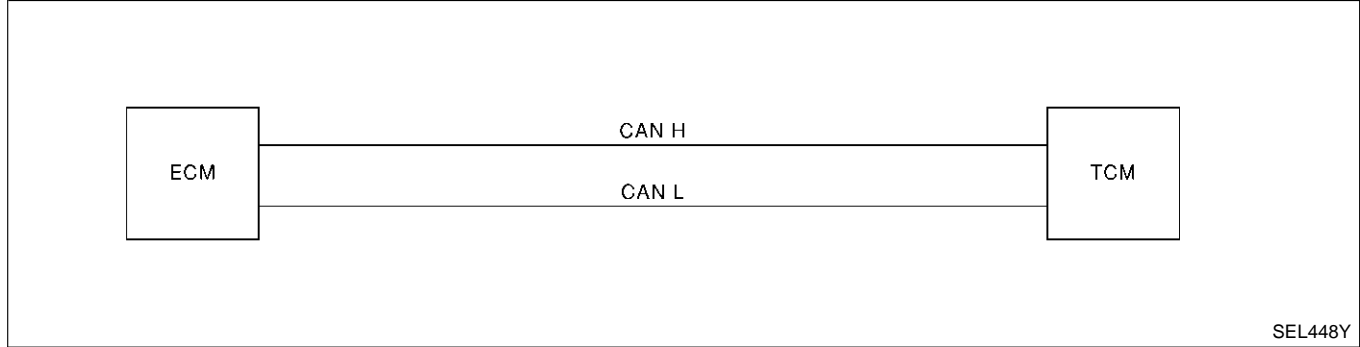
CAN (Controller Area Network) is a serial communication line for real time application. It is an on-vehicle multiplex communication line with high data communication speed and excellent error detection ability. Many electronic control units are equipped onto a vehicle, and each control unit shares information and links with other control units during operation (not independent). In CAN communication, control units are connected with 2 communication lines (CAN H line, CAN L line) allowing a high rate of information transmission with less wiring. Each control unit transmits/receives data but selectively reads required data only.

FOR A/T MODELS

System Diagram

NFEL0304S01

NFEL0304S0101



SEL448Y

Input/Output Signal Chart

T: Transmit R: Receive

NFEL0304S0102

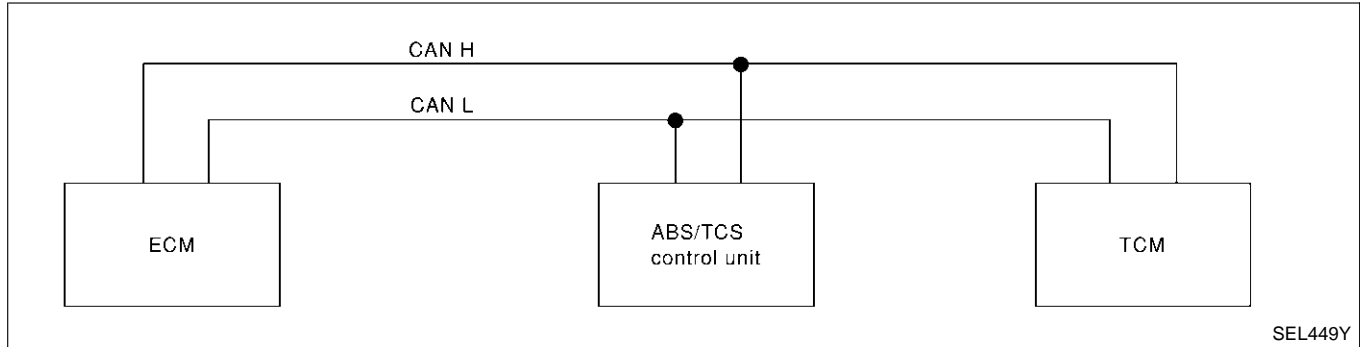
Signals	ECM	TCM
Accelerator pedal position signal	T	R
Output shaft revolution signal	R	T

FOR TCS MODELS

System Diagram

NFEL0304S02

NFEL0304S0201



SEL449Y

Input/Output Signal Chart

T: Transmit R: Receive

NFEL0304S0202

Signals	ECM	ABS/TCS control unit	TCM
Accelerator pedal position signal	T	R	R
Output shaft revolution signal	R		T
TCS self-diagnostic signal	R	T	
ABS self-diagnostic signal	R	T	

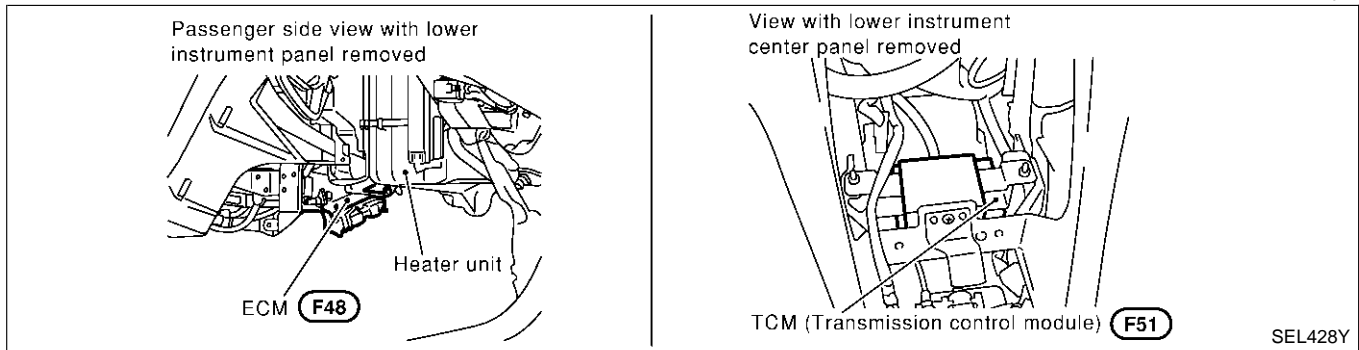
GI
MA
EM
LC
EC
FE
CL
MT
AT
AX
SU
BR
ST
RS
BT
HA
SC
EL
IDX

CAN SYSTEM (FOR A/T MODELS)

Component Parts and Harness Connector Location

Component Parts and Harness Connector Location

NFEL0271



SEL428Y

System Description

NFEL0272

CAN (Controller Area Network) is a serial communication line for real time application. It is an on-vehicle multiplex communication line with high data communication speed and excellent error detection ability. Many electronic control units are equipped onto a vehicle, and each control unit shares information and links with other control units during operation (not independent). In CAN communication, control units are connected with 2 communication lines (CAN H line, CAN L line) allowing a high rate of information transmission with less wiring. Each control unit transmits/receives data but selectively reads required data only.

CAN SYSTEM (FOR A/T MODELS)

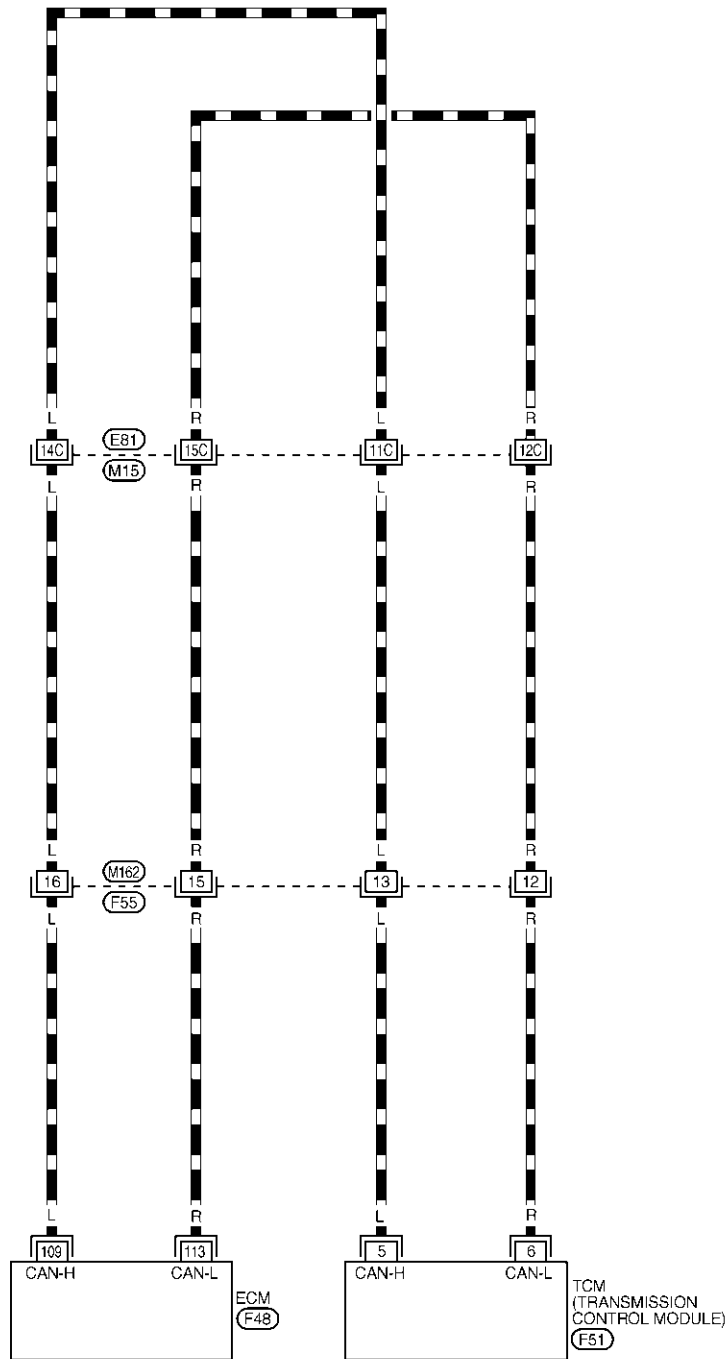
Wiring Diagram — CAN —

Wiring Diagram — CAN —

NFEL0273

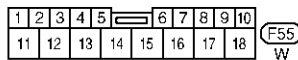
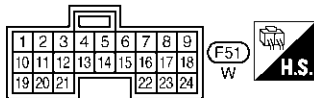
EL-CAN-01

▬ : DATA LINE



GI
MA
EM
LC
EC
FE
CL
MT
AT
AX
SU
BR
ST
RS
BT
HA

SC
EL
IDX



REFER TO THE FOLLOWING.

- (M15) -SUPER
- MULTIPLE JUNCTION (SMJ)
- (F48) -ELECTRICAL UNITS

MEL734P

CAN SYSTEM (FOR A/T MODELS)

Trouble Diagnoses

WORK FLOW

1. Print all the data of "SELF-DIAG RESULTS" for "ENGINE" and "A/T" displayed on CONSULT-II.

(Example)

SELECT DIAG MODE			
WORK SUPPORT			
SELF-DIAG RESULTS			
DATA MONITOR			
DATA MONITOR (SPEC)			
CAN DIAG SUPPORT MNTR			
ACTIVE TEST			
			Scroll Down
BACK	LIGHT	COPY	

➔

SELF-DIAG RESULTS	
DTC RESULTS	
TIME	
CAN COMM CIRCUIT (U1000)	0
FF DATA	
ERASE	PRINT
MODE	BACK
LIGHT	COPY

PKIA8260E

2. Print all the data of "CAN DIAG SUPPORT MNTR" for "ENGINE" and "A/T" displayed on CONSULT-II.

(Example)

SELECT DIAG MODE			
WORK SUPPORT			
SELF-DIAG RESULTS			
DATA MONITOR			
DATA MONITOR (SPEC)			
CAN DIAG SUPPORT MNTR			
ACTIVE TEST			
			Scroll Down
BACK	LIGHT	COPY	

➔

CAN DIAG SUPPORT MNTR	
ENGINE	
	PRSN
INITIAL DIAG	OK
TRANSMIT DIAG	OK
TCM	OK
VDC/TCS/ABS	OK
METER/M&A	OK
ICC	UNKWN
BCM/SEC	OK
IPDM E/R	OK
AWD/4WD/e4WD	UNKWN
PRINT	Scroll Down
MODE	BACK
LIGHT	COPY

PKIA8343E

3. Attach the printed sheet of "SELF-DIAG RESULTS" and "CAN DIAG SUPPORT MNTR" onto the check sheet. Refer to "CHECK SHEET" (EL-437).
4. Based on the "CAN DIAG SUPPORT MNTR" results, put "v" marks onto the items with "UNKWN" or "NG" in the check sheet table. Refer to "CHECK SHEET" (EL-437).

NOTE:

If "NG" is displayed on "INITIAL DIAG (Initial diagnosis)" as "CAN DIAG SUPPORT MNTR" for the diagnosed control unit, replace the control unit.

5. According to the check sheet results (example), start inspection. Refer to "CHECK SHEET RESULTS (EXAMPLE)" (EL-438).

CAN SYSTEM (FOR A/T MODELS)

Trouble Diagnoses (Cont'd)

=NFEL0274S02

CHECK SHEET

NOTE:

If "NG" is displayed on "INITIAL DIAG (Initial diagnosis)" as "CAN DIAG SUPPORT MNTR" for the diagnosed control unit, replace the control unit.

Check sheet table

SELECT SYSTEM screen	CAN DIAG SUPPORT MNTR			
	Initial diagnosis	Transmit diagnosis	Receive diagnosis	
			ECM	TCM
ENGINE	NG	UNKWN	-	UNKWN
A/T	NG	UNKWN	UNKWN	-

Symptoms:

Attach copy of
ENGINE
SELF-DIAG RESULTS

Attach copy of
A/T
SELF-DIAG RESULTS

Attach copy of
ENGINE
CAN DIAG SUPPORT MNTR

Attach copy of
A/T
CAN DIAG SUPPORT MNTR

PKIB0381E

GI
MA
EM
LC
EC
FE
CL
MT
AT
AX
SU
BR
ST
RS
BT
HA
SC

EL

IDX

CAN SYSTEM (FOR A/T MODELS)

Trouble Diagnoses (Cont'd)

CHECK SHEET RESULTS (EXAMPLE)

=NFEL0274S03

NOTE:

If "NG" is displayed on "INITIAL DIAG (Initial diagnosis)" as "CAN DIAG SUPPORT MNTR" for the diagnosed control unit, replace the control unit.

Case 1

NFEL0274S0301

Check CAN communication circuit. Refer to "CAN COMMUNICATION CIRCUIT CHECK" (EL-438).

SELECT SYSTEM screen	CAN DIAG SUPPORT MNTR			
	Initial diagnosis	Transmit diagnosis	Receive diagnosis	
			ECM	TCM
ENGINE	NG	UNKWN ✓	-	UNKWN ✓
A/T	NG	UNKWN ✓	UNKWN ✓	-

PKIB0382E

CAN COMMUNICATION CIRCUIT CHECK

NFEL0274S04

1	CHECK CONNECTOR	
1. Turn ignition switch OFF. 2. Check following terminals and connector for damage, bend and loose connection. (control module-side and harness-side) ● TCM ● ECM ● Between ECM and TCM		
OK or NG		
OK	▶	GO TO 2.
NG	▶	Repair terminal or connector.

2	CHECK HARNESS FOR SHORT CIRCUIT	
1. Disconnect ECM connector and TCM connector. 2. Check continuity between ECM harness connector F48 terminals 109 (L) and 113 (R).		
Continuity should not exist.		
OK or NG		
OK	▶	GO TO 3.
NG	▶	Repair harness between ECM and TCM.

SEL431Y

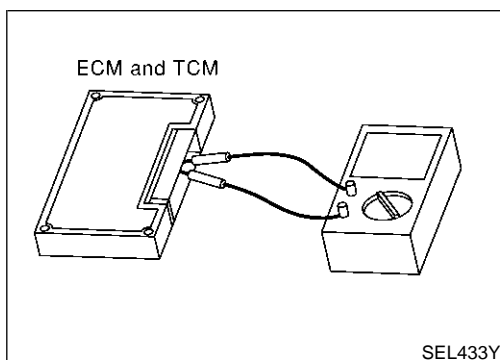
CAN SYSTEM (FOR A/T MODELS)

Trouble Diagnoses (Cont'd)

3	CHECK HARNESS FOR SHORT CIRCUIT	
<p>Check continuity between ECM harness connector F48 terminals 109 (R), 113 (L) and ground.</p>		
SEL432Y		
OK or NG		
OK	▶	GO TO 4.
NG	▶	Repair harness between ECM and TCM.

4	CHECK HARNESS FOR OPEN CIRCUIT	
<p>Check continuity between ECM harness connector F48 terminals 109 (R), 113 (L) and TCM harness connector F51 terminals 5 (R), 6 (L).</p>		
SEL647Y		
OK or NG		
OK	▶	GO TO 5.
NG	▶	Repair harness.

5	ECM/TCM INTERNAL CIRCUIT INSPECTION	
<p>Check components inspection. Refer to "ECM/TCM INTERNAL CIRCUIT INSPECTION" (EL-439).</p>		
OK or NG		
OK	▶	Connect all the connectors and diagnose again. Refer to "Work Flow" (EL-436).
NG	▶	Replace ECM and/or TCM.



Component Inspection

ECM/TCM INTERNAL CIRCUIT INSPECTION

NFEL0275

NFEL0275S01

- Remove ECM and TCM from vehicle.
- Check resistance between ECM terminals 109 and 113.
- Check resistance between TCM terminals 5 and 6.

Unit	Terminal	Resistance value (Ω)
ECM	109 - 113	Approx. 108 - 132
TCM	5 - 6	

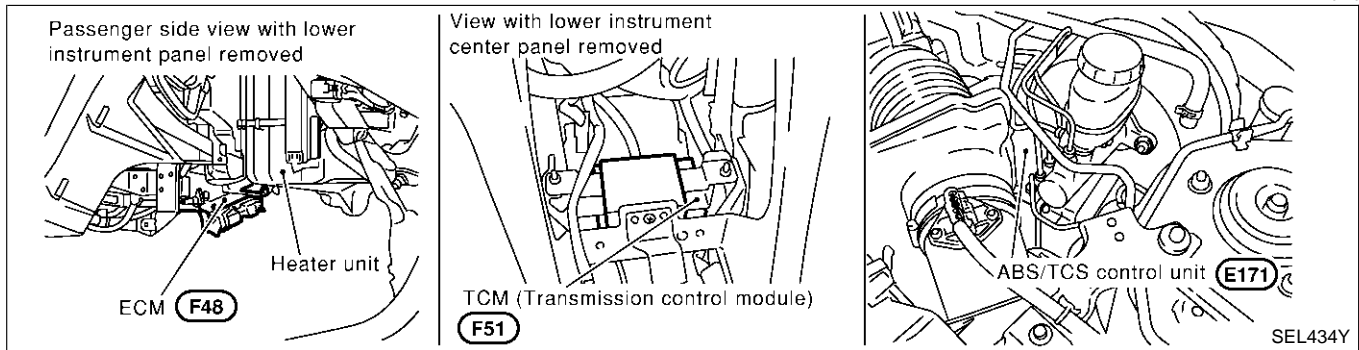
GI
MA
EM
LC
EC
FE
CL
MT
AT
AX
SU
BR
ST
RS
BT
HA
SC
EL
IDX

CAN SYSTEM (FOR TCS MODELS)

Component Parts and Harness Connector Location

Component Parts and Harness Connector Location

NFEL0276



System Description

NFEL0277

CAN (Controller Area Network) is a serial communication line for real time application. It is an on-vehicle multiplex communication line with high data communication speed and excellent error detection ability. Many electronic control units are equipped onto a vehicle, and each control unit shares information and links with other control units during operation (not independent). In CAN communication, control units are connected with 2 communication lines (CAN H line, CAN L line) allowing a high rate of information transmission with less wiring. Each control unit transmits/receives data but selectively reads required data only.

CAN SYSTEM (FOR TCS MODELS)

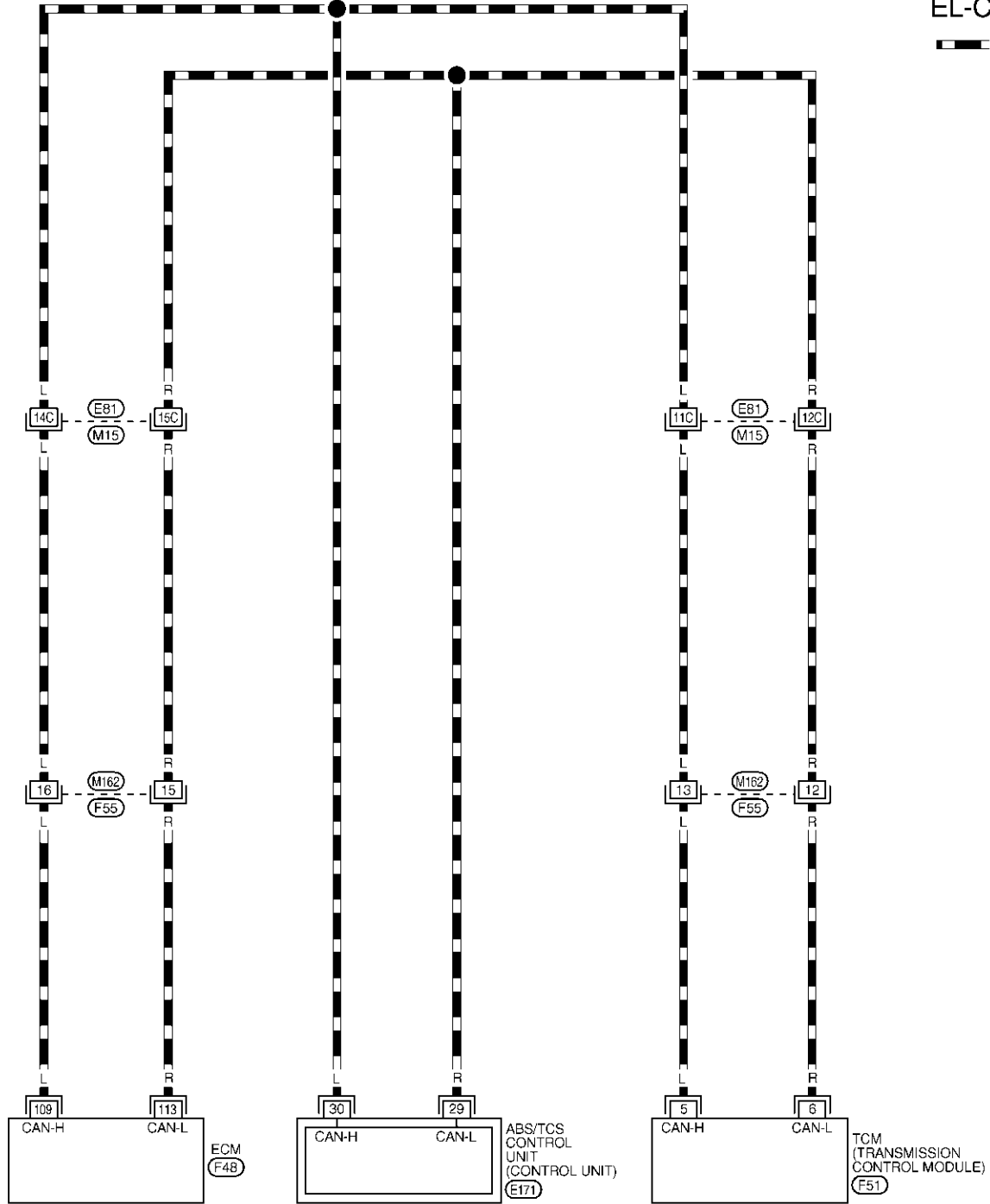
Wiring Diagram — CAN —

Wiring Diagram — CAN —

NFEL0278

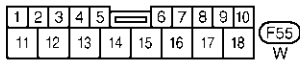
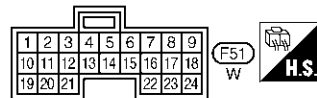
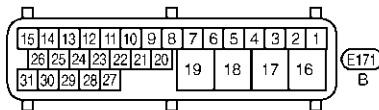
EL-CAN-02

— : DATA LINE



GI
MA
EM
LC
EC
FE
CL
MT
AT
AX
SU
BR
ST
RS
BT
HA

SC
EL
IDX



REFER TO THE FOLLOWING.

- (M15) -SUPER
- MULTIPLE JUNCTION (SMJ)
- (F48) -ELECTRICAL UNITS

MEL735P

CAN SYSTEM (FOR TCS MODELS)

Trouble Diagnoses

NFEL0279

WORK FLOW

NFEL0279S01

1. Print all the data of "SELF-DIAG RESULTS" for "ENGINE", "ABS" and "A/T" displayed on CONSULT-II.

(Example)

SELECT DIAG MODE			
WORK SUPPORT			
SELF-DIAG RESULTS			
DATA MONITOR			
DATA MONITOR (SPEC)			
CAN DIAG SUPPORT MNTR			
ACTIVE TEST			
			Scroll Down
BACK	LIGHT	COPY	

➔

SELF-DIAG RESULTS			
DTC RESULTS			
TIME			
CAN COMM CIRCUIT (U1000)	0		
FFDATA			
ERASE PRINT			
MODE	BACK	LIGHT	COPY

PKIA8260E

2. Print all the data of "CAN DIAG SUPPORT MNTR" for "ENGINE", "ABS" and "A/T" displayed on CONSULT-II.

(Example)

SELECT DIAG MODE			
WORK SUPPORT			
SELF-DIAG RESULTS			
DATA MONITOR			
DATA MONITOR (SPEC)			
CAN DIAG SUPPORT MNTR			
ACTIVE TEST			
			Scroll Down
BACK	LIGHT	COPY	

➔

CAN DIAG SUPPORT MNTR			
ENGINE			
	PRSN		
INITIAL DIAG	OK		
TRANSMIT DIAG	OK		
TCM	OK		
VDC/TCS/ABS	OK		
METER/M&A	OK		
ICC	UNKWN		
BCM/SEC	OK		
IPDM E/R	OK		
AWD/4WD/e4WD	UNKWN		
PRINT			
MODE	BACK	LIGHT	Scroll Down

PKIA8343E

3. Attach the printed sheet of "SELF-DIAG RESULTS" and "CAN DIAG SUPPORT MNTR" onto the check sheet. Refer to "CHECK SHEET" (EL-443).
4. Based on the "CAN DIAG SUPPORT MNTR" results, put "v" marks onto the items with "UNKWN" or "NG" in the check sheet table. Refer to "CHECK SHEET" (EL-443).

NOTE:

If "NG" is displayed on "INITIAL DIAG (Initial diagnosis)" as "CAN DIAG SUPPORT MNTR" for the diagnosed control unit, replace the control unit.

5. According to the check sheet results (example), start inspection. Refer to "CHECK SHEET RESULTS (EXAMPLE)" (EL-444).

CAN SYSTEM (FOR TCS MODELS)

Trouble Diagnoses (Cont'd)

=NFEL0279S02

CHECK SHEET

NOTE:

If "NG" is displayed on "INITIAL DIAG (Initial diagnosis)" as "CAN DIAG SUPPORT MNTR" for the diagnosed control unit, replace the control unit.

Check sheet table

SELECT SYSTEM screen	CAN DIAG SUPPORT MNTR				
	Initial diagnosis	Transmit diagnosis	Receive diagnosis		
			ECM	VDC/TCS/ABS	TCM
ENGINE	NG	UNKWN	-	UNKWN	UNKWN
ABS	NG	UNKWN	UNKWN	-	UNKWN
A/T	NG	UNKWN	UNKWN	UNKWN	-

Symptoms :

Attach copy of
ENGINE
SELF-DIAG RESULTS

Attach copy of
ABS
SELF-DIAG RESULTS

Attach copy of
A/T
SELF-DIAG RESULTS

Attach copy of
ENGINE
CAN DIAG SUPPORT MNTR

Attach copy of
ABS
CAN DIAG SUPPORT MNTR

Attach copy of
A/T
CAN DIAG SUPPORT MNTR

PKIA8323E

GI
MA
EM
LC
EC
FE
CL
MT
AT
AX
SU
BR
ST
RS
BT
HA
SC
EL
IDX

CAN SYSTEM (FOR TCS MODELS)

Trouble Diagnoses (Cont'd)

CHECK SHEET RESULTS (EXAMPLE)

=NFEL0279S03

NOTE:

If "NG" is displayed on "INITIAL DIAG (Initial diagnosis)" as "CAN DIAG SUPPORT MNTR" for the diagnosed control unit, replace the control unit.

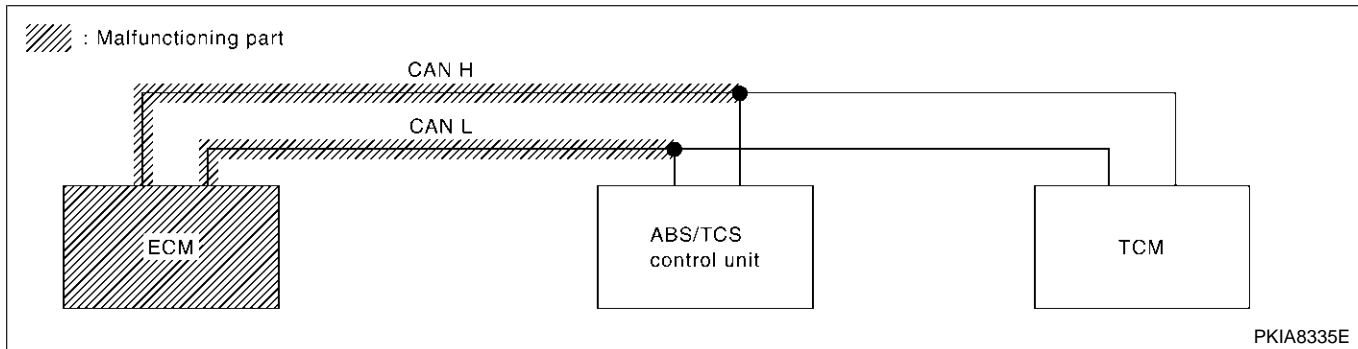
Case 1

NFEL0279S0301

Check ECM circuit. Refer to "ECM CIRCUIT CHECK" (EL-445).

SELECT SYSTEM screen	CAN DIAG SUPPORT MNTR				
	Initial diagnosis	Transmit diagnosis	Receive diagnosis		
			ECM	VDC/TCS/ABS	TCM
ENGINE	NG	UNKW N	-	UNKW N	UNKW N
ABS	NG	UNKW N	UNKW N	-	UNKW N
A/T	NG	UNKW N	UNKW N	UNKW N	-

PKIA8325E



PKIA8335E

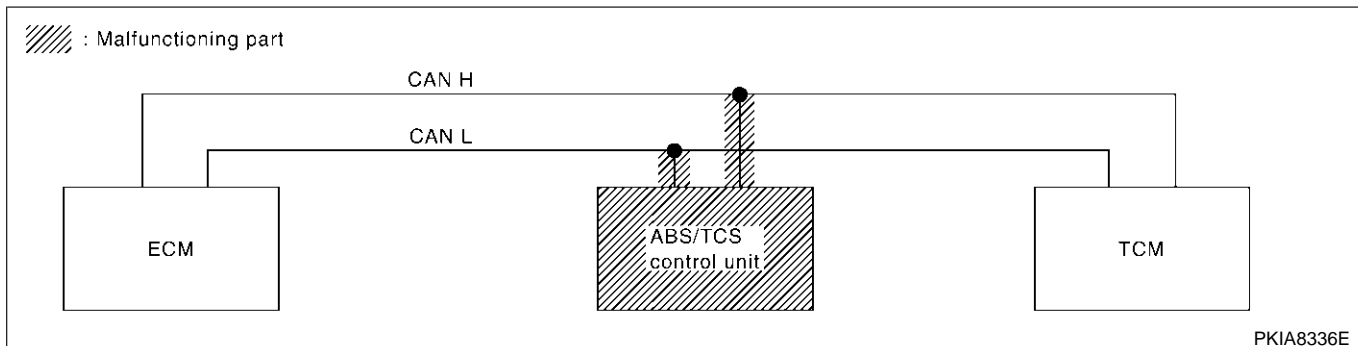
Case 2

NFEL0279S0302

Check ABS/TCS control unit circuit. Refer to "ABS/TCS CONTROL UNIT CIRCUIT CHECK" (EL-446).

SELECT SYSTEM screen	CAN DIAG SUPPORT MNTR				
	Initial diagnosis	Transmit diagnosis	Receive diagnosis		
			ECM	VDC/TCS/ABS	TCM
ENGINE	NG	UNKW N	-	UNKW N	UNKW N
ABS	NG	UNKW N	UNKW N	-	UNKW N
A/T	NG	UNKW N	UNKW N	UNKW N	-

PKIA8326E



PKIA8336E

CAN SYSTEM (FOR TCS MODELS)

Trouble Diagnoses (Cont'd)

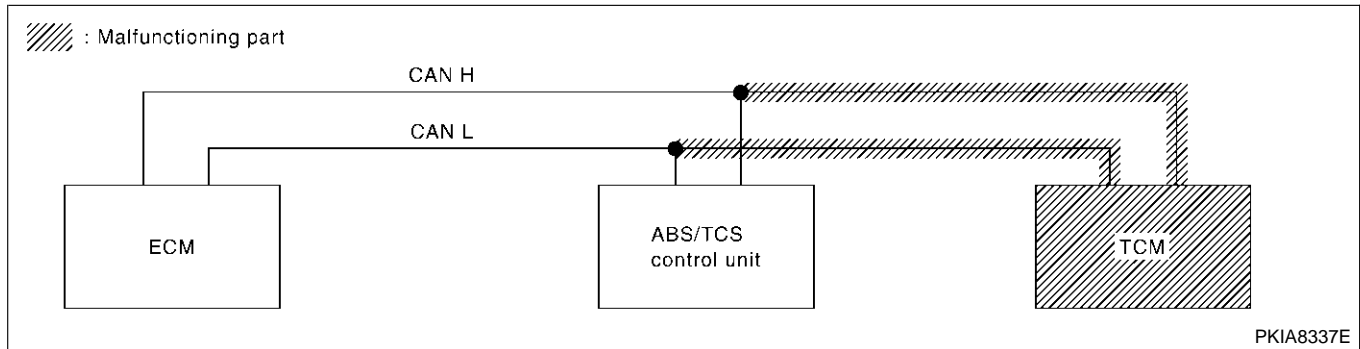
Case 3

Check TCM circuit. Refer to "TCM CIRCUIT CHECK" (EL-447).

NFEL0279S0303

SELECT SYSTEM screen	CAN DIAG SUPPORT MNTR				
	Initial diagnosis	Transmit diagnosis	Receive diagnosis		
			ECM	VDC/TCS/ABS	TCM
ENGINE	NG	UNKWVN	-	UNKWVN	UNKWVN
ABS	NG	UNKWVN	UNKWVN	-	UNKWVN
A/T	NG	UNKWVN	UNKWVN	UNKWVN	-

PKIA8327E



Case 4

Check CAN communication circuit. Refer to "CAN COMMUNICATION CIRCUIT CHECK" (EL-447).

NFEL0279S0304

SELECT SYSTEM screen	CAN DIAG SUPPORT MNTR				
	Initial diagnosis	Transmit diagnosis	Receive diagnosis		
			ECM	VDC/TCS/ABS	TCM
ENGINE	NG	UNKWVN	-	UNKWVN	UNKWVN
ABS	NG	UNKWVN	UNKWVN	-	UNKWVN
A/T	NG	UNKWVN	UNKWVN	UNKWVN	-

PKIA8328E

ECM CIRCUIT CHECK

NFEL0279S06

1	CHECK CONNECTOR	
1. Turn ignition switch OFF. 2. Check following terminals and connector for damage, bend and loose connection. (control module-side and harness-side) ● ECM ● Harness connector F55 ● Harness connector M162 ● Harness connector M15 ● Harness connector E81		
OK or NG		
OK	▶	GO TO 2.
NG	▶	Repair terminal or connector.

CAN SYSTEM (FOR TCS MODELS)

Trouble Diagnoses (Cont'd)

2	CHECK HARNESS FOR OPEN CIRCUIT	
<p>1. Disconnect ECM connector. 2. Check resistance between ECM harness connector F48 terminals 109 (L) and 113 (R).</p>		
		Approx. 108 - 132 Ω
OK or NG		
OK	▶	Replace ECM.
NG	▶	Repair harness between ABS/TCS control unit and ECM.

SEL437Y

ABS/TCS CONTROL UNIT CIRCUIT CHECK

NFEL0279S07

1	CHECK CONNECTOR	
<p>1. Turn ignition switch OFF. 2. Check the terminals and connector of ABS/TCS control unit for damage, bend and loose connection. (control unit-side and harness-side)</p>		
OK or NG		
OK	▶	GO TO 2.
NG	▶	Repair terminal or connector.

2	CHECK HARNESS FOR OPEN CIRCUIT	
<p>1. Disconnect ABS/TCS control unit connector. 2. Check resistance between ABS/TCS control unit harness connector E171 terminals 30 (L) and 29 (R).</p>		
		Approx. 54 - 66 Ω
OK or NG		
OK	▶	Replace ABS/TCS control unit.
NG	▶	Repair harness between ABS/TCS control unit and harness connector E81.

SEL438Y

CAN SYSTEM (FOR TCS MODELS)

Trouble Diagnoses (Cont'd)

TCM CIRCUIT CHECK

NFEL0279S08

1	CHECK CONNECTOR	
<p>1. Turn ignition switch OFF.</p> <p>2. Check following terminals and connector for damage, bend and loose connection. (control module-side and harness-side)</p> <ul style="list-style-type: none"> ● TCM ● Harness connector F55 ● Harness connector M162 ● Harness connector M15 ● Harness connector E81 <p style="text-align: right;">OK or NG</p>		
OK	▶	GO TO 2.
NG	▶	Repair terminal or connector.

GI
MA
EM
LC
EC

2	CHECK HARNESS FOR OPEN CIRCUIT	
<p>1. Disconnect TCM connector.</p> <p>2. Check resistance between TCM harness connector F51 terminals 5 (L) and 6 (R).</p> <div style="text-align: center;"> <p style="text-align: center;">Approx. 108 - 132 Ω</p> <p style="text-align: right;">SEL439Y</p> </div> <p style="text-align: right;">OK or NG</p>		
OK	▶	Replace TCM.
NG	▶	Repair harness ABS/TCS control unit and TCM.

FE
CL
MT
AT
AX
SU
BR

CAN COMMUNICATION CIRCUIT CHECK

NFEL0279S04

1	CHECK CONNECTOR	
<p>1. Turn ignition switch OFF.</p> <p>2. Check following terminals and connector for damage, bend and loose connection. (control module-side, control unit-side and harness-side)</p> <ul style="list-style-type: none"> ● TCM ● ECM ● ABS/TCS control unit ● Between ECM and TCM <p style="text-align: right;">OK or NG</p>		
OK	▶	GO TO 2.
NG	▶	Repair terminal or connector.

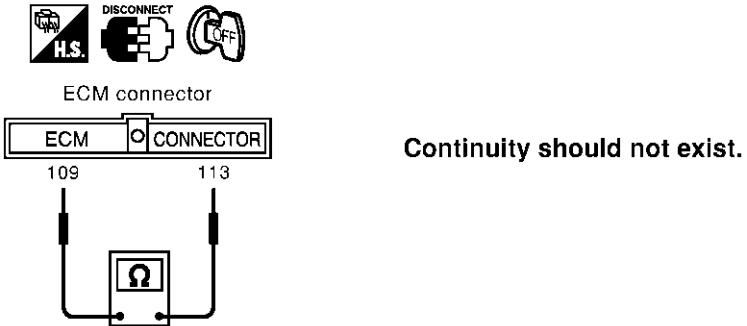
ST
RS
BT
HA
SC

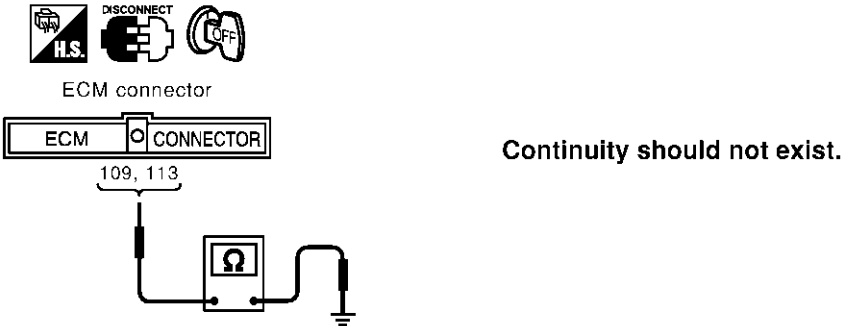
EL

IDX

CAN SYSTEM (FOR TCS MODELS)

Trouble Diagnoses (Cont'd)

2	CHECK HARNESS FOR SHORT CIRCUIT
<p>1. Disconnect ECM connector and harness connector F55. 2. Check continuity between ECM harness connector F48 terminals 109 (L) and 113 (R).</p>	
	
OK	▶ GO TO 3.
NG	▶ Repair harness between ECM and harness connector F55.

3	CHECK HARNESS FOR SHORT CIRCUIT
<p>Check continuity between ECM harness connector F48 terminals 109 (L), 113 (R) and ground.</p>	
	
OK	▶ GO TO 4.
NG	▶ Repair harness between ECM and harness connector F55.

CAN SYSTEM (FOR TCS MODELS)

Trouble Diagnoses (Cont'd)

4	CHECK HARNESS FOR SHORT CIRCUIT	
<p>1. Disconnect TCM connector. 2. Check continuity between TCM harness connector F51 terminals 5 (L) and 6 (R).</p>		
<p>TCM connector</p> <p>TCM CONNECTOR</p> <p>5 6</p> <p>Continuity should not exist.</p> <p>SEL440Y</p> <p>OK or NG</p>		
OK	▶	GO TO 5.
NG	▶	Repair harness between TCM and harness connector F55.

GI
MA
EM
LC
EC
FE
CL

5	CHECK HARNESS FOR SHORT CIRCUIT	
<p>Check continuity between TCM harness connector F51 terminals 5 (L), 6 (R) and ground.</p>		
<p>TCM connector</p> <p>TCM CONNECTOR</p> <p>5, 6</p> <p>Continuity should not exist.</p> <p>SEL441Y</p> <p>OK or NG</p>		
OK	▶	GO TO 6.
NG	▶	Repair harness between TCM and harness connector F55.

MT
AT
AX
SU
BR
ST
RS


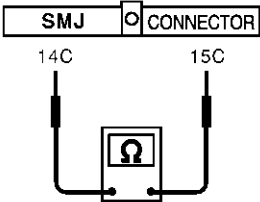
BT
HA
SC


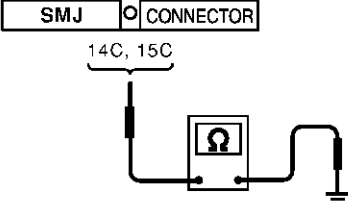
EL


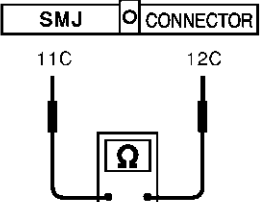
IDX

CAN SYSTEM (FOR TCS MODELS)

Trouble Diagnoses (Cont'd)

6	CHECK HARNESS FOR SHORT CIRCUIT	
<p>1. Disconnect harness connector M15. 2. Check continuity between harness connector M15 terminals 14C (L) and 15C (R).</p>		
		
<p>SMJ harness connector</p> 		
Continuity should not exist.		
SEL442Y		
OK or NG		
OK	▶	GO TO 7.
NG	▶	Repair harness between harness connector M162 and harness connector M15.

7	CHECK HARNESS FOR SHORT CIRCUIT	
<p>Check continuity between harness connector M15 terminals 14C (L), 15C (R) and ground.</p>		
		
<p>SMJ harness connector</p> 		
Continuity should not exist.		
SEL443Y		
OK or NG		
OK	▶	GO TO 8.
NG	▶	Repair harness between harness connector M162 and harness connector M15.

8	CHECK HARNESS FOR SHORT CIRCUIT	
<p>Check continuity between harness connector M15 terminals 11C (L) and 12C (R).</p>		
		
<p>SMJ harness connector</p> 		
Continuity should not exist.		
SEL444Y		
OK or NG		
OK	▶	GO TO 9.
NG	▶	Repair harness between harness connector M162 and harness connector M15.

CAN SYSTEM (FOR TCS MODELS)

Trouble Diagnoses (Cont'd)

9	CHECK HARNESS FOR SHORT CIRCUIT		
<p>Check continuity between harness connector M15 terminals 11C (L), 12C (R) and ground.</p>			
<p>SMJ harness connector</p>			
		Continuity should not exist.	
		OK or NG	SEL445Y
OK	▶	GO TO 10.	
NG	▶	Repair harness between harness connector M162 and harness connector M15.	

10	CHECK HARNESS FOR SHORT CIRCUIT		
<p>1. Disconnect ABS/TCS control unit connector. 2. Check continuity between ABS/TCS control unit harness connector E171 terminals 30 (L) and 29 (R).</p>			
<p>ABS/TCS control unit connector</p>			
		Continuity should not exist.	
		OK or NG	SEL446Y
OK	▶	GO TO 11.	
NG	▶	Repair harness between ABS/TCS control unit and harness connector E81.	

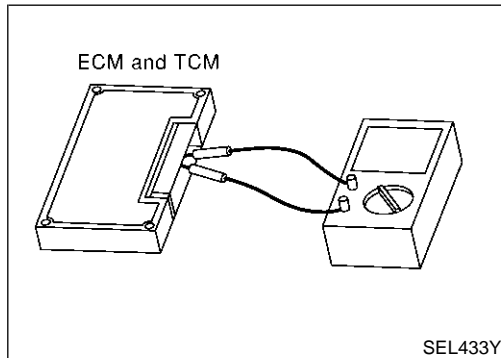
11	CHECK HARNESS FOR SHORT CIRCUIT		
<p>Check continuity between ABS/TCS control unit harness connector E171 terminals 30 (L), 29 (R) and ground.</p>			
<p>ABS/TCS control unit connector</p>			
		Continuity should not exist.	
		OK or NG	SEL447Y
OK	▶	GO TO 12.	
NG	▶	Repair harness between ABS/TCS control unit and harness connector E81.	

GI
MA
EM
LC
EC
FE
CL
MT
AT
AX
SU
BR
ST
RS
BT
HA
SC
EL
IDX

CAN SYSTEM (FOR TCS MODELS)

Trouble Diagnoses (Cont'd)

12	ECM/TCM INTERNAL CIRCUIT INSPECTION	
Check components inspection. Refer to "ECM/TCM INTERNAL CIRCUIT INSPECTION" (EL-452).		
OK or NG		
OK	▶	Connect all the connectors and diagnose again. Refer to "Work Flow" (EL-442).
NG	▶	Replace ECM and/or TCM.



Component Inspection

ECM/TCM INTERNAL CIRCUIT INSPECTION

NFEL0280

NFEL0280S01

- Remove ECM and TCM from vehicle.
- Check resistance between ECM terminals 109 and 113.
- Check resistance between TCM terminals 5 and 6.

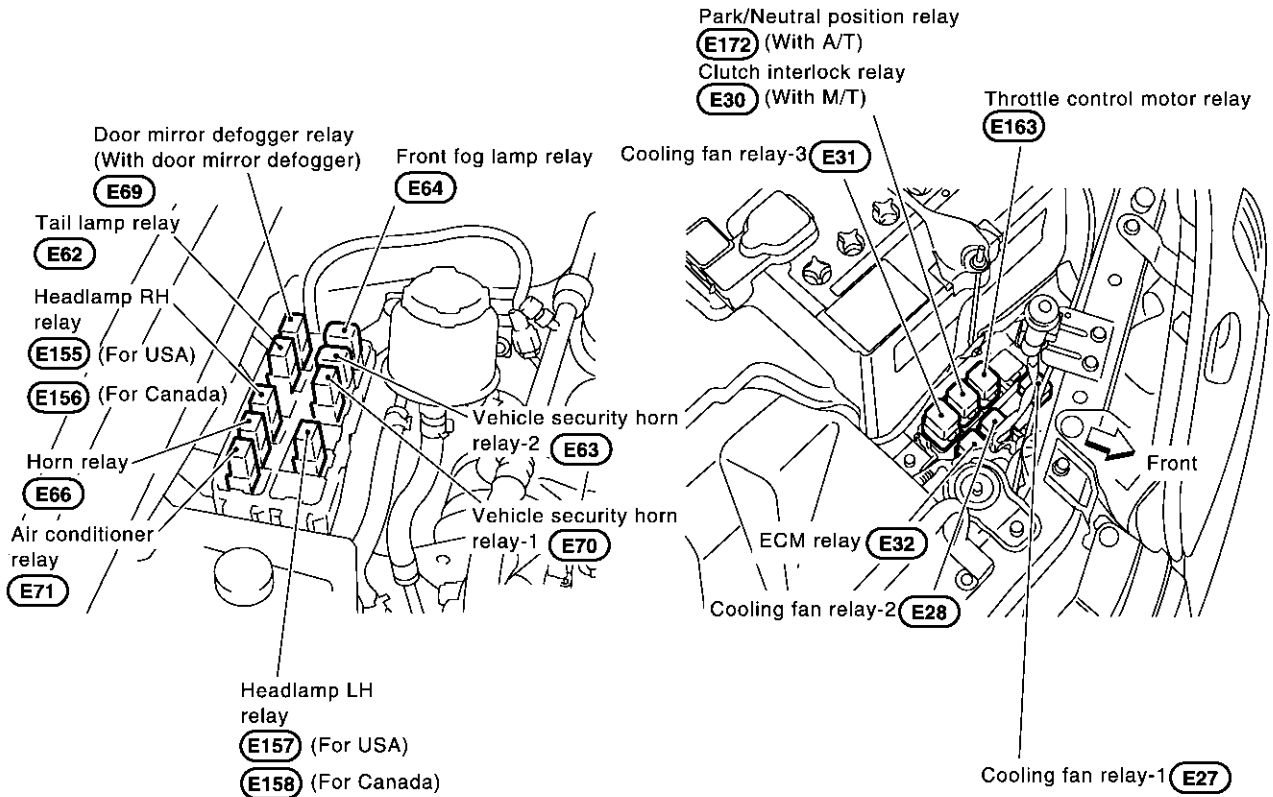
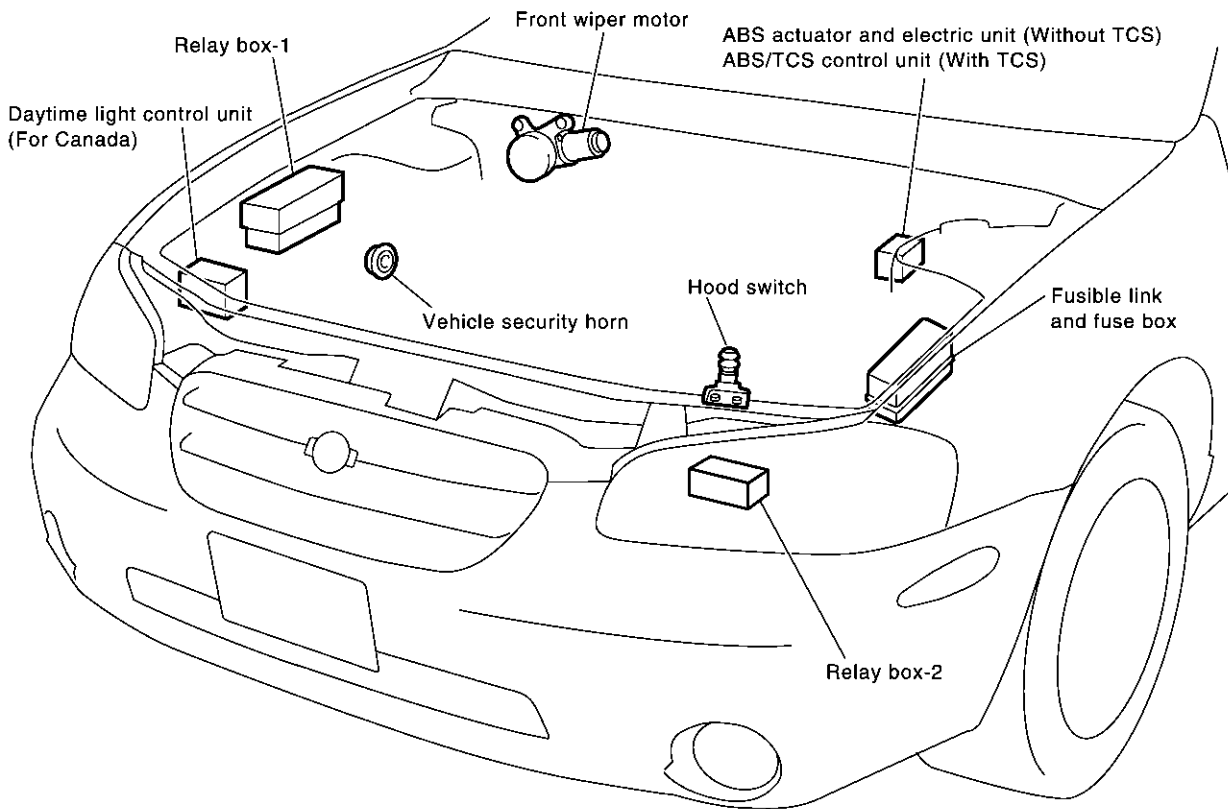
Unit	Terminal	Resistance value (Ω)
ECM	109 - 113	Approx. 108 - 132
TCM	5 - 6	

ELECTRICAL UNITS LOCATION

Engine Compartment

Engine Compartment

NFEL0129



GI

MA

EM

LC

EC

FE

CL

MT

AT

AX

SU

BR

ST

RS

BT

HA

SC

EL

IDX

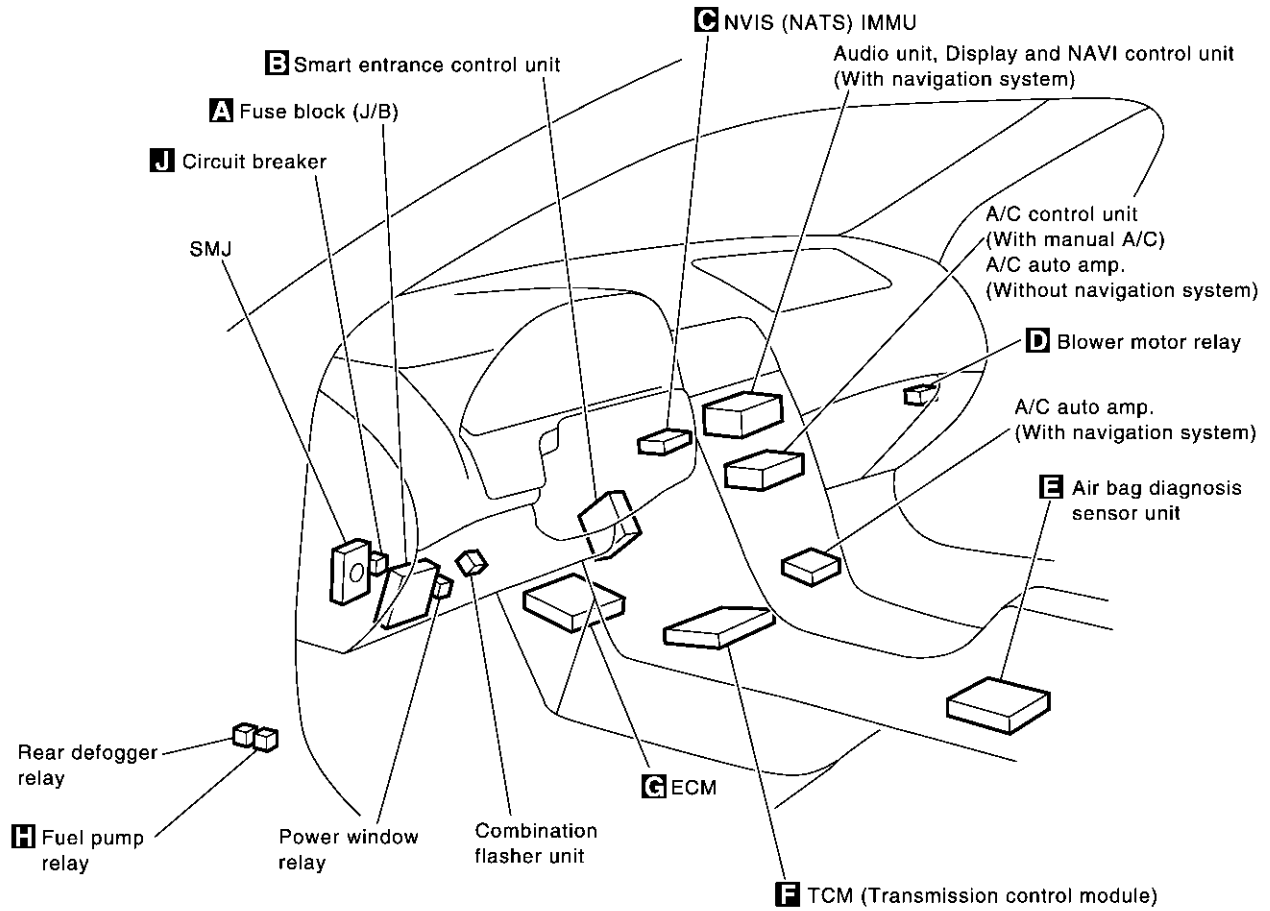
MEL924P

ELECTRICAL UNITS LOCATION

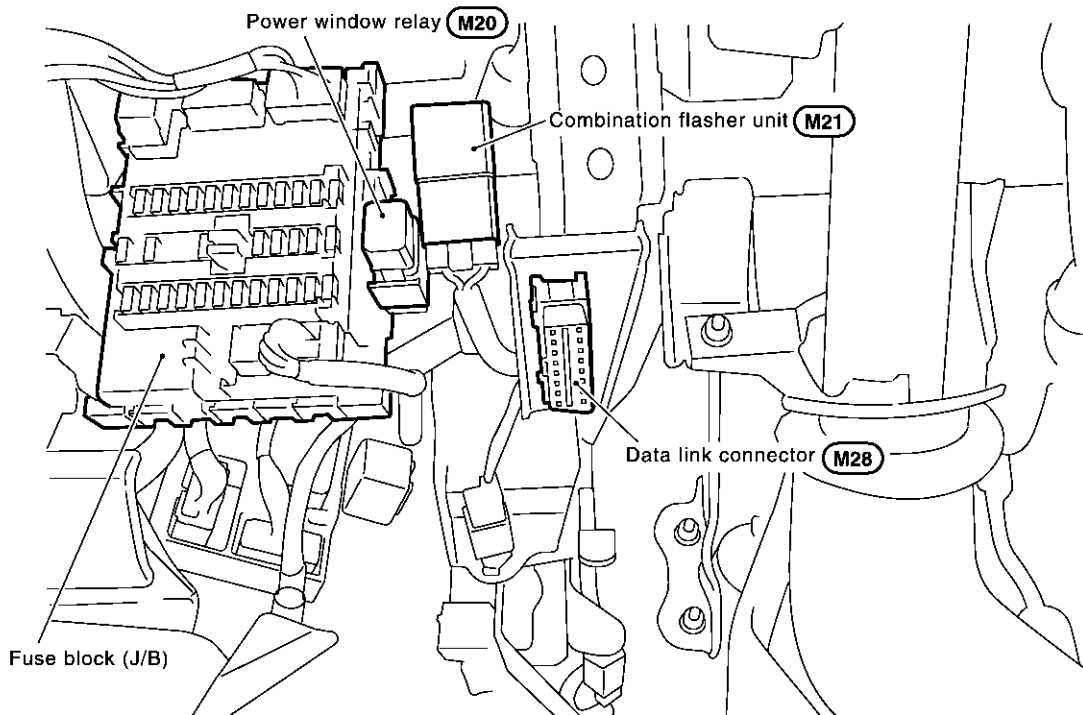
Passenger Compartment

Passenger Compartment

NFEL0130



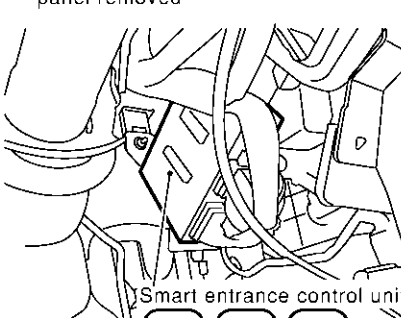
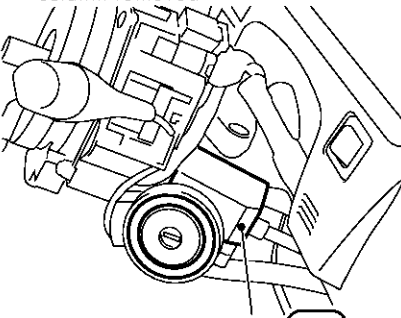
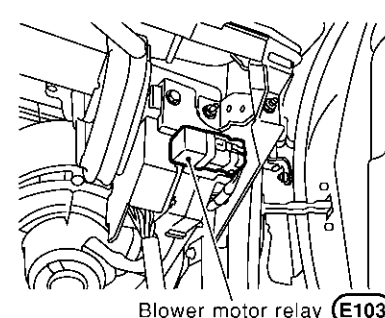
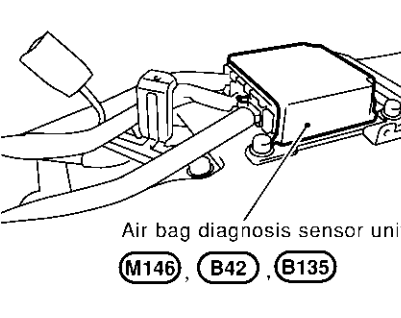
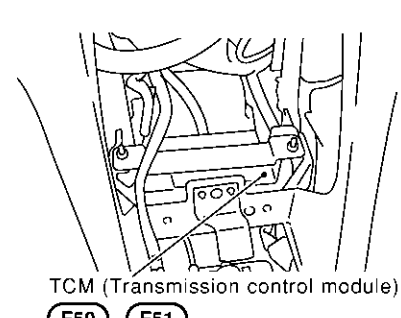
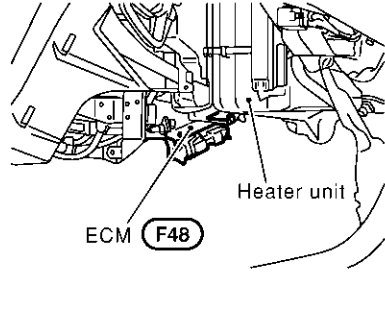
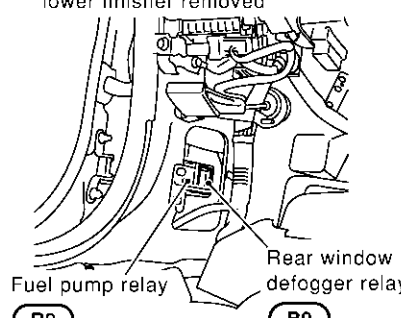
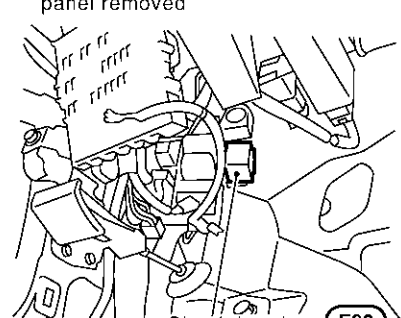
A Instrument panel LH side



MEL0720

ELECTRICAL UNITS LOCATION

Passenger Compartment (Cont'd)

<p>B Driver side view with lower instrument panel removed</p>  <p>Smart entrance control unit (M143), (M144), (M145)</p>	<p>C View with steering wheel and steering column removed</p>  <p>NVIS (NATS) IMMU (M42)</p>	<p>D Passenger side view with dash side lower finisher removed</p>  <p>Blower motor relay (E103)</p>
<p>E Rear of parking brake</p>  <p>Air bag diagnosis sensor unit (M146), (B42), (B135)</p>	<p>F View with lower instrument center panel removed</p>  <p>TCM (Transmission control module) (F50), (F51)</p>	<p>G Passenger side view with lower instrument panel removed</p>  <p>Heater unit ECM (F48)</p>
<p>H Driver side view with dash side lower finisher removed</p>  <p>Fuel pump relay (B8) Rear window defogger relay (B9)</p>	<p>I Driver side view with lower instrument panel removed</p>  <p>Circuit breaker (E90)</p>	

GI

MA

EM

LC

EC

FE

CL

MT

AT

AX

SU

BR

ST

RS

BT

HA

SC

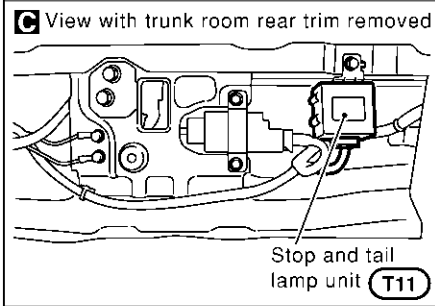
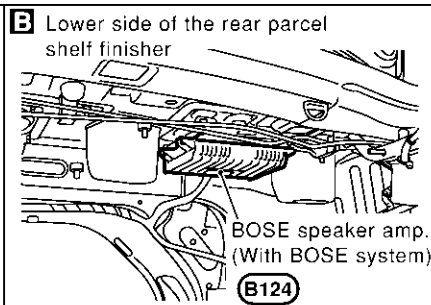
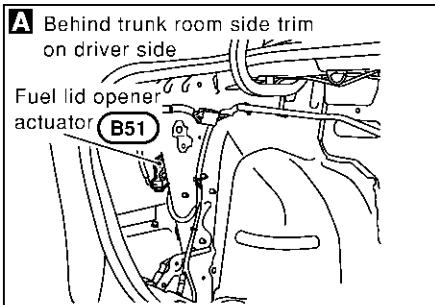
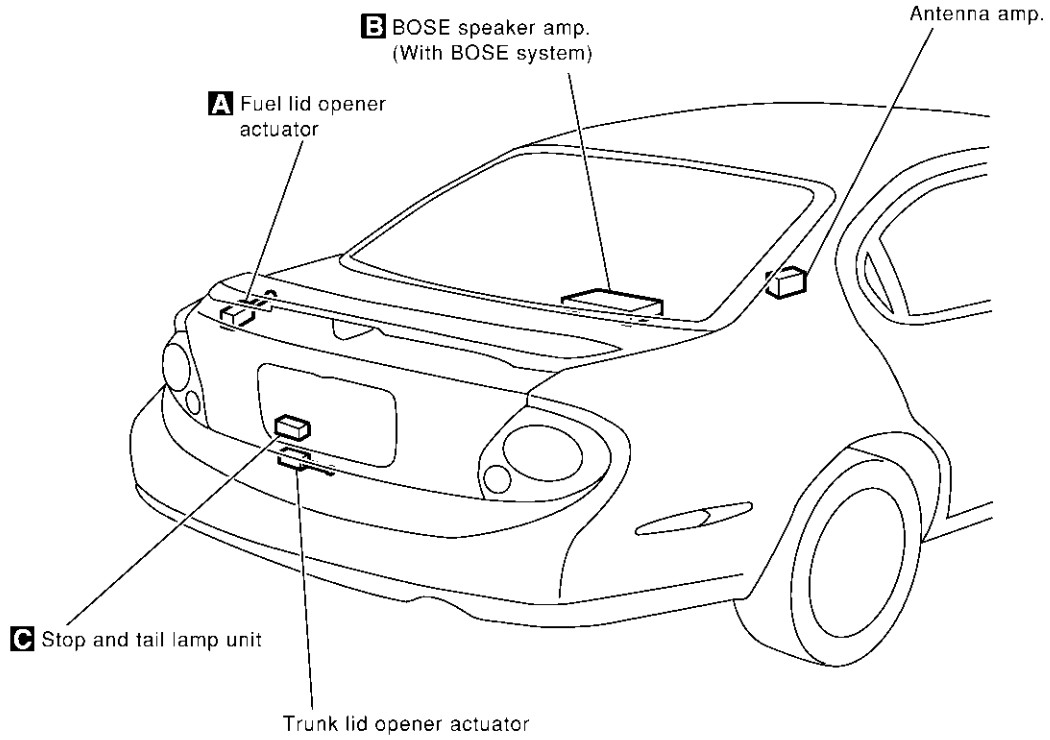
EL

IDX

MEL0730

ELECTRICAL UNITS LOCATION

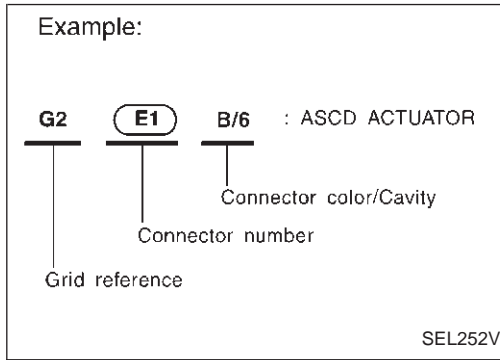
Passenger Compartment (Cont'd)



MEL0740

How to Read Harness Layout

NFEL0131



The following Harness Layouts use a map style grid to help locate connectors on the drawings:

- Main Harness
- Engine Room Harness (Engine Compartment)

TO USE THE GRID REFERENCE

1. Find the desired connector number on the connector list.
2. Find the grid reference.
3. On the drawing, find the crossing of the grid reference letter column and number row.
4. Find the connector number in the crossing zone.
5. Follow the line (if used) to the connector.

CONNECTOR SYMBOL

Main symbols of connector (in Harness Layout) are indicated in the below.

Connector type	Water proof type		Standard type	
	Male	Female	Male	Female
<ul style="list-style-type: none"> ● Cavity: Less than 4 ● Relay connector 				
<ul style="list-style-type: none"> ● Cavity: From 5 to 8 				
<ul style="list-style-type: none"> ● Cavity: More than 9 	—	—		
<ul style="list-style-type: none"> ● Ground terminal etc. 	—			

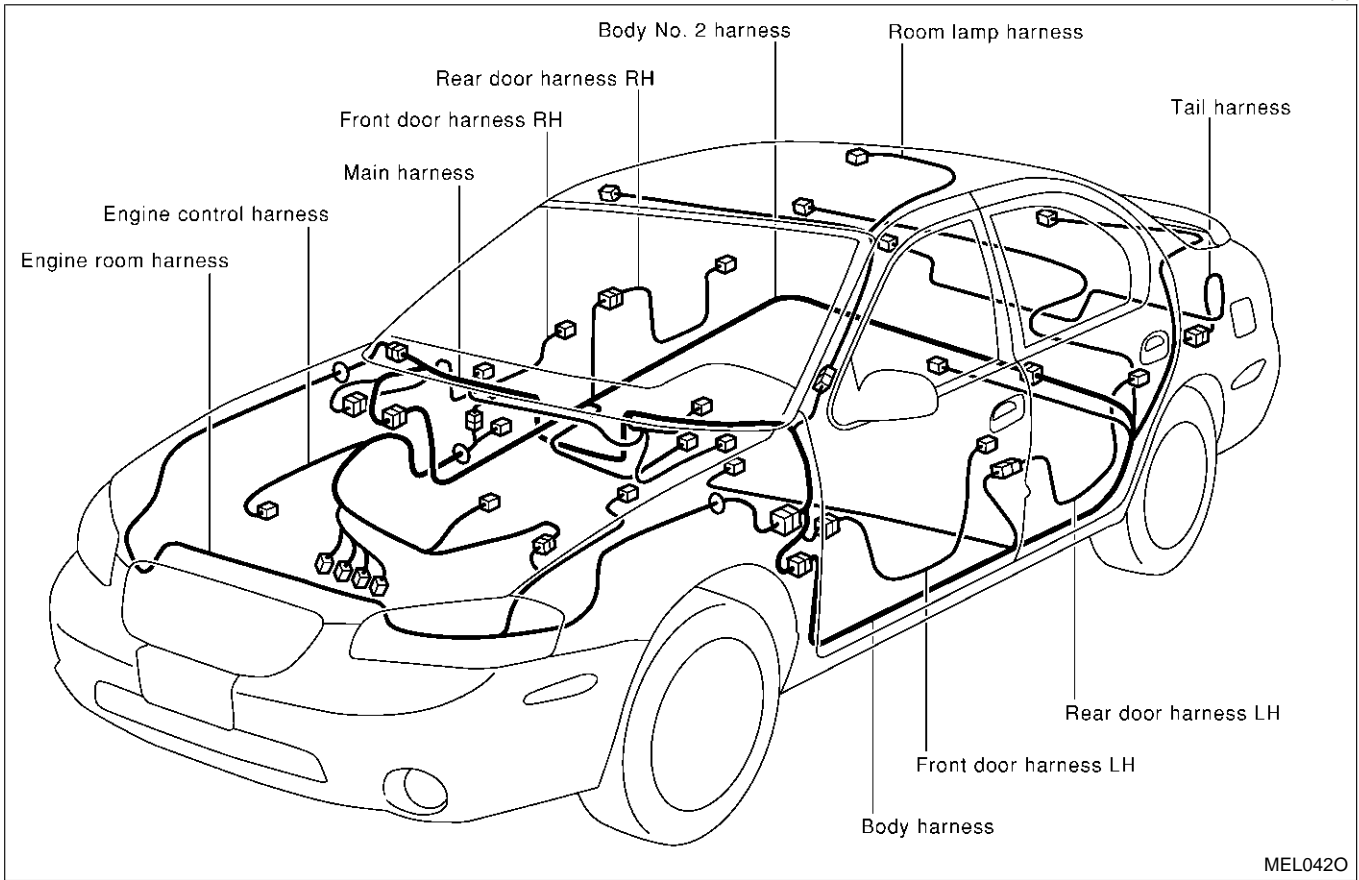
GI
MA
EM
LC
EC
FE
CL
MT
AT
AX
SU
BR
ST
RS
BT
HA
SC
EL
IDX

HARNESSES LAYOUT

Outline

Outline

NFEL0132



NOTE:

For detailed ground distribution information, refer to "Ground Distribution", "GROUND", EL-20.

HARNESS LAYOUT

Outline (Cont'd)

NOTE:

GI

MA

EM

LC

EC

FE

CL

MT

AT

AX

SU

BR

ST

RS

BT

HA

SC

EL

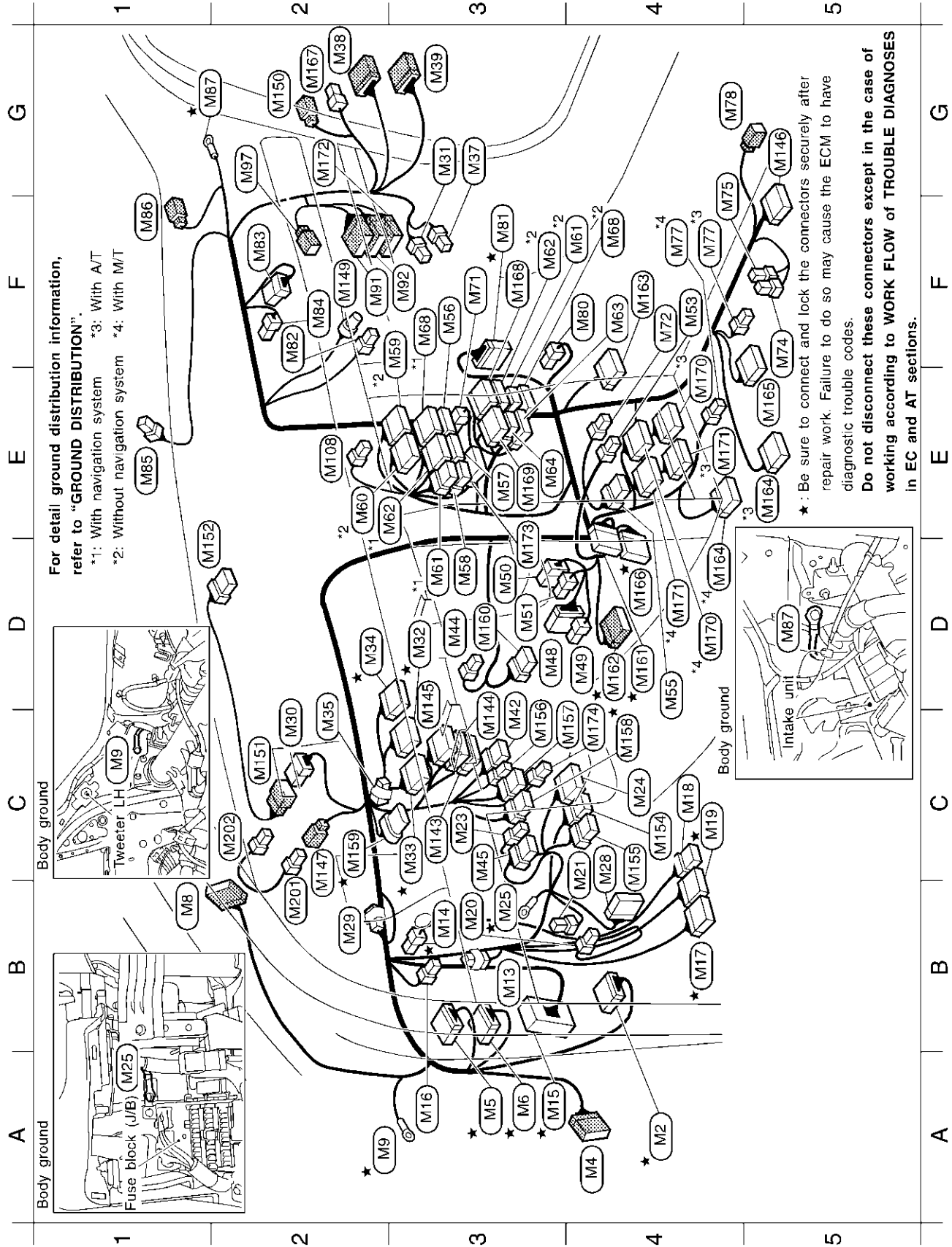
IDX

HARNESS LAYOUT

Main Harness

NFEL0133

Main Harness



For detail ground distribution information, refer to "GROUND DISTRIBUTION".

*1: With navigation system *3: With A/T
*2: Without navigation system *4: With M/T

★: Be sure to connect and lock the connectors securely after repair work. Failure to do so may cause the ECM to have diagnostic trouble codes.
Do not disconnect these connectors except in the case of working according to WORK FLOW of TROUBLE DIAGNOSES in EC and AT sections.

MEL925P

HARNES LAYOUT

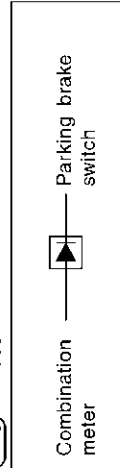
Main Harness (Cont'd)

Main harness

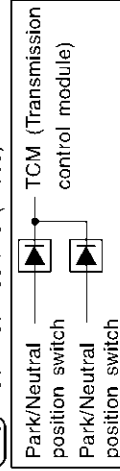
A4★	M2	BR/24	: To	B2
A4	M4	SMJ	: To	D1
A3★	M5	W/16	: To	B1
A3★	M6	W/18	: To	B3
B1	M8	W/12	: To	R2
A2★	M9	-	: Body ground	
B3	M13	L/4	: Diode (For Canada)	
B3★	M14	L/2	: ASCD clutch switch (With M/T)	
A3★	M15	SMJ	: To	E81
A3	M16	W/4	: Telephone	
B4★	M17	W/12	: Fuse block (J/B)	
C4	M18	W/6	: Fuse block (J/B)	
C4★	M19	W/16	: Fuse block (J/B)	
B3	M20	L/4	: Power window relay	
C4	M21	B/3	: Combination flasher unit	
C3	M23	W/3	: Illumination control switch	
C4	M24	W/10	: Door mirror remote control switch	
B3★	M25	-	: Body ground	
C4	M28	W/16	: Data link connector	
B2	M29	GY/3	: Joint connector-3 (Diode) (With A/T)	
C2	M30	GY/6	: To	M151
G3	M31	W/4	: Fan control amp. (With auto A/C)	
D3★	M32	BR/20	: Combination meter	
C3★	M33	W/24	: Combination meter	
D2★	M34	BR/24	: Combination meter	
C2	M35	B/2	: Diode	
G3	M37	BR/4	: Fan resistor (With manual A/C)	
G2	M38	W/16	: To	D62
G3	M39	W/10	: To	D63
C3	M42	W/8	: NVIS (NATS) IMMU	
D8	M44	W/2	: In-vehicle sensor (With auto A/C)	
C3	M45	L/6	: TCS ON/OFF switch (With TCS)	
D3	M48	BR/10	: Mode door motor (With manual A/C)	
D4	M49	W/3	: Mode door motor (With auto A/C)	
D3	M50	B/6	: Air mix door motor (With manual A/C)	
D3	M51	W/3	: Air mix door motor (With auto A/C)	
F4	M53	B/2	: Cigarette lighter	
D4	M55	W/8	: Hazard switch	
F3	M56	GY/16	: A/C control unit (With manual A/C)	
E3	M57	GY/20	: A/C control unit (With manual A/C)	
D3	M58	W/6	: Fan switch (With manual A/C)	
F3	M59	GY/20	: A/C auto amp. (With auto A/C) (Without navigation system)	
E2	M60	GY/16	: A/C auto amp. (With auto A/C) (Without navigation system)	

★ : Be sure to connect and lock the connectors securely after repair work.
 Failure to do so may cause the ECM to have diagnostic trouble codes.
 Do not disconnect these connectors except in the case of working according to WORK FLOW of TROUBLE DIAGNOSES in EC and AT sections.

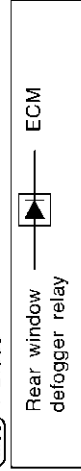
M13 : Diode



M29 : Joint connector-3 (Diode)



M35 : Diode



GI
 MA
 EM
 LC
 EC
 FE
 CL
 MT
 AT
 AX
 SU
 BR
 ST
 RS
 BT
 HA
 SC
 EL
 IDX

HARNES LAYOUT

Main Harness (Cont'd)

Main harness

F4,D3	(M61)	W/6	: Audio unit (With BOSE system)
E2,F3	(M62)	W/10	: Audio unit (With BOSE system)
F4	(M63)	W/6	: Audio unit (With BASE system)
E3	(M64)	W/10	: Audio unit (With BASE system)
F3,F4	(M68)	W/16	: Audio unit
F3	(M71)	W/2	: Antenna amp. (Via sub-harness)
F4	(M72)	W/2	: Ashtray illumination
F5	(M74)	L/4	: Heated seat switch LH
F4	(M75)	W/4	: Heated seat switch RH
F4	(M77)	B/1	: Parking brake switch
G4	(M78)	B/2	: Power socket
F4	(M80)	W/3	: Intake sensor (With auto A/C)
F3★	(M81)	W/20	: To (F49)
F2	(M82)	W/2	: Glove box lamp
F2	(M83)	W/8	: Intake door motor (With manual A/C)
F2	(M84)	W/3	: Intake door motor (With auto A/C)
E1	(M85)	B/2	: Sunload sensor
F1	(M86)	BR/2	: Tweeter RH (Via sub-harness)
G1★	(M87)	-	: Body ground
F2	(M91)	W/12	: To (B103)
F3	(M92)	W/10	: To (B104)
G2	(M97)	G/2	: To (E105)
E2	(M108)	BR/2	: Indirect lamp (Without navigation system)
C3	(M143)	W/24	: Smart entrance control unit
C3	(M144)	GY/24	: Smart entrance control unit
D3	(M145)	GY/16	: Smart entrance control unit
G5	(M146)	Y/28	: Air bag diagnosis sensor unit
C2	(M147)	W/3	: To (M201)
F2	(M149)	Y/4	: Passenger air bag module
G2	(M150)	Y/4	: To (E147)
C4	(M154)	GY/6	: Memory seat cancel switch (With memory seat)
C4	(M155)	W/8	: Heated steering switch (With heated steering)
C3	(M156)	W/2	: Combination switch (With heated steering)
C3	(M157)	Y/6	: Combination switch (Air bag module) (Via spiral cable)
C4★	(M158)	GY/8	: Combination switch (Steering switch and horn switch) (Via spiral cable)
C2★	(M159)	GY/6	: Accelerator pedal position sensor
D3	(M160)	W/8	: Rear window defogger switch (With navigation system)
D4★	(M161)	W/18	: To (F68)
D4★	(M162)	W/18	: To (F55)

F4	(M163)	GY/10	: Shift lock control unit (With A/T)
D4,E4	(M164)	W/16	: To (B52) (With automatic drive positioner)
E5	(M165)	W/12	: A/T device (with A/T)
D4★	(M166)	W/20	: To (F69)
G2	(M167)	L/4	: Heated steering relay (With heated steering)
F3	(M168)	W/20	: Display and NAVI control unit
E3	(M169)	GY/20	: Display and NAVI control unit
D4,E4	(M170)	GY/20	: A/C auto amp. (With auto A/C) (With navigation system)
D4,E4	(M171)	GY/16	: A/C auto amp. (With auto A/C) (With navigation system)
G2	(M172)	BR/24	: To (B145)
D3	(M173)	W/12	: Audio unit (With CD auto changer)
C3	(M174)	W/2	: Ignition keyhole illumination
Main sub-harness-1			
C2	(M151)	GY/6	: To (M30)
D1	(M152)	BR/8	: Clock
Main sub-harness-2			
B2	(M201)	W/3	: To (M147)
C2	(M202)	W/3	: Auto light sensor

★ : Be sure to connect and lock the connectors securely after repair work.
 Failure to do so may cause the ECM to have diagnostic trouble codes.
Do not disconnect these connectors except in the case of working according to WORK FLOW of TROUBLE DIAGNOSES in EC and AT sections.

HARNESS LAYOUT

Main Harness (Cont'd)

NOTE:

GI

MA

EM

LC

EC

FE

CL

MT

AT

AX

SU

BR

ST

RS

BT

HA

SC

EL

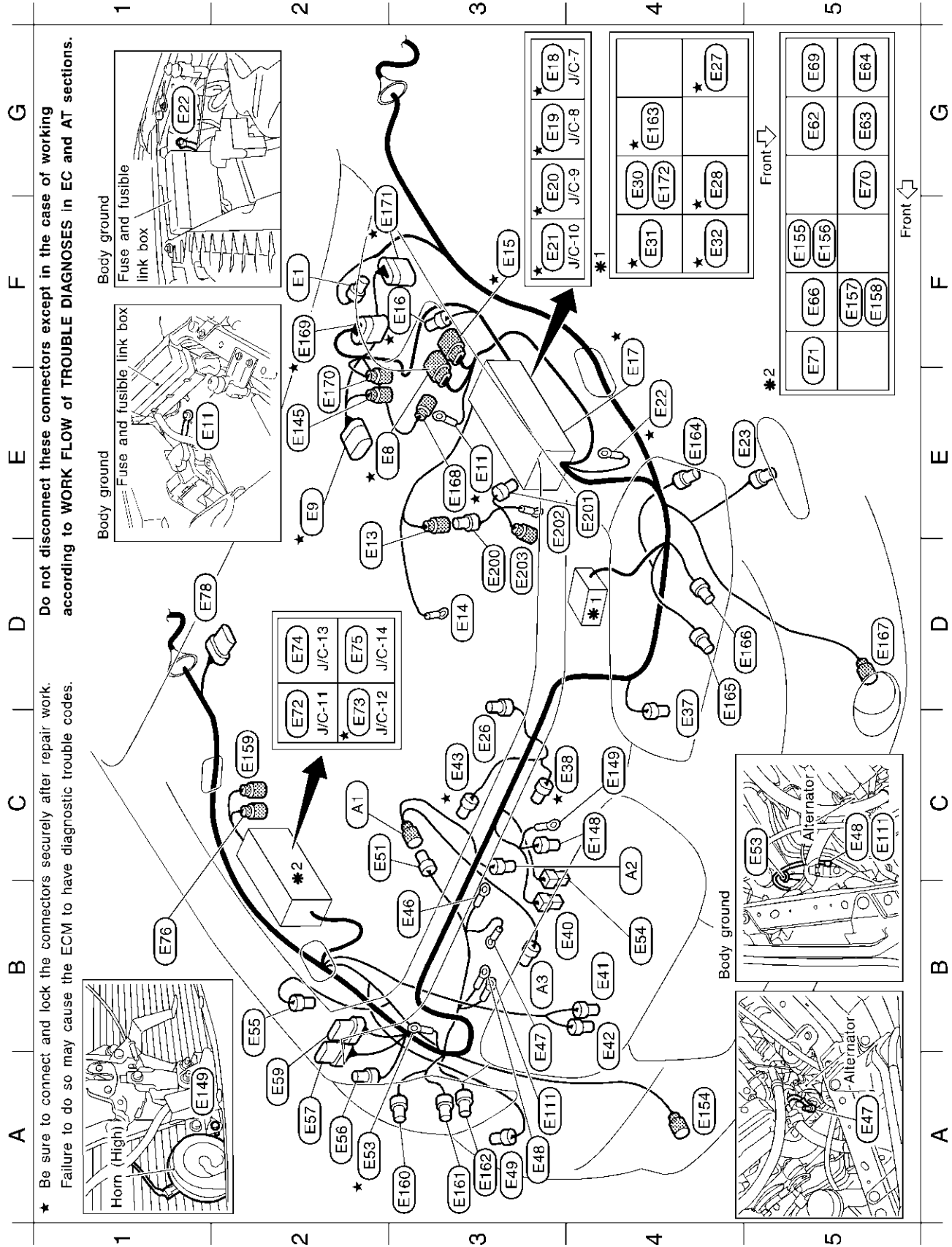
IDX

HARNESS LAYOUT

Engine Room Harness

Engine Room Harness

NFEL0134



★ Be sure to connect and lock the connectors securely after repair work. Failure to do so may cause the ECM to have diagnostic trouble codes.

Do not disconnect these connectors except in the case of working according to WORK FLOW of TROUBLE DIAGNOSES in EC and AT sections.

HARNESS LAYOUT

Engine Room Harness (Cont'd)

Engine room harness

F2	(E1)	GY/2	: Brake fluid level switch
E2★	(E8)	GY/8	: To (F17)
E2★	(E9)	SMJ	: ABS actuator and electric unit (With M/T)
E3★	(E11)	-	: Body ground
D2	(E13)	GY/1	: To (E200)
D3	(E14)	-	: Battery (Fusible link 120A)
F3★	(E15)	B/8	: To (F18)
F3★	(E16)	GY/2	: Dropping resistor (With A/T)
F4★	(E17)	-	: Fuse and fusible link box
G3★	(E18)	GY/6	: Joint connector-7
G3★	(E19)	GY/6	: Joint connector-8
G3★	(E20)	W/6	: Joint connector-9
F3★	(E21)	W/6	: Joint connector-10
E4★	(E22)	-	: Body ground
E5	(E23)	GY/2	: Front side marker lamp LH
C3	(E26)	GY/2	: Hood switch
G4★	(E27)	BR/6	: Cooling fan relay-1
G4★	(E28)	BR/6	: Cooling fan relay-2
G4	(E30)	L/4	: Clutch interlock relay (With M/T)
F4★	(E31)	BR/6	: Cooling fan relay-3
F4★	(E32)	BR/6	: ECM relay
C4	(E37)	B/3	: Refrigerant pressure sensor
C4★	(E38)	GY/4	: Cooling fan motor-1
B4	(E40)	B/1	: Horn (High)
B4	(E41)	GY/2	: Front washer motor
B4	(E42)	BR/2	: Washer level switch
C3★	(E43)	GY/4	: Cooling fan motor-2
B3	(E46)	-	: Alternator
B3	(E47)	-	: Alternator
A3	(E48)	-	: Body ground
A3	(E49)	GY/2	: Front side marker lamp RH
C2	(E51)	GY/3	: To (A1)
A2★	(E53)	-	: Body ground
B4	(E54)	B/1	: Vehicle security horn
B2	(E55)	B/2	: Ambient sensor
A2	(E56)	GY/4	: Daytime light control unit (For Canada)
A2	(E57)	GY/6	: Daytime light control unit (For Canada)
A2	(E59)	GY/8	: Daytime light control unit (For Canada)
G5	(E62)	L/4	: Tail lamp relay

G5	(E63)	L/4	: Vehicle security horn relay-2
G5	(E64)	L/4	: Front fog lamp relay
F5	(E66)	W/3	: Horn relay
G5	(E69)	L/4	: Door mirror defogger relay (With door mirror defogger)
G5	(E70)	L/4	: Vehicle security horn relay-1
F5	(E71)	L/4	: Air conditioner relay
C2	(E72)	W/6	: Joint connector-11
C2★	(E73)	W/6	: Joint connector-12
D2	(E74)	W/6	: Joint connector-13
D2	(E75)	W/6	: Joint connector-14
B1	(E76)	GY/2	: Front wheel sensor RH (With M/T)
D1	(E78)	GY/6	: Front wiper motor
A3	(E111)	-	: Body ground
E2	(E145)	BR/2	: Front wheel sensor LH (With M/T)
C4	(E148)	Y/2	: Crash zone sensor
C4	(E149)	-	: Body ground
A4	(E154)	GY/2	: Front fog lamp RH
F5	(E155)	BR/6	: Headlamp RH relay (For USA)
F5	(E156)	BR/6	: Headlamp RH relay (For Canada)
F5	(E157)	BR/6	: Headlamp LH relay (For USA)
F5	(E158)	BR/6	: Headlamp LH relay (For Canada)
C2	(E159)	GY/2	: Front wheel sensor RH (With A/T)
A3	(E160)	BR/2	: Front turn signal lamp RH
A3	(E161)	GY/3	: Headlamp RH (Low and parking lamp)
A3	(E162)	B/2	: Headlamp RH (High)
G4★	(E163)	L/4	: Throttle control motor relay
E4	(E164)	BR/2	: Front turn signal lamp LH
D5	(E165)	GY/3	: Headlamp LH (Low and parking lamp)
D5	(E166)	B/2	: Headlamp LH (High)
D5	(E167)	GY/2	: Front fog lamp LH
E3	(E168)	L/2	: Front wheel sensor LH (With TCS)
F2★	(E169)	SMJ	: ABS actuator and electric unit (Without TCS for A/T models)
E2	(E170)	L/2	: Front wheel sensor LH (With A/T, ABS)
G2★	(E171)	SMJ	: ABS/TCS control unit (With TCS)
G4	(E172)	L/4	: Park/Neutral position relay (With A/T)

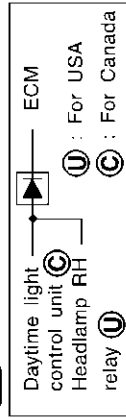
Engine room sub-harness

D3	(E200)	GY/1	: To (E13)
E4	(E201)	GY/1	: Starter motor (With A/T)
E3	(E202)	-	: Starter motor
D3	(E203)	GY/1	: Starter motor (With M/T)

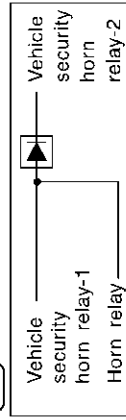
Alternator harness

C2	(A1)	GY/3	: To (E51)
C4	(A2)	GY/4	: Alternator
B3	(A3)	B/1	: Compressor

(E79) : Diode



(E146) : Diode

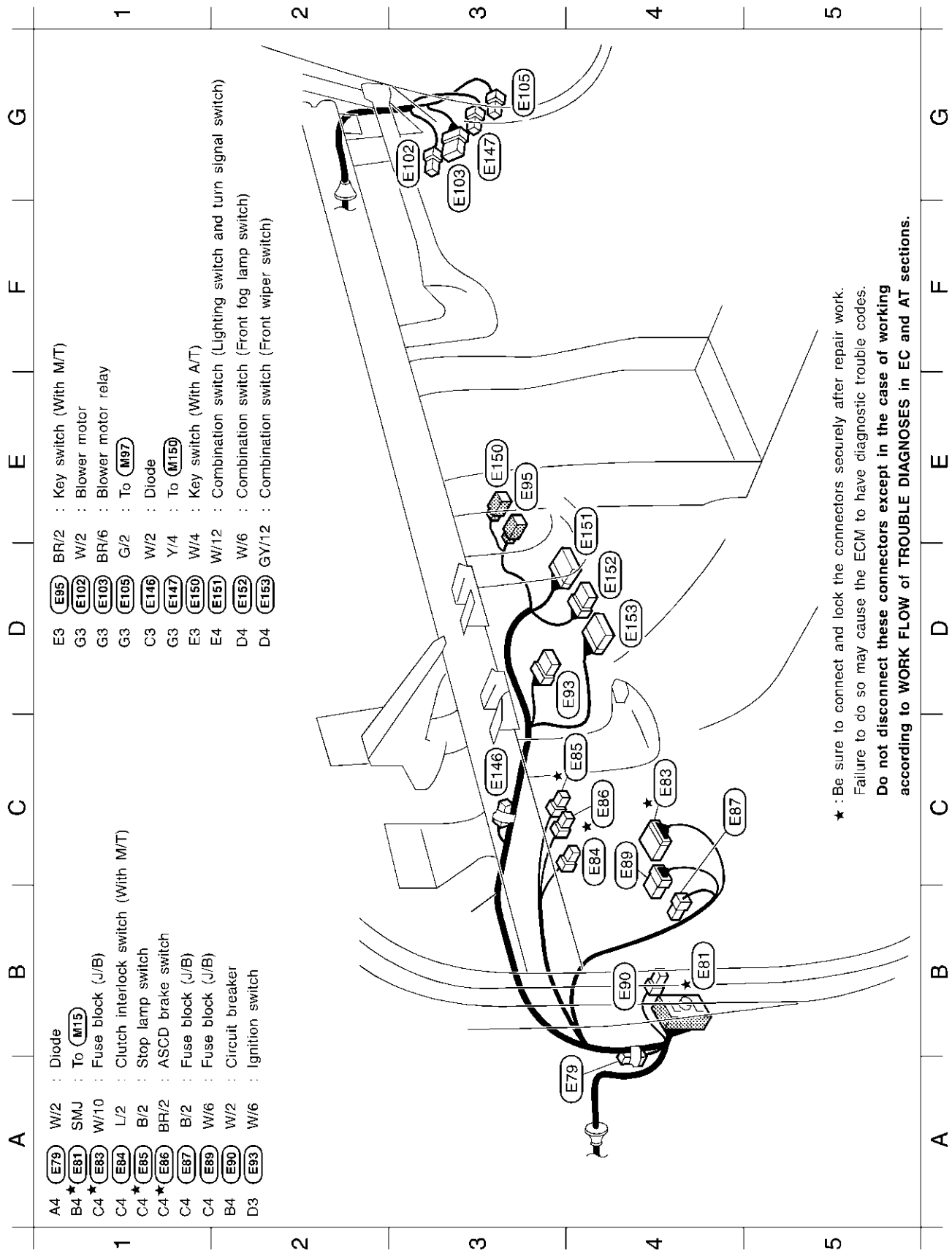


★ : Be sure to connect and lock the connectors securely after repair work.
 Failure to do so may cause the ECM to have diagnostic trouble codes.
Do not disconnect these connectors except in the case of working according to WORK FLOW of TROUBLE DIAGNOSES in EC and AT sections.

GI
MA
EM
LC
EC
FE
CL
MT
AT
AX
SU
BR
ST
RS
BT
HA
SC
EL
IDX

HARNESS LAYOUT

Engine Room Harness (Cont'd)



★: Be sure to connect and lock the connectors securely after repair work.
 Failure to do so may cause the ECM to have diagnostic trouble codes.
Do not disconnect these connectors except in the case of working according to WORK FLOW of TROUBLE DIAGNOSES in EC and AT sections.

HARNESS LAYOUT

Engine Room Harness (Cont'd)

NOTE:

GI

MA

EM

LC

EC

FE

CL

MT

AT

AX

SU

BR

ST

RS

BT

HA

SC

EL

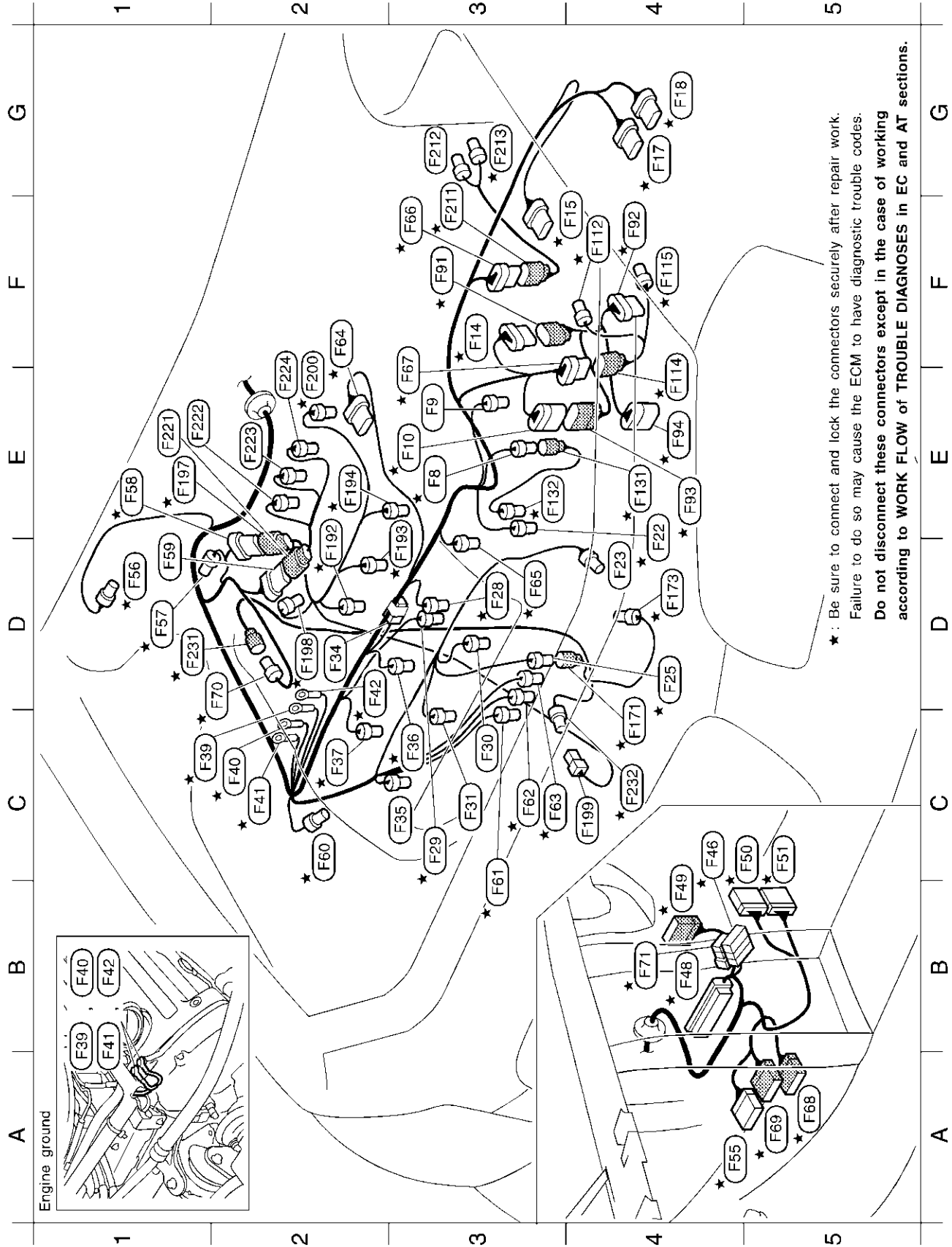
IDX

HARNESS LAYOUT

Engine Control Harness

Engine Control Harness

NFEL0135



MEL931P

HARNESS LAYOUT

Engine Control Harness (Cont'd)

Engine control harness	
E3★ (F8)	B/2 : To (F131)
E3	BR/3 : Rear electronic controlled engine mount (With A/T)
E3★ (F10)	GY/10 : To (F93) (With A/T)
F3★ (F14)	BR/8 : To (F91) (With A/T)
F4★ (F16)	GY/5 : Mass air flow sensor
G4★ (F17)	GY/8 : To (E8)
G4★ (F18)	B/8 : To (E15)
E4★ (F22)	GY/2 : Engine coolant temperature sensor
D4	BR/3 : Front electronic controlled engine mount (With A/T)
D4★ (F28)	G/4 : To (F171)
D3★ (F28)	GY/2 : Injector No. 6
C3★ (F29)	B/2 : VIAS control solenoid valve
C3	F30 : Ignition coil No. 6
C3	F31 : Ignition coil No. 4
D2	F34 : W/2 : Condenser
C3★ (F35)	GY/3 : Ignition coil No. 2
C3★ (F36)	GY/2 : Injector No. 4
C2★ (F37)	GY/2 : Injector No. 2
C1★ (F39)	- : Engine ground
C2★ (F40)	- : Engine ground
C2★ (F41)	- : Engine ground
D2★ (F42)	- : Engine ground
C4★ (F46)	L/12 : Joint connector-18
B4★ (F48)	SMJ : ECM
B4★ (F49)	W/20 : To (M81)
C5★ (F50)	GY/24 : TCM (Transmission control module) (With A/T)
C5★ (F51)	W/24 : TCM (Transmission control module) (With A/T)
A4★ (F55)	W/18 : To (M162)
D1★ (F56)	B/3 : Power steering pressure sensor
D1★ (F57)	SB/3 : Heated oxygen sensor 1 (Bank 1)
E1★ (F58)	G/8 : To (F197)
D1	F59 : G/6 : To (F221)
C2★ (F60)	G/2 : Intake valve timing control solenoid valve (Bank 2)
B3★ (F61)	SB/3 : Heated oxygen sensor 1 (Bank 2)
C3★ (F62)	G/4 : Heated oxygen sensor 2 (Bank 2)
C3★ (F63)	L/4 : Heated oxygen sensor 2 (Bank 1)
F2★ (F64)	G/6 : Electric throttle control actuator
D3★ (F65)	B/3 : Camshaft position sensor (PHASE) (Bank 2)
F3★ (F66)	GY/6 : To (F211) (With M/T)
E3★ (F67)	GY/8 : To (F114) (With A/T)

A5★ (F68)	W/18 : To (M161)
A5★ (F69)	W/20 : To (M165)
D2★ (F70)	L/4 : To (F231)
B4★ (F71)	GY/6 : Joint connector-20
Engine control sub-harness-1	
F3★ (F91)	BR/8 : To (F14) (With A/T)
F4★ (F92)	B/8 : Terminal cord assembly (With A/T)
E4★ (F93)	GY/10 : To (F10) (With A/T)
E4★ (F94)	B/10 : Park/Neutral position switch (With A/T)
Engine control sub-harness-2	
F4★ (F112)	B/3 : Revolution sensor (With A/T)
E4★ (F114)	GY/8 : To (F67) (With A/T)
F4★ (F115)	B/3 : Power train revolution sensor (With A/T)
Engine control sub-harness-3	
E4★ (F131)	B/2 : To (F8)
E3★ (F132)	GY/2 : Knock sensor
Engine control sub-harness-5	
C4★ (F171)	G/4 : To (F25)
D4★ (F173)	B/3 : Crankshaft position sensor (POS)
Engine control sub-harness-6	
D1★ (F231)	L/4 : To (F70)
C4★ (F232)	G/3 : Camshaft position sensor (PHASE) (Bank 1)
Engine control sub-harness-7	
F3★ (F211)	GY/6 : To (F66) (With M/T)
G3 (F212)	B/2 : Back-up lamp switch (With M/T)
G3★ (F213)	B/2 : Park/Neutral position switch (With M/T)
Engine control sub-harness-8	
E1 (F221)	G/6 : To (F59)
E1	F222 : GY/3 : Ignition coil No. 1
E2 (F223)	GY/3 : Ignition coil No. 3
E2 (F224)	GY/3 : Ignition coil No. 5
Engine control sub-harness-9	
D2★ (F192)	GY/2 : Injector No. 1
D3★ (F193)	GY/2 : Injector No. 3
E2★ (F194)	GY/2 : Injector No. 5
E1★ (F197)	G/8 : To (F58)
D2★ (F198)	G/2 : Intake valve timing control solenoid valve (Bank 1)
C4 (F199)	B/1 : Oil pressure switch
E2★ (F200)	L/2 : EVAP canister purge volume control solenoid valve

★ : Be sure to connect and lock the connectors securely after repair work.
 Failure to do so may cause the ECM to have diagnostic trouble codes.
Do not disconnect these connectors except in the case of working according to WORK FLOW of TROUBLE DIAGNOSES in EC and AT sections.

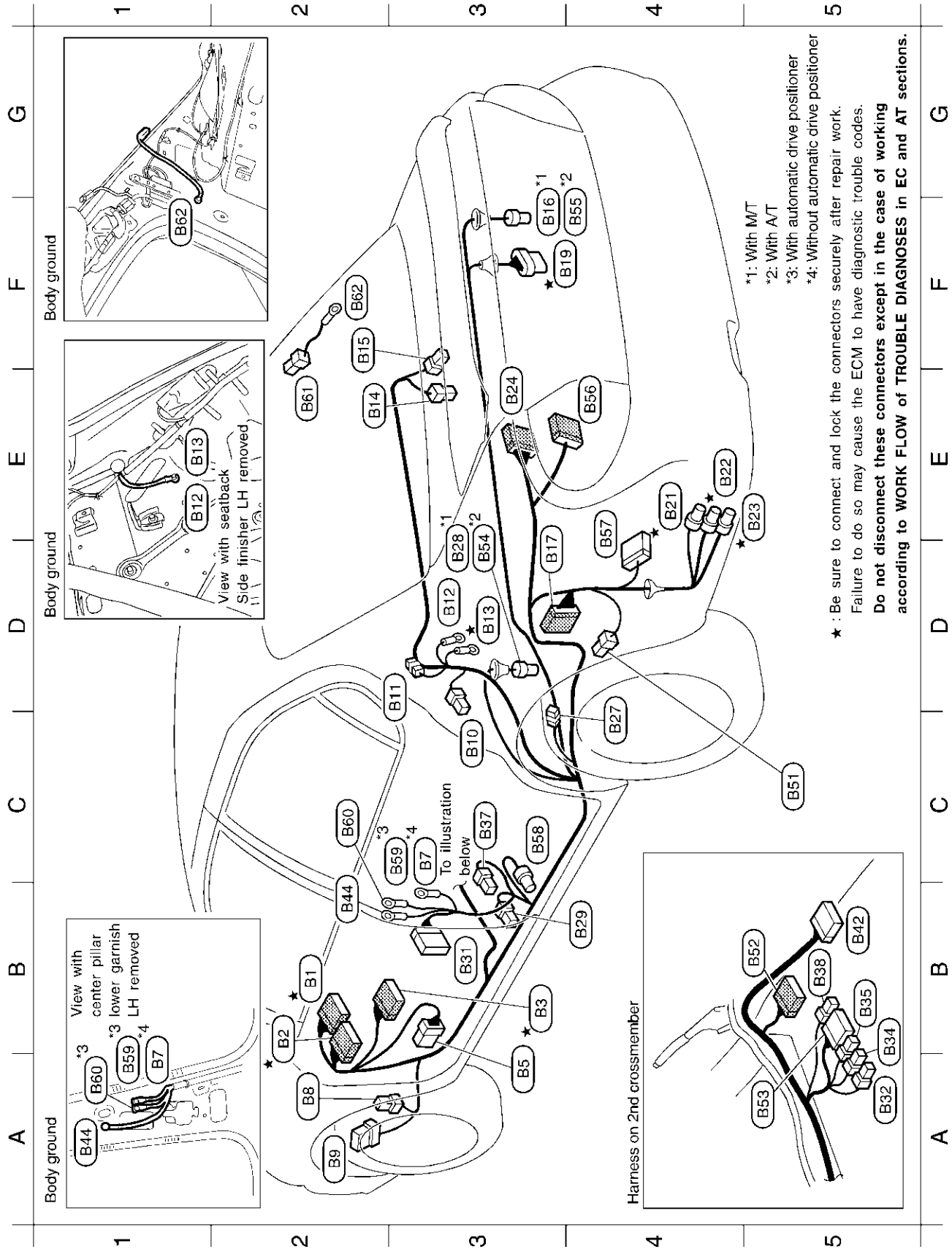
GI
 MA
 EM
 LC
 EC
 FE
 CL
 MT
 AT
 AX
 SU
 BR
 ST
 RS
 BT
 HA
 SC
 EL
 IDX

HARNESS LAYOUT

Body Harness

NFEL0136

Body Harness



Body ground

View with center pillar center pillar lower garnish LH removed
 *3
 B60
 B59
 B7
 *4

Body ground
 View with seatback Side finisher LH removed
 B12
 B13

Harness on 2nd crossmember
 B52
 B38
 B42
 B53
 B35
 B34
 B32

*1: With M/T
 *2: With A/T
 *3: With automatic drive positioner
 *4: Without automatic drive positioner
 * : Be sure to connect and lock the connectors securely after repair work. Failure to do so may cause the ECM to have diagnostic trouble codes. Do not disconnect these connectors except in the case of working according to WORK FLOW of TROUBLE DIAGNOSES in EC and AT sections.

HARNES LAYOUT

Body Harness (Cont'd)

GI
MA
EM
LC
EC
FE
CL
MT
AT
AX
SU
BR
ST
RS
BT
HA
SC
EL
IDX

Body harness

B2★	(B1)	W/16	:	To	(M5)
B2★	(B2)	BR/24	:	To	(M2)
B3★	(B3)	W/18	:	To	(M6)
A3	(B5)	W/8	:	Fuse block (J/B)	
C3	(B7)	-	:	Body ground (Without automatic drive positioner)	
A2	(B8)	L/4	:	Fuel pump relay	
A2	(B9)	BR/6	:	Rear window defogger relay	
C3	(B10)	W/1	:	Rear door switch LH	
D3	(B11)	W/1	:	Condenser (Rear window defogger)	
D3	(B12)	-	:	Body ground	
D3★	(B13)	-	:	Body ground	
E2	(B14)	BR/2	:	High-mounted stop lamp (Without rear air spoiler)	
F2	(B15)	W/2	:	Trunk room lamp	
F3	(B16)	GY/2	:	Rear wheel sensor RH (With M/T)	
D3	(B17)	W/10	:	To	(T3)
F3★	(B19)	GY/5	:	Fuel level sensor unit and fuel pump	
E4★	(B21)	G/2	:	Vacuum cut valve bypass valve	
E4★	(B22)	B/2	:	EVAP canister vent control valve	
E5★	(B23)	GY/3	:	EVAP control system pressure sensor	
E3	(B24)	W/16	:	To	(B119)
C4	(B27)	W/2	:	Condenser	
D3	(B28)	BR/2	:	Rear wheel sensor LH (With M/T)	
B4	(B29)	W/3	:	Front door switch LH	
B3	(B31)	W/10	:	To	(D81)
A5	(B32)	W/3	:	Heated seat LH (Via sub-harness)	
B5	(B34)	W/3	:	Seat belt buckle switch LH	
B5	(B35)	W/2	:	Power seat LH (Via sub-harness)	
C3	(B37)	Y/2	:	Seat belt pre-tensioner LH	
B5	(B38)	Y/2	:	Side air bag module LH (With side air bag system) (Via sub-harness)	
B5	(B42)	Y/12	:	Air bag diagnosis sensor unit (With side air bag system)	
B2	(B44)	-	:	Body ground (With side air bag system)	
C5	(B51)	W/4	:	Fuel lid opener actuator	
B5	(B52)	W/16	:	To	(M164) (With automatic drive positioner)
A5	(B53)	W/16	:	Seat control unit LH (With automatic drive positioner) (Via sub-harness)	
D3	(B54)	L/2	:	Rear wheel sensor LH (With A/T)	
F4	(B55)	GY/2	:	Rear wheel sensor RH (With A/T)	
E4	(B56)	W/20	:	To	(B147)

E4	(B57)	W/16	:	CD auto changer
C3	(B58)	Y/2	:	Satellite sensor LH (With side air bag system)
C3	(B59)	-	:	Body ground (With automatic drive positioner)
C2	(B60)	-	:	Body ground (With automatic drive positioner)

Defogger harness

E2	(B61)	B/1	:	Rear window defogger
F2	(B62)	-	:	Body ground

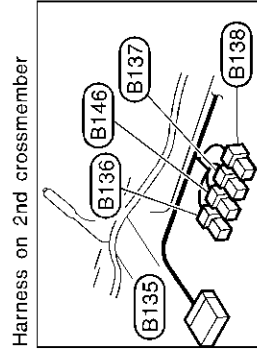
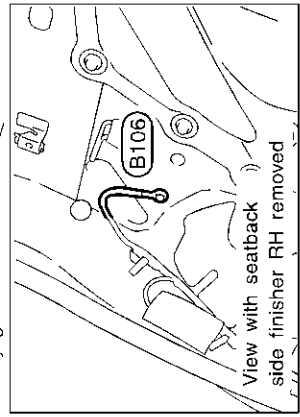
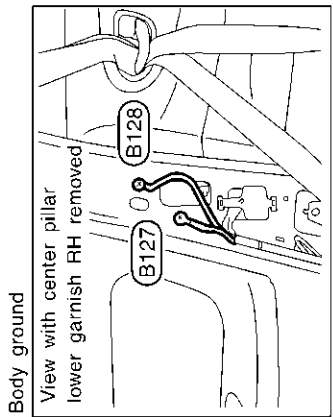
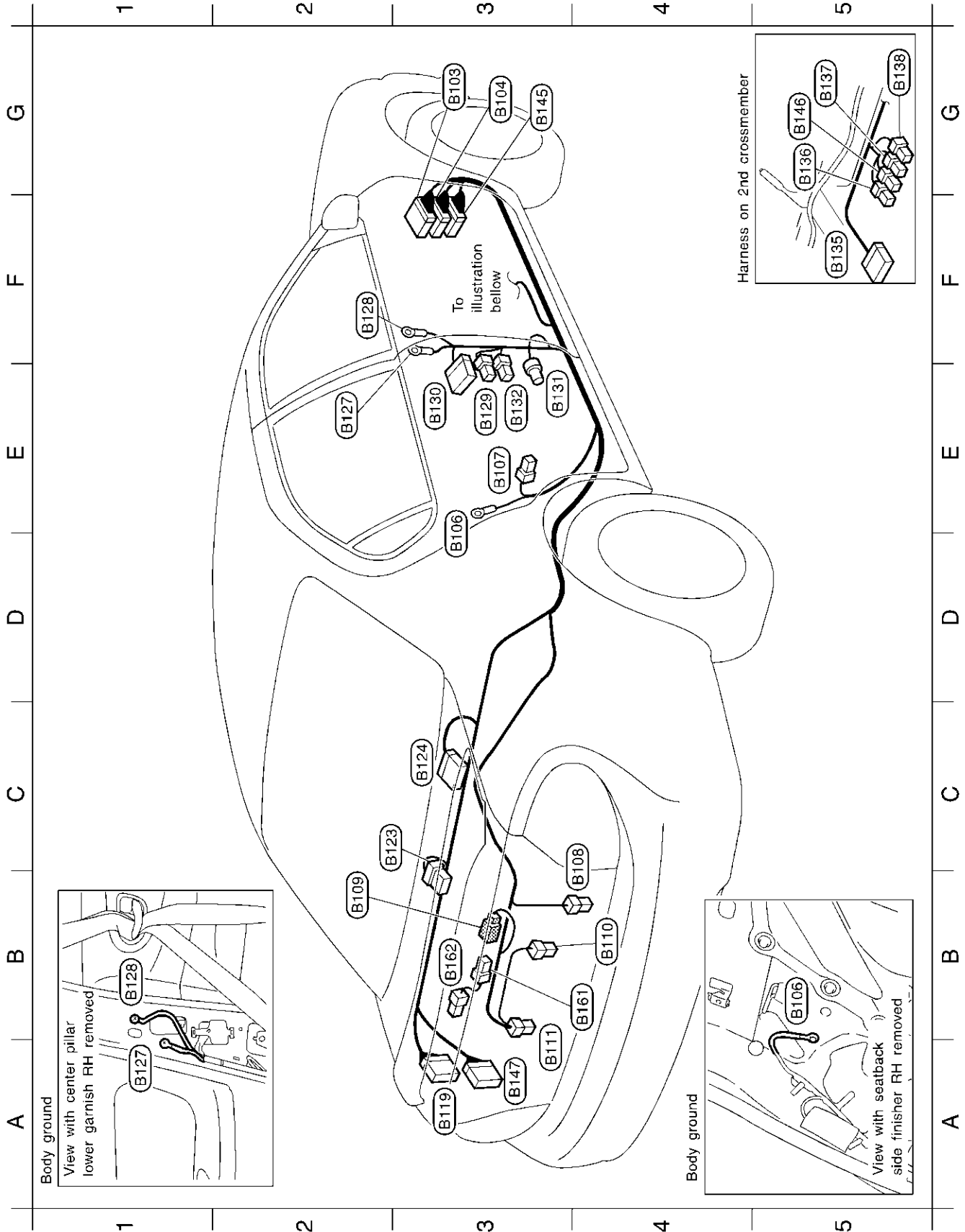
★ : Be sure to connect and lock the connectors securely after repair work.
Failure to do so may cause the ECM to have diagnostic trouble codes.
Do not disconnect these connectors except in the case of working according to WORK FLOW of TROUBLE DIAGNOSES in EC and AT sections.

HARNESS LAYOUT

Body No. 2 Harness

Body No. 2 Harness

NFEL0137



MEL0530

HARNES LAYOUT

Body No. 2 Harness (Cont'd)

Body No. 2 harness

G3	(B103)	W/12	:	To	(M91)
G3	(B104)	W/10	:	To	(M92)
E3	(B106)	-	:	Body ground	
E3	(B107)	W/1	:	Rear door switch RH	
C4	(B108)	W/2	:	Trunk lid key cylinder switch	
B2	(B109)	BR/2	:	To	(B161)
B4	(B110)	W/2	:	License lamp RH	
A3	(B111)	W/2	:	License lamp LH	
A3	(B119)	W/16	:	To	(B24)
C2	(B123)	BR/6	:	Woofer (With BOSE system)	
C3	(B124)	GY/26	:	BOSE speaker amp. (With BOSE system)	
E2	(B127)	-	:	Body ground	
F2	(B128)	-	:	Body ground (With side air bag system)	
E3	(B129)	W/3	:	Front door switch RH	
E3	(B130)	W/10	:	To	(D101)
E3	(B131)	Y/2	:	Satellite sensor RH (With side air bag system)	
E3	(B132)	Y/2	:	Seat belt pre-tensioner RH	
F5	(B135)	Y/12	:	Air bag diagnosis sensor unit	
G5	(B136)	W/3	:	Heated seat RH (Via sub-harness)	
G5	(B137)	W/2	:	Power seat RH (Via sub-harness)	
G5	(B138)	Y/2	:	Side air bag module RH (With side air bag system) (Via sub-harness)	
G3	(B145)	BR/24	:	To	(M172)
G5	(B146)	W/3	:	Seat belt buckle switch RH	
A3	(B147)	W/20	:	To	(B56)

Body No. 2 sub-harness

B4	(B161)	BR/2	:	To	(B109)
B3	(B162)	B/2	:	High-mounted stop lamp (With rear air spoiler)	

GI
MA
EM
LC
EC
FE
CL
MT
AT
AX
SU
BR
ST
RS
BT
HA
SC
EL
IDX

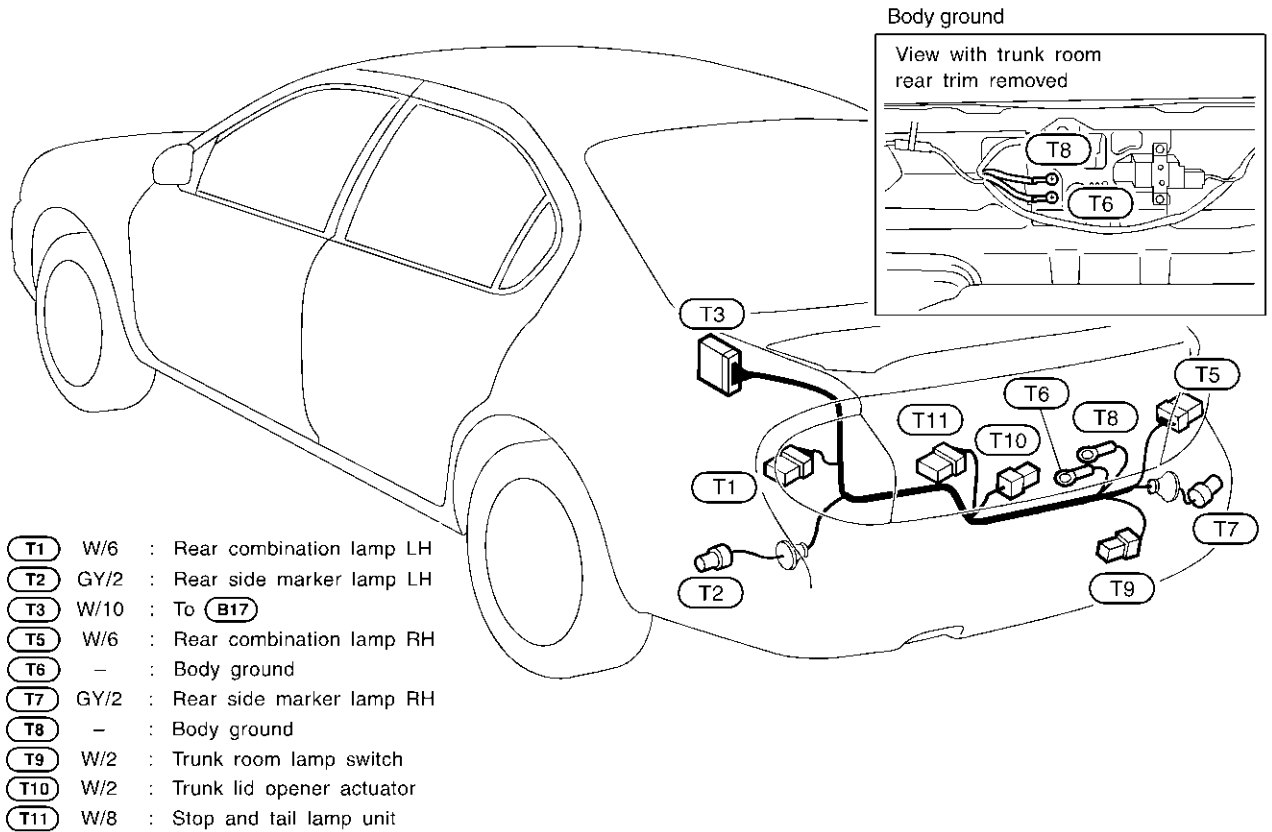
MEL935P

HARNESS LAYOUT

Tail Harness

Tail Harness

NFEL0138



MEL0550

HARNESS LAYOUT

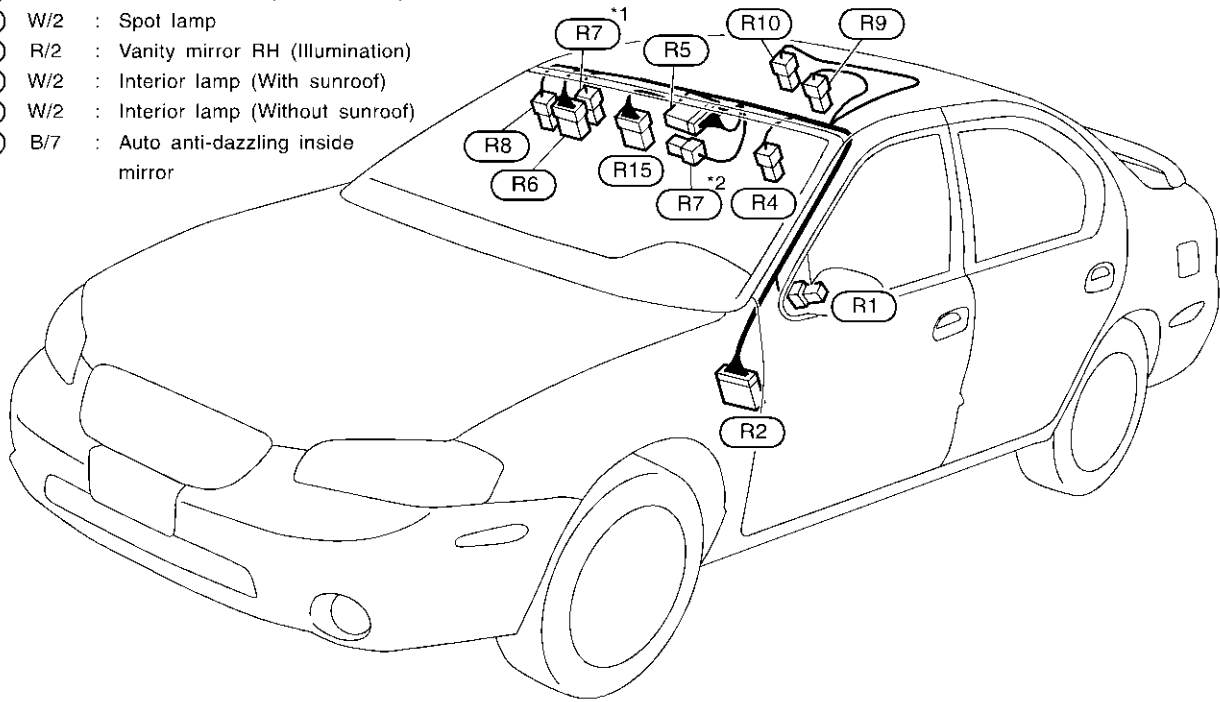
Room Lamp Harness

Room Lamp Harness

NFEL0140

- R1** BR/2 : Tweeter LH
- R2** W/12 : To **M8**
- R4** R/2 : Vanity mirror LH (Illumination)
- R5** W/12 : Sunroof motor (With sunroof)
- R6** GY/6 : Sunroof switch (With sunroof)
- R7** W/2 : Spot lamp
- R8** R/2 : Vanity mirror RH (Illumination)
- R9** W/2 : Interior lamp (With sunroof)
- R10** W/2 : Interior lamp (Without sunroof)
- R15** B/7 : Auto anti-dazzling inside mirror

- *1: With sunroof
- *2: Without sunroof



GI

MA

EM

LC

EC

FE

CL

MT

AT

AX

SU

MEL0560

BR

ST

RS

BT

HA

SC

EL

IDX

HARNESS LAYOUT

Front Door Harness

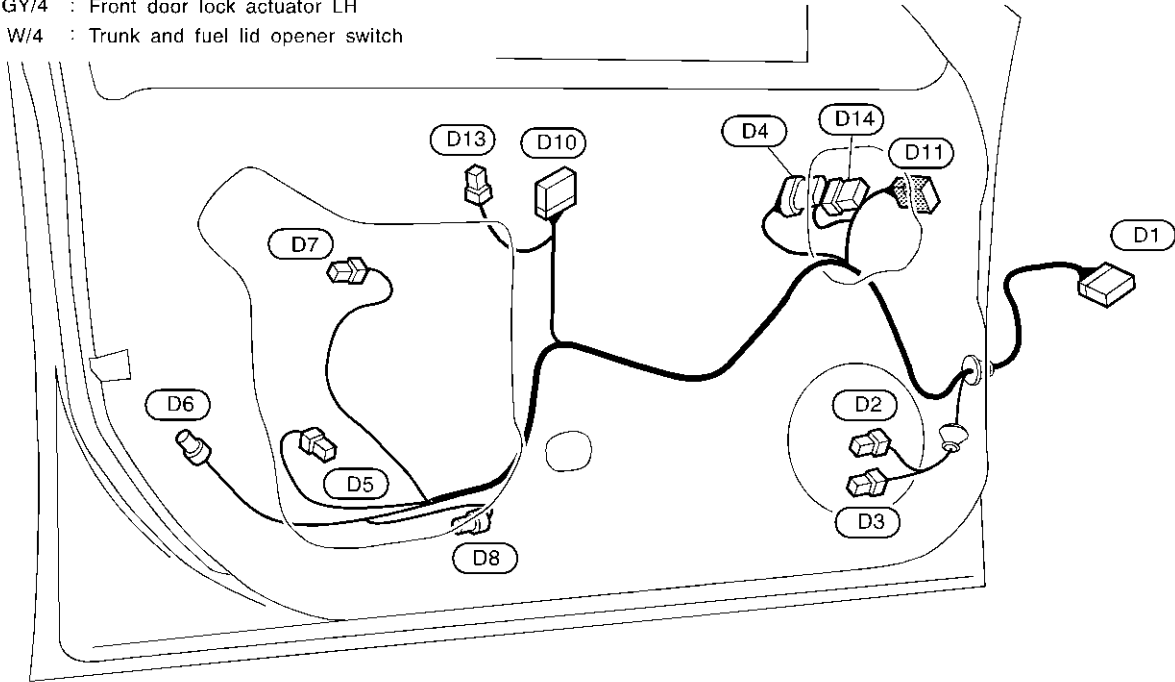
Front Door Harness

NFEL0142

LH SIDE

NFEL0142S03

- | | |
|--|---|
| (D1) SMJ : To (M4) | (D8) BR/3 : Front door key cylinder switch LH |
| (D2) BR/2 : Front door speaker LH (With BOSE system) | (D10) W/16 : Front power window main switch |
| (D3) W/2 : Front door speaker LH (Without BOSE system) | (D11) W/8 : Door mirror actuator LH |
| (D4) GY/6 : Front power window regulator LH | (D13) W/3 : Front power window main switch |
| (D5) W/2 : Front step lamp LH | (D14) W/8 : Memory seat switch |
| (D6) GY/4 : Front door lock actuator LH | |
| (D7) W/4 : Trunk and fuel lid opener switch | |



MEL936P

HARNESS LAYOUT

Front Door Harness (Cont'd)

RH SIDE

NFEL0142S04

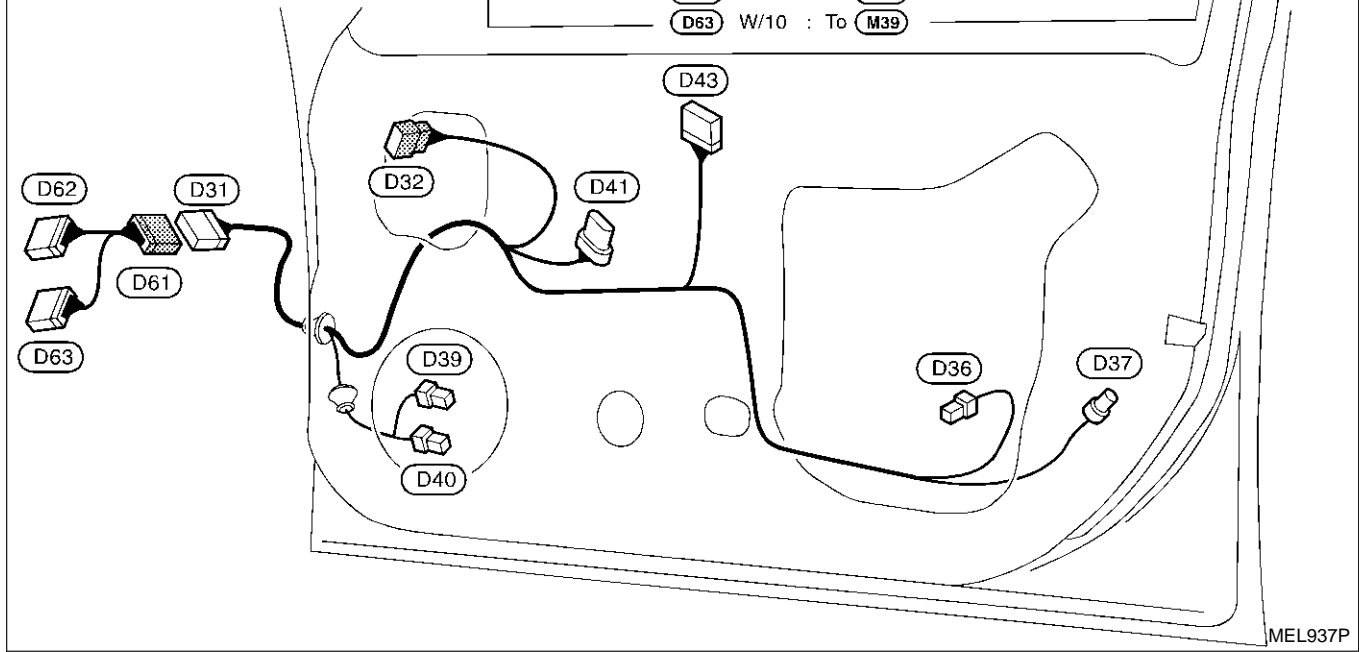
Door harness front RH

- (D31) SMJ : To (D61)
- (D32) W/8 : Door mirror actuator RH
- (D36) W/2 : Front step lamp RH
- (D37) GY/4 : Front door lock actuator RH
- (D39) BR/2 : Front door speaker RH (With BOSE system)

- (D40) W/2 : Front door speaker RH (Without BOSE system)
- (D41) GY/6 : Front power window regulator RH
- (D43) W/16 : Front power window switch RH

Door sub-harness

- (D61) SMJ : To (D31)
- (D62) W/16 : To (M38)
- (D63) W/10 : To (M39)



MEL937P

GI
MA
EM
LC
EC
FE
CL
MT
AT
AX
SU
BR
ST
RS
BT
HA
SC
EL
IDX

HARNESS LAYOUT

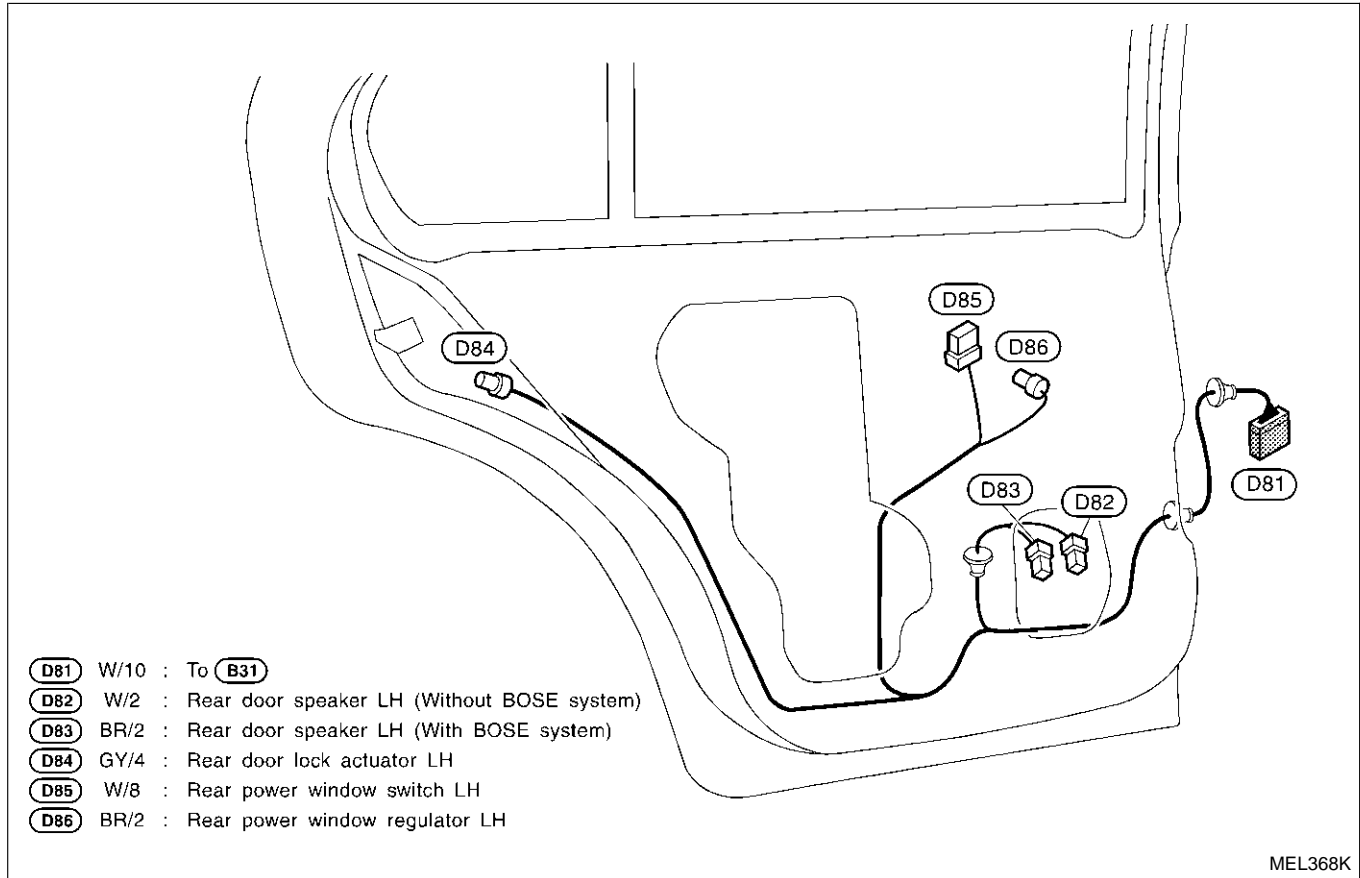
Rear Door Harness

Rear Door Harness

NFEL0143

LH SIDE

NFEL0143S03



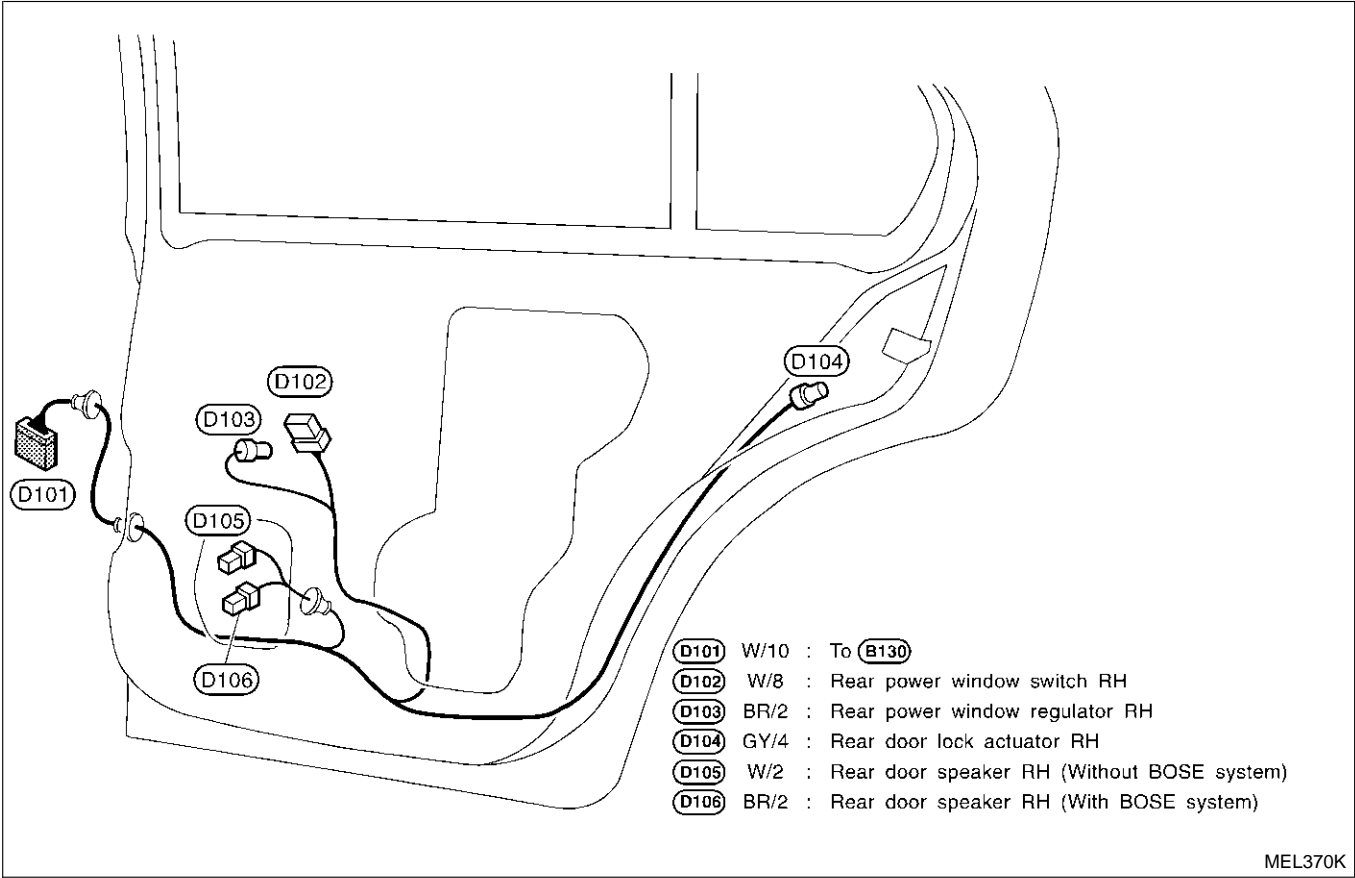
MEL368K

HARNESS LAYOUT

Rear Door Harness (Cont'd)

RH SIDE

NFEL0143S04



MEL370K

GI

MA

EM

LC

EC

FE

CL

MT

AT

AX

SU

BR

ST

RS

BT

HA

SC

EL

IDX

BULB SPECIFICATIONS*Headlamp***Headlamp**

NFEL0144S03

Item	Wattage (W)
High/Low	60/35 (HB3)

Exterior Lamp

NFEL0144S01

Item	Wattage (W)	
Front fog lamp	55 (H3)	
Front turn signal lamp	21	
Parking lamp	5	
Front side marker lamp	3.8	
Rear combination lamp	Turn signal	21
	Stop/Tail	21/5
	Back-up	13
Rear side marker lamp	3.8	
License lamp	5	
High-mounted stop lamp (without rear spoiler)	21	

Interior Lamp

NFEL0144S02

Item	Wattage (W)
Interior room lamp	10
Map lamp	8
Vanity mirror lamp	1.4
Trunk room lamp	3.4
Step lamp	2.7

WIRING DIAGRAM CODES (CELL CODES)

Use the chart below to find out what each wiring diagram code stands for.

Refer to the wiring diagram code in the alphabetical index to find the location (page number) of each wiring diagram.

Code	Section	Wiring Diagram Name
1STSIG	AT	A/T 1ST Signal
2NDSIG	AT	A/T 2ND Signal
3RDSIG	AT	A/T 3RD Signal
4THSIG	AT	A/T 4TH Signal
ABS	BR	Anti-lock Brake System
A/C, A	HA	Auto Air Conditioner
A/C, M	HA	Manual Air Conditioner
APPS1	EC	Accelerator Pedal Position Sensor (Sensor 1)
APPS2	EC	Accelerator Pedal Position Sensor (Sensor 2)
APPS3	EC	Accelerator Pedal Position Sensor
ASC/BS	EC	Automatic Speed Control Device (ASCD) Brake Switch
ASC/SW	EC	Automatic Speed Control Device (ASCD) Steering Switch
ASC/VS	EC	Automatic Speed Control Device (ASCD) Vehicle Speed Sensor
ASCBOF	EC	Automatic Speed Control Device (ASCD) Brake Switch (Off)
ASCIND	EC	Automatic Speed Control Device (ASCD) Indicator
AT/IND	EL	A/T Indicator Lamp
AUDIO	EL	Audio
AUT/DP	EL	Automatic Drive Positioner
BACK/L	EL	Back-up Lamp
BA/FTS	AT	A/T Fluid Temperature Sensor and TCM Power Supply
B/COMP	EL	Board Computer
BRK/SW	EC	Brake Switch
BYPS/V	EC	Vacuum Cut Valve Bypass Valve
CAN	AT	CAN System
CAN	EC	CAN System
CAN	EL	CAN System
CHARGE	SC	Charging System
CHIME	EL	Warning Chime
CIGAR	EL	Cigarette Lighter

Code	Section	Wiring Diagram Name
CLOCK	EL	Clock
COOL/F	EC	Cooling Fan Control
DEF	EL	Rear Window Defogger
D/LOCK	EL	Power Door Lock
DLC	EC	Data Link Connector
DTRL	EL	Headlamp - With Daytime Light System
ECM/PW	EC	ECM Power Supply
ECTS	EC	Engine Coolant Temperature Sensor
EMNT	EC	Electronic Controlled Engine Mount
ENGSS	AT	Engine Speed Signal
ETC1	EC	Electrical Throttle Function
ETC2	EC	Electrical Throttle Control Motor Relay
ETC3	EC	Electrical Throttle Control Motor
F/FOG	EL	Front Fog Lamp
FLS1	EC	Fuel Level Sensor
FLS2	EC	Fuel Level Sensor
FLS3	EC	Fuel Level Sensor
F/PUMP	EC	Fuel Pump Control
FTS	AT	A/T Fluid Temperature Sensor
FTTS	EC	Fuel Tank Temperature Sensor
FUELB1	EC	Fuel Injection System Function (Bank 1)
FUELB2	EC	Fuel Injection System Function (Bank 2)
H/LAMP	EL	Headlamp
HORN	EL	Horn
HSEAT	EL	Heated Seat
H/STRG	EL	Heated Steering
I/MIRR	EL	Inside Mirror (Auto Anti-dazzling Mirror)
IATS	EC	Intake Air Temperature Sensor
IGNSYS	EC	Ignition System
ILL	EL	Illumination
INJECT	EC	Injector
INT/L	EL	Interior, Step, Spot, Vanity Mirror and Trunk Room Lamps
IVCB1	EC	Intake Valve Timing Control Solenoid Valve (Bank 1)

GI

MA

EM

LC

EC

FE

CL

MT

AT

AX

SU

BR

ST

RS

BT

HA

SC

EL

IDX

WIRING DIAGRAM CODES (CELL CODES)

Code	Section	Wiring Diagram Name
IVCB2	EC	Intake Valve Timing Control Solenoid Valve (Bank 2)
KEYLES	EL	Remote Keyless Entry System
KS	EC	Knock Sensor
LOAD	EC	Electrical Load Signal
LPSV	AT	Line Pressure Solenoid Valve
MAFS	EC	Mass Air Flow Sensor
MAIN	AT	Main Power Supply and Ground Circuit
MAIN	EC	Main Power Supply and Ground Circuit
METER	EL	Speedometer, Tachometer, Temp. and Fuel Gauges
MIL	EC	Malfunction Indicator Lamp
MIRROR	EL	Power Door Mirror
NATS	EL	NVIS (Nissan Vehicle Immobilizer System — NATS)
NAVI	EL	Navigation System
NONDTC	AT	Non-detectable Items
O2H1B1	EC	Heated Oxygen Sensor 1 Heater (Bank 1)
O2H1B2	EC	Heated Oxygen Sensor 1 Heater (Bank 2)
O2H2B1	EC	Heated Oxygen Sensor 2 Heater (Bank 1)
O2H2B2	EC	Heated Oxygen Sensor 2 Heater (Bank 2)
O2S1B1	EC	Heated Oxygen Sensor 1 (Bank 1)
O2S1B2	EC	Heated Oxygen Sensor 1 (Bank 2)
O2S2B1	EC	Heated Oxygen Sensor 2 (Bank 1)
O2S2B2	EC	Heated Oxygen Sensor 2 (Bank 2)
OVRCSV	AT	Overrun Clutch Solenoid Valve
PHASE	EC	Camshaft Position Sensor (PHASE)
PHONE	EL	Telephone (Pre-wire)
PGC/V	EC	EVAP Canister Purge Volume Control Solenoid Valve
PNP/SW	AT	Park/Neutral Position Switch
PNP/SW	EC	Park/Neutral Position Switch

Code	Section	Wiring Diagram Name
POS	EC	Crankshaft Position Sensor (CKPS) (POS)
POWER	EL	Power Supply Routing
PRE/SE	EC	EVAP Control System Pressure Sensor
PS/SEN	EC	Power Steering Oil Pressure Sensor
PT/SEN	AT	Power Train Revolution Sensor
REMOTE	EL	Audio (Remote Control Switch)
RP/SEN	EC	Refrigerant Pressure Sensor
SEN/PW	EC	Throttle Position Sensor Power Supply
SEAT	EL	Power Seat
SHIFT	AT	A/T Shift Lock System
SROOF	EL	Power Sunroof
SRS	RS	Supplemental Restraint System
S/SIG	EC	Start Signal
SSV/A	AT	Shift Solenoid Valve A
SSV/B	AT	Shift Solenoid Valve B
START	SC	Starting System
STOP/L	EL	Stop Lamp
TAIL/L	EL	Parking, License and Tail Lamps
TCCSIG	AT	A/T TCC Signal (Lock Up)
TCS	BR	Traction Control System
TCV	AT	Torque Converter Clutch Solenoid Valve
T&FLID	EL	Trunk Lid and Fuel Filler Lid Opener
TPS	AT	Throttle Position Sensor
TPS1	EC	Throttle Position Sensor (Sensor 1)
TPS2	EC	Throttle Position Sensor (Sensor 2)
TPS3	EC	Throttle Position Sensor
TRNSCV	EL	Homelink Universal Transceiver
TURN	EL	Turn Signal and Hazard Warning Lamps
VEHSEC	EL	Vehicle Security (Theft Warning) System
VENT/V	EC	EVAP Canister Vent Control Valve
VIAS	EC	Variable Induction Air Control System

WIRING DIAGRAM CODES (CELL CODES)

Code	Section	Wiring Diagram Name
VIASV	EC	Variable Induction Air Control System Control Solenoid Valve
VSS	EC	Vehicle Speed Sensor
VSSAT	AT	Vehicle Speed Sensor A/T (Revolution Sensor)
VSSMTR	AT	Vehicle Speed Sensor MTR
W/ANT	EL	Audio Antenna
WARN	EL	Warning Lamps
WINDOW	EL	Power Window
WIPER	EL	Front Wiper and Washer

GI

MA

EM

LC

EC

FE

CL

MT

AT

AX

SU

BR

ST

RS

BT

HA

SC

EL

IDX

NOTES