

## SECTION **HA**

### CONTENTS

	<b>MANUAL AND AUTO</b>	
<b>PRECAUTIONS AND PREPARATION</b> .....		2
Supplemental Restraint System (SRS) "AIR BAG".....		2
Precautions for Working with HFC-134a (R-134a) .....		3
General Refrigerant Precautions .....		3
Precautions for Refrigerant Connection .....		4
Precautions for Servicing Compressor.....		7
Special Service Tools .....		7
HFC-134a (R-134a) Service Tools and Equipment.....		8
Precautions for Service Equipment.....		10
<b>DESCRIPTION</b> .....		12
Refrigeration Cycle .....		12
V-6 Variable Displacement Compressor.....		13
Component Layout .....		17
Discharge Air Flow.....		18

	<b>MANUAL</b>	
<b>DESCRIPTION</b> .....		19
Control Operation .....		19
<b>TROUBLE DIAGNOSES</b> .....		21
How to Perform Trouble Diagnoses for Quick and Accurate Repair.....		21
Operational Check.....		22
Symptom Chart.....		24
Preliminary Check.....		26

	<b>MANUAL AND AUTO</b>	
<b>TROUBLE DIAGNOSES</b> .....		31
Performance Test Diagnoses .....		31
Performance Chart .....		33
Trouble Diagnoses for Abnormal Pressure .....		34

	<b>MANUAL</b>	
<b>TROUBLE DIAGNOSES</b> .....		37
Harness Layout.....		37

Circuit Diagram.....	39
Wiring Diagram — A/C, M — .....	40
Main Power Supply and Ground Circuit Check .....	44
Diagnostic Procedure 1 .....	45
Diagnostic Procedure 2 .....	47
Diagnostic Procedure 3 .....	49
Diagnostic Procedure 4 .....	50
Diagnostic Procedure 5 .....	52
Electrical Components Inspection .....	55
Control Linkage Adjustment.....	56

	<b>AUTO</b>	
<b>DESCRIPTION</b> .....		58
Introduction .....		58
Features.....		58
Control Operation .....		61
<b>TROUBLE DIAGNOSES</b> .....		64
How to Perform Trouble Diagnoses for Quick and Accurate Repair.....		64
Operational Check.....		65
Symptom Chart.....		68
Self-diagnosis .....		70
Preliminary Check.....		80
Harness Layout.....		88
Circuit Diagram .....		90
Wiring Diagram — A/C, A — .....		91
Main Power Supply and Ground Circuit Check .....		94
Diagnostic Procedure 1 .....		95
Diagnostic Procedure 2 .....		96
Diagnostic Procedure 3 .....		97
Diagnostic Procedure 4 .....		98
Diagnostic Procedure 5 .....		99
Diagnostic Procedure 6 .....		100
Diagnostic Procedure 7 .....		102
Diagnostic Procedure 8 .....		104
Electrical Components Inspection .....		107
Control Linkage Adjustment.....		108

# CONTENTS (Cont'd)

**SYSTEM DESCRIPTION** ..... 109  
 Overview of Control System ..... 109  
 Control System Input Components ..... 110  
 Control System Automatic Amplifier (Auto amp.) .... 113  
 Control System Output Components ..... 113

**MANUAL AND AUTO**

**SERVICE PROCEDURES** ..... 121  
 HFC-134a (R-134a) Service Procedure ..... 121  
 Maintenance of Lubricant Quantity in  
 Compressor ..... 123

Refrigerant Lines ..... 125  
 Checking Refrigerant Leaks ..... 126  
 Compressor Mounting ..... 128  
 Belt Tension ..... 128  
 Fast Idle Control Device (FICD) ..... 128  
 Compressor ..... 129  
 Compressor Clutch ..... 129  
**SERVICE DATA AND SPECIFICATIONS (SDS)** ..... 133  
 General Specifications ..... 133  
 Inspection and Adjustment ..... 133

GI  
 MA  
 EM  
 LC  
 EC  
 FE  
 CL  
 MT  
 AT  
 FA  
 RA  
 BR  
 ST  
 RS  
 BT  
**HA**  
 EL  
 IDX

**When you read wiring diagrams:**

- Read GI section, "HOW TO READ WIRING DIAGRAMS".
- See EL section, "POWER SUPPLY ROUTING" for power distribution circuit.

**When you perform trouble diagnoses, read GI section, "HOW TO FOLLOW FLOW CHART IN TROUBLE DIAGNOSES" and "HOW TO PERFORM EFFICIENT DIAGNOSIS FOR AN ELECTRICAL INCIDENT".**

## Supplemental Restraint System (SRS) "AIR BAG"

The Supplemental Restraint System "AIR BAG", used along with a seat belt, helps to reduce the risk or severity of injury to the driver and front passenger in a frontal collision. The Supplemental Restraint System consists of air bag modules (located in the center of the steering wheel and on the instrument panel on the passenger side), a diagnosis sensor unit, warning lamp, wiring harness and spiral cable. If the vehicle is equipped with side air bag as the Supplemental Restraint System, the supplemental side air bag used along with the seat belt helps to reduce the risk or severity of injury to the driver and front passenger in a side collision. The supplemental side air bag consists of air bag modules (located in the outer side of front seats), satellite sensor, diagnosis sensor unit (which is one of components of supplemental air bags for a frontal collision), wiring harness, warning lamp (which is one of components of supplemental air bags for a frontal collision). Information necessary to service the system safely is included in the **RS section** in this Service Manual.

### WARNING:

- To avoid rendering the SRS inoperative, which could increase the risk of personal injury or death in the event of a collision which would result in air bag inflation, all maintenance must be performed by an authorized NISSAN dealer.
- Improper maintenance, including incorrect removal and installation of the SRS, can lead to personal injury caused by unintentional activation of the system.
- Do not use electrical test equipment on any circuit related to the SRS unless instructed to in this Service Manual. SRS wiring harnesses can be identified with yellow harness protector or yellow insulation tape before the harness connectors.

**Precautions for Working with HFC-134a (R-134a)**

**WARNING:**

- CFC-12 (R-12) refrigerant and HFC-134a (R-134a) refrigerant are not compatible. These refrigerants must never be mixed, even in the smallest amounts. If the refrigerants are mixed, compressor failure is likely to occur.
- Use only specified lubricant for the HFC-134a (R-134a) A/C system and HFC-134a (R-134a) components. If lubricant other than that specified is used, compressor failure is likely to occur.
- The specified HFC-134a (R-134a) lubricant rapidly absorbs moisture from the atmosphere. The following handling precautions must be observed:
  - a: When removing refrigerant components from a vehicle, immediately cap (seal) the component to minimize the entry of moisture from the atmosphere.
  - b: When installing refrigerant components to a vehicle, do not remove the caps (unseal) until just before connecting the components. Connect all refrigerant loop components as quickly as possible to minimize the entry of moisture into system.
  - c: Only use the specified lubricant from a sealed container. Immediately reseal containers of lubricant. Without proper sealing, lubricant will become moisture saturated and should not be used.
  - d: Avoid breathing A/C refrigerant and lubricant vapor or mist. Exposure may irritate eyes, nose and throat. Remove R-134a from the A/C system, using certified service equipment meeting requirements of SAE J2210 (R-134a recycling equipment), or J2209 (R-134a recovery equipment). If accidental system discharge occurs, ventilate work area before resuming service. Additional health and safety information may be obtained from refrigerant and lubricant manufacturers.
  - e: Do not allow lubricant (Nissan A/C System Oil Type S) to come in contact with styrofoam parts. Damage may result.

GI  
MA  
EM  
LC  
EC  
FE  
CL  
MT

**General Refrigerant Precautions**

**WARNING:**

- Do not release refrigerant into the air. Use approved recovery/recycling equipment to capture the refrigerant every time an air conditioning system is discharged.
- Always wear eye and hand protection (goggles and gloves) when working with any refrigerant or air conditioning system.
- Do not store or heat refrigerant containers above 52°C (125°F).
- Do not heat a refrigerant container with an open flame; if container warming is required, place the bottom of the container in a warm pail of water.
- Do not intentionally drop, puncture, or incinerate refrigerant containers.
- Keep refrigerant away from open flames: poisonous gas will be produced if refrigerant burns.
- Refrigerant will displace oxygen, therefore be certain to work in well ventilated areas to prevent suffocation.
- Do not introduce compressed air to any refrigerant container or refrigerant component.

AT  
FA  
RA  
BR  
ST  
RS  
BT

**HA**

EL  
IDX

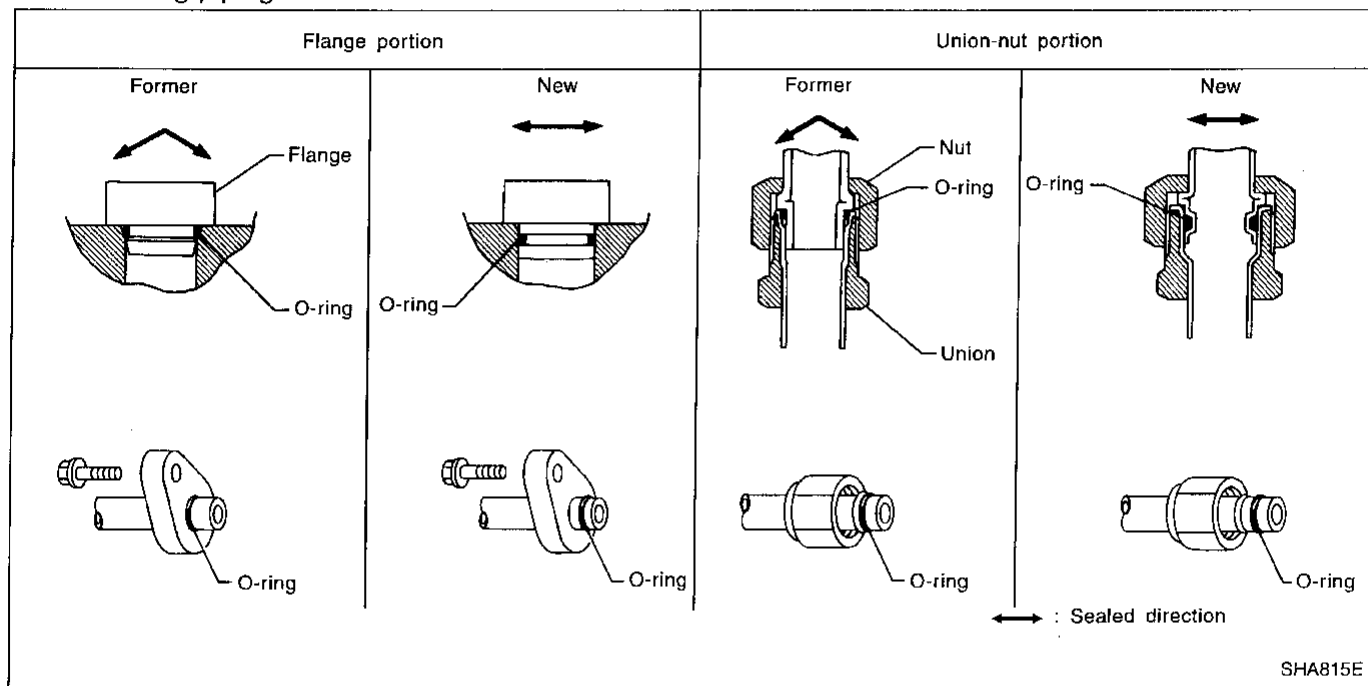
### Precautions for Refrigerant Connection

A new type refrigerant connection has been introduced to all refrigerant lines except the following portion.

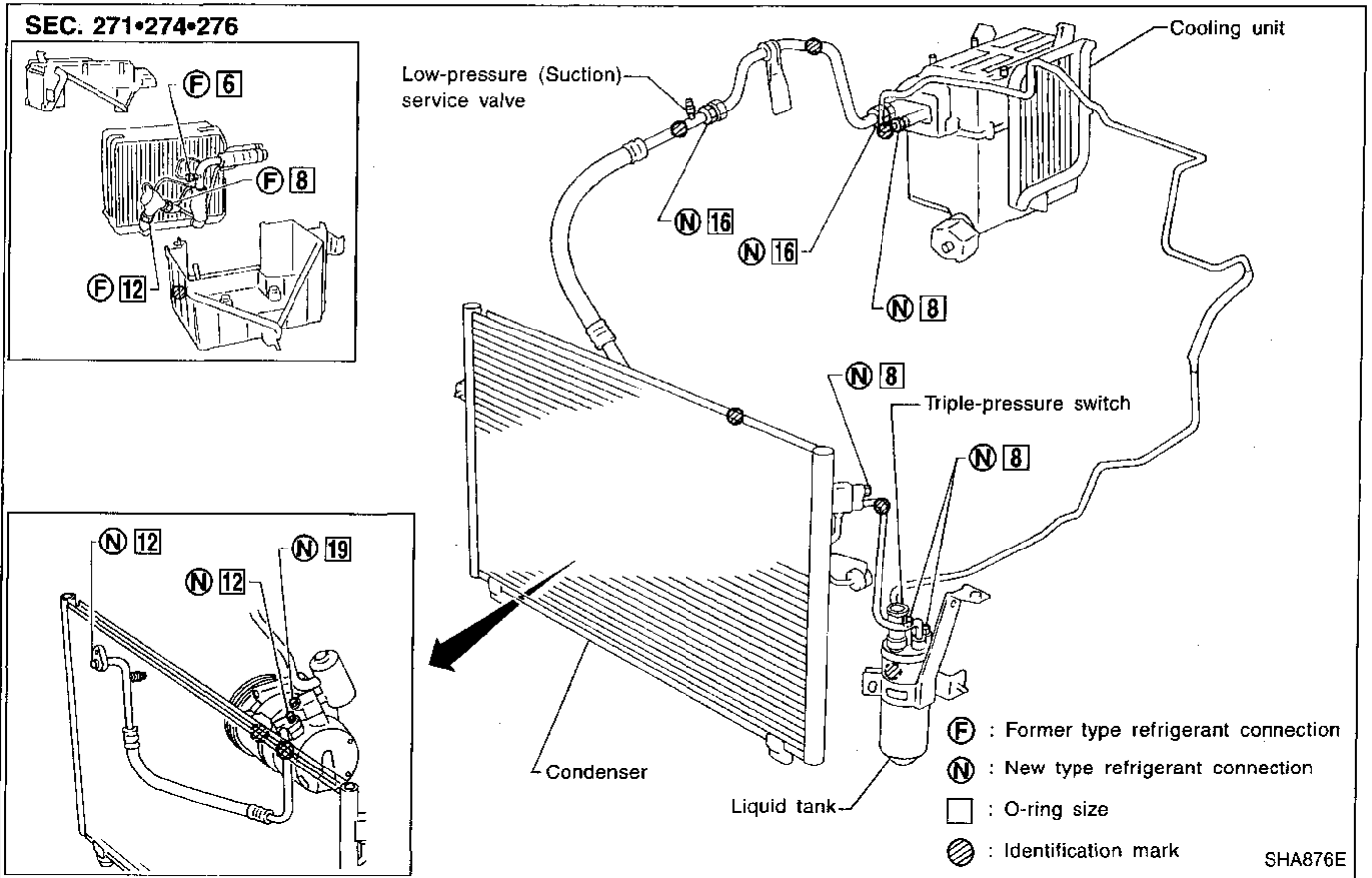
- Expansion valve to cooling unit

#### FEATURES OF NEW TYPE REFRIGERANT CONNECTION

- The O-ring has been relocated. It has also been provided with a groove for proper installation. This eliminates the chance of the O-ring being caught in, or damaged by, the mating part. The sealing direction of the O-ring is now set vertically in relation to the contacting surface of the mating part to improve sealing characteristics.
- The reaction force of the O-ring will not occur in the direction that causes the joint to pull out, thereby facilitating piping connections.

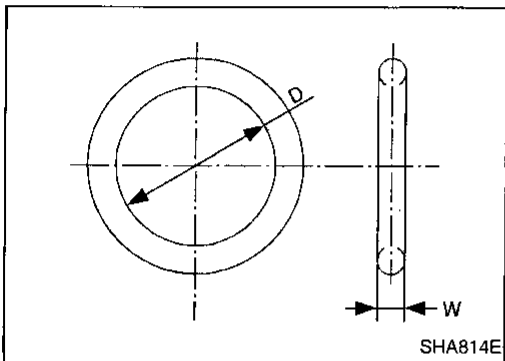


Precautions for Refrigerant Connection  
(Cont'd)  
O-RING AND REFRIGERANT CONNECTION



**CAUTION:**

The new and former refrigerant connections use different O-ring configurations. Do not confuse O-rings since they are not interchangeable. If a wrong O-ring is installed, refrigerant will leak at, or around, the connection.



**O-ring part numbers and specifications**

Connection type	O-ring size	Part number	D mm (in)	W mm (in)
Former	6	92472 N8200	4.5 (0.177)	1.40 (0.0551)
New	8	92471 N8210	6.8 (0.268)	1.85 (0.0728)
Former	8	92470 N8200	6.07 (0.2390)	1.78 (0.0701)
New	12	92472 N8210	10.9 (0.429)	2.43 (0.0957)
Former	12	92471 N8200	10.8 (0.425)	1.78 (0.0701)
New	16	92473 N8210	13.6 (0.535)	2.43 (0.0957)
Former	16	92475 72L00	14.3 (0.563)	2.3 (0.091)
New	19	92474 N8210	16.5 (0.650)	2.43 (0.0957)
Former	19	92477 N8200	17.12 (0.6740)	1.78 (0.0701)

In accordance with the adoption of the new type refrigerant connection, the following components are not interchangeable between the former year model (1996 year model) and the current year model (1998 year model).

- Compressor
- Condenser
- Cooling unit
- Liquid tank
- Tubes and flexible hoses

Precautions for Refrigerant Connection  
(Cont'd)

**WARNING:**

Make sure all refrigerant is discharged into the recycling equipment and the pressure in the system is less than atmospheric pressure. Then gradually loosen the discharge side hose fitting and remove it.

**CAUTION:**

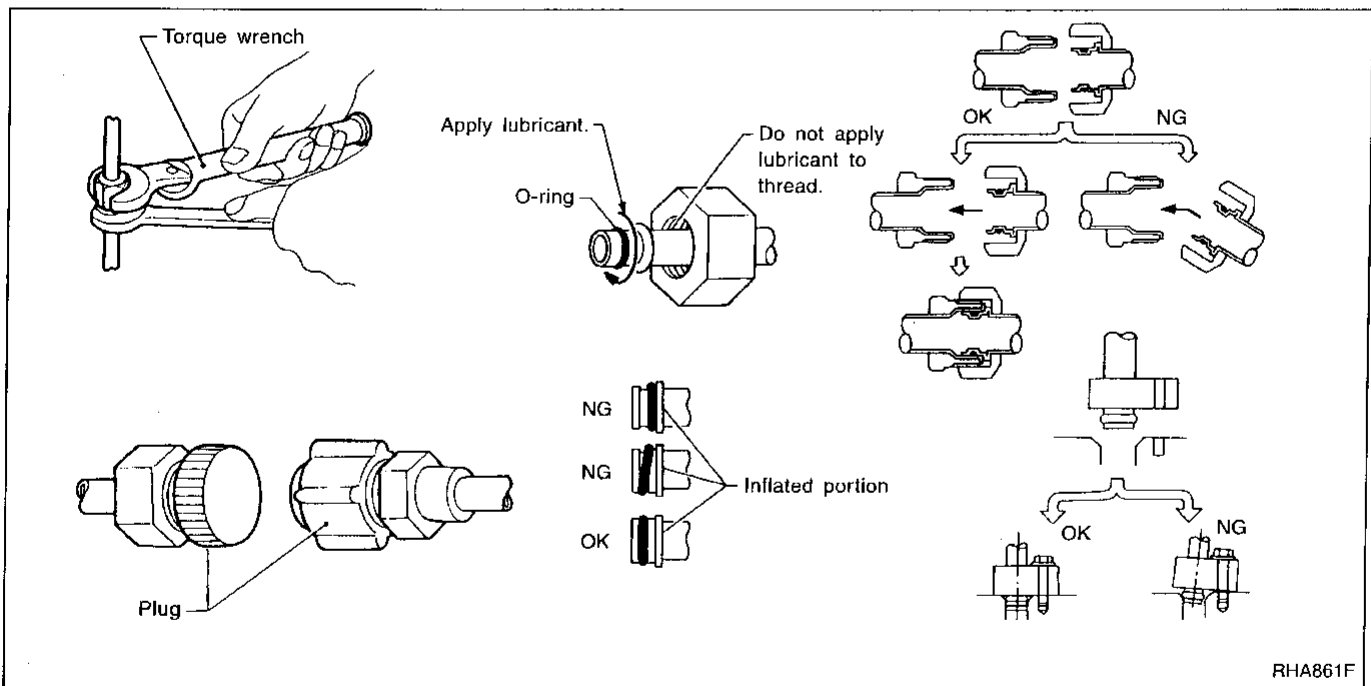
When replacing or cleaning refrigerant cycle components, observe the following.

- When the compressor is removed, store it in the same position as it is when mounted on the car. Failure to do so will cause lubricant to enter the low pressure chamber.
- When connecting tubes, always use a torque wrench and a back-up wrench.
- After disconnecting tubes, immediately plug all openings to prevent entry of dirt and moisture.
- When installing an air conditioner in the vehicle, connect the pipes as the final stage of the operation. Do not remove the seal caps of pipes and other components until just before required for connection.
- Allow components stored in cool areas to warm to working area temperature before removing seal caps. This prevents condensation from forming inside A/C components.
- Thoroughly remove moisture from the refrigeration system before charging the refrigerant.
- Always replace used O-rings.
- When connecting tube, apply lubricant to circle of the O-rings shown in illustration. Be careful not to apply lubricant to threaded portion.

Lubricant name: Nissan A/C System Oil Type S

Part number: KLH00-PAGS0

- O-ring must be closely attached to dented portion of tube.
- When replacing the O-ring, be careful not to damage O-ring and tube.
- Connect tube until you hear it click, then tighten the nut or bolt by hand until snug. Make sure that the O-ring is installed to tube correctly.
- After connecting line, conduct leak test and make sure that there is no leakage from connections. When the gas leaking point is found, disconnect that line and replace the O-ring. Then tighten connections of seal seat to the specified torque.



RHA861F

Precautions for Servicing Compressor

- Plug all openings to prevent moisture and foreign matter from entering.
- When the compressor is removed, store it in the same position as it is when mounted on the car.
- When replacing or repairing compressor, follow "Maintenance of Lubricant Quantity in Compressor" exactly. Refer to HA-123.
- Keep friction surfaces between clutch and pulley clean. If the surface is contaminated, with lubricant, wipe it off by using a clean waste cloth moistened with thinner.
- After compressor service operation, turn the compressor shaft by hand more than five turns in both directions. This will equally distribute lubricant inside the compressor. After the compressor is installed, let the engine idle and operate the compressor for one hour.
- After replacing the compressor magnet clutch, apply voltage to the new one and check for normal operation.

GI

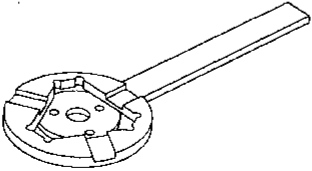
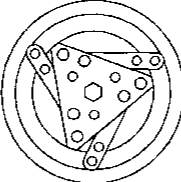
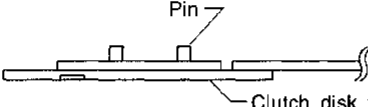
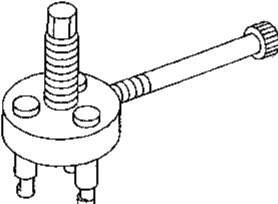
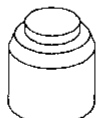
MA

EM

Special Service Tools

LC

The actual shapes of Kent-Moore tools may differ from those of special service tools illustrated here.

Tool number (Kent-Moore No.) Tool name	Description
KV99106100 (J-41260) Clutch disc wrench	<p>Removing center bolt</p>  <p>NT232</p>  <p>When replacing the magnet clutch in the above compressor, use a clutch disc wrench with the pin side on the clutch disc to remove it.</p>  <p>Pin Clutch disc wrench</p> <p>NT378</p>
KV99232340 (J-38874) or KV992T0001 ( — ) Clutch disc puller	<p>Removing clutch disc</p>  <p>NT376</p>
KV99106200 (J-41261) Pulley installer	<p>Installing pulley</p>  <p>NT235</p>

EC

FE

CL

MT

AT

FA

RA

BR

ST

RS

BT

HA

EL

IDX



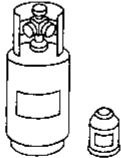
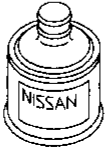
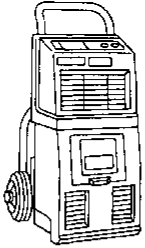
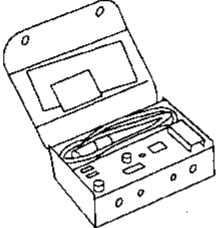
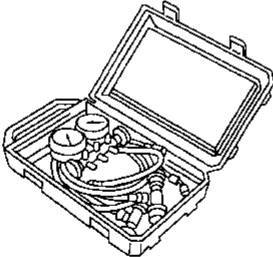
**HFC-134a (R-134a) Service Tools and Equipment**

Never mix HFC-134a refrigerant and/or its specified lubricant with CFC-12 (R-12) refrigerant and/or its lubricant.

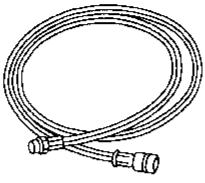
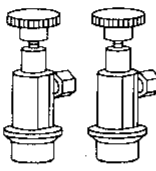

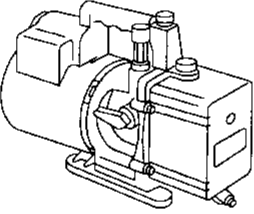
Separate and non-interchangeable service equipment must be used for handling each type of refrigerant/lubricant.

Refrigerant container fittings, service hose fittings and service equipment fittings (equipment which handles refrigerant and/or lubricant) are different between CFC-12 (R-12) and HFC-134a (R-134a). This is to avoid mixed use of the refrigerants/lubricant.

Adapters that convert one size fitting to another must never be used: refrigerant/lubricant contamination will occur and compressor failure will result.

Tool number (Kent-Moore No.) Tool name	Description	Note
HFC-134a (R-134a) refrigerant	 NT196	Container color: Light blue Container marking: HFC-134a (R-134a) Fitting size: Thread size <ul style="list-style-type: none"> <li>● large container 1/2"-16 ACME</li> </ul>
KLH00-PAGSO ( — ) Nissan A/C System Oil Type S	 NT197	Type: Poly alkylene glycol oil (PAG), type S Application: HFC-134a (R-134a) swash plate (piston) compressors (Nissan only) Lubricity: 40 ml (1.4 US fl oz, 1.4 Imp fl oz)
(J-39500-NI) Recovery/Recycling Recharging equipment (ACR4)	 NT195	Function: Refrigerant Recovery and Recycling and Recharging
(J-39400) Electrical leak detector	 NT198	Power supply: <ul style="list-style-type: none"> <li>● DC 12V (Cigarette lighter)</li> </ul>
(J-39183) Manifold gauge set (with hoses and couplers)	 NT199	Identification: <ul style="list-style-type: none"> <li>● The gauge face indicates R-134a.</li> </ul> Fitting size: Thread size <ul style="list-style-type: none"> <li>● 1/2"-16 ACME</li> </ul>

**HFC-134a (R-134a) Service Tools and Equipment (Cont'd)**

Tool number (Kent-Moore No.) Tool name	Description	Note
Service hoses <ul style="list-style-type: none"> <li>● High side hose (J-39501-72)</li> <li>● Low side hose (J-39502-72)</li> <li>● Utility hose (J-39476-72)</li> </ul>	NT201 	Hose color: <ul style="list-style-type: none"> <li>● Low hose: Blue with black stripe</li> <li>● High hose: Red with black stripe</li> <li>● Utility hose: Yellow with black stripe or green with black stripe</li> </ul> Hose fitting to gauge: <ul style="list-style-type: none"> <li>● 1/2"-16 ACME</li> </ul>
Service couplers <ul style="list-style-type: none"> <li>● High side coupler (J-39500-20)</li> <li>● Low side coupler (J-39500-24)</li> </ul>	NT202 	Hose fitting to service hose: <ul style="list-style-type: none"> <li>● M14 x 1.5 fitting is optional or permanently attached.</li> </ul>
(J-39650) Refrigerant weight scale	NT200 	For measuring of refrigerant Fitting size: Thread size <ul style="list-style-type: none"> <li>● 1/2"-16 ACME</li> </ul>
(J-39649) Vacuum pump (Including the isolator valve)	NT203 	Capacity: <ul style="list-style-type: none"> <li>● Air displacement: 4 CFM</li> <li>● Micron rating: 20 microns</li> <li>● Oil capacity: 482 g (17 oz)</li> </ul> Fitting size: Thread size <ul style="list-style-type: none"> <li>● 1/2"-16 ACME</li> </ul>

GI

MA

EM

LC

EC

FE

CL

MT

AT

FA

RA

BR

ST

RS

BT

HA

EL

IDX

**Precautions for Service Equipment**

**RECOVERY/RECYCLING EQUIPMENT**

Follow the manufacturer's instructions for machine operation and machine maintenance. Never introduce any refrigerant other than that specified into the machine.

**ELECTRONIC LEAK DETECTOR**

Follow the manufacture's instructions for tester operation and tester maintenance.

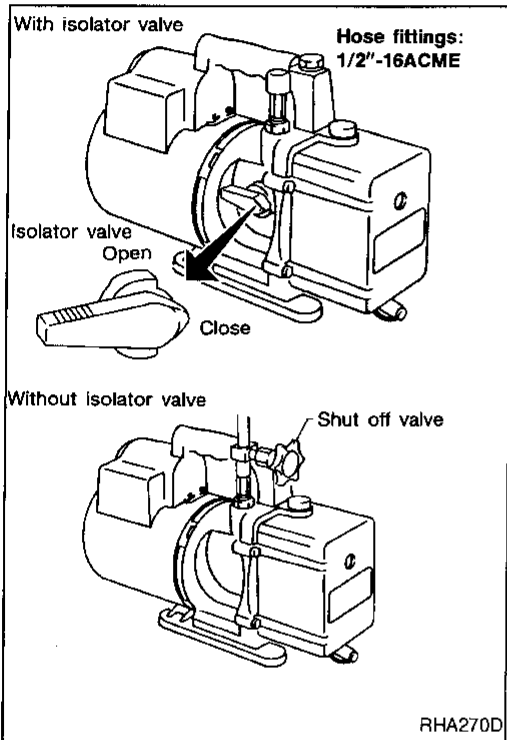
**VACUUM PUMP**

The lubricant contained inside the vacuum pump is not compatible with the specified lubricant for HFC-134a (R-134a) A/C systems. The vent side of the vacuum pump is exposed to atmospheric pressure. So the vacuum pump lubricant may migrate out of the pump into the service hose. This is possible when the pump is switched off after evacuation (vacuuming) and hose is connected to it.

To prevent this migration, use a manual valve situated near the hose-to-pump connection, as follows.

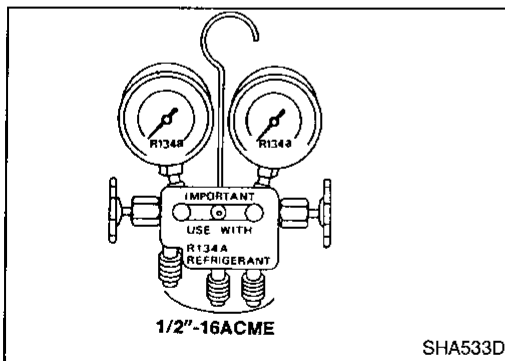
- Usually vacuum pumps have a manual isolator valve as part of the pump. Close this valve to isolate the service hose from the pump.
- For pumps without an isolator, use a hose equipped with a manual shut-off valve near the pump end. Close the valve to isolate the hose from the pump.
- If the hose has an automatic shut off valve, disconnect the hose from the pump: as long as the hose is connected, the valve is open and lubricating oil may migrate.

Some one-way valves open when vacuum is applied and close under a no vacuum condition. Such valves may restrict the pump's ability to pull a deep vacuum and are not recommended.



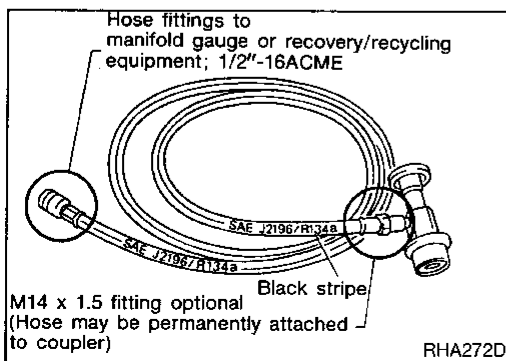
**MANIFOLD GAUGE SET**

Be certain that the gauge face indicates R-134a or 134a. Make sure the gauge set has 1/2"-16 ACME threaded connections for service hoses. Confirm the set has been used only with refrigerant HFC-134a (R-134a) along with specified lubricant.



**SERVICE HOSES**

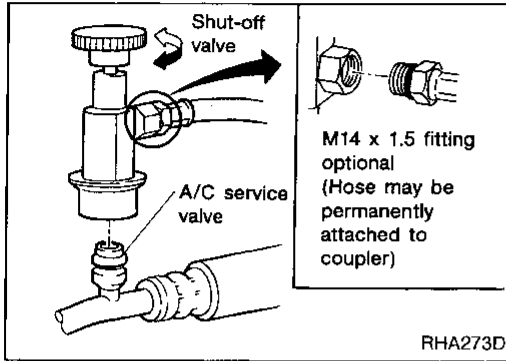
Be certain that the service hoses display the markings described (colored hose with black stripe). All hoses must include positive shut off devices (either manual or automatic) near the end of the hoses opposite the manifold gauge.



**Precautions for Service Equipment (Cont'd)**

**SERVICE COUPLERS**

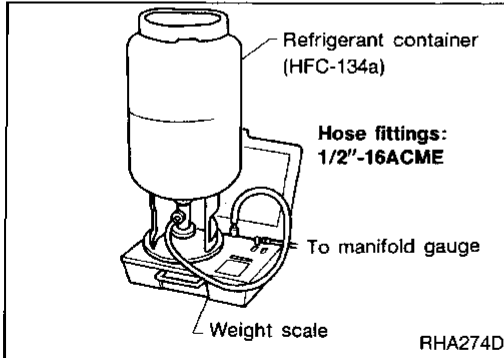
Never attempt to connect HFC-134a (R-134a) service couplers to an CFC-12 (R-12) A/C system. The HFC-134a (R-134a) couplers will not properly connect to the CFC-12 (R-12) system. However, if an improper connection is attempted, discharging and contamination may occur.



Shut-off valve rotation	A/C service valve
Clockwise	Open
Counterclockwise	Close

**REFRIGERANT WEIGHT SCALE**

Verify that no refrigerant other than HFC-134a (R-134a) and specified lubricants have been used with the scale. If the scale controls refrigerant flow electronically, the hose fitting must be 1/2"-16 ACME.



**CHARGING CYLINDER**

Using a charging cylinder is not recommended. Refrigerant may be vented into air from cylinder's top valve when filling the cylinder with refrigerant. Also, the accuracy of the cylinder is generally less than that of an electronic scale or of quality recycle/recharge equipment.

GI

MA

EM

LC

EC

FE

CL

MT

AT

FA

RA

BR

ST

RS

BT

**HA**

EL

IDX

## Refrigeration Cycle

### REFRIGERANT FLOW

The refrigerant flow is in the standard pattern. Refrigerant flows through the compressor, condenser, liquid tank, evaporator, and back to the compressor.

The refrigerant evaporation through the evaporator coil is controlled by an externally equalized expansion valve, located inside the evaporator case.

### FREEZE PROTECTION

Under normal operating conditions, when the AUTO is switched on, the compressor runs continuously, and the evaporator pressure, and therefore temperature, is controlled by the V-6 variable displacement compressor to prevent freeze up.

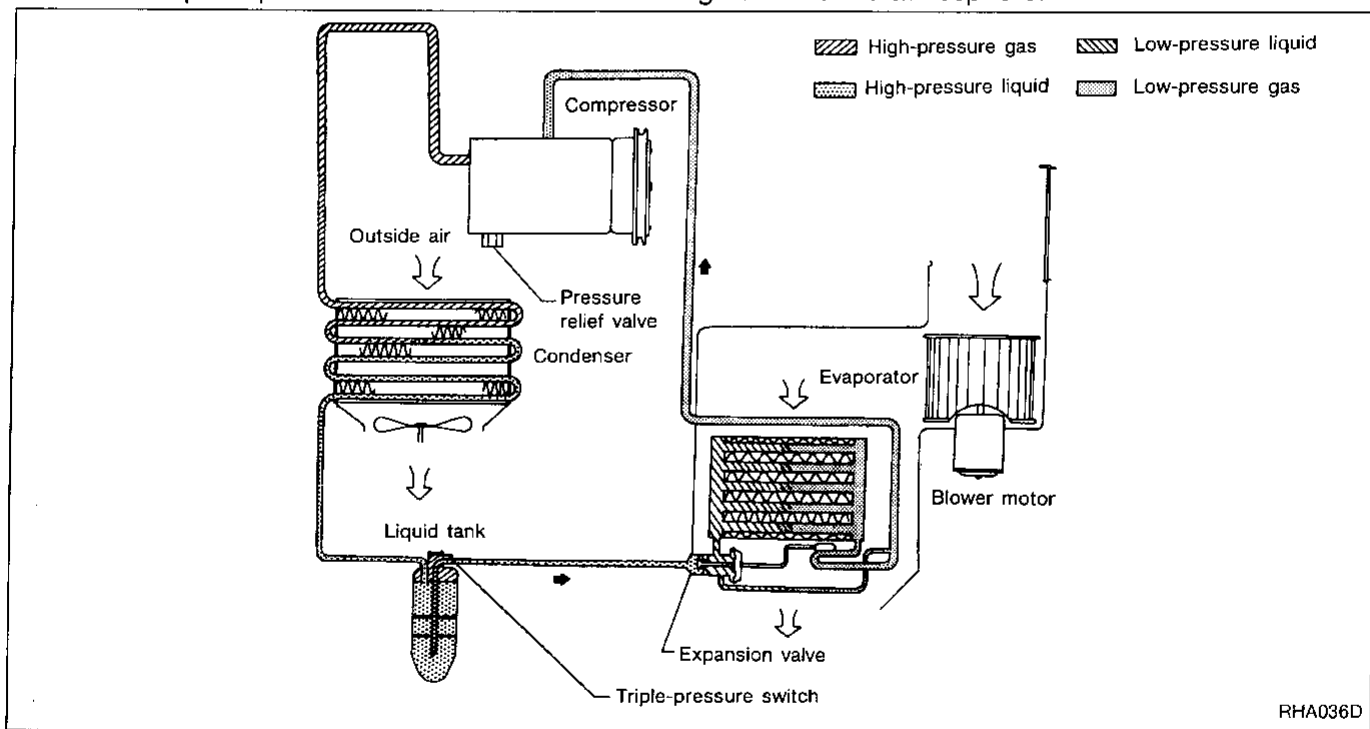
### REFRIGERANT SYSTEM PROTECTION

#### Triple-pressure switch

The triple-pressure switch is located on the liquid tank. If the system pressure rises or falls out of specifications, the switch opens to interrupt compressor clutch operation. Triple-pressure switch closes to turn on the cooling fan to reduce system pressure.

#### Pressure relief valve

The refrigerant system is protected by a pressure relief valve. The valve is located on the bottom of the compressor. When refrigerant system pressure increases abnormally [over 3,727 kPa (38 kg/cm<sup>2</sup>, 540 psi)], the relief valve's port opens. The valve then releases refrigerant into the atmosphere.



## V-6 Variable Displacement Compressor

### GENERAL INFORMATION

1. The V-6 variable compressor differs from previous units. The vent temperatures of the V-6 variable compressor do not drop too far below 5°C (41°F) when:
  - evaporator intake air temperature is less than 20°C (68°F)
  - engine is running at speeds less than 1,500 rpm.
 This is because the V-6 compressor provides a means of "capacity" control.
2. The V-6 variable compressor provides refrigerant control under varying conditions. During cold winters, it may not produce high refrigerant pressure discharge (compared to previous units) when used with air conditioning systems.
3. A "clanking" sound may occasionally be heard during refrigerant charge. The sound indicates that the tilt angle of the swash plate has changed and is not a problem.
4. For air conditioning systems with the V-6 compressor, the clutch remains engaged unless: the system main switch, fan switch or ignition switch is turned OFF. When ambient (outside) temperatures are low or when the amount of refrigerant is insufficient, the clutch is disengaged to protect the compressor.
5. A constant range of suction pressure is maintained when engine speed is greater than a certain value. It normally ranges from 147 to 177 kPa (1.5 to 1.8 kg/cm<sup>2</sup>, 21 to 26 psi) under varying conditions. In previous compressors, however, suction pressure was reduced with increases in engine speed.

GI

MA

EM

LC

EC

FE

CL

MT

AT

FA

RA

BR

ST

RS

BT

HA

EL

IDX

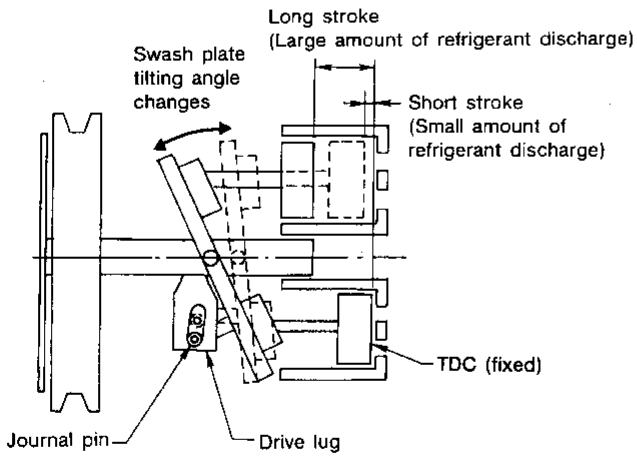
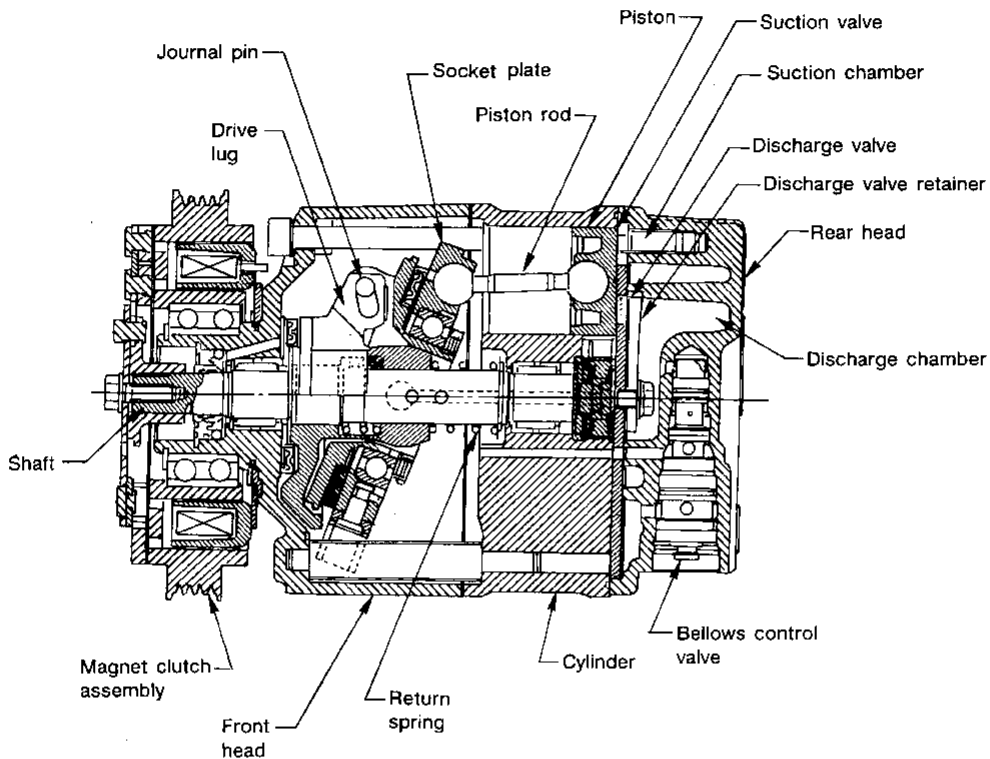
V-6 Variable Displacement Compressor (Cont'd)

DESCRIPTION

General

The variable compressor is basically a swash plate type that changes piston stroke in response to the required cooling capacity.

The tilt of the swash plate allows the piston's stroke to change so that refrigerant discharge can be continuously changed from 10.5 to 184 cm<sup>3</sup> (0.641 to 11.228 cu in).



Discharge control	Discharge capacity cm <sup>3</sup> (cu in)/rev.	Piston stroke length mm (in)
Minimum	10.5 (0.641)	1.6 (0.063)
Maximum	184 (11.228)	28.6 (1.126)

RHA037DA

V-6 Variable Displacement Compressor (Cont'd)

Operation

1. Operation control valve

Operation control valve is located in the suction port (low-pressure) side, and opens or closes in response to changes in refrigerant suction pressure.

Operation of the valve controls the internal pressure of the crankcase.

The angle of the swash plate is controlled between the crankcase's internal pressure and the piston cylinder pressure.

2. Maximum cooling

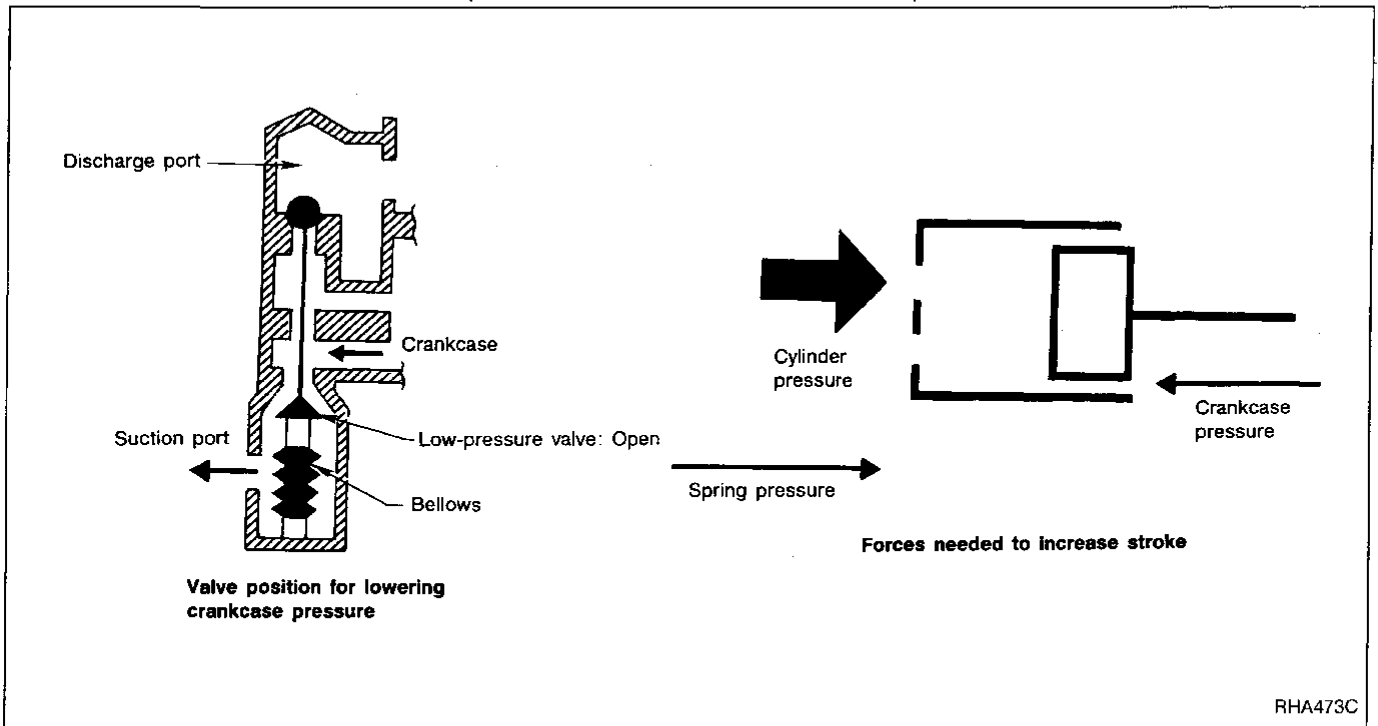
Refrigerant pressure on the low-pressure side increases with an increase in heat loads.

When this occurs, the control valve's bellows compress to open the low-pressure side valve and close the high-pressure side valve.

This causes the following pressure changes:

- the crankcase's internal pressure to equal the pressure on the low-pressure side;
- the cylinder's internal pressure to be greater than the crankcase's internal pressure.

Under this condition, the swash plate is set to the maximum stroke position.



GI

MA

EM

LC

EC

FE

CL

MT

AT

FA

RA

BR

ST

RS

BT

HA

EL

IDX

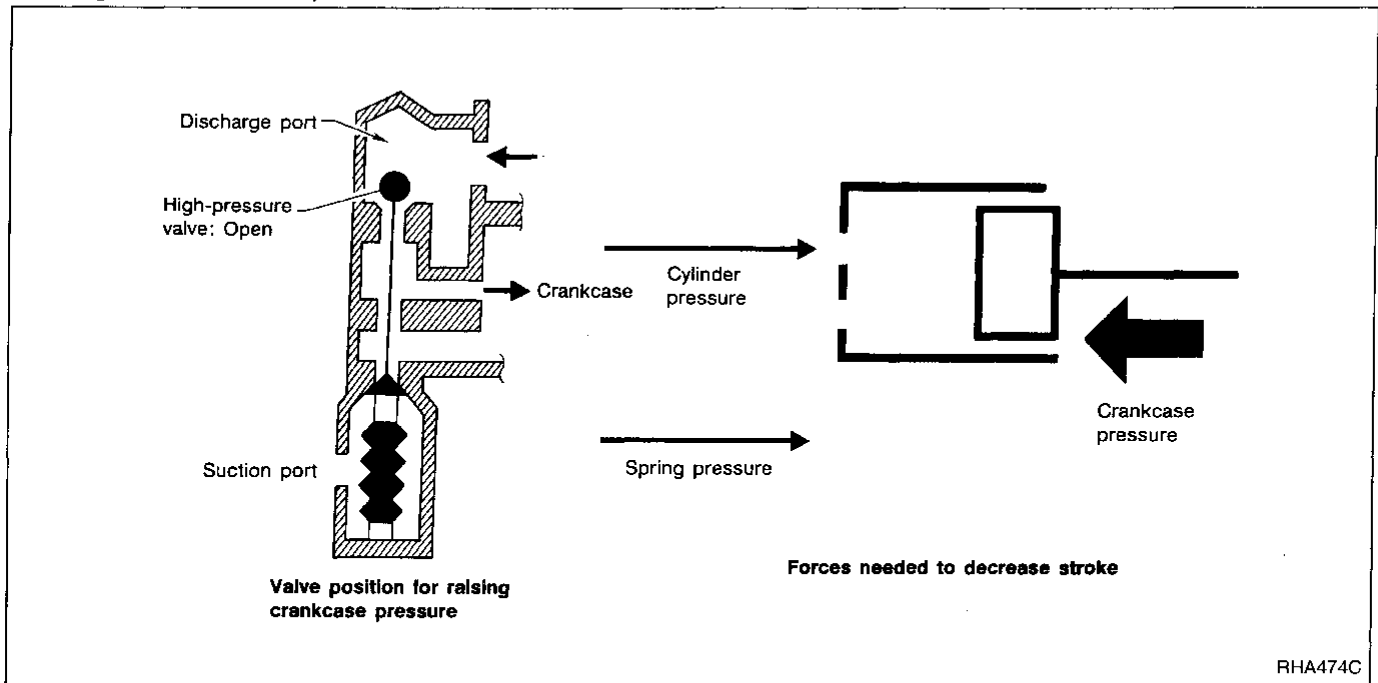


## V-6 Variable Displacement Compressor (Cont'd)

## 3. Capacity control

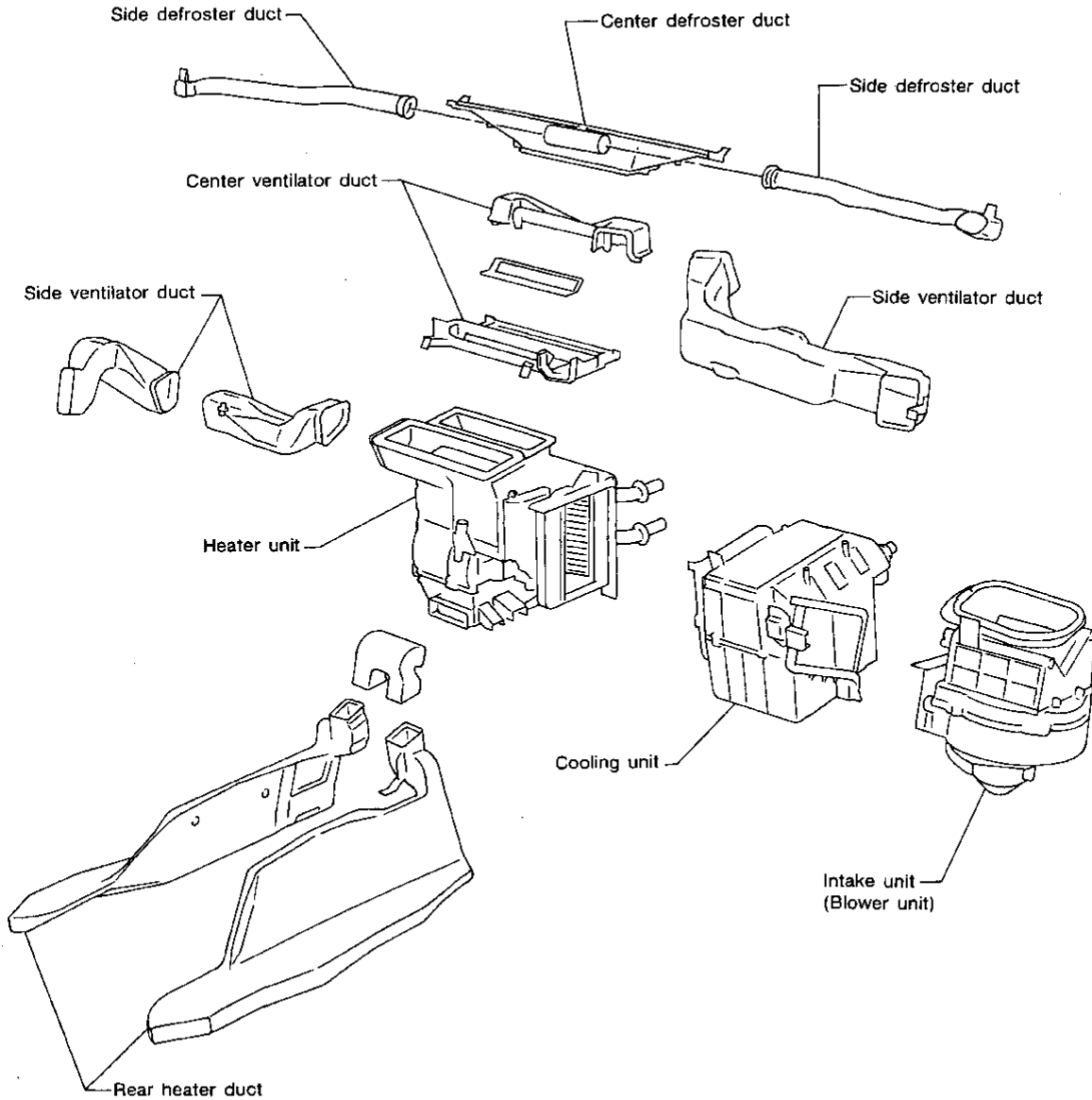
- Refrigerant pressure on suction side is low during high speed driving or when ambient or interior temperature is low.
- The bellows expands when refrigerant pressure on the suction pressure side drops below approximately 177 kPa (1.8 kg/cm<sup>2</sup>, 26 psi).  
Since suction pressure is low, it makes the suction port close and the discharge port open. Thus, crankcase pressure becomes high as high pressure enters the crankcase.
- The force acts around the journal pin near the swash plate, and is generated by the pressure difference before and behind the piston.

The drive lug and journal pin are located where the piston generates the highest pressure. Piston pressure is between suction pressure  $P_s$  and discharge pressure  $P_d$ , which is near suction pressure  $P_s$ . If crankcase pressure  $P_c$  rises due to capacity control, the force around the journal pin makes the swash plate angle decrease and also the piston stroke decrease. In other words, crankcase pressure increase triggers pressure difference between the piston and the crankcase. The pressure difference changes the angle of the swash plate.



Component Layout

SEC. 270-271-273



GI

MA

EM

LC

EC

FE

CL

MT

AT

FA

RA

BR

ST

RS

BT

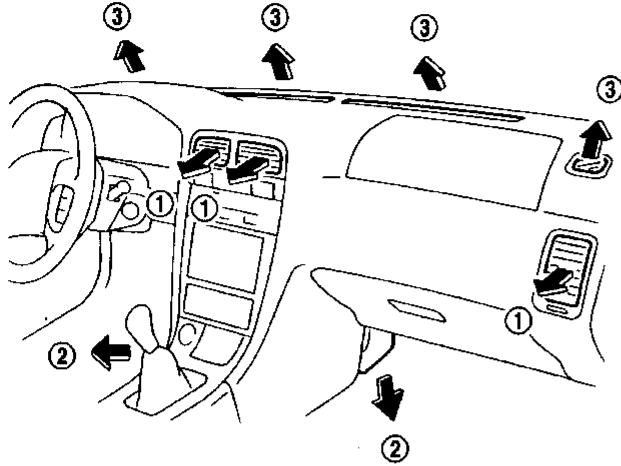
**HA**

EL

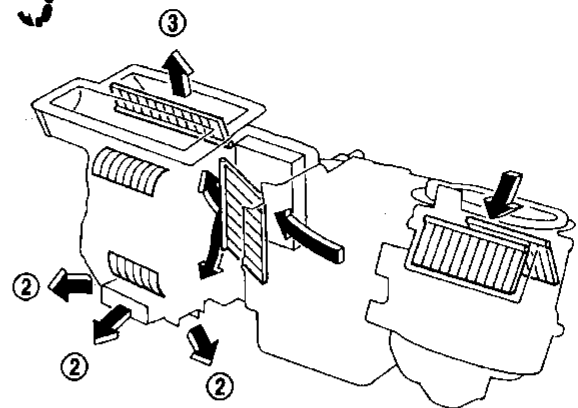
IDX

Discharge Air Flow

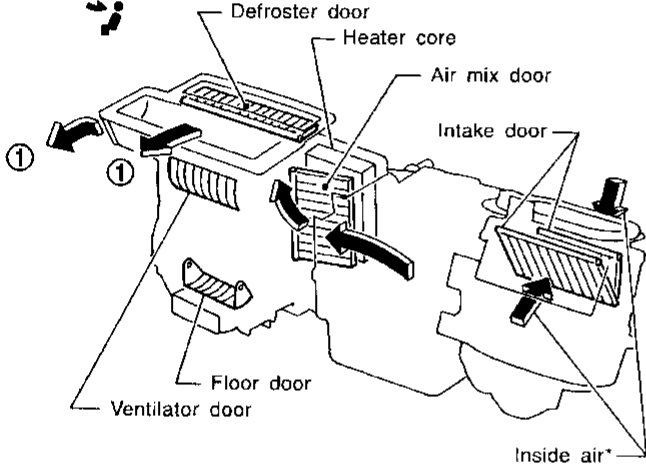
Air outlets



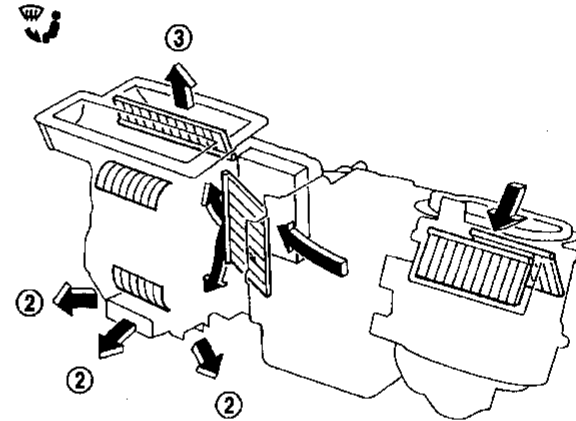
Foot



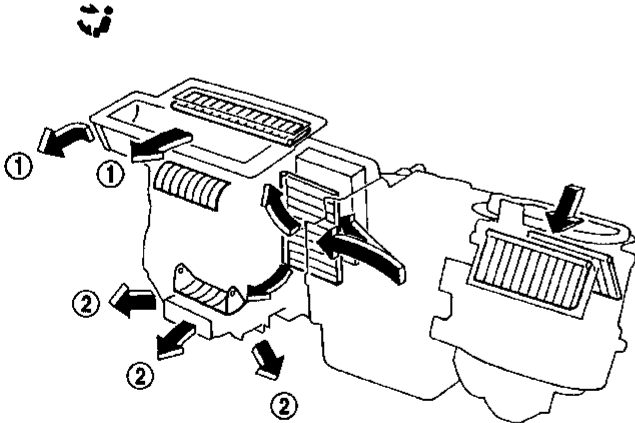
Face



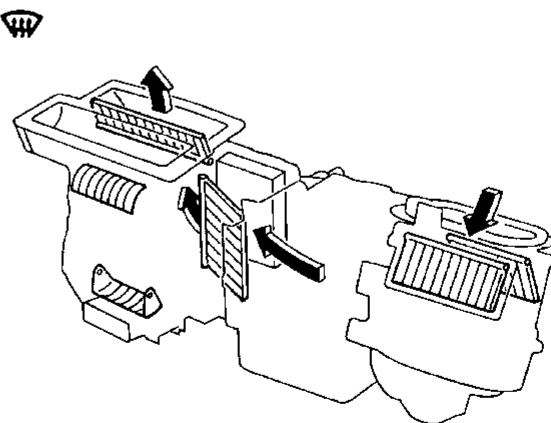
Foot and defroster



Bi-level



Defroster



① : To face

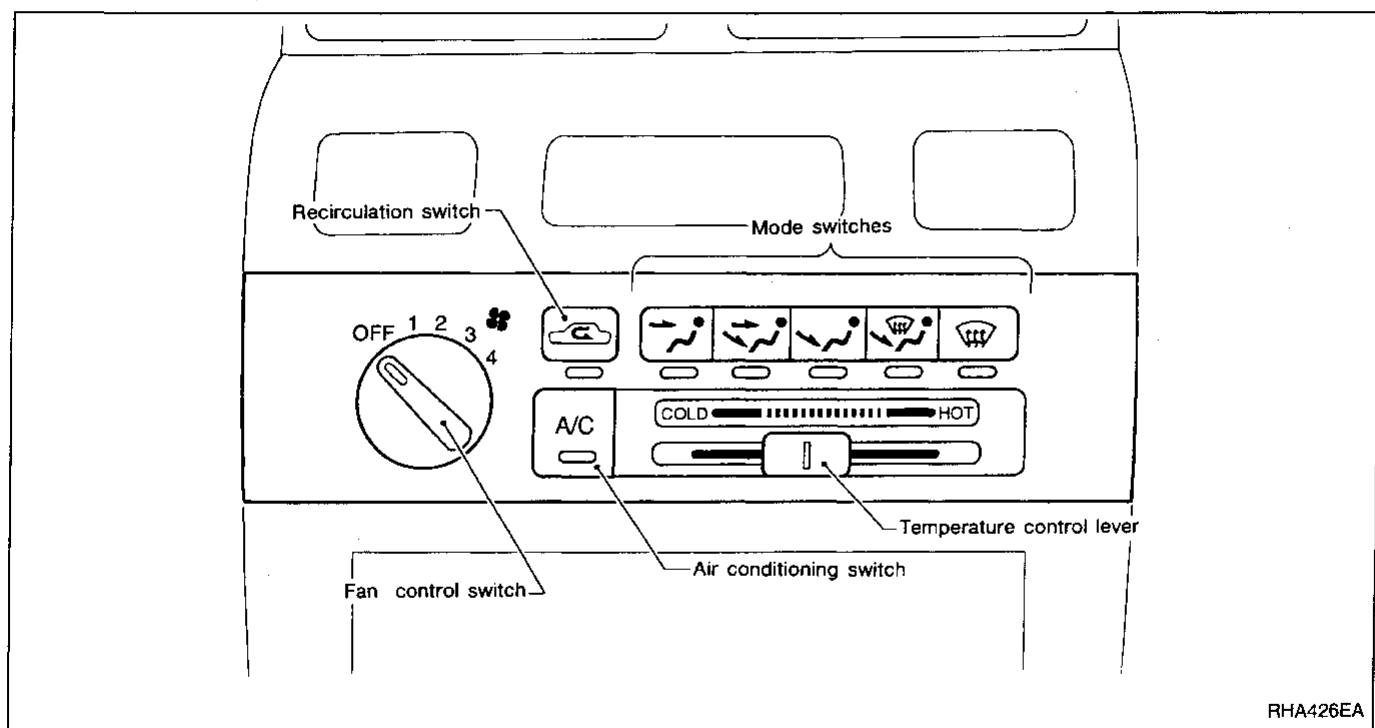
② : To foot

③ : To defroster

\* : When recirculation switch is ON

For air flow %, refer to "Operational Check", "TROUBLE DIAGNOSES".

## Control Operation

**FAN CONTROL SWITCH**

This switch turns the fan ON and OFF, and controls fan speed.

**MODE SWITCHES**

These switches allow control of the air discharge outlets.

When the MODE switch is moved to "DEF" or "F/D", the push control amplifier sets the intake door to "FRESH". The compressor turns on when the MODE switch is moved to "DEF".

**TEMPERATURE CONTROL LEVER**

This lever allows you to adjust the temperature of the discharge air.

**RECIRCULATION (REC) SWITCH**

OFF position: Outside air is drawn into the passenger compartment.

ON position: Interior air is recirculated inside the vehicle.

Recirculation is canceled when DEF or F/D is selected, and resumes when another mode is chosen.

Intake door is set at recirculation position automatically when the following conditions are met:

- VENT position
  - Fan speed: speed 4 position
  - Temperature control: Full cold position
  - Compressor: ON
- VENT, B/L, FOOT position
  - Engine coolant temperature: Over 105°C (221°F)
  - Compressor: ON

**AIR CONDITIONING SWITCH**

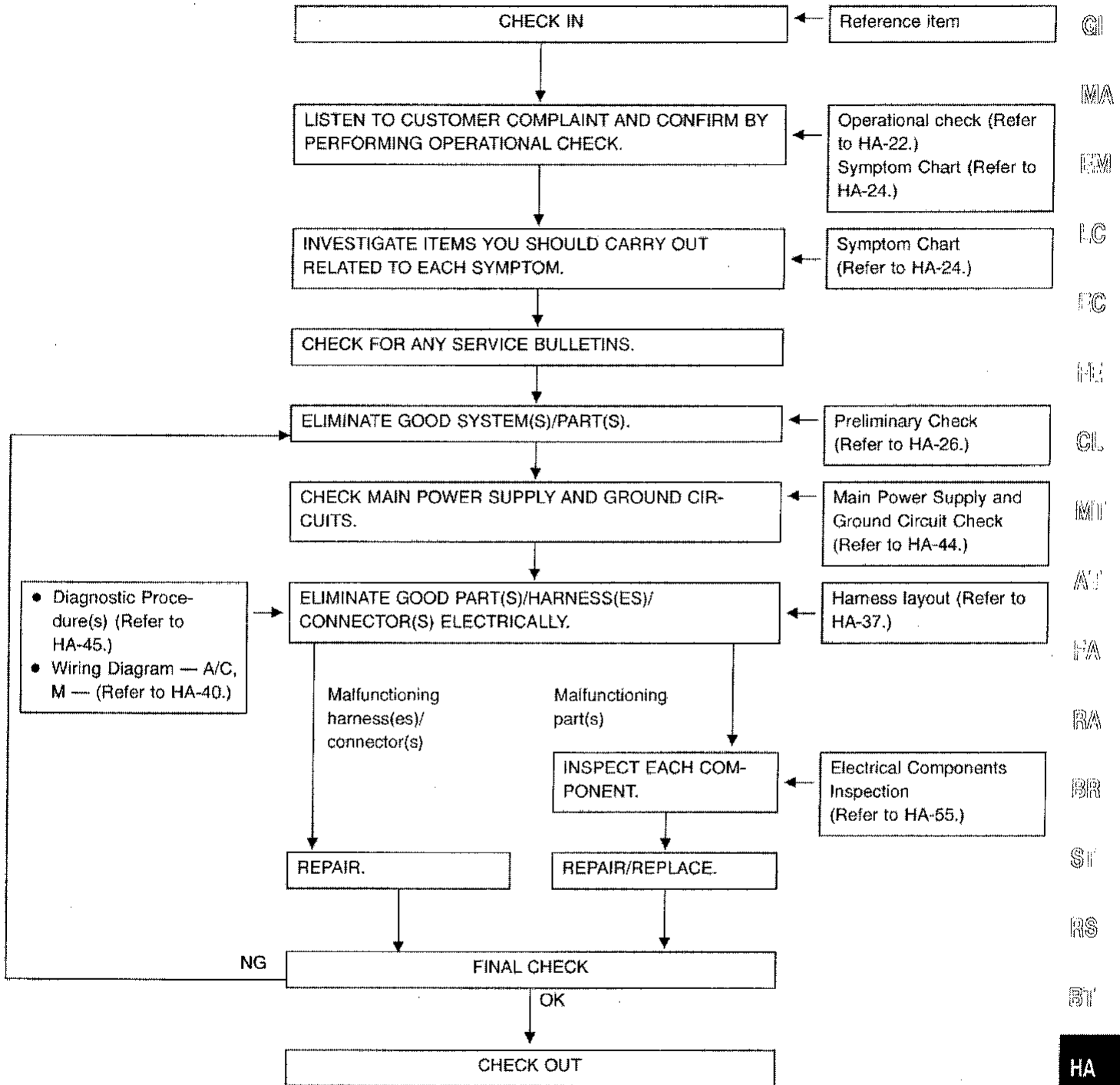
Start the engine, set the fan control switch to the desired (1 to 4) position and push the air conditioning switch to turn ON the air conditioning. The indicator lamp will come on when the air conditioning is ON. To stop the air conditioning, push the switch again to return it to the original position.

**The air conditioning cooling function operates only when the engine is running.**

NOTE

How to Perform Trouble Diagnoses for Quick and Accurate Repair

WORK FLOW



**Operational Check**

The purpose of the operational check is to confirm that the system is as it should be. The systems which will be checked are the blower, mode (discharge air), intake air, temperature decrease, temperature increase and A/C switch.

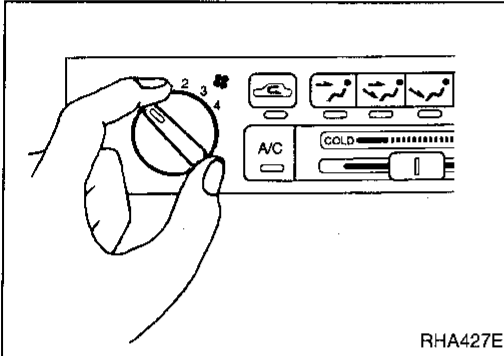
**CONDITIONS:**

- Engine running and at normal operating temperature.

**PROCEDURE:**

**1. Check blower**

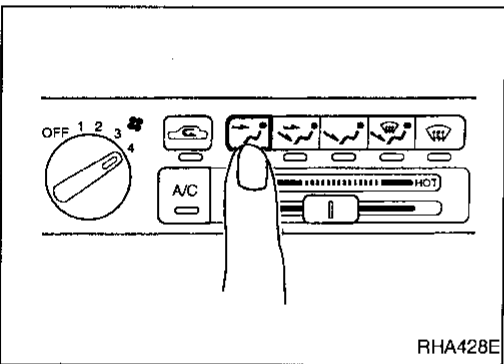
- 1) Turn fan switch to speed 1.  
Blower should operate on low speed.
- 2) Then turn fan switch to speed 2.
- 3) Continue checking blower speed until all speeds are checked.
- 4) Leave blower on speed 4.



RHA427E

**2. Check discharge air**

- 1) Press each mode switch.



RHA428E

- 2) Confirm that discharge air comes out according to the air distribution table at left.

Refer to "Discharge Air Flow", "DESCRIPTION" (HA-18).

**NOTE:**

Confirm that the compressor clutch is engaged (visual inspection) and intake door position is at FRESH when the DEF button is pressed.

Confirm that the intake door position is at FRESH when the F/D button is pressed.

Intake door position is checked in the next step.


**Discharge air flow**

Switch mode/ indicator	Air outlet/distribution		
	Face	Foot	Defroster
	100%	—	—
	60%	40%	—
	—	78%	22%
	—	60%	40%
	—	—	100%

RHA429E

**Operational Check (Cont'd)**

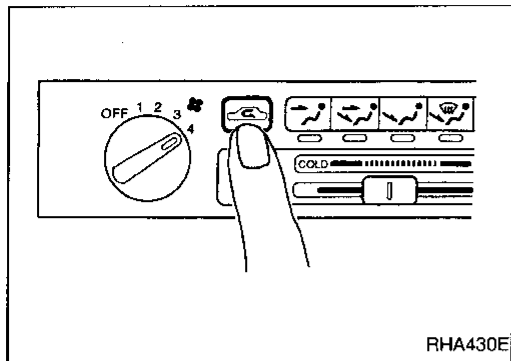
**3. Check recirculation**

- 1) Press REC  switch. Recirculation indicator should illuminate.
- 2) Listen for intake door position change (air flow sound from intake unit).

GI

MA

EM



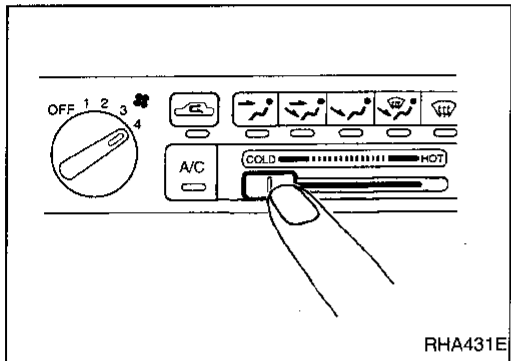
**4. Check temperature decrease**

- 1) Slide temperature control lever to full cold.
- 2) Check for cold air at discharge air outlets.

LC

EC

FE



CL

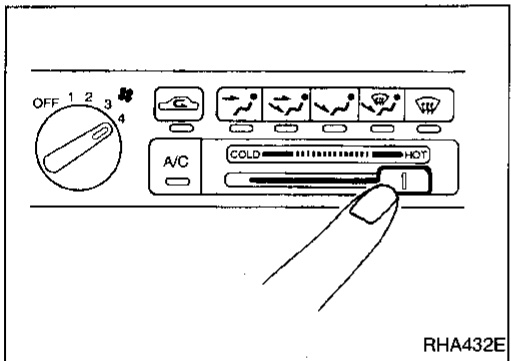
**5. Check temperature increase**

- 1) Slide temperature control lever to full hot.
- 2) Check for hot air at discharge air outlets.

MT

AT

FA



RA

**6. Check air conditioning switch**

Move the fan control switch to the desired (1 to 4 speed) position and push the A/C switch to turn ON the air conditioner. The indicator lamp should come on when air conditioner is ON.

BR

ST

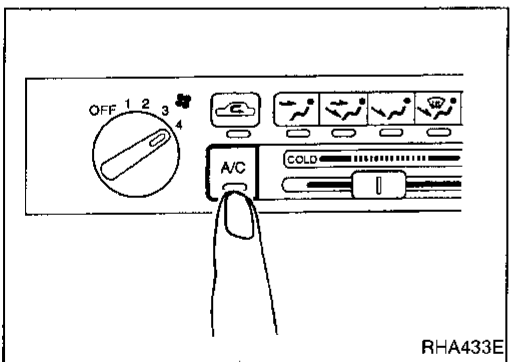
RS

BT

HA

EL

IDX





Symptom Chart

DIAGNOSTIC TABLE

PROCEDURE	Preliminary Check						Diagnostic Procedure					Main Power Supply and Ground Circuit Check			
	HA-26	HA-27	HA-28	HA-28	HA-29	HA-30	HA-45	HA-47	HA-49	HA-50	HA-52	HA-44	HA-44	HA-44	HA-44
REFERENCE PAGE															
SYMPTOM	Preliminary check 1	Preliminary check 2	Preliminary check 3	Preliminary check 4	Preliminary check 5	Preliminary check 6	Diagnostic procedure 1	Diagnostic procedure 2	Diagnostic procedure 3	Diagnostic procedure 4	Diagnostic procedure 5	15A Fuses (#2, #3)	7.5A Fuse (#16)	7.5A Fuse (#61)	Push control unit
A/C does not blow cold air.		①					○			○		○	○		
Insufficient heating.						①	○				○				
Blower motor does not rotate.		①					②					○			
Air outlet does not change.				①				②					○		○
Intake door does not change in VENT, B/L or FOOT mode.									①				○		○
Intake door is not set at "FRESH" in DEF or F/D mode.	①								○				○		○
Air mix door does not change.		①								②			○		○
Magnet clutch does not engage when A/C switch and fan switch are ON.		①									②		○	○	
Magnet clutch does not engage in DEF mode.		①	②								○		○	○	
Noise					①										

①, ② : The number means checking order.  
 ○ : Checking order depends on malfunction in each flow chart.

Symptom Chart (Cont'd)

Electrical Components Inspection

	Blower motor	Resistor	A/C switch	REC switch	VENT switch	B/L switch	FOOT switch	F/D switch	DEF switch	Fan switch	Mode door motor	Intake door motor	Air mix door motor	A/C relay	Triple-pressure switch	Compressor (Magnet clutch)	ECM (ECCS control module)	Harness		
HA-55	○	○	○							○			○	○	○	○	○	○	○	
HA-55	○	○			○	○	○	○	○	○	○									
HA-55			○																	
—				○																
—					○							○								
—													○							
—														○						
—									○											
HA-55									○											
HA-56											○									
HA-57												○								
HA-57													○							
HA-56														○						
HA-56															○					
HA-56																○				
HA-129																	○			
Refer to EC section.																				
—																				

GI

MA

EM

LC

EC

FE

CL

MT

AT

FA

RA

BR

ST

RS

BT

HA

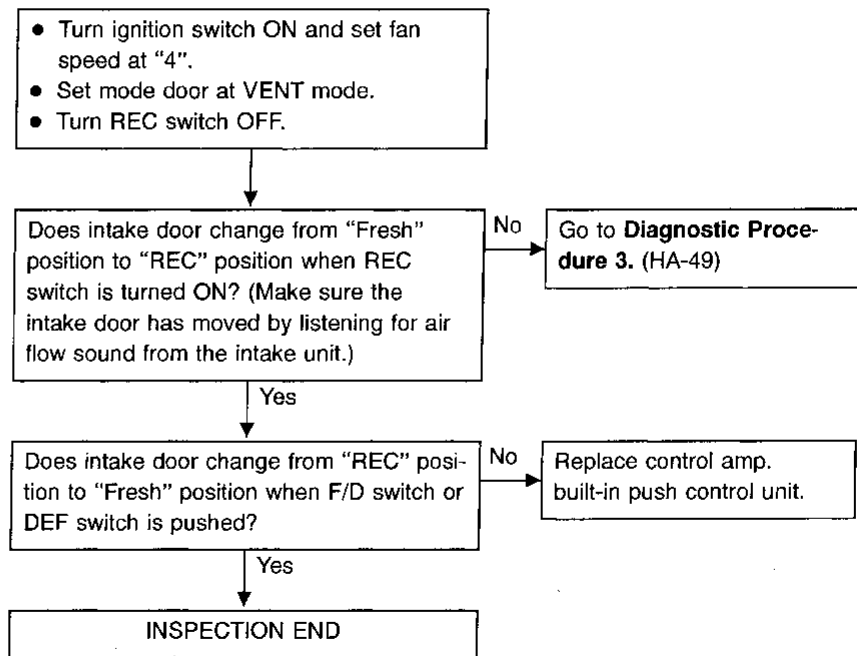
EL

IDX

## Preliminary Check

## PRELIMINARY CHECK 1

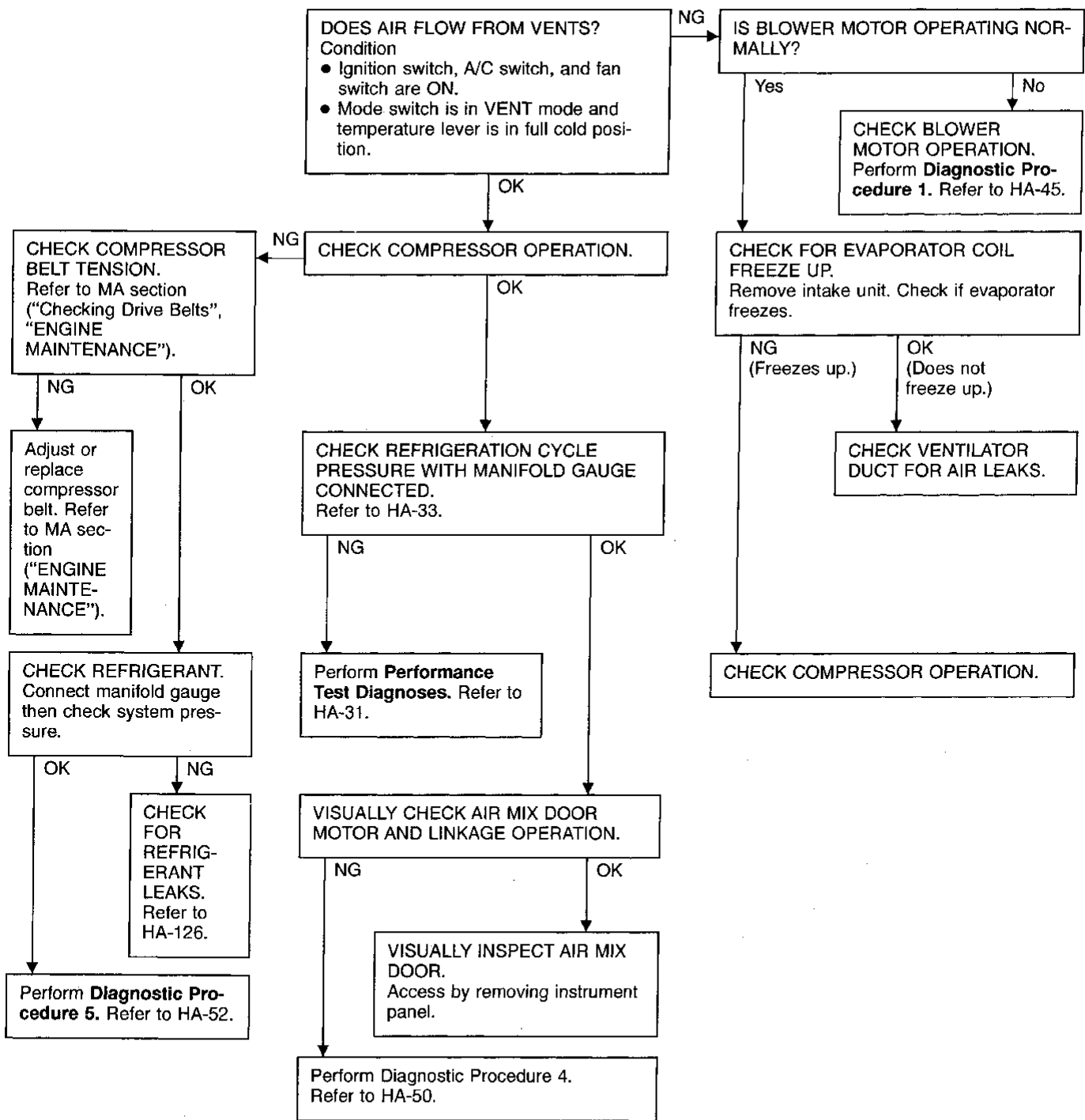
Intake door is not set at "FRESH" in DEF or F/D mode.



Preliminary Check (Cont'd)

PRELIMINARY CHECK 2

A/C does not blow cold air.



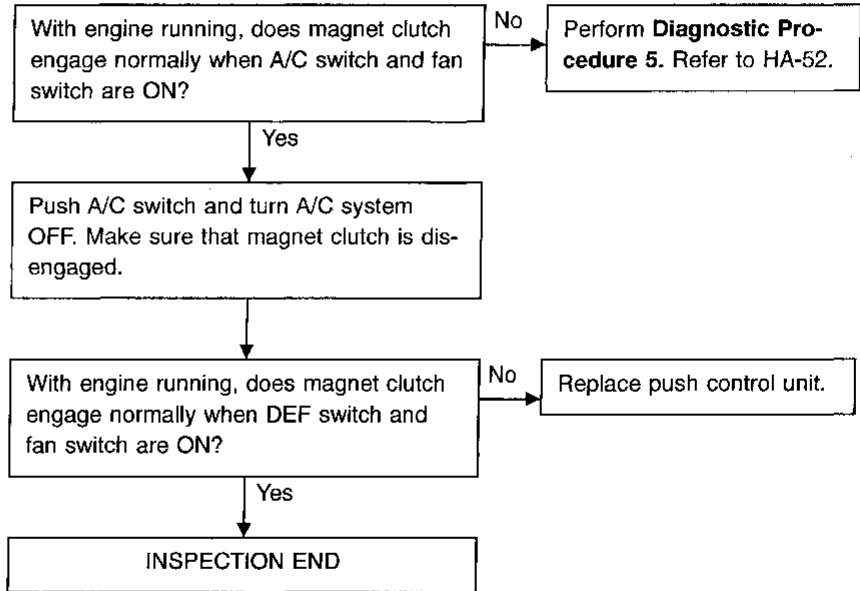
GI  
MA  
EM  
LC  
EC  
FE  
CL  
MT  
AT  
FA  
RA  
BR  
ST  
RS  
BT  
HA  
EL  
IDX

Preliminary Check (Cont'd)

**PRELIMINARY CHECK 3**

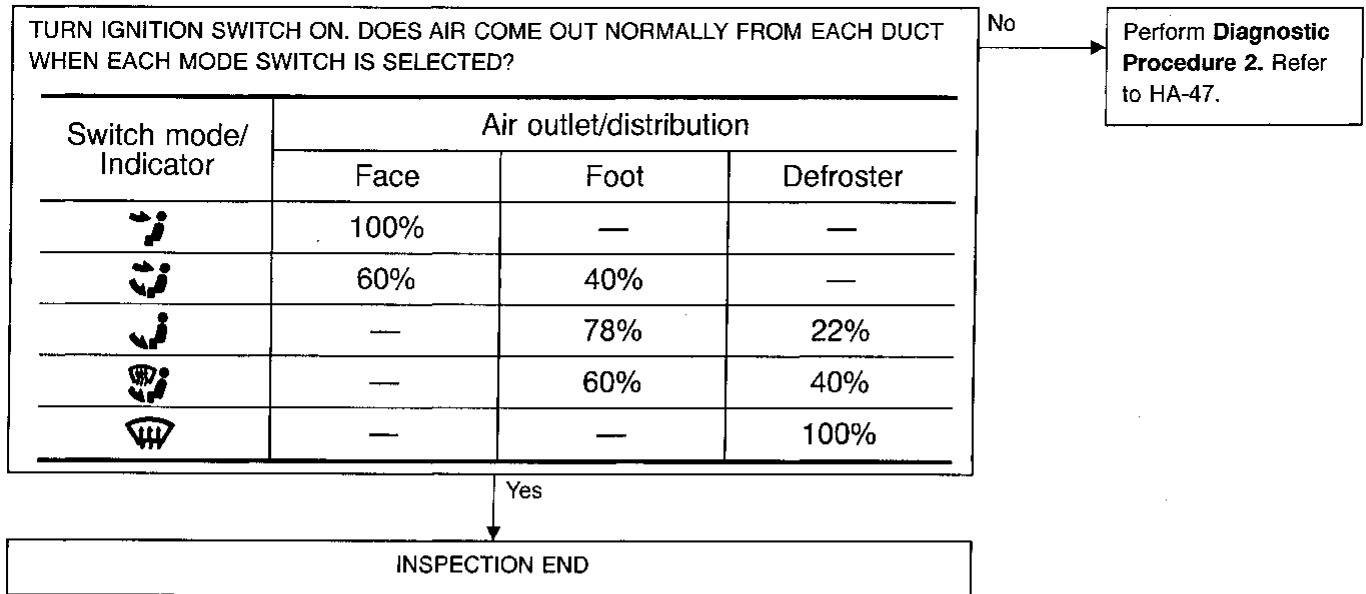
Magnet clutch does not engage in DEF mode.

- Perform PRELIMINARY CHECK 2 before referring to the following flow chart.



**PRELIMINARY CHECK 4**

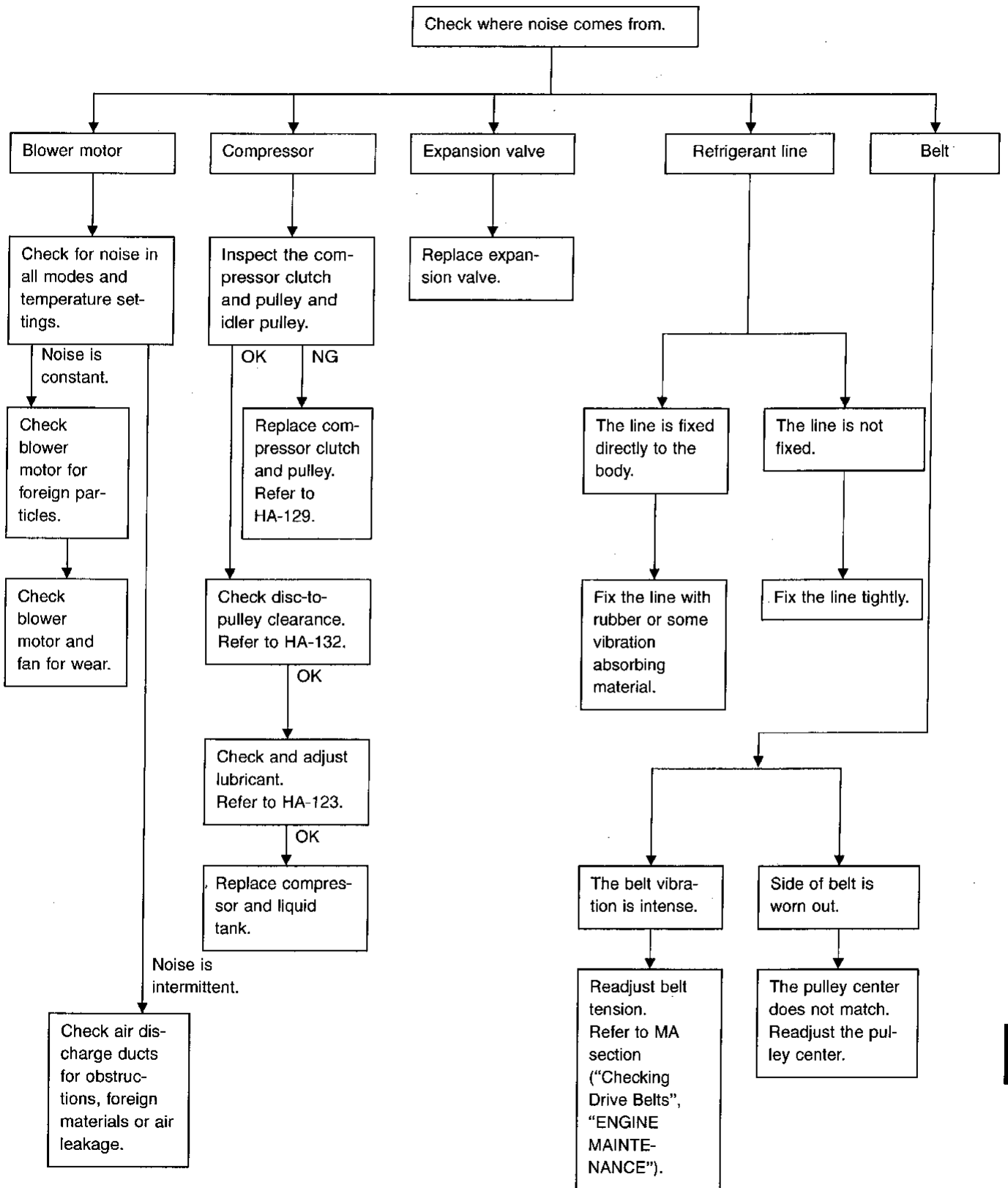
Air outlet does not change.



Preliminary Check (Cont'd)

PRELIMINARY CHECK 5

Noise

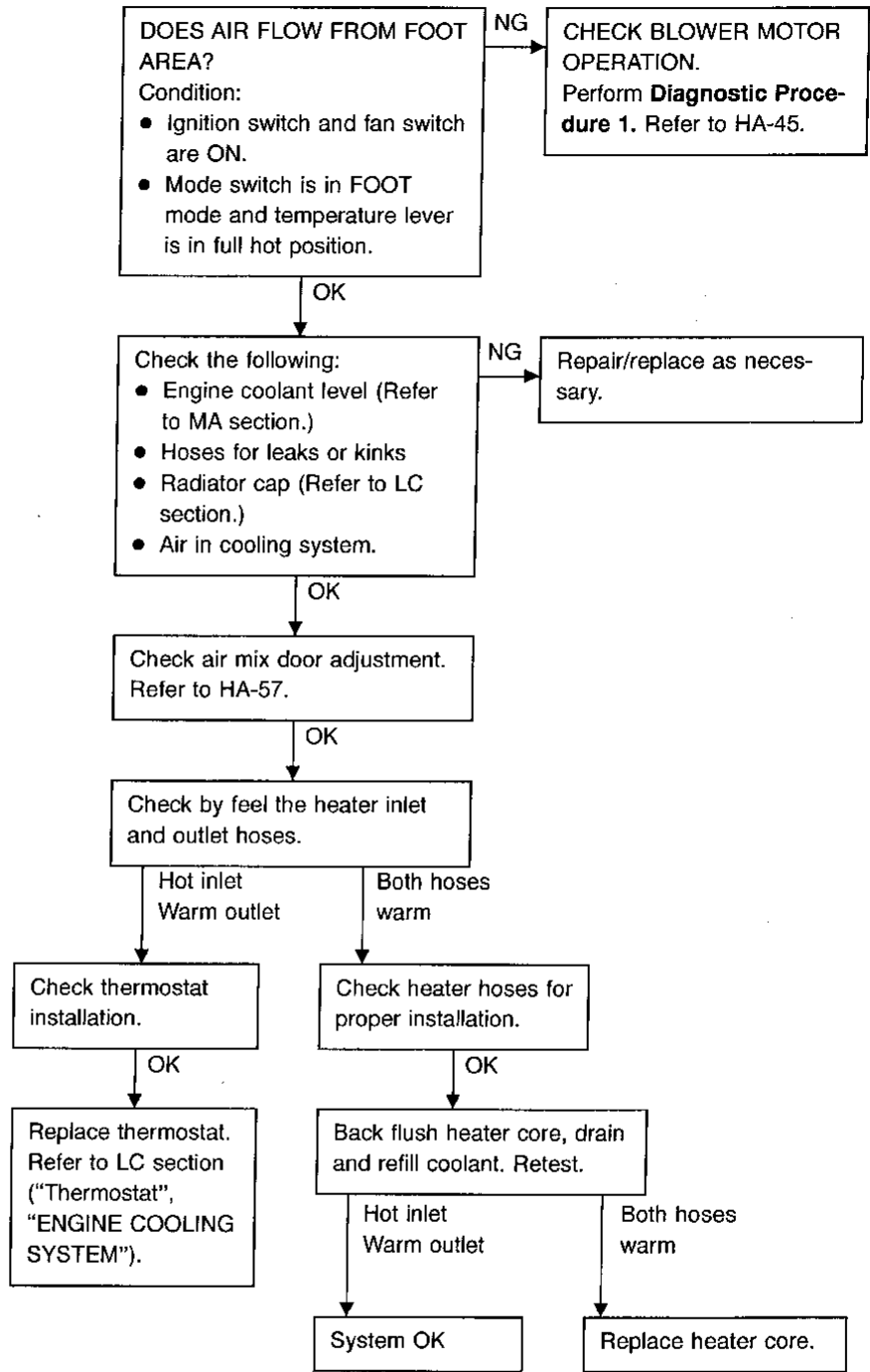


GI  
MA  
EM  
LC  
EC  
FE  
CL  
MT  
AT  
FA  
RA  
BR  
ST  
RS  
BT  
HA  
EL  
IDX

Preliminary Check (Cont'd)

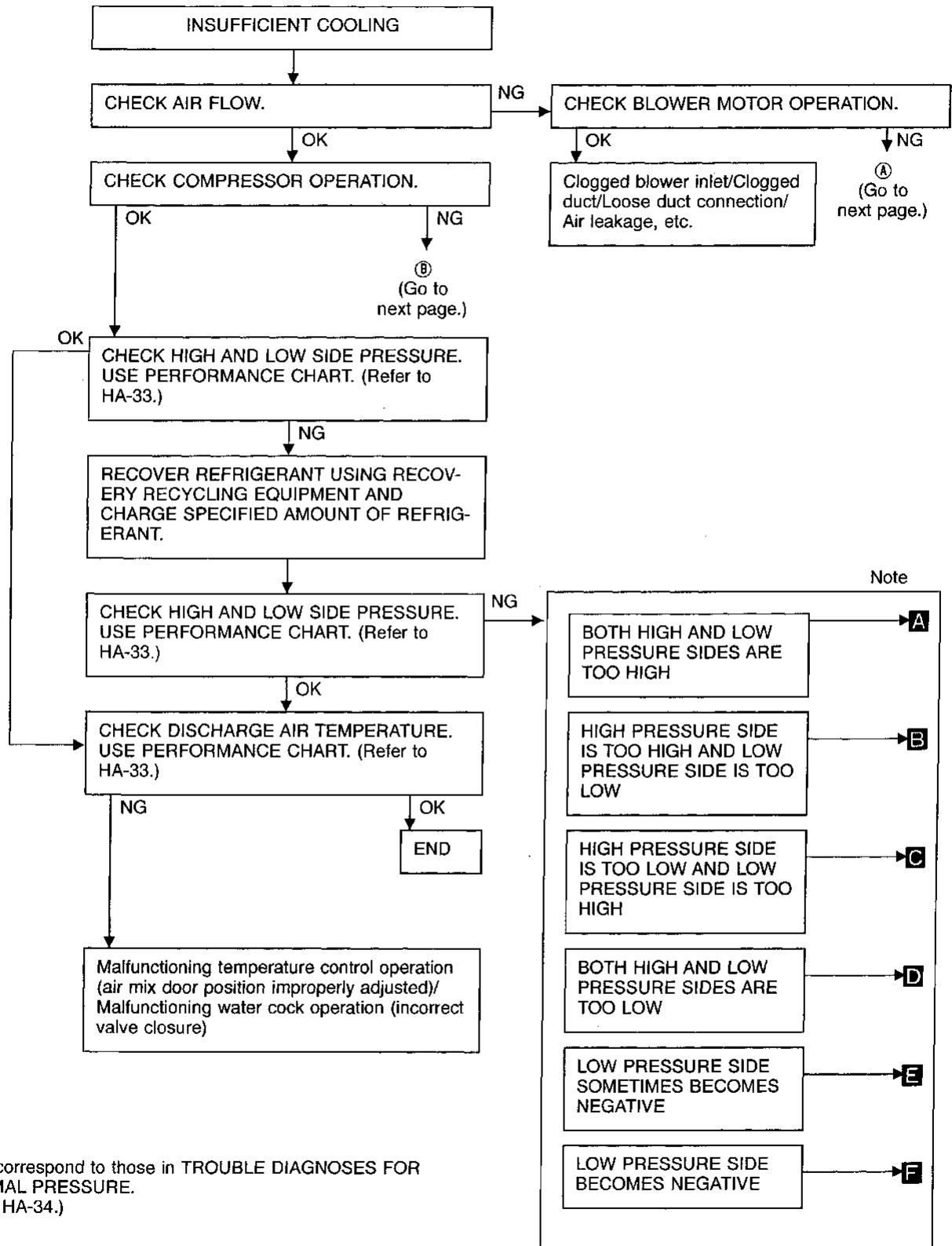
PRELIMINARY CHECK 6

Insufficient heating



Performance Test Diagnoses

INSUFFICIENT COOLING

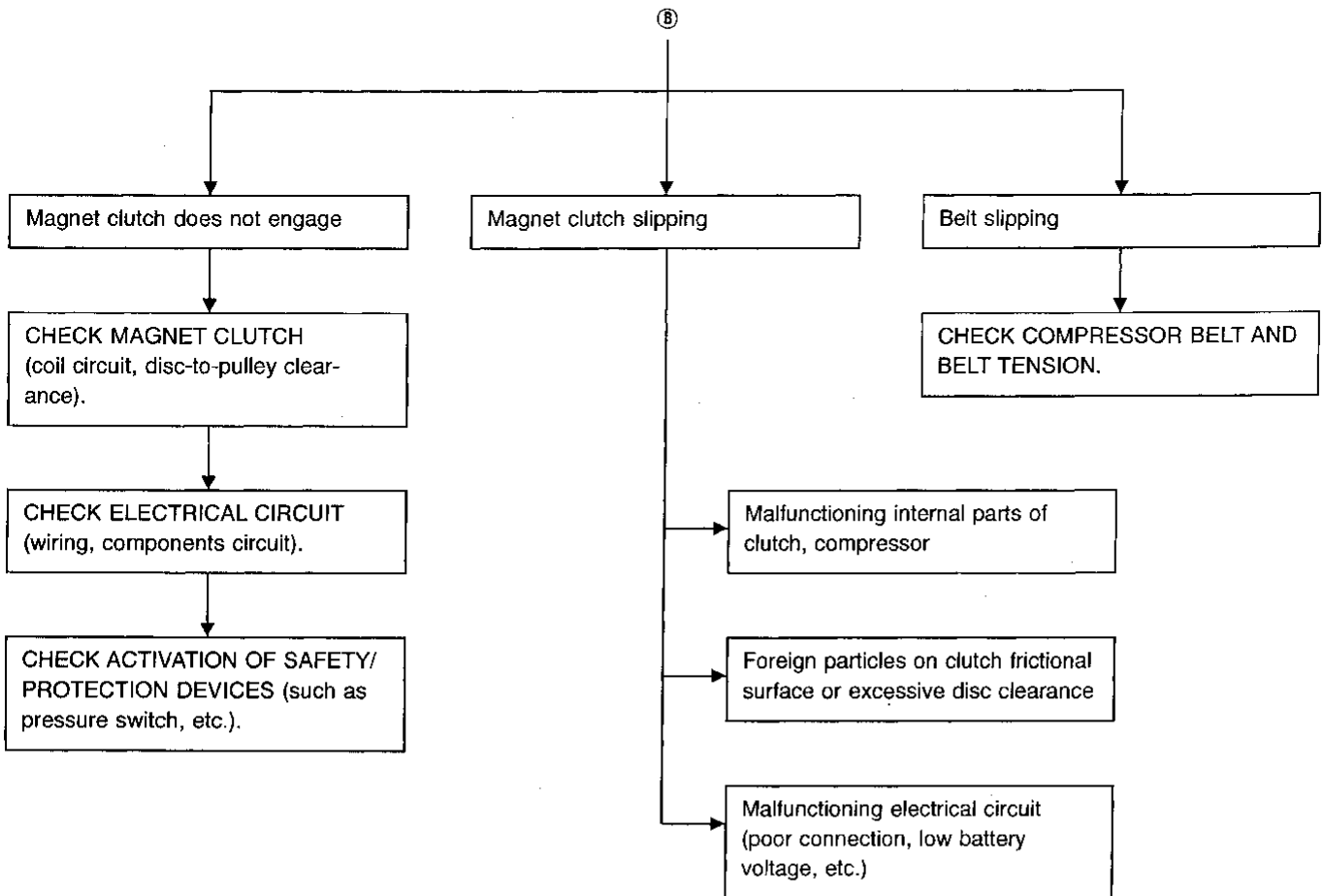
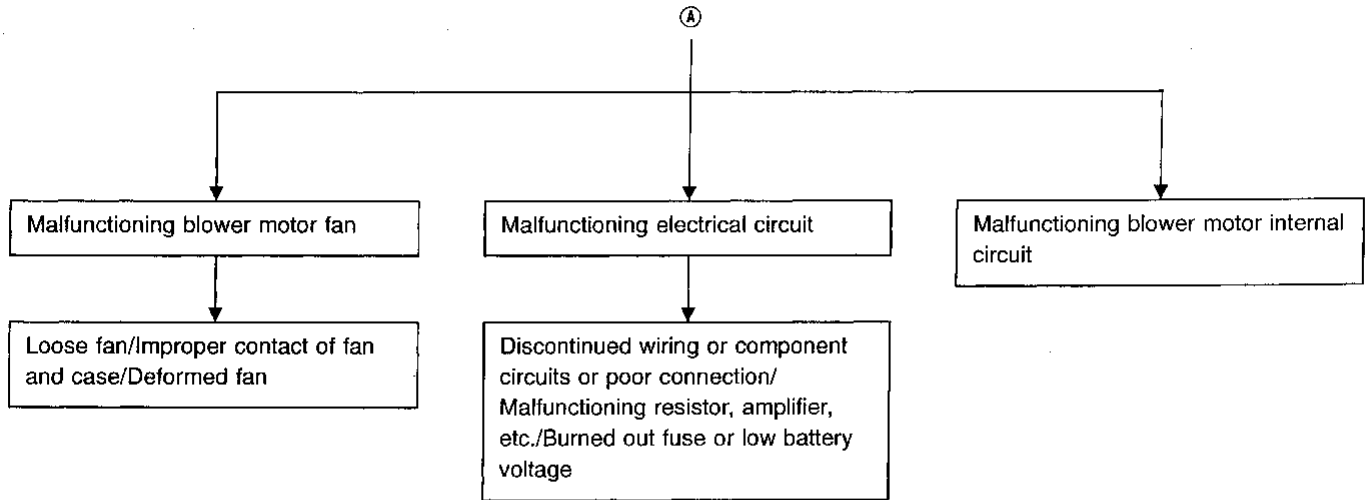


Note: **A-F** correspond to those in TROUBLE DIAGNOSES FOR ABNORMAL PRESSURE. (Refer to HA-34.)

GI  
MA  
EM  
LC  
EC  
FE  
CL  
MT  
AT  
FA  
RA  
BR  
ST  
RS  
BT  
HA  
EL  
IDX



**Performance Test Diagnoses (Cont'd)**



**Performance Chart**

**TEST CONDITION**

Testing must be performed as follows:

Vehicle location: Indoors or in the shade (in a well ventilated place)

Doors: Closed

Door window: Open

Hood: Open

TEMP. setting: Max. COLD

Discharge Air: Face Vent

RECIRC switch: (Recirculation) ON

FAN speed: 4-speed

A/C switch: ON

Engine speed: 1,500 rpm

Operate the air conditioning system for 10 minutes before taking measurements.

**TEST READING**

**Recirculating-to-discharge air temperature table**

Inside air (Recirculating air) at blower assembly inlet		Discharge air temperature at center vent-lator °C (°F)
Relative humidity %	Air temperature °C (°F)	
50 - 60	20 (68)	1.5 - 2.6 (35 - 37)
	25 (77)	3.7 - 5.7 (39 - 42)
	30 (86)	7.6 - 10.0 (46 - 50)
	35 (95)	12.4 - 15.2 (54 - 59)
60 - 70	20 (68)	2.6 - 3.6 (37 - 38)
	25 (77)	5.7 - 7.6 (42 - 46)
	30 (86)	10.0 - 12.4 (50 - 54)
	35 (95)	15.2 - 18.0 (59 - 64)

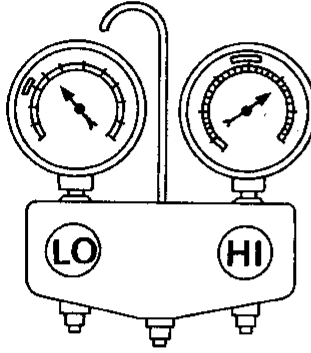
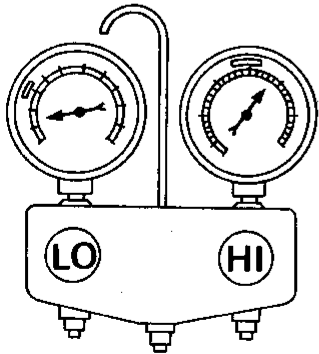
**Ambient air temperature-to-operating pressure table**

Ambient air		High-pressure (Discharge side) kPa (kg/cm <sup>2</sup> , psi)	Low-pressure (Suction side) kPa (kg/cm <sup>2</sup> , psi)
Relative humidity %	Air temperature °C (°F)		
50 - 70	20 (68)	785 - 1,040 (8.0 - 10.6, 114 - 151)	137 - 167 (1.4 - 1.7, 20 - 24)
	25 (77)	981 - 1,304 (10.0 - 13.3, 142 - 189)	137 - 167 (1.4 - 1.7, 20 - 24)
	30 (86)	1,167 - 1,550 (11.9 - 15.8, 169 - 225)	147 - 177 (1.5 - 1.8, 21 - 26)
	35 (95)	1,373 - 1,804 (14.0 - 18.4, 199 - 262)	157 - 186 (1.6 - 1.9, 23 - 27)
	40 (104)	1,550 - 2,059 (15.8 - 21.0, 225 - 299)	167 - 206 (1.7 - 2.1, 24 - 30)

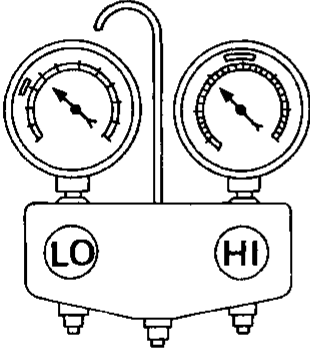
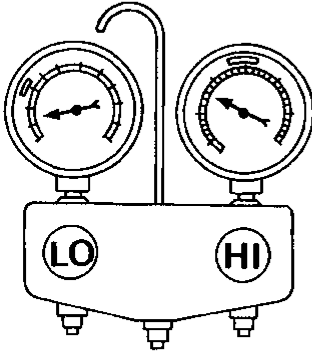
If pressure is not within range, refer to HA-34, "Trouble Diagnoses for Abnormal Pressure".

**Trouble Diagnoses for Abnormal Pressure**

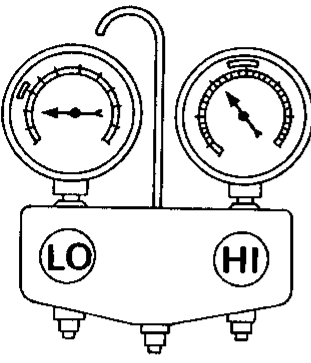
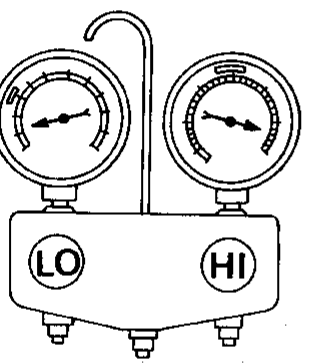
Whenever system's high or low side pressure is abnormal, diagnose using a manifold gauge. The marker above the gauge scale in the following tables indicates the standard (normal) pressure range. Since the standard (normal) pressure, however, differs from vehicle to vehicle, refer to HA-33 ("Ambient air temperature-to-operating pressure table").

Gauge indication	Refrigerant cycle	Probable cause	Corrective action
<p>Both high and low-pressure sides are too high.</p> <p><b>A</b></p>  <p>AC359A</p>	<ul style="list-style-type: none"> <li>Pressure is reduced soon after water is splashed on condenser.</li> </ul>	<p>Excessive refrigerant charge in refrigeration cycle</p>	<p>Reduce refrigerant until specified pressure is obtained.</p>
	<p>Air suction by cooling fan is insufficient.</p>	<p>Insufficient condenser cooling performance</p> <p style="text-align: center;">↓</p> <p>① Condenser fins are clogged. ② Improper fan rotation of cooling fan</p>	<ul style="list-style-type: none"> <li>Clean condenser.</li> <li>Check and repair cooling fan as necessary.</li> </ul>
	<ul style="list-style-type: none"> <li>Low-pressure pipe is not cold.</li> <li>When compressor is stopped high-pressure value quickly drops by approximately 196 kPa (2 kg/cm<sup>2</sup>, 28 psi). It then decreases gradually thereafter.</li> </ul>	<p>Poor heat exchange in condenser (After compressor operation stops, high pressure decreases too slowly.)</p> <p style="text-align: center;">↓</p> <p>Air in refrigeration cycle</p>	<p>Evacuate repeatedly and recharge system.</p>
	<p>Engine tends to overheat.</p>	<p>Engine cooling systems malfunction.</p>	<p>Check and repair each engine cooling system.</p>
	<ul style="list-style-type: none"> <li>An area of the low-pressure pipe is colder than areas near the evaporator outlet.</li> <li>Plates are sometimes covered with frost.</li> </ul>	<ul style="list-style-type: none"> <li>Excessive liquid refrigerant on low-pressure side</li> <li>Excessive refrigerant discharge flow</li> <li>Expansion valve is open a little compared with the specification.</li> </ul> <p style="text-align: center;">↓</p> <p>① Improper thermal valve installation ② Improper expansion valve adjustment</p>	<p>Replace expansion valve.</p>
<p>High-pressure side is too high and low-pressure side is too low.</p> <p><b>B</b></p>  <p>AC360A</p>	<p>Upper side of condenser and high-pressure side are hot, however, liquid tank is not so hot.</p>	<p>High-pressure tube or parts located between compressor and condenser are clogged or crushed.</p>	<ul style="list-style-type: none"> <li>Check and repair or replace malfunctioning parts.</li> <li>Check lubricant for contamination.</li> </ul>

Trouble Diagnoses for Abnormal Pressure (Cont'd)

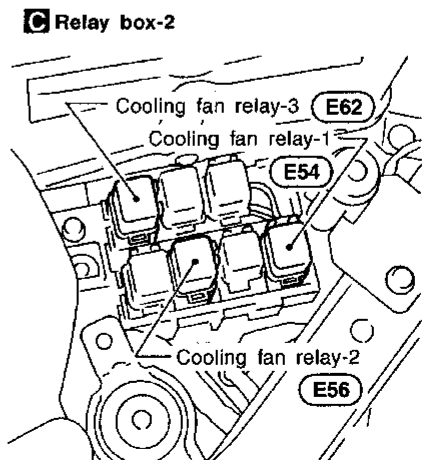
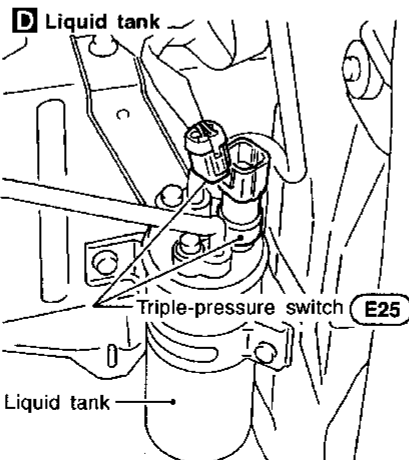
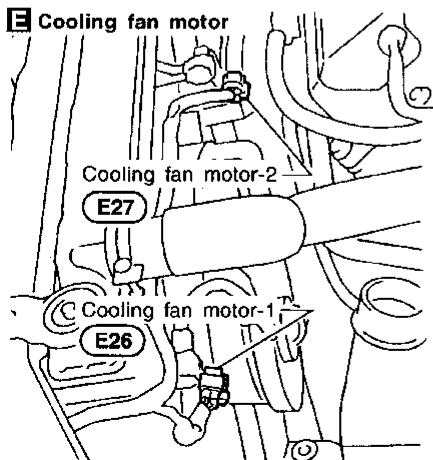
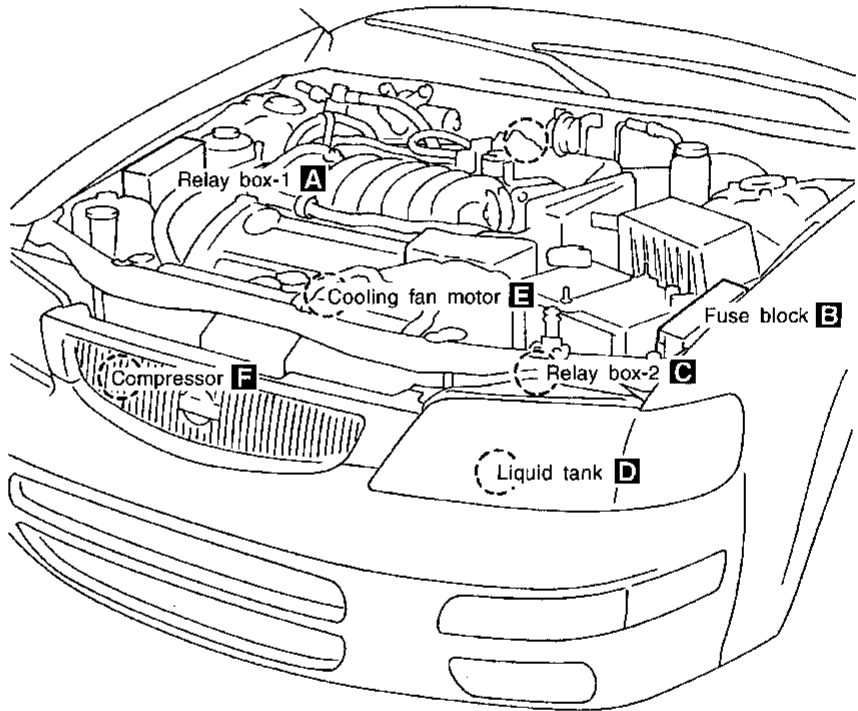
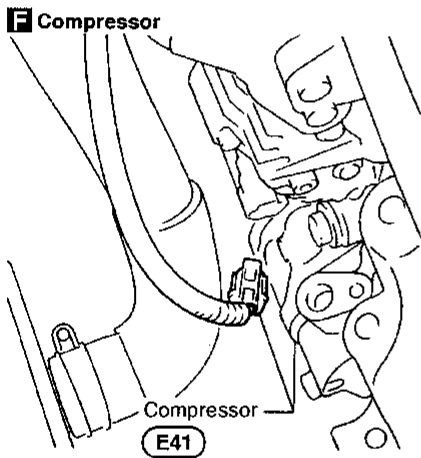
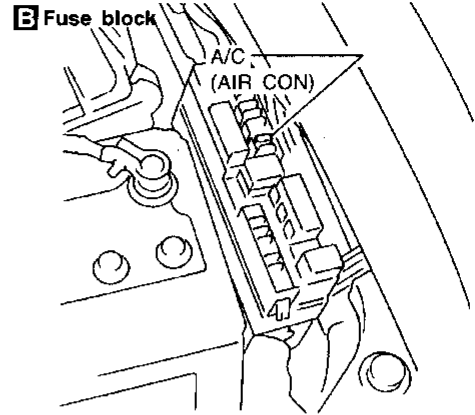
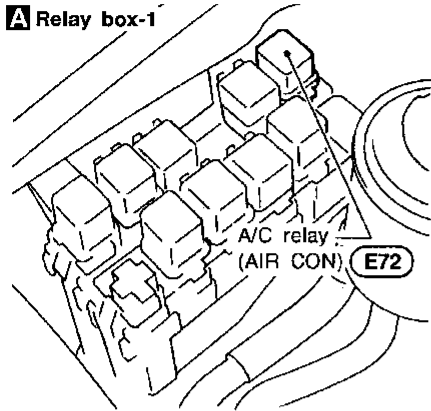
Gauge indication	Refrigerant cycle	Probable cause	Corrective action	
<p>High-pressure side is too low and low-pressure side is too high.</p> <p><b>C</b></p>  <p>AC356A</p>	<p>High and low-pressure sides become equal soon after compressor operation stops.</p>	<p>Compressor pressure operation is improper.</p> <p>↓</p> <p>Damaged inside compressor packings</p>	<p>Replace compressor.</p>	<p>GI</p> <p>MA</p> <p>EM</p>
	<p>No temperature difference between high and low-pressure sides</p>	<p>Compressor discharge capacity does not change. (Compressor stroke is set at maximum.)</p>	<p>Replace compressor.</p>	<p>LC</p> <p>EC</p>
<p>Both high- and low-pressure sides are too low.</p> <p><b>D</b></p>  <p>AC353A</p>	<ul style="list-style-type: none"> <li>• There is a big temperature difference between liquid tank outlet and inlet. Outlet temperature is extremely low.</li> <li>• Liquid tank inlet and expansion valve are frosted.</li> </ul>	<p>Liquid tank inside is clogged a little.</p>	<ul style="list-style-type: none"> <li>• Replace liquid tank.</li> <li>• Check lubricant for contamination.</li> </ul>	<p>FE</p> <p>CL</p> <p>MT</p>
	<ul style="list-style-type: none"> <li>• Temperature of expansion valve inlet is extremely low as compared with areas near liquid tank.</li> <li>• Expansion valve inlet may be frosted.</li> <li>• Temperature difference occurs somewhere in high-pressure side</li> </ul>	<p>High-pressure pipe located between liquid tank and expansion valve is clogged.</p>	<ul style="list-style-type: none"> <li>• Check and repair malfunctioning parts.</li> <li>• Check lubricant for contamination.</li> </ul>	<p>AT</p> <p>FA</p>
	<ul style="list-style-type: none"> <li>• Expansion valve and liquid tank are warm or only cool to the touch.</li> </ul>	<p>Low refrigerant charge.</p> <p>↓</p> <p>Leaking fittings or components.</p>	<ul style="list-style-type: none"> <li>• Check for refrigerant leaks. Refer to "Checking Refrigerant Leaks", HA-126.</li> </ul>	<p>RA</p> <p>BR</p>
	<p>There is a big temperature difference between expansion valve inlet and outlet while the valve itself is frosted.</p>	<p>Expansion valve closes a little compared with the specification.</p> <p>↓</p> <p>① Improper expansion valve adjustment</p> <p>② Malfunctioning thermal valve</p> <p>③ Outlet and inlet may be clogged.</p>	<ul style="list-style-type: none"> <li>• Remove foreign particles by using compressed air.</li> <li>• Check lubricant for contamination.</li> </ul>	<p>ST</p> <p>RS</p> <p>BT</p>
	<p>An area of the low-pressure pipe is colder than areas near the evaporator outlet.</p>	<p>Low-pressure pipe is clogged or crushed.</p>	<ul style="list-style-type: none"> <li>• Check and repair malfunctioning parts.</li> <li>• Check lubricant for contamination.</li> </ul>	<p>HA</p>
	<p>Air flow volume is not enough or is too low.</p>	<p>Evaporator is frozen.</p> <p>↓</p> <p>Compressor discharge capacity does not change. (Compressor stroke is set at maximum length.)</p>	<p>Replace compressor.</p>	<p>EL</p> <p>IDX</p>

Trouble Diagnoses for Abnormal Pressure (Cont'd)

Gauge indication	Refrigerant cycle	Probable cause	Corrective action
<p>Low-pressure side sometimes becomes negative.</p> <p><b>E</b></p>  <p>AC354A</p>	<ul style="list-style-type: none"> <li>• Air conditioning system does not function and does not cyclically cool the compartment air.</li> <li>• The system constantly functions for a certain period of time after compressor is stopped and restarted.</li> </ul>	<p>Refrigerant does not discharge cyclically.</p> <p style="text-align: center;">↓</p> <p>Moisture is frozen at expansion valve outlet and inlet.</p> <p style="text-align: center;">↓</p> <p>Water is mixed with refrigerant.</p>	<ul style="list-style-type: none"> <li>• Drain water from refrigerant or replace refrigerant.</li> <li>• Replace liquid tank.</li> </ul>
<p>Low-pressure side becomes negative.</p> <p><b>F</b></p>  <p>AC362A</p>	<p>Liquid tank or front/rear side of expansion valve's pipe is frosted or dewed.</p>	<p>High-pressure side is closed and refrigerant does not flow.</p> <p style="text-align: center;">↓</p> <p>Expansion valve or liquid tank is frosted.</p>	<p>Leave the system at rest until no frost is present. Start it again to check whether or not the problem is caused by water or foreign particles.</p> <ul style="list-style-type: none"> <li>• If water is the cause, initially cooling is okay. Then the water freezes causing a blockage. Drain water from refrigerant or replace refrigerant.</li> <li>• If due to foreign particles, remove expansion valve and remove particles with dry and compressed air (not shop air).</li> <li>• If either of the above methods cannot correct the problem, replace expansion valve.</li> <li>• Replace liquid tank.</li> <li>• Check lubricant for contamination.</li> </ul>

Harness Layout

Engine compartment

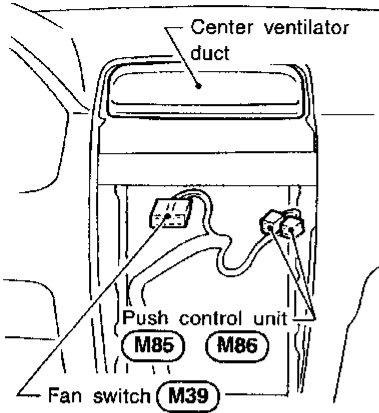


GI  
MA  
EM  
LC  
EC  
FE  
CL  
MT  
AT  
FA  
RA  
BR  
ST  
RS  
BT  
HA  
EL  
IDX

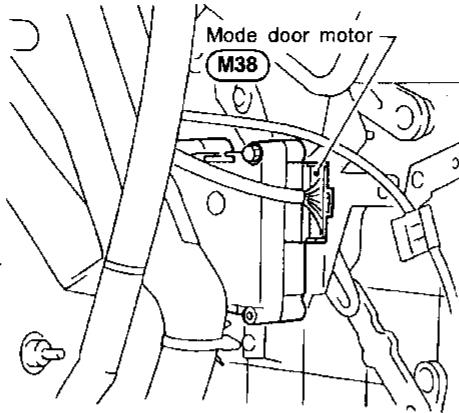
Harness Layout (Cont'd)

Passenger compartment

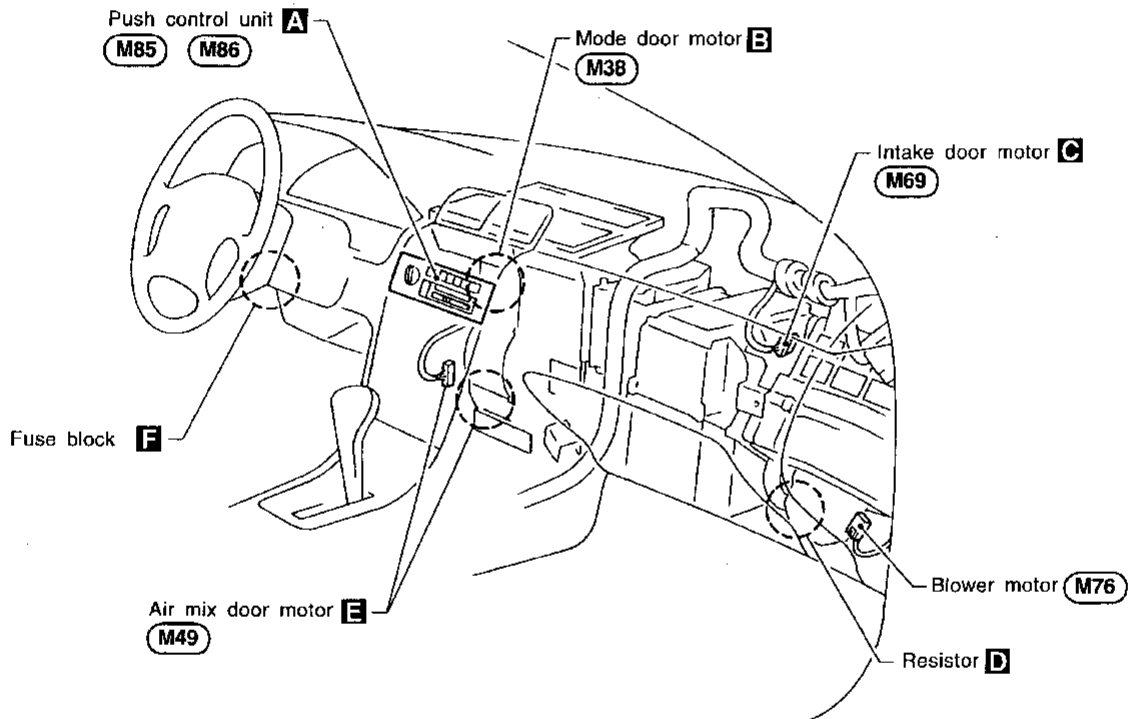
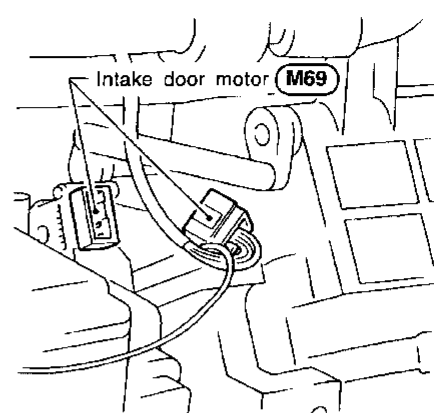
**A** Push control unit



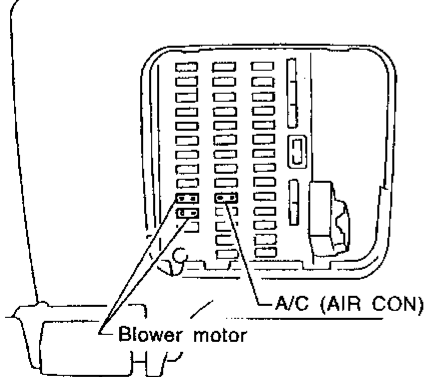
**B** Mode door motor



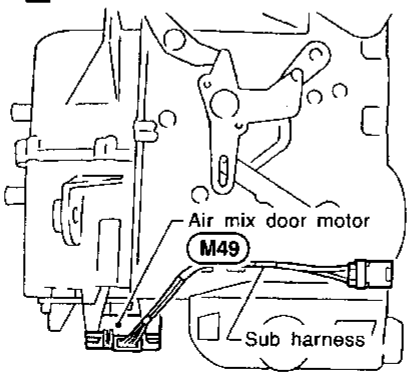
**C** Intake door motor



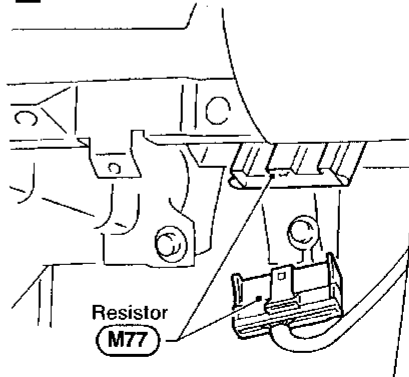
**F** Fuse block



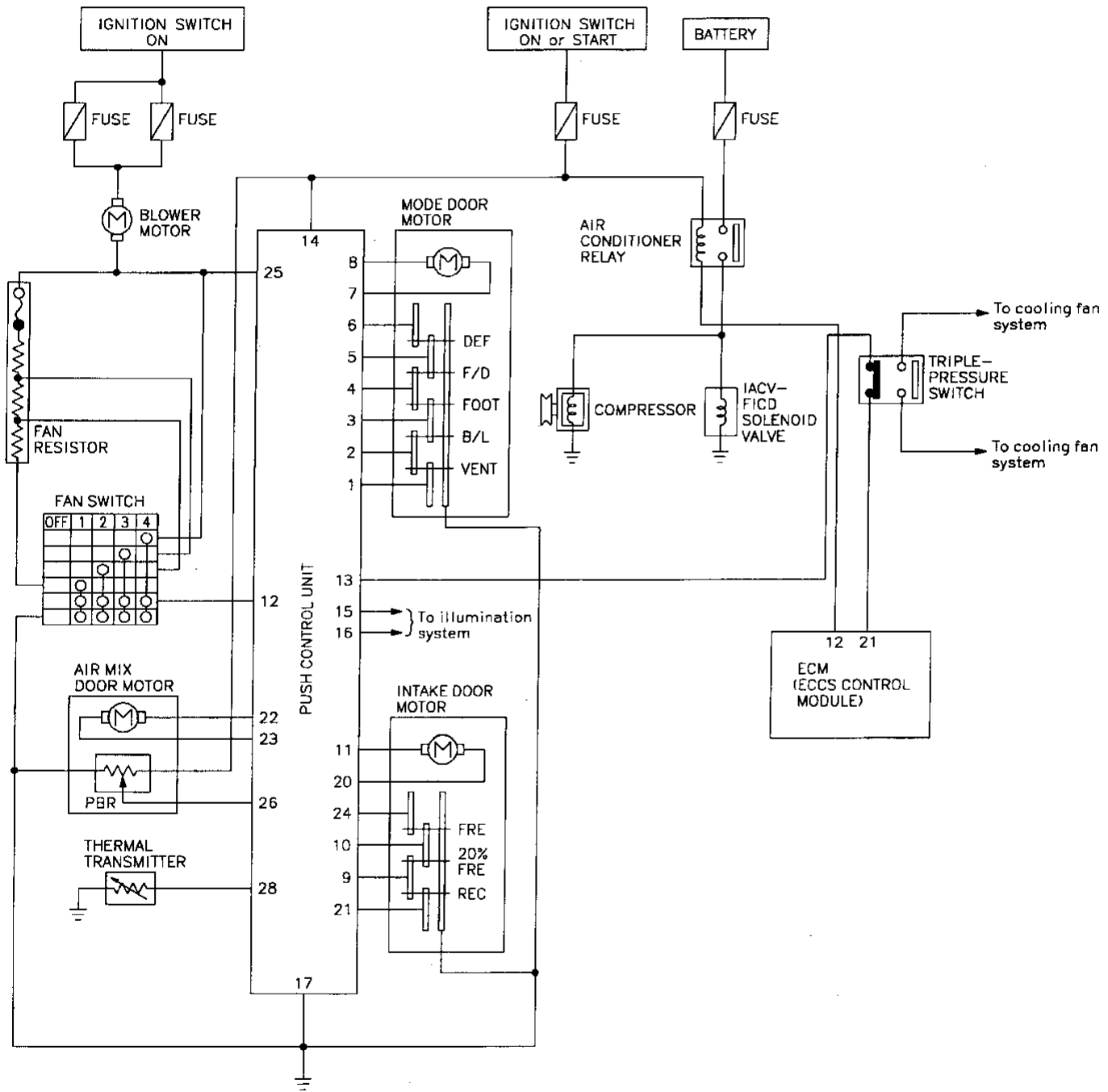
**E** Air mix door motor



**D** Resistor



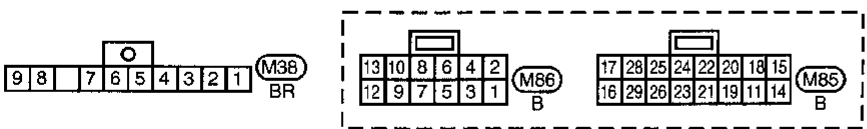
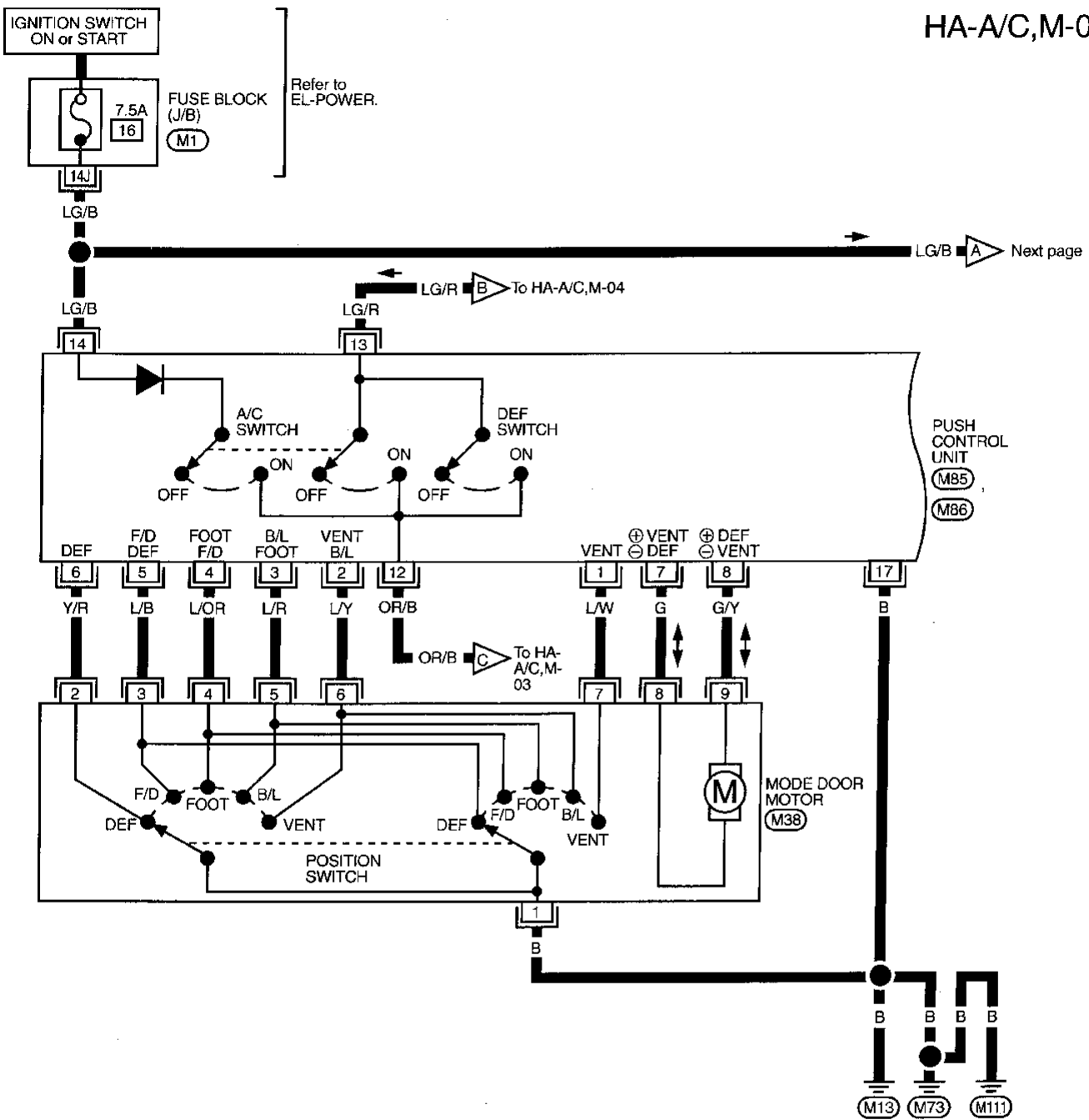
Circuit Diagram





Wiring Diagram — A/C, M —

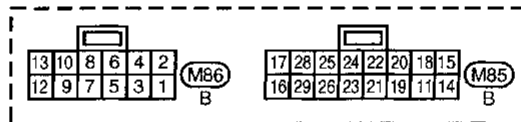
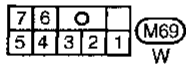
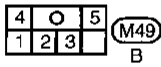
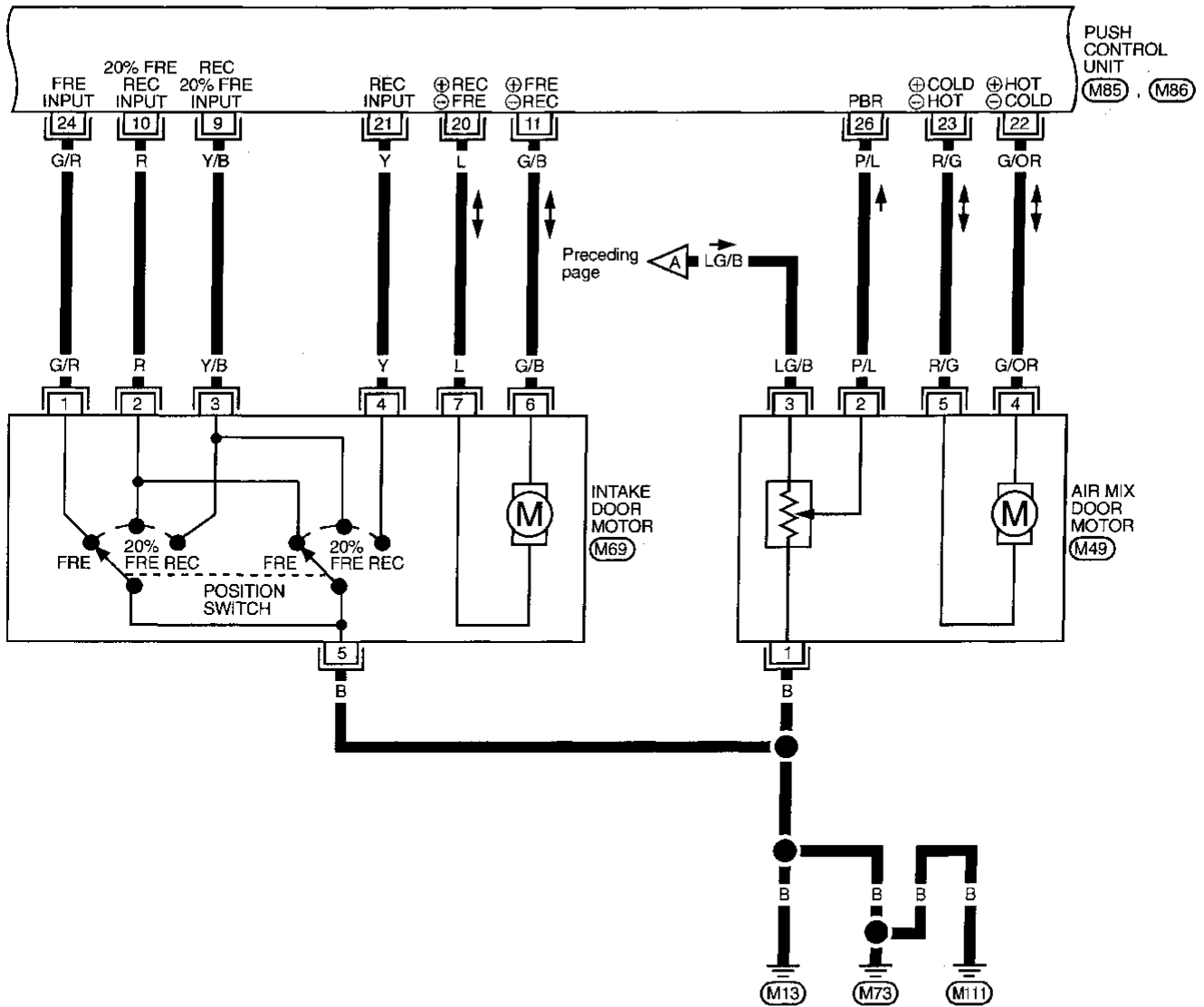
HA-A/C,M-01



Refer to last page (Foldout page).  
M1

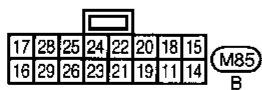
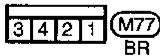
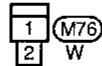
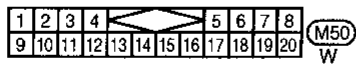
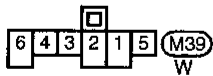
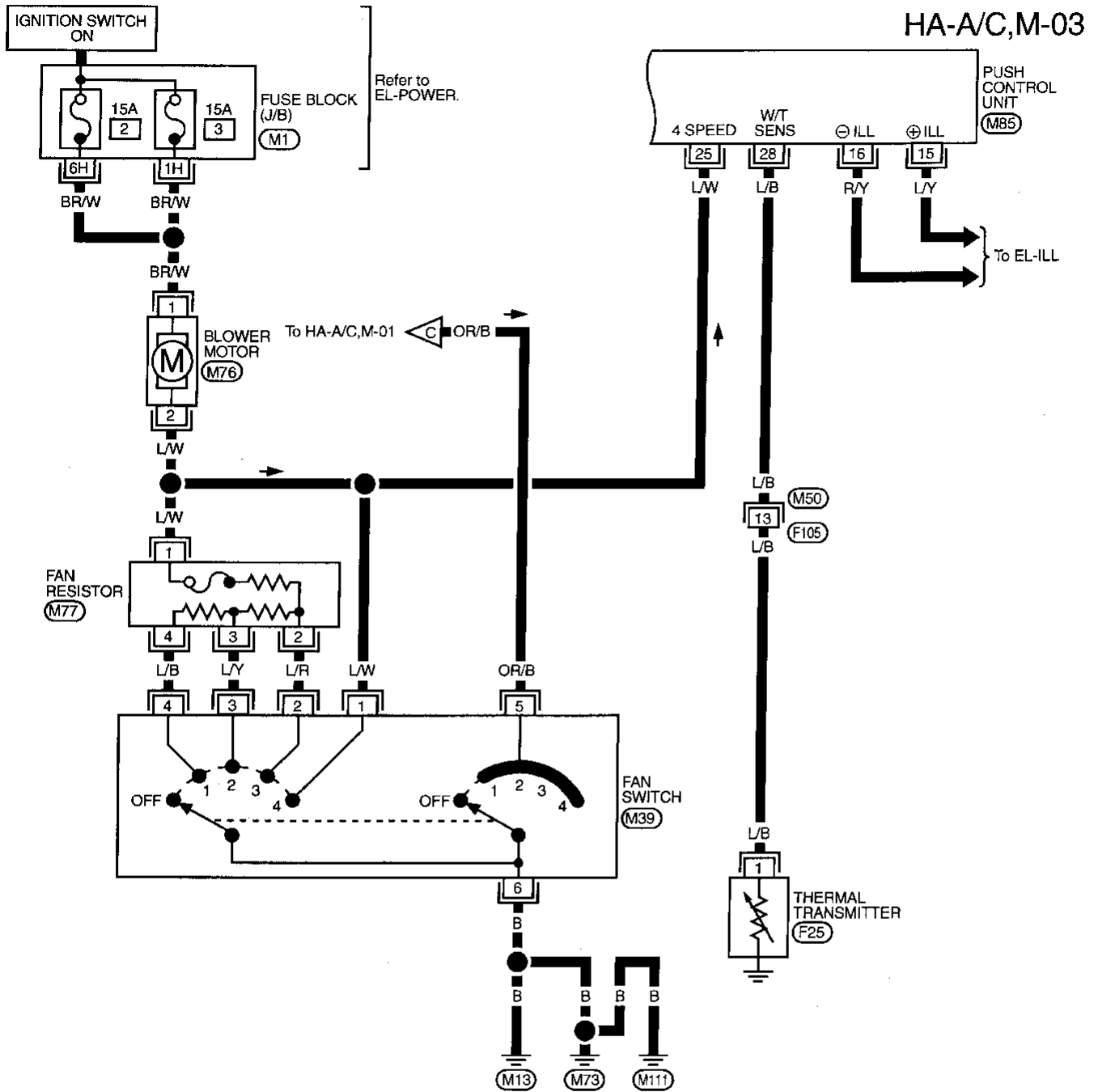
Wiring Diagram — A/C, M — (Cont'd)

HA-A/C,M-02



GI  
MA  
EM  
LC  
EC  
FE  
CL  
MT  
AT  
FA  
RA  
BR  
ST  
RS  
BT  
HA  
EL  
IDX

Wiring Diagram — A/C, M — (Cont'd)

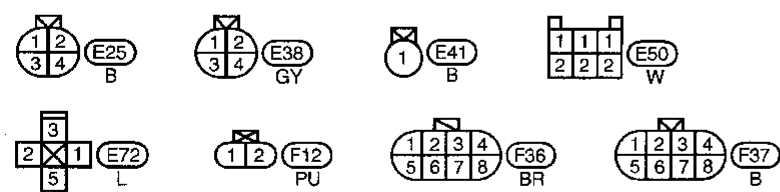
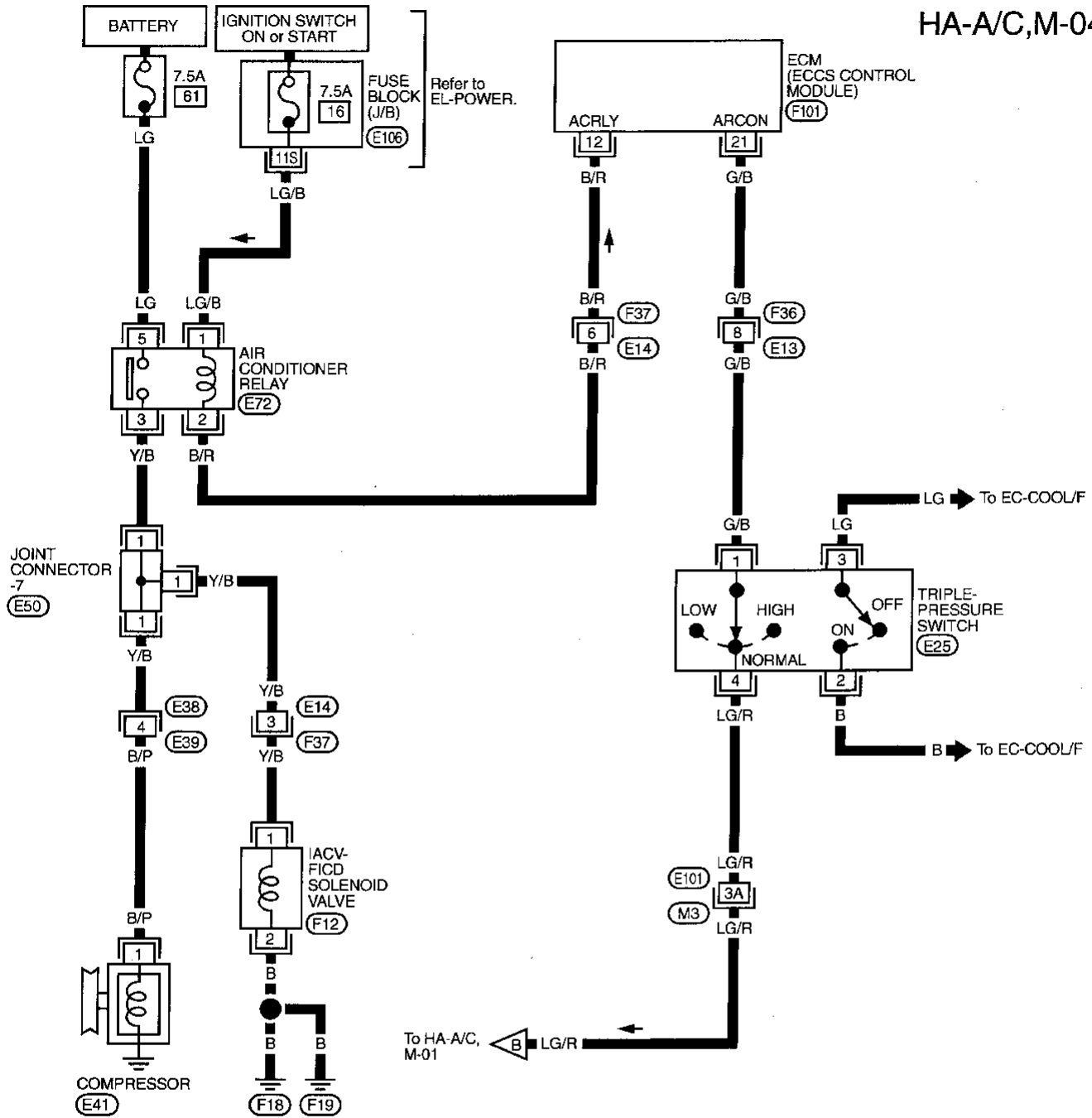


Refer to last page (Foldout page).

(M1)

Wiring Diagram — A/C, M — (Cont'd)

HA-A/C,M-04



Refer to last page (Foldout page).  
 M3, E101  
 E106  
 F101

GI  
 MA  
 EM  
 LC  
 EC  
 FE  
 CL  
 MT  
 AT  
 FA  
 RA  
 BR  
 ST  
 RS  
 BT  
**HA**  
 EL  
 IDX

**Main Power Supply and Ground Circuit Check**

**POWER SUPPLY CIRCUIT CHECK**

Check power supply circuit for air conditioning system.

Refer to EL section (“Wiring Diagram”, “POWER SUPPLY ROUTING”).

**PUSH CONTROL UNIT CHECK**

Check power supply circuit for push control unit with ignition switch at ON.

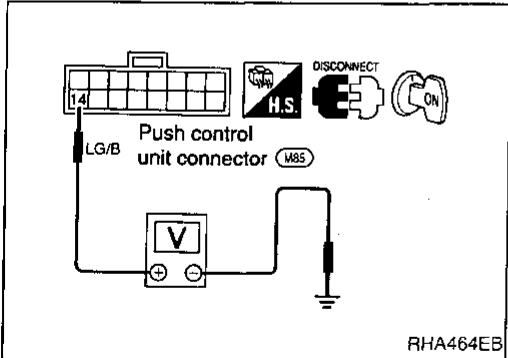
1. Disconnect push control unit harness connector.
2. Connect voltmeter from harness side.
3. Measure voltage across terminal ⑭ and body ground.

Voltmeter terminal		Voltage
⊕	⊖	
⑭	Body ground	Approx. 12V

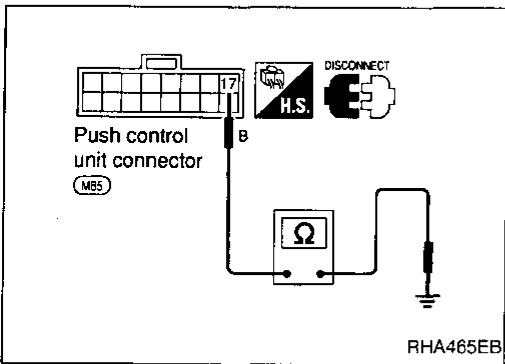
Check body ground circuit for push control unit.

1. Disconnect push control unit harness connector.
2. Connect ohmmeter from harness side.
3. Check for continuity between terminal ⑰ and body ground.

Ohmmeter terminal		Continuity
⊕	⊖	
⑰	Body ground	Yes



RHA464EB



RHA465EB

	INCIDENT	Flow chart No.
1	Fan fails to rotate.	1
2	Fan does not rotate at 1-speed.	2
3	Fan does not rotate at 2-speed.	3
4	Fan does not rotate at 3-speed.	4
5	Fan does not rotate at 4-speed.	5

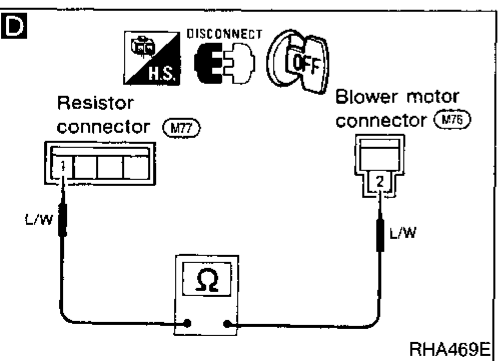
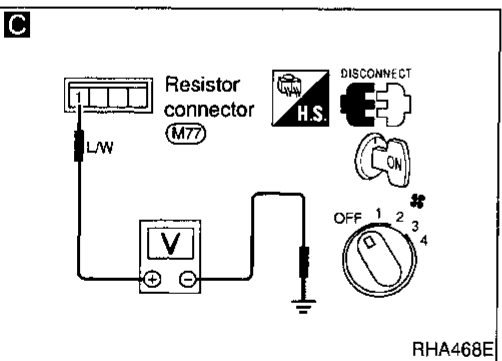
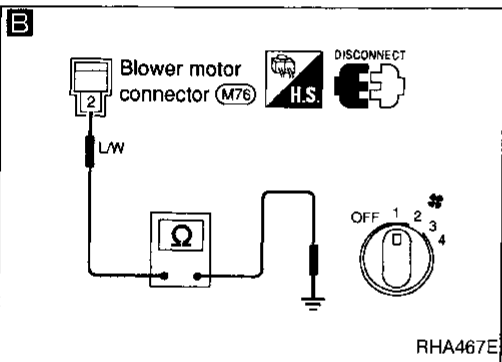
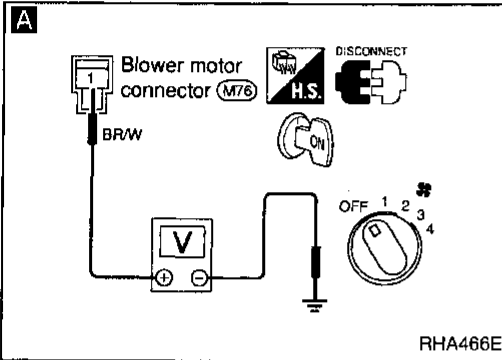
**Diagnostic Procedure 1**

**SYMPTOM: Blower motor does not rotate.**

- Perform **PRELIMINARY CHECK 2** before referring to the following flow chart.

Check if blower motor rotates properly at each fan speed.  
Conduct check as per flow chart at left.

2 3 4 5  
(Go to next page.)



**A** CHECK POWER SUPPLY FOR BLOWER MOTOR.  
Disconnect blower motor harness connector.  
Do approx. 12 volts exist between blower motor harness terminal ① and body ground?

**No** → Check power supply circuit and 15A fuses (No. 2 and 3, located in the fuse block). Refer to EL section ("Wiring Diagram", "POWER SUPPLY ROUTING").

**Yes** → **B** Check circuit continuity between blower motor harness terminal ② and body ground.

**NG** → Reconnect blower motor harness connector.

**OK** → CHECK BLOWER MOTOR. (Refer to HA-55.)

**NG** → Replace blower motor.

**C** CHECK BLOWER MOTOR CIRCUIT BETWEEN BLOWER MOTOR AND RESISTOR.  
Do approx. 12 volts exist between resistor harness terminal ① and body ground?

**No** → Disconnect blower motor and resistor harness connectors.

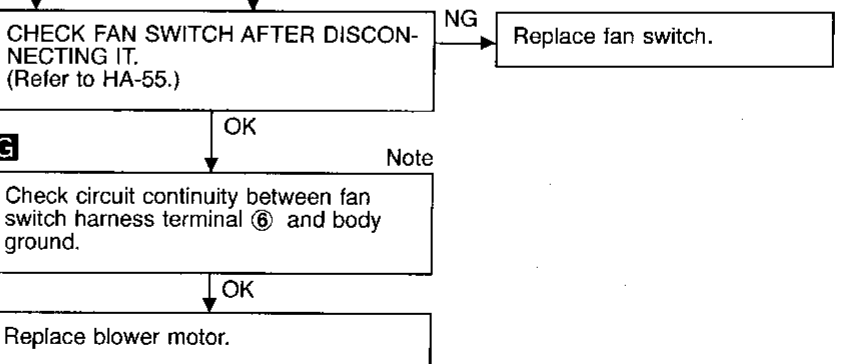
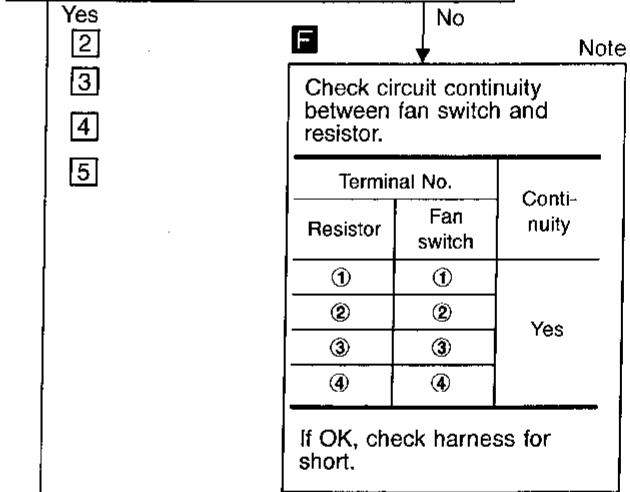
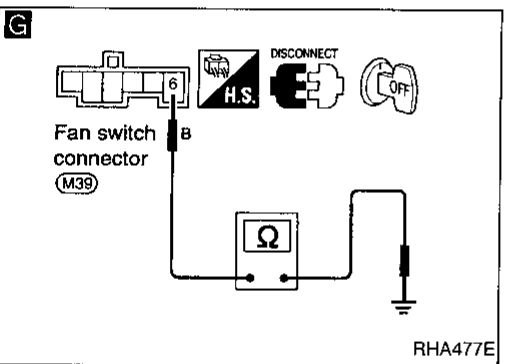
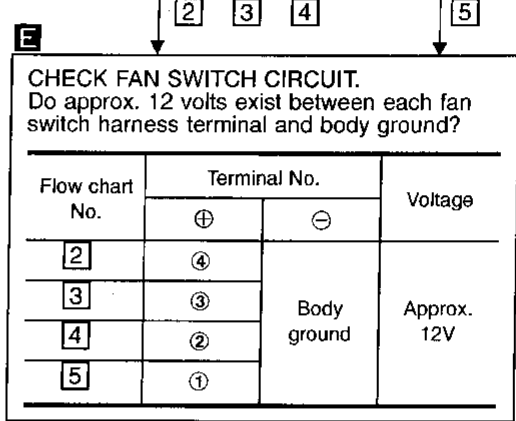
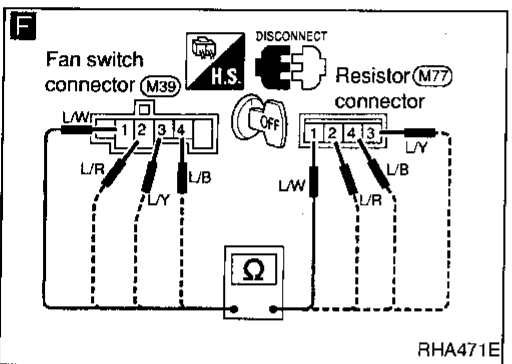
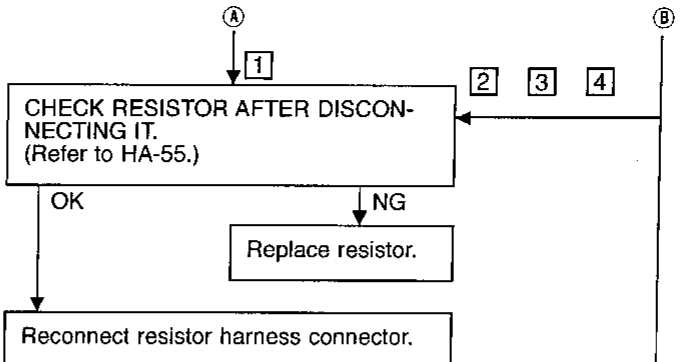
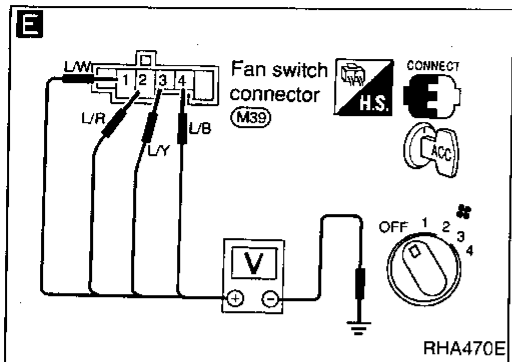
**Note** → **D** Check circuit continuity between blower motor harness terminal ② and resistor harness terminal ①.  
**Continuity should exist.**  
If OK, check harness for short.

(Go to next page.)

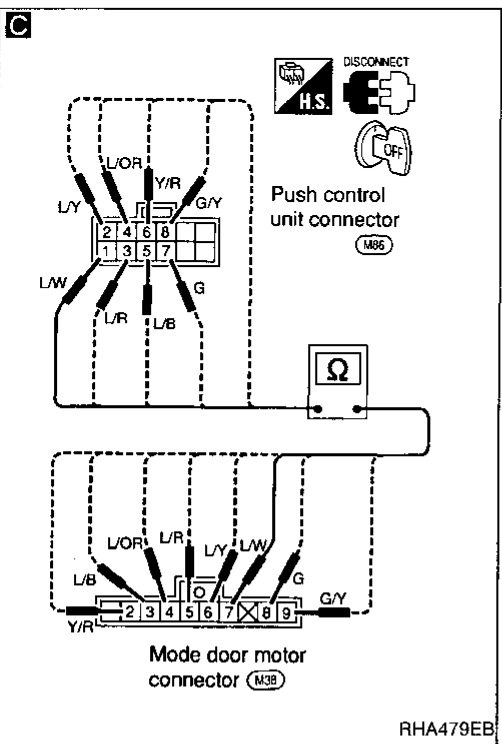
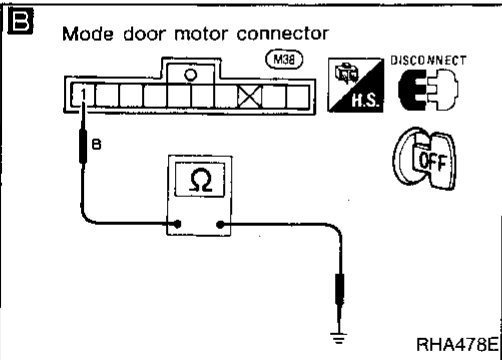
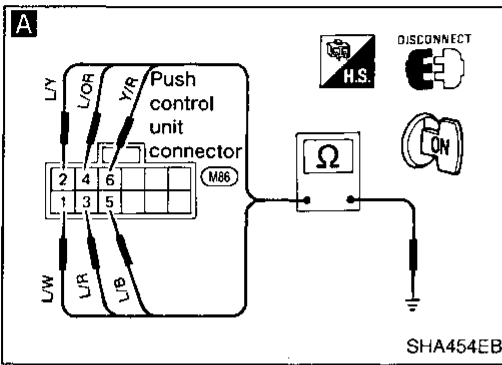
**Note:**  
If the result is NG or No after checking circuit continuity, repair harness or connector.

GI  
MA  
EM  
LC  
EC  
FE  
CL  
MT  
AT  
FA  
RA  
BR  
ST  
RS  
BT  
HA  
EL  
IDX

Diagnostic Procedure 1 (Cont'd)



Note: if the result is NG or No after checking circuit continuity, repair harness or connector.



**Diagnostic Procedure 2**

**SYMPTOM: Air outlet does not change.**

- Perform PRELIMINARY CHECK 4, Main Power Supply and Ground Circuit Check before referring to the flow chart below.

- A**
- CHECK MODE DOOR MOTOR POSITION SWITCH.**
1. Turn VENT switch ON with ignition switch at ON position.
  2. Turn ignition switch OFF.  
Disconnect push control unit connector.
  3. Turn ignition switch ON.  
Check continuity between terminal ① or ② of push control unit harness connector and body ground.
  4. Using above procedures, check for continuity in any other mode, as indicated in chart.

Mode switch	Terminal No.		Continuity
	⊕	⊖	
VENT	① or ②	Body ground	Yes
B/L	② or ③		
FOOT	③ or ④		
F/D	④ or ⑤		
DEF	⑤ or ⑥		

OK

**CHECK SIDE LINK.**  
Refer to HA-56.

NG

Disconnect mode door motor harness connector.

**B** Note

**CHECK BODY GROUND CIRCUIT FOR MODE DOOR MOTOR.**  
Does continuity exist between mode door motor harness terminal ① and body ground?

Yes

**C** Note

Check circuit continuity between each terminal on push control unit and on mode door motor.

Terminal No.		Continuity
⊕	⊖	
Push control unit	Mode door motor	Yes
①	⑦	
②	⑥	
③	⑤	
④	④	
⑤	③	
⑥	②	
⑦	⑧	
⑧	⑨	

If OK, check harness for short.

OK

**A**

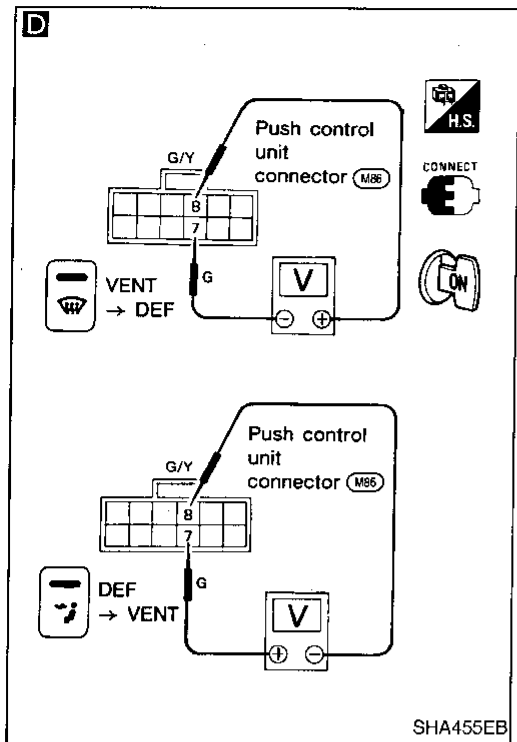
(Go to next page.)

**Note:**  
If the result is NG or No after checking circuit continuity, repair harness or connector.

GI  
MA  
EM  
LC  
EC  
FE  
CL  
MT  
AT  
FA  
RA  
BR  
ST  
RS  
BT  
HA  
EL  
IDX



Diagnostic Procedure 2 (Cont'd)



**A**

Reconnect push control unit and mode door motor harness connectors.

**D**

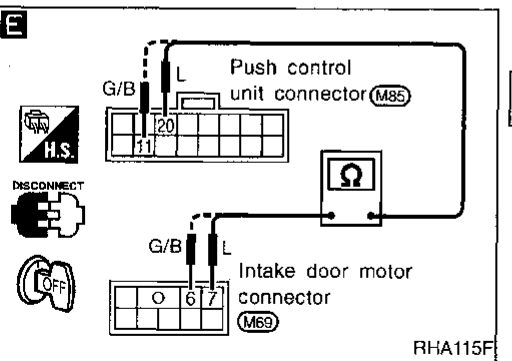
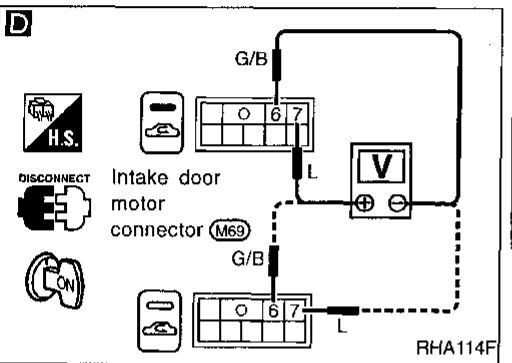
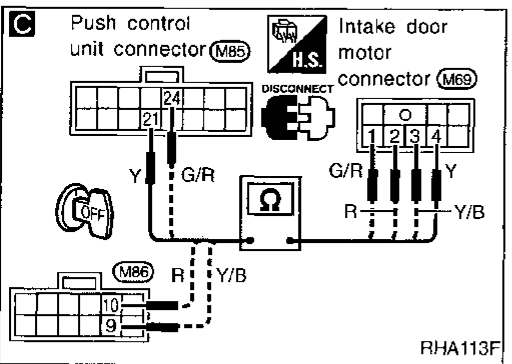
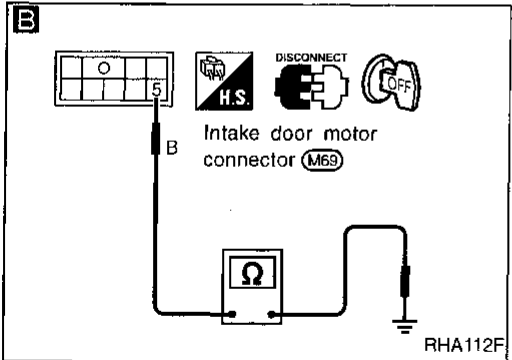
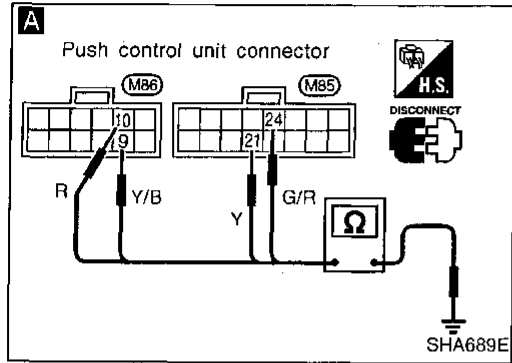
CHECK FOR OUTPUT OF PUSH CONTROL UNIT.  
Change the mode from VENT to DEF, and from DEF to VENT. Do approx. 12 volts exist between push control unit harness terminals ⑦ and ⑧ in both cases?

No → Replace push control unit.

Terminal No.		Mode door operation	Voltage
⑦	⑧		
Each side		Stop	0V
⊖	⊕	VENT → DEF	12V
⊕	⊖	DEF → VENT	

Yes

Replace mode door motor.



**Diagnostic Procedure 3**

**SYMPTOM:** Intake door does not change in VENT, B/L or FOOT mode.

- Perform **PRELIMINARY CHECK 1, Main Power Supply and Ground Circuit Check** before referring to the following flow chart below.

**A**

**CHECK INTAKE DOOR MOTOR POSITION SWITCH.**

1. Turn REC switch ON with ignition switch at ON position.
2. Turn ignition switch OFF. Disconnect push control unit connector.
3. Check if continuity exists between terminal ② of push control unit harness connector and body ground.
4. Using above procedures, check for REC switch OFF position as indicated in chart.

REC switch	Terminal No.		Continuity
	⊕	⊖	
ON	② or ⑨	Body ground	Yes
OFF	② or ⑩	Body ground	Yes

NG → Disconnect intake door motor harness connector.

**B** Note

**CHECK BODY GROUND CIRCUIT FOR INTAKE DOOR MOTOR.**  
Does continuity exist between intake door motor harness terminal ⑤ and body ground?

Yes

**C** Note

Check circuit continuity between each terminal on push control unit and on intake door motor.

Terminal No.		Continuity
⊕	⊖	
Push control unit ⑨	Intake door motor ③	Yes
⑩	②	
②	④	
②	①	
②	①	

If OK, check harness for short.

OK

**CHECK INTAKE DOOR LINK.**  
Refer to HA-57.

OK

Reconnect push control unit and intake door motor harness connector.

**E** Note

Check continuity between push control unit harness terminal ⑩ and intake door motor harness terminal ⑦ (⑥). **Continuity should exist.**  
If OK, check harness for short.

NG → **D**

**D** Note

**CHECK FOR OUTPUT OF PUSH CONTROL UNIT.**  
Check voltage between intake door motor harness terminals ⑥ and ⑦, for conditions below.

REC switch	Terminal No.		Voltage
	⊕	⊖	
ON	⑦	⑥	12V
OFF	⑥	⑦	

If OK, check harness for short.

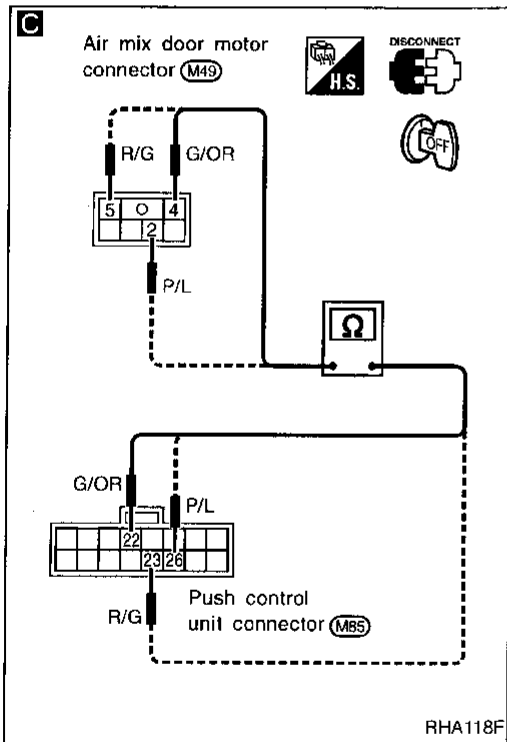
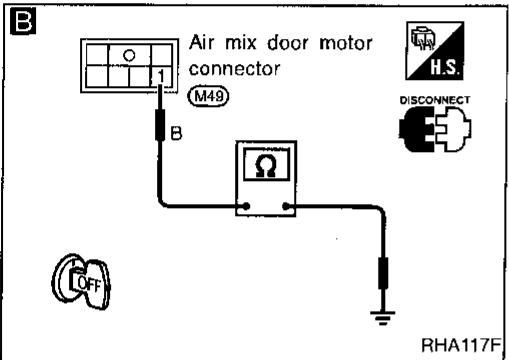
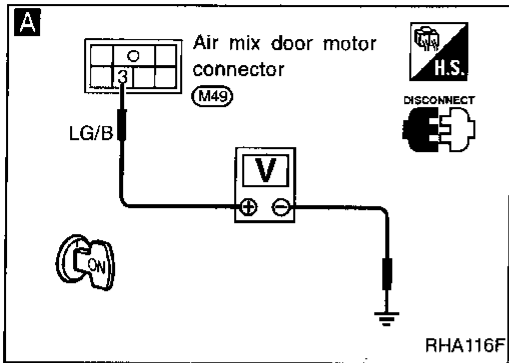
OK

Replace push control unit.

OK

Replace intake door motor.

**Note:**  
If the result is NG or No after checking circuit continuity, repair harness or connector.



### Diagnostic Procedure 4

**SYMPTOM:** Air mix door does not change.

- Perform **PRELIMINARY CHECK 2, Main Power Supply and Ground Circuit Check** before referring to the following chart.

**A**

**CHECK POWER SUPPLY FOR AIR MIX DOOR MOTOR.**  
 Disconnect air mix door motor harness connector.  
 Do approx. 12V exist between air mix door motor harness terminal ③ and body ground?

No → Check power supply circuit and 7.5A fuse (No. 16, located in the fuse block). Refer to EL section ("Wiring Diagram", "POWER SUPPLY ROUTING").

Yes

**B** Note

Check circuit continuity between air mix door motor harness terminal No. ① and body ground.

OK

Disconnect push control unit harness connector.

**C** Note

Check circuit continuity between each terminal on push control unit and air mix door motor.

Terminal No.		Continuity
Push control unit	Air mix door motor	
②	④	Yes
③	⑤	
④	②	

If OK, check harness for short.

OK

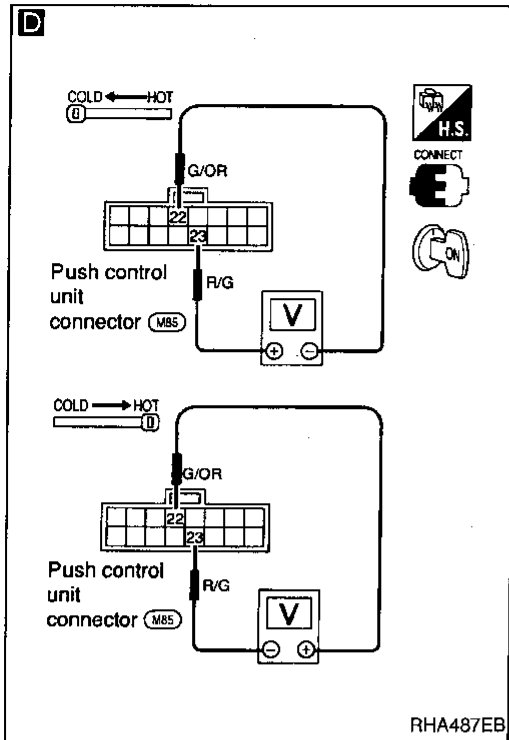
Reconnect push control unit and air mix door motor harness connector.

Ⓐ

(Go to next page.)

**Note:**  
 If the result is NG or No after checking circuit continuity, repair harness or connector.

Diagnostic Procedure 4 (Cont'd)



**D**

**CHECK FOR PUSH CONTROL UNIT OUTPUT.**  
Slide the temperature control lever from Hot to Cold and Cold to Hot. Do approx. 12 volts exist between push control unit harness terminals ② and ③ in both cases?

Terminal No.		Temp. control lever operation	Voltage
②	③		
⊖	⊕	HOT → COLD	Approx. 12V
⊕	⊖	COLD → HOT	
Each side		STOP	Approx. 0V

**No** → Replace push control unit. **GI**

**Yes**

**CHECK FOR PBR RESISTANCE IN AIR MIX DOOR MOTOR.**  
(Refer to HA-57.)

**Yes** → Replace air mix door motor. **MA**

**No**

**CHECK AIR MIX DOOR.**  
(Refer to HA-57.) **EM**

**CL**

**LC**

**EC**

**FE**

**MT**

**AT**

**FA**

**RA**

**BR**

**ST**

**RS**

**BT**

**HA**

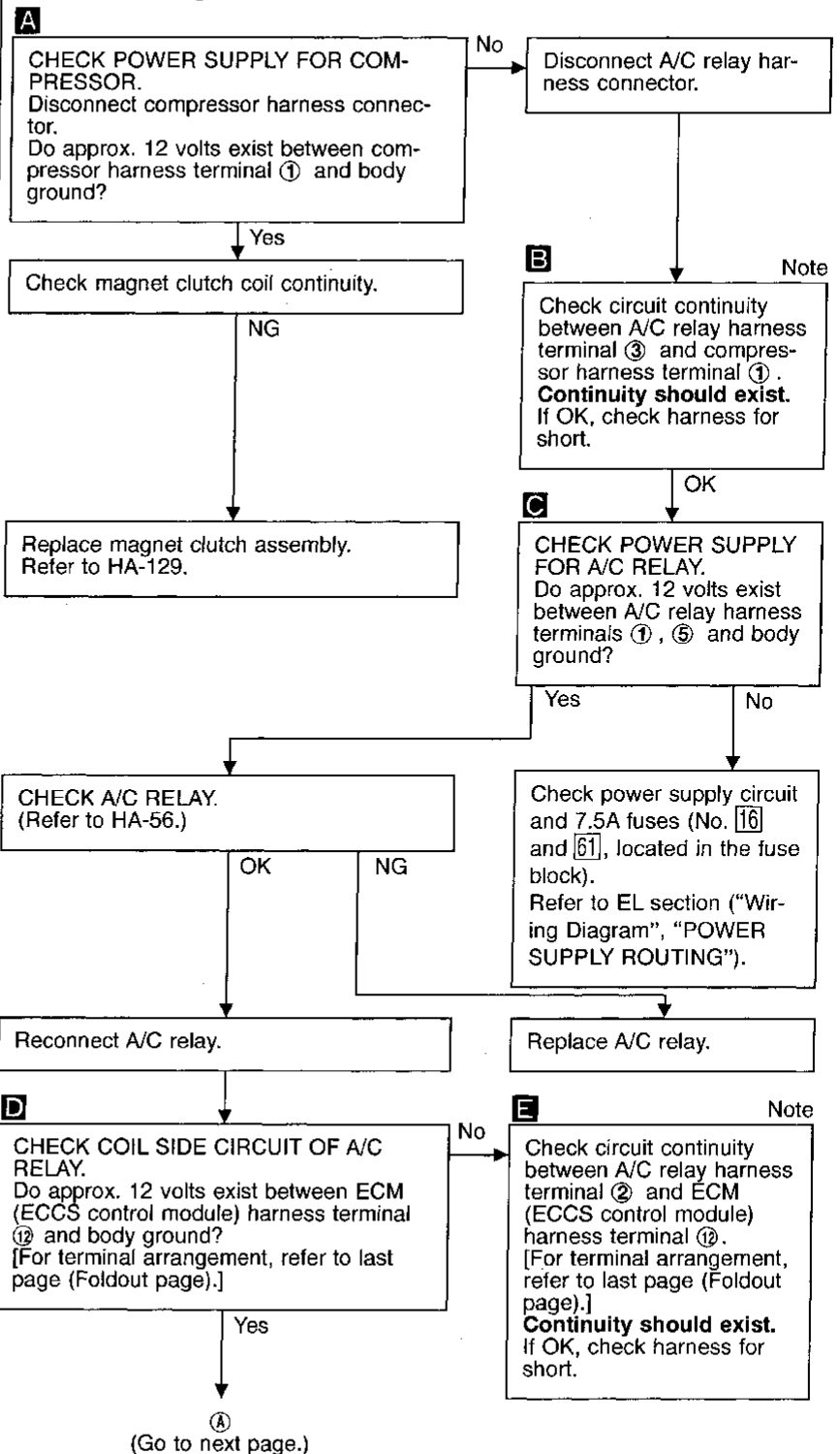
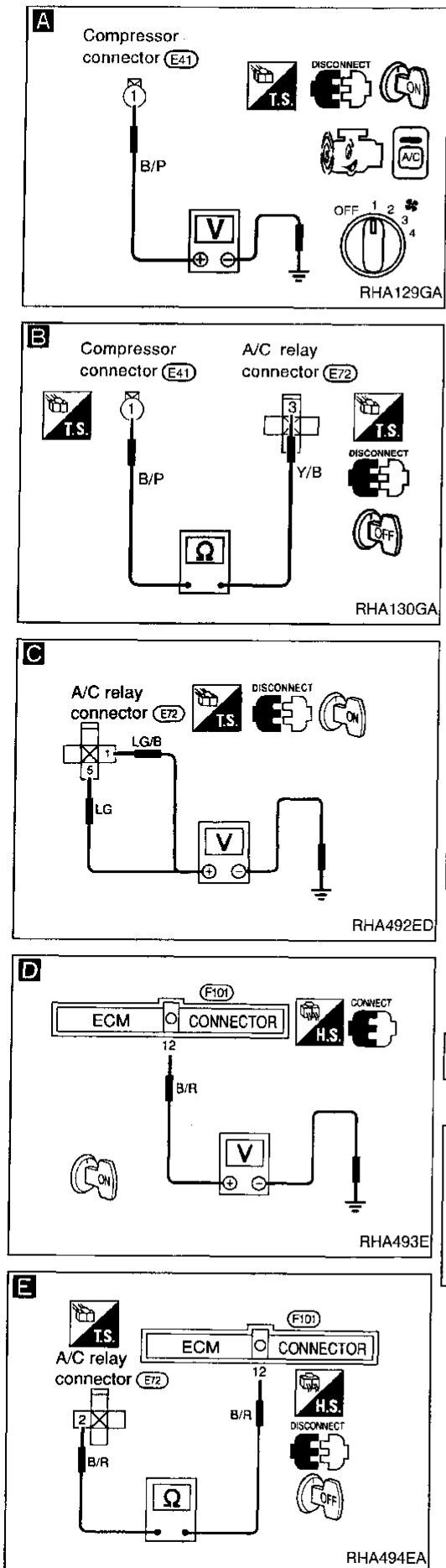
**EL**

**IDX**

**Diagnostic Procedure 5**

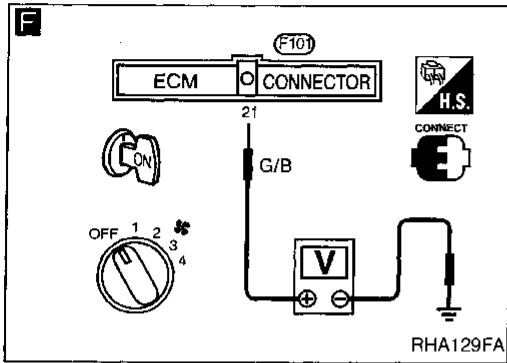
**SYMPTOM: Magnet clutch does not engage when A/C switch and fan switch are ON.**

- Perform **PRELIMINARY CHECK 2** before referring to the following chart.



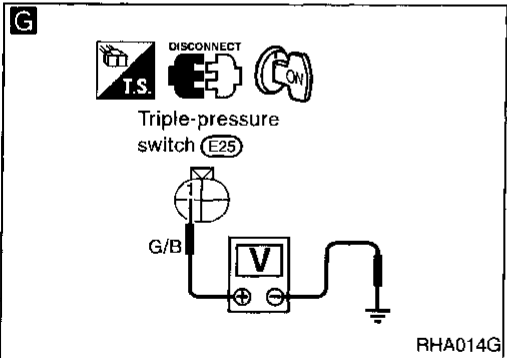
**Note:**  
If the result is NG or No after checking circuit continuity, repair harness or connector.

Diagnostic Procedure 5 (Cont'd)



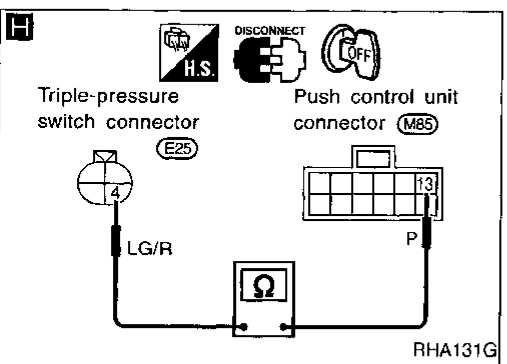
**F** CHECK COIL SIDE CIRCUIT OF A/C RELAY CONTROLLED BY ECM (ECCS control module).  
Do approx. 8 to 9 volts exist between ECM (ECCS control module) harness terminal No. ② and body ground?  
[For terminal arrangement, refer to last page (Foldout page).]

**G** CHECK TRIPLE-PRES-SURE SWITCH CIRCUIT BETWEEN TRIPLE-PRES-SURE SWITCH AND ECM (ECCS control module).  
Disconnect triple-pressure switch harness connector.  
Do approx. 8 to 9 volts exist between triple-pressure switch harness terminal ① and body ground?



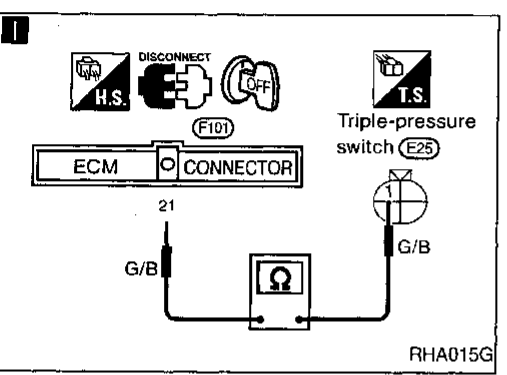
CHECK ECM (ECCS control module). Refer to EC section ("ECM Terminals and Reference Value", "TROUBLE DIAGNOSES — General Description").

Disconnect ECM (ECCS control module) harness connector.



CHECK TRIPLE-PRES-SURE SWITCH. (Refer to HA-56.)

**Note** Check circuit continuity between ECM (ECCS control module) harness terminal ② and triple-pressure switch harness terminal ①. [For terminal arrangement, refer to last page (Foldout page).] **Continuity should exist.** If OK, check harness for short.



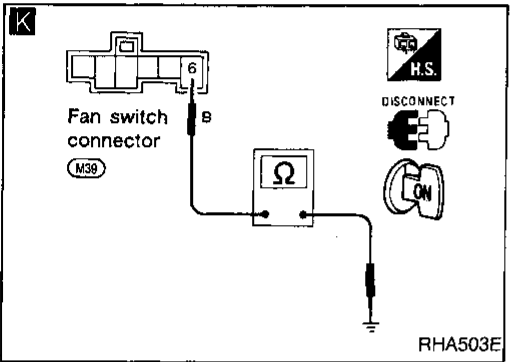
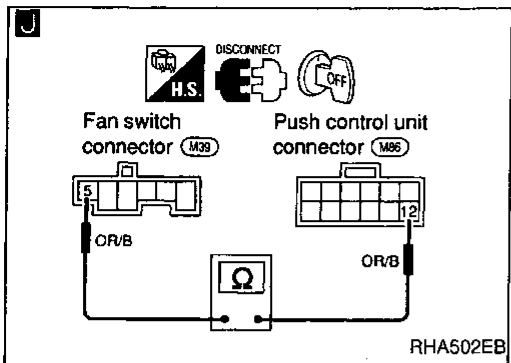
**Note** Check circuit continuity between triple-pressure switch harness terminal ④ and push control unit harness terminal ⑬. **Continuity should exist.** If OK, check harness for short.

Replace triple-pressure switch.

OK  
ⓑ (Go to next page.)

GI  
MA  
EM  
LC  
EC  
FE  
CL  
MT  
AT  
FA  
RA  
BR  
ST  
RS  
BT  
HA  
EL  
IDX

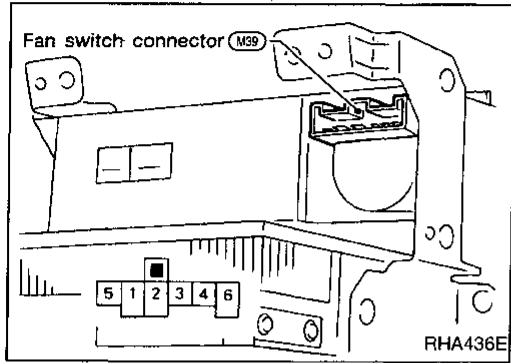
Diagnostic Procedure 5 (Cont'd)



```

    graph TD
        B((B)) --> B1[Disconnect push control unit harness connector.]
        B1 -- OK --> B2[CHECK A/C SWITCH. (Refer to HA-55.)]
        B2 -- NG --> B2a[Replace push control unit.]
        B2 -- OK --> B3[Disconnect fan switch harness connector.]
        B3 -- OK --> J((J))
        J -- Note --> J1[Check circuit continuity between push control unit harness terminal 12 and fan switch harness terminal 5. Continuity should exist. If OK, check harness for short.]
        J1 -- OK --> K((K))
        K -- Note --> K1[CHECK BODY GROUND CIRCUIT FOR FAN SWITCH. Does continuity exist between fan switch harness terminal 6 and body ground?]
        K1 -- Yes --> K2[CHECK FAN SWITCH. (Refer to HA-55.)]
        K2 -- NG --> K2a[Replace fan switch.]
    
```

**Note:**  
If the result is NG or No after checking circuit continuity, repair harness or connector.



**Electrical Components Inspection**

**FAN SWITCH**

Check continuity between terminals at each position.

POSITION	TERMINAL					
	1	2	3	4	5	6
OFF						
1				○	○	○
2			○		○	○
3		○			○	○
4	○				○	○

GI  
MA  
EM  
LC

EC

FE

CL

MT

AT

FA

RA

BR

ST

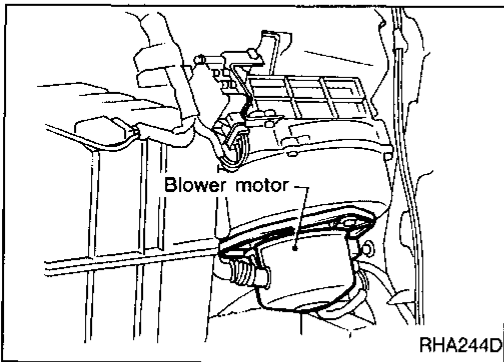
RS

BT

HA

EL

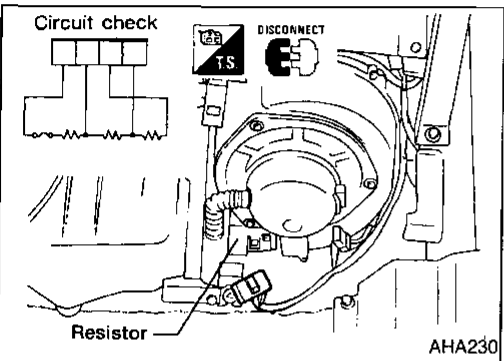
IDX



**BLOWER MOTOR**

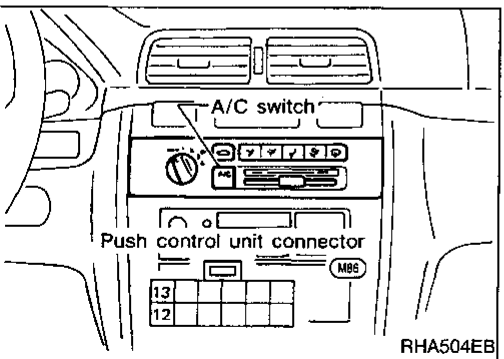
Check blower motor for smooth rotation.

- Ensure that there are no foreign particles inside the intake unit.



**BLOWER RESISTOR**

Check continuity between terminals.



**A/C SWITCH (Push control unit)**

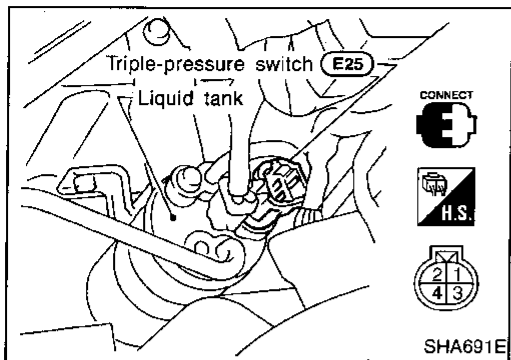
Check continuity between terminals.

A/C switch	Terminals	Continuity
ON	⑫ - ⑬	Exists.
OFF		Does not exist.



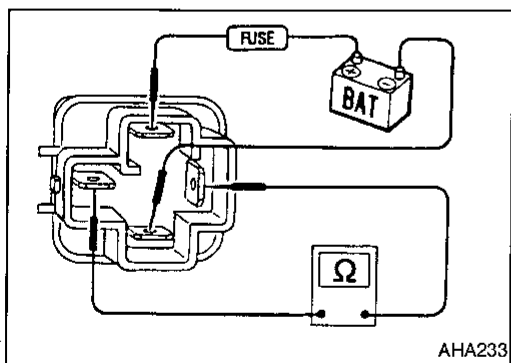
Electrical Components Inspection (Cont'd)

TRIPLE-PRESSURE SWITCH



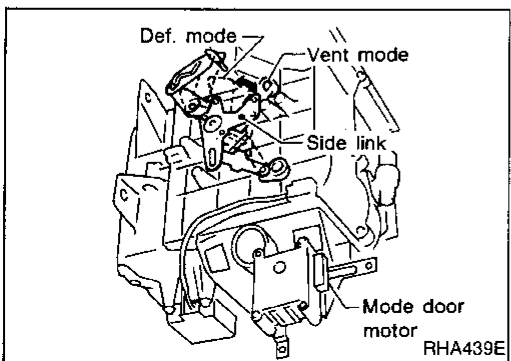
	Terminals	High-pressure side line pressure kPa (kg/cm <sup>2</sup> , psi)	Operation	Continuity
Low-pres- sure side	① - ④	Increasing to 157 - 226 (1.6 - 2.3, 23 - 33)	ON	Exists.
		Decreasing to 152.0 - 201.0 (1.55 - 2.05, 22.0 - 29.2)	OFF	Does not exist.
Medium- pressure side*	② - ③	Increasing to 1,422 - 1,618 (14.5 - 16.5, 206 - 235)	ON	Exists.
		Decreasing to 1,128 - 1,422 (11.5 - 14.5, 164 - 206)	OFF	Does not exist.
High-pres- sure side	① - ④	Decreasing to 1,667 - 2,059 (17 - 21, 242 - 299)	ON	Exists.
		Increasing to 2,452 - 2,844 (25 - 29, 356 - 412)	OFF	Does not exist.

\* For cooling fan motor operation.



A/C RELAY

Check circuit continuity between terminals by supplying 12 volts to coil side terminals of the relay.

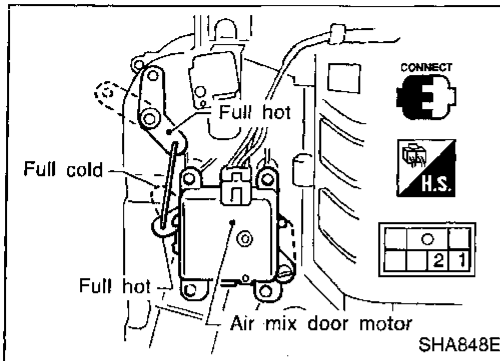


Control Linkage Adjustment  
MODE DOOR

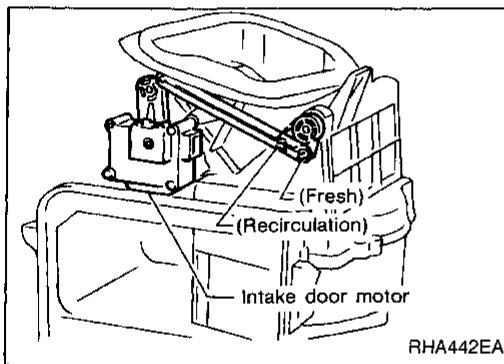
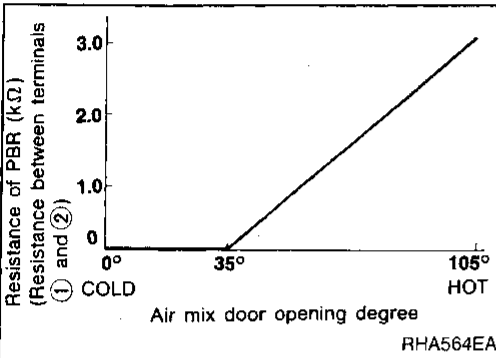
1. Install mode door motor on heater unit and connect it to main harness.  
Make sure lever of mode door motor is fitted into the slit of mode door link.
2. Turn ignition switch to ON.
3. Turn VENT switch ON.
4. Turn DEF switch ON. Check that side link operates at the fully-open position. Also turn DEF switch ON to check that side link operates at the fully-open position.

## Control Linkage Adjustment (Cont'd)

## AIR MIX DOOR



1. Install air mix door motor on heater unit and connect sub-harness.  
Make sure lever of air mix door is fitted into the slit of air mix door link.
2. Turn ignition switch to ON.
3. Slide temperature control lever to full cold.
4. Check that air mix door operates properly when temperature control lever is slid to full hot and full cold.
5. Check PBR characteristics. Measure resistance between air mix door motor terminals ① and ②.



## INTAKE DOOR

1. Install intake door motor on intake unit and connect it to main harness.  
Make sure lever of intake door motor is fitted into the slit of intake door link.
2. Turn ignition switch to ON.
3. Turn REC switch ON.
4. Check that intake door operates properly when REC switch is turned ON and OFF.

GI

MA

EM

LC

EC

FE

CL

MT

AT

FA

RA

BR

ST

RS

BT

HA

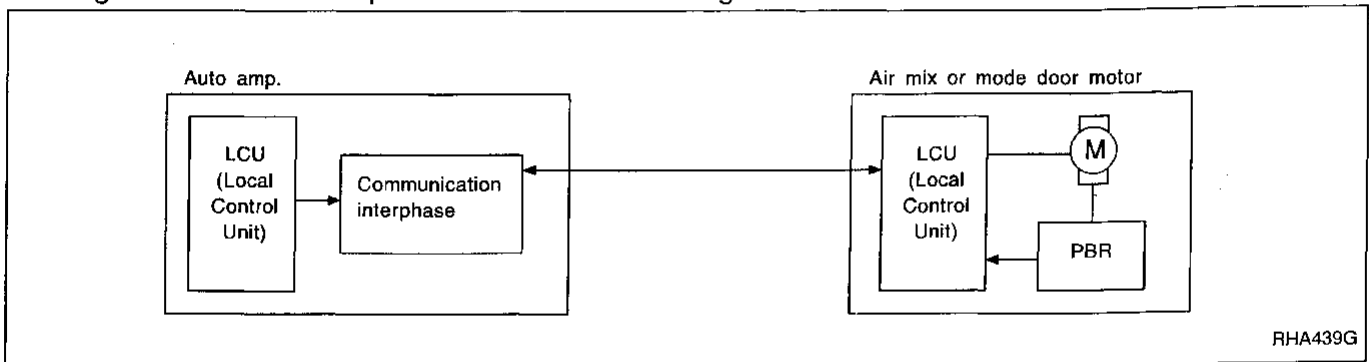
EL

IDX

## Introduction

### AIR CONDITIONER LAN SYSTEM OVERVIEW CONTROL SYSTEM

The LAN system consists of auto amp., air mix door motor and mode door motor. A configuration of these components is shown in the diagram below.



## Features

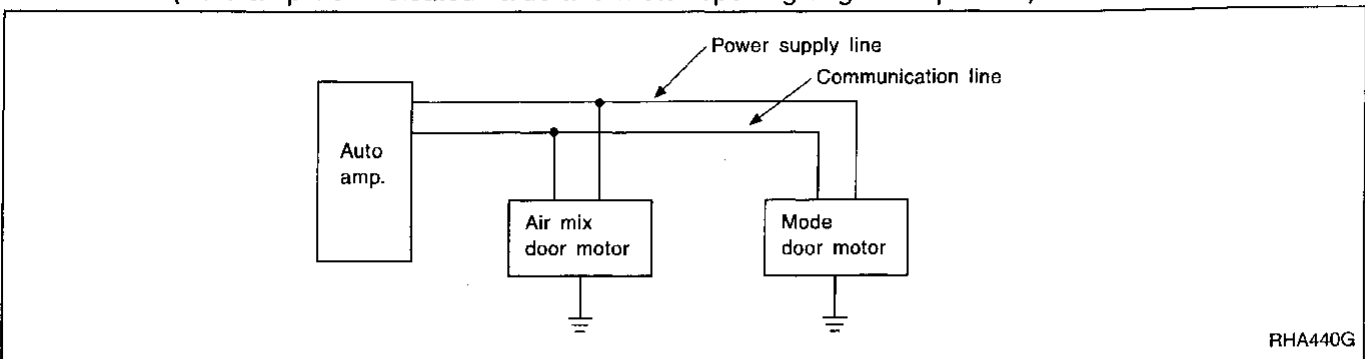
### SYSTEM CONSTRUCTION (LAN)

A small network is constructed between the auto amplifier, air mix door motor and mode door motor. The auto amplifier and motors are connected by data transmission lines and motor power supply lines. The LAN network is built through the ground circuits of the two motors.

Addresses, motor opening angle signals, motor stop signals and error checking messages are all transmitted through the data transmission lines connecting the auto amplifier and two motors.

The following functions are contained in LCUs built into the air mix door motor and the mode door motor.

- Address
- Motor opening angle signals
- Data transmission
- Motor stop and drive decision
- Opening angle sensor (PBR function)
- Comparison
- Decision (Auto amplifier indicated value and motor opening angle comparison)

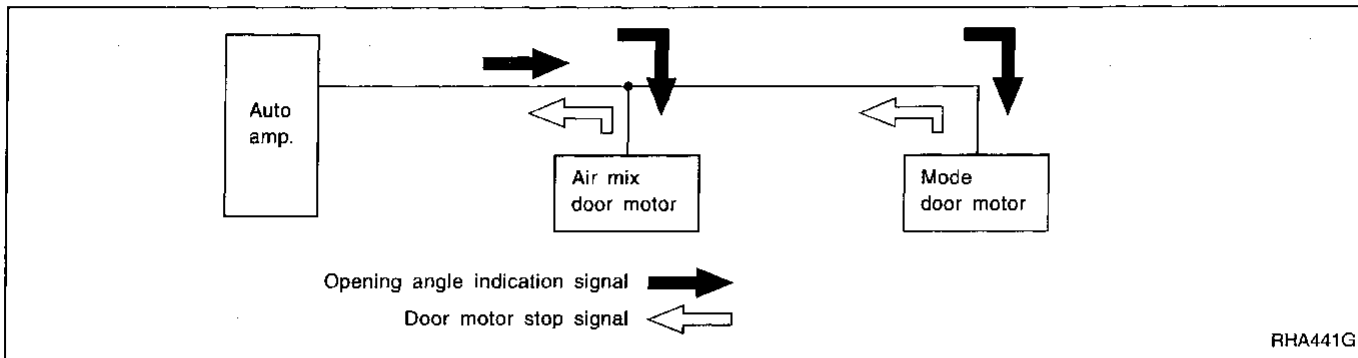


## Operation

The auto amplifier receives data from each of the sensors. The amplifier sends air mix door and mode door opening angle data to the air mix door motor LCU and mode door motor LCU.

The air mix door motor and mode door motor read their respective signals according to the address signal. Opening angle indication signals received from the auto amplifier and each of the motor position sensors are compared by the LCUs in each motor with the existing decision and opening angles. Subsequently, HOT/COLD or DEFROST/VENT operation is selected. The new selection data is returned to the auto amplifier.

Features (Cont'd)



RHA441G

Transmission data and transmission order

Amplifier data is transmitted consecutively to each of the door motors following the form shown in figure below. Start: Initial compulsory signal sent to each of the door motors.

Address: Data sent from the auto amplifier is selected according to data-based decisions made by the air mix door motor and mode door motor.

If the addresses are identical, the opening angle data and error check signals are received by the door motor LCUs. The LCUs then make the appropriate error decision. If the opening angle data is normal, door control begins.

If an error exists, the received data is rejected and corrected data received. Finally, door control is based upon the corrected opening angle data.

Opening angle: Data that shows the indicated door opening angle of each door motor.

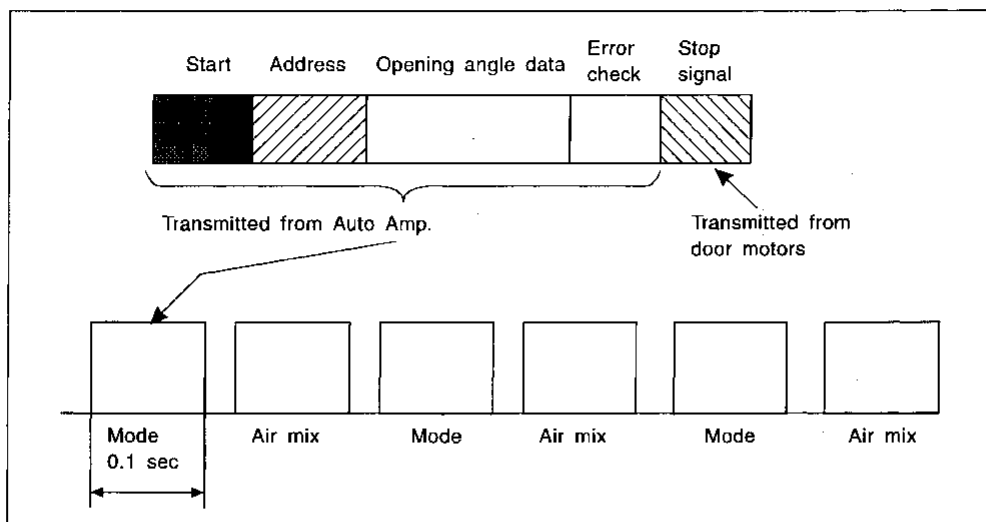
Error check: Procedure by which sent and received data is checked for errors. Error data is then compiled. The error check prevents corrupted data from being used by the air mix door motor and mode door motor.

Error data can be related to the following problems.

- Abnormal electrical frequency
- Poor electrical connections
- Signal leakage from transmission lines
- Signal level fluctuation

Stop signal: At the end of each transmission, a stop operation, in-operation, or internal problem message is delivered to the auto amplifier. This completes one data transmission and control cycle.

Transmission data form



RHA442G

Air mix door control (Automatic temperature control)

The air mix door is automatically controlled so that in-vehicle temperature is maintained at a predetermined value by: The temperature setting, ambient temperature, in-vehicle temperature and amount of sunload.

---

**Features (Cont'd)****Fan speed control**

Blower speed is automatically controlled based on temperature setting, ambient temperature, in-vehicle temperature, intake temperature, amount of sunload and air mix door position.

With FAN switch set to "AUTO", the blower motor starts to gradually increase air flow volume.

When engine coolant temperature is low, the blower motor operation is delayed to prevent cool air from flowing.

**Intake door control**

The intake doors are automatically controlled by: The temperature setting, ambient temperature, in-vehicle temperature, intake temperature, amount of sunload and ON-OFF operation of the compressor.

**Outlet door control**

The outlet door is automatically controlled by: The temperature setting, ambient temperature, in-vehicle temperature, intake temperature and amount of sunload.

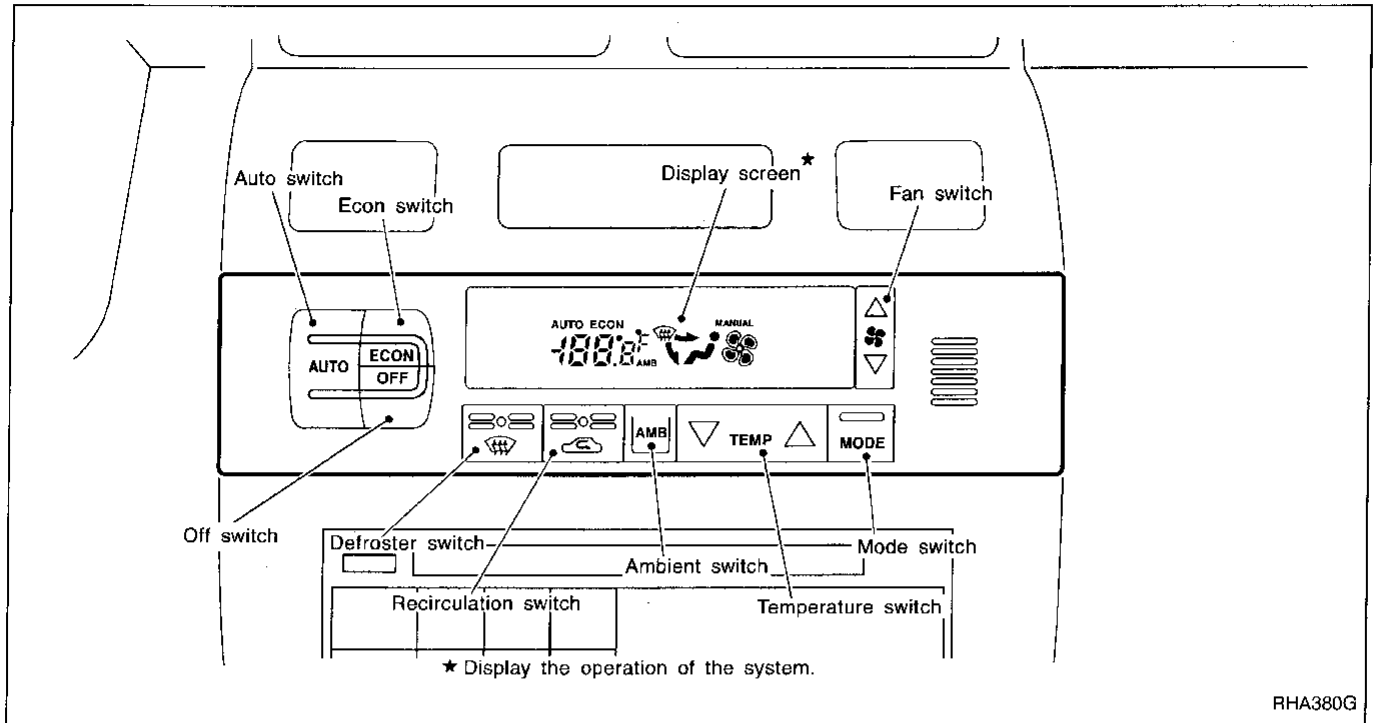
**Magnet clutch control**

The ECM (ECCS control module) controls compressor operation using input signals from the throttle position sensor and auto amplifier.

**Self-diagnostic system**

The self-diagnostic system is built into the auto amplifier (LCU) to quickly locate the cause of problems.

## Control Operation

**AUTO SWITCH**

The compressor, air intake doors, air mix door, mode doors, and blower speed are automatically controlled so that the in-vehicle temperature will reach, and be maintained at the set temperature selected by the operator. **The air conditioning cooling function operates only when the engine is running.**

**ECON SWITCH**

Fully automatic control with the compressor off. With the compressor off, the system will not remove heat (cool) or de-humidify. The system will maintain the in-vehicle temperature at the set temperature when the set temperature is above the ambient (outside) temperature.

**TEMPERATURE SWITCH (Potentio Temperature Control)**





Increases or decreases the set temperature.

**OFF SWITCH**

The compressor and blower are off, the air intake doors are set to the outside air position. Then, the mode doors are set to the foot (78% foot and 22% defrost) position. In the off position the ATC system uses the vehicle's "flow through" ventilation. It tries to maintain the interior temperature based on the last set temperature of the system.





**FAN SWITCH**

Manual control of the blower speed. Four speeds are available for manual control (as shown on the display screen):

low  , medium low  , medium high  , high 

**MODE SWITCH**

Manual control of the air discharge outlets. Four selections are available (as shown on the display screen):

face  , bi-level  , foot  , defrost/foot 

**AMBIENT SWITCH**

Shows the ambient (outside) air temperature on display screen for 5 seconds.

---

**Control Operation (Cont'd)****RECIRCULATION (REC) SWITCH**

ON position: Interior air is recirculated inside the vehicle.

OFF position: Automatic control resumes.

Recirculation is canceled when AUTO, DEF or ECON is selected. Recirculation resumes when another mode is chosen.

**DEFROSTER (DEF) SWITCH**

Positions the mode doors to the defrost position. Also positions the air intake doors to the outside air position. The compressor operates at ambient temperature approx. 2°C (35°F) or above.

NOTE

GI

MA

EM

LC

EC

FE

CL

MT

AT

FA

RA

BR

ST

RS

BT

**HA**

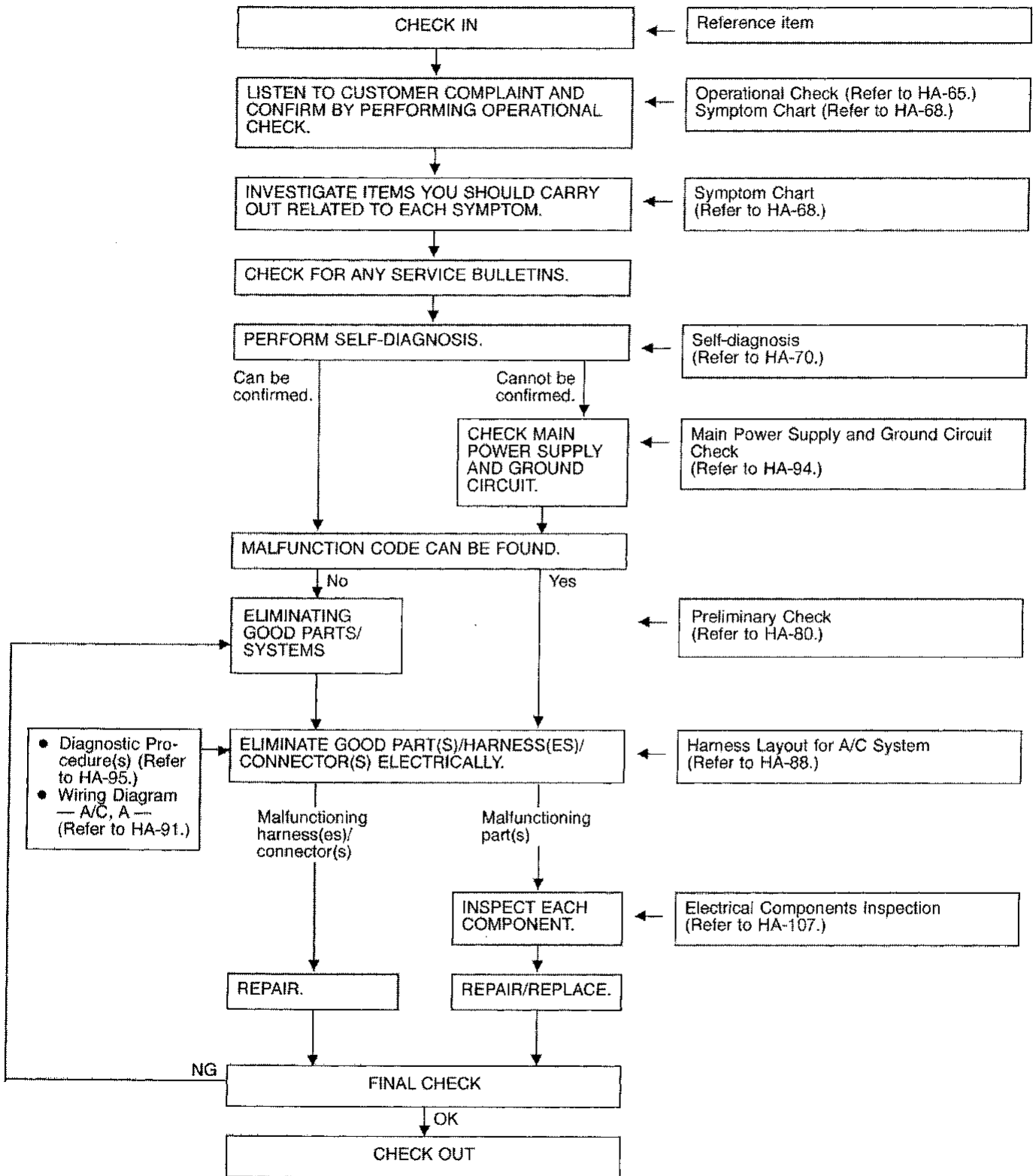
EL

IDX



How to Perform Trouble Diagnoses for Quick and Accurate Repair

WORK FLOW



**Operational Check**

The purpose of the operational check is to confirm that the system is as it should be. The systems which will be checked are the blower, mode (discharge air), intake air, temperature decrease, temperature increase, A/C switch and the memory function.

**CONDITIONS:**

- Engine running and at normal operating temperature.

**PROCEDURE:**

**1. Check blower**

- 1) Press fan switch (up side) one time.  
Blower should operate on low speed.  
The fan symbol should have one blade lit.
- 2) Press fan switch (up side) one more time.
- 3) Continue checking blower speed and fan symbol until all speeds are checked.
- 4) Leave blower on MAX speed.

**2. Check discharge air**

- 1) Press mode switch four times and DEF button.

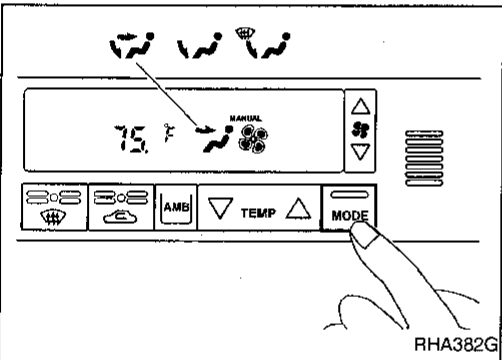
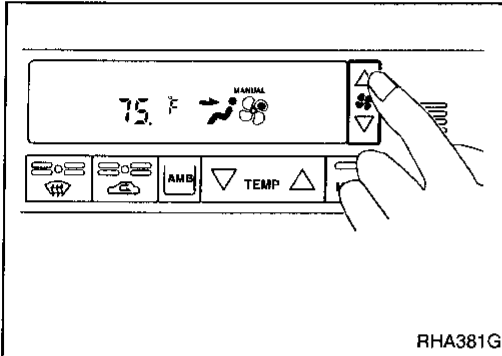
- 2) Confirm that discharge air comes out according to the air distribution table at left.

Refer to "Discharge Air Flow", "DESCRIPTION" (HA-18).

**NOTE:**

Confirm that the compressor clutch is engaged (visual inspection) and intake door position is at FRESH when the DEF button is pressed.

Intake door position is checked in the next step.



**Discharge air flow**

Switch mode/ indicator	Air outlet/distribution		
	Face	Foot	Defroster
	100%	—	—
	60%	40%	—
	—	78%	22%
	—	60%	40%
	—	—	100%

GI

MA

EM

LC

EC

FE

CL

MT

AT

FA

RA

BR

ST

RS

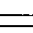
BT

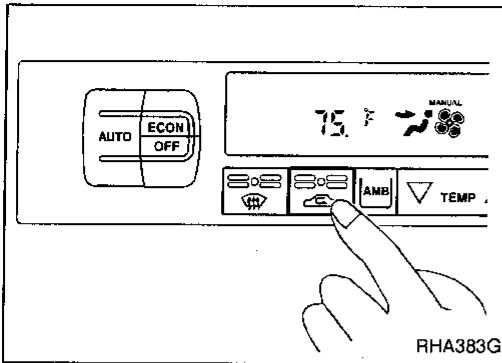
HA

EL

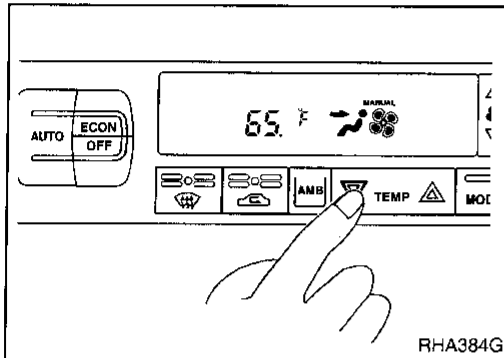
IDX

**Operational Check (Cont'd)****3. Check recirculation**

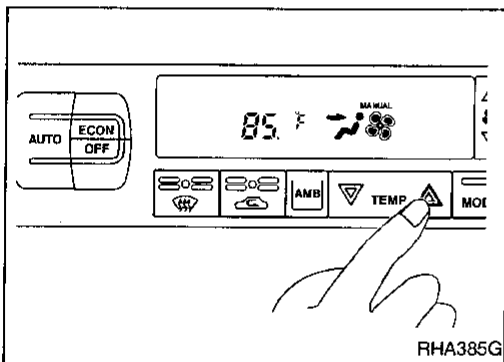
- 1) Press REC  switch. Recirculation indicator should illuminate.
- 2) Listen for intake door position change (you should hear blower sound change slightly).

**4. Check temperature decrease**

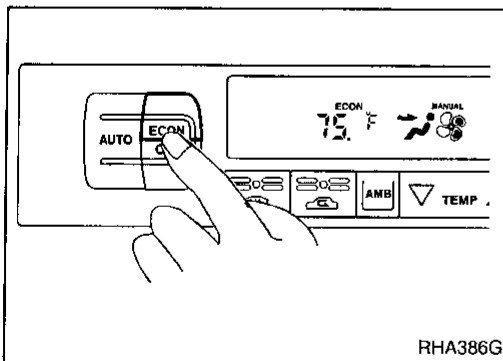
- 1) Press the temperature decrease button until 18°C (65°F) is displayed.
- 2) Check for cold air at discharge air outlets.

**5. Check temperature increase**

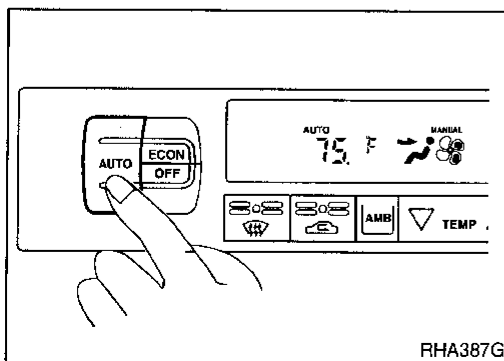
- 1) Press the temperature increase button until 32°C (85°F) is displayed.
- 2) Check for hot air at discharge air outlets.

**6. Check ECON mode**

- 1) Press ECON switch.
- 2) Display should indicate ECON (no AUTO, no MANUAL). Confirm that the compressor clutch is not engaged (visual inspection). (Discharge air will depend on ambient, in-vehicle, and set temperatures.)
- 3) Check for intake air at Fresh position.

**7. Check AUTO mode**

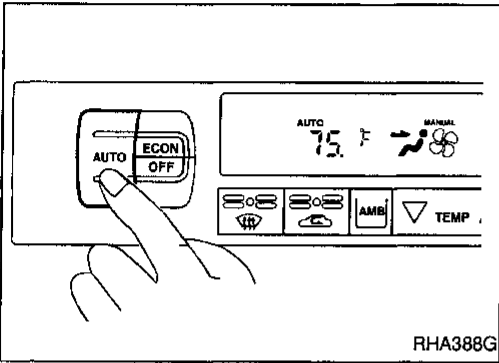
- 1) Press AUTO switch.
- 2) Display should indicate AUTO (no ECON, no MANUAL). Confirm that the compressor clutch engages (audio or visual inspection). (Discharge air and suction air will depend on ambient, in-vehicle, and set temperatures.)



Operational Check (Cont'd)

8. Check memory function

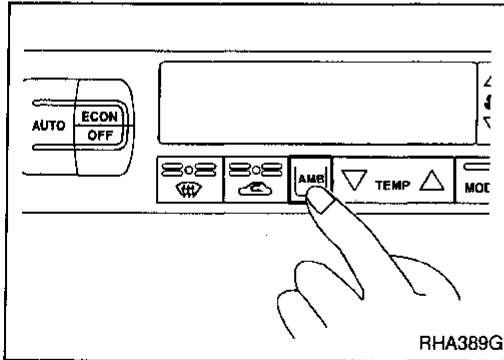
- 1) Press OFF switch.
- 2) Turn the ignition off.
- 3) Turn the ignition on.
- 4) Press the AUTO switch.
- 5) Confirm that the set temperature remains at previous temperature.



9. Check ambient display

Press AMB switch.

Display should show the outside (ambient) temperature for approximately 5 seconds.



GI

MA

EM

LC

EC

FE

CL

MT

AT

FA

RA

BR

ST

RS

BT

HA

EL

IDX

Symptom Chart

DIAGNOSTIC TABLE

PROCEDURE		Self-diagnosis					Preliminary Check								Diagnostic Procedure					
SYMPTOM	DIAGNOSTIC ITEM AND REFERENCE PAGE	STEP 1 (HA-74, 71)	STEP 2 (HA-74, 71)	STEP 3 (HA-75, 72)	STEP 4 (HA-72, 76)	STEP 5 (HA-73, 77)	AUXILIARY MECHANISM (HA-79)	Preliminary Check 1 (HA-80)	Preliminary Check 2 (HA-81)	Preliminary Check 3 (HA-82)	Preliminary Check 4 (HA-83)	Preliminary Check 5 (HA-84)	Preliminary Check 6 (HA-85)	Preliminary Check 7 (HA-86)	Preliminary Check 8 (HA-87)	Diagnostic Procedure 1 (HA-95)	Diagnostic Procedure 2 (HA-96)	Diagnostic Procedure 3 (HA-97)	Diagnostic Procedure 4 (HA-98)	Diagnostic Procedure 5 (HA-99)
		Air outlet does not change.		1	2	○	○	○		3								○	○	
Intake door does not change.		1	2		○	○			3							○	○		○	○
Insufficient cooling		○	○	○	○	○		○		1						○	○		○	○
Insufficient heating		○	○	○	○	○		○			1					○	○		○	○
Blower motor operation is malfunctioning.		1	2		○	○						3				○	○	○	○	○
Magnet clutch does not engage.		1	2		○	○							3			○	○		○	○
Discharged air temperature does not change.		1	2		○	○								3		○	○		○	○
Noise														1						
Result of self-diagnosis STEP 2	21 Ambient sensor circuit is open.	1	2			3										4				
	22 In-vehicle sensor circuit is open.	1	2			3											4			
	24 Intake sensor circuit is open.	1	2															3		
	25 Sunload sensor circuit is open.	1	2																3	
	26 PBR signal is open.	1	2																	3
	-21 Ambient sensor circuit is shorted.	1	2			3										4				
	-22 In-vehicle sensor circuit is shorted.	1	2			3											4			
	-24 Intake sensor circuit is shorted.	1	2																3	
	-25 Sunload sensor circuit is shorted.	1	2																	3
	-26 PBR signal is shorted.	1	2																	
Mode door motor and/or air mix door motor do not operate normally.		1	2	3	4	○										○	○		○	5
Intake door motor does not operate normally.		1	2		3	○										○	○		○	○
Blower motor operation is malfunctioning under out of Starting Fan Speed Control.		1	2		○	○						3				○	○	○	○	○
Magnet clutch does not operate after performing Preliminary Check 6.		1	2		○	○							3			○				
Self-diagnosis cannot be performed.																				

1 - 5 : The numbers refer to the probability of the cause, 1 being the most likely.  
 ○ : As for checking order, refer to each flow chart. (It depends on malfunctioning portion.)

# TROUBLE DIAGNOSES

AUTO

## Symptom Chart (Cont'd)

Diagnostic Procedure	Main Power Supply and Ground Circuit Check	Electrical Components Inspection																			
		GI	MA	EM	LC	EC	FE	CL	MT	AT	FA	RA	BR	ST	RS	BT	HA	EL	IDX		
Diagnostic Procedure 6 (HA-100)																					
Diagnostic Procedure 7 (HA-102)																					
Diagnostic Procedure 8 (HA-104)																					
Auto amp. (LCU) (HA-94)																					
15A Fuses #2 and #3 (HA-94)																					
7.5A Fuses #16 and #40 (HA-94)																					
7.5A Fuse #61 (HA-94)																					
Ambient sensor (HA-111)																					
In-vehicle sensor (HA-110)																					
Intake sensor (HA-112)																					
Thermal transmitter (EL)																					
Sunload sensor (HA-111)																					
Air mix door motor (HA-114)																					
Mode door motor (HA-116)																					
Intake door motor (HA-118)																					
Blower motor (HA-107)																					
Fan control amp. (HA-119)																					
A/C relay (HA-107)																					
Triple-pressure switch (HA-107)																					
Magnet clutch (Compressor) (HA-129)																					
A/C control unit (HA-110)																					
ECM (ECCS control module) (EC)																					
Cooling fan motor (EC)																					
Cooling fan relay (EC)																					
Harness																					

GI  
MA  
EM  
LC  
EC  
FE  
CL  
MT  
AT  
FA  
RA  
BR  
ST  
RS  
BT

HA

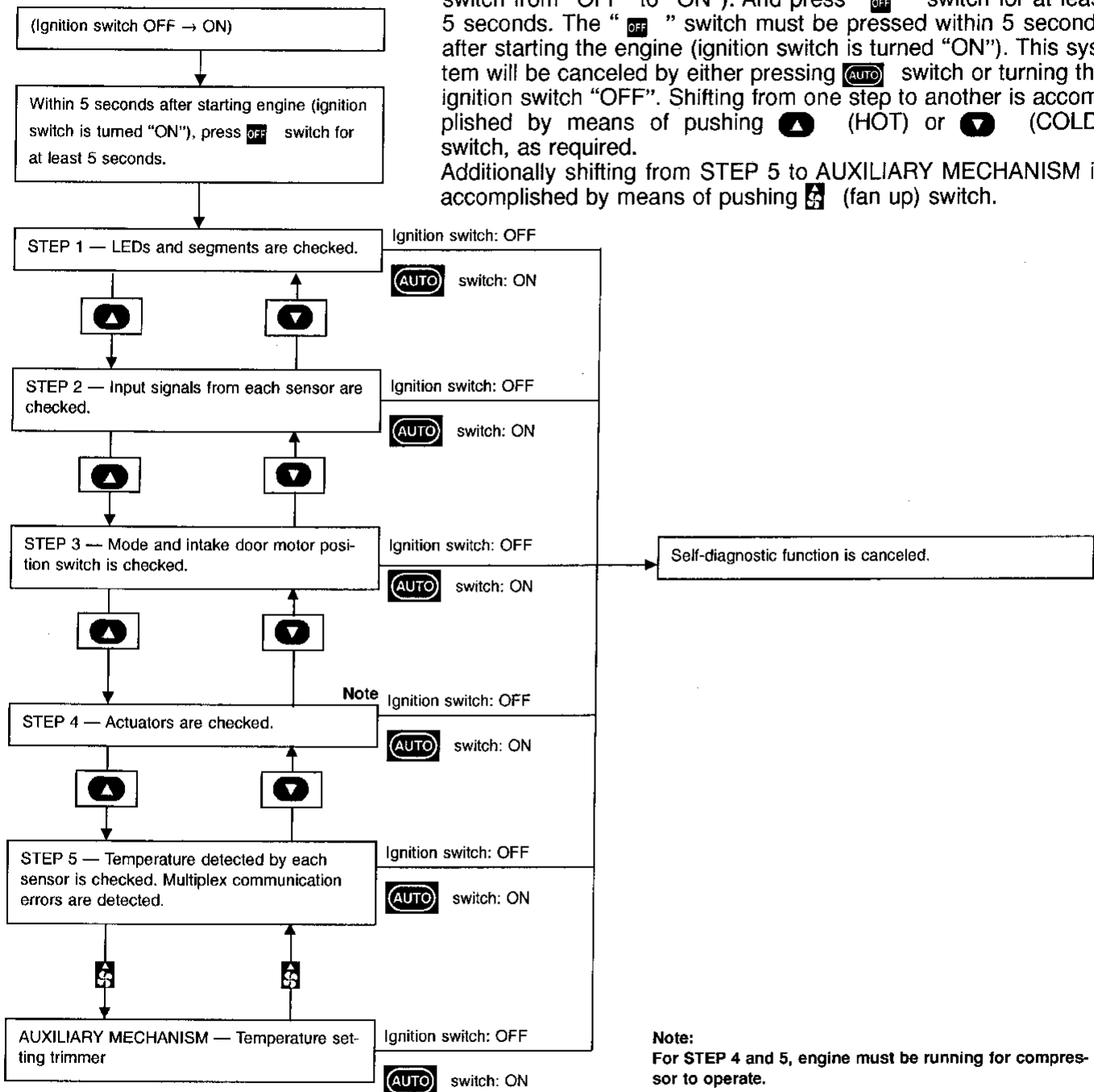
EL

IDX

### Self-diagnosis

The self-diagnostic system diagnoses sensors, door motors, blower motor, etc. by system line. Refer to applicable sections (items) for details. Shifting from normal control to the self-diagnostic system is done as follows. Start the engine (turn the ignition switch from "OFF" to "ON"). And press "OFF" switch for at least 5 seconds. The "OFF" switch must be pressed within 5 seconds after starting the engine (ignition switch is turned "ON"). This system will be canceled by either pressing AUTO switch or turning the ignition switch "OFF". Shifting from one step to another is accomplished by means of pushing ▲ (HOT) or ▼ (COLD) switch, as required.

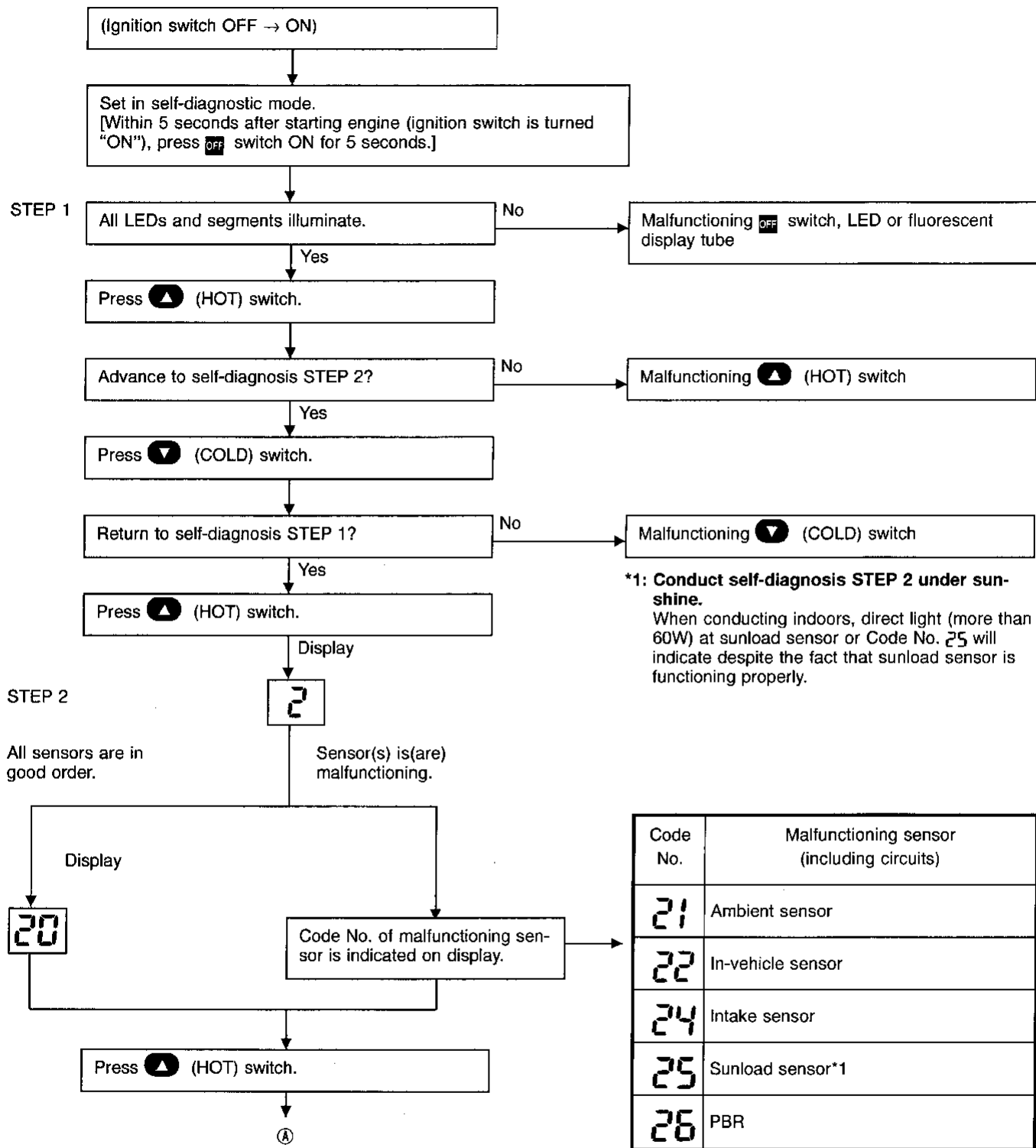
Additionally shifting from STEP 5 to AUXILIARY MECHANISM is accomplished by means of pushing Ⓢ (fan up) switch.



**Note:**  
For STEP 4 and 5, engine must be running for compressor to operate.

Self-diagnosis (Cont'd)

CHECKING PROCEDURE

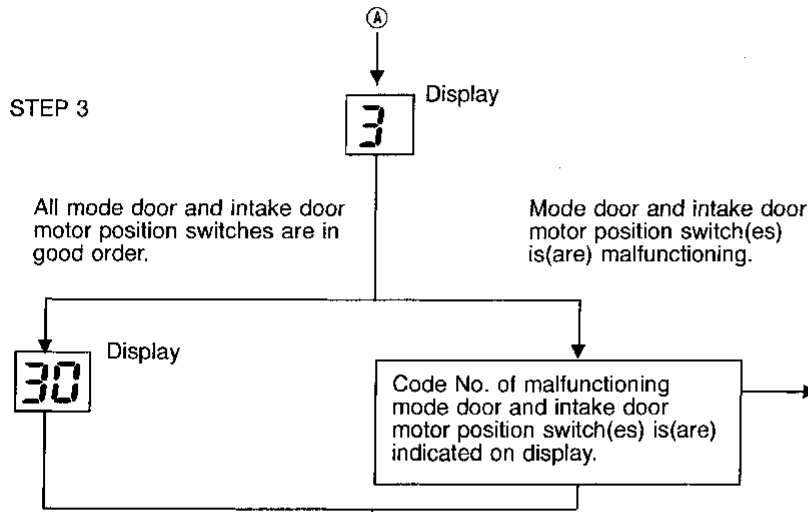


Note:  
At any time, you can return to a previous step in the self-diagnosis by pressing the ▼ (COLD) switch.

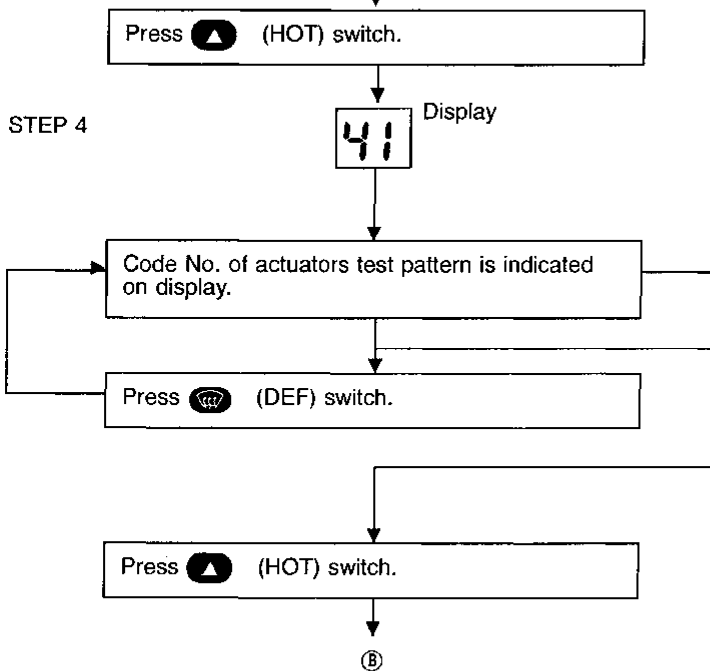
GI  
MA  
EM  
LC  
EC  
FE  
CL  
MT  
AT  
FA  
RA  
BR  
ST  
RS  
BT  
HA  
FL  
IDX



**Self-diagnosis (Cont'd)**



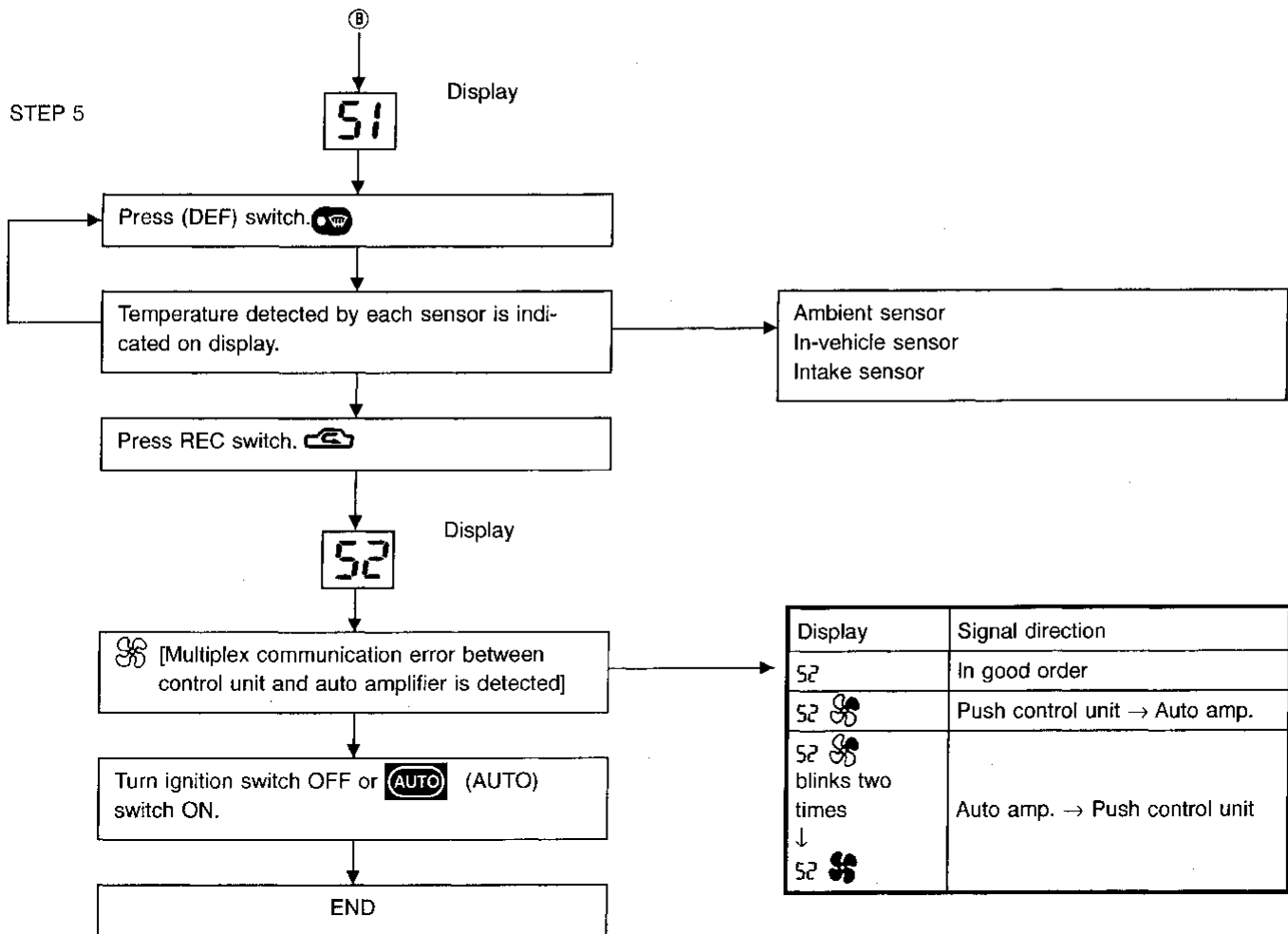
Code No.	Malfunctioning part or circuit	
	Position switch	
<b>31</b>	VENT	Mode door motor
<b>32</b>	B/L	
<b>34</b>	FOOT	
<b>35</b>	FOOT/DEF	
<b>36</b>	DEF	
<b>37</b>	FRE	Intake door motor
<b>38</b>	20% FRE	
<b>39</b>	REC	



Code No.	Actuators test pattern				
	Mode door	Intake door	Air mix door	Blower motor	Compressor
<b>41</b>	VENT	REC	Full Cold	4 - 5V	ON
<b>42</b>	B/L	REC	Full Cold	9 - 11V	ON
<b>43</b>	B/L	20% FRE	Full Hot	7 - 9V	OFF
<b>44</b>	FOOT	FRE	Full Hot	7 - 9V	OFF
<b>45</b>	F/D	FRE	Full Hot	7 - 9V	ON
<b>46</b>	DEF	FRE	Full Hot	10 - 12V	ON

**Note:**  
For STEP 4, engine must be running for compressor to operate.

Self-diagnosis (Cont'd)



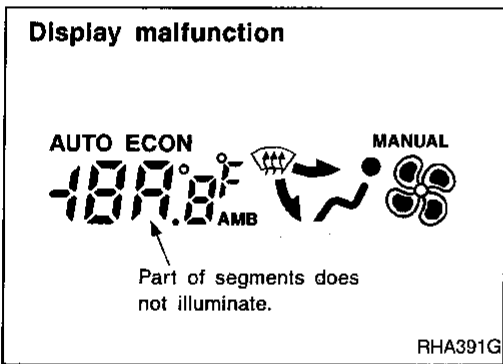
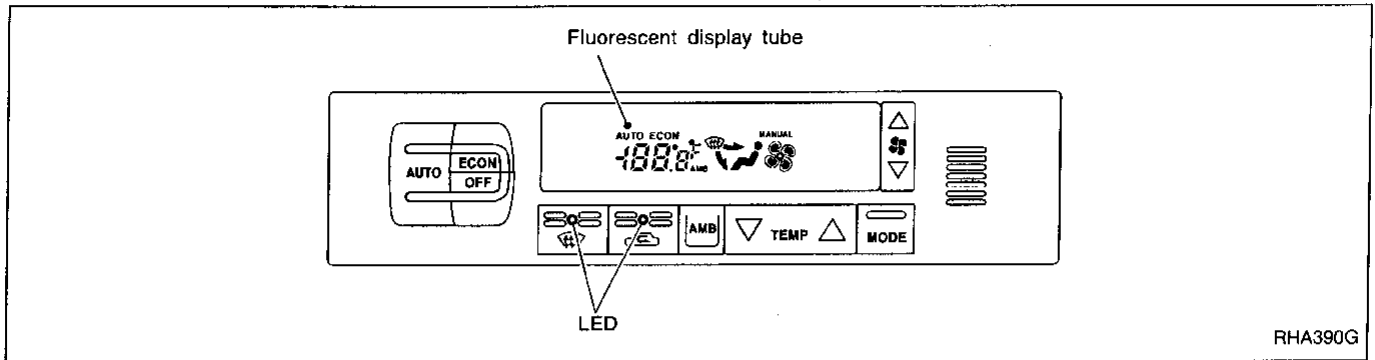
GI  
MA  
EM  
LC  
EC  
FE  
CL  
MT  
AT  
FA  
RA  
BR  
ST  
RS  
BT  
HA  
EL  
IDX

**Self-diagnosis (Cont'd)**

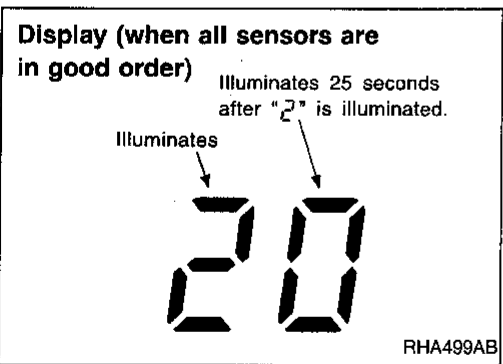
**HOW TO INTERPRET THE RESULTS**

**STEP 1: Checks LEDs and segments**

When switch's LED and segments are in functioning properly in STEP 1, LED and display will come on.

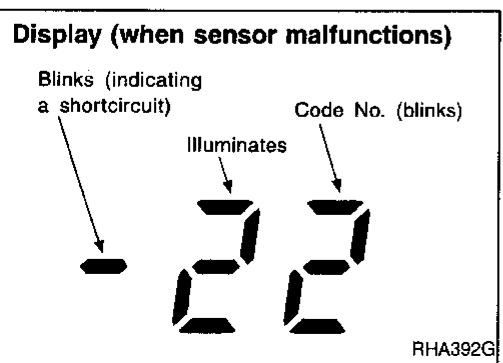


If LEDs or segments malfunction, LED will not come on or display will show incomplete segment.



**STEP 2: Checks each sensor circuit for open or short circuit**

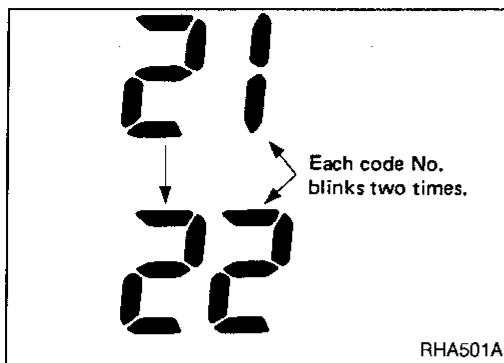
Display shows "2" in STEP 2 mode. When all sensors are in good order, display shows "20". It takes approximately 25 seconds to check all sensors.



If a sensor is malfunctioning, the corresponding code No. blinks on display. A short circuit is identified by a blinking "-" mark preceding mode number.

Self-diagnosis (Cont'd)

If two or more sensors malfunction, corresponding code Nos. respectively blink two times.



Sensors and abnormalities

If a circuit is opened or shorted, display shows its code No. when input corresponds with any of following conditions.

Code No.	Sensor	Open circuit	Short circuit
21 -21	Ambient sensor	Less than -41.9°C (-43°F)	Greater than 100°C (212°F)
22 -22	In-vehicle sensor	Less than -41.9°C (-43°F)	Greater than 100°C (212°F)
24 -24	Intake sensor	Less than -43.8°C (-47°F)	Greater than 100°C (212°F)
25 -25	Sunload sensor*2	Less than 0.01515 mA	Greater than 0.545 mA
26 -26	PBR*1	Greater than 95%	Less than 5%

\*1: "95%" and "5%" refer to percentage with respect to stroke of air mix door. (Full cold: 0%, Full hot: 100%)

\*2: Conduct self-diagnosis STEP 2 under sunshine.

When conducting indoors, direct light (more than 60W) at sunload sensor.

GI

MA

EM

LC

EC

FE

CL

MT

AT

FA

RA

BR

ST

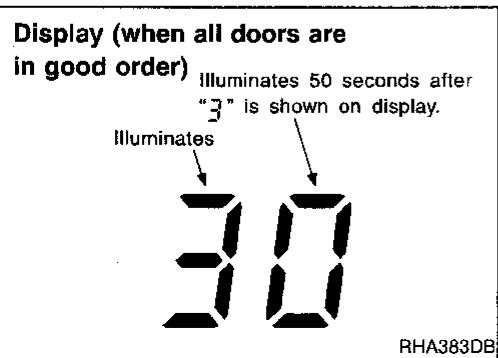
RS

BT

HA

EL

IDX



STEP 3: Checks mode and intake door positions

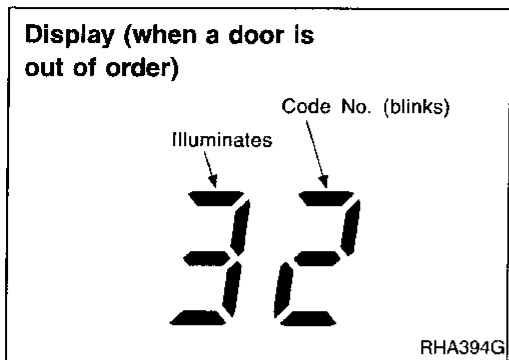
Display shows "3" in STEP 3 mode.

When all doors are in good order, display will then show "30".

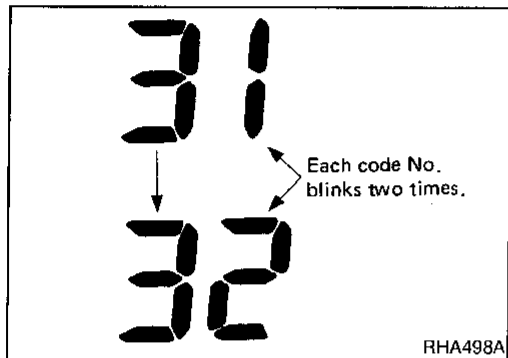
It takes approximately 50 seconds to check all mode and intake doors.

**Self-diagnosis (Cont'd)**

When abnormalities are detected, display shows a code No. corresponding with malfunctioning part.



Code No.	31	32	34	35	36	37	38	39
Malfunctioning part	VENT	B/L	FOOT	FOOT/DEF	DEF	FRE	20% FRE	REC



If two or more mode or intake doors are out of order, corresponding code numbers respectively blink two times.

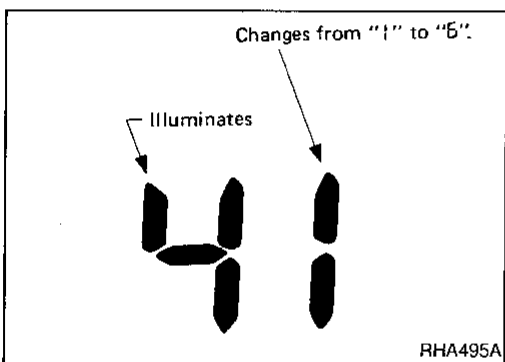
If mode door motor harness connector is disconnected, the following display pattern will appear.

31 → 32 → 34 → 35 → 36

If intake mode door harness connector is disconnected, the following display pattern will appear.

37 → 38 → 39

If any mode door motor position switch is malfunctioning, mode door motor will also malfunction.



**STEP 4: Checks operation of each actuator**

Display shows "41" in STEP 4 mode.

When DEF switch is pressed one time, display shows "42". Thereafter, each time the switch is pressed, display advances one number at a time, up to "46", then returns to "41".

**Discharge air flow**

Switch mode/indicator	Air outlet/distribution		
	Face	Foot	Defroster
	100%	—	—
	60%	40%	—
	—	78%	22%
	—	60%	40%
	—	—	100%

RHA429E

During inspection in STEP 4, the auto amp. will forcefully transmit an output to the affected actuators. The corresponding code Nos. are shown on display as indicated in the table below.

**Checks must be made visually, by listening to any noise, or by touching air outlets with your hand, etc. for improper operation.**

Code No.	41	42	43	44	45	46
Actuator	VENT	B/L	B/L	FOOT	F/D	DEF
Mode door	VENT	B/L	B/L	FOOT	F/D	DEF
Intake door	REC	REC	20% FRE	FRE	FRE	FRE
Air mix door	Full Cold	Full Cold	Full Hot	Full Hot	Full Hot	Full Hot
Blower motor	4 - 5 V	9 - 11 V	7 - 9 V	7 - 9 V	7 - 9 V	10 - 12 V
Compressor	ON	ON	OFF	OFF	ON	ON





Operating condition of each actuator cannot be checked by indicators.

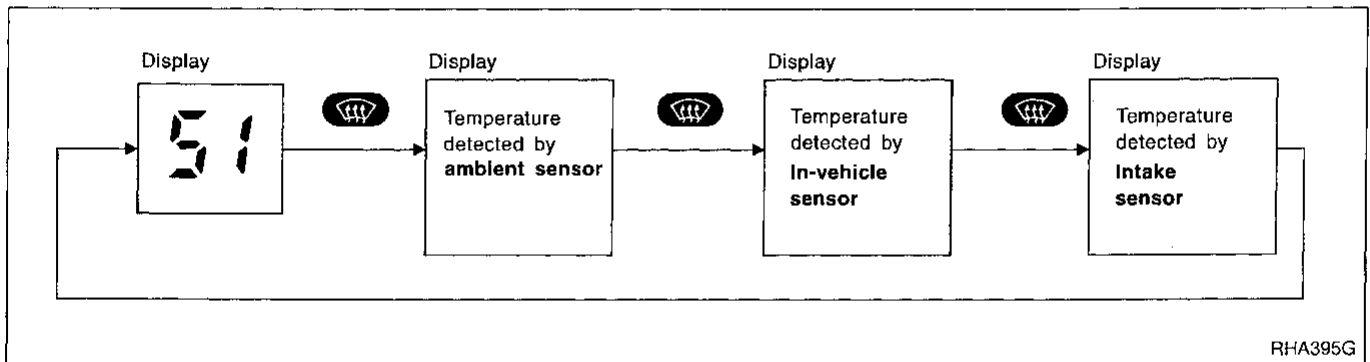
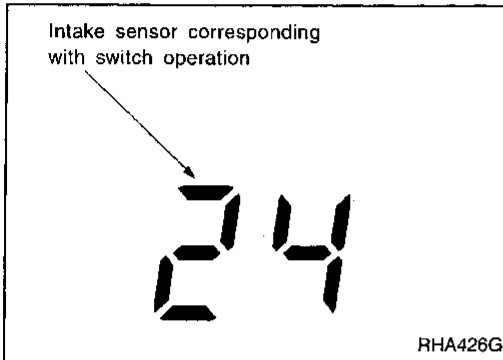
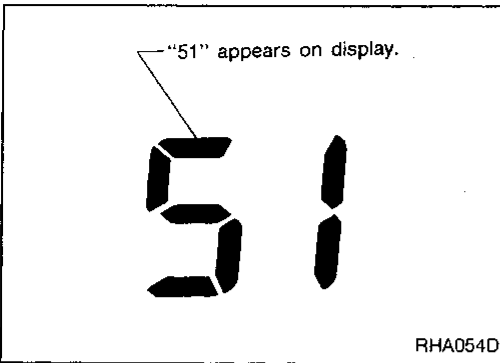
Self-diagnosis (Cont'd)

STEP 5: Checks temperature detected by sensors, and detects multiplex communication error

Checks temperature detected by sensors

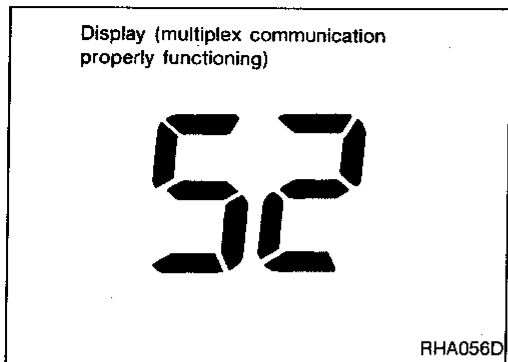
Display shows "51" in STEP 5 mode.

- When  FRONT DEF switch is pressed one time, display shows temperature detected by ambient sensor.
- When  FRONT DEF switch is pressed second time, display shows temperature detected by in-vehicle sensor.
- When  FRONT DEF switch is pressed third time, display shows temperature detected by intake sensor.
- When  FRONT DEF switch is pressed fourth time, display returns to original presentation "51".



If temperature shown on display greatly differs from actual temperature, check sensor circuit at first. Then inspect sensor itself according to the procedures described in **Control System Input Component**. Refer to HA-110.




GI  
MA  
EM  
LC  
EC  
FE  
CL  
MT  
AT  
FA  
RA  
BR  
ST  
RS  
BT  
HA  
EL  
IDX



**Self-diagnosis (Cont'd)**

**Detects multiplex communication error**

Display shows "52" in STEP 5 mode.  
 [Multiplex communication error between push control unit and auto amplifier is detected]

Display	Signal direction
52	In good order
52 	A/C control unit → auto amp.
52  blinks two times. ↓	Auto amp. → A/C control unit
52 	

**CAUTION:**

The auto amp. memorizes any communication error in the system in a normal control with battery connected. When there is an error, display will be as shown above. When plural errors occur, the display of each error will blink two times for 0.5 second intervals.

If a communication error is displayed, follow the flow chart below. Determine if the error occurred in the past or is currently happening.

**Self-diagnosis (Cont'd)**

**AUXILIARY MECHANISM: Temperature setting trimmer**

This trimmer compensates for differences between temperature setting (displayed digitally) and temperature felt by driver in a range of  $\pm 3^{\circ}\text{C}$  ( $\pm 6^{\circ}\text{F}$ ).

Operating procedures for this trimmer are as follows:

Starting with STEP 5 under "Self-diagnostic mode", press

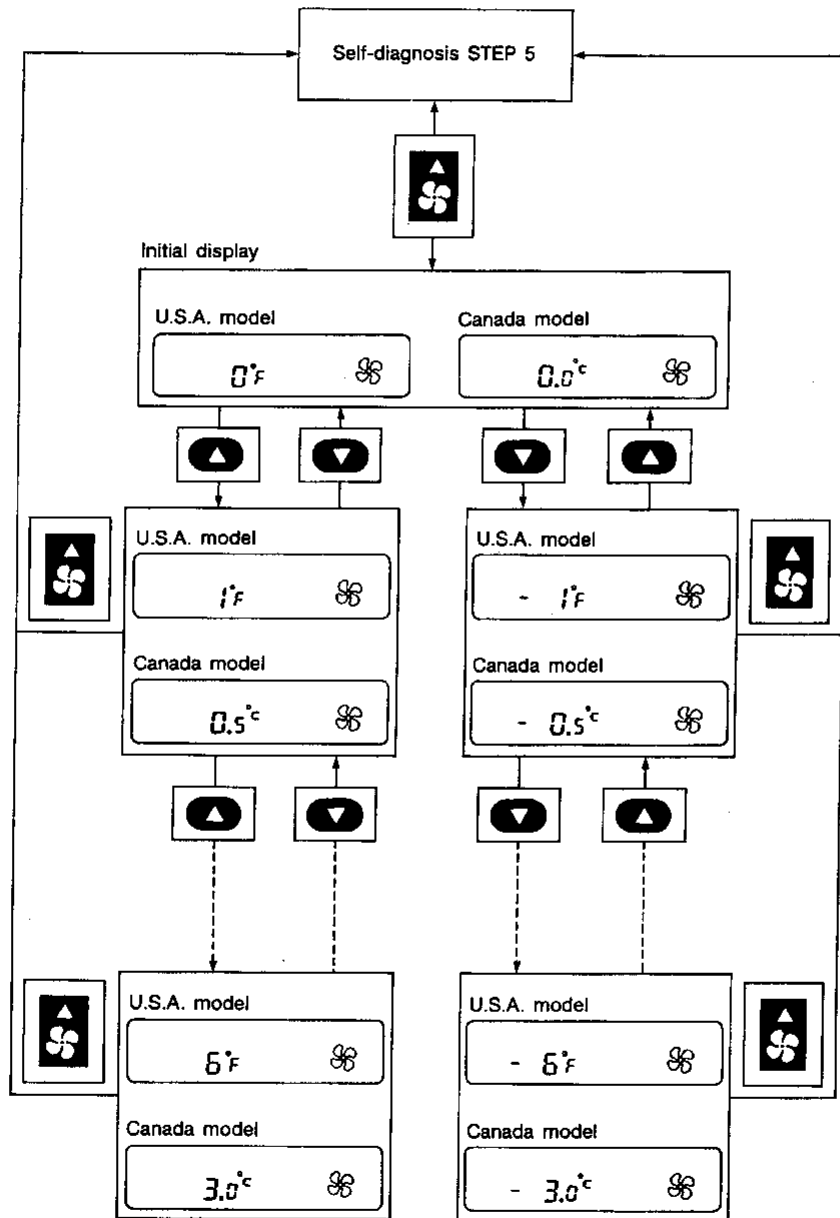
 (fan up) switch to set air conditioning system in auxiliary mode.

Display shows "5:" in auxiliary mechanism. It takes approximately

3 seconds. Then, press either  (HOT) or  (COLD) switch

as desired. Temperature will change at a rate of  $0.5^{\circ}\text{C}$  ( $1^{\circ}\text{F}$ ) each time a switch is pressed.

GI  
MA  
EM  
LC  
EC  
FE  
CL  
MT  
AT  
FA  
RA  
BR  
ST  
RS  
BT  
HA  
EL  
IDX



SHA197E

When battery cable is disconnected, trimmer operation is canceled and temperature set becomes that of initial condition, i.e.  $0^{\circ}\text{C}$  ( $0^{\circ}\text{F}$ ).



Preliminary Check

PRELIMINARY CHECK 1

Air outlet does not change.

- Perform Self-diagnosis STEP 1 before referring to the flow chart.

CHECK SENSOR CIRCUIT.  
Set up Self-diagnosis STEP 2.  
Is each sensor circuit normal?  
Code No. 20 should be indicated on the display after approx. 3 seconds.

No → CHECK SENSOR CIRCUIT IN DETAIL ACCORDING TO THE DIAGNOSTIC PROCEDURE BELOW CORRESPONDING TO EACH CODE NO.

Code No.	How to repair	Reference page
21	Go to Diagnostic Procedure 1.	HA-95
22	Go to Diagnostic Procedure 2.	HA-96
24	Go to Diagnostic Procedure 3.	HA-97
25	Go to Diagnostic Procedure 4.	HA-98
26	Go to Diagnostic Procedure 5.	HA-99
-21	Go to Diagnostic Procedure 1.	HA-95
-22	Go to Diagnostic Procedure 2.	HA-96
-24	Go to Diagnostic Procedure 3.	HA-97
-25	Go to Diagnostic Procedure 4.	HA-98
-26	Go to Diagnostic Procedure 5.	HA-99

Are sensor circuits for ambient sensor, in-vehicle sensor and intake sensor operating normally? If malfunction is suspected, check temperature detected by each sensor using Self-diagnosis STEP 5. Confirm the temperature is within normal range before performing Diagnostic Procedures.

Yes

CHECK MODE DOOR MOTOR.  
Set up Self-diagnosis STEP 3.  
Is mode door motor operating normally?  
Code No. 30 should be indicated on the display after approx. 3 seconds.

No → Go to Diagnostic Procedure 5. (HA-99)

Yes

CHECK MODE DOOR OPERATION.  
Set up Self-diagnosis STEP 4.  
Does air outlet change according to each code No.?

41	42	43	44	45	46
VENT	B/L	B/L	FOOT	F/D2	DEF

Refer to Air Flow. (HA-18)

No → CHECK SIDE LINK MECHANISM.  
Refer to CONTROL LINKAGE ADJUSTMENT. (HA-108)

NG → Repair or adjust.

OK

Go to Diagnostic Procedure 5. (HA-99)

Yes

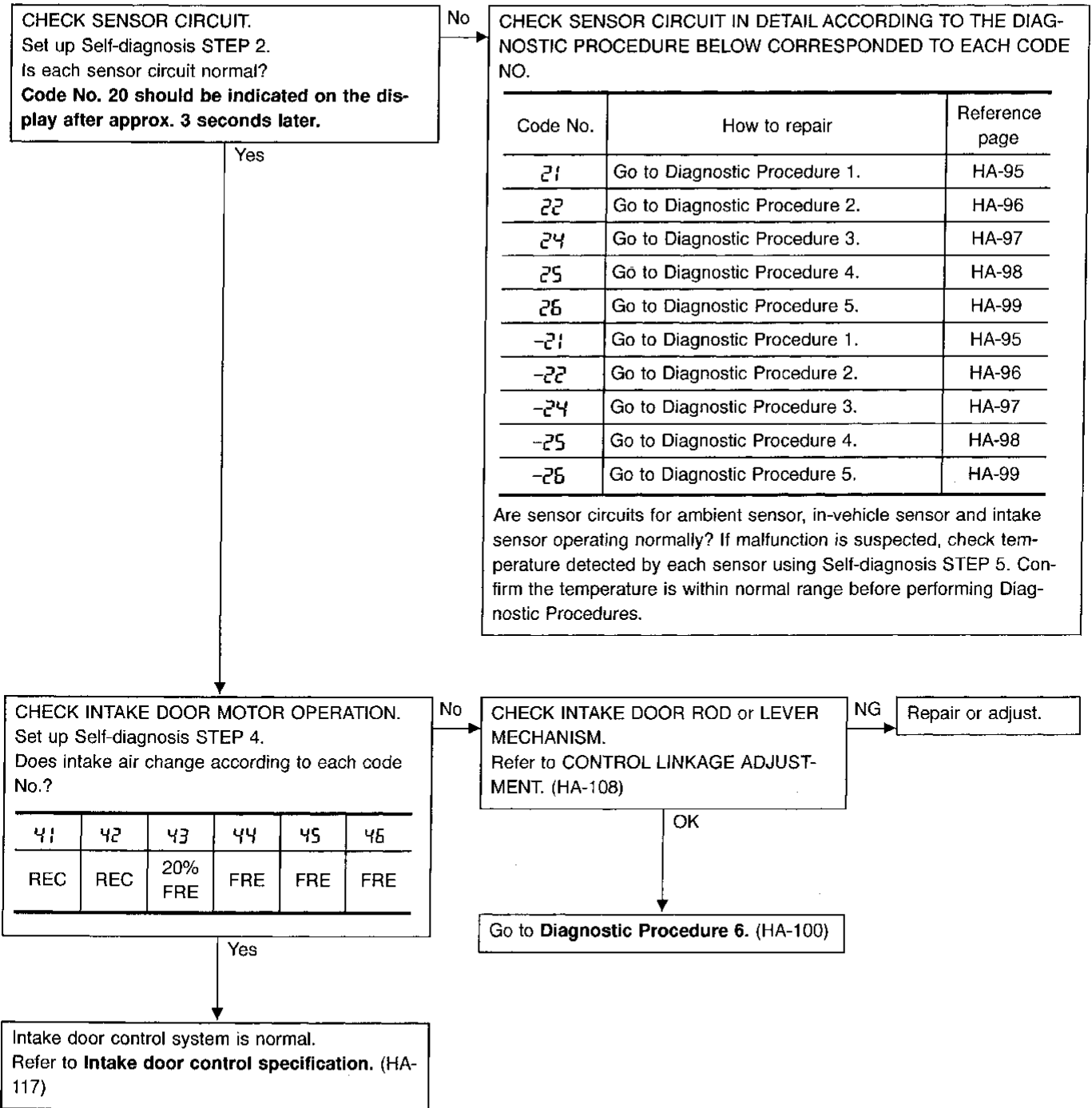
Air outlet control system is normal. Refer to Mode door control specification. (HA-116)

Preliminary Check (Cont'd)

PRELIMINARY CHECK 2

Intake door does not change.

- Perform Self-diagnosis STEP 1 before referring to the following flow chart.



CHECK SENSOR CIRCUIT IN DETAIL ACCORDING TO THE DIAGNOSTIC PROCEDURE BELOW CORRESPONDED TO EACH CODE NO.

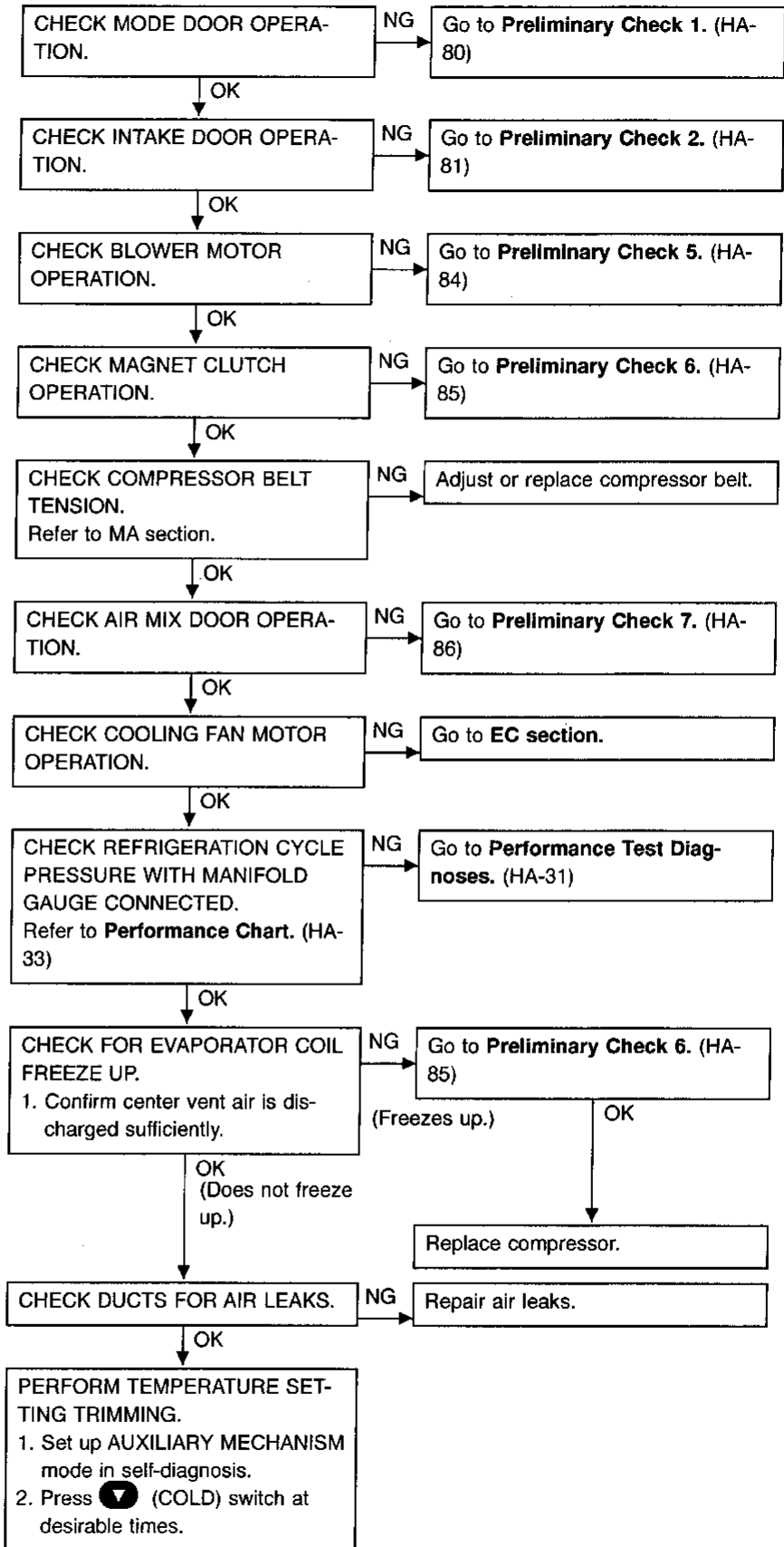
Code No.	How to repair	Reference page
21	Go to Diagnostic Procedure 1.	HA-95
22	Go to Diagnostic Procedure 2.	HA-96
24	Go to Diagnostic Procedure 3.	HA-97
25	Go to Diagnostic Procedure 4.	HA-98
26	Go to Diagnostic Procedure 5.	HA-99
-21	Go to Diagnostic Procedure 1.	HA-95
-22	Go to Diagnostic Procedure 2.	HA-96
-24	Go to Diagnostic Procedure 3.	HA-97
-25	Go to Diagnostic Procedure 4.	HA-98
-26	Go to Diagnostic Procedure 5.	HA-99

Are sensor circuits for ambient sensor, in-vehicle sensor and intake sensor operating normally? If malfunction is suspected, check temperature detected by each sensor using Self-diagnosis STEP 5. Confirm the temperature is within normal range before performing Diagnostic Procedures.

CI  
MA  
EM  
LC  
EC  
FE  
CL  
MT  
AT  
FA  
RA  
BR  
ST  
RS  
BT  
HA  
EL  
IDX

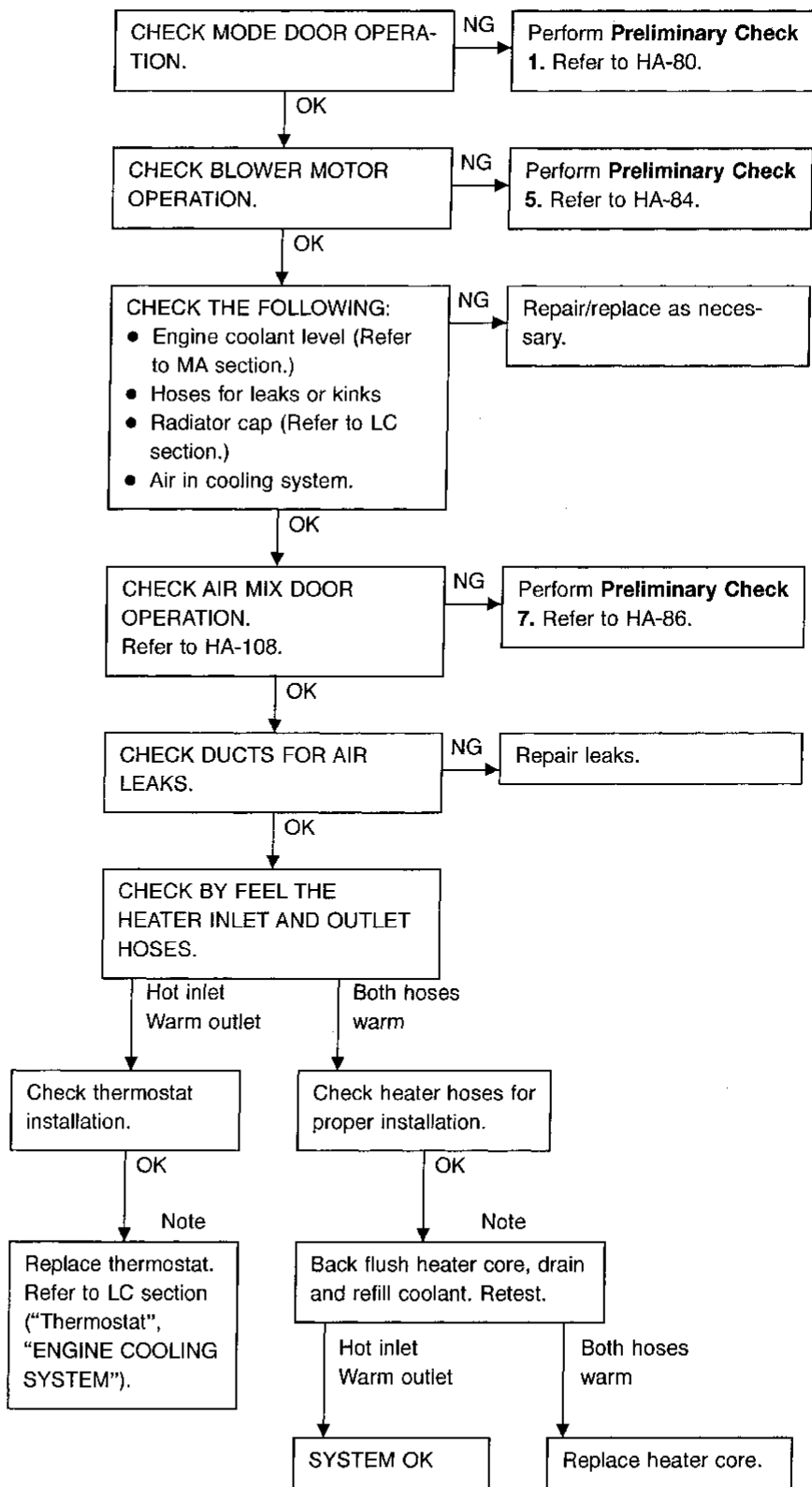
**PRELIMINARY CHECK 3**  
Insufficient cooling

**Preliminary Check (Cont'd)**



**Preliminary Check (Cont'd)**

**PRELIMINARY CHECK 4**  
**Insufficient heating**



GI  
 MA  
 EM  
 LC  
 EC  
 FE  
 CL  
 MT  
 AT  
 FA  
 RA  
 BR  
 ST  
 RS  
 BT  
**HA**  
 EL  
 IDX

Note: To avoid unnecessary service of heating system, first perform TEMPERATURE SETTING TRIMMING. Refer to "AUXILIARY MECHANISM", "Self-diagnosis". (HA-79)

Preliminary Check (Cont'd)

PRELIMINARY CHECK 5

Blower motor operation is malfunctioning.

- Perform Self-diagnosis STEP 1 before referring to the following flow chart.

CHECK SENSOR CIRCUIT.  
Set up Self-diagnosis STEP 2.  
Is each sensor circuit normal?  
**Code No. 20 should be indicated on the display after approx. 3 seconds.**

No → CHECK SENSOR CIRCUIT IN DETAIL ACCORDING TO THE DIAGNOSTIC PROCEDURE BELOW CORRESPONDING TO EACH CODE NO.

Code No.	How to repair	Reference page
21	Go to Diagnostic Procedure 1.	HA-95
22	Go to Diagnostic Procedure 2.	HA-96
24	Go to Diagnostic Procedure 3.	HA-97
25	Go to Diagnostic Procedure 4.	HA-98
26	Go to Diagnostic Procedure 5.	HA-99
-21	Go to Diagnostic Procedure 1.	HA-95
-22	Go to Diagnostic Procedure 2.	HA-96
-24	Go to Diagnostic Procedure 3.	HA-97
-25	Go to Diagnostic Procedure 4.	HA-98
-26	Go to Diagnostic Procedure 5.	HA-99

Are sensor circuits for ambient sensor, in-vehicle sensor and intake sensor operating normally? If malfunction is suspected, check temperature detected by each sensor using Self-diagnosis STEP 5. Confirm the temperature is within normal range before performing Diagnostic Procedures.

Yes

CHECK BLOWER MOTOR OPERATION.  
Set up Self-diagnosis STEP 4.  
Does blower speed change according to each code No.?

Code No.	41	42	43	44	45	46
Blower motor speed	Low	Middle high	Middle low		High	

No

Go to Diagnostic Procedure 7. (HA-102)

Yes

Is engine coolant temperature below 50°C (122°F) and ambient temperature below 15°C (59°F)?

No

Blower motor operation is normal.  
Refer to Fan speed control specification. (HA-119)

Yes

IS BLOWER MOTOR CONTROLLED UNDER STARTING FAN SPEED CONTROL?  
Refer to Starting fan speed control. (HA-119)

No

Check thermal transmitter.  
Refer to EL section.

Yes

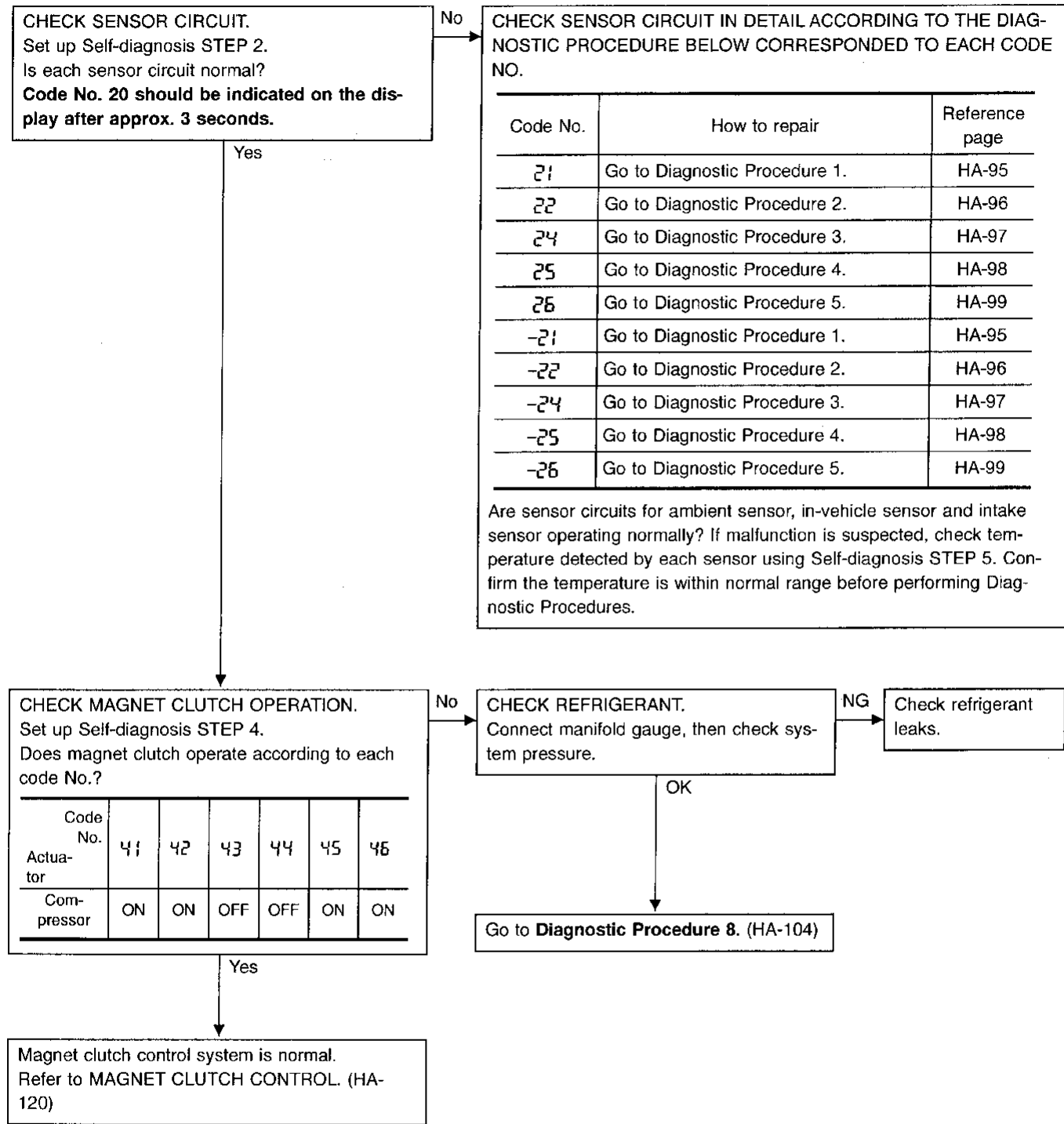
Blower motor operation is normal.

Preliminary Check (Cont'd)

PRELIMINARY CHECK 6

Magnet clutch does not engage.

Perform Self-diagnosis STEP 1 before referring to the following flow chart.



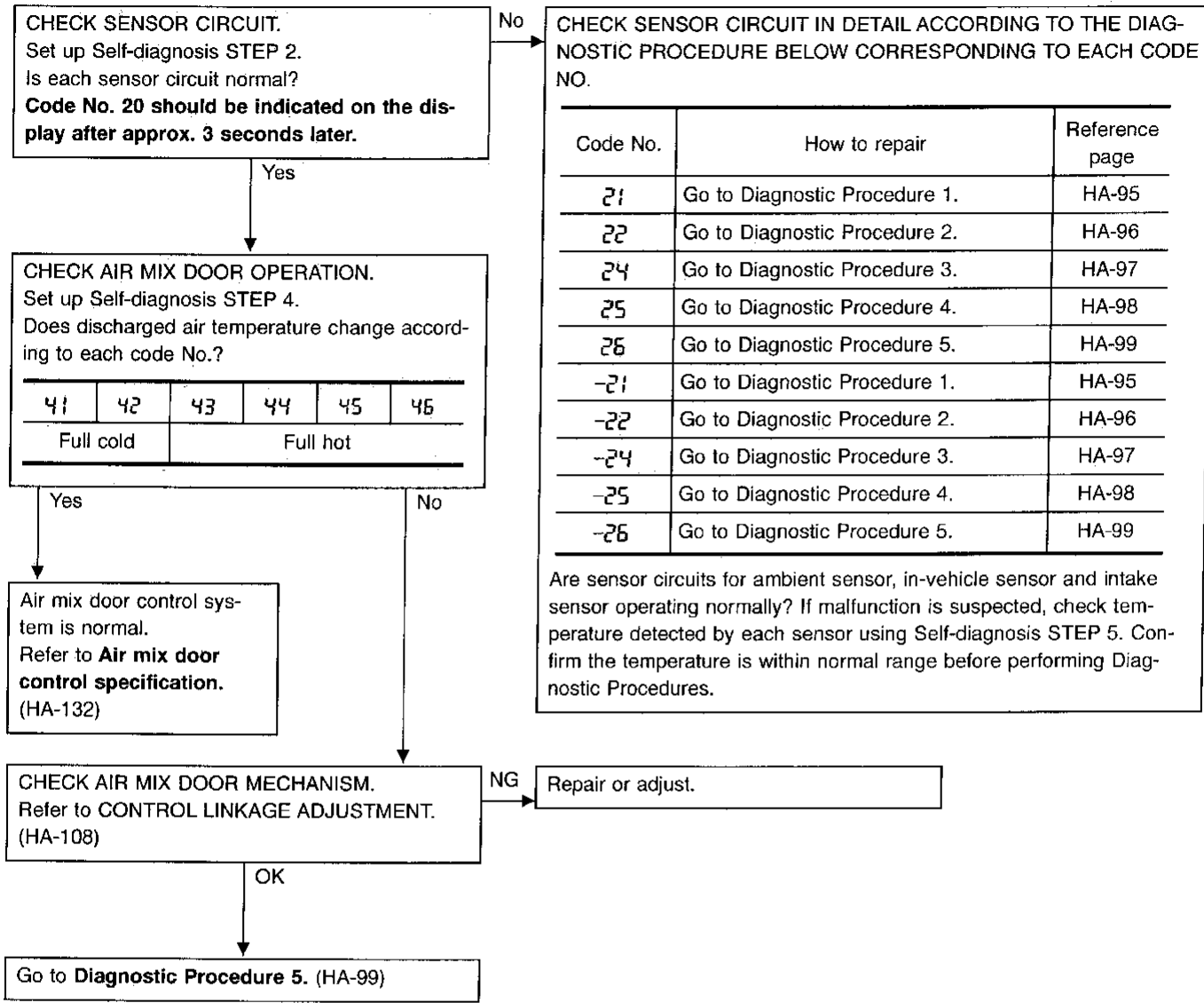
GI  
MA  
EM  
LC  
EC  
FE  
CL  
MT  
AT  
FA  
RA  
BR  
ST  
RS  
BT  
HA  
EL  
IDX

Preliminary Check (Cont'd)

PRELIMINARY CHECK 7

Discharged air temperature does not change.

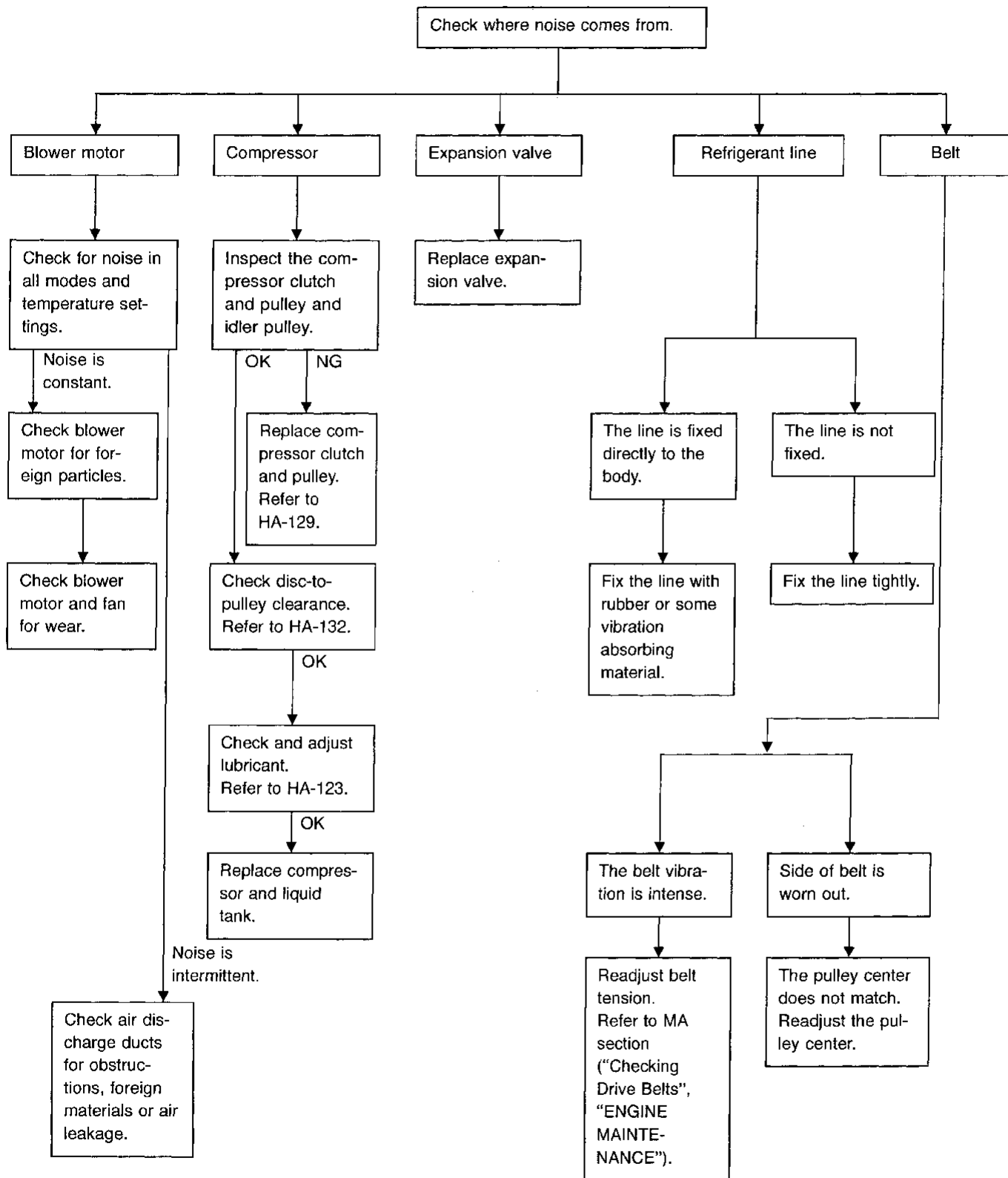
Perform Self-diagnosis STEP 1 before referring to the following flow chart.



Preliminary Check (Cont'd)

PRELIMINARY CHECK 8

Noise



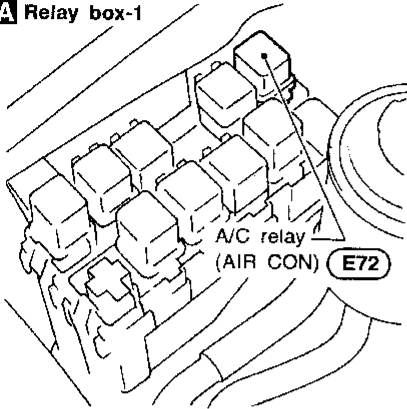
GI  
MA  
EM  
LC  
EC  
FE  
CL  
MT  
AT  
FA  
RA  
BR  
ST  
RS  
BT  
HA  
EL  
IDX



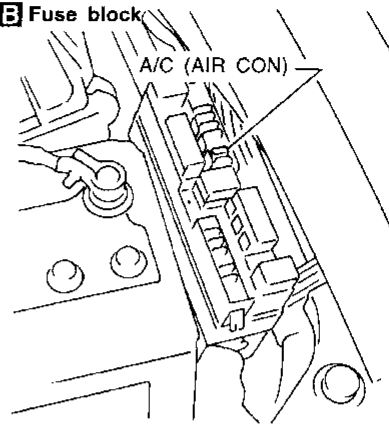
Harness Layout

ENGINE COMPARTMENT

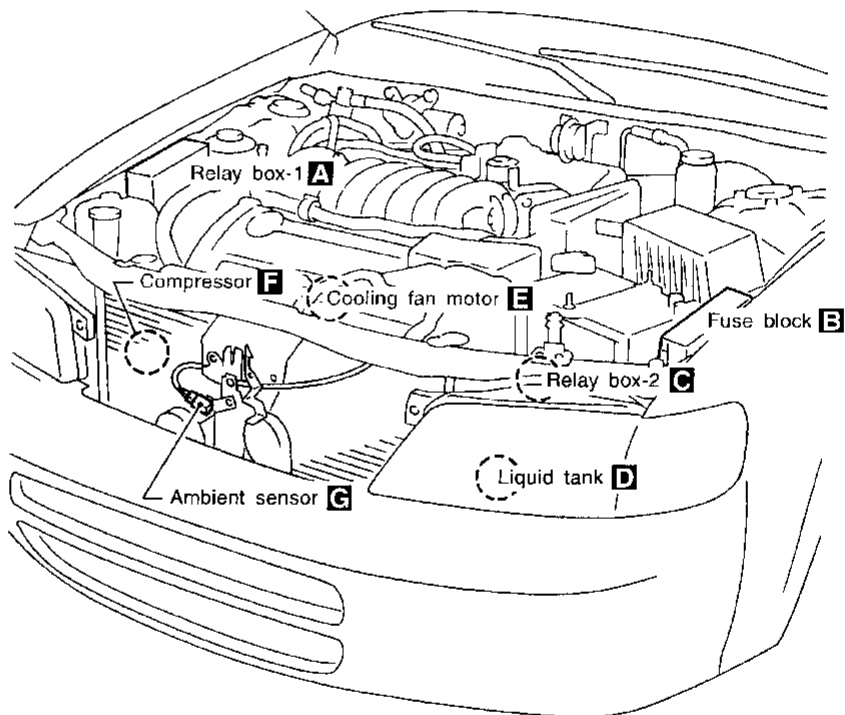
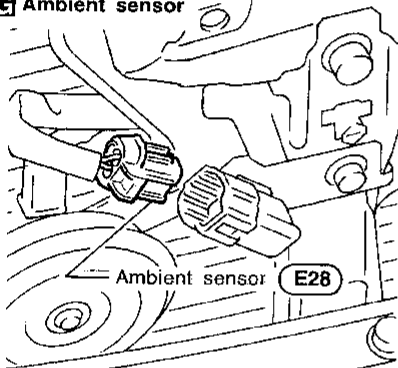
**A** Relay box-1



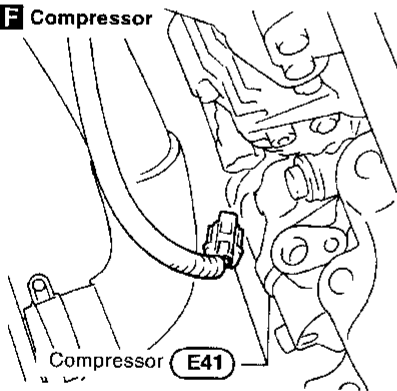
**B** Fuse block



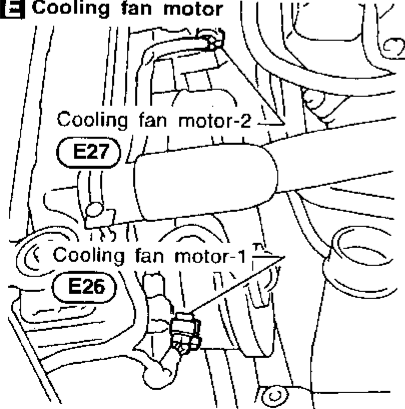
**C** Ambient sensor



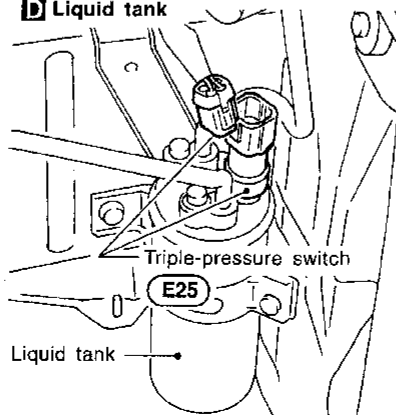
**F** Compressor



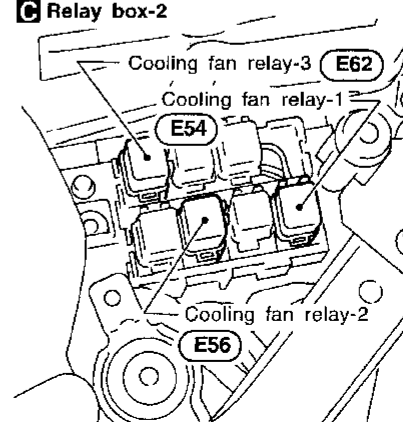
**E** Cooling fan motor



**D** Liquid tank



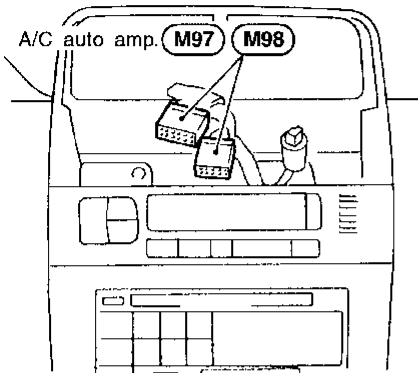
**C** Relay box-2



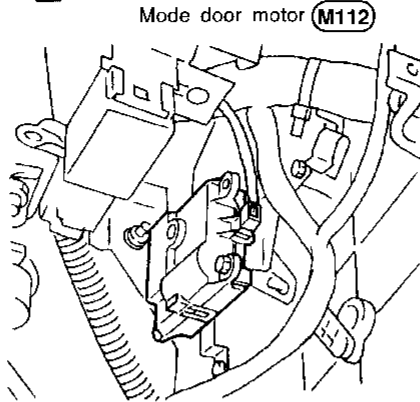
Harness Layout (Cont'd)

PASSENGER COMPARTMENT

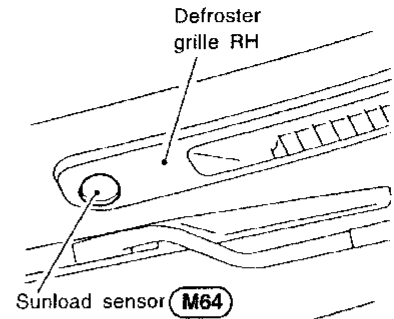
**A** Control unit



**B** Mode door motor



**C** Sunload sensor



A/C auto amp. **A** **M97** **M98**

In-vehicle sensor **C** **M41**

Mode door motor **B** **M112**

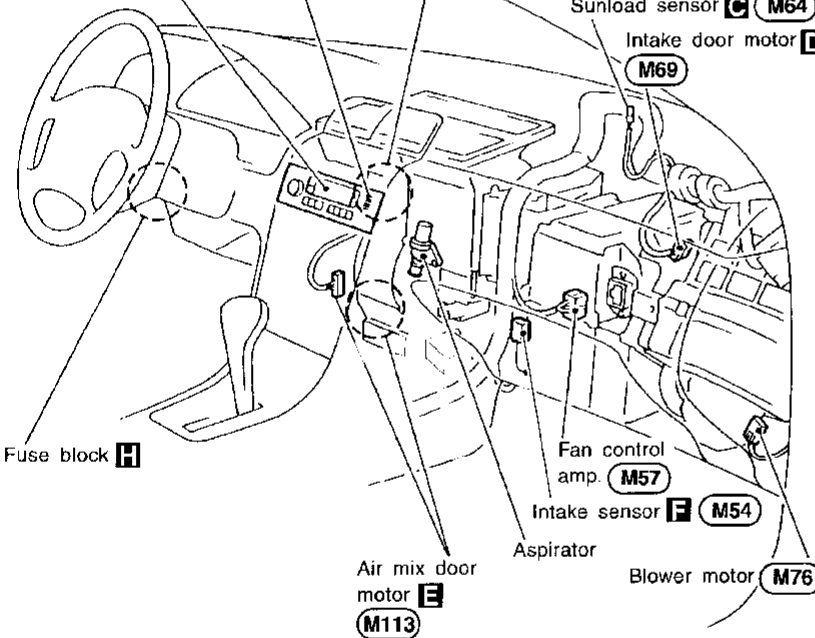
Sunload sensor **C** **M64**

Intake door motor **D**

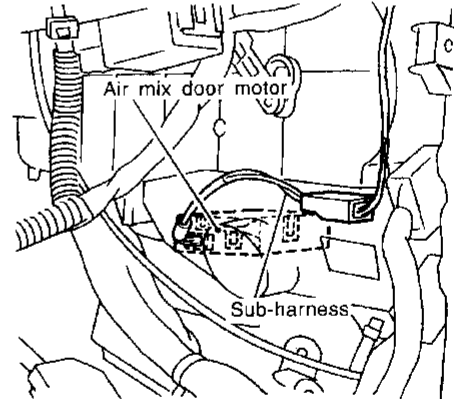
**M69**

**D** Intake door motor

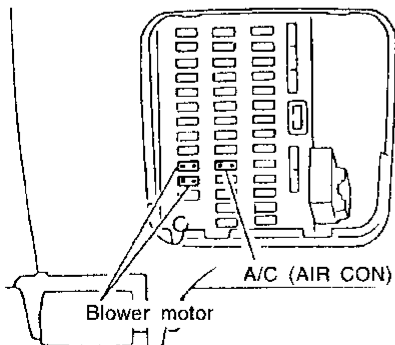
Intake door motor **M69**



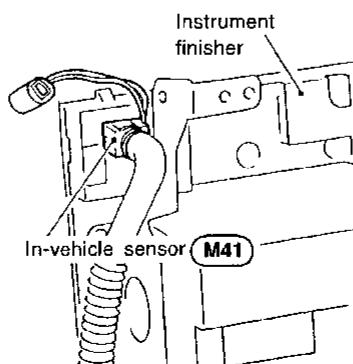
**E** Air mix door motor



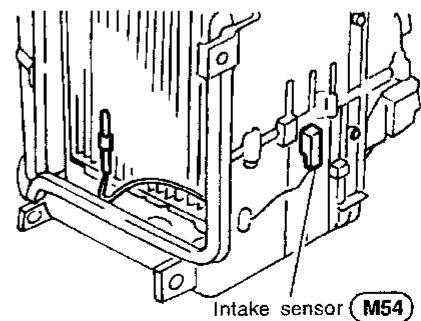
**H** Fuse block



**G** In-vehicle sensor

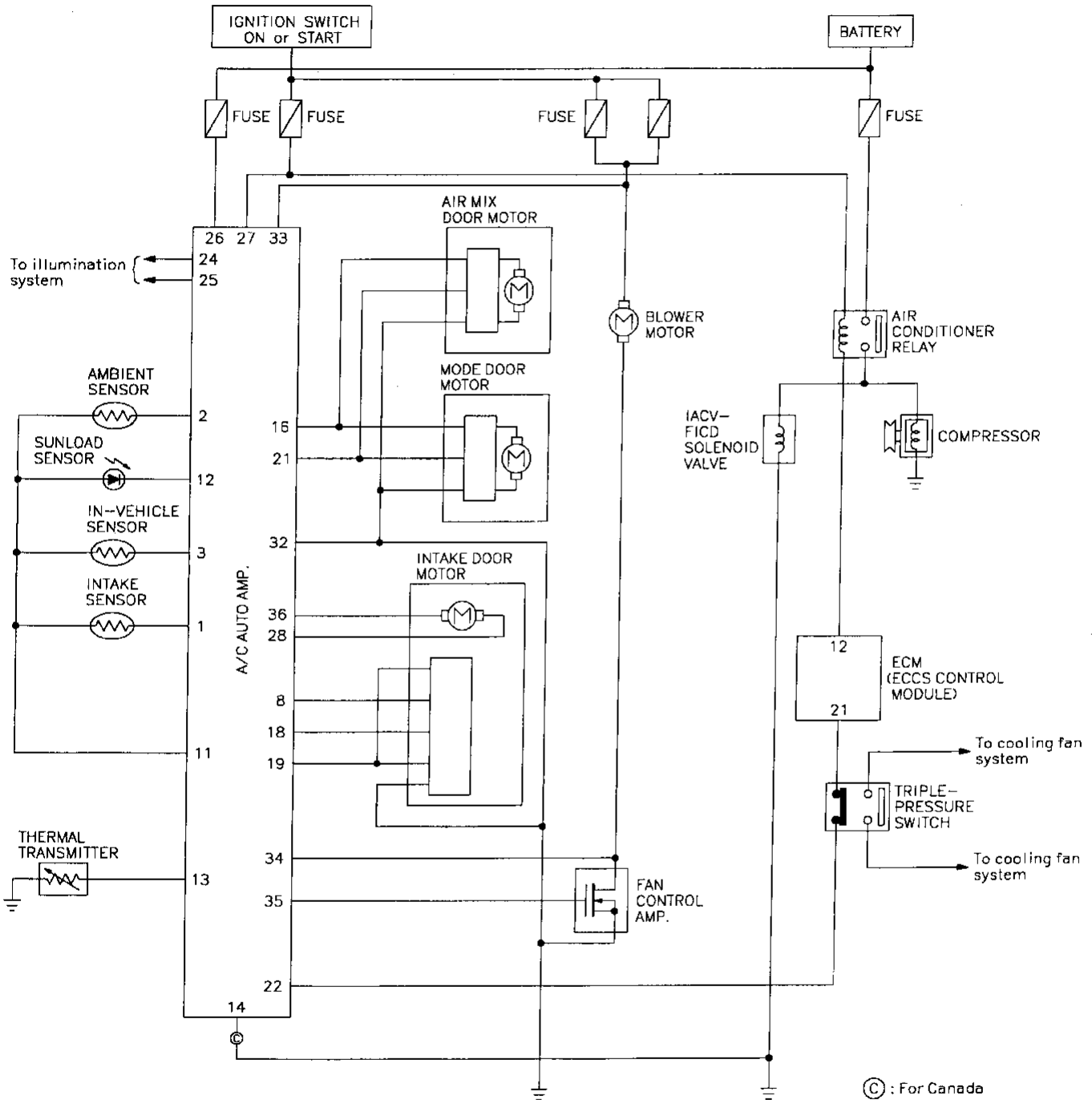


**F** Intake sensor



GI  
MA  
EM  
LC  
EC  
FE  
CL  
MT  
AT  
FA  
RA  
BR  
ST  
RS  
BT  
HA  
EL  
IDX

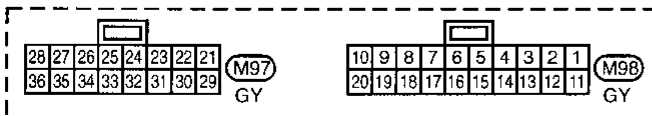
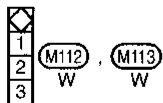
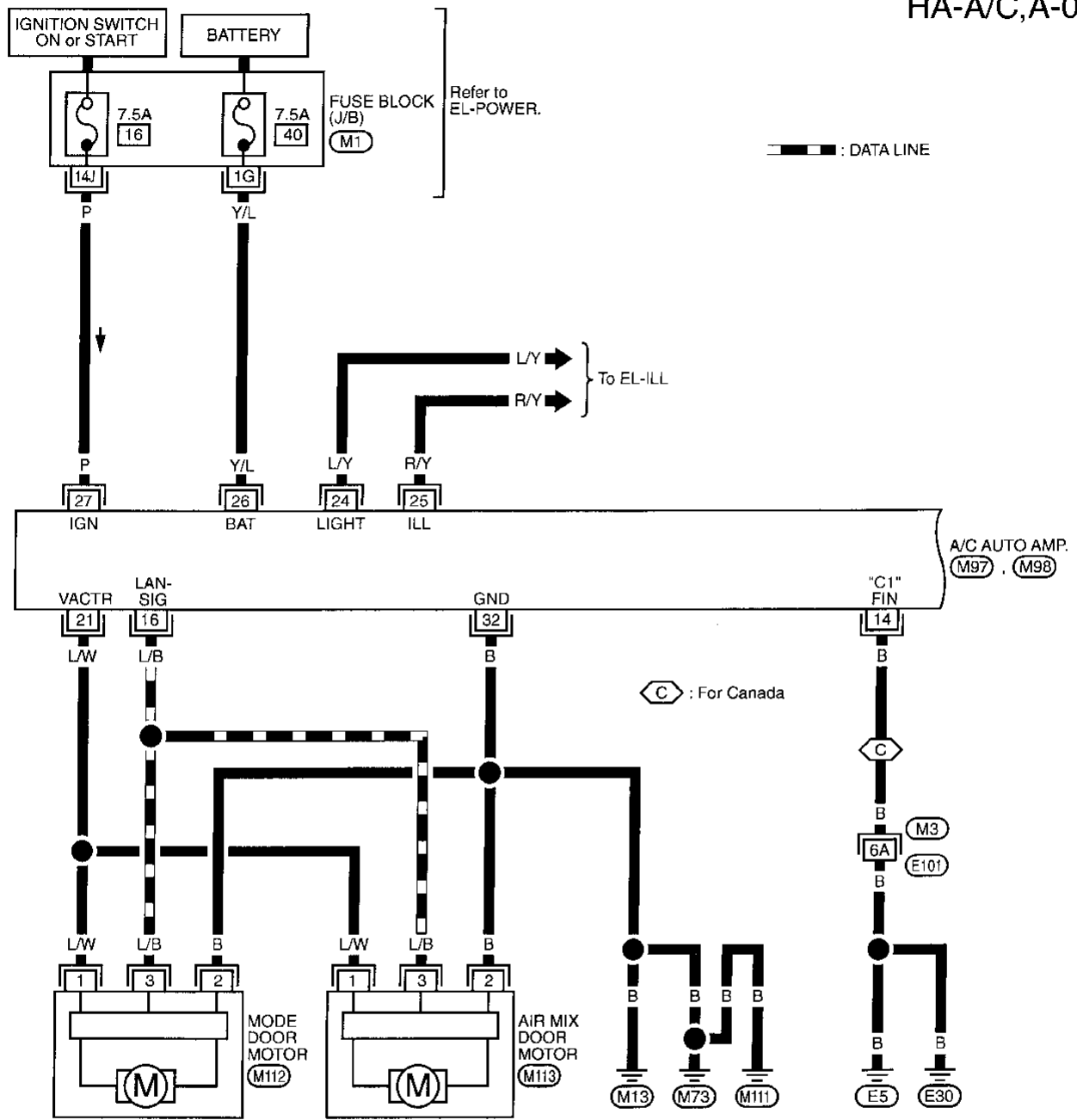
Circuit Diagram



© : For Canada

Wiring Diagram — A/C, A —

HA-A/C,A-01



Refer to last page (Foldout page).

M1

GI

MA

EM

LC

EC

FE

CL

MT

AT

FA

RA

BR

ST

RS

BT

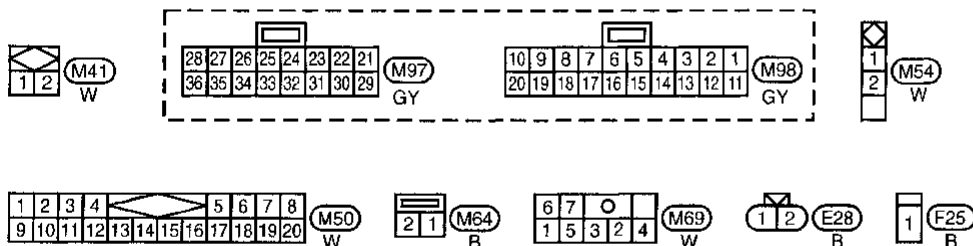
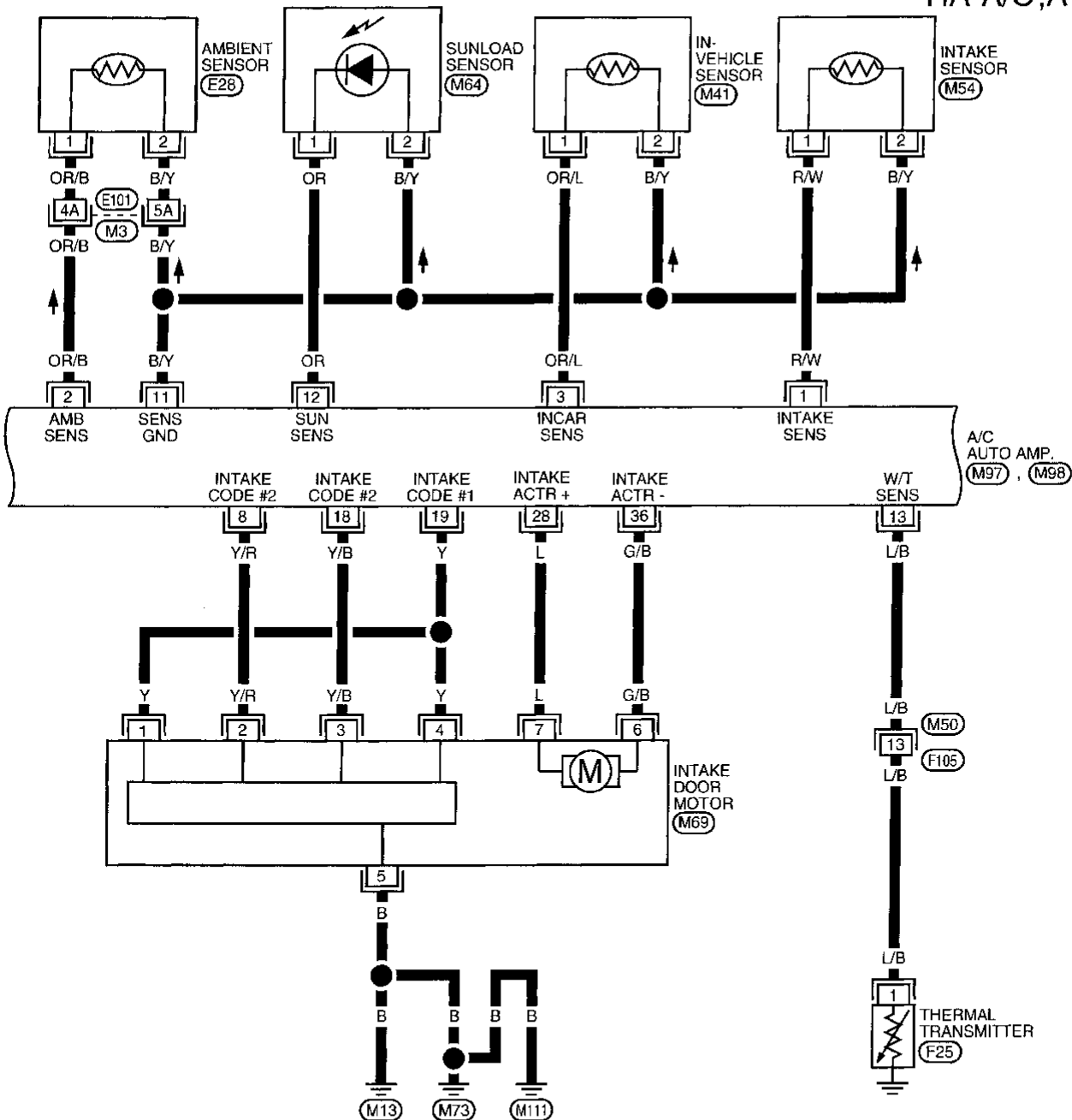
HA

EL

IDX

Wiring Diagram — A/C, A — (Cont'd)

HA-A/C,A-02

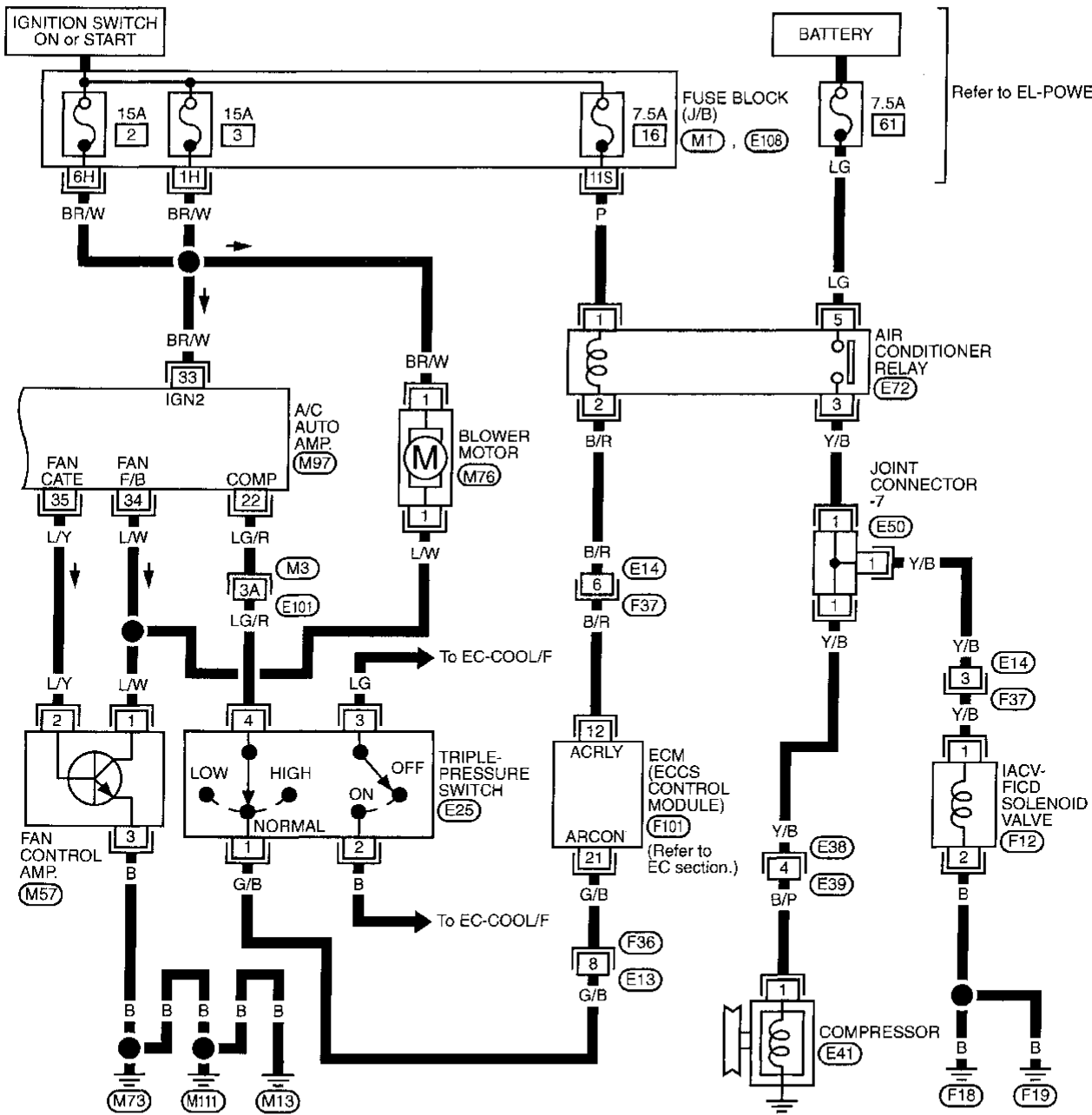


Refer to last page (Foldout page).

(M3) . (E101)

Wiring Diagram — A/C, A — (Cont'd)

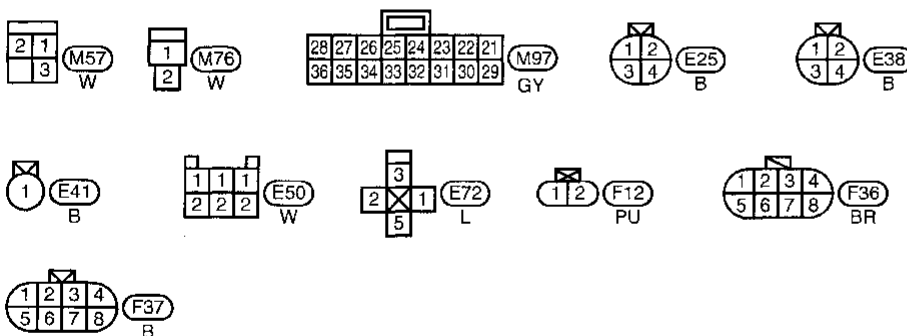
HA-A/C,A-03



Refer to EL-POWER.

GI  
MA  
EM  
LC  
EC  
FE  
CL  
MT  
AT  
FA  
RA  
BR  
ST  
RS

Refer to last page (Foldout page).

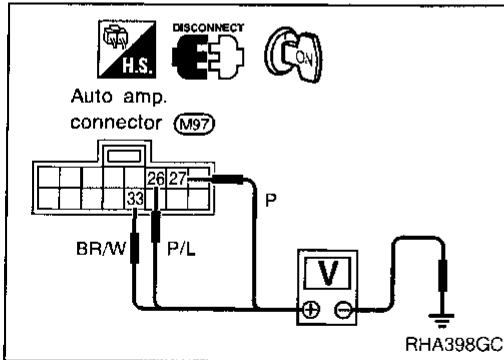


BT  
HA  
EL  
IDX

### Main Power Supply and Ground Circuit Check POWER SUPPLY CIRCUIT CHECK FOR AUTO A/C SYSTEM

Check power supply circuit for auto air conditioning system.

Refer to "POWER SUPPLY ROUTING" in EL section and Wiring Diagram.

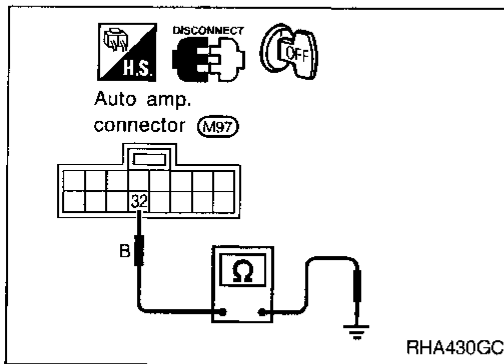


### AUTO AMP. (LCU) CHECK

Check power supply circuit for auto amp. (LCU) with ignition switch ON.

1. Disconnect auto amp. (LCU) harness connector.
2. Connect voltmeter from harness side.
3. Measure voltage across terminal ②⑥, ②⑦, ③③ and body ground.

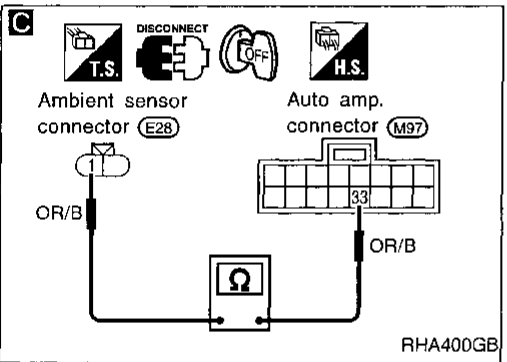
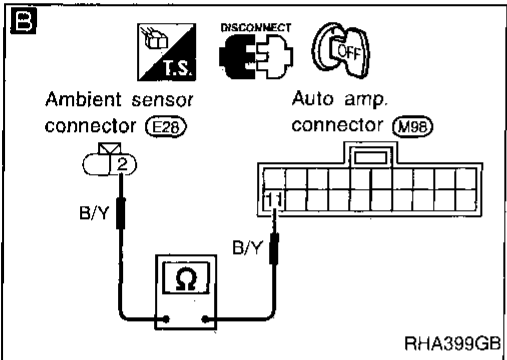
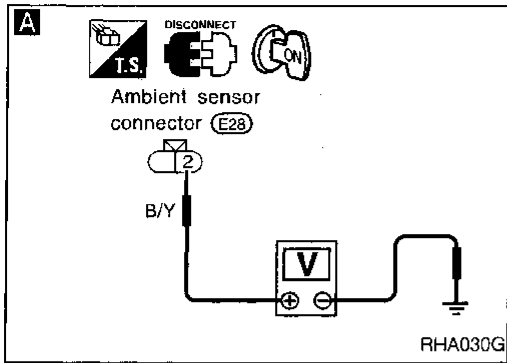
Voltmeter terminal		Voltage
⊕	⊖	
②⑥, ②⑦, ③③	Body ground	Approx. 12V



Check body ground circuit for push control unit.

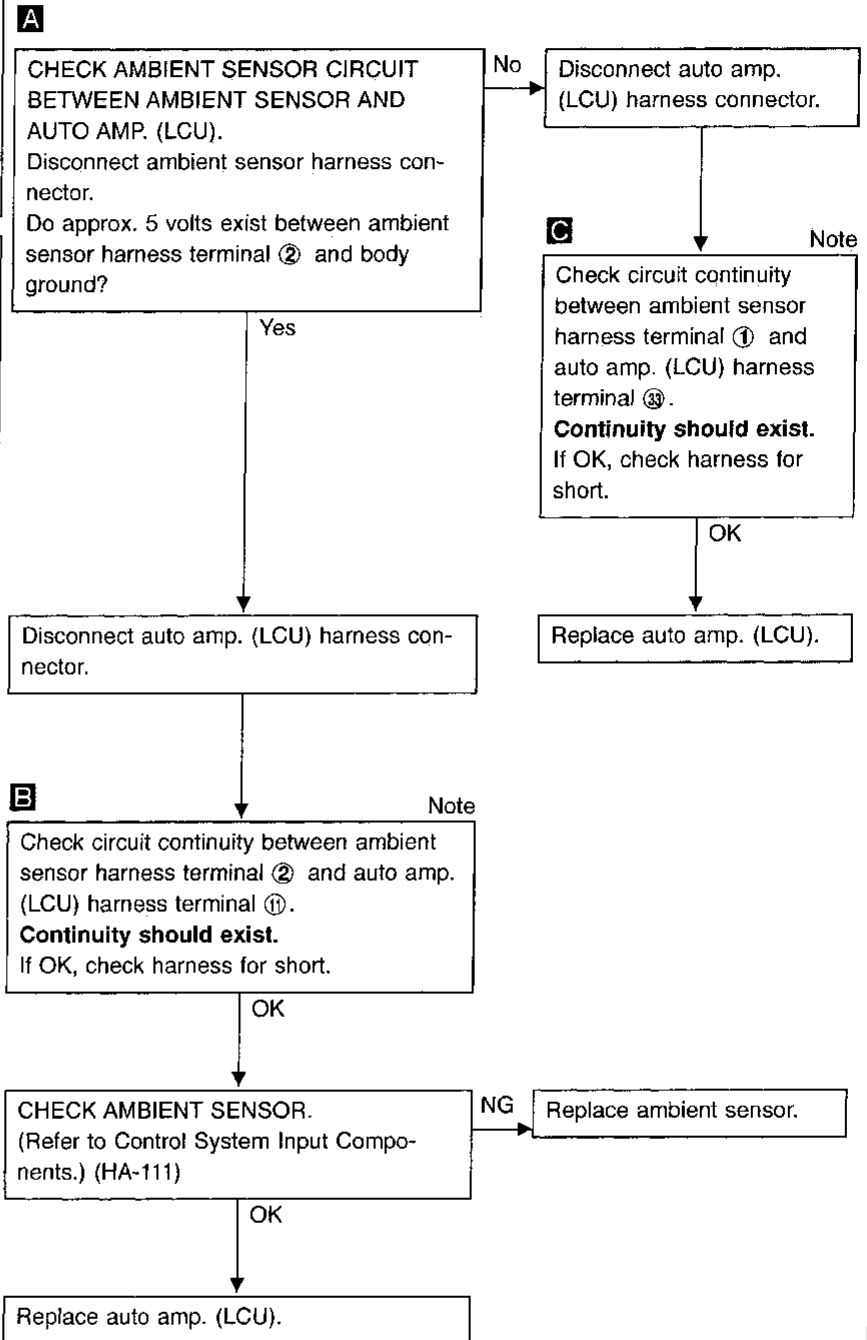
1. Disconnect push control unit harness connector.
2. Connect ohmmeter from harness side.
3. Check for continuity between terminal ③② and body ground.

Ohmmeter terminal		Continuity
⊕	⊖	
③②	Body ground	Yes



**Diagnostic Procedure 1**

**SYMPTOM:** Ambient sensor circuit is open or shorted. (2; or -2; is indicated on display as a result of conducting Self-diagnosis STEP 2.)



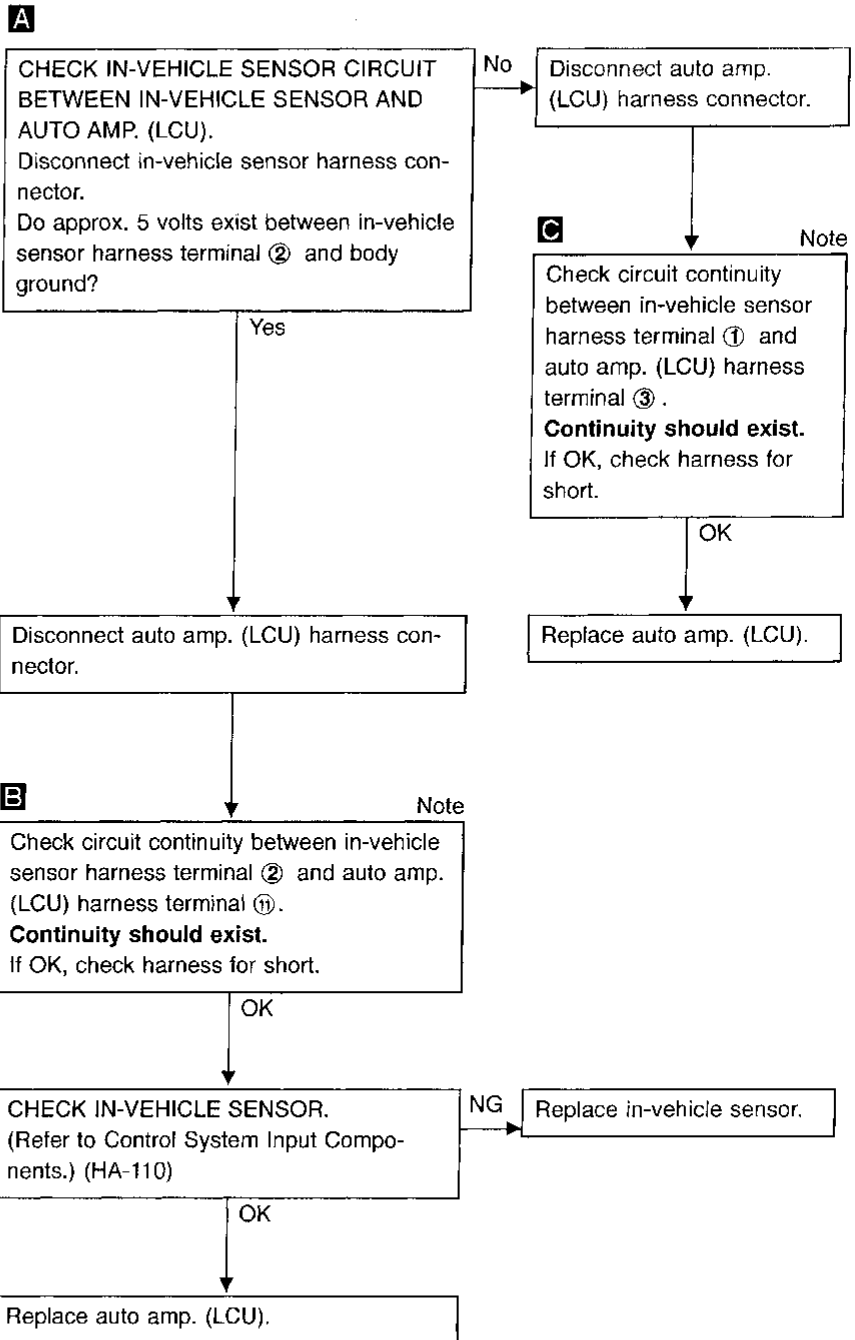
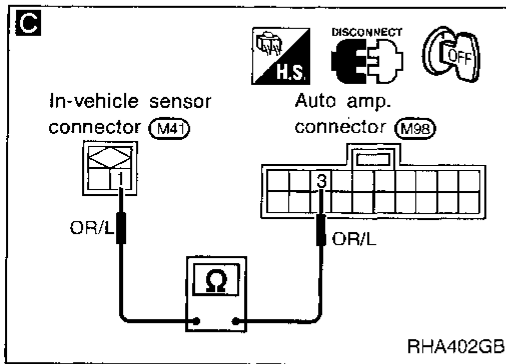
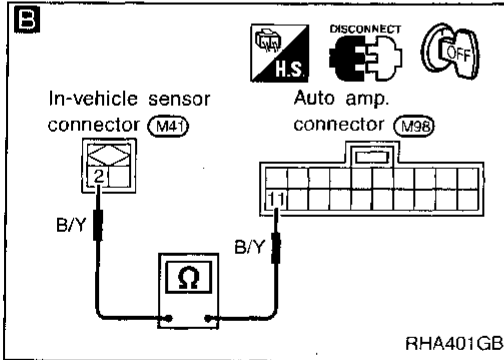
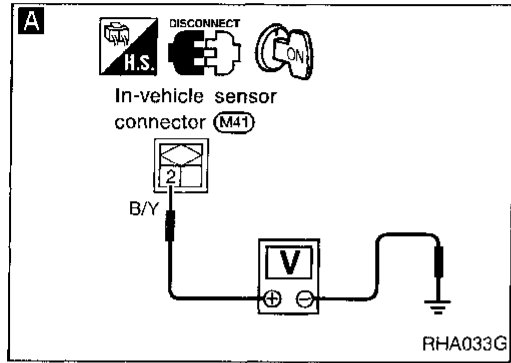
**Note:**  
If the result is NG or No after checking circuit continuity, repair harness or connector.

GI  
MA  
EM  
LC  
EC  
FE  
CL  
MT  
AT  
FA  
RA  
BR  
ST  
RS  
BT  
HA  
EL  
IDX

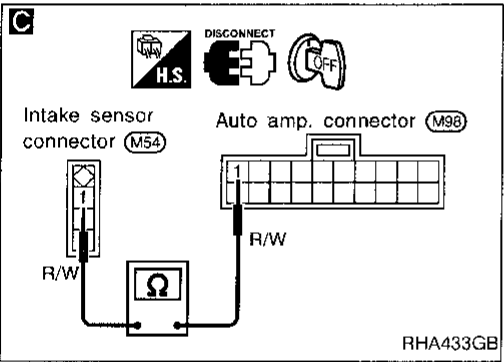
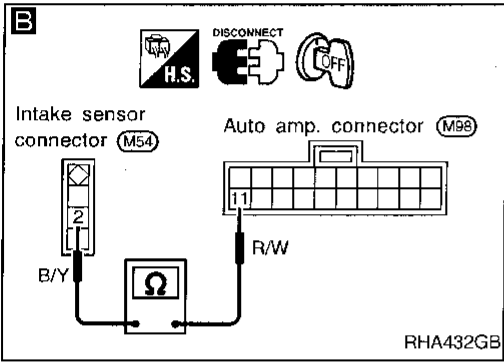
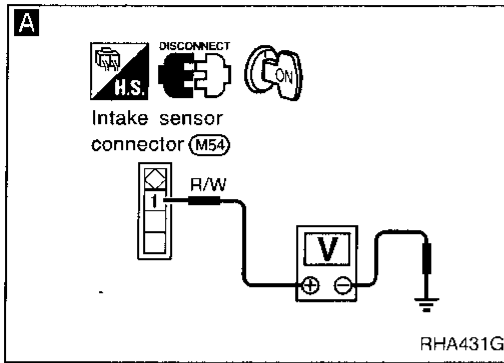


**Diagnostic Procedure 2**

**SYMPTOM:** In-vehicle sensor circuit is open or shorted. (?? or -?? is indicated on display as a result of conducting Self-diagnosis STEP 2.)

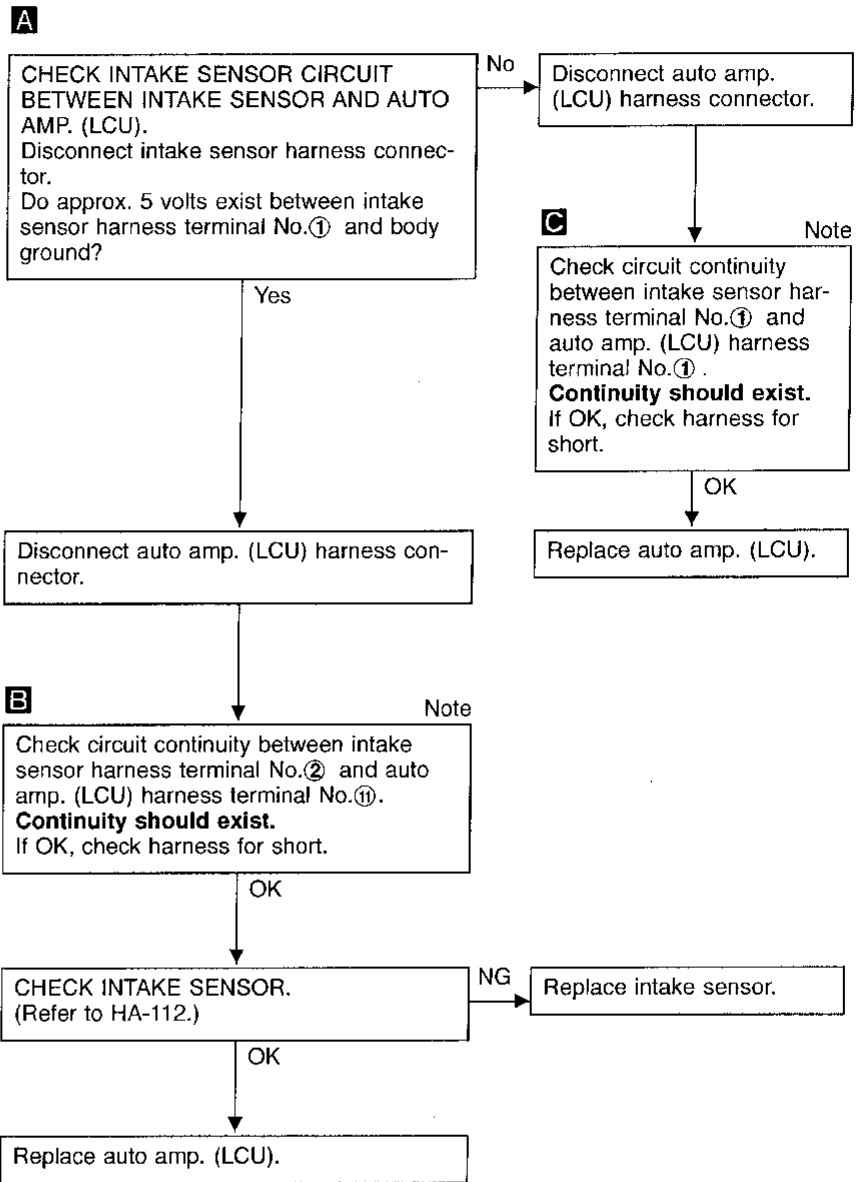


**Note:**  
If the result is NG or No after checking circuit continuity, repair harness or connector.



**Diagnostic Procedure 3**

**SYMPTOM: Intake sensor circuit is open or shorted. (P4 or -P4 is indicated on auto amp. as a result of conducting Self-diagnosis STEP 2.)**

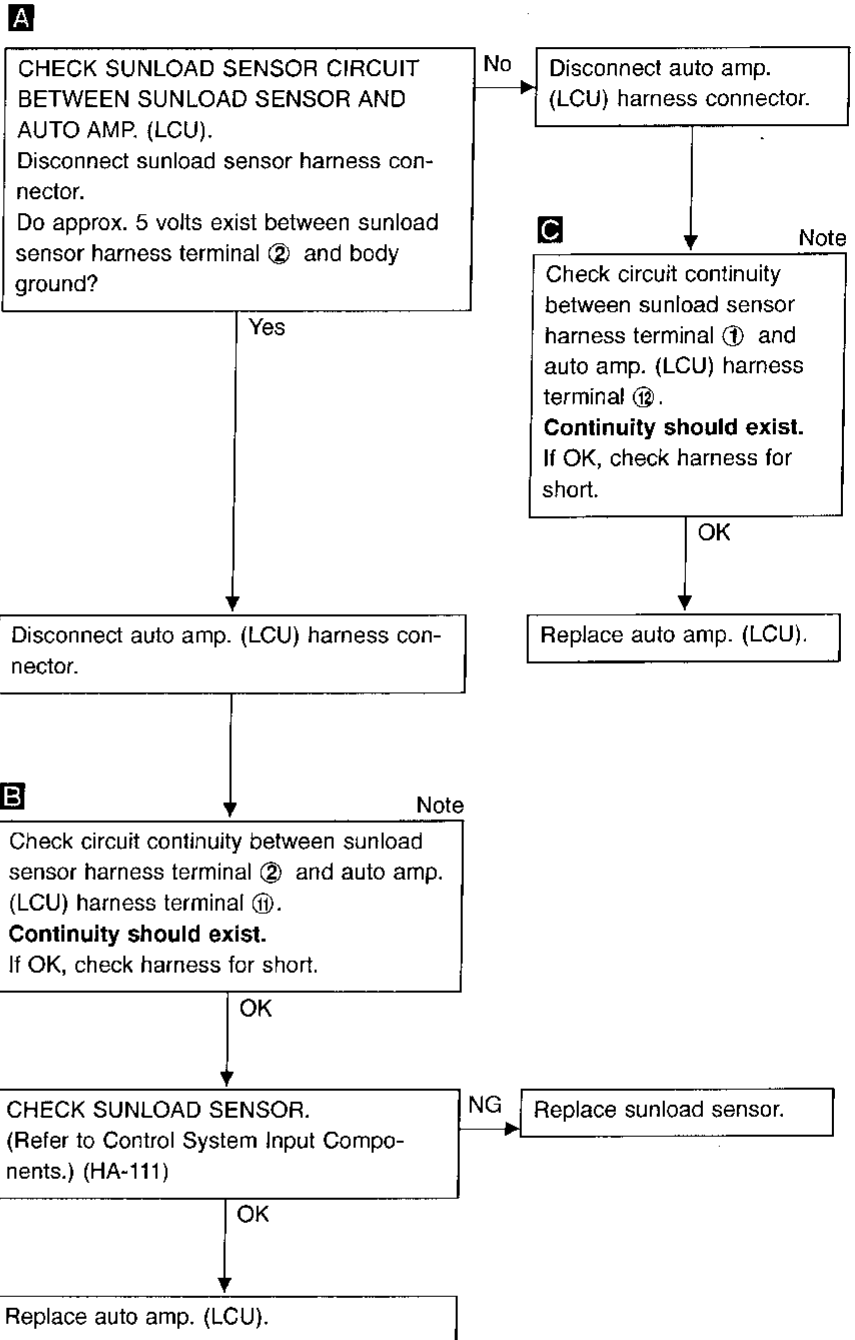
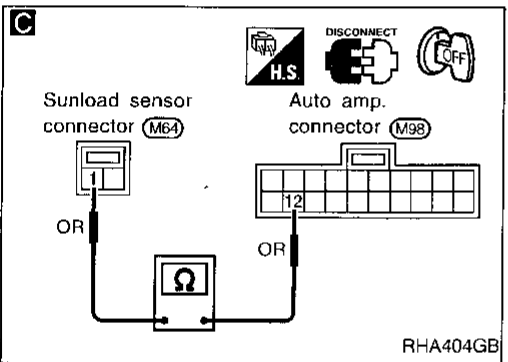
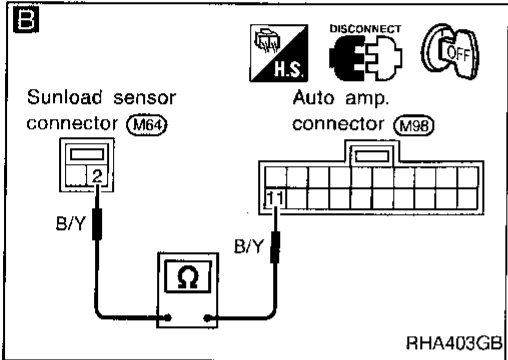
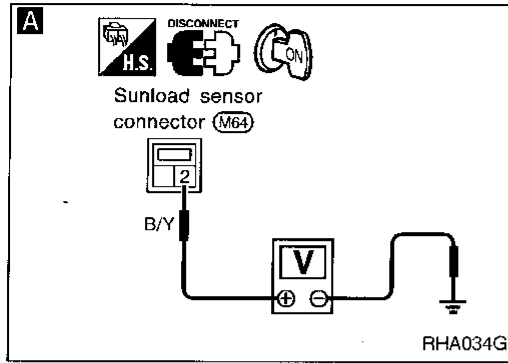


**Note:**  
If the result is NG or No after checking circuit continuity, repair harness or connector.

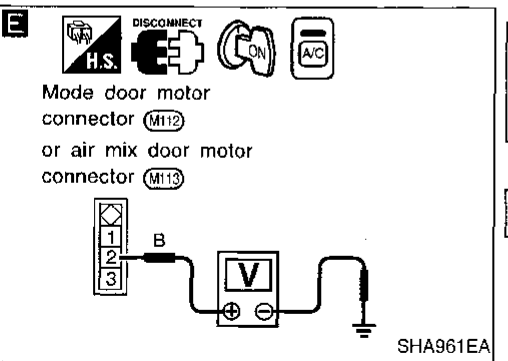
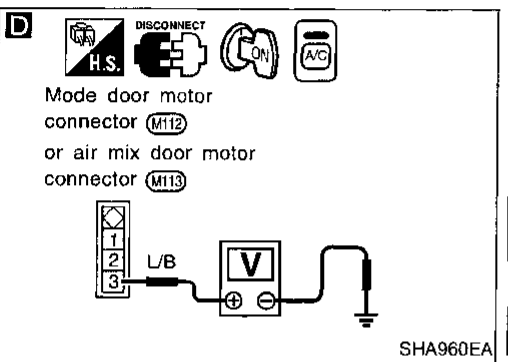
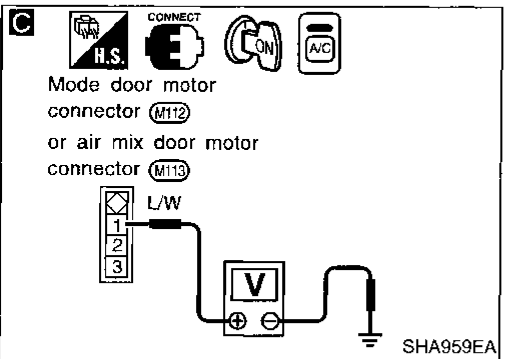
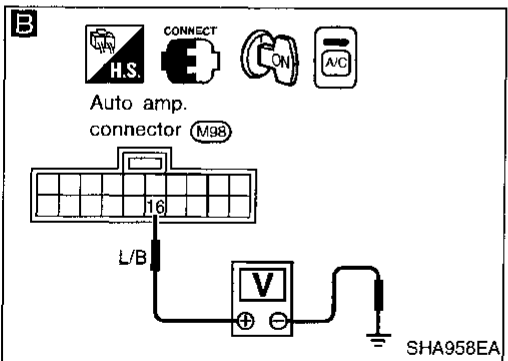
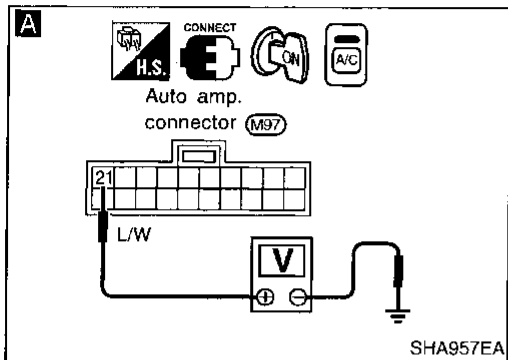
CI  
MA  
EM  
LC  
EC  
FE  
CL  
MT  
AT  
FA  
RA  
BR  
ST  
RS  
BT  
HA  
EL  
IDX

**Diagnostic Procedure 4**

**SYMPTOM:** Sunload sensor circuit is open or shorted. (25 or -25 is indicated on display as a result of conducting Self-diagnosis STEP 2.)



**Note:**  
If the result is NG or No after checking circuit continuity, repair harness or connector.



**Diagnostic Procedure 5**

**SYMPTOM: Mode door motor and/or air mix door motor do not operate normally.**  
(26 or -26 is indicated on auto amp. as a result of conducting Self-diagnosis STEP 2.)

**A**

CHECK POWER SUPPLY FOR AUTO AMP. (LCU) SIDE.  
Do approx. 12 volts exist between auto amp. (LCU) terminal ② and body ground?

No → Replace auto amp. (LCU).

Yes ↓

**B**

CHECK SIGNAL AUTO AMP. (LCU) SIDE.  
Do approx. 5.5 volts exist between auto amp. (LCU) terminal ⑬ and body ground?

No → Replace auto amp. (LCU).

Yes ↓

**C** Note

CHECK POWER SUPPLY FOR MOTOR SIDE.  
Do approx. 12 volts exist between door motor (LCU) harness terminal ① and body ground?

Yes ↓

**D** Note

CHECK SIGNAL MOTOR SIDE.  
Do approx. 5.5 volts exist between door motor (LCU) terminal ③ and body ground?

Yes ↓

**E** Note

CHECK MOTOR GROUND CIRCUIT.  
Check harness continuity between door motor (LCU) harness terminal ② and body ground.

OK ↓

Disconnect the mode door motor and air mix door motor connector.

↓

CHECK THE MODE DOOR MOTOR OPERATION.  
Reconnect the mode door motor and confirm the motor operation.

Mode door motor operates normally.  
OK → Replace the air mix door motor.

NG ↓

Disconnect the mode door motor.

↓

CHECK THE AIR MIX DOOR MOTOR OPERATION.  
Reconnect the air mix door motor and confirm the motor operation.

Air mix door motor operates normally.  
OK → Replace the mode door motor.

NG ↓

Replace the auto amp. (LCU).

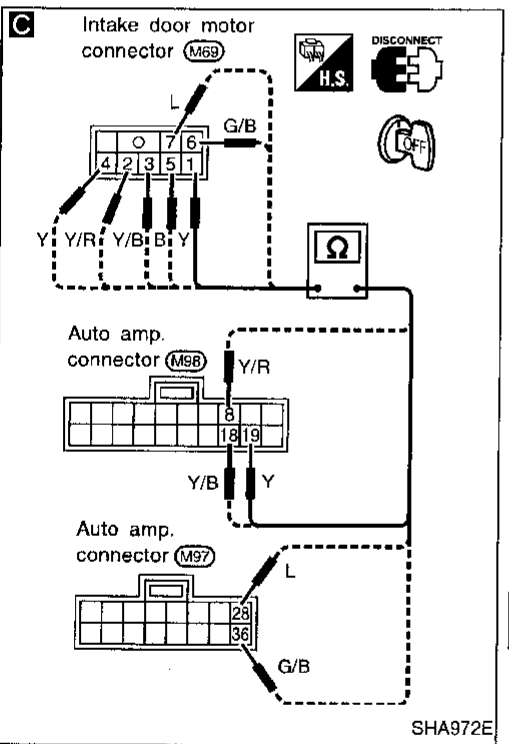
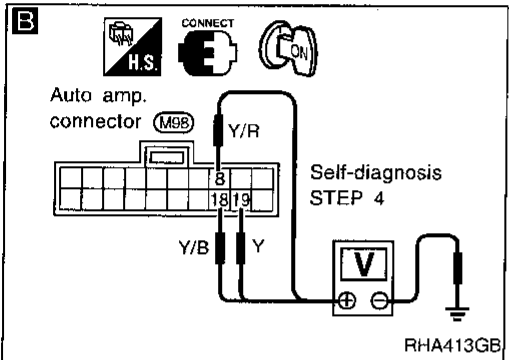
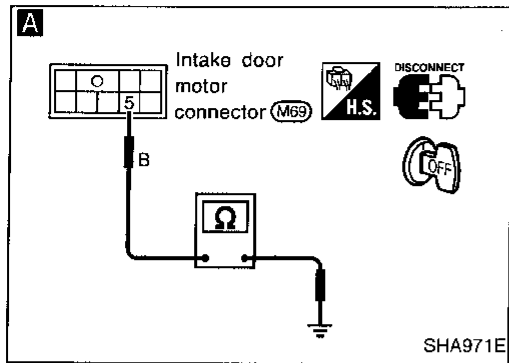
**Note:**  
If the result is NG or No after checking circuit continuity, repair harness or connector.

GI  
MA  
EM  
LC  
EC  
FE  
CL  
MT  
AT  
FA  
RA  
BR  
ST  
RS  
BT  
HA  
EL  
IDX

**Diagnostic Procedure 6**

**SYMPTOM: Intake door motor does not operate normally.**

- Perform Self-diagnosis STEPS 1, 2 and 4 before referring to the flow chart.



**A** Note

CHECK BODY GROUND CIRCUIT FOR INTAKE DOOR MOTOR.  
Disconnect intake door motor harness connector.  
Does continuity exist between intake door motor harness terminal ⑤ and body ground?

Yes

Reconnect intake door motor harness connector.

**B**

CHECK FOR AUTO AMP. (LCU) OUTPUT.  
Set up Self-diagnosis STEP 4.  
Measure voltage across auto amp. (LCU) harness terminals and body ground.

Code No.	Terminal No.		Condition	Voltage V
	⊕	⊖		
41	⑩	Body ground	REC	5
42	⑧, ⑬			0
43	⑧	Body ground	20% REC	5
	⑩, ⑬			0
44	⑩	Body ground	FRE	5
45	⑩, ⑬			0
46	⑩, ⑧			0

5V: Approx. 5V  
If OK, check harness for short.

OK

INSPECTION END

**C** Note

Check circuit continuity between each terminal on auto amp. (LCU) and on intake door motor.

Terminal No.		Continuity
Auto amp. (LCU)	Intake door motor	
⑧	②	Yes
⑩	①	
⑬	③	
⑯	④	
⑳	⑦	
㉑	⑥	

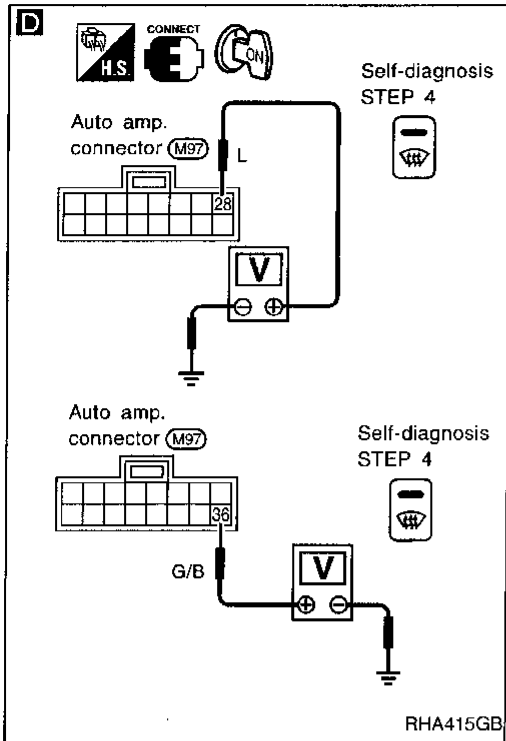
If OK, check harness for short.

OK

Ⓐ (Go to next page.)

**Note:**  
If the result is NG or No after checking circuit continuity, repair harness or connector.

Diagnostic Procedure 6 (Cont'd)



**D**

①

**D**

CHECK FOR AUTO AMP. (LCU) OUTPUT.  
Set up Self-diagnosis STEP 4.  
Measure voltage across auto amp. (LCU) harness terminals and body ground.

Code No.	Terminal No.		Condition	Voltage V
	⊕	⊖		
41	Ⓜ	Body ground	REC	12
42	Ⓟ			0
44	Ⓜ	Body ground	FRE	0
45	Ⓟ			12
46	Ⓟ			

0V: Approx. 0V  
12V: Approx. 12V

NG → Replace auto amp. (LCU).

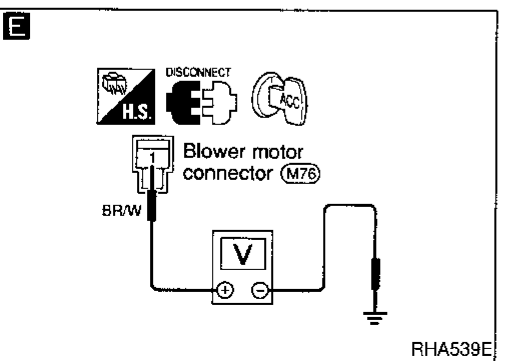
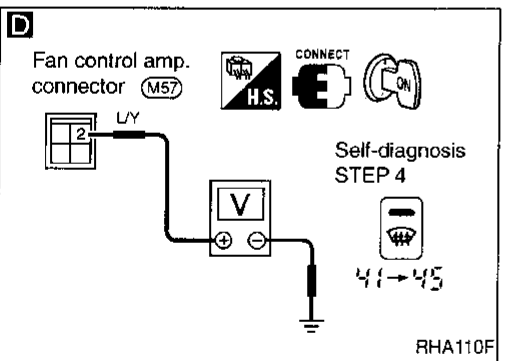
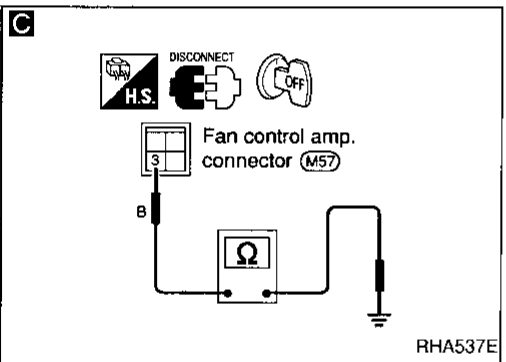
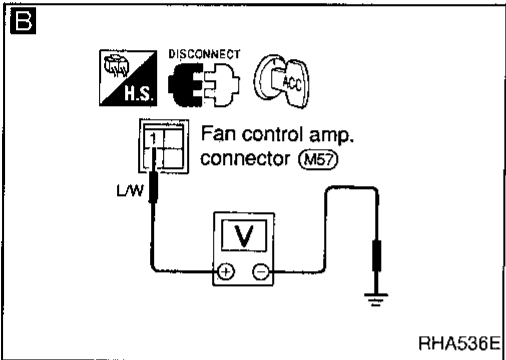
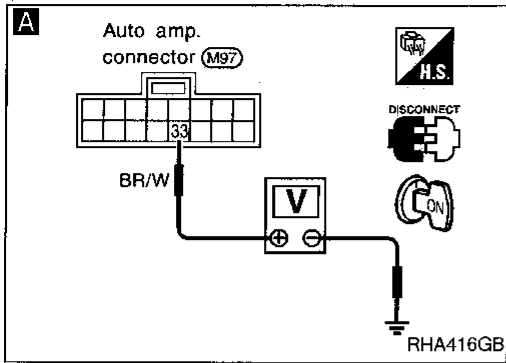
OK → Replace intake door motor.

- GI
- MA
- EM
- LC
- EC
- FE
- CL
- MT
- AT
- FA
- RA
- BR
- ST
- RS
- BT
- HA
- EL
- IDX

**Diagnostic Procedure 7**

**SYMPTOM: Blower motor operation is malfunctioning under out of Starting Fan Speed Control.**

- Perform Preliminary Check 5 before referring to the following flow chart.



**A**  
CHECK POWER SUPPLY FOR AUTO AMP.  
Disconnect auto amp. harness connector.  
Do approx. 12 volts exist between auto amp. harness terminal ③ and body ground?

**B**  
CHECK POWER SUPPLY FOR FAN CONTROL AMP.  
Disconnect fan control amp. harness connector.  
Do approx. 12 volts exist between fan control amp. harness terminal ① and body ground?

**C**  
CHECK BODY GROUND CIRCUIT FOR FAN CONTROL AMP.  
Check harness continuity between fan control amp. harness terminal ③ and body ground.  
**Continuity should exist.**  
If OK, check harness for short.

Reconnect fan control amp. harness connector and auto amp. harness connector.

**D**  
CHECK FOR OUTPUT OF AUTO AMP.  
Set up Self-diagnosis STEP 4.  
Measure voltage across fan control amp. harness terminal ② and body ground.

Code No.	Terminal No.		Voltage
	⊕	⊖	
41 → 45	②	Body ground	Approx. 2.5 - 3V
45	②	Body ground	Approx. 9 - 10V

Replace fan control amp.

**Note:**  
If the result is NG or No after checking circuit continuity, repair harness or connector.

No  
Check power supply circuit and 15A fuses (No. ② and ③, located in the fuse block). Refer to EL section ("Wiring Diagram", "POWER SUPPLY ROUTING".)

**E**  
CHECK POWER SUPPLY FOR BLOWER MOTOR.  
Disconnect blower motor harness connector.  
Do approx. 12 volts exist between blower motor harness terminal ① and body ground?

No  
Check power supply circuit and 15A fuses (No. ② and ③, located in the fuse block). Refer to EL section ("Wiring Diagram", "POWER SUPPLY ROUTING").

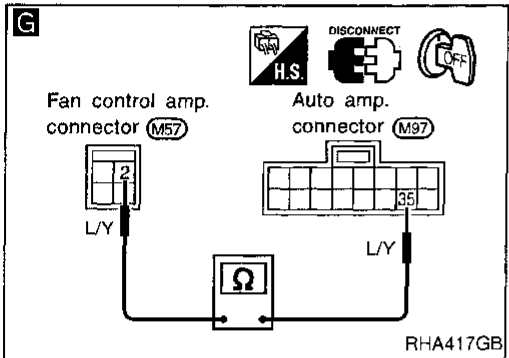
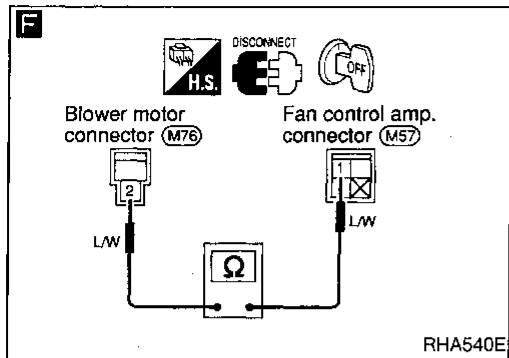
**F**  
Check circuit continuity between blower motor harness terminal ① and fan control amp. harness terminal ①.  
**Continuity should exist.**  
If OK, check harness for short.

CHECK BLOWER MOTOR.  
(Refer to Electrical Components Inspection.) (HA-107)

Replace blower motor.

NG → (Go to next page.)

Diagnostic Procedure 7 (Cont'd)



A  
 Disconnect auto amp. (LCU) and fan control amp. harness connector.

G Note  
 Check harness continuity between auto amp. (LCU) harness terminal ③ and fan control amp. harness terminal ②.  
**Continuity should exist.**  
 If OK, check harness for short.

OK  
 Replace auto amp. (LCU).

Note:  
 If the result is NG or No after checking circuit continuity, repair harness or connector.

GI

MA

EM

LC

EC

FE

CL

MT

AT

FA

RA

BR

ST

RS

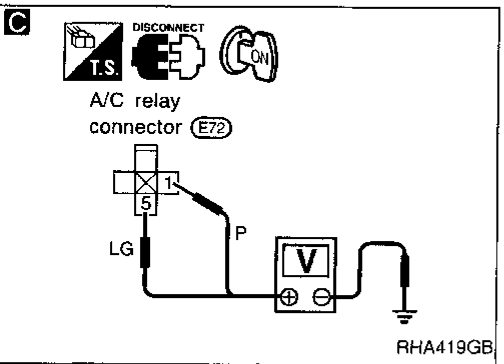
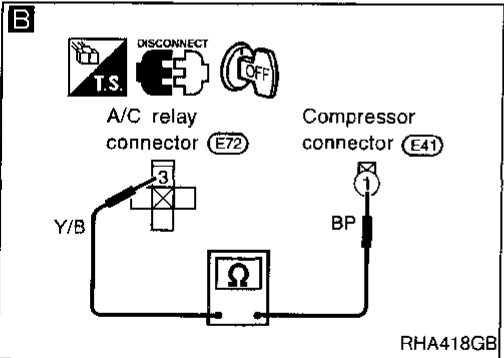
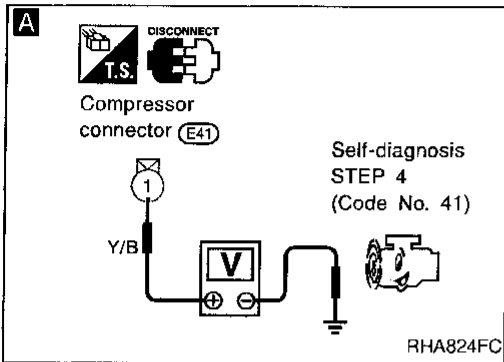
BT

HA

EL

IDX

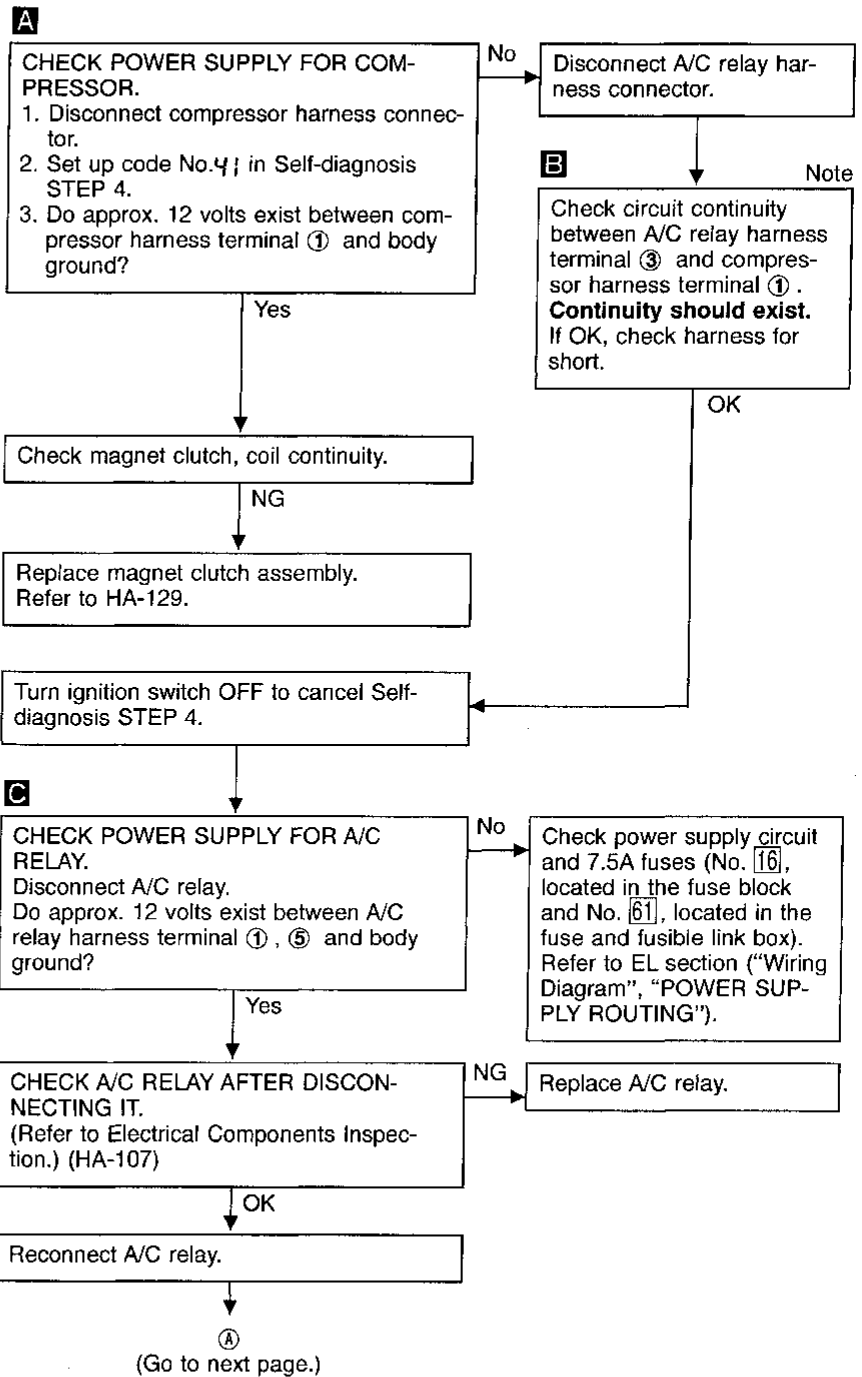




### Diagnostic Procedure 8

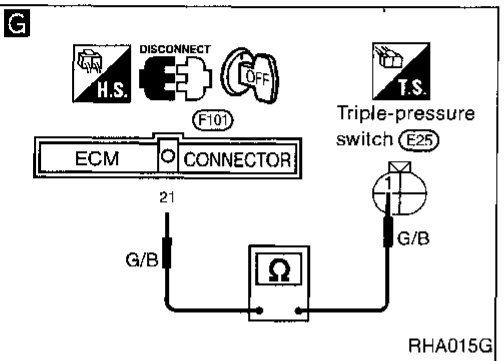
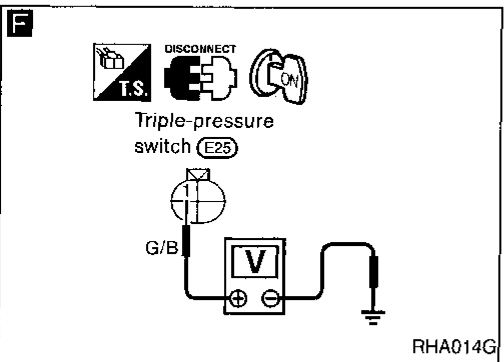
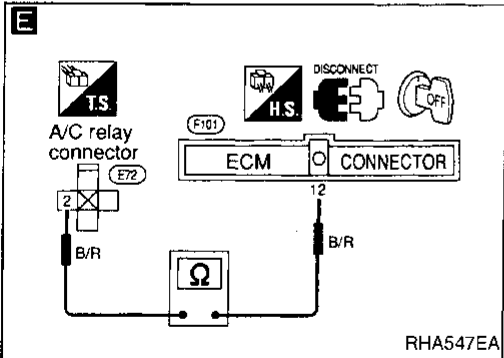
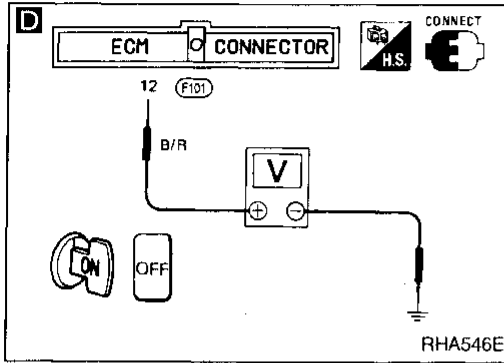
**SYMPTOM:** Magnet clutch does not engage after performing Preliminary Check 6.

- Perform Preliminary Check 6 before referring to the flow chart.



**Note:**  
If the result is NG or No after checking circuit continuity, repair harness or connector.

Diagnostic Procedure 8 (Cont'd)



A

**D**

CHECK COIL SIDE CIRCUIT OF A/C RELAY.  
Do approx. 12 volts exist between ECM (ECCS control module) harness terminal ⑫ and body ground?

No

**E** Note

Check circuit continuity between A/C relay harness terminal ② and ECM (ECCS control module) harness terminal ⑫.  
**Continuity should exist.**  
If OK, check harness for short.

Yes

CHECK TRIPLE-PRESSURE SWITCH. (Refer to Electrical Components Inspection.) (HA-107)

NG

Replace triple-pressure switch.

OK

**F**

CHECK TRIPLE-PRESSURE SWITCH CIRCUIT BETWEEN TRIPLE-PRESSURE SWITCH AND ECM (ECCS CONTROL MODULE).  
Disconnect triple-pressure switch harness connector.  
Do approx. 12 volts exist between triple-pressure switch harness terminal ① and body ground?

No

Disconnect ECM (ECCS control module) harness connector.

Yes

Reconnect triple-pressure switch harness connector.

B

(Go to next page.)

OK

**G** Note

Check circuit continuity between ECM (ECCS control module) harness terminal ⑫ and triple-pressure switch harness terminal ①.  
**Continuity should exist.**  
If OK, check harness for short.

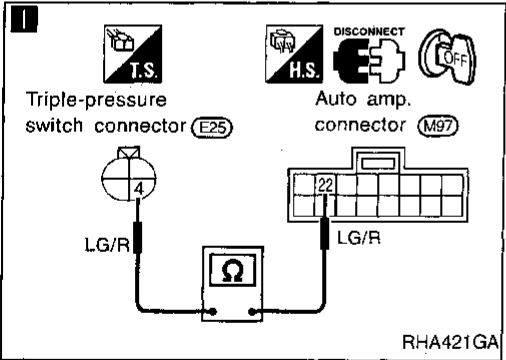
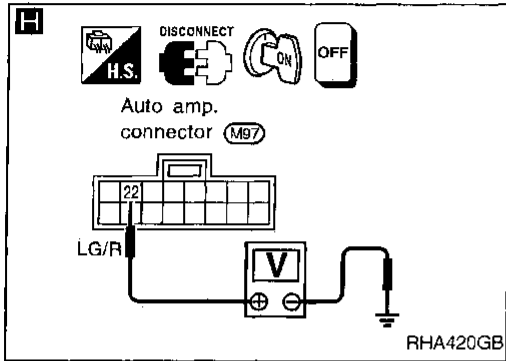
OK

CHECK ECM (ECCS control module).

**Note:**  
If the result is NG or No after checking circuit continuity, repair harness or connector.

GI  
MA  
EM  
LC  
EC  
FE  
CL  
MT  
AT  
FA  
RA  
BR  
ST  
RS  
BT  
HA  
EL  
IDX

Diagnostic Procedure 8 (Cont'd)



ⓑ

Disconnect auto amp. (LCU) harness connector.

**H**

CHECK AUTO AMP. (LCU) CIRCUIT BETWEEN AUTO AMP. (LCU) AND TRIPLE-PRESSURE SWITCH. Do approx. 12 volts exist between auto amp. (LCU) harness terminal ② and body ground?

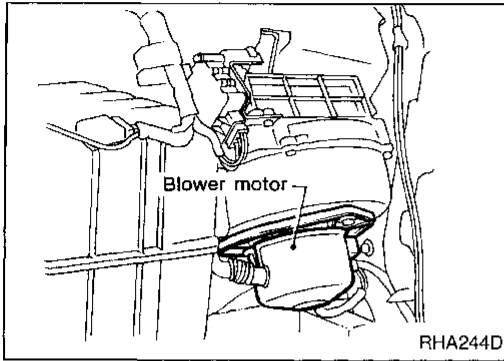
**I** Note

Check circuit continuity between auto amp. (LCU) harness terminal ② and triple-pressure switch harness terminal ④. **Continuity should exist.** If OK, check harness for short.

Yes

Replace auto amp. (LCU).

**Note:**  
If the result is NG or No after checking circuit continuity, repair harness or connector.

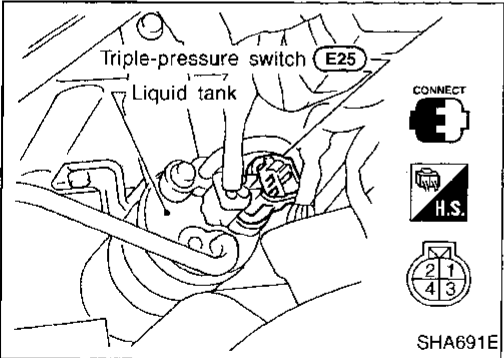


**Electrical Components Inspection**

**BLOWER MOTOR**

Check blower motor for smooth rotation.

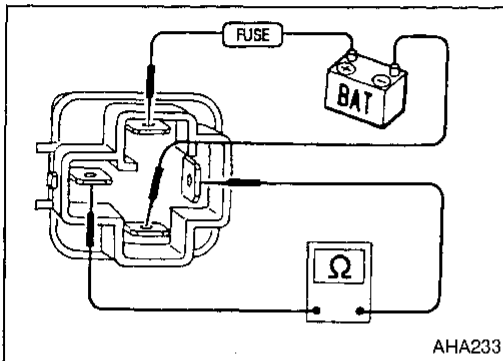
- Ensure that there are no foreign particles inside the intake unit.



**TRIPLE-PRESSURE SWITCH**

	Terminals	High-pressure side line pressure kPa (kg/cm <sup>2</sup> , psi)	Operation	Continuity
Low-pres- sure side	① - ④	Increasing to 157 - 226 (1.6 - 2.3, 23 - 33)	ON	Exists.
		Decreasing to 152.0 - 201.0 (1.55 - 2.05, 22.0 - 29.2)	OFF	Does not exist.
Medium- pressure side*	② - ③	Increasing to 1,422 - 1,618 (14.5 - 16.5, 206 - 235)	ON	Exists.
		Decreasing to 1,128 - 1,422 (11.5 - 14.5, 164 - 206)	OFF	Does not exist.
High-pres- sure side	① - ④	Decreasing to 1,667 - 2,059 (17 - 21, 242 - 299)	ON	Exists.
		Increasing to 2,452 - 2,844 (25 - 29, 356 - 412)	OFF	Does not exist.

\* For cooling fan motor operation.



**A/C RELAY**

Check circuit continuity between terminals by supplying 12 volts to coil side terminals of the relay.

GI

MA

EM

LC

EC

FE

CL

MT

AT

FA

RA

BR

ST

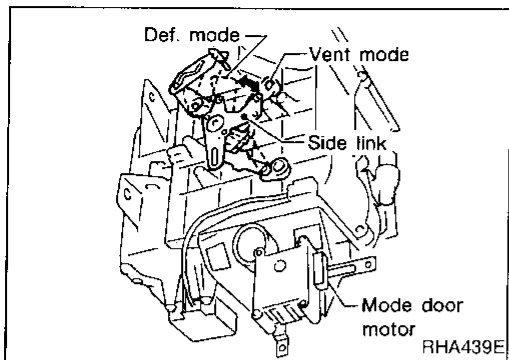
RS

BT

**HA**

EL

IDX

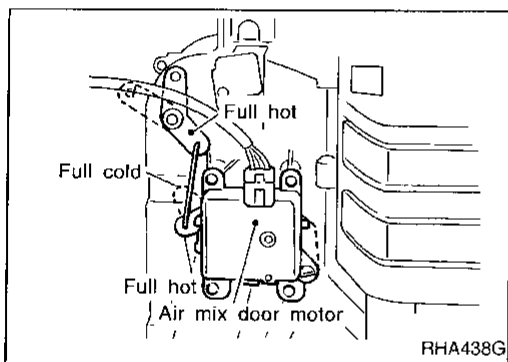


**Control Linkage Adjustment**

**MODE DOOR**

1. Install mode door motor on heater unit and connect it to main harness.  
Make sure lever of mode door motor is fitted into the slit of mode door link.
2. Set up code No. 45 in Self-diagnosis STEP 4.
3. Make sure mode door operates properly when changing from code No. 41 to 45 by pushing DEF switch.

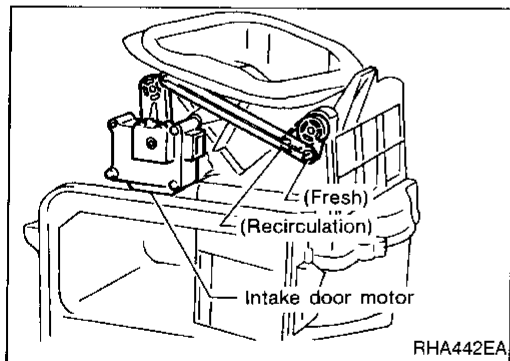
41	42	43	44	45	46
VENT	B/L	B/L	FOOT	F/D	DEF



**AIR MIX DOOR**

1. Install air mix door motor on heater unit and connect it to main harness.  
Make sure lever of air mix door is fitted into the slit of air mix door link.
2. Set up code No. 41 in Self-diagnosis STEP 4.
3. Make sure air mix door operates properly when changing from code No. 41 to 45 by pushing DEF switch.

41	42	43	44	45	46
Full cold			Full hot		



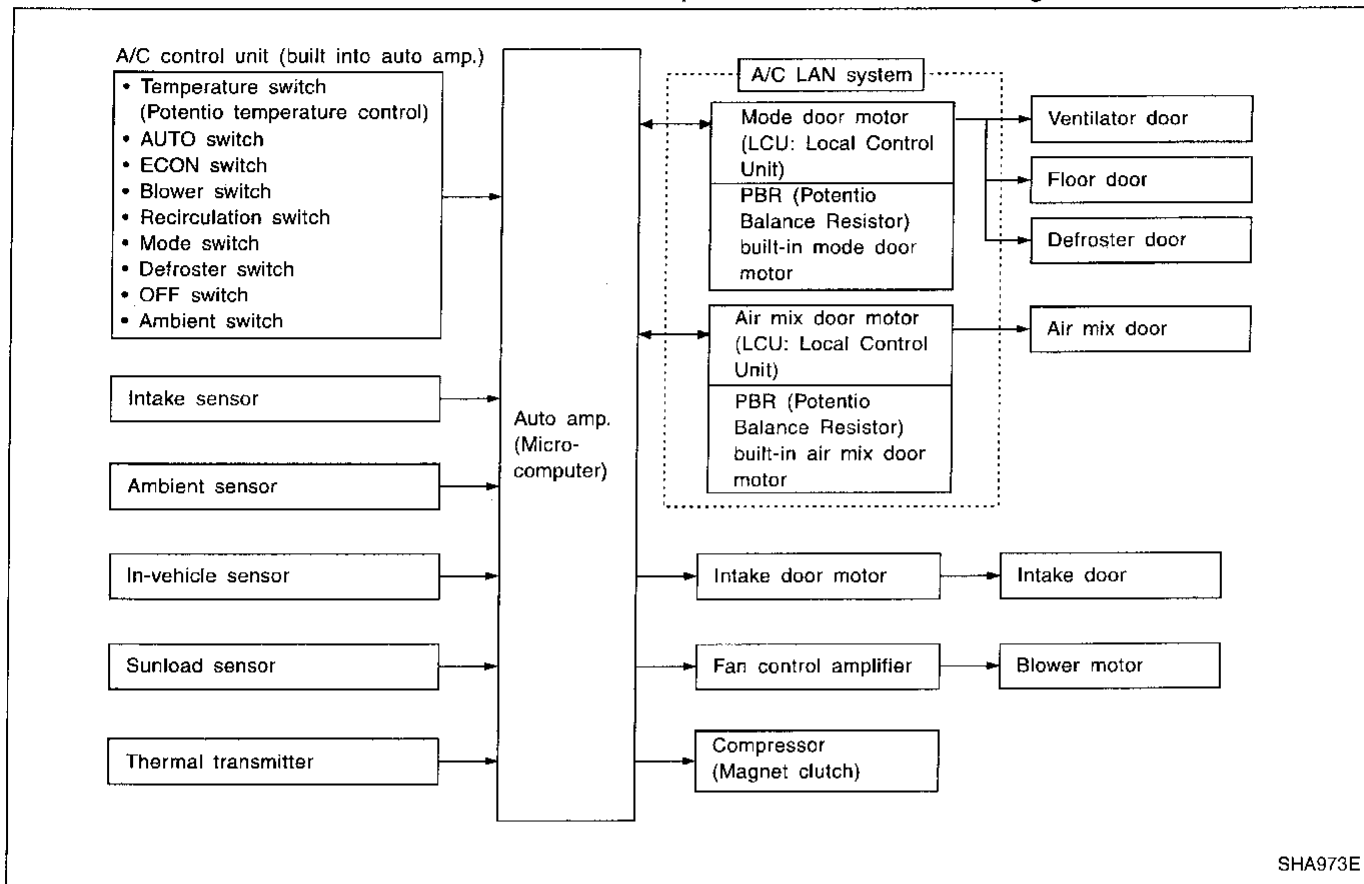
**INTAKE DOOR**

1. Install intake door motor on intake unit and connect it to main harness.  
Make sure lever of intake door motor is fitted in the slit of intake door link.
2. Set up code No. 41 in Self-diagnosis STEP 4.
3. Make sure intake door operates properly when changing from code No. 41 to 45 by pushing DEF switch.

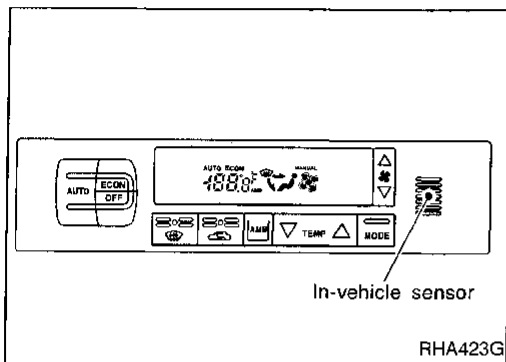
41	42	43	44	45	46
REC		20% FRE	FRE		

Overview of Control System

The control system consists of a) input sensors and switches, b) the auto amp. (microcomputer), and c) outputs. The relationship of these components is shown in the diagram below:



GI  
MA  
EM  
LC  
EC  
FE  
CL  
MT  
AT  
FA  
RA  
BR  
ST  
RS  
BT  
HA  
EL  
IDX



**Control System Input Components**

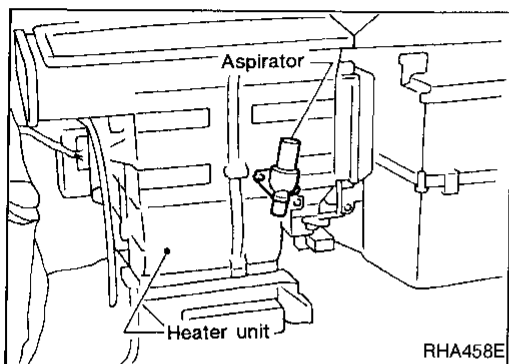
**POTENTIO TEMPERATURE CONTROL (PTC)**

The PTC is built into the A/C control unit. It can be set at an interval of 1°C (2°F) through both ▲ (HOT) and ▼ (COLD) control switches. Setting temperature is digitally displayed.

**IN-VEHICLE SENSOR**

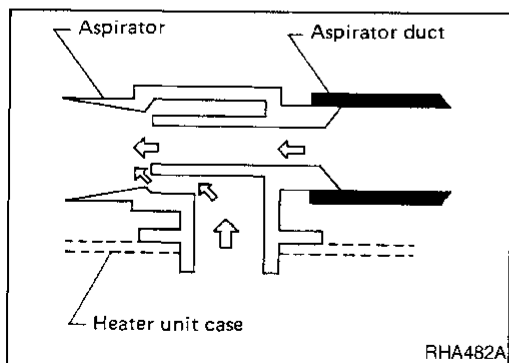
The in-vehicle sensor is attached to A/C control finisher. It converts variations in temperature of compartment air drawn from an aspirator into a resistance value. It is then input into the auto amp. After disconnecting in-vehicle sensor harness connector, measure resistance between terminals ① and ② at sensor harness side, using the table below.

Temperature °C (°F)	Resistance kΩ
-15 (5)	12.73
-10 (14)	9.92
-5 (23)	7.80
0 (32)	6.19
5 (41)	4.95
10 (50)	3.99
15 (59)	3.24
20 (68)	2.65
25 (77)	2.19
30 (86)	1.81
35 (95)	1.51
40 (104)	1.27
45 (113)	1.07



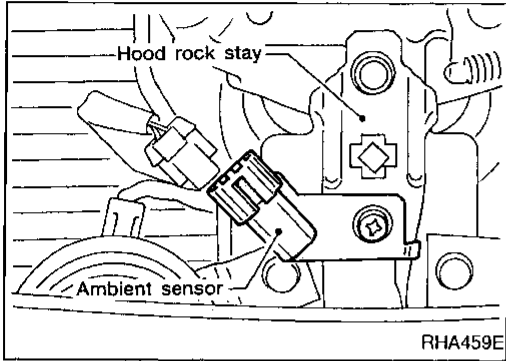
**ASPIRATOR**

The aspirator is located on heater unit. It produces vacuum pressure due to air discharged from the heater unit, continuously taking compartment air in the aspirator.



Control System Input Components (Cont'd)

AMBIENT SENSOR



The ambient sensor is attached to the radiator core support. It detects ambient temperature and converts it into a resistance value which is then input to the auto amp.

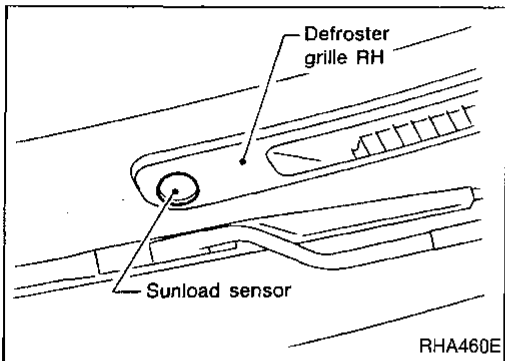
After disconnecting ambient sensor harness connector, measure resistance between terminals ① and ② at sensor harness side, using the table below.

Temperature °C (°F)	Resistance kΩ
-15 (5)	12.73
-10 (14)	9.92
-5 (23)	7.80
0 (32)	6.19
5 (41)	4.95
10 (50)	3.99
15 (59)	3.24
20 (68)	2.65
25 (77)	2.19
30 (86)	1.81
35 (95)	1.51
40 (104)	1.27
45 (113)	1.07

GI  
MA  
EM  
LC  
EC  
FE  
CL  
MT  
AT

FA  
RA

SUNLOAD SENSOR



The sunload sensor is located on the right defroster grille. It detects sunload entering through windshield by means of a photo diode and converts it into a current value which is then input to the auto amp.

Measure voltage between terminals ① and ② at vehicle harness side, using the table below.

Input current mA	Output voltage V
0	5.0
0.1	4.1
0.2	3.1
0.3	2.2
0.4	1.3
0.5	0.4

BR  
ST  
RS  
BT  
HA  
EL  
IDX

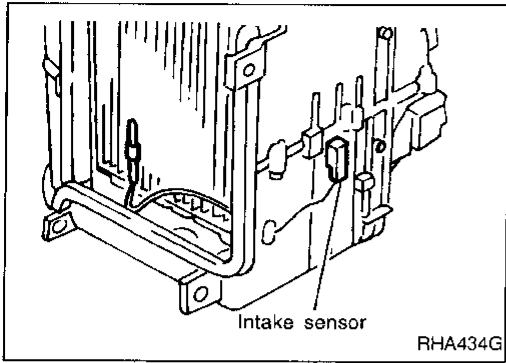
- When checking sunload sensor, select a place where sun shines directly on it.



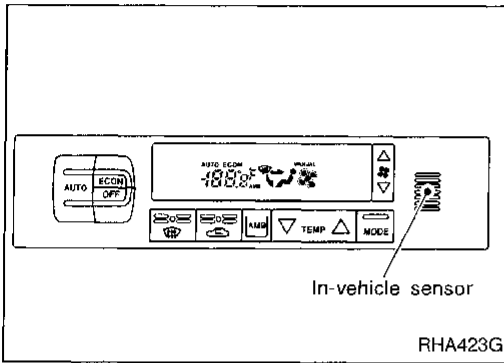
**Control System Input Components (Cont'd)**

**INTAKE SENSOR**

After disconnecting intake sensor harness connector, measure resistance between terminals ① and ② at sensor harness side, using the table below.



Temperature °C (°F)	Resistance kΩ
-20 (-4)	16.2
-10 (14)	9.8
0 (32)	6.0
10 (50)	3.94
20 (68)	2.64
25 (77)	2.12
30 (86)	1.82
40 (104)	1.27



**Control System Automatic Amplifier (Auto amp.)**

The auto amplifier has a built-in microcomputer which processes information sent from various sensors needed for air conditioning operation. The air mix door motor, mode door motor, intake door motor, blower motor, bi-level door motor and compressor are then controlled.

The auto amp. is unitized with control mechanisms. Signals from various switches and Potentio Temperature Control (PTC) are directly entered into auto amplifier.

Self-diagnostic functions are also built into auto amp. to provide quick check of malfunctions in the auto air conditioning system.

GI

MA

EM

**AMBIENT TEMPERATURE INPUT PROCESS**

The auto amp. includes a "processing circuit" for the ambient sensor input. When the ambient temperature increases quickly, the processing circuit controls the input from the ambient sensor. It allows the auto amp. to recognize the increase of temperature only 0.2°C (0.4°F) per 100 seconds.

As an example, consider stopping for a cup of coffee after high speed driving. Even though the ambient temperature has not changed, the ambient sensor will detect the increase of temperature. The heat radiated from the engine compartment can radiate to the front grille area. The ambient sensor is located there.

**SUNLOAD INPUT PROCESS**

The auto amp. also includes a processing circuit which "average" the variations in detected sunload over a period of time. This prevents drastic swings in the ATC system operation due to small or quick variations in detected sunload.

For example, consider driving along a road bordered by an occasional group of large trees. The sunload detected by the sunload sensor will vary whenever the trees obstruct the sunlight. The processing circuit averages the detected sunload over a period of time. As a result, the effect the above mentioned does not cause any change in the ATC system operation. On the other hand, shortly after entering a long tunnel, the system will recognize the change in sunload, and the system will react accordingly.

LC

EC

FE

GL

MT

AT

**Control System Output Components**

FA

**AIR MIX DOOR CONTROL (Automatic temperature control)**

**Component parts**

Air mix door control system components are:

- 1) Auto amp.
- 2) Air mix door motor (LCU)
- 3) In-vehicle sensor
- 4) Ambient sensor
- 5) Sunload sensor
- 6) Intake sensor

**System operation**

The auto amplifier receives data from each of the sensors. The amplifier sends air mix door and mode door opening angle data to the air mix door motor LCU and mode door motor LCU.

The air mix door motor and mode door motor read their respective signals according to the address signal. Opening angle indication signals received from the auto amplifier and each of the motor position sensors are compared by the LCUs in each motor with the existing decision and opening angles. Subsequently, HOT/COLD or DEFROST/VENT operation is selected. The new selection data is returned to the auto amplifier.

RA

BR

ST

RS

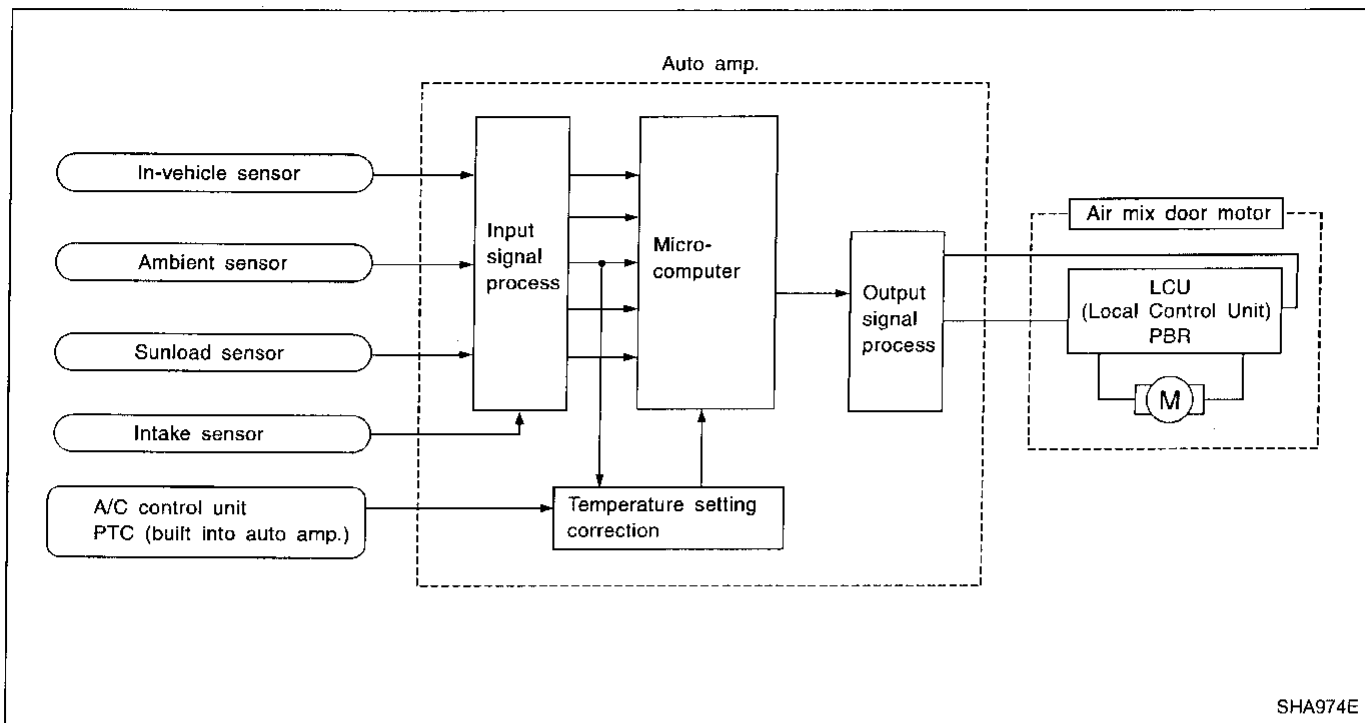
BT

**HA**

EL

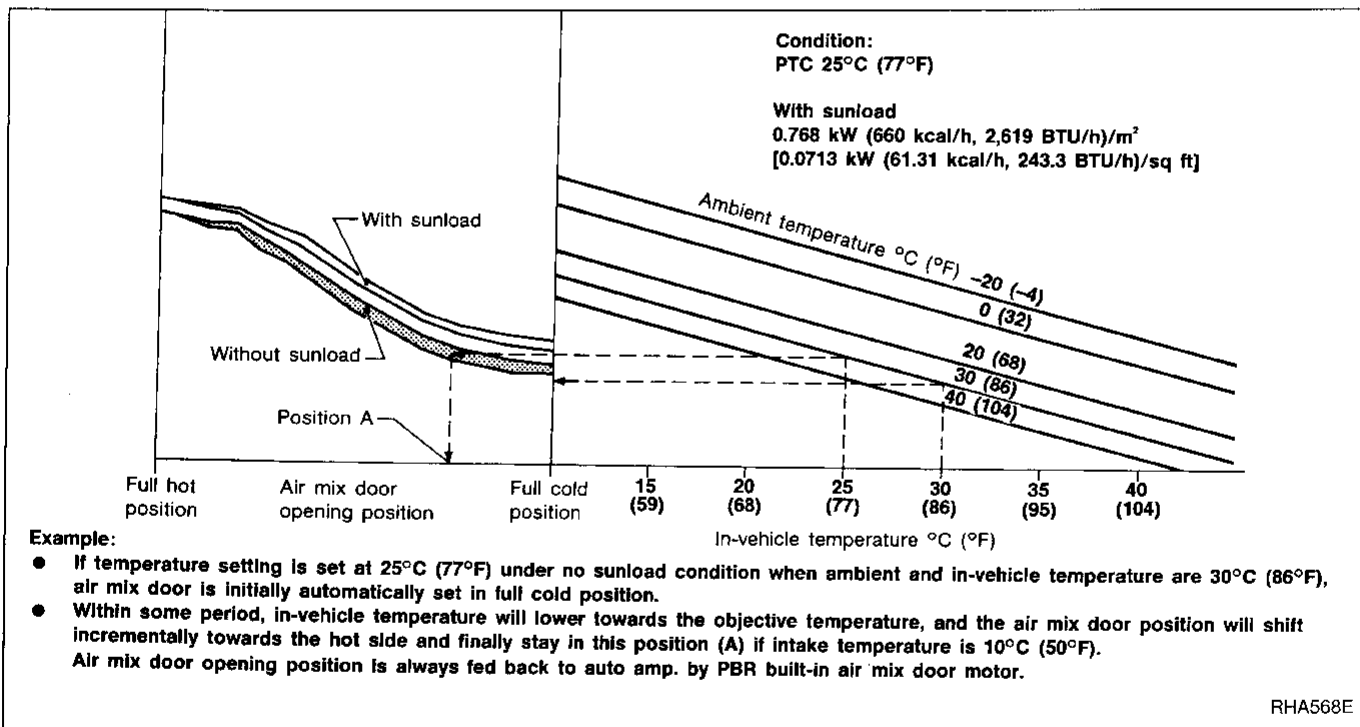
IDX

Control System Output Components (Cont'd)

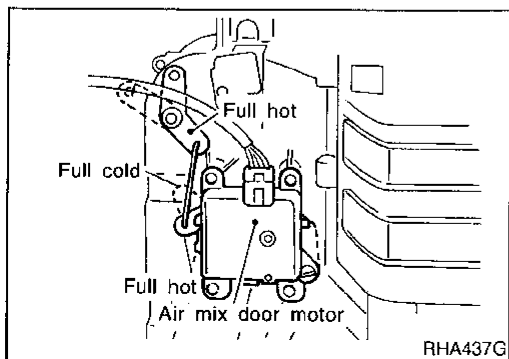


SHA974E

Air mix door control specification



RHA568E



RHA437G

AIR MIX DOOR MOTOR

The air mix door motor is attached to the bottom of the heater unit. It rotates so that the air mix door is opened to a position set by the auto amp. Motor rotation is then conveyed through a shaft and air mix door position is then fed back to the auto amp. by PBR built-in air mix door motor (LCU).

Control System Output Components (Cont'd)

MODE DOOR CONTROL

Component parts

Mode door control system components are:

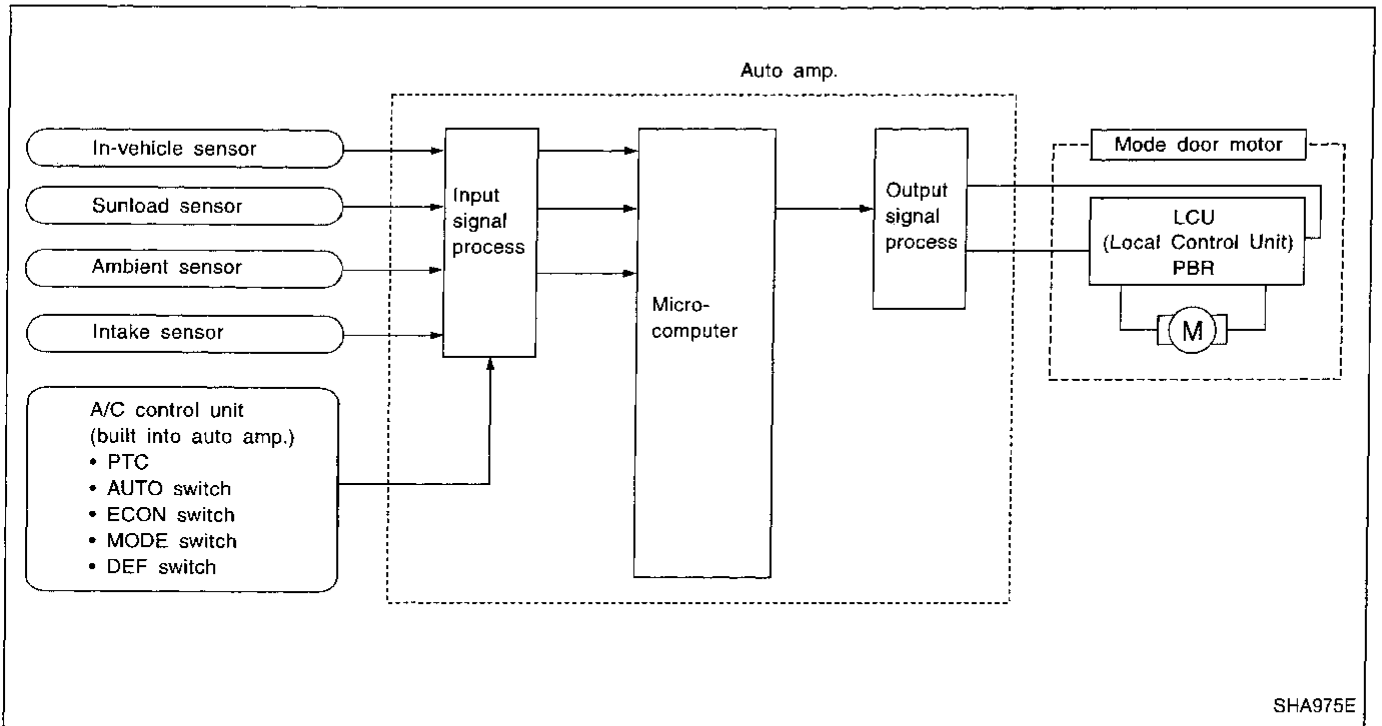
- 1) Auto amp.
- 2) Mode door motor (LCU)
- 3) In-vehicle sensor
- 4) Ambient sensor
- 5) Sunload sensor
- 6) Intake sensor

System operation

The auto amplifier receives data from each of the sensors. The amplifier sends air mix door and mode door opening angle data to the air mix door motor LCU and mode door motor LCU.

The air mix door motor and mode door motor read their respective signals according to the address signal. Opening angle indication signals received from the auto amplifier and each of the motor position sensors are compared by the LCUs in each motor with the existing decision and opening angles. Subsequently, HOT/COLD or DEFROST/VENT operation is selected. The new selection data is returned to the auto amplifier.

GI  
MA  
EM  
LC

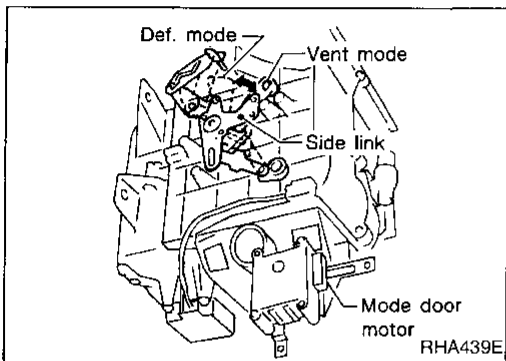
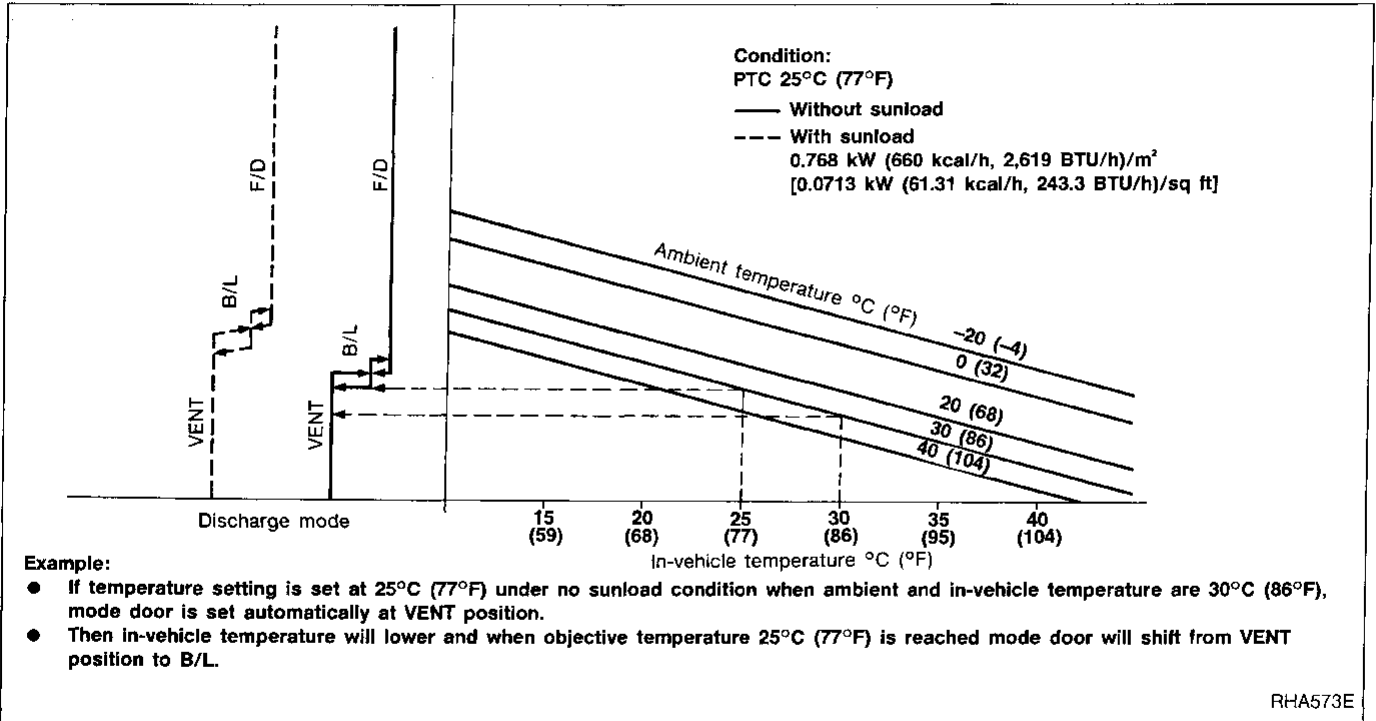


EC  
FE  
CL  
MT  
AT  
FA  
RA  
BR

HA

EL  
IDX

Control System Output Components (Cont'd)  
Mode door control specification



MODE DOOR MOTOR

The mode door motor is attached to the heater unit. It rotates so that air is discharged from the outlet set by the auto amp. Motor rotation is conveyed to a link which activates the mode door.

Control System Output Components (Cont'd)

INTAKE DOOR CONTROL

Components parts

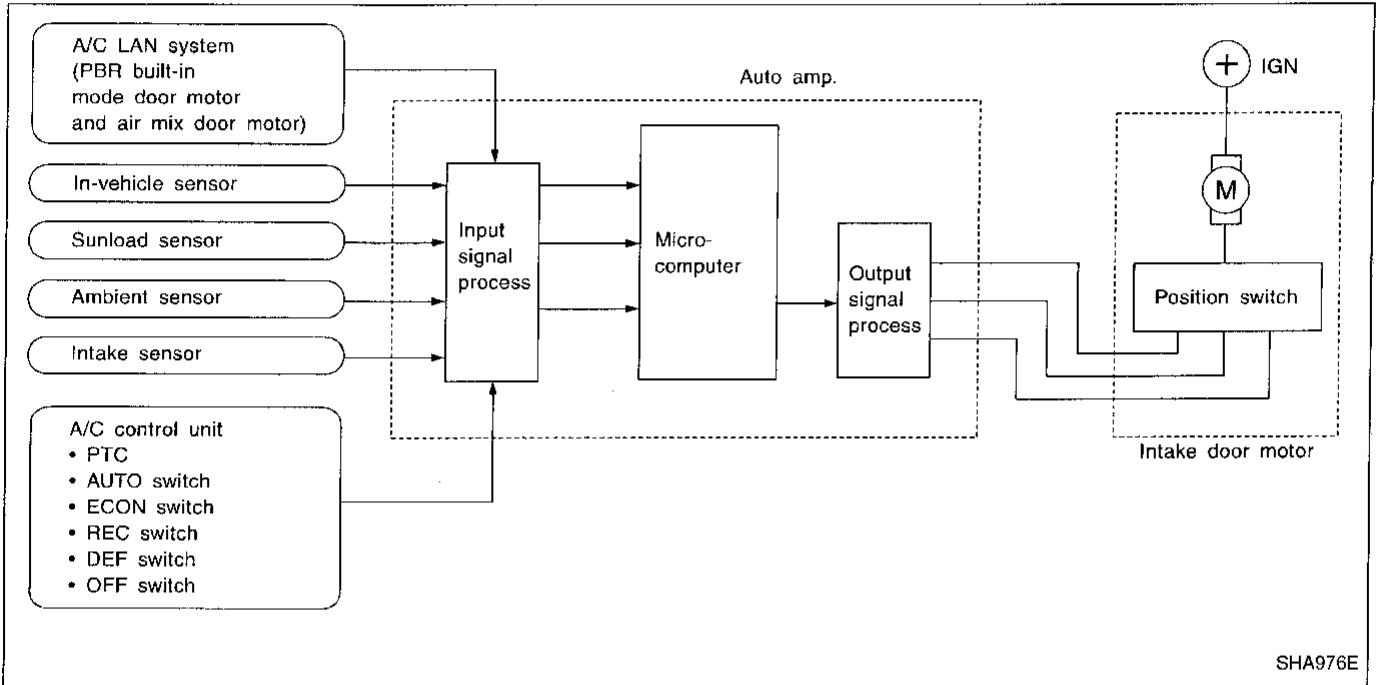
Intake door control system components are:

- 1) Auto amp.
- 2) Intake door motor
- 3) A/C LAN system (PBR built-in mode door motor and air mix door motor)
- 4) In-vehicle sensor
- 5) Ambient sensor
- 6) Sunload sensor
- 7) Intake sensor

System operation

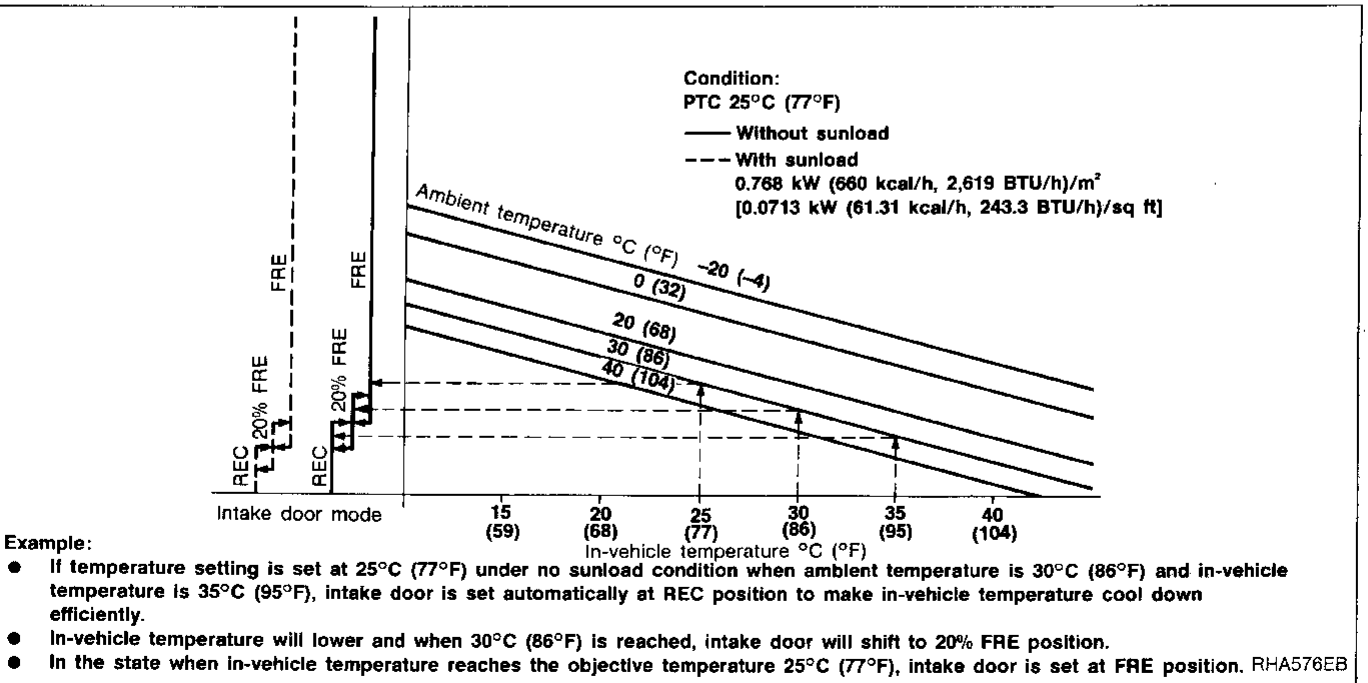
The intake door control determines intake door position based on the ambient temperature and the in-vehicle temperature. When the ECON, DEF, or OFF buttons are pushed, the auto amp. sets the intake door at the "Fresh" position.

GI  
MA  
EM  
LC  
EC  
FE  
CL  
MT  
AT  
FA  
RA



SHA976E

Intake door control specification

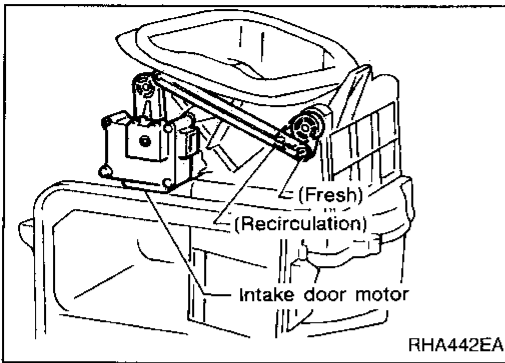


BR  
ST  
RS  
BT  
HA  
EL  
IDX

Control System Output Components (Cont'd)

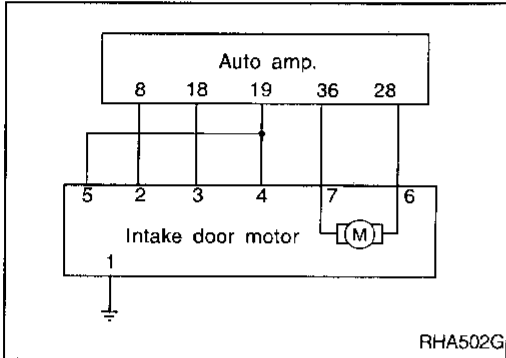
INTAKE DOOR MOTOR

The intake door motor is attached to the intake unit. It rotates so that air is drawn from inlets set by the auto amp. Motor rotation is conveyed to a lever which activates the intake door.



Intake door motor operation

6	7	Intake door operation	Movement of link rotation
⊕	⊖	REC → FRE	Clockwise
—	—	STOP	STOP
⊖	⊕	FRE → REC	Counterclockwise



FAN SPEED CONTROL

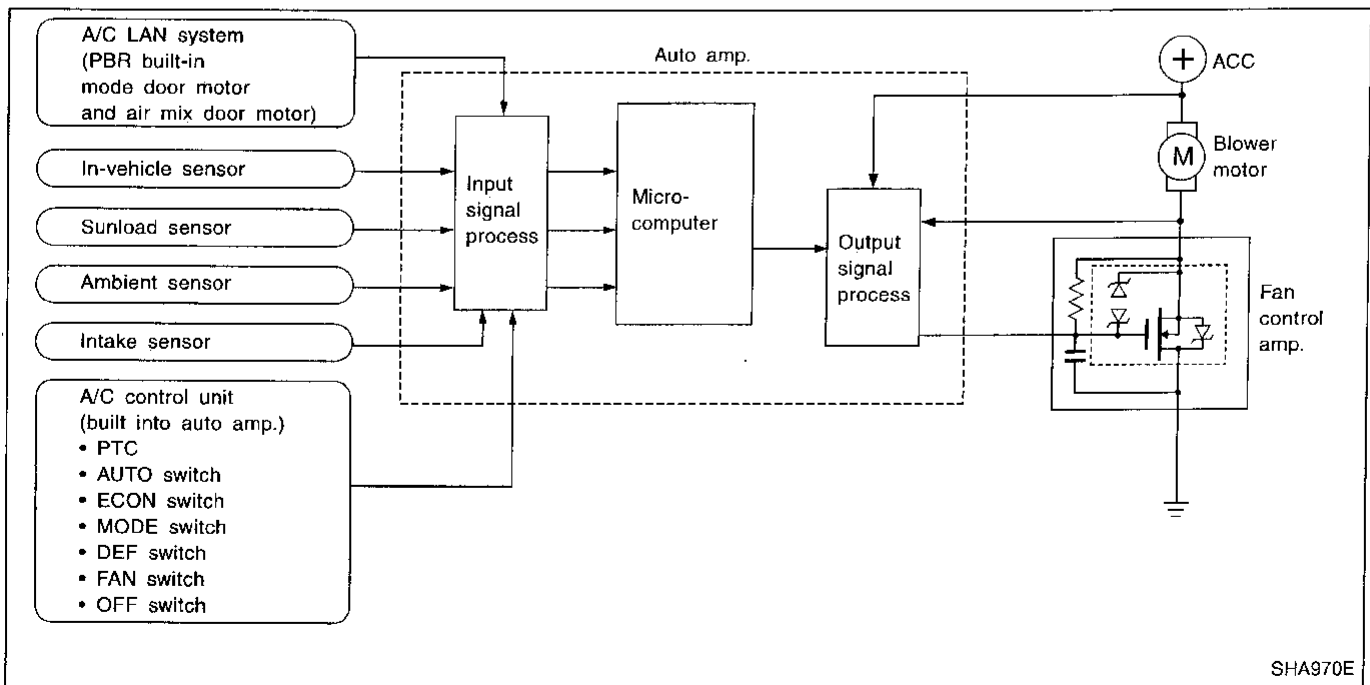
Component parts

Fan speed control system components are:

- 1) Auto amp.
- 2) Fan control amplifier
- 3) A/C LAN system (PBR built-in mode door motor and air mix door motor)

- 4) In-vehicle sensor
- 5) Ambient sensor
- 6) Sunload sensor
- 7) Intake sensor

System operation



Control System Output Components (Cont'd)

**AUTOMATIC MODE**

In the automatic mode, the blower motor speed is calculated by the auto amp. based on inputs from the PBR, in-vehicle sensor, sunload sensor, and ambient sensor. The blower motor applied voltage ranges from approximately 4.5 volts (lowest speed) to 12 volts (highest speed).

To control blower speed, the auto amp. supplies a signal (in the range of 2.5V to 9V), to the fan control amplifier. Based on this signal, the fan control amplifier controls the current flow from the blower motor to ground.

**STARTING FAN SPEED CONTROL**

**Start up from "COLD SOAK" condition (Automatic mode)**

In a cold start up condition where the engine coolant temperature is below 50°C (122°F), the blower will not operate for a short period of time (up to 150 seconds). The exact start delay time varies depending on the ambient and engine coolant temperature. In the most extreme case (very low ambient) the blower starting delay will be 150 seconds. After this

delay, the blower will operate at low speed until the engine coolant temperature rises above 50°C (122°F). Then the blower speed will increase to the objective speed.

**Start up from normal or "HOT SOAK" condition (Automatic mode)**

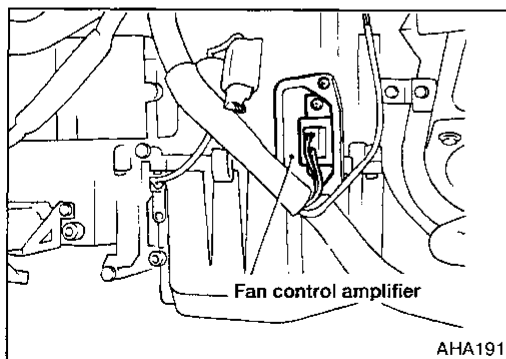
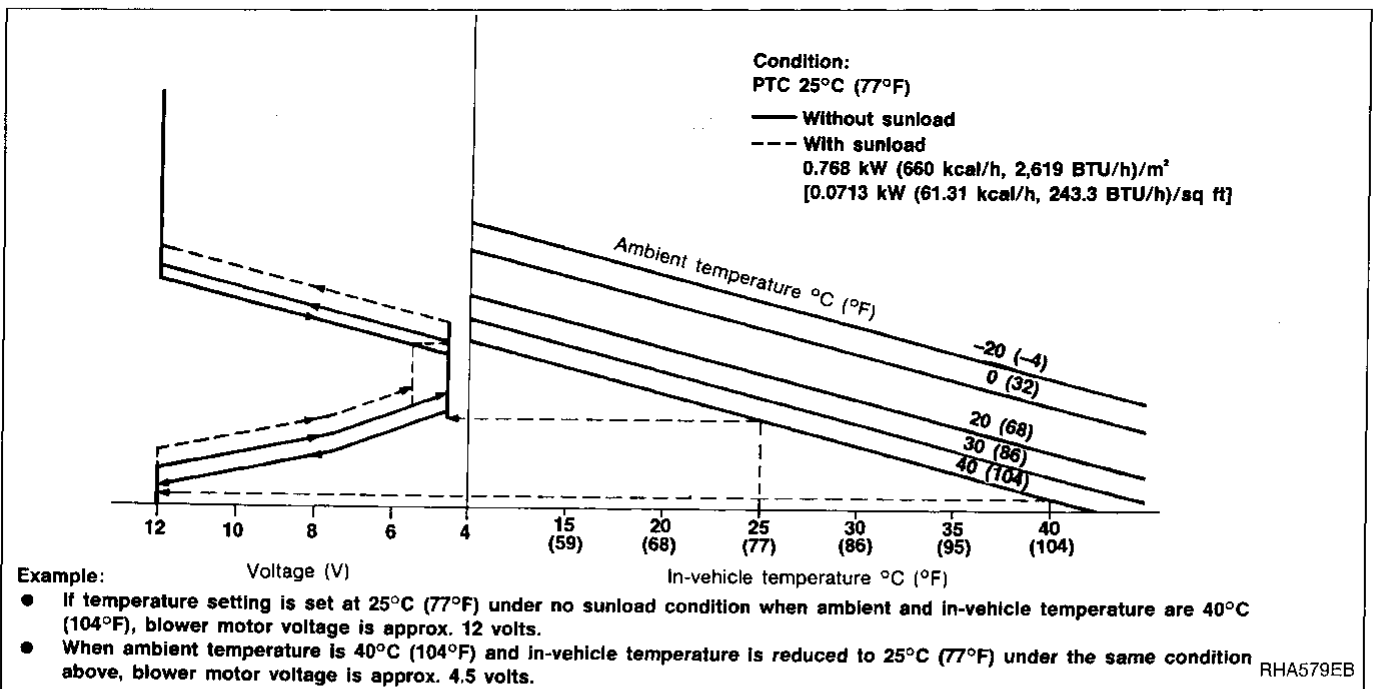
The blower will begin operation momentarily after the AUTO button is pushed. The blower speed will gradually rise to the objective speed over a time period of 5 seconds or less (actual time depends on the objective blower speed).

**BLOWER SPEED COMPENSATION**

**Sunload**

When the in-vehicle temperature and the set temperature are very close, the blower will operate at low speed. The low speed varies depending on the sunload. During conditions of high sunload, the blower low speed is "normal" low speed (approx. 5.5V). During lesser sunload conditions, the low speed will drop to "low" low speed (approx. 4.5V).

**Fan speed control specification**



**FAN CONTROL AMPLIFIER**

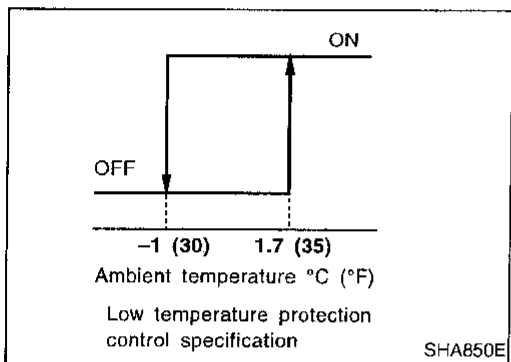
The fan control amplifier is located on the cooling unit. It amplifies the base current flowing from the auto amp. to change the blower speed within the range of 4V to 12V.



**Control System Output Components (Cont'd)**

**MAGNET CLUTCH CONTROL**

The ECM (ECCS control module) controls compressor operation using inputs from the throttle position sensor and auto amplifier.



**Low temperature protection control**

Auto amplifier will turn the compressor "ON" or "OFF" as determined by a signal detected by ambient temperature sensor. The compressor turns "OFF" when ambient temperatures are less than  $-1^{\circ}\text{C}$  ( $30^{\circ}\text{F}$ ).

**Acceleration cut control**

The ECM (ECCS control module) will turn the compressor "ON" or "OFF" based on the signal from the throttle position sensor.

HFC-134a (R-134a) Service Procedure

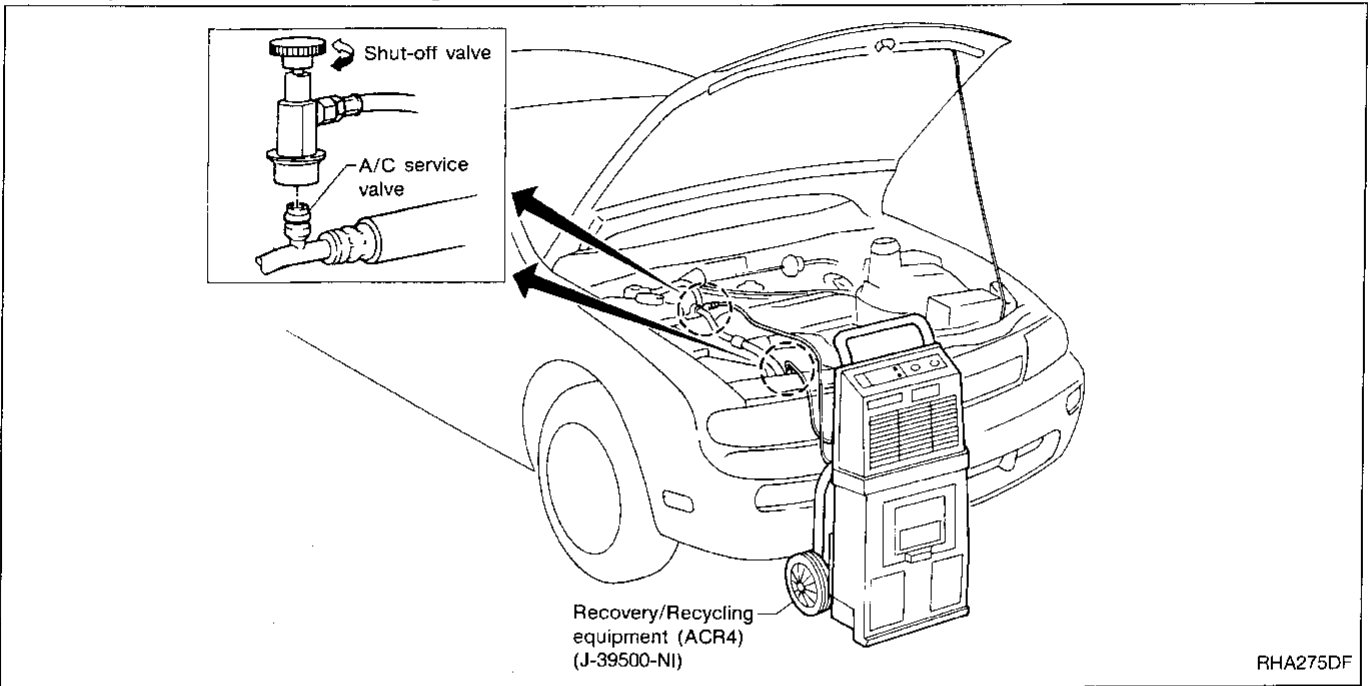
SETTING OF SERVICE TOOLS AND EQUIPMENT

DISCHARGING REFRIGERANT

WARNING:

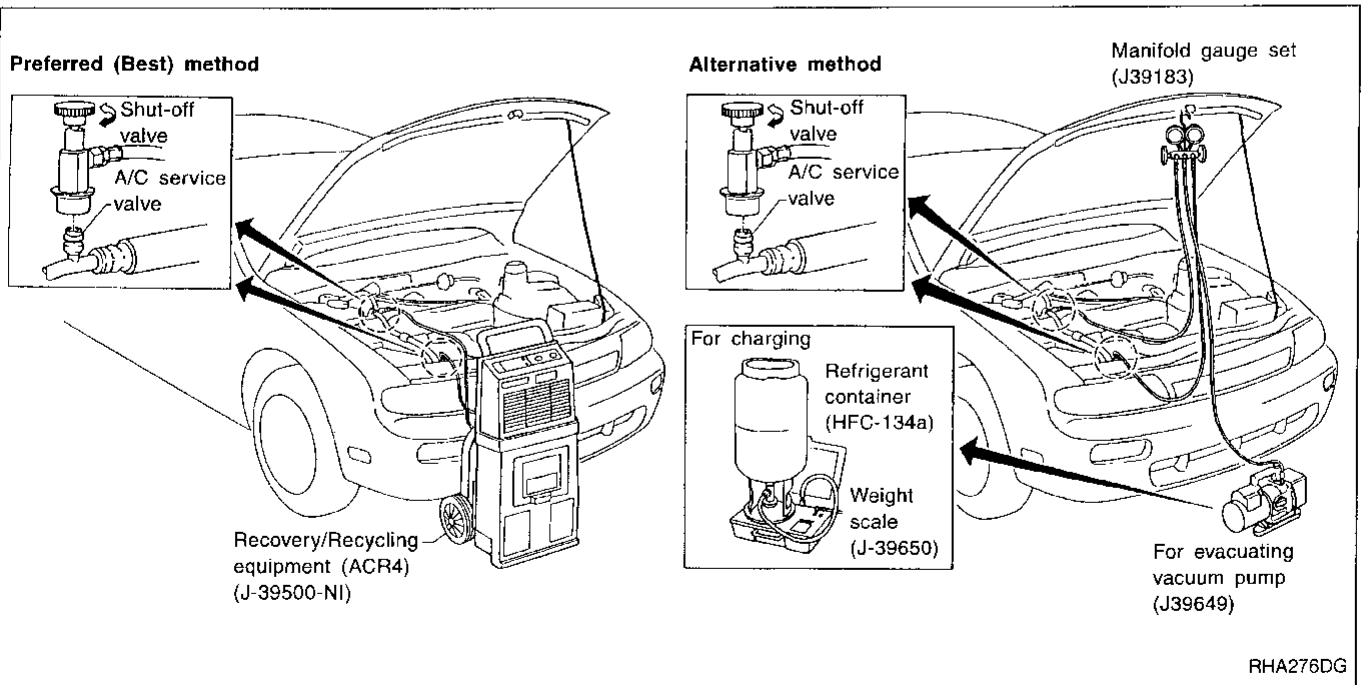
Avoid breathing A/C refrigerant and lubricant vapor or mist. Exposure may irritate eyes, nose and throat. Remove R-134a from A/C system, using certified service equipment meeting requirements of SAE J2210 (R-134a recycling equipment), or J2209 (R-134a recovery equipment). If accidental system discharge occurs, ventilate work area before resuming service. Additional health and safety information may be obtained from refrigerant and lubricant manufacturers.

GI  
MA  
EM  
LC  
EC  
FE  
CL  
MT  
AT  
FA



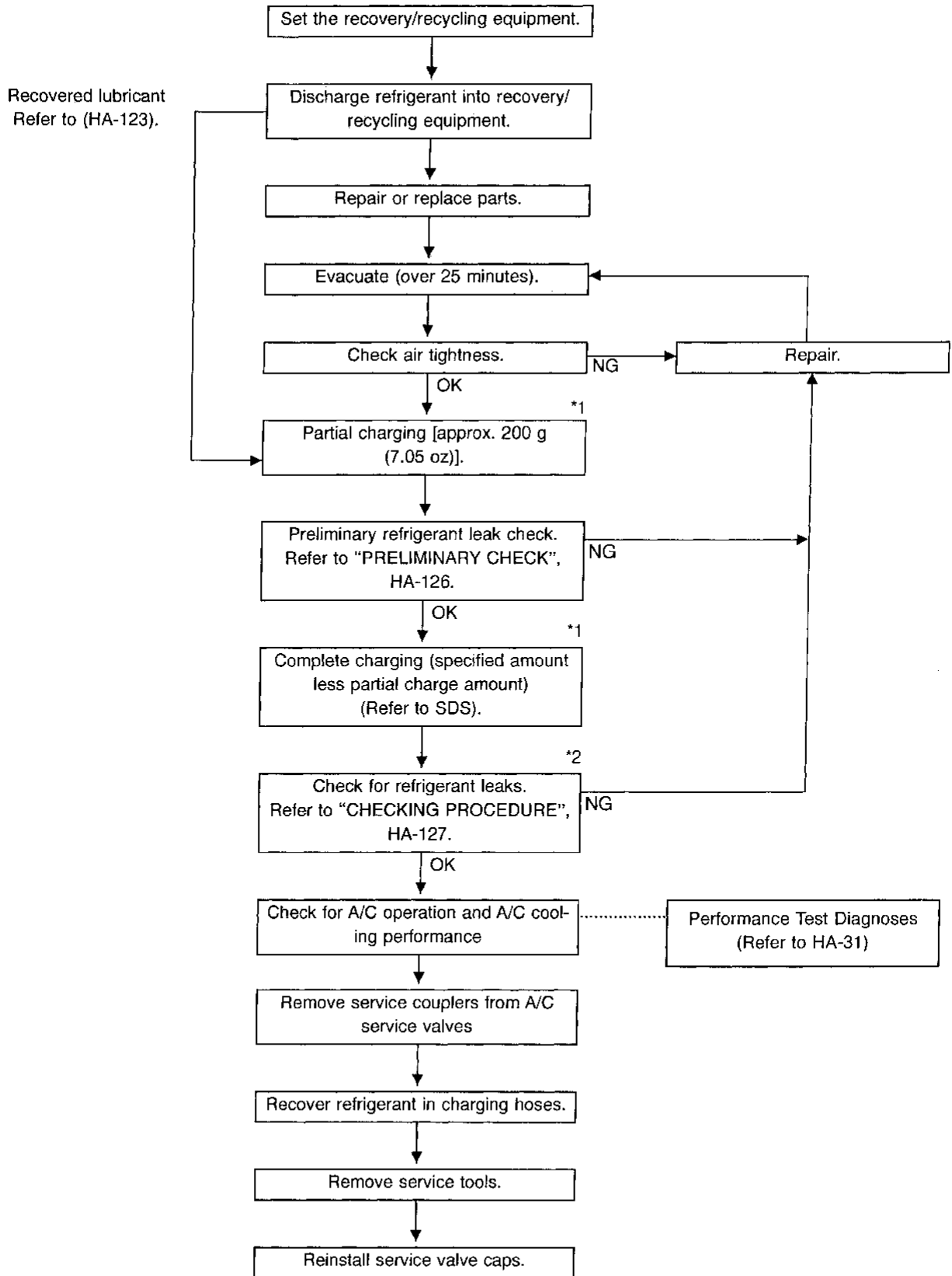
RA  
BR  
ST  
RS

EVACUATING SYSTEM AND CHARGING REFRIGERANT



BT  
HA  
EL  
IDX

HFC-134a (R-134a) Service Procedure (Cont'd)



Note: \*1 Before charging refrigerant, ensure engine is off.

\*2 Before checking for leaks, start engine to activate air conditioning system then turn engine off. Service valve caps must be installed to prevent leakage.

### Maintenance of Lubricant Quantity in Compressor

The lubricant in the compressor circulates through the system with the refrigerant. Add lubricant to compressor when replacing any component or after a large gas leakage occurred. It is important to maintain the specified amount.

If lubricant quantity is not maintained properly, the following malfunctions may result:

- Lack of lubricant: May lead to a seized compressor
- Excessive lubricant: Inadequate cooling (thermal exchange interference)

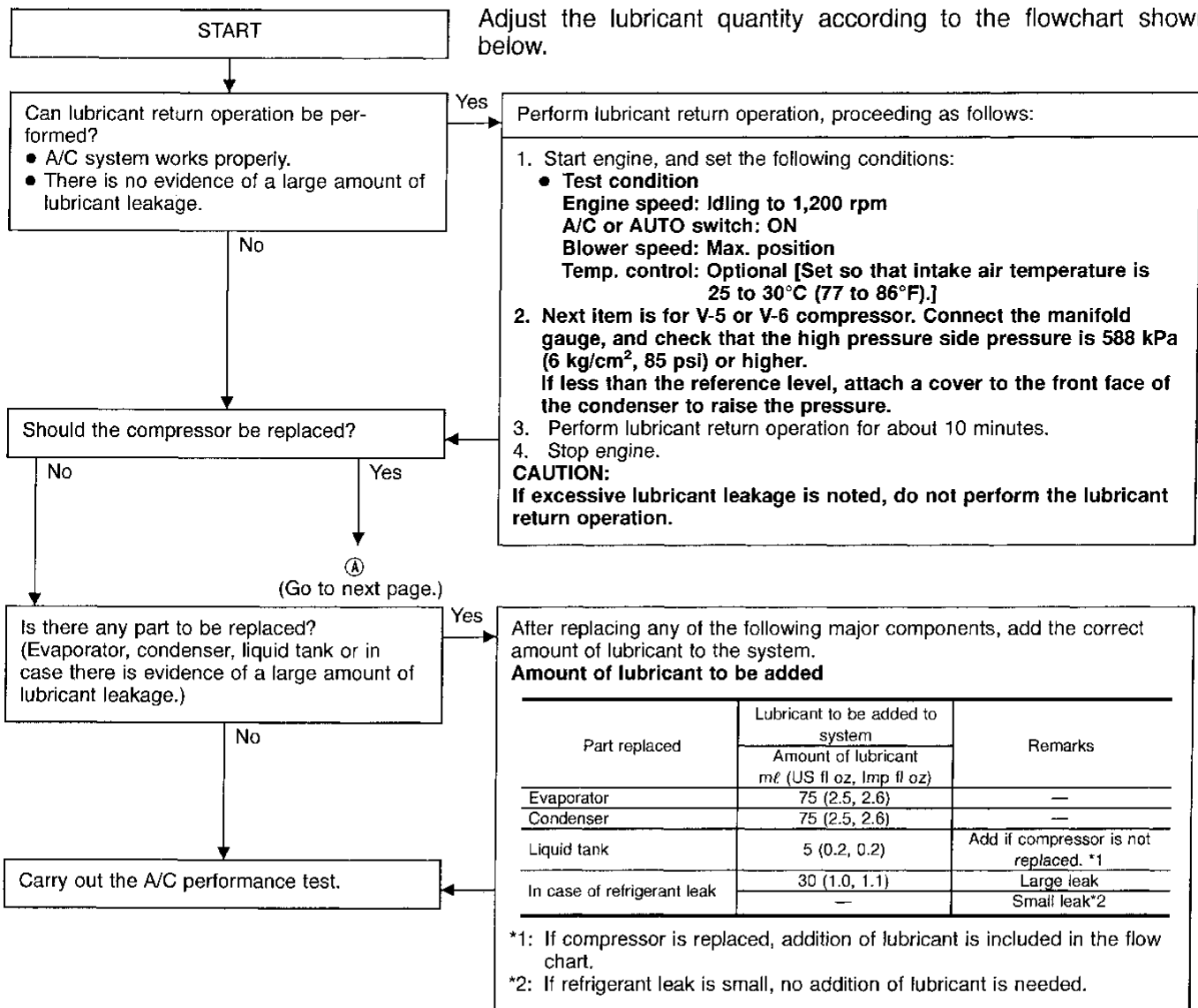
#### LUBRICANT

Name: Nissan A/C System Oil Type S

Part number: KLH00-PAGS0

#### CHECKING AND ADJUSTING

Adjust the lubricant quantity according to the flowchart shown below.

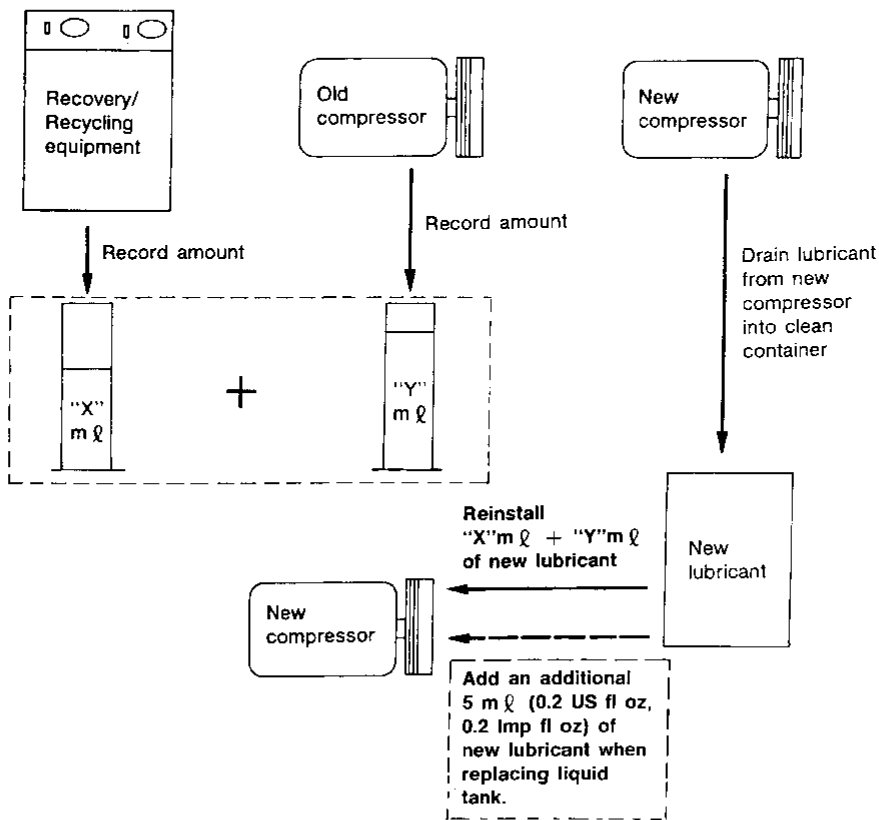


Maintenance of Lubricant Quantity in Compressor (Cont'd)



1. Discharge refrigerant into the refrigerant recovery/recycling equipment. Measure lubricant discharged into the recovery/recycling equipment.
2. Remove the drain plug of the "old" (removed) compressor (applicable only to V-5, V-6 or DKS-16H compressor). Drain the lubricant into a graduated container and record the amount of drained lubricant.
3. Remove the drain plug and drain the lubricant from the "new" compressor into a separate, clean container.
4. Measure an amount of new lubricant installed equal to amount drained from "old" compressor. Add this lubricant to "new" compressor through the suction port opening.
5. Measure an amount of new lubricant equal to the amount recovered during discharging. Add this lubricant to "new" compressor through the suction port opening.
6. Torque the drain plug.
  - V-5 or V-6 compressor: 18 - 19 N·m (1.8 - 1.9 kg·m, 13 - 14 ft·lb)**
  - DKS-16H compressor: 14 - 16 N·m (1.4 - 1.6 kg·m, 10 - 12 ft·lb)**
7. If the liquid tank also needs to be replaced, add an additional 5 mℓ (0.2 US fl oz, 0.2 Imp fl oz) of lubricant at this time. **Do not add this 5 mℓ (0.2 US fl oz, 0.2 Imp fl oz) of lubricant if only replacing the compressor.**

Lubricant adjusting procedure for compressor replacement

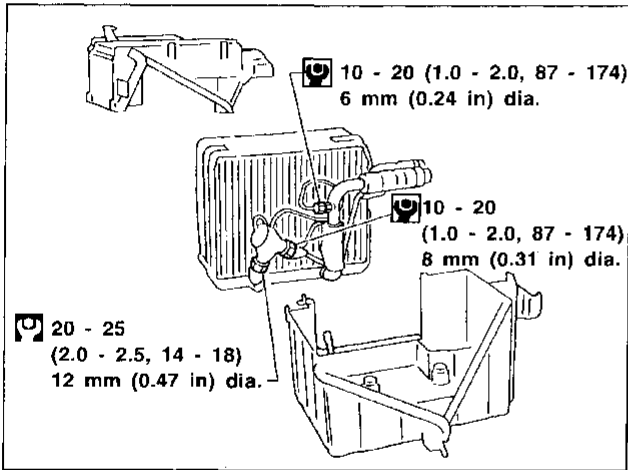


RHA065DD

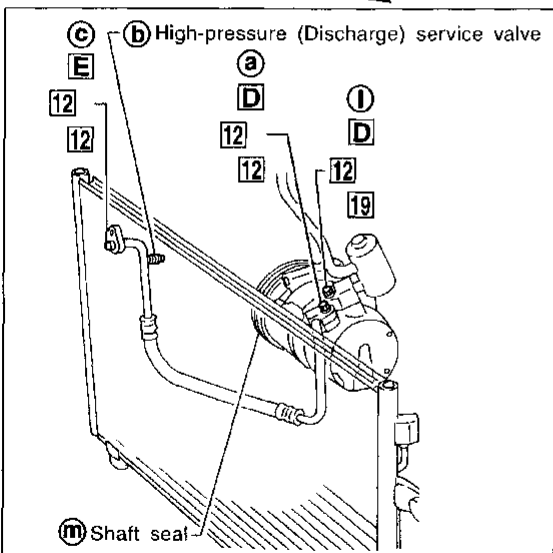
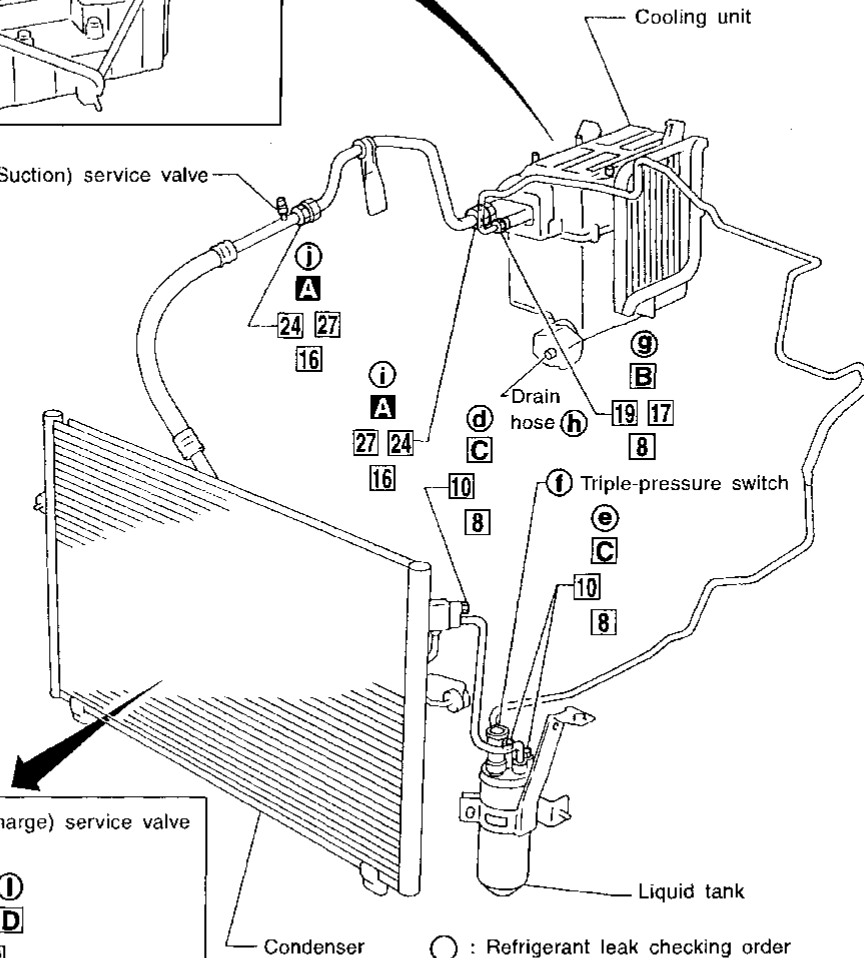
Refrigerant Lines

- Refer to Precautions for Refrigerant Connection (HA-4).

SEC. 271•274•276



(k) Low-pressure (Suction) service valve



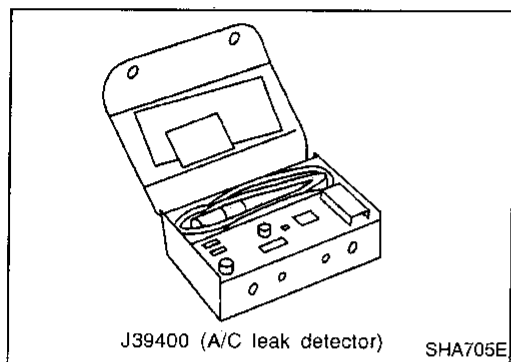
- : Refrigerant leak checking order
- (Tightening torque)
- (Wrench size)
- (O-ring size)
- Ⓜ : N·m (kg-m, ft-lb)
- Ⓜ : N·m (kg-m, in-lb)
- A** : 20 - 29 (2.0 - 3.0, 14 - 22)
- B** : 3.8 - 4.5 (0.39 - 0.46, 33.9 - 39.9)
- C** : 3 - 4 (0.3 - 0.4, 26 - 35)
- D** : 8 - 11 (0.8 - 1.1, 69 - 95)
- E** : 9.3 - 10.8 (0.95 - 1.1, 82.5 - 95.5)

CI  
 MA  
 EM  
 LC  
 EC  
 FE  
 CL  
 MT  
 AT  
 FA  
 RA  
 BR  
 ST  
 RS  
 BT  
 HA  
 EL  
 IDX

## Checking Refrigerant Leaks

### PRELIMINARY CHECK

Perform a visual inspection of all refrigeration parts, fittings, hoses, and components for signs of A/C lubricant leakage, damage and corrosion.

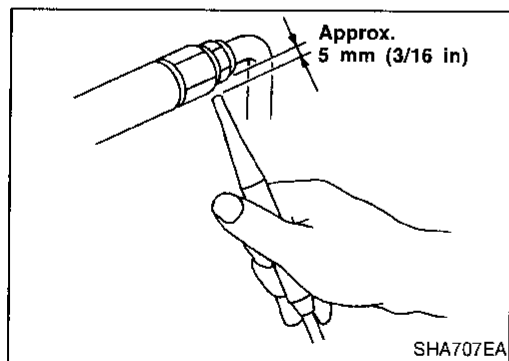


### PRECAUTIONS FOR HANDLING LEAK DETECTOR

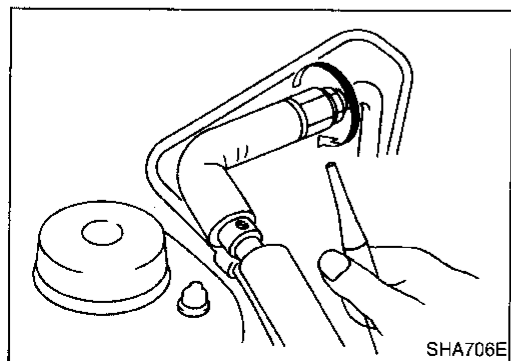
When performing a refrigerant leak check, use a J39400 A/C leak detector or equivalent. Ensure that the instrument is calibrated and set properly per the operating instructions.

The leak detector is a delicate device. In order to use the leak detector properly, read the operating instructions and perform any specified maintenance.

**Other gases in the work area or substances on the A/C components, for example, anti-freeze, windshield washer fluid, solvents and cleaners, may falsely trigger the leak detector. Make sure the surfaces to be checked are clean. Do not allow the sensor tip of the detector to come into contact with any substance. This can also cause false readings and may damage the detector.**



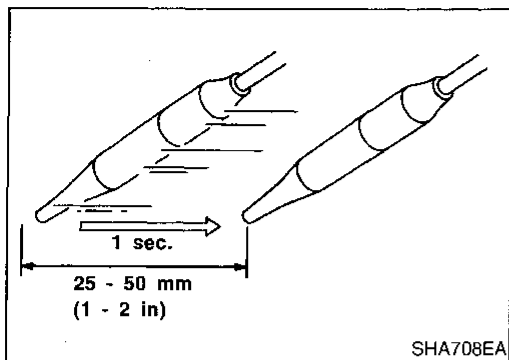
1. Position probe approximately 5 mm (3/16 in) away from point to be checked.



2. When testing, circle each fitting completely with probe.

Checking Refrigerant Leaks (Cont'd)

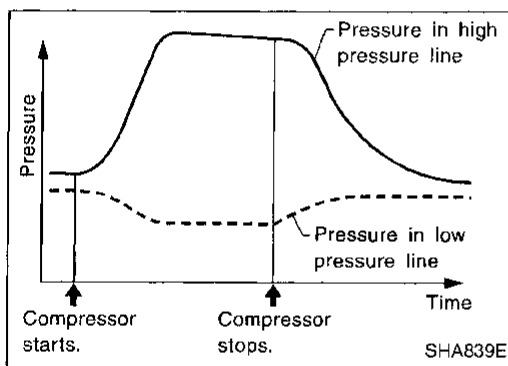
3. Move probe along component approximately 25 to 50 mm (1 to 2 in)/sec.



CHECKING PROCEDURE

To prevent inaccurate or false readings, make sure there is no refrigerant vapor or tobacco smoke in the vicinity of the vehicle. Perform the leak test in calm area (low air/wind movement so that the leaking refrigerant is not dispersed).

1. Charge the system with the specified amount of refrigerant.
2. Run the engine with the A/C compressor ON for at least 2 minutes.
3. Stop engine.



Refrigerant leaks should be checked immediately after stopping the engine. Begin with the leak detector on the high pressure line. The pressure in the high pressure line will gradually drop after refrigerant circulation stops and pressure in the low pressure line will gradually rise, as shown in the graph. Leaks are more easily detected when pressure is high.

4. Conduct the leak test from the high side to the low side at points ① through ⑩. Refer to HA-125.

Perform a leak check for the following areas carefully. Clean the component to be checked and move the leak detector probe completely around the connection/component.

- **Compressor**  
Check the fitting of high and low pressure hoses, relief valve and shaft seal.
- **Liquid tank**  
Check the pressure switch, tube fitting and the fusible plug mounts.
- **Service valves**  
Check all around the service valves. Ensure service valve caps are secured on the service valves (to prevent leaks).
- **Cooling unit**  
Turn blower fan on "High" for at least 15 seconds to dissipate any refrigerant trace in the cooling unit. Insert the leak detector probe into the drain hose immediately after stopping the engine. (Keep the probe inserted for at least ten seconds.)

GI

MA

EM

LC

EC

FE

CL

MT

AT

FA

RA

BR

ST

RS

BT

HA

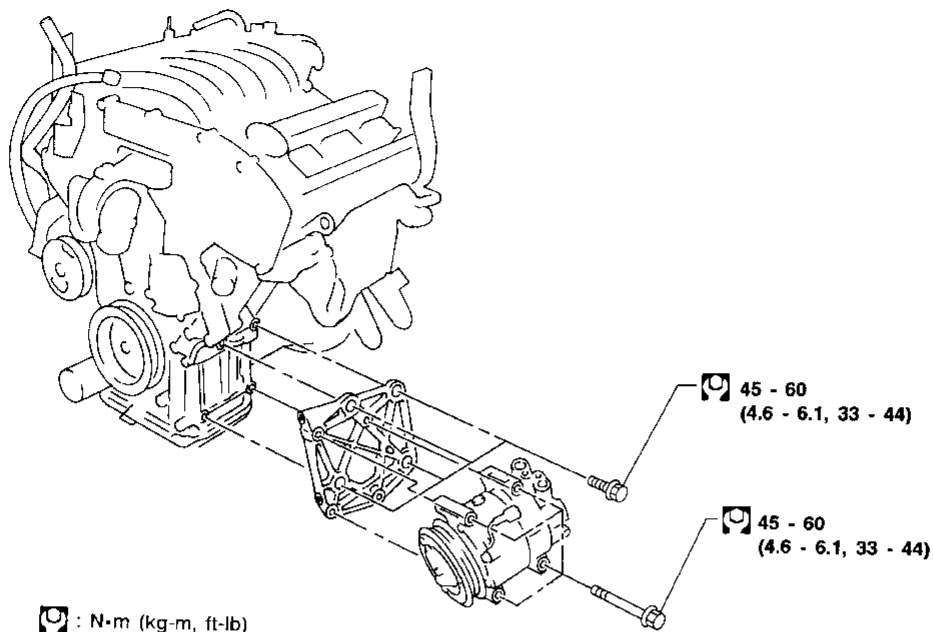
EL

IDX



## Compressor Mounting

SEC. 274-275



RHA463E

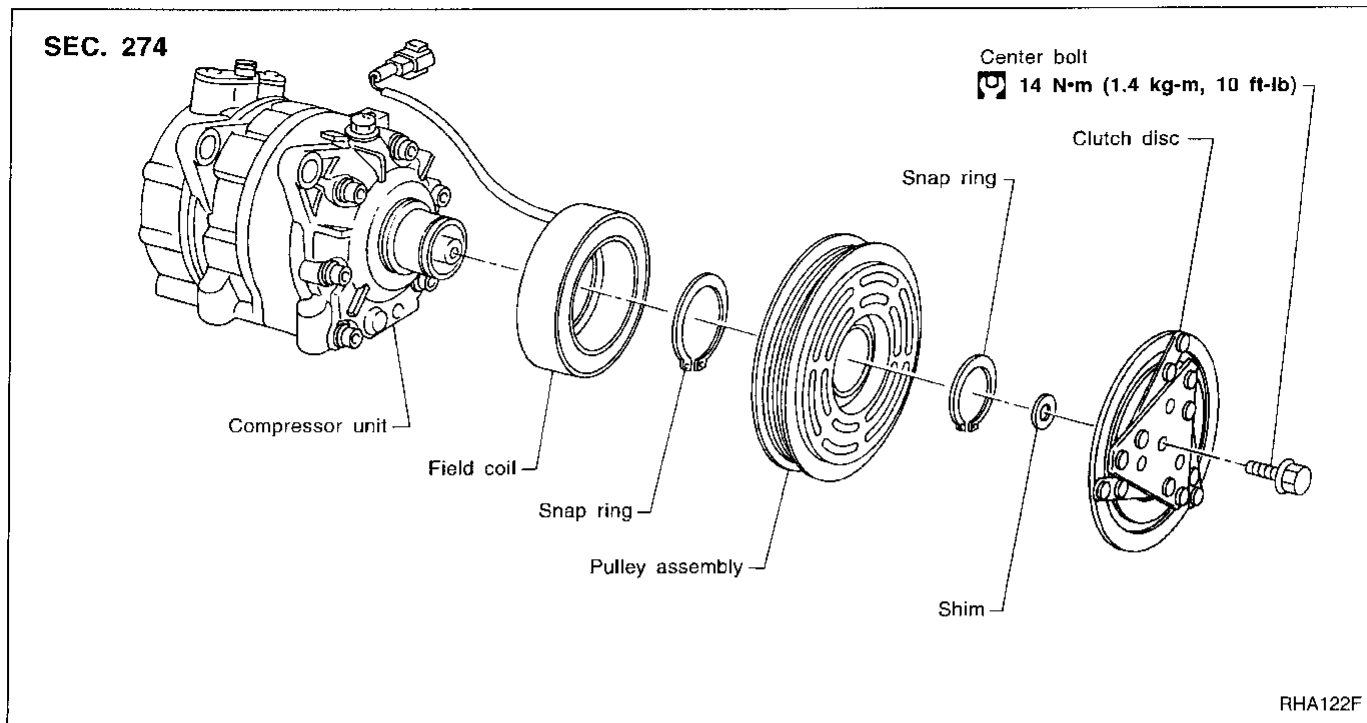
### Belt Tension

- Refer to MA section ("Checking Drive Belts", "ENGINE MAINTENANCE").

### Fast Idle Control Device (FICD)

- Refer to EC section ("IACV-FICD SOLENOID VALVE", "TROUBLE DIAGNOSES FOR NON-DETECTIVE ITEMS").

Compressor



GI  
 MA  
 EM  
 LC  
 EC  
 FE  
 CL

MT

AT

FA

RA

BR

ST

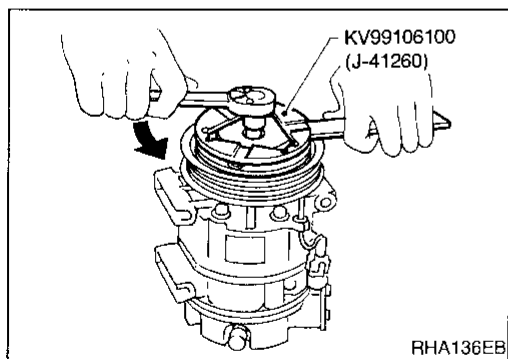
RS

BT

HA

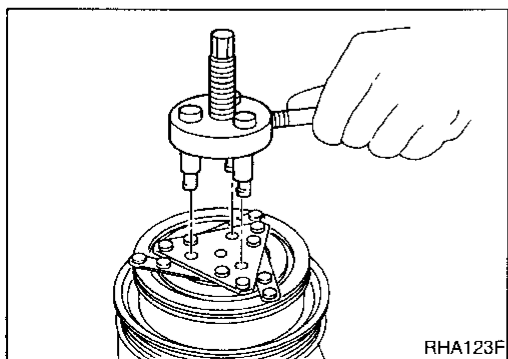
EL

IDX

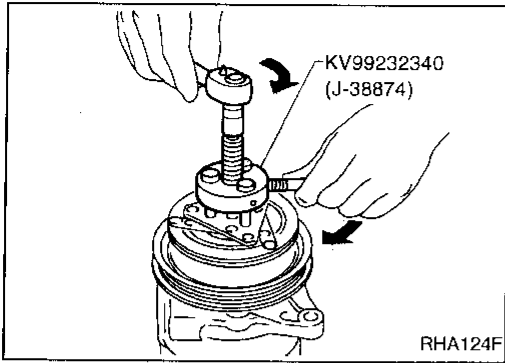


Compressor Clutch  
 REMOVAL

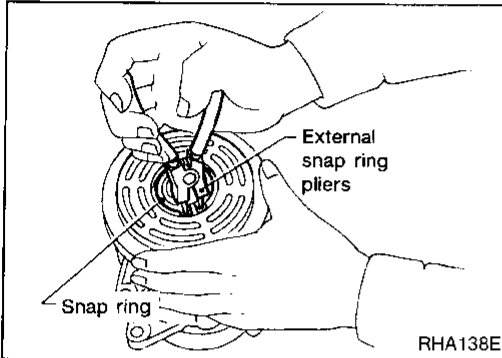
- When removing center bolt, hold clutch disc with clutch disc wrench.



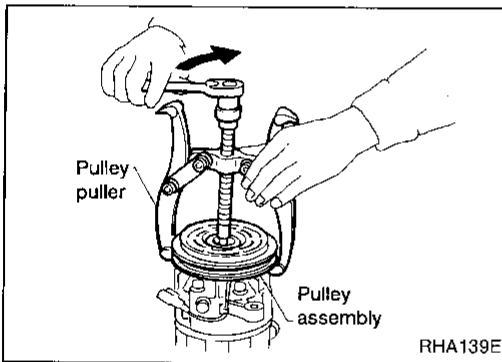
**Compressor Clutch (Cont'd)**



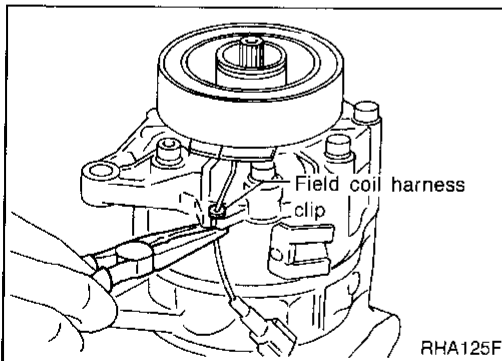
- Remove the clutch disc using the clutch disc puller. Insert the holder's three pins into the holes in the clutch disc. Rotate the holder clockwise to hook it onto the plate. Then, tighten the center bolt to remove the clutch disc. After removing the clutch disc, remove the shims from either the drive shaft or the clutch disc.



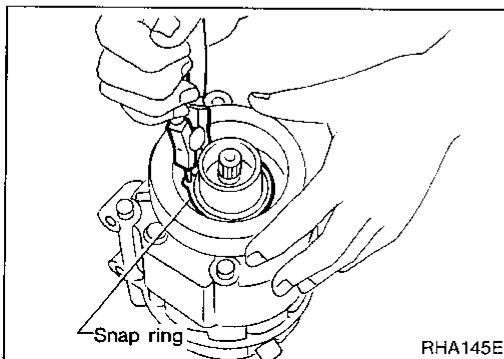
- Remove the snap ring using external snap ring pliers.



- Pulley removal  
Position the center pulley puller on the end of the drive shaft, and remove the pulley assembly using any commercially available pulley puller. **To prevent the pulley groove from being deformed, the puller claws should be positioned onto the edge of the pulley assembly.**



- Remove the field coil harness clip using a pair of pliers.



- Remove the snap ring using external snap ring pliers.

**Compressor Clutch (Cont'd)**

**INSPECTION**

**Clutch disc**

If the contact surface shows signs of damage due to excessive heat, replace clutch disc and pulley.

**Pulley**

Check the appearance of the pulley assembly. If the contact surface of pulley shows signs of excessive grooving, replace clutch disc and pulley. The contact surfaces of the pulley assembly should be cleaned with a suitable solvent before reinstallation.

**Coil**

Check lubricant for loose connection or cracked insulation.

**INSTALLATION**

- Install the field coil.

**Be sure to align the coil's pin with the hole in the compressor's front head.**

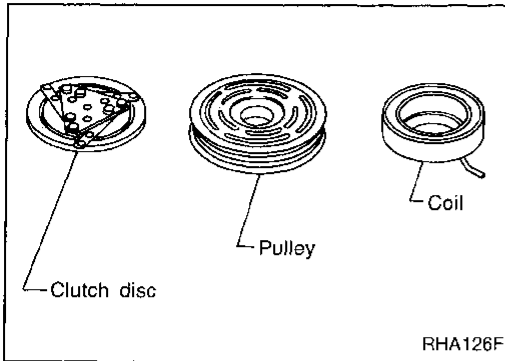
- Install the field coil harness clip using a screwdriver.

- Install the pulley assembly using the installer and a hand press, and then install the snap ring using snap ring pliers.

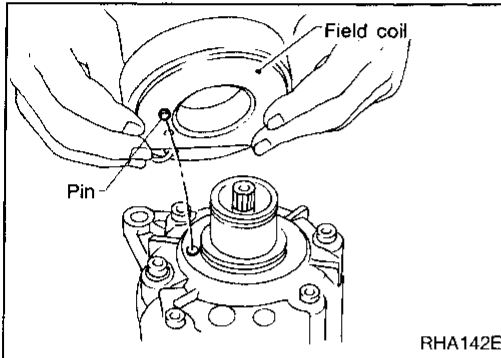
- Install the clutch disc on the drive shaft, together with the original shim(s). Press the clutch disc down by hand.

- Using the holder to prevent clutch disc rotation, tighten the bolt to 14 N-m (1.4 kg-m, 10 ft-lb) torque.

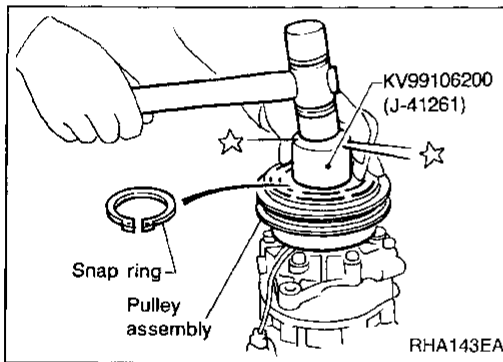
**After tightening the bolt, check that the pulley rotates smoothly.**



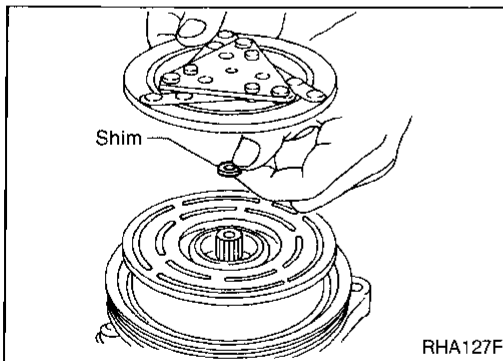
RHA126F



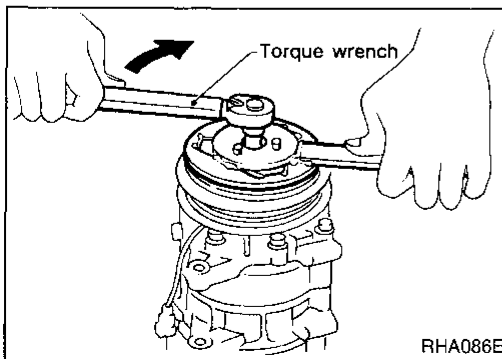
RHA142E



RHA143EA



RHA127F



RHA086E

GI

MA

EM

LC

EC

FE

CL

MT

AT

FA

RA

BR

ST

RS

BT

HA

EL

IDX

**Compressor Clutch (Cont'd)**

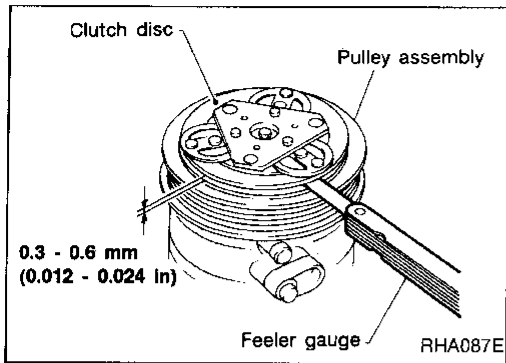
- Check clearance around the entire periphery of clutch disc.

**Disc-to-pulley clearance:****0.3 - 0.6 mm (0.012 - 0.024 in)**

If the specified clearance is not obtained, replace adjusting spacer and readjust.

**BREAK-IN OPERATION**

When replacing compressor clutch assembly, always carry out the break-in operation. This is done by engaging and disengaging the clutch about thirty times. Break-in operation raises the level of transmitted torque.



**General Specifications**

**COMPRESSOR**

Model	CALSONIC make V-6
Type	V-6 variable displacement
Displacement	cm <sup>3</sup> (cu in)/rev.
Max.	184 (11.228)
Min.	10.5 (0.641)
Cylinder bore x stroke	37 (1.46) mm (in) x [1.6 - 28.6 (0.063 - 1.126)]
Direction of rotation	Clockwise (viewed from drive end)
Drive belt	Poly V

**LUBRICANT**

Model	CALSONIC make V-6	GI
Name	Nissan A/C System Oil Type S	MA
Part number	KLH00-PAGS0	EM
Capacity	mℓ (US fl oz, Imp fl oz)	LC
Total in system	200 (6.8, 7.0)	EC
Compressor (Service part) charging amount	200 (6.8, 7.0)	FE

**REFRIGERANT**

Type	HFC-134a (R-134a)	CL
Capacity	kg (lb)	MT
	0.65±0.05 (1.43±0.11)	AT

**Inspection and Adjustment**

**ENGINE IDLING SPEED (When A/C is ON)**

- Refer to EC section.

**BELT TENSION**

- Refer to Checking Drive Belts (MA section).

GI  
MA  
EM  
LC  
EC  
FE  
CL  
MT  
AT  
FA  
RA  
BR  
ST  
RS  
BT  
HA  
EL  
IDX