

# SECTION **BRC**

## BRAKE CONTROL SYSTEM

A  
B  
C  
D  
E

### CONTENTS

<b>TYPE 1</b>	<b>C1105, C1106, C1107, C1108 WHEEL SENSOR-2</b> .....	<b>BRC</b>
<b>BASIC INSPECTION</b> .....	Description .....	
<b>APPLICATION NOTICE</b> .....	DTC Logic .....	G
Application Notice .....	Diagnosis Procedure .....	
<b>DIAGNOSIS AND REPAIR WORKFLOW</b> .....	Component Inspection .....	H
Work Flow .....	<b>C1109 POWER AND GROUND SYSTEM</b> .....	
Diagnostic Work Sheet .....	Description .....	I
<b>FUNCTION DIAGNOSIS</b> .....	DTC Logic .....	
<b>APPLICATION NOTICE</b> .....	Diagnosis Procedure .....	J
Application Notice .....	<b>C1110, C1113, C1170 ABS ACTUATOR AND ELECTRIC UNIT (CONTROL UNIT)</b> .....	
<b>ABS</b> .....	DTC Logic .....	K
System Diagram .....	Diagnosis Procedure .....	
System Description .....	<b>C1111 ABS MOTOR, MOTOR RELAY SYSTEM</b> .....	L
Component Parts Location .....	Description .....	
Component Description .....	DTC Logic .....	M
<b>EBD</b> .....	Diagnosis Procedure .....	
System Diagram .....	Component Inspection .....	N
System Description .....	<b>C1115 WHEEL SENSOR</b> .....	
Component Parts Location .....	Description .....	O
Component Description .....	DTC Logic .....	
<b>DIAGNOSIS SYSTEM [ABS ACTUATOR AND ELECTRIC UNIT (CONTROL UNIT)]</b> .....	Diagnosis Procedure .....	P
CONSULT-III Function (ABS) .....	Component Inspection .....	
<b>COMPONENT DIAGNOSIS</b> .....	<b>C1120, C1122, C1190 IN ABS SOL</b> .....	
<b>APPLICATION NOTICE</b> .....	Description .....	O
Application Notice .....	DTC Logic .....	
<b>C1101, C1102, C1103, C1104 WHEEL SENSOR-1</b> .....	Diagnosis Procedure .....	P
Description .....	Component Inspection .....	
DTC Logic .....	<b>C1121, C1123, C1191 OUT ABS SOL</b> .....	
Diagnosis Procedure .....	Description .....	41
Component Inspection .....	DTC Logic .....	41
	Diagnosis Procedure .....	41
	Component Inspection .....	42

<b>C1140 ACTUATOR RLY</b> .....	44	<b>PRECAUTIONS</b> .....	67
Description .....	44	Precaution for Supplemental Restraint System (SRS) "AIR BAG" and "SEAT BELT PRE-TENSIONER" .....	67
DTC Logic .....	44	Precaution for Brake System .....	67
Diagnosis Procedure .....	44	Precaution for Brake Control .....	67
Component Inspection .....	45	Precaution for CAN System .....	68
<b>U1000 CAN COMM CIRCUIT</b> .....	46	<b>PREPARATION</b> .....	69
Description .....	46	<b>PREPARATION</b> .....	69
DTC Logic .....	46	Special Service Tool .....	69
Diagnosis Procedure .....	46	Commercial Service Tool .....	69
<b>ABS WARNING LAMP</b> .....	47	<b>REMOVAL AND INSTALLATION</b> .....	70
Description .....	47	<b>WHEEL SENSOR</b> .....	70
Component Function Check .....	47	Removal and Installation .....	70
Diagnosis Procedure .....	47	<b>SENSOR ROTOR</b> .....	71
<b>BRAKE WARNING LAMP</b> .....	48	Removal and Installation .....	71
Description .....	48	<b>ACTUATOR AND ELECTRIC UNIT (ASSEMBLY)</b> .....	72
Component Function Check .....	48	Removal and Installation .....	72
Diagnosis Procedure .....	48	<b>TYPE 2</b>	
<b>ECU DIAGNOSIS</b> .....	49	<b>BASIC INSPECTION</b> .....	74
<b>APPLICATION NOTICE</b> .....	49	<b>APPLICATION NOTICE</b> .....	74
Application Notice .....	49	Application Notice .....	74
<b>ABS ACTUATOR AND ELECTRIC UNIT (CONTROL UNIT)</b> .....	50	<b>DIAGNOSIS AND REPAIR WORKFLOW</b> .....	75
Reference Value .....	50	Work Flow .....	75
Wiring Diagram - ABS .....	52	Diagnostic Work Sheet .....	77
Fail-Safe .....	57	<b>FUNCTION DIAGNOSIS</b> .....	78
DTC No. Index .....	58	<b>APPLICATION NOTICE</b> .....	78
<b>SYMPTOM DIAGNOSIS</b> .....	59	Application Notice .....	78
<b>APPLICATION NOTICE</b> .....	59	<b>ABLS</b> .....	79
Application Notice .....	59	System Diagram .....	79
<b>ABS</b> .....	60	System Description .....	80
Symptom Table .....	60	Component Parts Location .....	80
<b>EXCESSIVE ABS FUNCTION OPERATION FREQUENCY</b> .....	61	Component Description .....	81
Diagnosis Procedure .....	61	<b>ABS</b> .....	82
<b>UNEXPECTED PEDAL REACTION</b> .....	62	System Diagram .....	82
Diagnosis Procedure .....	62	System Description .....	82
<b>THE BRAKING DISTANCE IS LONG</b> .....	63	Component Parts Location .....	83
Diagnosis Procedure .....	63	Component Description .....	84
<b>ABS FUNCTION DOES NOT OPERATE</b> .....	64	<b>EBD</b> .....	85
Diagnosis Procedure .....	64	System Diagram .....	85
<b>PEDAL VIBRATION OR ABS OPERATION SOUND OCCURS</b> .....	65	System Description .....	85
Diagnosis Procedure .....	65	Component Parts Location .....	86
<b>NORMAL OPERATING CONDITION</b> .....	66	Component Description .....	87
Description .....	66	<b>DIAGNOSIS SYSTEM [ABS ACTUATOR AND ELECTRIC UNIT (CONTROL UNIT)]</b> .....	88
<b>PRECAUTION</b> .....	67	CONSULT-III Function (ABS) .....	88

<b>COMPONENT DIAGNOSIS</b> .....	92	<b>C1130, C1131, C1136 ENGINE SIGNAL</b> .....	115	A
<b>APPLICATION NOTICE</b> .....	92	Description .....	115	
Application Notice .....	92	DTC Logic .....	115	
<b>C1101, C1102, C1103, C1104 WHEEL SEN-</b>		Diagnosis Procedure .....	115	B
<b>SOR-1</b> .....	93	<b>C1140 ACTUATOR RLY</b> .....	116	
Description .....	93	Description .....	116	
DTC Logic .....	93	DTC Logic .....	116	C
Diagnosis Procedure .....	93	Diagnosis Procedure .....	116	
Component Inspection .....	95	Component Inspection .....	117	
<b>C1105, C1106, C1107, C1108 WHEEL SEN-</b>		<b>C1142 PRESS SENSOR</b> .....	118	D
<b>SOR-2</b> .....	96	Description .....	118	
Description .....	96	DTC Logic .....	118	
DTC Logic .....	96	Diagnosis Procedure .....	118	E
Diagnosis Procedure .....	96	Component Inspection .....	119	
Component Inspection .....	98	<b>C1155 BRAKE FLUID LEVEL SWITCH</b> .....	120	
<b>C1109 POWER AND GROUND SYSTEM</b> .....	99	Description .....	120	BRC
Description .....	99	DTC Logic .....	120	
DTC Logic .....	99	Diagnosis Procedure .....	120	
Diagnosis Procedure .....	99	Component Inspection .....	121	G
<b>C1110, C1113, C1160, C1170 ABS ACTUA-</b>		<b>C1164, C1165, C1166, C1167 CV/SV SYS-</b>		
<b>TOR AND ELECTRIC UNIT (CONTROL UNIT)</b>		<b>TEM</b> .....	122	H
DTC Logic .....	101	Description .....	122	
Diagnosis Procedure .....	101	DTC Logic .....	122	
<b>C1111 ABS MOTOR, MOTOR RELAY SYS-</b>		Diagnosis Procedure .....	122	I
<b>TEM</b> .....	102	Component Inspection .....	123	
Description .....	102	<b>C1187 DIFFERENTIAL LOCK CONTROL</b>		
DTC Logic .....	102	<b>UNIT</b> .....	125	J
Diagnosis Procedure .....	102	Description .....	125	
Component Inspection .....	103	DTC Logic .....	125	
<b>C1115 WHEEL SENSOR</b> .....	104	Diagnosis Procedure .....	125	K
Description .....	104	<b>U1000 CAN COMM CIRCUIT</b> .....	126	
DTC Logic .....	104	Description .....	126	
Diagnosis Procedure .....	104	DTC Logic .....	126	L
Component Inspection .....	105	Diagnosis Procedure .....	126	
<b>C1116 STOP LAMP SWITCH</b> .....	107	<b>ABS WARNING LAMP</b> .....	127	M
Description .....	107	Description .....	127	
DTC Logic .....	107	Component Function Check .....	127	
Diagnosis Procedure .....	107	Diagnosis Procedure .....	127	
<b>C1120, C1122, C1124, C1126 IN ABS SOL ...</b>	109	<b>BRAKE WARNING LAMP</b> .....	128	N
Description .....	109	Description .....	128	
DTC Logic .....	109	Component Function Check .....	128	
Diagnosis Procedure .....	109	Diagnosis Procedure .....	128	O
Component Inspection .....	110	<b>SLIP INDICATOR LAMP</b> .....	129	
<b>C1121, C1123, C1125, C1127 OUT ABS SOL.</b>	112	Description .....	129	P
Description .....	112	Component Function Check .....	129	
DTC Logic .....	112	Diagnosis Procedure .....	129	
Diagnosis Procedure .....	112	<b>ECU DIAGNOSIS</b> .....	130	
Component Inspection .....	113	<b>APPLICATION NOTICE</b> .....	130	
		Application Notice .....	130	

---

**ABS ACTUATOR AND ELECTRIC UNIT****TYPE 3**

<b>(CONTROL UNIT)</b> .....	131
Reference Value .....	131
Wiring Diagram - ABL5 .....	135
Fail-Safe .....	140
DTC No. Index .....	141
<b>SYMPTOM DIAGNOSIS</b> .....	143
<b>APPLICATION NOTICE</b> .....	143
Application Notice .....	143
<b>ABLS/ABS</b> .....	144
Symptom Table .....	144
<b>EXCESSIVE ABS FUNCTION OPERATION</b>	
<b>FREQUENCY</b> .....	145
Diagnosis Procedure .....	145
<b>UNEXPECTED PEDAL REACTION</b> .....	146
Diagnosis Procedure .....	146
<b>THE BRAKING DISTANCE IS LONG</b> .....	147
Diagnosis Procedure .....	147
<b>ABS FUNCTION DOES NOT OPERATE</b> .....	148
Diagnosis Procedure .....	148
<b>PEDAL VIBRATION OR ABS OPERATION</b>	
<b>SOUND OCCURS</b> .....	149
Diagnosis Procedure .....	149
<b>NORMAL OPERATING CONDITION</b> .....	150
Description .....	150
<b>PRECAUTION</b> .....	151
<b>PRECAUTIONS</b> .....	151
Precaution for Supplemental Restraint System (SRS) "AIR BAG" and "SEAT BELT PRE-TENSIONER" .....	151
Precaution for Brake System .....	151
Precaution for Brake Control .....	151
Precaution for CAN System .....	152
<b>PREPARATION</b> .....	153
<b>PREPARATION</b> .....	153
Special Service Tool .....	153
Commercial Service Tool .....	153
<b>REMOVAL AND INSTALLATION</b> .....	154
<b>WHEEL SENSOR</b> .....	154
Removal and Installation .....	154
<b>SENSOR ROTOR</b> .....	155
Removal and Installation .....	155
<b>ACTUATOR AND ELECTRIC UNIT (ASSEMBLY)</b> .....	156
Removal and Installation .....	156

<b>BASIC INSPECTION</b> .....	158
<b>APPLICATION NOTICE</b> .....	158
Application Notice .....	158
<b>DIAGNOSIS AND REPAIR WORKFLOW</b> .....	159
Work Flow .....	159
Diagnostic Work Sheet .....	162
<b>INSPECTION AND ADJUSTMENT</b> .....	163
<b>ADDITIONAL SERVICE WHEN REPLACING CONTROL UNIT</b> .....	163
ADDITIONAL SERVICE WHEN REPLACING CONTROL UNIT : Description .....	163
ADDITIONAL SERVICE WHEN REPLACING CONTROL UNIT : Special Repair Requirement ..	163
<b>ADJUSTMENT OF STEERING ANGLE SENSOR NEUTRAL POSITION</b> .....	163
ADJUSTMENT OF STEERING ANGLE SENSOR NEUTRAL POSITION : Description .....	163
ADJUSTMENT OF STEERING ANGLE SENSOR NEUTRAL POSITION : Special Repair Requirement .....	163
<b>CALIBRATION OF DECEL G SENSOR</b> .....	164
CALIBRATION OF DECEL G SENSOR : Description .....	164
CALIBRATION OF DECEL G SENSOR : Special Repair Requirement .....	164
<b>FUNCTION DIAGNOSIS</b> .....	166
<b>APPLICATION NOTICE</b> .....	166
Application Notice .....	166
<b>VDC</b> .....	167
System Diagram .....	167
System Description .....	168
Component Parts Location .....	169
Component Description .....	170
<b>TCS</b> .....	171
System Diagram .....	171
System Description .....	171
Component Parts Location .....	172
Component Description .....	173
<b>ABS</b> .....	174
System Diagram .....	174
System Description .....	174
Component Parts Location .....	175
Component Description .....	176
<b>EBD</b> .....	177
System Diagram .....	177
System Description .....	177
Component Parts Location .....	178
Component Description .....	179

<b>Hill descent control</b> .....	<b>180</b>	Special Repair Requirement .....	204
System Description .....	180	<b>C1115 WHEEL SENSOR</b> .....	<b>206</b>
Component Parts Location .....	181	Description .....	206
Component Description .....	182	DTC Logic .....	206
<b>Hill start assist</b> .....	<b>183</b>	Diagnosis Procedure .....	206
System Description .....	183	Component Inspection .....	207
Component Parts Location .....	184	Special Repair Requirement .....	208
Component Description .....	185	<b>C1116 STOP LAMP SWITCH</b> .....	<b>209</b>
<b>DIAGNOSIS SYSTEM [ABS ACTUATOR AND ELECTRIC UNIT (CONTROL UNIT)]</b> .....	<b>186</b>	Description .....	209
CONSULT-III Function (ABS) .....	186	DTC Logic .....	209
<b>COMPONENT DIAGNOSIS</b> .....	<b>191</b>	Diagnosis Procedure .....	209
<b>APPLICATION NOTICE</b> .....	<b>191</b>	Special Repair Requirement .....	210
Application Notice .....	191	<b>C1120, C1122, C1124, C1126 IN ABS SOL</b> ...	<b>211</b>
<b>C1101, C1102, C1103, C1104 WHEEL SEN- SOR-1</b> .....	<b>192</b>	Description .....	211
Description .....	192	DTC Logic .....	211
DTC Logic .....	192	Diagnosis Procedure .....	211
Diagnosis Procedure .....	192	Component Inspection .....	212
Component Inspection .....	194	Special Repair Requirement .....	213
Special Repair Requirement .....	194	<b>C1121, C1123, C1125, C1127 OUT ABS SOL</b> ..	<b>214</b>
<b>C1105, C1106, C1107, C1108 WHEEL SEN- SOR-2</b> .....	<b>195</b>	Description .....	214
Description .....	195	DTC Logic .....	214
DTC Logic .....	195	Diagnosis Procedure .....	214
Diagnosis Procedure .....	195	Component Inspection .....	215
Component Inspection .....	197	Special Repair Requirement .....	216
Special Repair Requirement .....	197	<b>C1130, C1131, C1132, C1133, C1136 EN- GINE SIGNAL</b> .....	<b>217</b>
<b>C1109 POWER AND GROUND SYSTEM</b> .....	<b>198</b>	Description .....	217
Description .....	198	DTC Logic .....	217
DTC Logic .....	198	Diagnosis Procedure .....	217
Diagnosis Procedure .....	198	Special Repair Requirement .....	217
Special Repair Requirement .....	199	<b>C1140 ACTUATOR RLY</b> .....	<b>219</b>
<b>C1110, C1170 ABS ACTUATOR AND ELEC- TRIC UNIT (CONTROL UNIT)</b> .....	<b>200</b>	Description .....	219
DTC Logic .....	200	DTC Logic .....	219
Diagnosis Procedure .....	200	Diagnosis Procedure .....	219
Special Repair Requirement .....	200	Component Inspection .....	220
<b>C1111 ABS MOTOR, MOTOR RELAY SYS- TEM</b> .....	<b>201</b>	Special Repair Requirement .....	220
Description .....	201	<b>C1143, C1144 STEERING ANGLE SENSOR</b> .	<b>221</b>
DTC Logic .....	201	Description .....	221
Diagnosis Procedure .....	201	DTC Logic .....	221
Component Inspection .....	202	Diagnosis Procedure .....	221
Special Repair Requirement .....	202	Component Inspection .....	222
<b>C1113, C1145, C1146 YAW RATE/SIDE/DE- CEL G SENSOR</b> .....	<b>203</b>	Special Repair Requirement .....	222
Description .....	203	<b>C1155 BRAKE FLUID LEVEL SWITCH</b> .....	<b>224</b>
DTC Logic .....	203	Description .....	224
Diagnosis Procedure .....	203	DTC Logic .....	224
Component Inspection .....	204	Diagnosis Procedure .....	224
		Component Inspection .....	225
		Special Repair Requirement .....	225
		<b>C1156 ST ANG SEN COM CIR</b> .....	<b>227</b>
		Description .....	227
		DTC Logic .....	227
		Diagnosis Procedure .....	227

A

B

C

D

E

BRC

G

H

I

J

K

L

M

N

O

P

<b>C1160 DECEL G SEN SET</b> .....	<b>228</b>	<b>Hill descent control INDICATOR LAMP</b> .....	<b>243</b>
Description .....	228	Description .....	243
DTC Logic .....	228	Component Function Check .....	243
Diagnosis Procedure .....	228	Diagnosis Procedure .....	243
<b>C1163 ST ANGLE SEN SAFE</b> .....	<b>229</b>	<b>ECU DIAGNOSIS</b> .....	<b>244</b>
Description .....	229	<b>APPLICATION NOTICE</b> .....	<b>244</b>
DTC Logic .....	229	Application Notice .....	244
Diagnosis Procedure .....	229	<b>ABS ACTUATOR AND ELECTRIC UNIT</b>	
<b>C1164, C1165, C1166, C1167 CV/SV SYS-</b>		<b>(CONTROL UNIT)</b> .....	<b>245</b>
<b>TEM</b> .....	<b>230</b>	Reference Value .....	245
Description .....	230	Wiring Diagram - VDC .....	249
DTC Logic .....	230	Fail-Safe .....	255
Diagnosis Procedure .....	230	DTC No. Index .....	256
Component Inspection .....	231	<b>SYMPTOM DIAGNOSIS</b> .....	<b>258</b>
Special Repair Requirement .....	232	<b>APPLICATION NOTICE</b> .....	<b>258</b>
<b>C1187 DIFFERENTIAL LOCK CONTROL</b>		Application Notice .....	258
<b>UNIT</b> .....	<b>233</b>	<b>VDC/TCS/ABS</b> .....	<b>259</b>
Description .....	233	Symptom Table .....	259
DTC Logic .....	233	<b>EXCESSIVE ABS FUNCTION OPERATION</b>	
Diagnosis Procedure .....	233	<b>FREQUENCY</b> .....	<b>260</b>
<b>U1000 CAN COMM CIRCUIT</b> .....	<b>234</b>	Diagnosis Procedure .....	260
Description .....	234	<b>UNEXPECTED PEDAL REACTION</b> .....	<b>261</b>
DTC Logic .....	234	Diagnosis Procedure .....	261
Diagnosis Procedure .....	234	<b>THE BRAKING DISTANCE IS LONG</b> .....	<b>262</b>
Special Repair Requirement .....	234	Diagnosis Procedure .....	262
<b>Hill descent control SWITCH</b> .....	<b>235</b>	<b>ABS FUNCTION DOES NOT OPERATE</b> .....	<b>263</b>
Description .....	235	Diagnosis Procedure .....	263
Component Function Check .....	235	<b>PEDAL VIBRATION OR ABS OPERATION</b>	
Diagnosis Procedure .....	235	<b>SOUND OCCURS</b> .....	<b>264</b>
Component Inspection .....	236	Diagnosis Procedure .....	264
<b>VDC OFF SWITCH</b> .....	<b>237</b>	<b>VEHICLE JERKS DURING VDC/TCS/ABS</b>	
Description .....	237	<b>CONTROL</b> .....	<b>265</b>
Component Function Check .....	237	Diagnosis Procedure .....	265
Diagnosis Procedure .....	237	<b>NORMAL OPERATING CONDITION</b> .....	<b>266</b>
Component Inspection .....	238	Description .....	266
<b>ABS WARNING LAMP</b> .....	<b>239</b>	<b>PRECAUTION</b> .....	<b>267</b>
Description .....	239	<b>PRECAUTIONS</b> .....	<b>267</b>
Component Function Check .....	239	Precaution for Supplemental Restraint System	
Diagnosis Procedure .....	239	(SRS) "AIR BAG" and "SEAT BELT PRE-TEN-	
<b>BRAKE WARNING LAMP</b> .....	<b>240</b>	SIONER" .....	267
Description .....	240	Precaution for Brake System .....	267
Component Function Check .....	240	Precaution for Brake Control .....	267
Diagnosis Procedure .....	240	Precaution for CAN System .....	268
<b>VDC OFF INDICATOR LAMP</b> .....	<b>241</b>	<b>PREPARATION</b> .....	<b>270</b>
Description .....	241	<b>PREPARATION</b> .....	<b>270</b>
Component Function Check .....	241		
Diagnosis Procedure .....	241		
<b>SLIP INDICATOR LAMP</b> .....	<b>242</b>		
Description .....	242		
Component Function Check .....	242		
Diagnosis Procedure .....	242		

Special Service Tool .....	270
Commercial Service Tool .....	271
<b>REMOVAL AND INSTALLATION .....</b>	<b>272</b>
<b>WHEEL SENSOR .....</b>	<b>272</b>
Removal and Installation .....	272
<b>SENSOR ROTOR .....</b>	<b>273</b>
Removal and Installation .....	273

<b>ACTUATOR AND ELECTRIC UNIT (ASSEMBLY) .....</b>	<b>274</b>
Removal and Installation .....	274
<b>STEERING ANGLE SENSOR .....</b>	<b>276</b>
Removal and Installation .....	276
<b>G SENSOR .....</b>	<b>277</b>
Removal and Installation .....	277

A  
B  
C  
D  
E  
G  
H  
I  
J  
K  
L  
M  
N  
O  
P

**BRC**

# APPLICATION NOTICE

< BASIC INSPECTION >

[TYPE 1]

## BASIC INSPECTION

### APPLICATION NOTICE

Application Notice

INFOID:000000003221041

Service information	Remarks
TYPE 1	ABS
TYPE 2	ABLS/ABS
TYPE 3	HILL DESCENT CONTROL/HILL START ASSIST/VDC/TCS/ABS



# DIAGNOSIS AND REPAIR WORKFLOW

< BASIC INSPECTION >

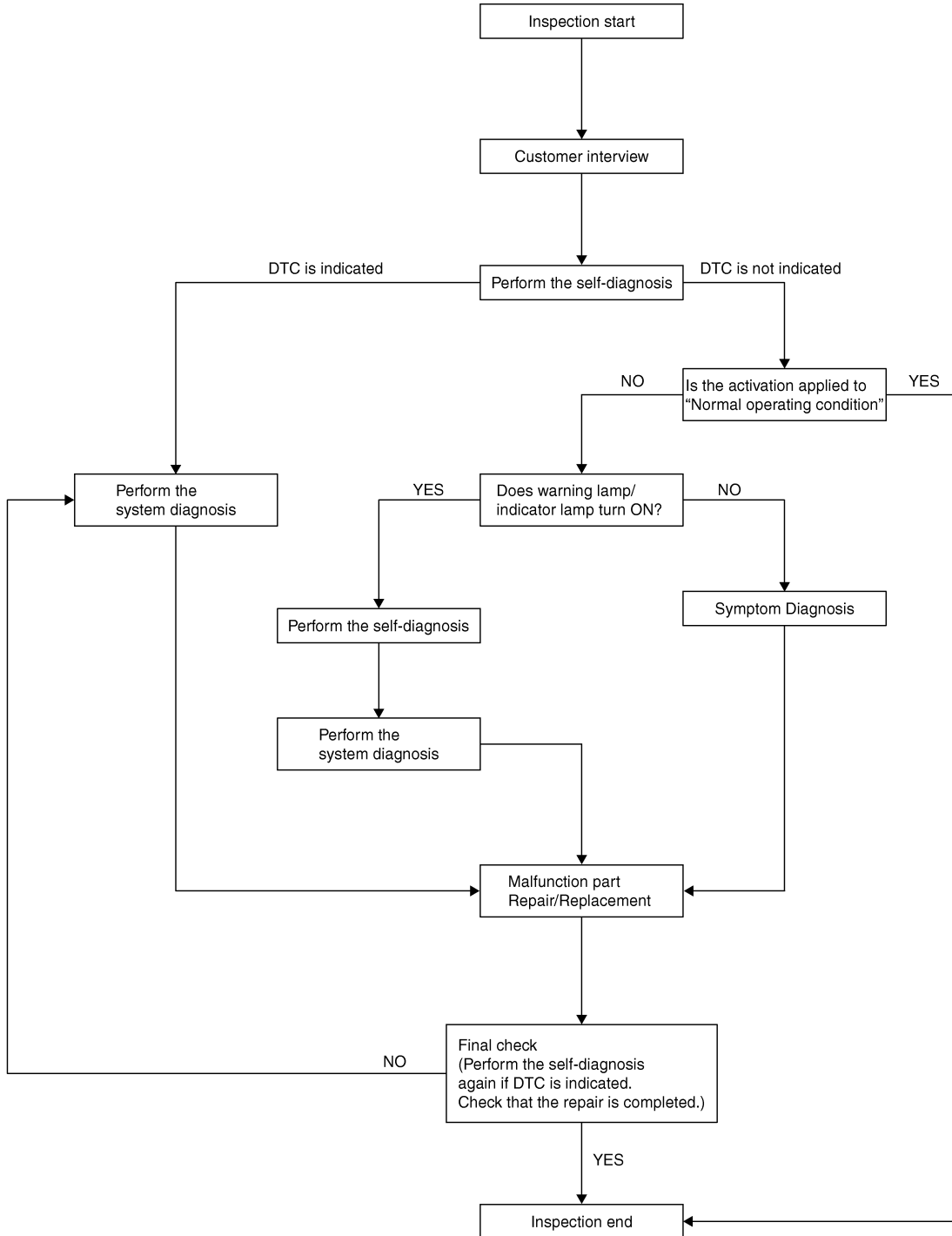
[TYPE 1]

## DIAGNOSIS AND REPAIR WORKFLOW

Work Flow

INFOID:000000003221042

OVERALL SEQUENCE



A  
B  
C  
D  
E  
BRC  
G  
H  
I  
J  
K  
L  
M  
N  
O  
P

DETAILED FLOW

1. COLLECT THE INFORMATION FROM THE CUSTOMER

# DIAGNOSIS AND REPAIR WORKFLOW

[TYPE 1]

< BASIC INSPECTION >

Get the detailed information from the customer about the symptom (the condition and the environment when the incident/malfunction occurred) using the diagnosis worksheet. Refer to [BRC-11, "Diagnostic Work Sheet"](#).

>> GO TO 2

## 2. PERFORM THE SELF-DIAGNOSIS

Check the DTC display with the self-diagnosis function. Refer to [BRC-20, "CONSULT-III Function \(ABS\)"](#).

Is there any DTC displayed?

YES >> GO TO 3

NO >> GO TO 4

## 3. PERFORM THE SYSTEM DIAGNOSIS

Perform the diagnosis applicable to the displayed DTC. Refer to [BRC-58, "DTC No. Index"](#).

>> GO TO 7

## 4. CHECK THE SYMPTOM THAT IS NOT CONSIDERED A SYSTEM MALFUNCTION

Check that the symptom is a normal operation that is not considered a system malfunction. Refer to [BRC-66, "Description"](#).

Is the symptom a normal operation?

YES >> INSPECTION END

NO >> GO TO 5

## 5. CHECK THE WARNING LAMP AND INDICATOR LAMP FOR ILLUMINATION

Check that the warning lamp and indicator lamp illuminate.

- ABS warning lamp: Refer to [BRC-47, "Description"](#).
- Brake warning lamp: Refer to [BRC-48, "Description"](#).

Is ON/OFF timing normal?

YES >> GO TO 6

NO >> GO TO 2

## 6. PERFORM THE DIAGNOSIS BY SYMPTOM

Perform the diagnosis applicable to the symptom.

>> GO TO 7

## 7. REPAIR OR REPLACE THE MALFUNCTIONING PARTS

Repair or replace the specified malfunctioning parts.

>> GO TO 8

## 8. FINAL CHECK

Perform the self-diagnosis again, and check that the malfunction is repaired completely. After checking, erase the self-diagnosis memory. Refer to [BRC-20, "CONSULT-III Function \(ABS\)"](#).

Is no other DTC present and the repair completed?

YES >> INSPECTION END

NO >> GO TO 3

# DIAGNOSIS AND REPAIR WORKFLOW

< BASIC INSPECTION >

[TYPE 1]

## Diagnostic Work Sheet

INFOID:000000003221043

Customer name MR/MS	Model & Year	VIN	
Engine #	Trans.	Mileage	
Incident Date	Manuf. Date	In Service Date	
Symptoms	<input type="checkbox"/> Noise and vibration (from engine compartment) <input type="checkbox"/> Noise and vibration (from axle)	<input type="checkbox"/> Warning / Indicator activate	<input type="checkbox"/> Firm pedal operation Large stroke pedal operation
	<input type="checkbox"/> TCS does not work (Rear wheels slip when accelerating)	<input type="checkbox"/> ABS does not work (Wheels lock when braking)	<input type="checkbox"/> Lack of sense of acceleration
Engine conditions	<input type="checkbox"/> When starting <input type="checkbox"/> After starting		
Road conditions	<input type="checkbox"/> Low friction road ( <input type="checkbox"/> Snow <input type="checkbox"/> Gravel <input type="checkbox"/> Other ) <input type="checkbox"/> Bumps / potholes		
Driving conditions	<input type="checkbox"/> Full-acceleration <input type="checkbox"/> High speed cornering <input type="checkbox"/> Vehicle speed: Greater than 10 km/h (6 MPH) <input type="checkbox"/> Vehicle speed: 10 km/h (6 MPH) or less <input type="checkbox"/> Vehicle is stopped		
Applying brake conditions	<input type="checkbox"/> Suddenly <input type="checkbox"/> Gradually		
Other conditions	<input type="checkbox"/> Operation of electrical equipment <input type="checkbox"/> Shift change <input type="checkbox"/> Other descriptions		

SFIA3265E

A  
B  
C  
D  
E  
G  
H  
I  
J  
K  
L  
M  
N  
O  
P

BRC

# APPLICATION NOTICE

< FUNCTION DIAGNOSIS >

[TYPE 1]

## FUNCTION DIAGNOSIS

### APPLICATION NOTICE

Application Notice

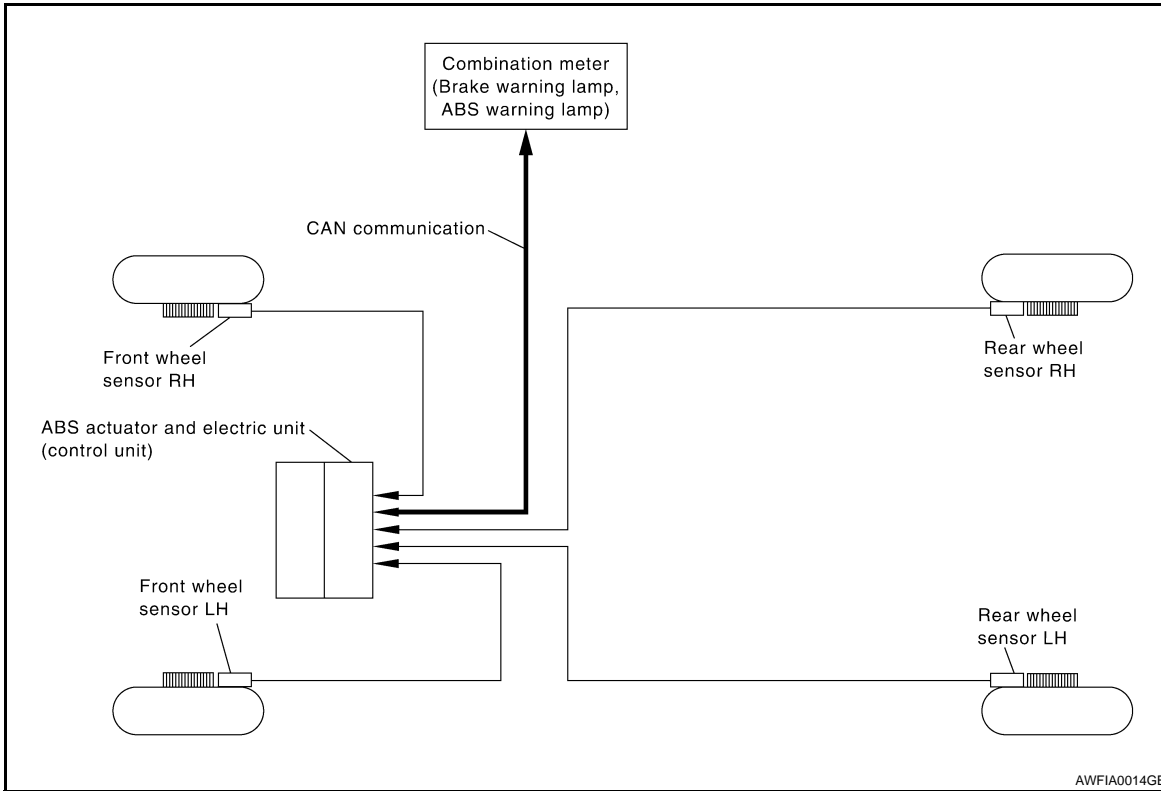
INFOID:000000003248340

Service information	Remarks
TYPE 1	ABS
TYPE 2	ABLS/ABS
TYPE 3	HILL DESCENT CONTROL/HILL START ASSIST/VDC/TCS/ABS

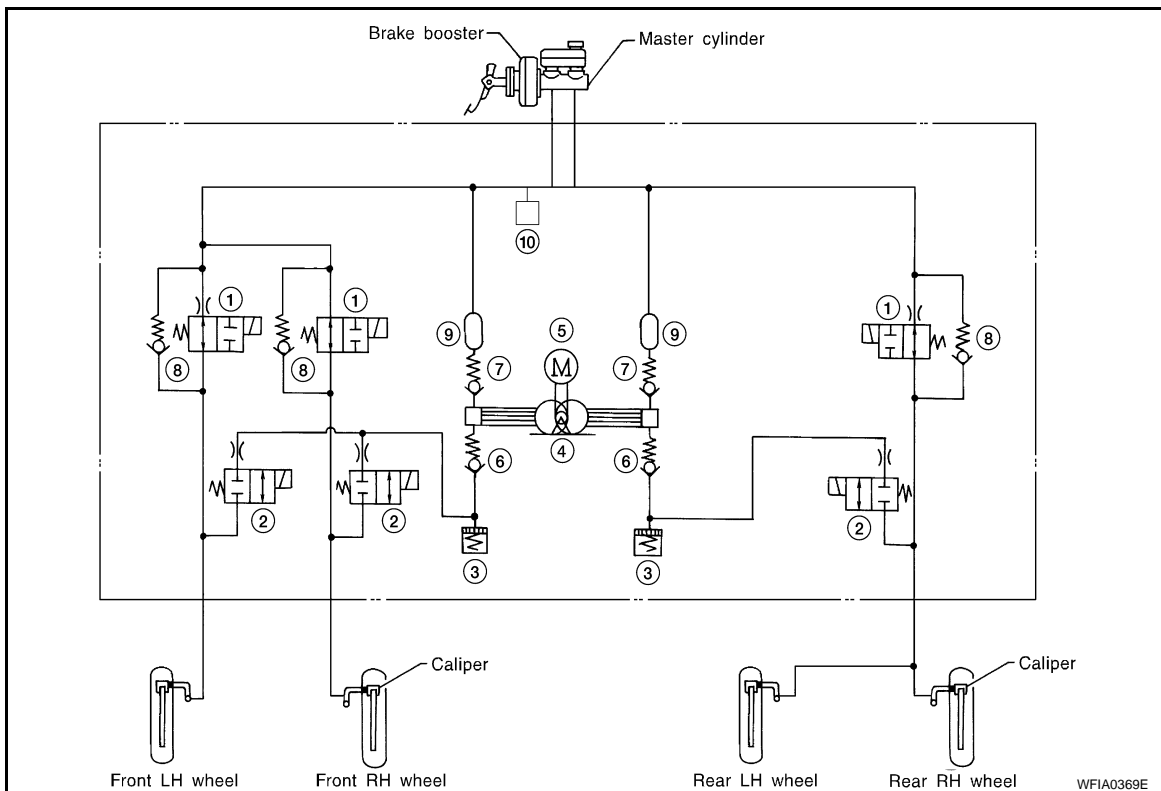
ABS

System Diagram

INFOID:000000003247439



HYDRAULIC CIRCUIT DIAGRAM



A  
B  
C  
D  
E  
BRC  
G  
H  
I  
J  
K  
L  
M  
N  
O  
P

- |                         |                          |                |
|-------------------------|--------------------------|----------------|
| 1. Inlet solenoid valve | 2. Outlet solenoid valve | 3. Reservoir   |
| 4. Pump                 | 5. Motor                 | 6. Inlet valve |
| 7. Outlet valve         | 8. Bypass check valve    | 9. Damper      |
| 10. Pressure switch     |                          |                |

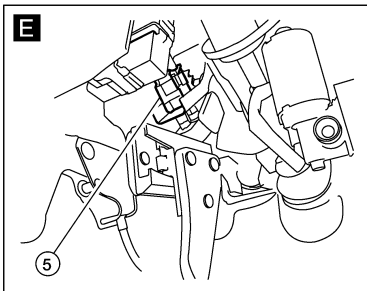
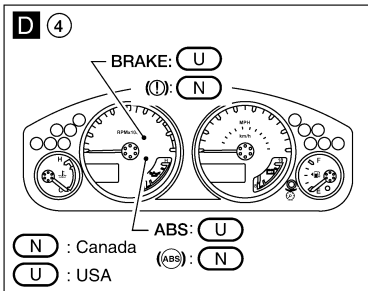
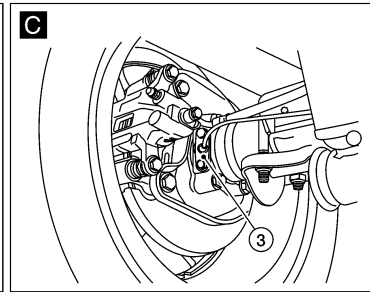
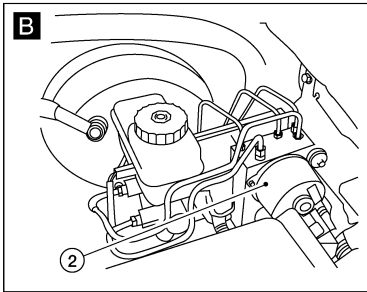
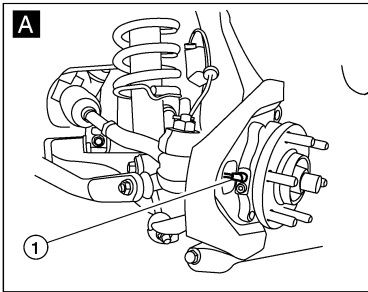
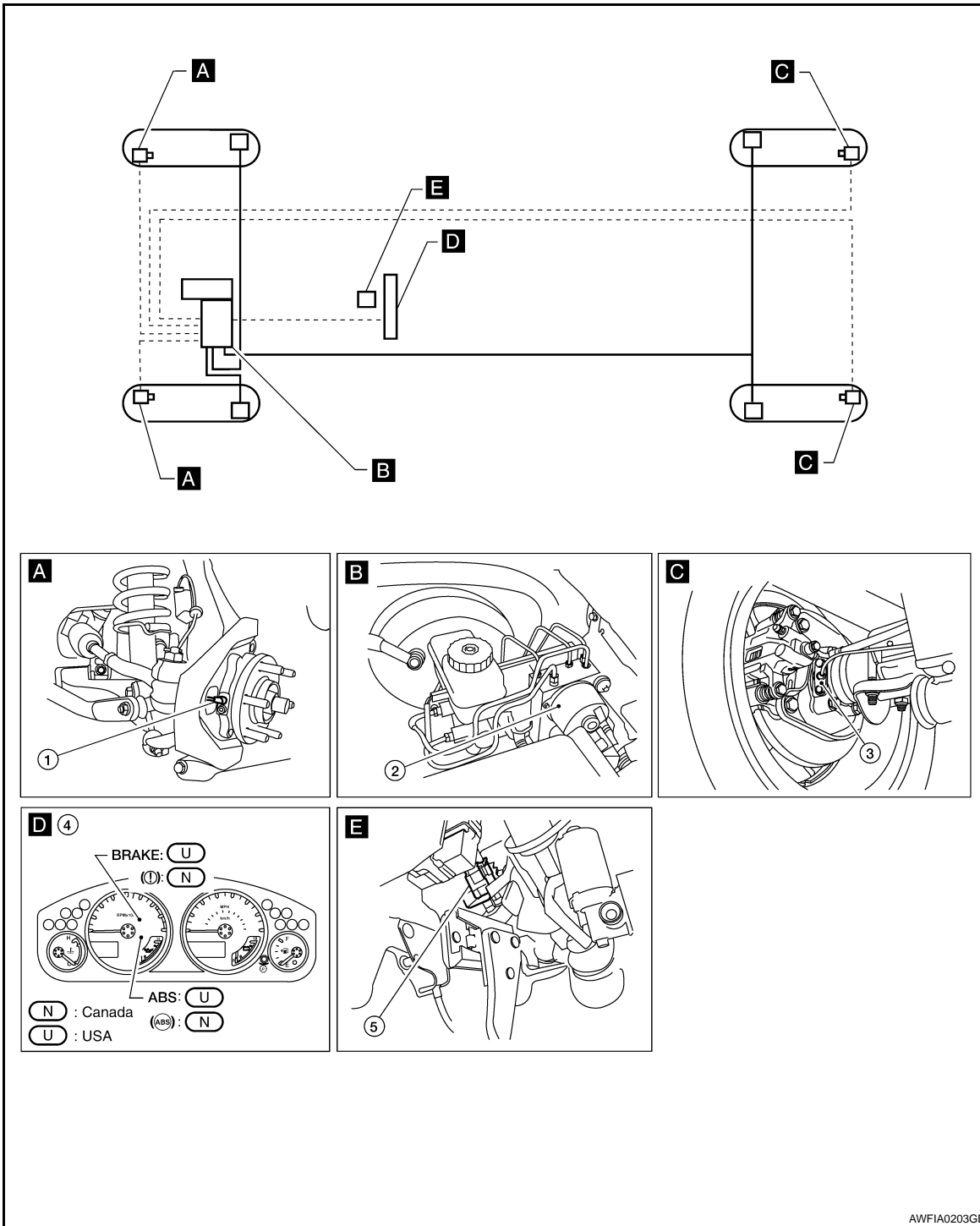
### System Description

INFOID:000000003247440

- Anti-Lock Braking System is a function that detects wheel revolution while braking, electronically controls braking force, and prevents wheel locking during sudden braking. It improves handling stability and maneuverability for avoiding obstacles.
- Electrical system diagnosis by CONSULT-III is available.

Component Parts Location

INFOID:000000003248450



- 1. Front wheel sensor LH E18  
Front wheel sensor RH E117
- 2. ABS actuator and electric unit (control unit) E125
- 3. Rear wheel sensor LH C11  
Rear wheel sensor RH C10
- 4. Combination meter M24
- 5. Stop lamp switch E38

AWFIA0203GB

A  
B  
C  
D  
E  
BRC  
G  
H  
I  
J  
K  
L  
M  
N  
O  
P

# ABS

< FUNCTION DIAGNOSIS >

[TYPE 1]

## Component Description

INFOID:000000003248451

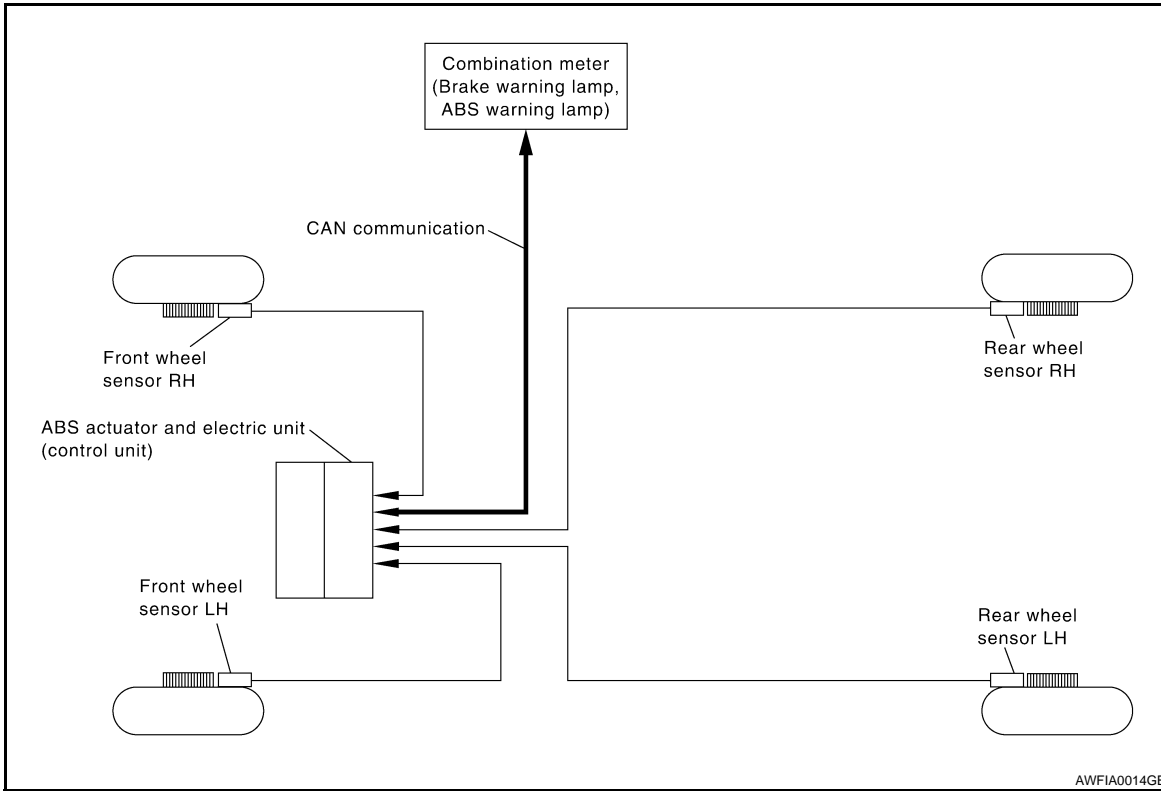
Component parts		Reference
ABS actuator and electric unit (control unit)	Pump	<a href="#">BRC-33. "Description"</a>
	Motor	
	Actuator relay	<a href="#">BRC-44. "Description"</a>
	Solenoid valve	<a href="#">BRC-38. "Description"</a>
Wheel sensor		<a href="#">BRC-24. "Description"</a>
Stop lamp switch		—
ABS warning lamp		<a href="#">BRC-47. "Description"</a>
Brake warning lamp		<a href="#">BRC-48. "Description"</a>



EBD

System Diagram

INFOID:000000003247441



A  
B  
C  
D  
E  
BRC  
G  
H  
I  
J  
K  
L  
M  
N  
O  
P

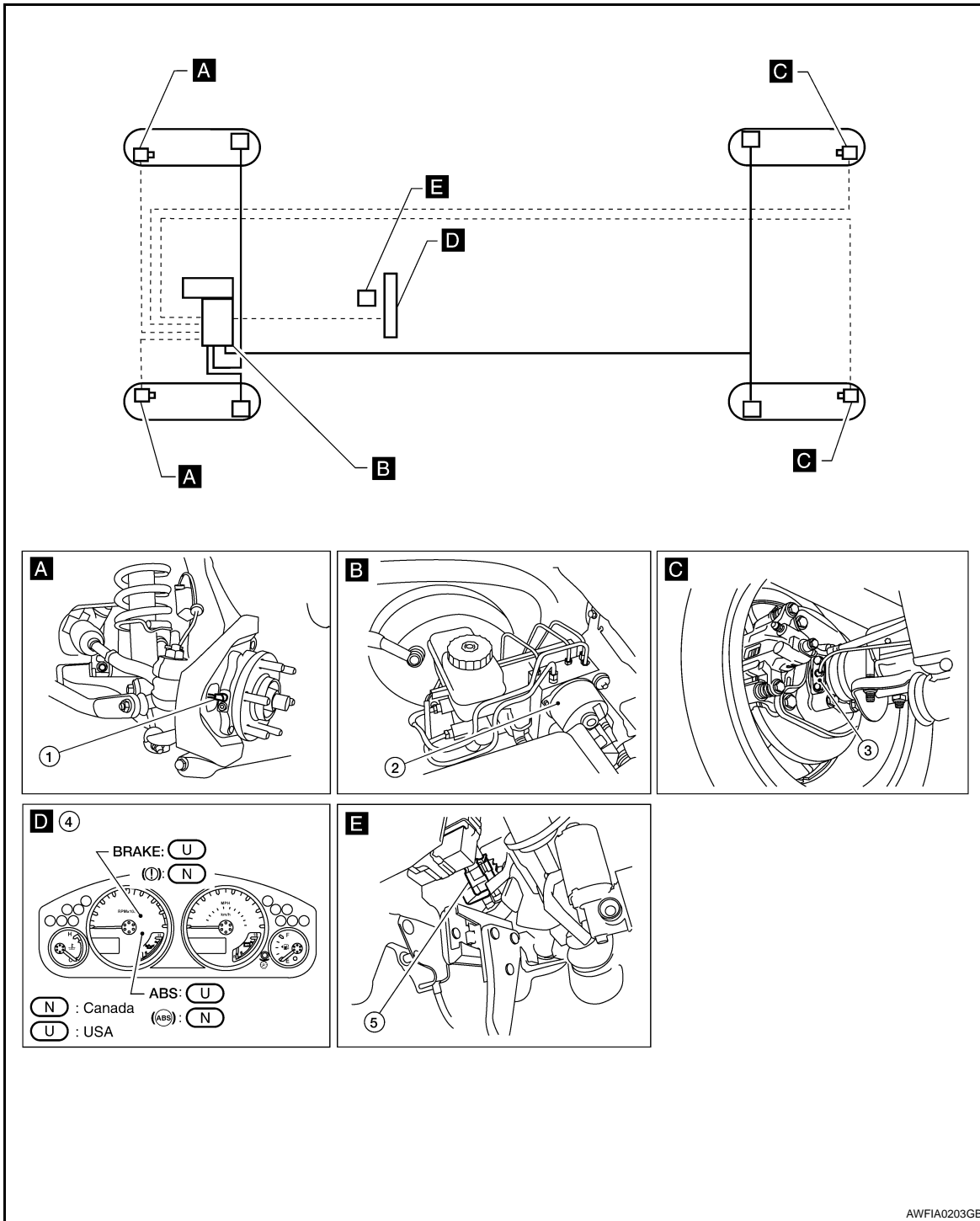
System Description

INFOID:000000003247442

- Electric Brake force Distribution is a following function. ABS actuator and electric unit (control unit) detects subtle slippages between the front and rear wheels during braking. Then it electronically controls the rear braking force (brake fluid pressure) to reduce rear wheel slippage. Accordingly, it improves vehicle stability.
- Electrical system diagnosis by CONSULT-III is available.

Component Parts Location

INFOID:000000003292896



AWFIA0203GE

- |  |   |   |
|--|---|---|
| 1. Front wheel sensor LH E18<br>Front wheel sensor RH E117 | 2. ABS actuator and electric unit (control unit) E125 | 3. Rear wheel sensor LH C11<br>Rear wheel sensor RH C10 |
| 4. Combination meter M24                                   | 5. Stop lamp switch E38                               |   |

Component Description

INFOID:000000003292897

Component parts		Reference
ABS actuator and electric unit (control unit)	Pump	<a href="#">BRC-33. "Description"</a>
	Motor	
	Actuator relay	<a href="#">BRC-44. "Description"</a>
	Solenoid valve	<a href="#">BRC-38. "Description"</a>
Wheel sensor		<a href="#">BRC-24. "Description"</a>
Stop lamp switch		—
ABS warning lamp		<a href="#">BRC-47. "Description"</a>
Brake warning lamp		<a href="#">BRC-48. "Description"</a>

A  
B  
C  
D  
E

**BRC**

G  
H  
I  
J  
K  
L  
M  
N  
O  
P

# DIAGNOSIS SYSTEM [ABS ACTUATOR AND ELECTRIC UNIT (CONTROL UNIT)]

< FUNCTION DIAGNOSIS >

[TYPE 1]

## DIAGNOSIS SYSTEM [ABS ACTUATOR AND ELECTRIC UNIT (CONTROL UNIT)]

### CONSULT-III Function (ABS)

INFOID:000000003247443

#### FUNCTION

CONSULT-III can display each diagnostic item using the diagnostic test modes shown following.

Diagnostic test mode	Function
Work support	This mode enables a technician to adjust some devices faster and more accurately by following the indications on CONSULT-III.
Self-diagnostic results	Self-diagnostic results can be read and erased quickly.
Data monitor	Input/Output data in the ABS actuator and electric unit (control unit) can be read.
Active test	Diagnostic test mode is which CONSULT-III drives some actuators apart from the ABS actuator and electric unit (control unit) and also shifts some parameters in a specified range.
ECU part number	ABS actuator and electric unit (control unit) part number can be read.
CAN diagnostic support monitor	The results of transmit/receive diagnosis of CAN communication can be read.

#### SELF-DIAG RESULTS MODE

##### Operation Procedure

1. Before performing the self-diagnosis, start engine and drive vehicle at 30 km/h (19 MPH) or more for approximately 1 minute.

##### How to Erase Self-diagnosis Results

1. After erasing DTC memory, start engine and drive vehicle at 30 km/h (19 MPH) or more for approximately 1 minute as the final inspection, and make sure that the ABS warning lamp and brake warning lamp turn OFF.

##### **CAUTION:**

**If memory cannot be erased, perform applicable diagnosis.**

##### **NOTE:**

- When the wheel sensor malfunctions, after inspecting the wheel sensor system, the ABS warning lamp and brake warning lamp will not turn OFF even when the system is normal unless the vehicle is driving at approximately 30 km/h (19 MPH) or more for approximately 1 minute.
- Brake warning lamp will turn ON in case of parking brake operation (when switch is ON) or of brake fluid level switch operation (when brake fluid is insufficient).

##### Display Item List

Refer to [BRC-58, "DTC No. Index"](#).

#### DATA MONITOR MODE

##### Display Item List

Item (Unit)	Data monitor item selection			Remarks
	ECU INPUT SIGNALS	MAIN SIGNALS	SELECTION FROM MENU	
FR RH SENSOR (km/h, MPH)	×	×	×	Wheel speed calculated by front RH wheel sensor signal is displayed.
FR LH SENSOR (km/h, MPH)	×	×	×	Wheel speed calculated by front LH wheel sensor signal is displayed.
RR RH SENSOR (km/h, MPH)	×	×	×	Wheel speed calculated by rear RH wheel sensor signal is displayed.
RR LH SENSOR (km/h, MPH)	×	×	×	Wheel speed calculated by rear LH wheel sensor signal is displayed.
BATTERY VOLT (V)	×	×	×	Voltage supplied to ABS actuator and electric unit (control unit) is displayed.

# DIAGNOSIS SYSTEM [ABS ACTUATOR AND ELECTRIC UNIT (CONTROL UNIT)]

< FUNCTION DIAGNOSIS >

[TYPE 1]

Item (Unit)	Data monitor item selection			Remarks
	ECU INPUT SIGNALS	MAIN SIGNALS	SELECTION FROM MENU	
ACCEL POS SIG (%)	×	-	×	Throttle valve open/close status judged by CAN communication signal is displayed.
ENGINE SPEED (rpm)	×	×	×	Engine speed judged by CAN communication signal is displayed.
STOP LAMP SW (ON/OFF)	×	×	×	Stop lamp switch (ON/OFF) status is displayed.
ABS WARN LAMP (ON/OFF)	-	×	×	ABS warning lamp (ON/OFF) status is displayed.
FR LH IN SOL (ON/OFF)	-	×	×	Front LH IN ABS solenoid (ON/OFF) status is displayed.
FR LH OUT SOL (ON/OFF)	-	×	×	Front LH OUT ABS solenoid (ON/OFF) status is displayed.
RR RH IN SOL (ON/OFF)	-	×	×	Rear RH IN ABS solenoid (ON/OFF) status is displayed.
RR RH OUT SOL (ON/OFF)	-	×	×	Rear RH OUT ABS solenoid (ON/OFF) status is displayed.
FR RH IN SOL (ON/OFF)	-	×	×	Front RH IN ABS solenoid (ON/OFF) status is displayed.
FR RH OUT SOL (ON/OFF)	-	×	×	Front RH OUT ABS solenoid (ON/OFF) status is displayed.
RR LH IN SOL (ON/OFF)	-	×	×	Rear LH IN ABS solenoid (ON/OFF) status is displayed.
RR LH OUT SOL (ON/OFF)	-	×	×	Rear LH OUT ABS solenoid (ON/OFF) status is displayed.
MOTOR RELAY (ON/OFF)	-	×	×	ABS motor relay signal (ON/OFF) status is displayed.
ACTUATOR RLY (ON/OFF)	-	×	×	ABS actuator relay signal (ON/OFF) status is displayed.
ABS FAIL SIG (ON/OFF)	-	-	×	ABS fail signal (ON/OFF) status is displayed.
EBD FAIL SIG (ON/OFF)	-	-	×	EBD fail signal (ON/OFF) status is displayed.
EBD SIGNAL (ON/OFF)	-	-	×	EBD operation (ON/OFF) status is displayed.
ABS SIGNAL (ON/OFF)	-	-	×	ABS operation (ON/OFF) status is displayed.
EBD WARN LAMP	-	-	×	Brake warning lamp (ON/OFF) status is displayed.
CRANKING SIG	-	-	×	The input state of the key SW START position signal is displayed.

×: Applicable

-: Not applicable

## ACTIVE TEST MODE

### CAUTION:

- Do not perform active test while driving vehicle.
- Make sure to completely bleed air from brake system.
- The active test cannot be performed with the ABS warning lamp or brake warning lamp on.
- ABS warning lamp and brake warning lamp are on during active test.

NOTE:

# DIAGNOSIS SYSTEM [ABS ACTUATOR AND ELECTRIC UNIT (CONTROL UNIT)]

< FUNCTION DIAGNOSIS >

[TYPE 1]

- When active test is performed while depressing the pedal, the pedal depression amount will change. This is normal. (Only solenoid valve and ABS motor.)
- “TEST IS STOPPED” is displayed 10 seconds after operation start.
- After “TEST IS STOPPED” is displayed, to perform test again, touch BACK.

Test Item

## SOLENOID VALVE

- When performing an active test of the ABS function, select the “MAIN SIGNALS” for each test item.
- For ABS solenoid valve, touch “UP”, “KEEP”, and “DOWN” on the display screen. For ABS solenoid valve (ACT), touch “UP”, “ACT UP”, “ACT KEEP” and confirm that solenoid valves operate as shown in the table below.

Operation		ABS solenoid valve			ABS solenoid valve (ACT)		
		UP	KEEP	DOWN	UP	ACTUA-TOR UP	ACTUA-TOR KEEP
FR RH SOL FR RH ABS SOLE- NOID (ACT)	FR RH IN SOL	OFF	ON	ON	OFF	OFF	OFF
	FR RH OUT SOL	OFF	OFF	ON*	OFF	OFF	OFF
FR LH SOL FR LH ABS SOLE- NOID (ACT)	FR LH IN SOL	OFF	ON	ON	OFF	OFF	OFF
	FR LH OUT SOL	OFF	OFF	ON*	OFF	OFF	OFF
RR RH SOL RR RH ABS SOLE- NOID (ACT)	RR RH IN SOL	OFF	ON	ON	OFF	OFF	OFF
	RR RH OUT SOL	OFF	OFF	ON*	OFF	OFF	OFF
RR LH SOL RR LH ABS SOLE- NOID (ACT)	RR LH IN SOL	OFF	ON	ON	OFF	OFF	OFF
	RR LH OUT SOL	OFF	OFF	ON*	OFF	OFF	OFF
REAR SOL	RR RH IN SOL	OFF	ON	ON	OFF	OFF	OFF
	RR RH OUT SOL	OFF	OFF	ON*	OFF	OFF	OFF
	RR LH IN SOL	OFF	ON	ON	OFF	OFF	OFF
	RR LH OUT SOL	OFF	OFF	ON*	OFF	OFF	OFF

\*: ON for 1 to 2 seconds after the touch, and then OFF

## ABS MOTOR

- Touch “ON” and “OFF” on screen. Make sure motor relay and actuator relay operates as shown in table below.

Operation	ON	OFF
MOTOR RELAY	ON	OFF
ACTUATOR RLY	ON	ON

# APPLICATION NOTICE

< COMPONENT DIAGNOSIS >

[TYPE 1]

## COMPONENT DIAGNOSIS

### APPLICATION NOTICE

Application Notice

INFOID:000000003248341

Service information	Remarks
TYPE 1	ABS
TYPE 2	ABLS/ABS
TYPE 3	HILL DESCENT CONTROL/HILL START ASSIST/VDC/TCS/ABS

A

B

C

D

E

**BRC**

G

H

I

J

K

L

M

N

O

P

# C1101, C1102, C1103, C1104 WHEEL SENSOR-1

< COMPONENT DIAGNOSIS >

[TYPE 1]

## C1101, C1102, C1103, C1104 WHEEL SENSOR-1

### Description

INFOID:000000003247445

When the sensor rotor rotates, the magnetic field changes. It converts the magnetic field changes to current signals (rectangular wave) and transmits them to the ABS actuator and electric unit (control unit).

### DTC Logic

INFOID:000000003247446

#### DTC DETECTION LOGIC

DTC	Display item	Malfunction detected condition	Possible cause
C1101	RR RH SENSOR-1	Circuit of rear RH wheel sensor is open. Or when the sensor power voltage is outside the standard.	<ul style="list-style-type: none"><li>• Harness or connector</li><li>• Wheel sensor</li><li>• ABS actuator and electric unit (control unit)</li></ul>
C1102	RR LH SENSOR-1	Circuit of rear LH wheel sensor is open. Or when the sensor power voltage is outside the standard.	
C1103	FR RH SENSOR-1	Circuit of front RH wheel sensor is open. Or when the sensor power voltage is outside the standard.	
C1104	FR LH SENSOR-1	Circuit of front LH wheel sensor is open. Or when the sensor power voltage is outside the standard.	

#### DTC CONFIRMATION PROCEDURE

##### 1. CHECK SELF-DIAGNOSIS RESULTS

Check the self-diagnosis results.

Self-diagnosis results
RR RH SENSOR-1
RR LH SENSOR-1
FR RH SENSOR-1
FR LH SENSOR-1

Is above displayed on the self-diagnosis display?

- YES >> Proceed to diagnosis procedure. Refer to [BRC-24, "Diagnosis Procedure"](#).  
NO >> INSPECTION END

### Diagnosis Procedure

INFOID:000000003247447

#### **CAUTION:**

**Do not check between wheel sensor terminals.**

#### INSPECTION PROCEDURE

##### 1. CONNECTOR INSPECTION

Disconnect the ABS actuator and electric unit (control unit) connector and wheel sensor of malfunctioning code.

Check the terminals for deformation, disconnection, looseness or damage.

Is the inspection result normal?

- YES >> GO TO 2  
NO >> Repair or replace as necessary.

##### 2. CHECK WHEEL SENSOR OUTPUT SIGNAL

1. Connect ABS active wheel sensor tester (J-45741) to wheel sensor using appropriate adapter.
2. Turn on the ABS active wheel sensor tester power switch.

#### **NOTE:**

The green POWER indicator should illuminate. If the POWER indicator does not illuminate, replace the battery in the ABS active wheel sensor tester before proceeding.

3. Spin the wheel of the vehicle by hand and observe the red SENSOR indicator on the ABS active wheel sensor tester. The red SENSOR indicator should flash on and off to indicate an output signal.



# C1101, C1102, C1103, C1104 WHEEL SENSOR-1

< COMPONENT DIAGNOSIS >

[TYPE 1]

**NOTE:**

If the red SENSOR indicator illuminates but does not flash, reverse the polarity of the tester leads and retest.

Does the ABS active wheel sensor tester detect a signal?

YES >> GO TO 3

NO >> Replace the wheel sensor. Refer to [BRC-70, "Removal and Installation"](#).

### 3.CHECK TIRES

Check for inflation pressure, wear and size of each tire.

Are tire pressure and size correct and is tire wear within specifications?

YES >> GO TO 4

NO >> Adjust tire pressure or replace tire(s).

### 4.CHECK WHEEL BEARINGS

Check wheel bearing axial end play. Refer to [FAX-5, "On-Vehicle Inspection and Service"](#) (front), [RAX-7, "Rear Axle Bearing"](#) (C200 rear axle), or [RAX-19, "Rear Axle Bearing"](#) (M226 rear axle).

Is the inspection result normal?

YES >> GO TO 5

NO >> Repair or replace as necessary. Refer to [FAX-8, "Removal and Installation"](#) (front), [RAX-13, "Removal and Installation"](#) (C200 rear axle), or [RAX-24, "Removal and Installation"](#) (M226 rear axle).

### 5.CHECK WIRING HARNESS FOR SHORT CIRCUIT

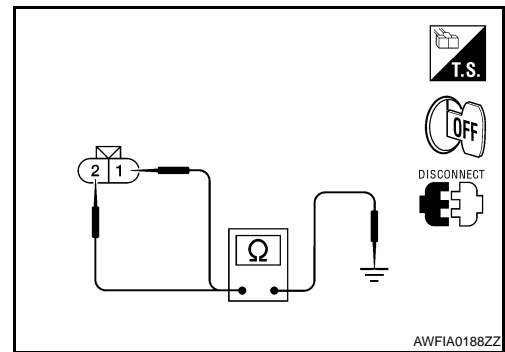
1. Disconnect ABS actuator and electric unit (control unit) connector and wheel sensor connector of malfunction code No.
2. Check continuity between wheel sensor harness connector terminals and ground.

**Continuity should not exist.**

Is the inspection result normal?

YES >> GO TO 6

NO >> Repair the circuit.



### 6.CHECK WIRING HARNESS FOR OPEN CIRCUIT

1. Check continuity between ABS actuator and electric unit (control unit) harness connector and the malfunctioning wheel sensor harness connector.

Wheel sensor	ABS actuator and electric unit (control unit)		Wheel sensor		Continuity
	Connector	Terminal	Connector	Terminal	
Front LH	E125	45	E18	1	Yes
		46		2	
Front RH		34	E117	1	
		33		2	
Rear LH		36	C11	1	
		37		2	
Rear RH		43	C10	1	
		42		2	

Is the inspection result normal?

YES >> Replace the ABS actuator and electric unit (control unit). Refer to [BRC-72, "Removal and Installation"](#).

NO >> Repair the circuit.

# C1101, C1102, C1103, C1104 WHEEL SENSOR-1

< COMPONENT DIAGNOSIS >

[TYPE 1]

## Component Inspection

INFOID:000000003247448

### 1. CHECK DATA MONITOR

On "DATA MONITOR", select "FR LH SENSOR", "FR RH SENSOR", "RR LH SENSOR", and "RR RH SENSOR", and check the vehicle speed.

Wheel sensor	Vehicle speed (DATA MONITOR)
FR LH SENSOR	Nearly matches the speedometer display ( $\pm 10\%$ or less)
FR RH SENSOR	
RR LH SENSOR	
RR RH SENSOR	

Is the inspection result normal?

YES >> INSPECTION END

NO >> Go to diagnosis procedure. Refer to [BRC-24, "Diagnosis Procedure"](#).

# C1105, C1106, C1107, C1108 WHEEL SENSOR-2

< COMPONENT DIAGNOSIS >

[TYPE 1]

## C1105, C1106, C1107, C1108 WHEEL SENSOR-2

### Description

INFOID:000000003247450

When the sensor rotor rotates, the magnetic field changes. It converts the magnetic field changes to current signals (rectangular wave) and transmits them to the ABS actuator and electric unit (control unit).

### DTC Logic

INFOID:000000003247451

### DTC DETECTION LOGIC

DTC	Display item	Malfunction detected condition	Possible cause
C1105	RR RH SENSOR-2	When the circuit in the rear RH wheel sensor is short-circuited. Or when the distance between the wheel sensor and sensor rotor is too large and the sensor pulse cannot be recognized by the control unit.	<ul style="list-style-type: none"><li>• Harness or connector</li><li>• Wheel sensor</li><li>• ABS actuator and electric unit (control unit)</li></ul>
C1106	RR LH SENSOR-2	When the circuit in the rear LH wheel sensor is short-circuited. Or when the distance between the wheel sensor and sensor rotor is too large and the sensor pulse cannot be recognized by the control unit.	
C1107	FR RH SENSOR-2	When the circuit in the front RH wheel sensor is short-circuited. Or when the distance between the wheel sensor and sensor rotor is too large and the sensor pulse cannot be recognized by the control unit.	
C1108	FR LH SENSOR-2	When the circuit in the front LH wheel sensor is short-circuited. Or when the distance between the wheel sensor and sensor rotor is too large and the sensor pulse cannot be recognized by the control unit.	

### DTC CONFIRMATION PROCEDURE

#### 1. CHECK SELF-DIAGNOSIS RESULTS

Check the self-diagnosis results.

Self-diagnosis results
RR RH SENSOR-2
RR LH SENSOR-2
FR RH SENSOR-2
FR LH SENSOR-2

Is above displayed on the self-diagnosis display?

- YES >> Proceed to diagnosis procedure. Refer to [BRC-27, "Diagnosis Procedure"](#).  
NO >> INSPECTION END

### Diagnosis Procedure

INFOID:000000003247452

#### **CAUTION:**

**Do not check between wheel sensor terminals.**

### INSPECTION PROCEDURE

#### 1. CONNECTOR INSPECTION

Disconnect the ABS actuator and electric unit (control unit) connector and wheel sensor of malfunctioning code.

Check the terminals for deformation, disconnection, looseness or damage.

Is the inspection result normal?

- YES >> GO TO 2  
NO >> Repair or replace as necessary.

## C1105, C1106, C1107, C1108 WHEEL SENSOR-2

< COMPONENT DIAGNOSIS >

[TYPE 1]

### 2.CHECK WHEEL SENSOR OUTPUT SIGNAL

1. Connect ABS active wheel sensor tester (J-45741) to wheel sensor using appropriate adapter.
2. Turn on the ABS active wheel sensor tester power switch.

**NOTE:**

The green POWER indicator should illuminate. If the POWER indicator does not illuminate, replace the battery in the ABS active wheel sensor tester before proceeding.

3. Spin the wheel of the vehicle by hand and observe the red SENSOR indicator on the ABS active wheel sensor tester. The red SENSOR indicator should flash on and off to indicate an output signal.

**NOTE:**

If the red SENSOR indicator illuminates but does not flash, reverse the polarity of the tester leads and retest.

Does the ABS active wheel sensor tester detect a signal?

YES >> GO TO 3

NO >> Replace the wheel sensor. Refer to [BRC-70. "Removal and Installation"](#).

### 3.CHECK TIRES

Check for inflation pressure, wear and size of each tire.

Are tire pressure and size correct and is tire wear within specifications?

YES >> GO TO 4

NO >> Adjust tire pressure or replace tire(s).

### 4.CHECK WHEEL BEARINGS

Check wheel bearing axial end play. Refer to [FAX-5. "On-Vehicle Inspection and Service"](#) (front), [RAX-7. "Rear Axle Bearing"](#) (C200 rear axle), or [RAX-19. "Rear Axle Bearing"](#) (M226 rear axle).

Is the inspection result normal?

YES >> GO TO 5

NO >> Repair or replace as necessary. Refer to [FAX-8. "Removal and Installation"](#) (front), [RAX-13. "Removal and Installation"](#) (C200 rear axle), or [RAX-24. "Removal and Installation"](#) (M226 rear axle).

### 5.CHECK WIRING HARNESS FOR SHORT CIRCUIT

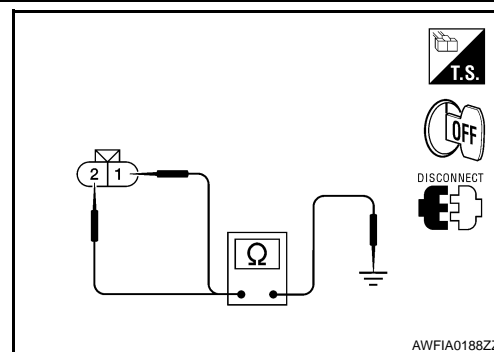
1. Disconnect ABS actuator and electric unit (control unit) connector and wheel sensor connector of malfunction code No.
2. Check continuity between wheel sensor harness connector terminals and ground.

**Continuity should not exist.**

Is the inspection result normal?

YES >> GO TO 6

NO >> Repair the circuit.



### 6.CHECK WIRING HARNESS FOR OPEN CIRCUIT

1. Check continuity between ABS actuator and electric unit (control unit) harness connector and the malfunctioning wheel sensor harness connector.

# C1105, C1106, C1107, C1108 WHEEL SENSOR-2

< COMPONENT DIAGNOSIS >

[TYPE 1]

Wheel sensor	ABS actuator and electric unit (control unit)		Wheel sensor		Continuity
	Connector	Terminal	Connector	Terminal	
Front LH	E125	45	E18	1	Yes
		46		2	
Front RH		34	E117	1	
		33		2	
Rear LH		36	C11	1	
		37		2	
Rear RH		43	C10	1	
		42		2	

Is the inspection result normal?

YES >> Replace the ABS actuator and electric unit (control unit). Refer to [BRC-72, "Removal and Installation"](#).

NO >> Repair the circuit.

## Component Inspection

INFOID:000000003247453

### 1. CHECK DATA MONITOR

On "DATA MONITOR", select "FR LH SENSOR", "FR RH SENSOR", "RR LH SENSOR", and "RR RH SENSOR", and check the vehicle speed.

Wheel sensor	Vehicle speed (DATA MONITOR)
FR LH SENSOR	Nearly matches the speedometer display (±10% or less)
FR RH SENSOR	
RR LH SENSOR	
RR RH SENSOR	

Is the inspection result normal?

YES >> INSPECTION END

NO >> Go to diagnosis procedure. Refer to [BRC-27, "Diagnosis Procedure"](#).

# C1109 POWER AND GROUND SYSTEM

< COMPONENT DIAGNOSIS >

[TYPE 1]

## C1109 POWER AND GROUND SYSTEM

### Description

INFOID:000000003247455

Supplies electric power to the ABS actuator and electric unit (control unit).

### DTC Logic

INFOID:000000003247456

### DTC DETECTION LOGIC

DTC	Display item	Malfunction detected condition	Possible cause
C1109	BATTERY VOLTAGE [ABNORMAL]	When the ABS actuator and electric unit (control unit) power supply voltage is lower than normal.	<ul style="list-style-type: none"> <li>• Harness or connector</li> <li>• ABS actuator and electric unit (control unit)</li> </ul>

### DTC CONFIRMATION PROCEDURE

#### 1. CHECK SELF-DIAGNOSIS RESULTS

Check the self-diagnosis results.

Self-diagnosis results
BATTERY VOLTAGE [ABNORMAL]

Is above displayed on the self-diagnosis display?

- YES >> Proceed to diagnosis procedure. Refer to [BRC-30, "Diagnosis Procedure"](#).  
 NO >> INSPECTION END

### Diagnosis Procedure

INFOID:000000003288842

### INSPECTION PROCEDURE

#### 1. CHECK CONNECTOR

1. Turn ignition switch OFF.
2. Disconnect ABS actuator and electric unit (control unit) connector.
3. Check terminal for deformation, disconnection, looseness, and so on. If any malfunction is found, repair or replace terminal.
4. Reconnect connectors and then perform the self-diagnosis. Refer to [BRC-20, "CONSULT-III Function \(ABS\)"](#).

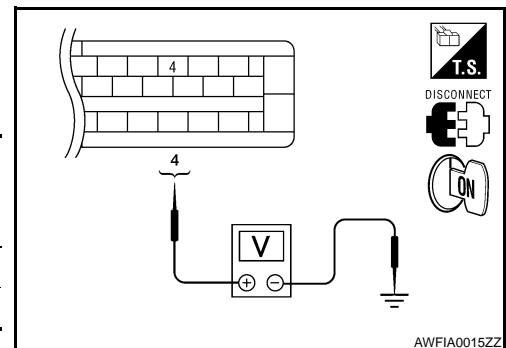
Is any item indicated on the self-diagnosis display?

- YES >> GO TO 2  
 NO >> Poor connection of connector terminal. Repair or replace connector.

#### 2. CHECK ABS ACTUATOR AND ELECTRIC UNIT (CONTROL UNIT) POWER SUPPLY CIRCUIT AND GROUND CIRCUIT

1. Turn ignition switch OFF.
2. Disconnect ABS actuator and electric unit (control unit) connector.
3. Turn ignition switch ON or OFF and check voltage between ABS actuator and electric unit (control unit) harness connector terminal and ground.

ABS actuator and electric unit (control unit)		—	Condition	Voltage
Connector	Terminal			
E125	4	Ground	Ignition switch: ON	Battery voltage
			Ignition switch: OFF	Approx. 0V



4. Turn ignition switch OFF.

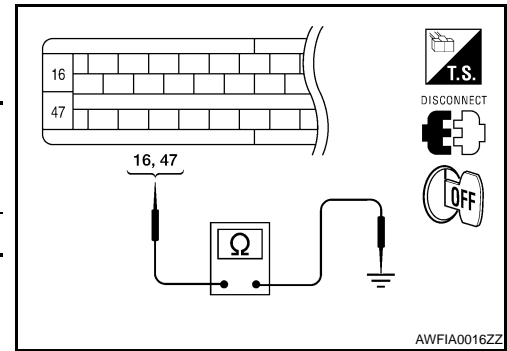
# C1109 POWER AND GROUND SYSTEM

## < COMPONENT DIAGNOSIS >

[TYPE 1]

5. Check continuity between ABS actuator and electric unit (control unit) harness connector terminals and ground.

ABS actuator and electric unit (control unit)		—	Continuity
Connector	Terminal		
E125	16, 47	Ground	Yes



### Is the inspection result normal?

- YES >> Check battery for terminal looseness, low voltage, etc. If any malfunction is found, repair malfunctioning parts.
- NO >> Repair or replace malfunctioning components.

A  
B  
C  
D  
E  
G  
H  
I  
J  
K  
L  
M  
N  
O  
P

**BRC**

# C1110, C1113, C1170 ABS ACTUATOR AND ELECTRIC UNIT (CONTROL UNIT)

< COMPONENT DIAGNOSIS >

[TYPE 1]

## C1110, C1113, C1170 ABS ACTUATOR AND ELECTRIC UNIT (CONTROL UNIT)

### DTC Logic

INFOID:000000003247459

#### DTC DETECTION LOGIC

DTC	Display item	Malfunction detected condition	Possible cause
C1110	CONTROLLER FAILURE	When there is an internal malfunction in the ABS actuator and electric unit (control unit).	• ABS actuator and electric unit (control unit)
C1113	G-SENSOR	G-sensor is malfunctioning.	
C1170	VARIANT CODING	In a case where VARIANT CODING is different.	

#### DTC CONFIRMATION PROCEDURE

##### 1. CHECK SELF-DIAGNOSIS RESULTS

Check the self-diagnosis results.

Self-diagnosis results
CONTROLLER FAILURE
G-SENSOR
VARIANT CODING

Is above displayed on the self-diagnosis display?

- YES >> Refer to [BRC-32, "Diagnosis Procedure"](#).
- NO >> INSPECTION END

#### Diagnosis Procedure

INFOID:000000003247460

#### INSPECTION PROCEDURE

##### 1. REPLACE ABS ACTUATOR AND ELECTRIC UNIT (CONTROL UNIT)

- >> Replace ABS actuator and electric unit (control unit). Refer to [BRC-72, "Removal and Installation"](#).



# C1111 ABS MOTOR, MOTOR RELAY SYSTEM

< COMPONENT DIAGNOSIS >

[TYPE 1]

## C1111 ABS MOTOR, MOTOR RELAY SYSTEM

### Description

INFOID:000000003247462

#### PUMP

The pump returns the brake fluid stored in the reservoir to the master cylinder by reducing the pressure.

#### MOTOR

The motor drives the pump according to the signals transmitted by the ABS actuator and electric unit (control unit).

### DTC Logic

INFOID:000000003247463

### DTC DETECTION LOGIC

DTC	Display item	Malfunction detected condition	Possible cause
C1111	PUMP MOTOR	During the actuator motor operating with ON, when the actuator motor turns OFF, or when the control line for actuator motor relay is open.	<ul style="list-style-type: none"><li>• Harness or connector</li><li>• ABS actuator and electric unit (control unit)</li></ul>
		During the actuator motor operating with OFF, when the actuator motor turns ON, or when the control line for relay is shorted to ground.	

### DTC CONFIRMATION PROCEDURE

#### 1. CHECK SELF-DIAGNOSIS RESULTS

Check the self-diagnosis results.

Self-diagnosis results
PUMP MOTOR

Is above displayed on the self-diagnosis display?

- YES >> Proceed to diagnosis procedure. Refer to [BRC-33, "Diagnosis Procedure"](#).  
NO >> INSPECTION END

### Diagnosis Procedure

INFOID:000000003247464

### INSPECTION PROCEDURE

#### 1. CHECK CONNECTOR

1. Turn ignition switch OFF.
2. Disconnect ABS actuator and electric unit (control unit) connector.
3. Check terminal for deformation, disconnect, looseness, and so on. If any malfunction is found, repair or replace terminal.
4. Reconnect connectors and then perform the self-diagnosis. Refer to [BRC-20, "CONSULT-III Function \(ABS\)"](#).

Is any item indicated on the self-diagnosis display?

- YES >> GO TO 2  
NO >> Poor connection of connector terminal. Repair or replace connector.

#### 2. CHECK ABS MOTOR AND MOTOR RELAY POWER SUPPLY CIRCUIT

# C1111 ABS MOTOR, MOTOR RELAY SYSTEM

[TYPE 1]

## < COMPONENT DIAGNOSIS >

1. Turn ignition switch OFF.
2. Disconnect ABS actuator and electric unit (control unit) connector.
3. Check voltage between the ABS actuator and electric unit (control unit) harness connector terminal and ground.

ABS actuator and electric unit (control unit)		—	Voltage
Connector	Terminal		
E125	1	Ground	Battery voltage

Is the inspection result normal?

- YES >> GO TO 3  
 NO >> Repair or replace malfunctioning components.

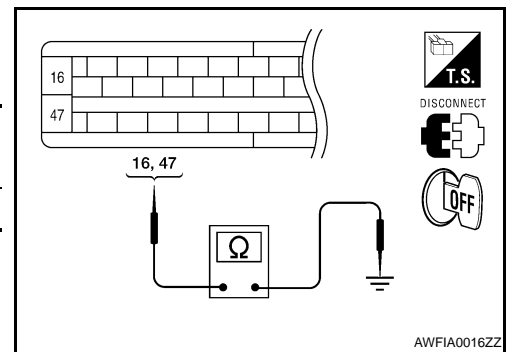
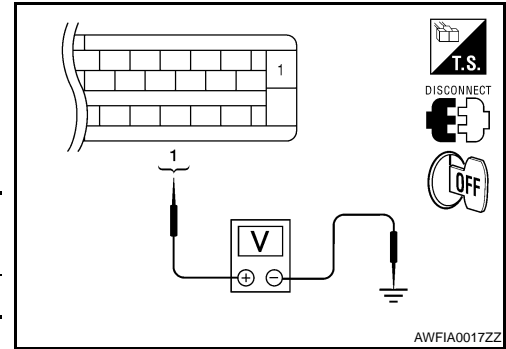
### 3.CHECK ABS ACTUATOR AND ELECTRIC UNIT (CONTROL UNIT) GROUND CIRCUIT

Check continuity between ABS actuator and electric unit (control unit) harness connector terminals and ground.

ABS actuator and electric unit (control unit)		—	Continuity
Connector	Terminal		
E125	16, 47	Ground	Yes

Is the inspection result normal?

- YES >> Replace ABS actuator and electric unit (control unit).  
 Refer to [BRC-72, "Removal and Installation"](#).  
 NO >> Repair or replace malfunctioning components.



## Component Inspection

INFOID:000000003247465

### 1.CHECK ACTIVE TEST

1. On "ACTIVE TEST", select "ABS MOTOR".
2. Touch ON and OFF on screen. Make sure motor relay and actuator relay operates as shown in table below.

Operation	ON	OFF
MOTOR RELAY	ON	OFF
ACTUATOR RLY	ON	ON

Is the inspection result normal?

- YES >> INSPECTION END  
 NO >> Go to diagnosis procedure. Refer to [BRC-33, "Diagnosis Procedure"](#).

# C1115 WHEEL SENSOR

< COMPONENT DIAGNOSIS >

[TYPE 1]

## C1115 WHEEL SENSOR

### Description

INFOID:000000003247472

When the sensor rotor rotates, the magnetic field changes. It converts the magnetic field changes to current signals (rectangular wave) and transmits them to the ABS actuator and electric unit (control unit).

### DTC Logic

INFOID:000000003247473

#### DTC DETECTION LOGIC

DTC	Display item	Malfunction detected condition	Possible cause
C1115	ABS SENSOR [ABNORMAL SIGNAL]	When wheel sensor input signal is malfunctioning.	<ul style="list-style-type: none"><li>• Harness or connector</li><li>• Wheel sensor</li><li>• ABS actuator and electric unit (control unit)</li></ul>

#### DTC CONFIRMATION PROCEDURE

##### 1. CHECK SELF-DIAGNOSIS RESULTS

Check the self-diagnosis results.

Self-diagnosis results
ABS SENSOR [ABNORMAL SIGNAL]

Is above displayed on the self-diagnosis display?

- YES >> Proceed to diagnosis procedure. Refer to [BRC-35, "Diagnosis Procedure"](#).  
NO >> INSPECTION END

### Diagnosis Procedure

INFOID:000000003247474

#### **CAUTION:**

**Do not check between wheel sensor terminals.**

#### INSPECTION PROCEDURE

##### 1. CONNECTOR INSPECTION

Disconnect the ABS actuator and electric unit (control unit) connector and wheel sensor of malfunctioning code.

Check the terminals for deformation, disconnection, looseness or damage.

Is the inspection result normal?

- YES >> GO TO 2  
NO >> Repair or replace as necessary.

##### 2. CHECK WHEEL SENSOR OUTPUT SIGNAL

1. Connect ABS active wheel sensor tester (J-45741) to wheel sensor using appropriate adapter.
2. Turn on the ABS active wheel sensor tester power switch.

#### **NOTE:**

The green POWER indicator should illuminate. If the POWER indicator does not illuminate, replace the battery in the ABS active wheel sensor tester before proceeding.

3. Spin the wheel of the vehicle by hand and observe the red SENSOR indicator on the ABS active wheel sensor tester. The red SENSOR indicator should flash on and off to indicate an output signal.

#### **NOTE:**

If the red SENSOR indicator illuminates but does not flash, reverse the polarity of the tester leads and retest.

Does the ABS active wheel sensor tester detect a signal?

- YES >> GO TO 3  
NO >> Replace the wheel sensor. Refer to [BRC-70, "Removal and Installation"](#).

##### 3. CHECK TIRES

# C1115 WHEEL SENSOR

[TYPE 1]

## < COMPONENT DIAGNOSIS >

Check for inflation pressure, wear and size of each tire.

Are tire pressure and size correct and is tire wear within specifications?

- YES >> GO TO 4
- NO >> Adjust tire pressure or replace tire(s).

### 4.CHECK WHEEL BEARINGS

Check wheel bearing axial end play. Refer to [FAX-5, "On-Vehicle Inspection and Service"](#) (front), [RAX-7, "Rear Axle Bearing"](#) (C200 rear axle), or [RAX-19, "Rear Axle Bearing"](#) (M226 rear axle).

Is the inspection result normal?

- YES >> GO TO 5
- NO >> Repair or replace as necessary. Refer to [FAX-8, "Removal and Installation"](#) (front), [RAX-13, "Removal and Installation"](#) (C200 rear axle), or [RAX-24, "Removal and Installation"](#) (M226 rear axle).

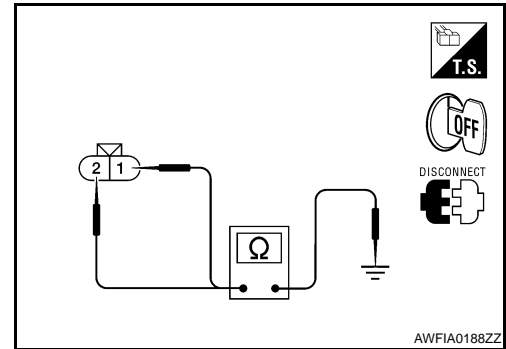
### 5.CHECK WIRING HARNESS FOR SHORT CIRCUIT

1. Disconnect ABS actuator and electric unit (control unit) connector and wheel sensor connector of malfunction code No.
2. Check continuity between wheel sensor harness connector terminals and ground.

**Continuity should not exist.**

Is the inspection result normal?

- YES >> GO TO 6
- NO >> Repair the circuit.



### 6.CHECK WIRING HARNESS FOR OPEN CIRCUIT

1. Check continuity between ABS actuator and electric unit (control unit) harness connector and the malfunctioning wheel sensor harness connector.

Wheel sensor	ABS actuator and electric unit (control unit)		Wheel sensor		Continuity
	Connector	Terminal	Connector	Terminal	
Front LH	E125	45	E18	1	Yes
		46		2	
Front RH		34	E117	1	
		33		2	
Rear LH		36	C11	1	
		37		2	
Rear RH		43	C10	1	
		42		2	

Is the inspection result normal?

- YES >> Replace the ABS actuator and electric unit (control unit). Refer to [BRC-72, "Removal and Installation"](#).
- NO >> Repair the circuit.

## Component Inspection

INFOID:000000003247475

### 1.CHECK DATA MONITOR

On "DATA MONITOR", select "FR LH SENSOR", "FR RH SENSOR", "RR LH SENSOR", and "RR RH SENSOR", and check the vehicle speed.

Wheel sensor	Vehicle speed (DATA MONITOR)
--------------	------------------------------

# C1115 WHEEL SENSOR

< COMPONENT DIAGNOSIS >

[TYPE 1]

FR LH SENSOR	Nearly matches the speedometer display ( $\pm 10\%$ or less)
FR RH SENSOR	
RR LH SENSOR	
RR RH SENSOR	

A

B

Is the inspection result normal?

YES >> INSPECTION END

NO >> Go to diagnosis procedure. Refer to [BRC-35. "Diagnosis Procedure"](#).

C

D

E

**BRC**

G

H

I

J

K

L

M

N

O

P

# C1120, C1122, C1190 IN ABS SOL

< COMPONENT DIAGNOSIS >

[TYPE 1]

## C1120, C1122, C1190 IN ABS SOL

### Description

INFOID:000000003247481

The solenoid valve increases, holds or decreases the fluid pressure of each brake caliper according to the signals transmitted by the ABS actuator and electric unit (control unit).

### DTC Logic

INFOID:000000003247482

### DTC DETECTION LOGIC

DTC	Display item	Malfunction detected condition	Possible cause
C1120	FR LH IN ABS SOL	When the control unit detects a malfunction in the front LH inlet solenoid circuit.	• ABS actuator and electric unit (control unit)
C1122	FR RH IN ABS SOL	When the control unit detects a malfunction in the front RH inlet solenoid circuit.	
C1124	RR LH IN ABS SOL	When the control unit detects a malfunction in the rear LH inlet solenoid circuit.	
C1126	RR RH IN ABS SOL	When the control unit detects a malfunction in the rear RH inlet solenoid circuit.	

### DTC CONFIRMATION PROCEDURE

#### 1. CHECK SELF-DIAGNOSIS RESULTS

Check the self-diagnosis results.

Self-diagnosis results
FR LH IN ABS SOL
FR RH IN ABS SOL
RR LH IN ABS SOL
RR RH IN ABS SOL

Is above displayed on the self-diagnosis display?

- YES >> Proceed to diagnosis procedure. Refer to [BRC-38. "Diagnosis Procedure"](#).  
NO >> INSPECTION END

### Diagnosis Procedure

INFOID:000000003247483

### INSPECTION PROCEDURE

#### 1. CHECK CONNECTOR

1. Turn ignition switch OFF.
2. Disconnect ABS actuator and electric unit (control unit) connector.
3. Check terminal for deformation, disconnection, looseness, and so on. If any malfunction is found, repair or replace terminal.
4. Reconnect connectors and then perform the self-diagnosis. Refer to [BRC-20. "CONSULT-III Function \(ABS\)"](#).

Is any item indicated on the self-diagnosis display?

- YES >> GO TO 2  
NO >> Poor connection of connector terminal. Repair or replace connector.

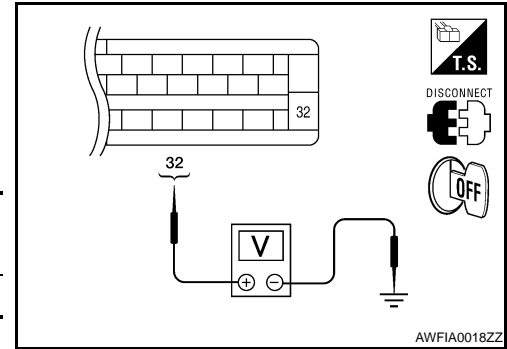
#### 2. CHECK SOLENOID, VDC SWITCH-OVER VALVE AND ACTUATOR RELAY POWER SUPPLY CIRCUIT

# C1120, C1122, C1190 IN ABS SOL

[TYPE 1]

## < COMPONENT DIAGNOSIS >

1. Turn ignition switch OFF.
2. Disconnect ABS actuator and electric unit (control unit) connector.
3. Check voltage between ABS actuator and electric unit (control unit) harness connector terminal and ground.



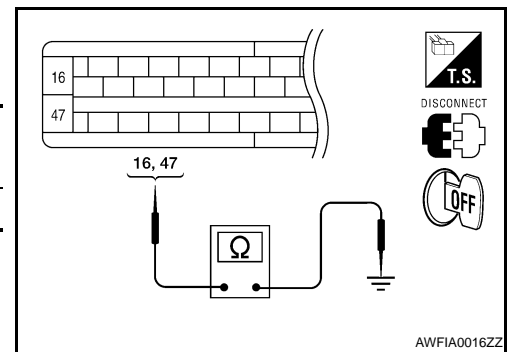
ABS actuator and electric unit (control unit)		—	Voltage
Connector	Terminal		
E125	32	Ground	Battery voltage

Is the inspection result normal?

- YES >> GO TO 3  
 NO >> Repair or replace malfunctioning components.

### 3.CHECK SOLENOID, VDC SWITCH-OVER VALVE AND ACUATOR RELAY GROUND CIRCUIT

Check continuity between ABS actuator and electric unit (control unit) harness connector terminals and ground.



ABS actuator and electric unit (control unit)		—	Continuity
Connector	Terminal		
E125	16, 47	Ground	Yes

Is the inspection result normal?

- YES >> Replace ABS actuator and electric unit (control unit).  
 Refer to [BRC-72, "Removal and Installation"](#).  
 NO >> Repair or replace malfunctioning components.

## Component Inspection

INFOID:000000003247484

### 1.CHECK ACTIVE TEST

1. Select each test menu item on "ACTIVE TEST".
2. On the display, touch "UP", "KEEP", and "DOWN", and check that the system operates as shown in the table below.

Operation		ABS solenoid valve			ABS solenoid valve (ACT)		
		UP	KEEP	DOWN	UP	ACTUA-TOR UP	ACTUA-TOR KEEP
FR RH SOL FR RH ABS SOLE- NOID (ACT)	FR RH IN SOL	OFF	ON	ON	OFF	OFF	OFF
	FR RH OUT SOL	OFF	OFF	ON*	OFF	OFF	OFF
FR LH SOL FR LH ABS SOLE- NOID (ACT)	FR LH IN SOL	OFF	ON	ON	OFF	OFF	OFF
	FR LH OUT SOL	OFF	OFF	ON*	OFF	OFF	OFF
RR RH SOL RR RH ABS SOLE- NOID (ACT)	RR RH IN SOL	OFF	ON	ON	OFF	OFF	OFF
	RR RH OUT SOL	OFF	OFF	ON*	OFF	OFF	OFF
RR LH SOL RR LH ABS SOLE- NOID (ACT)	RR LH IN SOL	OFF	ON	ON	OFF	OFF	OFF
	RR LH OUT SOL	OFF	OFF	ON*	OFF	OFF	OFF
REAR SOL	RR RH IN SOL	OFF	ON	ON	OFF	OFF	OFF
	RR RH OUT SOL	OFF	OFF	ON*	OFF	OFF	OFF
	RR LH IN SOL	OFF	ON	ON	OFF	OFF	OFF
	RR LH OUT SOL	OFF	OFF	ON*	OFF	OFF	OFF

\*: ON for 1 to 2 seconds after the touch, and then OFF

Is the inspection result normal?

- YES >> INSPECTION END

## C1120, C1122, C1190 IN ABS SOL

< COMPONENT DIAGNOSIS >

[TYPE 1]

---

NO >> Go to diagnosis procedure. Refer to [BRC-38. "Diagnosis Procedure"](#).



# C1121, C1123, C1191 OUT ABS SOL

< COMPONENT DIAGNOSIS >

[TYPE 1]

## C1121, C1123, C1191 OUT ABS SOL

### Description

INFOID:000000003247486

The solenoid valve increases, holds or decreases the fluid pressure of each brake caliper according to the signals transmitted by the ABS actuator and electric unit (control unit).

### DTC Logic

INFOID:000000003247487

### DTC DETECTION LOGIC

DTC	Display item	Malfunction detected condition	Possible cause
C1121	FR LH OUT ABS SOL	When the control unit detects a malfunction in the front LH outlet solenoid circuit.	• ABS actuator and electric unit (control unit)
C1123	FR RH OUT ABS SOL	When the control unit detects a malfunction in the front RH outlet solenoid circuit.	
C1125	RR LH OUT ABS SOL	When the control unit detects a malfunction in the rear LH outlet solenoid circuit.	
C1127	RR RH OUT ABS SOL	When the control unit detects a malfunction in the rear RH outlet solenoid circuit.	

### DTC CONFIRMATION PROCEDURE

#### 1.CHECK SELF-DIAGNOSIS RESULTS

Check the self-diagnosis results.

Self-diagnosis results
FR LH OUT ABS SOL
FR RH OUT ABS SOL
RR LH OUT ABS SOL
RR RH OUT ABS SOL

Is above displayed on the self-diagnosis display?

- YES >> Proceed to diagnosis procedure. Refer to [BRC-41. "Diagnosis Procedure"](#).  
NO >> INSPECTION END

### Diagnosis Procedure

INFOID:000000003247488

### INSPECTION PROCEDURE

#### 1.CHECK CONNECTOR

1. Turn ignition switch OFF.
2. Disconnect ABS actuator and electric unit (control unit) connector.
3. Check terminal for deformation, disconnection, looseness, and so on. If any malfunction is found, repair or replace terminal.
4. Reconnect connectors and then perform the self-diagnosis. Refer to [BRC-20. "CONSULT-III Function \(ABS\)"](#).

Is any item indicated on the self-diagnosis display?

- YES >> GO TO 2  
NO >> Poor connection of connector terminal. Repair or replace connector.

#### 2.CHECK SOLENOID, VDC SWITCH-OVER VALVE AND ACTUATOR RELAY POWER SUPPLY CIRCUIT

# C1121, C1123, C1191 OUT ABS SOL

[TYPE 1]

## < COMPONENT DIAGNOSIS >

1. Turn ignition switch OFF.
2. Disconnect ABS actuator and electric unit (control unit) connector.
3. Check voltage between ABS actuator and electric unit (control unit) harness connector terminal and ground.

ABS actuator and electric unit (control unit)		—	Voltage
Connector	Terminal		
E125	32	Ground	Battery voltage

Is the inspection result normal?

- YES >> GO TO 3  
 NO >> Repair or replace malfunctioning components.

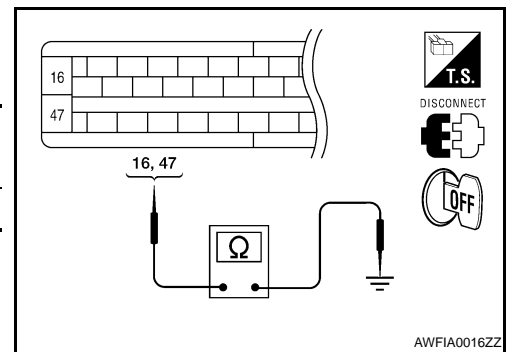
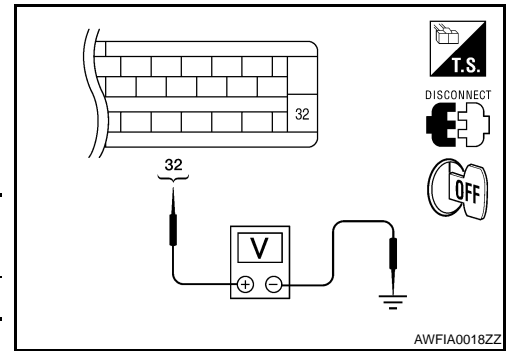
### 3.CHECK SOLENOID, VDC SWITCH-OVER VALVE AND ACUATOR RELAY GROUND CIRCUIT

Check continuity between ABS actuator and electric unit (control unit) harness connector terminals and ground.

ABS actuator and electric unit (control unit)		—	Continuity
Connector	Terminal		
E125	16, 47	Ground	Yes

Is the inspection result normal?

- YES >> Replace ABS actuator and electric unit (control unit).  
 Refer to [BRC-72, "Removal and Installation"](#).  
 NO >> Repair or replace malfunctioning components.



## Component Inspection

INFOID:000000003247489

### 1.CHECK ACTIVE TEST

1. Select each test menu item on "ACTIVE TEST".
2. On the display, touch "UP", "KEEP", and "DOWN", and check that the system operates as shown in the table below.

Operation		ABS solenoid valve			ABS solenoid valve (ACT)		
		UP	KEEP	DOWN	UP	ACTUA-TOR UP	ACTUA-TOR KEEP
FR RH SOL FR RH ABS SOLE- NOID (ACT)	FR RH IN SOL	OFF	ON	ON	OFF	OFF	OFF
	FR RH OUT SOL	OFF	OFF	ON*	OFF	OFF	OFF
FR LH SOL FR LH ABS SOLE- NOID (ACT)	FR LH IN SOL	OFF	ON	ON	OFF	OFF	OFF
	FR LH OUT SOL	OFF	OFF	ON*	OFF	OFF	OFF
RR RH SOL RR RH ABS SOLE- NOID (ACT)	RR RH IN SOL	OFF	ON	ON	OFF	OFF	OFF
	RR RH OUT SOL	OFF	OFF	ON*	OFF	OFF	OFF
RR LH SOL RR LH ABS SOLE- NOID (ACT)	RR LH IN SOL	OFF	ON	ON	OFF	OFF	OFF
	RR LH OUT SOL	OFF	OFF	ON*	OFF	OFF	OFF
REAR SOL	RR RH IN SOL	OFF	ON	ON	OFF	OFF	OFF
	RR RH OUT SOL	OFF	OFF	ON*	OFF	OFF	OFF
	RR LH IN SOL	OFF	ON	ON	OFF	OFF	OFF
	RR LH OUT SOL	OFF	OFF	ON*	OFF	OFF	OFF

\*: ON for 1 to 2 seconds after the touch, and then OFF

Is the inspection result normal?

- YES >> INSPECTION END

# C1121, C1123, C1191 OUT ABS SOL

< COMPONENT DIAGNOSIS >

[TYPE 1]

NO >> Go to diagnosis procedure. Refer to [BRC-41. "Diagnosis Procedure"](#).

A

B

C

D

E

**BRC**

G

H

I

J

K

L

M

N

O

P

# C1140 ACTUATOR RLY

< COMPONENT DIAGNOSIS >

[TYPE 1]

## C1140 ACTUATOR RLY

### Description

INFOID:000000003247495

Activates or deactivates each solenoid valve according to the signals transmitted by the ABS actuator and electric unit (control unit).

### DTC Logic

INFOID:000000003247496

### DTC DETECTION LOGIC

DTC	Display item	Malfunction detected condition	Possible cause
C1140	ACTUATOR RLY	ABS actuator relay or circuit malfunction.	<ul style="list-style-type: none"><li>• Harness or connector</li><li>• ABS actuator and electric unit (control unit)</li></ul>

### DTC CONFIRMATION PROCEDURE

#### 1. CHECK SELF-DIAGNOSIS RESULTS

Check the self-diagnosis results.

Self-diagnosis results
ACTUATOR RLY

Is above displayed on the self-diagnosis display?

- YES >> Proceed to diagnosis procedure. Refer to [BRC-44, "Diagnosis Procedure"](#).  
NO >> INSPECTION END

### Diagnosis Procedure

INFOID:000000003247497

### INSPECTION PROCEDURE

#### 1. CHECK CONNECTOR

1. Turn ignition switch OFF.
2. Disconnect ABS actuator and electric unit (control unit) connector.
3. Check terminal for deformation, disconnection, looseness, and so on. If any malfunction is found, repair or replace terminal.
4. Reconnect connectors and then perform the self-diagnosis. Refer to [BRC-20, "CONSULT-III Function \(ABS\)"](#).

Is any item indicated on the self-diagnosis display?

- YES >> GO TO 2  
NO >> Poor connection of connector terminal. Repair or replace connector.

#### 2. CHECK SOLENOID, VDC SWITCH-OVER VALVE AND ACTUATOR RELAY POWER SUPPLY CIRCUIT

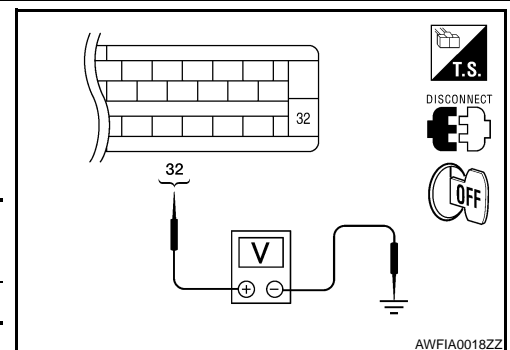
1. Turn ignition switch OFF.
2. Disconnect ABS actuator and electric unit (control unit) connector.
3. Check voltage between ABS actuator and electric unit (control unit) harness connector terminal and ground.

ABS actuator and electric unit (control unit)		—	Voltage
Connector	Terminal		
E125	32	Ground	Battery voltage

Is the inspection result normal?

- YES >> GO TO 3  
NO >> Repair or replace malfunctioning components.

#### 3. CHECK SOLENOID, VDC SWITCH-OVER VALVE AND ACUATOR RELAY GROUND CIRCUIT



# C1140 ACTUATOR RLY

[TYPE 1]

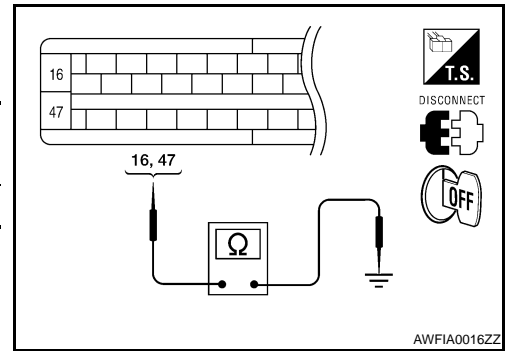
## < COMPONENT DIAGNOSIS >

Check continuity between ABS actuator and electric unit (control unit) harness connector terminals and ground.

ABS actuator and electric unit (control unit)		—	Continuity
Connector	Terminal		
E125	16, 47	Ground	Yes

Is the inspection result normal?

- YES >> Replace ABS actuator and electric unit (control unit).  
Refer to [BRC-72, "Removal and Installation"](#).
- NO >> Repair or replace malfunctioning components.



## Component Inspection

INFOID:000000003247498

### 1. CHECK ACTIVE TEST

- On "ACTIVE TEST", select "ABS MOTOR".
- Touch ON and OFF on screen. Make sure motor relay and actuator relay operates as shown in table below.

Operation	ON	OFF
MOTOR RELAY	ON	OFF
ACTUATOR RLY	ON	ON

Is the inspection result normal?

- YES >> INSPECTION END
- NO >> Go to diagnosis procedure. Refer to [BRC-44, "Diagnosis Procedure"](#).

A  
B  
C  
D  
E  
G  
H  
I  
J  
K  
L  
M  
N  
O  
P

BRC

# U1000 CAN COMM CIRCUIT

< COMPONENT DIAGNOSIS >

[TYPE 1]

## U1000 CAN COMM CIRCUIT

### Description

INFOID:000000003247526

CAN (Controller Area Network) is a serial communication line for real time application. It is an on-vehicle multiplex communication line with high data communication speed and excellent error detection ability. Many electronic control units are equipped onto a vehicle, and each control unit shares information and links with other control units during operation (not independent). In CAN communication, control units are connected with 2 communication lines (CAN H line, CAN L line) allowing a high rate of information transmission with less wiring. Each control unit transmits/receives data but selectively reads required data only.

### DTC Logic

INFOID:000000003247527

### DTC DETECTION LOGIC

DTC	Display item	Malfunction detected condition	Possible cause
U1000	CAN COMM CIRCUIT	When ABS actuator and electric unit (control unit) is not transmitting or receiving CAN communication signal for 2 seconds or more.	<ul style="list-style-type: none"><li>• CAN communication line</li><li>• ABS actuator and electric unit (control unit)</li></ul>

### Diagnosis Procedure

INFOID:000000003247528

#### INSPECTION PROCEDURE

#### 1. CHECK CONNECTOR

1. Turn ignition switch OFF, disconnect the ABS actuator and electric unit (control unit) connector, and check the terminals for deformation, disconnection, looseness, and so on. If there is a malfunction, repair or replace the terminal.
2. Reconnect connector and perform self-diagnosis.

Is "CAN COMM CIRCUIT" displayed in self-diagnosis display items?

- YES >> Print out the self-diagnostic results, and refer to [LAN-14, "Trouble Diagnosis Flow Chart"](#).
- NO >> Connector terminal is loose, damaged, open, or shorted.

# ABS WARNING LAMP

< COMPONENT DIAGNOSIS >

[TYPE 1]

## ABS WARNING LAMP

### Description

INFOID:000000003248453

x: ON --: OFF

Condition	ABS warning lamp
Ignition switch OFF	–
For 1 second after turning ON ignition switch	×
1 second later after turning ON ignition switch	–
ABS function is malfunctioning.	×
EBD function is malfunctioning.	×

### Component Function Check

INFOID:000000003248454

#### 1.CHECK ABS WARNING LAMP OPERATION

Check that the lamp illuminates for approximately 1 second after the ignition switch is turned ON.

Is the inspection result normal?

YES >> INSPECTION END

NO >> Go to diagnosis procedure. Refer to [BRC-127, "Diagnosis Procedure"](#).

#### Diagnosis Procedure

INFOID:000000003248455

#### 1.CHECK SELF-DIAGNOSIS

Perform ABS actuator and electric unit (control unit) self-diagnosis. Refer to [BRC-20, "CONSULT-III Function \(ABS\)"](#).

Is the inspection result normal?

YES >> GO TO 2

NO >> Check items displayed by self-diagnosis.

#### 2.CHECK COMBINATION METER

Check if the indication and operation of combination meter are normal. Refer to [MWI-23, "Diagnosis Description"](#).

Is the inspection result normal?

YES >> Replace ABS actuator and electric unit (control unit). Refer to [BRC-72, "Removal and Installation"](#).

NO >> Replace combination meter. Refer to [MWI-91, "Removal and Installation"](#).

# BRAKE WARNING LAMP

< COMPONENT DIAGNOSIS >

[TYPE 1]

## BRAKE WARNING LAMP

### Description

INFOID:000000003248456

×: ON –: OFF

Condition	Brake warning lamp (Note 1)
Ignition switch OFF	–
For 1 second after turning ON ignition switch	× (Note 2)
1 second later after turning ON ignition switch	× (Note 2)
EBD function is malfunctioning.	×

#### NOTE:

- 1: Brake warning lamp will turn on in case of parking brake operation (when switch is ON) or of brake fluid level switch operation (when brake fluid is insufficient).
- 2: After starting engine, brake warning lamp is turned off.

### Component Function Check

INFOID:000000003248457

#### 1. BRAKE WARNING LAMP OPERATION CHECK

Check that the lamp illuminates for approximately 1 second after the ignition switch is turned ON.

Is the inspection result normal?

YES >> INSPECTION END

NO >> Go to diagnosis procedure. Refer to [BRC-128, "Diagnosis Procedure"](#).

### Diagnosis Procedure

INFOID:000000003248458

#### 1. CHECK SELF-DIAGNOSIS

Perform ABS actuator and electric unit (control unit) self-diagnosis.

Is the inspection result normal?

YES >> GO TO 2

NO >> Check items displayed by self-diagnosis.

#### 2. CHECK COMBINATION METER

Check if the indication and operation of combination meter are normal. Refer to [MWI-23, "Diagnosis Description"](#).

Is the inspection result normal?

YES >> Replace ABS actuator and electric unit (control unit). Refer to [BRC-72, "Removal and Installation"](#).

NO >> Replace combination meter. Refer to [MWI-91, "Removal and Installation"](#).



# APPLICATION NOTICE

< ECU DIAGNOSIS >

[TYPE 1]

## ECU DIAGNOSIS

### APPLICATION NOTICE

Application Notice

INFOID:000000003248343

Service information	Remarks
TYPE 1	ABS
TYPE 2	ABLS/ABS
TYPE 3	HILL DESCENT CONTROL/HILL START ASSIST/VDC/TCS/ABS

A

B

C

D

E

**BRC**

G

H

I

J

K

L

M

N

O

P

# ABS ACTUATOR AND ELECTRIC UNIT (CONTROL UNIT)

< ECU DIAGNOSIS >

[TYPE 1]

## ABS ACTUATOR AND ELECTRIC UNIT (CONTROL UNIT)

### Reference Value

INFOID:000000003247547

#### VALUES ON THE DIAGNOSIS TOOL

#### CAUTION:

**The display shows the control unit calculation data, so a normal value might be displayed even in the event the output circuit (harness) is open or short-circuited.**

#### CONSULT-III MONITOR ITEM

Monitor item	Display content	Data monitor	
		Condition	Reference value in normal operation
FR LH SENSOR	Wheel speed	0 [km/h (MPH)]	Vehicle stopped
		Nearly matches the speed meter display (± 10% or less)	Vehicle running (Note 1)
FR RH SENSOR	Wheel speed	0 [km/h (MPH)]	Vehicle stopped
		Nearly matches the speed meter display (± 10% or less)	Vehicle running (Note 1)
RR LH SENSOR	Wheel speed	0 [km/h (MPH)]	Vehicle stopped
		Nearly matches the speed meter display (± 10% or less)	Vehicle running (Note 1)
RR RH SENSOR	Wheel speed	0 [km/h (MPH)]	Vehicle stopped
		Nearly matches the speed meter display (± 10% or less)	Vehicle running (Note 1)
STOP LAMP SW	Stop lamp switch signal status	When brake pedal is depressed	ON
		When brake pedal is released	OFF
BATTERY VOLT	Battery voltage supplied to the ABS actuator and electric unit (control unit)	Ignition switch ON	10 – 16 V
FR RH IN SOL	Operation status of each solenoid valve	Actuator (solenoid valve) is active ("ACTIVE TEST" with CONSULT-III) or actuator relay is inactive (in fail-safe mode)	ON
		When the actuator (solenoid valve) is not active and actuator relay is active (ignition switch ON)	OFF
FR RH OUT SOL	Operation status of each solenoid valve	Actuator (solenoid valve) is active ("ACTIVE TEST" with CONSULT-III) or actuator relay is inactive (in fail-safe mode)	ON
		When the actuator (solenoid valve) is not active and actuator relay is active (ignition switch ON)	OFF
FR LH IN SOL	Operation status of each solenoid valve	Actuator (solenoid valve) is active ("ACTIVE TEST" with CONSULT-III) or actuator relay is inactive (in fail-safe mode)	ON
		When the actuator (solenoid valve) is not active and actuator relay is active (ignition switch ON)	OFF
FR LH OUT SOL	Operation status of each solenoid valve	Actuator (solenoid valve) is active ("ACTIVE TEST" with CONSULT-III) or actuator relay is inactive (in fail-safe mode)	ON
		When the actuator (solenoid valve) is not active and actuator relay is active (ignition switch ON)	OFF

# ABS ACTUATOR AND ELECTRIC UNIT (CONTROL UNIT)

< ECU DIAGNOSIS >

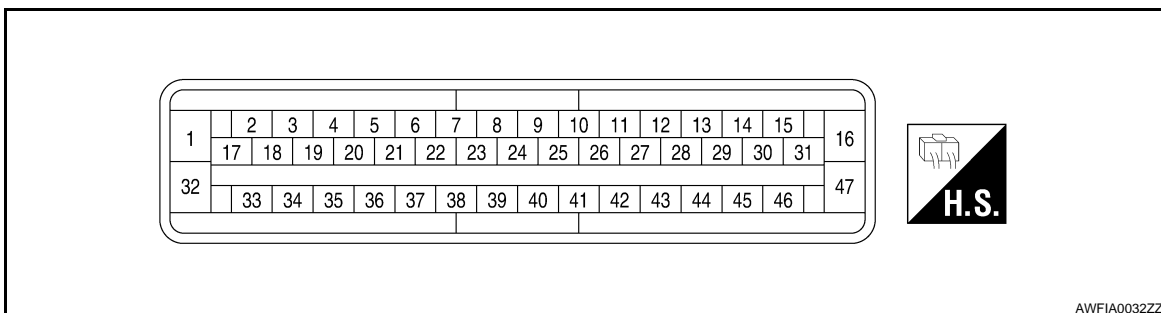
[TYPE 1]

Monitor item	Display content	Data monitor	
		Condition	Reference value in normal operation
REAR IN SOL	Operation status of each solenoid valve	Actuator (solenoid valve) is active ("ACTIVE TEST" with CONSULT-III) or actuator relay is inactive (in fail-safe mode)	ON
		When the actuator (solenoid valve) is not active and actuator relay is active (ignition switch ON)	OFF
REAR OUT SOL	Operation status of each solenoid valve	Actuator (solenoid valve) is active ("ACTIVE TEST" with CONSULT-III) or actuator relay is inactive (in fail-safe mode)	ON
		When the actuator (solenoid valve) is not active and actuator relay is active (ignition switch ON)	OFF
MOTOR RELAY	Motor and motor relay operation	When the motor relay and motor are operating	ON
		When the motor relay and motor are not operating	OFF
ACTUATOR RLY	Actuator relay operation	When the actuator relay is operating	ON
		When the actuator relay is not operating	OFF
ABS WARN LAMP	ABS warning lamp (Note 2)	When ABS warning lamp is ON	ON
		When ABS warning lamp is OFF	OFF
EBD SIGNAL	EBD operation	EBD is active	ON
		EBD is inactive	OFF
ABS SIGNAL	ABS operation	ABS is active	ON
		ABS is inactive	OFF
EBD FAIL SIG	EBD fail-safe signal	In EBD fail-safe	ON
		EBD is normal	OFF
ABS FAIL SIG	ABS fail-safe signal	In ABS fail-safe	ON
		ABS is normal	OFF
CRANKING SIG	Crank operation	Crank is active	ON
		Crank is inactive	OFF
EBD WARN LAMP	EBD warning lamp (Note 3)	When EBD warning lamp is ON	ON
		When EBD warning lamp is OFF	OFF

**NOTE:**

- 1: Confirm tire pressure is normal.
- 2: On and off timing for warning lamp and indicator lamp.
- ABS warning lamp: Refer to [BRC-47, "Description"](#).
- Brake warning lamp: Refer to [BRC-48, "Description"](#).

**TERMINAL LAYOUT**



AWFIA0032ZZ

# ABS ACTUATOR AND ELECTRIC UNIT (CONTROL UNIT)

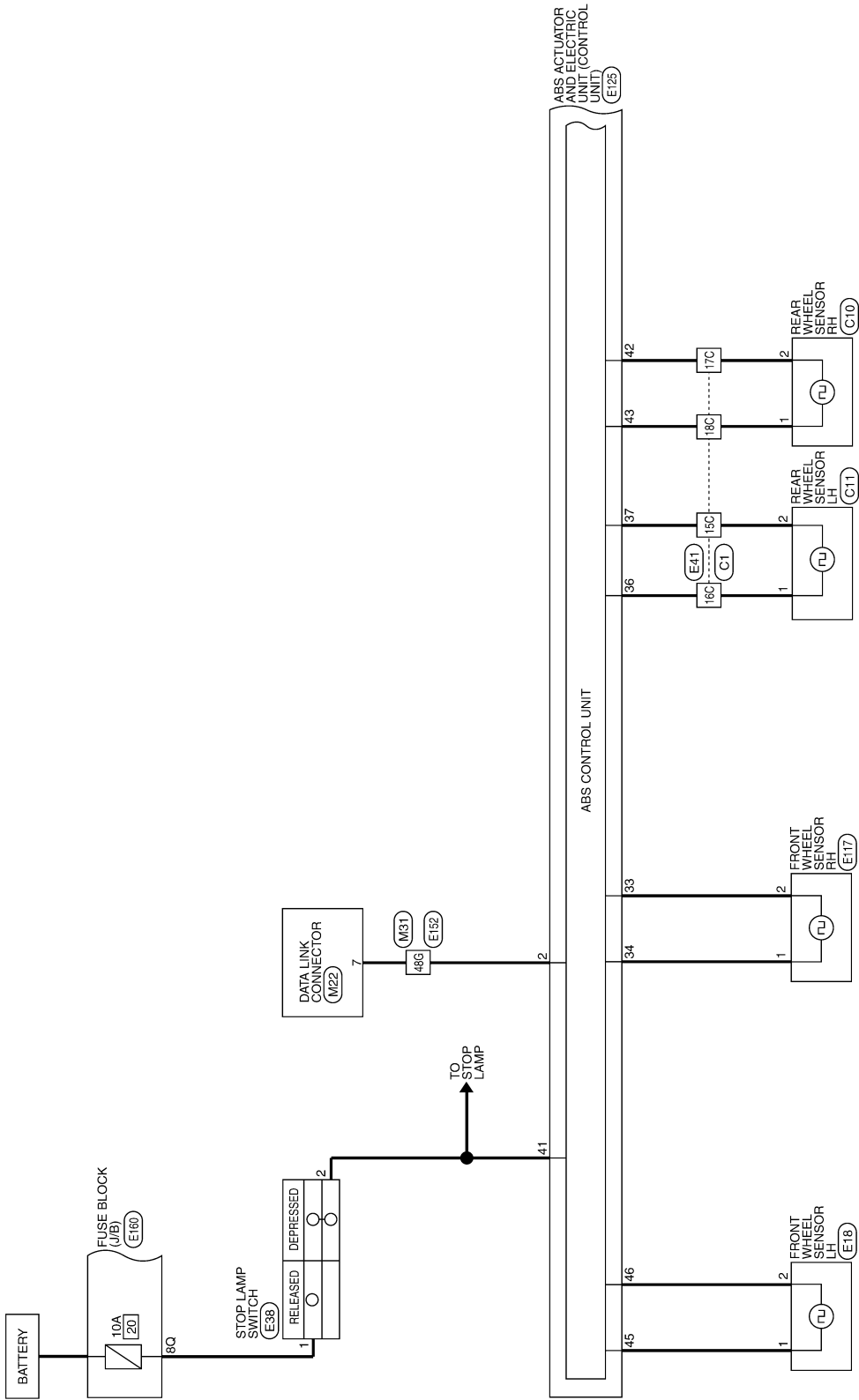
< ECU DIAGNOSIS >

[TYPE 1]

## Wiring Diagram - ABS

INFOID:000000003247548

### BRAKE CONTROL SYSTEM - ABS



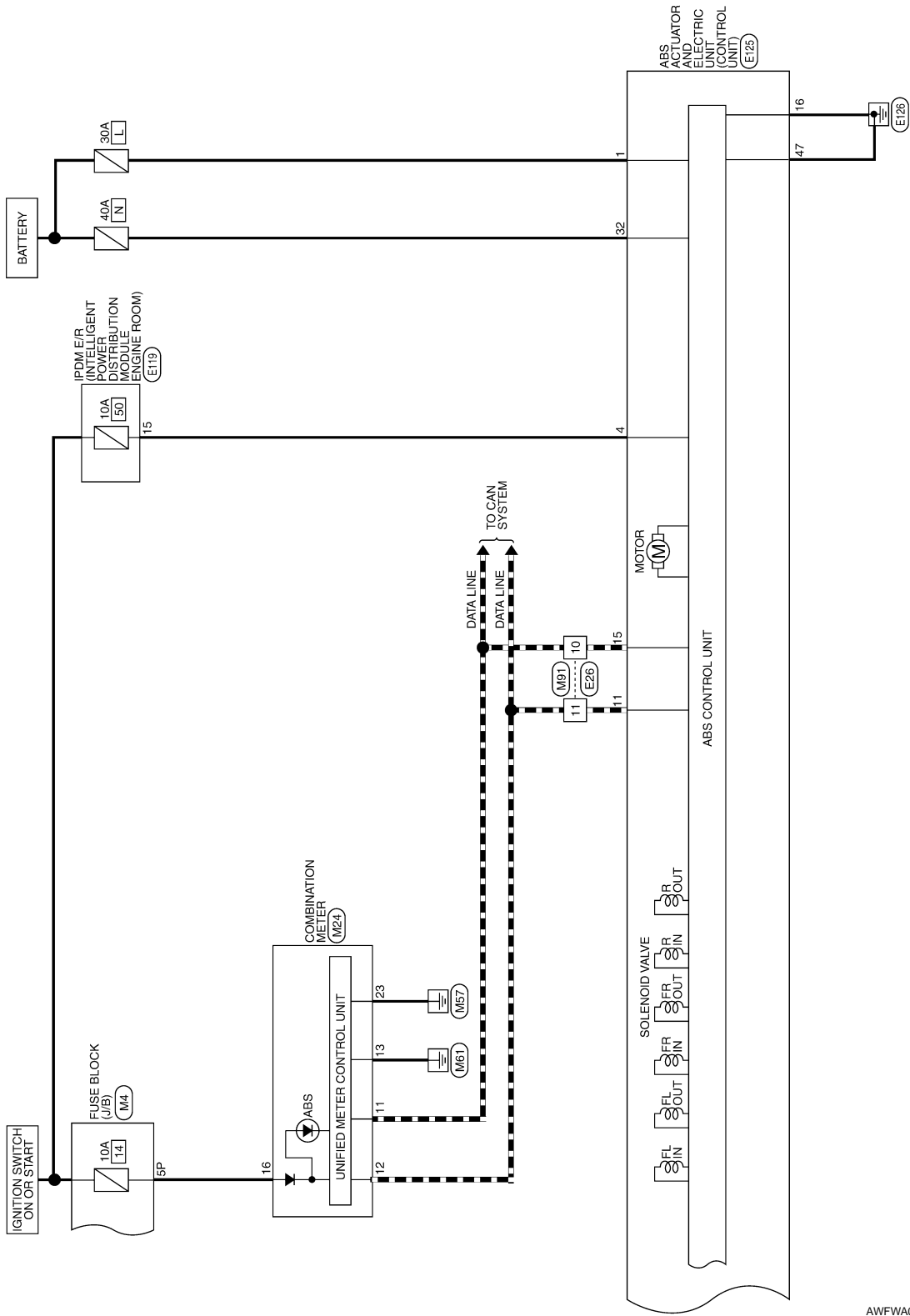
AWFWA0039GI

# ABS ACTUATOR AND ELECTRIC UNIT (CONTROL UNIT)

< ECU DIAGNOSIS >

[TYPE 1]

--- : DATA LINE



A  
B  
C  
D  
E  
BRC  
G  
H  
I  
J  
K  
L  
M  
N  
O  
P

AWFWA0040GI

# ABS ACTUATOR AND ELECTRIC UNIT (CONTROL UNIT)

< ECU DIAGNOSIS >

[TYPE 1]

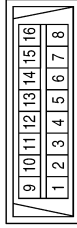
## BRAKE CONTROL SYSTEM CONNECTORS - ABS

Connector No.	M4
Connector Name	FUSE BLOCK (J/B)
Connector Color	WHITE



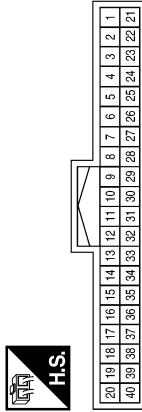
Terminal No.	Color of Wire	Signal Name
5P	W/G	—

Connector No.	M22
Connector Name	DATA LINK CONNECTOR
Connector Color	WHITE



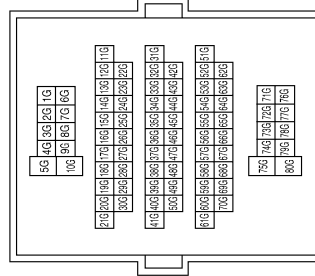
Terminal No.	Color of Wire	Signal Name
7	W	—

Connector No.	M24
Connector Name	COMBINATION METER
Connector Color	WHITE



Terminal No.	Color of Wire	Signal Name
11	P	CAN_L
12	L	CAN_H
13	GR	GROUND
16	W/G	RUN START
23	B	GND (POWER)

Connector No.	M31
Connector Name	WIRE TO WIRE
Connector Color	WHITE



Terminal No.	Color of Wire	Signal Name
48G	W	—

Connector No.	M91
Connector Name	WIRE TO WIRE
Connector Color	WHITE



Terminal No.	Color of Wire	Signal Name
10	P	—
11	L	—

AWFIA0151GB

# ABS ACTUATOR AND ELECTRIC UNIT (CONTROL UNIT)

< ECU DIAGNOSIS >

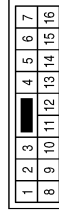
[TYPE 1]

Connector No.	E18
Connector Name	FRONT WHEEL SENSOR LH
Connector Color	GRAY



Terminal No.	Color of Wire	Signal Name
1	G	-
2	R	-

Connector No.	E26
Connector Name	WIRE TO WIRE
Connector Color	WHITE



Terminal No.	Color of Wire	Signal Name
10	P	-
11	L	-

Connector No.	E38
Connector Name	STOP LAMP SWITCH (WITH M/T)
Connector Color	BLACK



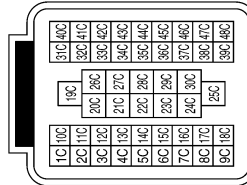
Terminal No.	Color of Wire	Signal Name
1	R/B	-
2	Y	-

Connector No.	E38
Connector Name	STOP LAMP SWITCH (WITH A/T)
Connector Color	WHITE



Terminal No.	Color of Wire	Signal Name
1	R/B	-
2	Y	-

Connector No.	E41
Connector Name	WIRE TO WIRE
Connector Color	BLACK



Terminal No.	Color of Wire	Signal Name
15C	P	-
16C	L	-
17C	V	-
18C	LG	-

A  
B  
C  
D  
E  
BRC  
G  
H  
I  
J  
K  
L  
M  
N  
O  
P

# ABS ACTUATOR AND ELECTRIC UNIT (CONTROL UNIT)

< ECU DIAGNOSIS >

[TYPE 1]

Connector No.	E117
Connector Name	FRONT WHEEL SENSOR RH
Connector Color	GRAY



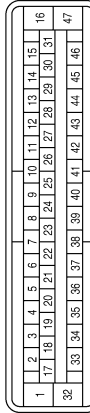
Terminal No.	Color of Wire	Signal Name
1	B	-
2	W	-

Connector No.	E119
Connector Name	IPDM E/R (INTELLIGENT POWER DISTRIBUTION MODULE ENGINE ROOM)
Connector Color	WHITE



Terminal No.	Color of Wire	Signal Name
15	W/R	ABS IGN SUPPLY

Connector No.	E125
Connector Name	ABS ACTUATOR AND ELECTRIC UNIT (CONTROL UNIT)
Connector Color	BLACK



Terminal No.	Color of Wire	Signal Name
1	R	MOTOR SUPPLY
2	SB	DIAG_K
3	-	-
4	W/R	IGN
5	-	-
6	-	-
7	-	-
8	-	-
9	-	-

Terminal No.	Color of Wire	Signal Name
10	-	-
11	L	CAN-H
12	-	-
13	-	-
14	-	-
15	P	CAN-L
16	B	VALVE ECU GND
17	-	-
18	-	-
19	-	-
20	-	-
21	-	-
22	-	-
23	-	-
24	-	-
25	-	-
26	-	-
27	-	-
28	-	-

Terminal No.	Color of Wire	Signal Name
29	-	-
30	-	-
31	-	-
32	Y	VALVE ECU SUPPLY
33	W	FR_RH_SIG
34	B	FR_RH_PWR
35	-	-
36	L	RR_LH_PWR
37	P	RR_LH_SIG
38	-	-
39	-	-
40	-	-
41	SB	STOP_LAMP_SW
42	V	RR_RH_SIG
43	LG	RR_RH_PWR
44	-	-
45	G	FR_LH_PWR
46	R	FR_LH_SIG
47	B	MOTOR GND

AWFIA0153GB

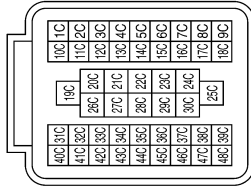


# ABS ACTUATOR AND ELECTRIC UNIT (CONTROL UNIT)

< ECU DIAGNOSIS >

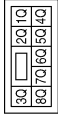
[TYPE 1]

Connector No.	C1
Connector Name	WIRE TO WIRE
Connector Color	BLACK



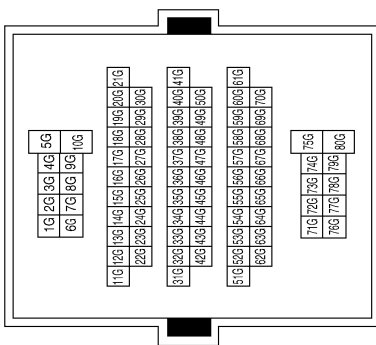
Terminal No.	Color of Wire	Signal Name
15C	P	-
16C	L	-
17C	V	-
18C	LG	-

Connector No.	E160
Connector Name	FUSE BLOCK (J/B)
Connector Color	WHITE



Terminal No.	Color of Wire	Signal Name
8Q	R/B	-

Connector No.	E152
Connector Name	WIRE TO WIRE
Connector Color	WHITE



Terminal No.	Color of Wire	Signal Name
48G	W	-

Connector No.	C11
Connector Name	REAR WHEEL SENSOR LH
Connector Color	GRAY



Terminal No.	Color of Wire	Signal Name
1	L	-
2	P	-

Connector No.	C10
Connector Name	REAR WHEEL SENSOR RH
Connector Color	GRAY



Terminal No.	Color of Wire	Signal Name
1	LG	-
2	V	-

## Fail-Safe

### CAUTION:

If the Fail-Safe function is activated, perform Self Diagnosis for ABS system.

### ABS/EBD SYSTEM

In case of an electrical malfunction with the ABS, the ABS warning lamp will turn on. In case of an electrical malfunction with the EBD system, the BRAKE warning lamp and the ABS warning lamp will turn on.

A  
B  
C  
D  
E  
G  
H  
I  
J  
K  
L  
M  
N  
O  
P

BRC

# ABS ACTUATOR AND ELECTRIC UNIT (CONTROL UNIT)

[TYPE 1]

## < ECU DIAGNOSIS >

The system will revert to one of the following conditions of the Fail-Safe function.

1. For ABS malfunction, only the EBD is operative and the condition of the vehicle is the same condition of vehicles without ABS system.
2. For EBD malfunction, the EBD and ABS become inoperative, and the condition of the vehicle is the same as the condition of vehicles without ABS or EBD system.

## DTC No. Index

INFOID:000000003247550

DTC	Items (CONSULT screen terms)	Reference
C1101	RR RH SENSOR-1	<a href="#">BRC-24, "Description"</a>
C1102	RR LH SENSOR-1	
C1103	FR RH SENSOR-1	
C1104	FR LH SENSOR-1	
C1105	RR RH SENSOR-2	<a href="#">BRC-27, "Description"</a>
C1106	RR LH SENSOR-2	
C1107	FR RH SENSOR-2	
C1108	FR LH SENSOR-2	
C1109	BATTERY VOLTAGE [ABNORMAL]	<a href="#">BRC-30, "Description"</a>
C1110	CONTROLLER FAILURE	<a href="#">BRC-32, "DTC Logic"</a>
C1111	PUMP MOTOR	<a href="#">BRC-33, "Description"</a>
C1113	G-SENSOR	<a href="#">BRC-32, "DTC Logic"</a>
C1115	ABS SENSOR [ABNORMAL SIGNAL]	<a href="#">BRC-35, "Description"</a>
C1120	FR LH IN ABS SOL	<a href="#">BRC-38, "Description"</a>
C1121	FR LH OUT ABS SOL	<a href="#">BRC-41, "Description"</a>
C1122	FR RH IN ABS SOL	<a href="#">BRC-38, "Description"</a>
C1123	FR RH OUT ABS SOL	<a href="#">BRC-41, "Description"</a>
C1140	ACTUATOR RLY	<a href="#">BRC-44, "Description"</a>
C1170	VARIANT CODING	<a href="#">BRC-32, "DTC Logic"</a>
C1190	R-EV	<a href="#">BRC-38, "Description"</a>
C1191	R-AV	<a href="#">BRC-41, "Description"</a>
U1000	CAN COMM CIRCUIT	<a href="#">BRC-46, "Description"</a>

# APPLICATION NOTICE

< SYMPTOM DIAGNOSIS >

[TYPE 1]

## SYMPTOM DIAGNOSIS

### APPLICATION NOTICE

Application Notice

INFOID:000000003248345

Service information	Remarks
TYPE 1	ABS
TYPE 2	ABLS/ABS
TYPE 3	HILL DESCENT CONTROL/HILL START ASSIST/VDC/TCS/ABS

A  
B  
C  
D  
E  
G  
H  
I  
J  
K  
L  
M  
N  
O  
P

**BRC**

**ABS**

**Symptom Table**

INFOID:000000003248467

If ABS warning lamp turns ON, perform self-diagnosis.

Symptom	Check item	Reference
Excessive ABS function operation frequency	Brake force distribution	<a href="#">BRC-61, "Diagnosis Procedure"</a>
	Looseness of front and rear axle	
	Wheel sensor and rotor system	
Unexpected pedal reaction	Brake pedal stroke	<a href="#">BRC-62, "Diagnosis Procedure"</a>
	Make sure the braking force is sufficient when the ABS is not operating.	
The braking distance is long	Check stopping distance when the ABS is not operating.	<a href="#">BRC-63, "Diagnosis Procedure"</a>
ABS function does not operate (Note 1)	ABS actuator and electric unit (control unit)	<a href="#">BRC-64, "Diagnosis Procedure"</a>
Pedal vibration or ABS operation sound occurs (Note 2)	Brake pedal	<a href="#">BRC-65, "Diagnosis Procedure"</a>
	ABS actuator and electric unit (control unit)	

**NOTE:**

- 1: The ABS does not operate when the speed is 10 km/h (6 MPH) or less.
- 2: Under the following conditions, ABS is activated and vibration is felt when brake pedal is lightly depressed. However, this is normal.
  - When shifting gears
  - When driving on slippery road
  - During cornering at high speed
  - When passing over bumps or grooves [at approximately 50 mm (1.97 in) or more]
  - When pulling away just after starting engine [at approximately 10 km/h (6 MPH) or higher]

# EXCESSIVE ABS FUNCTION OPERATION FREQUENCY

< SYMPTOM DIAGNOSIS >

[TYPE 1]

## EXCESSIVE ABS FUNCTION OPERATION FREQUENCY

### Diagnosis Procedure

INFOID:000000003247553

#### 1.CHECK START

Check front and rear brake force distribution using a brake tester.

Is the inspection result normal?

YES >> GO TO 2

NO >> Check brake system.

#### 2.CHECK FRONT AND REAR AXLE

Make sure that there is no excessive play in the front and rear axles. Refer to front: [FAX-5. "On-Vehicle Inspection and Service"](#), Rear: [RAX-7. "Rear Axle Bearing"](#) (C200) or [RAX-19. "Rear Axle Bearing"](#) (M226).

Is the inspection result normal?

YES >> GO TO 3

NO >> Repair or replace malfunctioning components.

#### 3.CHECK WHEEL SENSOR AND SENSOR ROTOR

Check the following.

- Wheel sensor installation for damage.
- Sensor rotor installation for damage.
- Wheel sensor connector connection.
- Wheel sensor harness inspection.

Is the inspection result normal?

YES >> GO TO 4

NO >> • Replace wheel sensor or sensor rotor. Refer to [BRC-70. "Removal and Installation"](#).  
• Repair harness.

#### 4.CHECK ABS WARNING LAMP DISPLAY

Make sure that the ABS warning lamp is turned off after the ignition switch is turned ON or when driving.

Is the ABS warning lamp illuminated?

YES >> Perform self-diagnosis. Refer to [BRC-20. "CONSULT-III Function \(ABS\)"](#).

NO >> Normal

A  
B  
C  
D  
E  
BRC  
G  
H  
I  
J  
K  
L  
M  
N  
O  
P

# UNEXPECTED PEDAL REACTION

< SYMPTOM DIAGNOSIS >

[TYPE 1]

## UNEXPECTED PEDAL REACTION

### Diagnosis Procedure

INFOID:000000003247554

#### 1.CHECK BRAKE PEDAL STROKE

Check brake pedal stroke. Refer to [BR-7, "Brake Pedal Inspection and Adjustment"](#).

Is the stroke too large?

- YES >> • Bleed air from brake tube and hose. Refer to [BR-9, "Bleeding Brake System"](#).  
• Check brake pedal, brake booster, and master cylinder for mount play, looseness, brake system fluid leakage, etc. Refer to [BR-7, "Brake Pedal Inspection and Adjustment"](#) (brake pedal), [BR-30, "Disassembly and Assembly"](#) (master cylinder), [BR-7, "Brake Booster Inspection"](#) (brake booster).

NO >> GO TO 2

#### 2.CHECK FUNCTION

Disconnect ABS actuator and electric unit (control unit) connector to deactivate ABS. Check if braking force is normal in this condition. Connect connector after inspection.

Is the inspection result normal?

- YES >> Normal  
NO >> Check brake system.

# THE BRAKING DISTANCE IS LONG

< SYMPTOM DIAGNOSIS >

[TYPE 1]

## THE BRAKING DISTANCE IS LONG

### Diagnosis Procedure

INFOID:000000003247555

#### **CAUTION:**

The stopping distance on slippery road surfaces might be longer with the ABS operating than when the ABS is not operating.

#### **1**.CHECK FUNCTION

Turn ignition switch OFF and disconnect ABS actuator and electric unit (control unit) connector to deactivate ABS. In this condition, check stopping distance. After inspection, connect connector.

Is the inspection result normal?

YES >> Normal

NO >> Check brake system.

A  
B  
C  
D  
E  
G  
H  
I  
J  
K  
L  
M  
N  
O  
P

BRC

## ABS FUNCTION DOES NOT OPERATE

< SYMPTOM DIAGNOSIS >

[TYPE 1]

---

### ABS FUNCTION DOES NOT OPERATE

#### Diagnosis Procedure

INFOID:000000003247556

**CAUTION:**

**ABS does not operate when speed is 10 km/h (6 MPH) or lower.**

**1**.CHECK ABS WARNING LAMP DISPLAY

---

Make sure that the ABS warning lamp turns OFF after ignition switch is turned ON or when driving.

Is the inspection result normal?

YES >> Normal

NO >> Perform self-diagnosis. Refer to [BRC-20, "CONSULT-III Function \(ABS\)"](#).



# PEDAL VIBRATION OR ABS OPERATION SOUND OCCURS

< SYMPTOM DIAGNOSIS >

[TYPE 1]

## PEDAL VIBRATION OR ABS OPERATION SOUND OCCURS

### Diagnosis Procedure

INFOID:000000003247557

#### **CAUTION:**

Under the following conditions, ABS is activated and vibration is felt when brake pedal is lightly depressed. However, this is normal.

- When shifting gears
- When driving on slippery road
- During cornering at high speed
- When passing over bumps or grooves [at approximately 50 mm (1.97 in) or more]
- When pulling away just after starting engine [at approximately 10 km/h (6 MPH) or higher]

#### 1. SYMPTOM CHECK 1

Check that there are pedal vibrations when the engine is started.

Do vibrations occur?

YES >> GO TO 2

NO >> Inspect the brake pedal.

#### 2. SYMPTOM CHECK 2

Check that there are ABS operation noises when the engine is started.

Do the operation noises occur?

YES >> GO TO 3

NO >> Perform self -diagnosis. Refer to [BRC-20, "CONSULT-III Function \(ABS\)"](#).

#### 3. SYMPTOM CHECK 3

Check symptoms when electrical component (headlamps, etc.) switches are operated.

Do symptoms occur?

YES >> Check if there is a radio, antenna, antenna lead wire, or wiring close to the control unit. If there is, move it farther away.

NO >> Normal

A  
B  
C  
D  
E  
G  
H  
I  
J  
K  
L  
M  
N  
O  
P

**BRC**

# NORMAL OPERATING CONDITION

< SYMPTOM DIAGNOSIS >

[TYPE 1]

## NORMAL OPERATING CONDITION

### Description

INFOID:000000003248465

Symptom	Result
Slight vibrations are felt on the brake pedal and the operation noises occur, when ABS is activated.	This is a normal condition due to the ABS activation.
Stopping distance is longer than that of vehicles without ABS when the vehicle drives on rough, gravel, or snow-covered (fresh, deep snow) roads.	
The brake pedal vibrates and motor operation noises occur from the engine room, after the engine starts and just after the vehicle starts.	This is normal, and it is caused by the ABS operation check.
The ABS warning lamp may turn ON when the vehicle is subject to strong shaking or large vibration, such as when the vehicle is rotating on a turntable or located on a ship while the engine is running.	In this case, restart the engine on a normal road. If the normal condition is restored, there is no malfunction. At that time, erase the self-diagnosis memory.
ABS warning lamp may illuminate when running on a special road that is extremely slanted (e.g. bank in a circuit course).	

PRECAUTION

PRECAUTIONS

Precaution for Supplemental Restraint System (SRS) "AIR BAG" and "SEAT BELT PRE-TENSIONER"

INFOID:000000003221194

The Supplemental Restraint System such as "AIR BAG" and "SEAT BELT PRE-TENSIONER", used along with a front seat belt, helps to reduce the risk or severity of injury to the driver and front passenger for certain types of collision. This system includes seat belt switch inputs and dual stage front air bag modules. The SRS system uses the seat belt switches to determine the front air bag deployment, and may only deploy one front air bag, depending on the severity of a collision and whether the front occupants are belted or unbelted. Information necessary to service the system safely is included in the SR and SB section of this Service Manual.

**WARNING:**

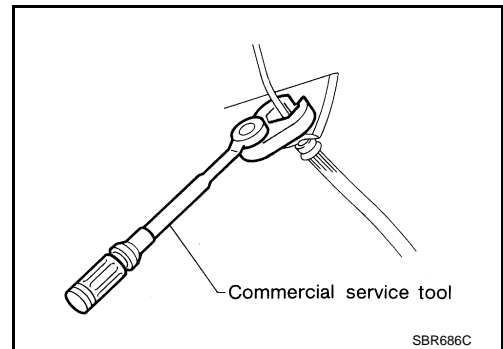
- To avoid rendering the SRS inoperative, which could increase the risk of personal injury or death in the event of a collision which would result in air bag inflation, all maintenance must be performed by an authorized NISSAN/INFINITI dealer.
- Improper maintenance, including incorrect removal and installation of the SRS, can lead to personal injury caused by unintentional activation of the system. For removal of Spiral Cable and Air Bag Module, see the SR section.
- Do not use electrical test equipment on any circuit related to the SRS unless instructed to in this Service Manual. SRS wiring harnesses can be identified by yellow and/or orange harnesses or harness connectors.

Precaution for Brake System

INFOID:000000003221195

**CAUTION:**

- Refer to [MA-12, "Fluids and Lubricants"](#) for recommended brake fluid.
- Never reuse drained brake fluid.
- Be careful not to splash brake fluid on painted areas; it may cause paint damage. If brake fluid is splashed on painted areas, wash it away with water immediately.
- To clean or wash all parts of master cylinder and disc brake caliper, use clean brake fluid.
- Never use mineral oils such as gasoline or kerosene. They will ruin rubber parts of the hydraulic system.
- Use flare nut wrench when removing and installing brake tube.
- If a brake fluid leak is found, the part must be disassembled without fail. Then it has to be replaced with a new one if a defect exists.
- Turn the ignition switch OFF and remove the connector of the ABS actuator and electric unit (control unit) or the battery terminal before performing the work.
- Always torque brake lines when installing.
- Burnish the brake contact surfaces after refinishing or replacing rotors, after replacing pads, or if a soft pedal occurs at very low mileage.



Refer to [BR-27, "Brake Burnishing"](#) (front disc brake) or [BR-29, "Brake Burnishing"](#) (rear disc brake).

**WARNING:**

- Clean brake pads and shoes with a waste cloth, then wipe with a dust collector.

Precaution for Brake Control

INFOID:000000003221196

- During ABS operation, the brake pedal may vibrate lightly and a mechanical noise may be heard. This is normal.
- Just after starting vehicle, the brake pedal may vibrate or a motor operating noise may be heard from engine compartment. This is a normal status of operation check.
- Stopping distance may be longer than that of vehicles without ABS when vehicle drives on rough, gravel, or snow-covered (fresh, deep snow) roads.

# PRECAUTIONS

[TYPE 1]

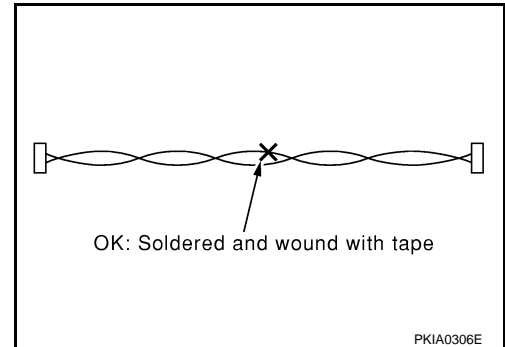
## < PRECAUTION >

- When an error is indicated by ABS or another warning lamp, collect all necessary information from customer (what symptoms are present under what conditions) and check for simple causes before starting diagnosis. Besides electrical system inspection, check brake booster operation, brake fluid level, and fluid leaks.
- If incorrect tire sizes or types are installed on the vehicle or brake pads are not Genuine NISSAN parts, stopping distance or steering stability may deteriorate.
- If there is a radio, antenna or related wiring near control module, ABS function may have a malfunction or error.
- If aftermarket parts (car stereo, CD player, etc.) have been installed, check for incidents such as harness pinches, open circuits or improper wiring.

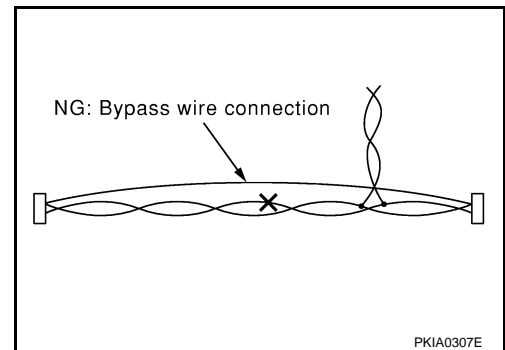
## Precaution for CAN System

INFOID:000000003221197

- Do not apply voltage of 7.0V or higher to terminal to be measured.
- Maximum open terminal voltage of tester in use must be less than 7.0V.
- Before checking harnesses, turn ignition switch OFF and disconnect battery negative cable.
- Area to be repaired must be soldered and wrapped with tape. Make sure that fraying of twisted wire is within 110 mm (4.33 in).



- Do not make a bypass connection to repaired area. (If the circuit is bypassed, characteristics of twisted wire will be lost.)



# PREPARATION

< PREPARATION >

[TYPE 1]

## PREPARATION

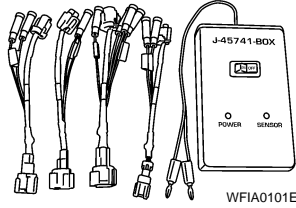
### PREPARATION

#### Special Service Tool

INFOID:000000003221198

The actual shapes of Kent-Moore tools may differ from those of special service tools illustrated here.

Tool number (Kent-Moore No.) Tool name	Description
KV991J0080 (J-45741) ABS active wheel sensor tester	Checking operation of ABS active wheel sensors

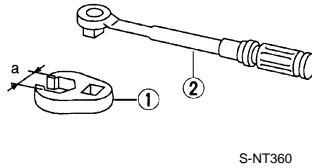


A  
B  
C  
D  
E  
BRC

#### Commercial Service Tool

INFOID:000000003221199

Tool name	Description
1. Flare nut crowfoot 2. Torque wrench	Removing and installing brake piping a: 10 mm (0.39 in)/12 mm (0.47 in)



G  
H  
I  
J  
K  
L  
M  
N  
O  
P

# WHEEL SENSOR

< REMOVAL AND INSTALLATION >

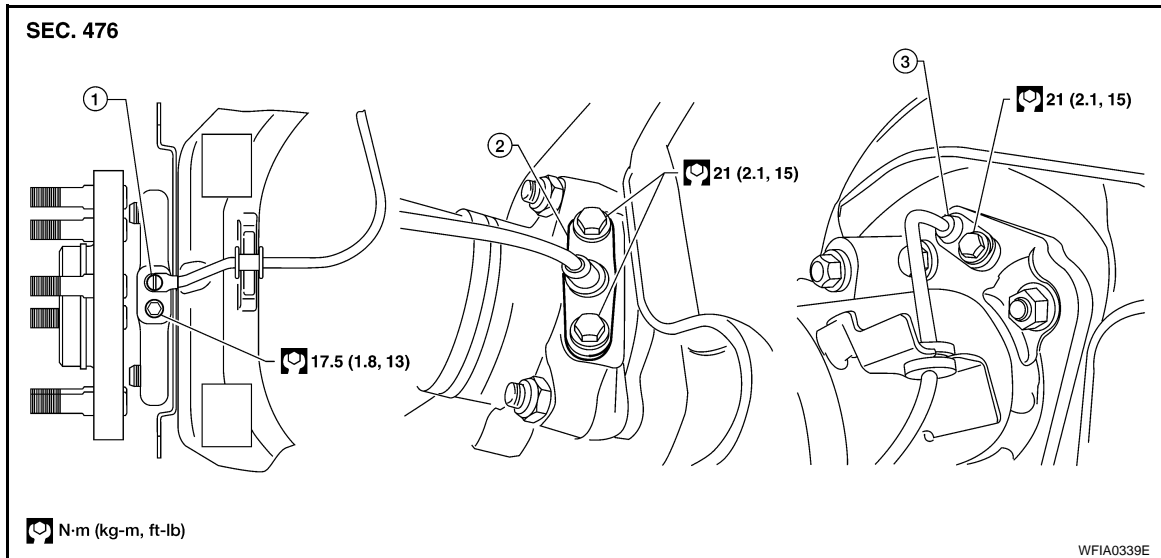
[TYPE 1]

## REMOVAL AND INSTALLATION

### WHEEL SENSOR

#### Removal and Installation

INFOID:000000003303113



1. Front wheel sensor

2. Rear wheel sensor (C200)

3. Rear wheel sensor (M226)

#### REMOVAL

1. Remove wheel sensor bolt(s).
  - When removing the front wheel sensor, first remove the disc rotor to gain access to the front wheel sensor. Refer to [BR-26, "Removal and Installation of Brake Caliper and Disc Rotor"](#).
2. Pull out the sensor, being careful to turn it as little as possible.

**CAUTION:**

  - **Be careful not to damage sensor edge and sensor rotor teeth.**
  - **Do not pull on the sensor harness.**
3. Disconnect wheel sensor harness electrical connector, then remove harness from mounts.

#### INSTALLATION

- Before installing wheel sensors,
  - Inspect and replace sensor assembly if damaged.
  - Clean wheel sensor hole and mating surface with brake cleaner and a lint-free shop rag. Be careful that dirt and debris do not enter the axle.
  - Replace wheel sensor O-ring, then apply a coat of suitable grease to the O-ring and sensor hole.
- Installation is in the reverse order of removal.

# SENSOR ROTOR

< REMOVAL AND INSTALLATION >

[TYPE 1]

## SENSOR ROTOR

### Removal and Installation

INFOID:000000003303114

#### FRONT

The wheel sensor rotors are built into the wheel hubs and are not removable. If damaged, replace wheel hub and bearing assembly. Refer to [FAX-8, "Removal and Installation"](#).

#### REAR (C200)

##### Removal and Installation

It is necessary to disassemble the rear axle to replace the sensor rotor. Perform the axle shaft assembly removal procedure to replace sensor rotor. Refer to [RAX-8, "Removal and Installation"](#).

#### REAR (M226)

##### Removal

1. Remove axle shaft assembly. Refer to [RAX-20, "Removal and Installation"](#).

##### **NOTE:**

It is necessary to disassemble the rear axle to replace the sensor rotor.

2. Pull the sensor rotor off the axle shaft using Tool and a press.

**Tool number** : ST30031000 ( — )

##### Installation

1. Install new sensor rotor on axle shaft using a suitable length steel tube and a press. Make sure sensor rotor is fully seated.

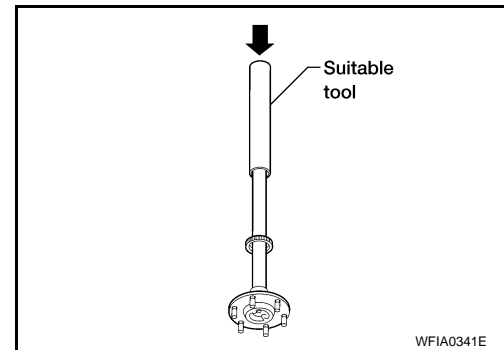
##### **CAUTION:**

**Do not reuse the old sensor rotor.**

2. Install axle shaft assembly. Refer to [RAX-20, "Removal and Installation"](#).

##### **CAUTION:**

**Do not reuse the axle oil seal. The axle oil seal must be replaced every time the axle shaft assembly is removed from the axle shaft housing.**



# ACTUATOR AND ELECTRIC UNIT (ASSEMBLY)

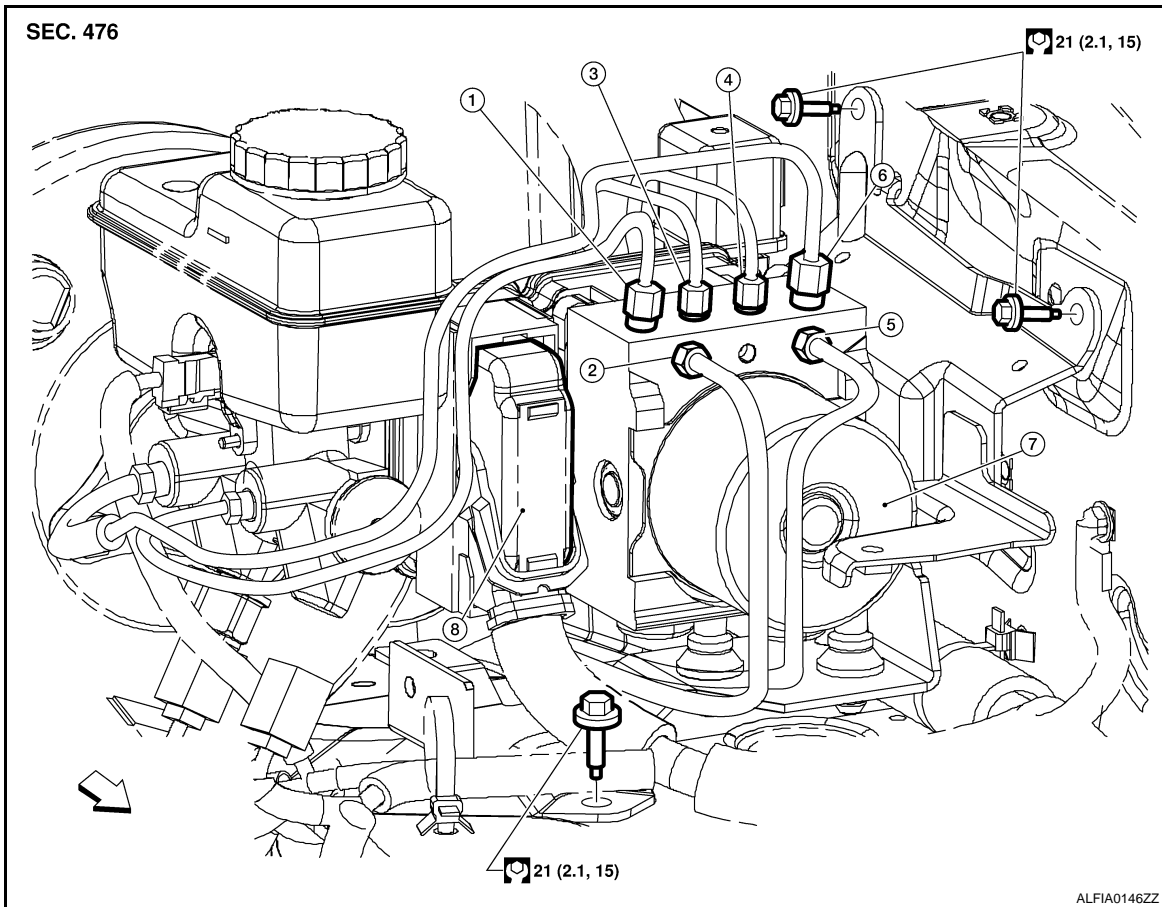
< REMOVAL AND INSTALLATION >

[TYPE 1]

## ACTUATOR AND ELECTRIC UNIT (ASSEMBLY)

### Removal and Installation

INFOID:000000003303115



- |   |                      |  |
|---|----------------------|--|
| 1. To rear<br>From the master cylinder secondary side | 2. To rear right     | 3. To rear left                          |
| 4. To front right                                     | 5. To front left     | 6. From the master cylinder primary side |
| 7. ABS actuator and electric unit (control unit)      | 8. Harness connector | ⇨ Front                                  |

### REMOVAL

1. Disconnect the negative battery terminal.
2. Drain the brake fluid. Refer to [BR-9, "Drain and Refill"](#).
3. Remove air cleaner case. Refer to [EM-135, "Exploded View"](#).
4. Disconnect the actuator harness from the ABS actuator and electric unit (control unit).

#### CAUTION:

- To remove the brake tubes, use a flare nut wrench to prevent the flare nuts and brake tubes from being damaged.
- Be careful not to splash brake fluid on painted areas.

5. Disconnect the brake tubes.
6. Remove the three bolts and remove the ABS actuator and electric unit (control unit).

### INSTALLATION

Installation is in the reverse order of removal.

#### CAUTION:

To install, use a flare nut wrench (commercial service tool).

- Always tighten brake tubes to specification when installing. Refer to [BR-6, "Hydraulic Circuit"](#).
- Never reuse drained brake fluid.



# ACTUATOR AND ELECTRIC UNIT (ASSEMBLY)

< REMOVAL AND INSTALLATION >

[TYPE 1]

- After installation of the ABS actuator and electric unit (control unit), refill brake system with new brake fluid. Then bleed the air from the system. Refer to [BR-9, "Bleeding Brake System"](#).

A

B

C

D

E

**BRC**

G

H

I

J

K

L

M

N

O

P

# APPLICATION NOTICE

< BASIC INSPECTION >

[TYPE 2]

## BASIC INSPECTION

### APPLICATION NOTICE

Application Notice

INFOID:000000003248346

Service information	Remarks
TYPE 1	ABS
TYPE 2	ABLS/ABS
TYPE 3	HILL DESCENT CONTROL/HILL START ASSIST/VDC/TCS/ABS

# DIAGNOSIS AND REPAIR WORKFLOW

< BASIC INSPECTION >

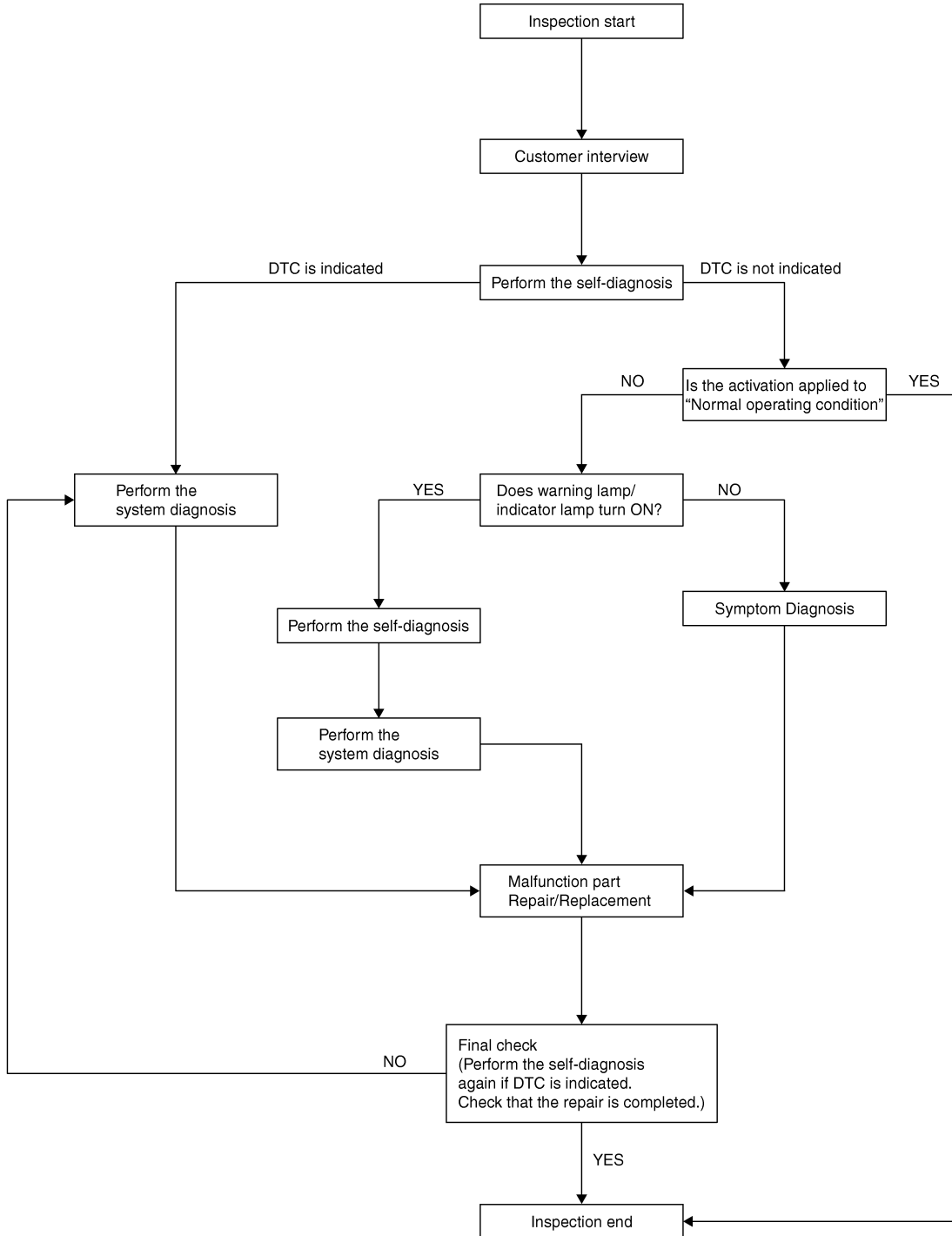
[TYPE 2]

## DIAGNOSIS AND REPAIR WORKFLOW

Work Flow

INFOID:000000003248042

OVERALL SEQUENCE



A  
B  
C  
D  
E  
BRC  
G  
H  
I  
J  
K  
L  
M  
N  
O  
P

DETAILED FLOW

1. COLLECT THE INFORMATION FROM THE CUSTOMER

JSFIA0010GB

# DIAGNOSIS AND REPAIR WORKFLOW

[TYPE 2]

< BASIC INSPECTION >

Get the detailed information from the customer about the symptom (the condition and the environment when the incident/malfunction occurred) using the diagnosis worksheet. Refer to [BRC-77, "Diagnostic Work Sheet"](#).

>> GO TO 2

## 2.PERFORM THE SELF-DIAGNOSIS

Check the DTC display with the self-diagnosis function. Refer to [BRC-88, "CONSULT-III Function \(ABS\)"](#).

Is there any DTC displayed?

YES >> GO TO 3

NO >> GO TO 4

## 3.PERFORM THE SYSTEM DIAGNOSIS

Perform the diagnosis applicable to the displayed DTC. Refer to [BRC-141, "DTC No. Index"](#).

>> GO TO 7

## 4.CHECK THE SYMPTOM THAT IS NOT CONSIDERED A SYSTEM MALFUNCTION

Check that the symptom is a normal operation that is not considered a system malfunction. Refer to [BRC-150, "Description"](#).

Is the symptom a normal operation?

YES >> INSPECTION END

NO >> GO TO 5

## 5.CHECK THE WARNING LAMP AND INDICATOR LAMP FOR ILLUMINATION

Check that the warning lamp and indicator lamp illuminate.

- ABS warning lamp: Refer to [BRC-127, "Description"](#).
- Brake warning lamp: Refer to [BRC-128, "Description"](#).
- SLIP indicator lamp: Refer to [BRC-129, "Description"](#).

Is ON/OFF timing normal?

YES >> GO TO 6

NO >> GO TO 2

## 6.PERFORM THE DIAGNOSIS BY SYMPTOM

Perform the diagnosis applicable to the symptom.

>> GO TO 7

## 7.REPAIR OR REPLACE THE MALFUNCTIONING PARTS

Repair or replace the specified malfunctioning parts.

>> GO TO 8

## 8.FINAL CHECK

Perform the self-diagnosis again, and check that the malfunction is repaired completely. After checking, erase the self-diagnosis memory. Refer to [BRC-88, "CONSULT-III Function \(ABS\)"](#).

Is no other DTC present and the repair completed?

YES >> INSPECTION END

NO >> GO TO 3

# DIAGNOSIS AND REPAIR WORKFLOW

< BASIC INSPECTION >

[TYPE 2]

## Diagnostic Work Sheet

INFOID:000000003248043

Customer name MR/MS	Model & Year	VIN	
Engine #	Trans.	Mileage	
Incident Date	Manuf. Date	In Service Date	
Symptoms	<input type="checkbox"/> Noise and vibration (from engine compartment) <input type="checkbox"/> Noise and vibration (from axle)	<input type="checkbox"/> Warning / Indicator activate	<input type="checkbox"/> Firm pedal operation Large stroke pedal operation
	<input type="checkbox"/> TCS does not work (Rear wheels slip when accelerating)	<input type="checkbox"/> ABS does not work (Wheels lock when braking)	<input type="checkbox"/> Lack of sense of acceleration
Engine conditions	<input type="checkbox"/> When starting <input type="checkbox"/> After starting		
Road conditions	<input type="checkbox"/> Low friction road ( <input type="checkbox"/> Snow <input type="checkbox"/> Gravel <input type="checkbox"/> Other ) <input type="checkbox"/> Bumps / potholes		
Driving conditions	<input type="checkbox"/> Full-acceleration <input type="checkbox"/> High speed cornering <input type="checkbox"/> Vehicle speed: Greater than 10 km/h (6 MPH) <input type="checkbox"/> Vehicle speed: 10 km/h (6 MPH) or less <input type="checkbox"/> Vehicle is stopped		
Applying brake conditions	<input type="checkbox"/> Suddenly <input type="checkbox"/> Gradually		
Other conditions	<input type="checkbox"/> Operation of electrical equipment <input type="checkbox"/> Shift change <input type="checkbox"/> Other descriptions		

SFIA3265E

A  
B  
C  
D  
E  
G  
H  
I  
J  
K  
L  
M  
N  
O  
P

BRC

# APPLICATION NOTICE

< FUNCTION DIAGNOSIS >

[TYPE 2]

## FUNCTION DIAGNOSIS

### APPLICATION NOTICE

Application Notice

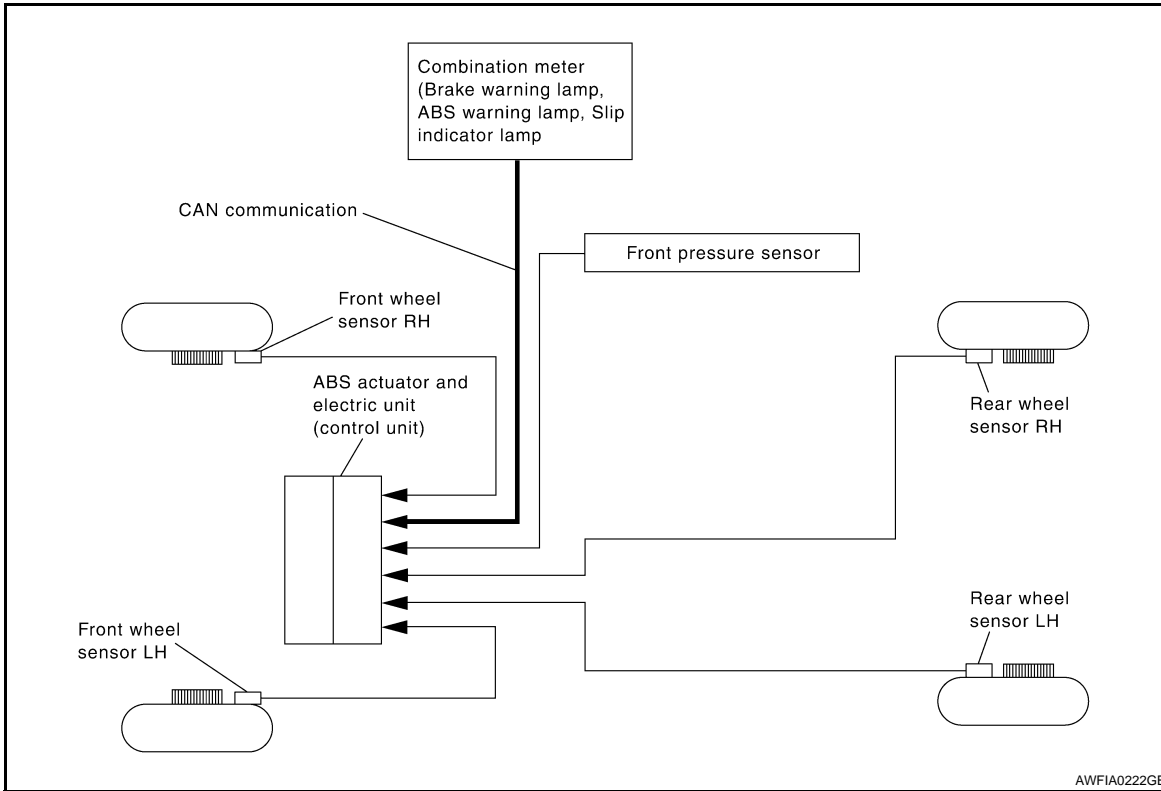
INFOID:000000003248348

Service information	Remarks
TYPE 1	ABS
TYPE 2	ABLS/ABS
TYPE 3	HILL DESCENT CONTROL/HILL START ASSIST/VDC/TCS/ABS

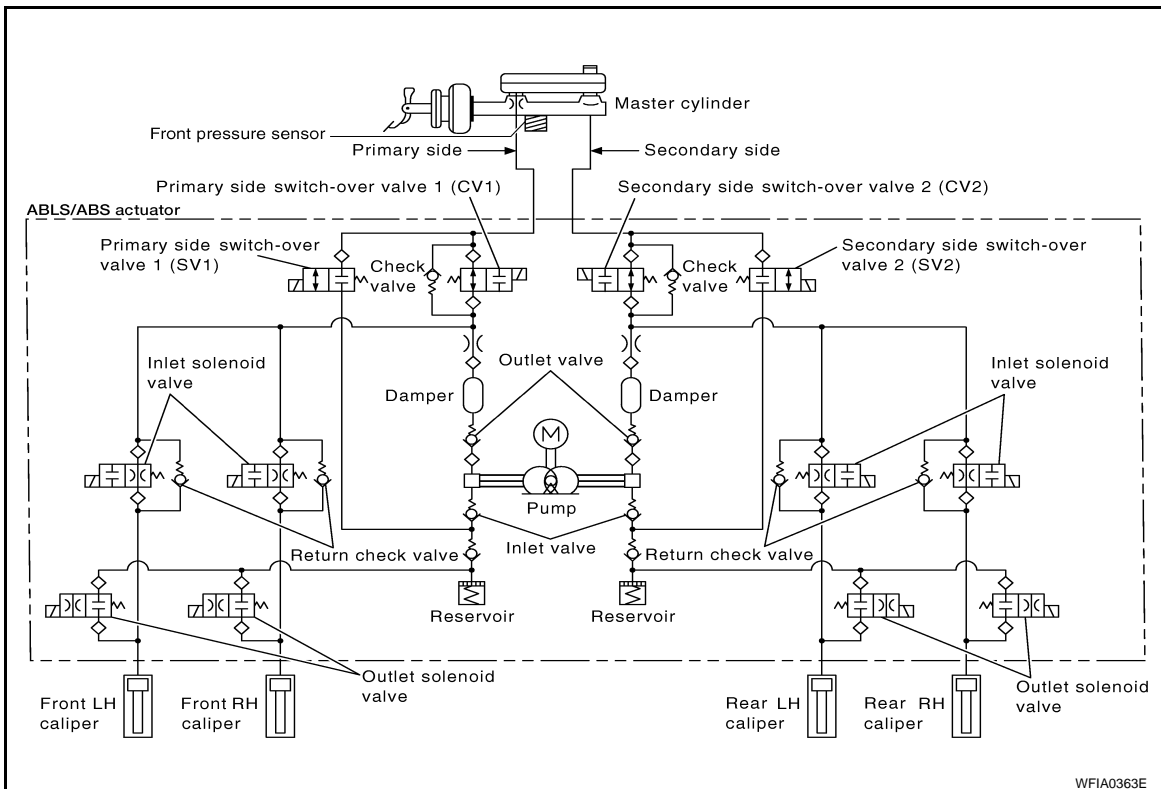
ABLS

System Diagram

INFOID:000000003248468



HYDRAULIC CIRCUIT DIAGRAM



A  
B  
C  
D  
E  
BRC  
G  
H  
I  
J  
K  
L  
M  
N  
O  
P

# ABLS

< FUNCTION DIAGNOSIS >

[TYPE 2]

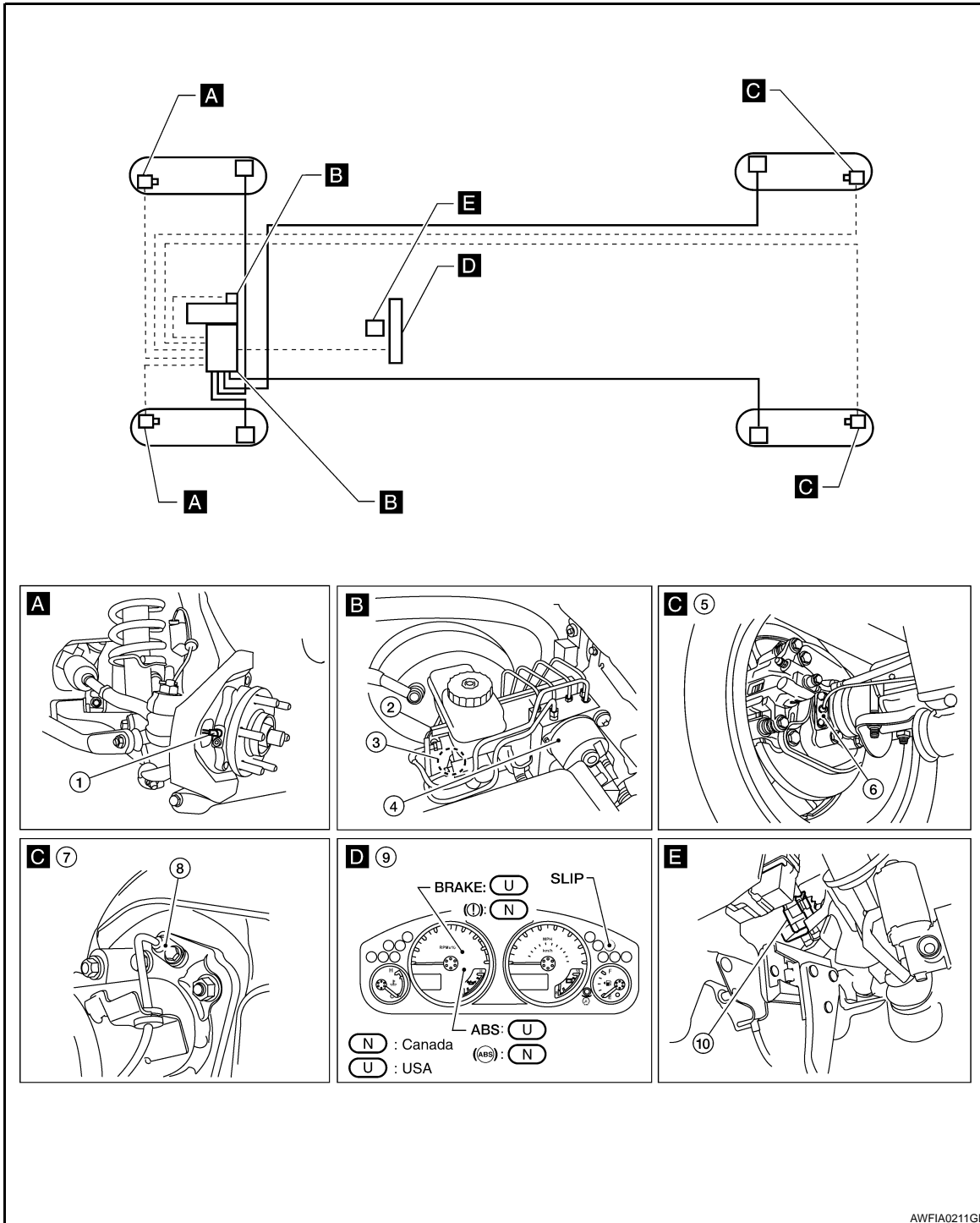
## System Description

INFOID:000000003248469

- Active brake limited slip is a function to improve vehicle traction. Spinning of the drive wheels is detected by the ABS actuator and electric unit (control unit) using inputs from the wheel speed sensors. If wheel spin occurs, the ABLS system brakes the spinning wheel which distributes the driving power to the other drive wheel.
- During ABLS operation, it informs driver of system operation by flashing SLIP indicator lamp.
- Electrical system diagnosis by CONSULT-III is available.

## Component Parts Location

INFOID:000000003248470





# ABLS

## < FUNCTION DIAGNOSIS >

[TYPE 2]

- |  |   |   |
|--|---|---|
| 1. Front wheel sensor LH E18<br>Front wheel sensor RH E117 | 2. Brake fluid level switch E21                         | 3. Front pressure sensor E31                            |
| 4. ABS actuator and electric unit (control unit) E125      | 5. C200 rear axle                                       | 6. Rear wheel sensor LH C11<br>Rear wheel sensor LH C10 |
| 7. M226 rear axle  | 8. Rear wheel sensor LH C11<br>Rear wheel sensor LH C10 | 9. Combination meter M24                                |
| 10. Stop lamp switch                                       |   |   |

A  
B  
C  
D  
E  
BRC  
G  
H  
I  
J  
K  
L  
M  
N  
O  
P

## Component Description

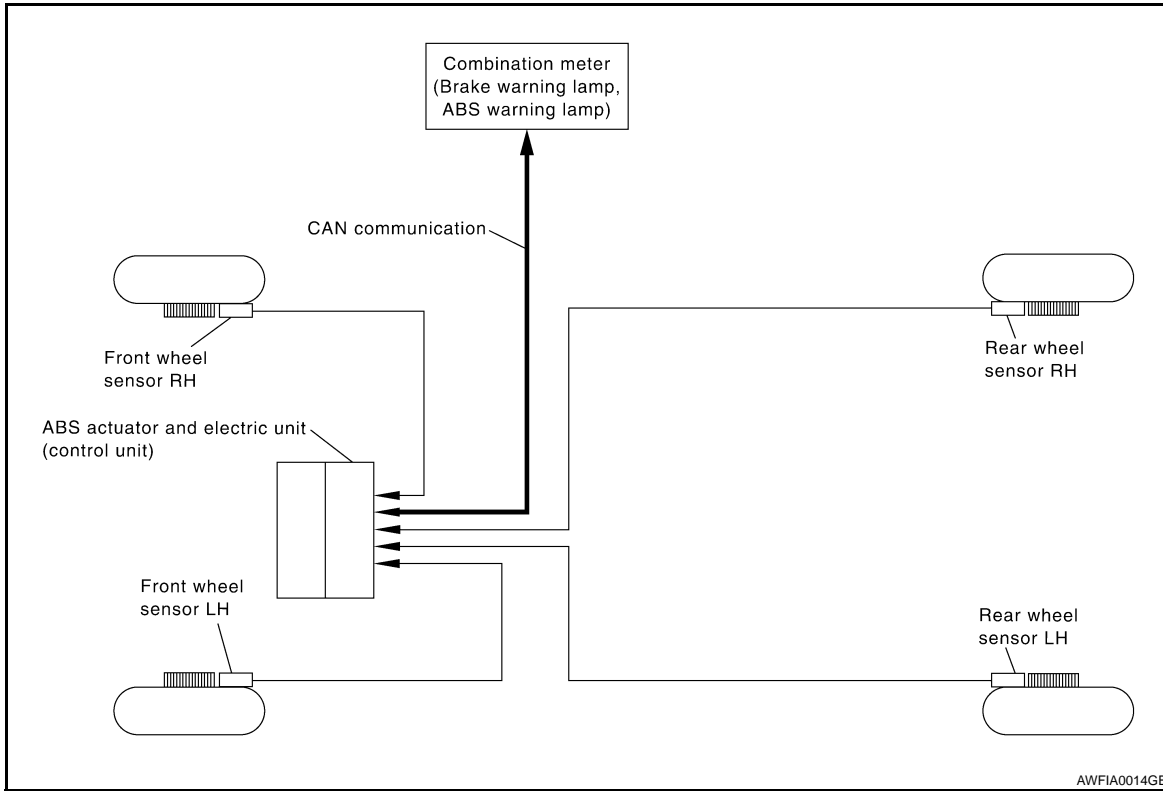
INFOID:000000003248471

Component parts		Reference
ABS actuator and electric unit (control unit)	Pump	<a href="#">BRC-102, "Description"</a>
	Motor	
	Actuator relay	<a href="#">BRC-116, "Description"</a>
	Solenoid valve	<a href="#">BRC-109, "Description"</a>
	Switch-over valve (CV1, CV2, SV1, SV2)	<a href="#">BRC-122, "Description"</a>
Wheel sensor	<a href="#">BRC-104, "Description"</a>	
ABS warning lamp	<a href="#">BRC-127, "Description"</a>	
Brake warning lamp	<a href="#">BRC-128, "Description"</a>	
SLIP indicator lamp	<a href="#">BRC-129, "Description"</a>	
Front pressure sensor	<a href="#">BRC-118, "Description"</a>	
Brake fluid level switch	<a href="#">BRC-120, "Description"</a>	
Stop lamp switch	<a href="#">BRC-107, "Description"</a>	

ABS

System Diagram

INFOID:000000003248057



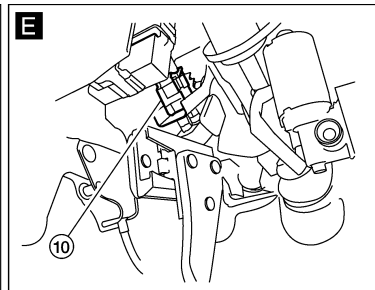
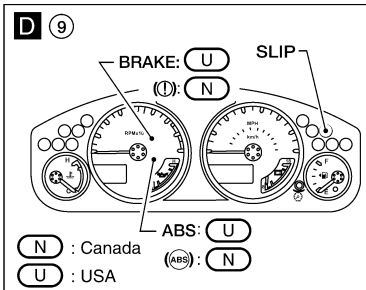
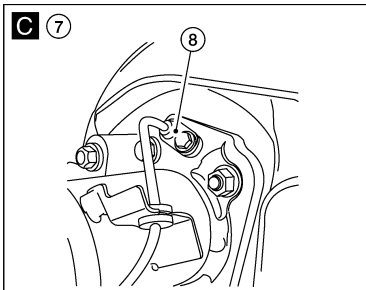
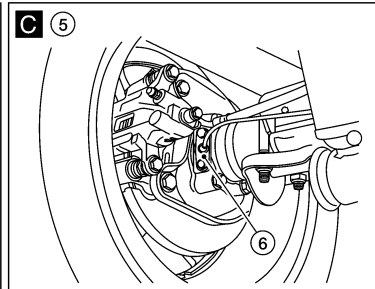
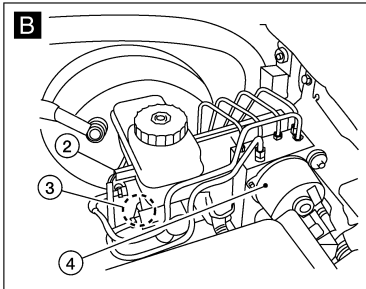
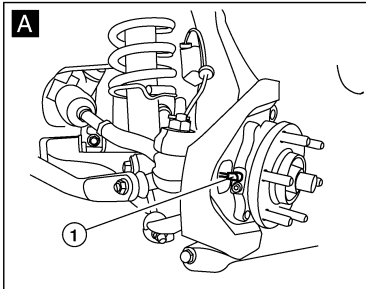
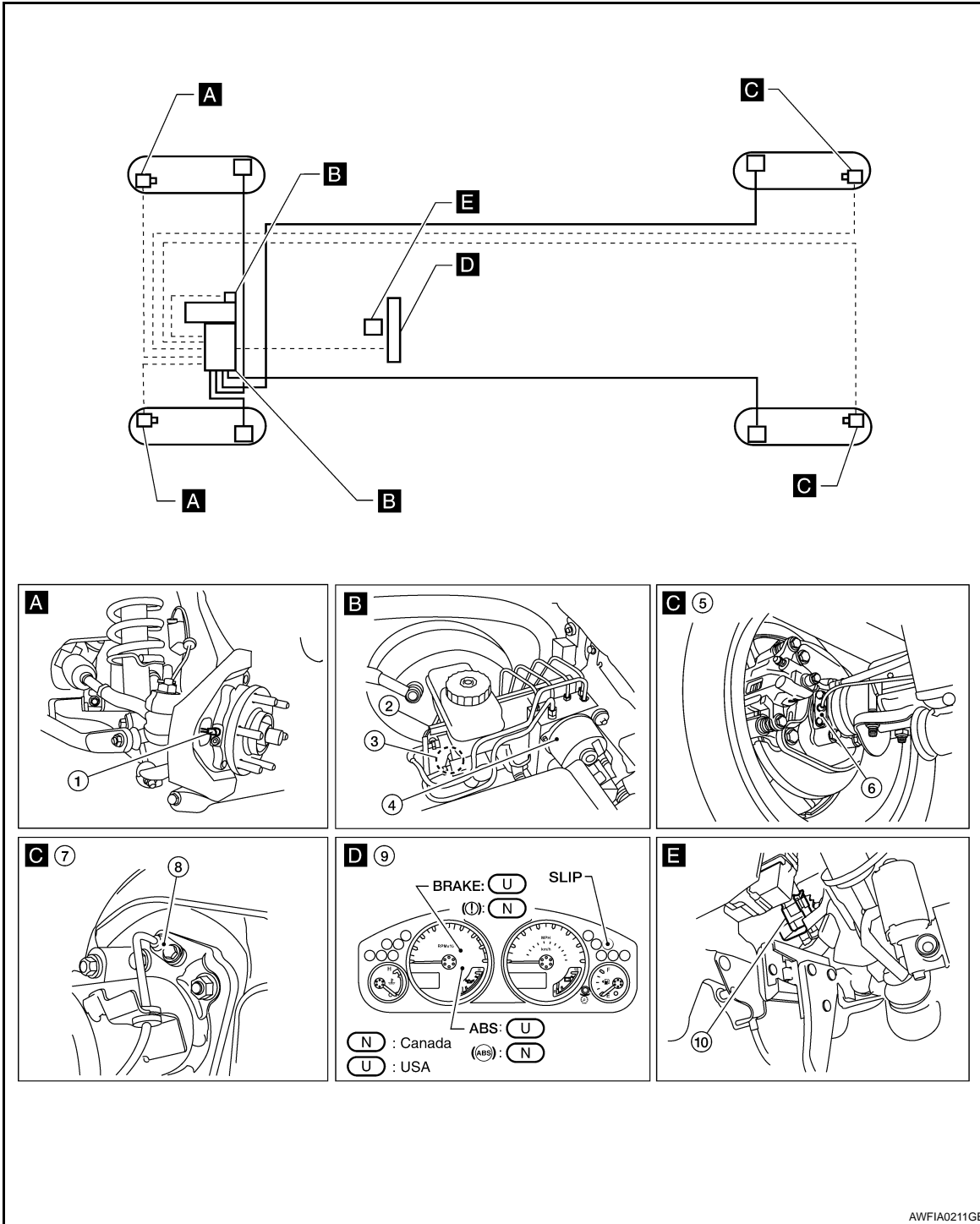
System Description

INFOID:000000003248058

- Anti-Lock Braking System is a function that detects wheel revolution while braking, electronically controls braking force, and prevents wheel locking during sudden braking. It improves handling stability and maneuverability for avoiding obstacles.
- Electrical system diagnosis by CONSULT-III is available.

Component Parts Location

INFOID:000000003292545



- |  |   |   |
|--|---|---|
| 1. Front wheel sensor LH E18<br>Front wheel sensor RH E117 | 2. Brake fluid level switch E21                         | 3. Front pressure sensor E31                            |
| 4. ABS actuator and electric unit (control unit) E125      | 5. C200 rear axle                                       | 6. Rear wheel sensor LH C11<br>Rear wheel sensor LH C10 |
| 7. M226 rear axle  | 8. Rear wheel sensor LH C11<br>Rear wheel sensor LH C10 | 9. Combination meter M24                                |
| 10. Stop lamp switch                                       |   |   |

AWFIA0211GB

A  
B  
C  
D  
E  
BRC  
G  
H  
I  
J  
K  
L  
M  
N  
O  
P

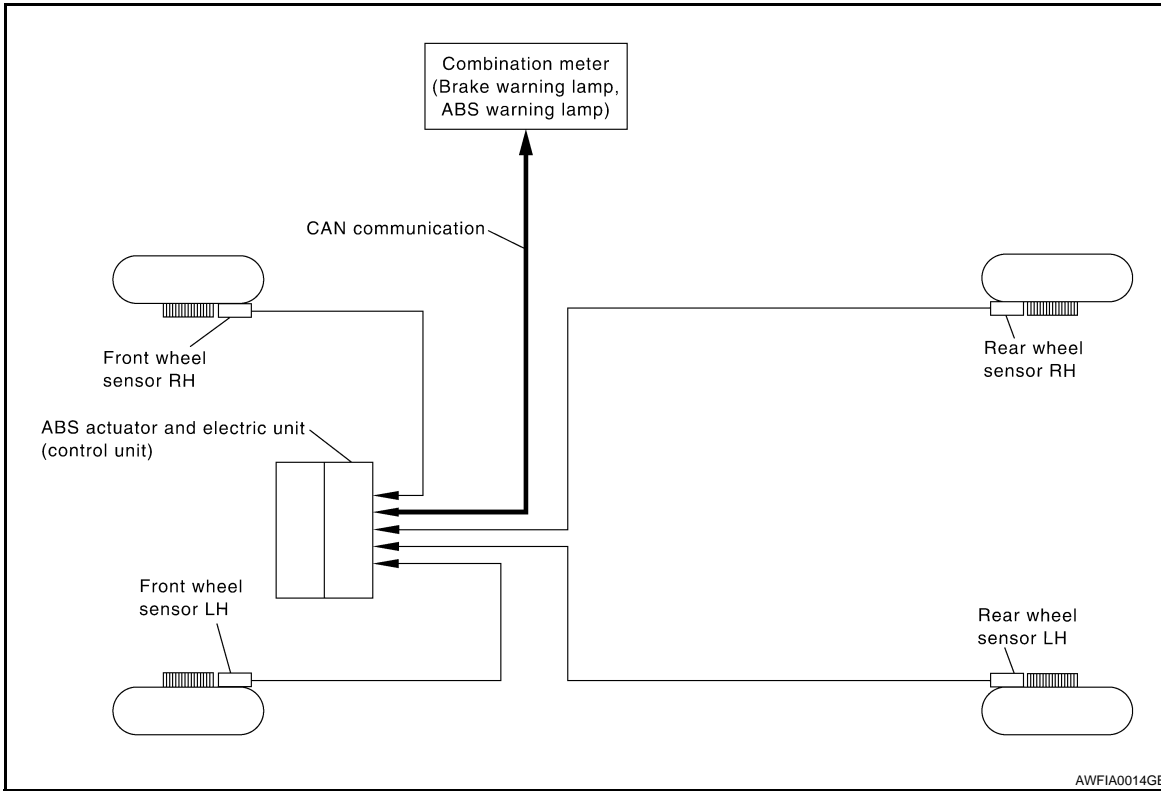
## Component Description

INFOID:000000003292546

Component parts		Reference
ABS actuator and electric unit (control unit)	Pump	<a href="#">BRC-102, "Description"</a>
	Motor	
	Actuator relay	<a href="#">BRC-116, "Description"</a>
	Solenoid valve	<a href="#">BRC-109, "Description"</a>
	Switch-over valve (CV1, CV2, SV1, SV2)	<a href="#">BRC-122, "Description"</a>
Wheel sensor	<a href="#">BRC-104, "Description"</a>	
ABS warning lamp	<a href="#">BRC-127, "Description"</a>	
Brake warning lamp	<a href="#">BRC-128, "Description"</a>	
SLIP indicator lamp	<a href="#">BRC-129, "Description"</a>	
Front pressure sensor	<a href="#">BRC-118, "Description"</a>	
Brake fluid level switch	<a href="#">BRC-120, "Description"</a>	
Stop lamp switch	<a href="#">BRC-107, "Description"</a>	

EBD

System Diagram



INFOID:000000003248059

A  
B  
C  
D  
E  
BRC  
G  
H  
I  
J  
K  
L  
M  
N  
O  
P

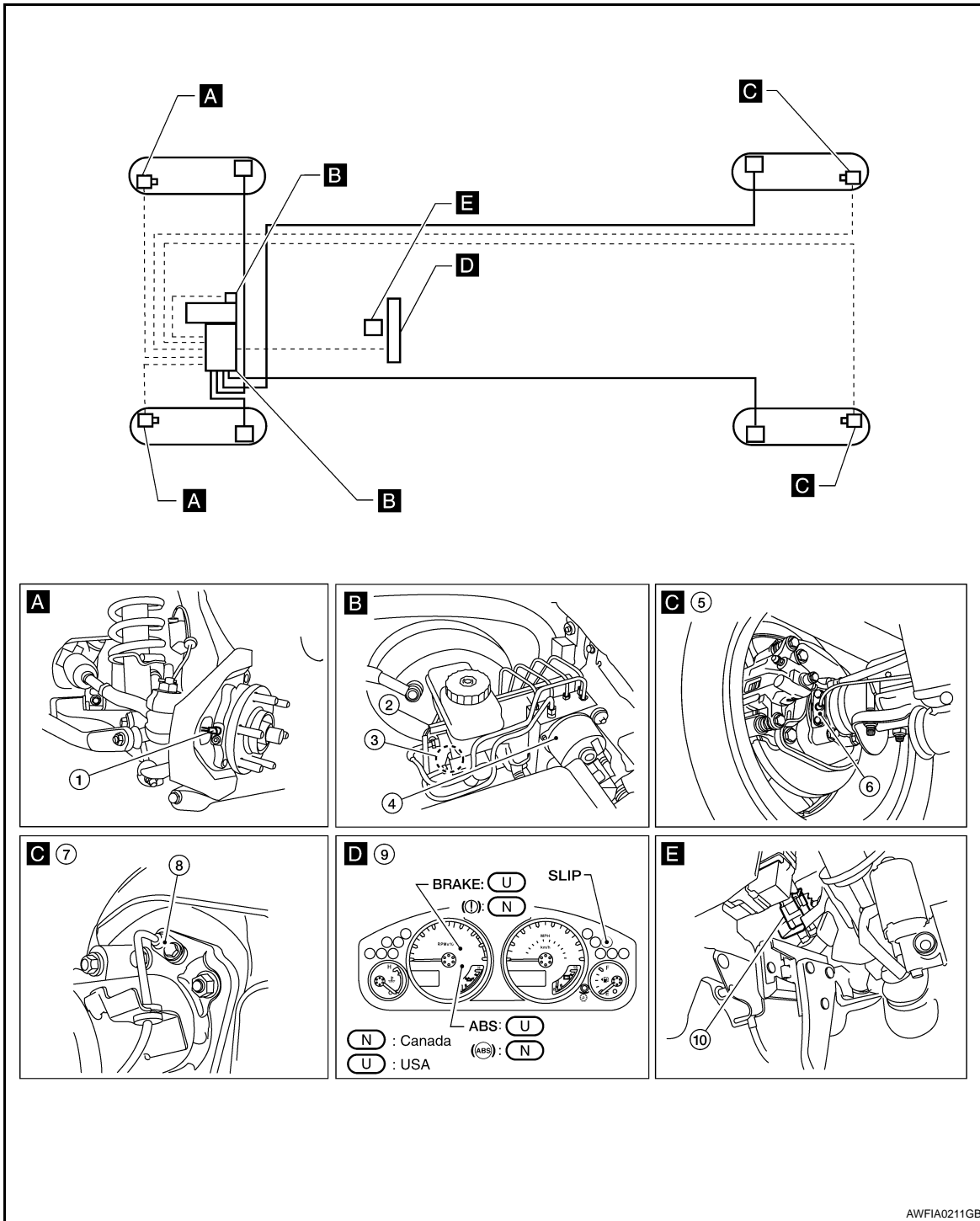
System Description

INFOID:000000003248060

- Electric Brake force Distribution is a following function. ABS actuator and electric unit (control unit) detects subtle slippages between the front and rear wheels during braking. Then it electronically controls the rear braking force (brake fluid pressure) to reduce rear wheel slippage. Accordingly, it improves vehicle stability.
- Electrical system diagnosis by CONSULT-III is available.

Component Parts Location

INFOID:000000003292547



AWFIA0211GB

- |  |   |   |
|--|---|---|
| 1. Front wheel sensor LH E18<br>Front wheel sensor RH E117 | 2. Brake fluid level switch E21                         | 3. Front pressure sensor E31                            |
| 4. ABS actuator and electric unit (control unit) E125      | 5. C200 rear axle                                       | 6. Rear wheel sensor LH C11<br>Rear wheel sensor LH C10 |
| 7. M226 rear axle  | 8. Rear wheel sensor LH C11<br>Rear wheel sensor LH C10 | 9. Combination meter M24                                |
| 10. Stop lamp switch                                       |   |   |

Component Description

INFOID:000000003292548

Component parts		Reference
ABS actuator and electric unit (control unit)	Pump	<a href="#">BRC-102. "Description"</a>
	Motor	
	Actuator relay	<a href="#">BRC-116. "Description"</a>
	Solenoid valve	<a href="#">BRC-109. "Description"</a>
	Switch-over valve (CV1, CV2, SV1, SV2)	<a href="#">BRC-122. "Description"</a>
Wheel sensor	<a href="#">BRC-104. "Description"</a>	
ABS warning lamp	<a href="#">BRC-127. "Description"</a>	
Brake warning lamp	<a href="#">BRC-128. "Description"</a>	
SLIP indicator lamp	<a href="#">BRC-129. "Description"</a>	
Front pressure sensor	<a href="#">BRC-118. "Description"</a>	
Brake fluid level switch	<a href="#">BRC-120. "Description"</a>	
Stop lamp switch	<a href="#">BRC-107. "Description"</a>	

A  
B  
C  
D  
E  
G  
H  
I  
J  
K  
L  
M  
N  
O  
P

**BRC**

# DIAGNOSIS SYSTEM [ABS ACTUATOR AND ELECTRIC UNIT (CONTROL UNIT)]

< FUNCTION DIAGNOSIS >

[TYPE 2]

## DIAGNOSIS SYSTEM [ABS ACTUATOR AND ELECTRIC UNIT (CONTROL UNIT)]

### CONSULT-III Function (ABS)

INFOID:000000003248061

#### FUNCTION

CONSULT-III can display each diagnostic item using the diagnostic test modes shown following.

Diagnostic test mode	Function
Work support	This mode enables a technician to adjust some devices faster and more accurately by following the indications on CONSULT-III.
Self-diagnostic results	Self-diagnostic results can be read and erased quickly.
Data monitor	Input/Output data in the ABS actuator and electric unit (control unit) can be read.
Active test	Diagnostic test mode is which CONSULT-III drives some actuators apart from the ABS actuator and electric unit (control unit) and also shifts some parameters in a specified range.
ECU part number	ABS actuator and electric unit (control unit) part number can be read.
CAN diagnostic support monitor	The results of transmit/receive diagnosis of CAN communication can be read.

#### SELF-DIAG RESULTS MODE

##### Operation Procedure

1. Before performing the self-diagnosis, start engine and drive vehicle at 30 km/h (19 MPH) or more for approximately 1 minute.

##### How to Erase Self-diagnosis Results

1. After erasing DTC memory, start engine and drive vehicle at 30 km/h (19 MPH) or more for approximately 1 minute as the final inspection, and make sure that the ABS warning lamp, SLIP indicator lamp and brake warning lamp turn OFF.

##### **CAUTION:**

**If memory cannot be erased, perform applicable diagnosis.**

##### **NOTE:**

- When the wheel sensor malfunctions, after inspecting the wheel sensor system, the ABS warning lamp, SLIP indicator lamp and brake warning lamp will not turn OFF even when the system is normal unless the vehicle is driving at approximately 30 km/h (19 MPH) or more for approximately 1 minute.
- Brake warning lamp will turn ON in case of parking brake operation (when switch is ON) or of brake fluid level switch operation (when brake fluid is insufficient).

##### Display Item List

Refer to [BRC-141, "DTC No. Index"](#).

#### DATA MONITOR MODE

##### Display Item List

Item (Unit)	Data monitor item selection			Remarks
	ECU INPUT SIGNALS	MAIN SIGNALS	SELECTION FROM MENU	
FR RH SENSOR (km/h, MPH)	×	×	×	Wheel speed calculated by front RH wheel sensor signal is displayed.
FR LH SENSOR (km/h, MPH)	×	×	×	Wheel speed calculated by front LH wheel sensor signal is displayed.
RR RH SENSOR (km/h, MPH)	×	×	×	Wheel speed calculated by rear RH wheel sensor signal is displayed.
RR LH SENSOR (km/h, MPH)	×	×	×	Wheel speed calculated by rear LH wheel sensor signal is displayed.
BATTERY VOLT (V)	×	×	×	Voltage supplied to ABS actuator and electric unit (control unit) is displayed.



# DIAGNOSIS SYSTEM [ABS ACTUATOR AND ELECTRIC UNIT (CONTROL UNIT)]

< FUNCTION DIAGNOSIS >

[TYPE 2]

Item (Unit)	Data monitor item selection			Remarks
	ECU INPUT SIGNALS	MAIN SIGNALS	SELECTION FROM MENU	
ACCEL POS SIG (%)	×	-	×	Throttle valve open/close status judged by CAN communication signal is displayed.
ENGINE SPEED (rpm)	×	×	×	Engine speed judged by CAN communication signal is displayed.
STOP LAMP SW (ON/OFF)	×	×	×	Stop lamp switch (ON/OFF) status is displayed.
ABS WARN LAMP (ON/OFF)	-	×	×	ABS warning lamp (ON/OFF) status is displayed.
SLIP LAMP (ON/OFF)	-	×	×	SLIP indicator lamp (ON/OFF) status is displayed.
FR LH IN SOL (ON/OFF)	-	×	×	Front LH IN ABS solenoid (ON/OFF) status is displayed.
FR LH OUT SOL (ON/OFF)	-	×	×	Front LH OUT ABS solenoid (ON/OFF) status is displayed.
RR RH IN SOL (ON/OFF)	-	×	×	Rear RH IN ABS solenoid (ON/OFF) status is displayed.
RR RH OUT SOL (ON/OFF)	-	×	×	Rear RH OUT ABS solenoid (ON/OFF) status is displayed.
FR RH IN SOL (ON/OFF)	-	×	×	Front RH IN ABS solenoid (ON/OFF) status is displayed.
FR RH OUT SOL (ON/OFF)	-	×	×	Front RH OUT ABS solenoid (ON/OFF) status is displayed.
RR LH IN SOL (ON/OFF)	-	×	×	Rear LH IN ABS solenoid (ON/OFF) status is displayed.
RR LH OUT SOL (ON/OFF)	-	×	×	Rear LH OUT ABS solenoid (ON/OFF) status is displayed.
MOTOR RELAY (ON/OFF)	-	×	×	ABS motor relay signal (ON/OFF) status is displayed.
ACTUATOR RLY (ON/OFF)	-	×	×	ABS actuator relay signal (ON/OFF) status is displayed.
CV1 (ON/OFF)	-	-	×	Front side switch-over solenoid valve (cut valve) (ON/OFF) status is displayed.
CV2 (ON/OFF)	-	-	×	Rear side switch-over solenoid valve (cut-valve) (ON/OFF) status is displayed.
SV1 (ON/OFF)	-	-	×	Front side switch-over solenoid valve (suction valve) (ON/OFF) status is displayed.
SV2 (ON/OFF)	-	-	×	Rear side switch-over solenoid valve (suction valve) (ON/OFF) status is displayed.
TCS FAIL SIG (ON/OFF)	-	-	×	TCS fail signal (ON/OFF) status is displayed.
ABS FAIL SIG (ON/OFF)	-	-	×	ABS fail signal (ON/OFF) status is displayed.
EBD FAIL SIG (ON/OFF)	-	-	×	EBD fail signal (ON/OFF) status is displayed.
FLUID LEV SW (ON/OFF)	×	-	×	Brake fluid level switch (ON/OFF) status is displayed.

A

B

C

D

E

**BRC**

G

H

I

J

K

L

M

N

O

P

# DIAGNOSIS SYSTEM [ABS ACTUATOR AND ELECTRIC UNIT (CONTROL UNIT)]

< FUNCTION DIAGNOSIS >

[TYPE 2]

Item (Unit)	Data monitor item selection			Remarks
	ECU INPUT SIGNALS	MAIN SIGNALS	SELECTION FROM MENU	
EBD SIGNAL (ON/OFF)	-	-	×	EBD operation (ON/OFF) status is displayed.
ABS SIGNAL (ON/OFF)	-	-	×	ABS operation (ON/OFF) status is displayed.
TCS SIGNAL (ON/OFF)	-	-	×	TCS operation (ON/OFF) status is displayed.
EBD WARN LAMP	-	-	×	Brake warning lamp (ON/OFF) status is displayed.
2WD/4WD	-	-	×	It recognizes on software whether it is 2WD and whether it is in 4WD state.
CRANKING SIG	-	-	×	The input state of the key SW START position signal is displayed.
DECEL G-SEN (G)	×	×	×	Longitudinal acceleration detected by decel G-sensor is displayed.
PRESS SENSOR (bar)	×	-	×	Brake pressure detected by pressure sensor is displayed.
DLOCK SW (ON/OFF)	-	-	×	Condition of differential lock mode switch is displayed.
DLOCK CHG SW (ON/OFF)	-	-	×	Condition of differential lock position switch is displayed.

×: Applicable

-: Not applicable

## ACTIVE TEST MODE

### CAUTION:

- Do not perform active test while driving vehicle.
- Make sure to completely bleed air from brake system.
- The active test cannot be performed with the ABS warning lamp, SLIP indicator lamp or brake warning lamp on.
- ABS warning lamp, SLIP indicator lamp and brake warning lamp are on during active test.

### NOTE:

- When active test is performed while depressing the pedal, the pedal depression amount will change. This is normal. (Only solenoid valve and ABS motor.)
- "TEST IS STOPPED" is displayed 10 seconds after operation start.
- After "TEST IS STOPPED" is displayed, to perform test again, touch BACK.

### Test Item

#### SOLENOID VALVE

- When performing an active test of the ABS function, select the "MAIN SIGNALS" for each test item. In addition, when performing an active test of the VDC/TCS function, select the item menu for each test item.
- For ABS solenoid valve, touch "UP", "KEEP", and "DOWN" on the display screen. For ABS solenoid valve (ACT), touch "UP", "ACT UP", "ACT KEEP" and confirm that solenoid valves operate as shown in the table below.

Operation		ABS solenoid valve			ABS solenoid valve (ACT)		
		UP	KEEP	DOWN	UP	ACTUATOR UP	ACTUATOR KEEP
FR RH SOL FR RH ABS SOLENOID (ACT)	FR RH IN SOL	OFF	ON	ON	OFF	OFF	OFF
	FR RH OUT SOL	OFF	OFF	ON*	OFF	OFF	OFF
FR LH SOL FR LH ABS SOLENOID (ACT)	FR LH IN SOL	OFF	ON	ON	OFF	OFF	OFF
	FR LH OUT SOL	OFF	OFF	ON*	OFF	OFF	OFF

# DIAGNOSIS SYSTEM [ABS ACTUATOR AND ELECTRIC UNIT (CONTROL UNIT)]

< FUNCTION DIAGNOSIS >

[TYPE 2]

Operation		ABS solenoid valve			ABS solenoid valve (ACT)		
		UP	KEEP	DOWN	UP	ACTUA-TOR UP	ACTUA-TOR KEEP
RR RH SOL RR RH ABS SOLE- NOID (ACT)	RR RH IN SOL	OFF	ON	ON	OFF	OFF	OFF
	RR RH OUT SOL	OFF	OFF	ON*	OFF	OFF	OFF
RR LH SOL RR LH ABS SOLE- NOID (ACT)	RR LH IN SOL	OFF	ON	ON	OFF	OFF	OFF
	RR LH OUT SOL	OFF	OFF	ON*	OFF	OFF	OFF
REAR SOL	RR RH IN SOL	OFF	ON	ON	OFF	OFF	OFF
	RR RH OUT SOL	OFF	OFF	ON*	OFF	OFF	OFF
	RR LH IN SOL	OFF	ON	ON	OFF	OFF	OFF
	RR LH OUT SOL	OFF	OFF	ON*	OFF	OFF	OFF

\*: ON for 1 to 2 seconds after the touch, and then OFF

### ABS MOTOR

- Touch "ON" and "OFF" on screen. Make sure motor relay and actuator relay operates as shown in table below.

Operation	ON	OFF
MOTOR RELAY	ON	OFF
ACTUATOR RLY	ON	ON

A  
B  
C  
D  
E  
  
G  
H  
I  
J  
K  
L  
M  
N  
O  
P

BRC

# APPLICATION NOTICE

< COMPONENT DIAGNOSIS >

[TYPE 2]

## COMPONENT DIAGNOSIS

### APPLICATION NOTICE

Application Notice

INFOID:000000003248349

Service information	Remarks
TYPE 1	ABS
TYPE 2	ABLS/ABS
TYPE 3	HILL DESCENT CONTROL/HILL START ASSIST/VDC/TCS/ABS

# C1101, C1102, C1103, C1104 WHEEL SENSOR-1

< COMPONENT DIAGNOSIS >

[TYPE 2]

## C1101, C1102, C1103, C1104 WHEEL SENSOR-1

### Description

INFOID:000000003248063

When the sensor rotor rotates, the magnetic field changes. It converts the magnetic field changes to current signals (rectangular wave) and transmits them to the ABS actuator and electric unit (control unit).

### DTC Logic

INFOID:000000003248064

### DTC DETECTION LOGIC

DTC	Display item	Malfunction detected condition	Possible cause
C1101	RR RH SENSOR-1	Circuit of rear RH wheel sensor is open. Or when the sensor power voltage is outside the standard.	<ul style="list-style-type: none"><li>• Harness or connector</li><li>• Wheel sensor</li><li>• ABS actuator and electric unit (control unit)</li></ul>
C1102	RR LH SENSOR-1	Circuit of rear LH wheel sensor is open. Or when the sensor power voltage is outside the standard.	
C1103	FR RH SENSOR-1	Circuit of front RH wheel sensor is open. Or when the sensor power voltage is outside the standard.	
C1104	FR LH SENSOR-1	Circuit of front LH wheel sensor is open. Or when the sensor power voltage is outside the standard.	

### DTC CONFIRMATION PROCEDURE

#### 1. CHECK SELF-DIAGNOSIS RESULTS

Check the self-diagnosis results.

Self-diagnosis results
RR RH SENSOR-1
RR LH SENSOR-1
FR RH SENSOR-1
FR LH SENSOR-1

Is above displayed on the self-diagnosis display?

- YES >> Proceed to diagnosis procedure. Refer to [BRC-93. "Diagnosis Procedure"](#).  
NO >> INSPECTION END

### Diagnosis Procedure

INFOID:000000003248065

#### **CAUTION:**

**Do not check between wheel sensor terminals.**

### INSPECTION PROCEDURE

#### 1. CONNECTOR INSPECTION

Disconnect the ABS actuator and electric unit (control unit) connector and wheel sensor of malfunctioning code.

Check the terminals for deformation, disconnection, looseness or damage.

Is the inspection result normal?

- YES >> GO TO 2  
NO >> Repair or replace as necessary.

#### 2. CHECK WHEEL SENSOR OUTPUT SIGNAL

1. Connect ABS active wheel sensor tester (J-45741) to wheel sensor using appropriate adapter.
2. Turn on the ABS active wheel sensor tester power switch.

#### **NOTE:**

The green POWER indicator should illuminate. If the POWER indicator does not illuminate, replace the battery in the ABS active wheel sensor tester before proceeding.

3. Spin the wheel of the vehicle by hand and observe the red SENSOR indicator on the ABS active wheel sensor tester. The red SENSOR indicator should flash on and off to indicate an output signal.

# C1101, C1102, C1103, C1104 WHEEL SENSOR-1

< COMPONENT DIAGNOSIS >

[TYPE 2]

**NOTE:**

If the red SENSOR indicator illuminates but does not flash, reverse the polarity of the tester leads and retest.

Does the ABS active wheel sensor tester detect a signal?

YES >> GO TO 3

NO >> Replace the wheel sensor. Refer to [BRC-154, "Removal and Installation"](#).

### 3.CHECK TIRES

Check for inflation pressure, wear and size of each tire.

Are tire pressure and size correct and is tire wear within specifications?

YES >> GO TO 4

NO >> Adjust tire pressure or replace tire(s).

### 4.CHECK WHEEL BEARINGS

Check wheel bearing axial end play. Refer to [FAX-5, "On-Vehicle Inspection and Service"](#) (front), [RAX-7, "Rear Axle Bearing"](#) (C200 rear axle), or [RAX-19, "Rear Axle Bearing"](#) (M226 rear axle).

Is the inspection result normal?

YES >> GO TO 5

NO >> Repair or replace as necessary. Refer to [FAX-8, "Removal and Installation"](#) (front), [RAX-13, "Removal and Installation"](#) (C200 rear axle), or [RAX-24, "Removal and Installation"](#) (M226 rear axle).

### 5.CHECK WIRING HARNESS FOR SHORT CIRCUIT

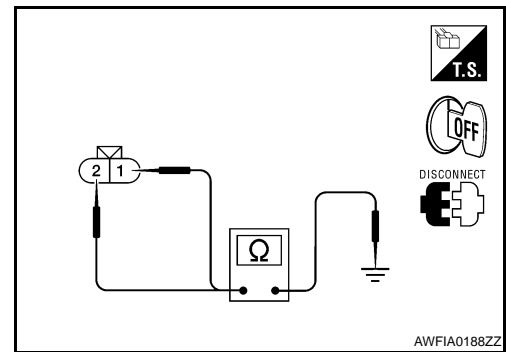
1. Disconnect ABS actuator and electric unit (control unit) connector and wheel sensor connector of malfunction code No.
2. Check continuity between wheel sensor harness connector terminals and ground.

**Continuity should not exist.**

Is the inspection result normal?

YES >> GO TO 6

NO >> Repair the circuit.



### 6.CHECK WIRING HARNESS FOR OPEN CIRCUIT

1. Check continuity between ABS actuator and electric unit (control unit) harness connector and the malfunctioning wheel sensor harness connector.

Wheel sensor	ABS actuator and electric unit (control unit)		Wheel sensor		Continuity
	Connector	Terminal	Connector	Terminal	
Front LH	E125	45	E18	1	Yes
		46			
Front RH		34	E117	1	
		33			
Rear LH		36	C11	1	
		37			
Rear RH		43	C10	1	
		42			

Is the inspection result normal?

YES >> Replace the ABS actuator and electric unit (control unit). Refer to [BRC-156, "Removal and Installation"](#).

NO >> Repair the circuit.

# C1101, C1102, C1103, C1104 WHEEL SENSOR-1

< COMPONENT DIAGNOSIS >

[TYPE 2]

## Component Inspection

INFOID:000000003248066

### 1. CHECK DATA MONITOR

On "DATA MONITOR", select "FR LH SENSOR", "FR RH SENSOR", "RR LH SENSOR", and "RR RH SENSOR", and check the vehicle speed.

Wheel sensor	Vehicle speed (DATA MONITOR)
FR LH SENSOR	Nearly matches the speedometer display ( $\pm 10\%$ or less)
FR RH SENSOR	
RR LH SENSOR	
RR RH SENSOR	

Is the inspection result normal?

YES >> INSPECTION END

NO >> Go to diagnosis procedure. Refer to [BRC-93. "Diagnosis Procedure"](#).

A  
B  
C  
D  
E  
G  
H  
I  
J  
K  
L  
M  
N  
O  
P

**BRC**

# C1105, C1106, C1107, C1108 WHEEL SENSOR-2

< COMPONENT DIAGNOSIS >

[TYPE 2]

## C1105, C1106, C1107, C1108 WHEEL SENSOR-2

### Description

INFOID:000000003248068

When the sensor rotor rotates, the magnetic field changes. It converts the magnetic field changes to current signals (rectangular wave) and transmits them to the ABS actuator and electric unit (control unit).

### DTC Logic

INFOID:000000003248069

### DTC DETECTION LOGIC

DTC	Display item	Malfunction detected condition	Possible cause
C1105	RR RH SENSOR-2	When the circuit in the rear RH wheel sensor is short-circuited. Or when the distance between the wheel sensor and sensor rotor is too large and the sensor pulse cannot be recognized by the control unit.	<ul style="list-style-type: none"><li>• Harness or connector</li><li>• Wheel sensor</li><li>• ABS actuator and electric unit (control unit)</li></ul>
C1106	RR LH SENSOR-2	When the circuit in the rear LH wheel sensor is short-circuited. Or when the distance between the wheel sensor and sensor rotor is too large and the sensor pulse cannot be recognized by the control unit.	
C1107	FR RH SENSOR-2	When the circuit in the front RH wheel sensor is short-circuited. Or when the distance between the wheel sensor and sensor rotor is too large and the sensor pulse cannot be recognized by the control unit.	
C1108	FR LH SENSOR-2	When the circuit in the front LH wheel sensor is short-circuited. Or when the distance between the wheel sensor and sensor rotor is too large and the sensor pulse cannot be recognized by the control unit.	

### DTC CONFIRMATION PROCEDURE

#### 1. CHECK SELF-DIAGNOSIS RESULTS

Check the self-diagnosis results.

Self-diagnosis results
RR RH SENSOR-2
RR LH SENSOR-2
FR RH SENSOR-2
FR LH SENSOR-2

Is above displayed on the self-diagnosis display?

- YES >> Proceed to diagnosis procedure. Refer to [BRC-96. "Diagnosis Procedure"](#).  
NO >> INSPECTION END

### Diagnosis Procedure

INFOID:000000003248070

#### **CAUTION:**

**Do not check between wheel sensor terminals.**

### INSPECTION PROCEDURE

#### 1. CONNECTOR INSPECTION

Disconnect the ABS actuator and electric unit (control unit) connector and wheel sensor of malfunctioning code.

Check the terminals for deformation, disconnection, looseness or damage.

Is the inspection result normal?

- YES >> GO TO 2  
NO >> Repair or replace as necessary.



# C1105, C1106, C1107, C1108 WHEEL SENSOR-2

< COMPONENT DIAGNOSIS >

[TYPE 2]

## 2.CHECK WHEEL SENSOR OUTPUT SIGNAL

1. Connect ABS active wheel sensor tester (J-45741) to wheel sensor using appropriate adapter.
2. Turn on the ABS active wheel sensor tester power switch.

**NOTE:**

The green POWER indicator should illuminate. If the POWER indicator does not illuminate, replace the battery in the ABS active wheel sensor tester before proceeding.

3. Spin the wheel of the vehicle by hand and observe the red SENSOR indicator on the ABS active wheel sensor tester. The red SENSOR indicator should flash on and off to indicate an output signal.

**NOTE:**

If the red SENSOR indicator illuminates but does not flash, reverse the polarity of the tester leads and retest.

Does the ABS active wheel sensor tester detect a signal?

YES >> GO TO 3

NO >> Replace the wheel sensor. Refer to [BRC-154. "Removal and Installation"](#).

## 3.CHECK TIRES

Check for inflation pressure, wear and size of each tire.

Are tire pressure and size correct and is tire wear within specifications?

YES >> GO TO 4

NO >> Adjust tire pressure or replace tire(s).

## 4.CHECK WHEEL BEARINGS

Check wheel bearing axial end play. Refer to [FAX-5. "On-Vehicle Inspection and Service"](#) (front), [RAX-7. "Rear Axle Bearing"](#) (C200 rear axle), or [RAX-19. "Rear Axle Bearing"](#) (M226 rear axle).

Is the inspection result normal?

YES >> GO TO 5

NO >> Repair or replace as necessary. Refer to [FAX-8. "Removal and Installation"](#) (front), [RAX-13. "Removal and Installation"](#) (C200 rear axle), or [RAX-24. "Removal and Installation"](#) (M226 rear axle).

## 5.CHECK WIRING HARNESS FOR SHORT CIRCUIT

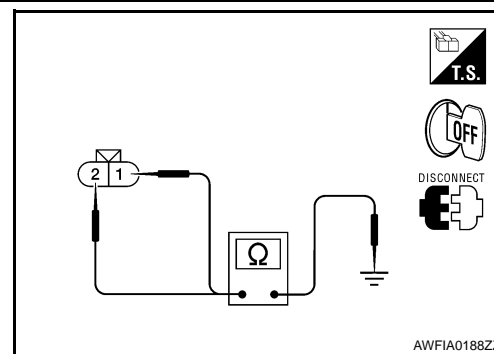
1. Disconnect ABS actuator and electric unit (control unit) connector and wheel sensor connector of malfunction code No.
2. Check continuity between wheel sensor harness connector terminals and ground.

**Continuity should not exist.**

Is the inspection result normal?

YES >> GO TO 6

NO >> Repair the circuit.



## 6.CHECK WIRING HARNESS FOR OPEN CIRCUIT

1. Check continuity between ABS actuator and electric unit (control unit) harness connector and the malfunctioning wheel sensor harness connector.

# C1105, C1106, C1107, C1108 WHEEL SENSOR-2

< COMPONENT DIAGNOSIS >

[TYPE 2]

Wheel sensor	ABS actuator and electric unit (control unit)		Wheel sensor		Continuity
	Connector	Terminal	Connector	Terminal	
Front LH	E125	45	E18	1	Yes
		46		2	
Front RH		34	E117	1	
		33		2	
Rear LH		36	C11	1	
		37		2	
Rear RH		43	C10	1	
		42		2	

Is the inspection result normal?

YES >> Replace the ABS actuator and electric unit (control unit). Refer to [BRC-156. "Removal and Installation"](#).

NO >> Repair the circuit.

## Component Inspection

INFOID:000000003248071

### 1. CHECK DATA MONITOR

On "DATA MONITOR", select "FR LH SENSOR", "FR RH SENSOR", "RR LH SENSOR", and "RR RH SENSOR", and check the vehicle speed.

Wheel sensor	Vehicle speed (DATA MONITOR)
FR LH SENSOR	Nearly matches the speedometer display ( $\pm 10\%$ or less)
FR RH SENSOR	
RR LH SENSOR	
RR RH SENSOR	

Is the inspection result normal?

YES >> INSPECTION END

NO >> Go to diagnosis procedure. Refer to [BRC-96. "Diagnosis Procedure"](#).

# C1109 POWER AND GROUND SYSTEM

< COMPONENT DIAGNOSIS >

[TYPE 2]

## C1109 POWER AND GROUND SYSTEM

### Description

INFOID:000000003248073

Supplies electric power to the ABS actuator and electric unit (control unit).

### DTC Logic

INFOID:000000003248074

### DTC DETECTION LOGIC

DTC	Display item	Malfunction detected condition	Possible cause
C1109	BATTERY VOLTAGE [ABNORMAL]	When the ABS actuator and electric unit (control unit) power supply voltage is lower than normal.	<ul style="list-style-type: none"> <li>• Harness or connector</li> <li>• ABS actuator and electric unit (control unit)</li> </ul>

### DTC CONFIRMATION PROCEDURE

#### 1. CHECK SELF-DIAGNOSIS RESULTS

Check the self-diagnosis results.

Self-diagnosis results
BATTERY VOLTAGE [ABNORMAL]

Is above displayed on the self-diagnosis display?

- YES >> Proceed to diagnosis procedure. Refer to [BRC-99, "Diagnosis Procedure"](#).  
 NO >> INSPECTION END

### Diagnosis Procedure

INFOID:000000003292549

### INSPECTION PROCEDURE

#### 1. CHECK CONNECTOR

1. Turn ignition switch OFF.
2. Disconnect ABS actuator and electric unit (control unit) connector.
3. Check terminal for deformation, disconnection, looseness, and so on. If any malfunction is found, repair or replace terminal.
4. Reconnect connectors and then perform the self-diagnosis. Refer to [BRC-88, "CONSULT-III Function \(ABS\)"](#).

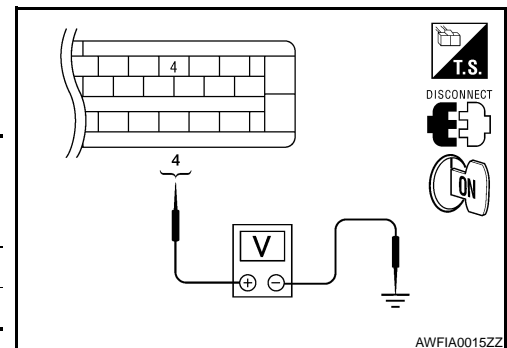
Is any item indicated on the self-diagnosis display?

- YES >> GO TO 2  
 NO >> Poor connection of connector terminal. Repair or replace connector.

#### 2. CHECK ABS ACTUATOR AND ELECTRIC UNIT (CONTROL UNIT) POWER SUPPLY CIRCUIT AND GROUND CIRCUIT

1. Turn ignition switch OFF.
2. Disconnect ABS actuator and electric unit (control unit) connector.
3. Turn ignition switch ON or OFF and check voltage between ABS actuator and electric unit (control unit) harness connector terminal and ground.

ABS actuator and electric unit (control unit)		—	Condition	Voltage
Connector	Terminal			
E125	4	Ground	Ignition switch: ON	Battery voltage
			Ignition switch: OFF	Approx. 0V



4. Turn ignition switch OFF.

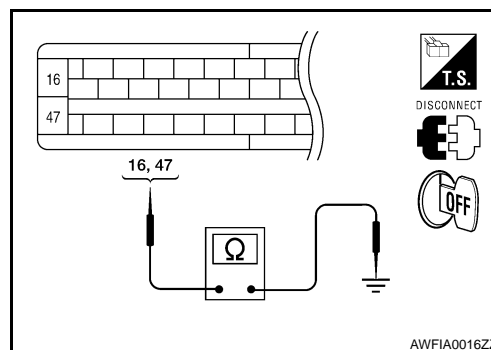
# C1109 POWER AND GROUND SYSTEM

## < COMPONENT DIAGNOSIS >

[TYPE 2]

5. Check continuity between ABS actuator and electric unit (control unit) harness connector terminals and ground.

ABS actuator and electric unit (control unit)		—	Continuity
Connector	Terminal		
E125	16, 47	Ground	Yes



### Is the inspection result normal?

- YES >> Check battery for terminal looseness, low voltage, etc. If any malfunction is found, repair malfunctioning parts.
- NO >> Repair or replace malfunctioning components.

# C1110, C1113, C1160, C1170 ABS ACTUATOR AND ELECTRIC UNIT (CONTROL UNIT)

< COMPONENT DIAGNOSIS >

[TYPE 2]

## C1110, C1113, C1160, C1170 ABS ACTUATOR AND ELECTRIC UNIT (CONTROL UNIT)

### DTC Logic

INFOID:000000003248077

#### DTC DETECTION LOGIC

DTC	Display item	Malfunction detected condition	Possible cause
C1110	CONTROLLER FAILURE	When there is an internal malfunction in the ABS actuator and electric unit (control unit).	• ABS actuator and electric unit (control unit)
C1113	G-SENSOR	Longitudinal G-sensor is malfunctioning, or signal line of longitudinal G-sensor is open or shorted.	
C1160	DECEL G SEN SET	ABS decel sensor adjustment is incomplete.	
C1170	VARIANT CODING	In a case where VARIANT CODING is different.	

#### DTC CONFIRMATION PROCEDURE

##### 1. CHECK SELF-DIAGNOSIS RESULTS

Check the self-diagnosis results.

Self-diagnosis results
CONTROLLER FAILURE
G-SENSOR
DECEL G SEN SET
VARIANT CODING

Is above displayed on the self-diagnosis display?

- YES >> Proceed to diagnosis procedure. Refer to [BRC-101. "Diagnosis Procedure"](#).  
NO >> INSPECTION END

### Diagnosis Procedure

INFOID:000000003248078

#### INSPECTION PROCEDURE

##### 1. REPLACE ABS ACTUATOR AND ELECTRIC UNIT (CONTROL UNIT)

>> Replace ABS actuator and electric unit (control unit). Refer to [BRC-156. "Removal and Installation"](#).

# C1111 ABS MOTOR, MOTOR RELAY SYSTEM

< COMPONENT DIAGNOSIS >

[TYPE 2]

## C1111 ABS MOTOR, MOTOR RELAY SYSTEM

### Description

INFOID:000000003248080

#### PUMP

The pump returns the brake fluid stored in the reservoir to the master cylinder by reducing the pressure.

#### MOTOR

The motor drives the pump according to the signals transmitted by the ABS actuator and electric unit (control unit).

### DTC Logic

INFOID:000000003248081

### DTC DETECTION LOGIC

DTC	Display item	Malfunction detected condition	Possible cause
C1111	PUMP MOTOR	During the actuator motor operating with ON, when the actuator motor turns OFF, or when the control line for actuator motor relay is open.	<ul style="list-style-type: none"><li>• Harness or connector</li><li>• ABS actuator and electric unit (control unit)</li></ul>
		During the actuator motor operating with OFF, when the actuator motor turns ON, or when the control line for relay is shorted to ground.	

### DTC CONFIRMATION PROCEDURE

#### 1. CHECK SELF-DIAGNOSIS RESULTS

Check the self-diagnosis results.

Self-diagnosis results

PUMP MOTOR

Is above displayed on the self-diagnosis display?

- YES >> Proceed to diagnosis procedure. Refer to [BRC-102, "Diagnosis Procedure"](#).  
NO >> INSPECTION END

### Diagnosis Procedure

INFOID:000000003248082

### INSPECTION PROCEDURE

#### 1. CHECK CONNECTOR

1. Turn ignition switch OFF.
2. Disconnect ABS actuator and electric unit (control unit) connector.
3. Check terminal for deformation, disconnect, looseness, and so on. If any malfunction is found, repair or replace terminal.
4. Reconnect connectors and then perform the self-diagnosis. Refer to [BRC-88, "CONSULT-III Function \(ABS\)"](#).

Is any item indicated on the self-diagnosis display?

- YES >> GO TO 2  
NO >> Poor connection of connector terminal. Repair or replace connector.

#### 2. CHECK ABS MOTOR AND MOTOR RELAY POWER SUPPLY CIRCUIT

# C1111 ABS MOTOR, MOTOR RELAY SYSTEM

[TYPE 2]

## < COMPONENT DIAGNOSIS >

1. Turn ignition switch OFF.
2. Disconnect ABS actuator and electric unit (control unit) connector.
3. Check voltage between the ABS actuator and electric unit (control unit) harness connector terminal and ground.

ABS actuator and electric unit (control unit)		—	Voltage
Connector	Terminal		
E125	1	Ground	Battery voltage

Is the inspection result normal?

- YES >> GO TO 3  
 NO >> Repair or replace malfunctioning components.

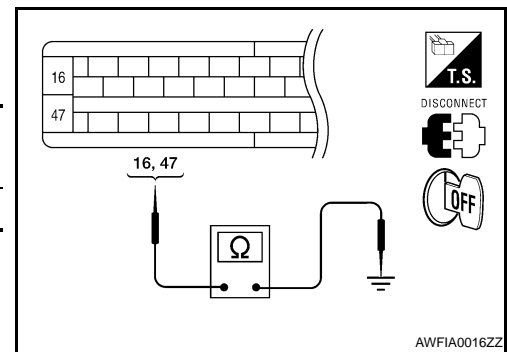
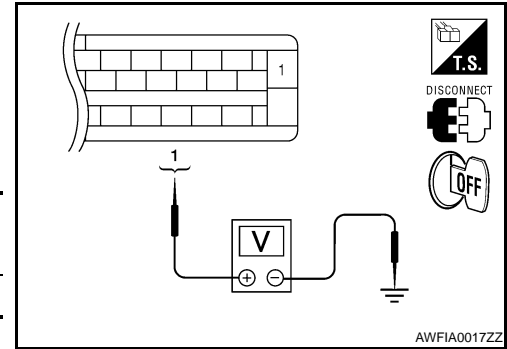
### 3.CHECK ABS ACTUATOR AND ELECTRIC UNIT (CONTROL UNIT) GROUND CIRCUIT

Check continuity between ABS actuator and electric unit (control unit) harness connector terminals and ground.

ABS actuator and electric unit (control unit)		—	Continuity
Connector	Terminal		
E125	16, 47	Ground	Yes

Is the inspection result normal?

- YES >> Replace ABS actuator and electric unit (control unit).  
 Refer to [BRC-156. "Removal and Installation"](#).  
 NO >> Repair or replace malfunctioning components.



## Component Inspection

INFOID:000000003248083

### 1.CHECK ACTIVE TEST

1. On "ACTIVE TEST", select "ABS MOTOR".
2. Touch ON and OFF on screen. Make sure motor relay and actuator relay operates as shown in table below.

Operation	ON	OFF
MOTOR RELAY	ON	OFF
ACTUATOR RLY	ON	ON

Is the inspection result normal?

- YES >> INSPECTION END  
 NO >> Go to diagnosis procedure. Refer to [BRC-102. "Diagnosis Procedure"](#).

A  
B  
C  
D  
E  
BRC  
G  
H  
I  
J  
K  
L  
M  
N  
O  
P

# C1115 WHEEL SENSOR

[TYPE 2]

< COMPONENT DIAGNOSIS >

## C1115 WHEEL SENSOR

### Description

INFOID:000000003248090

When the sensor rotor rotates, the magnetic field changes. It converts the magnetic field changes to current signals (rectangular wave) and transmits them to the ABS actuator and electric unit (control unit).

### DTC Logic

INFOID:000000003248091

### DTC DETECTION LOGIC

DTC	Display item	Malfunction detected condition	Possible cause
C1115	ABS SENSOR [ABNORMAL SIGNAL]	When wheel sensor input signal is malfunctioning.	<ul style="list-style-type: none"><li>• Harness or connector</li><li>• Wheel sensor</li><li>• ABS actuator and electric unit (control unit)</li></ul>

### DTC CONFIRMATION PROCEDURE

#### 1.CHECK SELF-DIAGNOSIS RESULTS

Check the self-diagnosis results.

Self-diagnosis results
ABS SENSOR [ABNORMAL SIGNAL]

Is above displayed on the self-diagnosis display?

- YES >> Proceed to diagnosis procedure. Refer to [BRC-104, "Diagnosis Procedure"](#).  
NO >> INSPECTION END

### Diagnosis Procedure

INFOID:000000003248092

#### **CAUTION:**

**Do not check between wheel sensor terminals.**

### INSPECTION PROCEDURE

#### 1.CONNECTOR INSPECTION

Disconnect the ABS actuator and electric unit (control unit) connector and wheel sensor of malfunctioning code.

Check the terminals for deformation, disconnection, looseness or damage.

Is the inspection result normal?

- YES >> GO TO 2  
NO >> Repair or replace as necessary.

#### 2.CHECK WHEEL SENSOR OUTPUT SIGNAL

1. Connect ABS active wheel sensor tester (J-45741) to wheel sensor using appropriate adapter.
2. Turn on the ABS active wheel sensor tester power switch.

#### **NOTE:**

The green POWER indicator should illuminate. If the POWER indicator does not illuminate, replace the battery in the ABS active wheel sensor tester before proceeding.

3. Spin the wheel of the vehicle by hand and observe the red SENSOR indicator on the ABS active wheel sensor tester. The red SENSOR indicator should flash on and off to indicate an output signal.

#### **NOTE:**

If the red SENSOR indicator illuminates but does not flash, reverse the polarity of the tester leads and retest.

Does the ABS active wheel sensor tester detect a signal?

- YES >> GO TO 3  
NO >> Replace the wheel sensor. Refer to [BRC-154, "Removal and Installation"](#).

#### 3.CHECK TIRES



# C1115 WHEEL SENSOR

[TYPE 2]

## < COMPONENT DIAGNOSIS >

Check for inflation pressure, wear and size of each tire.

Are tire pressure and size correct and is tire wear within specifications?

- YES >> GO TO 4
- NO >> Adjust tire pressure or replace tire(s).

### 4.CHECK WHEEL BEARINGS

Check wheel bearing axial end play. Refer to [FAX-5, "On-Vehicle Inspection and Service"](#) (front), [RAX-7, "Rear Axle Bearing"](#) (C200 rear axle), or [RAX-19, "Rear Axle Bearing"](#) (M226 rear axle).

Is the inspection result normal?

- YES >> GO TO 5
- NO >> Repair or replace as necessary. Refer to [FAX-8, "Removal and Installation"](#) (front), [RAX-13, "Removal and Installation"](#) (C200 rear axle), or [RAX-24, "Removal and Installation"](#) (M226 rear axle).

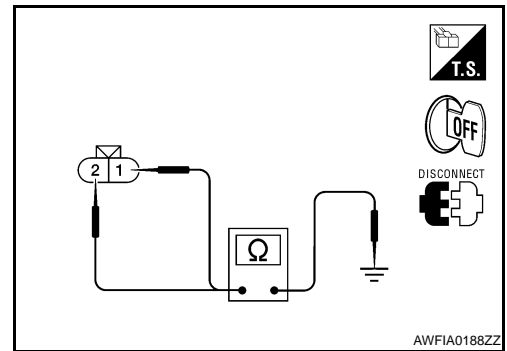
### 5.CHECK WIRING HARNESS FOR SHORT CIRCUIT

1. Disconnect ABS actuator and electric unit (control unit) connector and wheel sensor connector of malfunction code No.
2. Check continuity between wheel sensor harness connector terminals and ground.

**Continuity should not exist.**

Is the inspection result normal?

- YES >> GO TO 6
- NO >> Repair the circuit.



### 6.CHECK WIRING HARNESS FOR OPEN CIRCUIT

1. Check continuity between ABS actuator and electric unit (control unit) harness connector and the malfunctioning wheel sensor harness connector.

Wheel sensor	ABS actuator and electric unit (control unit)		Wheel sensor		Continuity
	Connector	Terminal	Connector	Terminal	
Front LH	E125	45	E18	1	Yes
		46		2	
Front RH		34	E117	1	
		33		2	
Rear LH		36	C11	1	
		37		2	
Rear RH		43	C10	1	
		42		2	

Is the inspection result normal?

- YES >> Replace the ABS actuator and electric unit (control unit). Refer to [BRC-156, "Removal and Installation"](#).
- NO >> Repair the circuit.

## Component Inspection

INFOID:000000003248093

### 1.CHECK DATA MONITOR

On "DATA MONITOR", select "FR LH SENSOR", "FR RH SENSOR", "RR LH SENSOR", and "RR RH SENSOR", and check the vehicle speed.

Wheel sensor	Vehicle speed (DATA MONITOR)
--------------	------------------------------

# C1115 WHEEL SENSOR

[TYPE 2]

< COMPONENT DIAGNOSIS >

FR LH SENSOR	Nearly matches the speedometer display ( $\pm 10\%$ or less)
FR RH SENSOR	
RR LH SENSOR	
RR RH SENSOR	

Is the inspection result normal?

YES >> INSPECTION END

NO >> Go to diagnosis procedure. Refer to [BRC-104. "Diagnosis Procedure"](#).

# C1116 STOP LAMP SWITCH

< COMPONENT DIAGNOSIS >

[TYPE 2]

## C1116 STOP LAMP SWITCH

### Description

INFOID:000000003248095

The stop lamp switch transmits the stop lamp switch signal (ON/OFF) to the ABS actuator and electric unit (control unit).

### DTC Logic

INFOID:000000003248096

### DTC DETECTION LOGIC

DTC	Display item	Malfunction detected condition	Possible cause
C1116	STOP LAMP SW	When stop lamp switch circuit is open.	<ul style="list-style-type: none"><li>• Harness or connector</li><li>• Stop lamp switch</li><li>• ABS actuator and electric unit (control unit)</li></ul>

### DTC CONFIRMATION PROCEDURE

#### 1. CHECK SELF-DIAGNOSIS RESULTS

Check the self-diagnosis results.

Self-diagnosis results
STOP LAMP SW

Is above displayed on the self-diagnosis display?

- YES >> Proceed to diagnosis procedure. Refer to [BRC-107, "Diagnosis Procedure"](#).  
NO >> INSPECTION END

### Diagnosis Procedure

INFOID:000000003248097

### INSPECTION PROCEDURE

#### 1. CONNECTOR INSPECTION

1. Disconnect the ABS actuator and electric unit (control unit) connector and stop lamp switch connector.
2. Check the terminals for deformation, disconnection, looseness or damage.

Is the inspection result normal?

- YES >> GO TO 2  
NO >> Repair or replace as necessary.

#### 2. STOP LAMP SWITCH INSPECTION

1. Connect the stop lamp switch harness connector.
2. Check the voltage between the ABS actuator and electric unit (control unit) harness connector E125 terminal 41 and body ground.

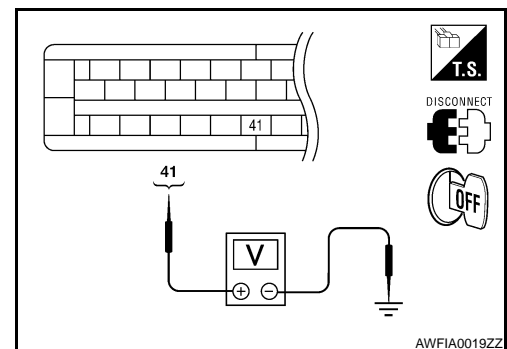
**Brake pedal depressed** : Battery voltage (approx. 12V)

**Brake pedal not depressed** : Approx. 0V

Is the inspection result normal?

- YES >> Perform self-diagnosis again. If the same results appear, replace ABS actuator and electric unit (control unit). Refer to [BRC-156, "Removal and Installation"](#).  
NO >> GO TO 3

#### 3. STOP LAMP SWITCH CIRCUIT INSPECTION



## C1116 STOP LAMP SWITCH

[TYPE 2]

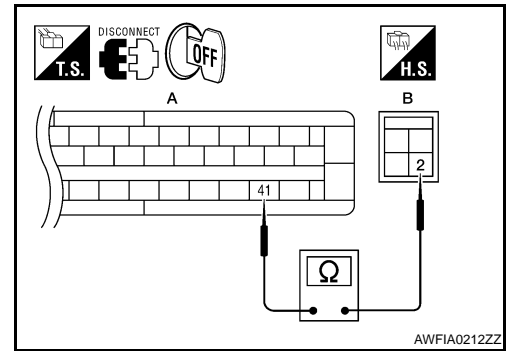
### < COMPONENT DIAGNOSIS >

1. Disconnect the stop lamp switch harness connector.
2. Check the continuity between the ABS actuator and electric unit (control unit) harness connector E125 (A) terminal 41 and stop lamp switch harness connector E38 (B) terminal 2.

**Continuity should exist.**

Is the inspection result normal?

- YES >> Refer to [BRC-75. "Work Flow"](#).
- NO >> Repair or replace malfunctioning components.



# C1120, C1122, C1124, C1126 IN ABS SOL

< COMPONENT DIAGNOSIS >

[TYPE 2]

## C1120, C1122, C1124, C1126 IN ABS SOL

### Description

INFOID:000000003248099

The solenoid valve increases, holds or decreases the fluid pressure of each brake caliper according to the signals transmitted by the ABS actuator and electric unit (control unit).

### DTC Logic

INFOID:000000003248100

### DTC DETECTION LOGIC

DTC	Display item	Malfunction detected condition	Possible cause
C1120	FR LH IN ABS SOL	When the control unit detects a malfunction in the front LH inlet solenoid circuit.	• ABS actuator and electric unit (control unit)
C1122	FR RH IN ABS SOL	When the control unit detects a malfunction in the front RH inlet solenoid circuit.	
C1124	RR LH IN ABS SOL	When the control unit detects a malfunction in the rear LH inlet solenoid circuit.	
C1126	RR RH IN ABS SOL	When the control unit detects a malfunction in the rear RH inlet solenoid circuit.	

### DTC CONFIRMATION PROCEDURE

#### 1.CHECK SELF-DIAGNOSIS RESULTS

Check the self-diagnosis results.

Self-diagnosis results
FR LH IN ABS SOL
FR RH IN ABS SOL
RR LH IN ABS SOL
RR RH IN ABS SOL

Is above displayed on the self-diagnosis display?

- YES >> Proceed to diagnosis procedure. Refer to [BRC-109. "Diagnosis Procedure"](#).  
NO >> INSPECTION END

### Diagnosis Procedure

INFOID:000000003248101

### INSPECTION PROCEDURE

#### 1.CHECK CONNECTOR

1. Turn ignition switch OFF.
2. Disconnect ABS actuator and electric unit (control unit) connector.
3. Check terminal for deformation, disconnection, looseness, and so on. If any malfunction is found, repair or replace terminal.
4. Reconnect connectors and then perform the self-diagnosis. Refer to [BRC-88. "CONSULT-III Function \(ABS\)"](#).

Is any item indicated on the self-diagnosis display?

- YES >> GO TO 2  
NO >> Poor connection of connector terminal. Repair or replace connector.

#### 2.CHECK SOLENOID, VDC SWITCH-OVER VALVE AND ACTUATOR RELAY POWER SUPPLY CIRCUIT

# C1120, C1122, C1124, C1126 IN ABS SOL

[TYPE 2]

## < COMPONENT DIAGNOSIS >

1. Turn ignition switch OFF.
2. Disconnect ABS actuator and electric unit (control unit) connector.
3. Check voltage between ABS actuator and electric unit (control unit) harness connector terminal and ground.

ABS actuator and electric unit (control unit)		—	Voltage
Connector	Terminal		
E125	32	Ground	Battery voltage

Is the inspection result normal?

- YES >> GO TO 3  
 NO >> Repair or replace malfunctioning components.

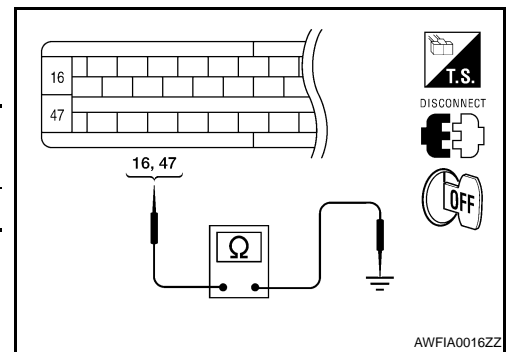
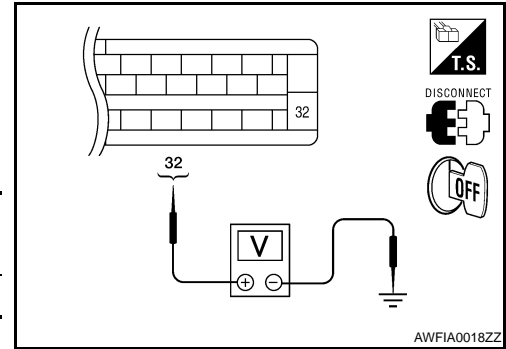
### 3.CHECK SOLENOID, VDC SWITCH-OVER VALVE AND ACUATOR RELAY GROUND CIRCUIT

Check continuity between ABS actuator and electric unit (control unit) harness connector terminals and ground.

ABS actuator and electric unit (control unit)		—	Continuity
Connector	Terminal		
E125	16, 47	Ground	Yes

Is the inspection result normal?

- YES >> Replace ABS actuator and electric unit (control unit).  
 Refer to [BRC-156, "Removal and Installation"](#).  
 NO >> Repair or replace malfunctioning components.



## Component Inspection

INFOID:000000003248102

### 1.CHECK ACTIVE TEST

1. Select each test menu item on "ACTIVE TEST".
2. On the display, touch "UP", "KEEP", and "DOWN", and check that the system operates as shown in the table below.

Operation		ABS solenoid valve			ABS solenoid valve (ACT)		
		UP	KEEP	DOWN	UP	ACTUA-TOR UP	ACTUA-TOR KEEP
FR RH SOL FR RH ABS SOLE- NOID (ACT)	FR RH IN SOL	OFF	ON	ON	OFF	OFF	OFF
	FR RH OUT SOL	OFF	OFF	ON*	OFF	OFF	OFF
FR LH SOL FR LH ABS SOLE- NOID (ACT)	FR LH IN SOL	OFF	ON	ON	OFF	OFF	OFF
	FR LH OUT SOL	OFF	OFF	ON*	OFF	OFF	OFF
RR RH SOL RR RH ABS SOLE- NOID (ACT)	RR RH IN SOL	OFF	ON	ON	OFF	OFF	OFF
	RR RH OUT SOL	OFF	OFF	ON*	OFF	OFF	OFF
RR LH SOL RR LH ABS SOLE- NOID (ACT)	RR LH IN SOL	OFF	ON	ON	OFF	OFF	OFF
	RR LH OUT SOL	OFF	OFF	ON*	OFF	OFF	OFF
REAR SOL	RR RH IN SOL	OFF	ON	ON	OFF	OFF	OFF
	RR RH OUT SOL	OFF	OFF	ON*	OFF	OFF	OFF
	RR LH IN SOL	OFF	ON	ON	OFF	OFF	OFF
	RR LH OUT SOL	OFF	OFF	ON*	OFF	OFF	OFF

\*: ON for 1 to 2 seconds after the touch, and then OFF

Is the inspection result normal?

- YES >> INSPECTION END

# C1120, C1122, C1124, C1126 IN ABS SOL

< COMPONENT DIAGNOSIS >

[TYPE 2]

NO >> Go to diagnosis procedure. Refer to [BRC-109. "Diagnosis Procedure"](#).

A

B

C

D

E

**BRC**

G

H

I

J

K

L

M

N

O

P

# C1121, C1123, C1125, C1127 OUT ABS SOL

< COMPONENT DIAGNOSIS >

[TYPE 2]

## C1121, C1123, C1125, C1127 OUT ABS SOL

### Description

INFOID:000000003248104

The solenoid valve increases, holds or decreases the fluid pressure of each brake caliper according to the signals transmitted by the ABS actuator and electric unit (control unit).

### DTC Logic

INFOID:000000003248105

### DTC DETECTION LOGIC

DTC	Display item	Malfunction detected condition	Possible cause
C1121	FR LH OUT ABS SOL	When the control unit detects a malfunction in the front LH outlet solenoid circuit.	• ABS actuator and electric unit (control unit)
C1123	FR RH OUT ABS SOL	When the control unit detects a malfunction in the front RH outlet solenoid circuit.	
C1125	RR LH OUT ABS SOL	When the control unit detects a malfunction in the rear LH outlet solenoid circuit.	
C1127	RR RH OUT ABS SOL	When the control unit detects a malfunction in the rear RH outlet solenoid circuit.	

### DTC CONFIRMATION PROCEDURE

#### 1. CHECK SELF-DIAGNOSIS RESULTS

Check the self-diagnosis results.

Self-diagnosis results
FR LH OUT ABS SOL
FR RH OUT ABS SOL
RR LH OUT ABS SOL
RR RH OUT ABS SOL

Is above displayed on the self-diagnosis display?

- YES >> Proceed to diagnosis procedure. Refer to [BRC-112. "Diagnosis Procedure"](#).  
NO >> INSPECTION END

### Diagnosis Procedure

INFOID:000000003248106

### INSPECTION PROCEDURE

#### 1. CHECK CONNECTOR

1. Turn ignition switch OFF.
2. Disconnect ABS actuator and electric unit (control unit) connector.
3. Check terminal for deformation, disconnection, looseness, and so on. If any malfunction is found, repair or replace terminal.
4. Reconnect connectors and then perform the self-diagnosis. Refer to [BRC-88. "CONSULT-III Function \(ABS\)"](#).

Is any item indicated on the self-diagnosis display?

- YES >> GO TO 2  
NO >> Poor connection of connector terminal. Repair or replace connector.

#### 2. CHECK SOLENOID, VDC SWITCH-OVER VALVE AND ACTUATOR RELAY POWER SUPPLY CIRCUIT

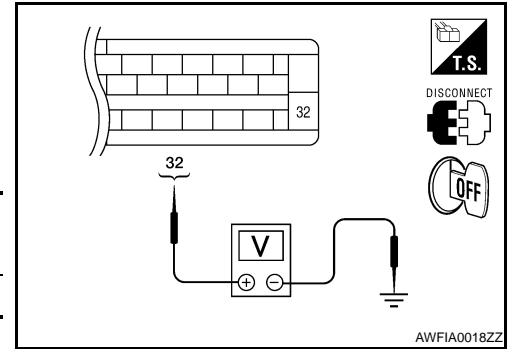


# C1121, C1123, C1125, C1127 OUT ABS SOL

[TYPE 2]

## < COMPONENT DIAGNOSIS >

1. Turn ignition switch OFF.
2. Disconnect ABS actuator and electric unit (control unit) connector.
3. Check voltage between ABS actuator and electric unit (control unit) harness connector terminal and ground.



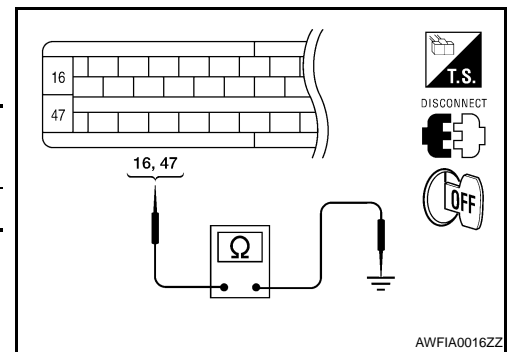
ABS actuator and electric unit (control unit)		—	Voltage
Connector	Terminal		
E125	32	Ground	Battery voltage

Is the inspection result normal?

- YES >> GO TO 3  
 NO >> Repair or replace malfunctioning components.

### 3.CHECK SOLENOID, VDC SWITCH-OVER VALVE AND ACUATOR RELAY GROUND CIRCUIT

Check continuity between ABS actuator and electric unit (control unit) harness connector terminals and ground.



ABS actuator and electric unit (control unit)		—	Continuity
Connector	Terminal		
E125	16, 47	Ground	Yes

Is the inspection result normal?

- YES >> Replace ABS actuator and electric unit (control unit).  
 Refer to [BRC-156, "Removal and Installation"](#).  
 NO >> Repair or replace malfunctioning components.

## Component Inspection

INFOID:000000003248107

### 1.CHECK ACTIVE TEST

1. Select each test menu item on "ACTIVE TEST".
2. On the display, touch "UP", "KEEP", and "DOWN", and check that the system operates as shown in the table below.

Operation		ABS solenoid valve			ABS solenoid valve (ACT)		
		UP	KEEP	DOWN	UP	ACTUA-TOR UP	ACTUA-TOR KEEP
FR RH SOL FR RH ABS SOLE- NOID (ACT)	FR RH IN SOL	OFF	ON	ON	OFF	OFF	OFF
	FR RH OUT SOL	OFF	OFF	ON*	OFF	OFF	OFF
FR LH SOL FR LH ABS SOLE- NOID (ACT)	FR LH IN SOL	OFF	ON	ON	OFF	OFF	OFF
	FR LH OUT SOL	OFF	OFF	ON*	OFF	OFF	OFF
RR RH SOL RR RH ABS SOLE- NOID (ACT)	RR RH IN SOL	OFF	ON	ON	OFF	OFF	OFF
	RR RH OUT SOL	OFF	OFF	ON*	OFF	OFF	OFF
RR LH SOL RR LH ABS SOLE- NOID (ACT)	RR LH IN SOL	OFF	ON	ON	OFF	OFF	OFF
	RR LH OUT SOL	OFF	OFF	ON*	OFF	OFF	OFF
REAR SOL	RR RH IN SOL	OFF	ON	ON	OFF	OFF	OFF
	RR RH OUT SOL	OFF	OFF	ON*	OFF	OFF	OFF
	RR LH IN SOL	OFF	ON	ON	OFF	OFF	OFF
	RR LH OUT SOL	OFF	OFF	ON*	OFF	OFF	OFF

\*: ON for 1 to 2 seconds after the touch, and then OFF

Is the inspection result normal?

- YES >> INSPECTION END

## C1121, C1123, C1125, C1127 OUT ABS SOL

< COMPONENT DIAGNOSIS >

[TYPE 2]

---

NO >> Go to diagnosis procedure. Refer to [BRC-112. "Diagnosis Procedure"](#).

# C1130, C1131, C1136 ENGINE SIGNAL

< COMPONENT DIAGNOSIS >

[TYPE 2]

## C1130, C1131, C1136 ENGINE SIGNAL

### Description

INFOID:000000003248109

ABS actuator and electric unit (control unit) and ECM exchange the engine signal with CAN communication line.

### DTC Logic

INFOID:000000003248110

### DTC DETECTION LOGIC

DTC	Display item	Malfunction detected condition	Possible cause
C1130	ENGINE SIGNAL 1	Based on the signal from ECM, ABS actuator and electric unit (control unit) judges that engine fuel cut system is malfunctioning.	<ul style="list-style-type: none"><li>• Harness or connector</li><li>• ABS actuator and electric unit (control unit)</li><li>• ECM</li><li>• CAN communication line</li></ul>
C1131	ENGINE SIGNAL 2		
C1132	ENGINE SIGNAL 3		
C1133	ENGINE SIGNAL 4		
C1136	ENGINE SIGNAL 6		

### DTC CONFIRMATION PROCEDURE

#### 1. CHECK SELF-DIAGNOSIS RESULTS

Check the self-diagnosis results.

Self-diagnosis results
ENGINE SIGNAL 1
ENGINE SIGNAL 2
ENGINE SIGNAL 3
ENGINE SIGNAL 4
ENGINE SIGNAL 6

Is above displayed on the self-diagnosis display?

- YES >> Proceed to diagnosis procedure. Refer to [BRC-115, "Diagnosis Procedure"](#).  
NO >> INSPECTION END

### Diagnosis Procedure

INFOID:000000003248111

### INSPECTION PROCEDURE

#### 1. CHECK ENGINE SYSTEM

1. Perform ECM self-diagnosis. Repair or replace items indicated, then perform ECM self-diagnosis again. Refer to [EC-512, "CONSULT-III Function \(ENGINE\)"](#).
2. Perform ABS actuator and electric unit (control unit) self-diagnosis. Refer to [BRC-88, "CONSULT-III Function \(ABS\)"](#).

Is any item indicated on the self-diagnosis display?

- YES >> Repair or replace the affected part.  
NO >> INSPECTION END

# C1140 ACTUATOR RLY

< COMPONENT DIAGNOSIS >

[TYPE 2]

## C1140 ACTUATOR RLY

### Description

INFOID:000000003248113

Activates or deactivates each solenoid valve according to the signals transmitted by the ABS actuator and electric unit (control unit).

### DTC Logic

INFOID:000000003248114

### DTC DETECTION LOGIC

DTC	Display item	Malfunction detected condition	Possible cause
C1140	ACTUATOR RLY	ABS actuator relay or circuit malfunction.	<ul style="list-style-type: none"> <li>• Harness or connector</li> <li>• ABS actuator and electric unit (control unit)</li> </ul>

### DTC CONFIRMATION PROCEDURE

#### 1. CHECK SELF-DIAGNOSIS RESULTS

Check the self-diagnosis results.

Self-diagnosis results
ACTUATOR RLY

Is above displayed on the self-diagnosis display?

- YES >> Proceed to diagnosis procedure. Refer to [BRC-116. "Diagnosis Procedure"](#).  
 NO >> INSPECTION END

### Diagnosis Procedure

INFOID:000000003248115

### INSPECTION PROCEDURE

#### 1. CHECK CONNECTOR

1. Turn ignition switch OFF.
2. Disconnect ABS actuator and electric unit (control unit) connector.
3. Check terminal for deformation, disconnection, looseness, and so on. If any malfunction is found, repair or replace terminal.
4. Reconnect connectors and then perform the self-diagnosis. Refer to [BRC-88. "CONSULT-III Function \(ABS\)"](#).

Is any item indicated on the self-diagnosis display?

- YES >> GO TO 2  
 NO >> Poor connection of connector terminal. Repair or replace connector.

#### 2. CHECK SOLENOID, VDC SWITCH-OVER VALVE AND ACTUATOR RELAY POWER SUPPLY CIRCUIT

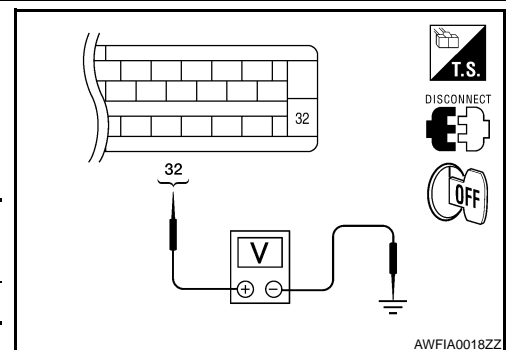
1. Turn ignition switch OFF.
2. Disconnect ABS actuator and electric unit (control unit) connector.
3. Check voltage between ABS actuator and electric unit (control unit) harness connector terminal and ground.

ABS actuator and electric unit (control unit)		—	Voltage
Connector	Terminal		
E125	32	Ground	Battery voltage

Is the inspection result normal?

- YES >> GO TO 3  
 NO >> Repair or replace malfunctioning components.

#### 3. CHECK SOLENOID, VDC SWITCH-OVER VALVE AND ACUATOR RELAY GROUND CIRCUIT



# C1140 ACTUATOR RLY

[TYPE 2]

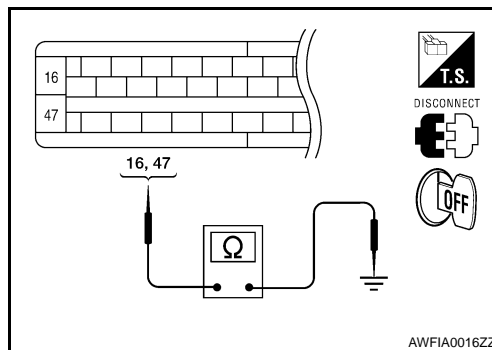
## < COMPONENT DIAGNOSIS >

Check continuity between ABS actuator and electric unit (control unit) harness connector terminals and ground.

ABS actuator and electric unit (control unit)		—	Continuity
Connector	Terminal		
E125	16, 47	Ground	Yes

### Is the inspection result normal?

- YES >> Replace ABS actuator and electric unit (control unit).  
Refer to [BRC-156, "Removal and Installation"](#).
- NO >> Repair or replace malfunctioning components.



## Component Inspection

INFOID:000000003248116

### 1. CHECK ACTIVE TEST

- On "ACTIVE TEST", select "ABS MOTOR".
- Touch ON and OFF on screen. Make sure motor relay and actuator relay operates as shown in table below.

Operation	ON	OFF
MOTOR RELAY	ON	OFF
ACTUATOR RLY	ON	ON

### Is the inspection result normal?

- YES >> INSPECTION END
- NO >> Go to diagnosis procedure. Refer to [BRC-116, "Diagnosis Procedure"](#).

A  
B  
C  
D  
E  
BRC  
G  
H  
I  
J  
K  
L  
M  
N  
O  
P

# C1142 PRESS SENSOR

< COMPONENT DIAGNOSIS >

[TYPE 2]

## C1142 PRESS SENSOR

### Description

INFOID:000000003248419

The front pressure sensor converts the brake fluid pressure to an electric signal and transmits it to the ABS actuator and electric unit (control unit).

### DTC Logic

INFOID:000000003248420

### DTC DETECTION LOGIC

DTC	Display item	Malfunction detected condition	Possible cause
C1142	PRESS SEN CIRCUIT	Pressure sensor signal line is open or shorted, or pressure sensor is malfunctioning.	<ul style="list-style-type: none"> <li>• Harness or connector</li> <li>• Pressure sensor</li> <li>• ABS actuator and electric unit (control unit)</li> </ul>

### DTC CONFIRMATION PROCEDURE

#### 1. CHECK SELF-DIAGNOSIS RESULTS

Check the self-diagnosis results.

Self-diagnosis results
PRESS SEN CIRCUIT

Is above displayed on the self-diagnosis display?

- YES >> Proceed to diagnosis procedure. Refer to [BRC-118, "Diagnosis Procedure"](#).  
 NO >> INSPECTION END

### Diagnosis Procedure

INFOID:000000003248421

### INSPECTION PROCEDURE

#### 1. CONNECTOR INSPECTION

1. Turn the ignition switch OFF.
2. Disconnect the front pressure sensor connector and ABS actuator and electric unit (control unit) connector and inspect the terminals for deformation, disconnection, looseness, or damage.

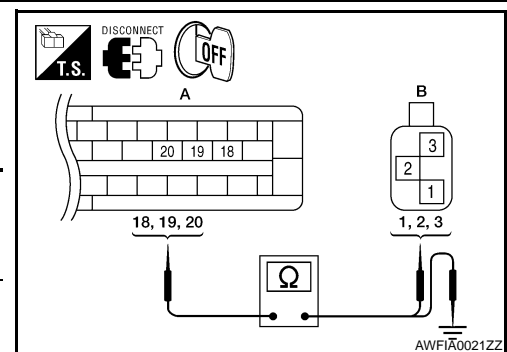
Is the inspection result normal?

- YES >> GO TO 2  
 NO >> Repair connector.

#### 2. FRONT PRESSURE SENSOR CIRCUIT INSPECTION

1. Measure the continuity between the ABS actuator and electric unit (control unit) harness connector E125 (A) terminals 18, 19, 20 and front pressure sensor harness connector E31 (B) terminals 3, 1, 2.

ABS actuator and electric unit (control unit)		Front pressure sensor		Continuity
Connector	Terminal	Connector	Terminal	
E125 (A)	18	E31 (B)	3	Yes
	19		1	
	20		2	



2. Measure the continuity between the ABS actuator and electric unit (control unit) harness connector E125 (A) terminals 18, 19, 20 and body ground.

# C1142 PRESS SENSOR

< COMPONENT DIAGNOSIS >

[TYPE 2]

ABS actuator and electric unit (control unit)		—	Continuity
Connector	Terminal		
E125 (A)	18	Ground	No
	19		
	20		

Is the inspection result normal?

YES >> GO TO 3

NO >> Repair or replace harness or connector.

## 3.FRONT PRESSURE SENSOR INSPECTION

1. Reconnect the front pressure sensor and ABS actuator and electric unit (control unit) connectors.
2. Use "DATA MONITOR" to check if the status of "PRESS SENSOR" is normal.

Condition	PRESS SENSOR (DATA MONITOR)
With ignition switch turned ON and brake pedal released.	Approx. 0 bar
With ignition switch turned ON and brake pedal depressed.	Positive value

Is the inspection result normal?

YES >> Inspection End.

NO >> Replace the front pressure sensor.

## Component Inspection

INFOID:000000003248422

### 1.CHECK DATA MONITOR

On "DATA MONITOR", select "PRESS SENSOR" and check the brake fluid pressure.

Condition	PRESS SENSOR (DATA MONITOR)
With ignition switch turned ON and brake pedal released.	Approx. 0 bar
With ignition switch turned ON and brake pedal depressed.	Positive value

Is the inspection result normal?

YES >> INSPECTION END

NO >> Go to diagnosis procedure. Refer to [BRC-118, "Diagnosis Procedure"](#).

# C1155 BRAKE FLUID LEVEL SWITCH

< COMPONENT DIAGNOSIS >

[TYPE 2]

## C1155 BRAKE FLUID LEVEL SWITCH

### Description

INFOID:000000003248124

The brake fluid level switch converts the brake fluid level to an electric signal and transmits it to the ABS actuator and electric unit (control unit).

### DTC Logic

INFOID:000000003248125

### DTC DETECTION LOGIC

DTC	Display item	Malfunction detected condition	Possible cause
C1155	BR FLUID LEVEL LOW	Brake fluid level is low or communication line between the ABS actuator and electric unit (control unit) and brake fluid level switch is open or shorted.	<ul style="list-style-type: none"> <li>• Harness or connector</li> <li>• Brake fluid level switch</li> <li>• Brake fluid level</li> </ul>

### DTC CONFIRMATION PROCEDURE

#### 1. CHECK SELF-DIAGNOSIS RESULTS

Check the self-diagnosis results.

Self-diagnosis results
BR FLUID LEVEL LOW

Is above displayed on the self-diagnosis display?

- YES >> Proceed to diagnosis procedure. Refer to [BRC-120. "Diagnosis Procedure"](#).  
 NO >> INSPECTION END

### Diagnosis Procedure

INFOID:000000003248126

### INSPECTION PROCEDURE

#### 1. CONNECTOR INSPECTION

1. Disconnect ABS actuator and electric unit (control unit) connector and brake fluid level switch connector.
2. Check the terminals for deformation, disconnection, looseness or damage.

Is the inspection result normal?

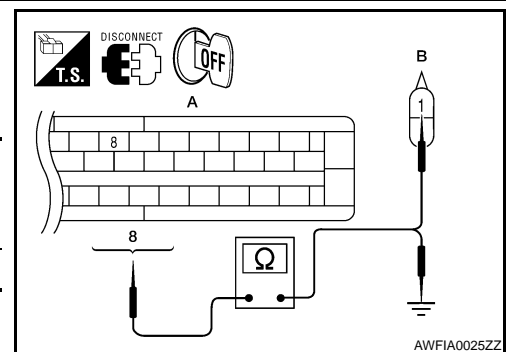
- YES >> GO TO 2  
 NO >> Repair or replace as necessary.

#### 2. CHECK HARNESS BETWEEN BRAKE FLUID LEVEL SWITCH AND ABS ACTUATOR AND ELECTRIC UNIT (CONTROL UNIT)

1. Check continuity between ABS actuator and electric unit (control unit) harness connector E125 (A) terminal 8 and brake fluid level switch harness connector E21 (B) terminal 1.

ABS actuator and electric unit (control unit)		Brake fluid level switch		Continuity
Connector	Terminal	Connector	Terminal	
E125 (A)	8	E21 (B)	1	Yes

2. Check continuity between ABS actuator and electric unit (control unit) harness connector E125 (A) terminal 8 and ground.



ABS actuator and electric unit (control unit)		—	Continuity
Connector	Terminal		
E125 (A)	8	Ground	No

Is the inspection result normal?



# C1155 BRAKE FLUID LEVEL SWITCH

[TYPE 2]

## < COMPONENT DIAGNOSIS >

- YES >> GO TO 3
- NO >> Repair or replace malfunctioning components.

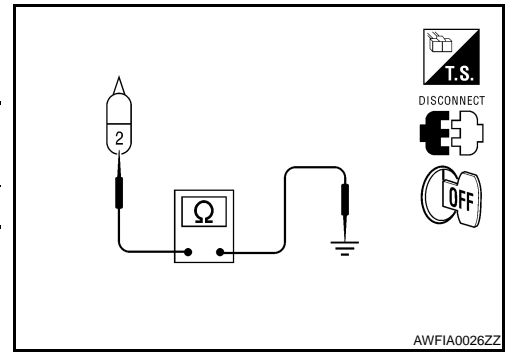
### 3.CHECK BRAKE FLUID LEVEL SWITCH GROUND

Check continuity between brake fluid level switch harness connector E21 terminal 2 and ground.

Brake fluid level switch		—	Continuity
Connector	Terminal		
E21	2	Ground	Yes

Is the inspection result normal?

- YES >> GO TO 4
- NO >> Repair or replace malfunctioning components.



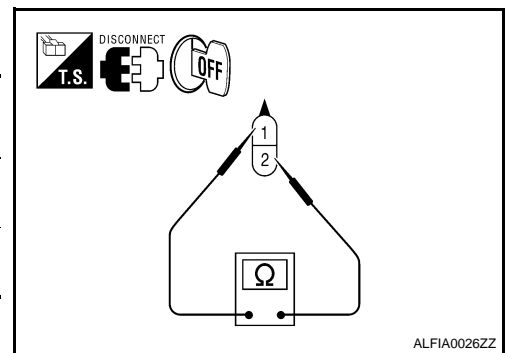
### 4.CHECK BRAKE FLUID LEVEL SWITCH

Check continuity between brake fluid level switch terminals.

Brake fluid level switch		Condition	Continuity
Terminal			
1 - 2		When brake fluid is full in the reservoir tank.	No
		When brake fluid is empty in the reservoir tank.	Yes

Is the inspection result normal?

- YES >> Perform self-diagnosis again. If the same results appear, replace ABS actuator and electric unit (control unit). Refer to [BRC-156, "Removal and Installation"](#).
- NO >> Replace brake fluid level switch.



## Component Inspection

INFOID:000000003248127

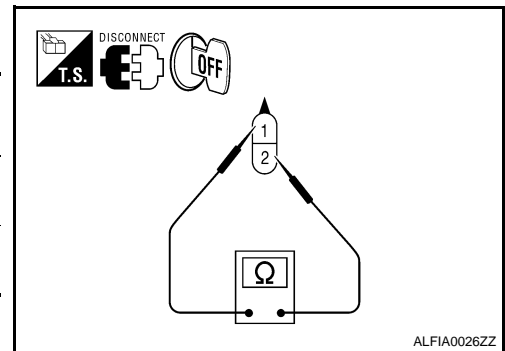
### 1.CHECK BRAKE FLUID LEVEL SWITCH

1. Turn ignition switch OFF.
2. Disconnect brake fluid level switch connector.
3. Check continuity between brake fluid level switch terminals.

Brake fluid level switch		Condition	Continuity
Terminal			
1 - 2		When brake fluid is full in the reservoir tank.	No
		When brake fluid is empty in the reservoir tank.	Yes

Is the inspection result normal?

- YES >> INSPECTION END
- NO >> Replace brake fluid level switch.



A  
B  
C  
D  
E  
BRC  
G  
H  
I  
J  
K  
L  
M  
N  
O  
P

# C1164, C1165, C1166, C1167 CV/SV SYSTEM

< COMPONENT DIAGNOSIS >

[TYPE 2]

## C1164, C1165, C1166, C1167 CV/SV SYSTEM

### Description

INFOID:000000003248138

#### CV1, CV2 (CUT VALVE)

The cut valve shuts off the normal brake fluid path from the master cylinder, when VDC/TCS is activated.

#### SV1, SV2 (SUCTION VALVE)

The suction valve supplies the brake fluid from the master cylinder to the pump, when VDC/TCS is activated.

### DTC Logic

INFOID:000000003248139

### DTC DETECTION LOGIC

DTC	Display item	Malfunction detected condition	Possible cause
C1164	CV1	VDC switch-over solenoid valve (CV1) on the primary side is open circuit or shorted, or the control line is open or shorted to the power supply or the ground.	<ul style="list-style-type: none"><li>• Harness or connector</li><li>• ABS actuator and electric unit (control unit)</li></ul>
C1165	CV2	VDC switch-over solenoid valve (CV2) on the primary side is open circuit or shorted, or the control line is open or shorted to the power supply or the ground.	
C1166	SV1	VDC switch-over solenoid valve (SV1) on the primary side is open circuit or shorted, or the control line is open or shorted to the power supply or the ground.	
C1167	SV2	VDC switch-over solenoid valve (SV2) on the primary side is open circuit or shorted, or the control line is open or shorted to the power supply or the ground.	

### DTC CONFIRMATION PROCEDURE

#### 1. CHECK SELF-DIAGNOSIS RESULTS

Check the self-diagnosis results.

Self-diagnosis results
CV1
CV2
SV1
SV2

Is above displayed on the self-diagnosis display?

- YES >> Proceed to diagnosis procedure. Refer to [BRC-122. "Diagnosis Procedure"](#).  
NO >> INSPECTION END

### Diagnosis Procedure

INFOID:000000003248140

### INSPECTION PROCEDURE

#### 1. CHECK CONNECTOR

1. Turn ignition switch OFF.
2. Disconnect ABS actuator and electric unit (control unit) connector.
3. Check terminal for deformation, disconnection, looseness, and so on. If any malfunction is found, repair or replace terminal.
4. Reconnect connectors and then perform the self-diagnosis. Refer to [BRC-88. "CONSULT-III Function \(ABS\)"](#).

Is any item indicated on the self-diagnosis display?

- YES >> GO TO 2  
NO >> Poor connection of connector terminal. Repair or replace connector.

# C1164, C1165, C1166, C1167 CV/SV SYSTEM

< COMPONENT DIAGNOSIS >

[TYPE 2]

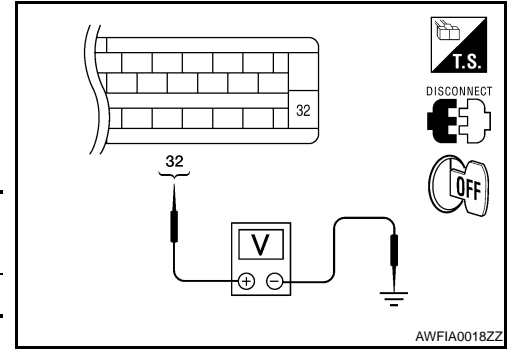
## 2. CHECK SOLENOID, VDC SWITCH-OVER VALVE AND ACTUATOR RELAY POWER SUPPLY CIRCUIT

1. Turn ignition switch OFF.
2. Disconnect ABS actuator and electric unit (control unit) connector.
3. Check voltage between ABS actuator and electric unit (control unit) harness connector terminal and ground.

ABS actuator and electric unit (control unit)		—	Voltage
Connector	Terminal		
E125	32	Ground	Battery voltage

Is the inspection result normal?

- YES >> GO TO 3  
 NO >> Repair or replace malfunctioning components.



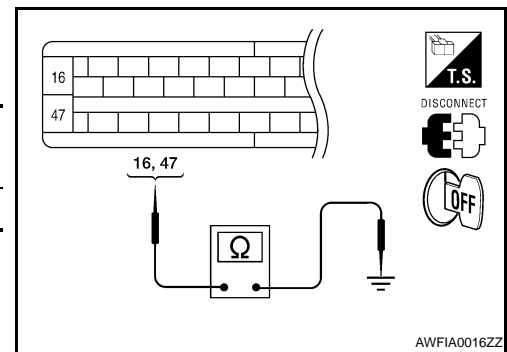
## 3. CHECK SOLENOID, VDC SWITCH-OVER VALVE AND ACUATOR RELAY GROUND CIRCUIT

Check continuity between ABS actuator and electric unit (control unit) harness connector terminals and ground.

ABS actuator and electric unit (control unit)		—	Continuity
Connector	Terminal		
E125	16, 47	Ground	Yes

Is the inspection result normal?

- YES >> Replace ABS actuator and electric unit (control unit).  
 Refer to [BRC-156, "Removal and Installation"](#).  
 NO >> Repair or replace malfunctioning components.



## Component Inspection

INFOID:000000003248141

### 1. CHECK ACTIVE TEST

1. Select each test menu item on "ACTIVE TEST".
2. On the display, touch "UP", "ACT UP", and "ACT KEEP", and check that the system operates as shown in the table below.

Operation		ABS solenoid valve			ABS solenoid valve (ACT)		
		UP	KEEP	DOWN	UP	ACTUA-TOR UP	ACTUA-TOR KEEP
FR RH SOL FR RH ABS SOLE- NOID (ACT)	FR RH IN SOL	OFF	ON	ON	OFF	OFF	OFF
	FR RH OUT SOL	OFF	OFF	ON*	OFF	OFF	OFF
FR LH SOL FR LH ABS SOLE- NOID (ACT)	FR LH IN SOL	OFF	ON	ON	OFF	OFF	OFF
	FR LH OUT SOL	OFF	OFF	ON*	OFF	OFF	OFF
RR RH SOL RR RH ABS SOLE- NOID (ACT)	RR RH IN SOL	OFF	ON	ON	OFF	OFF	OFF
	RR RH OUT SOL	OFF	OFF	ON*	OFF	OFF	OFF
RR LH SOL RR LH ABS SOLE- NOID (ACT)	RR LH IN SOL	OFF	ON	ON	OFF	OFF	OFF
	RR LH OUT SOL	OFF	OFF	ON*	OFF	OFF	OFF
REAR SOL	RR RH IN SOL	OFF	ON	ON	OFF	OFF	OFF
	RR RH OUT SOL	OFF	OFF	ON*	OFF	OFF	OFF
	RR LH IN SOL	OFF	ON	ON	OFF	OFF	OFF
	RR LH OUT SOL	OFF	OFF	ON*	OFF	OFF	OFF

\*: ON for 1 to 2 seconds after the touch, and then OFF

## C1164, C1165, C1166, C1167 CV/SV SYSTEM

< COMPONENT DIAGNOSIS >

[TYPE 2]

---

Is the inspection result normal?

YES >> INSPECTION END

NO >> Go to diagnosis procedure. Refer to [BRC-122. "Diagnosis Procedure"](#).

# C1187 DIFFERENTIAL LOCK CONTROL UNIT

< COMPONENT DIAGNOSIS >

[TYPE 2]

## C1187 DIFFERENTIAL LOCK CONTROL UNIT

### Description

INFOID:000000003292557

The differential lock control unit is connected to the ABS actuator and electric unit (control unit) via CAN lines. CAN (Controller Area Network) is a serial communication line for real time application. It is an on-vehicle multiplex communication line with high data communication speed and excellent error detection ability. Many electronic control units are equipped onto a vehicle, and each control unit shares information and links with other control units during operation (not independent). In CAN communication, control units are connected with 2 communication lines (CAN H line, CAN L line) allowing a high rate of information transmission with less wiring. Each control unit transmits/receives data but selectively reads required data only.

### DTC Logic

INFOID:000000003292558

### DTC DETECTION LOGIC

DTC	Display item	Malfunction detected condition	Possible cause
C1187	ABS DIFLOCK CONTROL- LER NG	Differential lock controller malfunction.	<ul style="list-style-type: none"><li>• Harness or connector</li><li>• CAN communication line</li><li>• Differential lock control unit</li><li>• ABS actuator and electric unit (control unit)</li></ul>

A  
B  
C  
D  
E  
G  
H  
I  
J  
K  
L  
M  
N  
O  
P

BRC

### DTC CONFIRMATION PROCEDURE

#### 1.CHECK SELF-DIAGNOSIS RESULTS

Check the self-diagnosis results.

Self-diagnosis results

ABS DIFLOCK CONTROLLER NG

Is above displayed on the self-diagnosis display?

- YES >> Proceed to diagnosis procedure. Refer to [BRC-125, "Diagnosis Procedure"](#).  
NO >> INSPECTION END

### Diagnosis Procedure

INFOID:000000003292559

### INSPECTION PROCEDURE

#### 1.CHECK CONNECTOR

1. Turn ignition switch OFF and disconnect ABS actuator and electric unit (control unit) connector E125, check terminal for deformation, disconnection, looseness, and so on. If any malfunction is found, repair or replace terminal.
2. Reconnect connector and perform self-diagnosis.

Self-diagnosis results

ABS DIFLOCK CONTROLLER NG

Is above displayed on the self-diagnosis display?

- YES >> Refer to [LAN-14, "Trouble Diagnosis Flow Chart"](#).  
NO >> INSPECTION END

# U1000 CAN COMM CIRCUIT

< COMPONENT DIAGNOSIS >

[TYPE 2]

## U1000 CAN COMM CIRCUIT

### Description

INFOID:000000003248144

CAN (Controller Area Network) is a serial communication line for real time application. It is an on-vehicle multiplex communication line with high data communication speed and excellent error detection ability. Many electronic control units are equipped onto a vehicle, and each control unit shares information and links with other control units during operation (not independent). In CAN communication, control units are connected with 2 communication lines (CAN H line, CAN L line) allowing a high rate of information transmission with less wiring. Each control unit transmits/receives data but selectively reads required data only.

### DTC Logic

INFOID:000000003248145

### DTC DETECTION LOGIC

DTC	Display item	Malfunction detected condition	Possible cause
U1000	CAN COMM CIRCUIT	When ABS actuator and electric unit (control unit) is not transmitting or receiving CAN communication signal for 2 seconds or more.	<ul style="list-style-type: none"><li>• CAN communication line</li><li>• ABS actuator and electric unit (control unit)</li></ul>

### Diagnosis Procedure

INFOID:000000003248146

#### INSPECTION PROCEDURE

#### 1. CHECK CONNECTOR

1. Turn ignition switch OFF, disconnect the ABS actuator and electric unit (control unit) connector, and check the terminals for deformation, disconnection, looseness, and so on. If there is a malfunction, repair or replace the terminal.
2. Reconnect connector and perform self-diagnosis.

Is "CAN COMM CIRCUIT" displayed in self-diagnosis display items?

- YES >> Print out the self-diagnostic results, and refer to [LAN-14, "Trouble Diagnosis Flow Chart"](#).
- NO >> Connector terminal is loose, damaged, open, or shorted.

# ABS WARNING LAMP

< COMPONENT DIAGNOSIS >

[TYPE 2]

## ABS WARNING LAMP

### Description

INFOID:000000003248459

x: ON –: OFF

Condition	ABS warning lamp
Ignition switch OFF	–
For 1 second after turning ON ignition switch	x
1 second later after turning ON ignition switch	–
ABS function is malfunctioning.	x
EBD function is malfunctioning.	x

### Component Function Check

INFOID:000000003248460

#### 1.CHECK ABS WARNING LAMP OPERATION

Check that the lamp illuminates for approximately 1 second after the ignition switch is turned ON.

Is the inspection result normal?

YES >> INSPECTION END

NO >> Go to diagnosis procedure. Refer to [BRC-127, "Diagnosis Procedure"](#).

#### Diagnosis Procedure

INFOID:000000003248461

#### 1.CHECK SELF-DIAGNOSIS

Perform ABS actuator and electric unit (control unit) self-diagnosis. Refer to [BRC-88, "CONSULT-III Function \(ABS\)"](#).

Is the inspection result normal?

YES >> GO TO 2

NO >> Check items displayed by self-diagnosis.

#### 2.CHECK COMBINATION METER

Check if the indication and operation of combination meter are normal. Refer to [MWI-23, "Diagnosis Description"](#).

Is the inspection result normal?

YES >> Replace ABS actuator and electric unit (control unit). Refer to [BRC-156, "Removal and Installation"](#).

NO >> Replace combination meter. Refer to [MWI-91, "Removal and Installation"](#).

# BRAKE WARNING LAMP

< COMPONENT DIAGNOSIS >

[TYPE 2]

## BRAKE WARNING LAMP

### Description

INFOID:000000003248462

×: ON –: OFF

Condition	Brake warning lamp (Note 1)
Ignition switch OFF	–
For 1 second after turning ON ignition switch	× (Note 2)
1 second later after turning ON ignition switch	× (Note 2)
EBD function is malfunctioning.	×

#### NOTE:

- 1: Brake warning lamp will turn on in case of parking brake operation (when switch is ON) or of brake fluid level switch operation (when brake fluid is insufficient).
- 2: After starting engine, brake warning lamp is turned off.

### Component Function Check

INFOID:000000003248463

#### 1. BRAKE WARNING LAMP OPERATION CHECK

Check that the lamp illuminates for approximately 1 second after the ignition switch is turned ON.

Is the inspection result normal?

YES >> INSPECTION END

NO >> Go to diagnosis procedure. Refer to [BRC-128, "Diagnosis Procedure"](#).

### Diagnosis Procedure

INFOID:000000003248464

#### 1. CHECK SELF-DIAGNOSIS

Perform ABS actuator and electric unit (control unit) self-diagnosis.

Is the inspection result normal?

YES >> GO TO 2

NO >> Check items displayed by self-diagnosis.

#### 2. CHECK COMBINATION METER

Check if the indication and operation of combination meter are normal. Refer to [MWI-23, "Diagnosis Description"](#).

Is the inspection result normal?

YES >> Replace ABS actuator and electric unit (control unit). Refer to [BRC-156, "Removal and Installation"](#).

NO >> Replace combination meter. Refer to [MWI-91, "Removal and Installation"](#).



# SLIP INDICATOR LAMP

< COMPONENT DIAGNOSIS >

[TYPE 2]

## SLIP INDICATOR LAMP

### Description

INFOID:000000003248475

×: ON –: OFF

Condition	SLIP indicator lamp
Ignition switch OFF	–
For 1 second after turning ON ignition switch	×
1 second later after turning ON ignition switch	–
VDC/TCS function is malfunctioning.	×
ABS function is malfunctioning.	×
EBD function is malfunctioning.	×

### Component Function Check

INFOID:000000003248476

#### 1.CHECK SLIP INDICATOR LAMP OPERATION

Check that the lamp illuminates for approximately 1 second after the ignition switch is turned ON.

Is the inspection result normal?

YES >> INSPECTION END

NO >> Go to diagnosis procedure. Refer to [BRC-129. "Diagnosis Procedure"](#).

#### Diagnosis Procedure

INFOID:000000003248477

#### 1.CHECK SELF-DIAGNOSIS

Perform ABS actuator and electric unit (control unit) self-diagnosis. Refer to [BRC-88. "CONSULT-III Function \(ABS\)"](#).

Is the inspection result normal?

YES >> GO TO 2

NO >> Check items displayed by self-diagnosis.

#### 2.CHECK COMBINATION METER

Check if the indication and operation of combination meter are normal. Refer to [MWI-23. "Diagnosis Description"](#).

Is the inspection result normal?

YES >> Replace ABS actuator and electric unit (control unit). Refer to [BRC-156. "Removal and Installation"](#).

NO >> Replace combination meter. Refer to [MWI-91. "Removal and Installation"](#).

# APPLICATION NOTICE

< ECU DIAGNOSIS >

[TYPE 2]

## ECU DIAGNOSIS

### APPLICATION NOTICE

Application Notice

INFOID:000000003248353

Service information	Remarks
TYPE 1	ABS
TYPE 2	ABLS/ABS
TYPE 3	HILL DESCENT CONTROL/HILL START ASSIST/VDC/TCS/ABS

# ABS ACTUATOR AND ELECTRIC UNIT (CONTROL UNIT)

< ECU DIAGNOSIS >

[TYPE 2]

## ABS ACTUATOR AND ELECTRIC UNIT (CONTROL UNIT)

### Reference Value

INFOID:000000003248165

### VALUES ON THE DIAGNOSIS TOOL

**CAUTION:**

**The display shows the control unit calculation data, so a normal value might be displayed even in the event the output circuit (harness) is open or short-circuited.**

#### CONSULT-III MONITOR ITEM

Monitor item	Display content	Data monitor	
		Condition	Reference value in normal operation
FR LH SENSOR	Wheel speed	0 [km/h (MPH)]	Vehicle stopped
		Nearly matches the speed meter display (± 10% or less)	Vehicle running (Note 1)
FR RH SENSOR	Wheel speed	0 [km/h (MPH)]	Vehicle stopped
		Nearly matches the speed meter display (± 10% or less)	Vehicle running (Note 1)
RR LH SENSOR	Wheel speed	0 [km/h (MPH)]	Vehicle stopped
		Nearly matches the speed meter display (± 10% or less)	Vehicle running (Note 1)
RR RH SENSOR	Wheel speed	0 [km/h (MPH)]	Vehicle stopped
		Nearly matches the speed meter display (± 10% or less)	Vehicle running (Note 1)
STOP LAMP SW	Stop lamp switch signal status	When brake pedal is depressed	ON
		When brake pedal is released	OFF
BATTERY VOLT	Battery voltage supplied to the ABS actuator and electric unit (control unit)	Ignition switch ON	10 – 16 V
ACCEL POS SIG	Throttle actuator opening/closing is displayed (linked with accelerator pedal)	Accelerator pedal not depressed (ignition switch is ON)	0 %
		Accelerator pedal depressed (ignition switch is ON)	0 - 100 %
ENGINE SPEED	With engine running	With engine stopped	0 rpm
		Engine running	Almost in accordance with tachometer display
FLUID LEV SW	Brake fluid level switch signal status	When brake fluid level switch ON	ON
		When brake fluid level switch OFF	OFF
FR RH IN SOL	Operation status of each solenoid valve	Actuator (solenoid valve) is active ("ACTIVE TEST" with CONSULT-III) or actuator relay is inactive (in fail-safe mode)	ON
		When the actuator (solenoid valve) is not active and actuator relay is active (ignition switch ON)	OFF
FR RH OUT SOL	Operation status of each solenoid valve	Actuator (solenoid valve) is active ("ACTIVE TEST" with CONSULT-III) or actuator relay is inactive (in fail-safe mode)	ON
		When the actuator (solenoid valve) is not active and actuator relay is active (ignition switch ON)	OFF

A  
B  
C  
D  
E  
BRC  
G  
H  
I  
J  
K  
L  
M  
N  
O  
P

# ABS ACTUATOR AND ELECTRIC UNIT (CONTROL UNIT)

< ECU DIAGNOSIS >

[TYPE 2]

Monitor item	Display content	Data monitor	
		Condition	Reference value in normal operation
FR LH IN SOL	Operation status of each solenoid valve	Actuator (solenoid valve) is active ("ACTIVE TEST" with CONSULT-III) or actuator relay is inactive (in fail-safe mode)	ON
		When the actuator (solenoid valve) is not active and actuator relay is active (ignition switch ON)	OFF
FR LH OUT SOL	Operation status of each solenoid valve	Actuator (solenoid valve) is active ("ACTIVE TEST" with CONSULT-III) or actuator relay is inactive (in fail-safe mode)	ON
		When the actuator (solenoid valve) is not active and actuator relay is active (ignition switch ON)	OFF
RR RH IN SOL	Operation status of each solenoid valve	Actuator (solenoid valve) is active ("ACTIVE TEST" with CONSULT-III) or actuator relay is inactive (in fail-safe mode)	ON
		When the actuator (solenoid valve) is not active and actuator relay is active (ignition switch ON)	OFF
RR RH OUT SOL	Operation status of each solenoid valve	Actuator (solenoid valve) is active ("ACTIVE TEST" with CONSULT-III) or actuator relay is inactive (in fail-safe mode)	ON
		When the actuator (solenoid valve) is not active and actuator relay is active (ignition switch ON)	OFF
RR LH IN SOL	Operation status of each solenoid valve	Actuator (solenoid valve) is active ("ACTIVE TEST" with CONSULT-III) or actuator relay is inactive (in fail-safe mode)	ON
		When the actuator (solenoid valve) is not active and actuator relay is active (ignition switch ON)	OFF
RR LH OUT SOL	Operation status of each solenoid valve	Actuator (solenoid valve) is active ("ACTIVE TEST" with CONSULT-III) or actuator relay is inactive (in fail-safe mode)	ON
		When the actuator (solenoid valve) is not active and actuator relay is active (ignition switch ON)	OFF
MOTOR RELAY	Motor and motor relay operation	When the motor relay and motor are operating	ON
		When the motor relay and motor are not operating	OFF
ACTUATOR RLY	Actuator relay operation	When the actuator relay is operating	ON
		When the actuator relay is not operating	OFF
ABS WARN LAMP	ABS warning lamp (Note 3)	When ABS warning lamp is ON	ON
		When ABS warning lamp is OFF	OFF
SLIP LAMP	SLIP indicator lamp (Note 3)	When SLIP indicator lamp is ON	ON
		When SLIP indicator lamp is OFF	OFF
EBD SIGNAL	EBD operation	EBD is active	ON
		EBD is inactive	OFF
ABS SIGNAL	ABS operation	ABS is active	ON
		ABS is inactive	OFF

# ABS ACTUATOR AND ELECTRIC UNIT (CONTROL UNIT)

< ECU DIAGNOSIS >

[TYPE 2]

Monitor item	Display content	Data monitor	
		Condition	Reference value in normal operation
TCS SIGNAL	TCS operation	TCS is active	ON
		TCS is inactive	OFF
EBD FAIL SIG	EBD fail-safe signal	In EBD fail-safe	ON
		EBD is normal	OFF
ABS FAIL SIG	ABS fail-safe signal	In ABS fail-safe	ON
		ABS is normal	OFF
TCS FAIL SIG	TCS fail-safe signal	In TCS fail-safe	ON
		TCS is normal	OFF
CRANKING SIG	Crank operation	Crank is active	ON
		Crank is inactive	OFF
CV1	VDC switch-over valve	When actuator (switch-over valve) is active ("ACTIVE TEST" with CONSULT-III) or actuator relay is inactive (when in fail-safe mode)	ON
		When actuator (switch-over valve) is not active and actuator relay is active (ignition switch ON)	OFF
CV2	VDC switch-over valve	When actuator (switch-over valve) is active ("ACTIVE TEST" with CONSULT-III) or actuator relay is inactive (when in fail-safe mode)	ON
		When actuator (switch-over valve) is not active and actuator relay is active (ignition switch ON)	OFF
SV1	VDC switch-over valve	When actuator (switch-over valve) is active ("ACTIVE TEST" with CONSULT-III) or actuator relay is inactive (when in fail-safe mode)	ON
		When actuator (switch-over valve) is not active and actuator relay is active (ignition switch ON)	OFF
SV2	VDC switch-over valve	When actuator (switch-over valve) is active ("ACTIVE TEST" with CONSULT-III) or actuator relay is inactive (when in fail-safe mode)	ON
		When actuator (switch-over valve) is not active and actuator relay is active (ignition switch ON)	OFF
DECEL G-SEN	Longitudinal acceleration detected by Decel G-Sensor	Vehicle stopped	Approx. 0 G
		Vehicle running	-1.7 to 1.7 G
EBD WARN LAMP	EBD warning lamp (Note 2)	When EBD warning lamp is ON	ON
		When EBD warning lamp is OFF	OFF

**NOTE:**

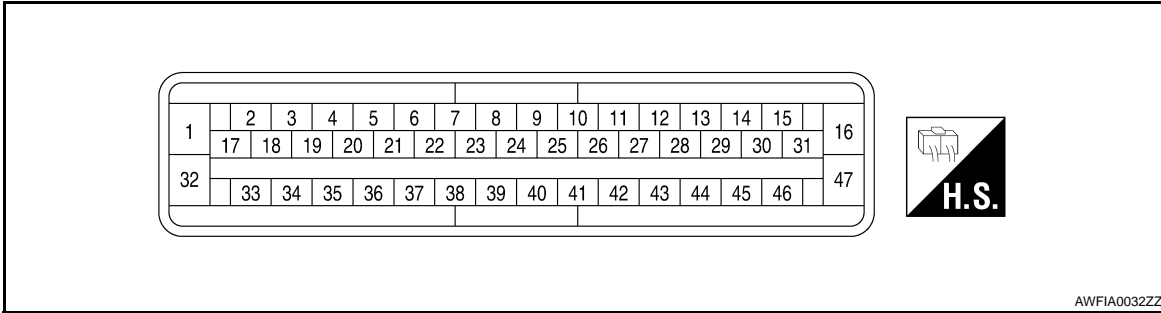
- 1: Confirm tire pressure is normal.
- 2: On and off timing for warning lamp and indicator lamp.
- ABS warning lamp: Refer to [BRC-127](#), "Description".
- Brake warning lamp: Refer to [BRC-128](#), "Description".
- SLIP indicator lamp: Refer to [BRC-129](#), "Description".

# ABS ACTUATOR AND ELECTRIC UNIT (CONTROL UNIT)

< ECU DIAGNOSIS >

[TYPE 2]

## TERMINAL LAYOUT



# ABS ACTUATOR AND ELECTRIC UNIT (CONTROL UNIT)

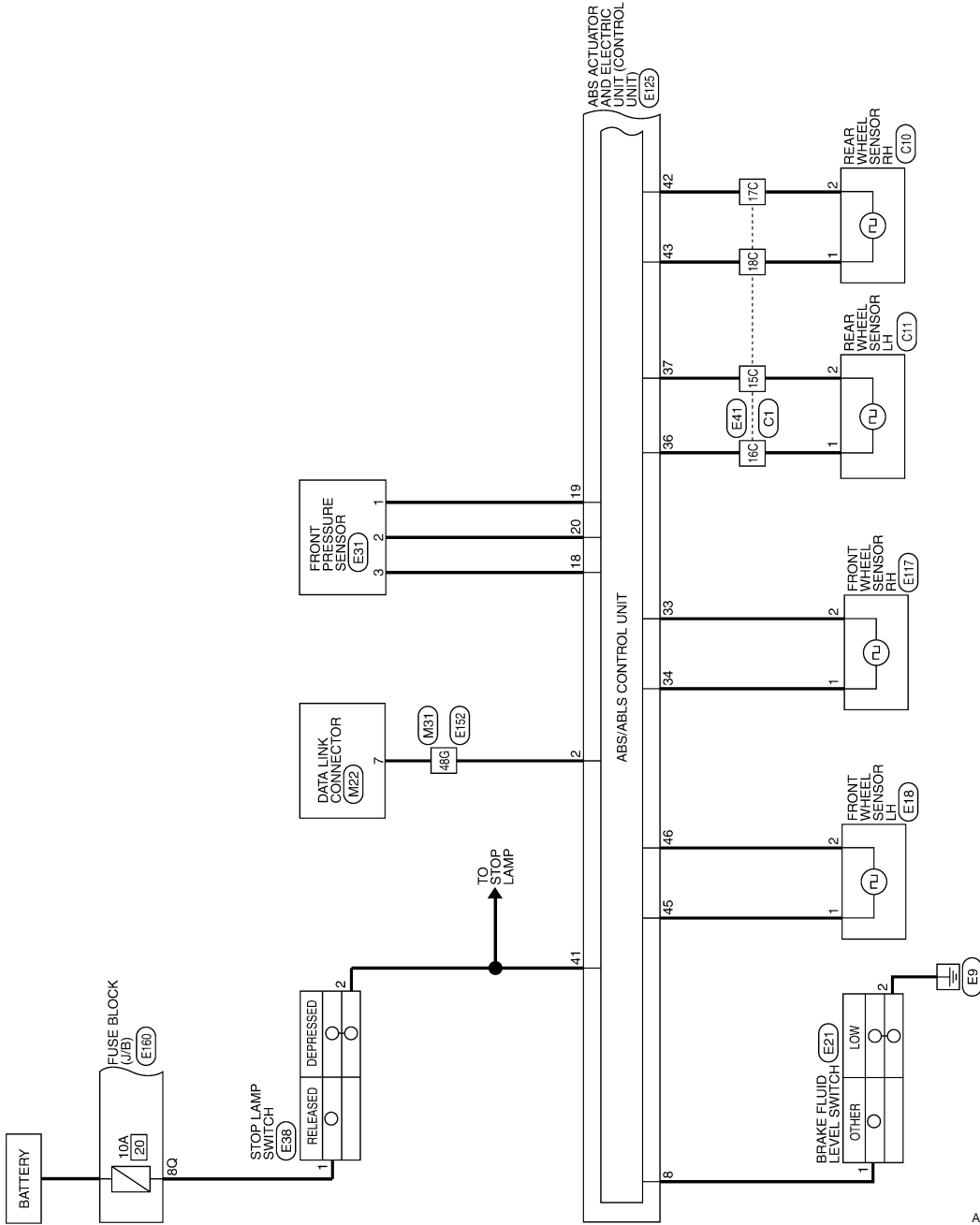
< ECU DIAGNOSIS >

[TYPE 2]

## Wiring Diagram - ABL5

INFOID:000000003248166

### BRAKE CONTROL SYSTEM - ABL5



A  
B  
C  
D  
E  
BRC  
G  
H  
I  
J  
K  
L  
M  
N  
O  
P

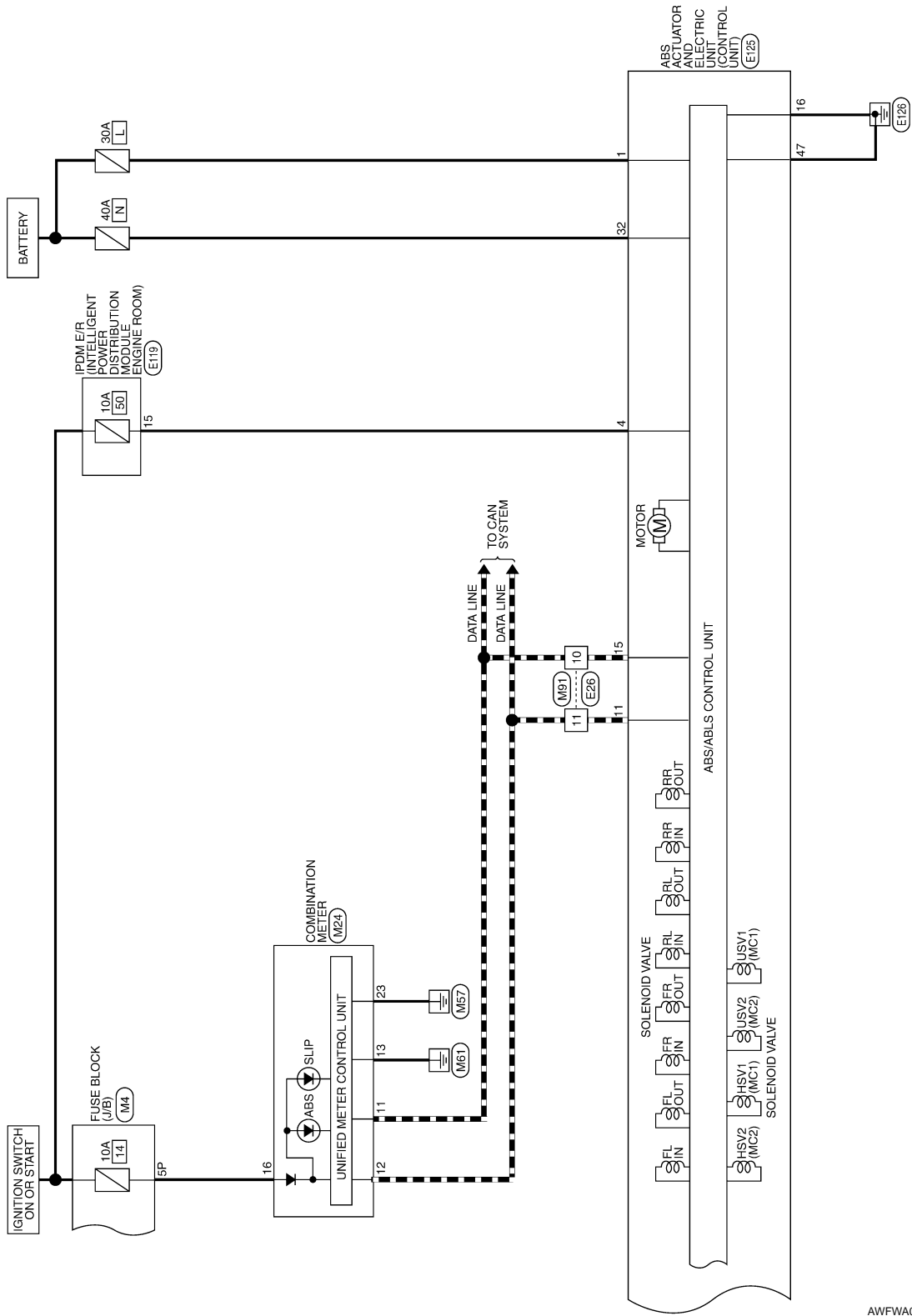
AWFWA0043GI

# ABS ACTUATOR AND ELECTRIC UNIT (CONTROL UNIT)

< ECU DIAGNOSIS >

[TYPE 2]

--- : DATA LINE



AWFWA0044GI



# ABS ACTUATOR AND ELECTRIC UNIT (CONTROL UNIT)

< ECU DIAGNOSIS >

[TYPE 2]

## BRAKE CONTROL SYSTEM CONNECTORS - ABLS

Connector No.	M4
Connector Name	FUSE BLOCK (J/B)
Connector Color	WHITE



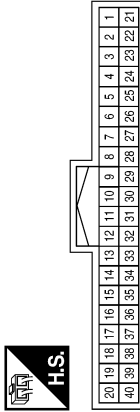
Terminal No.	Color of Wire	Signal Name
5P	W/G	—

Connector No.	M22
Connector Name	DATA LINK CONNECTOR
Connector Color	WHITE



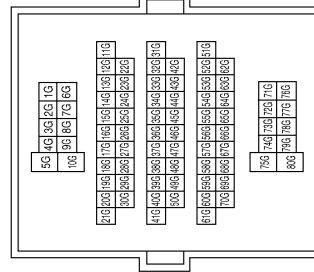
Terminal No.	Color of Wire	Signal Name
7	W	—

Connector No.	M24
Connector Name	COMBINATION METER
Connector Color	WHITE



Terminal No.	Color of Wire	Signal Name
11	P	CAN-L
12	L	CAN-H
13	GR	GROUND
16	W/G	RUN START
23	B	GND (POWER)

Connector No.	M31
Connector Name	WIRE TO WIRE
Connector Color	WHITE



Terminal No.	Color of Wire	Signal Name
48G	W	—

Connector No.	M91
Connector Name	WIRE TO WIRE
Connector Color	WHITE



Terminal No.	Color of Wire	Signal Name
10	P	—
11	L	—

Connector No.	E18
Connector Name	FRONT WHEEL SENSOR LH
Connector Color	GRAY



Terminal No.	Color of Wire	Signal Name
1	G	—
2	R	—

A  
B  
C  
D  
E  
BRC  
G  
H  
I  
J  
K  
L  
M  
N  
O  
P

# ABS ACTUATOR AND ELECTRIC UNIT (CONTROL UNIT)

< ECU DIAGNOSIS >

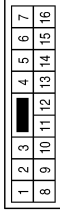
[TYPE 2]

Connector No.	E21
Connector Name	BRAKE FLUID LEVEL SWITCH
Connector Color	GRAY



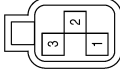
Terminal No.	Color of Wire	Signal Name
1	SB	-
2	B	-

Connector No.	E26
Connector Name	WIRE TO WIRE
Connector Color	WHITE



Terminal No.	Color of Wire	Signal Name
10	P	-
11	L	-

Connector No.	E31
Connector Name	FRONT PRESSURE SENSOR
Connector Color	BLACK



Terminal No.	Color of Wire	Signal Name
1	W	GND
2	LG	SIG
3	O	PWR

Connector No.	E38
Connector Name	STOP LAMP SWITCH (WITH M/T)
Connector Color	BLACK



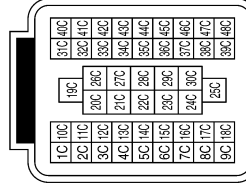
Terminal No.	Color of Wire	Signal Name
1	R/B	-
2	Y	-

Connector No.	E38
Connector Name	STOP LAMP SWITCH (WITH A/T)
Connector Color	WHITE



Terminal No.	Color of Wire	Signal Name
1	R/B	-
2	Y	-

Connector No.	E41
Connector Name	WIRE TO WIRE
Connector Color	BLACK



Terminal No.	Color of Wire	Signal Name
15C	P	-
16C	L	-
17C	V	-
18C	LG	-

AWFIA0164GB

# ABS ACTUATOR AND ELECTRIC UNIT (CONTROL UNIT)

< ECU DIAGNOSIS >

[TYPE 2]

Connector No.	E117
Connector Name	FRONT WHEEL SENSOR RH
Connector Color	GRAY



Terminal No.	Color of Wire	Signal Name
1	B	-
2	W	-

Connector No.	E119
Connector Name	IPDM E/R (INTELLIGENT POWER DISTRIBUTION MODULE ENGINE ROOM)
Connector Color	WHITE



Terminal No.	Color of Wire	Signal Name
15	W/R	ABS IGN SUPPLY

Connector No.	E125
Connector Name	ABS ACTUATOR AND ELECTRIC UNIT (CONTROL UNIT)
Connector Color	BLACK



1	2	3	4	5	6	7	8	9	10	11	12	13	14	15	16
17	18	19	20	21	22	23	24	25	26	27	28	29	30	31	32
33	34	35	36	37	38	39	40	41	42	43	44	45	46	47	

Terminal No.	Color of Wire	Signal Name
1	R	MOTOR SUPPLY
2	SB	DIAG_K
3	-	-
4	W/R	IGN
5	-	-
6	-	-
7	-	-
8	GR	FLUID LEVEL SW
9	-	-

Terminal No.	Color of Wire	Signal Name
31	-	-
32	Y	VALVE ECU SUPPLY
33	W	FR_RH_SIG
34	B	FR_RH_PWR
35	-	-
36	L	RR_LH_PWR
37	P	RR_LH_SIG
38	-	-
39	-	-
40	-	-
41	SB	STOP_LAMP_SW
42	V	RR_RH_SIG
43	LG	RR_RH_PWR
44	-	-
45	G	FR_LH_PWR
46	R	FR_LH_SIG
47	B	MOTOR GND

Terminal No.	Color of Wire	Signal Name
10	-	-
11	L	CAN-H
12	-	-
13	-	-
14	-	-
15	P	CAN-L
16	B	VALVE ECU GND
17	-	-
18	O	DRIV1_SENSEP
19	W	DRIV1_GND
20	LG	DRIV1_SIG
21	-	-
22	-	-
23	-	-
24	-	-
25	-	-
26	-	-
27	-	-
28	-	-
29	-	-
30	-	-

AWFIA0165GB

A  
B  
C  
D  
E  
F  
G  
H  
I  
J  
K  
L  
M  
N  
O  
P

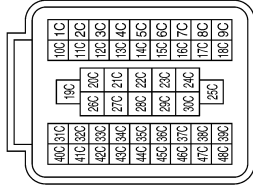
BRC

# ABS ACTUATOR AND ELECTRIC UNIT (CONTROL UNIT)

< ECU DIAGNOSIS >

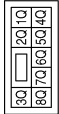
[TYPE 2]

Connector No.	C1
Connector Name	WIRE TO WIRE
Connector Color	BLACK



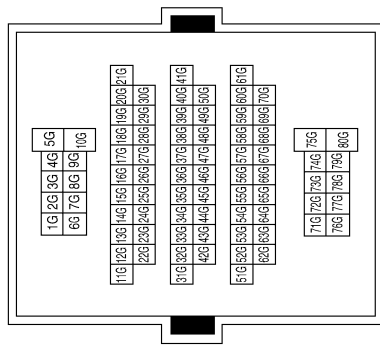
Terminal No.	Color of Wire	Signal Name
15C	P	-
16C	L	-
17C	V	-
18C	LG	-

Connector No.	E160
Connector Name	FUSE BLOCK (J/B)
Connector Color	WHITE



Terminal No.	Color of Wire	Signal Name
8Q	R/B	-

Connector No.	E152
Connector Name	WIRE TO WIRE
Connector Color	WHITE



Terminal No.	Color of Wire	Signal Name
48G	W	-

Connector No.	C11
Connector Name	REAR WHEEL SENSOR LH
Connector Color	GRAY



Terminal No.	Color of Wire	Signal Name
1	L	-
2	P	-

Connector No.	C10
Connector Name	REAR WHEEL SENSOR RH
Connector Color	GRAY



Terminal No.	Color of Wire	Signal Name
1	LG	-
2	V	-

AWFIA0166GB

INFOID:000000003248167

## Fail-Safe

### CAUTION:

If the Fail-Safe function is activated, perform Self Diagnosis for ABS/ABLS system.

### ABS/EBD SYSTEM

In case of an electrical malfunction with the ABS, the ABS warning lamp will turn on. In case of an electrical malfunction with the EBD system, the BRAKE warning lamp and ABS warning lamp will turn on.

# ABS ACTUATOR AND ELECTRIC UNIT (CONTROL UNIT)

[TYPE 2]

## < ECU DIAGNOSIS >

The system will revert to one of the following conditions of the Fail-Safe function.

1. For ABS malfunction, only the EBD is operative and the condition of the vehicle is the same condition of vehicles without ABS/ABLS system.
2. For EBD malfunction, the EBD and ABS become inoperative, and the condition of the vehicle is the same as the condition of vehicles without ABS/ABLS or EBD system.

## ABLS SYSTEM

In case of ABLS system malfunction, the SLIP indicator lamp will turn on. The condition of the vehicle is the same as the condition of vehicles without ABS/ABLS system.

## DTC No. Index

INFOID:000000003248168

DTC	Items (CONSULT screen terms)	Reference
C1101	RR RH SENSOR-1	<a href="#">BRC-93, "Description"</a>
C1102	RR LH SENSOR-1	
C1103	FR RH SENSOR-1	
C1104	FR LH SENSOR-1	
C1105	RR RH SENSOR-2	<a href="#">BRC-96, "Description"</a>
C1106	RR LH SENSOR-2	
C1107	FR RH SENSOR-2	
C1108	FR LH SENSOR-2	
C1109	BATTERY VOLTAGE [ABNORMAL]	<a href="#">BRC-99, "Description"</a>
C1110	CONTROLLER FAILURE	<a href="#">BRC-101, "DTC Logic"</a>
C1111	PUMP MOTOR	<a href="#">BRC-102, "Description"</a>
C1113	G-SENSOR	<a href="#">BRC-101, "DTC Logic"</a>
C1115	ABS SENSOR [ABNORMAL SIGNAL]	<a href="#">BRC-104, "Description"</a>
C1116	STOP LAMP SW	<a href="#">BRC-107, "Description"</a>
C1120	FR LH IN ABS SOL	<a href="#">BRC-109, "Description"</a>
C1121	FR LH OUT ABS SOL	<a href="#">BRC-112, "Description"</a>
C1122	FR RH IN ABS SOL	<a href="#">BRC-109, "Description"</a>
C1123	FR RH OUT ABS SOL	<a href="#">BRC-112, "Description"</a>
C1124	RR LH IN ABS SOL	<a href="#">BRC-109, "Description"</a>
C1125	RR LH OUT ABS SOL	<a href="#">BRC-112, "Description"</a>
C1126	RR RH IN ABS SOL	<a href="#">BRC-109, "Description"</a>
C1127	RR RH OUT ABS SOL	<a href="#">BRC-112, "Description"</a>
C1130	ENGINE SIGNAL 1	<a href="#">BRC-115, "Description"</a>
C1131	ENGINE SIGNAL 2	
C1136	ENGINE SIGNAL 6	
C1140	ACTUATOR RLY	<a href="#">BRC-116, "Description"</a>
C1142	PRESS SEN CIRCUIT	<a href="#">BRC-118, "Description"</a>
C1155	BR FLUID LEVEL LOW	<a href="#">BRC-120, "Description"</a>
C1160	DECEL G SEN SET	<a href="#">BRC-101, "DTC Logic"</a>
C1164	CV1	<a href="#">BRC-122, "Description"</a>
C1165	CV2	
C1166	SV1	
C1167	SV2	
C1170	VARIANT CODING	<a href="#">BRC-101, "DTC Logic"</a>

# ABS ACTUATOR AND ELECTRIC UNIT (CONTROL UNIT)

< ECU DIAGNOSIS >

[TYPE 2]

DTC	Items (CONSULT screen terms)	Reference
C1187	ABS DIFLOCK CONTROLLER NG	<a href="#">BRC-125. "Description"</a>
U1000	CAN COMM CIRCUIT	<a href="#">BRC-126. "Description"</a>

# APPLICATION NOTICE

< SYMPTOM DIAGNOSIS >

[TYPE 2]

## SYMPTOM DIAGNOSIS

### APPLICATION NOTICE

Application Notice

INFOID:000000003248354

Service information	Remarks
TYPE 1	ABS
TYPE 2	ABLS/ABS
TYPE 3	HILL DESCENT CONTROL/HILL START ASSIST/VDC/TCS/ABS

A  
B  
C  
D  
E  
F  
G  
H  
I  
J  
K  
L  
M  
N  
O  
P

**BRC**

## ABLS/ABS

### Symptom Table

INFOID:000000003248474

If ABS warning lamp turns ON, perform self-diagnosis.

Symptom	Check item	Reference
Excessive ABS function operation frequency	Brake force distribution	<a href="#">BRC-145, "Diagnosis Procedure"</a>
	Looseness of front and rear axle	
	Wheel sensor and rotor system	
Unexpected pedal reaction	Brake pedal stroke	<a href="#">BRC-146, "Diagnosis Procedure"</a>
	Make sure the braking force is sufficient when the ABS is not operating.	
The braking distance is long	Check stopping distance when the ABS is not operating.	<a href="#">BRC-147, "Diagnosis Procedure"</a>
ABS function does not operate (Note 1)	ABS actuator and electric unit (control unit)	<a href="#">BRC-148, "Diagnosis Procedure"</a>
Pedal vibration or ABS operation sound occurs (Note 2)	Brake pedal	<a href="#">BRC-149, "Diagnosis Procedure"</a>
	ABS actuator and electric unit (control unit)	

**NOTE:**

- 1: The ABS does not operate when the speed is 10 km/h (6 MPH) or less.
- 2: Under the following conditions, ABS is activated and vibration is felt when brake pedal is lightly depressed. However, this is normal.
  - When shifting gears
  - When driving on slippery road
  - During cornering at high speed
  - When passing over bumps or grooves [at approximately 50 mm (1.97 in) or more]
  - When pulling away just after starting engine [at approximately 10 km/h (6 MPH) or higher]



# EXCESSIVE ABS FUNCTION OPERATION FREQUENCY

< SYMPTOM DIAGNOSIS >

[TYPE 2]

## EXCESSIVE ABS FUNCTION OPERATION FREQUENCY

### Diagnosis Procedure

INFOID:000000003248171

#### 1.CHECK START

Check front and rear brake force distribution using a brake tester.

Is the inspection result normal?

YES >> GO TO 2

NO >> Check brake system.

#### 2.CHECK FRONT AND REAR AXLE

Make sure that there is no excessive play in the front and rear axles. Refer to front: [FAX-5. "On-Vehicle Inspection and Service"](#), Rear: [RAX-7. "Rear Axle Bearing"](#) (C200) or [RAX-19. "Rear Axle Bearing"](#) (M226).

Is the inspection result normal?

YES >> GO TO 3

NO >> Repair or replace malfunctioning components.

#### 3.CHECK WHEEL SENSOR AND SENSOR ROTOR

Check the following.

- Wheel sensor installation for damage.
- Sensor rotor installation for damage.
- Wheel sensor connector connection.
- Wheel sensor harness inspection.

Is the inspection result normal?

YES >> GO TO 4

- NO >> • Replace wheel sensor or sensor rotor. Refer to [BRC-154. "Removal and Installation"](#) or [BRC-155. "Removal and Installation"](#).
- Repair harness.

#### 4.CHECK ABS WARNING LAMP DISPLAY

Make sure that the ABS warning lamp is turned off after the ignition switch is turned ON or when driving.

Is the ABS warning lamp illuminated?

YES >> Perform self-diagnosis. Refer to [BRC-88. "CONSULT-III Function \(ABS\)"](#).

NO >> Normal

A  
B  
C  
D  
E  
BRC  
G  
H  
I  
J  
K  
L  
M  
N  
O  
P

# UNEXPECTED PEDAL REACTION

< SYMPTOM DIAGNOSIS >

[TYPE 2]

## UNEXPECTED PEDAL REACTION

### Diagnosis Procedure

INFOID:000000003248172

#### 1.CHECK BRAKE PEDAL STROKE

Check brake pedal stroke. Refer to [BR-7, "Brake Pedal Inspection and Adjustment"](#).

Is the stroke too large?

- YES >> • Bleed air from brake tube and hose. Refer to [BR-9, "Bleeding Brake System"](#).  
• Check brake pedal, brake booster, and master cylinder for mount play, looseness, brake system fluid leakage, etc. Refer to [BR-7, "Brake Pedal Inspection and Adjustment"](#) (brake pedal), [BR-30, "Disassembly and Assembly"](#) (master cylinder), [BR-7, "Brake Booster Inspection"](#) (brake booster).

NO >> GO TO 2

#### 2.CHECK FUNCTION

Disconnect ABS actuator and electric unit (control unit) connector to deactivate ABS. Check if braking force is normal in this condition. Connect connector after inspection.

Is the inspection result normal?

- YES >> Normal  
NO >> Check brake system.

# THE BRAKING DISTANCE IS LONG

< SYMPTOM DIAGNOSIS >

[TYPE 2]

## THE BRAKING DISTANCE IS LONG

### Diagnosis Procedure

INFOID:000000003248173

#### **CAUTION:**

The stopping distance on slippery road surfaces might be longer with the ABS operating than when the ABS is not operating.

#### **1.**CHECK FUNCTION

Turn ignition switch OFF and disconnect ABS actuator and electric unit (control unit) connector to deactivate ABS. In this condition, check stopping distance. After inspection, connect connector.

Is the inspection result normal?

YES >> Normal

NO >> Check brake system.

A  
B  
C  
D  
E  
G  
H  
I  
J  
K  
L  
M  
N  
O  
P

**BRC**

## ABS FUNCTION DOES NOT OPERATE

< SYMPTOM DIAGNOSIS >

[TYPE 2]

---

### ABS FUNCTION DOES NOT OPERATE

#### Diagnosis Procedure

INFOID:000000003248174

**CAUTION:**

**ABS does not operate when speed is 10 km/h (6 MPH) or lower.**

**1**.CHECK ABS WARNING LAMP DISPLAY

---

Make sure that the ABS warning lamp turns OFF after ignition switch is turned ON or when driving.

Is the inspection result normal?

YES >> Normal

NO >> Perform self-diagnosis. Refer to [BRC-88, "CONSULT-III Function \(ABS\)"](#).

# PEDAL VIBRATION OR ABS OPERATION SOUND OCCURS

< SYMPTOM DIAGNOSIS >

[TYPE 2]

## PEDAL VIBRATION OR ABS OPERATION SOUND OCCURS

### Diagnosis Procedure

INFOID:000000003248175

#### **CAUTION:**

Under the following conditions, ABS is activated and vibration is felt when brake pedal is lightly depressed. However, this is normal.

- When shifting gears
- When driving on slippery road
- During cornering at high speed
- When passing over bumps or grooves [at approximately 50 mm (1.97 in) or more]
- When pulling away just after starting engine [at approximately 10 km/h (6 MPH) or higher]

### 1. SYMPTOM CHECK 1

Check that there are pedal vibrations when the engine is started.

Do vibrations occur?

YES >> GO TO 2

NO >> Inspect the brake pedal.

### 2. SYMPTOM CHECK 2

Check that there are ABS operation noises when the engine is started.

Do the operation noises occur?

YES >> GO TO 3

NO >> Perform self -diagnosis. Refer to [BRC-88, "CONSULT-III Function \(ABS\)"](#).

### 3. SYMPTOM CHECK 3

Check symptoms when electrical component (headlamps, etc.) switches are operated.

Do symptoms occur?

YES >> Check if there is a radio, antenna, antenna lead wire, or wiring close to the control unit. If there is, move it farther away.

NO >> Normal

A  
B  
C  
D  
E  
G  
H  
I  
J  
K  
L  
M  
N  
O  
P

**BRC**

# NORMAL OPERATING CONDITION

< SYMPTOM DIAGNOSIS >

[TYPE 2]

## NORMAL OPERATING CONDITION

### Description

INFOID:000000003248466

Symptom	Result
Slight vibrations are felt on the brake pedal and the operation noises occur, when TCS or ABS is activated.	This is a normal condition due to the TCS or ABS activation.
Stopping distance is longer than that of vehicles without ABS when the vehicle drives on rough, gravel, or snow-covered (fresh, deep snow) roads.	
The brake pedal moves and generates noises, when TCS is activated due to rapid acceleration or sharp turn.	
The brake pedal vibrates and motor operation noises occur from the engine room, after the engine starts and just after the vehicle starts.	This is normal, and it is caused by the ABS operation check.
Depending on the road conditions, the driver may experience a sluggish feel.	This is normal, because TCS places the highest priority on the optimum traction (stability).
TCS may activate momentarily if wheel speed changes when driving over location where friction coefficient varies, when downshifting, or when fully depressing accelerator pedal.	
The ABS warning lamp and SLIP indicator lamp may turn ON when the vehicle is subject to strong shaking or large vibration, such as when the vehicle is rotating on a turntable or located on a ship while the engine is running.	In this case, restart the engine on a normal road. If the normal condition is restored, there is no malfunction. At that time, erase the self-diagnosis memory.
ABS warning lamp and SLIP indicator lamp may illuminate, when running on a special road that is extremely slanted (e.g. bank in a circuit course).	
SLIP indicator lamp may turn on when low tire pressure warning lamp turns on.	This error results from characteristic change of tire.

PRECAUTION

PRECAUTIONS

Precaution for Supplemental Restraint System (SRS) "AIR BAG" and "SEAT BELT PRE-TENSIONER"

INFOID:000000003248322

The Supplemental Restraint System such as "AIR BAG" and "SEAT BELT PRE-TENSIONER", used along with a front seat belt, helps to reduce the risk or severity of injury to the driver and front passenger for certain types of collision. This system includes seat belt switch inputs and dual stage front air bag modules. The SRS system uses the seat belt switches to determine the front air bag deployment, and may only deploy one front air bag, depending on the severity of a collision and whether the front occupants are belted or unbelted. Information necessary to service the system safely is included in the SR and SB section of this Service Manual.

**WARNING:**

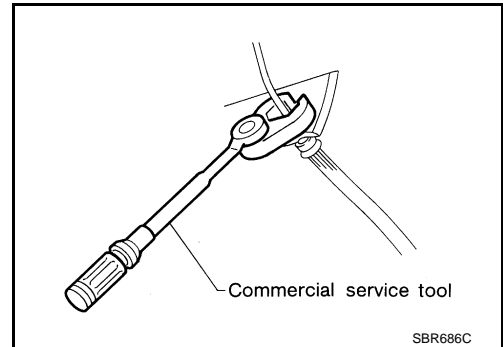
- To avoid rendering the SRS inoperative, which could increase the risk of personal injury or death in the event of a collision which would result in air bag inflation, all maintenance must be performed by an authorized NISSAN/INFINITI dealer.
- Improper maintenance, including incorrect removal and installation of the SRS, can lead to personal injury caused by unintentional activation of the system. For removal of Spiral Cable and Air Bag Module, see the SR section.
- Do not use electrical test equipment on any circuit related to the SRS unless instructed to in this Service Manual. SRS wiring harnesses can be identified by yellow and/or orange harnesses or harness connectors.

Precaution for Brake System

INFOID:000000003248323

**CAUTION:**

- Refer to [MA-12, "Fluids and Lubricants"](#) for recommended brake fluid.
- Never reuse drained brake fluid.
- Be careful not to splash brake fluid on painted areas; it may cause paint damage. If brake fluid is splashed on painted areas, wash it away with water immediately.
- To clean or wash all parts of master cylinder and disc brake caliper, use clean brake fluid.
- Never use mineral oils such as gasoline or kerosene. They will ruin rubber parts of the hydraulic system.
- Use flare nut wrench when removing and installing brake tube.
- If a brake fluid leak is found, the part must be disassembled without fail. Then it has to be replaced with a new one if a defect exists.
- Turn the ignition switch OFF and remove the connector of the ABS actuator and electric unit (control unit) or the battery terminal before performing the work.
- Always torque brake lines when installing.
- Burnish the brake contact surfaces after refinishing or replacing rotors, after replacing pads, or if a soft pedal occurs at very low mileage.



Refer to [BR-27, "Brake Burnishing"](#) (front disc brake) or [BR-29, "Brake Burnishing"](#) (rear disc brake).

**WARNING:**

- Clean brake pads and shoes with a waste cloth, then wipe with a dust collector.

Precaution for Brake Control

INFOID:000000003248324

- During ABS operation, the brake pedal may vibrate lightly and a mechanical noise may be heard. This is normal.
- Just after starting vehicle, the brake pedal may vibrate or a motor operating noise may be heard from engine compartment. This is a normal status of operation check.
- Stopping distance may be longer than that of vehicles without ABS when vehicle drives on rough, gravel, or snow-covered (fresh, deep snow) roads.

A  
B  
C  
D  
E  
BRC  
G  
H  
I  
J  
K  
L  
M  
N  
O  
P

# PRECAUTIONS

[TYPE 2]

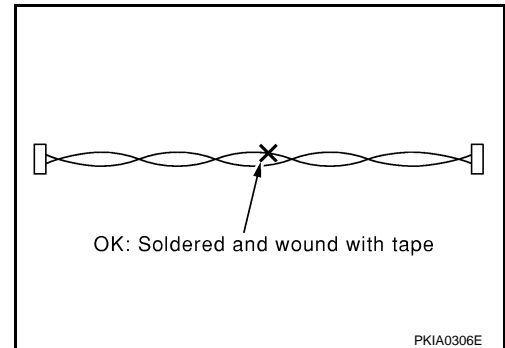
## < PRECAUTION >

- When an error is indicated by ABS or another warning lamp, collect all necessary information from customer (what symptoms are present under what conditions) and check for simple causes before starting diagnosis. Besides electrical system inspection, check brake booster operation, brake fluid level, and fluid leaks.
- If incorrect tire sizes or types are installed on the vehicle or brake pads are not Genuine NISSAN parts, stopping distance or steering stability may deteriorate.
- If there is a radio, antenna or related wiring near control module, ABS function may have a malfunction or error.
- If aftermarket parts (car stereo, CD player, etc.) have been installed, check for incidents such as harness pinches, open circuits or improper wiring.
- If the following components are replaced with non-genuine components or modified, the SLIP indicator lamp may turn on and the TCS system may not operate properly. Components related to suspension (shock absorbers, struts, springs, bushings, etc.), tires, wheels (exclude specified size), components related to brake system (pads, rotors, calipers, etc.), components related to engine (muffler, ECM, etc.), components related to body reinforcement (roll bar, tower bar, etc.).
- Driving with broken or excessively worn suspension components, tires or brake system components may cause the SLIP indicator lamp to turn on, and the TCS system may not operate properly.
- When the TCS is activated by sudden acceleration or sudden turn, some noise may occur. The noise is a result of the normal operation of the TCS.
- When driving on roads which have extreme slopes (such as mountainous roads) or high banks (such as sharp curves on a freeway), the TCS may not operate normally, and the SLIP indicator lamp may turn on. This is not a problem if normal operation can be resumed after restarting the engine.

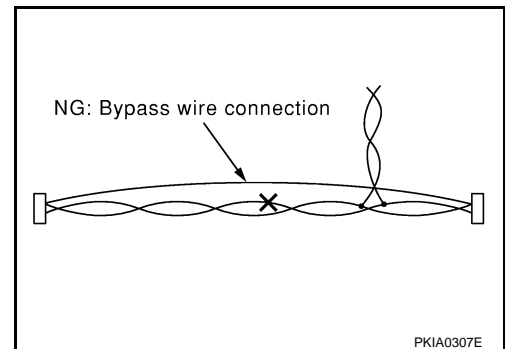
## Precaution for CAN System

INFOID:000000003248325

- Do not apply voltage of 7.0V or higher to terminal to be measured.
- Maximum open terminal voltage of tester in use must be less than 7.0V.
- Before checking harnesses, turn ignition switch OFF and disconnect battery negative cable.
- Area to be repaired must be soldered and wrapped with tape. Make sure that fraying of twisted wire is within 110 mm (4.33 in).



- Do not make a bypass connection to repaired area. (If the circuit is bypassed, characteristics of twisted wire will be lost.)





# PREPARATION

< PREPARATION >

[TYPE 2]

## PREPARATION

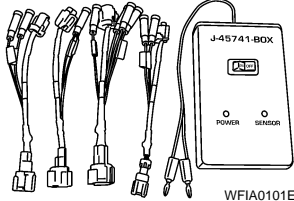
### PREPARATION

#### Special Service Tool

INFOID:000000003248326

The actual shapes of Kent-Moore tools may differ from those of special service tools illustrated here.

Tool number (Kent-Moore No.) Tool name	Description
KV991J0080 (J-45741) ABS active wheel sensor tester	Checking operation of ABS active wheel sensors

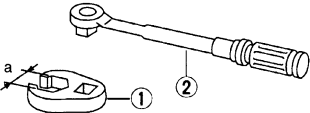


WFIA0101E

#### Commercial Service Tool

INFOID:000000003248327

Tool name	Description
1. Flare nut crowfoot 2. Torque wrench	Removing and installing brake piping <b>a: 10 mm (0.39 in)/12 mm (0.47 in)</b>



S-NT360

# WHEEL SENSOR

< REMOVAL AND INSTALLATION >

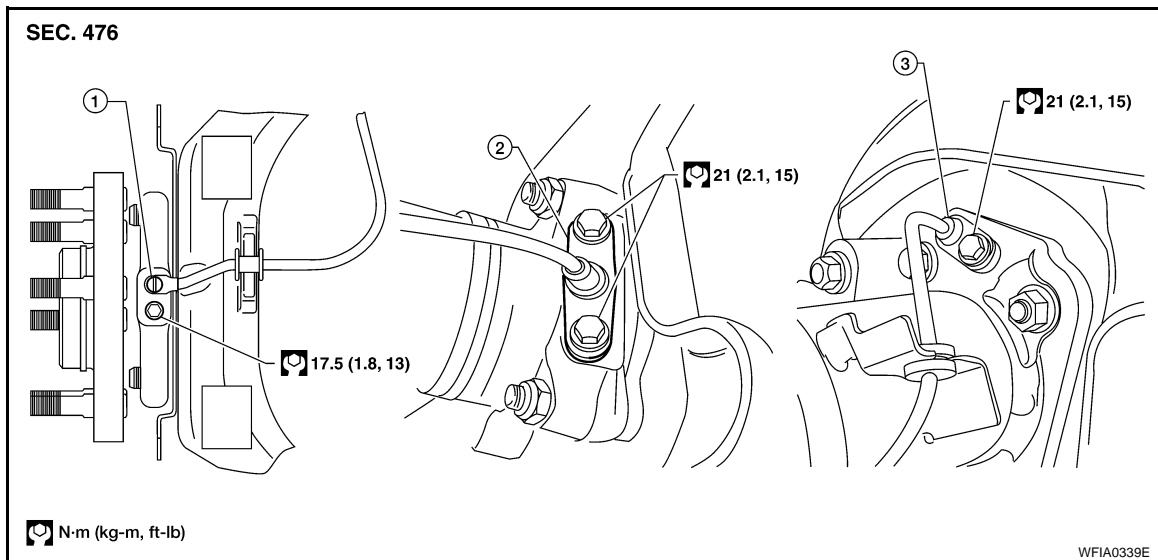
[TYPE 2]

## REMOVAL AND INSTALLATION

### WHEEL SENSOR

#### Removal and Installation

INFOID:000000003303116



1. Front wheel sensor

2. Rear wheel sensor (C200)

3. Rear wheel sensor (M226)

#### REMOVAL

1. Remove wheel sensor bolt(s).
  - When removing the front wheel sensor, first remove the disc rotor to gain access to the front wheel sensor. Refer to [BR-26, "Removal and Installation of Brake Caliper and Disc Rotor"](#).
2. Pull out the sensor, being careful to turn it as little as possible.

**CAUTION:**

  - **Be careful not to damage sensor edge and sensor rotor teeth.**
  - **Do not pull on the sensor harness.**
3. Disconnect wheel sensor harness electrical connector, then remove harness from mounts.

#### INSTALLATION

- Before installing wheel sensors,
  - Inspect and replace sensor assembly if damaged.
  - Clean wheel sensor hole and mating surface with brake cleaner and a lint-free shop rag. Be careful that dirt and debris do not enter the axle.
  - Replace wheel sensor O-ring, then apply a coat of suitable grease to the O-ring and sensor hole.
- Installation is in the reverse order of removal.

# SENSOR ROTOR

< REMOVAL AND INSTALLATION >

[TYPE 2]

## SENSOR ROTOR

### Removal and Installation

INFOID:000000003303117

#### FRONT

The wheel sensor rotors are built into the wheel hubs and are not removable. If damaged, replace wheel hub and bearing assembly. Refer to [FAX-8, "Removal and Installation"](#).

#### REAR (C200)

##### Removal and Installation

It is necessary to disassemble the rear axle to replace the sensor rotor. Perform the axle shaft assembly removal procedure to replace sensor rotor. Refer to [RAX-8, "Removal and Installation"](#).

#### REAR (M226)

##### Removal

1. Remove axle shaft assembly. Refer to [RAX-20, "Removal and Installation"](#).

##### **NOTE:**

It is necessary to disassemble the rear axle to replace the sensor rotor.

2. Pull the sensor rotor off the axle shaft using Tool and a press.

**Tool number** : ST30031000 ( — )

##### Installation

1. Install new sensor rotor on axle shaft using a suitable length steel tube and a press. Make sure sensor rotor is fully seated.

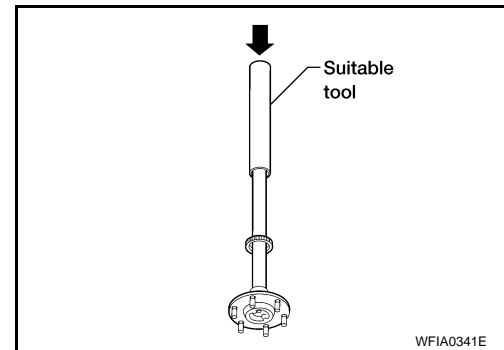
##### **CAUTION:**

**Do not reuse the old sensor rotor.**

2. Install axle shaft assembly. Refer to [RAX-20, "Removal and Installation"](#).

##### **CAUTION:**

**Do not reuse the axle oil seal. The axle oil seal must be replaced every time the axle shaft assembly is removed from the axle shaft housing.**



# ACTUATOR AND ELECTRIC UNIT (ASSEMBLY)

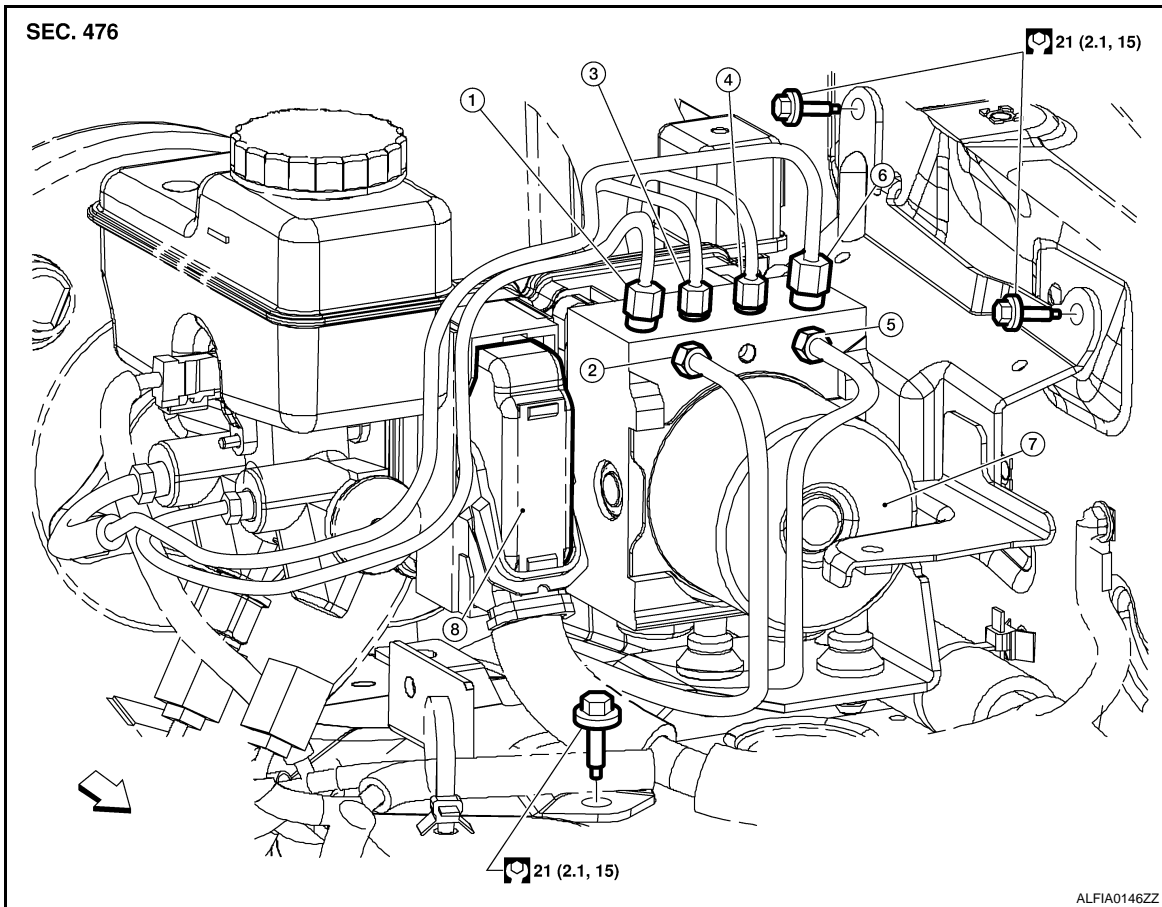
< REMOVAL AND INSTALLATION >

[TYPE 2]

## ACTUATOR AND ELECTRIC UNIT (ASSEMBLY)

### Removal and Installation

INFOID:000000003303118



- |  |                      |  |
|--|----------------------|--|
| 1. From the master cylinder secondary side       | 2. To rear right     | 3. To rear left                          |
| 4. To front right                                | 5. To front left     | 6. From the master cylinder primary side |
| 7. ABS actuator and electric unit (control unit) | 8. Harness connector | ← Front                                  |

### REMOVAL

1. Disconnect the negative battery terminal.
2. Drain the brake fluid. Refer to [BR-9. "Drain and Refill"](#).
3. Remove air cleaner case. Refer to [EM-135. "Exploded View"](#).
4. Disconnect the actuator harness from the ABS actuator and electric unit (control unit).

#### CAUTION:

- To remove the brake tubes, use a flare nut wrench to prevent the flare nuts and brake tubes from being damaged.
- Be careful not to splash brake fluid on painted areas.

5. Disconnect the brake tubes.
6. Remove the three bolts and remove the ABS actuator and electric unit (control unit).

### INSTALLATION

Installation is in the reverse order of removal.

#### CAUTION:

To install, use a flare nut wrench (commercial service tool).

- Always tighten brake tubes to specification when installing. Refer to [BR-6. "Hydraulic Circuit"](#).

# ACTUATOR AND ELECTRIC UNIT (ASSEMBLY)

< REMOVAL AND INSTALLATION >

[TYPE 2]

- Never reuse drained brake fluid.
- After installation of the ABS actuator and electric unit (control unit), refill brake system with new brake fluid. Then bleed the air from the system. Refer to [BR-9. "Bleeding Brake System"](#).

A

B

C

D

E

**BRC**

G

H

I

J

K

L

M

N

O

P

# APPLICATION NOTICE

< BASIC INSPECTION >

[TYPE 3]

## BASIC INSPECTION

### APPLICATION NOTICE

Application Notice

INFOID:000000003248356

Service information	Remarks
TYPE 1	ABS
TYPE 2	ABLS/ABS
TYPE 3	HILL DESCENT CONTROL/HILL START ASSIST/VDC/TCS/ABS

## DIAGNOSIS AND REPAIR WORKFLOW

### Work Flow

INFOID:000000003221206

### PRECAUTIONS FOR DIAGNOSIS

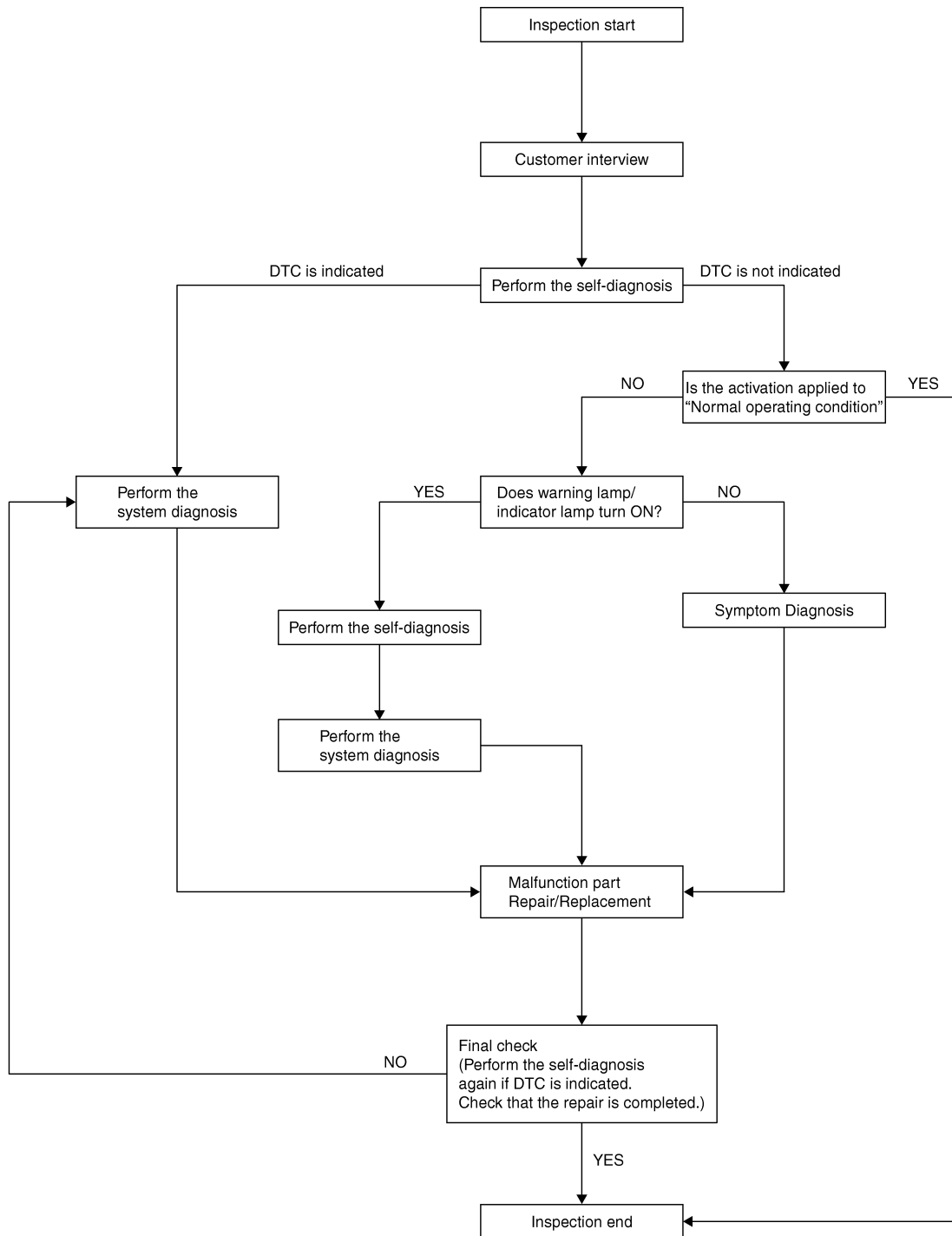
If steering angle sensor, steering system parts, suspension system parts, ABS actuator and electric unit (control unit) or tires have been replaced, or if wheel alignment has been adjusted, be sure to adjust neutral position of steering angle sensor before driving. Refer to [BRC-163, "ADJUSTMENT OF STEERING ANGLE SENSOR NEUTRAL POSITION : Description"](#).

- A
- B
- C
- D
- E
- BRC**
- G
- H
- I
- J
- K
- L
- M
- N
- O
- P

# DIAGNOSIS AND REPAIR WORKFLOW

< BASIC INSPECTION >  
OVERALL SEQUENCE

[TYPE 3]



JSFIA0010GB

## DETAILED FLOW

### 1. COLLECT THE INFORMATION FROM THE CUSTOMER

Get the detailed information from the customer about the symptom (the condition and the environment when the incident/malfunction occurred) using the diagnosis worksheet. Refer to [BRC-162, "Diagnostic Work Sheet"](#).



# DIAGNOSIS AND REPAIR WORKFLOW

[TYPE 3]

< BASIC INSPECTION >

>> GO TO 2

## 2. PERFORM THE SELF-DIAGNOSIS

Check the DTC display with the self-diagnosis function. Refer to [BRC-186, "CONSULT-III Function \(ABS\)"](#).

Is there any DTC displayed?

YES >> GO TO 3

NO >> GO TO 4

## 3. PERFORM THE SYSTEM DIAGNOSIS

Perform the diagnosis applicable to the displayed DTC. Refer to [BRC-256, "DTC No. Index"](#).

>> GO TO 7

## 4. CHECK THE SYMPTOM THAT IS NOT CONSIDERED A SYSTEM MALFUNCTION

Check that the symptom is a normal operation that is not considered a system malfunction. Refer to [BRC-266, "Description"](#).

Is the symptom a normal operation?

YES >> INSPECTION END

NO >> GO TO 5

## 5. CHECK THE WARNING LAMP AND INDICATOR LAMP FOR ILLUMINATION

Check that the warning lamp and indicator lamp illuminate.

- ABS warning lamp: Refer to [BRC-239, "Description"](#).
- Brake warning lamp: Refer to [BRC-240, "Description"](#).
- VDC OFF indicator lamp: Refer to [BRC-241, "Description"](#).
- SLIP indicator lamp: Refer to [BRC-242, "Description"](#).
- Hill descent control indicator lamp: Refer to [BRC-243, "Description"](#).

Is ON/OFF timing normal?

YES >> GO TO 6

NO >> GO TO 2

## 6. PERFORM THE DIAGNOSIS BY SYMPTOM

Perform the diagnosis applicable to the symptom.

>> GO TO 7

## 7. REPAIR OR REPLACE THE MALFUNCTIONING PARTS

Repair or replace the specified malfunctioning parts.

>> GO TO 8

## 8. FINAL CHECK

Perform the self-diagnosis again, and check that the malfunction is repaired completely. After checking, erase the self-diagnosis memory. Refer to [BRC-186, "CONSULT-III Function \(ABS\)"](#).

Is no other DTC present and the repair completed?

YES >> INSPECTION END

NO >> GO TO 3

A  
B  
C  
D  
E  
G  
H  
I  
J  
K  
L  
M  
N  
O  
P

BRC

# DIAGNOSIS AND REPAIR WORKFLOW

< BASIC INSPECTION >

[TYPE 3]

## Diagnostic Work Sheet

INFOID:000000003221207

Customer name MR/MS	Model & Year	VIN	
Engine #	Trans.	Mileage	
Incident Date	Manuf. Date	In Service Date	
Symptoms	<input type="checkbox"/> Noise and vibration (from engine compartment) <input type="checkbox"/> Noise and vibration (from axle)	<input type="checkbox"/> Warning / Indicator activate	<input type="checkbox"/> Firm pedal operation Large stroke pedal operation
	<input type="checkbox"/> TCS does not work (Rear wheels slip when accelerating)	<input type="checkbox"/> ABS does not work (Wheels lock when braking)	<input type="checkbox"/> Lack of sense of acceleration
Engine conditions	<input type="checkbox"/> When starting <input type="checkbox"/> After starting		
Road conditions	<input type="checkbox"/> Low friction road ( <input type="checkbox"/> Snow <input type="checkbox"/> Gravel <input type="checkbox"/> Other ) <input type="checkbox"/> Bumps / potholes		
Driving conditions	<input type="checkbox"/> Full-acceleration <input type="checkbox"/> High speed cornering <input type="checkbox"/> Vehicle speed: Greater than 10 km/h (6 MPH) <input type="checkbox"/> Vehicle speed: 10 km/h (6 MPH) or less <input type="checkbox"/> Vehicle is stopped		
Applying brake conditions	<input type="checkbox"/> Suddenly <input type="checkbox"/> Gradually		
Other conditions	<input type="checkbox"/> Operation of electrical equipment <input type="checkbox"/> Shift change <input type="checkbox"/> Other descriptions		

SFIA3265E

# INSPECTION AND ADJUSTMENT

< BASIC INSPECTION >

[TYPE 3]

## INSPECTION AND ADJUSTMENT

### ADDITIONAL SERVICE WHEN REPLACING CONTROL UNIT

#### ADDITIONAL SERVICE WHEN REPLACING CONTROL UNIT : Description

INFOID:000000003221208

After replacing the ABS actuator and electric unit (control unit), perform the following procedures:

- Neutral position adjustment for the steering angle sensor
- Calibration of the decel G sensor

#### ADDITIONAL SERVICE WHEN REPLACING CONTROL UNIT : Special Repair Requirement

INFOID:000000003221209

##### 1. PERFORM THE NEUTRAL POSITION ADJUSTMENT FOR THE STEERING ANGLE SENSOR

Perform the neutral position adjustment for the steering angle sensor.

>> Refer to [BRC-163, "ADJUSTMENT OF STEERING ANGLE SENSOR NEUTRAL POSITION : Special Repair Requirement"](#), GO TO 2

##### 2. PERFORM CALIBRATION OF THE DECEL G SENSOR

Perform calibration of the decel G sensor.

>> Refer to [BRC-164, "CALIBRATION OF DECEL G SENSOR : Special Repair Requirement"](#).

## ADJUSTMENT OF STEERING ANGLE SENSOR NEUTRAL POSITION

### ADJUSTMENT OF STEERING ANGLE SENSOR NEUTRAL POSITION : Description

INFOID:000000003221210

Refer to the table below to determine if adjustment of steering angle sensor neutral position is required.

×: Required –: Not required

Situation	Adjustment of steering angle sensor neutral position
Removing/Installing ABS actuator and electric unit (control unit)	—
Replacing ABS actuator and electric unit (control unit)	×
Removing/Installing steering angle sensor	×
Replacing steering angle sensor	×
Removing/Installing steering components	×
Replacing steering components	×
Removing/Installing suspension components	×
Replacing suspension components	×
Change tires to new ones	—
Tire rotation	—
Adjusting wheel alignment	×

### ADJUSTMENT OF STEERING ANGLE SENSOR NEUTRAL POSITION : Special Repair Requirement

INFOID:000000003221211

## ADJUSTMENT OF STEERING ANGLE SENSOR NEUTRAL POSITION

### **CAUTION:**

**To adjust neutral position of steering angle sensor, make sure to use CONSULT-III (Adjustment cannot be done without CONSULT-III)**

##### 1. ALIGN THE VEHICLE STATUS

Stop vehicle with front wheels in straight-ahead position.

# INSPECTION AND ADJUSTMENT

[TYPE 3]

< BASIC INSPECTION >

>> GO TO 2

## 2. PERFORM THE NEUTRAL POSITION ADJUSTMENT FOR THE STEERING ANGLE SENSOR

1. On the CONSULT-III screen, touch "WORK SUPPORT" and "ST ANG SEN ADJUSTMENT" in order.
2. Touch "START".

**CAUTION:**

**Do not touch steering wheel while adjusting steering angle sensor.**

3. After approximately 10 seconds, touch "END".

**NOTE:**

After approximately 60 seconds, it ends automatically.

4. Turn ignition switch OFF, then turn it ON again.

**CAUTION:**

**Be sure to perform above operation.**

>> GO TO 3

## 3. CHECK DATA MONITOR

1. Run vehicle with front wheels in straight-ahead position, then stop.
2. Select "DATA MONITOR". Then make sure "STR ANGLE SIG" is within  $0 \pm 2.5^\circ$ .

Is the steering angle within the specified range?

YES >> GO TO 4

NO >> Perform the neutral position adjustment for the steering angle sensor again, GO TO 1

## 4. ERASE THE SELF-DIAGNOSIS MEMORY

Erase the self-diagnosis memory of the ABS actuator and electric unit (control unit) and ECM.

- ABS actuator and electric unit (control unit): Refer to [BRC-186, "CONSULT-III Function \(ABS\)"](#).
- ECM: Refer to [EC-63, "CONSULT-III Function \(ENGINE\)"](#) (QR25DE) or [EC-512, "CONSULT-III Function \(ENGINE\)"](#) (VQ40DE).

Are the memories erased?

YES >> INSPECTION END

NO >> Check the items indicated by the self-diagnosis.

## CALIBRATION OF DECEL G SENSOR

### CALIBRATION OF DECEL G SENSOR : Description

INFOID:000000003221212

Refer to the table below to determine if calibration of the decel G sensor is required.

×: Required –: Not required

Situation	Calibration of decel G sensor
Removing/Installing ABS actuator and electric unit (control unit)	—
Replacing ABS actuator and electric unit (control unit)	×
Removing/Installing steering angle sensor	×
Replacing steering angle sensor	×
Removing/Installing steering components	×
Replacing steering components	×
Removing/Installing suspension components	×
Replacing suspension components	×
Change tires to new ones	—
Tire rotation	—
Adjusting wheel alignment	×

### CALIBRATION OF DECEL G SENSOR : Special Repair Requirement

INFOID:000000003221213

#### CALIBRATION OF DECEL G SENSOR

**CAUTION:**

**To calibrate the decel G sensor, make sure to use CONSULT-III**

# INSPECTION AND ADJUSTMENT

< BASIC INSPECTION >

[TYPE 3]

(Calibration cannot be done without CONSULT-III)

## 1. ALIGN THE VEHICLE STATUS

Stop vehicle with front wheels in straight-ahead position.

>> GO TO 2

## 2. PERFORM CALIBRATION OF DECEL G SENSOR

1. On the CONSULT-III screen, touch "WORK SUPPORT" and "DECEL G SEN CALIBRATION" in order.
2. Touch "START".
3. After approximately 10 seconds, touch "END".

**NOTE:**

After approximately 60 seconds, it ends automatically.

4. Turn ignition switch OFF, then turn it ON again.

**CAUTION:**

Be sure to perform above operation.

>> GO TO 3

## 3. CHECK DATA MONITOR

1. Run vehicle with front wheels in straight-ahead position, then stop.
2. Select "DATA MONITOR". Then make sure "DECEL G SEN" is within  $\pm$ .

Is the inspection result normal?

YES >> GO TO 4

NO >> Perform calibration of decel G sensor again, GO TO 1

## 4. ERASE THE SELF-DIAGNOSIS MEMORY

Erase the self-diagnosis memory of the ABS actuator and electric unit (control unit) and ECM.

- ABS actuator and electric unit (control unit): Refer to [BRC-186, "CONSULT-III Function \(ABS\)"](#).
- ECM: Refer to [EC-63, "CONSULT-III Function \(ENGINE\)"](#) (QR25DE) or [EC-512, "CONSULT-III Function \(ENGINE\)"](#) (VQ40DE).

Are the memories erased?

YES >> INSPECTION END

NO >> Check the items indicated by the self-diagnosis.

A  
B  
C  
D  
E  
BRC  
G  
H  
I  
J  
K  
L  
M  
N  
O  
P

# APPLICATION NOTICE

< FUNCTION DIAGNOSIS >

[TYPE 3]

## FUNCTION DIAGNOSIS

### APPLICATION NOTICE

Application Notice

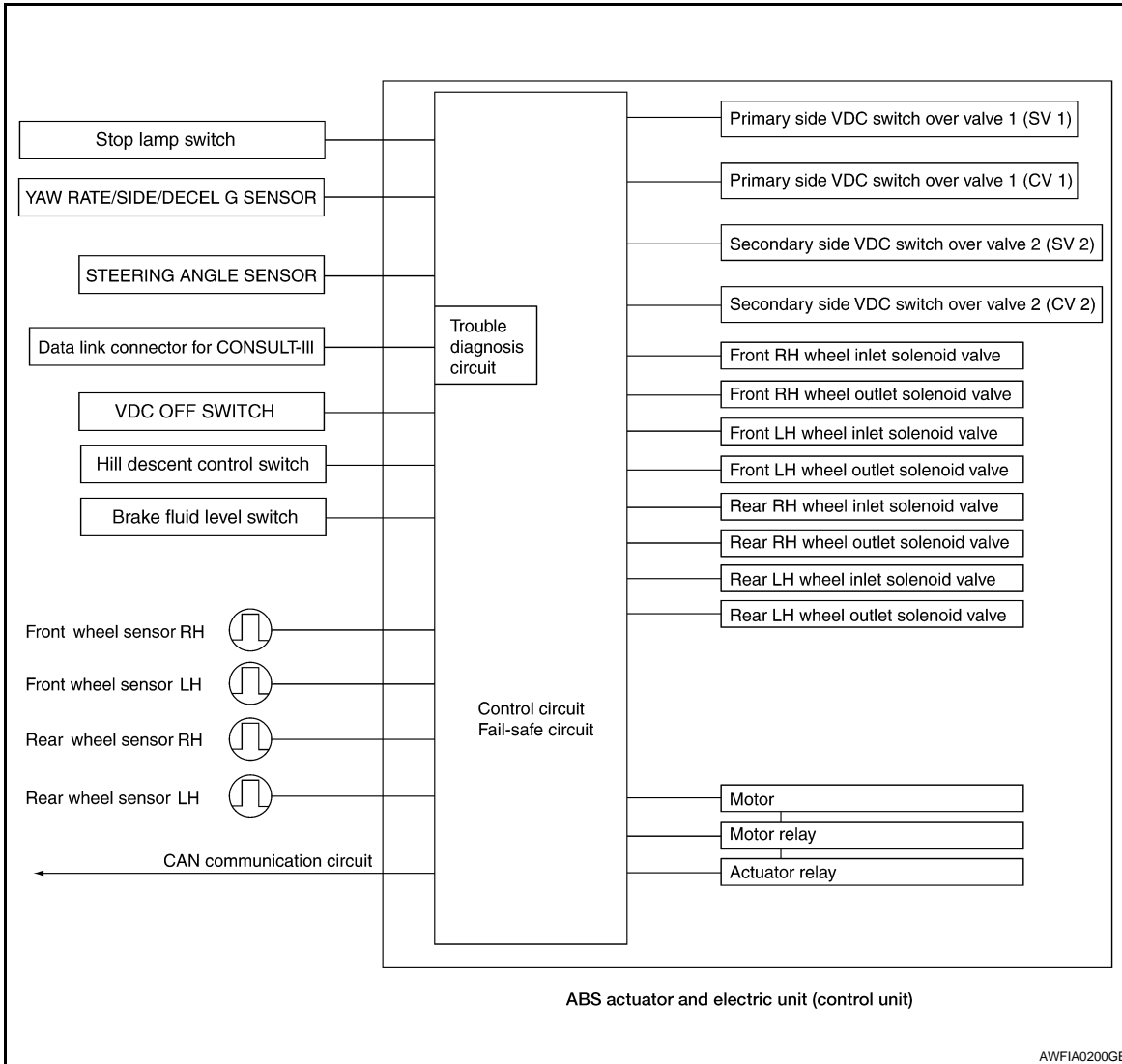
INFOID:000000003248357

Service information	Remarks
TYPE 1	ABS
TYPE 2	ABLS/ABS
TYPE 3	HILL DESCENT CONTROL/HILL START ASSIST/VDC/TCS/ABS

VDC

System Diagram

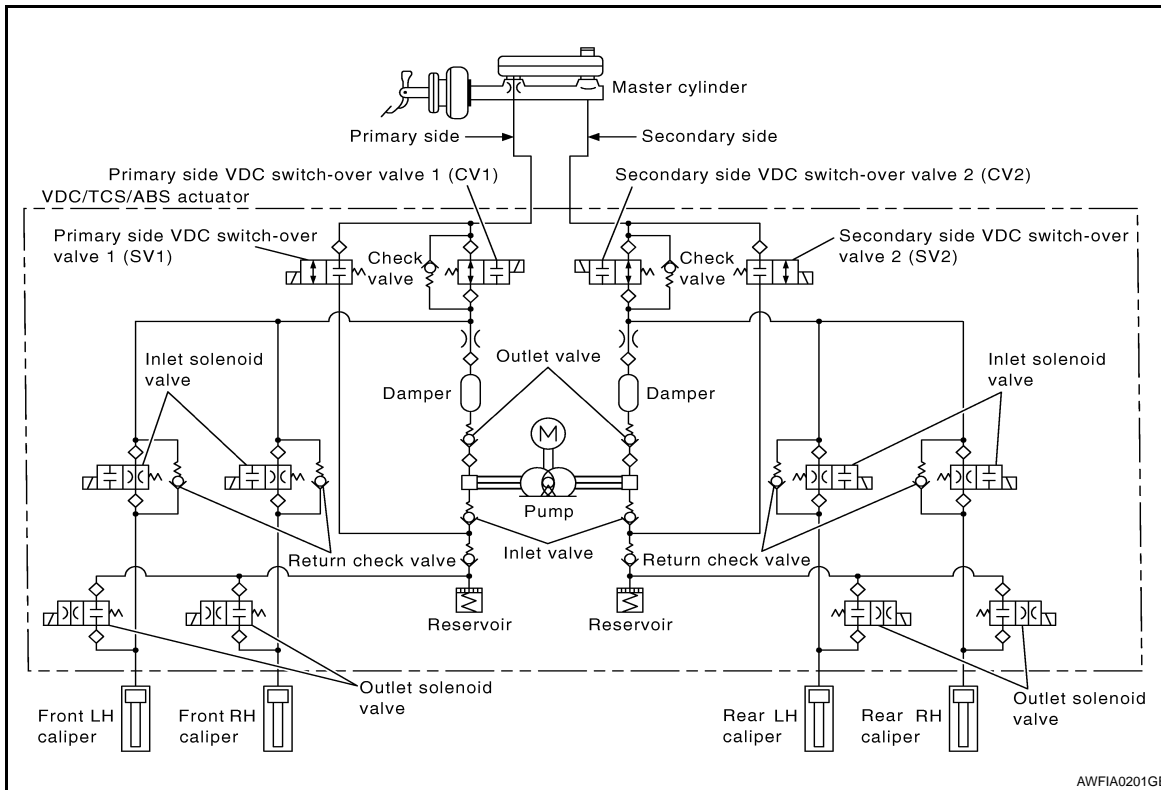
INFOID:000000003247861



A  
B  
C  
D  
E  
BRC  
G  
H  
I  
J  
K  
L  
M  
N  
O  
P

&lt; FUNCTION DIAGNOSIS &gt;

## HYDRAULIC CIRCUIT DIAGRAM



## System Description

INFOID:000000003247862

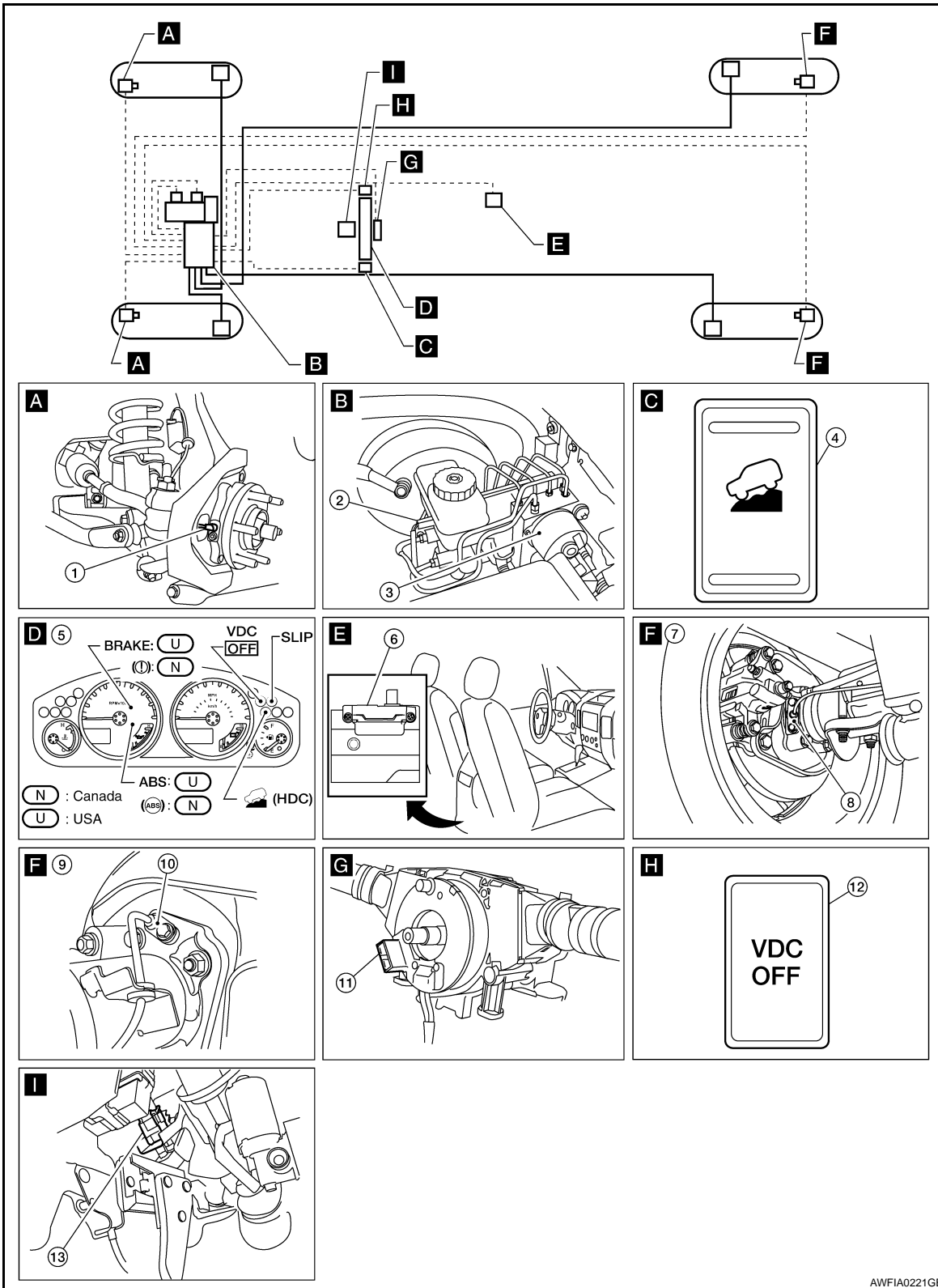
- Vehicle Dynamics Control system detects driver's steering operation amount and brake pedal travel from steering angle sensor. Using information from yaw rate/side/decel G sensor and wheel sensor, VDC judges driving condition (conditions of under steer and over steer) to improve vehicle driving stability by controlling brake application to 4 wheels and engine output.
- During VDC operation, it informs driver of system operation by flashing SLIP indicator lamp.
- Electrical system diagnosis by CONSULT-III is available.



Component Parts Location

INFOID:000000003247863

A  
B  
C  
D  
E  
F  
G  
H  
I  
J  
K  
L  
M  
N  
O  
P



**BRC**

- |  |   |  |
|--|---|--|
| 1. Front wheel sensor LH E18<br>Front wheel sensor RH E117 | 2. Brake fluid level switch E21                         | 3. ABS actuator and electric unit (control unit)<br>E125 |
| 4. Hill descent control switch M155                        | 5. Combination meter M24                                | 6. Yaw rate/side/decel G sensor B73                      |
| 7. C200 rear axle  | 8. Rear wheel sensor LH C11<br>Rear wheel sensor RH C10 | 9. M226 rear axle  |

AWFIA0221GB

< FUNCTION DIAGNOSIS >

- 10. Rear wheel sensor LH C11  
Rear wheel sensor RH C10
- 11. Steering angle sensor (behind spiral cable) M47  
(Steering wheel removed for clarity)
- 12. VDC OFF switch M154
- 13. Stop lamp switch E12

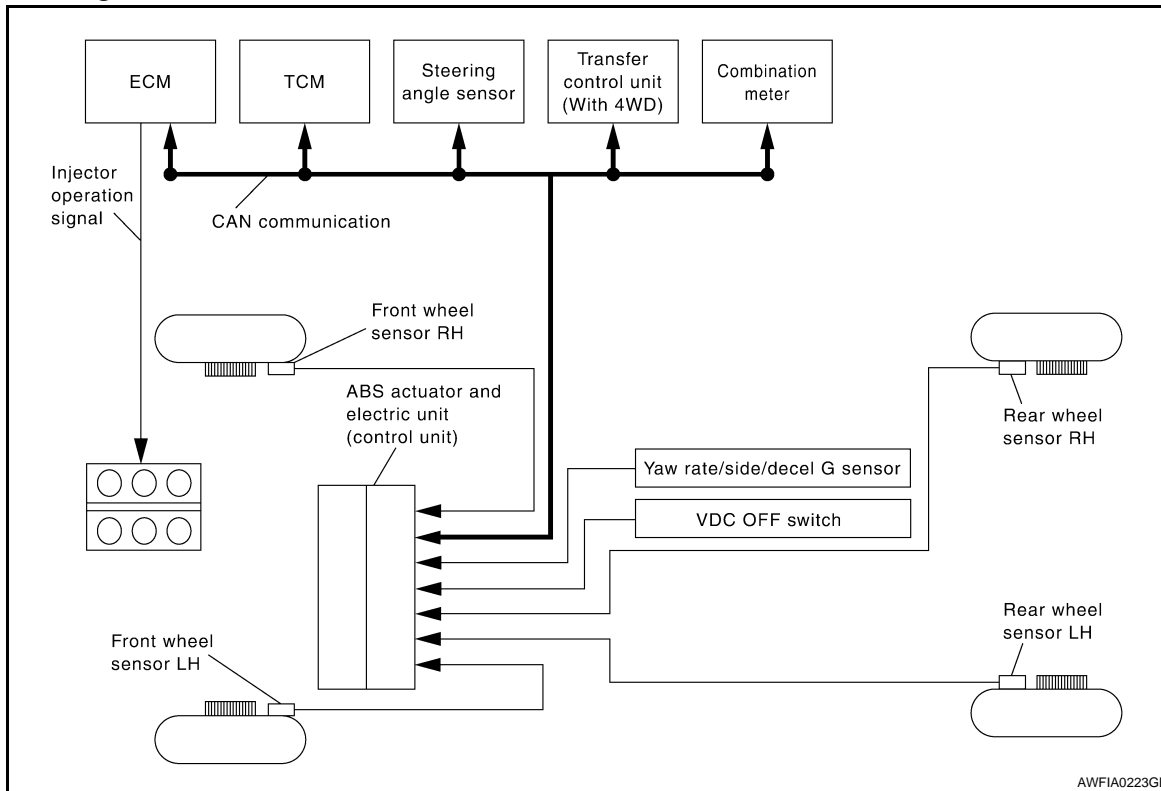
Component Description

INFOID:000000003247864

Component parts		Reference
ABS actuator and electric unit (control unit)	Pump	<a href="#">BRC-201, "Description"</a>
	Motor	
	Actuator relay	<a href="#">BRC-219, "Description"</a>
	Solenoid valve	<a href="#">BRC-211, "Description"</a>
	VDC switch-over valve (CV1, CV2, SV1, SV2)	<a href="#">BRC-230, "Description"</a>
Wheel sensor	<a href="#">BRC-206, "Description"</a>	
Yaw rate/side/decel G sensor	<a href="#">BRC-203, "Description"</a>	
Brake fluid level switch	<a href="#">BRC-221, "Description"</a>	
Steering angle sensor	<a href="#">BRC-221, "Description"</a>	
Stop lamp switch	<a href="#">BRC-209, "Description"</a>	
VDC OFF switch	<a href="#">BRC-237, "Description"</a>	
Hill descent control switch	<a href="#">BRC-235, "Description"</a>	
ABS warning lamp	<a href="#">BRC-239, "Description"</a>	
Brake warning lamp	<a href="#">BRC-240, "Description"</a>	
VDC OFF indicator lamp	<a href="#">BRC-241, "Description"</a>	
SLIP indicator lamp	<a href="#">BRC-242, "Description"</a>	
Hill descent control indicator lamp	<a href="#">BRC-243, "Description"</a>	

## TCS

## System Diagram



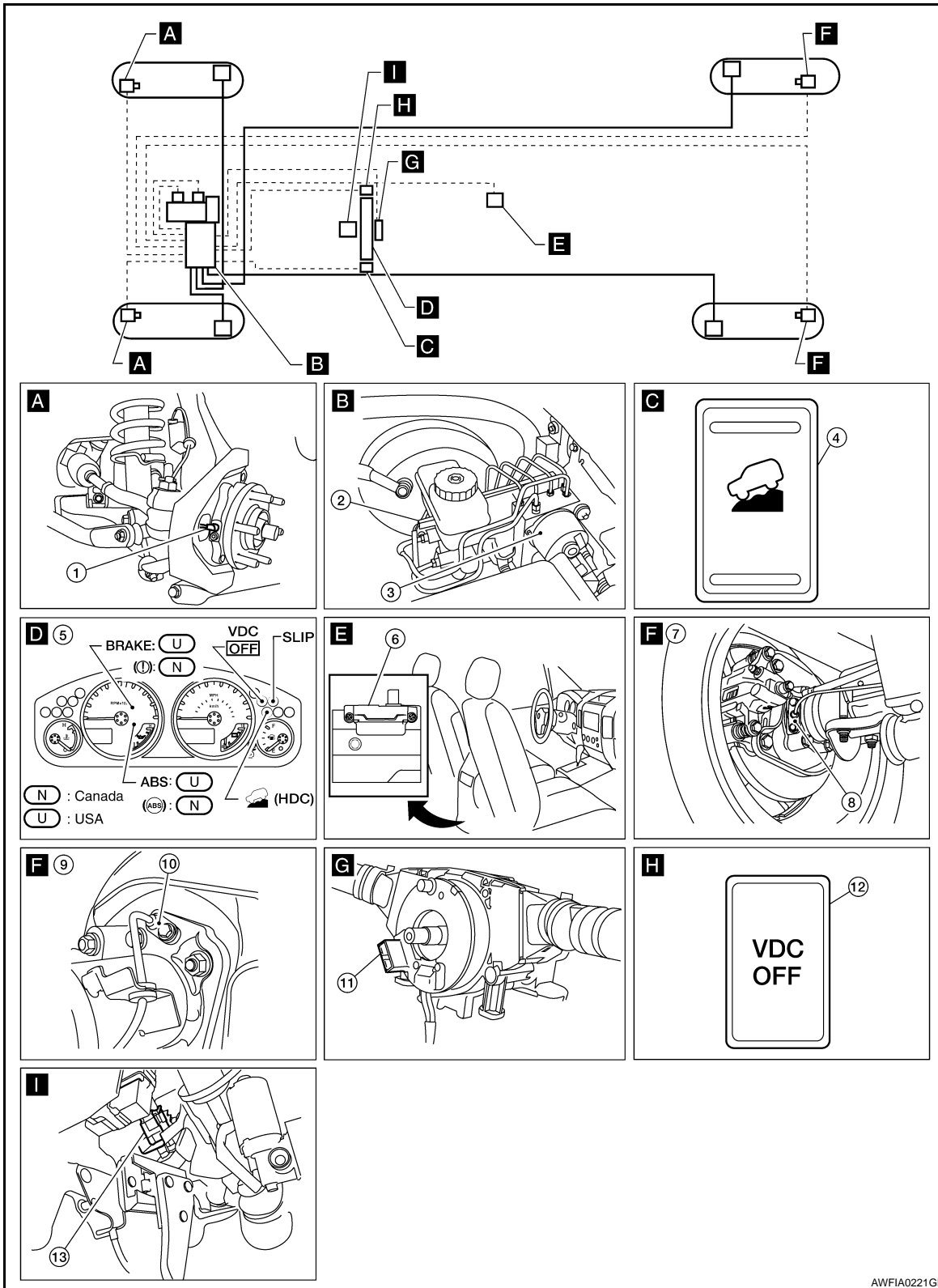
## System Description

INFOID:000000003247866

- Traction Control System is a function that electronically controls engine torque, brake fluid pressure and A/T gear position to ensure the optimum slippage ratio at drive wheels by computing wheel speed signals from 4 wheel sensors. When ABS actuator and electric unit (control unit) detects a spin at drive wheels (rear wheels), it compares wheel speed signals from all 4 wheels. At this time, LH and RH rear brake fluid pressure are controlled, while fuel being cut to engine and throttle valve being closed to reduce engine torque by the control unit. Further more, throttle position is continuously controlled to ensure the optimum engine torque at all times.
- During TCS operation, it informs driver of system operation by flashing SLIP indicator lamp.
- Electrical system diagnosis by CONSULT-III is available.

Component Parts Location

INFOID:00000003292886



AWFIA0221GE

- |  |   |  |
|--|---|--|
| 1. Front wheel sensor LH E18<br>Front wheel sensor RH E117 | 2. Brake fluid level switch E21                         | 3. ABS actuator and electric unit (control unit)<br>E125 |
| 4. Hill descent control switch M155                        | 5. Combination meter M24                                | 6. Yaw rate/side/decel G sensor B73                      |
| 7. C200 rear axle  | 8. Rear wheel sensor LH C11<br>Rear wheel sensor RH C10 | 9. M226 rear axle  |

# TCS

## < FUNCTION DIAGNOSIS >

[TYPE 3]

10. Rear wheel sensor LH C11  
Rear wheel sensor RH C10
11. Steering angle sensor (behind spiral cable) M47  
(Steering wheel removed for clarity)
12. VDC OFF switch M154
13. Stop lamp switch E12

## Component Description

INFOID:000000003292887

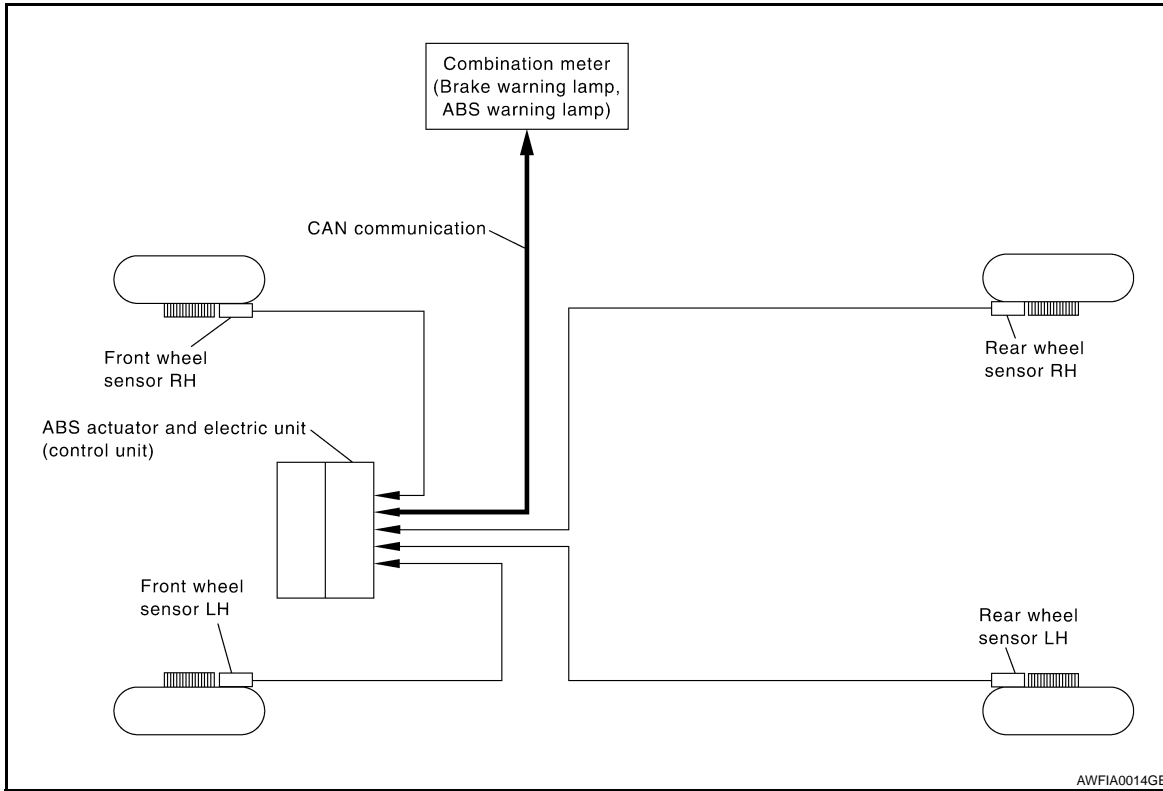
Component parts		Reference
ABS actuator and electric unit (control unit)	Pump	<a href="#">BRC-201, "Description"</a>
	Motor	
	Actuator relay	<a href="#">BRC-219, "Description"</a>
	Solenoid valve	<a href="#">BRC-211, "Description"</a>
	VDC switch-over valve (CV1, CV2, SV1, SV2)	<a href="#">BRC-230, "Description"</a>
Wheel sensor	<a href="#">BRC-206, "Description"</a>	
Yaw rate/side/decel G sensor	<a href="#">BRC-203, "Description"</a>	
Brake fluid level switch	<a href="#">BRC-221, "Description"</a>	
Steering angle sensor	<a href="#">BRC-221, "Description"</a>	
Stop lamp switch	<a href="#">BRC-209, "Description"</a>	
VDC OFF switch	<a href="#">BRC-237, "Description"</a>	
Hill descent control switch	<a href="#">BRC-235, "Description"</a>	
ABS warning lamp	<a href="#">BRC-239, "Description"</a>	
Brake warning lamp	<a href="#">BRC-240, "Description"</a>	
VDC OFF indicator lamp	<a href="#">BRC-241, "Description"</a>	
SLIP indicator lamp	<a href="#">BRC-242, "Description"</a>	
Hill descent control indicator lamp	<a href="#">BRC-243, "Description"</a>	

A  
B  
C  
D  
E  
BRC  
G  
H  
I  
J  
K  
L  
M  
N  
O  
P

ABS

System Diagram

INFOID:000000003247867



System Description

INFOID:000000003247868

- Anti-Lock Braking System is a function that detects wheel revolution while braking, electronically controls braking force, and prevents wheel locking during sudden braking. It improves handling stability and maneuverability for avoiding obstacles.
- Electrical system diagnosis by CONSULT-III is available.

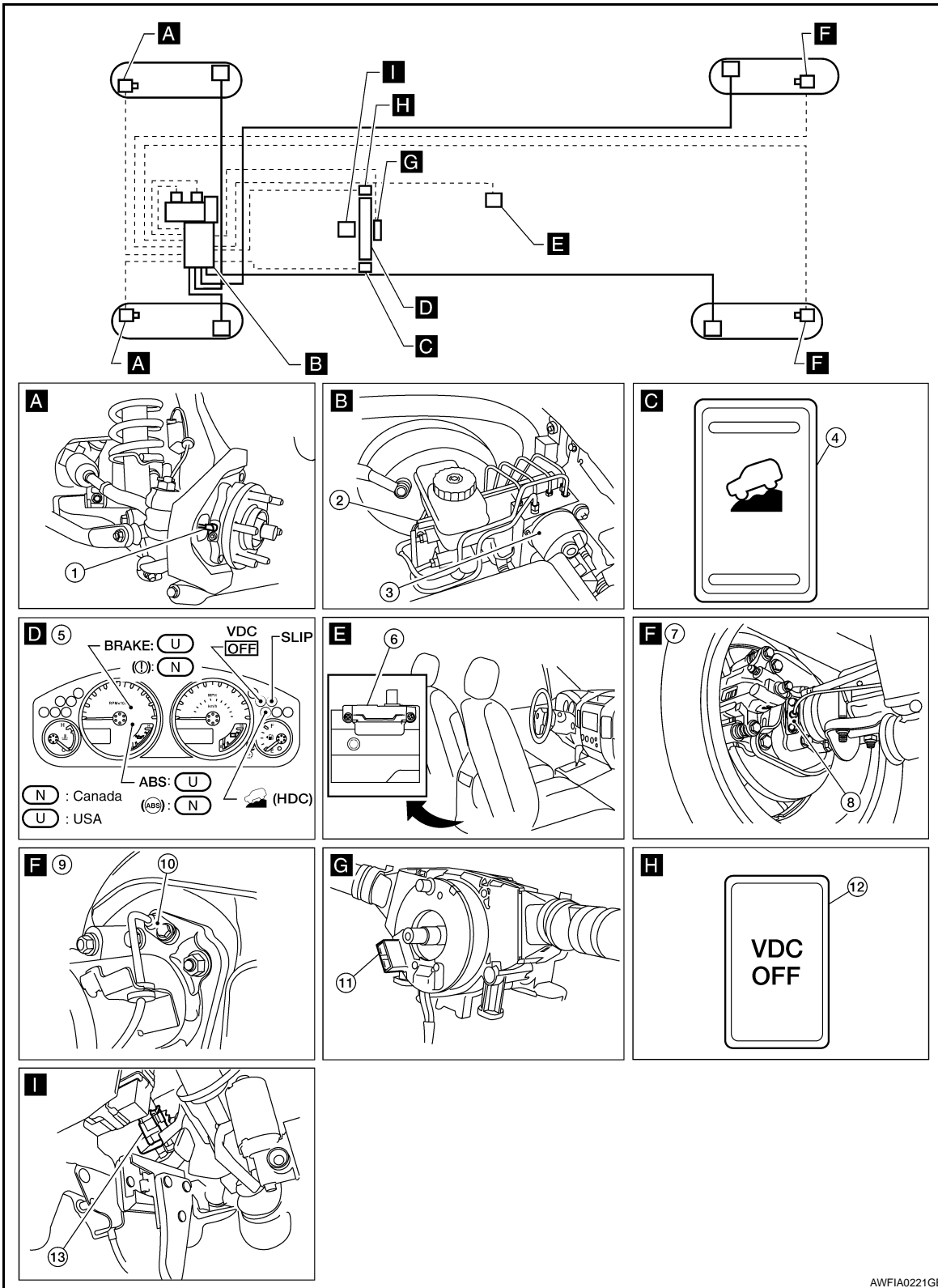
# ABS

< FUNCTION DIAGNOSIS >

[TYPE 3]

## Component Parts Location

INFOID:000000003292888



A  
B  
C  
D  
E  
F  
G  
H  
I  
J  
K  
L  
M  
N  
O  
P

BRC

- |  |   |   |
|--|---|---|
| 1. Front wheel sensor LH E18<br>Front wheel sensor RH E117 | 2. Brake fluid level switch E21                         | 3. ABS actuator and electric unit (control unit) E125 |
| 4. Hill descent control switch M155                        | 5. Combination meter M24                                | 6. Yaw rate/side/decel G sensor B73                   |
| 7. C200 rear axle  | 8. Rear wheel sensor LH C11<br>Rear wheel sensor RH C10 | 9. M226 rear axle                                     |

# ABS

[TYPE 3]

## < FUNCTION DIAGNOSIS >

- |  |   |                         |
|--|---|-------------------------|
| 10. Rear wheel sensor LH C11<br>Rear wheel sensor RH C10 | 11. Steering angle sensor (behind spiral cable) M47<br>(Steering wheel removed for clarity) | 12. VDC OFF switch M154 |
| 13. Stop lamp switch E12                                 |   |                         |

## Component Description

INFOID:000000003292889

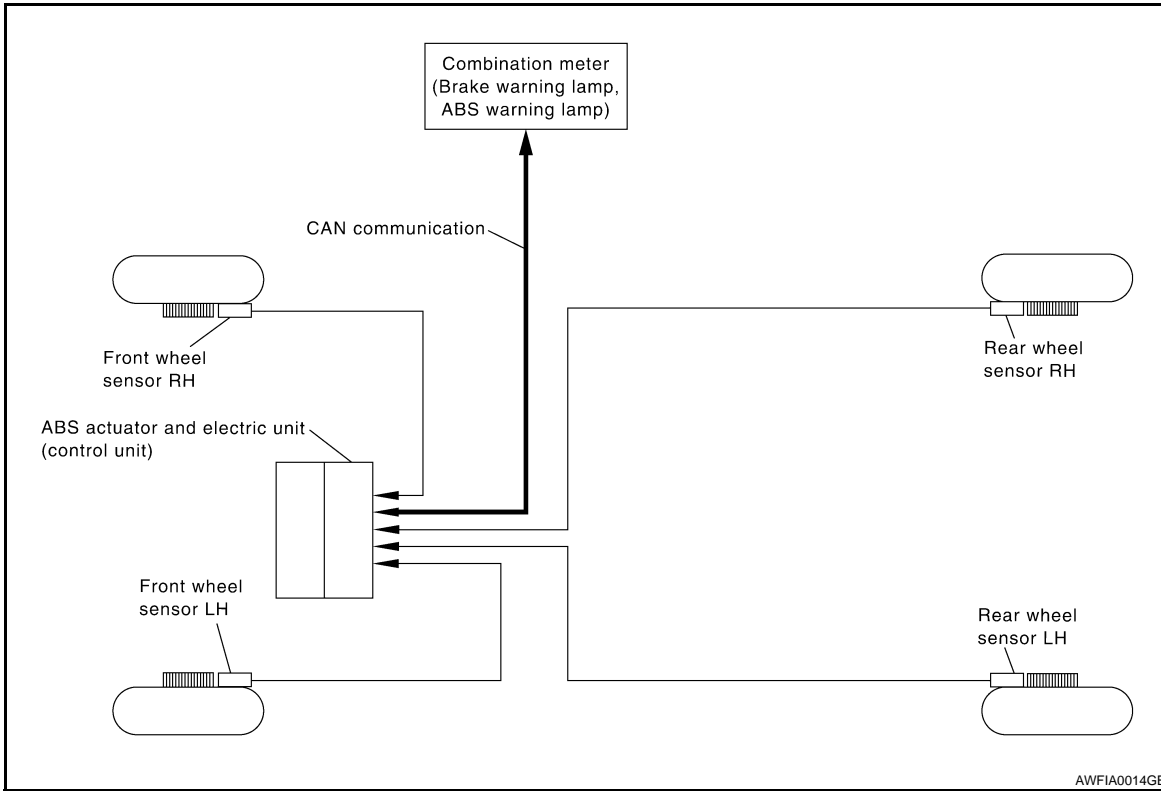
Component parts	Reference	
ABS actuator and electric unit (control unit)	Pump	<a href="#">BRC-201, "Description"</a>
	Motor	
	Actuator relay	<a href="#">BRC-219, "Description"</a>
	Solenoid valve	<a href="#">BRC-211, "Description"</a>
	VDC switch-over valve (CV1, CV2, SV1, SV2)	<a href="#">BRC-230, "Description"</a>
Wheel sensor	<a href="#">BRC-206, "Description"</a>	
Yaw rate/side/decel G sensor	<a href="#">BRC-203, "Description"</a>	
Brake fluid level switch	<a href="#">BRC-221, "Description"</a>	
Steering angle sensor	<a href="#">BRC-221, "Description"</a>	
Stop lamp switch	<a href="#">BRC-209, "Description"</a>	
VDC OFF switch	<a href="#">BRC-237, "Description"</a>	
Hill descent control switch	<a href="#">BRC-235, "Description"</a>	
ABS warning lamp	<a href="#">BRC-239, "Description"</a>	
Brake warning lamp	<a href="#">BRC-240, "Description"</a>	
VDC OFF indicator lamp	<a href="#">BRC-241, "Description"</a>	
SLIP indicator lamp	<a href="#">BRC-242, "Description"</a>	
Hill descent control indicator lamp	<a href="#">BRC-243, "Description"</a>	



EBD

System Diagram

INFOID:000000003247869



A  
B  
C  
D  
E  
BRC  
G  
H  
I  
J  
K  
L  
M  
N  
O  
P

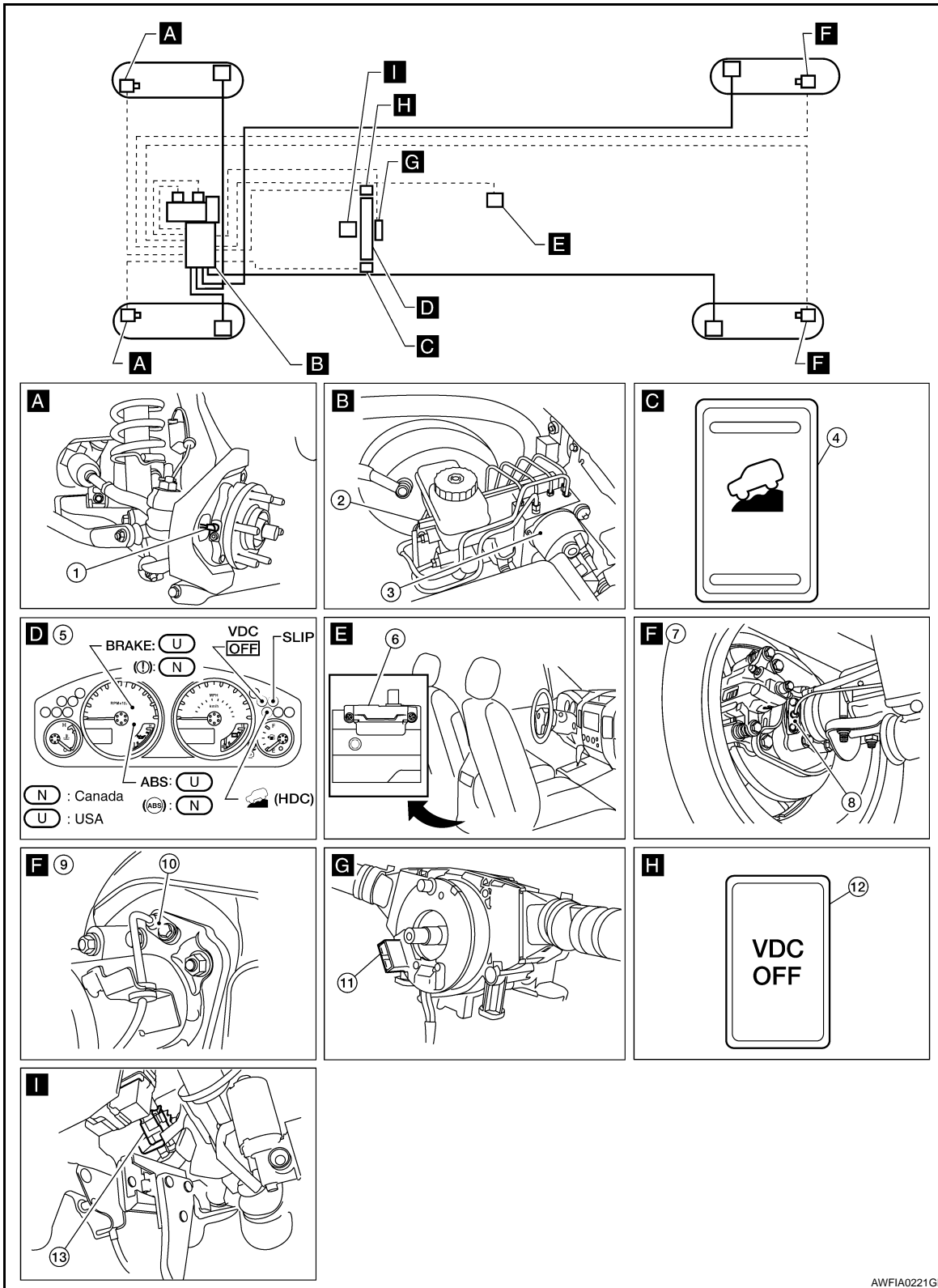
System Description

INFOID:000000003247870

- Electric Brake force Distribution is a following function. ABS actuator and electric unit (control unit) detects subtle slippages between the front and rear wheels during braking. Then it electronically controls the rear braking force (brake fluid pressure) to reduce rear wheel slippage. Accordingly, it improves vehicle stability.
- Electrical system diagnosis by CONSULT-III is available.

Component Parts Location

INFOID:00000003292890



AWFIA0221GE

- |  |   |  |
|--|---|--|
| 1. Front wheel sensor LH E18<br>Front wheel sensor RH E117 | 2. Brake fluid level switch E21                         | 3. ABS actuator and electric unit (control unit)<br>E125 |
| 4. Hill descent control switch M155                        | 5. Combination meter M24                                | 6. Yaw rate/side/decel G sensor B73                      |
| 7. C200 rear axle  | 8. Rear wheel sensor LH C11<br>Rear wheel sensor RH C10 | 9. M226 rear axle  |

- 10. Rear wheel sensor LH C11  
Rear wheel sensor RH C10
- 11. Steering angle sensor (behind spiral cable) M47  
(Steering wheel removed for clarity)
- 12. VDC OFF switch M154
- 13. Stop lamp switch E12

Component Description

INFOID:000000003292891

Component parts		Reference
ABS actuator and electric unit (control unit)	Pump	<a href="#">BRC-201, "Description"</a>
	Motor	
	Actuator relay	<a href="#">BRC-219, "Description"</a>
	Solenoid valve	<a href="#">BRC-211, "Description"</a>
	VDC switch-over valve (CV1, CV2, SV1, SV2)	<a href="#">BRC-230, "Description"</a>
Wheel sensor	<a href="#">BRC-206, "Description"</a>	
Yaw rate/side/decel G sensor	<a href="#">BRC-203, "Description"</a>	
Brake fluid level switch	<a href="#">BRC-221, "Description"</a>	
Steering angle sensor	<a href="#">BRC-221, "Description"</a>	
Stop lamp switch	<a href="#">BRC-209, "Description"</a>	
VDC OFF switch	<a href="#">BRC-237, "Description"</a>	
Hill descent control switch	<a href="#">BRC-235, "Description"</a>	
ABS warning lamp	<a href="#">BRC-239, "Description"</a>	
Brake warning lamp	<a href="#">BRC-240, "Description"</a>	
VDC OFF indicator lamp	<a href="#">BRC-241, "Description"</a>	
SLIP indicator lamp	<a href="#">BRC-242, "Description"</a>	
Hill descent control indicator lamp	<a href="#">BRC-243, "Description"</a>	

A  
B  
C  
D  
E  
BRC  
G  
H  
I  
J  
K  
L  
M  
N  
O  
P

---

## HILL DESCENT CONTROL

### System Description

INFOID:000000003248436

- The hill descent control system will help maintain vehicle speed when driving under 25-35 km/h (15-21 MPH) on steeper downhill grades. Hill descent control will provide braking allowing the driver to concentrate on steering while reducing the burden of brake and accelerator operation.
- To operate the system, set the 4WD switch to 4H or 4LO and push the hill descent control switch. The hill descent control indicator in the combination meter will turn on. While hill descent control is operating, the stop/tail lamps will illuminate.
- If the accelerator or brake pedal is depressed while the hill descent control system is on, the system will stop operating.
- During hill descent control operation, a mechanical noise may be heard. This is normal.
- Electrical system diagnosis by CONSULT-III is available.

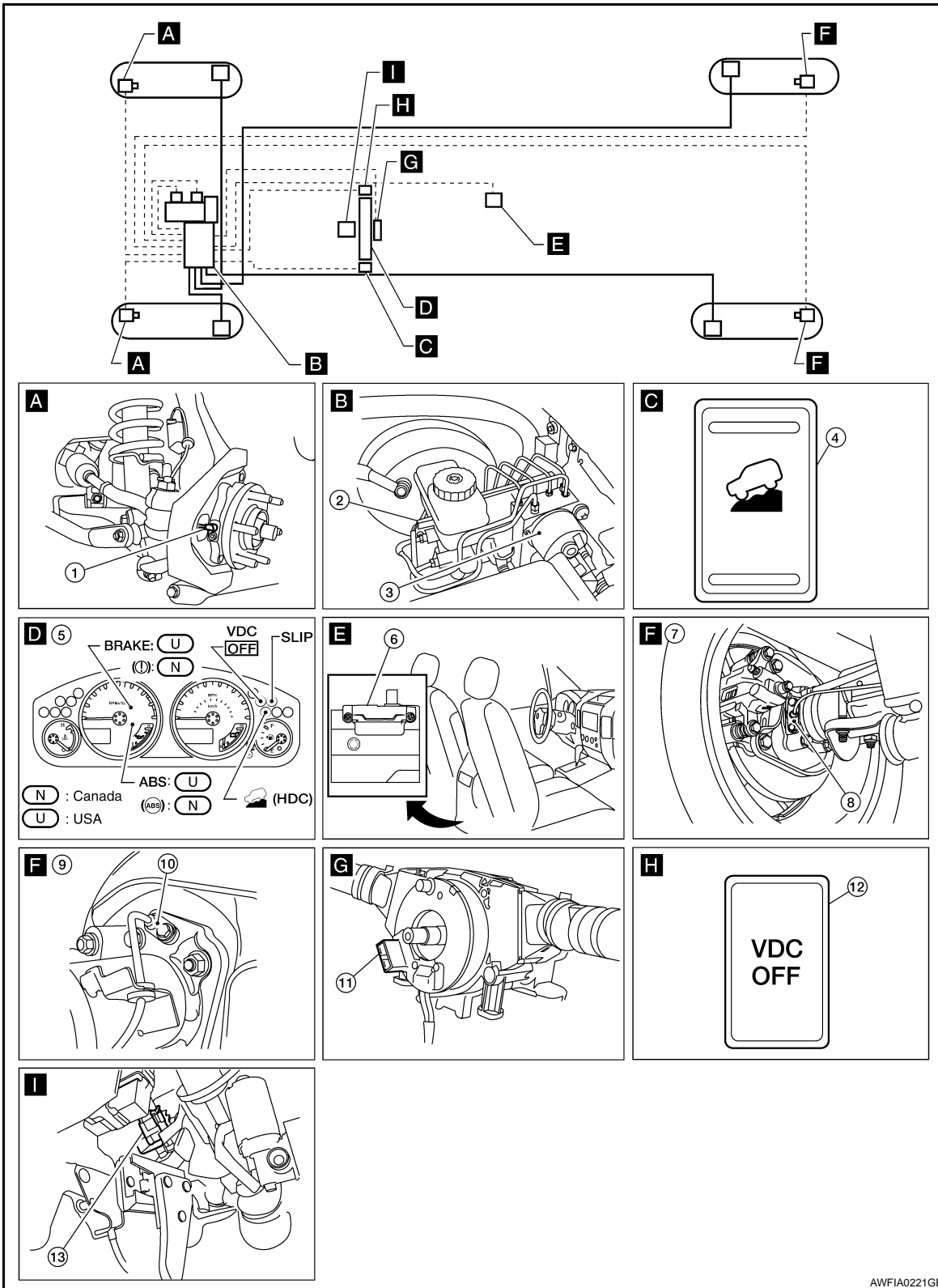
# HILL DESCENT CONTROL

< FUNCTION DIAGNOSIS >

[TYPE 3]

## Component Parts Location

INFOID:000000003292892



A  
B  
C  
D  
E  
BRC  
G  
H  
I  
J  
K  
L  
M  
N  
O  
P

- |  |   |  |
|--|---|--|
| 1. Front wheel sensor LH E18<br>Front wheel sensor RH E117 | 2. Brake fluid level switch E21                         | 3. ABS actuator and electric unit (control unit)<br>E125 |
| 4. Hill descent control switch M155                        | 5. Combination meter M24                                | 6. Yaw rate/side/decel G sensor B73                      |
| 7. C200 rear axle  | 8. Rear wheel sensor LH C11<br>Rear wheel sensor RH C10 | 9. M226 rear axle  |

# HILL DESCENT CONTROL

[TYPE 3]

## < FUNCTION DIAGNOSIS >

10. Rear wheel sensor LH C11  
Rear wheel sensor RH C10
11. Steering angle sensor (behind spiral cable) M47  
(Steering wheel removed for clarity)
12. VDC OFF switch M154
13. Stop lamp switch E12

## Component Description

INFOID:000000003292893

Component parts		Reference
ABS actuator and electric unit (control unit)	Pump	<a href="#">BRC-201, "Description"</a>
	Motor	
	Actuator relay	<a href="#">BRC-219, "Description"</a>
	Solenoid valve	<a href="#">BRC-211, "Description"</a>
	VDC switch-over valve (CV1, CV2, SV1, SV2)	<a href="#">BRC-230, "Description"</a>
Wheel sensor	<a href="#">BRC-206, "Description"</a>	
Yaw rate/side/decel G sensor	<a href="#">BRC-203, "Description"</a>	
Brake fluid level switch	<a href="#">BRC-221, "Description"</a>	
Steering angle sensor	<a href="#">BRC-221, "Description"</a>	
Stop lamp switch	<a href="#">BRC-209, "Description"</a>	
VDC OFF switch	<a href="#">BRC-237, "Description"</a>	
Hill descent control switch	<a href="#">BRC-235, "Description"</a>	
ABS warning lamp	<a href="#">BRC-239, "Description"</a>	
Brake warning lamp	<a href="#">BRC-240, "Description"</a>	
VDC OFF indicator lamp	<a href="#">BRC-241, "Description"</a>	
SLIP indicator lamp	<a href="#">BRC-242, "Description"</a>	
Hill descent control indicator lamp	<a href="#">BRC-243, "Description"</a>	

# HILL START ASSIST

< FUNCTION DIAGNOSIS >

[TYPE 3]

## HILL START ASSIST

### System Description

INFOID:000000003248437

- The hill start assist system will assist the driver by applying the brake automatically and preventing the vehicle from rolling backward when starting on an uphill.
- The maximum holding time is 2 seconds. After 2 seconds, the vehicle will begin to roll back gradually and then hill start assist will stop operating completely.

A  
B  
C  
D  
E  
G  
H  
I  
J  
K  
L  
M  
N  
O  
P

**BRC**

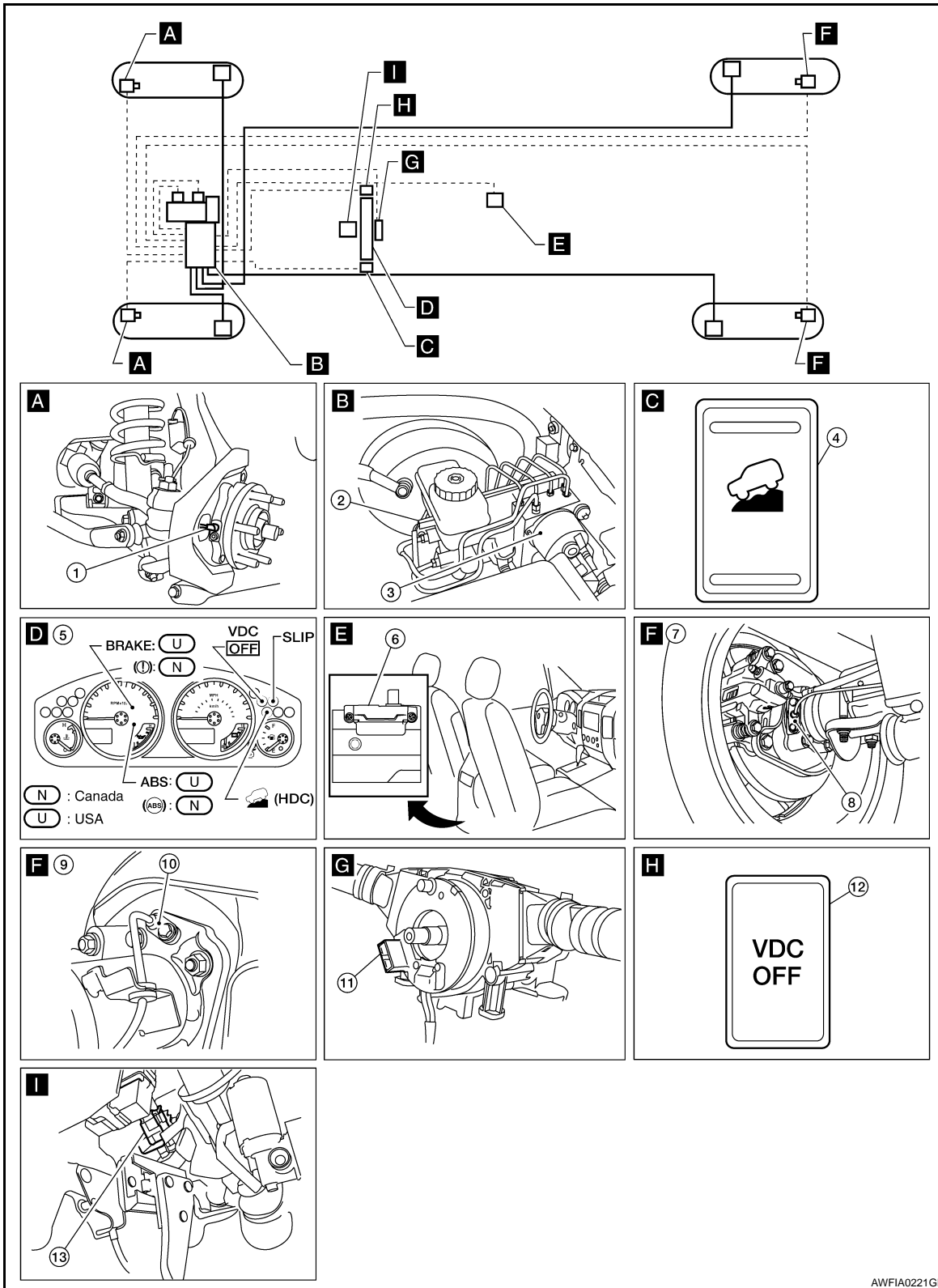
# HILL START ASSIST

< FUNCTION DIAGNOSIS >

[TYPE 3]

## Component Parts Location

INFOID:00000003292894



AWFIA0221GE

- |  |   |  |
|--|---|--|
| 1. Front wheel sensor LH E18<br>Front wheel sensor RH E117 | 2. Brake fluid level switch E21                         | 3. ABS actuator and electric unit (control unit)<br>E125 |
| 4. Hill descent control switch M155                        | 5. Combination meter M24                                | 6. Yaw rate/side/decel G sensor B73                      |
| 7. C200 rear axle  | 8. Rear wheel sensor LH C11<br>Rear wheel sensor RH C10 | 9. M226 rear axle  |



# HILL START ASSIST

< FUNCTION DIAGNOSIS >

[TYPE 3]

- 10. Rear wheel sensor LH C11  
Rear wheel sensor RH C10
- 11. Steering angle sensor (behind spiral cable) M47  
(Steering wheel removed for clarity)
- 12. VDC OFF switch M154
- 13. Stop lamp switch E12

## Component Description

INFOID:000000003292895

Component parts		Reference
ABS actuator and electric unit (control unit)	Pump	<a href="#">BRC-201, "Description"</a>
	Motor	
	Actuator relay	<a href="#">BRC-219, "Description"</a>
	Solenoid valve	<a href="#">BRC-211, "Description"</a>
	VDC switch-over valve (CV1, CV2, SV1, SV2)	<a href="#">BRC-230, "Description"</a>
Wheel sensor	<a href="#">BRC-206, "Description"</a>	
Yaw rate/side/decel G sensor	<a href="#">BRC-203, "Description"</a>	
Brake fluid level switch	<a href="#">BRC-221, "Description"</a>	
Steering angle sensor	<a href="#">BRC-221, "Description"</a>	
Stop lamp switch	<a href="#">BRC-209, "Description"</a>	
VDC OFF switch	<a href="#">BRC-237, "Description"</a>	
Hill descent control switch	<a href="#">BRC-235, "Description"</a>	
ABS warning lamp	<a href="#">BRC-239, "Description"</a>	
Brake warning lamp	<a href="#">BRC-240, "Description"</a>	
VDC OFF indicator lamp	<a href="#">BRC-241, "Description"</a>	
SLIP indicator lamp	<a href="#">BRC-242, "Description"</a>	
Hill descent control indicator lamp	<a href="#">BRC-243, "Description"</a>	

A  
B  
C  
D  
E  
BRC  
G  
H  
I  
J  
K  
L  
M  
N  
O  
P

# DIAGNOSIS SYSTEM [ABS ACTUATOR AND ELECTRIC UNIT (CONTROL UNIT)]

< FUNCTION DIAGNOSIS >

[TYPE 3]

## DIAGNOSIS SYSTEM [ABS ACTUATOR AND ELECTRIC UNIT (CONTROL UNIT)]

### CONSULT-III Function (ABS)

INFOID:000000003247871

#### FUNCTION

CONSULT-III can display each diagnostic item using the diagnostic test modes shown following.

Diagnostic test mode	Function
Work support	This mode enables a technician to adjust some devices faster and more accurately by following the indications on CONSULT-III.
Self-diagnostic results	Self-diagnostic results can be read and erased quickly.
Data monitor	Input/Output data in the ABS actuator and electric unit (control unit) can be read.
Active test	Diagnostic test mode is which CONSULT-III drives some actuators apart from the ABS actuator and electric unit (control unit) and also shifts some parameters in a specified range.
ECU part number	ABS actuator and electric unit (control unit) part number can be read.
CAN diagnostic support monitor	The results of transmit/receive diagnosis of CAN communication can be read.

#### SELF-DIAG RESULTS MODE

##### Operation Procedure

1. Before performing the self-diagnosis, start engine and drive vehicle at 30 km/h (19 MPH) or more for approximately 1 minute.

##### How to Erase Self-diagnosis Results

1. After erasing DTC memory, start engine and drive vehicle at 30 km/h (19 MPH) or more for approximately 1 minute as the final inspection, and make sure that the ABS warning lamp, VDC OFF indicator lamp, SLIP indicator lamp and brake warning lamp turn OFF.

##### **CAUTION:**

**If memory cannot be erased, perform applicable diagnosis.**

##### **NOTE:**

- When the wheel sensor malfunctions, after inspecting the wheel sensor system, the ABS warning lamp, VDC OFF indicator lamp, SLIP indicator lamp and brake warning lamp will not turn OFF even when the system is normal unless the vehicle is driving at approximately 30 km/h (19 MPH) or more for approximately 1 minute.
- Brake warning lamp will turn ON in case of parking brake operation (when switch is ON) or of brake fluid level switch operation (when brake fluid is insufficient).
- VDC OFF switch should not stay "ON" position.

##### Display Item List

Refer to [BRC-256, "DTC No. Index"](#).

#### DATA MONITOR MODE

##### Display Item List

Item (Unit)	Data monitor item selection			Remarks
	ECU INPUT SIGNALS	MAIN SIGNALS	SELECTION FROM MENU	
GEAR	×	×	×	Gear position judged by PNP switch signal is displayed.
FR RH SENSOR (km/h, MPH)	×	×	×	Wheel speed calculated by front RH wheel sensor signal is displayed.
FR LH SENSOR (km/h, MPH)	×	×	×	Wheel speed calculated by front LH wheel sensor signal is displayed.
RR RH SENSOR (km/h, MPH)	×	×	×	Wheel speed calculated by rear RH wheel sensor signal is displayed.

# DIAGNOSIS SYSTEM [ABS ACTUATOR AND ELECTRIC UNIT (CONTROL UNIT)]

< FUNCTION DIAGNOSIS >

[TYPE 3]

Item (Unit)	Data monitor item selection			Remarks
	ECU INPUT SIGNALS	MAIN SIGNALS	SELECTION FROM MENU	
RR LH SENSOR (km/h, MPH)	×	×	×	Wheel speed calculated by rear LH wheel sensor signal is displayed.
BATTERY VOLT (V)	×	×	×	Voltage supplied to ABS actuator and electric unit (control unit) is displayed.
N POSI SIG	-	-	×	Shift position judged by PNP switch signal.
P POSI SIG	-	-	×	Shift position judged by PNP switch signal.
ACCEL POS SIG (%)	×	-	×	Throttle valve open/close status judged by CAN communication signal is displayed.
ENGINE SPEED (rpm)	×	×	×	Engine speed judged by CAN communication signal is displayed.
STR ANGLE SIG (deg)	×	-	×	Steering angle detected by steering angle sensor is displayed.
YAW RATE SEN (d/s)	×	×	×	Yaw rate detected by yaw rate sensor is displayed.
SIDE G-SENSOR (m/s <sup>2</sup> )	×	-	×	Transverse acceleration detected by side G-sensor is displayed.
STOP LAMP SW (ON/OFF)	×	×	×	Stop lamp switch (ON/OFF) status is displayed.
OFF SW (ON/OFF)	×	×	×	VDC OFF switch (ON/OFF) status is displayed.
ABS WARN LAMP (ON/OFF)	-	×	×	ABS warning lamp (ON/OFF) status is displayed.
SLIP LAMP (ON/OFF)	-	×	×	SLIP indicator lamp (ON/OFF) status is displayed.
FR LH IN SOL (ON/OFF)	-	×	×	Front LH IN ABS solenoid (ON/OFF) status is displayed.
FR LH OUT SOL (ON/OFF)	-	×	×	Front LH OUT ABS solenoid (ON/OFF) status is displayed.
RR RH IN SOL (ON/OFF)	-	×	×	Rear RH IN ABS solenoid (ON/OFF) status is displayed.
RR RH OUT SOL (ON/OFF)	-	×	×	Rear RH OUT ABS solenoid (ON/OFF) status is displayed.
FR RH IN SOL (ON/OFF)	-	×	×	Front RH IN ABS solenoid (ON/OFF) status is displayed.
FR RH OUT SOL (ON/OFF)	-	×	×	Front RH OUT ABS solenoid (ON/OFF) status is displayed.
RR LH IN SOL (ON/OFF)	-	×	×	Rear LH IN ABS solenoid (ON/OFF) status is displayed.
RR LH OUT SOL (ON/OFF)	-	×	×	Rear LH OUT ABS solenoid (ON/OFF) status is displayed.
OFF LAMP (ON/OFF)	-	×	×	OFF Lamp (ON/OFF) status is displayed.
MOTOR RELAY (ON/OFF)	-	×	×	ABS motor relay signal (ON/OFF) status is displayed.
ACTUATOR RLY (ON/OFF)	-	×	×	ABS actuator relay signal (ON/OFF) status is displayed.

A

B

C

D

E

**BRC**

G

H

I

J

K

L

M

N

O

P

# DIAGNOSIS SYSTEM [ABS ACTUATOR AND ELECTRIC UNIT (CONTROL UNIT)]

< FUNCTION DIAGNOSIS >

[TYPE 3]

Item (Unit)	Data monitor item selection			Remarks
	ECU INPUT SIGNALS	MAIN SIGNALS	SELECTION FROM MENU	
CV1 (ON/OFF)	-	-	×	Front side switch-over solenoid valve (cut valve) (ON/OFF) status is displayed.
CV2 (ON/OFF)	-	-	×	Rear side switch-over solenoid valve (cut-valve) (ON/OFF) status is displayed.
SV1 (ON/OFF)	-	-	×	Front side switch-over solenoid valve (suction valve) (ON/OFF) status is displayed.
SV2 (ON/OFF)	-	-	×	Rear side switch-over solenoid valve (suction valve) (ON/OFF) status is displayed.
VDC FAIL SIG (ON/OFF)	-	-	×	VDC fail signal (ON/OFF) status is displayed.
TCS FAIL SIG (ON/OFF)	-	-	×	TCS fail signal (ON/OFF) status is displayed.
ABS FAIL SIG (ON/OFF)	-	-	×	ABS fail signal (ON/OFF) status is displayed.
EBD FAIL SIG (ON/OFF)	-	-	×	EBD fail signal (ON/OFF) status is displayed.
FLUID LEV SW (ON/OFF)	×	-	×	Brake fluid level switch (ON/OFF) status is displayed.
EBD SIGNAL (ON/OFF)	-	-	×	EBD operation (ON/OFF) status is displayed.
ABS SIGNAL (ON/OFF)	-	-	×	ABS operation (ON/OFF) status is displayed.
TCS SIGNAL (ON/OFF)	-	-	×	TCS operation (ON/OFF) status is displayed.
VDC SIGNAL (ON/OFF)	-	-	×	VDC operation (ON/OFF) status is displayed.
EBD WARN LAMP	-	-	×	Brake warning lamp (ON/OFF) status is displayed.
SLCT LVR POSI	×	×	×	Shift position judged by PNP switch signal.
R POSI SIG	-	-	×	Shift position judged by PNP switch signal.
2WD/4WD	-	-	×	It recognizes on software whether it is 2WD and whether it is in 4WD state.
CRANKING SIG	-	-	×	The input state of the key SW START position signal is displayed.
RELEASE SW NO	-	-	×	Release switch signal (ON/OFF) status is displayed. "ON" indicates that the brake pedal is depressed. "OFF" is that the brake pedal is released.
RELEASE SW NC	-	-	×	Release switch signal (ON/OFF) status is displayed. "OFF" indicates that the brake pedal is depressed on. "ON" is that the brake pedal is released.
OHB FAIL	-	-	×	OHB fail status is displayed.
HBA FAIL	-	-	×	HBA fail status is displayed.

# DIAGNOSIS SYSTEM [ABS ACTUATOR AND ELECTRIC UNIT (CONTROL UNIT)]

< FUNCTION DIAGNOSIS >

[TYPE 3]

Item (Unit)	Data monitor item selection			Remarks
	ECU INPUT SIGNALS	MAIN SIGNALS	SELECTION FROM MENU	
OHB SIG	-	-	×	OHB operation (ON/OFF) status is displayed.
HBA SIG	-	-	×	HBA operation (ON/OFF) status is displayed.
PRES CTRL ACC	-	-	×	This item is not used for this model.
PRES FAIL ACC	-	-	×	This item is not used for this model.
STP OFF RLY	-	-	×	Stop lamp relay signal (ON/OFF) status is displayed.

×: Applicable

-: Not applicable

## ACTIVE TEST MODE

### CAUTION:

- Do not perform active test while driving vehicle.
- Make sure to completely bleed air from brake system.
- The active test cannot be performed with the ABS warning lamp, VDC OFF indicator lamp, SLIP indicator lamp or brake warning lamp on.
- ABS warning lamp, VDC OFF indicator lamp, SLIP indicator lamp and brake warning lamp are on during active test.

### NOTE:

- When active test is performed while depressing the pedal, the pedal depression amount will change. This is normal. (Only solenoid valve and ABS motor.)
- "TEST IS STOPPED" is displayed 10 seconds after operation start.
- After "TEST IS STOPPED" is displayed, to perform test again, touch BACK.

## Test Item

### SOLENOID VALVE

- When performing an active test of the ABS function, select the "MAIN SIGNALS" for each test item. In addition, when performing an active test of the VDC/TCS function, select the item menu for each test item.
- For ABS solenoid valve, touch "UP", "KEEP", and "DOWN" on the display screen. For ABS solenoid valve (ACT), touch "UP", "ACT UP", "ACT KEEP" and confirm that solenoid valves operate as shown in the table below.

Operation		ABS solenoid valve			ABS solenoid valve (ACT)		
		UP	KEEP	DOWN	UP	ACTUA-TOR UP	ACTUA-TOR KEEP
FR RH SOL FR RH ABS SOLE- NOID (ACT)	FR RH IN SOL	OFF	ON	ON	OFF	OFF	OFF
	FR RH OUT SOL	OFF	OFF	ON*	OFF	OFF	OFF
FR LH SOL FR LH ABS SOLE- NOID (ACT)	FR LH IN SOL	OFF	ON	ON	OFF	OFF	OFF
	FR LH OUT SOL	OFF	OFF	ON*	OFF	OFF	OFF
RR RH SOL RR RH ABS SOLE- NOID (ACT)	RR RH IN SOL	OFF	ON	ON	OFF	OFF	OFF
	RR RH OUT SOL	OFF	OFF	ON*	OFF	OFF	OFF
RR LH SOL RR LH ABS SOLE- NOID (ACT)	RR LH IN SOL	OFF	ON	ON	OFF	OFF	OFF
	RR LH OUT SOL	OFF	OFF	ON*	OFF	OFF	OFF
REAR SOL	RR RH IN SOL	OFF	ON	ON	OFF	OFF	OFF
	RR RH OUT SOL	OFF	OFF	ON*	OFF	OFF	OFF
	RR LH IN SOL	OFF	ON	ON	OFF	OFF	OFF
	RR LH OUT SOL	OFF	OFF	ON*	OFF	OFF	OFF

\*: ON for 1 to 2 seconds after the touch, and then OFF

# DIAGNOSIS SYSTEM [ABS ACTUATOR AND ELECTRIC UNIT (CONTROL UNIT)]

< FUNCTION DIAGNOSIS >

[TYPE 3]

ABS MOTOR

- Touch "ON" and "OFF" on screen. Make sure motor relay and actuator relay operates as shown in table below.

Operation	ON	OFF
MOTOR RELAY	ON	OFF
ACTUATOR RLY	ON	ON

# APPLICATION NOTICE

< COMPONENT DIAGNOSIS >

[TYPE 3]

## COMPONENT DIAGNOSIS

### APPLICATION NOTICE

Application Notice

INFOID:000000003248358

Service information	Remarks
TYPE 1	ABS
TYPE 2	ABLS/ABS
TYPE 3	HILL DESCENT CONTROL/HILL START ASSIST/VDC/TCS/ABS

A  
B  
C  
D  
E  
G  
H  
I  
J  
K  
L  
M  
N  
O  
P

**BRC**

# C1101, C1102, C1103, C1104 WHEEL SENSOR-1

< COMPONENT DIAGNOSIS >

[TYPE 3]

## C1101, C1102, C1103, C1104 WHEEL SENSOR-1

### Description

INFOID:000000003247873

When the sensor rotor rotates, the magnetic field changes. It converts the magnetic field changes to current signals (rectangular wave) and transmits them to the ABS actuator and electric unit (control unit).

### DTC Logic

INFOID:000000003247874

### DTC DETECTION LOGIC

DTC	Display item	Malfunction detected condition	Possible cause
C1101	RR RH SENSOR-1	Circuit of rear RH wheel sensor is open. Or when the sensor power voltage is outside the standard.	<ul style="list-style-type: none"><li>• Harness or connector</li><li>• Wheel sensor</li><li>• ABS actuator and electric unit (control unit)</li></ul>
C1102	RR LH SENSOR-1	Circuit of rear LH wheel sensor is open. Or when the sensor power voltage is outside the standard.	
C1103	FR RH SENSOR-1	Circuit of front RH wheel sensor is open. Or when the sensor power voltage is outside the standard.	
C1104	FR LH SENSOR-1	Circuit of front LH wheel sensor is open. Or when the sensor power voltage is outside the standard.	

### DTC CONFIRMATION PROCEDURE

#### 1.CHECK SELF-DIAGNOSIS RESULTS

Check the self-diagnosis results.

Self-diagnosis results
RR RH SENSOR-1
RR LH SENSOR-1
FR RH SENSOR-1
FR LH SENSOR-1

Is above displayed on the self-diagnosis display?

- YES >> Proceed to diagnosis procedure. Refer to [BRC-192. "Diagnosis Procedure"](#).  
NO >> INSPECTION END

### Diagnosis Procedure

INFOID:000000003247875

#### **CAUTION:**

**Do not check between wheel sensor terminals.**

### INSPECTION PROCEDURE

#### 1.CONNECTOR INSPECTION

Disconnect the ABS actuator and electric unit (control unit) connector and wheel sensor of malfunctioning code.

Check the terminals for deformation, disconnection, looseness or damage.

Is the inspection result normal?

- YES >> GO TO 2  
NO >> Repair or replace as necessary.

#### 2.CHECK WHEEL SENSOR OUTPUT SIGNAL

1. Connect ABS active wheel sensor tester (J-45741) to wheel sensor using appropriate adapter.
2. Turn on the ABS active wheel sensor tester power switch.

#### **NOTE:**

The green POWER indicator should illuminate. If the POWER indicator does not illuminate, replace the battery in the ABS active wheel sensor tester before proceeding.

3. Spin the wheel of the vehicle by hand and observe the red SENSOR indicator on the ABS active wheel sensor tester. The red SENSOR indicator should flash on and off to indicate an output signal.



# C1101, C1102, C1103, C1104 WHEEL SENSOR-1

< COMPONENT DIAGNOSIS >

[TYPE 3]

**NOTE:**

If the red SENSOR indicator illuminates but does not flash, reverse the polarity of the tester leads and retest.

Does the ABS active wheel sensor tester detect a signal?

YES >> GO TO 3

NO >> Replace the wheel sensor. Refer to [BRC-272, "Removal and Installation"](#).

### 3.CHECK TIRES

Check for inflation pressure, wear and size of each tire.

Are tire pressure and size correct and is tire wear within specifications?

YES >> GO TO 4

NO >> Adjust tire pressure or replace tire(s).

### 4.CHECK WHEEL BEARINGS

Check wheel bearing axial end play. Refer to [FAX-5, "On-Vehicle Inspection and Service"](#) (front), [RAX-7, "Rear Axle Bearing"](#) (C200 rear), or [RAX-19, "Rear Axle Bearing"](#) (M226 rear).

Is the inspection result normal?

YES >> GO TO 5

NO >> Repair or replace as necessary. Refer to [FAX-8, "Removal and Installation"](#) (front), [RAX-13, "Removal and Installation"](#) (C200 rear), or [RAX-24, "Removal and Installation"](#) (M226 rear).

### 5.CHECK WIRING HARNESS FOR SHORT CIRCUIT

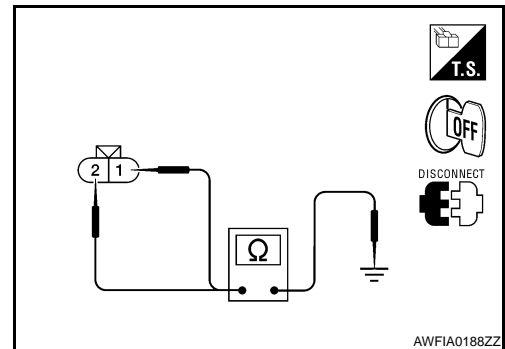
1. Disconnect ABS actuator and electric unit (control unit) connector and wheel sensor connector of malfunction code No.
2. Check continuity between wheel sensor harness connector terminals and ground.

**Continuity should not exist.**

Is the inspection result normal?

YES >> GO TO 6

NO >> Repair the circuit.



### 6.CHECK WIRING HARNESS FOR OPEN CIRCUIT

1. Check continuity between ABS actuator and electric unit (control unit) harness connector and the malfunctioning wheel sensor harness connector.

Wheel sensor	ABS actuator and electric unit (control unit)		Wheel sensor		Continuity
	Connector	Terminal	Connector	Terminal	
Front LH	E125	45	E18	1	Yes
		46		2	
Front RH		34	E117	1	
		33		2	
Rear LH		36	C11	1	
		37		2	
Rear RH		43	C10	1	
		42		2	

Is the inspection result normal?

YES >> Replace the ABS actuator and electric unit (control unit). Refer to [BRC-274, "Removal and Installation"](#).

NO >> Repair the circuit.

# C1101, C1102, C1103, C1104 WHEEL SENSOR-1

< COMPONENT DIAGNOSIS >

[TYPE 3]

## Component Inspection

INFOID:000000003247876

### 1. CHECK DATA MONITOR

On "DATA MONITOR", select "FR LH SENSOR", "FR RH SENSOR", "RR LH SENSOR", and "RR RH SENSOR", and check the vehicle speed.

Wheel sensor	Vehicle speed (DATA MONITOR)
FR LH SENSOR	Nearly matches the speedometer display ( $\pm 10\%$ or less)
FR RH SENSOR	
RR LH SENSOR	
RR RH SENSOR	

Is the inspection result normal?

YES >> INSPECTION END

NO >> Go to diagnosis procedure. Refer to [BRC-192, "Diagnosis Procedure"](#).

## Special Repair Requirement

INFOID:000000003247877

### 1. ADJUSTMENT OF STEERING ANGLE SENSOR NEUTRAL POSITION

Always perform neutral position adjustment for the steering angle sensor when replacing the ABS actuator and electric unit (control unit). Refer to [BRC-163, "ADJUSTMENT OF STEERING ANGLE SENSOR NEUTRAL POSITION : Description"](#).

>> GO TO 2

### 2. CALIBRATION OF DECEL G SENSOR

Always perform calibration of decel G sensor when replacing the ABS actuator and electric unit (control unit). Refer to [BRC-164, "CALIBRATION OF DECEL G SENSOR : Description"](#).

>> END

# C1105, C1106, C1107, C1108 WHEEL SENSOR-2

< COMPONENT DIAGNOSIS >

[TYPE 3]

## C1105, C1106, C1107, C1108 WHEEL SENSOR-2

### Description

INFOID:000000003247878

When the sensor rotor rotates, the magnetic field changes. It converts the magnetic field changes to current signals (rectangular wave) and transmits them to the ABS actuator and electric unit (control unit).

### DTC Logic

INFOID:000000003247879

### DTC DETECTION LOGIC

DTC	Display item	Malfunction detected condition	Possible cause
C1105	RR RH SENSOR-2	When the circuit in the rear RH wheel sensor is short-circuited. Or when the distance between the wheel sensor and sensor rotor is too large and the sensor pulse cannot be recognized by the control unit.	<ul style="list-style-type: none"><li>• Harness or connector</li><li>• Wheel sensor</li><li>• ABS actuator and electric unit (control unit)</li></ul>
C1106	RR LH SENSOR-2	When the circuit in the rear LH wheel sensor is short-circuited. Or when the distance between the wheel sensor and sensor rotor is too large and the sensor pulse cannot be recognized by the control unit.	
C1107	FR RH SENSOR-2	When the circuit in the front RH wheel sensor is short-circuited. Or when the distance between the wheel sensor and sensor rotor is too large and the sensor pulse cannot be recognized by the control unit.	
C1108	FR LH SENSOR-2	When the circuit in the front LH wheel sensor is short-circuited. Or when the distance between the wheel sensor and sensor rotor is too large and the sensor pulse cannot be recognized by the control unit.	

### DTC CONFIRMATION PROCEDURE

#### 1. CHECK SELF-DIAGNOSIS RESULTS

Check the self-diagnosis results.

Self-diagnosis results
RR RH SENSOR-2
RR LH SENSOR-2
FR RH SENSOR-2
FR LH SENSOR-2

Is above displayed on the self-diagnosis display?

- YES >> Proceed to diagnosis procedure. Refer to [BRC-195, "Diagnosis Procedure"](#).  
NO >> INSPECTION END

### Diagnosis Procedure

INFOID:000000003247880

#### **CAUTION:**

**Do not check between wheel sensor terminals.**

### INSPECTION PROCEDURE

#### 1. CONNECTOR INSPECTION

Disconnect the ABS actuator and electric unit (control unit) connector and wheel sensor of malfunctioning code.

Check the terminals for deformation, disconnection, looseness or damage.

Is the inspection result normal?

- YES >> GO TO 2  
NO >> Repair or replace as necessary.

## C1105, C1106, C1107, C1108 WHEEL SENSOR-2

< COMPONENT DIAGNOSIS >

[TYPE 3]

### 2. CHECK WHEEL SENSOR OUTPUT SIGNAL

1. Connect ABS active wheel sensor tester (J-45741) to wheel sensor using appropriate adapter.
2. Turn on the ABS active wheel sensor tester power switch.

**NOTE:**

The green POWER indicator should illuminate. If the POWER indicator does not illuminate, replace the battery in the ABS active wheel sensor tester before proceeding.

3. Spin the wheel of the vehicle by hand and observe the red SENSOR indicator on the ABS active wheel sensor tester. The red SENSOR indicator should flash on and off to indicate an output signal.

**NOTE:**

If the red SENSOR indicator illuminates but does not flash, reverse the polarity of the tester leads and retest.

Does the ABS active wheel sensor tester detect a signal?

YES >> GO TO 3

NO >> Replace the wheel sensor. Refer to [BRC-272, "Removal and Installation"](#).

### 3. CHECK TIRES

Check for inflation pressure, wear and size of each tire.

Are tire pressure and size correct and is tire wear within specifications?

YES >> GO TO 4

NO >> Adjust tire pressure or replace tire(s).

### 4. CHECK WHEEL BEARINGS

Check wheel bearing axial end play. Refer to [FAX-5, "On-Vehicle Inspection and Service"](#) (front), [RAX-7, "Rear Axle Bearing"](#) (C200 rear), or [RAX-19, "Rear Axle Bearing"](#) (M226 rear).

Is the inspection result normal?

YES >> GO TO 5

NO >> Repair or replace as necessary. Refer to [FAX-8, "Removal and Installation"](#) (front), [RAX-13, "Removal and Installation"](#) (C200 rear), or [RAX-24, "Removal and Installation"](#) (M226 rear).

### 5. CHECK WIRING HARNESS FOR SHORT CIRCUIT

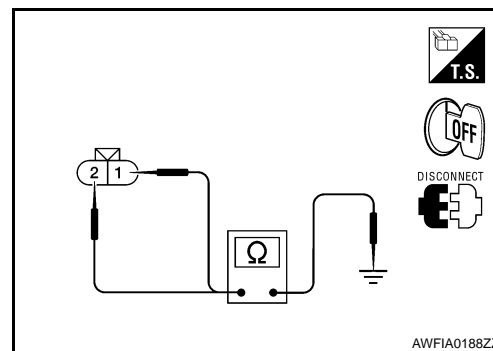
1. Disconnect ABS actuator and electric unit (control unit) connector and wheel sensor connector of malfunction code No.
2. Check continuity between wheel sensor harness connector terminals and ground.

**Continuity should not exist.**

Is the inspection result normal?

YES >> GO TO 6

NO >> Repair the circuit.



### 6. CHECK WIRING HARNESS FOR OPEN CIRCUIT

1. Check continuity between ABS actuator and electric unit (control unit) harness connector and the malfunctioning wheel sensor harness connector.

# C1105, C1106, C1107, C1108 WHEEL SENSOR-2

< COMPONENT DIAGNOSIS >

[TYPE 3]

Wheel sensor	ABS actuator and electric unit (control unit)		Wheel sensor		Continuity
	Connector	Terminal	Connector	Terminal	
Front LH	E125	45	E18	1	Yes
		46		2	
Front RH		34	E117	1	
		33		2	
Rear LH		36	C11	1	
		37		2	
Rear RH		43	C10	1	
		42		2	

Is the inspection result normal?

YES >> Replace the ABS actuator and electric unit (control unit). Refer to [BRC-274, "Removal and Installation"](#).

NO >> Repair the circuit.

## Component Inspection

INFOID:000000003247881

### 1. CHECK DATA MONITOR

On "DATA MONITOR", select "FR LH SENSOR", "FR RH SENSOR", "RR LH SENSOR", and "RR RH SENSOR", and check the vehicle speed.

Wheel sensor	Vehicle speed (DATA MONITOR)
FR LH SENSOR	Nearly matches the speedometer display ( $\pm 10\%$ or less)
FR RH SENSOR	
RR LH SENSOR	
RR RH SENSOR	

Is the inspection result normal?

YES >> INSPECTION END

NO >> Go to diagnosis procedure. Refer to [BRC-195, "Diagnosis Procedure"](#).

## Special Repair Requirement

INFOID:000000003304712

### 1. ADJUSTMENT OF STEERING ANGLE SENSOR NEUTRAL POSITION

Always perform neutral position adjustment for the steering angle sensor when replacing the ABS actuator and electric unit (control unit). Refer to [BRC-163, "ADJUSTMENT OF STEERING ANGLE SENSOR NEUTRAL POSITION : Description"](#).

>> GO TO 2

### 2. CALIBRATION OF DECEL G SENSOR

Always perform calibration of decel G sensor when replacing the ABS actuator and electric unit (control unit). Refer to [BRC-164, "CALIBRATION OF DECEL G SENSOR : Description"](#).

>> END

# C1109 POWER AND GROUND SYSTEM

< COMPONENT DIAGNOSIS >

[TYPE 3]

## C1109 POWER AND GROUND SYSTEM

### Description

INFOID:000000003247883

Supplies electric power to the ABS actuator and electric unit (control unit).

### DTC Logic

INFOID:000000003247884

### DTC DETECTION LOGIC

DTC	Display item	Malfunction detected condition	Possible cause
C1109	BATTERY VOLTAGE [ABNORMAL]	When the ABS actuator and electric unit (control unit) power supply voltage is lower than normal.	<ul style="list-style-type: none"> <li>• Harness or connector</li> <li>• ABS actuator and electric unit (control unit)</li> </ul>

### DTC CONFIRMATION PROCEDURE

#### 1. CHECK SELF-DIAGNOSIS RESULTS

Check the self-diagnosis results.

Self-diagnosis results
BATTERY VOLTAGE [ABNORMAL]

Is above displayed on the self-diagnosis display?

- YES >> Proceed to diagnosis procedure. Refer to [BRC-198, "Diagnosis Procedure"](#).  
 NO >> INSPECTION END

### Diagnosis Procedure

INFOID:000000003247885

### INSPECTION PROCEDURE

#### 1. CHECK CONNECTOR

1. Turn ignition switch OFF.
2. Disconnect ABS actuator and electric unit (control unit) connector.
3. Check terminal for deformation, disconnection, looseness, and so on. If any malfunction is found, repair or replace terminal.
4. Reconnect connectors and then perform the self-diagnosis. Refer to [BRC-186, "CONSULT-III Function \(ABS\)"](#).

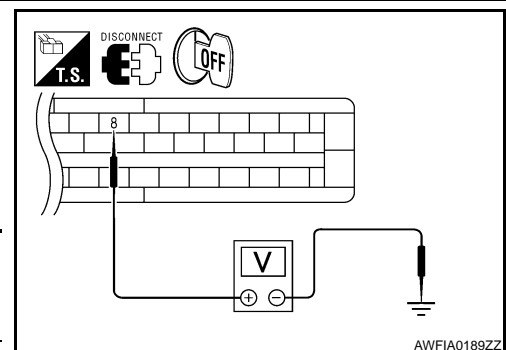
Is any item indicated on the self-diagnosis display?

- YES >> GO TO 2  
 NO >> Poor connection of connector terminal. Repair or replace connector.

#### 2. CHECK ABS ACTUATOR AND ELECTRIC UNIT (CONTROL UNIT) POWER SUPPLY CIRCUIT AND GROUND CIRCUIT

1. Turn ignition switch OFF.
2. Disconnect ABS actuator and electric unit (control unit) connector.
3. Turn ignition switch ON or OFF and check voltage between ABS actuator and electric unit (control unit) harness connector terminal and ground.

ABS actuator and electric unit (control unit)		—	Condition	Voltage
Connector	Terminal			
E125	8	Ground	Ignition switch: ON	Battery voltage
			Ignition switch: OFF	Approx. 0V



4. Turn ignition switch OFF.

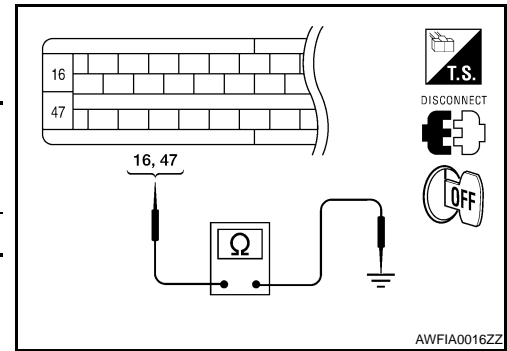
# C1109 POWER AND GROUND SYSTEM

[TYPE 3]

## < COMPONENT DIAGNOSIS >

5. Check continuity between ABS actuator and electric unit (control unit) harness connector terminals and ground.

ABS actuator and electric unit (control unit)		—	Continuity
Connector	Terminal		
E125	16, 47	Ground	Yes



### Is the inspection result normal?

- YES >> Check battery for terminal looseness, low voltage, etc. If any malfunction is found, repair malfunctioning parts.  
 NO >> Repair or replace malfunctioning components.

### Special Repair Requirement

INFOID:000000003304713

**BRC**

## 1. ADJUSTMENT OF STEERING ANGLE SENSOR NEUTRAL POSITION

Always perform neutral position adjustment for the steering angle sensor when replacing the ABS actuator and electric unit (control unit). Refer to [BRC-163. "ADJUSTMENT OF STEERING ANGLE SENSOR NEUTRAL POSITION : Description"](#).

>> GO TO 2

## 2. CALIBRATION OF DECEL G SENSOR

Always perform calibration of decel G sensor when replacing the ABS actuator and electric unit (control unit). Refer to [BRC-164. "CALIBRATION OF DECEL G SENSOR : Description"](#).

>> END

A  
B  
C  
D  
E  
G  
H  
I  
J  
K  
L  
M  
N  
O  
P

# C1110, C1170 ABS ACTUATOR AND ELECTRIC UNIT (CONTROL UNIT)

< COMPONENT DIAGNOSIS >

[TYPE 3]

## C1110, C1170 ABS ACTUATOR AND ELECTRIC UNIT (CONTROL UNIT)

### DTC Logic

INFOID:000000003247887

#### DTC DETECTION LOGIC

DTC	Display item	Malfunction detected condition	Possible cause
C1110	CONTROLLER FAILURE	When there is an internal malfunction in the ABS actuator and electric unit (control unit).	• ABS actuator and electric unit (control unit)
C1170	VARIANT CODING	In a case where VARIANT CODING is different.	

#### DTC CONFIRMATION PROCEDURE

##### 1. CHECK SELF-DIAGNOSIS RESULTS

Check the self-diagnosis results.

Self-diagnosis results
CONTROLLER FAILURE
VARIANT CODING

Is above displayed on the self-diagnosis display?

- YES >> Proceed to diagnosis procedure. Refer to [BRC-200, "Diagnosis Procedure"](#).
- NO >> INSPECTION END

#### Diagnosis Procedure

INFOID:000000003247888

#### INSPECTION PROCEDURE

##### 1. REPLACE ABS ACTUATOR AND ELECTRIC UNIT (CONTROL UNIT)

- >> Replace ABS actuator and electric unit (control unit). Refer to [BRC-274, "Removal and Installation"](#).

#### Special Repair Requirement

INFOID:000000003304714

##### 1. ADJUSTMENT OF STEERING ANGLE SENSOR NEUTRAL POSITION

Always perform neutral position adjustment for the steering angle sensor when replacing the ABS actuator and electric unit (control unit). Refer to [BRC-163, "ADJUSTMENT OF STEERING ANGLE SENSOR NEUTRAL POSITION : Description"](#).

- >> GO TO 2

##### 2. CALIBRATION OF DECEL G SENSOR

Always perform calibration of decel G sensor when replacing the ABS actuator and electric unit (control unit). Refer to [BRC-164, "CALIBRATION OF DECEL G SENSOR : Description"](#).

- >> END



# C1111 ABS MOTOR, MOTOR RELAY SYSTEM

< COMPONENT DIAGNOSIS >

[TYPE 3]

## C1111 ABS MOTOR, MOTOR RELAY SYSTEM

### Description

INFOID:000000003247890

#### PUMP

The pump returns the brake fluid stored in the reservoir to the master cylinder by reducing the pressure.

#### MOTOR

The motor drives the pump according to the signals transmitted by the ABS actuator and electric unit (control unit).

### DTC Logic

INFOID:000000003247891

### DTC DETECTION LOGIC

DTC	Display item	Malfunction detected condition	Possible cause
C1111	PUMP MOTOR	During the actuator motor operating with ON, when the actuator motor turns OFF, or when the control line for actuator motor relay is open.	<ul style="list-style-type: none"><li>• Harness or connector</li><li>• ABS actuator and electric unit (control unit)</li></ul>
		During the actuator motor operating with OFF, when the actuator motor turns ON, or when the control line for relay is shorted to ground.	

### DTC CONFIRMATION PROCEDURE

#### 1. CHECK SELF-DIAGNOSIS RESULTS

Check the self-diagnosis results.

Self-diagnosis results
PUMP MOTOR

Is above displayed on the self-diagnosis display?

- YES >> Proceed to diagnosis procedure. Refer to [BRC-201, "Diagnosis Procedure"](#).  
NO >> INSPECTION END

### Diagnosis Procedure

INFOID:000000003247892

### INSPECTION PROCEDURE

#### 1. CHECK CONNECTOR

1. Turn ignition switch OFF.
2. Disconnect ABS actuator and electric unit (control unit) connector.
3. Check terminal for deformation, disconnect, looseness, and so on. If any malfunction is found, repair or replace terminal.
4. Reconnect connectors and then perform the self-diagnosis. Refer to [BRC-186, "CONSULT-III Function \(ABS\)"](#).

Is any item indicated on the self-diagnosis display?

- YES >> GO TO 2  
NO >> Poor connection of connector terminal. Repair or replace connector.

#### 2. CHECK ABS MOTOR AND MOTOR RELAY POWER SUPPLY CIRCUIT

# C1111 ABS MOTOR, MOTOR RELAY SYSTEM

[TYPE 3]

## < COMPONENT DIAGNOSIS >

1. Turn ignition switch OFF.
2. Disconnect ABS actuator and electric unit (control unit) connector.
3. Check voltage between the ABS actuator and electric unit (control unit) harness connector terminal and ground.

ABS actuator and electric unit (control unit)		—	Voltage
Connector	Terminal		
E125	1	Ground	Battery voltage

Is the inspection result normal?

- YES >> GO TO 3  
 NO >> Repair or replace malfunctioning components.

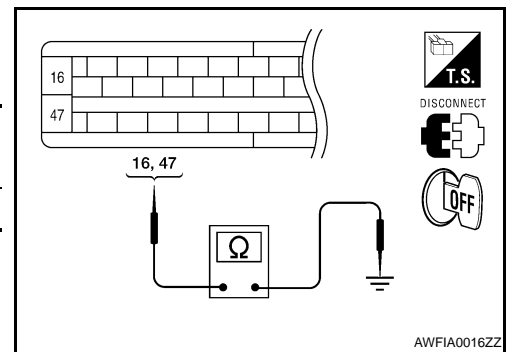
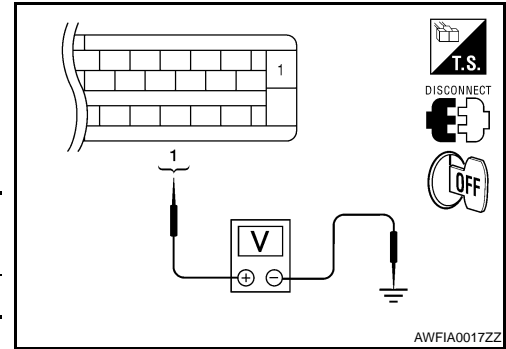
### 3.CHECK ABS ACTUATOR AND ELECTRIC UNIT (CONTROL UNIT) GROUND CIRCUIT

Check continuity between ABS actuator and electric unit (control unit) harness connector terminals and ground.

ABS actuator and electric unit (control unit)		—	Continuity
Connector	Terminal		
E125	16, 47	Ground	Yes

Is the inspection result normal?

- YES >> Replace ABS actuator and electric unit (control unit).  
 Refer to [BRC-274, "Removal and Installation"](#).  
 NO >> Repair or replace malfunctioning components.



## Component Inspection

INFOID:000000003247893

### 1.CHECK ACTIVE TEST

1. On "ACTIVE TEST", select "ABS MOTOR".
2. Touch ON and OFF on screen. Make sure motor relay and actuator relay operates as shown in table below.

Operation	ON	OFF
MOTOR RELAY	ON	OFF
ACTUATOR RLY	ON	ON

Is the inspection result normal?

- YES >> INSPECTION END  
 NO >> Go to diagnosis procedure. Refer to [BRC-201, "Diagnosis Procedure"](#).

## Special Repair Requirement

INFOID:000000003304715

### 1.ADJUSTMENT OF STEERING ANGLE SENSOR NEUTRAL POSITION

Always perform neutral position adjustment for the steering angle sensor when replacing the ABS actuator and electric unit (control unit). Refer to [BRC-163, "ADJUSTMENT OF STEERING ANGLE SENSOR NEUTRAL POSITION : Description"](#).

>> GO TO 2

### 2.CALIBRATION OF DECEL G SENSOR

Always perform calibration of decel G sensor when replacing the ABS actuator and electric unit (control unit). Refer to [BRC-164, "CALIBRATION OF DECEL G SENSOR : Description"](#).

>> END

# C1113, C1145, C1146 YAW RATE/SIDE/DECEL G SENSOR

< COMPONENT DIAGNOSIS >

[TYPE 3]

## C1113, C1145, C1146 YAW RATE/SIDE/DECEL G SENSOR

### Description

INFOID:000000003247895

The yaw rate/side/decel G sensor detects the yaw rate/side/decel G affecting the vehicle, and transmits the data to the ABS actuator and electric unit (control unit) as an analog voltage signal.

### DTC Logic

INFOID:000000003247896

### DTC DETECTION LOGIC

DTC	Display item	Malfunction detected condition	Possible cause
C1113	G-SENSOR	Longitudinal G-sensor is malfunctioning, or signal line of longitudinal G-sensor is open or shorted.	• Harness or connector • ABS actuator and electric unit (control unit) • Yaw rate/side/decel G sensor
C1145	YAW RATE SENSOR	Yaw rate sensor is malfunctioning, or the yaw rate sensor signal line is open or shorted.	
C1146	SIDE G-SEN CIRCUIT	Side G sensor is malfunctioning, or circuit of side G sensor is open or shorted.	

### DTC CONFIRMATION PROCEDURE

#### 1. CHECK SELF-DIAGNOSIS RESULTS

Check the self-diagnosis results.

Self-diagnosis results
G-SENSOR
YAW RATE SENSOR
SIDE G-SEN CIRCUIT

Is above displayed on the self-diagnosis display?

- YES >> Proceed to diagnosis procedure. Refer to [BRC-203. "Diagnosis Procedure"](#).  
NO >> INSPECTION END

### Diagnosis Procedure

INFOID:000000003247897

#### CAUTION:

- Sudden turns (such as spin turns, acceleration turns), drifting, etc. when VDC function is OFF may cause the yaw rate/side/decel G sensor system to indicate a malfunction. This is not a malfunction if normal operation can be resumed after restarting the engine.
- If vehicle is on turn table at entrance to parking garage, or on other moving surface, VDC OFF indicator lamp may illuminate and CONSULT-III self-diagnosis may indicate yaw rate sensor system malfunction. However, in this case there is no malfunction in yaw rate sensor system. Take vehicle off of turn table or other moving surface, and start engine. Results will return to normal.

### INSPECTION PROCEDURE

#### 1. CONNECTOR INSPECTION

Disconnect the ABS actuator and electric unit (control unit) connector and yaw rate/side/decel G sensor connector.

Check the terminals for deformation, disconnection, looseness or damage.

Is the inspection result normal?

- YES >> GO TO 2  
NO >> Repair or replace as necessary.

#### 2. YAW RATE/SIDE/DECEL G SENSOR HARNESS INSPECTION

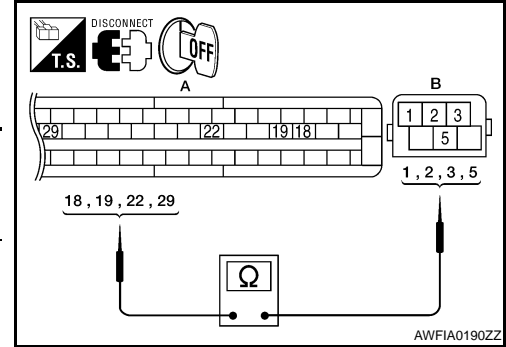
# C1113, C1145, C1146 YAW RATE/SIDE/DECCEL G SENSOR

[TYPE 3]

## < COMPONENT DIAGNOSIS >

Check continuity between the ABS actuator and electric unit (control unit) connector E125 (A) terminals 18, 19, 22, 29 and the yaw rate/side/decel G sensor connector B73 (B) terminals 2, 1, 3, 5.

ABS actuator and electric unit (control unit)		Yaw rate/side/decel G sensor		Continuity
Connector	Terminal	Connector	Terminal	
E125 (A)	18	B73 (B)	2	Yes
	19		1	
	22		3	
	29		5	



Is the inspection result normal?

YES >> GO TO 3

NO >> Repair or replace as necessary.

### 3. YAW RATE/SIDE/DECCEL G SENSOR INSPECTION

1. Connect the yaw rate/side/decel G sensor connector M108 and ABS actuator and electric unit (control unit) connector E125.
2. Use "DATA MONITOR" to check if the yaw rate/side/decel G sensor signals are normal.

Vehicle condition	YAW RATE SEN (DATA MONITOR)	SIDE G-SENSOR (DATA MONITOR)	DECCEL G-SEN (DATA MONITOR)
Stopped	-4 to +4 deg/s	-1.1 to +1.1 m/s	-0.08 G to +0.08 G
Turning right	Negative value	Negative value	-
Turning left	Positive value	Positive value	-
Speed up	-	-	Negative value
Speed down	-	-	Positive value

Is the inspection result normal?

YES >> Replace the ABS actuator and electric unit (control unit). Refer to [BRC-274, "Removal and Installation"](#).

NO >> Replace the yaw rate/side/decel G sensor. Refer to [BRC-277, "Removal and Installation"](#).

### Component Inspection

INFOID:000000003247898

#### 1. CHECK DATA MONITOR

Select "YAW RATE SEN", "SIDE G-SENSOR", "DECCEL G-SEN" in "DATA MONITOR" and check yaw rate/side/decel G sensor signal.

Vehicle condition	YAW RATE SEN (DATA MONITOR)	SIDE G-SENSOR (DATA MONITOR)	DECCEL G-SEN (DATA MONITOR)
Stopped	-4 to +4 deg/s	-1.1 to +1.1 m/s	-0.08 G to +0.08 G
Turning right	Negative value	Negative value	-
Turning left	Positive value	Positive value	-
Speed up	-	-	Negative value
Speed down	-	-	Positive value

Is the inspection result normal?

YES >> INSPECTION END

NO >> Go to diagnosis procedure. Refer to [BRC-203, "Diagnosis Procedure"](#).

### Special Repair Requirement

INFOID:000000003304716

#### 1. ADJUSTMENT OF STEERING ANGLE SENSOR NEUTRAL POSITION

# C1113, C1145, C1146 YAW RATE/SIDE/DECEL G SENSOR

[TYPE 3]

< COMPONENT DIAGNOSIS >

Always perform neutral position adjustment for the steering angle sensor when replacing the ABS actuator and electric unit (control unit). Refer to [BRC-163, "ADJUSTMENT OF STEERING ANGLE SENSOR NEUTRAL POSITION : Description"](#).

>> GO TO 2

## 2. CALIBRATION OF DECEL G SENSOR

Always perform calibration of decel G sensor when replacing the ABS actuator and electric unit (control unit). Refer to [BRC-164, "CALIBRATION OF DECEL G SENSOR : Description"](#).

>> END

A  
B  
C  
D  
E  
G  
H  
I  
J  
K  
L  
M  
N  
O  
P

**BRC**

# C1115 WHEEL SENSOR

[TYPE 3]

< COMPONENT DIAGNOSIS >

## C1115 WHEEL SENSOR

### Description

INFOID:000000003247900

When the sensor rotor rotates, the magnetic field changes. It converts the magnetic field changes to current signals (rectangular wave) and transmits them to the ABS actuator and electric unit (control unit).

### DTC Logic

INFOID:000000003247901

### DTC DETECTION LOGIC

DTC	Display item	Malfunction detected condition	Possible cause
C1115	ABS SENSOR [ABNORMAL SIGNAL]	When wheel sensor input signal is malfunctioning.	<ul style="list-style-type: none"><li>• Harness or connector</li><li>• Wheel sensor</li><li>• ABS actuator and electric unit (control unit)</li></ul>

### DTC CONFIRMATION PROCEDURE

#### 1.CHECK SELF-DIAGNOSIS RESULTS

Check the self-diagnosis results.

Self-diagnosis results
ABS SENSOR [ABNORMAL SIGNAL]

Is above displayed on the self-diagnosis display?

- YES >> Proceed to diagnosis procedure. Refer to [BRC-206, "Diagnosis Procedure"](#).  
NO >> INSPECTION END

### Diagnosis Procedure

INFOID:000000003247902

#### **CAUTION:**

**Do not check between wheel sensor terminals.**

### INSPECTION PROCEDURE

#### 1.CONNECTOR INSPECTION

Disconnect the ABS actuator and electric unit (control unit) connector and wheel sensor of malfunctioning code.

Check the terminals for deformation, disconnection, looseness or damage.

Is the inspection result normal?

- YES >> GO TO 2  
NO >> Repair or replace as necessary.

#### 2.CHECK WHEEL SENSOR OUTPUT SIGNAL

1. Connect ABS active wheel sensor tester (J-45741) to wheel sensor using appropriate adapter.
2. Turn on the ABS active wheel sensor tester power switch.

##### **NOTE:**

The green POWER indicator should illuminate. If the POWER indicator does not illuminate, replace the battery in the ABS active wheel sensor tester before proceeding.

3. Spin the wheel of the vehicle by hand and observe the red SENSOR indicator on the ABS active wheel sensor tester. The red SENSOR indicator should flash on and off to indicate an output signal.

##### **NOTE:**

If the red SENSOR indicator illuminates but does not flash, reverse the polarity of the tester leads and retest.

Does the ABS active wheel sensor tester detect a signal?

- YES >> GO TO 3  
NO >> Replace the wheel sensor. Refer to [BRC-272, "Removal and Installation"](#).

#### 3.CHECK TIRES

# C1115 WHEEL SENSOR

[TYPE 3]

## < COMPONENT DIAGNOSIS >

Check for inflation pressure, wear and size of each tire.

Are tire pressure and size correct and is tire wear within specifications?

- YES >> GO TO 4
- NO >> Adjust tire pressure or replace tire(s).

### 4.CHECK WHEEL BEARINGS

Check wheel bearing axial end play. Refer to [FAX-5. "On-Vehicle Inspection and Service"](#) (front), [RAX-7. "Rear Axle Bearing"](#) (C200 rear), or [RAX-19. "Rear Axle Bearing"](#) (M226 rear).

Is the inspection result normal?

- YES >> GO TO 5
- NO >> Repair or replace as necessary. Refer to [FAX-8. "Removal and Installation"](#) (front), [RAX-13. "Removal and Installation"](#) (C200 rear), or [RAX-24. "Removal and Installation"](#) (M226 rear).

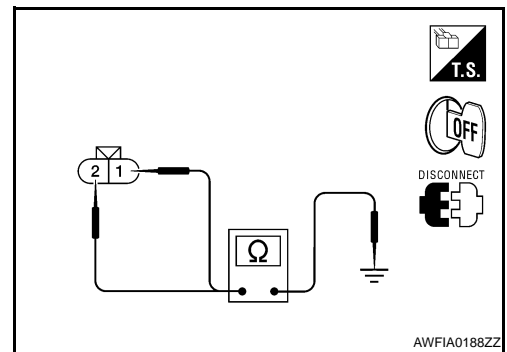
### 5.CHECK WIRING HARNESS FOR SHORT CIRCUIT

1. Disconnect ABS actuator and electric unit (control unit) connector and wheel sensor connector of malfunction code No.
2. Check continuity between wheel sensor harness connector terminals and ground.

**Continuity should not exist.**

Is the inspection result normal?

- YES >> GO TO 6
- NO >> Repair the circuit.



### 6.CHECK WIRING HARNESS FOR OPEN CIRCUIT

1. Check continuity between ABS actuator and electric unit (control unit) harness connector and the malfunctioning wheel sensor harness connector.

Wheel sensor	ABS actuator and electric unit (control unit)		Wheel sensor		Continuity
	Connector	Terminal	Connector	Terminal	
Front LH	E125	45	E18	1	Yes
		46		2	
Front RH		34	E117	1	
		33		2	
Rear LH		36	C11	1	
		37		2	
Rear RH		43	C10	1	
		42		2	

Is the inspection result normal?

- YES >> Replace the ABS actuator and electric unit (control unit). Refer to [BRC-274. "Removal and Installation"](#).
- NO >> Repair the circuit.

## Component Inspection

INFOID:000000003247903

### 1.CHECK DATA MONITOR

On "DATA MONITOR", select "FR LH SENSOR", "FR RH SENSOR", "RR LH SENSOR", and "RR RH SENSOR", and check the vehicle speed.

Wheel sensor	Vehicle speed (DATA MONITOR)
--------------	------------------------------

# C1115 WHEEL SENSOR

[TYPE 3]

## < COMPONENT DIAGNOSIS >

FR LH SENSOR	Nearly matches the speedometer display ( $\pm 10\%$ or less)
FR RH SENSOR	
RR LH SENSOR	
RR RH SENSOR	

### Is the inspection result normal?

YES >> INSPECTION END

NO >> Go to diagnosis procedure. Refer to [BRC-206. "Diagnosis Procedure"](#).

## Special Repair Requirement

INFOID:000000003304717

### 1. ADJUSTMENT OF STEERING ANGLE SENSOR NEUTRAL POSITION

Always perform neutral position adjustment for the steering angle sensor when replacing the ABS actuator and electric unit (control unit). Refer to [BRC-163. "ADJUSTMENT OF STEERING ANGLE SENSOR NEUTRAL POSITION : Description"](#).

>> GO TO 2

### 2. CALIBRATION OF DECEL G SENSOR

Always perform calibration of decel G sensor when replacing the ABS actuator and electric unit (control unit). Refer to [BRC-164. "CALIBRATION OF DECEL G SENSOR : Description"](#).

>> END



# C1116 STOP LAMP SWITCH

< COMPONENT DIAGNOSIS >

[TYPE 3]

## C1116 STOP LAMP SWITCH

### Description

INFOID:000000003247905

The stop lamp switch transmits the stop lamp switch signal (ON/OFF) to the ABS actuator and electric unit (control unit).

### DTC Logic

INFOID:000000003247906

### DTC DETECTION LOGIC

DTC	Display item	Malfunction detected condition	Possible cause
C1116	STOP LAMP SW	When stop lamp switch circuit is open.	<ul style="list-style-type: none"><li>• Harness or connector</li><li>• Stop lamp switch</li><li>• ABS actuator and electric unit (control unit)</li></ul>

### DTC CONFIRMATION PROCEDURE

#### 1. CHECK SELF-DIAGNOSIS RESULTS

Check the self-diagnosis results.

Self-diagnosis results
STOP LAMP SW

Is above displayed on the self-diagnosis display?

- YES >> Proceed to diagnosis procedure. Refer to [BRC-209, "Diagnosis Procedure"](#).  
NO >> INSPECTION END

### Diagnosis Procedure

INFOID:000000003247907

### INSPECTION PROCEDURE

#### 1. CONNECTOR INSPECTION

1. Disconnect the ABS actuator and electric unit (control unit) connector and stop lamp switch connector.
2. Check the terminals for deformation, disconnection, looseness or damage.

Is the inspection result normal?

- YES >> GO TO 2  
NO >> Repair or replace as necessary.

#### 2. STOP LAMP SWITCH INSPECTION

1. Connect the stop lamp switch harness connector.
2. Check the voltage between the ABS actuator and electric unit (control unit) harness connector E125 terminal 39 and body ground.

**Brake pedal depressed** : Battery voltage (approx. 12V)

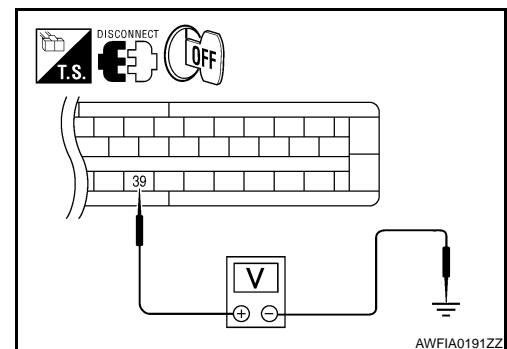
**Brake pedal not depressed** : Approx. 0V

Is the inspection result normal?

- YES >> Perform self-diagnosis again. If the same results appear, replace ABS actuator and electric unit (control unit). Refer to [BRC-274, "Removal and Installation"](#).

NO >> GO TO 3

#### 3. STOP LAMP SWITCH CIRCUIT INSPECTION



# C1116 STOP LAMP SWITCH

[TYPE 3]

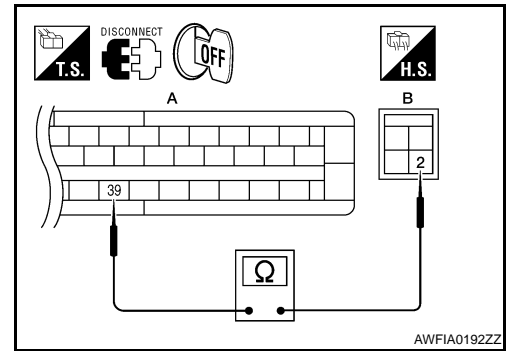
## < COMPONENT DIAGNOSIS >

1. Disconnect the stop lamp switch harness connector.
2. Check the continuity between the ABS actuator and electric unit (control unit) harness connector E125 (A) terminal 39 and stop lamp switch harness connector E38 (B) terminal 2.

**Continuity should exist.**

Is the inspection result normal?

- YES >> Refer to [BRC-159, "Work Flow"](#).  
NO >> Repair or replace malfunctioning components.



INFOID:000000003304718

## Special Repair Requirement

### 1. ADJUSTMENT OF STEERING ANGLE SENSOR NEUTRAL POSITION

Always perform neutral position adjustment for the steering angle sensor when replacing the ABS actuator and electric unit (control unit). Refer to [BRC-163, "ADJUSTMENT OF STEERING ANGLE SENSOR NEUTRAL POSITION : Description"](#).

>> GO TO 2

### 2. CALIBRATION OF DECEL G SENSOR

Always perform calibration of decel G sensor when replacing the ABS actuator and electric unit (control unit). Refer to [BRC-164, "CALIBRATION OF DECEL G SENSOR : Description"](#).

>> END

# C1120, C1122, C1124, C1126 IN ABS SOL

< COMPONENT DIAGNOSIS >

[TYPE 3]

## C1120, C1122, C1124, C1126 IN ABS SOL

### Description

INFOID:000000003247909

The solenoid valve increases, holds or decreases the fluid pressure of each brake caliper according to the signals transmitted by the ABS actuator and electric unit (control unit).

### DTC Logic

INFOID:000000003247910

### DTC DETECTION LOGIC

DTC	Display item	Malfunction detected condition	Possible cause
C1120	FR LH IN ABS SOL	When the control unit detects a malfunction in the front LH inlet solenoid circuit.	• ABS actuator and electric unit (control unit)
C1122	FR RH IN ABS SOL	When the control unit detects a malfunction in the front RH inlet solenoid circuit.	
C1124	RR LH IN ABS SOL	When the control unit detects a malfunction in the rear LH inlet solenoid circuit.	
C1126	RR RH IN ABS SOL	When the control unit detects a malfunction in the rear RH inlet solenoid circuit.	

### DTC CONFIRMATION PROCEDURE

#### 1.CHECK SELF-DIAGNOSIS RESULTS

Check the self-diagnosis results.

Self-diagnosis results
FR LH IN ABS SOL
FR RH IN ABS SOL
RR LH IN ABS SOL
RR RH IN ABS SOL

Is above displayed on the self-diagnosis display?

- YES >> Proceed to diagnosis procedure. Refer to [BRC-211. "Diagnosis Procedure"](#).  
NO >> INSPECTION END

### Diagnosis Procedure

INFOID:000000003247911

### INSPECTION PROCEDURE

#### 1.CHECK CONNECTOR

1. Turn ignition switch OFF.
2. Disconnect ABS actuator and electric unit (control unit) connector.
3. Check terminal for deformation, disconnection, looseness, and so on. If any malfunction is found, repair or replace terminal.
4. Reconnect connectors and then perform the self-diagnosis. Refer to [BRC-186. "CONSULT-III Function \(ABS\)"](#).

Is any item indicated on the self-diagnosis display?

- YES >> GO TO 2  
NO >> Poor connection of connector terminal. Repair or replace connector.

#### 2.CHECK SOLENOID, VDC SWITCH-OVER VALVE AND ACTUATOR RELAY POWER SUPPLY CIRCUIT

# C1120, C1122, C1124, C1126 IN ABS SOL

[TYPE 3]

## < COMPONENT DIAGNOSIS >

1. Turn ignition switch OFF.
2. Disconnect ABS actuator and electric unit (control unit) connector.
3. Check voltage between ABS actuator and electric unit (control unit) harness connector terminal and ground.

ABS actuator and electric unit (control unit)		—	Voltage
Connector	Terminal		
E125	32	Ground	Battery voltage

Is the inspection result normal?

- YES >> GO TO 3  
 NO >> Repair or replace malfunctioning components.

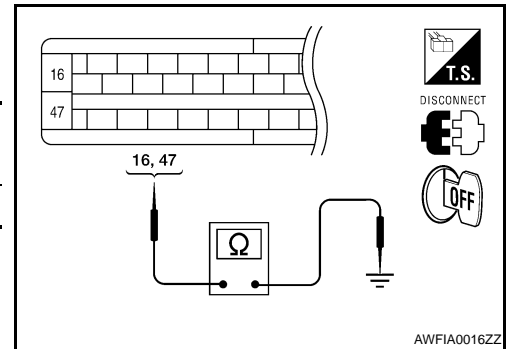
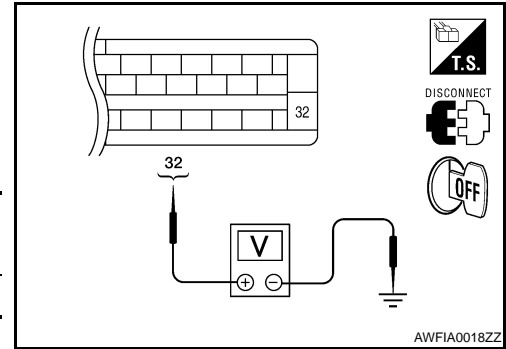
### 3.CHECK SOLENOID, VDC SWITCH-OVER VALVE AND ACUATOR RELAY GROUND CIRCUIT

Check continuity between ABS actuator and electric unit (control unit) harness connector terminals and ground.

ABS actuator and electric unit (control unit)		—	Continuity
Connector	Terminal		
E125	16, 47	Ground	Yes

Is the inspection result normal?

- YES >> Replace ABS actuator and electric unit (control unit).  
 Refer to [BRC-274, "Removal and Installation"](#).  
 NO >> Repair or replace malfunctioning components.



## Component Inspection

INFOID:000000003247912

### 1.CHECK ACTIVE TEST

1. Select each test menu item on "ACTIVE TEST".
2. On the display, touch "UP", "KEEP", and "DOWN", and check that the system operates as shown in the table below.

Operation		ABS solenoid valve			ABS solenoid valve (ACT)		
		UP	KEEP	DOWN	UP	ACTUA-TOR UP	ACTUA-TOR KEEP
FR RH SOL FR RH ABS SOLE- NOID (ACT)	FR RH IN SOL	OFF	ON	ON	OFF	OFF	OFF
	FR RH OUT SOL	OFF	OFF	ON*	OFF	OFF	OFF
FR LH SOL FR LH ABS SOLE- NOID (ACT)	FR LH IN SOL	OFF	ON	ON	OFF	OFF	OFF
	FR LH OUT SOL	OFF	OFF	ON*	OFF	OFF	OFF
RR RH SOL RR RH ABS SOLE- NOID (ACT)	RR RH IN SOL	OFF	ON	ON	OFF	OFF	OFF
	RR RH OUT SOL	OFF	OFF	ON*	OFF	OFF	OFF
RR LH SOL RR LH ABS SOLE- NOID (ACT)	RR LH IN SOL	OFF	ON	ON	OFF	OFF	OFF
	RR LH OUT SOL	OFF	OFF	ON*	OFF	OFF	OFF
REAR SOL	RR RH IN SOL	OFF	ON	ON	OFF	OFF	OFF
	RR RH OUT SOL	OFF	OFF	ON*	OFF	OFF	OFF
	RR LH IN SOL	OFF	ON	ON	OFF	OFF	OFF
	RR LH OUT SOL	OFF	OFF	ON*	OFF	OFF	OFF

\*: ON for 1 to 2 seconds after the touch, and then OFF

Is the inspection result normal?

- YES >> INSPECTION END

# C1120, C1122, C1124, C1126 IN ABS SOL

[TYPE 3]

< COMPONENT DIAGNOSIS >

NO >> Go to diagnosis procedure. Refer to [BRC-211. "Diagnosis Procedure"](#).

## Special Repair Requirement

INFOID:000000003304719

### 1. ADJUSTMENT OF STEERING ANGLE SENSOR NEUTRAL POSITION

Always perform neutral position adjustment for the steering angle sensor when replacing the ABS actuator and electric unit (control unit). Refer to [BRC-163. "ADJUSTMENT OF STEERING ANGLE SENSOR NEUTRAL POSITION : Description"](#).

>> GO TO 2

### 2. CALIBRATION OF DECEL G SENSOR

Always perform calibration of decel G sensor when replacing the ABS actuator and electric unit (control unit). Refer to [BRC-164. "CALIBRATION OF DECEL G SENSOR : Description"](#).

>> END

A  
B  
C  
D  
E  
G  
H  
I  
J  
K  
L  
M  
N  
O  
P

**BRC**

# C1121, C1123, C1125, C1127 OUT ABS SOL

< COMPONENT DIAGNOSIS >

[TYPE 3]

## C1121, C1123, C1125, C1127 OUT ABS SOL

### Description

INFOID:000000003247914

The solenoid valve increases, holds or decreases the fluid pressure of each brake caliper according to the signals transmitted by the ABS actuator and electric unit (control unit).

### DTC Logic

INFOID:000000003247915

### DTC DETECTION LOGIC

DTC	Display item	Malfunction detected condition	Possible cause
C1121	FR LH OUT ABS SOL	When the control unit detects a malfunction in the front LH outlet solenoid circuit.	• ABS actuator and electric unit (control unit)
C1123	FR RH OUT ABS SOL	When the control unit detects a malfunction in the front RH outlet solenoid circuit.	
C1125	RR LH OUT ABS SOL	When the control unit detects a malfunction in the rear LH outlet solenoid circuit.	
C1127	RR RH OUT ABS SOL	When the control unit detects a malfunction in the rear RH outlet solenoid circuit.	

### DTC CONFIRMATION PROCEDURE

#### 1. CHECK SELF-DIAGNOSIS RESULTS

Check the self-diagnosis results.

Self-diagnosis results
FR LH OUT ABS SOL
FR RH OUT ABS SOL
RR LH OUT ABS SOL
RR RH OUT ABS SOL

Is above displayed on the self-diagnosis display?

- YES >> Proceed to diagnosis procedure. Refer to [BRC-214, "Diagnosis Procedure"](#).  
NO >> INSPECTION END

### Diagnosis Procedure

INFOID:000000003247916

### INSPECTION PROCEDURE

#### 1. CHECK CONNECTOR

1. Turn ignition switch OFF.
2. Disconnect ABS actuator and electric unit (control unit) connector.
3. Check terminal for deformation, disconnection, looseness, and so on. If any malfunction is found, repair or replace terminal.
4. Reconnect connectors and then perform the self-diagnosis. Refer to [BRC-186, "CONSULT-III Function \(ABS\)"](#).

Is any item indicated on the self-diagnosis display?

- YES >> GO TO 2  
NO >> Poor connection of connector terminal. Repair or replace connector.

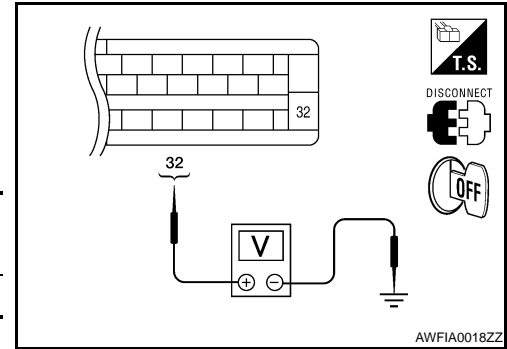
#### 2. CHECK SOLENOID, VDC SWITCH-OVER VALVE AND ACTUATOR RELAY POWER SUPPLY CIRCUIT

# C1121, C1123, C1125, C1127 OUT ABS SOL

[TYPE 3]

## < COMPONENT DIAGNOSIS >

1. Turn ignition switch OFF.
2. Disconnect ABS actuator and electric unit (control unit) connector.
3. Check voltage between ABS actuator and electric unit (control unit) harness connector terminal and ground.



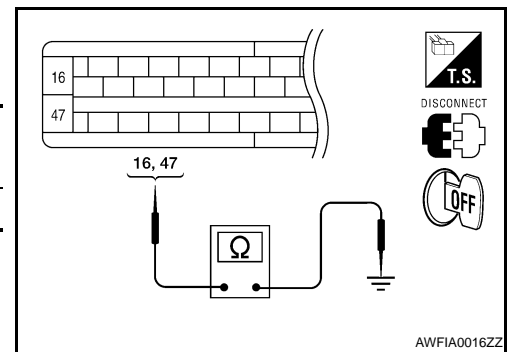
ABS actuator and electric unit (control unit)		—	Voltage
Connector	Terminal		
E125	32	Ground	Battery voltage

Is the inspection result normal?

- YES >> GO TO 3  
 NO >> Repair or replace malfunctioning components.

### 3.CHECK SOLENOID, VDC SWITCH-OVER VALVE AND ACUATOR RELAY GROUND CIRCUIT

Check continuity between ABS actuator and electric unit (control unit) harness connector terminals and ground.



ABS actuator and electric unit (control unit)		—	Continuity
Connector	Terminal		
E125	16, 47	Ground	Yes

Is the inspection result normal?

- YES >> Replace ABS actuator and electric unit (control unit).  
 Refer to **BRC-274, "Removal and Installation"**.  
 NO >> Repair or replace malfunctioning components.

## Component Inspection

INFOID:000000003247917

### 1.CHECK ACTIVE TEST

1. Select each test menu item on "ACTIVE TEST".
2. On the display, touch "UP", "KEEP", and "DOWN", and check that the system operates as shown in the table below.

Operation		ABS solenoid valve			ABS solenoid valve (ACT)		
		UP	KEEP	DOWN	UP	ACTUA-TOR UP	ACTUA-TOR KEEP
FR RH SOL FR RH ABS SOLE- NOID (ACT)	FR RH IN SOL	OFF	ON	ON	OFF	OFF	OFF
	FR RH OUT SOL	OFF	OFF	ON*	OFF	OFF	OFF
FR LH SOL FR LH ABS SOLE- NOID (ACT)	FR LH IN SOL	OFF	ON	ON	OFF	OFF	OFF
	FR LH OUT SOL	OFF	OFF	ON*	OFF	OFF	OFF
RR RH SOL RR RH ABS SOLE- NOID (ACT)	RR RH IN SOL	OFF	ON	ON	OFF	OFF	OFF
	RR RH OUT SOL	OFF	OFF	ON*	OFF	OFF	OFF
RR LH SOL RR LH ABS SOLE- NOID (ACT)	RR LH IN SOL	OFF	ON	ON	OFF	OFF	OFF
	RR LH OUT SOL	OFF	OFF	ON*	OFF	OFF	OFF
REAR SOL	RR RH IN SOL	OFF	ON	ON	OFF	OFF	OFF
	RR RH OUT SOL	OFF	OFF	ON*	OFF	OFF	OFF
	RR LH IN SOL	OFF	ON	ON	OFF	OFF	OFF
	RR LH OUT SOL	OFF	OFF	ON*	OFF	OFF	OFF

\*: ON for 1 to 2 seconds after the touch, and then OFF

Is the inspection result normal?

- YES >> INSPECTION END

## C1121, C1123, C1125, C1127 OUT ABS SOL

[TYPE 3]

< COMPONENT DIAGNOSIS >

---

NO >> Go to diagnosis procedure. Refer to [BRC-214. "Diagnosis Procedure"](#).

### Special Repair Requirement

INFOID:000000003304720

#### 1.AJUSTMENT OF STEERING ANGLE SENSOR NEUTRAL POSITION

---

Always perform neutral position adjustment for the steering angle sensor when replacing the ABS actuator and electric unit (control unit). Refer to [BRC-163. "ADJUSTMENT OF STEERING ANGLE SENSOR NEUTRAL POSITION : Description"](#).

>> GO TO 2

#### 2.CALIBRATION OF DECEL G SENSOR

---

Always perform calibration of decel G sensor when replacing the ABS actuator and electric unit (control unit). Refer to [BRC-164. "CALIBRATION OF DECEL G SENSOR : Description"](#).

>> END



# C1130, C1131, C1132, C1133, C1136 ENGINE SIGNAL

< COMPONENT DIAGNOSIS >

[TYPE 3]

## C1130, C1131, C1132, C1133, C1136 ENGINE SIGNAL

### Description

INFOID:000000003247919

ABS actuator and electric unit (control unit) and ECM exchange the engine signal with CAN communication line.

### DTC Logic

INFOID:000000003247920

### DTC DETECTION LOGIC

DTC	Display item	Malfunction detected condition	Possible cause
C1130	ENGINE SIGNAL 1	Based on the signal from ECM, ABS actuator and electric unit (control unit) judges that engine fuel cut system is malfunctioning.	<ul style="list-style-type: none"><li>• Harness or connector</li><li>• ABS actuator and electric unit (control unit)</li><li>• ECM</li><li>• CAN communication line</li></ul>
C1131	ENGINE SIGNAL 2		
C1132	ENGINE SIGNAL 3		
C1133	ENGINE SIGNAL 4		
C1136	ENGINE SIGNAL 6		

### DTC CONFIRMATION PROCEDURE

#### 1. CHECK SELF-DIAGNOSIS RESULTS

Check the self-diagnosis results.

Self-diagnosis results
ENGINE SIGNAL 1
ENGINE SIGNAL 2
ENGINE SIGNAL 3
ENGINE SIGNAL 4
ENGINE SIGNAL 6

Is above displayed on the self-diagnosis display?

- YES >> Proceed to diagnosis procedure. Refer to [BRC-217, "Diagnosis Procedure"](#).  
NO >> INSPECTION END

### Diagnosis Procedure

INFOID:000000003247921

### INSPECTION PROCEDURE

#### 1. CHECK ENGINE SYSTEM

1. Perform ECM self-diagnosis. Repair or replace items indicated, then perform ECM self-diagnosis again. Refer to [EC-63, "CONSULT-III Function \(ENGINE\)"](#) (Qr25DE) or [EC-512, "CONSULT-III Function \(ENGINE\)"](#) (VQ40DE).
2. Perform ABS actuator and electric unit (control unit) self-diagnosis. Refer to [BRC-186, "CONSULT-III Function \(ABS\)"](#).

Is any item indicated on the self-diagnosis display?

- YES >> Repair or replace the affected part.  
NO >> INSPECTION END

### Special Repair Requirement

INFOID:000000003304721

#### 1. ADJUSTMENT OF STEERING ANGLE SENSOR NEUTRAL POSITION

Always perform neutral position adjustment for the steering angle sensor when replacing the ABS actuator and electric unit (control unit). Refer to [BRC-163, "ADJUSTMENT OF STEERING ANGLE SENSOR NEUTRAL POSITION : Description"](#).

>> GO TO 2

## C1130, C1131, C1132, C1133, C1136 ENGINE SIGNAL

< COMPONENT DIAGNOSIS >

[TYPE 3]

### 2. CALIBRATION OF DECEL G SENSOR

Always perform calibration of decel G sensor when replacing the ABS actuator and electric unit (control unit).  
Refer to [BRC-164, "CALIBRATION OF DECEL G SENSOR : Description"](#).

>> END

# C1140 ACTUATOR RLY

< COMPONENT DIAGNOSIS >

[TYPE 3]

## C1140 ACTUATOR RLY

### Description

INFOID:000000003247923

Activates or deactivates each solenoid valve according to the signals transmitted by the ABS actuator and electric unit (control unit).

### DTC Logic

INFOID:000000003247924

### DTC DETECTION LOGIC

DTC	Display item	Malfunction detected condition	Possible cause
C1140	ACTUATOR RLY	ABS actuator relay or circuit malfunction.	<ul style="list-style-type: none"> <li>• Harness or connector</li> <li>• ABS actuator and electric unit (control unit)</li> </ul>

### DTC CONFIRMATION PROCEDURE

#### 1.CHECK SELF-DIAGNOSIS RESULTS

Check the self-diagnosis results.

Self-diagnosis results
ACTUATOR RLY

Is above displayed on the self-diagnosis display?

- YES >> Proceed to diagnosis procedure. Refer to [BRC-219, "Diagnosis Procedure"](#).  
 NO >> INSPECTION END

### Diagnosis Procedure

INFOID:000000003247925

### INSPECTION PROCEDURE

#### 1.CHECK CONNECTOR

1. Turn ignition switch OFF.
2. Disconnect ABS actuator and electric unit (control unit) connector.
3. Check terminal for deformation, disconnection, looseness, and so on. If any malfunction is found, repair or replace terminal.
4. Reconnect connectors and then perform the self-diagnosis. Refer to [BRC-186, "CONSULT-III Function \(ABS\)"](#).

Is any item indicated on the self-diagnosis display?

- YES >> GO TO 2  
 NO >> Poor connection of connector terminal. Repair or replace connector.

#### 2.CHECK SOLENOID, VDC SWITCH-OVER VALVE AND ACTUATOR RELAY POWER SUPPLY CIRCUIT

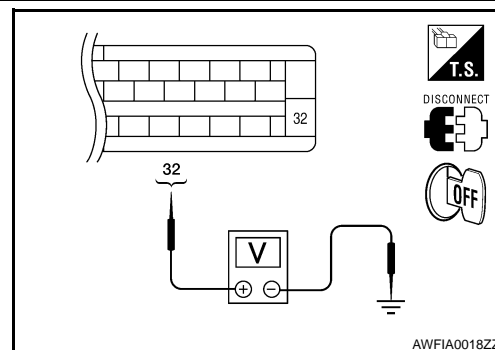
1. Turn ignition switch OFF.
2. Disconnect ABS actuator and electric unit (control unit) connector.
3. Check voltage between ABS actuator and electric unit (control unit) harness connector terminal and ground.

ABS actuator and electric unit (control unit)		—	Voltage
Connector	Terminal		
E125	32	Ground	Battery voltage

Is the inspection result normal?

- YES >> GO TO 3  
 NO >> Repair or replace malfunctioning components.

#### 3.CHECK SOLENOID, VDC SWITCH-OVER VALVE AND ACUATOR RELAY GROUND CIRCUIT



# C1140 ACTUATOR RLY

[TYPE 3]

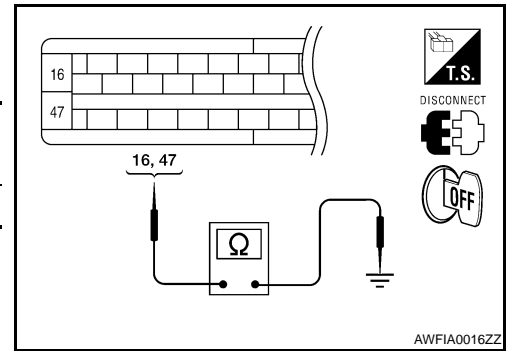
## < COMPONENT DIAGNOSIS >

Check continuity between ABS actuator and electric unit (control unit) harness connector terminals and ground.

ABS actuator and electric unit (control unit)		—	Continuity
Connector	Terminal		
E125	16, 47	Ground	Yes

Is the inspection result normal?

- YES >> Replace ABS actuator and electric unit (control unit).  
Refer to [BRC-274, "Removal and Installation"](#).
- NO >> Repair or replace malfunctioning components.



INFOID:000000003247926

## Component Inspection

### 1. CHECK ACTIVE TEST

- On "ACTIVE TEST", select "ABS MOTOR".
- Touch ON and OFF on screen. Make sure motor relay and actuator relay operates as shown in table below.

Operation	ON	OFF
MOTOR RELAY	ON	OFF
ACTUATOR RLY	ON	ON

Is the inspection result normal?

- YES >> INSPECTION END
- NO >> Go to diagnosis procedure. Refer to [BRC-219, "Diagnosis Procedure"](#).

## Special Repair Requirement

INFOID:000000003304722

### 1. ADJUSTMENT OF STEERING ANGLE SENSOR NEUTRAL POSITION

Always perform neutral position adjustment for the steering angle sensor when replacing the ABS actuator and electric unit (control unit). Refer to [BRC-163, "ADJUSTMENT OF STEERING ANGLE SENSOR NEUTRAL POSITION : Description"](#).

>> GO TO 2

### 2. CALIBRATION OF DECEL G SENSOR

Always perform calibration of decel G sensor when replacing the ABS actuator and electric unit (control unit). Refer to [BRC-164, "CALIBRATION OF DECEL G SENSOR : Description"](#).

>> END

# C1143, C1144 STEERING ANGLE SENSOR

< COMPONENT DIAGNOSIS >

[TYPE 3]

## C1143, C1144 STEERING ANGLE SENSOR

### Description

INFOID:000000003247928

The steering angle sensor detects the rotation amount, angular velocity and direction of the steering wheel, and transmits the data to the ABS actuator and electric unit (control unit) via CAN communication.

### DTC Logic

INFOID:000000003247929

### DTC DETECTION LOGIC

DTC	Display item	Malfunction detected condition	Possible cause
C1143	ST ANG SEN CIRCUIT	Neutral position of steering angle sensor is dislocated, or the steering angle sensor is malfunctioning.	<ul style="list-style-type: none"><li>• Harness or connector</li><li>• Steering angle sensor</li><li>• 4WAS control unit (4WAS models)</li><li>• ABS actuator and electric unit (control unit)</li></ul>
C1144	ST ANG SEN SIGNAL	Neutral position of steering angle sensor is not finished.	

### DTC CONFIRMATION PROCEDURE

#### 1.CHECK SELF-DIAGNOSIS RESULTS

Check the self-diagnosis results.

Self-diagnosis results
ST ANG SEN CIRCUIT
ST ANG SEN SIGNAL

Is above displayed on the self-diagnosis display?

- YES >> Proceed to diagnosis procedure. Refer to [BRC-221, "Diagnosis Procedure"](#).  
NO >> INSPECTION END

### Diagnosis Procedure

INFOID:000000003247930

### INSPECTION PROCEDURE

#### 1.CHECK CONNECTOR

1. Turn ignition switch OFF.
2. Disconnect ABS actuator and electric unit (control unit) connector.
3. Disconnect steering angle sensor connector.
4. Check terminal for deformation, disconnection, looseness, and so on. If any malfunction is found, repair or replace terminal.
5. Reconnect connectors and then perform the self-diagnosis. Refer to [BRC-186, "CONSULT-III Function \(ABS\)"](#)

Is any item indicated on the self-diagnosis display?

- YES >> GO TO 2  
NO >> Poor connection of connector terminal. Repair or replace connector.

#### 2.CHECK STEERING ANGLE SENSOR HARNESS

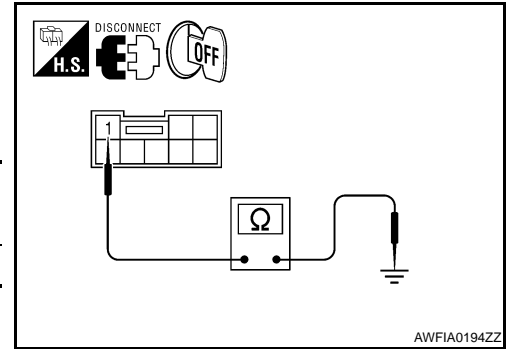
# C1143, C1144 STEERING ANGLE SENSOR

[TYPE 3]

## < COMPONENT DIAGNOSIS >

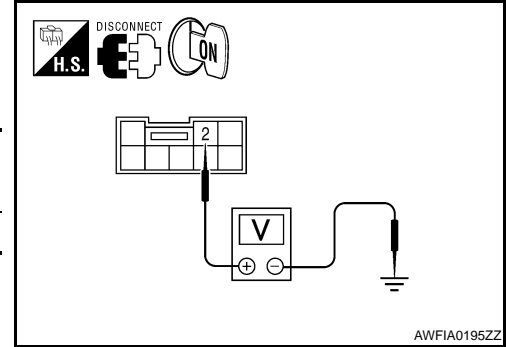
1. Turn ignition switch OFF.
2. Disconnect steering angle sensor connector.
3. Check continuity between steering angle sensor harness connector terminal and ground.

Steering angle sensor		—	Continuity
Connector	Terminal		
M47	1	Ground	Yes



4. Turn ignition switch ON.
5. Check voltage between steering angle sensor harness connector terminal and ground.

Steering angle sensor		—	Voltage
Connector	Terminal		
M47	2	Ground	Battery voltage



Is the inspection result normal?

- YES >> GO TO 3  
 NO >> Repair or replace malfunctioning components.

## 3.CHECK DATA MONITOR

1. Connect the steering angle sensor connector and ABS actuator and electric unit (control unit) connector.
2. Select "STR ANGLE SIG" in "DATA MONITOR" and check steering angle sensor signal.

Steering condition	STR ANGLE SIG (DATA MONITOR)
Driving straight	$\pm 2.5^\circ$
Turn 90° to right	Approx. +90°
Turn 90° to left	Approx. -90°

Is the inspection result normal?

- YES >> Replace ABS actuator and electric unit (control unit). Refer to [BRC-274. "Removal and Installation"](#).  
 NO >> Replace steering angle sensor and adjust neutral position of steering angle sensor. Refer to [BRC-276. "Removal and Installation"](#).

## Component Inspection

INFOID:000000003247931

## 1.CHECK DATA MONITOR

Select "STR ANGLE SIG" in "DATA MONITOR" and check steering angle sensor signal.

Steering condition	STR ANGLE SIG (DATA MONITOR)
Driving straight	$\pm 2.5^\circ$
Turn 90° to right	Approx. +90°
Turn 90° to left	Approx. -90°

Is the inspection result normal?

- YES >> INSPECTION END  
 NO >> Go to diagnosis procedure. Refer to [BRC-221. "Diagnosis Procedure"](#).

## Special Repair Requirement

INFOID:000000003304723

## 1.ADJUSTMENT OF STEERING ANGLE SENSOR NEUTRAL POSITION

## C1143, C1144 STEERING ANGLE SENSOR

[TYPE 3]

< COMPONENT DIAGNOSIS >

Always perform neutral position adjustment for the steering angle sensor when replacing the ABS actuator and electric unit (control unit). Refer to [BRC-163, "ADJUSTMENT OF STEERING ANGLE SENSOR NEUTRAL POSITION : Description"](#).

>> GO TO 2

### 2. CALIBRATION OF DECEL G SENSOR

Always perform calibration of decel G sensor when replacing the ABS actuator and electric unit (control unit). Refer to [BRC-164, "CALIBRATION OF DECEL G SENSOR : Description"](#).

>> END

A  
B  
C  
D  
E  
G  
H  
I  
J  
K  
L  
M  
N  
O  
P

BRC

# C1155 BRAKE FLUID LEVEL SWITCH

< COMPONENT DIAGNOSIS >

[TYPE 3]

## C1155 BRAKE FLUID LEVEL SWITCH

### Description

INFOID:000000003247934

The brake fluid level switch converts the brake fluid level to an electric signal and transmits it to the ABS actuator and electric unit (control unit).

### DTC Logic

INFOID:000000003247935

### DTC DETECTION LOGIC

DTC	Display item	Malfunction detected condition	Possible cause
C1155	BR FLUID LEVEL LOW	Brake fluid level is low or communication line between the ABS actuator and electric unit (control unit) and brake fluid level switch is open or shorted.	<ul style="list-style-type: none"> <li>• Harness or connector</li> <li>• Brake fluid level switch</li> <li>• Brake fluid level</li> </ul>

### DTC CONFIRMATION PROCEDURE

#### 1. CHECK SELF-DIAGNOSIS RESULTS

Check the self-diagnosis results.

Self-diagnosis results
BR FLUID LEVEL LOW

Is above displayed on the self-diagnosis display?

- YES >> Proceed to diagnosis procedure. Refer to [BRC-224, "Diagnosis Procedure"](#).  
 NO >> INSPECTION END

### Diagnosis Procedure

INFOID:000000003247936

### INSPECTION PROCEDURE

#### 1. CONNECTOR INSPECTION

1. Disconnect ABS actuator and electric unit (control unit) connector and brake fluid level switch connector.
2. Check the terminals for deformation, disconnection, looseness or damage.

Is the inspection result normal?

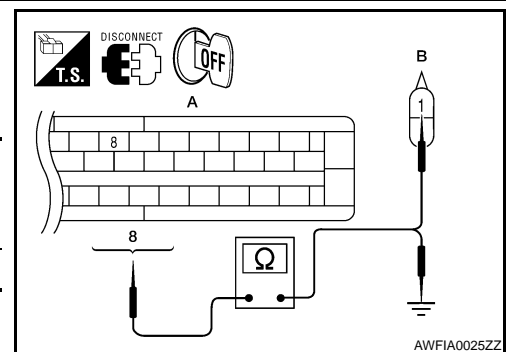
- YES >> GO TO 2  
 NO >> Repair or replace as necessary.

#### 2. CHECK HARNESS BETWEEN BRAKE FLUID LEVEL SWITCH AND ABS ACTUATOR AND ELECTRIC UNIT (CONTROL UNIT)

1. Check continuity between ABS actuator and electric unit (control unit) harness connector E125 (A) Terminal 28 and brake fluid level switch harness connector E21 (B) terminal 1.

ABS actuator and electric unit (control unit)		Brake fluid level switch		Continuity
Connector	Terminal	Connector	Terminal	
E125 (A)	28	E21 (B)	1	Yes

2. Check continuity between ABS actuator and electric unit (control unit) harness connector E125 (A) Terminal 28 and ground.



ABS actuator and electric unit (control unit)		—	Continuity
Connector	Terminal		
E125 (A)	28	Ground	No

Is the inspection result normal?



# C1155 BRAKE FLUID LEVEL SWITCH

[TYPE 3]

## < COMPONENT DIAGNOSIS >

- YES >> GO TO 3
- NO >> Repair or replace malfunctioning components.

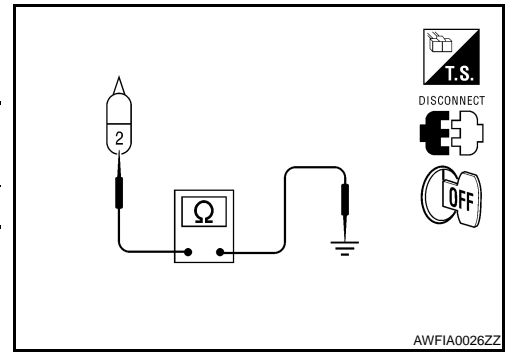
### 3.CHECK BRAKE FLUID LEVEL SWITCH GROUND

Check continuity between brake fluid level switch harness connector E21 terminal 2 and ground.

Brake fluid level switch		—	Continuity
Connector	Terminal		
E21	2	Ground	Yes

Is the inspection result normal?

- YES >> GO TO 4
- NO >> Repair or replace malfunctioning components.



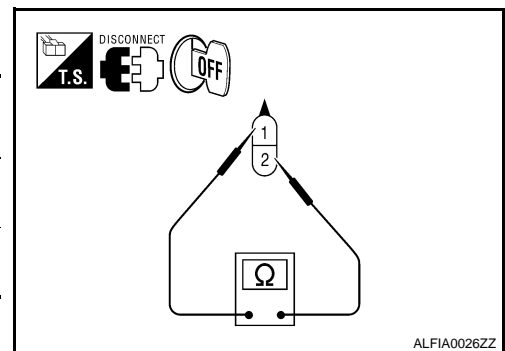
### 4.CHECK BRAKE FLUID LEVEL SWITCH

Check continuity between brake fluid level switch terminals.

Brake fluid level switch		Condition	Continuity
Terminal			
1 - 2		When brake fluid is full in the reservoir tank.	No
		When brake fluid is empty in the reservoir tank.	Yes

Is the inspection result normal?

- YES >> Perform self-diagnosis again. If the same results appear, replace ABS actuator and electric unit (control unit). Refer to [BRC-274, "Removal and Installation"](#).
- NO >> Replace brake fluid level switch.



## Component Inspection

INFOID:000000003247937

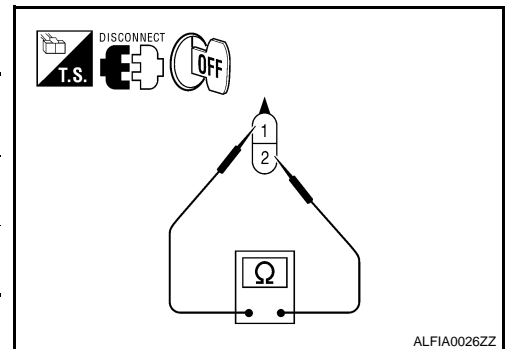
### 1.CHECK BRAKE FLUID LEVEL SWITCH

1. Turn ignition switch OFF.
2. Disconnect brake fluid level switch connector.
3. Check continuity between brake fluid level switch terminals.

Brake fluid level switch		Condition	Continuity
Terminal			
1 - 2		When brake fluid is full in the reservoir tank.	No
		When brake fluid is empty in the reservoir tank.	Yes

Is the inspection result normal?

- YES >> INSPECTION END
- NO >> Replace brake fluid level switch.



## Special Repair Requirement

INFOID:000000003304724

### 1.ADJUSTMENT OF STEERING ANGLE SENSOR NEUTRAL POSITION

Always perform neutral position adjustment for the steering angle sensor when replacing the ABS actuator and electric unit (control unit). Refer to [BRC-163, "ADJUSTMENT OF STEERING ANGLE SENSOR NEUTRAL POSITION : Description"](#).

## C1155 BRAKE FLUID LEVEL SWITCH

< COMPONENT DIAGNOSIS >

[TYPE 3]

---

>> GO TO 2

### 2. CALIBRATION OF DECEL G SENSOR

---

Always perform calibration of decel G sensor when replacing the ABS actuator and electric unit (control unit).  
Refer to [BRC-164. "CALIBRATION OF DECEL G SENSOR : Description"](#).

>> END

# C1156 ST ANG SEN COM CIR

< COMPONENT DIAGNOSIS >

[TYPE 3]

## C1156 ST ANG SEN COM CIR

### Description

INFOID:000000003247939

The steering angle sensor is connected to the ABS actuator and electric unit (control unit) in addition to CAN lines. CAN (Controller Area Network) is a serial communication line for real time application. It is an on-vehicle multiplex communication line with high data communication speed and excellent error detection ability. Many electronic control units are equipped onto a vehicle, and each control unit shares information and links with other control units during operation (not independent). In CAN communication, control units are connected with 2 communication lines (CAN H line, CAN L line) allowing a high rate of information transmission with less wiring. Each control unit transmits/receives data but selectively reads required data only.

### DTC Logic

INFOID:000000003247940

### DTC DETECTION LOGIC

DTC	Display item	Malfunction detected condition	Possible cause
C1156	ST ANG SEN COM CIR	When steering angle sensor is not transmitting CAN communication signal to the ABS actuator and electric unit (control unit).	<ul style="list-style-type: none"><li>• Harness or connector</li><li>• CAN communication line</li><li>• Steering angle sensor</li><li>• ABS actuator and electric unit (control unit)</li></ul>

### DTC CONFIRMATION PROCEDURE

#### 1.CHECK SELF-DIAGNOSIS RESULTS

Check the self-diagnosis results.

Self-diagnosis results

ST ANG SEN COM CIR

Is above displayed on the self-diagnosis display?

- YES >> Proceed to diagnosis procedure. Refer to [BRC-227, "Diagnosis Procedure"](#).  
NO >> INSPECTION END

### Diagnosis Procedure

INFOID:000000003247941

### INSPECTION PROCEDURE

#### 1.CHECK CONNECTOR

1. Turn ignition switch OFF and disconnect ABS actuator and electric unit (control unit) connector E125, check terminal for deformation, disconnection, looseness, and so on. If any malfunction is found, repair or replace terminal.
2. Reconnect connector and perform self-diagnosis.

Self-diagnosis results

CAN COMM CIRCUIT

ST ANG SEN COM CIR

Is above displayed on the self-diagnosis display?

- YES >> Refer to [LAN-14, "Trouble Diagnosis Flow Chart"](#).  
NO >> INSPECTION END

# C1160 DECEL G SEN SET

< COMPONENT DIAGNOSIS >

[TYPE 3]

## C1160 DECEL G SEN SET

### Description

INFOID:000000003247942

The yaw rate/side/decel G sensor detects the yaw rate/side/decel G affecting the vehicle, and transmits the data to the ABS actuator and electric unit (control unit) as an analog voltage signal.

### DTC Logic

INFOID:000000003247943

### DTC DETECTION LOGIC

DTC	Display item	Malfunction detected condition	Possible cause
C1160	DECEL G SEN SET	ABS decel G sensor adjustment is incomplete.	<ul style="list-style-type: none"><li>• Decel G sensor calibration</li><li>• Yaw rate/side/decel G sensor</li><li>• ABS actuator and electric unit (control unit)</li></ul>

### DTC CONFIRMATION PROCEDURE

#### 1. CHECK SELF-DIAGNOSIS RESULTS

Check the self-diagnosis results.

Self-diagnosis results
DECEL G SEN SET

Is above displayed on the self-diagnosis display?

- YES >> Proceed to diagnosis procedure. Refer to [BRC-228, "Diagnosis Procedure"](#).  
NO >> INSPECTION END

### Diagnosis Procedure

INFOID:000000003247944

### INSPECTION PROCEDURE

#### 1. PERFORM SELF-DIAGNOSIS

Perform ABS actuator and electric unit (control unit) self-diagnosis.

Self-diagnosis results
DECEL G SEN SET

Do self-diagnosis results indicate anything other than shown above?

- YES >> Perform repair or replacement for the item indicated.  
NO >> Perform calibration of decel G sensor. Refer to [BRC-164, "CALIBRATION OF DECEL G SENSOR : Description"](#). GO TO 2

#### 2. PERFORM SELF-DIAGNOSIS AGAIN

1. Turn the ignition switch to OFF and then to ON and erase self-diagnosis results.
2. Perform ABS actuator and electric unit (control unit) self-diagnosis again.

Are any self-diagnosis results displayed?

- YES >> Replace yaw rate/side/decel G sensor. Refer to [BRC-277, "Removal and Installation"](#).  
NO >> INSPECTION END

# C1163 ST ANGLE SEN SAFE

< COMPONENT DIAGNOSIS >

[TYPE 3]

## C1163 ST ANGLE SEN SAFE

### Description

INFOID:000000003247945

The steering angle sensor detects the rotation amount, angular velocity and direction of the steering wheel, and transmits the data to the ABS actuator and electric unit (control unit) via CAN communication.

### DTC Logic

INFOID:000000003247946

### DTC DETECTION LOGIC

DTC	Display item	Malfunction detected condition	Possible cause
C1163	ST ANGL SEN SAFE	When steering angle sensor is in safe mode.	<ul style="list-style-type: none"><li>Adjust steering angle sensor neutral position</li></ul>

### DTC CONFIRMATION PROCEDURE

#### 1.CHECK SELF-DIAGNOSIS RESULTS

Check the self-diagnosis results.

Self-diagnosis results
ST ANGL SEN SAFE

Is above displayed on the self-diagnosis display?

- YES >> Proceed to diagnosis procedure. Refer to [BRC-229. "Diagnosis Procedure"](#).  
NO >> INSPECTION END

### Diagnosis Procedure

INFOID:000000003247947

### INSPECTION PROCEDURE

#### 1.ADJUSTMENT OF STEERING ANGLE SENSOR NEUTRAL POSITION

Adjust steering angle sensor neutral position. Refer to [BRC-163. "ADJUSTMENT OF STEERING ANGLE SENSOR NEUTRAL POSITION : Description"](#).

>> GO TO 2

#### 2.INDICATOR LAMP CHECK

Check that VDC OFF indicator lamp is off.

Is VDC OFF indicator lamp off?

- YES >> INSPECTION END  
NO >> Perform ABS actuator and electric unit (control unit) self-diagnosis. Refer to [BRC-186. "CONSULT-III Function \(ABS\)"](#).

# C1164, C1165, C1166, C1167 CV/SV SYSTEM

< COMPONENT DIAGNOSIS >

[TYPE 3]

## C1164, C1165, C1166, C1167 CV/SV SYSTEM

### Description

INFOID:000000003247948

#### CV1, CV2 (CUT VALVE)

The cut valve shuts off the normal brake fluid path from the master cylinder, when VDC/TCS is activated.

#### SV1, SV2 (SUCTION VALVE)

The suction valve supplies the brake fluid from the master cylinder to the pump, when VDC/TCS is activated.

### DTC Logic

INFOID:000000003247949

### DTC DETECTION LOGIC

DTC	Display item	Malfunction detected condition	Possible cause
C1164	CV1	VDC switch-over solenoid valve (CV1) on the primary side is open circuit or shorted, or the control line is open or shorted to the power supply or the ground.	<ul style="list-style-type: none"><li>• Harness or connector</li><li>• ABS actuator and electric unit (control unit)</li></ul>
C1165	CV2	VDC switch-over solenoid valve (CV2) on the primary side is open circuit or shorted, or the control line is open or shorted to the power supply or the ground.	
C1166	SV1	VDC switch-over solenoid valve (SV1) on the primary side is open circuit or shorted, or the control line is open or shorted to the power supply or the ground.	
C1167	SV2	VDC switch-over solenoid valve (SV2) on the primary side is open circuit or shorted, or the control line is open or shorted to the power supply or the ground.	

### DTC CONFIRMATION PROCEDURE

#### 1. CHECK SELF-DIAGNOSIS RESULTS

Check the self-diagnosis results.

Self-diagnosis results
CV1
CV2
SV1
SV2

Is above displayed on the self-diagnosis display?

- YES >> Proceed to diagnosis procedure. Refer to [BRC-230, "Diagnosis Procedure"](#).  
NO >> INSPECTION END

### Diagnosis Procedure

INFOID:000000003247950

### INSPECTION PROCEDURE

#### 1. CHECK CONNECTOR

1. Turn ignition switch OFF.
2. Disconnect ABS actuator and electric unit (control unit) connector.
3. Check terminal for deformation, disconnection, looseness, and so on. If any malfunction is found, repair or replace terminal.
4. Reconnect connectors and then perform the self-diagnosis. Refer to [BRC-186, "CONSULT-III Function \(ABS\)"](#).

Is any item indicated on the self-diagnosis display?

- YES >> GO TO 2  
NO >> Poor connection of connector terminal. Repair or replace connector.

# C1164, C1165, C1166, C1167 CV/SV SYSTEM

< COMPONENT DIAGNOSIS >

[TYPE 3]

## 2. CHECK SOLENOID, VDC SWITCH-OVER VALVE AND ACTUATOR RELAY POWER SUPPLY CIRCUIT

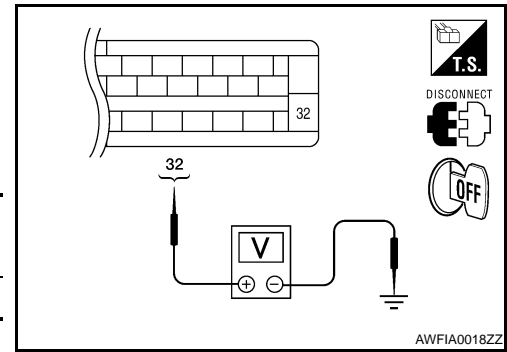
1. Turn ignition switch OFF.
2. Disconnect ABS actuator and electric unit (control unit) connector.
3. Check voltage between ABS actuator and electric unit (control unit) harness connector terminal and ground.

ABS actuator and electric unit (control unit)		—	Voltage
Connector	Terminal		
E125	32	Ground	Battery voltage

Is the inspection result normal?

YES >> GO TO 3

NO >> Repair or replace malfunctioning components.



## 3. CHECK SOLENOID, VDC SWITCH-OVER VALVE AND ACUATOR RELAY GROUND CIRCUIT

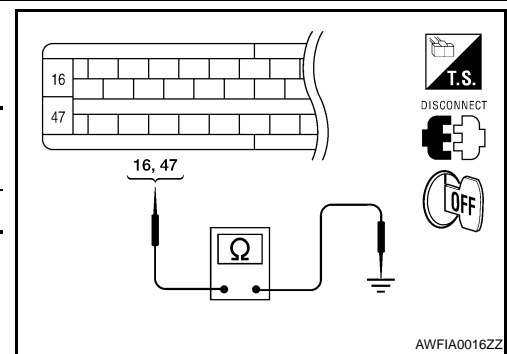
Check continuity between ABS actuator and electric unit (control unit) harness connector terminals and ground.

ABS actuator and electric unit (control unit)		—	Continuity
Connector	Terminal		
E125	16, 47	Ground	Yes

Is the inspection result normal?

YES >> Replace ABS actuator and electric unit (control unit).  
Refer to [BRC-274, "Removal and Installation"](#).

NO >> Repair or replace malfunctioning components.



## Component Inspection

INFOID:000000003247951

### 1. CHECK ACTIVE TEST

1. Select each test menu item on "ACTIVE TEST".
2. On the display, touch "UP", "ACT UP", and "ACT KEEP", and check that the system operates as shown in the table below.

Operation		ABS solenoid valve			ABS solenoid valve (ACT)		
		UP	KEEP	DOWN	UP	ACTUA-TOR UP	ACTUA-TOR KEEP
FR RH SOL FR RH ABS SOLE- NOID (ACT)	FR RH IN SOL	OFF	ON	ON	OFF	OFF	OFF
	FR RH OUT SOL	OFF	OFF	ON*	OFF	OFF	OFF
FR LH SOL FR LH ABS SOLE- NOID (ACT)	FR LH IN SOL	OFF	ON	ON	OFF	OFF	OFF
	FR LH OUT SOL	OFF	OFF	ON*	OFF	OFF	OFF
RR RH SOL RR RH ABS SOLE- NOID (ACT)	RR RH IN SOL	OFF	ON	ON	OFF	OFF	OFF
	RR RH OUT SOL	OFF	OFF	ON*	OFF	OFF	OFF
RR LH SOL RR LH ABS SOLE- NOID (ACT)	RR LH IN SOL	OFF	ON	ON	OFF	OFF	OFF
	RR LH OUT SOL	OFF	OFF	ON*	OFF	OFF	OFF
REAR SOL	RR RH IN SOL	OFF	ON	ON	OFF	OFF	OFF
	RR RH OUT SOL	OFF	OFF	ON*	OFF	OFF	OFF
	RR LH IN SOL	OFF	ON	ON	OFF	OFF	OFF
	RR LH OUT SOL	OFF	OFF	ON*	OFF	OFF	OFF

\*: ON for 1 to 2 seconds after the touch, and then OFF

< COMPONENT DIAGNOSIS >

---

Is the inspection result normal?

YES >> INSPECTION END

NO >> Go to diagnosis procedure. Refer to [BRC-230, "Diagnosis Procedure"](#).

Special Repair Requirement

INFOID:000000003304725

## **1.AJUSTMENT OF STEERING ANGLE SENSOR NEUTRAL POSITION**

---

Always perform neutral position adjustment for the steering angle sensor when replacing the ABS actuator and electric unit (control unit). Refer to [BRC-163, "ADJUSTMENT OF STEERING ANGLE SENSOR NEUTRAL POSITION : Description"](#).

>> GO TO 2

## **2.CALIBRATION OF DECEL G SENSOR**

---

Always perform calibration of decel G sensor when replacing the ABS actuator and electric unit (control unit). Refer to [BRC-164, "CALIBRATION OF DECEL G SENSOR : Description"](#).

>> END



# C1187 DIFFERENTIAL LOCK CONTROL UNIT

< COMPONENT DIAGNOSIS >

[TYPE 3]

## C1187 DIFFERENTIAL LOCK CONTROL UNIT

### Description

INFOID:000000003248486

The differential lock control unit is connected to the ABS actuator and electric unit (control unit) via CAN lines. CAN (Controller Area Network) is a serial communication line for real time application. It is an on-vehicle multiplex communication line with high data communication speed and excellent error detection ability. Many electronic control units are equipped onto a vehicle, and each control unit shares information and links with other control units during operation (not independent). In CAN communication, control units are connected with 2 communication lines (CAN H line, CAN L line) allowing a high rate of information transmission with less wiring. Each control unit transmits/receives data but selectively reads required data only.

### DTC Logic

INFOID:000000003248487

### DTC DETECTION LOGIC

DTC	Display item	Malfunction detected condition	Possible cause
C1187	ABS DIFLOCK CONTROL- LER NG	Differential lock controller malfunction.	<ul style="list-style-type: none"><li>• Harness or connector</li><li>• CAN communication line</li><li>• Differential lock control unit</li><li>• ABS actuator and electric unit (control unit)</li></ul>

BRC

### DTC CONFIRMATION PROCEDURE

#### 1. CHECK SELF-DIAGNOSIS RESULTS

Check the self-diagnosis results.

Self-diagnosis results

ABS DIFLOCK CONTROLLER NG

Is above displayed on the self-diagnosis display?

- YES >> Proceed to diagnosis procedure. Refer to [BRC-233, "Diagnosis Procedure"](#).  
NO >> INSPECTION END

### Diagnosis Procedure

INFOID:000000003248488

### INSPECTION PROCEDURE

#### 1. CHECK CONNECTOR

1. Turn ignition switch OFF and disconnect ABS actuator and electric unit (control unit) connector E125, check terminal for deformation, disconnection, looseness, and so on. If any malfunction is found, repair or replace terminal.
2. Reconnect connector and perform self-diagnosis.

Self-diagnosis results

ABS DIFLOCK CONTROLLER NG

Is above displayed on the self-diagnosis display?

- YES >> Refer to [LAN-14, "Trouble Diagnosis Flow Chart"](#).  
NO >> INSPECTION END

# U1000 CAN COMM CIRCUIT

< COMPONENT DIAGNOSIS >

[TYPE 3]

## U1000 CAN COMM CIRCUIT

### Description

INFOID:000000003247954

CAN (Controller Area Network) is a serial communication line for real time application. It is an on-vehicle multiplex communication line with high data communication speed and excellent error detection ability. Many electronic control units are equipped onto a vehicle, and each control unit shares information and links with other control units during operation (not independent). In CAN communication, control units are connected with 2 communication lines (CAN H line, CAN L line) allowing a high rate of information transmission with less wiring. Each control unit transmits/receives data but selectively reads required data only.

### DTC Logic

INFOID:000000003247955

### DTC DETECTION LOGIC

DTC	Display item	Malfunction detected condition	Possible cause
U1000	CAN COMM CIRCUIT	When ABS actuator and electric unit (control unit) is not transmitting or receiving CAN communication signal for 2 seconds or more.	<ul style="list-style-type: none"><li>• CAN communication line</li><li>• ABS actuator and electric unit (control unit)</li></ul>

### Diagnosis Procedure

INFOID:000000003247956

#### INSPECTION PROCEDURE

##### 1. CHECK CONNECTOR

1. Turn ignition switch OFF, disconnect the ABS actuator and electric unit (control unit) connector, and check the terminals for deformation, disconnection, looseness, and so on. If there is a malfunction, repair or replace the terminal.
2. Reconnect connector and perform self-diagnosis.

Is "CAN COMM CIRCUIT" displayed in self-diagnosis display items?

- YES >> Print out the self-diagnostic results, and refer to [LAN-14, "Trouble Diagnosis Flow Chart"](#).  
NO >> Connector terminal is loose, damaged, open, or shorted.

### Special Repair Requirement

INFOID:000000003304726

##### 1. ADJUSTMENT OF STEERING ANGLE SENSOR NEUTRAL POSITION

Always perform neutral position adjustment for the steering angle sensor when replacing the ABS actuator and electric unit (control unit). Refer to [BRC-163, "ADJUSTMENT OF STEERING ANGLE SENSOR NEUTRAL POSITION : Description"](#).

>> GO TO 2

##### 2. CALIBRATION OF DECEL G SENSOR

Always perform calibration of decel G sensor when replacing the ABS actuator and electric unit (control unit). Refer to [BRC-164, "CALIBRATION OF DECEL G SENSOR : Description"](#).

>> END

# HILL DESCENT CONTROL SWITCH

< COMPONENT DIAGNOSIS >

[TYPE 3]

## HILL DESCENT CONTROL SWITCH

### Description

INFOID:000000003292882

The hill descent control switch activates (turn ON) the hill descent control function when the hill descent control switch is pressed.

### Component Function Check

INFOID:000000003292883

#### 1. CHECK HILL DESCENT CONTROL SWITCH OPERATION

Turn ON/OFF the hill descent control switch and check that the hill descent control indicator lamp in the combination meter turns ON/OFF correctly.

Condition	Hill descent control indicator lamp illumination status
Hill descent control switch: ON	ON
Hill descent control switch: OFF	OFF

Is the inspection result normal?

YES >> INSPECTION END

NO >> Go to diagnosis procedure. Refer to [BRC-235, "Diagnosis Procedure"](#).

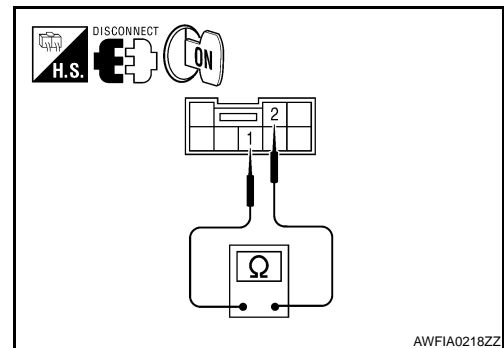
### Diagnosis Procedure

INFOID:000000003292884

#### 1. CHECK HILL DESCENT CONTROL SWITCH

1. Turn ignition switch OFF.
2. Disconnect hill descent control switch connector.
3. Check continuity between hill descent control switch terminals.

Hill descent control switch Terminal	Condition	Continuity
1 - 2	When hill descent control switch is pressed.	Yes
	When hill descent control switch is released.	No



AWFIA0218ZZ

Is the inspection result normal?

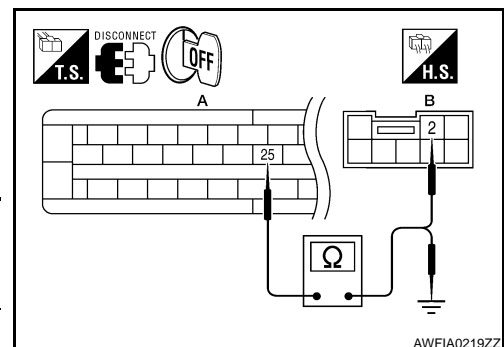
YES >> GO TO 2

NO >> Replace hill descent control switch.

#### 2. CHECK HILL DESCENT CONTROL SWITCH HARNESS

1. Disconnect ABS actuator and electric unit (control unit) connector.
2. Check continuity between ABS actuator and electric unit (control unit) connector E125 (A) terminal 25 and hill descent control switch connector M155 (B) terminal 2.

ABS actuator and electric unit (control unit)		Hill descent control switch		Continuity
Connector	Terminal	Connector	Terminal	
E125 (A)	25	M155 (B)	2	Yes



AWFIA0219ZZ

3. Check continuity between ABS actuator and electric unit (control unit) connector E125 (A) terminal 25 and ground.

# HILL DESCENT CONTROL SWITCH

[TYPE 3]

## < COMPONENT DIAGNOSIS >

ABS actuator and electric unit (control unit)		—	Continuity
Connector	Terminal		
E125 (A)	25	Ground	No

Is the inspection result normal?

YES >> GO TO 3

NO >> Repair or replace harness.

### 3.CHECK HILL DESCENT CONTROL SWITCH GROUND

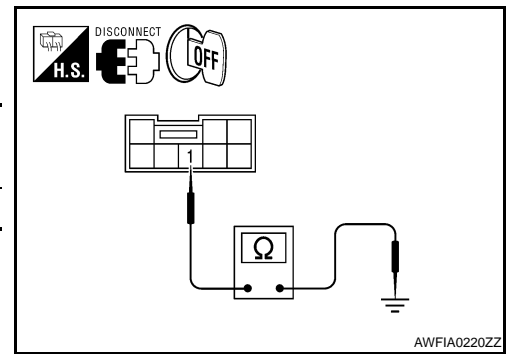
Check continuity between hill descent control switch connector M155 terminal 1 and ground.

Hill descent control switch		—	Continuity
Connector	Terminal		
M155	1	Ground	Yes

Is the inspection result normal?

YES >> GO TO 4

NO >> Repair or replace harness.



AWFIA0220ZZ

### 4.CHECK COMBINATION METER

Check if the indication and operation of combination meter are normal. Refer to [MWI-23, "Diagnosis Description"](#).

Is the inspection result normal?

YES >> Replace ABS actuator and electric unit (control unit). Refer to [BRC-274, "Removal and Installation"](#).

NO >> Replace combination meter. Refer to [MWI-91, "Removal and Installation"](#).

## Component Inspection

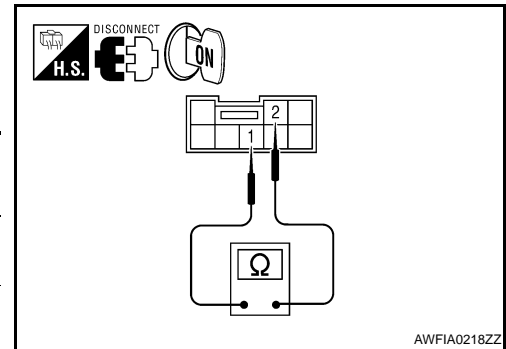
INFOID:000000003292885

### INSPECTION PROCEDURE

#### 1.CHECK HILL DESCENT CONTROL SWITCH

1. Turn ignition switch OFF.
2. Disconnect hill descent control switch connector.
3. Check continuity between hill descent control switch terminals.

Hill descent control switch	Condition	Continuity
Terminal		
1 - 2	When hill descent control switch is pressed.	Yes
	When hill descent control switch is released.	No



AWFIA0218ZZ

Is the inspection result normal?

YES >> INSPECTION END

NO >> Replace hill descent control switch.

# VDC OFF SWITCH

< COMPONENT DIAGNOSIS >

[TYPE 3]

## VDC OFF SWITCH

### Description

INFOID:000000003247958

VDC OFF switch can deactivate (turn OFF) the VDC/TCS function by pressing the VDC OFF switch.

### Component Function Check

INFOID:000000003247959

#### 1. CHECK VDC OFF SWITCH OPERATION

Turn ON/OFF the VDC OFF switch and check that the VDC OFF indicator lamp in the combination meter turns ON/OFF correctly.

Condition	VDC OFF indicator lamp illumination status
VDC OFF switch: ON	ON
VDC OFF switch: OFF	OFF

Is the inspection result normal?

YES >> INSPECTION END

NO >> Go to diagnosis procedure. Refer to [BRC-237. "Diagnosis Procedure"](#).

### Diagnosis Procedure

INFOID:000000003247960

#### 1. CHECK VDC OFF SWITCH

1. Turn ignition switch OFF.
2. Disconnect VDC OFF switch connector.
3. Check continuity between VDC OFF switch terminals.

VDC OFF switch		Condition	Continuity
Terminal			
1 - 2		When VDC OFF switch is pressed.	Yes
		When VDC OFF switch is released.	No

Is the inspection result normal?

YES >> GO TO 2

NO >> Replace VDC OFF switch.

#### 2. CHECK VDC OFF SWITCH HARNESS

1. Disconnect ABS actuator and electric unit (control unit) connector.
2. Check continuity between ABS actuator and electric unit (control unit) connector E125 (A) terminal 6 and VDC OFF switch connector M154 (B) terminal 1.

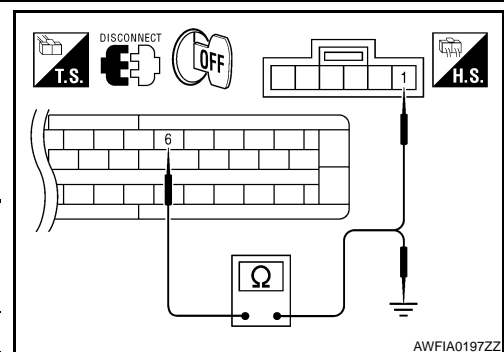
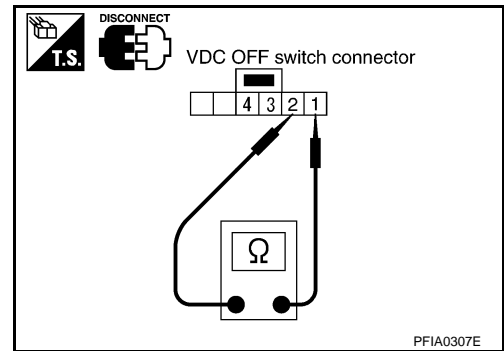
ABS actuator and electric unit (control unit)		VDC OFF switch		Continuity
Connector	Terminal	Connector	Terminal	
E125 (A)	6	M154 (B)	1	Yes

3. Check continuity between ABS actuator and electric unit (control unit) connector E125 (A) terminal 6 and ground.

ABS actuator and electric unit (control unit)		—	Continuity
Connector	Terminal		
E125 (A)	6	Ground	No

Is the inspection result normal?

YES >> GO TO 3



A  
B  
C  
D  
E  
G  
H  
I  
J  
K  
L  
M  
N  
O  
P

BRC

# VDC OFF SWITCH

[TYPE 3]

## < COMPONENT DIAGNOSIS >

NO >> Repair or replace harness.

### 3.CHECK VDC OFF SWITCH GROUND

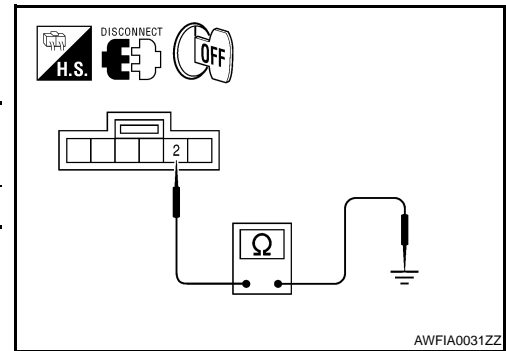
Check continuity between VDC OFF switch connector M154 and ground.

VDC OFF switch		—	Continuity
Connector	Terminal		
M154	2	Ground	Yes

Is the inspection result normal?

YES >> GO TO 4

NO >> Repair or replace harness.



AWFIA0031ZZ

### 4.CHECK COMBINATION METER

Check if the indication and operation of combination meter are normal. Refer to [MWI-23. "Diagnosis Description"](#).

Is the inspection result normal?

YES >> Replace ABS actuator and electric unit (control unit). Refer to [BRC-274. "Removal and Installation"](#).

NO >> Replace combination meter. Refer to [MWI-91. "Removal and Installation"](#).

## Component Inspection

INFOID:000000003247961

### INSPECTION PROCEDURE

#### 1.CHECK VDC OFF SWITCH

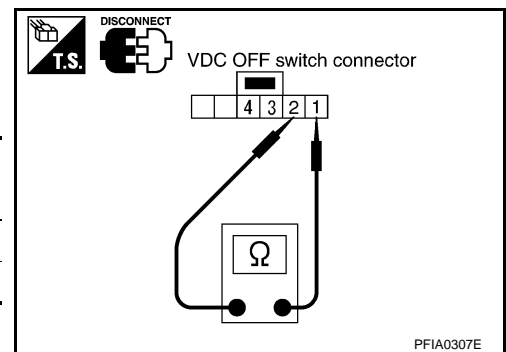
1. Turn ignition switch OFF.
2. Disconnect VDC OFF switch connector.
3. Check continuity between VDC OFF switch terminals.

VDC OFF switch		Condition	Continuity
Terminal			
1 - 2		When VDC OFF switch is pressed.	Yes
		When VDC OFF switch is released.	No

Is the inspection result normal?

YES >> INSPECTION END

NO >> Replace VDC OFF switch.



PFIA0307E

# ABS WARNING LAMP

< COMPONENT DIAGNOSIS >

[TYPE 3]

## ABS WARNING LAMP

### Description

INFOID:000000003247962

x: ON –: OFF

Condition	ABS warning lamp
Ignition switch OFF	–
For 1 second after turning ON ignition switch	x
1 second later after turning ON ignition switch	–
ABS function is malfunctioning.	x
EBD function is malfunctioning.	x

### Component Function Check

INFOID:000000003247963

#### 1.CHECK ABS WARNING LAMP OPERATION

Check that the lamp illuminates for approximately 1 second after the ignition switch is turned ON.

Is the inspection result normal?

YES >> INSPECTION END

NO >> Go to diagnosis procedure. Refer to [BRC-239, "Diagnosis Procedure"](#).

#### Diagnosis Procedure

INFOID:000000003247964

#### 1.CHECK SELF-DIAGNOSIS

Perform ABS actuator and electric unit (control unit) self-diagnosis. Refer to [BRC-186, "CONSULT-III Function \(ABS\)"](#).

Is the inspection result normal?

YES >> GO TO 2

NO >> Check items displayed by self-diagnosis.

#### 2.CHECK COMBINATION METER

Check if the indication and operation of combination meter are normal. Refer to [MWI-23, "Diagnosis Description"](#).

Is the inspection result normal?

YES >> Replace ABS actuator and electric unit (control unit). Refer to [BRC-274, "Removal and Installation"](#).

NO >> Replace combination meter. Refer to [MWI-91, "Removal and Installation"](#).

# BRAKE WARNING LAMP

< COMPONENT DIAGNOSIS >

[TYPE 3]

## BRAKE WARNING LAMP

### Description

INFOID:000000003247965

×: ON –: OFF

Condition	Brake warning lamp (Note 1)
Ignition switch OFF	–
For 1 second after turning ON ignition switch	× (Note 2)
1 second later after turning ON ignition switch	× (Note 2)
EBD function is malfunctioning.	×

#### NOTE:

- 1: Brake warning lamp will turn on in case of parking brake operation (when switch is ON) or of brake fluid level switch operation (when brake fluid is insufficient).
- 2: After starting engine, brake warning lamp is turned off.

### Component Function Check

INFOID:000000003247966

#### 1. BRAKE WARNING LAMP OPERATION CHECK

Check that the lamp illuminates for approximately 1 second after the ignition switch is turned ON.

Is the inspection result normal?

YES >> INSPECTION END

NO >> Go to diagnosis procedure. Refer to [BRC-240, "Diagnosis Procedure"](#).

### Diagnosis Procedure

INFOID:000000003247967

#### 1. CHECK SELF-DIAGNOSIS

Perform ABS actuator and electric unit (control unit) self-diagnosis.

Is the inspection result normal?

YES >> GO TO 2

NO >> Check items displayed by self-diagnosis.

#### 2. CHECK COMBINATION METER

Check if the indication and operation of combination meter are normal. Refer to [MWI-23, "Diagnosis Description"](#).

Is the inspection result normal?

YES >> Replace ABS actuator and electric unit (control unit). Refer to [BRC-274, "Removal and Installation"](#).

NO >> Replace combination meter. Refer to [MWI-91, "Removal and Installation"](#).



# VDC OFF INDICATOR LAMP

< COMPONENT DIAGNOSIS >

[TYPE 3]

## VDC OFF INDICATOR LAMP

### Description

INFOID:000000003247968

x: ON –: OFF

Condition	VDC OFF indicator lamp
Ignition switch OFF	–
For 1 second after turning ON ignition switch	x
1 second later after turning ON ignition switch	–
VDC OFF switch turned ON. (VDC function is OFF.)	x
VDC/TCS function is malfunctioning.	x
ABS function is malfunctioning.	x
EBD function is malfunctioning.	x

### Component Function Check

INFOID:000000003247969

#### 1.VDC OFF INDICATOR LAMP OPERATION CHECK 1

Check that the lamp illuminates for approximately 1 second after the ignition switch is turned ON.

Is the inspection result normal?

YES >> GO TO 2

NO >> Go to diagnosis procedure. Refer to [BRC-241, "Diagnosis Procedure"](#).

#### 2.VDC OFF INDICATOR LAMP OPERATION CHECK 2

Check that the VDC OFF indicator lamp in the combination meter turns ON/OFF correctly when operating the VDC OFF switch.

Is the inspection result normal?

YES >> INSPECTION END

NO >> Check VDC OFF switch. Refer to [BRC-237, "Diagnosis Procedure"](#).

### Diagnosis Procedure

INFOID:000000003247970

#### 1.CHECK VDC OFF SWITCH

Check that the VDC OFF indicator lamp in the combination meter turns ON/OFF correctly when operating the VDC OFF switch.

Is the inspection result normal?

YES >> GO TO 2

NO >> Check VDC OFF switch. Refer to [BRC-237, "Diagnosis Procedure"](#).

#### 2.CHECK SELF-DIAGNOSIS

Perform ABS actuator and electric unit (control unit) self-diagnosis. Refer to [BRC-186, "CONSULT-III Function \(ABS\)"](#).

Is the inspection result normal?

YES >> GO TO 3

NO >> Check items displayed by self-diagnosis.

#### 3.CHECK COMBINATION METER

Check if the indication and operation of combination meter are normal. Refer to [MWI-23, "Diagnosis Description"](#).

Is the inspection result normal?

YES >> Replace ABS actuator and electric unit (control unit). Refer to [BRC-274, "Removal and Installation"](#).

NO >> Replace combination meter. Refer to [MWI-91, "Removal and Installation"](#).

# SLIP INDICATOR LAMP

< COMPONENT DIAGNOSIS >

[TYPE 3]

## SLIP INDICATOR LAMP

### Description

INFOID:000000003247971

×: ON –: OFF

Condition	SLIP indicator lamp
Ignition switch OFF	–
For 1 second after turning ON ignition switch	×
1 second later after turning ON ignition switch	–
VDC/TCS function is malfunctioning.	×
ABS function is malfunctioning.	×
EBD function is malfunctioning.	×

### Component Function Check

INFOID:000000003247972

#### 1.CHECK SLIP INDICATOR LAMP OPERATION

Check that the lamp illuminates for approximately 1 second after the ignition switch is turned ON.

Is the inspection result normal?

YES >> INSPECTION END

NO >> Go to diagnosis procedure. Refer to [BRC-242. "Diagnosis Procedure"](#).

#### Diagnosis Procedure

INFOID:000000003247973

#### 1.CHECK SELF-DIAGNOSIS

Perform ABS actuator and electric unit (control unit) self-diagnosis. Refer to [BRC-186. "CONSULT-III Function \(ABS\)"](#).

Is the inspection result normal?

YES >> GO TO 2

NO >> Check items displayed by self-diagnosis.

#### 2.CHECK COMBINATION METER

Check if the indication and operation of combination meter are normal. Refer to [MWI-23. "Diagnosis Description"](#).

Is the inspection result normal?

YES >> Replace ABS actuator and electric unit (control unit). Refer to [BRC-274. "Removal and Installation"](#).

NO >> Replace combination meter. Refer to [MWI-91. "Removal and Installation"](#).

# HILL DESCENT CONTROL INDICATOR LAMP

< COMPONENT DIAGNOSIS >

[TYPE 3]

## HILL DESCENT CONTROL INDICATOR LAMP

### Description

INFOID:000000003292700

×: ON –: OFF

Condition	Hill descent control indicator lamp
Ignition switch OFF	–
For 1 second after turning ON ignition switch	×
1 second later after turning ON ignition switch	–
Hill descent control function is malfunctioning.	–

### Component Function Check

INFOID:000000003292701

#### 1. CHECK HILL DESCENT CONTROL INDICATOR LAMP OPERATION

Check that the lamp illuminates for approximately 1 second after the ignition switch is turned ON.

Is the inspection result normal?

YES >> INSPECTION END

NO >> Go to diagnosis procedure. Refer to [BRC-243. "Diagnosis Procedure"](#).

### Diagnosis Procedure

INFOID:000000003292702

#### 1. CHECK SELF-DIAGNOSIS

Perform ABS actuator and electric unit (control unit) self-diagnosis. Refer to [BRC-186. "CONSULT-III Function \(ABS\)"](#).

Is the inspection result normal?

YES >> GO TO 2

NO >> Check items displayed by self-diagnosis.

#### 2. CHECK COMBINATION METER

Check if the indication and operation of combination meter are normal. Refer to [MWI-23. "Diagnosis Description"](#).

Is the inspection result normal?

YES >> Replace ABS actuator and electric unit (control unit). Refer to [BRC-274. "Removal and Installation"](#).

NO >> Replace combination meter. Refer to [MWI-91. "Removal and Installation"](#).

# APPLICATION NOTICE

< ECU DIAGNOSIS >

[TYPE 3]

## ECU DIAGNOSIS

### APPLICATION NOTICE

Application Notice

INFOID:000000003248360

Service information	Remarks
TYPE 1	ABS
TYPE 2	ABLS/ABS
TYPE 3	HILL DESCENT CONTROL/HILL START ASSIST/VDC/TCS/ABS

# ABS ACTUATOR AND ELECTRIC UNIT (CONTROL UNIT)

< ECU DIAGNOSIS >

[TYPE 3]

## ABS ACTUATOR AND ELECTRIC UNIT (CONTROL UNIT)

### Reference Value

INFOID:000000003247975

### VALUES ON THE DIAGNOSIS TOOL

#### CAUTION:

The display shows the control unit calculation data, so a normal value might be displayed even in the event the output circuit (harness) is open or short-circuited.

#### CONSULT-III MONITOR ITEM

Monitor item	Display content	Data monitor	
		Condition	Reference value in normal operation
FR LH SENSOR	Wheel speed	0 [km/h (MPH)]	Vehicle stopped
		Nearly matches the speed meter display (± 10% or less)	Vehicle running (Note 1)
FR RH SENSOR	Wheel speed	0 [km/h (MPH)]	Vehicle stopped
		Nearly matches the speed meter display (± 10% or less)	Vehicle running (Note 1)
RR LH SENSOR	Wheel speed	0 [km/h (MPH)]	Vehicle stopped
		Nearly matches the speed meter display (± 10% or less)	Vehicle running (Note 1)
RR RH SENSOR	Wheel speed	0 [km/h (MPH)]	Vehicle stopped
		Nearly matches the speed meter display (± 10% or less)	Vehicle running (Note 1)
STOP LAMP SW	Stop lamp switch signal status	When brake pedal is depressed	ON
		When brake pedal is released	OFF
BATTERY VOLT	Battery voltage supplied to the ABS actuator and electric unit (control unit)	Ignition switch ON	10 – 16 V
GEAR	Gear position determined by TCM	1st gear	1
		2nd gear	2
		3rd gear	3
		4th gear	4
		5th gear	5
SLCT LVR POSI	A/T selector lever position	P position	P
		R position	R
		N position	N
		D position	D
OFF SW	VDC OFF switch ON/OFF	VDC OFF switch ON (When VDC OFF indicator lamp is ON)	ON
		VDC OFF switch OFF (When VDC OFF indicator lamp is OFF)	OFF
YAW RATE SEN	Yaw rate detected by yaw rate/side/decel G sensor	When vehicle is stopped	Approx. 0 d/s
		When vehicle turning	-75 to 75 d/s
ACCEL POS SIG	Throttle actuator opening/closing is displayed (linked with accelerator pedal)	Accelerator pedal not depressed (ignition switch is ON)	0 %
		Accelerator pedal depressed (ignition switch is ON)	0 - 100 %
SIDE G-SENSOR	Transverse G detected by side G sensor	Vehicle stopped	Approx. 0 m/s <sup>2</sup>
		Vehicle turning right	Negative value (m/s <sup>2</sup> )
		Vehicle turning left	Positive value (m/s <sup>2</sup> )

# ABS ACTUATOR AND ELECTRIC UNIT (CONTROL UNIT)

< ECU DIAGNOSIS >

[TYPE 3]

Monitor item	Display content	Data monitor	
		Condition	Reference value in normal operation
STR ANGLE SIG	Steering angle detected by steering angle sensor	Straight-ahead	Approx. 0°
		Steering wheel turned	-720 to 720°
ENGINE SPEED	With engine running	With engine stopped	0 rpm
		Engine running	Almost in accordance with tachometer display
FLUID LEV SW	Brake fluid level switch signal status	When brake fluid level switch ON	ON
		When brake fluid level switch OFF	OFF
FR RH IN SOL	Operation status of each solenoid valve	Actuator (solenoid valve) is active ("ACTIVE TEST" with CONSULT-III) or actuator relay is inactive (in fail-safe mode)	ON
		When the actuator (solenoid valve) is not active and actuator relay is active (ignition switch ON)	OFF
FR RH OUT SOL	Operation status of each solenoid valve	Actuator (solenoid valve) is active ("ACTIVE TEST" with CONSULT-III) or actuator relay is inactive (in fail-safe mode)	ON
		When the actuator (solenoid valve) is not active and actuator relay is active (ignition switch ON)	OFF
FR LH IN SOL	Operation status of each solenoid valve	Actuator (solenoid valve) is active ("ACTIVE TEST" with CONSULT-III) or actuator relay is inactive (in fail-safe mode)	ON
		When the actuator (solenoid valve) is not active and actuator relay is active (ignition switch ON)	OFF
FR LH OUT SOL	Operation status of each solenoid valve	Actuator (solenoid valve) is active ("ACTIVE TEST" with CONSULT-III) or actuator relay is inactive (in fail-safe mode)	ON
		When the actuator (solenoid valve) is not active and actuator relay is active (ignition switch ON)	OFF
RR RH IN SOL	Operation status of each solenoid valve	Actuator (solenoid valve) is active ("ACTIVE TEST" with CONSULT-III) or actuator relay is inactive (in fail-safe mode)	ON
		When the actuator (solenoid valve) is not active and actuator relay is active (ignition switch ON)	OFF
RR RH OUT SOL	Operation status of each solenoid valve	Actuator (solenoid valve) is active ("ACTIVE TEST" with CONSULT-III) or actuator relay is inactive (in fail-safe mode)	ON
		When the actuator (solenoid valve) is not active and actuator relay is active (ignition switch ON)	OFF
RR LH IN SOL	Operation status of each solenoid valve	Actuator (solenoid valve) is active ("ACTIVE TEST" with CONSULT-III) or actuator relay is inactive (in fail-safe mode)	ON
		When the actuator (solenoid valve) is not active and actuator relay is active (ignition switch ON)	OFF

# ABS ACTUATOR AND ELECTRIC UNIT (CONTROL UNIT)

< ECU DIAGNOSIS >

[TYPE 3]

Monitor item	Display content	Data monitor		
		Condition	Reference value in normal operation	
RR LH OUT SOL	Operation status of each solenoid valve	Actuator (solenoid valve) is active ("ACTIVE TEST" with CONSULT-III) or actuator relay is inactive (in fail-safe mode)	ON	A
		When the actuator (solenoid valve) is not active and actuator relay is active (ignition switch ON)	OFF	B
MOTOR RELAY	Motor and motor relay operation	When the motor relay and motor are operating	ON	C
		When the motor relay and motor are not operating	OFF	D
ACTUATOR RLY	Actuator relay operation	When the actuator relay is operating	ON	E
		When the actuator relay is not operating	OFF	
ABS WARN LAMP	ABS warning lamp (Note 2)	When ABS warning lamp is ON	ON	BRC
		When ABS warning lamp is OFF	OFF	
OFF LAMP	VDC OFF indicator lamp (Note 2)	When VDC OFF indicator lamp is ON	ON	
		When VDC OFF indicator lamp is OFF	OFF	G
SLIP LAMP	SLIP indicator lamp (Note 2)	When SLIP indicator lamp is ON	ON	
		When SLIP indicator lamp is OFF	OFF	H
4WD FAIL REQ	Transfer control unit fail-safe signal	When transfer control unit is in fail-safe mode	ON	
		When transfer control unit is normal	OFF	I
EBD SIGNAL	EBD operation	EBD is active	ON	
		EBD is inactive	OFF	J
ABS SIGNAL	ABS operation	ABS is active	ON	
		ABS is inactive	OFF	K
TCS SIGNAL	TCS operation	TCS is active	ON	
		TCS is inactive	OFF	L
VDC SIGNAL	VDC operation	VDC is active	ON	
		VDC is inactive	OFF	M
EBD FAIL SIG	EBD fail-safe signal	In EBD fail-safe	ON	
		EBD is normal	OFF	N
ABS FAIL SIG	ABS fail-safe signal	In ABS fail-safe	ON	
		ABS is normal	OFF	O
TCS FAIL SIG	TCS fail-safe signal	In TCS fail-safe	ON	
		TCS is normal	OFF	P
VDC FAIL SIG	VDC fail-safe signal	In VDC fail-safe	ON	
		VDC is normal	OFF	
CRANKING SIG	Crank operation	Crank is active	ON	
		Crank is inactive	OFF	
CV1	VDC switch-over valve	When actuator (switch-over valve) is active ("ACTIVE TEST" with CONSULT-III) or actuator relay is inactive (when in fail-safe mode)	ON	
		When actuator (switch-over valve) is not active and actuator relay is active (ignition switch ON)	OFF	

# ABS ACTUATOR AND ELECTRIC UNIT (CONTROL UNIT)

< ECU DIAGNOSIS >

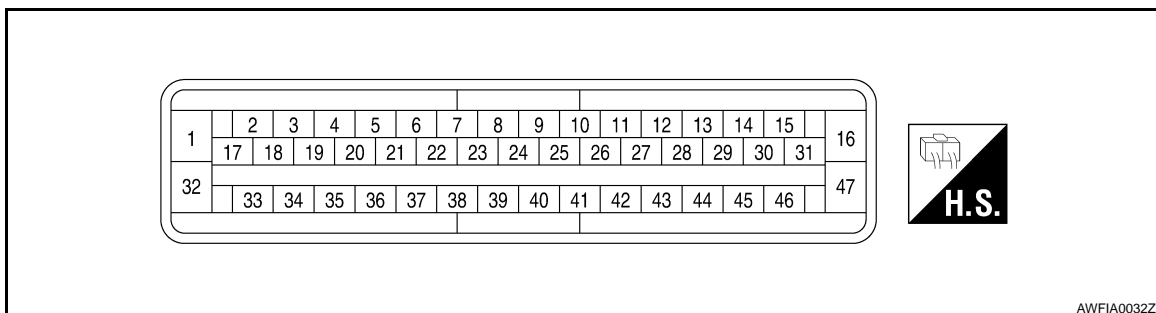
[TYPE 3]

Monitor item	Display content	Data monitor	
		Condition	Reference value in normal operation
CV2	VDC switch-over valve	When actuator (switch-over valve) is active ("ACTIVE TEST" with CONSULT-III) or actuator relay is inactive (when in fail-safe mode)	ON
		When actuator (switch-over valve) is not active and actuator relay is active (ignition switch ON)	OFF
SV1	VDC switch-over valve	When actuator (switch-over valve) is active ("ACTIVE TEST" with CONSULT-III) or actuator relay is inactive (when in fail-safe mode)	ON
		When actuator (switch-over valve) is not active and actuator relay is active (ignition switch ON)	OFF
SV2	VDC switch-over valve	When actuator (switch-over valve) is active ("ACTIVE TEST" with CONSULT-III) or actuator relay is inactive (when in fail-safe mode)	ON
		When actuator (switch-over valve) is not active and actuator relay is active (ignition switch ON)	OFF
DECEL G-SEN	Longitudinal acceleration detected by Decel G-Sensor	Vehicle stopped	Approx. 0 G
		Vehicle running	-1.7 to 1.7 G
EBD WARN LAMP	EBD warning lamp (Note 3)	When EBD warning lamp is ON	ON
		When EBD warning lamp is OFF	OFF
N POSI SIG	PNP switch signal ON/OFF condition	A/T shift position = N position	ON
		A/T shift position = other than N position	OFF
P POSI SIG	PNP switch signal ON/OFF condition	A/T shift position = P position	ON
		A/T shift position = other than P position	OFF
R POSI SIG	PNP switch signal ON/OFF condition	A/T shift position = R position	ON
		A/T shift position = other than R position	OFF
2WD/4WD	Drive axle	2WD model	2WD
		4WD model	4WD

**NOTE:**

- 1: Confirm tire pressure is normal.
- 2: On and off timing for warning lamp and indicator lamp.
- ABS warning lamp: Refer to [BRC-239, "Description"](#).
- Brake warning lamp: Refer to [BRC-240, "Description"](#).
- VDC OFF indicator lamp: Refer to [BRC-241, "Description"](#).
- SLIP indicator lamp: Refer to [BRC-242, "Description"](#).

**TERMINAL LAYOUT**





# ABS ACTUATOR AND ELECTRIC UNIT (CONTROL UNIT)

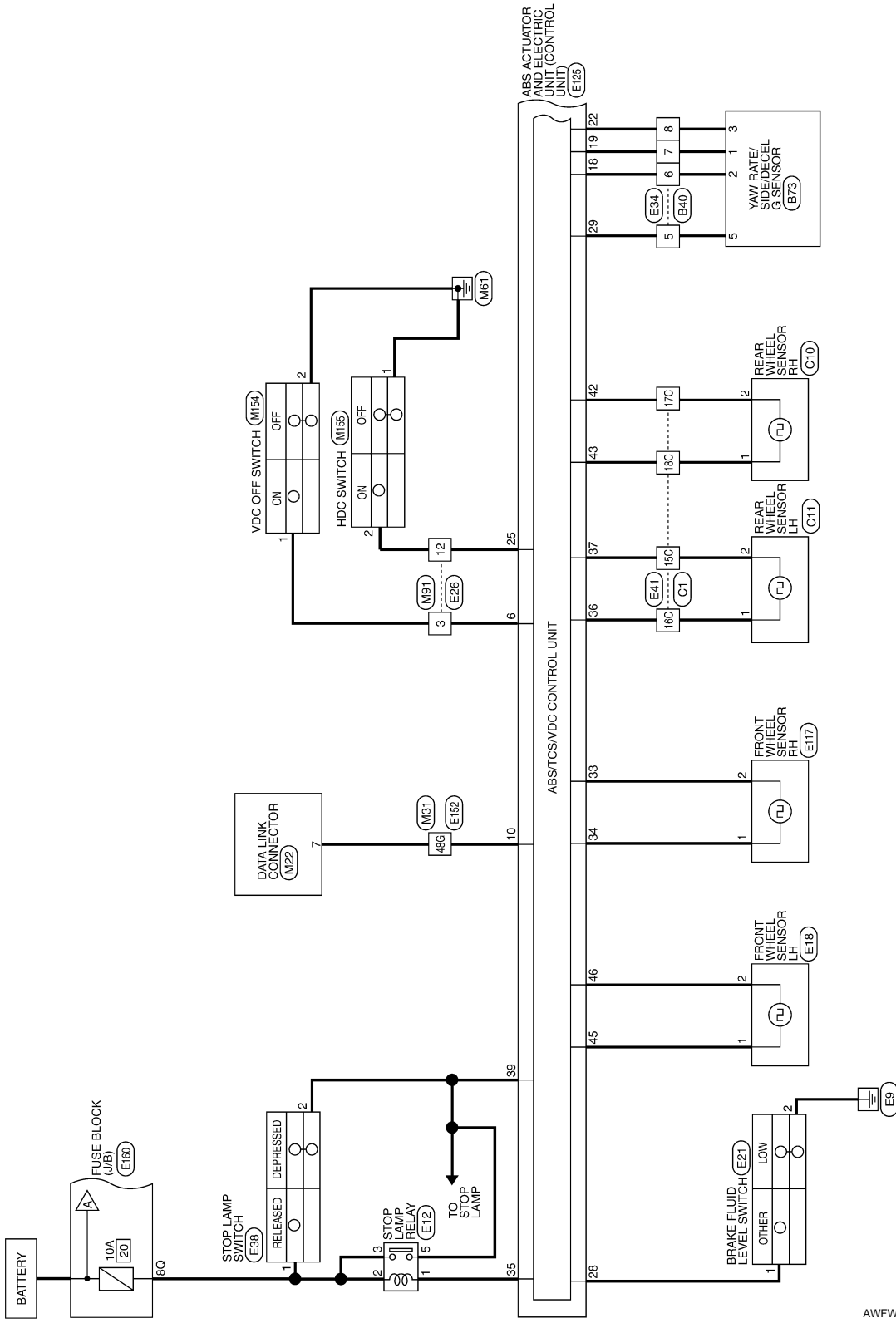
< ECU DIAGNOSIS >

[TYPE 3]

## Wiring Diagram - VDC

INFOID:000000003247976

### BRAKE CONTROL SYSTEM - VDC



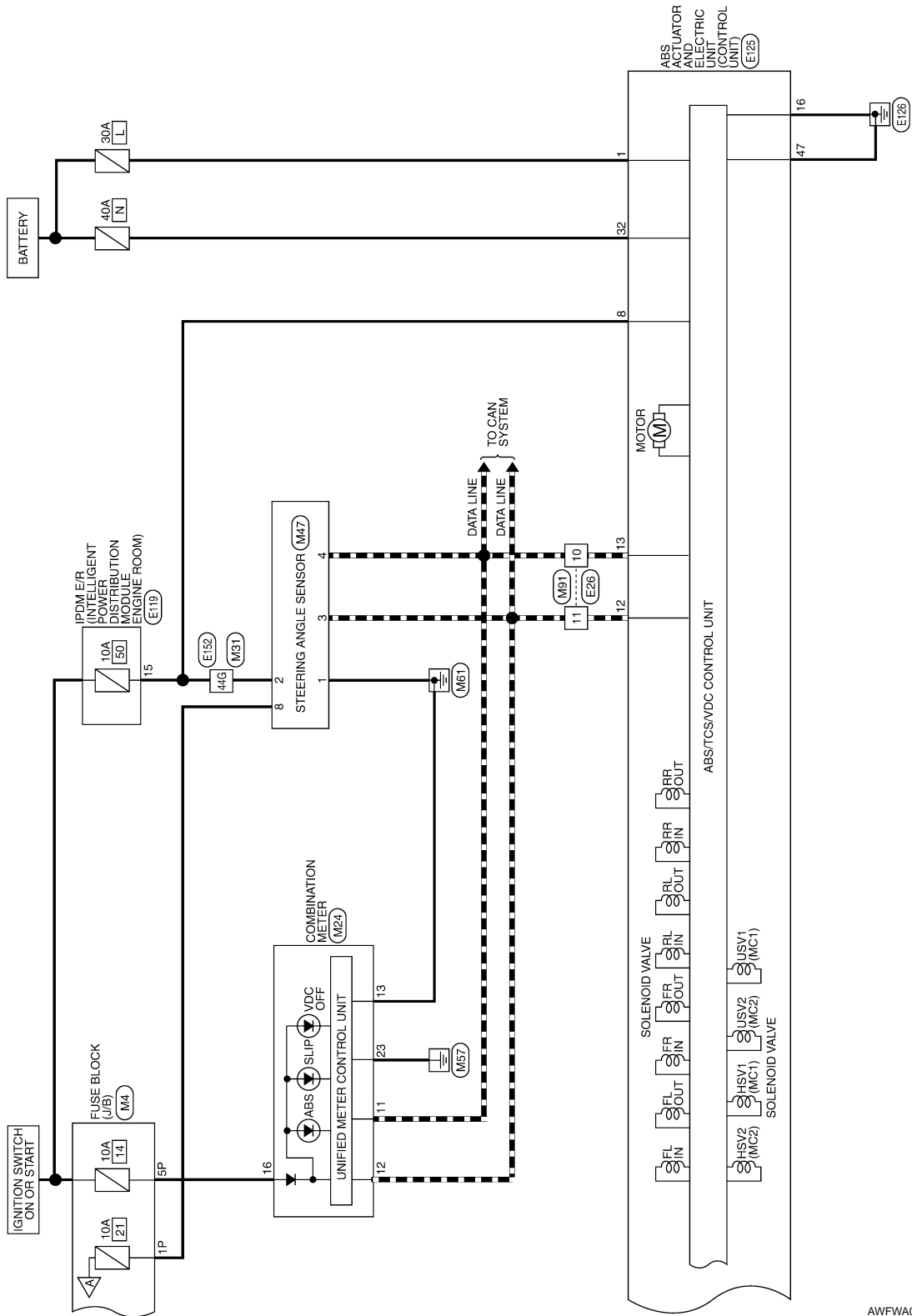
A  
B  
C  
D  
E  
BRC  
G  
H  
I  
J  
K  
L  
M  
N  
O  
P

# ABS ACTUATOR AND ELECTRIC UNIT (CONTROL UNIT)

< ECU DIAGNOSIS >

[TYPE 3]

--- : DATA LINE



AWFWA0042GI

# ABS ACTUATOR AND ELECTRIC UNIT (CONTROL UNIT)

< ECU DIAGNOSIS >

[TYPE 3]

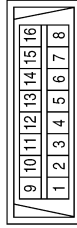
## BRAKE CONTROL SYSTEM CONNECTORS - VDC

Connector No.	M4
Connector Name	FUSE BLOCK (J/B)
Connector Color	WHITE



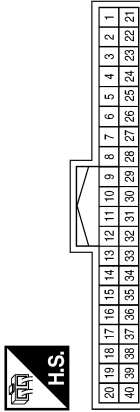
Terminal No.	Color of Wire	Signal Name
1P	R/B	—
5P	W/G	—

Connector No.	M22
Connector Name	DATA LINK CONNECTOR
Connector Color	WHITE



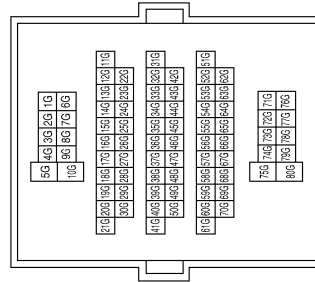
Terminal No.	Color of Wire	Signal Name
7	W	—

Connector No.	M24
Connector Name	COMBINATION METER
Connector Color	WHITE



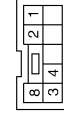
Terminal No.	Color of Wire	Signal Name
11	P	CAN_L
12	L	CAN_H
13	GR	GROUND
16	W/G	RUN START
23	B	GND (POWER)

Connector No.	M31
Connector Name	WIRE TO WIRE
Connector Color	WHITE



Terminal No.	Color of Wire	Signal Name
44G	W/R	—
48G	W	—

Connector No.	M47
Connector Name	STEERING ANGLE SENSOR
Connector Color	WHITE



Terminal No.	Color of Wire	Signal Name
1	B	GND
2	W/R	POWER
3	L	CAN-H
4	P	CAN-L
8	R	BATT

AWFIA0157GB

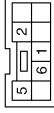
A  
B  
C  
D  
E  
BRC  
G  
H  
I  
J  
K  
L  
M  
N  
O  
P

# ABS ACTUATOR AND ELECTRIC UNIT (CONTROL UNIT)

< ECU DIAGNOSIS >

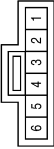
[TYPE 3]

Connector No.	M155
Connector Name	HDC SWITCH
Connector Color	WHITE



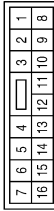
Terminal No.	Color of Wire	Signal Name
1	B	-
2	Y	-

Connector No.	M154
Connector Name	VDC OFF SWITCH
Connector Color	GRAY



Terminal No.	Color of Wire	Signal Name
1	GR	-
2	B	-

Connector No.	M91
Connector Name	WIRE TO WIRE
Connector Color	WHITE



Terminal No.	Color of Wire	Signal Name
3	GR	-
10	P	-
11	L	-
12	Y	-

Connector No.	E21
Connector Name	BRAKE FLUID LEVEL SWITCH
Connector Color	GRAY



Terminal No.	Color of Wire	Signal Name
1	SB	-
2	B	-

Connector No.	E18
Connector Name	FRONT WHEEL SENSOR LH
Connector Color	GRAY



Terminal No.	Color of Wire	Signal Name
1	G	-
2	R	-

Connector No.	E12
Connector Name	STOP LAMP RELAY
Connector Color	BLUE



Terminal No.	Color of Wire	Signal Name
1	V	-
2	R/B	-
3	R/B	-
5	G	-

AWFIA0158GB

# ABS ACTUATOR AND ELECTRIC UNIT (CONTROL UNIT)

< ECU DIAGNOSIS >

[TYPE 3]

Connector No.	E38
Connector Name	STOP LAMP SWITCH
Connector Color	WHITE



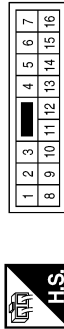
Terminal No.	Color of Wire	Signal Name
1	R/B	-
2	Y	-

Connector No.	E34
Connector Name	WIRE TO WIRE
Connector Color	WHITE



Terminal No.	Color of Wire	Signal Name
5	BR	-
6	O	-
7	W	-
8	Y	-

Connector No.	E26
Connector Name	WIRE TO WIRE
Connector Color	WHITE



Terminal No.	Color of Wire	Signal Name
3	GR	-
10	P	-
11	L	-
12	Y	-

Connector No.	E119
Connector Name	IPDM E/R (INTELLIGENT POWER DISTRIBUTION MODULE ENGINE ROOM)
Connector Color	WHITE



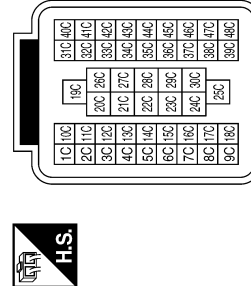
Terminal No.	Color of Wire	Signal Name
15	W/R	ABS IGN SUPPLY

Connector No.	E117
Connector Name	FRONT WHEEL SENSOR RH
Connector Color	GRAY



Terminal No.	Color of Wire	Signal Name
1	B	-
2	W	-

Connector No.	E41
Connector Name	WIRE TO WIRE
Connector Color	BLACK



Terminal No.	Color of Wire	Signal Name
15C	P	-
16C	L	-
17C	V	-
18C	LG	-

AWFIA0159GB

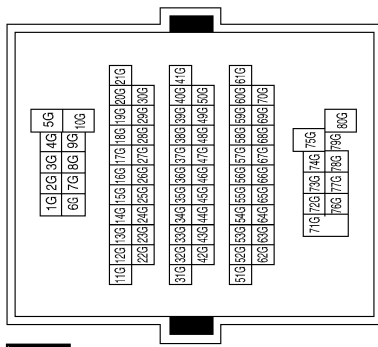
A  
B  
C  
D  
E  
BRC  
G  
H  
I  
J  
K  
L  
M  
N  
O  
P

# ABS ACTUATOR AND ELECTRIC UNIT (CONTROL UNIT)

< ECU DIAGNOSIS >

[TYPE 3]

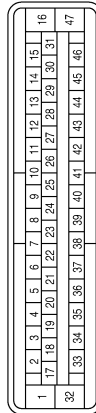
Connector No.	E152
Connector Name	WIRE TO WIRE
Connector Color	WHITE



Terminal No.	Color of Wire	Signal Name
44G	W/R	-
48G	W	-

Terminal No.	Color of Wire	Signal Name
23	-	-
24	-	-
25	Y	HDC_SW
26	-	-
27	-	-
28	GR	FLUID_LEVEL_SW
29	BR	CLUS_GND
30	-	-
31	-	-
32	Y	VALVE ECU SUPPLY
33	W	FR_RH_SIG
34	B	FR_RH_PWR
35	V	STOP_LAMP_SW_ON
36	L	RR_LH_PWR
37	P	RR_LH_SIG
38	-	-
39	SB	STOP_LAMP_SW
40	-	-
41	-	-
42	V	RR_RH_SIG
43	LG	RR_RH_PWR
44	-	-
45	G	FR_LH_PWR
46	R	FR_LH_SIG
47	B	MOTOR_GND

Connector No.	E125
Connector Name	ABS ACTUATOR AND ELECTRIC UNIT (CONTROL UNIT)
Connector Color	BLACK



Terminal No.	Color of Wire	Signal Name
1	R	MOTOR SUPPLY
2	-	-
3	-	-
4	-	-
5	-	-
6	GR	VDC OFF SW
7	-	-
8	W/R	IGN
9	-	-
10	SB	D/AG_K
11	-	-
12	L	CAN-H
13	P	CAN-L
14	-	-
15	-	-
16	B	VALVE ECU GND
17	-	-
18	O	CAN2-H
19	W	CAN2-L
20	-	-
21	-	-
22	Y	CLUS_SUP

AWFIA0160GB

# ABS ACTUATOR AND ELECTRIC UNIT (CONTROL UNIT)

< ECU DIAGNOSIS >

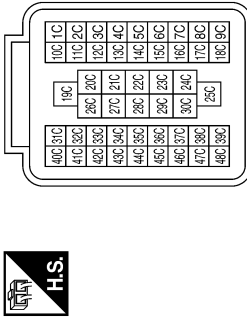
[TYPE 3]

Connector No.	C10
Connector Name	REAR WHEEL SENSOR RH
Connector Color	GRAY



Terminal No.	Color of Wire	Signal Name
1	LG	-
2	V	-

Connector No.	C1
Connector Name	WIRE TO WIRE
Connector Color	BLACK



Terminal No.	Color of Wire	Signal Name
15C	P	-
16C	L	-
17C	V	-
18C	LG	-

Connector No.	E160
Connector Name	FUSE BLOCK (J/B)
Connector Color	WHITE



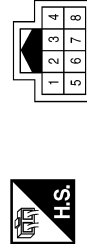
Terminal No.	Color of Wire	Signal Name
8Q	R/B	-

Connector No.	B73
Connector Name	YAW RATE/SIDE/DECEL G SENSOR
Connector Color	BLACK



Terminal No.	Color of Wire	Signal Name
1	W	CAN-L
2	O	CAN-H
3	Y	CLU_P
5	BR	CLU_GND

Connector No.	B40
Connector Name	WIRE TO WIRE
Connector Color	WHITE



Terminal No.	Color of Wire	Signal Name
5	BR	-
6	O	-
7	W	-
8	Y	-

Connector No.	C11
Connector Name	REAR WHEEL SENSOR LH
Connector Color	GRAY



Terminal No.	Color of Wire	Signal Name
1	L	-
2	P	-

Fail-Safe

**CAUTION:**

If the Fail-Safe function is activated, perform Self Diagnosis for ABS/TCS/VDC system.

ABS/EBD SYSTEM

AWFIA0161GB

INFOID:000000003247977

A  
B  
C  
D  
E  
F  
G  
H  
I  
J  
K  
L  
M  
N  
O  
P

BRC

# ABS ACTUATOR AND ELECTRIC UNIT (CONTROL UNIT)

[TYPE 3]

## < ECU DIAGNOSIS >

In case of an electrical malfunction with the ABS, the ABS warning lamp, VDC OFF indicator lamp and SLIP indicator lamp will turn on. In case of an electrical malfunction with the EBD system, the BRAKE warning lamp, ABS warning lamp, VDC OFF indicator lamp and SLIP indicator lamp will turn on.

The system will revert to one of the following conditions of the Fail-Safe function.

1. For ABS malfunction, only the EBD is operative and the condition of the vehicle is the same condition of vehicles without ABS/TCS/VDC system.
2. For EBD malfunction, the EBD and ABS become inoperative, and the condition of the vehicle is the same as the condition of vehicles without ABS/TCS/VDC or EBD system.

## HILL DESCENT CONTROL/HILL START ASSIST SYSTEM

In case of hill descent control system malfunction, the hill descent control indicator lamp will remain off even though the hill descent control switch is operated and the condition of the vehicle is the same as the condition of vehicles without hill descent control system.

In case of hill start assist system malfunction, the VDC OFF and SLIP indicator lamps are turned on and the condition of the vehicle is the same as the condition of vehicles without hill start assist system.

## VDC/TCS SYSTEM

In case of TCS/VDC system malfunction, the VDC OFF indicator lamp and SLIP indicator lamp are turned on and the condition of the vehicle is the same as the condition of vehicles without TCS/VDC system. In case of an electrical malfunction with the TCS/VDC system, the ABS control continues to operate normally without TCS/VDC control.

## DTC No. Index

INFOID:000000003247978

DTC	Items (CONSULT screen terms)	Reference
C1101	RR RH SENSOR-1	<a href="#">BRC-192, "Description"</a>
C1102	RR LH SENSOR-1	
C1103	FR RH SENSOR-1	
C1104	FR LH SENSOR-1	
C1105	RR RH SENSOR-2	<a href="#">BRC-195, "Description"</a>
C1106	RR LH SENSOR-2	
C1107	FR RH SENSOR-2	
C1108	FR LH SENSOR-2	
C1109	BATTERY VOLTAGE [ABNORMAL]	<a href="#">BRC-198, "Description"</a>
C1110	CONTROLLER FAILURE	<a href="#">BRC-200, "DTC Logic"</a>
C1111	PUMP MOTOR	<a href="#">BRC-201, "Description"</a>
C1113	G-SENSOR	<a href="#">BRC-203, "Description"</a>
C1115	ABS SENSOR [ABNORMAL SIGNAL]	<a href="#">BRC-206, "Description"</a>
C1116	STOP LAMP SW	<a href="#">BRC-209, "Description"</a>
C1120	FR LH IN ABS SOL	<a href="#">BRC-211, "Description"</a>
C1121	FR LH OUT ABS SOL	<a href="#">BRC-214, "Description"</a>
C1122	FR RH IN ABS SOL	<a href="#">BRC-211, "Description"</a>
C1123	FR RH OUT ABS SOL	<a href="#">BRC-214, "Description"</a>
C1124	RR LH IN ABS SOL	<a href="#">BRC-211, "Description"</a>
C1125	RR LH OUT ABS SOL	<a href="#">BRC-214, "Description"</a>
C1126	RR RH IN ABS SOL	<a href="#">BRC-211, "Description"</a>
C1127	RR RH OUT ABS SOL	<a href="#">BRC-214, "Description"</a>



# ABS ACTUATOR AND ELECTRIC UNIT (CONTROL UNIT)

[TYPE 3]

< ECU DIAGNOSIS >

DTC	Items (CONSULT screen terms)	Reference	
C1130	ENGINE SIGNAL 1	<a href="#">BRC-217. "Description"</a>	A
C1131	ENGINE SIGNAL 2		B
C1132	ENGINE SIGNAL 3		C
C1133	ENGINE SIGNAL 4		D
C1136	ENGINE SIGNAL 6		E
C1140	ACTUATOR RLY		BRC
C1143	ST ANG SEN CIRCUIT	<a href="#">BRC-219. "Description"</a>	
C1144	ST ANG SEN SIGNAL		
C1145	YAW RATE SENSOR	<a href="#">BRC-221. "Description"</a>	
C1146	SIDE G-SEN CIRCUIT		
C1155	BR FLUID LEVEL LOW	<a href="#">BRC-203. "Description"</a>	
C1156	ST ANG SEN COM CIR	<a href="#">BRC-224. "Description"</a>	
C1160	DECEL G SEN SET	<a href="#">BRC-227. "Description"</a>	
C1163	ST ANGL SEN SAFE	<a href="#">BRC-228. "Description"</a>	
C1164	CV1	<a href="#">BRC-229. "Description"</a>	
C1165	CV2		G
C1166	SV1		
C1167	SV2		
C1170	VARIANT CODING	<a href="#">BRC-230. "Description"</a>	H
C1187	ABS DIFLOCK CONTROLLER NG	<a href="#">BRC-200. "DTC Logic"</a>	
U1000	CAN COMM CIRCUIT	<a href="#">BRC-233. "Description"</a>	I
			J
			K
			L
			M
			N
			O
			P

# APPLICATION NOTICE

< SYMPTOM DIAGNOSIS >

[TYPE 3]

## SYMPTOM DIAGNOSIS

### APPLICATION NOTICE

Application Notice

INFOID:000000003248361

Service information	Remarks
TYPE 1	ABS
TYPE 2	ABLS/ABS
TYPE 3	HILL DESCENT CONTROL/HILL START ASSIST/VDC/TCS/ABS

VDC/TCS/ABS

Symptom Table

INFOID:000000003247980

If ABS warning lamp, VDC OFF indicator lamp and SLIP indicator lamp turn ON, perform self-diagnosis.

Symptom	Check item	Reference
Excessive ABS function operation frequency	Brake force distribution	<a href="#">BRC-260, "Diagnosis Procedure"</a>
	Looseness of front and rear axle	
	Wheel sensor and rotor system	
Unexpected pedal reaction	Brake pedal stroke	<a href="#">BRC-261, "Diagnosis Procedure"</a>
	Make sure the braking force is sufficient when the ABS is not operating.	
The braking distance is long	Check stopping distance when the ABS is not operating.	<a href="#">BRC-262, "Diagnosis Procedure"</a>
ABS function does not operate (Note 1)	ABS actuator and electric unit (control unit)	<a href="#">BRC-263, "Diagnosis Procedure"</a>
Pedal vibration or ABS operation sound occurs (Note 2)	Brake pedal	<a href="#">BRC-264, "Diagnosis Procedure"</a>
	ABS actuator and electric unit (control unit)	
Vehicle jerks during VDC/TCS/ABS control	ABS actuator and electric unit (control unit)	<a href="#">BRC-265, "Diagnosis Procedure"</a>
	TCM	
	ECM	

**NOTE:**

- 1: The ABS does not operate when the speed is 10 km/h (6 MPH) or less.
- 2: Under the following conditions, ABS is activated and vibration is felt when brake pedal is lightly depressed. However, this is normal.
  - When shifting gears
  - When driving on slippery road
  - During cornering at high speed
  - When passing over bumps or grooves [at approximately 50 mm (1.97 in) or more]
  - When pulling away just after starting engine [at approximately 10 km/h (6 MPH) or higher]

A  
B  
C  
D  
E  
BRC  
G  
H  
I  
J  
K  
L  
M  
N  
O  
P

# EXCESSIVE ABS FUNCTION OPERATION FREQUENCY

< SYMPTOM DIAGNOSIS >

[TYPE 3]

## EXCESSIVE ABS FUNCTION OPERATION FREQUENCY

### Diagnosis Procedure

INFOID:000000003247981

#### 1.CHECK START

Check front and rear brake force distribution using a brake tester.

Is the inspection result normal?

YES >> GO TO 2

NO >> Check brake system.

#### 2.CHECK FRONT AND REAR AXLE

Make sure that there is no excessive play in the front and rear axles. Refer to front: [FAX-5. "On-Vehicle Inspection and Service"](#), Rear: [RAX-7. "Rear Axle Bearing"](#) (C200) or [RAX-19. "Rear Axle Bearing"](#) (M226).

Is the inspection result normal?

YES >> GO TO 3

NO >> Repair or replace malfunctioning components.

#### 3.CHECK WHEEL SENSOR AND SENSOR ROTOR

Check the following.

- Wheel sensor installation for damage.
- Sensor rotor installation for damage.
- Wheel sensor connector connection.
- Wheel sensor harness inspection.

Is the inspection result normal?

YES >> GO TO 4

NO >> • Replace wheel sensor or sensor rotor. Refer to [BRC-272. "Removal and Installation"](#) or [BRC-273. "Removal and Installation"](#).  
• Repair harness.

#### 4.CHECK ABS WARNING LAMP DISPLAY

Make sure that the ABS warning lamp is turned off after the ignition switch is turned ON or when driving.

Is the ABS warning lamp illuminated?

YES >> Perform self-diagnosis. Refer to [BRC-186. "CONSULT-III Function \(ABS\)"](#).

NO >> Normal

# UNEXPECTED PEDAL REACTION

< SYMPTOM DIAGNOSIS >

[TYPE 3]

## UNEXPECTED PEDAL REACTION

### Diagnosis Procedure

INFOID:000000003247982

#### 1.CHECK BRAKE PEDAL STROKE

Check brake pedal stroke. Refer to [BR-7, "Brake Pedal Inspection and Adjustment"](#).

Is the stroke too large?

- YES >> • Bleed air from brake tube and hose. Refer to [BR-9, "Bleeding Brake System"](#).  
• Check brake pedal, brake booster, and master cylinder for mount play, looseness, brake system fluid leakage, etc. Refer to [BR-7, "Brake Pedal Inspection and Adjustment"](#) (brake pedal), [BR-30, "Disassembly and Assembly"](#) (master cylinder), [BR-7, "Brake Booster Inspection"](#) (brake booster).

NO >> GO TO 2

#### 2.CHECK FUNCTION

Disconnect ABS actuator and electric unit (control unit) connector to deactivate ABS. Check if braking force is normal in this condition. Connect connector after inspection.

Is the inspection result normal?

- YES >> Normal  
NO >> Check brake system.

A  
B  
C  
D  
E  
BRC  
G  
H  
I  
J  
K  
L  
M  
N  
O  
P

## THE BRAKING DISTANCE IS LONG

< SYMPTOM DIAGNOSIS >

[TYPE 3]

---

### THE BRAKING DISTANCE IS LONG

#### Diagnosis Procedure

INFOID:000000003247983

**CAUTION:**

The stopping distance on slippery road surfaces might be longer with the ABS operating than when the ABS is not operating.

**1**.CHECK FUNCTION

---

Turn ignition switch OFF and disconnect ABS actuator and electric unit (control unit) connector to deactivate ABS. In this condition, check stopping distance. After inspection, connect connector.

Is the inspection result normal?

YES >> Normal

NO >> Check brake system.

# ABS FUNCTION DOES NOT OPERATE

< SYMPTOM DIAGNOSIS >

[TYPE 3]

## ABS FUNCTION DOES NOT OPERATE

### Diagnosis Procedure

INFOID:000000003247984

**CAUTION:**

**ABS does not operate when speed is 10 km/h (6 MPH) or lower.**

**1**.CHECK ABS WARNING LAMP DISPLAY

Make sure that the ABS warning lamp turns OFF after ignition switch is turned ON or when driving.

Is the inspection result normal?

YES >> Normal

NO >> Perform self-diagnosis. Refer to [BRC-186, "CONSULT-III Function \(ABS\)"](#).

A  
B  
C  
D  
E  
G  
H  
I  
J  
K  
L  
M  
N  
O  
P

**BRC**

# PEDAL VIBRATION OR ABS OPERATION SOUND OCCURS

< SYMPTOM DIAGNOSIS >

[TYPE 3]

## PEDAL VIBRATION OR ABS OPERATION SOUND OCCURS

### Diagnosis Procedure

INFOID:000000003247985

#### **CAUTION:**

Under the following conditions, ABS is activated and vibration is felt when brake pedal is lightly depressed. However, this is normal.

- When shifting gears
- When driving on slippery road
- During cornering at high speed
- When passing over bumps or grooves [at approximately 50 mm (1.97 in) or more]
- When pulling away just after starting engine [at approximately 10 km/h (6 MPH) or higher]

#### 1. SYMPTOM CHECK 1

Check that there are pedal vibrations when the engine is started.

Do vibrations occur?

- YES >> GO TO 2  
NO >> Inspect the brake pedal.

#### 2. SYMPTOM CHECK 2

Check that there are ABS operation noises when the engine is started.

Do the operation noises occur?

- YES >> GO TO 3  
NO >> Perform self -diagnosis. Refer to [BRC-186. "CONSULT-III Function \(ABS\)".](#)

#### 3. SYMPTOM CHECK 3

Check symptoms when electrical component (headlamps, etc.) switches are operated.

Do symptoms occur?

- YES >> Check if there is a radio, antenna, antenna lead wire, or wiring close to the control unit. If there is, move it farther away.  
NO >> Normal



# VEHICLE JERKS DURING VDC/TCS/ABS CONTROL

< SYMPTOM DIAGNOSIS >

[TYPE 3]

## VEHICLE JERKS DURING VDC/TCS/ABS CONTROL

### Diagnosis Procedure

INFOID:000000003247986

#### 1. SYMPTOM CHECK

Check if the vehicle jerks during VDC/TCS/ABS control.

Is the inspection result normal?

- YES >> Normal.
- NO >> GO TO 2

#### 2. CHECK SELF-DIAGNOSIS RESULTS

Perform self-diagnosis of ABS actuator and electric unit (control unit). Refer to [BRC-186. "CONSULT-III Function \(ABS\)"](#).

Are self-diagnosis results indicated?

- YES >> Check corresponding items, make repairs, and perform ABS actuator and electric unit (control unit) self-diagnosis.
- NO >> GO TO 3

#### 3. CHECK CONNECTOR

- Turn ignition switch OFF and disconnect ABS actuator and electric unit (control unit) connector and check terminal for deformation, disconnection, looseness, etc.
- Securely connect connectors and perform ABS actuator and electric unit (control unit) self-diagnosis.

Are self-diagnosis results indicated?

- YES >> If poor contact, damage, open or short circuit of connector terminal is found, repair or replace.
- NO >> GO TO 4

#### 4. CHECK ECM AND TCM SELF-DIAGNOSIS RESULTS

Perform ECM and TCM self-diagnosis.

Are self-diagnosis results indicated?

- YES >> Check the corresponding items.
  - ECM: Refer to [EC-63. "CONSULT-III Function \(ENGINE\)"](#) (QR25DE) or [EC-512. "CONSULT-III Function \(ENGINE\)"](#) (VQ40DE).
  - TCM: Refer to [TM-204. "CONSULT-III Function \(TRANSMISSION\)"](#).
- NO >> Replace ABS actuator and electric unit (control unit). Refer to [BRC-274. "Removal and Installation"](#).

A  
B  
C  
D  
E  
G  
H  
I  
J  
K  
L  
M  
N  
O  
P

BRC

# NORMAL OPERATING CONDITION

< SYMPTOM DIAGNOSIS >

[TYPE 3]

## NORMAL OPERATING CONDITION

### Description

INFOID:000000003247987

Symptom	Result
Slight vibrations are felt on the brake pedal and the operation noises occur, when VDC, TCS or ABS is activated.	This is a normal condition due to the VDC, TCS or ABS activation.
Stopping distance is longer than that of vehicles without ABS when the vehicle drives on rough, gravel, or snow-covered (fresh, deep snow) roads.	
The brake pedal moves and generates noises, when TCS or VDC is activated due to rapid acceleration or sharp turn.	
The brake pedal vibrates and motor operation noises occur from the engine room, after the engine starts and just after the vehicle starts.	This is normal, and it is caused by the ABS operation check.
Depending on the road conditions, the driver may experience a sluggish feel.	This is normal, because TCS places the highest priority on the optimum traction (stability).
TCS may activate momentarily if wheel speed changes when driving over location where friction coefficient varies, when downshifting, or when fully depressing accelerator pedal.	
The ABS warning lamp, VDC OFF indicator lamp and SLIP indicator lamp may turn ON when the vehicle is subject to strong shaking or large vibration, such as when the vehicle is rotating on a turntable or located on a ship while the engine is running.	In this case, restart the engine on a normal road. If the normal condition is restored, there is no malfunction. At that time, erase the self-diagnosis memory.
VDC may not operate normally or the ABS warning lamp, VDC OFF indicator lamp, and SLIP indicator lamp may illuminate, when running on a special road that is extremely slanted (e.g. bank in a circuit course).	
A malfunction may occur in the yaw rate/side/decel G sensor system, when the vehicle turns sharply, such as during a spin turn, axle turn, or drift driving, while the VDC function is off (VDC OFF indicator lamp illuminated).	
The vehicle speed will not increase even though the accelerator pedal is depressed, when inspecting the speedometer on a 2-wheel chassis dynamometer.	Normal (Deactivate the VDC/TCS function before performing an inspection on a chassis dynamometer.)
VDC OFF indicator lamp and SLIP indicator lamp may simultaneously turn on when low tire pressure warning lamp turns on.	This is not a VDC system error but results from characteristic change of tire.

PRECAUTION

PRECAUTIONS

Precaution for Supplemental Restraint System (SRS) "AIR BAG" and "SEAT BELT PRE-TENSIONER"

INFOID:000000003221352

The Supplemental Restraint System such as "AIR BAG" and "SEAT BELT PRE-TENSIONER", used along with a front seat belt, helps to reduce the risk or severity of injury to the driver and front passenger for certain types of collision. This system includes seat belt switch inputs and dual stage front air bag modules. The SRS system uses the seat belt switches to determine the front air bag deployment, and may only deploy one front air bag, depending on the severity of a collision and whether the front occupants are belted or unbelted. Information necessary to service the system safely is included in the SR and SB section of this Service Manual.

**WARNING:**

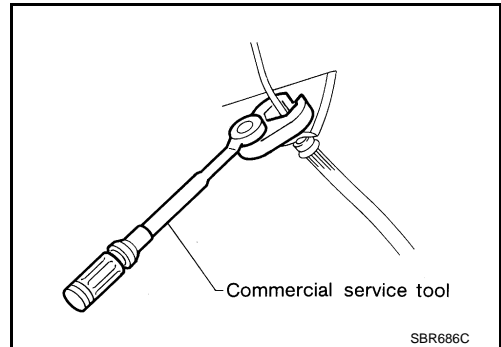
- To avoid rendering the SRS inoperative, which could increase the risk of personal injury or death in the event of a collision which would result in air bag inflation, all maintenance must be performed by an authorized NISSAN/INFINITI dealer.
- Improper maintenance, including incorrect removal and installation of the SRS, can lead to personal injury caused by unintentional activation of the system. For removal of Spiral Cable and Air Bag Module, see the SR section.
- Do not use electrical test equipment on any circuit related to the SRS unless instructed to in this Service Manual. SRS wiring harnesses can be identified by yellow and/or orange harnesses or harness connectors.

Precaution for Brake System

INFOID:000000003221353

**CAUTION:**

- Refer to [BR-9, "Drain and Refill"](#) for recommended brake fluid.
- Never reuse drained brake fluid.
- Be careful not to splash brake fluid on painted areas; it may cause paint damage. If brake fluid is splashed on painted areas, wash it away with water immediately.
- To clean or wash all parts of master cylinder and disc brake caliper, use clean brake fluid.
- Never use mineral oils such as gasoline or kerosene. They will ruin rubber parts of the hydraulic system.
- Use flare nut wrench when removing and installing brake tube.
- If a brake fluid leak is found, the part must be disassembled without fail. Then it has to be replaced with a new one if a defect exists.
- Turn the ignition switch OFF and remove the connector of the ABS actuator and electric unit (control unit) or the battery terminal before performing the work.
- Always torque brake lines when installing.
- Burnish the brake contact surfaces after refinishing or replacing rotors, after replacing pads, or if a soft pedal occurs at very low mileage.



Refer to [BR-11, "Brake Burnishing"](#) (front disc brake) or [BR-14, "Brake Burnishing"](#) (rear disc brake).

**WARNING:**

- Clean brake pads and shoes with a waste cloth, then wipe with a dust collector.

Precaution for Brake Control

INFOID:000000003221354

- During ABS operation, the brake pedal may vibrate lightly and a mechanical noise may be heard. This is normal.
- Just after starting vehicle, the brake pedal may vibrate or a motor operating noise may be heard from engine compartment. This is a normal status of operation check.
- Stopping distance may be longer than that of vehicles without ABS when vehicle drives on rough, gravel, or snow-covered (fresh, deep snow) roads.

# PRECAUTIONS

[TYPE 3]

## < PRECAUTION >

- When an error is indicated by ABS or another warning lamp, collect all necessary information from customer (what symptoms are present under what conditions) and check for simple causes before starting diagnosis. Besides electrical system inspection, check brake booster operation, brake fluid level, and fluid leaks.
- If incorrect tire sizes or types are installed on the vehicle or brake pads are not Genuine NISSAN parts, stopping distance or steering stability may deteriorate.
- If there is a radio, antenna or related wiring near control module, ABS function may have a malfunction or error.
- If aftermarket parts (car stereo, CD player, etc.) have been installed, check for incidents such as harness pinches, open circuits or improper wiring.
- If the following components are replaced with non-genuine components or modified, the VDC OFF indicator lamp and SLIP indicator lamp may turn on or the VDC system may not operate properly. Components related to suspension (shock absorbers, struts, springs, bushings, etc.), tires, wheels (exclude specified size), components related to brake system (pads, rotors, calipers, etc.), components related to engine (muffler, ECM, etc.), components related to body reinforcement (roll bar, tower bar, etc.).
- Driving with broken or excessively worn suspension components, tires or brake system components may cause the VDC OFF indicator lamp and the SLIP indicator lamp to turn on, and the VDC system may not operate properly.
- When the TCS or VDC is activated by sudden acceleration or sudden turn, some noise may occur. The noise is a result of the normal operation of the TCS and VDC.
- When driving on roads which have extreme slopes (such as mountainous roads) or high banks (such as sharp curves on a freeway), the VDC may not operate normally, or the VDC warning lamp and the SLIP indicator lamp may turn on. This is not a problem if normal operation can be resumed after restarting the engine.
- Sudden turns (such as spin turns, acceleration turns), drifting, etc. with VDC turned off may cause the yaw rate/side/decel G sensor to indicate a problem. This is not a problem if normal operation can be resumed after restarting the engine.
- If battery is removed or steering angle sensor is disconnected, power to steering angle sensor is lost and the screen goes into steering angle sensor safe mode.
- When screen goes into steering angle sensor safe mode, perform "Adjustment of Steering Angle Sensor Neutral Position" with CONSUT-III and check that VDC OFF indicator turns off. Additionally, perform self-diagnosis, check that only "Steering Angle Sensor Safe Mode" is shown for self-diagnostic result, and then delete the memory. (If the self-diagnostic result shows an indication other than "Steering Angle Sensor Safe Mode", repair the relevant part and restart self-diagnosis.) The steering angle sensor is released and returns to normal condition by performing the above operation.
- When checking, if only "Steering Angle Sensor Safe Mode" is shown in the self-diagnostic result and VDC OFF indicator is off, delete history of malfunction. This happens when battery power supply is lost and the screen goes into Steering Angle Sensor Safe Mode, and then screen returns to normal mode automatically by driving the vehicle in a straight forward direction [for approximately 30 seconds at 20 km/h (12 MPH) or more] after power is supplied again.

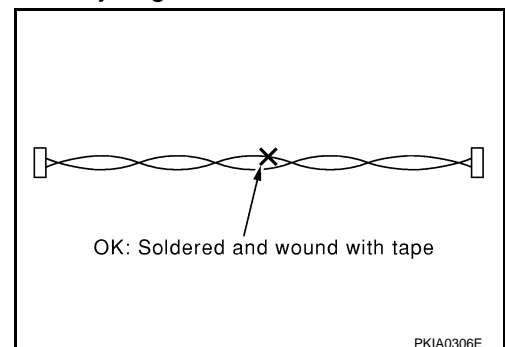
### NOTE:

VDC OFF indicator lamp is on when VDC OFF switch is on.

## Precaution for CAN System

INFOID:000000003221355

- Do not apply voltage of 7.0V or higher to terminal to be measured.
- Maximum open terminal voltage of tester in use must be less than 7.0V.
- Before checking harnesses, turn ignition switch OFF and disconnect battery negative cable.
- Area to be repaired must be soldered and wrapped with tape. Make sure that fraying of twisted wire is within 110 mm (4.33 in).



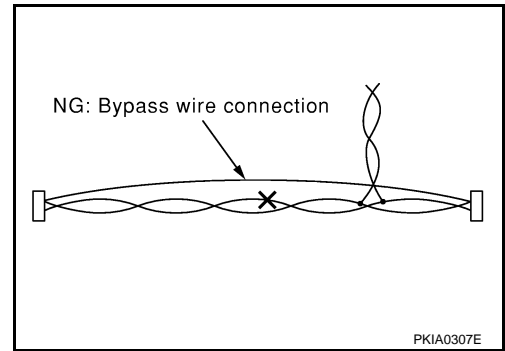
PKIA0306E

# PRECAUTIONS

[TYPE 3]

< PRECAUTION >

- Do not make a bypass connection to repaired area. (If the circuit is bypassed, characteristics of twisted wire will be lost.)



A  
B  
C  
D  
E

**BRC**

G  
H  
I  
J  
K  
L  
M  
N  
O  
P

# PREPARATION

< PREPARATION >

[TYPE 3]

## PREPARATION

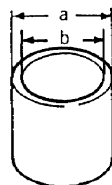
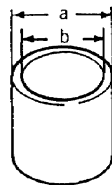
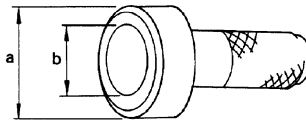
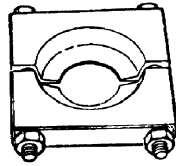
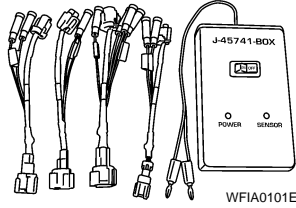
### PREPARATION

#### Special Service Tool

INFOID:000000003221356

The actual shapes of Kent-Moore tools may differ from those of special service tools illustrated here.

Tool number (Kent-Moore No.) Tool name	Description
KV991J0080 (J-45741) ABS active wheel sensor tester	Checking operation of ABS active wheel sensors
ST30031000 ( — ) Bearing puller	Removing sensor rotor
ST30720000 (J-25405) Drift	Installing rear sensor rotor <b>a: 77 mm (0.03 in) dia.</b> <b>b: 55 mm (2.17 in) dia.</b>
ST27863000 ( — ) Drift	Installing rear sensor rotor <b>a: 75 mm (2.95 in) dia.</b> <b>b: 62 mm (2.44 in) dia.</b>
KV40104710 ( — ) Drift	Installing rear sensor rotor <b>a: 76 mm (2.99 in) dia.</b> <b>b: 68.5 mm (2.697 in) dia.</b>



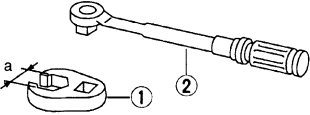
# PREPARATION

< PREPARATION >

[TYPE 3]

## Commercial Service Tool

INFOID:000000003221357

Tool name	Description
<p>1. Flare nut crowfoot 2. Torque wrench</p>  <p>S-NT360</p>	<p>Removing and installing brake piping a: 10 mm (0.39 in)/12 mm (0.47 in)</p>

A

B

C

D

E

BRC

G

H

I

J

K

L

M

N

O

P

# WHEEL SENSOR

< REMOVAL AND INSTALLATION >

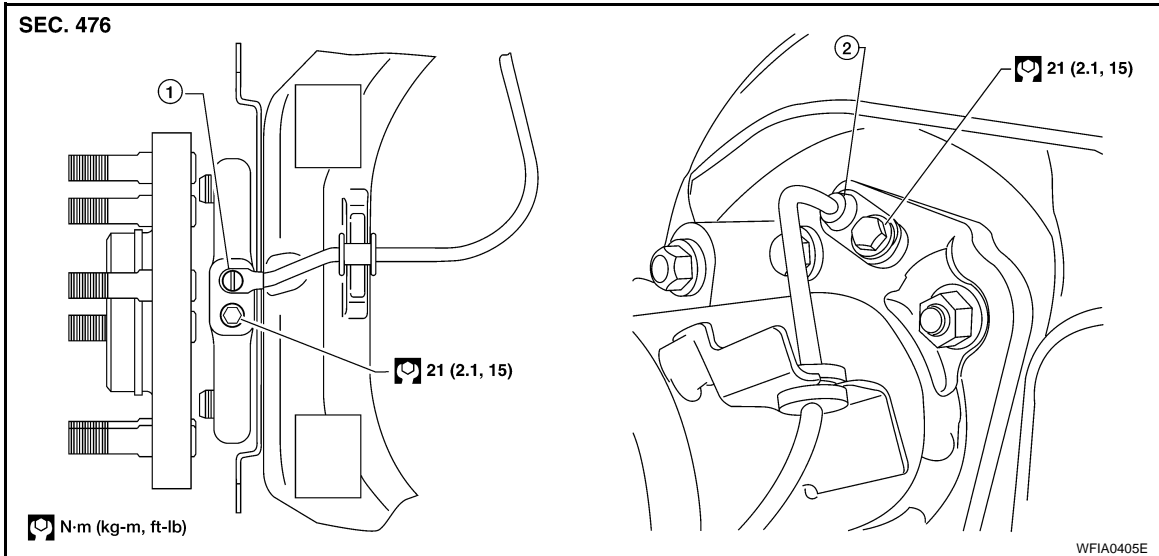
[TYPE 3]

## REMOVAL AND INSTALLATION

### WHEEL SENSOR

#### Removal and Installation

INFOID:000000003303119



1. Front wheel sensor

2. Rear wheel sensor

#### REMOVAL

1. Remove wheel sensor bolt.
  - When removing the front wheel sensor, first remove the disc rotor to gain access to the front wheel sensor. Refer to [FAX-8, "Removal and Installation"](#).
2. Pull out the sensor, being careful to turn it as little as possible.

**CAUTION:**

  - **Be careful not to damage sensor edge and sensor rotor teeth.**
  - **Do not pull on the sensor harness.**
3. Disconnect wheel sensor harness electrical connector, then remove harness from mounts.

#### INSTALLATION

- Before installing wheel sensors,
  - Inspect and replace sensor assembly if damaged.
  - Clean wheel sensor hole and mating surface with brake cleaner and a lint-free shop rag. Be careful that dirt and debris do not enter the axle.
  - Replace wheel sensor O-ring, then apply a coat of suitable grease to the O-ring and sensor hole.
- Installation is in the reverse order of removal.



# SENSOR ROTOR

< REMOVAL AND INSTALLATION >

[TYPE 3]

## SENSOR ROTOR

### Removal and Installation

INFOID:000000003303120

#### FRONT

The wheel sensor rotors are built into the wheel hubs and are not removable. If damaged, replace wheel hub and bearing assembly. Refer to [FAX-8, "Removal and Installation"](#)

#### REAR

##### Removal

1. Remove axle shaft assembly. Refer to [RAX-20, "Removal and Installation"](#).

**NOTE:**

It is necessary to disassemble the rear axle to replace the sensor rotor.

2. Pull the sensor rotor off the axle shaft using Tool and a press.

**Tool number** : ST30031000 ( — )

##### Installation

1. Install new sensor rotor on axle shaft using a suitable length steel tube and a press. Make sure sensor rotor is fully seated.

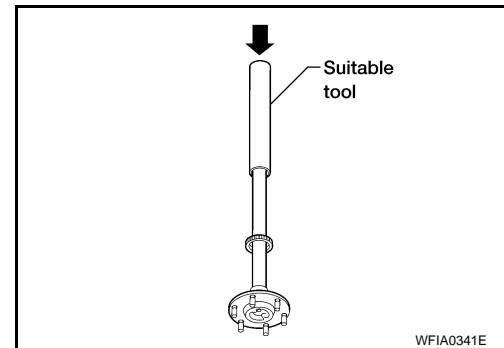
**CAUTION:**

**Do not reuse the old sensor rotor.**

2. Install axle shaft assembly. Refer to [RAX-20, "Removal and Installation"](#).

**CAUTION:**

**Do not reuse the axle oil seal. The axle oil seal must be replaced every time the axle shaft assembly is removed from the axle shaft housing.**



A  
B  
C  
D  
E  
BRC  
G  
H  
I  
J  
K  
L  
M  
N  
O  
P

# ACTUATOR AND ELECTRIC UNIT (ASSEMBLY)

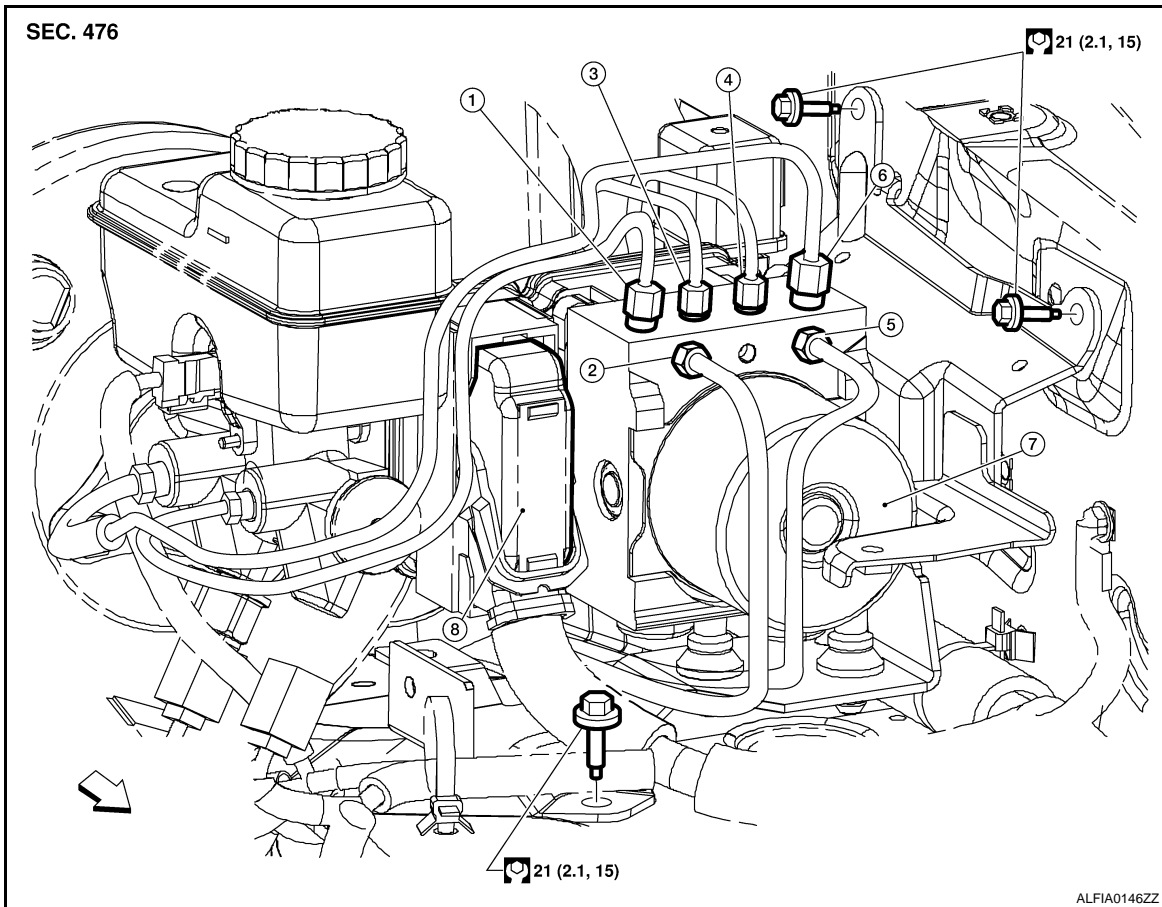
< REMOVAL AND INSTALLATION >

[TYPE 3]

## ACTUATOR AND ELECTRIC UNIT (ASSEMBLY)

### Removal and Installation

INFOID:00000003303121



- |  |                      |  |
|--|----------------------|--|
| 1. From the master cylinder secondary side       | 2. To rear right     | 3. To rear left                          |
| 4. To front right                                | 5. To front left     | 6. From the master cylinder primary side |
| 7. ABS actuator and electric unit (control unit) | 8. Harness connector | ← Front                                  |

### REMOVAL

1. Disconnect the negative battery terminal.
2. Drain the brake fluid. Refer to [BR-9. "Drain and Refill"](#).
3. Remove air cleaner case. Refer to [EM-135. "Exploded View"](#).
4. Disconnect the actuator harness from the ABS actuator and electric unit (control unit).

#### **CAUTION:**

- To remove the brake tubes, use a flare nut wrench to prevent the flare nuts and brake tubes from being damaged.
- Be careful not to splash brake fluid on painted areas.

5. Disconnect the brake tubes.
6. Remove the three bolts and remove the ABS actuator and electric unit (control unit).

### INSTALLATION

Installation is in the reverse order of removal.

#### **CAUTION:**

To install, use a flare nut wrench (commercial service tool).

- Always tighten brake tubes to specification when installing. Refer to [BR-6. "Hydraulic Circuit"](#).

# ACTUATOR AND ELECTRIC UNIT (ASSEMBLY)

< REMOVAL AND INSTALLATION >

[TYPE 3]

- Never reuse drained brake fluid.
- After installation of the ABS actuator and electric unit (control unit), refill brake system with new brake fluid. Then bleed the air from the system. Refer to [BR-9, "Bleeding Brake System"](#).

**NOTE:**

If the ABS actuator and electric unit (control unit) is replaced, make sure to adjust position of steering angle sensor. Refer to [BRC-163, "ADJUSTMENT OF STEERING ANGLE SENSOR NEUTRAL POSITION : Special Repair Requirement"](#).

A  
B  
C  
D  
E  
G  
H  
I  
J  
K  
L  
M  
N  
O  
P

**BRC**

# STEERING ANGLE SENSOR

< REMOVAL AND INSTALLATION >

[TYPE 3]

## STEERING ANGLE SENSOR

---

### Removal and Installation

INFOID:000000003303122

Refer to [SR-6. "Removal and Installation"](#).

**NOTE:**

- The steering angle sensor is an integral part of the spiral cable.
- If the ABS actuator and electronic unit (control unit) is replaced, make sure to adjust position of steering angle sensor. Refer to [BRC-163. "ADJUSTMENT OF STEERING ANGLE SENSOR NEUTRAL POSITION : Special Repair Requirement"](#).

# G SENSOR

< REMOVAL AND INSTALLATION >

[TYPE 3]

## G SENSOR

### Removal and Installation

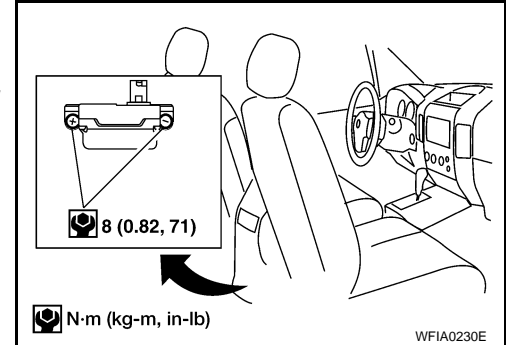
INFOID:000000003303123

#### REMOVAL

1. Remove center console. Refer to [IP-10, "Exploded View"](#).
2. Remove yaw rate/side/decel G sensor attaching nuts as shown.
  - The location of the sensor is the same for all models.
3. Disconnect harness connector and remove the yaw rate/side/decel G sensor.

**CAUTION:**

- Do not use power tools to remove or install yaw rate/side/decel G sensor.
- Do not drop or strike the yaw rate/side/decel G sensor.



#### INSTALLATION

Installation is in the reverse order of removal.

**NOTE:**

After performing the above work, calibrate the yaw decel G sensor. Refer to [BRC-164, "CALIBRATION OF DECEL G SENSOR : Special Repair Requirement"](#).

A  
B  
C  
D  
E  
BRC  
G  
H  
I  
J  
K  
L  
M  
N  
O  
P