

SECTION **BCS**

BODY CONTROL SYSTEM

A

B

C

D

E

CONTENTS

BASIC INSPECTION	3	BCM	14	F
INSPECTION AND ADJUSTMENT	3	BCM : CONSULT-III Function (BCM - BCM)	14	
ADDITIONAL SERVICE WHEN REPLACING		DOOR LOCK	15	G
CONTROL UNIT	3	DOOR LOCK : CONSULT-III Function (BCM -		
ADDITIONAL SERVICE WHEN REPLACING		DOOR LOCK)	15	
CONTROL UNIT : Description	3	BUZZER	15	H
ADDITIONAL SERVICE WHEN REPLACING		BUZZER : CONSULT-III Function (BCM - BUZZ-		
CONTROL UNIT : Special Repair Requirement	3	ER)	15	
CONFIGURATION	3	INT LAMP	16	I
CONFIGURATION : Description	3	INT LAMP : CONSULT-III Function (BCM - INT		
CONFIGURATION : Special Repair Requirement.....	4	LAMP)	16	J
FUNCTION DIAGNOSIS	5	MULTIREMOTE ENT	17	K
BODY CONTROL SYSTEM	5	MULTIREMOTE ENT : CONSULT-III Function		
System Description	5	(BCM - MULTIREMOTE ENT)	17	L
Component Parts Location	5	HEADLAMP	18	
COMBINATION SWITCH READING SYSTEM		HEADLAMP : CONSULT-III Function (BCM -		
.....	6	HEAD LAMP)	18	
System Diagram	6	WIPER	18	
System Description	6	WIPER : CONSULT-III Function (BCM - WIPER).....	18	
Component Parts Location	9	FLASHER	19	
SIGNAL BUFFER SYSTEM	11	FLASHER : CONSULT-III Function (BCM -		
System Diagram	11	FLASHER)	19	N
System Description	11	AIR CONDITIONER	20	
POWER CONSUMPTION CONTROL SYSTEM	12	AIR CONDITIONER : CONSULT-III Function		
System Diagram	12	(BCM - AIR CONDITIONER)	20	O
System Description	12	COMB SW	20	
Component Parts Location	13	COMB SW : CONSULT-III Function (BCM -		
DIAGNOSIS SYSTEM (BCM)	14	COMB SW)	20	P
COMMON ITEM	14	IMMU	20	
COMMON ITEM : CONSULT-III Function (BCM -		IMMU : CONSULT-III Function (BCM - IMMU)	21	
COMMON ITEM)	14	BATTERY SAVER	21	
		BATTERY SAVER : CONSULT-III Function (BCM		
		- BATTERY SAVER)	21	

F

G

H

I

J

K

L

BCS

N

O

P

RETAINED PWR	21	COMBINATION SWITCH INPUT CIRCUIT	28
RETAINED PWR : CONSULT-III Function (BCM -		Diagnosis Procedure	28
RETAINED PWR)	22	Special Repair Requirement	29
SIGNAL BUFFER	22	COMBINATION SWITCH OUTPUT CIRCUIT ...	30
SIGNAL BUFFER : CONSULT-III Function (BCM		Diagnosis Procedure	30
- SIGNAL BUFFER)	22	Special Repair Requirement	30
AIR PRESSURE MONITOR	22	COMBINATION SWITCH	32
AIR PRESSURE MONITOR : Diagnosis Descrip-		Description	32
tion	22	Diagnosis Procedure	32
AIR PRESSURE MONITOR : CONSULT-III Func-		ECU DIAGNOSIS	34
tion	24	BCM (BODY CONTROL MODULE)	34
THEFT ALM	24	Reference Value	34
THEFT ALM : CONSULT-III Function (BCM -		Terminal Layout	36
THEFT ALM)	24	Physical Values	36
COMPONENT DIAGNOSIS	25	Wiring Diagram	42
U1000 CAN COMM CIRCUIT	25	DTC Inspection Priority Chart	45
Description	25	DTC Index	46
DTC Logic	25	SYMPTOM DIAGNOSIS	48
Diagnosis Procedure	25	COMBINATION SWITCH SYSTEM SYMP-	
U1010 CONTROL UNIT (CAN)	26	TOMS	48
DTC Logic	26	Symptom Table	48
Diagnosis Procedure	26	ON-VEHICLE REPAIR	49
Special Repair Requirement	26	BCM (BODY CONTROL MODULE)	49
POWER SUPPLY AND GROUND CIRCUIT	27	Removal and Installation	49
Diagnosis Procedure	27		

INSPECTION AND ADJUSTMENT

< BASIC INSPECTION >

BASIC INSPECTION

INSPECTION AND ADJUSTMENT

ADDITIONAL SERVICE WHEN REPLACING CONTROL UNIT

ADDITIONAL SERVICE WHEN REPLACING CONTROL UNIT : Description

INFOID:000000003292561

When replacing BCM, save or print current vehicle specification with CONSULT-III configuration before replacement.

Configuration has three functions as follows

- READ CONFIGURATION is the function to read (extract) vehicle configuration of current BCM.
- WRITE CONFIGURATION - Manual selection is the function to select and write vehicle configuration on BCM manually.
- WRITE CONFIGURATION - Config file is the function to write vehicle configuration with the data extracted from current BCM.

CAUTION:

- **When replacing BCM, you must perform WRITE CONFIGURATION with CONSULT-III.**
- **Complete the procedure of WRITE CONFIGURATION in order.**
- **If you set incorrect WRITE CONFIGURATION, incidents will occur.**
- **Configuration is different for each vehicle model. Confirm configuration of each vehicle model.**

ADDITIONAL SERVICE WHEN REPLACING CONTROL UNIT : Special Repair Requirement

INFOID:000000003292562

1. SAVING VEHICLE SPECIFICATION

Perform "READ CONFIGURATION" with CONSULT-III to save or print current vehicle specification.

>> GO TO 2

2. REPLACE BCM

Replace BCM. Refer to [BCS-49. "Removal and Installation"](#).

>> GO TO 3

3. WRITING VEHICLE SPECIFICATION

Perform "WRITE CONFIGURATION - Config file" or "WRITE CONFIGURATION - Manual selection" with CONSULT-III to write vehicle specification. Refer to [BCS-4. "CONFIGURATION : Special Repair Requirement"](#).

>> GO TO 4

4. INITIALIZE BCM (NATS)

Perform BCM initialization. Refer to CONSULT-III Operation Manual.

>> WORK END

CONFIGURATION

CONFIGURATION : Description

INFOID:000000003292563

Vehicle specification needs to be written with CONSULT-III because it is not written after replacing BCM.

Configuration has three functions as follows

- READ CONFIGURATION is the function to read (extract) vehicle configuration of current BCM.
- WRITE CONFIGURATION - Manual selection is the function to select and write vehicle configuration on BCM manually.
- WRITE CONFIGURATION - Config file is the function to write vehicle configuration with the data extracted from current BCM.

CAUTION:

A
B
C
D
E
F
G
H
I
J
K
L
N
O
P

INSPECTION AND ADJUSTMENT

< BASIC INSPECTION >

- When replacing BCM, you must perform WRITE CONFIGURATION with CONSULT-III.
- Complete the procedure of WRITE CONFIGURATION in order.
- If you set incorrect WRITE CONFIGURATION, incidents will occur.
- Configuration is different for each vehicle model. Confirm configuration of each vehicle model.

CONFIGURATION : Special Repair Requirement

INFOID:000000003292564

1. WRITING VEHICLE SPECIFICATION

Perform "WRITE CONFIGURATION" with CONSULT-III.

When writing saved data>>GO TO 2

When writing manually>>GO TO 3

2. PERFORM "WRITE CONFIGURATION - CONFIG FILE"

Perform "WRITE CONFIGURATION - Config file" with CONSULT-III.

>> WORK END

3. PERFORM "WRITE CONFIGURATION - MANUAL SELECTION"

For "WRITE CONFIGURATION - Manual selection", using the following chart, identify the correct model and configuration list.

Confirm and/or change setting value for each item according to the configuration list.

Depending on CONSULT-III software version being used, some or all of the write configuration items shown in the following configuration lists may be displayed. If an item does not display on the CONSULT-III "WRITE CONFIGURATION - Manual selection" screen, then it is an auto setting item and it cannot be manually set or changed.

MANUAL SETTING ITEM	
Items	Setting value
AUTO LIGHT	WITH↔WITHOUT
KEYLESS ENTRY	WITH↔WITHOUT
DTRL	WITH↔WITHOUT
SPEED SENS WIP	WITH↔WITHOUT
THEFT ALARM	WITH↔WITHOUT

NOTE:

Confirm vehicle model. Refer to [GI-32, "Model Variation"](#).

>> WORK END

BODY CONTROL SYSTEM

< FUNCTION DIAGNOSIS >

FUNCTION DIAGNOSIS

BODY CONTROL SYSTEM

System Description

INFOID:000000003292565

OUTLINE

- BCM (Body Control Module) controls the various electrical components. It inputs the information required to the control from CAN communication and the signal received from each switch and sensor.
- BCM has combination switch reading function for reading the operation status of combination switches (light, turn signal, wiper and washer) in addition to a function for controlling the operation of various electrical components. It also has the signal transmission function as the passed point of signal and the power consumption control function that reduces the power consumption with the ignition switch OFF.
- BCM is equipped with the diagnosis function that performs the diagnosis with CONSULT-III and various settings.

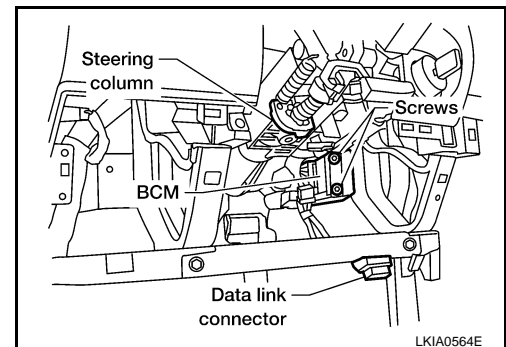
BCM control function list

System	Refer to
Combination switch reading system	BCS-6, "System Diagram"
Signal buffer system	BCS-11, "System Diagram"
Power consumption control system	BCS-12, "System Diagram"
Turn signal and hazard warning lamp system	EXL-17, "System Diagram"
Headlamp system	EXL-7, "System Diagram"
Front fog lamp system (if equipped)	EXL-15, "System Diagram"
Daytime running light system (Canada only)	EXL-9, "System Diagram"
Interior room lamp control system	INL-5, "System Diagram"
Interior room lamp battery saver system	INL-10, "COMMON ITEM : CONSULT-III Function"
Front wiper and washer system	WW-4, "System Diagram"
Warning chime system	WCS-4, "WARNING CHIME SYSTEM : System Diagram"
Door lock system (if equipped)	DLK-8, "DOOR LOCK AND UNLOCK SWITCH : System Diagram"
(NATS) Nissan anti-theft system (if equipped)	SEC-7, "System Diagram"
Vehicle security system (if equipped)	SEC-10, "System Diagram"
Remote keyless entry system (if equipped)	DLK-10, "REMOTE KEYLESS ENTRY : System Diagram"
Power window system (if equipped)	PWC-4, "System Diagram"
RAP (retained accessory power) system	BCS-22, "RETAINED PWR : CONSULT-III Function (BCM - RETAINED PWR)"
TPMS (tire pressure monitoring system)	WT-8, "System Diagram"

Component Parts Location

INFOID:000000003292566

- BCM M18, M19, M20 (view with lower instrument panel LH removed)



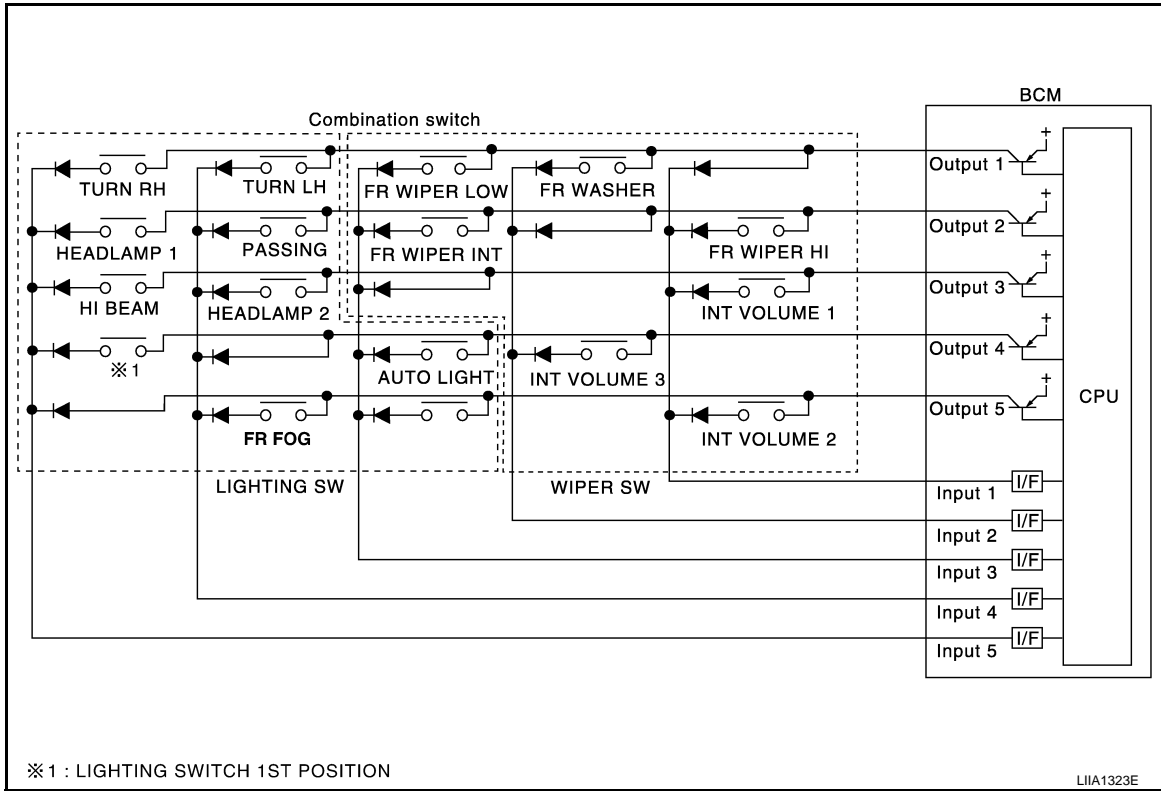
COMBINATION SWITCH READING SYSTEM

< FUNCTION DIAGNOSIS >

COMBINATION SWITCH READING SYSTEM

System Diagram

INFOID:000000003292567



System Description

INFOID:000000003292568

OUTLINE

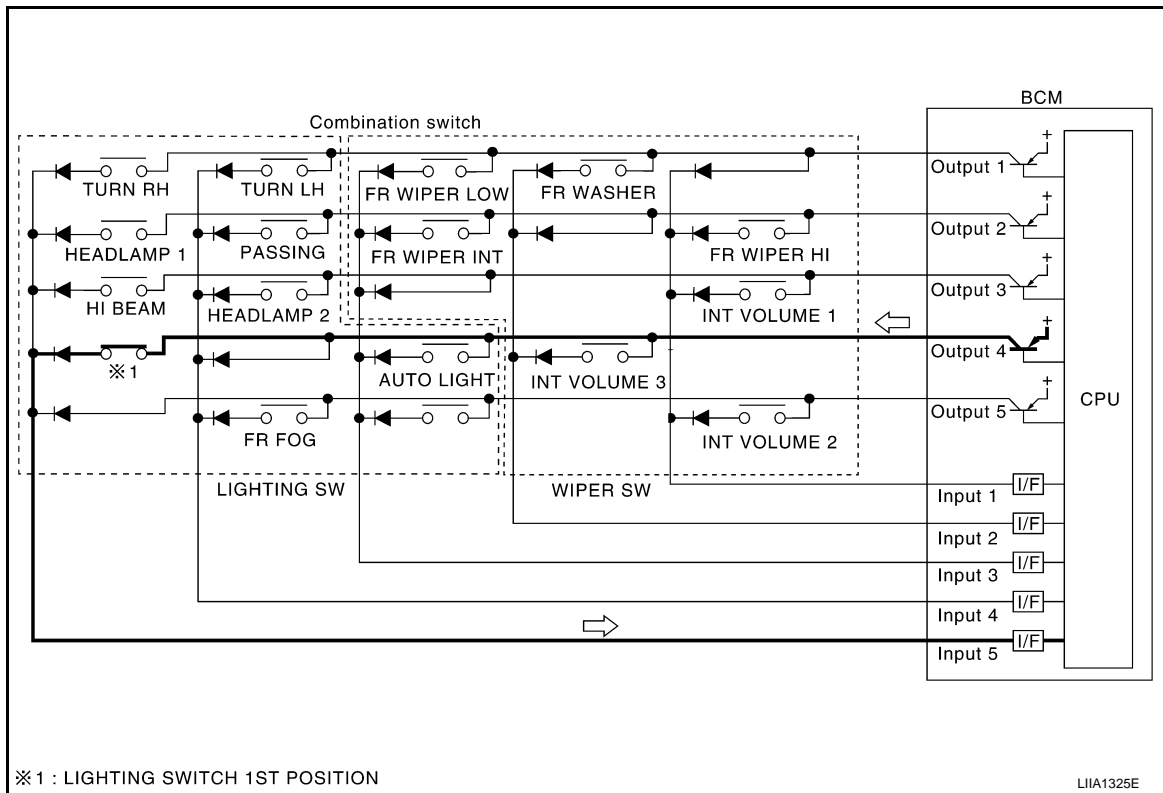
- BCM reads the status of the combination switch (light, turn signal, wiper and washer) and recognizes the status of each switch.
- BCM is a combination of 5 output terminals (OUTPUT 1 - 5) and 5 input terminals (INPUT 1 - 5). It reads a maximum of 20 switch status.

COMBINATION SWITCH MATRIX

COMBINATION SWITCH READING SYSTEM

< FUNCTION DIAGNOSIS >

Combination switch circuit



Combination switch INPUT-OUTPUT system list

System	OUTPUT 1	OUTPUT 2	OUTPUT 3	OUTPUT 4	OUTPUT 5
INPUT 1	—	FR WASHER	FR WIPER LOW	TURN LH	TURN RH
INPUT 2	FR WIPER HI	—	FR WIPER INT	PASSING	HEADLAMP 1
INPUT 3	INT VOLUME 1	—	—	HEADLAMP 2	HI BEAM
INPUT 4	—	INT VOLUME 3	AUTO LIGHT	—	TAIL LAMP
INPUT 5	INT VOLUME 2	—	—	FR FOG	—

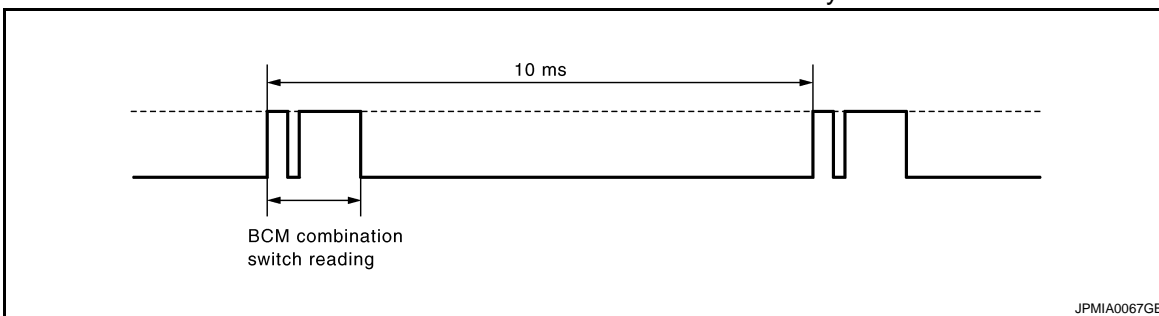
NOTE:

Headlamp has a dual system switch.

COMBINATION SWITCH READING FUNCTION

Description

- BCM reads the status of the combination switch at 10ms interval normally.



NOTE:

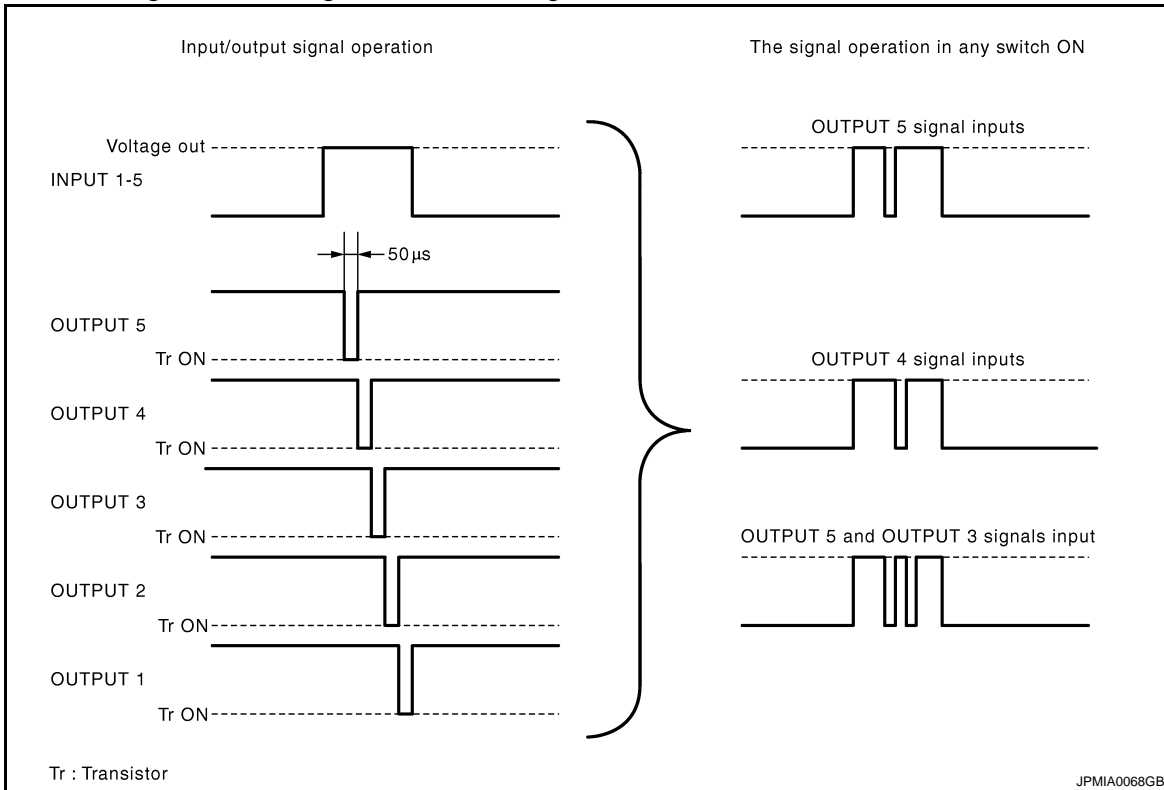
BCM reads the status of the combination switch at 20ms interval when BCM is controlled at low power consumption control mode.

- BCM operates as follows and judges the status of the combination switch.
 - INPUT 1 - 5 outputs the voltage waveforms of 5 systems simultaneously.
 - It operates the transistor on OUTPUT side in the following order: OUTPUT 5 → 4 → 3 → 2 → 1.

COMBINATION SWITCH READING SYSTEM

< FUNCTION DIAGNOSIS >

- The voltage waveform of INPUT corresponding to the formed circuit changes according to the operation of the transistor on OUTPUT side if any (1 or more) switches are ON.
- It reads this change of the voltage as the status signal of the combination switch.

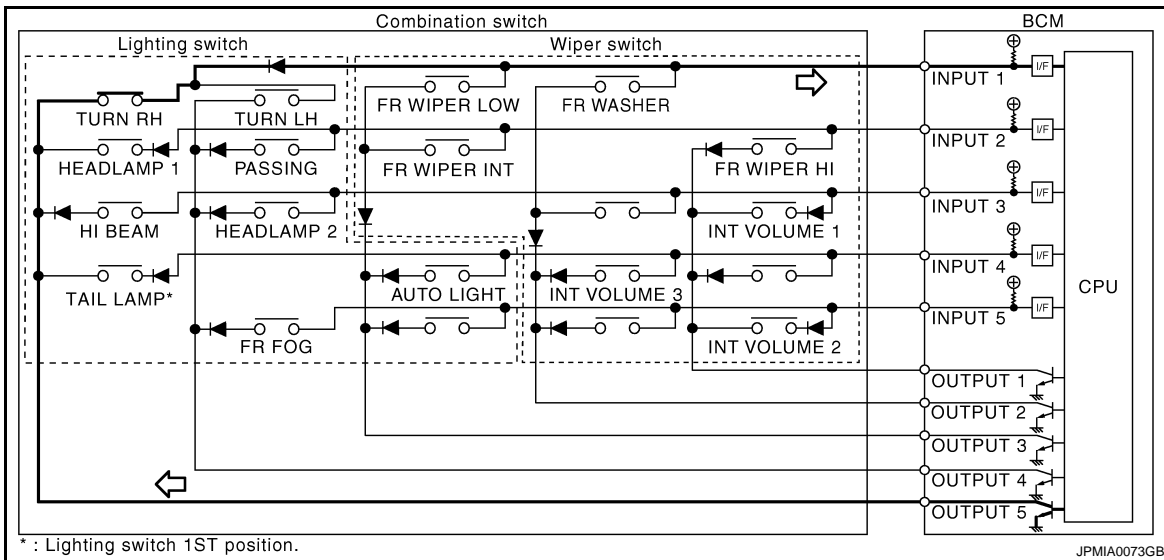


Operation Example

In the following operation example, the combination of the status signals of the combination switch is replaced as follows: INPUT 1 - 5 to "1 - 5" and OUTPUT 1 - 5 to "A - E".

Example 1: When a switch (TURN RH switch) is turned ON

- The circuit between INPUT 1 and OUTPUT 5 is formed when the TURN RH switch is turned ON.



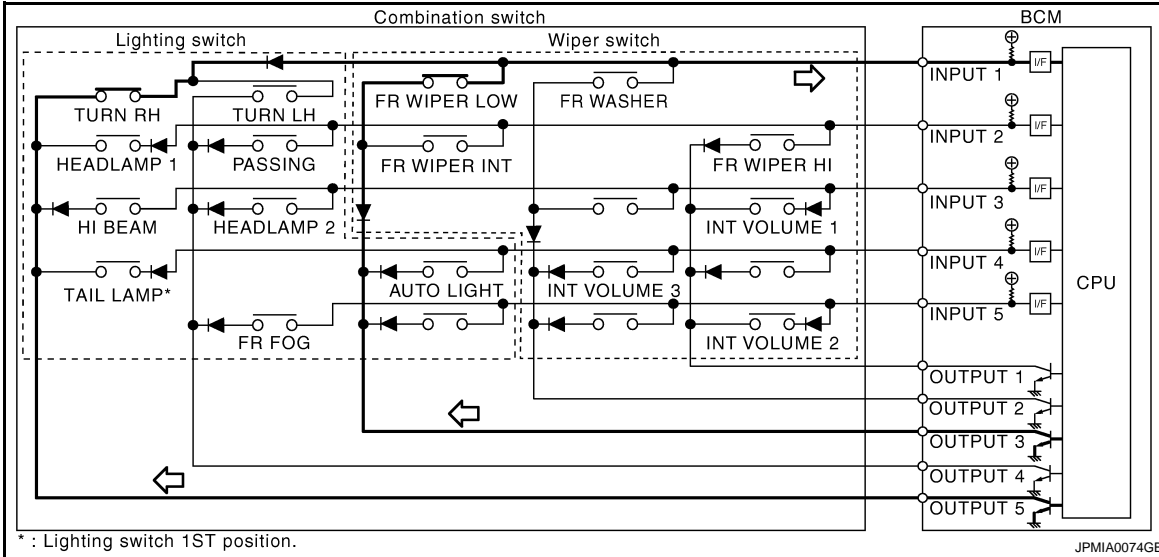
- BCM detects the combination switch status signal "1E" when the signal of OUTPUT 5 is input to INPUT 1.
- BCM judges that the TURN RH switch is ON when the signal "1E" is detected.

Example 2: When some switches (turn RH switch, front wiper LO switch) are turned ON

COMBINATION SWITCH READING SYSTEM

< FUNCTION DIAGNOSIS >

- The circuits between INPUT 1 and OUTPUT 5 and between INPUT 1 and OUTPUT 3 are formed when the TURN RH switch and FR WIPER LOW switch are turned ON.



- BCM detects the combination switch status signal "1CE" when the signals of OUTPUT 3 and OUTPUT 5 are input to INPUT 1.
- BCM judges that the TURN RH switch and FR WIPER LOW switch are ON when the signal "1CE" is detected.

WIPER INTERMITTENT DIAL POSITION SETTING (FRONT WIPER INTERMITTENT OPERATION)

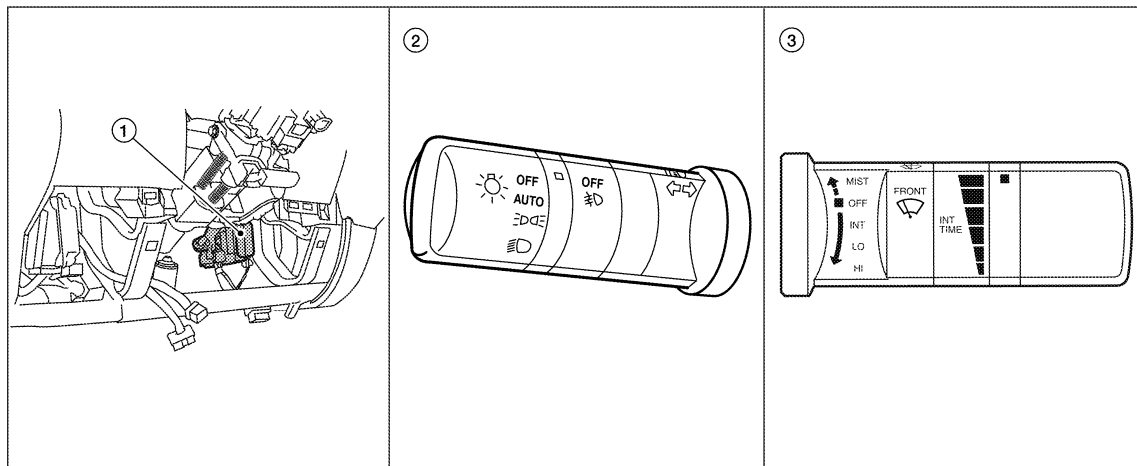
BCM judges the wiper intermittent dial 1 - 7 by the status of INT VOLUME 1, 2 and 3 switches.

Wiper intermittent dial position	Intermittent operation delay interval	INT VOLUME switch ON/OFF status		
		INT VOLUME 1 switch	INT VOLUME 2 switch	INT VOLUME 3 switch
1	Short ↑	ON	ON	ON
2		ON	ON	OFF
3		ON	OFF	OFF
4		OFF	OFF	OFF
5	↓ Long	OFF	OFF	ON
6		OFF	ON	ON
7		OFF	ON	OFF

Component Parts Location

INFOID:000000003292569

BCS



ALMIA0416ZZ

COMBINATION SWITCH READING SYSTEM

< FUNCTION DIAGNOSIS >

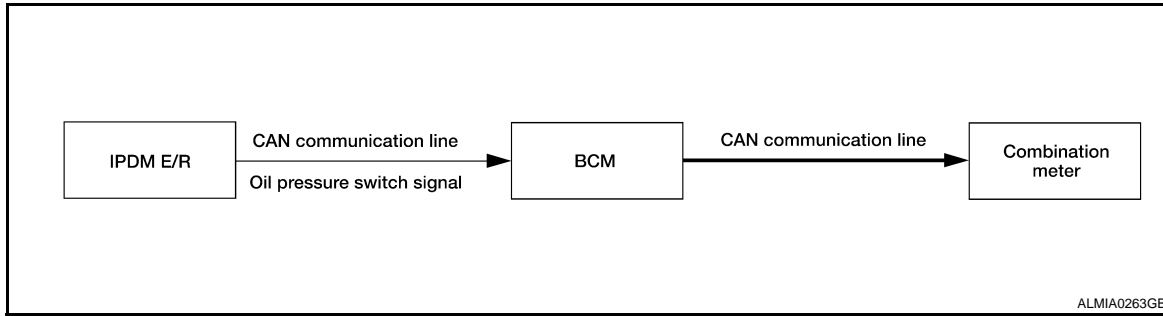
1. BCM M18, M19, M20 (view with lower instrument panel LH removed)
2. Combination switch (lighting and turn signal switch) M28
3. Combination switch (wiper and washer switch) M28

SIGNAL BUFFER SYSTEM

< FUNCTION DIAGNOSIS >

SIGNAL BUFFER SYSTEM

System Diagram



System Description

INFOID:000000003292571

OUTLINE

BCM has the signal transmission function that outputs/transmits each input/received signal to each unit.

Signal transmission function list

Signal name	Input	Output	Description
Oil pressure switch signal	IPDM E/R (CAN)	Combination meter (CAN)	Transmits the received oil pressure switch signal via CAN communication.

A
B
C
D
E
F
G
H
I
J
K
L
N
O
P

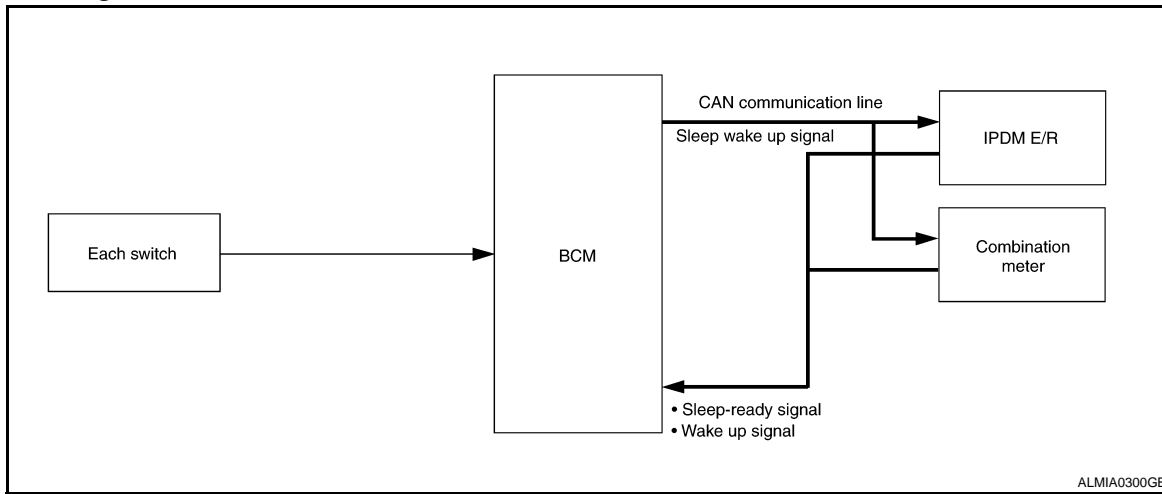
BCS

POWER CONSUMPTION CONTROL SYSTEM

< FUNCTION DIAGNOSIS >

POWER CONSUMPTION CONTROL SYSTEM

System Diagram



System Description

INFOID:000000003292573

OUTLINE

- BCM incorporates a power consumption control function that reduces the power consumption according to the vehicle status.
- BCM switches the status (control mode) by itself with the power saving control function. It performs the sleep request to each unit (IPDM E/R and combination meter) that operates with the ignition switch OFF.

Normal mode (wake-up)

- CAN communication is normally performed with other units
- Each control with BCM is operating properly

CAN communication sleep mode (CAN sleep)

- CAN transmission is stopped
- Control with BCM only is operating

Low power consumption mode (BCM sleep)

- Low power consumption control is active
- CAN transmission is stopped

LOW POWER CONSUMPTION CONTROL WITH BCM

BCM reduces the power consumption with the following operation in the low power consumption mode.

- The reading interval of the each switches changes from 10 ms interval to 20 ms interval.

Sleep mode activation

- BCM receives the sleep-ready signal (ready) from IPDM E/R and combination meter via CAN communication.
- BCM transmits the sleep wake up signal (sleep) to each unit when all of the CAN sleep conditions are fulfilled.
- Each unit stops the transmission of CAN communication with the sleep wake up signal. BCM is in CAN communication sleep mode.
- BCM is in the low power consumption mode and perform the low power consumption control when all of the BCM sleep conditions are fulfilled with CAN sleep condition.

POWER CONSUMPTION CONTROL SYSTEM

< FUNCTION DIAGNOSIS >

Sleep condition

CAN sleep condition	BCM sleep condition
<ul style="list-style-type: none"> • Receiving the sleep-ready signal (ready) from all units • Ignition switch: OFF • Vehicle security system alarm: No operation • Warning lamp: No operation • Warning chime: No operation • Stop lamp switch: OFF • Key switch status: No change for 2 seconds • Hazard warning lamp: No operation • Exterior lamp: OFF • Door lock status: No change for 2 seconds • CONSULT-III communication status: No communication • Door switch status: No change for 2 seconds 	<p>The controls only BCM are completed. (Interior room lamp battery saver: Time out etc.)</p>

A
B
C
D
E

Wake-up operation

- BCM transmits sleep wake up signal (wake up) to each unit when any condition listed below is established, and then goes into normal mode from low power consumption mode.
- Each unit starts transmissions with CAN communication by receiving sleep wake up signals. Each unit transmits wake up signals to BCM with CAN communication to convey the start of CAN communication.

F
G

Wake-up condition

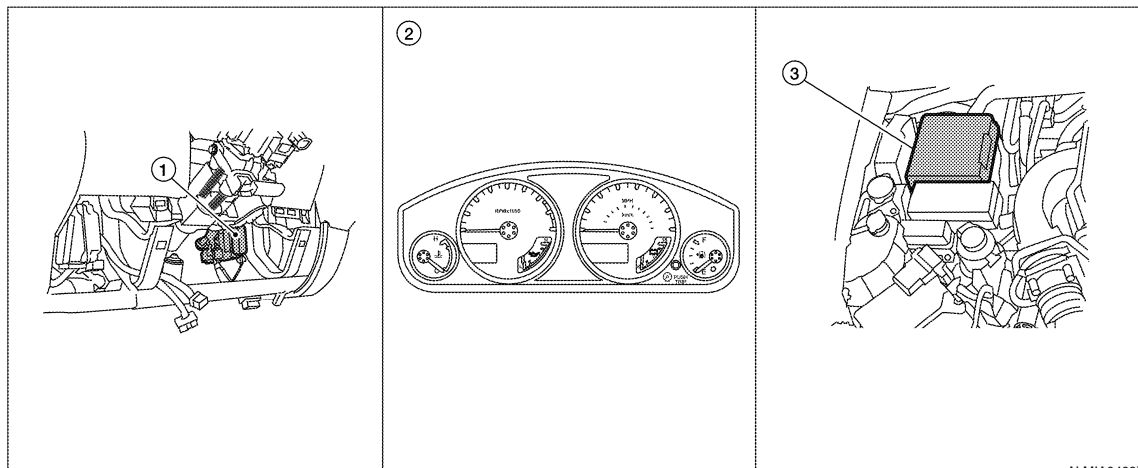
BCM wake-up condition
<ul style="list-style-type: none"> • Ignition switch: OFF → ACC or ON • Stop lamp switch: ON (Depress brake pedal) • Any door switch: OFF → ON • Lighting switch: OFF → 1ST or PASS • Hazard switch: OFF → ON • Remote keyless entry receiver: Receiving (with remote keyless entry)

H
I

Component Parts Location

INFOID:000000003292574

J



K
L

BCS

N
O

1. BCM M18, M19, M20 (view with lower instrument panel LH removed)
2. Combination meter M24
3. IPDM E/R

P

DIAGNOSIS SYSTEM (BCM)

< FUNCTION DIAGNOSIS >

DIAGNOSIS SYSTEM (BCM)

COMMON ITEM

COMMON ITEM : CONSULT-III Function (BCM - COMMON ITEM)

INFOID:000000003292575

APPLICATION ITEM

CONSULT-III performs the following functions via CAN communication with BCM.

Diagnosis mode	Function Description
WORK SUPPORT	Changes the setting for each system function.
SELF-DIAG RESULTS	Displays the diagnosis results judged by BCM. Refer to BCS-46. "DTC Index" .
CAN DIAG SUPPORT MNTR	Monitors the reception status of CAN communication viewed from BCM.
DATA MONITOR	The BCM input/output signals are displayed.
ACTIVE TEST	The signals used to activate each device are forcibly supplied from BCM.
ECU IDENTIFICATION	The BCM part number is displayed.
CONFIGURATION	<ul style="list-style-type: none"> • Enables to read and save the vehicle specification. • Enables to write the vehicle specification when replacing BCM.

SYSTEM APPLICATION

BCM can perform the following functions for each system.

NOTE:

It can perform the diagnosis modes except the following for all sub system selection items.

System	Sub system selection item	Diagnosis mode		
		WORK SUPPORT	DATA MONITOR	ACTIVE TEST
BCM	BCM	×		
Door lock	DOOR LOCK	×	×	×
Warning chime	BUZZER		×	×
Interior room lamp timer	INT LAMP	×	×	×
Remote keyless entry system	MULTI REMOTE ENT	×	×	×
Exterior lamp	HEAD LAMP	×	×	×
Wiper and washer	WIPER	×	×	×
Turn signal and hazard warning lamps	FLASHER		×	×
Air conditioner	AIR CONDITONER		×	
Combination switch	COMB SW		×	
Immobilizer	IMMU		×	×
Interior room lamp battery saver	BATTERY SAVER	×	×	×
RAP (retained accessory power)	RETAINED PWR	×	×	×
Signal buffer system	SIGNAL BUFFER		×	×
TPMS (tire pressure monitoring system)	AIR PRESSURE MONITOR	×	×	×
Vehicle security system	PANIC ALARM			×

BCM

BCM : CONSULT-III Function (BCM - BCM)

INFOID:000000003292576

WORK SUPPORT

Item	Description
RESET SETTING VALUE	Return a value set with WORK SUPPORT of each system to a default value in factory shipment.

DIAGNOSIS SYSTEM (BCM)

< FUNCTION DIAGNOSIS >

DOOR LOCK

DOOR LOCK : CONSULT-III Function (BCM - DOOR LOCK)

INFOID:000000003292577

WORK SUPPORT

Work Item	Description
DOOR LOCK-UNLOCK SET	<ul style="list-style-type: none">• ON• OFF
ANTI-LOCK OUT SET	<ul style="list-style-type: none">• ON• OFF

DATA MONITOR

Monitor Item [Unit]	Description
IGN ON SW [ON/OFF]	Indicates condition of ignition switch in ON position
KEY ON SW [ON/OFF]	Indicates condition of key switch
CDL LOCK SW [ON/OFF]	Indicates condition of door lock and unlock switch
CDL UNLOCK SW [ON/OFF]	Indicates condition of door lock and unlock switch
DOOR SW-DR [ON/OFF]	Indicates condition of front door switch (all) and rear door switch upper and lower (king cab) LH
DOOR SW-AS [ON/OFF]	Indicates condition of front door switch (all) and rear door switch upper and lower (king cab) RH
DOOR SW-RR [ON/OFF]	Indicates condition of rear door switch RH (crew cab)
DOOR SW-RL [ON/OFF]	Indicates condition of rear door switch LH (crew cab)
KEY CYL LK-SW [ON/OFF]	Indicates condition of lock signal from door key cylinder switch
KEY CYL UN-SW [ON/OFF]	Indicates condition of unlock signal from door key cylinder switch
KEYLESS LOCK [ON/OFF]	Indicates condition of lock signal from keyfob
KEYLESS UNLOCK [ON/OFF]	Indicates condition of unlock signal from keyfob

ACTIVE TEST

Test Item	Description
DOOR LOCK	This test is able to check door lock operation [ALL LOCK/ALL UNLOCK/DR UNLOCK/OTHER UNLOCK].

BUZZER

BUZZER : CONSULT-III Function (BCM - BUZZER)

INFOID:000000003292579

BCS

DATA MONITOR

Monitor Item [Unit]	Description
IGN ON SW [ON/OFF]	Ignition switch (ON) status judged by ignition power supply input
KEY ON SW [ON/OFF]	Key switch status
DOOR SW -DR [ON/OFF]	Front door switch (driver side) status judged by BCM
LIGHT SW 1ST [ON/OFF]	Lighting switch status judged by the lighting switch signal read with combination switch reading function
BUCKLE SW [ON/OFF]	Seat belt buckle switch status

ACTIVE TEST

DIAGNOSIS SYSTEM (BCM)

< FUNCTION DIAGNOSIS >

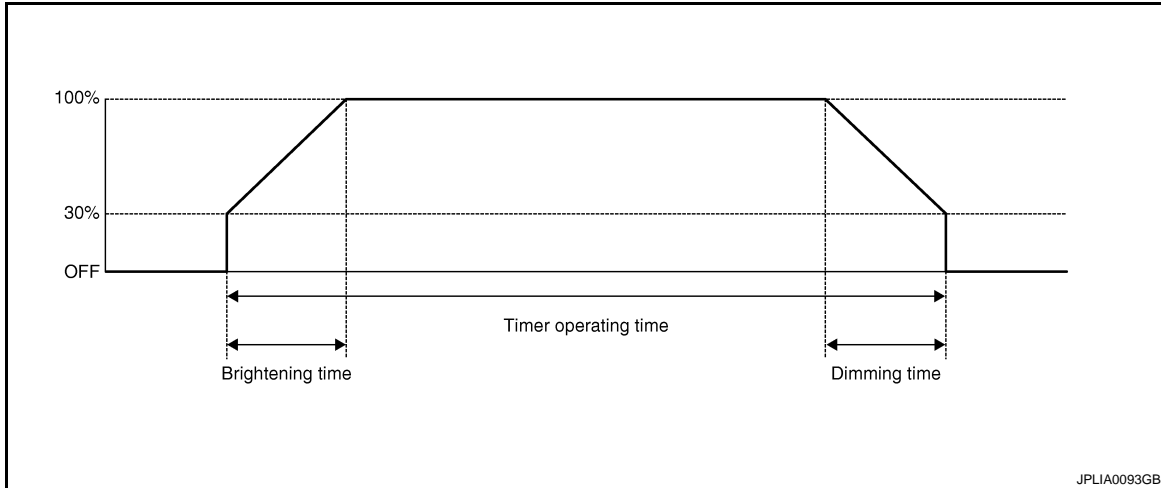
Test Item	Description
LIGHT WARN ALM	The light reminder warning operation can be checked by operating the relevant function (On/Off).
IGN KEY WARN ALM	The key reminder warning operation can be checked by operating the relevant function (On/Off).
SEAT BELT WARN TEST	The seat belt warning operation can be checked by operating the relevant function (On/Off).
DOOR WARNING IND	The door open warning operation can be checked by operating the relevant function (On/Off).

INT LAMP

INT LAMP : CONSULT-III Function (BCM - INT LAMP)

INFOID:000000003292580

WORK SUPPORT



Work Item	Setting item	Setting
SET I/L D-UNLCK INTCON	ON*	With the interior room lamp timer function
	OFF	Without the interior room lamp timer function
ROOM LAMP ON TIME SET	MODE 1	0.5 sec.
	MODE 2*	1 sec.
	MODE 3	2 sec.
	MODE 4	3 sec.
	MODE 5	0 sec.
		Sets the interior room lamp gradual brightening time.
ROOM LAMP OFF TIME SET	MODE 1	0.5 sec.
	MODE 2	1 sec.
	MODE 3	2 sec.
	MODE 4*	3 sec.
	MODE 5	0 sec.
		Sets the interior room lamp gradual dimming time.

* : Initial setting

DATA MONITOR

Monitor Item [Unit]	Description
IGN ON SW [ON/OFF]	Ignition switch (ON) status judges from IGN signal (ignition power supply)
KEY ON SW [ON/OFF]	The switch status input from key switch
DOOR SW-DR [ON/OFF]	Indicates condition of front door switch (all) and rear door switch upper and lower (king cab) LH
DOOR SW-AS [ON/OFF]	Indicates condition of front door switch (all) and rear door switch upper and lower (king cab) RH

DIAGNOSIS SYSTEM (BCM)

< FUNCTION DIAGNOSIS >

Monitor Item [Unit]	Description
DOOR SW-RR [ON/OFF]	Indicates condition of rear door switch RH (crew cab)
DOOR SW- RL [ON/OFF]	Indicates condition of rear door switch LH (crew cab)
KEY CYL LK-SW [ON/OFF]	Lock switch status input from door lock and unlock switch
KEY CYL UN-SW [ON/OFF]	Lock switch status input from door lock and unlock switch
CDL LOCK SW [ON/OFF]	Lock switch status input from door lock and unlock switch
CDL UNLOCK SW [ON/OFF]	Unlock switch status input from door lock and unlock switch
KEYLESS LOCK [ON/OFF]	Lock signal status received from remote keyless entry receiver (integrated in the BCM)
KEYLESS UNLOCK [ON/OFF]	Unlock signal status received from remote keyless entry receiver (integrated in the BCM)

ACTIVE TEST

Test Item	Operation	Description
INT LAMP	ON	Outputs the interior room lamp control signal to turn the interior room lamps ON.
	OFF	Stops the interior room lamp control signal to turn the interior room lamps OFF.
IGN ILLUM	ON	Outputs the ignition keyhole illumination control signal to turn the ignition keyhole illumination lamp ON.
	OFF	Stops the ignition keyhole illumination control signal to turn the ignition keyhole illumination lamp OFF.

MULTIREMOTE ENT

MULTIREMOTE ENT : CONSULT-III Function (BCM - MULTIREMOTE ENT)

INFOID:000000003292581

WORK SUPPORT

Work Item	Description
HAZARD LAMP SET	Answer back function (hazard) mode can be changed in this mode. For the detail of the setting, refer to BCS-19. "FLASHER : CONSULT-III Function (BCM - FLASHER)" .

DATA MONITOR

Monitor Item [Unit]	Condition
IGN ON SW [ON/OFF]	Indicates condition of ignition switch in ON position
KEY SW [ON/OFF]	Indicates condition of key switch
KEYLESS LOCK [ON/OFF]	Indicates condition of lock signal from keyfob
KEYLESS UNLOCK [ON/OFF]	Indicates condition of unlock signal from keyfob
DOOR SW-DR [ON/OFF]	Indicates condition of front door switch (all) and rear door switch upper and lower (king cab) LH
DOOR SW-AS [ON/OFF]	Indicates condition of front door switch (all) and rear door switch upper and lower (king cab) RH
DOOR SW-RR [ON/OFF]	Indicates condition of rear door switch RH (crew cab)
DOOR SW-RL [ON/OFF]	Indicates condition of rear door switch LH (crew cab)
CDL LOCK SW [ON/OFF]	Indicates condition of door lock and unlock switch
CDL UNLOCK SW [ON/OFF]	Indicates condition of door lock and unlock switch
RKE LOCK AND UNLOCK	This item is indicated, but not monitored

ACTIVE TEST

DIAGNOSIS SYSTEM (BCM)

< FUNCTION DIAGNOSIS >

Test Item	Description
DOOR LOCK	This test is able to check warning chime in combination meter operation. [ALL LOCK/ALL UNLOCK/DR UNLOCK/OTHER UNLOCK]
INT LAMP	This test is able to check interior lamp operation [ON/OFF].
FLASHER	This test is able to check flasher operation [LH/RH/OFF].

HEADLAMP

HEADLAMP : CONSULT-III Function (BCM - HEAD LAMP)

INFOID:000000003292582

WORK SUPPORT

Work Item	Setting item	Setting
BATTERY SAVER SET	ON*	With the exterior lamp battery saver function
	OFF	Without the exterior lamp battery saver function

*: Initial setting

DATA MONITOR

Monitor Item [Unit]	Description
IGN ON SW [ON/OFF]	Ignition switch (ON) status judged from IGN signal (ignition power supply)
HI BEAM SW [ON/OFF]	Each switch status that BCM judges from the combination switch reading function
H/L SW POS [ON/OFF]	
LIGHT SW 1ST [ON/OFF]	
PASSING SW [ON/OFF]	
FR FOG SW [ON/OFF]	
DOOR SW-DR [ON/OFF]	The switch status input from front door switch LH

ACTIVE TEST

Test Item	Operation	Description
TAIL LAMP	ON	Transmits the position light request signal to IPDM E/R with CAN communication to turn the tail lamp ON.
	OFF	Stops the tail lamp request signal transmission.
HEAD LAMP	HI	Transmits the high beam request signal with CAN communication to turn the headlamp (HI).
	LO	Transmits the low beam request signal with CAN communication to turn the headlamp (LO).
	OFF	Stops the high & low beam request signal transmission.
FR FOG LAMP	ON	Transmits the front fog lights request signal to IPDM E/R with CAN communication to turn the front fog lamp ON.
	OFF	Stops the front fog lights request signal transmission.
DAYTIME RUNNING LIGHT	ON	Transmits the day time running light request signal to IPDM E/R with CAN communication to turn the each lamps ON.
	OFF	Stops the day time running light request signal transmission.

WIPER

WIPER : CONSULT-III Function (BCM - WIPER)

INFOID:000000003292583

WORK SUPPORT

DIAGNOSIS SYSTEM (BCM)

< FUNCTION DIAGNOSIS >

Work Item	Setting Item	Description
WIPER SPEED SETTING	ON*	With vehicle speed (Front wiper intermittent time linked with the vehicle speed and wiper intermittent dial position)
	OFF	Without vehicle speed (Front wiper intermittent time linked with the wiper intermittent dial position)

*: Factory setting

DATA MONITOR

Monitor Item [Unit]	Description
IGN ON SW [ON/OFF]	Ignition switch ON status judged from ignition power supply
FR WIPER HI [ON/OFF]	Each switch status that BCM judges from the combination switch reading function
FR WIPER LOW [ON/OFF]	
FR WIPER INT [ON/OFF]	
FR WASHER SW [ON/OFF]	
INT VOLUME [1 - 7]	Each switch status that BCM judges from the combination switch reading function
FR WIPER STOP [ON/OFF]	Front wiper motor (stop position) status received from IPDM E/R with CAN communication
VEHICLE SPEED [km/h]	The value of the vehicle speed signal received from combination meter with CAN communication

ACTIVE TEST

Test Item	Operation	Description
FR WIPER	HI	Transmits the front wiper request signal (HI) to IPDM E/R with CAN communication to operate the front wiper HI operation.
	LO	Transmits the front wiper request signal (LO) to IPDM E/R with CAN communication to operate the front wiper LO operation.
	INT	Transmits the front wiper request signal (INT) to IPDM E/R with CAN communication to operate the front wiper INT operation.
	OFF	Stops transmitting the front wiper request signal to stop the front wiper operation.

FLASHER

FLASHER : CONSULT-III Function (BCM - FLASHER)

INFOID:000000003292584

DATA MONITOR

Monitor Item [Unit]	Description
IGN ON SW [ON/OFF]	Ignition switch (ON) status judged from IGN signal (ignition power supply)
HAZARD SW [ON/OFF]	The switch status input from the hazard switch
TURN SIGNAL R [ON/OFF]	Each switch condition that BCM judges from the combination switch reading function
TURN SIGNAL L [ON/OFF]	
BRAKE SW [ON/OFF]	The switch status input from the brake switch

ACTIVE TEST

A
B
C
D
E
F
G
H
I
J
K
L
N
O
P

DIAGNOSIS SYSTEM (BCM)

< FUNCTION DIAGNOSIS >

Test Item	Operation	Description
FLASHER	RH	Outputs the voltage to turn the right side turn signal lamps ON.
	LH	Outputs the voltage to turn the left side turn signal lamps ON.
	OFF	Stops the voltage to turn the turn signal lamps OFF.

AIR CONDITIONER

AIR CONDITIONER : CONSULT-III Function (BCM - AIR CONDITIONER) INFOID:000000003292585

DATA MONITOR

Monitor Item [Unit]	Contents
IGN ON SW [ON/OFF]	Display [ignition switch position (On)/(Off), ACC position (Off)] status as judged from ignition switch signal
FAN ON SIG [ON/OFF]	Display [FAN (On)/FAN (Off)] status as judged from blower fan motor switch signal
AIR COND SW [ON/OFF]	Display [COMP (On)/COMP (Off)] status as judged from air conditioner switch signal

COMB SW

COMB SW : CONSULT-III Function (BCM - COMB SW) INFOID:000000003292586

DATA MONITOR

Monitor Item [Unit]	Description
TURN SIGNAL R [OFF/ON]	Displays the status of the TURN RH switch in combination switch judged by BCM with the combination switch reading function
TURN SIGNAL L [OFF/ON]	Displays the status of the TURN LH switch in combination switch judged by BCM with the combination switch reading function
HI BEAM SW [OFF/ON]	Displays the status of the HI BEAM switch in combination switch judged by BCM with the combination switch reading function
HEADLAMP SW1 [OFF/ON]	Displays the status of the HEADLAMP switch in combination switch judged by BCM with the combination switch reading function
HEADLAMP SW2 [OFF/ON]	Displays the status of the HEADLAMP switch in combination switch judged by BCM with the combination switch reading function
LIGHT SW 1ST [OFF/ON]	Displays the status of the HEADLAMP switch in combination switch judged by BCM with the combination switch reading function
PASSING SW [OFF/ON]	Displays the status of the PASSING switch in combination switch judged by BCM with the combination switch reading function
FR FOG SW [OFF/ON]	Displays the status of the FR FOG switch in combination switch judged by BCM with the combination switch reading function
FR WIPER HI [OFF/ON]	Displays the status of the FR WIPER HI switch in combination switch judged by BCM with the combination switch reading function
FR WIPER LOW [OFF/ON]	Displays the status of the FR WIPER LOW switch in combination switch judged by BCM with the combination switch reading function
FR WIPER INT [OFF/ON]	Displays the status of the FR WIPER INT switch in combination switch judged by BCM with the combination switch reading function
FR WASHER SW [OFF/ON]	Displays the status of the FR WASHER switch in combination switch judged by BCM with the combination switch reading function
INT VOLUME [1 - 7]	Displays the status of wiper intermittent dial position judged by BCM with the combination switch reading function

IMMU

DIAGNOSIS SYSTEM (BCM)

< FUNCTION DIAGNOSIS >

IMMU : CONSULT-III Function (BCM - IMMU)

INFOID:000000003292587

DATA MONITOR

Monitor Item [Unit]	Description
IGN ON SW [ON/OFF]	Indicates condition of ignition switch in ON position.

ACTIVE TEST

Test Item	Description
THEFT IND	This test is able to check security indicator operation [ON/OFF].

BATTERY SAVER

BATTERY SAVER : CONSULT-III Function (BCM - BATTERY SAVER)

INFOID:000000003292588

WORK SUPPORT

Work Item	Setting Item	Setting	Description
ROOM LAMP TIMER SET	MODE 1*	15 min.	Sets the interior room lamp battery saver timer operating time.
	MODE 2	30 min.	

*: Initial setting

DATA MONITOR

Monitor Item [Unit]	Description
IGN ON SW [ON/OFF]	Ignition switch (ON) status judges from IGN signal (ignition power supply)
KEY ON SW [ON/OFF]	The switch status input from key switch
DOOR SW-DR [ON/OFF]	The switch status input from front door switch (driver side)
DOOR SW-AS [ON/OFF]	The switch status input from front door switch (passenger side)
DOOR SW-RR [ON/OFF]	The switch status input from rear door switch RH
DOOR SW- RL [ON/OFF]	The switch status input from rear door switch LH
KEY CYL LK-SW [ON/OFF]	Lock switch status input from door key cylinder switch
KEY CYL UN-SW [ON/OFF]	Unlock switch status input from door key cylinder switch
CDL LOCK SW [ON/OFF]	Lock switch status input from door lock and unlock switch
CDL UNLOCK SW [ON/OFF]	Unlock switch status input from door lock and unlock switch
KEYLESS LOCK [ON/OFF]	Lock signal status received from remote keyless entry receiver (integrated in the BCM)
KEYLESS UNLOCK [ON/OFF]	Unlock signal status received from remote keyless entry receiver (integrated in the BCM)

ACTIVE TEST

Test Item	Operation	Description
BATTERY SAVER	OFF	Cuts the interior room lamp power supply to turn interior room lamps OFF.
	ON	Outputs the interior room lamp power supply to turn interior room lamps ON.*

*: Each lamp switch is in ON position.

RETAINED PWR

A
B
C
D
E
F
G
H
I
J
K
L
N
O
P

BCS

DIAGNOSIS SYSTEM (BCM)

< FUNCTION DIAGNOSIS >

RETAINED PWR : CONSULT-III Function (BCM - RETAINED PWR)

INFOID:000000003292590

Data monitor

Monitor Item [Unit]	Description
DOOR SW-DR [ON/OFF]	Indicates condition of front door switch LH.
DOOR SW-AS [ON/OFF]	Indicates condition of front door switch RH.

SIGNAL BUFFER

SIGNAL BUFFER : CONSULT-III Function (BCM - SIGNAL BUFFER)

INFOID:000000003292591

DATA MONITOR

Monitor Item [Unit]	Description
OIL PRESS SW [ON/OFF]	Displays the status of oil pressure switch received from IPDM E/R via CAN communication.

ACTIVE TEST

Test Item	Operation	Description
OIL PRESSURE SW	OFF	OFF
	ON	BCM transmits the oil pressure switch signal to the combination meter via CAN communication, which operates the oil pressure gauge in the combination meter.

AIR PRESSURE MONITOR

AIR PRESSURE MONITOR : Diagnosis Description

INFOID:000000003292592

DESCRIPTION

During driving, the TPMS receives the signal transmitted from the transmitter installed in each wheel, when the tire pressure becomes low. The control unit (BCM) of this system has pressure judgment and trouble diagnosis functions.

When the TPMS detects low inflation pressure or another unusual symptom, the warning lamps in the combination meter comes on.

SELF DIAGNOSTIC PROCEDURE (WITH CONSULT-III)

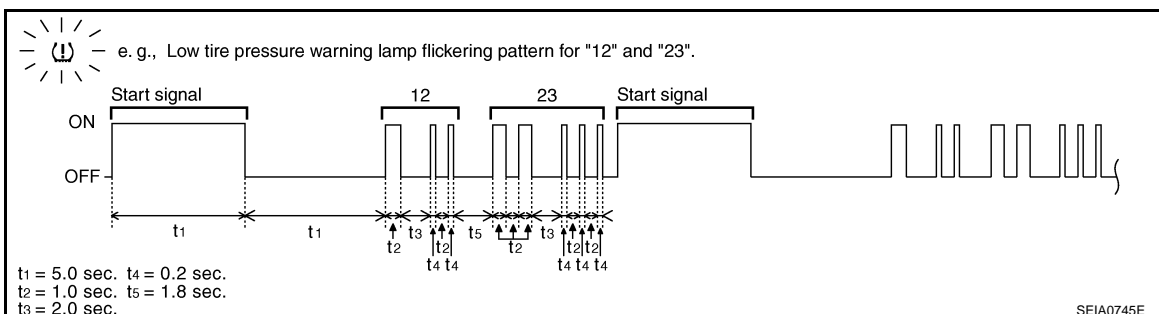
④ With CONSULT-III

- Touch "SELF-DIAG RESULTS" display to show malfunction experienced since the last erasing operation. Refer to [BCS-46. "DTC Index"](#).

SELF DIAGNOSTIC PROCEDURE (WITHOUT CONSULT-III)

⊗ Without CONSULT-III

To start the self-diagnostic results mode, ground terminal of the tire pressure warning check connector. The malfunction location is indicated by the warning lamp flashing.



NOTE:

When the low tire warning lamp flashes 5 Hz and continues repeating it, the system is normal.

DIAGNOSIS SYSTEM (BCM)

< FUNCTION DIAGNOSIS >

Flickering pattern	Items	Diagnostic items detected when...	Check item	
15	Tire pressure value (Front LH)	Front LH tire pressure drops to 181 kPa (1.8 kg/cm, 25.25 psi) or less.	-	A
16	Tire pressure value (Front RH)	Front RH tire pressure drops to 181 kPa (1.8 kg/cm, 25.25 psi) or less.		B
17	Tire pressure value (Rear RH)	Rear RH tire pressure drops to 181 kPa (1.8 kg/cm, 25.25 psi) or less.		
18	Tire pressure value (Rear LH)	Rear LH tire pressure drops to 181 kPa (1.8 kg/cm, 25.25 psi) or less.		C
21	Transmitter no data (Front LH)	Data from front LH transmitter can not be received.	WT-22	D
22	Transmitter no data (Front RH)	Data from front RH transmitter can not be received.		
23	Transmitter no data (Rear RH)	Data from Rear RH transmitter can not be received.		
24	Transmitter no data (Rear LH)	Data from Rear LH transmitter can not be received.		
31	Transmitter checksum error (Front LH)	Checksum data from front LH transmitter is malfunctioning.	WT-22	E
32	Transmitter checksum error (Front RH)	Checksum data from front RH transmitter is malfunctioning.		
33	Transmitter checksum error (Rear RH)	Checksum data from rear RH transmitter is malfunctioning.		F
34	Transmitter checksum error (Rear LH)	Checksum data from rear LH transmitter is malfunctioning.		G
35	Transmitter pressure data error (Front LH)	Air pressure data from front LH transmitter is malfunction.	WT-22	H
36	Transmitter pressure data error (Front RH)	Air pressure data from front RH transmitter is malfunction.		
37	Transmitter pressure data error (Rear RH)	Air pressure data from rear RH transmitter is malfunction.		I
38	Transmitter pressure data error (Rear LH)	Air pressure data from rear LH transmitter is malfunction.		
41	Transmitter function code error (Front LH)	Function code data from front LH transmitter is malfunction.	WT-22	J
42	Transmitter function code error (Front RH)	Function code data from front RH transmitter is malfunction.		
43	Transmitter function code error (Rear RH)	Function code data from rear RH transmitter is malfunction.		K
44	Transmitter function code error (Rear LH)	Function code data from rear LH transmitter is malfunction.		L
45	Transmitter battery voltage low (Front LH)	Battery voltage of front LH transmitter drops.	WT-22	BCS
46	Transmitter battery voltage low (Front RH)	Battery voltage of front RH transmitter drops.		
47	Transmitter battery voltage low (Rear RH)	Battery voltage of rear RH transmitter drops.		N
48	Transmitter battery voltage low (Rear LH)	Battery voltage of rear LH transmitter drops.		
52	Vehicle speed signal error	Speed signal is not detected.	WT-22	O
No flickering	Tire pressure warning check switch	Tire pressure warning switch circuit is open.	-	P

ERASE SELF-DIAGNOSIS

④ With CONSULT-III

1. Perform applicable inspection of malfunctioning item and then repair or replace.
2. Turn ignition switch "ON" and select "SELF-DIAG RESULTS" mode for "AIR PRESSURE MONITOR" with CONSULTIII.
3. Touch "ERASE" on CONSULT-III screen to erase memory.

DIAGNOSIS SYSTEM (BCM)

< FUNCTION DIAGNOSIS >

⊗ Without CONSULT-III

- In order to make it easier to find the cause of hard-to-duplicate malfunctions, malfunction information is stored into the control unit as necessary during use by the user. This memory is not erased no matter how many times the ignition switch is turned "ON" and "OFF".
- However, this information is erased by turning ignition switch "OFF" after performing self-diagnostic or by erasing the memory using the CONSULT-III.

AIR PRESSURE MONITOR : CONSULT-III Function

INFOID:000000003292593

WORK SUPPORT MODE

ID Read

The registered ID number is displayed.

ID Regist

Refer to [WT-6, "ID Registration Procedure"](#).

SELF-DIAG RESULTS MODE

Operation Procedure

Refer to [WT-11, "Self-Diagnosis"](#).

DATA MONITOR MODE

Screen of data monitor mode is displayed. Refer to [WT-11, "CONSULT-III Function \(BCM\)"](#).

NOTE:

When malfunction is detected, CONSULT-III perform REAL-TIME DIAGNOSIS.
Also, any malfunction detected while in this mode will be displayed at real time.

ACTIVE TEST MODE

NOTE:

Before performing the self-diagnosis, be sure to register the ID, or else the actual malfunction may be different from that displayed on CONSULT-III.

TEST ITEM LIST

Test item	Content
WARNING LAMP	This test is able to check to make sure that the warning lamp turns on.
ID REGIST WARNING	This test is able to check to make sure that the buzzer sounds or the warning lamp turns on.
FLASHER	This test is able to check to make sure that each turn signal lamp turns on.
HORN	This test is able to check to make sure that the horn sounds.

THEFT ALM

THEFT ALM : CONSULT-III Function (BCM - THEFT ALM)

INFOID:000000003292594

WORK SUPPORT

Work Item	Description
SECURITY ALARM SET	Vehicle security function mode can be changed in this mode. <ul style="list-style-type: none">• ON: Vehicle security function is ON.• OFF: Vehicle security function is OFF.

U1000 CAN COMM CIRCUIT

< COMPONENT DIAGNOSIS >

COMPONENT DIAGNOSIS

U1000 CAN COMM CIRCUIT

Description

INFOID:000000003292595

Refer to [LAN-55, "CAN Communication Signal Chart"](#).

DTC Logic

INFOID:000000003292596

DTC DETECTION LOGIC

DTC	CONSULT-III display description	DTC Detection Condition	Possible cause
U1000	CAN COMM CIRCUIT	When BCM cannot communicate CAN communication signal continuously for 2 seconds or more.	Any item (or items) of the following listed below is malfunctioning in CAN communication system. <ul style="list-style-type: none">• Transmission• Receiving (ECM)• Receiving (METER/M&A)• Receiving (TCM)• Receiving (IPDM E/R)

Diagnosis Procedure

INFOID:000000003292597

1. PERFORM SELF DIAGNOSTIC

1. Turn ignition switch ON and wait for 2 seconds or more.
2. Check "Self Diagnostic Result" of BCM.

Is "CAN COMM CIRCUIT" displayed?

- YES >> Refer to [LAN-14, "Trouble Diagnosis Flow Chart"](#).
NO >> Refer to [GI-51, "Intermittent Incident"](#).

A
B
C
D
E
F
G
H
I
J
K
L
N
O
P

BCS

U1010 CONTROL UNIT (CAN)

< COMPONENT DIAGNOSIS >

U1010 CONTROL UNIT (CAN)

DTC Logic

INFOID:000000003292598

DTC DETECTION LOGIC

DTC	CONSULT-III display description	DTC Detection Condition	Possible cause
U1010	CONTROL UNIT (CAN)	When detecting error during the initial diagnosis of CAN controller of BCM.	BCM

Diagnosis Procedure

INFOID:000000003292599

1. REPLACE BCM

When "DTC:U1010" is detected, replace BCM.

>> Replace BCM. Refer to [BCS-49, "Removal and Installation"](#).

Special Repair Requirement

INFOID:000000003292600

1. SAVING VEHICLE SPECIFICATION

Perform "READ CONFIGURATION" with CONSULT-III to save or print current vehicle specification.

>> GO TO 2

2. REPLACE BCM

Replace BCM. Refer to [BCS-49, "Removal and Installation"](#).

>> GO TO 3

3. WRITING VEHICLE SPECIFICATION

Perform "WRITE CONFIGURATION - Config file" or "WRITE CONFIGURATION - Manual selection" with CONSULT-III to write vehicle specification. Refer to [BCS-4, "CONFIGURATION : Special Repair Requirement"](#).

>> GO TO 4

4. INITIALIZE BCM (NATS)

Perform BCM initialization. Refer to CONSULT-III Operation Manual.

>> WORK END

POWER SUPPLY AND GROUND CIRCUIT

< COMPONENT DIAGNOSIS >

POWER SUPPLY AND GROUND CIRCUIT

Diagnosis Procedure

INFOID:000000003292601

1. CHECK FUSES AND FUSIBLE LINK

Check that the following fuses and fusible link are not blown.

Terminal No.	Signal name	Fuses and fusible link No.
57	Battery power supply	18 (10A)
70		G (50A)
11	Ignition ACC or ON	4 (10A)
38	Ignition ON or START	1 (10A)

Is the fuse blown?

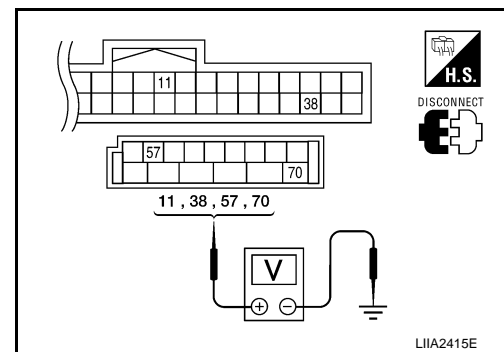
YES >> Replace the blown fuse or fusible link after repairing the affected circuit.

NO >> GO TO 2

2. CHECK POWER SUPPLY CIRCUIT

1. Turn ignition switch OFF.
2. Disconnect BCM.
3. Check voltage between BCM harness connector and ground.

Connector	Terminals		Power source	Condition	Voltage (V) (Approx.)
	(+)	(-)			
M18	11	Ground	ACC power supply	Ignition switch ACC or ON	Battery voltage
	38	Ground	Ignition power supply	Ignition switch ON or START	Battery voltage
M20	57	Ground	Battery power supply	Ignition switch OFF	Battery voltage
	70	Ground	Battery power supply	Ignition switch OFF	Battery voltage



Is the measurement value normal?

YES >> GO TO 3

NO >> Repair or replace harness.

3. CHECK GROUND CIRCUIT

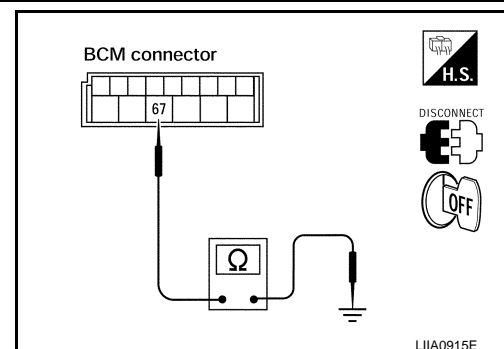
Check continuity between BCM harness connector and ground.

BCM		Ground	Continuity
Connector	Terminal		
M20	67		Yes

Does continuity exist?

YES >> Inspection End.

NO >> Repair or replace harness.



A
B
C
D
E
F
G
H
I
J
K
L
N
O
P

BCS

COMBINATION SWITCH INPUT CIRCUIT

< COMPONENT DIAGNOSIS >

COMBINATION SWITCH INPUT CIRCUIT

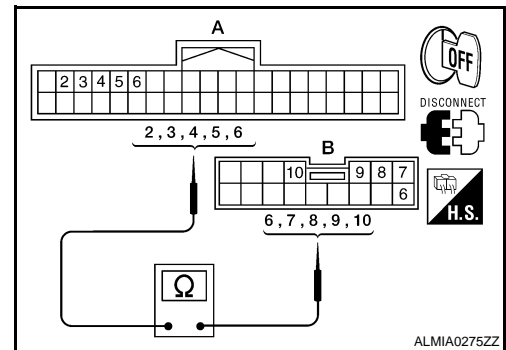
Diagnosis Procedure

INFOID:000000003292602

1. CHECK INPUT 1 - 5 SYSTEM CIRCUIT FOR OPEN

1. Turn ignition switch OFF.
2. Disconnect BCM and combination switch.
3. Check continuity between BCM harness connector and combination switch harness connector.

System	BCM		Combination switch		Continuity
	Connector	Terminal	Connector	Terminal	
INPUT 1	M18 (A)	6	M28 (B)	6	Yes
INPUT 2		5		7	
INPUT 3		4		10	
INPUT 4		3		9	
INPUT 5		2		8	



Does continuity exist?

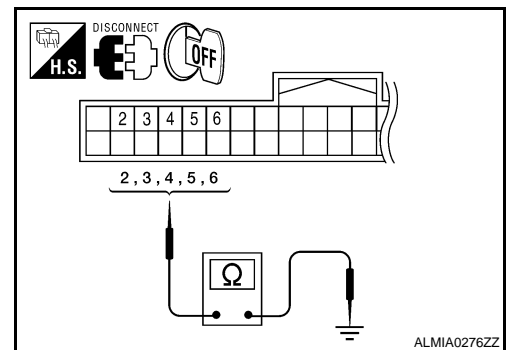
YES >> GO TO 2

NO >> Repair or replace harness.

2. CHECK INPUT 1 - 5 SYSTEM CIRCUIT FOR SHORT

Check for continuity between BCM harness connector and ground.

System	BCM		Continuity
	Connector	Terminal	
INPUT 1	M18	6	No
INPUT 2		5	
INPUT 3		4	
INPUT 4		3	
INPUT 5		2	



Does continuity exist?

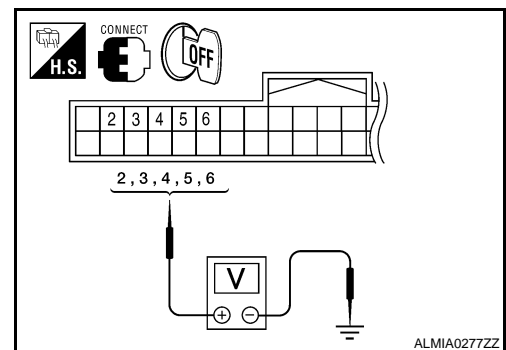
YES >> Repair or replace harness.

NO >> GO TO 3

3. CHECK BCM OUTPUT VOLTAGE

1. Connect BCM.
2. Turn ignition switch ON.
3. Check voltage between BCM harness connector and ground.

System	Terminals		Voltage (Approx.)
	(+)	(-)	
	BCM		
	Connector	Terminal	
INPUT 1	M18	6	Refer to BCS-34 . "Reference Value".
INPUT 2		5	
INPUT 3		4	
INPUT 4		3	
INPUT 5		2	



Is the measurement value normal?

COMBINATION SWITCH INPUT CIRCUIT

< COMPONENT DIAGNOSIS >

YES >> GO TO 4

NO >> Replace BCM. Refer to [BCS-49, "Removal and Installation"](#).

4. CHECK COMBINATION SWITCH

Check combination switch. Refer to [BCS-32, "Description"](#).

Is the check result normal?

YES >> Replace BCM. Refer to [BCS-49, "Removal and Installation"](#).

NO >> Replace the combination switch (applicable parts). Refer to [EXL-145, "Removal and Installation"](#).

Special Repair Requirement

INFOID:000000003292603

1. SAVING VEHICLE SPECIFICATION

Perform "READ CONFIGURATION" with CONSULT-III to save or print current vehicle specification.

>> GO TO 2

2. REPLACE BCM

Replace BCM. Refer to [BCS-49, "Removal and Installation"](#).

>> GO TO 3

3. WRITING VEHICLE SPECIFICATION

Perform "WRITE CONFIGURATION - Config file" or "WRITE CONFIGURATION - Manual selection" with CONSULT-III to write vehicle specification. Refer to [BCS-4, "CONFIGURATION : Special Repair Requirement"](#).

>> GO TO 4

4. INITIALIZE BCM (NATS)

Perform BCM initialization. Refer to CONSULT-III Operation Manual.

>> WORK END

A
B
C
D
E
F
G
H
I
J
K
L

BCS

N
O
P

COMBINATION SWITCH OUTPUT CIRCUIT

< COMPONENT DIAGNOSIS >

COMBINATION SWITCH OUTPUT CIRCUIT

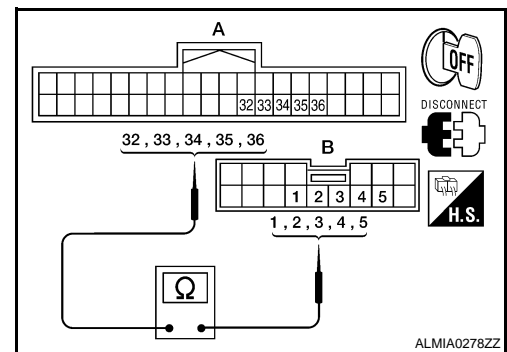
Diagnosis Procedure

INFOID:000000003292604

1. CHECK OUTPUT 1 - 5 SYSTEM CIRCUIT FOR OPEN

1. Turn ignition switch OFF.
2. Disconnect BCM and combination switch.
3. Check continuity between BCM harness connector and combination switch harness connector.

System	BCM		Combination switch		Continuity
	Connector	Terminal	Connector	Terminal	
OUTPUT 1	M18 (A)	36	M28 (B)	1	Yes
OUTPUT 2		35		2	
OUTPUT 3		34		3	
OUTPUT 4		33		4	
OUTPUT 5		32		5	



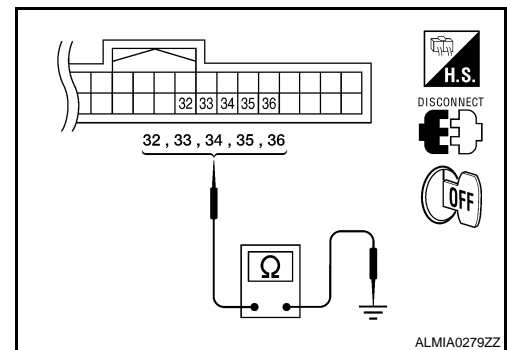
Does continuity exist?

- YES >> GO TO 2
 NO >> Repair or replace harness.

2. CHECK OUTPUT 1 - 5 SYSTEM CIRCUIT FOR SHORT

Check for continuity between BCM harness connector and ground.

System	BCM		Continuity
	Connector	Terminal	
OUTPUT 1	M18	36	No
OUTPUT 2		35	
OUTPUT 3		34	
OUTPUT 4		33	
OUTPUT 5		32	



Does continuity exist?

- YES >> Repair or replace harness.
 NO >> GO TO 3

3. CHECK COMBINATION SWITCH

Check combination switch. Refer to [BCS-32, "Description"](#).

Is the check result normal?

- YES >> Replace BCM. Refer to [BCS-49, "Removal and Installation"](#).
 NO >> Replace combination switch (applicable parts). Refer to [EXL-145, "Removal and Installation"](#).

Special Repair Requirement

INFOID:000000003292605

1. SAVING VEHICLE SPECIFICATION

Perform "READ CONFIGURATION" with CONSULT-III to save or print current vehicle specification.

>> GO TO 2

2. REPLACE BCM

Replace BCM. Refer to [BCS-49, "Removal and Installation"](#).

>> GO TO 3

COMBINATION SWITCH OUTPUT CIRCUIT

< COMPONENT DIAGNOSIS >

3. WRITING VEHICLE SPECIFICATION

Perform "WRITE CONFIGURATION - Config file" or "WRITE CONFIGURATION - Manual selection" with CONSULT-III to write vehicle specification. Refer to [BCS-4, "CONFIGURATION : Special Repair Requirement"](#).

>> GO TO 4

4. INITIALIZE BCM (NATS)

Perform BCM initialization. Refer to CONSULT-III Operation Manual.

>> WORK END

A
B
C
D
E
F
G
H
I
J
K
L
N
O
P

BCS

COMBINATION SWITCH

< COMPONENT DIAGNOSIS >

COMBINATION SWITCH

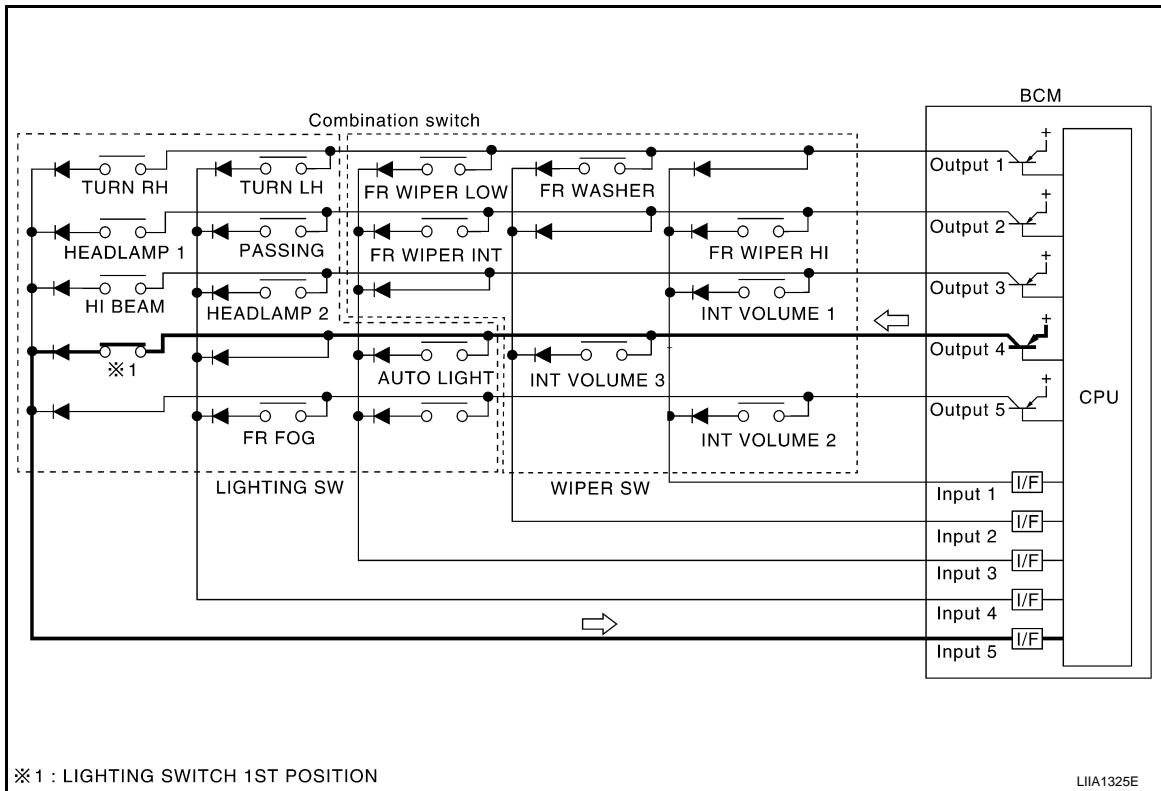
Description

INFOID:000000003292606

COMBINATION SWITCH MATRIX

Combination switch consists of INPUT circuit and OUTPUT circuit.

Combination switch circuit



Combination switch INPUT-OUTPUT system list

System	OUTPUT 1	OUTPUT 2	OUTPUT 3	OUTPUT 4	OUTPUT 5
INPUT 1	—	FR WASHER	FR WIPER LOW	TURN LH	TURN RH
INPUT 2	FR WIPER HI	—	FR WIPER INT	PASSING	HEADLAMP 1
INPUT 3	INT VOLUME 1	—	—	HEADLAMP 2	HI BEAM
INPUT 4	—	INT VOLUME 3	AUTO LIGHT	—	TAIL LAMP
INPUT 5	INT VOLUME 2	—	—	FR FOG	—

NOTE:

Headlamp has a dual system switch.

Diagnosis Procedure

INFOID:000000003292607

1. CHECK LIGHT & TURN SIGNAL SWITCH

Check operation with normal light & turn signal switch installed.

Does it operate normally?

- YES >> Replace light & turn signal switch. Refer to [EXL-145, "Removal and Installation"](#).
- NO >> GO TO 2

2. CHECK WIPER & WASHER SWITCH

Check operation with normal wiper & washer switch installed.

Does it operate normally?

- YES >> Replace wiper & washer switch. Refer to [WW-47, "Removal and Installation"](#).

COMBINATION SWITCH

< COMPONENT DIAGNOSIS >

NO >> GO TO 3

3. CHECK SWITCH BASE (SPIRAL CABLE)

Check operation with normal switch base (spiral cable) installed.

Does it operate normally?

YES >> Replace switch base (spiral cable). Refer to [SR-6. "Removal and Installation"](#).

NO >> Combination switch is normal.

A

B

C

D

E

F

G

H

I

J

K

L

BCS

N

O

P

BCM (BODY CONTROL MODULE)

< ECU DIAGNOSIS >

ECU DIAGNOSIS

BCM (BODY CONTROL MODULE)

Reference Value

INFOID:000000003292608

VALUES ON THE DIAGNOSIS TOOL

Monitor Item	Condition	Value/Status
AIR COND SW	A/C switch OFF	OFF
	A/C switch ON	ON
CDL LOCK SW	Door lock/unlock switch does not operate	OFF
	Press door lock/unlock switch to the LOCK side	ON
CDL UNLOCK SW	Door lock/unlock switch does not operate	OFF
	Press door lock/unlock switch to the UNLOCK side	ON
DOOR SW-AS	Front door RH closed	OFF
	Front door RH opened	ON
DOOR SW-DR	Front door LH closed	OFF
	Front door LH opened	ON
DOOR SW-RL	Rear door LH closed	OFF
	Rear door LH opened	ON
DOOR SW-RR	Rear door RH closed	OFF
	Rear door RH opened	ON
ENGINE RUN	Engine stopped	OFF
	Engine running	ON
FR FOG SW	Front fog lamp switch OFF	OFF
	Front fog lamp switch ON	ON
FR WASHER SW	Front washer switch OFF	OFF
	Front washer switch ON	ON
FR WIPER LOW	Front wiper switch OFF	OFF
	Front wiper switch LO	ON
FR WIPER HI	Front wiper switch OFF	OFF
	Front wiper switch HI	ON
FR WIPER INT	Front wiper switch OFF	OFF
	Front wiper switch INT	ON
FR WIPER STOP	Any position other than front wiper stop position	OFF
	Front wiper stop position	ON
HAZARD SW	When hazard switch is not pressed	OFF
	When hazard switch is pressed	ON
LIGHT SW 1ST	Lighting switch OFF	OFF
	Lighting switch 1st	ON
HEADLAMP SW1	Headlamp switch OFF	OFF
	Headlamp switch 1st	ON
HEADLAMP SW2	Headlamp switch OFF	OFF
	Headlamp switch 1st	ON
HI BEAM SW	High beam switch OFF	OFF
	High beam switch HI	ON

BCM (BODY CONTROL MODULE)

< ECU DIAGNOSIS >

Monitor Item	Condition	Value/Status	
H/L WASH SW	NOTE: The item is indicated, but not monitored	OFF	A
IGN ON SW	Ignition switch OFF or ACC	OFF	B
	Ignition switch ON	ON	
IGN SW CAN	Ignition switch OFF or ACC	OFF	C
	Ignition switch ON	ON	
INT VOLUME	Wiper intermittent dial is in a dial position 1 - 7	1 - 7	
KEY ON SW	Mechanical key is removed from key cylinder	OFF	D
	Mechanical key is inserted to key cylinder	ON	
KEYLESS LOCK	LOCK button of key fob is not pressed	OFF	E
	LOCK button of key fob is pressed	ON	
KEYLESS UNLOCK	UNLOCK button of key fob is not pressed	OFF	F
	UNLOCK button of key fob is pressed	ON	
OIL PRESS SW	<ul style="list-style-type: none"> • Ignition switch OFF or ACC • Engine running 	OFF	G
	Ignition switch ON	ON	
PASSING SW	Other than lighting switch PASS	OFF	H
	Lighting switch PASS	ON	
RKE LOCK AND UN-LOCK	NOTE: The item is indicated, but not monitored	OFF	I
		ON	
TAIL LAMP SW	Lighting switch OFF	OFF	J
	Lighting switch 1ST	ON	
TURN SIGNAL L	Turn signal switch OFF	OFF	K
	Turn signal switch LH	ON	
TURN SIGNAL R	Turn signal switch OFF	OFF	L
	Turn signal switch RH	ON	
VEHICLE SPEED	While driving	Equivalent to speedometer reading	

BCS

N

O

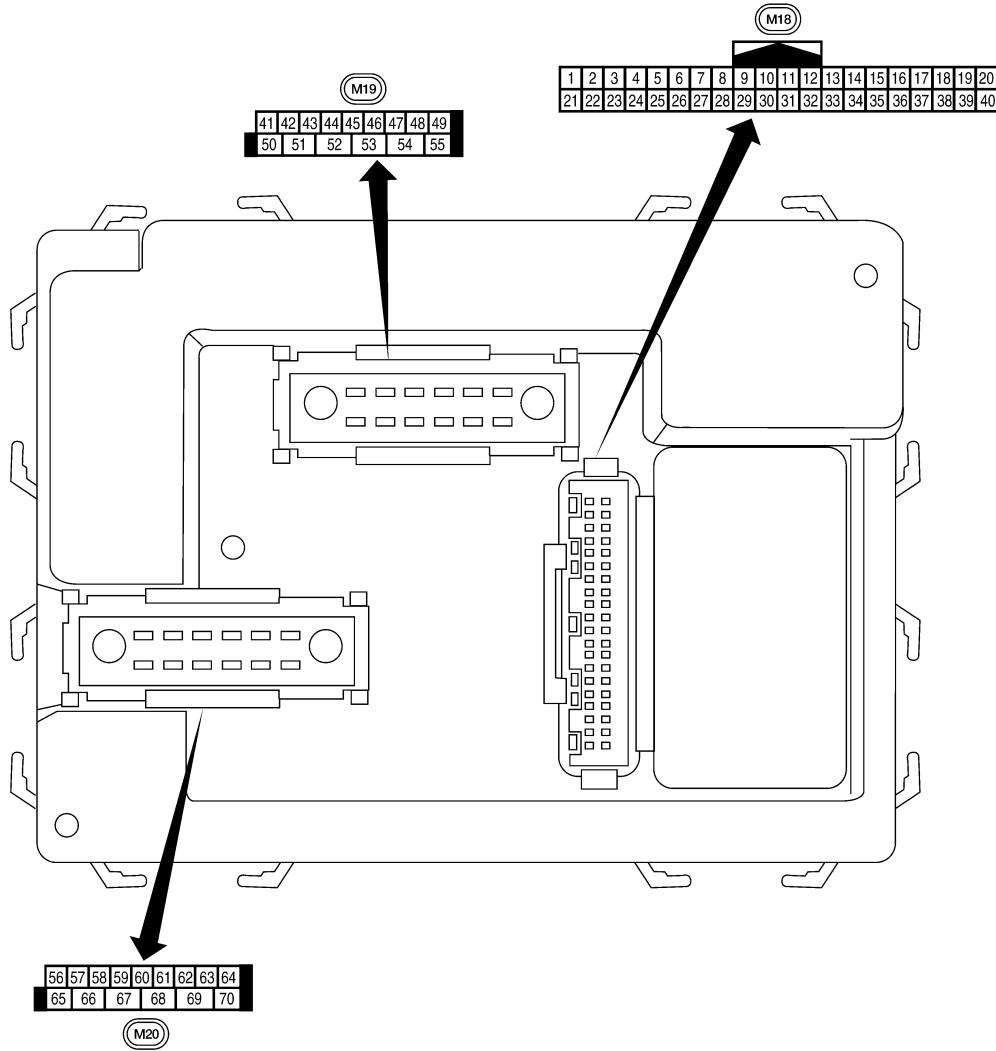
P

BCM (BODY CONTROL MODULE)

< ECU DIAGNOSIS >

Terminal Layout

INFOID:000000003292609




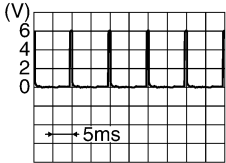

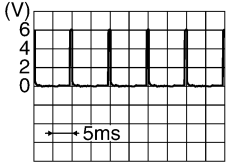
Physical Values

LIA2443E

INFOID:000000003292610

BCM (BODY CONTROL MODULE)

< ECU DIAGNOSIS >

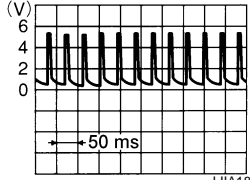
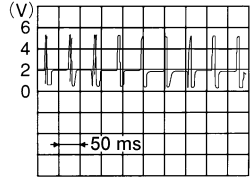
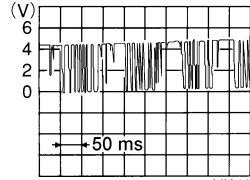
Terminal	Wire color	Item	Signal input/output	Measuring condition		Reference value or waveform (Approx.)
				Ignition switch	Operation or condition	
1	BR	Ignition keyhole illumination	Output	OFF	Door is locked (SW OFF)	Battery voltage
					Door is unlocked (SW ON)	0V
2	P	Combination switch input 5	Input	ON	Lighting, turn, wiper OFF Wiper dial position 4	 <p style="text-align: right; font-size: small;">SKIA5291E</p>
3	SB	Combination switch input 4	Input	ON	Lighting, turn, wiper OFF Wiper dial position 4	 <p style="text-align: right; font-size: small;">SKIA5292E</p>
4	V	Combination switch input 3	Input	ON	Lighting, turn, wiper OFF Wiper dial position 4	 <p style="text-align: right; font-size: small;">SKIA5291E</p>
5	L	Combination switch input 2	Input	ON	Lighting, turn, wiper OFF Wiper dial position 4	 <p style="text-align: right; font-size: small;">SKIA5292E</p>
6	R	Combination switch input 1				
7	GR	Front door lock assembly LH (key cylinder switch) unlock	Input	OFF	ON (open, 2nd turn)	Momentary 1.5V
8	SB	Front door lock assembly LH (key cylinder switch) lock			On (open)	Momentary 1.5V
			OFF (closed)	0V		
9	Y	Rear window defogger switch	Input	ON	Rear window defogger switch ON	0V
					Rear window defogger switch OFF	5V
11	G/B	Ignition switch (ACC or ON)	Input	ACC or ON	Ignition switch ACC or ON	Battery voltage
12	LG	Front door switch RH (All)	Input	OFF	ON (open)	0V
		Rear door switch upper RH (King Cab)			OFF (closed)	Battery voltage
		Rear door switch lower RH (King Cab)				

A
B
C
D
E
F
G
H
I
J
K
L
N
O
P

BCS

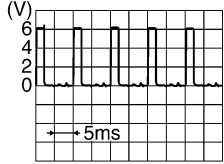

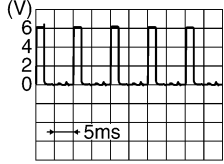
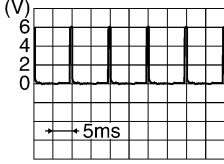
BCM (BODY CONTROL MODULE)

< ECU DIAGNOSIS >

Terminal	Wire color	Item	Signal input/output	Measuring condition		Reference value or waveform (Approx.)
				Ignition switch	Operation or condition	
13	L	Rear door switch RH (Crew Cab)	Input	OFF	ON (open)	0V
					OFF (closed)	Battery voltage
15	W	Tire pressure warning check connector	Input	OFF	—	5V
18	BR	Remote keyless entry receiver (Ground)	Output	OFF	—	0V
19	V	Remote keyless entry receiver (power supply)	Output	OFF	Ignition switch OFF	
20	G	Remote keyless entry receiver signal (Signal)	Input	OFF	Stand-by (keyfob buttons released)	
					When remote keyless entry receiver receives signal from keyfob (keyfob buttons pressed)	
21	GR	NATS antenna amp.	Input	OFF → ON	Ignition switch (OFF → ON)	Just after turning ignition switch ON: Pointer of tester should move.
23	G	Security indicator lamp	Output	OFF	Goes OFF → illuminates (Every 2.4 seconds)	Battery voltage → 0V
25	BR	NATS antenna amp.	Input	OFF → ON	Ignition switch (OFF → ON)	Just after turning ignition switch ON: Pointer of tester should move.
27	W	Compressor ON signal	Input	ON	A/C switch OFF	5V
					A/C switch ON	0V
28	R	Front blower monitor	Input	ON	Front blower motor OFF	Battery voltage
					Front blower motor ON	0V
29	G	Hazard switch	Input	OFF	ON	0V
					OFF	5V
31	GR	Cargo lamp switch	Input	OFF	ON	0V
					OFF	Battery voltage

BCM (BODY CONTROL MODULE)

< ECU DIAGNOSIS >

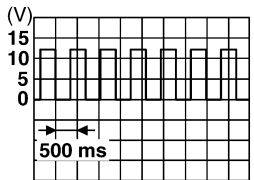
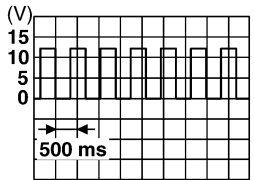
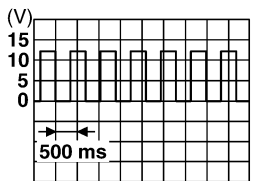
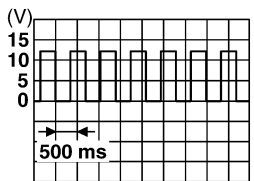
Terminal	Wire color	Item	Signal input/output	Measuring condition		Reference value or waveform (Approx.)
				Ignition switch	Operation or condition	
32	O	Combination switch output 5	Output	ON	Lighting, turn, wiper OFF Wiper dial position 4	 <p style="text-align: right; font-size: small;">SKIA5291E</p>
33	GR	Combination switch output 4	Output	ON	Lighting, turn, wiper OFF Wiper dial position 4	 <p style="text-align: right; font-size: small;">SKIA5292E</p>
34	G	Combination switch output 3	Output	ON	Lighting, turn, wiper OFF Wiper dial position 4	 <p style="text-align: right; font-size: small;">SKIA5291E</p>
35	BR	Combination switch output 2	Output	ON	Lighting, turn, wiper OFF Wiper dial position 4	 <p style="text-align: right; font-size: small;">SKIA5292E</p>
36	LG	Combination switch output 1				
37	B	Key switch	Input	OFF	Key inserted	Battery voltage
					Key removed	0V
38	W/R	Ignition switch (ON)	Input	ON	—	Battery voltage
39	L	CAN-H	—	—	—	—
40	P	CAN-L	—	—	—	—
45	V	Lock switch	Input	OFF	ON (lock)	0V
					OFF	Battery voltage
46	LG	Unlock switch	Input	OFF	ON (unlock)	0V
					OFF	Battery voltage
47	GR	Front door switch LH (All)	Input	OFF	ON (open)	0V
		Rear door switch upper LH (King Cab)			OFF (closed)	Battery voltage
		Rear door switch lower LH (King Cab)				
48	P	Rear door switch LH (Crew Cab)	Input	OFF	ON (open)	0V
					OFF (closed)	Battery voltage
50	P	Cargo lamp	Output	OFF	Any door open (ON)	0V
					All doors closed (OFF)	Battery voltage

A
B
C
D
E
F
G
H
I
J
K
L
N
O
P

BCS

BCM (BODY CONTROL MODULE)

< ECU DIAGNOSIS >

Terminal	Wire color	Item	Signal input/output	Measuring condition		Reference value or waveform (Approx.)
				Ignition switch	Operation or condition	
51	G	Trailer turn signal (right)	Output	ON	Turn right ON	 <small>SKIA3009J</small>
52	V	Trailer turn signal (left)	Output	ON	Turn left ON	 <small>SKIA3009J</small>
56	V	Battery saver output	Output	OFF	30 minutes after ignition switch is turned OFF	0V
				ON	—	Battery voltage
57	R/Y	Battery power supply	Input	—	—	Battery voltage
58	W	Optical sensor	Input	ON	When optical sensor is illuminated	3.1V or more
					When optical sensor is not illuminated	0.6V or less
59	GR	Front door lock assembly LH (unlock)	Output	OFF	OFF (neutral)	0V
					ON (unlock)	Battery voltage
60	LG	Turn signal (left)	Output	ON	Turn left ON	 <small>SKIA3009J</small>
61	G	Turn signal (right)	Output	ON	Turn right ON	 <small>SKIA3009J</small>
63	BR	Interior room/map lamp	Output	OFF	Any door switch ON (open)	0V
					OFF (closed)	Battery voltage
65	V	All door lock actuators (lock)	Output	OFF	OFF (neutral)	0V
					ON (lock)	Battery voltage
66	L	Front door lock actuator RH, rear door lock actuators LH/RH (unlock)	Output	OFF	OFF (neutral)	0V
					ON (unlock)	Battery voltage
67	B	Ground	Input	ON	—	0V

BCM (BODY CONTROL MODULE)

< ECU DIAGNOSIS >

Terminal	Wire color	Item	Signal input/output	Measuring condition		Reference value or waveform (Approx.)
				Ignition switch	Operation or condition	
68	O	Power window power supply (RAP)	Output	—	Ignition switch ON	Battery voltage
					Within 45 seconds after ignition switch OFF	Battery voltage
					More than 45 seconds after ignition switch OFF	0V
					When front door LH or RH is open or power window timer operates	0V
69	P	Power window power supply (BAT)	Output	OFF	—	Battery voltage
70	W	Battery power supply	Input	OFF	—	Battery voltage

A
B
C
D
E
F
G
H
I
J
K
L
N
O
P

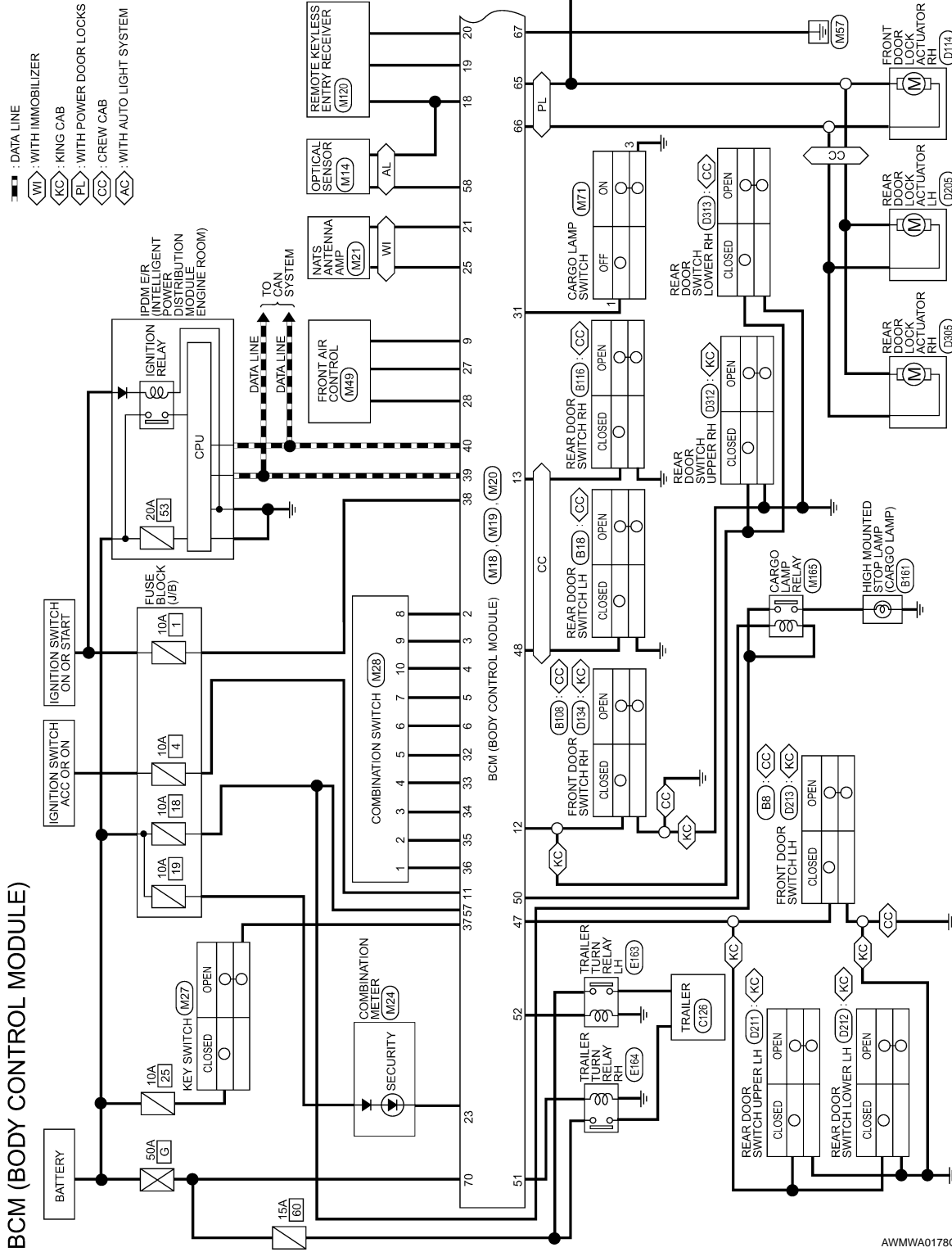
BCS

BCM (BODY CONTROL MODULE)

< ECU DIAGNOSIS >

Wiring Diagram

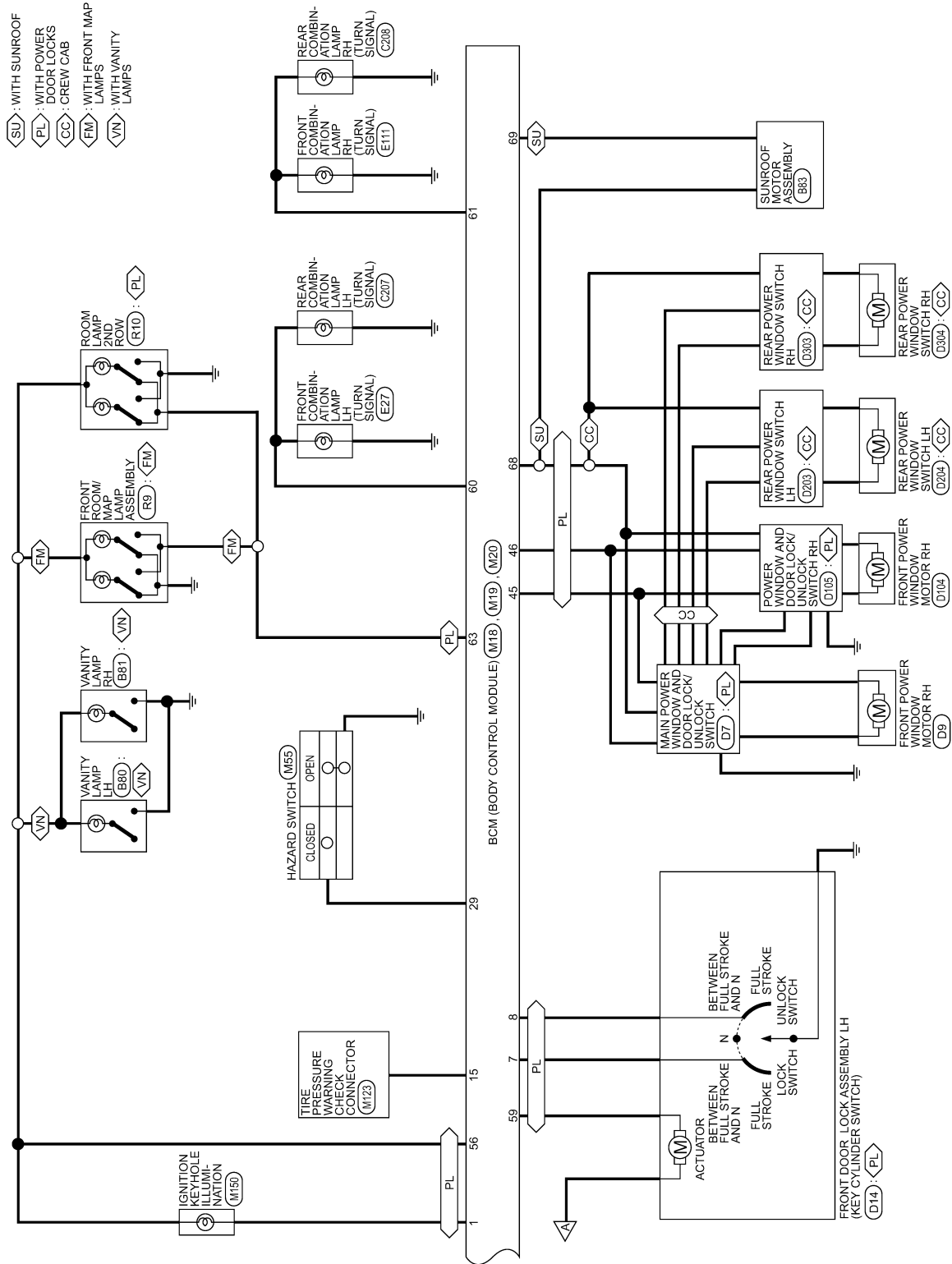
INFOID:000000003292611



AWMWA0178G

BCM (BODY CONTROL MODULE)

< ECU DIAGNOSIS >



AWMWA0179G

A
B
C
D
E
F
G
H
I
J
K
L
N
O
P

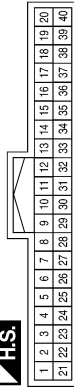
BCS

BCM (BODY CONTROL MODULE)

< ECU DIAGNOSIS >

BCM (BODY CONTROL MODULE) CONNECTORS

Connector No.	M18
Connector Name	BCM (BODY CONTROL MODULE)
Connector Color	WHITE



Terminal No.	Color of Wire	Signal Name
1	BR	KEY RING OUTPUT
2	P	COMBI SW INPUT 5 (LOW SIDE)
3	SB	COMBI SW INPUT 3 (LOW SIDE)
4	V	COMBI SW INPUT 4 (LOW SIDE)
5	L	COMBI SW INPUT 2 (LOW SIDE)
6	R	COMBI SW INPUT 1 (LOW SIDE)

Terminal No.	Color of Wire	Signal Name
7	GR	KEY CYLINDER UNLOCK SW
8	SB	KEY CYLINDER LOCK SW
9	Y	RR DEFOGGER SW
10	-	-
11	G/B	ACC. SW
12	LG	DOOR SW (AS)
13	L	DOOR SW (RR)
14	-	-
15	W	TPMS MODE TRIGGER SW
16	-	-
17	-	-
18	BR	KEYLESS & AUTO LIGHT SENSOR GND
19	V	KEYLESS TUNER POWER SUPPLY OUTPUT
20	G	KEYLESS TUNER SIGNAL
21	GR	IMMOBILISER ATNENNA SIG (CLOCK)

Terminal No.	Color of Wire	Signal Name
22	-	-
23	G	SECURITY INDICATOR OUTPUT
24	-	-
25	BR	IMMOBILISER ATNENNA SIGNAL (TX,RX)
26	-	-
27	W	AIRCON SW
28	R	BLOWER FAN SW
29	G	HAZARD SW
30	GR	-
31	GR	CARGO LAMP SW
32	O	COMBI SW OUTPUT 5 (PULL UP SIDE)
33	GR	COMBI SW OUTPUT 4 (PULL UP SIDE)
34	G	COMBI SW OUTPUT 3 (PULL UP SIDE)
35	BR	COMBI SW OUTPUT 2 (PULL UP SIDE)
36	LG	COMBI SW OUTPUT 1 (PULL UP SIDE)
37	B	KEY SW
38	W/R	IGN SW
39	L	CAN-H
40	P	CAN-L

AWMIA0382GB

BCM (BODY CONTROL MODULE)

< ECU DIAGNOSIS >

Connector No.	M19
Connector Name	BCM (BODY CONTROL MODULE)
Connector Color	WHITE



41	42	43	44	45	46	47	48	49
----	----	----	----	----	----	----	----	----

Terminal No.	Color of Wire	Signal Name
41	-	-
42	-	-
43	-	-
44	-	-

Terminal No.	Color of Wire	Signal Name
45	V	CDL LOCK SW
46	LG	CDL UNLOCK SW
47	GR	DOOR SW (DR)
48	P	DOOR SW (RL)
49	-	-
50	P	CARGO LAMP CARGO OUTPUT
51	G	TRAILER FLASHER OUTPUT (RIGHT)
52	V	TRAILER FLASHER OUTPUT (LEFT)
53	-	-
54	-	-
55	-	-

Connector No.	M20
Connector Name	BCM (BODY CONTROL MODULE)
Connector Color	BLACK



55	57	58	59	60	61	62	63	64
----	----	----	----	----	----	----	----	----

Terminal No.	Color of Wire	Signal Name
56	V	BATTERY SAVER OUTPUT
57	R/Y	BAT (FUSE)
58	W	AUTO LIGHT SENSOR INPUT 2
59	GR	DOOR UNLOCK OUTPUT (DR)
60	LG	FLASHER OUTPUT (LEFT)

Terminal No.	Color of Wire	Signal Name
61	G	FLASHER OUTPUT (RIGHT)
62	-	-
63	BR	ROOM LAMP OUTPUT
64	-	-
65	V	DOOR LOCK OUTPUT (ALL)
66	L	DOOR UNLOCK OUTPUT (OTHER)
67	B	GND (POWER)
68	O	POWER WINDOW POWER SUPPLY OUTPUT (LINKED TO RAP)
69	P	POWER WINDOW POWER SUPPLY OUTPUT (BAT)
70	W	BAT (F/L)

DTC Inspection Priority Chart

If some DTCs are displayed at the same time, perform inspections one by one based on the following priority chart.

AWMIA0383GB

INFOID:000000003292612

A
B
C
D
E
F
G
H
I
J
K
L
N
O
P

BCS

BCM (BODY CONTROL MODULE)

< ECU DIAGNOSIS >

Priority	DTC
1	<ul style="list-style-type: none"> U1000: CAN COMM CIRCUIT U1010: CONTROL UNIT (CAN)
2	<ul style="list-style-type: none"> B2190: NATS ANTENNA AMP B2191: DIFFERENCE OF KEY B2192: ID DISCORD BCM-ECM B2193: CHAIN OF BCM-ECM
3	<ul style="list-style-type: none"> C1729: VHCL SPEED SIG ERR
4	<ul style="list-style-type: none"> C1704: LOW PRESSURE FL C1705: LOW PRESSURE FR C1706: LOW PRESSURE RR C1707: LOW PRESSURE RL C1708: [NO DATA] FL C1709: [NO DATA] FR C1710: [NO DATA] RR C1711: [NO DATA] RL C1712: [CHECKSUM ERR] FL C1713: [CHECKSUM ERR] FR C1714: [CHECKSUM ERR] RR C1715: [CHECKSUM ERR] RL C1716: [PRESSDATA ERR] FL C1717: [PRESSDATA ERR] FR C1718: [PRESSDATA ERR] RR C1719: [PRESSDATA ERR] RL C1720: [CODE ERR] FL C1721: [CODE ERR] FR C1722: [CODE ERR] RR C1723: [CODE ERR] RL C1724: [BATT VOLT LOW] FL C1725: [BATT VOLT LOW] FR C1726: [BATT VOLT LOW] RR C1727: [BATT VOLT LOW] RL

DTC Index

INFOID:000000003292613

NOTE:

- Details of time display
- CRNT: Displays when there is a malfunction now or after returning to the normal condition until turning ignition switch OFF → ON again.
- 1 - 39: Displayed if any previous malfunction is present when current condition is normal. It increases like 1 → 2 → 3...38 → 39 after returning to the normal condition whenever ignition switch OFF → ON. The counter remains at 39 even if the number of cycles exceeds it. It is counted from 1 again when turning ignition switch OFF → ON after returning to the normal condition if the malfunction is detected again.

CONSULT display	Fail-safe	Intelligent Key warning lamp ON	Tire pressure monitor warning lamp ON	Reference page
No DTC is detected. further testing may be required.	—	—	—	—
U1000: CAN COMM CIRCUIT	—	—	—	BCS-25
U1010: CONTROL UNIT (CAN)	—	—	—	BCS-26
B2190: NATS ANTENNA AMP	—	—	—	SEC-17
B2191: DIFFERENCE OF KEY	—	—	—	SEC-20
B2192: ID DISCORD BCM-ECM	—	—	—	SEC-21
B2193: CHAIN OF BCM-ECM	—	—	—	SEC-23
C1708: [NO DATA] FL	—	—	—	WT-13
C1709: [NO DATA] FR	—	—	—	WT-13

BCM (BODY CONTROL MODULE)

< ECU DIAGNOSIS >

CONSULT display	Fail-safe	Intelligent Key warning lamp ON	Tire pressure monitor warning lamp ON	Reference page	
C1710: [NO DATA] RR	—	—	—	WT-13	A
C1711: [NO DATA] RL	—	—	—	WT-13	B
C1712: [CHECKSUM ERR] FL	—	—	—	WT-15	
C1713: [CHECKSUM ERR] FR	—	—	—	WT-15	C
C1714: [CHECKSUM ERR] RR	—	—	—	WT-15	
C1715: [CHECKSUM ERR] RL	—	—	—	WT-15	
C1716: [PRESSDATA ERR] FL	—	—	—	WT-17	D
C1717: [PRESSDATA ERR] FR	—	—	—	WT-17	
C1718: [PRESSDATA ERR] RR	—	—	—	WT-17	
C1719: [PRESSDATA ERR] RL	—	—	—	WT-17	E
C1720: [CODE ERR] FL	—	—	—	WT-15	
C1721: [CODE ERR] FR	—	—	—	WT-15	F
C1722: [CODE ERR] RR	—	—	—	WT-15	
C1723: [CODE ERR] RL	—	—	—	WT-15	
C1724: [BATT VOLT LOW] FL	—	—	—	WT-15	G
C1725: [BATT VOLT LOW] FR	—	—	—	WT-15	
C1726: [BATT VOLT LOW] RR	—	—	—	WT-15	H
C1727: [BATT VOLT LOW] RL	—	—	—	WT-15	
C1729: VHCL SPEED SIG ERR	—	—	—	WT-18	I

BCS

N

O

P

COMBINATION SWITCH SYSTEM SYMPTOMS

< SYMPTOM DIAGNOSIS >

SYMPTOM DIAGNOSIS

COMBINATION SWITCH SYSTEM SYMPTOMS

Symptom Table

INFOID:000000003292614

1. Perform the data monitor of CONSULT-III to check for any malfunctioning item.
2. Check the malfunction combinations.

Malfunction item: ×

Data monitor item													Malfunction combination
TURN SIGNAL R	TURN SIGNAL L	HI BEAM SW	HEADLAMP SW 1	HEADLAMP SW 2	TAIL LAMP SW	PASSING SW	FR FOG SW	FR WIPER HI	FR WIPER LOW	FR WIPER INT	FR WASHER SW	INT VOLUME	
×	×								×		×		A
			×			×		×		×			B
		×		×								×	C
					×							×	D
							×					×	E
								×				×	F
											×	×	G
									×	×			H
	×			×		×	×						I
×		×	×		×								J
Combinations other than those above													K
All Items													L
If only one item is detected or the item is not applicable to the combinations A to L													M

3. Identify the malfunctioning part from the agreed combination and repair or replace the part.

Malfunction combination	Malfunctioning part	Repair or replace
A	Combination switch INPUT 1 circuit	Inspect the combination switch input circuit applicable to the malfunctioning part. Refer to BCS-28, "Diagnosis Procedure" .
B	Combination switch INPUT 2 circuit	
C	Combination switch INPUT 3 circuit	
D	Combination switch INPUT 4 circuit	
E	Combination switch INPUT 5 circuit	
F	Combination switch OUTPUT 1 circuit	Inspect the combination switch output circuit applicable to the malfunctioning part. Refer to BCS-30, "Diagnosis Procedure" .
G	Combination switch OUTPUT 2 circuit	
H	Combination switch OUTPUT 3 circuit	
I	Combination switch OUTPUT 4 circuit	
J	Combination switch OUTPUT 5 circuit	
K	Light and turn signal switch or front wiper and washer switch	Refer to BCS-32, "Description" .
L	BCM	Replace BCM. Refer to BCS-49, "Removal and Installation" .
M	Light and turn signal switch or front wiper and washer switch	Replace the switch that cannot be operated.

BCM (BODY CONTROL MODULE)

< ON-VEHICLE REPAIR >

ON-VEHICLE REPAIR

BCM (BODY CONTROL MODULE)

Removal and Installation

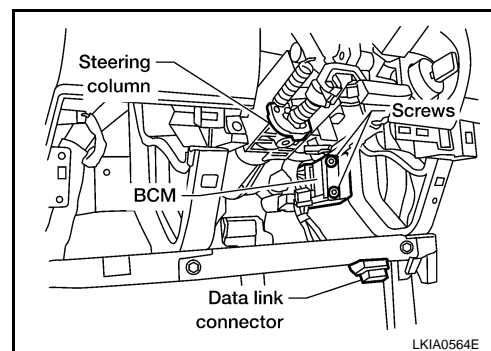
INFOID:000000003292615

REMOVAL

NOTE:

If possible, before removing BCM, retrieve current BCM configuration to use for reference when configuring brand-new BCM after installation. Refer to [BCS-4, "CONFIGURATION : Special Repair Requirement"](#).

1. Disconnect the battery negative terminal.
2. Remove the lower instrument panel LH. Refer to [IP-10, "Exploded View"](#).
3. Remove the knee protector. Refer to [IP-10, "Exploded View"](#).
4. Remove the BCM screws and release the BCM.
5. Disconnect the BCM connectors and then remove the BCM.



INSTALLATION

Installation is in the reverse order of removal.

NOTE:

- When replacing the BCM, it must be configured. Refer to [BCS-4, "CONFIGURATION : Special Repair Requirement"](#).
- When replacing the BCM, perform initialization of NATS system and registration of all NATS ignition key IDs. Refer to [BCS-4, "CONFIGURATION : Special Repair Requirement"](#).
- When replacing the BCM, perform ID registration procedure of low tire pressure warning system. Refer to [WT-6, "ID Registration Procedure"](#).
- When replacing the BCM, register the remote keyless entry system keyfob ID codes. Refer to [BCS-3, "ADDITIONAL SERVICE WHEN REPLACING CONTROL UNIT : Special Repair Requirement"](#).
- When replacing the BCM, perform adjustment procedure for the steering angle sensor. Refer to [BRC-163, "ADJUSTMENT OF STEERING ANGLE SENSOR NEUTRAL POSITION : Special Repair Requirement"](#).

BCS