

SECTION **SE** SEAT

A
B
C
D
E
F
G
H
I
J
K
L
M

CONTENTS

FRONT SEAT	2	REAR SEAT	3
Removal and Installation	2	Removal and Installation	3

SE

FRONT SEAT

PFP:87000

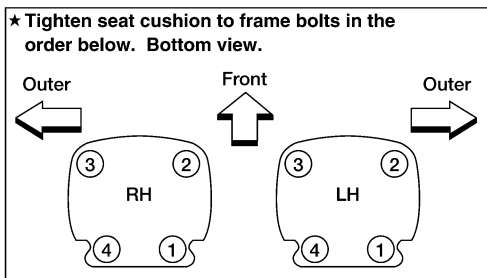
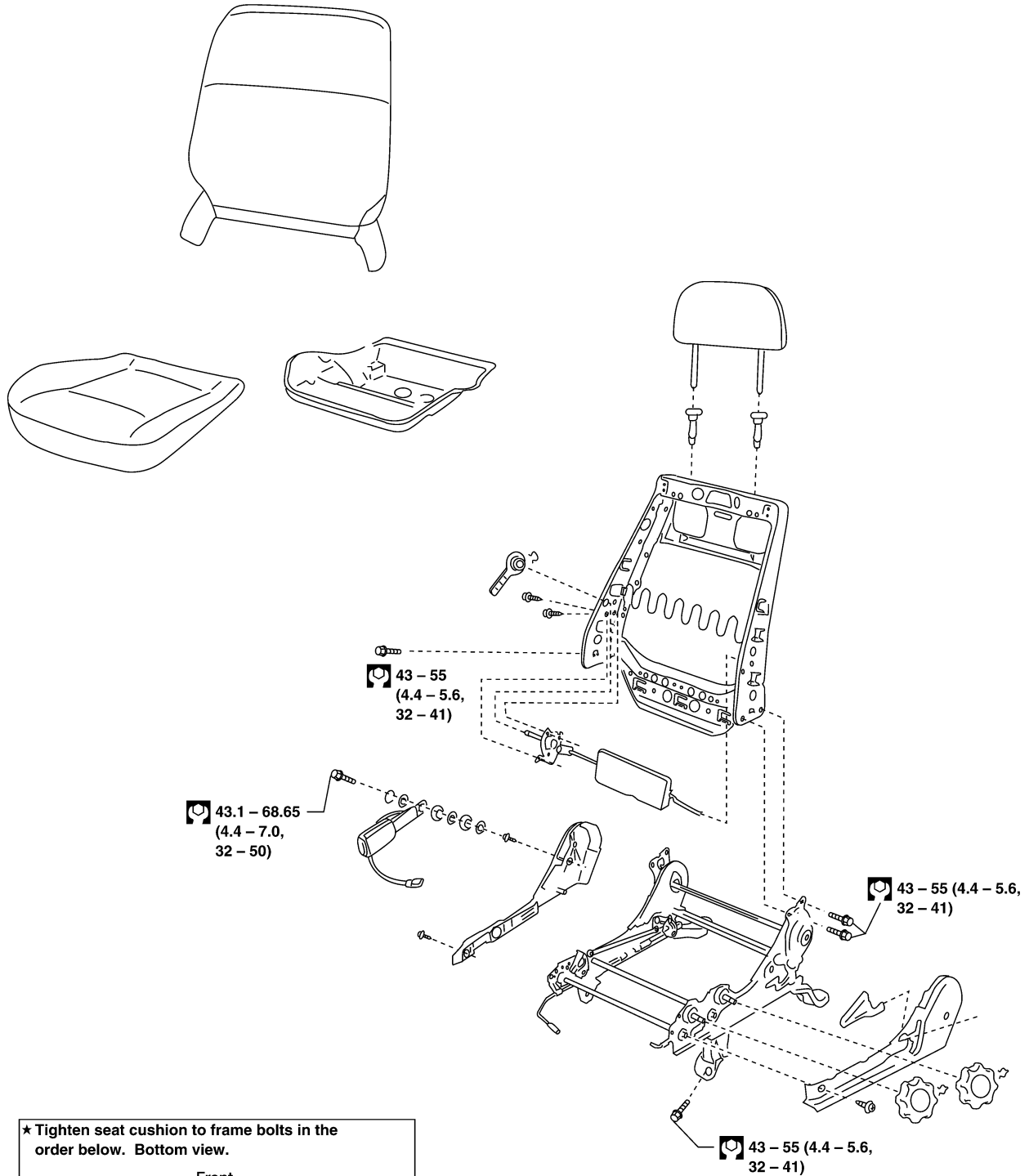
EIS002DY

FRONT SEAT

Removal and Installation

- When removing and installing the seat trim, carefully handle it to keep dirt out and avoid damage.

SEC. 868 • 870



: N·m (kg·m, ft·lb)

: Grease-up point
(Do not apply too much grease as it will drip)

LIA0261E

REAR SEAT

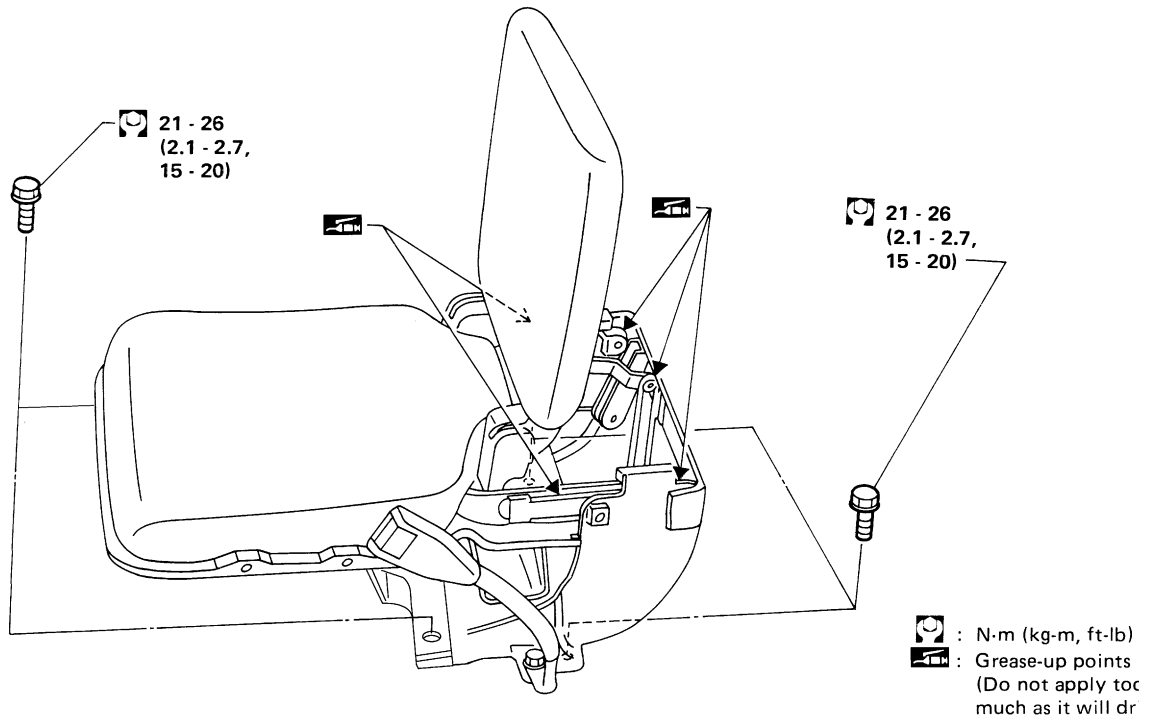
REAR SEAT

PF:88300

Removal and Installation

EIS002DZ

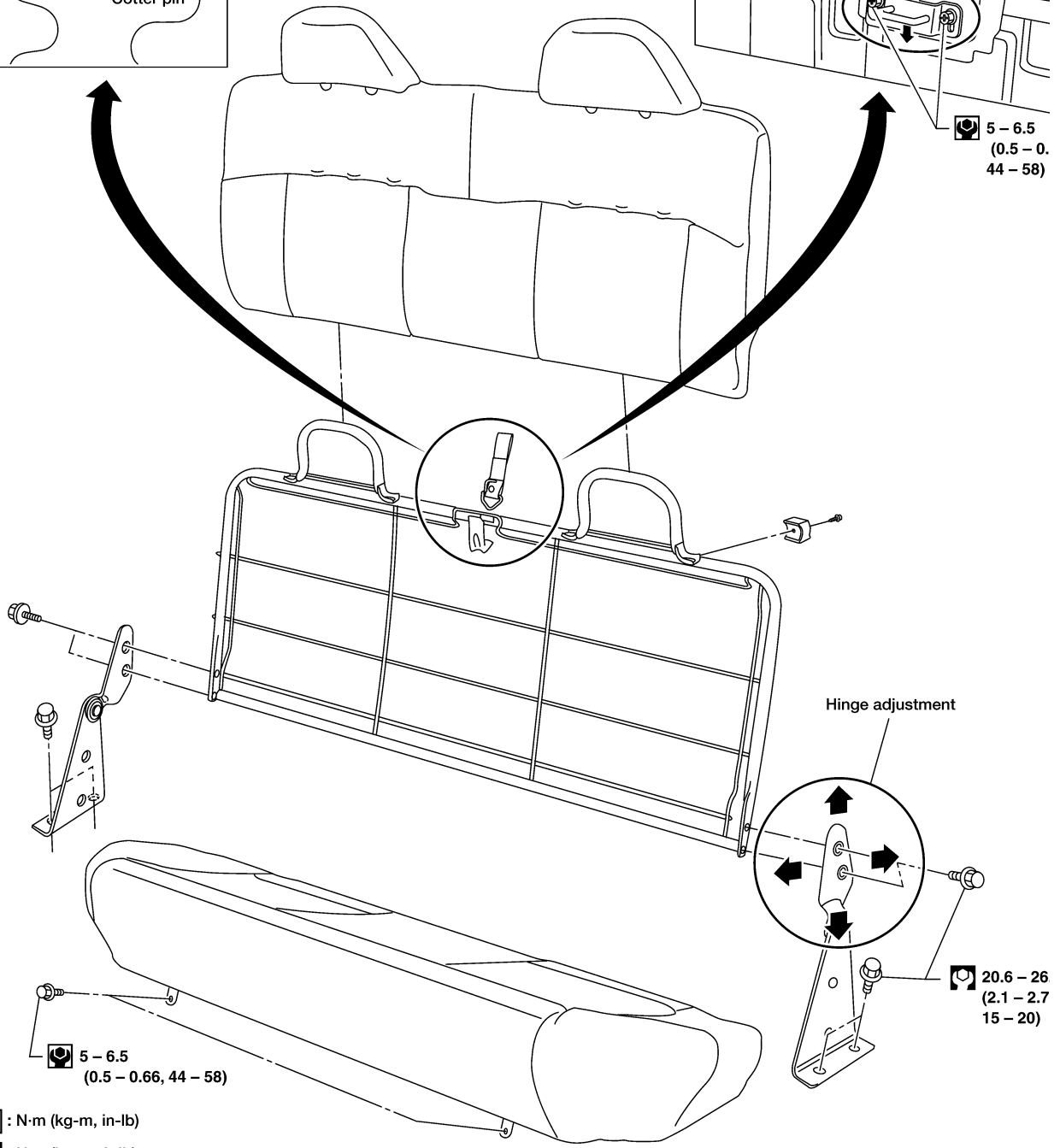
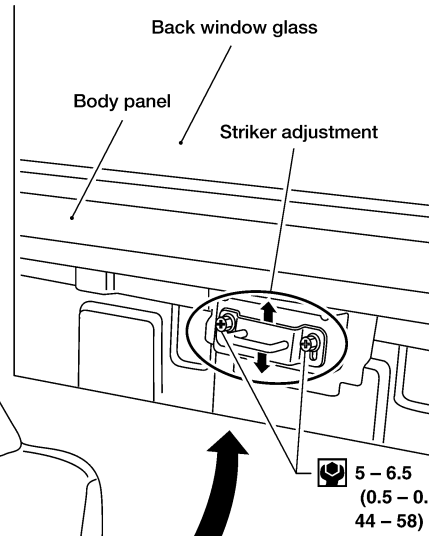
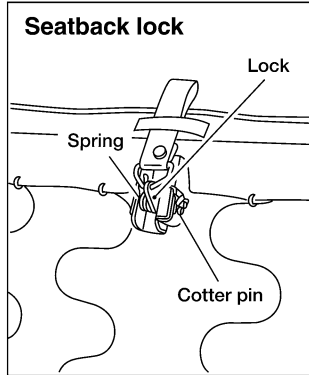
SEC. 880



A
B
C
D
E
F
G
H
SE
J
K
L
M

REAR SEAT

SEC. 868 • 870



: N·m (kg·m, in·lb)

: N·m (kg·m, ft·lb)

WBT139