

FRONT & REAR AXLE

SECTION **AX**

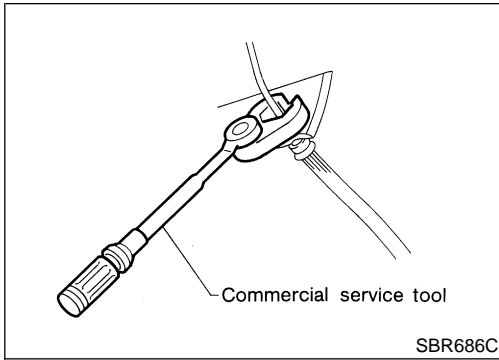
CONTENTS

FRONT AXLE	2	DISASSEMBLY	18
Precautions	2	INSPECTION.....	19
PRECAUTIONS	2	ASSEMBLY	20
Preparation	2	INSTALLATION	22
SPECIAL SERVICE TOOLS	2	Service Data and Specifications (SDS).....	22
COMMERCIAL SERVICE TOOLS	3	WHEEL BEARING (FRONT)	22
Noise, Vibration and Harshness (NVH)		DRIVE SHAFT (4WD MODELS)	23
Troubleshooting	4	REAR AXLE	25
NVH TROUBLESHOOTING CHART	4	Precautions	25
On-vehicle Service.....	4	PRECAUTIONS	25
FRONT AXLE PARTS	4	Preparation	25
FRONT WHEEL BEARING	5	SPECIAL SERVICE TOOLS	25
DRIVE SHAFT	7	COMMERCIAL SERVICE TOOLS	25
Components.....	8	Noise, Vibration and Harshness (NVH)	
Auto-lock Free-running Hub	10	Troubleshooting	27
DESCRIPTION	10	On-vehicle Service.....	27
REMOVAL AND INSTALLATION	10	REAR AXLE PARTS	27
INSPECTION	11	REAR WHEEL BEARING	28
TROUBLE DIAGNOSIS FOR NOISE	11	Components.....	29
Wheel Hub and Rotor Disc.....	12	Removal.....	30
REMOVAL AND INSTALLATION	12	Inspection.....	33
DISASSEMBLY	13	AXLE SHAFT	33
INSPECTION	13	WHEEL BEARING	33
ASSEMBLY	13	AXLE CASE	33
Knuckle Spindle	14	Installation.....	34
REMOVAL	14	2WD MODELS	34
INSPECTION	15	4WD MODELS	36
INSTALLATION	16	Service Data and Specifications (SDS).....	38
Drive Shaft	16	WHEEL BEARING (REAR)	38
COMPONENTS	16		
REMOVAL	17		

GI
MA
EM
LC
EC
FE
CL
MT
AT
TF
PD
AX
SU
BR
ST
RS
BT
HA
SC
EL
IDX

FRONT AXLE

Precautions



Precautions PRECAUTIONS

- When installing rubber parts, final tightening must be carried out under unladen condition* with tires on ground.
*: Fuel, radiator coolant and engine oil full. Spare tire, jack, hand tools and mats in designated positions.
- Use flare nut wrench when removing and installing brake tubes.
- After installing removed suspension parts, check wheel alignment and adjust if necessary.
- Always torque brake lines when installing.

CAUTION:

- The ZF100 type (wheel side) joint assembly has two types of boot material; one is made of rubber and the other is made of plastic.
- Do not disassemble the joint assembly with the plastic boot. If the boot or joint is damaged, replace the drive shaft assembly.

Preparation

SPECIAL SERVICE TOOLS

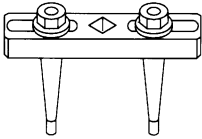
The actual shapes of Kent-Moore tools may differ from those of special service tools illustrated here.

NEAX0002

Tool number (Kent-Moore No.) Tool name	Description
ST29020001 (J24319-01) Gear arm puller	<p>Removing ball joint for knuckle spindle a: 34 mm (1.34 in) b: 6.5 mm (0.256 in) c: 61.5 mm (2.421 in)</p> <p>NT694</p>
HT72520000 (J25730-B) Ball joint remover	<p>Removing tie-rod outer end a: 33 mm (1.30 in) b: 50 mm (1.97 in) r: R11.5 mm (0.453 in)</p> <p>NT546</p>
KV401021S0 (—) Bearing race drift	<p>Installing wheel bearing outer race</p> <p>NT153</p>

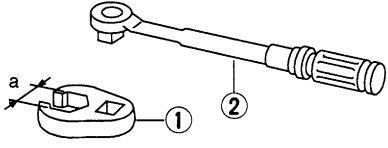
FRONT AXLE

Preparation (Cont'd)

Tool number (Kent-Moore No.) Tool name	Description	
KV40105400 (J36001) Wheel bearing lock nut wrench		Removing and installing wheel bearing lock nut (4WD models only)
	NT154	

COMMERCIAL SERVICE TOOLS

NEAX0003

Tool name	Description	
1 Flare nut crowfoot 2 Torque wrench		Removing and installing each brake piping a: 10 mm (0.39 in)
	NT360	

GI
 MA
 EM
 LC
 EC
 FE
 CL
 MT
 AT
 TF
 PD
AX
 SU
 BR
 ST
 RS
 BT
 HA
 SC
 EL
 IDX

FRONT AXLE

Noise, Vibration and Harshness (NVH) Troubleshooting

Noise, Vibration and Harshness (NVH) Troubleshooting

=NEAX0004

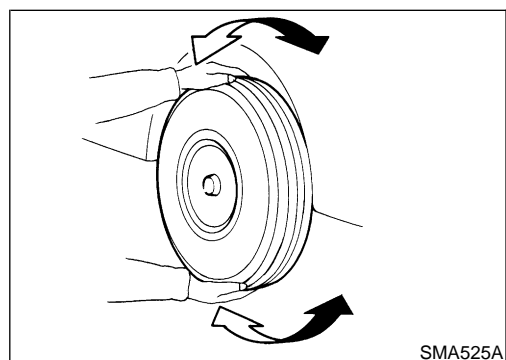
NVH TROUBLESHOOTING CHART

NEAX0004S01

Use the chart below to help you find the cause of the symptom. If necessary, repair or replace these parts.

Reference page			—	AX-19	—	AX-8, 29	—	AX-5, 28	Refer to NVH, PD-4	Refer to NVH, PD-4	Refer to DRIVE SHAFT in this chart.	Refer to AXLE in this chart.	Refer to NVH, SU-3	Refer to NVH, SU-3	Refer to NVH, SU-3	Refer to NVH, BR-8	Refer to NVH, ST-5	
Possible cause and SUSPECTED PARTS			Excessive joint angle	Joint sliding resistance	Imbalance	Improper installation, looseness	Parts interference	Wheel bearing damage	PROPELLER SHAFT	DIFFERENTIAL	DRIVE SHAFT	AXLE	SUSPENSION	TIRES	ROAD WHEEL	BRAKES	STEERING	
Symptom	DRIVE SHAFT	Noise, Vibration	x	x					x	x		x	x	x	x	x	x	
		Shake	x		x				x			x	x	x	x	x	x	x
	AXLE	Noise				x	x		x	x	x		x	x	x	x	x	x
		Shake				x	x		x		x		x	x	x	x	x	x
		Vibration				x	x		x		x		x	x				x
		Shimmy				x	x							x	x	x	x	x
		Judder				x								x	x	x	x	x
		Poor quality ride or handling				x	x	x						x	x	x		

x: Applicable



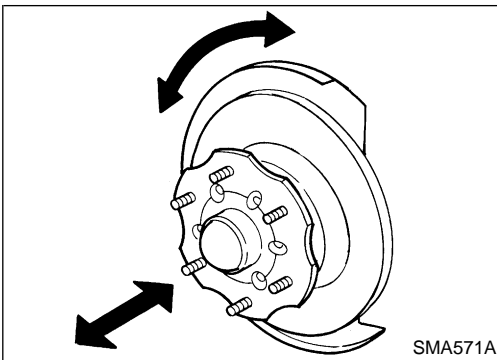
On-vehicle Service FRONT AXLE PARTS

NEAX0005

Check front axle parts for excessive play, cracks, wear and other damage.

- Shake each front wheel to check for excessive play. If looseness is noted, adjust wheel bearing end play, then check ball joint end play.
- Make sure that the cotter pin is inserted.
- Retighten all nuts and bolts to the specified torque.

 : Refer to **SU-20**, "FRONT SUSPENSION".



FRONT WHEEL BEARING

NEAX0006

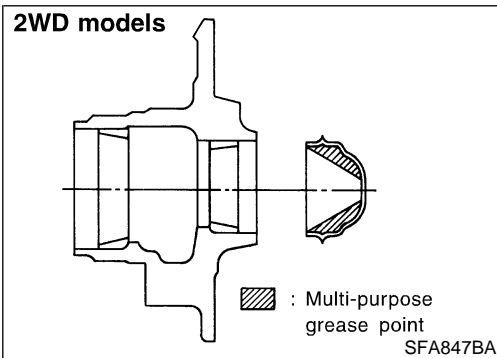
- Check that wheel bearings operate smoothly.
- Check axial end play.
 - Axial end play: 0 mm (0 in)**
- Adjust wheel bearing preload if there is any axial end play or wheel bearing does not turn smoothly.

GI

MA

EM

LC



Preload Adjustment (2WD models)

NEAX0006S01

Adjust wheel bearing preload after wheel bearing has been replaced or front axle has been reassembled.

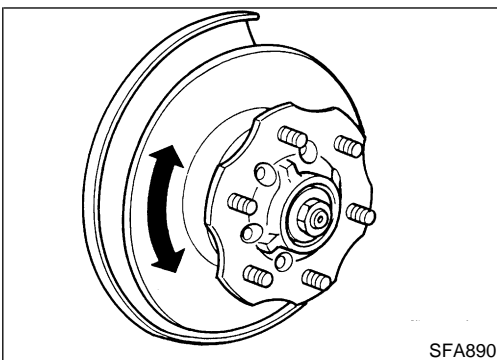
1. Before adjustment, thoroughly clean all parts to prevent dirt entry.
2. Apply multi-purpose grease sparingly to the following parts:
 - Threaded area of spindle
 - Contact surface between lock washer and outer wheel bearing
 - Hub cap (as shown at left) **18 - 22 g (0.63 - 0.78 oz)**
 - Grease seal lip
3. Tighten wheel bearing lock nut to the specified torque.
 - ☞ : 34 - 39 N-m (3.5 - 4.0 kg-m, 25 - 29 ft-lb)**
4. Turn wheel hub several times in both directions to seat wheel bearing correctly.
5. Again tighten wheel bearing lock nut to the specified torque.
 - ☞ : 34 - 39 N-m (3.5 - 4.0 kg-m, 25 - 29 ft-lb)**

EC

FE

CL

MT

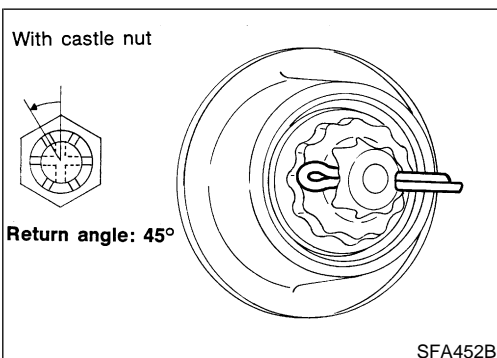


AT

TF

PD

AX



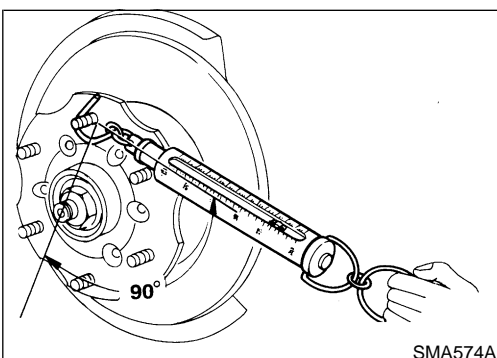
6. Turn wheel bearing lock nut back 45 degrees.
7. Fit adjusting cap and new cotter pin. Align cotter pin slot by loosening nut 15 degrees or less.

SU

BR

ST

RS



8. Measure wheel bearing preload and axial end play.
 - Axial end play: 0 mm (0 in)**
 - Wheel bearing preload (As measured at wheel hub bolt):**
 - New grease seal**
 - 9.8 - 28.4 N (1.0 - 2.9 kg, 2.2 - 6.4 lb)**
 - Used grease seal**
 - 9.8 - 23.5 N (1.0 - 2.4 kg, 2.2 - 5.3 lb)**

BT

HA

SC

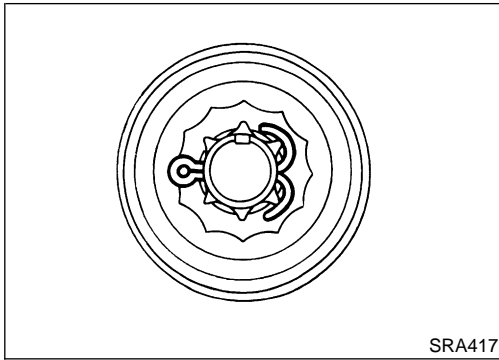
EL

Repeat above procedures until correct bearing preload is obtained.

IDX

FRONT AXLE

On-vehicle Service (Cont'd)



9. Spread cotter pin.
10. Install hub cap.

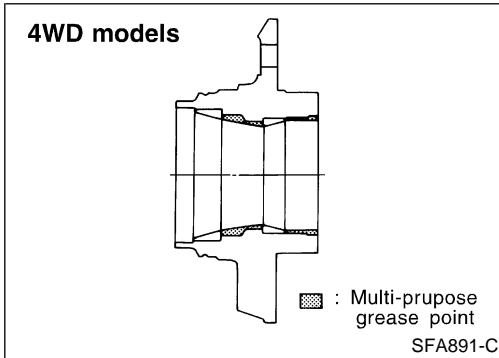
Preload Adjustment (4WD models)

NEAX0006S02

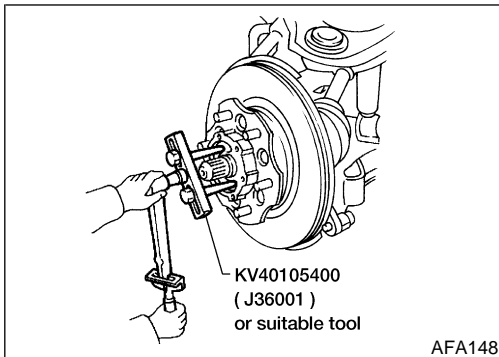
Adjust wheel bearing preload after wheel bearing has been replaced or front axle has been reassembled.

Adjust wheel bearing preload as follows:

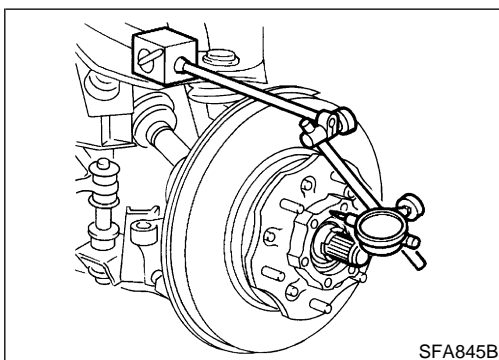
1. Before adjustment, thoroughly clean all parts to prevent dirt entry.



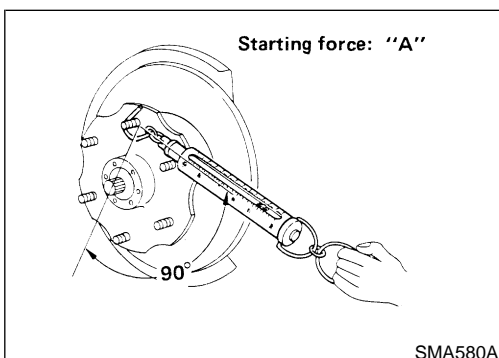
2. Apply multi-purpose grease sparingly to the following parts:
 - Threaded portion of spindle
 - Contact surface between wheel bearing washer and outer wheel bearing
 - Grease seal lip
 - Wheel hub (as shown at left) **18 - 23 g (0.63 - 0.81 oz)**



3. Tighten wheel bearing lock nut with Tool.
☞ : 78 - 98 N-m (8 - 10 kg-m, 58 - 72 ft-lb)
4. Turn wheel hub several times in both directions.
5. Loosen wheel bearing lock nut so that torque becomes 0 N-m (0 kg-m, 0 ft-lb).
6. Retighten wheel bearing lock nut with Tool.
☞ : 0.5 - 1.5 N-m (0.05 - 0.15 kg-m, 4.3 - 13.0 in-lb)



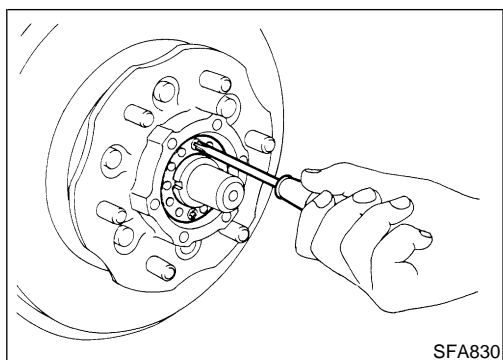
7. Turn wheel hub several times in both directions.
8. Retighten wheel bearing lock nut with Tool.
☞ : 0.5 - 1.5 N-m (0.05 - 0.15 kg-m, 4.3 - 13.0 in-lb)
9. Measure wheel bearing axial end play.
Axial end play: 0 mm (0 in)



10. Measure starting force "A" at wheel hub bolt.

FRONT AXLE

On-vehicle Service (Cont'd)




11. Install lock washer by tightening the lock nut within 15 to 30 degrees to align screw holes.
12. Turn wheel hub several times in both directions to seat wheel bearing correctly.
13. Measure starting force "B" at wheel hub bolt. Refer to step 10.
14. Wheel bearing preload "C" can be calculated as shown below.


$$C = B - A$$

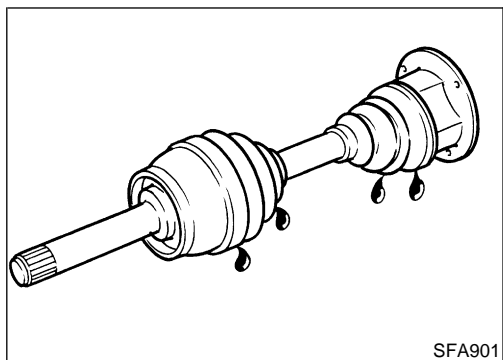
Wheel bearing preload "C":

7.06 - 20.99 N (0.72 - 2.14 kg, 1.59 - 4.72 lb)

15. If wheel bearing preload "C" is outside specifications, remove lock washer. Tighten or loosen lock nut within ± 15 degrees (Refer to step 11 above). Install lock washer, then repeat steps 12, 13 and 14.
16. Repeat above procedures until correct axial end play and wheel bearing preload are obtained.
17. Tighten screws.
18. Install free-running hub.
19. Tighten bolts.

 : 1.2 - 1.8 N-m (0.12 - 0.18 kg-m, 10.4 - 15.6 in-lb)

 : 25 - 34 N-m (2.5 - 3.5 kg-m, 18 - 25 ft-lb)



DRIVE SHAFT

- Check for grease leakage and damage.

CAUTION:

- The ZF100 type (wheel side) joint assembly has two types of boot material; one is made of rubber and the other is made of plastic.
- Do not disassemble the joint assembly with the plastic boot. If the boot or joint is damaged, replace the drive shaft assembly.

GI

MA

EM

LC

EC

FE

CL

MT

AT

TF

PD

AX

SU

BR

ST

RS

BT

HA

SC

EL

IDX

FRONT AXLE

Components

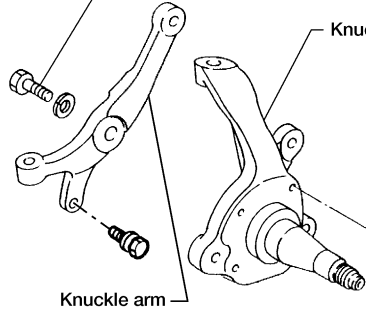
NEAX0008

Components

2WD

SEC. 400

72 - 97 (7.3 - 9.9, 53 - 72)



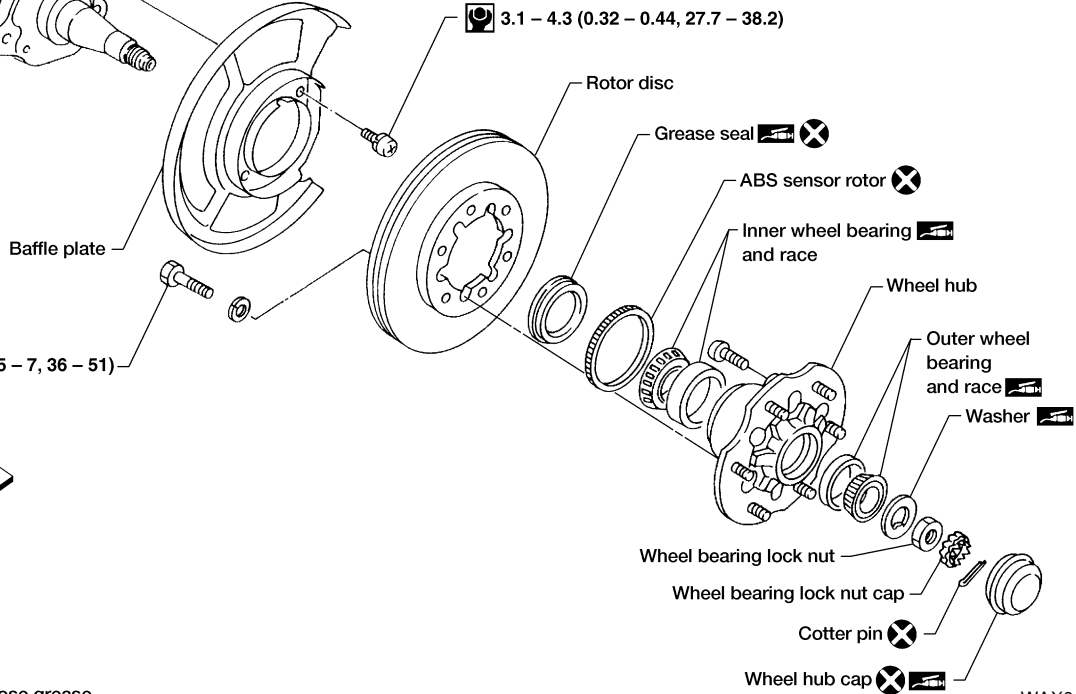
78 - 147 (8.0 - 15.0, 58 - 108)
To upper ball joint

118 - 191 (12.0 - 19.5, 87 - 141)
To lower ball joint

72 - 97 (7.3 - 9.9, 53 - 72)
To knuckle arm

3.1 - 4.3 (0.32 - 0.44, 27.7 - 38.2)

49 - 69 (5 - 7, 36 - 51)



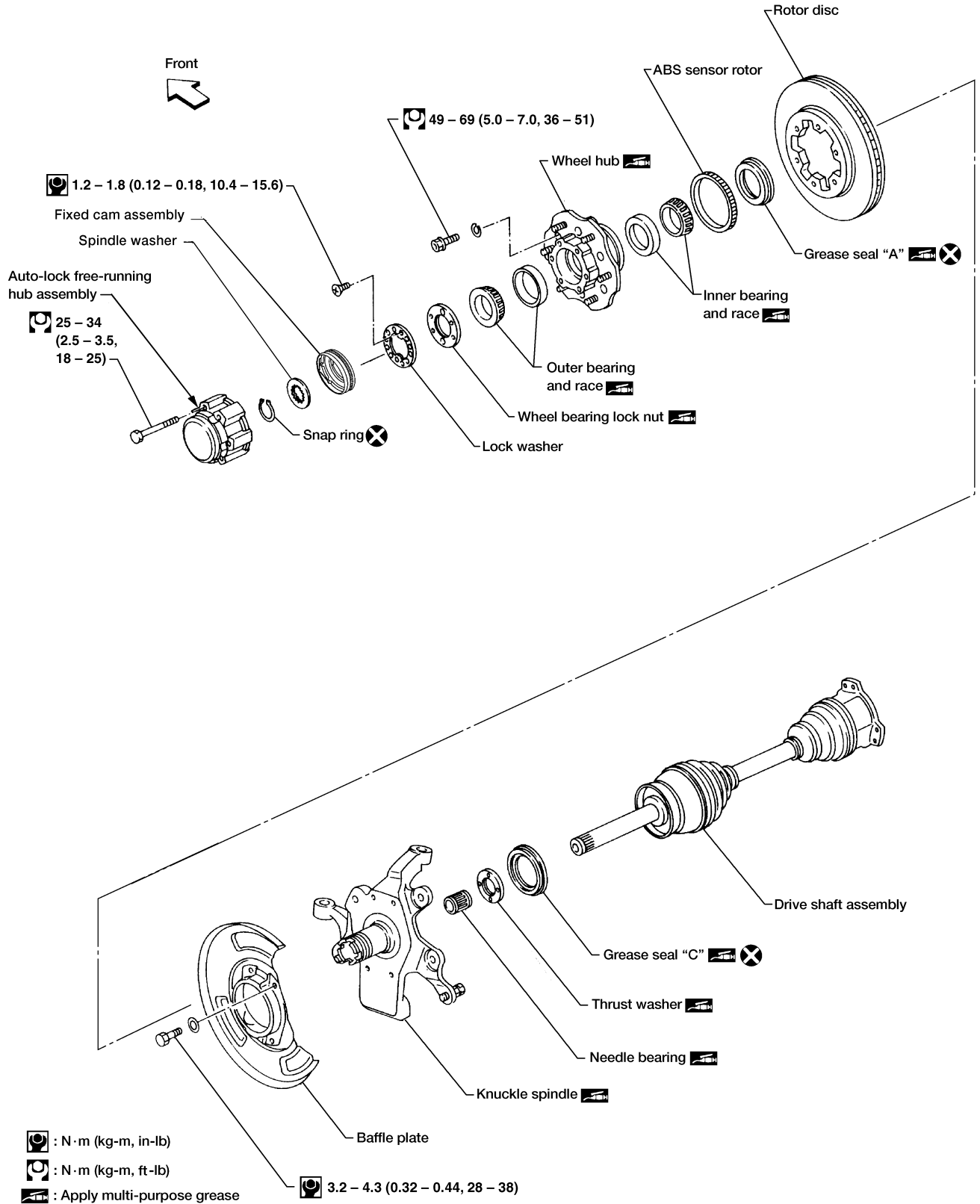
- : N·m (kg-m, in-lb)
- : N·m (kg-m, ft-lb)
- : Apply multi-purpose grease

WAX019

FRONT AXLE

Components (Cont'd)

4WD
SEC. 391 • 400



GI
MA
EM
LC
EC
FE
CL
MT
AT
TF
PD
AX
SU
BR
ST
RS
BT
HA
SC
EL
IDX

WAX018

FRONT AXLE

Auto-lock Free-running Hub

DESCRIPTION

NEAX0041

Auto-lock free-running hubs are locked by placing the transfer case into the 4WD mode and moving the vehicle. They are unlocked by placing the transfer case into 2WD mode and moving the vehicle in reverse gear **in a straight line** for at least 2–3 meters (7–10 feet).

In most cases, the “ratcheting” noise sometimes heard in auto-lock free-running hubs occurs when one hub is locked and the opposite hub is unlocked. The noise is heard in the side opposite to the locked hub. For example, if the noise is heard at the left front wheel, the **right** front hub is still locked and is not unlocking. This condition may be caused by a mechanical condition in one of the hubs or by incorrect operation on the part of the vehicle driver, for example by not backing up in a straight line to unlock the hubs, by not backing up enough, or by shifting into 4WD at too high a vehicle speed, etc.

The ratcheting noise does not necessarily cause damage to the good hub. If the noise is caused by incorrect operation, counsel the driver of the vehicle. If replacement is necessary, replace only the defective parts. It is not necessary to replace auto-lock free-running hubs in pairs.

Use the trouble diagnosis chart to isolate the cause of the noise. Refer to “TROUBLE DIAGNOSIS FOR NOISE”, AX-11.

REMOVAL AND INSTALLATION

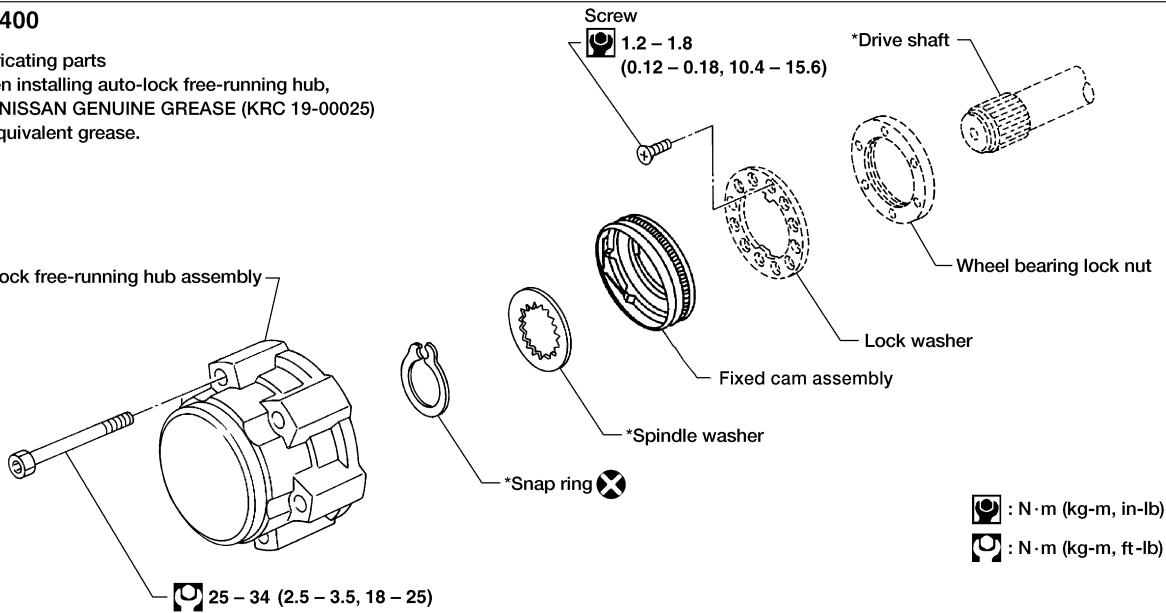
NEAX0011

SEC. 400

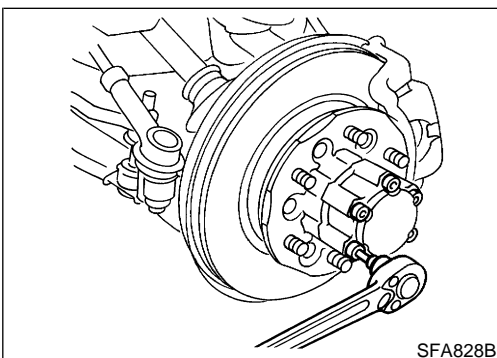
* : Lubricating parts

When installing auto-lock free-running hub, use NISSAN GENUINE GREASE (KRC 19-00025) or equivalent grease.

Auto-lock free-running hub assembly



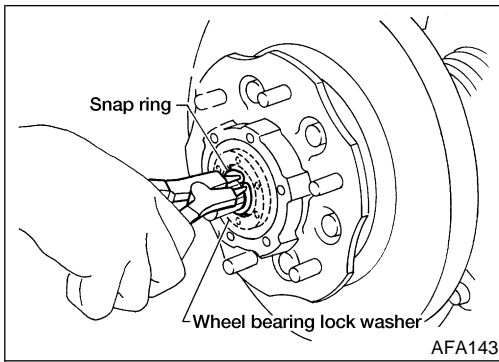
AAX008



1. Remove auto-lock free-running hub assembly.

FRONT AXLE

Auto-lock Free-running Hub (Cont'd)



2. Remove snap ring.
3. Remove spindle washer and fixed cam assembly.
4. Install fixed cam assembly.
Be sure to align the tabs of the fixed cam assembly to the notches of the knuckle.
5. Place the spindle washer and then the snap ring over the axle shaft positioning them between the 2 locking grooves.
6. While supporting the axle shaft behind the knuckle, use an appropriate sized deep socket to securely seat the snap ring into the inner locking groove.

CAUTION:

Visually verify that the snap ring is fully seated into the locking groove.

7. After installing auto-lock free-running hub, check operation.

During installation, apply recommended grease to the parts shown in the above illustration.

INSPECTION

1. Check axle axial end play. Refer to "INSTALLATION", AX-22.^{NEAX0042}
2. Inspect fixed cam (thrust washer) assembly. If this part shows evidence of galling or heat damage—usually caused by too little axle axial end play—replace as necessary. Check axle axial end play if this part is replaced. Refer to "INSTALLATION", AX-22.
3. Inspect hub assembly. Hold inner splines on a finger and spin the outer body. If the hub shows signs of damage, or if there is excessive metallic clicking when the hub is spun, replace with a new one.

NOTE:

New hubs are greased during manufacture. No additional grease is required.

New hubs are supplied with fixed cam assemblies

CAUTION:

Any hub, the original or a new one, should go onto the axle freely by hand and fit flush against its seat. If it does not fit flush, do not pull the hub into place by tightening the bolts. The hub is possibly misaligned inside and tightening the bolts will cause damage. Remove the hub and turn to align correctly before continuing.

4. Once repair is complete, test drive to check for correct operation and the absence of noise.

TROUBLE DIAGNOSIS FOR NOISE

NEAX0043

Symptom	Possible cause	Repair order
Ratchet noise in hub after shifting the transfer case into 4WD at speeds higher than 40 km/h (25 mph).	1. Shifting into 4WD at higher speeds is difficult and may cause damage to transfer case	1. Stop the vehicle or decrease speed to less than 40 km/h (25 mph). Return the transfer case lever to the 2H position once, then re-shift to the 4H position. Move forward until the hubs lock.
Ratchet noise in hub after shifting or attempting to shift the transfer case into 4WD at speeds less than 40 km/h (25 mph).	1. Transfer case was not fully engaged or shifting was stopped halfway so that only one hub locked	1. Make sure the 4WD lamp on the dash is "ON" when shifting into 4WD. Slow or stop the vehicle. Shift into 2H, then back to 4H. Move forward until the hubs lock.
Ratchet noise in hub after shifting the transfer case into 4WD on snowy or muddy roads or on slopes.	1. If the rear wheels slip during the hub locking operation, noise can occur in the hubs	1. Reduce engine speed and drive forward slowly. The hubs will lock evenly and the noise will stop.

GI
MA
EM
LC
EC
FE
CL
MT
AT
TF
PD
AX
SU
BR
ST
RS
BT
HA
SC
EL
IDX

FRONT AXLE

Auto-lock Free-running Hub (Cont'd)

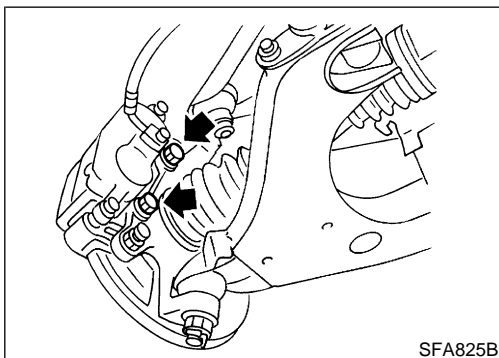
Symptom	Possible cause	Repair order
Ratchet noise in hub after shifting the transfer case into 2WD and backing up to unlock the hubs.	1. The hubs may not be fully released	1. Stop the vehicle, make sure the transfer case lever is fully in the 2H position, then back up slowly in a straight line at least 2-3 meters (7-10 feet).
Ratchet noise in hub when driving in extremely cold weather.	1. The viscosity of differential oil grows higher in extreme cold, increasing the possibility that one hub may lock. A lower viscosity differential fluid may be required for extreme cold temperatures. See owner's manual	1. Shift the transfer case into 4H and drive the vehicle for 10 minutes or more to warm the differential oil. Then shift to 2WD and back up in a straight line for at least 2-3 meters (7-10 feet) to disengage the hubs.
Continual ratchet noise in one wheel when moving forward.	1. A hub may be mechanically locked either by damage or misinstallation	1. Remove hubs and inspect. Refer to "INSPECTION", AX-11. Pay special attention to the hub opposite the noisy side. The ratcheting does not necessarily cause damage to the good hub.

Wheel Hub and Rotor Disc REMOVAL AND INSTALLATION

NEAX0012

CAUTION:

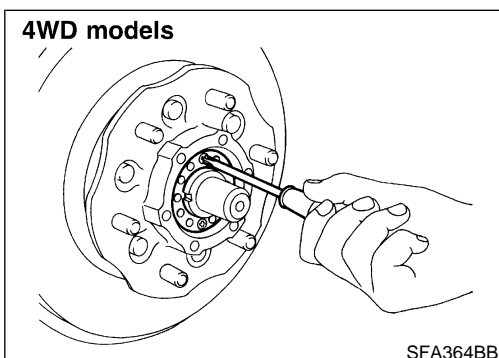
If equipped with ABS, disconnect the ABS wheel sensor from the assembly before removing the front axle assembly. Then move it away from the front axle assembly area. Failure to do so may result in damage to the sensor wires and the sensor becoming inoperative.



1. Remove free-running hub assembly (4WD models). Refer to "Auto-lock Free-running Hub", AX-10.
2. Remove brake caliper assembly without disconnecting hydraulic line.

Brake hose need not be disconnected from brake caliper. In this case, suspend caliper assembly with wire so as not to stretch brake hose.

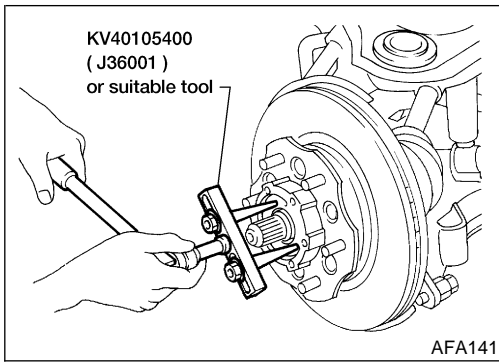
Be careful not to depress brake pedal, or piston will pop out. Make sure brake hose is not twisted.



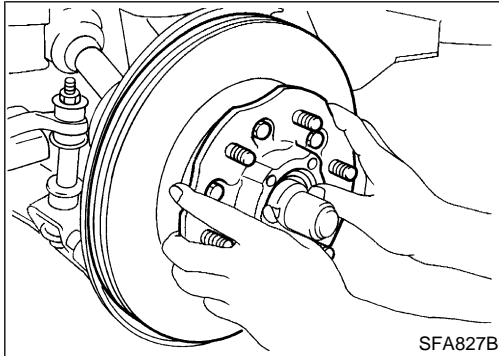
3. Remove lock washer (4WD models).

FRONT AXLE

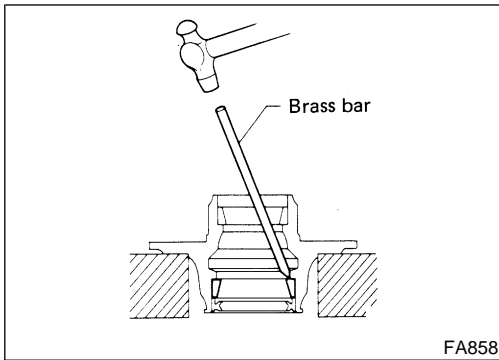
Wheel Hub and Rotor Disc (Cont'd)



4. Remove wheel bearing lock nut.
2WD: With suitable tool
4WD: With Tool



5. Remove wheel hub and wheel bearings.
Be careful not to drop outer bearing.
6. After installing wheel hub and wheel bearings, adjust wheel bearing preload.
Refer to "Preload Adjustment (2WD models)" and "Preload Adjustment (4WD models)", AX-5, 6.



DISASSEMBLY

- Remove grease seal and bearing races with suitable brass bar. NEAX0013

INSPECTION

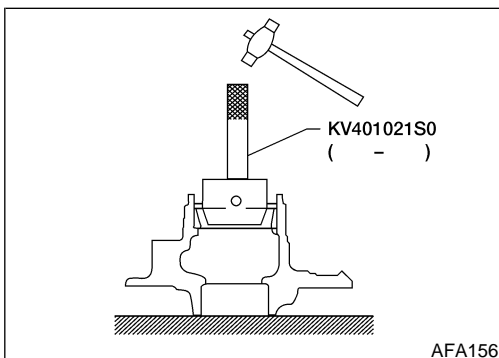
Thoroughly clean wheel bearings and wheel hub. NEAX0014

Wheel Bearings

- Make sure wheel bearings roll freely and are free from noise, cracks, pitting and wear. NEAX0014S01

Wheel Hub

- Check wheel hub for cracks by using a magnetic exploration or dyeing test. NEAX0014S02



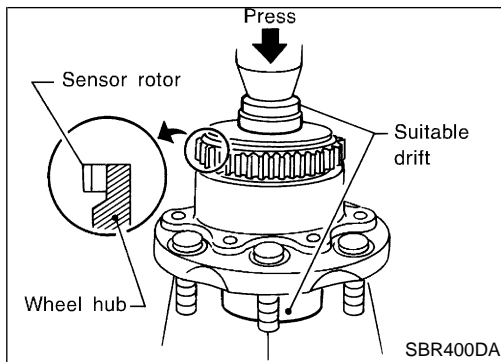
ASSEMBLY

1. Install bearing races with Tool until it is fully seated in hub. NEAX0015

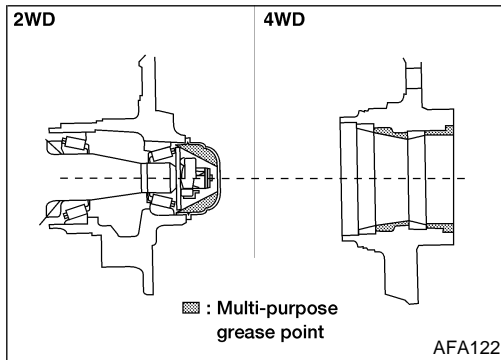
GI
MA
EM
LC
EC
FE
CL
MT
AT
TF
PD
AX
SU
BR
ST
RS
BT
HA
SC
EL
IDX

FRONT AXLE

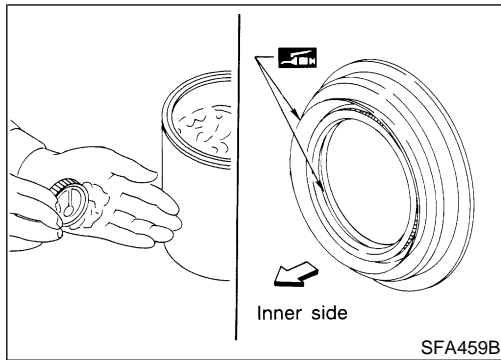
Wheel Hub and Rotor Disc (Cont'd)



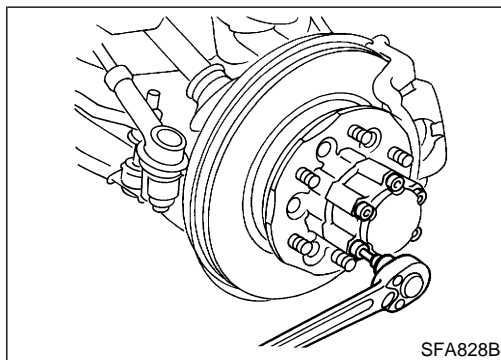
2. Install the sensor rotor using suitable drift and press. Always replace sensor rotor with new one. Pay attention to the direction of front sensor rotor as shown in figure.



3. Pack multi-purpose grease in wheel hub and hub cap (2WD models).



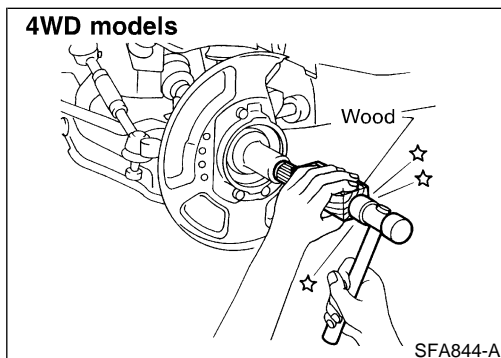
4. Apply multi-purpose grease to each bearing cone.
5. Pack grease seal lip with multi-purpose grease, then install it into wheel hub with suitable drift.



Knuckle Spindle REMOVAL

NEAX0016

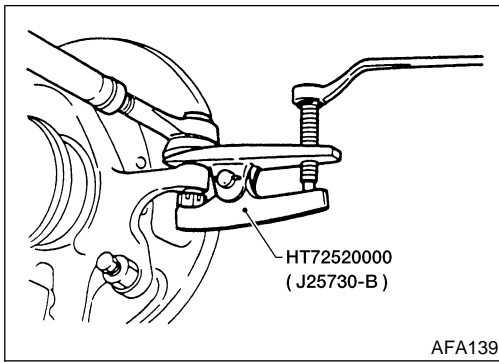
1. Remove free-running hub assembly (4WD models). Refer to "Auto-lock Free-running Hub", AX-10.
2. Remove wheel hub and rotor disc. Refer to "Wheel Hub and Rotor Disc", AX-12.



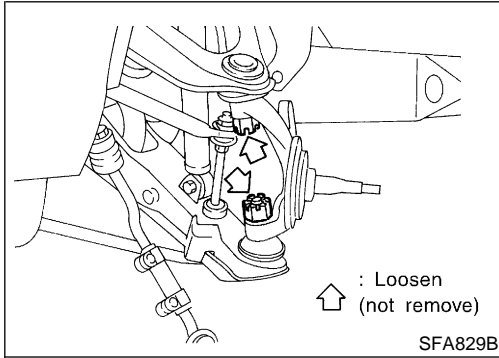
3. Separate drive shaft from knuckle spindle by slightly tapping drive shaft end (4WD models).

FRONT AXLE

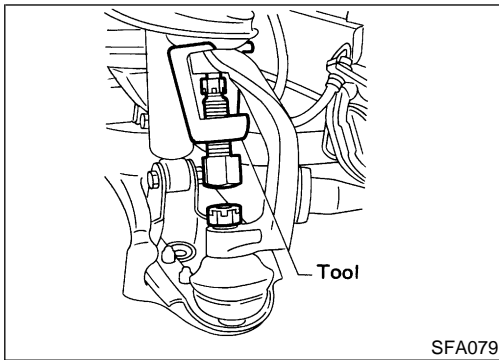
Knuckle Spindle (Cont'd)



4. Separate tie-rod from knuckle spindle with Tool.
Install stud nut conversely on stud bolt so as not to damage stud bolt.



5. Separate knuckle spindle from ball joints.
 - a. Loosen (do not remove) upper and lower ball joint tightening nuts.



- b. Separate knuckle spindle from upper and lower ball joint studs with Tool.
During above operation, never remove ball joint nuts which are loosened in step (a) above.

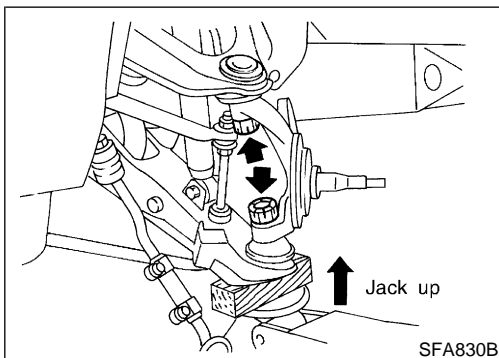
Tool:

2WD

ST29020001 (J24319-01)

4WD

HT72520000 (J25730-B)



- c. Remove ball joint tightening nuts.
Support lower link with jack.
 - d. Remove knuckle spindle from upper and lower links.

INSPECTION

Knuckle Spindle

- Check knuckle spindle for deformation, cracks and other damage by using a magnetic exploration or dyeing test.

NEAX0017

NEAX0017S01

NEAX0017S02

NEAX0017S03

Bearing Spacer (2WD models)

- Check bearing spacer for damage.

Needle Bearing (4WD models)

- Check needle bearing for wear, scratches, pitting, flaking and burn marks.

GI

MA

EM

LC

EC

FE

CL

MT

AT

TF

PD

AX

SU

BR

ST

RS

BT

HA

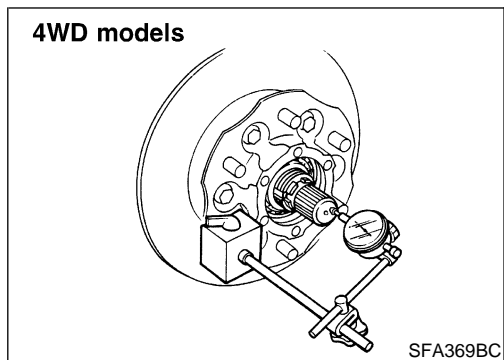
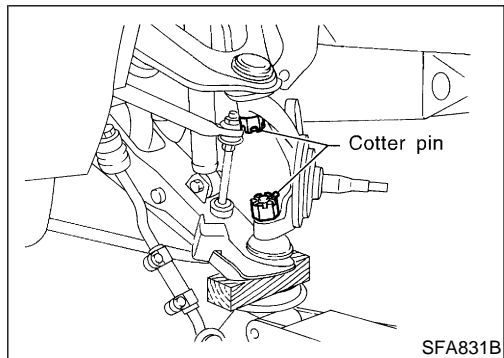
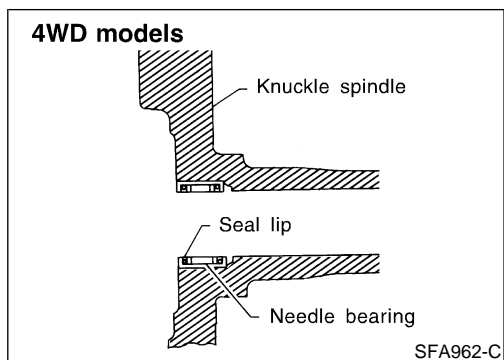
SC

EL

IDX

FRONT AXLE

Knuckle Spindle (Cont'd)



INSTALLATION

NEAX0018

1. Install needle bearing into knuckle spindle (4WD models).

Make sure that needle bearing is facing in the proper direction. Apply multi-purpose grease.

2. Install knuckle spindle to upper and lower ball joints with lower link jacked up.

CAUTION:

Make sure that oil and grease do not come into contact with tapered areas of ball joint, knuckle spindle and threads of ball joint.

3. Connect tie-rod to knuckle spindle.
4. Install wheel hub and rotor disc. Refer to "Wheel Hub and Rotor Disc", AX-12.

5. After installing knuckle spindle, adjust wheel bearing preload. Refer to "Preload Adjustment (2WD models)" and "Preload Adjustment (4WD models)", AX-5, 6.
6. After installing drive shaft, check drive shaft axial end play. **Do not reuse snap ring once it has been removed.** Refer to "Drive Shaft", AX-16.
7. Install free-running hub assembly (4WD models). Refer to "Auto-lock Free-running Hub", AX-10.

Drive Shaft

COMPONENTS

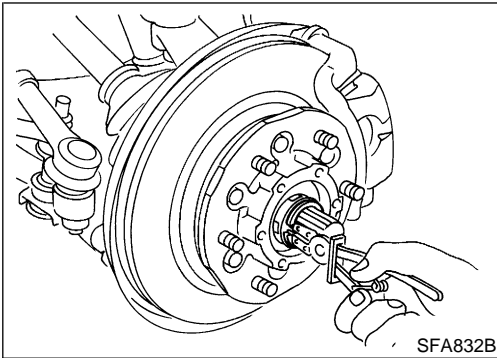
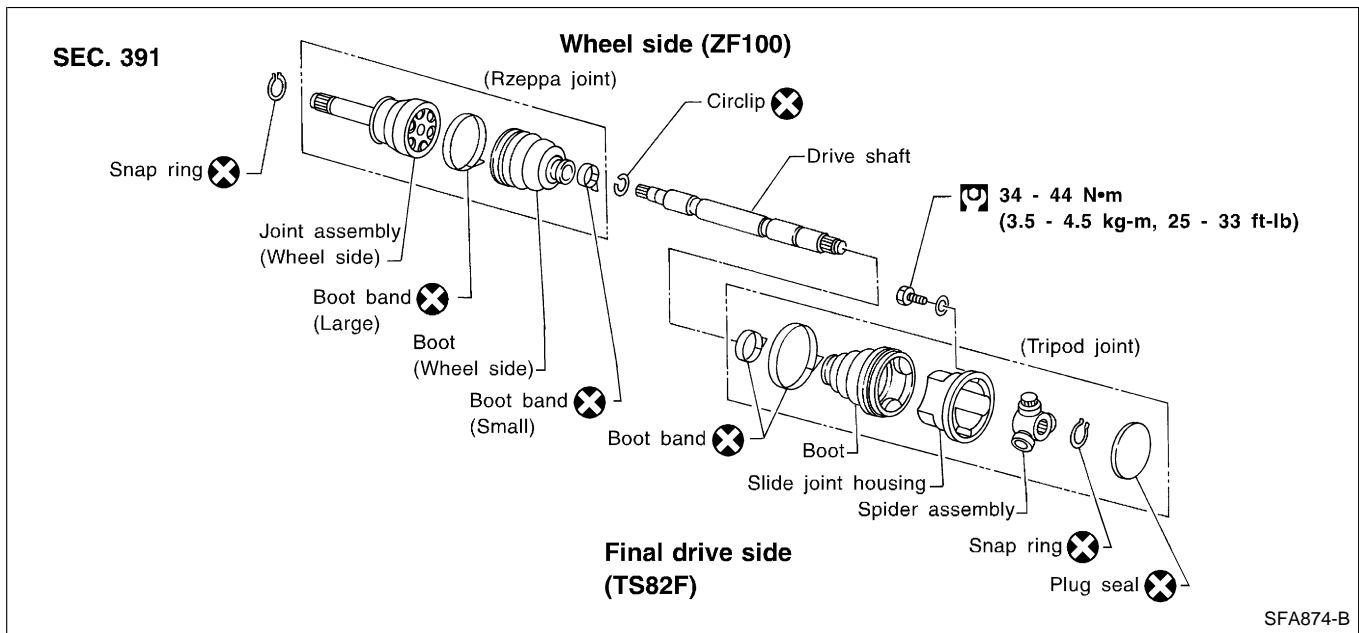
NEAX0019

CAUTION:

- The ZF100 type (wheel side) joint assembly has two types of boot material; one is made of rubber and the other is made of plastic.
- Do not disassemble the joint assembly with the plastic boot. If the boot or joint is damaged, replace the drive shaft assembly.

FRONT AXLE

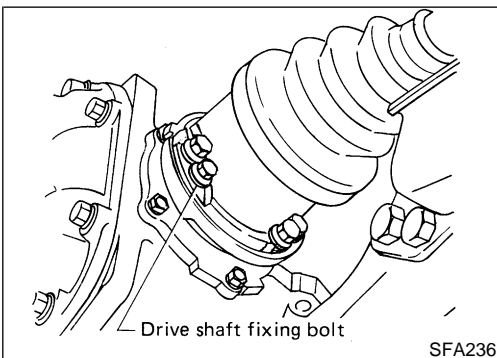
Drive Shaft (Cont'd)



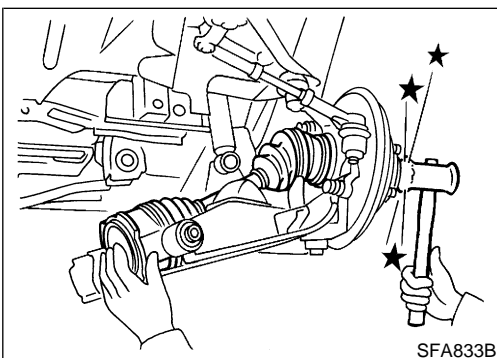
REMOVAL

1. Remove free-running hub or drive flange and snap ring. Refer to "Auto-lock Free-running Hub", AX-10.
2. Remove torsion bar spring. Refer to **SU-14**, "Torsion Bar Spring".
3. Remove shock absorber lower bolt.
4. Remove lower link bolts.

Support lower link with jack.



5. Remove drive shaft to final drive bolts.

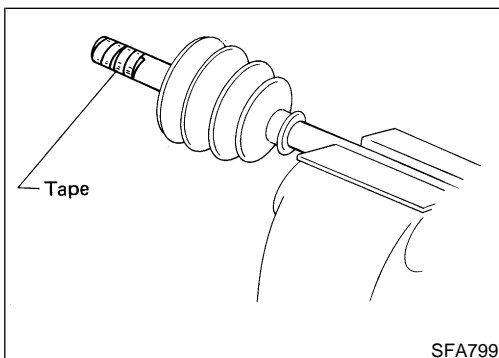
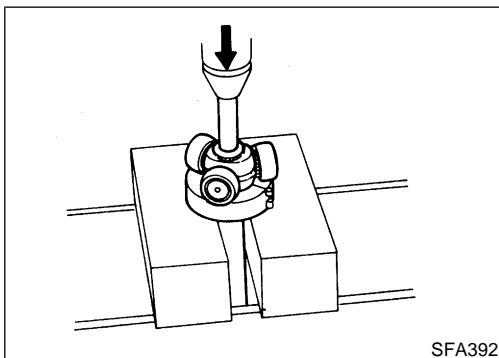
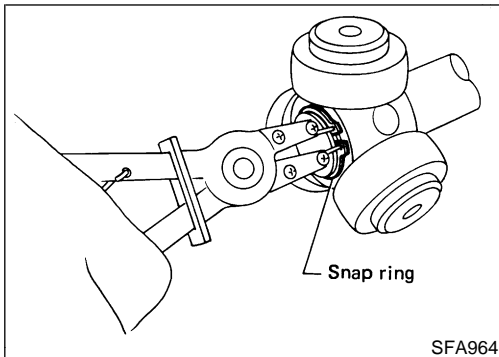
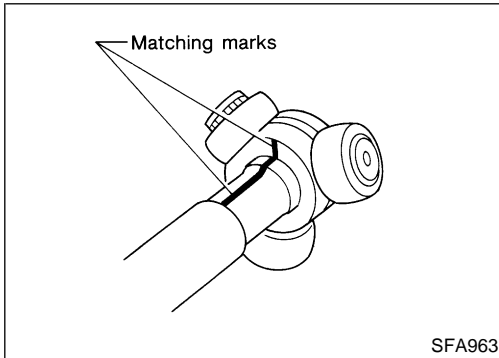
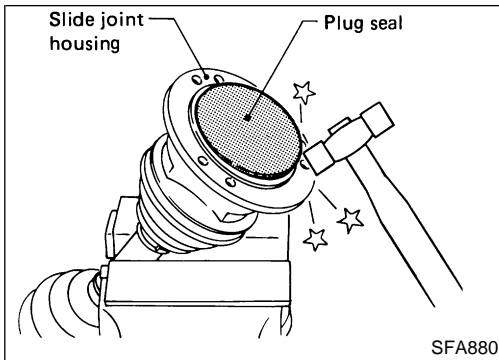


6. Separate drive shaft from knuckle spindle by slightly tapping end of drive shaft.

GI
MA
EM
LC
EC
FE
CL
MT
AT
TF
PD
AX
SU
BR
ST
RS
BT
HA
SC
EL
IDX

FRONT AXLE

Drive Shaft (Cont'd)



DISASSEMBLY

Final Drive Side (TS82F)

NEAX0021

NEAX0021S01

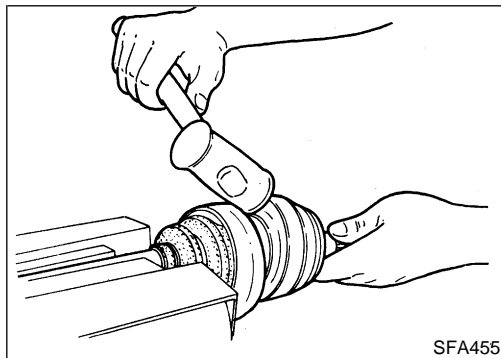
1. Remove plug seal from slide joint housing by lightly tapping around slide joint housing.
2. Remove boot bands.

3. Move boot and slide joint housing toward wheel side, and apply matching marks.

4. Remove snap ring.

5. Detach spider assembly with press.

6. Draw out boot.
Cover drive shaft serration with tape to prevent damaging the boot.



Wheel Side (ZF100)

NEAX0021S02

CAUTION:

- The ZF100 type (wheel side) joint assembly has two types of boot material; one is made of rubber and the other is made of plastic.
- Do not disassemble the joint assembly with the plastic boot. If the boot or joint is damaged, replace the drive shaft assembly.

The procedures for the joint with the rubber boot are as follows:

- Before separating joint assembly, put matching marks on drive shaft and joint assembly.
- Separate joint assembly with suitable tool.
- **Be careful not to damage threads on drive shaft.**
- Remove boot bands.

GI

MA

EM

LC

EC

FE

CL

MT

AT

TF

PD

AX

INSPECTION

NEAX0022

Thoroughly clean all parts in cleaning solvent, and dry with compressed air. Check parts for evidence of deformation and other damage.

Drive Shaft

NEAX0022S01

Replace drive shaft if it is twisted, cracked or bent.

Boot

NEAX0022S02

Check boot for fatigue, cracks and wear. Replace boot and boot bands with new.

Joint Assembly (Final drive side)

NEAX0022S03

- Replace any parts of double offset joint which show signs of scorching, rust, wear or excessive play.
- Check serration for deformation. Replace if necessary.
- Check slide joint housing for any damage. Replace if necessary.

Joint Assembly (Wheel side)

NEAX0022S04

CAUTION:

- The ZF100 type (wheel side) joint assembly has two types of boot material; one is made of rubber and the other is made of plastic.

SU

BR

ST

RS

BT

HA

SC

EL

IDX

FRONT AXLE

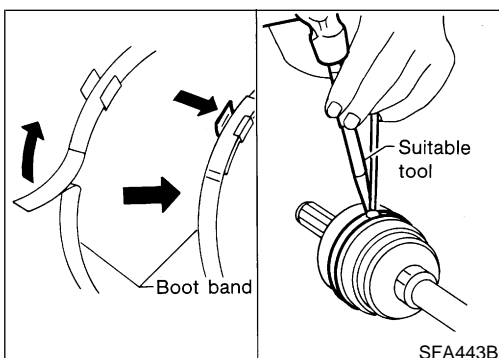
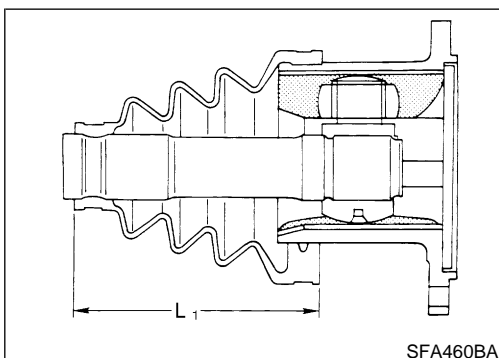
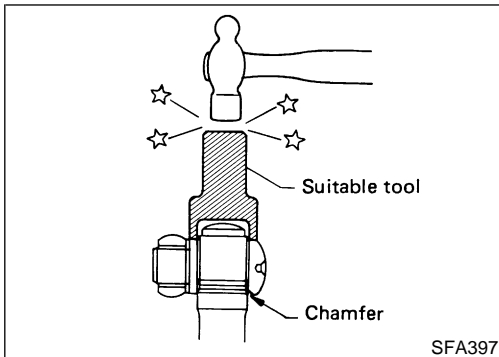
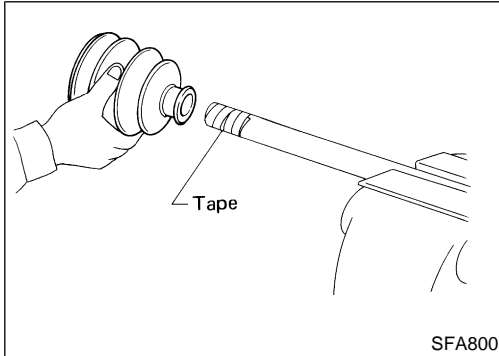
Drive Shaft (Cont'd)

- Do not disassemble the joint assembly with the plastic boot. If the boot or joint is damaged, replace the drive shaft assembly.

Replace joint assembly if it is deformed or damaged.

ASSEMBLY

- After drive shaft has been assembled, ensure that it moves smoothly over its entire range without binding. NEAX0023
- Use NISSAN Genuine Grease or equivalent after every overhaul.



Final Drive Side (TS82F)

1. Install new small boot band, boot and side joint housing to drive shaft. NEAX0023S01

Cover drive shaft serration with tape to prevent damaging boot during installation.

2. Install spider assembly securely, making sure marks are properly aligned.

- **Press-fit with spider assembly serration chamfer facing shaft.**

3. Install new snap ring.

4. Pack with grease.

**Specified amount of grease:
95 - 105 g (3.35 - 3.70 oz)**

5. Make sure that the boot is properly installed on the drive shaft groove. Set the boot so that it does not swell or deform when its length is "L₁".

Length "L₁": 95 - 97 mm (3.74 - 3.82 in)

6. Lock new large boot band securely with a suitable tool, then lock new small boot band.

7. Install new plug seal to slide joint housing by lightly tapping it. **Apply suitable sealant to mating surface of plug seal.**

FRONT AXLE

Drive Shaft (Cont'd)

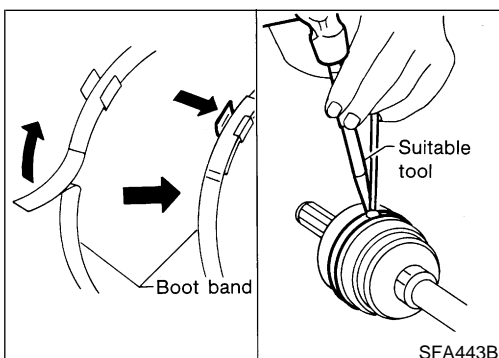
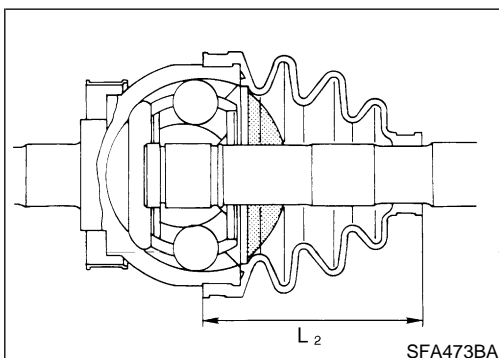
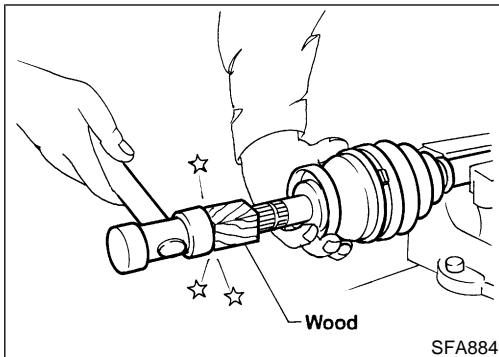
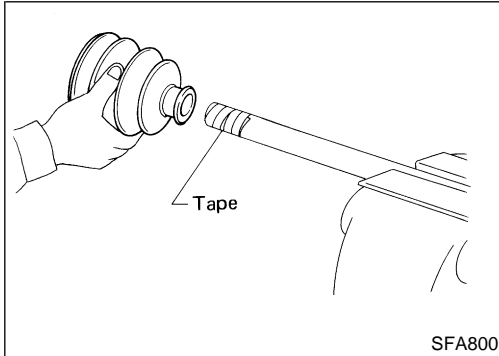
Wheel Side (ZF100)

NEAX0023S02

CAUTION:

- The ZF100 type (wheel side) joint assembly has two types of boot material; one is made of rubber and the other is made of plastic.
- Do not disassemble the joint assembly with the plastic boot. If the boot or joint is damaged, replace the drive shaft assembly.

The procedures for the joint with the rubber boot are as follows:



1. Install new small boot band and boot on drive shaft.
Cover drive shaft serration with tape to prevent damaging boot during installation.
2. Set joint assembly onto drive shaft by lightly tapping it. Install joint assembly securely, ensuring that marks which were made during disassembly are properly aligned.
3. Pack drive shaft with specified amount of grease.
**Specified amount of grease:
115 - 125 g (4.06 - 4.41 oz)**
4. Make sure that the boot is properly installed on the drive shaft groove. Set the boot so that it does not swell or deform when its length is "L₂".
Length "L₂": 96 - 98 mm (3.78 - 3.86 in)
5. Lock new large boot band securely with a suitable tool, then lock new small boot band.

GI

MA

EM

LC

EC

FE

CL

MT

AT

TF

PD

AX

SU

BR

ST

RS

BT

HA

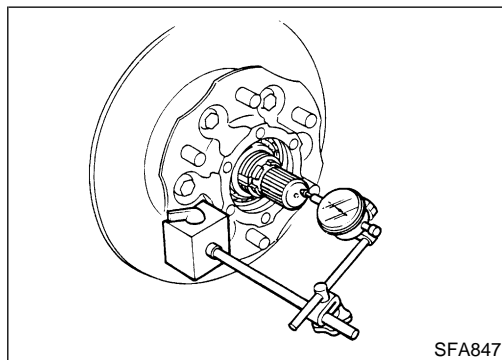
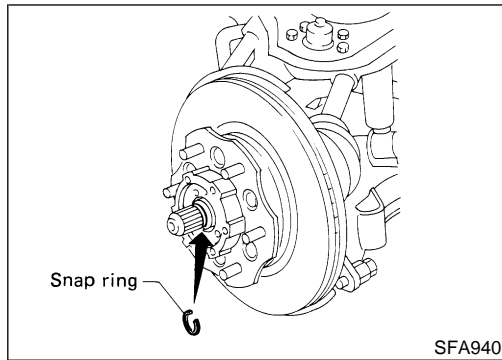
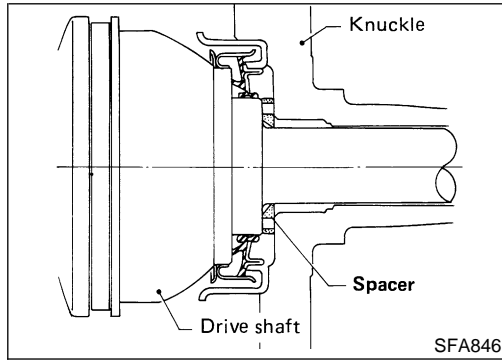
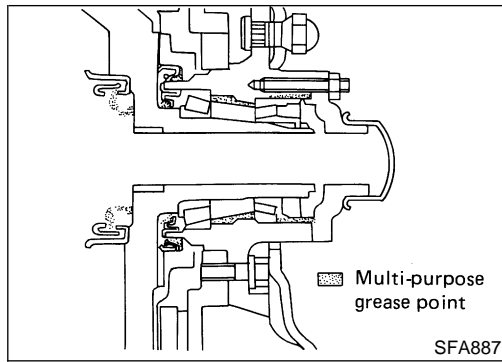
SC

EL

IDX

FRONT AXLE

Drive Shaft (Cont'd)



INSTALLATION

NEAX0024

1. Apply multi-purpose grease.

2. Install bearing spacer onto drive shaft.

Make sure that the bearing spacer is facing in the proper direction.

3. After installing wheel hub and wheel bearing, adjust wheel bearing preload. Refer to "FRONT WHEEL BEARING", AX-5, 6.

4. When installing drive shaft, adjust drive shaft axial end play by selecting a suitable snap ring.

- a. Temporarily install new snap ring on drive shaft in the same thickness as the one that was removed.

- b. Set dial gauge on drive shaft end.

- c. Measure axial end play of drive shaft.

Axial end play:

0.45 mm (0.0177 in) or less

- d. If axial end play is not within the specified limit, select another snap ring.

1.1 mm (0.043 in)	1.9 mm (0.075 in)
1.3 mm (0.051 in)	2.1 mm (0.083 in)
1.5 mm (0.059 in)	2.3 mm (0.091 in)
1.7 mm (0.067 in)	

Service Data and Specifications (SDS)

NEAX0025

NEAX0025S01

WHEEL BEARING (FRONT) 2WD Models

Wheel bearing axial end play	mm (in)	0 (0)
Wheel bearing lock nut	Tightening torque	N-m (kg-m, ft-lb)
	Return angle	degree
		34 - 39 (3.5 - 4.0, 25 - 29)
		45° - 60°

FRONT AXLE

Service Data and Specifications (SDS) (Cont'd)

Wheel bearing starting torque	At wheel hub bolt With new grease seal N (kg, lb)	9.8 - 28.4 (1.0 - 2.9, 2.2 - 6.4)
	With used grease seal N (kg, lb)	9.8 - 23.5 (1.0 - 2.4, 2.2 - 5.3)

4WD Models

NEAX0025S02

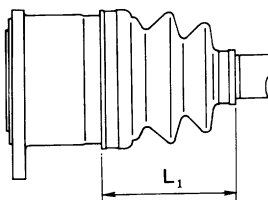
Wheel bearing lock nut	Tightening torque N-m (kg-m, ft-lb)	78 - 98 (8 - 10, 58 - 72)
	Retightening torque after loosening wheel bearing lock nut N-m (kg-m, ft-lb)	0.5 - 1.5 (0.05 - 0.15, 0.4 - 1.1)
	Axial end play mm (in)	0 (0)
	Starting force at wheel hub bolt N (kg, lb)	A
	Turning angle degree	15° - 30°
	Starting force at wheel hub bolt N (kg, lb)	B
Wheel bearing preload at wheel hub bolt N (kg, lb)	B - A	7.06 - 20.99 (0.72 - 2.14, 1.59 - 4.72)

DRIVE SHAFT (4WD MODELS)

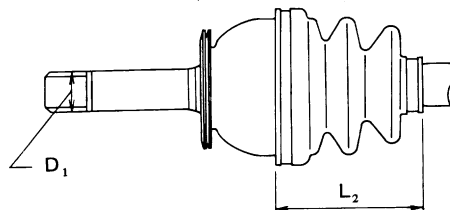
NEAX0026

Drive shaft joint type	Final drive side	TS82F	
	Wheel side	ZF100*	
	Fixed joint axial end play limit mm (in)	1 (0.04)	
Diameter mm (in)	Wheel side (D ₁)	29.0 (1.142)	
Grease	Quality	Nissan genuine grease or equivalent	
	Capacity g (oz)	Final drive side	95 - 105 (3.35 - 3.70)
		Wheel side	115 - 125 (4.06 - 4.41)
Boot length mm (in)	Final drive side (L ₁)	95 - 97 (3.74 - 3.82)	
	Wheel side (L ₂)	96 - 98 (3.78 - 3.86)	

Final drive side



Wheel side



SFA877A

*: The ZF100 type (wheel side) joint assembly has two types of boot material; one is made of rubber and the other is made of plastic. Do not disassemble the joint assembly with the plastic boot. If the boot or joint is damaged, replace the drive shaft assembly.

Drive Shaft Axial End Play

NEAX0026S01

Drive shaft axial end play mm (in)	0.45 (0.0177) or less
------------------------------------	-----------------------

Drive shaft end snap ring

NEAX0026S02

Thickness mm (in)	Part No.*
-------------------	-----------

FRONT AXLE

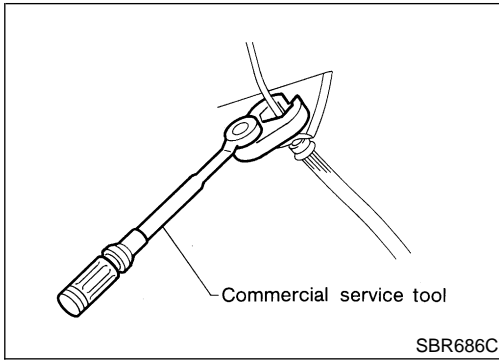
Service Data and Specifications (SDS) (Cont'd)

1.1 (0.043)	39253-88G10
1.3 (0.051)	39253-88G11
1.5 (0.059)	39253-88G12
1.7 (0.067)	39253-88G13
1.9 (0.075)	39253-88G14
2.1 (0.083)	39253-88G15
2.3 (0.091)	39253-88G16

*: Always check with the Parts Department for the latest parts information.

REAR AXLE

Precautions



Precautions PRECAUTIONS

- When installing rubber parts, final tightening must be carried out under unladen condition* with tires on ground.
*: Fuel, radiator coolant and engine oil full. Spare tire, jack, hand tools and mats in designated positions.
- Use flare nut wrench when removing and installing brake tubes.
- After installing removed suspension parts, check wheel alignment and adjust if necessary.
- Always torque brake lines when installing.


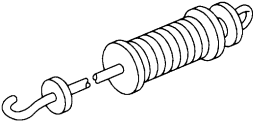
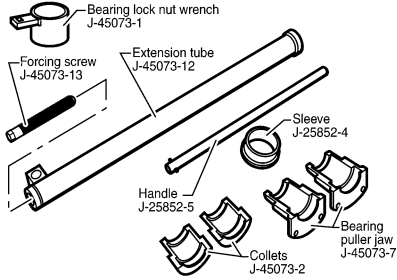
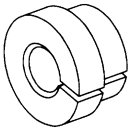
NEAX0027

GI
MA
EM
LC

SPECIAL SERVICE TOOLS

The actual shapes of Kent-Moore tools may differ from those of special service tools illustrated here.

NEAX0028

Tool number (Kent-Moore No.) Tool name	Description	
KV40101000 (J25604-01) Axle stand		Removing rear axle shaft
	NT159	
ST36230000 (J25840-A) Sliding hammer		Removing rear axle shaft
	NT126	
(J45073) Rear axle bearing removal kit		Removing wheel bearing, oil seal, wheel bearing lock nut, and ABS sensor rotor
	LAX034	
ST37840000 () Rear axle shaft guide		Installing rear axle shaft
	NT162	

EC
FE
CL
MT
AT
TF
PD

AX

SU

BR

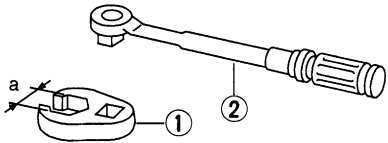
ST

RS

BT

COMMERCIAL SERVICE TOOLS

NEAX0029

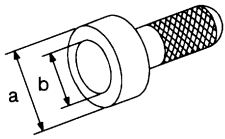
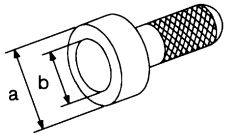
Tool name	Description	
1 Flare nut crowfoot 2 Torque wrench		Removing and installing each brake piping a: 10 mm (0.39 in)
	NT360	

HA
SC
EL

IDX

REAR AXLE

Preparation (Cont'd)

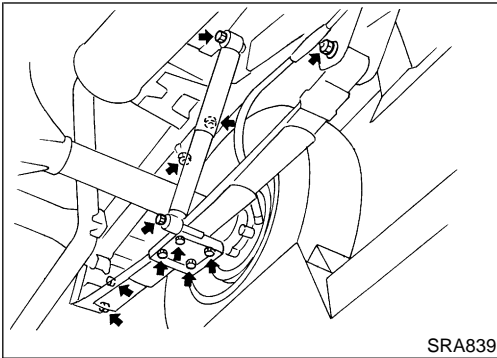
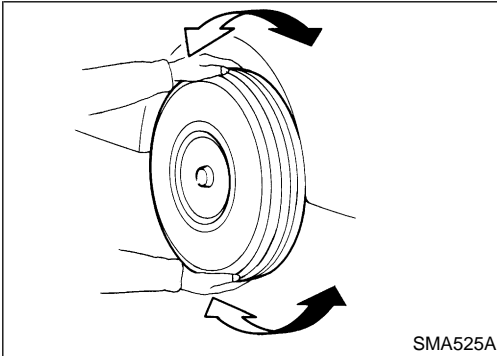
Tool name	Description
Bearing cage oil seal drift	 <p>Installing oil seal a: 74 mm (2.91 in) dia. b: 68 mm (2.68 in) dia.</p> <p>NT115</p>
Rear axle oil seal drift	 <p>Installing oil seal a: 54.5 mm (2.15 in.) b: 34.5 mm (1.36 in.)</p> <p>NT115</p>

REAR AXLE

Noise, Vibration and Harshness (NVH) Troubleshooting

Noise, Vibration and Harshness (NVH) Troubleshooting

Refer to "Noise, Vibration and Harshness (NVH) Troubleshooting", "FRONT AXLE", AX-4. ^{=NEAX0030}



On-vehicle Service REAR AXLE PARTS

Check rear axle parts for excessive play, wear and damage. ^{NEAX0031}

- Shake each rear wheel to check for excessive play.

- Retighten all nuts and bolts to the specified torque.

 : Refer to **SU-28**, "Removal and Installation".

GI

MA

EM

LC

EC

FE

CL

MT

AT

TF

PD

AX

SU

BR

ST

RS

BT

HA

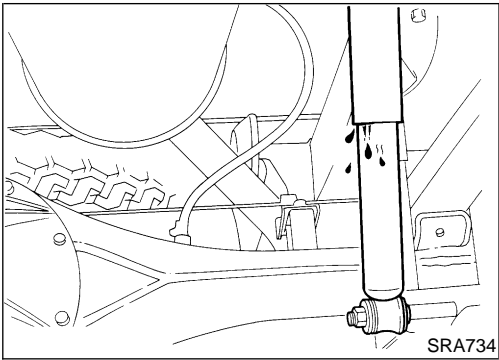
SC

EL

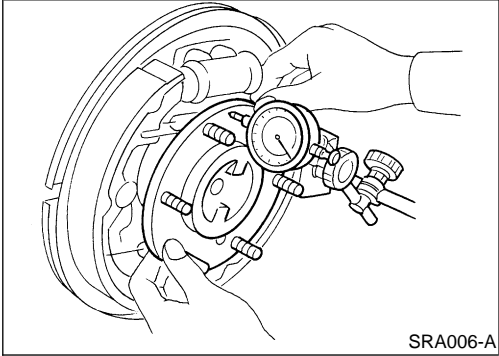
IDX

REAR AXLE

On-vehicle Service (Cont'd)



- Check shock absorber for oil leakage and other damage.
- Check shock absorber bushing for excessive wear and other damage.



REAR WHEEL BEARING

NEAX0032

- Check that wheel bearings operate smoothly.
- Check axial end play.

Axial end play:

Refer to "WHEEL BEARING (REAR)", AX-38.

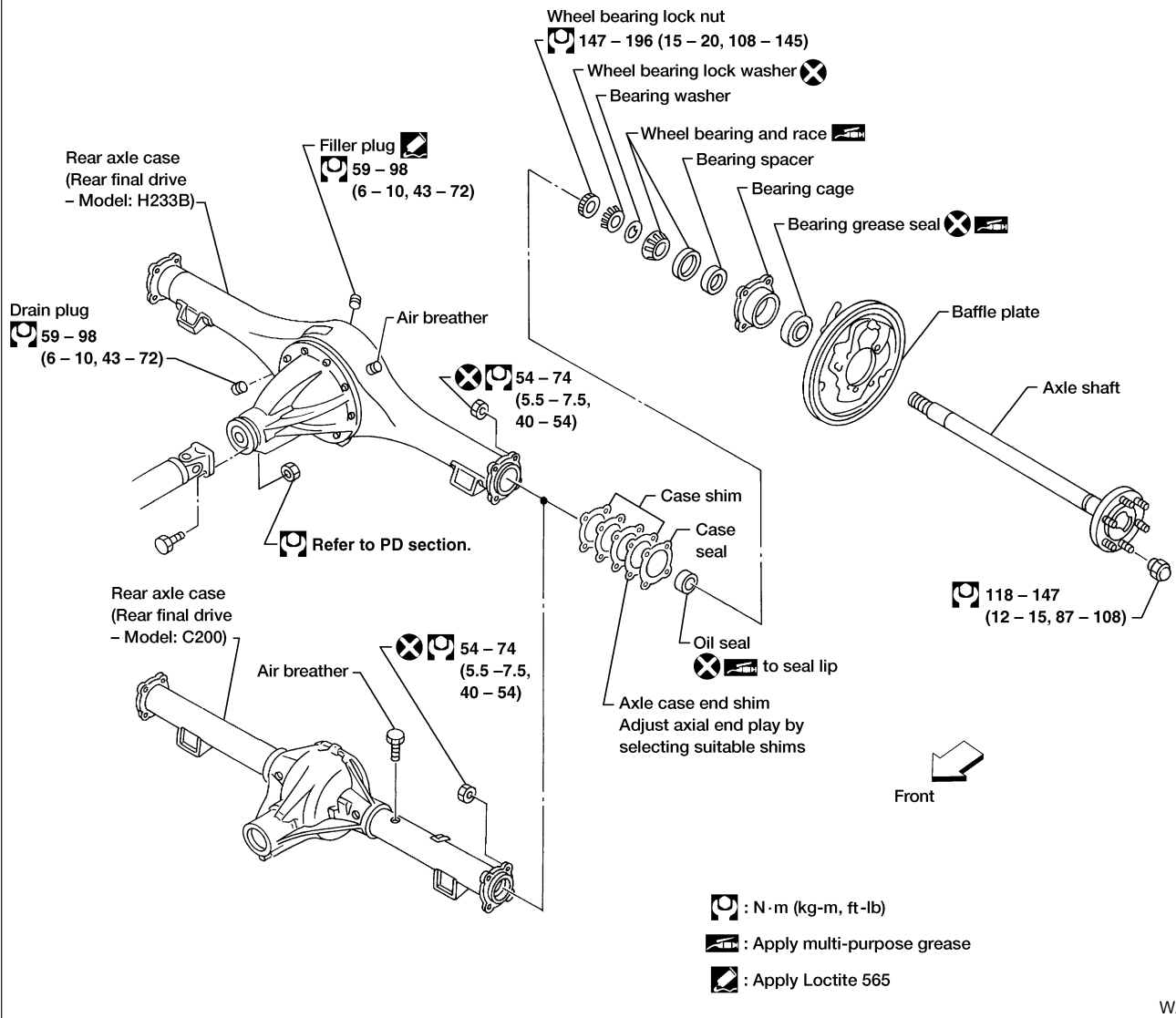
REAR AXLE

Components

Components

NEAX0033

SEC. 430
2WD models

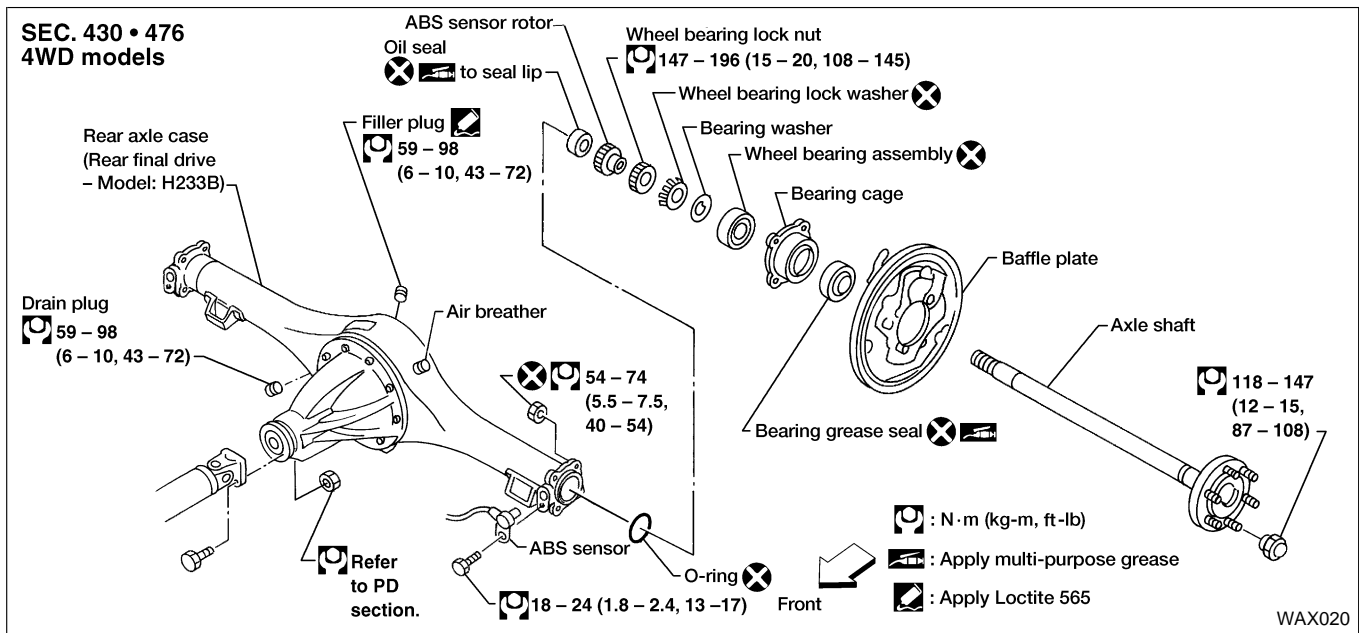


WAX021

GI
MA
EM
LC
EC
FE
CL
MT
AT
TF
PD
AX
SU
BR
ST
RS
BT
HA
SC
EL
IDX

REAR AXLE

Components (Cont'd)

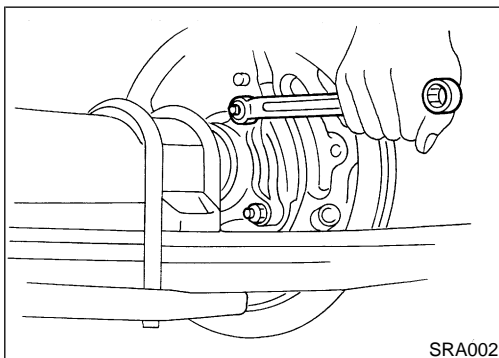


Removal

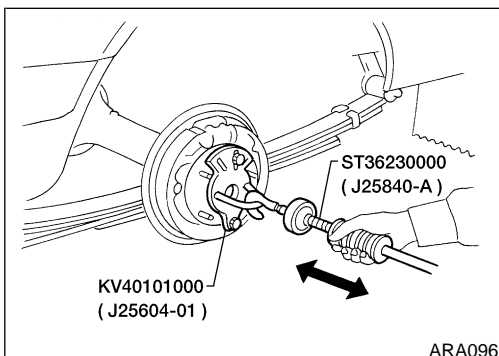
- Before removing the rear axle, disconnect the ABS wheel sensor from the assembly. Then move it away from the axle. Failure to do so may result in damage to the sensor wires and the sensor becoming inoperative.
- Wheel bearing does not require maintenance.
- If growling noise is emitted from wheel bearing during operation, replace wheel bearing assembly.
- If the wheel bearing assembly is removed, it must be replaced. The old assembly must not be re-used.

NEAX0034

1. Disconnect parking brake cable and brake tube.
2. Remove nuts securing wheel bearing cage with baffle plate.

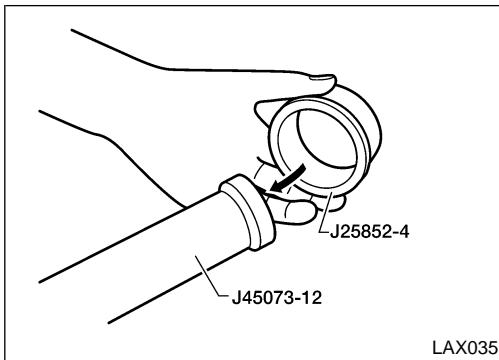


3. Draw out axle shaft with Tool.
- When drawing out axle shaft, be careful not to damage oil seal.**
4. Remove case shim and case seal (2WD models).
 5. Remove O-ring (4WD models).
 6. Remove the oil seal.
- Do not reuse oil seal once it is removed. Always install a new oil seal.**
7. Remove ABS sensor rotor with Tool (4WD models).

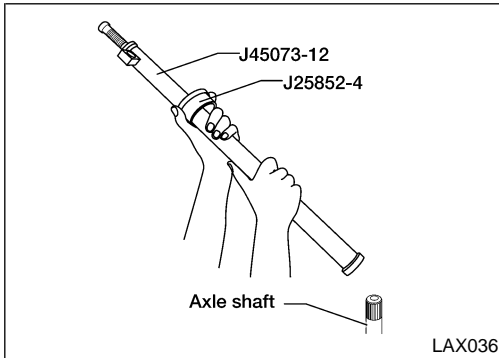


REAR AXLE

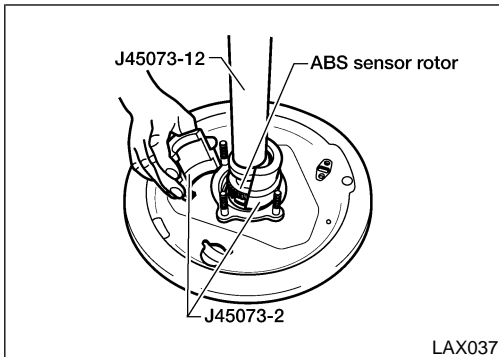
Removal (Cont'd)



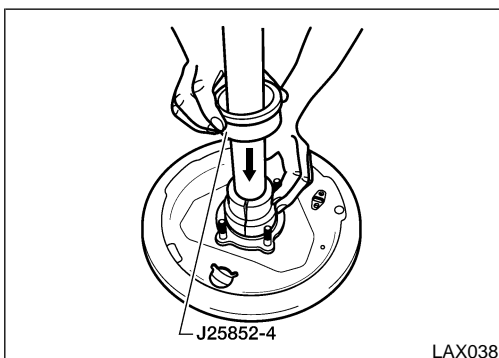
- a. Slide the sleeve over the extension tube.



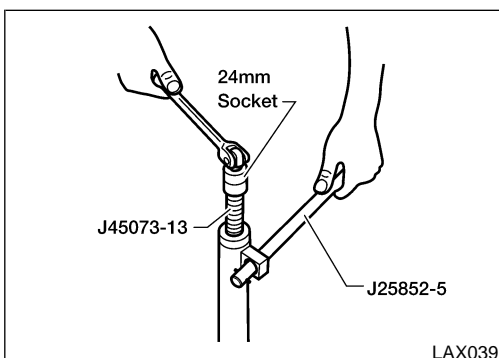
- b. Slide the extension tube with sleeve over the axle shaft.



- c. Install the two halves of the collet around the ABS sensor rotor making sure the lower lip of each collet is slid under the ABS sensor rotor edge.



- d. Slide the sleeve over the collet.



- e. Tighten the forcing screw in the extension tube until the ABS sensor rotor is removed.

CAUTION:

Do not use an impact wrench to tighten the forcing screw.

- f. Remove the Tool and ABS sensor rotor from the axle shaft.

GI

MA

EM

LC

EC

FE

CL

MT

AT

TF

PD

AX

SU

BR

ST

RS

BT

HA

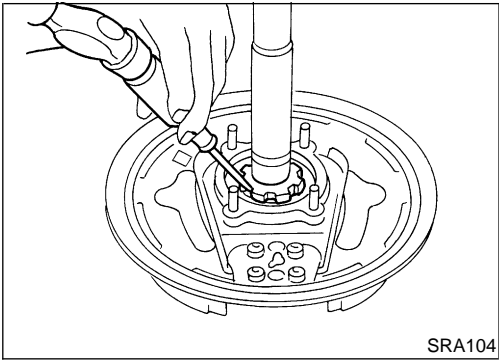
SC

EL

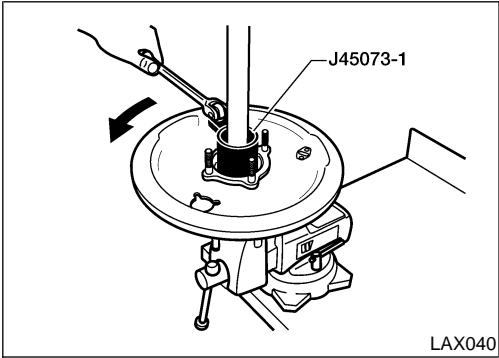
IDX

REAR AXLE

Removal (Cont'd)

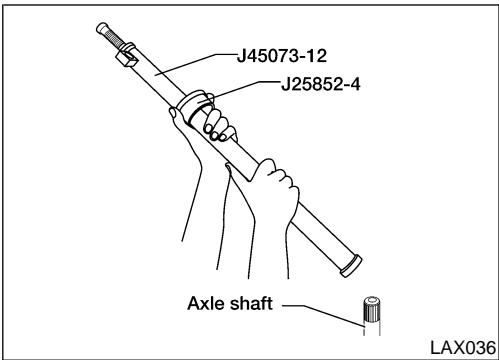


8. Unbend the lock washer tabs with a suitable tool.

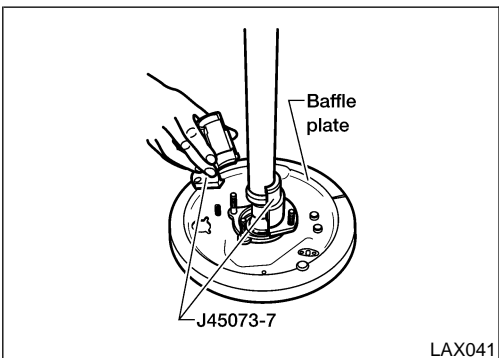


9. Remove the wheel bearing lock nut with Tool.

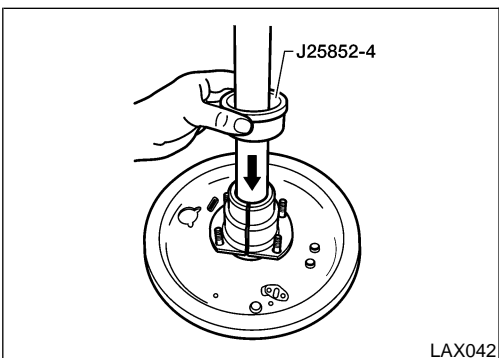
10. Remove wheel bearing together with bearing cage and baffle plate from axle shaft with Tool.



a. Slide the extension tube with sleeve over the axle shaft.



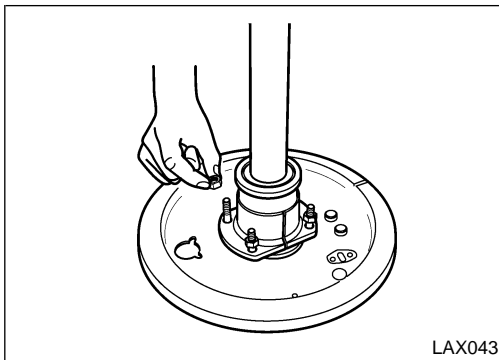
b. Install the two halves of the bearing puller jaw over the baffle plate studs.



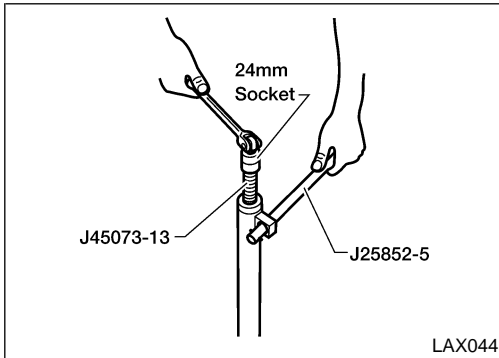
c. Slide the sleeve down over the bearing puller jaw halves.

REAR AXLE

Removal (Cont'd)

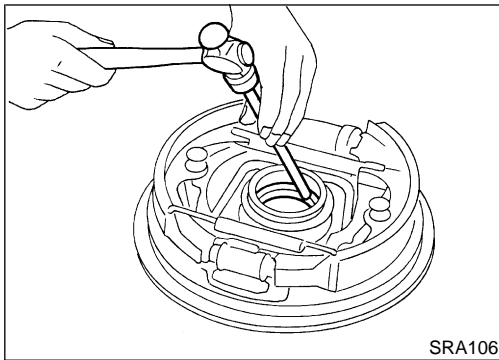


d. Install a nut on each baffle plate stud.

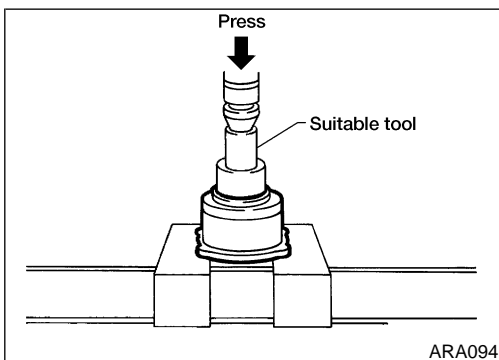


e. Tighten the forcing screw in the extension tube until the baffle plate, cage and bearing are pulled free.

11. Remove grease seal in bearing cage with suitable bar.



12. Remove wheel bearing outer race with a brass drift (2WD models).



13. Remove wheel bearing assembly from bearing cage (4WD models).

GI

MA

EM

LC

EC

FE

CL

MT

AT

TF

PD

AX

SU

BR

ST

RS

BT

NEAX0035

Inspection

AXLE SHAFT

NEAX0035S01

- Check axle shaft for straightness, cracks, damage, wear and distortion. Replace if necessary.

HA

WHEEL BEARING

NEAX0035S02

- Make sure wheel bearing rolls freely and is free from noise, cracks, pitting and wear.

SC

AXLE CASE

NEAX0035S03

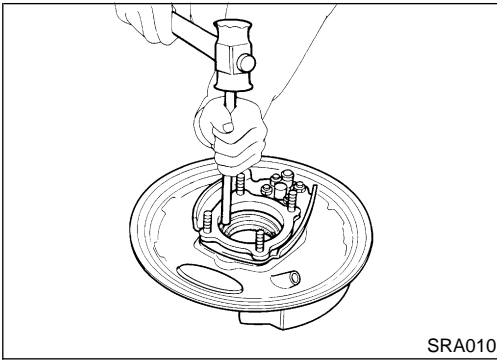
- Check axle case for yield, deformation and cracks. Replace if necessary.

EL

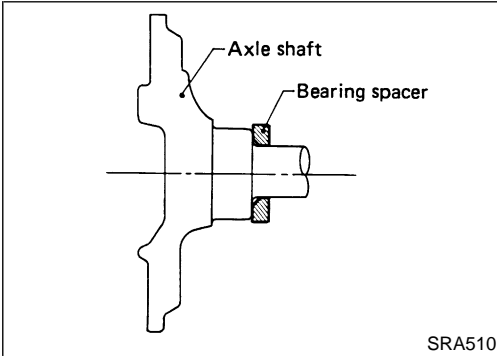
IDX

REAR AXLE

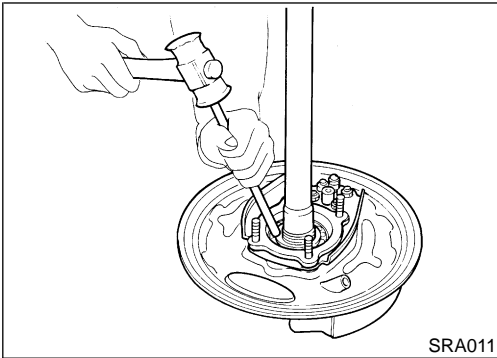
Installation



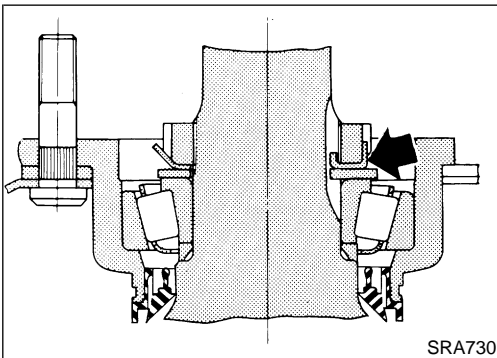
SRA010



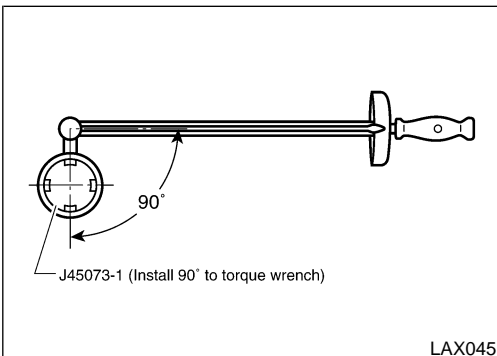
SRA510



SRA011



SRA730



LAX045

Installation

2WD MODELS

NEAX0036

NEAX0036S03

1. Install wheel bearing outer race with a brass drift.
2. Install a new grease seal in bearing cage.

After installing new grease seal, coat sealing lip with multi-purpose grease.

3. Install bearing spacer with chamfer side facing axle shaft flange.

4. Install wheel bearing inner race with a brass drift.
5. Coat each bearing cone with multi-purpose grease.

Specified amount of grease:

8 - 12 g (0.28 - 0.42 oz)

6. Install plain washer and a new wheel bearing lock washer.

7. Tighten wheel bearing lock nut to specified torque.

Ⓜ : 147 - 196 N-m (15 - 20 kg-m, 108 - 145 ft-lb)

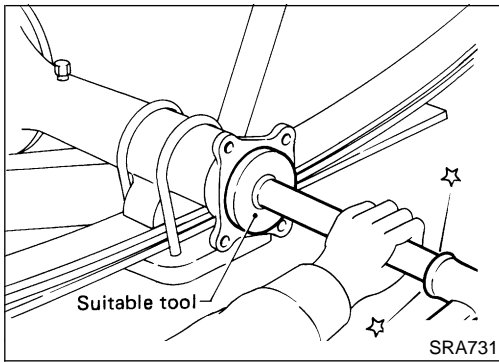
Fit wheel bearing lock washer lip in wheel bearing lock nut groove correctly by tightening lock nut. Be sure to bend it up.

CAUTION:

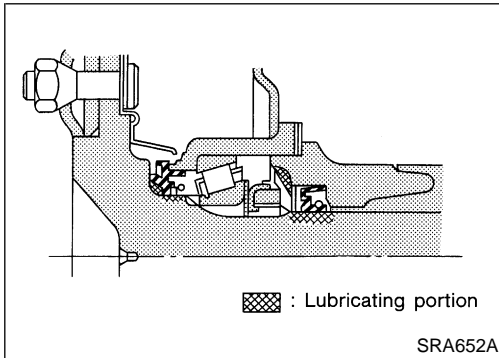
When tightening the wheel bearing lock nut, the lock nut wrench is installed on the torque wrench at a 90° degree angle as shown.

REAR AXLE

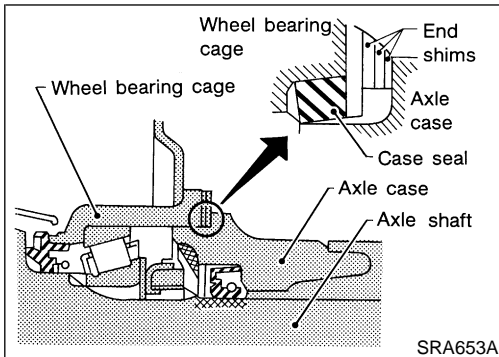
Installation (Cont'd)



8. Install a new oil seal with suitable tool.
After installing new oil seal, coat sealing lip with multi-purpose grease.

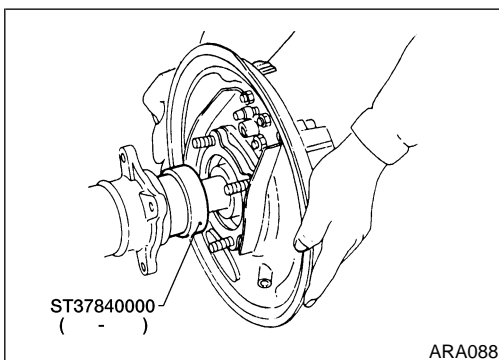


9. Apply recess of axle case end with multi-purpose grease.
10. Apply gear oil to the spline of axle shaft. Coat seal surface of axle shaft with multi-purpose grease (as shown left).



11. Adjust axial end play.
 - a. Select end shims.
Standard thickness including seal: 1.5 mm (0.059 in)
Axle case end shim: Refer to "WHEEL BEARING (REAR)", AX-38.

Do not insert end shims between case seal and bearing cage.



- b. Insert axle shaft with Tool as a guide.
When inserting axle shaft, be careful not to damage oil seal.
- c. Measure end play of axle shaft.
Axial end play:
Servicing only one side of axle shaft
0.02 - 0.15 mm (0.0008 - 0.0059 in)
Servicing both side axle shafts
On first axle shaft (right or left) adjust axial end play
0.30 - 0.90 mm (0.0118 - 0.0354 in)
After servicing second axle shaft, total end play
0.02 - 0.15 mm (0.0008 - 0.0059 in)

GI

MA

EM

LC

EC

FE

CL

MT

AT

TF

PD

AX

SU

BR

ST

RS

BT

HA

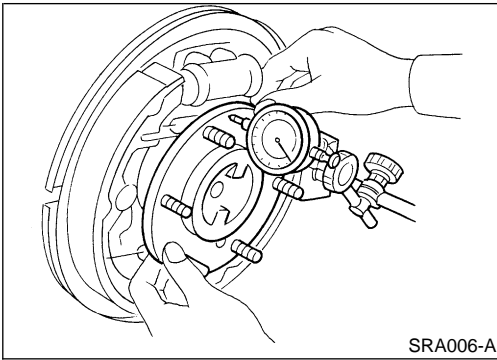
SC

EL

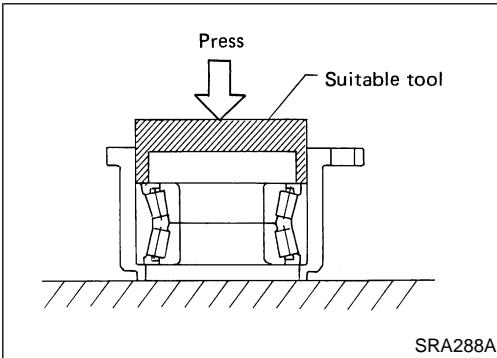
IDX

REAR AXLE

Installation (Cont'd)



- d. If axial end play is not within the specified limit, reselect axle case end shims.
While adjusting axial end play, be careful not to damage oil seal.



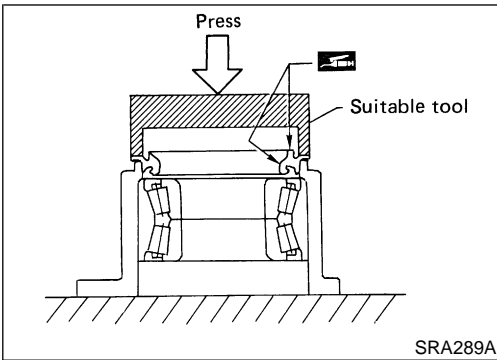
4WD MODELS

1. Press new wheel bearing until it bottoms end face of bearing cage. NEAX0036S04

Maximum load P:

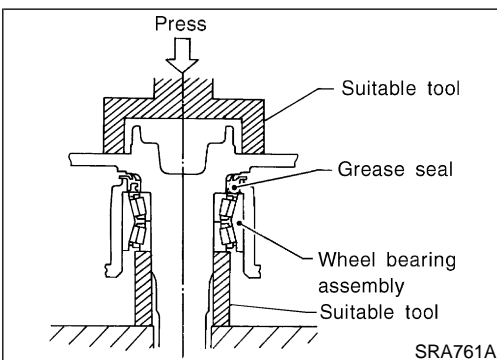
78 kN (8 ton, 8.8 US ton, 7.9 Imp ton)

Always press outer race of wheel bearing during installation.



2. Press new grease seal until it bottoms end face of bearing cage.

After installing new grease seal, coat sealing lip with multi-purpose grease.

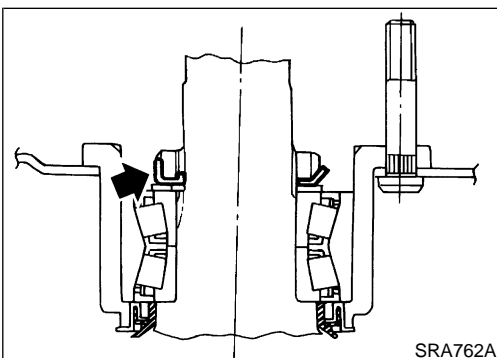


3. Press axle shaft into inner race of wheel bearing.

Maximum load P:

47.1 kN (4.8 ton, 5.3 US ton, 4.72 Imp ton)

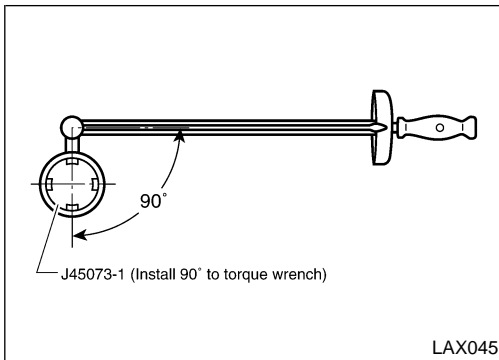
Be careful not to damage or deform grease seal.



4. Install plain washer and a new wheel bearing lock washer.

REAR AXLE

Installation (Cont'd)



LAX045

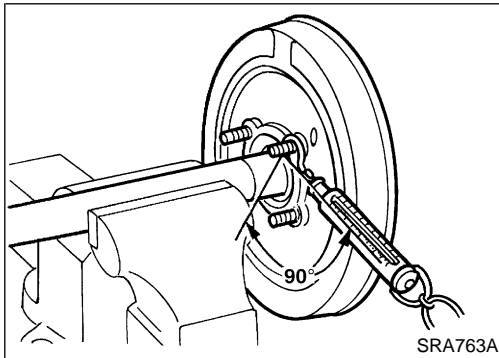
5. Tighten wheel bearing lock nut to specified torque.

□ : 147 - 196 N·m (15 - 20 kg·m, 108 - 145 ft·lb)

Fit wheel bearing lock washer lip in wheel bearing lock nut groove correctly by tightening lock nut. Be sure to bend it up.

CAUTION:

When tightening the wheel bearing lock nut, the lock nut wrench is installed on the torque wrench at a 90° degree angle as shown.



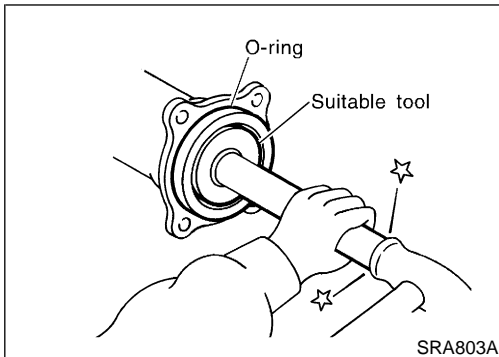
SRA763A

6. Check wheel bearing preload.

- a. Turn bearing cage (with respect to axle shaft) two or three times. It must turn smoothly.
b. Attach spring gauge to bearing cage bolt (as shown at left) and pull it at a speed of 10 rpm to measure preload.

Spring gauge indication:

6.9 - 48.1 N (0.7 - 4.9 kg, 1.5 - 10.8 lb)

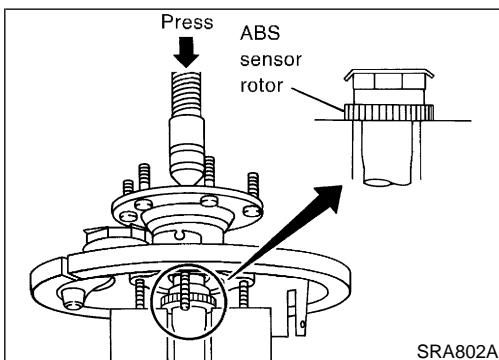


SRA803A

7. Install new oil seal to rear axle housing using a suitable tool.

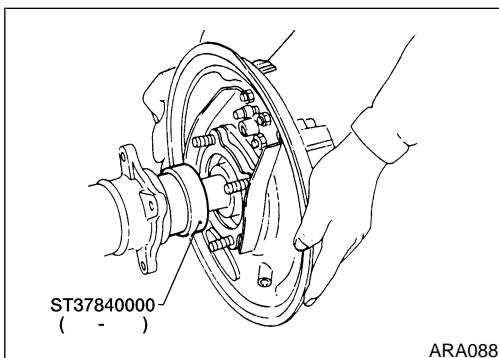
After installing new oil seal, coat sealing lip with multi-purpose grease.

8. Install new O-ring to rear axle housing.



SRA802A

9. Press ABS sensor rotor onto axle shaft until it contacts wheel bearing lock nut.



ARA088

10. Position axle shafts in rear axle housing with Tool as a guide. **Be careful not to damage oil seal.**

GI

MA

EM

LC

EC

FE

CL

MT

AT

TF

PD

AX

SU

BR

ST

RS

BT

HA

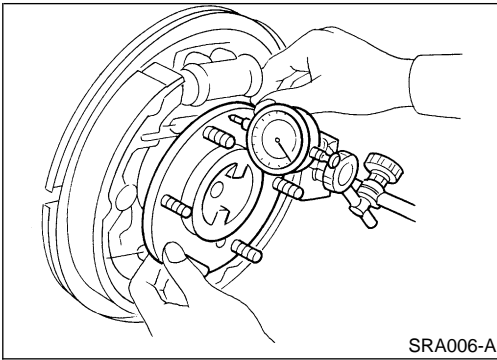
SC

EL

IDX

REAR AXLE

Installation (Cont'd)



11. Check axial end play.
 - a. Check that wheel bearings operate smoothly.
 - b. Check axial end play.

**Axial end play:
0 mm (0 in)**

Service Data and Specifications (SDS)

WHEEL BEARING (REAR)

2WD Models

NEAX0037

NEAX0037S03

Total end play mm (in)	0.02 - 0.15 (0.0008 - 0.0059)	
Available rear axle case end shims	Thickness mm (in)	Part number*
	0.05 (0.0020)	43086-P0110
	0.07 (0.0028)	43087-P0110
	0.10 (0.0039)	43088-P0110
	0.15 (0.0059)	43086-B9500
	0.20 (0.0079)	43089-P0110
	0.50 (0.0197) 1.00 (0.0394)	43090-P0110 43036-01G00

*: Always check with the Parts Department for the latest parts information.

4WD Models

NEAX0037S04

Total end play mm (in)	0 (0)
Wheel bearing preload at bearing cage bolt N (kg, lb)	6.9 - 48.1 (0.7 - 4.9, 1.5 - 10.8)