

SECTION **TF**

CONTENTS

PREPARATION	2	ASSEMBLY	23
Special Service Tools	2	Main Gear	23
Commercial Service Tools	3	DISASSEMBLY	23
NOISE, VIBRATION AND HARSHNESS (NVH)		INSPECTION	24
TROUBLESHOOTING	5	ASSEMBLY	24
NVH Troubleshooting Chart	5	Front Case	25
TRANSFER	5	REMOVAL	25
DESCRIPTION	6	INSTALLATION	25
Cross-sectional View	6	Front Case Cover	25
ON-VEHICLE SERVICE	7	REMOVAL	25
Replacing Oil Seal	7	INSTALLATION	25
CENTER CASE OIL SEAL	7	Bearing Retainer	26
SHIFT SHAFT OIL SEAL	8	REMOVAL	26
REAR OIL SEAL	8	INSTALLATION	26
Position Switch Check	9	Center Case	26
REMOVAL AND INSTALLATION	10	REMOVAL	26
Removal	10	INSTALLATION	26
Installation	10	Rear Case	26
M/T MODEL	10	REMOVAL	26
A/T MODEL	10	INSTALLATION	27
OVERHAUL	11	Shift Control Components	27
Transfer Gear Control	11	INSPECTION	27
Case Components	12	ASSEMBLY	29
Gear Components	13	SERVICE DATA AND SPECIFICATIONS (SDS)	37
Shift Control Components	14	General Specifications	37
DISASSEMBLY	15	Inspection and Adjustment	37
REPAIR FOR COMPONENT PARTS	20	CLEARANCE BETWEEN FRONT DRIVE	
Mainshaft	20	SPROCKET AND 2-4 COUPLING SLEEVE	37
DISASSEMBLY	20	GEAR END PLAY	37
INSPECTION	21	CLEARANCE BETWEEN BAULK RING AND	
ASSEMBLY	22	CLUTCH GEAR	37
Front Drive Shaft	22	Available Shim	37
DISASSEMBLY	22	COUNTER GEAR REAR BEARING	37
INSPECTION	22	Available Snap Ring	38
ASSEMBLY	22	MAINSHAFT FRONT BEARING	38
Counter Gear	23	MAIN GEAR BEARING	38
DISASSEMBLY	23	MAINSHAFT REAR BEARING	38
INSPECTION	23		

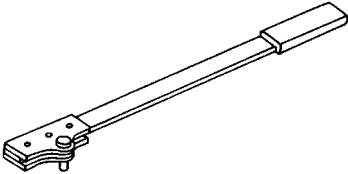
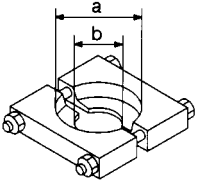
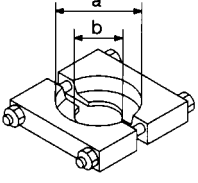
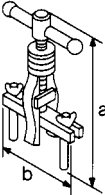
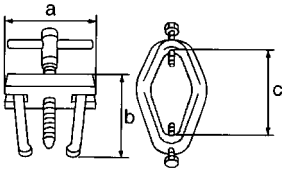
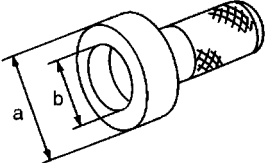
PREPARATION

Special Service Tools

Special Service Tools

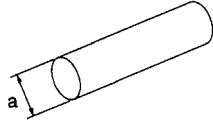
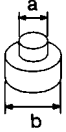
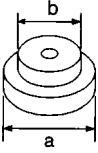
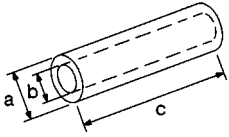
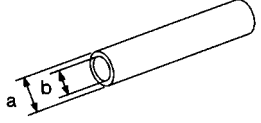
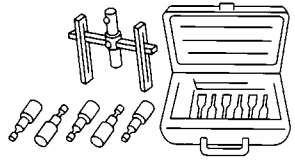
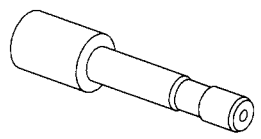
NETF0001

The actual shapes of Kent-Moore tools may differ from those of special service tools illustrated here.

Tool number (Kent-Moore No.) Tool name	Description	
KV38108300 (—) Companion Flange wrench		Removing companion flange nut Installing companion flange nut NT771
ST30021000 (J22912-01) Puller		Removing counter gear front bearing (Use with ST36710010) Removing L & H hub a: 110 mm (4.33 in) dia. b: 68 mm (2.68 in) dia. NT411
ST30031000 (J22912-01) Puller		Removing counter gear rear bearing (Use with ST36710010) a: 90 mm (3.54 in) dia. b: 50 mm (1.97 in) dia. NT411
ST33290001 (J25810-A) Puller		Removing center case oil seal Removing rear oil seal a: 250 mm (9.84 in) b: 160 mm (6.30 in) NT414
ST33051001 (J22888) Puller		Removing companion flange a: 135 mm (5.31 in) b: 100 mm (3.94 in) c: 130 mm (5.12 in) NT657
ST30720000 1 (J25273) 2 (J25405) Drift		1 Installing center case oil seal 2 Installing rear oil seal a: 77 mm (3.03 in) dia. b: 55.5 mm (2.185 in) dia. NT658

PREPARATION

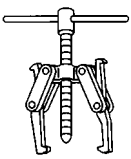
Special Service Tools (Cont'd)

Tool number (Kent-Moore No.) Tool name	Description	
ST36710010 (—) Drift		Removing counter gear front bearing (Use with ST30021000) Removing counter gear rear bearing (Use with ST30031000) a: 34.5 mm (1.358 in) dia.
NT063		GI MA EM
ST33061000 (J8107-2) Drift		Removing main gear bearing a: 28.5 mm (1.122 in) dia. b: 38 mm (1.50 in) dia.
NT116		LC EC
ST30613000 1 (J25742-3) 2 (J34339) Drift		1 Installing main gear bearing 2 Installing front case cover oil seal a: 72 mm (2.83 in) dia. b: 48 mm (1.89 in) dia.
NT073		FE CL
(J35864) Drift		Installing shift shaft oil seal a: 26 mm (1.02 in) dia. b: 20 mm (0.79 in) dia. c: 150 mm (5.91 in)
NT117		MT AT
(J26092) Drift		Seating counter gear assembly a: 44.5 mm (1.752 in) dia. b: 38.5 mm (1.516 in) dia.
NT065		TF PD
(J34291) Shim setting gauge set		Selecting counter gear rear bearing shim
NT101		AX SU BR
(J34291-20) Plunger-shim setting gauge		Selecting counter gear rear bearing shim
NT118		ST RS

Commercial Service Tools

NETF0002

The actual shapes of Kent-Moore tools may differ from those of special service tools illustrated here.

Tool name	Description	
Puller		Removing front drive shaft front bearing Removing front drive shaft rear bearing Removing main gear bearing
NT077		HA SC EL IDX

PREPARATION

Commercial Service Tools (Cont'd)

Tool name	Description
Drift	<div data-bbox="560 254 784 384" data-label="Image">A technical drawing of a cylindrical drift tool. Dimension 'a' is the diameter of the front flange. Dimension 'b' is the diameter of the main shaft. Dimension 'c' is the length of the main shaft. The drawing shows the tool from an isometric perspective.</div> <p data-bbox="409 405 467 426">NT117</p> <ul data-bbox="948 220 1295 447" style="list-style-type: none">1 Installing mainshaft rear bearing2 Installing L & H hub1 a: 50 mm (1.97 in) dia. b: 42 mm (1.65 in) dia. c: 180 mm (7.09 in)2 a: 60 mm (2.36 in) dia. b: 50 mm (1.97 in) dia. c: 60 mm (2.36 in)

NOISE, VIBRATION AND HARSHNESS (NVH) TROUBLESHOOTING

NVH Troubleshooting Chart

NVH Troubleshooting Chart

NETF0039S01

Use the chart below to help you find the cause of the symptom. The numbers indicate the order of inspection. If necessary, repair or replace these parts.

TRANSFER

NETF0039S0101

Reference page		Refer to MA-37 , "Checking Transfer Fluid", "CHASSIS AND BODY MAINTENANCE".										
SUSPECTED PARTS (Possible cause)		FLUID (Level low)	FLUID (Wrong)	FLUID (Level too high)	LIQUID GASKET (Damaged)	OIL SEAL (Worn or damaged)	CHECK SPRING AND CHECK BALL (Worn damaged)	SHIFT FORK (Worn)	GEAR (Worn or damaged)	Bearing (Worn or damaged)	BAULK RING (Worn or damaged)	SHIFTING INSERT (Damaged)
Symptom	Noise	1	2						3	3		
	Fluid leakage		3	1	2	2						
	Hard to shift or will not shift		1	1							2	2
	Jumps out of gear						1	2	2			

GI

MA

EM

LC

EC

FE

CL

MT

AT

TF

PD

AX

SU

BR

ST

RS

BT

HA

SC

EL

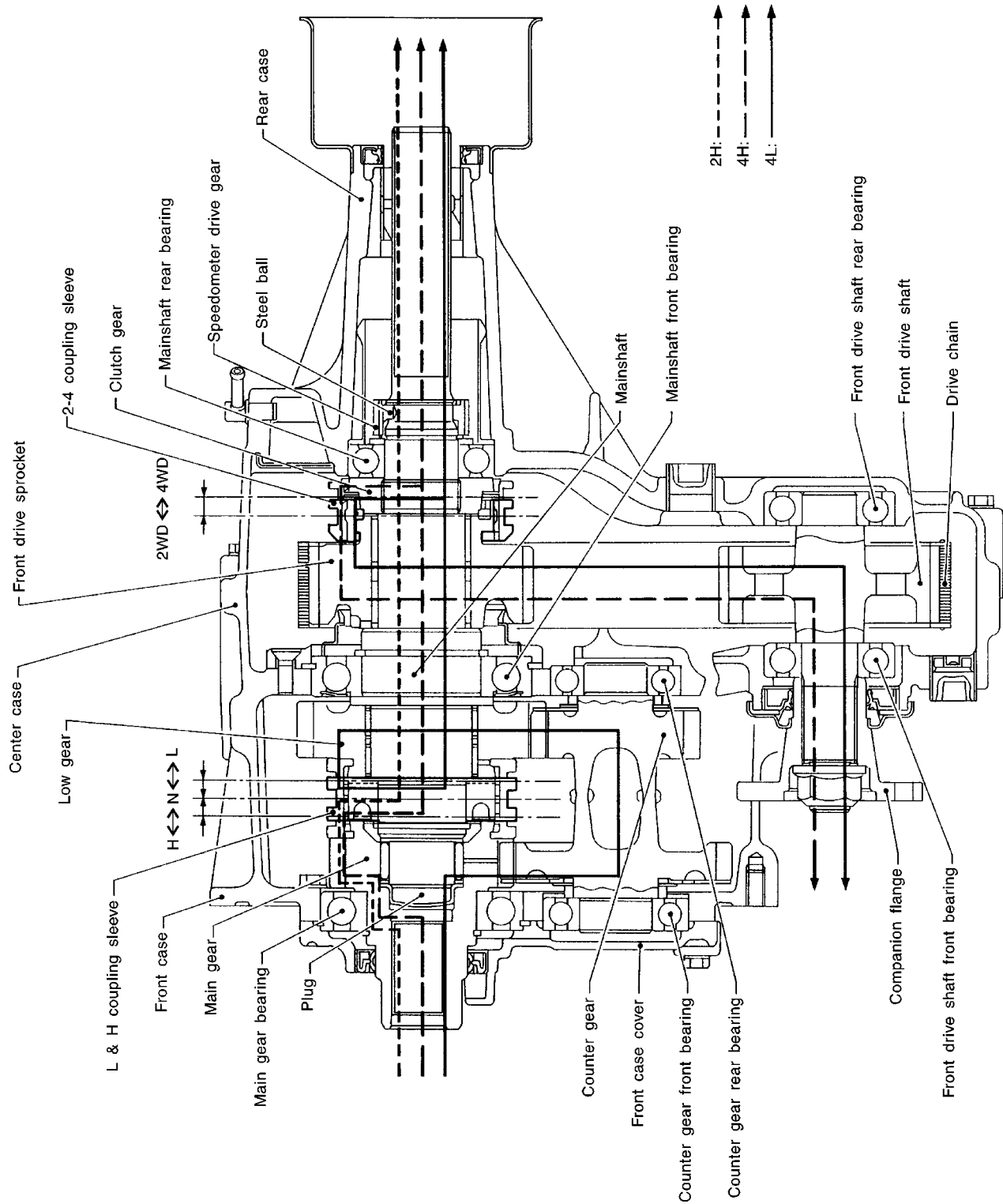
IDX

DESCRIPTION

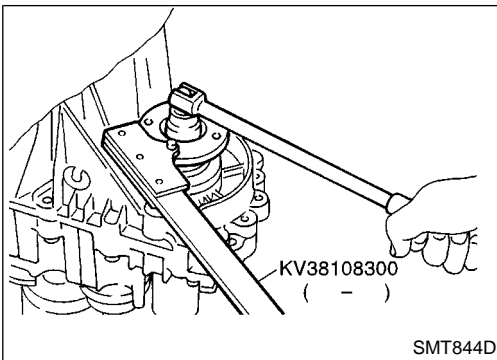
Cross-sectional View

Cross-sectional View

NETF0003



ATF021



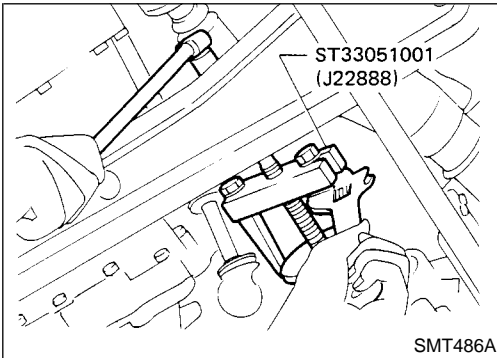
Replacing Oil Seal CENTER CASE OIL SEAL

NETF0004

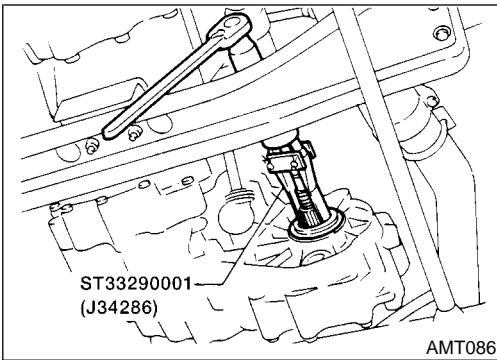
NETF0004S01

1. Remove front propeller shaft. Refer to **PD-7**, "PROPELLER SHAFT".

2. Remove companion flange nut.



3. Remove companion flange.

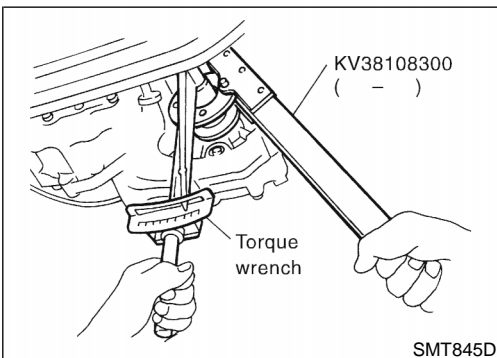


4. Remove center case oil seal.


5. Install center case oil seal.

● **Before installing, apply multi-purpose grease to seal lip.**

6. Install companion flange.



7. Tighten companion flange nut.

 : 226 - 324 N·m (23 - 33 kg·m, 166 - 239 ft·lb)

8. Install front propeller shaft. Refer to **PD-7**, "PROPELLER SHAFT".

GI

MA

EM

LC

EC

FE

CL

MT

AT

TF

PD

AX

SU

BR

ST

RS

BT

HA

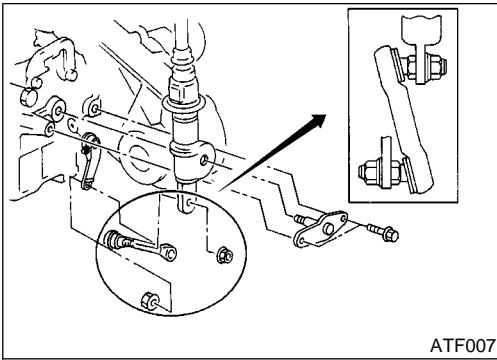
SC

EL

IDX

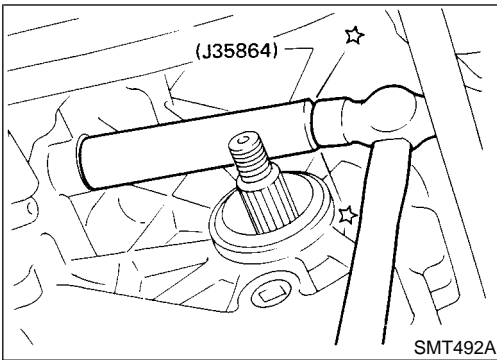
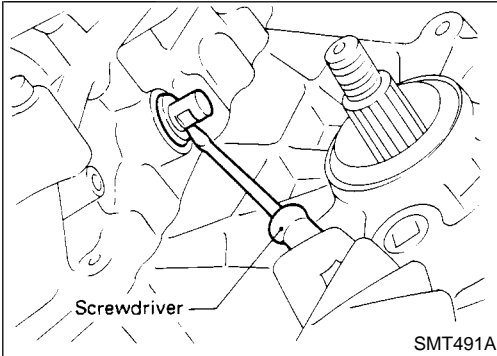
ON-VEHICLE SERVICE

Replacing Oil Seal (Cont'd)

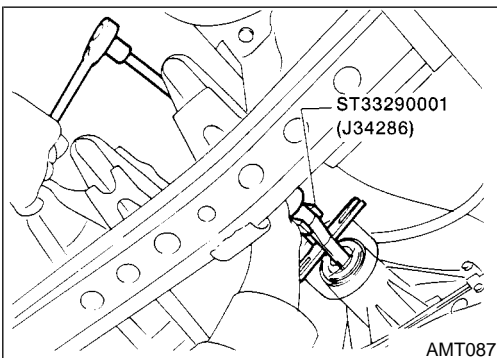


SHIFT SHAFT OIL SEAL

1. Remove front propeller shaft. Refer to **PD-7**, "PROPELLER SHAFT".
2. Remove companion flange. Refer to "CENTER CASE OIL SEAL", TF-7.
3. Remove transfer control lever from transfer outer shift lever. Then remove outer shift lever.
4. Remove shift shaft oil seal.
 - **Be careful not to damage cross shaft.**

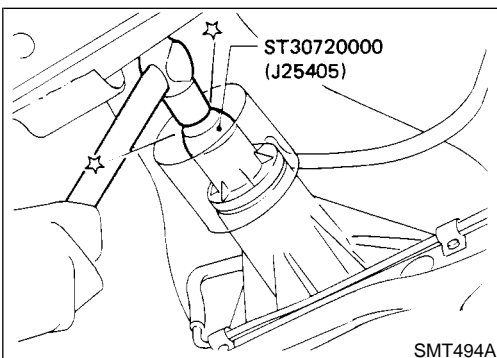


5. Install shift shaft oil seal.
 - **Before installing, apply multi-purpose grease to seal lip.**
6. Install transfer control linkage.
7. Install companion flange. Refer to "CENTER CASE OIL SEAL", TF-7.
8. Install front propeller shaft. Refer to **PD-7**, "PROPELLER SHAFT".

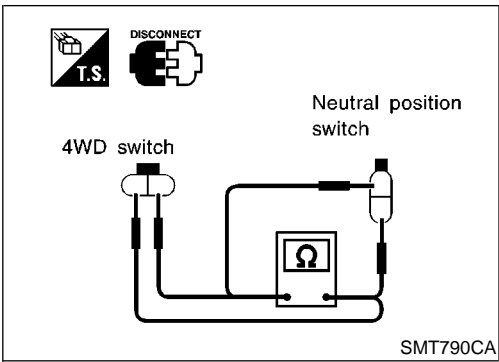


REAR OIL SEAL

1. Remove rear propeller shaft. Refer to Refer to **PD-7**, "PROPELLER SHAFT".
2. Remove rear oil seal.



3. Install rear oil seal.
 - **Before installing apply multi-purpose grease to seal lip.**
4. Install rear propeller shaft. Refer to **PD-7**, "PROPELLER SHAFT".



Position Switch Check

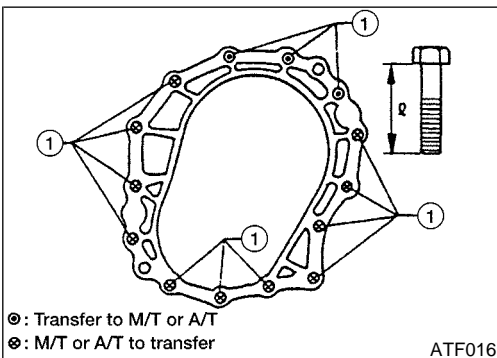
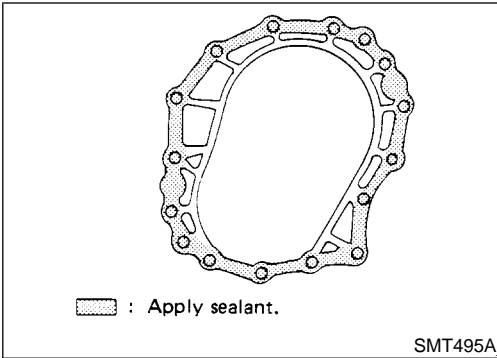
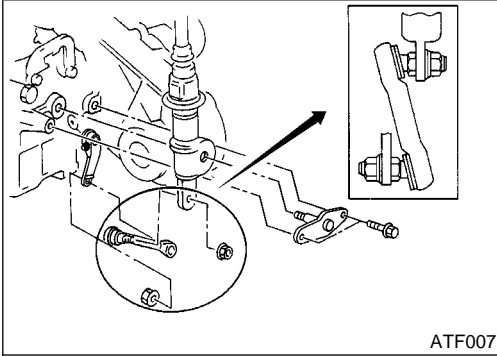
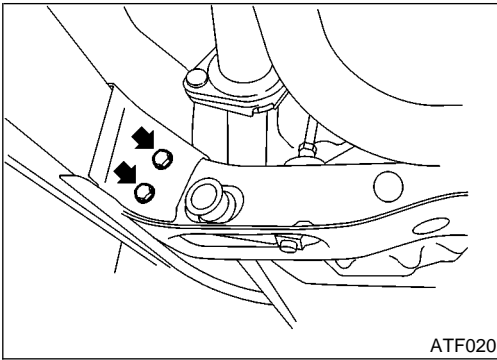
NETF0042

Switch	Gear Position	Continuity
4WD Switch	4WD	Yes
	Except 4WD	No
Neutral Position Switch	Neutral	No
	Except Neutral	Yes

- GI
- MA
- EM
- LC
- EC
- FE
- CL
- MT
- AT
- TF**
- PD
- AX
- SU
- BR
- ST
- RS
- BT
- HA
- SC
- EL
- IDX

REMOVAL AND INSTALLATION

Removal



Removal

1. Drain fluid from transfer, and drain oil from transmission. NETF0006
2. Remove front and rear propeller shaft. Refer to **PD-7**, "PROPELLER SHAFT".
Insert plug into rear oil seal after removing propeller shaft.
- **Be careful not to damage spline, sleeve yoke and rear oil seal, when removing propeller shaft.**
3. Remove torsion bar spring. Refer to **SU-15**, "Torsion Bar Spring". Then remove second crossmember.
4. Remove exhaust front and rear tubes. Refer to **FE-9**, "EXHAUST SYSTEM".
5. Disconnect vehicle speed sensor, transfer neutral position switch and 4WD switch harness connectors.
6. Remove air breather hose.
7. Remove transfer control lever from transfer outer shift lever.
8. Separate transfer from transmission.

WARNING:

Support transfer while removing it.

Installation

- Apply sealant to mating surface to transmission. (M/T model only) NETF0007

Use genuine anaerobic liquid gasket, Three Bond TB1215, Loctite Part No. 51813 or equivalent.

- Tighten bolts securing transfer.

M/T MODEL

NETF0007S01

Bolt No.	Tightening torque N·m (kg·m, ft·lb)	ℓ mm (in)
1	31 - 41 (3.2 - 4.2, 23 - 30)	45 (1.77)
2	31 - 41 (3.2 - 4.2, 23 - 30)	60 (2.36)

A/T MODEL

NETF0007S02

Bolt No.	Tightening torque N·m (kg·m, ft·lb)	ℓ mm (in)
1	31 - 41 (3.2 - 4.2, 23 - 30)	60 (2.36)
2	31 - 41 (3.2 - 4.2, 23 - 30)	60 (2.36)

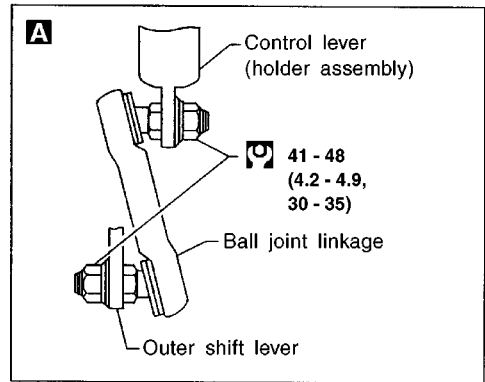
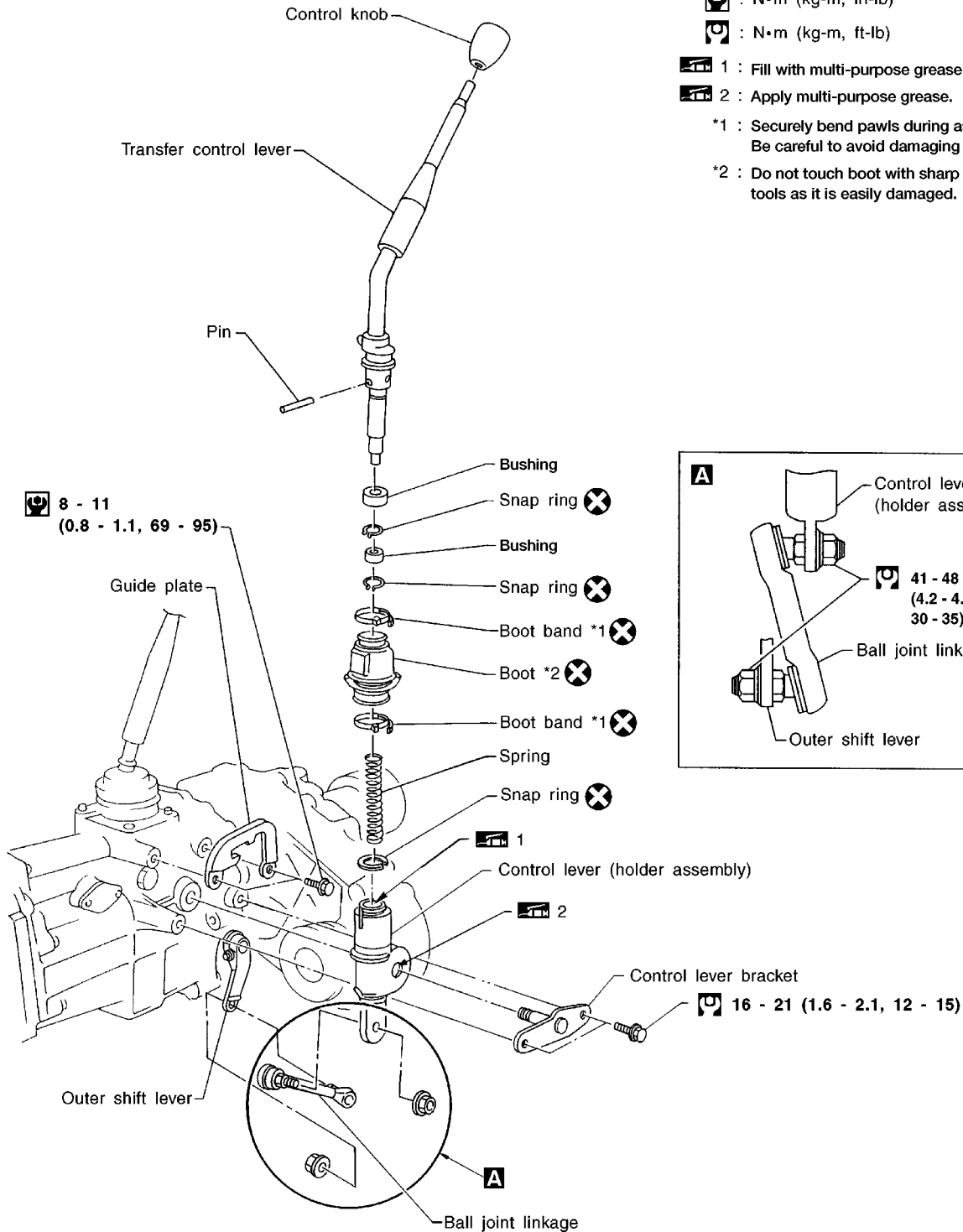
OVERHAUL

Transfer Gear Control

NETF0008

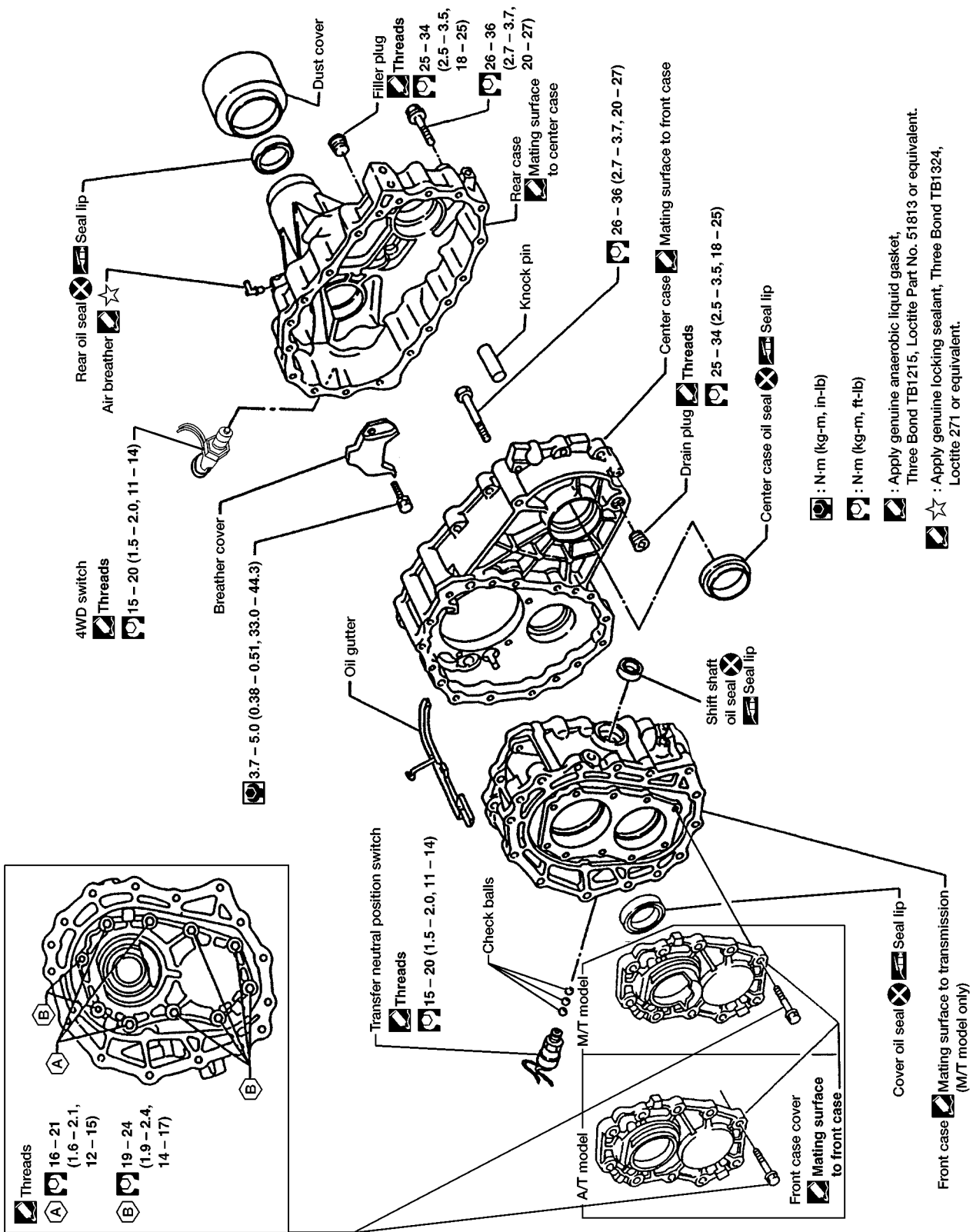
GI
MA
EM
LC
EC
FE
CL
MT
AT
TF
PD
AX
SU
BR
ST
RS
BT
HA
SC
EL
IDX

SEC. 333



OVERHAUL

Case Components



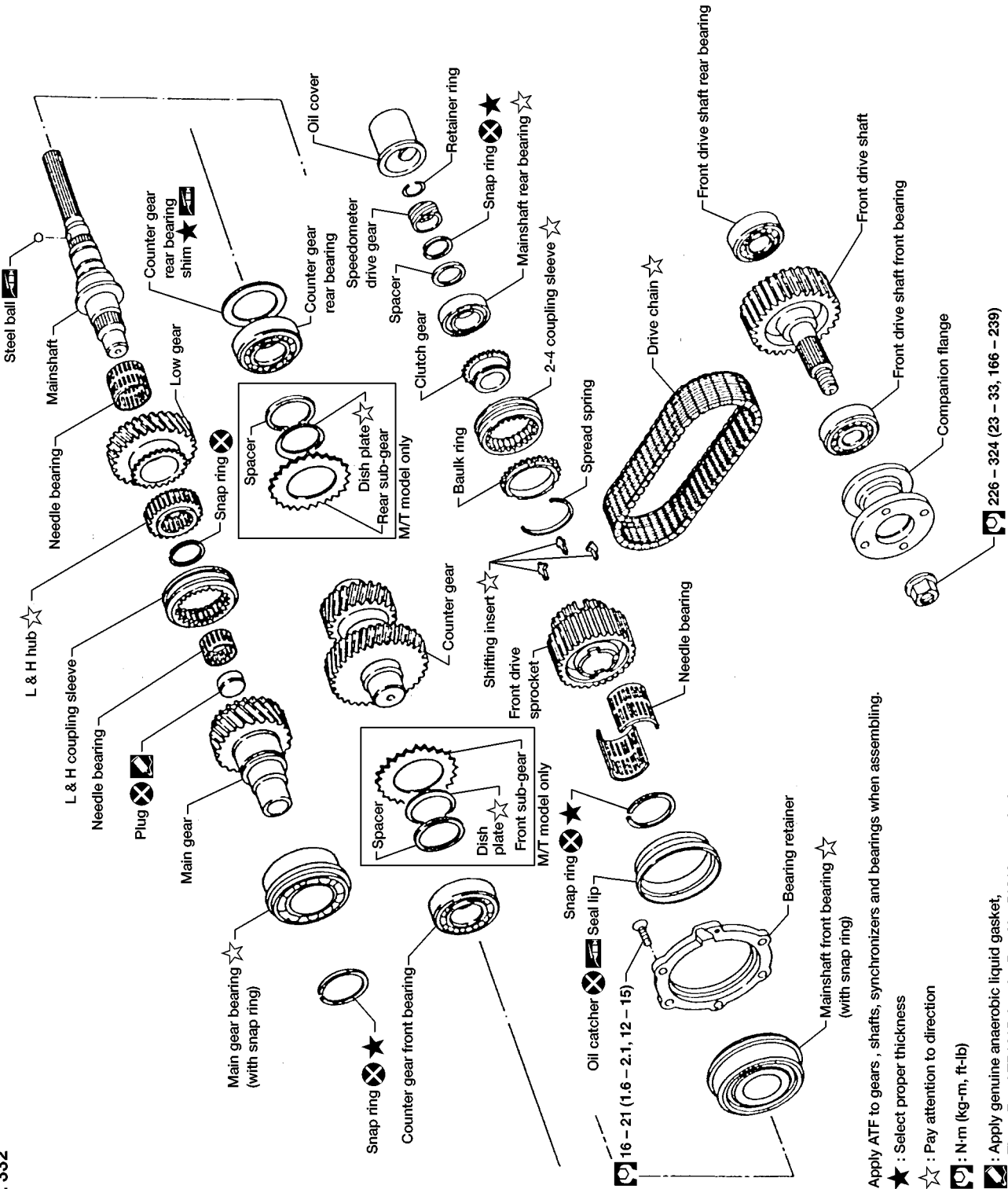
OVERHAUL

Gear Components

NETF0010

GI
MA
EM
LC
EC
FE
CL
MT
AT
TF
PD
AX
SU
BR
ST
RS
BT
HA
SC
EL
IDX

SEC. 332



Apply ATF to gears, shafts, synchronizers and bearings when assembling.

★ : Select proper thickness

☆ : Pay attention to direction

☒ : N-m (kg-m, ft-lb)

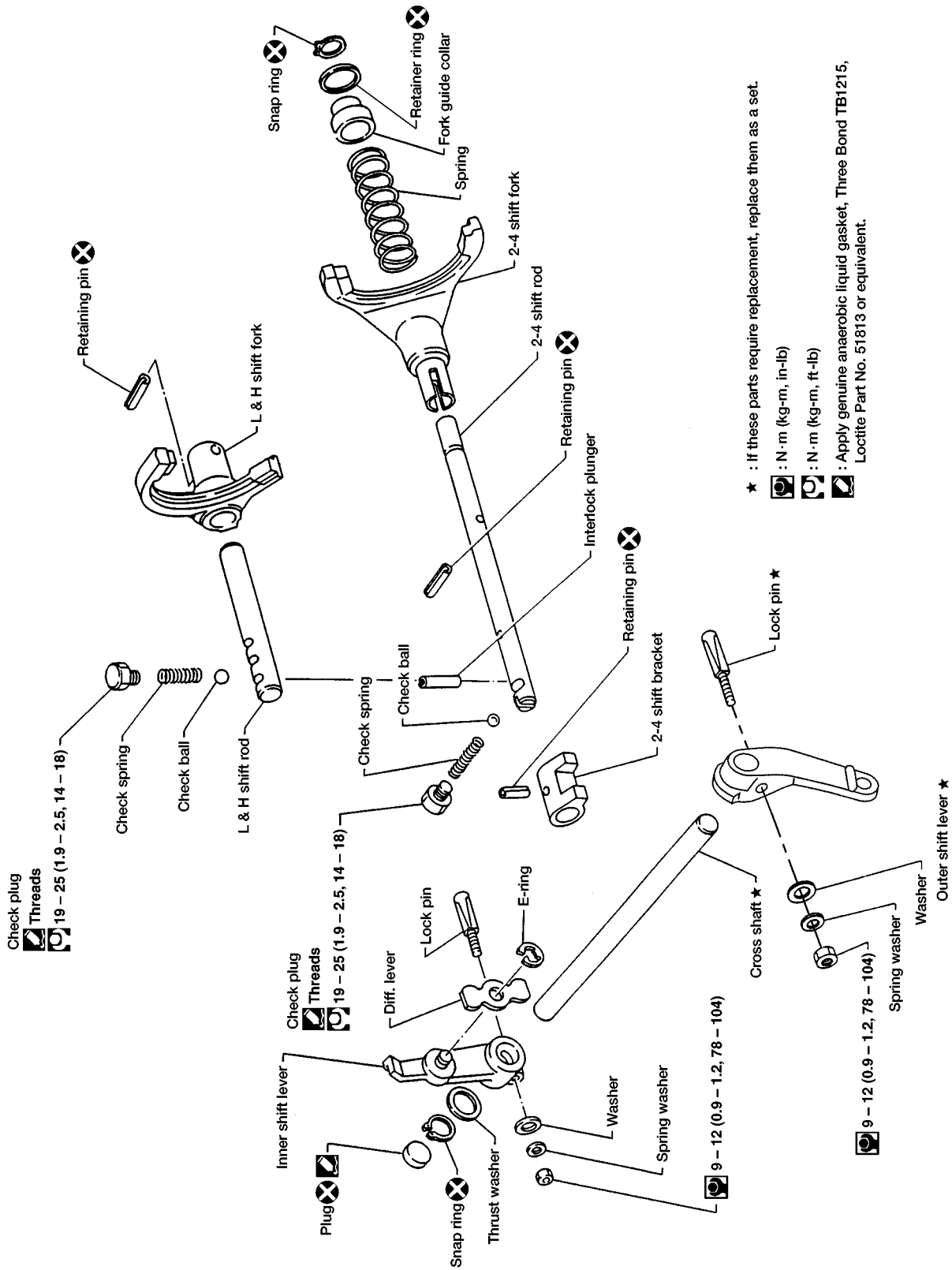
☑ : Apply genuine anaerobic liquid gasket, Three Bond TB1215, Loctite Part No. 51813 or equivalent.

226 - 324 (23 - 33, 166 - 239)

OVERHAUL

Shift Control Components

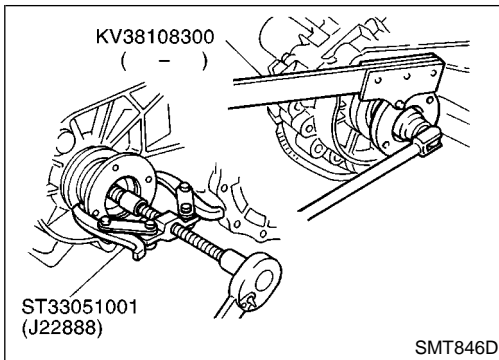
NETF0011



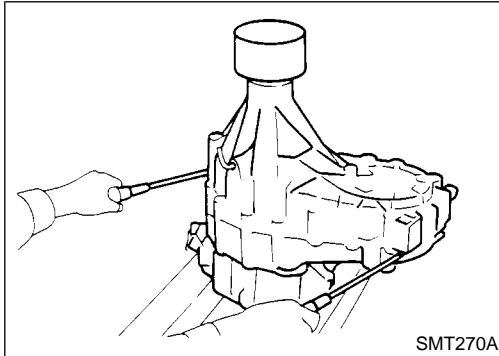
★ : If these parts require replacement, replace them as a set.
 [Symbol] : N·m (kg-m, in-lb)
 [Symbol] : N·m (kg-m, ft-lb)
 [Symbol] : Apply genuine anaerobic liquid gasket, Three Bond TB1215, Loctite Part No. 51813 or equivalent.

SEC. 333

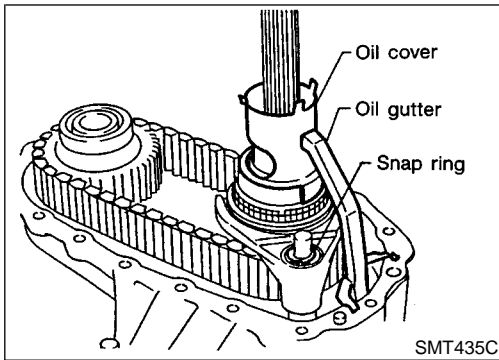
DISASSEMBLY



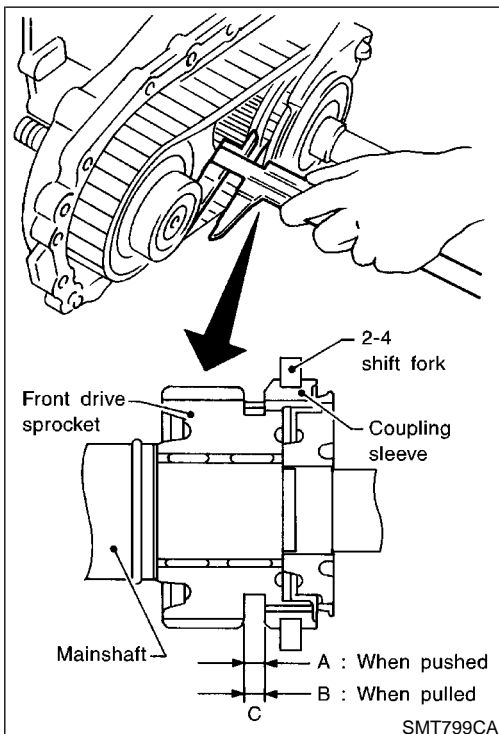
1. Remove companion flange nut.
2. Remove companion flange.



3. Remove 4WD switch.
4. Remove rear case.
 - Be careful not to damage the mating surface.



5. Remove oil cover and oil gutter.
6. Remove snap ring and retainer ring from 2-4 shift rod.



7. Using calipers, measure the difference between front drive sprocket and 2-4 coupling sleeve as outlined under measuring method below. If it is outside specifications, check front drive sprocket, 2-4 coupling sleeve, clutch gear, 2-4 shift fork and 2-4 fork rod for abnormalities. Replace faulty part(s) as required.

Measuring method

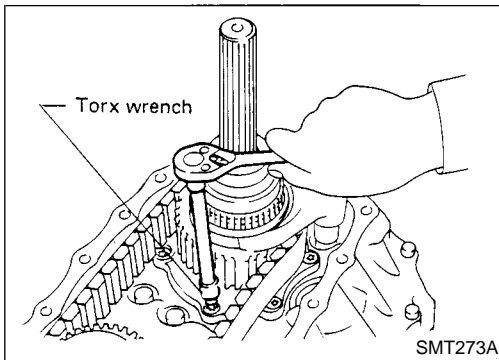
Move Coupling sleeve until it is in contact with sprocket, then measure dimension A. Move coupling sleeve until it is in contact with clutch gear, then measure dimension B. Obtain dimension difference C between two measurements A and B.

$$C = A - B$$

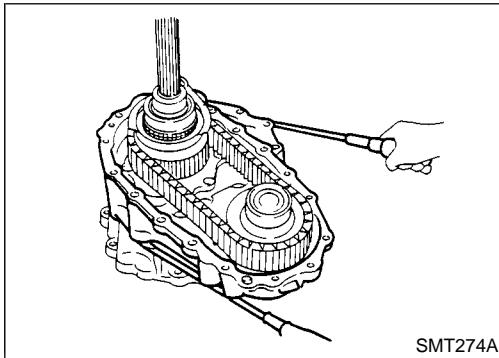
To determine dimension A, measure at 3 or 4 different points by rotating sprocket and obtain average value of 3 or 4 measurements.

Specification C: Refer to TF-37.

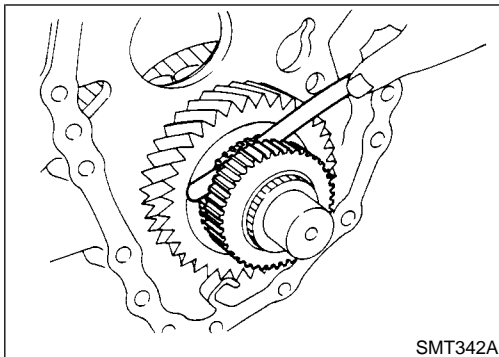
DISASSEMBLY



8. Remove bolts securing bearing retainer.
 - This step is necessary to remove mainshaft from center case.



9. Remove bolts securing center case to front case and then separate center case and front case.

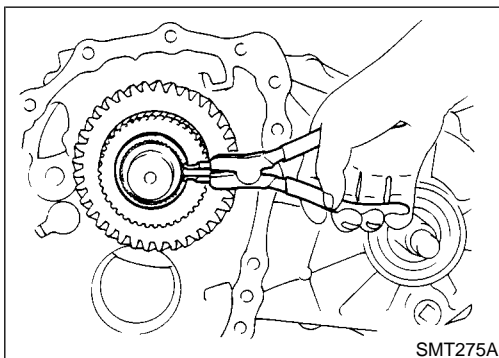


10. Measure low gear end play.

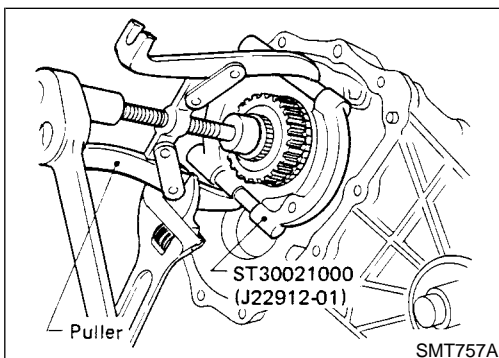
Standard:

0.2 - 0.35 mm (0.0079 - 0.0138 in)

- If end play is beyond the maximum value, check low gear and L & H hub for wear.

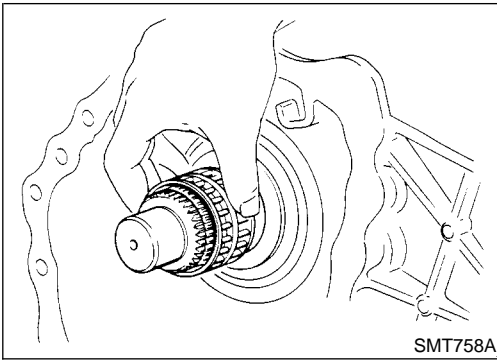


11. Disassemble center case assembly.
 - a. Remove snap ring from mainshaft.

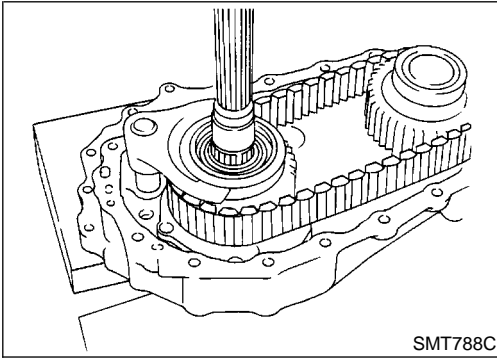


- b. Pull out low gear with L & H hub.

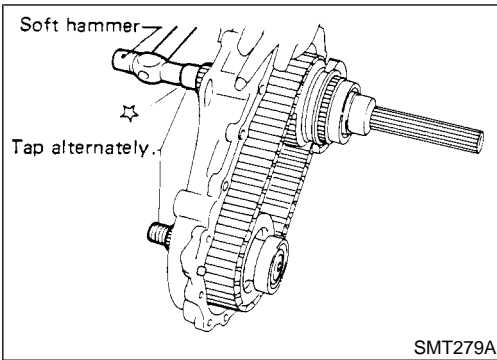
DISASSEMBLY



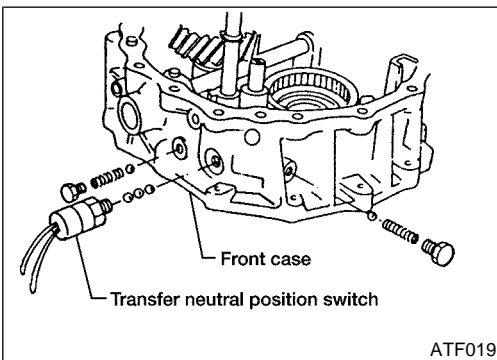
c. Remove needle bearing from main shaft.



d. Make sure of the direction of the drive chain before removing it. (It must be reinstalled in the same direction.)

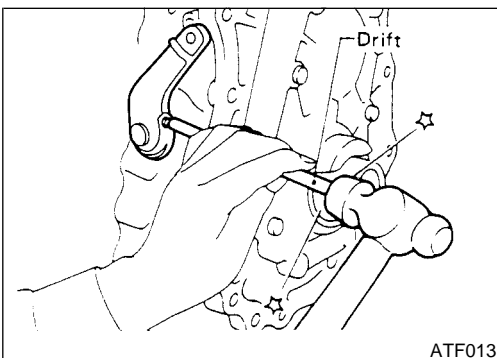


e. Remove mainshaft, front drive and drive chain as a set by tapping front end of mainshaft and front drive shaft alternately.
● **Be careful not to bend drive chain.**



12. Disassemble front case assembly.

a. Remove transfer neutral position switch, plugs, check springs and check balls.



b. Remove lock pin from outer shift lever, then remove outer shift lever.

GI

MA

EM

LC

EC

FE

CL

MT

AT

TF

PD

AX

SU

BR

ST

RS

BT

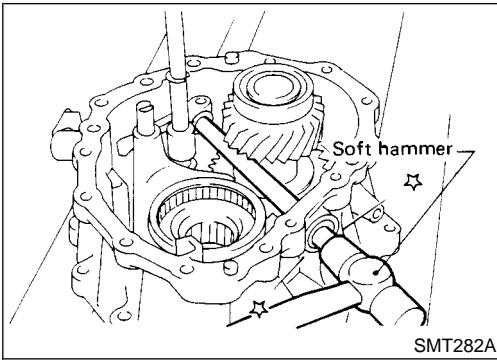
HA

SC

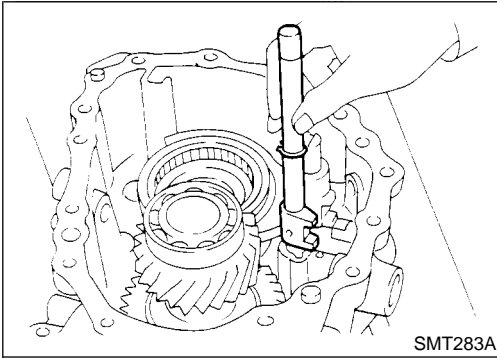
EL

IDX

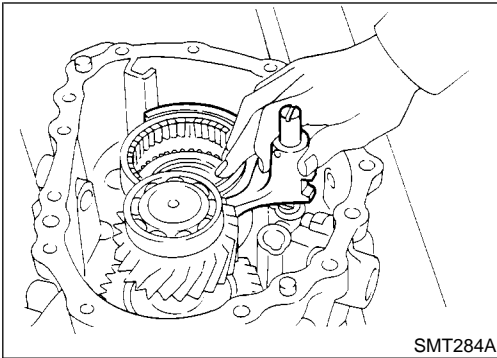
DISASSEMBLY



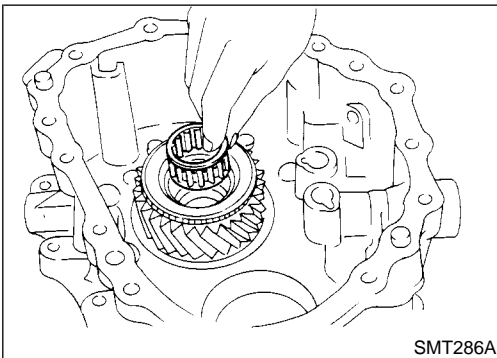
- c. Remove lock pin of inner shift lever and drive out cross shaft with plug.



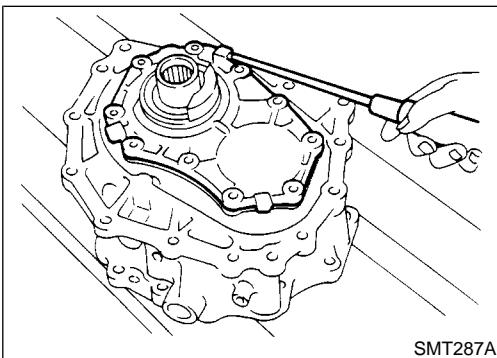
- d. Remove 2-4 shift rod.



- e. Remove L & H shift rod and fork assembly with coupling sleeve.

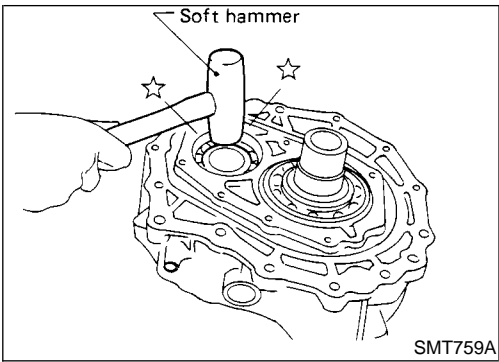


- f. Remove needle bearing from main gear.

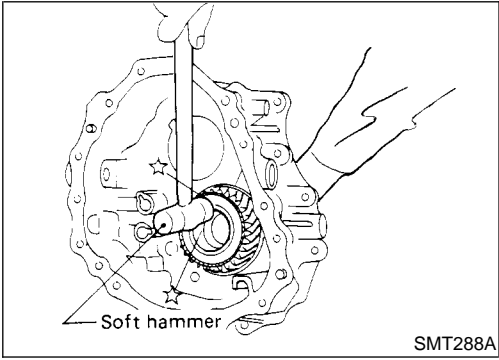


- g. Remove bolts securing front case cover and then remove case.

DISASSEMBLY



h. Remove counter gear by tapping lightly.



i. Remove main gear by tapping lightly.

GI

MA

EM

LC

EC

FE

CL

MT

AT

TF

PD

AX

SU

BR

ST

RS

BT

HA

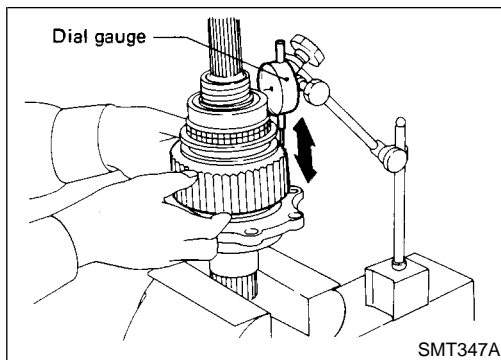
SC

EL

IDX

REPAIR FOR COMPONENT PARTS

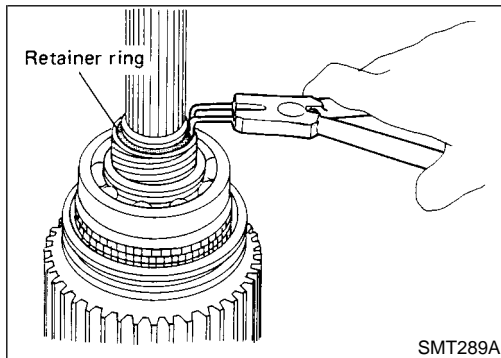
Mainshaft



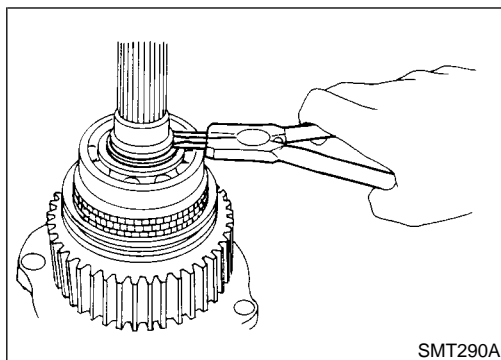
Mainshaft DISASSEMBLY

NETF0013

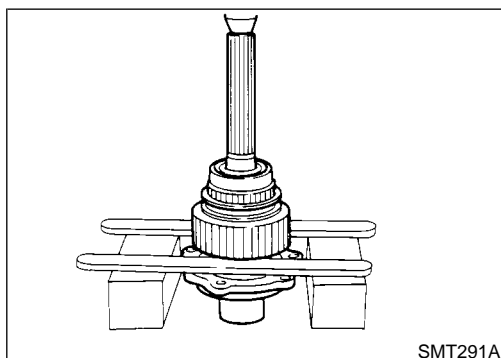
1. Check front drive sprocket end play.
Standard:
0.2 - 0.35 mm (0.0079 - 0.0138 in)
 - If end play is not within specification, check front drive sprocket and clutch gear for wear.



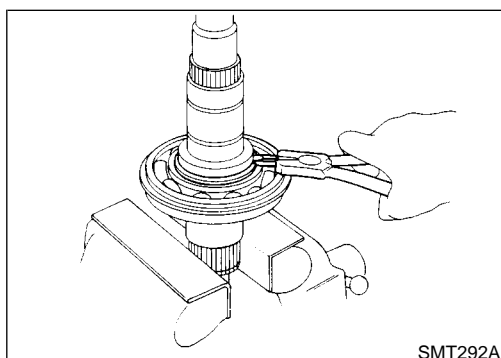
2. Remove retainer ring, speedometer drive gear and steel ball.
 - **Be careful not to lose the steel ball.**



3. Remove snap ring and spacer.



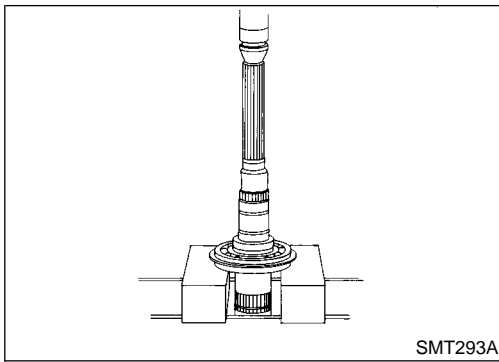
4. Use a press to remove front drive sprocket with mainshaft rear bearing and clutch gear together.
5. Remove needle bearing.



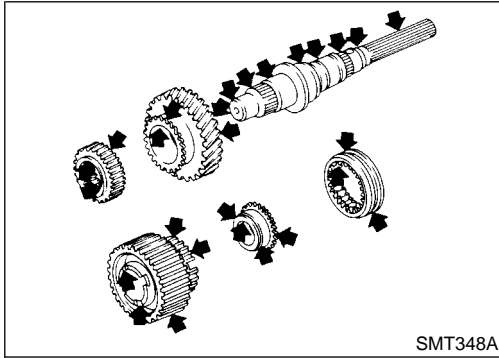
6. Remove bearing retainer and then remove snap ring.

REPAIR FOR COMPONENT PARTS

Mainshaft (Cont'd)



7. Use a press to remove mainshaft front bearing from mainshaft.



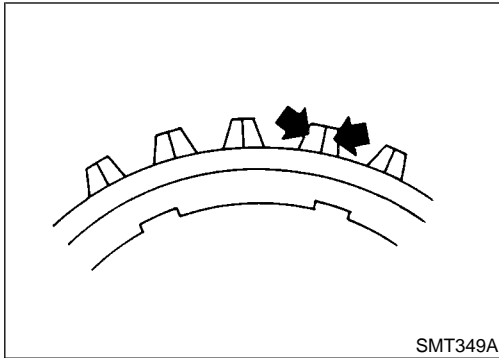
INSPECTION

Gear and Shaft

- Check gears for excessive wear, chips or cracks.
- Check shaft for cracks, wear or bending.
- Check coupling sleeve for wear or damage.

NETF0014

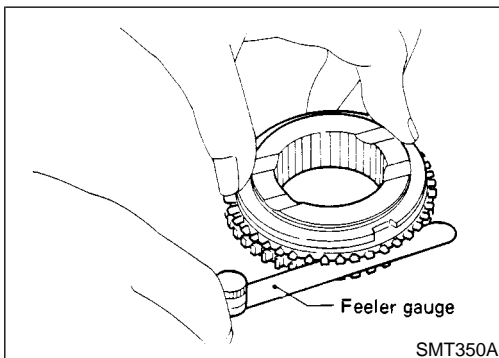
NETF0014S01



Baulk ring

- Check baulk ring for cracks or deformation.

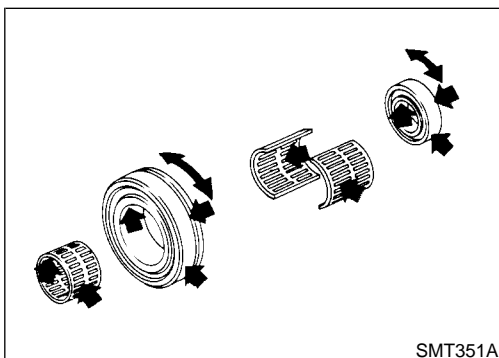
NETF0014S03



- Measure clearance between baulk ring and clutch gear.

Baulk ring to clutch gear clearance:

Refer to SDS, TF-37.



Bearing

- Make sure bearings roll freely and are free from noise, cracks, pitting or wear.

NETF0014S02

GI

MA

EM

LC

EC

FE

CL

MT

AT

TF

PD

AX

SU

BR

ST

RS

BT

HA

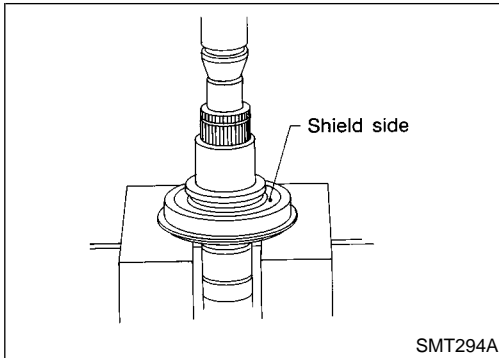
SC

EL

IDX

REPAIR FOR COMPONENT PARTS

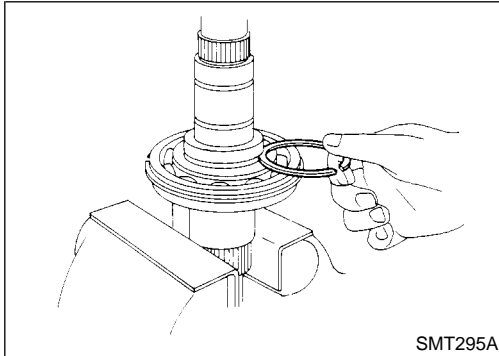
Mainshaft (Cont'd)



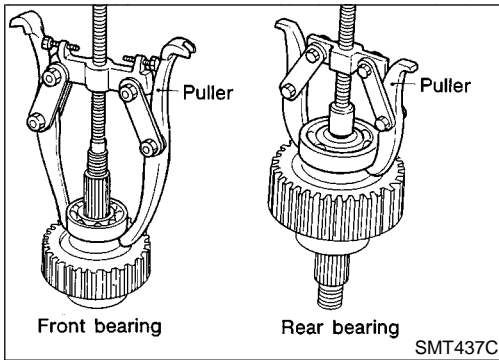
ASSEMBLY

NETF0015

1. Press mainshaft front bearing onto mainshaft.
 - Pay special attention to its direction.



2. Select snap ring with proper thickness.
 - Allowable clearance between snap ring and groove:
0 - 0.15 mm (0 - 0.0059 in)
 - Available snap ring for mainshaft front bearing:
Refer to SDS, TF-38.
3. Regarding to further procedures, refer to "ASSEMBLY", TF-29.

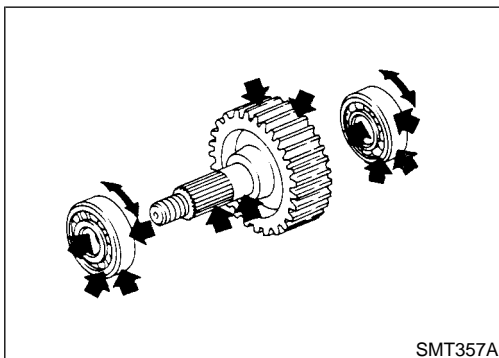


Front Drive Shaft

DISASSEMBLY

NETF0016

- Using a gear puller, remove front drive shaft front and rear bearings



INSPECTION

Sprocket and Shaft

NETF0017

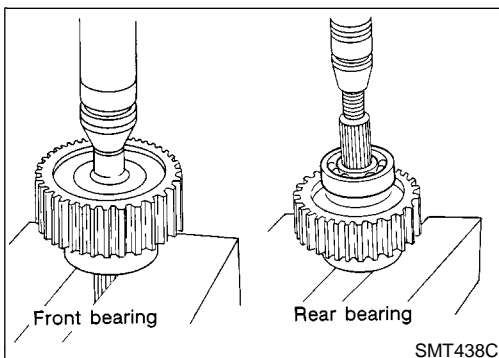
NETF0017S01

- Check sprocket for excessive wear, chips or cracks.
- Check shaft for cracks or wear.

Bearing

NETF0017S02

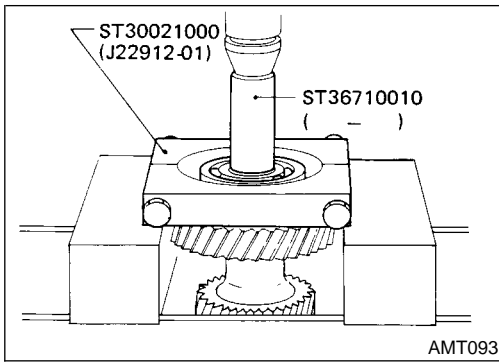
- Make sure bearings roll freely and are free from noise, cracks, pitting or wear.



ASSEMBLY

NETF0018

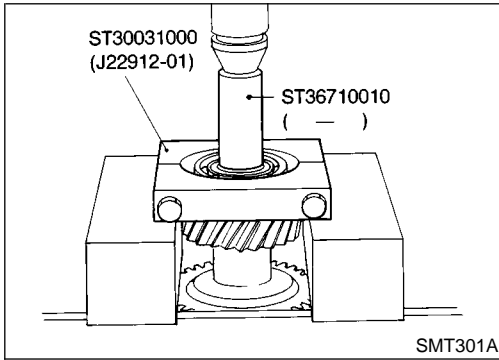
- Press front drive shaft front and rear bearings onto front drive shaft.



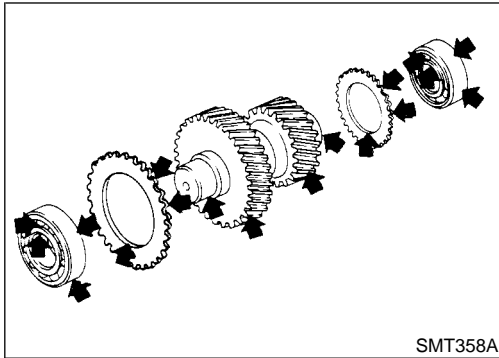
Counter Gear DISASSEMBLY

NETF0019

1. Press out counter gear front bearing.
 - Remove front sub-gear, dish plate and spacer (M/T model only).



2. Press out counter gear rear bearing.
 - Remove rear sub-gear, dish plate and spacer (M/T model only).



INSPECTION

Gear and Shaft

NETF0020

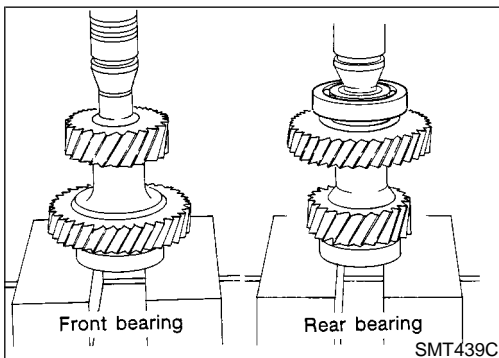
- Check gears for excessive wear, chips or cracks.
- Check shaft for cracks or wear.

NETF0020S01

Bearing

- Make sure bearings roll freely and are free from noise, cracks, pitting or wear.

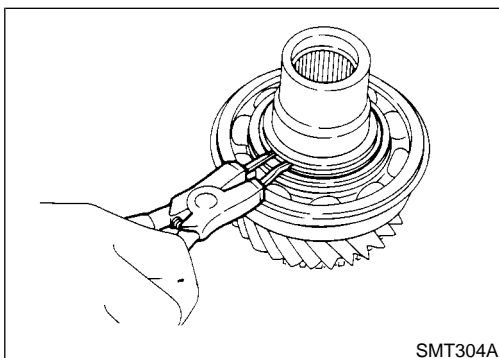
NETF0020S02



ASSEMBLY

NETF0021

1. Install front sub-gear, dish plate and spacer (M/T model only).
2. Press on counter gear front bearing.
3. Install rear sub-gear, dish plate and spacer (M/T model only).
4. Press on counter gear rear bearing.



Main Gear DISASSEMBLY

Main Gear Bearing

NETF0022

1. Remove snap ring.

NETF0022S01

GI

MA

EM

LC

EC

FE

CL

MT

AT

TF

PD

AX

SU

BR

ST

RS

BT

HA

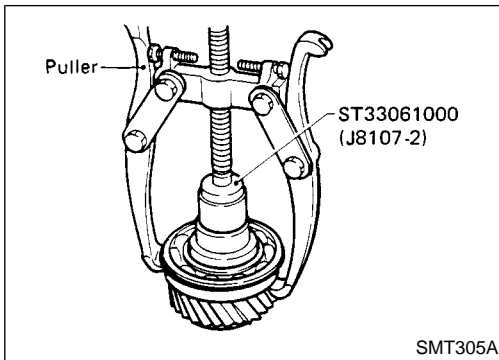
SC

EL

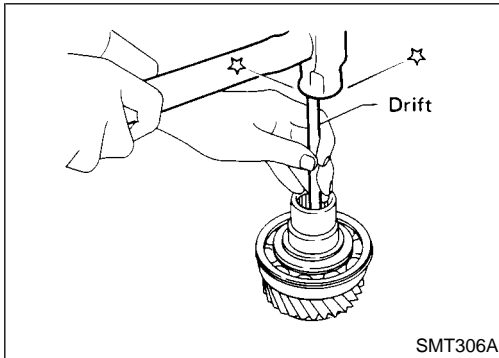
IDX

REPAIR FOR COMPONENT PARTS

Main Gear (Cont'd)



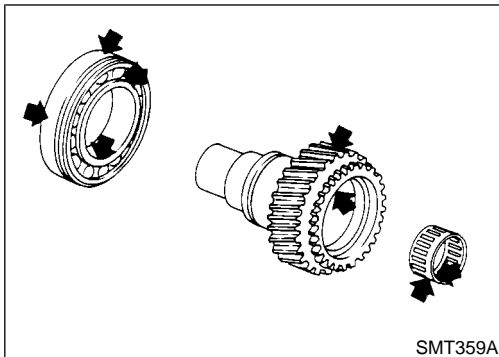
2. Pull out main gear bearing.



Plug

- Always replace it with new one whenever it has been removed.

NETF0022S02



INSPECTION

Gear and Shaft

- Check gears for excessive wear, chips or cracks.
- Check shaft for cracks or wear.

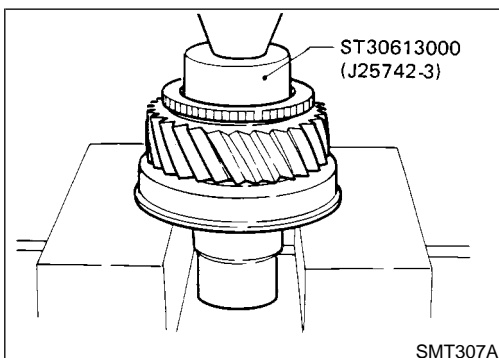
NETF0023

NETF0023S01

Bearing

- Make sure bearings roll freely and are free from noise, cracks, pitting or wear.

NETF0023S02



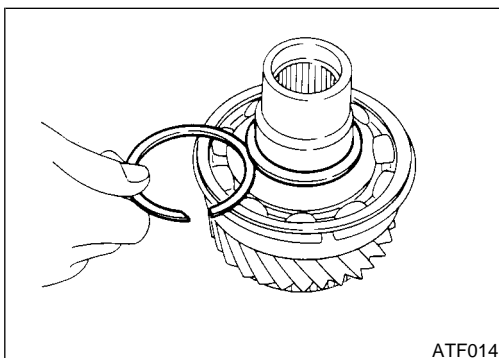
ASSEMBLY

Main Gear Bearing

1. Press on main gear bearing.

NETF0024

NETF0024S01



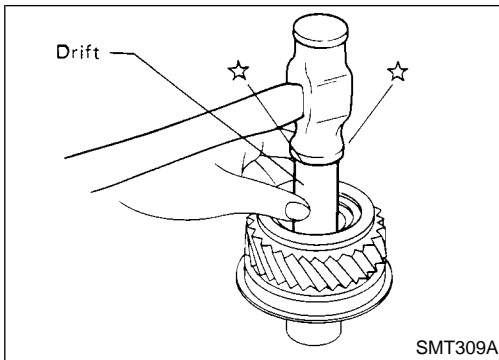
2. Select and install snap ring with proper thickness.

Allowable clearance between snap ring and groove:

0 - 0.15 mm (0 - 0.0059 in)

Available snap ring for main gear bearing:

Refer to SDS, TF-38.



Plug

Apply sealant to plug, then install.

NETF0024S02

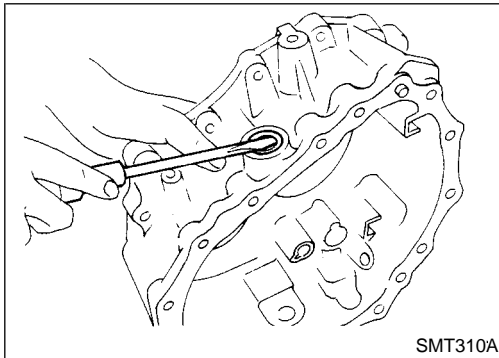
- Use genuine anaerobic liquid gasket, Three Bond TB1215, Loctite part No. 51813 or equivalent.

GI

MA

EM

LC



Front Case

REMOVAL

NETF0025

Shift Shaft Oil Seal

NETF0025S01

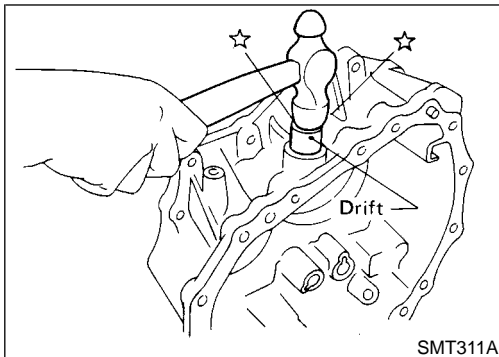
- Use a screwdriver to pry out old seal.
- Be careful not to damage case.
- Always replace with a new one whenever it has been removed.

EC

FE

CL

MT



INSTALLATION

Shift Shaft Oil Seal

NETF0026

NETF0026S01

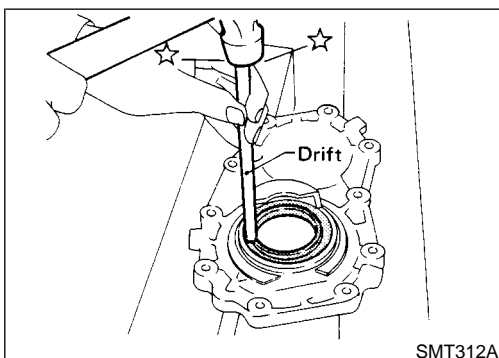
- Install new shift shaft oil seal until flush with case.
- Before installing, apply multi-purpose grease to seal lip.

AT

TF

PD

AX



Front Case Cover

REMOVAL

NETF0027

Cover Oil Seal

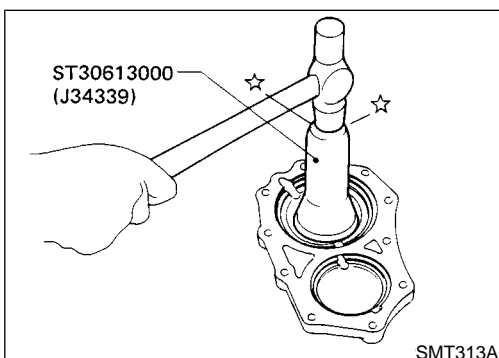
NETF0027S01

- Drive out old seal from inside of front case cover.
- Be careful not to damage front case cover.

BR

ST

RS



INSTALLATION

Cover Oil Seal

NETF0028

NETF0028S01

- Install new front case cover oil seal until it stops.
- Before installing, apply multi-purpose grease to seal lip.

BT

HA

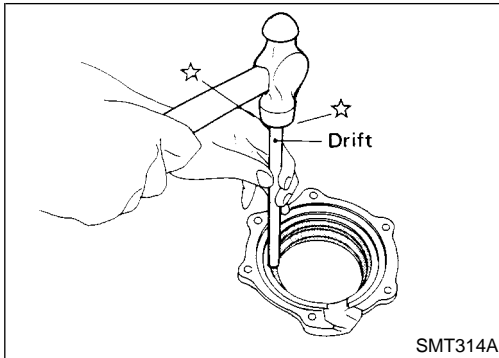
SC

EL

IDX

REPAIR FOR COMPONENT PARTS

Bearing Retainer



Bearing Retainer

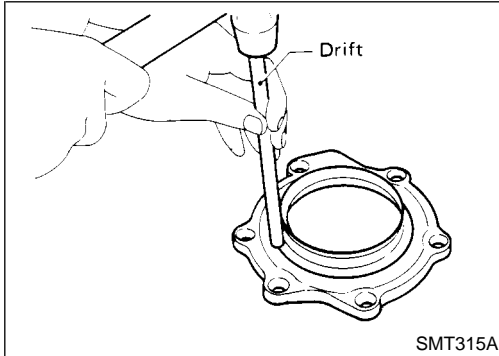
REMOVAL

Oil Catcher

- Drive out oil catcher from inside of bearing retainer.
- Be careful not to damage bearing retainer.

NETF0029

NETF0029S01



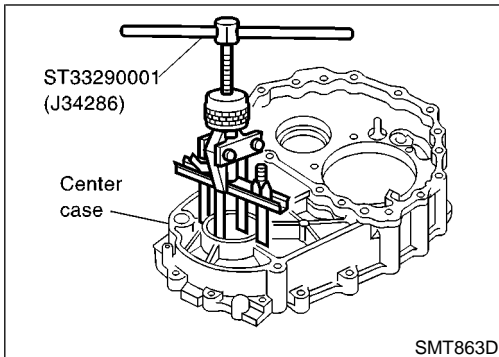
INSTALLATION

Oil Catcher

- Install oil catcher until it stops.
- Be careful not to damage or distort oil catcher or bearing retainer.
- Before installing, apply multi-purpose grease to seal lip.

NETF0030

NETF0030S01



Center Case

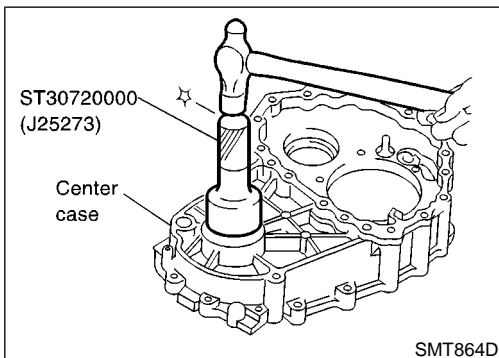
REMOVAL

Center Case Oil Seal

- Remove center case oil seal.

NETF0044

NETF0044S01



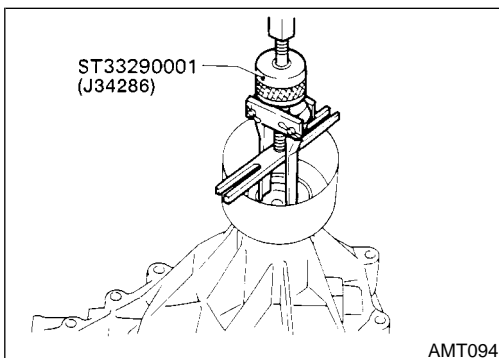
INSTALLATION

Center Case Oil Seal

- Install center case oil seal.

NETF0045

NETF0045S01



Rear Case

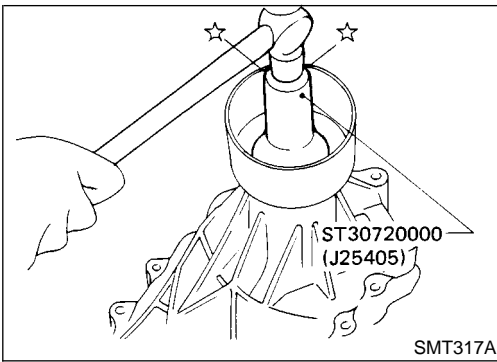
REMOVAL

Rear Oil Seal

- Pull out rear oil seal.

NETF0031

NETF0031S01



INSTALLATION

NETF0032

Rear Oil Seal

NETF0032S01

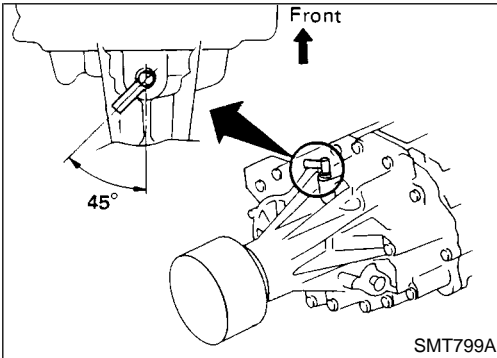
- Install new rear oil seal until it stops.
- Before installing, apply multi-purpose grease to seal lip.

GI

MA

EM

LC



Air Breather

NETF0032S02

Install as shown in illustration.

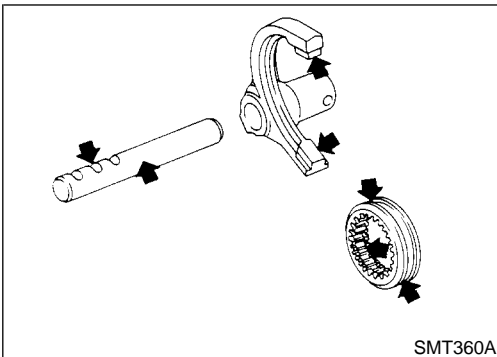
- Use genuine thread locker, Three Bond TB1324, Loctite 271 or equivalent.

EC

FE

CL

MT



Shift Control Components

INSPECTION

NETF0033

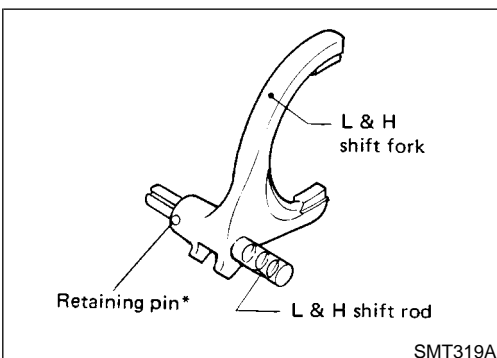
- Check contact surface and sliding surface for wear, scratches, projections or other faulty conditions.

AT

TF

PD

AX



L & H Shift Rod & Fork

NETF0033S01

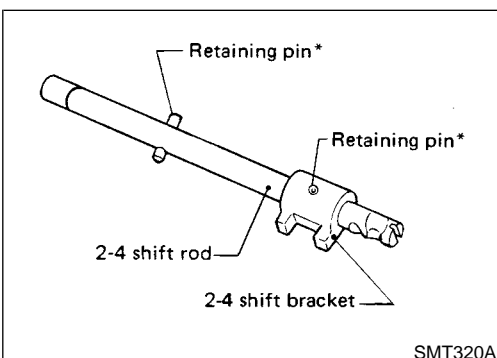
- Assemble as shown in illustration.
- * Retaining pin is the same size as the one for 2-4 shift rod.

SU

BR

ST

RS



2-4 Shift Rod & Fork

NETF0033S02

- Assemble as shown in illustration.
- * Retaining pins are the same size.

BT

HA

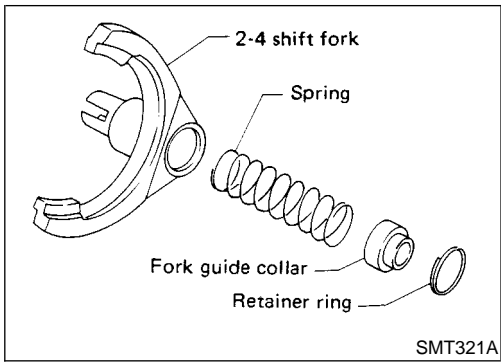
SC

EL

IDX

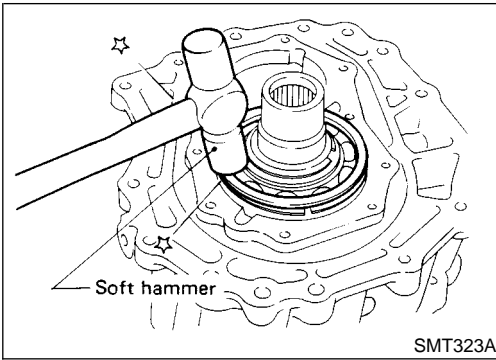
REPAIR FOR COMPONENT PARTS

Shift Control Components (Cont'd)

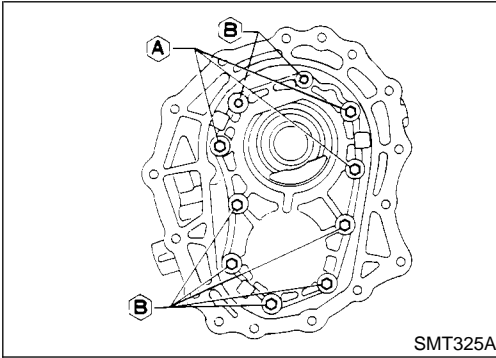


- Pay special attention to the direction of fork guide collar.

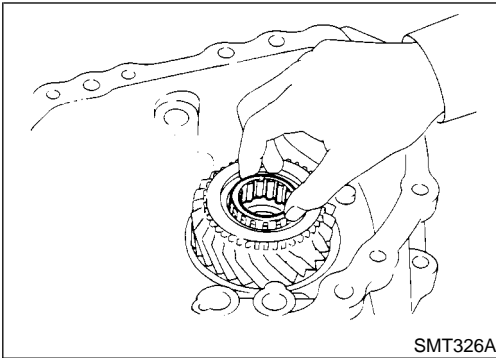
ASSEMBLY



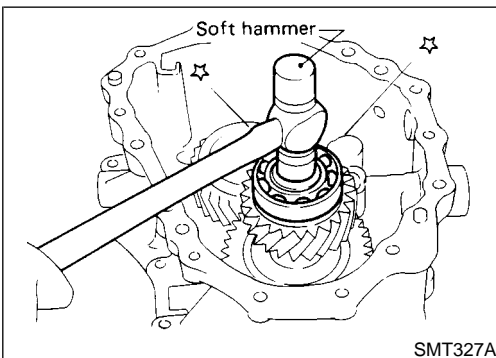
1. Assemble front case.
 - a. Install main gear assembly by tapping lightly.



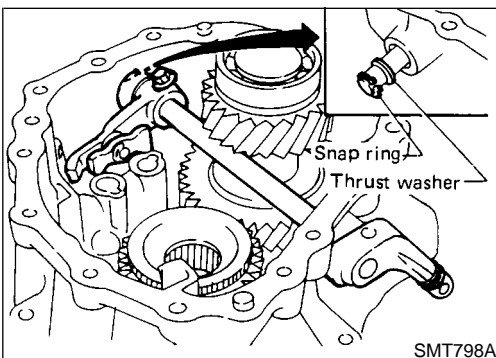
- b. Apply sealant to the mating surface and bolts of front case cover, then attach it to the front case.
 - Use genuine anaerobic liquid gasket, Three Bond TB1215, Loctite Part No. 51813 or equivalent.
 - These ten bolts should be coated with sealant.
 - Bolts A: 16 - 21 N·m (1.6 - 2.1 kg·m, 12 - 15 ft·lb)
 - Bolts B: 19 - 24 N·m (1.9 - 2.4 kg·m, 14 - 17 ft·lb)



- c. Apply ATF to needle bearing and install it into main gear.

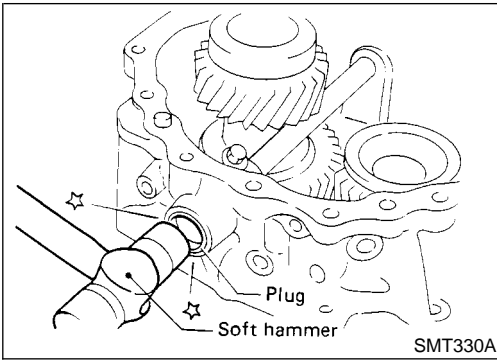


- d. Install counter gear assembly by tapping lightly.

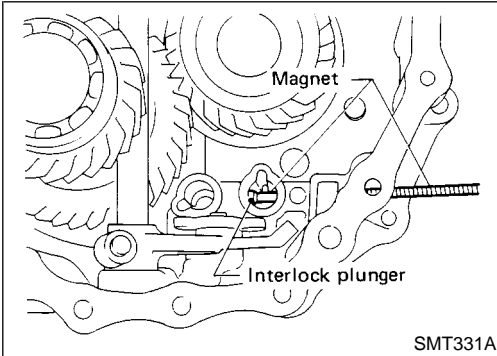


- e. Install cross shaft and inner shift lever.
 - When replacing cross shaft, outer shift lever or outer shift lever lock pin, replace them as a set.

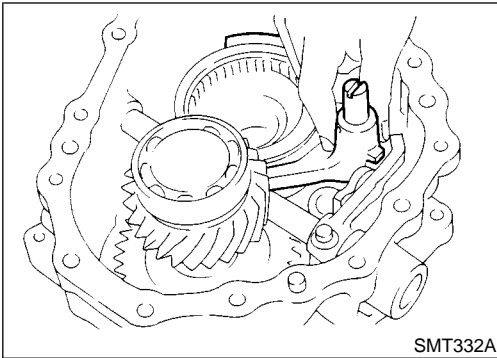
ASSEMBLY



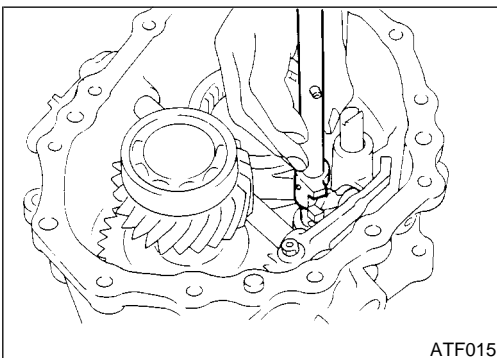
- f. Apply sealant to plug and install it into front case.
Use genuine anaerobic liquid gasket, Three Bond TB1215, Loctite Part No. 51813 or equivalent.



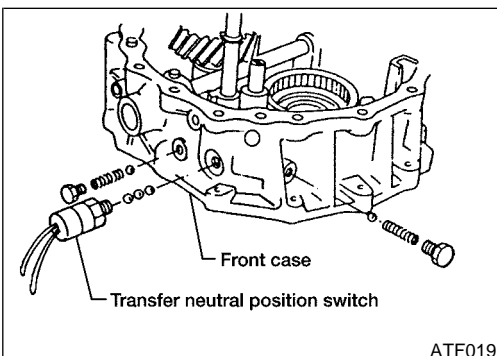
- g. Insert interlock plunger into front case.



- h. Install L & H shift rod and fork assembly with coupling sleeve.

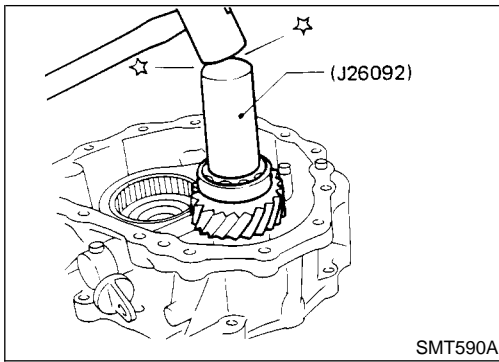


- i. Install 2-4 shift rod.

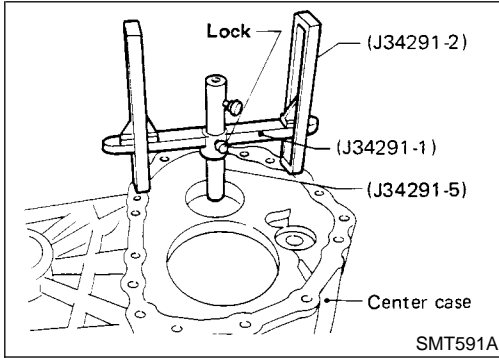


- j. Install transfer neutral position switch, check balls, check springs and plugs.
● **Apply sealant to switches and plugs.**
● **Use genuine anaerobic liquid gasket, Three Bond TB1215, Loctite Part No. 51813 or equivalent.**

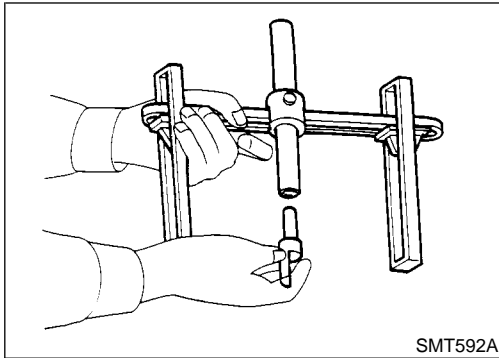
ASSEMBLY



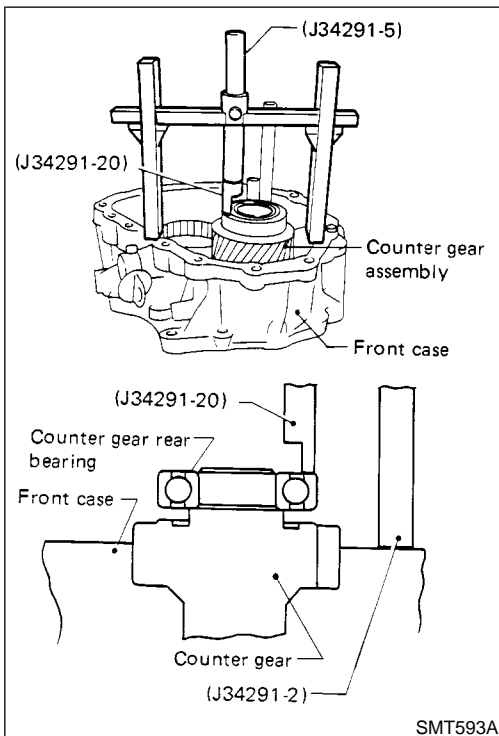
2. Select counter gear rear bearing shim.
 - a. Seat counter gear assembly.



- b. Place J34291-1 (bridge), J34291-2 (legs) and J34291-5 (gauging cylinder) on machined surface of center case, allowing gauging cylinder to rest on top outer portion of counter gear rear bearing. Lock gauging cylinder in place.



- c. Insert J34291-20 (gauging plunger) into J34291-5 (gauging cylinder).



- d. Place bridge, legs, gauging cylinder and gauging plunger onto machined surface of front case assembly, allowing gauging plunger to drop until it contacts counter gear rear bearing mating surface.

GI

MA

EM

LC

EC

FE

CL

MT

AT

TF

PD

AX

SU

BR

ST

RS

BT

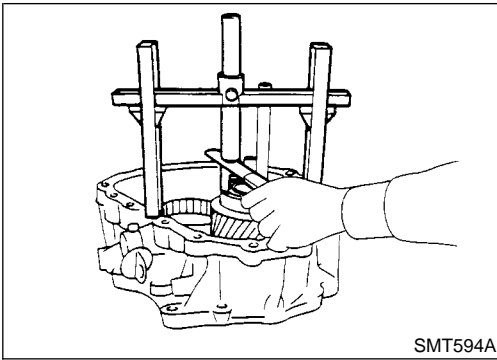
HA

SC

EL

IDX

ASSEMBLY



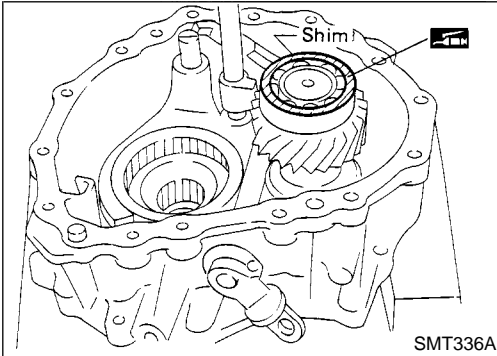
- e. Lock gauging plunger in place and use feeler gauge to measure end play between gauging cylinder and gauging plunger.
- f. Use measured distance to select correct counter gear rear bearing shim.

Allowable counter gear end play:

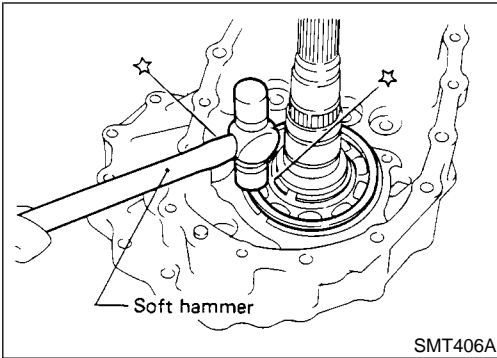
0 - 0.2 mm (0 - 0.008 in)

Allowable counter gear rear bearing shim:

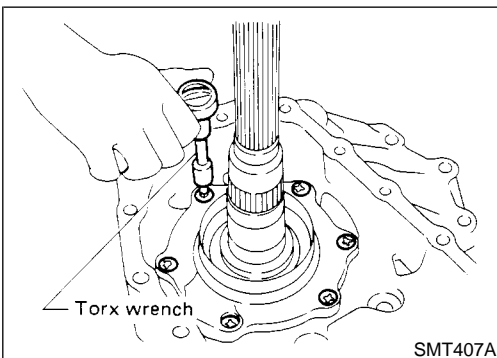
Refer to SDS, TF-37.




3. Place suitable shim with grease on counter gear rear bearing.
4. Apply ATF to each part in front case.

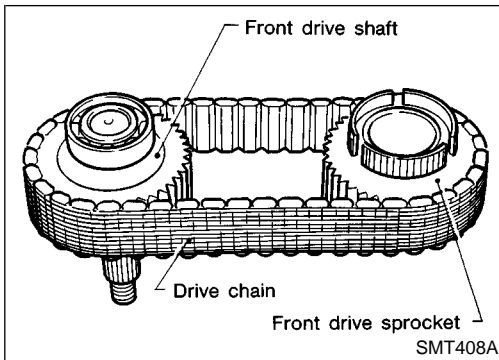


5. Assemble center case assembly.
 - a. Install mainshaft on center case by tapping lightly.
 - **Apply ATF to mainshaft front bearing.**



- b. Install bearing retainer.
 : 16 - 21 N·m (1.6 - 21 kg·m, 12 - 15 ft·lb)

ASSEMBLY



- c. Put drive chain onto the front drive sprocket and front drive shaft, and then put them in center case.
- **Be sure to install drive chain in same direction as removed.**

GI

MA

EM

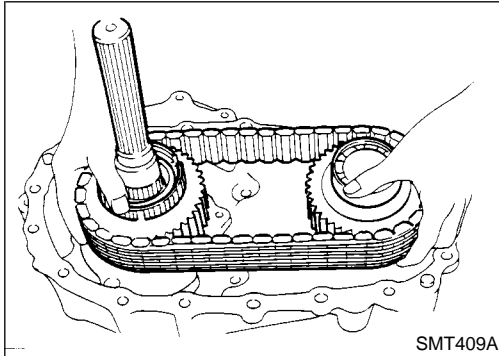
LC

EC

FE

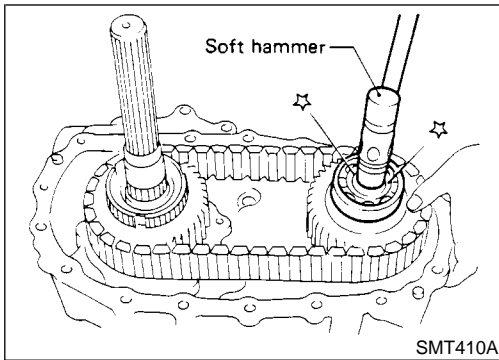
CL

MT



- d. Install front drive shaft by tapping lightly.
- **Make sure shafts are aligned in the case.**

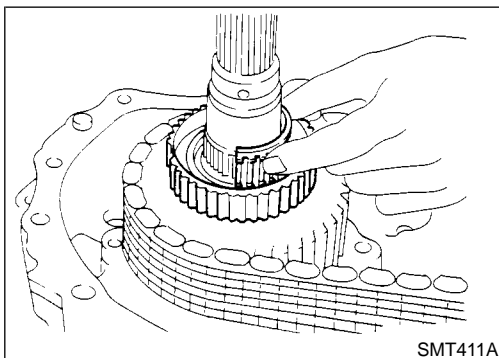
AT



TF

PD

AX



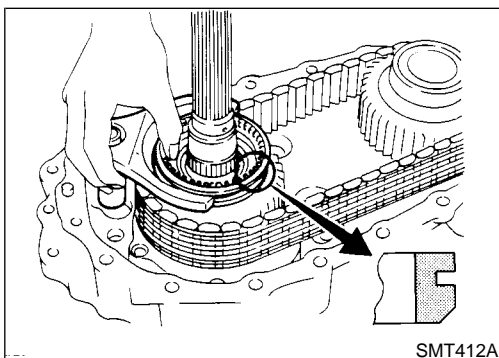
- e. Apply ATF to needle bearings and install them into front drive sprocket.
- **These needle bearings can be installed more easily if front drive sprocket is rotated while installing them.**

SU

BR

ST

RS



- f. Install 2-4 coupling sleeve with 2-4 shift fork.
- **Pay special attention to direction of coupling sleeve.**

BT

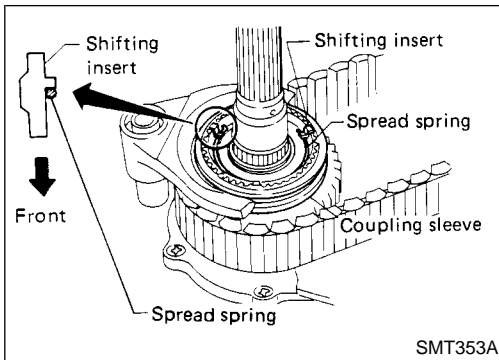
HA

SC

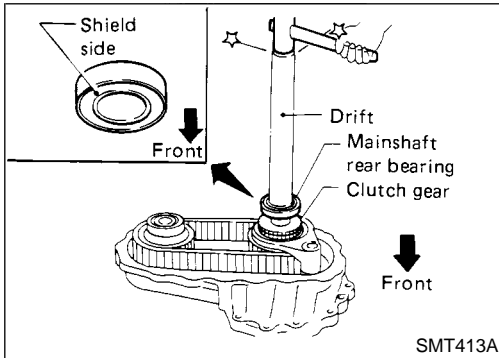
EL

IDX

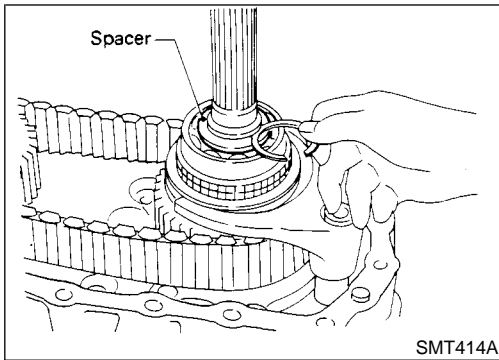
ASSEMBLY



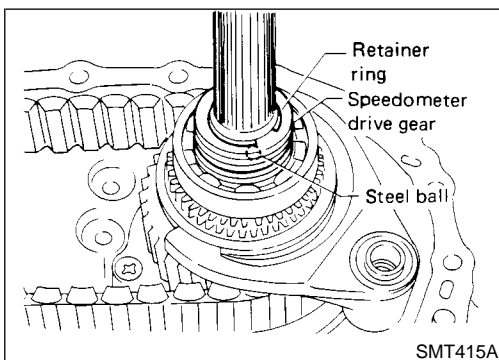
- g. Install shifting inserts and spread spring.
- **Pay attention to the direction of shifting inserts.**



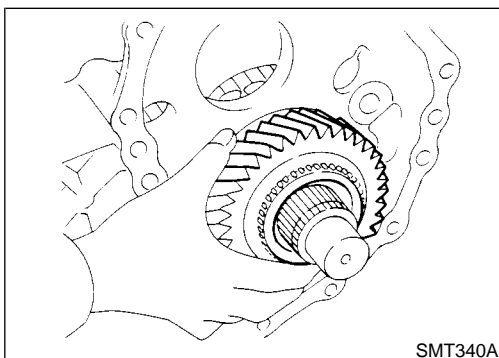
- h. Install baulk ring, then install clutch gear and mainshaft rear bearing.
- **Place wooden block under mainshaft in order to protect mainshaft front bearing.**



- i. Install spacer.
- j. Select and install snap ring with proper thickness.
- Allowable clearance between snap ring and groove:
0 - 0.15 mm (0 - 0.0059 in)**
- Available snap ring for mainshaft rear bearing:
Refer to SDS, TF-38.**

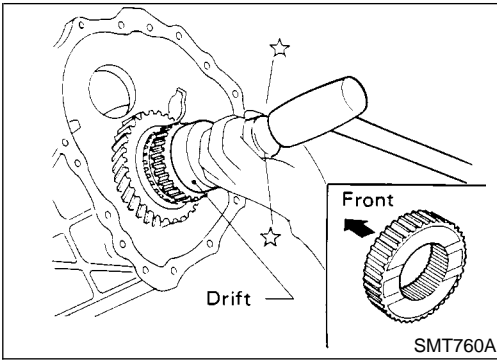


- k. Install steel ball, speedometer drive gear and retainer ring.
- **Steel ball is the smallest of check balls for this unit.**

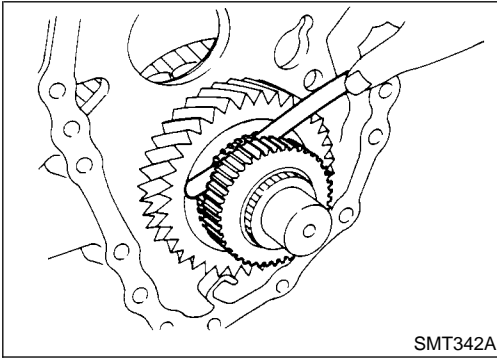


- l. Install low gear and its bearing onto mainshaft.
- **Apply ATF to needle bearing.**

ASSEMBLY



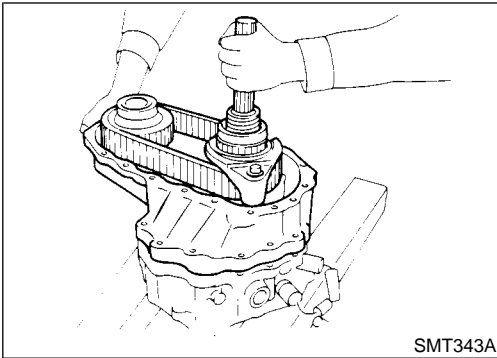
- m. Install L & H hub and snap ring to mainshaft.
- Pay attention to direction of L & H hub.



- n. Measure low gear end play.

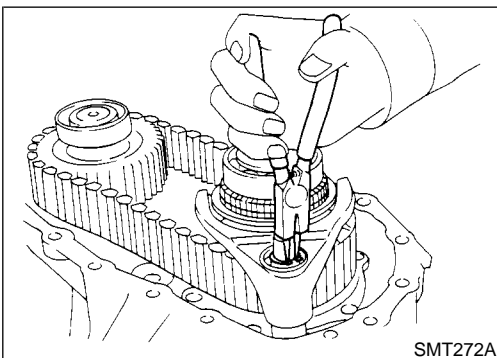
Standard:

0.2 - 0.35 mm (0.0079 - 0.0138 in)

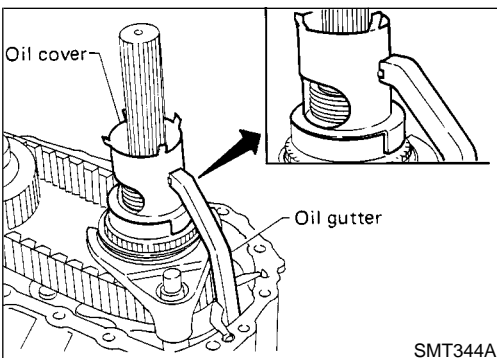


6. Apply sealant to mating surface of center case then attach to front case and tighten bolts.

- Use genuine anaerobic liquid gasket, Three Bond TB1215, Loctite Part No. 51813 or equivalent.



7. Install snap ring to 2-4 shift rod.



8. Install oil gutter and oil cover.

9. Apply ATF to each part in center case.

GI

MA

EM

LC

EC

FE

CL

MT

AT

TF

PD

AX

SU

BR

ST

RS

BT

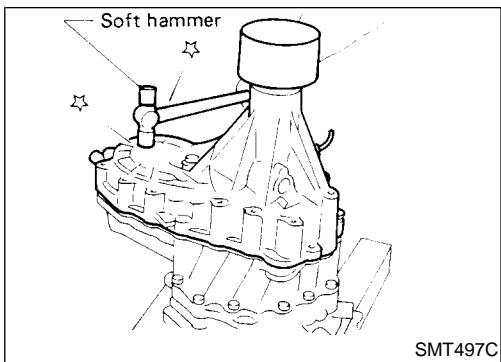
HA

SC

EL

IDX

ASSEMBLY



10. Apply sealant to mating surface of rear case then attach it to center case and tighten bolts.
 - **Use genuine anaerobic liquid gasket, Three Bond TB1215, Loctite Part No. 51813 or equivalent.**
11. Install 4WD switch.
 - **Apply sealant to switch threads.**
 - **Use genuine anaerobic liquid gasket, Three Bond TB1215, Loctite Part No. 51813 or equivalent.**

SERVICE DATA AND SPECIFICATIONS (SDS)

General Specifications

General Specifications

NETF0035

Transfer model			TX10A
Gear ratio	High		1.000
	Low		2.020
Number of teeth	Main gear		29
	Low gear		37
	Counter gear	High	38
		Low	24
	Front drive sprocket		41
Front drive shaft		41	
Fluid capacity ℓ (US qt, Imp qt)			2.2 (2-3/8, 2)

Inspection and Adjustment

CLEARANCE BETWEEN FRONT DRIVE SPROCKET AND 2-4 COUPLING SLEEVE

NETF0040

NETF0040S01
Unit: mm (in)

Allowable clearance "C"	0.2 - 0.54 (0.008 - 0.0213)
-------------------------	-----------------------------

GEAR END PLAY

NETF0040S02
Unit: mm (in)

Front drive sprocket	0.2 - 0.35 (0.0079 - 0.0138)
Low gear	0.2 - 0.35 (0.0079 - 0.0138)
Counter gear	0 - 0.2 (0 - 0.008)

CLEARANCE BETWEEN BAULK RING AND CLUTCH GEAR

NETF0040S03
Unit: mm (in)

Standard	Wear limit
1.0 - 1.5 (0.039 - 0.059)	0.5 (0.020)

Available Shim COUNTER GEAR REAR BEARING

NETF0040S04

NETF0040S0401

Allowable clearance	0 - 0.2 mm (0 - 0.008 in)
Thickness mm (in)	Part No.*
0.1 (0.004)	33112-C6900
0.2 (0.008)	33112-C6901
0.3 (0.012)	33112-C6902
0.4 (0.016)	33112-C6903
0.5 (0.020)	33112-33G00
0.6 (0.024)	33112-33G01

*: Always check with the Parts Department for the latest parts information.

SERVICE DATA AND SPECIFICATIONS (SDS)

Available Snap Ring

Available Snap Ring

NETF0040S05

MAINSHAFT FRONT BEARING

NETF0040S0501

Allowable clearance	0 - 0.15 mm (0 - 0.0059 in)
Thickness mm (in)	Part No.*
3.10 (0.1220)	33138-73P10
3.19 (0.1256)	33138-73P11
3.28 (0.1291)	33138-73P12

*: Always check with the Parts Department for the latest parts information.

MAIN GEAR BEARING

NETF0040S0502

Allowable clearance	0 - 0.15 mm (0 - 0.0059 in)
Thickness mm (in)	Part No.*
2.60 (0.1024)	33114-73P00
2.69 (0.1059)	33114-73P01
2.78 (0.1094)	33114-73P02

*: Always check with the Parts Department for the latest parts information.

MAINSHAFT REAR BEARING

NETF0040S0503

Allowable clearance	0 - 0.15 mm (0 - 0.0059 in)
Thickness mm (in)	Part No.*
1.80 (0.0709)	33138-73P20
1.89 (0.0744)	33138-73P21
1.98 (0.0780)	33138-73P22
2.07 (0.0815)	33138-73P23
2.16 (0.0850)	33138-73P24

*: Always check with the Parts Department for the latest parts information.