

A
B
C

SECTION INL

INTERIOR LIGHTING SYSTEM

CONTENTS

<p>BASIC INSPECTION 3</p> <p>DIAGNOSIS AND REPAIR WORKFLOW 3</p> <p style="padding-left: 20px;">Work Flow3</p> <p>FUNCTION DIAGNOSIS 6</p> <p>INTERIOR ROOM LAMP CONTROL SYSTEM 6</p> <p style="padding-left: 20px;">System Diagram6</p> <p style="padding-left: 20px;">System Description6</p> <p style="padding-left: 20px;">Component Parts Location7</p> <p style="padding-left: 20px;">Component Description8</p> <p>ILLUMINATION CONTROL SYSTEM 9</p> <p style="padding-left: 20px;">System Diagram9</p> <p style="padding-left: 20px;">System Description9</p> <p style="padding-left: 20px;">Component Parts Location9</p> <p style="padding-left: 20px;">Component Description10</p> <p>DIAGNOSIS SYSTEM (BCM)11</p> <p>COMMON ITEM 11</p> <p style="padding-left: 20px;">COMMON ITEM : CONSULT-III Function 11</p> <p>INT LAMP 11</p> <p style="padding-left: 20px;">INT LAMP : CONSULT-III Function 11</p> <p>BATTERY SAVER13</p> <p style="padding-left: 20px;">BATTERY SAVER : CONSULT-III Function 13</p> <p>COMPONENT DIAGNOSIS15</p> <p>POWER SUPPLY AND GROUND CIRCUIT15</p> <p>BCM 15</p> <p style="padding-left: 20px;">BCM : Inspection Procedure 15</p> <p>BATTERY SAVER OUTPUT/POWER SUPPLY CIRCUIT16</p> <p style="padding-left: 20px;">Description 16</p> <p style="padding-left: 20px;">Component Function Check 16</p> <p style="padding-left: 20px;">Diagnosis Procedure 16</p>	<p>INTERIOR ROOM LAMP CONTROL CIRCUIT18</p> <p style="padding-left: 20px;">Description18</p> <p style="padding-left: 20px;">Component Function Check18</p> <p style="padding-left: 20px;">Diagnosis Procedure18</p> <p>STEP LAMP CIRCUIT20</p> <p style="padding-left: 20px;">Description20</p> <p style="padding-left: 20px;">Component Function Check20</p> <p style="padding-left: 20px;">Diagnosis Procedure20</p> <p>CARGO LAMP CONTROL CIRCUIT22</p> <p style="padding-left: 20px;">Description22</p> <p style="padding-left: 20px;">Component Function Check22</p> <p style="padding-left: 20px;">Diagnosis Procedure22</p> <p>IGNITION KEYHOLE ILLUMINATION CONTROL CIRCUIT24</p> <p style="padding-left: 20px;">Description24</p> <p style="padding-left: 20px;">Component Function Check24</p> <p style="padding-left: 20px;">Diagnosis Procedure24</p> <p>INTERIOR ROOM LAMP CONTROL SYSTEM26</p> <p style="padding-left: 20px;">Wiring Diagram26</p> <p>ILLUMINATION42</p> <p style="padding-left: 20px;">Wiring Diagram42</p> <p>ECU DIAGNOSIS55</p> <p>BCM (BODY CONTROL MODULE)55</p> <p style="padding-left: 20px;">Description55</p> <p>SYMPTOM DIAGNOSIS56</p> <p>INTERIOR LIGHTING SYSTEM SYMPTOMS ...56</p> <p style="padding-left: 20px;">Symptom Table56</p> <p>PRECAUTION57</p> <p>PRECAUTIONS57</p>
---	---

A
B
C
D
E
F
G
H
I
J
K
INL
M
N
O
P

Supplemental Restraint System (SRS) "AIR BAG" and "SEAT BELT PRE-TENSIONER"	57	ILLUMINATION	63
General precautions for service operations	57	Removal and Installation	63
ON-VEHICLE REPAIR	58	SERVICE DATA AND SPECIFICATIONS (SDS)	65
INTERIOR ROOM LAMP	58	BULB SPECIFICATIONS	65
Removal and Installation	58	Interior Lamp/Illumination	65

DIAGNOSIS AND REPAIR WORKFLOW

< BASIC INSPECTION >

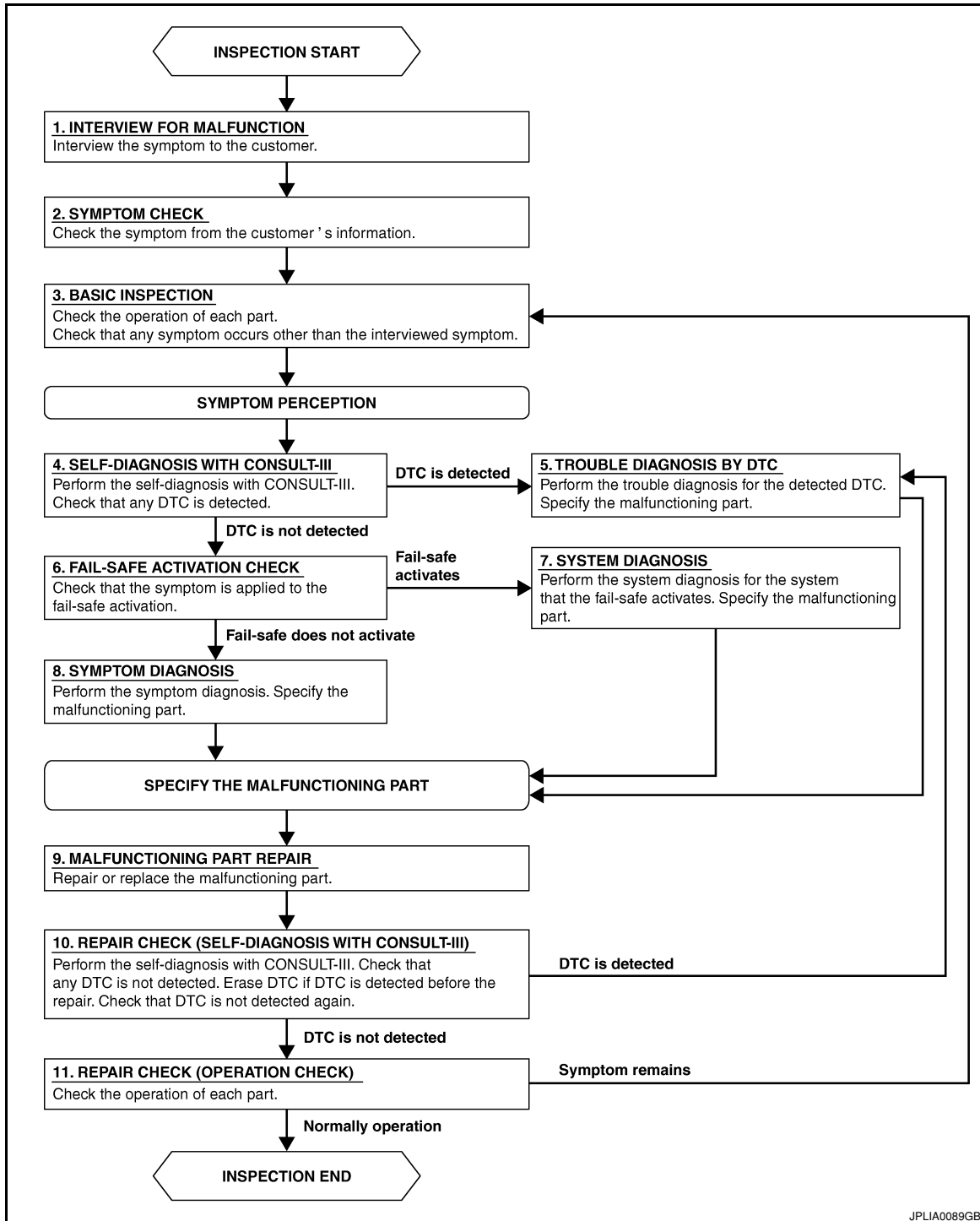
BASIC INSPECTION

DIAGNOSIS AND REPAIR WORKFLOW

Work Flow

INFOID:000000001531130

OVERALL SEQUENCE



A
B
C
D
E
F
G
H
I
J
K
L
M
N
O
P

INL

DIAGNOSIS AND REPAIR WORKFLOW

< BASIC INSPECTION >

DETAILED FLOW

1. INTERVIEW FOR MALFUNCTION

Find out what the customer's concerns are.

>> GO TO 2

2. SYMPTOM CHECK

Verify the symptom from the customer's information.

>> GO TO 3

3. BASIC INSPECTION

Check the operation of each part. Check that any concerns occur other than those mentioned in the customer interview.

>> GO TO 4

4. SELF-DIAGNOSIS WITH CONSULT-III

Perform the self-diagnosis with CONSULT-III. Check that any DTC is detected.

Is any DTC detected?

YES >> GO TO 5

NO >> GO TO 6

5. TROUBLE DIAGNOSIS BY DTC

Perform the trouble diagnosis for the detected DTC. Specify the malfunctioning part.

>> GO TO 9

6. FAIL-SAFE ACTIVATION CHECK

Determine if the customer's concern is related to fail-safe activation.

Does the fail-safe activate?

YES >> GO TO 7

NO >> GO TO 8

7. SYSTEM DIAGNOSIS

Perform the system diagnosis for the system in which the fail-safe activates. Specify the malfunctioning part.

>> GO TO 9

8. SYMPTOM DIAGNOSIS

Perform the symptom diagnosis. Specify the malfunctioning part.

>> GO TO 9

9. MALFUNCTION PART REPAIR

Repair or replace the malfunctioning part.

>> GO TO 11

10. REPAIR CHECK (SELF-DIAGNOSIS WITH CONSULT-III)

Perform the self-diagnosis with CONSULT-III. Verified that no DTCs are detected. Erase all DTCs detected prior to the repair. Verify that DTC is not detected again.

Is any DTC detected?

DIAGNOSIS AND REPAIR WORKFLOW

< BASIC INSPECTION >

YES >> GO TO 5

NO >> GO TO 11

11. REPAIR CHECK (OPERATION CHECK)

Check the operation of each part.

Does it operate normally?

YES >> INSPECTION END

NO >> GO TO 3

A

B

C

D

E

F

G

H

I

J

K

INL

M

N

O

P

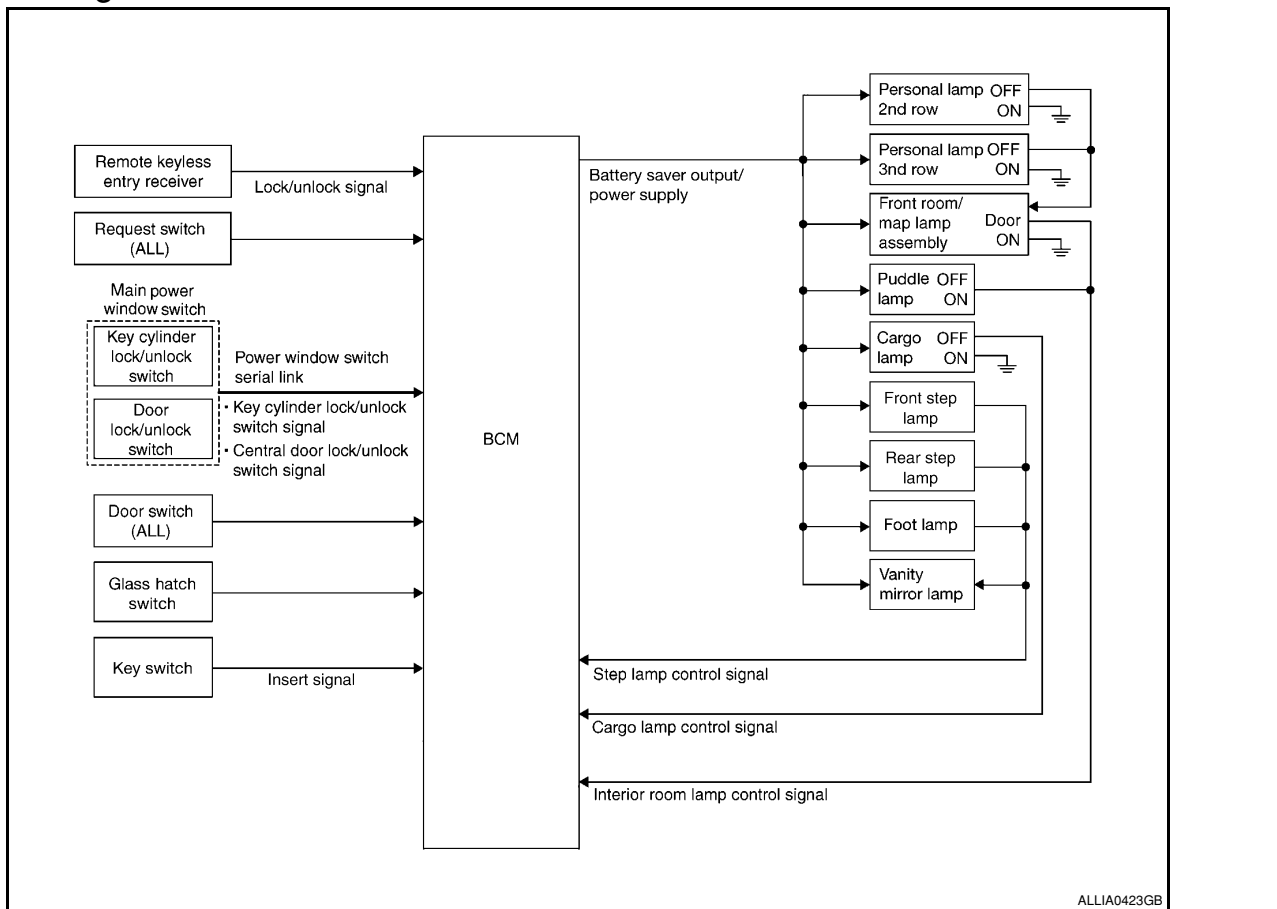
INTERIOR ROOM LAMP CONTROL SYSTEM

< FUNCTION DIAGNOSIS >

FUNCTION DIAGNOSIS

INTERIOR ROOM LAMP CONTROL SYSTEM

System Diagram



System Description

INFOID:000000001531132

OUTLINE

- Interior room lamps* are controlled by the interior room lamp timer control function of the BCM.
*Front room/map lamps, personal lamp 2nd row, personal lamp 3rd row (when lamp switch is in DOOR position) and puddle lamps (if equipped).
- Cargo lamp is controlled by the cargo lamp control function of the BCM.
- Step lamps* are controlled by the step lamp control function of the BCM.
*Front step lamps, rear step lamps and foot lamps (if equipped).

The timer control functions of the BCM activate based on inputs from the remote keyless entry receiver, the key cylinder lock/unlock switch, the door switches, the key switch and lock solenoid (without intelligent key) or the key switch and ignition knob switch (with intelligent key).

ROOM LAMP TIMER OPERATION

When the interior room lamp switch is in the DOOR position and when all conditions below are met, the BCM begins timer control (maximum 30 seconds) for interior room lamp ON/OFF.

- When the front door LH is unlocked [with Intelligent Key, main power window and door lock/unlock switch, or front door lock assembly (key cylinder switch)].
 - When a door opens → closes and the Intelligent Key is not inserted in the key slot.
- Timer control is canceled under the following conditions.
- When the front door LH is locked [with Intelligent Key, main power window and door lock/unlock switch, or front door lock assembly (key cylinder switch)].
 - A door is opened (door switch turns ON).
 - Intelligent Key is inserted into the key slot.

Interior lamp operational settings can be changed with the function setting of CONSULT-III.

INTERIOR ROOM LAMP CONTROL SYSTEM

< FUNCTION DIAGNOSIS >

INTERIOR LAMP BATTERY SAVER CONTROL

If an interior lamp is left ON and does not turn OFF even when the doors are closed, the BCM turns off power to the interior lamps automatically to save the battery 30 minutes after the ignition switch is turned OFF.

The BCM controls power and ground to all interior lamps.

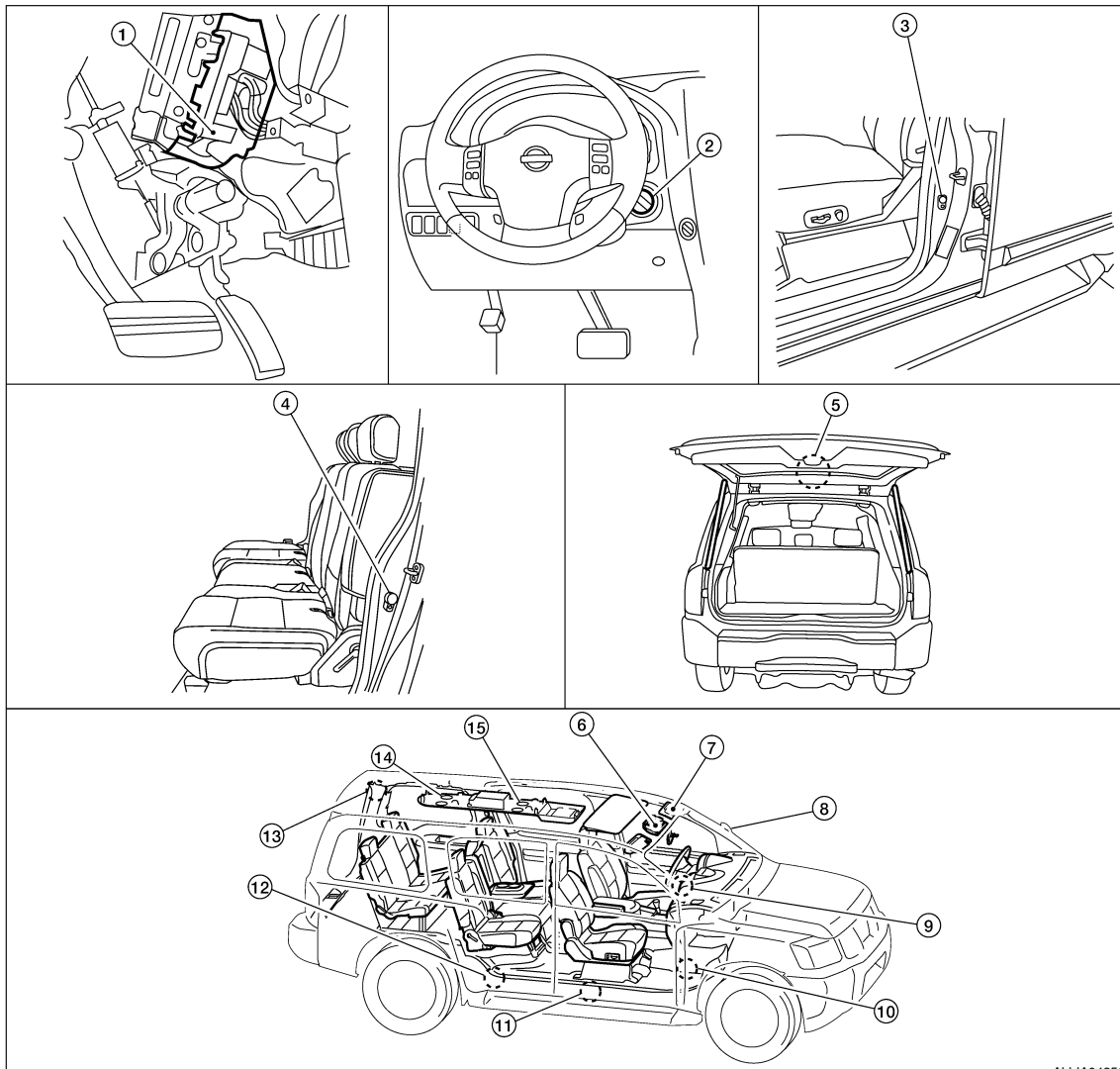
After the battery saver system turns the lamps OFF, the lamps will illuminate again when

- a signal is received from an Intelligent Key or main power window and door lock/unlock switch, or when the front door LH lock assembly (key cylinder switch) is locked or unlocked
- a door is opened or closed
- the Intelligent Key is removed from or inserted into the key slot.

The Interior lamp battery saver control time period can be changed with the function setting of CONSULT-III.

Component Parts Location

INFOID:000000001531133



- | | | |
|--|--|---|
| <p>1. BCM M18, M19, M20 (view with instrument panel removed)</p> <p>4. Rear door switch
LH, B18
RH, B116</p> | <p>2. Key switch and ignition knob switch M55 (with I-Key)
Key switch and lock solenoid M27 (without I-key)</p> <p>5. Back door switch D502 (without power back door)
Back door latch (door ajar switch) D503 (with power back door)</p> | <p>3. Front door switch
LH, B8
RH, B108</p> <p>6. Front room/map lamp assembly R102</p> |
|--|--|---|

ALLIA0425GB

A
B
C
D
E
F
G
H
I
J
K
INL
M
N
O
P

INTERIOR ROOM LAMP CONTROL SYSTEM

< FUNCTION DIAGNOSIS >

- | | | |
|--------------------------------------|--|--|
| 7. Vanity lamp
LH, R3
RH, R8 | 8. Door mirror (puddle lamp)
LH, D4
RH, D107 | 9. Ignition keyhole illumination M150 |
| 10. Foot lamp
LH, M99
RH, M100 | 11. Front step lamp
LH, D11
LH, D109 | 12. Rear step lamp
LH, D206
LH, D306 |
| 13. Cargo lamp B153 | 14. Personal lamps 3rd row R203 | 15. Personal lamps 2nd row R205 |

Component Description

INFOID:000000001531134

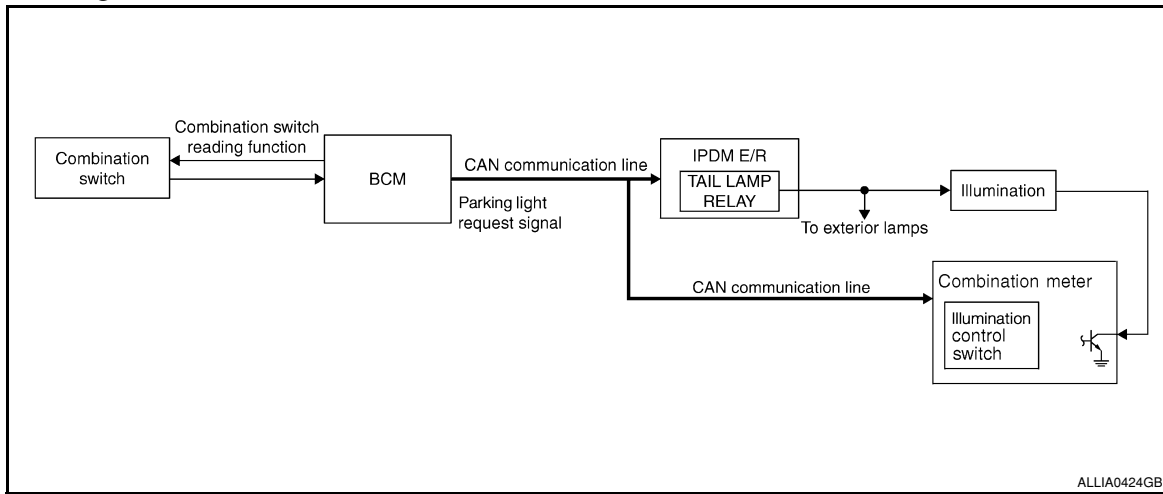
Part name	Description
BCM	Provides power and ground and controls timer functions for the interior room lamps, step lamps and cargo lamp.
Key switch and ignition knob switch (with I-Key)	Provides key in ignition status to the BCM.
Key switch and lock solenoid (without I-Key)	
Door switches	Provides door OPEN/CLOSED status to the BCM.
Glass hatch switch	Provides glass hatch OPEN/CLOSED status to the BCM.
Back door latch (with power back door)	Provides back door OPEN/CLOSED status to the BCM.
Back door switch (without power back door)	
Power window and door lock/unlock switch RH	Provides door lock/unlock position switch RH status to the BCM.
Main power window and door lock/unlock switch [front door lock assembly LH (key cylinder switch)].	Provides door lock/unlock position switch LH status to the BCM.

ILLUMINATION CONTROL SYSTEM

< FUNCTION DIAGNOSIS >

ILLUMINATION CONTROL SYSTEM

System Diagram



System Description

INFOID:000000001531136

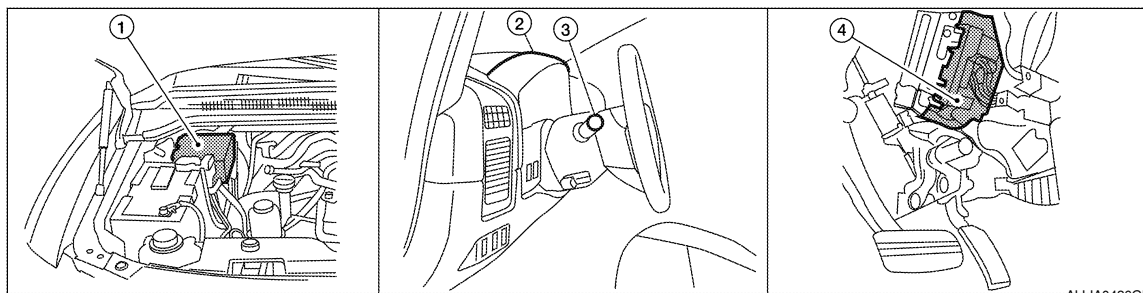
The illumination lamps operation is dependent upon the position of the lighting switch (combination switch). When the lighting switch is placed in the 1ST or 2ND position (or if the auto light system is activated) the BCM (body control module) receives input requesting the parking lamps to illuminate. This input is communicated to the IPDM E/R (intelligent power distribution module engine room) via the CAN communication lines. The CPU (central processing unit) of the IPDM E/R controls the tail lamp relay coil. When energized, this relay directs power to the parking and illumination lamps, which then illuminate.

BATTERY SAVER CONTROL

When the lighting switch (combination switch) is in the 1ST or 2ND position and the ignition switch is turned from ON or ACC to OFF, the battery saver control feature is activated. Under this condition, the illumination lamps remain illuminated for 30 minutes unless the lighting switch position is changed. If the lighting switch position is changed, then the illumination lamps are turned off after a 30 second delay. When the lighting switch is turned from OFF to 1ST or 2ND position (or if auto light system is activated) after illumination lamps have been turned off by the battery saver control, the illumination lamps illuminate again.

Component Parts Location

INFOID:000000001531137



1. IPDM E/R E122, E123, E124
2. Combination meter (illumination control switch) M23, M24
3. Combination switch M28
4. BCM M18, M20 (view with instrument panel removed)

ILLUMINATION CONTROL SYSTEM

< FUNCTION DIAGNOSIS >

Component Description

INFOID:000000001531138

Part name	Description
BCM	The BCM monitors the lighting switch position with the combination switch reading function. The BCM requests, via CAN communication, that the IPDM E/R activate the tail lamp relay.
IPDM E/R	The IPDM E/R activates the tail lamp relay based on inputs received from the BCM via the CAN communication network.
Combination meter (illumination control switch)	The illumination control switch is a part of the combination meter. The combination meter controls illumination intensity by varying ground to the illumination lamps based on the illumination control switch position.
Combination switch	The combination switch provides input to the BCM about the lighting switch position.

DIAGNOSIS SYSTEM (BCM)

< FUNCTION DIAGNOSIS >

DIAGNOSIS SYSTEM (BCM) COMMON ITEM

COMMON ITEM : CONSULT-III Function

INFOID:000000001531139

CONSULT-III can display each diagnostic item using the diagnostic test modes shown following.

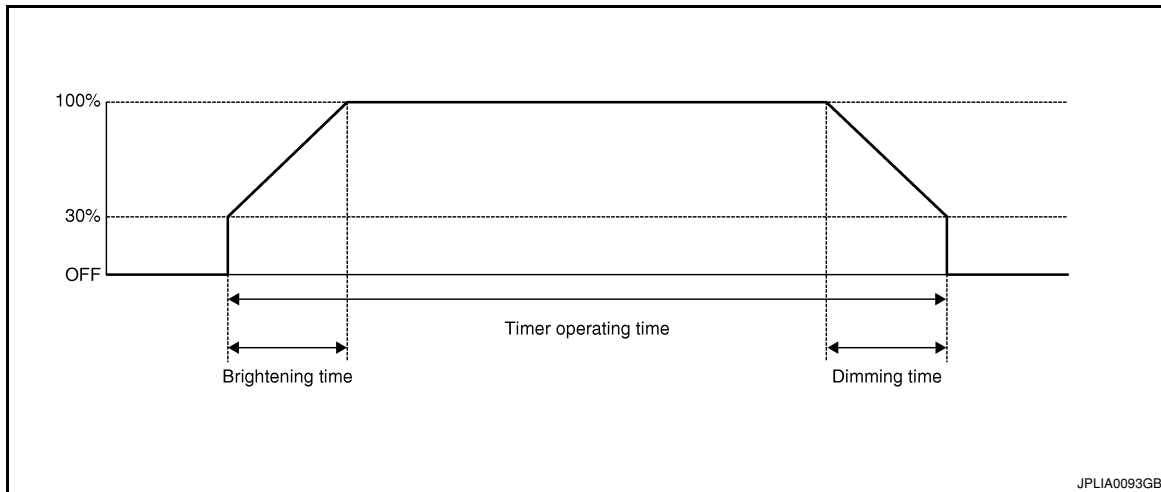
BCM diagnostic test item	Diagnostic mode	Description
Inspection by part	WORK SUPPORT	Supports inspections and adjustments. Commands are transmitted to the BCM for setting the status suitable for required operation, input/output signals are received from the BCM and received data is displayed.
	DATA MONITOR	Displays BCM input/output data in real time.
	ACTIVE TEST	Operation of electrical loads can be checked by sending drive signal to them.
	SELF-DIAG RESULTS	Displays BCM self-diagnosis results.
	CAN DIAG SUPPORT MNTR	The result of transmit/receive diagnosis of CAN communication can be read.
	ECU PART NUMBER	BCM part number can be read.
	CONFIGURATION	Performs BCM configuration read/write functions.

INT LAMP

INT LAMP : CONSULT-III Function

INFOID:000000001572928

WORK SUPPORT



JPLIA0093GB

Service item	Setting item	Setting
SET I/L D-UNLCK INTCON	ON	With the interior room lamp timer function
	OFF	Without the interior room lamp timer function
ROOM LAMP ON TIME SET	MODE 1	0.5 sec.
	MODE 2	1 sec.
	MODE 3	2 sec.
	MODE 4	3 sec.
	MODE 5	4 sec.
	MODE 6	5 sec.
	MODE 7	0 sec.

Sets the interior room lamp gradual brightening time.

DIAGNOSIS SYSTEM (BCM)

< FUNCTION DIAGNOSIS >

Service item	Setting item	Setting	
ROOM LAMP OFF TIME SET	MODE 1	0.5 sec.	Sets the interior room lamp gradual dimming time.
	MODE 2	1 sec.	
	MODE 3	2 sec.	
	MODE 4	3 sec.	
	MODE 5	4 sec.	
	MODE 6	5 sec.	
	MODE 7	0 sec.	

DATA MONITOR

Monitor item [Unit]	Description
IGN ON SW [ON/OFF]	The switch status input from ignition switch
KEY ON SW [ON/OFF]	Key switch status input from key slot
DOOR SW-DR [ON/OFF]	The switch status input from front door switch LH
DOOR SW-AS [ON/OFF]	The switch status input from front door switch RH
DOOR SW-RR [ON/OFF]	The switch status input from rear door switch RH
DOOR SW- RL [ON/OFF]	The switch status input from rear door switch LH
BACK DOOR SW [ON/OFF]	The switch status input from back door switch
KEY CYL LK-SW [ON/OFF]	Lock switch status received from key cylinder switch by power window serial link
KEY CYL UN-SW [ON/OFF]	Unlock switch status received from key cylinder switch by power window serial link
CDL LOCK SW [ON/OFF]	Lock switch status received from door lock/unlock switch by power window serial link
CDL UNLOCK SW [ON/OFF]	Unlock switch status received from door lock/unlock switch by power window serial link
I-KEY LOCK [ON/OFF]	Lock signal status received from remote keyless entry receiver
I-KEY UNLOCK [ON/OFF]	Unlock signal status received from remote keyless entry receiver

ACTIVE TEST

Test item	Operation	Description
INT LAMP	ON	Outputs the interior room lamp control signal to turn the front room/map lamp, personal lamps (Map lamp switch is in DOOR position) and puddle lamps (if equipped) ON.
	OFF	Stops the interior room lamp control signal to turn the front room/map lamp, personal lamps (Map lamp switch is in DOOR position) and puddle lamps (if equipped) OFF.
IGN ILLUM	ON	Outputs the ignition keyhole illumination signal to turn the ignition keyhole illumination ON.
	OFF	Stops the ignition keyhole illumination signal to turn the ignition keyhole illumination OFF.

DIAGNOSIS SYSTEM (BCM)

< FUNCTION DIAGNOSIS >

Test item	Operation	Description
STEP LAMP TEST	ON	Outputs the step lamp control signal to turn the step lamps and foot lamps (if equipped) ON.
	OFF	Stops the step lamp control signal to turn the step lamps and foot lamps (if equipped) OFF.
LUGGAGE LAMP TEST	ON	Outputs the cargo lamp control signal to turn cargo lamp ON.
	OFF	Stops the cargo lamp control signal to turn cargo lamp OFF.

BATTERY SAVER

BATTERY SAVER : CONSULT-III Function

INFOID:000000001572929

WORK SUPPORT

Service item	Setting item	Setting
ROOM LAMP TIMER SET	MODE 1 (ON)	Interior room lamp timer activates with synchronizing all doors.
	MODE 2 (OFF)	Interior room lamp timer activates with synchronizing the front door LH only.

DATA MONITOR

Monitor item [Unit]	Description
IGN ON SW [ON/OFF]	The switch status input from ignition switch
KEY ON SW [ON/OFF]	Key switch status input from key slot
DOOR SW-DR [ON/OFF]	The switch status input from front door switch LH
DOOR SW-AS [ON/OFF]	The switch status input from front door switch RH
DOOR SW-RR [ON/OFF]	The switch status input from rear door switch RH
DOOR SW- RL [ON/OFF]	The switch status input from rear door switch LH
BACK DOOR SW [ON/OFF]	The switch status input from back door switch
KEY CYL LK-SW [ON/OFF]	Lock switch status received from key cylinder switch by power window serial link
KEY CYL UN-SW [ON/OFF]	Unlock switch status received from key cylinder switch by power window serial link
CDL LOCK SW [ON/OFF]	Lock switch status received from door lock/unlock switch by power window serial link
CDL UNLOCK SW [ON/OFF]	Unlock switch status received from door lock/unlock switch by power window serial link
I-KEY LOCK [ON/OFF]	Lock signal status received from remote keyless entry receiver
I-KEY UNLOCK [ON/OFF]	Unlock signal status received from remote keyless entry receiver

ACTIVE TEST

DIAGNOSIS SYSTEM (BCM)

< FUNCTION DIAGNOSIS >

Test item	Operation	Description
BATTERY SAVER	ON	Outputs the battery saver output/power supply to turn the interior lamps ON.
	OFF	Stops the battery saver output/power supply to turn the interior lamps OFF.

POWER SUPPLY AND GROUND CIRCUIT

< COMPONENT DIAGNOSIS >

COMPONENT DIAGNOSIS

POWER SUPPLY AND GROUND CIRCUIT

BCM

BCM : Inspection Procedure

INFOID:000000001531140

POWER SUPPLY AND GROUND CIRCUIT INSPECTION FOR BCM

For information about power and ground circuit inspection for the BCM, refer to [BCS-32, "Diagnosis Procedure"](#).

A

B

C

D

E

F

G

H

I

J

K

INL

M

N

O

P

BATTERY SAVER OUTPUT/POWER SUPPLY CIRCUIT

< COMPONENT DIAGNOSIS >

BATTERY SAVER OUTPUT/POWER SUPPLY CIRCUIT

Description

INFOID:000000001531141

Provides the battery saver output/power supply. Also cuts the power supply when the interior room lamp battery saver is activating.

Component Function Check

INFOID:000000001531142

1. CHECK BATTERY SAVER OUTPUT/POWER SUPPLY FUNCTION

CONSULT-III

1. Turn ignition switch ON.
2. Turn each interior room lamp ON.
 - Front step lamps
 - Rear step lamps
 - Puddle lamps (if equipped)
 - Foot lamps (if equipped)
 - Front room/map lamp assembly
 - Vannity lamps
 - Cargo lamp
 - Personal lamps
3. Select "BATTERY SAVER" of BCM (BATTERY SAVER) active test item.
4. With operating the test items, check that each interior room lamp turns ON/OFF.

OFF : Interior room lamp OFF

ON : Interior room lamp ON

Does the interior room lamp turn ON/OFF?

YES >> Battery saver output/power supply circuit is normal.

NO >> Refer to [INL-16, "Diagnosis Procedure"](#).

Diagnosis Procedure

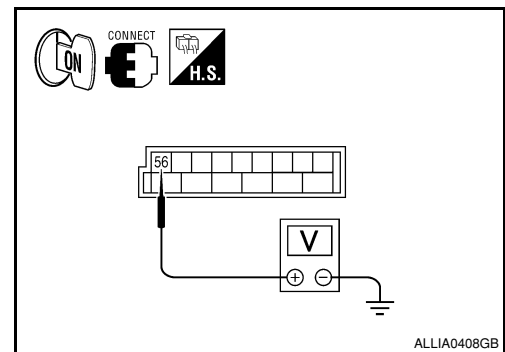
INFOID:000000001531143

1. CHECK BATTERY SAVER OUTPUT/POWER SUPPLY OUTPUT

CONSULT-III

1. Turn ignition switch ON.
2. Select "BATTERY SAVER" of BCM (BATTERY SAVER) active test item.
3. With test item operating, check voltage between BCM harness connector M20 terminal 56 and ground.

(+)		(-)	Test item	Voltage
Connector	Terminal		BATTERY SAVER	
M20	56	Ground	OFF	0V
			ON	Battery voltage



Is the voltage reading as specified?

YES >> GO TO 2

NO >> Replace BCM. Refer to [BCS-54, "Removal and Installation"](#).

2. CHECK BATTERY SAVER OUTPUT/POWER SUPPLY OPEN CIRCUIT

1. Turn ignition switch OFF.
2. Disconnect the following connectors.
 - BCM M20
 - Ignition key hole illumination
 - Front step lamp LH
 - Front step lamp RH
 - Door mirror LH (with puddle lamps)

BATTERY SAVER OUTPUT/POWER SUPPLY CIRCUIT

< COMPONENT DIAGNOSIS >

- Door mirror RH (with puddle lamps)
 - Rear step lamp LH
 - Rear step lamp RH
 - Foot lamp LH (if equipped)
 - Foot lamp RH (if equipped)
 - Front room/map lamp assembly
 - Vanity lamp LH
 - Vanity lamp RH
 - Cargo lamp
 - Personal lamp 2nd row
 - Personal lamp 3rd row
3. Check continuity between BCM harness connector and each interior room lamp harness connector.

BCM		Each interior room lamp			Continuity
Connector	Terminal	Connector	Terminal	Terminal	
M20	56	Ignition key hole illumination	M150	1	Yes
		Front step lamp LH	D11	1	
		Front step lamp RH	D109	1	
		Door mirror LH (with puddle lamps)	D4	12	
		Door mirror RH (with puddle lamps)	D107	12	
		Rear step lamp LH	D206	1	
		Rear step lamp RH	D306	1	
		Foot lamp LH (if equipped)	M99	1	
		Foot lamp RH (if equipped)	M100	1	
		Front room/map lamp assembly	R102	6	
		Vanity lamp LH	R3	1	
		Vanity lamp RH	R8	1	
		Cargo lamp	B153	2	
		Personal lamp 2nd row	R203	3	
Personal lamp 3rd row	R205	3			

Does continuity exist?

- YES >> GO TO 3
- NO >> Repair the harnesses or connectors.

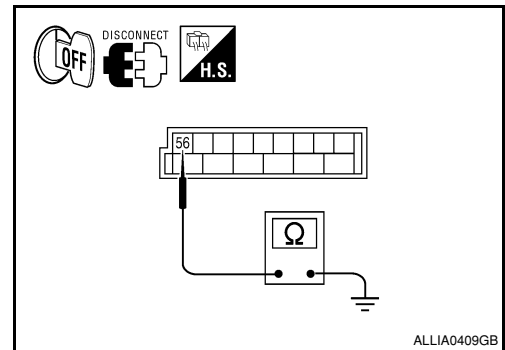
3. CHECK BATTERY SAVER OUTPUT/POWER SUPPLY SHORT CIRCUIT

Check continuity between BCM harness connector M20 terminal 56 and ground.

Connector	Terminal	—	Continuity
M20	56	Ground	No

Does continuity exist?

- YES >> Repair the harnesses or connectors.
- NO >> Check that each interior room lamp has no internal short circuit.



INTERIOR ROOM LAMP CONTROL CIRCUIT

< COMPONENT DIAGNOSIS >

INTERIOR ROOM LAMP CONTROL CIRCUIT

Description

INFOID:000000001531144

Controls the following interior room lamps (ground side) by PWM signal

- Puddle lamps (if equipped)
- Front room/map lamp assembly
- Personal lamp 2nd row
- Personal lamp 3rd row

NOTE:

PWM signal control period is approximately 250 Hz (in the gradual brightening/dimming).

Component Function Check

INFOID:000000001531145

CAUTION:

Before performing the diagnosis, check that the following is normal.

- Battery saver output/power supply
- Front room/map lamp bulbs
- Personal lamp bulbs
- Puddle lamp bulbs

1. CHECK INTERIOR ROOM LAMP CONTROL FUNCTION

CONSULT-III

1. Switch the map lamp switch to DOOR.
2. Turn ignition switch ON.
3. Select "INT LAMP" of BCM (INT LAMP) active test item.
4. With the test items operating, check that each interior room lamp turns ON/OFF (gradual brightening/dimming).

ON : Interior room lamp gradual brightening

OFF : Interior room lamp gradual dimming

Do the interior room lamps turn ON/OFF (gradual brightening/dimming)?

YES >> Interior room lamp control circuit is normal.

NO >> Refer to [INL-18. "Diagnosis Procedure"](#).

Diagnosis Procedure

INFOID:000000001531146

1. CHECK INTERIOR ROOM LAMP CONTROL OUTPUT

CONSULT-III

1. Turn ignition switch ON.
2. Select "INT LAMP" of BCM (INT LAMP) active test item.
3. While operating the test item, check voltage between BCM harness connector M20 terminal 63 and ground.

(+)		(-)	INT LAMP	Voltage
Connector	Terminal			
M20	63	Ground	ON	0V
			OFF	Battery voltage

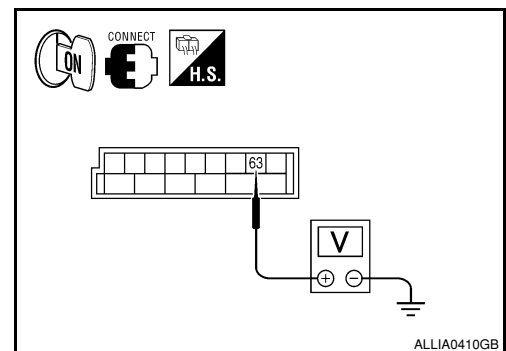
Are voltage readings as specified?

YES >> Interior room lamp control circuit is operating normally.

Fixed ON>> GO TO 3

Fixed OFF>> GO TO 2.

2. CHECK INTERIOR ROOM LAMP CONTROL OPEN CIRCUIT



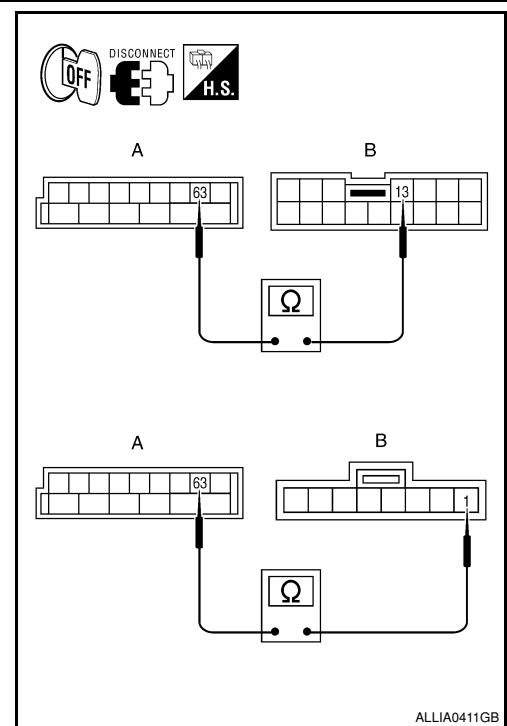
INTERIOR ROOM LAMP CONTROL CIRCUIT

< COMPONENT DIAGNOSIS >

1. Turn ignition switch OFF.
2. Disconnect BCM connector M20, door mirror connectors and front room/map lamp connector.
3. Check continuity between BCM harness connector M20 terminal 63 and the door mirror connectors and front room/map lamp harness connector.

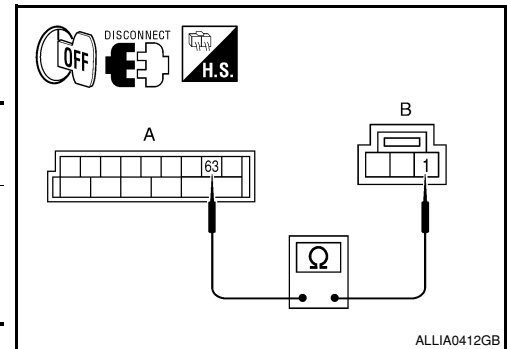
A		B			Continuity
Connector	Terminal	Component	Connector	Terminal	
M20	63	Door mirror LH (puddle lamp)	D4	13	Yes
		Door mirror RH (puddle lamp)	D107	13	
		Front room/map lamp	R102	1	

4. Reconnect the front room/map lamp connector R102.



5. Check continuity between BCM harness connector M20 and the 2nd and 3rd row personal lamps.

A		B			Continuity
Connector	Terminal	Component	Connector	Terminal	
M20	63	Personal lamp 2nd row	R203	1	Yes
		Personal lamp 3rd row	R205	1	



Are the continuity test results as specified?

YES >> Replace the front room/map lamp, door mirror or personal lamp. Refer to [INL-58, "Removal and Installation"](#).

NO >> Repair the harnesses or connectors.

3. CHECK INTERIOR ROOM LAMP CONTROL SHORT CIRCUIT

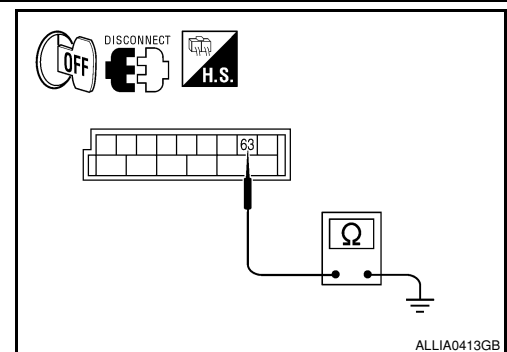
1. Turn ignition switch OFF.
2. Disconnect BCM connector M20, door mirrors and personal lamps 2nd and 3rd row connectors.
3. Move the room/map lamp switch to the ON position.
4. Check continuity between BCM harness connector and ground.

Connector	Terminal	—	Continuity
M20	63	Ground	No

Does continuity exist?

YES >> Repair the harnesses or connectors.

NO >> Replace BCM. Refer to [BCS-54, "Removal and Installation"](#).



STEP LAMP CIRCUIT

< COMPONENT DIAGNOSIS >

STEP LAMP CIRCUIT

Description

INFOID:000000001531147

Controls the front and rear step lamps and the foot lamps (ground side) to turn the lamps ON and OFF.

Component Function Check

INFOID:000000001531148

CAUTION:

Before performing the diagnosis, check that the following is normal.

- Battery saver output/power supply
- Step lamp and/or foot lamp bulb

1. CHECK STEP LAMP OPERATION

CONSULT-III

1. Turn ignition switch ON.
2. Select "STEP LAMP TEST" of BCM (INT LAMP) active test item.
3. While operating the test items, check that the front/rear step lamps and foot lamps (if equipped) turn ON/OFF.

ON : Step lamp ON

OFF : Step lamp OFF

Do the lamps turn ON/OFF?

- YES >> Step lamp circuit is operating.
NO >> Refer to [INL-20, "Diagnosis Procedure"](#).

Diagnosis Procedure

INFOID:000000001531149

1. CHECK STEP LAMP OUTPUT

CONSULT-III

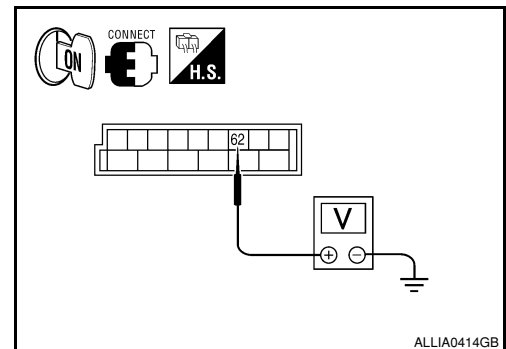
1. Turn ignition switch ON.
2. Select "STEP LAMP TEST" of BCM (INT LAMP) active test item.
3. While operating the test item, check voltage between BCM harness connector and ground.

Connector	Terminal	—	STEP LAMP TEST	Voltage
M20	62	Ground	ON	0V
			OFF	Battery voltage

Are the voltage readings as specified?

- YES >> Step lamp control circuit is operating normally.
Fixed ON >> GO TO 3
Fixed OFF >> GO TO 2.

2. CHECK STEP LAMP OPEN CIRCUIT



STEP LAMP CIRCUIT

< COMPONENT DIAGNOSIS >

1. Turn ignition switch OFF.
2. Disconnect BCM connector M20 and front and rear step lamp connectors and foot lamp connectors (if equipped).
3. Check continuity between BCM harness connector and step lamp harness connectors and foot lamp connectors (if equipped).

Connector	Terminal	Connector	Terminal	Continuity	
A:M20	62	Front step lamp LH	B:D11	2	Yes
		Front step lamp RH	B:D109	2	
		Rear step lamp LH	B:D206	2	
		Rear step lamp RH	B:D306	2	
		Foot lamp LH (if equipped)	C:M99	2	
		Foot lamp RH (if equipped)	C:M100	2	

Does continuity exist?

YES >> Replace lamp. Refer to [INL-58. "Removal and Installation"](#).

NO >> Repair harnesses or connectors.

3. CHECK STEP LAMP SHORT CIRCUIT

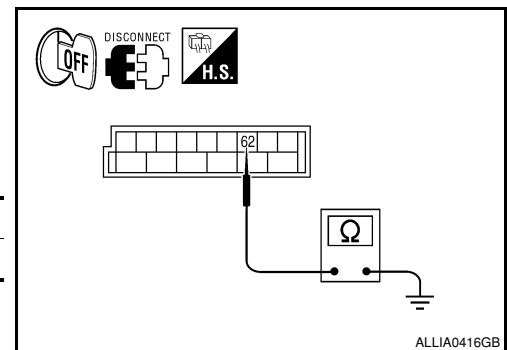
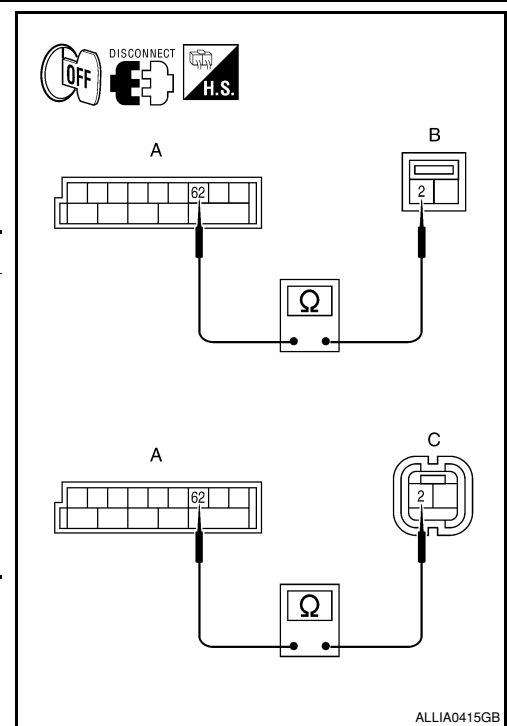
1. Turn ignition switch OFF.
2. Disconnect BCM connector M20, front and rear step lamp connectors and foot lamp connectors (if equipped).
3. Check continuity between BCM harness connector M20 terminal 62 and ground.

Connector	Terminal	—	Continuity
M20	62	Ground	No

Does continuity exist?

YES >> Repair the harnesses or connectors.

NO >> Replace BCM. Refer to [BCS-54. "Removal and Installation"](#).



A
B
C
D
E
F
G
H
I
J
K
M
N
O
P

INL

CARGO LAMP CONTROL CIRCUIT

< COMPONENT DIAGNOSIS >

CARGO LAMP CONTROL CIRCUIT

Description

INFOID:000000001531150

Controls the cargo lamp (ground side) to turn the cargo lamp ON and OFF.

Component Function Check

INFOID:000000001531151

CAUTION:

Before performing the diagnosis, check that the following is normal.

- Battery saver output/power supply
- Cargo lamp bulb

1. CHECK CARGO LAMP OPERATION

CONSULT-III

1. Turn ignition switch ON.
2. Select "LUGGAGE LAMP TEST" of BCM (INT LAMP) active test item.
3. With operating the test items, check that cargo lamp turns ON/OFF.

ON : Cargo lamp ON

OFF : Cargo lamp OFF

Does the cargo lamp turn ON/OFF?

- YES >> Cargo lamp circuit is normal.
 NO >> Refer to [INL-20, "Diagnosis Procedure"](#).

Diagnosis Procedure

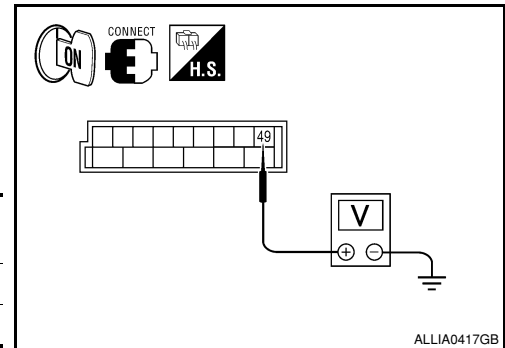
INFOID:000000001531152

1. CHECK CARGO LAMP OUTPUT

CONSULT-III

1. Turn ignition switch ON.
2. Select "LUGGAGE LAMP TEST" of BCM (INT LAMP) active test item.
3. While operating the test item, check voltage between BCM harness connector M19 terminal 49 and ground.

Connector	Terminal	—	LUGGAGE LAMP TEST	Voltage
M19	49	Ground	ON	0V
			OFF	Battery voltage



ALLIA0417GB

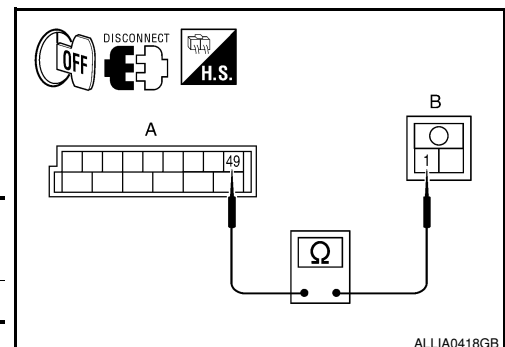
Are the voltage readings as specified?

- YES >> Cargo lamp control circuit is operating normally.
 Fixed ON >> GO TO 3.
 Fixed OFF >> GO TO 2.

2. CHECK CARGO LAMP OPEN CIRCUIT

1. Turn ignition switch OFF.
2. Disconnect BCM connector M19 and cargo lamp connector.
3. Check continuity between BCM harness connector M19 (A) terminal 49 and cargo lamp harness connector B153 (B) terminal 1.

A		B		Continuity
Connector	Terminal	Connector	Terminal	
M19	49	B153	1	Yes



ALLIA0418GB

Does continuity exist?

- YES >> Replace cargo lamp.

CARGO LAMP CONTROL CIRCUIT

< COMPONENT DIAGNOSIS >

NO >> Repair harnesses or connectors.

3. CHECK CARGO LAMP SHORT CIRCUIT

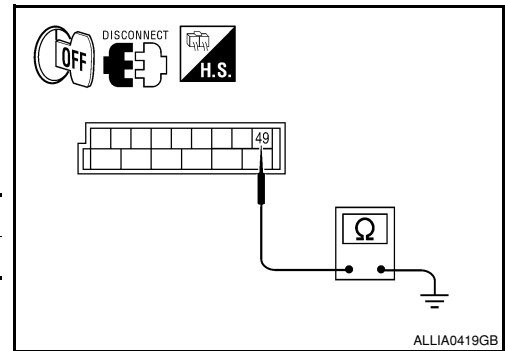
1. Turn ignition switch OFF.
2. Disconnect BCM connector M19 and cargo lamp connector B153.
3. Check continuity between BCM harness connector M19 terminal 49 and ground.

Connector	Terminal	—	Continuity
M19	49	Ground	No

Does continuity exist?

YES >> Repair harnesses or connectors.

NO >> Replace BCM. Refer to [BCS-54. "Removal and Installation"](#).



A
B
C
D
E
F
G
H
I
J
K
L
M
N
O
P

INL

IGNITION KEYHOLE ILLUMINATION CONTROL CIRCUIT

< COMPONENT DIAGNOSIS >

IGNITION KEYHOLE ILLUMINATION CONTROL CIRCUIT

Description

INFOID:000000001531153

Controls the ignition keyhole illumination (ground side) to turn the ignition keyhole illumination ON and OFF.

Component Function Check

INFOID:000000001531154

CAUTION:

Before performing the diagnosis, check that the following is normal.

- Battery saver output/power supply circuit
- Ignition keyhole illumination bulb

1. CHECK IGNITION KEYHOLE ILLUMINATION OPERATION

CONSULT-III

1. Turn the ignition switch ON.
2. Select "IGN ILLUM" of BCM (INT LAMP) active test item.
3. With operating the test items, check that the ignition keyhole illumination turns ON/OFF

ON : Ignition keyhole illumination ON

OFF : Ignition keyhole illumination OFF

Does the ignition keyhole illumination turn ON/OFF?

- YES >> Ignition keyhole illumination circuit is normal.
 NO >> Refer to [INL-24, "Diagnosis Procedure"](#).

Diagnosis Procedure

INFOID:000000001531155

1. CHECK IGNITION KEYHOLE OUTPUT

CONSULT-III

1. Turn ignition switch ON.
2. Select "IGN ILLUM" of BCM (INT LAMP) active test item.
3. While operating the test item, check voltage between BCM harness connector M18 terminal 1 and ground.

Connector	Terminal	—	IGN ILLUM	Voltage
M18	1	Ground	ON	0V
			OFF	Battery voltage

Are the voltage readings as specified?

- YES >> Ignition keyhole illumination control circuit is operating normally.
 Fixed ON>> GO TO 3.
 Fixed OFF>> GO TO 2.

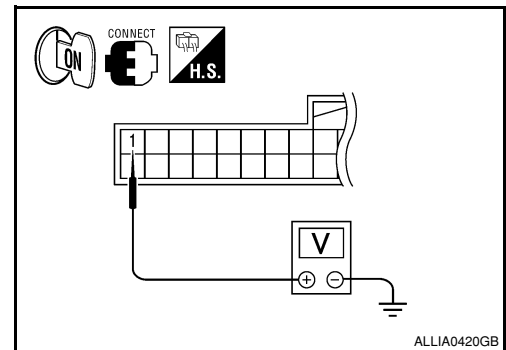
2. CHECK IGNITION KEYHOLE ILLUMINATION OPEN CIRCUIT

1. Turn ignition switch OFF.
2. Disconnect BCM connector M18 and ignition keyhole illumination connector M150.
3. Check continuity between BCM harness connector M18 (A) terminal 1 and ignition keyhole illumination harness connector M150 (B) terminal 2.

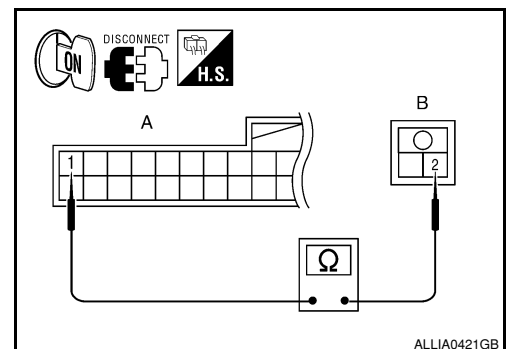
A		B		Continuity
Connector	Terminal	Connector	Terminal	
M18	1	M150	2	Yes

Does continuity exist?

- YES >> Replace ignition keyhole illumination.



ALLIA0420GB



ALLIA0421GB

IGNITION KEYHOLE ILLUMINATION CONTROL CIRCUIT

< COMPONENT DIAGNOSIS >

NO >> Repair harnesses or connectors.

3. CHECK IGNITION KEYHOLE ILLUMINATION SHORT CIRCUIT

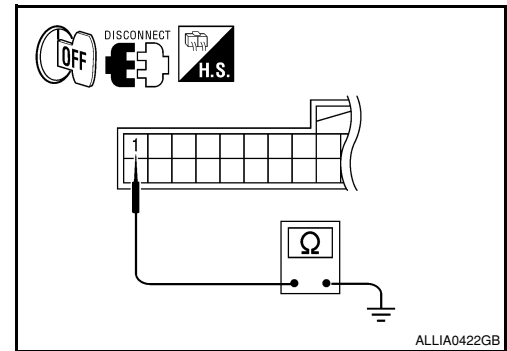
1. Turn ignition switch OFF.
2. Disconnect BCM connector M18 and ignition keyhole illumination connector M150.
3. Check continuity between BCM harness connector M18 terminal 1 and ground.

Connector	Terminal	—	Continuity
M18	1	Ground	No

Does continuity exist?

YES >> Repair harnesses or connectors.

NO >> Replace BCM. Refer to [BCS-54. "Removal and Installation"](#).



A
B
C
D
E
F
G
H
I
J
K
L
M
N
O
P

INL

INTERIOR ROOM LAMP CONTROL SYSTEM

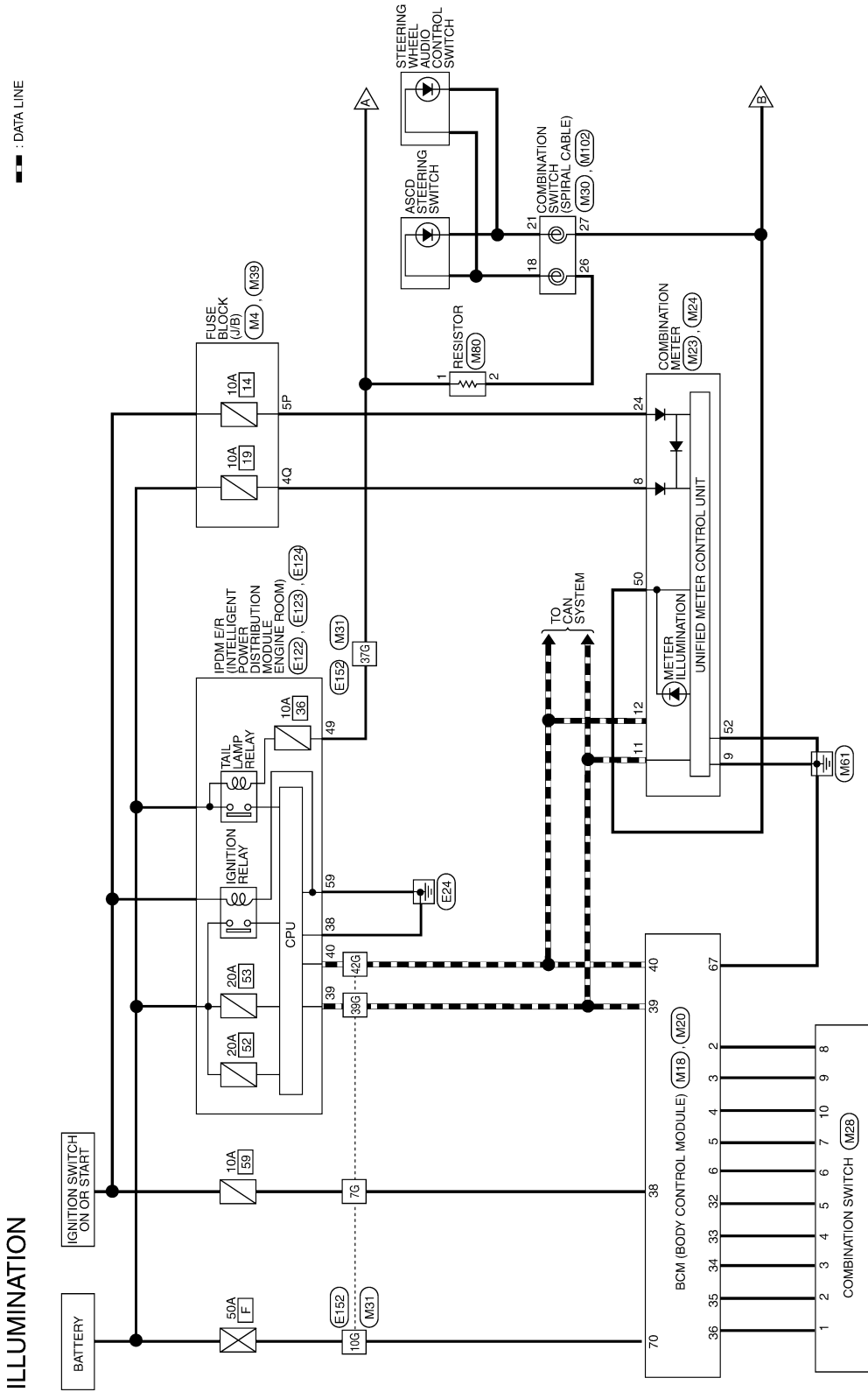
< COMPONENT DIAGNOSIS >

INTERIOR ROOM LAMP CONTROL SYSTEM

Wiring Diagram

INFOID:000000001531156

— : DATA LINE

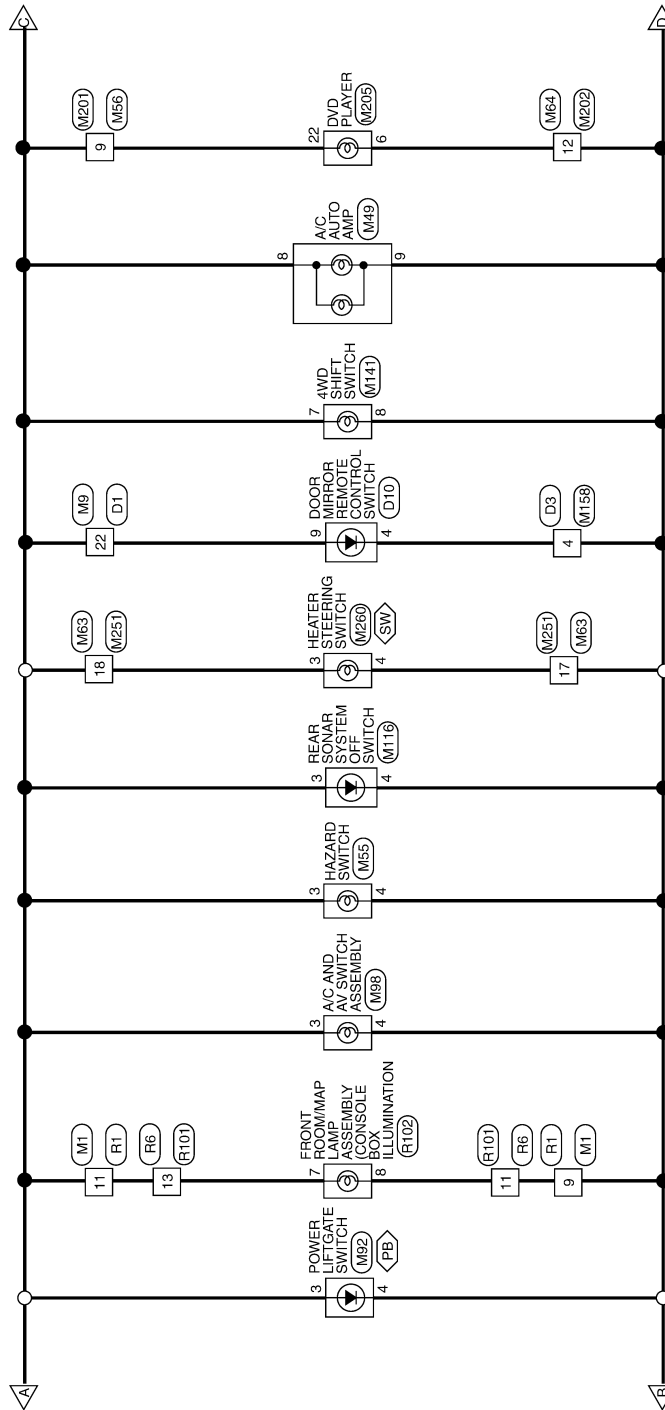


ALJWA0023GB

INTERIOR ROOM LAMP CONTROL SYSTEM

< COMPONENT DIAGNOSIS >

◁PB▷ : WITH POWER BACK DOOR
 ◁SW▷ : WITH HEATED STEERING WHEEL



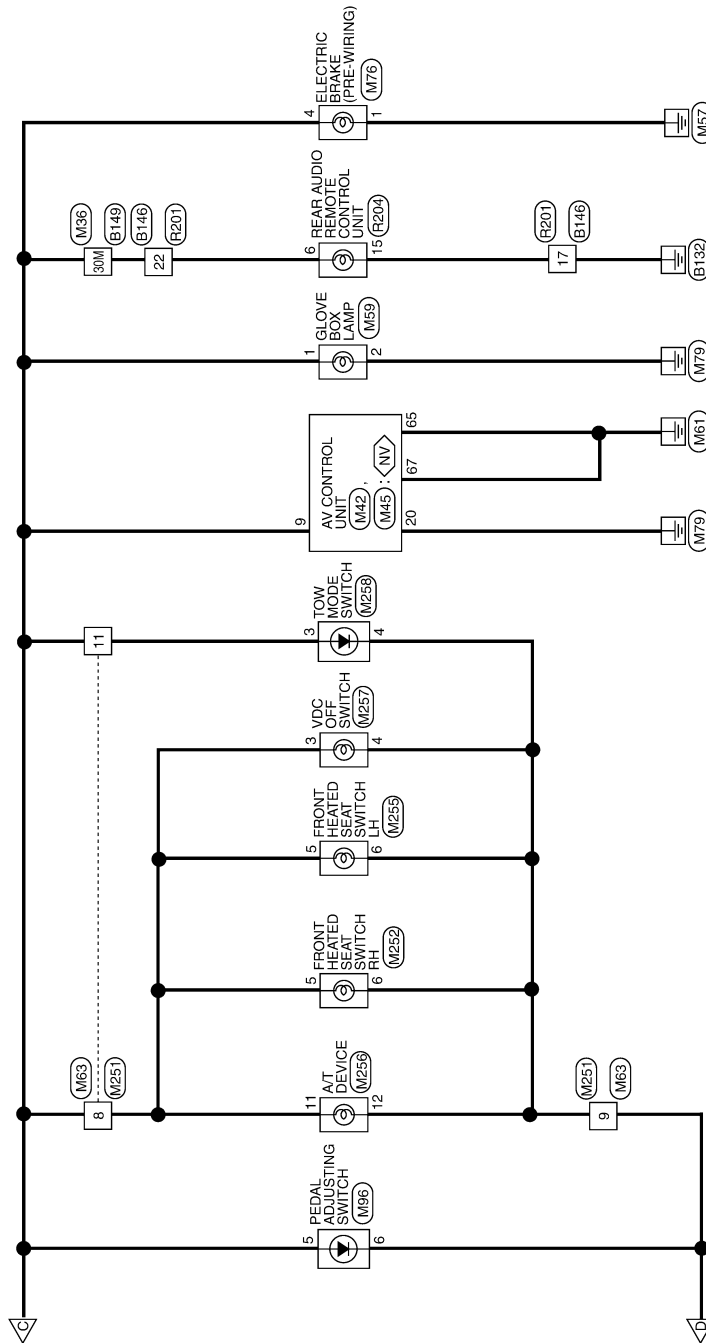
A
B
C
D
E
F
G
H
I
J
K
INL
M
N
O
P

ALJWA0024GB

INTERIOR ROOM LAMP CONTROL SYSTEM

< COMPONENT DIAGNOSIS >

◁ NV ▷ : WITH NAVI



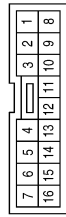
ALJWA0025GB

INTERIOR ROOM LAMP CONTROL SYSTEM

< COMPONENT DIAGNOSIS >

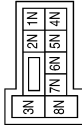
INTERIOR ROOM LAMP CONNECTORS

Connector No.	M1
Connector Name	WIRE TO WIRE
Connector Color	WHITE



Terminal No.	Color of Wire	Signal Name
10	L	-
12	R/G	-
14	R	-

Connector No.	M3
Connector Name	FUSE BLOCK (J/B)
Connector Color	WHITE



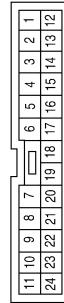
Terminal No.	Color of Wire	Signal Name
1N	Y/R	-

Connector No.	M8
Connector Name	WIRE TO WIRE
Connector Color	WHITE



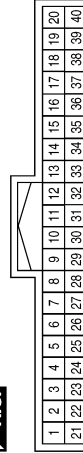
Terminal No.	Color of Wire	Signal Name
8	W/V	-
14	B	-

Connector No.	M9
Connector Name	WIRE TO WIRE
Connector Color	WHITE



Terminal No.	Color of Wire	Signal Name
6	R/W	-
7	R/G	-

Connector No.	M18
Connector Name	BCM (BODY CONTROL MODULE)
Connector Color	WHITE

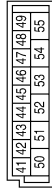


Terminal No.	Color of Wire	Signal Name
1	BR/W	RING_KEY_ILL
12	R/L	DOOR SW (AS)
13	GR	DOOR SW (RR)
22	W/V	ANTI-PINCH SERIAL LINK (RX, TX)
37	B/R	KEY SW
38	W/L	IGN SW
39	L	CAN-H
40	P	CAN-L

INTERIOR ROOM LAMP CONTROL SYSTEM

< COMPONENT DIAGNOSIS >

Connector No.	M19
Connector Name	FUSE BLOCK (J/B)
Connector Color	WHITE



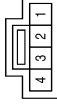
Terminal No.	Color of Wire	Signal Name
42	GR	TRNK/GLASS HATCH SW
43	R/B	BACK DOOR SW/FUEL LID OPEN SW
47	SB	DOOR SW (DR)
48	R/Y	DOOR SW (RL)
49	R	LUGGAGE_LAMP

Connector No.	M20
Connector Name	BCM (BODY CONTROL MODULE)
Connector Color	BLACK



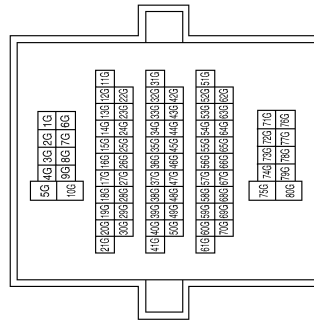
Terminal No.	Color of Wire	Signal Name
56	R/G	BATTERY SAVER OUTPUT
57	Y/R	BAT (FUSE)
62	R/W	STEP LAMP OUTPUT
63	L	ROOM LAMP OUTPUT
67	B	GND (POWER)
70	W/B	BAT (FL)

Connector No.	M27
Connector Name	BCM (BODY CONTROL MODULE)
Connector Color	WHITE



Terminal No.	Color of Wire	Signal Name
3	Y/R	-
4	B/R	-

Connector No.	M31
Connector Name	WIRE TO WIRE
Connector Color	WHITE

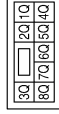


Terminal No.	Color of Wire	Signal Name
7G	W/L	-
10G	W/B	-
30G	Y	-

INTERIOR ROOM LAMP CONTROL SYSTEM

< COMPONENT DIAGNOSIS >

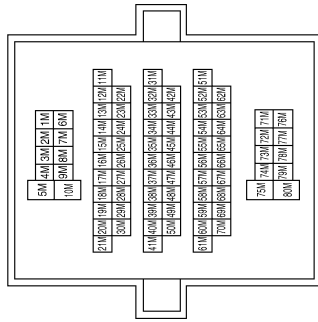
Connector No.	M39
Connector Name	FUSE BLOCK (J/B)
Connector Color	WHITE



Terminal No.	Color of Wire	Signal Name
4Q	Y/R	-

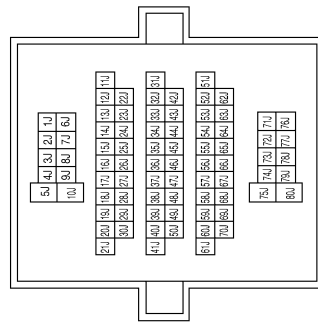
Terminal No.	Color of Wire	Signal Name
49M	R/G	-
55M	GR	-
56M	GR	-
61M	R/L	-
64M	R/W	-
65M	R/B	-

Connector No.	M36
Connector Name	WIRE TO WIRE
Connector Color	WHITE



Terminal No.	Color of Wire	Signal Name
58J	R/G	-
59J	R/W	-
60J	SB	-
61J	R/Y	-

Connector No.	M40
Connector Name	WIRE TO WIRE
Connector Color	WHITE



A
B
C
D
E
F
G
H
I
J
K
L
M
N
O
P

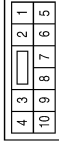
INL

ALJIA0124GB

INTERIOR ROOM LAMP CONTROL SYSTEM

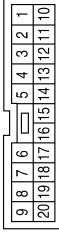
< COMPONENT DIAGNOSIS >

Connector No.	M75
Connector Name	WIRE TO WIRE
Connector Color	WHITE



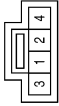
Terminal No.	Color of Wire	Signal Name
3	B	-

Connector No.	M74
Connector Name	WIRE TO WIRE
Connector Color	BROWN



Terminal No.	Color of Wire	Signal Name
5	W/V	-
6	R/W	-
7	R/G	-

Connector No.	M55
Connector Name	HAZARD SWITCH
Connector Color	WHITE



Terminal No.	Color of Wire	Signal Name
3	R/L	-
4	BR	-

Connector No.	M150
Connector Name	IGNITION KEYHOLE ILLUMINATION
Connector Color	WHITE



Terminal No.	Color of Wire	Signal Name
1	R/G	-
2	BR/W	-

Connector No.	M100
Connector Name	FOOT LAMP RH
Connector Color	BROWN



Terminal No.	Color of Wire	Signal Name
1	R/G	-
2	R/W	-

Connector No.	M99
Connector Name	FOOT LAMP LH
Connector Color	BROWN



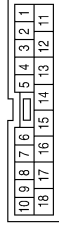
Terminal No.	Color of Wire	Signal Name
1	R/G	-
2	R/W	-

ALJIA0125GB

INTERIOR ROOM LAMP CONTROL SYSTEM

< COMPONENT DIAGNOSIS >

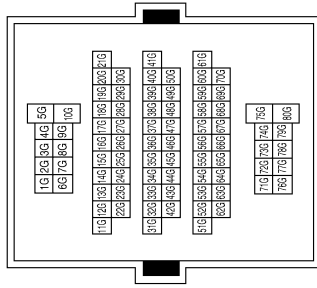
Connector No.	B6
Connector Name	WIRE TO WIRE
Connector Color	WHITE



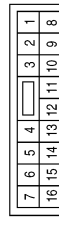
Terminal No.	Color of Wire	Signal Name
10	R/G	-

Terminal No.	Color of Wire	Signal Name
7G	L/W	-
10G	W/B	-
30G	Y	-

Connector No.	E152
Connector Name	WIRE TO WIRE
Connector Color	WHITE

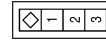


Connector No.	B43
Connector Name	WIRE TO WIRE
Connector Color	WHITE



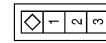
Terminal No.	Color of Wire	Signal Name
10	R/W	-

Connector No.	B18
Connector Name	REAR DOOR SWITCH LH
Connector Color	WHITE



Terminal No.	Color of Wire	Signal Name
2	R/Y	-

Connector No.	B8
Connector Name	FRONT DOOR SWITCH LH
Connector Color	WHITE



Terminal No.	Color of Wire	Signal Name
2	SB	-

A
B
C
D
E
F
G
H
I
J
K
L
M
N
O
P

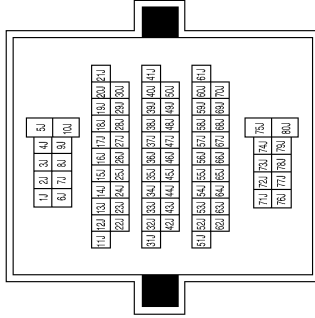


INTERIOR ROOM LAMP CONTROL SYSTEM

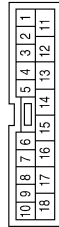
< COMPONENT DIAGNOSIS >

Terminal No.	Color of Wire	Signal Name
58J	R/G	-
59J	R/W	-
60J	SB	-
61J	R/Y	-

Connector No.	B69
Connector Name	WIRE TO WIRE
Connector Color	WHITE

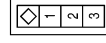


Connector No.	B48
Connector Name	WIRE TO WIRE
Connector Color	WHITE

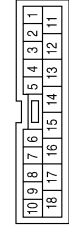


Terminal No.	Color of Wire	Signal Name
15	R/W	-

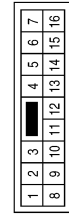
Connector No.	B108
Connector Name	FRONT DOOR SWITCH RH
Connector Color	WHITE



Connector No.	B106
Connector Name	WIRE TO WIRE
Connector Color	BLACK



Connector No.	B101
Connector Name	WIRE TO WIRE
Connector Color	WHITE



Terminal No.	Color of Wire	Signal Name
2	R/L	-

Terminal No.	Color of Wire	Signal Name
9	R/W	-
10	R/G	-

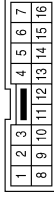
Terminal No.	Color of Wire	Signal Name
12	R	-

ALJIA0127GB

INTERIOR ROOM LAMP CONTROL SYSTEM

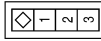
< COMPONENT DIAGNOSIS >

Connector No.	B139
Connector Name	WIRE TO WIRE
Connector Color	WHITE



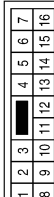
Terminal No.	13	Color of Wire	GR	Signal Name	-
--------------	----	---------------	----	-------------	---

Connector No.	B116
Connector Name	REAR DOOR SWITCH RH
Connector Color	WHITE



Terminal No.	2	Color of Wire	GR	Signal Name	-
--------------	---	---------------	----	-------------	---

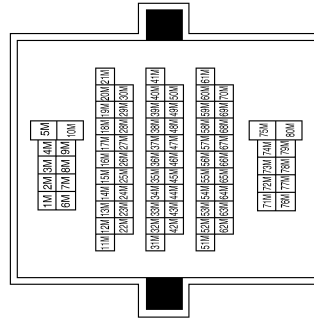
Connector No.	B111
Connector Name	WIRE TO WIRE
Connector Color	WHITE



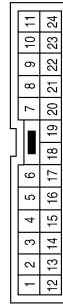
Terminal No.	10	Color of Wire	R/W	Signal Name	-
--------------	----	---------------	-----	-------------	---

Terminal No.	49M	Color of Wire	R/G	Signal Name	-
55M	GR	-	-	-	
56M	GR	-	-	-	
61M	R/L	-	-	-	
64M	R/W	-	-	-	
65M	R/W	-	-	-	

Connector No.	B149
Connector Name	WIRE TO WIRE
Connector Color	BLACK



Connector No.	B146
Connector Name	WIRE TO WIRE
Connector Color	BROWN



Terminal No.	1	Color of Wire	B	Signal Name	-
5	R/G	-	-	-	
6	R	-	-	-	

ALJIA0128GB

A
B
C
D
E
F
G
H
I
J
K
L
M
N
O
P

INL

INTERIOR ROOM LAMP CONTROL SYSTEM

< COMPONENT DIAGNOSIS >

Connector No.	D2
Connector Name	WIRE TO WIRE
Connector Color	WHITE



1	2	3	4	5	6	7
8	9	10	11	12	13	14
15	16					

Terminal No.	Color of Wire	Signal Name
8	LG/W	-
14	B	-

Connector No.	D1
Connector Name	WIRE TO WIRE
Connector Color	WHITE



1	2	3	4	5	6	7	8	9	10	11
12	13	14	15	16	17	18	19	20	21	22
23	24									

Terminal No.	Color of Wire	Signal Name
6	R/W	-
7	R/G	-

Connector No.	B153
Connector Name	WIRE TO WIRE
Connector Color	WHITE



1	2
---	---

Terminal No.	Color of Wire	Signal Name
1	R	-
2	R/G	-

Connector No.	D8
Connector Name	MAIN POWER WINDOW AND DOOR LOCK/UNLOCK SWITCH
Connector Color	WHITE



17	18	19
----	----	----

Terminal No.	Color of Wire	Signal Name
17	B	GND

Connector No.	D7
Connector Name	MAIN POWER WINDOW AND DOOR LOCK/UNLOCK SWITCH
Connector Color	WHITE



1	2	3	4	5	6	7
8	9	10	11	12	13	14
15	16					

Terminal No.	Color of Wire	Signal Name
4	L	LOCK
6	R	UNLOCK
14	LG/W	ANTI_PINCH_SERIAL_LINK

Connector No.	D4
Connector Name	DOOR MIRROR LH (WITH AUTOMATIC DRIVE POSITIONER)
Connector Color	WHITE



10	11	12	13	14	15	16
1	2	3	4	5	6	7
8	9					

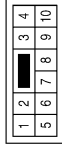
Terminal No.	Color of Wire	Signal Name
12	R/G	-
13	L	-

ALJIA0129GB

INTERIOR ROOM LAMP CONTROL SYSTEM

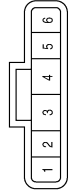
< COMPONENT DIAGNOSIS >

Connector No.	D101
Connector Name	WIRE TO WIRE
Connector Color	WHITE



Terminal No.	Color of Wire	Signal Name
3	B	-

Connector No.	D14
Connector Name	FRONT DOOR LOCK ASSEMBLY LH
Connector Color	BLACK



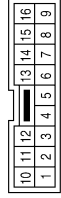
Terminal No.	Color of Wire	Signal Name
1	L	LOCK
5	B	GND
6	R	UNLOCK

Connector No.	D11
Connector Name	FRONT STEP LAMP LH
Connector Color	WHITE



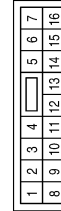
Terminal No.	Color of Wire	Signal Name
1	R/G	-
2	R/W	-

Connector No.	D107
Connector Name	DOOR MIRROR RH (WITH AUTOMATIC DRIVE POSITIONER)
Connector Color	WHITE



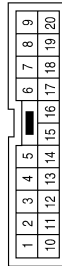
Terminal No.	Color of Wire	Signal Name
12	R/G	-
14	LG/B	EC_FEED

Connector No.	D105
Connector Name	POWER WINDOW AND DOOR LOCK/UNLOCK SWITCH RH
Connector Color	WHITE



Terminal No.	Color of Wire	Signal Name
11	B	GND
16	LG/W	ANTI_PINCH_SERIAL_LINK

Connector No.	D102
Connector Name	WIRE TO WIRE
Connector Color	BROWN



Terminal No.	Color of Wire	Signal Name
5	LG/W	-
6	R/W	-
7	R/G	-

ALJIA0130GB

INTERIOR ROOM LAMP CONTROL SYSTEM

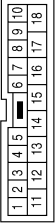
< COMPONENT DIAGNOSIS >

Connector No.	D206
Connector Name	REAR STEP LAMP LH
Connector Color	WHITE



Terminal No.	Color of Wire	Signal Name
1	R/G	-
2	R/W	-

Connector No.	D201
Connector Name	WIRE TO WIRE
Connector Color	WHITE



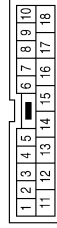
Terminal No.	Color of Wire	Signal Name
9	R/W	-
10	R/G	-

Connector No.	D109
Connector Name	FRONT STEP LAMP RH
Connector Color	WHITE



Terminal No.	Color of Wire	Signal Name
1	R/G	-
2	R/W	-

Connector No.	D401
Connector Name	WIRE TO WIRE
Connector Color	WHITE



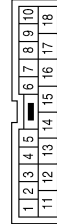
Terminal No.	Color of Wire	Signal Name
15	R/W	-

Connector No.	D306
Connector Name	REAR STEP LAMP RH
Connector Color	WHITE



Terminal No.	Color of Wire	Signal Name
1	R/G	-
2	R/W	-

Connector No.	D301
Connector Name	WIRE TO WIRE
Connector Color	WHITE



Terminal No.	Color of Wire	Signal Name
9	R/W	-
10	R/G	-

ALJIA0131GB

INTERIOR ROOM LAMP CONTROL SYSTEM

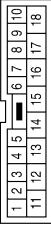
< COMPONENT DIAGNOSIS >

Connector No.	D502
Connector Name	BACK DOOR SWITCH
Connector Color	WHITE



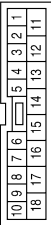
Terminal No.	Color of Wire	Signal Name
1	B	-
3	R/W	-

Connector No.	D501
Connector Name	WIRE TO WIRE
Connector Color	WHITE



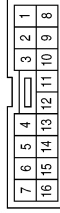
Terminal No.	Color of Wire	Signal Name
15	R/W	-

Connector No.	D405
Connector Name	WIRE TO WIRE
Connector Color	WHITE



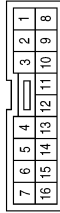
Terminal No.	Color of Wire	Signal Name
14	B	-

Connector No.	D606
Connector Name	WIRE TO WIRE
Connector Color	WHITE



Terminal No.	Color of Wire	Signal Name
13	GR	-

Connector No.	D602
Connector Name	WIRE TO WIRE
Connector Color	WHITE



Terminal No.	Color of Wire	Signal Name
13	GR	-

Connector No.	D503
Connector Name	BACK DOOR LATCH
Connector Color	WHITE



Terminal No.	Color of Wire	Signal Name
7	R/W	DOOR AJAR SW
8	B	GND

ALJIA0132GB

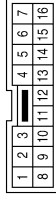
A
B
C
D
E
F
G
H
I
J
K
L
M
N
O
P

INL

INTERIOR ROOM LAMP CONTROL SYSTEM

< COMPONENT DIAGNOSIS >

Connector No.	R1
Connector Name	WIRE TO WIRE
Connector Color	WHITE



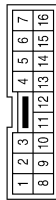
Terminal No.	Color of Wire	Signal Name
10	L	-
12	R/G	-
13	B	-
14	R	-

Connector No.	D707
Connector Name	GLASS HATCH AJAR SWITCH
Connector Color	BLACK



Terminal No.	Color of Wire	Signal Name
1	GR	-

Connector No.	D701
Connector Name	WIRE TO WIRE
Connector Color	WHITE



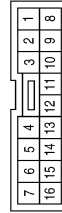
Terminal No.	Color of Wire	Signal Name
13	GR	-

Connector No.	R8
Connector Name	VANITY LAMP RH
Connector Color	WHITE



Terminal No.	Color of Wire	Signal Name
1	R/G	-
2	B	-

Connector No.	R6
Connector Name	WIRE TO WIRE
Connector Color	WHITE



Terminal No.	Color of Wire	Signal Name
1	R	-
3	R/G	-
5	L	-
10	B	-

Connector No.	R3
Connector Name	VANITY LAMP LH
Connector Color	WHITE



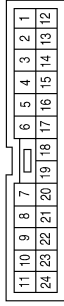
Terminal No.	Color of Wire	Signal Name
1	R/G	-
2	B	-

ALJIA0133GB

INTERIOR ROOM LAMP CONTROL SYSTEM

< COMPONENT DIAGNOSIS >

Connector No.	R201
Connector Name	WIRE TO WIRE
Connector Color	BROWN



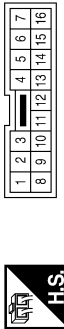
Terminal No.	Color of Wire	Signal Name
1	B	-
5	R/G	-
6	R	-

Connector No.	R102
Connector Name	FRONT ROOM/MAP LAMP ASSEMBLY
Connector Color	GRAY



Terminal No.	Color of Wire	Signal Name
1	L	DOOR BATT
2	R	GND_THRU_SW
5	B	GND
6	R/G	BAT

Connector No.	R101
Connector Name	WIRE TO WIRE
Connector Color	WHITE



Terminal No.	Color of Wire	Signal Name
1	R	-
3	R/G	-
5	L	-
10	B	-

Connector No.	R205
Connector Name	PERSONAL LAMP 3RD ROW
Connector Color	WHITE



Terminal No.	Color of Wire	Signal Name
1	R	-
2	B	-
3	R/G	-

Connector No.	R203
Connector Name	PERSONAL LAMP 2ND ROW
Connector Color	WHITE



Terminal No.	Color of Wire	Signal Name
1	R	-
2	B	-
3	R/G	-

ALJIA0134GB

A
B
C
D
E
F
G
H
I
J
K
L
M
N
O
P

INL

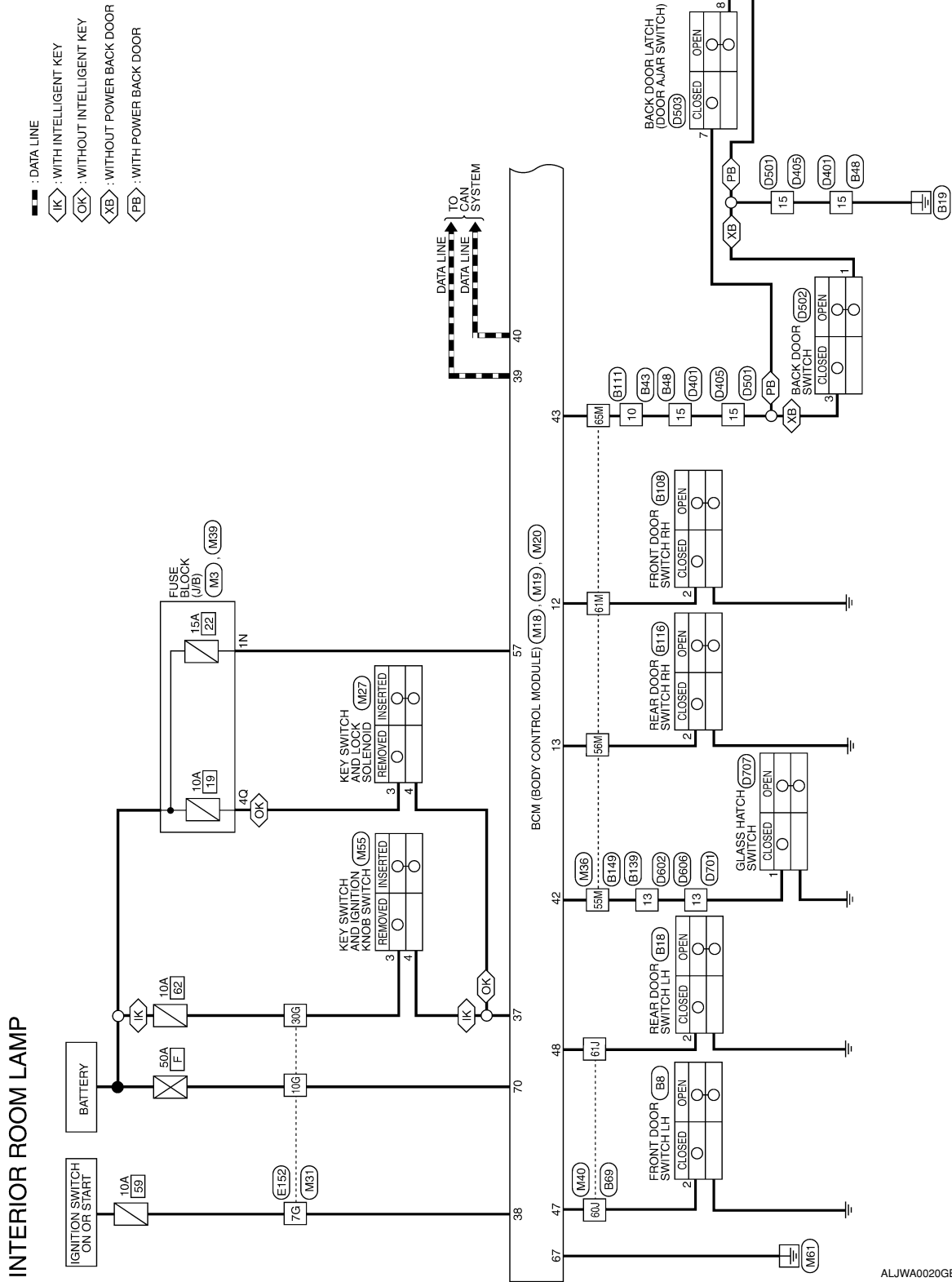
ILLUMINATION

< COMPONENT DIAGNOSIS >

ILLUMINATION

Wiring Diagram

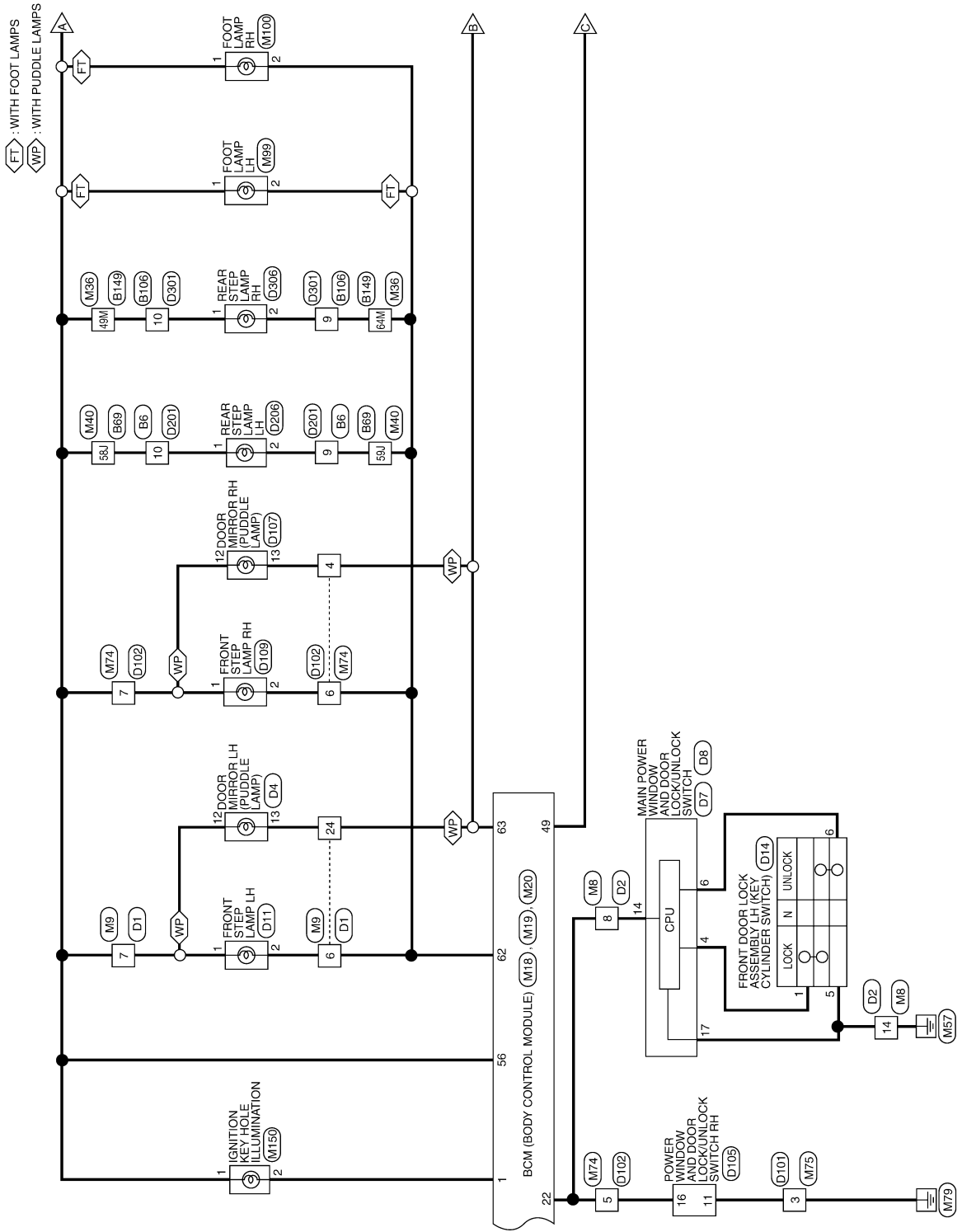
INFOID:000000001531157



ALJWA0020GB

ILLUMINATION

< COMPONENT DIAGNOSIS >



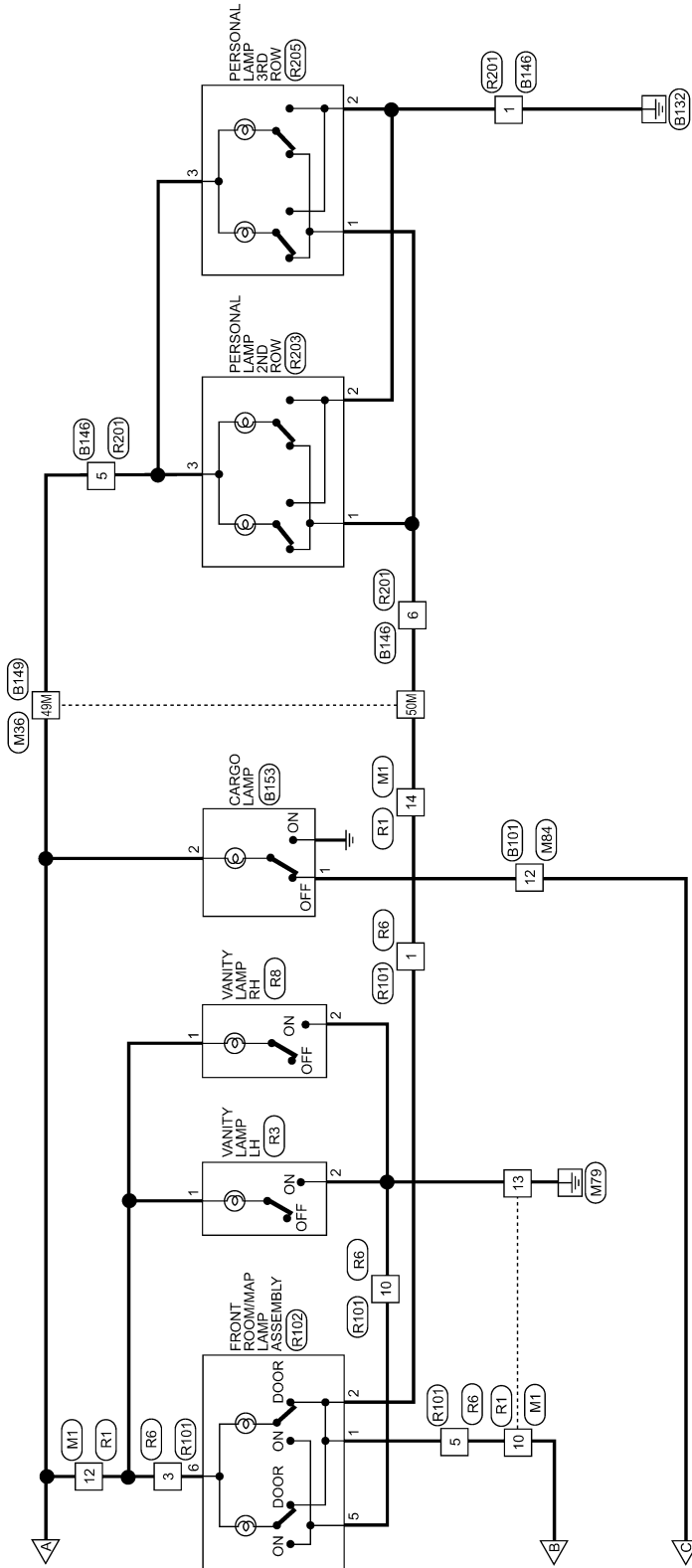
ALJWA0021GB

A
B
C
D
E
F
G
H
I
J
K
L
M
N
O
P

INL

ILLUMINATION

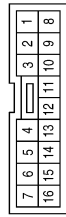
< COMPONENT DIAGNOSIS >



ALJWA0022GB

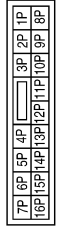
ILLUMINATION CONNECTORS

Connector No.	M1
Connector Name	WIRE TO WIRE
Connector Color	WHITE



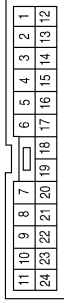
Terminal No.	Color of Wire	Signal Name
9	BR	-
11	R/L	-

Connector No.	M4
Connector Name	FUSE BLOCK (J/B)
Connector Color	WHITE



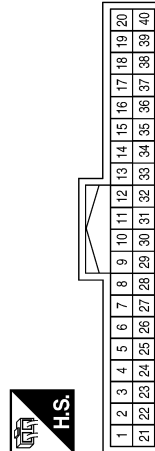
Terminal No.	Color of Wire	Signal Name
5P	O/L	-

Connector No.	M9
Connector Name	WIRE TO WIRE
Connector Color	WHITE



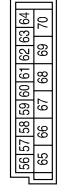
Terminal No.	Color of Wire	Signal Name
22	R/L	-

Connector No.	M18
Connector Name	BCM (BODY CONTROL MODULE)
Connector Color	WHITE



Terminal No.	Color of Wire	Signal Name
2	SB	INPPUT-5
3	G/Y	INPUT-4
4	Y	INPUT-3
5	G/B	INPUT-2
6	V	INPUT-1
32	R/G	OUTPUT-5
33	R/Y	OUTPUT-4
34	L	OUTPUT-3
35	O/B	OUTPUT-2
36	R/W	OUTPUT-1
38	W/L	IGN SW
39	L	CAN-H
40	P	CAN-L

Connector No.	M20
Connector Name	BCM (BODY CONTROL MODULE)
Connector Color	BLACK



Terminal No.	Color of Wire	Signal Name
67	B	GND (POWER)
70	W/B	BAT (FL)

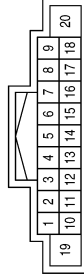
ALJIA0135GB



ILLUMINATION

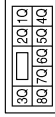
< COMPONENT DIAGNOSIS >

Connector No.	M42
Connector Name	AV CONTROL UNIT
Connector Color	WHITE



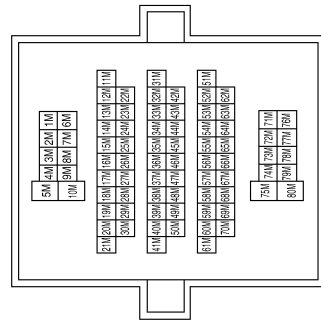
Terminal No.	Color of Wire	Signal Name
9	R/L	ILL
20	B	GND

Connector No.	M39
Connector Name	FUSE BLOCK (J/B)
Connector Color	WHITE



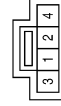
Terminal No.	Color of Wire	Signal Name
4Q	Y/R	-

Connector No.	M36
Connector Name	WIRE TO WIRE
Connector Color	WHITE



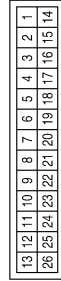
Terminal No.	Color of Wire	Signal Name
30M	R/L	-

Connector No.	M55
Connector Name	HAZARD SWITCH
Connector Color	WHITE



Terminal No.	Color of Wire	Signal Name
3	R/L	-
4	BR	-

Connector No.	M49
Connector Name	A/C AUTO AMP
Connector Color	BLUE



Terminal No.	Color of Wire	Signal Name
8	R/L	ILL+
9	BR	ILL-

Connector No.	M45
Connector Name	AV CONTROL UNIT (WITH NAVI)
Connector Color	GRAY



Terminal No.	Color of Wire	Signal Name
65	B	GND
67	B	GND

ALJIA0137GB



ILLUMINATION

< COMPONENT DIAGNOSIS >

Connector No.	M56
Connector Name	WIRE TO WIRE
Connector Color	WHITE

1	2	3	4	5	6	7		
8	9	10	11	12	13	14	15	16



Terminal No.	Color of Wire	Signal Name
9	R/L	-

Connector No.	M59
Connector Name	GLOVE BOX LAMP
Connector Color	BROWN



Terminal No.	Color of Wire	Signal Name
1	R/L	-
2	B	-

Connector No.	M63
Connector Name	WIRE TO WIRE
Connector Color	BROWN



1	2	3	4	5	6	7	8	9		
10	11	12	13	14	15	16	17	18	19	20

Terminal No.	Color of Wire	Signal Name
8	R/L	-
9	BR	-
17	BR	-
18	R/L	-

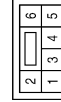
Connector No.	M64
Connector Name	WIRE TO WIRE
Connector Color	BROWN

1	2	3	4	5	6	7	8	9	10	11		
12	13	14	15	16	17	18	19	20	21	22	23	24



Terminal No.	Color of Wire	Signal Name
12	BR	-

Connector No.	M76
Connector Name	ELECTRIC BRAKE (PRE-WIRING)
Connector Color	WHITE



Terminal No.	Color of Wire	Signal Name
1	B	GND
4	R/L	ILL (TAIL)

Connector No.	M80
Connector Name	RESISTOR
Connector Color	BLACK

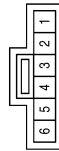


Terminal No.	Color of Wire	Signal Name
1	Y	-
2	R/L	-

ILLUMINATION

< COMPONENT DIAGNOSIS >

Connector No.	M92
Connector Name	POWER LIFTGATE SWITCH
Connector Color	WHITE



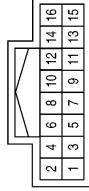
Terminal No.	Color of Wire	Signal Name
3	R/L	-
4	BR	-

Connector No.	M96
Connector Name	PEDAL ADJUSTING SWITCH
Connector Color	BROWN



Terminal No.	Color of Wire	Signal Name
5	R/L	-
6	BR	-

Connector No.	M98
Connector Name	A/C AND AV SWITCH ASSEMBLY
Connector Color	WHITE



Terminal No.	Color of Wire	Signal Name
3	R/L	ILL
4	BR	ILL CONT GND

Connector No.	M102
Connector Name	COMBINATION SWITCH (SPIRAL CABLE)
Connector Color	GRAY



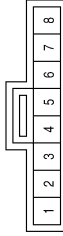
Terminal No.	Color of Wire	Signal Name
18	O	-
21	L	-

Connector No.	M116
Connector Name	SONAR SYSTEM OFF SWITCH
Connector Color	GRAY



Terminal No.	Color of Wire	Signal Name
3	R/L	-
4	BR	-

Connector No.	M141
Connector Name	4WD SHIFT SWITCH
Connector Color	GRAY



Terminal No.	Color of Wire	Signal Name
7	R/L	-
8	BR	-

ALJIA0139GB

ILLUMINATION

< COMPONENT DIAGNOSIS >

Connector No.	M202
Connector Name	WIRE TO WIRE
Connector Color	BROWN



11	10	9	8	7	6	5	4	3	2	1		
24	23	22	21	20	19	18	17	16	15	14	13	12

Terminal No.	Color of Wire	Signal Name
12	BR	-

Connector No.	M201
Connector Name	WIRE TO WIRE
Connector Color	WHITE



7	6	5	4	3	2	1		
16	15	14	13	12	11	10	9	8

Terminal No.	Color of Wire	Signal Name
9	R/L	-

Connector No.	M158
Connector Name	WIRE TO WIRE
Connector Color	WHITE



4	3	2	1		
10	9	8	7	6	5

Terminal No.	Color of Wire	Signal Name
4	BR	-

Connector No.	M252
Connector Name	FRONT HEATED SEAT SWITCH RH
Connector Color	BROWN



5	4	3	2	1	6
---	---	---	---	---	---

Terminal No.	Color of Wire	Signal Name
5	R/L	-
6	BR	-

Connector No.	M251
Connector Name	WIRE TO WIRE
Connector Color	BROWN



9	8	7	6	5	4	3	2	1		
20	19	18	17	16	15	14	13	12	11	10

Terminal No.	Color of Wire	Signal Name
8	R/L	-
9	BR	-
17	BR	-
18	R/L	-

Connector No.	M205
Connector Name	DVD PLAYER
Connector Color	WHITE



16	15	14	13	12	11	10	9	8	7	6	5	4	3	2	1
32	31	30	29	28	27	26	25	24	23	22	21	20	19	18	17

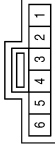
Terminal No.	Color of Wire	Signal Name
6	BR	ILL+
22	R/L	LIGHTING SW

ALJIA0140GB

ILLUMINATION

< COMPONENT DIAGNOSIS >

Connector No.	M257
Connector Name	VDC OFF SWITCH
Connector Color	GRAY



Terminal No.	Color of Wire	Signal Name
3	R/L	-
4	BR	-

Connector No.	M256
Connector Name	A/T DEVICE (ILLUMINATION)
Connector Color	BLACK



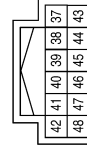
Terminal No.	Color of Wire	Signal Name
11	R/L	-
12	BR	-

Connector No.	M255
Connector Name	FRONT HEATED SEAT SWITCH LH
Connector Color	WHITE



Terminal No.	Color of Wire	Signal Name
5	R/L	-
6	BR	-

Connector No.	E122
Connector Name	IPDM E/R (INTELLIGENT POWER DISTRIBUTION MODULE ENGINE ROOM)
Connector Color	WHITE



Terminal No.	Color of Wire	Signal Name
38	B	GND (SIG)
39	L	CAN-H
40	P	CAN-L

Connector No.	M260
Connector Name	HEATED STEERING WHEEL SWITCH
Connector Color	WHITE



Terminal No.	Color of Wire	Signal Name
3	R/L	-
4	BR	-

Connector No.	M258
Connector Name	TOW MODE SWITCH (WZW)
Connector Color	GRAY



Terminal No.	Color of Wire	Signal Name
3	R/L	-
4	BR	-

ALJIA0141GB

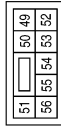
A
B
C
D
E
F
G
H
I
J
K
L
M
N
O
P

INL

ILLUMINATION

< COMPONENT DIAGNOSIS >

Connector No.	E123
Connector Name	FRONT HEATED SEAT SWITCH LH
Connector Color	WHITE



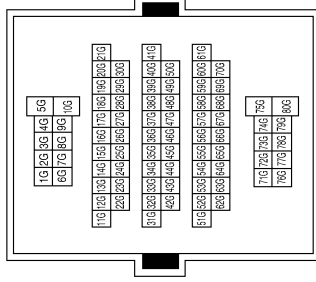
Terminal No.	Color of Wire	R/L	Signal Name
49		R/L	HEAD_L_HI_RH

Connector No.	E124
Connector Name	IPDM E/R (INTELLIGENT POWER DISTRIBUTION MODULE ENGINE ROOM)
Connector Color	BLACK



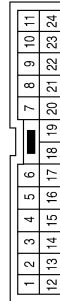
Terminal No.	Color of Wire	Signal Name
59	B	GND (PWR)

Connector No.	E152
Connector Name	WIRE TO WIRE
Connector Color	WHITE



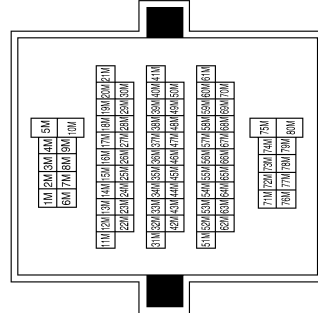
Terminal No.	Color of Wire	Signal Name
7G	L/W	-
10G	W/B	-
30G	Y	-

Connector No.	B146
Connector Name	WIRE TO WIRE
Connector Color	BROWN



Terminal No.	Color of Wire	Signal Name
17	SHIELD	-
22	R/L	-

Connector No.	B149
Connector Name	WIRE TO WIRE
Connector Color	BROWN

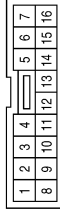


Terminal No.	30M	Color of Wire	R/L	Signal Name
				-

ILLUMINATION

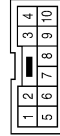
< COMPONENT DIAGNOSIS >

Connector No.	D10
Connector Name	DOOR MIRROR REMOTE CONTROL SWITCH (WITH AUTOMATIC DRIVE POSITIONER)
Connector Color	WHITE



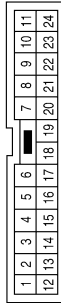
Terminal No.	Color of Wire	Signal Name
4	GR	-
9	R/L	-

Connector No.	D3
Connector Name	WIRE TO WIRE
Connector Color	WHITE



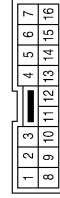
Terminal No.	Color of Wire	Signal Name
4	BR	-

Connector No.	D1
Connector Name	WIRE TO WIRE
Connector Color	WHITE



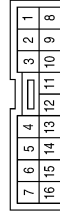
Terminal No.	Color of Wire	Signal Name
22	R/L	-

Connector No.	R101
Connector Name	WIRE TO WIRE
Connector Color	WHITE



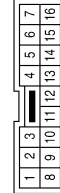
Terminal No.	Color of Wire	Signal Name
11	BR	-
13	R/L	-

Connector No.	R6
Connector Name	WIRE TO WIRE
Connector Color	WHITE



Terminal No.	Color of Wire	Signal Name
11	BR	-
13	R/L	-

Connector No.	R1
Connector Name	WIRE TO WIRE
Connector Color	WHITE



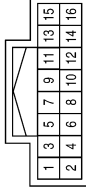
Terminal No.	Color of Wire	Signal Name
9	BR	-
11	R/L	-

ALJIA0143GB

ILLUMINATION

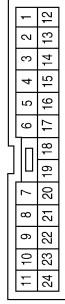
< COMPONENT DIAGNOSIS >

Connector No.	R204
Connector Name	REAR AUDIO REMOTE CONTROL UNIT
Connector Color	WHITE



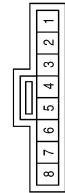
Terminal No.	Color of Wire	Signal Name
6	R/L	ILL+
15	B	GND

Connector No.	R201
Connector Name	WIRE TO WIRE
Connector Color	BROWN



Terminal No.	Color of Wire	Signal Name
17	SHIELD	-
22	R/L	-

Connector No.	R102
Connector Name	FRONT ROOM/MAP LAMP ASSEMBLY
Connector Color	GRAY



Terminal No.	Color of Wire	Signal Name
7	R/L	ILL+
8	BR	ILL-

ALJIA0144GB

BCM (BODY CONTROL MODULE)

< ECU DIAGNOSIS >

ECU DIAGNOSIS

BCM (BODY CONTROL MODULE)

Description

INFOID:000000001531158

REFERENCE VALUES FOR BCM

For BCM reference values, refer to [BCS-38. "Reference Value"](#).

TERMINAL LAYOUT FOR BCM

For the terminal layout for the BCM, refer to [BCS-41. "Terminal Layout"](#).

PHYSICAL VALUES FOR BCM

For physical values for the BCM, refer to [BCS-41. "Physical Values"](#).

WIRING DIAGRAM - BCM

For the BCM wiring diagram, refer to [BCS-47. "Wiring Diagram"](#).

DTC INSPECTION PRIORITY CHART - BCM

For the BCM DTC inspection priority chart, refer to [BCS-50. "DTC Inspection Priority Chart"](#).

DTC INDEX - BCM

For the BCM DTC index, refer to [BCS-51. "DTC Index"](#).

A
B
C
D
E
F
G
H
I
J
K
INL
M
N
O
P

INTERIOR LIGHTING SYSTEM SYMPTOMS

< SYMPTOM DIAGNOSIS >

SYMPTOM DIAGNOSIS

INTERIOR LIGHTING SYSTEM SYMPTOMS

Symptom Table

INFOID:000000001531159

CAUTION:

Perform the self-diagnosis with CONSULT-III before the symptom diagnosis. Perform the trouble diagnosis if any DTC is detected.

Symptom	Possible cause	Inspection item
All of the following lamps do not turn ON <ul style="list-style-type: none"> • Front room/map lamp assembly • Personal lamp 2nd and 3rd row • Cargo room lamp • Front and rear step lamps • Vanity mirror lamps • Ignition keyhole illumination • Puddle lamps (if equipped) • Foot lamps (if equipped) 	<ul style="list-style-type: none"> • Harness between BCM and each interior room lamp • Harness between BCM and each door switch • BCM 	Battery saver output/power supply circuit Refer to INL-16 .
Some or all of the following interior room lamps do not turn ON/OFF <ul style="list-style-type: none"> • Puddle lamps (if equipped) • Front room/map lamp assembly • Personal lamp 2nd row • Personal lamp 3rd row 	<ul style="list-style-type: none"> • Harness between BCM and each interior room lamp • BCM 	Interior room lamp control circuit Refer to INL-18 .
Some or all of the following lamps do not turn ON/OFF <ul style="list-style-type: none"> • Front step lamps • Rear step lamps • Foot lamps (if equipped) 	<ul style="list-style-type: none"> • Harness between BCM and each step lamp • BCM 	Step lamp circuit Refer to INL-20 .
Cargo lamp does not turn ON/OFF	<ul style="list-style-type: none"> • Harness between BCM and cargo lamp • BCM 	Trunk room lamp circuit Refer to INL-22 .
Ignition keyhole illumination does not turn ON/OFF	<ul style="list-style-type: none"> • Harness between BCM and cargo lamp • BCM 	Ignition keyhole illumination circuit Refer to INL-24
Interior room lamp timer does not activate. (It turns ON/ OFF when the door opens/closes.)	—	Check the interior room lamp setting. Refer to INL-11 .
Interior room lamp battery saver does not activate.	—	Check the interior room lamp battery saver setting. Refer to INL-11 .

PRECAUTIONS

< PRECAUTION >

PRECAUTION

PRECAUTIONS

Supplemental Restraint System (SRS) "AIR BAG" and "SEAT BELT PRE-TENSIONER"

INFOID:000000001534320

The Supplemental Restraint System such as "AIR BAG" and "SEAT BELT PRE-TENSIONER", used along with a front seat belt, helps to reduce the risk or severity of injury to the driver and front passenger for certain types of collision. This system includes seat belt switch inputs and dual stage front air bag modules. The SRS system uses the seat belt switches to determine the front air bag deployment, and may only deploy one front air bag, depending on the severity of a collision and whether the front occupants are belted or unbelted. Information necessary to service the system safely is included in the SR and SB section of this Service Manual.

WARNING:

- **To avoid rendering the SRS inoperative, which could increase the risk of personal injury or death in the event of a collision which would result in air bag inflation, all maintenance must be performed by an authorized NISSAN/INFINITI dealer.**
- **Improper maintenance, including incorrect removal and installation of the SRS, can lead to personal injury caused by unintentional activation of the system. For removal of Spiral Cable and Air Bag Module, see the SR section.**
- **Do not use electrical test equipment on any circuit related to the SRS unless instructed to in this Service Manual. SRS wiring harnesses can be identified by yellow and/or orange harnesses or harness connectors.**

General precautions for service operations

INFOID:000000001534321

- When removing or disassembling any part, be careful not to damage or deform it. Protect parts which may get in the way with cloth.
- When removing parts with a screw driver or other tool, protect parts by wrapping them with vinyl or tape.
- Keep removed parts protected with cloth.
- If a non-reuseable part is removed, replace it with a new one.
- After re-assembly has been completed, make sure each part functions correctly.
- Never work with wet hands.
- Turn the lighting switch OFF before disconnecting and connecting the connector.
- Do not use organic solvent (paint thinner or gasoline) to clean lamps or remove sealant residue.

A
B
C
D
E
F
G
H
I
J
K
L
M
N
O
P

INL

INTERIOR ROOM LAMP

< ON-VEHICLE REPAIR >

ON-VEHICLE REPAIR

INTERIOR ROOM LAMP

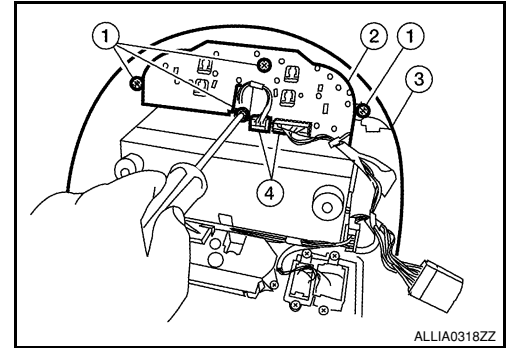
Removal and Installation

INFOID:000000001534322

MAP LAMP

Removal

1. Disconnect the negative battery terminal.
2. Remove overhead console (3). Refer to [INT-16. "Removal and Installation"](#).
3. Disconnect connectors (4) and remove the map lamp screws (1), then remove map lamp (2) from overhead console.



Installation

Installation is in the reverse order of removal.

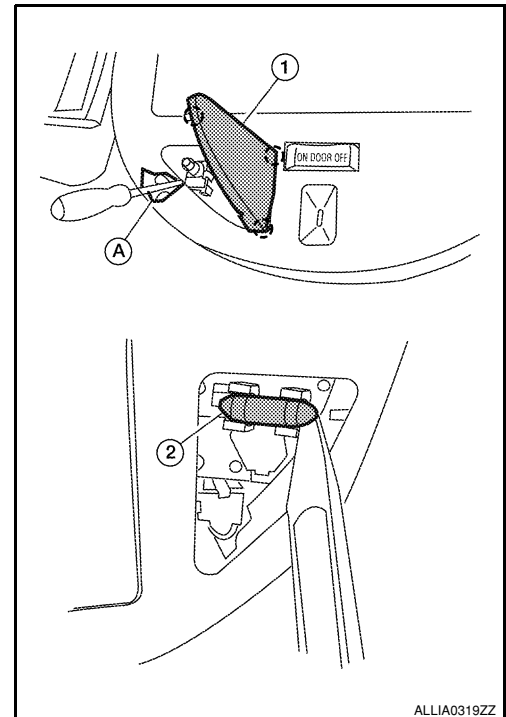
Bulb Replacement

1. Disconnect the negative battery terminal.
2. Using a suitable tool (A), remove map lamp lens (1).
3. Release one side of the bulb (2) from the tab, then pull straight downward to remove.

Map lamp bulb : 12V - 8W

CAUTION:

Wrap a cloth around tool to protect the housing and lens.



VANITY MIRROR LAMP

Removal

The vanity mirror lamp is replaced as part of the sunvisor assembly. Refer to [INT-16. "Removal and Installation"](#).

Installation

Installation is in the reverse order of removal.

Bulb Replacement

INTERIOR ROOM LAMP

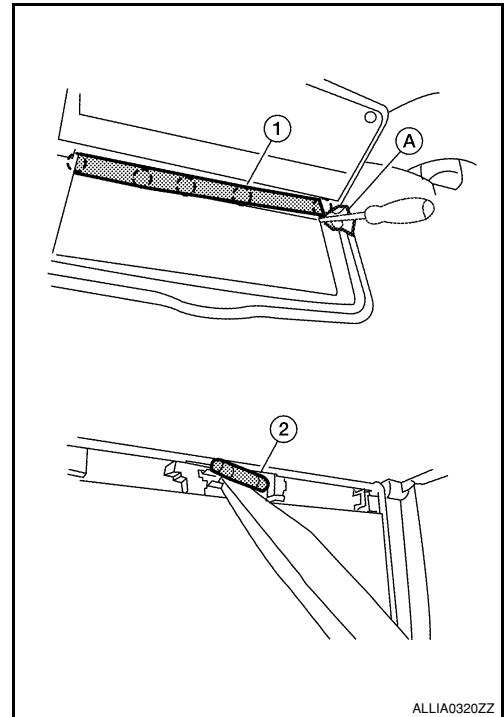
< ON-VEHICLE REPAIR >

1. Disconnect the negative battery cable.
2. Using a suitable tool (A), release the tabs and remove the vanity mirror lamp lens (1).
3. Release one side of the bulb (2) from the tab, then pull straight out to remove.

Vanity mirror lamp bulb : 12V - 1.8W

CAUTION:

Wrap a cloth around tool to protect the housing and lens.



GLOVE BOX LAMP

Removal

1. Remove instrument lower panel RH and glove box. Refer to [IP-16, "Removal and Installation"](#).
2. Rotate glove box lamp socket and rotate counterclockwise to release from steering member.

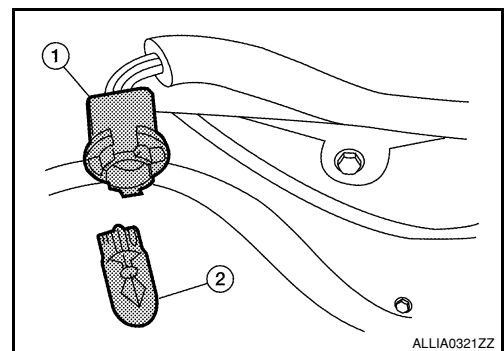
Installation

Installation is in the reverse order of removal.

Bulb Replacement

1. Disconnect the negative battery terminal.
2. Remove instrument lower panel RH and glove box. Refer to [IP-16, "Removal and Installation"](#).
3. Pull bulb (2) straight out from glove box lamp socket (1) to remove.

Glove box lamp bulb : 12V - 3.4W



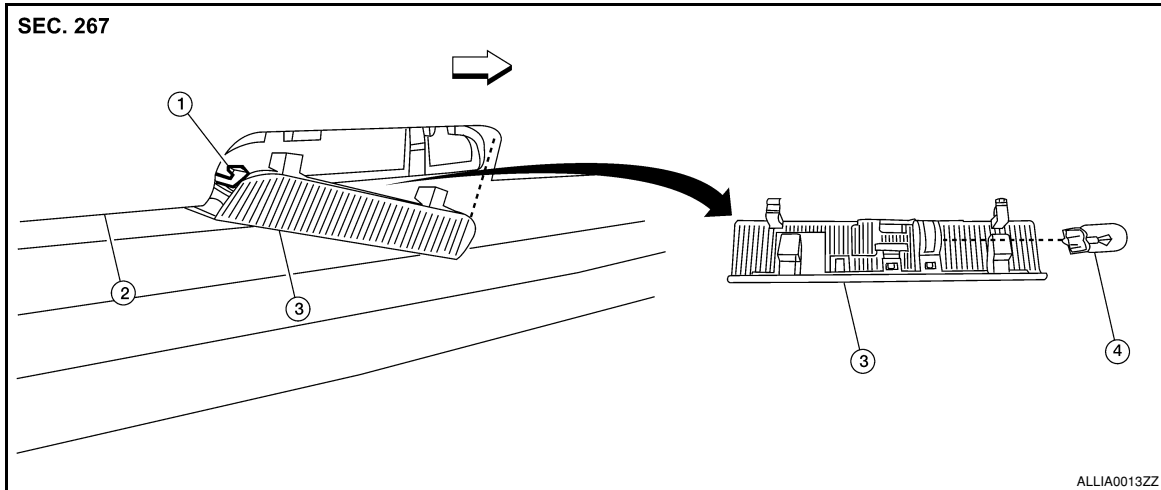
STEP LAMP

Removal

A
B
C
D
E
F
G
H
I
J
K
INL
M
N
O
P

INTERIOR ROOM LAMP

< ON-VEHICLE REPAIR >



- | | | |
|------------------------|------------------|--------------------------|
| 1. Step lamp connector | 2. Door finisher | 3. Step lamp lens/socket |
| 4. Step lamp bulb | ← Vehicle front | |

1. Disconnect the negative battery terminal.
2. Insert a suitable tool between door finisher and step lamp lens/socket to release the pawls.
3. Disconnect the step lamp connector, then remove step lamp.

Installation

Installation is in the reverse order of removal.

Bulb Replacement

1. Disconnect the negative battery cable.
2. Remove the step lamp lens/socket.
3. Pull the bulb straight out to remove.

Step lamp bulb : 12V - 3.8W

PERSONAL LAMP (if equipped)

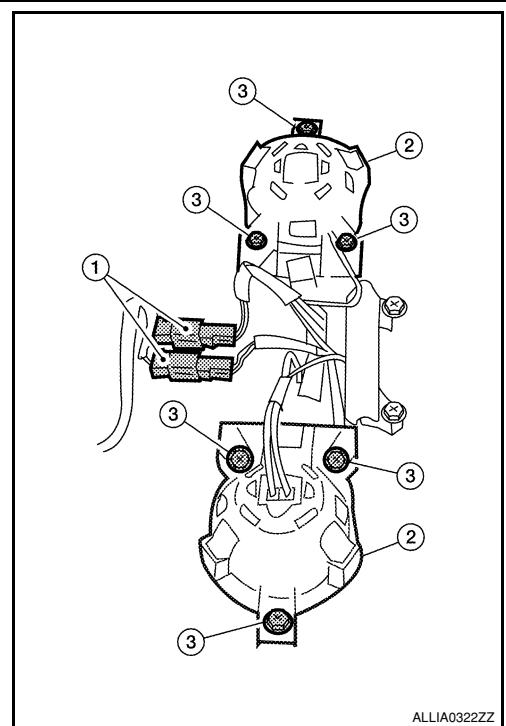
Removal

1. Disconnect the negative battery terminal.

INTERIOR ROOM LAMP

< ON-VEHICLE REPAIR >

2. Remove overhead console. Refer to [INT-16. "Removal and Installation"](#).
3. Remove personal lamp (3) screws.
4. Disconnect personal lamp electrical connectors (1), then remove personal lamps (2) from overhead console.



Installation

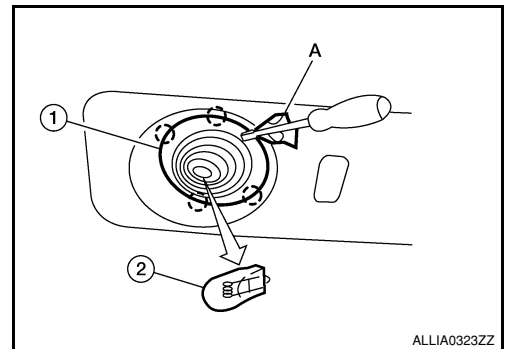
Installation is in the reverse order of removal.

Bulb Replacement

1. Disconnect the negative battery terminal.
2. Using a suitable tool (A), release the pawls and remove personal lamp lens (1).
3. Pull bulb (2) straight out to remove.

Personal lamp bulb : 12V - 6W

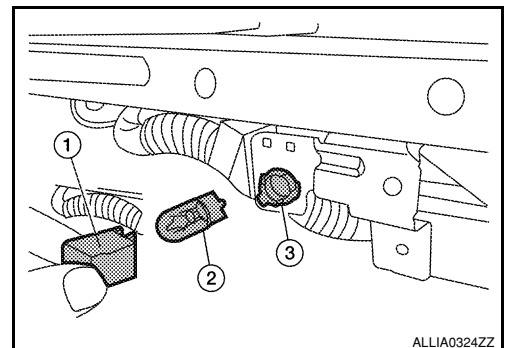
CAUTION:
Wrap a cloth around tool to protect the housing and lens.



FOOTWELL LAMP

Removal

1. Disconnect the negative battery terminal.
2. Rotate footwell lamp socket (3) counterclockwise from bracket.



Installation

Installation is in the reverse order of removal.

Bulb Replacement

A
B
C
D
E
F
G
H
I
J
K
INL
M
N
O
P

INTERIOR ROOM LAMP

< ON-VEHICLE REPAIR >

1. Disconnect the negative battery terminal.
2. Release the pawls and remove bulb shield from bracket (1).
3. Pull bulb (2) straight out from footwell lamp socket (3) to remove.

Footwell lamp bulb : 12V - 3.4W

ILLUMINATION

< ON-VEHICLE REPAIR >

ILLUMINATION

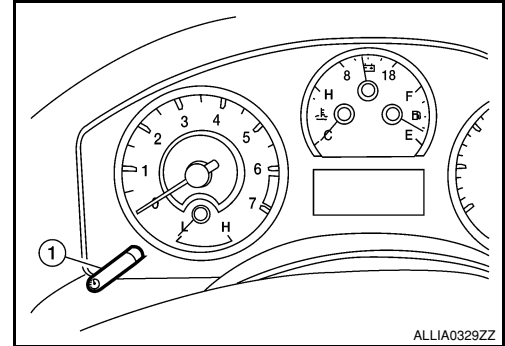
Removal and Installation

INFOID:000000001534323

ILLUMINATION CONTROL SWITCH

Removal

The illumination control switch (1) is replaced as a part of the combination meter assembly. Refer to [MWI-104, "Removal and Installation"](#).



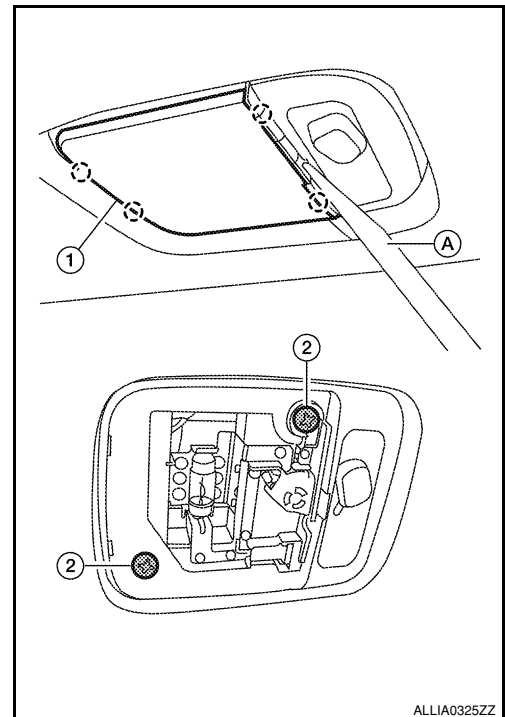
Installation

Installation is in the reverse order of removal.

CARGO LAMP (if equipped)

Removal

1. Disconnect the negative battery terminal.
2. Using a suitable tool (A), release the pawls and remove the cargo lamp lens (1).
3. Remove cargo lamp screws (2).
4. Disconnect the connector, then remove cargo lamp.



Installation

Installation is in the reverse order of removal.

Bulb Replacement

1. Disconnect the negative battery terminal.

A
B
C
D
E
F
G
H
I
J
K
INL
M
N
O
P

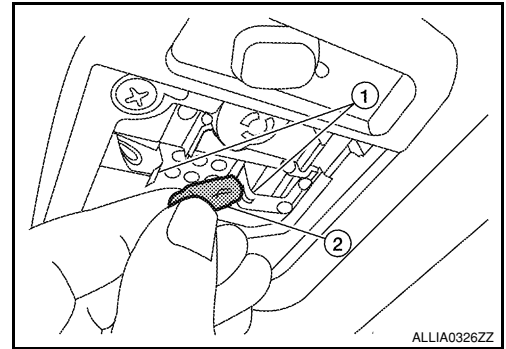
ILLUMINATION

< ON-VEHICLE REPAIR >

- Using a suitable tool, release the pawls and remove the cargo lamp lens.
- Release the cargo lamp bulb retainers (1), then pull bulb (2) straight out to remove.

Cargo lamp bulb

: 12V - 8W



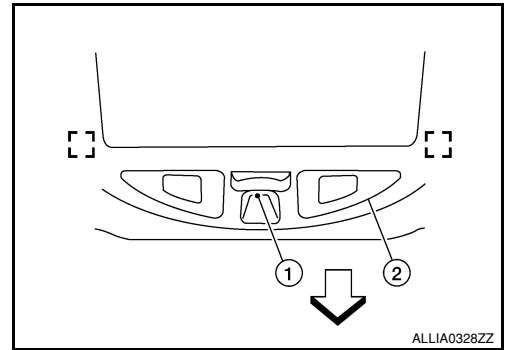
ALLIA0326ZZ

CONSOLE ILLUMINATION LAMP (if equipped)

Removal

The console illumination lamp (1) is replaced as part of the map lamp assembly (2). Refer to INTERIOR ROOM LAMP.

⇐: Vehicle front



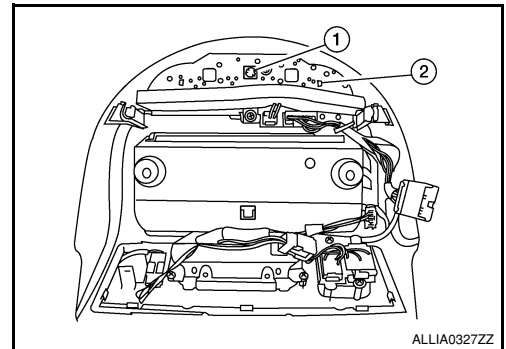
ALLIA0328ZZ

Installation

Installation is in the reverse order of removal.

Bulb Replacement

- Disconnect the negative battery terminal.
- Remove overhead console. Refer to INTERIOR - HEADLINER.
- Rotate console illumination lamp bulb (1) counterclockwise, then pull straight out away from map lamp assembly (2) to remove.



ALLIA0327ZZ

BULB SPECIFICATIONS

< SERVICE DATA AND SPECIFICATIONS (SDS)

SERVICE DATA AND SPECIFICATIONS (SDS)

BULB SPECIFICATIONS

Interior Lamp/Illumination

INFOID:000000001534324

Item	Wattage (W)*
Map Lamp	8
Vanity mirror lamp	1.8
Glove box lamp	3.4
Step lamp	3.8
Personal lamp	6
Footwell lamp	3.4
Cargo lamp	8
Console illumination lamp	-

*: Always check with the Parts Department for the latest parts information.

A

B

C

D

E

F

G

H

I

J

K

INL

M

N

O

P