

A  
B  
C  
D  
E  
F  
G  
H  
I  
J  
K  
L  
M

# PG

## SECTION

# POWER SUPPLY, GROUND & CIRCUIT ELEMENTS

## CONTENTS

<p><b>PRECAUTIONS</b> ..... 3</p> <p>    Precautions for Supplemental Restraint System (SRS) "AIR BAG" and "SEAT BELT PRE-TENSIONER" ..... 3</p> <p><b>POWER SUPPLY ROUTING CIRCUIT</b> ..... 4</p> <p>    Schematic ..... 4</p> <p>    Wiring Diagram — POWER — ..... 6</p> <p>        BATTERY POWER SUPPLY — IGNITION SW. IN ANY POSITION ..... 6</p> <p>        ACCESSORY POWER SUPPLY — IGNITION SW. IN ACC OR ON ..... 11</p> <p>        IGNITION POWER SUPPLY — IGNITION SW. IN ON ..... 12</p> <p>        IGNITION POWER SUPPLY — IGNITION SW. IN ON AND/OR START ..... 13</p> <p>    Fuse ..... 17</p> <p>    Fusible Link ..... 17</p> <p>    Circuit Breaker (Built Into BCM) ..... 17</p> <p><b>IPDM E/R (INTELLIGENT POWER DISTRIBUTION MODULE ENGINE ROOM)</b> ..... 18</p> <p>    System Description ..... 18</p> <p>        SYSTEMS CONTROLLED BY IPDM E/R ..... 18</p> <p>        CAN COMMUNICATION LINE CONTROL ..... 18</p> <p>        IPDM E/R STATUS CONTROL ..... 19</p> <p>    CAN Communication System Description ..... 19</p> <p>    Function of Detecting Ignition Relay Malfunction ... 19</p> <p>    CONSULT-II Function (IPDM E/R) ..... 20</p> <p>        CONSULT-II START PROCEDURE ..... 20</p> <p>        SELF-DIAGNOSTIC RESULTS ..... 20</p> <p>        DATA MONITOR ..... 21</p> <p>        CAN DIAG SUPPORT MNTR ..... 21</p> <p>        ACTIVE TEST ..... 21</p> <p>    Auto Active Test ..... 22</p> <p>        DESCRIPTION ..... 22</p> <p>        OPERATION PROCEDURE ..... 22</p> <p>        INSPECTION IN AUTO ACTIVE TEST MODE... 22</p> <p>    Terminals and Reference Values for IPDM E/R .... 24</p> <p>    IPDM E/R Terminal Arrangement ..... 27</p> <p>    IPDM E/R Power/Ground Circuit Inspection ..... 28</p>	<p>    Inspection with CONSULT-II (Self-Diagnosis) ..... 29</p> <p>    Removal and Installation of IPDM E/R ..... 30</p> <p>        REMOVAL ..... 30</p> <p>        INSTALLATION ..... 30</p> <p><b>GROUND CIRCUIT</b> ..... 31</p> <p>    Ground Distribution ..... 31</p> <p>        MAIN HARNESS ..... 31</p> <p>        ENGINE ROOM HARNESS ..... 34</p> <p>        ENGINE CONTROL HARNESS ..... 37</p> <p>        BODY HARNESS ..... 38</p> <p>        BODY NO. 2 HARNESS ..... 39</p> <p>        BACK DOOR NO. 2 RH HARNESS ..... 40</p> <p><b>HARNESS</b> ..... 41</p> <p>    Harness Layout ..... 41</p> <p>        HOW TO READ HARNESS LAYOUT ..... 41</p> <p>        OUTLINE ..... 42</p> <p>        MAIN HARNESS ..... 43</p> <p>        ENGINE ROOM HARNESS (LH VIEW) ..... 45</p> <p>        ENGINE ROOM HARNESS (RH VIEW) ..... 48</p> <p>        ENGINE CONTROL HARNESS ..... 50</p> <p>        CHASSIS HARNESS ..... 52</p> <p>        BODY HARNESS ..... 54</p> <p>        BODY NO. 2 HARNESS ..... 56</p> <p>        ROOM LAMP HARNESS ..... 58</p> <p>        FRONT DOOR LH HARNESS ..... 59</p> <p>        FRONT DOOR RH HARNESS ..... 59</p> <p>        REAR DOOR LH HARNESS ..... 60</p> <p>        REAR DOOR RH HARNESS ..... 60</p> <p>        BACK DOOR HARNESS ..... 61</p> <p>    Wiring Diagram Codes (Cell Codes) ..... 62</p> <p><b>ELECTRICAL UNITS LOCATION</b> ..... 65</p> <p>    Electrical Units Location ..... 65</p> <p>        ENGINE COMPARTMENT ..... 65</p> <p>        PASSENGER COMPARTMENT ..... 66</p> <p><b>HARNESS CONNECTOR</b> ..... 68</p> <p>    Description ..... 68</p> <p>        HARNESS CONNECTOR (TAB-LOCKING TYPE) ..... 68</p> <p>        HARNESS CONNECTOR (SLIDE-LOCKING</p>
--	---

---

TYPE) .....	69	<b>SUPER MULTIPLE JUNCTION (SMJ) .....</b>	<b>74</b>
HARNESS CONNECTOR (DIRECT-CONNECT		Terminal Arrangement .....	74
SRS COMPONENT TYPE) .....	70	<b>FUSE BLOCK-JUNCTION BOX (J/B) .....</b>	<b>76</b>
<b>ELECTRICAL UNITS .....</b>	<b>71</b>	Terminal Arrangement .....	76
Terminal Arrangement .....	71	<b>FUSE AND FUSIBLE LINK BOX .....</b>	<b>77</b>
<b>STANDARDIZED RELAY .....</b>	<b>72</b>	Terminal Arrangement .....	77
Description .....	72	<b>FUSE AND RELAY BOX .....</b>	<b>78</b>
NORMAL OPEN, NORMAL CLOSED AND		Terminal Arrangement .....	78
MIXED TYPE RELAYS .....	72		
TYPE OF STANDARDIZED RELAYS .....	72		

# PRECAUTIONS

## PRECAUTIONS

PFP:00011

### Precautions for Supplemental Restraint System (SRS) “AIR BAG” and “SEAT BELT PRE-TENSIONER”

EKS00J7Q

The Supplemental Restraint System such as “AIR BAG” and “SEAT BELT PRE-TENSIONER”, used along with a front seat belt, helps to reduce the risk or severity of injury to the driver and front passenger for certain types of collision. This system includes seat belt switch inputs and dual stage front air bag modules. The SRS system uses the seat belt switches to determine the front air bag deployment, and may only deploy one front air bag, depending on the severity of a collision and whether the front occupants are belted or unbelted. Information necessary to service the system safely is included in the SRS and SB section of this Service Manual.

#### **WARNING:**

- To avoid rendering the SRS inoperative, which could increase the risk of personal injury or death in the event of a collision which would result in air bag inflation, all maintenance must be performed by an authorized NISSAN/INFINITI dealer.
- Improper maintenance, including incorrect removal and installation of the SRS, can lead to personal injury caused by unintentional activation of the system. For removal of Spiral Cable and Air Bag Module, see the SRS section.
- Do not use electrical test equipment on any circuit related to the SRS unless instructed to in this Service Manual. SRS wiring harnesses can be identified by yellow and/or orange harnesses or harness connectors.

A

B

C

D

E

F

G

H

I

J

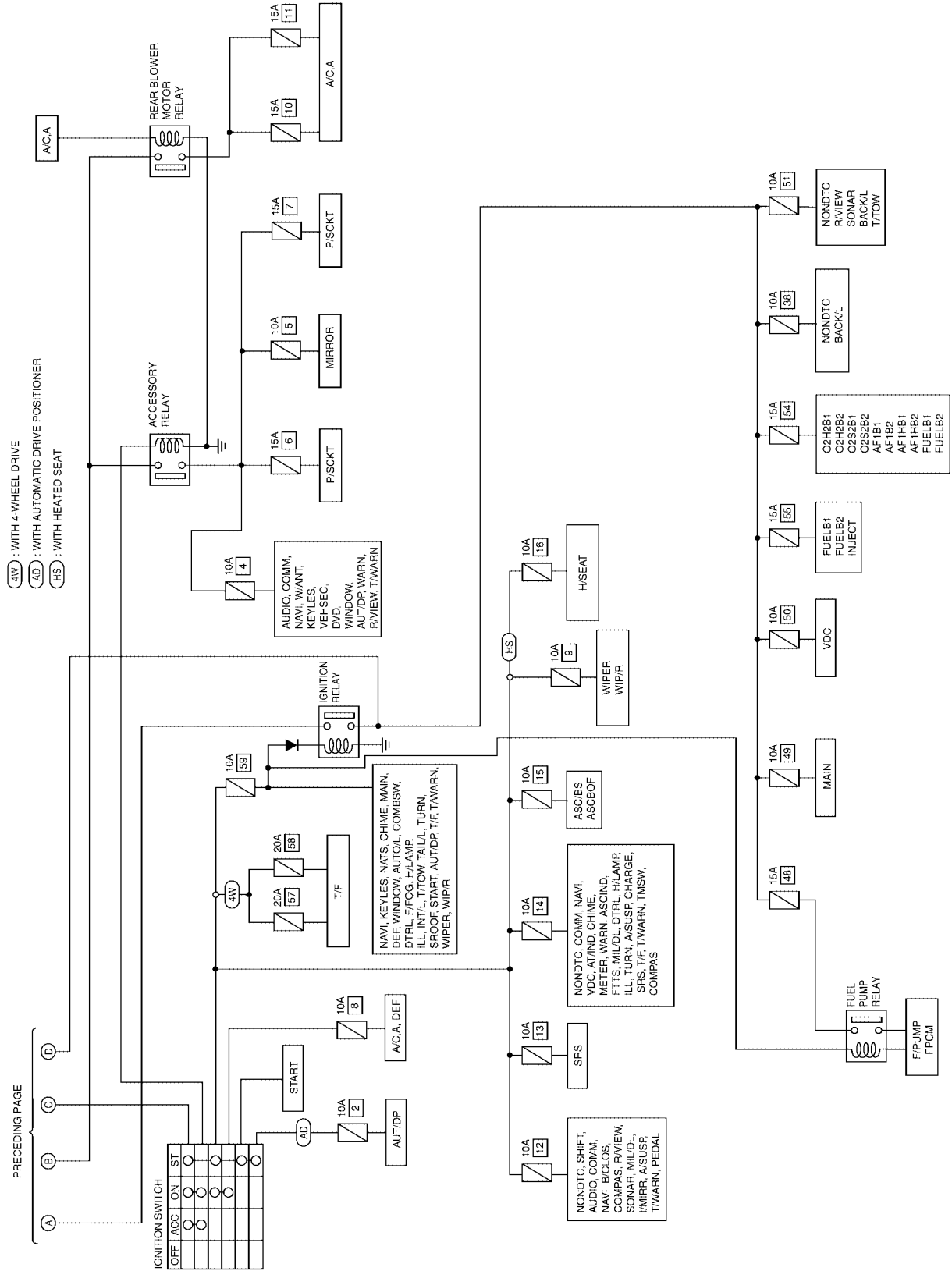
PG

L

M



# POWER SUPPLY ROUTING CIRCUIT



A  
B  
C  
D  
E  
F  
G  
H  
I  
J  
PG  
L  
M

# POWER SUPPLY ROUTING CIRCUIT

## Wiring Diagram — POWER — BATTERY POWER SUPPLY — IGNITION SW. IN ANY POSITION

EKS00J7S

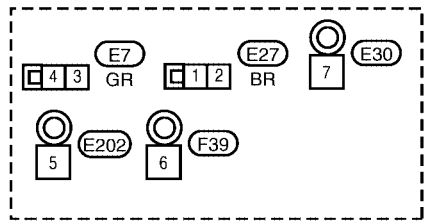
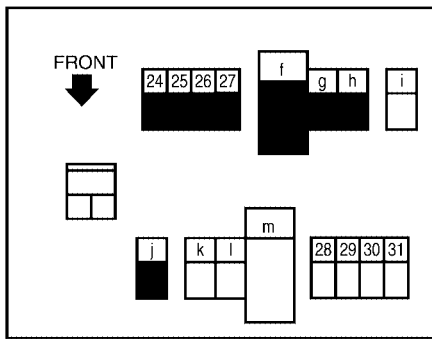
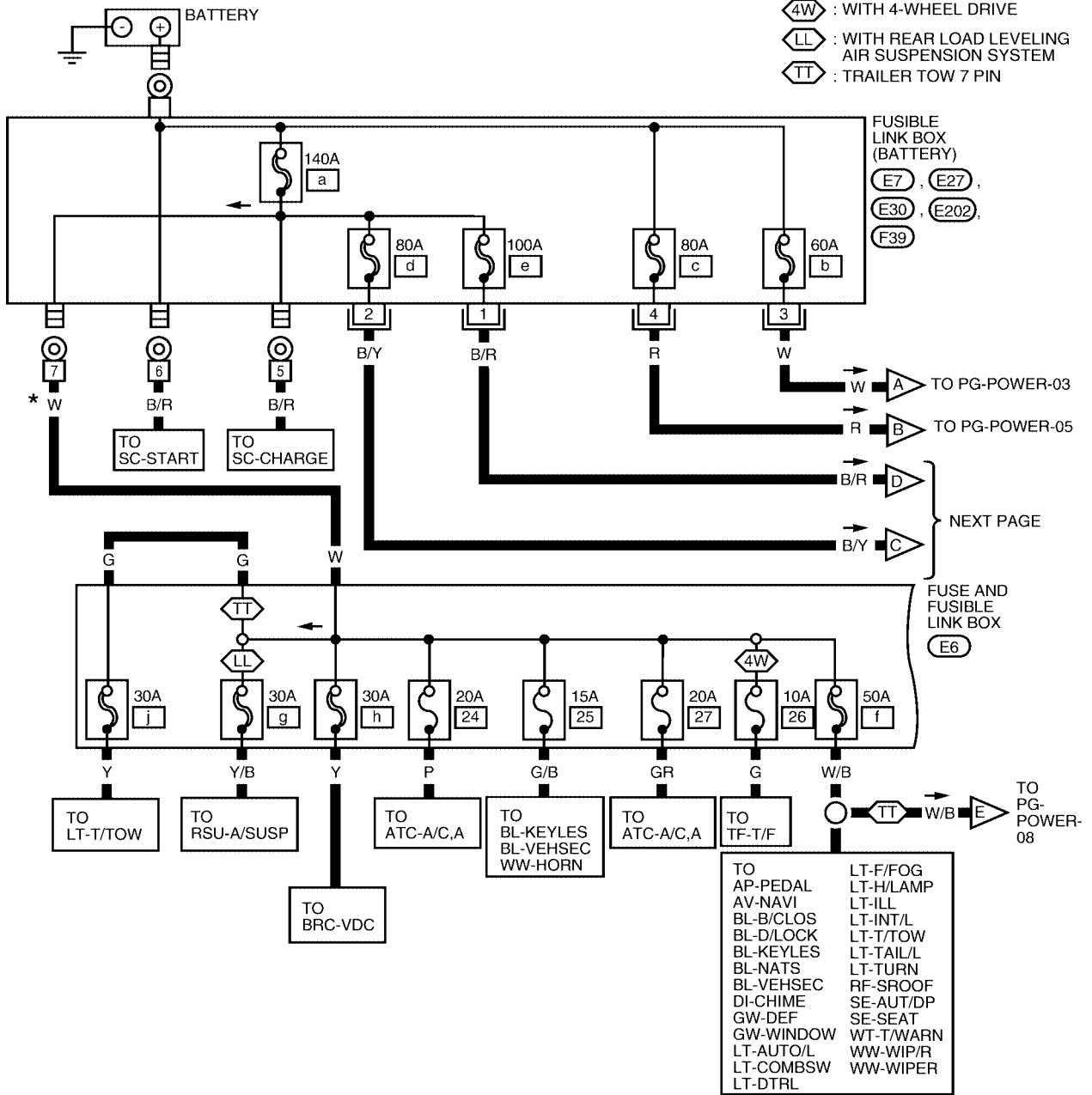
### PG-POWER-01

\* FUSIBLE LINK

**4W** : WITH 4-WHEEL DRIVE

**LL** : WITH REAR LOAD LEVELING AIR SUSPENSION SYSTEM

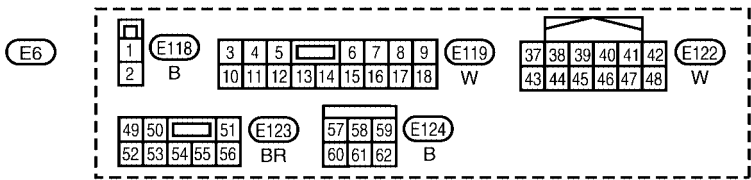
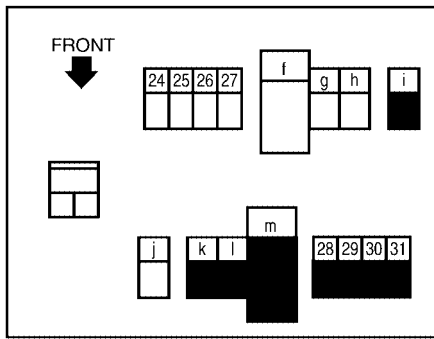
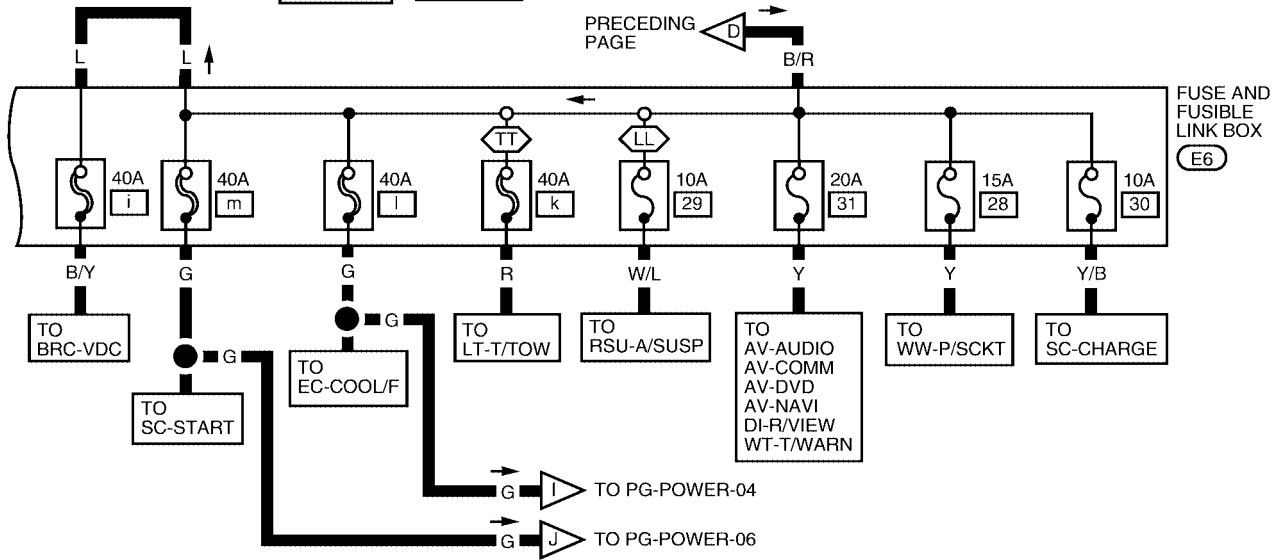
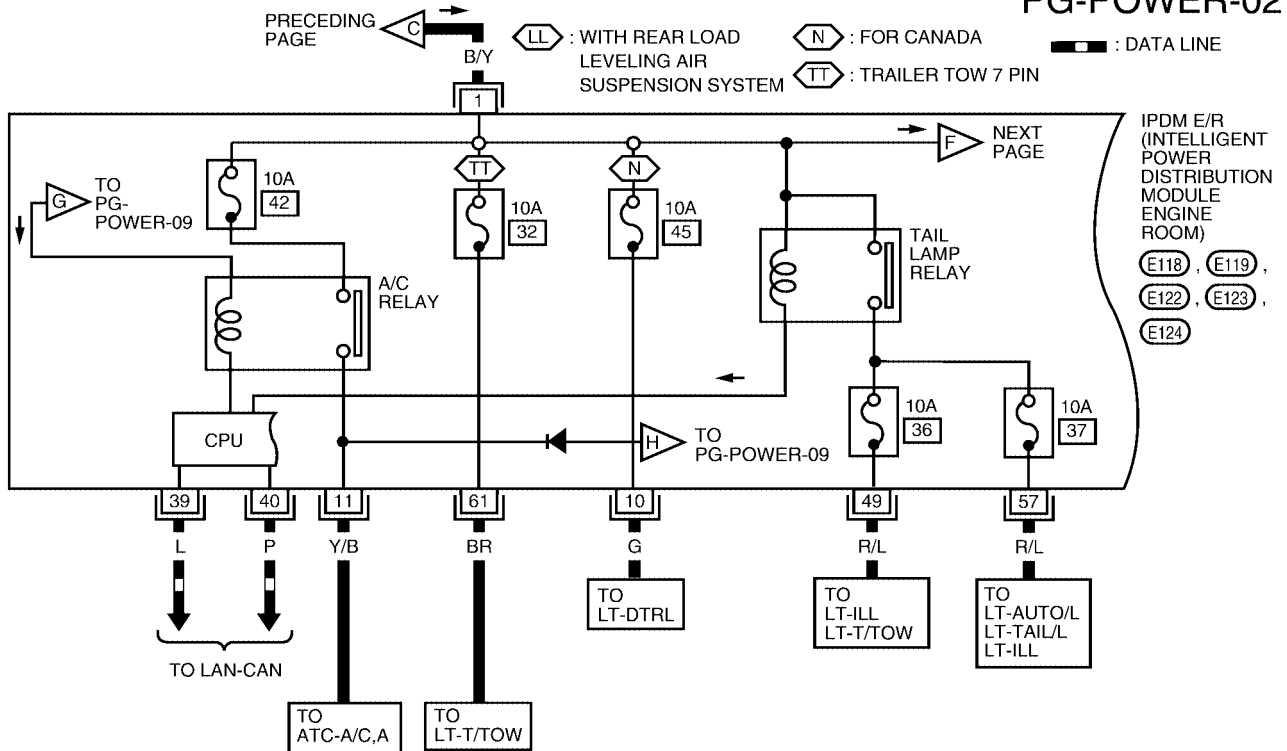
**TT** : TRAILER TOW 7 PIN



WKWA3855E

# POWER SUPPLY ROUTING CIRCUIT

PG-POWER-02

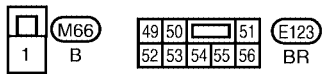
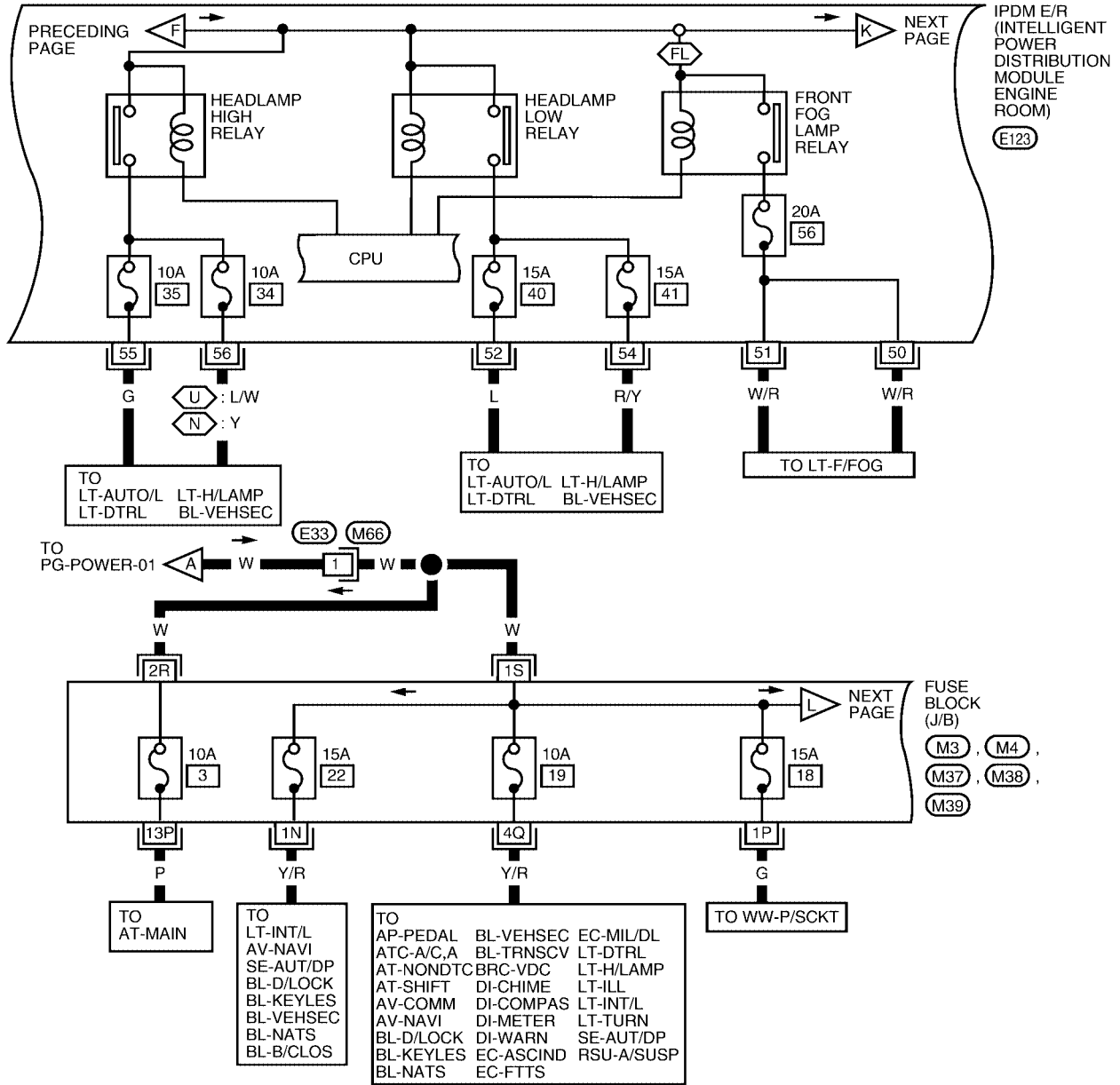


WKWA3856E

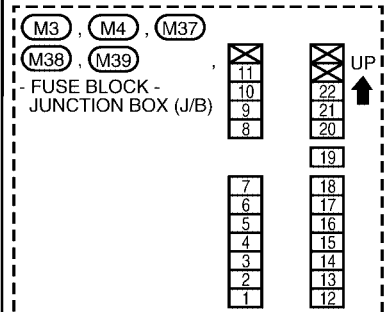
# POWER SUPPLY ROUTING CIRCUIT

PG-POWER-03

(FL) : WITH FRONT FOG LAMPS  
 (N) : CANADA  
 (U) : USA



REFER TO THE FOLLOWING.

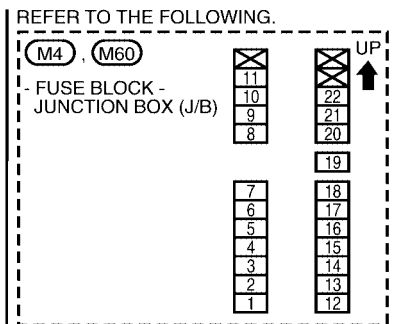
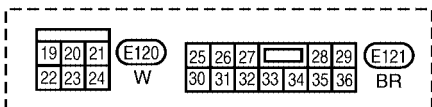
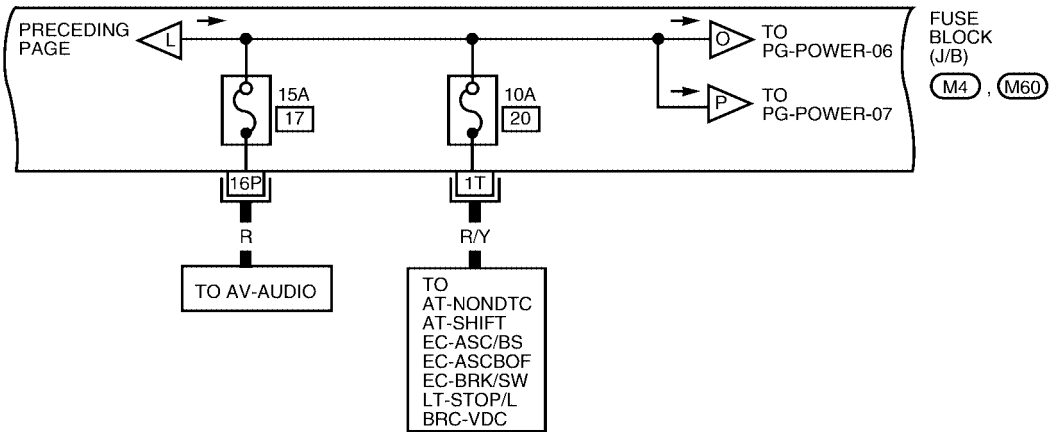
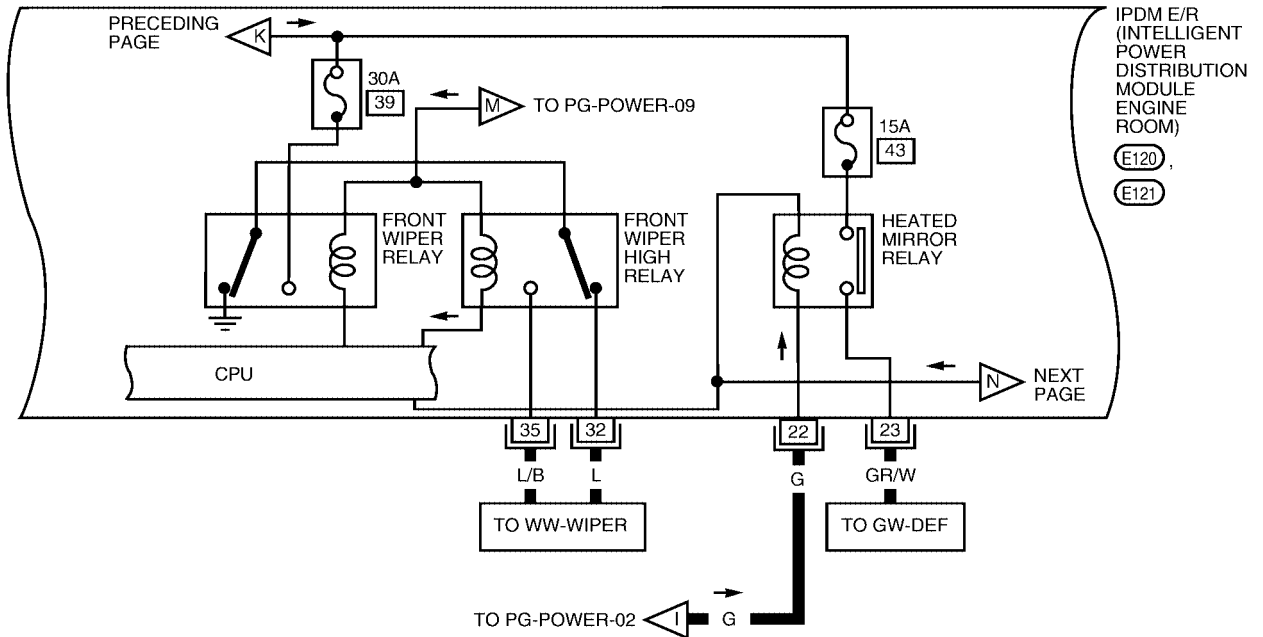


WKWA3857E



# POWER SUPPLY ROUTING CIRCUIT

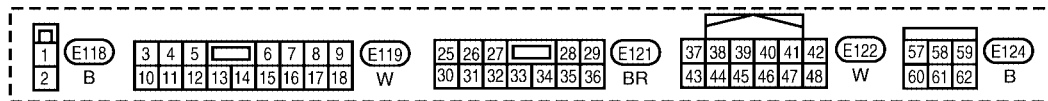
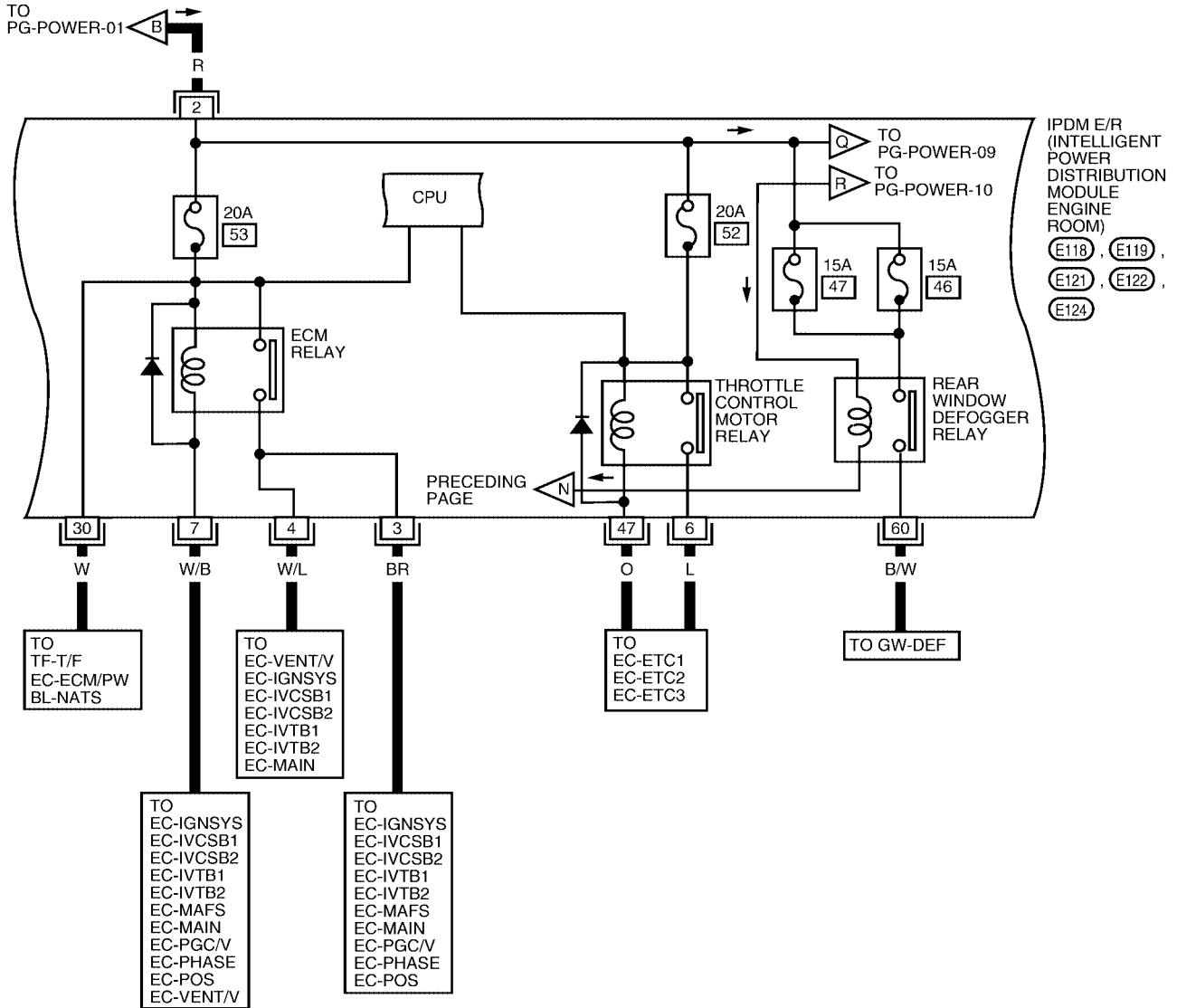
PG-POWER-04



WKWA3858E

# POWER SUPPLY ROUTING CIRCUIT

PG-POWER-05

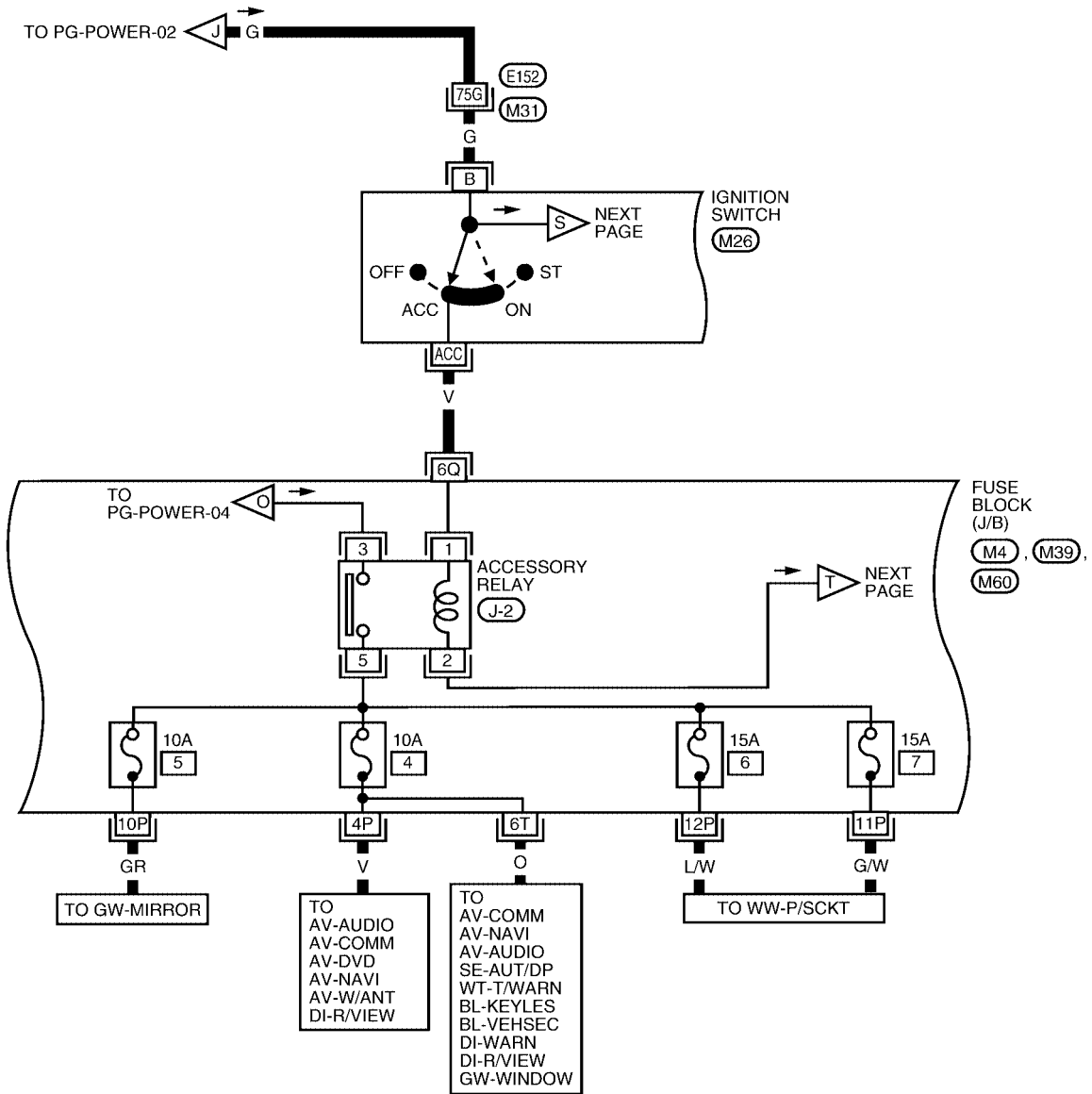


WKWA5485E

# POWER SUPPLY ROUTING CIRCUIT

## ACCESSORY POWER SUPPLY — IGNITION SW. IN ACC OR ON

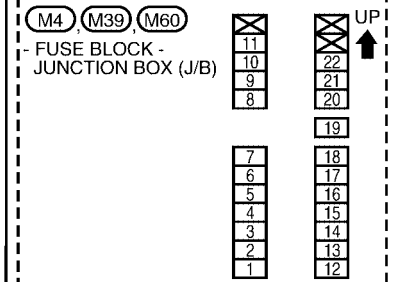
PG-POWER-06



\* : THIS CONNECTOR IS NOT SHOWN IN "HARNESS LAYOUT".

REFER TO THE FOLLOWING.

(M31) - SUPER MULTIPLE JUNCTION (SMJ)

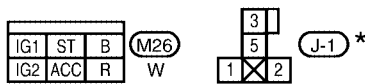
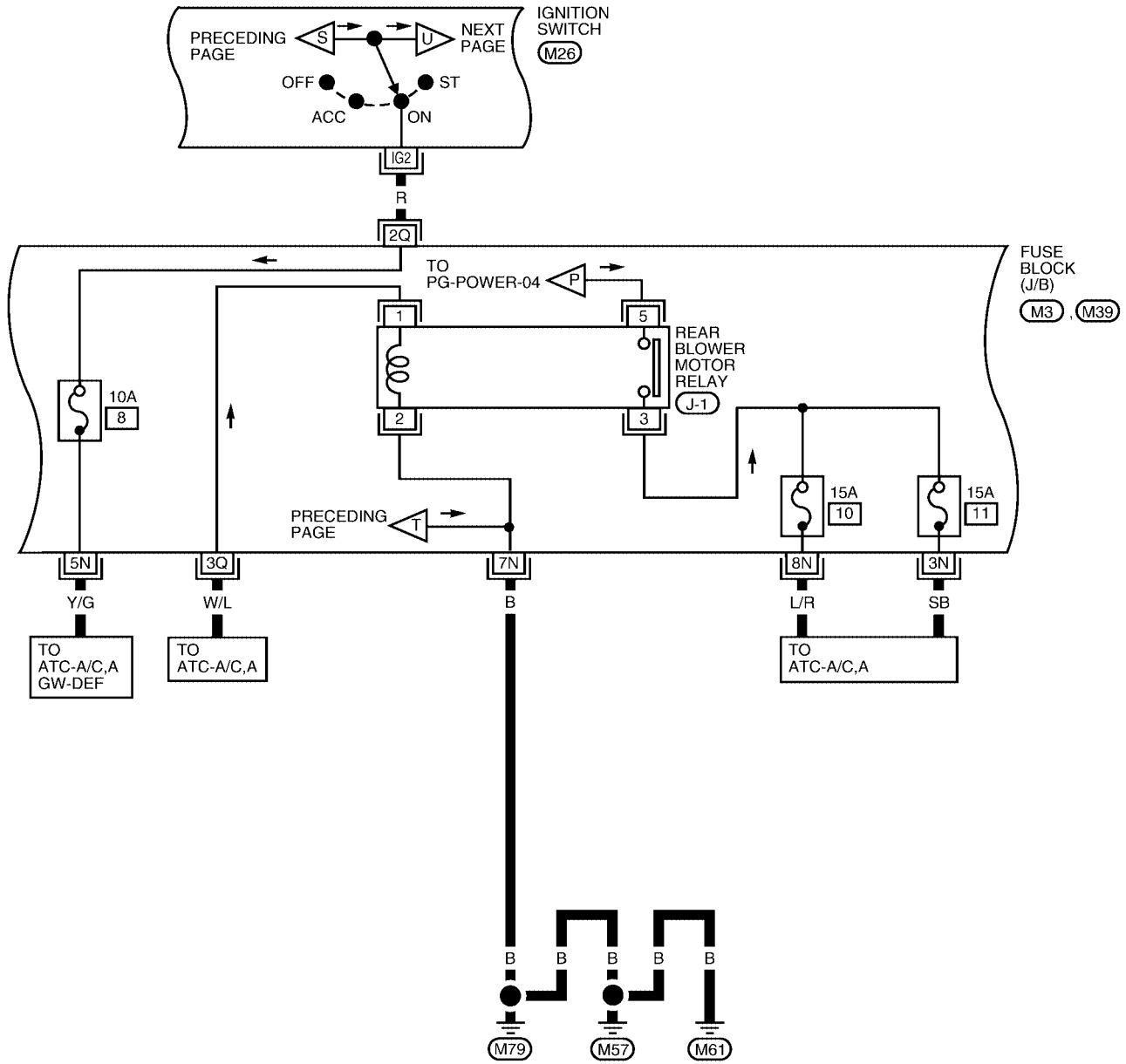


WKWA5413E

# POWER SUPPLY ROUTING CIRCUIT

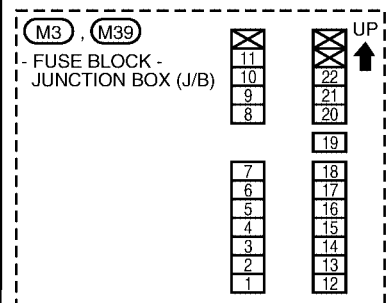
IGNITION POWER SUPPLY — IGNITION SW. IN ON

PG-POWER-07



\*: THIS CONNECTOR IS NOT SHOWN IN "HARNESS LAYOUT".

REFER TO THE FOLLOWING.

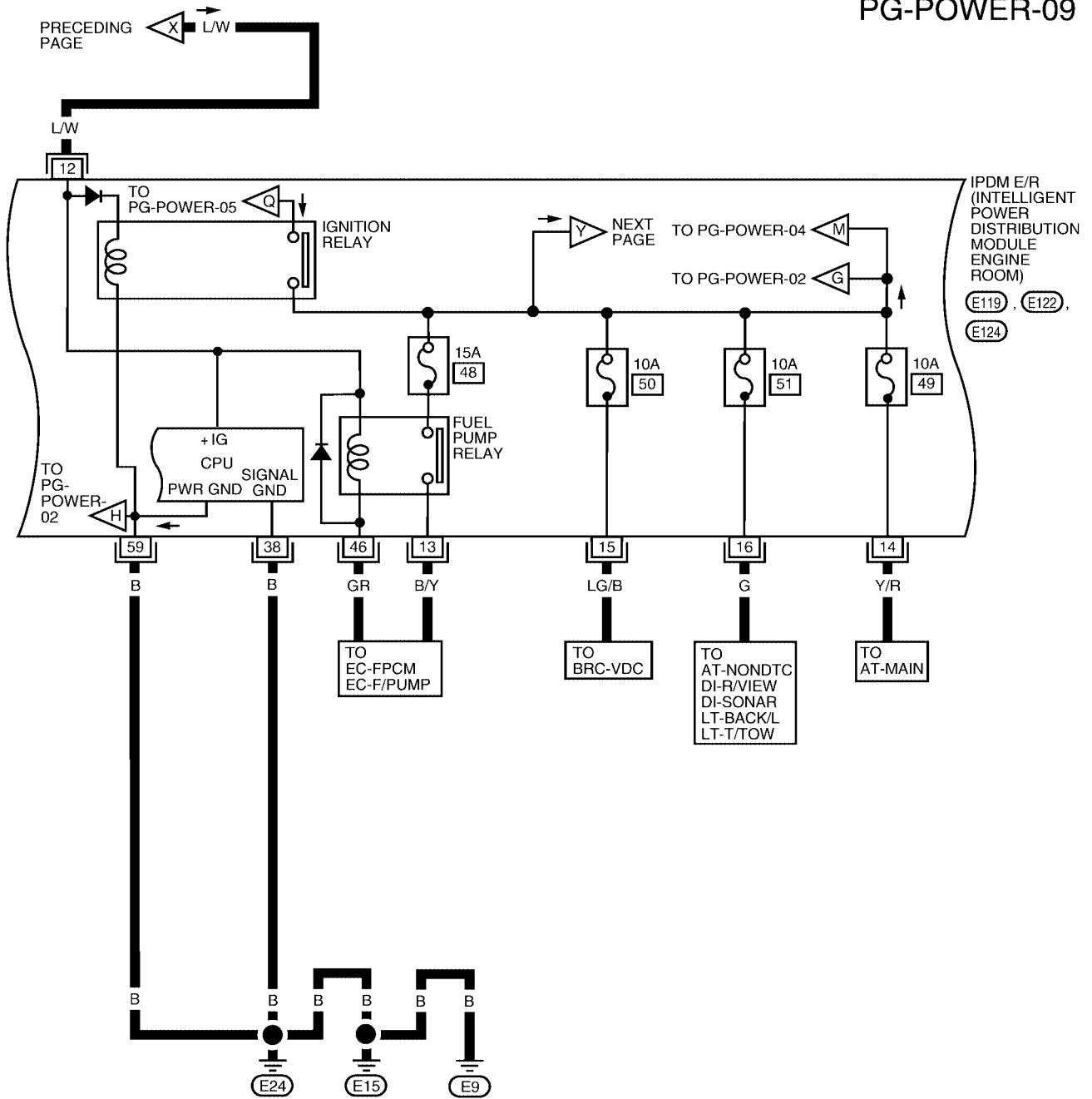


WKWA3861E



# POWER SUPPLY ROUTING CIRCUIT

PG-POWER-09

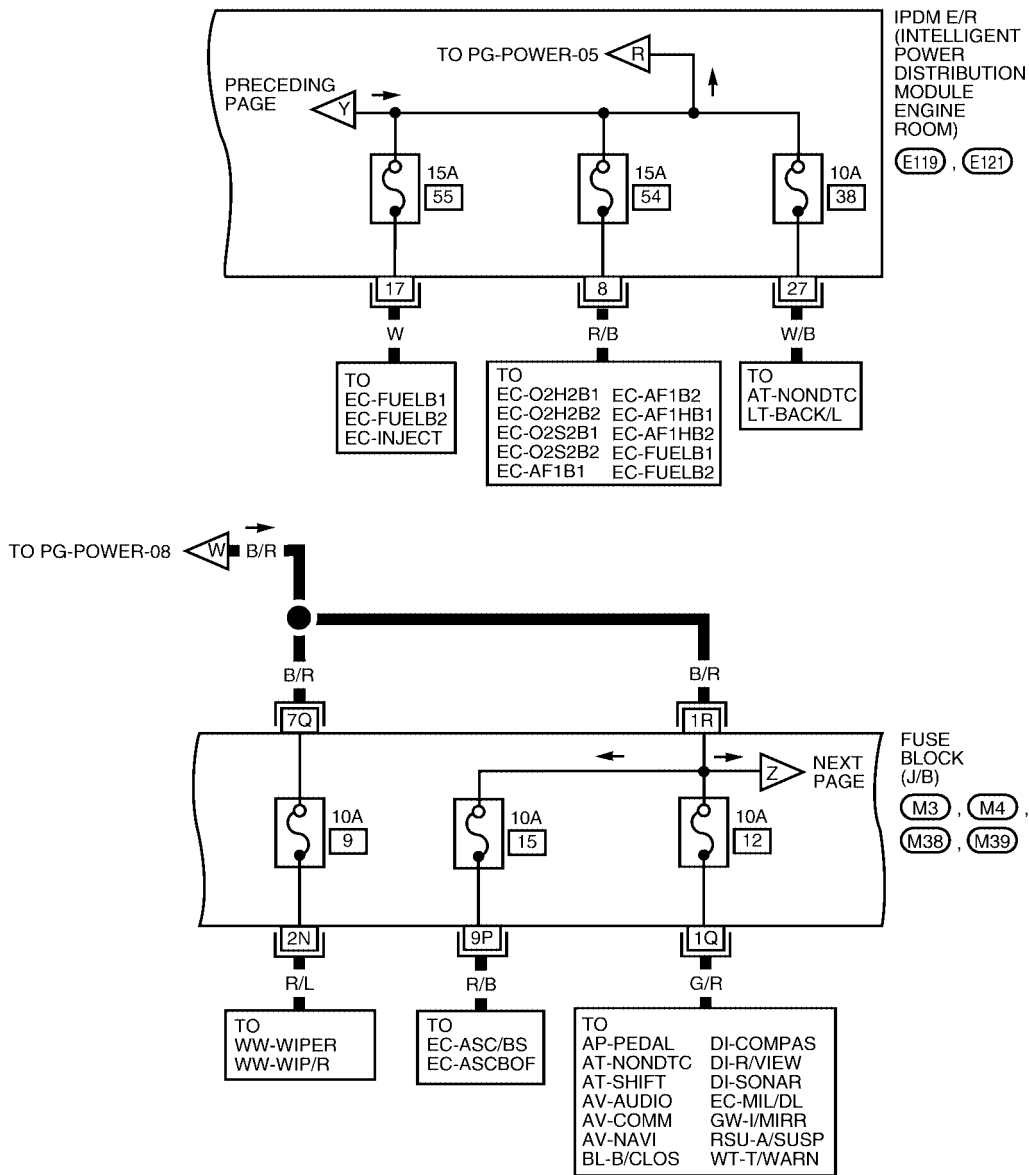


3	4	5	6	7	8	9	E119	37	38	39	40	41	42	E122	57	58	59	E124		
10	11	12	13	14	15	16	17	18	W	43	44	45	46	47	48	W	60	61	62	B

WKWA5486E

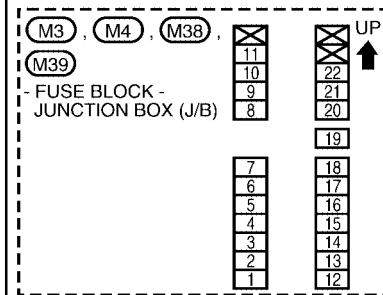
# POWER SUPPLY ROUTING CIRCUIT

PG-POWER-10



3	4	5	6	7	8	9	E119	25	26	27	28	29	E121
10	11	12	13	14	15	16	W	30	31	32	33	34	BR

REFER TO THE FOLLOWING.



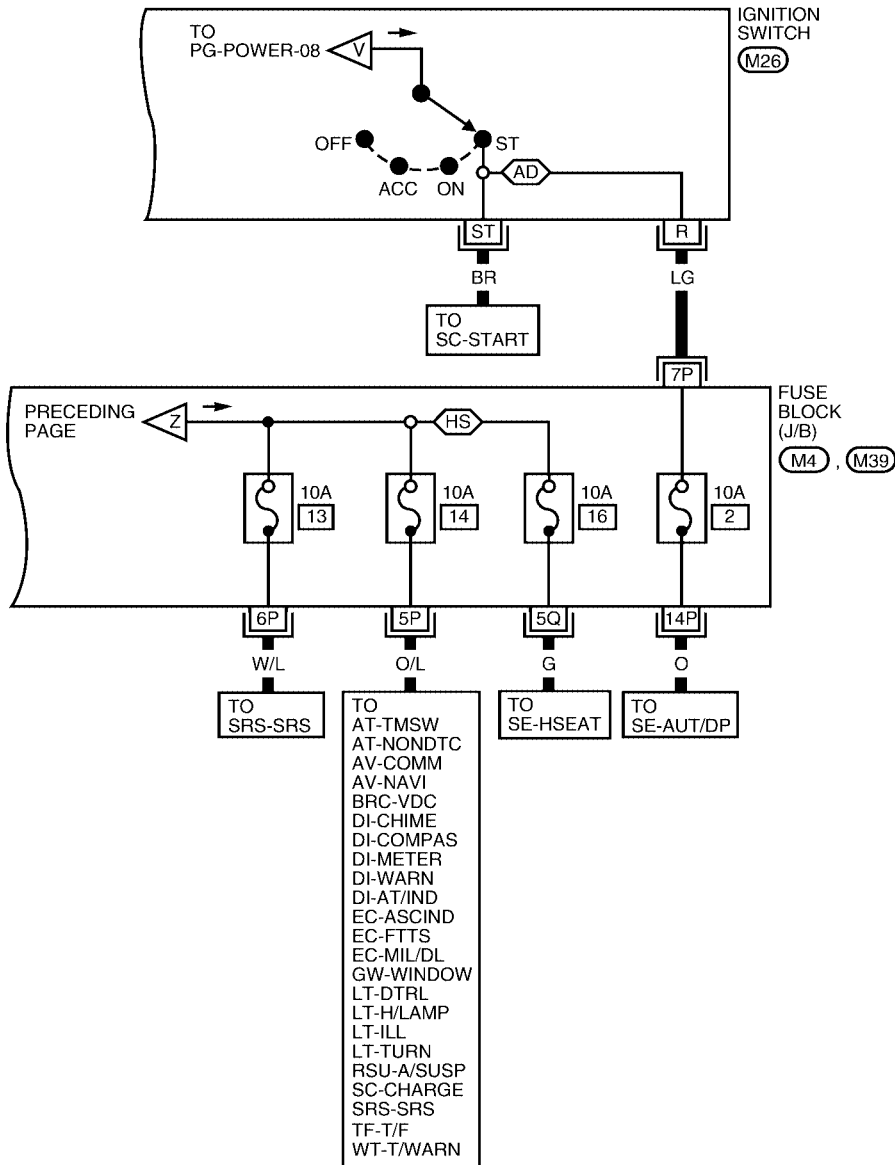
WKWA5414E

# POWER SUPPLY ROUTING CIRCUIT

## PG-POWER-11

AD : WITH AUTOMATIC DRIVE POSITIONER

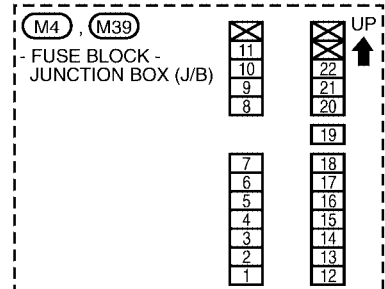
HS : WITH HEATED SEAT



IG1	ST	B	M26
IG2	ACC	R	

W

REFER TO THE FOLLOWING.



WKWA5487E

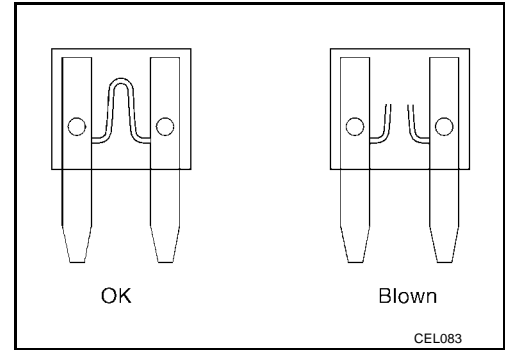


# POWER SUPPLY ROUTING CIRCUIT

## Fuse

EKS00J7T

- If fuse is blown, be sure to eliminate cause of incident before installing new fuse.
- Use fuse of specified rating. Never use fuse of more than specified rating.
- Do not partially install fuse; always insert it into fuse holder properly.
- Remove fuse for "ELECTRICAL PARTS (BAT)" if vehicle is not used for a long period of time.



## Fusible Link

EKS00J7U

A melted fusible link can be detected either by visual inspection or by feeling with finger tip. If its condition is questionable, use circuit tester or test lamp.

### CAUTION:

- If fusible link should melt, it is possible that critical circuit (power supply or large current carrying circuit) is shorted. In such a case, carefully check and eliminate cause of incident.
- Never wrap outside of fusible link with vinyl tape.
- Never let fusible link touch any other wiring harness, vinyl or rubber parts.

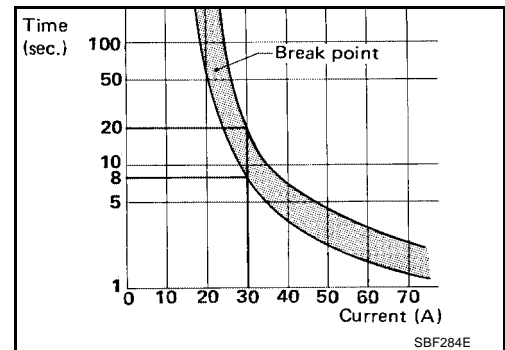
## Circuit Breaker (Built Into BCM)

EKS00J7V

For example, when current is 30A, the circuit is broken within 8 to 20 seconds.

A circuit breaker is used for the following systems:

- Power windows
- Power door locks
- Remote keyless entry system
- Power sunroof
- Rear window wiper



A  
B  
C  
D  
E  
F  
G  
H  
I  
J  
L  
M

PG

# IPDM E/R (INTELLIGENT POWER DISTRIBUTION MODULE ENGINE ROOM)

## IPDM E/R (INTELLIGENT POWER DISTRIBUTION MODULE ENGINE ROOM)

PFM:284B7

### System Description

EKS00J7W

- IPDM E/R (Intelligent Power Distribution Module Engine Room) integrates the relay box and fuse block which were originally placed in engine compartment. It controls integrated relays via IPDM E/R control circuits.
- IPDM E/R-integrated control circuits perform ON-OFF operation of relays, CAN communication control, etc.
- It controls operation of each electrical component via ECM, BCM and CAN communication lines.

#### CAUTION:

**None of the IPDM E/R integrated relays can be removed.**

### SYSTEMS CONTROLLED BY IPDM E/R

1. Lamp control  
Using CAN communication lines, it receives signals from the BCM and controls the following lamps:
  - Headlamps (Hi, Lo)
  - Parking lamps
  - Tail and license lamps
  - Front fog lamps
2. Wiper control  
Using CAN communication lines, it receives signals from the BCM and controls the front wipers.
3. Rear window defogger relay control  
Using CAN communication lines, it receives signals from the BCM and controls the rear window defogger relay.
4. A/C compressor control  
Using CAN communication lines, it receives signals from the ECM and controls the A/C compressor (magnetic clutch).
5. Starter control  
Using CAN communication lines, it receives signals from the BCM and controls the starter relay.
6. Cooling fan control  
Using CAN communication lines, it receives signals from the ECM and controls the cooling fan relays.
7. Horn control  
Using CAN communication lines, it receives signals from the BCM and controls the horn relay.

### CAN COMMUNICATION LINE CONTROL

With CAN communication, by connecting each control unit using two communication lines (CAN L-line, CAN H-line), it is possible to transmit a maximum amount of information with minimum wiring. Each control unit can transmit and receive data, and reads necessary information only.

1. Fail-safe control
  - When CAN communication with other control units is impossible, IPDM E/R performs fail-safe control. After CAN communication returns to normal operation, it also returns to normal control.
  - Operation of control parts by IPDM E/R during fail-safe mode is as follows:

Controlled system	Fail-safe mode
Headlamp	<ul style="list-style-type: none"><li>● With the ignition switch ON, the headlamp (low) is ON.</li><li>● With the ignition switch OFF, the headlamp (low) is OFF.</li></ul>
Tail and parking lamps	<ul style="list-style-type: none"><li>● With the ignition switch ON, the tail and parking lamps are ON.</li><li>● With the ignition switch OFF, the tail and parking lamps are OFF.</li></ul>
Cooling fan	<ul style="list-style-type: none"><li>● With the ignition switch ON, the cooling fan HI operates.</li><li>● With the ignition switch OFF, the cooling fan stops.</li></ul>
Front wiper	Until the ignition switch is turned off, the front wiper LO and HI remains in the same status it was in just before fail-safe control was initiated.
Rear window defogger	Rear window defogger relay OFF

# IPDM E/R (INTELLIGENT POWER DISTRIBUTION MODULE ENGINE ROOM)

Controlled system	Fail-safe mode
A/C compressor	A/C compressor OFF
Front fog lamps	Front fog lamp relay OFF

## IPDM E/R STATUS CONTROL

In order to save power, IPDM E/R switches status by itself based on each operating condition.

1. CAN communication status
  - CAN communication is normally performed with other control units.
  - Individual unit control by IPDM E/R is normally performed.
  - When sleep request signal is received from BCM, mode is switched to sleep waiting status.
2. Sleep waiting status
  - Process to stop CAN communication is activated.
  - All systems controlled by IPDM E/R are stopped. When 1 second has elapsed after CAN communication with other control units is stopped, mode switches to sleep status.
3. Sleep status
  - IPDM E/R operates in low current-consumption mode.
  - CAN communication is stopped.
  - When a change in CAN communication signal is detected, mode switches to CAN communication status.
  - When a change in ignition switch signal is detected, mode switches to CAN communication status.

## CAN Communication System Description

EKS00J7X

Refer to [LAN-4, "SYSTEM DESCRIPTION"LAN-4, "SYSTEM DESCRIPTION"](#) .

## Function of Detecting Ignition Relay Malfunction

EKS00J7Y

- When the integrated ignition relay is stuck in a "closed contact" position and cannot be turned OFF, IPDM E/R turns ON tail and parking lamps for 10 minutes to indicate IPDM E/R malfunction.
- When the state of the integrated ignition relay does not agree with the state of the ignition switch signal received via CAN communication, the IPDM E/R activates the tail lamp relay.

Ignition switch signal	Ignition relay status	Tail lamp relay
ON	ON	—
OFF	OFF	—
ON	OFF	—
OFF	ON	ON (10 minutes)

### NOTE:

When the ignition switch is turned ON, the tail lamps are OFF.

# IPDM E/R (INTELLIGENT POWER DISTRIBUTION MODULE ENGINE ROOM)

## CONSULT-II Function (IPDM E/R)

EKS00J7Z

CONSULT-II can display each diagnostic item using the diagnostic test modes shown following.

IPDM E/R diagnostic Mode	Description
SELF-DIAG RESULTS	Displays IPDM E/R self-diagnosis results.
DATA MONITOR	Displays IPDM E/R input/output data in real time.
CAN DIAG SUPPORT MNTR	The result of transmit/receive diagnosis of CAN communication can be read.
ACTIVE TEST	Operation of electrical loads can be checked by sending drive signal to them.

## CONSULT-II START PROCEDURE

Refer to [GI-38, "CONSULT-II Start Procedure"](#).

## SELF-DIAGNOSTIC RESULTS

### Display Item List

Display items	CONSULT-II display code	Malfunction detection	TIME		Possible causes
			CRNT	PAST	
NO DTC IS DETECTED. FURTHER TESTING MAY BE REQUIRED.	—	—	—	—	—
CAN COMM CIRC	U1000	<ul style="list-style-type: none"> <li>If CAN communication reception/transmission data has a malfunction, or if any of the control units fail, data reception/transmission cannot be confirmed.</li> <li>When the data in CAN communication is not received before the specified time.</li> </ul>	X	X	Any of items listed below have errors: <ul style="list-style-type: none"> <li>TRANSMIT DIAG</li> <li>ECM</li> <li>BCM/SEC</li> </ul>

### NOTE:

The details for display of the period are as follows:

- CRNT: Error currently detected with IPDM E/R.
- PAST: Error detected in the past and placed in IPDM E/R memory.

# IPDM E/R (INTELLIGENT POWER DISTRIBUTION MODULE ENGINE ROOM)

## DATA MONITOR

### All Signals, Main Signals, Selection From Menu

Item name	CONSULT-II screen display	Display or unit	Monitor item selection			Description
			ALL SIGNALS	MAIN SIGNALS	SELECTION FROM MENU	
Motor fan request	MOTOR FAN REQ	1/2/3/4	X	X	X	Signal status input from ECM
Compressor request	AC COMP REQ	ON/OFF	X	X	X	Signal status input from ECM
Parking, license, and tail lamp request	TAIL & CLR REQ	ON/OFF	X	X	X	Signal status input from BCM
Headlamp low beam request	HL LO REQ	ON/OFF	X	X	X	Signal status input from BCM
Headlamp high beam request	HL HI REQ	ON/OFF	X	X	X	Signal status input from BCM
Front fog request	FR FOG REQ	ON/OFF	X	X	X	Signal status input from BCM
Front wiper request	FR WIP REQ	STOP/1LOW/LOW/HI	X	X	X	Signal status input from BCM
Wiper auto stop	WIP AUTO STOP	ACT P/STOP P	X	X	X	Output status of IPDM E/R
Wiper protection	WIP PROT	OFF/Block	X	X	X	Control status of IPDM E/R
Starter request	ST RLY REQ	ON/OFF	X		X	Status of input signal <sup>NOTE</sup>
Ignition relay status	IGN RLY	ON/OFF	X	X	X	Ignition relay status monitored with IPDM E/R
Rear defogger request	RR DEF REQ	ON/OFF	X	X	X	Signal status input from BCM
Oil pressure switch	OIL P SW (*1)	OPEN/CLOSE	X		X	Signal status input from IPDM E/R
Hood switch	HOOD SW (*1)	OFF	X			Signal status input from IPDM E/R
Theft warning horn request	THFT HRN REQ	ON/OFF	X		X	Signal status input from BCM
Horn chirp	HORN CHIRP	ON/OFF	X		X	Output status of IPDM E/R
Daytime running lamp request	DTRL REQ	ON/OFF	X		X	Signal status input from BCM

#### NOTE:

- Perform monitoring of IPDM E/R data with the ignition switch ON. When the ignition switch is in ACC position, display may not be correct.
- (\*1) This item is displayed, but does not function.

## CAN DIAG SUPPORT MNTR

Refer to [LAN-4, "SYSTEM DESCRIPTION"](#) .

## ACTIVE TEST

### Operation Procedure

Test name	CONSULT-II screen display	Description
Rear defogger output	REAR DEFOGGER	With a certain ON-OFF operation, the rear defogger relay can be operated.
Front wiper (HI, LO) output	FRONT WIPER	With a certain operation (OFF, HI ON, LO ON), the front wiper relay (Lo, Hi) can be operated.
Cooling fan output	MOTOR FAN	With a certain operation (1, 2, 3, 4), the cooling fan can be operated.

# IPDM E/R (INTELLIGENT POWER DISTRIBUTION MODULE ENGINE ROOM)

Test name	CONSULT-II screen display	Description
Lamp (HI, LO, TAIL, FOG) output	EXTERNAL LAMPS	With a certain operation (OFF, HI ON, LO ON, TAIL ON, FOG ON), the lamp relay (Low, High, Tail, Fog) can be operated.
Cornering lamp output	CORNERING LAMP	—
Horn output	HORN	With a certain ON-OFF operation, the horn relay can be operated.

## Auto Active Test DESCRIPTION

EKS00J80

- In auto active test mode, operation inspection can be performed when IPDM E/R sends a drive signal to the following systems:
  - Rear window defogger
  - Front wipers
  - Tail, license and parking lamps
  - Front fog lamps
  - Headlamps (Hi, Lo)
  - A/C compressor (magnetic clutch)
  - Cooling fan

## OPERATION PROCEDURE

1. Close hood and front door RH, and lift wiper arms away from windshield (to prevent glass damage by wiper operation).

### NOTE:

When auto active test is performed with hood opened, sprinkle water on windshield beforehand.

2. Turn ignition switch OFF.
3. Turn ignition switch ON and, within 20 seconds, press front door switch LH 10 times. Then turn ignition switch OFF.
4. Turn ignition switch ON within 10 seconds after ignition switch OFF.
5. When auto active test mode is actuated, horn chirps once.
6. After a series of operations is repeated three times, auto active test is completed.

### NOTE:

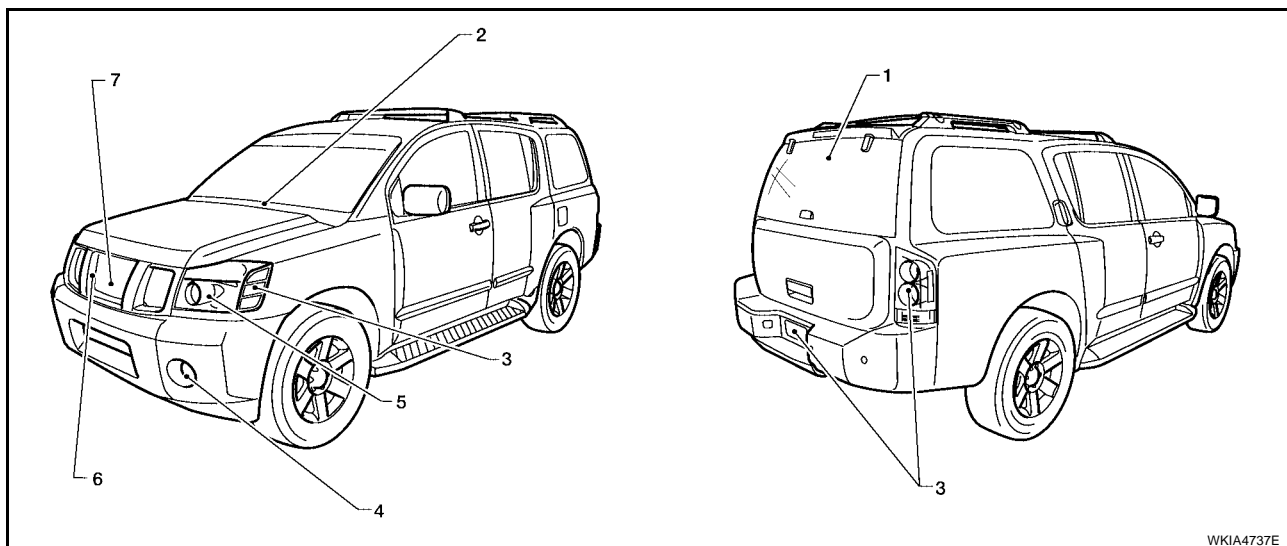
When auto active test mode has to be cancelled halfway, turn ignition switch OFF.

### CAUTION:

Be sure to perform [BL-26, "Door Switch Check"](#) when the auto active test cannot be performed.

## INSPECTION IN AUTO ACTIVE TEST MODE

- When auto active test mode is actuated, the following seven steps are repeated three times.

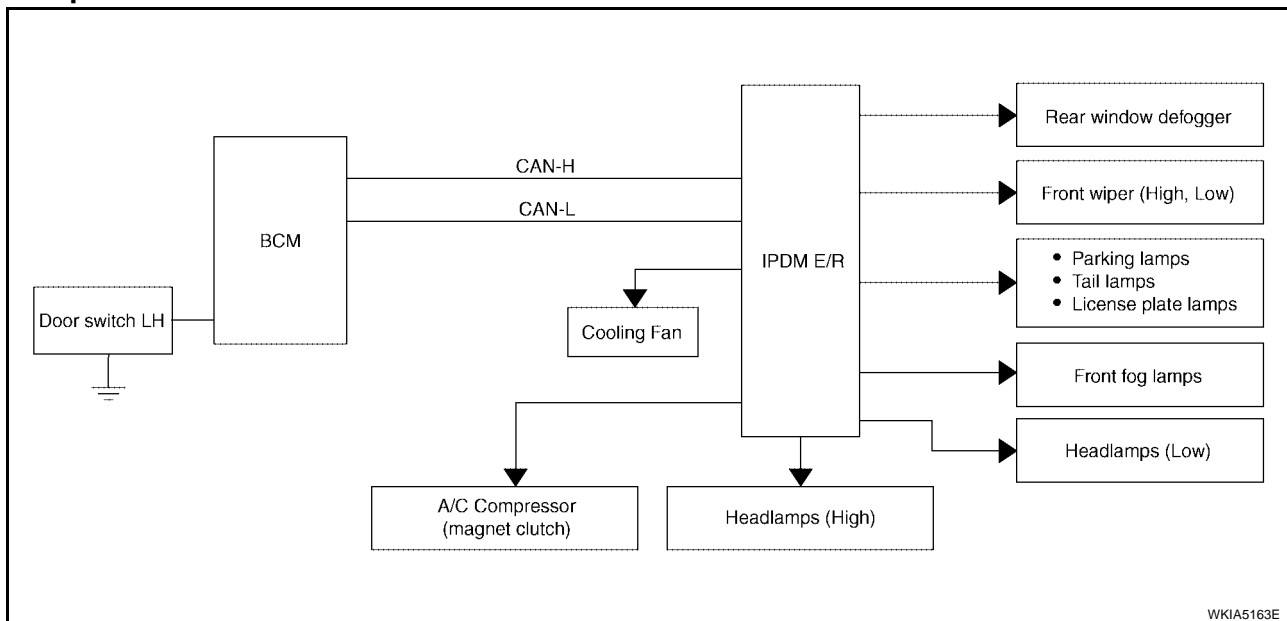


WKIA4737E

# IPDM E/R (INTELLIGENT POWER DISTRIBUTION MODULE ENGINE ROOM)

Item Number	Test Item	Operation Time/Frequency
1	Rear window defogger	10 seconds
2	Front wipers	LOW 5 seconds then HIGH 5 seconds
3	Tail, license, and parking lamps	10 seconds
4	Front fog lamps	10 seconds
5	Headlamps	Low on for 10 seconds. High on-off five times.
6	A/C compressor (magnetic clutch)	ON-OFF 5 times
7	Cooling fan	10 seconds

## Concept of Auto Active Test



- IPDM E/R actuates auto active test mode when it receives door switch signal from BCM via CAN communication line. Therefore, when auto active test mode is activated successfully, CAN communication between IPDM E/R and BCM is normal.
- If any of the systems controlled by IPDM E/R cannot be operated, possible cause can be easily diagnosed using auto active test.

### Diagnosis chart in auto active test mode

Symptom	Inspection contents	Possible cause
Rear window defogger does not operate.	YES	● BCM signal input circuit
	NO	● Rear window defogger relay ● Open circuit of rear window defogger ● IPDM E/R malfunction ● Harness or connector malfunction between IPDM E/R and rear window defogger
Any of front wipers, tail and parking lamps, front fog lamps, and headlamps (Hi, Lo) do not operate.	YES	● BCM signal input system
	NO	● Lamp/wiper motor malfunction ● Lamp/wiper motor ground circuit malfunction ● Harness/connector malfunction between IPDM E/R and system in question ● IPDM E/R (integrated relay) malfunction

# IPDM E/R (INTELLIGENT POWER DISTRIBUTION MODULE ENGINE ROOM)

Symptom	Inspection contents	Possible cause	
A/C compressor does not operate.	Perform auto active test. Does magnetic clutch operate?	YES	<ul style="list-style-type: none"> <li>● BCM signal input circuit</li> <li>● CAN communication signal between BCM and ECM</li> <li>● CAN communication signal between ECM and IPDM E/R</li> </ul>
		NO	<ul style="list-style-type: none"> <li>● Magnetic clutch malfunction</li> <li>● Harness/connector malfunction between IPDM E/R and magnetic clutch</li> <li>● IPDM E/R (integrated relay) malfunction</li> </ul>
Cooling fan does not operate.	Perform auto active test. Does cooling fan operate?	YES	<ul style="list-style-type: none"> <li>● ECM signal input circuit</li> <li>● CAN communication signal between ECM and IPDM E/R</li> </ul>
		NO	<ul style="list-style-type: none"> <li>● Cooling fan motor malfunction</li> <li>● Harness/connector malfunction between IPDM E/R and cooling fan motor</li> <li>● IPDM E/R (integrated relay) malfunction</li> </ul>
Oil pressure warning lamp does not operate.	Perform auto active test. Does oil pressure warning lamp blink?	YES	<ul style="list-style-type: none"> <li>● Harness/connector malfunction between IPDM E/R and oil pressure switch</li> <li>● Oil pressure switch malfunction</li> <li>● IPDM E/R</li> </ul>
		NO	<ul style="list-style-type: none"> <li>● CAN communication signal between BCM and combination meter</li> <li>● Combination meter</li> </ul>

## Terminals and Reference Values for IPDM E/R

EKS00J4X

Terminal	Wire color	Signal name	Signal input/output	Measuring condition		Reference value (Approx.)
				Ignition switch	Operation or condition	
1	B/Y	Battery power supply	Input	OFF	—	Battery voltage
2	R	Battery power supply	Input	OFF	—	Battery voltage
3	BR	ECM relay	Output	—	Ignition switch ON or START	Battery voltage
					Ignition switch OFF or ACC	0V
4	W/L	ECM relay	Output	—	Ignition switch ON or START	Battery voltage
					Ignition switch OFF or ACC	0V
6	L	Throttle control motor relay	Output	—	Ignition switch ON or START	Battery voltage
					Ignition switch OFF or ACC	0V
7	W/B	ECM relay control	Input	—	Ignition switch ON or START	0V
					Ignition switch OFF or ACC	Battery voltage
8	R/B	Fuse 54	Output	—	Ignition switch ON or START	Battery voltage
					Ignition switch OFF or ACC	0V
10	G	Daytime light relay control	Output	ON	Daytime light system active	0V
					Daytime light system inactive	Battery voltage
11	Y/B	A/C compressor	Output	ON or START	A/C switch ON or defrost A/C switch	Battery voltage
					A/C switch OFF or defrost A/C switch	0V
12	L/W	Ignition switch supplied power	Input	—	OFF or ACC	0V
					ON or START	Battery voltage
13	B/Y	Fuel pump relay	Output	—	Ignition switch ON or START	Battery voltage
					Ignition switch OFF or ACC	0V



# IPDM E/R (INTELLIGENT POWER DISTRIBUTION MODULE ENGINE ROOM)

Terminal	Wire color	Signal name	Signal input/output	Measuring condition		Reference value (Approx.)	
				Ignition switch	Operation or condition		
14	Y/R	Fuse 49	Output	—	Ignition switch ON or START	Battery voltage	
					Ignition switch OFF or ACC	0V	
15	LG/B	Fuse 50	Output	—	Ignition switch ON or START	Battery voltage	
					Ignition switch OFF or ACC	0V	
16	G	Fuse 51	Output	—	Ignition switch ON or START	Battery voltage	
					Ignition switch OFF or ACC	0V	
17	W	Fuse 55	Output	—	Ignition switch ON or START	Battery voltage	
					Ignition switch OFF or ACC	0V	
19	W/R	Starter motor	Output	START	—	Battery voltage	
21	BR	Ignition switch supplied power	Input	—	OFF or ACC	0V	
					START	Battery voltage	
22	G	Battery power supply	Output	OFF	—	Battery voltage	
23	GR/W	Door mirror defogger output signal	Output	—	When rear defogger switch is ON	Battery voltage	
					When raker defogger switch is OFF	0V	
24	L/B	Cooling fan relay	Output	—	Conditions correct for cooling fan operation	Battery voltage	
					Conditions not correct for cooling fan operation	0V	
27	W/B	Fuse 38	Output	—	Ignition switch ON or START	Battery voltage	
					Ignition switch OFF or ACC	0V	
30	W	Fuse 53	Output	—	Ignition switch ON or START	Battery voltage	
					Ignition switch OFF or ACC	0V	
32	L	Wiper low speed signal	Output	ON or START	Wiper switch	OFF	Battery voltage
						LO or INT	0V
35	L/B	Wiper high speed signal	Output	ON or START	Wiper switch	OFF, LO, INT	Battery voltage
						HI	0V
38	B	Ground	Input	—	—	0V	
39	L	CAN-L	—	ON	—	—	
40	P	CAN-H	—	ON	—	—	
43	L/Y	Wiper auto stop signal	Input	ON or START	Wiper switch	OFF, LO, INT	Battery voltage
44	BR	Daytime light relay control	Input	ON	Daytime light system active	0V	
					Daytime light system inactive	Battery voltage	
45	G/W	Horn relay control	Input	ON	When door locks are operated using key fob (OFF → ON)*1	Battery voltage → 0V	
46	GR	Fuel pump relay control	Input	—	Ignition switch ON or START	0V	
					Ignition switch OFF or ACC	Battery voltage	
47	O	Throttle control motor relay control	Input	—	Ignition switch ON or START	0V	
					Ignition switch OFF or ACC	Battery voltage	

A  
B  
C  
D  
E  
F  
G  
H  
I  
J  
PG  
L  
M

# IPDM E/R (INTELLIGENT POWER DISTRIBUTION MODULE ENGINE ROOM)

Terminal	Wire color	Signal name	Signal input/output	Measuring condition		Reference value (Approx.)	
				Ignition switch	Operation or condition		
48	B/R	Starter relay (inhibit switch)	Input	ON or START	Selector lever in "P" or "N"	0V	
					Selector lever any other position	Battery voltage	
49	R/L	Trailer tow relay	Output	ON	Lighting switch must be in the 1st position	OFF	0V
						ON	Battery voltage
50	W/R	Front fog lamp (LH)	Output	ON or START	Lighting switch must be in the 2nd position (LOW beam is ON) and the front fog lamp switch	OFF	0V
						ON	Battery voltage
51	W/R	Front fog lamp (RH)	Output	ON or START	Lighting switch must be in the 2nd position (LOW beam is ON) and the front fog lamp switch	OFF	0V
						ON	Battery voltage
52	L	LH low beam head-lamp	Output	—	Lighting switch in 2nd position	Battery voltage	
54	R/Y	RH low beam head-lamp	Output	—	Lighting switch in 2nd position	Battery voltage	
55	G	LH high beam head-lamp	Output	—	Lighting switch in 2nd position and placed in HIGH or PASS position	Battery voltage	
56	L/W*2 Y*3	LH high beam head-lamp	Output	—	Lighting switch in 2nd position and placed in HIGH or PASS position	Battery voltage	
57	R/L	Parking, license, and tail lamp	Output	ON	Lighting switch 1st position	OFF	0V
						ON	Battery voltage
59	B	Ground	Input	—	—	0V	
60	B/W	Rear window defogger relay	Output	ON or START	Rear defogger switch ON	Battery voltage	
					Rear defogger switch OFF	0V	
61	BR	Fuse 32	Output	—	Ignition switch ON or START	Battery voltage	
					Ignition switch OFF or ACC	0V	

\*1: When horn reminder is ON

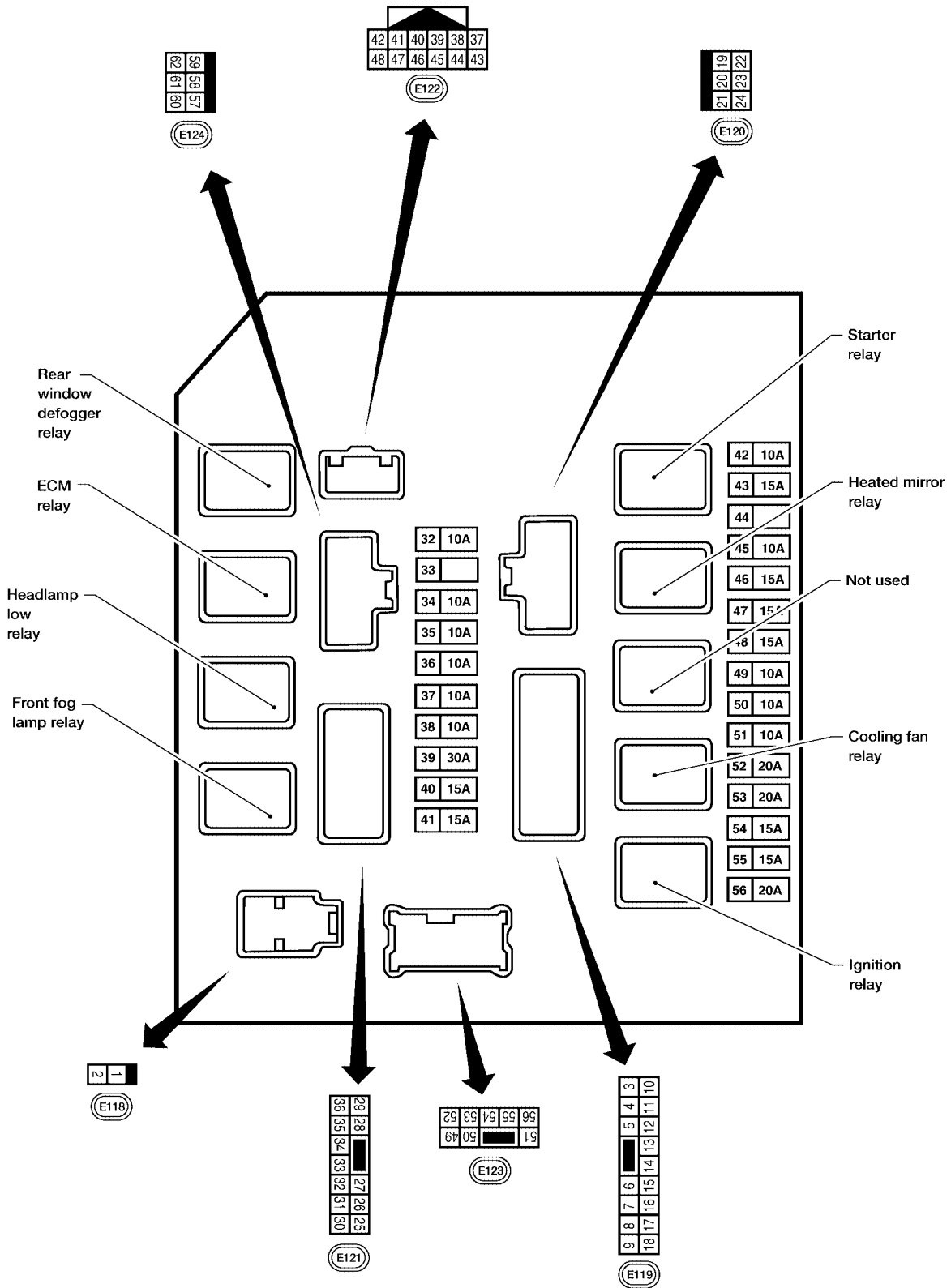
\*2: L/W is for U.S.A.

\*3: Y is for Canada

# IPDM E/R (INTELLIGENT POWER DISTRIBUTION MODULE ENGINE ROOM)

## IPDM E/R Terminal Arrangement

EKS00J82



A  
B  
C  
D  
E  
F  
G  
H  
I  
J  
PG  
L  
M

# IPDM E/R (INTELLIGENT POWER DISTRIBUTION MODULE ENGINE ROOM)

EKS00J83

## IPDM E/R Power/Ground Circuit Inspection

### 1. FUSE AND FUSIBLE LINK INSPECTION

Check that the following fusible links or IPDM E/R fuses are not blown.

Terminal No.	Signal name	Fuse, fusible link No.
1, 2	Battery power	a, c, d

OK or NG

- OK >> GO TO 2.
- NG >> Replace fuse or fusible link.

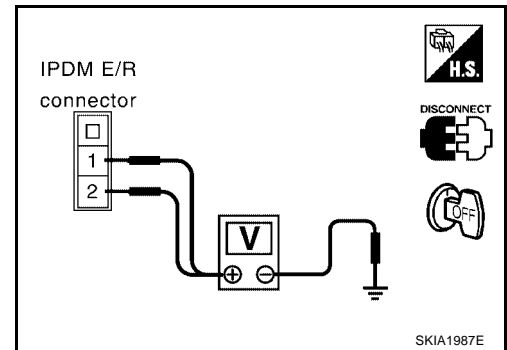
### 2. POWER CIRCUIT INSPECTION

1. Disconnect IPDM E/R harness connector E118.
2. Check voltage between IPDM E/R harness connector E118 terminals 1, 2 and ground.

**Battery voltage should exist.**

OK or NG

- OK >> GO TO 3.
- NG >> Repair or replace IPDM E/R power circuit harness.



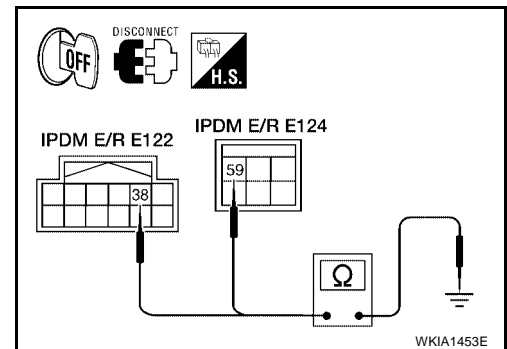
### 3. GROUND CIRCUIT INSPECTION

1. Disconnect IPDM E/R harness connectors E122 and E124.
2. Check continuity between IPDM E/R harness connector E122 terminal 38, and E124 terminal 59 and ground.

**Continuity should exist.**

OK or NG

- OK >> Inspection End.
- NG >> Repair or replace IPDM E/R ground circuit harness.



## Inspection with CONSULT-II (Self-Diagnosis)

EKS00J84

### CAUTION:

If a CONSULT-II is used with no connection of CONSULT-II CONVERTER, malfunctions might be detected in self-diagnosis depending on which control unit(s) carry out CAN communication.

### 1. SELF-DIAGNOSIS RESULT CHECK

1. Connect CONSULT-II and select "IPDM E/R" on the Diagnosis System Selection screen.
2. Select "SELF-DIAG RESULTS" on the diagnosis mode selection screen.
3. Check display content in self-diagnosis results.

CONSULT-II Display	CONSULT-II display code	TIME		Details of diagnosis result
		CRNT	PAST	
NO DTC IS DETECTED. FURTHER TESTING MAY BE REQUIRED.	—	—	—	No malfunction
CAN COMM CIRC	U1000	X	X	Any of items listed below have errors: <ul style="list-style-type: none"> <li>● TRANSMIT DIAG</li> <li>● ECM</li> <li>● BCM/SEC</li> </ul>

### NOTE:

The Details for Display for the Period are as follows:

- CRNT: Error currently detected by IPDM E/R.
- PAST: Error detected in the past and stored in IPDM E/R memory.

### Contents displayed

NO DTC DETECTED. FURTHER TESTING MAY BE REQUIRED.>>INSPECTION END.

CAN COMM CIRC>>Print out the self-diagnosis result and refer to [LAN-44, "TROUBLE DIAGNOSIS"](#) .

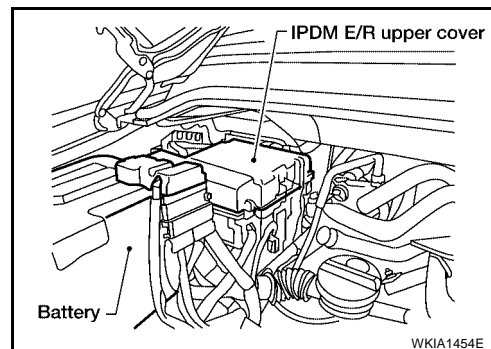
# IPDM E/R (INTELLIGENT POWER DISTRIBUTION MODULE ENGINE ROOM)

EKS00J85

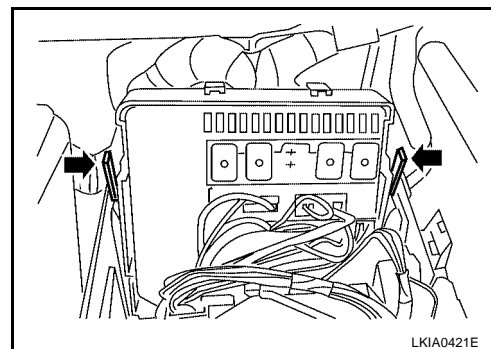
## Removal and Installation of IPDM E/R

### REMOVAL

1. Disconnect negative battery cable.
2. Remove IPDM E/R upper cover.



3. Release 2 clips and pull IPDM E/R up from case.
4. Disconnect IPDM E/R connectors and remove the IPDM E/R.



### INSTALLATION

Installation is in the reverse order of removal.

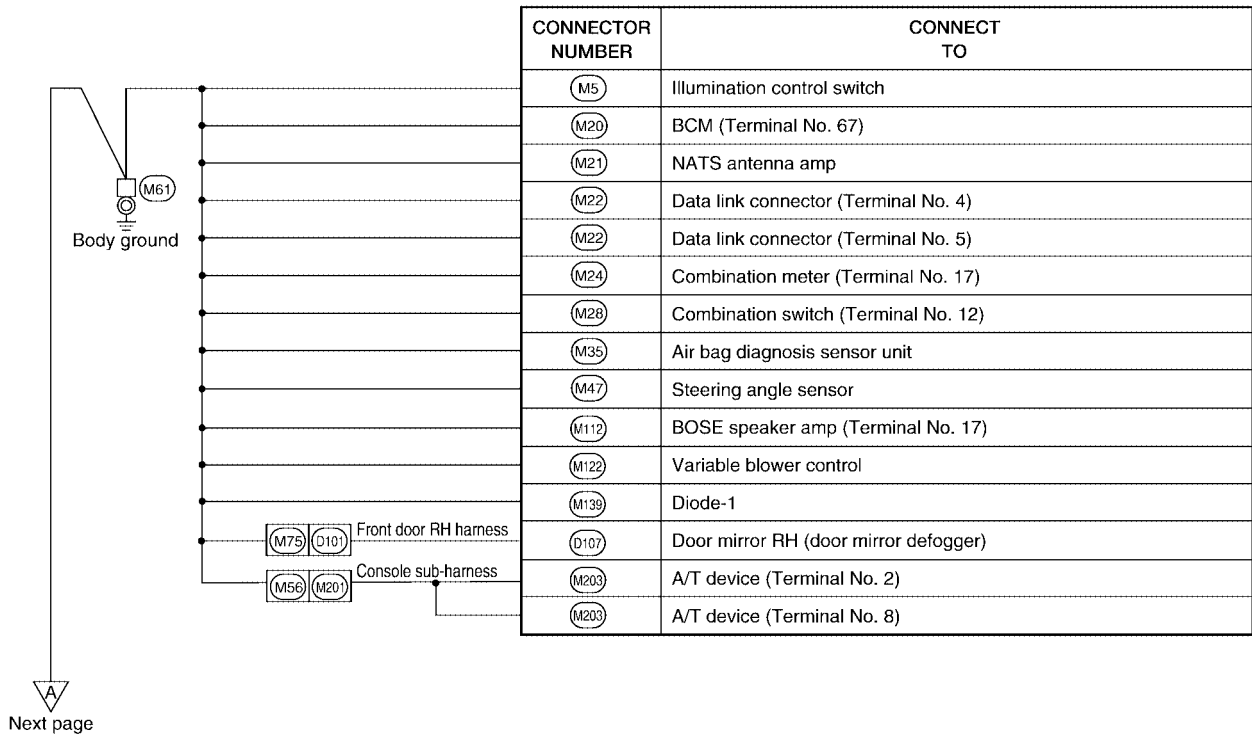
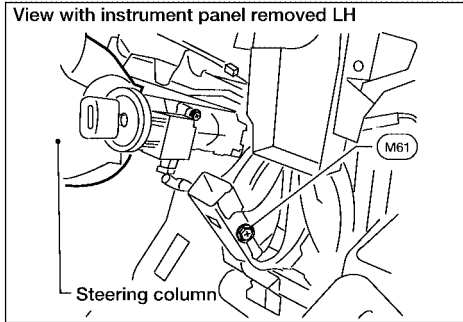
# GROUND CIRCUIT

PFP:24080

EKS00J86

## GROUND CIRCUIT

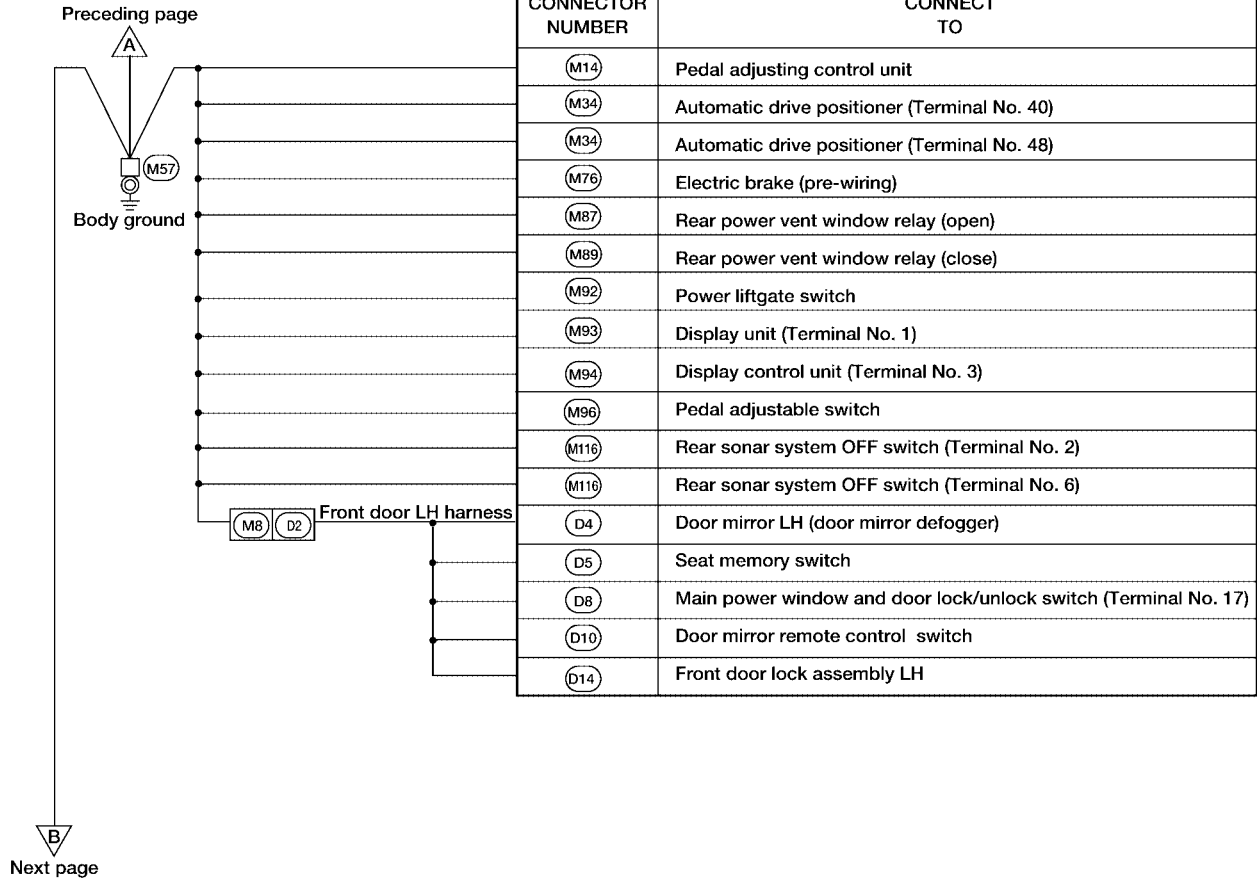
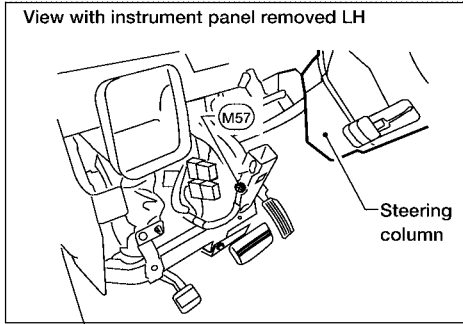
### Ground Distribution MAIN HARNESS



A  
B  
C  
D  
E  
F  
G  
H  
I  
J  
PG  
L  
M

WKIA4739E

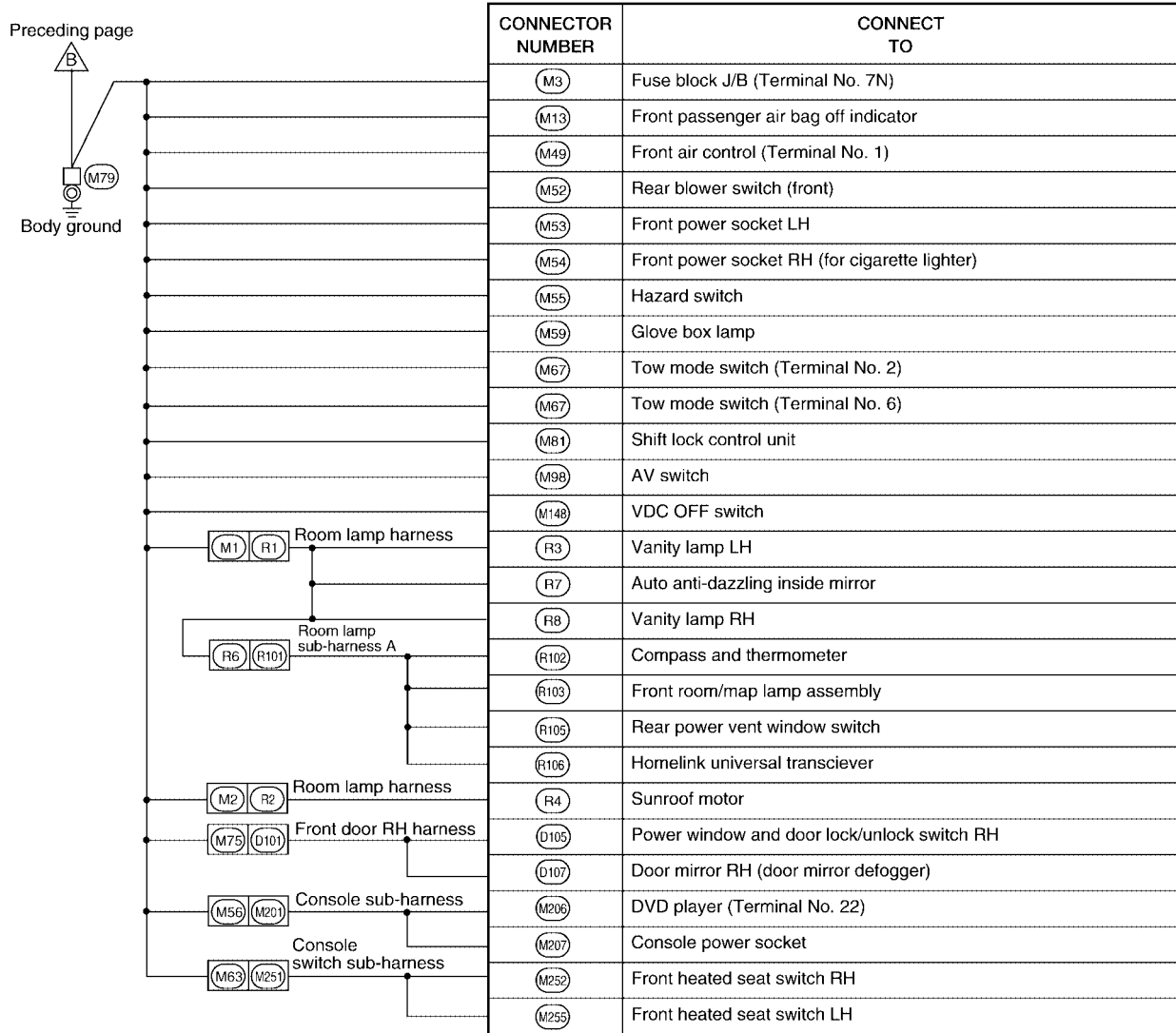
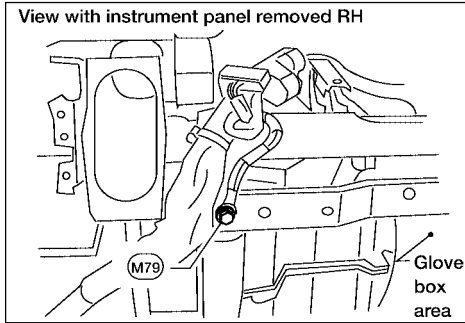
# GROUND CIRCUIT



WKIA4740E



# GROUND CIRCUIT



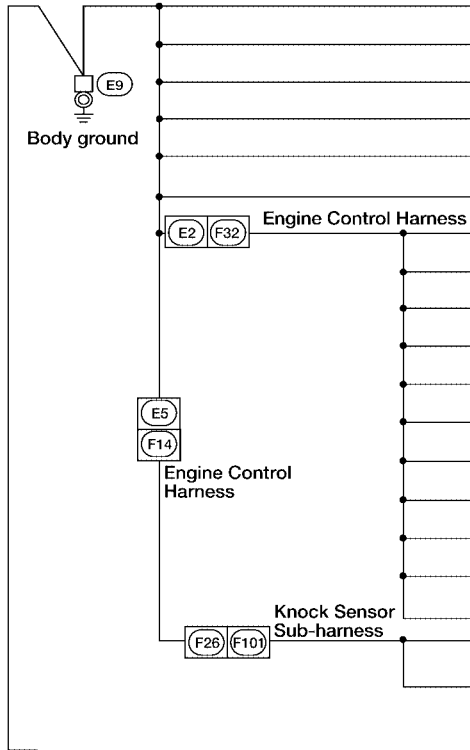
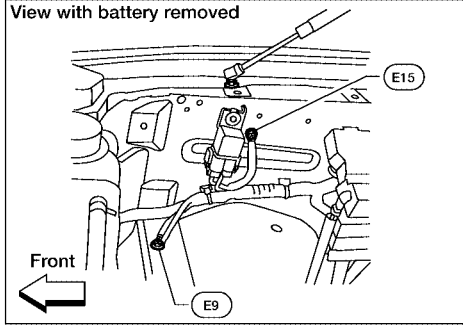
A  
B  
C  
D  
E  
F  
G  
H  
I  
J  
L  
M

PG

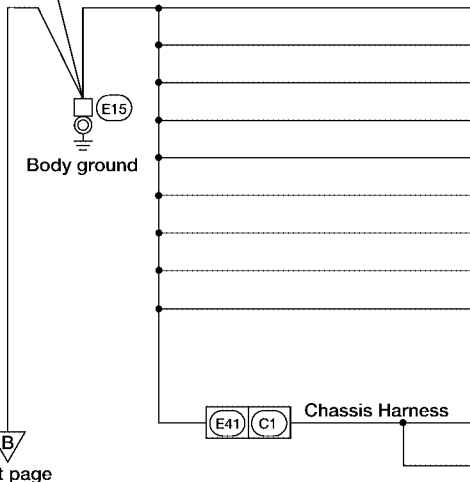
WKIA4741E

# GROUND CIRCUIT

## ENGINE ROOM HARNESS



CONNECTOR NUMBER	CONNECT TO
(E16)	ECM (Terminal No. 115)
(E16)	ECM (Terminal No. 116)
(E142)	Transfer control unit
(E143)	Transfer control unit
(E156)	Trailer turn relay LH
(E157)	Trailer turn relay RH
(F5)	Air fuel ratio (A/F) sensor 1 (bank 2) shield
(F9)	A/T assembly (TCM) (Terminal No. 10)
(F9)	A/T assembly (TCM) (Terminal No. 5)
(F11)	Crankshaft position sensor (POS)
(F23)	Camshaft position sensor (PHASE)
(F50)	Electric throttle control actuator (throttle position sensor shield)
(F54)	ECM (Terminal No. 1)
(F56)	Transfer terminal cord assembly
(F62)	Intake valve timing control position sensor (bank 1)
(F64)	Intake valve timing control position sensor (bank 2)
(F65)	Air fuel ratio (A/F) sensor 1 (bank 1) shield
(F102)	Knock sensor (bank 1) shield
(F104)	Knock sensor (bank 2) shield

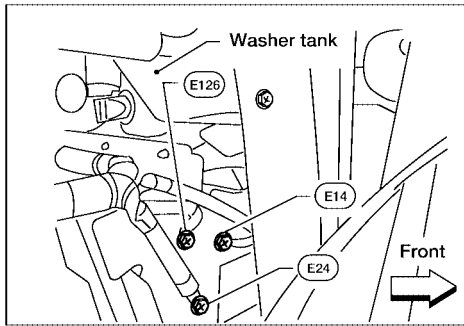


CONNECTOR NUMBER	CONNECT TO
(E3)	Horn
(E8)	Dropping resistor
(E11)	Front combination lamp LH (headlamp) (Terminal No. 3)
(E11)	Front combination lamp LH (headlamp) (Terminal No. 4)
(E17)	Fuel pump control module (FPCM)
(E21)	Brake fluid level switch
(E102)	Front fog lamp RH
(E103)	Daytime light relay
(E106)	Washer fluid level switch
(E113)	Cooling fan motor
(E116)	Condenser 2
(C5)	Fuel level sensor unit and fuel pump (fuel pump)
(C12)	License plate lamp

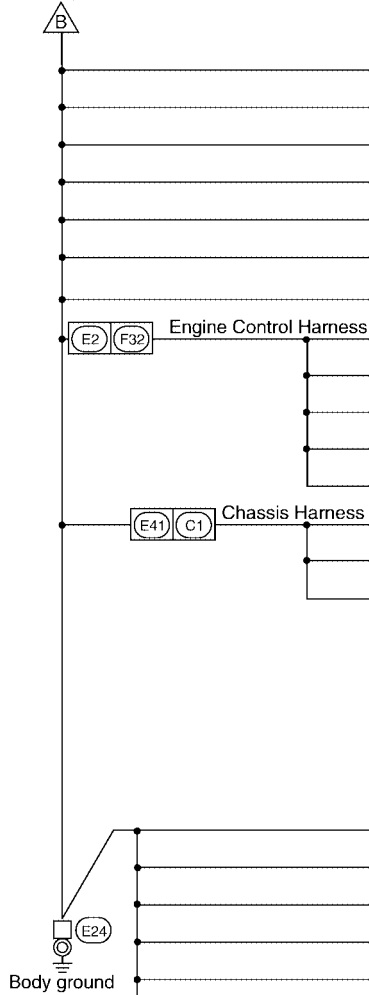
Next page

WKIA5757E

# GROUND CIRCUIT



Preceding page



CONNECTOR NUMBER	CONNECT TO
(E46)	Transfer shift high relay (Terminal No. 1)
(E46)	Transfer shift high relay (Terminal No. 4)
(E47)	Transfer shift low relay (Terminal No. 1)
(E47)	Transfer shift low relay (Terminal No. 4)
(E130)	Compressor motor relay
(E140)	Trailer tow relay 2
(E142)	Transfer control unit (Terminal No. 3)
(F55)	ATP switch
(F57)	Transfer motor
(F58)	Transfer control device (actuator position switch) (Terminal No. 22)
(F59)	Wait detection switch
(F60)	Neutral-4LO switch
(C2)	Trailer
(C9)	Suspension air compressor (Terminal No. 1)
(C9)	Suspension air compressor (Terminal No. 3)

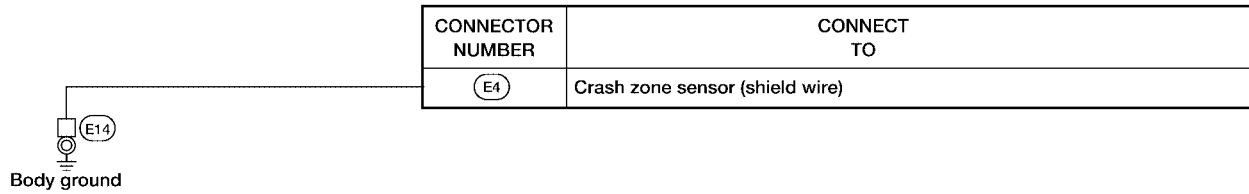
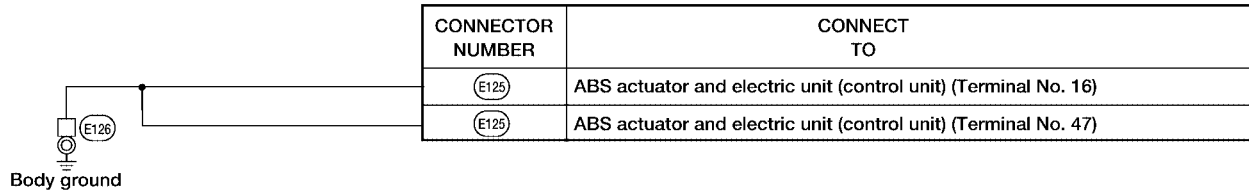
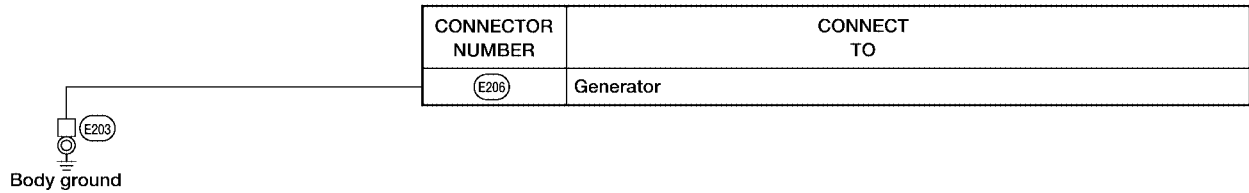
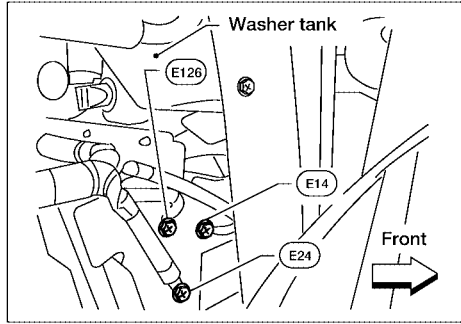
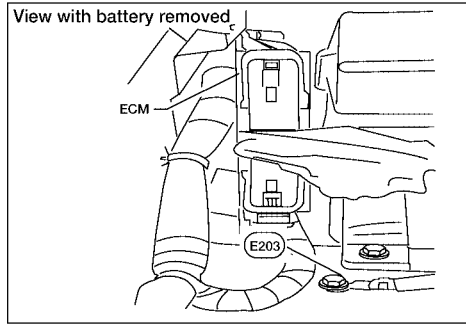
CONNECTOR NUMBER	CONNECT TO
(E107)	Front combination lamp RH (headlamp) (Terminal No. 3)
(E107)	Front combination lamp RH (headlamp) (Terminal No. 4)
(E23)	Front wiper motor
(E101)	Front fog lamp LH
(E122)	IPDM E/R
(E124)	IPDM E/R

A  
B  
C  
D  
E  
F  
G  
H  
I  
J  
L  
M

PG

WKIA4743E

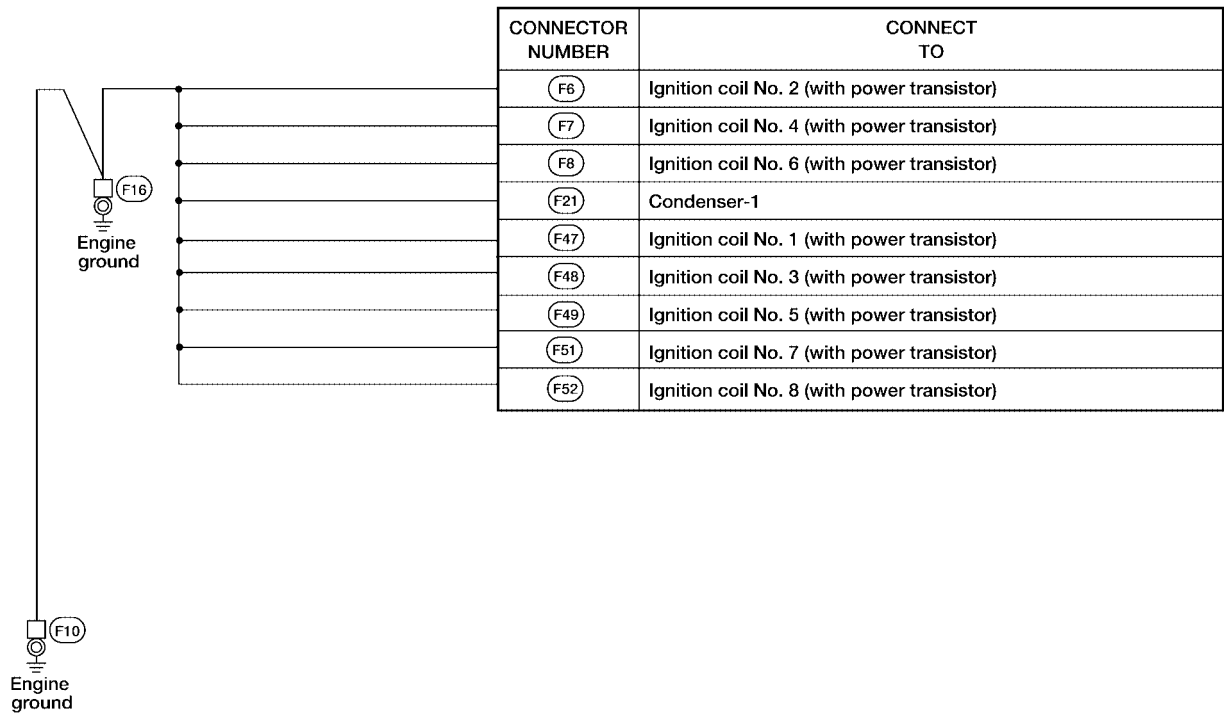
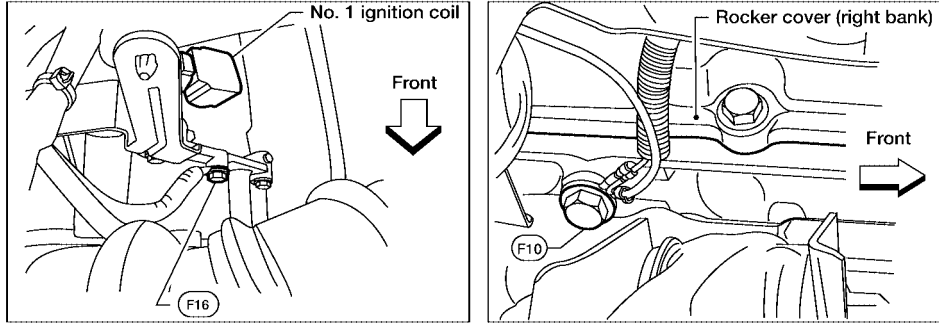
# GROUND CIRCUIT



WKIA5758E

# GROUND CIRCUIT

## ENGINE CONTROL HARNESS

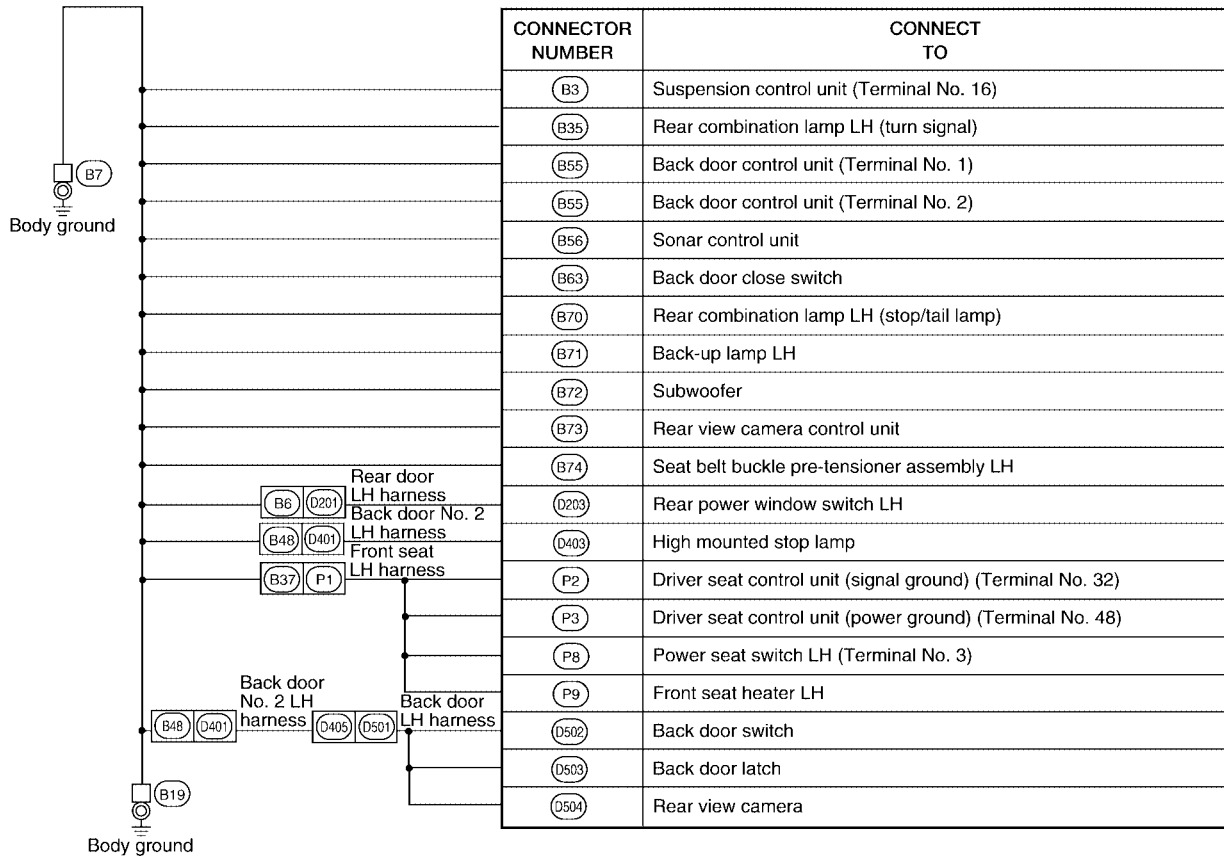
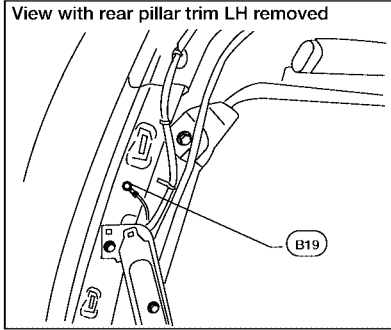
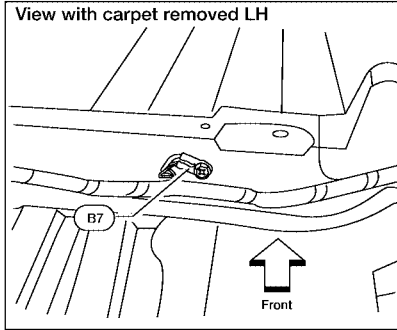


A  
B  
C  
D  
E  
F  
G  
H  
I  
J  
L  
M

PG

# GROUND CIRCUIT

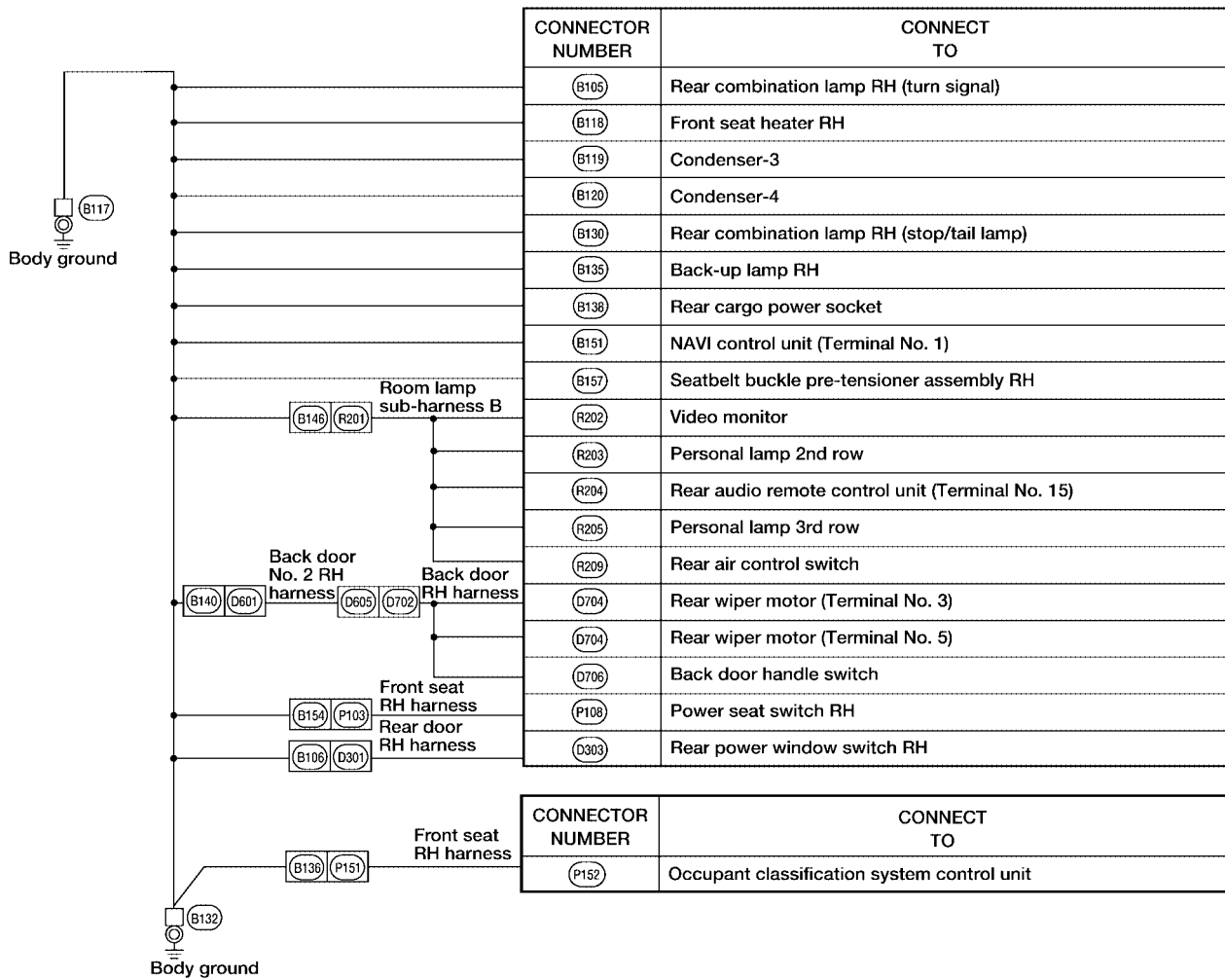
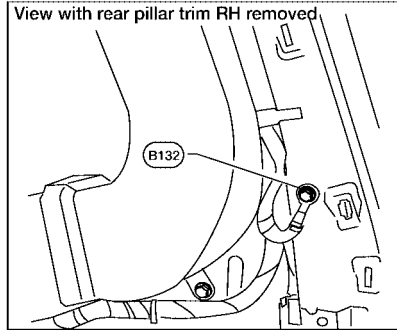
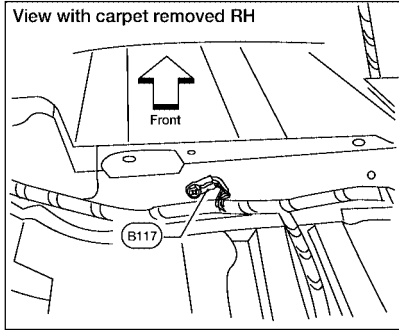
## BODY HARNESS



WKIA4745E

# GROUND CIRCUIT

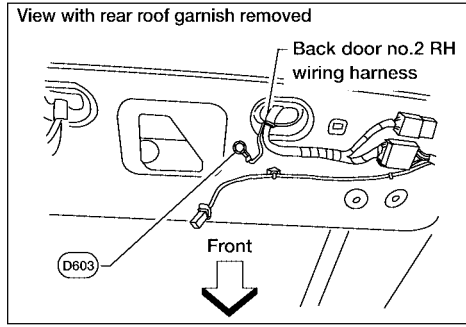
## BODY NO. 2 HARNESS



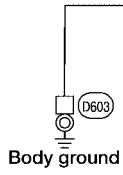
A  
B  
C  
D  
E  
F  
G  
H  
I  
J  
PG  
L  
M

# GROUND CIRCUIT

## BACK DOOR NO. 2 RH HARNESS



CONNECTOR NUMBER	CONNECT TO
D604	Rear window defogger





# HARNESS

PFP:24010

EKS00J87

## HARNESS

### Harness Layout

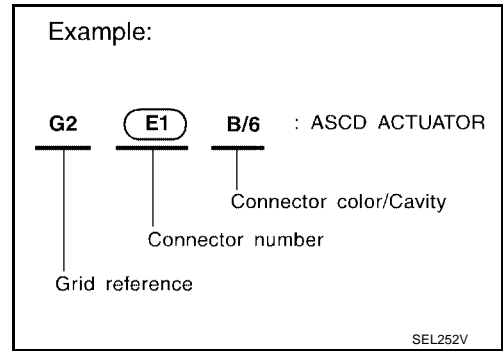
#### HOW TO READ HARNESS LAYOUT

The following Harness Layouts use a map style grid to help locate connectors on the drawings:

- Main Harness
- Engine Room Harness LH View (Engine Compartment)
- Engine Room Harness RH View (Engine Compartment)
- Engine Control Harness
- Chassis Harness and Rear Sonar Sensor Sub-harness
- Body Harness
- Body No. 2 Harness

#### To use the grid reference

1. Find the desired connector number on the connector list.
2. Find the grid reference.
3. On the drawing, find the crossing of the grid reference letter column and number row.
4. Find the connector number in the crossing zone.
5. Follow the line (if used) to the connector.



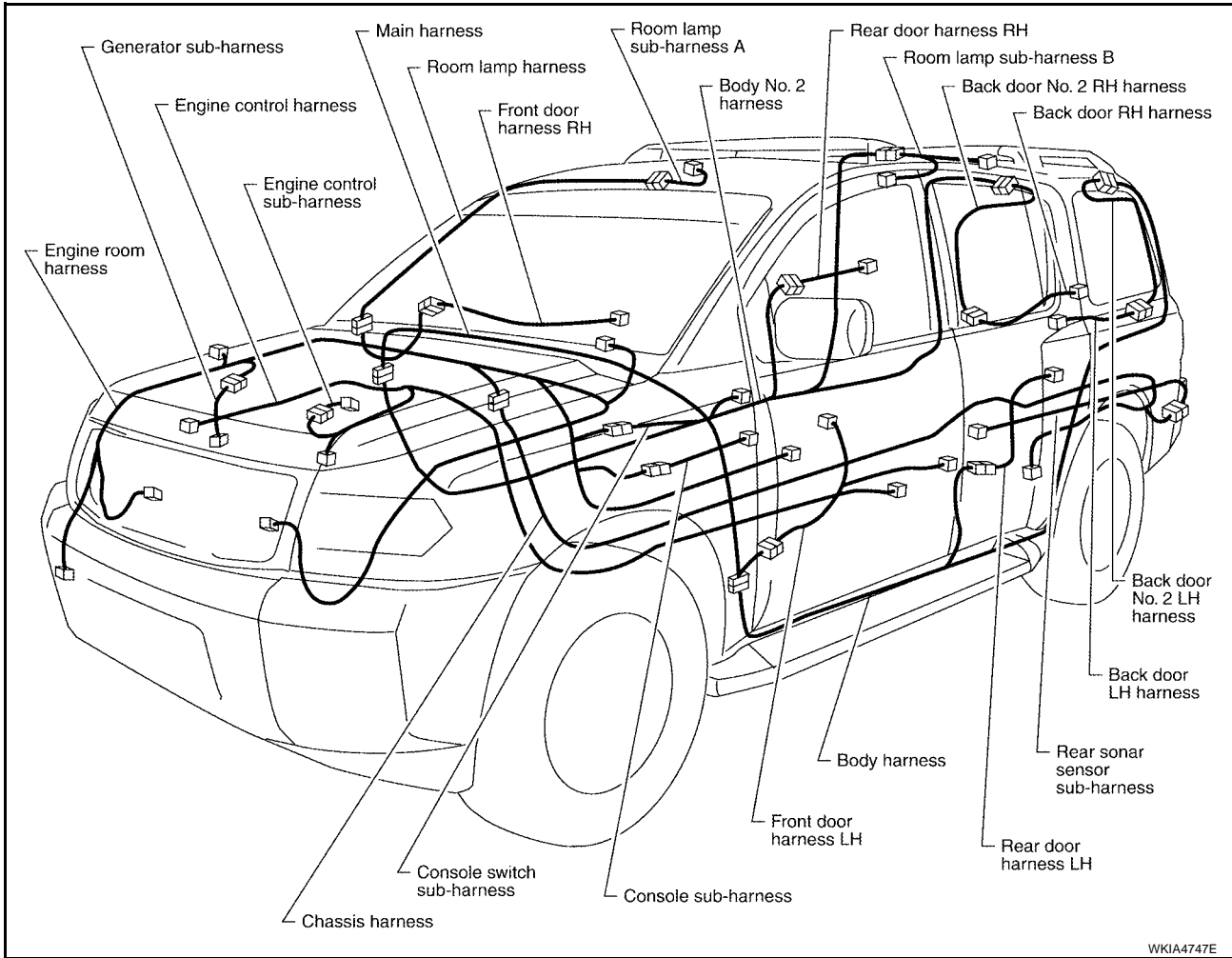
#### CONNECTOR SYMBOL

Main symbols of connector (in Harness Layout) are indicated below.

Connector type	Water proof type		Standard type	
	Male	Female	Male	Female
<ul style="list-style-type: none"> <li>● Cavity: 4 or Less</li> <li>● Relay connector</li> </ul>				
<ul style="list-style-type: none"> <li>● Cavity: From 5 to 8</li> </ul>				
<ul style="list-style-type: none"> <li>● Cavity: 9 or More</li> </ul>				
<ul style="list-style-type: none"> <li>● Ground terminal etc.</li> </ul>	—			

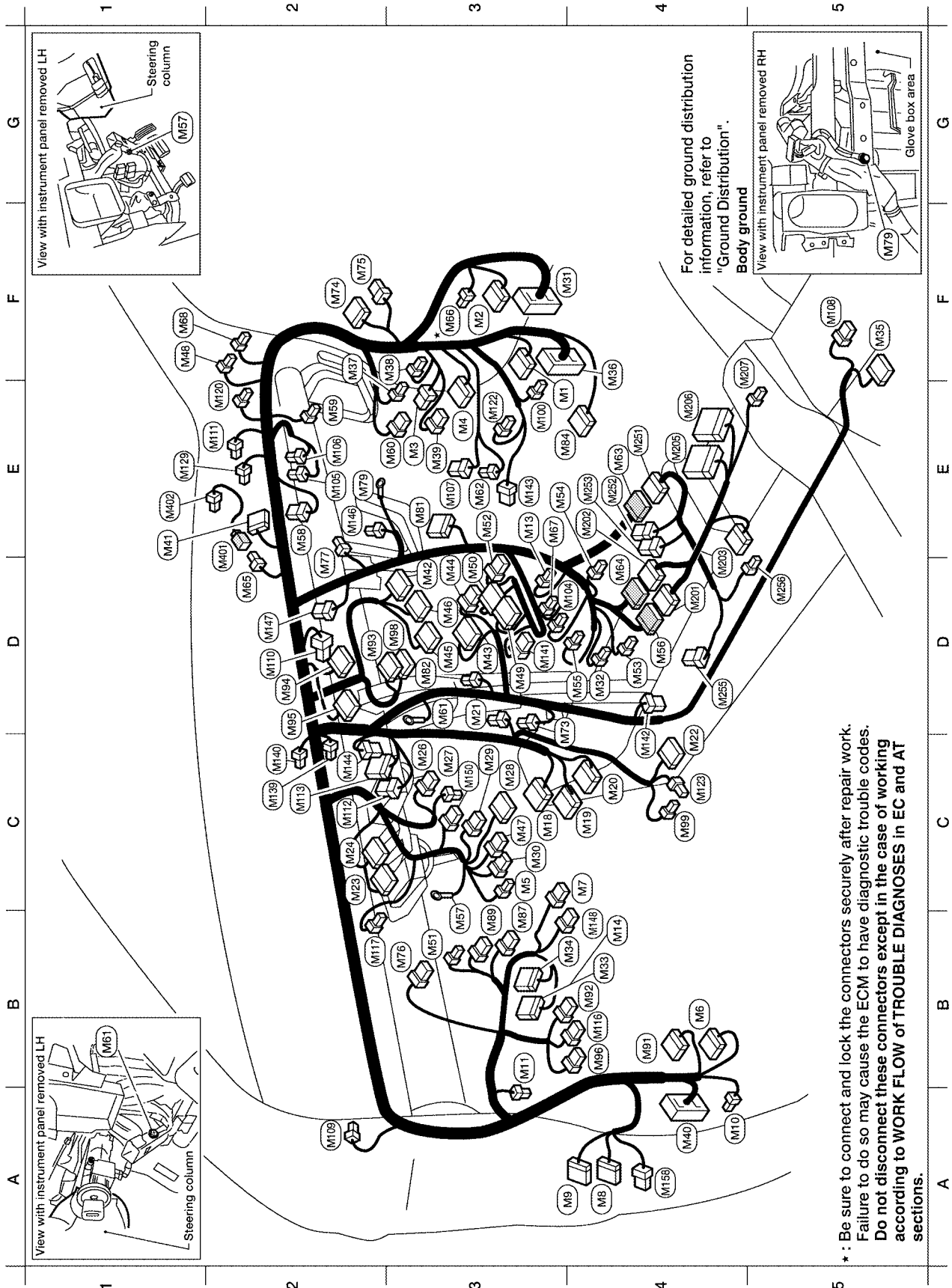
# HARNESS

## OUTLINE



# HARNESS

## MAIN HARNESS



\* : Be sure to connect and lock the connectors securely after repair work. Failure to do so may cause the ECM to have diagnostic trouble codes. Do not disconnect these connectors except in the case of working according to WORK FLOW of TROUBLE DIAGNOSES in EC and AT sections.

# HARNESSES

E4	(M1)	W/16	To (R1)	Front air control	D3	(M50)	W/18	Front air control	E2	(M105)	Y/2	Front passenger air bag module
F3	(M2)	W/12	To (R2)	Trailer tow relay 1	B3	(M51)	L/4	Trailer tow relay 1	E2	(M106)	O/2	Front passenger air bag module
E3	(M3)	W/8	Fuse block (J/B)	Rear blower switch (front)	E3	(M52)	W/8	Rear blower switch (front)	E3	(M107)	BR/6	Front blower motor relay
E3	(M4)	W/16	Fuse block (J/B)	Front power socket LH	D4	(M53)	B/2	Front power socket LH	F5	(M108)	B/6	Yaw rate/side decel G-sensor
C3	(M5)	W/3	Illumination control switch	Front power socket RH	E3	(M54)	B/2	Front power socket RH	A2	(M109)	BR/2	Front tweeter LH
B4	(M6)	W/10	To (E10)	(for cigarette lighter)	D4	(M55)	W/8	Hazard switch	D2	(M110)	BR/2	Center speaker (with BOSE)
A4	(M8)	W/16	To (D2)	Hazard switch	D4	(M56)	W/16	To (M201)	E2	(M111)	BR/2	Front tweeter RH
A3	(M9)	BR/24	To (D1)	To (M201)	B3	(M57)	-	Body ground	C2	(M112)	W/8	BOSE speaker amp.
A4	(M10)	Y/4	To (E29)	Body ground	E2	(M58)	B/6	Intake door motor	C2	(M113)	L/24	BOSE speaker amp.
B3	(M11)	B/1	Parking brake switch	Intake door motor	E2	(M59)	BR/2	Glove box lamp	B4	(M116)	GR/8	Rear sonar system OFF switch
E3	(M19)	W/3	Front passenger air bag off indicator	Glove box lamp	E2	(M60)	W/6	Fuse block (J/B)	B2	(M117)	B/2	Sonar buzzer
B4	(M14)	W/16	Pedal adjusting control unit	Fuse block (J/B)	E3	(M61)	-	Body ground	E2	(M120)	W/4	Remote keyless entry receiver
C3	(M18)	W/40	BCM (body control module)	Body ground	D3	(M62)	-	Body ground	E3	(M122)	W/4	Variable blower control (with ATC)
C4	(M19)	W/15	BCM (body control module)	Front blower motor	E3	(M63)	B/2	Front blower motor	C4	(M123)	W/2	Tire pressure warning check connector
C4	(M20)	B/15	BCM (body control module)	To (M231)	E4	(M64)	BR/20	To (M231)	E1	(M129)	BR/1	Satellite radio tuner (with Sirius satellite radio)
D3	(M21)	W/4	NATS antenna amplifier	To (M202)	D4	(M65)	BR/24	To (M202)	E1	(M129)	V/1	Satellite radio tuner (with XM satellite radio)
C4	(M22)	W/16	Data link connector	To (M40)	D2	(M65)	W/4	To (M40)	C2	(M138)	B/2	Diode-1
B3	(M23)	W/12	Combination meter	To (E33)	F3	(M66)	B/1	To (E33)	C2	(M140)	B/2	Diode-2
C2	(M24)	W/40	Combination meter	Tow mode switch	E3	(M67)	GR/8	Tow mode switch	D3	(M141)	W/8	4WD shift switch
C3	(M26)	W/6	Ignition switch	To (M350) (with Sirius satellite radio)	F2	(M68)	BR/1	To (M350) (with Sirius satellite radio)	C4	(M142)	B/6	Mode door motor
C3	(M27)	W/4	Key switch and key lock solenoid	To (M352) (with XM satellite radio)	F2	(M69)	V/1	To (M352) (with XM satellite radio)	E3	(M143)	B/6	Air mix door motor (passenger)
C3	(M28)	W/16	Combination switch	Back-up lamp relay	D3	(M73)	BR/6	Back-up lamp relay	C2	(M144)	B/6	Defroster door motor
C3	(M29)	Y/6	Combination switch (spiral cable)	To (M102)	F2	(M74)	BR/20	To (M102)	E2	(M146)	GR/2	Intake sensor
C3	(M30)	GR/8	Combination switch (spiral cable)	To (M101)	F2	(M75)	W/10	To (M101)	D2	(M147)	B/6	Air mix door motor (driver) (with ATC)
F4	(M31)	SMJ	To (E13)	Electric brake (pre-wiring)	B3	(M76)	W/6	Electric brake (pre-wiring)	D2	(M147)	B/6	Air mix door motor (front) (with MTC)
D4	(M32)	W/4	In-vehicle sensor	Front passenger air bag module	E2	(M77)	Y/4	Front passenger air bag module	B4	(M148)	GR/6	VDC off switch
B4	(M33)	W/32	Automatic drive positioner control unit	(service replacement)	E2	(M79)	-	Body ground	C3	(M150)	W/2	Ignition key hole illumination
B4	(M34)	W/16	Automatic drive positioner control unit	Body ground	E3	(M81)	GR/10	Shift lock control unit	A4	(M159)	W/10	To (D3)
F5	(M35)	Y/28	Air bag diagnosis sensor unit	Shift lock control unit	D3	(M82)	GR/2	Circuit breaker-2	<b>Console sub-harness</b>			
F4	(M36)	SMJ	To (E19)	Circuit breaker-2	E4	(M84)	W/16	To (E10)	D4	(M201)	W/16	To (M56)
F2	(M37)	B/1	Fuse block (J/B)	To (E10)	B3	(M87)	B/5	Rear power vent window relay (open)	E4	(M202)	BR/24	To (M64)
F2	(M38)	B/2	Fuse block (J/B)	Rear power vent window	B3	(M89)	B/5	Rear power vent window	D4	(M203)	W/12	A/T device
E3	(M39)	W/8	Fuse block (J/B)	relay (close)	B3	(M89)	B/5	Rear power vent window	E4	(M205)	GR/16	DVD player
A4	(M40)	SMJ	To (B89)	To (E28)	B4	(M81)	W/16	To (E28)	E4	(M206)	L/16	DVD player
E1	(M41)	W/16	Satellite radio tuner or pre-wiring for satellite radio	To (E28)	B4	(M82)	GR/6	Power liftgate switch	E5	(M207)	B/2	Console power socket
D3	(M42)	W/16	Audio unit	Power liftgate switch	D2	(M93)	W/24	Display unit	<b>Console switch sub-harness</b>			
D3	(M43)	W/10	Audio unit	Display unit	D2	(M94)	W/24	Display control unit (with NAVI)	E4	(M251)	BR/20	To (M63)
D3	(M44)	W/6	Audio unit	Display control unit (with NAVI)	C2	(M95)	W/32	Display control unit (with NAVI)	E4	(M252)	BR/6	Front heated seat switch RH
D3	(M45)	W/16	Audio unit	Pedal adjusting switch	B4	(M96)	BR/6	Pedal adjusting switch	E4	(M253)	GR/6	VDC OFF switch
D3	(M46)	W/20	Audio unit	AV switch	D3	(M98)	W/24	AV switch	D4	(M255)	BR/6	Front heated seat switch LH
C3	(M47)	W/8	Steering angle sensor	Foot lamp LH	C4	(M99)	BR/2	Foot lamp LH	D5	(M256)	B/2	A/T device illumination
F1	(M48)	BR/2	To (M301)	Foot lamp RH	E3	(M100)	BR/2	Foot lamp RH	<b>Optical sensor sub-harness</b>			
D3	(M49)	B/26	Front air control	Auxiliary in jack (audio)	D4	(M104)	W/4	Auxiliary in jack (audio)	D2	(M401)	W/4	To (M65)
									E2	(M402)	B/4	Optical sensor

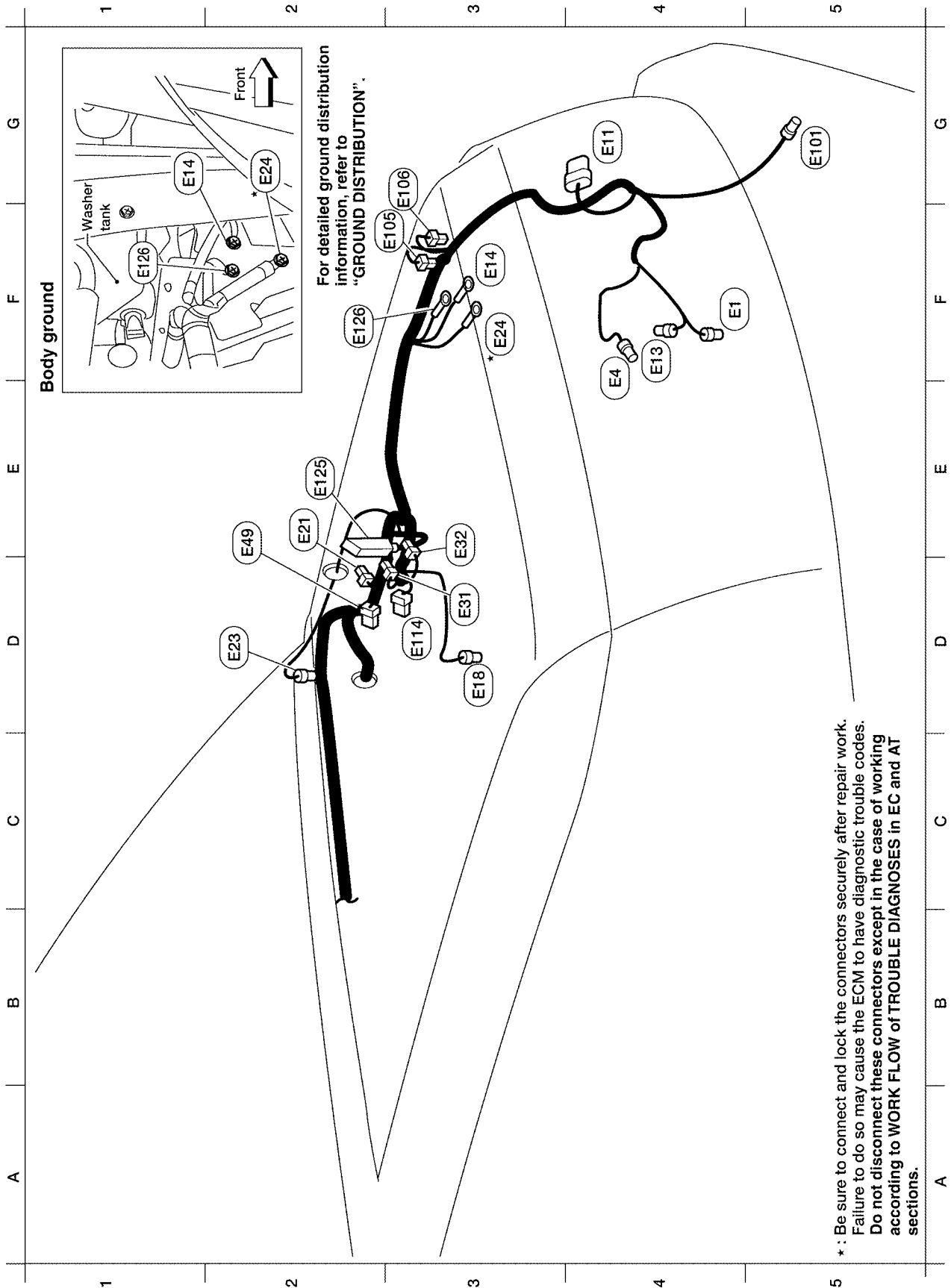
\* : Refer to previous page

WKIA5759E

# HARNESS

## ENGINE ROOM HARNESS (LH VIEW)

### Engine Compartment



Refer to [PG-48, "ENGINE ROOM HARNESS \(RH VIEW\)"](#) for continuation of engine room harness.

A  
B  
C  
D  
E  
F  
G  
H  
I  
J  
PG  
L  
M

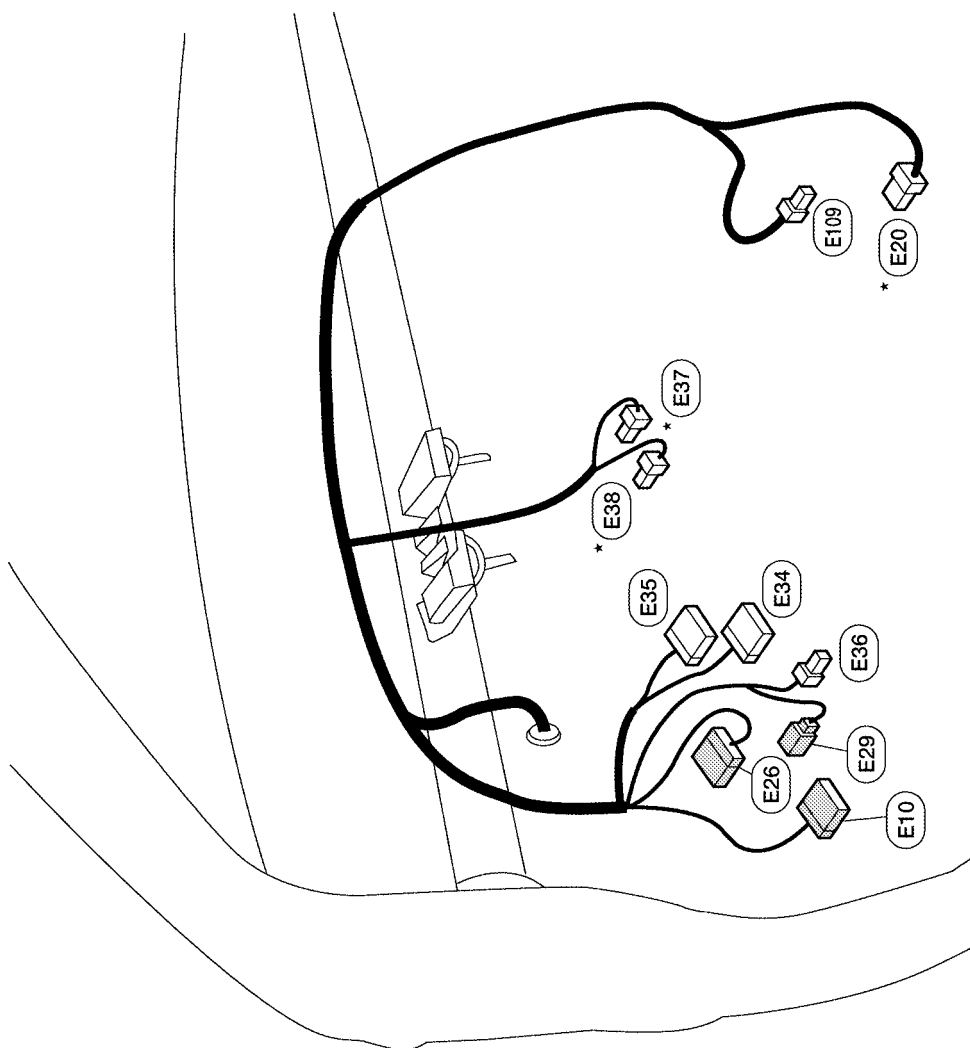
F4	(E1)	GR/2	: Ambient sensor
E4	(E4)	Y/2	: Crash zone sensor
G4	(E11)	B/6	: Front combination lamp LH
F4	(E13)	GR/2	: Ambient sensor 2
F3	(E14)	-	: Body ground
D3	(E18)	GR/2	: Front wheel sensor LH
E2	(E21)	GR/2	: Brake fluid level switch
D2	(E23)	GR/6	: Front wiper motor
F3	*(E24)	-	: Body ground
D3	(E31)	GR/3	: Front pressure sensor
E3	(E32)	GR/3	: Rear pressure sensor
E2	(E49)	B/6	: Active booster
G5	(E101)	B/2	: Front fog lamp LH
F3	(E105)	BR/2	: Front and rear washer motor
G3	(E108)	BR/2	: Washer fluid level switch
D3	(E114)	B/6	: Delta stroke sensor
E2	(E125)	B/47	: ABS actuator and electric unit (control unit)
F2	(E126)	-	: Body ground

\* : Be sure to connect and lock the connectors securely after repair work. Failure to do so may cause the ECM to have diagnostic trouble codes.  
**Do not disconnect these connectors except in the case of working according to WORK FLOW of TROUBLE DIAGNOSES in EC and AT sections.**

# HARNESS

## Passenger Compartment

- (E10) W/10 : To (M6)
- \* (E20) B/8 : Accelerator pedal position (APP) sensor
- (E26) W/16 : To (M91)
- (E29) Y/4 : To (M10)
- (E34) W/24 : To (B40)
- (E35) W/12 : To (B41)
- (E36) W/2 : To (B42)
- \* (E37) BR/2 : ASCD brake switch
- \* (E38) B/2 : Stop lamp switch
- (E109) GR/2 : Pedal adjusting motor

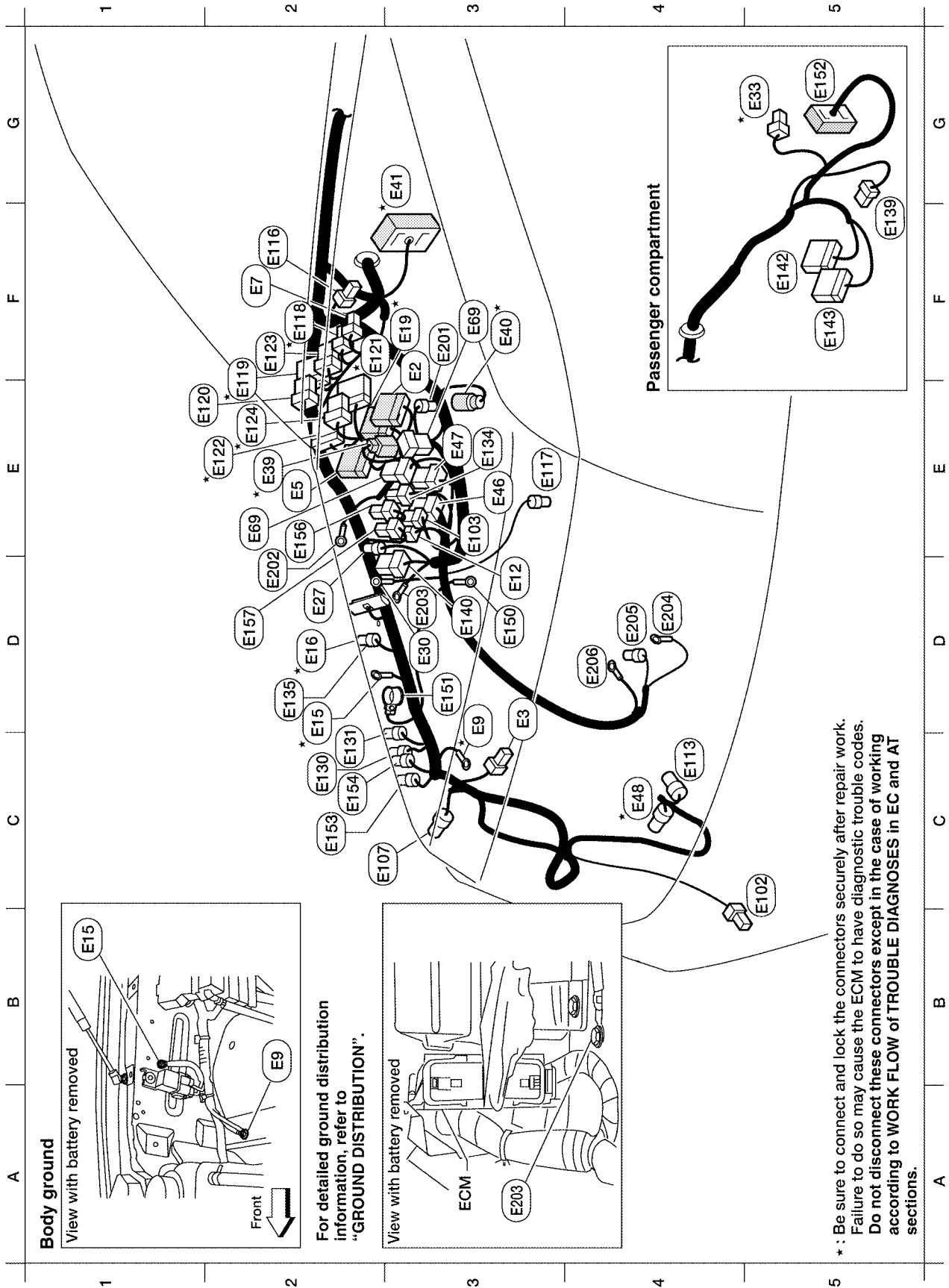


\* : Be sure to connect and lock the connectors securely after repair work. Failure to do so may cause the ECM to have diagnostic trouble codes.  
 Do not disconnect these connectors except in the case of working according to WORK FLOW of TROUBLE DIAGNOSES in EC and AT sections.

A  
 B  
 C  
 D  
 E  
 F  
 G  
 H  
 I  
 J  
 PG  
 L  
 M

# HARNESS

## ENGINE ROOM HARNESS (RH VIEW) Engine Compartment



Refer to [PG-45, "ENGINE ROOM HARNESS \(LH VIEW\)"](#) for continuation of engine room harness.

WKIA4753E



C2 (E130) W/2 : Compressor motor relay  
 C2 (E131) W/2 : Compressor motor relay  
 D2 (E135) GR/2 : Transfer dropping resistor  
 F5 (E139) W/8 : To (E107)  
 D3 (E140) BR/6 : Trailer tow relay 2  
 F5 (E142) W/24 : Transfer control unit  
 F5 (E143) GR/24 : Transfer control unit  
 D3 (E150) - : Engine ground  
 D3 (E151) - : Negative battery cable  
 G5 (E152) SMJ : To (M31)  
 C2 (E153) GR/2 : Transfer motor relay  
 C2 (E154) GR/2 : Transfer motor relay  
 E2 (E156) L/4 : Trailer turn relay LH  
 D2 (E157) L/4 : Trailer turn relay RH

## Generator sub-harness

F3 (E201) GR/3 : To (E40)  
 D2 (E202) - : Fusible link box (battery)  
 D3 (E203) - : Body ground  
 D4 (E204) - : Generator  
 D4 (E205) GR/3 : Generator  
 D4 (E206) - : Generator

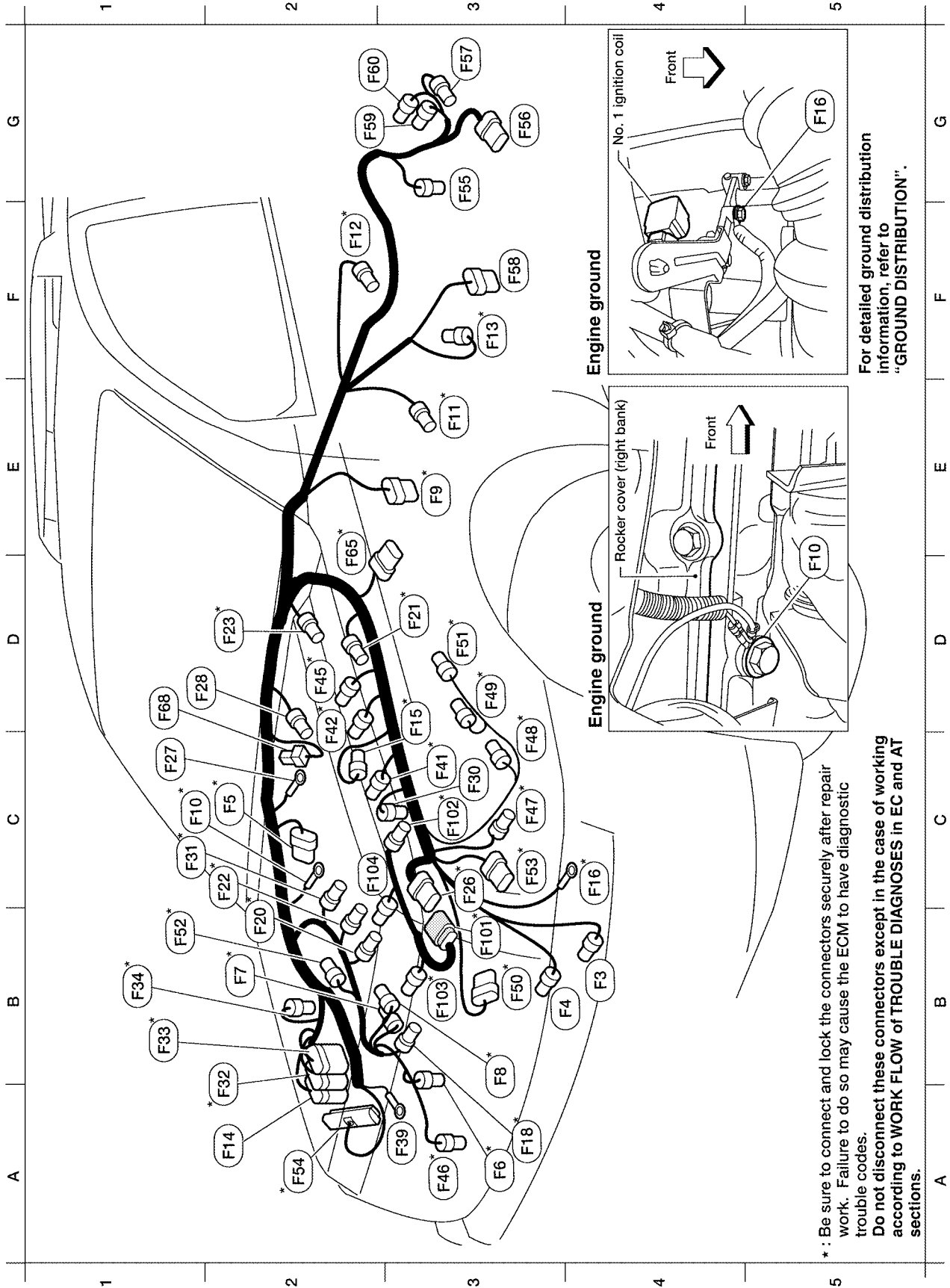
F3 (E2) W/16 : To (F32)  
 D3 (E3) B/2 : Horn  
 E2\* (E5) W/24 : To (F14)  
 F2 (E7) GR/2 : Fuse and fusible link box  
 C3\* (E9) - : Body ground  
 D3 (E12) B/5 : Stop lamp relay  
 C2\* (E15) - : Body ground  
 D2\* (E16) B/32 : ECM  
 F3\* (E19) W/16 : To (F33)  
 D2 (E27) BR/2 : Fusible link box (battery)  
 D3 (E30) - : Fusible link box (battery)  
 G5\* (E33) B/1 : To (M66)  
 E2\* (E39) W/2 : To (F34)  
 F3\* (E40) GR/3 : To (E201)  
 F3\* (E41) SMJ : To (C1) (located RH rear of engine compartment)  
 E3 (E46) B/5 : Transfer shift high relay  
 E3 (E47) B/5 : Transfer shift low relay  
 C4\* (E48) B/3 : Refrigerant pressure sensor  
 E3 (E69) L/4 : Transfer shut off relay  
 C5 (E102) B/2 : Front fog lamp RH  
 E3 (E103) B/5 : Daytime light relay  
 C2 (E107) B/6 : Front combination lamp RH  
 C4 (E113) W/2 : Cooling fan motor  
 F2 (E116) W/2 : Condenser 2  
 E3 (E117) GY/2 : Front wheel sensor RH  
 F2\* (E118) B/2 : IPDM E/R (intelligent power distribution module engine room)  
 E2\* (E119) W/16 : IPDM E/R (intelligent power distribution module engine room)  
 E2 (E120) W/6 : IPDM E/R (intelligent power distribution module engine room)  
 F3\* (E121) BR/12 : IPDM E/R (intelligent power distribution module engine room)  
 E2\* (E122) W/12 : IPDM E/R (intelligent power distribution module engine room)  
 F2 (E123) BR/8 : IPDM E/R (intelligent power distribution module engine room)  
 E2\* (E124) B/6 : IPDM E/R (intelligent power distribution module engine room)

\* : Be sure to connect and lock the connectors securely after repair work.  
 Failure to do so may cause the ECM to have diagnostic trouble codes.  
 Do not disconnect these connectors except in the case of working  
 according to WORK FLOW of TROUBLE DIAGNOSES in EC and AT  
 sections.

WKIA5760E

# HARNESS

## ENGINE CONTROL HARNESS



\* : Be sure to connect and lock the connectors securely after repair work. Failure to do so may cause the ECM to have diagnostic trouble codes.  
**Do not disconnect these connectors except in the case of working according to WORK FLOW of TROUBLE DIAGNOSES in EC and AT sections.**

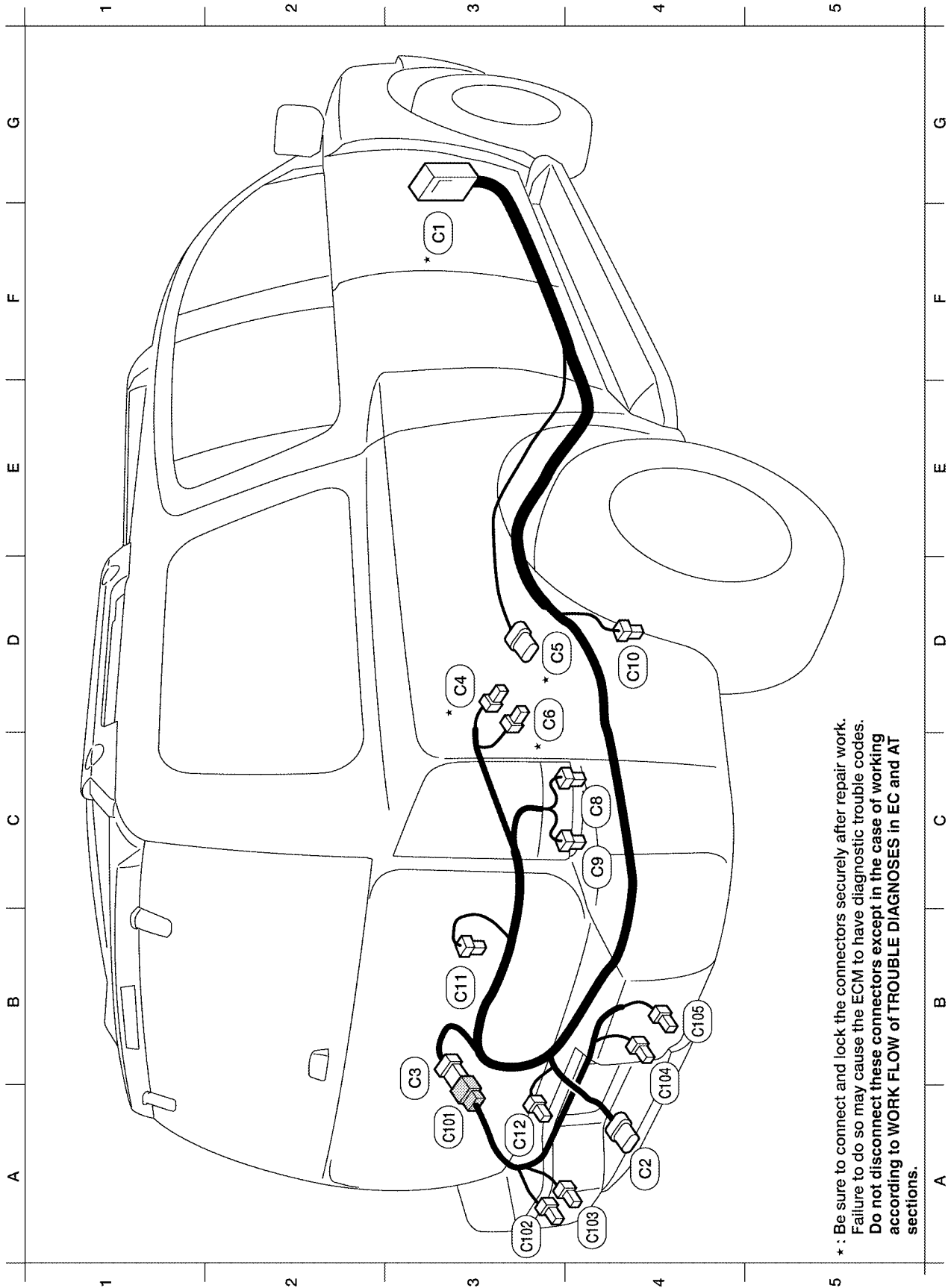
For detailed ground distribution information, refer to "GROUND DISTRIBUTION".

B4 (F3)	B/1	: A/C compressor	C3 (F48)	GR/3	: Ignition coil No. 3 (with power transistor)
B4 (F4)	B/3	: Oil pressure sensor	D3 (F49)	GR/3	: Ignition coil No. 5 (with power transistor)
C2 (F5)	B/6	: Air fuel ratio (AVF) sensor 1 (bank 2)	B3 (F50)	B/6	: Electric throttle control actuator
A3 (F6)	GR/3	: Ignition coil No. 2 (with power transistor)	D3 (F51)	GR/3	: Ignition coil No. 7 (with power transistor)
B2 (F7)	GR/3	: Ignition coil No. 4 (with power transistor)	B1 (F52)	GR/3	: Ignition coil No. 8 (with power transistor)
A3 (F8)	GR/3	: Ignition coil No. 6 (with power transistor)	C3 (F53)	B/6	: Mass air flow sensor
E3 (F9)	G/10	: A/T assembly	A2 (F54)	B/81	: ECM
C1 (F10)	-	: Engine ground	G3 (F55)	B/2	: ATP switch (4WD only)
E3 (F11)	B/3	: Crankshaft position sensor (POS)	G3 (F56)	B/8	: Transfer terminal cord assembly (4WD only)
F2 (F12)	G/4	: Heated oxygen sensor 2 (bank 2)	G3 (F57)	B/2	: Transfer motor (4WD only)
F3 (F13)	G/4	: Heated oxygen sensor 2 (bank 1)	F3 (F58)	GR/6	: Transfer control device (4WD only)
A2 (F14)	W/24	: To (E5)	G2 (F59)	B/2	: Wait detection switch (4WD only)
C3 (F15)	L/2	: EVAP canister purge volume control solenoid valve	G2 (F60)	GR/2	: Neutral-4LO switch (4WD only)
C4 (F16)	-	: Engine ground	D2 (F65)	B/6	: Air fuel ratio (AVF) sensor 1 (bank 1)
A3 (F18)	GR/2	: Fuel injector No. 2	D1 (F68)	B/2	: Water valve
B2 (F20)	GR/2	: Fuel injector No. 4	<b>Engine control sub-harness</b>		
D3 (F21)	GR/2	: Condenser-1	B3 (F101)	B/6	: To (F26)
C2 (F22)	GR/2	: Fuel injector No. 6	C3 (F102)	B/2	: Knock sensor (bank 1)
D2 (F23)	B/3	: Camshaft position sensor (PHASE)	B3 (F103)	GR/2	: Engine coolant temperature sensor
C3 (F26)	B/6	: To (F10)	C2 (F104)	B/2	: Knock sensor (bank 2)
C1 (F27)	B/1	: Starter motor			
D2 (F28)	GR/1	: Starter motor			
C3 (F30)	GR/2	: Fuel injector No. 1			
C1 (F31)	GR/2	: Fuel injector No. 8			
A2 (F32)	W/16	: To (E2)			
B1 (F33)	W/16	: To (E19)			
B1 (F34)	W/2	: To (E39)			
A3 (F39)	-	: Fusible link box (battery)			
C3 (F41)	GR/2	: Fuel injector No. 3			
C2 (F42)	GR/2	: Fuel injector No. 5			
D2 (F45)	GR/2	: Fuel injector No. 7			
A3 (F46)	B/3	: Power steering pressure sensor			
C3 (F47)	GR/3	: Ignition coil No. 1 (with power transistor)			

\* : Be sure to connect and lock the connectors securely after repair work.  
 Failure to do so may cause the ECM to have diagnostic trouble codes.  
 Do not disconnect these connectors except in the case of working according to **WORK FLOW of TROUBLE DIAGNOSES** in EC and AT sections.

# HARNESS

## CHASSIS HARNESS



\* : Be sure to connect and lock the connectors securely after repair work.  
Failure to do so may cause the ECM to have diagnostic trouble codes.  
Do not disconnect these connectors except in the case of working  
according to WORK FLOW of TROUBLE DIAGNOSES in EC and AT  
sections.

WKIA4757E

F3 \* (C1) SMJ : To (E41) (located RH rear of engine compartment)  
 A4 (C2) B/7 : Trailer  
 B3 (C3) GR/6 : To (C101)  
 D3 \* (C4) GR/3 : EVAP control system pressure sensor  
 D4 \* (C5) GR/5 : Fuel level sensor unit and fuel pump  
 C3 \* (C6) B/2 : EVAP canister vent control valve  
 C4 (C8) B/3 : Height sensor  
 C4 (C9) B/4 : Suspension air compressor  
 D4 (C10) BR/2 : Rear wheel sensor RH  
 B3 (C11) BR/2 : Rear wheel sensor LH  
 A3 (C12) W/2 : License plate lamps

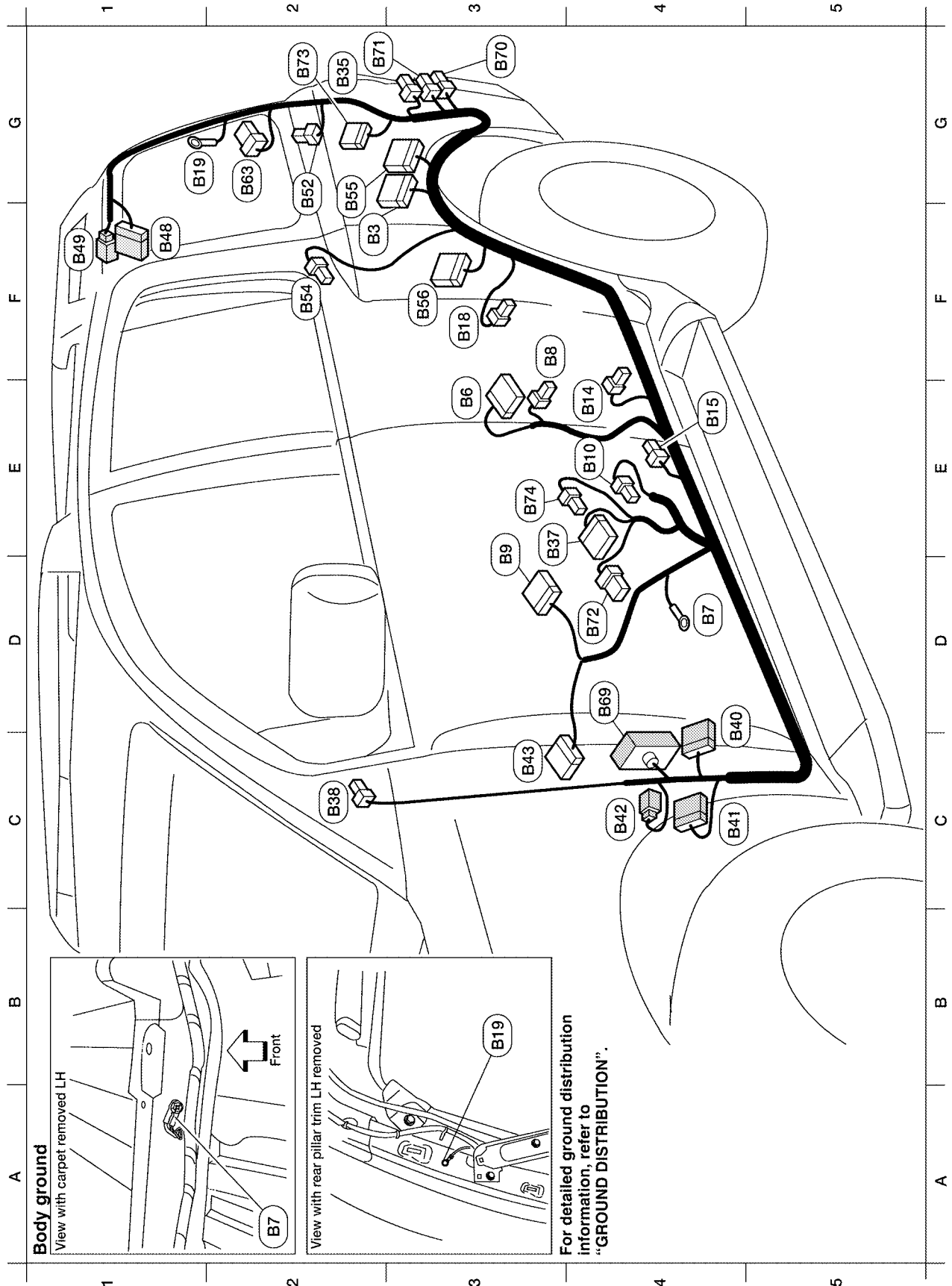
## Rear sonar sensor sub-harness

A3 (C101) GR/6 : To (C3)  
 A3 (C102) B/3 : Rear sonar sensor LH outer  
 A4 (C103) B/3 : Rear sonar sensor LH inner  
 B4 (C104) B/3 : Rear sonar sensor RH inner  
 B4 (C105) B/3 : Rear sonar sensor RH outer

\* : Be sure to connect and lock the connectors securely after repair work.  
 Failure to do so may cause the ECM to have diagnostic trouble codes.  
**Do not disconnect these connectors except in the case of working according to WORK FLOW of TROUBLE DIAGNOSES in EC and AT sections.**

# HARNESS

## BODY HARNESS



WKIA4759E

# HARNESS

F2	(E3)	W/16	:	Suspension control unit
E3	(E6)	W/18	:	To (D20)
D4	(E7)	-	:	Body ground
F3	(E8)	W/3	:	Front door switch LH
E3	(E9)	Y/12	:	Air bag diagnosis sensor unit
E4	(E10)	Y/2	:	Front LH side air bag module
E4	(E14)	Y/2	:	Front LH seat belt pre-tensioner
E4	(E15)	Y/2	:	LH side air bag (satellite) sensor
F3	(E18)	W/3	:	Rear door switch LH
G1	(E19)	-	:	Body ground
G2	(E35)	B/3	:	Rear combination lamp LH (turn signal)
D4	(E37)	W/16	:	To (F1)
C2	(E38)	Y/2	:	LH side front curtain air bag module
C4	(E40)	W/24	:	To (E34)
C4	(E41)	W/12	:	To (E35)
C4	(E42)	W/2	:	To (E36)
C3	(E43)	W/12	:	To (E11)
F1	(E48)	W/16	:	To (D40)
F1	(E49)	W/2	:	To (D402)
G2	(E52)	W/2	:	Rear power vent window motor LH
F2	(E54)	Y/2	:	LH side rear curtain air bag module
G2	(E55)	W/26	:	Back door control unit
F3	(E56)	W/16	:	Sonar control unit
G2	(E63)	W/6	:	Back door close switch
D4	(E69)	SMJ	:	To (M40)
G3	(E70)	B/3	:	Rear combination lamp LH (stop/tail)
G2	(E71)	B/2	:	Back-up lamp LH
D4	(E72)	BR/6	:	Subwoofer (with BOSE audio system)
G2	(E73)	W/16	:	Rear view camera control unit
D4	(E74)	Y/4	:	Seat belt buckle pre-tensioner assembly LH

WKIA4760E

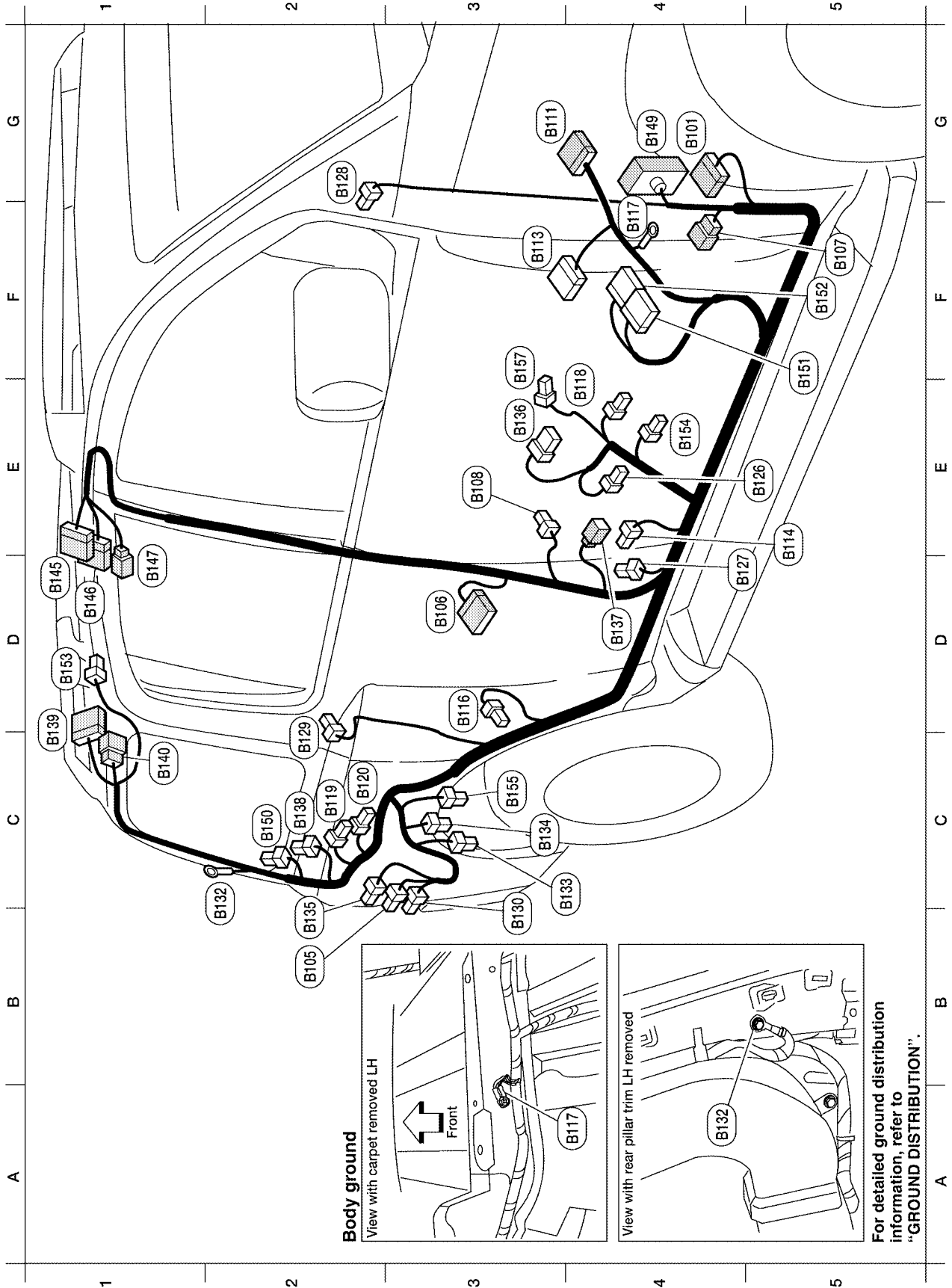
A  
B  
C  
D  
E  
F  
G  
H  
I  
J

PG

L  
M

# HARNESS

## BODY NO. 2 HARNESS



WKIA4761E



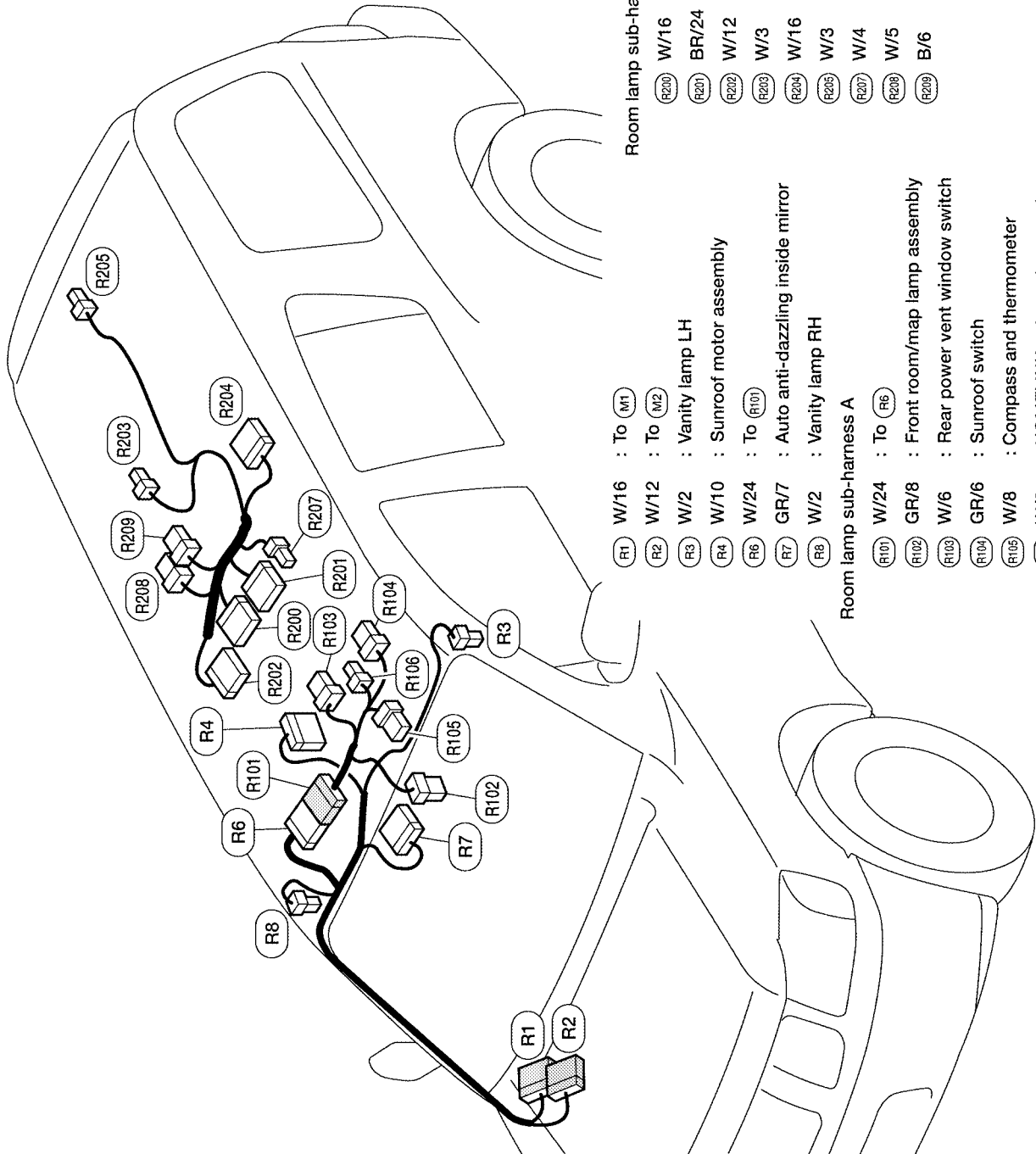
# HARNESS

G4 (B101)	W/16	: To (M84)	G4 (B149)	SMJ	: To (M35)
B2 (B106)	B/3	: Rear combination lamp RH (turn signal)	C2 (B150)	W/2	: Rear power vent window motor RH
D3 (B106)	W/18	: To (C301)	F5 (B151)	W/40	: NAVI control unit
F5 (B107)	W/8	: To (E139)	F5 (B152)	W/32	: NAVI control unit
E3 (B108)	W/3	: Front door switch RH	D1 (B153)	W/2	: Cargo lamp
G3 (B111)	W/12	: To (B43)	E4 (B154)	W/2	: To (P103)
F3 (B113)	Y/12	: Air bag diagnosis sensor unit	C3 (B155)	B/6	: Air mix door motor (rear)
E5 (B114)	Y/2	: RH side air bag (satellite) sensor	F3 (B157)	Y/4	: Seat belt buckle pre-tensioner assembly RH
D3 (B116)	W/3	: Rear door switch RH			
F4 (B117)	-	: Body ground			
E4 (B118)	W/3	: Front seat heater RH			
C2 (B119)	W/2	: Condensor-3			
C2 (B120)	W/2	: Condensor-4			
E5 (B126)	Y/2	: Front RH side air bag module			
D4 (B127)	Y/2	: Front RH seat belt pre-tensioner			
F2 (B128)	Y/2	: RH side rear curtain air bag module			
C2 (B129)	Y/2	: RH side front curtain air bag module			
B3 (B130)	B/3	: Rear combination lamp RH (stop/tail)			
C2 (B132)	-	: Body ground			
C4 (B133)	W/4	: Rear blower motor resistor			
C3 (B134)	W/2	: Rear blower motor			
B2 (B135)	B/2	: Back-up lamp RH			
E3 (B136)	W/8	: To (P151)			
D4 (B137)	W/3	: Belt tension sensor			
C2 (B138)	B/2	: Rear cargo power socket			
C1 (B139)	W/16	: To (R602)			
C1 (B140)	W/6	: To (R601)			
D1 (B145)	W/16	: To (R200)			
D1 (B146)	BR/24	: To (R201)			
D1 (B147)	W/4	: To (R207)			

WKIA4762E

# HARNESS

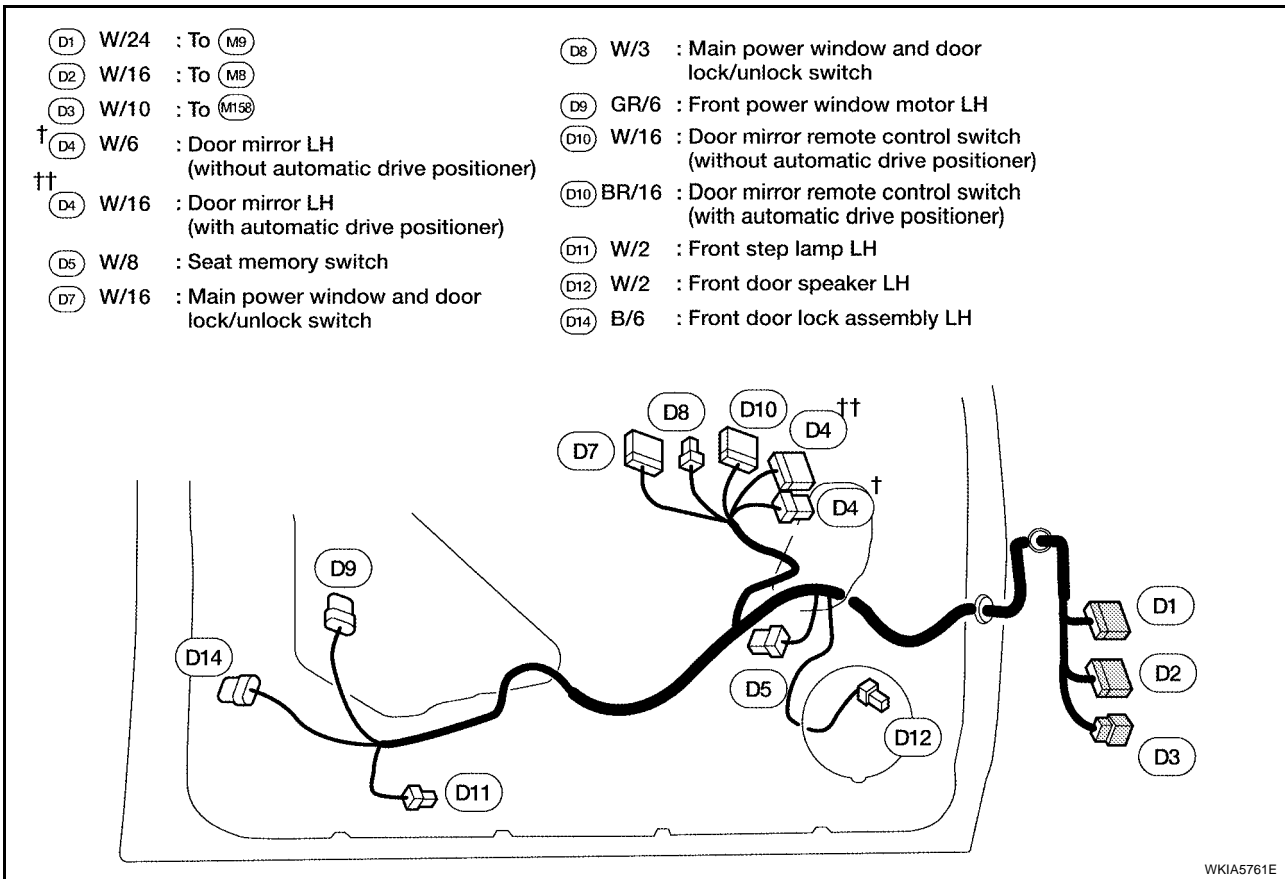
## ROOM LAMP HARNESS



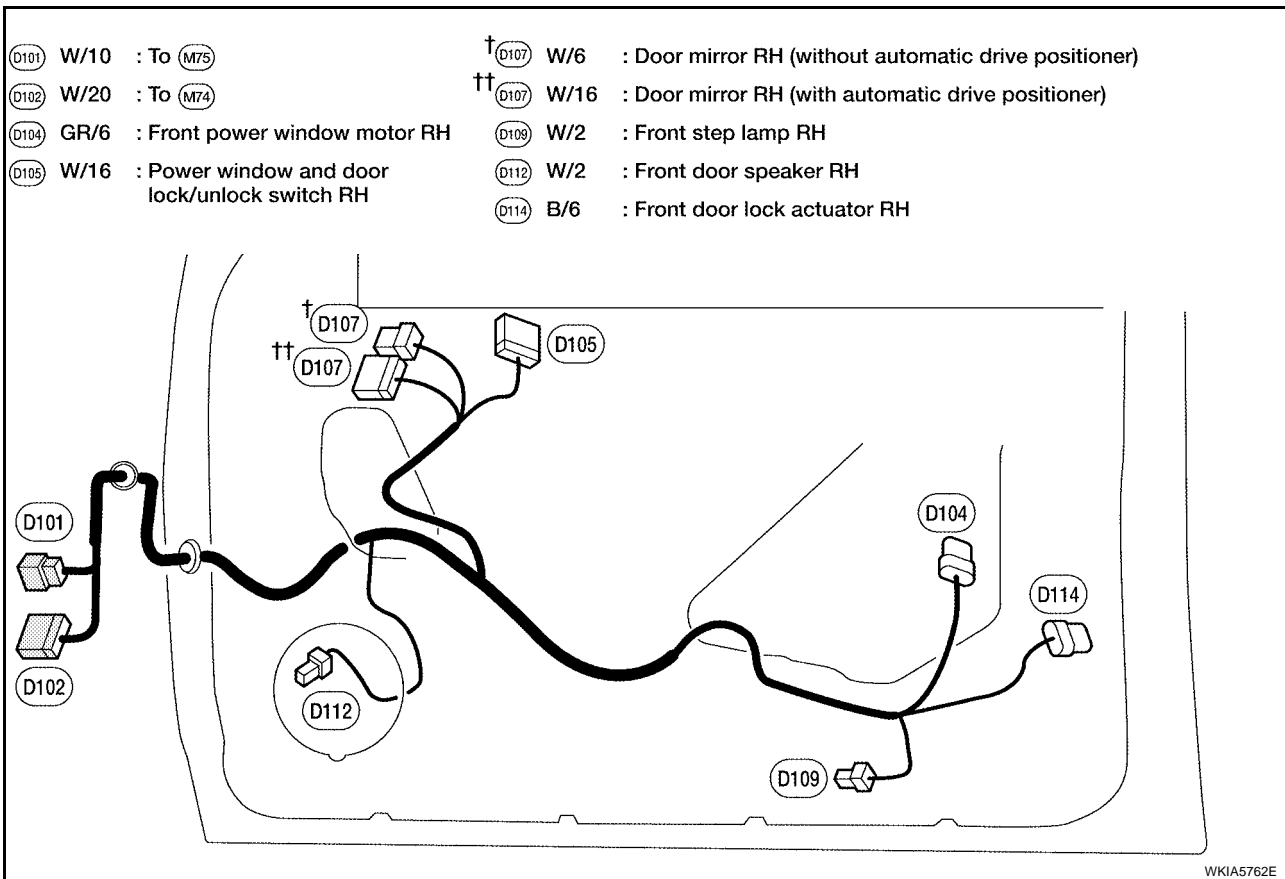
- Room lamp sub-harness A**
- R1 : W/16 : To (M1)
  - R2 : W/12 : To (M2)
  - R3 : W/2 : Vanity lamp LH
  - R4 : W/10 : Sunroof motor assembly
  - R6 : W/24 : To (R101)
  - R7 : GR/7 : Auto anti-dazzling inside mirror
  - R8 : W/2 : Vanity lamp RH
- Room lamp sub-harness B**
- R200 : W/16 : To (B145)
  - R201 : BR/24 : To (B146)
  - R202 : W/12 : Video monitor
  - R203 : W/3 : Personal lamp 2nd row
  - R204 : W/16 : Rear audio remote control unit
  - R205 : W/3 : Personal lamp 3rd row
  - R207 : W/4 : To (B147)
  - R208 : W/5 : Rear air control
  - R209 : B/6 : Rear air control
- Room lamp sub-harness A**
- R101 : W/24 : To (R6)
  - R102 : GR/8 : Front room/map lamp assembly
  - R103 : W/6 : Rear power vent window switch
  - R104 : GR/6 : Sunroof switch
  - R105 : W/8 : Compass and thermometer
  - R106 : W/2 : HOMELINK universal transceiver

# HARNESS

## FRONT DOOR LH HARNESS



## FRONT DOOR RH HARNESS



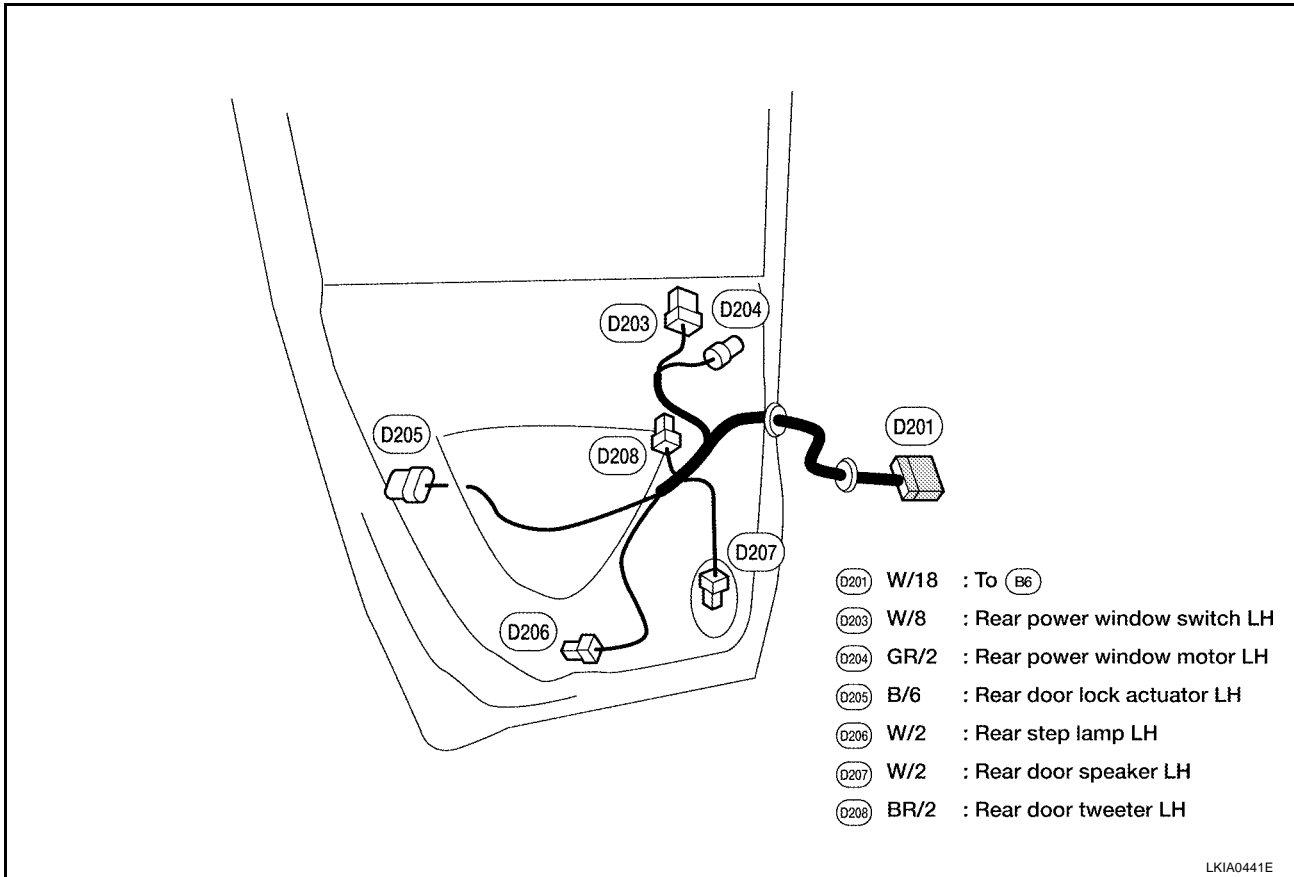
A  
B  
C  
D  
E  
F  
G  
H  
I  
J

PG

L  
M

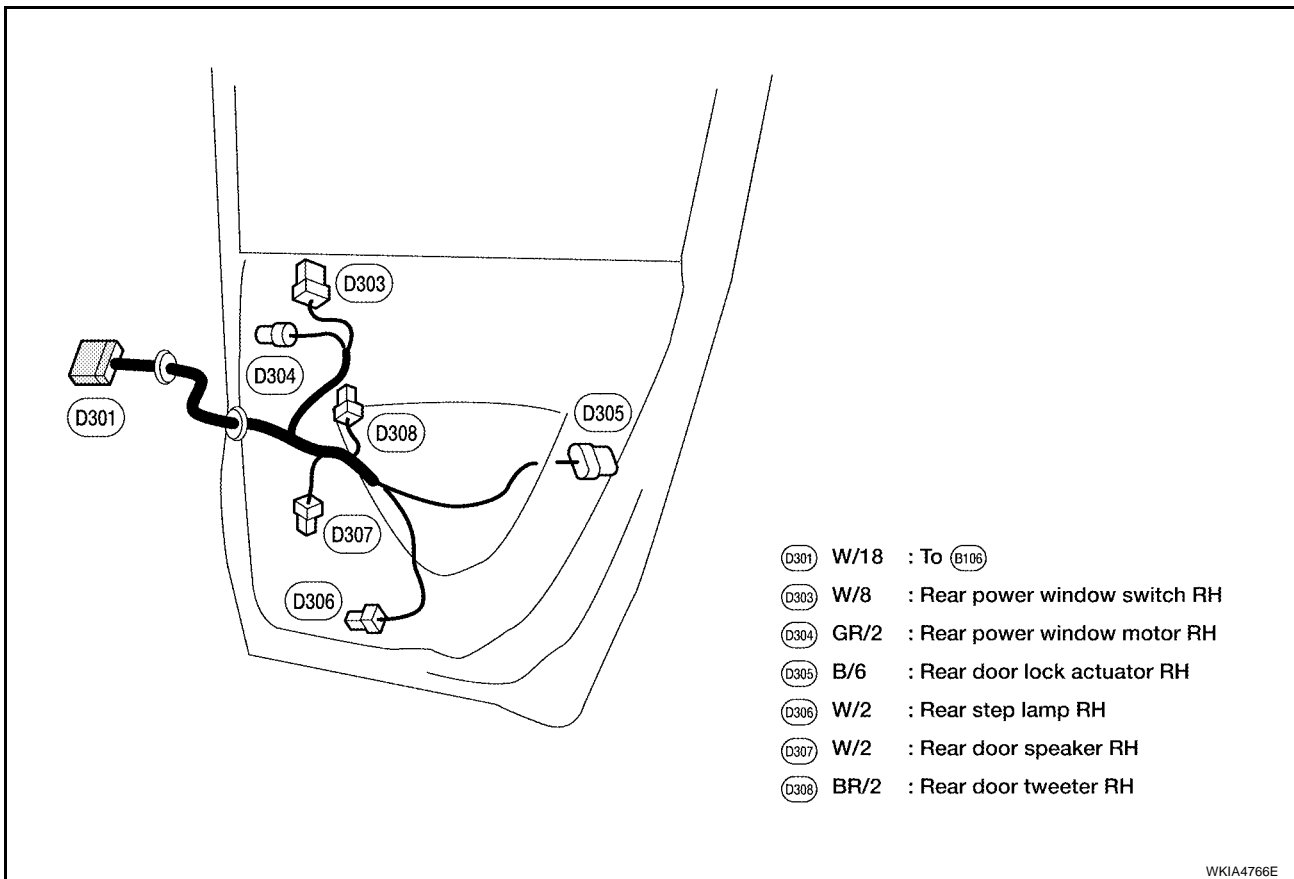
# HARNESS

## REAR DOOR LH HARNESS



LKIA0441E

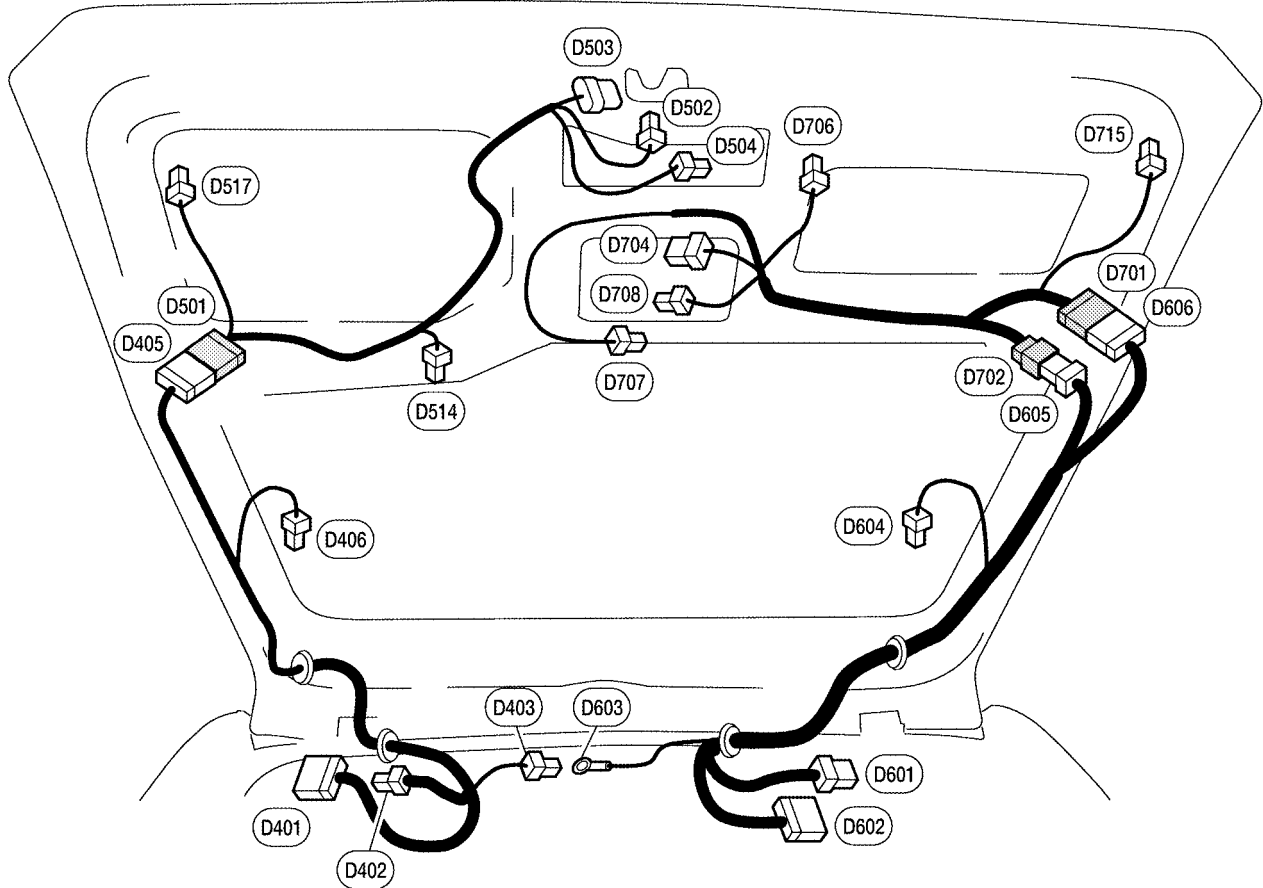
## REAR DOOR RH HARNESS



WKIA4766E

# HARNESS

## BACK DOOR HARNESS



### Back door No. 2 LH harness

- (D401) W/16 : To (B48)
- (D402) W/2 : To (B49)
- (D403) GR/2 : High-mounted stop lamp
- (D405) W/16 : To (D501)
- (D406) B/1 : Rear window defogger

### Back door LH harness

- (D501) W/16 : To (D405)
- (D502) W/3 : Back door switch
- (D503) W/8 : Back door latch
- (D504) W/4 : Rear view camera
- (D514) BR/2 : Back door warning chime
- (D517) BR/2 : Pinch strip LH

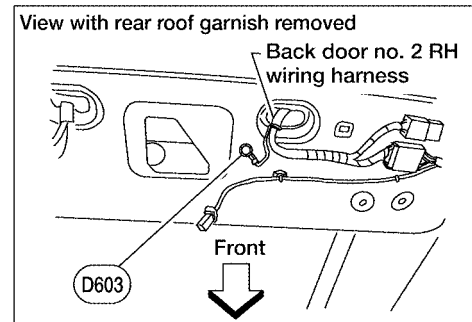
### Back door No. 2 RH harness

- (D601) W/6 : To (B140)
- (D602) W/16 : To (B139)
- (D603) - : Body ground
- (D604) B/1 : Rear defogger ground
- (D605) W/6 : To (D702)
- (D606) W/16 : To (D701)

### Back door RH harness

- (D701) W/16 : To (D606)
- (D702) W/6 : To (D605)
- (D704) W/6 : Rear wiper motor
- (D706) W/2 : Back door handle switch
- (D707) B/1 : Glass hatch ajar switch
- (D708) W/4 : Back door lock actuator
- (D715) BR/2 : Pinch strip RH

### Body ground



For detailed ground distribution information, refer to "Ground Distribution".

WKIA4767E

# HARNESSES

EKS00J88

## Wiring Diagram Codes (Cell Codes)

Use the chart below to find out what each wiring diagram code stands for.

Refer to the wiring diagram code in the alphabetical index to find the location (page number) of each wiring diagram.

Code	Section	Wiring Diagram Name
A/C,A	ATC	Auto Air Conditioner
A/SUSP	RSU	Rear Air Suspension
AF1B1	EC	Air Fuel Ratio (A/F) Sensor 1 (Bank 1)
AF1B2	EC	Air Fuel Ratio (A/F) Sensor 1 (Bank 2)
AF1HB1	EC	Air Fuel Ratio (A/F) Sensor 1 (Bank 1)
AF1HB2	EC	Air Fuel Ratio (A/F) Sensor 1 (Bank 2)
APPS1	EC	Accelerator Pedal Position Sensor
APPS2	EC	Accelerator Pedal Position Sensor
APPS3	EC	Accelerator Pedal Position Sensor
ASC/BS	EC	ASCD Brake Switch
ASC/SW	EC	ASCD Steering Switch
ASCBOF	EC	ASCD Brake Switch
ASCIND	EC	ASCD Indicator
A/T	AT	A/T Assembly
AT/IND	DI	A/T Indicator Lamp
AUDIO	AV	Audio
AUTO/DP	SE	Automatic Drive Positioner
AUTO/L	LT	Auto Light Control
B/CLOS	BL	Back Door Auto Closure System
BACK/L	LT	Back-up Lamp
BRK/SW	EC	Brake Switch
CAN	AT	CAN Communication Line
CAN	EC	CAN Communication Line
CAN	LAN	CAN System
CHARGE	SC	Charging System
CHIME	DI	Warning Chime
COOL/F	EC	Cooling Fan Control
COMBSW	LT	Combination Switch
COMM	AV	Audio Visual Communication System
COMPAS	DI	Compass and Thermometer
CUR/SE	EC	Current Sensor
D/LOCK	BL	Power Door Lock
DEF	GW	Rear Window Defogger
DTRL	LT	Headlamp - With Daytime Light System
DVD	AV	DVD Entertainment System
ECM/PW	EC	ECM Power Supply for Back-Up
ECTS	EC	Engine Coolant Temperature Sensor
ETC1	EC	Electric Throttle Control Function
ETC2	EC	Throttle Control Motor Relay
ETC3	EC	Throttle Control Motor
F/FOG	LT	Front Fog Lamp
FPCM	EC	Fuel Pump Control Module
F/PUMP	EC	Fuel Pump
FTS	AT	Fuel Tank Temperature Sensor
FTTS	EC	Fuel Tank Temperature Sensor
FUELB1	EC	Fuel Injection System Bank 1
FUELB2	EC	Fuel Injection System Bank 2

# HARNESSES

H/LAMP	LT	Headlamp	
HORN	WW	Horn	A
HSEAT	SE	Heated Seat	
I/MIRR	GW	Inside Mirror (Auto Anti-Dazzling Mirror)	B
IATS	EC	Intake Air Temperature Sensor	
IGNSYS	EC	Ignition System	
ILL	LT	Illumination	C
INJECT	EC	Injectors	
INT/L	LT	Room/Map, Vanity, Cargo, Personal, Foot, Step, and Puddle Lamps	
IVCB1	EC	Intake Valve Timing Control Solenoid Valve (Bank 1)	D
IVCB2	EC	Intake Valve Timing Control Solenoid Valve (Bank 2)	
IVCSB1	EC	Intake Valve Timing Control Solenoid Valve (Bank 1)	
IVCSB2	EC	Intake Valve Timing Control Solenoid Valve (Bank 2)	E
IVTB1	EC	Intake Valve Timing Control System (Bank 1)	
IVTB2	EC	Intake Valve Timing Control System (Bank 2)	
KEYLES	BL	Remote Keyless Entry System	F
KS	EC	Knock Sensor	
MAFS	EC	Mass Air Flow Sensor	
MAIN	AT	Main Power Supply and Ground Circuit	G
MAIN	EC	Main Power Supply and Ground Circuit	
METER	DI	Speedometer, Tachometer, Temp. and Fuel Gauges	
MIL/DL	EC	Malfunction Indicator Lamp	H
MIRROR	GW	Door Mirror	
NATS	BL	Nissan Anti-Theft System	
NAVI	AV	Navigation System	I
NONDTC	AT	Non Detectable Item	
O2H2B1	EC	Rear Heated Oxygen Sensor 2 Heater Bank 1	
O2H2B2	EC	Rear Heated Oxygen Sensor 2 Heater Bank 2	J
O2S2B1	EC	Heated Oxygen Sensor 2 Bank 1	
O2S2B2	EC	Heated Oxygen Sensor 2 Bank 2	
P/SCKT	WW	Power Socket	PG
PEDAL	AP	Adjustable Pedal System	
PGC/V	EC	EVAP Canister Purge Volume Control Solenoid Valve	
PHASE	EC	Camshaft Position Sensor (PHASE) (Bank 1)	L
PNP/SW	AT	Park/Neutral Position Switch	
PNP/SW	EC	Park/Neutral Position Switch	
POS	EC	Crankshaft Position Sensor (POS)	M
POWER	PG	Power Supply Routing	
PRE/SE	EC	EVAP Control System Pressure Sensor	
PS/SEN	EC	Power Steering Pressure Sensor	
R/VIEW	DI	Rear View Camera	
RP/SEN	EC	Refrigerant Pressure Sensor	
SEAT	SE	Power Seat	
SEN/PW	EC	Sensor Power Supply	
SHIFT	AT	A/T Shift Lock System	
SONAR	DI	Rear Sonar System	
SROOF	RF	Sunroof	
SRS	SRS	Supplemental Restraint System	
START	SC	Starting System	
STOP/L	LT	Stop Lamp	
STSIG	AT	Start Signal Circuit	
T/TOW	LT	Trailer Tow	

# HARNESSES

T/WARN	WT	Low Tire Pressure Warning System
TAIL/L	LT	Parking, License and Tail Lamps
T/F	TF	Transfer Case
TMSW	AT	Tow Mode Switch
TPS1	EC	Throttle Position Sensor
TPS2	EC	Throttle Position Sensor
TPS3	EC	Throttle Position Sensor
TRNSCV	BL	HOMELINK® Universal Transceiver
TURN	LT	Turn Signal and Hazard Warning Lamps
VDC	BRC	Vehicle Dynamic Control System
VEHSEC	BL	Vehicle security (theft warning) system
VENT/V	EC	EVAP Canister Vent Control Valve
VSSA/T	AT	Vehicle Speed Sensor A/T (Revolution Sensor)
W/ANT	AV	Audio Antenna
WARN	DI	Warning Lamps
WINDOW	GW	Power Window
WIP/R	WW	Rear Wiper and Washer
WIPER	WW	Front Wiper and Washer



# ELECTRICAL UNITS LOCATION

PFP:25230

EKS00J89

A

B

C

D

E

F

G

H

I

J

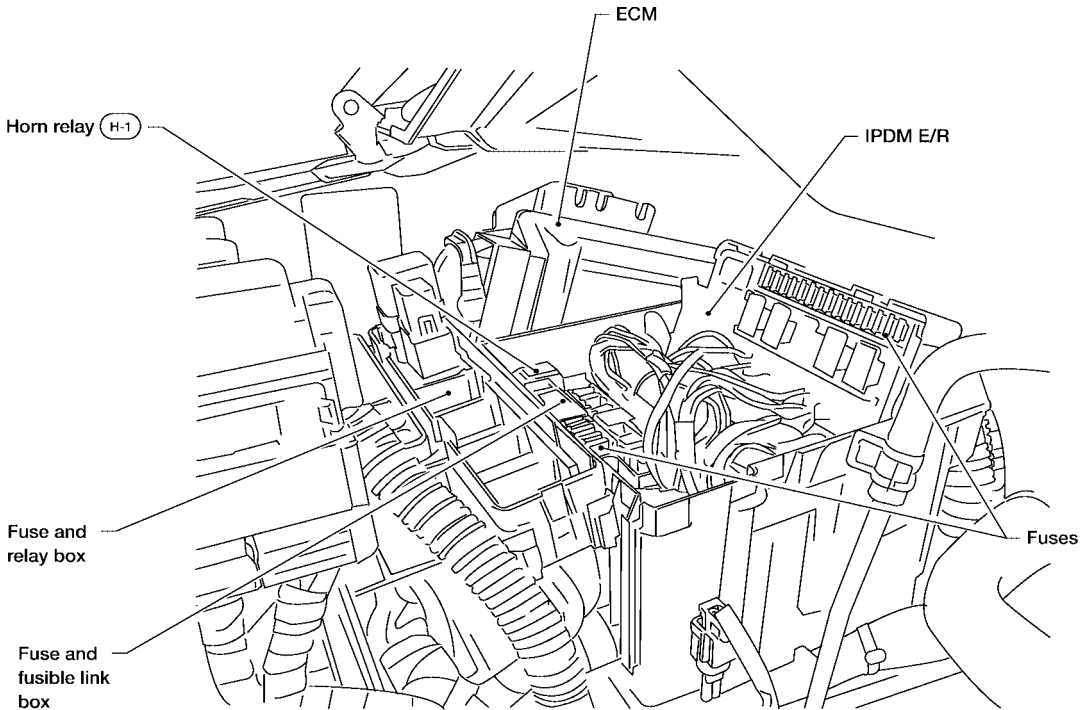
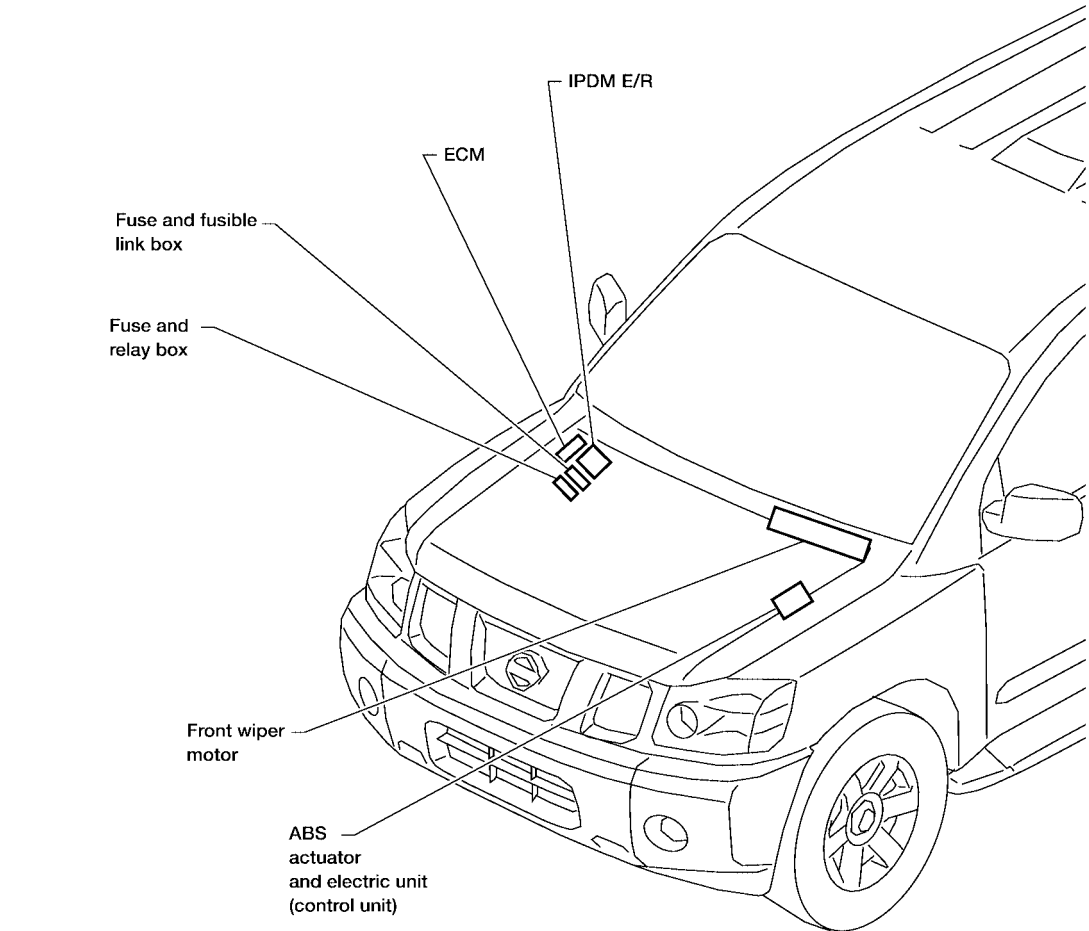
PG

L

M

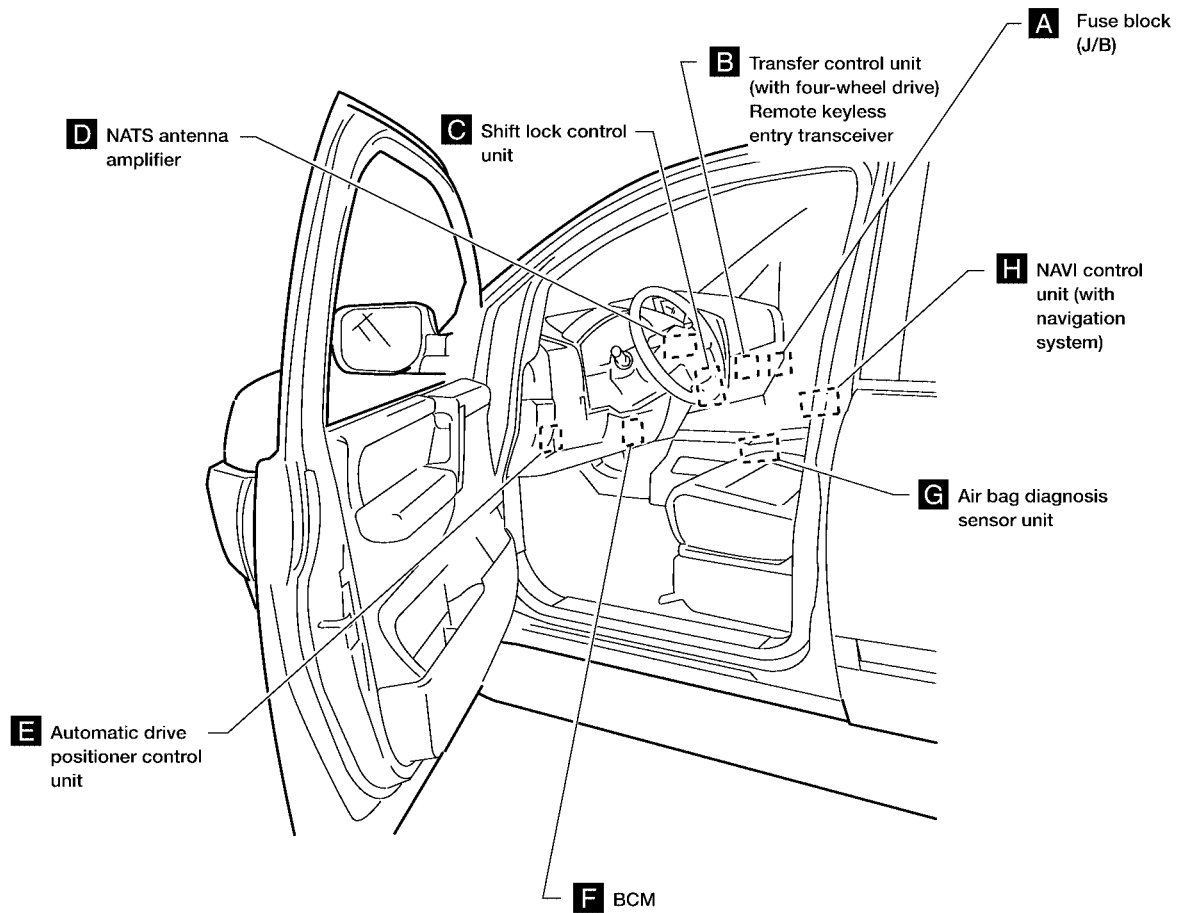
## ELECTRICAL UNITS LOCATION

### Electrical Units Location ENGINE COMPARTMENT



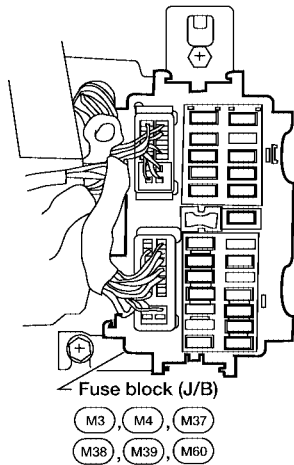
# ELECTRICAL UNITS LOCATION

## PASSENGER COMPARTMENT

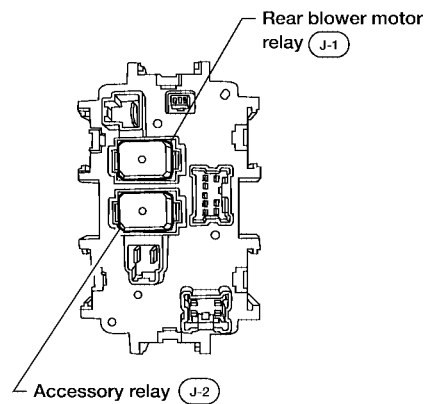


**A** Instrument panel side RH

Fuse block (J/B) front view

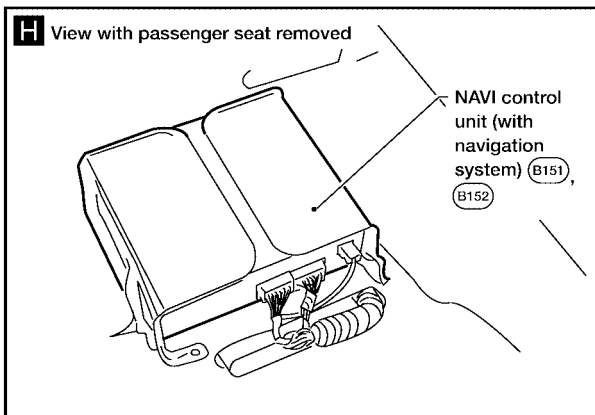
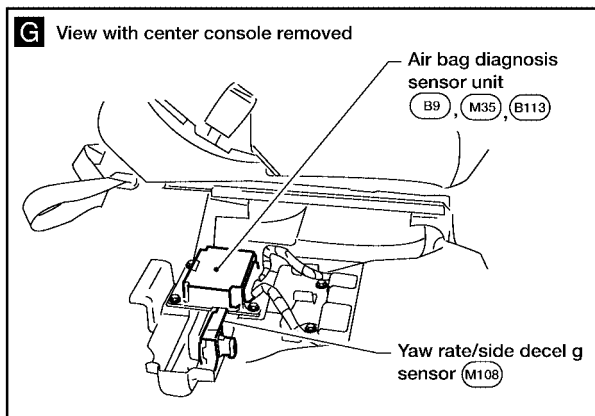
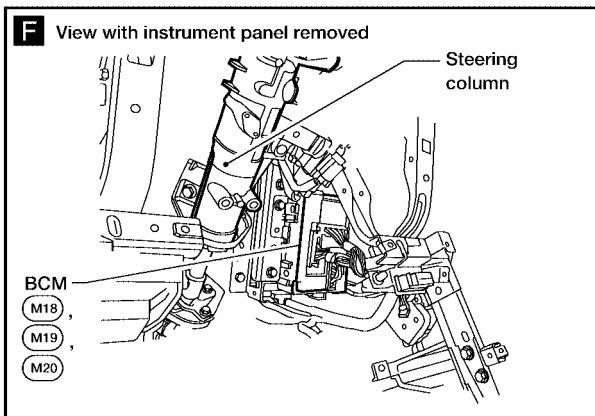
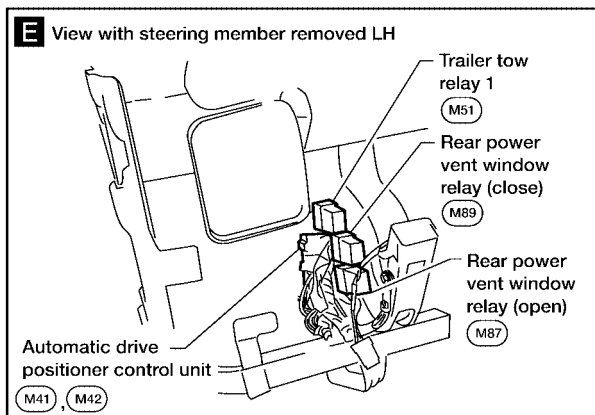
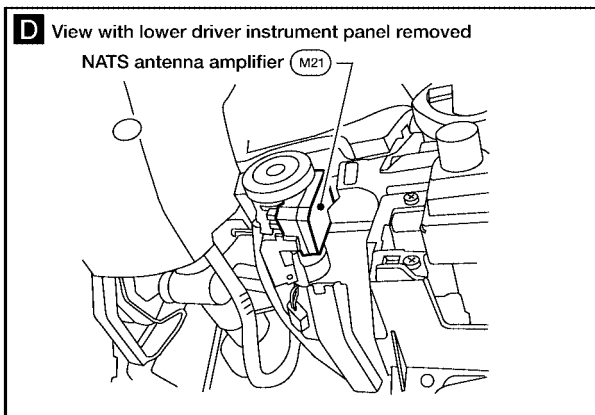
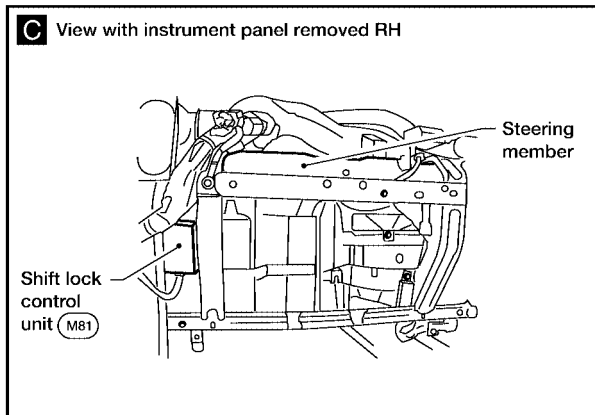
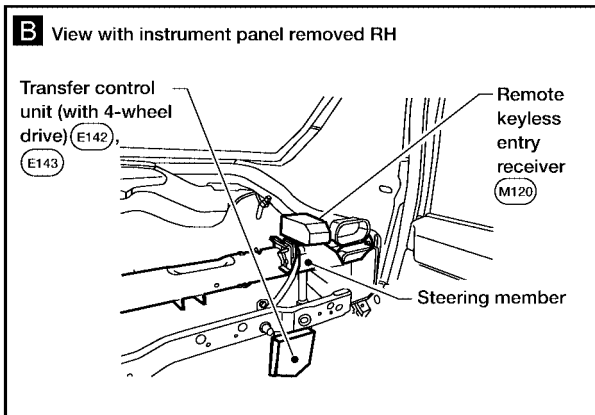


Fuse block (J/B) rear view



WKIA4768E

# ELECTRICAL UNITS LOCATION



A  
B  
C  
D  
E  
F  
G  
H  
I  
J  
PG  
L  
M

WKIA4769E

# HARNESS CONNECTOR

## HARNESS CONNECTOR

PFP:B4341

### Description

#### HARNESS CONNECTOR (TAB-LOCKING TYPE)

EKS00J8A

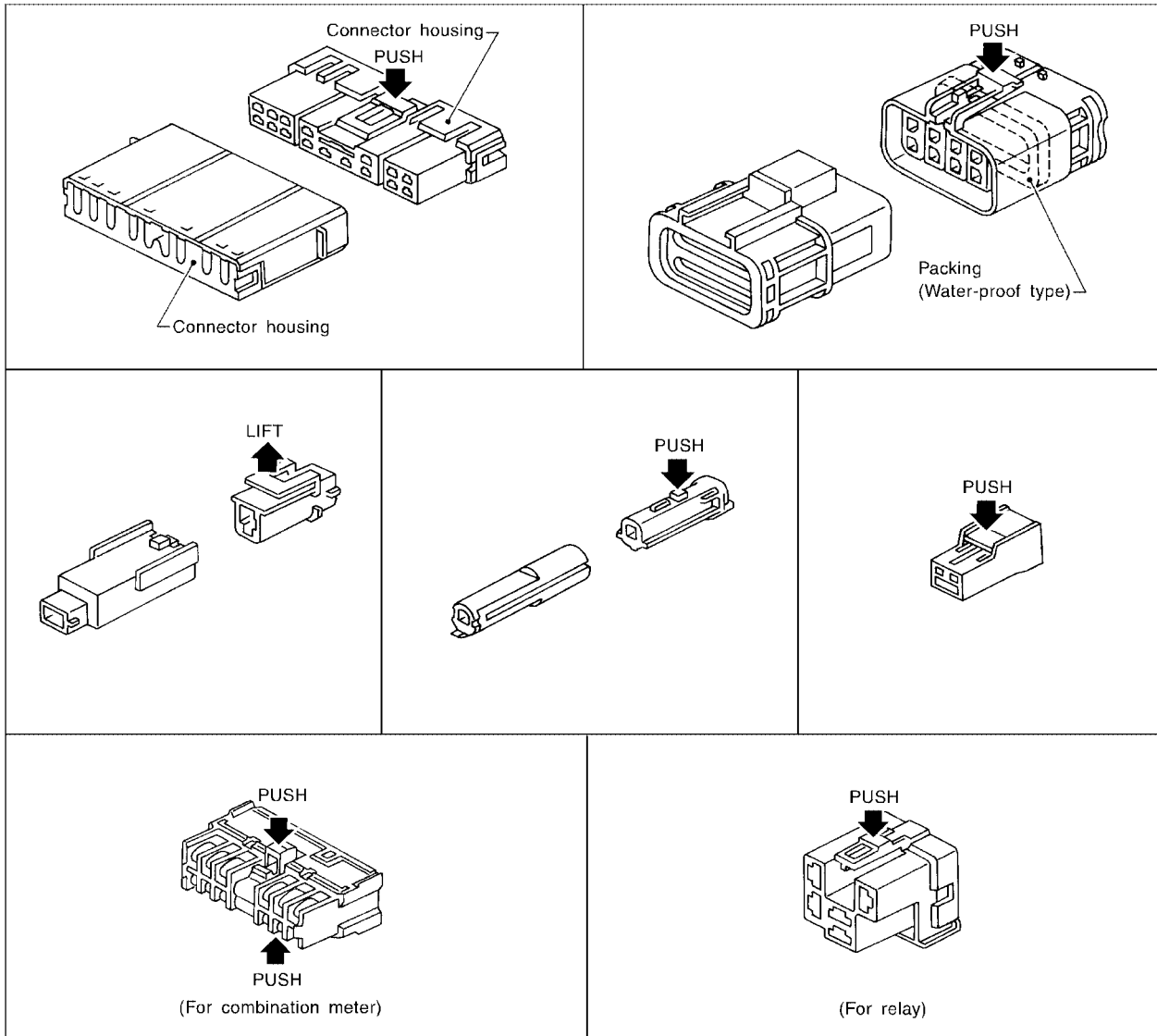
- The tab-locking type connectors help prevent accidental looseness or disconnection.
- The tab-locking type connectors are disconnected by pushing or lifting the locking tab(s). Refer to the illustration below.

Refer to the next page for description of the slide-locking type connector.

#### CAUTION:

Do not pull the harness or wires when disconnecting the connector.

[Example]



SEL769DA

# HARNESS CONNECTOR

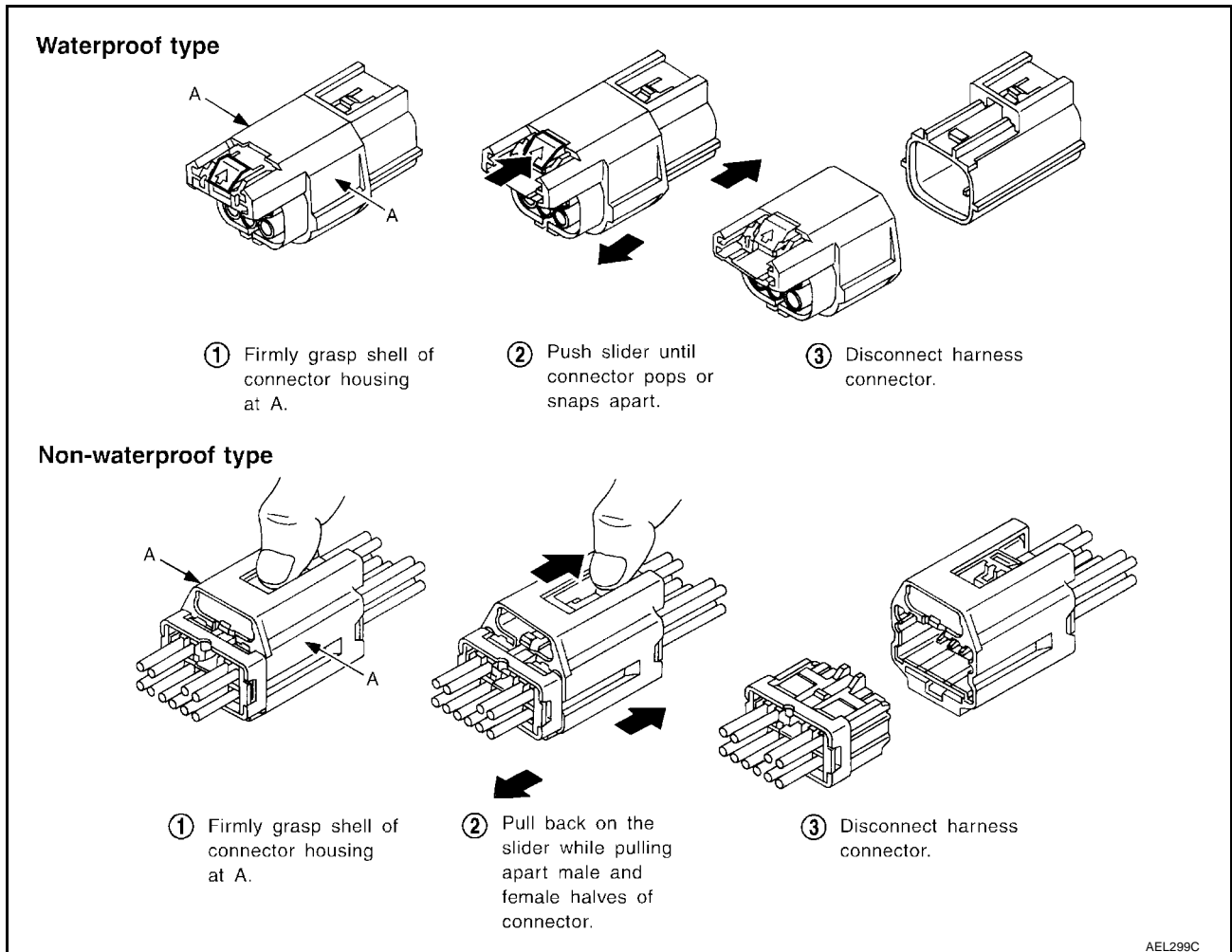
## HARNESS CONNECTOR (SLIDE-LOCKING TYPE)

- A new style slide-locking type connector is used on certain systems and components, especially those related to OBD.
- The slide-locking type connectors help prevent incomplete locking and accidental looseness or disconnection.
- The slide-locking type connectors are disconnected by pushing or pulling the slider. Refer to the illustration below.

### CAUTION:

- Do not pull the harness or wires when disconnecting the connector.
- Be careful not to damage the connector support bracket when disconnecting the connector.

[Example]



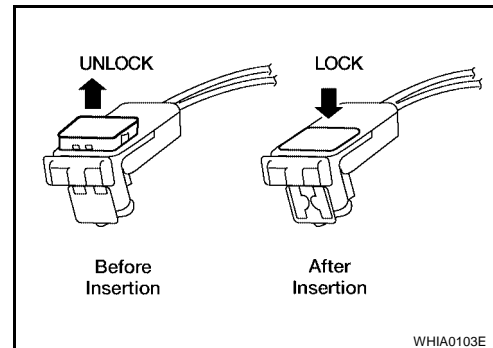
# HARNESS CONNECTOR

## HARNESS CONNECTOR (DIRECT-CONNECT SRS COMPONENT TYPE)

- SRS direct-connect type harness connectors are used on certain SRS components such as air bag modules and seat belt pre-tensioners.
- Always pull up to release black locking tab prior to removing connector from SRS component.
- Always push down to lock black locking tab after installing connector to SRS component. When locked, the black locking tab is level with the connector housing.

### CAUTION:

- **Do not pull the harness or wires when removing connectors from SRS components.**



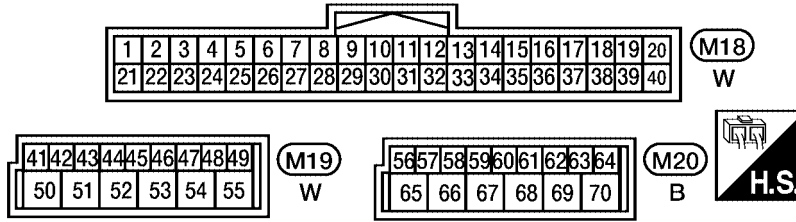
# ELECTRICAL UNITS

## ELECTRICAL UNITS Terminal Arrangement

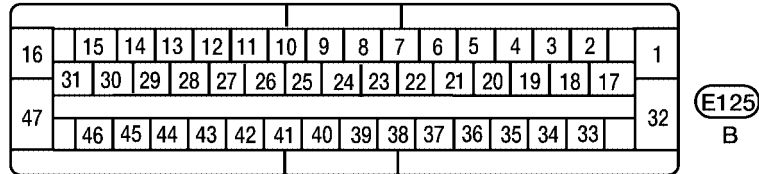
PFP:23710

EKS00J8B

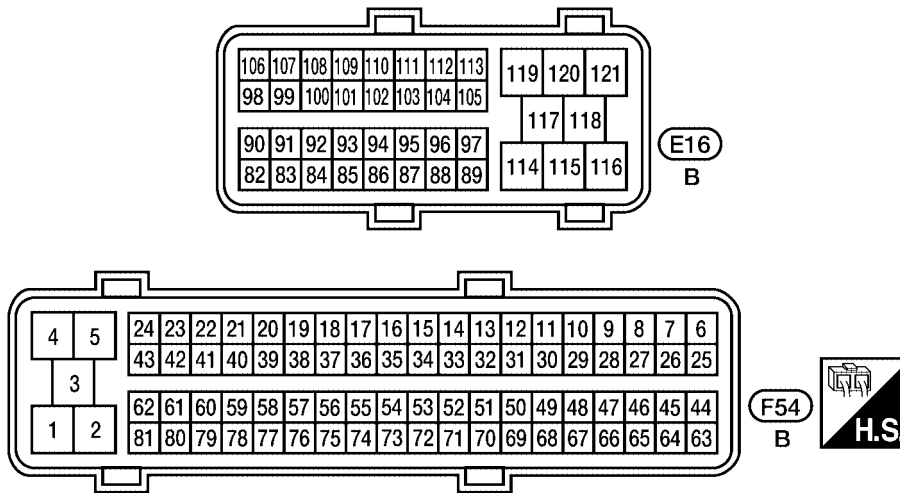
BCM (BODY CONTROL MODULE)



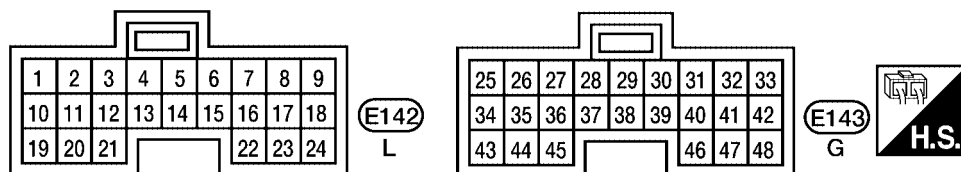
ABS ACTUATOR AND ELECTRIC UNIT (CONTROL UNIT)



ECM



TRANSFER CONTROL UNIT



WKIA4770E

# STANDARDIZED RELAY

PFP:25230

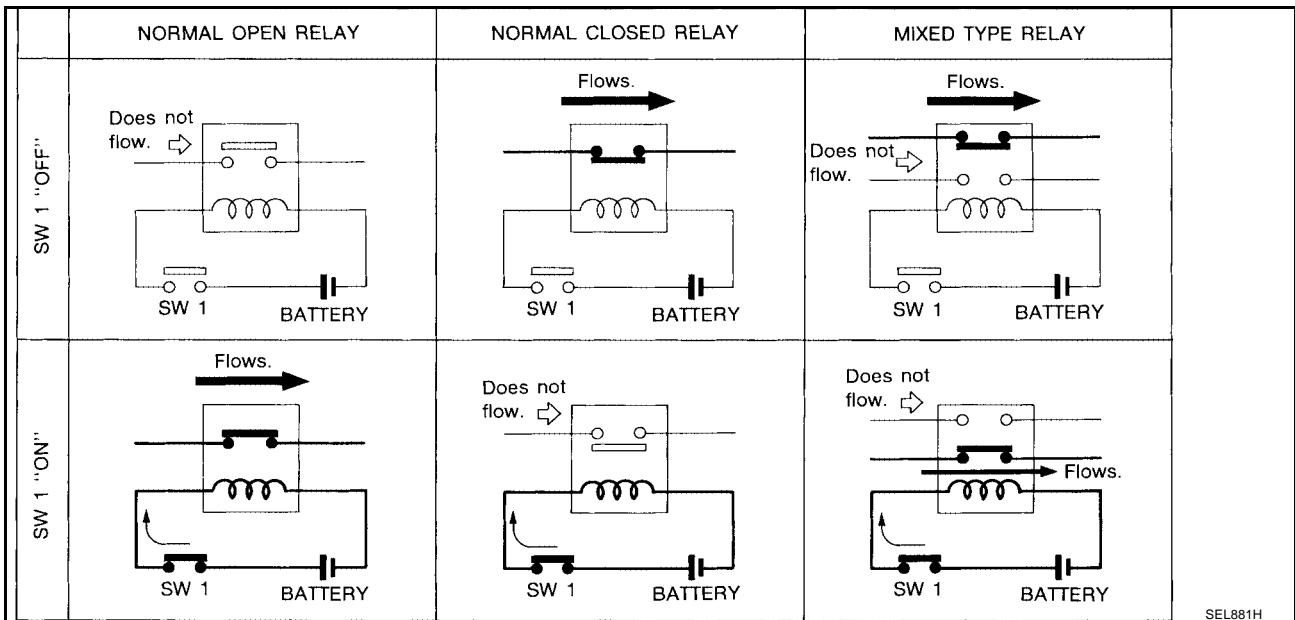
EKS00J8C

## STANDARDIZED RELAY

### Description

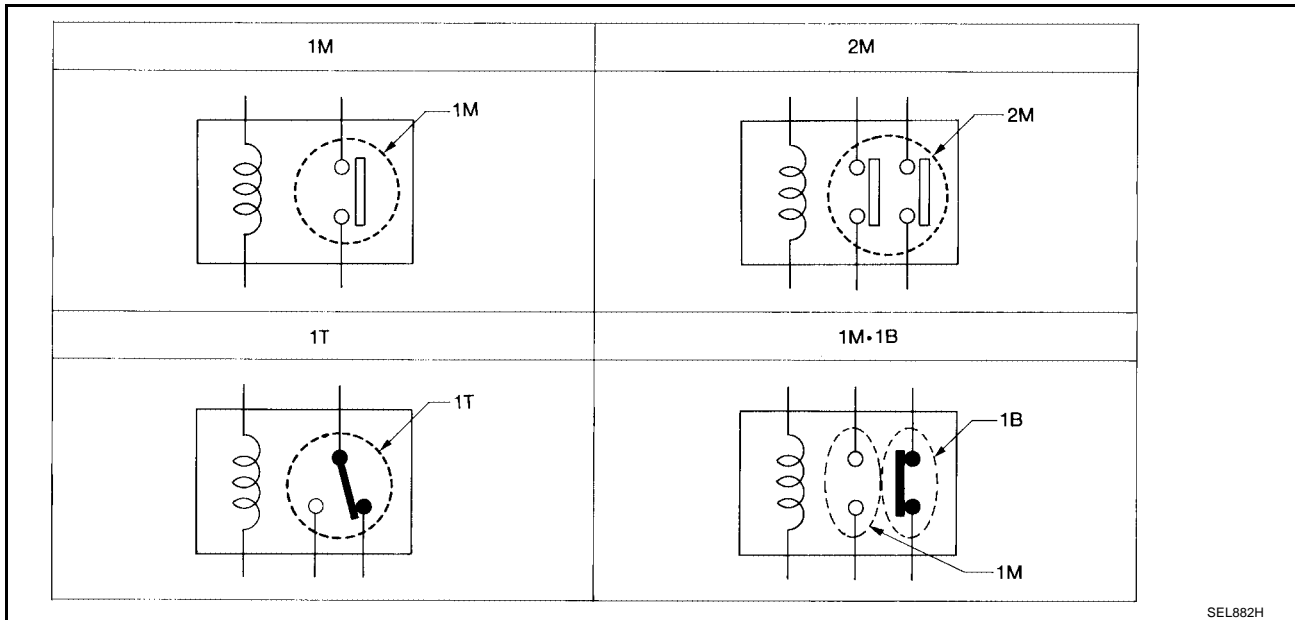
### NORMAL OPEN, NORMAL CLOSED AND MIXED TYPE RELAYS

Relays can mainly be divided into three types: normal open, normal closed and mixed type relays.



SEL881H

### TYPE OF STANDARDIZED RELAYS

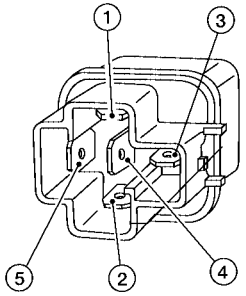
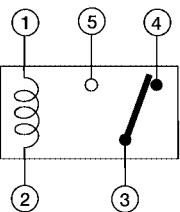
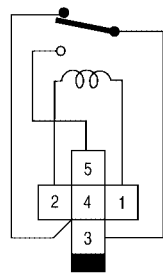
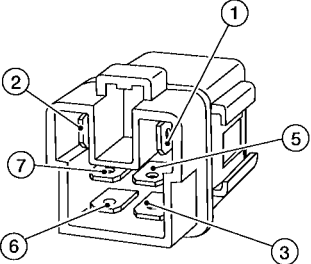
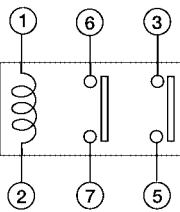
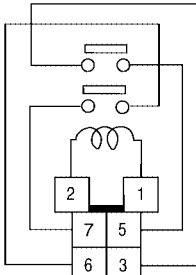
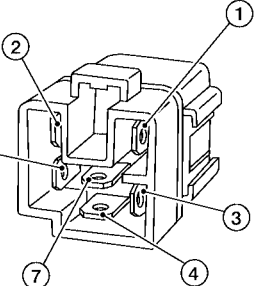
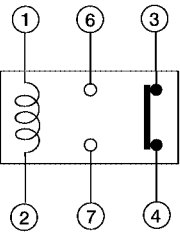
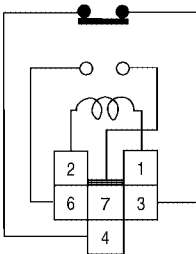
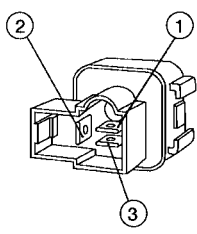
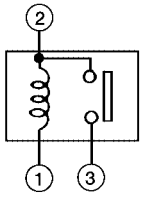
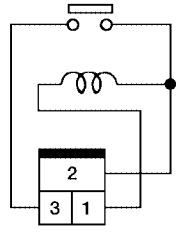
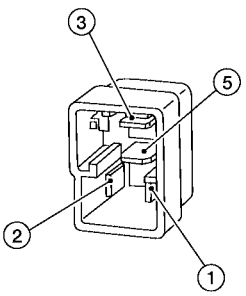
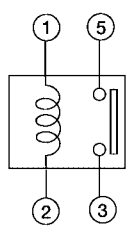
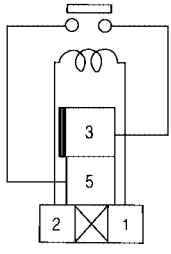


SEL882H

1M	1 Make	2M	2 Make
1T	1 Transfer	1M-1B	1 Make 1 Break



# STANDARDIZED RELAY

Type	Outer view	Circuit	Connector Symbol and connection	Case color
1T				BLACK
2M				BROWN
1M-1B				GRAY
1M				BLACK
				BLUE

The arrangement of terminal numbers on the actual relays may differ from those shown above.

WKIA0253E

A  
B  
C  
D  
E  
F  
G  
H  
I  
J  
PG  
L  
M

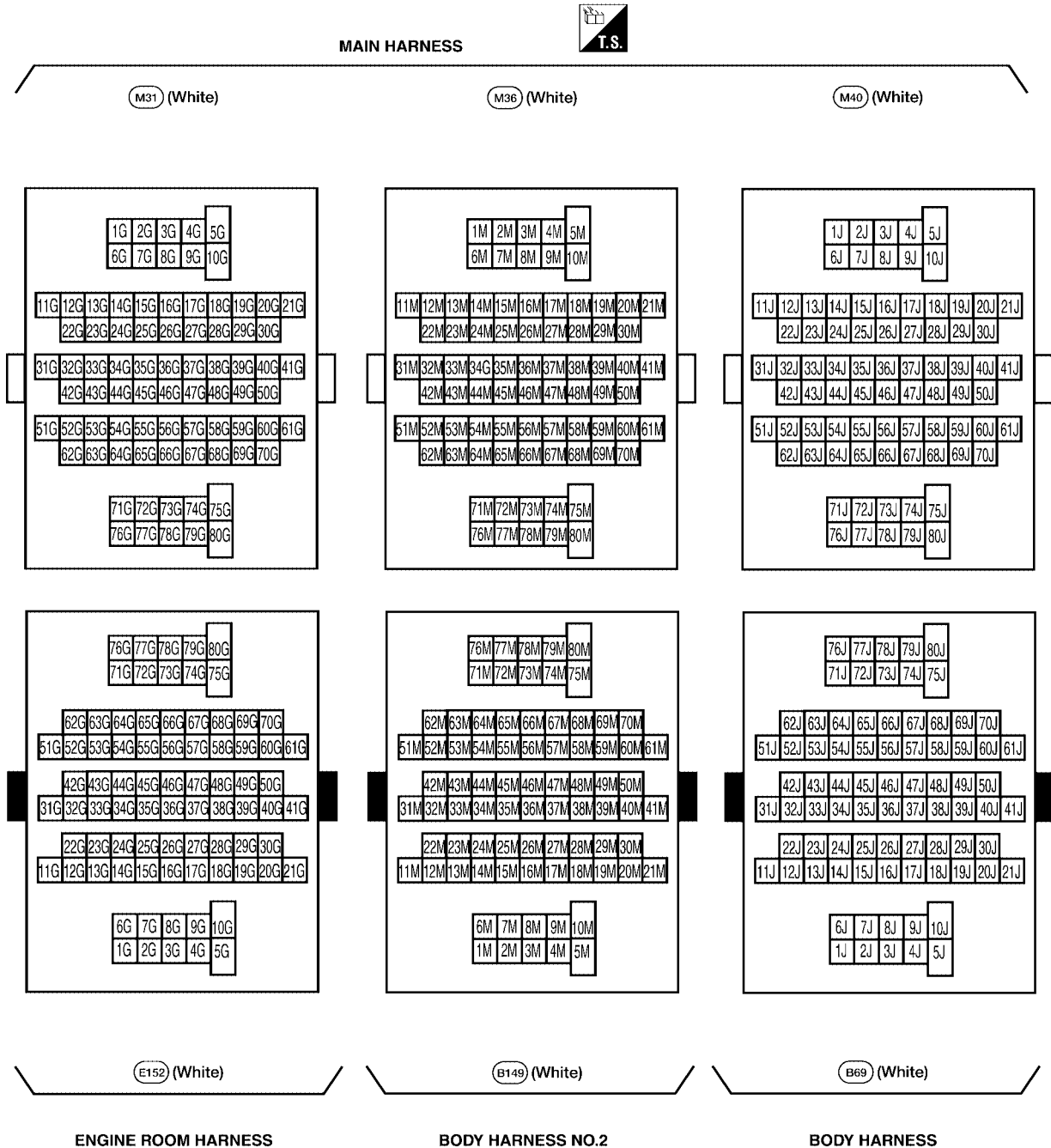
# SUPER MULTIPLE JUNCTION (SMJ)

## SUPER MULTIPLE JUNCTION (SMJ)

PFJ:84341

### Terminal Arrangement

EKS00J8D



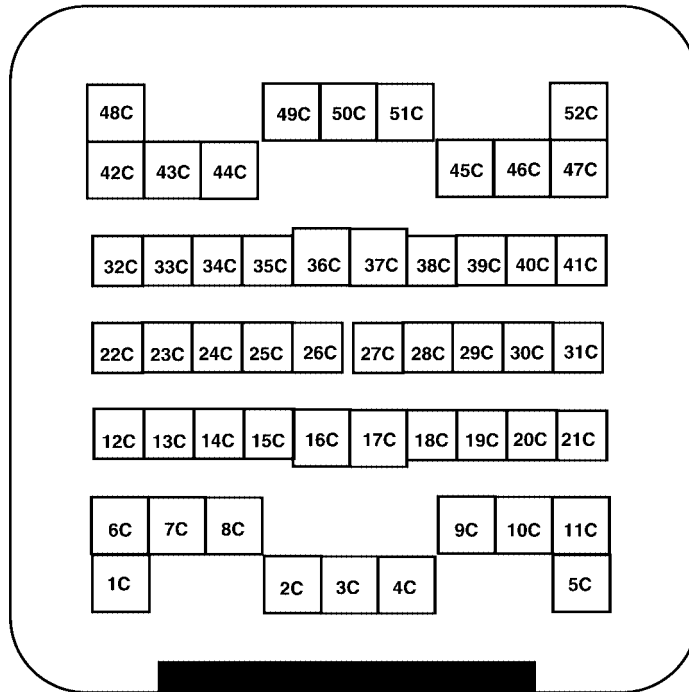
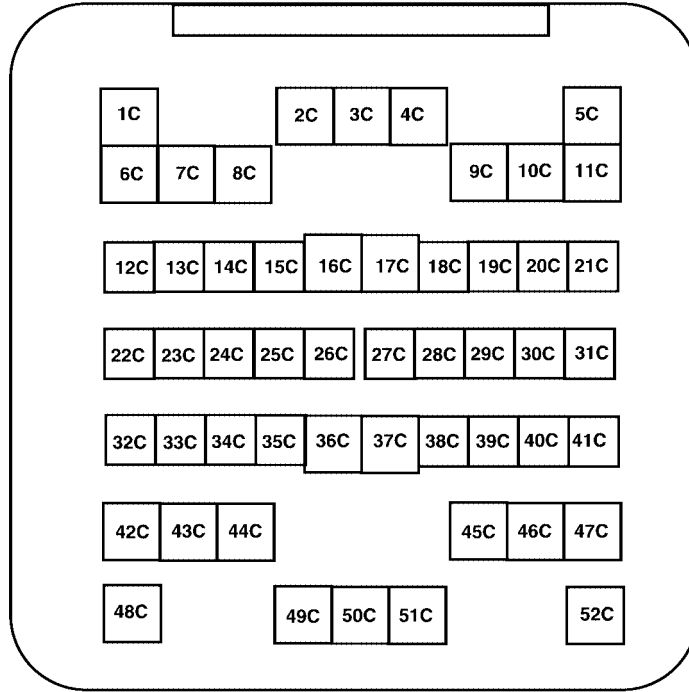
LKIA0385E

# SUPER MULTIPLE JUNCTION (SMJ)

CHASSIS HARNESS



(C1) (Gray)



(E41) (Gray)

ENGINE ROOM HARNESS

WKIA1845E

A  
B  
C  
D  
E  
F  
G  
H  
I  
J  
PG  
L  
M

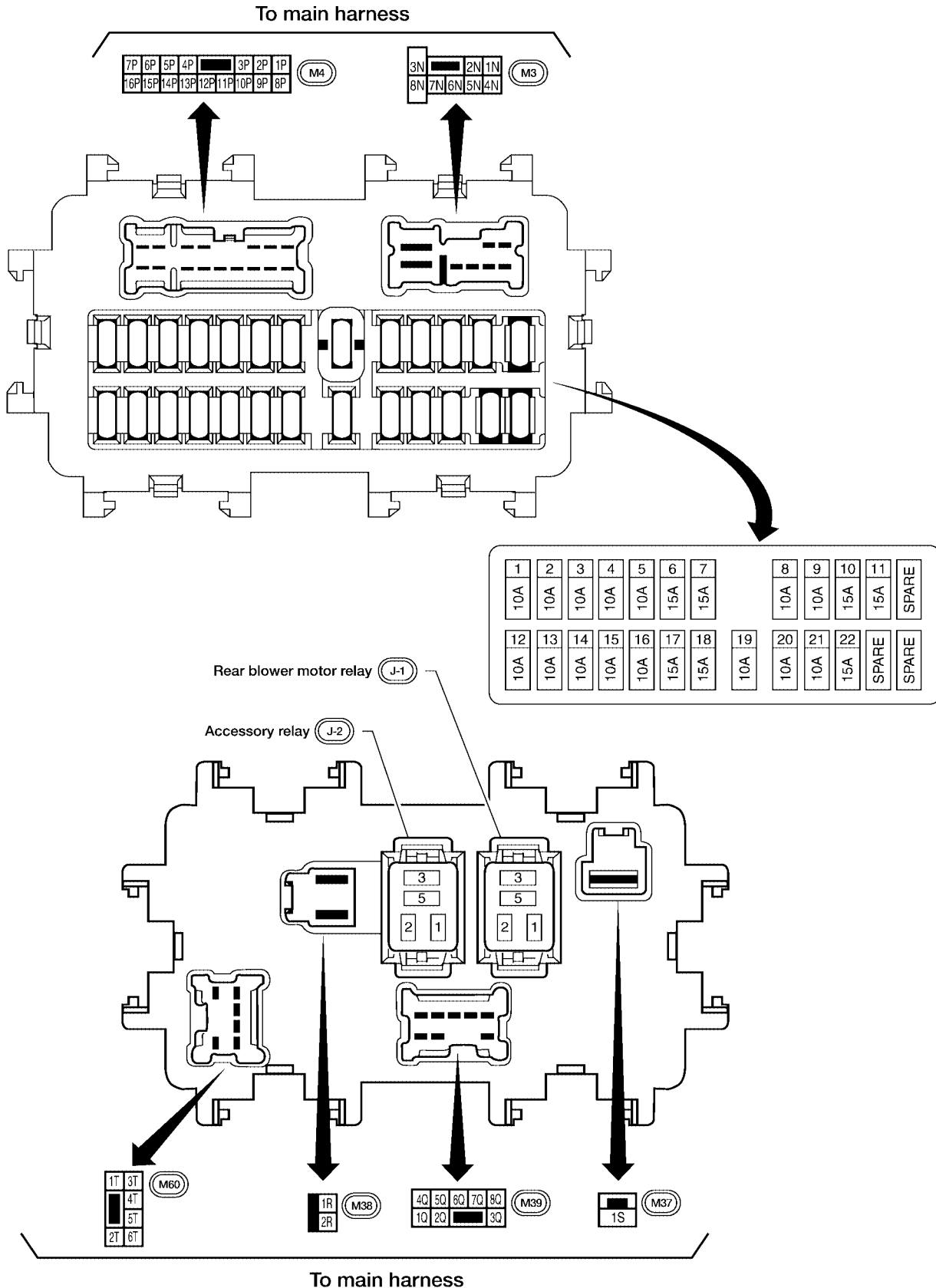
# FUSE BLOCK-JUNCTION BOX (J/B)

PFP:24350

EKS00J8E

## FUSE BLOCK-JUNCTION BOX (J/B)

### Terminal Arrangement



WKIA4771E

# FUSE AND FUSIBLE LINK BOX

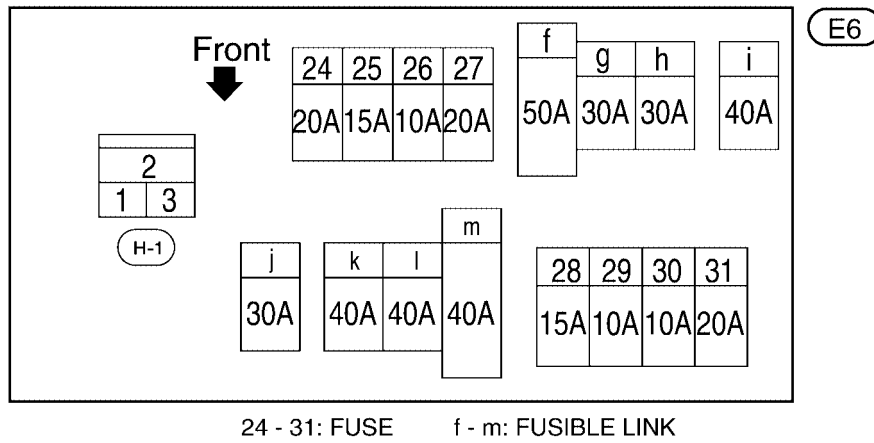
## FUSE AND FUSIBLE LINK BOX

### Terminal Arrangement

PFP:24381

EKS00J8F

A  
B  
C  
D  
E  
F  
G  
H  
I  
J  
L  
M



PG

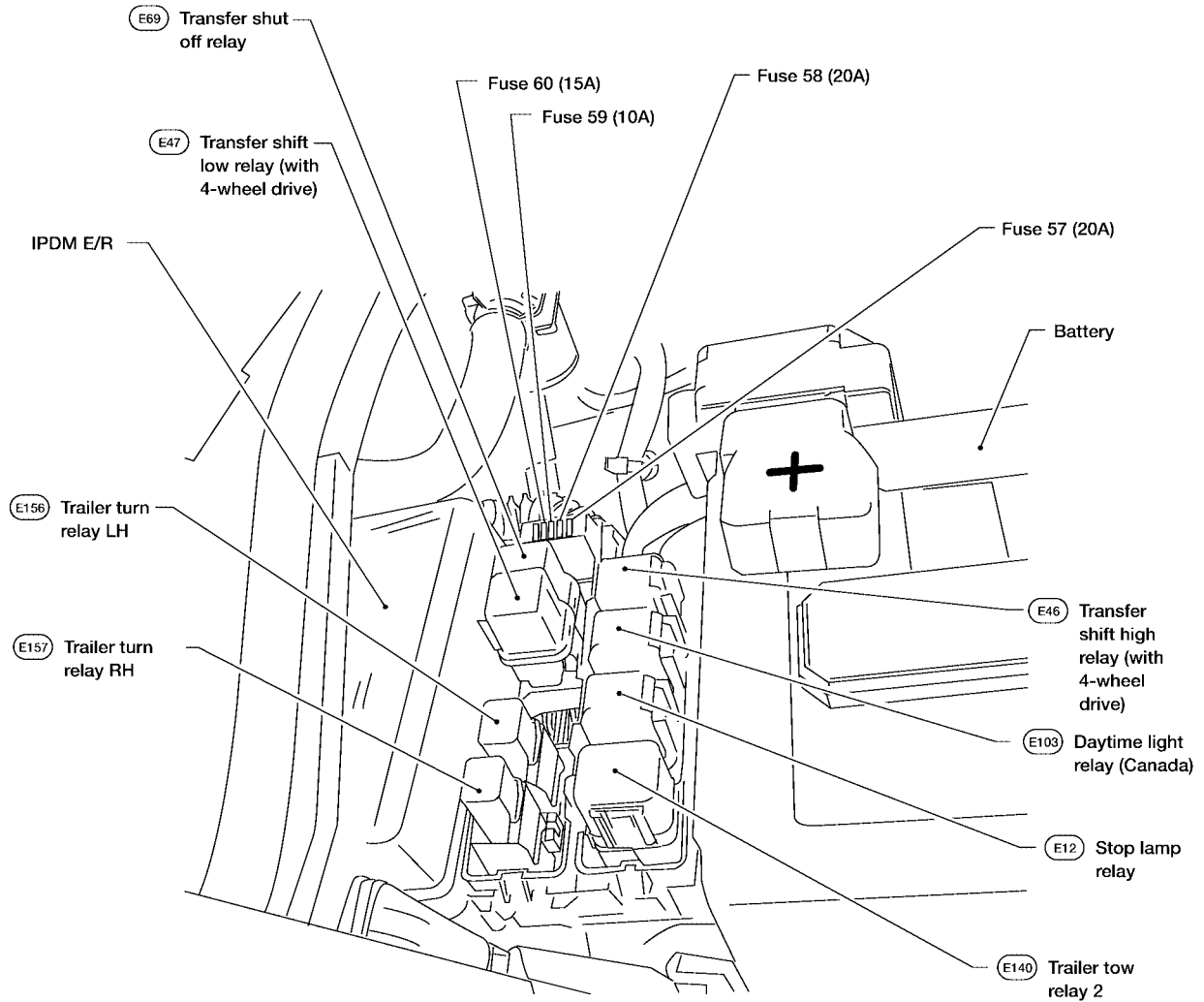
WKIA4772E

# FUSE AND RELAY BOX

PFP:24012

EKS00J8G

## FUSE AND RELAY BOX Terminal Arrangement



WKIA4773E