

**SECTION EI**  
**EXTERIOR & INTERIOR**

A  
B  
C  
D  
E  
F  
G  
H  
EI  
J  
K  
L  
M

**CONTENTS**

<b>PRECAUTIONS</b> .....	<b>3</b>	<b>FENDER PROTECTOR</b> .....	<b>22</b>
Service Notice .....	3	Removal and Installation .....	22
Precautions for Supplemental Restraint System (SRS) "AIR BAG" and "SEAT BELT PRE-TEN- SIONER" .....	3	<b>RUNNING BOARDS</b> .....	<b>23</b>
<b>PREPARATION</b> .....	<b>4</b>	Removal and Installation .....	23
Special Service Tools .....	4	<b>REAR SPOILER</b> .....	<b>24</b>
Commercial Service Tools .....	4	Removal and Installation .....	24
<b>SQUEAK AND RATTLE TROUBLE DIAGNOSES</b> .....	<b>5</b>	REMOVAL .....	24
Work Flow .....	5	INSTALLATION .....	24
CUSTOMER INTERVIEW .....	5	<b>ROOF RACK</b> .....	<b>25</b>
DUPLICATE THE NOISE AND TEST DRIVE .....	6	Removal and Installation .....	25
CHECK RELATED SERVICE BULLETINS .....	6	<b>DOOR OUTSIDE MOLDING</b> .....	<b>26</b>
LOCATE THE NOISE AND IDENTIFY THE ROOT CAUSE .....	6	Removal and Installation .....	26
REPAIR THE CAUSE .....	6	.....	26
CONFIRM THE REPAIR .....	7	.....	27
Generic Squeak and Rattle Troubleshooting .....	7	<b>SIDE GUARD MOLDING</b> .....	<b>28</b>
INSTRUMENT PANEL .....	7	Removal and Installation .....	28
CENTER CONSOLE .....	7	REMOVAL .....	28
DOORS .....	7	INSTALLATION .....	28
TRUNK .....	8	<b>DOOR FINISHER</b> .....	<b>29</b>
SUNROOF/HEADLINING .....	8	Removal and Installation .....	29
OVERHEAD CONSOLE (FRONT AND REAR).....	8	FRONT DOOR .....	29
SEATS .....	8	REAR DOOR .....	30
UNDERHOOD .....	8	<b>BODY SIDE TRIM</b> .....	<b>32</b>
Diagnostic Worksheet .....	9	Removal and Installation .....	32
<b>CLIP AND FASTENER</b> .....	<b>11</b>	LOWER DASH SIDE FINISHER .....	33
Clip and Fastener .....	11	CENTER PILLAR LOWER FINISHER .....	33
<b>FRONT BUMPER</b> .....	<b>14</b>	CENTER PILLAR UPPER FINISHER .....	33
Removal and Installation .....	14	FRONT PILLAR FINISHER .....	33
<b>REAR BUMPER</b> .....	<b>16</b>	KICKING PLATES .....	33
Removal and Installation .....	16	DOOR PARTING SEALS .....	33
<b>FRONT GRILLE</b> .....	<b>18</b>	<b>FLOOR TRIM</b> .....	<b>34</b>
Removal and Installation .....	18	Removal and Installation .....	34
<b>COWL TOP</b> .....	<b>19</b>	<b>HEADLINING</b> .....	<b>35</b>
Removal and Installation .....	19	Removal and Installation .....	35
<b>FRONT FENDER</b> .....	<b>21</b>	REMOVAL .....	36
Removal and Installation .....	21	INSTALLATION .....	36
		<b>LUGGAGE FLOOR TRIM</b> .....	<b>37</b>
		Removal and Installation .....	37
		REMOVAL .....	38
		INSTALLATION .....	38

---

<b>BACK DOOR TRIM .....</b>	<b>39</b>
Removal and Installation .....	39

# PRECAUTIONS

## PRECAUTIONS

PFP:00001

### Service Notice

EIS00BUQ

- When removing or installing various parts, place a cloth or padding on the vehicle body to prevent scratches.
- Handle trim, molding, instruments, grille, etc. carefully during removing or installing. Be careful not to soil or damage them.
- Apply sealing compound where necessary when installing parts.
- When applying sealing compound, be careful that the sealing compound does not protrude from parts.
- When replacing any metal parts (for example body outer panel, members, etc.), be sure to take rust prevention measures.

### Precautions for Supplemental Restraint System (SRS) “AIR BAG” and “SEAT BELT PRE-TENSIONER”

EIS00BUR

The Supplemental Restraint System such as “AIR BAG” and “SEAT BELT PRE-TENSIONER”, used along with a front seat belt, helps to reduce the risk or severity of injury to the driver and front passenger for certain types of collision. This system includes seat belt switch inputs and dual stage front air bag modules. The SRS system uses the seat belt switches to determine the front air bag deployment, and may only deploy one front air bag, depending on the severity of a collision and whether the front occupants are belted or unbelted. Information necessary to service the system safely is included in the SRS and SB section of this Service Manual.

#### **WARNING:**

- **To avoid rendering the SRS inoperative, which could increase the risk of personal injury or death in the event of a collision which would result in air bag inflation, all maintenance must be performed by an authorized NISSAN/INFINITI dealer.**
- **Improper maintenance, including incorrect removal and installation of the SRS, can lead to personal injury caused by unintentional activation of the system. For removal of Spiral Cable and Air Bag Module, see the SRS section.**
- **Do not use electrical test equipment on any circuit related to the SRS unless instructed to in this Service Manual. SRS wiring harnesses can be identified by yellow and/or orange harnesses or harness connectors.**

# PREPARATION

## PREPARATION

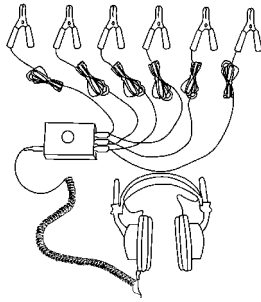
PFP:00002

### Special Service Tools

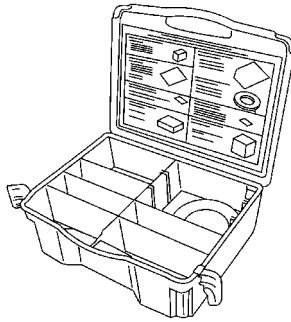
EIS00BUS

The actual shapes of Kent-Moore tools may differ from those of special service tools illustrated here.

Tool number (Kent-Moore No.) Tool name	Description
— (J-39570) Chassis ear	Locating the noise
— (J-43980) NISSAN Squeak and Rattle kit	Repairing the cause of noise



SBT839

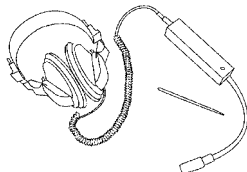


SBT840

### Commercial Service Tools

EIS00BUT

(Kent-Moore No.) Tool name	Description
(J-39565) Engine ear	Locating the noise



SIIA0995E

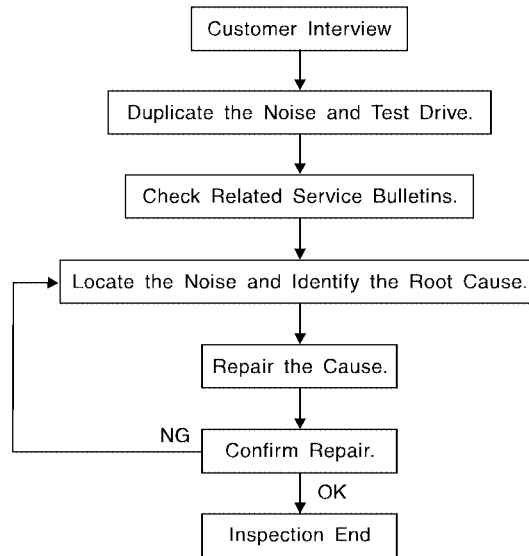
# SQUEAK AND RATTLE TROUBLE DIAGNOSES

## SQUEAK AND RATTLE TROUBLE DIAGNOSES

PF0:0000

### Work Flow

EIS00BUU



SBT842

### CUSTOMER INTERVIEW

Interview the customer if possible, to determine the conditions that exist when the noise occurs. Use the Diagnostic Worksheet during the interview to document the facts and conditions when the noise occurs and any customer's comments; refer to [EI-9, "Diagnostic Worksheet"](#). This information is necessary to duplicate the conditions that exist when the noise occurs.

- The customer may not be able to provide a detailed description or the location of the noise. Attempt to obtain all the facts and conditions that exist when the noise occurs (or does not occur).
- If there is more than one noise in the vehicle, be sure to diagnose and repair the noise that the customer is concerned about. This can be accomplished by test driving the vehicle with the customer.
- After identifying the type of noise, isolate the noise in terms of its characteristics. The noise characteristics are provided so the customer, service adviser and technician are all speaking the same language when defining the noise.
- Squeak —(Like tennis shoes on a clean floor)  
Squeak characteristics include the light contact/fast movement/brought on by road conditions/hard surfaces = higher pitch noise/softer surfaces = lower pitch noises/edge to surface = chirping.
- Creak—(Like walking on an old wooden floor)  
Creak characteristics include firm contact/slow movement/twisting with a rotational movement/pitch dependent on materials/often brought on by activity.
- Rattle—(Like shaking a baby rattle)  
Rattle characteristics include the fast repeated contact/vibration or similar movement/loose parts/missing clip or fastener/incorrect clearance.
- Knock —(Like a knock on a door)  
Knock characteristics include hollow sounding/sometimes repeating/often brought on by driver action.
- Tick—(Like a clock second hand)  
Tick characteristics include gentle contacting of light materials/loose components/can be caused by driver action or road conditions.
- Thump—(Heavy, muffled knock noise)  
Thump characteristics include softer knock/dead sound often brought on by activity.
- Buzz—(Like a bumble bee)  
Buzz characteristics include high frequency rattle/firm contact.
- Often the degree of acceptable noise level will vary depending upon the person. A noise that you may judge as acceptable may be very irritating to the customer.
- Weather conditions, especially humidity and temperature, may have a great effect on noise level.

# SQUEAK AND RATTLE TROUBLE DIAGNOSES

## DUPLICATE THE NOISE AND TEST DRIVE

If possible, drive the vehicle with the customer until the noise is duplicated. Note any additional information on the Diagnostic Worksheet regarding the conditions or location of the noise. This information can be used to duplicate the same conditions when you confirm the repair.

If the noise can be duplicated easily during the test drive, to help identify the source of the noise, try to duplicate the noise with the vehicle stopped by doing one or all of the following:

- 1) Close a door.
  - 2) Tap or push/pull around the area where the noise appears to be coming from.
  - 3) Rev the engine.
  - 4) Use a floor jack to recreate vehicle "twist".
  - 5) At idle, apply engine load (electrical load, half-clutch on M/T model, drive position on A/T model).
  - 6) Raise the vehicle on a hoist and hit a tire with a rubber hammer.
- Drive the vehicle and attempt to duplicate the conditions the customer states exist when the noise occurs.
  - If it is difficult to duplicate the noise, drive the vehicle slowly on an undulating or rough road to stress the vehicle body.

## CHECK RELATED SERVICE BULLETINS

After verifying the customer concern or symptom, check ASIST for Technical Service Bulletins (TSBs) related to that concern or symptom.

If a TSB relates to the symptom, follow the procedure to repair the noise.

## LOCATE THE NOISE AND IDENTIFY THE ROOT CAUSE

1. Narrow down the noise to a general area. To help pinpoint the source of the noise, use a listening tool (Chassis Ear: J-39570, Engine Ear: J-39565 and mechanic's stethoscope).
2. Narrow down the noise to a more specific area and identify the cause of the noise by:
  - removing the components in the area that you suspect the noise is coming from. Do not use too much force when removing clips and fasteners, otherwise clips and fasteners can be broken or lost during the repair, resulting in the creation of new noise.
  - tapping or pushing/pulling the component that you suspect is causing the noise. Do not tap or push/pull the component with excessive force, otherwise the noise will be eliminated only temporarily.
  - feeling for a vibration with your hand by touching the component(s) that you suspect is (are) causing the noise.
  - placing a piece of paper between components that you suspect are causing the noise.
  - looking for loose components and contact marks.  
Refer to [EI-7, "Generic Squeak and Rattle Troubleshooting"](#) .

## REPAIR THE CAUSE

- If the cause is a loose component, tighten the component securely.
- If the cause is insufficient clearance between components:
  - separate components by repositioning or loosening and retightening the component, if possible.
  - insulate components with a suitable insulator such as urethane pads, foam blocks, felt cloth tape or urethane tape. A NISSAN Squeak and Rattle Kit (J-43980) is available through your authorized NISSAN Parts Department.

### CAUTION:

**Do not use excessive force as many components are constructed of plastic and may be damaged.**

**Always check with the Parts Department for the latest parts information.**

**The following materials are contained in the NISSAN Squeak and Rattle Kit (J-43980). Each item can be ordered separately as needed.**

**URETHANE PADS [1.5 mm (0.059 in) thick]**

**Insulates connectors, harness, etc.**

**76268-9E005: 100×135 mm (3.94×5.31 in)/76884-71L01: 60×85 mm (2.36×3.35 in)/76884-71L02: 15×25 mm (0.59×0.98 in)**

**INSULATOR (Foam blocks)**

**Insulates components from contact. Can be used to fill space behind a panel.**

**73982-9E000: 45 mm (1.77 in) thick, 50×50 mm (1.97×1.97 in)/73982-50Y00: 10 mm (0.39 in) thick, 50×50 mm (1.97×1.97 in)**

**INSULATOR (Light foam block)**

# SQUEAK AND RATTLE TROUBLE DIAGNOSES

**80845-71L00: 30 mm (1.18 in) thick, 30×50 mm (1.18×1.97 in)**

## FELT CLOTH TAPE

Used to insulate where movement does not occur. Ideal for instrument panel applications.

**68370-4B000: 15×25 mm (0.59×0.98 in) pad/68239-13E00: 5 mm (0.20 in) wide tape roll.** The following materials not found in the kit can also be used to repair squeaks and rattles.

## UHMW (TEFLON) TAPE

Insulates where slight movement is present. Ideal for instrument panel applications.

## SILICONE GREASE

Used instead of UHMW tape that will be visible or not fit.

**Note: Will only last a few months.**

## SILICONE SPRAY

Use when grease cannot be applied.

## DUCT TAPE

Use to eliminate movement.

## CONFIRM THE REPAIR

Confirm that the cause of a noise is repaired by test driving the vehicle. Operate the vehicle under the same conditions as when the noise originally occurred. Refer to the notes on the Diagnostic Worksheet.

## Generic Squeak and Rattle Troubleshooting

EIS00BUV

Refer to Table of Contents for specific component removal and installation information.

## INSTRUMENT PANEL

Most incidents are caused by contact and movement between:

1. The cluster lid A and instrument panel
2. Acrylic lens and combination meter housing
3. Instrument panel to front pillar garnish
4. Instrument panel to windshield
5. Instrument panel mounting pins
6. Wiring harnesses behind the combination meter
7. A/C defroster duct and duct joint

These incidents can usually be located by tapping or moving the components to duplicate the noise or by pressing on the components while driving to stop the noise. Most of these incidents can be repaired by applying felt cloth tape or silicone spray (in hard to reach areas). Urethane pads can be used to insulate wiring harness.

### CAUTION:

**Do not use silicone spray to isolate a squeak or rattle. If you saturate the area with silicone, you will not be able to recheck the repair.**

## CENTER CONSOLE

Components to pay attention to include:

1. Shifter assembly cover to finisher
2. A/C control unit and cluster lid C
3. Wiring harnesses behind audio and A/C control unit

The instrument panel repair and isolation procedures also apply to the center console.

## DOORS

Pay attention to the:

1. Finisher and inner panel making a slapping noise
2. Inside handle escutcheon to door finisher
3. Wiring harnesses tapping
4. Door striker out of alignment causing a popping noise on starts and stops

Tapping or moving the components or pressing on them while driving to duplicate the conditions can isolate many of these incidents. You can usually insulate the areas with felt cloth tape or insulator foam blocks from the NISSAN Squeak and Rattle Kit (J-43980) to repair the noise.

A  
B  
C  
D  
E  
F  
G  
H  
EI  
J  
K  
L  
M

# SQUEAK AND RATTLE TROUBLE DIAGNOSES

---

## TRUNK

Trunk noises are often caused by a loose jack or loose items put into the trunk by the owner. In addition look for:

1. Trunk lid bumpers out of adjustment
2. Trunk lid striker out of adjustment
3. The trunk lid torsion bars knocking together
4. A loose license plate or bracket

Most of these incidents can be repaired by adjusting, securing or insulating the item(s) or component(s) causing the noise.

## SUNROOF/HEADLINING

Noises in the sunroof/headlining area can often be traced to one of the following:

1. Sunroof lid, rail, linkage or seals making a rattle or light knocking noise
2. Sun visor shaft shaking in the holder
3. Front or rear windshield touching headliner and squeaking

Again, pressing on the components to stop the noise while duplicating the conditions can isolate most of these incidents. Repairs usually consist of insulating with felt cloth tape.

## OVERHEAD CONSOLE (FRONT AND REAR)

Overhead console noises are often caused by the console panel clips not being engaged correctly. Most of these incidents are repaired by pushing up on the console at the clip locations until the clips engage.

In addition look for:

1. Loose harness or harness connectors.
2. Front console map/reading lamp lens loose.
3. Loose screws at console attachment points.

## SEATS

When isolating seat noise it's important to note the position the seat is in and the load placed on the seat when the noise is present. These conditions should be duplicated when verifying and isolating the cause of the noise.

Cause of seat noise include:

1. Headrest rods and holder
2. A squeak between the seat pad cushion and frame
3. The rear seatback lock and bracket

These noises can be isolated by moving or pressing on the suspected components while duplicating the conditions under which the noise occurs. Most of these incidents can be repaired by repositioning the component or applying urethane tape to the contact area.

## UNDERHOOD

Some interior noise may be caused by components under the hood or on the engine wall. The noise is then transmitted into the passenger compartment.

Causes of transmitted underhood noise include:

1. Any component mounted to the engine wall
2. Components that pass through the engine wall
3. Engine wall mounts and connectors
4. Loose radiator mounting pins
5. Hood bumpers out of adjustment
6. Hood striker out of adjustment

These noises can be difficult to isolate since they cannot be reached from the interior of the vehicle. The best method is to secure, move or insulate one component at a time and test drive the vehicle. Also, engine RPM or load can be changed to isolate the noise. Repairs can usually be made by moving, adjusting, securing, or insulating the component causing the noise.



# SQUEAK AND RATTLE TROUBLE DIAGNOSES

## Diagnostic Worksheet

EIS00BUW



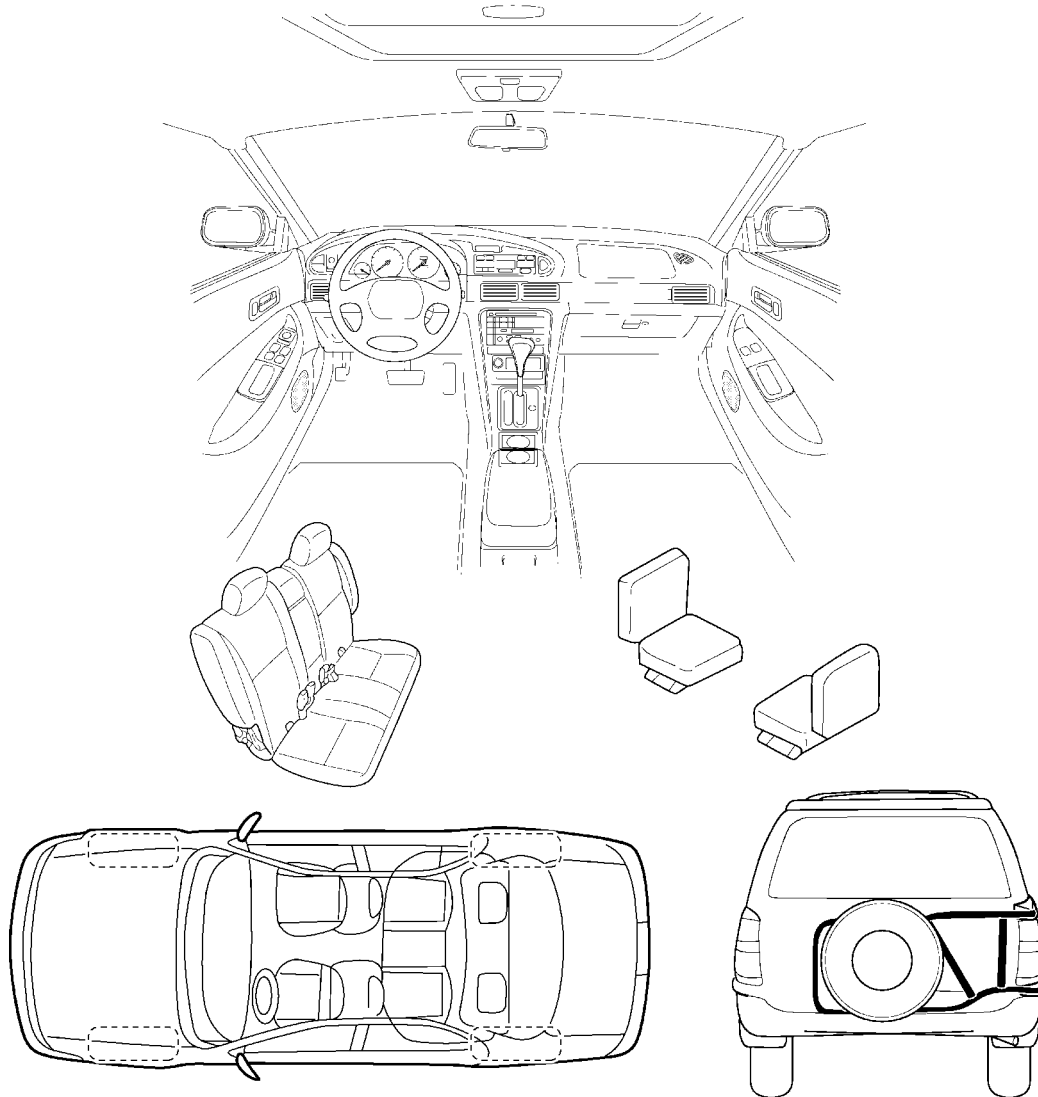
### SQUEAK & RATTLE DIAGNOSTIC WORKSHEET

Dear Nissan Customer:

We are concerned about your satisfaction with your Nissan vehicle. Repairing a squeak or rattle sometimes can be very difficult. To help us fix your Nissan right the first time, please take a moment to note the area of the vehicle where the squeak or rattle occurs and under what conditions. You may be asked to take a test drive with a service advisor or technician to ensure we confirm the noise you are hearing.

#### I. WHERE DOES THE NOISE COME FROM? (circle the area of the vehicle)

The illustrations are for reference only, and may not reflect the actual configuration of your vehicle.



Continue to the back of the worksheet and briefly describe the location of the noise or rattle. In addition, please indicate the conditions which are present when the noise occurs.

LIWA0276E

A  
B  
C  
D  
E  
F  
G  
H  
EI  
J  
K  
L  
M

# SQUEAK AND RATTLE TROUBLE DIAGNOSES

## SQUEAK & RATTLE DIAGNOSTIC WORKSHEET- page 2

**Briefly describe the location where the noise occurs:**

\_\_\_\_\_

\_\_\_\_\_

\_\_\_\_\_

**II. WHEN DOES IT OCCUR? (check the boxes that apply)**

- |   |  |
|---|--|
| <input type="checkbox"/> anytime<br><input type="checkbox"/> 1 <sup>st</sup> time in the morning<br><input type="checkbox"/> only when it is cold outside<br><input type="checkbox"/> only when it is hot outside | <input type="checkbox"/> after sitting out in the sun<br><input type="checkbox"/> when it is raining or wet<br><input type="checkbox"/> dry or dusty conditions<br><input type="checkbox"/> other: _____ |
|---|--|

**III. WHEN DRIVING:**

- through driveways
- over rough roads
- over speed bumps
- only at about \_\_\_\_ mph
- on acceleration
- coming to a stop
- on turns : left, right or either (circle)
- with passengers or cargo
- other: \_\_\_\_\_
- after driving \_\_\_\_ miles or \_\_\_\_ minutes

**IV. WHAT TYPE OF NOISE?**

- squeak (like tennis shoes on a clean floor)
- creak (like walking on an old wooden floor)
- rattle (like shaking a baby rattle)
- knock (like a knock on a door)
- tick (like a clock second hand)
- thump (heavy, muffled knock noise)
- buzz (like a bumble bee)

**TO BE COMPLETED BY DEALERSHIP PERSONNEL**

**Test Drive Notes:**

\_\_\_\_\_

\_\_\_\_\_

	<u>YES</u>	<u>NO</u>	<u>Initials of person performing</u>
Vehicle test driven with customer	<input type="checkbox"/>	<input type="checkbox"/>	_____
- Noise verified on test drive	<input type="checkbox"/>	<input type="checkbox"/>	_____
- Noise source located and repaired	<input type="checkbox"/>	<input type="checkbox"/>	_____
- Follow up test drive performed to confirm repair	<input type="checkbox"/>	<input type="checkbox"/>	_____

VIN: \_\_\_\_\_ Customer Name: \_\_\_\_\_

W.O. #: \_\_\_\_\_ Date: \_\_\_\_\_

SBT844

**This form must be attached to Work Order**


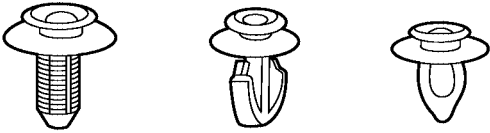


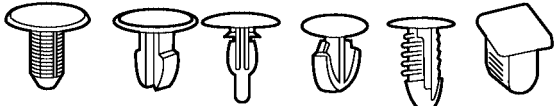
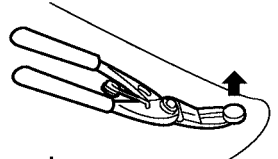

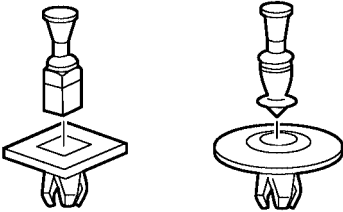
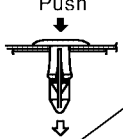
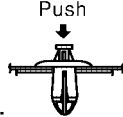

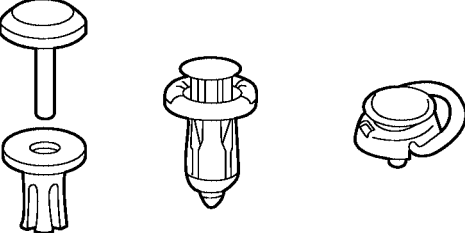
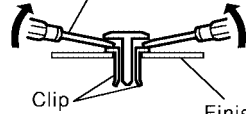

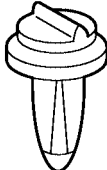
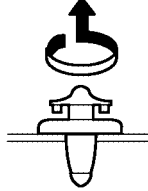
# CLIP AND FASTENER

## CLIP AND FASTENER

PFP:76906

### Clip and Fastener


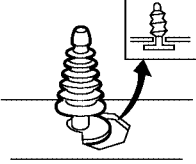
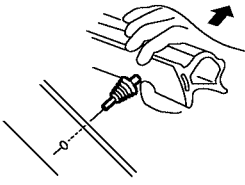

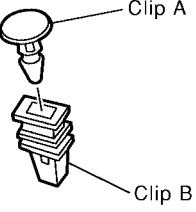
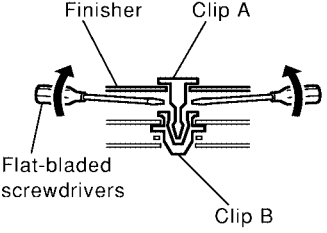

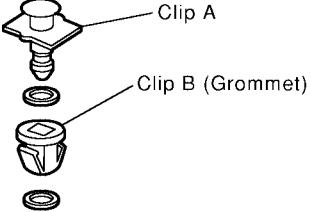
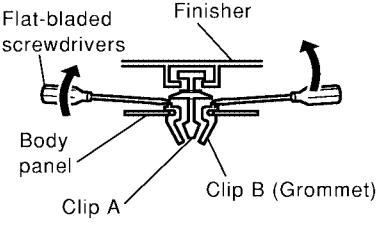
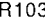
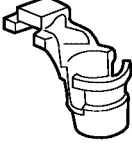
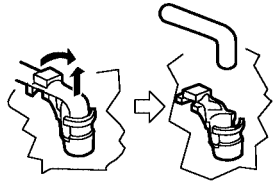

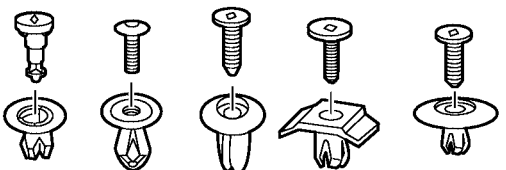

EIS00BUX

Symbol No.	Shapes	Removal & Installation
<p>C101</p> 		<p><b>Removal:</b> Remove by bending up with flat-bladed screwdrivers or clip remover.</p> 
<p>C103</p> 		 <p><b>Removal:</b> Remove with a clip remover.</p>
<p>C203</p> 		<p><b>Removal:</b> Push center pin to catching position. (Do not remove center pin by hitting it.)</p> <p>Push</p>  <p><b>Installation:</b></p> <p>Push</p> 
<p>C205</p> 		<p><b>Removal:</b></p> <p>Flat-bladed screwdriver</p>  <p>Clip</p> <p>Finisher</p>
<p>C206</p> 		<p><b>Removal:</b></p> 

A  
B  
C  
D  
E  
F  
G  
H  
EI  
J  
K  
L  
M


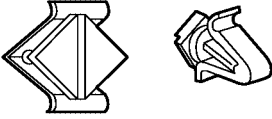

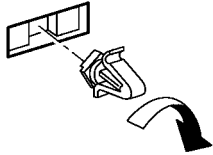

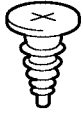



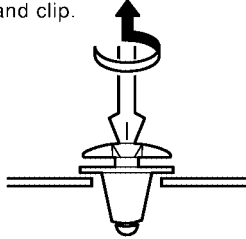


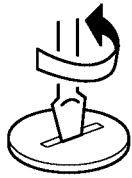
SIIA0315E

# CLIP AND FASTENER

Symbol No.	Shapes	Removal & Installation
<p>CE103</p> 		<p><b>Removal:</b></p> 
<p>CF110</p> 		<p><b>Removal:</b></p> 
<p>CF118</p> 		<p><b>Removal:</b></p> 
<p>CR103</p> 		<p><b>Removal:</b> Holder portion of clip must be spread out to remove rod.</p> 
<p>CS101</p> 		<p><b>Removal:</b></p> <ol style="list-style-type: none"> <li>1. Screw out with a Phillips screwdriver.</li> <li>2. Remove female portion with flat-bladed screwdriver.</li> </ol> 

SIIA0316E

# CLIP AND FASTENER

Symbol No.	Shapes	Removal & Installation	
<p>CG101</p> 		<p><b>Removal:</b></p>  <p>Rotate 45° to remove</p>	<p><b>Installation:</b></p> 
<p>CS102</p> 			
<p>CS113</p> 		<p><b>Removal:</b> Disconnect upper connection of clip with a flat-bladed screwdriver, then remove clip while inserting a flat-bladed screwdriver between body panel and clip.</p> 	
<p>C111</p> 			

A  
B  
C  
D  
E  
F  
G  
H  
EI  
J  
K  
L  
M

SIA0317E

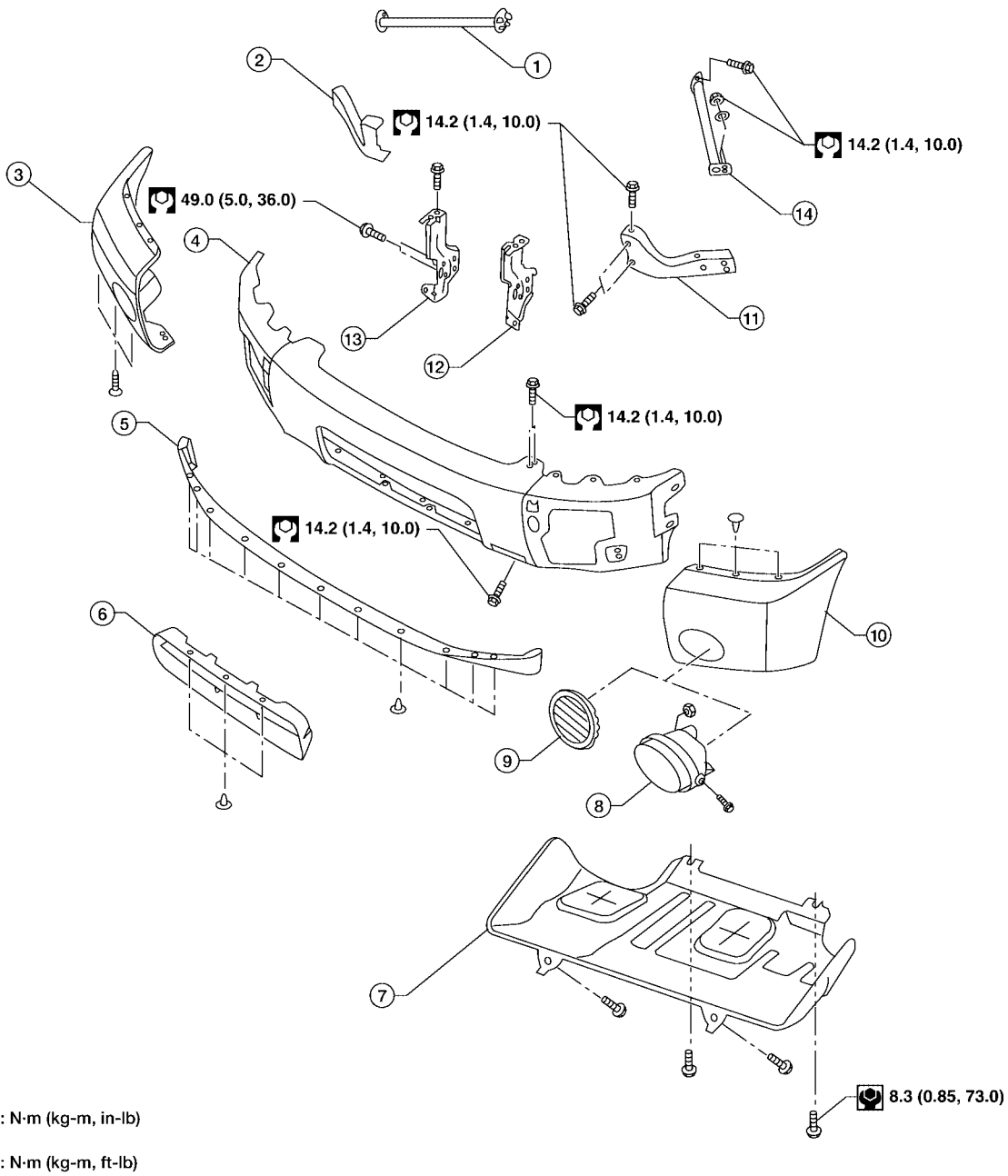
# FRONT BUMPER

PF2:F2022

EIS00BUY

## FRONT BUMPER

### Removal and Installation



- |                          |                                    |  |
|--------------------------|------------------------------------|--|
| 1. Strut brace RH        | 2. Front bumper stay RH            | 3. Front bumper side finisher RH           |
| 4. Front bumper assembly | 5. Front valance                   | 6. Lower intake grille                     |
| 7. Front under cover     | 8. Fog lamp assembly (if equipped) | 9. Fog lamp opening finisher (if equipped) |

LIA0987E

# FRONT BUMPER

- 
- |                                   |                          |                             |
|-----------------------------------|--------------------------|-----------------------------|
| 10. Front bumper side finisher LH | 11. Front bumper stay LH | 12. Front bumper bracket LH |
| 13. Front bumper bracket RH       | 14. Strut brace LH       |                             |

1. Remove lower intake grille.
  2. Remove radiator grille. Refer to [EI-18, "FRONT GRILLE"](#) .
  3. Remove front valance.
  4. Remove engine underside cover.
  5. Remove strut braces LH and RH.
  6. Disconnect fog lamp harnesses, if equipped.
  7. Remove front bumper RH and LH side finishers.
  8. Remove front bumper assembly.
  9. Remove front bumper brackets LH and RH.
  10. Remove front bumper stays LH and RH.
- Installation is in the reverse order of removal.

A  
B  
C  
D  
E  
F  
G  
H  
EI  
J  
K  
L  
M

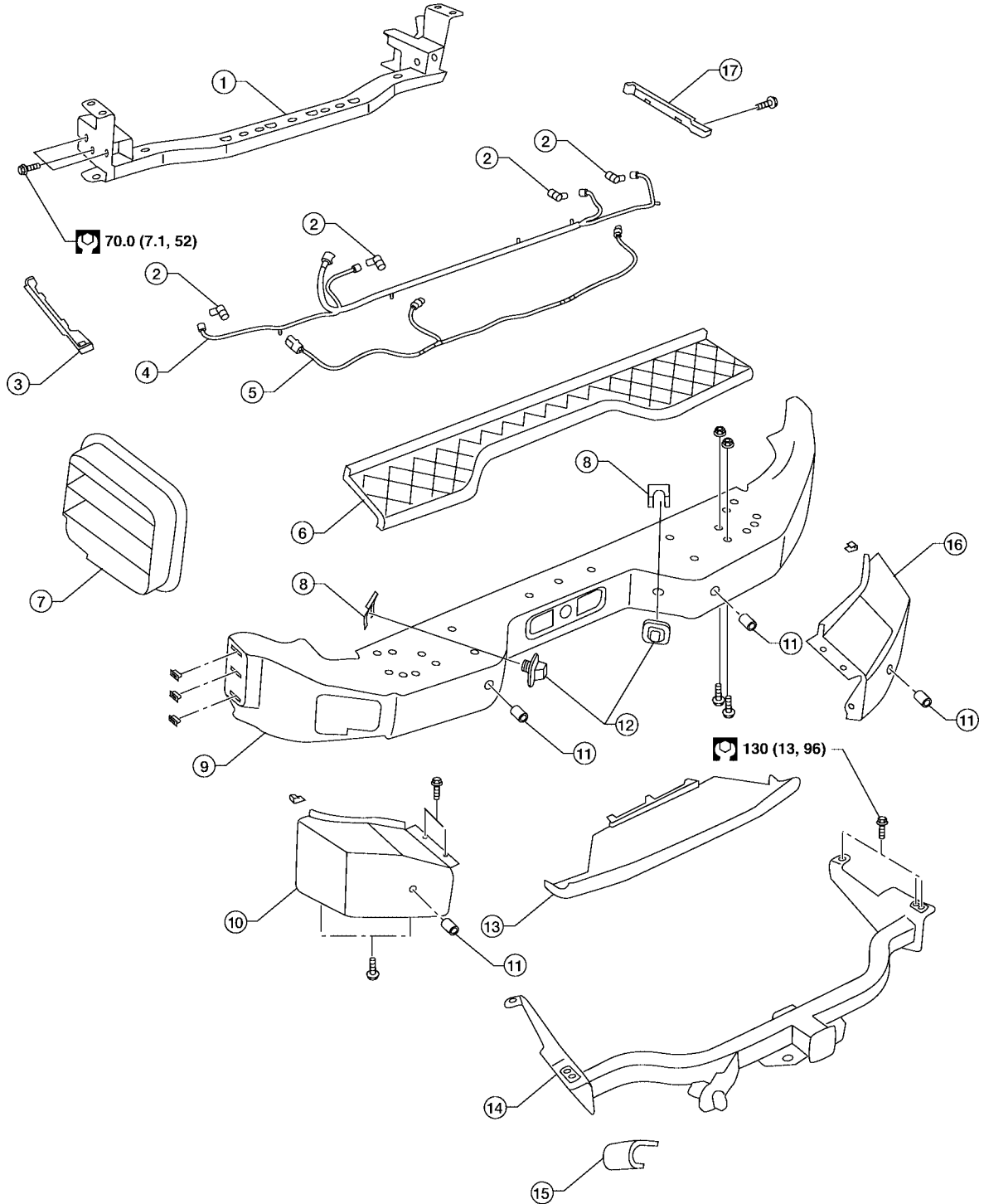
# REAR BUMPER

## REAR BUMPER

PF0:H5022

### Removal and Installation

EIS00BUZ



: N-m (kg-m, ft-lb)

LIA0993E



## REAR BUMPER

- 
- |                              |                             |                            |
|------------------------------|-----------------------------|----------------------------|
| 1. Rear bumper reinforcement | 2. Sonar sensors            | 3. Rear bumper finisher LH |
| 4. Sonar sensor harness      | 5. License lamp harness     | 6. Upper step pad          |
| 7. Drafter duct              | 8. License lamp clips       | 9. Rear chrome bumper      |
| 10. Rear bumper fascia LH    | 11. Sonar sensor retainers  | 12. License lamps          |
| 13. Lower step pad           | 14. Tow hitch (if equipped) | 15. Harness cover          |
| 16. Rear bumper fascia RH    | 17. Rear bumper finisher RH |                            |

1. Remove harness cover on tow hitch, if equipped.
  2. Remove bolts on each side of tow hitch and remove tow hitch, if equipped.
  3. Disconnect sonar sensor harness connector, if equipped.
    - Disconnect sonar sensors from retainers.
  4. Disconnect license lamp harness.
  5. Remove clips from license lamps and remove lamps.
  6. Release clips and remove upper step pad.
  7. Release clips and remove RH and LH rear bumper finishers.
  8. Remove rear chrome bumper.
  9. Disconnect harness on left side of rear bumper reinforcement.
  10. Remove rear bumper reinforcement.
  11. Remove sonar sensor retainers and RH and LH rear bumper fascias, if equipped.
  12. Remove sonar sensors and harness from rear chrome bumper, if equipped.
    - Disconnect sonar sensors from harness.
  13. Remove license lamp harness from rear chrome bumper.
  14. Remove RH and LH rear bumper fascias.
  15. Remove drafter duct from under LH quarter panel.
- Installation is in the reverse order of removal.
- Apply sealant to clips securing upper step pad during installation.

A

B

C

D

E

F

G

H

EI

J

K

L

M

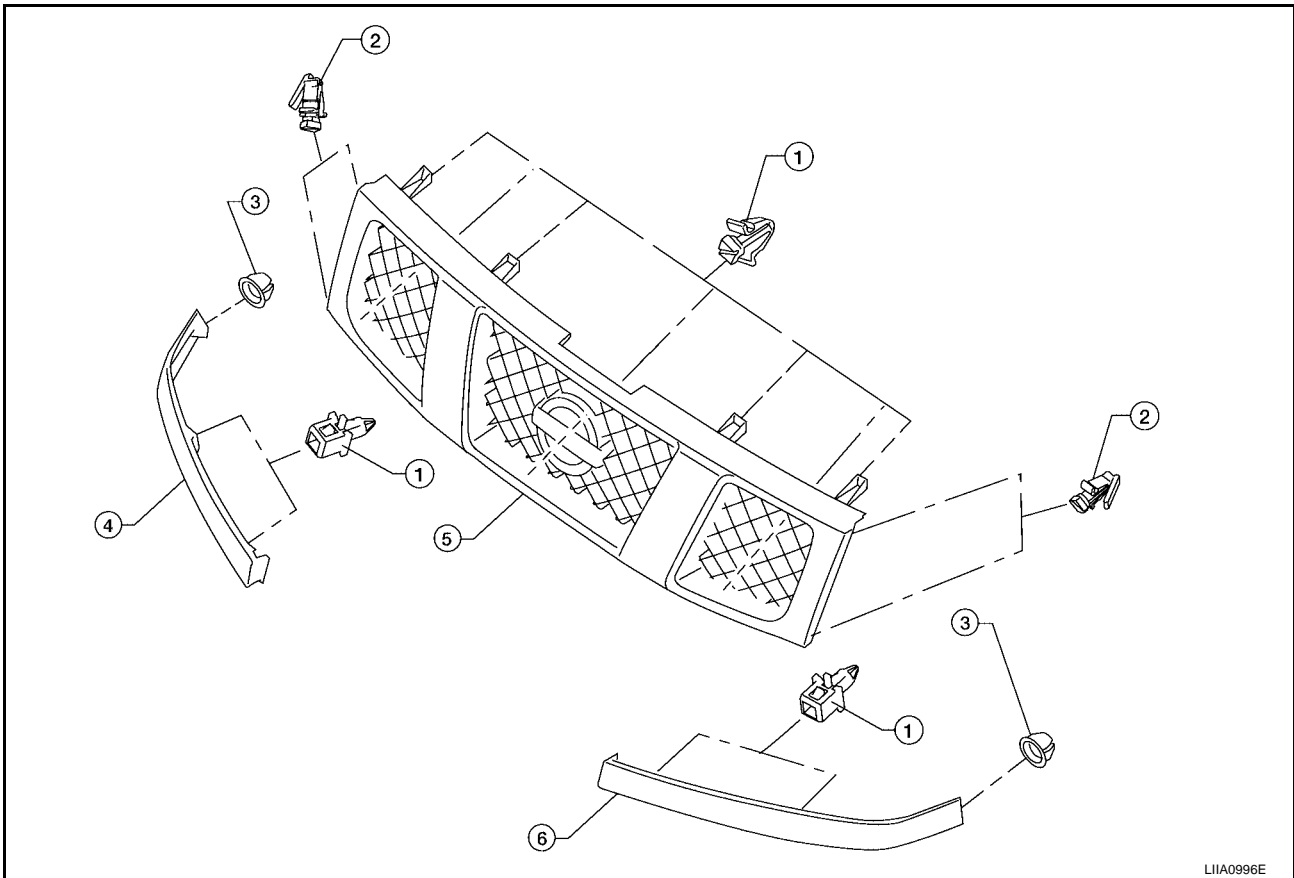
# FRONT GRILLE

## FRONT GRILLE

PF6:62310

### Removal and Installation

EIS00BVO



L1IA0996E

- |                                 |                  |                                 |
|---------------------------------|------------------|---------------------------------|
| 1. Plastic clips                | 2. Plastic clips | 3. Grommets                     |
| 4. Front bumper filler panel RH | 5. Front grille  | 6. Front bumper filler panel LH |

1. Release plastic clips and remove front grille.
  2. Remove LH and RH front bumper filler panels.
- Installation is in the reverse order of removal.

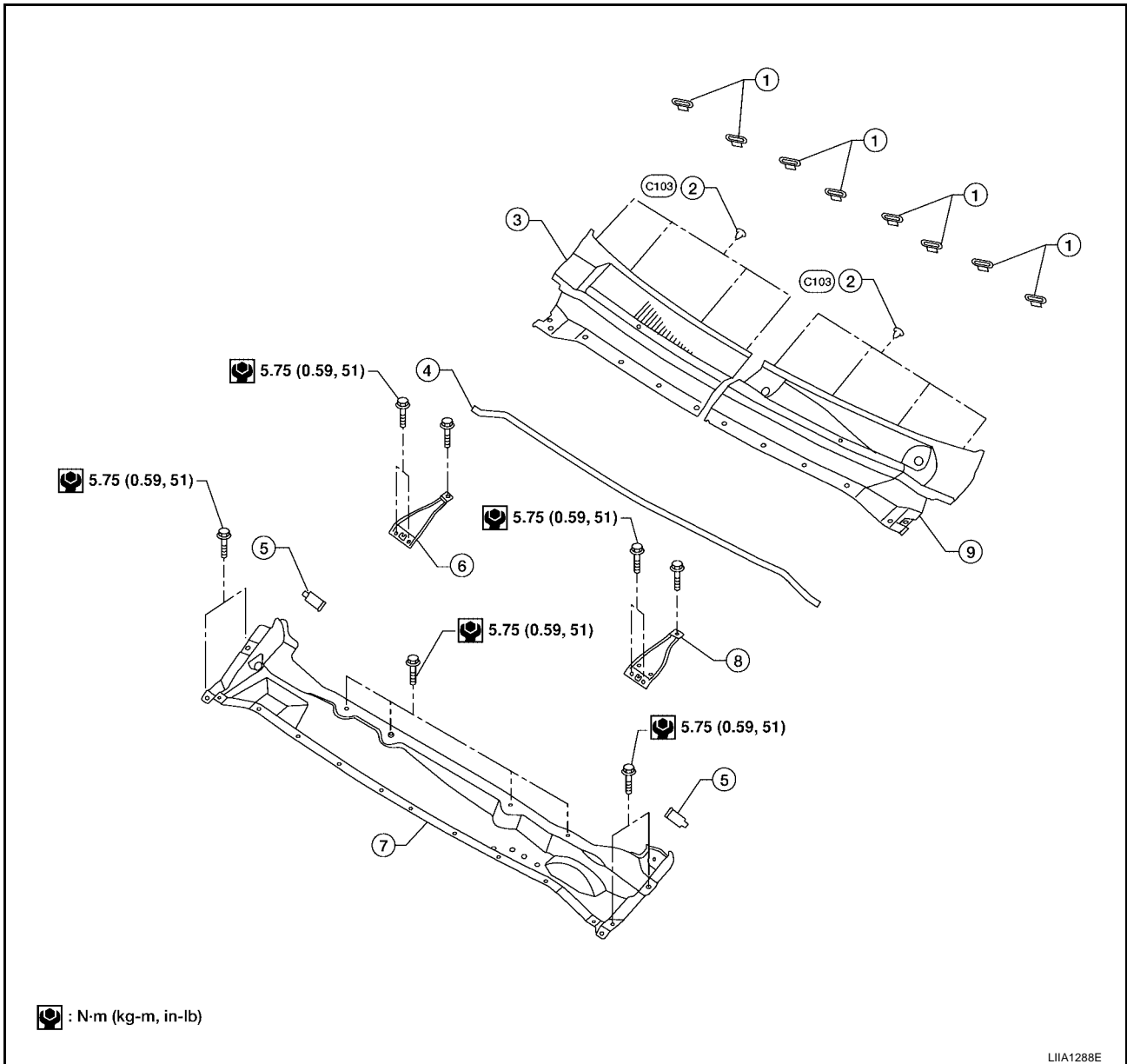
# COWL TOP

PF6:66100

## COWL TOP

### Removal and Installation

EIS00BV1



- |                       |                                  |                                  |
|-----------------------|----------------------------------|----------------------------------|
| 1. Grommets           | 2. Plastic clips                 | 3. Cowl top RH                   |
| 4. Cowl top seal      | 5. Drain tubes                   | 6. Cowl top extension bracket RH |
| 7. Cowl top extension | 8. Cowl top extension bracket LH | 9. Cowl top LH                   |

1. Remove the front wiper arms. Refer to [WW-32, "Removal and Installation of Front Wiper Arms, Adjustment of Wiper Arms Stop Location"](#).
2. Remove cowl top seal.
  - Release plastics clips on cowl top seal which go through cowl tops LH and RH and cowl top extension.
3. Remove cowl top covers LH and RH.
  - Release plastic clips under cowl top covers attaching to grommets on hoodledge.
  - Disconnect washer tubes from washer nozzles under cowl top covers.
4. Remove cowl top extension brackets LH and HR.
  - Disconnect wiper motor harness from cowl top extension bracket LH.
  - Cowl top extension bracket LH must be removed prior to removal of wiper motor and connecting rod assembly.

## COWL TOP

- 
5. Remove wiper motor and connecting rod linkage. Refer to [WW-32, "Removal and Installation of Wiper Motor and Linkage"](#) .
  6. Disconnect windshield washer tube. Refer to [WW-34, "Washer Tube Layout"](#) .
  7. Disconnect the water cut valve bracket from cowl top extension.
  8. Remove drain tube from each side of cowl top extension.
  9. Remove cowl top extension.

Installation is in the reverse order of removal.

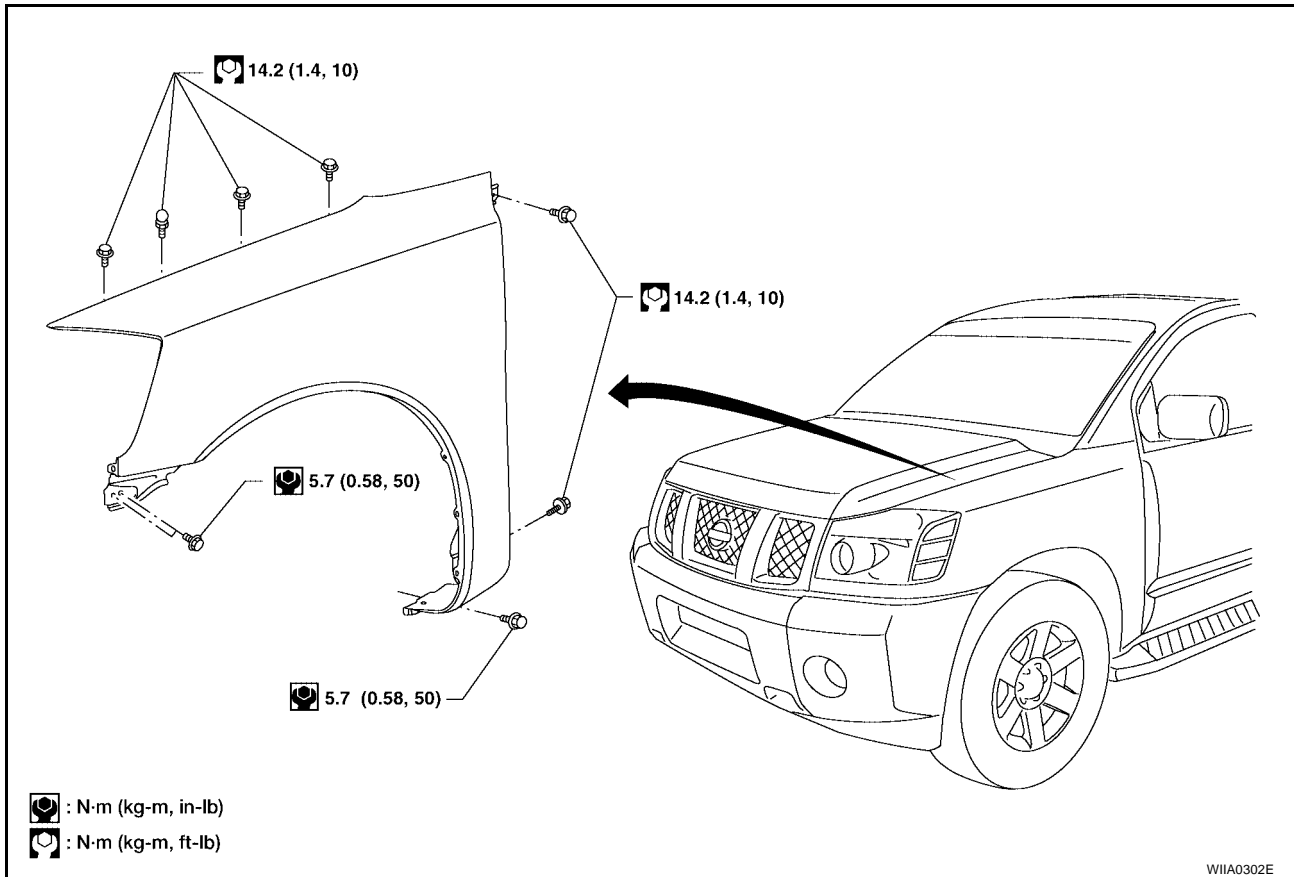
# FRONT FENDER

PFP:63100

## FRONT FENDER

### Removal and Installation

EIS00BV2



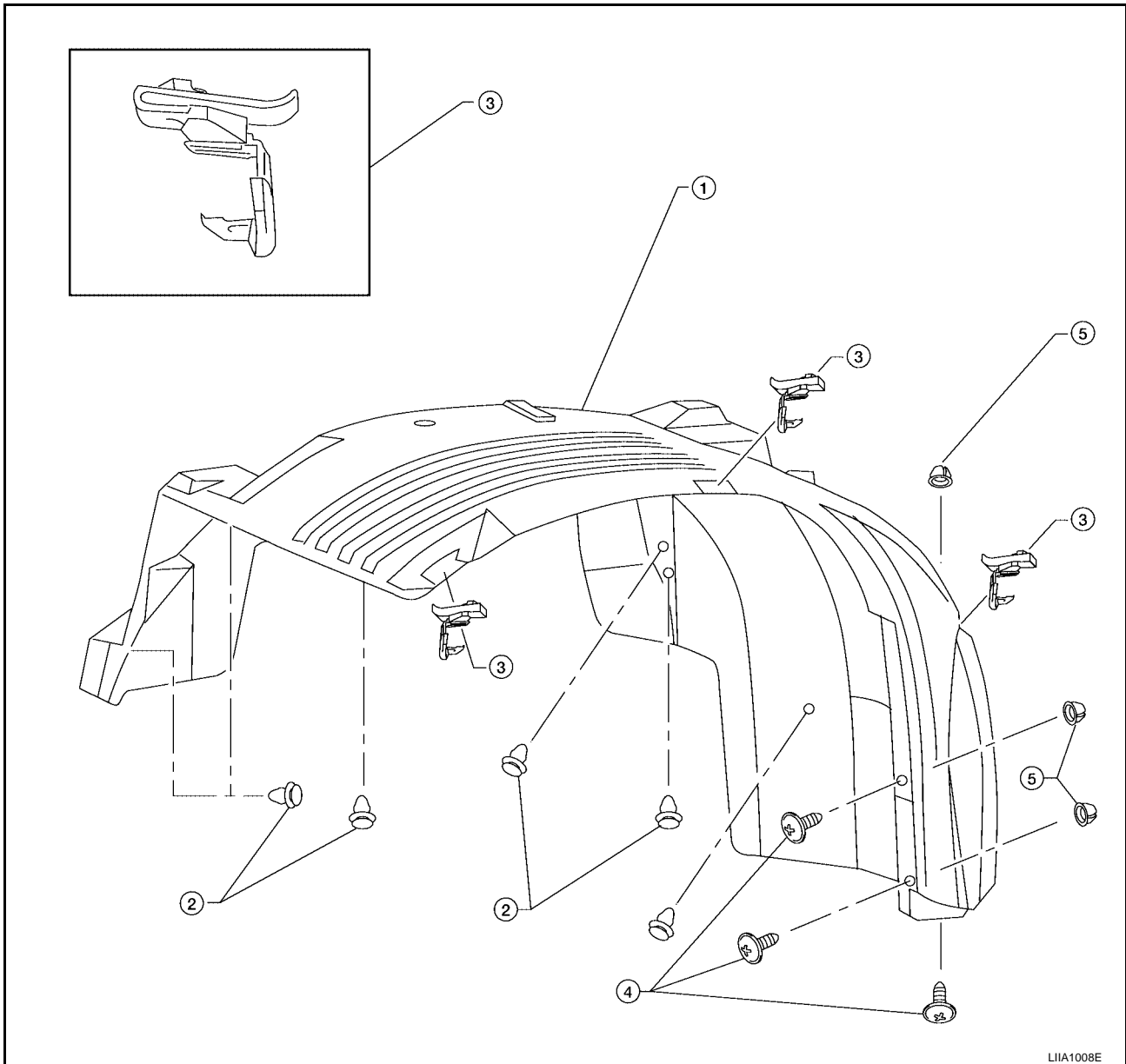
1. Remove headlamp. Refer to [LT-30, "Removal and Installation"](#) .
  2. Remove fender protector. Refer to [EI-22, "FENDER PROTECTOR"](#) .
  3. Remove hood stay. Refer to [BL-12, "HOOD"](#) .
  4. Remove front fender.
- Installation is in the reverse order of removal.

# FENDER PROTECTOR

PF6:63840

## FENDER PROTECTOR Removal and Installation

EIS00BV3



LIA1008E

- |                                |             |                  |
|--------------------------------|-------------|------------------|
| 1. Fender protector (LH shown) | 2. Pushpins | 3. Plastic clips |
| 4. Screws                      | 5. Grommets |                  |

1. Remove screws.
  2. Remove plastic clips.
  3. Remove pushpins.
  4. Remove front fender protector.
- Installation is in the reverse order of removal.

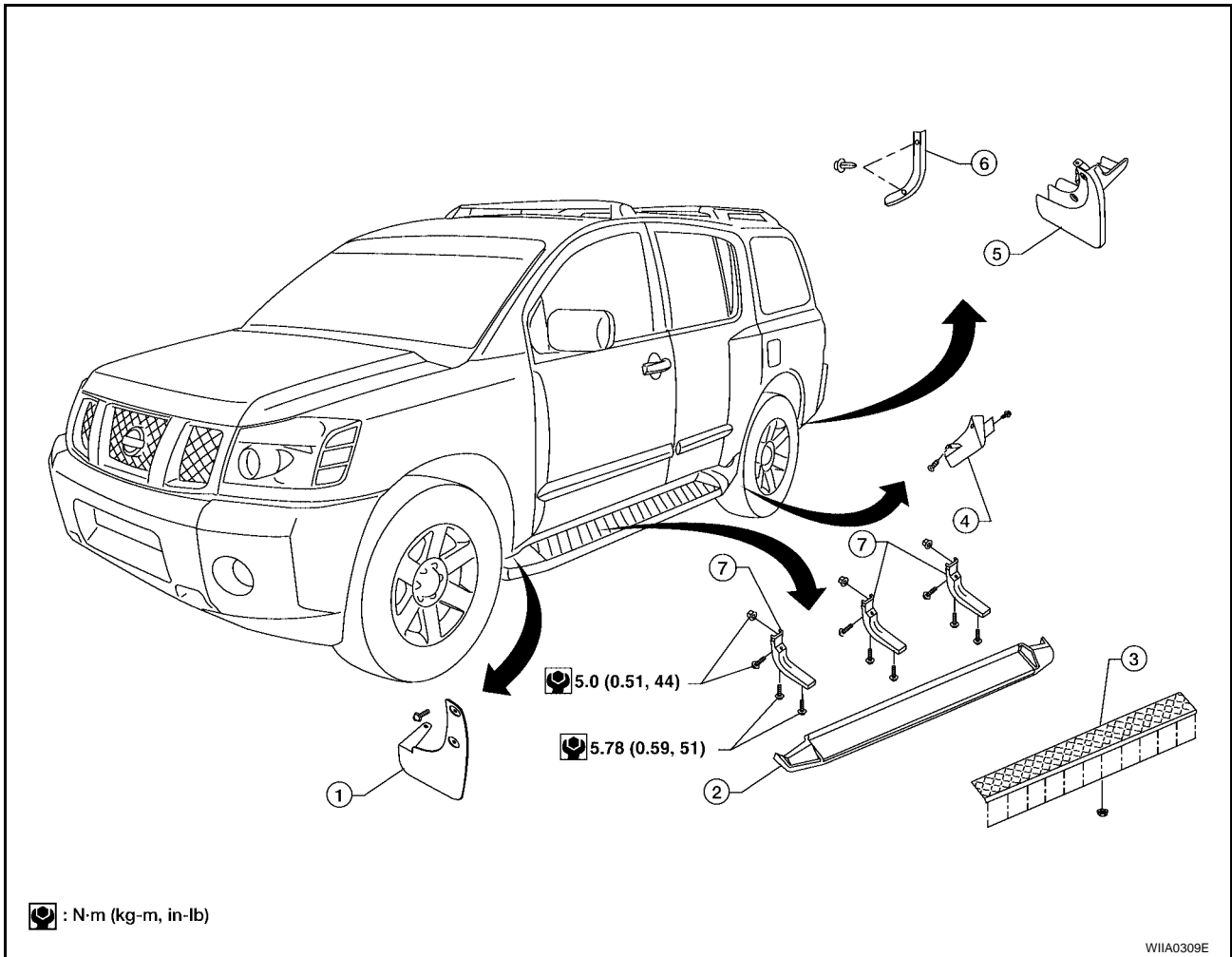
# RUNNING BOARDS

PF:96110

EIS00BV4

## RUNNING BOARDS

### Removal and Installation



- |                                 |                                |                   |
|---------------------------------|--------------------------------|-------------------|
| 1. Front mud flap (if equipped) | 2. Running board               | 3. Step pad       |
| 4. Rear wheel wind deflector    | 5. Rear mud flap (if equipped) | 6. Chip protector |
| 7. Running board bracket        |                                |                   |

1. Remove mud flaps (if equipped).
  2. Remove bolts and remove running board from running board brackets.
  3. Remove nuts and remove step pad from running board.
  4. Remove nuts and bolts and remove running board brackets.
  5. Remove screw and plastic and remove wind deflector.
  6. Remove plastic clips and remove chip protector.
- Installation is in the reverse order of removal.

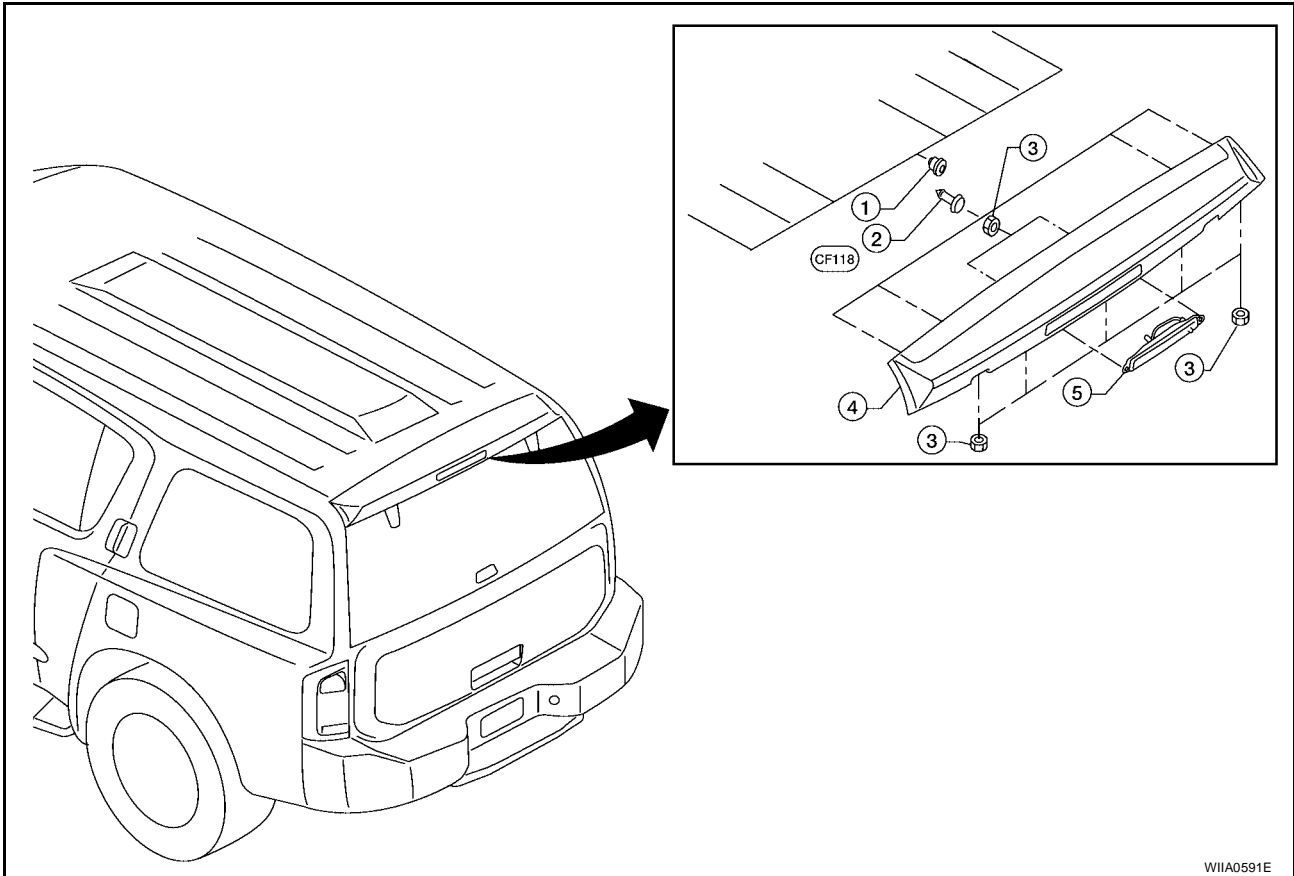
# REAR SPOILER

PFP:96030

## REAR SPOILER

### Removal and Installation

EIS00BV5



- |                     |                         |         |
|---------------------|-------------------------|---------|
| 1. Grommet          | 2. Plastic clips        | 3. Nuts |
| 4. Rear air spoiler | 5. High mount stop lamp |         |

### REMOVAL

1. Remove back door trim. Refer to [EI-39, "BACK DOOR TRIM"](#) .
2. Disconnect harness to high mount stop lamp.
3. Disconnect washer tube.
4. Remove nuts, release clips and remove rear spoiler.
  - Release adhesive tape with sawing motion from monofilament line that has knots in it.
  - Remove residue of adhesive tape completely from vehicle surface with strip-off wheel or equivalent.

#### **CAUTION:**

- **Never apply tack-paper adhesive remover to body panel surface finished with lacquer-based paints.**
- **Use care not to damage the vehicle surface during adhesive tape residue removal.**

5. Remove nuts and remove high mount stop lamp.

### INSTALLATION

Installation is in the reverse order of removal.

#### **NOTE:**

Apply adhesion promoter only to areas of rear spoiler that tape will be applied, as required.



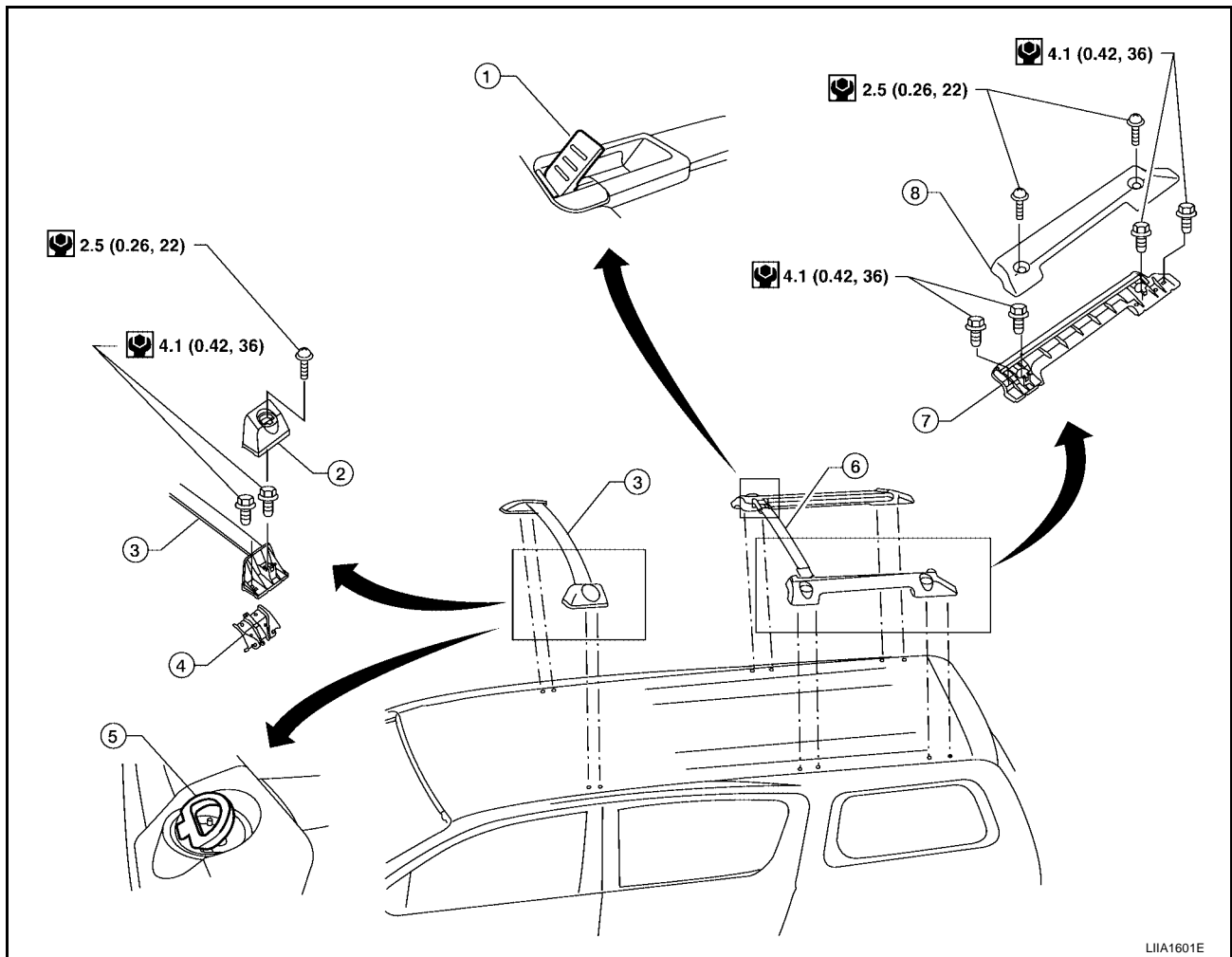
# ROOF RACK

PFP:73155

EIS00BV6

## ROOF RACK

### Removal and Installation



- |                                   |                     |                     |
|-----------------------------------|---------------------|---------------------|
| 1. Sliding crossbar release lever | 2. Finisher cover   | 3. Front crossbar   |
| 4. Gasket                         | 5. Tie down hook    | 6. Sliding crossbar |
| 7. Slide rail                     | 8. Slide rail cover |                     |

1. Remove screws, raise tie down hooks and remove finisher covers.
2. Remove bolts and remove front crossbar and gasket.
3. Remove screws, raise tie down hooks and remove slide rail covers.
4. Lift sliding crossbar release levers and remove sliding crossbar.
5. Remove bolts and remove slide rails.

Installation is in the reverse order of removal.

# DOOR OUTSIDE MOLDING

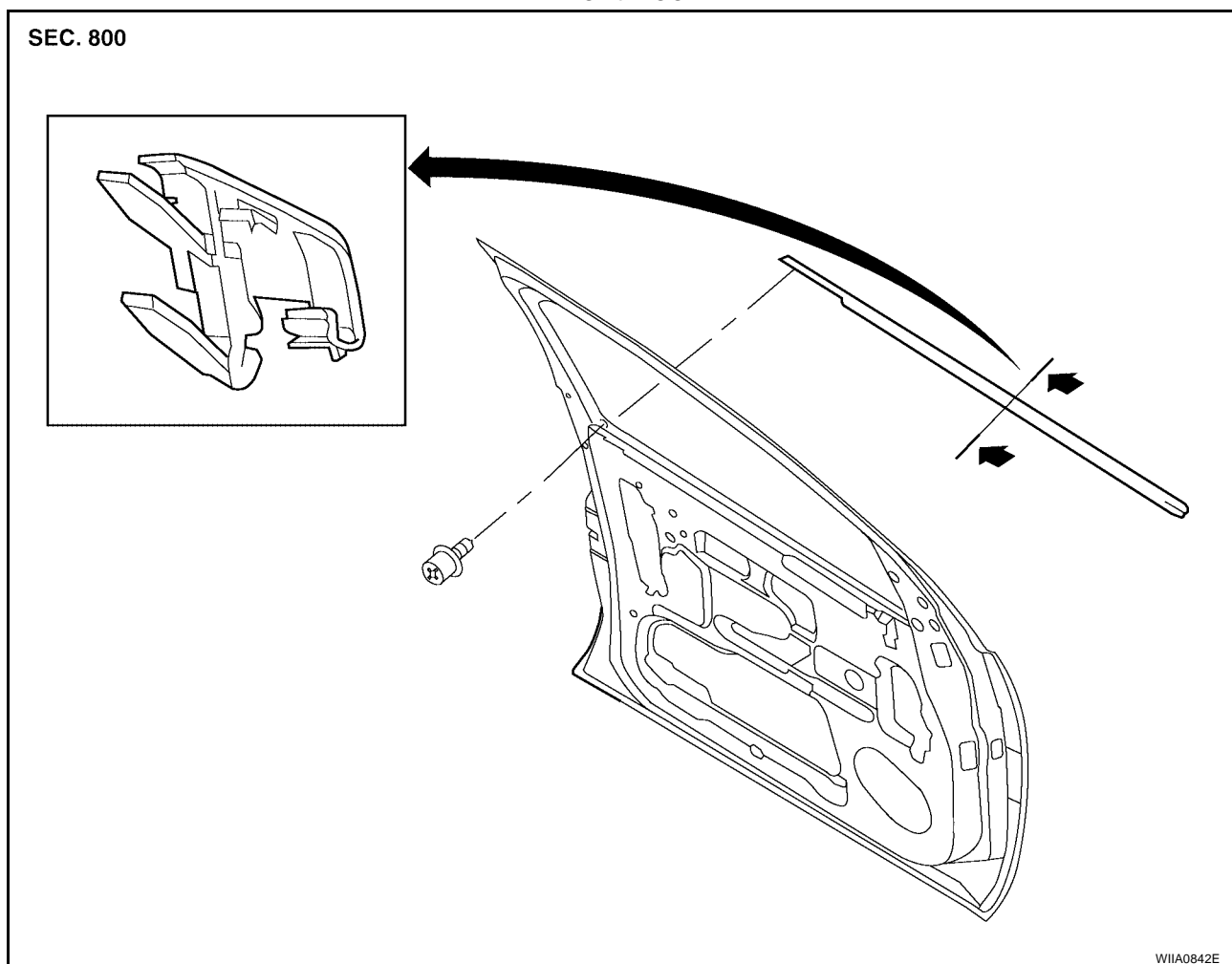
## DOOR OUTSIDE MOLDING

PFP:82820

### Removal and Installation

EIS00BV7

#### Front Door



W11A0842E

#### Removal

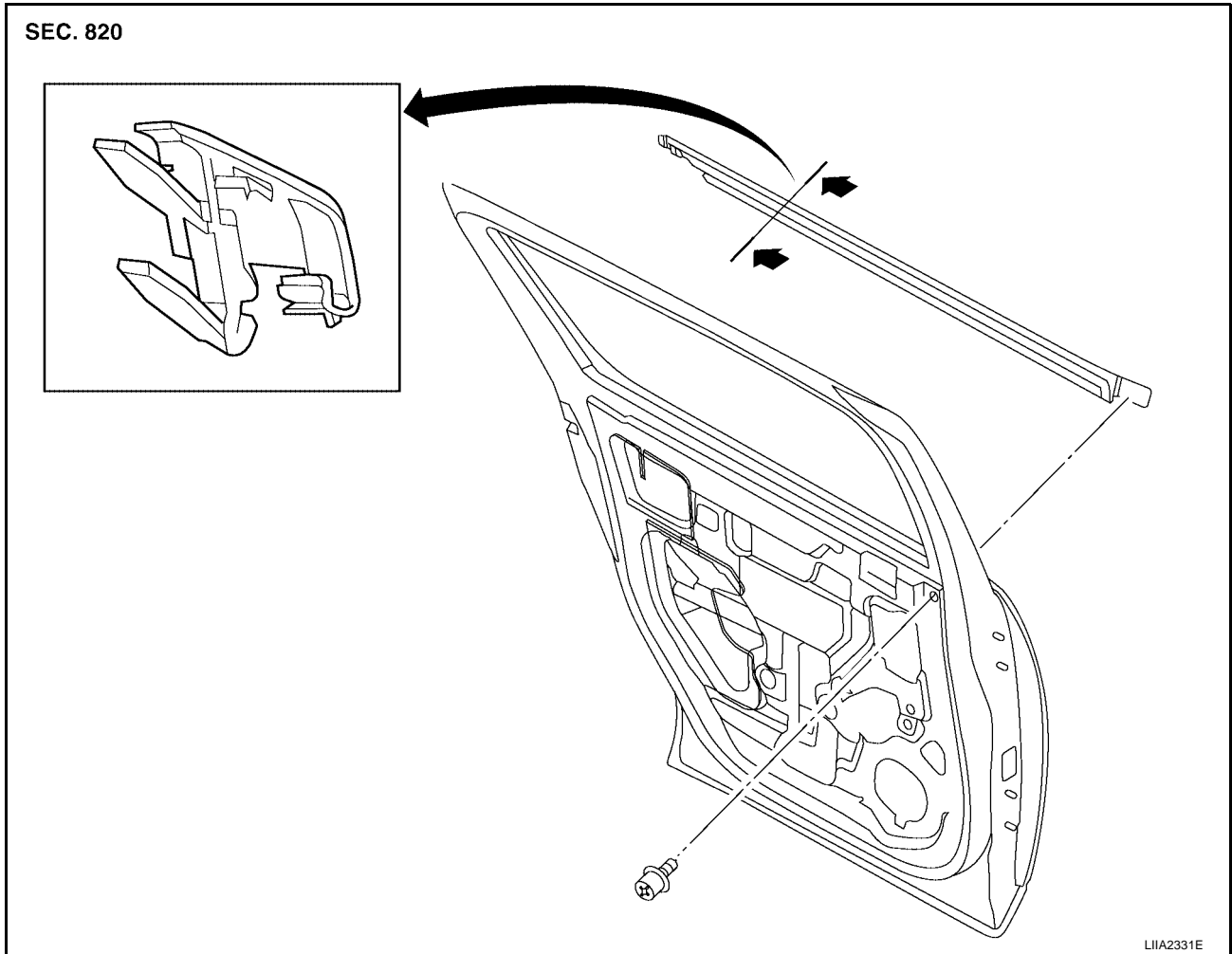
1. Open the front door and door window fully.
2. Remove the battery negative terminal.
3. Remove the door mirror. Refer to [GW-97, "Door Mirror Assembly"](#) .
4. Remove the front door outside molding.
  - Remove the hole cover and remove screw.
  - Lift the molding from rear edge first.
  - Disconnect the clips from the flange working forward.

#### Installation

Installation is in the reverse order of removal.

# DOOR OUTSIDE MOLDING

## Rear Door



### Removal

1. Open the windows fully.
2. Remove the door outside molding.
  - Remove the hole cover and remove screw.
  - Lift the molding from front edge first.
  - Disconnect the clips from the flange working rearward.

### Installation

Installation is in the reverse order of removal.

A

B

C

D

E

F

G

H

EI

J

K

L

M

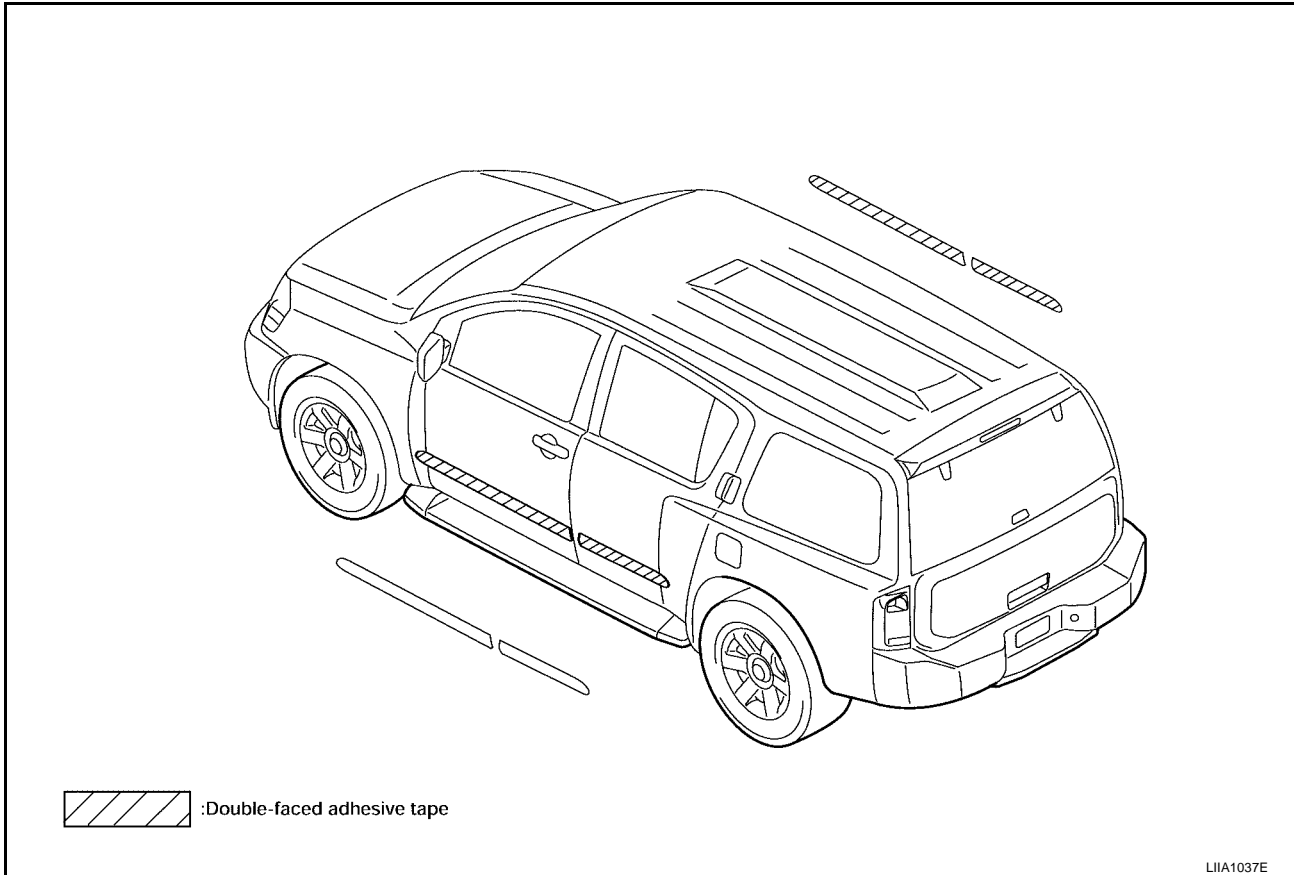
# SIDE GUARD MOLDING

## SIDE GUARD MOLDING

PF:76840

### Removal and Installation

EIS00BV8



### REMOVAL

#### CAUTION:

**Never apply tack-paper adhesive remover to body panel surface finished with lacquer-based paints.**

- Original side guard molding is affixed to body panel with double-faced adhesive tape.
1. Heat molding to between 30° and 40°C (86° to 104°F) with a heat gun.
  2. Raise end of molding and cut away tape to remove molding. Remove all traces of tape.

### INSTALLATION

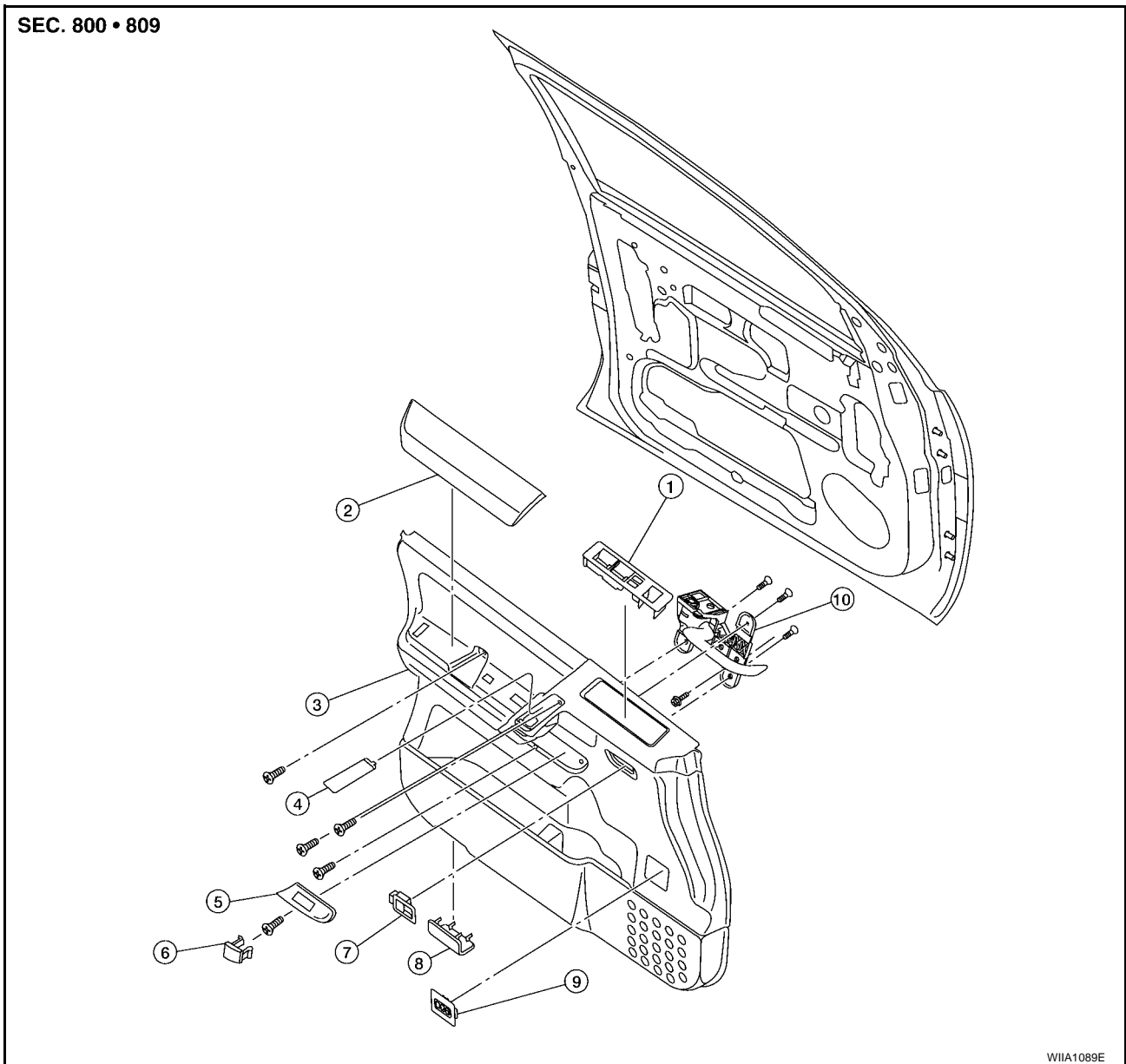
- On vehicles coated with Hard Clear Coat, use double-faced 3M adhesive tape Product No. 4210 or equivalent, after priming with 3M primer Product No. N200 or C-100 or equivalent.
  - The repair parts are also affixed with double-faced adhesive tape.
  - To re-use existing molding, clean all traces of double sided tape from the molding and apply new double-faced tape to the molding.
1. Clean the panel surface with isopropyl alcohol or equivalent to degrease the surface.
  2. Heat the panel and molding tape surface to 30° to 40°C (86° to 104°F).
  3. Remove the backing sheet from the tape surface.
    - Align the locating pin into the hole in the outer door.
    - Continue aligning the pins into their corresponding holes in the outer door during installation.
  4. Press ends by hand and use a roller to apply 5 kg-f (11 lbs-f) to press molding to door surface.
    - Apply even pressure along molding to insure proper wet out.

#### CAUTION:

**To secure contact, do not wash vehicle for 24 hours after installation.**

## DOOR FINISHER

### Removal and Installation FRONT DOOR



- |                                 |                           |                                     |
|---------------------------------|---------------------------|-------------------------------------|
| 1. Power window switch assembly | 2. Armrest                | 3. Front door finisher (LH shown)   |
| 4. Pull handle cover            | 5. Pull handle escutcheon | 6. Cap                              |
| 7. Door lock knob               | 8. Step lamp              | 9. Seat memory switch (if equipped) |
| 10. Inside door handle assembly |                           |                                     |

#### Removal

1. Remove power window switch assembly.
  - Disconnect harness connectors.
2. Remove pull handle cover.
  - Remove screws behind pull handle cover.
3. Remove cap from pull handle escutcheon and remove screw.
4. Remove pull handle escutcheon.
  - Remove screws behind pull handle escutcheon.
5. Remove armrest.

A  
B  
C  
D  
E  
F  
G  
H  
EI  
J  
K  
L  
M

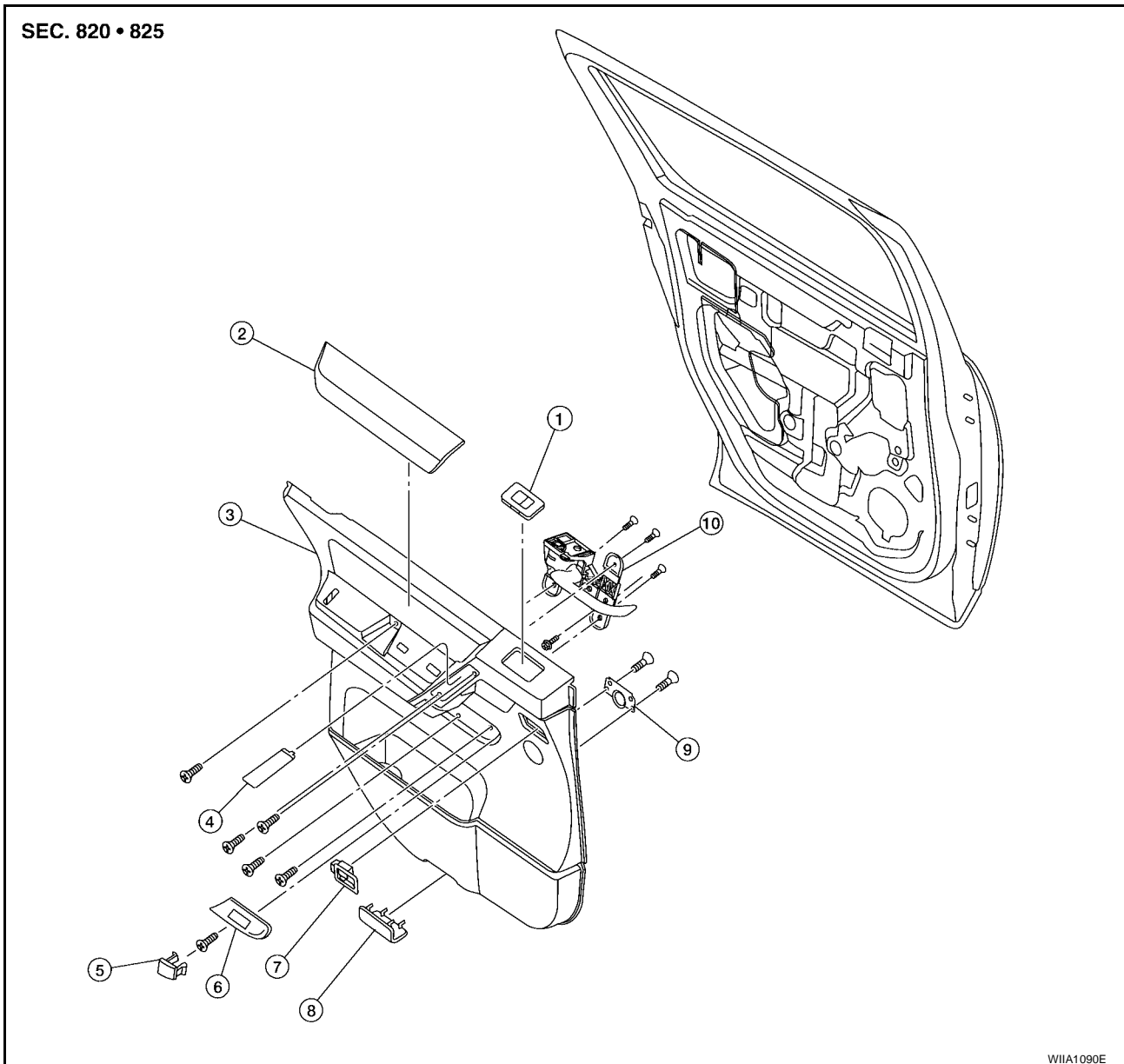
# DOOR FINISHER

- Remove screw behind armrest.
- 6. Remove memory seat switch (if equipped).
  - Disconnect harness connector.
- 7. Remove step lamp.
  - Disconnect harness connector.
- 8. Remove door finisher and disconnect lock cable and handle cable from door handle assembly. Refer to [BL-126. "FRONT DOOR LOCK"](#) .
- 9. Remove inside door handle assembly.
- 10. Remove door lock knob.

## Installation

Installation is in the reverse order of removal.

## REAR DOOR



- |                                 |              |                           |
|---------------------------------|--------------|---------------------------|
| 1. Power window switch assembly | 2. Armrest   | 3. Rear door finisher LH  |
| 4. Pull handle cover            | 5. Cap       | 6. Pull handle escutcheon |
| 7. Door lock knob               | 8. Step lamp | 9. Rear door tweeter      |
| 10. Inside door handle assembly |              |                           |

# DOOR FINISHER

---

## Removal

1. Remove power window switch assembly. A
  - Disconnect harness connector.
2. Remove pull handle cover. B
  - Remove screws behind pull handle cover.
3. Remove cap from pull handle escutcheon and remove screw.
4. Remove pull handle escutcheon. C
  - Remove screws behind pull handle escutcheon.
5. Remove armrest. D
  - Remove screws behind armrest.
6. Remove step lamp. E
  - Disconnect harness connector.
7. Remove door finisher and disconnect lock cable and handle cable from door handle assembly. Refer to [BL-129, "REAR DOOR LOCK"](#) .
8. Remove inside door handle assembly.
9. Remove door lock knob. F
10. Remove rear door tweeter. Refer to [AV-62, "Removal and Installation of Rear Door Tweeter"](#) .

## Installation

Installation is in the reverse order of removal.

G

H

EI

J

K

L

M

# BODY SIDE TRIM

## BODY SIDE TRIM

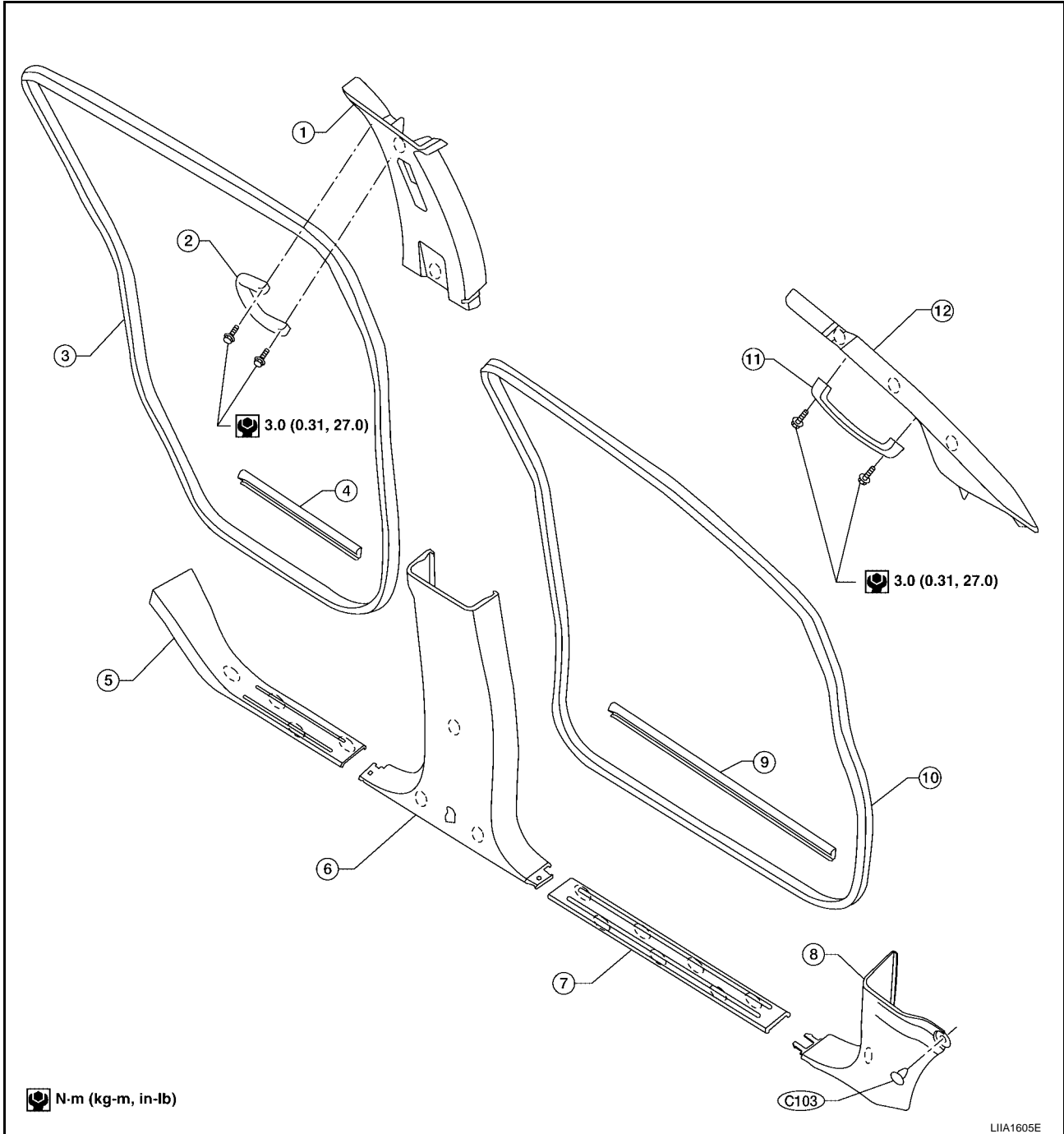
PFP:76913

## Removal and Installation

EIS00BVA

### CAUTION:

- Wrap the tip of flat-bladed screwdriver with a cloth when removing metal clips from finishers.
- When removing or installing body side welts, do not allow butyl seal to come in contact with pillar finisher.



- |                                 |                              |                                 |
|---------------------------------|------------------------------|---------------------------------|
| 1. Center pillar upper finisher | 2. Center pillar assist grip | 3. Rear door welt               |
| 4. Rear door parting seal       | 5. Rear kicking plate        | 6. Center pillar lower finisher |
| 7. Front kicking plate          | 8. Lower dash side finisher  | 9. Front door parting seal      |
| 10. Front door welt             | 11. Front pillar assist grip | 12. Front pillar finisher       |

LIA1605E



# BODY SIDE TRIM

---

## LOWER DASH SIDE FINISHER

### Removal and Installation

1. Remove push pin from lower dash side finisher.
2. Remove front kicking plate from center pillar lower finisher.
3. Remove lower dash side finisher and front kicking plate together.
4. Remove lower dash side finisher from front kicking plate.

Installation is in the reverse order of removal.

## CENTER PILLAR LOWER FINISHER

### Removal and Installation

1. Remove seat belt anchor. Refer to [SB-3, "Removal and Installation of Front Seat Belt"](#) .
  - On RH side, disconnect seat belt tension sensor.
2. Remove front and rear kicking plates. Refer to [EI-33, "KICKING PLATES"](#) .
3. Remove center pillar lower finisher.

Installation is in the reverse order of removal.

## CENTER PILLAR UPPER FINISHER

### Removal and Installation

1. Remove front and rear door welts.
2. Remove seat belt shoulder anchor and D-ring. Refer to [SB-3, "Removal and Installation of Front Seat Belt"](#) .
3. Remove front and rear kicking plates. Refer to [EI-33, "KICKING PLATES"](#) .
4. Remove center pillar lower finisher.
5. Remove assist grip.
6. Remove center pillar upper finisher.

Installation is in the reverse order of removal.

## FRONT PILLAR FINISHER

### Removal and Installation

1. Remove assist grip.
2. Remove front pillar finisher.

Installation is in the reverse order of removal.

## KICKING PLATES

### Removal and Installation

Release clips and remove front and/or rear kicking plates.

Installation is in the reverse order of removal.

## DOOR PARTING SEALS

### Removal and Installation

1. Open front and/or rear doors fully.
2. Release clips and remove parting seals.

Installation is in the reverse order of removal.

A

B

C

D

E

F

G

H

EI

J

K

L

M

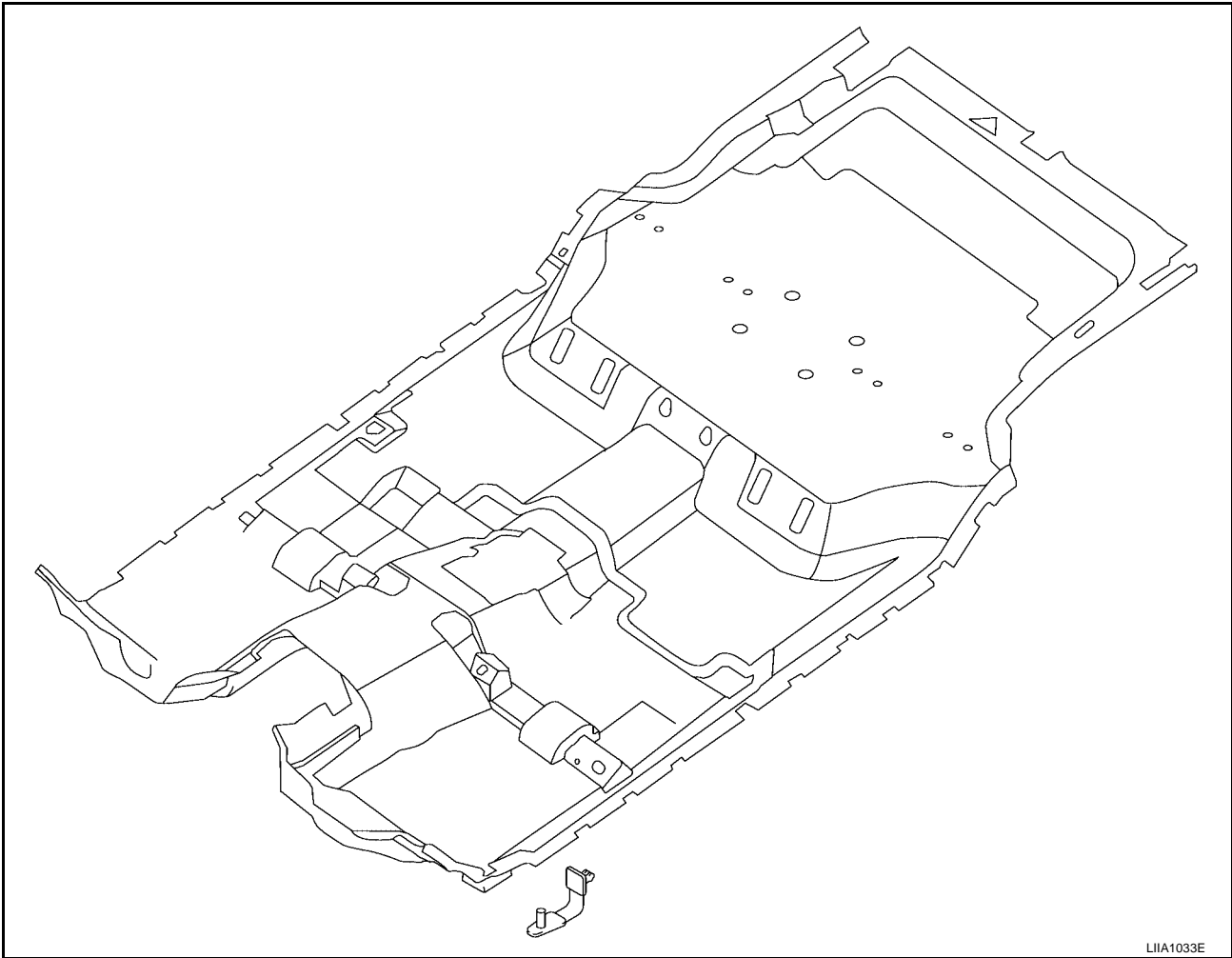
# FLOOR TRIM

## FLOOR TRIM

PFP:74902

### Removal and Installation

EIS00BVB



1. Remove front seats. Refer to [SE-89, "FRONT SEAT"](#) .
2. Remove lower seat belt anchors. Refer to [SB-3, "SEAT BELTS"](#) .
3. Remove lower body side trim. Refer to [EI-32, "BODY SIDE TRIM"](#) .
4. Remove luggage lower side finishers (left / right). Refer to [EI-37, "LUGGAGE FLOOR TRIM"](#) .
5. Remove center console. Refer to [IP-14, "CENTER CONSOLE"](#) .
6. Remove rear lower finisher. Refer to [EI-37, "LUGGAGE FLOOR TRIM"](#) .
7. Remove floor mat hooks from front carpet.
8. Remove carpet.
9. Remove spare tire cover.

Installation is in the reverse order of removal.

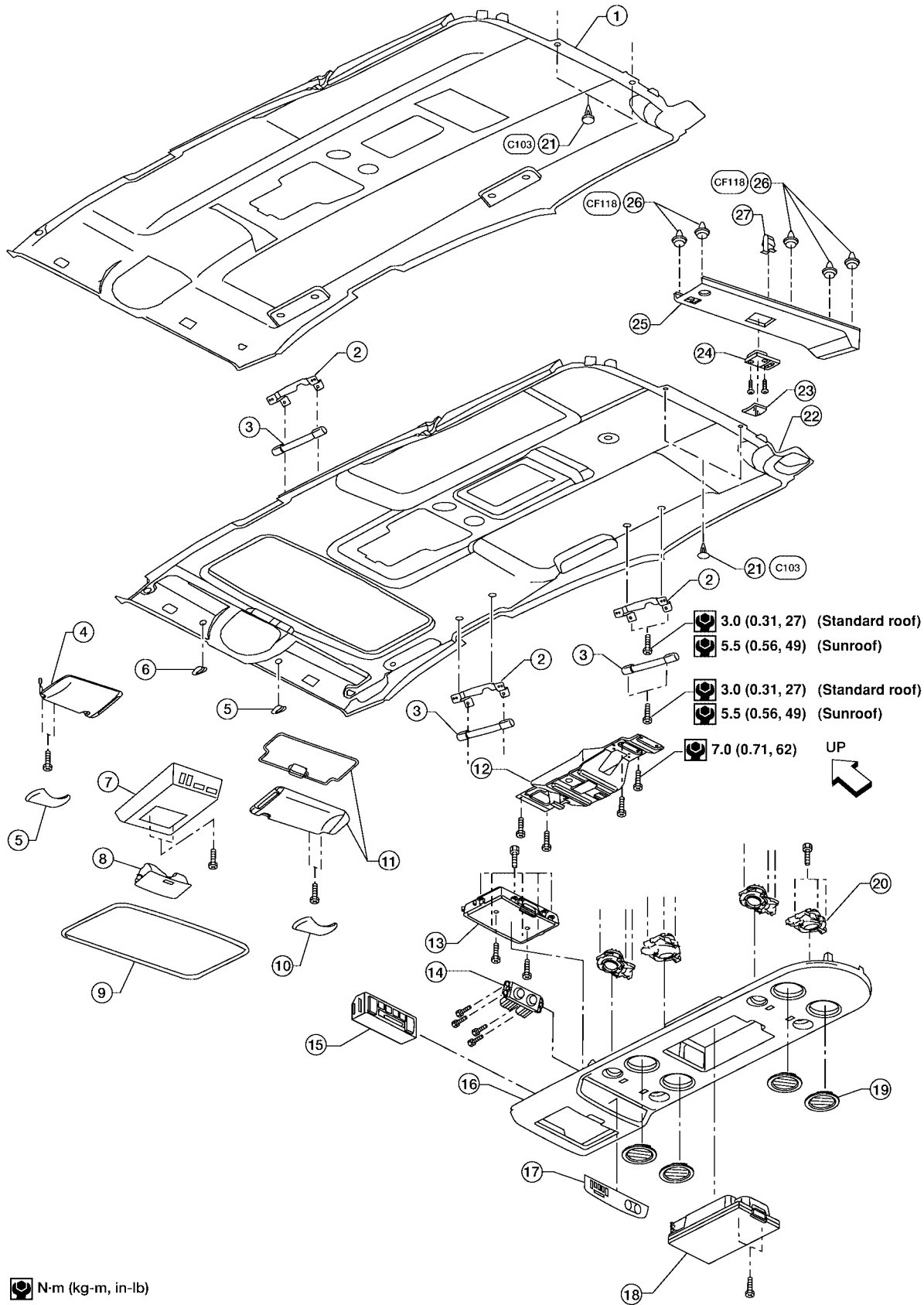
# HEADLINING

## HEADLINING

### Removal and Installation

PFP:73910

EIS00BVC



A  
B  
C  
D  
E  
F  
G  
H  
EI  
J  
K  
L  
M

N-m (kg-m, in-lb)

LIA1332E

# HEADLINING

---

- |                                     |                                |                                 |
|-------------------------------------|--------------------------------|---------------------------------|
| 1. Headlining (without sunroof)     | 2. Assist grip bracket         | 3. Assist grip                  |
| 4. Sunvisor assembly LH             | 5. Cap LH                      | 6. Sunvisor holder              |
| 7. Front roof console               | 8. Sunglass bin                | 9. Sunroof welt                 |
| 10. Cap RH                          | 11. Sunvisor assembly RH       | 12. Rear roof console bracket   |
| 13. Rear storage bin or DVD display | 14. Rear air control           | 15. Rear audio control assembly |
| 16. Rear roof console               | 17. Rear roof console finisher | 18. Rear storage bin            |
| 19. Air vent                        | 20. Lamp assembly              | 21. Plastic clip                |
| 22. Headlining (with sunroof)       | 23. Rear lamp lens             | 24. Rear lamp                   |
| 25. Rear roof finisher              | 26. Plastic clip               | 27. Metal clip                  |

## REMOVAL

### CAUTION:

**Disconnect both terminals from battery in advance.**

1. Remove body side trim. Refer to [EI-32, "BODY SIDE TRIM"](#) .
2. Remove luggage floor trim. Refer to [EI-37, "LUGGAGE FLOOR TRIM"](#) .
3. Remove sunvisor assemblies.
4. Remove sunvisor clips.
5. Remove sunroof welt (if equipped).
6. Remove front roof console.
  - Disconnect harnesses.
7. Remove rear roof console.
  - Disconnect harnesses.
8. Remove assist grips.
9. Remove lamp assembly from rear roof finisher.
  - Disconnect harness.
10. Remove rear roof finisher.
11. Remove headlining.
  - Remove clips from rear of headlining.
  - Disconnect harnesses.
12. Remove rear air control.
  - Disconnect harness.
13. Remove rear audio control assembly.
  - Disconnect harness.
14. Remove lamp assemblies.
  - Disconnect harnesses.
15. Remove air vents.
16. Remove the front roof console bracket.
17. Remove rear roof console front bracket.
18. Remove assist grip brackets from roof.

## INSTALLATION

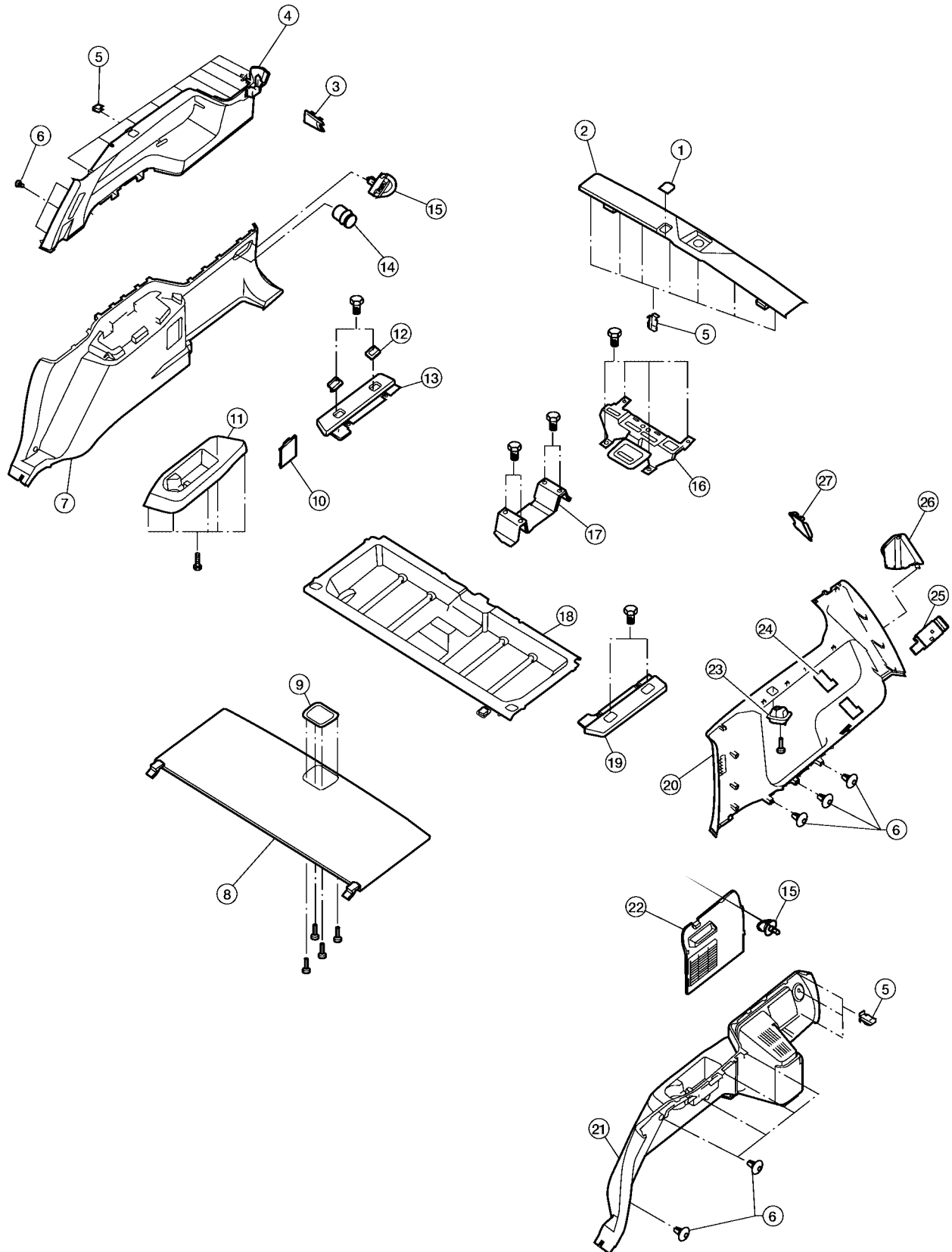
Installation is in the reverse order of removal.

# LUGGAGE FLOOR TRIM

## LUGGAGE FLOOR TRIM Removal and Installation

PFP:84999

EIS00BVD



A  
B  
C  
D  
E  
F  
G  
H  
EI  
J  
K  
L  
M

LIA1032E

## LUGGAGE FLOOR TRIM

---

- |                                   |                                    |                                    |
|-----------------------------------|------------------------------------|------------------------------------|
| 1. Child seat anchor cover        | 2. Tail gate kicking plate         | 3. Luggage trim cap RH             |
| 4. Luggage side upper finisher RH | 5. Metal clips                     | 6. Plastic clips                   |
| 7. Luggage side lower finisher RH | 8. Luggage floor board assembly    | 9. Luggage floor board latch       |
| 10. Leak check cap                | 11. Cup holder                     | 12. Cargo net hook                 |
| 13. Floor side finisher RH        | 14. Power point assembly           | 15. Trunk net hook                 |
| 16. Rear luggage box bracket      | 17. Front luggage floor bracket    | 18. Storage box                    |
| 19. Floor side finisher LH        | 20. Luggage side upper finisher LH | 21. Luggage side lower finisher LH |
| 22. Luggage side lid              | 23. Coat hook                      | 24. Cap lower seat belt finisher   |
| 25. Back door open/close switch   | 26. Luggage side upper cap         | 27. Luggage trim cap RH            |

### REMOVAL

1. Remove 2nd and 3rd row seat belts. Refer to [SB-3, "SEAT BELTS"](#) .
2. Remove third row seat belt buckles.
3. Remove third row seat assembly. Refer to [SB-8, "Third Row"](#) .
4. Remove back door weatherstrip. refer to [EI-39, "BACK DOOR TRIM"](#) .
5. Remove rear luggage room lamp. Refer to [EI-35, "HEADLINING"](#) .
  - Disconnect harness from lamp.
6. Remove rear roof finisher. Refer to [EI-35, "HEADLINING"](#) .
7. Remove rear door kicking plates. refer to [EI-32, "BODY SIDE TRIM"](#) .
8. Remove tail gate kicking plate.
9. Disconnect door open/close link. Refer to [BL-130, "BACK DOOR LOCK"](#) .
10. Remove trunk net hooks.
11. Remove luggage side lower finishers LH/RH.
  - Disconnect power point, RH side.
12. Remove coat hooks.
13. Remove luggage side upper finishers LH/RH.
  - Disconnect harness to door open/close switch, LH side.
14. Remove cargo net hooks LH/RH.
15. Remove floor side finishers LH/RH.
16. Remove luggage floor board.
17. Remove storage box.
18. Remove front luggage floor bracket.
19. Remove rear luggage box bracket.

### INSTALLATION

Install in the reverse order of removal.

# BACK DOOR TRIM

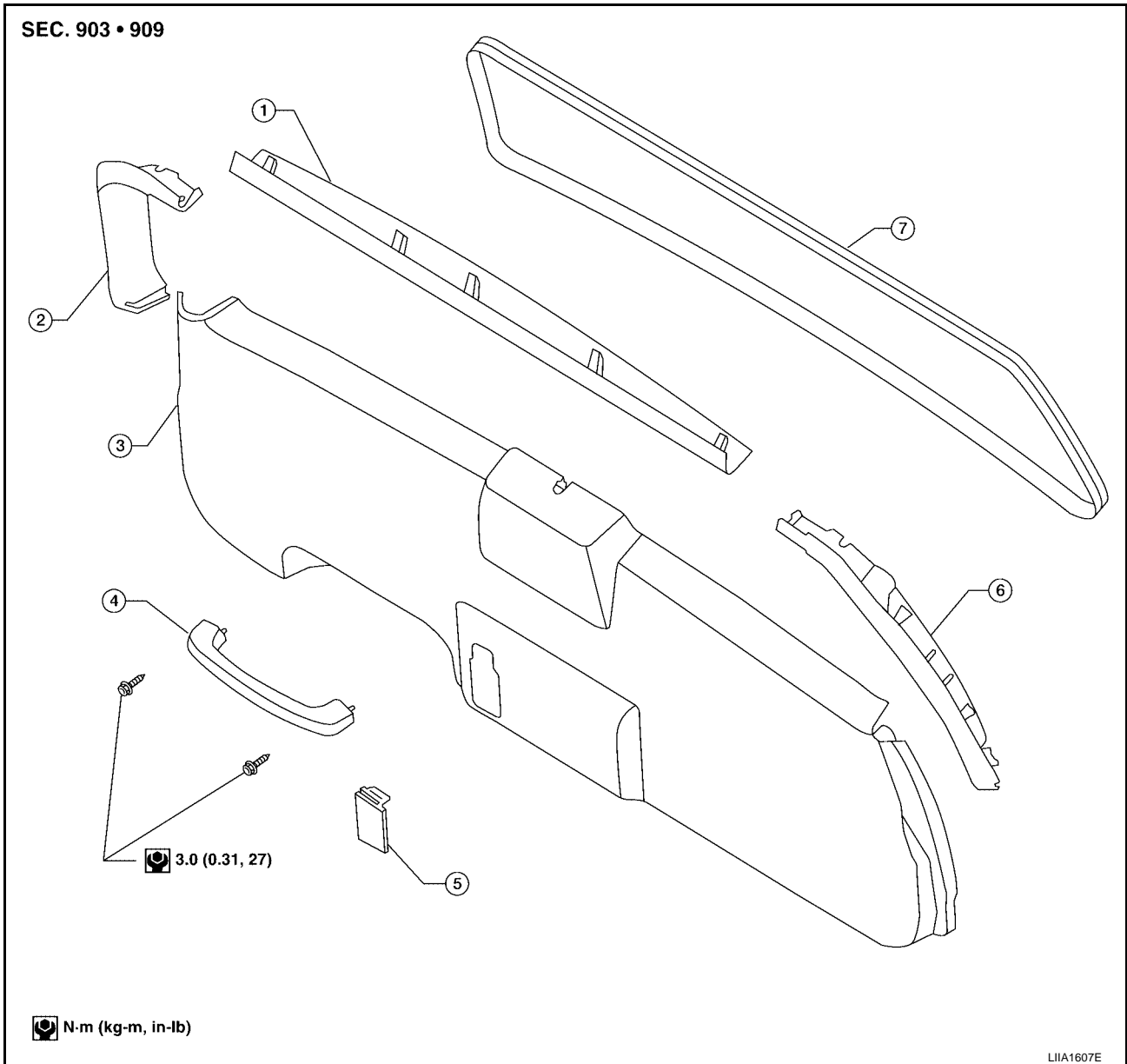
PF9:90900

EIS00BVE

## BACK DOOR TRIM

### Removal and Installation

SEC. 903 • 909



- |                                   |                                       |                                       |
|-----------------------------------|---------------------------------------|---------------------------------------|
| 1. Back door top garnish assembly | 2. Back door side garnish assembly RH | 3. Back door finisher assembly        |
| 4. Back door grip                 | 5. Back door mask                     | 6. Back door side garnish assembly LH |
| 7. Back door glass weatherstrip   |                                       |                                       |

1. Disconnect door open/close link. Refer to [BL-130, "BACK DOOR LOCK"](#) .
  2. Open back door glass.
  3. Remove back door glass weatherstrip.
  4. Remove back door grip.
  5. Release clips and remove back door finisher assembly.
  6. Release clips and remove back door top garnish assembly.
  7. Release clips and remove back door side garnish assemblies LH and RH.
- Installation in the reverse order of removal.

# BACK DOOR TRIM

---