

A
B
C
D

WT

SECTION

ROAD WHEELS & TIRES

CONTENTS

WT

<p>PREPARATION 2</p> <p style="padding-left: 20px;">Special Service Tool 2</p> <p style="padding-left: 20px;">Commercial Service Tools 2</p> <p>NOISE, VIBRATION, AND HARSHNESS (NVH)</p> <p>TROUBLESHOOTING 3</p> <p style="padding-left: 20px;">NVH Troubleshooting Chart 3</p> <p>WHEEL 4</p> <p style="padding-left: 20px;">Inspection 4</p> <p>WHEEL AND TIRE ASSEMBLY 5</p> <p style="padding-left: 20px;">Balancing Wheels 5</p> <p style="padding-left: 40px;">REMOVAL 5</p> <p style="padding-left: 40px;">WHEEL BALANCE ADJUSTMENT 5</p> <p style="padding-left: 20px;">Rotation 6</p> <p>LOW TIRE PRESSURE WARNING SYSTEM 7</p> <p style="padding-left: 20px;">System Components 7</p> <p style="padding-left: 20px;">System Description 7</p> <p style="padding-left: 40px;">TRANSMITTER 7</p> <p style="padding-left: 40px;">REMOTE KEYLESS ENTRY RECEIVER 7</p> <p style="padding-left: 40px;">BCM (BODY CONTROL MODULE) 8</p> <p style="padding-left: 40px;">WARNING LAMP AND BUZZER 8</p> <p style="padding-left: 40px;">DISPLAY UNIT (WITH NAVI) 8</p> <p>CAN COMMUNICATION 9</p> <p style="padding-left: 20px;">System Description 9</p> <p>TROUBLE DIAGNOSES 10</p> <p style="padding-left: 20px;">Wiring Diagram 10</p> <p style="padding-left: 20px;">Control Unit Input/Output Signal Standard 12</p> <p style="padding-left: 20px;">ID Registration Procedure 13</p> <p style="padding-left: 40px;">ID REGISTRATION WITH TRANSMITTER</p> <p style="padding-left: 40px;">ACTIVATION TOOL 13</p> <p style="padding-left: 40px;">ID REGISTRATION WITHOUT TRANSMITTER</p> <p style="padding-left: 40px;">ACTIVATION TOOL 14</p> <p style="padding-left: 20px;">Transmitter Wake Up Operation 15</p> <p style="padding-left: 40px;">WITH TRANSMITTER ACTIVATION TOOL 15</p> <p style="padding-left: 20px;">Self-Diagnosis 16</p> <p style="padding-left: 40px;">DESCRIPTION 16</p> <p style="padding-left: 40px;">FUNCTION 16</p> <p style="padding-left: 40px;">CONSULT-II MAIN FUNCTION 16</p>	<p style="padding-left: 20px;">..... 16</p> <p style="padding-left: 20px;">How to Perform Trouble Diagnosis for Quick and</p> <p style="padding-left: 20px;">Accurate Repair 18</p> <p style="padding-left: 40px;">INTRODUCTION 18</p> <p style="padding-left: 40px;">WORK FLOW 18</p> <p style="padding-left: 20px;">Preliminary Check 19</p> <p style="padding-left: 20px;">Malfunction Code/Symptom Chart 20</p> <p>TROUBLE DIAGNOSIS FOR SELF-DIAGNOSTIC</p> <p>ITEMS 22</p> <p style="padding-left: 20px;">Inspection 1: Transmitter or Control Unit (BCM) 22</p> <p style="padding-left: 40px;">MALFUNCTION CODE NO. 21, 22, 23 OR 24 ... 22</p> <p style="padding-left: 20px;">Inspection 2: Transmitter - 1 22</p> <p style="padding-left: 40px;">MALFUNCTION CODE NO. 31, 32, 33, 34, 41,</p> <p style="padding-left: 40px;">42, 43, 44, 45, 46, 47 OR 48 22</p> <p style="padding-left: 20px;">Inspection 3: Transmitter - 2 23</p> <p style="padding-left: 40px;">MALFUNCTION CODE NO. 35, 36, 37 OR 38 ... 23</p> <p style="padding-left: 20px;">Inspection 4: Vehicle Speed Signal 24</p> <p style="padding-left: 40px;">MALFUNCTION CODE NO. 52 24</p> <p>TROUBLE DIAGNOSIS FOR SYMPTOMS 25</p> <p style="padding-left: 20px;">Inspection 1: Warning Lamp Does Not Come On</p> <p style="padding-left: 20px;">When Ignition Switch Is Turned On 25</p> <p style="padding-left: 20px;">Inspection 2: Warning Lamp Stays On When Ignition</p> <p style="padding-left: 20px;">Switch Is Turned On 25</p> <p style="padding-left: 20px;">Inspection 3: Warning Lamp Flashes When Ignition</p> <p style="padding-left: 20px;">Switch Is Turned On 27</p> <p style="padding-left: 20px;">Inspection 4: Hazard Warning Lamp Flashes When</p> <p style="padding-left: 20px;">Ignition Switch Is Turned On 28</p> <p style="padding-left: 20px;">Inspection 5: "TIRE PRESSURE" Information In</p> <p style="padding-left: 20px;">Display Unit Does Not Exist 29</p> <p style="padding-left: 20px;">Inspection 6: ID Registration Cannot Be Completed.. 29</p> <p>REMOVAL AND INSTALLATION 30</p> <p style="padding-left: 20px;">Transmitter (Pressure Sensor) 30</p> <p style="padding-left: 40px;">REMOVAL 30</p> <p style="padding-left: 40px;">INSTALLATION 30</p> <p>SERVICE DATA AND SPECIFICATIONS (SDS) 32</p> <p style="padding-left: 20px;">Road Wheel 32</p> <p style="padding-left: 20px;">Tire 32</p>	<p>F</p> <p>G</p> <p>H</p> <p>I</p> <p>J</p> <p>K</p> <p>L</p> <p>M</p>
--	--	---

PREPARATION

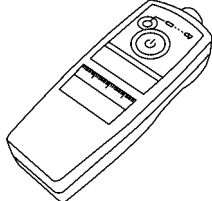
PREPARATION

PFP:00002

Special Service Tool

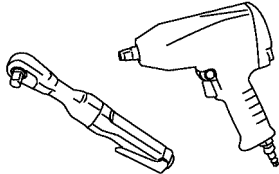
EES000PW

The actual shapes of Kent-Moore tools may differ from those of special service tools illustrated here.

Tool number (Kent-Moore No.) Tool name	Description
— (J-45295) Transmitter activation tool  LEIA0035E	ID registration

Commercial Service Tools

EES000YH

Tool name	Description
Power tool  PBIC0190E	Removing wheel nuts

NOISE, VIBRATION, AND HARSHNESS (NVH) TROUBLESHOOTING

NOISE, VIBRATION, AND HARSHNESS (NVH) TROUBLESHOOTING

PFP:00003

NVH Troubleshooting Chart

EES000PX

Use chart below to help you find the cause of the symptom. If necessary, repair or replace these parts.

Reference page		WT-4	WT-5	WT-32	WT-6	—	—	WT-32	FFD-7, "NVH Troubleshooting Chart" (FFD) RFD-5, "NVH Troubleshooting Chart" (RFD)	FAX-4, "NVH Troubleshooting Chart" (FAX) FSU-4, "NVH Troubleshooting Chart" (FSU)	RAX-4, "NVH Troubleshooting Chart" (RAX) RSU-5, "NVH Troubleshooting Chart" (RSU)	Refer to TIRES in this chart.	Refer to ROAD WHEEL in this chart.	BR-5, "NVH Troubleshooting Chart"	PS-5, "NVH Troubleshooting Chart"	
Possible cause and SUSPECTED PARTS		Out-of-round	Imbalance	Incorrect tire pressure	Uneven tire wear	Deformation or damage	Non-uniformity	Incorrect tire size	FRONT AND REAR FINAL DRIVE	FRONT AXLE AND FRONT SUSPENSION	REAR AXLE AND REAR SUSPENSION	TIRES	ROAD WHEEL	BRAKE	STEERING	
Symptom	TIRES	Noise	x	x	x	x	x	x	x	x	x	x	x	x	x	
		Shake	x	x	x	x	x	x	x	x	x	x	x	x	x	x
		Vibration			x				x		x	x	x			x
		Shimmy	x	x	x	x	x	x	x		x	x	x		x	x
		Shudder	x	x	x	x	x		x		x	x	x		x	x
		Poor quality ride or handling	x	x	x	x	x		x		x	x	x			
	ROAD WHEEL	Noise	x	x			x			x	x	x	x	x	x	x
		Shake	x	x			x				x	x		x	x	x
Shimmy, shudder		x	x			x				x	x		x	x	x	
Poor quality ride or handling		x	x			x				x	x		x			

x: Applicable

A
B
C
D
E
F
G
H
I
J
K
L
M

WT

WHEEL

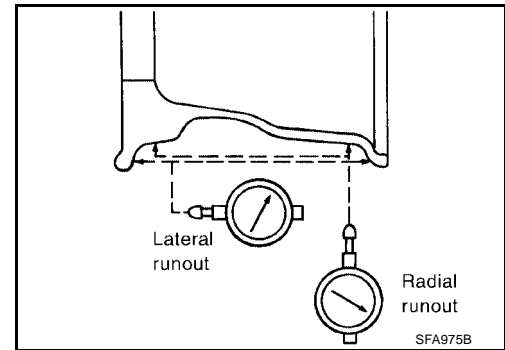
WHEEL

PFP:40300

Inspection

EES000PY

1. Check tires for wear and improper inflation.
2. Check wheels for deformation, cracks and other damage. If deformed, remove wheel and check wheel runout.
 - a. Remove tire from wheel and mount wheel on a tire balance machine.
 - b. Set dial indicator as shown in the illustration. Refer to [WT-32, "Road Wheel"](#).
3. Check front wheel bearings for looseness.
4. Check front suspension for looseness.



WHEEL AND TIRE ASSEMBLY

WHEEL AND TIRE ASSEMBLY

PFP:40300

Balancing Wheels REMOVAL

EES000PZ

1. Using releasing agent, remove double-faced adhesive tape from the wheel.

CAUTION:

- Be careful not to scratch the wheel during removal.
- After removing double-faced adhesive tape, wipe clean traces of releasing agent from the wheel.

WHEEL BALANCE ADJUSTMENT

- If a tire balance machine has adhesion balance weight mode settings and drive-in weight mode setting, select and adjust a drive-in weight mode suitable for wheels.
1. Set wheel on wheel balancer using the center hole as a guide. Start the tire balance machine.
 2. When inner and outer imbalance values are shown on the wheel balancer indicator, multiply outer imbalance value by 1.6 to determine balance weight that should be used. Select the outer balance weight with a value closest to the calculated value and install it to the designated outer position of, or at the designated angle in relation to the road wheel.

CAUTION:

- Do not install the inner balance weight before installing the outer balance weight.
- Before installing the balance weight, be sure to clean the mating surface of the wheel.

Indicated imbalance value $\times 5/3 =$ balance weight to be installed

Calculation example:

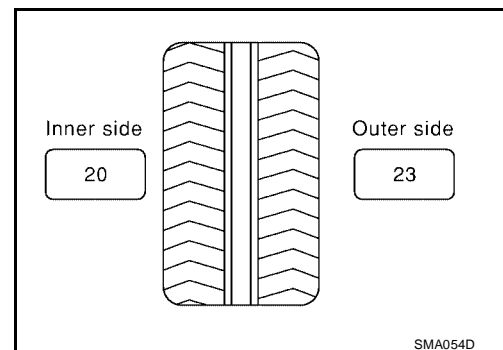
$23 \text{ g (0.81 oz)} \times 5/3 = 38.33 \text{ g (1.35 oz)} = 40 \text{ g (1.41 oz)}$ balance weight (closer to calculated balance weight value)

Note that balance weight value must be closer to the calculated balance weight value.

Example:

$37.4 \text{ g} = 35 \text{ g (1.23 oz)}$

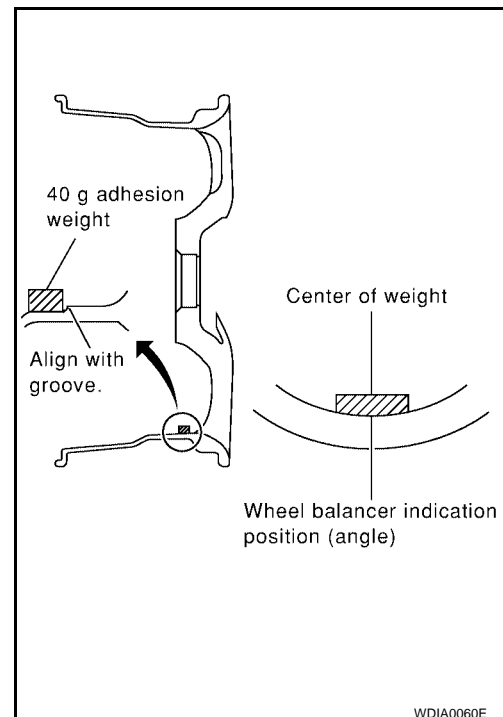
$37.5 \text{ g} = 40 \text{ g (1.41 oz)}$



- a. Install balance weight in the position shown.
- b. When installing balance weight to wheels, set it into the grooved area on the inner wall of the wheel as shown so that the balance weight center is aligned with the wheel balancer indication position (angle).

CAUTION:

- Always use Genuine NISSAN adhesion balance weights.
- Balance weights are not reusable; always replace with new ones.
- Do not install more than three sheets of balance weights.



A

B

C

D

WT

F

G

H

I

J

K

L

M

WHEEL AND TIRE ASSEMBLY

- c. If calculated balance weight value exceeds 50 g (1.76 oz), install two balance weight sheets in line with each other as shown.

CAUTION:

Do not install one balance weight sheet on top of another.

3. Start wheel balancer again.
 4. Install drive-in balance weight on inner side of road wheel in the wheel balancer indication position (angle).

CAUTION:

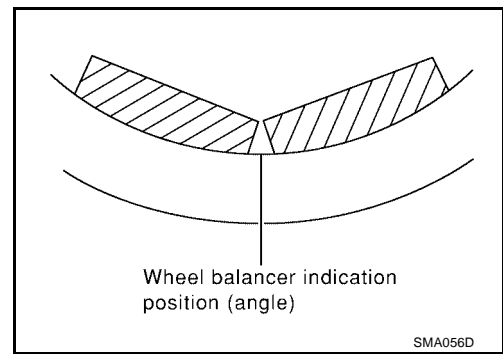
Do not install more than two balance weights.

5. Start wheel balancer. Make sure that inner and outer residual imbalance values are 5 g (0.18 oz) each or below.

- If either residual imbalance value exceeds 5 g (0.18 oz), repeat installation procedures.

Wheel balance (Maximum allowable imbalance):

Maximum allowable imbalance	Dynamic (At rim flange)	5 g (0.18 oz) (one side)
	Static	10 g (0.35 oz)



Rotation

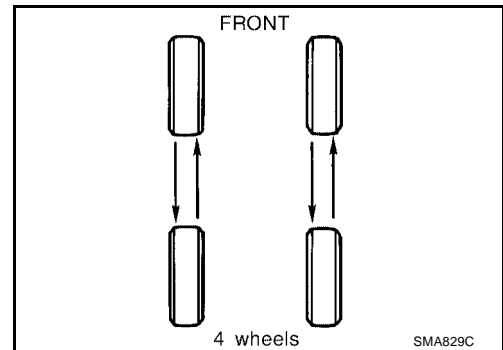
EES000Q0

- Follow the maintenance schedule for tire rotation service intervals. Refer to [MA-7, "PERIODIC MAINTENANCE"](#).
- Do not include the spare tire when rotating the tires.

CAUTION:

When installing wheels, tighten them diagonally by dividing the work two to three times in order to prevent the wheels from developing any distortion.

Wheel nut torque: : 133 N-m (14 kg-m, 98 ft-lb)



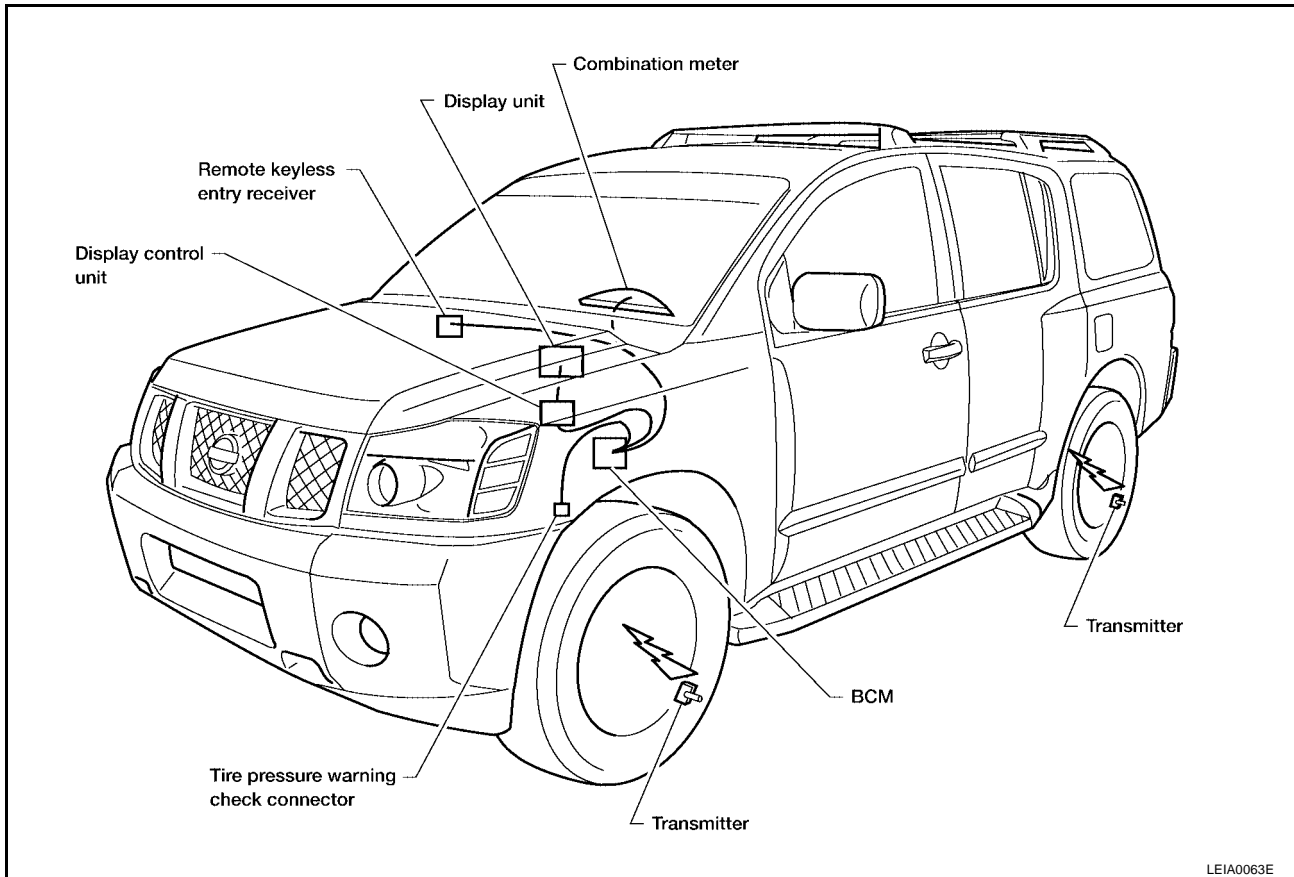
LOW TIRE PRESSURE WARNING SYSTEM

LOW TIRE PRESSURE WARNING SYSTEM

PFP:40300

System Components

EES000Q1

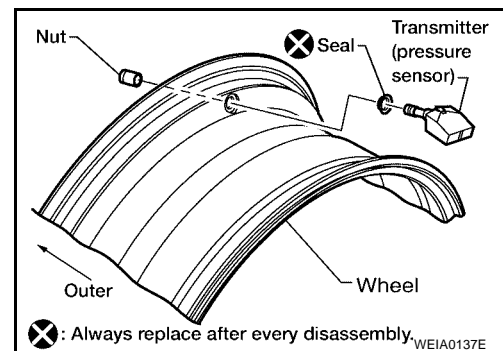


LEIA0063E

System Description TRANSMITTER

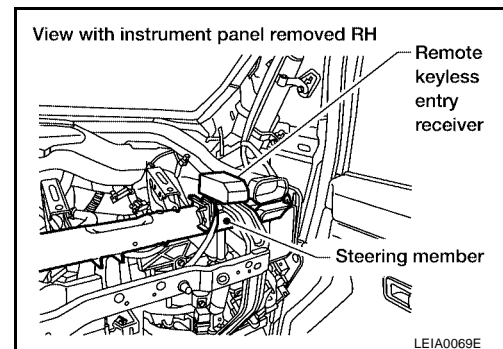
EES000Q2

A sensor-transmitter integrated with a valve is installed on a wheel, and transmits a detected air pressure signal in the form of a radio wave.



REMOTE KEYLESS ENTRY RECEIVER

Receives the air pressure signal transmitted by the transmitter in each wheel.

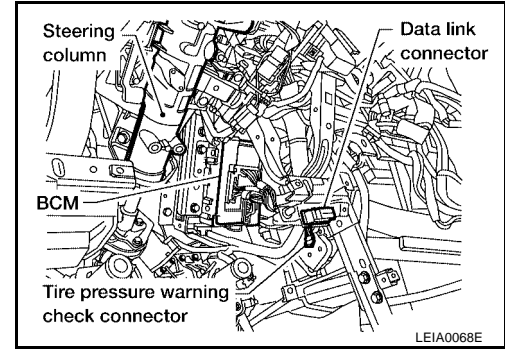


LEIA0069E

LOW TIRE PRESSURE WARNING SYSTEM

BCM (BODY CONTROL MODULE)

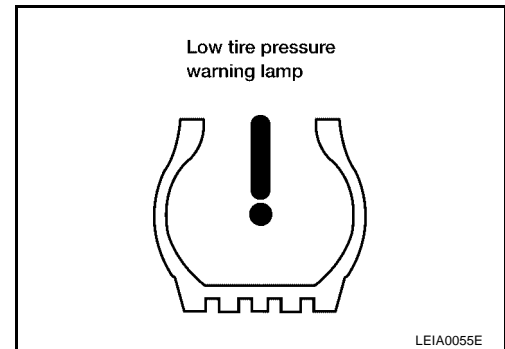
Reads the air pressure signal received by the remote keyless entry receiver, and controls the warning lamp and the buzzer operations as shown below. It also has a judgement function to detect a system malfunction.



WARNING LAMP AND BUZZER

Indicates low tire pressure or system malfunction.

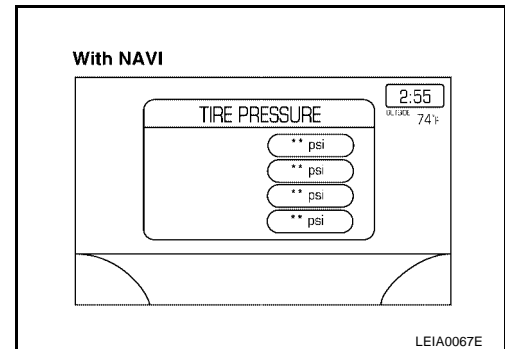
Condition	Warning lamp	Buzzer
Less than 193 kPa (2.0 kg/cm ² , 28 psi) [Flat tire]	ON	Sounds for 10 sec.
System malfunction	ON	OFF



DISPLAY UNIT (WITH NAVI)

Displays the air pressure of each tire.

- After the ignition switch is turned on, the pressure values are not be displayed until the data of each wheel is received.



CAN COMMUNICATION

CAN COMMUNICATION

PFP:23710

System Description

EES000Q3

Refer to [LAN-5, "CAN COMMUNICATION"](#) .

A

B

C

D

WT

F

G

H

I

J

K

L

M

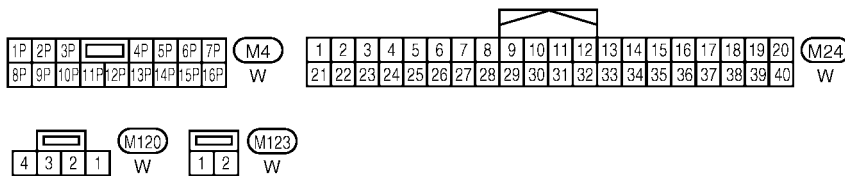
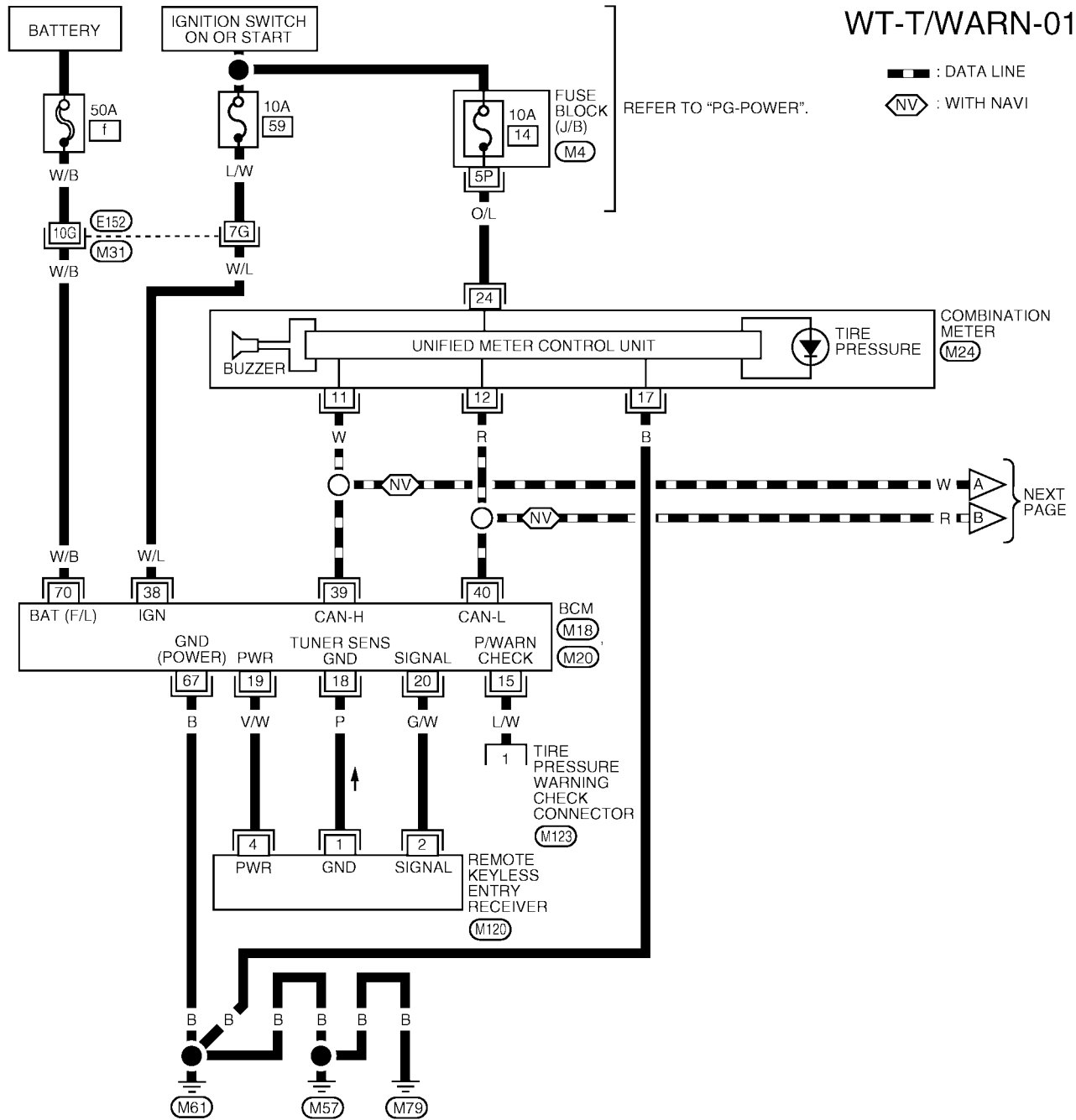
TROUBLE DIAGNOSES

PF0:00004

TROUBLE DIAGNOSES

Wiring Diagram

EES00004



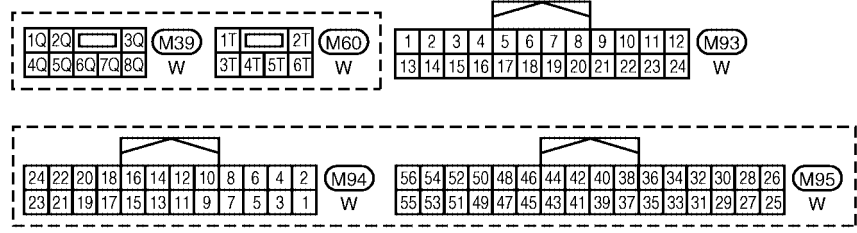
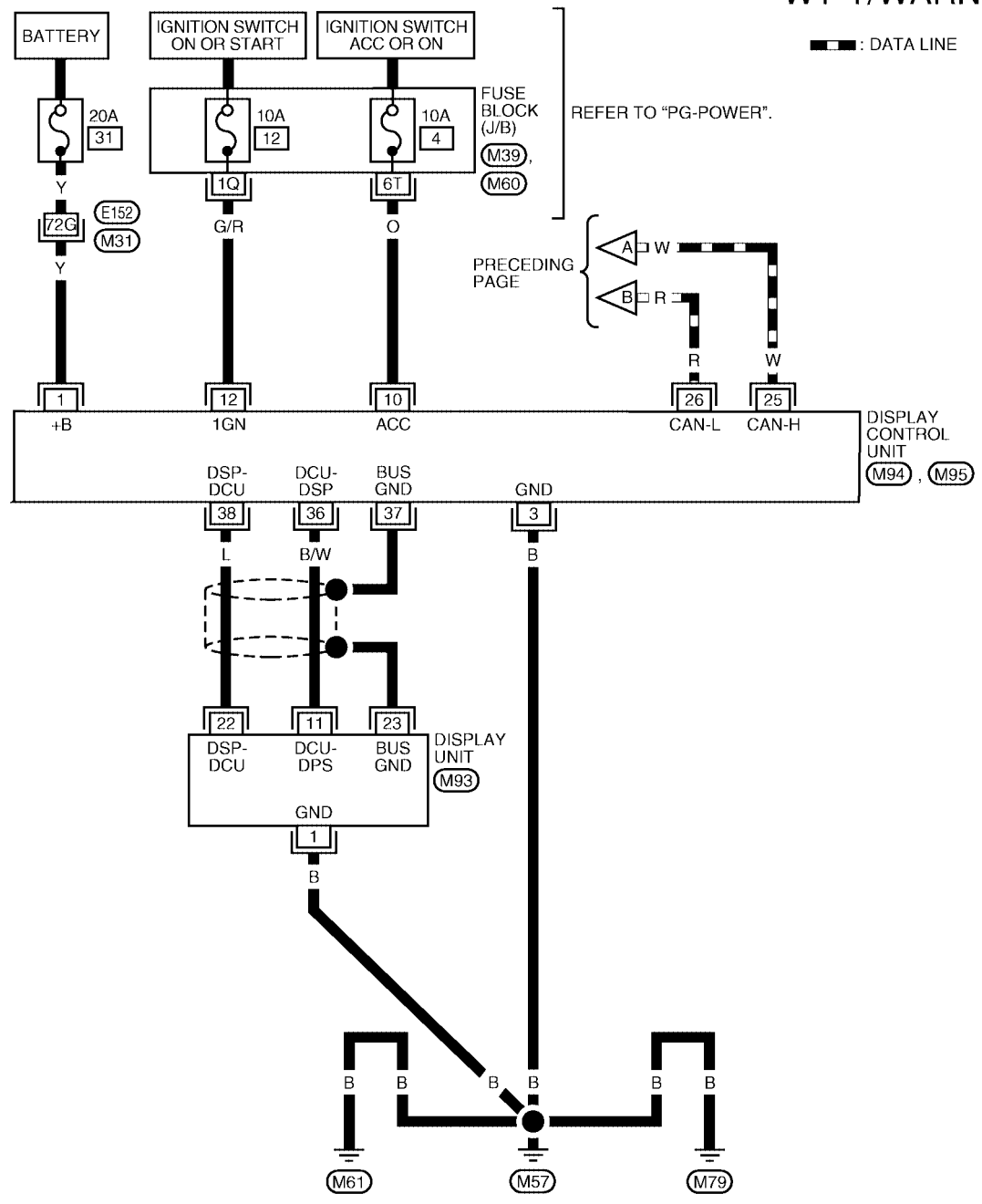
REFER TO THE FOLLOWING.

- (M31) - SUPER MULTIPLE JUNCTION (SMJ)
- (M18), (M20) - ELECTRICAL UNITS

WEWA0036E

TROUBLE DIAGNOSES

WT-T/WARN-02



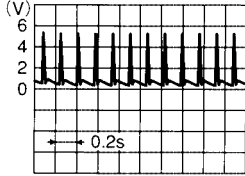
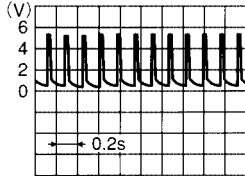
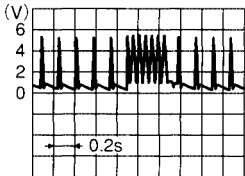
REFER TO THE FOLLOWING
 (M31) - SUPER MULTIPLE
 JUNCTION (SMJ)

WEWA0017E

TROUBLE DIAGNOSES

Control Unit Input/Output Signal Standard

EES000Q5

Terminal		Item	Condition	Voltage (V) (Approx.)
+	-			
15 (L/W)	Ground	Tire pressure warning check connector	—	5V
18 (P)		Remote keyless entry receiver (Ground)	—	0V
19 (V/W)		Remote keyless entry receiver (Power supply)	Stand-by	 <p style="text-align: right; font-size: small;">OCC3879D</p>
			Press any of the electronic switches	
20 (G/W)		Remote keyless entry receiver (Signal)	Stand-by	 <p style="text-align: right; font-size: small;">OCC3881D</p>
			Press any of the electronic switches	 <p style="text-align: right; font-size: small;">OCC3880D</p>
38 (W/L)		Ignition switch	Ignition switch ON or START	Battery voltage
39 (W)		Data line (CAN H)	—	—
40 (R)		Data line (CAN L)	—	—
67 (B)		GND	—	0V
70 (W/B)	Battery power supply	—	Battery voltage	

() : Wire color

TROUBLE DIAGNOSES

EES00006

ID Registration Procedure

ID REGISTRATION WITH TRANSMITTER ACTIVATION TOOL

This procedure must be done after replacement of a low tire pressure warning transmitter or BCM.

CAUTION:

If CONSULT-II is used with no connection of CONSULT-II CONVERTER, malfunction might be detected during self-diagnosis depending on control unit which carry out CAN communication.

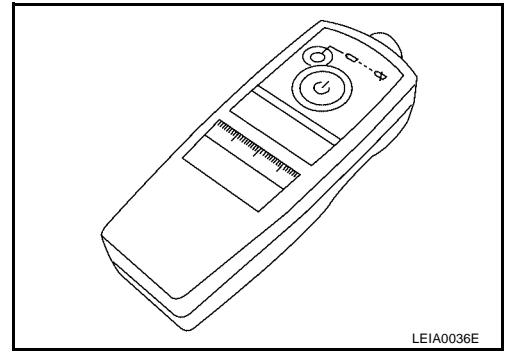
1. With the ignition switch OFF, connect CONSULT-II and CONSULT-II CONVERTER to the data link connector, then turn the ignition switch ON.
2. Select "START (NISSAN BASED VHCL)".
3. Touch "BCM" on "SELECT SYSTEM" screen.

NOTE:

If "BCM" is not indicated, go to [LAN-5, "CAN COMMUNICATION"](#) .

4. Select "AIR PRESSURE MONITOR" on "SELECT WORK ITEM" screen.
5. Select "WORK SUPPORT" on "SELECT DIAG MODE" screen, and select "ID REGIST".
6. With the transmitter activation tool (J-45295) pushed against the front left transmitter position of the tire air valve, press the button for 5 seconds.

Tool number — (J-45295)



7. Register the IDs in order from FR LH, FR RH, RR RH and RR LH. When ID registration of each wheel has been completed, a buzzer sounds and the warning lamp flashes.

Activation tire position	Buzzer	Hazard warning lamp	CONSULT-II
1 Front LH	Once	2 times flashing	"YET" ↓ "DONE"
2 Front RH	2 times		
3 Rear RH	3 times		
4 Rear LH	4 times		

8. After completing all ID registrations, press "END" to complete the procedure.

NOTE:

Be sure to register the IDs in order from FR LH, FR RH, RR RH, to RR LH, or the self-diagnostic results display will not function properly.

A
B
C
D
WT
F
G
H
I
J
K
L
M

TROUBLE DIAGNOSES

ID REGISTRATION WITHOUT TRANSMITTER ACTIVATION TOOL

This procedure must be done after replacement of a low tire pressure warning transmitter or BCM.

1. With the ignition switch OFF, connect CONSULT-II and CONSULT-II CONVERTER to the data link connector, then turn the ignition switch ON.
2. Select "START (NISSAN BASED VHCL)".
3. Touch "BCM" on "SELECT SYSTEM" screen.

NOTE:

If "BCM" is not indicated, go to [LAN-5. "CAN COMMUNICATION"](#) .

4. Select "AIR PRESSURE MONITOR" on "SELECT WORK ITEM" screen.
5. Select "WORK SUPPORT" on "SELECT DIAG MODE" screen, and select "ID REGIST".
6. Adjust the tire pressure to the values shown in the table below for ID registration, and drive the vehicle at 15 km/h (9.4 MPH) or more for a few minutes.

Tire position	Tire pressure kPa (kg/cm ² , psi)
Front – Left	250 (2.5, 36)
Front – Right	230 (2.3, 33)
Rear – Right	210 (2.1, 30)
Rear – Left	190 (1.9, 27)

7. After completing all ID registrations, press "END" to complete the procedure.

Activation tire position	CONSULT-II
Front LH	"YET" ↓ "DONE"
Front RH	
Rear RH	
Rear LH	

8. Inflate all tires to proper pressure.

Tire pressure

17 inch tire : 240 kPa (2.4 kg/cm² , 35 psi)

18 inch tire : 240 kPa (2.4 kg/cm² , 35 psi)

TROUBLE DIAGNOSES

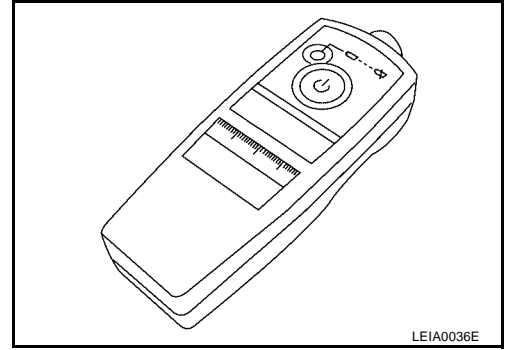
EES000Q7

Transmitter Wake Up Operation WITH TRANSMITTER ACTIVATION TOOL

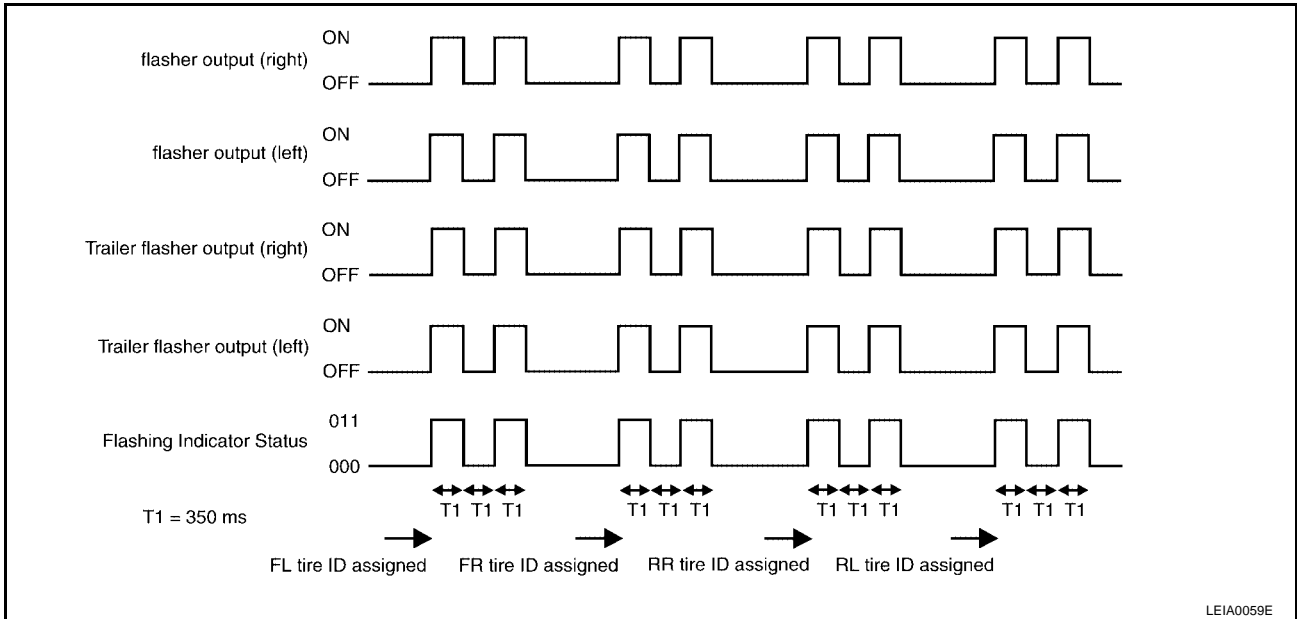
1. With the transmitter activation tool (J-45295) pushed against the front left transmitter, press the button for 5 seconds.

Tool number — (J-45295)

- With ignition switch ON, as the warning lamp flashes per the follow diagram, the respective transmitter then must be woken up.



2. When the BCM finishes assigning each tire ID, the BCM flashes the hazard warning lamps and trailer flasher lamps (if equipped) and sends flashing indicator status by CAN according to the following time chart. Please see trailer flasher specification details of trailer flashing lamps since the BCM controls trailer flasher lamps as brake lamps.



3. After completing wake up of all transmitters, make sure low tire pressure warning lamp goes out.

TROUBLE DIAGNOSES

EES000Q8

Self-Diagnosis

DESCRIPTION

During driving, the low tire pressure warning system receives the signal transmitted from the transmitter installed in each wheel, and gives alarms when the tire pressure becomes low. The control unit (BCM) for this system has pressure judgement and trouble diagnosis functions.

FUNCTION

When the low tire pressure warning system detects low inflation pressure or another unusual symptom, the warning lamps in the combination meter comes on. To start the self-diagnostic results mode, ground the tire pressure warning check terminal. The malfunction location is indicated by the warning lamp flashing and the buzzer sounds.

CONSULT-II MAIN FUNCTION

CONSULT-II can display each diagnostic item using the diagnostic test modes shown following.

Test mode	Function
WORK SUPPORT	This mode enables a technician to adjust some devices faster and more accurately by following the indications on CONSULT-II.
SELF-DIAGNOSTIC RESULTS	Self-diagnostic results can be read and erased quickly.
DATA MONITOR	Input/Output data in the control unit can be read.
CAN DIAG SUPPORT MNTR	The results of transmit/receive diagnosis of CAN communication can be read.

CONSULT-II Application to Low Tire Pressure Warning System

ITEM	SELF-DIAGNOSTIC RESULTS	DATA MONITOR
Front - Left transmitter	×	×
Front - Right transmitter	×	×
Rear - Left transmitter	×	×
Rear - Right transmitter	×	×
Warning lamp	—	×
Vehicle speed	×	×
Buzzer (in combination meter)	—	×
CAN Communication	×	×

× : Applicable

— : Not applicable

Self-Diagnostic Results Mode

Diagnostic item	Diagnostic item is detected when ...
FLAT - TIRE - FL FLAT - TIRE - FR FLAT - TIRE - RR FLAT - TIRE - RL	Front-left tire pressure drops to 193 kPa (2.0 kg/cm ² , 28 psi) or less Front-right tire pressure drops to 193 kPa (2.0 kg/cm ² , 28 psi) or less Rear-right tire pressure drops to 193 kPa (2.0 kg/cm ² , 28 psi) or less Rear-left tire pressure drops to 193 kPa (2.0 kg/cm ² , 28 psi) or less
[NO-DATA] - FL [NO-DATA] - FR [NO-DATA] - RR [NO-DATA] - RL	Data from front-left transmitter cannot be received. Data from front-right transmitter cannot be received. Data from rear-right transmitter cannot be received. Data from rear-left transmitter cannot be received.
[CHECKSUM- ERR] - FL [CHECKSUM- ERR] - FR [CHECKSUM- ERR] - RR [CHECKSUM- ERR] - RL	Checksum data from front-left transmitter is malfunctioning. Checksum data from front-right transmitter is malfunctioning. Checksum data from rear-right transmitter is malfunctioning. Checksum data from rear-left transmitter is malfunctioning.

TROUBLE DIAGNOSES

Diagnostic item	Diagnostic item is detected when ...
[PRESSDATA- ERR] - FL [PRESSDATA- ERR] - FR [PRESSDATA- ERR] - RR [PRESSDATA- ERR] - RL	Air pressure data from front-left transmitter is malfunctioning. Air pressure data from front-right transmitter is malfunctioning. Air pressure data from rear-right transmitter is malfunctioning. Air pressure data from rear-left transmitter is malfunctioning.
[CODE- ERR] - FL [CODE- ERR] - FR [CODE- ERR] - RR [CODE- ERR] - RL	Function code data from front-left transmitter is malfunctioning. Function code data from front-right transmitter is malfunctioning. Function code data from rear-right transmitter is malfunctioning. Function code data from rear-left transmitter is malfunctioning.
[BATT - VOLT - LOW] - FL [BATT - VOLT - LOW] - FR [BATT - VOLT - LOW] - RR [BATT - VOLT - LOW] - RL	Battery voltage of front-left transmitter drops. Battery voltage of front-right transmitter drops. Battery voltage of rear-right transmitter drops. Battery voltage of rear-left transmitter drops.
VHCL_SPEED_SIG_ERR	Vehicle speed signal is in error.

NOTE:

Before performing the self-diagnosis, be sure to register the ID or the actual malfunction location may be different from that displayed on CONSULT-II.

Data Monitor Mode

MONITOR	CONDITION	SPECIFICATION
VHCL SPEED	Drive vehicle.	Vehicle speed (km/h or MPH)
AIR PRESS FL AIR PRESS FR AIR PRESS RR AIR PRESS RL	<ul style="list-style-type: none"> Drive vehicle for a few minutes. or <ul style="list-style-type: none"> Ignition switch ON and activation tool is transmitting activation signals. 	Tire pressure (kPa or psi)
ID REGST FL1 ID REGST FR1 ID REGST RR1 ID REGST RL1	Ignition switch ON	Registration ID: DONE No registration ID: YET
WARNING LAMP		Low tire pressure warning lamp on: ON Low tire pressure warning lamp off: OFF
BUZZER		Buzzer in combination meter on: ON Buzzer in combination meter off : OFF

NOTE:

Before performing the self-diagnosis, be sure to register the ID, or the actual malfunction location may be different from that displayed on CONSULT-II.

A
B
C
D
WT

F

G

H

I

J

K

L

M

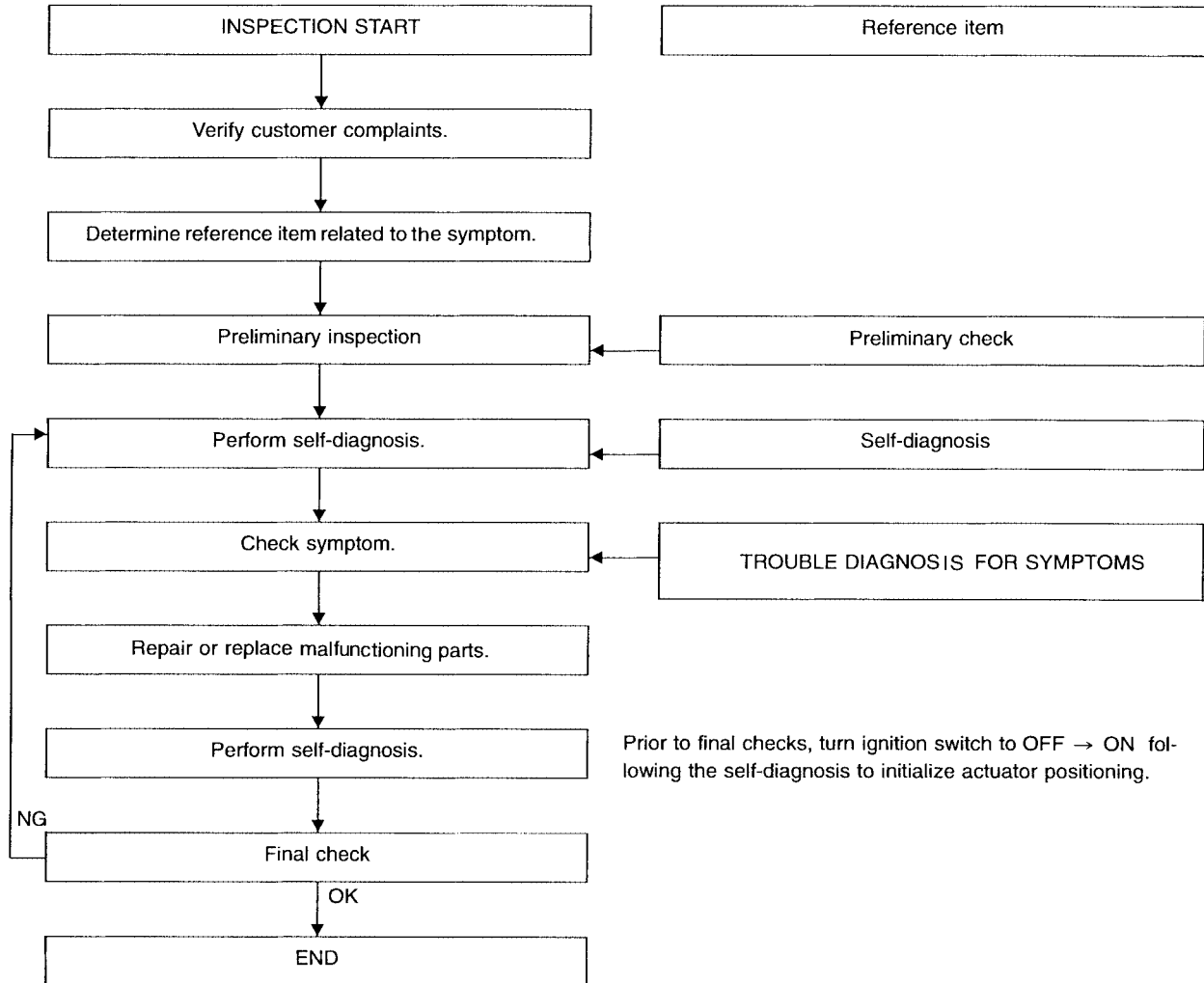
TROUBLE DIAGNOSES

How to Perform Trouble Diagnosis for Quick and Accurate Repair INTRODUCTION

EES000Q9

- Before troubleshooting, verify customer complaints.
- If a vehicle malfunction is difficult to reproduce, harnesses, harness connectors or terminals may be malfunctioning. Hold and shake these parts to make sure they are securely connected.
- When using a circuit tester to measure voltage or resistance of each circuit, be careful not to damage or deform connector terminals.

WORK FLOW



SEIA0100E

Preliminary check : [WT-19](#) Self-diagnosis : [WT-16](#) Trouble diagnosis for symptoms : [WT-25](#)

TROUBLE DIAGNOSES

EES0016V

Preliminary Check

BASIC INSPECTION

1. CHECK BCM CONFIGURATION

Confirm BCM configuration for "DISPLAY STYLE" is set to:

- "MODE1" for vehicles without Navigation display screen.
- "MODE2" for vehicles with Navigation display screen.

Refer to [BCS-14, "READ CONFIGURATION PROCEDURE"](#) .

OK or NG

OK >> GO TO 2.

NG >> Change BCM configuration for "DISPLAY STYLE" to "MODE1" or "MODE2". Refer to [BCS-16, "WRITE CONFIGURATION PROCEDURE"](#) .

2. CHECK ALL TIRE PRESSURES

- Check all tire pressures.

Tire pressure

17 inch tire : 240 kPa (2.3 kg/cm² , 35 psi)

18 inch tire : 240 kPa (2.4 kg/cm² , 35 psi)

OK or NG

OK >> GO TO 2.

NG >> Adjust tire pressure to specified value.

3. CHECK LOW TIRE PRESSURE WARNING LAMP ACTIVATION

1. Check low tire pressure warning lamp activation.
2. Does low tire pressure warning lamp activate for 1 second when ignition switch is turned "ON"?

Does warning lamp activate?

YES >> GO TO 3.

NO >> Check fuse and combination meter.

4. CHECK CONNECTOR

1. Disconnect BCM harness connector.
2. Check terminals for damage or loose connection.
3. Reconnect harness connector.

OK or NG

OK >> GO TO 4.

NG >> Repair or replace damaged parts.

5. CHECK TRANSMITTER ACTIVATION TOOL

- Check transmitter activation tool battery.

OK or NG

OK >> Carry out self-diagnosis.

NG >> Replace transmitter activation tool battery.

TROUBLE DIAGNOSES

Malfunction Code/Symptom Chart

EES000T9

Code/Symptom	Malfunction part	Reference page
15 16 17 18	Front-left tire pressure drops to 193 kPa (2.0 kg/cm ² , 28 psi) or less Front-right tire pressure drops to 193 kPa (2.0 kg/cm ² , 28 psi) or less Rear-right tire pressure drops to 193 kPa (2.0 kg/cm ² , 28 psi) or less Rear-left tire pressure drops to 193 kPa (2.0 kg/cm ² , 28 psi) or less	—
21 22 23 24	Transmitter no data (front - left) Transmitter no data (front - right) Transmitter no data (rear - right) Transmitter no data (rear - left)	WT-22. "Inspection 1: Transmitter or Control Unit (BCM)"
31 32 33 34	Transmitter checksum error (front - left) Transmitter checksum error (front - right) Transmitter checksum error (rear - right) Transmitter checksum error (rear - left)	WT-22. "Inspection 2: Transmitter - 1"
35 36 37 38	Transmitter pressure data error (front - left) Transmitter pressure data error (front - right) Transmitter pressure data error (rear - right) Transmitter pressure data error (rear - left)	WT-23. "Inspection 3: Transmitter - 2"
41 42 43 44	Transmitter function code error (front - left) Transmitter function code error (front - right) Transmitter function code error (rear - right) Transmitter function code error (rear - left)	WT-22. "Inspection 2: Transmitter - 1"
45 46 47 48	Transmitter battery voltage low (front - left) Transmitter battery voltage low (front - right) Transmitter battery voltage low (rear - right) Transmitter battery voltage low (rear - left)	WT-22. "Inspection 2: Transmitter - 1"
52	Vehicle speed signal	WT-24. "Inspection 4: Vehicle Speed Signal"
Low tire pressure warning lamp does not come on when ignition switch is turned on.	Fuse or combination meter BCM connector or circuit BCM	WT-25. "Inspection 1: Warning Lamp Does Not Come On When Ignition Switch Is Turned On"
Low tire pressure warning lamp stays on when ignition switch is turned on.	Combination meter BCM connector or circuit BCM	WT-25. "Inspection 2: Warning Lamp Stays On When Ignition Switch Is Turned On"
Low tire pressure warning lamp flashes when ignition switch is turned on.	BCM harness connector or circuit BCM Transmitter's mode off ID registration not yet	WT-27. "Inspection 3: Warning Lamp Flashes When Ignition Switch Is Turned On"WT-27

TROUBLE DIAGNOSES

Code/Symptom	Malfunction part	Reference page	
Hazard warning lamp flashes when ignition switch is turned on.	BCM harness connector or circuit BCM	WT-28. "Inspection 4: Hazard Warning Lamp Flashes When Ignition Switch Is Turned On"	A B C
"TIRE PRESSURE" information in display does not exist.	Fuse Display unit BCM	WT-29. "Inspection 5: "TIRE PRESSURE" Information In Display Unit Does Not Exist"	D WT
ID registration cannot be completed.	Transmitter Remote keyless entry receiver harness connector or circuit Remote keyless entry receiver BCM harness connector or circuit BCM	WT-29. "Inspection 6: ID Registration Cannot Be Completed"	F G
			H
			I
			J
			K
			L
			M

TROUBLE DIAGNOSIS FOR SELF-DIAGNOSTIC ITEMS

TROUBLE DIAGNOSIS FOR SELF-DIAGNOSTIC ITEMS

PFP:00000

Inspection 1: Transmitter or Control Unit (BCM) MALFUNCTION CODE NO. 21, 22, 23 OR 24

EES0007A

1. CHECK CONTROL UNIT

- Drive for several minutes. Check all tire pressures with CONSULT-II "DATA MONITOR ITEM".

Are all tire pressures displayed as 0 kPa?

- YES >> GO TO 2.
- NO >> GO TO 3.

2. CHECK REMOTE KEYLESS ENTRY RECEIVER CONNECTOR

- Check remote keyless entry receiver connector for damage or loose connections.

OK or NG

- OK >> Replace BCM, then GO TO 3. Refer to [BCS-21, "Removal and Installation of BCM"](#) .
- NG >> Repair or replace remote keyless entry receiver connector.

3. ID REGISTRATION

- Carry out ID registration of all transmitters.

Is there a tire that cannot register ID?

- YES >> Replace transmitter of the tire, then GO TO 5. Refer to [WT-30, "Transmitter \(Pressure Sensor\)"](#) .
- NO >> GO TO 4.

4. VEHICLE DRIVING

- Drive at a speed of 40 km/h (25 MPH) or more for several minutes without stopping.
Check all tire pressures with CONSULT-II "DATA MONITOR ITEM" within 15 minutes after vehicle speed becomes 17 km/h (11 MPH).

Does "DATA MONITOR ITEM" display tire pressure as normal without any warning lamp?

- YES >> Inspection End.
- NO >> GO TO 5.

5. ID REGISTRATION AND VEHICLE DRIVING

1. Carry out ID registration of all transmitters.
2. Drive at a speed of 40 km/h (25 MPH) or more for 3 minutes, and then drive the vehicle at any speed for 10 minutes. Then check all tire pressures with CONSULT-II "DATA MONITOR ITEM" within 5 minutes.

Does "DATA MONITOR ITEM" display tire pressure as normal without any warning lamp?

- YES >> Inspection End.
- NO >> GO TO the inspection applicable to DTC.

Inspection 2: Transmitter - 1 MALFUNCTION CODE NO. 31, 32, 33, 34, 41, 42, 43, 44, 45, 46, 47 OR 48

EES0007B

1. ID REGISTRATION (CORRECTION OF TRANSMITTER LOCATION)

1. Carry out ID registration of all transmitters.
2. Drive at a speed of 40 km/h (25 MPH) or more for 3 minutes, and then drive the vehicle at any speed for 10 minutes.

>> GO TO 2.

TROUBLE DIAGNOSIS FOR SELF-DIAGNOSTIC ITEMS

2. REPLACE TRANSMITTER

1. Check low tire pressure warning lamp again for flashing, replace malfunctioning transmitter.
2. Carry out ID registration of all transmitters.

Can ID registration of all transmitters be completed?

YES >> GO TO 3.

NO >> GO TO Inspection 1. Refer to [WT-22, "Inspection 1: Transmitter or Control Unit \(BCM\)"](#) .

3. VEHICLE DRIVING

- Drive at a speed of 40 km/h (25 MPH) or more for 3 minutes, and then drive the vehicle at any speed for 10 minutes. Then check all tire pressures with CONSULT-II "DATA MONITOR ITEM" within 5 minutes.

Does "DATA MONITOR ITEM" display tire pressure as normal without any warning lamp?

YES >> Inspection End.

NO >> Replace malfunctioning transmitter, and perform "Step 3" again. Refer to [WT-30, "Transmitter \(Pressure Sensor\)"](#) .

Inspection 3: Transmitter - 2 MALFUNCTION CODE NO. 35, 36, 37 OR 38

EES0007C

1. CHECK ALL TIRE PRESSURES

- Check all tire pressures.

Tire pressure

17 inch tire : 240 kPa (2.4 kg/m² , 35 psi)

18 inch tire : 240 kPa (2.4 kg/m² , 35 psi)

Are there any tires with pressure of "64 psi" or more?

YES >> Adjust tire pressure to specified value.

NO >> GO TO 2.

2. VEHICLE DRIVING

1. Carry out ID registration of all transmitters.
2. Drive at a speed of 40 km/h (25 MPH) or more for several minutes without stopping. Check all tire pressures with CONSULT-II "DATA MONITOR ITEM" within 15 minutes after vehicle speed becomes 17 km/h (11 MPH).

>> Replace transmitter with new one if "DATA MONITOR ITEM" displays 64 psi or more. Refer to [WT-30, "Transmitter \(Pressure Sensor\)"](#) . Then GO TO 3.

3. ID REGISTRATION AND VEHICLE DRIVING

- Carry out ID registration of all transmitters.
- Drive at a speed of 40 km/h (25 MPH) or more for 3 minutes, and then drive the vehicle at any speed for 10 minutes. Then check all tire pressures with CONSULT-II "DATA MONITOR ITEM" within 5 minutes.

Does "DATA MONITOR ITEM" display tire pressure as normal without any warning lamp?

YES >> Inspection End.

NO >> GO TO the inspection applicable to DTC.

TROUBLE DIAGNOSIS FOR SELF-DIAGNOSTIC ITEMS

EES000TD

Inspection 4: Vehicle Speed Signal

MALFUNCTION CODE NO. 52

1. SELF-DIAGNOSTIC RESULT CHECK

1. With the ignition switch OFF, connect CONSULT-II and CONSULT-II CONVERTER to the data link connector, then turn the ignition switch ON.
2. Select "START (NISSAN BASED VHCL)".
3. Select "BCM" on "SELECT SYSTEM" screen.

NOTE:

If the BCM is not indicated, refer to [LAN-5, "CAN COMMUNICATION"](#).

4. Select "BCM C/U" on "SELECT WORK ITEM" screen, and select "SELF-DIAG RESULTS".
5. Check display contents in self-diagnostic results.

Is "CAN COMM CIRCUIT" displayed in the self-diagnosis display items?

- YES >> Malfunction in CAN communication system. GO TO [LAN-5, "CAN COMMUNICATION"](#)
NO >> GO TO 2.

2. CHECK BCM

- Perform BCM diagnosis. Refer to [BCS-11, "CONSULT-II INSPECTION PROCEDURE"](#).

Inspection results OK?

- OK >> Perform Vehicle Speed Sensor Inspection. Refer to [EC-339, "Diagnostic Procedure"](#).
NG >> Replace BCM. Refer to [BCS-21, "Removal and Installation of BCM"](#).

TROUBLE DIAGNOSIS FOR SYMPTOMS

TROUBLE DIAGNOSIS FOR SYMPTOMS

PFP:00007

Inspection 1: Warning Lamp Does Not Come On When Ignition Switch Is Turned On

EES000TF

DIAGNOSTIC PROCEDURE

1. SELF-DIAGNOSTIC RESULT CHECK

1. With the ignition switch OFF, connect CONSULT-II and CONSULT-II CONVERTER to the data link connector, then turn the ignition switch ON.
2. Select "START (NISSAN BASED VHCL)".
3. Select "BCM" on "SELECT SYSTEM" screen.

NOTE:

If the BCM is not indicated, refer to [LAN-5, "CAN COMMUNICATION"](#).

4. Select "BCM C/U" on "SELECT WORK ITEM" screen, and select "SELF-DIAG RESULTS".
5. Check display contents in self-diagnostic results.

Is "CAN COMM CIRCUIT" displayed in the self-diagnosis display items?

- YES >> Malfunction in CAN communication system. Go To [LAN-5, "CAN COMMUNICATION"](#).
NO >> GO TO 2.

2. CHECK COMBINATION METER

- Check combination meter operation.

Inspection results OK?

- OK >> GO TO 3.
NG >> Check combination meter. Refer to [DI-8, "Combination Meter"](#).

3. CHECK LOW TIRE PRESSURE WARNING LAMP

- Disconnect BCM harness connector.

Does the low tire pressure warning lamp activate?

- YES >> Replace BCM. Refer to [BCS-21, "Removal and Installation of BCM"](#).
NO >> Check combination meter and repair or replace.

Inspection 2: Warning Lamp Stays On When Ignition Switch Is Turned On

EES000TG

DIAGNOSTIC PROCEDURE

1. CHECK CONNECTOR

1. Disconnect BCM harness connectors M18, M19 and M20.
2. Check terminals for damage or loose connections.

Inspection results OK?

- OK >> GO TO 2.
NG >> Repair or replace damaged parts.

TROUBLE DIAGNOSIS FOR SYMPTOMS

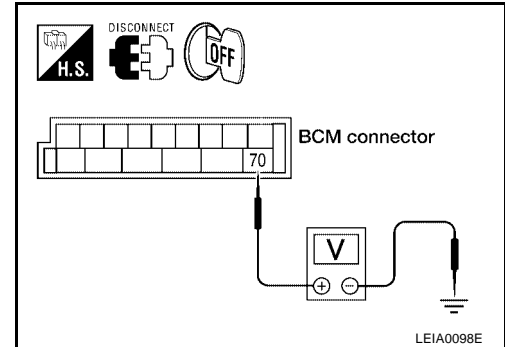
2. CHECK POWER SUPPLY CIRCUIT (BAT)

Check voltage between BCM harness connector M20 terminal 70 (W/B) and ground.

Terminals			Voltage (Approx.)
(+)		(-)	
Connector	Terminal (Wire color)	Ground	12 V
M20	70 (W/B)		

OK or NG

- OK >> GO TO 3.
- NG >> Check BCM power supply circuit for open or short.



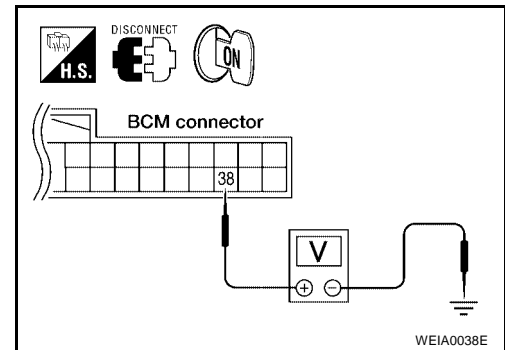
3. CHECK POWER SUPPLY CIRCUIT (IGN)

1. Turn ignition switch ON.
2. Check voltage between BCM harness connector M18 terminal 38 (W/L) and ground.

Terminals			Voltage (Approx.)
(+)		(-)	
Connector	Terminal (Wire color)	Ground	12 V
M18	38 (W/L)		

OK or NG

- OK >> GO TO 4.
- NG >> Check BCM power supply circuit for open or short.



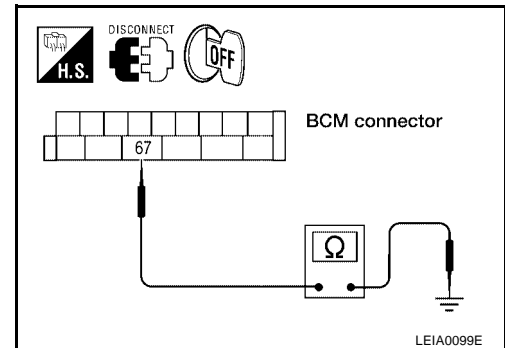
4. CHECK GROUND CIRCUIT

- Check continuity between BCM harness connector M20 terminal 67 (B) and ground.

Terminals		Continuity	
(+)		(-)	
Connector	Terminal (Wire color)	Ground	Yes
M20	67 (B)		

OK or NG

- OK >> Replace BCM. Refer to [BCS-21, "Removal and Installation of BCM"](#).
- NG >> Repair or replace BCM ground circuit.



TROUBLE DIAGNOSIS FOR SYMPTOMS

Inspection 3: Warning Lamp Flashes When Ignition Switch Is Turned On

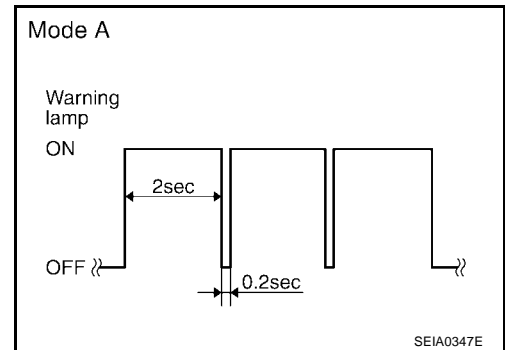
EES000TH

NOTE:

If warning lamp flashes as shown, the system is normal.

Flash Mode A

- This mode shows transmitter status is OFF-mode. Carry out transmitter wake up operation. Refer to [WT-15, "Transmitter Wake Up Operation"](#).



DIAGNOSTIC PROCEDURE

1. CHECK CONNECTOR

- Disconnect BCM harness connectors M18, M19 and M20.
- Check terminals for damage or loose connections.

Inspection results OK?

- OK >> GO TO 2.
- NG >> Repair or replace damaged parts.

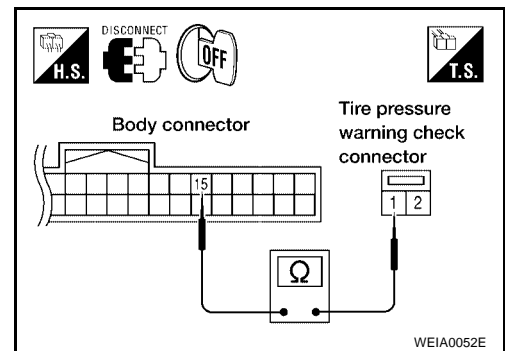
2. CHECK TIRE PRESSURE WARNING CHECK CONNECTOR CIRCUIT

- Check continuity between BCM harness connector M18 terminal 15 (L/W) and check connector M123 terminal 1 (L/W).

Continuity should exist

OK or NG

- OK >> Replace BCM. Refer to [BCS-21, "Removal and Installation of BCM"](#).
- NG >> Repair or replace harness connector.



TROUBLE DIAGNOSIS FOR SYMPTOMS

Inspection 4: Hazard Warning Lamp Flashes When Ignition Switch Is Turned On

EES0007I

DIAGNOSTIC PROCEDURE

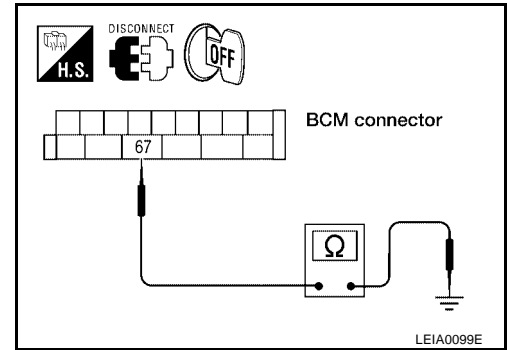
1. CHECK GROUND CIRCUIT

1. Disconnect BCM harness connector M19.
2. Check continuity between BCM harness connector M20 terminal 67 (B) and ground.

Terminals		Continuity
(+)	(-)	
Connector	Terminal (Wire color)	Ground
M20	67 (B)	Yes

OK or NG

- OK >> Replace BCM. Refer to [BCS-21, "Removal and Installation of BCM"](#).
- NG >> Repair or replace BCM ground circuit.



TROUBLE DIAGNOSIS FOR SYMPTOMS

Inspection 5: "TIRE PRESSURE" Information In Display Unit Does Not Exist EES000TJ

DIAGNOSTIC PROCEDURE

1. SELF-DIAGNOSTIC RESULT CHECK

1. With the ignition switch OFF, connect CONSULT-II and CONSULT-II CONVERTER to the data link connector, then turn the ignition switch ON.
2. Select "START (NISSAN BASED VHCL)".
3. Select "BCM" on "SELECT SYSTEM" screen.

NOTE:

If the BCM is not indicated, refer to [LAN-5, "CAN COMMUNICATION"](#) .

4. Select "BCM C/U" on "SELECT WORK ITEM" screen, and select "SELF-DIAG RESULTS".
5. Check display contents in self-diagnostic results.

Is "CAN COMM CIRCUIT" displayed in the self-diagnosis display items?

- YES >> Malfunction in CAN communication system. Go To [LAN-5, "CAN COMMUNICATION"](#) .
NO >> GO TO 2.

2. CHECK DISPLAY UNIT

- Perform display unit self-diagnosis. Refer to [AV-118, "Self-Diagnosis Mode \(DCU\)"](#) (without NAVI) or [AV-121, "Self-Diagnosis Mode \(NAVI\)"](#) (with NAVI).

Inspection results OK?

- OK >> Replace BCM. Refer to [BCS-21, "Removal and Installation of BCM"](#) .
NG >> Repair or replace malfunctioning parts.

Inspection 6: ID Registration Cannot Be Completed EES000TK

DIAGNOSTIC PROCEDURE

1. ID REGISTRATION (ALL)

- Carry out ID registration of all transmitters.
- Can ID registration of all transmitters be completed?

YES or NO

- YES >> Inspection End.
NO >> Go To [WT-22, "Inspection 1: Transmitter or Control Unit \(BCM\)"](#) .

REMOVAL AND INSTALLATION

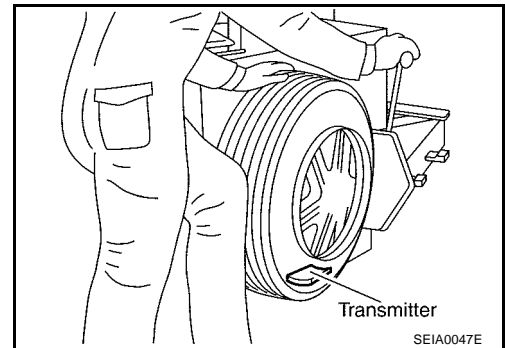
PFP:00000

EES000QN

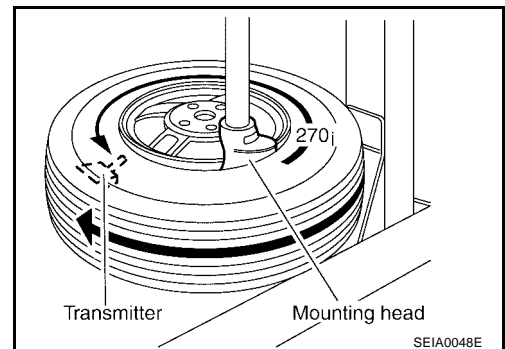
REMOVAL AND INSTALLATION

Transmitter (Pressure Sensor) REMOVAL

1. Deflate tire. Unscrew transmitter retaining nut and allow transmitter to fall into tire.
2. Gently bounce tire so that transmitter falls to bottom of tire. Place wheel and tire assembly on tire changing machine and break both tire beads. Ensure that the transmitter remains at the bottom of the tire while breaking the bead.

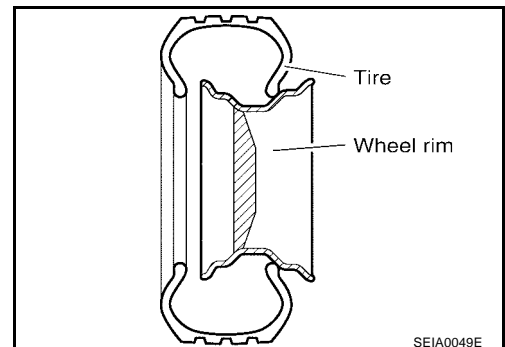


3. Turn tire so that valve hole is at bottom, and gently bounce the tire to ensure transmitter is near valve hole. Carefully lift tire onto turntable and position valve hole (and transmitter) 270 degrees from mounting/dismounting head.
4. Lubricate tire well, and remove top side of tire. Reach inside the tire and remove the transmitter.
5. Remove the second side of the tire as normal.



INSTALLATION

1. Place first side of tire onto rim.



2. Apply suitable silicone lubricant to new transmitter seal then install seal on transmitter. Refer to [MA-11, "RECOMMENDED FLUIDS AND LUBRICANTS"](#).

NOTE:

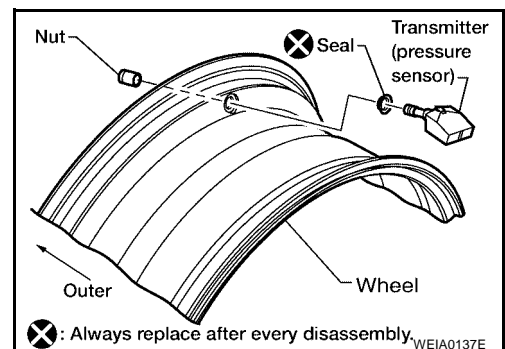
Always replace the seal after every disassembly.

3. Mount transmitter on rim and tighten nut to specification.

NOTE:

Make sure no burrs exist in the valve stem hole of the wheel.

**Transmitter nut
tightening torque : 5.5 N-m (0.56 kg-m, 49 in-lb)**



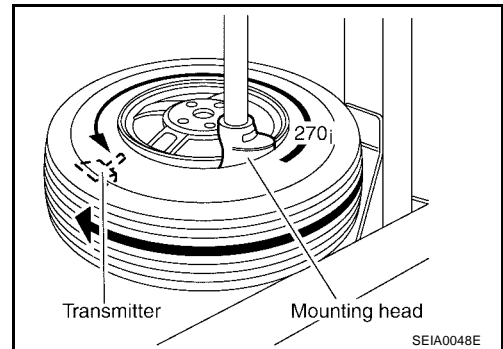
REMOVAL AND INSTALLATION

- Place wheel on turntable of tire machine. Ensure that transmitter is 270 degrees from mounting/dismounting head.

NOTE:

Do not touch transmitter with mounting head.

- Lubricate tire well, and install second side of tire as normal. Ensure that tire does not rotate relative to rim.
- Inflate tire and balance the wheel and tire assembly. Refer to [WT-5, "Wheel Balance Adjustment"](#).
- Install wheel and tire assembly in appropriate wheel position on vehicle.
- Adjust neutral position of steering angle sensor. Refer to [BRC-61, "Adjustment of Steering Angle Sensor Neutral Position"](#).



A
B
C
D

WT

F
G
H
I
J
K
L
M

SERVICE DATA AND SPECIFICATIONS (SDS)

SERVICE DATA AND SPECIFICATIONS (SDS)

PF0:00030

Road Wheel

EES000Q0

Wheel type		Aluminum	Steel	
			Inside	Outside
Maximum radial runout limit	Lateral mm (in)	0.3 (0.012) or less	1.0 (0.039) or less	0.9 (0.035) or less
	Radial mm (in)	0.3 (0.012) or less	0.8 (0.031) or less	0.4 (0.016) or less
Maximum residual imbalance	Dynamic (at rim flange)	Less than 5 g (0.18 oz) (per side)		
	Static (at rim flange)	Less than 10 g (0.35 oz)		

Tire

EES000QP

Unit: kPa (kg/cm², psi)

Tire size	Air pressure	
	Conventional tire	Spare tire
Full size spare tire	—	240 (2.4, 35)
P285/70R17	240 (2.4, 35)	—
P265/70R18	240 (2.4, 35)	—