

A
B
C
D
E
F
G
H
I
MTC
K
L
M

SECTION MTC

MANUAL AIR CONDITIONER

CONTENTS

PRECAUTIONS	4	LUBRICANT	21
Precautions for Supplemental Restraint System (SRS) "AIR BAG" and "SEAT BELT PRE-TENSIONER"	4	Maintenance of Lubricant Quantity in Compressor..	21
Precautions for Working with HFC-134a (R-134a)....	4	LUBRICANT	21
Contaminated Refrigerant	4	CHECKING AND ADJUSTING	21
General Refrigerant Precautions	5	AIR CONDITIONER CONTROL	23
Precautions for Leak Detection Dye	5	Description	23
A/C Identification Label	6	Operation	23
Precautions for Refrigerant Connection	6	AIR MIX DOOR CONTROL	23
FEATURES OF NEW TYPE REFRIGERANT CONNECTION	6	BLOWER SPEED CONTROL	23
O-RING AND REFRIGERANT CONNECTION.....	7	INTAKE DOORS CONTROL	23
Precautions for Servicing Compressor	10	MODE DOOR CONTROL	23
Precautions for Service Equipment	10	DEFROSTER DOOR CONTROL	23
RECOVERY/RECYCLING EQUIPMENT	10	MAGNET CLUTCH CONTROL	24
ELECTRONIC LEAK DETECTOR	10	Description of Control System	25
VACUUM PUMP	11	Control Operation	25
MANIFOLD GAUGE SET	11	TEMPERATURE SWITCH (TEMPERATURE CONTROL) (FRONT)	26
SERVICE HOSES	11	TEMPERATURE SWITCH (TEMPERATURE CONTROL) (REAR)	26
SERVICE COUPLERS	12	RECIRCULATION () SWITCH	26
REFRIGERANT WEIGHT SCALE	12	REAR WINDOW DEFOGGER SWITCH	26
CHARGING CYLINDER	12	OFF SWITCH (BLOWER SPEED SET TO 0)	26
Wiring Diagrams and Trouble Diagnosis	12	A/C SWITCH	26
PREPARATION	13	MODE SWITCH	26
Special Service Tools	13	REAR BLOWER SWITCH (FRONT)	26
HFC-134a (R-134a) Service Tools and Equipment..	13	REAR BLOWER SWITCH (REAR)	26
Commercial Service Tools	15	Discharge Air Flow	27
REFRIGERATION SYSTEM	17	FRONT	27
Refrigerant Cycle	17	REAR	27
REFRIGERANT FLOW	17	System Description (Front)	28
Refrigerant System Protection	17	SWITCHES AND THEIR CONTROL FUNCTION..	28
REFRIGERANT PRESSURE SENSOR	17	System Description (Rear)	29
PRESSURE RELIEF VALVE	18	SWITCHES AND THEIR CONTROL FUNCTION..	29
Component Layout	19	CAN Communication System Description	30
FRONT REFRIGERATION SYSTEM	19	TROUBLE DIAGNOSIS	31
REAR REFRIGERATION SYSTEM	20	CONSULT-II Function (BCM)	31
		CONSULT-II BASIC OPERATION	31
		DATA MONITOR	32
		How to Perform Trouble Diagnosis for Quick and Accurate Repair	33

WORK FLOW	33	DIAGNOSTIC PROCEDURE FOR BLOWER	
SYMPTOM TABLE	33	MOTOR	72
Component Parts and Harness Connector Location..	34	COMPONENT INSPECTION	76
ENGINE COMPARTMENT	34	Rear Blower Motor Circuit	78
FRONT PASSENGER COMPARTMENT	35	INSPECTION FLOW	78
REAR PASSENGER COMPARTMENT	36	SYSTEM DESCRIPTION	79
Schematic	37	DIAGNOSTIC PROCEDURE FOR REAR	
Wiring Diagram — A/C,M —	38	BLOWER MOTOR	79
Front Air Control Terminals and Reference Value..	47	COMPONENT INSPECTION	87
PIN CONNECTOR TERMINAL LAYOUT	47	Rear Air Control Circuit	89
TERMINALS AND REFERENCE VALUE FOR		INSPECTION FLOW	89
FRONT AIR CONTROL	47	SYSTEM DESCRIPTION	90
Operational Check (Front)	49	DIAGNOSTIC PROCEDURE FOR REAR AIR	
CHECKING BLOWER	49	CONTROL	90
CHECKING DISCHARGE AIR	49	Magnet Clutch Circuit	92
CHECKING RECIRCULATION	49	INSPECTION FLOW	92
CHECKING TEMPERATURE DECREASE	50	SYSTEM DESCRIPTION	93
CHECKING TEMPERATURE INCREASE	50	DIAGNOSTIC PROCEDURE FOR MAGNET	
CHECK A/C SWITCH	50	CLUTCH	93
Operational Check (Rear)	51	COMPONENT INSPECTION	97
CHECKING BLOWER	51	Insufficient Cooling	98
CHECKING TEMPERATURE DECREASE	51	INSPECTION FLOW	98
CHECKING TEMPERATURE INCREASE	51	PERFORMANCE TEST DIAGNOSES	99
Power Supply and Ground Circuit for Front Air Con-		PERFORMANCE CHART	101
trol	52	TROUBLE DIAGNOSES FOR UNUSUAL PRES-	
INSPECTION FLOW	52	SURE	102
COMPONENT DESCRIPTION	53	Insufficient Heating	105
DIAGNOSTIC PROCEDURE FOR A/C SYSTEM..	53	INSPECTION FLOW	105
Mode Door Motor Circuit	55	Noise	106
INSPECTION FLOW	55	INSPECTION FLOW	106
SYSTEM DESCRIPTION	56	Water Valve Circuit	107
COMPONENT DESCRIPTION	56	COMPONENT DESCRIPTION	107
DIAGNOSTIC PROCEDURE FOR MODE		DIAGNOSTIC PROCEDURE FOR WATER	
DOOR MOTOR	57	VALVE	107
Air Mix Door Motor Circuit	59	COMPONENT INSPECTION	109
INSPECTION FLOW	59	Intake Sensor Circuit	109
SYSTEM DESCRIPTION	60	COMPONENT DESCRIPTION	109
COMPONENT DESCRIPTION	60	DIAGNOSTIC PROCEDURE FOR INTAKE SEN-	
DIAGNOSTIC PROCEDURE FOR AIR MIX		SOR	109
DOOR MOTOR (FRONT)	61	COMPONENT INSPECTION	111
DIAGNOSTIC PROCEDURE FOR AIR MIX		CONTROL UNIT	112
DOOR MOTOR (REAR)	62	Removal and Installation	112
Intake Door Motor Circuit	64	FRONT AIR CONTROL	112
INSPECTION FLOW	64	REAR AIR CONTROL	112
SYSTEM DESCRIPTION	65	INTAKE SENSOR	113
COMPONENT DESCRIPTION	65	Removal and Installation	113
DIAGNOSTIC PROCEDURE FOR INTAKE		REMOVAL	113
DOOR MOTOR	66	INSTALLATION	113
Defroster Door Motor Circuit	67	BLOWER MOTOR	114
SYMPTOM:	67	Components	114
INSPECTION FLOW	67	Removal and Installation	114
SYSTEM DESCRIPTION	68	FRONT BLOWER MOTOR	114
COMPONENT DESCRIPTION	68	REAR BLOWER MOTOR	115
DIAGNOSTIC PROCEDURE FOR		IN-CABIN MICROFILTER	116
DEFROSTER DOOR MOTOR	68	Removal and Installation	116
Front Blower Motor Circuit	70	FUNCTION	116
INSPECTION FLOW	70	REPLACEMENT TIMING	116
SYSTEM DESCRIPTION	71	REPLACEMENT PROCEDURE	116
COMPONENT DESCRIPTION	71	HEATER & COOLING UNIT ASSEMBLY	118

Components	118	REMOVAL	140	
Removal and Installation	119	INSTALLATION	141	A
FRONT HEATER AND COOLING UNIT ASSEMBLY	119	Removal and Installation for Compressor Clutch ..	141	
REAR HEATER AND COOLING UNIT ASSEMBLY	120	REMOVAL	141	B
HEATER CORE	121	INSPECTION	142	
Components	121	INSTALLATION	142	B
Removal and Installation	122	BREAK-IN OPERATION	144	
FRONT HEATER CORE	122	Removal and Installation for Low-pressure Flexible		C
REAR HEATER CORE	123	Hose	144	
DEFROSTER DOOR MOTOR	124	REMOVAL	144	
Removal and Installation	124	INSTALLATION	144	
REMOVAL	124	Removal and Installation for High-pressure Flexible		D
INSTALLATION	124	Hose	144	
INTAKE DOOR MOTOR	125	REMOVAL	144	
Removal and Installation	125	INSTALLATION	144	E
REMOVAL	125	Removal and Installation for High-pressure Pipe ..	144	
INSTALLATION	125	REMOVAL	144	
MODE DOOR MOTOR	126	INSTALLATION	144	F
Removal and Installation	126	Removal and Installation for Low-pressure Pipe ..	145	
REMOVAL	126	REMOVAL	145	
INSTALLATION	126	INSTALLATION	145	G
AIR MIX DOOR MOTOR	127	Removal and Installation for Refrigerant Pressure		
Components	127	Sensor	145	
Removal and Installation	127	REMOVAL	145	
FRONT AIR MIX DOOR MOTOR	127	INSTALLATION	145	H
REAR AIR MIX DOOR MOTOR	128	Removal and Installation for Condenser	145	
FRONT BLOWER MOTOR RESISTOR	129	REMOVAL	145	
Removal and Installation	129	INSTALLATION	146	I
REMOVAL	129	Removal and Installation for Front Evaporator	147	
INSTALLATION	129	REMOVAL	147	
REAR BLOWER MOTOR RESISTOR	130	INSTALLATION	148	
Removal and Installation	130	Removal and Installation for Rear Evaporator	148	MTC
REMOVAL	130	REMOVAL	149	
INSTALLATION	130	INSTALLATION	149	
DUCTS AND GRILLES	131	Removal and Installation for Front Expansion Valve	149	K
Components	131	REMOVAL	149	
Removal and Installation	134	INSTALLATION	149	
CENTER CONSOLE HEAT DUCT AND REAR		Removal and Installation for Rear Expansion Valve	149	L
FINISHER ASSEMBLY GRILLE	134	REMOVAL	149	
DEFROSTER NOZZLE	134	INSTALLATION	150	
RH AND LH SIDE DEMISTER DUCT	134	Checking for Refrigerant Leaks	150	M
RH AND LH VENTILATOR DUCT	134	Checking System for Leaks Using the Fluorescent		
CENTER VENTILATOR DUCT	134	Dye Leak Detector	150	
FLOOR DUCT	134	Dye Injection	150	
REAR OVERHEAD DUCTS	134	Electronic Refrigerant Leak Detector	151	
REAR FLOOR DUCT	135	PRECAUTIONS FOR HANDLING LEAK		
GRILLES	135	DETECTOR	151	
REFRIGERANT LINES	136	CHECKING PROCEDURE	152	
HFC-134a (R-134a) Service Procedure	136	SERVICE DATA AND SPECIFICATIONS (SDS) ...	154	
SETTING OF SERVICE TOOLS AND EQUIPMENT	136	Service Data and Specifications (SDS)	154	
Components	138	COMPRESSOR	154	
Removal and Installation for Compressor	140	LUBRICANT	154	
		REFRIGERANT	154	
		ENGINE IDLING SPEED	154	
		BELT TENSION	154	

PRECAUTIONS

PRECAUTIONS

PFP:00001

Precautions for Supplemental Restraint System (SRS) “AIR BAG” and “SEAT BELT PRE-TENSIONER”

EJS00274

The Supplemental Restraint System such as “AIR BAG” and “SEAT BELT PRE-TENSIONER”, used along with a front seat belt, helps to reduce the risk or severity of injury to the driver and front passenger for certain types of collision. This system includes seat belt switch inputs and dual stage front air bag modules. The SRS system uses the seat belt switches to determine the front air bag deployment, and may only deploy one front air bag, depending on the severity of a collision and whether the front occupants are belted or unbelted. Information necessary to service the system safely is included in the SRS and SB section of this Service Manual.

WARNING:

- To avoid rendering the SRS inoperative, which could increase the risk of personal injury or death in the event of a collision which would result in air bag inflation, all maintenance must be performed by an authorized NISSAN/INFINITI dealer.
- Improper maintenance, including incorrect removal and installation of the SRS, can lead to personal injury caused by unintentional activation of the system. For removal of Spiral Cable and Air Bag Module, see the SRS section.
- Do not use electrical test equipment on any circuit related to the SRS unless instructed to in this Service Manual. SRS wiring harnesses can be identified by yellow and/or orange harnesses or harness connectors.

Precautions for Working with HFC-134a (R-134a)

EJS00275

WARNING:

- CFC-12 (R-12) refrigerant and HFC-134a (R-134a) refrigerant are not compatible. If the refrigerants are mixed compressor failure is likely to occur. Refer to [MTC-4, "Contaminated Refrigerant"](#) . To determine the purity of HFC-134a (R-134a) in the vehicle and recovery tank, use Refrigerant Recovery/Recycling Recharging equipment and Refrigerant Identifier.
- Use only specified lubricant for the HFC-134a (R-134a) A/C system and HFC-134a (R-134a) components. If lubricant other than that specified is used, compressor failure is likely to occur.
- The specified HFC-134a (R-134a) lubricant rapidly absorbs moisture from the atmosphere. The following handling precautions must be observed:
 - When removing refrigerant components from a vehicle, immediately cap (seal) the component to minimize the entry of moisture from the atmosphere.
 - When installing refrigerant components to a vehicle, do not remove the caps (unseal) until just before connecting the components. Connect all refrigerant loop components as quickly as possible to minimize the entry of moisture into system.
 - Only use the specified lubricant from a sealed container. Immediately reseal containers of lubricant. Without proper sealing, lubricant will become moisture saturated and should not be used.
 - Avoid breathing A/C refrigerant and lubricant vapor or mist. Exposure may irritate eyes, nose and throat. Remove HFC-134a (R-134a) from the A/C system using certified service equipment meeting requirements of SAE J2210 [HFC-134a (R-134a) recycling equipment], or J2209 [HFC-134a (R-134a) recovery equipment]. If accidental system discharge occurs, ventilate work area before resuming service. Additional health and safety information may be obtained from refrigerant and lubricant manufacturers.
 - Do not allow lubricant, NISSAN A/C System Lubricant Type S (DH-PS) or equivalent, to come in contact with styrofoam parts. Damage may result.

Contaminated Refrigerant

EJS00276

If a refrigerant other than pure HFC-134a (R-134a) is identified in a vehicle, your options are:

- Explain to the customer that environmental regulations prohibit the release of contaminated refrigerant into the atmosphere.
- Explain that recovery of the contaminated refrigerant could damage your service equipment and refrigerant supply.
- Suggest the customer return the vehicle to the location of previous service where the contamination may have occurred.

PRECAUTIONS

- If you choose to perform the repair, recover the refrigerant using only **dedicated equipment and containers. Do not recover contaminated refrigerant into your existing service equipment.** If your facility does not have dedicated recovery equipment, you may contact a local refrigerant product retailer for available service. This refrigerant must be disposed of in accordance with all federal and local regulations. In addition, replacement of all refrigerant system components on the vehicle is recommended.
- If the vehicle is within the warranty period, the air conditioner warranty is void. Please contact NISSAN Customer Affairs for further assistance.

General Refrigerant Precautions

EJS00277

WARNING:

- **Do not release refrigerant into the air. Use approved recovery/recycling equipment to capture the refrigerant every time an air conditioning system is discharged.**
- **Always wear eye and hand protection (goggles and gloves) when working with any refrigerant or air conditioning system.**
- **Do not store or heat refrigerant containers above 52°C (125°F).**
- **Do not heat a refrigerant container with an open flame; if container warming is required, place the bottom of the container in a warm pail of water.**
- **Do not intentionally drop, puncture, or incinerate refrigerant containers.**
- **Keep refrigerant away from open flames: poisonous gas will be produced if refrigerant burns.**
- **Refrigerant will displace oxygen, therefore be certain to work in well ventilated areas to prevent suffocation.**
- **Do not pressure test or leak test HFC-134a (R-134a) service equipment and/or vehicle air conditioning systems with compressed air during repair. Some mixtures of air and HFC-134a (R-134a) have been shown to be combustible at elevated pressures. These mixtures, if ignited, may cause injury or property damage. Additional health and safety information may be obtained from refrigerant manufacturers.**

Precautions for Leak Detection Dye

EJS00278

- The A/C system contains a fluorescent leak detection dye used for locating refrigerant leaks. An ultraviolet (UV) lamp is required to illuminate the dye when inspecting for leaks.
- Always wear fluorescence enhancing UV safety goggles to protect your eyes and enhance the visibility of the fluorescent dye.
- The fluorescent dye leak detector is not a replacement for an electronic refrigerant leak detector. The fluorescent dye leak detector should be used in conjunction with an electronic refrigerant leak detector (J-41995).
- For your safety and the customer's satisfaction, read and follow all manufacturer's operating instructions and precautions prior to performing work.
- A compressor shaft seal should not be repaired because of dye seepage. The compressor shaft seal should only be repaired after confirming the leak with an electronic refrigerant leak detector (J-41995).
- Always remove any dye from the leak area after repairs are complete to avoid a misdiagnosis during a future service.
- Do not allow dye to come into contact with painted body panels or interior components. If dye is spilled, clean immediately with the approved dye cleaner. Fluorescent dye left on a surface for an extended period of time **cannot be removed**.
- Do not spray the fluorescent dye cleaning agent on hot surfaces (engine exhaust manifold, etc.).
- Do not use more than one refrigerant dye bottle (1/4 ounce / 7.4 cc) per A/C system.
- Leak detection dyes for HFC-134a (R-134a) and CFC-12 (R-12) A/C systems are different. Do not use HFC-134a (R-134a) leak detection dye in CFC-12 (R-12) A/C systems or CFC-12 (R-12) leak detection dye in HFC-134a (R-134a) A/C systems or A/C system damage may result.
- The fluorescent properties of the dye will remain for over three (3) years unless a compressor failure occurs.

A

B

C

D

E

F

G

H

I

MTC

K

L

M

PRECAUTIONS

EJS00279

A/C Identification Label

Vehicles with factory installed fluorescent dye have this identification label on the underside of hood.

AIR CONDITIONER NISSAN		
	REFRIGERANT	COMPRESSOR LUBRICANT
TYPE (PART NO.)	HFC 134a (R134a)	NISSAN LUMINOUS OIL TYPE S (KLH00-PAGSO)
AMOUNT	W/OUT RR	0.70 ± 0.05 kg (1.54 ± 0.11 lbs)
	W/RR	1.08 ± 0.05 kg (2.38 ± 0.11 lbs)

CAUTION
 PRECAUTION
 • REFRIGERANT UNDER HIGH PRESSURE.
 • SYSTEM TO BE SERVICED BY QUALIFIED PERSONNEL.
 • IMPROPER SERVICE METHODS MAY CAUSE PERSONAL INJURY.
 • CONSULT SERVICE MANUAL.
 • THIS AIR CONDITIONER SYSTEM COMPLIES WITH SAE J-639.
 Nissan Motor Corporation in USA, Carson, CA
 27090 75000

WJIA0672E

Precautions for Refrigerant Connection

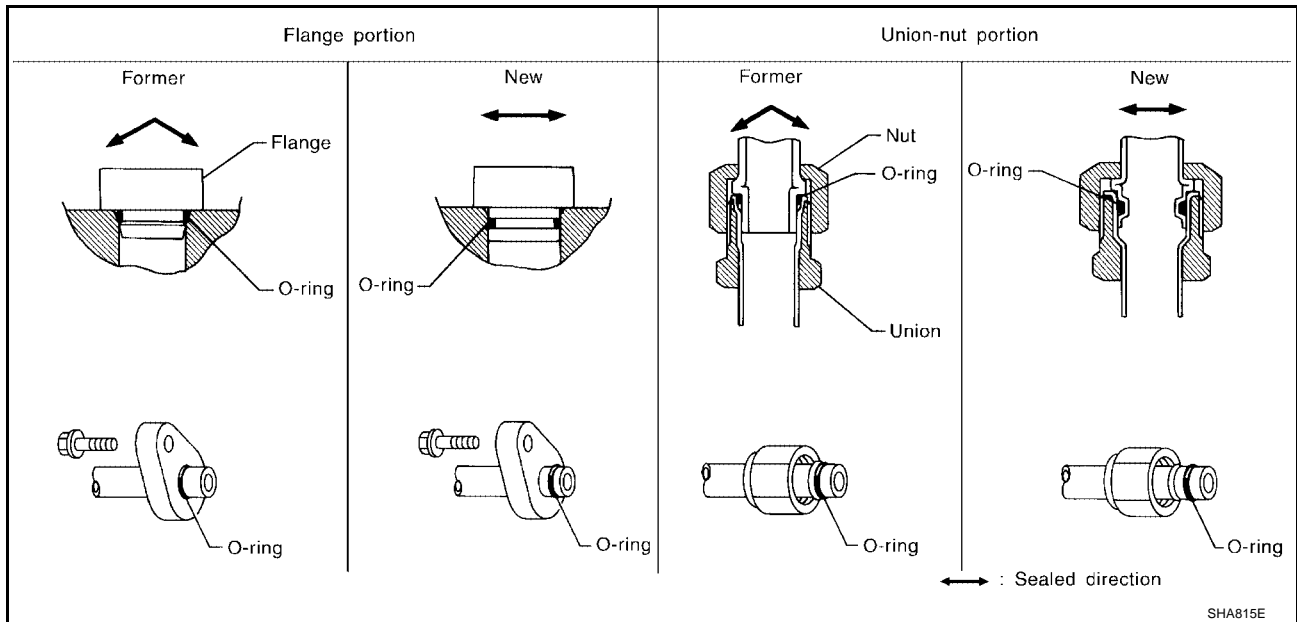
EJS0027A

A new type refrigerant connection has been introduced to all refrigerant lines except the following locations.

- Expansion valve to cooling unit
- Evaporator pipes to evaporator (inside cooling unit)
- Refrigerant pressure sensor

FEATURES OF NEW TYPE REFRIGERANT CONNECTION

- The O-ring has been relocated. It has also been provided with a groove for proper installation. This reduces the possibility of the O-ring being caught in, or damaged by, the mating part. The sealing direction of the O-ring is now set vertically in relation to the contacting surface of the mating part to improve sealing characteristics.
- The reaction force of the O-ring will not occur in the direction that causes the joint to pull out, thereby facilitating piping connections.

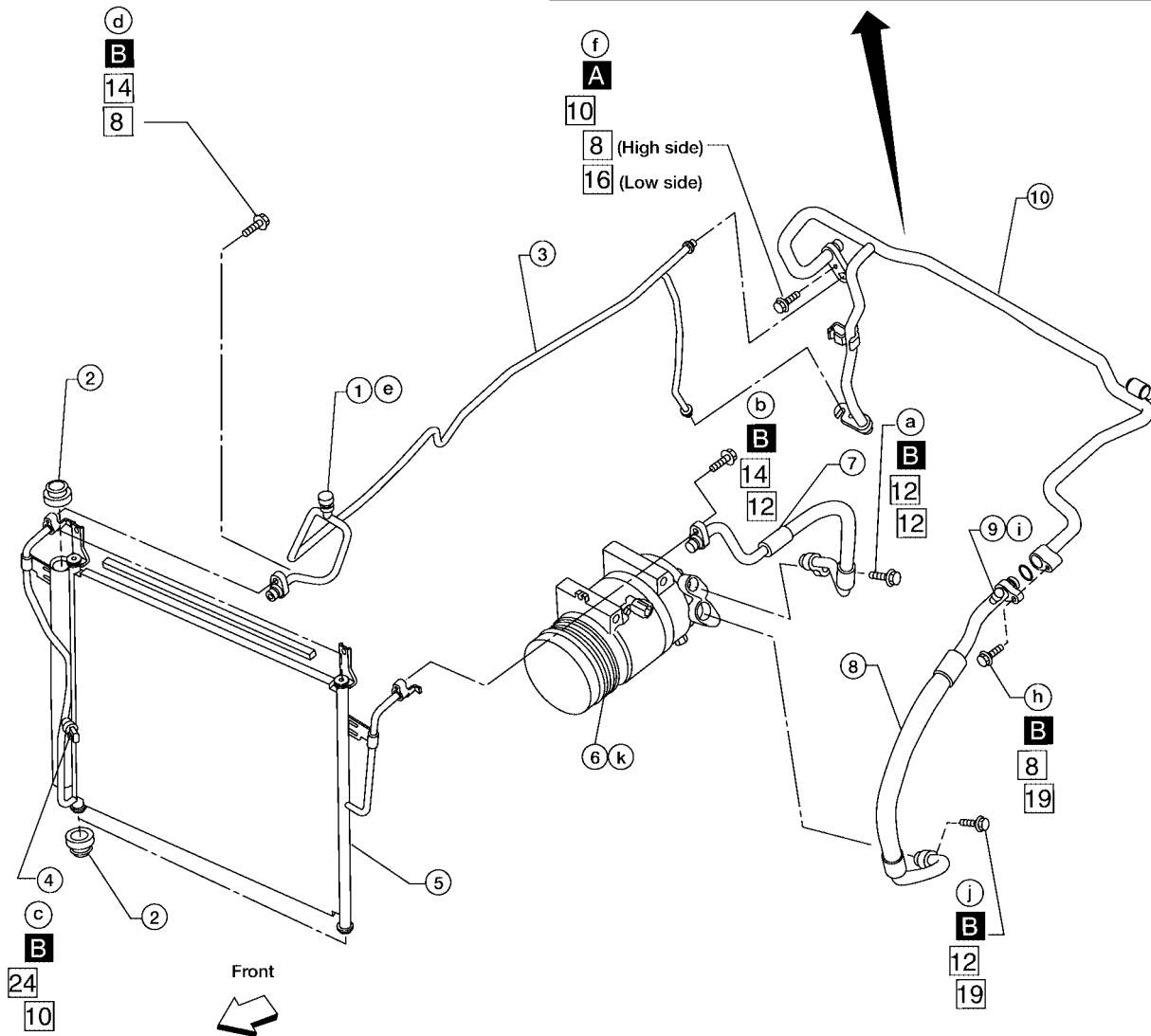
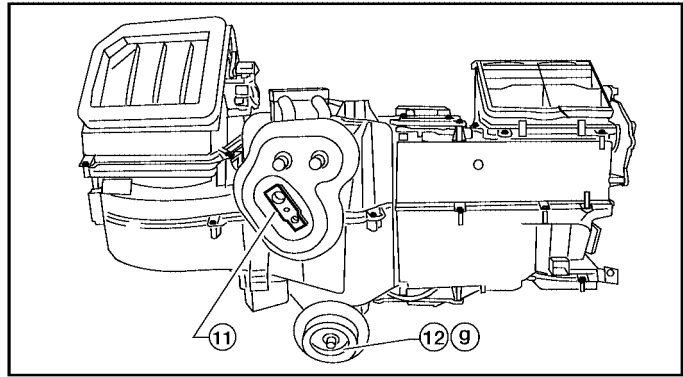


PRECAUTIONS

O-RING AND REFRIGERANT CONNECTION

Front A/C Compressor and Condenser

SEC. 214 • 271 • 274 • 276



- : Refrigerant leak checking order (a-k)
- : Tightening torque
- □ : Wrench size
- : O-ring size
- ⊙ : N-m (kg-m, in-lb)
- A ⊙ : 3.4 (0.35 , 30)
- B ⊙ : 9.3 (0.95 , 82)

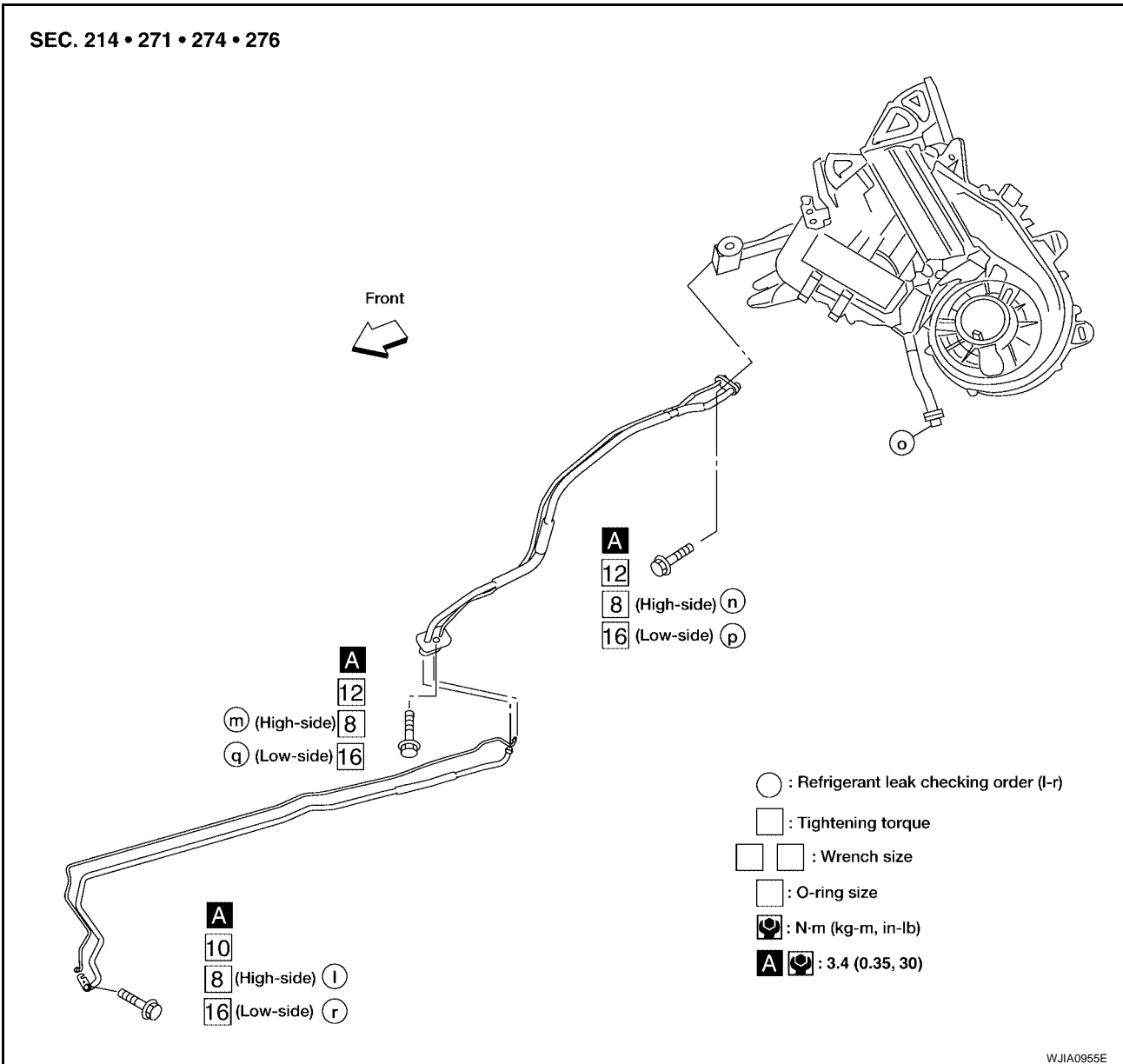
WJIA1578E

A
B
C
D
E
F
G
H
I
MTC
K
L
M

PRECAUTIONS

- | | | |
|--------------------------------|-------------------------------|-------------------------------|
| 1. High-pressure service valve | 2. Grommet | 3. High-pressure pipe |
| 4. Refrigerant pressure sensor | 5. Condenser | 6. Compressor shaft seal |
| 7. High-pressure flexible hose | 8. Low-pressure flexible hose | 9. Low-pressure service valve |
| 10. Low-pressure pipe | 11. Expansion valve (front) | 12. Drain hose |

Rear A/C



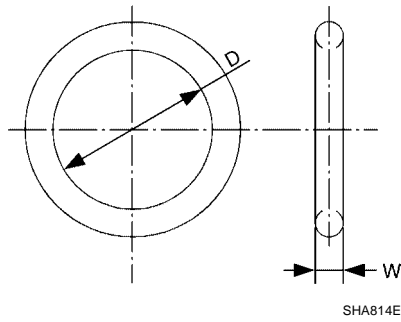
WJIA0955E

CAUTION:

The new and former refrigerant connections use different O-ring configurations. Do not confuse O-rings since they are not interchangeable. If a wrong O-ring is installed, refrigerant will leak at or around the connection.

PRECAUTIONS

O-Ring Part Numbers and Specifications



Conne- tion type	O-ring size	Part number*	D mm (in)	W mm (in)
New	8	92471 N8210	6.8 (0.268)	1.85 (0.0728)
Former	10	J2476 89956	9.25 (0.3642)	1.78 (0.0701)
New	12	92472 N8210	10.9 (0.429)	2.43 (0.0957)
Former		92475 71L00	11.0 (0.433)	2.4 (0.094)
New	16	92473 N8210	13.6 (0.535)	2.43 (0.0957)
Former		92475 72L00	14.3 (0.563)	2.3 (0.091)
New	19	92474 N8210	16.5 (0.650)	2.43 (0.0957)
Former		92477 N8200	17.12 (0.6740)	1.78 (0.0701)
New	24	92195 AH300	21.8 (0.858)	2.4 (0.094)

*: Always check with the Parts Department for the latest parts information.

WARNING:

Make sure all refrigerant is discharged into the recycling equipment and the pressure in the system is less than atmospheric pressure. Then gradually loosen the discharge side hose fitting and remove it.

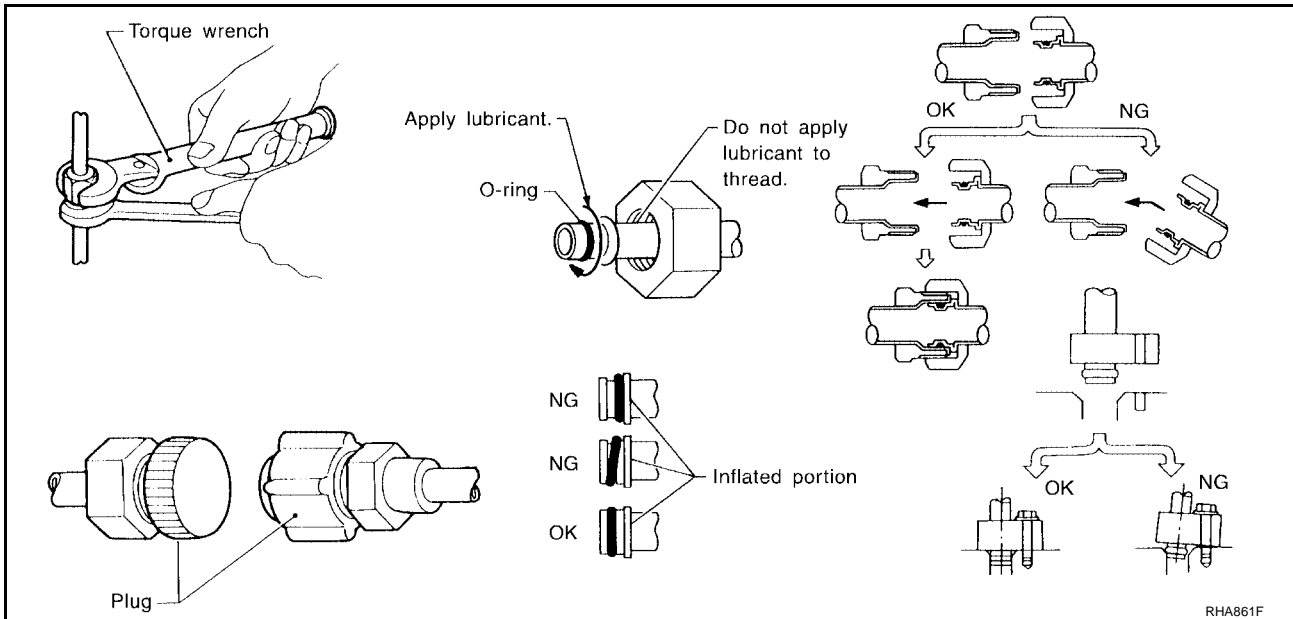
CAUTION:

When replacing or cleaning refrigerant cycle components, observe the following.

- When the compressor is removed, store it in the same position as it is when mounted on the car. Failure to do so will cause lubricant to enter the low pressure chamber.
- When connecting tubes, always use a torque wrench and a back-up wrench.
- After disconnecting tubes, immediately plug all openings to prevent entry of dirt and moisture.
- When installing an air conditioner in the vehicle, connect the pipes as the final stage of the operation. Do not remove the seal caps of pipes and other components until just before required for connection.
- Allow components stored in cool areas to warm to working area temperature before removing seal caps. This prevents condensation from forming inside A/C components.
- Thoroughly remove moisture from the refrigeration system before charging the refrigerant.
- Always replace used O-rings.
- When connecting tube, apply lubricant to circle of the O-rings shown in illustration. Be careful not to apply lubricant to threaded portion.
Lubricant name: NISSAN A/C System Lubricant Type S (DH-PS) or equivalent
Part number: KLH00-PAGS0
- O-ring must be closely attached to dented portion of tube.
- When replacing the O-ring, be careful not to damage O-ring and tube.
- Connect tube until you hear it click, then tighten the nut or bolt by hand until snug. Make sure that the O-ring is installed to tube correctly.

PRECAUTIONS

- After connecting line, conduct leak test and make sure that there is no leakage from connections. When the gas leaking point is found, disconnect that line and replace the O-ring. Then tighten connections of seal seat to the specified torque.



Precautions for Servicing Compressor

EJS0027B

- Plug all openings to prevent moisture and foreign matter from entering.
- When the compressor is removed, store it in the same position as it is when mounted on the car.
- When replacing or repairing compressor, follow "Maintenance of Lubricant Quantity in Compressor" exactly. Refer to [MTC-21, "Maintenance of Lubricant Quantity in Compressor"](#).
- Keep friction surfaces between clutch and pulley clean. If the surface is contaminated with lubricant, wipe it off by using a clean waste cloth moistened with thinner.
- After compressor service operation, turn the compressor shaft by hand more than 5 turns in both directions. This will equally distribute lubricant inside the compressor. After the compressor is installed, let the engine idle and operate the compressor for 1 hour.
- After replacing the compressor magnet clutch, apply voltage to the new one and check for normal operation. Refer to [MTC-141, "Removal and Installation for Compressor Clutch"](#)

Precautions for Service Equipment RECOVERY/RECYCLING EQUIPMENT

EJS0027C

Follow the manufacturer's instructions for machine operation and machine maintenance. Never introduce any refrigerant other than that specified into the machine.

ELECTRONIC LEAK DETECTOR

Follow the manufacturer's instructions for tester operation and tester maintenance.

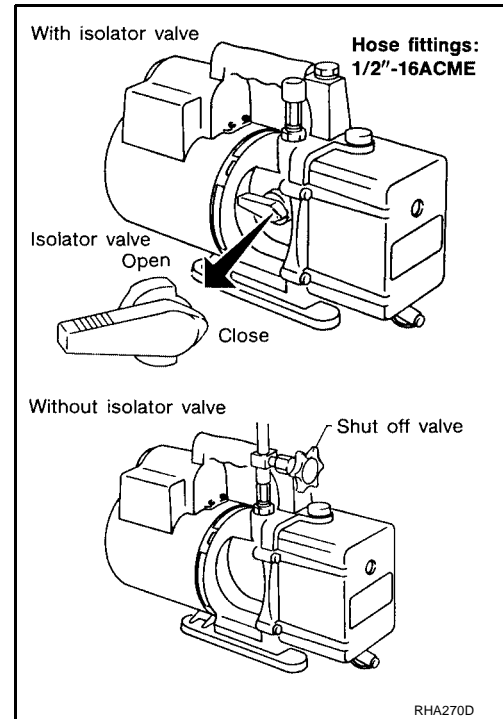
PRECAUTIONS

VACUUM PUMP

The lubricant contained inside the vacuum pump is not compatible with the specified lubricant for HFC-134a (R-134a) A/C systems. The vent side of the vacuum pump is exposed to atmospheric pressure so the vacuum pump lubricant may migrate out of the pump into the service hose. This is possible when the pump is switched off after evacuation (vacuuming) and hose is connected to it. To prevent this migration, use a manual valve situated near the hose-to-pump connection, as follows.

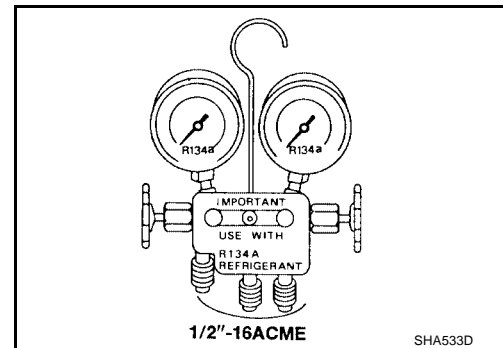
- Usually vacuum pumps have a manual isolator valve as part of the pump. Close this valve to isolate the service hose from the pump.
- For pumps without an isolator, use a hose equipped with a manual shut-off valve near the pump end. Close the valve to isolate the hose from the pump.
- If the hose has an automatic shut off valve, disconnect the hose from the pump: as long as the hose is connected, the valve is open and lubricating oil may migrate.

Some one-way valves open when vacuum is applied and close under a no vacuum condition. Such valves may restrict the pump's ability to pull a deep vacuum and are not recommended.



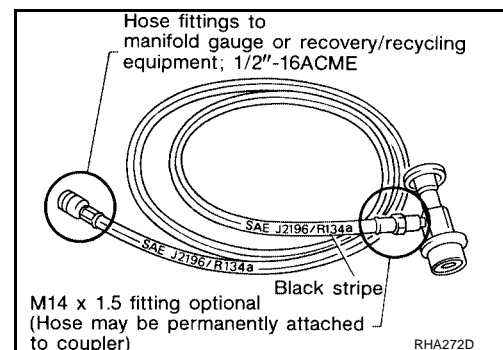
MANIFOLD GAUGE SET

Be certain that the gauge face indicates HFC-134a (R-134a or 134a). Make sure the gauge set has 1/2"-16 ACME threaded connections for service hoses. Confirm the set has been used only with refrigerant HFC-134a (R-134a) along with specified lubricant.



SERVICE HOSES

Be certain that the service hoses display the markings described (colored hose with black stripe). All hoses must include positive shut-off devices (either manual or automatic) near the end of the hoses opposite the manifold gauge.



A
B
C
D
E
F
G
H
I
K
L
M

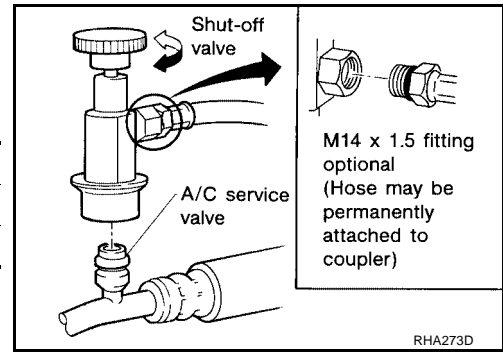
MTC

PRECAUTIONS

SERVICE COUPLERS

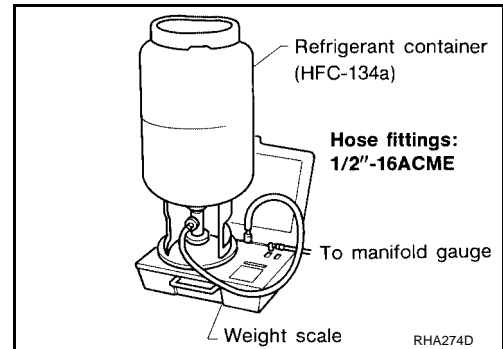
Never attempt to connect HFC-134a (R-134a) service couplers to a CFC-12 (R-12) A/C system. The HFC-134a (R-134a) couplers will not properly connect to the CFC-12 (R-12) system. If an improper connection is attempted, discharging and contamination may occur.

Shut-off valve rotation	A/C service valve
Clockwise	Open
Counterclockwise	Close



REFRIGERANT WEIGHT SCALE

Verify that no refrigerant other than HFC134a (R-134a) and specified lubricants have been used with the scale. If the scale controls refrigerant flow electronically, the hose fitting must be 1/2"-16 ACME.



CHARGING CYLINDER

Using a charging cylinder is not recommended. Refrigerant may be vented into air from cylinder's top valve when filling the cylinder with refrigerant. Also, the accuracy of the cylinder is generally less than that of an electronic scale or of quality recycle/recharge equipment.

Wiring Diagrams and Trouble Diagnosis

EJS0027D

When you read wiring diagrams, refer to the following:

- [GI-15, "How to Read Wiring Diagrams"](#)
- [PG-4, "POWER SUPPLY ROUTING CIRCUIT"](#)

When you perform trouble diagnosis, refer to the following:

- [GI-9, "How to Follow Trouble Diagnoses"](#)
- [GI-27, "How to Perform Efficient Diagnosis for an Electrical Incident"](#)

PREPARATION

PREPARATION

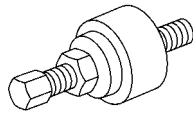
PF0:00002

Special Service Tools

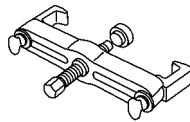
EJS0027E

The actual shapes of Kent-Moore tools may differ from those of special service tools illustrated here.

Tool number (Kent-Moore No.) Tool name	Description
— (J-38873-A) Pulley installer	Installing pulley
KV99233130 (J-29884) Pulley puller	Removing pulley



LHA171



LHA172

HFC-134a (R-134a) Service Tools and Equipment

EJS0027F

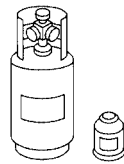
Never mix HFC-134a (R-134a) refrigerant and/or its specified lubricant with CFC-12 (R-12) refrigerant and/or its lubricant.

Separate and non-interchangeable service equipment must be used for handling each type of refrigerant/lubricant.

Refrigerant container fittings, service hose fittings and service equipment fittings (equipment which handles refrigerant and/or lubricant) are different between CFC-12 (R-12) and HFC-134a (R-134a). This is to avoid mixed use of the refrigerants/lubricant.

Adapters that convert one size fitting to another must never be used refrigerant/lubricant contamination will occur and compressor failure will result.

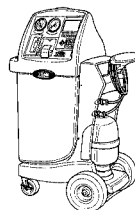
Tool number (Kent-Moore No.) Tool name	Description
HFC-134a (R-134a) refrigerant	Container color: Light blue Container marking: HFC-134a (R-134a) Fitting size: Thread size ● large container 1/2"-16 ACME
KLH00-PAGS0 (—) NISSAN A/C System Lubricant Type S (DH-PS)	Type: Poly alkylene glycol oil (PAG), type S (DH-PS) Application: HFC-134a (R-134a) swash plate compressors (NISSAN only) Lubricity: 40 m ℓ (1.4 US fl oz, 1.4 Imp fl oz)
(ACR2005-NI) ACR5 A/C Service Center	Refrigerant recovery/recycling and recharging



S-NT196



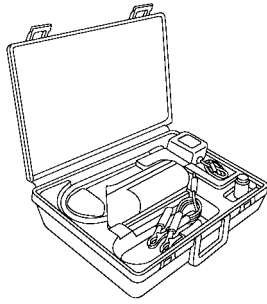
S-NT197



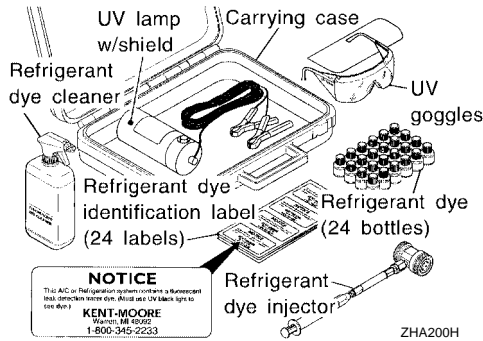
WJIA0293E

PREPARATION

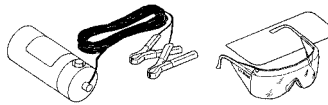
Tool number (Kent-Moore No.) Tool name	Description
(J-41995) Electronic refrigerant leak detector	Power supply: ● DC 12V (Battery terminal)
(J-43926) Refrigerant dye leak detection kit Kit includes: (J-42220) UV lamp and UV safety goggles (J-41459) Refrigerant dye injector (J-41447) qty. 24 HFC-134a (R-134a) refrigerant dye (J-43872) Refrigerant dye cleaner	Power supply: ● DC 12V (Battery terminal)
(J-42220) Fluorescent dye leak detector	Power supply: ● DC 12V (Battery terminal) For checking refrigerant leak when fluorescent dye is installed in A/C system. Includes: UV lamp and UV safety goggles
(J-41447) HFC-134a (R-134a) Fluorescent leak detection dye (Box of 24, 1/4 ounce bottles)	Application: For HFC-134a (R-134a) PAG oil Container: 1/4 ounce (7.4cc) bottle (Includes self-adhesive dye identification labels for affixing to vehicle after charging system with dye.)
(J-41459) HFC-134a (R-134a) Dye injector Use with J-41447, 1/4 ounce bottle	For injecting 1/4 ounce of fluorescent leak detection dye into A/C system.
(J-43872) Refrigerant dye cleaner	For cleaning dye spills.



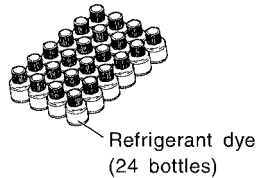
AHA281A



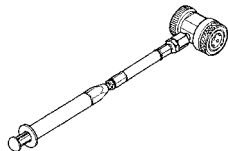
ZHA200H



SHA438F



SHA439F

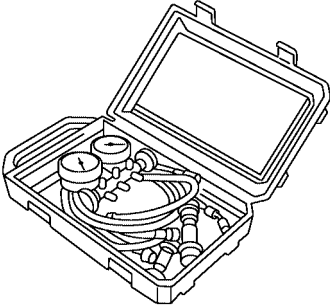
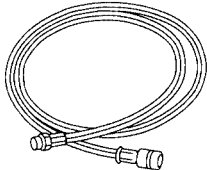
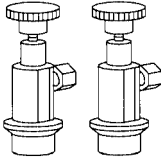
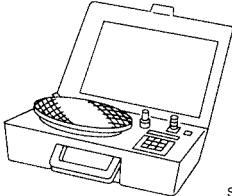
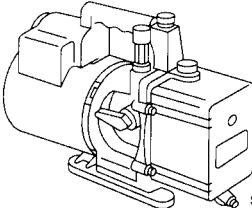


SHA440F



SHA441F

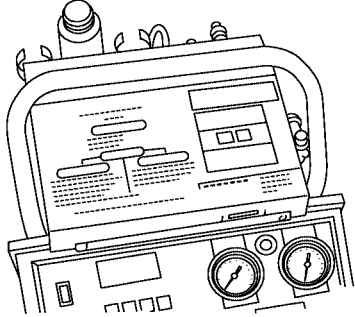
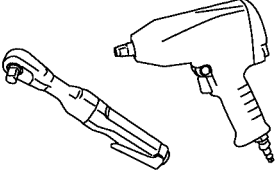
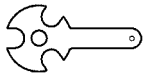
PREPARATION

Tool number (Kent-Moore No.) Tool name	Description	
<p>(J-39183-C) Manifold gauge set (with hoses and couplers)</p>  <p style="text-align: right; font-size: small;">RJIA0196E</p>	<p>Identification:</p> <ul style="list-style-type: none"> ● The gauge face indicates R-134a. Fitting size-Thread size ● 1/2"-16 ACME 	A B C D
<p>Service hoses</p> <ul style="list-style-type: none"> ● High side hose (J-39500-72B) ● Low side hose (J-39500-72R) ● Utility hose (J-39500-72Y)  <p style="text-align: right; font-size: small;">S-NT201</p>	<p>Hose color</p> <ul style="list-style-type: none"> ● Low side hose: Blue with black stripe ● High side hose: Red with black stripe ● Utility hose: Yellow with black stripe or green with black stripe <p>Hose fitting to gauge:</p> <ul style="list-style-type: none"> ● 1/2"-16 ACME 	E F G
<p>Service couplers</p> <ul style="list-style-type: none"> ● High side coupler (J-39500-20A) ● Low side coupler (J-39500-24A)  <p style="text-align: right; font-size: small;">S-NT202</p>	<p>Hose fitting to service hose:</p> <ul style="list-style-type: none"> ● M14 x 1.5 fitting is optional or permanently attached. 	H I
<p>(J-39699) Refrigerant weight scale</p>  <p style="text-align: right; font-size: small;">S-NT200</p>	<p>For measuring of refrigerant Fitting size-Thread size</p> <ul style="list-style-type: none"> ● 1/2"-16 ACME 	MTC K
<p>(J-39649) Vacuum pump (Including the isolator valve)</p>  <p style="text-align: right; font-size: small;">S-NT203</p>	<p>Capacity:</p> <ul style="list-style-type: none"> ● Air displacement: 4 CFM ● Micron rating: 20 microns ● Oil capacity: 482 g (17 oz) <p>Fitting size-Thread size</p> <ul style="list-style-type: none"> ● 1/2"-16 ACME 	L M

Commercial Service Tools

EJS0027G

PREPARATION

Tool name	Description
<p>(J-41810-NI) Refrigerant identifier equipment- (R-134a)</p>  <p>RJIA0197E</p>	<p>For checking refrigerant purity and system contamination</p>
<p>Power tool</p>  <p>PBIC0190E</p>	<p>Loosening bolts and nuts</p>
<p>(J-44614) Clutch disc holding tool</p>  <p>WHA230</p>	<p>Clutch disc holding tool</p>

REFRIGERATION SYSTEM

REFRIGERATION SYSTEM

PFP:KA990

Refrigerant Cycle REFRIGERANT FLOW

EJS0027H

The refrigerant flows in the standard pattern, that is, through the compressor, the condenser with liquid tank, through the front and rear evaporators, and back to the compressor. The refrigerant evaporation through the evaporator coils are controlled by front and rear externally equalized expansion valves, located inside the front and rear evaporator cases.

Refrigerant System Protection REFRIGERANT PRESSURE SENSOR

EJS0027I

The refrigerant system is protected against excessively high or low pressures by the refrigerant pressure sensor, located on the condenser. If the system pressure rises above or falls below the specifications, the refrigerant pressure sensor detects the pressure inside the refrigerant line and sends a voltage signal to the ECM. The ECM de-energizes the A/C relay to disengage the magnetic compressor clutch when pressure on the high pressure side detected by refrigerant pressure sensor is over about 2,746 kPa (28 kg/cm² , 398 psi), or below about 120 kPa (1.22 kg/cm² , 17.4 psi).

A

B

C

D

E

F

G

H

I

MTC

K

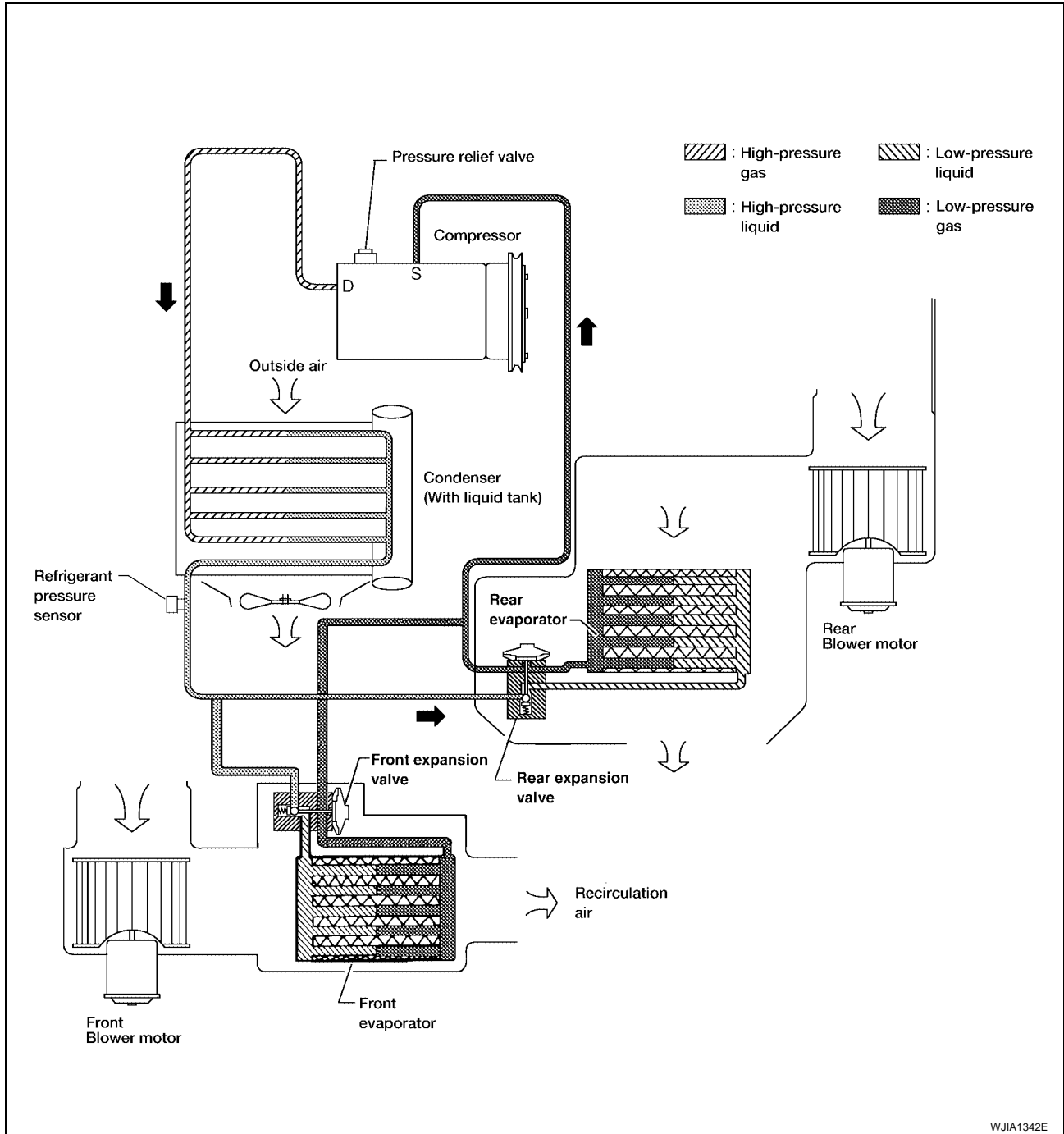
L

M

REFRIGERATION SYSTEM

PRESSURE RELIEF VALVE

The refrigerant system is also protected by a pressure relief valve, located in the rear head of the compressor. When the pressure of refrigerant in the system increases to an abnormal level [more than 2,990 kPa (30.5 kg/cm² , 433.6 psi)], the release port on the pressure relief valve automatically opens and releases refrigerant into the atmosphere.

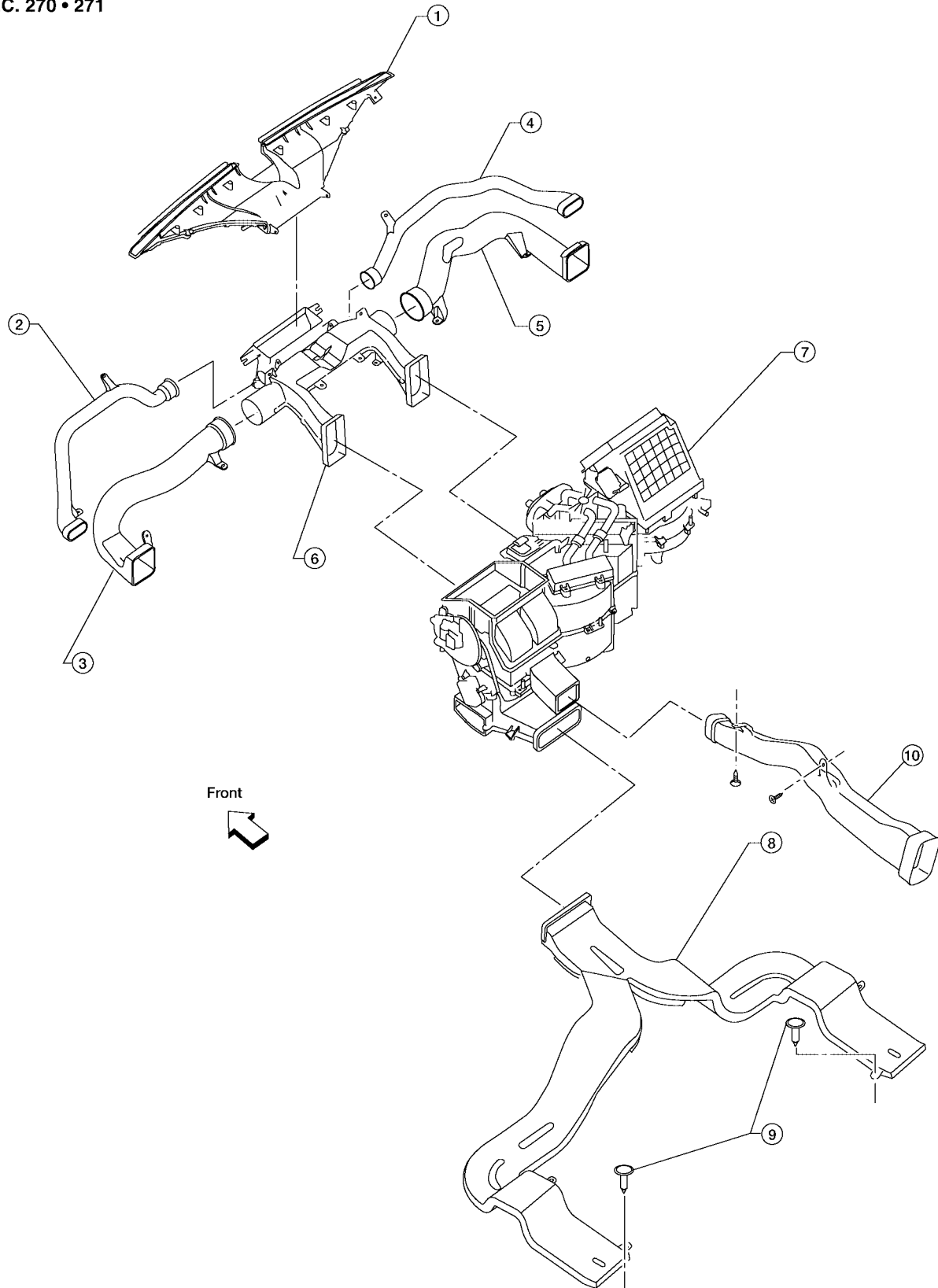


REFRIGERATION SYSTEM

Component Layout FRONT REFRIGERATION SYSTEM

EJS0027J

SEC. 270 • 271



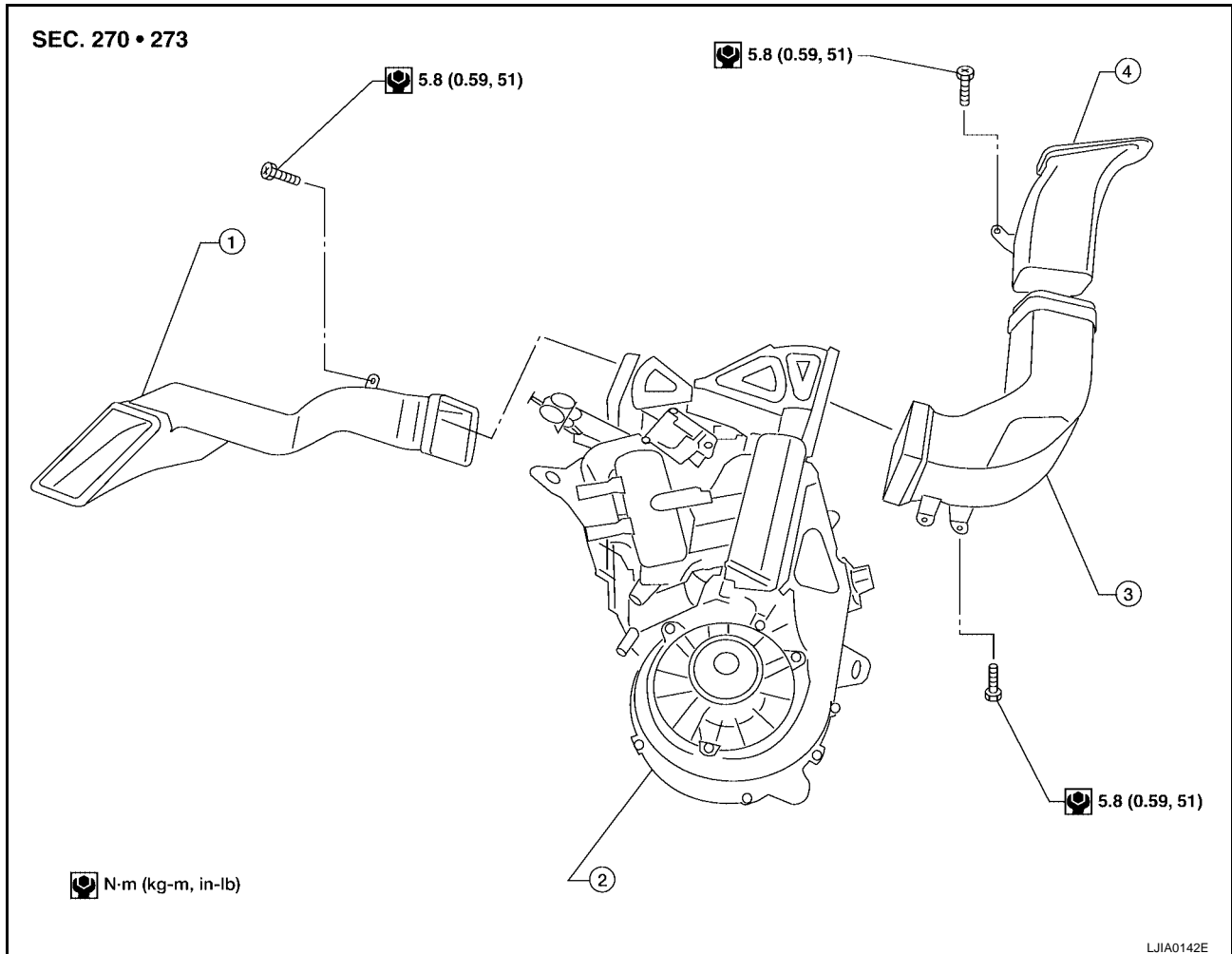
A
B
C
D
E
F
G
H
I
MTC
K
L
M

WJIA0956E

REFRIGERATION SYSTEM

- | | | |
|---|--------------------------|---------------------------|
| 1. Defroster nozzle | 2. LH side demister duct | 3. LH ventilator duct |
| 4. RH side demister duct | 5. RH ventilator duct | 6. Center ventilator duct |
| 7. Front heater and cooling unit assembly | 8. Floor duct | 9. Clips |
| 10. Heat duct | | |

REAR REFRIGERATION SYSTEM



- | | | |
|-----------------------------|--|-----------------------------|
| 1. Rear floor duct | 2. Rear heater and cooling unit assembly | 3. Rear lower overhead duct |
| 4. Rear upper overhead duct | | |

LUBRICANT

PPF:KLG00

LUBRICANT

Maintenance of Lubricant Quantity in Compressor

EJS0027K

The lubricant in the compressor circulates through the system with the refrigerant. Add lubricant to compressor when replacing any component or after a large refrigerant leakage has occurred. It is important to maintain the specified amount.

If lubricant quantity is not maintained properly, the following malfunctions may result:

- Lack of lubricant: May lead to a seized compressor
- Excessive lubricant: Inadequate cooling (thermal exchange interference)

LUBRICANT

Name: NISSAN A/C System Lubricant Type S (DH-PS)

Part number: KLH00-PAGS0


CHECKING AND ADJUSTING

CAUTION:

If excessive lubricant leakage is noted, do not perform the lubricant return operation.

Start the engine and set the following conditions:

test condition

- **Engine speed: Idling to 1,200 rpm**
- **A/C switch: On**
- **Blower speed: Max. position**
- **Temp. control: Optional [Set so that intake air temperature is 25° to 30° C (77° to 86°F).]**
- **Intake position: Recirculation ()**
- **Perform lubricant return operation for about ten minutes**

Adjust the lubricant quantity according to the following table.

Lubricant Adjusting Procedure for Components Replacement Except Compressor

After replacing any of the following major components, add the correct amount of lubricant to the system.

Amount of lubricant to be added

Part replaced	Lubricant to be added to system	Remarks
	Amount of lubricant m ℓ (US fl oz, Imp fl oz)	
Front evaporator	75 (2.5, 2.6)	—
Rear evaporator	75 (2.5, 2.6)	—
Condenser	75 (2.5, 2.6)	—
Liquid tank	5 (0.2, 0.2)	Add if compressor is not replaced.
In case of refrigerant leak	30 (1.0, 1.1)	Large leak
	—	Small leak *1

- *1: If refrigerant leak is small, no addition of lubricant is needed.

Lubricant Adjustment Procedure for Compressor Replacement

1. Before connecting recovery/recycling equipment to vehicle, check recovery/recycling equipment gauges. No refrigerant pressure should be displayed. If NG, recover refrigerant from equipment lines.
2. Connect recovery/recycling equipment to vehicle. Confirm refrigerant purity in supply tank using recovery/recycling equipment and refrigerant identifier. If NG, refer to [MTC-4, "Contaminated Refrigerant"](#).
3. Confirm refrigerant purity in vehicle A/C system using recovery/recycling equipment and refrigerant identifier. If NG, refer to [MTC-4, "Contaminated Refrigerant"](#).
4. Discharge refrigerant into the refrigerant recovery/recycling equipment. Measure lubricant discharged into the recovery/recycling equipment.
5. Drain the lubricant from the "old" (removed) compressor into a graduated container and recover the amount of lubricant drained.
6. Drain the lubricant from the "new" compressor into a separate, clean container.

A
B
C
D
E
F
G
H
I

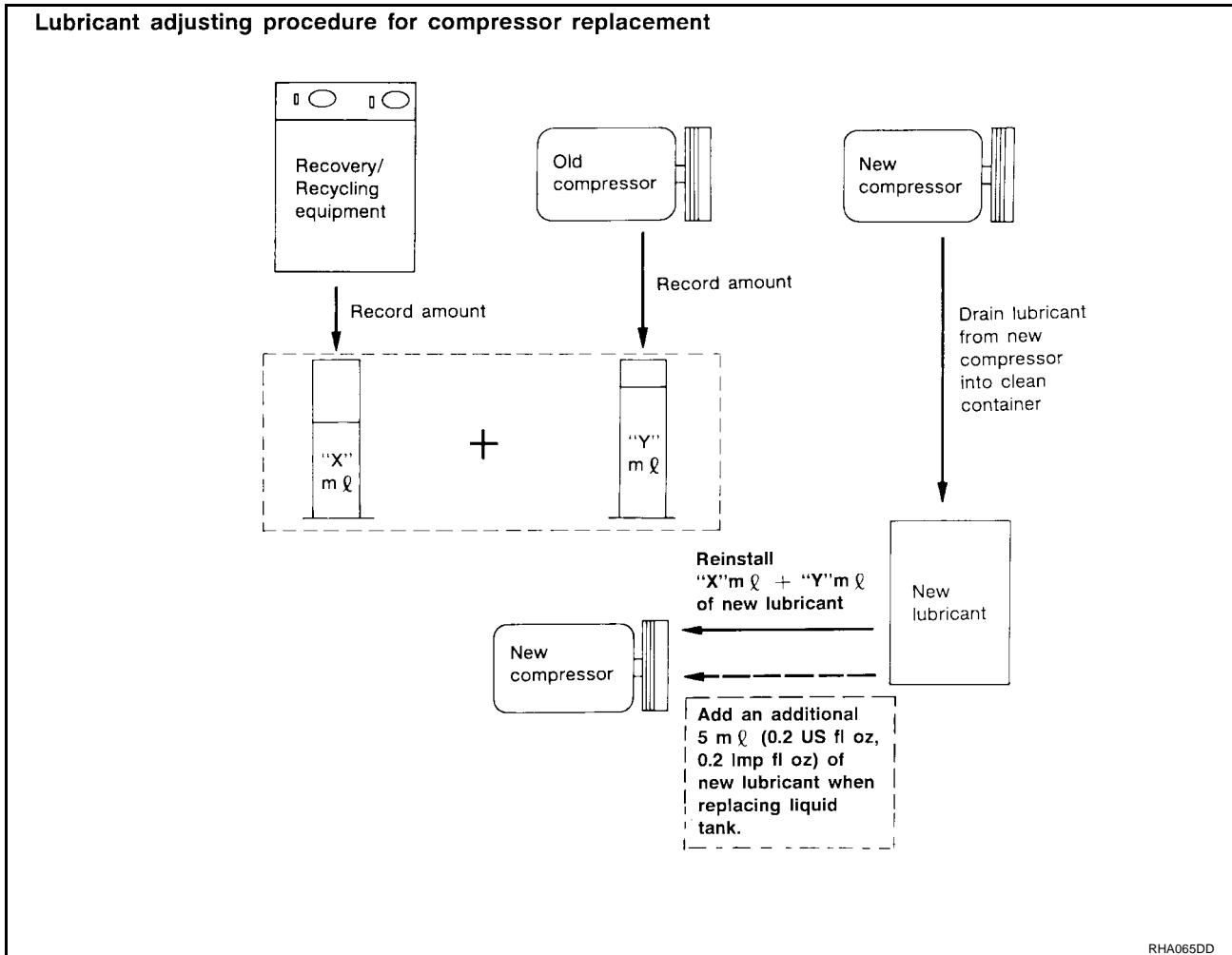
MTC

K
L
M

LUBRICANT

7. Measure an amount of new lubricant installed equal to amount drained from "old" compressor. Add this lubricant to "new" compressor through the suction port opening.
8. Measure an amount of new lubricant equal to the amount recovered during discharging. Add this lubricant to "new" compressor through the suction port opening.
9. If the liquid tank also needs to be replaced, add an additional 5 mℓ (0.2 US fl oz, 0.2 Imp fl oz) of lubricant at this time.

Do not add this 5 mℓ (0.2 US fl oz, 0.2 Imp fl oz) of lubricant if only replacing the compressor.



AIR CONDITIONER CONTROL

AIR CONDITIONER CONTROL

PF2:27500

Description

EJS0028L

The front air control provides regulation of the vehicle's interior temperature. The system is based on the position of the front air controls temperature switch selected by the driver. This is done by utilizing a microcomputer, also referred to as the front air control, which receives input signals from the following two sensors:

- Intake sensor
- PBR (position balanced resistor).

The front air control uses these signals (including the set position of the temperature switch) to control:

- Outlet air volume
- Air temperature
- Air distribution

The front air control also provides separate regulation of the vehicle's interior temperature for the rear passenger area. The system is based on the temperature and rear blower settings selected from rear control switches located on the front air control, or from the temperature and rear blower settings selected from rear control switches on the rear air control, when the front air control switches are set to the rear position.

The front air control is used to select:

- Outlet air volume
- Air temperature/distribution

Operation

EJS0028M

AIR MIX DOOR CONTROL

The air mix door is controlled so that in-vehicle temperature changed based on the position of the temperature switch.

BLOWER SPEED CONTROL

Blower speed is controlled based on front and rear blower switch settings.

When blower switch is turned, the blower motor starts and increases air flow volume each time the blower switch is turned counterclockwise, and decreases air flow volume each time the blower switch is turned counterclockwise.

When engine coolant temperature is low, the blower motor operation is delayed to prevent cool air from flowing.

INTAKE DOORS CONTROL

The intake doors are controlled by the recirculation switch setting, and the mode (defroster) switch setting.

MODE DOOR CONTROL

The mode door is controlled by the position of the mode switch.

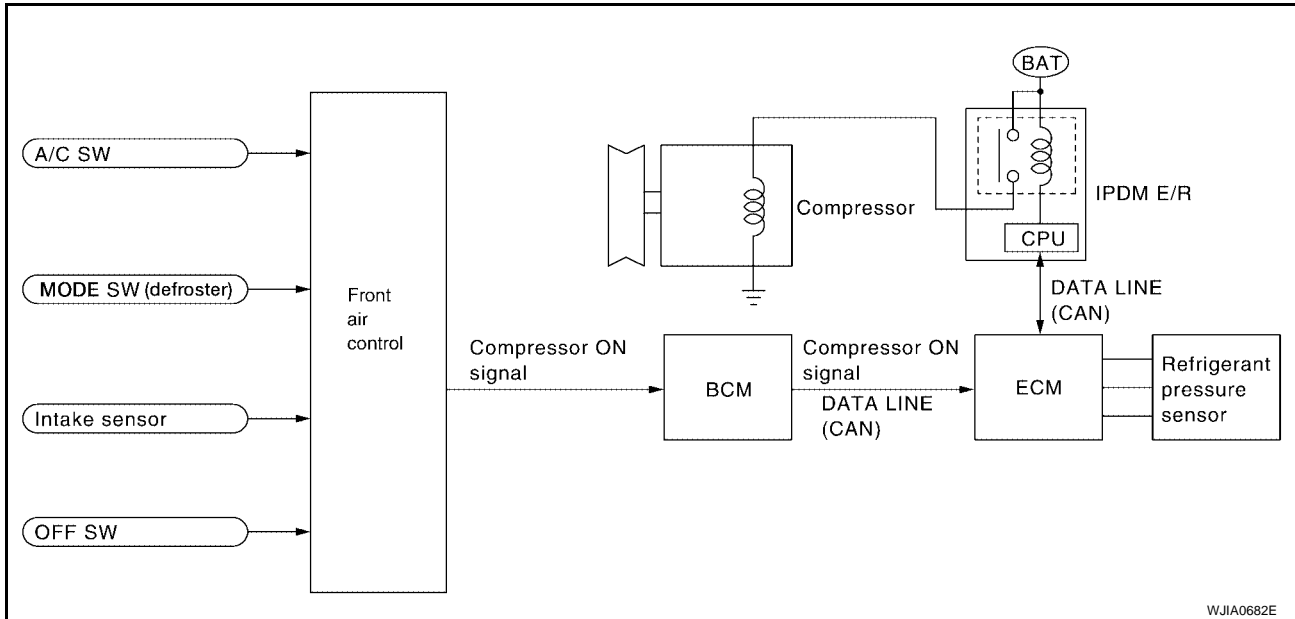
DEFROSTER DOOR CONTROL

The defroster door is controlled by: Turning the defroster dial to front defroster.

A
B
C
D
E
F
G
H
I
MTC
K
L
M

AIR CONDITIONER CONTROL

MAGNET CLUTCH CONTROL



When the A/C switch is pressed, or the mode switch is turned to the defroster position, the front air control outputs a compressor ON signal to BCM.

The BCM then sends a compressor ON signal to ECM, via CAN communication line.

ECM judges whether compressor can be turned ON, based on each sensor status (refrigerant pressure sensor signal, throttle angle sensor, etc.). If it judges compressor can be turned ON, it sends compressor ON signal to IPDM E/R, via CAN communication line.

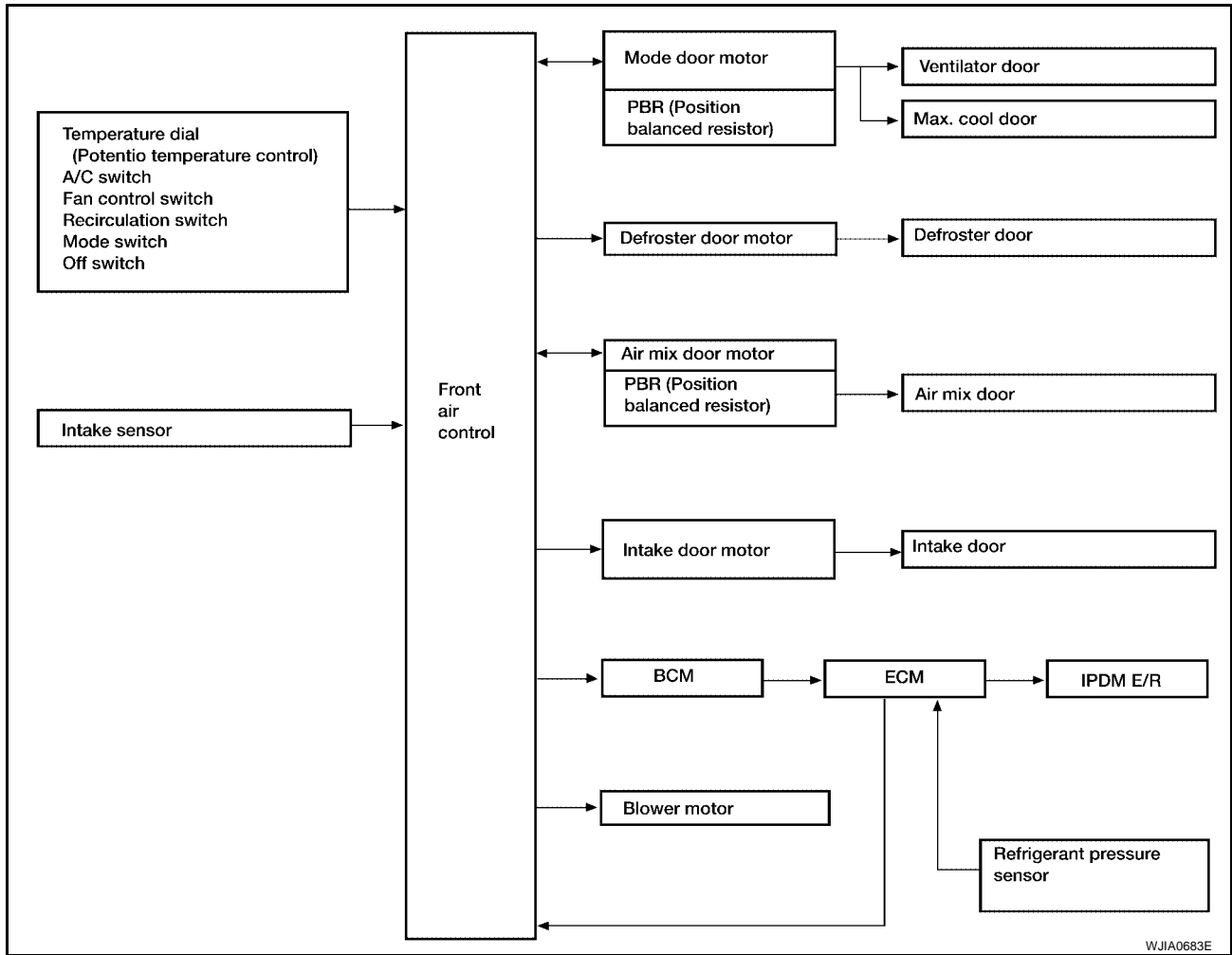
Upon receipt of compressor ON signal from ECM, IPDM E/R turns air conditioner relay ON to operate compressor.

AIR CONDITIONER CONTROL

EJS0028N

Description of Control System

The control system consists of input sensors, switches, the front air control (microcomputer) and outputs. The relationship of these components is shown in the figure below:

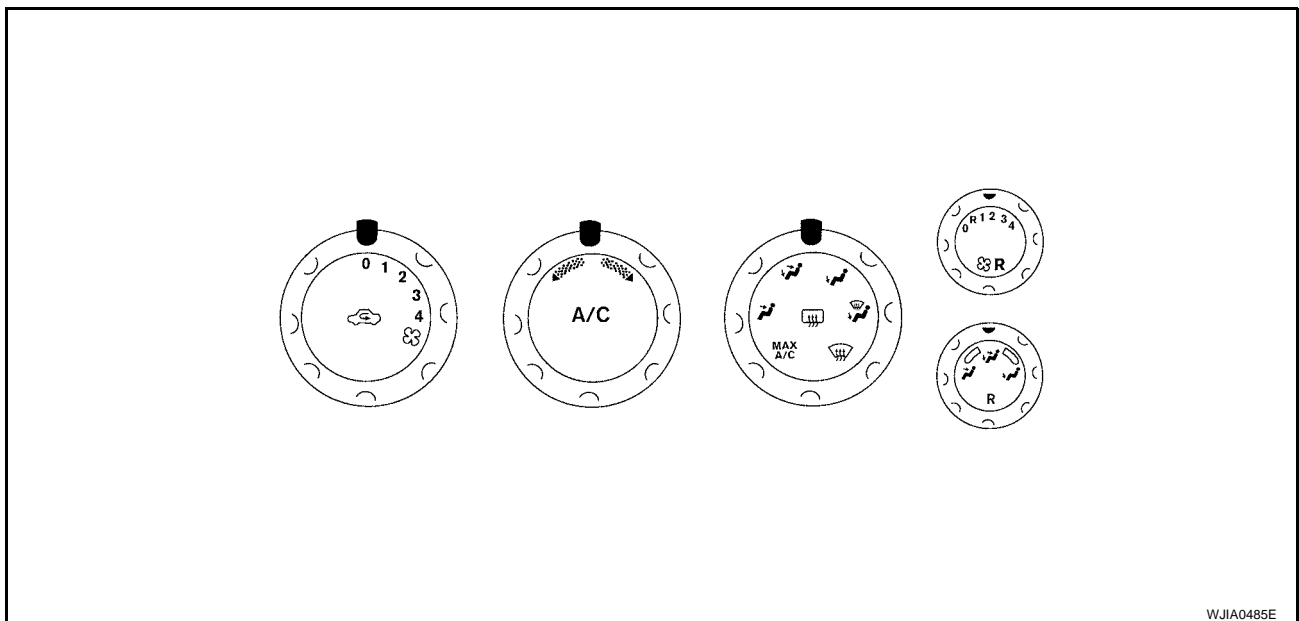


WJIA0683E

Control Operation

EJS0028O

Front air control

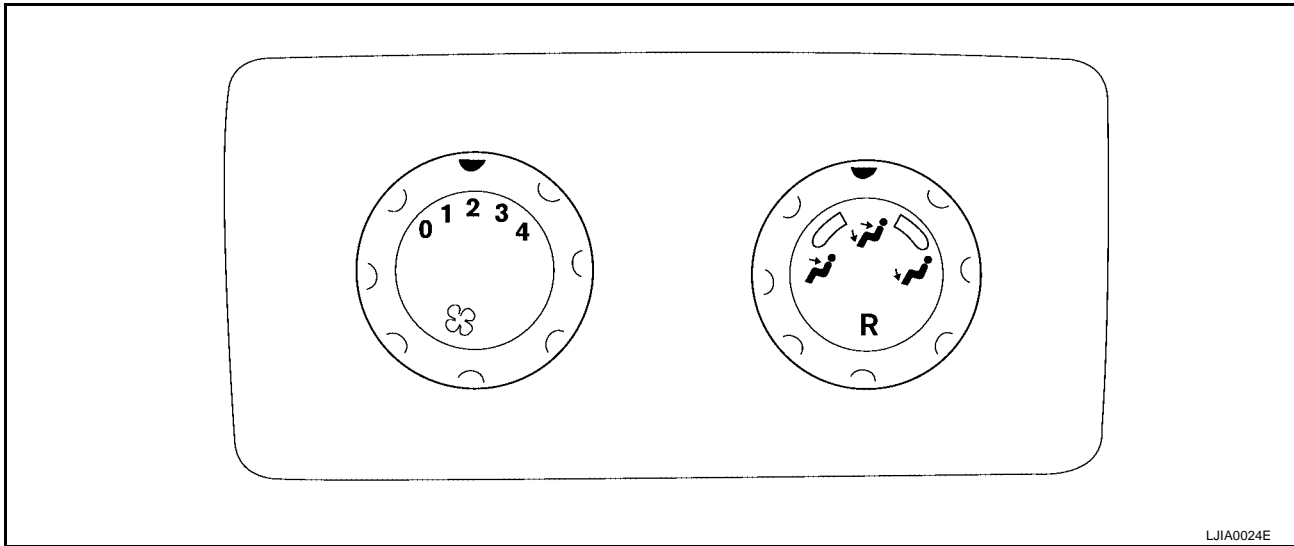


WJIA0485E

A
B
C
D
E
F
G
H
I
MTC
K
L
M

AIR CONDITIONER CONTROL

Rear air control



LJIA0024E

TEMPERATURE SWITCH (TEMPERATURE CONTROL) (FRONT)

Increases or decreases the set temperature.

TEMPERATURE SWITCH (TEMPERATURE CONTROL) (REAR)

Increases or decreases the set temperature.

RECIRCULATION () SWITCH

- When REC switch is ON, REC switch indicator turns ON, and air inlet is set to REC.
- When REC switch is turned OFF, or when compressor is turned from ON to OFF, REC switch is automatically turned OFF. REC mode can be re-entered by pressing REC switch again.
- REC switch is not operated when DEF switch is turned ON, or at the D/F position.

REAR WINDOW DEFOGGER SWITCH

When switch is ON, rear window is defogged.

OFF SWITCH (BLOWER SPEED SET TO 0)

The compressor and blower are OFF, the intake doors are set to the outside air position, and the air outlet doors are set to the foot (75% foot and 25% defrost) position.

A/C SWITCH

The compressor is ON or OFF.

MODE SWITCH

Controls the air discharge outlets through control of the mode and defroster doors.

REAR BLOWER SWITCH (FRONT)

Manually control the blower speed. Four speeds are available for manual control.

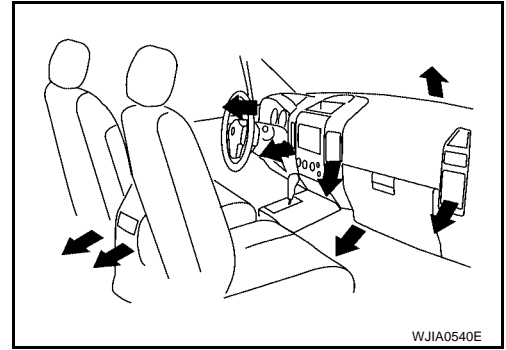
REAR BLOWER SWITCH (REAR)

When the rear blower switch (front) is in the OFF position, the rear blower motor cannot operate. When the rear blower switch (front) is in the REAR position, it allows the rear blower switch (rear) to control the rear blower motor speed. In any other position (1-4), the rear blower switch (front) controls the rear blower motor speed regardless of the rear blower switch (rear) position.

AIR CONDITIONER CONTROL

Discharge Air Flow FRONT

EJS002BC



WJIA0540E

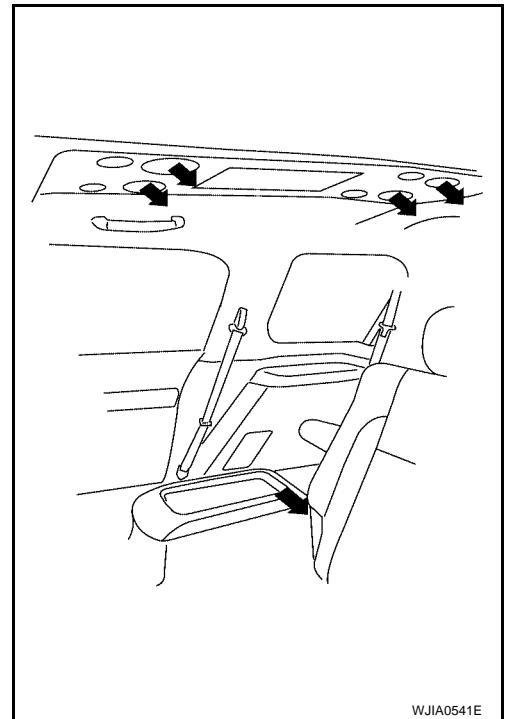
Discharge air flow

Mode door position	Air outlet/distribution		
	Vent	Foot	Defroster
	100%	–	–
	50%	50%	–
	–	75%(100%)	25% (–)
	–	60%	40%
	–	–	100%

(): Manually control

WJIA0528E

REAR



WJIA0541E

Discharge air flow

Mode door position	Air outlet/distribution	
	Vent	Foot
	100%	–
	50%	50%
	–	100%

(): Manually control

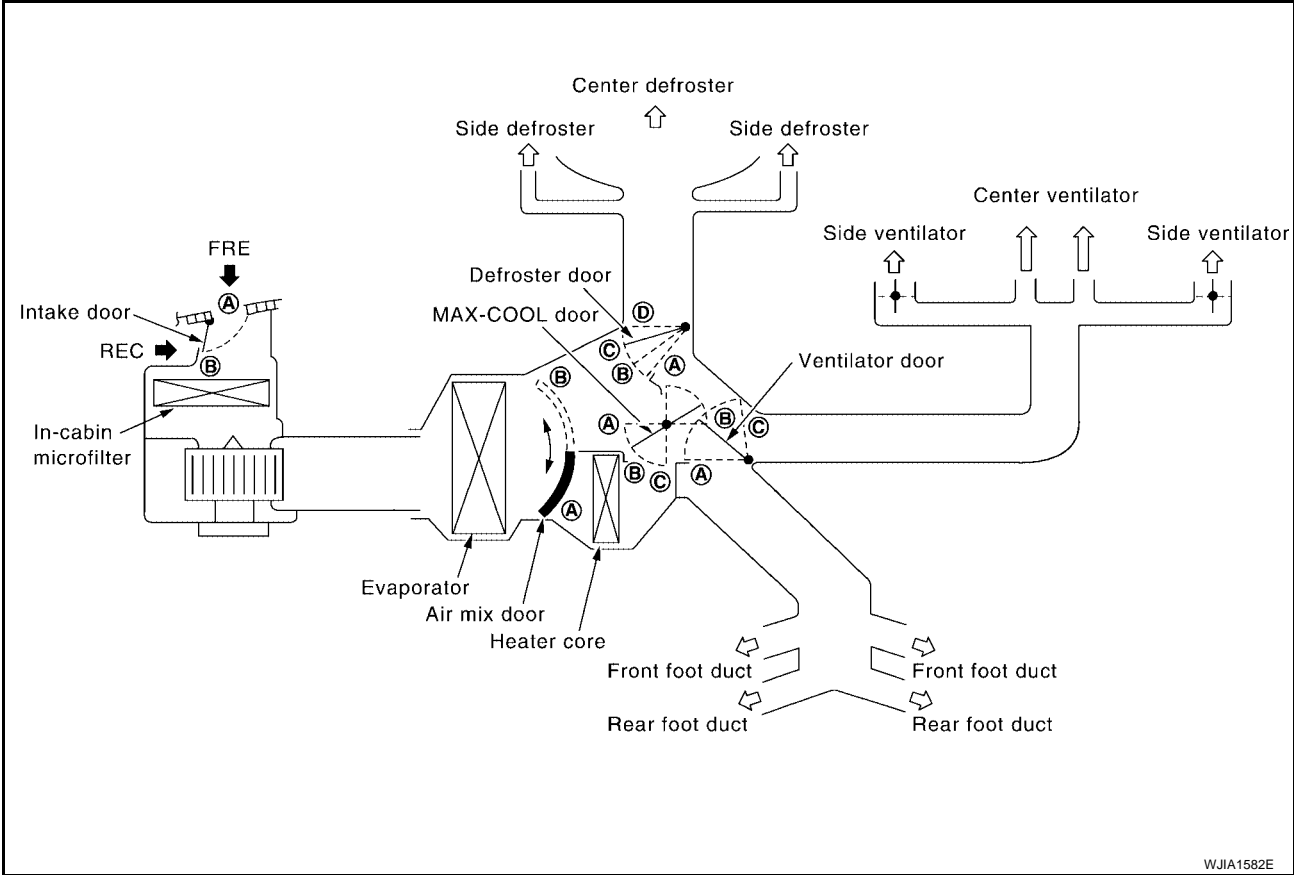
WJIA0621E

A
B
C
D
E
F
G
H
I
MTC
K
L
M

AIR CONDITIONER CONTROL

System Description (Front) SWITCHES AND THEIR CONTROL FUNCTION

EJS002BD



WJIA1582E

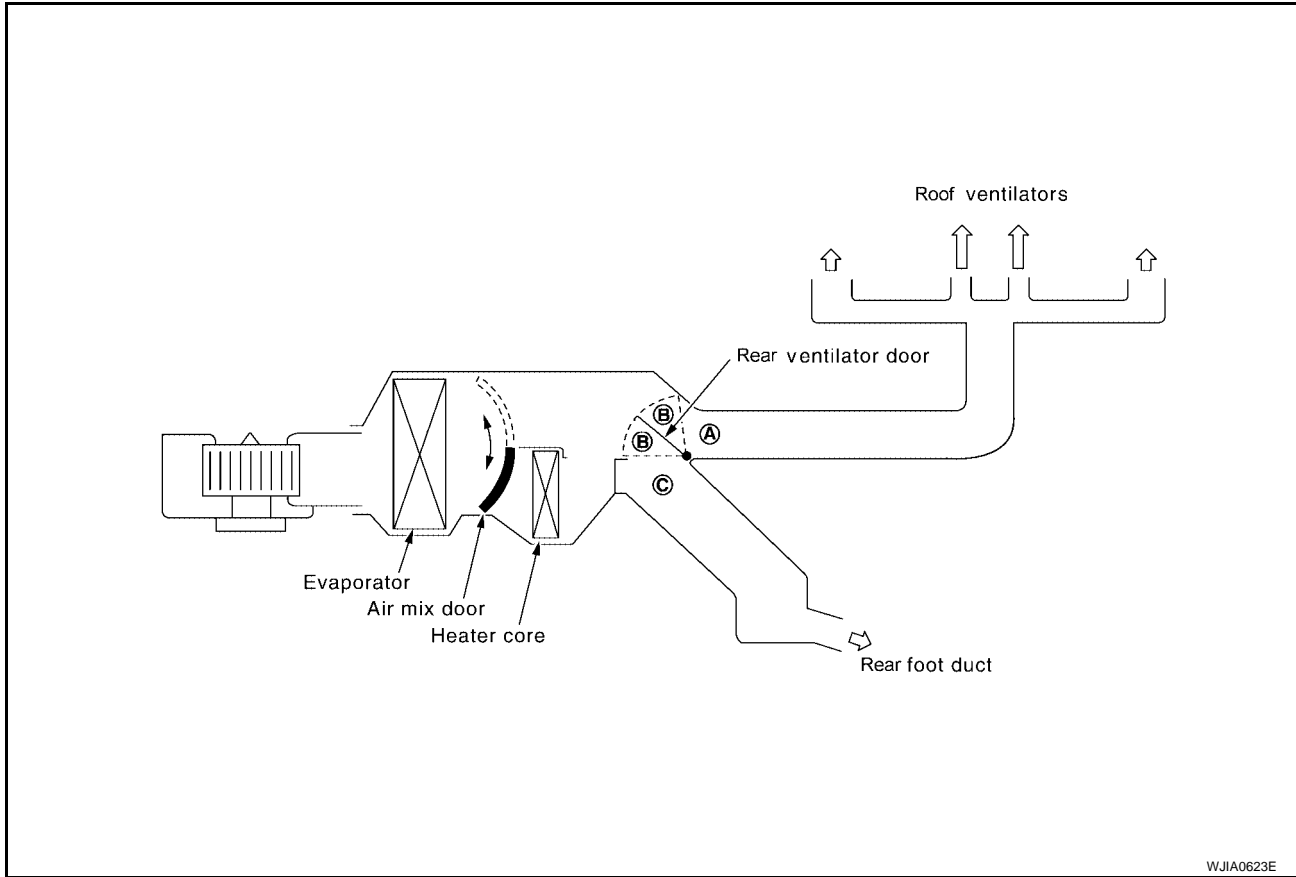
Position or switch	MODE SW				DEF SW		REC SW		Temperature switch			OFF SW
	VENT	B/L	FOOT	D/F	ON	OFF	ON	OFF				OFF SW
					FRONT				COLD	~	HOT	
Ventilator door	(A)	(B)	(C)	(C)	(C)							(C)
MAX-COOL door	(A)	(B)	(B)	(B)	(C)							(B)
Defroster door	(D)	(D)	(D _{or} C)	(B)	(A)							(C)
Intake door	—				(B)		(A)	(B)				(B)
Air mix door	—				—				(A)		(B)	—

WJIA0532E

AIR CONDITIONER CONTROL

System Description (Rear) SWITCHES AND THEIR CONTROL FUNCTION

EJS002BE



WJIA0623E

Position or switch	MODE SW			TEMP SW			OFF SW
	VENT	B/L	FOOT				
Door							
Mode door	(A)	(B)	(C)	—			(C)
Air mix door	—			(A)		(B)	—

WJIA0624E

A
B
C
D
E
F
G
H
I

MTC

K
L
M

AIR CONDITIONER CONTROL

CAN Communication System Description

EJS0028R

Refer to [LAN-5, "CAN COMMUNICATION"](#) .

TROUBLE DIAGNOSIS

TROUBLE DIAGNOSIS

PFP:00004

CONSULT-II Function (BCM)

EJS0027T

CONSULT-II can display each diagnostic item using the diagnostic test modes shown following.

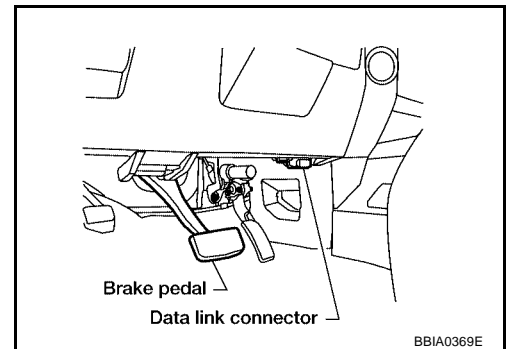
BCM diagnostic test item	Diagnostic mode	Description
Inspection by part	WORK SUPPORT	Supports inspections and adjustments. Commands are transmitted to the BCM for setting the status suitable for required operation, input/output signals are received from the BCM and received data is displayed.
	DATA MONITOR	Displays BCM input/output data in real time.
	ACTIVE TEST	Operation of electrical loads can be checked by sending drive signal to them.
	SELF-DIAG RESULTS	Displays BCM self-diagnosis results.
	CAN DIAG SUPPORT MNTR	The result of transmit/receive diagnosis of CAN communication can be read.
	ECU PART NUMBER	BCM part number can be read.
	CONFIGURATION	Performs BCM configuration read/write functions.

CONSULT-II BASIC OPERATION

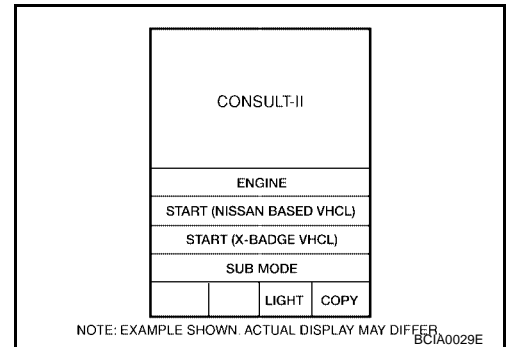
CAUTION:

If CONSULT-II is used with no connection of CONSULT-II CONVERTER, malfunctions might be detected in self-diagnosis depending on control unit which carries out CAN communication.

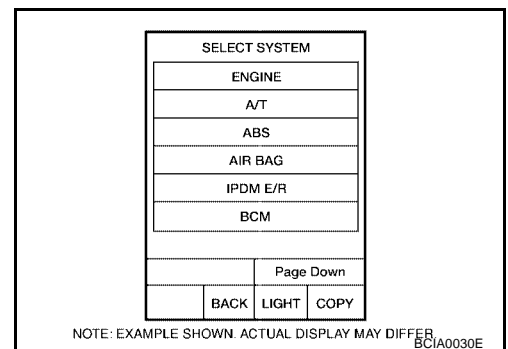
1. With the ignition switch OFF, connect CONSULT-II and CONSULT-II converter to the data link connector, and turn the ignition switch ON.



2. Touch "START (NISSAN BASED VHCL)".



3. Touch "BCM" on "SELECT SYSTEM" screen. If "BCM" is not indicated, go to [GI-38, "CONSULT-II Data Link Connector \(DLC\) Circuit"](#).

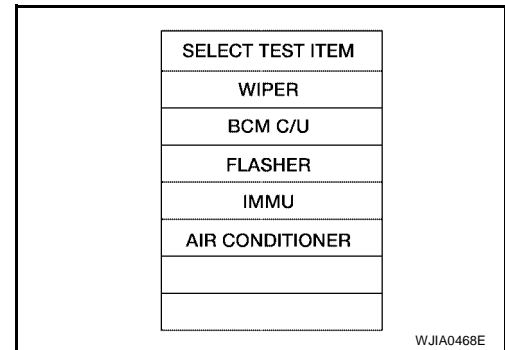


TROUBLE DIAGNOSIS

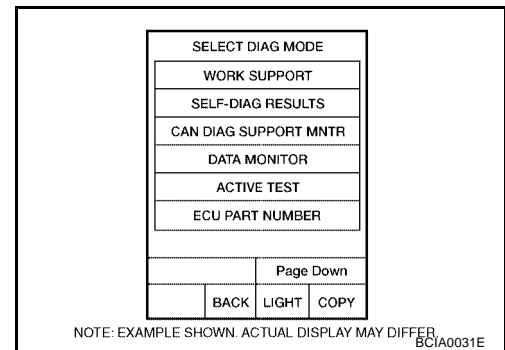
DATA MONITOR

Operation Procedure

1. Touch "AIR CONDITIONER" on "SELECT TEST ITEM" screen.



2. Touch "DATA MONITOR" on "SELECT DIAG MODE" screen.



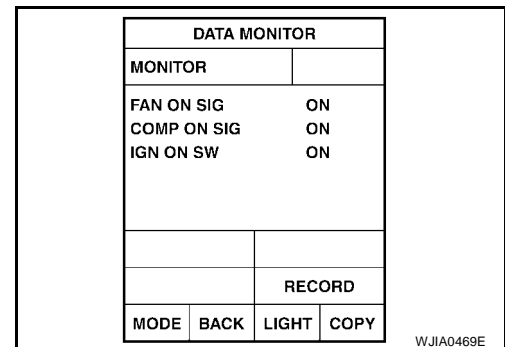
3. Touch either "ALL SIGNALS" or "SELECTION FROM MENU" on "DATA MONITOR" screen.

All signals	Monitors all the items.
Selection from menu	Selects and monitors the individual item selected.

4. Touch "START".

5. When "SELECTION FROM MENU" is selected, touch items to be monitored. When "ALL SIGNALS" is selected, all the items will be monitored.

6. Touch "RECORD" while monitoring, then the status of the monitored item can be recorded. To stop recording, touch "STOP".



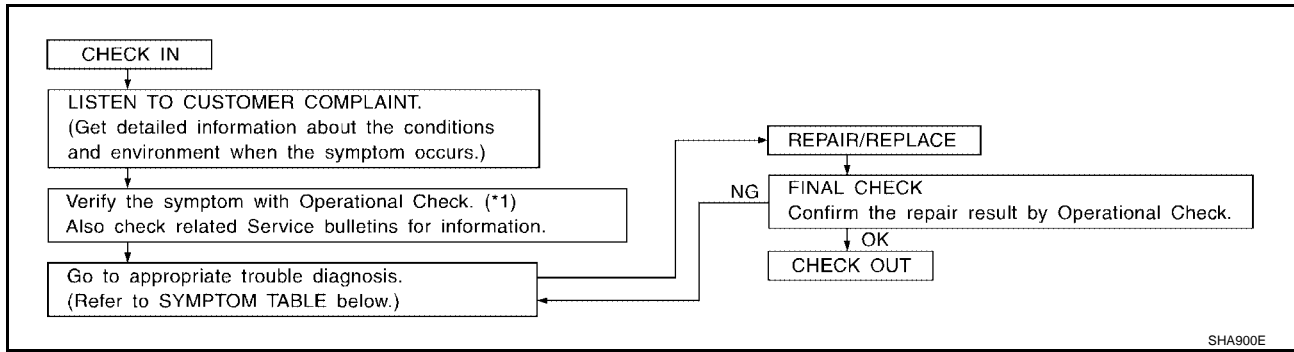
Display Item List

Monitor item name "operation or unit"	Contents
IGN ON SW "ON/OFF"	Displays "IGN Position (ON)/OFF, ACC Position (OFF)" status as judged from ignition switch signal.
COMP ON SIG "ON/OFF"	Displays "COMP (ON)/COMP (OFF)" status as judged from air conditioner switch signal.
FAN ON SIG "ON/OFF"	Displays "FAN (ON)/FAN (OFF)" status as judged from blower motor switch signal.

TROUBLE DIAGNOSIS

EJS0027U

How to Perform Trouble Diagnosis for Quick and Accurate Repair WORK FLOW



*1 [MTC-49. "Operational Check \(Front\)"](#) or [MTC-51. "Operational Check \(Rear\)"](#).

SYMPTOM TABLE

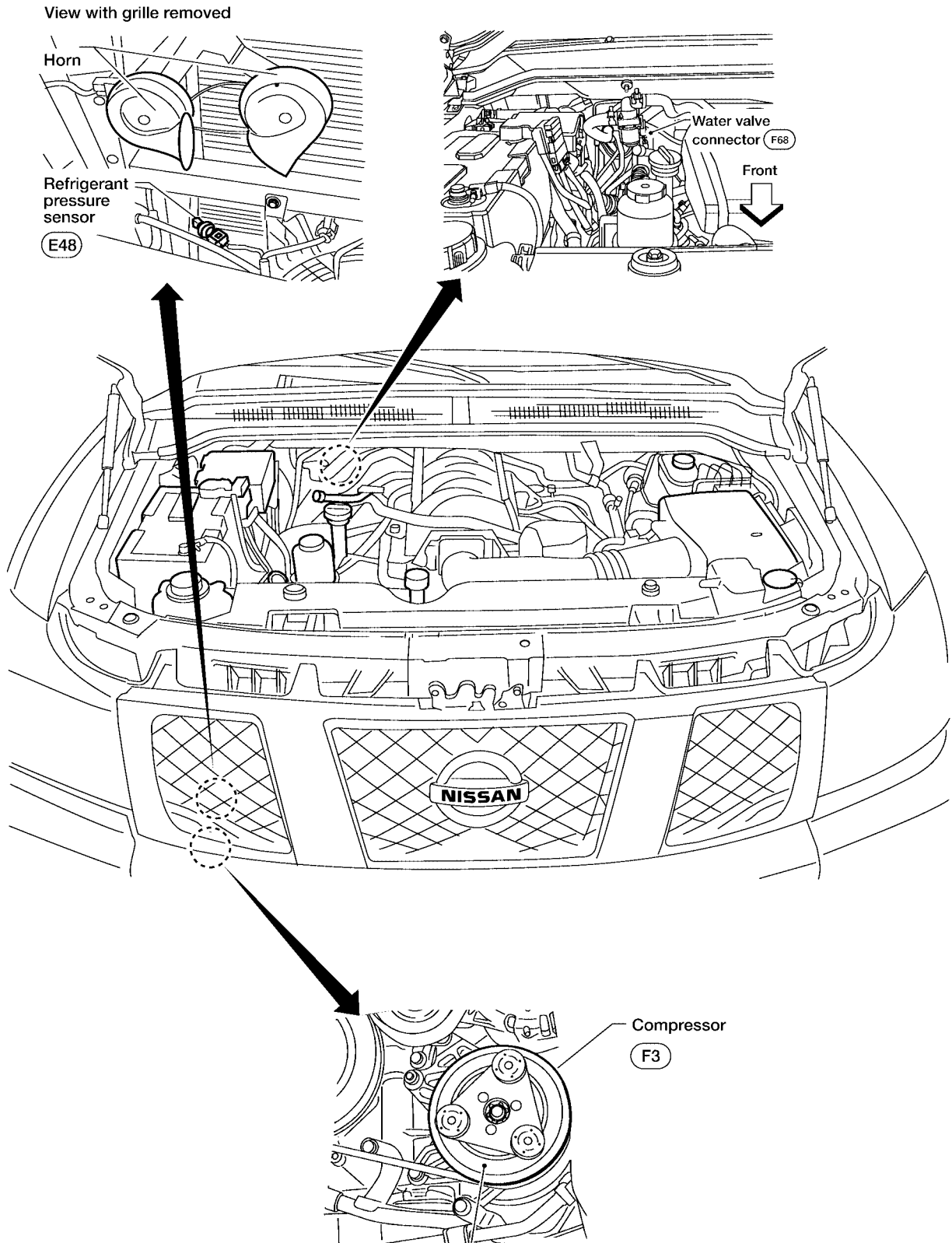
Symptom	Reference Page
A/C system does not come on.	Go to Trouble Diagnosis Procedure for A/C System. MTC-52. "Power Supply and Ground Circuit for Front Air Control"
Air outlet does not change.	Go to Trouble Diagnosis Procedure for Mode Door Motor. MTC-55. "Mode Door Motor Circuit"
Mode door motor is malfunctioning.	
Discharge air temperature does not change.	Go to Trouble Diagnosis Procedure for Air Mix Door Motor. MTC-59. "Air Mix Door Motor Circuit"
Air mix door motor is malfunctioning.	
Intake door does not change.	Go to Trouble Diagnosis Procedure for Intake Door Motor. MTC-64. "Intake Door Motor Circuit"
Intake door motor is malfunctioning.	
Defroster door motor is malfunctioning.	Go to Trouble Diagnosis Procedure for Defroster Door Motor. MTC-67. "Defroster Door Motor Circuit"
Front blower motor operation is malfunctioning.	Go to Trouble Diagnosis Procedure for Front Blower Motor. MTC-70. "Front Blower Motor Circuit"
Rear blower motor operation is malfunctioning.	Go to 3 Trouble Diagnosis Procedure for Rear Blower Motor. MTC-78. "Rear Blower Motor Circuit"
Rear discharge air temperature and/or air outlet does not change.	Go to Trouble Diagnosis Procedure for Rear Air Control circuit. MTC-89. "Rear Air Control Circuit"
Magnet clutch does not engage.	Go to Trouble Diagnosis Procedure for Magnet Clutch. MTC-92. "Magnet Clutch Circuit"
Insufficient cooling	Go to Trouble Diagnosis Procedure for Insufficient Cooling. MTC-98. "Insufficient Cooling"
Insufficient heating	Go to Trouble Diagnosis Procedure for Insufficient Heating. MTC-105. "Insufficient Heating"
Noise	Go to Trouble Diagnosis Procedure for Noise. MTC-106. "Noise"

*1: Self-diagnosis not available on vehicles not equipped with navigation system display screen.

TROUBLE DIAGNOSIS

Component Parts and Harness Connector Location ENGINE COMPARTMENT

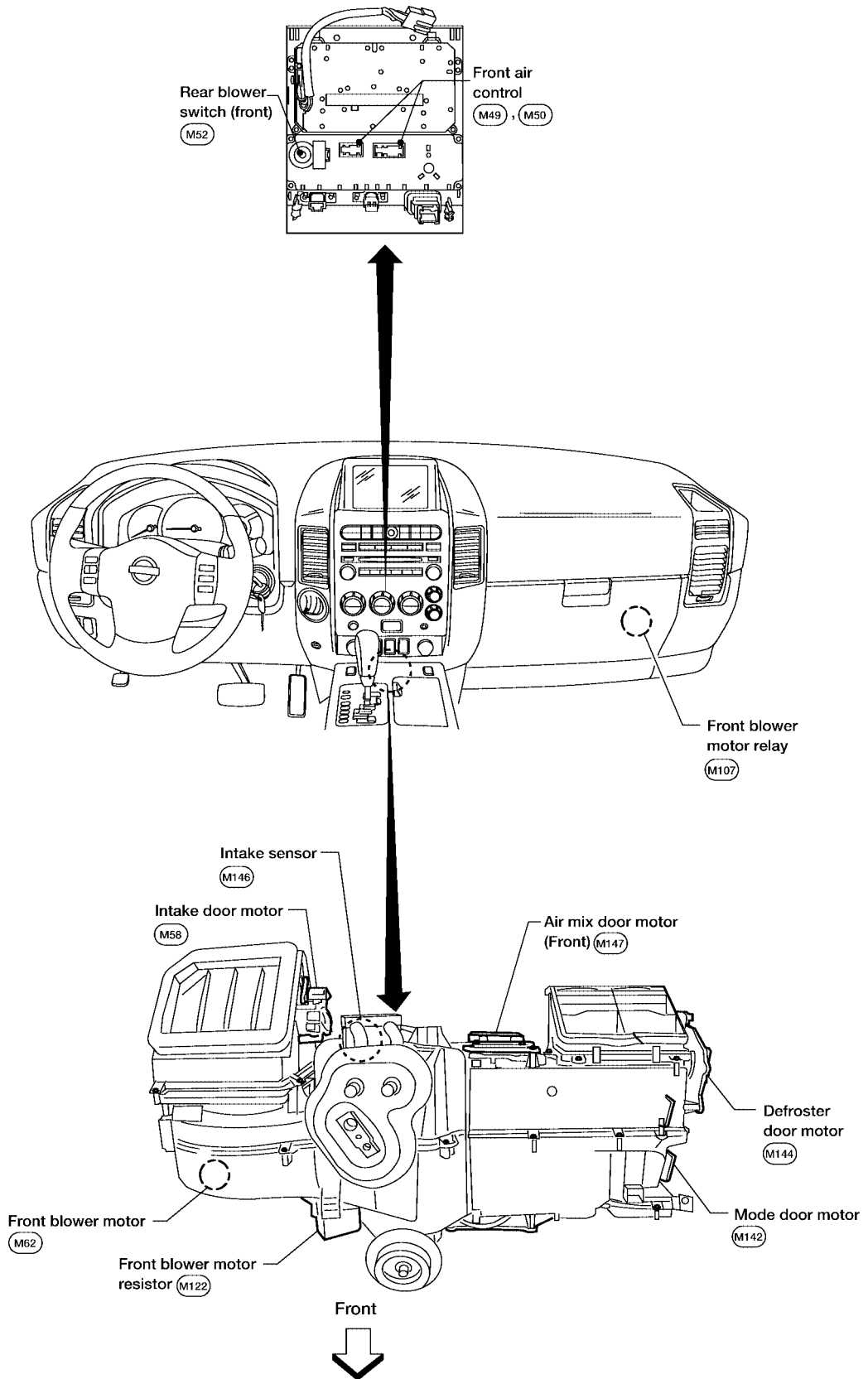
EJS0027V



WJIA1580E

TROUBLE DIAGNOSIS

FRONT PASSENGER COMPARTMENT

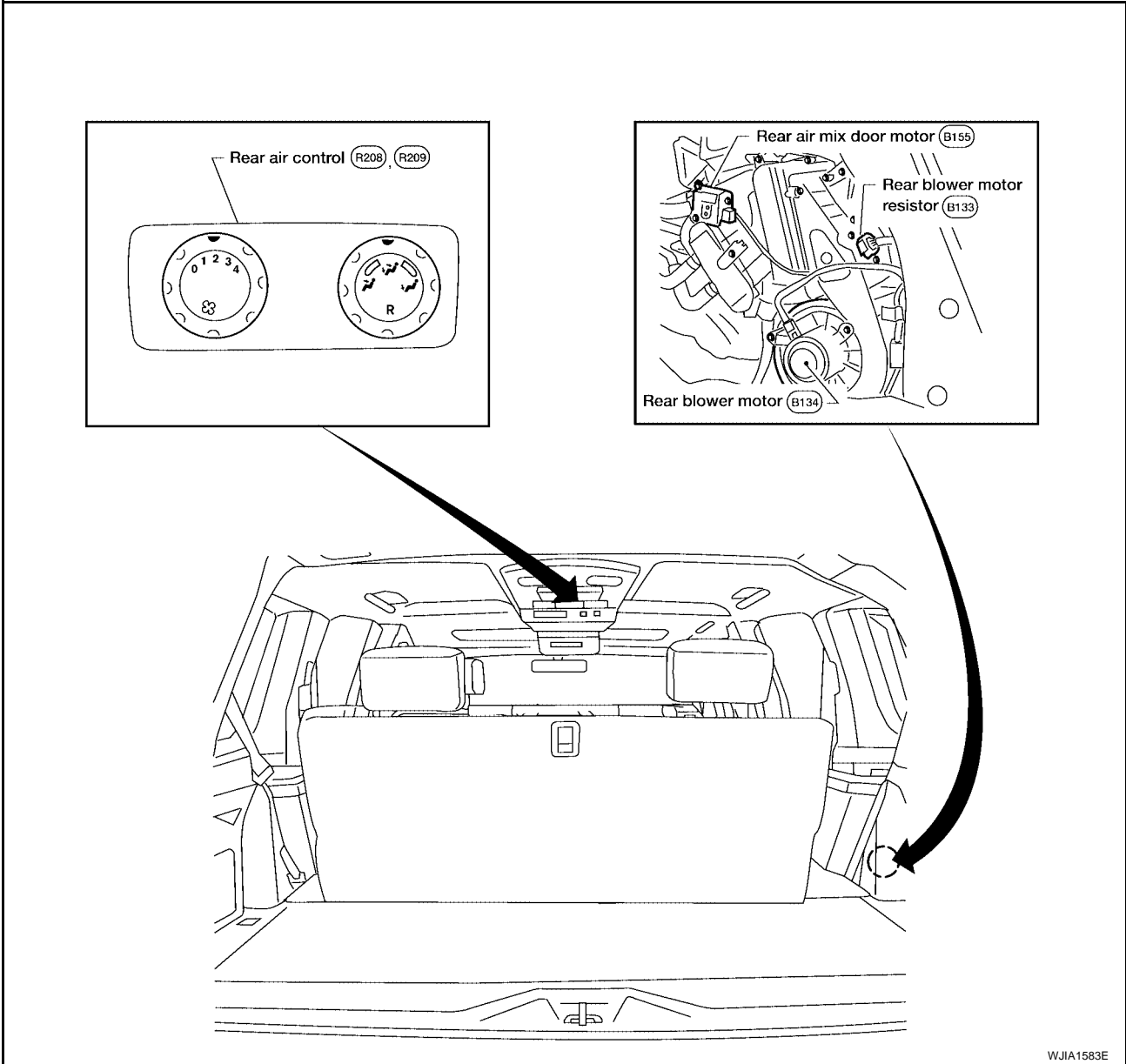


A
B
C
D
E
F
G
H
I
MTC
K
L
M

WJIA1581E

TROUBLE DIAGNOSIS

REAR PASSENGER COMPARTMENT

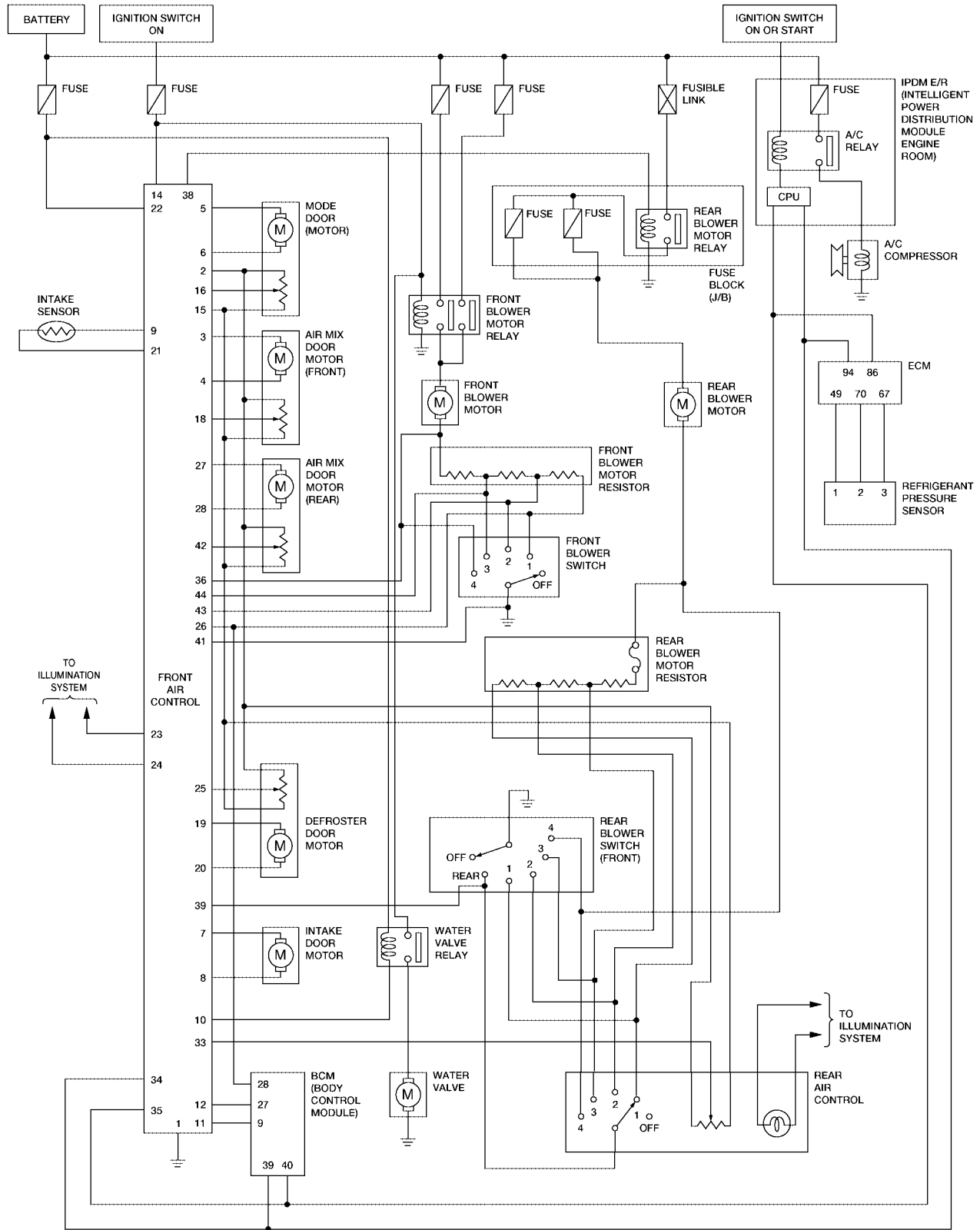


WJIA1583E

TROUBLE DIAGNOSIS

Schematic

EJS0027W



A
B
C
D
E
F
G
H
I
J
K
L
M

MTC

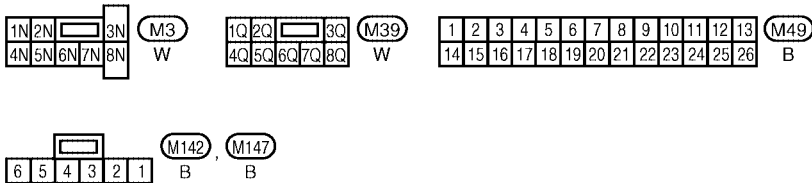
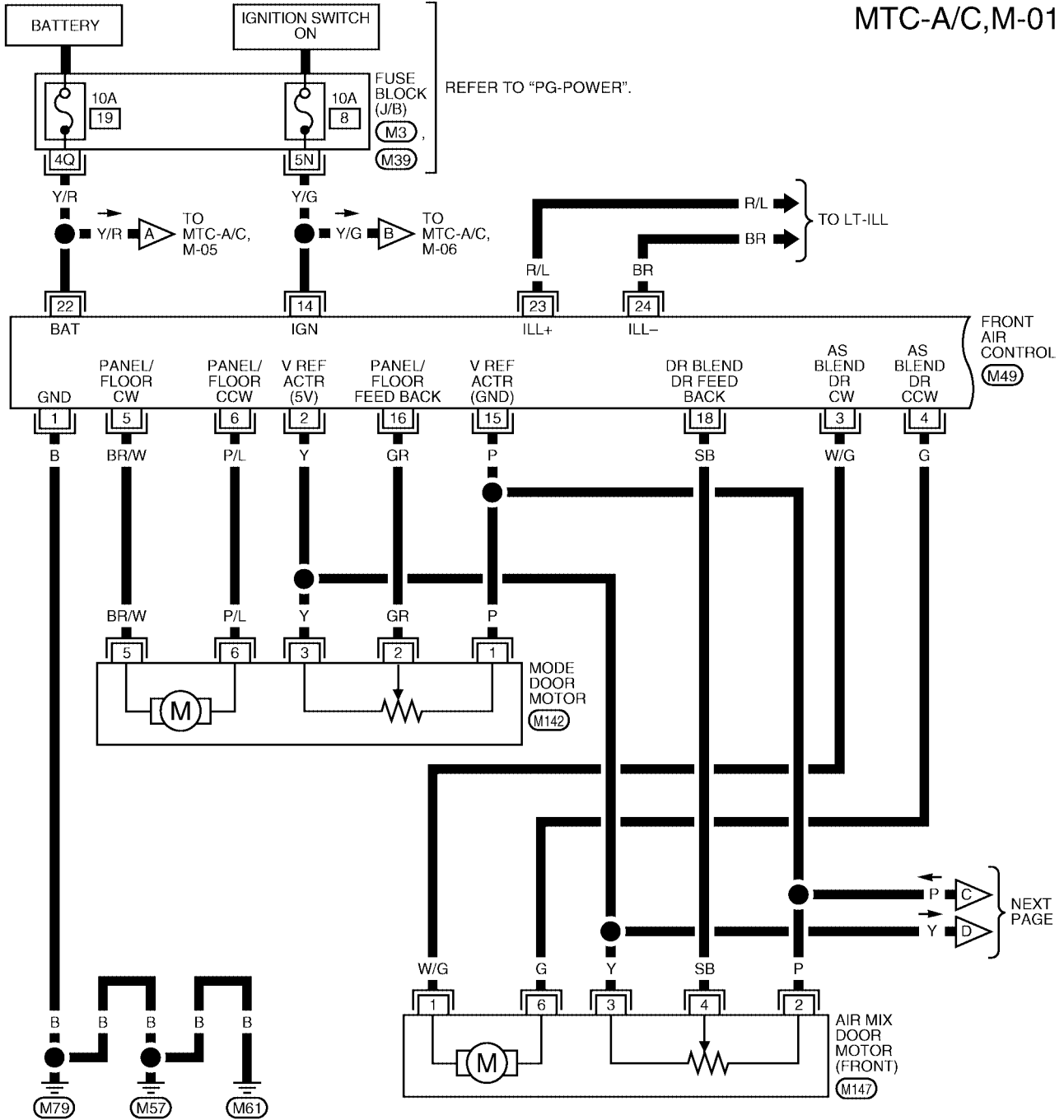
WJWA0151E

TROUBLE DIAGNOSIS

Wiring Diagram — A/C,M —

EJS0027X

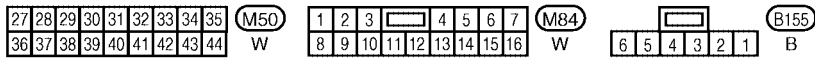
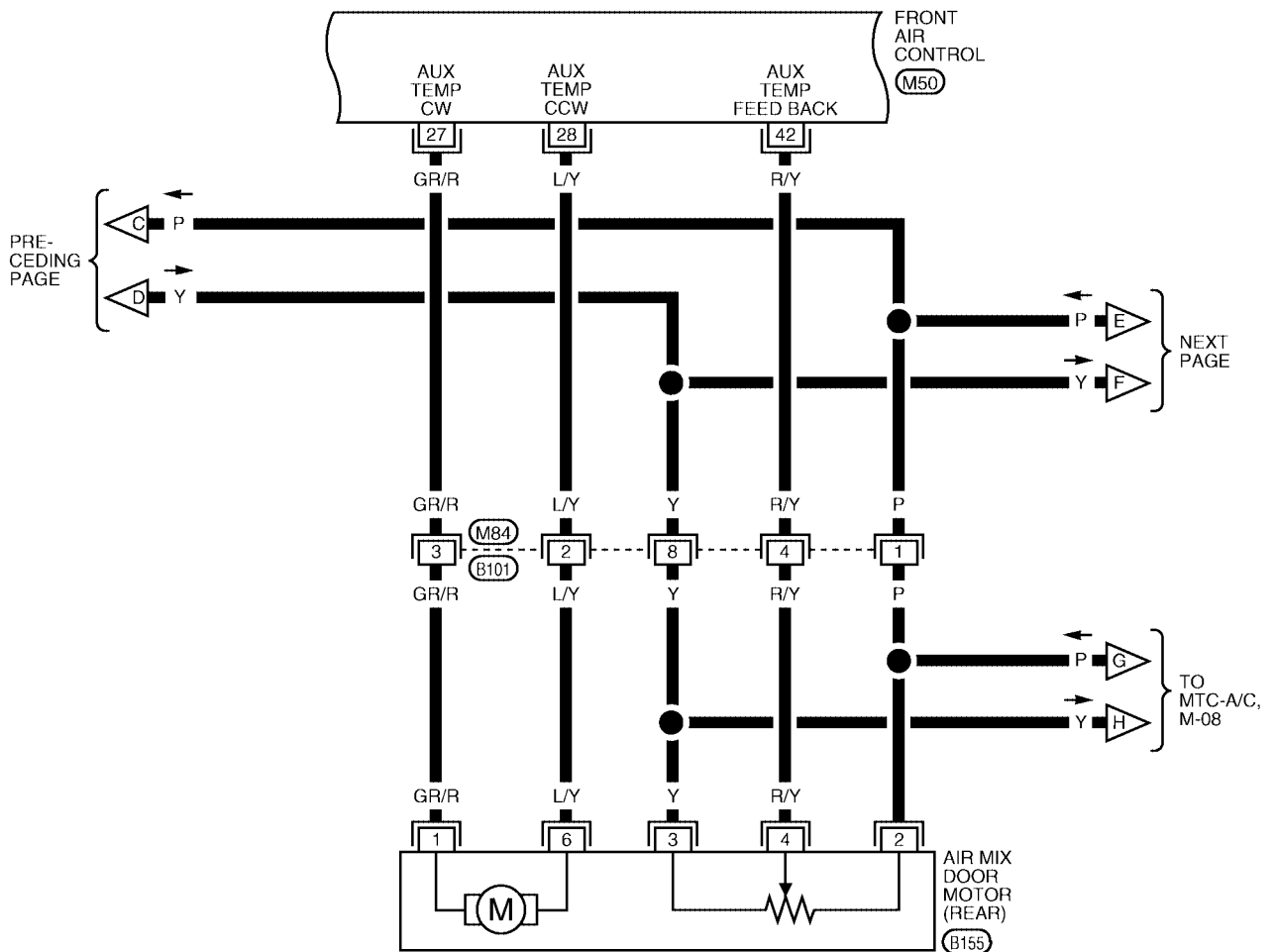
MTC-A/C,M-01



WJWA0152E

TROUBLE DIAGNOSIS

MTC-A/C,M-02

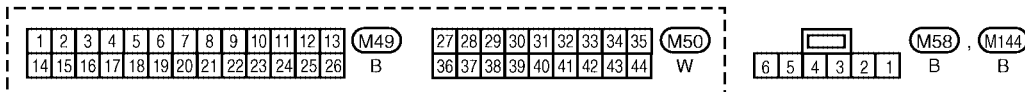
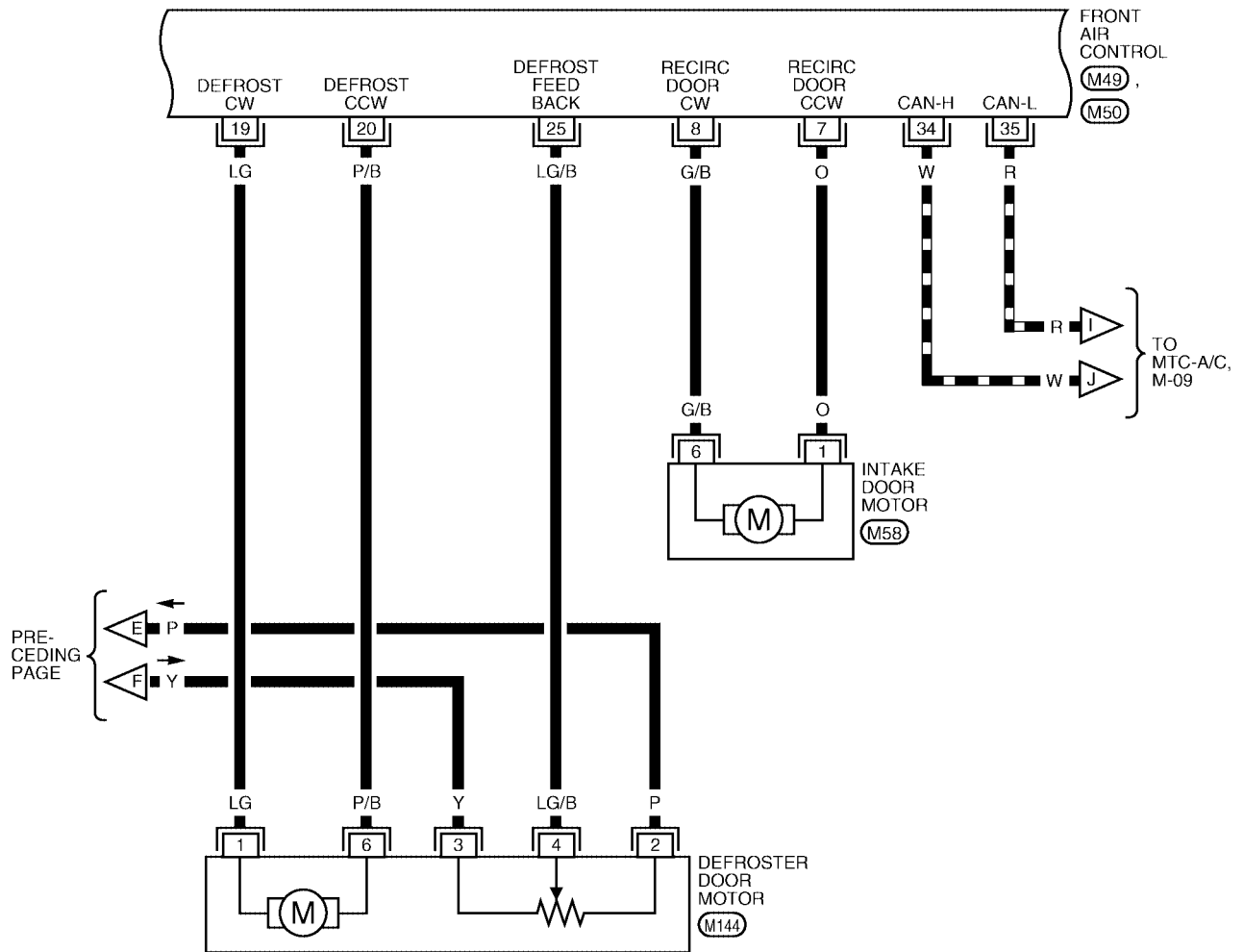


A
B
C
D
E
F
G
H
I
MTC
K
L
M

TROUBLE DIAGNOSIS

MTC-A/C, M-03

▬ : DATA LINE

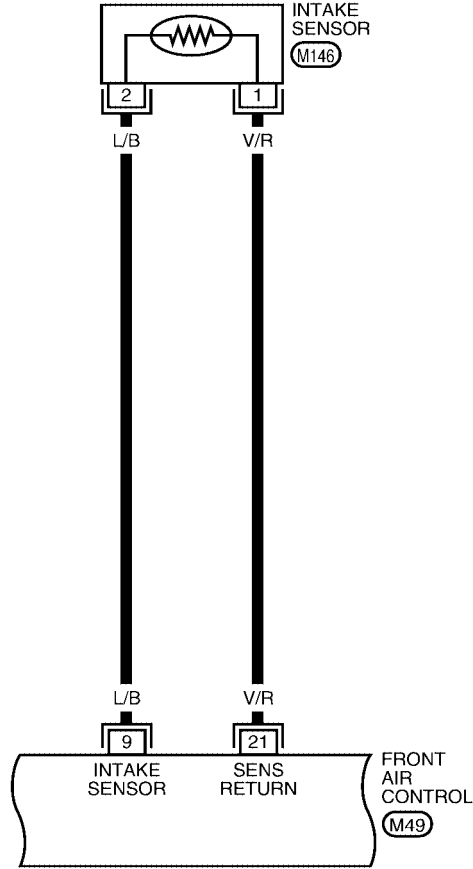


WJWA0154E

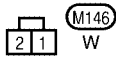
TROUBLE DIAGNOSIS

MTC-A/C,M-04

A
B
C
D
E
F
G
H
I
MTC
K
L
M



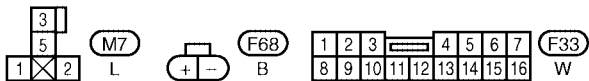
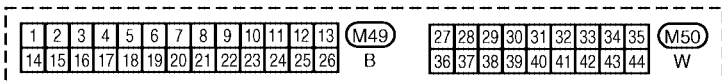
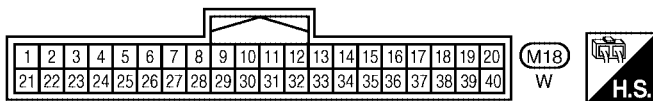
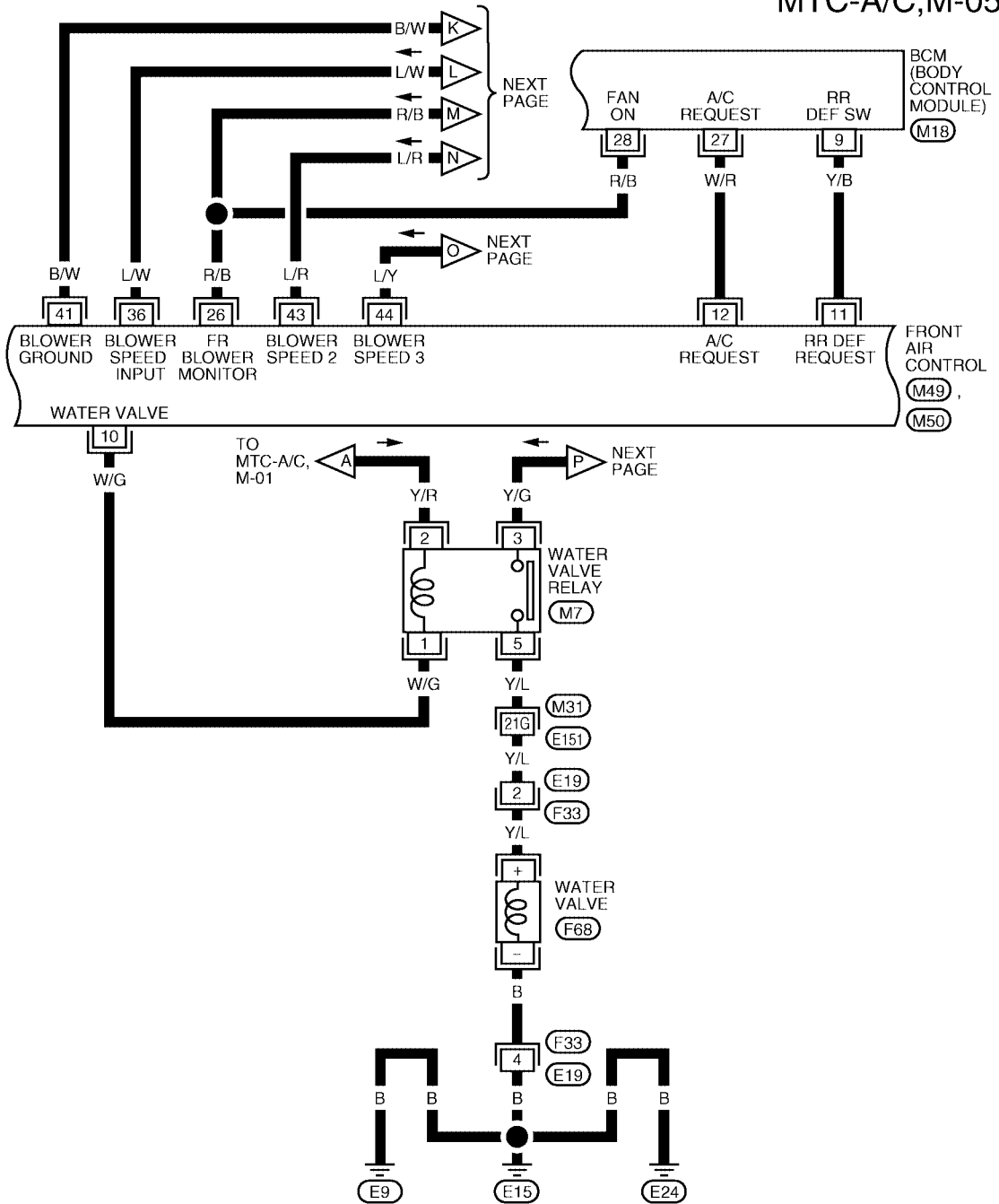
1	2	3	4	5	6	7	8	9	10	11	12	13	(M49) B
14	15	16	17	18	19	20	21	22	23	24	25	26	



WJWA0099E

TROUBLE DIAGNOSIS

MTC-A/C, M-05

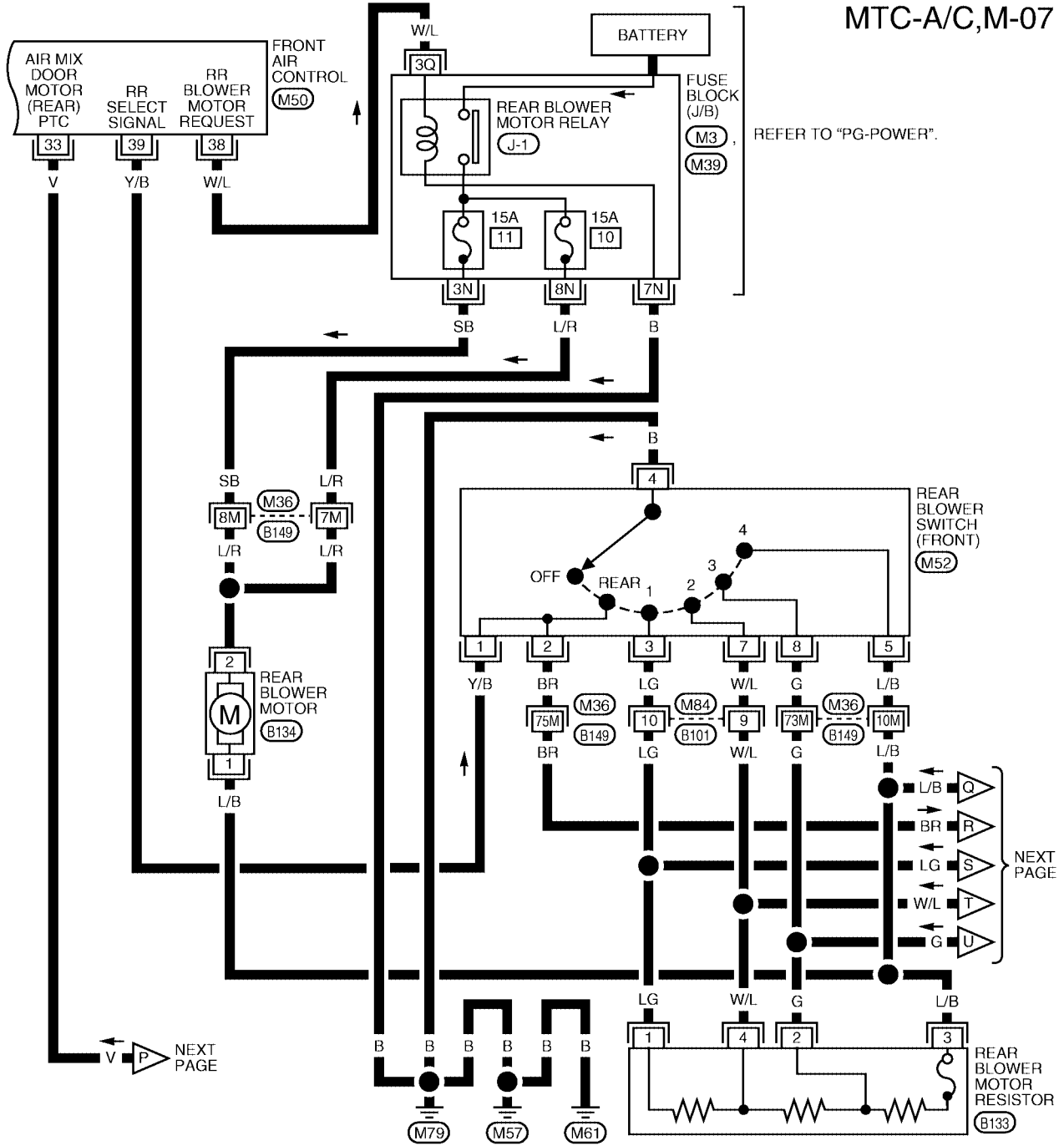


REFER TO THE FOLLOWING.
 (M31) - SUPER MULTIPLE JUNCTION (SMJ)

WJWA0155E

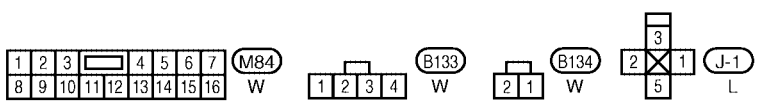
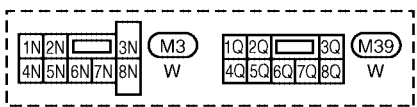
TROUBLE DIAGNOSIS

MTC-A/C,M-07



REFER TO "PG-POWER".

NEXT PAGE



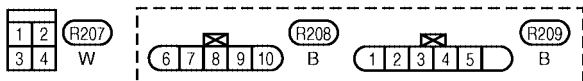
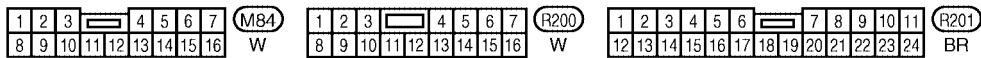
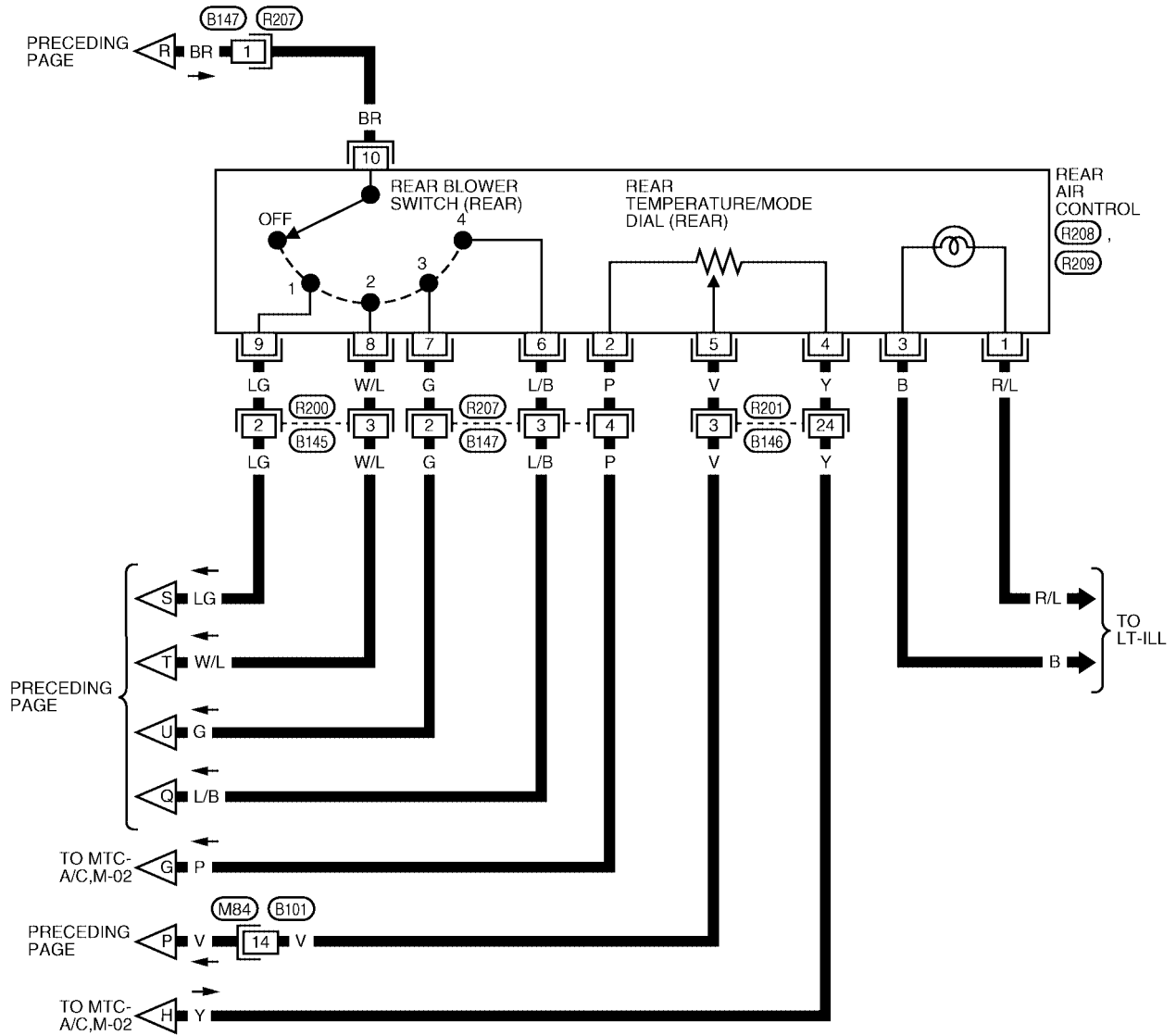
REFER TO THE FOLLOWING.
(M36) - SUPER
 MULTIPLE JUNCTION (SMJ)

WJWA0157E

TROUBLE DIAGNOSIS

MTC-A/C,M-08

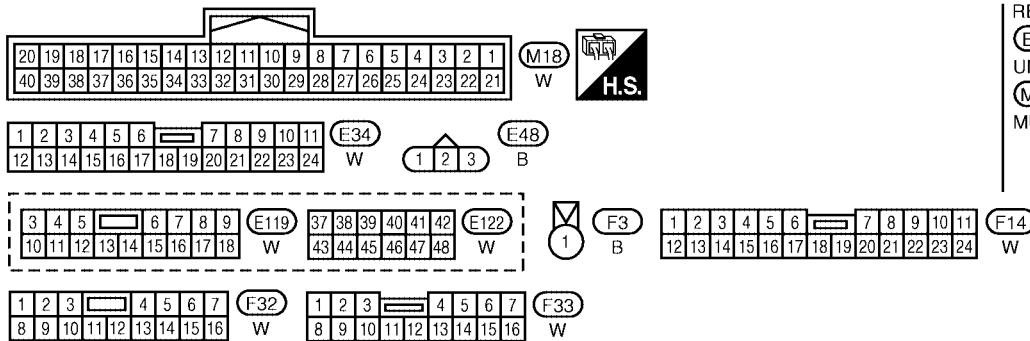
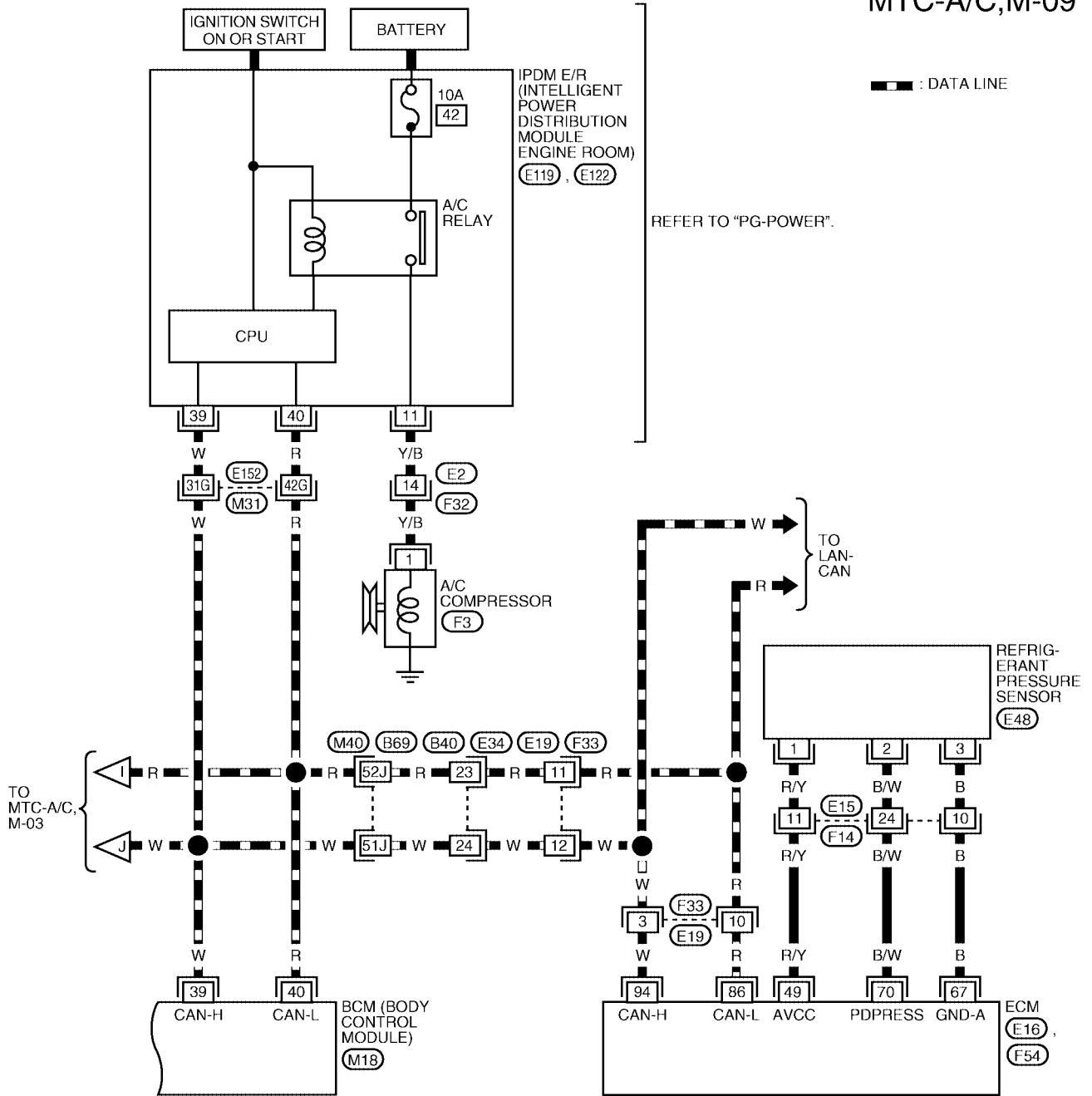
A
B
C
D
E
F
G
H
I
MTC
K
L
M



WJWA0158E

TROUBLE DIAGNOSIS

MTC-A/C, M-09



REFER TO THE FOLLOWING.

(E16), (F54) - ELECTRICAL UNITS

(M31), (M40) - SUPER MULTIPLE JUNCTION (SMJ)

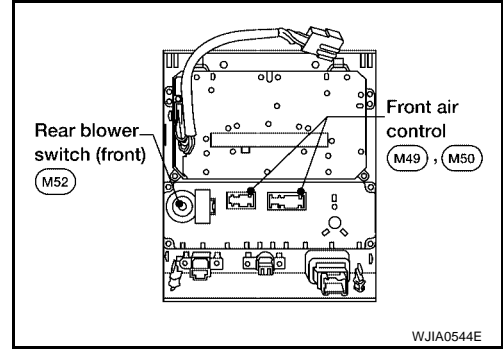
WJWA0159E

TROUBLE DIAGNOSIS

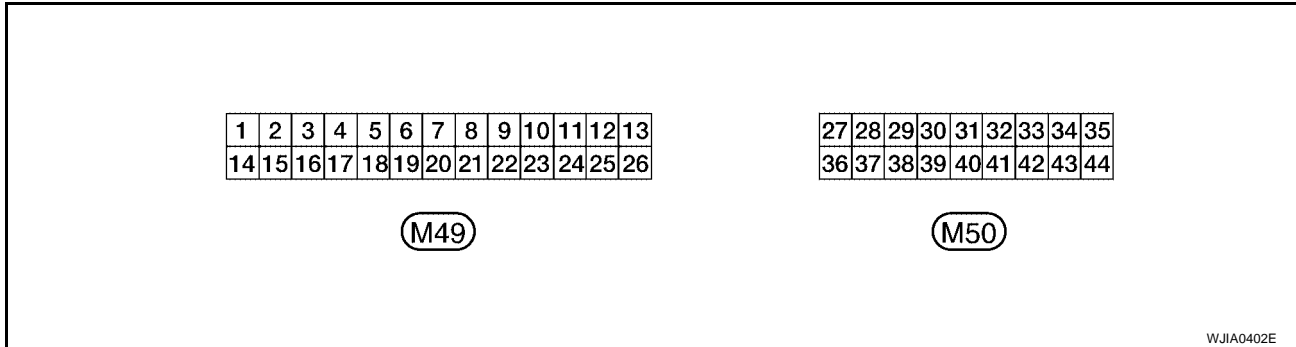
EJS0027Y

Front Air Control Terminals and Reference Value

Measure voltage between each terminal and ground by following Terminals and Reference Value for front air control.



PIN CONNECTOR TERMINAL LAYOUT

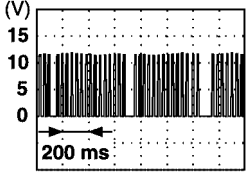


TERMINALS AND REFERENCE VALUE FOR FRONT AIR CONTROL

Terminal No.	Wire color	Item	Ignition switch	Condition	Voltage (V) (Approx.)
1	B	Ground	-	-	0V
2	Y	Sensor power	ON	-	5V
3	W/G	Air mix door motor (Front) CW	ON	Clockwise rotation	Battery voltage
4	G	Air mix door motor (Front) CCW	ON	Counterclockwise rotation	Battery voltage
5	BR/W	Mode door motor CW	ON	Clockwise rotation	Battery voltage
6	P/L	Mode door motor CCW	ON	Counterclockwise rotation	Battery voltage
7	O	Intake door motor CCW	ON	Counterclockwise rotation	Battery voltage
8	G/B	Intake door motor CW	ON	Clockwise rotation	Battery voltage
9	L/B	Intake sensor	ON	-	0 - 5V
10	W/G	Water valve	ON	Water valve open	0V
			ON	Water valve closed	5V
11	Y/B	Rear defroster request	ON	-	Battery voltage
12	W/R	Compressor ON signal	ON	A/C switch OFF	5V
			ON	A/C switch ON	0V
14	Y/G	Power supply for IGN	ON	-	Battery voltage
15	P	Sensor ground	ON	-	0V
16	GR	Mode door motor feedback	ON	-	0 - 5V
18	SB	Air mix door motor (Front) feedback	ON	-	0 - 5V
19	LG	Defroster door motor CW	ON	Clockwise rotation	Battery voltage
20	P/B	Defroster door motor CCW	ON	Counterclockwise rotation	Battery voltage
21	V/R	Sensor return	ON	-	0 - 5V
22	Y/R	Power supply for BAT	-	-	Battery voltage
23	R/L	Illumination +	ON	Park lamps ON	Battery voltage

A
B
C
D
E
F
G
H
I
MTC
K
L
M

TROUBLE DIAGNOSIS

Terminal No.	Wire color	Item	Ignition switch	Condition	Voltage (V) (Approx.)
24	BR	Illumination -	-	Park lamps ON	 PIIA2344E
25	LG/B	Defroster door motor feedback	ON	-	0 - 5V
26	R/B	Front blower monitor	ON	Front blower motor OFF	Battery voltage
				Front blower motor ON	0V
27	GR/R	Air mix door motor (Rear) CW	ON	Clockwise rotation	Battery voltage
28	L/Y	Air mix door motor (Rear) CCW	ON	Counterclockwise rotation	Battery voltage
33	V	Air mix door (Rear) set point	ON	-	0 - 5V
34	W	CAN-H	ON	-	0 - 5V
35	R	CAN-L	ON	-	0 - 5V
38	W/L	Rear blower request	ON	Rear blower motor OFF	Battery voltage
				Rear blower motor ON	0V
39	Y/B	Rear select signal	ON	-	0V - Battery voltage
41	B/W	Blower ground	ON	Front blower motor OFF	Battery voltage
				Front blower motor ON	0V
42	R/Y	Air mix door motor (Rear) feedback	ON	-	0 - 5V

TROUBLE DIAGNOSIS

EJS0028T

Operational Check (Front)

The purpose of the operational check is to confirm that the system operates properly.

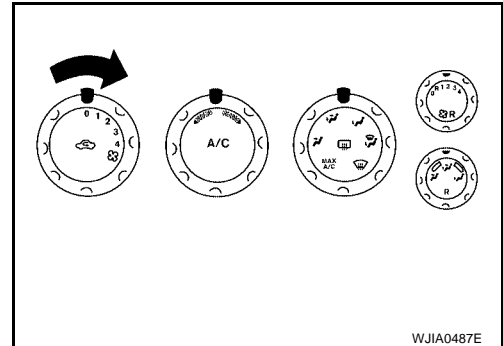
Conditions : Engine running and at normal operating temperature

CHECKING BLOWER

1. Turn blower control switch clockwise. Blower should operate on low speed. The blower symbol should have one blade lit (on display).
2. Turn the blower control switch again, and continue checking blower speed and blower symbol until all speeds are checked.
3. Leave blower on MAX speed.

If NG, go to trouble diagnosis procedure for front blower motor circuit. Refer to [MTC-70, "Front Blower Motor Circuit"](#).

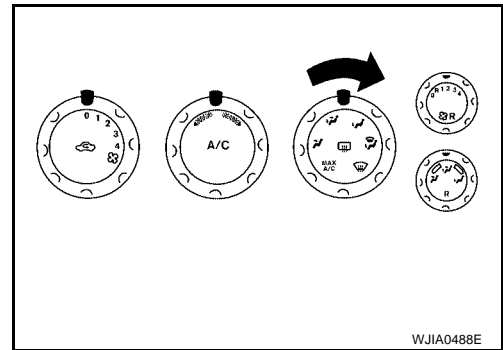
If OK, continue with next check.



WJIA0487E

CHECKING DISCHARGE AIR

1. Turn the mode switch.
2. Each position indicator should change shape (on display, if equipped).



WJIA0488E

3. Confirm that discharge air comes out according to the air distribution table.

Mode door position is checked in the next step.

If NG, go to trouble diagnosis procedure for [MTC-55, "Mode Door Motor Circuit"](#).

If OK, continue with next check.

NOTE:

Confirm that the compressor clutch is engaged (sound or visual inspection) and intake door position is at fresh when the DEF or D/F is selected.

Discharge air flow

Mode door position	Air outlet/distribution		
	Vent	Foot	Defroster
	100%	—	—
	50%	50%	—
	—	75%(100%)	25% (—)
	—	60%	40%
	—	—	100%

() : Manually control

WJIA0528E

CHECKING RECIRCULATION

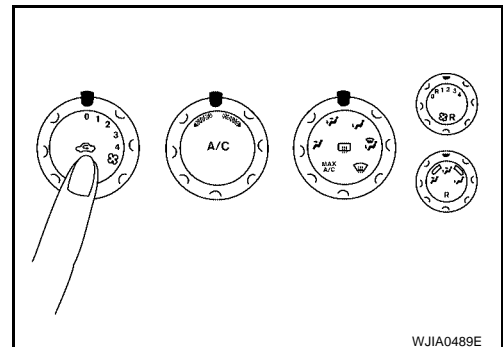
1. Press recirculation () switch one time. Recirculation indicator should illuminate.
2. Press recirculation () switch one more time. Recirculation indicator should go off.
3. Listen for intake door position change (blower sound should change slightly).

If NG, go to trouble diagnosis procedure for [MTC-64, "Intake Door Motor Circuit"](#).

If OK, continue with next check.

NOTE:

Confirm that the compressor clutch is engaged (sound or visual inspection) and intake door position is at fresh when the DEF or D/F is selected.



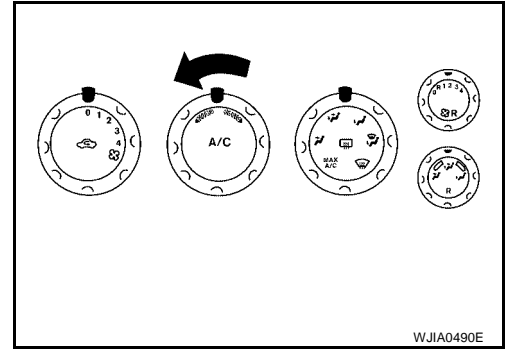
WJIA0489E

TROUBLE DIAGNOSIS

CHECKING TEMPERATURE DECREASE

1. Rotate temperature dial counterclockwise.
2. Check for cold air at appropriate discharge air outlets.

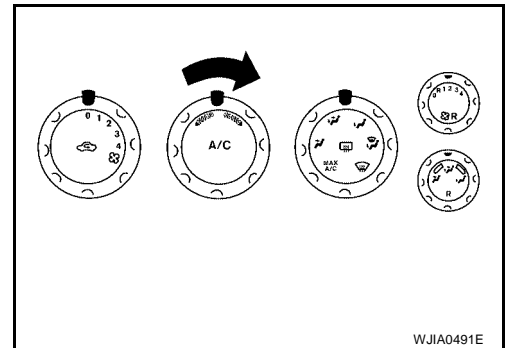
If NG, listen for sound of air mix door motor operation if OK, go to trouble diagnosis procedure for [MTC-98, "Insufficient Cooling"](#) . If air mix door motor appears to be malfunctioning, go to [MTC-61, "DIAGNOSTIC PROCEDURE FOR AIR MIX DOOR MOTOR \(FRONT\)"](#) .
If OK, continue with next check.



CHECKING TEMPERATURE INCREASE

1. Rotate temperature dial clockwise.
2. Check for hot air at appropriate discharge air outlets.

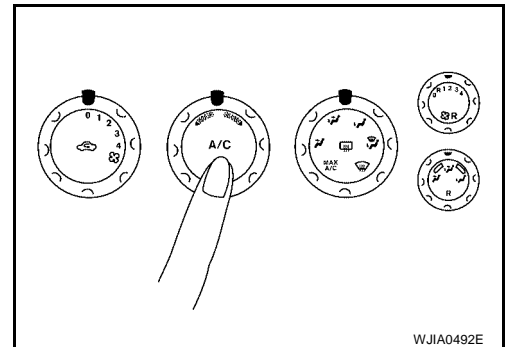
If NG, listen for sound of air mix door motor operation. If OK, go to trouble diagnosis procedure for [MTC-105, "Insufficient Heating"](#) . If air mix door motor appears to be malfunctioning, go to [MTC-61, "DIAGNOSTIC PROCEDURE FOR AIR MIX DOOR MOTOR \(FRONT\)"](#) .
If OK, continue with next check.



CHECK A/C SWITCH

1. Press A/C switch with the blower switch ON.
2. A/C switch indicator will turn ON.
 - Confirm that the compressor clutch engages (sound or visual inspection).

If NG, go to trouble diagnosis procedure for [MTC-92, "Magnet Clutch Circuit"](#) .
If OK, continue with next check.



TROUBLE DIAGNOSIS

EJS00281

Operational Check (Rear)

The purpose of the operational check is to confirm that the system operates properly.

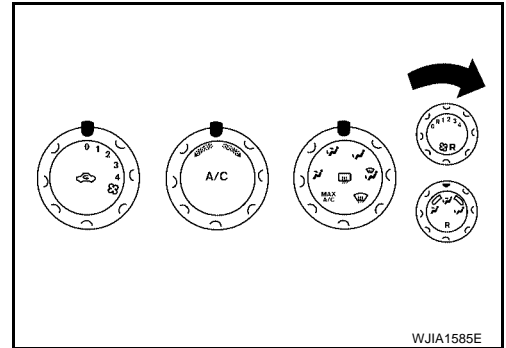
Conditions : Engine running and at normal operating temperature

CHECKING BLOWER

1. Turn the blower control switch clockwise to position "1". Blower should operate on low speed.
2. Turn the blower control switch clockwise again to switch position "2", "3", and "4" until all speeds are checked.
3. Leave blower on maximum speed.

If NG, go to trouble diagnosis procedure for [MTC-78, "Rear Blower Motor Circuit"](#) .

If OK, continue with next check.



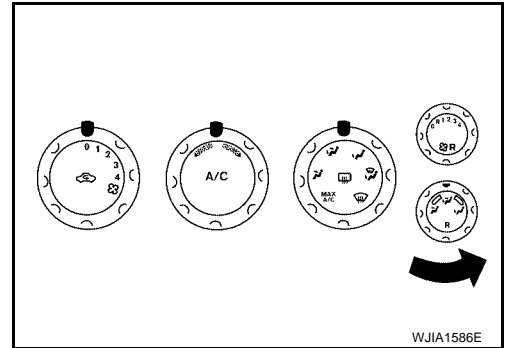
WJIA1585E

CHECKING TEMPERATURE DECREASE

1. Rotate temperature/mode dial fully counterclockwise.
2. Check for cold air at appropriate discharge air outlets.

If NG, listen for sound of air mix door motor operation if OK, go to trouble diagnosis procedure for [MTC-98, "Insufficient Cooling"](#) . If air mix door motor appears to be malfunctioning, go to [MTC-62, "DIAGNOSTIC PROCEDURE FOR AIR MIX DOOR MOTOR \(REAR\)"](#) .

If OK, continue with next check.



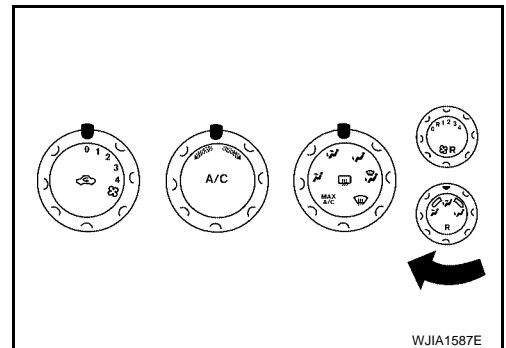
WJIA1586E

CHECKING TEMPERATURE INCREASE

1. Rotate temperature/mode dial clockwise.
2. Check for hot air at appropriate discharge air outlets.

If NG, listen for sound of air mix door motor operation. If OK, go to trouble diagnosis procedure for [MTC-105, "Insufficient Heating"](#) . If air mix door motor appears to be malfunctioning, go to [MTC-61, "DIAGNOSTIC PROCEDURE FOR AIR MIX DOOR MOTOR \(FRONT\)"](#) .

If OK, continue with next check.



WJIA1587E

A
B
C
D
E
F
G
H
I
MTC
K
L
M

TROUBLE DIAGNOSIS

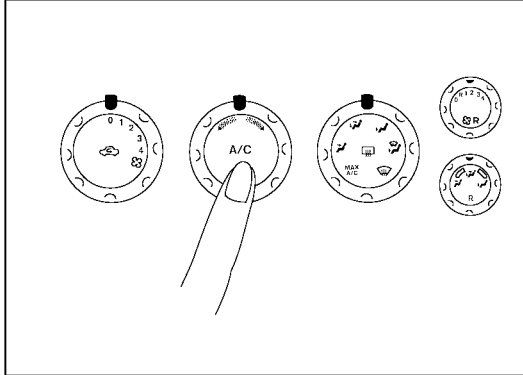
EJS00282

Power Supply and Ground Circuit for Front Air Control

SYMPTOM: A/C system does not come on.

INSPECTION FLOW

1. Confirm symptom by performing the following operational check.



OPERATIONAL CHECK –

a. Press A/C. switch.

Confirm that the compressor clutch engages (Sound or visual inspection).

If OK (symptom cannot be duplicated), perform complete operational check (*2).
If NG (symptom is confirmed), continue with STEP-2 following.

2. Check for any service bulletins.

3. Check Main Power Supply and Ground Circuit (*1).

5. Replace front air control (*3).

*1 [MTC-52. "Power Supply and Ground Circuit for Front Air Control"](#).

*2 [MTC-49. "Operational Check \(Front\)"](#) or [MTC-51. "Operational Check \(Rear\)"](#).

*3 [MTC-112. "FRONT AIR CONTROL"](#)

WJIA1589E

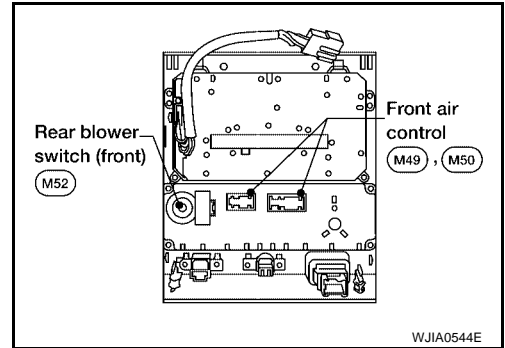
TROUBLE DIAGNOSIS

COMPONENT DESCRIPTION

Front Air Control

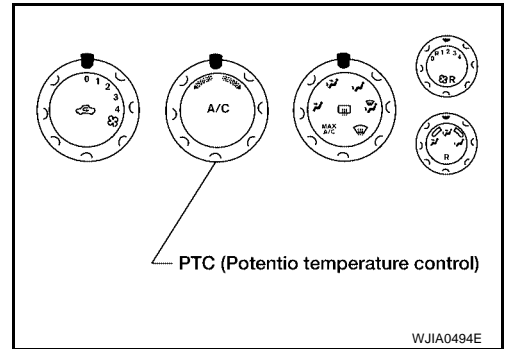
The front air control has a built-in microcomputer which processes information sent from various sensors needed for air conditioner operation. The air mix door motors, mode door motor, intake door motors, defroster door motor, blower motor and compressor are then controlled.

The front air control is unitized with control mechanisms. When the various switches and temperature dials are operated, data is input to the front air control.



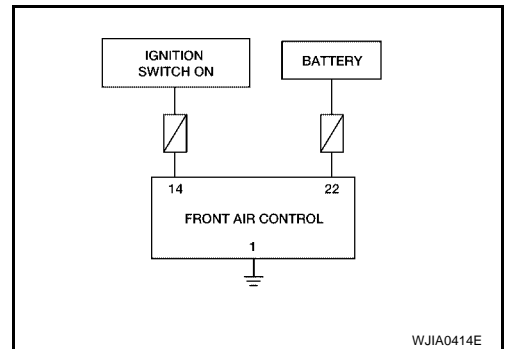
Potential Temperature Control (PTC)

The PTC is built into the front air control. It can be set from cold to hot or any intermediate position by rotating the temperature dial.



DIAGNOSTIC PROCEDURE FOR A/C SYSTEM

SYMPTOM: A/C system does not come on.



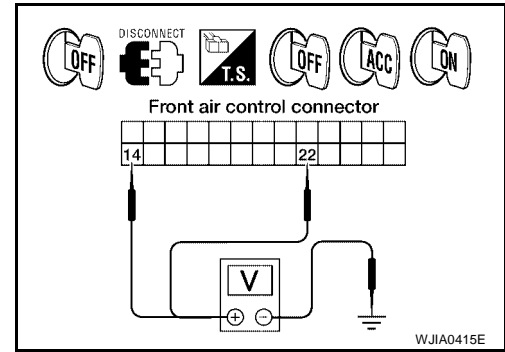
A
B
C
D
E
F
G
H
I
MTC
K
L
M

TROUBLE DIAGNOSIS

1. CHECK POWER SUPPLY CIRCUITS FOR FRONT AIR CONTROL

1. Disconnect front air control connector.
2. Check voltage between front air control harness connector M49 terminals 14 (G/Y) and 22 (Y/R), and ground.

Terminals		Ignition switch position			
(+)		(-)	OFF	ACC	ON
Front air control connector	Terminal No. (Wire color)				
M49	14 (Y/G)	Ground	Approx. 0V	Approx. 0V	Battery voltage
M49	22 (Y/R)		Battery voltage	Battery voltage	Battery voltage



OK or NG

OK >> GO TO 2.

NG >> Check 10A fuses [Nos. 8 and 19, located in the fuse block (J/B)]. Refer to [PG-74](#).

- If fuses are OK, check harness for open circuit. Repair or replace as necessary.
- If fuses are NG, replace fuse and check harness for short circuit. Repair or replace as necessary.

2. CHECK GROUND CIRCUIT FOR FRONT AIR CONTROL

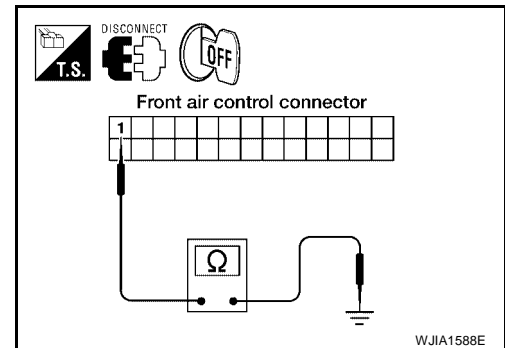
1. Turn ignition switch OFF.
2. Check continuity between front air control harness connector M49 terminal 1 (B) and ground.

1 - Ground : Continuity should exist.

OK or NG

OK >> Replace front air control. Refer to [MTC-112, "FRONT AIR CONTROL"](#).

NG >> Repair harness or connector.



TROUBLE DIAGNOSIS

EJS00283

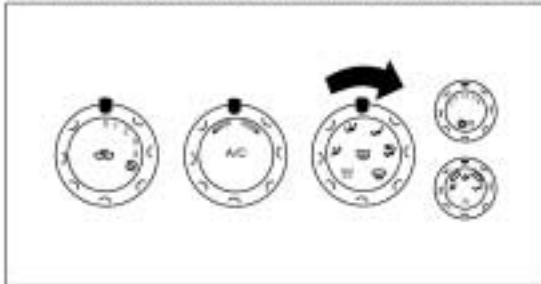
Mode Door Motor Circuit

SYMPTOM:

- Air outlet does not change.
- Mode door motor does not operate normally.

INSPECTION FLOW

1. Confirm symptom by performing the following operational check.



OPERATIONAL CHECK – Discharge air

a. Turn mode switch clockwise and then counterclockwise.

Discharge air flow

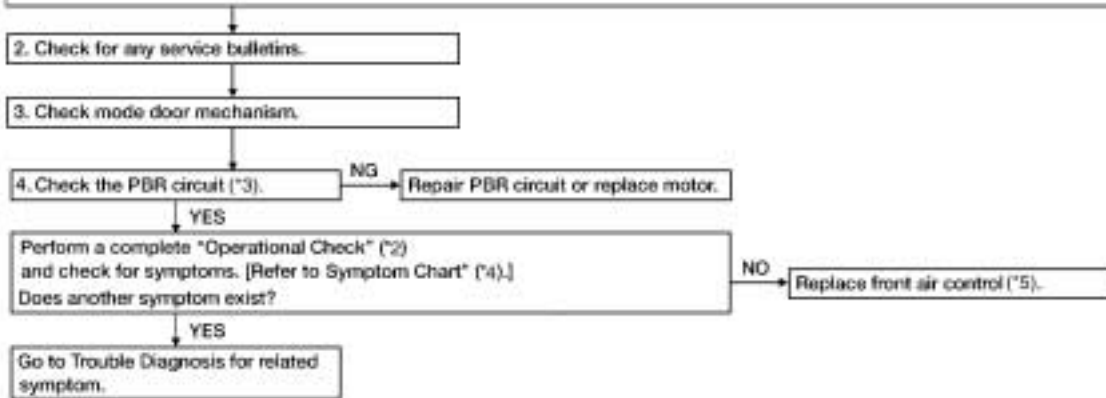
Mode door position	Air outlet/distribution		
	Vent	Foot	Defroster
	100%	–	–
	50%	50%	–
	–	75%(100%)	25%(–)
	–	60%	40%
	–	–	100%

b. Confirm that discharge air comes out according to the air distribution table at left.

Refer to "Discharge Air Flow" (*1).

NOTE:

- If OK (symptom cannot be duplicated), perform complete operational check (*2).
- If NG (symptom is confirmed), continue with STEP-2 following.
- Confirm that the compressor clutch is engaged (visual inspection) and intake door position is at FRESH when DEF or D/F is selected.



*1 [MTC-27, "Discharge Air Flow"](#).

*2 [MTC-49, "Operational Check \(Front\)"](#).

*3 [MTC-57, "DIAGNOSTIC PROCEDURE FOR MODE DOOR MOTOR"](#).

*4 [MTC-33, "SYMPTOM TABLE"](#).

*5 [MTC-112, "FRONT AIR CONTROL"](#).

WJIA1590E

TROUBLE DIAGNOSIS

SYSTEM DESCRIPTION

Component Parts

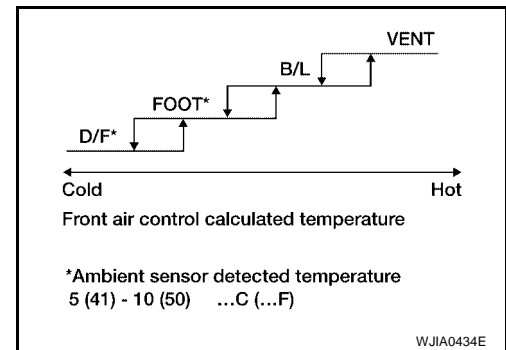
Mode door control system components are:

- Front air control
- Mode door motor
- PBR (built into mode door motor)

System Operation

The mode door position (vent, B/L, foot, and defrost) is set by the front air control by means of the mode door motor. When a mode door position is selected on the front air control, voltage is applied to one circuit of the mode door motor while ground is applied to the other circuit, causing the mode door motor to rotate. The direction of rotation is determined by which circuit has voltage applied to it, and which one has ground applied to it. The front air control monitors the mode door position by measuring the voltage signal on the PBR circuit.

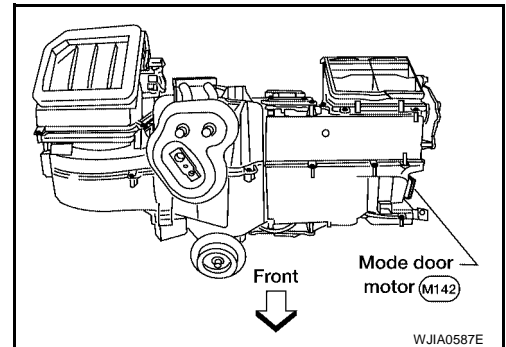
Mode Door Control Specification



COMPONENT DESCRIPTION

Mode Door Motor

The mode door motor is attached to the heater & cooling unit. It rotates so that air is discharged from the outlet as indicated by the front air control. Motor rotation is conveyed to a link which activates the mode door.



TROUBLE DIAGNOSIS

DIAGNOSTIC PROCEDURE FOR MODE DOOR MOTOR

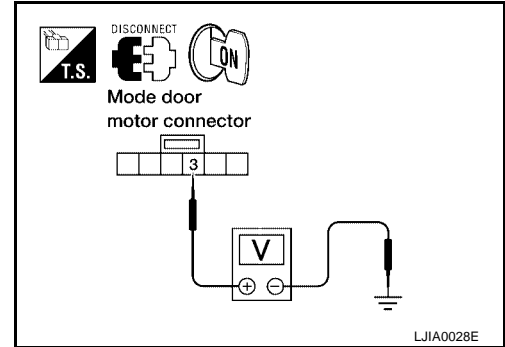
1. CHECK PBR REFERENCE SIGNAL VOLTAGE

1. Turn ignition switch OFF.
2. Disconnect the mode door motor connector.
3. Turn ignition switch ON.
4. Check voltage between mode door motor harness connector M142 terminal 3 (Y) and ground.

3 - Ground : Approx. 5V

OK or NG

- OK >> GO TO 3.
NG >> GO TO 2.



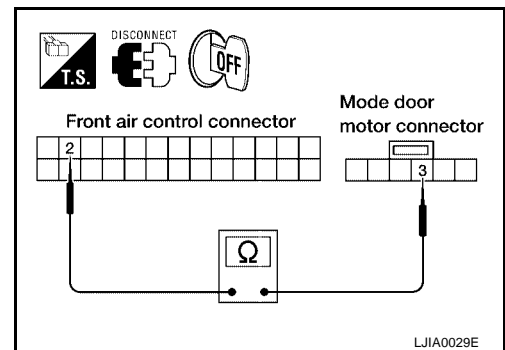
2. CHECK PBR REFERENCE VOLTAGE CIRCUIT BETWEEN MODE DOOR AND FRONT AIR CONTROL

1. Turn ignition switch OFF.
2. Disconnect the front air control connector.
3. Check continuity between mode door motor harness connector M142 terminal 3 (Y) and front air control harness connector M49 terminal 2 (Y).

3 - 2 : Continuity should exist.

OK or NG

- OK >> Replace front air control. Refer to [MTC-112, "FRONT AIR CONTROL"](#).
- NG >> Repair or replace harness as necessary.



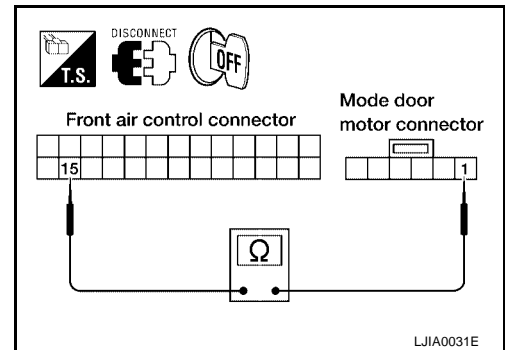
3. CHECK PBR GROUND REFERENCE CIRCUIT

1. Turn ignition switch OFF.
2. Disconnect the front air control connector.
3. Check continuity between mode door motor harness connector M142 terminal 1 (P) and front air control harness connector M49 terminal 15 (P).

1 - 15 : Continuity should exist.

OK or NG

- OK >> GO TO 4.
NG >> Repair or replace harness as necessary.



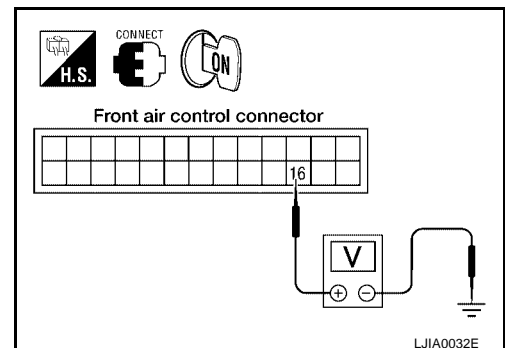
4. CHECK PBR FEEDBACK SIGNAL

1. Reconnect the front air control connector and mode door motor connector.
2. Turn ignition switch ON.
3. Check voltage between front air control harness connector M49 terminal 16 (GR) and ground.
4. Press mode switch through all modes.

16 - Ground : Approx. 0 - 5V

OK or NG

- OK >> Replace front air control. Refer to [MTC-112, "FRONT AIR CONTROL"](#).
- NG >> GO TO 5.



A
B
C
D
E
F
G
H
I
MTC
K
L
M

TROUBLE DIAGNOSIS

5. CHECK PBR FEEDBACK CIRCUIT

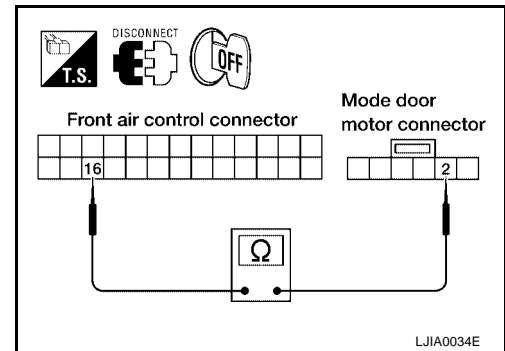
1. Turn ignition switch OFF.
2. Disconnect the mode door motor connector and front air control harness connector.
3. Check continuity between mode door motor harness connector M142 terminal 2 (GR) and front air control harness connector M49 terminal 16 (GR).

2 - 16

: Continuity should exist.

OK or NG

- OK >> Replace mode door motor. Refer to [MTC-126, "MODE DOOR MOTOR"](#).
- NG >> Repair or replace harness as necessary.



TROUBLE DIAGNOSIS

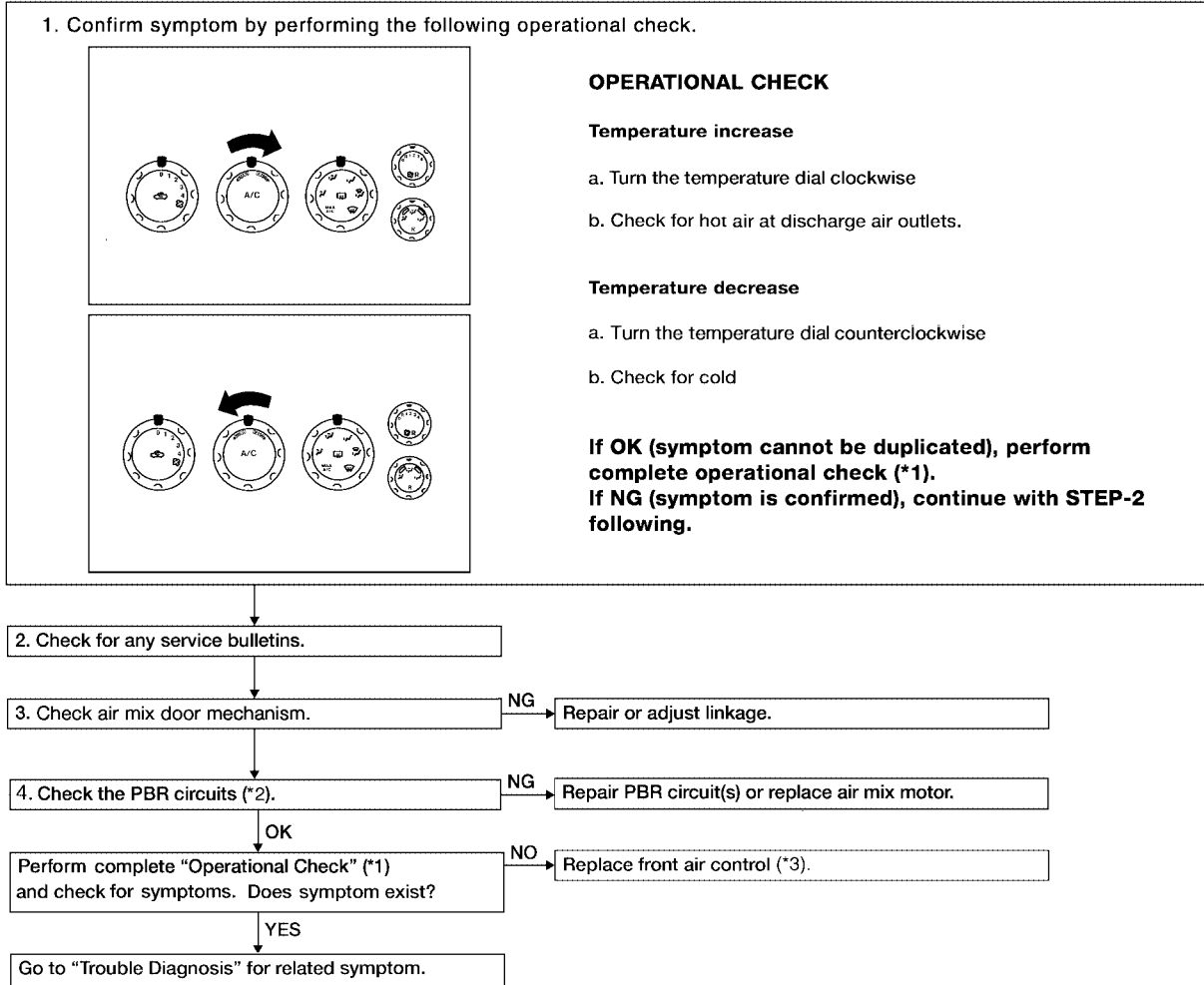
EJS00284

Air Mix Door Motor Circuit

SYMPTOM:

- Discharge air temperature does not change.
- Air mix door motor does not operate.

INSPECTION FLOW



*1 [MTC-49, "Operational Check \(Front\)"](#) or [MTC-51, "Operational Check \(Rear\)"](#) .

*2 [MTC-61, "DIAGNOSTIC PROCEDURE FOR AIR MIX DOOR MOTOR \(FRONT\)"](#).

*3 [MTC-112, "FRONT AIR CONTROL"](#).

WJIA1591E

TROUBLE DIAGNOSIS

SYSTEM DESCRIPTION

Component Parts

Air mix door control system components are:

- Front air control
- Air mix door motors (Front and rear)
- PBR (built-into air mix motors)

System Operation

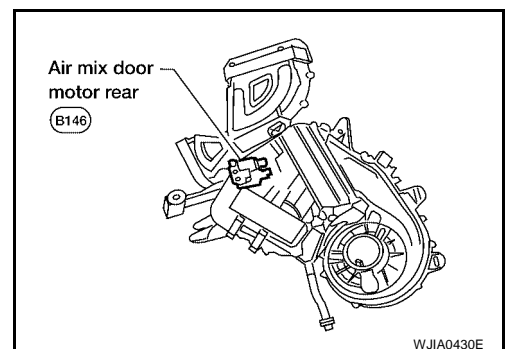
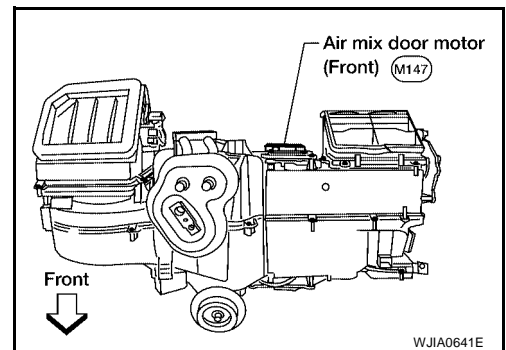
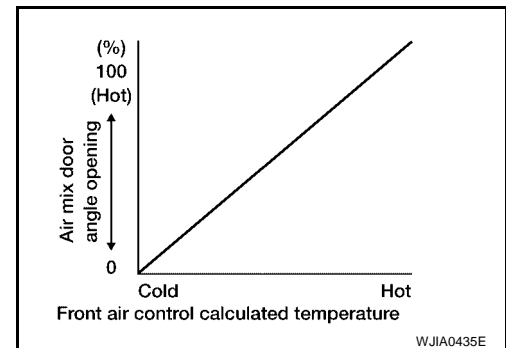
The front air control receives data from the temperature selected by the driver and rear passenger. The front air control then applies a voltage to one circuit of the appropriate air mix door motor, while ground is applied to the other circuit, causing the appropriate air mix door motor to rotate. The direction of rotation is determined by which circuit has voltage applied to it, and which one has ground applied to it. The front air control monitors the air mix door positions by measuring the voltage signal on the PBR circuits of each door.

Air Mix Door Control Specification

COMPONENT DESCRIPTION

Air Mix Door Motors

The air mix door motor front is attached to the front heater & cooling unit. The rear air mix door motor is attached to the rear heater & cooling unit. These motors rotate so that the air mix door is opened or closed to a position set by the front (or rear) air control. Motor rotation is then conveyed through a shaft and the air mix door position is then fed back to the front air control by the PBR built into the air mix door motors.



TROUBLE DIAGNOSIS

DIAGNOSTIC PROCEDURE FOR AIR MIX DOOR MOTOR (FRONT)

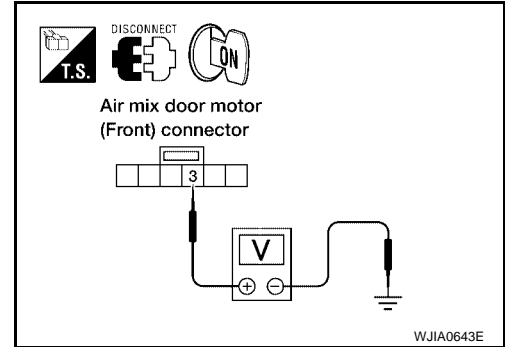
1. CHECK PBR REFERENCE SIGNAL VOLTAGE

1. Turn ignition switch OFF.
2. Disconnect the air mix door motor (Front) connector.
3. Turn ignition switch ON.
4. Check voltage between air mix door motor (Front) harness connector M147 terminal 3 (Y) and ground.

3 - Ground : Approx. 5V

OK or NG

- OK >> GO TO 3.
NG >> GO TO 2.



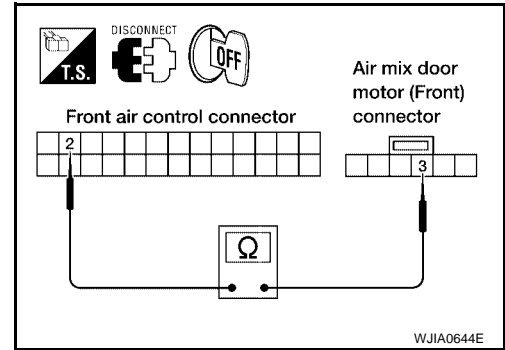
2. CHECK PBR REFERENCE VOLTAGE CIRCUIT BETWEEN AIR MIX DOOR MOTOR (FRONT) AND FRONT AIR CONTROL

1. Turn ignition switch OFF.
2. Disconnect the front air control connector.
3. Check continuity between air mix door motor (Front) harness connector M147 terminal 3 (Y) and front air control harness connector M49 terminal 2 (Y).

3 - 2 : Continuity should exist.

OK or NG

- OK >> Replace front air control. Refer to [MTC-112, "FRONT AIR CONTROL"](#).
- NG >> Repair or replace harness as necessary.



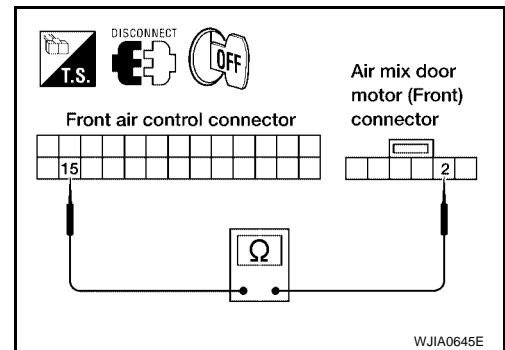
3. CHECK PBR GROUND REFERENCE CIRCUIT

1. Turn ignition switch OFF.
2. Disconnect the front air control connector.
3. Check continuity between air mix door motor (Front) harness connector M147 terminal 2 (P) and front air control harness connector M49 terminal 15 (P).

2 - 15 : Continuity should exist.

OK or NG

- OK >> GO TO 4.
NG >> Repair or replace harness as necessary.



A
B
C
D
E
F
G
H
I
K
L
M

MTC

TROUBLE DIAGNOSIS

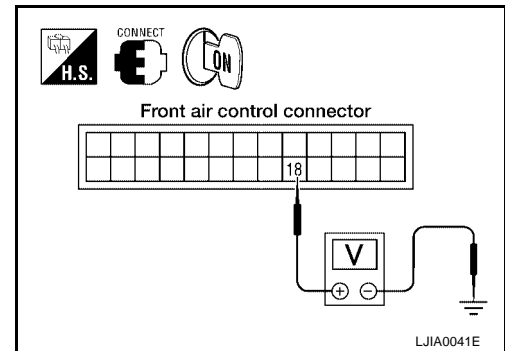
4. CHECK PBR FEEDBACK SIGNAL

1. Reconnect the front air control connector and air mix door motor (Front) connector.
2. Turn ignition switch ON.
3. Check voltage between front air control harness connector M49 terminal 18 (SB) and ground.
4. Rotate front temperature dial through complete range.

18 - Ground : Approx. 0V - 5V

OK or NG

- OK >> Replace front air control. Refer to [MTC-112, "FRONT AIR CONTROL"](#).
- NG >> GO TO 5.



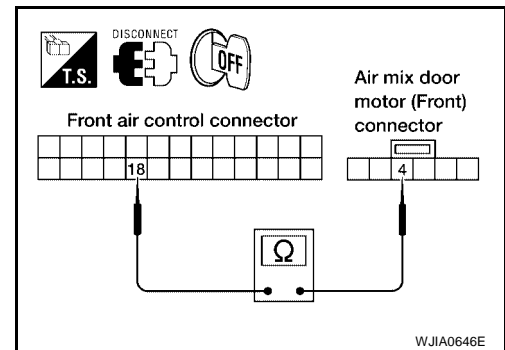
5. CHECK PBR FEEDBACK CIRCUIT

1. Turn ignition switch OFF.
2. Disconnect the air mix door motor (Front) connector and front air control connector.
3. Check continuity between air mix door motor (Front) harness connector M147 terminal 4 (SB) and front air control harness connector M49 terminal 18 (SB).

4 - 18 Continuity should exist.

OK or NG

- OK >> Replace air mix door motor (Front). Refer to [MTC-127, "FRONT AIR MIX DOOR MOTOR"](#).
- NG >> Repair or replace harness as necessary.



DIAGNOSTIC PROCEDURE FOR AIR MIX DOOR MOTOR (REAR)

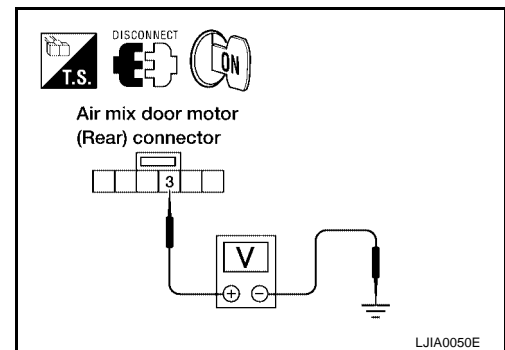
1. CHECK PBR REFERENCE SIGNAL VOLTAGE

1. Turn ignition switch OFF.
2. Disconnect the air mix door motor (Rear) connector.
3. Turn ignition switch ON.
4. Check voltage between air mix door motor (Rear) harness connector B155 terminal 3 (Y) and ground.

3 - Ground : Approx. 5V

OK or NG

- OK >> GO TO 3.
- NG >> GO TO 2.



TROUBLE DIAGNOSIS

2. CHECK PBR REFERENCE VOLTAGE CIRCUIT BETWEEN AIR MIX DOOR MOTOR (REAR) AND FRONT AIR CONTROL

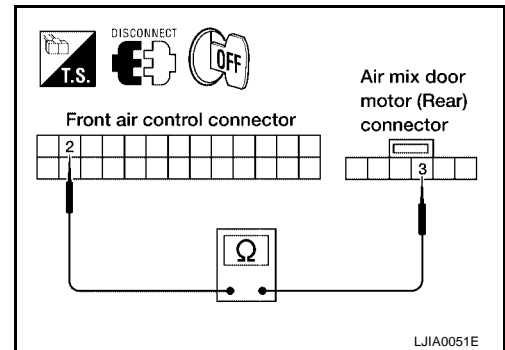
1. Turn ignition switch OFF.
2. Disconnect the front air control connector.
3. Check continuity between air mix door motor (Rear) harness connector B155 terminal 3 (Y) and front air control harness connector M49 terminal 2 (Y).

3 - 2 Continuity should exist.

OK or NG

OK >> Replace front air control. Refer to [MTC-112, "FRONT AIR CONTROL"](#).

NG >> Repair or replace harness as necessary.



3. CHECK PBR GROUND REFERENCE CIRCUIT

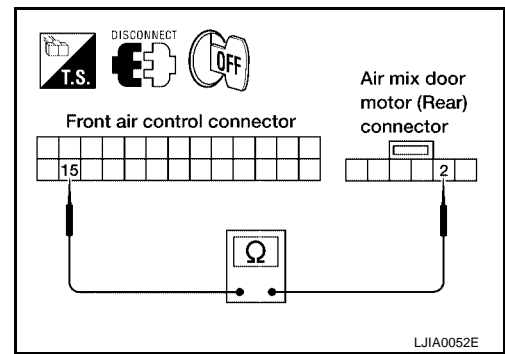
1. Turn ignition switch OFF.
2. Disconnect the front air control connector.
3. Check continuity between air mix door motor (Rear) harness connector B155 terminal 2 (P) and front air control harness connector M49 terminal 15 (P).

2 - 15 Continuity should exist.

OK or NG

OK >> GO TO 4.

NG >> Repair or replace harness as necessary.



4. CHECK PBR FEEDBACK SIGNAL

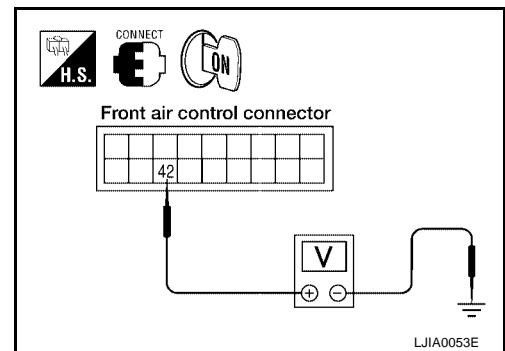
1. Reconnect the front air control connector and air mix door motor (Rear) connector.
2. Turn ignition switch ON.
3. Check voltage between front air control harness connector M50 terminal 42 (R/Y) and ground.
4. Rotate rear temperature dial through complete range.

42 - Ground : Approx. 0 - 5V

OK or NG

OK >> Replace front air control. Refer to [MTC-112, "FRONT AIR CONTROL"](#).

NG >> GO TO 5.



5. CHECK PBR FEEDBACK CIRCUIT

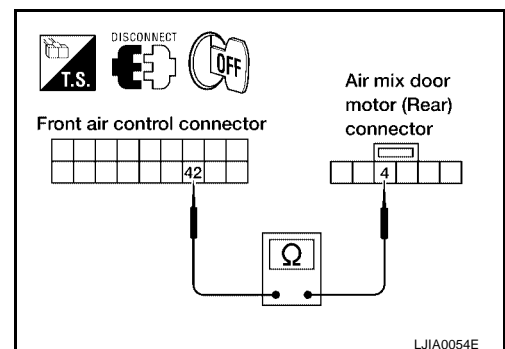
1. Turn ignition switch OFF.
2. Disconnect the air mix door motor (Rear) connector and front air control connector.
3. Check continuity between air mix door motor (Rear) harness connector B155 terminal 4 (R/Y) and front air control harness connector M50 terminal 42 (R/Y).

4 - 42 Continuity should exist.

OK or NG

OK >> Replace air mix door motor (Rear) [MTC-128, "REAR AIR MIX DOOR MOTOR"](#).

NG >> Repair or replace harness as necessary.



A
B
C
D
E
F
G
H
I
MTC
K
L
M

TROUBLE DIAGNOSIS

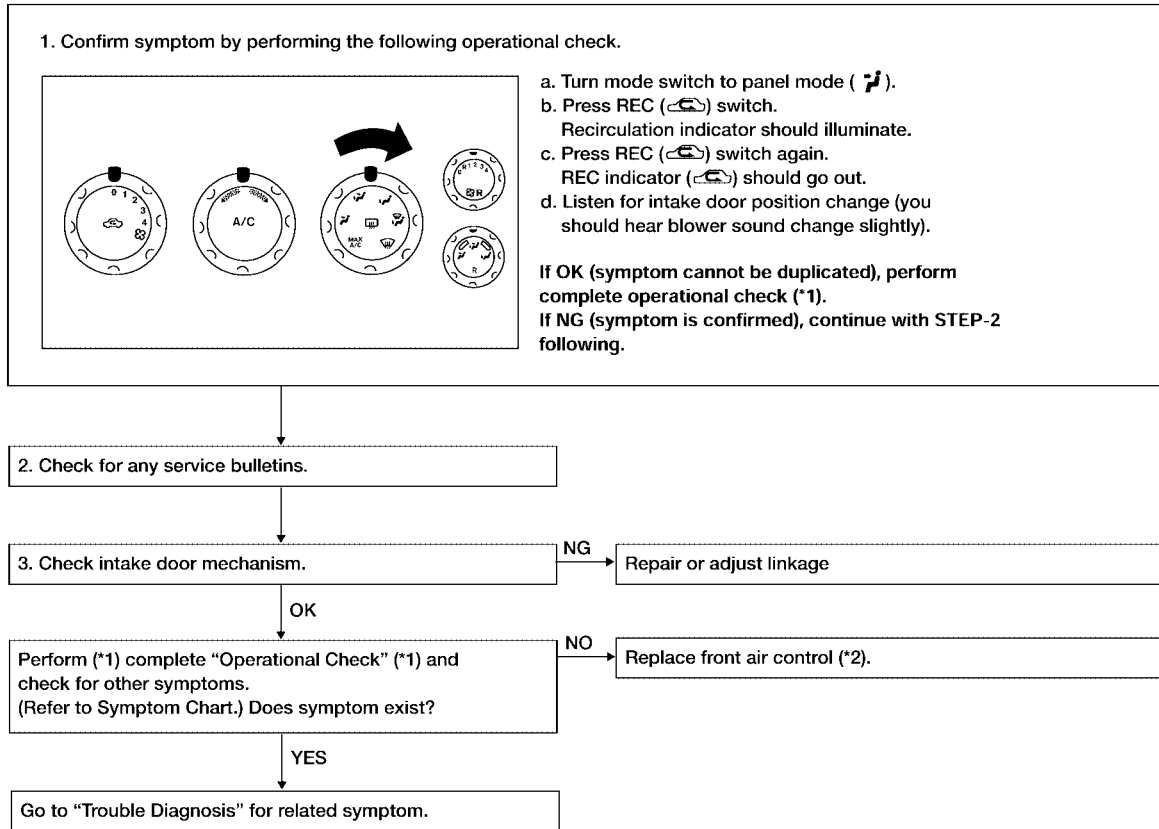
EJS00285

Intake Door Motor Circuit

SYMPTOM:

- Intake door does not change.
- Intake door motor does not operate normally.

INSPECTION FLOW



*1 [MTC-49. "Operational Check \(Front\)".](#)

*2 [MTC-112. "FRONT AIR CONTROL".](#)

WJIA1592E

TROUBLE DIAGNOSIS

SYSTEM DESCRIPTION

Component Parts

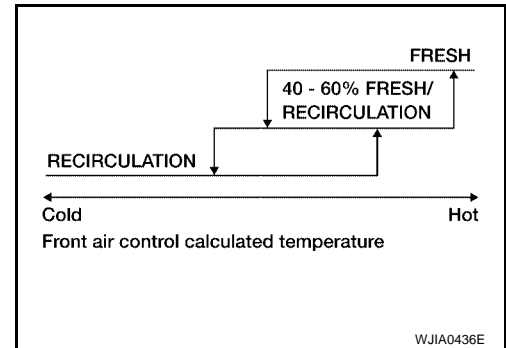
Intake door control system components are:

- Front air control
- Intake door motor

System Operation

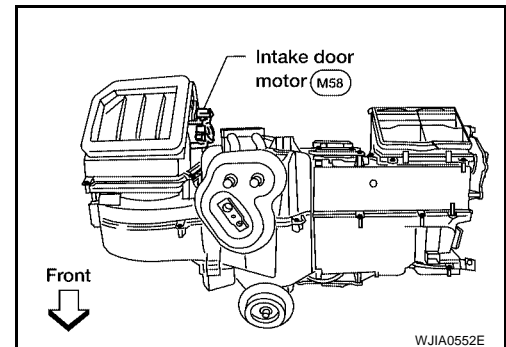
The intake door control determines the intake door position based on the position of the recirculation switch. When the recirculation switch is depressed the intake door motor rotate closing off the fresh air inlet and recirculating the cabin air. If the recirculation switch is depressed again, the intake door motor rotate in the opposite direction, again allowing fresh air into the cabin.

Intake Door Control Specification



COMPONENT DESCRIPTION

Intake door motor



The intake door motor is attached to the intake unit. It rotates so that air is drawn from inlets set by the front air control. Motor rotation is conveyed to a lever which activates the intake door.

A
B
C
D
E
F
G
H
I
MTC
K
L
M

TROUBLE DIAGNOSIS

DIAGNOSTIC PROCEDURE FOR INTAKE DOOR MOTOR

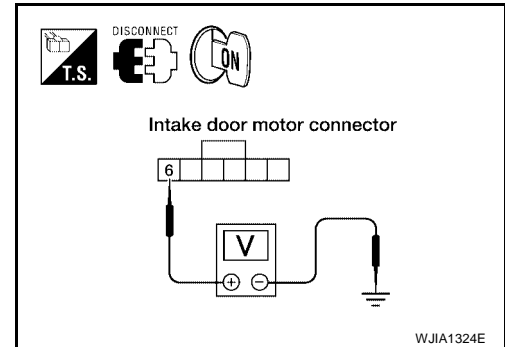
1. CHECK INTAKE DOOR MOTOR CIRCUIT VOLTAGE

1. Turn ignition switch OFF.
2. Disconnect intake door motor connector.
3. Turn ignition switch ON.
4. Rotate the temperature control dial clockwise.
5. Check voltage between intake door motor harness connector M58 terminal 6 (G/B) and ground.

6 - Ground :Battery voltage

OK or NG

- OK >> GO TO 3.
NG >> GO TO 2.



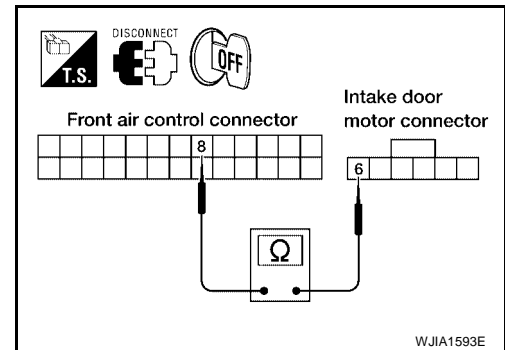
2. CHECK INTAKE DOOR MOTOR CIRCUIT FOR OPEN

1. Turn ignition switch OFF.
2. Disconnect front air control connector.
3. Check continuity between front air control harness connector M49 terminal 8 (G/B) and intake door motor harness connector M58 terminal 6 (G/B).

8 - 6 :Continuity should exist.

OK or NG

- OK >> Replace front air control connector. Refer to [MTC-112, "FRONT AIR CONTROL"](#).
- NG >> Repair or replace harness as necessary.



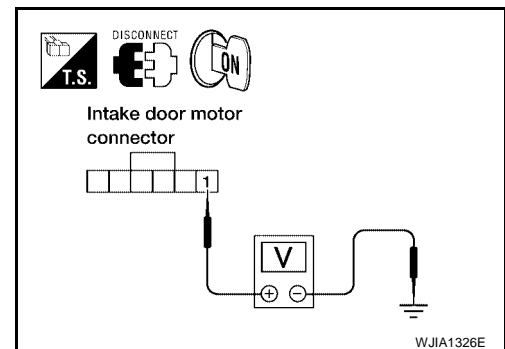
3. CHECK INTAKE DOOR MOTOR CIRCUIT VOLTAGE

1. Turn ignition switch ON.
2. Rotate the temperature control dial counterclockwise.
3. Check voltage between intake door motor harness connector M58 terminal 1 and ground.

1 - Ground :Battery voltage

OK or NG

- OK >> Replace intake door motor. Refer to [MTC-125, "INTAKE DOOR MOTOR"](#).
- NG >> GO TO 4.



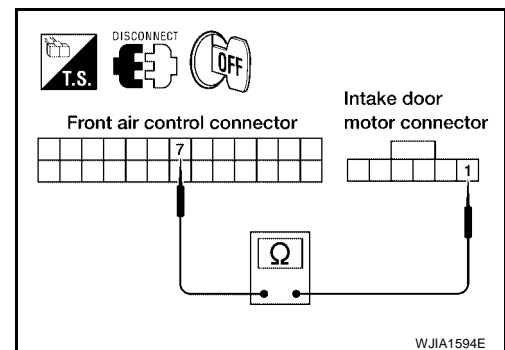
4. CHECK INTAKE DOOR MOTOR CIRCUIT FOR OPEN

1. Turn ignition switch OFF.
2. Disconnect front air control connector.
3. Check continuity between front air control harness connector M49 terminal 7 (O) and intake door motor harness connector M58 terminal 1 (O).

7 - 1 :Continuity should exist.

OK or NG

- OK >> Replace front air control. Refer to [MTC-112, "FRONT AIR CONTROL"](#).
- NG >> Repair or replace harness as necessary.



TROUBLE DIAGNOSIS

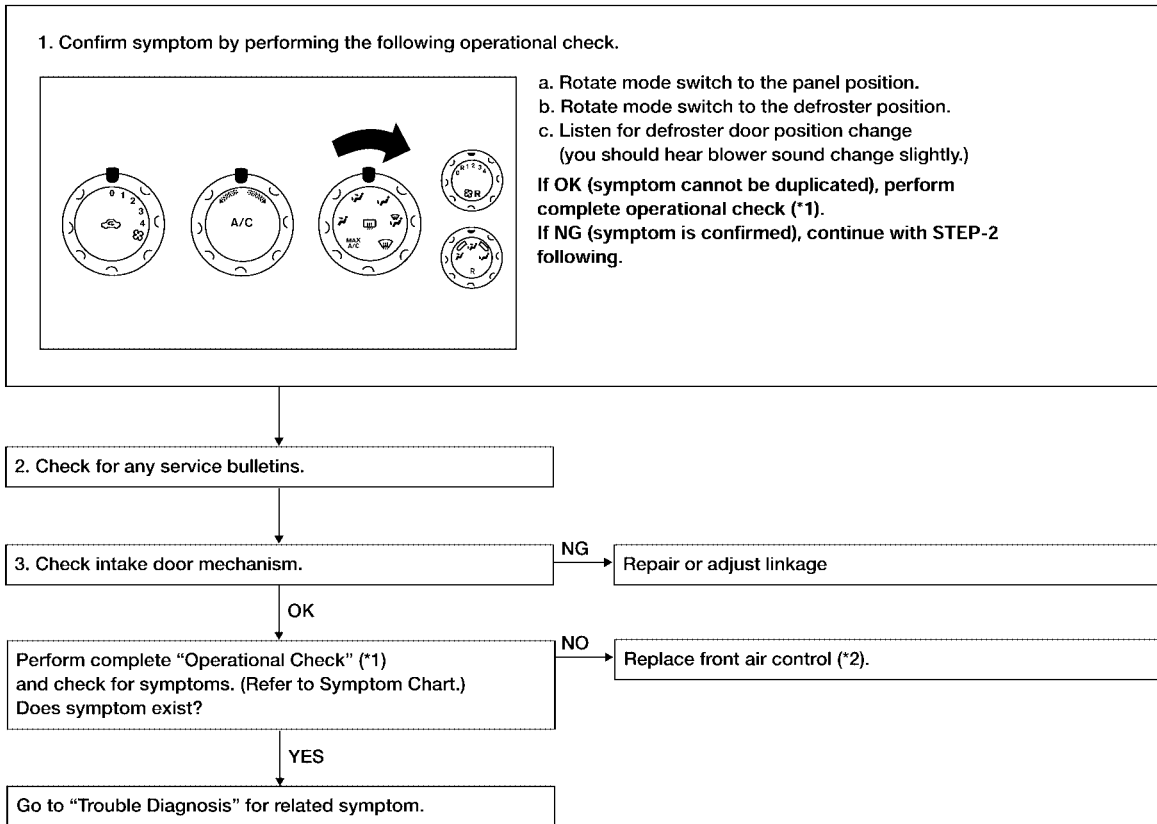
EJS00286

Defroster Door Motor Circuit

SYMPTOM:

- Defroster door does not change.
- Defroster door does not operate normally.

INSPECTION FLOW



*1 [MTC-49, "Operational Check \(Front\)"](#)

*2 [MTC-112, "FRONT AIR CONTROL"](#)

WJIA1595E

A
B
C
D
E
F
G
H
I
MTC
K
L
M

TROUBLE DIAGNOSIS

SYSTEM DESCRIPTION

Component Parts

Defroster door control system components are:

- Front air control
- Defroster door motor
- PBR (built into defroster door motor)

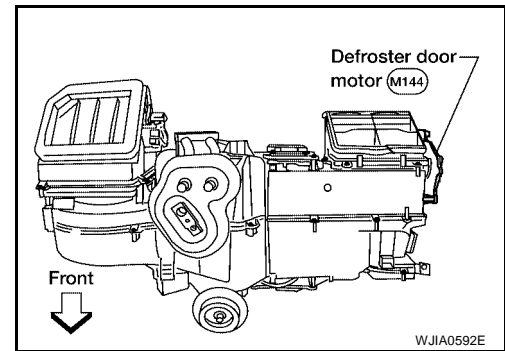
System Operation

The front air control determines defroster door position based on the position of the mode switch. When the mode switch is in the defroster position, the defroster door motor rotates directing air to the defroster ducts. When any mode other than defroster is selected, the defroster motor rotates in the opposite direction closing off air flow to the defroster ducts. The front air control monitors the position of the defroster door position by measuring the voltage on the PBR circuit.

COMPONENT DESCRIPTION

Defroster door motor

The defroster door motor is attached to the front heater & cooling unit. The front air control sends a voltage to rotate to the defroster door directing the air flow either to the defroster ducts, or to the floor ducts, depending on which way the voltage and ground are applied to the motor leads. Motor rotation is conveyed to a lever which activates the defroster door.



DIAGNOSTIC PROCEDURE FOR DEFROSTER DOOR MOTOR

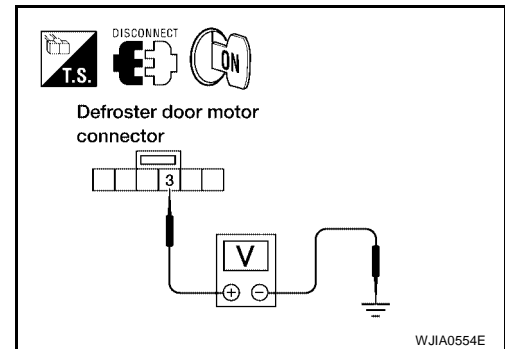
1. CHECK PBR REFERENCE SIGNAL VOLTAGE

1. Turn ignition switch OFF.
2. Disconnect the defroster door motor harness connector.
3. Turn ignition switch ON.
4. Check voltage between defroster door motor harness connector M144 terminal 3 (Y) and ground.

3 - Ground : Approx. 5V.

OK or NG

- OK >> GO TO 3.
NG >> GO TO 2.



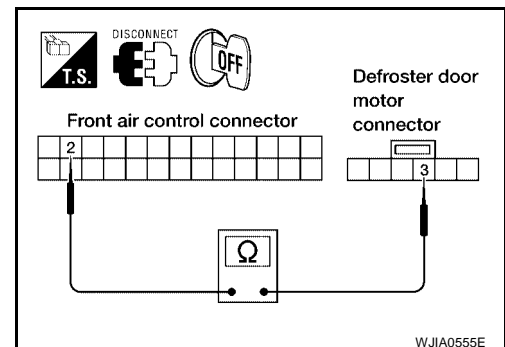
2. CHECK PBR REFERENCE VOLTAGE CIRCUIT BETWEEN DEFROSTER DOOR MOTOR AND FRONT AIR CONTROL

1. Turn ignition switch OFF.
2. Disconnect the front air control connector.
3. Check continuity between defroster door motor harness connector M144 terminal 3 (Y) and front air control harness connector M49 terminal 2 (Y).

3 - 2 : Continuity should exist.

OK or NG

- OK >> Replace front air control. Refer to [MTC-112, "FRONT AIR CONTROL"](#).
- NG >> Repair or replace harness as necessary.



TROUBLE DIAGNOSIS

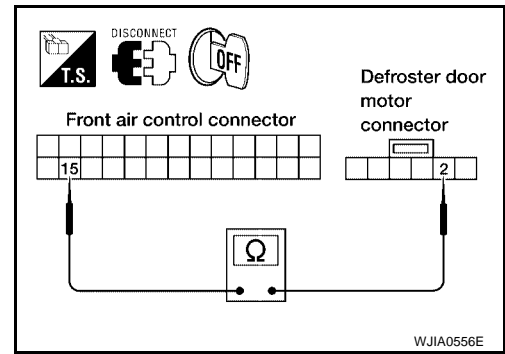
3. CHECK PBR GROUND REFERENCE CIRCUIT

1. Turn ignition switch OFF.
2. Disconnect the front air control connector.
3. Check continuity between defroster door motor harness connector M144 terminal 2 (P) and front air control harness connector M49 terminal 15 (P).

2 - 15 : Continuity should exist.

OK or NG

- OK >> GO TO 4.
NG >> Repair or replace harness as necessary.



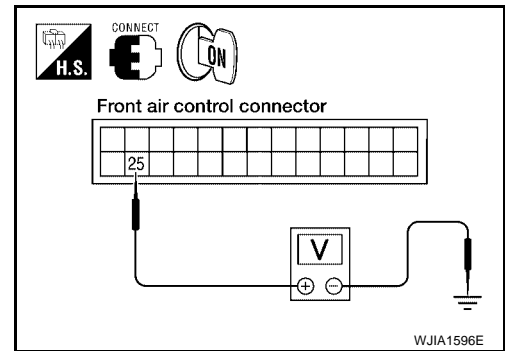
4. CHECK PBR FEEDBACK SIGNAL

1. Reconnect the front air control connector and mode door motor connector.
2. Turn ignition switch ON.
3. Check voltage between front air control harness connector M49 terminal 25 (LG/B) and ground.
4. Change mode between floor, defroster, and panel.

25 - Ground : Approx.0 - 5V

OK or NG

- OK >> Replace front air control. Refer to [MTC-112, "FRONT AIR CONTROL"](#) .
NG >> GO TO 5.



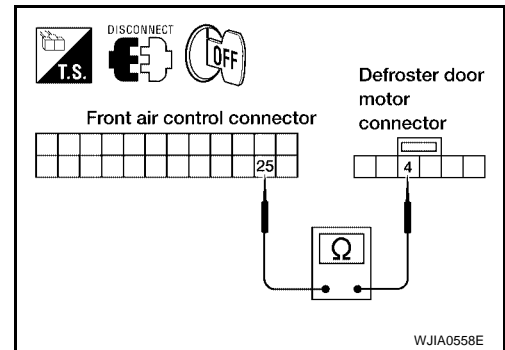
5. CHECK PBR FEEDBACK CIRCUIT

1. Turn ignition switch OFF.
2. Disconnect the defroster door motor connector and front air control connector.
3. Check continuity between defroster door motor harness connector M144 terminal 4 (LG/B) and front air control harness connector M49 terminal 25 (LG/B).

4 - 25 : Continuity should exist.

OK or NG

- OK >> Replace defroster door motor. Refer to [MTC-124, "DEFROSTER DOOR MOTOR"](#) .
NG >> Repair or replace harness as necessary.



A
B
C
D
E
F
G
H
I
MTC
K
L
M

TROUBLE DIAGNOSIS

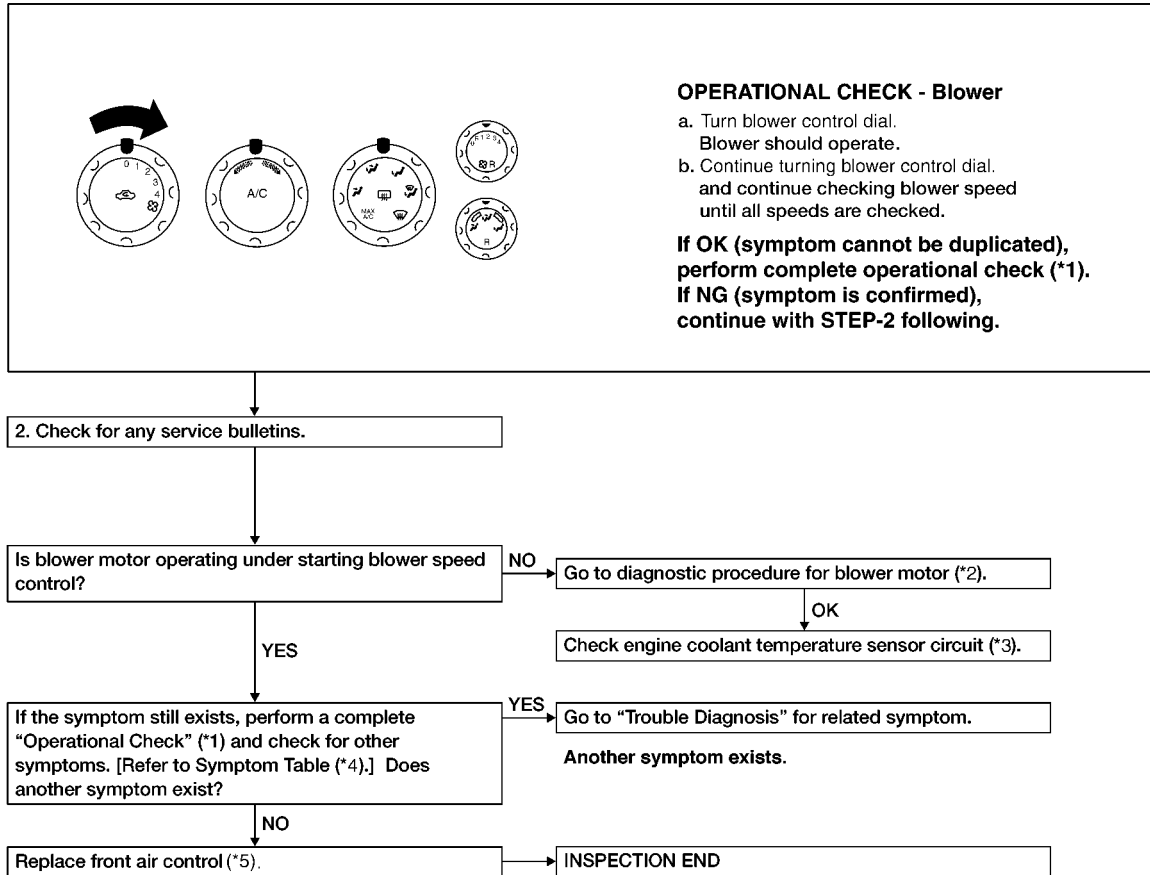
EJS00287

Front Blower Motor Circuit

SYMPTOM:

- Blower motor operation is malfunctioning.

INSPECTION FLOW



*1 [MTC-49. "Operational Check \(Front\)".](#)

*4 [MTC-33. "SYMPTOM TABLE".](#)

*2 [MTC-72. "DIAGNOSTIC PROCEDURE FOR BLOWER MOTOR".](#)

*5 [MTC-112. "FRONT AIR CONTROL".](#)

*3 [EC-163. "DTC P0117, P0118 ECT SENSOR".](#)

WJIA1597E

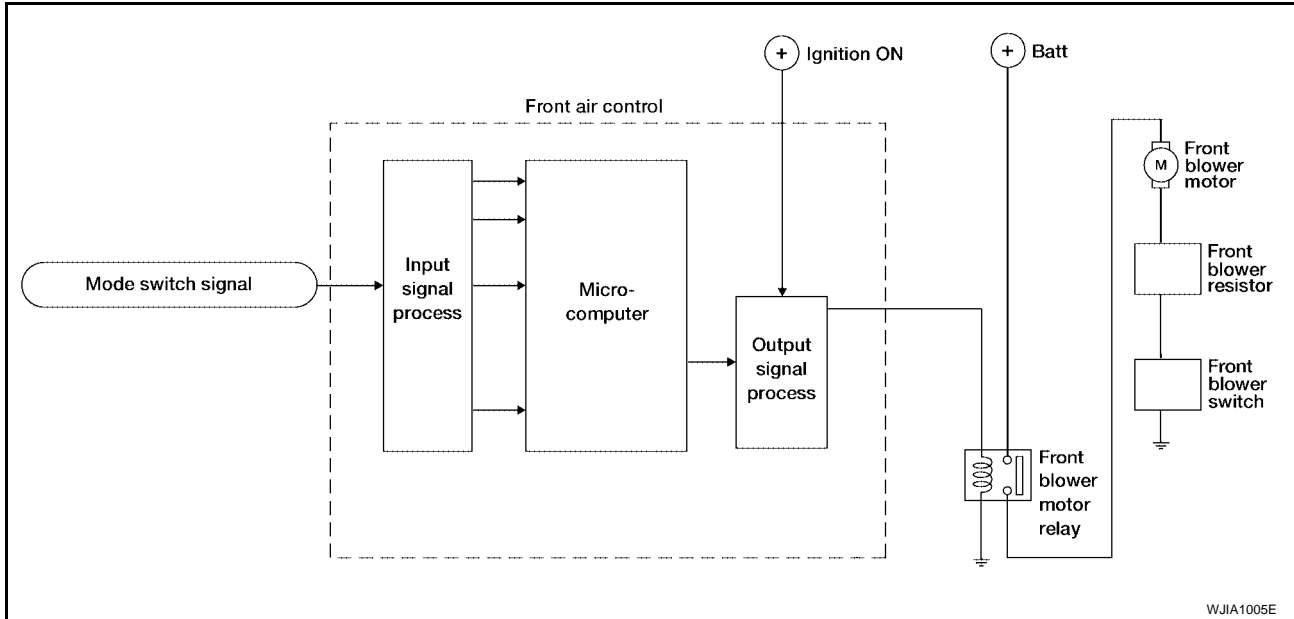
TROUBLE DIAGNOSIS

SYSTEM DESCRIPTION

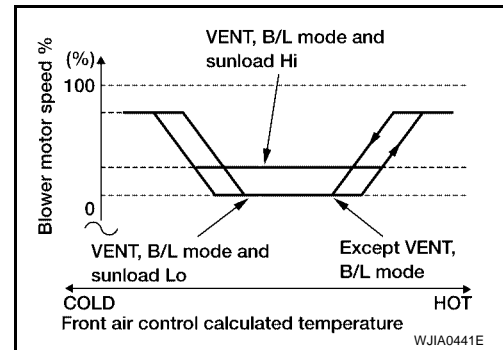
Component Parts

- Front air control
- Front blower switch
- Front blower motor resistor
- Front blower motor
- Front blower motor relay

System Operation



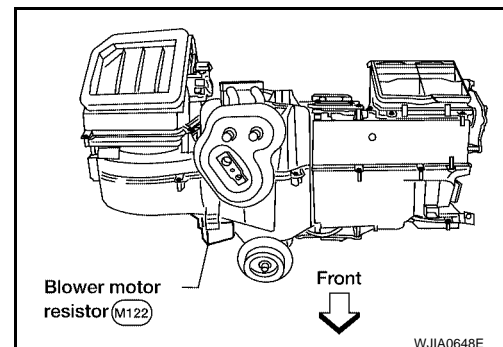
Blower Speed Control Specification



COMPONENT DESCRIPTION

Blower Motor Resistor

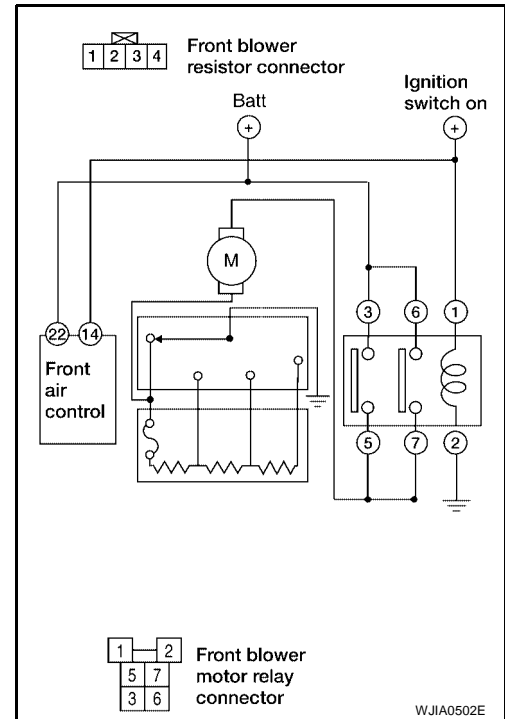
The blower motor resistor is located on the cooling unit. The blower motor resistor grounds the blower motor through a series of 1, 2, or three resistors, depending upon speed selected. For high speed operation the blower motor resistor is circumvented and the blower motor grounds directly.



TROUBLE DIAGNOSIS

DIAGNOSTIC PROCEDURE FOR BLOWER MOTOR

SYMPTOM: Blower motor operation is malfunctioning.



1. DIAGNOSTIC PROCEDURE

Turn the front blower switch to each of its four speeds.
Does blower motor rotate normally at each speed?

YES or NO

- YES >> INSPECTION END.
NO >> 1. Does not rotate at any speed, GO TO 2.
2. Does not rotate at 1 - 3 speed, GO TO 13.
3. Does not rotate at 4 speed, GO TO 16.

2. CHECK FUSES

Check 20A fuses (Nos. 24 and 27, located in the fuse and fusible link box). Refer to [PG-75, "FUSE AND FUSIBLE LINK BOX"](#).

OK or NG

- OK >> GO TO 3.
NG >> GO TO 8.

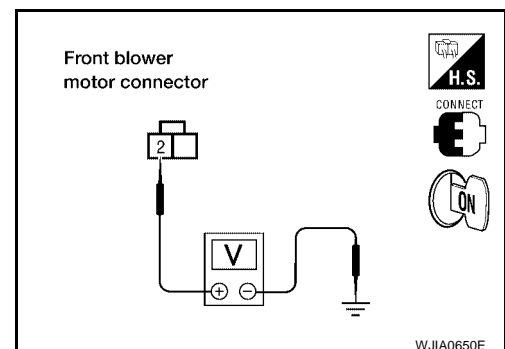
3. CHECK FRONT BLOWER MOTOR POWER SUPPLY

1. Disconnect front blower motor harness connector.
2. Select any front blower speed except OFF.
3. Check voltage between front blower motor harness connector M62 terminal 2 (W/L) and ground.

2 - Ground : **Battery voltage**

OK or NG

- OK >> GO TO 11.
NG >> GO TO 4.



TROUBLE DIAGNOSIS

4. CHECK FRONT BLOWER MOTOR RELAY

Refer to [MTC-76, "Front Blower Motor Relay"](#).

OK or NG

- OK >> GO TO 5.
- NG >> Replace front blower motor relay.

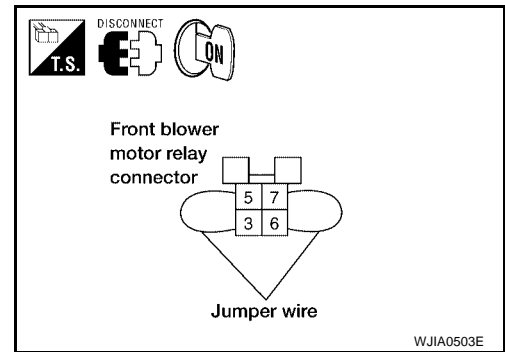
5. CHECK FRONT BLOWER MOTOR POWER FROM RELAY TO FRONT BLOWER MOTOR

1. Reconnect front blower motor harness connector.
2. Disconnect front blower motor relay.
3. Connect a jumper wire between front blower motor relay connector H2 (harness side) terminals 3 and 5 and between front blower motor relay connector H2 (harness side) terminals 6 and 7.
4. Momentarily (no more than 4 seconds), set front blower switch to any position except OFF.

Front blower motor should rotate.

OK or NG

- OK >> GO TO 6.
- NG >> GO TO 10.



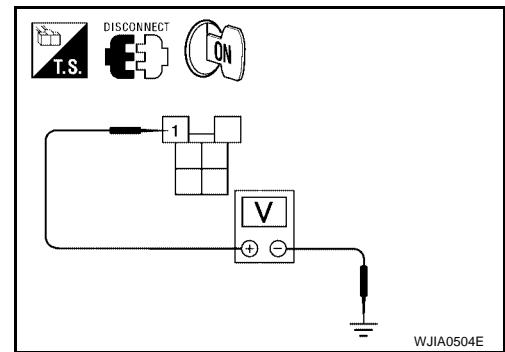
6. CHECK FRONT BLOWER MOTOR RELAY (COIL SIDE) POWER SUPPLY CIRCUIT

1. Set front blower switch to any position except OFF.
2. Check voltage between front blower motor relay harness connector H2 terminal 1 (Y/G) and ground.

1 - Ground : Battery voltage.

OK or NG

- OK >> GO TO 7.
- NG >> Repair harness or connector.



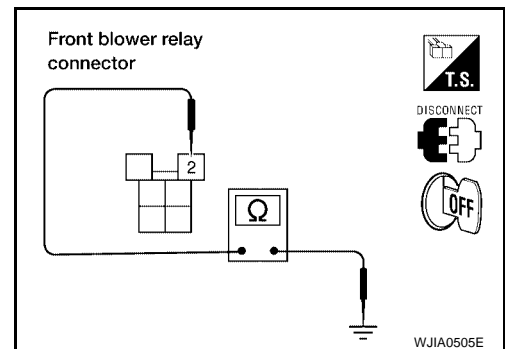
7. CHECK FRONT BLOWER MOTOR RELAY (COIL SIDE) GROUND CIRCUIT

1. Turn ignition switch OFF.
2. Check continuity between front blower motor relay harness connector H2 terminal 2 (B) and ground.

2 - Ground Continuity should exist.

OK or NG

- OK >> Replace front blower motor relay.
- NG >> Repair harness or connector.



TROUBLE DIAGNOSIS

8. REPLACE FUSE

Refer to [PG-75, "FUSE AND FUSIBLE LINK BOX"](#) .

Does fuse open when front blower motor is turned on?

YES or NO

YES >> GO TO 9.

NO >> INSPECTION END.

9. CHECK FRONT BLOWER MOTOR POWER SUPPLY CIRCUIT FOR SHORT

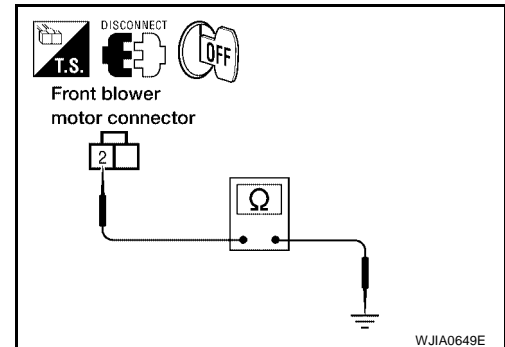
1. Turn ignition switch OFF.
2. Disconnect front blower motor harness connector.
3. Check continuity between front blower motor harness connector M62 terminal 2 (W/L) and ground.

2 - Ground : Continuity should not exist.

OK or NG

OK >> Check front blower motor. Refer to [MTC-76, "Front Blower Motor"](#) .

NG >> Repair harness or connector.



10. CHECK FRONT BLOWER MOTOR RELAY (SWITCH SIDE) POWER SUPPLY CIRCUIT

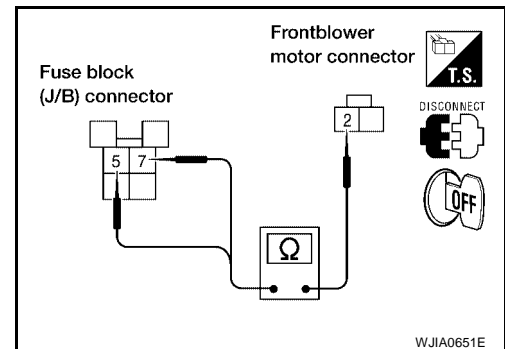
1. Turn ignition switch OFF.
2. Disconnect front blower motor harness connector.
3. Check continuity between front blower motor relay harness connector H2 terminal 5 (W/L) and 7 (W/L) and front blower motor harness connector M62 terminal 2 (W/L).

5, 7 - 2 : Continuity should exist.

OK or NG

OK >> Repair harness or connector between front blower motor fuses and front blower motor relay.

NG >> Repair harness or connector between front blower motor relay and front blower motor.



11. CHECK FRONT BLOWER MOTOR

Refer to [MTC-76, "Front Blower Motor"](#) .

OK or NG

OK >> GO TO 12.

NG >> Replace front blower motor.

12. CHECK FRONT BLOWER SWITCH

Refer to [MTC-76, "Front Blower Switch"](#) .

OK or NG

OK >> Repair harness or connector between front blower switch and front blower motor.

NG >> Replace front air control. Refer to [MTC-112, "FRONT AIR CONTROL"](#) .

13. CHECK FRONT BLOWER MOTOR RESISTOR

Refer to [MTC-77, "Front Blower Motor Resistor"](#) .

OK or NG

OK >> GO TO 14.

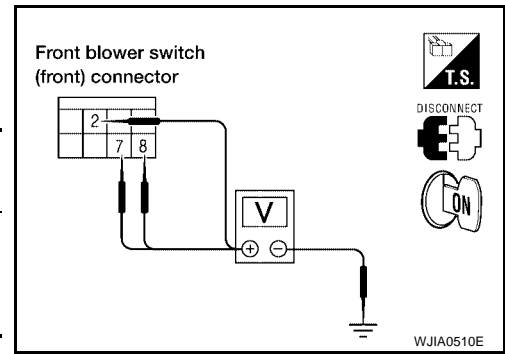
NG >> Replace front blower motor resistor. Refer to [MTC-129, "Removal and Installation"](#) .

TROUBLE DIAGNOSIS

14. CHECK FRONT BLOWER SWITCH CIRCUIT

1. Reconnect front blower motor resistor harness connector.
2. Check voltage between front blower switch connector M51 terminals 2 (R/B), 3 (L/R), and 7 (L/Y) and ground.

Terminal No.		Voltage (Approx.)
+	-	
2	Ground	12V
3		
7		



OK or NG

- OK >> Replace front air control. Refer to [MTC-112, "FRONT AIR CONTROL"](#) .
 NG >> GO TO 15.

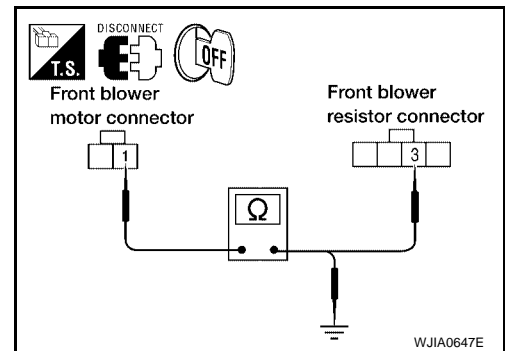
15. CHECK FRONT BLOWER MOTOR GROUND CIRCUIT TO FRONT BLOWER MOTOR RESISTOR

1. Turn ignition switch OFF.
2. Disconnect front blower motor and front blower motor resistor harness connector.
3. Check continuity between front blower motor connector M62 terminal 1 (L/W) and front blower motor resistor harness connector M122 terminal 3 (L/W).

1 - 3 : Continuity should exist.

4. Check continuity between front blower motor connector M62 terminal 1 (L/W) and ground.

1 - Ground : Continuity should not exist.



OK or NG

- OK >> INSPECTION END.
 NG >> Repair harness or connector.

16. CHECK FRONT BLOWER SWITCH

Refer to [MTC-76, "Front Blower Switch"](#) .

OK or NG

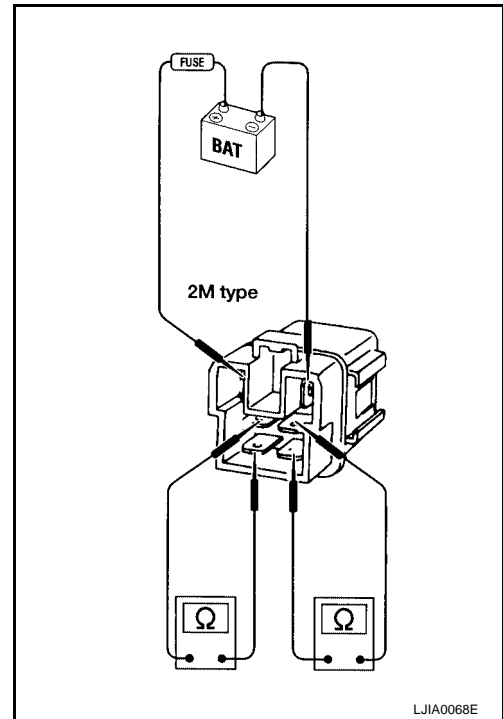
- OK >> Repair harness or connector.
 NG >> Replace front air control. Refer to [MTC-112, "FRONT AIR CONTROL"](#) .

TROUBLE DIAGNOSIS

COMPONENT INSPECTION

Front Blower Motor Relay

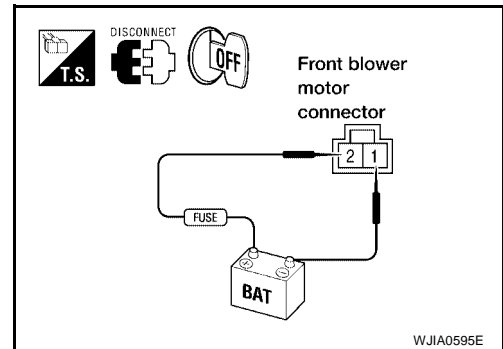
Check continuity between terminals by supplying 12 volts and ground to coil side terminals of relay.



Front Blower Motor

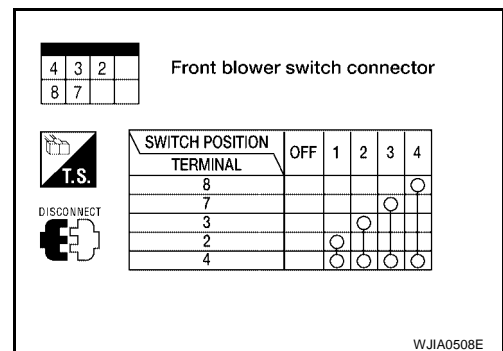
Confirm smooth rotation of the blower motor.

- Ensure that there are no foreign particles inside the blower unit.
- Apply 12 volts to terminal 2 and ground to terminal 1 and verify that the motor operates freely and quietly.



Front Blower Switch

Check continuity between terminals at each switch position.



4	3	2
8	7	

Front blower switch connector

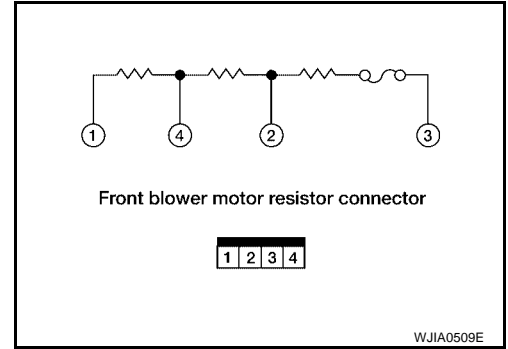


SWITCH POSITION	OFF	1	2	3	4
8					○
7				○	
3			○		
2		○			
4		○	○	○	

TROUBLE DIAGNOSIS

Front Blower Motor Resistor

Check continuity between terminals. There will be resistance, but there should not be an open or short between any two terminals.



A
B
C
D
E
F
G
H
I
MTC
K
L
M

TROUBLE DIAGNOSIS

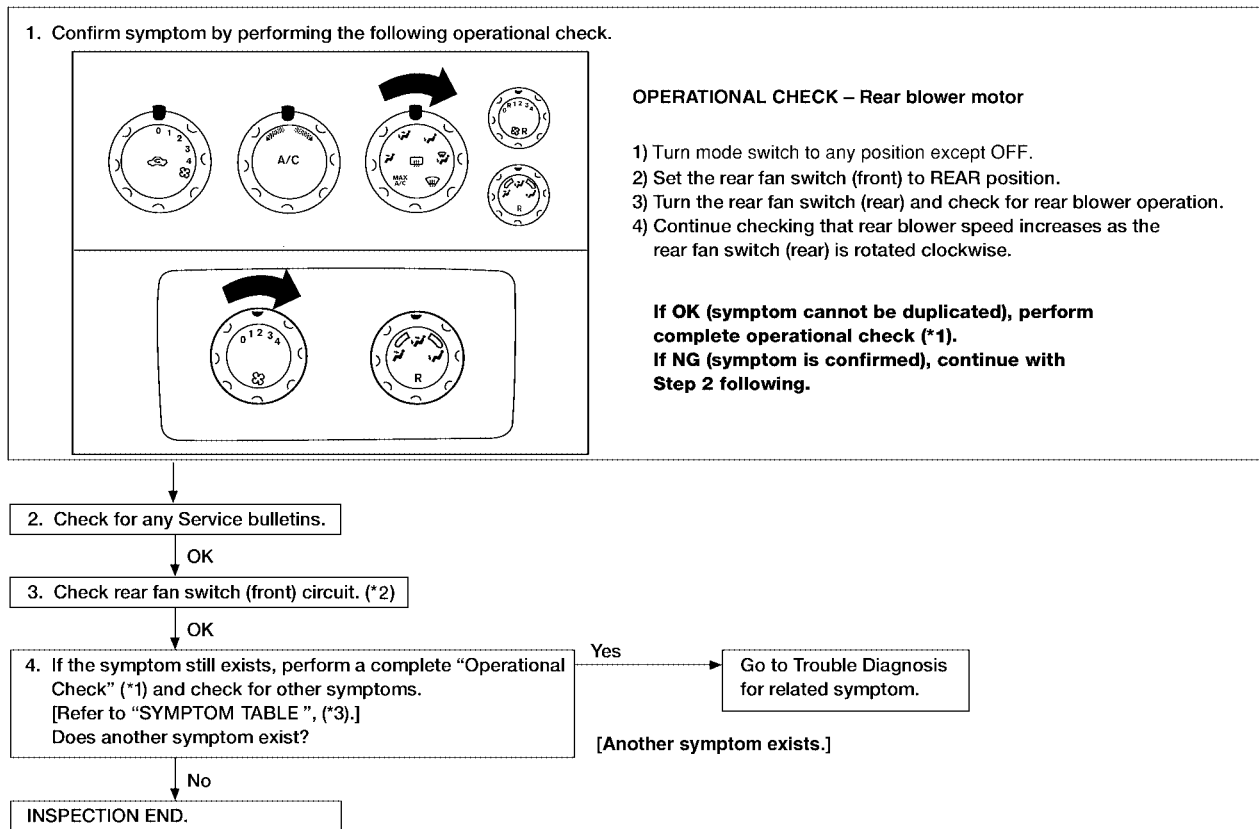
EJS00288

Rear Blower Motor Circuit

SYMPTOM:

- Blower motor operation is malfunctioning.

INSPECTION FLOW



*1 [MTC-49, "Operational Check \(Front\)"](#) or [MTC-51, "Operational Check \(Rear\)"](#).

*2 [MTC-87, "Rear Blower Switch \(Front\)"](#)

*3 [MTC-33, "SYMPTOM TABLE"](#)

WJIA0517E

TROUBLE DIAGNOSIS

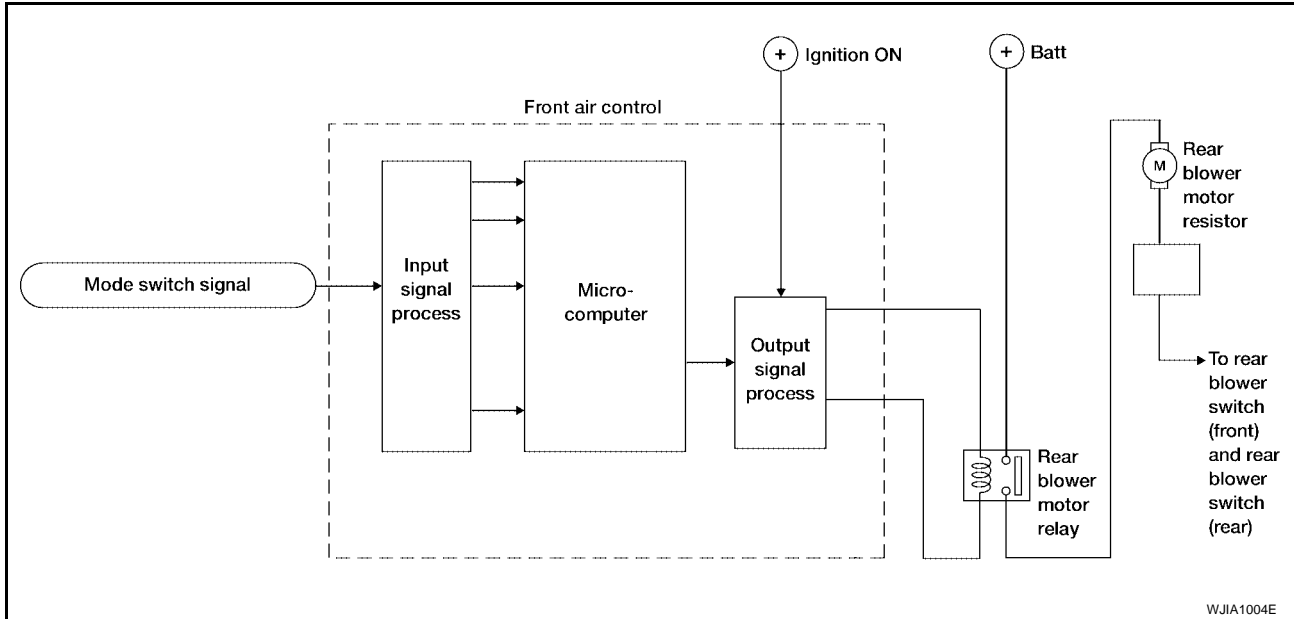
SYSTEM DESCRIPTION

Component Parts

Rear blower speed control system components are:

- Front air control
- Rear blower switch (front)
- Rear blower switch (rear)
- Rear blower motor resistor
- Rear blower motor
- Rear blower motor relay

System Operation



Rear Blower Control

When the rear blower switch (front) is in the OFF position, the rear blower motor cannot operate.

When the rear blower switch (front) is in the REAR position, it allows the rear blower switch (rear) to control the rear blower motor speed. In any other position (1-4), the rear blower switch (front) controls the rear blower motor speed regardless of the rear blower switch (rear) position.

DIAGNOSTIC PROCEDURE FOR REAR BLOWER MOTOR

Rear Blower Switch (Rear) Circuit

SYMPTOM:

- Rear blower motor does not rotate when rear blower switch (front) is set to REAR position.

1. CHECK REAR BLOWER MOTOR OPERATION

Blower motor rotates normally when rear blower switch (front) is set at 1 - 4 speed.

OK or NG

OK >> GO TO 2.

NG >> Refer to [MTC-81, "Trouble Diagnosis Procedure For Rear Blower Motor \(1 - 4 Speed\)"](#).

2. CHECK REAR BLOWER SWITCH (FRONT)

Refer to [MTC-87, "Rear Blower Switch \(Front\)"](#).

OK or NG

OK >> GO TO 3.

NG >> Replace rear blower switch (front).

A
B
C
D
E
F
G
H
I

MTC

K
L
M

TROUBLE DIAGNOSIS

3. CHECK REAR BLOWER SWITCH (REAR)

Refer to [MTC-87, "Rear Blower Switch \(Rear\)"](#) .

OK or NG

OK >> GO TO 4.

NG >> Replace rear blower switch (rear). Refer to [MTC-112, "REAR AIR CONTROL"](#) .

4. CHECK CIRCUIT CONTINUITY

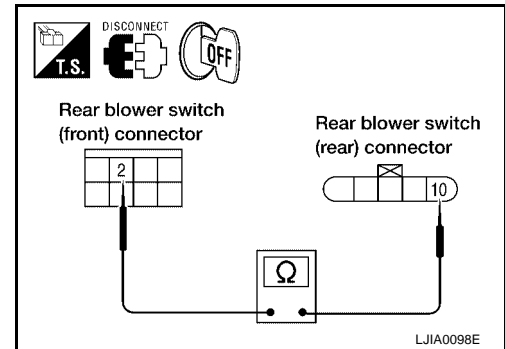
1. Turn ignition switch OFF.
2. Disconnect rear blower switch (front) connector and rear blower switch (rear) connector.
3. Check continuity between rear blower switch (front) harness connector M52 terminal 2 (BR) and rear blower switch (rear) harness connector R208 terminal 10 (BR).

2 - 10 : Continuity should exist.

OK or NG

OK >> Inspection End.

NG >> Repair harness or connector.



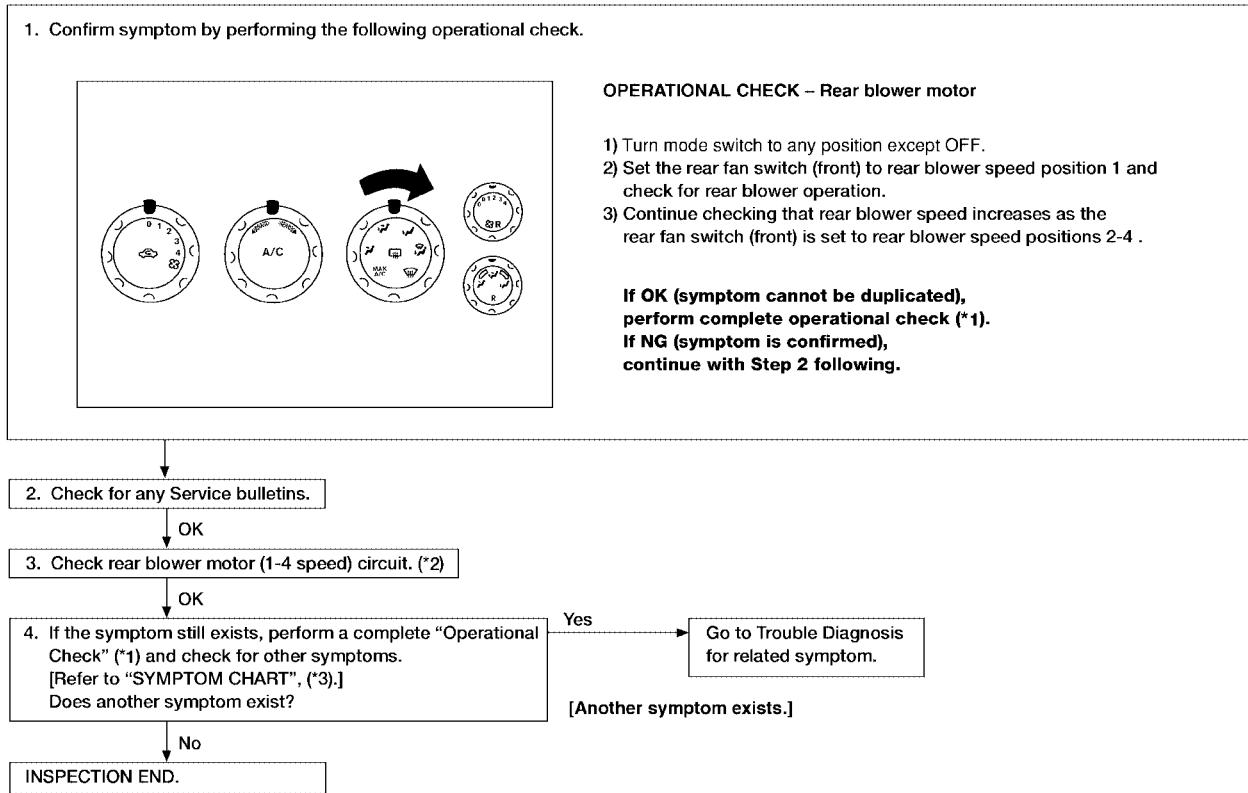
TROUBLE DIAGNOSIS

Trouble Diagnosis Procedure For Rear Blower Motor (1 - 4 Speed)

SYMPTOM:

- Rear blower motor does not rotate when rear blower switch (front) is set at 1 - 4 speed.

Inspection Flow



*1 [MTC-49. "Operational Check \(Front\)"](#) or [MTC-51. "Operational Check \(Rear\)"](#) .

*2 [MTC-81. "Trouble Diagnosis Procedure For Rear Blower Motor \(1 - 4 Speed\)"](#).

*3 [MTC-33. "SYMPTOM TABLE"](#).

WJIA0518E

TROUBLE DIAGNOSIS

1. DIAGNOSTIC PROCEDURE

Blower motor rotates normally at each speed.

OK or NG

- OK >> Inspection End.
- NG >> 1. Does not rotate at any speed, GO TO 2.
- 2. Does not rotate at 1 - 3 speed, GO TO 13.
- 3. Does not rotate at 4 speed, GO TO 18.

2. CHECK FUSES

Check 15A fuses [Nos. 10 and 11, located in the fuse block (J/B)]. Refer to [PG-74, "FUSE BLOCK-JUNCTION BOX\(J/B\)"](#) .

OK or NG

- OK >> GO TO 3.
- NG >> GO TO 8.

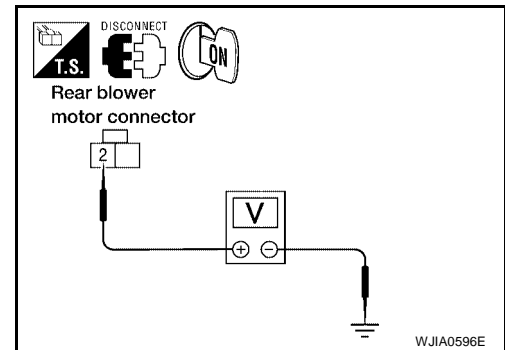
3. CHECK REAR BLOWER MOTOR POWER SUPPLY

1. Turn ignition switch OFF.
2. Disconnect rear blower motor connector.
3. Select any rear blower speed except OFF.
4. Turn ignition switch ON.
5. Check voltage between rear blower motor harness connector B134 terminal 2 (L/R) and ground.

2 - Ground : Battery voltage.

OK or NG

- OK >> GO TO 11.
- NG >> GO TO 4.



4. CHECK REAR BLOWER MOTOR RELAY

Refer to [MTC-87, "Rear Blower Motor Relay"](#) .

OK or NG

- OK >> GO TO 5.
- NG >> Replace rear blower motor relay.

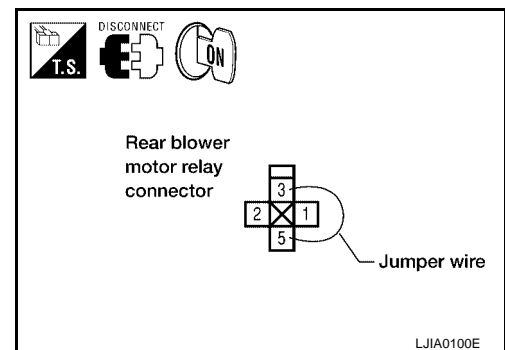
5. CHECK REAR BLOWER MOTOR POWER FROM RELAY TO REAR BLOWER MOTOR

1. Turn ignition switch OFF.
2. Reconnect rear blower motor connector.
3. Disconnect rear blower motor relay J1.
4. Turn ignition switch ON.
5. Set rear blower switch (front) to any position except OFF, REAR, or 4 - speed.
6. Momentarily (no more than 4 seconds), connect a jumper wire between rear blower motor relay connector J1 (harness side) terminals 3 and 5.

Rear blower motor should rotate.

OK or NG

- OK >> GO TO 6.
- NG >> GO TO 10.



TROUBLE DIAGNOSIS

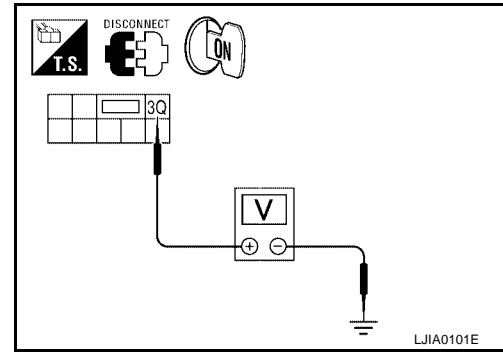
6. CHECK REAR BLOWER MOTOR RELAY (COIL SIDE) POWER SUPPLY CIRCUIT

1. Turn ignition switch OFF.
2. Disconnect fuse block (J/B) connector.
3. Turn ignition switch ON.
4. Set rear blower switch (front) to any position except OFF, REAR, or 4 - speed.
5. Check voltage between fuse block (J/B) harness connector M39 terminal 3Q (W/L) and ground.

3Q - Ground : **Battery voltage.**

OK or NG

- OK >> GO TO 7.
NG >> GO TO 20.



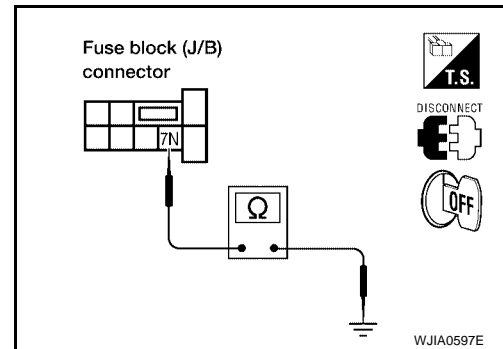
7. CHECK REAR BLOWER MOTOR RELAY (COIL SIDE) GROUND CIRCUIT

1. Turn ignition switch OFF.
2. Check continuity between fuse block (J/B) harness connector M3 terminal 7N (B) and ground.

7N - Ground : **Continuity should exist.**

OK or NG

- OK >> Replace fuse block (J/B).
NG >> Repair harness or connector.



8. REPLACE FUSE

Refer to [PG-74, "FUSE BLOCK-JUNCTION BOX\(J/B\)"](#)

Fuse should not open when rear blower motor is activated.

OK or NG

- OK >> Inspection End.
NG >> GO TO 9.

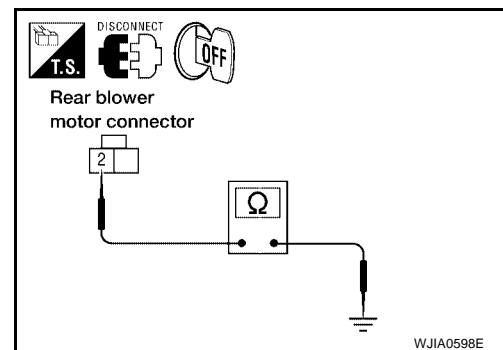
9. CHECK REAR BLOWER MOTOR POWER SUPPLY CIRCUIT FOR SHORT

1. Turn ignition switch OFF.
2. Disconnect battery cables and rear blower motor connector.
3. Check continuity between rear blower motor harness connector B134 terminal 2 (L/R) and ground.

2 - Ground : **Continuity should not exist.**

OK or NG

- OK >> Check rear blower motor. Refer to [MTC-88, "Rear Blower Motor"](#) .
NG >> Repair harness or connector.



A
B
C
D
E
F
G
H
I
K
L
M

MTC

TROUBLE DIAGNOSIS

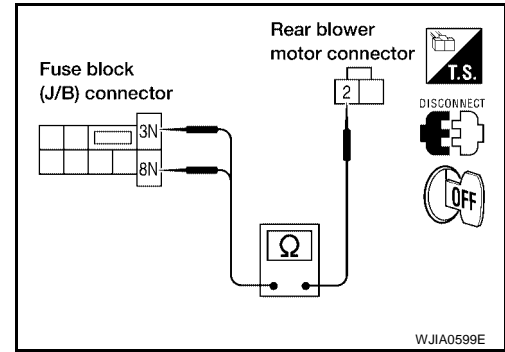
10. CHECK REAR BLOWER MOTOR RELAY (SWITCH SIDE) POWER SUPPLY CIRCUIT

1. Turn ignition switch OFF.
2. Disconnect fuse block (J/B) and rear blower motor connectors.
3. Check continuity between fuse block (J/B) harness connector M3 terminal 3N (SB) and 8N (L/R) and rear blower motor harness connector B134 terminal 2 (L/R).

3N, 8N - 2 : Continuity should exist.

OK or NG

- OK >> GO TO 20.
 NG >> Repair harness or connector.



11. CHECK REAR BLOWER MOTOR

Refer to [MTC-88, "Rear Blower Motor"](#) .

OK or NG

- OK >> GO TO 12.
 NG >> Replace rear blower motor. refer to [MTC-115, "REAR BLOWER MOTOR"](#)

12. CHECK REAR BLOWER SWITCH (FRONT)

Refer to [MTC-87, "Rear Blower Switch \(Front\)"](#) .

OK or NG

- OK >> GO TO 15.
 NG >> Replace rear blower switch (front).

13. CHECK REAR BLOWER MOTOR RESISTOR

Refer to [MTC-88, "Rear Blower Motor Resistor"](#) .

OK or NG

- OK >> GO TO 14.
 NG >> Replace rear blower motor resistor.

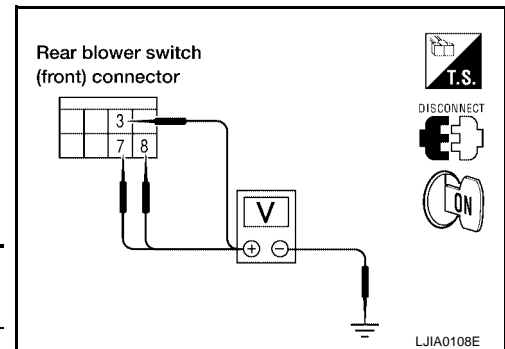
14. CHECK REAR BLOWER SWITCH (FRONT) CIRCUIT

1. Turn ignition switch OFF.
2. Disconnect rear blower switch (front) M52.
3. Turn ignition switch ON.
4. Reconnect rear blower motor resistor harness connector B133.
5. Check voltage between each rear blower switch (front) connector M52 terminals 3 (LG), 7 (W/L), and 8 (G), and ground.

Terminal No.		Voltage
(+)	(-)	
3	Ground	Approx. 12V
7		
8		

OK or NG

- OK >> GO TO 17.
 NG >> GO TO 16.



TROUBLE DIAGNOSIS

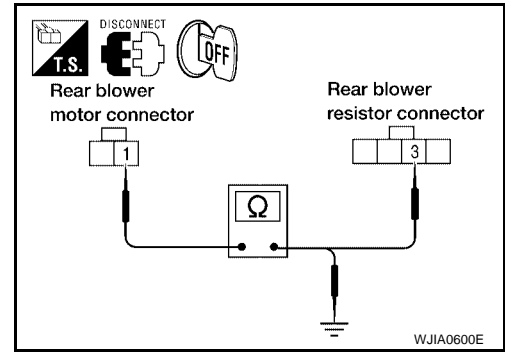
15. CHECK REAR BLOWER MOTOR GROUND CIRCUIT TO REAR BLOWER MOTOR RESISTOR

1. Turn ignition switch OFF.
2. Disconnect rear blower motor and rear blower motor resistor connectors.
3. Check continuity between rear blower motor connector B134 terminal 1 (L/B) and rear blower motor resistor harness connector B133 terminal 3 (L/B).

1 - 3 : Continuity should exist.

4. Check continuity between rear blower motor connector B134 terminal 1 (L/B) and ground.

1 - Ground : Continuity should not exist.



OK or NG

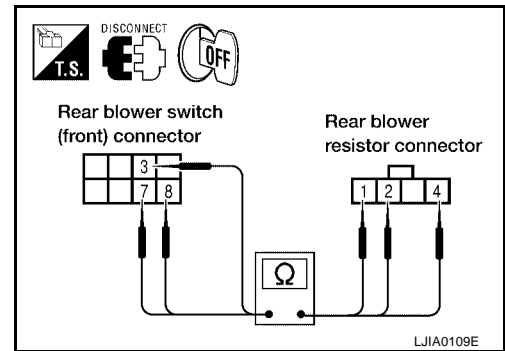
OK >> GO TO 16.

NG >> Repair harness or connector.

16. CHECK REAR BLOWER SWITCH (FRONT) CIRCUIT

1. Turn ignition switch OFF.
2. Disconnect rear blower motor resistor connector.
3. Check continuity between rear blower switch (front) connector M52 terminals 3 (LG), 7 (W/L), and 8 (G), and rear blower motor resistor connector B133 terminals 1 (LG), 4 (W/L), and 2 (G).

Terminal No.		Continuity
Rear blower switch (front)	Rear blower motor resistor	
3	1	Should exist
7	4	
8	2	



OK or NG

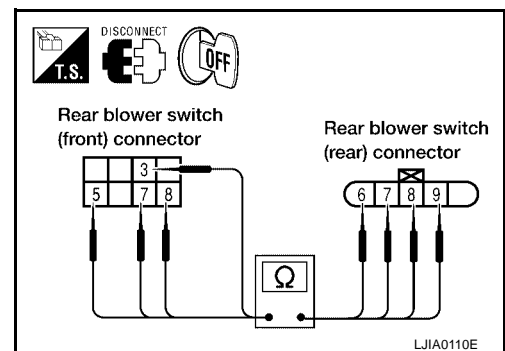
OK >> Inspection End.

NG >> Repair harness or connector.

17. CHECK REAR BLOWER SWITCH (FRONT) CIRCUIT

1. Turn ignition switch OFF.
2. Disconnect rear blower switch (rear) connectors.
3. Check continuity between rear blower switch (front) connector M52 terminals 3 (LG), 5 (L/B), 7 (W/L), and 8 (G), and rear blower switch (rear) connector R203 terminals 9 (LG), 6 (L/B), 8 (W/L), and 7 (G).

Terminal No.		Continuity
Rear blower switch (front)	Rear blower switch (rear)	
3	9	Should exist
5	6	
7	8	
8	7	



OK or NG

OK >> GO TO 18.

NG >> Repair harness or connector.

TROUBLE DIAGNOSIS

18. CHECK REAR BLOWER SWITCH (FRONT)

Refer to [MTC-87, "Rear Blower Switch \(Front\)"](#) .

OK or NG

- OK >> GO TO 19.
- NG >> Replace rear blower switch (front).

19. CHECK REAR BLOWER SWITCH (REAR)

Refer to [MTC-87, "Rear Blower Switch \(Rear\)"](#) .

OK or NG

- OK >> Inspection End.
- NG >> Replace rear blower switch (rear).

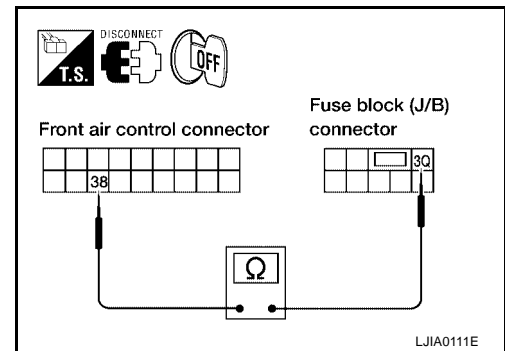
20. CHECK CIRCUIT BETWEEN FRONT AIR CONTROL AND FUSE BLOCK (J/B) [REAR BLOWER MOTOR RELAY (COIL SIDE) POWER]

1. Disconnect front air control and fuse block (J/B) connectors M39.
2. Check continuity between front air control harness connector M50 terminal 38 (W/L) and fuse block (J/B) connector M39 terminal 3Q (W/L).

Continuity should exist.

OK or NG

- OK >> Replace front air control.
- NG >> Repair harness or connector.

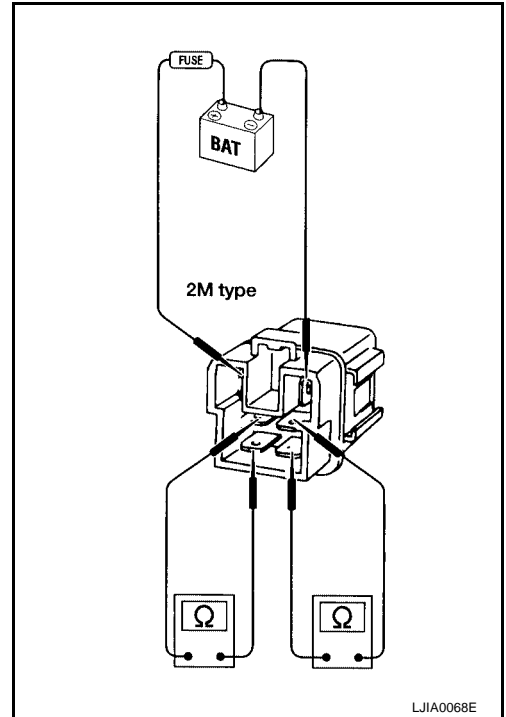


TROUBLE DIAGNOSIS

COMPONENT INSPECTION

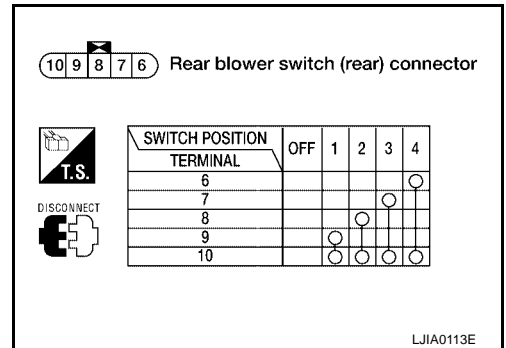
Rear Blower Motor Relay

Check circuit continuity between terminals by supplying 12 volts and ground to coil side terminals of relays.



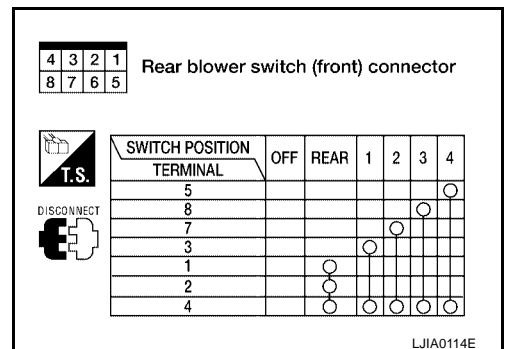
Rear Blower Switch (Rear)

Check continuity between terminals at each switch position.



Rear Blower Switch (Front)

Check continuity between terminals at each switch position.

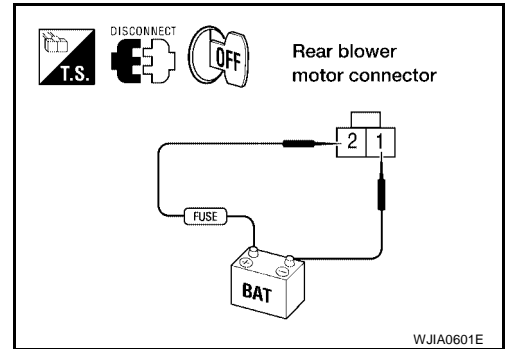


A
B
C
D
E
F
G
H
I
MTC
K
L
M

TROUBLE DIAGNOSIS

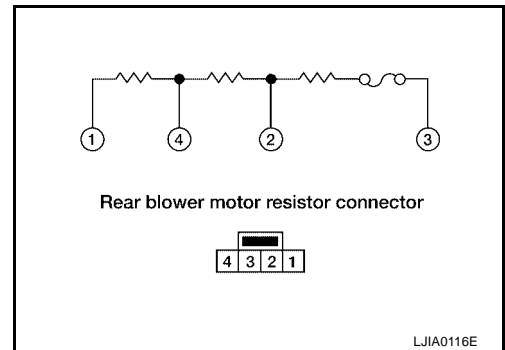
Rear Blower Motor

Check that there are no foreign particles inside the intake unit.
Apply 12 volts to terminal 2 and ground to terminal 1 and ensure that the blower motor rotates freely and quietly.



Rear Blower Motor Resistor

Check continuity between terminals. There will be resistance, but there should not be an open or short between any two terminals.



TROUBLE DIAGNOSIS

EJS00289

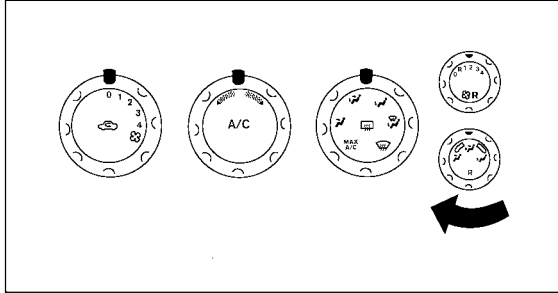
Rear Air Control Circuit

SYMPTOM:

- Temperature cannot be adjusted from the rear air control.

INSPECTION FLOW

1. Confirm symptom by performing the following operational check.



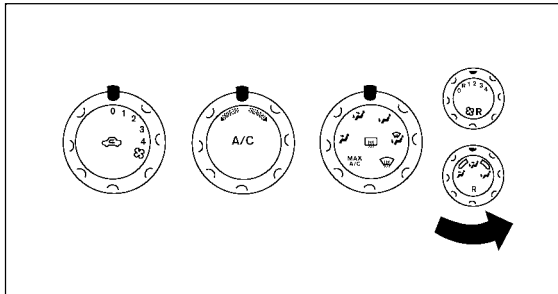
OPERATIONAL CHECK

Temperature increase

- Turn the temperature dial clockwise.
- Check for hot air at rear floor discharge air outlets.

Temperature decrease

- Turn the temperature dial counterclockwise.
- Check for cold air at rear vent discharge air outlets.



If OK (symptom cannot be duplicated), perform complete operational check (*1).
If NG (symptom is confirmed), continue with STEP-2 following.

2. Check for any service bulletins.

Does rear outlet position and temperature change when adjusted from front air control?

NO

Go to diagnostic procedure for air mix door motor (rear) (*2).

YES

Go to rear air control circuit (*3).

*1 [MTC-51, "Operational Check \(Rear\)".](#)

*2 [MTC-62, "DIAGNOSTIC PROCEDURE FOR AIR MIX DOOR MOTOR \(REAR\)".](#)

*3 [MTC-89, "Rear Air Control Circuit".](#)

WJIA1598E

TROUBLE DIAGNOSIS

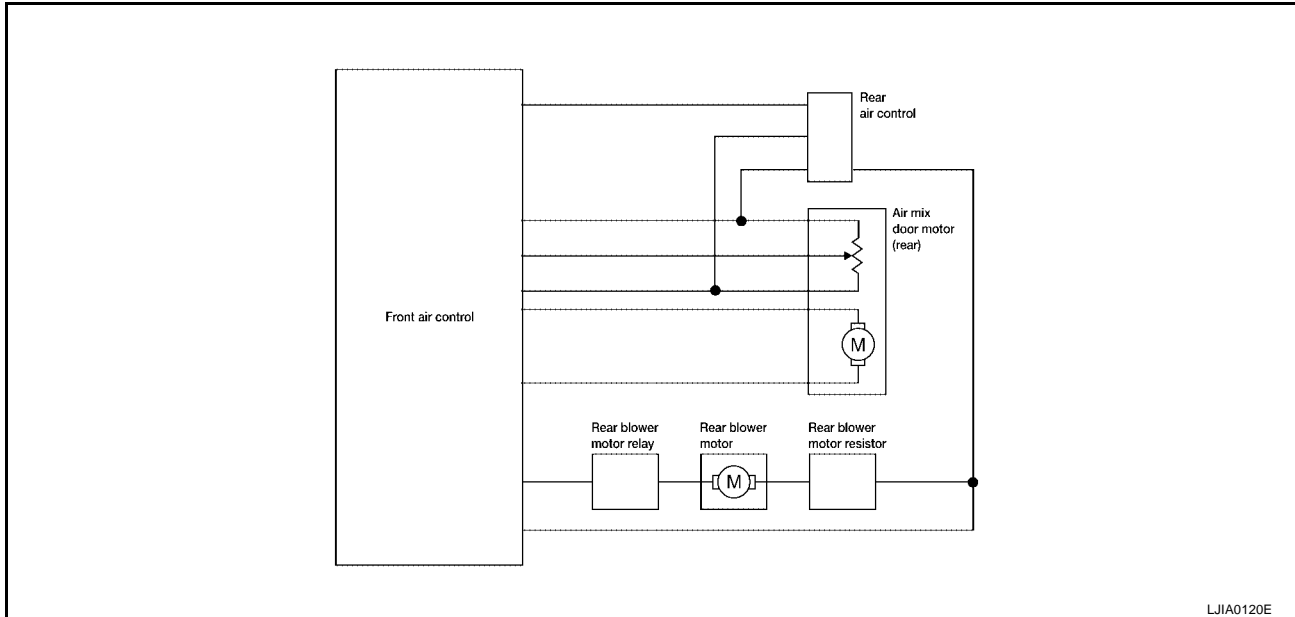
SYSTEM DESCRIPTION

Component Parts

Rear air control system components are:

- Front air control
- Rear air control
- Air mix motor (rear)
- Rear blower relay
- Rear blower motor resistor
- Rear blower motor

System Operation



Rear Air Control

When the rear blower switch (front) (integral to the front air control) is in the REAR position the rear blower motor speeds and the rear temperature/mode are controlled by the rear blower switch (rear) and the rear temperature switch (rear) (both integral to the rear air control).

DIAGNOSTIC PROCEDURE FOR REAR AIR CONTROL

SYMPTOM:

- Blower motor operation is malfunctioning. Refer to [MTC-78, "Rear Blower Motor Circuit"](#) .
- Temperature/mode operation is malfunctioning.

1. CHECK OPERATION FROM FRONT AIR CONTROL

Does rear temperature/mode operate normally from front air control?

YES or NO

YES >> GO TO 2.

NO >> Refer to [MTC-62, "DIAGNOSTIC PROCEDURE FOR AIR MIX DOOR MOTOR \(REAR\)"](#) .

TROUBLE DIAGNOSIS

2. CHECK CIRCUIT BETWEEN REAR AIR CONTROL AND FRONT AIR CONTROL FOR OPEN AND SHORT

1. Turn ignition switch OFF.
2. Disconnect front air control and rear air control connectors.
3. Check continuity between front air control harness connector M50 terminal 33 (V) and rear air control harness connector R204 terminal 5 (V).

33 - 5 **Continuity should exist.**

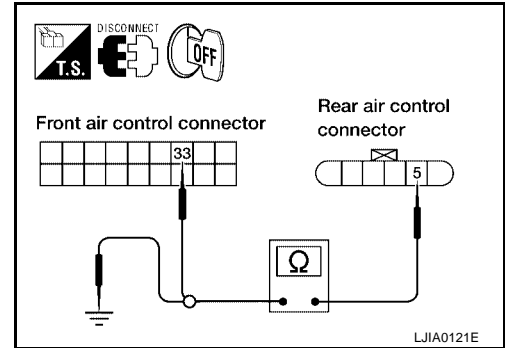
4. Check continuity between rear air control harness connector R204 terminal 5 (V) and ground.

5 - Ground **Continuity should not exist.**

OK or NG

OK >> GO TO 3.

NG >> Repair harness or connector.



3. CHECK CIRCUIT BETWEEN REAR AIR CONTROL AND AIR MIX DOOR MOTOR (REAR) FOR OPEN OR SHORT

1. Disconnect air mix door motor (rear) connector.
2. Check continuity between rear air control harness connector R204 terminal 2 (P) and 4 (Y) and air mix door motor (rear) harness connector B155 terminal 2 (P) and 3 (Y).

2 - 2 **Continuity should exist.**

4 - 3 **Continuity should exist.**

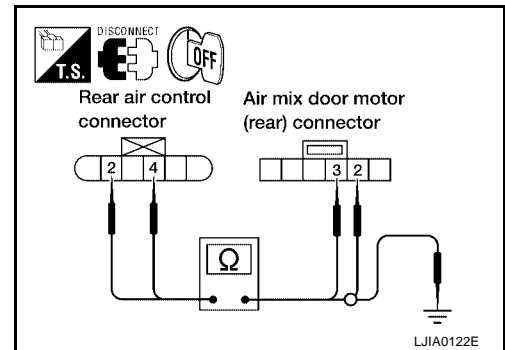
3. Check continuity between rear air control harness connector R204 terminals 2 (P) and 4 (Y) and ground.

2, 4 - Ground **Continuity should not exist.**

OK or NG

OK >> Replace rear air control. Refer to [MTC-112, "REAR AIR CONTROL"](#).

NG >> Repair harness or connector.



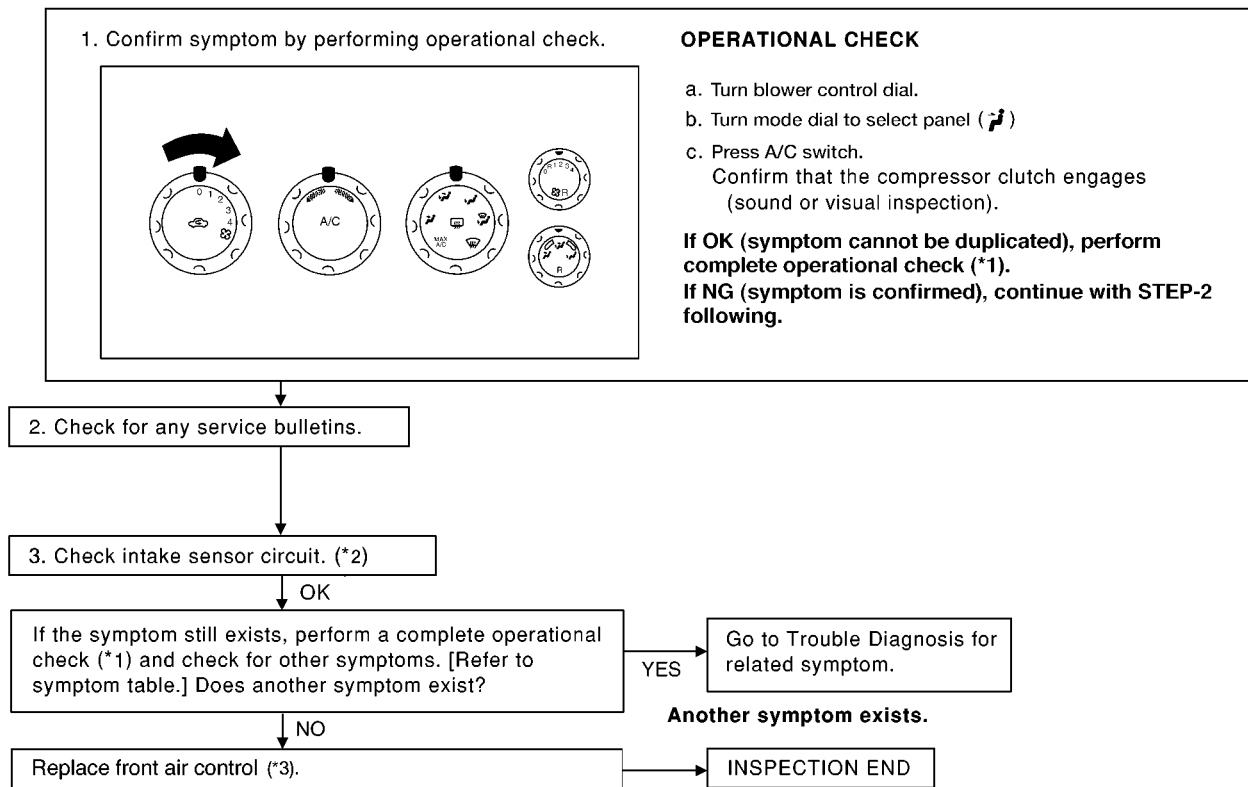
TROUBLE DIAGNOSIS

EJS0028A

Magnet Clutch Circuit

SYMPTOM: Magnet clutch does not engage.

INSPECTION FLOW



*1 [MTC-49. "Operational Check \(Front\)"](#)

*2 [MTC-109. "Intake Sensor Circuit"](#).

*3 [MTC-112. "FRONT AIR CONTROL"](#).

WJIA1599E

TROUBLE DIAGNOSIS

SYSTEM DESCRIPTION

The front air control controls compressor operation based on intake temperature and a signal from ECM.

Low Temperature Protection Control

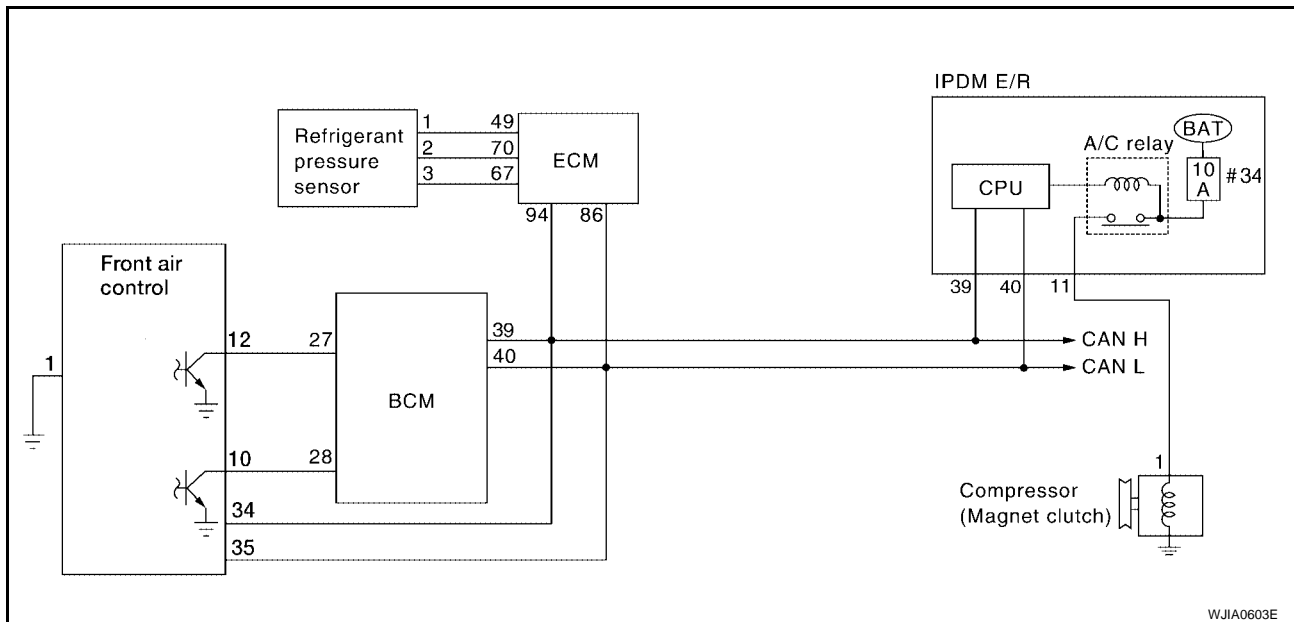
The front air control will turn the compressor ON or OFF as determined by a signal detected by the intake sensor.

When intake air temperature is higher than the preset value, the compressor turns ON. The compressor turns OFF when intake air temperature is lower than the preset value. That preset value is dependent on the ambient temperature, refer to the following table.

Ambient temperature °C (°F)	Compressor ON intake temperature C (°F)	Compressor OFF intake temperature C (°F)
0 (32)	2.5 (37)	2.0 (36)
10 (50)	2.5 (37)	2.0 (36)
20 (68)	2.5 (37)	1.5 (35)
30 (86)	2.0 (36)	0.5 (33)
40 (104)	2.0 (36)	0.5 (33)
50 (122)	2.0 (36)	0.5 (33)

DIAGNOSTIC PROCEDURE FOR MAGNET CLUTCH

SYMPTOM: Magnet clutch does not engage when A/C switch is ON.



1. PERFORM AUTO ACTIVE TEST

Refer to [PG-22, "Auto Active Test"](#).

Does magnet clutch operate?

YES or NO

YES >> ● WITH CONSULT-II
GO TO 4.

● WITHOUT CONSULT-II
GO TO 5.

NO >> Check 10A fuse (No. 48, located in IPDM E/R), and GO TO 3.

TROUBLE DIAGNOSIS

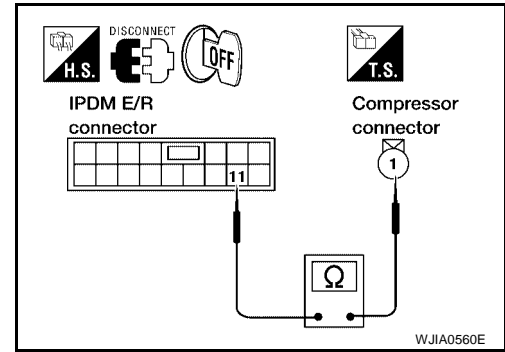
2. CHECK CIRCUIT CONTINUITY BETWEEN IPDM E/R AND COMPRESSOR

1. Turn ignition switch OFF.
2. Disconnect IPDM E/R connector and compressor (magnet clutch) connector.
3. Check continuity between IPDM E/R harness connector E119 terminal 11 (Y/B) and compressor harness connector F3 terminal 1 (Y/B).

11 - 1 : Continuity should exist.

OK or NG

- OK >> GO TO 3.
 NG >> Repair harness or connector.

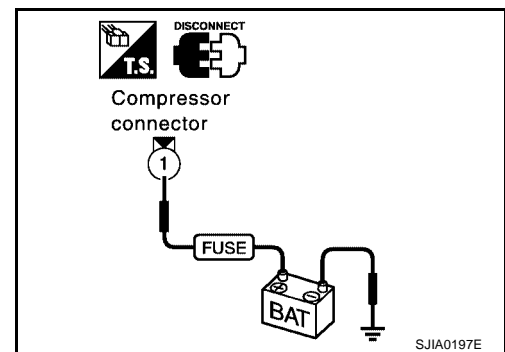


3. CHECK MAGNET CLUTCH CIRCUIT

Check for operation sound when applying battery voltage direct current to terminal.

OK or NG

- OK >> Replace IPDM E/R. Refer to [PG-28, "Removal and Installation of IPDM E/R"](#)
 NG >> Replace magnet clutch. Refer to [MTC-141, "Removal and Installation for Compressor Clutch"](#) .



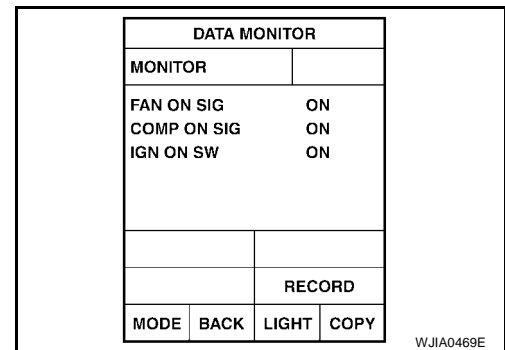
4. CHECK BCM INPUT (COMPRESSOR ON) SIGNAL

Check compressor ON/OFF signal. Refer to [MTC-31, "CONSULT-II Function \(BCM\)"](#) .

A/C SW ON : COMP ON SIG ON
A/C SW OFF : COMP ON SIG OFF

OK or NG

- OK >> GO TO 7.
 NG >> GO TO 5.



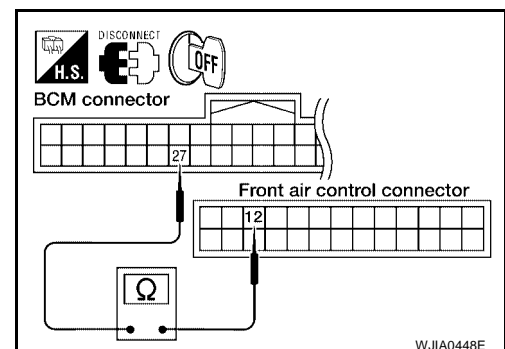
5. CHECK CIRCUIT CONTINUITY BETWEEN BCM AND FRONT AIR CONTROL

1. Turn ignition switch OFF.
2. Disconnect BCM connector and front air control connector.
3. Check continuity between BCM harness connector M18 terminal 27 (W) and front air control harness connector M49 terminal 12 (W).

27 - 12 Continuity should exist.

OK or NG

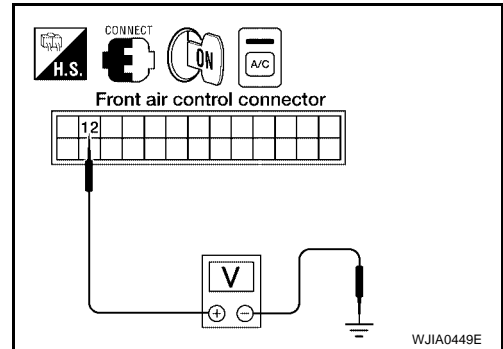
- OK >> GO TO 6.
 NG >> Repair harness or connector.



TROUBLE DIAGNOSIS

6. CHECK VOLTAGE FOR FRONT AIR CONTROL (COMPRESSOR ON SIGNAL)

1. Reconnect BCM connector and front air control connector.
2. Turn ignition switch ON.
3. Check voltage between front air control harness connector M49 terminal 12 (W) and ground.



Terminals		(-)	Condition	Voltage
(+)				
Front air control connector	Terminal No. (Wire color)			
M49	12 (W)	Ground	A/C switch: ON	Approx. 0V
			A/C switch: OFF	Approx. 5V

OK or NG

OK >> GO TO 7.

NG-1 >> If the voltage is approx. 5V when A/C switch is ON, replace front air control. Refer to [MTC-112, "FRONT AIR CONTROL"](#).

NG-2 >> If the voltage is approx. 0V when A/C switch is OFF, replace BCM. Refer to [BCS-21, "Removal and Installation of BCM"](#).

7. CHECK REFRIGERANT PRESSURE SENSOR

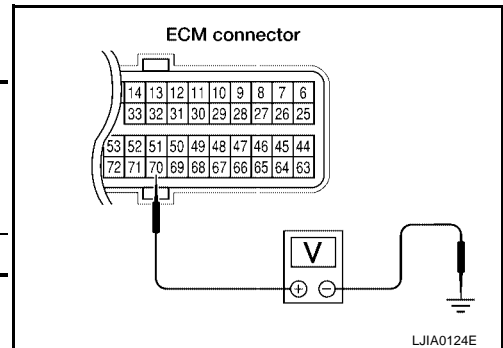
Ⓜ WITH CONSULT-II

1. Start engine.
2. Check voltage of refrigerant pressure sensor. Refer to [MTC-31, "CONSULT-II Function \(BCM\)"](#).

ⓧ WITHOUT CONSULT-II

1. Start engine.
2. Check voltage between ECM harness connector F54 terminal 70 (B/W) and ground.

Terminals		(-)	Condition	Voltage
(+)				
ECM connector	Terminal No. (Wire color)			
F54	70 (B/W)	Ground	A/C switch: ON	Approx. 0.36 - 3.88V



OK or NG

OK >> ● Ⓜ WITH CONSULT-II
GO TO 8.

- ⓧ WITHOUT CONSULT-II
GO TO 9.

NG >> Refer to [MTC-97, "Refrigerant Pressure Sensor"](#).

TROUBLE DIAGNOSIS

8. CHECK BCM INPUT (FAN ON) SIGNAL

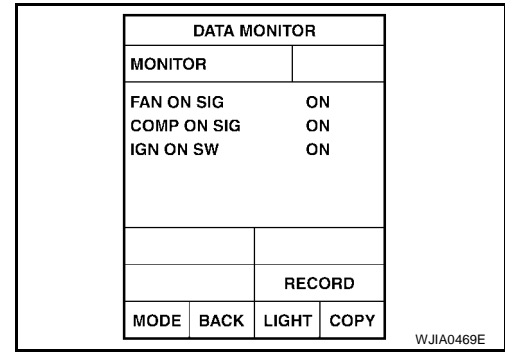
Check FAN ON/OFF signal. Refer to [MTC-31, "CONSULT-II Function \(BCM\)"](#) .

BLOWER CONTROL SWITCH ON : FAN ON SIG ON

BLOWER CONTROL SWITCH OFF : FAN ON SIG OFF

OK or NG

- OK >> GO TO 11.
- NG >> GO TO 9.



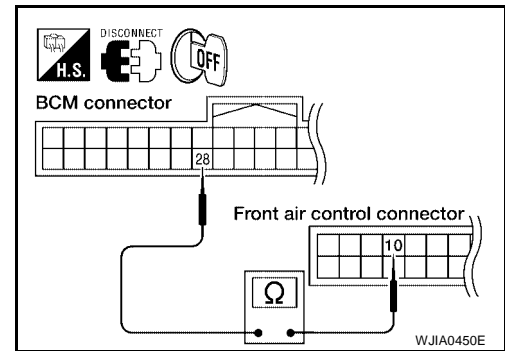
9. CHECK CIRCUIT CONTINUITY BETWEEN BCM AND FRONT AIR CONTROL

1. Turn ignition switch OFF.
2. Disconnect BCM connector and front air control connector.
3. Check continuity between BCM harness connector M18 terminal 28 (L/R) and front air control harness connector M49 terminal 10 (L/R).

28 - 10 Continuity should exist.

OK or NG

- OK >> GO TO 10.
- NG >> Repair harness or connector.



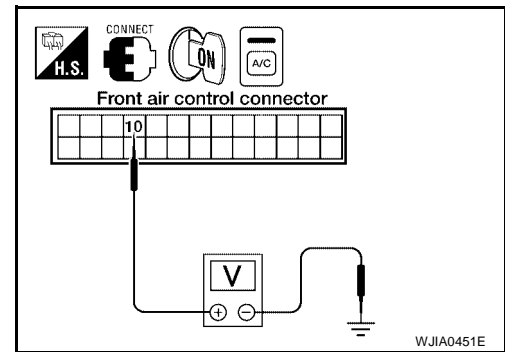
10. CHECK VOLTAGE FOR FRONT AIR CONTROL (FAN ON SIGNAL)

1. Reconnect BCM connector and front air control connector.
2. Turn ignition switch ON.
3. Check voltage between front air control harness connector M49 terminal 10 (L/R) and ground.

Terminals		(-)	Condition	Voltage
(+)	Terminal No. (Wire color)			
Front air control connector		(-)		
M49	10 (L/R)	Ground	A/C switch: ON Blower motor operates	Approx. 0V
			A/C switch: OFF	Approx. 5V

OK or NG

- OK >> GO TO 11.
- NG-1 >> If the voltage is approx. 5V when blower motor is ON, replace front air control. Refer to [MTC-112, "FRONT AIR CONTROL"](#) .
- NG-2 >> If the voltage is approx. 0V when blower motor is OFF, replace BCM. Refer to [BCS-21, "Removal and Installation of BCM"](#) .



11. CHECK INTAKE SENSOR CIRCUIT

Check intake sensor. Refer to [MTC-109, "Intake Sensor Circuit"](#) .

OK or NG

- OK >> GO TO 12.
- NG >> Repair or replace malfunctioning part(s).

TROUBLE DIAGNOSIS

12. CHECK CAN COMMUNICATION

Check CAN communication. Refer to [MTC-30, "CAN Communication System Description"](#) .

- BCM – ECM
- ECM – IPDM E/R
- ECM – Front air control

OK or NG

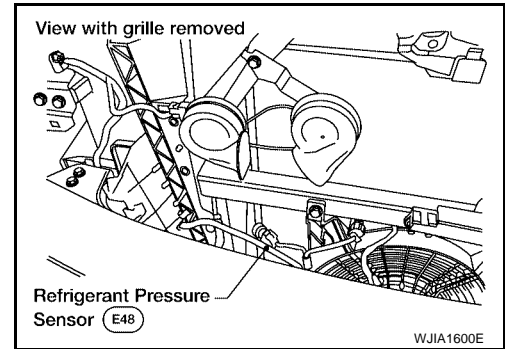
OK >> Inspection End.

NG >> Repair or replace malfunctioning part(s).

COMPONENT INSPECTION

Refrigerant Pressure Sensor

The refrigerant pressure sensor is attached to the condenser.



A

B

C

D

E

F

G

H

I

MTC

K

L

M

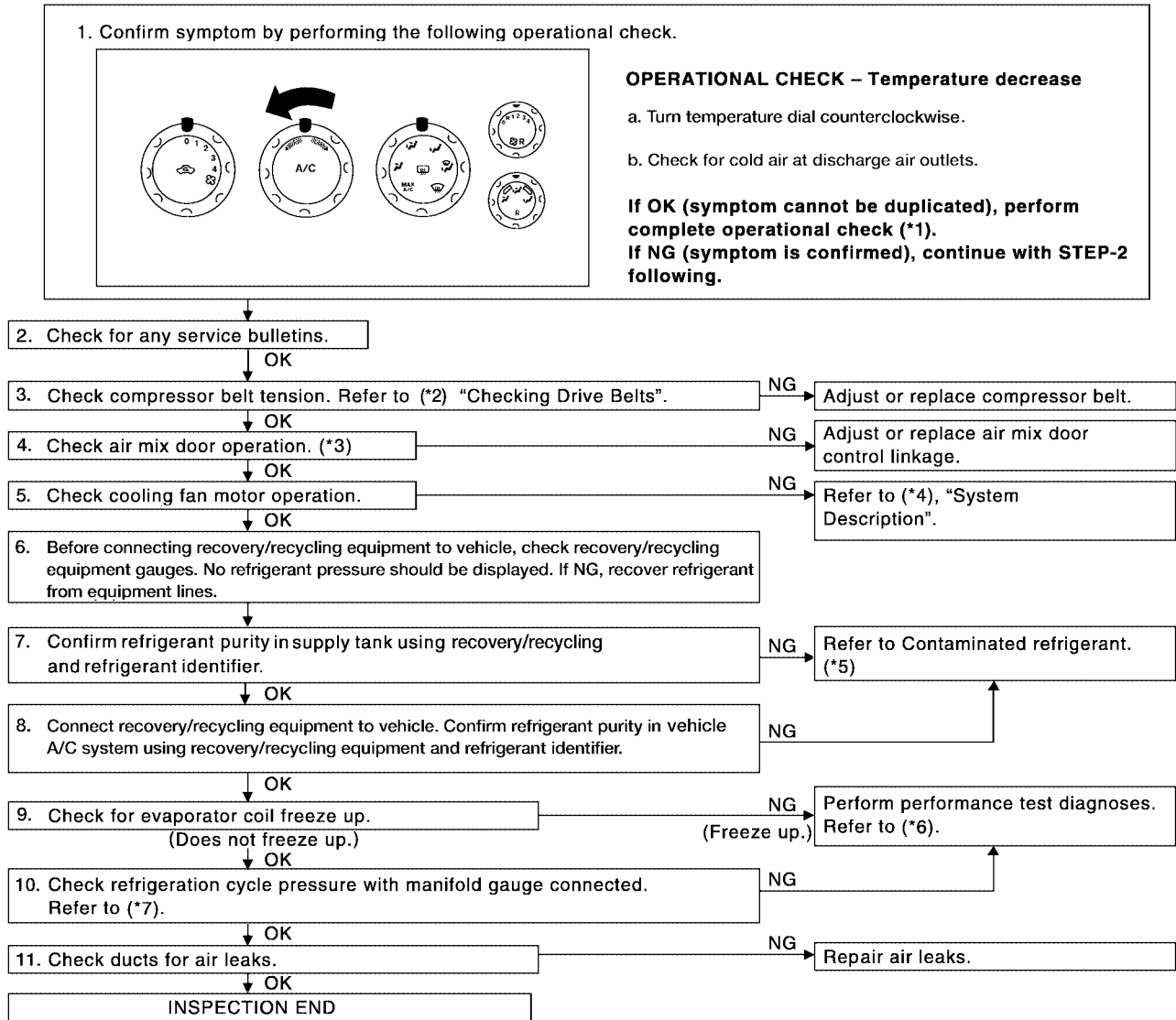
TROUBLE DIAGNOSIS

EJS0028B

Insufficient Cooling

SYMPTOM: Insufficient cooling

INSPECTION FLOW



WJIA1601E

*1 [.MTC-49, "Operational Check \(Front\)"](#) .

*2 [EM-12, "Checking Drive Belts"](#).

*3 [MTC-60, "System Operation"](#).

*4 [EC-408, "Description"](#) .

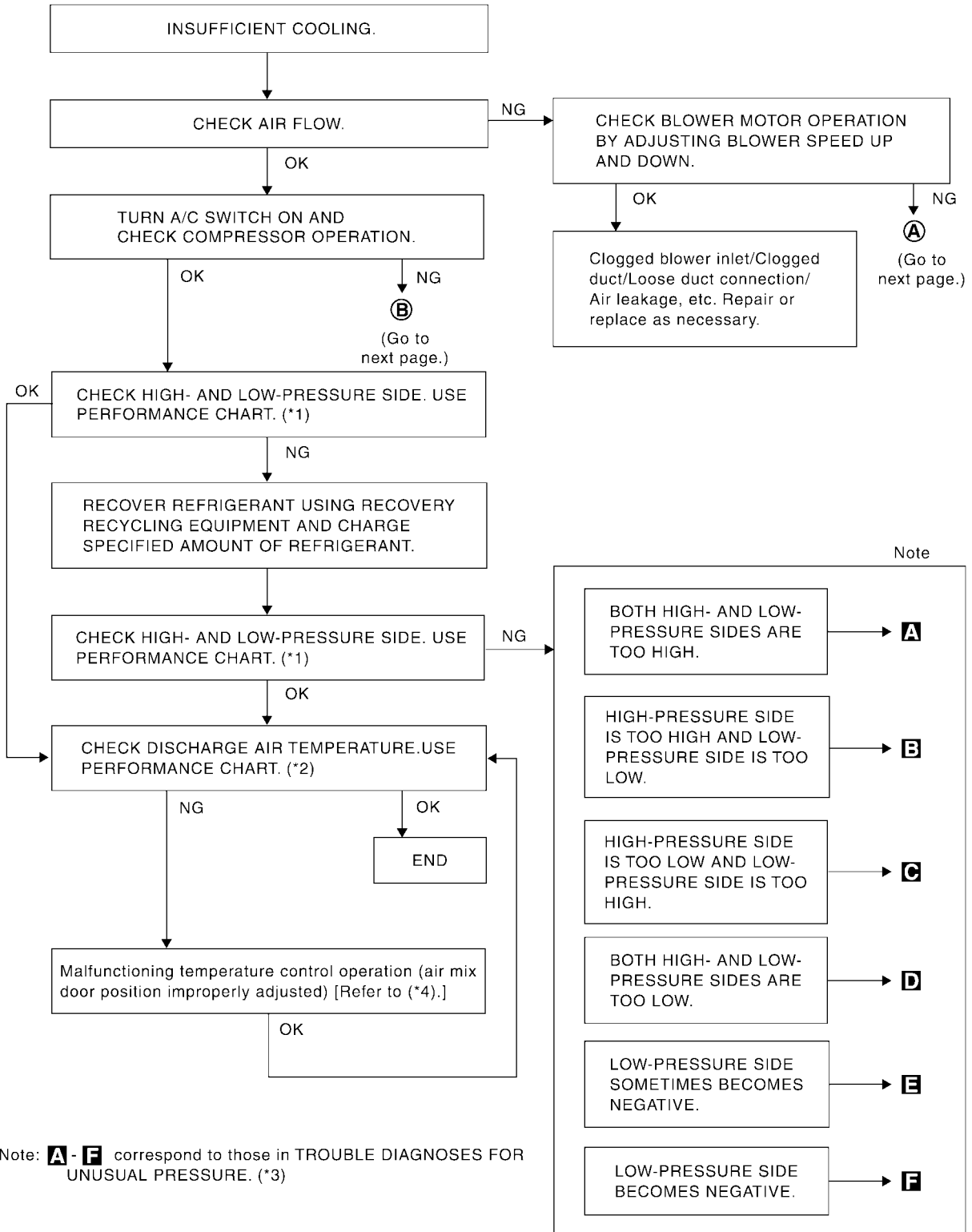
*5 [MTC-4, "Contaminated Refrigerant"](#).

*6 [.MTC-99, "PERFORMANCE TEST DIAGNOSES"](#)

*7 [MTC-101, "Test Reading"](#)

TROUBLE DIAGNOSIS

PERFORMANCE TEST DIAGNOSES



*1 [MTC-101, "PERFORMANCE CHART"](#).

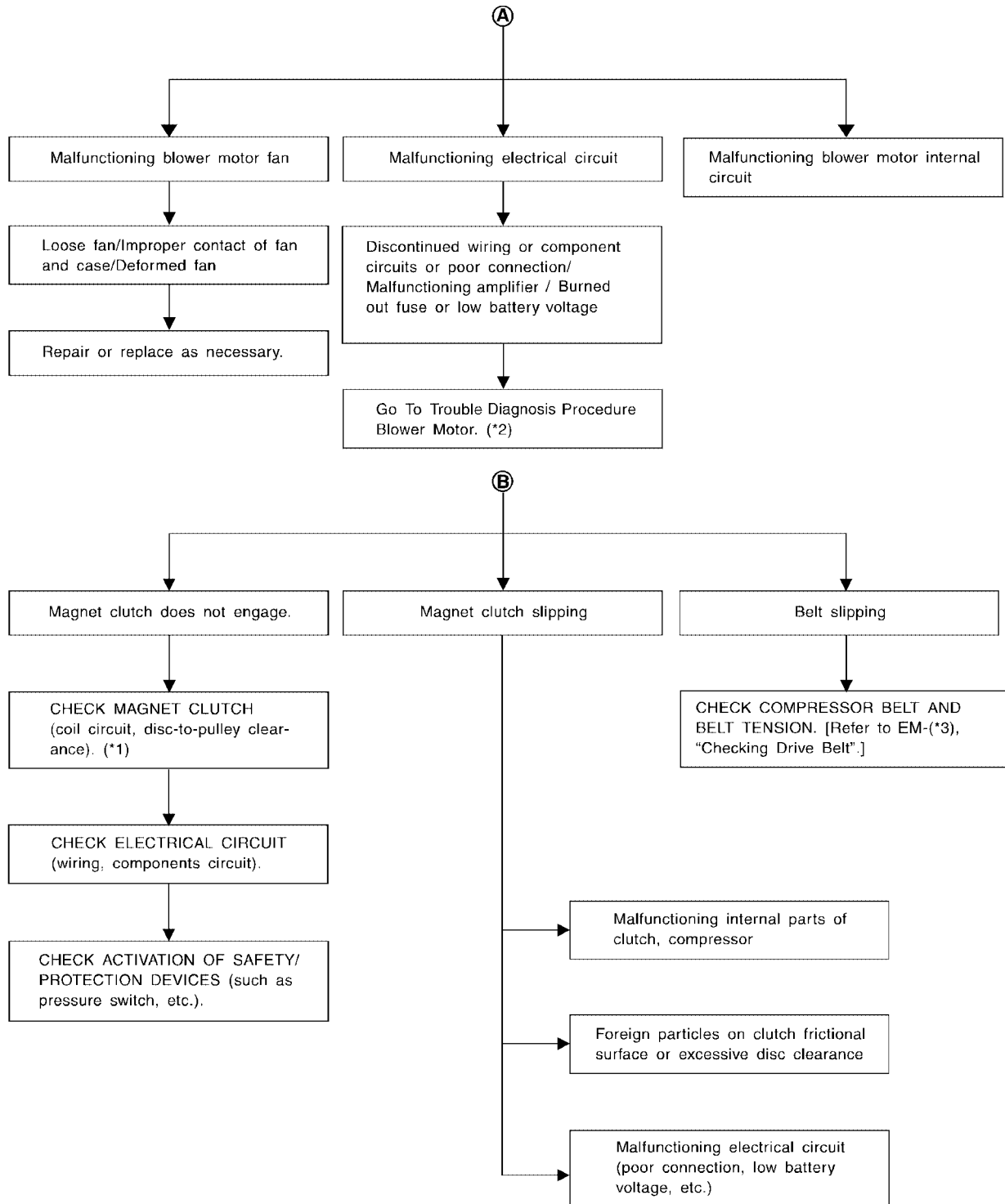
*2 [MTC-101, "PERFORMANCE CHART"](#).

*3 [MTC-102, "Trouble Diagnoses for Unusual Pressure"](#).

*4 [MTC-59, "Air Mix Door Motor Circuit"](#).

RJIA1601E

TROUBLE DIAGNOSIS



WJIA0361E

*1 [MTC-141. "Removal and Installation for Compressor Clutch".](#)

*2 [MTC-70. "Front Blower Motor Circuit".](#)




*3 [EM-12. "Checking Drive Belts".](#)

TROUBLE DIAGNOSIS

PERFORMANCE CHART

Test Condition

Testing must be performed as follows:

Vehicle location	Indoors or in the shade (in a well-ventilated place)
Doors	Closed
Door window	Open
Hood	Open
TEMP.	Max. COLD
Mode switch	 (Ventilation) set
Recirculation (REC) switch	 (Recirculation) set
 Blower speed	Max. speed set
Engine speed	Idle speed

Operate the air conditioning system for 10 minutes before taking measurements.

Test Reading

Recirculating-to-discharge Air Temperature Table

Inside air (Recirculating air) at blower assembly inlet		Discharge air temperature at center ventilator °C (°F)
Relative humidity %	Air temperature °C (°F)	
50 - 60	20 (68)	5.3 - 6.5 (42 - 44)
	25 (77)	9.7 - 11.5 (49 - 53)
	30 (86)	13.8 - 16.3 (57 - 61)
	35 (95)	18.0 - 21.2 (64 - 70)
	40 (104)	22.2 - 25.7 (72 - 78)
60 - 70	20 (68)	6.5 - 7.7 (44 - 46)
	25 (77)	11.5 - 13.3 (53 - 56)
	30 (86)	16.3 - 18.8 (61 - 66)
	35 (95)	21.2 - 24.0 (70 - 75)
	40 (104)	25.7 - 29.2 (78 - 85)

Ambient Air Temperature-to-operating Pressure Table

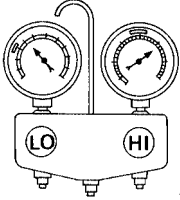
Ambient air		High-pressure (Discharge side) kPa (kg/cm ² , psi)	Low-pressure (Suction side) kPa (kg/cm ² , psi)
Relative humidity %	Air temperature °C (°F)		
50 - 70	20 (68)	680 - 840 (6.94 - 8.57, 98.6 - 121.8)	160 - 198 (1.63 - 2.02, 23.2 - 28.7)
	25 (77)	800 - 985 (8.16 - 10.05, 116.0 - 142.8)	198 - 245 (2.02 - 2.50, 28.7 - 35.5)
	30 (86)	940 - 1,150 (9.59 - 11.73, 136.3 - 166.8)	225 - 278 (2.30 - 2.84, 32.6 - 40.3)
	35 (95)	1,160 - 1,410 (11.83 - 14.38, 168.2 - 204.5)	273 - 335 (2.78 - 3.42, 39.6 - 48.6)
	40 (104)	1,325 - 1,620 (13.52 - 16.52, 192.1 - 234.9)	325 - 398 (3.32 - 4.06, 47.1 - 57.7)

TROUBLE DIAGNOSIS

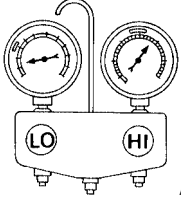
TROUBLE DIAGNOSES FOR UNUSUAL PRESSURE

Whenever system's high and/or low side pressure is unusual, diagnose using a manifold gauge. The marker above the gauge scale in the following tables indicates the standard (usual) pressure range. Since the standard (usual) pressure, however, differs from vehicle to vehicle, refer to above table (Ambient air temperature-to-operating pressure table).

Both High- and Low-pressure Sides are Too High

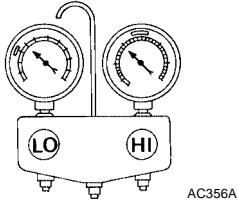
Gauge indication	Refrigerant cycle	Probable cause	Corrective action
<p>Both high- and low-pressure sides are too high.</p>  <p style="text-align: right; font-size: small;">AC359A</p>	Pressure is reduced soon after water is splashed on condenser.	Excessive refrigerant charge in refrigeration cycle	Reduce refrigerant until specified pressure is obtained.
	Air suction by cooling fan is insufficient.	Insufficient condenser cooling performance ↓ 1. Condenser fins are clogged. 2. Improper fan rotation of cooling fan	<ul style="list-style-type: none"> ● Clean condenser. ● Check and repair cooling fan as necessary.
	<ul style="list-style-type: none"> ● Low-pressure pipe is not cold. ● When compressor is stopped high-pressure value quickly drops by approximately 196 kPa (2 kg/cm², 28 psi). It then decreases gradually thereafter. 	Poor heat exchange in condenser (After compressor operation stops, high-pressure decreases too slowly.) ↓ Air in refrigeration cycle	Evacuate repeatedly and recharge system.
	Engine tends to overheat.	Engine cooling systems malfunction.	Check and repair engine cooling system.
	<ul style="list-style-type: none"> ● An area of the low-pressure pipe is colder than areas near the evaporator outlet. ● Plates are sometimes covered with frost. 	<ul style="list-style-type: none"> ● Excessive liquid refrigerant on low-pressure side ● Excessive refrigerant discharge flow ● Expansion valve is open a little compared with the specification. ↓ Improper expansion valve adjustment	Replace expansion valve.

High-pressure Side is Too High and Low-pressure Side is Too Low

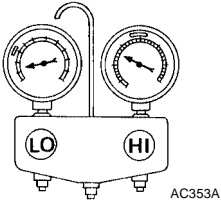
Gauge indication	Refrigerant cycle	Probable cause	Corrective action
<p>High-pressure side is too high and low-pressure side is too low.</p>  <p style="text-align: right; font-size: small;">AC360A</p>	Upper side of condenser and high-pressure side are hot, however, liquid tank is not so hot.	High-pressure tube or parts located between compressor and condenser are clogged or crushed.	<ul style="list-style-type: none"> ● Check and repair or replace malfunctioning parts. ● Check lubricant for contamination.

TROUBLE DIAGNOSIS

High-pressure Side is Too Low and Low-pressure Side is Too High

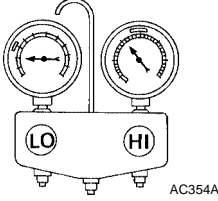
Gauge indication	Refrigerant cycle	Probable cause	Corrective action
High-pressure side is too low and low-pressure side is too high. 	High- and low-pressure sides become equal soon after compressor operation stops.	Compressor pressure operation is improper. ↓ Damaged inside compressor packings.	Replace compressor.
	No temperature difference between high- and low-pressure sides.	Compressor pressure operation is improper. ↓ Damaged inside compressor packings.	Replace compressor.

Both High- and Low-pressure Sides are Too Low

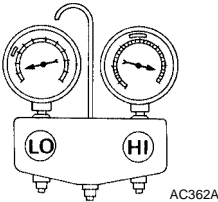
Gauge indication	Refrigerant cycle	Probable cause	Corrective action
Both high- and low-pressure sides are too low. 	<ul style="list-style-type: none"> There is a big temperature difference between receiver drier outlet and inlet. Outlet temperature is extremely low. Liquid tank inlet and expansion valve are frosted. 	Liquid tank inside is slightly clogged.	<ul style="list-style-type: none"> Replace liquid tank. Check lubricant for contamination.
	<ul style="list-style-type: none"> Temperature of expansion valve inlet is extremely low as compared with areas near liquid tank. Expansion valve inlet may be frosted. Temperature difference occurs somewhere in high-pressure side. 	High-pressure pipe located between receiver drier and expansion valve is clogged.	<ul style="list-style-type: none"> Check and repair malfunctioning parts. Check lubricant for contamination.
	Expansion valve and liquid tank are warm or only cool when touched.	Low refrigerant charge. ↓ Leaking fittings or components.	Check refrigerant system for leaks. Refer to MTC-150, "Checking for Refrigerant Leaks" .
	There is a big temperature difference between expansion valve inlet and outlet while the valve itself is frosted.	Expansion valve closes a little compared with the specification. ↓ <ol style="list-style-type: none"> Improper expansion valve adjustment. Malfunctioning expansion valve. Outlet and inlet may be clogged. 	<ul style="list-style-type: none"> Remove foreign particles by using compressed air. Check lubricant for contamination.
	An area of the low-pressure pipe is colder than areas near the evaporator outlet.	Low-pressure pipe is clogged or crushed.	<ul style="list-style-type: none"> Check and repair malfunctioning parts. Check lubricant for contamination.
	Air flow volume is too low.	Evaporator is frozen.	<ul style="list-style-type: none"> Check intake sensor circuit. Refer to MTC-109, "Intake Sensor Circuit". Replace compressor.

TROUBLE DIAGNOSIS

Low-pressure Side Sometimes Becomes Negative

Gauge indication	Refrigerant cycle	Probable cause	Corrective action
<p>Low-pressure side sometimes becomes negative.</p>  <p style="text-align: right; font-size: small;">AC354A</p>	<ul style="list-style-type: none"> ● Air conditioning system does not function and does not cyclically cool the compartment air. ● The system constantly functions for a certain period of time after compressor is stopped and restarted. 	<p>Refrigerant does not discharge cyclically.</p> <p>↓</p> <p>Moisture is frozen at expansion valve outlet and inlet.</p> <p>↓</p> <p>Water is mixed with refrigerant.</p>	<ul style="list-style-type: none"> ● Drain water from refrigerant or replace refrigerant. ● Replace liquid tank.

Low-pressure Side Becomes Negative

Gauge indication	Refrigerant cycle	Probable cause	Corrective action
<p>Low-pressure side becomes negative.</p>  <p style="text-align: right; font-size: small;">AC362A</p>	<p>Liquid tank or front/rear side of expansion valve's pipe is frosted or dewed.</p>	<p>High-pressure side is closed and refrigerant does not flow.</p> <p>↓</p> <p>Expansion valve or liquid tank is frosted.</p>	<p>Leave the system at rest until no frost is present. Start it again to check whether or not the malfunction is caused by water or foreign particles.</p> <ul style="list-style-type: none"> ● If water is the cause, initially cooling is okay. Then the water freezes causing a blockage. Drain water from refrigerant or replace refrigerant. ● If due to foreign particles, remove expansion valve and remove the particles with dry and compressed air (not shop air). ● If either of the above methods cannot correct the malfunction, replace expansion valve. ● Replace liquid tank. ● Check lubricant for contamination.

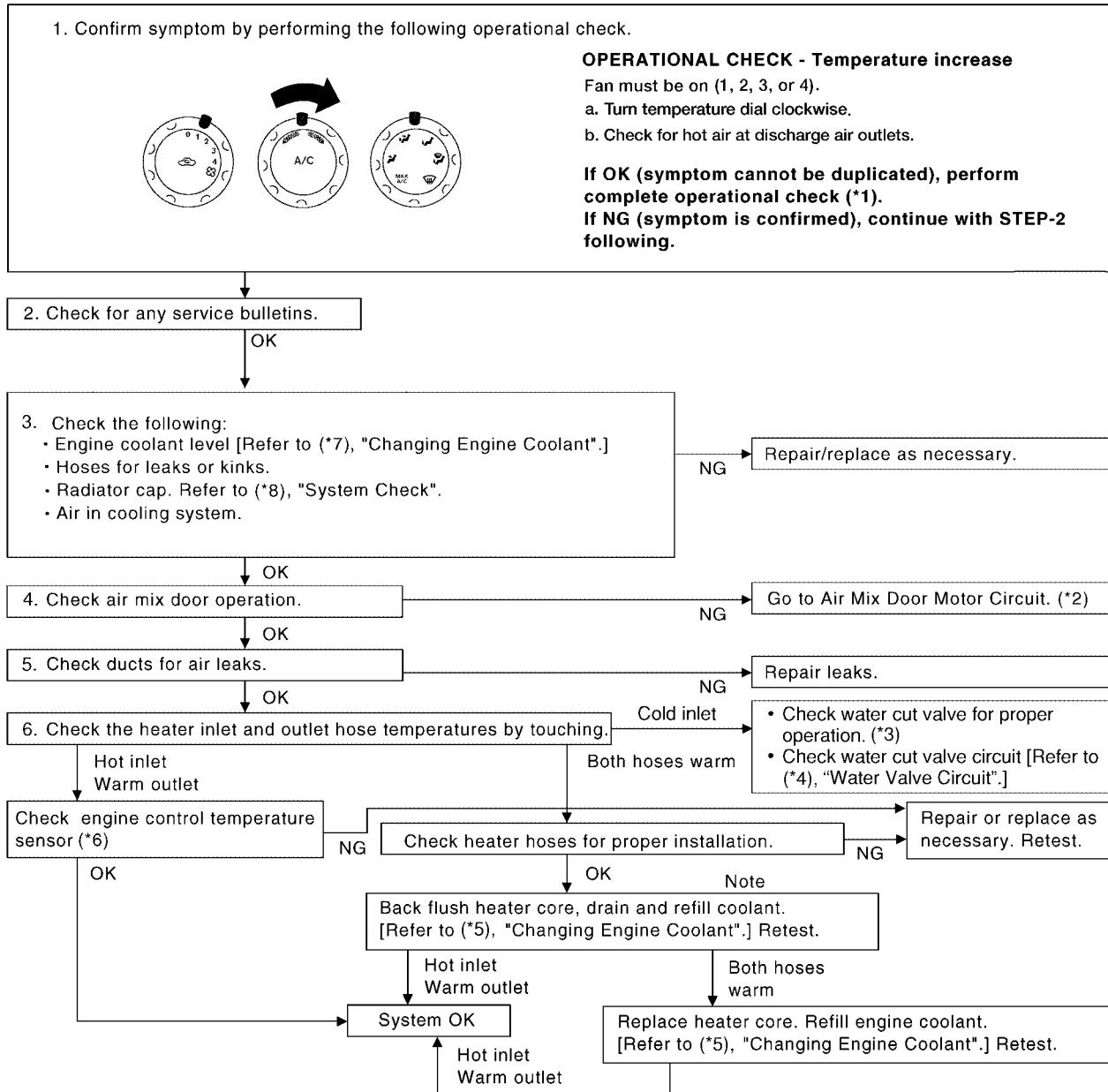
TROUBLE DIAGNOSIS

EJS0028C

Insufficient Heating

SYMPTOM: Insufficient heating

INSPECTION FLOW



*1 [.MTC-49, "Operational Check \(Front\)" or MTC-51, "Operational Check \(Rear\)"](#) .

*4 [MTC-107, "Water Valve Circuit"](#).

*7 [CO-9, "Changing Engine Coolant"](#).

*2 [MTC-59, "Air Mix Door Motor Circuit"](#).

*5 [CO-12, "Checking Reservoir Cap"](#).

*8 .

*3 [CO-5, "OVERHEATING CAUSE ANALYSIS"](#).

*6 [EC-163, "DTC P0117, P0118 ECT SENSOR"](#).

*9

WJIA1602E

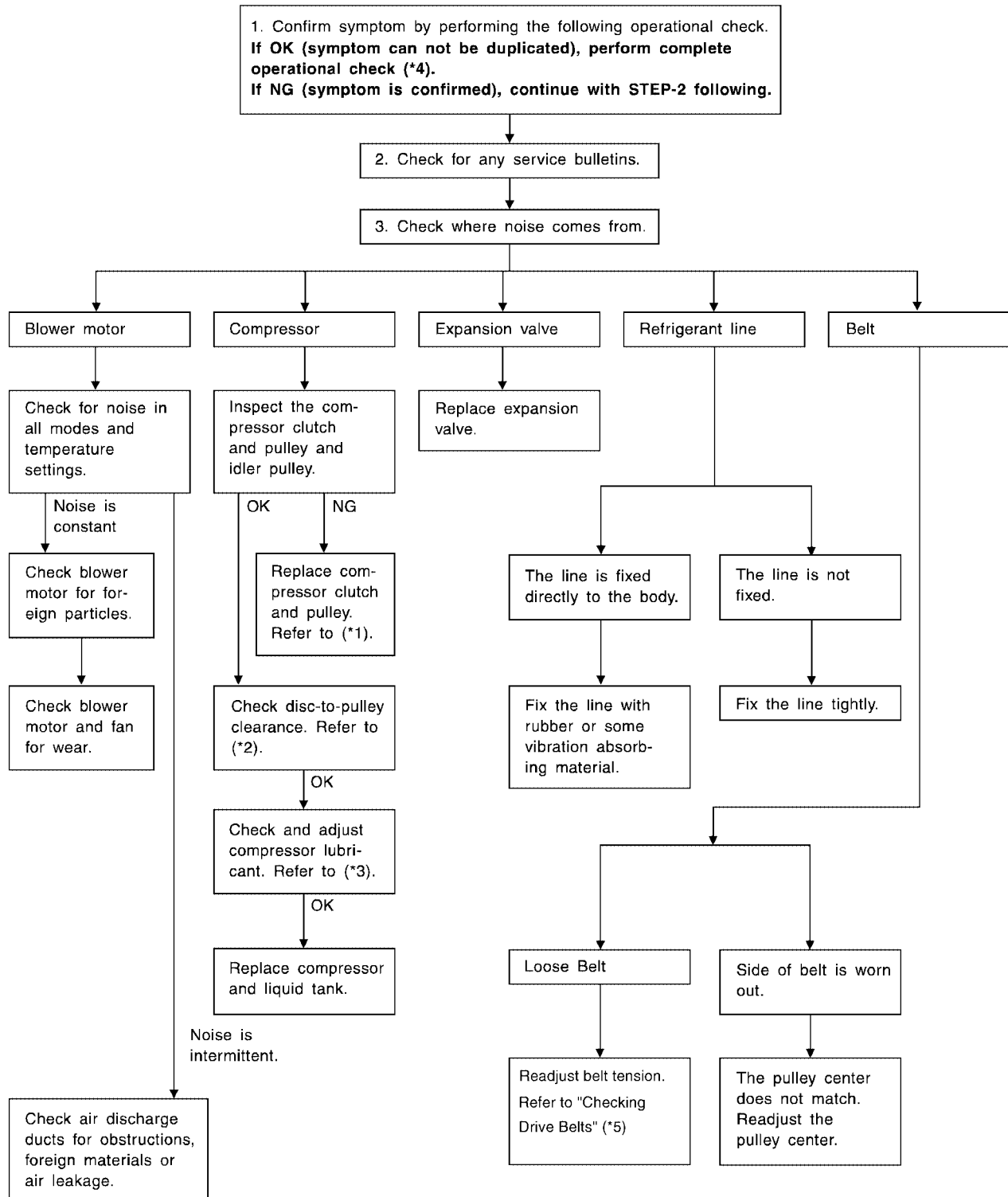
TROUBLE DIAGNOSIS

EJS0028V

Noise

SYMPTOM: Noise

INSPECTION FLOW



WJIA0473E

TROUBLE DIAGNOSIS

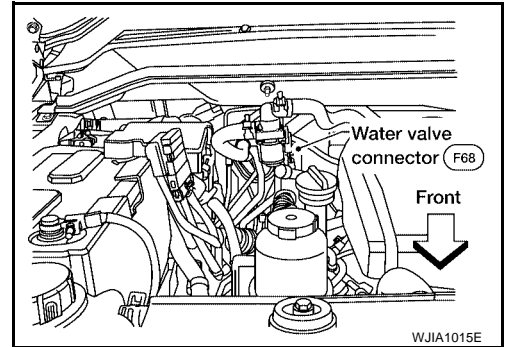
- *1 [MTC-141. "REMOVAL".](#)
- *2 [MTC-142. "INSTALLATION".](#)
- *3 [MTC-21. "Maintenance of Lubricant Quantity in Compressor".](#)
- *4 [MTC-49. "Operational Check \(Front\)"](#) or [MTC-51. "Operational Check \(Rear\)"](#).
- *5 [EM-12. "Checking Drive Belts".](#)

Water Valve Circuit COMPONENT DESCRIPTION

EJS0028G

Water Valve

The water valve cuts the flow of engine coolant to the front and rear heater cores to allow for maximum cooling during A/C operation. It is controlled by the front air control through the water valve relay.

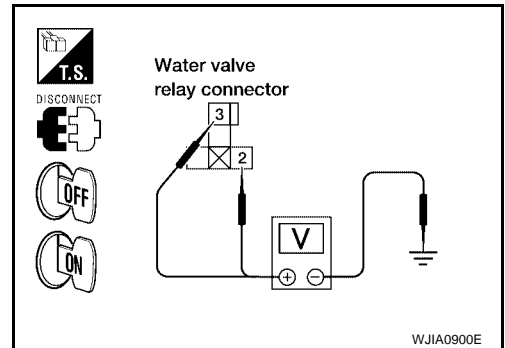


DIAGNOSTIC PROCEDURE FOR WATER VALVE

1. CHECK WATER VALVE RELAY POWER INPUT CIRCUITS

1. Turn ignition switch OFF.
2. Disconnect water valve relay connector M7.
3. Check voltage between water valve relay harness connector terminals and ground.

Terminals		(-)	Ignition switch position	
(+) Terminal No. (Wire color)			OFF	ON
Water valve relay connector M7	2 (Y/R)	Ground	Battery voltage	Battery voltage
	3 (Y/G)		0V	Battery voltage



OK or NG

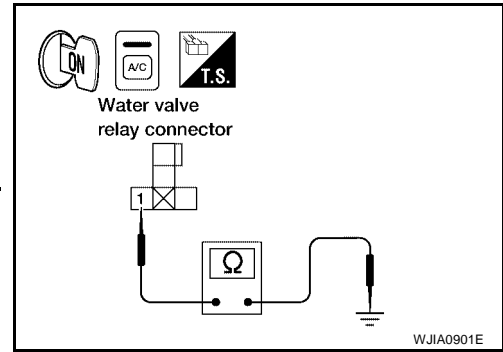
- OK >> GO TO 2.
- NG >> Repair harness or connector.

TROUBLE DIAGNOSIS

2. CHECK WATER VALVE CONTROL

1. Turn ignition switch ON.
2. Select MAX A/C with mode switch.
3. Check continuity between water valve relay harness connector M7 terminal 1 (W/G) and ground, as MAX A/C is switched OFF and ON.

Terminals			Condition	Continuity
(+)		(-)		
Water valve relay connector	Terminal No. (Wire color)			
M7	1 (W/G)	Ground	MAX A/C: ON	Yes
			MAX A/C: OFF	No



OK or NG

- OK >> GO TO 4.
 NG >> GO TO 3.

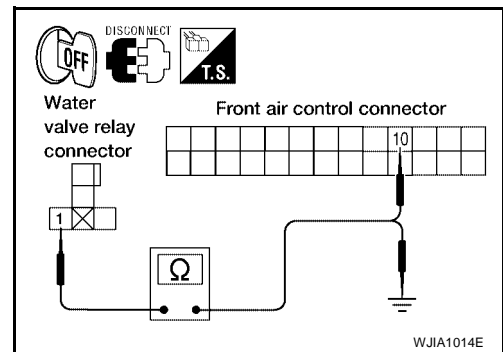
3. CHECK WATER VALVE CONTROL OUTPUT CIRCUIT

1. Turn ignition switch OFF.
2. Disconnect front air control connector M49.
3. Check continuity between water valve relay harness connector M7 terminal 1 (W/G) and front air control harness connector M49 terminal 10 (W/G).

1 - 10 : Continuity should exist.

4. Check continuity between water valve relay harness connector M7 terminal 1 (W/G) and ground.

1 - Ground : Continuity should not exist.



OK or NG

- OK >> Replace front air control. Refer to [MTC-112, "FRONT AIR CONTROL"](#) .
 NG >> Repair harness or connector.

4. CHECK WATER VALVE RELAY

Check water valve relay. Refer to [MTC-109, "Water Valve Relay"](#) .

OK or NG

- OK >> GO TO 5
 NG >> Replace water valve relay.

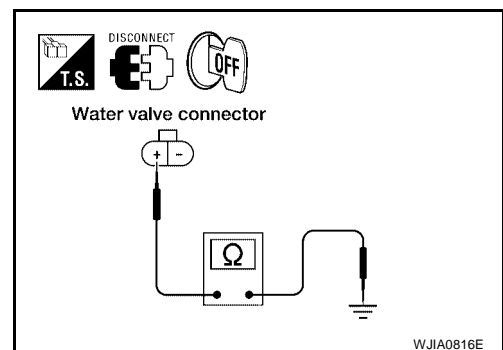
5. CHECK WATER VALVE GROUND CIRCUIT

1. Turn ignition switch OFF.
2. Disconnect water valve connector F68.
3. Check continuity between water valve harness connector F68 terminal - (B) and ground.

(-) - Ground : Continuity should exist.

OK or NG

- OK >> GO TO 6.
 NG >> Repair harness or connector.



TROUBLE DIAGNOSIS

6. CHECK WATER VALVE POWER CIRCUIT

1. Check continuity between water valve relay connector terminal 5 (Y/L) and water valve connector F68 terminal + (Y/L)

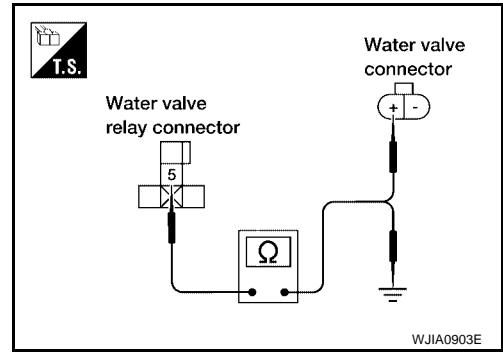
5 - + : Continuity should exist.

2. Check continuity between water valve relay harness connector M7 terminal 5 (Y/L) and ground.

5 - Ground : Continuity should not exist.

OK or NG

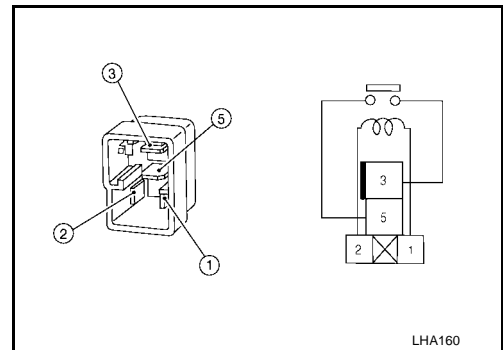
- OK >> Replace water valve.
- NG >> Repair harness or connector.



COMPONENT INSPECTION

Water Valve Relay

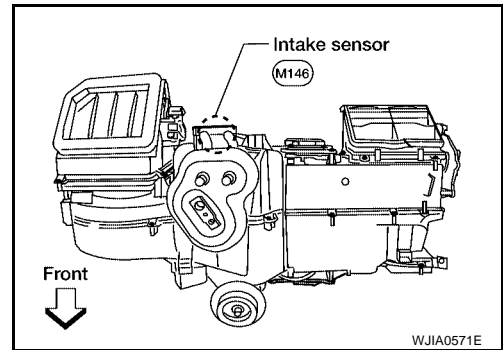
Check continuity between terminals 3 and 5 by supplying 12 volts and ground to coil side terminals of relay.



Intake Sensor Circuit COMPONENT DESCRIPTION

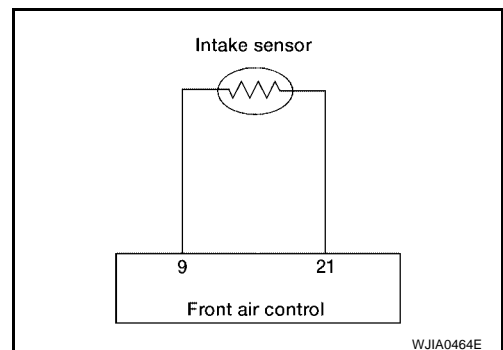
Intake Sensor

The intake sensor is located on the heater & cooling unit. It converts temperature of air after it passes through the evaporator into a resistance value which is then input to the front air control.



DIAGNOSTIC PROCEDURE FOR INTAKE SENSOR

SYMPTOM: Intake sensor circuit is open or shorted.



A
B
C
D
E
F
G
H
I
K
L
M

MTC

TROUBLE DIAGNOSIS

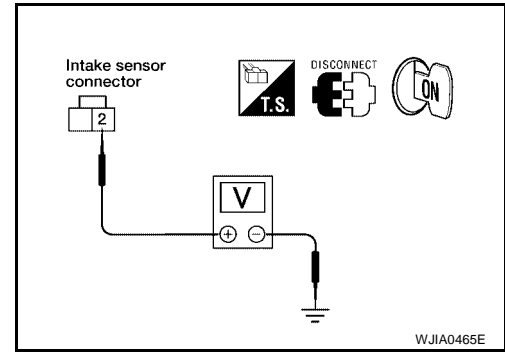
1. CHECK VOLTAGE BETWEEN INTAKE SENSOR AND GROUND

1. Disconnect intake sensor connector.
2. Turn ignition switch ON.
3. Check voltage between intake sensor harness connector M146 terminal 2 (L/B) and ground.

2 - Ground : **Approx. 5V**

OK or NG

- OK >> GO TO 2.
NG >> GO TO 4.



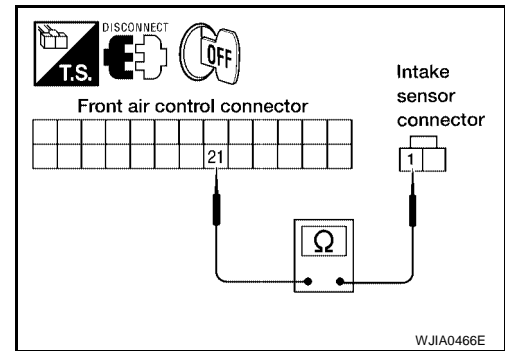
2. CHECK CIRCUIT CONTINUITY BETWEEN INTAKE SENSOR AND FRONT AIR CONTROL

1. Turn ignition switch OFF.
2. Disconnect front air control connector.
3. Check continuity between intake sensor harness connector M146 terminal 1 (V/R) and front air control harness connector M49 terminal 21 (V/R).

1 - 21 : **Continuity should exist.**

OK or NG

- OK >> GO TO 3.
NG >> Repair harness or connector.



3. CHECK INTAKE SENSOR

Refer to [MTC-111, "Intake Sensor"](#) .

OK or NG

- OK >> Replace front air control. Refer to [MTC-112, "FRONT AIR CONTROL"](#) .
NG >> Replace intake sensor. Refer to [MTC-113, "INTAKE SENSOR"](#) .

4. CHECK CIRCUIT CONTINUITY BETWEEN INTAKE SENSOR AND FRONT AIR CONTROL

1. Turn ignition switch OFF.
2. Disconnect front air control connector.
3. Check continuity between intake sensor harness connector M146 terminal 2 (L/B) and front air control harness connector M49 terminal 9 (L/B).

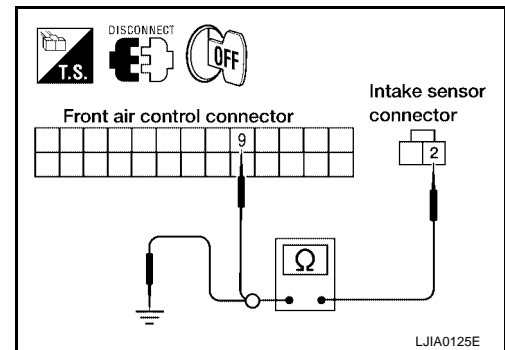
2 - 9 : **Continuity should exist.**

4. Check continuity between intake sensor harness connector M146 terminal 2 (L/B) and ground.

2 - Ground : **Continuity should not exist.**

OK or NG

- OK >> Replace front air control. Refer to [MTC-112, "FRONT AIR CONTROL"](#) .
NG >> Repair harness or connector.



TROUBLE DIAGNOSIS

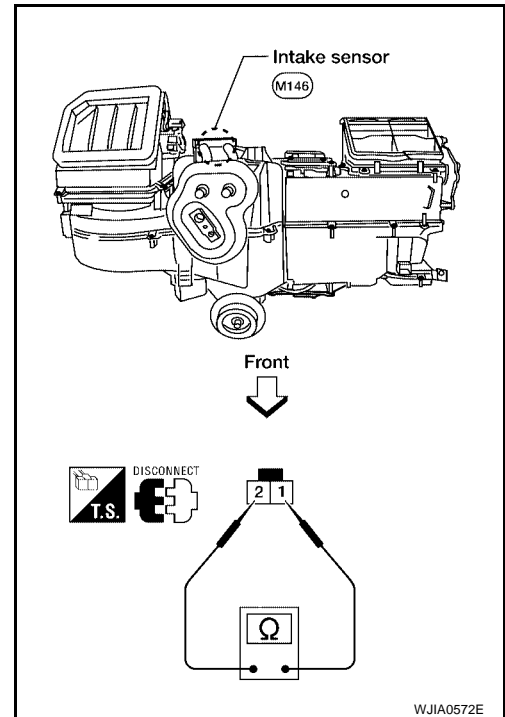
COMPONENT INSPECTION

Intake Sensor

After disconnecting intake sensor connector, measure resistance between terminals 1 and 2 at sensor harness side, using the table below.

Temperature °C (°F)	Resistance kΩ
-15 (5)	209.0
-10 (14)	160.0
-5 (23)	123.0
0 (32)	95.8
5 (41)	74.9
10 (50)	58.9
15 (59)	46.7
20 (68)	37.3
25 (77)	30.0
30 (86)	24.2
35 (95)	19.7
40 (104)	16.1
45 (113)	13.2

If NG, replace intake sensor.



A
B
C
D
E
F
G
H
I

MTC

K
L
M

CONTROL UNIT

CONTROL UNIT

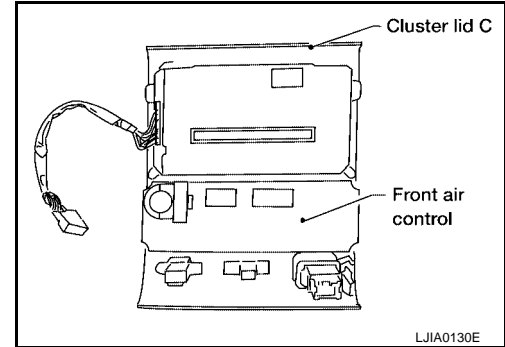
PFP:27500

Removal and Installation FRONT AIR CONTROL

EJS0025W

Removal

1. Remove the five control knobs from the front air control unit.
2. Remove the cluster lid C. Refer to [IP-11, "CLUSTER LID C"](#).
3. Remove the four screws securing the front air control unit to the cluster lid C.
4. Remove the front air control unit.



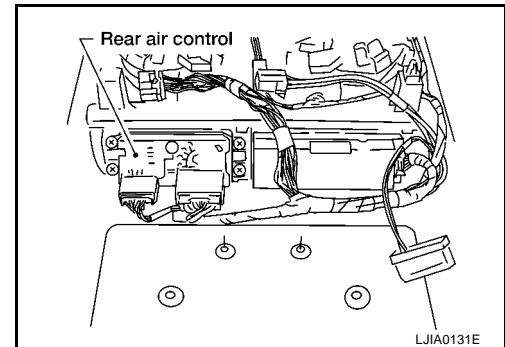
Installation

Installation is in the reverse order of removal.

REAR AIR CONTROL

Removal

1. Remove the overhead console from the headliner. Refer to [EI-33, "HEADLINING"](#).
2. Remove the four screws and remove the rear air control.



Installation

Installation is in the reverse order of removal.

INTAKE SENSOR

INTAKE SENSOR

PF2:27723

Removal and Installation

EJS0025X

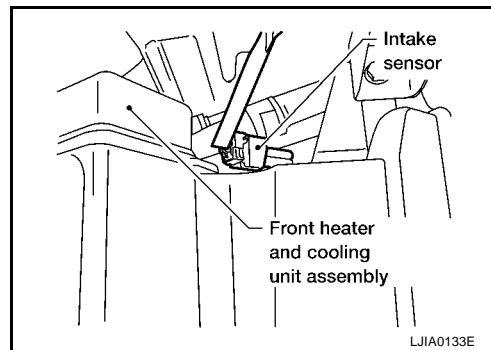
REMOVAL

1. Remove the instrument panel. Refer to [IP-10, "Removal and Installation"](#) .
2. Disconnect the intake sensor electrical connector.

NOTE:

The intake sensor is located on the top of the front heater and cooling unit assembly next to the A/C evaporator cover.

3. Twist the intake sensor to remove the intake sensor from the front heater and cooling unit assembly.



INSTALLATION

Installation is in the reverse order of removal.

A

B

C

D

E

F

G

H

I

MTC

K

L

M

BLOWER MOTOR

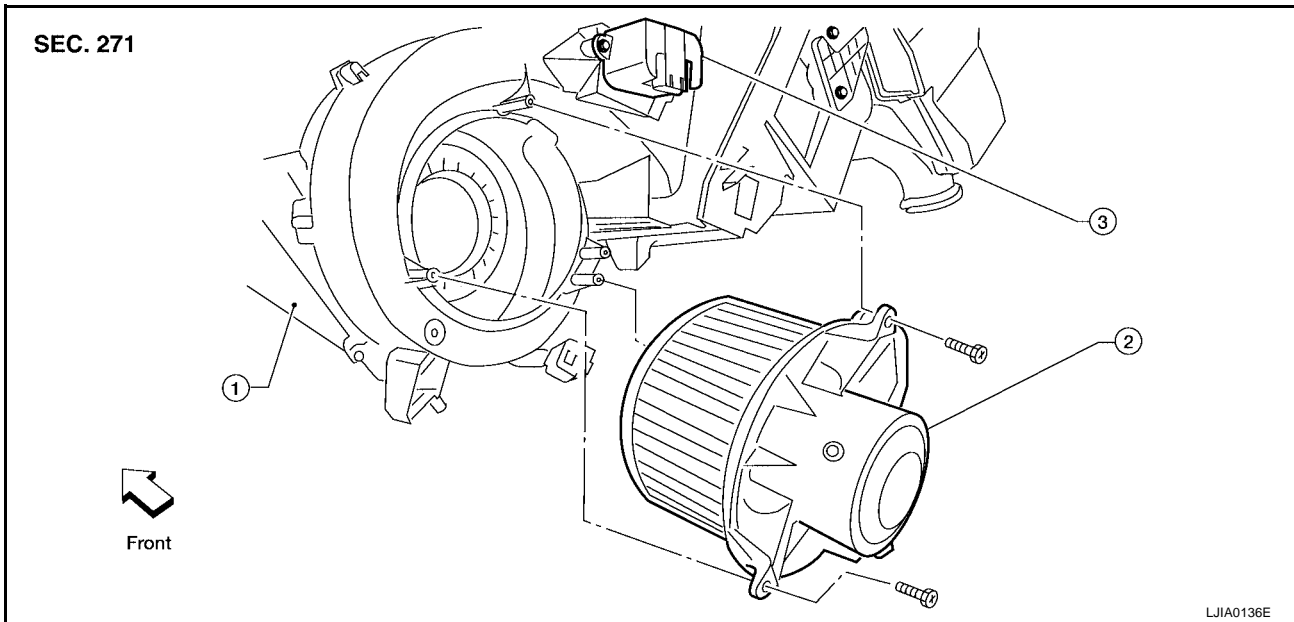
PFP:27226

EJS0025Y

BLOWER MOTOR

Components

Front Blower Motor

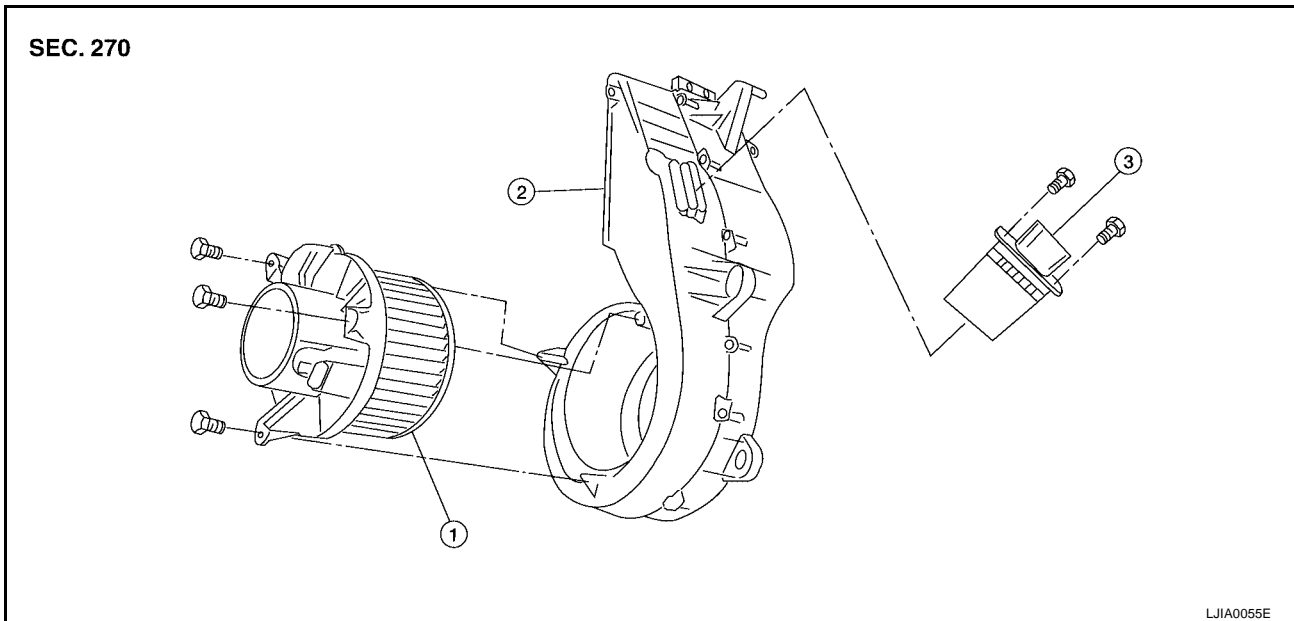


1. Front heater and cooling unit assembly

2. Front blower motor

3. Front blower motor resistor

Rear Blower Motor



1. Rear blower motor

2. Rear blower motor case

3. Rear blower motor resistor

Removal and Installation

FRONT BLOWER MOTOR

EJS0025Z

Removal

1. Remove the glove box assembly. Refer to [IP-10, "Removal and Installation"](#).
2. Disconnect the front blower motor electrical connector.
3. Remove the three screws and remove the front blower motor.

Installation

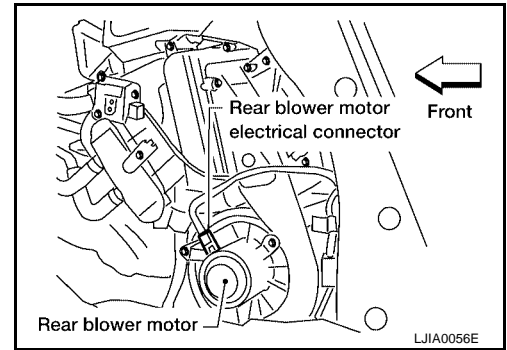
Installation is in the reverse order of removal.

BLOWER MOTOR

REAR BLOWER MOTOR

Removal

1. Remove the rear RH interior trim panel. Refer to [EI-30, "Removal and Installation"](#).
2. Disconnect the rear blower motor electrical connector.
3. Remove the three screws and remove the rear blower motor.



Installation

Installation is in the reverse order of removal.

A

B

C

D

E

F

G

H

I

MTC

K

L

M

IN-CABIN MICROFILTER

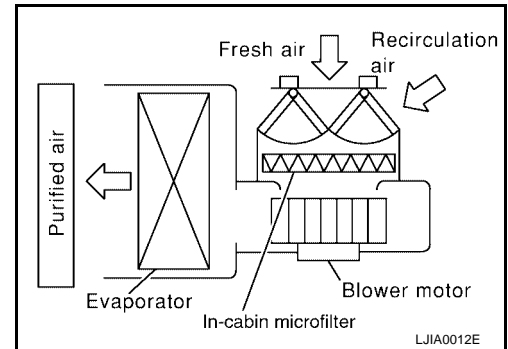
PFP:27277

EJS00272

IN-CABIN MICROFILTER

Removal and Installation FUNCTION

The air inside the passenger compartment is filtered by the in-cabin microfilters when the heater or A/C controls are set on either the recirculation or fresh mode. The two in-cabin microfilters are located in the front heater and cooling unit assembly. The rear heater and cooling unit assembly only draws in air from the passenger compartment to recirculate into the passenger compartment, so the rear heater and cooling unit assembly is not equipped with in-cabin microfilters.

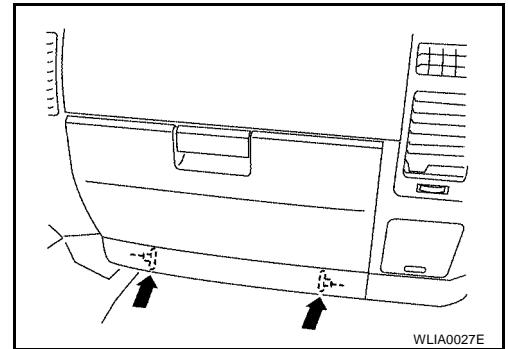


REPLACEMENT TIMING

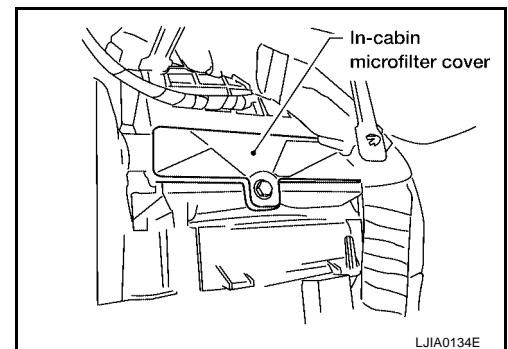
Replacement of the two in-cabin microfilters is recommended on a regular interval depending on the driving conditions. Refer to [MA-7, "PERIODIC MAINTENANCE"](#). It may also be necessary to replace the two in-cabin microfilters as part of a component replacement if the in-cabin microfilters are damaged.

REPLACEMENT PROCEDURE

1. Remove the two lower glove box hinge pins to remove the glove box from the instrument panel and let it hang from the cord.



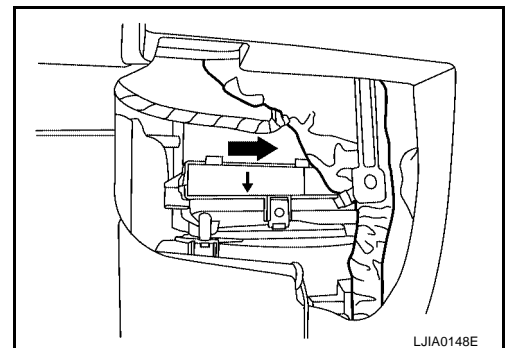
2. Remove the screw and remove the in-cabin microfilter cover.
3. Remove the in-cabin microfilters from the front heater and cooling unit assembly housing.



4. Insert the first new in-cabin microfilter into the front heater and cooling unit assembly housing and slide it over to the right. Insert the second new in-cabin microfilter into the front heater and cooling unit assembly housing.

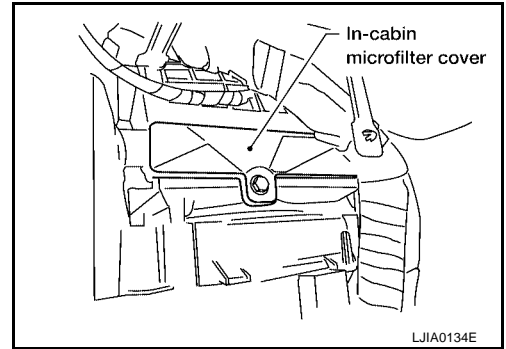
NOTE:

The in-cabin microfilters are marked with air flow arrows. The end of the microfilter with the arrow should face the rear of the vehicle. The arrows should point downward.

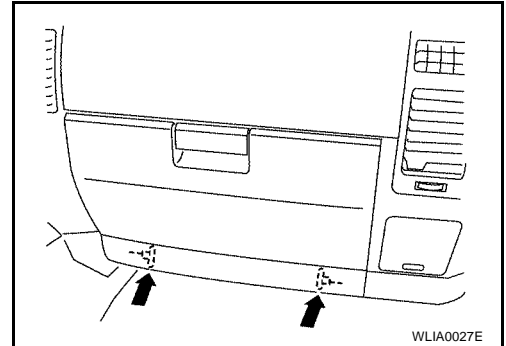


IN-CABIN MICROFILTER

5. Install the in-cabin microfilter cover.



6. Install the lower glove box in the instrument panel and secure it with the two hinge pins.



A
B
C
D
E
F
G
H
I
K
L
M

MTC

HEATER & COOLING UNIT ASSEMBLY

HEATER & COOLING UNIT ASSEMBLY

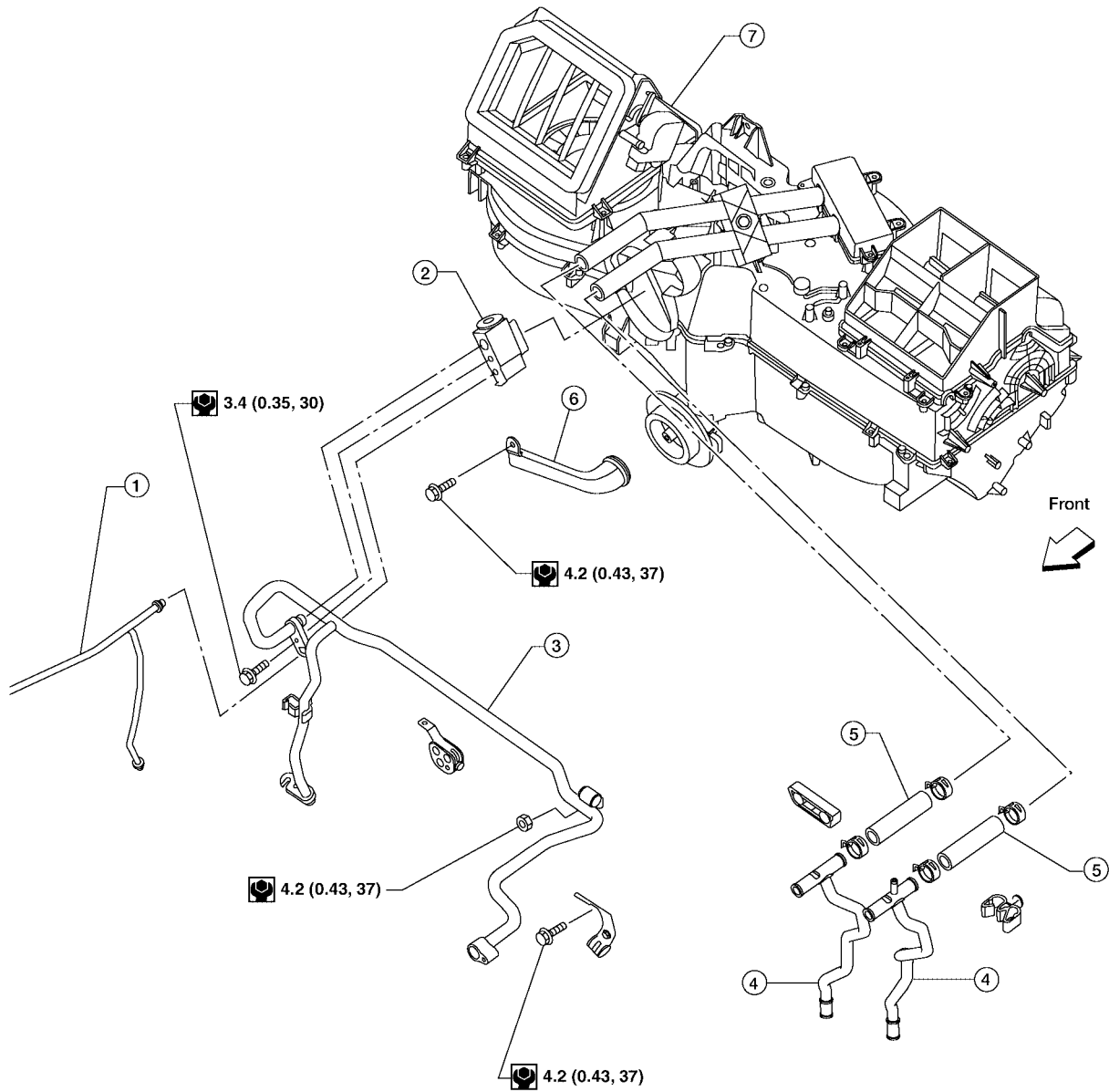
PF2:27110


Components

EJS00261

Front Heater and Cooling Unit Assembly

SEC. 271 • 276 • 278



 N·m (kg·m, in·lb)

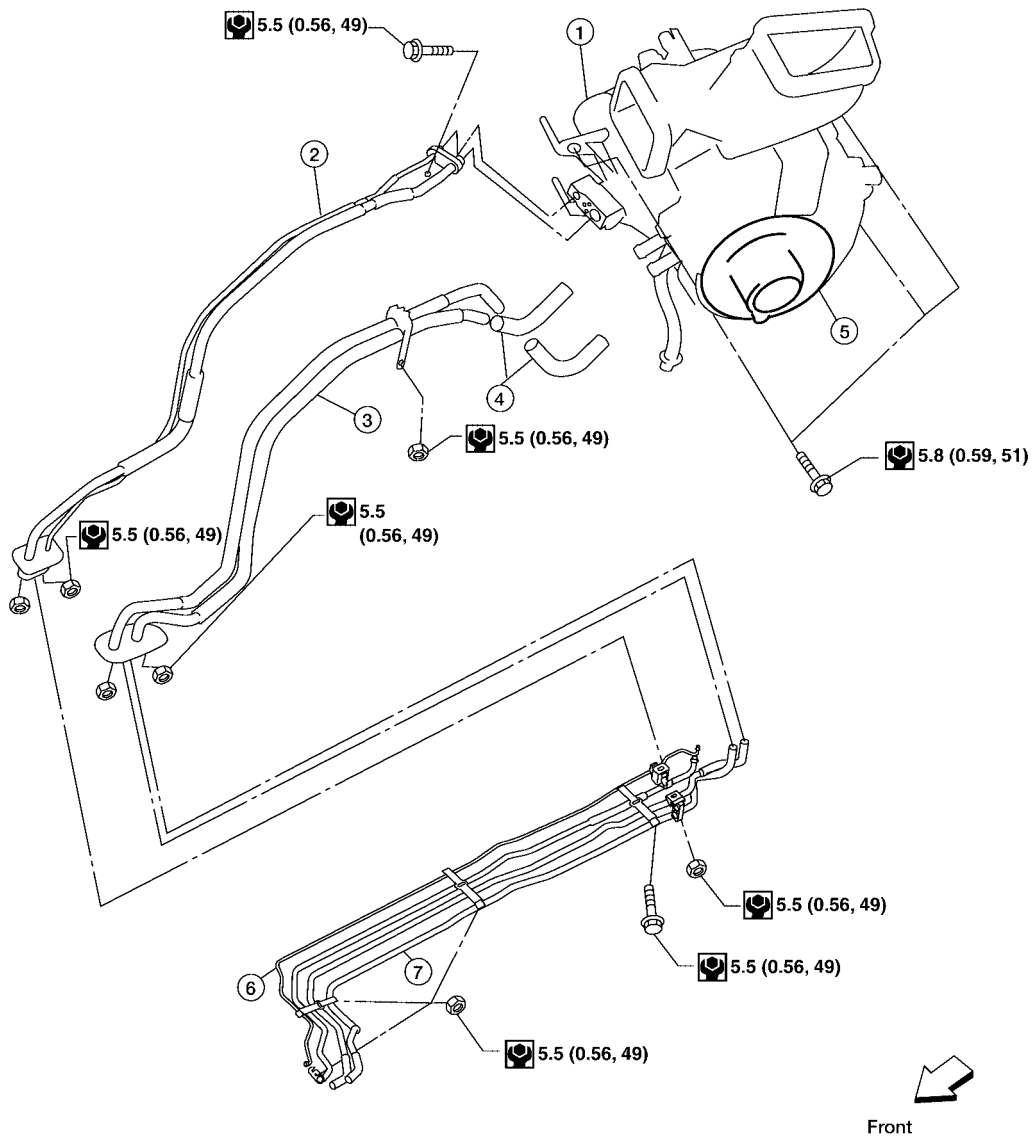
- | | | |
|---|---------------------------|--------------------------|
| 1. High-pressure A/C pipe | 2. Front expansion valve | 3. Low-pressure A/C pipe |
| 4. Front heater core pipe | 5. Front heater core hose | 6. A/C drain hose |
| 7. Front heater and cooling unit assembly | | |

WJIA0957E

HEATER & COOLING UNIT ASSEMBLY

Rear Heater and Cooling Unit Assembly

SEC. 270 • 276



N·m (kg-m, in-lb)

- | | | |
|--|----------------------|------------------------------|
| 1. Rear heater and cooling unit assembly | 2. Rear A/C pipes | 3. Rear heater core pipes |
| 4. Rear heater core hose | 5. Rear blower motor | 6. Underfloor rear A/C pipes |
| 7. Underfloor rear heater core pipes | | |

LJIA0066E

Removal and Installation FRONT HEATER AND COOLING UNIT ASSEMBLY

EJS00262

Removal

1. Discharge the refrigerant from the A/C system. Refer to [MTC-136, "Discharging Refrigerant"](#).
2. Drain the coolant from the engine cooling system. Refer to [MA-13, "DRAINING ENGINE COOLANT"](#).
3. Remove the cowl top extension. Refer to [EI-18, "Removal and Installation"](#).
4. Remove the exhaust system. Refer to [EX-3, "Removal and Installation"](#).
5. Disconnect the front heater hoses from the front heater core.
6. Disconnect the high/low pressure pipes from the front expansion valve.

A
B
C
D
E
F
G
H
I
MTC
K
L
M

HEATER & COOLING UNIT ASSEMBLY

7. Move the two front seats to the rearmost position on the seat track.
8. Remove the instrument panel and console panel. Refer to [IP-10, "Removal and Installation"](#) .
9. Remove the steering column. Refer to [PS-9, "Removal and Installation"](#) .
10. Disconnect the instrument panel wire harness at the RH and LH in-line connector brackets, and the fuse block (J/B) electrical connectors. Refer to [PG-39, "Harness Layout"](#) .
11. Disconnect the steering member from each side of the vehicle body.
12. Remove the front heater and cooling unit assembly with it attached to the steering member, from the vehicle.

CAUTION:

Use care not to damage the seats and interior trim panels when removing the front heater and cooling unit assembly with it attached to the steering member.

13. Remove the front heater and cooling unit assembly from the steering member.

Installation

Installation is in the reverse order of removal.

CAUTION:

- Replace the O-ring of the low-pressure pipe and high-pressure pipe with a new one, and apply compressor oil to it when installing it.
- After charging the refrigerant, check for leaks.

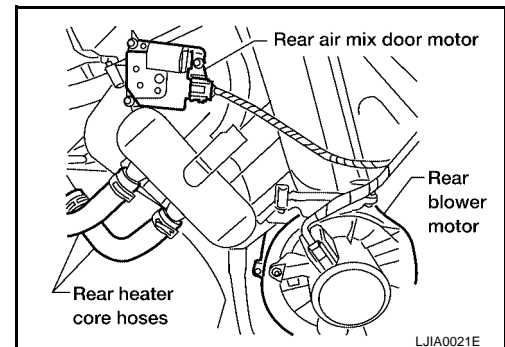
NOTE:

- Fill the engine cooling system with the specified coolant mixture. Refer to [MA-14, "REFILLING ENGINE COOLANT"](#) .
- Recharge the A/C system. Refer to [MTC-136, "Evacuating System and Charging Refrigerant"](#) .

REAR HEATER AND COOLING UNIT ASSEMBLY

Removal

1. Discharge the refrigerant from the A/C system. Refer to [MTC-136, "Discharging Refrigerant"](#) .
2. Drain the coolant from the engine cooling system. Refer to [MA-13, "DRAINING ENGINE COOLANT"](#) .
3. Disconnect the rear heater core hoses from the rear heater core.
4. Disconnect the rear A/C pipes from the rear expansion valve.
5. Remove the rear RH interior trim panel. Refer to [EI-30, "Removal and Installation"](#) .
6. Disconnect the following electrical connectors:
 - Rear blower motor
 - Rear blower motor resistor
 - Rear air mix door motor
7. Disconnect the ducts from the rear heater and cooling unit assembly.
8. Remove the rear heater and cooling unit assembly.



Installation

Installation is in the reverse order of removal.

CAUTION:

- Replace the O-ring of the low-pressure pipe and high-pressure pipe with a new one, and apply compressor oil to it when installing it.
- After charging the refrigerant, check for leaks.

NOTE:

- Fill the engine cooling system with the specified coolant mixture. Refer to [MA-14, "REFILLING ENGINE COOLANT"](#) .
- Recharge the A/C system. Refer to [MTC-136, "Evacuating System and Charging Refrigerant"](#) .

HEATER CORE

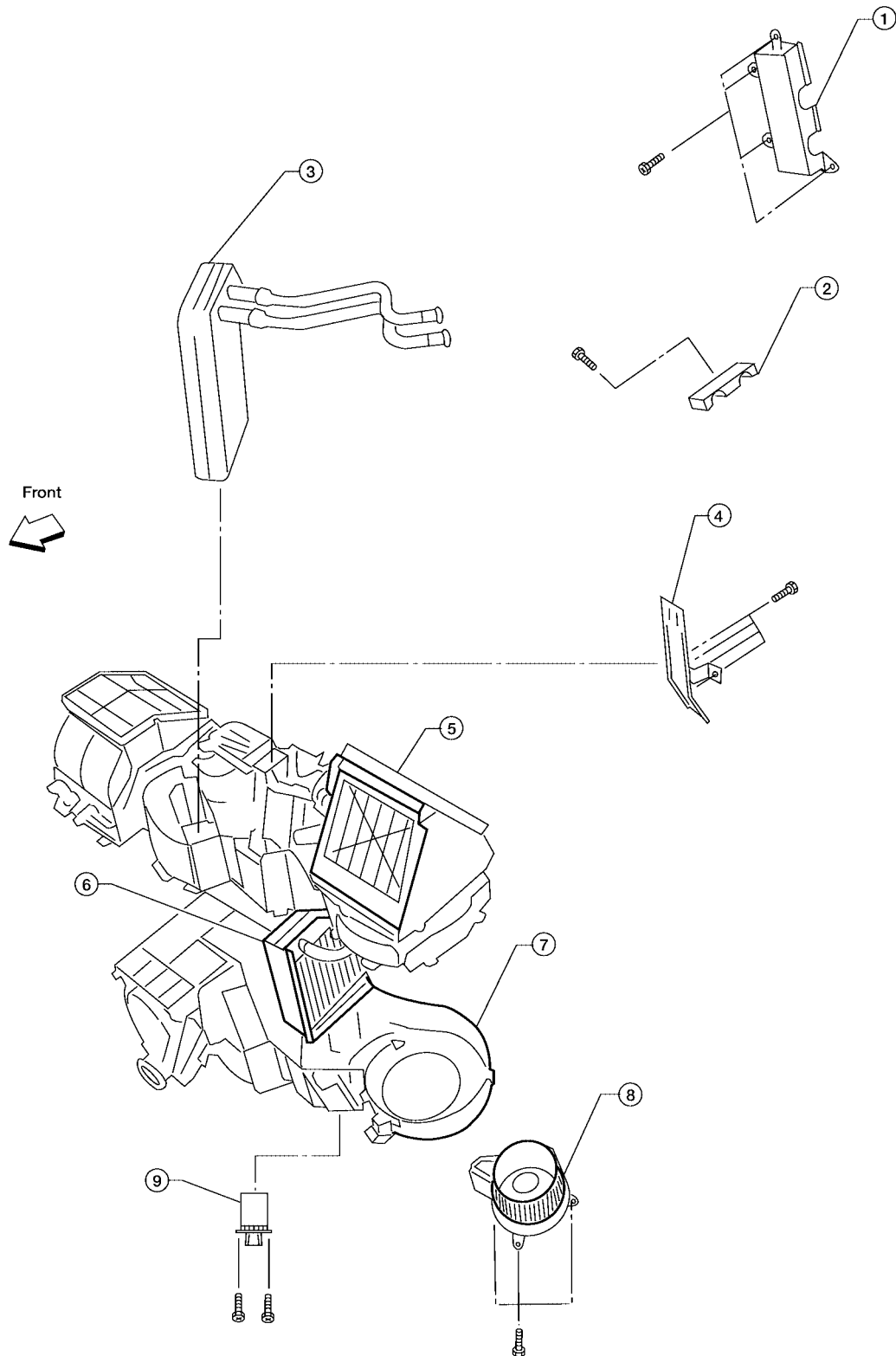
HEATER CORE Components

PFP:27140

EJS00263

Front Heater and Cooling Unit Assembly

SEC. 271



- | | | |
|---------------------------------------|---------------------------------------|--------------------------------|
| 1. Heater core cover | 2. Heater core pipe bracket | 3. Heater core |
| 4. Upper bracket | 5. Upper heater and cooling unit case | 6. A/C evaporator |
| 7. Lower heater and cooling unit case | 8. Blower motor | 9. Front blower motor resistor |

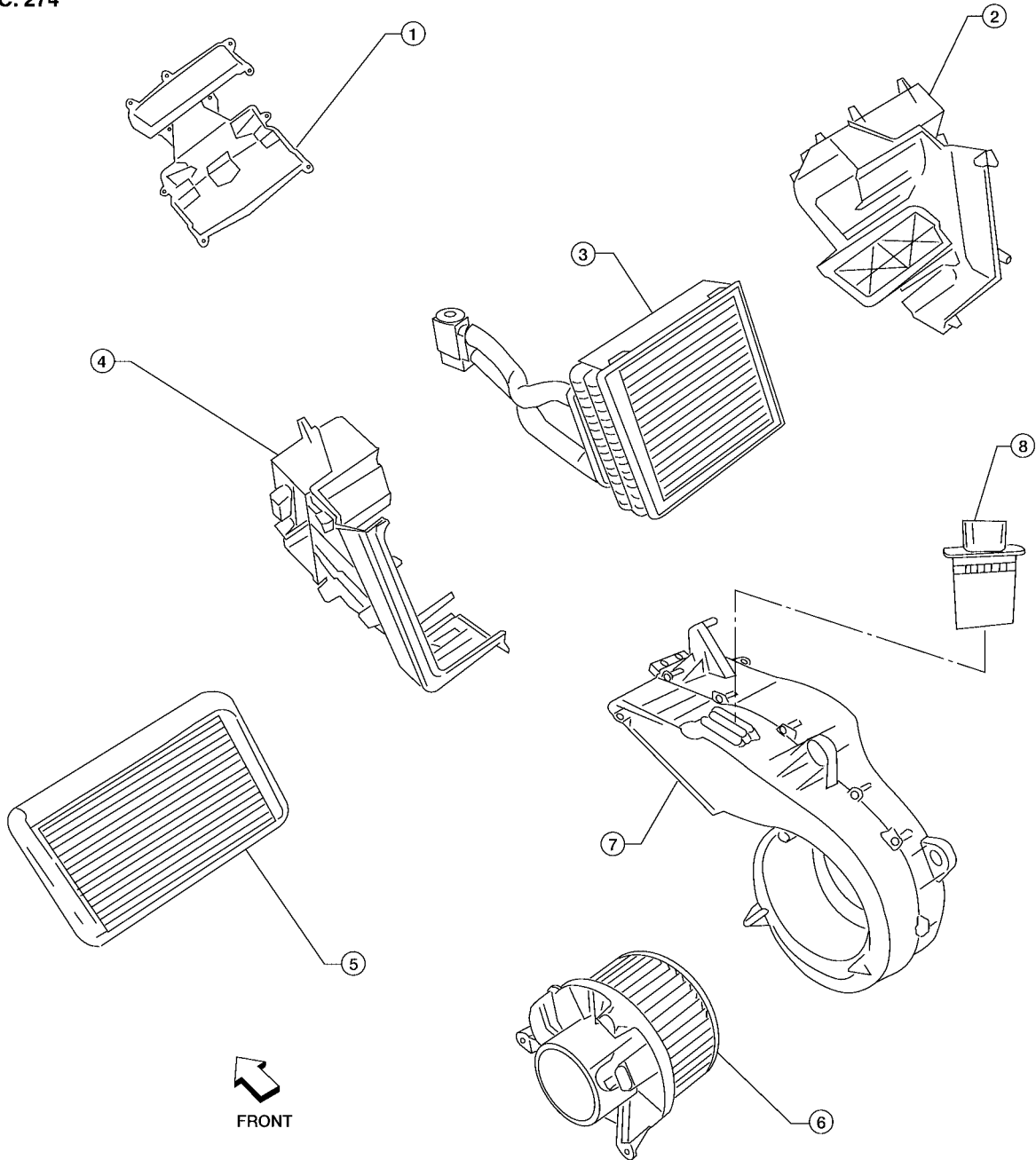
LJIA0138E

A
B
C
D
E
F
G
H
I
MTC
K
L
M

HEATER CORE

Rear Heater and Cooling Unit Assembly

SEC. 274



- | | | |
|----------------------|------------------------------------|-----------------|
| 1. Front cover | 2. Evaporator and heater core case | 3. Evaporator |
| 4. Side cover | 5. Heater core | 6. Blower motor |
| 7. Blower motor case | 8. Rear blower motor resistor | |

LJIA0135E

Removal and Installation FRONT HEATER CORE

EJS00264

Removal

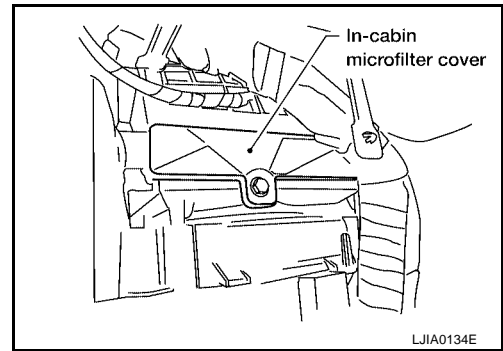
1. Remove the front heater and cooling unit assembly. Refer to [MTC-119, "FRONT HEATER AND COOLING UNIT ASSEMBLY"](#).
2. Remove the four screws and remove the upper bracket.
3. Remove the four screws and remove the heater core cover.
4. Remove the heater core pipe bracket.

HEATER CORE

5. Remove the heater core.

NOTE:

If the in-cabin microfilters are contaminated from coolant leaking from the heater core, replace the in-cabin microfilters with new ones before installing the new heater core.



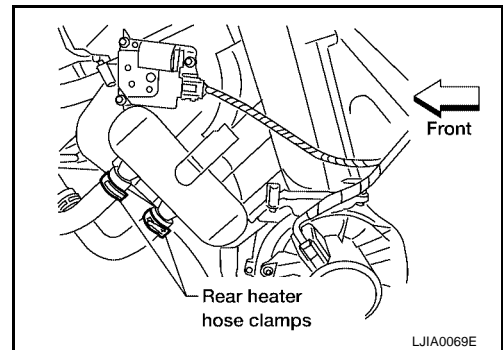
Installation

Installation is in the reverse order of removal.

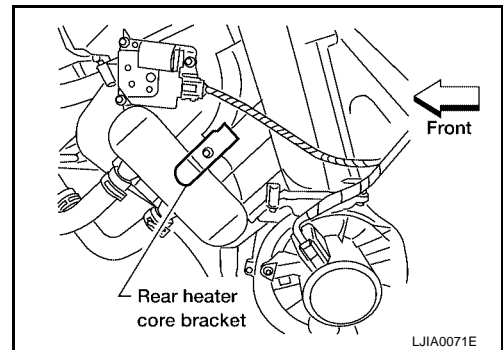
REAR HEATER CORE

Removal

1. Partially drain the engine cooling system. Refer to [MA-13, "DRAINING ENGINE COOLANT"](#) .
2. Remove the rear RH interior trim panel. Refer to [EI-30, "Removal and Installation"](#) .
3. Disconnect the rear heater hoses from the heater core.



4. Remove the rear heater core bracket.
5. Remove the heater core.



Installation

Installation is in the reverse order of removal.

A
B
C
D
E
F
G
H
I
K
L
M

MTC

DEFROSTER DOOR MOTOR

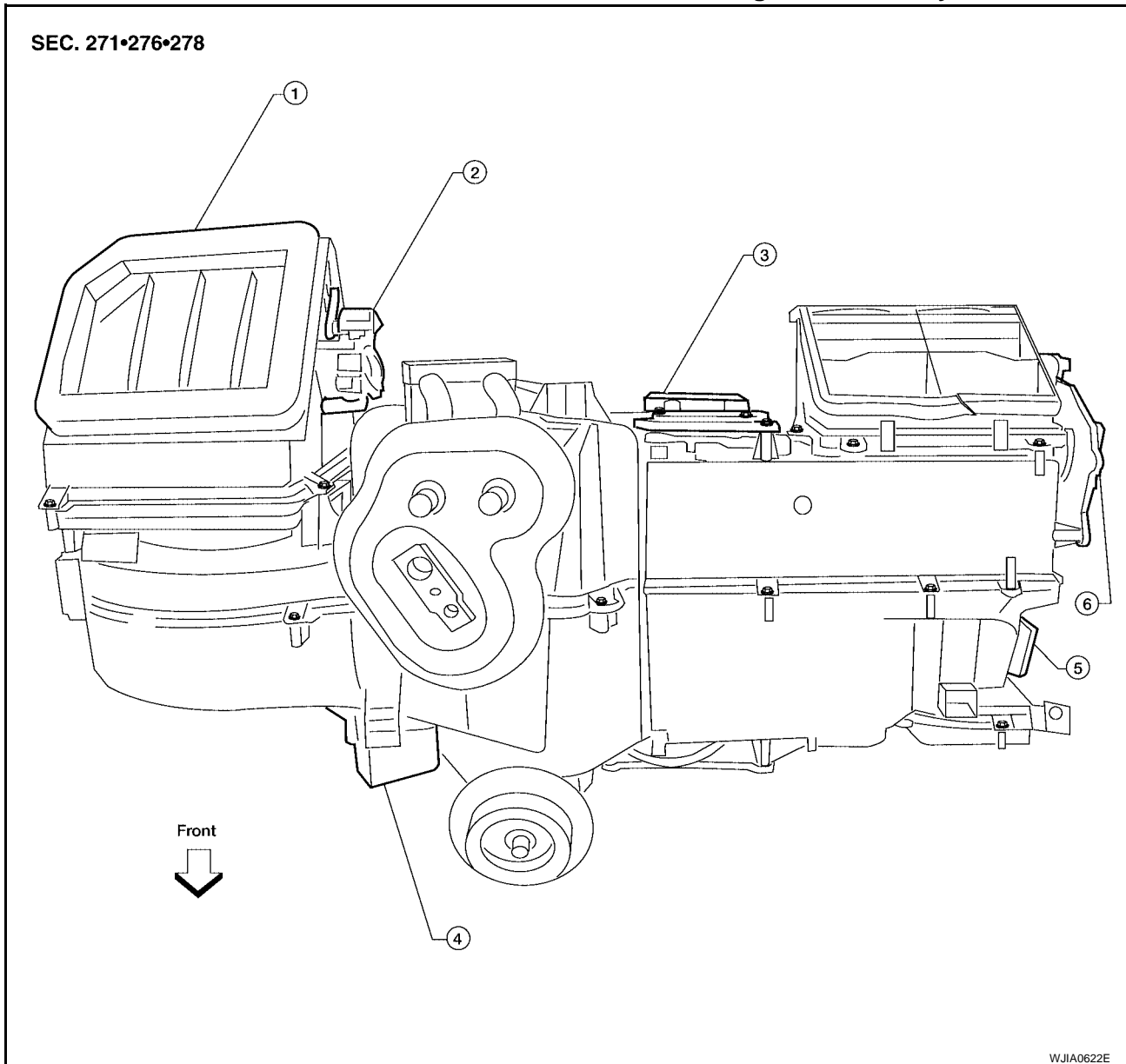
DEFROSTER DOOR MOTOR

PF2:27733

Removal and Installation

EJS00265

Defroster Door Motor - Front Heater and Cooling Unit Assembly



- | | | |
|---|----------------------|-------------------------|
| 1. Front heater and cooling unit assembly | 2. Intake door motor | 3. Air mix door motor |
| 4. Front blower motor resistor | 5. Mode door motor | 6. Defroster door motor |

REMOVAL

1. Remove the front heater and cooling unit assembly. Refer to [MTC-119, "FRONT HEATER AND COOLING UNIT ASSEMBLY"](#).
2. Remove the steering member from the front heater and cooling unit assembly.
3. Disconnect the defroster door motor electrical connector.
4. Remove the three screws and remove the defroster door motor.

INSTALLATION

Installation is in the reverse order of removal.

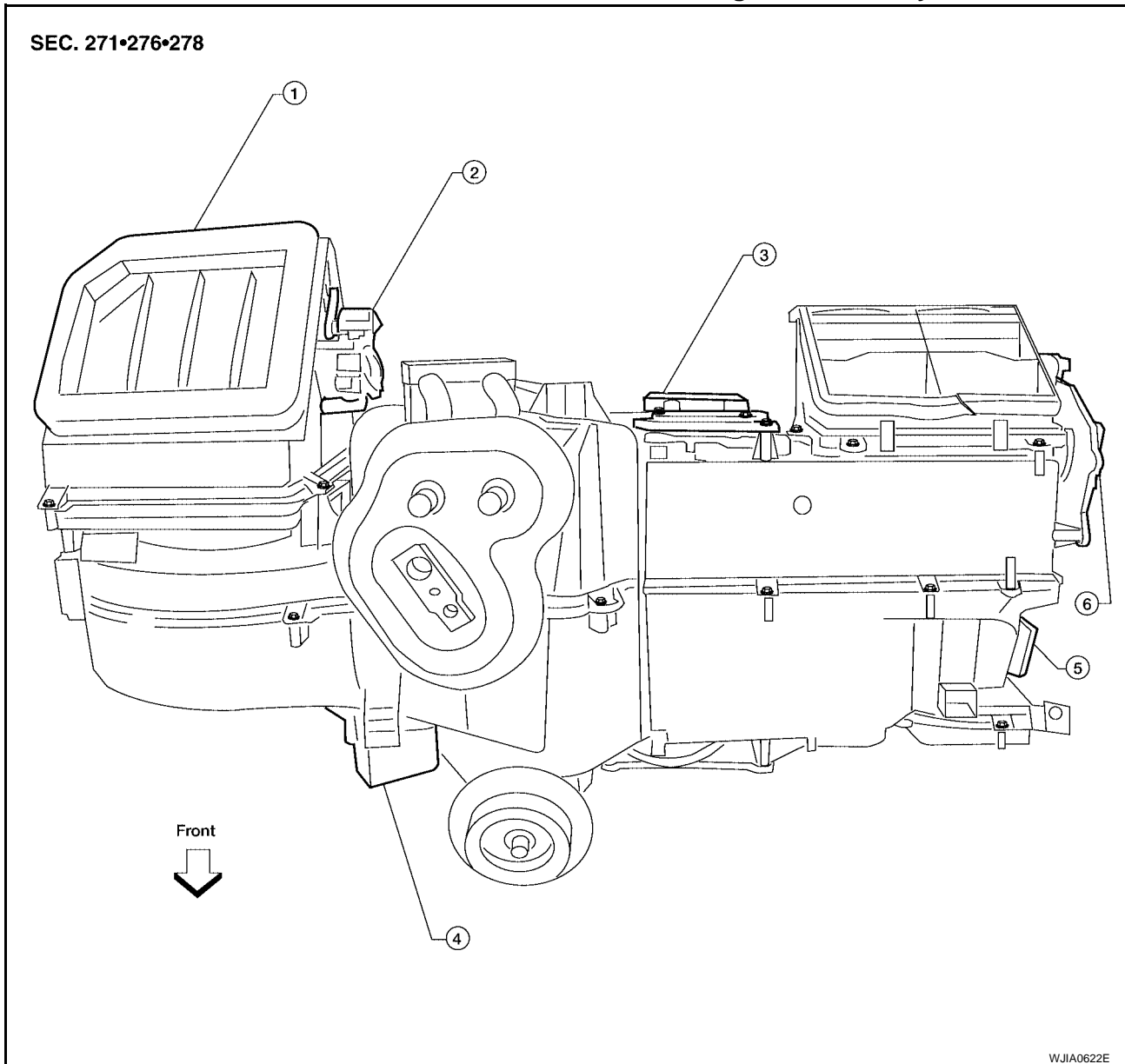
INTAKE DOOR MOTOR

PFP:27730

EJS00266

INTAKE DOOR MOTOR Removal and Installation

Intake Door Motor - Front Heater and Cooling Unit Assembly



- | | | |
|---|----------------------|-------------------------|
| 1. Front heater and cooling unit assembly | 2. Intake door motor | 3. Air mix door motor |
| 4. Front blower motor resistor | 5. Mode door motor | 6. Defroster door motor |

REMOVAL

1. Remove the front heater and cooling unit assembly. Refer to [MTC-119, "FRONT HEATER AND COOLING UNIT ASSEMBLY"](#).
2. Remove the steering member from the front heater and cooling unit assembly.
3. Disconnect the intake door motor electrical connector.
4. Remove the three screws and remove the intake door motor.

INSTALLATION

Installation is in the reverse order of removal.

MODE DOOR MOTOR

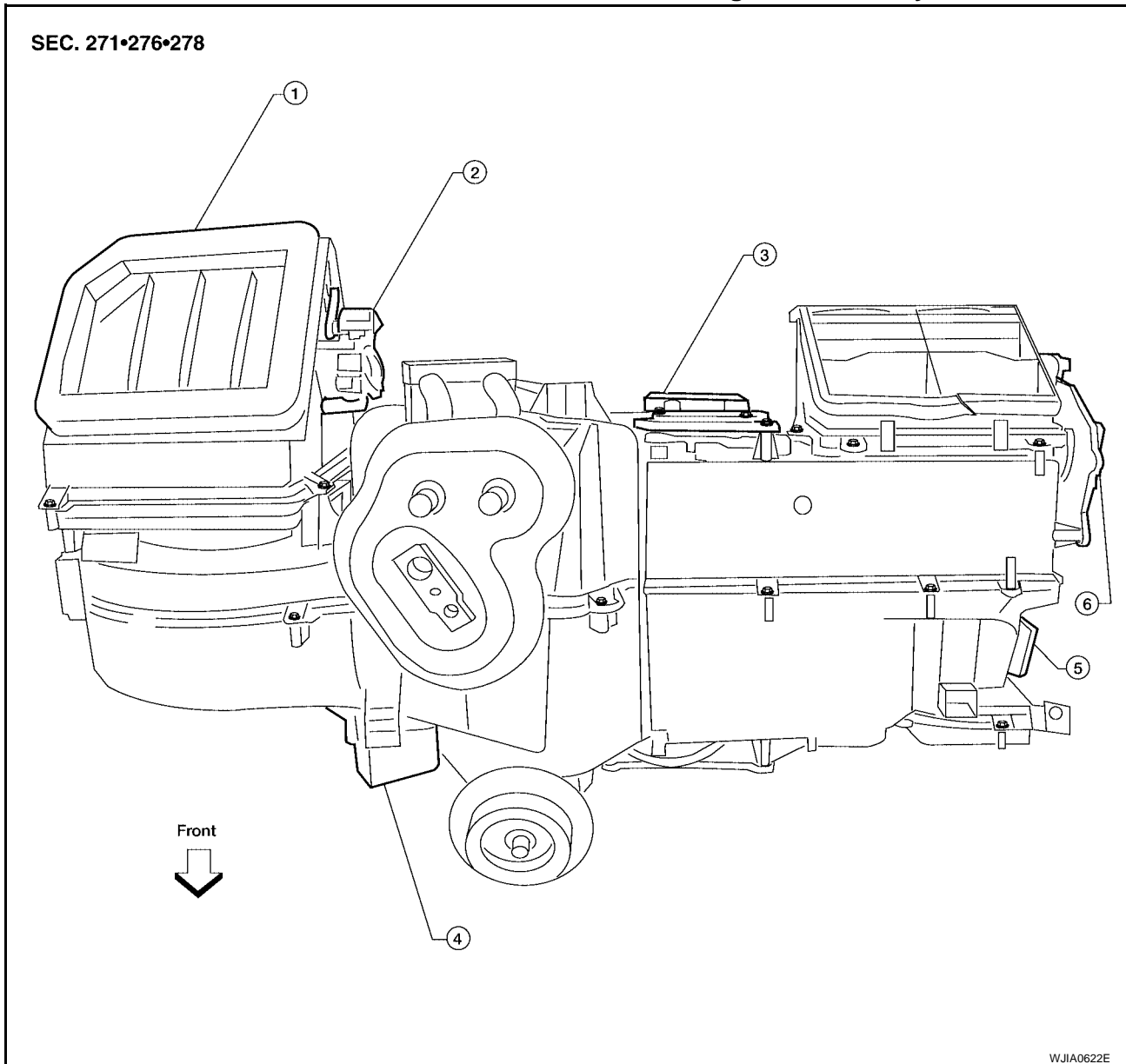
MODE DOOR MOTOR

PF2:27731

Removal and Installation

EJS00267

Mode Door Motor - Front Heater and Cooling Unit Assembly



- | | | |
|---|----------------------|-------------------------|
| 1. Front heater and cooling unit assembly | 2. Intake door motor | 3. Air mix door motor |
| 4. Front blower motor resistor | 5. Mode door motor | 6. Defroster door motor |

REMOVAL

1. Remove the front heater and cooling unit assembly. Refer to [MTC-119, "FRONT HEATER AND COOLING UNIT ASSEMBLY"](#).
2. Remove the steering member from the front heater and cooling unit assembly.
3. Disconnect the mode door motor electrical connector.
4. Remove the two screws and remove the mode door motor.

INSTALLATION

Installation is in the reverse order of removal.

AIR MIX DOOR MOTOR

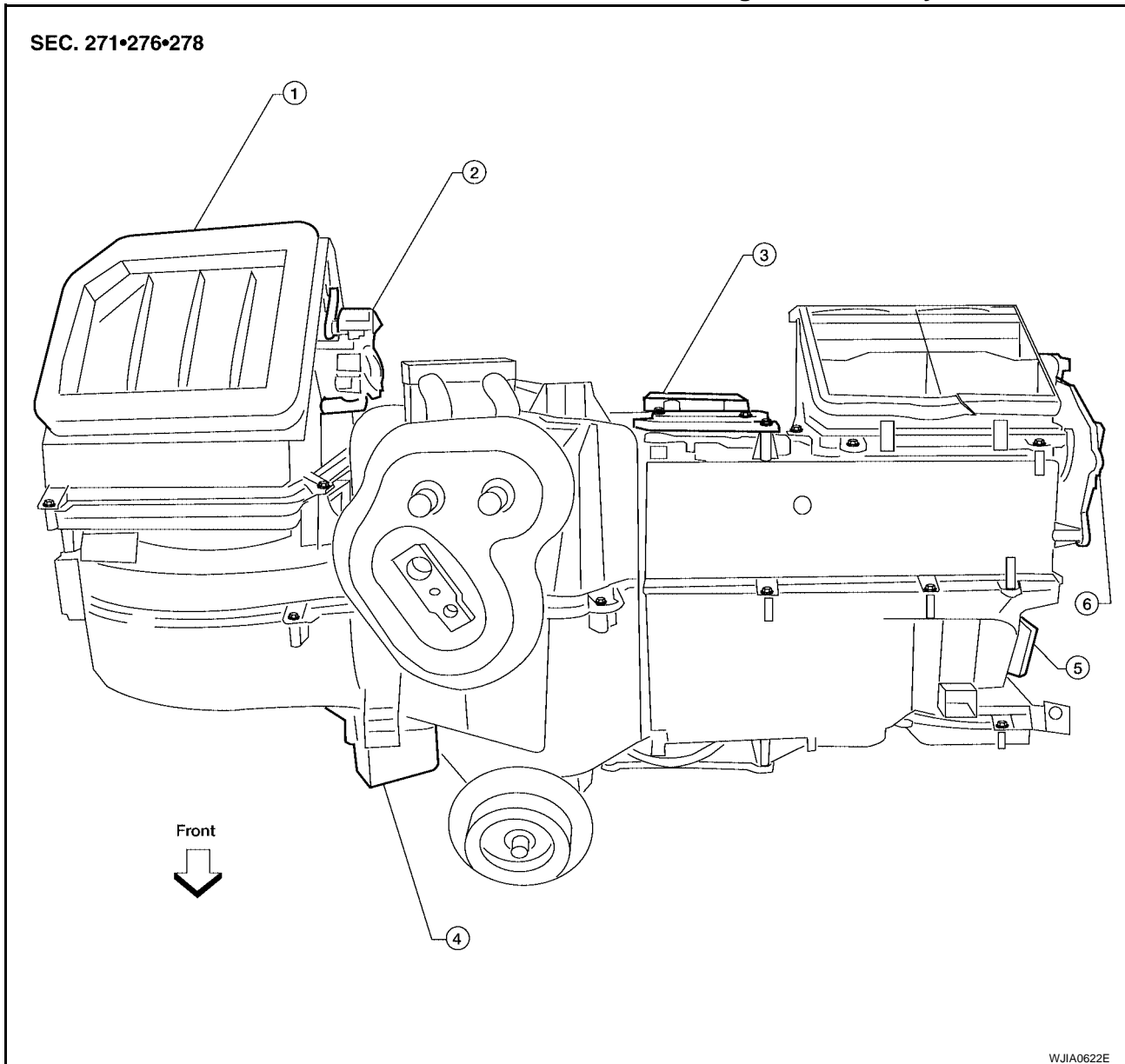
PFP:27732

EJS00268

AIR MIX DOOR MOTOR

Components

Air Mix Door Motor - Front Heater and Cooling Unit Assembly



- | | | |
|---|----------------------|-------------------------|
| 1. Front heater and cooling unit assembly | 2. Intake door motor | 3. Air mix door motor |
| 4. Front blower motor resistor | 5. Mode door motor | 6. Defroster door motor |

Removal and Installation FRONT AIR MIX DOOR MOTOR

EJS00269

Removal

1. Remove the front heater and cooling unit assembly. Refer to [MTC-119, "FRONT HEATER AND COOLING UNIT ASSEMBLY"](#).
2. Remove the steering member from the front heater and cooling unit assembly.
3. Disconnect the air mix door motor electrical connector.
4. Remove the three screws and remove the air mix door motor.

Installation

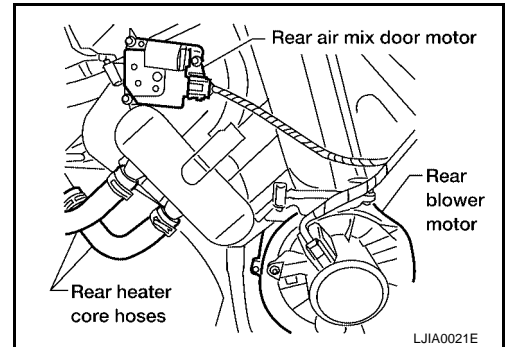
Installation is in the reverse order of removal.

AIR MIX DOOR MOTOR

REAR AIR MIX DOOR MOTOR

Removal

1. Remove the RH rear interior trim panel. Refer to [EI-30, "Removal and Installation"](#) .
2. Disconnect the rear air mix door motor electrical connector.
3. Remove the three screws and remove the rear air mix door motor.



Installation

Installation is in the reverse order of removal.

FRONT BLOWER MOTOR RESISTOR

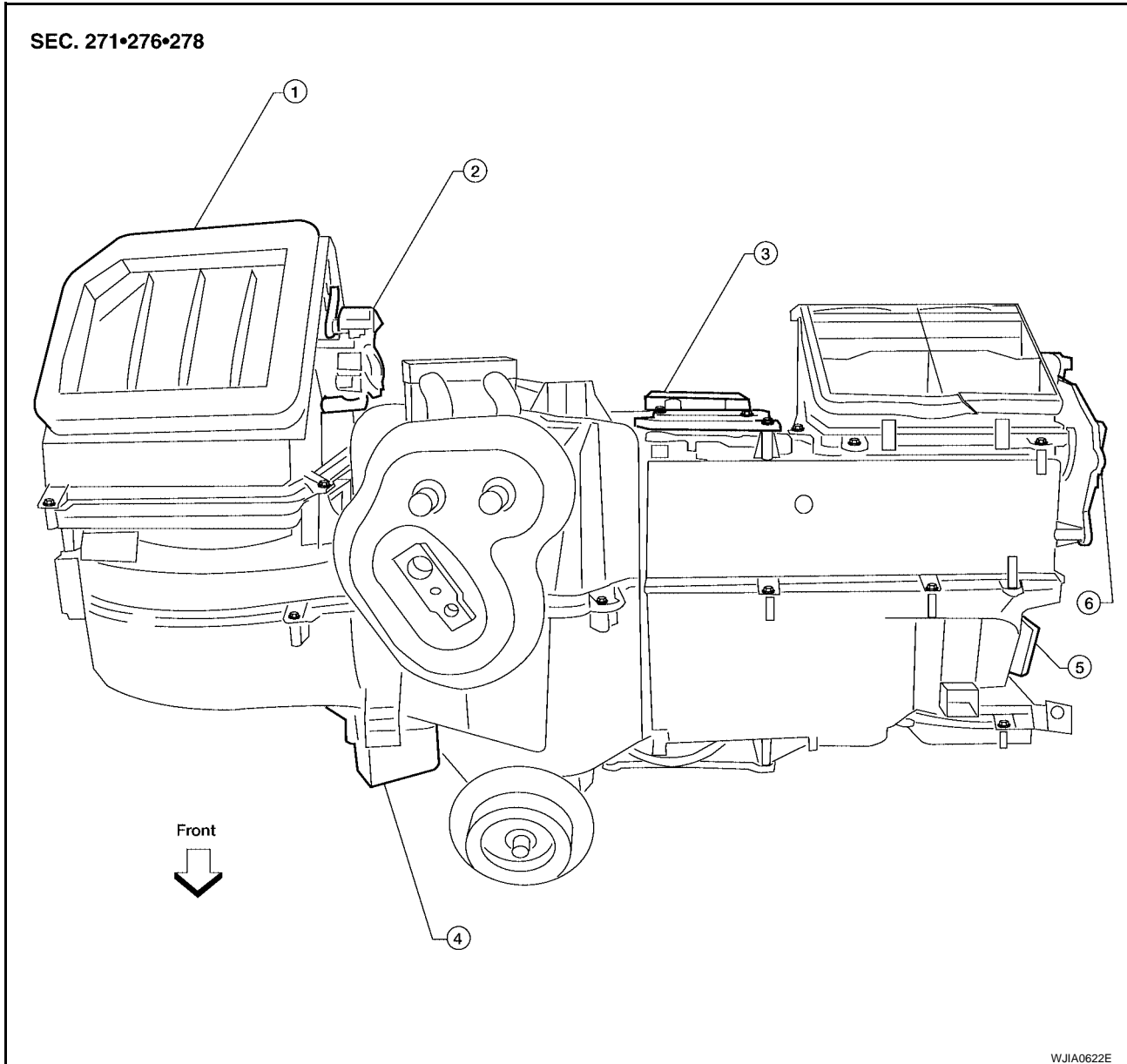
FRONT BLOWER MOTOR RESISTOR

PFP:27077

Removal and Installation

EJS0026A

Front Blower Motor Resistor - Front Heater and Cooling Unit Assembly



- | | | |
|---|----------------------|-------------------------|
| 1. Front heater and cooling unit assembly | 2. Intake door motor | 3. Air mix door motor |
| 4. Front blower motor resistor | 5. Mode door motor | 6. Defroster door motor |

REMOVAL

1. Remove the front heater and cooling unit assembly. Refer to [MTC-119, "FRONT HEATER AND COOLING UNIT ASSEMBLY"](#).
2. Remove the steering member from the front heater and cooling unit assembly.
3. Disconnect the front blower motor resistor electrical connector.
4. Remove the two screws and remove the front blower motor resistor.

INSTALLATION

Installation is in the reverse order of removal.

REAR BLOWER MOTOR RESISTOR

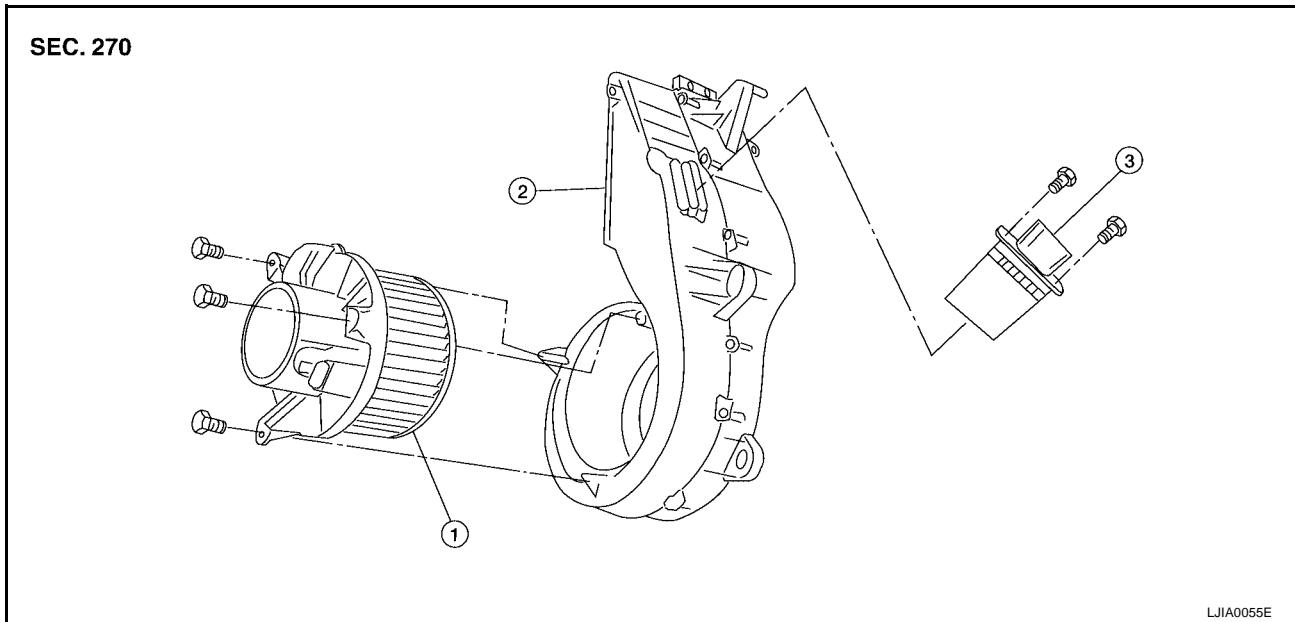
REAR BLOWER MOTOR RESISTOR

PF2:27150

Removal and Installation

EJS0026B

Rear Blower Motor Resistor



1. Rear blower motor

2. Rear blower motor case

3. Rear blower motor resistor

REMOVAL

1. Remove the rear RH interior trim panel. Refer to [EI-32, "Removal and Installation"](#).
2. Disconnect the rear blower motor resistor electrical connector.
3. Remove the two screws and remove the rear blower motor resistor.

INSTALLATION

Installation is in the reverse order of removal.

DUCTS AND GRILLES

DUCTS AND GRILLES

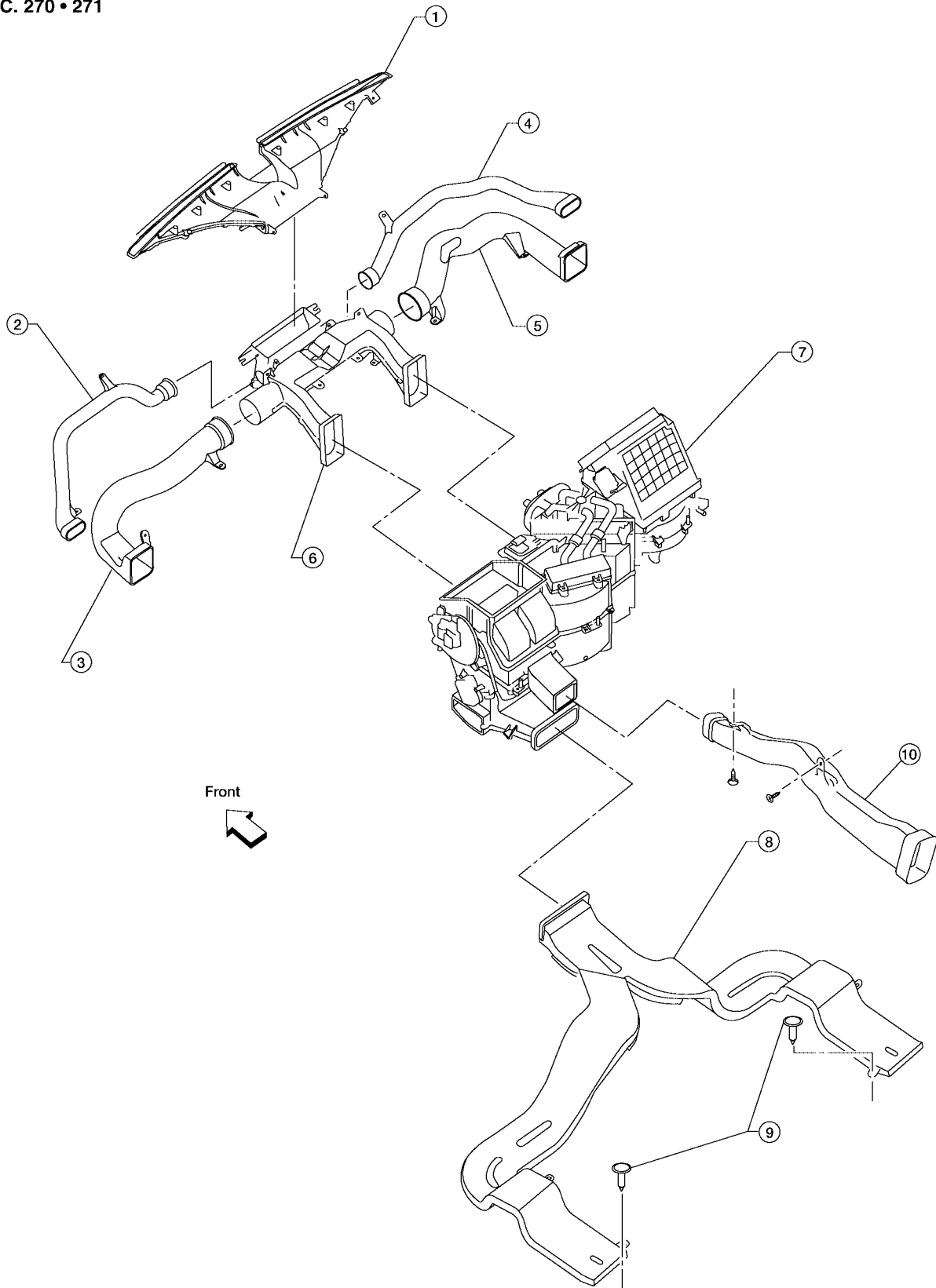
PF27860

Components

EJS0026C

Ducts - Front Heater and Cooling Unit Assembly

SEC. 270 • 271



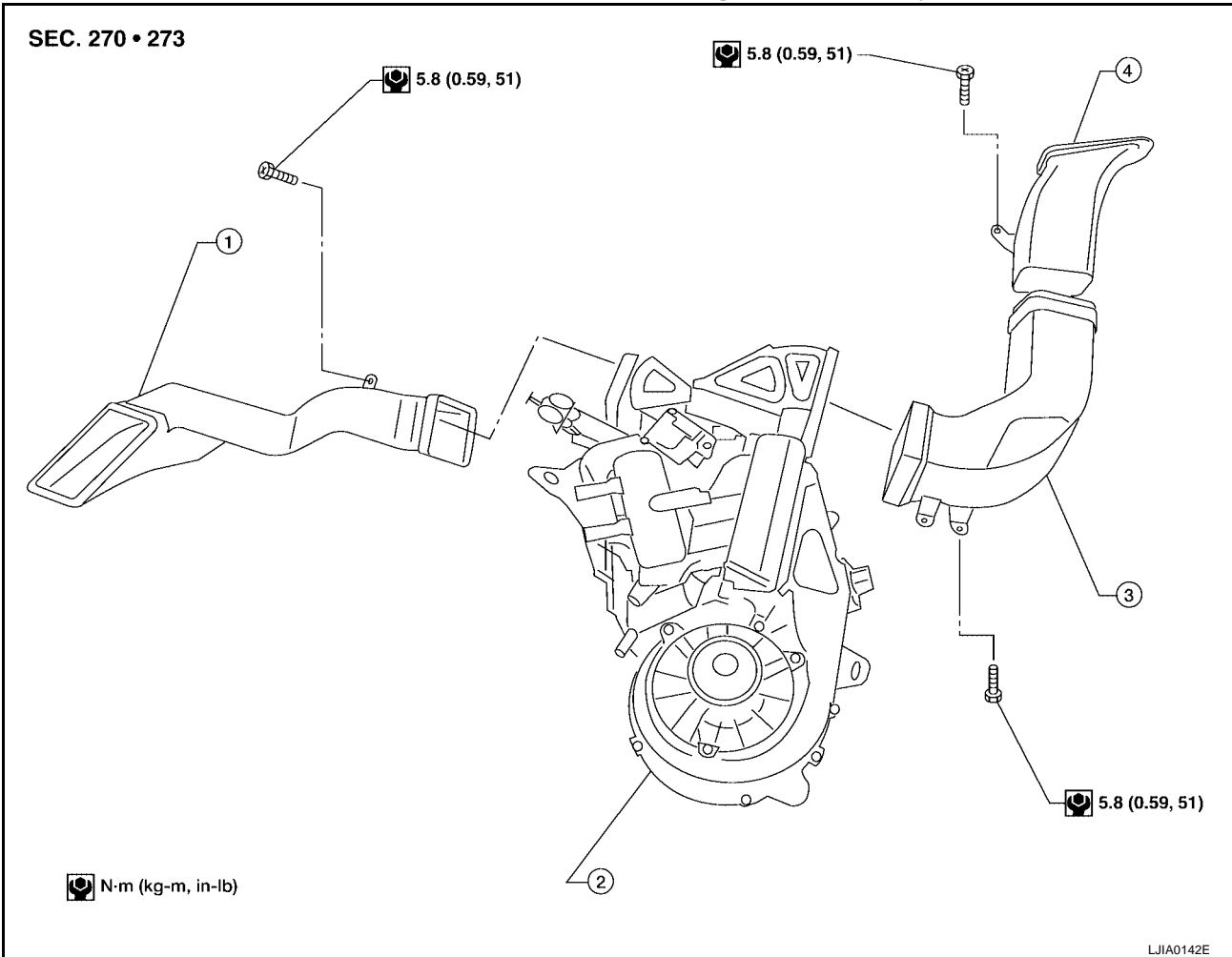
A
B
C
D
E
F
G
H
I
K
L
M

MTC

DUCTS AND GRILLES

- | | | |
|---|--------------------------|---------------------------|
| 1. Defroster nozzle | 2. LH side demister duct | 3. LH ventilator duct |
| 4. RH side demister duct | 5. RH ventilator duct | 6. Center ventilator duct |
| 7. Front heater and cooling unit assembly | 8. Floor duct | 9. Clips |
| 10. Heat duct | | |

Ducts - Rear Heater and Cooling Unit Assembly

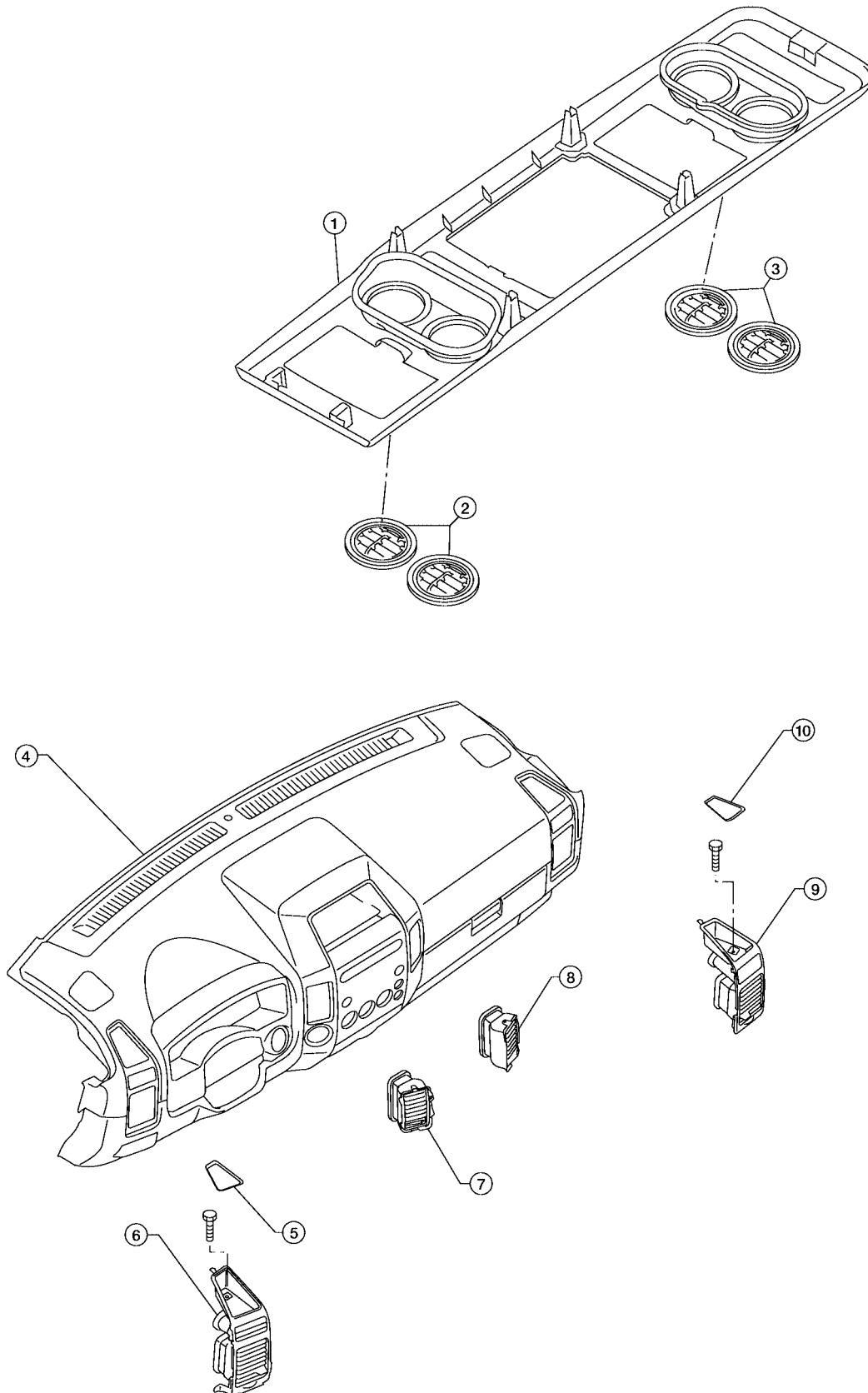


- | | | |
|-----------------------------|--|-----------------------------|
| 1. Rear floor duct | 2. Rear heater and cooling unit assembly | 3. Rear lower overhead duct |
| 4. Rear upper overhead duct | | |

DUCTS AND GRILLES

Grilles

SEC. 685 • 970



A
B
C
D
E
F
G
H
I
MTC
K
L
M

- 1. Overhead console trim panel
- 2. Overhead console front grilles (front)
- 3. Overhead console rear grilles (rear)
- 4. Instrument panel
- 5. Storage tray bottom cover (LH)
- 6. LH side ventilator and demister grille

LJIA0140E

DUCTS AND GRILLES

-
- 7. LH ventilator grille
 - 8. RH ventilator grille
 - 9. RH side ventilator and demister grille
 - 10. Storage tray bottom cover (RH)

Removal and Installation

CENTER CONSOLE HEAT DUCT AND REAR FINISHER ASSEMBLY GRILLE

EJS0026D

Removal

The center console must be removed and disassembled to remove the heat duct and rear finisher assembly grille. Refer to [IP-15, "Center Console"](#) .

Installation

Installation is in the reverse order of removal.

DEFROSTER NOZZLE

Removal

1. Remove the instrument panel trim. Refer to [IP-10, "Removal and Installation"](#) .
2. Remove the defroster nozzle.

Installation

Installation is in the reverse order of removal.

RH AND LH SIDE DEMISTER DUCT

Removal

1. Remove the instrument panel trim. Refer to [IP-10, "Removal and Installation"](#) .
2. Remove the RH or LH side demister duct.

Installation

Installation is in the reverse order of removal.

RH AND LH VENTILATOR DUCT

Removal

1. Remove the instrument panel trim. Refer to [EI-30, "Removal and Installation"](#) .
2. Remove the RH or LH ventilator duct.

Installation

Installation is in the reverse order of removal.

CENTER VENTILATOR DUCT

Removal

1. Remove the instrument panel trim. Refer to [IP-10, "Removal and Installation"](#) .
2. Remove the defroster nozzle.
3. Remove the RH and LH side demister ducts.
4. Remove the RH and LH ventilator ducts.
5. Remove the center ventilator duct.

Installation

Installation is in the reverse order of removal.

FLOOR DUCT

Removal

1. Remove the floor carpet. Refer to [EI-32, "Removal and Installation"](#) .
2. Remove the two clips and remove the floor duct.

Installation

Installation is in the reverse order of removal.

REAR OVERHEAD DUCTS

Removal

1. Remove the rear RH interior trim panel. Refer to [EI-30, "Removal and Installation"](#) .
2. Remove the headliner. Refer to [EI-24, "Removal and Installation"](#) .

DUCTS AND GRILLES

NOTE:

The rear headliner duct connected to the rear overhead duct is part of the headlining trim panel and is replaced as an assembly.

3. Remove the two bolts and remove the upper and lower rear overhead ducts.

Installation

Installation is in the reverse order of removal.

REAR FLOOR DUCT**Removal**

1. Remove the rear RH interior trim panel. Refer to [EI-30, "Removal and Installation"](#) .
2. Reposition the floor carpet out of the way.
3. Remove the two bolts and remove the rear floor duct.

Installation

Installation is in the reverse order of removal.

GRILLES**Removal**

1. Remove the interior trim panel as necessary. Refer to [EI-30, "Removal and Installation"](#) or [EI-33, "HEAD-LINING"](#) .
2. Remove the grille from the interior trim panel.

NOTE:

To remove the overhead console front and rear grilles, turn the grille counter-clockwise to release the grille from the overhead console trim panel.

Installation

Installation is in the reverse order of removal.

A

B

C

D

E

F

G

H

I

MTC

K

L

M

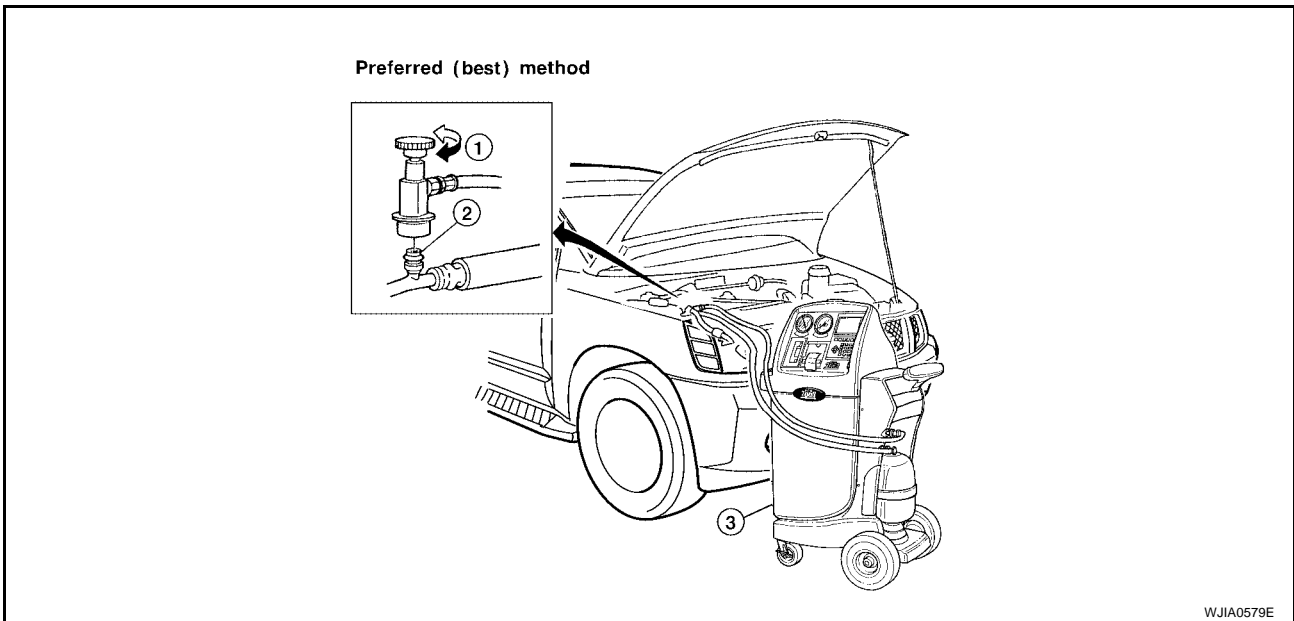
REFRIGERANT LINES

PFP:92600

EJS0026E

REFRIGERANT LINES

HFC-134a (R-134a) Service Procedure SETTING OF SERVICE TOOLS AND EQUIPMENT Discharging Refrigerant



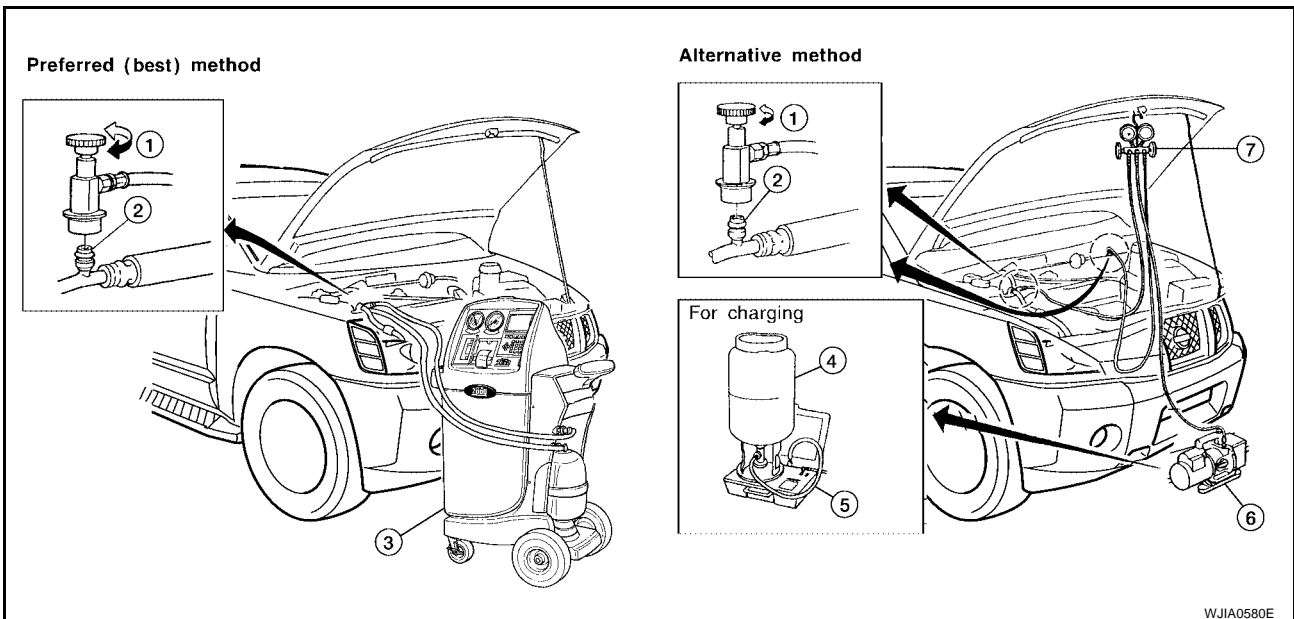
WJJA0579E

1. Shut-off valve
2. A/C service valve
3. Recovery/recycling equipment

WARNING:

Avoid breathing A/C refrigerant and lubricant vapor or mist. Exposure may irritate eyes, nose and throat. Remove HFC-134a (R-134a) refrigerant from the A/C system using certified service equipment meeting requirements of SAE J2210 HFC-134a (R-134a) recycling equipment or SAE J2201 HFC-134a (R-134a) recovery equipment. If an accidental system discharge occurs, ventilate the work area before resuming service. Additional health and safety information may be obtained from the refrigerant and lubricant manufacturers.

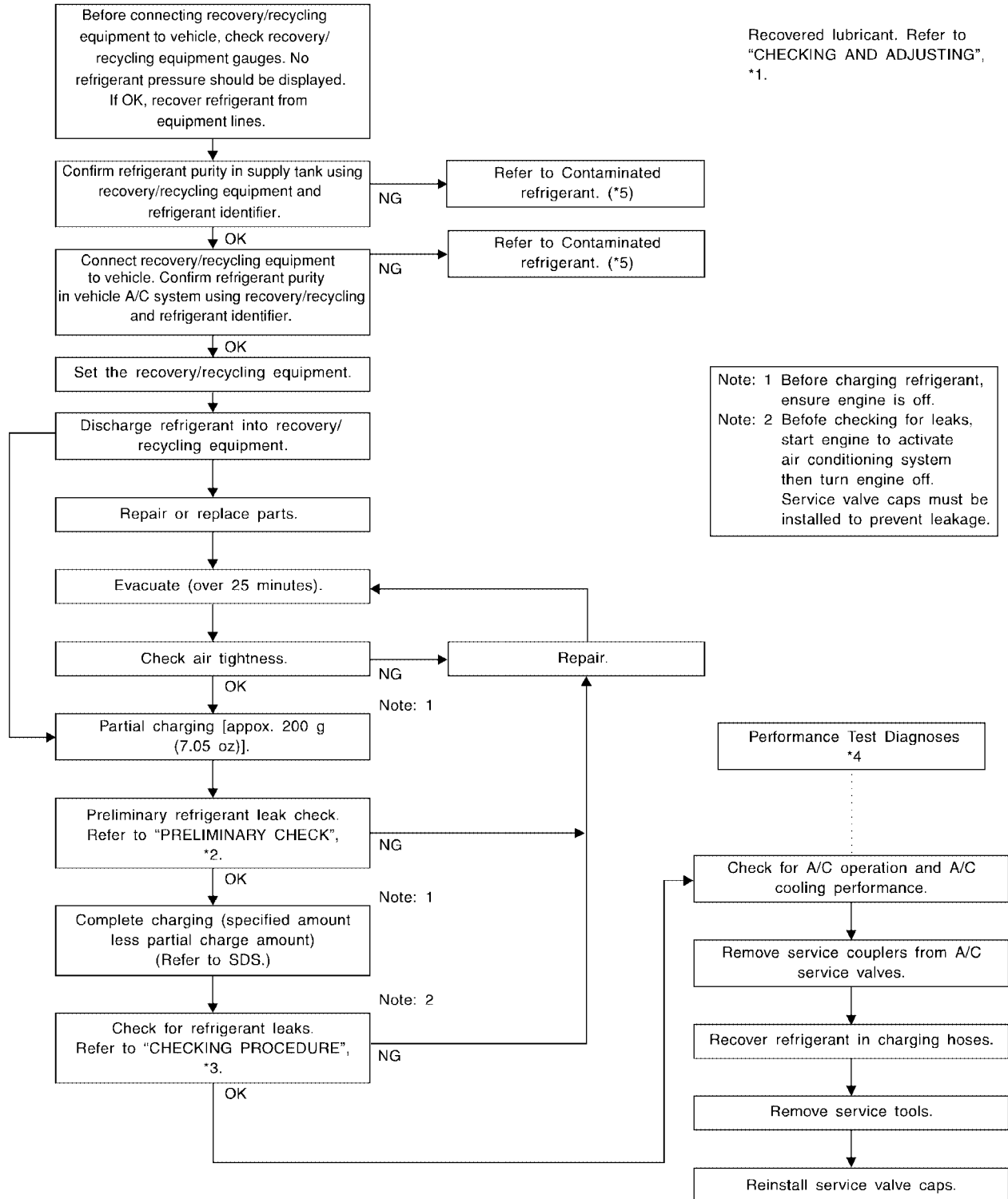
Evacuating System and Charging Refrigerant



WJJA0580E

1. Shut-off valve
2. A/C service valve
3. Recovery/recycling equipment
4. Refrigerant container (HFC-134a)
5. Weight scale (J-39650)
6. Evacuating vacuum pump (J-39699)
7. Manifold gauge set (J-39183)

REFRIGERANT LINES



*1 [MTC-21, "CHECKING AND ADJUSTING"](#).

*2 [MTC-150, "Checking for Refrigerant Leaks"](#).

*3 [MTC-150, "Checking for Refrigerant Leaks"](#).

*4 [MTC-99, "PERFORMANCE TEST DIAGNOSES"](#).

*5 [MTC-4, "Contaminated Refrigerant"](#).

WJIA0530E

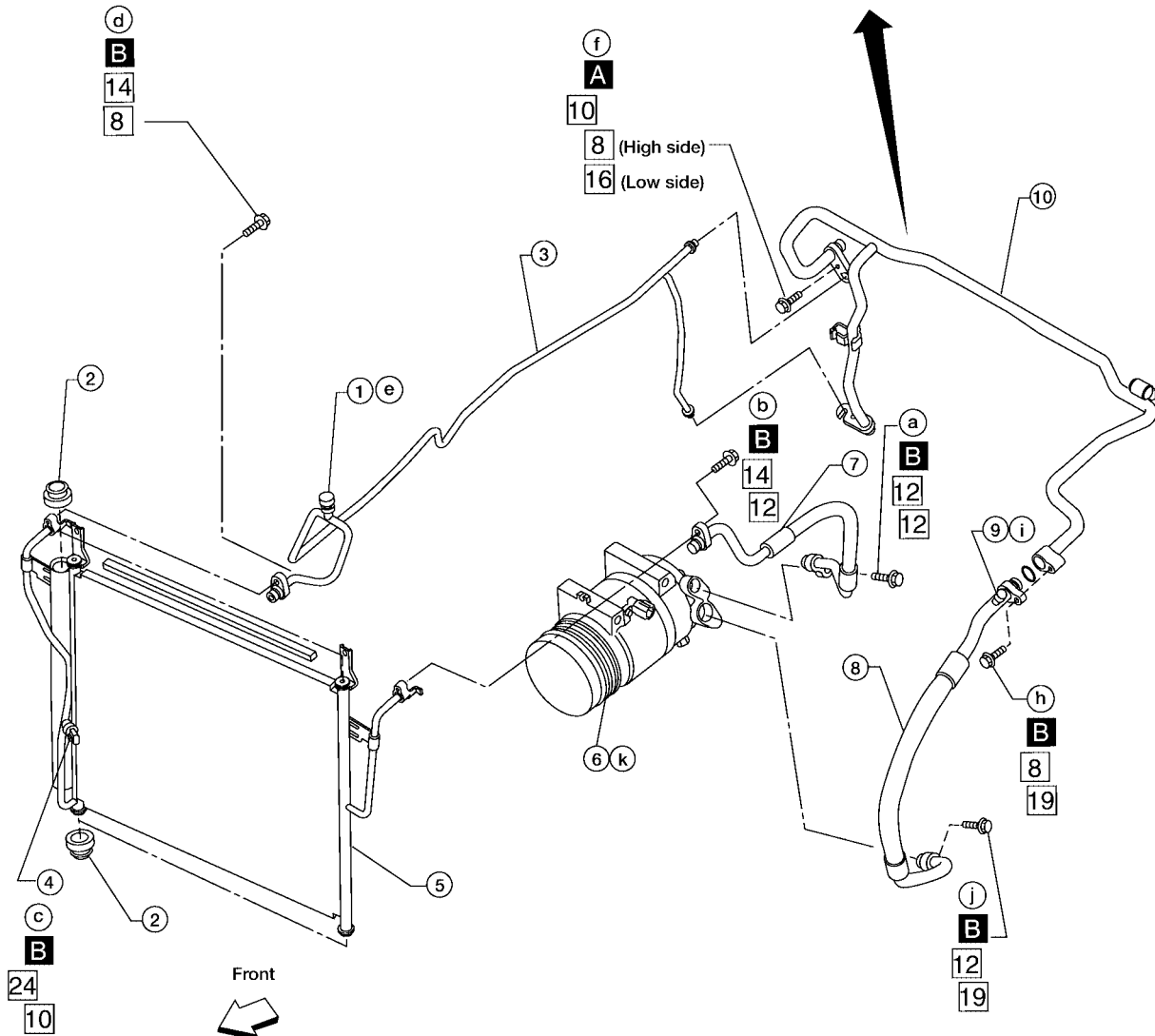
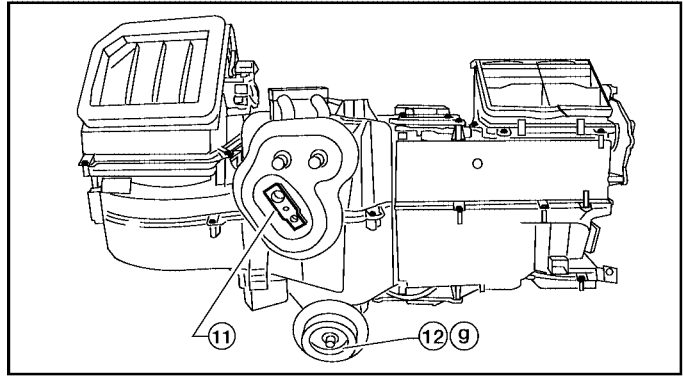
REFRIGERANT LINES

Components

EJS0026F

Front A/C Compressor and Condenser

SEC. 214 • 271 • 274 • 276



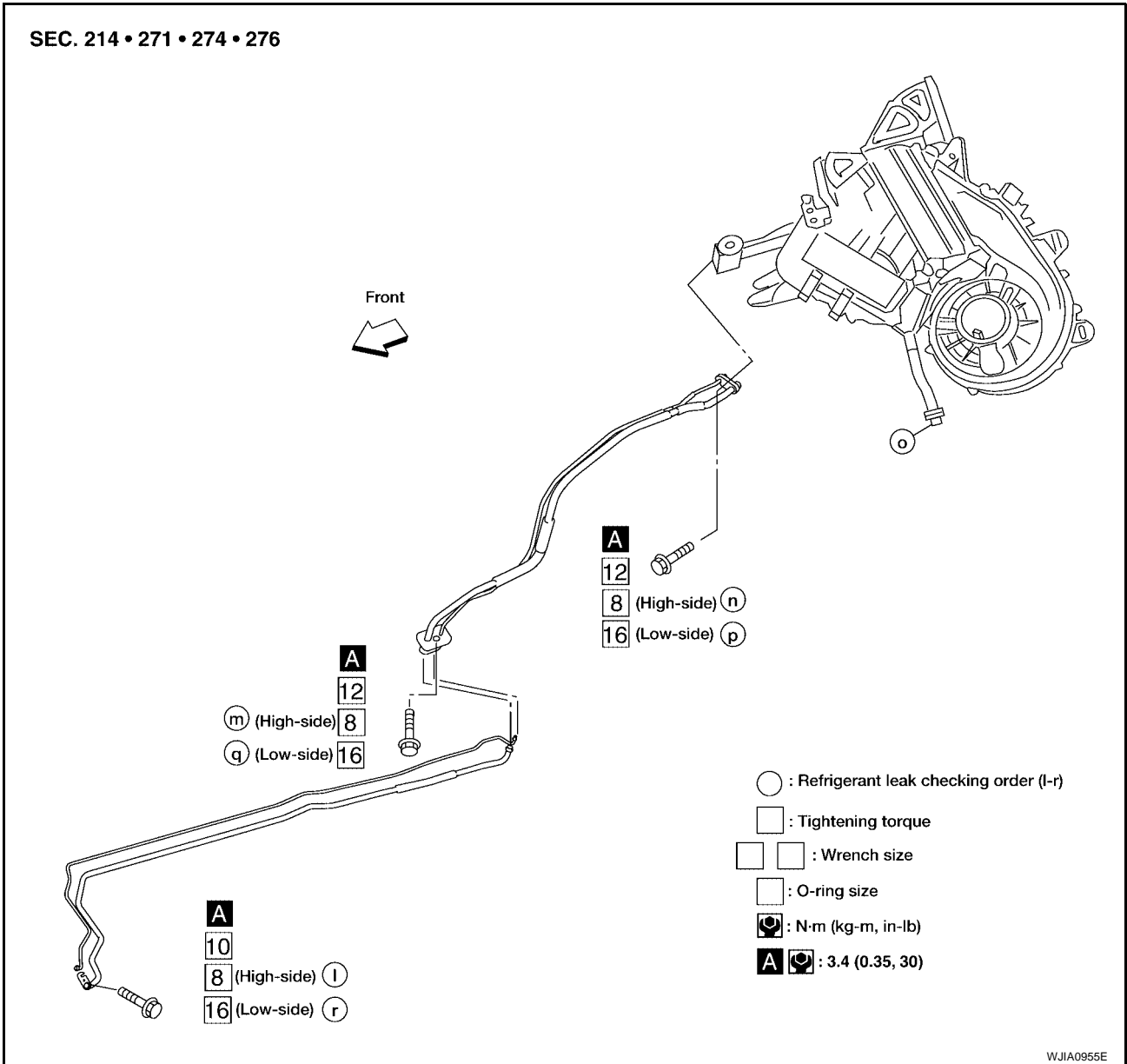
- : Refrigerant leak checking order (a-k)
- : Tightening torque
- □ : Wrench size
- : O-ring size
- ⊗ : N·m (kg-m, in-lb)
- A ⊗ : 3.4 (0.35, 30)
- B ⊗ : 9.3 (0.95, 82)

WJJA1578E

REFRIGERANT LINES

- | | | |
|--------------------------------|-------------------------------|-------------------------------|
| 1. High-pressure service valve | 2. Grommet | 3. High-pressure pipe |
| 4. Refrigerant pressure sensor | 5. Condenser | 6. Compressor shaft seal |
| 7. High-pressure flexible hose | 8. Low-pressure flexible hose | 9. Low-pressure service valve |
| 10. Low-pressure pipe | 11. Expansion valve (front) | 12. Drain hose |

Rear A/C



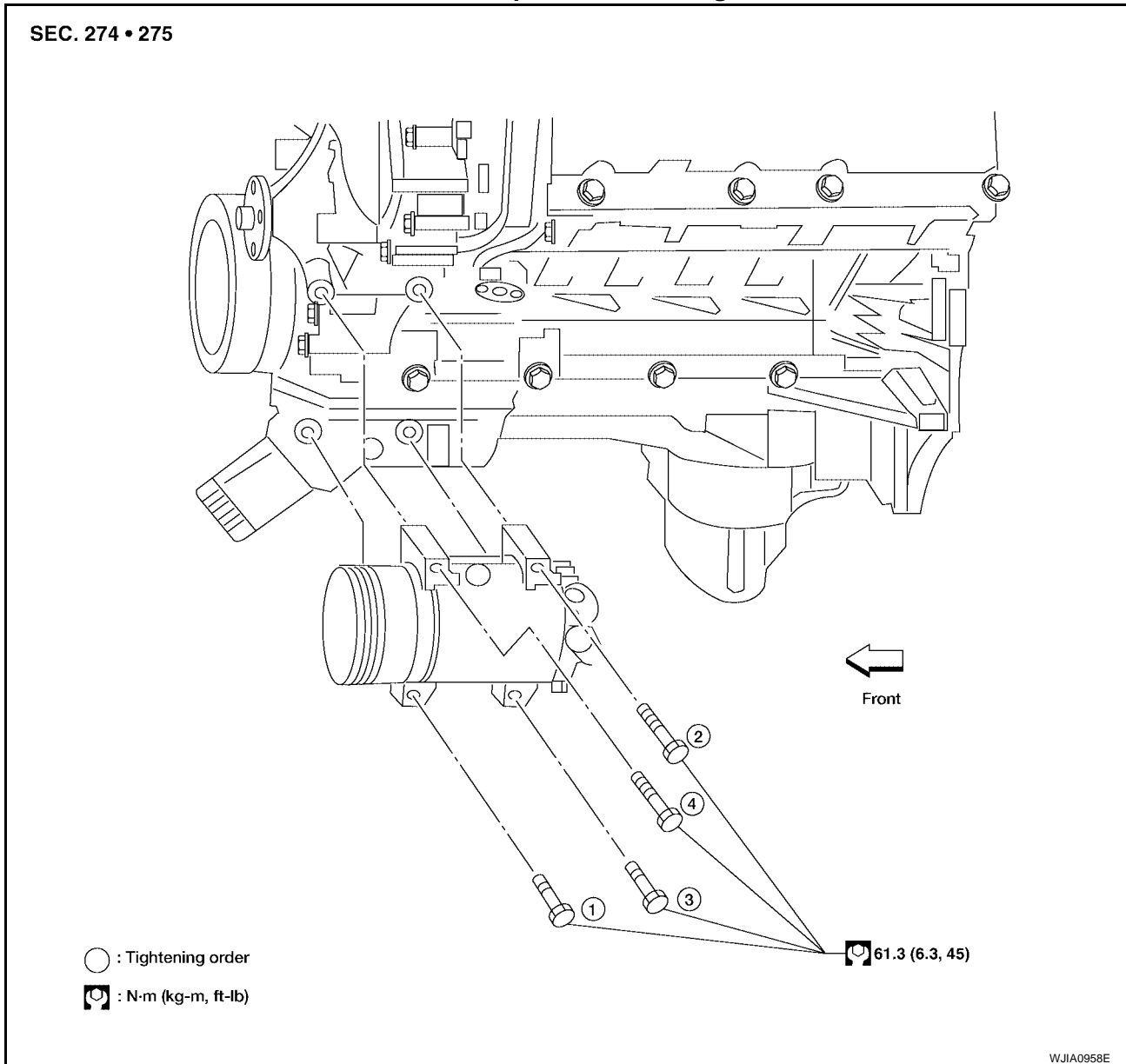
NOTE:
 Refer to [MTC-6, "Precautions for Refrigerant Connection"](#) .

REFRIGERANT LINES

Removal and Installation for Compressor

EJS0026G

A/C Compressor Mounting



REMOVAL

1. Discharge the refrigerant. Refer to [MTC-136, "HFC-134a \(R-134a\) Service Procedure"](#) .
2. Remove the front right wheel and tire assembly. Refer to [WT-6, "Rotation"](#) .
3. Remove the engine under cover and the splash shield using power tool.
4. Remove the engine air cleaner and air ducts. Refer to [EM-14, "AIR CLEANER AND AIR DUCT"](#) .
5. Remove the drive belt. Refer to [EM-12, "DRIVE BELTS"](#) .
6. Disconnect the compressor electrical connector.
7. Disconnect the high-pressure flexible hose and low-pressure flexible hose from the compressor.

CAUTION:

Cap or wrap the joint of the pipe with suitable material such as vinyl tape to avoid the entry of air.

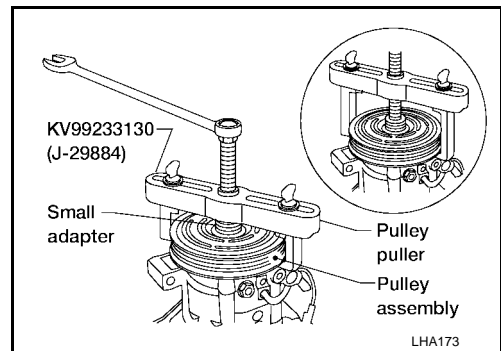
8. Remove the compressor bolts and nut using power tools.

REFRIGERANT LINES

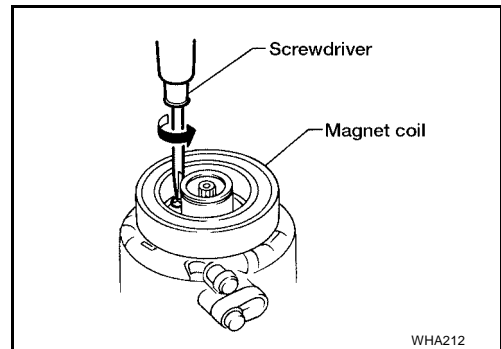
5. Remove the pulley using Tool with a small adapter. Position the small adapter on the end of the drive shaft and the center of the puller on the small adapter.

CAUTION:

To prevent deformation of the pulley groove, the puller claws should be hooked under the pulley groove and not into the pulley groove.



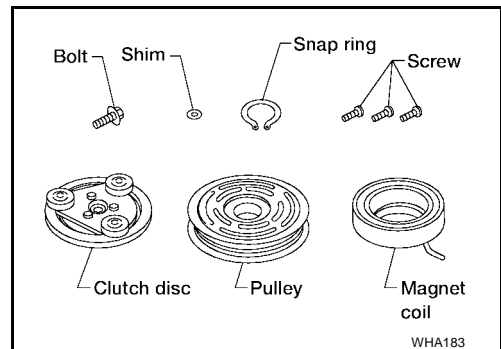
6. Remove the magnet coil harness clip using a screwdriver, remove the three magnet coil fixing screws and remove the magnet coil.



INSPECTION

Clutch Disc

If the contact surface shows signs of damage due to excessive heat, replace clutch disc and pulley.



Pulley

Check the appearance of the pulley assembly. If contact surface of pulley shows signs of excessive grooving, replace clutch disc and pulley. The contact surfaces of the pulley assembly should be cleaned with a suitable solvent before reinstallation.

Coil

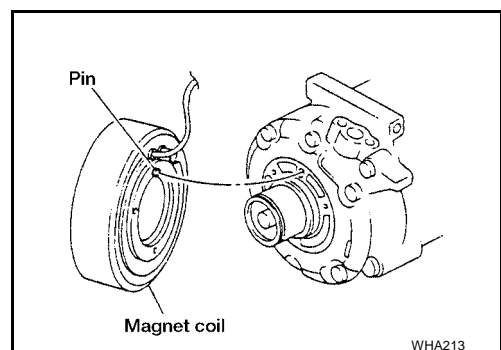
Check magnet coil for loose connections or any cracked insulation.

INSTALLATION

1. Install the magnet coil.

CAUTION:

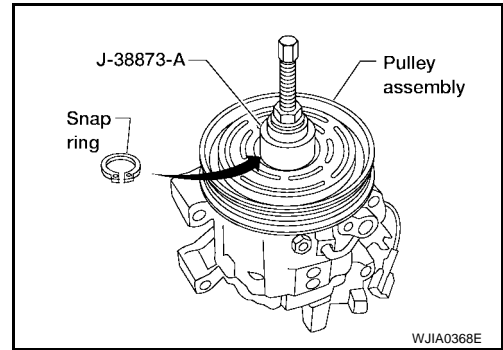
Be sure to align the magnet coil pin with the hole in the compressor front head.



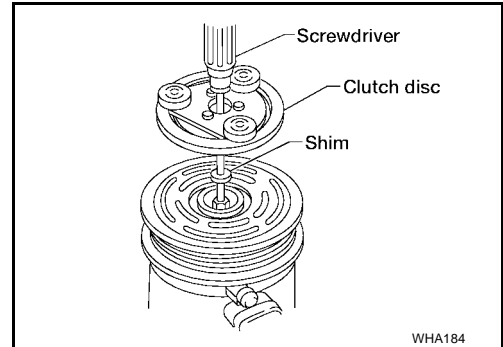
REFRIGERANT LINES

2. Install the magnet coil harness clip using a screwdriver.
3. Install the pulley assembly using Tool and a wrench, then install the snap ring using snap ring pliers.

Tool number : — (J-38873-A)



4. Install the clutch disc on the compressor shaft, together with the original shim(s). Press the clutch disc down by hand.

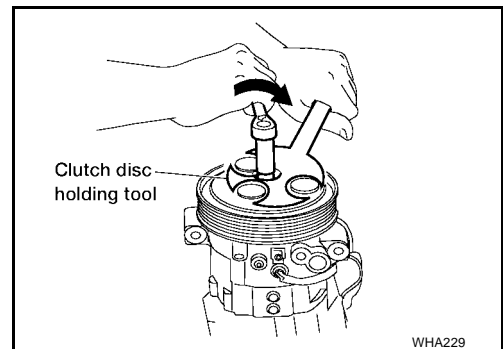


5. Install the clutch pulley bolt using Tool, to prevent the clutch disc from turning and tighten the bolt to specification. Refer to [MTC-138, "Components"](#).

Tool number : J-44614

CAUTION:

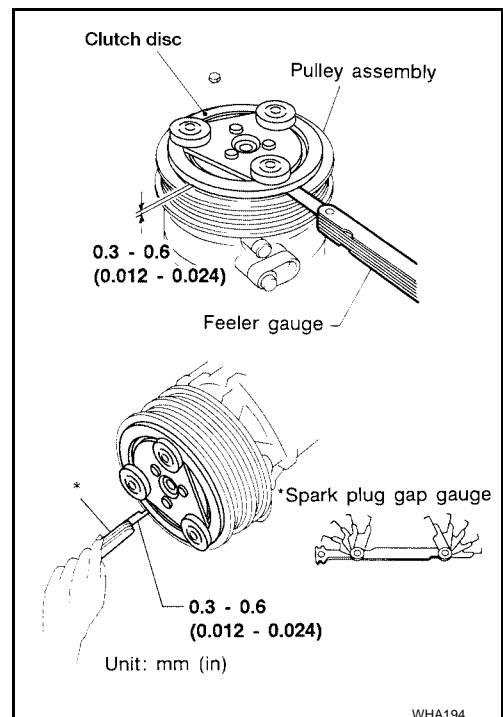
After tightening the clutch pulley bolt, check that the clutch pulley rotates smoothly.



6. Check the pulley clearance all the way around the clutch disc as shown.

Clutch disc-to-pulley clearance : 0.3 - 0.6 mm (0.012 - 0.024 in)

7. If the specified clearance is not obtained, replace the adjusting spacer to readjust.
8. Connect the compressor electrical connector.
9. Install the drive belt. Refer to [EM-12, "DRIVE BELTS"](#).
10. Install the engine under cover and the splash shield.



A
B
C
D
E
F
G
H
I
K
L
M

MTC

REFRIGERANT LINES

BREAK-IN OPERATION

When replacing compressor clutch assembly, always conduct the break-in operation. This is done by engaging and disengaging the clutch about 30 times. Break-in operation raises the level of transmitted torque.

Removal and Installation for Low-pressure Flexible Hose

EJS0026I

REMOVAL

1. Remove the engine room cover using power tools.
2. Remove the engine air cleaner and air ducts. Refer to [EM-14, "AIR CLEANER AND AIR DUCT"](#) .
3. Remove the cowl top extension. Refer to [EI-18, "COWL TOP"](#) .
4. Discharge the refrigerant. Refer to [MTC-136, "HFC-134a \(R-134a\) Service Procedure"](#) .

CAUTION:

Cap or wrap the joint of the pipe with suitable material such as vinyl tape to avoid the entry of air.

5. Remove the low-pressure flexible hose. Refer to [MTC-138, "Components"](#) .

INSTALLATION

Installation is in the reverse order of removal.

Refer to [MTC-138, "Components"](#) .

CAUTION:

- Replace the O-ring of the low-pressure flexible hose with a new one, then apply compressor oil to it when installing it.
- After charging refrigerant, check for leaks.

Removal and Installation for High-pressure Flexible Hose

EJS0026J

REMOVAL

1. Remove the engine under cover.
2. Remove the engine air cleaner and air ducts. Refer to [EM-14, "AIR CLEANER AND AIR DUCT"](#) .
3. Discharge the refrigerant. Refer to [MTC-136, "HFC-134a \(R-134a\) Service Procedure"](#) .
4. Remove the high-pressure flexible hose. Refer to [MTC-138, "Components"](#) .

CAUTION:

Cap or wrap the joint of the pipe with suitable material such as vinyl tape to avoid the entry of air.

INSTALLATION

Installation is in the reverse order of removal.

Refer to [MTC-138, "Components"](#) .

CAUTION:

- Replace the O-ring of the high-pressure flexible hose with a new one, then apply compressor oil to it when installing it.
- After charging refrigerant, check for leaks.

Removal and Installation for High-pressure Pipe

EJS0026K

REMOVAL

1. Remove the cowl top extension. Refer to [EI-18, "COWL TOP"](#) .
2. Disconnect the battery negative cable.
3. Reposition the IPDM E/R aside.
4. Remove the front right wheel and tire assembly. Refer to [WT-6, "Rotation"](#) .
5. Position aside the front floor insulator.
6. Discharge the refrigerant. Refer to [MTC-136, "HFC-134a \(R-134a\) Service Procedure"](#) .
7. Remove the low pressure pipe. Refer to [MTC-145, "Removal and Installation for Low-pressure Pipe"](#) .
8. Remove the high-pressure pipe. Refer to [MTC-138, "Components"](#) .

CAUTION:

Cap or wrap the joint of the pipe with suitable material such as vinyl tape to avoid the entry of air.

INSTALLATION

Installation is in the reverse order of removal.

Refer to [MTC-138, "Components"](#) .

REFRIGERANT LINES

CAUTION:

- Replace the O-ring of the high-pressure pipe with a new one, then apply compressor oil to it when installing it.
- After charging refrigerant, check for leaks.

Removal and Installation for Low-pressure Pipe REMOVAL

EJS0026L

1. Discharge the refrigerant. Refer to [MTC-136, "HFC-134a \(R-134a\) Service Procedure"](#).
2. Remove the cowl top and the cowl top extension. Refer to [EI-18, "COWL TOP"](#).
3. Remove the low-pressure pipe. Refer to [MTC-138, "Components"](#).

CAUTION:

Cap or wrap the joint of the pipes with suitable material such as vinyl tape to avoid the entry of air.

INSTALLATION

Installation is in the reverse order of removal.
Refer to [MTC-138, "Components"](#).

CAUTION:

- Replace the O-ring of the high/low-pressure pipe with a new one, then apply compressor oil to it when installing it.
- After charging refrigerant, check for leaks.

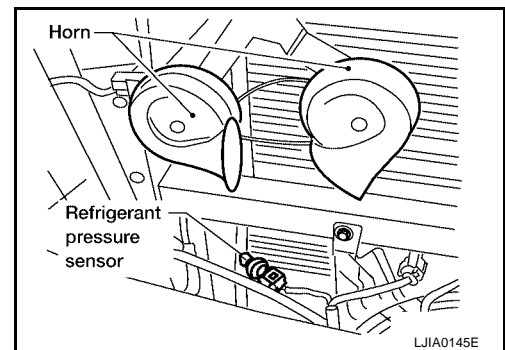
Removal and Installation for Refrigerant Pressure Sensor REMOVAL

EJS0026M

1. Discharge the refrigerant. Refer to [MTC-136, "HFC-134a \(R-134a\) Service Procedure"](#).
2. Disconnect the refrigerant pressure sensor electrical connector and remove the refrigerant pressure sensor from the condenser.

CAUTION:

Be careful not to damage the condenser fins.



INSTALLATION

Installation is in the reverse order of removal.
Refer to [MTC-138, "Components"](#).

CAUTION:

- Be careful not to damage the condenser fins.
- Apply compressor oil to the O-ring of the refrigerant pressure sensor when installing it.
- After charging refrigerant, check for leaks.

Removal and Installation for Condenser REMOVAL

EJS0026N

1. Discharge the refrigerant. Refer to [MTC-136, "HFC-134a \(R-134a\) Service Procedure"](#).
2. Remove the radiator. Refer to [CO-10, "RADIATOR"](#).

CAUTION:

Be careful not to damage the core surface of the condenser and the radiator.

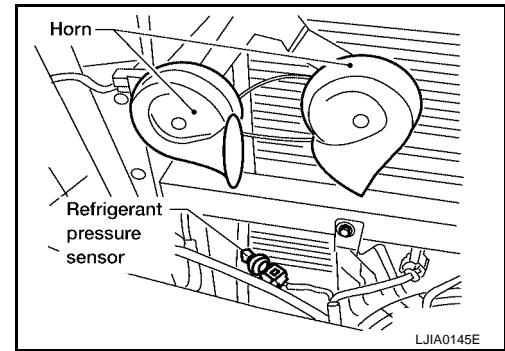
3. Disconnect the high-pressure flexible hose and the high-pressure pipe from the condenser.

CAUTION:

Cap or wrap the joint of the pipe with suitable material such as vinyl tape to avoid the entry of air.

REFRIGERANT LINES

4. Disconnect the refrigerant pressure sensor connector.
 - Remove the refrigerant pressure sensor from the condenser as necessary.
5. Lift the condenser out of the mounting grommets to remove the condenser.



INSTALLATION

Installation is in the reverse order of removal.
Refer to [MTC-138, "Components"](#) .

CAUTION:

- Replace the O-rings of the high-pressure pipe and the high-pressure flexible hose with new ones, then apply compressor oil to them after installing them.
- After charging refrigerant, check for leaks.
- Replace the grommets as necessary.

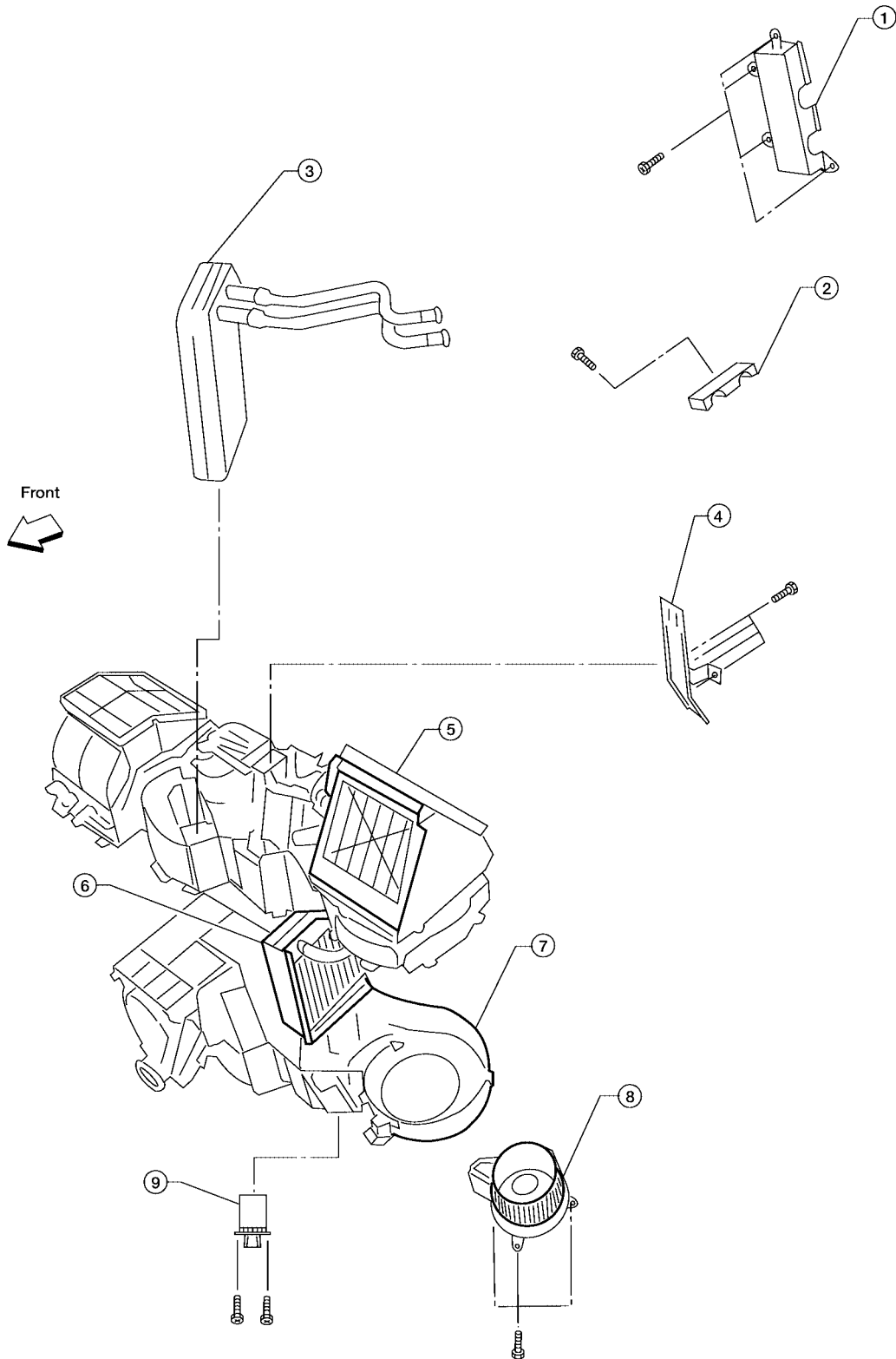
REFRIGERANT LINES

Removal and Installation for Front Evaporator

EJS00260

Front Heater and Cooling Unit Assembly

SEC. 271



- | | | |
|---------------------------------------|---------------------------------------|--------------------------------|
| 1. Heater core cover | 2. Heater core pipe bracket | 3. Heater core |
| 4. Upper bracket | 5. Upper heater and cooling unit case | 6. A/C evaporator |
| 7. Lower heater and cooling unit case | 8. Blower motor | 9. Front blower motor resistor |

LJIA0138E

REMOVAL

1. Remove the front heater core. Refer to [MTC-122, "FRONT HEATER CORE"](#).

REFRIGERANT LINES

2. Remove the defroster mode door arm.
3. Separate the heater core and cooling unit case.
4. Remove the evaporator.

INSTALLATION

Installation is in the reverse order of removal.

CAUTION:

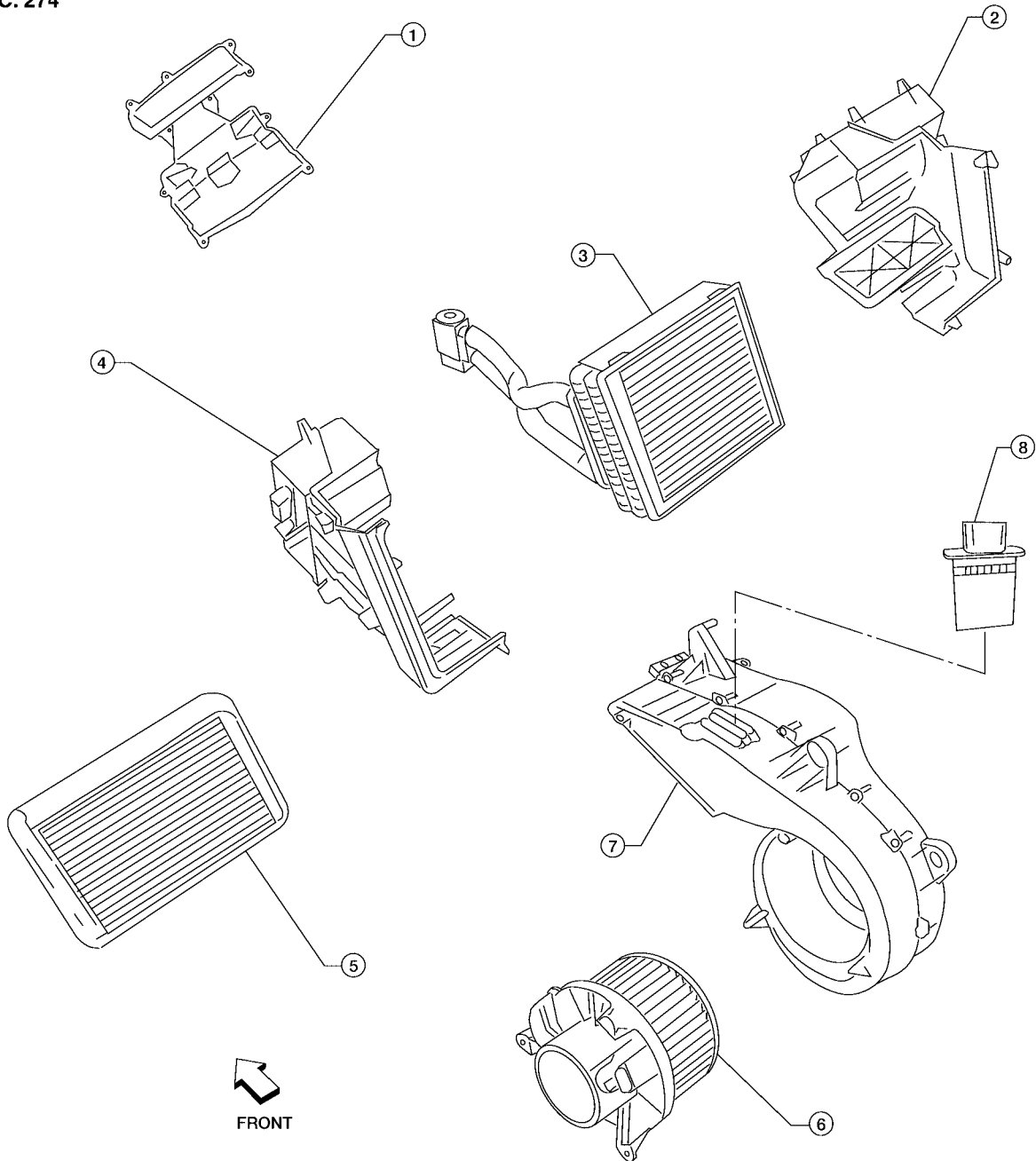
Replace the O-rings on the low-pressure flexible hose and the high-pressure pipe with new ones. Apply compressor oil to the O-rings before installing them.

Removal and Installation for Rear Evaporator

EJS0026P

Rear Heater and Cooling Unit Assembly

SEC. 274



1. Front cover
4. Side cover
7. Blower motor case

2. Evaporator and heater core case
5. Heater core
8. Rear blower motor resistor

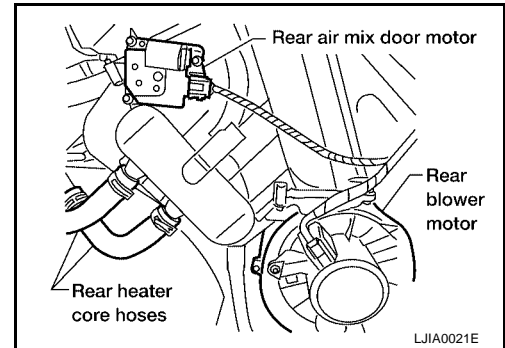
3. Evaporator
6. Rear blower motor

LJJA0135E

REFRIGERANT LINES

REMOVAL

1. Remove the rear heater and cooling unit assembly from the vehicle. Refer to [MTC-120, "REAR HEATER AND COOLING UNIT ASSEMBLY"](#) .
2. Remove the rear blower motor.
3. Remove the rear blower speed resistor.
4. Remove the rear air mix door motor.
5. Remove the rear duct and blend door assembly. Refer to [MTC-134, "DEFROSTER NOZZLE"](#) .
6. Disassemble the rear heater and cooling unit assembly to remove the evaporator.



INSTALLATION

Installation is in the reverse order of removal.

CAUTION:

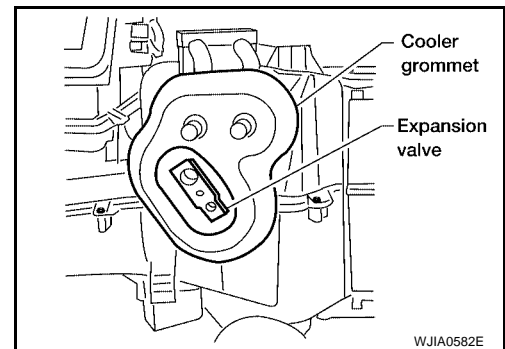
- Replace the O-rings on the rear A/C pipes with new ones. Apply compressor oil to the O-rings before installing them.
- After charging refrigerant, check for leaks.

Removal and Installation for Front Expansion Valve

EJS0026Q

REMOVAL

1. Discharge the refrigerant. Refer to [MTC-136, "HFC-134a \(R-134a\) Service Procedure"](#) .
2. Remove the front heater and cooling unit assembly. Refer to [MTC-119, "FRONT HEATER AND COOLING UNIT ASSEMBLY"](#) .
3. Remove the cooler grommet.
4. Remove the expansion valve.



INSTALLATION

Installation is in the reverse order of removal.

- | | |
|--|--|
| Expansion valve bolts | : 4 N·m (0.41 kg-m, 35 in-lb) |
| A/C refrigerant pipe to expansion valve bolt | : Refer to MTC-138, "Components" |

CAUTION:

- Replace the O-rings on the A/C refrigerant pipes with new ones, then apply compressor oil to them when installing them.
- After charging refrigerant, check for leaks.

Removal and Installation for Rear Expansion Valve

EJS0026R

REMOVAL

1. Discharge the refrigerant. Refer to [MTC-136, "HFC-134a \(R-134a\) Service Procedure"](#) .
2. Remove the rear RH interior side trim panel. Refer to [EI-30, "Removal and Installation"](#) .
3. Disconnect the A/C refrigerant pipes from the expansion valve.

REFRIGERANT LINES

CAUTION:

Cap or wrap the A/C refrigerant pipe ends with a suitable material such as vinyl tape to avoid the entry of air and contaminants.

4. Remove the expansion valve.

INSTALLATION

Installation is in the reverse order of removal.

Expansion valve bolts : 4 N-m (0.41 kg-m, 35 in-lb)

A/C refrigerant pipe to expansion valve bolt : Refer to [MTC-138, "Components"](#)

CAUTION:

- Replace the O-rings on the A/C refrigerant pipes with new ones, then apply compressor oil to them when installing them.
- After charging refrigerant, check for leaks.

Checking for Refrigerant Leaks

EJS0026S

Perform a visual inspection of all refrigeration parts, fittings, hoses and components for signs of A/C lubricant leakage, damage, and corrosion. Any A/C lubricant leakage may indicate an area of refrigerant leakage. Allow extra inspection time in these areas when using either an electronic refrigerant leak detector (J-41995) or fluorescent dye leak detector (J-42220).

If any dye is observed using a fluorescent dye leak detector (J-42220), confirm the leak using a electronic refrigerant leak detector (J-41995). It is possible that the dye is from a prior leak that was repaired and not properly cleaned.

When searching for leaks, do not stop when one leak is found but continue to check for additional leaks at all system components and connections.

When searching for refrigerant leaks using an electronic refrigerant leak detector (J-41995), move the probe along the suspected leak area at 25 - 50 mm (1 - 2 in) per second and no further than 6 mm (1/4 in) from the component.

CAUTION:

Moving the electronic refrigerant leak detector probe slower and closer to the suspected leak area will improve the chances of finding a leak.

Checking System for Leaks Using the Fluorescent Dye Leak Detector

EJS0026T

1. Check the A/C system for leaks using the fluorescent dye leak detector (and safety goggles) (J-42220) in a low sunlight area (area without windows preferable). Illuminate all components, fittings and lines. The dye will appear as a bright green/yellow area at the point of leakage. Fluorescent dye observed at the evaporator drain opening indicates an evaporator core assembly leak (tubes, core or expansion valve).
2. If the suspected area is difficult to see, use an adjustable mirror or wipe the area with a clean shop rag or cloth, then inspect the shop rag or cloth with the fluorescent dye leak detector (J-42220) for dye residue.
3. After the leak is repaired, remove any residual dye using dye cleaner (J-43872) to prevent future misdiagnosis.
4. Perform a system performance check and then verify the leak repair using a electronic refrigerant leak detector (J-41995).

NOTE:

- Other gases in the work area or substances on the A/C components, for example, anti-freeze, windshield washer fluid, solvents and lubricants, may falsely trigger the leak detector. Make sure the surfaces to be checked are clean.
- Clean with a dry cloth or blow off with shop air.
- Do not allow the sensor tip of the electronic refrigerant leak detector (J-41995) to contact with any substance. This can also cause false readings and may damage the detector.

Dye Injection

EJS0026U

NOTE:

This procedure is only necessary when recharging the system or when the compressor has seized and must be replaced.

1. Check the A/C system static (at rest) pressure. Pressure must be at least 345 kPa (3.52 kg/cm², 50 psi).

REFRIGERANT LINES

2. Pour one bottle 7.4 cc (1/4 ounce) of the HFC-134a (R-134a) fluorescent leak detection dye (J-41447) into the HFC-134a (R-134a) dye injector (J-41459).

CAUTION:

If repairing the A/C system or replacing a component, pour the HFC-134a (R-134a) fluorescent leak detection dye (J-41447) directly into the open system connection and proceed with the service procedures.

3. Connect the injector tool (J-41459) to the low-pressure service valve.
4. Start the engine and switch the A/C system ON.
5. When the A/C system is operating (compressor running), inject one bottle 7.4 cc (1/4 ounce) of HFC-134a (R-134a) fluorescent leak detection dye (J-41447) through the low-pressure service valve using HFC-134a (R-134a) dye injector (J-41459). Refer to the manufacturer's operating instructions.
6. With the engine still running, disconnect the HFC-134a (R-134a) dye injector (J-41459) from the low-pressure service valve.
7. Operate the A/C system for a minimum of 20 minutes to mix the HFC-134a (R-134a) fluorescent leak detection dye (J-41447) with the A/C system oil. Depending on the leak size, operating conditions and location of the leak, it may take from minutes to days for the HFC-134a (R-134a) fluorescent leak detection dye to penetrate an A/C system leak and become visible.

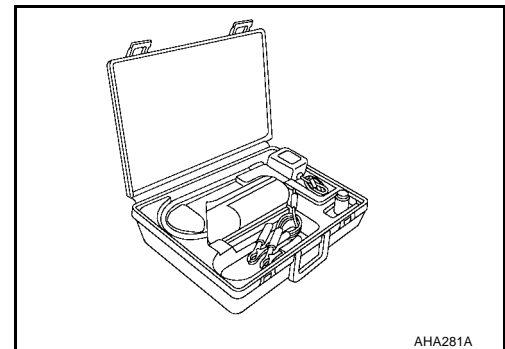
Electronic Refrigerant Leak Detector PRECAUTIONS FOR HANDLING LEAK DETECTOR

EJS0026V

NOTE:

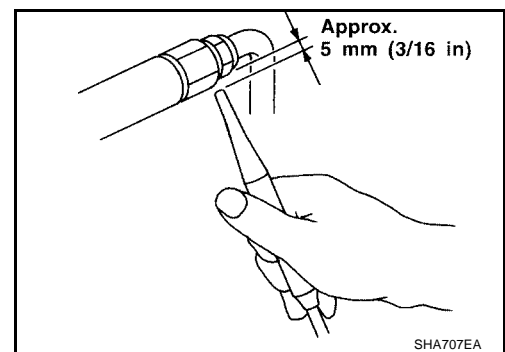
When performing a refrigerant leak check, use a electronic refrigerant leak detector (J-41995) or equivalent. Ensure that the electronic refrigerant leak detector (J-41995) is calibrated and set properly according to the manufacturer's operating instructions.

The electronic refrigerant leak detector (J-41995) is a delicate device. To use the leak detector properly, read the manufacturer's operating instructions and perform any specified maintenance.



AHA281A

1. Position the probe approximately 5 mm (3/16 in) away from the point to be checked as shown.



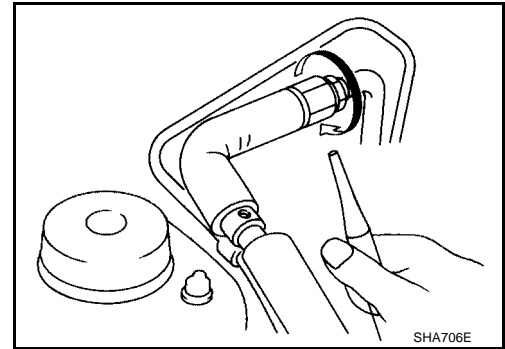
SHA707EA

A
B
C
D
E
F
G
H
I
K
L
M

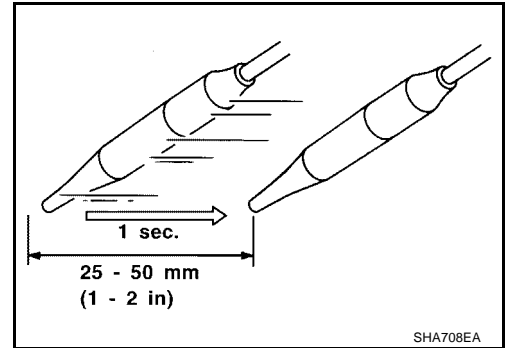
MTC

REFRIGERANT LINES

- When checking for leaks, circle each fitting completely with the probe as shown.



- Move the probe along each component at a speed of approximately 25 - 50 mm (1 - 2 in)/second as shown.



CHECKING PROCEDURE

NOTE:

To prevent inaccurate or false readings, make sure there is no refrigerant vapor, shop chemicals, or cigarette smoke in the vicinity of the vehicle. Perform the leak test in a calm area (low air/wind movement) so that the leaking refrigerant is not dispersed.

- Turn the engine OFF.
- Connect the manifold gauge set (J-39183-C) to the A/C service ports. Refer to [MTC-136, "SETTING OF SERVICE TOOLS AND EQUIPMENT"](#).
- Check if the A/C refrigerant pressure is at least 345 kPa (3.52 kg/cm², 50 psi) above a temperature of 16°C (61°F). If less than specification, recover/evacuate and recharge the system with the specified amount of refrigerant. Refer to [MTC-136, "HFC-134a \(R-134a\) Service Procedure"](#).

NOTE:

At temperatures below 16°C (61°F), leaks may not be detected since the system may not reach 345 kPa (3.52 kg/cm², 50 psi) pressure.

- Perform the leak test from the high-pressure side (front A/C compressor discharge "a" to evaporator inlet "f" or rear piping connection "l") to the low-pressure side (front A/C evaporator drain hose "g" to shaft seal "k" and rear A/C evaporator drain hose "o" to piping connection "r"). Refer to [MTC-138, "Components"](#). Clean the component to be checked and carefully move the electronic refrigerant leak detector probe completely around the following connections and components.
 - Check the compressor shaft seal
 - Check the high and low-pressure pipe and hose fittings, relief valve, and compressor shaft seal
 - Check the liquid tank
 - Check the refrigerant pressure sensor
 - Check all around the service valves. Check that the service valve caps are screwed tightly on the service valves (to prevent leaks).

NOTE:

After removing manifold gauge set (J-39183-C) from the service valves, wipe any residue from the service valves to prevent any false readings by the electronic refrigerant leak detector (J-41995).

- Evaporator

With engine OFF, turn blower fan on "High" for at least 15 seconds to dissipate any refrigerant trace in the heater and cooling unit assembly. Wait a minimum of 10 minutes accumulation time (refer to the manufacturer's recommended procedure for actual wait time) before inserting the electronic refrigerant leak detector probe into the heater and cooling unit assembly drain hose.

REFRIGERANT LINES

NOTE:

Keep the probe inserted for at least 10 seconds. Use caution not to contaminate the probe tip with water or dirt that may be in the drain hose.

5. If a leak is detected, verify at least once by blowing compressed air into the area of the suspected leak, then repeat the leak check.
6. Do not stop when one leak is found. Continue to check for additional leaks at all system components and connections.
7. If no leaks are found, perform steps 8 - 11.
8. Start the engine.
9. Set the heater A/C controls as follows:

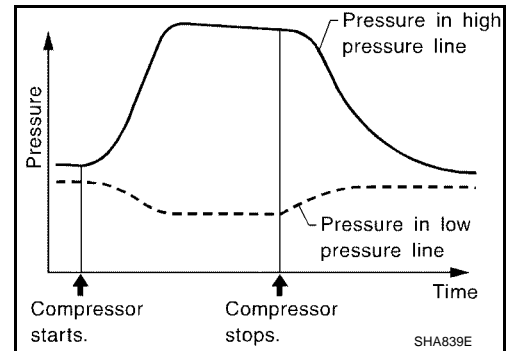
NOTE:

For the automatic system, turn OFF the automatic controls and set the heater A/C controls manually.

- a. A/C switch to ON
 - b. Air flow to VENT mode
 - c. Intake position to RECIRCULATION mode
 - d. Temperature to MAX cold
 - e. Blower speed to HIGH
10. Run the engine at 1,500 rpm for at least 2 minutes.

11. Turn the engine OFF and perform the leak check again following steps 4 through 6 above.

Refrigerant leaks should be checked immediately after turning the engine OFF. Begin with the leak detector at the compressor. The pressure on the high pressure side will gradually drop after the refrigerant circulation stops and pressure on the low pressure side will gradually rise, as shown in the graph. Some leaks are more easily detected when the pressure is high.



12. Before connecting the recovery/recycling equipment to the vehicle, check the recovery/recycling equipment gauges. No refrigerant pressure should be displayed. If pressure is displayed, recover the refrigerant from the equipment lines and then check the refrigerant purity.
13. Confirm refrigerant purity in supply tank using recovery/recycling equipment and refrigerant identifier equipment (J-41810-NI).
14. Confirm the refrigerant purity in the vehicle's A/C system using recovery/recycling equipment and refrigerant identifier equipment (J-41810-NI).
15. Discharge the A/C system using recovery/recycling equipment. Repair the leaking fitting or component as necessary.
16. Evacuate and recharge the A/C system and perform the leak test to confirm that there are no refrigerant leaks.
17. Conduct the Operational Check to ensure system works properly. Refer to [MTC-49, "Operational Check \(Front\)"](#).

SERVICE DATA AND SPECIFICATIONS (SDS)

SERVICE DATA AND SPECIFICATIONS (SDS)

PFP:00030

Service Data and Specifications (SDS) COMPRESSOR

EJS0026W

Make	ZEXEL VALEO CLIMATE CONTROL
Model	DKS-17D
Type	Swash plate
Displacement	175.5 cm ³ (10.7 in ³) / rev
Cylinder bore × stroke	30.5 mm (1.20 in) x 24.0 mm (0.94 in)
Direction of rotation	Clockwise (viewed from drive end)
Drive belt	Poly V

LUBRICANT

Name	NISSAN A/C System Lubricant Type S (DH-PS)	
Part number	KLH00-PAGS0	
Capacity	Total in system	290 mℓ (9.8 US fl oz, 10.2 Imp fl oz)

REFRIGERANT

Type	HFC-134a (R-134a)
Capacity	1.08 ± 0.05 kg (2.38 ± 0.11 lb)

ENGINE IDLING SPEED

Refer to [EC-31, "Idle Speed and Ignition Timing Check"](#) .

BELT TENSION

Refer to [EM-12, "Tension Adjustment"](#) .