

# SECTION **AP**

## ADJUSTABLE PEDAL

### CONTENTS

<b>PRECAUTIONS</b> .....	<b>2</b>	Automatic Drive Positioner Interlocking Adjustable Pedal .....	<b>3</b>
Precautions for Supplemental Restraint System (SRS) "AIR BAG" and "SEAT BELT PRE-TENSIONER" .....	<b>2</b>	Adjustable Pedal (Only Manual Operation Model).....	<b>3</b>
Trouble Diagnosis Precaution .....	<b>2</b>	Trouble Diagnosis .....	<b>7</b>
<b>ADJUSTABLE PEDAL SYSTEM</b> .....	<b>3</b>	Removal and Installation .....	<b>13</b>

A  
B  
C  
D  
E  
F  
G  
H  
J  
K  
L  
M

**AP**

# PRECAUTIONS

## PRECAUTIONS

PF0:00001

### Precautions for Supplemental Restraint System (SRS) “AIR BAG” and “SEAT BELT PRE-TENSIONER”

EIS0022G

The Supplemental Restraint System such as “AIR BAG” and “SEAT BELT PRE-TENSIONER”, used along with a front seat belt, helps to reduce the risk or severity of injury to the driver and front passenger for certain types of collision. This system includes seat belt switch inputs and dual stage front air bag modules. The SRS system uses the seat belt switches to determine the front air bag deployment, and may only deploy one front air bag, depending on the severity of a collision and whether the front occupants are belted or unbelted. Information necessary to service the system safely is included in the SRS and SB section of this Service Manual.

#### **WARNING:**

- To avoid rendering the SRS inoperative, which could increase the risk of personal injury or death in the event of a collision which would result in air bag inflation, all maintenance must be performed by an authorized NISSAN/INFINITI dealer.
- Improper maintenance, including incorrect removal and installation of the SRS, can lead to personal injury caused by unintentional activation of the system. For removal of Spiral Cable and Air Bag Module, see the SRS section.
- Do not use electrical test equipment on any circuit related to the SRS unless instructed to in this Service Manual. SRS wiring harnesses can be identified by yellow and/or orange harnesses or harness connectors.

### Trouble Diagnosis Precaution

EIS0022H

When you read wiring diagrams, refer to the following:

- [GI-15, "How to Read Wiring Diagrams"](#)
- [PG-4, "POWER SUPPLY ROUTING CIRCUIT"](#)

When you perform trouble diagnosis, refer to the following:

- [GI-11, "HOW TO FOLLOW TEST GROUPS IN TROUBLE DIAGNOSES"](#)
- [GI-27, "How to Perform Efficient Diagnosis for an Electrical Incident"](#)

Check for any service bulletins before servicing the vehicle.

# ADJUSTABLE PEDAL SYSTEM

## ADJUSTABLE PEDAL SYSTEM

PFP:98800

### Automatic Drive Positioner Interlocking Adjustable Pedal

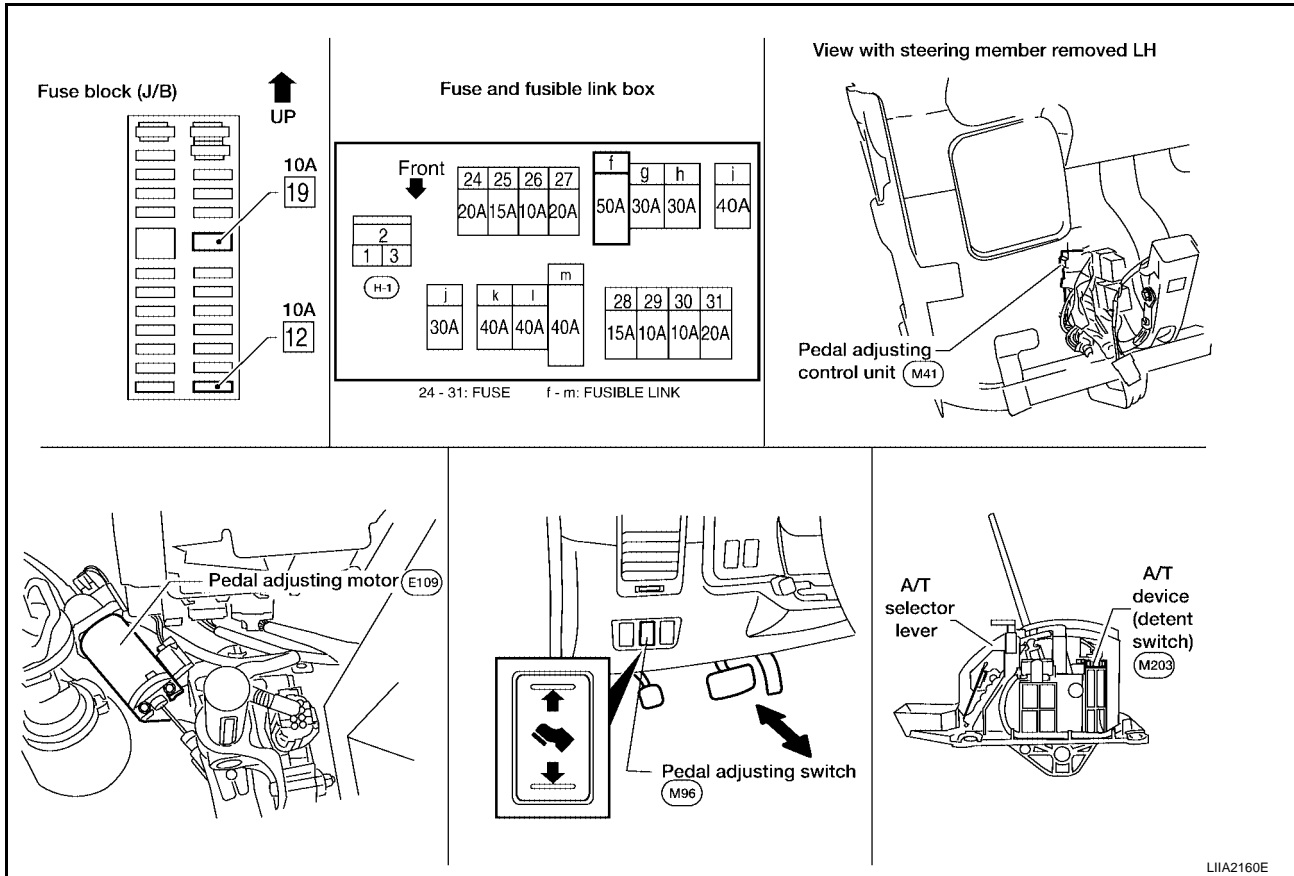
EIS00273

Automatic drive positioner interlocking adjustable pedal. Refer to [SE-11, "AUTOMATIC DRIVE POSITIONER"](#)

### Adjustable Pedal (Only Manual Operation Model)

EIS00274

#### COMPONENT PARTS AND HARNESS CONNECTOR LOCATION



#### SYSTEM DESCRIPTION

The adjustable pedal system power supply is controlled by pedal adjusting control unit. Power is supplied at all times

- through 50A fusible link (letter f , located in the fuse and fusible link box),
- to circuit breaker-2 terminal 2
- through circuit breaker-2 terminal 1
- to pedal adjusting control unit terminal 5.

With the ignition switch in ON or START position, power is supplied

- through 10A fuse [No. 12, located in the fuse block (J/B)]
- to pedal adjusting control unit terminal 4.

Ground is supplied

- to pedal adjusting switch terminal 4 and
- to pedal adjusting control unit terminal 1
- through body grounds M57, M61 and M79.

When the A/T selector lever is in other than P position and key is in ignition key cylinder, power is supplied

- to pedal adjusting control unit terminal 3,
- through A/T device terminal 6
- through A/T device terminal 5
- from key switch and key lock solenoid terminal 4.

A  
B  
C  
D  
E  
F  
G  
H  
AP  
J  
K  
L  
M

## ADJUSTABLE PEDAL SYSTEM

---

Then pedal adjusting control unit recognizes that A/T selector lever is in other than P position.

With the ignition switch in OFF or ON position and A/T selector lever is shifted to the P position, power is supplied

- through pedal adjusting control unit terminal 7,
- to pedal adjusting switch terminal 1.

With power supplied, pedal adjusting switch is energized.

When pedal is adjusted forward, power is supplied

- through pedal adjusting switch terminal 3,
- to pedal adjusting motor terminal +.

Then ground is supplied

- to pedal adjusting motor terminal -,
- through pedal adjusting switch terminal 2,
- through pedal adjusting switch terminal 4,
- through body grounds M57, M61 and M79.

With power and ground are supplied, accelerator and brake pedals move forward.

When pedal is adjusted backward, power is supplied

- through pedal adjusting switch terminal 2,
- to pedal adjusting motor terminal -.

Then ground is supplied

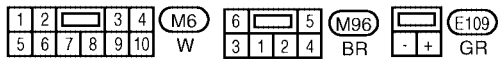
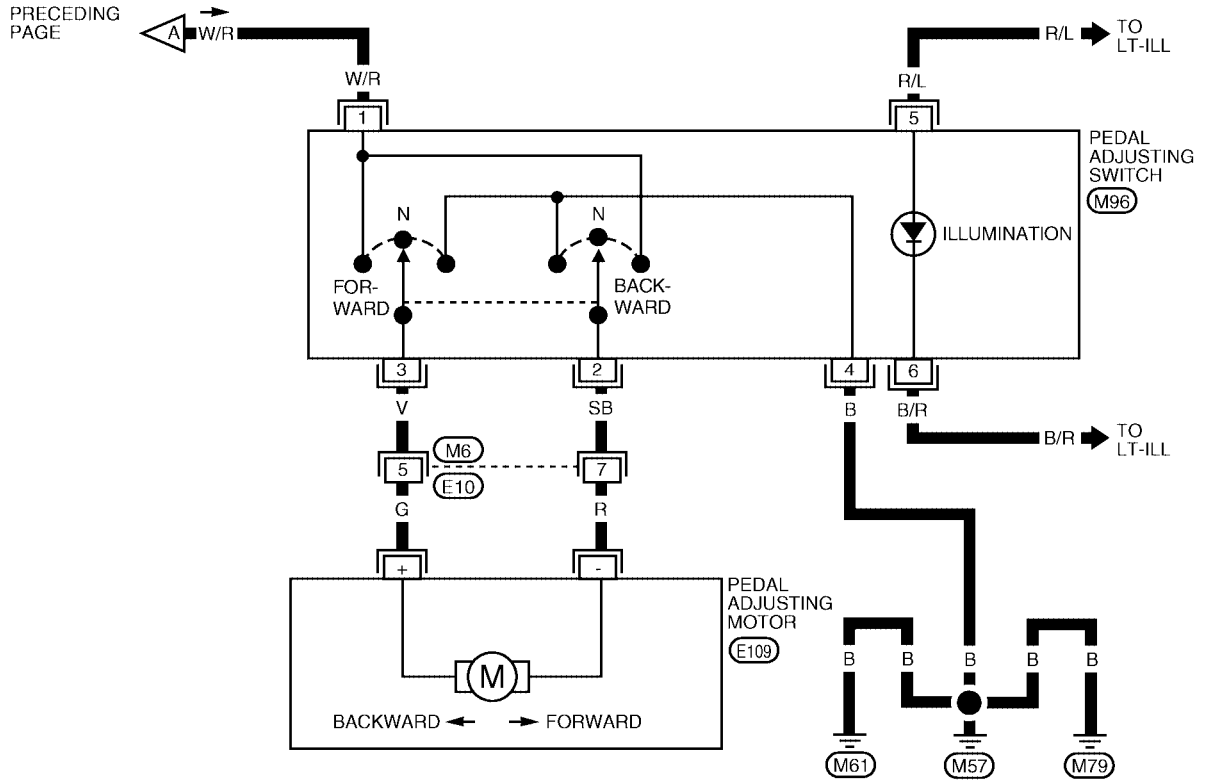
- to pedal adjusting motor terminal +,
- through pedal adjusting switch terminal 3,
- through pedal adjusting switch terminal 4,
- through body grounds M57, M61 and M79.

With power and ground are supplied, accelerator and brake pedals move backward.



# ADJUSTABLE PEDAL SYSTEM

AP-PEDAL-02



W1WA0191E

# ADJUSTABLE PEDAL SYSTEM

## TERMINAL AND REFERENCE VALUE FOR PEDAL ADJUSTING CONTROL UNIT

TERMI- NAL	WIRE COLOR	ITEM	CONDITON	VOLTAGE (V) (Approx.)
1	B	Ground	—	0
3	L/R	Detent switch (key) signal	Selector lever in other than P position	0
			Selector lever in P position	Battery voltage
4	G/R	Ignition switch (ON or START)	Ignition switch (ON or START position)	Battery voltage
5	W/L	Battery power supply	—	Battery voltage
7	W/R	Pedal adjusting switch power supply out- put	Ignition switch ON Selector lever in other than P position	0
			Ignition switch ON Selector lever in P position	Battery voltage

### Trouble Diagnosis

EIS00275

#### WORK FLOW

1. Check the symptom and customer's requests.
2. Perform the preliminary check. Refer to [AP-7, "PRELIMINARY CHECK"](#) .
3. According to the trouble diagnosis chart, repair or replace the cause of the malfunction. Refer to [AP-8, "TROUBLE DIAGNOSIS CHART BY SYMPTOM"](#) .
4. Does adjustable pedal system operate normally?  
YES: GO TO 5.  
NO: GO TO 3.
5. Inspection End.

#### PRELIMINARY CHECK

### 1. CHECK ADJUSTABLE PEDAL MECHANISM

Check the following.

- Movable part of accelerator pedal or brake pedal is deformed, or there is foreign material in it.
- Accelerator pedal or brake pedal is deformed or broken.

#### OK or NG

- OK >> Preliminary check is OK.  
NG >> Repair the malfunctioning part and check again.

# ADJUSTABLE PEDAL SYSTEM

## TROUBLE DIAGNOSIS CHART BY SYMPTOM

### NOTE:

Always check the WORK FLOW before troubleshooting. Refer to [AP-7, "WORK FLOW"](#) .

Symptom	Diagnosis / service procedure	Reference page
Adjustable pedal system does not operate.	1. Pedal adjusting control unit power supply and ground circuit inspection.	<a href="#">AP-8</a>
	2. Pedal adjusting switch power supply and ground circuit inspection.	<a href="#">AP-10</a>
	3. Pedal adjusting motor circuit inspection.	<a href="#">AP-11</a>
Adjustable pedal system does operate when ignition switch is turned ON and A/T selector lever is in other than P-position.	1. A/T device circuit inspection.	<a href="#">AP-9</a>
	2. Pedal adjusting control unit signal inspection.	<a href="#">AP-8</a>
	3. Replace pedal adjusting control unit.	—
Adjustable pedal system does not operate when ignition switch is turned ON and A/T selector lever is in P-position.	1. A/T device circuit inspection.	<a href="#">AP-9</a>

## PEDAL ADJUSTING CONTROL UNIT IGNITION SIGNAL INSPECTION

### 1. CHECK FUSE

Check 10A fuse [No. 12, located in fuse block (J/B)].

#### NOTE:

Refer to [AP-3, "COMPONENT PARTS AND HARNESS CONNECTOR LOCATION"](#) .

OK or NG

OK >> GO TO 2.

NG >> If fuse is blown, be sure to eliminate cause of malfunction before installing new fuse. Refer to [PG-4, "POWER SUPPLY ROUTING CIRCUIT"](#) .

### 2. CHECK PEDAL ADJUSTING CONTROL UNIT IGNITION POWER SUPPLY CIRCUIT

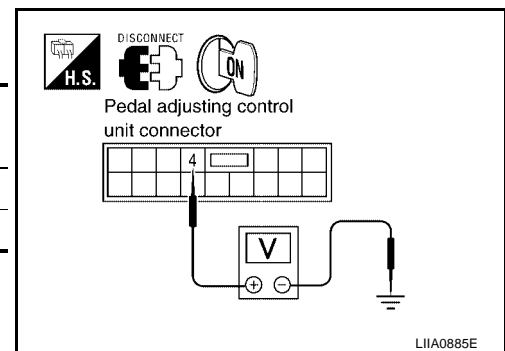
1. Disconnect pedal adjusting control unit.
2. Check voltage between pedal adjusting control unit connector and ground.

Connector	Terminal (Wire color)		Condition	Voltage (V) (Approx.)
	(+)	(-)		
M14	4 (G/R)	Ground	Ignition switch ON	Battery voltage
			Ignition switch OFF	0

OK or NG

OK >> Pedal adjusting control unit ignition signal is OK.

NG >> Repair or replace the harness.



## PEDAL ADJUSTING CONTROL UNIT POWER SUPPLY AND GROUND INSPECTION

### 1. CHECK PEDAL ADJUSTING CONTROL UNIT OUTPUT POWER SUPPLY

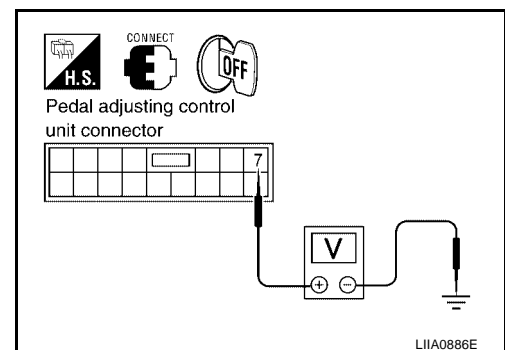
1. Turn ignition switch OFF.
2. Check voltage between pedal adjusting control unit connector M14 terminal 7 and ground.

**7 (W/R) – Ground : Battery voltage**

OK or NG

OK >> Pedal adjusting control unit power supply and ground is OK.

NG >> GO TO 2.





# ADJUSTABLE PEDAL SYSTEM

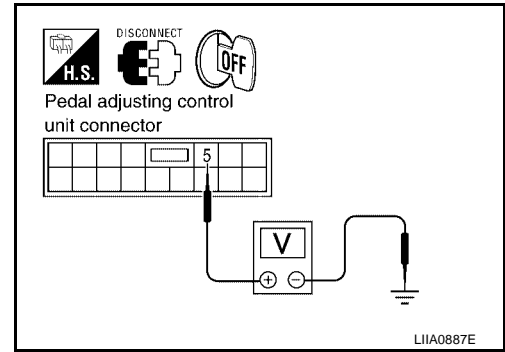
## 2. CHECK PEDAL ADJUSTING CONTROL UNIT POWER SUPPLY CIRCUIT

1. Disconnect pedal adjusting control unit.
2. Check voltage between pedal adjusting control unit connector M14 terminal 5 and ground.

**5 (W/L) - Ground : Battery voltage**

OK or NG

- OK >> GO TO 3.  
 NG >> Repair or replace the harness.



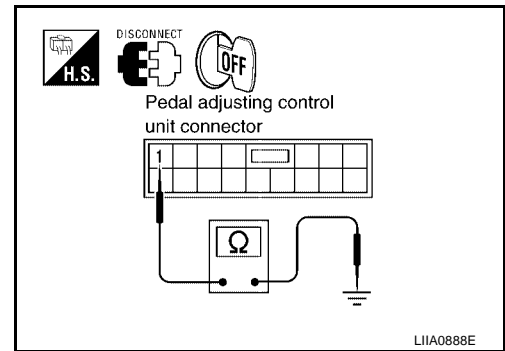
## 3. CHECK PEDAL ADJUSTING CONTROL UNIT GROUND CIRCUIT

- Check continuity between pedal adjusting control unit connector M14 terminal 1 and ground.

**1 (B) - Ground : Continuity should exist.**

OK or NG

- OK >> Replace pedal adjusting control unit.  
 NG >> Repair or replace the harness.



## A/T DEVICE CIRCUIT INSPECTION

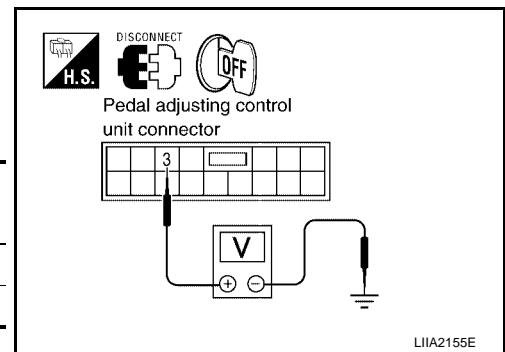
### 1. CHECK PEDAL ADJUSTING CONTROL UNIT INPUT SIGNAL

1. Turn ignition switch OFF.
2. Disconnect pedal adjusting control unit.
3. Check voltage between pedal adjusting control unit connector and ground.

Connector	Terminal (Wire color)		Condition	Voltage (V) (Approx.)
	(+)	(-)		
M14	3 (L/R)	Ground	P position	0
			Other than P position	Battery voltage

OK or NG

- OK >> A/T device circuit is OK.  
 NG >> GO TO 2.



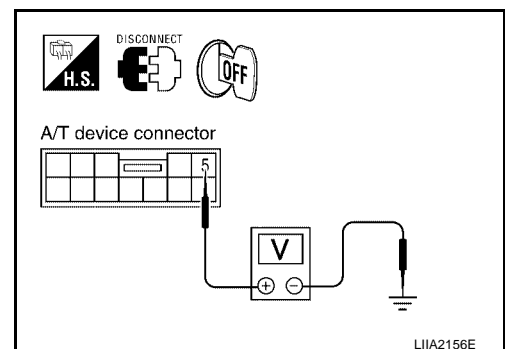
### 2. CHECK A/T DEVICE POWER SUPPLY CIRCUIT

1. Disconnect A/T device.
2. Check voltage between A/T device connector M203 terminal 5 and ground.

**5 (B/R) - Ground : Battery voltage**

OK or NG

- OK >> GO TO 3.  
 NG >> Repair or replace harness.



# ADJUSTABLE PEDAL SYSTEM

## 3. CHECK A/T DEVICE HARNESS

1. Disconnect pedal adjusting control unit.
2. Check continuity between pedal adjusting control unit connector M14 terminal 3 and A/T device connector M203 terminal 6.

**3 (L/R) - 6 (L/R) : Continuity should exist.**

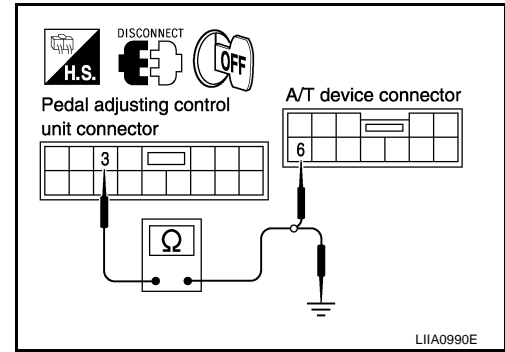
3. Check continuity between pedal adjusting control unit connector M14 terminal 3 and ground.

**3 (L/R) - Ground : Continuity should not exist.**

OK or NG

OK >> GO TO 4.

NG >> Repair or replace harness.



## 4. CHECK A/T DEVICE

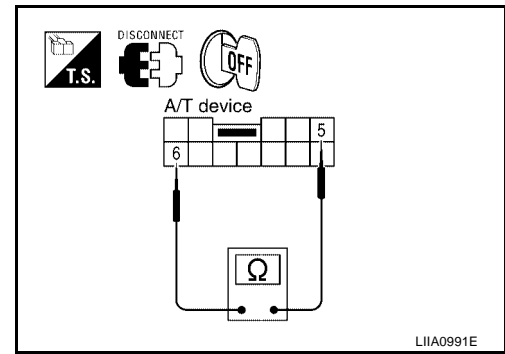
Check continuity between A/T device terminals as follows.

Terminal		Condition	Continuity
5	6	P position	Continuity should not exist.
		Other than P position	Continuity should exist.

OK or NG

OK >> Inspect shift lock system. Refer to [AT-230, "A/T SHIFT LOCK SYSTEM"](#).

NG >> Replace A/T device. Refer to [AT-233, "DETENTION SWITCH"](#).



## PEDAL ADJUSTING SWITCH POWER SUPPLY AND GROUND INSPECTION

### 1. CHECK PEDAL ADJUSTING SWITCH POWER SUPPLY

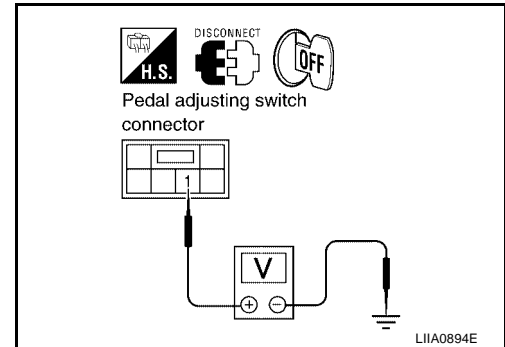
1. Turn ignition switch OFF.
2. Disconnect pedal adjusting switch.
3. Check voltage between pedal adjusting switch connector M96 terminal 1 and ground.

**1 (W/R) - Ground : Battery voltage**

OK or NG

OK >> GO TO 3.

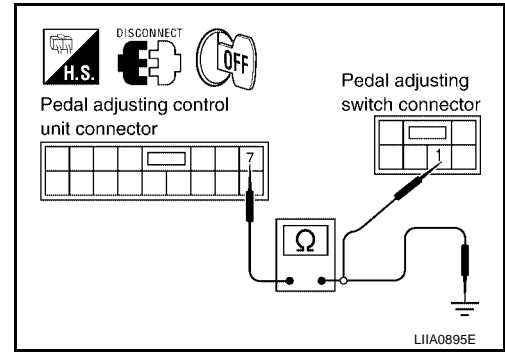
NG >> GO TO 2.



# ADJUSTABLE PEDAL SYSTEM

## 2. CHECK PEDAL ADJUSTING SWITCH HARNESS

1. Disconnect pedal adjusting control unit.
2. Check continuity between pedal adjusting control unit connector M14 terminal 7 and pedal adjusting switch connector M96 terminal 1.  
**7 (W/R) - 1 (W/R) : Continuity should exist.**
3. Check continuity between pedal adjusting control unit connector M14 terminal 7 and ground.  
**7 (W/R) - Ground : Continuity should not exist.**



OK or NG

- OK >> Check the condition of the harness and connector.
- NG >> Repair or replace harness.

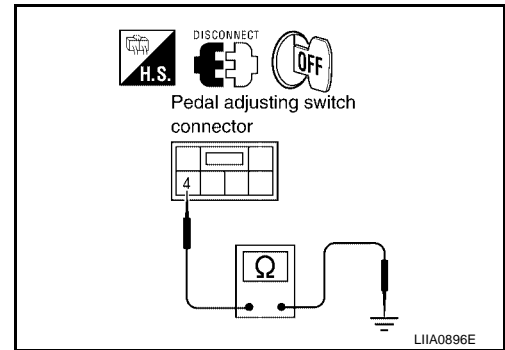
## 3. CHECK PEDAL ADJUSTING SWITCH GROUND CIRCUIT

Check continuity between pedal adjusting switch connector M96 terminal 4 and ground.

**4 (B) - Ground : Continuity should exist.**

OK or NG

- OK >> Pedal adjusting switch power supply and ground circuit is OK.
- NG >> Repair or replace the harness.



## PEDAL ADJUSTING MOTOR CIRCUIT INSPECTION

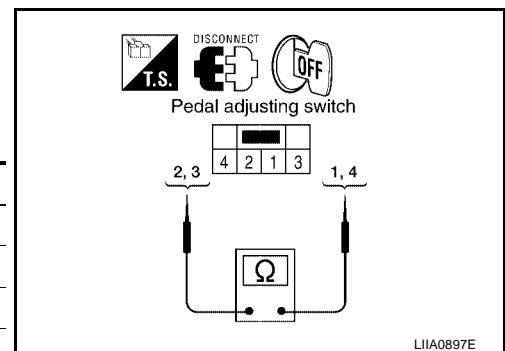
### 1. CHECK PEDAL ADJUSTING SWITCH

1. Turn ignition switch OFF.
2. Disconnect pedal adjusting switch.
3. Check continuity between pedal adjusting switch terminals as follows.

Terminals	Condition	Continuity	
3	1	Pedal adjusting switch forward.	Continuity should exist.
		Pedal adjusting switch neutral.	Continuity should not exist.
	4	Pedal adjusting switch backward.	Continuity should exist.
		Pedal adjusting switch neutral.	Continuity should not exist.
2	1	Pedal adjusting switch backward.	Continuity should exist.
		Pedal adjusting switch neutral.	Continuity should not exist.
	4	Pedal adjusting switch forward.	Continuity should exist.
		Pedal adjusting switch neutral.	Continuity should not exist.

OK or NG

- OK >> GO TO 2.
- NG >> Replace pedal adjusting switch.



# ADJUSTABLE PEDAL SYSTEM

## 2. CHECK PEDAL ADJUSTING MOTOR HARNESS

1. Disconnect pedal adjusting motor.
2. Check continuity between pedal adjusting switch connector M96 terminals 2, 3 and pedal adjusting motor connector E109 terminals +, -.

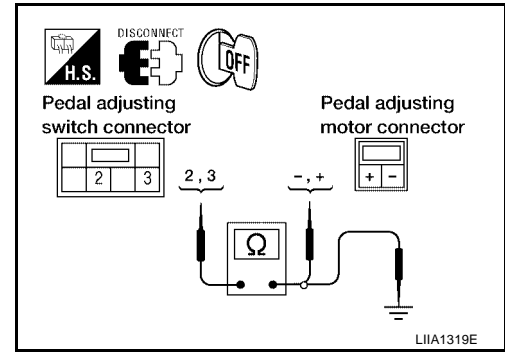
**2 (SB) - - (R) : Continuity should exist.**

**3 (V) - + (G) : Continuity should exist.**

3. Check continuity between pedal adjusting switch connector M96 terminals 2 (SB), 3 (V) and ground.

**2 (SB) - Ground : Continuity should not exist.**

**3 (V) - Ground : Continuity should not exist.**



OK or NG

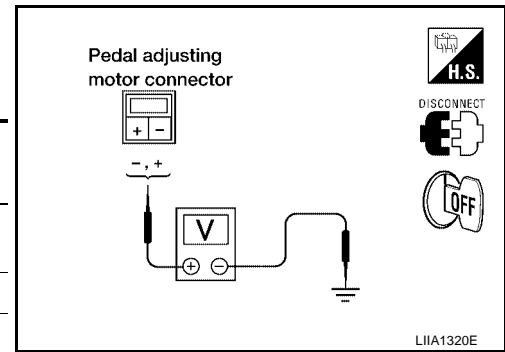
OK >> GO TO 3.

NG >> Repair or replace harness between pedal adjusting switch and pedal adjusting motor.

## 3. CHECK PEDAL ADJUSTING MOTOR POWER SUPPLY

1. Connect pedal adjusting switch.
2. Check voltage between pedal adjusting motor connector E109 and ground.

Connector	Terminal (Wire color)		Condition	Voltage (V) (Approx.)
	(+)	(-)		
E109	+ (G)	Ground	Pedal adjusting switch forward	Battery voltage
			Other than above	0
	- (R)		Pedal adjusting switch backward	Battery voltage
			Other than above	0



OK or NG

OK >> Replace pedal adjusting motor.

NG >> Repair or replace harness.

# ADJUSTABLE PEDAL SYSTEM

## Removal and Installation

EIS00276

Refer to [ACC-2, "ACCELERATOR CONTROL SYSTEM"](#) and [BR-6, "BRAKE PEDAL"](#) .

A

B

C

D

E

F

G

H

AP

J

K

L

M

# ADJUSTABLE PEDAL SYSTEM

---