

A

ACC

SECTION ACC

ACCELERATOR CONTROL SYSTEM

C

CONTENTS

D

E

<p>ACCELERATOR CONTROL SYSTEM 2</p> <p>Removal and Installation 2</p> <p>REMOVAL 2</p> <p>INSTALLATION 3</p> <p>INSPECTION AFTER INSTALLATION 3</p>	<p>SERVICE DATA AND SPECIFICATIONS (SDS) 4</p> <p>Accelerator Control 4</p> <p>ADJUSTABLE ACCELERATOR PEDAL 4</p>	<p>F</p> <p>G</p> <p>H</p> <p>I</p> <p>J</p> <p>K</p> <p>L</p> <p>M</p>
--	--	---

ACCELERATOR CONTROL SYSTEM

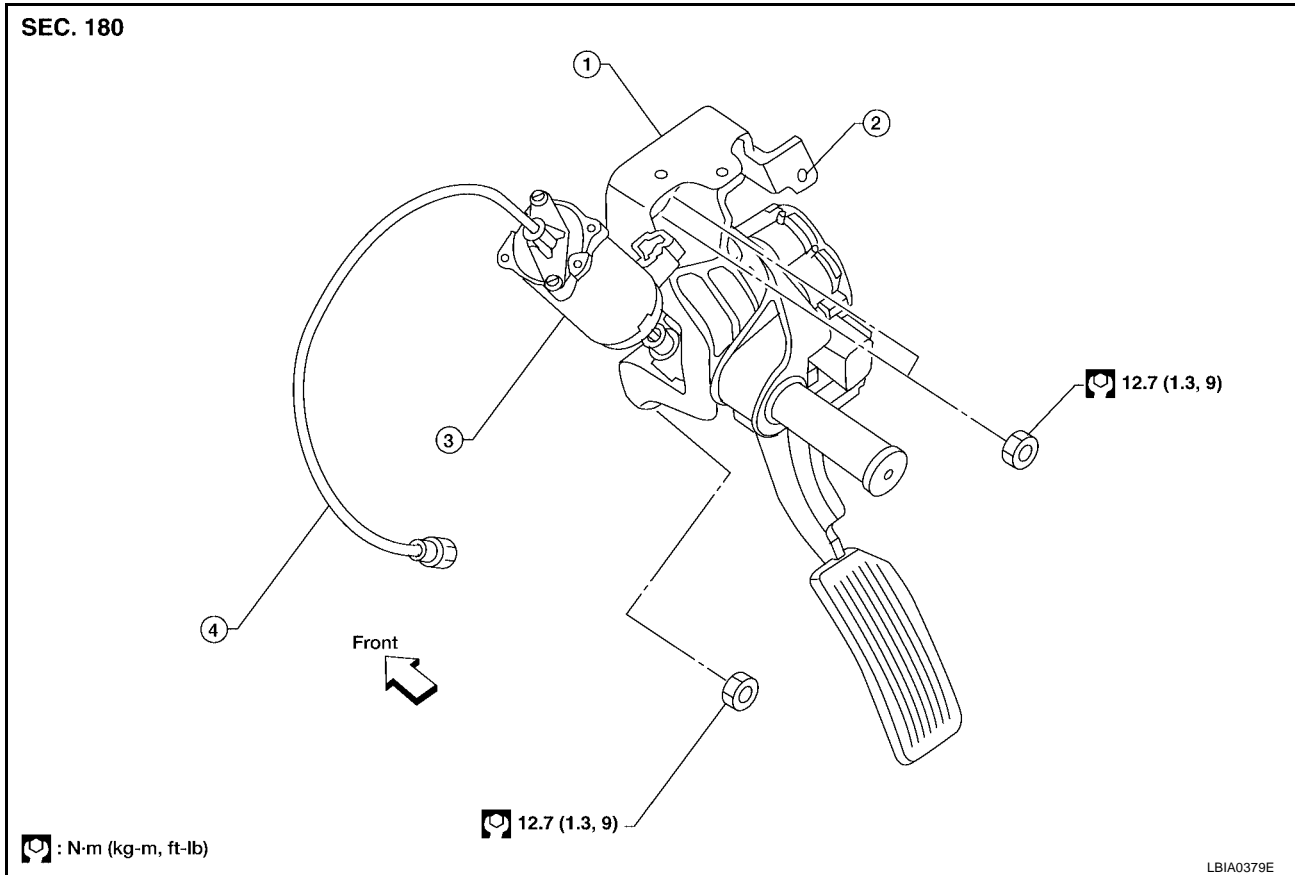
ACCELERATOR CONTROL SYSTEM

PFP:18005

Removal and Installation

EBS00GPZ

Adjustable Accelerator Pedal



1. Adjustable accelerator pedal assembly
2. A/T control cable mounting bracket (part of the accelerator pedal assembly)
3. Adjustable pedal electric motor (part of the accelerator pedal assembly)
4. Adjustable brake pedal cable (part of the accelerator pedal assembly)

CAUTION:

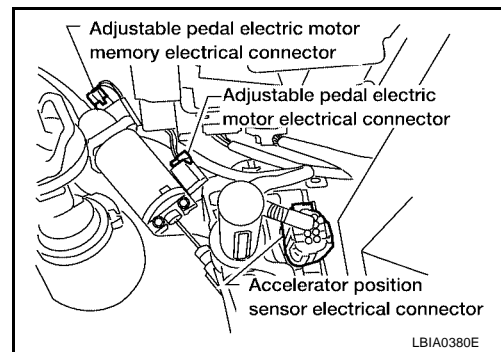
- Before removal and installation the accelerator and brake pedals must be in the frontmost position. This is to align the base position of the accelerator and brake pedals.
- Do not disassemble the accelerator pedal assembly.
- Do not remove the accelerator pedal position sensor from the accelerator pedal bracket.
- Do not disassemble the accelerator pedal adjusting mechanism.
- Avoid damage from dropping the accelerator pedal assembly during handling.
- Keep the accelerator pedal assembly away from water.

REMOVAL

1. Move the accelerator and brake pedals to the frontmost position.
2. Turn the ignition switch OFF and disconnect the negative battery terminal.
3. Disconnect the adjustable brake pedal cable from the adjustable brake pedal.
 - Unlock, then pull the adjustable brake pedal cable to disconnect it from the adjustable brake pedal.

ACCELERATOR CONTROL SYSTEM

4. Disconnect the adjustable pedal electric motor electrical connector.
5. Disconnect the adjustable pedal electric motor memory electrical connector, if equipped.
6. Disconnect the accelerator position sensor electrical connector.
7. Remove the two upper and one lower accelerator pedal nuts.
8. Remove the adjustable accelerator pedal assembly.



CAUTION:

- Do not disassemble the accelerator pedal assembly.
- Do not remove the accelerator pedal position sensor from the accelerator pedal bracket.
- Do not disassemble the accelerator pedal adjusting mechanism.
- Avoid damage from dropping the accelerator pedal assembly during handling.
- Keep the accelerator pedal assembly away from water.

INSTALLATION

Installation is in the reverse order of removal.

INSPECTION AFTER INSTALLATION

- Check that the accelerator pedal moves smoothly within the specified ranges.
 - Adjustable accelerator pedal – total pedal applied stroke : 48.3 mm (1.90 in)
 - Adjustable accelerator pedal – total pedal adjustment travel : 73.2 mm (2.88 in)
- Check that the accelerator pedal smoothly returns to the original position.
- Perform an electrical inspection of the accelerator pedal position sensor. Refer to [EC-554, "DTC P2138 APP SENSOR"](#) .

CAUTION:

When the harness connector of the accelerator pedal position sensor is disconnected, perform "Accelerator Pedal Released Position Learning". Refer to [EC-43, "Accelerator Pedal Released Position Learning"](#) .

SERVICE DATA AND SPECIFICATIONS (SDS)

SERVICE DATA AND SPECIFICATIONS (SDS)

PFP:00030

Accelerator Control ADJUSTABLE ACCELERATOR PEDAL

EBS00GQ3

Unit: mm (in)

Adjustable accelerator pedal - total pedal applied stroke	48.3 (1.90)
Adjustable accelerator pedal - total pedal adjustment travel	73.2 (2.88)
