

SECTION **IP**
INSTRUMENT PANEL

A
B
C
D
E
F
G
H
IP
J
K
L
M
N
O
P

CONTENTS

SERVICE INFORMATION	2	Commercial Service Tool	4
PRECAUTIONS	2	SQUEAK AND RATTLE TROUBLE DIAGNOSIS	5
Precaution for Supplemental Restraint System (SRS) "AIR BAG" and "SEAT BELT PRE-TENSIONER"	2	Work Flow	5
Precaution Necessary for Steering Wheel Rotation After Battery Disconnect	2	Generic Squeak and Rattle Troubleshooting	7
Precaution	3	Diagnostic Worksheet	9
PREPARATION	4	INSTRUMENT PANEL ASSEMBLY	11
Special Service Tool	4	Component Parts	11
		Removal and Installation	12

PRECAUTIONS

< SERVICE INFORMATION >

SERVICE INFORMATION

PRECAUTIONS

Precaution for Supplemental Restraint System (SRS) "AIR BAG" and "SEAT BELT PRE-TENSIONER"

INFOID:000000004779431

The Supplemental Restraint System such as "AIR BAG" and "SEAT BELT PRE-TENSIONER", used along with a front seat belt, helps to reduce the risk or severity of injury to the driver and front passenger for certain types of collision. This system includes seat belt switch inputs and dual stage front air bag modules. The SRS system uses the seat belt switches to determine the front air bag deployment, and may only deploy one front air bag, depending on the severity of a collision and whether the front occupants are belted or unbelted. Information necessary to service the system safely is included in the SRS and SB section of this Service Manual.

WARNING:

- To avoid rendering the SRS inoperative, which could increase the risk of personal injury or death in the event of a collision which would result in air bag inflation, all maintenance must be performed by an authorized NISSAN/INFINITI dealer.
- Improper maintenance, including incorrect removal and installation of the SRS can lead to personal injury caused by unintentional activation of the system. For removal of Spiral Cable and Air Bag Module, see the SRS section.
- Do not use electrical test equipment on any circuit related to the SRS unless instructed to in this Service Manual. SRS wiring harnesses can be identified by yellow and/or orange harnesses or harness connectors.
- When working near the Airbag Diagnosis Sensor Unit or other Airbag System sensors with the Ignition ON or engine running, DO NOT use air or electric power tools or strike near the sensor(s) with a hammer. Heavy vibration could activate the sensor(s) and deploy the air bag(s), possibly causing serious injury.
- When using air or electric power tools or hammers, always switch the Ignition OFF, disconnect the battery, and wait at least 3 minutes before performing any service.

Precaution Necessary for Steering Wheel Rotation After Battery Disconnect

INFOID:000000004732586

NOTE:

- This Procedure is applied only to models with Intelligent Key system and NATS (NISSAN ANTI-THEFT SYSTEM).
- Remove and install all control units after disconnecting both battery cables with the ignition knob in the "LOCK" position.
- Always use CONSULT-III to perform self-diagnosis as a part of each function inspection after finishing work. If DTC is detected, perform trouble diagnosis according to self-diagnostic results.

For models equipped with the Intelligent Key system and NATS, an electrically controlled steering lock mechanism is adopted on the key cylinder.

For this reason, if the battery is disconnected or if the battery is discharged, the steering wheel will lock and steering wheel rotation will become impossible.

If steering wheel rotation is required when battery power is interrupted, follow the procedure below before starting the repair operation.

OPERATION PROCEDURE

1. Connect both battery cables.

NOTE:

Supply power using jumper cables if battery is discharged.

2. Use the Intelligent Key or mechanical key to turn the ignition switch to the "ACC" position. At this time, the steering lock will be released.
3. Disconnect both battery cables. The steering lock will remain released and the steering wheel can be rotated.
4. Perform the necessary repair operation.
5. When the repair work is completed, return the ignition switch to the "LOCK" position before connecting the battery cables. (At this time, the steering lock mechanism will engage.)
6. Perform a self-diagnosis check of all control units using CONSULT-III.

PRECAUTIONS

< SERVICE INFORMATION >

Precaution

INFOID:000000004407860

- Disconnect both battery terminals in advance.
- Disconnect air bag system line in advance.
- Never tamper with or force air bag lid open, as this may adversely affect air bag performance.
- Be careful not to scratch pad and other parts.
- When removing or disassembling any part, be careful not to damage or deform it. Protect parts which may get in the way with cloth.
- When removing parts, protect parts by wrapping tools with vinyl or tape.
- Keep removed parts protected with cloth.
- If a clip is deformed or damaged, replace it.
- If a non-reusable part is removed, replace it with a new one.
- Tighten bolts and nuts firmly to the specified torque.
- After re-assembly has been completed, make sure each part functions correctly.
- Remove stains in the following way.

Water-soluble stains:

Dip a soft cloth in warm water, and then squeeze it tightly. After wiping the stain, wipe with a soft dry cloth.

Oil stain:

Dissolve a synthetic detergent in warm water (density of 2 to 3% or less), dip the cloth, then clean off the stain with the cloth. Next, dip the cloth in fresh water and squeeze it tightly. Then clean off the detergent completely. Then wipe the area with a soft dry cloth.

- Do not use any organic solvent, such as thinner or benzine.

A

B

C

D

E

F

G

H

IP

J

K

L

M

N

O

P

PREPARATION

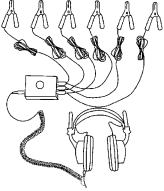
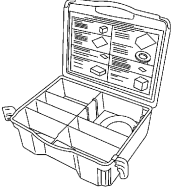
< SERVICE INFORMATION >

PREPARATION

Special Service Tool

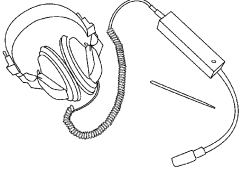
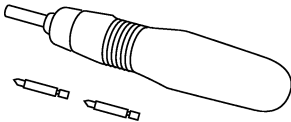
INFOID:000000004407861

The actual shapes of Kent-Moore tools may differ from those of special service tools illustrated here.

Tool number (Kent-Moore No.) Tool name	Description
<p>— (J-39570) Chassis ear</p>  <p style="text-align: right;">SIIA0993E</p>	<p>Locating the noise</p>
<p>— (J-43980) NISSAN Squeak and Rattle Kit</p>  <p style="text-align: right;">SIIA0994E</p>	<p>Repairing the cause of noise</p>

Commercial Service Tool

INFOID:000000004407862

Tool name	Description
<p>Engine ear</p>  <p style="text-align: right;">SIIA0995E</p>	<p>Locating the noise</p>
<p>Power tool</p>  <p style="text-align: right;">PBIC0191E</p>	<p>Loosening bolts and nuts</p>

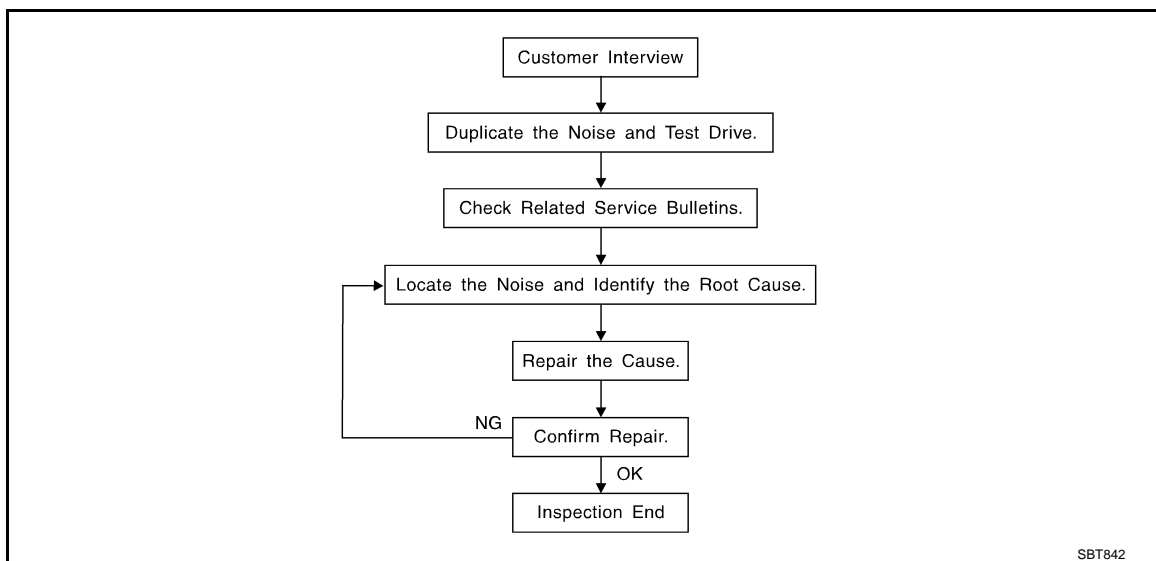
SQUEAK AND RATTLE TROUBLE DIAGNOSIS

< SERVICE INFORMATION >

SQUEAK AND RATTLE TROUBLE DIAGNOSIS

Work Flow

INFOID:000000004407863



CUSTOMER INTERVIEW

Interview the customer, if possible, to determine the conditions that exist when the noise occurs. Use the Diagnostic Worksheet during the interview to document the facts and conditions when the noise occurs and any customer's comments; refer to [IP-9, "Diagnostic Worksheet"](#). This information is necessary to duplicate the conditions that exist when the noise occurs.

- The customer may not be able to provide a detailed description or the location of the noise. Attempt to obtain all the facts and conditions that exist when the noise occurs (or does not occur).
- If there is more than one noise in the vehicle, be sure to diagnose and repair the noise that the customer is concerned about. This can be accomplished by test driving the vehicle with the customer.
- After identifying the type of noise, isolate the noise in terms of its characteristics. The noise characteristics are provided so the customer, service adviser and technician are all speaking the same language when defining the noise.
- Squeak — (Like tennis shoes on a clean floor)
Squeak characteristics include the light contact/fast movement/brought on by road conditions/hard surfaces = higher pitch noise/softer surfaces = lower pitch noises/edge to surface = chirping.
- Creak — (Like walking on an old wooden floor)
Creak characteristics include firm contact/slow movement/twisting with a rotational movement/pitch dependent on materials/often brought on by activity.
- Rattle — (Like shaking a baby rattle)
Rattle characteristics include the fast repeated contact/vibration or similar movement/loose parts/missing clip or fastener/incorrect clearance.
- Knock — (Like a knock on a door)
Knock characteristics include hollow sounding/sometimes repeating/often brought on by driver action.
- Tick — (Like a clock second hand)
Tick characteristics include gentle contacting of light materials/loose components/can be caused by driver action or road conditions.
- Thump — (Heavy, muffled knock noise)
Thump characteristics include softer knock/dead sound often brought on by activity.
- Buzz — (Like a bumblebee)
Buzz characteristics include high frequency rattle/firm contact.
- Often the degree of acceptable noise level will vary depending upon the person. A noise that you may judge as acceptable may be very irritating to the customer.
- Weather conditions, especially humidity and temperature, may have a great effect on noise level.

DUPLICATE THE NOISE AND TEST DRIVE

If possible, drive the vehicle with the customer until the noise is duplicated. Note any additional information on the Diagnostic Worksheet regarding the conditions or location of the noise. This information can be used to duplicate the same conditions when you confirm the repair.

SQUEAK AND RATTLE TROUBLE DIAGNOSIS

< SERVICE INFORMATION >

If the noise can be duplicated easily during the test drive, to help identify the source of the noise, try to duplicate the noise with the vehicle stopped by doing one or all of the following:

1. Close a door.
 2. Tap or push/pull around the area where the noise appears to be coming from.
 3. Rev the engine.
 4. Use a floor jack to recreate vehicle "twist".
 5. At idle, apply engine load (electrical load, half-clutch on M/T model, drive position on A/T model).
 6. Raise the vehicle on a hoist and hit a tire with a rubber hammer.
- Drive the vehicle and attempt to duplicate the conditions the customer states exist when the noise occurs.
 - If it is difficult to duplicate the noise, drive the vehicle slowly on an undulating or rough road to stress the vehicle body.

CHECK RELATED SERVICE BULLETINS

After verifying the customer concern or symptom, check ASIST for Technical Service Bulletins (TSBs) related to that concern or symptom.

If a TSB relates to the symptom, follow the procedure to repair the noise.

LOCATE THE NOISE AND IDENTIFY THE ROOT CAUSE

1. Narrow down the noise to a general area. To help pinpoint the source of the noise, use a listening tool (Chassis Ear: J-39570, Engine Ear: J-39565, and mechanics stethoscope).
2. Narrow down the noise to a more specific area and identify the cause of the noise by:
 - Removing the components in the area that you suspect the noise is coming from.
Do not use too much force when removing clips and fasteners, otherwise clips and fasteners can be broken or lost during the repair, resulting in the creation of new noise.
 - Tapping or pushing/pulling the component that you suspect is causing the noise.
Do not tap or push/pull the component with excessive force, otherwise the noise will be eliminated only temporarily.
 - Feeling for a vibration with your hand by touching the component(s) that you suspect is (are) causing the noise.
 - Placing a piece of paper between components that you suspect are causing the noise.
 - Looking for loose components and contact marks.Refer to [IP-7, "Generic Squeak and Rattle Troubleshooting"](#).

REPAIR THE CAUSE

- If the cause is a loose component, tighten the component securely.
- If the cause is insufficient clearance between components:
 - Separate components by repositioning or loosening and retightening the component, if possible.
 - Insulate components with a suitable insulator such as urethane pads, foam blocks, felt cloth tape or urethane tape. A NISSAN Squeak and Rattle Kit (J-43980) is available through your authorized NISSAN Parts Department.

CAUTION:

Do not use excessive force as many components are constructed of plastic and may be damaged.

Always check with the Parts Department for the latest parts information.

The following materials are contained in the NISSAN Squeak and Rattle Kit (J-43980). Each item can be ordered separately as needed.

URETHANE PADS [1.5 mm (0.059 in) thick]

Insulates connectors, harness, etc.

76268-9E005: 100 x 135 mm (3.94 x 5.31 in)/76884-71L01: 60 x 85 mm (2.36 x 3.35 in)/76884-71L02: 15 x 25 mm (0.59 x 0.98 in)

INSULATOR (Foam blocks)

Insulates components from contact. Can be used to fill space behind a panel.

73982-9E000: 45 mm (1.77 in) thick, 50 x 50 mm (1.97 x 1.97 in)/73982-50Y00: 10 mm (0.39 in) thick, 50 x 50 mm (1.97 x 1.97 in)

INSULATOR (Light foam block)

80845-71L00: 30 mm (1.18 in) thick, 30 x 50 mm (1.18 x 1.97 in)

FELT CLOTH TAPE

Used to insulate where movement does not occur. Ideal for instrument panel applications.

68370-4B000: 15 x 25 mm (0.59 x 0.98 in) pad/68239-13E00: 5 mm (0.20 in) wide tape roll

The following materials, not found in the kit, can also be used to repair squeaks and rattles.

UHMW (TEFLON) TAPE

Insulates where slight movement is present. Ideal for instrument panel applications.

SQUEAK AND RATTLE TROUBLE DIAGNOSIS

< SERVICE INFORMATION >

SILICONE GREASE

Used in place of UHMW tape that will be visible or not fit.

Note: Will only last a few months.

SILICONE SPRAY

Use when grease cannot be applied.

DUCT TAPE

Use to eliminate movement.

CONFIRM THE REPAIR

Confirm that the cause of a noise is repaired by test driving the vehicle. Operate the vehicle under the same conditions as when the noise originally occurred. Refer to the notes on the Diagnostic Worksheet.

Generic Squeak and Rattle Troubleshooting

INFOID:000000004407864

Refer to Table of Contents for specific component removal and installation information.

INSTRUMENT PANEL

Most incidents are caused by contact and movement between:

1. The cluster lid A and instrument panel
2. Acrylic lens and combination meter housing
3. Instrument panel to front pillar garnish
4. Instrument panel to windshield
5. Instrument panel mounting pins
6. Wiring harnesses behind the combination meter
7. A/C defroster duct and duct joint

These incidents can usually be located by tapping or moving the components to duplicate the noise or by pressing on the components while driving to stop the noise. Most of these incidents can be repaired by applying felt cloth tape or silicone spray (in hard to reach areas). Urethane pads can be used to insulate wiring harness.

CAUTION:

Do not use silicone spray to isolate a squeak or rattle. If you saturate the area with silicone, you will not be able to recheck the repair.

CENTER CONSOLE

Components to pay attention to include:

1. Shifter assembly cover to finisher
2. A/C control unit and cluster lid C
3. Wiring harnesses behind audio and A/C control unit

The instrument panel repair and isolation procedures also apply to the center console.

DOORS

Pay attention to the:

1. Finisher and inner panel making a slapping noise
2. Inside handle escutcheon to door finisher
3. Wiring harnesses tapping
4. Door striker out of alignment causing a popping noise on starts and stops

Tapping or moving the components or pressing on them while driving to duplicate the conditions can isolate many of these incidents. You can usually insulate the areas with felt cloth tape or insulator foam blocks from the NISSAN Squeak and Rattle Kit (J-43980) to repair the noise.

TRUNK

Trunk noises are often caused by a loose jack or loose items put into the trunk by the owner.

In addition look for:

1. Trunk lid bumpers out of adjustment
2. Trunk lid striker out of adjustment
3. The trunk lid torsion bars knocking together
4. A loose license plate or bracket

SQUEAK AND RATTLE TROUBLE DIAGNOSIS

< SERVICE INFORMATION >

Most of these incidents can be repaired by adjusting, securing or insulating the item(s) or component(s) causing the noise.

SUNROOF/HEADLINING

Noises in the sunroof/headlining area can often be traced to one of the following:

1. Sunroof lid, rail, linkage or seals making a rattle or light knocking noise
2. Sun visor shaft shaking in the holder
3. Front or rear windshield touching headliner and squeaking

Again, pressing on the components to stop the noise while duplicating the conditions can isolate most of these incidents. Repairs usually consist of insulating with felt cloth tape.

OVERHEAD CONSOLE (FRONT AND REAR)

Overhead console noises are often caused by the console panel clips not being engaged correctly. Most of these incidents are repaired by pushing up on the console at the clip locations until the clips engage.

In addition look for:

1. Loose harness or harness connectors.
2. Front console map/reading lamp lens loose.
3. Loose screws at console attachment points.

SEATS

When isolating seat noise it's important to note the position the seat is in and the load placed on the seat when the noise is present. These conditions should be duplicated when verifying and isolating the cause of the noise.

Cause of seat noise include:

1. Headrest rods and holder
2. A squeak between the seat pad cushion and frame
3. The rear seatback lock and bracket

These noises can be isolated by moving or pressing on the suspected components while duplicating the conditions under which the noise occurs. Most of these incidents can be repaired by repositioning the component or applying urethane tape to the contact area.

UNDERHOOD

Some interior noise may be caused by components under the hood or on the engine wall. The noise is then transmitted into the passenger compartment.

Causes of transmitted underhood noise include:

1. Any component mounted to the engine wall
2. Components that pass through the engine wall
3. Engine wall mounts and connectors
4. Loose radiator mounting pins
5. Hood bumpers out of adjustment
6. Hood striker out of adjustment

These noises can be difficult to isolate since they cannot be reached from the interior of the vehicle. The best method is to secure, move or insulate one component at a time and test drive the vehicle. Also, engine RPM or load can be changed to isolate the noise. Repairs can usually be made by moving, adjusting, securing, or insulating the component causing the noise.

SQUEAK AND RATTLE TROUBLE DIAGNOSIS

< SERVICE INFORMATION >

Diagnostic Worksheet

INFOID:000000004407865

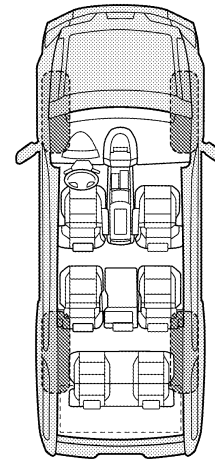
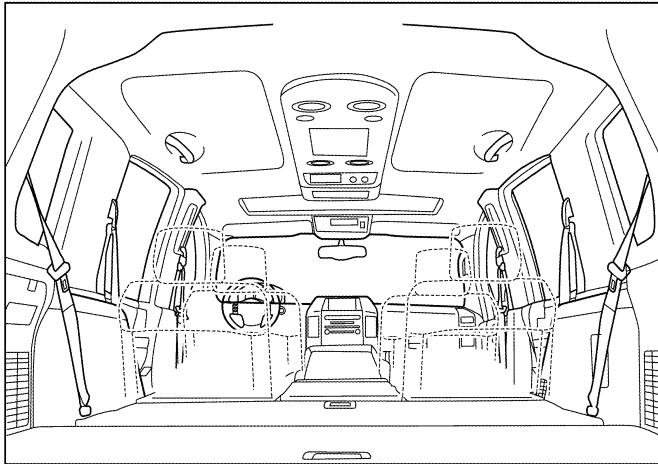
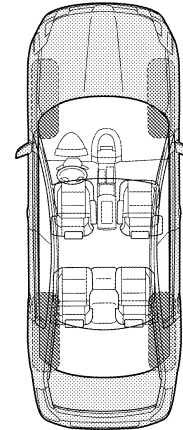
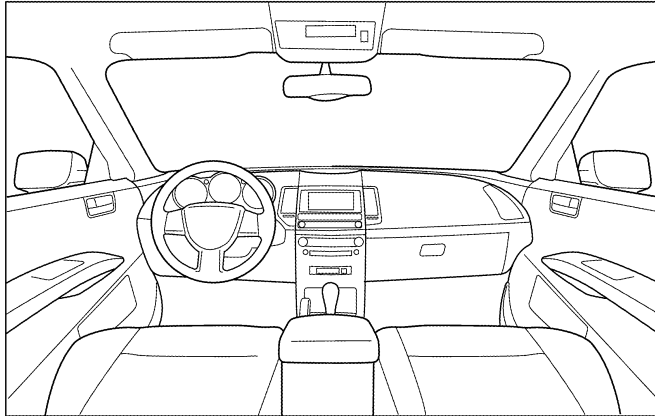
Dear Customer:

We are concerned about your satisfaction with your vehicle. Repairing a squeak or rattle sometimes can be very difficult. To help us fix your vehicle right the first time, please take a moment to note the area of the vehicle where the squeak or rattle occurs and under what conditions. You may be asked to take a test drive with a service advisor or technician to ensure we confirm the noise you are hearing.

SQUEAK & RATTLE DIAGNOSTIC WORKSHEET

I. WHERE DOES THE NOISE COME FROM? (circle the area of the vehicle)

The illustrations are for reference only, and may not reflect the actual configuration of your vehicle.



Continue to page 2 of the worksheet and briefly describe the location of the noise or rattle. In addition, please indicate the conditions which are present when the noise occurs.

A
B
C
D
E
F
G
H
IP
J
K
L
M
N
O
P

SQUEAK AND RATTLE TROUBLE DIAGNOSIS

< SERVICE INFORMATION >

SQUEAK & RATTLE DIAGNOSTIC WORKSHEET - page 2

Briefly describe the location where the noise occurs:

II. WHEN DOES IT OCCUR? (please check the boxes that apply)

- | | |
|---|--|
| <input type="checkbox"/> Anytime | <input type="checkbox"/> After sitting out in the rain |
| <input type="checkbox"/> 1st time in the morning | <input type="checkbox"/> When it is raining or wet |
| <input type="checkbox"/> Only when it is cold outside | <input type="checkbox"/> Dry or dusty conditions |
| <input type="checkbox"/> Only when it is hot outside | <input type="checkbox"/> Other: |

III. WHEN DRIVING:

- Through driveways
- Over rough roads
- Over speed bumps
- Only about ____ mph
- On acceleration
- Coming to a stop
- On turns: left, right or either (circle)
- With passengers or cargo
- Other: _____
- After driving ____ miles or ____ minutes

IV. WHAT TYPE OF NOISE

- Squeak (like tennis shoes on a clean floor)
- Creak (like walking on an old wooden floor)
- Rattle (like shaking a baby rattle)
- Knock (like a knock at the door)
- Tick (like a clock second hand)
- Thump (heavy muffled knock noise)
- Buzz (like a bumble bee)

TO BE COMPLETED BY DEALERSHIP PERSONNEL

Test Drive Notes:

	YES	NO	Initials of person performing
Vehicle test driven with customer	<input type="checkbox"/>	<input type="checkbox"/>	_____
- Noise verified on test drive	<input type="checkbox"/>	<input type="checkbox"/>	_____
- Noise source located and repaired	<input type="checkbox"/>	<input type="checkbox"/>	_____
- Follow up test drive performed to confirm repair	<input type="checkbox"/>	<input type="checkbox"/>	_____

VIN: _____ Customer Name _____

W.O.# _____ Date: _____

This form must be attached to Work Order

LAI0071E

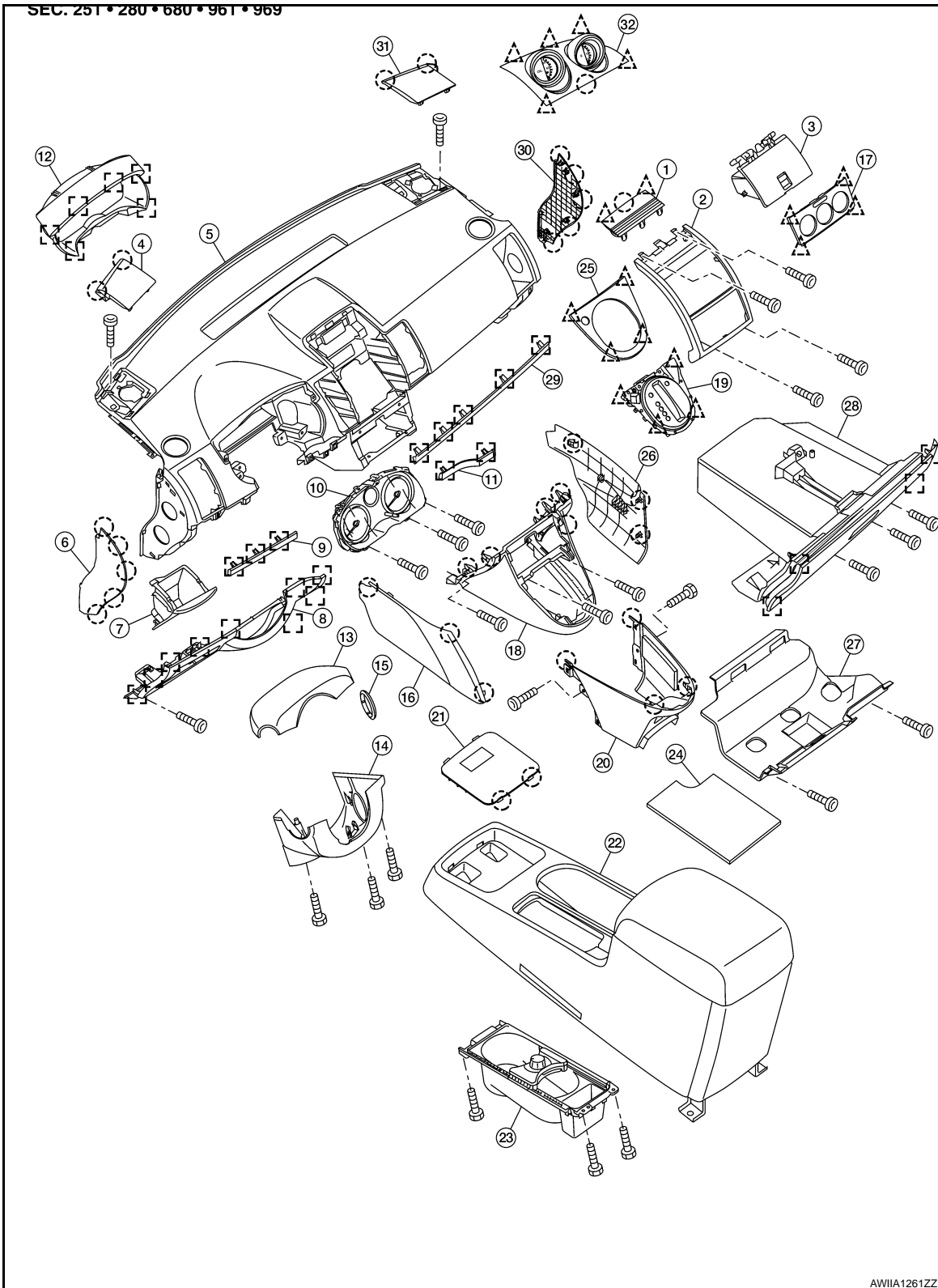
INSTRUMENT PANEL ASSEMBLY

< SERVICE INFORMATION >

INSTRUMENT PANEL ASSEMBLY

Component Parts

INFOID:000000004407866



A
B
C
D
E
F
G
H
IP
J
K
L
M
N
O
P

- | | | |
|---|------------------------------|-------------------------------|
| 1. Cluster lid C upper mask (non SE-R models) | 2. Cluster lid C | 3. Cluster lid C storage bin |
| 4. Tweeter grille (LH) | 5. Instrument panel | 6. Instrument side mask (LH) |
| 7. Fuse block lid storage bin | 8. Instrument lower finisher | 9. Instrument panel trim (LH) |

INSTRUMENT PANEL ASSEMBLY

< SERVICE INFORMATION >

- | | | |
|---------------------------------|-------------------------------------|-------------------------------------|
| 10. Combination meter | 11. Instrument panel trim center | 12. Cluster lid A |
| 13. Steering column cover upper | 14. Steering column cover lower | 15. Steering lock escutcheon |
| 16. Instrument lower cover (LH) | 17. Controller finisher | 18. Instrument upper cover (center) |
| 19. CVT finisher | 20. Instrument lower cover (center) | 21. Center console mat |
| 22. Center console | 23. Center console cup holder | 24. Center console felt pad |
| 25. MT finisher | 26. Instrument lower cover (RH) | 27. Glove box lower finisher |
| 28. Glove box assembly | 29. Instrument panel trim (RH) | 30. Instrument side mask (RH) |
| 31. Tweeter grille (RH) | 32. Double meter (SE-R models) | △ Clip |
- Metal ○ Pawl

Removal and Installation

INFOID:000000004407867

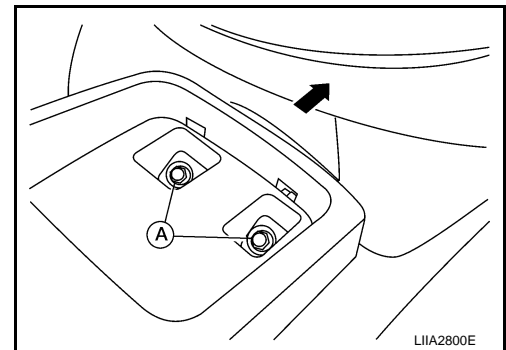
CAUTION:

- Disconnect the negative and positive battery terminals.
- Never tamper with or force air bag lid open, as this may adversely affect air bag performance.
- Be careful not to scratch pad and other parts.

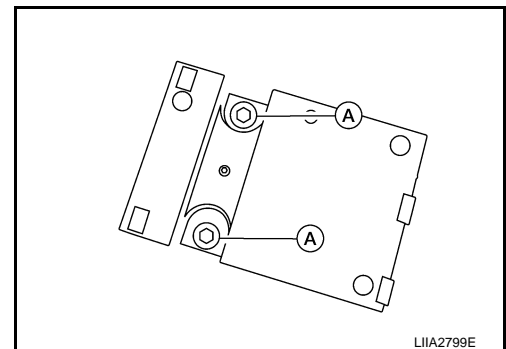
INSTRUMENT PANEL ASSEMBLY

Removal

1. Remove center console mat and remove screws (A).
 - ← : Front



2. Open center console lid, remove center console felt pad and remove the center console screws (A).

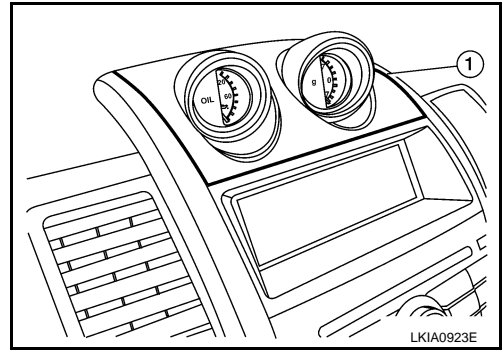


3. Pull parking brake control handle up engaging the parking brake, then remove the center console.
4. Remove instrument lower finisher screw, remove instrument lower finisher, disconnect diagnostic connector and hood release cable.
5. Remove the shifter knob. Refer to [CVT-169. "Selector Lever Knob Removal and Installation"](#) (CVT), [MT-14. "Component of Control Device and Cable"](#) (MT).
6. Remove the CVT or MT finisher.
7. Remove the controller and controller finisher, disconnect the controller finisher connectors.
8. Remove the cluster lid C upper mask (non SE-R models).

INSTRUMENT PANEL ASSEMBLY

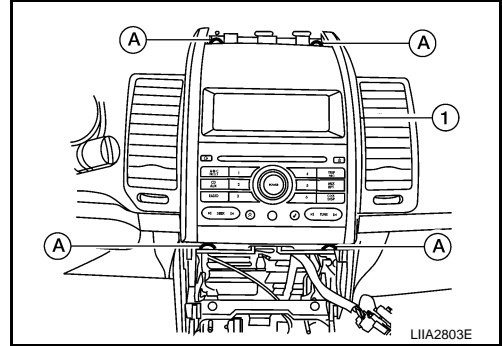
< SERVICE INFORMATION >

9. Remove the double meter (1) (SE-R models).



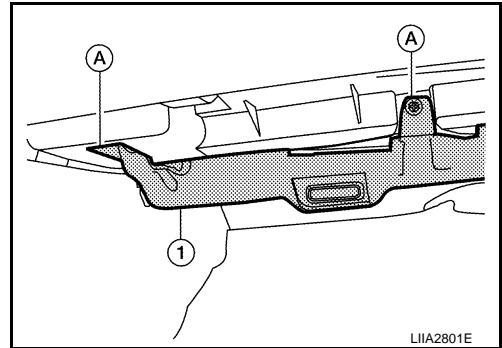
10. Remove cluster lid C (1).

- a. Remove cluster lid C screws (A).
- b. Pull out cluster lid C (1) to disconnect harness connector and remove cluster lid C (1).



11. Remove the instrument panel trim (RH).

12. Remove glove box lower finisher screws (A), remove glove box lower finisher (1).

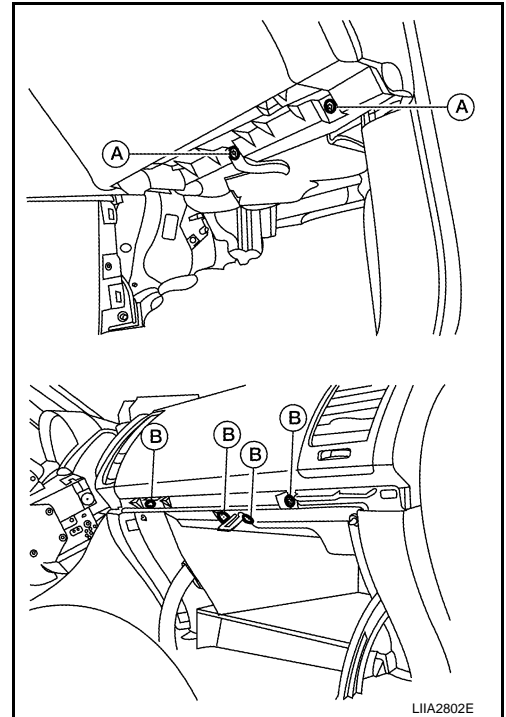


A
B
C
D
E
F
G
H
IP
J
K
L
M
N
O
P

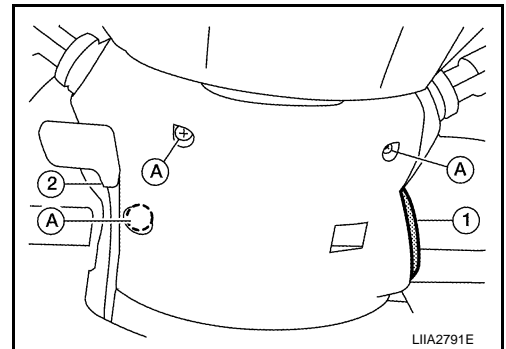
INSTRUMENT PANEL ASSEMBLY

< SERVICE INFORMATION >

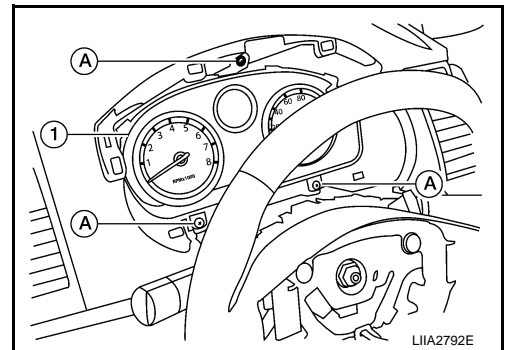
13. Remove the glove box assembly.
 - a. Remove the two lower glove box assembly screws (A).
 - b. Open the glove box and remove the four upper glove box assembly screws (B).



14. Remove instrument lower covers (LH and RH).
15. Remove the instrument lower cover (center) screws and remove the instrument lower cover (center).
16. Remove the instrument upper cover screws, remove the instrument upper cover.
17. Remove steering lock escutcheon (1), remove steering column cover screws (A) and remove steering column cover upper and steering column cover lower (2).



18. Disengage the metal clips, and then remove cluster lid A.
19. Remove the combination meter screws (A), pull out the combination meter (1) to disconnect the connector, remove the combination meter (1).

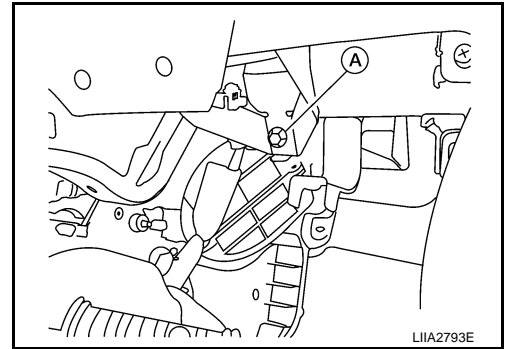


20. Remove the front pillar garnish. Refer to [EI-33](#).
21. Remove the steering wheel. Refer to [PS-7](#).
22. Remove the headlamp control switch. Refer to [LT-62](#), "[Removal and Installation](#)".
23. Remove the wiper control switch. Refer to [WW-21](#), "[Removal and Installation of Front Wiper and Washer Switch](#)".

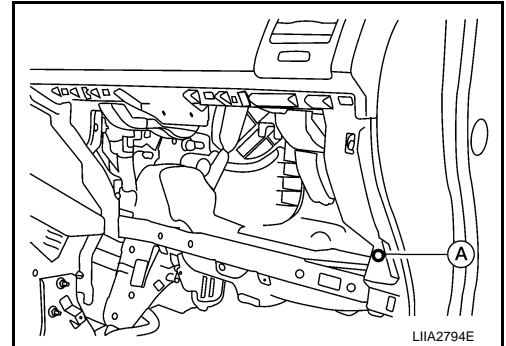
INSTRUMENT PANEL ASSEMBLY

< SERVICE INFORMATION >

24. Remove the passenger air bag module bolt (A) from the steering member.



25. Remove the instrument panel lower RH screw (A).



26. Remove the instrument panel screw inside the combination meter opening.
27. Remove the instrument panel screw at the upper LH corner.
28. Remove the instrument panel lower LH screw.
29. Remove the front tweeters (LH and RH). Refer to [AV-51, "Removal and Installation"](#).
30. Remove the upper instrument panel bolts located near the front tweeters (RH and LH).
31. Disconnect the audio antenna.
32. Remove the instrument panel assembly.

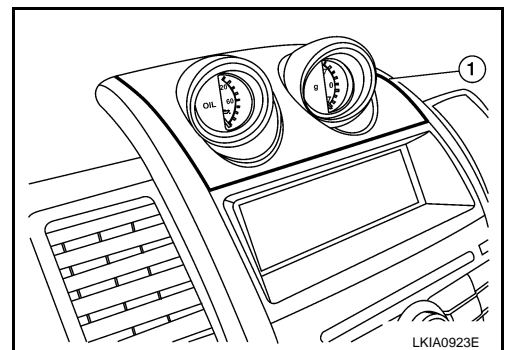
Installation

Installation is in the reverse order of removal.

CLUSTER LID C

Removal

1. Remove the shifter knob. Refer to [CVT-169, "Selector Lever Knob Removal and Installation"](#) (CVT), [MT-14, "Component of Control Device and Cable"](#) (MT).
2. Remove the CVT or MT finisher.
3. Remove the controller and controller finisher, disconnect the controller finisher connectors.
4. Remove the cluster lid C upper mask (non SE-R models).
5. Remove the double meter (1) (SE-R models).

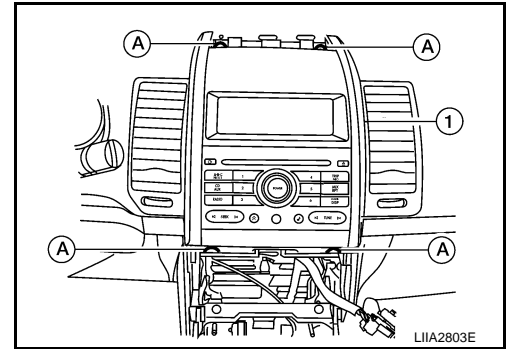


A
B
C
D
E
F
G
H
IP
J
K
L
M
N
O
P

INSTRUMENT PANEL ASSEMBLY

< SERVICE INFORMATION >

6. Remove cluster lid C (1).
 - a. Remove cluster lid C screws (A).
 - b. Pull out cluster lid C (1) to disconnect harness connector and remove cluster lid C (1).



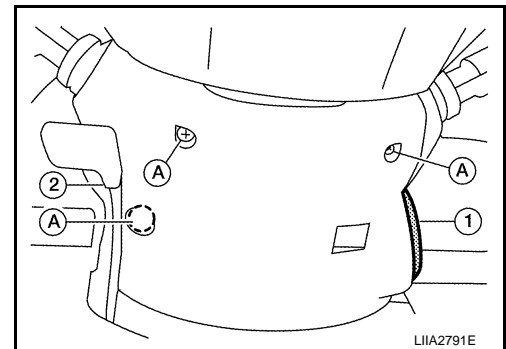
Installation

Installation is in the reverse order of removal.

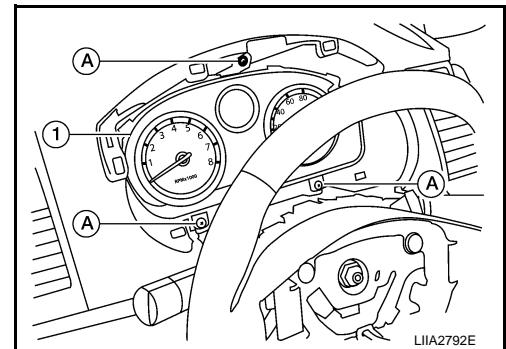
COMBINATION METER

Removal

1. Remove steering lock escutcheon (1), remove steering column cover screws (A) and remove steering column cover upper and steering column cover lower (2).



2. Disengage the metal clips, and then remove cluster lid A.
3. Remove the combination meter screws (A), pull out the combination meter (1) to disconnect the connector, remove the combination meter (1).



Installation

Installation is in the reverse order of removal.

GLOVE BOX ASSEMBLY

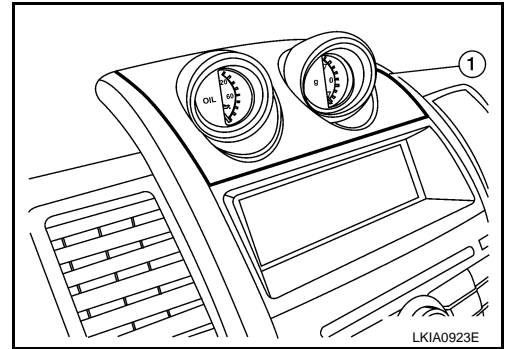
Removal

1. Remove the shifter knob. Refer to [CVT-169, "Selector Lever Knob Removal and Installation"](#) (CVT), [MT-14, "Component of Control Device and Cable"](#) (MT).
2. Remove the CVT or MT finisher.
3. Remove the controller and controller finisher, disconnect the controller finisher connectors.
4. Remove the cluster lid C upper mask (non SE-R models).

INSTRUMENT PANEL ASSEMBLY

< SERVICE INFORMATION >

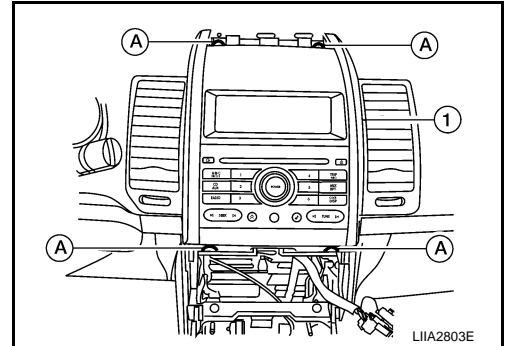
5. Remove the double meter (1) (SE-R models).



6. Remove cluster lid C (1).

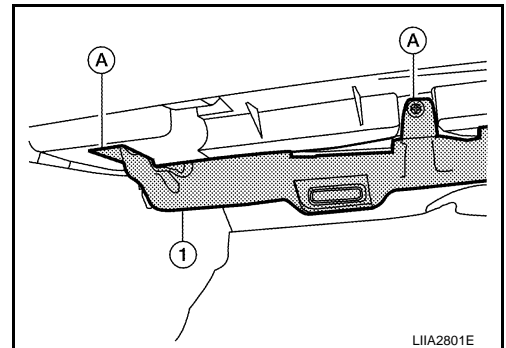
a. Remove cluster lid C screws (A).

b. Pull out cluster lid C (1) to disconnect harness connector and remove cluster lid C (1).



7. Remove the instrument panel trim (RH).

8. Remove glove box lower finisher screws (A), remove glove box lower finisher (1).

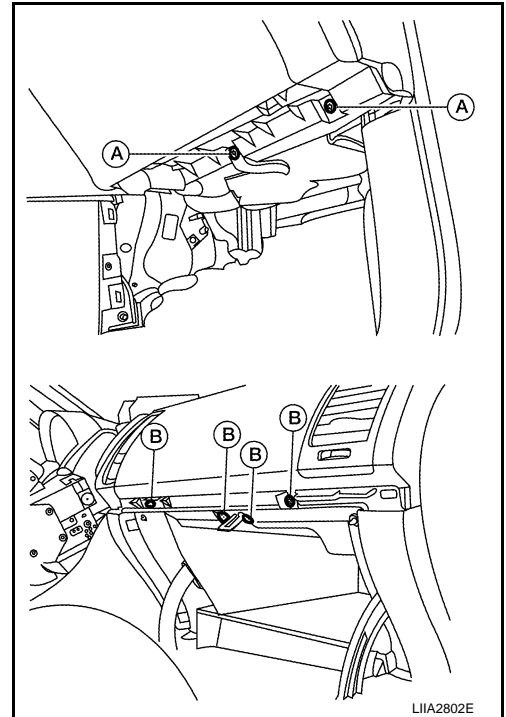


A
B
C
D
E
F
G
H
IP
J
K
L
M
N
O
P

INSTRUMENT PANEL ASSEMBLY

< SERVICE INFORMATION >

9. Remove the glove box assembly
 - a. Remove the two lower glove box assembly screws (A).
 - b. Open the glove box and remove the four upper glove box assembly screws (B).



Installation

Installation is in the reverse order of removal.

INSTRUMENT LOWER FINISHER

Removal

Remove instrument lower finisher screw, remove instrument lower finisher, disconnect diagnostic connector and hood release cable.

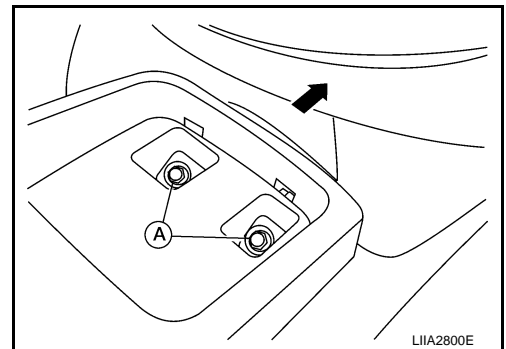
Installation

Installation is in the reverse order of removal.

CENTER CONSOLE ASSEMBLY

Removal

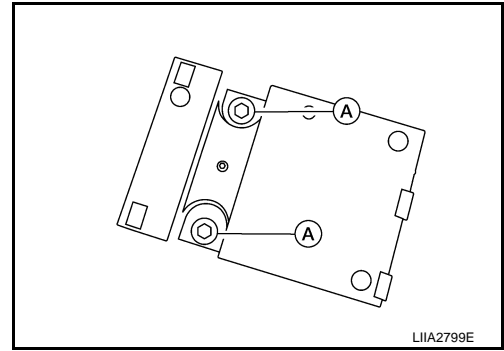
1. Remove center console mat and remove screws (A).
 - ← : Front



INSTRUMENT PANEL ASSEMBLY

< SERVICE INFORMATION >

2. Open center console lid, remove center console felt pad and remove the center console screws (A).



3. Pull parking brake control handle up engaging the parking brake, then remove the center console.

Installation

Installation is in the reverse order of removal.

A
B
C
D
E
F
G
H
IP
J
K
L
M
N
O
P