

A
LU

SECTION LU

ENGINE LUBRICATION SYSTEM

C

CONTENTS

D
E

MR20DE	PRECAUTIONS	10
SERVICE INFORMATION	Precaution for Supplemental Restraint System (SRS) "AIR BAG" and "SEAT BELT PRE-TENSIONER"	10
PRECAUTIONS	PREPARATION	11
Precaution for Supplemental Restraint System (SRS) "AIR BAG" and "SEAT BELT PRE-TENSIONER"	Special Service Tool	11
	Commercial Service Tool	11
PREPARATION	LUBRICATION SYSTEM	13
Special Service Tool	Lubrication Circuit	13
Commercial Service Tool	Schematic	13
LUBRICATION SYSTEM	ENGINE OIL	15
Lubrication Circuit	Inspection	15
ENGINE OIL	Changing Engine Oil	16
Inspection	OIL FILTER	17
Changing Engine Oil	Removal and Installation	17
OIL FILTER	OIL PUMP	18
Removal and Installation	Removal and Installation	18
	Disassembly and Assembly	18
SERVICE DATA AND SPECIFICATIONS (SDS)	SERVICE DATA AND SPECIFICATIONS (SDS)	21
Standard and Limit	Oil Pressure	21
QR25DE	Oil Pump	21
SERVICE INFORMATION	Regulator Valve	21
	Oil Capacity	21

F
G
H
I
J
K
L
M
N
O
P

SERVICE INFORMATION

PRECAUTIONS

Precaution for Supplemental Restraint System (SRS) "AIR BAG" and "SEAT BELT PRE-TENSIONER"

INFOID:000000001849653

The Supplemental Restraint System such as "AIR BAG" and "SEAT BELT PRE-TENSIONER", used along with a front seat belt, helps to reduce the risk or severity of injury to the driver and front passenger for certain types of collision. This system includes seat belt switch inputs and dual stage front air bag modules. The SRS system uses the seat belt switches to determine the front air bag deployment, and may only deploy one front air bag, depending on the severity of a collision and whether the front occupants are belted or unbelted. Information necessary to service the system safely is included in the SRS and SB section of this Service Manual.

WARNING:

- To avoid rendering the SRS inoperative, which could increase the risk of personal injury or death in the event of a collision which would result in air bag inflation, all maintenance must be performed by an authorized NISSAN/INFINITI dealer.
- Improper maintenance, including incorrect removal and installation of the SRS, can lead to personal injury caused by unintentional activation of the system. For removal of Spiral Cable and Air Bag Module, see the SRS section.
- Do not use electrical test equipment on any circuit related to the SRS unless instructed to in this Service Manual. SRS wiring harnesses can be identified by yellow and/or orange harnesses or harness connectors.

PREPARATION

< SERVICE INFORMATION >

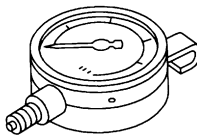
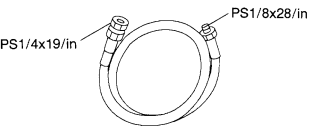
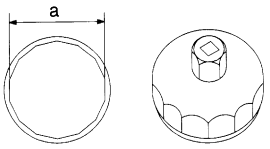
[MR20DE]

PREPARATION

Special Service Tool

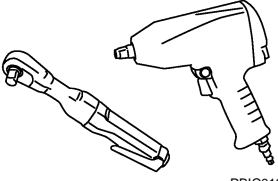
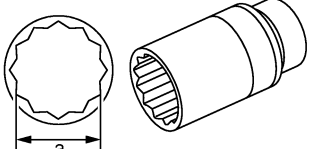
INFOID:000000001849654

The actual shapes of Kent-Moore tools may differ from those of special service tools illustrated here.

Tool number (Kent-Moore No.) Tool name	Description
ST25051001 (J-25695-1) Oil pressure gauge  NT050	Measuring oil pressure Maximum measuring range: 2,452 kPa (25 kg/cm², 356 psi)
ST25052000 (J-25695-2) Hose  S-NT559	Adapting oil pressure gauge to oil pan (upper)
KV10115801 (J-38956) Oil filter wrench  S-NT375	Removing oil filter a: 64.3 mm (2.531 in)

Commercial Service Tool

INFOID:000000001849655

Tool name	Description
Power tool  PBIC0190E	Loosening nuts and bolts
Deep socket  PBIC2072E	Removing and installing oil pressure sensor a: 26 mm (1.02 in)

LUBRICATION SYSTEM

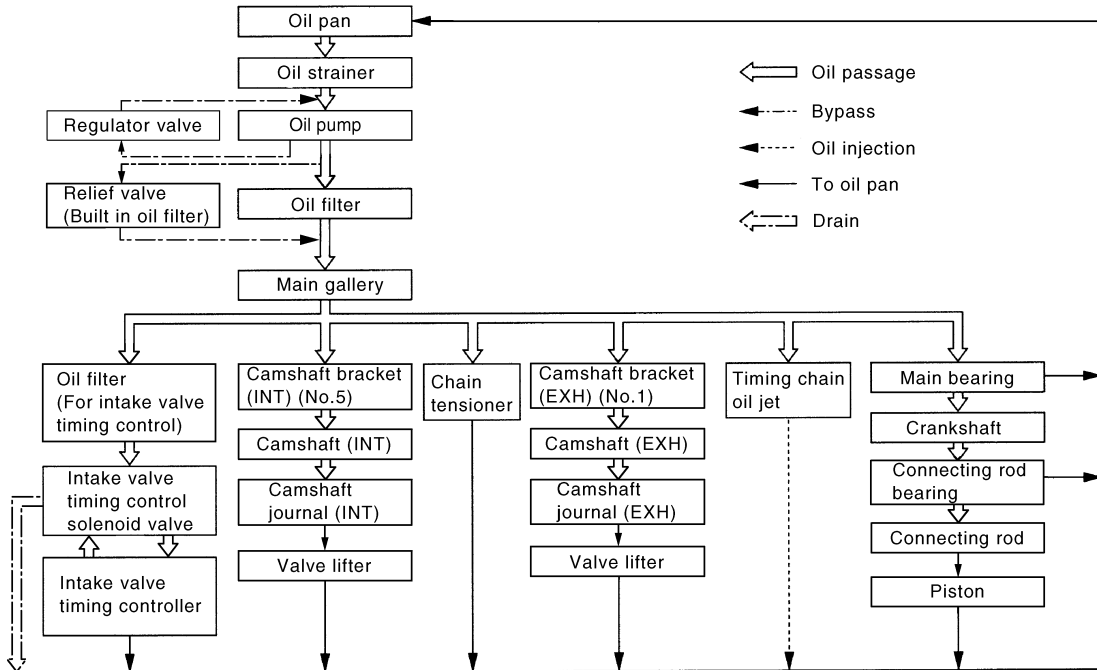
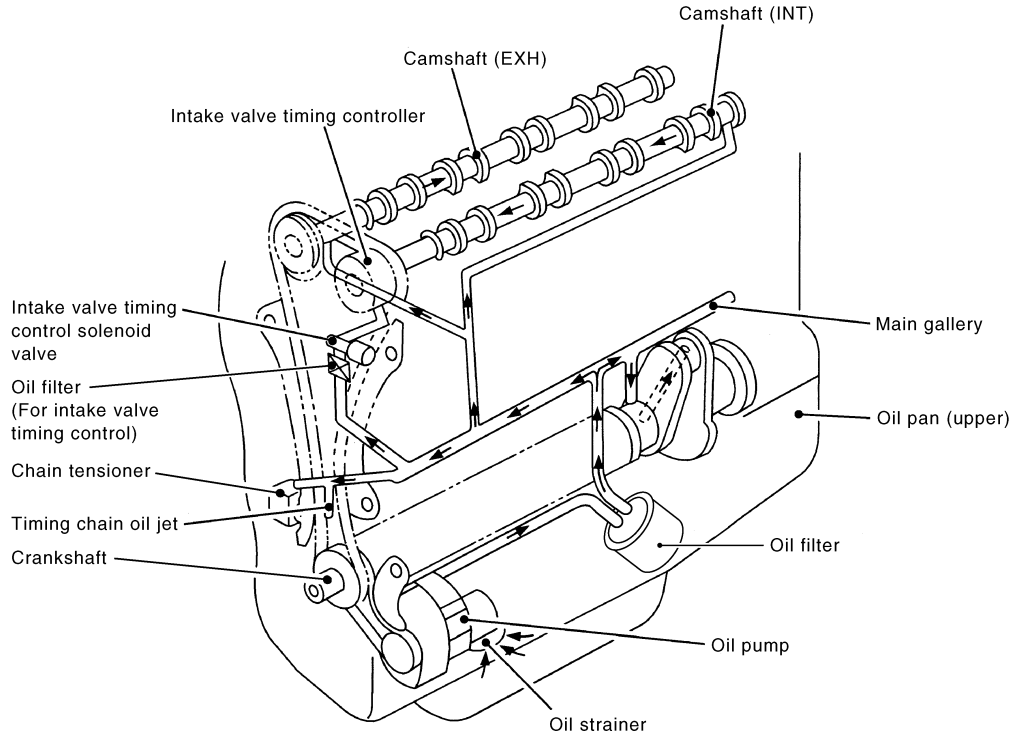
< SERVICE INFORMATION >

[MR20DE]

LUBRICATION SYSTEM

Lubrication Circuit

INFOID:000000001849656



PBIC4575E

ENGINE OIL

Inspection

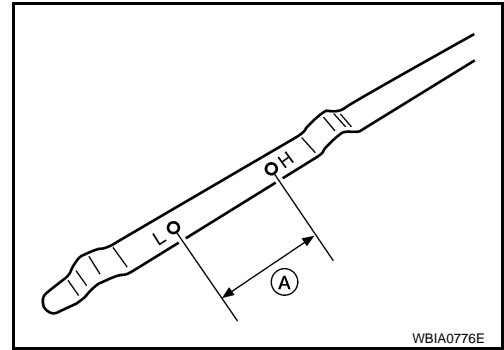
INFOID:000000001849657

ENGINE OIL LEVEL

NOTE:

Before starting engine, park vehicle on a level surface and check the engine oil level. If engine is already started, stop it and allow 10 minutes before checking.

1. Pull out oil level gauge and wipe it clean.
2. Insert oil level gauge and make sure the engine oil level is within the range (A) as shown.
3. If it is out of range, adjust it.



ENGINE OIL APPEARANCE

- Check engine oil for white turbidity or heavy contamination.
- If engine oil becomes turbid and white, it is highly probable that it is contaminated with engine coolant. Repair or replace damaged parts.

ENGINE OIL LEAKAGE

Check for engine oil leakage around the following areas:

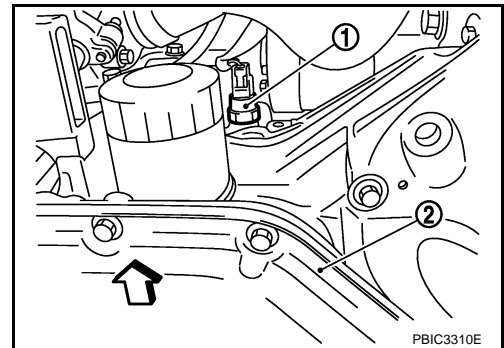
- Oil pan (upper and lower)
- Oil pan drain plug
- Oil pressure switch
- Oil filter
- Intake valve timing control solenoid valve
- Front cover
- Mating surface between cylinder block and cylinder head
- Mating surface between cylinder head and rocker cover
- Crankshaft oil seals (front and rear)
- Oil filter (for intake valve timing control)

OIL PRESSURE CHECK

WARNING:

- Be careful not to burn yourself, as engine oil may be hot.
- For engine oil pressure check the transaxle should be in “Park position” (CVT models) or “Neutral position” (M/T models), and apply the parking brake securely.

1. Disconnect harness connector at oil pressure switch (1), and remove oil pressure switch using a suitable tool.
 - Oil pan (lower) (2)
 - ← Front



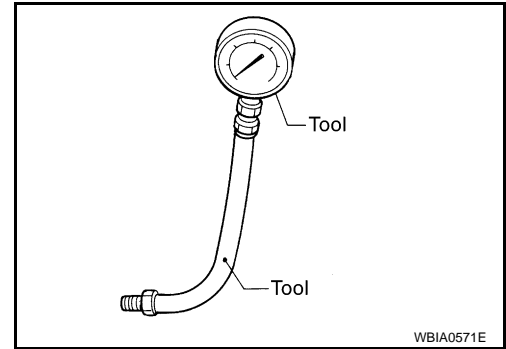
ENGINE OIL

[MR20DE]

< SERVICE INFORMATION >

2. Install oil pressure gauge and hose.

Tool number : ST25051001 (J-25695-1)
: ST25052000 (J-25695-2)



3. Check engine oil level. Refer to [LU-5, "Inspection"](#).
4. Start engine and warm it up to normal operating temperature.
5. Check oil pressure with engine running under no-load.

NOTE:

When engine oil temperature is low, engine oil pressure becomes high.

Engine oil pressure [Engine oil temperature at 80°C (176°F)]

Engine speed rpm	Approximate discharge pressure kPa (bar, kg/cm ² , psi)
Idle speed	More than 60 (0.60, 0.61, 9)
2,000	More than 200 (2.0, 2.0, 29)

If difference is extreme, check oil passage and oil pump for oil leaks.

6. After the inspections, install oil pressure switch as follows:
 - a. Remove old liquid gasket adhering to oil pressure switch and engine.
 - b. Apply liquid gasket and tighten oil pressure switch to specification.
Use Genuine Silicone RTV Sealant or equivalent. Refer to [GI-42, "Recommended Chemical Product and Sealant"](#).

Oil pressure switch : 14.7 N·m (1.5 kg·m, 11 ft·lb)

- c. Check engine oil level. Refer to [LU-5, "Inspection"](#).
- d. After warming up engine, make sure there are no engine leaks of oil with running engine.

Changing Engine Oil

INFOID:000000001849658

WARNING:

- Be careful not to burn yourself, as engine oil may be hot.
 - Prolonged and repeated contact with used engine oil may cause skin cancer; try to avoid direct skin contact with used engine oil. If skin contact is made, wash thoroughly with soap or hand cleaner as soon as possible.
1. Warm up engine, park vehicle on a level surface and check for engine oil leakage from engine components. Refer to [LU-5, "Inspection"](#).
 2. Stop engine and wait for 10 minutes.

ENGINE OIL

[MR20DE]

< SERVICE INFORMATION >

- Loosen oil filler cap (1) and then remove drain plug (2).
 - Oil filter (3)
 - ← Engine front
- Drain engine oil.
- Install drain plug (2) with new washer. Refer to [EM-24, "Component"](#).

Drain plug torque : 34.3 N·m (3.5 kg·m, 25 ft·lb)

CAUTION:

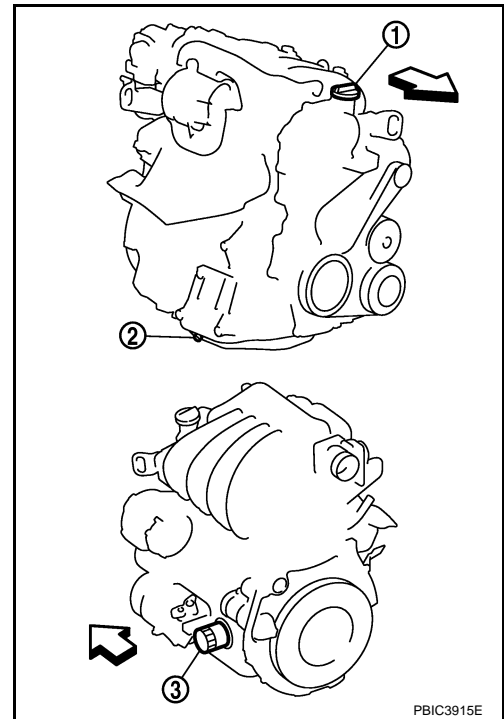
Be sure to clean drain plug (2) and install with new washer.

- Refill with new engine oil.
Refer to [MA-13](#).

CAUTION:

- The refill capacity depends on the engine oil temperature and drain time. Use these specifications for reference only.**
- Always use oil level gauge to determine the proper amount of engine oil in the engine.**

- Warm up engine and check area around drain plug (2) and oil filter (3) for engine oil leakage.
- Stop engine and wait for 10 minutes.
- Check the engine oil level. Refer to [LU-5, "Inspection"](#).



A

LU

C

D

E

F

G

H

I

J

K

L

M

N

O

P

OIL FILTER

Removal and Installation

INFOID:000000001849659

REMOVAL

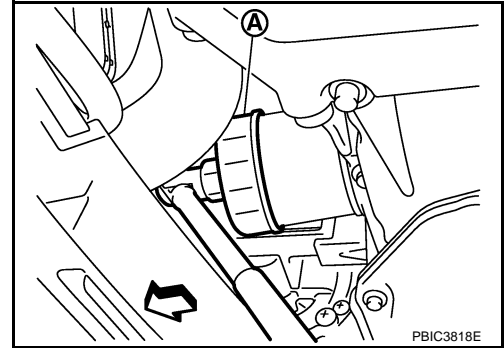
1. Remove oil filter using Tool (A).

Tool number : KV10115801 (J-38956)

- ← Front

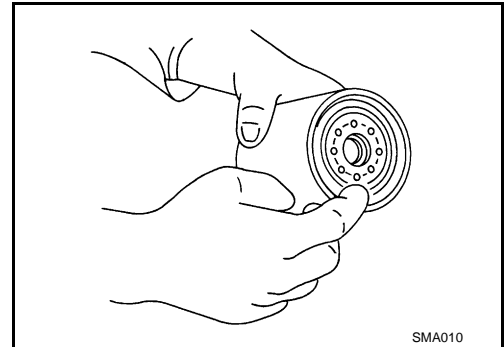
CAUTION:

- Oil filter is provided with relief valve. Use Genuine NISSAN Oil Filter or equivalent.
- Be careful not to get burned when engine and engine oil may be hot.
- When removing, prepare a shop cloth to absorb any engine oil leakage or spillage.
- Do not allow engine oil to adhere to drive belt.
- Completely wipe off any engine oil that adheres to engine and vehicle.



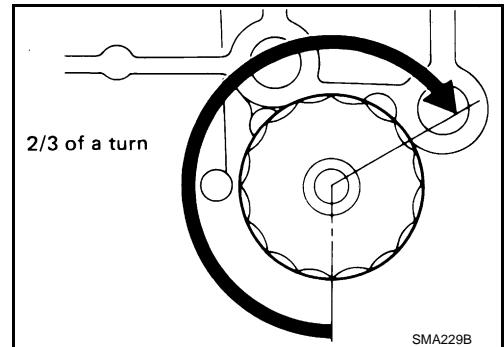
INSTALLATION

1. Remove foreign materials adhering to the oil filter installation surface.
2. Apply new engine oil to the oil seal contact surface of new oil filter.



3. Screw oil filter manually until it touches the installation surface, then tighten it by 2/3 turn. Or tighten to specification.

Oil filter: : 17.7 N·m (1.8 kg-m, 13 ft-lb)



INSPECTION AFTER INSTALLATION

1. Check the engine oil level. Refer to [LU-5](#).
2. Start engine, and make sure there is no leaks of engine oil.
3. Stop engine and wait for 10 minutes.
4. Check the engine oil level and adjust engine oil. Refer to [LU-5](#).

SERVICE DATA AND SPECIFICATIONS (SDS)

< SERVICE INFORMATION >

[MR20DE]

SERVICE DATA AND SPECIFICATIONS (SDS)

Standard and Limit

INFOID:000000001849660

OIL PRESSURE

Engine speed rpm	Approximate discharge pressure kPa (bar, kg/cm ² , psi)
Idle speed 2,000	60 (0.60, 0.61, 9) 200 (2.0, 2.0, 29)

Oil Capacity

Unit: ℓ (US qt, Imp qt)

Drain and refill	With oil filter change	Approximately 3.9 (4, 3 3/8)
	Without oil filter change	Approximately 3.6 (3 7/8, 3 1/8)
Dry engine (engine overhaul)		Approximately 4.4 (4 5/8, 3 7/8)

A

LU

C

D

E

F

G

H

I

J

K

L

M

N

O

P

SERVICE INFORMATION

PRECAUTIONS

Precaution for Supplemental Restraint System (SRS) "AIR BAG" and "SEAT BELT PRE-TENSIONER"

INFOID:000000001849661

The Supplemental Restraint System such as "AIR BAG" and "SEAT BELT PRE-TENSIONER", used along with a front seat belt, helps to reduce the risk or severity of injury to the driver and front passenger for certain types of collision. This system includes seat belt switch inputs and dual stage front air bag modules. The SRS system uses the seat belt switches to determine the front air bag deployment, and may only deploy one front air bag, depending on the severity of a collision and whether the front occupants are belted or unbelted. Information necessary to service the system safely is included in the SRS and SB section of this Service Manual.

WARNING:

- To avoid rendering the SRS inoperative, which could increase the risk of personal injury or death in the event of a collision which would result in air bag inflation, all maintenance must be performed by an authorized NISSAN/INFINITI dealer.
- Improper maintenance, including incorrect removal and installation of the SRS, can lead to personal injury caused by unintentional activation of the system. For removal of Spiral Cable and Air Bag Module, see the SRS section.
- Do not use electrical test equipment on any circuit related to the SRS unless instructed to in this Service Manual. SRS wiring harnesses can be identified by yellow and/or orange harnesses or harness connectors.

PREPARATION

< SERVICE INFORMATION >

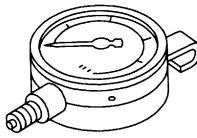
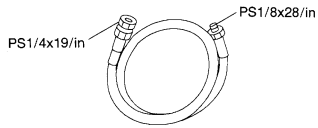
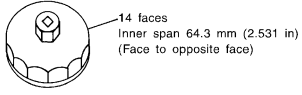
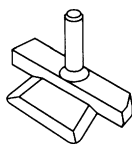
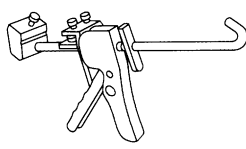
[QR25DE]

PREPARATION

Special Service Tool

INFOID:000000001849662

The actual shape of the Kent-Moore tools may differ from those tools illustrated here.

Tool number (Kent Moore No.) Tool name	Description	
ST25051001 (J-25695-1) Oil pressure gauge	 <p style="text-align: center;">S-NT050</p>	A C D E
ST25052000 (J-25695-2) Hose	 <p style="text-align: center;">S-NT559</p>	F G H
KV10115801 (J-38956) Oil filter wrench	 <p style="text-align: center;">S-NT772</p>	I J
KV10111100 (J-37228) Seal cutter	 <p style="text-align: center;">S-NT046</p>	K L
WS39930000 (—) Tube presser	 <p style="text-align: center;">S-NT052</p>	M N O

Commercial Service Tool

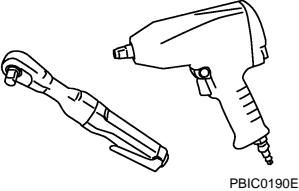
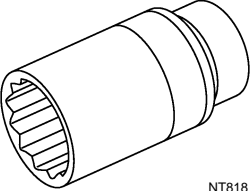
INFOID:000000001849663

LU

PREPARATION

< SERVICE INFORMATION >

[QR25DE]

Tool name	Description
<p data-bbox="164 201 272 222">Power tool</p>  <p data-bbox="850 417 922 432">PBIC0190E</p>	<p data-bbox="1013 201 1263 222">Loosening bolts and nuts</p>
<p data-bbox="164 453 289 474">Deep socket</p>  <p data-bbox="850 667 894 682">NT818</p>	<p data-bbox="1013 453 1450 506">Removing and installing oil pressure sensor Deep socket 26 mm, 3/8 drive</p>

LUBRICATION SYSTEM

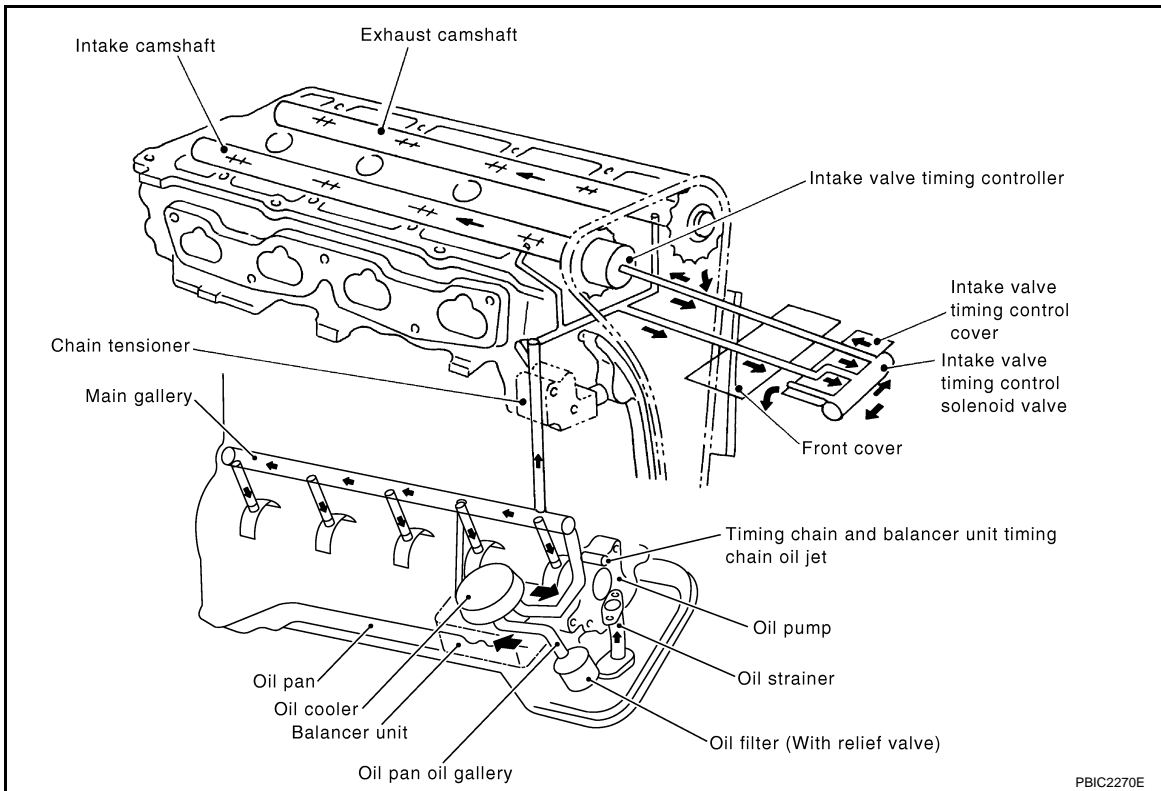
< SERVICE INFORMATION >

[QR25DE]

LUBRICATION SYSTEM

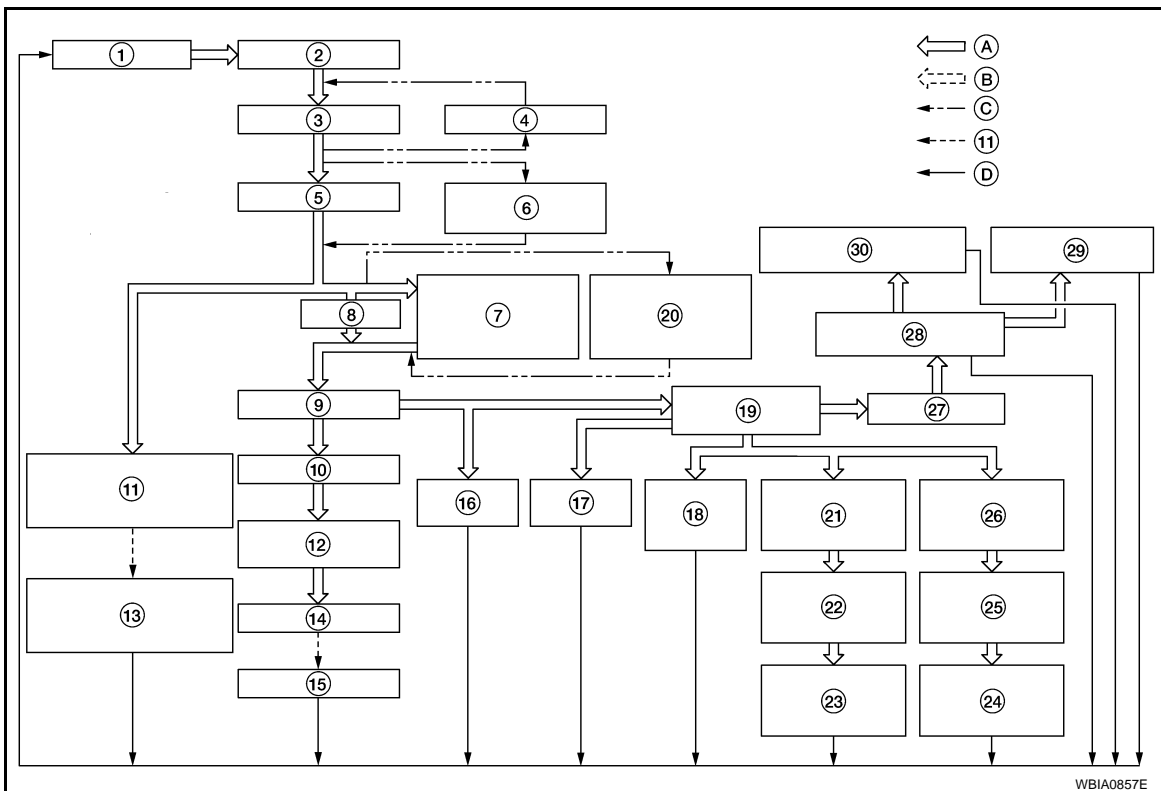
Lubrication Circuit

INFOID:000000001849664



Schematic

INFOID:000000001849665



- | | | |
|--------------------|-----------------|---------------------------------------|
| 1. Oil pan | 2. Oil strainer | 3. Oil pump |
| 4. Regulator valve | 5. Oil filter | 6. Relief valve (Built in oil filter) |

A
LU
C
D
E
F
G
H
I
J
K
L
M
N
O
P

LUBRICATION SYSTEM

< SERVICE INFORMATION >

[QR25DE]

-
- | | | |
|---|---|--|
| 7. Oil cooler | 8. Bypass | 9. Connecting rod bearing |
| 10. Main bearing | 11. Timing chain and balancer unit timing chain oil jet | 12. Connecting rod bearing |
| 13. Timing chain and balancer unit timing chain | 14. Connecting Rod | 15. Piston |
| 16. Balancer unit | 17. Chain tensioner | 18. Camshaft bracket (No.1) |
| 19. Cylinder head oil gallery | 20. Relief valve | 21. Intake camshaft bracket (No.2) |
| 22. Intake camshaft oil passage | 23. Intake camshaft journal | 24. Exhaust camshaft journal |
| 25. Exhaust camshaft oil passage | 26. Exhaust camshaft bracket (No.2) | 27. Front cover |
| 28. Intake valve timing control cover | 29. Intake valve timing controller | 30. Intake valve timing control solenoid valve |
| A. Oil passage | B. Return oil passage | C. Bypass |
| D. To oil pan | | |

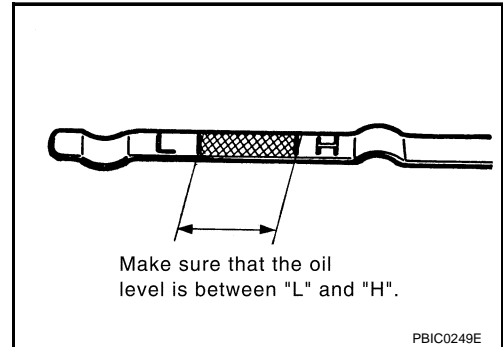
ENGINE OIL

Inspection

INFOID:000000001849666

OIL LEVEL

- Before starting the engine, check the oil level. If the engine is already started, stop it and allow 10 minutes before checking.
- Check that the oil level is within the range on the dipstick.
- If it is out of range, add oil as necessary. Refer to [GI-42. "Recommended Chemical Product and Sealant"](#).



ENGINE OIL APPEARANCE

- Check engine oil for white milky or excessive contamination.
- If engine oil becomes milky, it is highly probable that it is contaminated with engine coolant. Repair or replace damaged parts.

OIL LEAKAGE

Check for oil leakage around the following areas:

- Oil pan
- Oil pan drain plug
- Oil pressure sensor
- Oil filter
- IVTC cover
- Front cover
- Mating surface between cylinder block and cylinder head
- Mating surface between cylinder head and rocker cover
- Crankshaft oil seal

OIL PRESSURE CHECK

WARNING:

- **Be careful not to burn yourself, as engine oil may be hot.**
- **For M/T models, put the gearshift lever in the Neutral "N" position. For CVT models, put the selector lever in the Park "P" position.**

1. Check engine oil level. Refer to [LU-15. "Inspection"](#).
2. Remove undercover using power tool.
3. Disconnect oil pressure sensor harness connector at oil pressure sensor, and remove oil pressure sensor.

CAUTION:

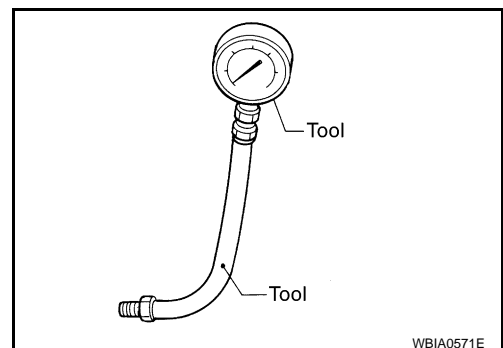
Do not drop or shock oil pressure sensor.

4. Start engine and warm it up to normal operating temperature.
5. Check oil pressure with engine running under no-load, using Tool

Tool numbers : **ST25051001 (J-25695-1)**
 : **ST25052000 (J-25695-2)**

NOTE:

When engine oil temperature is low, engine oil pressure becomes high.



ENGINE OIL

[QR25DE]

< SERVICE INFORMATION >

Engine oil pressure [Oil temperature 80 °C (176 °F)]			
Engine speed (rpm)	Idle speed	2,000	6,000
Engine pressure kPa (kg/cm ² , psi)	Approx. 98 (1.0, 14) or more	Approx. 294 (3.0, 43) or more	Approx. 392 (4.0, 57) or more

If difference is extreme, check oil passage and oil pump for oil leaks.

6. After the inspections, install oil pressure sensor as follows:
 - a. Remove old liquid gasket adhering to oil pressure sensor and engine.
 - b. Apply liquid gasket and tighten oil pressure sensor to the specification.
Use Genuine RTV Silicone Sealant or equivalent. Refer to [GI-42, "Recommended Chemical Product and Sealant"](#).

Oil pressure sensor torque : 14.7 N·m (1.5 kg-m, 11 ft-lb)

- c. After warming up engine, make sure there is no leakage of engine oil with running engine.

Changing Engine Oil

INFOID:000000001849667

WARNING:

- **Be careful not to burn yourself, as the engine oil may be hot.**
 - **Prolonged and repeated contact with used engine oil may cause skin cancer: try to avoid direct skin contact with used oil. If skin contact is made, wash thoroughly with soap or hand cleaner as soon as possible.**
1. Position the vehicle so it is level on the hoist.
 2. Warm up the engine, and check for oil leaks from the engine.
 3. Stop engine and wait for 10 minutes.
 4. Remove the oil pan drain plug and oil filler cap.
 5. Drain the engine oil.
 6. Install the oil pan drain plug with a new washer and refill the engine with new engine oil.

Oil specification and capacity : Refer to [GI-42, "Recommended Chemical Product and Sealant"](#).

Oil pan drain plug : 34.3 N·m (3.5 kg-m, 25 ft-lb)

Oil Capacity (Approximate)

Drain and refill	With oil filter change	4.3 ℓ (4 1/2 US qt, 3 3/4 Imp qt)
	Without oil filter change	4.0 ℓ (4 1/4 US qt, 3 1/2 Imp qt)
Dry engine (engine overhaul)		4.6 ℓ (4 7/8 US qt, 4 Imp qt)

CAUTION:

- **Be sure to clean the drain plug and install using a new washer.**
 - **The refill capacity depends on the oil temperature and drain time. Use these specifications for reference only.**
 - **Always use the dipstick to determine when the proper amount of oil is in the engine.**
7. Warm up the engine and check the area around the drain plug and oil filter for oil leakage.
 8. Stop the engine and wait for 10 minutes.
 9. Check the oil level using the dipstick.

CAUTION:

Do not overfill the engine oil.

OIL FILTER

Removal and Installation

INFOID:000000001849668

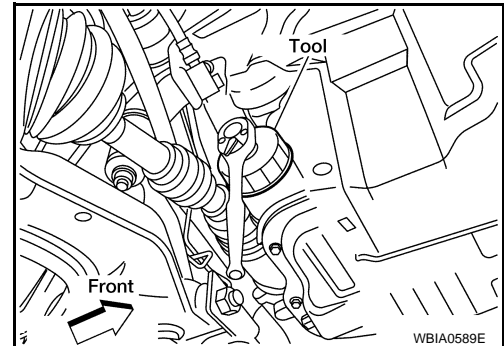
REMOVAL

1. Remove the oil filter using Tool.

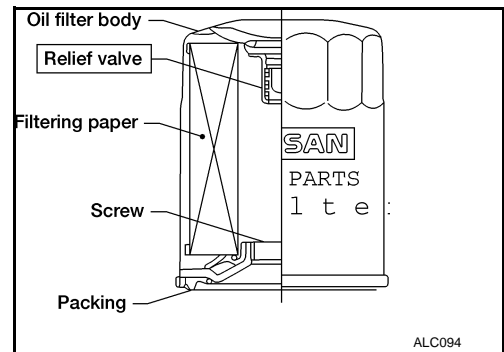
Tool number : KV10115801 (J-38956)

CAUTION:

- Be careful not to get burned when the engine and engine oil are hot.
- When removing, prepare a shop cloth to absorb any oil leakage or spillage.
- Do not allow engine oil to adhere to the drive belts.
- Completely wipe off any oil that adheres to the engine and the vehicle.

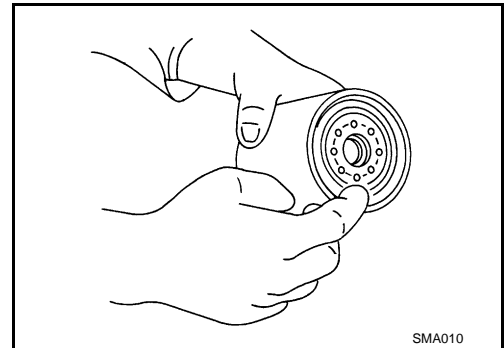


- The oil filter has a built in pressure relief valve. Use a genuine NISSAN oil filter or equivalent



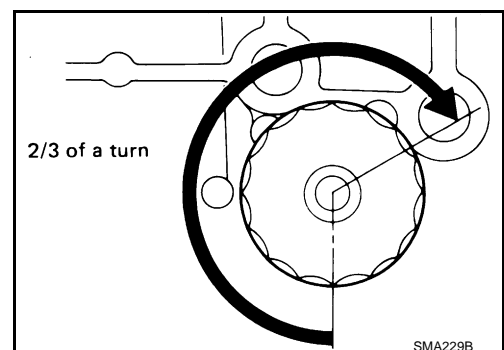
INSTALLATION

1. Clean off any foreign materials adhering to the oil filter installation surface.
2. Apply engine oil to the oil seal surface of the new oil filter.



3. Screw the new oil filter manually until it touches the installation surface, then tighten it by 2/3 turn. Or tighten to specification below.

Oil filter : 17.6 N-m (1.8 kg-m, 13 ft-lb)



4. Check oil level and add engine oil as necessary. Refer to [LU-15](#).
5. After warming up the engine, check for oil leaks.

OIL PUMP

< SERVICE INFORMATION >

[QR25DE]

OIL PUMP

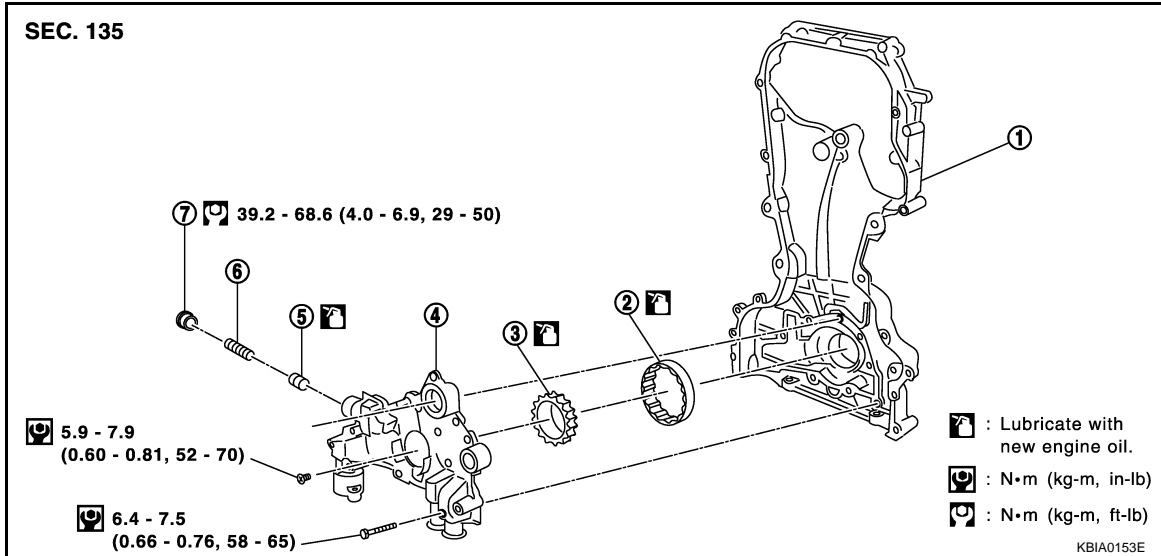
Removal and Installation

INFOID:000000001849669

- Remove the front cover. Refer to [EM-156. "Removal and Installation"](#).

Disassembly and Assembly

INFOID:000000001849670



- | | | |
|-------------------|--------------------|----------------|
| 1. Front cover | 2. Outer rotor | 3. Inner rotor |
| 4. Oil pump cover | 5. Regulator valve | 6. Spring |
| 7. Regulator plug | | |

CAUTION:

Before installation, apply new engine oil to the parts as shown.

DISASSEMBLY

1. Remove the oil pump cover.
2. Remove inner rotor and outer rotor from front cover.
3. After removing regulator plug, remove regulator spring and regulator valve.

INSPECTION AFTER DISASSEMBLY

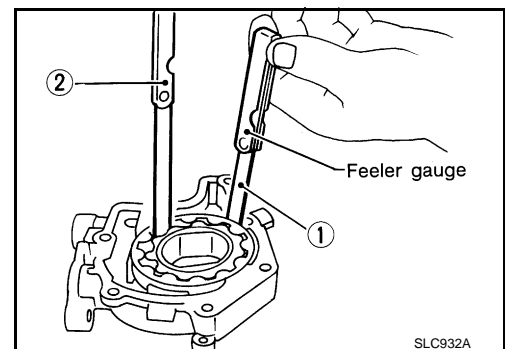
Measure the clearance of the oil pump parts.

- Measure clearance with feeler gauge.
- Clearance between outer rotor and oil pump body (position 1).

Standard : 0.114 - 0.179 mm (0.0045 - 0.0070 in)

- Tip clearance between inner rotor and outer rotor (position 2).

Standard : Below 0.220 mm (0.0087 in)



OIL PUMP

[QR25DE]

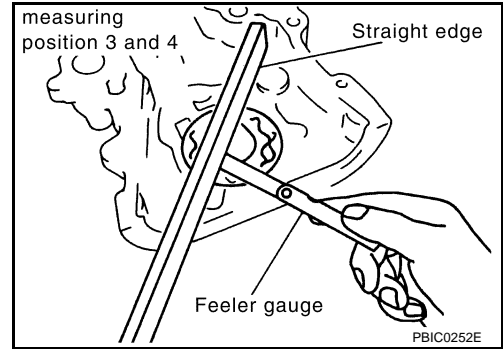
< SERVICE INFORMATION >

- Measure clearance with feeler gauge and straightedge.
- Side clearance between inner rotor and oil pump body (position 3).

Standard : 0.030 - 0.070 mm (0.0012 - 0.0028 in)

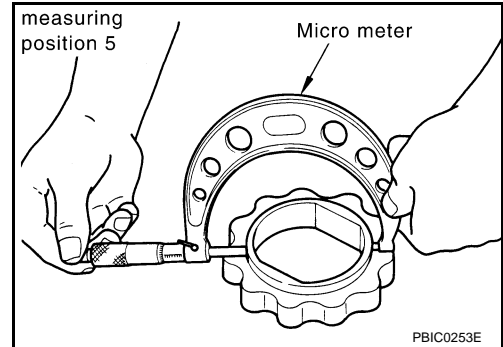
- Side clearance between outer rotor and oil pump body (position 4).

Standard : 0.060 - 0.110 mm (0.0024 - 0.0043 in)



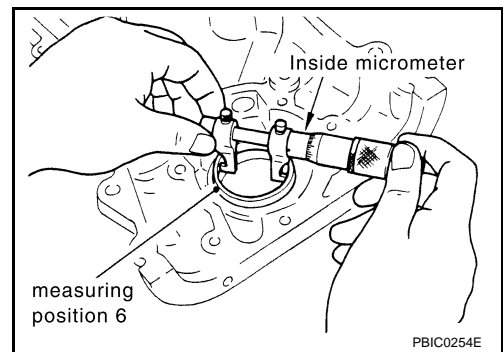
- Calculate the clearance between inner rotor and oil pump body as follows:

1. Measure the outer diameter of protruded portion of inner rotor (Position 5).



2. Measure the inner diameter of oil pump body with inside micrometer (Position 6).
(Clearance) = (Inner diameter of oil pump body) – (Outer diameter of inner rotor).

Standard : 0.035 - 0.070 mm (0.0014 - 0.0028 in)



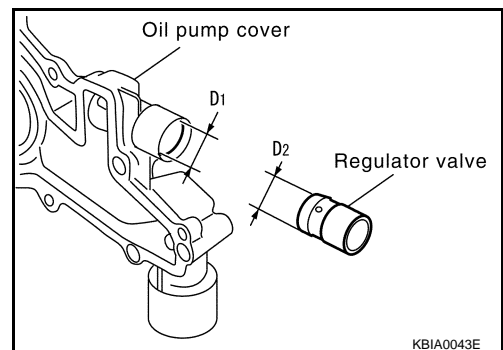
- Regulator valve clearance:
(Clearance) = D1 (Valve hole diameter) – D2 (Outer diameter of valve)

Standard : 0.040 - 0.097 mm (0.0016 - 0.0038 in)

CAUTION:

Coat regulator valve with engine oil.

Check that it falls smoothly into the valve hole by its own weight.



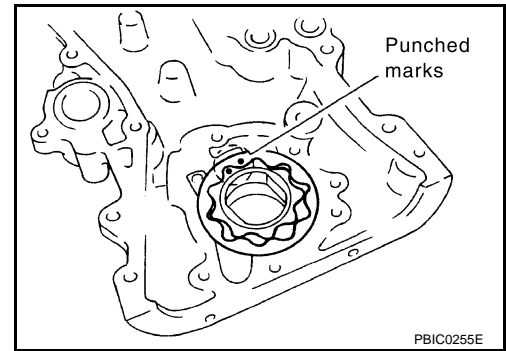
ASSEMBLY

OIL PUMP

[QR25DE]

< SERVICE INFORMATION >

- Assembly is in the reverse order of disassembly.
- Install the inner rotor and outer rotor with the punched marks on the oil pump cover side.



SERVICE DATA AND SPECIFICATIONS (SDS)

< SERVICE INFORMATION >

[QR25DE]

SERVICE DATA AND SPECIFICATIONS (SDS)

Oil Pressure

INFOID:000000001849671

Engine speed rpm	Approximate discharge pressure kPa (kg/cm ² , psi)
Idle speed	More than 98 (1.0, 14)
2,000	294 (3.0, 43)
6,000	392 (4.0, 57)

Oil Pump

INFOID:000000001849672

Unit: mm (in)

Body to outer rotor radial clearance	0.114 - 0.179 (0.0045 - 0.0070)
Inner rotor to outer rotor tip clearance	Below 0.220 (0.0087)
Body to inner rotor axial clearance	0.030 - 0.070 (0.0012 - 0.0028)
Body to outer rotor axial clearance	0.060 - 0.110 (0.0024 - 0.0043)
Inner rotor to oil pump body clearance	0.035 - 0.070 (0.0014 - 0.0028)

Regulator Valve

INFOID:000000001849673

Unit: mm (in)

Regulator valve to oil pump cover clearance	0.040 - 0.097 (0.0016 - 0.0038)
---	---------------------------------

Oil Capacity

INFOID:000000001849674

Unit: ℓ (US qt, Imp qt)

Drain and refill	With oil filter change	Approximately 4.3 (4 1/2, 3 3/4)
	Without oil filter change	Approximately 4.0 (4 1/4, 3 1/2)
Dry engine (engine overhaul)		Approximately 4.6 (4 7/8, 4)