

SECTION **ACC**
ACCELERATOR CONTROL SYSTEM

A
ACC

CONTENTS

SERVICE INFORMATION	2	ACCELERATOR CONTROL SYSTEM	3	F
PRECAUTIONS	2	Component	3	
Precaution for Supplemental Restraint System (SRS) "AIR BAG" and "SEAT BELT PRE-TEN- SIONER"	2	Removal and Installation	3	
		SERVICE DATA AND SPECIFICATIONS	3	G
		Accelerator Control	3	

D
E
F
G
H
I
J
K
L
M
N
O
P

PRECAUTIONS

< SERVICE INFORMATION >

SERVICE INFORMATION

PRECAUTIONS

Precaution for Supplemental Restraint System (SRS) "AIR BAG" and "SEAT BELT PRE-TENSIONER"

INFOID:000000002927049

The Supplemental Restraint System such as "AIR BAG" and "SEAT BELT PRE-TENSIONER", used along with a front seat belt, helps to reduce the risk or severity of injury to the driver and front passenger for certain types of collision. This system includes seat belt switch inputs and dual stage front air bag modules. The SRS system uses the seat belt switches to determine the front air bag deployment, and may only deploy one front air bag, depending on the severity of a collision and whether the front occupants are belted or unbelted. Information necessary to service the system safely is included in the SRS and SB section of this Service Manual.

WARNING:

- To avoid rendering the SRS inoperative, which could increase the risk of personal injury or death in the event of a collision which would result in air bag inflation, all maintenance must be performed by an authorized NISSAN/INFINITI dealer.
- Improper maintenance, including incorrect removal and installation of the SRS, can lead to personal injury caused by unintentional activation of the system. For removal of Spiral Cable and Air Bag Module, see the SRS section.
- Do not use electrical test equipment on any circuit related to the SRS unless instructed to in this Service Manual. SRS wiring harnesses can be identified by yellow and/or orange harnesses or harness connectors.

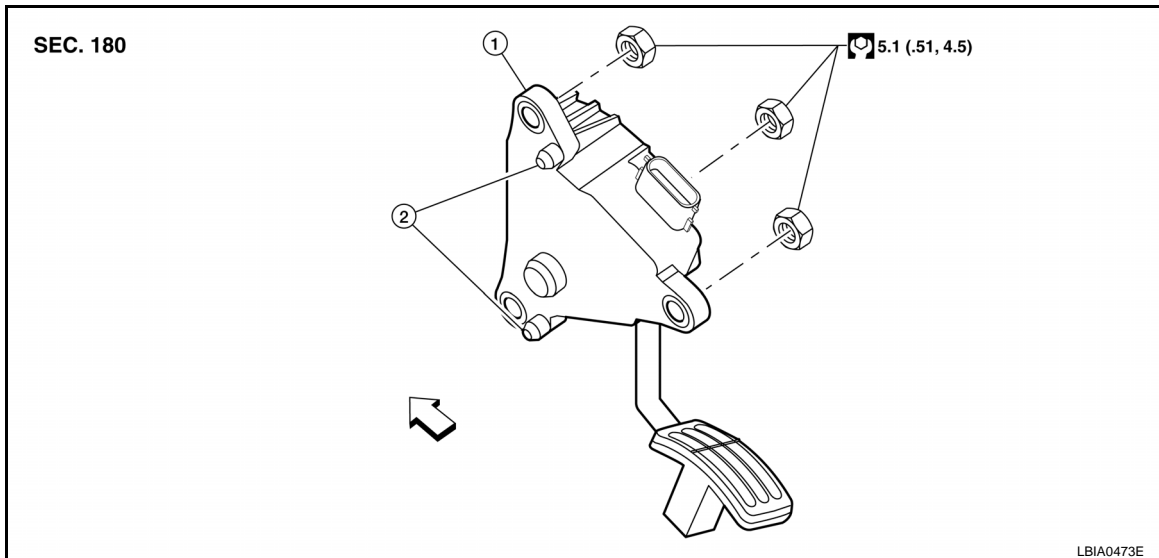
ACCELERATOR CONTROL SYSTEM

< SERVICE INFORMATION >

ACCELERATOR CONTROL SYSTEM

Component

INFOID:000000001850829



1. Accelerator pedal assembly

2. Locating pins

← Vehicle front

Removal and Installation

INFOID:000000001850830

CAUTION:

- Do not disassemble accelerator pedal assembly. Do not remove accelerator pedal position sensor from accelerator pedal assembly.
- Avoid impact from dropping etc. during handling.
- Be careful to keep accelerator pedal assembly away from water.

REMOVAL

1. Disconnect the negative battery terminal.
2. Disconnect accelerator pedal position sensor harness connector.
3. Remove the accelerator pedal assembly nuts and remove accelerator pedal assembly.

INSTALLATION

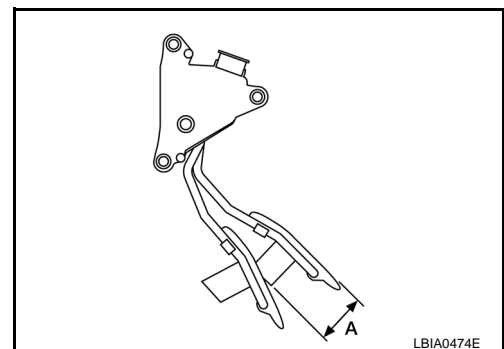
Installation is in the reverse order of removal.

- Check the accelerator pedal for smooth operation. There should be no binding or sticking when applying or releasing the accelerator pedal.
- Check that the accelerator pedal moves through the full specified distance of the specified pedal travel "A".

Pedal Travel "A" : 50.5 mm (1.99 in)

CAUTION:

When the accelerator pedal position sensor harness connector is disconnected, perform the "Accelerator Pedal Released Position Learning". Refer to [EC-81, "Accelerator Pedal Released Position Learning"](#).



SERVICE DATA AND SPECIFICATIONS

INFOID:000000001850831

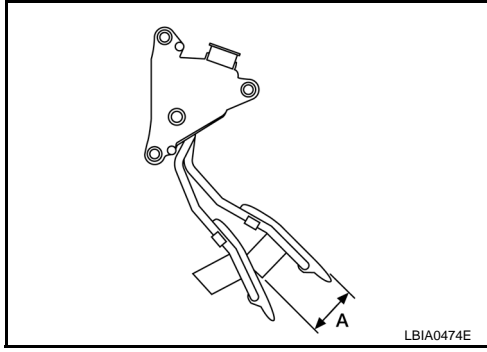
Accelerator Control

INFOID:000000001850832

PEDAL TRAVEL

ACCELERATOR CONTROL SYSTEM

< SERVICE INFORMATION >



Accelerator pedal - total travel "A"

50.5 mm (1.99 in)