

**SECTION EI**  
**EXTERIOR & INTERIOR**

A  
B  
C  
D  
E  
F  
G  
H  
EI  
J  
K  
L  
M

**CONTENTS**

<b>PRECAUTIONS</b> .....	<b>3</b>	<b>FRONT GRILLE</b> .....	<b>18</b>
Precautions for Supplemental Restraint System (SRS) "AIR BAG" and "SEAT BELT PRE-TENSIONER" .....	3	Removal and Installation .....	18
Precautions .....	3	REMOVAL .....	18
<b>PREPARATION</b> .....	<b>4</b>	INSTALLATION .....	18
Special Service Tools .....	4	<b>COWL TOP</b> .....	<b>19</b>
Commercial Service Tools .....	4	Removal and Installation .....	19
<b>SQUEAK AND RATTLE TROUBLE DIAGNOSIS</b> .....	<b>5</b>	REMOVAL .....	19
Work Flow .....	5	INSTALLATION .....	20
CUSTOMER INTERVIEW .....	5	<b>FENDER PROTECTOR</b> .....	<b>21</b>
DUPLICATE THE NOISE AND TEST DRIVE .....	6	Components .....	21
CHECK RELATED SERVICE BULLETINS .....	6	Removal and Installation .....	22
LOCATE THE NOISE AND IDENTIFY THE ROOT CAUSE .....	6	FRONT FENDER PROTECTOR .....	22
REPAIR THE CAUSE .....	6	SPLASH SHIELD .....	22
CONFIRM THE REPAIR .....	7	REAR FENDER PROTECTOR .....	22
Generic Squeak and Rattle Troubleshooting .....	7	<b>MUDGUARD</b> .....	<b>23</b>
INSTRUMENT PANEL .....	7	Removal and Installation .....	23
CENTER CONSOLE .....	7	REMOVAL .....	23
DOORS .....	7	INSTALLATION .....	23
TRUNK .....	8	<b>LICENSE LAMP FINISHER</b> .....	<b>24</b>
SUNROOF/HEADLINING .....	8	Removal and Installation .....	24
OVERHEAD CONSOLE (FRONT AND REAR).....	8	REMOVAL .....	24
SEATS .....	8	INSTALLATION .....	24
UNDERHOOD .....	8	<b>REAR AIR SPOILER</b> .....	<b>25</b>
Diagnostic Worksheet .....	9	Removal and Installation .....	25
<b>CLIP AND FASTENER</b> .....	<b>11</b>	REMOVAL .....	25
Description .....	11	INSTALLATION .....	25
<b>FRONT BUMPER</b> .....	<b>14</b>	<b>ROOF SIDE MOLDING</b> .....	<b>26</b>
Removal and Installation .....	14	Removal and Installation .....	26
REMOVAL .....	15	REMOVAL .....	26
INSTALLATION .....	15	INSTALLATION .....	26
<b>REAR BUMPER</b> .....	<b>16</b>	<b>DOOR OUTSIDE MOLDING</b> .....	<b>27</b>
Removal and Installation .....	16	Components .....	27
REMOVAL .....	16	Removal and Installation .....	27
INSTALLATION .....	17	FRONT DOOR OUTSIDE MOLDING .....	27
		REAR DOOR OUTSIDE MOLDING .....	28
		REAR DOOR CORNER COVER .....	28
		<b>DOOR FINISHER</b> .....	<b>29</b>
		Removal and Installation .....	29
		FRONT DOOR .....	29
		REAR DOOR .....	30

<b>BODY SIDE TRIM</b> .....	<b>32</b>	<b>FLOOR TRIM</b> .....	<b>37</b>
Removal and Installation .....	32	Removal and Installation .....	37
FRONT PILLAR FINISHER .....	33	REMOVAL .....	37
LOWER DASH SIDE FINISHER .....	33	INSTALLATION .....	38
FRONT KICKING PLATE .....	33	<b>HEADLINING</b> .....	<b>39</b>
REAR KICKING PLATE UPPER .....	33	Removal and Installation .....	39
REAR KICKING PLATE LOWER .....	34	REMOVAL .....	40
CENTER PILLAR LOWER FINISHER .....	34	INSTALLATION .....	41
CENTER PILLAR UPPER FINISHER .....	35	<b>TRUNK ROOM TRIM &amp; TRUNK LID FINISHER</b> .....	<b>42</b>
REAR PILLAR FINISHER .....	35	Removal and Installation .....	42
<b>REAR PARCEL SHELF FINISHER</b> .....	<b>36</b>		
Removal and Installation .....	36		
REMOVAL .....	36		
INSTALLATION .....	36		

# PRECAUTIONS

## PRECAUTIONS

PFP:00001

### Precautions for Supplemental Restraint System (SRS) “AIR BAG” and “SEAT BELT PRE-TENSIONER”

EIS00BDC

The Supplemental Restraint System such as “AIR BAG” and “SEAT BELT PRE-TENSIONER”, used along with a front seat belt, helps to reduce the risk or severity of injury to the driver and front passenger for certain types of collision. This system includes seat belt switch inputs and dual stage front air bag modules. The SRS system uses the seat belt switches to determine the front air bag deployment, and may only deploy one front air bag, depending on the severity of a collision and whether the front occupants are belted or unbelted. Information necessary to service the system safely is included in the SRS and SB section of this Service Manual.

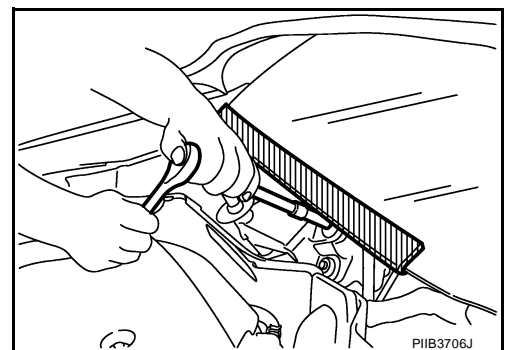
#### **WARNING:**

- To avoid rendering the SRS inoperative, which could increase the risk of personal injury or death in the event of a collision which would result in air bag inflation, all maintenance must be performed by an authorized NISSAN/INFINITI dealer.
- Improper maintenance, including incorrect removal and installation of the SRS, can lead to personal injury caused by unintentional activation of the system. For removal of Spiral Cable and Air Bag Module, see the SRS section.
- Do not use electrical test equipment on any circuit related to the SRS unless instructed to in this Service Manual. SRS wiring harnesses can be identified by yellow and/or orange harnesses or harness connectors.

#### Precautions

EIS00BDD

- When removing or disassembling any part, be careful not to damage or deform it. Protect parts which may get in the way with cloth.
- When removing parts with a screwdriver or other tool, protect parts by wrapping them with vinyl or tape.
- Keep removed parts protected with cloth.
- If a clip is deformed or damaged, replace it.
- If an un reusable part is removed, replace it with a new one.
- Tighten bolts and nuts firmly to the specified torque.
- After re-assembly has been completed, make sure each part functions correctly.
- Remove stains in the following way.
  - Water-soluble stains:  
Dip a cloth in warm water, and squeeze tightly. After wiping the stain, wipe with a soft dry cloth.
  - Oil stain:  
Dissolve a synthetic detergent in warm water (density of 2 to 3% or less), dip the cloth, then clean off the stain with the cloth. Next, dip the soft cloth in fresh water, and then squeeze it tightly. Then clean off the detergent completely. Then wipe the area with a soft dry cloth.
- Do not use any organic solvent, such as thinner or benzine.
- When performing procedures that require removal of the cowl top, cover the lower end of the windshield with a suitable protection material.



# PREPARATION

## PREPARATION

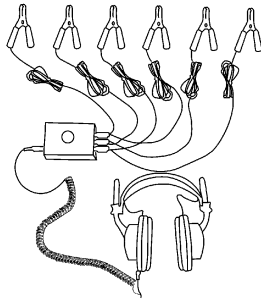
PFP:00002

### Special Service Tools

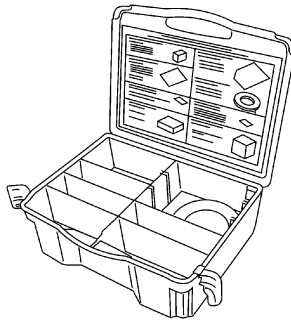
EIS00BDE

The actual shapes of Kent-Moore tools may differ from those of special service tools illustrated here.

Tool number (Kent-Moore No.) Tool name	Description
— (J-39570) Chassis ear	Locating the noise
— (J-43980) NISSAN Squeak and Rattle kit	Repairing the cause of noise



SBT839

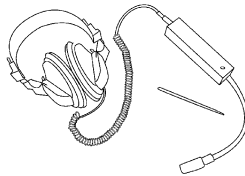


SBT840

### Commercial Service Tools

EIS00BDF

Tool number (Kent-Moore No.) Tool name	Description
— (J-39565) Engine ear	Locating the noise



SIA0995E

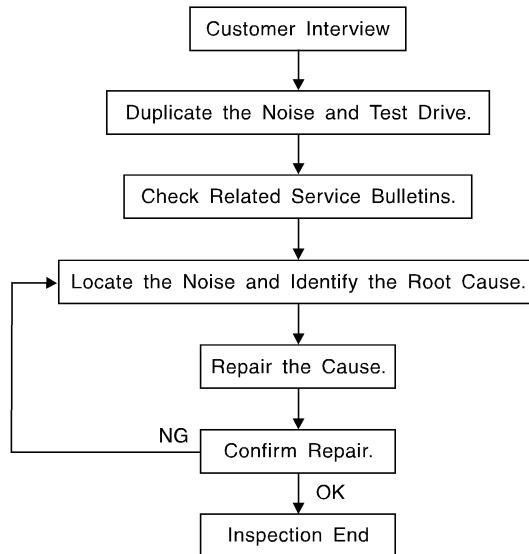
# SQUEAK AND RATTLE TROUBLE DIAGNOSIS

## SQUEAK AND RATTLE TROUBLE DIAGNOSIS

PF0:0000

### Work Flow

EIS00BDG



SBT842

### CUSTOMER INTERVIEW

Interview the customer, if possible, to determine the conditions that exist when the noise occurs. Use the Diagnostic Worksheet during the interview to document the facts and conditions when the noise occurs and any customer's comments; refer to [EI-9, "Diagnostic Worksheet"](#). This information is necessary to duplicate the conditions that exist when the noise occurs.

- The customer may not be able to provide a detailed description or the location of the noise. Attempt to obtain all the facts and conditions that exist when the noise occurs (or does not occur).
- If there is more than one noise in the vehicle, be sure to diagnose and repair the noise that the customer is concerned about. This can be accomplished by test driving the vehicle with the customer.
- After identifying the type of noise, isolate the noise in terms of its characteristics. The noise characteristics are provided so the customer, service adviser and technician are all speaking the same language when defining the noise.
- Squeak — (Like tennis shoes on a clean floor)  
Squeak characteristics include the light contact/fast movement/brought on by road conditions/hard surfaces = higher pitch noise/softer surfaces = lower pitch noises/edge to surface = chirping
- Creak — (Like walking on an old wooden floor)  
Creak characteristics include firm contact/slow movement/twisting with a rotational movement/pitch dependent on materials/often brought on by activity.
- Rattle — (Like shaking a baby rattle)  
Rattle characteristics include the fast repeated contact/vibration or similar movement/loose parts/missing clip or fastener/incorrect clearance.
- Knock — (Like a knock on a door)  
Knock characteristics include hollow sounding/sometimes repeating/often brought on by driver action.
- Tick — (Like a clock second hand)  
Tick characteristics include gentle contacting of light materials/loose components/can be caused by driver action or road conditions.
- Thump — (Heavy, muffled knock noise)  
Thump characteristics include softer knock/dead sound often brought on by activity.
- Buzz — (Like a bumblebee)  
Buzz characteristics include high frequency rattle/firm contact.
- Often the degree of acceptable noise level will vary depending upon the person. A noise that you may judge as acceptable may be very irritating to the customer.
- Weather conditions, especially humidity and temperature, may have a great effect on noise level.

# SQUEAK AND RATTLE TROUBLE DIAGNOSIS

---

## DUPLICATE THE NOISE AND TEST DRIVE

If possible, drive the vehicle with the customer until the noise is duplicated. Note any additional information on the Diagnostic Worksheet regarding the conditions or location of the noise. This information can be used to duplicate the same conditions when you confirm the repair.

If the noise can be duplicated easily during the test drive, to help identify the source of the noise, try to duplicate the noise with the vehicle stopped by doing one or all of the following:

- Close a door.
- Tap or push/pull around the area where the noise appears to be coming from.
- Rev the engine.
- Use a floor jack to recreate vehicle "twist".
- At idle, apply engine load (electrical load, half-clutch on M/T model, drive position on CVT model).
- Raise the vehicle on a hoist and hit a tire with a rubber hammer.
- Drive the vehicle and attempt to duplicate the conditions the customer states exist when the noise occurs.
- If it is difficult to duplicate the noise, drive the vehicle slowly on an undulating or rough road to stress the vehicle body.

## CHECK RELATED SERVICE BULLETINS

After verifying the customer concern or symptom, check ASIST for Technical Service Bulletins (TSBs) related to that concern or symptom.

If a TSB relates to the symptom, follow the procedure to repair the noise.

## LOCATE THE NOISE AND IDENTIFY THE ROOT CAUSE

1. Narrow down the noise to a general area. To help pinpoint the source of the noise, use a listening tool (Chassis Ear: J-39570, Engine Ear: J-39565 and mechanics stethoscope).
2. Narrow down the noise to a more specific area and identify the cause of the noise by:
  - Removing the components in the area that you suspect the noise is coming from.  
**Do not use too much force when removing clips and fasteners, otherwise clips and fasteners can be broken or lost during the repair, resulting in the creation of new noise.**
  - Tapping or pushing/pulling the component that you suspect is causing the noise.  
**Do not tap or push/pull the component with excessive force, otherwise the noise will be eliminated only temporarily.**
  - Feeling for a vibration with your hand by touching the component(s) that you suspect is (are) causing the noise.
  - Placing a piece of paper between components that you suspect are causing the noise.
  - Looking for loose components and contact marks.

Refer to [EI-7, "Generic Squeak and Rattle Troubleshooting"](#) .

## REPAIR THE CAUSE

- If the cause is a loose component, tighten the component securely.
- If the cause is insufficient clearance between components:
  - Separate components by repositioning or loosening and retightening the component, if possible.
  - Insulate components with a suitable insulator such as urethane pads, foam blocks, felt cloth tape or urethane tape. A NISSAN Squeak and Rattle Kit (J-43980) is available through your authorized NISSAN Parts Department.

### **CAUTION:**

**Do not use excessive force as many components are constructed of plastic and may be damaged. Always check with the Parts Department for the latest parts information.**

The following materials are contained in the NISSAN Squeak and Rattle Kit (J-43980). Each item can be ordered separately as needed.

URETHANE PADS [1.5 mm (0.059 in) thick]

Insulates connectors, harness, etc.

76268-9E005: 100 x 135 mm (3.94 x 5.31 in)/76884-71L01: 60 x 85 mm (2.36 x 3.35 in)/76884-71L02: 15 x 25 mm (0.59 x 0.98 in)

INSULATOR (Foam blocks)

Insulates components from contact. Can be used to fill space behind a panel.

# SQUEAK AND RATTLE TROUBLE DIAGNOSIS

73982-9E000: 45 mm (1.77 in) thick, 50 x 50 mm (1.97 x 1.97 in)/73982-50Y00: 10 mm (0.39 in) thick, 50 x 50 mm (1.97 x 1.97 in)

INSULATOR (Light foam block)

80845-71L00: 30 mm (1.18 in) thick, 30 x 50 mm (1.18 x 1.97 in)

FELT CLOTH TAPE

Used to insulate where movement does not occur. Ideal for instrument panel applications.

68370-4B000: 15 x 25 mm (0.59 x 0.98 in) pad/68239-13E00: 5 mm (0.20 in) wide tape roll

The following materials, not found in the kit, can also be used to repair squeaks and rattles.

UHMW (TEFLON) TAPE

Insulates where slight movement is present. Ideal for instrument panel applications.

SILICONE GREASE

Used in place of UHMW tape that will be visible or not fit.

Note: Will only last a few months.

SILICONE SPRAY

Use when grease cannot be applied.

DUCT TAPE

Use to eliminate movement.

## CONFIRM THE REPAIR

Confirm that the cause of a noise is repaired by test driving the vehicle. Operate the vehicle under the same conditions as when the noise originally occurred. Refer to the notes on the Diagnostic Worksheet.

## Generic Squeak and Rattle Troubleshooting

EIS00BDH

Refer to Table of Contents for specific component removal and installation information.

## INSTRUMENT PANEL

Most incidents are caused by contact and movement between:

1. The cluster lid A and instrument panel
2. Acrylic lens and combination meter housing
3. Instrument panel to front pillar garnish
4. Instrument panel to windshield
5. Instrument panel pins
6. Wiring harnesses behind the combination meter
7. A/C defroster duct and duct joint

These incidents can usually be located by tapping or moving the components to duplicate the noise or by pressing on the components while driving to stop the noise. Most of these incidents can be repaired by applying felt cloth tape or silicone spray (in hard to reach areas). Urethane pads can be used to insulate wiring harness.

### CAUTION:

**Do not use silicone spray to isolate a squeak or rattle. If you saturate the area with silicone, you will not be able to recheck the repair.**

## CENTER CONSOLE

Components to pay attention to include:

1. Shifter assembly cover to finisher
2. A/C control unit and cluster lid C
3. Wiring harnesses behind audio and A/C control unit

The instrument panel repair and isolation procedures also apply to the center console.

## DOORS

Pay attention to the:

1. Finisher and inner panel making a slapping noise
2. Inside handle escutcheon to door finisher
3. Wiring harnesses tapping
4. Door striker out of alignment causing a popping noise on starts and stops

# SQUEAK AND RATTLE TROUBLE DIAGNOSIS

---

Tapping or moving the components or pressing on them while driving to duplicate the conditions can isolate many of these incidents. You can usually insulate the areas with felt cloth tape or insulator foam blocks from the NISSAN Squeak and Rattle Kit (J-43980) to repair the noise.

## TRUNK

Trunk noises are often caused by a loose jack or loose items put into the trunk by the owner.

In addition look for:

1. Trunk lid bumpers out of adjustment
2. Trunk lid striker out of adjustment
3. The trunk lid torsion bars knocking together
4. A loose license plate or bracket

Most of these incidents can be repaired by adjusting, securing or insulating the item(s) or component(s) causing the noise.

## SUNROOF/HEADLINING

Noises in the sunroof/headlining area can often be traced to one of the following:

1. Sunroof lid, rail, linkage or seals making a rattle or light knocking noise
2. Sun visor shaft shaking in the holder
3. Front or rear windshield touching headliner and squeaking

Again, pressing on the components to stop the noise while duplicating the conditions can isolate most of these incidents. Repairs usually consist of insulating with felt cloth tape.

## OVERHEAD CONSOLE (FRONT AND REAR)

Overhead console noises are often caused by the console panel clips not being engaged correctly. Most of these incidents are repaired by pushing up on the console at the clip locations until the clips engage.

In addition look for:

1. Loose harness or harness connectors.
2. Front console map/reading lamp lens loose.
3. Loose screws at console attachment points.

## SEATS

When isolating seat noise it's important to note the position the seat is in and the load placed on the seat when the noise is present. These conditions should be duplicated when verifying and isolating the cause of the noise.

Cause of seat noise include:

1. Headrest rods and holder
2. A squeak between the seat pad cushion and frame
3. The rear seatback lock and bracket

These noises can be isolated by moving or pressing on the suspected components while duplicating the conditions under which the noise occurs. Most of these incidents can be repaired by repositioning the component or applying urethane tape to the contact area.

## UNDERHOOD

Some interior noise may be caused by components under the hood or on the engine wall. The noise is then transmitted into the passenger compartment.

Causes of transmitted underhood noise include:

1. Any component installed on the engine wall
2. Components that pass through the engine wall
3. Engine wall mounts and connectors
4. Loose radiator pins
5. Hood bumpers out of adjustment
6. Hood striker out of adjustment

These noises can be difficult to isolate since they cannot be reached from the interior of the vehicle. The best method is to secure, move or insulate one component at a time and test drive the vehicle. Also, engine RPM or load can be changed to isolate the noise. Repairs can usually be made by moving, adjusting, securing, or insulating the component causing the noise.



# SQUEAK AND RATTLE TROUBLE DIAGNOSIS

## Diagnostic Worksheet

EIS00BDI

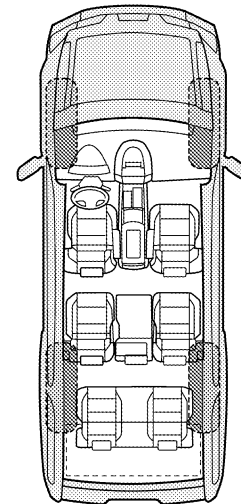
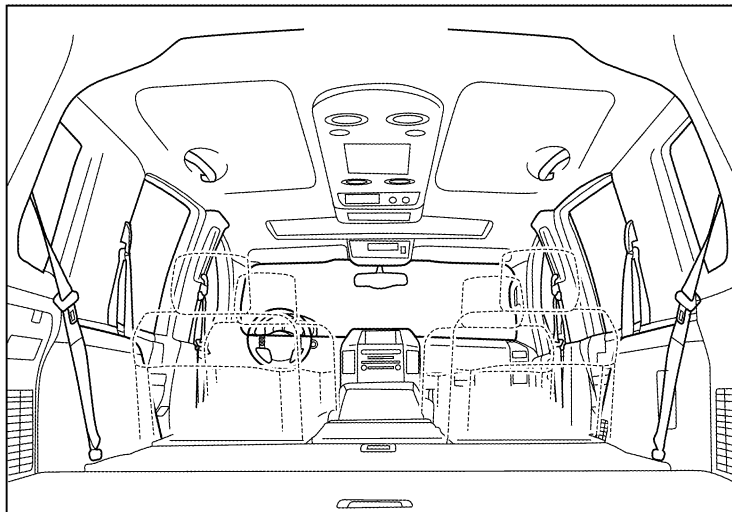
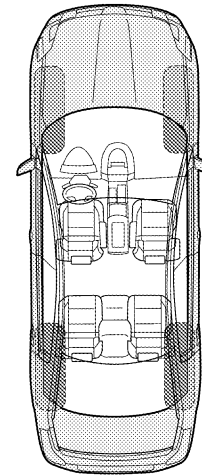
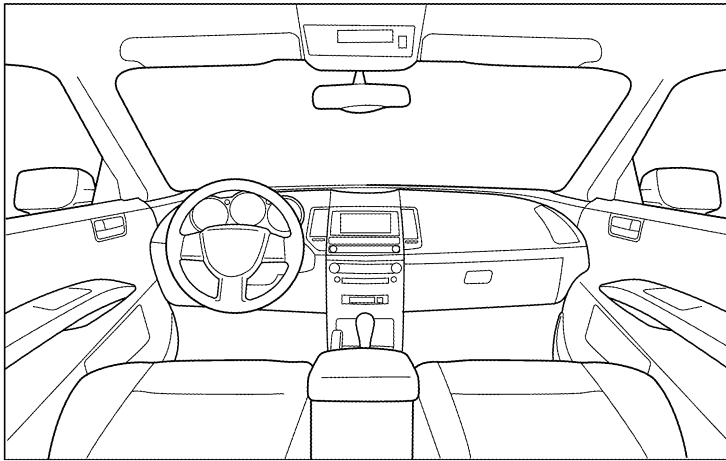
Dear Customer:

We are concerned about your satisfaction with your vehicle. Repairing a squeak or rattle sometimes can be very difficult. To help us fix your vehicle right the first time, please take a moment to note the area of the vehicle where the squeak or rattle occurs and under what conditions. You may be asked to take a test drive with a service advisor or technician to ensure we confirm the noise you are hearing.

### SQUEAK & RATTLE DIAGNOSTIC WORKSHEET

#### I. WHERE DOES THE NOISE COME FROM? (circle the area of the vehicle)

The illustrations are for reference only, and may not reflect the actual configuration of your vehicle.



Continue to page 2 of the worksheet and briefly describe the location of the noise or rattle. In addition, please indicate the conditions which are present when the noise occurs.

A  
B  
C  
D  
E  
F  
G  
H  
EI  
J  
K  
L  
M

# SQUEAK AND RATTLE TROUBLE DIAGNOSIS

## SQUEAK & RATTLE DIAGNOSTIC WORKSHEET - page 2

Briefly describe the location where the noise occurs:

---

---

### II. WHEN DOES IT OCCUR? (please check the boxes that apply)

- |   |  |
|---|--|
| <input type="checkbox"/> Anytime                      | <input type="checkbox"/> After sitting out in the rain |
| <input type="checkbox"/> 1st time in the morning      | <input type="checkbox"/> When it is raining or wet     |
| <input type="checkbox"/> Only when it is cold outside | <input type="checkbox"/> Dry or dusty conditions       |
| <input type="checkbox"/> Only when it is hot outside  | <input type="checkbox"/> Other:                        |

### III. WHEN DRIVING:

- Through driveways
- Over rough roads
- Over speed bumps
- Only about \_\_\_\_ mph
- On acceleration
- Coming to a stop
- On turns: left, right or either (circle)
- With passengers or cargo
- Other: \_\_\_\_\_
- After driving \_\_\_\_ miles or \_\_\_\_ minutes

### IV. WHAT TYPE OF NOISE

- Squeak (like tennis shoes on a clean floor)
- Creak (like walking on an old wooden floor)
- Rattle (like shaking a baby rattle)
- Knock (like a knock at the door)
- Tick (like a clock second hand)
- Thump (heavy muffled knock noise)
- Buzz (like a bumble bee)

## TO BE COMPLETED BY DEALERSHIP PERSONNEL

### Test Drive Notes:

---

---

---

	YES	NO	Initials of person performing
Vehicle test driven with customer	<input type="checkbox"/>	<input type="checkbox"/>	_____
- Noise verified on test drive	<input type="checkbox"/>	<input type="checkbox"/>	_____
- Noise source located and repaired	<input type="checkbox"/>	<input type="checkbox"/>	_____
- Follow up test drive performed to confirm repair	<input type="checkbox"/>	<input type="checkbox"/>	_____

VIN: \_\_\_\_\_ Customer Name \_\_\_\_\_

W.O.# \_\_\_\_\_ Date: \_\_\_\_\_

This form must be attached to Work Order

LAI0071E

# CLIP AND FASTENER


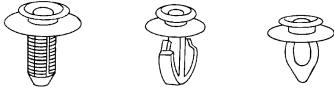


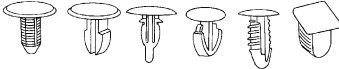
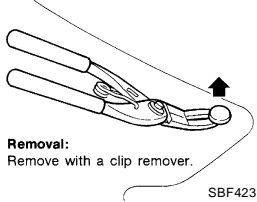

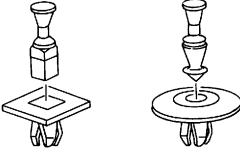
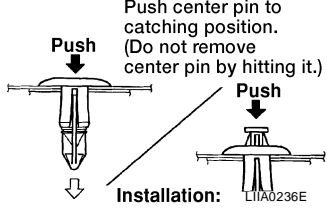

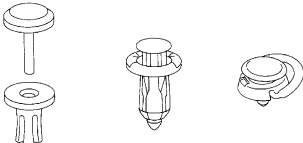
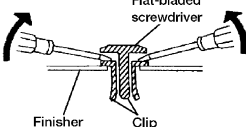

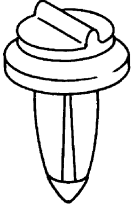
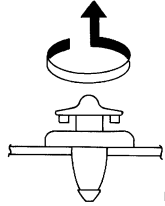

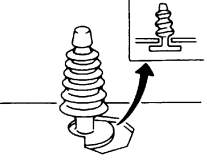
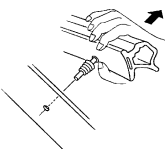
## CLIP AND FASTENER

PFP:76906

### Description

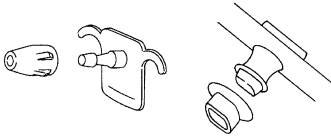
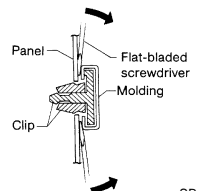

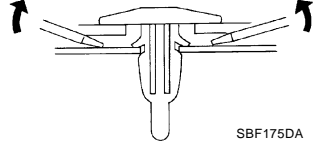

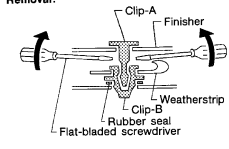

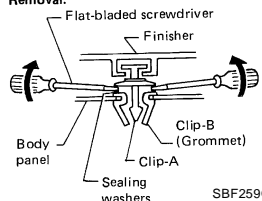
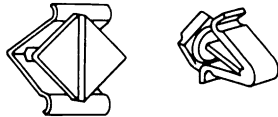
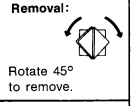

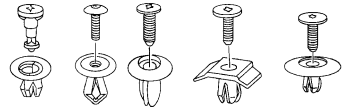
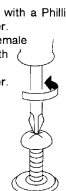
EIS00BDJ

- Clips and fasteners in EI section correspond to the following numbers and symbols.
- Replace any clips and/or fasteners which are damaged during removal or installation.


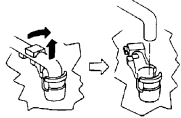


Symbol No.	Shapes	Removal & Installation
C101 	 SBF302H	<b>Removal:</b> Remove by bending up with flat-bladed screwdrivers or clip remover.  SBF367BA
C103 	 SBT095	<b>Removal:</b> Remove with a clip remover.  SBF423H
C203 	 SBF258G	<b>Push</b> Push center pin to catching position. (Do not remove center pin by hitting it.) <b>Push</b> <b>Installation:</b> LIA0236E 
C205 	 MBT080A	<b>Removal:</b>  Flat-bladed screwdriver Finisher Clip SBF638CA
C206 	 MBF519B	 MBF520B
CE103 	 SBF104B	<b>Removal:</b>  SBF147B

A  
B  
C  
D  
E  
F  
G  
H  
EI  
J  
K  
L  
M

# CLIP AND FASTENER

Symbol No.	Shapes	Removal & Installation
CE107	 <p style="text-align: center;">SBF411H</p>	 <p style="text-align: center;">SBF767B</p>
CE117	 <p style="text-align: center;">SBF174D</p>	<p><b>Removal:</b> Remove by bending up with a flat-bladed screwdriver or pliers.</p>  <p style="text-align: center;">SBF175DA</p>
CF110	 <p style="text-align: center;">SBF648B</p>	<p><b>Removal:</b></p>  <p style="text-align: center;">SBF649B</p>
CF118	 <p style="text-align: center;">SBF151D</p>	<p><b>Removal:</b></p>  <p style="text-align: center;">SBF259G</p>
CG101	 <p style="text-align: center;">SBF145B</p>	<p><b>Removal:</b></p>  <p style="text-align: center;">SBF085B</p> <p><b>Installation:</b></p> 
CS101	 <p style="text-align: center;">SBF078B</p>	<p><b>Removal:</b></p> <ol style="list-style-type: none"> <li>Screw out with a Phillips screwdriver.</li> <li>Remove female portion with flat-bladed screwdriver.</li> </ol>  <p style="text-align: center;">SBF992G</p>

# CLIP AND FASTENER

Symbol No.	Shapes	Removal & Installation
CR103	 <p style="text-align: center;">SBF768B</p>	<p><b>Removal:</b> Holder portion of clip must be spread out to remove rod.</p>  <p style="text-align: center;">SBF770B</p>
Metal Clip	 <p style="text-align: center;">WBT072</p>	<p><b>Removal:</b></p>  <p style="text-align: center;">WBT073</p>

A  
B  
C  
D  
E  
F  
G  
H  
EI  
J  
K  
L  
M

EI

# FRONT BUMPER

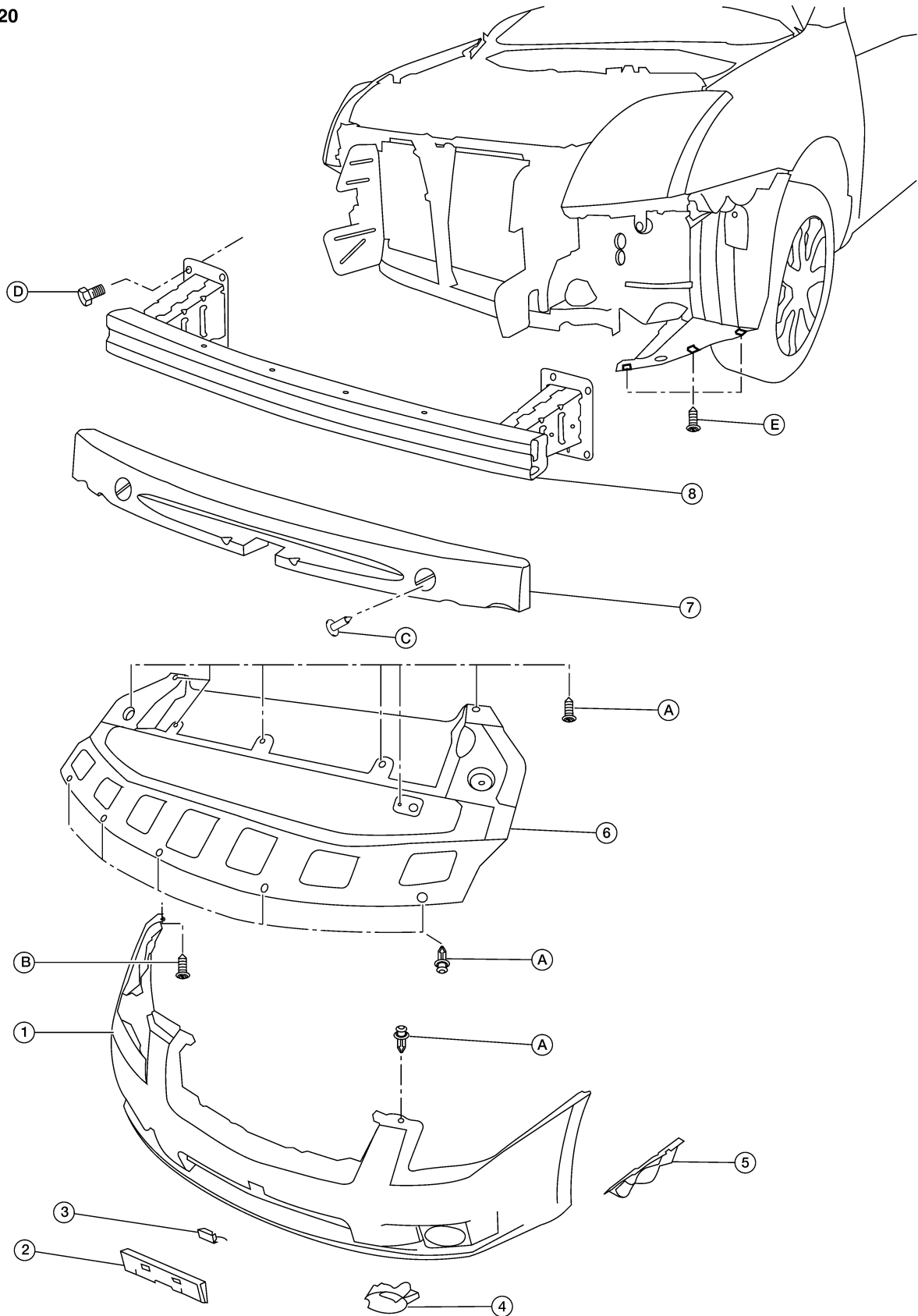
## FRONT BUMPER

PF2022

### Removal and Installation

EIS00BDK

SEC. 620



LIA2822E

# FRONT BUMPER

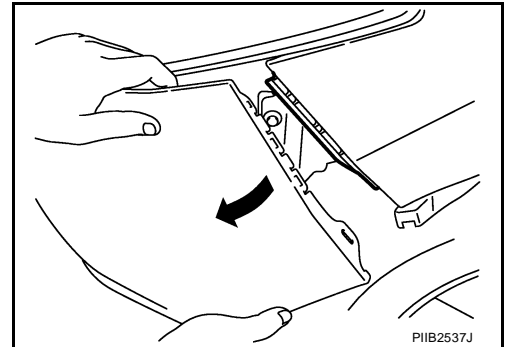
- |                                   |                               |                              |
|-----------------------------------|-------------------------------|------------------------------|
| 1. Front bumper fascia            | 2. License plate bracket      | 3. Access cover              |
| 4. Fog lamp bracket (if equipped) | 5. Front bumper side retainer | 6. Engine under cover        |
| 7. Energy absorber                | 8. Bumper reinforcement       | A. Clip C205                 |
| B. Upper fascia screw             | C. Clip C103                  | D. Bumper reinforcement bolt |
| E. Lower fascia screw             |                               |                              |

## CAUTION:

**Bumper fascia is made of resin. Do not apply strong force to it, and be careful to prevent contact with oil.**

## REMOVAL

1. Remove the front grille. Refer to [EI-18, "FRONT GRILLE"](#).
2. Remove the screws at front edge of front fender protector RH/LH. Refer to [EI-21, "FENDER PROTECTOR"](#).
3. Remove the clips and splash shield RH/LH. Refer to [EI-21, "FENDER PROTECTOR"](#).
4. Remove the clips and engine undercover.
5. Remove upper screws RH/LH from front bumper fascia at front fender.
6. Pull the outboard edge of front bumper fascia away from vehicle to disengage from the bumper side retainer.



7. Disconnect fog lamp harness connector RH/LH (if equipped).
8. Remove the front bumper fascia.
9. Remove the screws and fog lamp assembly RH/LH (if equipped) from bracket. Refer to [LT-46, "Removal and Installation, All Except SE-R"](#).
10. Remove the clips and bumper energy absorber.
11. Remove the clips and radiator air guides.
12. Remove the retaining pin RH/LH at lower edge, then remove the bolts and bumper reinforcement.
13. Remove bumper side retainer RH/LH from front fender.

## INSTALLATION

Installation is in the reverse order of removal.

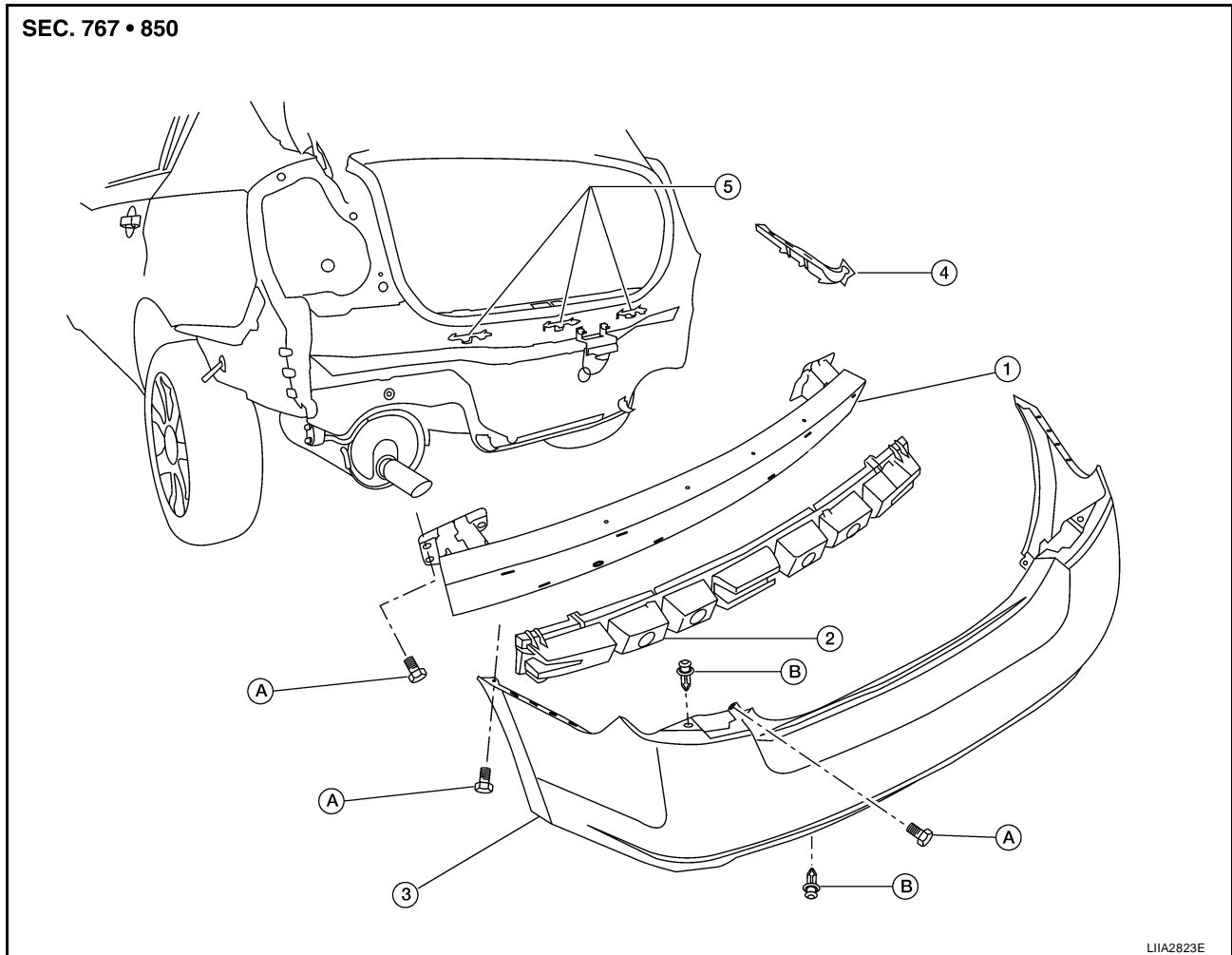
# REAR BUMPER

## REAR BUMPER

PFPH5022

### Removal and Installation

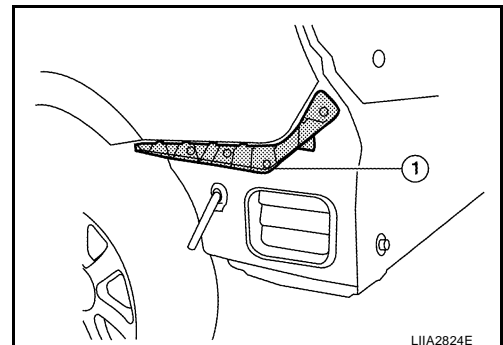
EIS00BDL



- |                              |                               |                       |
|------------------------------|-------------------------------|-----------------------|
| 1. Rear bumper reinforcement | 2. Energy absorbing plastic   | 3. Rear bumper fascia |
| 4. Rear bumper side retainer | 5. Rear bumper upper retainer | A. Bolt               |
|                              |                               | B. Clip C205          |

### REMOVAL

1. Open trunk lid.
2. Release the clips and remove rear trunk plate.
3. Remove rear combination lamp RH/LH. Refer to [LT-86, "REAR COMBINATION LAMP"](#).
4. Remove the clips, then remove rear fender protector RH/LH. Refer to [EI-21, "FENDER PROTECTOR"](#).
5. Remove rear bumper fascia lower clips and upper screws RH/LH.
6. Release rear bumper side retainer (1) from rear bumper fascia pulling outward to disengage.

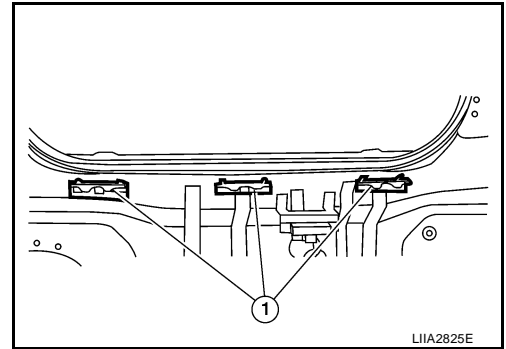


7. Remove rear bumper fascia upper clips and screws.



## REAR BUMPER

8. Release rear bumper upper retainer (1), then pull rear bumper fascia rearward away from vehicle.



9. Remove energy absorbing plastic from rear bumper reinforcement.
10. Remove the bolts and rear bumper reinforcement.
11. Release the pawls and remove the rear bumper side retainer RH/LH.

### INSTALLATION

Installation is in the reverse order of removal.

A  
B  
C  
D  
E  
F  
G  
H  
EI  
J  
K  
L  
M

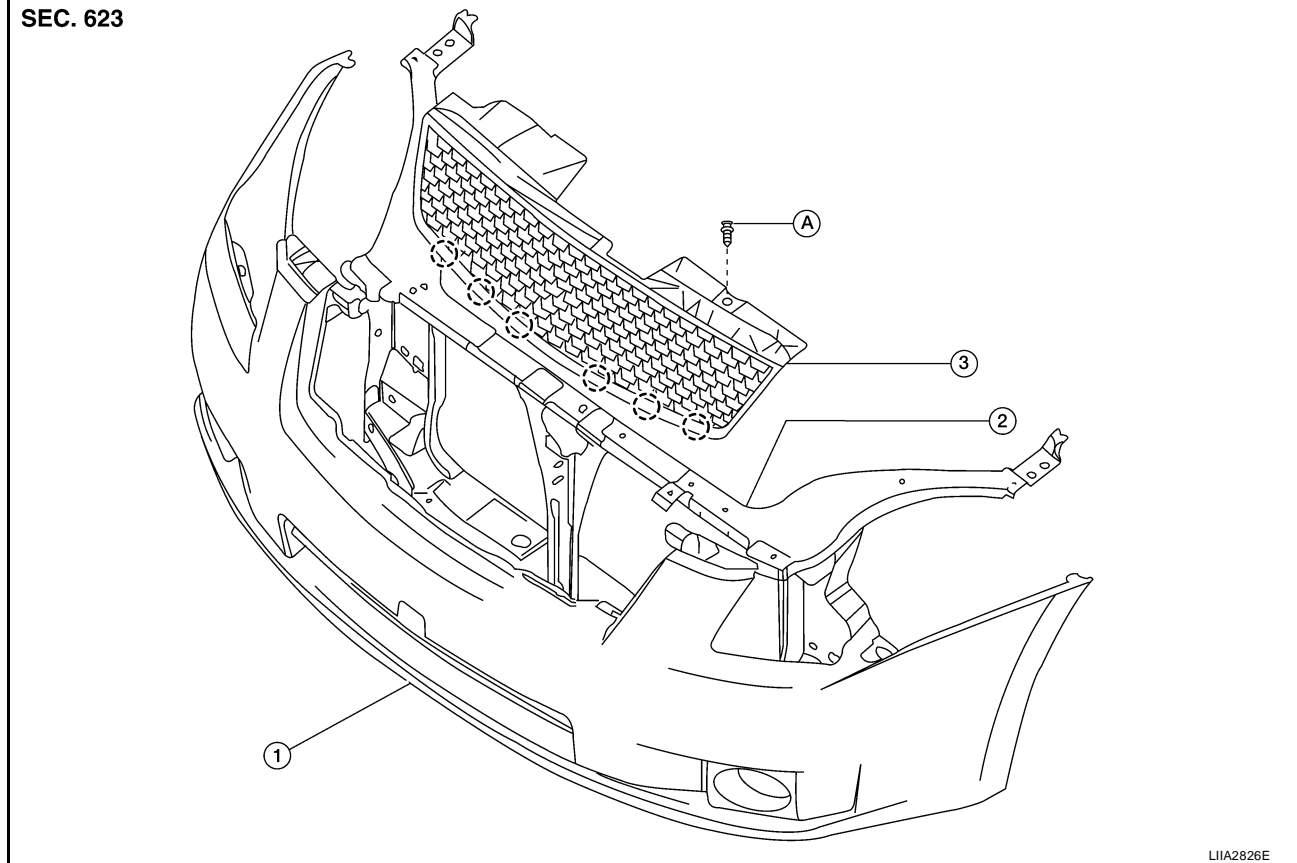
# FRONT GRILLE

## FRONT GRILLE

PFP:62310

### Removal and Installation

EIS00BDM



1. Front bumper fascia

2. Radiator support

3. Front grille

A. Clip C205

○ Pawl

### REMOVAL

1. Open hood.
2. Remove the upper clips and release the lower pawls, then pull front grille outward to remove from front bumper fascia and radiator support.

### INSTALLATION

Installation is in the reverse order of removal.

# COWL TOP

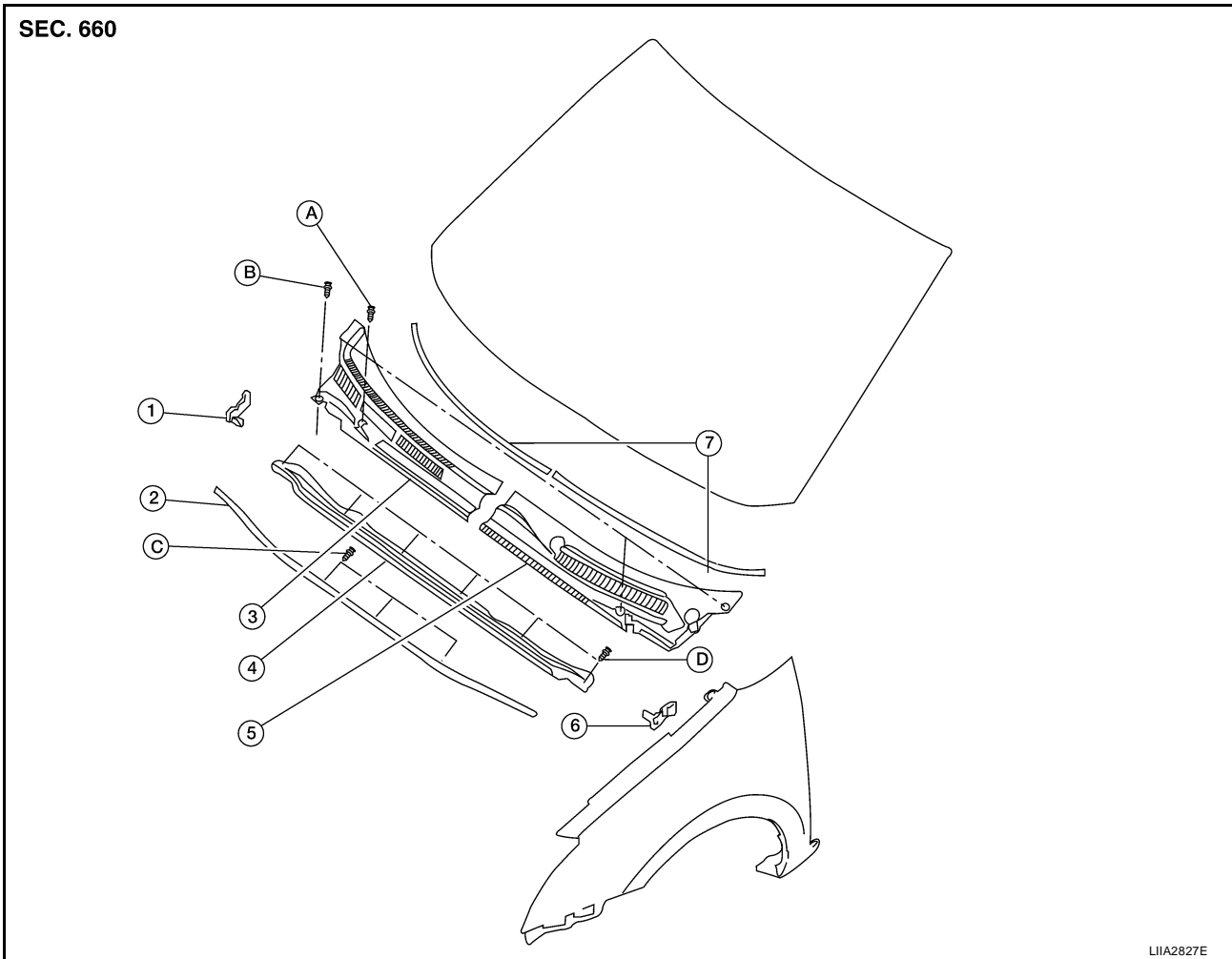
## COWL TOP

PF6:66100

### Removal and Installation

EIS00BDN

SEC. 660

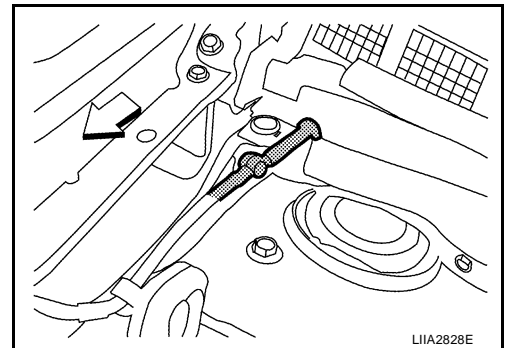


LIA2827E

- |                         |                      |                      |
|-------------------------|----------------------|----------------------|
| 1. Cowl end seal RH     | 2. Cowl top seal     | 3. Cowl top cover RH |
| 4. Cowl extension panel | 5. Cowl top cover LH | 6. Cowl end seal LH  |
| 7. EPT sealer           | A. Clip C103         | B. Clip C205         |
| C. Clip CE103           | D. Bolt              |                      |

### REMOVAL

1. Remove front wiper arm RH/LH. Refer to [WW-21, "Removal and Installation of Front Wiper Arms"](#).
2. Disconnect washer tube.
3. Release the clips and remove cowl top seal.
4. Remove the clips and cowl top cover RH/LH.



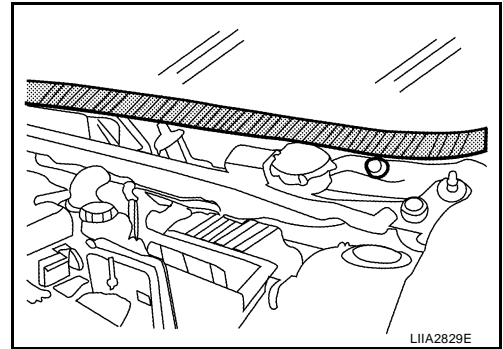
LIA2828E

## COWL TOP

5. Disconnect and remove the front wiper motor and linkage assembly. Refer to [WW-22, "Removal and Installation of Front Wiper Drive Assembly"](#).

**CAUTION:**

To avoid damage, make sure to cover the lower edge of windshield with suitable protection material.



6. Remove the bolts and cowl extension panel.

### INSTALLATION

Installation is in the reverse order of removal.

**NOTE:**

- For wiper arm RH/LH installation and adjustment, Refer to [WW-21, "Removal and Installation of Front Wiper Arms"](#).
- Always replace EPT sealer and double-faced adhesive tape when installing cowl top cover.

# FENDER PROTECTOR

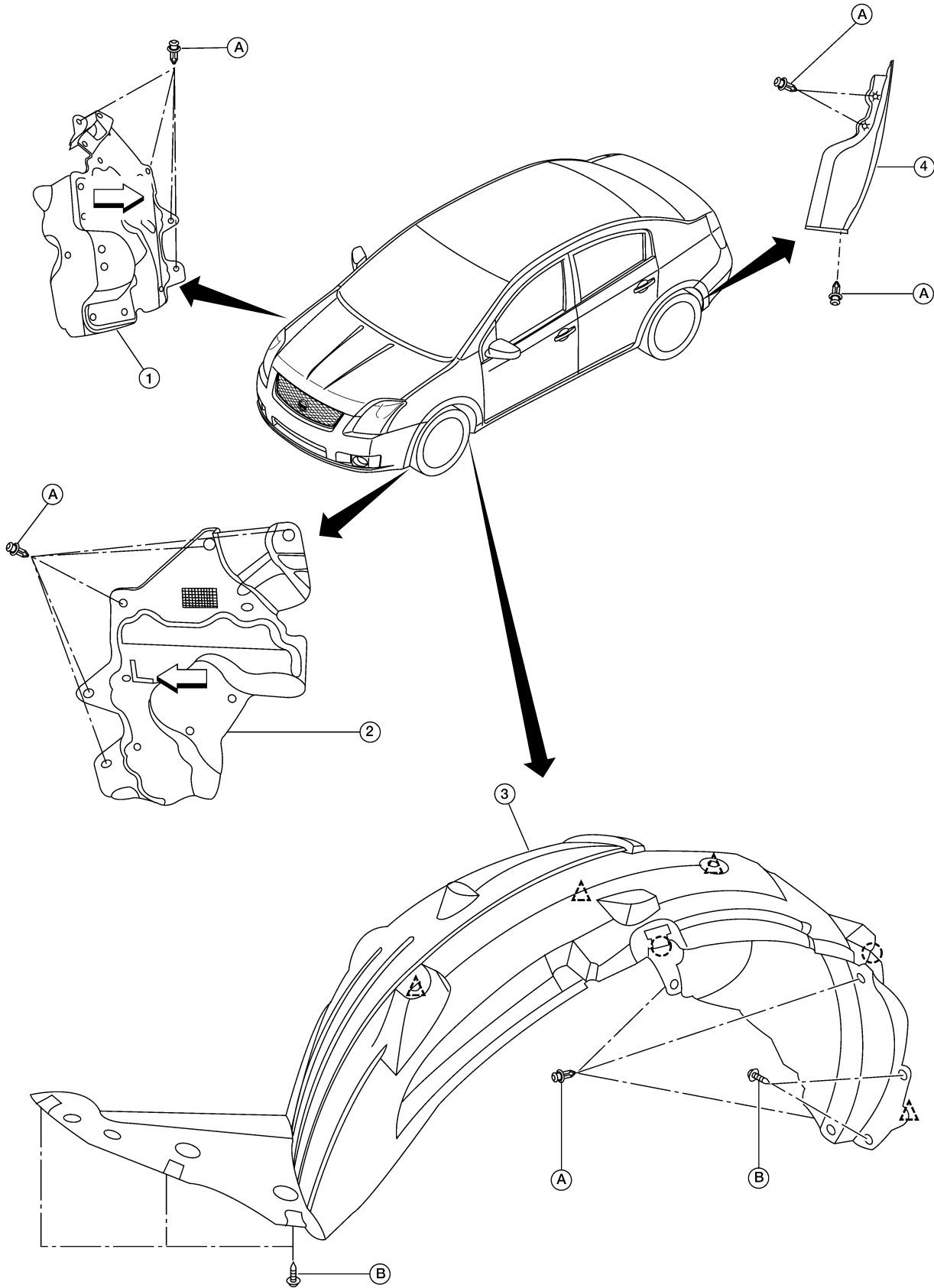
## FENDER PROTECTOR

### Components

PFP:63840

EIS00BDO

SEC. 630



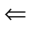


- A
- B
- C
- D
- E
- F
- G
- H
- EI**
- J
- K
- L
- M

LIIA2830E

# FENDER PROTECTOR

---

- |   |  |   |
|---|--|---|
| 1. Splash shield RH   | 2. Splash shield LH  | 3. Front fender protector   |
| 4. Rear fender protector  | A. Clip C205   | B. Plastic screw  |
|  Clip C205 |  Pawl |  Vehicle front |

## Removal and Installation FRONT FENDER PROTECTOR

EIS00BDP

### Removal

Remove the screws and clips, then remove front fender protector.

### Installation

Installation is in the reverse order of removal.

## SPLASH SHIELD

### Removal

Remove the clips and splash shield.

### Installation

Installation is in the reverse order of removal.

## REAR FENDER PROTECTOR

### Removal

Remove the clips and rear fender protector.

### Installation

Installation is in the reverse order of removal.

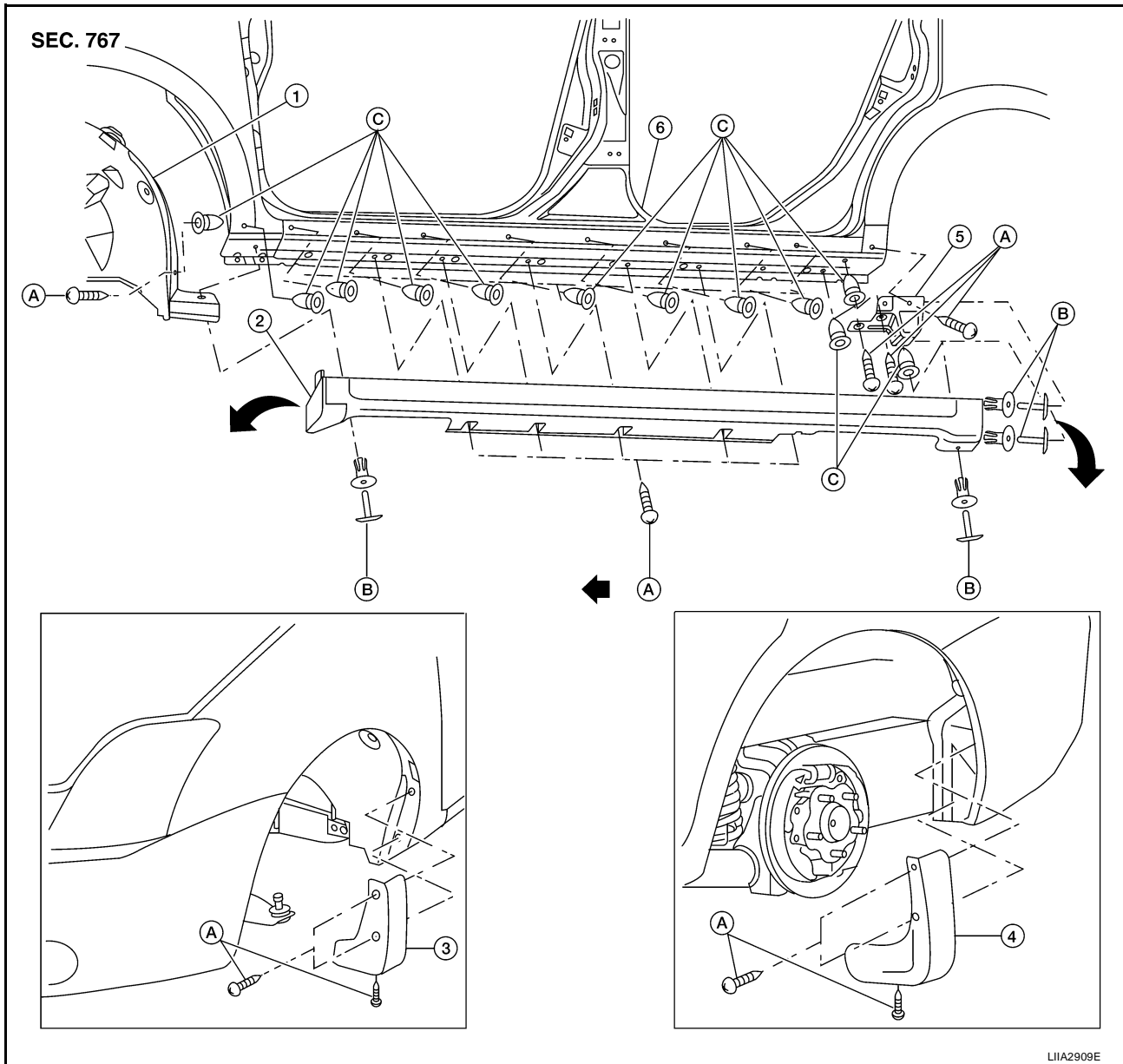
# MUDGUARD

## MUDGUARD

### Removal and Installation

PFP:63854

EIS00BG5



- |                                |                                 |                                  |
|--------------------------------|---------------------------------|----------------------------------|
| 1. Front fender protector      | 2. Mudguard center              | 3. Mudguard front (if equipped)  |
| 4. Mudguard rear (if equipped) | 5. Mudguard center bracket rear | 6. Body outer sill reinforcement |
| A. Screw                       | B. Clip C205                    | C. Grommet                       |
- ← Vehicle front

### REMOVAL

1. Remove the screws and mudguard front (if equipped).
2. Remove the screws and mudguard rear (if equipped).
3. Remove the clips and screws, then remove mudguard center from body outer sill reinforcement.
4. Remove the screws and mudguard center bracket rear.

### INSTALLATION

Installation is in the reverse order of removal.

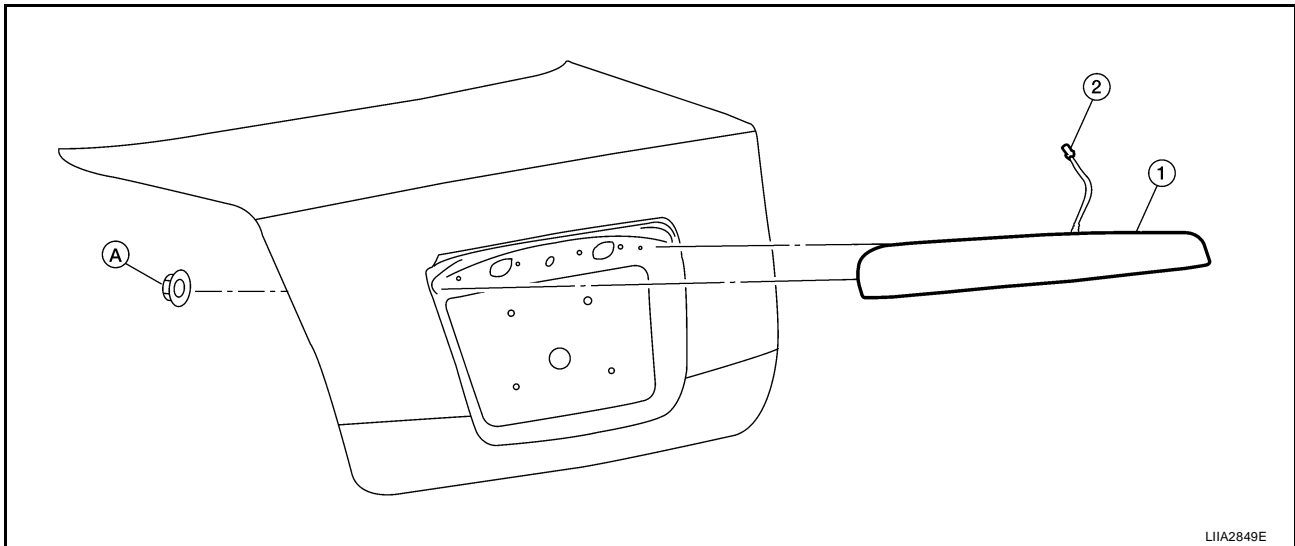
# LICENSE LAMP FINISHER

## LICENSE LAMP FINISHER

PFP:84810

### Removal and Installation

EIS00BDQ



1. License lamp finisher

2. Trunk opener request switch (if equipped)

A License lamp finisher nut

### REMOVAL

1. Open trunk and remove trunk lid finisher. Refer to [EI-42, "TRUNK ROOM TRIM & TRUNK LID FINISHER"](#).
2. Remove license lamp finisher nuts.
3. Disconnect trunk opener request switch connector (if equipped), then remove license lamp finisher.

### INSTALLATION

Installation is in the reverse order of removal.

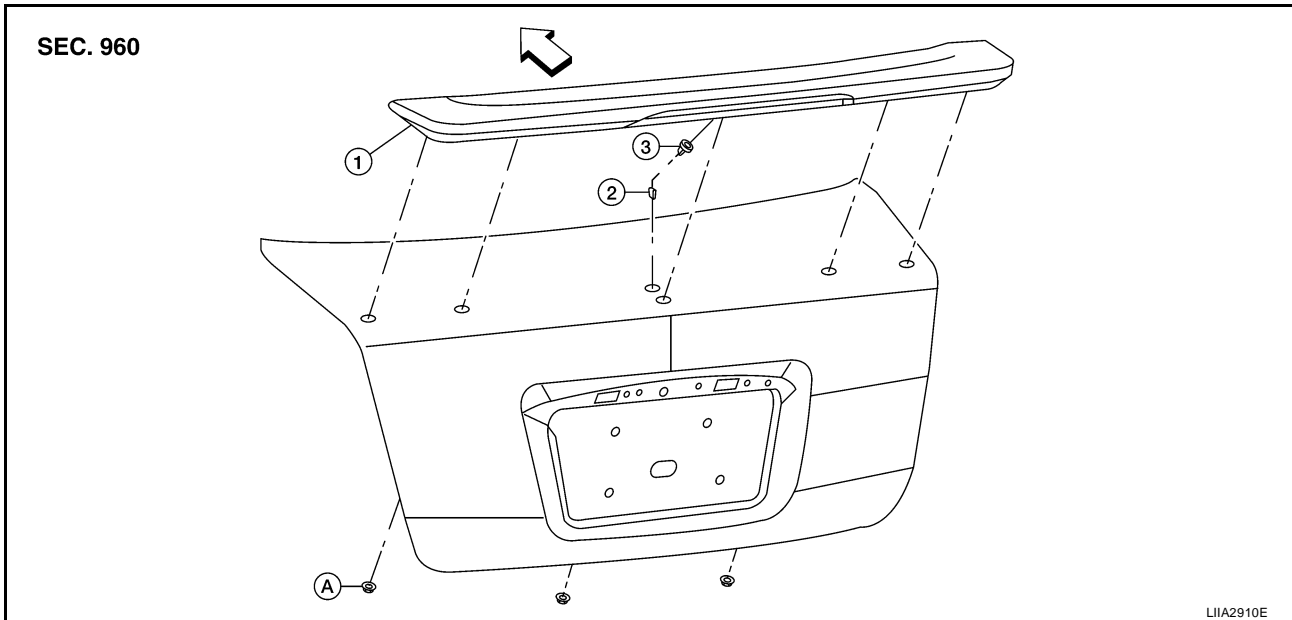


# REAR AIR SPOILER

PFP:K6030

## REAR AIR SPOILER Removal and Installation

EIS00BG6



1. Rear air spoiler assembly      2. High mounted stop lamp connector      3. Grommet  
A. Nut      ← Vehicle front

### REMOVAL

1. Remove trunk lid finisher (if equipped). Refer to [EI-42, "TRUNK ROOM TRIM & TRUNK LID FINISHER"](#).
2. Disconnect high mounted stop lamp connector.
3. Remove the rear air spoiler nuts, then using a trim stick carefully release lift the rear air spoiler from the gaskets.
4. Using a trim stick, carefully pry upward to release the foam tape (gasket) from trunk lid surface.

#### CAUTION:

**Use care not to damage painted surfaces during removal of, or releasing adhesive backed foam tapes.**

5. Release the high mounted stop lamp connector and grommet from trunk lid, then remove rear air spoiler.

### INSTALLATION

Installation is in the reverse order of removal.

#### NOTE:

- Before installing rear air spoiler, clean the surface where it will be mounted with isopropyl alcohol or equivalent to degrease the surface.
- Before installing, be sure there are no gaps or waves in the foam tape (gasket) where the surfaces meet.
- During installation, be sure grommet of high mounted stop lamp harness is fully seated into trunk lid opening prior to final rear air spoiler placement.

# ROOF SIDE MOLDING

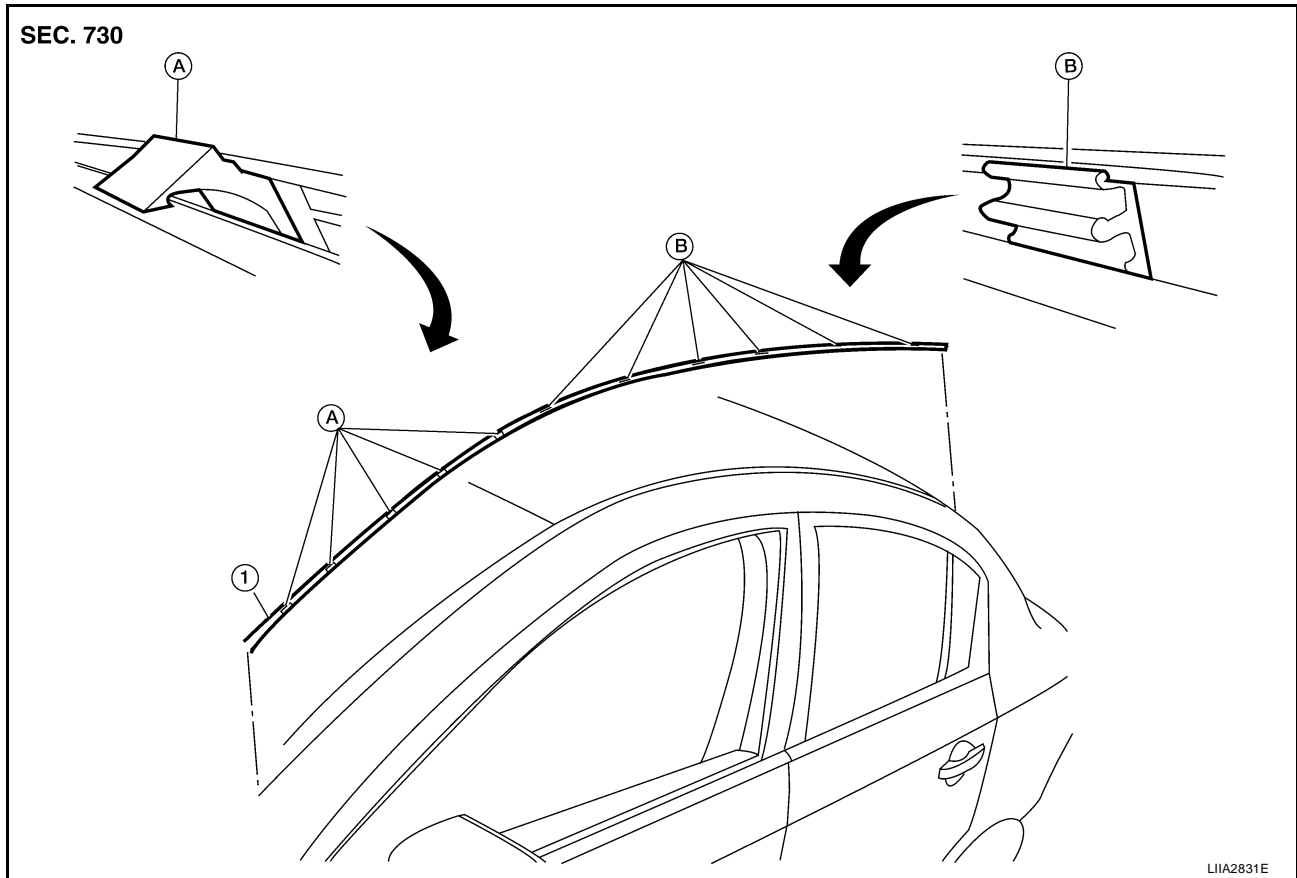
## ROOF SIDE MOLDING

PF7:73854

### Removal and Installation

EIS00BDR

SEC. 730



LIA2831E

1. Roof side molding

A. Roof side molding front clip

B. Roof side molding rear clip

### REMOVAL

1. Using a suitable tool, release the rearward most roof side molding rear clip.
2. Lift up back edge of roof side molding and release remaining clips working forward.
3. Release roof side molding front clips, then remove roof side molding.

### INSTALLATION

Installation is in the reverse order of removal.

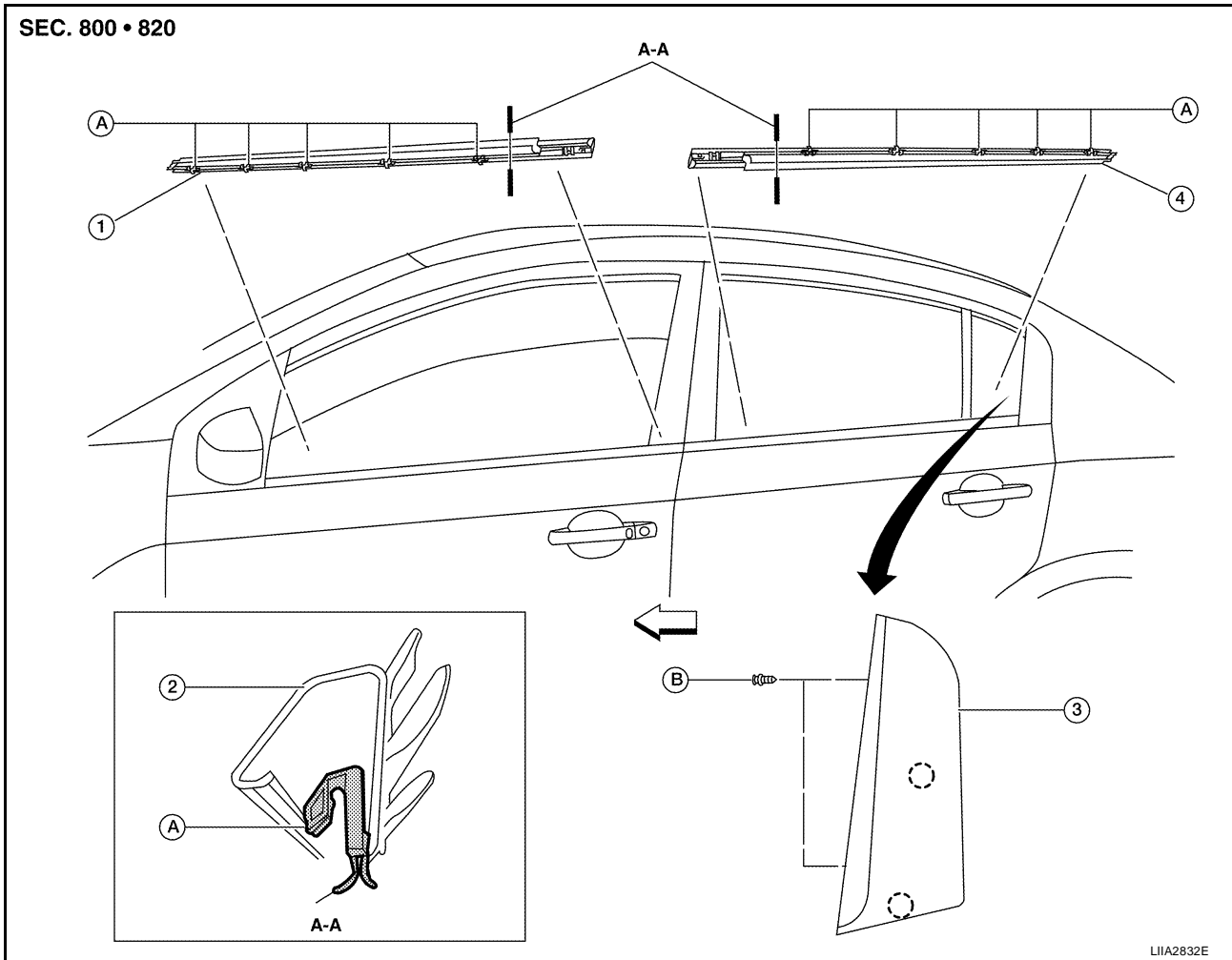
# DOOR OUTSIDE MOLDING

## DOOR OUTSIDE MOLDING

PFP:82820

### Components

EIS00BDS



- |                               |                              |                           |
|-------------------------------|------------------------------|---------------------------|
| 1. Front door outside molding | 2. Door outside molding case | 3. Rear door corner cover |
| 4. Rear door outside molding  | A. Door outside molding clip | B. Screw                  |
| ○ Pawl                        | ← Vehicle front              |                           |

LIA2832E

## Removal and Installation FRONT DOOR OUTSIDE MOLDING

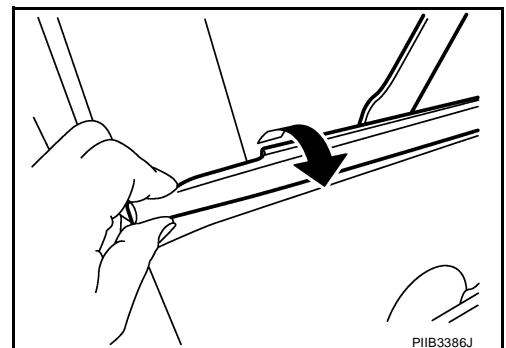
EIS00BDT

### Removal

#### CAUTION:

- Use care while removing to avoid permanent damage to part from excessive force during removal.
- After removal, visually inspect molding; replace if deformed or damaged.

1. Open front door window.
2. Remove front door outside rearview mirror. Refer to [GW-70. "DOOR MIRROR"](#).
3. While pulling up on front of front door outside molding, insert a suitable tool beneath the molding case and release clip from the door top edge.
4. Remove front door outside molding while pulling up after disengaging.



PIIB3386J

# DOOR OUTSIDE MOLDING

## Installation

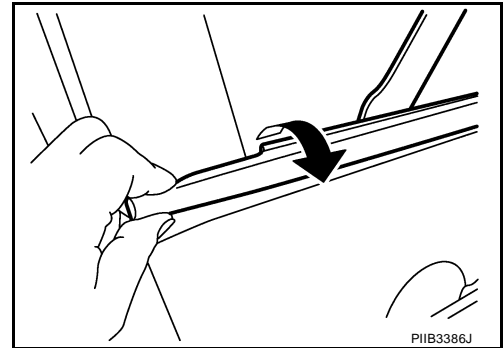
Installation is in the reverse order of removal.

## REAR DOOR OUTSIDE MOLDING

### Removal

#### CAUTION:

- Use care while removing to avoid permanent damage to part from excessive force during removal.
  - After removal, visually inspect molding; replace if deformed or damaged.
1. Open rear door window.
  2. Remove rear door corner cover. Refer to [EI-28, "REAR DOOR CORNER COVER"](#) .
  3. While pulling up on rear of rear door outside molding, insert a suitable tool beneath the molding case and release clip from the door top edge.
  4. Remove rear door outside molding while pulling up after disengaging.



## Installation

Installation is in the reverse order of removal.

## REAR DOOR CORNER COVER

### Removal

1. Open rear door and remove rear door corner cover screws.
2. Using a suitable tool, release the pawls while pulling outward and remove the rear door corner cover.

## Installation

Installation is in the reverse order of removal.

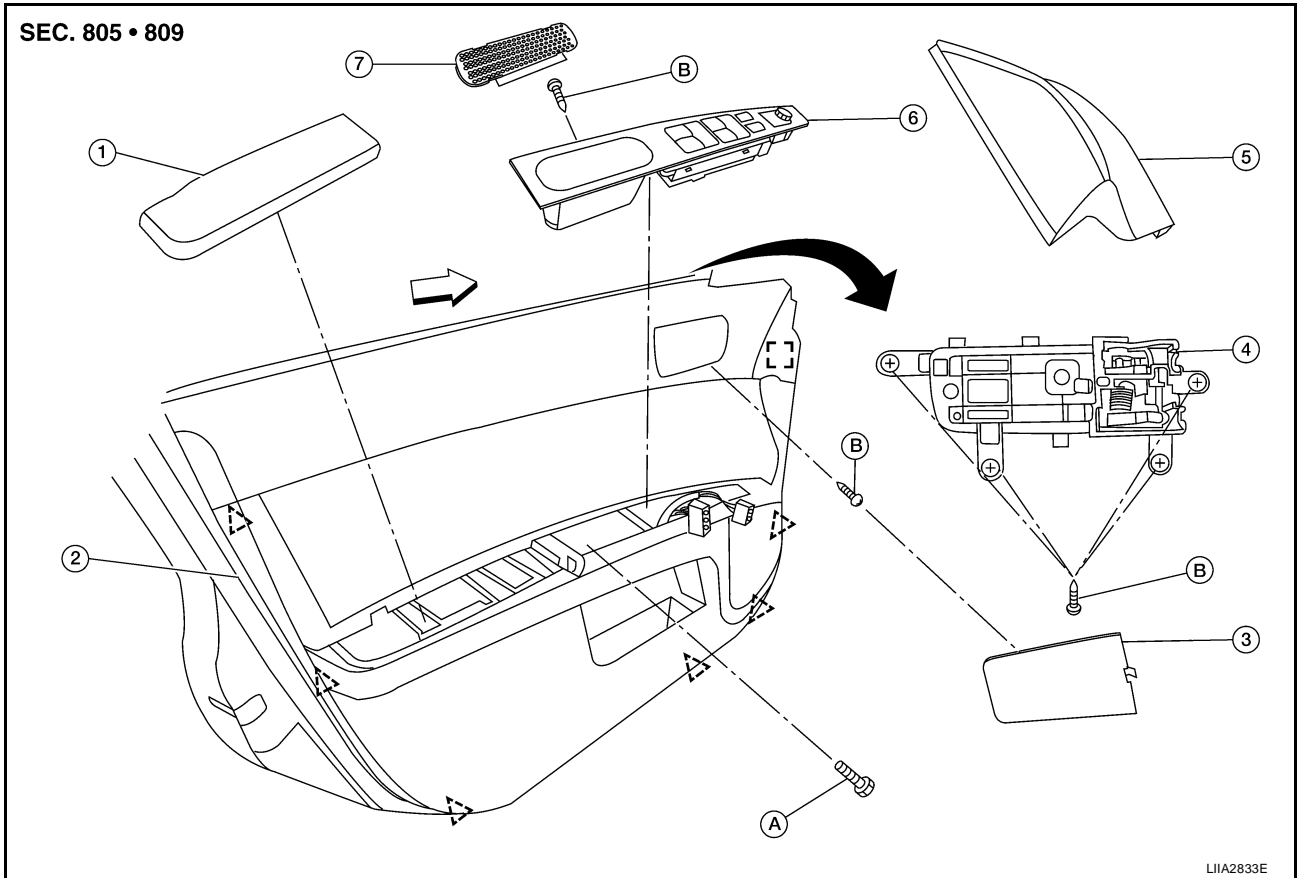
# DOOR FINISHER

## DOOR FINISHER

PFP:80900

### Removal and Installation FRONT DOOR

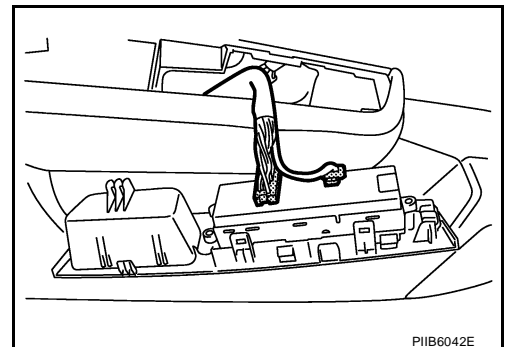
EIS00BDU



- |                                |                        |  |
|--------------------------------|------------------------|--|
| 1. Pad                         | 2. Front door finisher | 3. Inside handle cover   |
| 4. Inside handle/lock assembly | 5. Mirror finisher     | 6. Power window and door lock/unlock switch finisher (if equipped) |
| 7. Pull cup cover              | A. Bolt                | B. Screw   |
| □ Metal clip                   | △ Clip C101            | ← Vehicle front  |

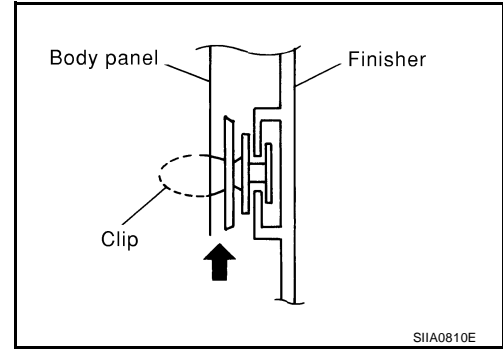
### Removal

- Open front door and front door window.
- Disconnect the negative battery cable.
- Release the inside handle cover pawls and remove, then remove the screw.
- Release the pull cup cover pawls and remove, then remove the screw.
- Insert a suitable tool into back edge of front door power window and door lock/unlock switch finisher. Gently pry upward to release the clips and remove the finisher.
  - If equipped, insert a suitable tool between door finisher and manual door window crank handle to release clip, then remove handle.
- Disconnect front door power window and door lock/unlock switch harness connector (if equipped).



# DOOR FINISHER

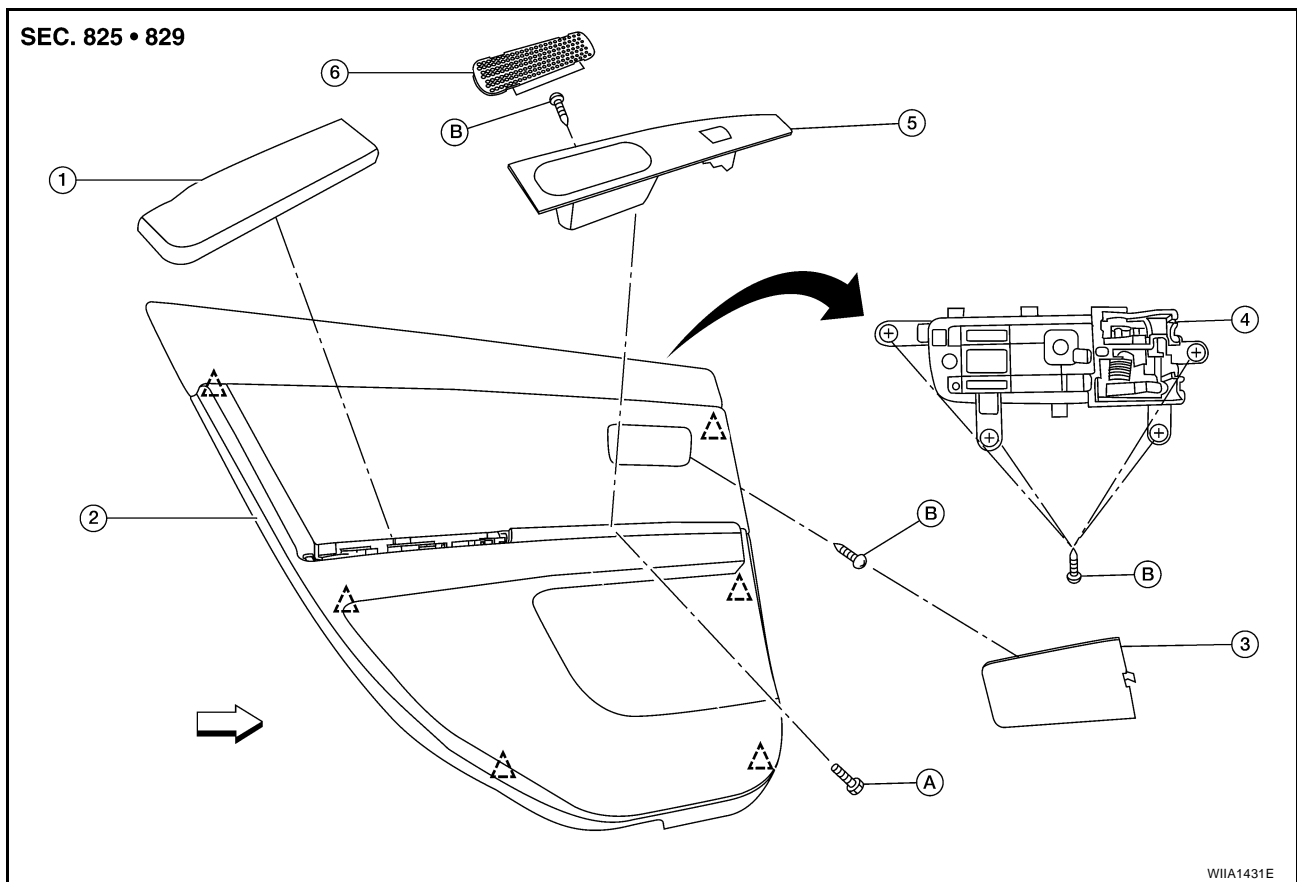
7. Remove the front door finisher bolt.
8. Release the clips and lift front door finisher upward to remove it from door body panel.



## Installation

Installation is in the reverse order of removal.

## REAR DOOR



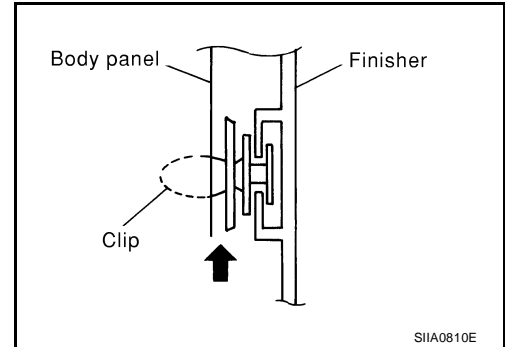
- |                                |   |                        |
|--------------------------------|---|------------------------|
| 1. Pad                         | 2. Rear door finisher                         | 3. Inside handle cover |
| 4. Inside handle/lock assembly | 5. Power window switch finisher (if equipped) | 6. Pull cup cover      |
| A. Bolt                        | B. Screw                                      | [ ] Metal clip         |
| △ Clip C101                    | ← Vehicle front                               |                        |

## Removal

1. Open rear door and rear door window.
2. Disconnect the negative battery cable.
3. Release the inside handle cover pawls and remove, then remove the screw.
4. Release the pull cup cover pawls and remove, then remove the screw.

## DOOR FINISHER

5. Insert a suitable tool into back edge of rear door power window switch finisher. Gently pry upward to release the clips and remove the finisher.
  - If equipped, insert a suitable tool between door finisher and manual door window crank handle to release clip, then remove handle.
6. Disconnect rear door power window switch harness connector (if equipped).
7. Remove rear door finisher bolt.
8. Release the clips and lift rear door finisher upward to remove it from door body panel.



### Installation

Installation is in the reverse order of removal.

A  
B  
C  
D  
E  
F  
G  
H  
EI  
J  
K  
L  
M

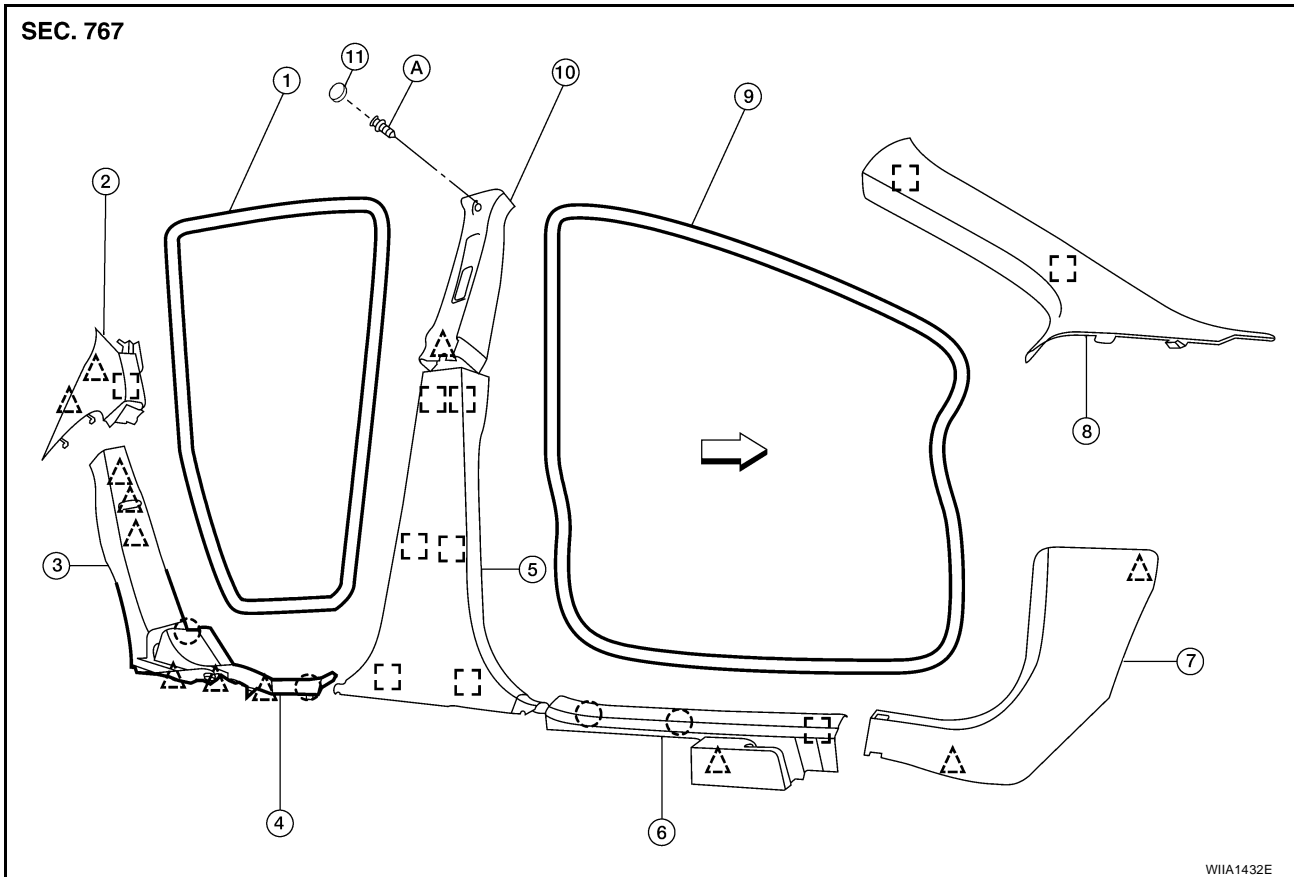
# BODY SIDE TRIM

## BODY SIDE TRIM

PF7:76913

### Removal and Installation

EIS00BDV

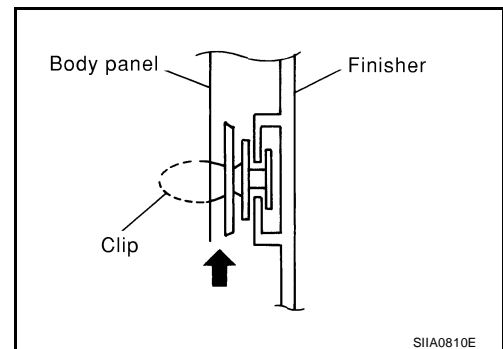


WI1A1432E

- |                                  |                                 |                             |
|----------------------------------|---------------------------------|-----------------------------|
| 1. Rear body side welt           | 2. Rear pillar finisher         | 3. Rear kicking plate upper |
| 4. Rear kicking plate lower      | 5. Center pillar lower finisher | 6. Front kicking plate      |
| 7. Lower dash side finisher      | 8. Front pillar finisher        | 9. Front body side welt     |
| 10. Center pillar upper finisher | 11. Cap                         | A. Screw                    |
| [ ] Metal clip                   | △ Clip C101                     | ○ Pawl                      |
| ← Vehicle front                  |                                 |                             |

#### CAUTION:

- Insert a suitable tool between panel on vehicle and clips (as indicated with arrow) to release clips.
- Use a suitable tool when removing metal clips from finishers.
- Be careful not to damage the body while prying to release clips.
- Make sure clips are properly aligned in panel holes on body when installing, then press them in completely.



SIA0810E

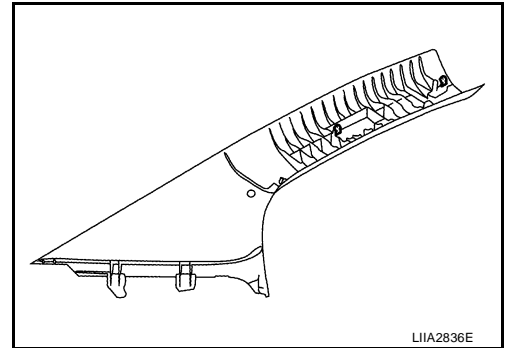


# BODY SIDE TRIM

## FRONT PILLAR FINISHER

### Removal

Release the clips and remove front pillar finisher.



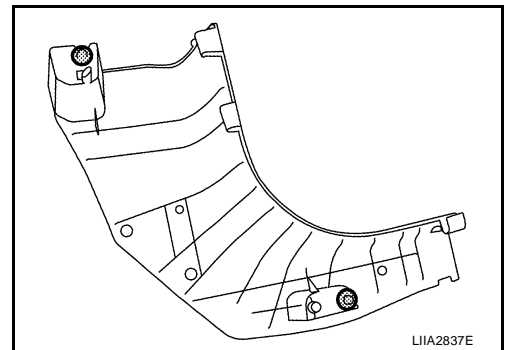
### Installation

Installation is in the reverse order of removal.

## LOWER DASH SIDE FINISHER

### Removal

1. Partially remove front body side welt.
2. Release the clips and remove lower dash side finisher.



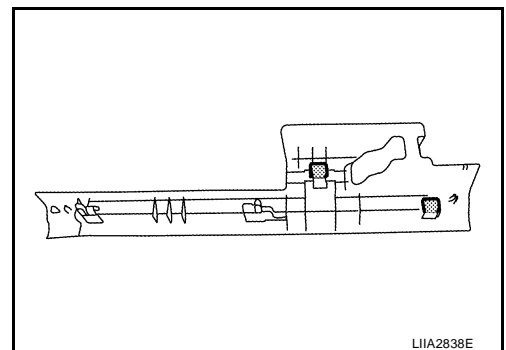
### Installation

Installation is in the reverse order of removal.

## FRONT KICKING PLATE

### Removal

1. Partially remove front body side welt.
2. Release the clips and remove front kicking plate.



### Installation

Installation is in the reverse order of removal.

## REAR KICKING PLATE UPPER

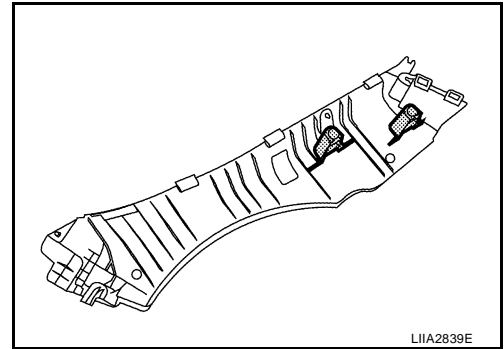
### Removal

1. Partly remove rear body side welt.

A  
B  
C  
D  
E  
F  
G  
H  
EI  
J  
K  
L  
M

## BODY SIDE TRIM

2. Release the clips and remove rear kicking plate upper.



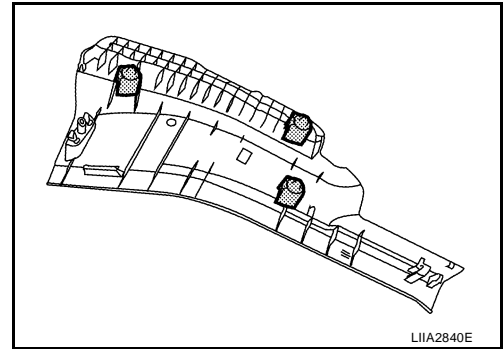
### Installation

Installation is in the reverse order of removal.

### REAR KICKING PLATE LOWER

#### Removal

1. Partially remove rear body side welt.
2. Release the clips and remove rear kicking plate lower.



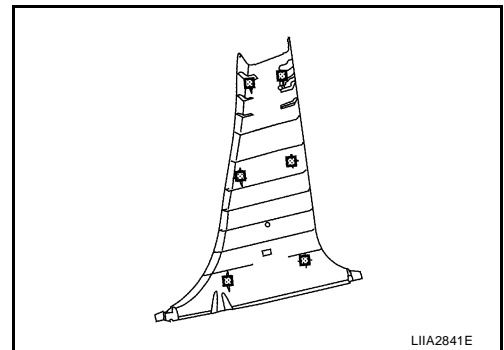
### Installation

Installation is in the reverse order of removal.

### CENTER PILLAR LOWER FINISHER

#### Removal

1. Remove front kicking plate. Refer to [EI-33, "FRONT KICKING PLATE"](#) .
2. Remove rear kicking plate lower. Refer to [EI-34, "REAR KICKING PLATE LOWER"](#) .
3. Partially remove both front and rear body side welts.
4. Release the clips and remove center pillar lower garnish.



### Installation

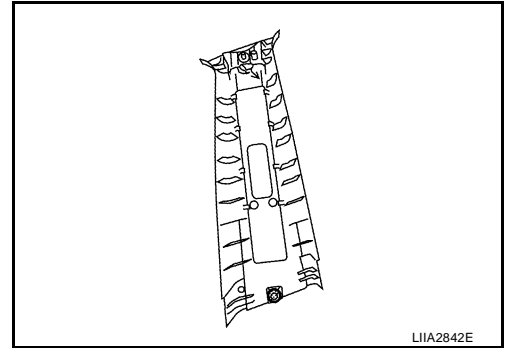
Installation is in the reverse order of removal.

# BODY SIDE TRIM

## CENTER PILLAR UPPER FINISHER

### Removal

1. Remove center pillar lower finisher. Refer to [EI-34, "CENTER PILLAR LOWER FINISHER"](#) .
2. Remove front seat belt shoulder anchor. Refer to [SB-3, "Removal and Installation of Front Seat Belt"](#) .
3. Remove the access cover, then remove the screw.
4. Partially remove front and rear body side welts.
5. Release the clip, then remove center pillar upper finisher.



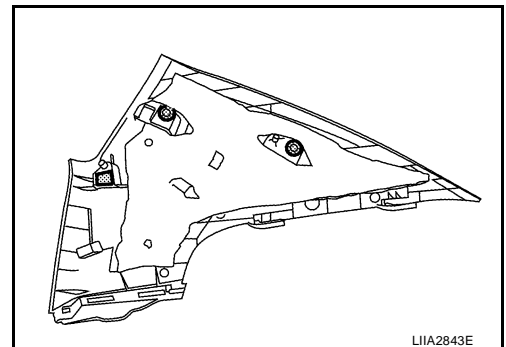
### Installation

Installation is in the reverse order of removal.

## REAR PILLAR FINISHER

### Removal

1. Remove rear seat cushion and rear seatback. Refer to [SE-16, "REAR SEAT"](#) .
2. Partially remove rear body side welt.
3. Release the clips and remove rear pillar finisher.



### Installation

Installation is in the reverse order of removal.

A  
B  
C  
D  
E  
F  
G  
H  
EI  
J  
K  
L  
M

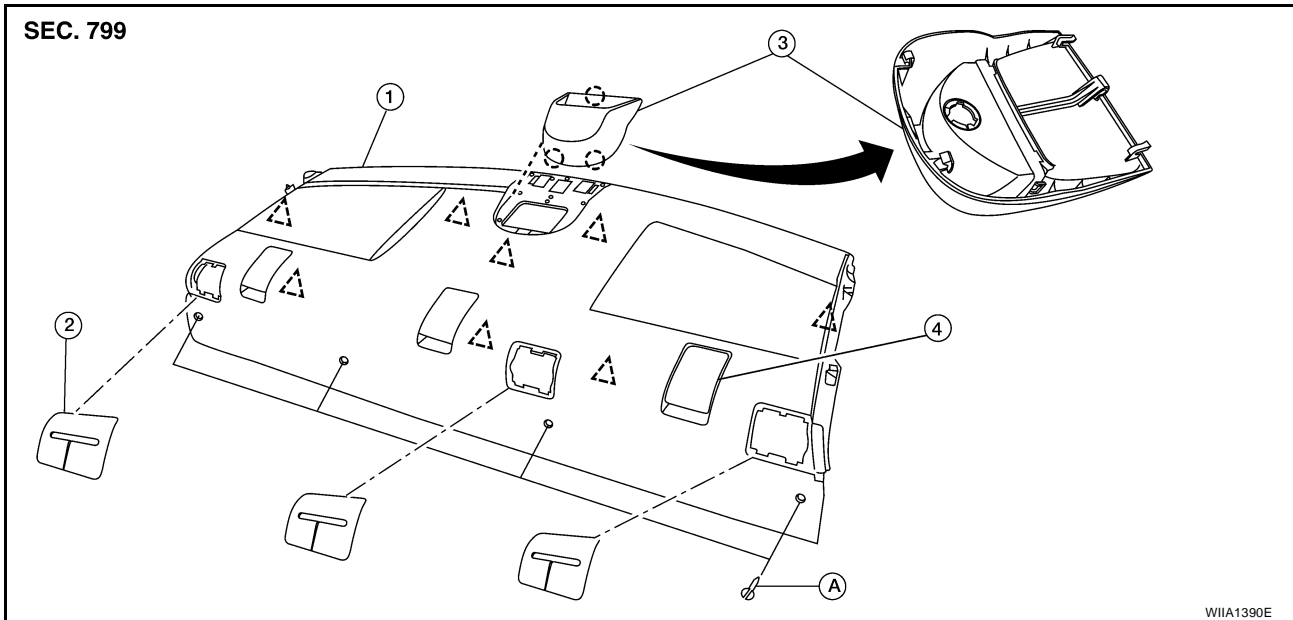
# REAR PARCEL SHELF FINISHER

## REAR PARCEL SHELF FINISHER

PFP:79910

### Removal and Installation

EIS00BDW



- |                               |                              |   |
|-------------------------------|------------------------------|---|
| 1. Rear parcel shelf finisher | 2. Rear seat belt escutcheon | 3. High mounted stop lamp (SE-R models) |
| 4. Anchor cover               | A. Clip C103                 | △ Clip C101                             |

### REMOVAL

1. Fold rear seat cushion and seat back into forward most position.
2. Remove rear seat belt lower anchor bolts. Refer to [SB-6, "Removal and Installation of Rear Seat Belt"](#).
3. Release the tabs and remove the rear seat belt escutcheon RH/LH/Center.
4. Remove rear kicking plate lower RH/LH, rear kicking plate upper RH/LH, and rear pillar finisher. Refer to [EI-32, "BODY SIDE TRIM"](#).
5. For SE-R models:
  1. Release the clips and remove the high mounted stop lamp from the rear parcel shelf finisher.
  2. Rotate lamp and remove, then remove high mounted stop lamp.
6. Remove the clips and rear parcel shelf finisher.

### INSTALLATION

Installation is in the reverse order of removal.

# FLOOR TRIM

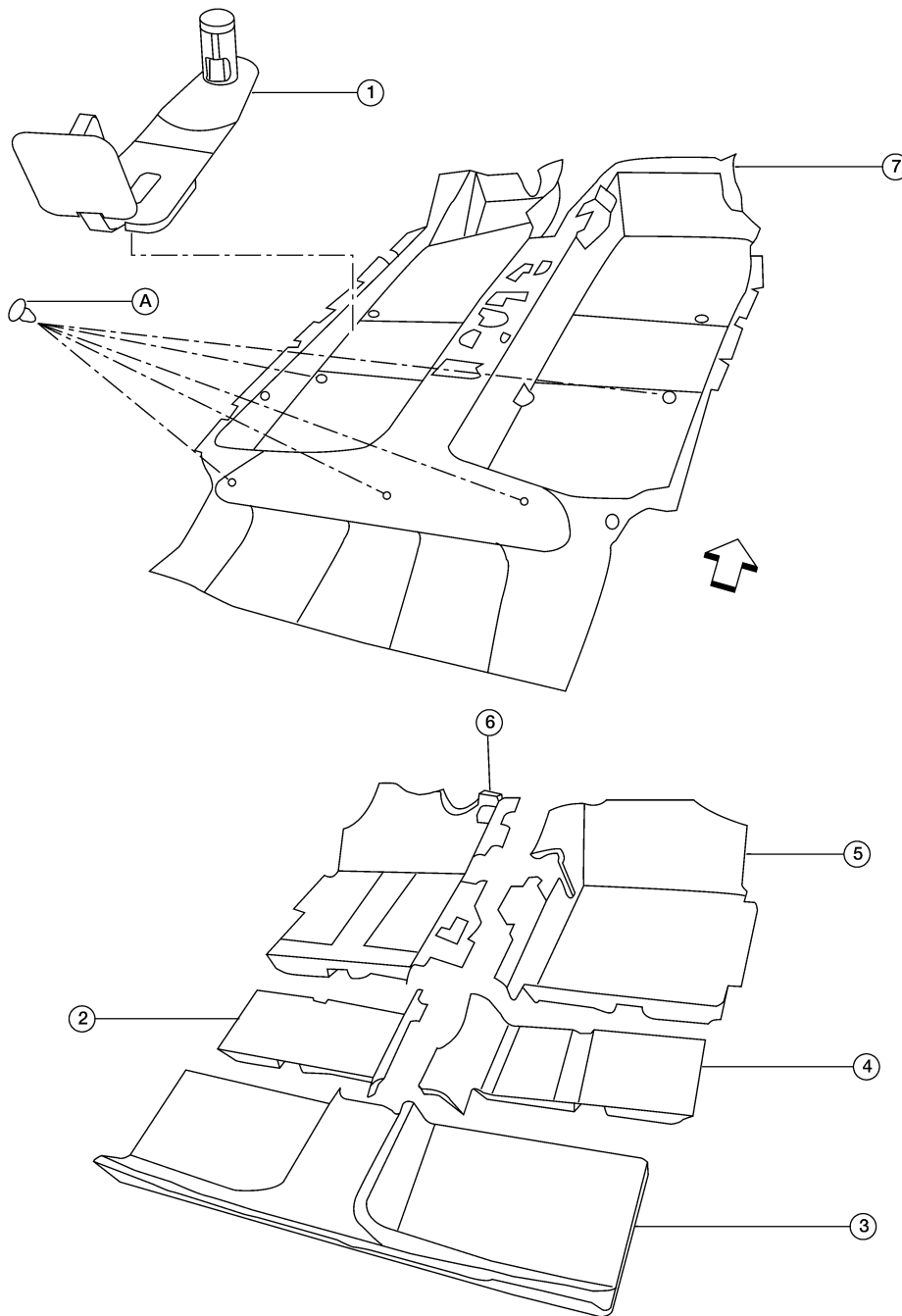
## FLOOR TRIM

PF:74902

### Removal and Installation

EIS00BDX

SEC. 749



- |                           |                           |                          |
|---------------------------|---------------------------|--------------------------|
| 1. Floor carpet hook      | 2. Center floor spacer LH | 3. Rear floor spacer     |
| 4. Center floor spacer RH | 5. Front floor spacer RH  | 6. Front floor spacer LH |
| 7. Floor trim             | ← Vehicle front           |                          |

### REMOVAL

1. Disconnect both the negative and positive battery cables, then wait at least 3 minutes.
2. Remove front seat RH/LH and rear seat cushion. Refer to [SE-10, "FRONT SEAT"](#) and [SE-16, "REAR SEAT"](#).
3. Remove floor console and bracket. Refer to [IP-17, "INSTRUMENT LOWER FINISHER"](#).
4. Remove parking brake control. Refer to [PB-4, "PARKING BRAKE CONTROL"](#).

A  
B  
C  
D  
E  
F  
G  
H  
EI  
J  
K  
L  
M

## FLOOR TRIM

---

5. Remove center console lower finisher RH/LH and disconnect connector. Refer to [IP-17, "CENTER CONSOLE ASSEMBLY"](#) .
6. Remove front kicking plate RH/LH, center pillar lower finisher RH/LH, and both upper and lower rear kicking plates RH/LH. Refer to [EI-32, "BODY SIDE TRIM"](#) .
7. Remove front seat belt lower anchor RH/LH. Refer to [SB-3, "Removal and Installation of Front Seat Belt"](#) .
8. Remove diagnosis sensor unit. Refer to [SRS-47, "DIAGNOSIS SENSOR UNIT"](#) .
9. Remove floor carpet hook.
10. Remove instrument panel stay RH/LH. Refer to [IP-11, "INSTRUMENT PANEL ASSEMBLY"](#) .
11. Remove push pin clips, then pull out floor trim through door opening.
12. Remove floor spacer RH/LH/Rear.

### INSTALLATION

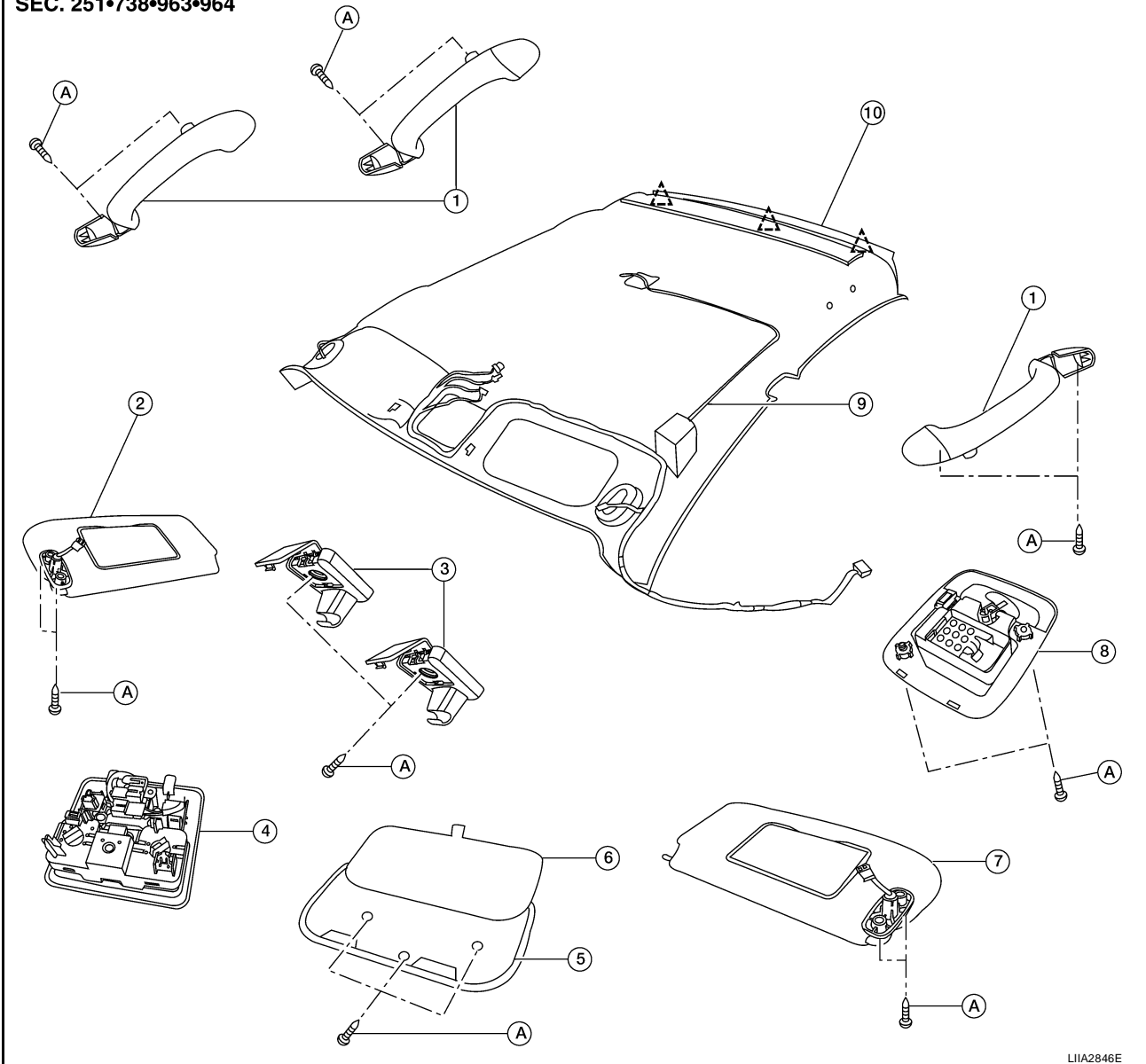
Installation is in the reverse order of removal.



# HEADLINING

## Without Sunroof

SEC. 251•738•963•964



LIA2846E

- |                                   |                                       |                            |
|-----------------------------------|---------------------------------------|----------------------------|
| 1. Assist grip                    | 2. Sunvisor RH                        | 3. Sunvisor holder         |
| 4. Roof console/map lamp assembly | 5. CD holder escutcheon (if equipped) | 6. CD holder (if equipped) |
| 7. Sunvisor LH                    | 8. Room lamp                          | 9. Room lamp harness       |
| 10. Headlining                    | A. Screw                              | △ Clip C103                |

← Vehicle front

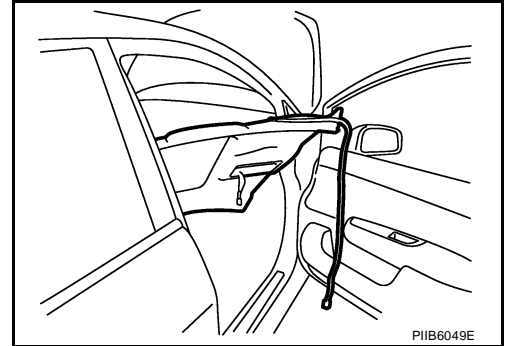
### REMOVAL

1. Remove the negative and positive battery cables, then wait at least 3 minutes.
2. Recline front seatback to full down position.
3. Remove front seat belt shoulder anchor RH/LH. Refer to [SB-3, "Removal and Installation of Front Seat Belt"](#).
4. Remove center console. Refer to [IP-17, "CENTER CONSOLE ASSEMBLY"](#).
5. Remove front pillar finisher RH/LH. Refer to [EI-33, "FRONT PILLAR FINISHER"](#).
6. Remove both center pillar upper and lower RH/LH finisher. Refer to [EI-34, "CENTER PILLAR LOWER FINISHER"](#) and [EI-35, "CENTER PILLAR UPPER FINISHER"](#).
7. Remove rear pillar finisher. Refer to [EI-35, "REAR PILLAR FINISHER"](#).
8. Disconnect room lamp harness.



# HEADLINING

9. Remove front and rear body side welt RH/LH. Refer to [EI-32, "BODY SIDE TRIM"](#) .
10. Remove the screw, then remove assist grips.
11. Disconnect the connector and remove the sunvisor screws, then remove sunvisor RH/LH.
12. Remove the sunvisor holder screws, then remove sunvisor holder RH/LH.
13. Remove the CD holder, then remove the screws and CD holder escutcheon (if equipped).
14. Remove sunroof opening welt (if equipped).
15. Remove lens and 1 screw, then disconnect the connector and remove the roof console/map lamp assembly.
16. Remove lens and 2 screws, then disconnect the connector and remove room lamp.
17. Remove 3 headlining clips.
18. Position the headlining so the front edge goes partially through the opening of the right side front door.



19. Position the headlining so the rear edge goes through the opening of the left rear door, then remove headlining through the rear door opening.

## CAUTION:

- 2 technicians should be used to avoid damage when removing or replacing headlining.
- During headlining removal and installation, cover the center console finisher upper surface to prevent damage.
- Do not bend headlining when removing.

## INSTALLATION

Installation is in the reverse order of removal.

## CAUTION:

Avoid headlining damage when installing by inserting rear clips first during assembly.

# TRUNK ROOM TRIM & TRUNK LID FINISHER

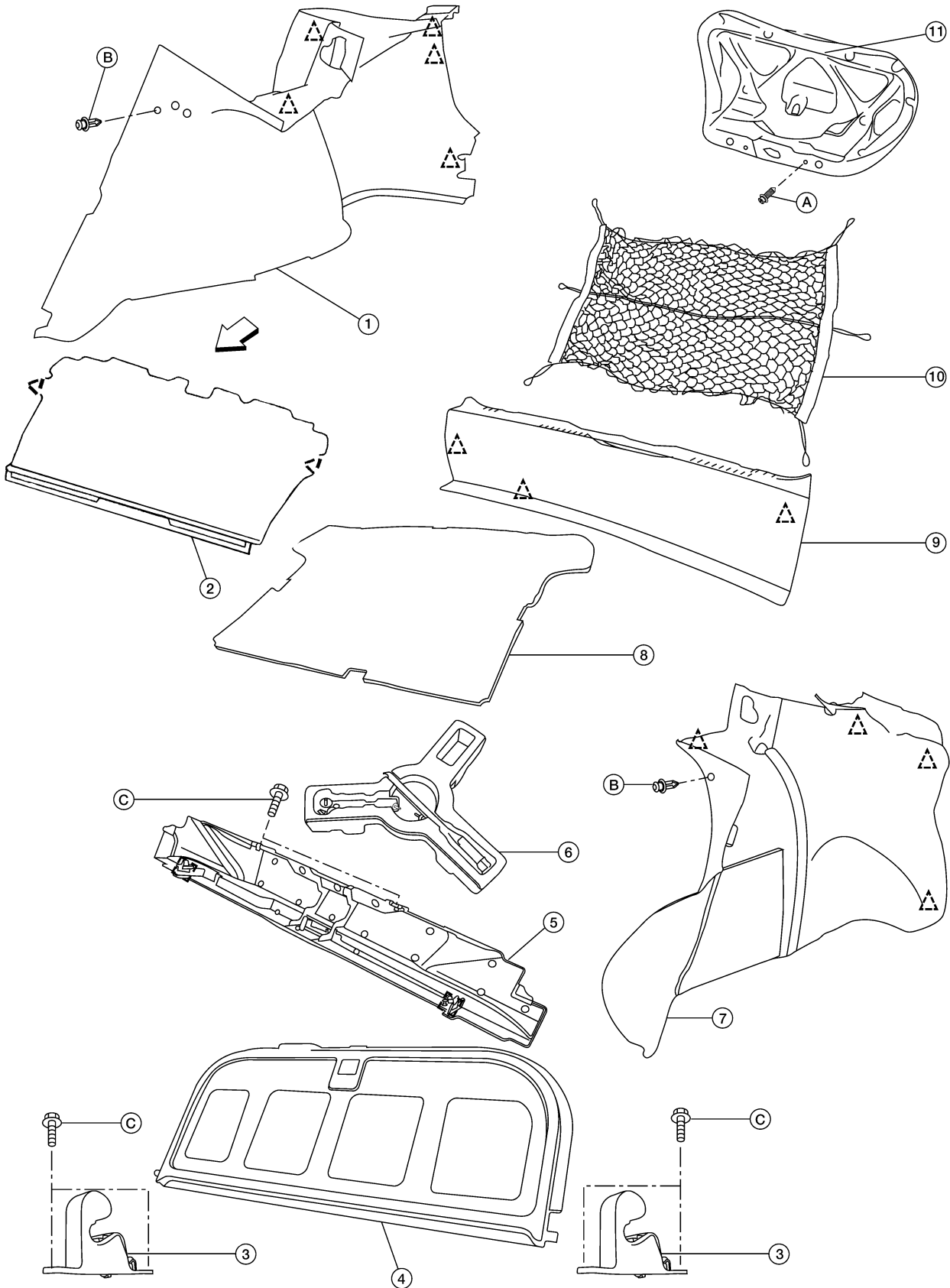
## TRUNK ROOM TRIM & TRUNK LID FINISHER

PFP:84920

### Removal and Installation


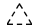
EIS00BDZ

SEC. 849



WIA1433E

## TRUNK ROOM TRIM & TRUNK LID FINISHER

- 
- |   |  |  |   |
|---|--|--|---|
| 1. Trunk side finisher RH   | 2. Trunk front finisher (if equipped)              | 3. Trunk divider hinge RH (if equipped)  | A |
| 4. Trunk divider panel (if equipped)  | 5. Trunk divider reinforcement upper (if equipped) | 6. Spare tire spacer   |   |
| 7. Trunk side finisher LH   | 8. Trunk floor carpet                              | 9. Rear trunk plate  | B |
| 10. Cargo net   | 11. Trunk lid finisher                             | A. Clip C205   |   |
| B. Clip C103  | C. Screw   |  Metal clip | C |
|  Clip C101 | ⇐ Vehicle front                                    |  |   |

### NOTE:

If equipped, the trunk divider reinforcement upper MUST first be removed before removing trunk side finisher panels. The trunk divider reinforcement upper MUST also be installed last, if installing trunk side finisher RH/LH panels.

A  
B  
C  
D  
E  
F  
G  
H  
I  
J  
K  
L  
M

EI

# TRUNK ROOM TRIM & TRUNK LID FINISHER

---