

SECTION **FAX**  
FRONT AXLE

A  
B  
C

FAX

CONTENTS

E

<b>PRECAUTIONS</b> .....	2	Components .....	11	F
Precautions .....	2	Removal .....	14	
<b>PREPARATION</b> .....	3	Installation .....	16	
Special Service Tools .....	3	TRANSAXLE SIDE .....	16	G
Commercial Service Tools .....	3	WHEEL SIDE .....	16	
<b>NOISE, VIBRATION, AND HARSHNESS (NVH)</b>		Disassembly .....	16	
<b>TROUBLESHOOTING</b> .....	4	TRANSAXLE SIDE (TS79C AND T86 TYPE) ....	16	H
NVH Troubleshooting Chart .....	4	TRANSAXLE SIDE (D90,D90+B AND D86+B		
<b>ON-VEHICLE SERVICE</b> .....	5	TYPE) .....	17	
Front Axle Parts .....	5	WHEEL SIDE (ZF90, B90 AND B86 TYPE) .....	17	I
Front Wheel Bearing .....	5	SUPPORT BEARING .....	17	
Drive Shaft .....	5	Inspection .....	18	
<b>WHEEL HUB AND KNUCKLE</b> .....	6	DRIVE SHAFT .....	18	
Components .....	6	BOOT .....	18	J
Removal .....	6	JOINT ASSEMBLY (TRANSAXLE SIDE) .....	18	
Installation .....	8	JOINT ASSEMBLY (WHEEL SIDE) .....	19	
Disassembly .....	8	Assembly .....	19	K
WHEEL HUB .....	9	SUPPORT BEARING .....	19	
WHEEL BEARING .....	9	WHEEL SIDE (ZF90, B90 AND B86 TYPE) .....	20	
Inspection .....	9	DYNAMIC DAMPER .....	21	
WHEEL HUB AND KNUCKLE .....	9	TRANSAXLE SIDE (TS79C AND T86) .....	21	L
SNAP RING .....	9	<b>SERVICE DATA AND SPECIFICATIONS (SDS) .....</b>	<b>23</b>	
Assembly .....	10	Drive Shaft .....	23	
<b>DRIVE SHAFT</b> .....	<b>11</b>	Wheel Bearing (Front) .....	23	M

# PRECAUTIONS

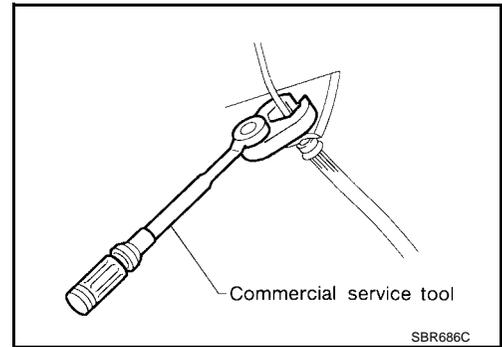
## PRECAUTIONS

PFP:00001

### Precautions

EDS00006

- When installing rubber parts, final tightening must be carried out under unladen condition\* with tires on ground.  
\*: Fuel, radiator coolant and engine oil full. Spare tire, jack, hand tools and mats in designated positions.
- After installing removed suspension parts, check wheel alignment and adjust if necessary.
- Use flare nut wrench when removing or installing brake tubes.
- Always torque brake lines when installing.



# PREPARATION

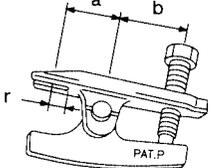
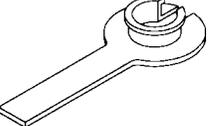
## PREPARATION

PFP:00002

### Special Service Tools

EDS000Q7

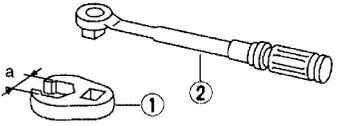
The actual shapes of Kent-Moore tools may differ from those of special service tools illustrated here.

Tool number (Kent-Moore No.) Tool name	Description
HT72520000 (J25730-B) Ball joint remover	 <p>Removing tie-rod outer end and lower ball joint  <b>a: 33 mm (1.30 in)</b>  <b>b: 50 mm (1.97 in)</b>  <b>r: R11.5 mm (0.453 in)</b></p> <p style="text-align: center;">NT546</p>
KV38106800 (J34297-1) Differential side oil seal protector	 <p>Installing drive shaft</p> <p style="text-align: center;">NT147</p>

A  
B  
C  
FAX  
E  
F  
G  
H  
I  
J  
K  
L  
M

### Commercial Service Tools

EDS000Q8

Tool name	Description
1 Flare nut crowfoot 2 Torque wrench	 <p>Removing and installing each brake piping  <b>a: 10 mm (0.39 in)</b></p> <p style="text-align: center;">NT360</p>

# NOISE, VIBRATION, AND HARSHNESS (NVH) TROUBLESHOOTING

## NOISE, VIBRATION, AND HARSHNESS (NVH) TROUBLESHOOTING

PFP:00003

### NVH Troubleshooting Chart

EDS00009

Use the chart below to help you find the cause of the symptom. If necessary, repair or replace these parts.

Symptom		Possible cause and SUSPECTED PARTS		Reference page												
				Excessive joint angle	Joint sliding resistance	Imbalance	Improper installation, looseness	Parts interference	Wheel bearing damage	DRIVE SHAFT	AXLE	SUSPENSION	TIRES	ROAD WHEEL	BRAKES	STEERING
DRIVE SHAFT	Noise, Vibration	x	x								x	x	x	x	x	
	Shake	x		x						x	x	x	x	x	x	
	AXLE	Noise				x	x		x		x	x	x	x	x	x
		Shake				x	x		x		x	x	x	x	x	x
		Vibration				x	x		x		x	x				x
		Shimmy				x	x				x	x	x	x	x	x
		Judder				x					x	x	x	x	x	x
		Poor quality ride or handling				x	x	x			x	x	x			

x: Applicable

## ON-VEHICLE SERVICE

PF0:0000

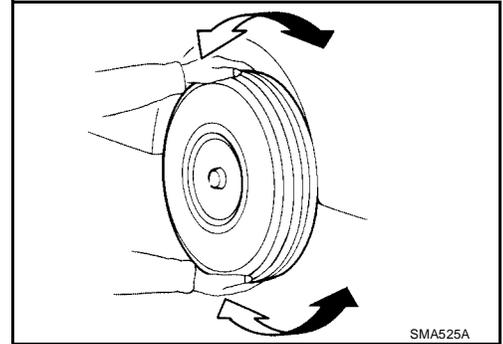
### Front Axle Parts

EDS000QA

Check front axle and front suspension parts for excessive play, cracks, wear or other damage.

- Shake each front wheel to check for excessive play.
- Make sure that the cotter pin is properly installed.
- Retighten all axle and suspension nuts and bolts to the specified torque.

**Tightening torque** : Refer to [FSU-5, "Components"](#) .



### Front Wheel Bearing

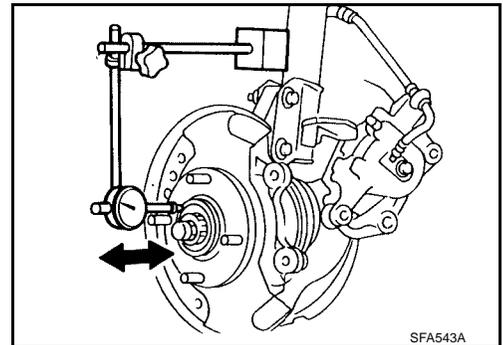
EDS000QB

- Rotate wheel hub to check that wheel bearings operate smoothly.
- Check axial end play.

**Axial end play** : 0.05 mm (0.0020 in) or less

If out of specification or wheel bearing does not turn smoothly, replace wheel bearing assembly.

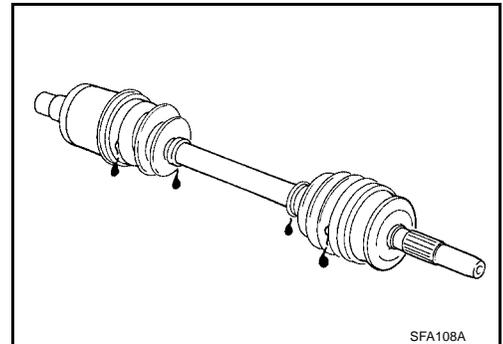
Refer to [FAX-6, "WHEEL HUB AND KNUCKLE"](#) .



### Drive Shaft

EDS000QC

Check for grease leakage or other damage.



A  
B  
C  
FAX  
E  
F  
G  
H  
I  
J  
K  
L  
M

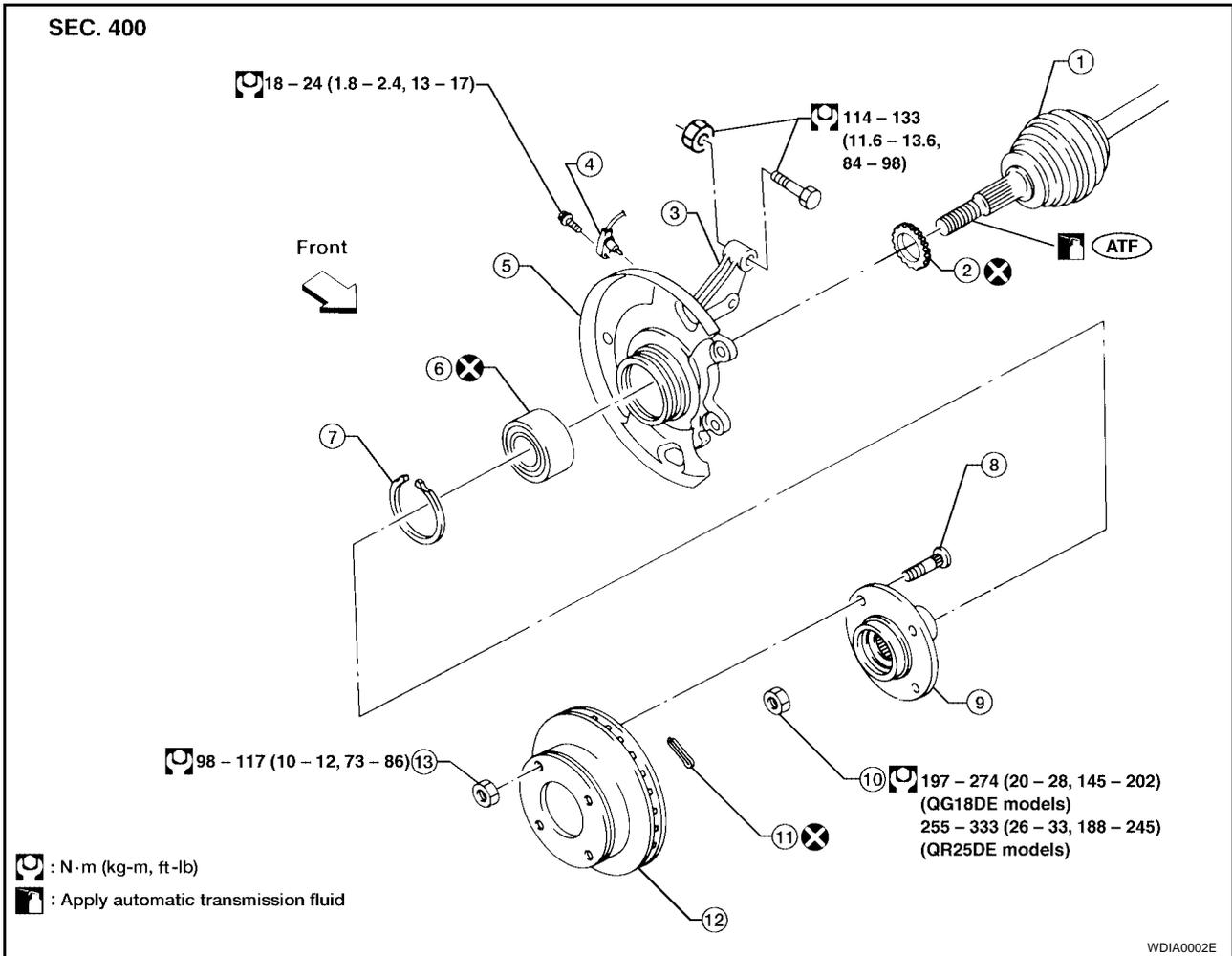
# WHEEL HUB AND KNUCKLE

PF0:40202

## WHEEL HUB AND KNUCKLE

### Components

EDS000QD



- |                               |                               |                           |
|-------------------------------|-------------------------------|---------------------------|
| 1. Drive shaft                | 2. Sensor rotor (if equipped) | 3. Knuckle                |
| 4. Wheel sensor (if equipped) | 5. Baffle plate               | 6. Wheel bearing assembly |
| 7. Snap ring                  | 8. Wheel bolt                 | 9. Wheel hub              |
| 10. Wheel bearing lock nut    | 11. Cotter pin                | 12. Disc rotor            |
| 13. Wheel nut                 |                               |                           |

### Removal

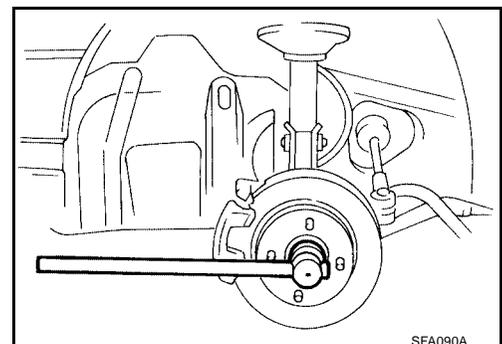
EDS000QE

#### CAUTION:

Before removing the front axle assembly, disconnect the wheel sensor from the assembly. Then move it away from the front axle assembly area.

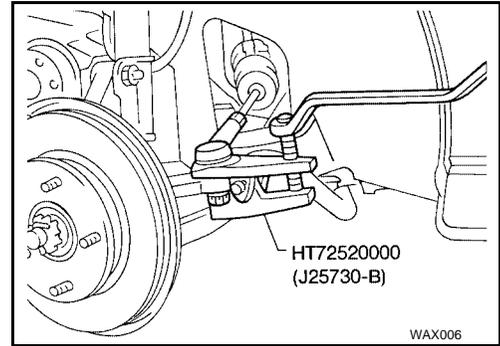
Failure to do so may result in damage to the sensor wires and the wheel sensor becoming inoperative.

1. Remove cotter pin and wheel bearing lock nut.

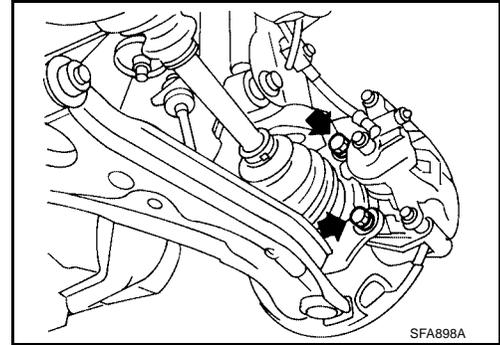


# WHEEL HUB AND KNUCKLE

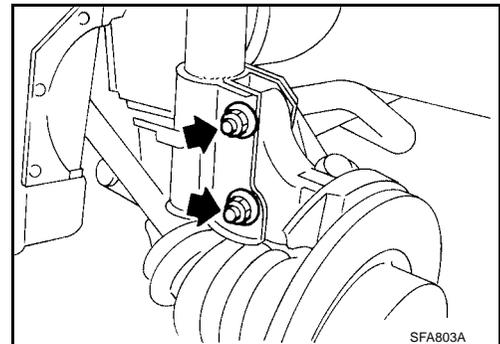
2. Separate tie-rod from knuckle with Tool.
  - **Install stud nut on stud bolt to prevent damage to stud bolt.**



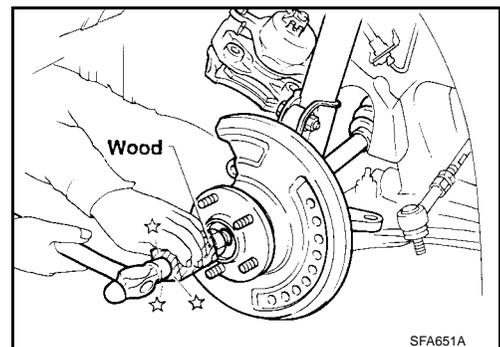
3. Remove brake caliper assembly, torque member and rotor.
  - **Brake hose need not be disconnected from brake caliper. In this case, suspend caliper assembly with wire so as not to stretch brake hose. Be careful not to depress brake pedal, or piston will pop out. Make sure brake hose is not twisted.**



4. Remove strut lower mounting nuts and bolts.



5. Separate drive shaft from knuckle by lightly tapping it. If it is hard to remove, use a puller.
  - **Cover boots with shop towel so as not to damage them when removing drive shaft.**



A  
B  
C

FAX

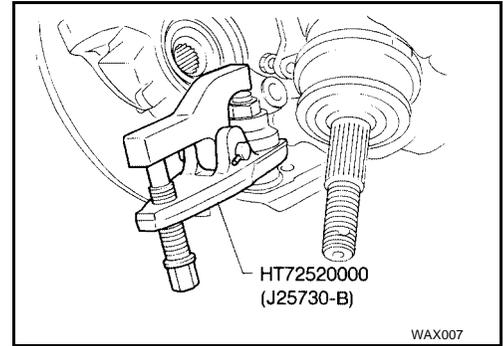
E  
F  
G

H  
I  
J

K  
L  
M

# WHEEL HUB AND KNUCKLE

- Loosen lower ball joint nut.
- Remove knuckle from lower ball joint stud with Tool.

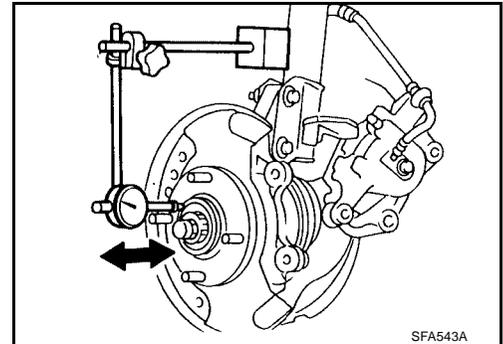
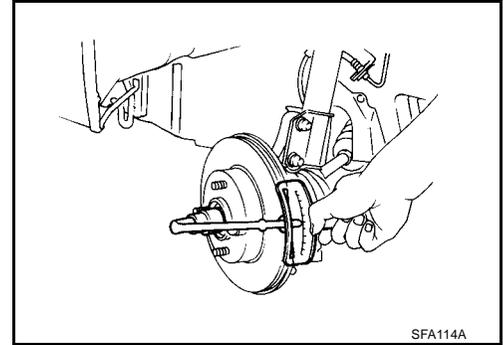


EDS000QF

## Installation

- Install in reverse order of removal.
  - Install knuckle with wheel hub.  
**When installing knuckle to strut, be sure to hold bolts and tighten nuts.**
    -  : 114 - 133 N·m (11.6 - 13.6 kg·m, 84 - 98 ft·lb)
  - Before tightening, apply oil to threaded portion of drive shaft.**
  - Tighten wheel bearing lock nut.
    -  : 197 - 274 N·m (20 - 28 kg·m, 145 - 202 ft·lb) (QG18DE models)
    -  : 255 - 333 N·m (26 - 33 kg·m, 188 - 245 ft·lb) (QR25DE models)
  - Rotate wheel hub to check that wheel bearings operate smoothly.
  - Rotate wheel hub to check wheel bearing axial end play.

**Axial end play : 0.05 mm (0.0020 in) or less**



EDS000QG

## Disassembly

### CAUTION:

When removing wheel hub or wheel bearing from knuckle, replace wheel bearing assembly (outer race and inner race) with a new one.

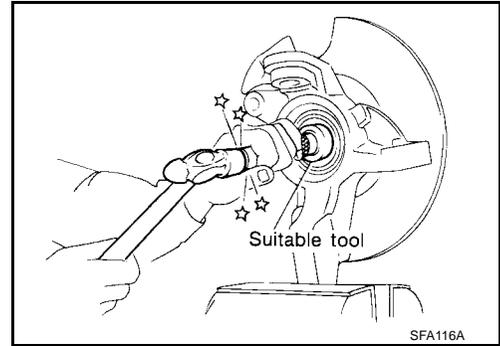
Wheel bearing does not require maintenance. If any of the following symptoms are noted, replace wheel bearing assembly.

- Growling noise is emitted from wheel bearing during operation.
- Wheel bearing drags or turns roughly. This occurs when turning hub by hand after bearing lock nut is tightened to specified torque.

# WHEEL HUB AND KNUCKLE

## WHEEL HUB

Drive out hub and inner race from knuckle with a suitable tool.



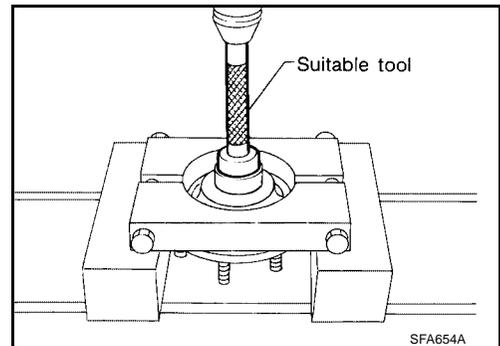
A  
B  
C

FAX

## WHEEL BEARING

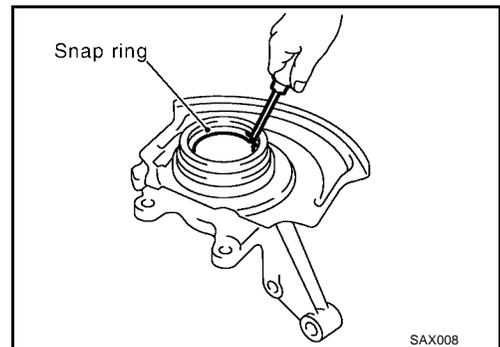
When replacing wheel bearing, replace complete wheel bearing assembly (inner race and outer race).

1. Remove bearing inner race.



E  
F  
G  
H

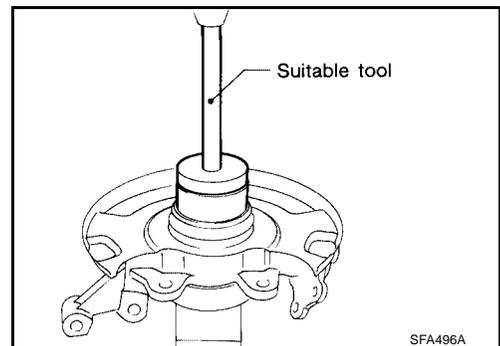
2. Remove snap rings.



I  
J  
K  
L

3. Press out bearing outer race.

4. Remove baffle plate, if required.



M

EDS000QH

## Inspection

### WHEEL HUB AND KNUCKLE

Check wheel hub and knuckle for cracks by using a magnetic exploration or dyeing test.

### SNAP RING

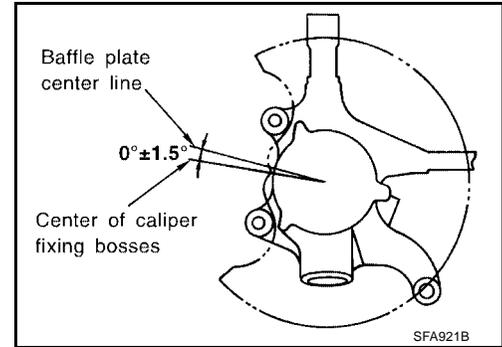
Check snap ring for wear or cracks. Replace if necessary.

# WHEEL HUB AND KNUCKLE

EDS000QI

## Assembly

- If baffle plate has been removed, replace it with a new one.
- When installing the baffle plate, press new plate so that it is in contact with knuckle wall. Refer to figure at right.

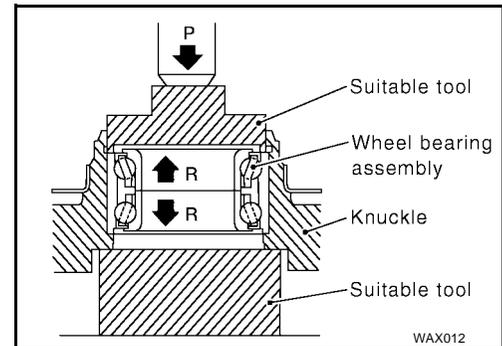


1. Press new wheel bearing assembly into knuckle until it seats against knuckle shoulder.

**Maximum load P : 29.4 kN  
(3.0 ton, 3.3 US ton, 2.95 Imp ton)**

### CAUTION:

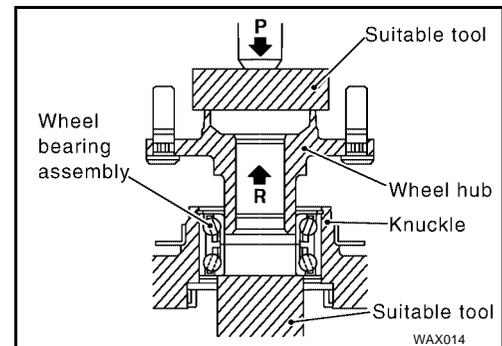
- Do not apply disassembly force in direction "R". There is a possibility of breaking the seal. In case of separation (except range of initial clearance) and disassembling of inner race, the wheel bearing must be replaced with a new part.
- Do not press inner race of wheel bearing assembly or seal.
- Do not apply oil or grease to mating surfaces of wheel bearing outer race and knuckle.



2. Install outer snap ring into groove of knuckle.
3. Press wheel hub into knuckle until it stops when the end of the wheel bearing is hit.

**Maximum load P : 49.0 kN  
(5.0 ton, 5.5 US ton, 4.9 Imp ton)**

- Do not move wheel hub in direction "R".

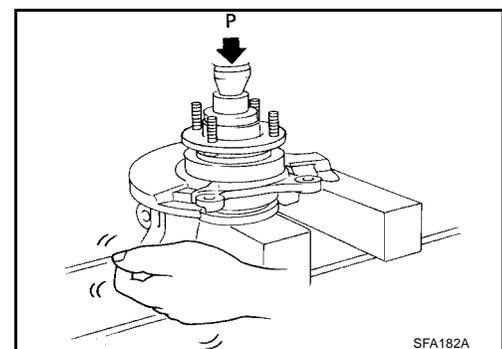


4. Check bearing operation.

- a. Add load P with press.

**Load P : 34.3 - 49.0 kN  
(3.5 - 5.0 ton, 3.9 - 5.5 US ton,  
3.44 - 4.92 Imp ton)**

- b. Spin knuckle several turns in both directions.
- c. Make sure that wheel bearings operate smoothly.



# DRIVE SHAFT

## DRIVE SHAFT

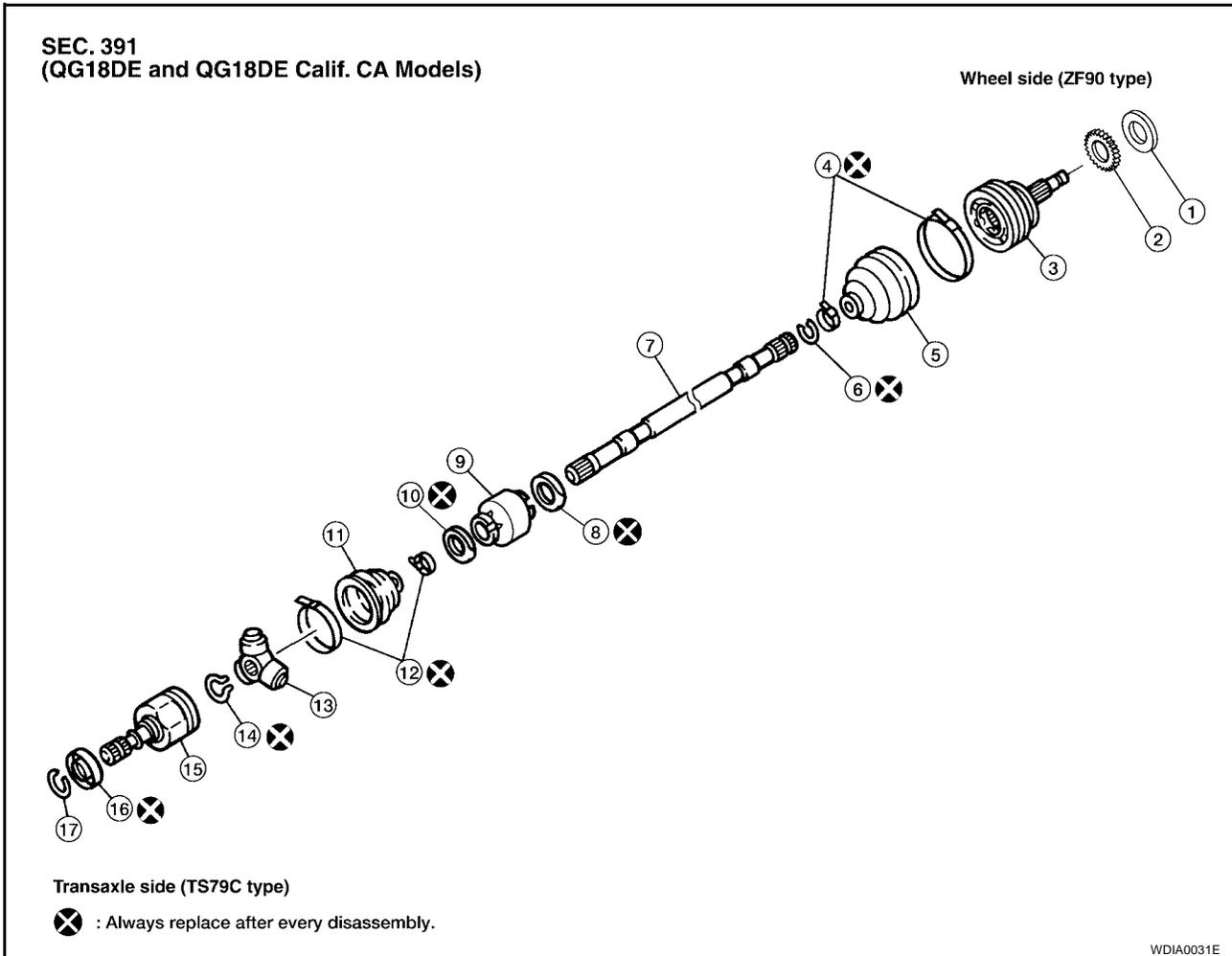
PFP:39100

### Components

EDS000QJ

#### CAUTION:

- Circular clips should be properly meshed with differential side gear (transaxle side) and with joint assembly (wheel side). Make sure they will not come out.
- Be careful not to damage boots. Use suitable protector or cloth during removal and installation.



- |                                  |                                                |                         |
|----------------------------------|------------------------------------------------|-------------------------|
| 1. Dust shield                   | 2. Sensor rotor, if equipped                   | 3. Joint assembly       |
| 4. Boot band                     | 5. Boot                                        | 6. Circular clip        |
| 7. Drive shaft                   | 8. Dynamic damper band, outboard (if equipped) | 9. Dynamic damper       |
| 10. Dynamic damper band, inboard | 11. Boot                                       | 12. Boot band           |
| 13. Spider assembly              | 14. Snap ring                                  | 15. Slide joint housing |
| 16. Dust shield                  | 17. Circular clip                              |                         |

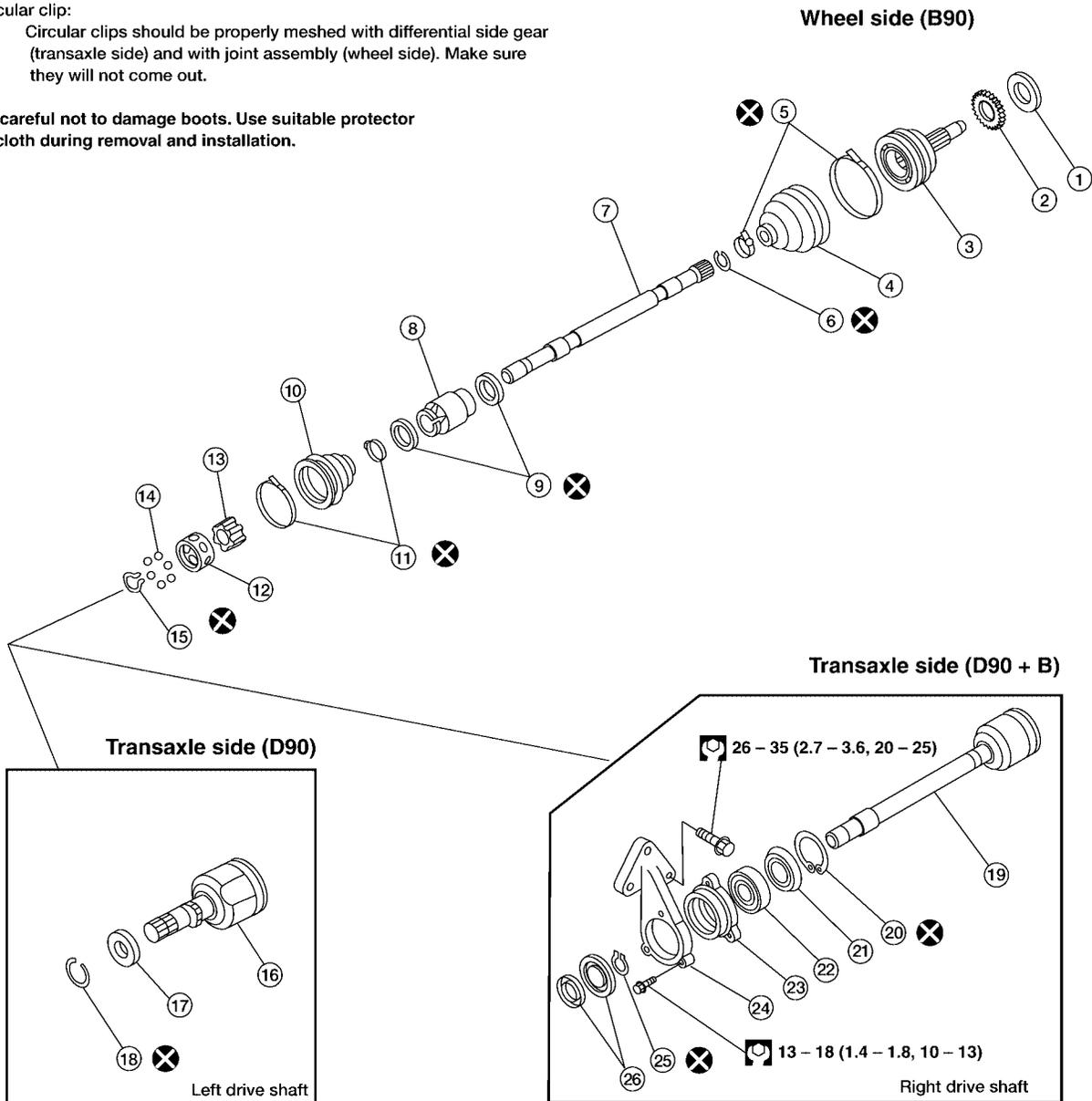
# DRIVE SHAFT

## SEC. 391 (QR25DE Models)

### Circular clip:

Circular clips should be properly meshed with differential side gear (transaxle side) and with joint assembly (wheel side). Make sure they will not come out.

Be careful not to damage boots. Use suitable protector or cloth during removal and installation.



 N·m (kg·m, ft·lb)

LDIA0013E

- |                                              |                              |                        |
|----------------------------------------------|------------------------------|------------------------|
| 1. Dust shield                               | 2. Sensor rotor, if equipped | 3. Joint assembly      |
| 4. Boot                                      | 5. Boot band                 | 6. Circular clip       |
| 7. Drive shaft                               | 8. Dynamic damper            | 9. Dynamic damper band |
| 10. Boot                                     | 11. Boot band                | 12. Cage               |
| 13. Inner race                               | 14. Ball                     | 15. Snap ring          |
| 16. Slide joint assembly                     | 17. Dust shield              | 18. Circular clip      |
| 19. Slide joint housing with extension shaft | 20. Snap ring                | 21. Dust shield        |
| 22. Support bearing                          | 23. Support bearing retainer | 24. Bracket            |
| 25. Snap ring                                | 26. Dust shield              |                        |

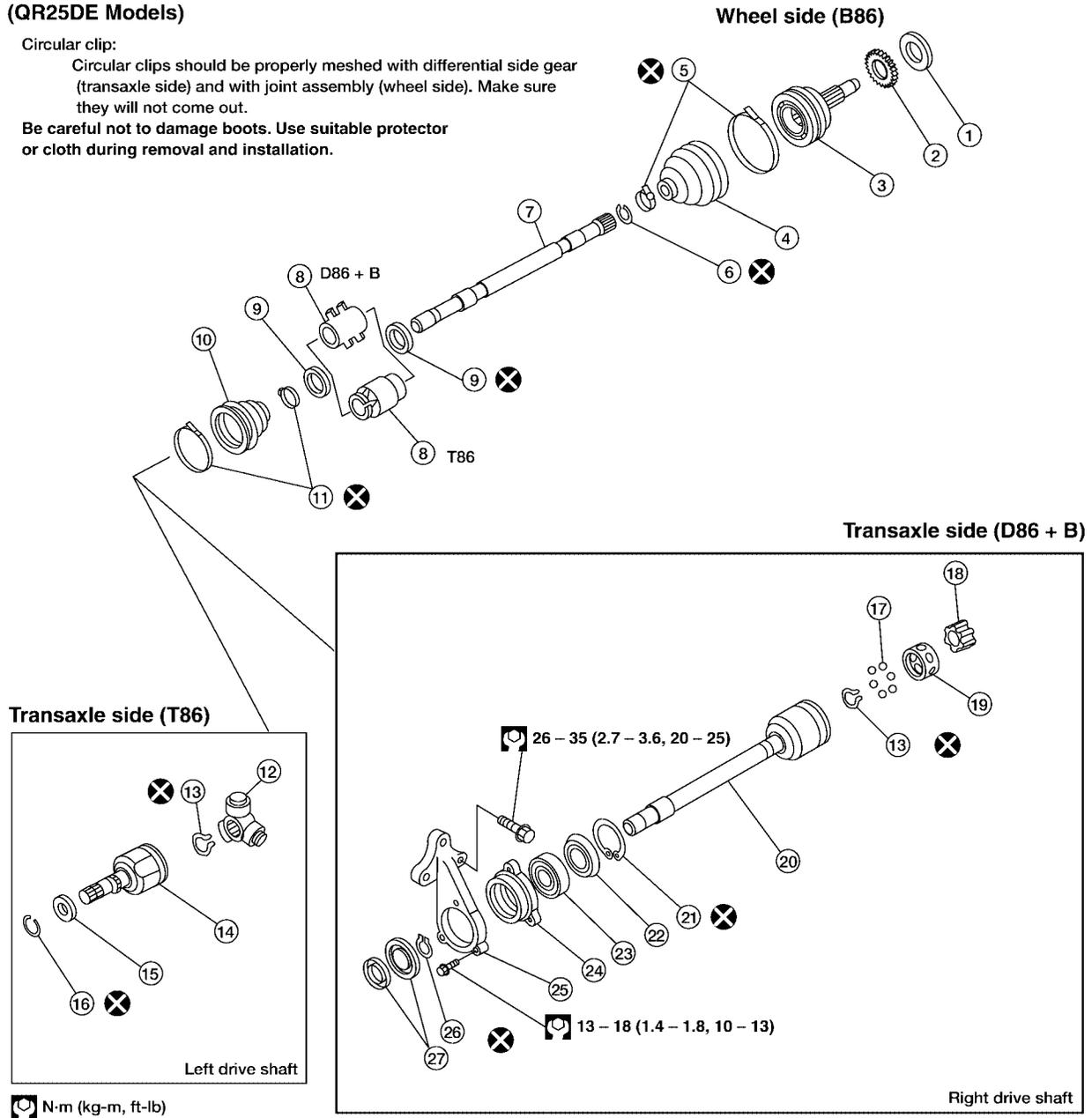
# DRIVE SHAFT

## SEC. 391 (QR25DE Models)

### Circular clip:

Circular clips should be properly meshed with differential side gear (transaxle side) and with joint assembly (wheel side). Make sure they will not come out.

Be careful not to damage boots. Use suitable protector or cloth during removal and installation.



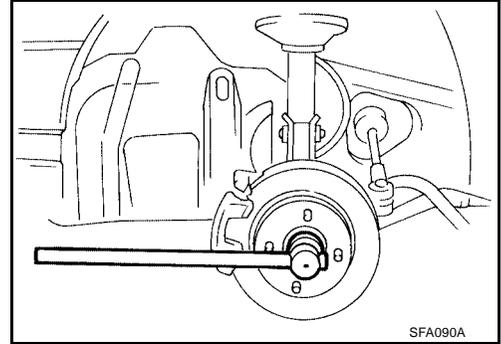
- |                   |                                              |                              |
|-------------------|----------------------------------------------|------------------------------|
| 1. Dust shield    | 2. Sensor rotor, if equipped                 | 3. Joint assembly            |
| 4. Boot           | 5. Boot band                                 | 6. Circular clip             |
| 7. Drive shaft    | 8. Dynamic damper                            | 9. Dynamic damper band       |
| 10. Boot          | 11. Boot band                                | 12. Spider assembly          |
| 13. Snap ring     | 14. Slide joint assembly                     | 15. Dust shield              |
| 16. Circular clip | 17. Ball                                     | 18. Inner race               |
| 19. Cage          | 20. Slide joint housing with extension shaft | 21. Snap ring                |
| 22. Dust shield   | 23. Support bearing                          | 24. Support bearing retainer |
| 25. Bracket       | 26. Snap ring                                | 27. Dust shield              |

# DRIVE SHAFT

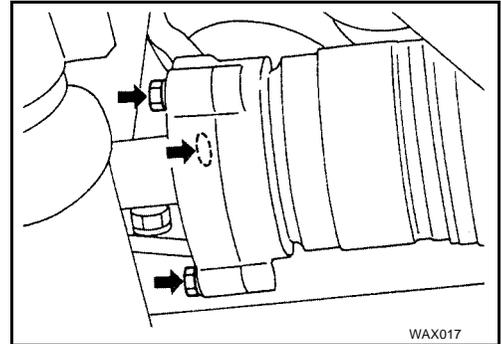
## Removal

EDS000QK

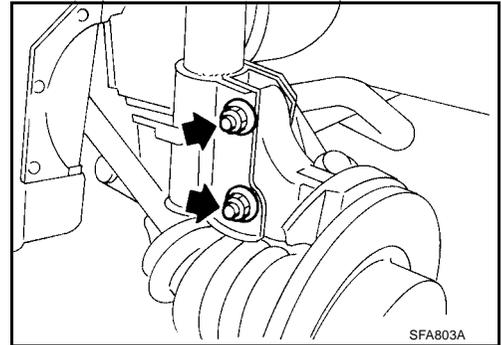
1. Remove cotter pin and wheel bearing lock nut.



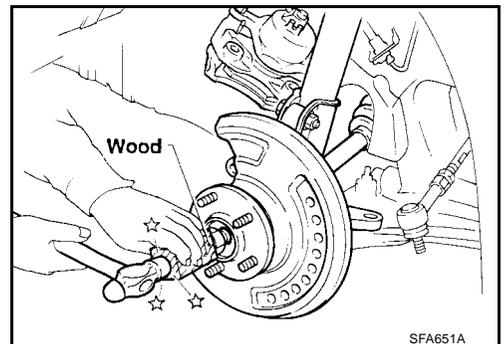
2. Remove drive shaft center support bearing bolts.



3. Remove strut lower mounting nuts and bolts.
4. Remove brake hose clip.

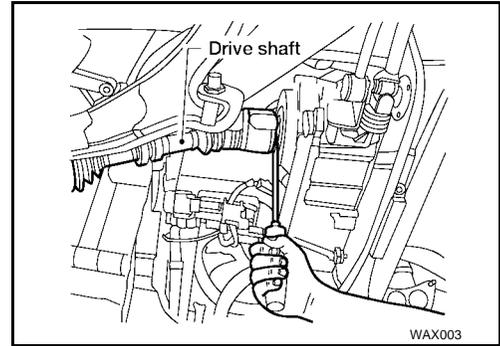


5. Separate drive shaft from knuckle by lightly tapping it. If it is hard to remove, use a puller.
  - **Cover boots with shop towel so as not to damage them when removing drive shaft.**



# DRIVE SHAFT

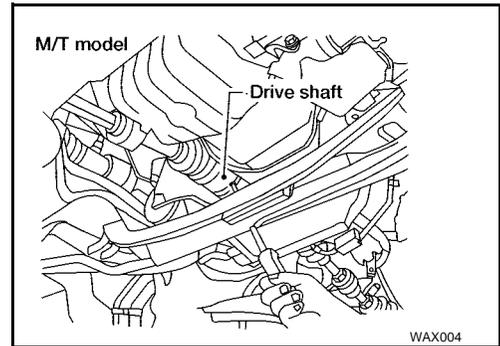
6. Remove left drive shaft from transaxle.



7. Remove right drive shaft from transaxle.

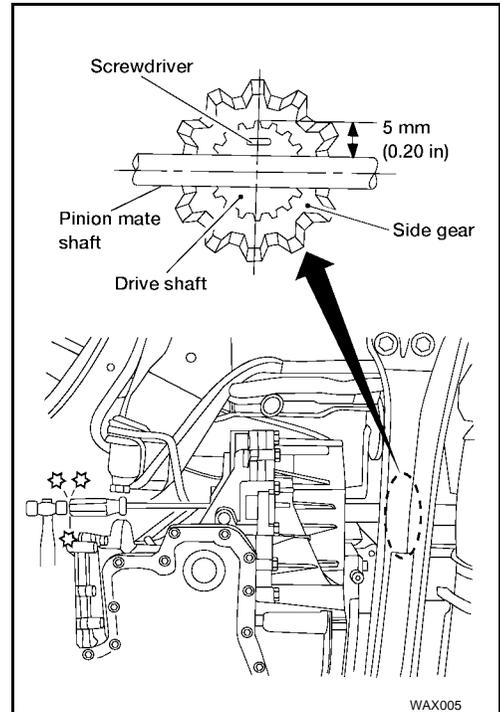
— For M/T models —

- Pry off drive shaft from transaxle as shown at right.



— For A/T models —

- Insert screwdriver into transaxle opening for right drive shaft and strike with a hammer.
- **Be careful not to damage pinion mate shaft and side gear.**



A  
B  
C  
FAX

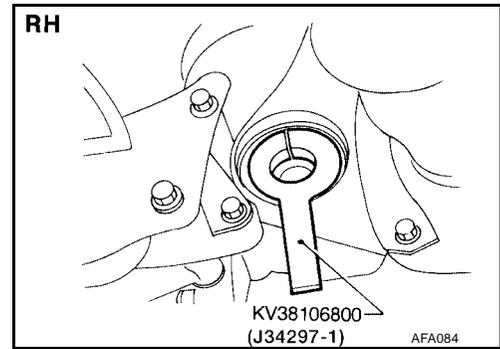
E  
F  
G  
H  
I  
J  
K  
L  
M

# DRIVE SHAFT

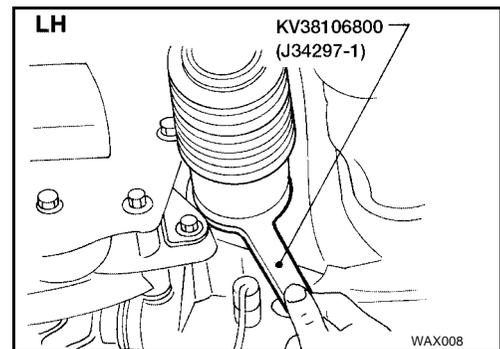
EDS000QL

## Installation TRANSAXLE SIDE

1. Drive a new oil seal to transaxle. Refer to [MT-11, "SIDE OIL SEAL"](#), [MT-74, "SIDE OIL SEAL"](#), [MT-74, "SIDE OIL SEAL"AT-263, "Differential Side Oil Seal Replacement"](#), or [AT-643, "Differential Side Oil Seal Replacement"](#).
2. Set Tool along the inner circumference of oil seal.



3. Insert drive shaft into transaxle. Be sure to properly align the serrations and then withdraw Tool.
4. Push drive shaft, then press-fit circular clip on the drive shaft into circular clip groove of side gear.
5. After its insertion, try to pull the flange out of the slide joint by hand. If it pulls out, the circular clip is not properly meshed with the side gear.



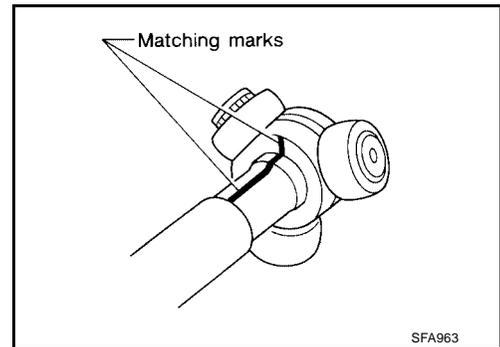
## WHEEL SIDE

1. Install drive shaft into knuckle.
2. Tighten strut lower mounting nuts and wheel bearing lock nut.

## Disassembly TRANSAXLE SIDE (TS79C AND T86 TYPE)

EDS000QM

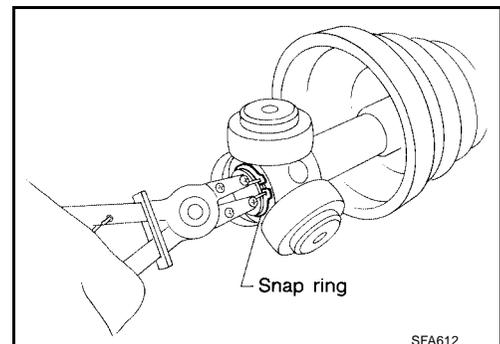
1. Remove boot bands.
2. Put matching marks on slide joint housing and drive shaft before separating joint assembly.
3. Put matching marks on spider assembly and drive shaft.



4. Remove snap ring, then remove spider assembly.

**CAUTION:**  
Do not disassemble spider assembly.

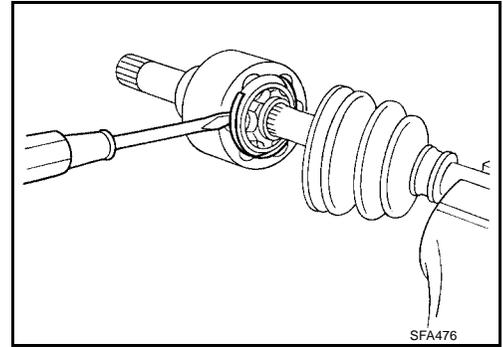
5. Draw out boot.
  - Cover drive shaft serrations with tape so as not to damage the boot.



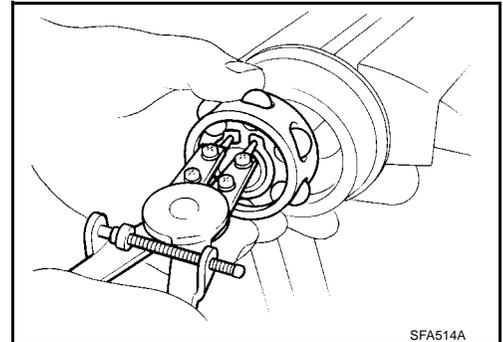
# DRIVE SHAFT

## TRANSAXLE SIDE (D90,D90+B AND D86+B TYPE)

1. Remove boot bands.
2. Put matching marks on slide joint housing and drive shaft before separating joint assembly.
3. Pry off snap ring with a screwdriver, and pull out slide joint housing.



4. Put matching marks on inner race and drive shaft.
  5. Remove snap ring, then remove ball cage, inner race and balls as a unit.
  6. Draw out boot.
- **Cover drive shaft serrations with tape so as not to damage the boot.**

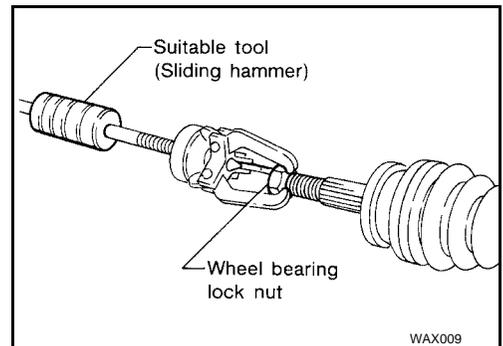


## WHEEL SIDE (ZF90, B90 AND B86 TYPE)

### CAUTION:

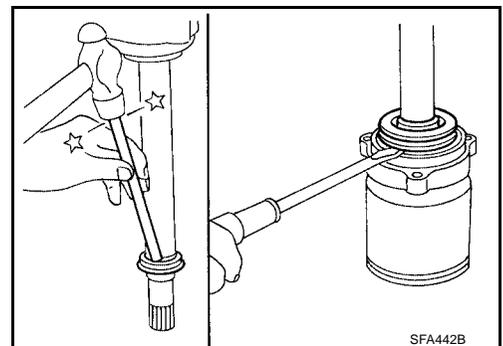
The joint on the wheel side cannot be disassembled.

1. Before separating joint assembly, put matching marks on drive shaft and joint assembly.
  2. Separate joint assembly with a suitable tool.
- **Be careful not to damage threads on drive shaft.**
3. Remove boot bands.



## SUPPORT BEARING

1. Remove dust shield.



A  
B  
C  
FAX

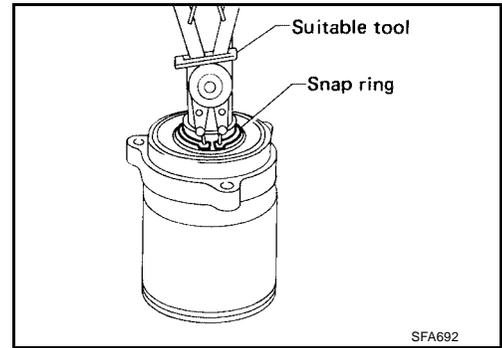
E  
F  
G  
H

I  
J  
K  
L

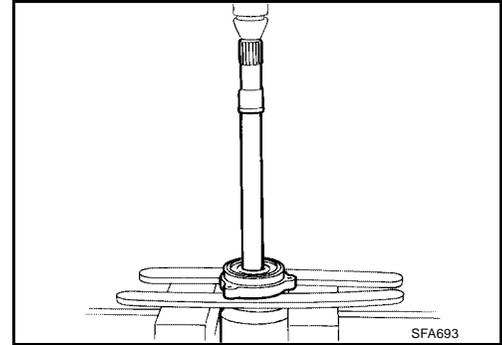
M

# DRIVE SHAFT

2. Remove snap ring.



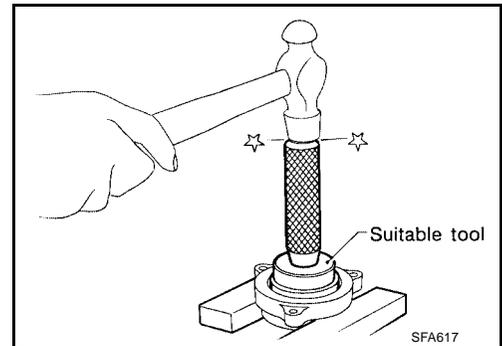
3. Press support bearing assembly off drive shaft.



4. Remove snap ring.

5. Remove dust shield.

6. Separate support bearing from retainer.



## Inspection

Thoroughly clean all parts in cleaning solvent, then dry with compressed air. Check parts for evidence of deformation and other damage.

## DRIVE SHAFT

Replace drive shaft if it is twisted or cracked.

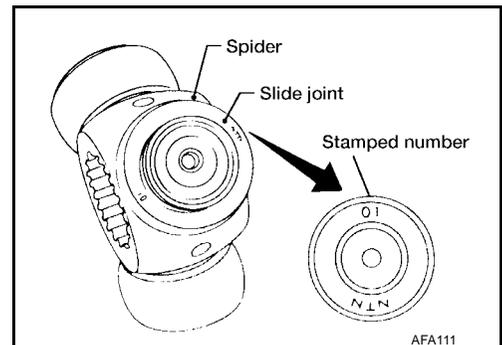
## BOOT

Check boot for fatigue, cracks or wear. Replace with new boot and boot bands.

## JOINT ASSEMBLY (TRANSAXLE SIDE)

### TS79C AND T86 TYPE

- Check spider assembly for needle bearing and washer damage. Replace if necessary.
- Check roller surfaces for scratches, wear and other damage. Replace if necessary.
- Check serration for deformation. Replace if necessary.
- Check slide joint housing for any damage. Replace if necessary.
- When replacing only spider assembly, select a new spider assembly from among those listed in table below. Ensure that the number stamped on slide joint is the same as that stamped on new part.



# DRIVE SHAFT

**Housing alone cannot be replaced. It must be replaced together with spider assembly.**

Stamped number	Part No.*
01	39720-61E01
02	39720-61E02
03	39720-61E03
04	39720-61E04
05	39720-61E05
06	39720-61E06
07	39720-61E07

\*: Always check with the Parts Department for the latest parts information.

## D90+B TYPE

- Replace any parts of double offset joint which show signs of scorching, rust, wear or excessive play.
- Check serration for deformation. Replace if necessary.
- Check slide joint housing for any damage. Replace if necessary.

## JOINT ASSEMBLY (WHEEL SIDE)

Replace joint assembly if it is deformed or damaged.

## SUPPORT BEARING

Make sure support bearing rolls freely and is free from noise, cracks, pitting and wear.

## SUPPORT BEARING BRACKET

Check support bearing bracket for cracks with a magnetic exploration or dyeing test.

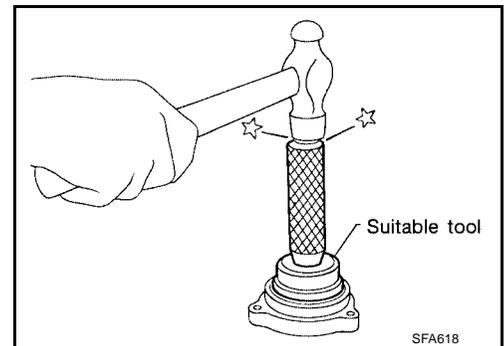
## Assembly

EDS000QO

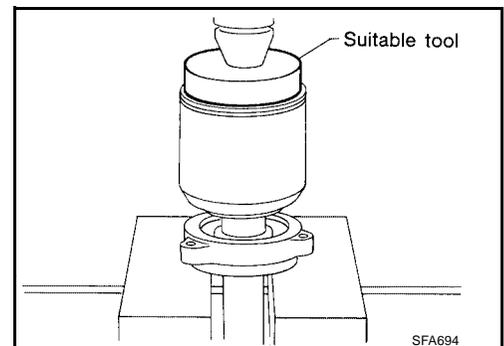
- After drive shaft has been assembled, ensure that it moves smoothly over its entire range without binding.
- Use Genuine NISSAN grease or equivalent after every overhaul.

## SUPPORT BEARING

1. Install bearing into retainer.



2. Install dust shield.
3. Install snap ring.
4. Press drive shaft into bearing.

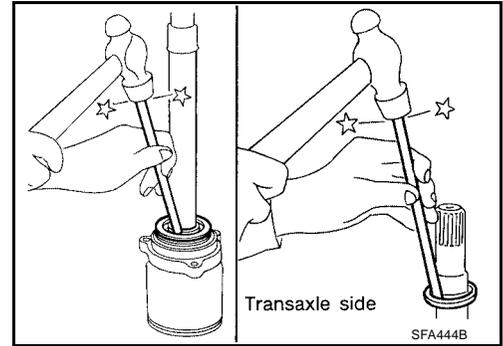


A  
B  
C  
FAX

E  
F  
G  
H  
I  
J  
K  
L  
M

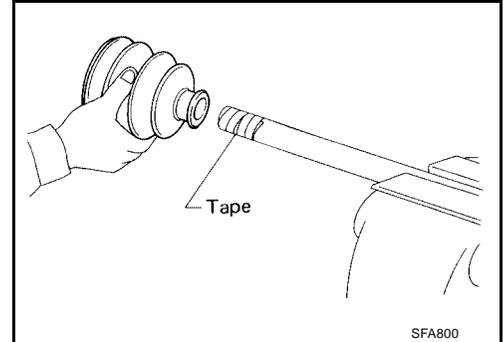
# DRIVE SHAFT

5. Install snap ring.
6. Install new dust shield.

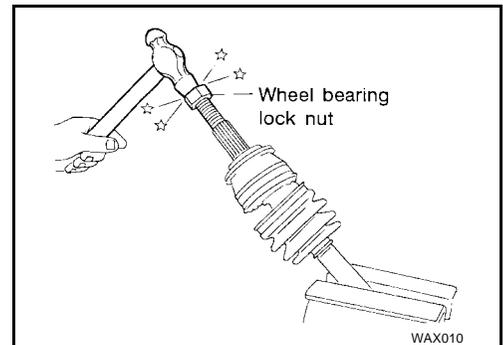


## WHEEL SIDE (ZF90, B90 AND B86 TYPE)

1. Install boot and new small boot band on drive shaft.
  - Cover drive shaft serration with tape to prevent damage to boot during installation.



2. Set joint assembly onto drive shaft by lightly tapping it.
  - Ensure that marks which were made during disassembly are properly aligned.

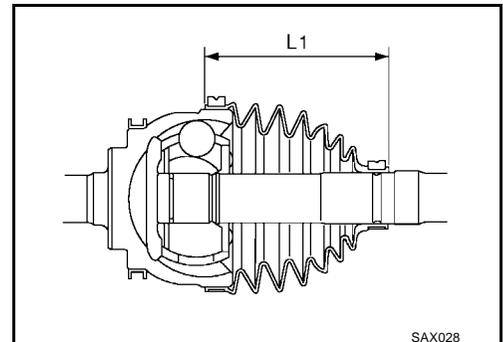


3. Pack drive shaft with specified amount of grease.

<b>Specified amount of grease</b>	: QG18DE 122 - 126 g (4.30 - 4.44 oz) : QR25DE A/T 120 - 140 g (4.23 - 4.94 oz) : QR25DE M/T 115 - 135 g (4.06 - 4.76 oz)
-----------------------------------	------------------------------------------------------------------------------------------------------------------------------------------

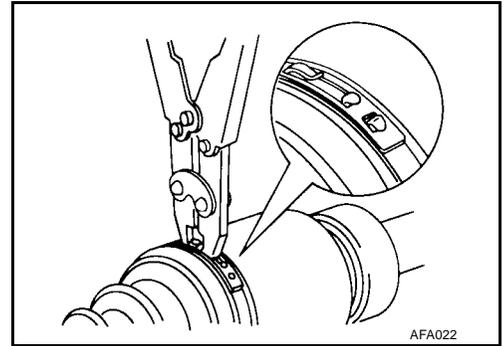
4. Make sure that boot is properly installed on the drive shaft groove.  
Set boot so that it does not swell and deform when its length is "L1".

<b>Length "L1"</b>	: QG18DE : 97 mm (3.82 in) : QR25DE A/T : 115.7 mm (4.56 in) : QR25DE M/T : 124.2 mm (4.89 in)
--------------------	------------------------------------------------------------------------------------------------------

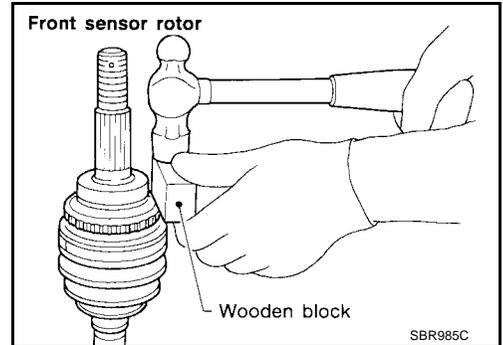


# DRIVE SHAFT

- Lock new large and small boot bands securely with a suitable tool.



- Install the sensor rotor, if equipped. For front sensor rotor, use a hammer and wooden block. For rear sensor rotor, use a suitable drift and press.
  - Always replace sensor rotor with a new one.

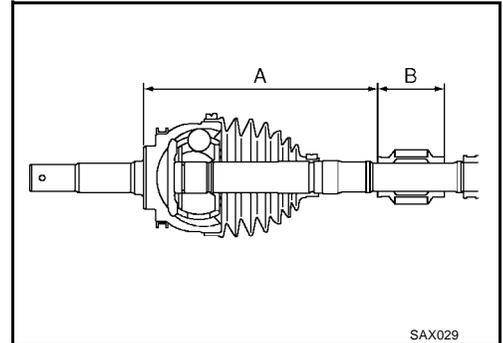


## DYNAMIC DAMPER

- Use a new damper band when reinstalling.
- Install dynamic damper from stationary-joint side while holding it securely:

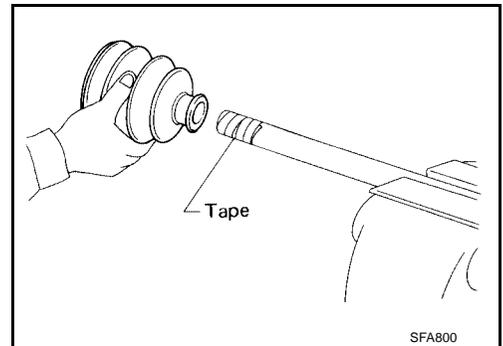
Unit: mm (in)

Applied model	QG18DE	
	LH	RH
"A"	175-185 (6.89 - 7.28)	420-430 (16.54 - 16.93)
"B"	70 (2.76)	64 (2.52)
Applied model	QR25DE	
	LH	RH
"A"	173 - 179 (6.81 - 7.05)	200 - 206 (7.87 - 8.11)
"B"	50 (1.97)	68 (2.68)



## TRANSAXLE SIDE (TS79C AND T86)

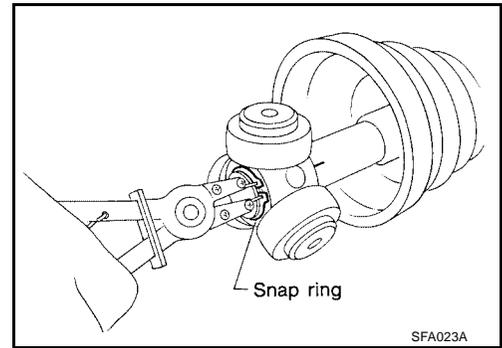
- Install boot and new small boot band on drive shaft.
  - Cover drive shaft serration with tape to prevent damage to boot during installation.



A  
B  
C  
FAX  
E  
F  
G  
H  
I  
J  
K  
L  
M

# DRIVE SHAFT

2. Install spider assembly securely, making sure the matching marks which were made during disassembly are properly aligned.
3. Install new snap ring.



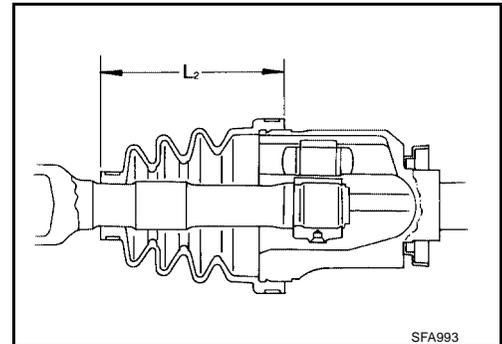
4. Pack drive shaft with specified amount of grease.

<b>Specified amount of grease</b>	<b>: QG18DE 154 - 164 g (5.43 - 5.78 oz)</b>
	<b>: QR25DE A/T 145 - 165 g (5.11 - 5.82 oz)</b>
	<b>: QR25DE M/T D86+B 135 - 155 g (4.76 - 5.47 oz)</b>
	<b>: QR25DE M/T T86 140 - 160 g (4.94 - 5.64 oz)</b>

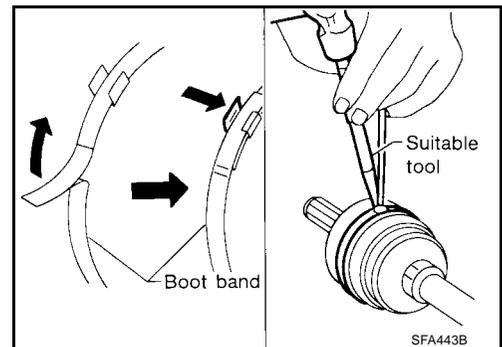
5. Install slide joint housing.
6. Set boot so that it does not swell and deform when its length is "L2".

<b>Length "L2 "</b>	
<b>QG18DE</b>	<b>: 102.5 mm (4.035 in)</b>
<b>QR25DE A/T</b>	<b>: 98 mm (3.86 in)</b>
<b>QR25DE M/T D86+B</b>	<b>: 98 mm (3.86 in)</b>
<b>QR25DE M/T T86</b>	<b>: 98.5 mm (3.88 in)</b>

- **Make sure the boot is properly installed on the drive shaft groove.**



7. Lock new large and small boot bands securely with a suitable tool.



# SERVICE DATA AND SPECIFICATIONS (SDS)

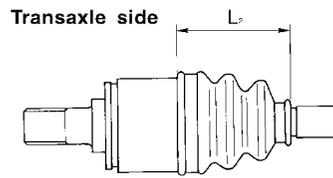
## SERVICE DATA AND SPECIFICATIONS (SDS)

PF0:00030

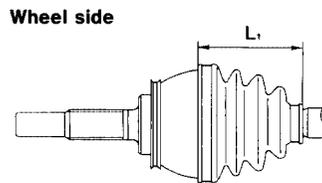
### Drive Shaft

EDS000QP

Applied model		QG18DE	QR25DE
Joint type	Transaxle side	TS79C	D90+B, D90, D86+B and T86
	Wheel side	ZF90	B90 and B86
Grease	Quality		Genuine NISSAN grease or equivalent
	Capacity g (oz)	Transaxle side	TS79C 154 - 164 (5.43 - 5.78)
			D90+B and D90 145 - 165 (5.11- -5.82)
	Wheel side	ZF90 122 - 126 (4.30 - 4.44)	
		D86+B 135 - 155 (4.76 - 5.47)	
T86 140 - 160 (4.94 - 5.64)			
Boot length mm (in)	Transaxle side "L2"	ZF90 120 - 140 (4.23 - 4.94)	
		D90+B and D90 98 (3.86)	
		D86+B 98 (3.86)	
	Wheel side "L1"	T86 98.5 (3.88)	
		ZF90 97 (3.82)	
B90 115.7 (4.56)			
B86 124.2 (4.89)			



SFA961AA



SFA962A

### Wheel Bearing (Front)

EDS000QQ

Wheel bearing axial end play limit mm (in)	0.05 (0.0020 in) or less
Wheel bearing lock nut tightening torque N-m (kg-m, ft-lb)	197 - 274 (20 - 28, 145 - 202)
Knuckle to strut tightening torque N-m (kg-m, ft-lb)	114 - 133 (11.6 - 13.6, 84 - 98)

## SERVICE DATA AND SPECIFICATIONS (SDS)

---