

BRAKE SYSTEM

SECTION **BR**

CONTENTS

PRECAUTIONS	3	AIRTIGHT CHECK	17
Supplemental Restraint System (SRS) "AIR BAG" and "SEAT BELT PRE-TENSIONER"	3	Removal.....	17
Precautions for Brake System.....	3	Inspection.....	17
Wiring Diagrams and Trouble Diagnosis.....	4	OUTPUT ROD LENGTH CHECK	17
PREPARATION	5	Installation.....	18
Commercial Service Tools	5	VACUUM HOSE	19
NOISE, VIBRATION AND HARSHNESS (NVH)		Removal and Installation	19
TROUBLESHOOTING	6	Inspection.....	19
NVH Troubleshooting Chart.....	6	HOSES AND CONNECTORS	19
ON-VEHICLE SERVICE	7	CHECK VALVE	19
Checking Brake Fluid Level.....	7	FRONT DISC BRAKE	20
Checking Brake Line	7	Component	20
Changing Brake Fluid.....	7	Pad Replacement	20
Brake Burnishing Procedure.....	7	Removal.....	21
Bleeding Brake System	8	Disassembly.....	21
BRAKE HYDRAULIC LINE	9	Inspection.....	22
Hydraulic Circuit.....	9	CALIPER.....	22
Removal.....	9	ROTOR.....	22
Inspection.....	10	Assembly	23
Installation.....	10	Installation.....	23
DUAL PROPORTIONING VALVE	11	REAR DISC BRAKE	24
Inspection.....	11	Component	24
BRAKE PEDAL AND BRACKET	12	Pad Replacement	24
Removal and Installation	12	Removal.....	26
Inspection.....	12	Disassembly.....	27
Adjustment.....	12	Inspection.....	28
BRAKE PEDAL HEIGHT.....	12	CALIPER.....	28
STOP LAMP SWITCH AND ASCD CANCEL SWITCH CLEARANCE	13	ROTOR.....	28
MASTER CYLINDER	14	Assembly	29
Removal.....	14	Installation.....	31
Disassembly.....	14	REAR DRUM BRAKE	32
Inspection.....	15	Components.....	32
Assembly	15	Removal.....	32
Installation.....	16	Inspection.....	33
BRAKE BOOSTER	17	WHEEL CYLINDER.....	33
On-vehicle Service.....	17	WHEEL CYLINDER OVERHAUL.....	33
OPERATING CHECK	17	DRUM.....	34
		LINING.....	34
		Installation.....	35
		PARKING BRAKE CONTROL	36

GI
MA
EM
LC
EC
FE
CL
MT
AT
AX
SU
BR
ST
RS
BT
HA
SC
EL
IDX

CONTENTS (Cont'd)

Components.....	36	Ground Circuit Check	58
Removal and Installation	36	ABS ACTUATOR AND ELECTRIC UNIT GROUND.....	58
Inspection.....	36	TROUBLE DIAGNOSIS - GENERAL	
Adjustment	37	DESCRIPTION	59
		Malfunction Code/Symptom Chart.....	59
		TROUBLE DIAGNOSES FOR SELF-DIAGNOSTIC	
		ITEMS	60
		Wheel Sensor or Rotor	60
		DIAGNOSTIC PROCEDURE	60
		ABS Actuator Solenoid Valve and Solenoid Valve	
		Relay	63
		DIAGNOSTIC PROCEDURE	63
		Motor Relay or Motor.....	65
		DIAGNOSTIC PROCEDURE	65
		Low Voltage	67
		DIAGNOSTIC PROCEDURE	67
		Control Unit.....	69
		DIAGNOSTIC PROCEDURE	69
		TROUBLE DIAGNOSES FOR SYMPTOMS	70
		1. ABS Works Frequently	70
		2. Unexpected Pedal Action	70
		3. Long Stopping Distance	71
		4. ABS Does Not Work.....	73
		5. Pedal Vibration and Noise.....	73
		6. Warning Lamp Does Not Come On When	
		Ignition Switch Is Turned On	74
		7. Warning Lamp Stays On When Ignition Switch	
		Is Turned On.....	76
		REMOVAL AND INSTALLATION	79
		Front Wheel Sensor.....	79
		Rear Wheel Sensor	79
		Sensor Rotor.....	80
		REMOVAL.....	80
		INSTALLATION.....	80
		Actuator.....	81
		REMOVAL.....	81
		INSTALLATION.....	81
		SERVICE DATA AND SPECIFICATIONS (SDS)	82
		General Specifications.....	82
		Disc Brake	82
		Drum Brake.....	82
		Brake Pedal	82
		Parking Brake	83

<table border="1" style="display: inline-table; width: 150px; height: 15px;"> <tr> <td style="text-align: center;">ABS</td> </tr> </table>	ABS	
ABS		
DESCRIPTION	38	
Purpose.....	38	
Operation	38	
ABS Hydraulic Circuit	38	
System Components	39	
System Description.....	39	
SENSOR.....	39	
CONTROL UNIT (BUILT-IN ABS ACTUATOR AND		
ELECTRIC UNIT).....	39	
ABS ACTUATOR AND ELECTRIC UNIT	40	
Component Parts and Harness Connector		
Location	41	
Schematic	42	
Wiring Diagram - ABS -	43	
ON BOARD DIAGNOSTIC SYSTEM		
DESCRIPTION	46	
Self-diagnosis	46	
FUNCTION.....	46	
SELF-DIAGNOSIS PROCEDURE.....	46	
HOW TO READ SELF-DIAGNOSTIC RESULTS		
(MALFUNCTION CODES)	47	
HOW TO ERASE SELF-DIAGNOSTIC RESULTS		
(MALFUNCTION CODES)	47	
CONSULT-II	48	
CONSULT-II APPLICATION TO ABS.....	48	
ECU (ABS CONTROL UNIT) PART NUMBER		
MODE.....	48	
CONSULT-II Inspection Procedure.....	49	
SELF-DIAGNOSIS PROCEDURE.....	49	
SELF-DIAGNOSTIC RESULTS MODE.....	50	
DATA MONITOR PROCEDURE	51	
ACTIVE TEST PROCEDURE	51	
DATA MONITOR MODE.....	52	
ACTIVE TEST MODE	53	
TROUBLE DIAGNOSIS - INTRODUCTION	54	
How to Perform Trouble Diagnoses for Quick		
and Accurate Repair	54	
INTRODUCTION.....	54	
TROUBLE DIAGNOSIS - BASIC INSPECTION	55	
Preliminary Check.....	55	

PRECAUTIONS

Supplemental Restraint System (SRS) "AIR BAG" and "SEAT BELT PRE-TENSIONER"

Supplemental Restraint System (SRS) "AIR BAG" and "SEAT BELT PRE-TENSIONER"

NIBR0001

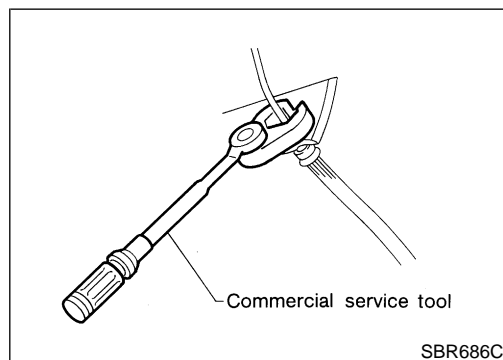
The Supplemental Restraint System such as "AIR BAG" and "SEAT BELT PRE-TENSIONER" used along with a seat belt, helps to reduce the risk or severity of injury to the driver and front passenger for certain types of collision. The SRS system composition which is available to NISSAN MODEL B15 is as follows:

- For a frontal collision
The Supplemental Restraint System consists of driver air bag module (located in the center of the steering wheel), front passenger air bag module (located on the instrument panel on passenger side), front seat belt pre-tensioners, a diagnosis sensor unit, warning lamp, wiring harness and spiral cable.
- For a side collision
The Supplemental Restraint System consists of front side air bag module (located in the outer side of front seat), side air bag (satellite) sensor, diagnosis sensor unit (one of components of air bags for a frontal collision), wiring harness, warning lamp (one of components of air bags for a frontal collision).

Information necessary to service the system safely is included in the **RS section** of this Service Manual.

WARNING:

- To avoid rendering the SRS inoperative, which could increase the risk of personal injury or death in the event of a collision which would result in air bag inflation, all maintenance should be performed by an authorized NISSAN dealer.
- Improper maintenance, including incorrect removal and installation of the SRS, can lead to personal injury caused by unintentional activation of the system. For removal of Spiral Cable and Air Bag Module, see the RS section.
- Do not use electrical test equipment on any circuit related to the SRS unless instructed to in this Service Manual. Spiral cable and wiring harnesses covered with yellow insulation tape either just before the harness connectors or for the complete harness are related to the SRS.



Precautions for Brake System

NIBR0002

- Recommended fluid is brake fluid "DOT 3".
- Never reuse drained brake fluid.
- Be careful not to splash brake fluid on painted areas.
- To clean or wash all parts of master cylinder, disc brake caliper and wheel cylinder, use clean brake fluid.
- Never use mineral oils such as gasoline or kerosene. They will ruin rubber parts of the hydraulic system.
- Use flare nut wrench when removing and installing brake tube.
- Always torque brake lines when installing.
- Burnish the brake contact surfaces after refinishing or replacing drums or rotors, after replacing pads or linings, or if a soft pedal occurs at very low mileage. Refer to "Brake Burnishing Procedure", BR-7.

WARNING:

- Clean brake pads and shoes with a waste cloth, then wipe with a dust collector.

PRECAUTIONS

Wiring Diagrams and Trouble Diagnosis

NIBR0003

When you read wiring diagrams, refer to the following:

- **GI-11**, "HOW TO READ WIRING DIAGRAMS"
- **EL-9**, "POWER SUPPLY ROUTING"

When you perform trouble diagnosis, refer to the following:

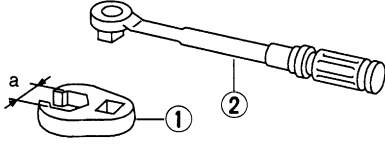
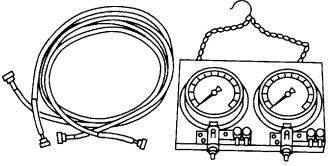
- **GI-36**, "How To Follow Test Groups In Trouble Diagnoses"
- **GI-25**, "HOW TO PERFORM EFFICIENT DIAGNOSIS FOR AN ELECTRICAL INCIDENT"

PREPARATION

Commercial Service Tools

Commercial Service Tools

NIBR0004

Tool name	Description	
1 Flare nut crowfoot 2 Torque wrench	 <p data-bbox="950 268 1383 325">Removing and installing each brake piping a: 10 mm (0.39 in)</p> <p data-bbox="418 443 475 464">NT360</p>	GI MA EM
Brake fluid pressure gauge	 <p data-bbox="950 485 1268 506">Measuring brake fluid pressure</p> <p data-bbox="418 667 475 688">NT151</p>	LC EC FE

CL

MT

AT

AX

SU

BR

ST

RS

BT

HA

SC

EL

IDX

NOISE, VIBRATION AND HARSHNESS (NVH) TROUBLESHOOTING

NVH Troubleshooting Chart

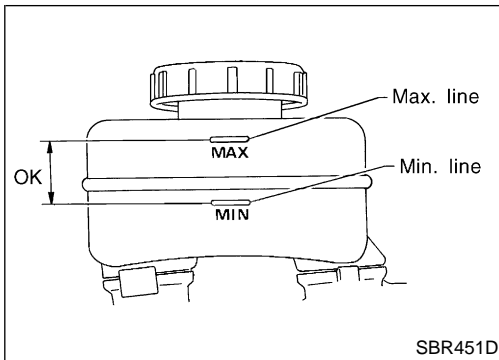
NVH Troubleshooting Chart

NIBR0005S01

Use the chart below to help you find the cause of the symptom. If necessary, repair or replace these parts.

Reference page		BR-20, 24	BR-20, 24	BR-20, 24	—	—	BR-22, 28	—	—	—	BR-22, 28	AX-3, NVH	AX-3, NVH	SU-4	SU-4	SU-4	ST-5, NVH		
Possible cause and SUSPECTED PARTS		Pads - damaged	Pads - uneven wear	Shims damaged	Rotor imbalance	Rotor damage	Rotor runout	Rotor deformation	Rotor deflection	Rotor rust	Rotor thickness variation	DRIVE SHAFT	AXLE	SUSPENSION	TIRES	ROAD WHEEL	STEERING		
Symptom	BRAKE	Noise	X	X	X							X	X	X	X	X	X	X	
		Shake				X							X	X	X	X	X	X	X
		Shimmy, Judder				X	X	X	X	X	X	X		X	X	X	X	X	X

X: Applicable

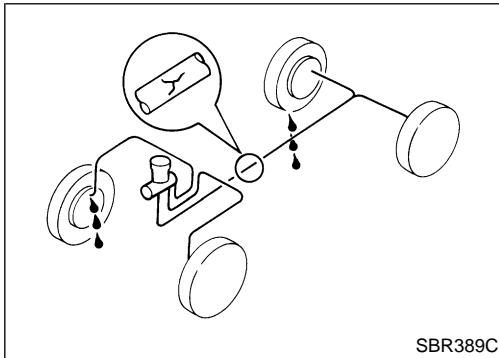


Checking Brake Fluid Level

NIBR0006

- Check fluid level in reservoir tank. It should be between Max and Min lines on reservoir tank.
- If fluid level is extremely low, check brake system for leaks.
- Release parking brake lever and see if brake warning lamp goes off. If not, check brake system for leaks.

GI
MA
EM
LC



Checking Brake Line

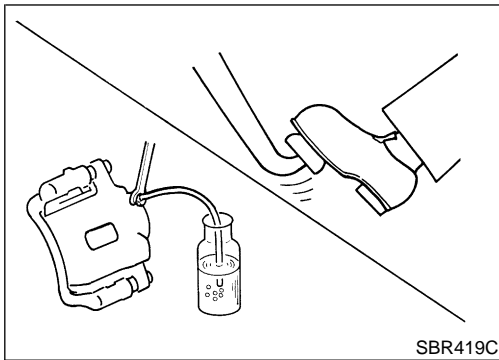
NIBR0007

CAUTION:

If leakage occurs around joints, retighten or, if necessary, replace damaged parts.

1. Check brake lines (tubes and hoses) for cracks, deterioration or other damage. Replace any damaged parts.
2. Check for oil leakage by fully depressing brake pedal while engine is running.

EC
FE
CL
MT



Changing Brake Fluid

NIBR0008

CAUTION:

- Refill with new brake fluid "DOT 3".
- Always keep fluid level higher than minimum line on reservoir tank.
- Never reuse drained brake fluid.
- Be careful not to splash brake fluid on painted areas; it may cause paint damage. If brake fluid is splashed on painted areas, wash it away with water immediately.

1. Clean inside of reservoir tank, and refill with new brake fluid.
2. Connect a vinyl tube to each air bleeder valve.
3. Drain brake fluid from each air bleeder valve by depressing brake pedal.
4. Refill until brake fluid comes out of each air bleeder valve. Use same procedure as in bleeding hydraulic system to refill brake fluid. Refer to "Bleeding Brake System", BR-8.

AT
AX
SU
BR

ST
RS
BT
HA

Brake Burnishing Procedure

NIBR0036

Burnish the brake contact surfaces according to the following procedure after refinishing or replacing drums or rotors, after replacing pads or linings, or if a soft pedal occurs at very low mileage.

CAUTION:

Only perform this procedure under safe road and traffic conditions. Use extreme caution.

1. Drive the vehicle on a straight smooth road at 50 km/h (31 MPH).
2. Use medium brake pedal/foot effort to bring the vehicle to a complete stop from 50 km/h (31 MPH). Adjust brake pedal/foot

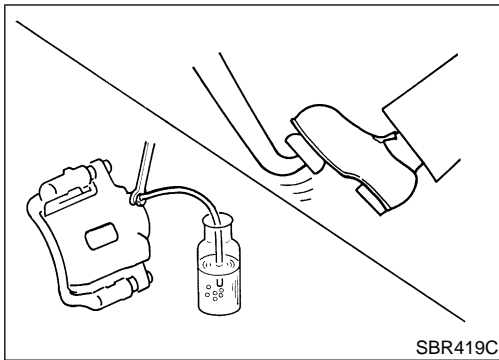
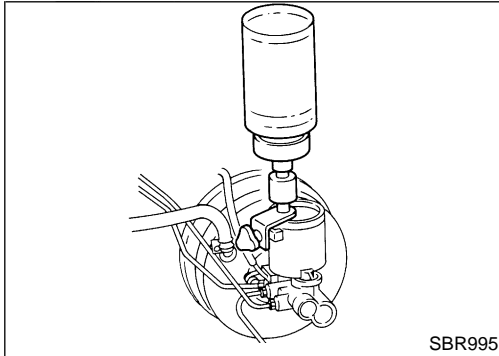
SC
EL
IDX

ON-VEHICLE SERVICE

Brake Burnishing Procedure (Cont'd)

pressure such that vehicle stopping time equals 3 to 5 seconds.

3. To cool the brake system, drive the vehicle at 50 km/h (31 MPH) for 1 minute without stopping.
4. Repeat steps 1 to 3, 10 times or more to complete the burnishing procedure.



Bleeding Brake System

NIBR0009

CAUTION:


- Carefully monitor brake fluid level at master cylinder during bleeding operation.
 - Fill reservoir with new brake fluid "DOT 3". Make sure it is full at all times while bleeding air out of system.
 - Place a container under master cylinder to avoid spillage of brake fluid.
 - For models with ABS, turn ignition switch OFF and disconnect ABS actuator and electric unit connectors or battery ground cable.
- Bleed air in the following order.
Right rear brake → Left front brake → Left rear brake → Right front brake
1. Connect a transparent vinyl tube to air bleeder valve.
 2. Fully depress brake pedal several times.
 3. With brake pedal depressed, open air bleeder valve to release air.
 4. Close air bleeder valve.
 5. Release brake pedal slowly.
 6. Repeat steps 2. through 5. until clear brake fluid comes out of air bleeder valve.
 7. Tighten air bleeder valve.

Torque air bleeder valve:

Front and rear disc brake

 : 7 - 9 N·m (0.7 - 0.9 kg·m, 61 - 78 in·lb)

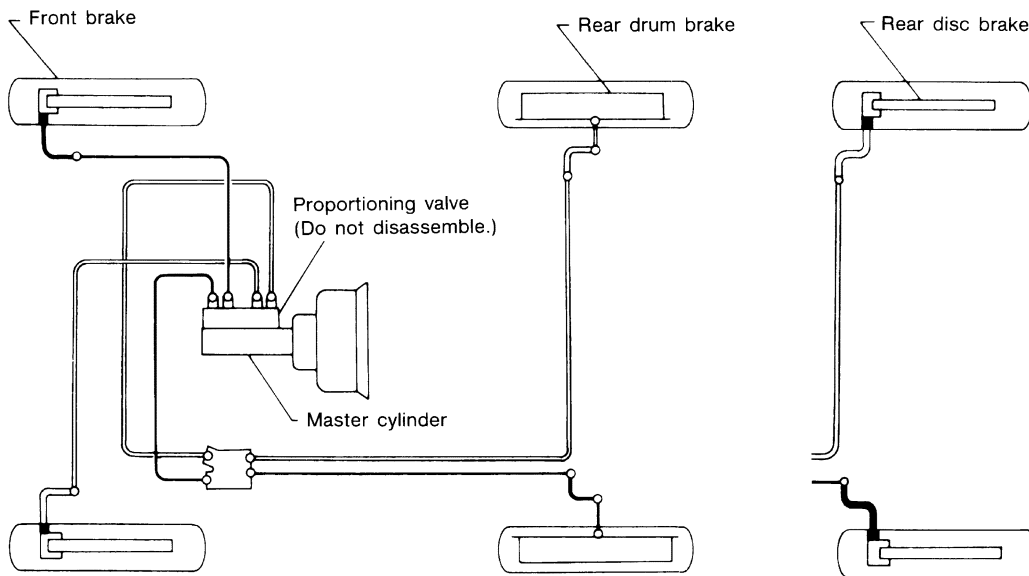
Rear disc brake

 : 6.9 - 8.8 N·m (0.71 - 0.89 kg·m, 61 - 77 in·lb)

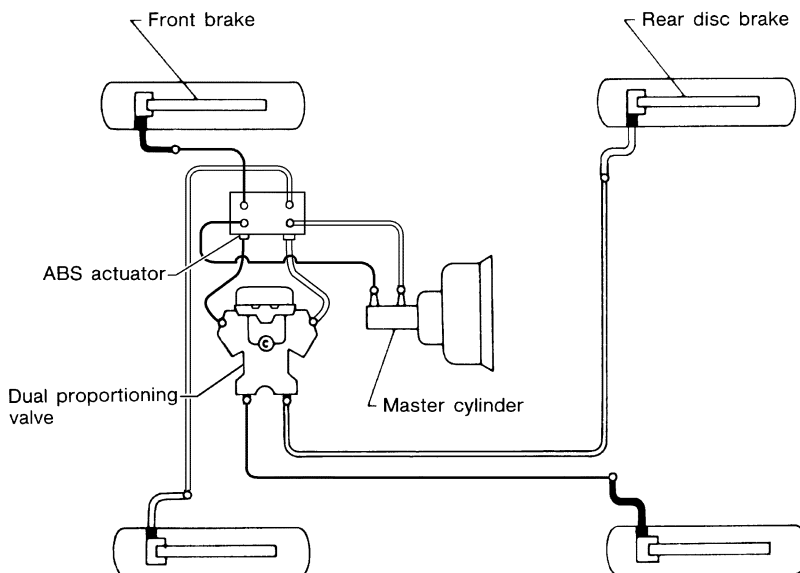
Hydraulic Circuit

NIBR0010

Without anti-lock brake system
 (Models with dual proportioning valve built into master cylinder)
 (built-in type)

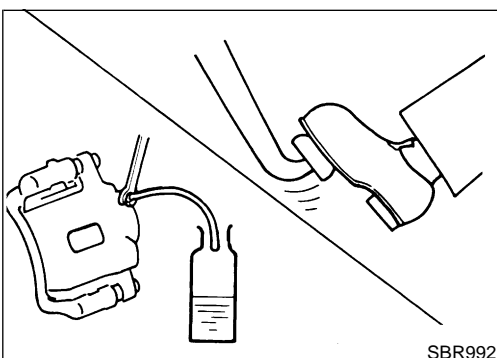


With anti-lock brake system



- : Primary line
- : Secondary line
- : Flare nut
15 - 18 (1.5 - 1.8, 11 - 13)
- : Connecting bolt
17 - 20 (1.7 - 2.0, 12 - 14)
- ⊗ : N·m (kg-m, ft-lb)

WBR074



Removal

CAUTION:

- Be careful not to splash brake fluid on painted areas; it may cause paint damage. If brake fluid is splashed on painted areas, wash it away with water immediately.
 - All hoses must be free from excessive bending, twisting and pulling.
1. Connect vinyl tube to air bleeder valve.
 2. Drain brake fluid from each air bleeder valve by depressing brake pedal.

NIBR0011

GI

MA

EM

LC

EC

FE

CL

MT

AT

AX

SU

BR

ST

RS

BT

HA

SC

EL

IDX

BRAKE HYDRAULIC LINE

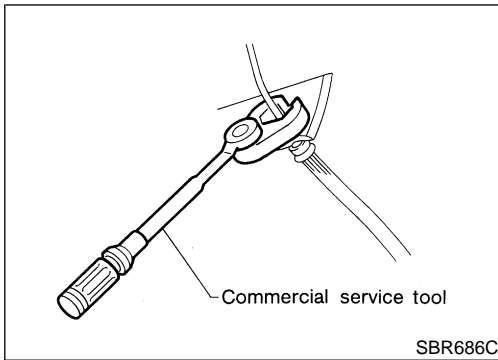
Removal (Cont'd)

3. Remove flare nut connecting brake tube and hose, then withdraw lock spring.
4. Cover openings to prevent entrance of dirt whenever disconnecting brake line.

Inspection

Check brake lines (tubes and hoses) for cracks, deterioration or other damage. Replace any damaged parts.

NIBR0012




Installation

CAUTION:


- Refill with new brake fluid "DOT 3".
 - Never reuse drained brake fluid.
1. Tighten all flare nuts and connecting bolts.

Specification:

Flare nut

 : 15 - 18 N·m (1.5 - 1.8 kg-m, 11 - 13 ft-lb)

Connecting bolt

 : 17 - 20 N·m (1.7 - 2.0 kg-m, 12 - 14 ft-lb)

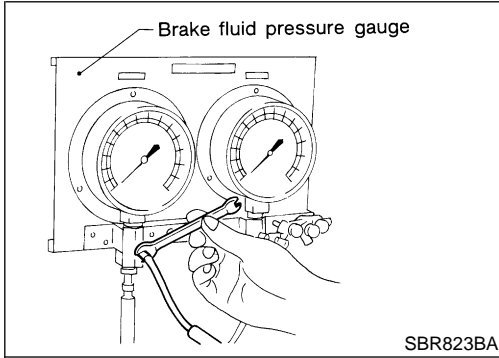
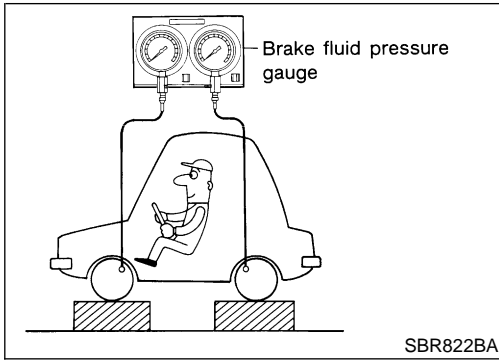
2. Refill until new brake fluid comes out of each air bleeder valve.
3. Bleed air. Refer to "Bleeding Brake System", BR-8.

NIBR0013

DUAL PROPORTIONING VALVE

Inspection

NIBR0014



Inspection

CAUTION:

- Carefully monitor brake fluid level at master cylinder.
- Use new brake fluid "DOT 3".
- Be careful not to splash brake fluid on painted areas; it may cause paint damage. If brake fluid is splashed on paint areas, wash it away with water immediately.

1. Connect Tool to air bleeders of front and rear brakes on either LH and RH side.
2. Bleed air from the Tool.
3. Check fluid pressure by depressing brake pedal.

Unit: kPa (kg/cm², psi)

Applied model	All 1.8L	2.0L non-ABS	2.0L with ABS
Applied pressure (Front brake)	7,355 (75, 1,067)	6,374 (65, 924)	6,374 (65, 924)
Output pressure (Rear brake)	5,099 - 5,492 (52 - 56, 740 - 796)	3,775 - 4,168 (38 - 42, 548 - 604)	4,119 - 4,511 (42 - 46, 597 - 654)

If output pressure is out of specification, replace dual proportioning valve.

4. Bleed air after disconnecting the Tool. Refer to "Bleeding Brake System", BR-8.

GI

MA

EM

LC

EC

FE

CL

MT

AT

AX

SU

BR

ST

RS

BT

HA

SC

EL

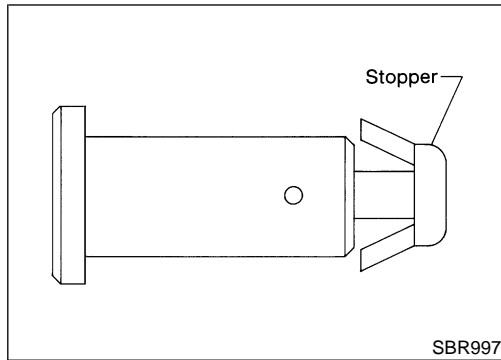
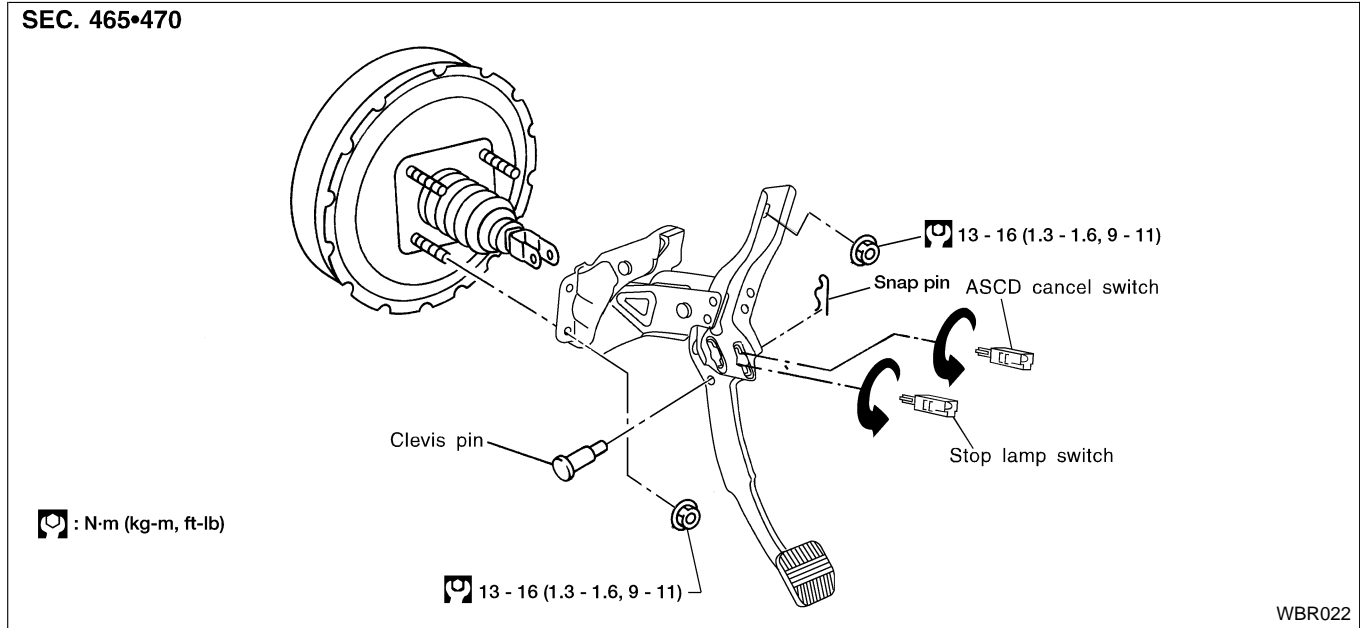
IDX

BRAKE PEDAL AND BRACKET

Removal and Installation

Removal and Installation

NIBR0015

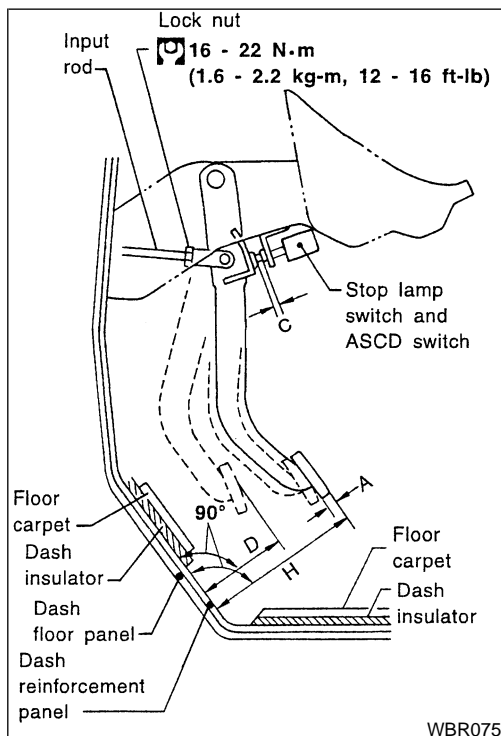


Inspection

NIBR0016

Check brake pedal for following items.

- Brake pedal bend
- Clevis pin deformation
- Crack of any welded portion
- Crack or deformation of clevis pin stopper



Adjustment

NIBR0017

BRAKE PEDAL HEIGHT

NIBR0017S01

Check brake pedal free height from metal panel. Adjust if necessary.

H: Free height

Refer to "Brake Pedal", BR-82.

D: Depressed height

90 mm (3.54 in)

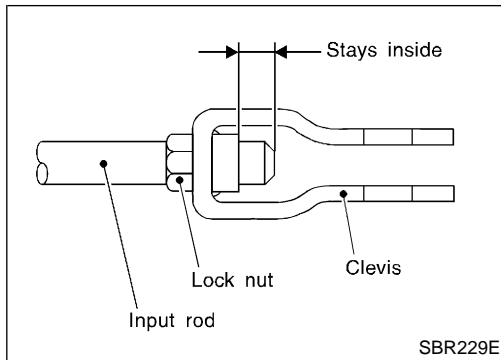
Under force of 490 N (50 kg, 110 lb) with engine running

A: Pedal free play at pedal pad

1.0 - 3.0 mm (0.039 - 0.118 in)

BRAKE PEDAL AND BRACKET

Adjustment (Cont'd)



1. Loosen lock nut and adjust pedal free height by turning brake booster input rod. Then tighten lock nut.
2. Check pedal free play.
Make sure that stop lamps go off when pedal is released.
3. Check brake pedal's depressed height while engine is running. If lower than specification, check brake system for leaks, accumulation of air or any damage to components (master cylinder, wheel cylinder, etc.); then make necessary repairs.

GI

MA

EM

LC

STOP LAMP SWITCH AND ASCD CANCEL SWITCH CLEARANCE

NIBR0017S02

1. Twist and pull to remove switch.
2. Pull up on brake pedal pad and hold.
3. Insert switch into retainer until switch plunger is completely depressed.
4. Turn the switch until it locks into place in the brake pedal bracket.
5. Release the brake pedal pad.

EC

FE

CL

NOTE:

When turning the switch to lock into place, the switch backs off the stopper to the correct clearance automatically.

MT

AT

AX

SU

BR

ST

RS

BT

HA

SC

EL

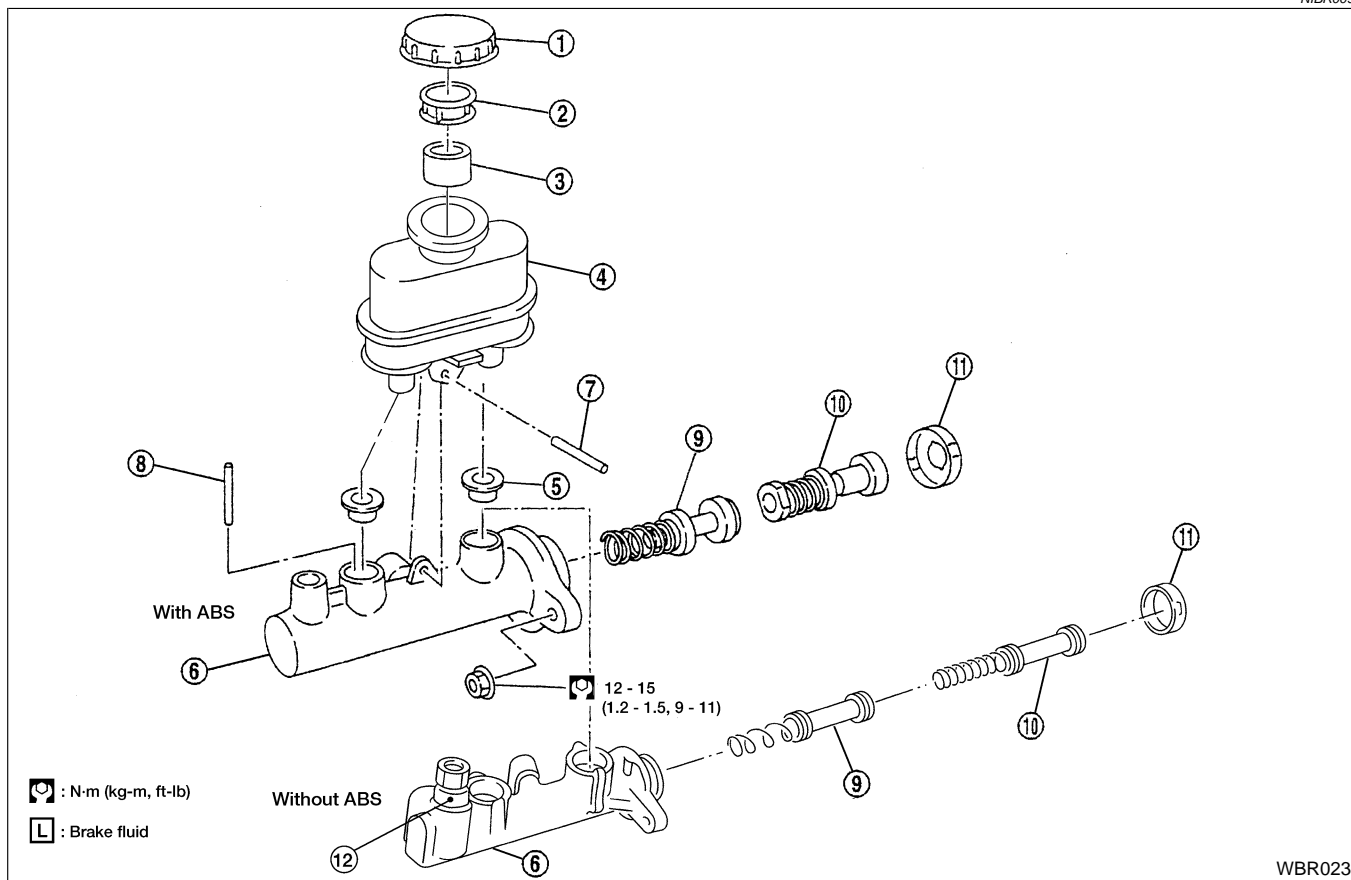
IDX

MASTER CYLINDER

Removal

Removal

NIBR0095



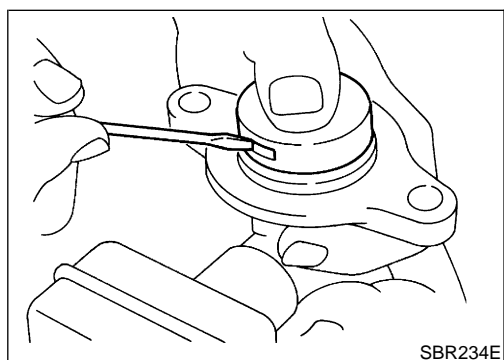
WBR023

- | | | |
|-------------------|----------------------------------|---------------------------------------|
| 1. Reservoir cap | 5. Seal | 9. Secondary piston assembly |
| 2. Oil filter | 6. Cylinder body | 10. Primary piston assembly |
| 3. Float | 7. Spring pin (with ABS) | 11. Stopper cap |
| 4. Reservoir tank | 8. Piston stopper pin (with ABS) | 12. Proportioning valve (without ABS) |

CAUTION:

Be careful not to splash brake fluid on painted areas; it may cause paint damage. If brake fluid is splashed on painted areas, wash it away with water immediately.

1. Connect a vinyl tube to air bleeder valve.
2. Drain brake fluid from each air bleeder valve, depressing brake pedal to empty fluid from master cylinder.
3. Remove brake lines' flare nuts.
4. Remove master cylinder mounting nuts.



SBR234E

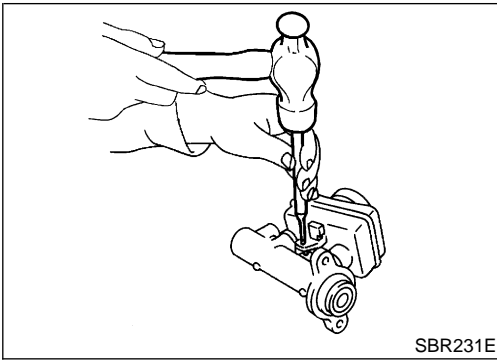
Disassembly

NIBR0096

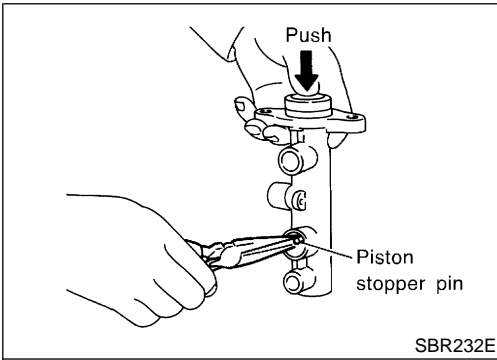
1. Bend claws of stopper cap outward and remove stopper cap.

MASTER CYLINDER

Disassembly (Cont'd)



2. Drive out spring pin from cylinder body (with ABS).
3. Draw out reservoir tank and seals.



4. Remove piston stopper pin while piston is pushed into cylinder (with ABS).
5. Remove piston assemblies.
If it is difficult to remove secondary piston assembly, gradually apply compressed air through fluid outlet.

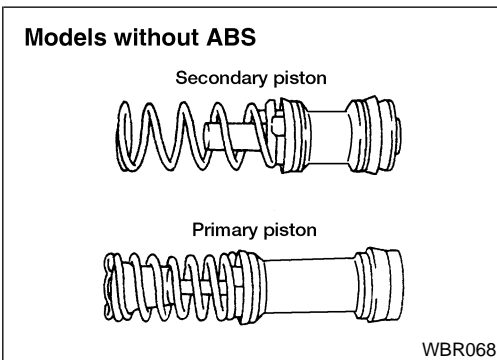
Inspection

Check for the following items.
Replace any part if damaged.
Master cylinder:

- Pin holes or scratches on inner wall.

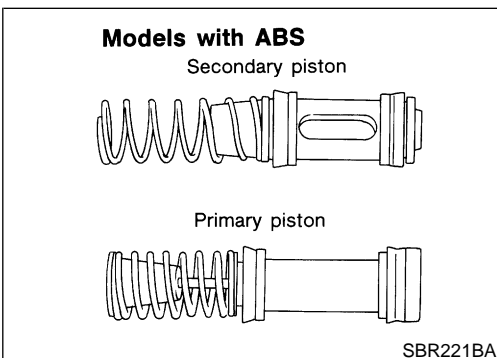
Piston:

- Deformation of or scratches on piston cups.



Assembly

1. Insert secondary piston assembly. Then insert primary piston assembly.
- **Pay attention to alignment of secondary piston slit with valve stopper mounting hole of cylinder body (with ABS).**



GI

MA

EM

LC

EC

FE

CL

MT

NIBR0097

AT

AX

SU

BR

NIBR0098

ST

RS

BT

HA

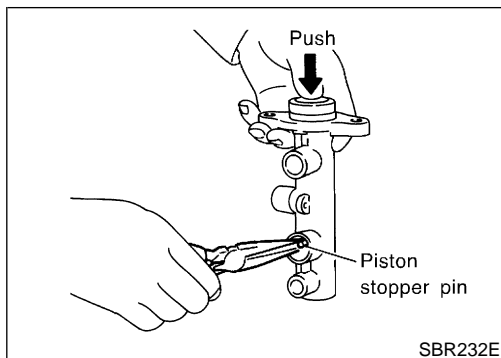
SC

EL

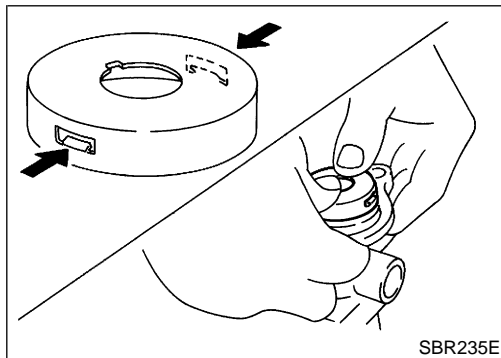
IDX

MASTER CYLINDER

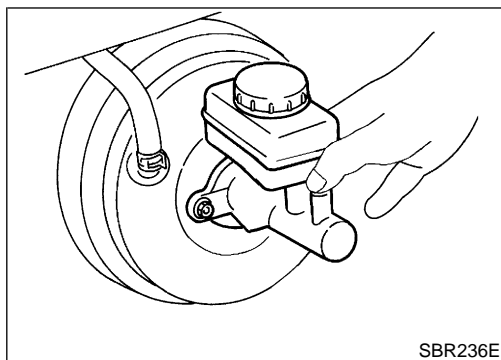
Assembly (Cont'd)



2. Install piston stopper pin while piston is pushed into cylinder (with ABS).
3. Push reservoir tank seals and reservoir tank into cylinder body.
4. Install spring pin (with ABS).



5. Install stopper cap.
Before installing stopper cap, ensure that claws are bent inward.

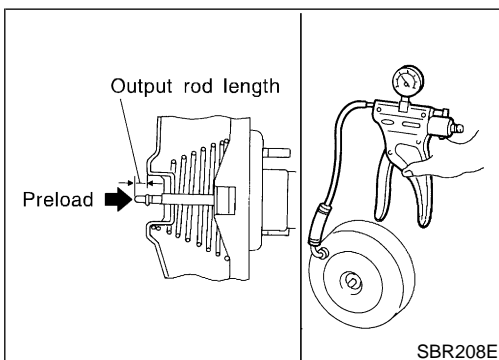
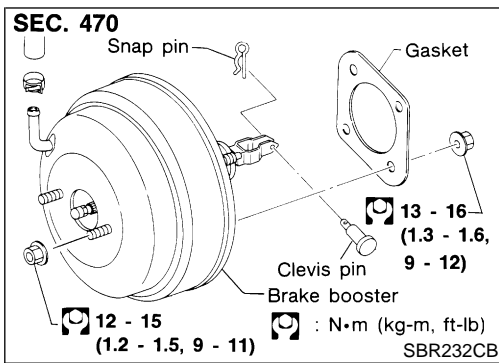
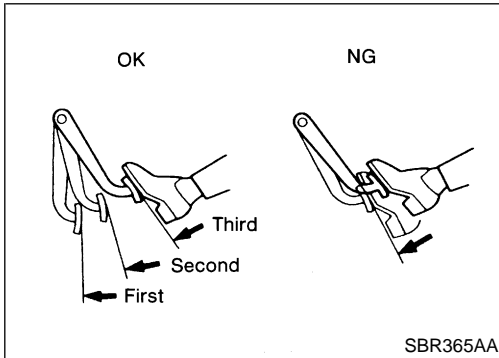
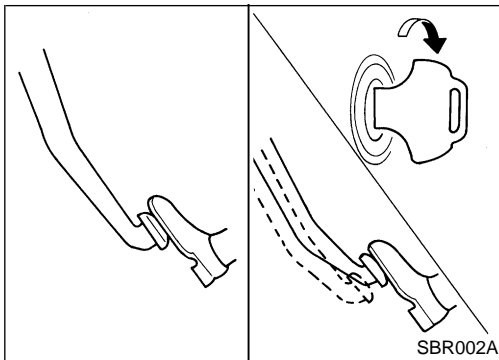


Installation

NIBR0099

CAUTION:

- Refill with new brake fluid "DOT 3".
 - Never reuse drained brake fluid.
1. Place master cylinder onto brake booster and secure mounting nuts lightly.
 2. Torque mounting nuts.
⚙️ : 12 - 15 N·m (1.2 - 1.5 kg-m, 9 - 11 ft-lb)
 3. Fill reservoir tank with new brake fluid "DOT 3".
 4. Plug all ports on master cylinder with fingers to prevent air suction while releasing brake pedal.
 5. Have driver depress brake pedal slowly several times until no air comes out of master cylinder.
 6. Fit brake lines to master cylinder.
 7. Tighten flare nuts.
⚙️ : 15 - 18 N·m (1.5 - 1.8 kg-m, 11 - 13 ft-lb)
 8. Bleed air from brake system. Refer to "Bleeding Brake System", BR-8.



On-vehicle Service

OPERATING CHECK

NIBR0023

NIBR0023S01

1. Stop engine and depress brake pedal several times. Check that pedal stroke does not change.
2. Depress brake pedal, then start engine. If pedal goes down slightly, operation is normal.

AIRTIGHT CHECK

NIBR0023S02

1. Start engine, and stop it after one or two minutes. Depress brake pedal several times slowly. The pedal should go further down the first time, and then it should gradually rise thereafter.
2. Depress brake pedal while engine is running, and stop engine with pedal depressed. The pedal stroke should not change after holding pedal down for **30 seconds**.

Removal

NIBR0024

CAUTION:

- Be careful not to splash brake fluid on painted areas; it may cause paint damage. If brake fluid is splashed on painted areas, wash it away with water immediately.
- Be careful not to deform or bend brake lines, during removal of booster.

Inspection

NIBR0025

OUTPUT ROD LENGTH CHECK

NIBR0025S01

1. Apply vacuum of -66.7 kPa (-500 mmHg , -19.69 inHg) to brake booster with a handy vacuum pump.
2. Add preload of 19.6 N (2 kg , 4.4 lb) to output rod.
3. Check output rod length.

Specified length:

10.275 - 10.525 mm (0.4045 - 0.4144 in)

GI

MA

EM

LC

EC

FE

CL

MT

AT

AX

SU

BR

ST

RS

BT

HA

SC

EL

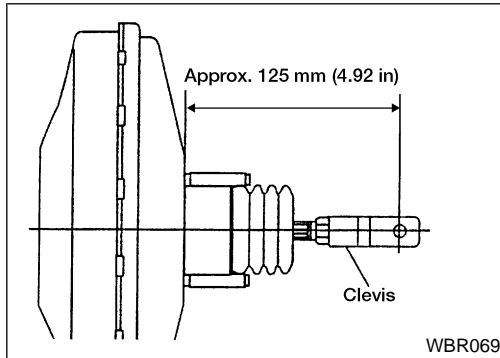
IDX

BRAKE BOOSTER

Installation


CAUTION:

- Be careful not to deform or bend brake lines, during installation of booster.
- Replace clevis pin if damaged.
- Refill with new brake fluid "DOT 3".
- Never reuse drained brake fluid.
- Take care not to damage brake booster mounting bolt thread when installing. Due to the acute angle of installation, the threads can be damaged with the dash panel.



1. Before fitting booster, temporarily adjust clevis to dimension shown.
2. Fit booster, then secure mounting nuts (brake pedal bracket to master cylinder) lightly.
3. Connect brake pedal and booster input rod with clevis pin.
4. Secure mounting nuts.

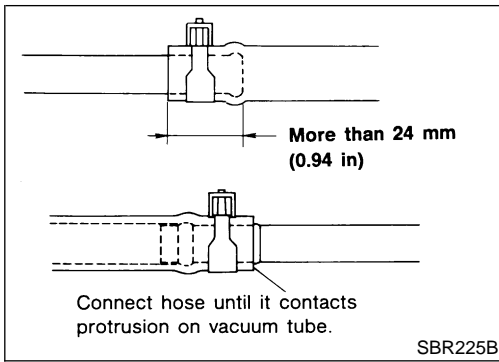
Specification:

 : 13 - 16 N·m (1.3 - 1.6 kg-m, 9 - 12 ft-lb)

5. Install master cylinder. Refer to "Installation" in "MASTER CYLINDER", BR-16.
6. Adjust brake pedal height. Refer to "Adjustment", BR-12.
7. Bleed air. Refer to "Bleeding Brake System", BR-8.

VACUUM HOSE

Removal and Installation



Removal and Installation

NIBR0027

CAUTION:

When installing vacuum hoses, pay attention to the following points.

- Do not apply any oil or lubricants to vacuum hose with check valve.
- Insert vacuum tube into vacuum hose as shown.
- Install vacuum hose with internal check valve, paying attention to its direction.

GI

MA

EM

LC

Inspection

NIBR0028

HOSES AND CONNECTORS

NIBR0028S01

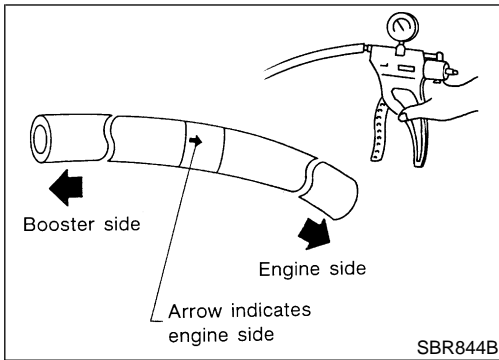
Check vacuum lines and connections for airtightness, improper attachment chafing and deterioration.

EC

FE

CL

MT



CHECK VALVE

NIBR0028S02

Check vacuum with a vacuum pump.

Connect to booster side	Vacuum should exist.
Connect to engine side	Vacuum should not exist.

AT

AX

SU

BR

ST

RS

BT

HA

SC

EL

IDX

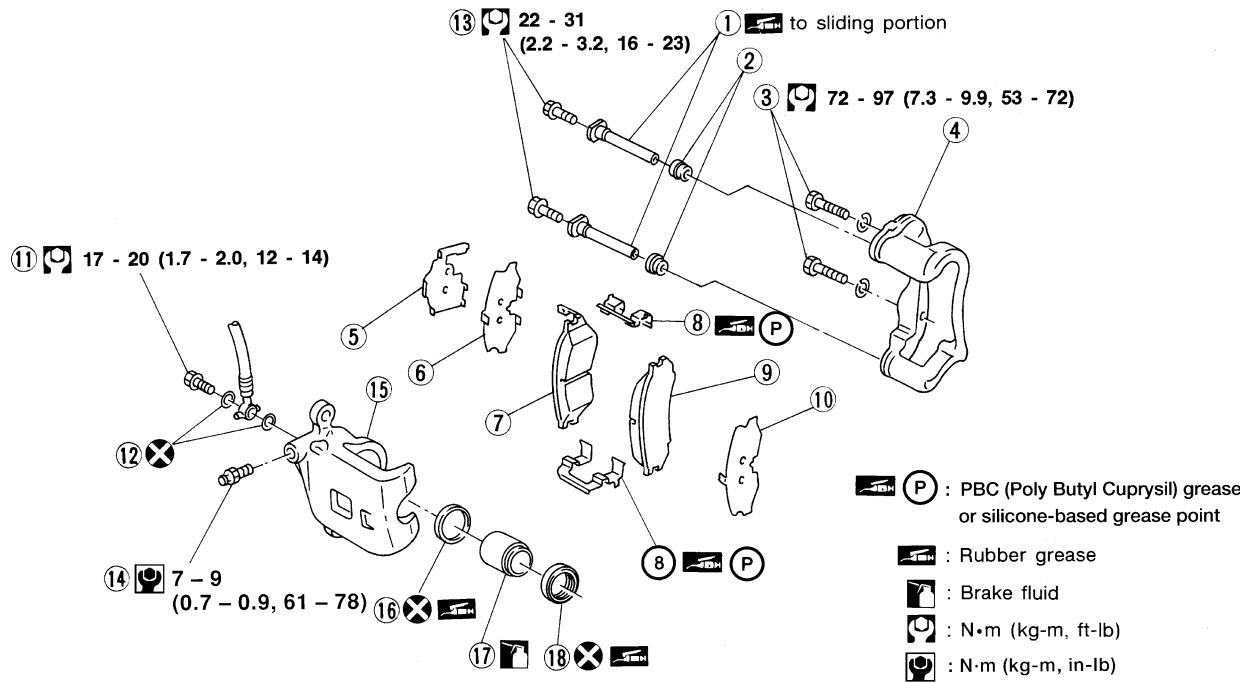
FRONT DISC BRAKE

Component

Component

NIBR0030

SEC. 440



ABR556

- | | | |
|------------------------------|---------------------|-----------------------|
| 1. Main pin | 7. Inner pad | 13. Main pin bolt |
| 2. Pin boot | 8. Pad retainer | 14. Air bleeder valve |
| 3. Torque member fixing bolt | 9. Outer pad | 15. Cylinder body |
| 4. Torque member | 10. Outer shim | 16. Piston seal |
| 5. Shim cover | 11. Connecting bolt | 17. Piston |
| 6. Inner shim | 12. Copper washer | 18. Piston boot |

Pad Replacement

NIBR0029

WARNING:

Clean brake pads with a vacuum dust collector to minimize the hazard of airborne particles or other materials.

CAUTION:

- When cylinder body is open, do not depress brake pedal because piston will pop out.
- Be careful not to damage piston boot or get oil on rotor. Always replace shims when replacing pads.
- If shims are rusted or show peeling of the rubber coat, replace them with new shims.

BR-20

FRONT DISC BRAKE

Pad Replacement (Cont'd)

- It is not necessary to remove connecting bolt except for disassembly or replacement of caliper assembly. In this case, suspend cylinder body with wire so as not to stretch brake hose.
- Burnish the brake contact surfaces after refinishing or replacing drums or rotors, after replacing pads or linings, or if a soft pedal occurs at very low mileage. Refer to "Brake Burnishing Procedure", BR-7.

GI

MA

EM

LC

EC

FE

CL

1. Remove master cylinder reservoir cap.
2. Remove pin bolt.
3. Open cylinder body upward. Then remove pad with retainers, inner and outer shims.

Standard pad thickness (CL25VA, CL25VB):

11 mm (0.43 in)

Pad wear limit (CL25VA, CL25VB):

2.0 mm (0.079 in)

Carefully monitor brake fluid level because brake fluid will return to reservoir when pushing back piston.

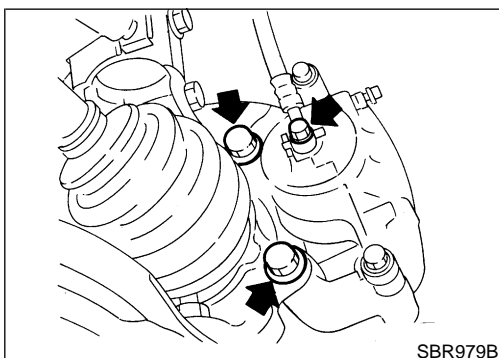
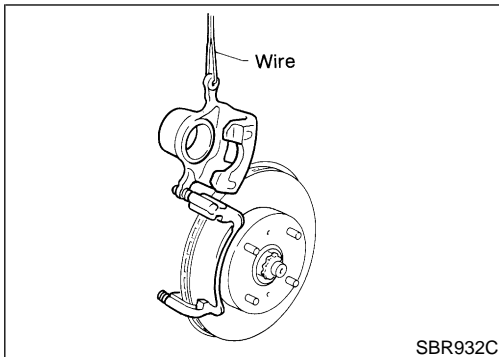
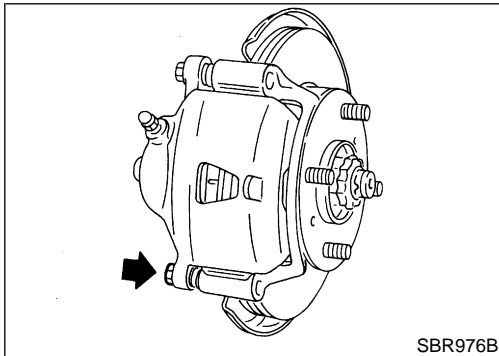
MT

AT

AX

SU

BR



Removal

WARNING:

Clean brake pads with a vacuum dust collector to minimize the hazard of airborne particles or other materials.

Remove torque member fixing bolts and brake hose connecting bolt.

It is not necessary to remove brake hose connecting bolt except for disassembly or replacement of caliper assembly. In this case, suspend caliper assembly with wire so as not to stretch brake hose.

NIBR0031

ST

RS

BT

HA

Disassembly

WARNING:

Do not place your fingers in front of piston.

CAUTION:

Do not scratch or score cylinder wall.

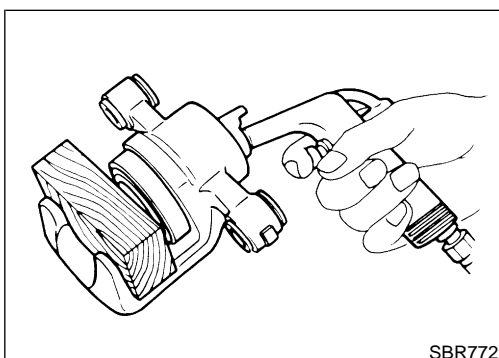
1. Push out piston with piston boot with compressed air.
2. Remove piston seal with a suitable tool.

NIBR0032

SC

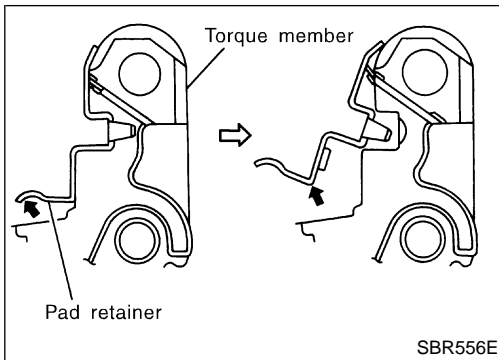
EL

IDX



FRONT DISC BRAKE

Disassembly (Cont'd)



CAUTION:

When removing the pad retainer from the torque member, lift it up and out in the direction of the arrows in the figure.

Inspection

CALIPER

NIBR0033

Cylinder Body

NIBR0033S01

NIBR0033S0101

- Check inside surface of cylinder for score, rust, wear, damage or presence of foreign materials. If any of the above conditions are observed, replace cylinder body.
- Minor damage from rust or foreign materials may be eliminated by polishing surface with a fine emery paper. Replace cylinder body if necessary.

CAUTION:

Use brake fluid to clean. Never use mineral oil.

Piston

NIBR0033S0102

CAUTION:

Piston sliding surface is plated. Do not polish with emery paper even if rust or foreign materials are stuck to sliding surface.

Check piston for score, rust, wear, damage or presence of foreign materials. Replace if any of the above conditions are observed.

Slide Pin, Pin Bolt and Pin Boot

NIBR0033S0103

Check for wear, cracks or other damage. Replace if any of the above conditions are observed.

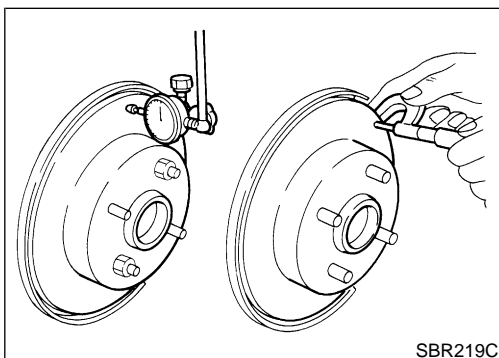
ROTOR

NIBR0033S02

Rubbing Surface

NIBR0033S0201

Check rotor for roughness, cracks or chips.



Runout

NIBR0033S0202

1. Secure rotor to wheel hub with at least two nuts (M12 x 1.25).
2. Check runout using a dial indicator.

Make sure that wheel bearing axial end play is within the specifications before measuring. Refer to AX-4, "FRONT WHEEL BEARING".

Maximum runout:

0.07 mm (0.0028 in)

3. If the runout is out of specification, find minimum runout position as follows:
 - a. Remove nuts and rotor from wheel hub.

FRONT DISC BRAKE

Inspection (Cont'd)

- b. Shift the rotor one hole and secure rotor to wheel hub with nuts.
- c. Measure runout.
- d. Repeat steps a. to c. so that minimum runout position can be found.
4. If the runout is still out of specification, turn rotor with on-car brake lathe ("MAD, DL-8700", "AMMCO 700 and 705" or equivalent).

GI

MA

EM

LC

Thickness

Thickness variation (At least 8 positions):

Maximum 0.01 mm (0.0004 in)

NIBR0033S0203

EC

If thickness variation exceeds the specification, turn rotor with on-car brake lathe.

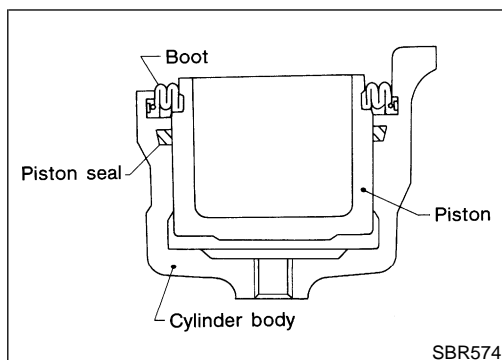
FE

Rotor repair limit:

20.0 mm (0.787 in)

CL

MT



Assembly

1. Insert piston seal into groove on cylinder body.
2. With piston boot fitted to piston, insert piston boot into groove on cylinder body and install piston.
3. Properly secure piston boot.

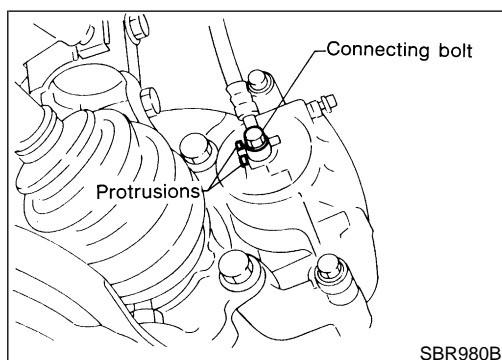
NIBR0034

AT

AX

SU

BR



Installation

CAUTION:

- Refill with new brake fluid "DOT 3".
 - Never reuse drained brake fluid.
1. Install brake hose to caliper securely.
 2. Install all parts and secure all bolts.
 3. Bleed air. Refer to "Bleeding Brake System", BR-8.

NIBR0035

ST

RS

BT

HA

SC

EL

IDX

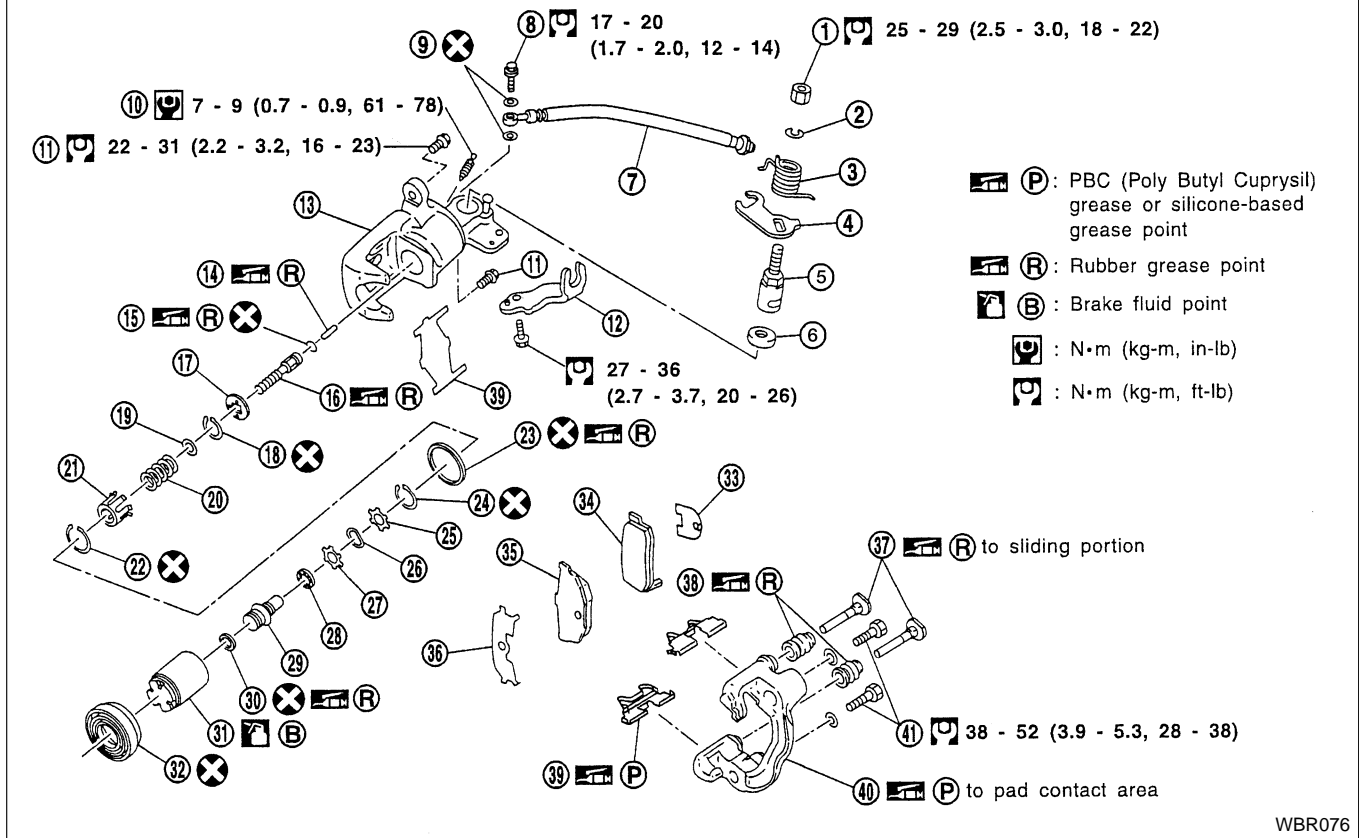
REAR DISC BRAKE

Component

Component

NIBR0038

SEC. 441



WBR076

- | | | |
|----------------------------|------------------|-------------------------------|
| 1. Nut | 15. O-ring | 29. Adjust nut |
| 2. Washer | 16. Push rod | 30. Cup |
| 3. Return spring | 17. Key plate | 31. Piston |
| 4. Parking brake lever | 18. Ring C | 32. Dust seal |
| 5. Cam | 19. Seat | 33. Inner shim |
| 6. Cam boot | 20. Spring | 34. Inner pad |
| 7. Brake hose | 21. Spring cover | 35. Outer pad |
| 8. Connecting bolt | 22. Ring B | 36. Outer shim |
| 9. Copper washer | 23. Piston seal | 37. Pin |
| 10. Air bleeder valve | 24. Ring A | 38. Pin boot |
| 11. Pin bolt | 25. Spacer | 39. Pad retainer |
| 12. Cable mounting bracket | 26. Wave washer | 40. Torque member |
| 13. Cylinder | 27. Spacer | 41. Torque member fixing bolt |
| 14. Strut | 28. Ball bearing | |

Pad Replacement

NIBR0037

WARNING:

Clean brake pads with a vacuum dust collector to minimize the hazard of airborne particles or other materials.

CAUTION:

- When cylinder body is open, do not depress brake pedal because piston will pop out.
- Be careful not to damage piston boot or get oil on rotor. Always replace shims in replacing pads.
- If shims are rusted or show peeling of rubber coat, replace them with new shims.

REAR DISC BRAKE

Pad Replacement (Cont'd)

- It is not necessary to remove connecting bolt except for disassembly or replacement of caliper assembly. In this case, suspend cylinder body with wire so as not to stretch brake hose.
- Burnish the brake contact surfaces after refinishing or replacing drums or rotors, after replacing pads or linings, or if a soft pedal occurs at very low mileage. Refer to "Brake Burnishing Procedure", "ON-VEHICLE SERVICE", BR-7.

GI

MA

EM

LC

EC

FE

CL

MT

AT

AX

SU

BR

ST

RS

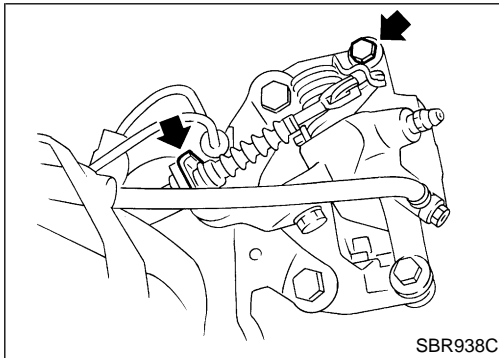
BT

HA

SC

EL

IDX



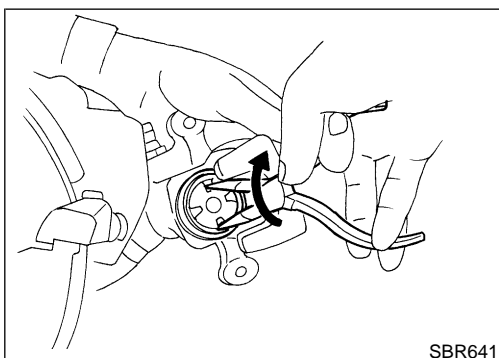
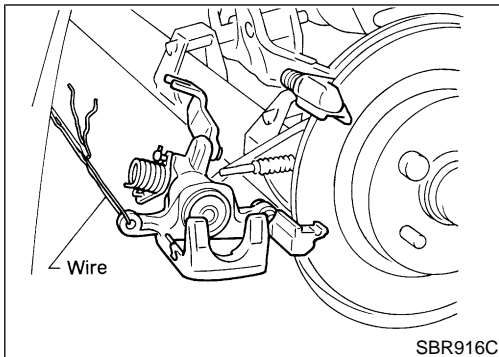
1. Remove master cylinder reservoir cap.
2. Remove brake cable mounting bolt and lock spring.
3. Release parking brake control lever, then disconnect cable from the caliper.
4. Remove upper pin bolt.
5. Open cylinder body downward. Then remove pad retainers, and inner and outer shims.

Standard pad thickness:

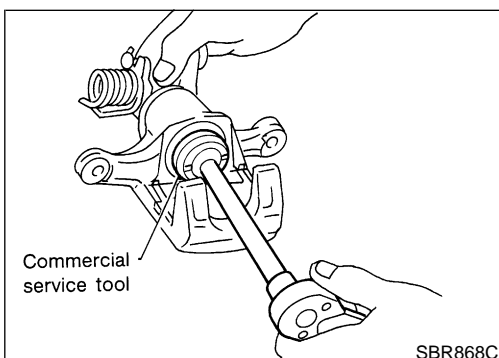
10 mm (0.39 in)

Pad wear limit:

2.0 mm (0.079 in)

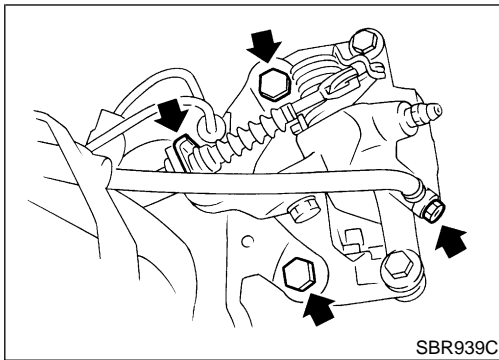
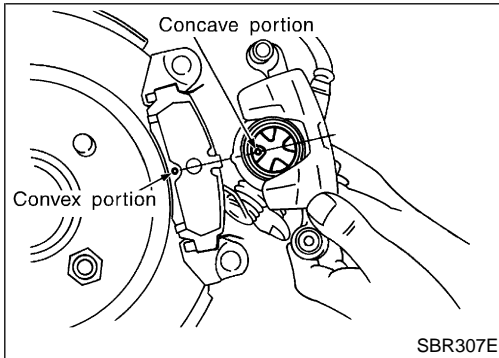
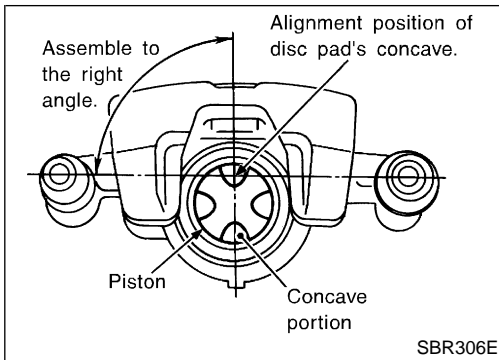


6. When installing new pads, push piston into cylinder body by gently turning piston clockwise, as shown. **Carefully monitor brake fluid level because brake fluid will return to reservoir when pushing back piston.**



REAR DISC BRAKE

Pad Replacement (Cont'd)



7. Adjust the piston to the right angle as shown in the figure.

8. As shown in the figure, align the piston's concave to the pad's convex, then install the cylinder body to the torque member.

Removal

NIBR0039

WARNING:

Clean brake pads with a vacuum dust collector to minimize the hazard of airborne particles or other materials.

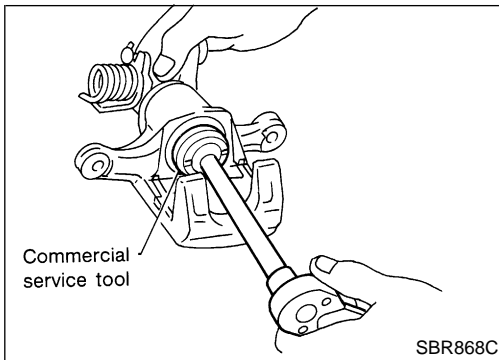
1. Remove brake cable mounting bolt and lock spring.
2. Release parking brake control lever, then disconnect cable from the caliper.
3. Remove torque member fixing bolts and brake hose connecting bolt.

It is not necessary to remove brake hose connecting bolt except for disassembly or replacement of caliper assembly. In this case, suspend caliper assembly with wire so as not to stretch brake hose.

4. Remove caliper assembly.

REAR DISC BRAKE

Disassembly



Disassembly

1. Remove piston by turning it counterclockwise with suitable commercial service tool or long nose pliers. ^{NIBR0040}

GI

MA

EM

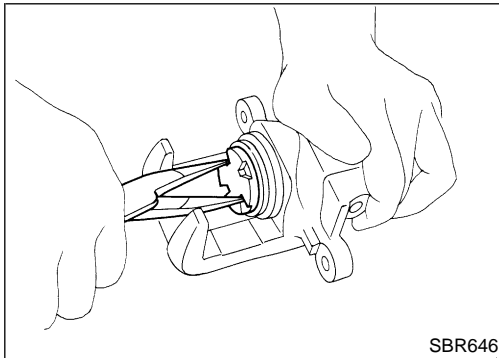
LC

EC

FE

CL

MT

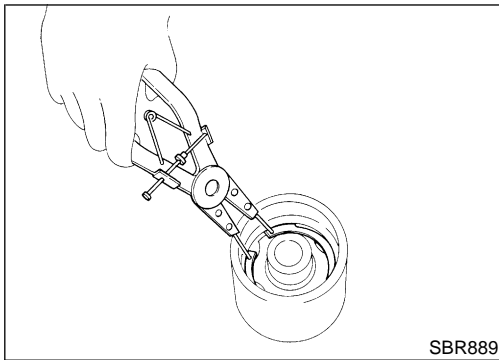


2. Pry off ring A from piston with suitable pliers and remove cup, adjuster, bearing, spacers, and washer.

AT

AX

SU



BR

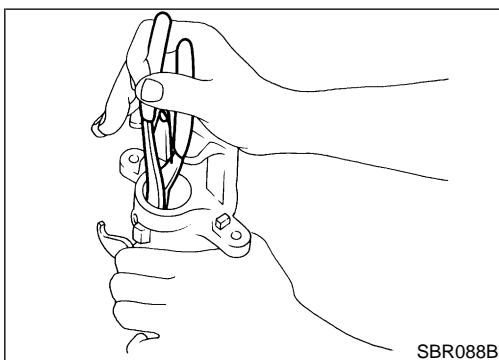
3. Disassemble cylinder body.
 - a. Pry off ring B with suitable pliers, then remove spring cover, spring and seat.
 - b. Pry off ring C, then remove key plate, push rod and rod.

ST

RS

BT

HA

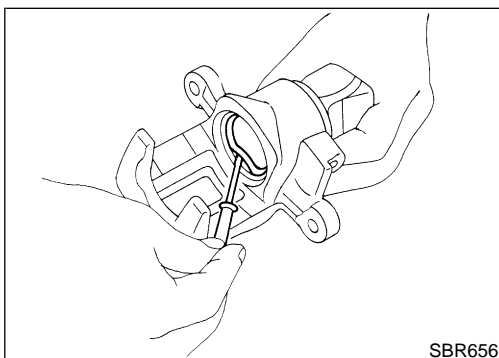


- c. Remove piston seal with a suitable tool. **Be careful not to damage cylinder body.**

SC

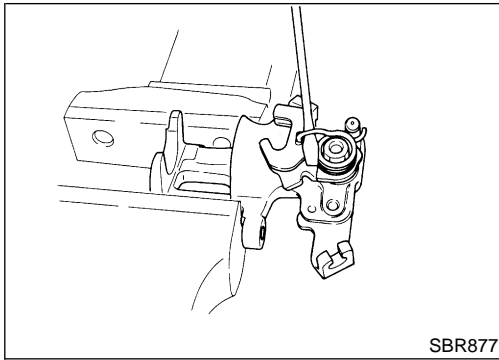
EL

IDX



REAR DISC BRAKE

Disassembly (Cont'd)



4. Remove return spring, toggle lever and cable guide.

Inspection

CALIPER

NIBR0041

CAUTION:

NIBR0041S01

Use brake fluid to clean cylinder. Never use mineral oil.

Cylinder Body

NIBR0041S0101

- Check inside surface of cylinder for score, rust, wear, damage or presence of foreign materials. If any of the above conditions are observed, replace cylinder body.
- Minor damage from rust or foreign materials may be eliminated by polishing surface with a fine emery paper. Replace cylinder body if necessary.

Torque Member

NIBR0041S0102

Check for wear, cracks or other damage. Replace if necessary.

Piston

NIBR0041S0103

CAUTION:

Piston sliding surface is plated. Do not polish with emery paper even if rust or foreign matter is stuck to sliding surface.

Check piston for score, rust, wear, damage or presence of foreign materials.

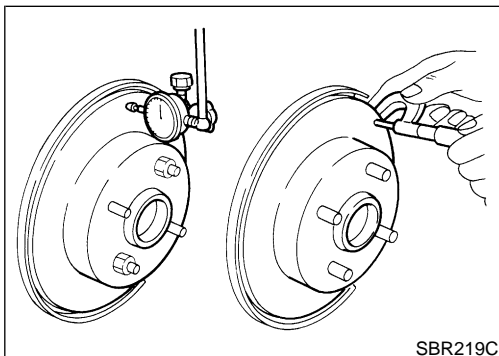
Replace if any of the above conditions are observed.

Pin and Pin Boot

NIBR0041S0104

Check for wear, cracks or other damage.

Replace if any of the above conditions are observed.



ROTOR

NIBR0041S02

Rubbing Surface

NIBR0041S0201

Check rotor for roughness, cracks or chips.

Runout

NIBR0041S0202

1. Secure rotor to wheel hub with two nuts (M12 x 1.25).
2. Check runout using a dial indicator.

Make sure that axial end play is within the specifications before measuring. Refer to AX-22, "REAR WHEEL BEARING".

3. Change relative positions of rotor and wheel hub so that runout is minimized.

REAR DISC BRAKE

Inspection (Cont'd)

Maximum runout:
0.07 mm (0.0028 in)

Thickness

Rotor repair limit:
Standard thickness
9 mm (0.354 in)
Minimum thickness
8 mm (0.315 in)

Thickness variation (At least 8 portions)
Maximum 0.02 mm (0.0008 in)

NIBR0041S0203

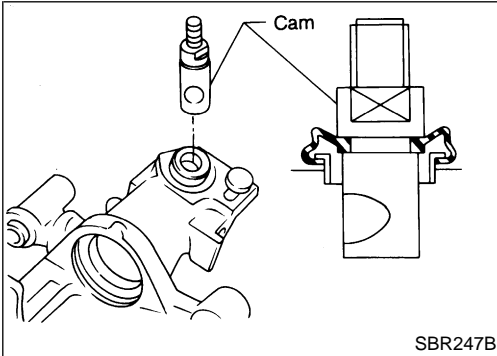
GI
 MA
 EM
 LC

Assembly

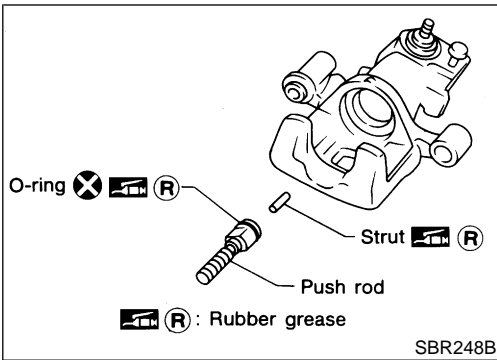
1. Insert cam with depression facing towards open end of cylinder.

NIBR0042

EC
 FE
 CL

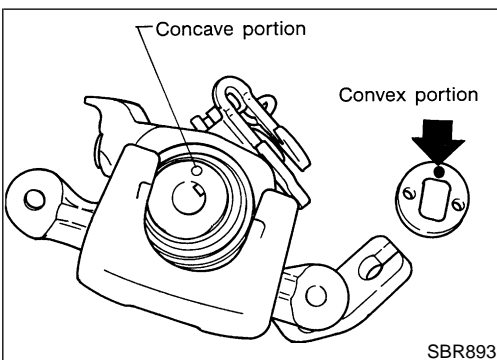


2. Generously apply rubber grease to strut and push rod to make insertion easy.



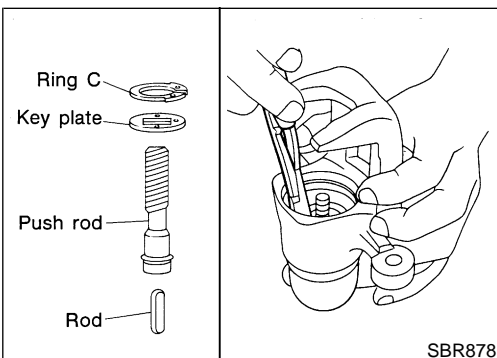
MT
 AT
 AX
 SU

3. Fit push rod into square hole in key plate. Also match convex portion of key plate with concave portion of cylinder.



BR
 ST
 RS
 BT
 HA

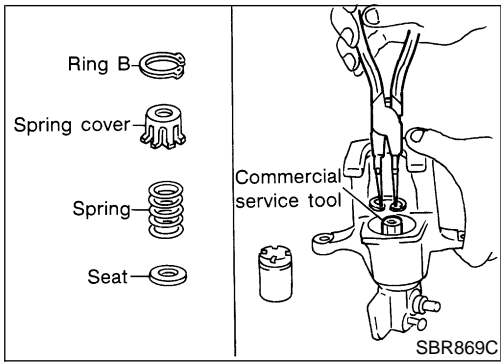
4. Install ring C with a suitable tool.



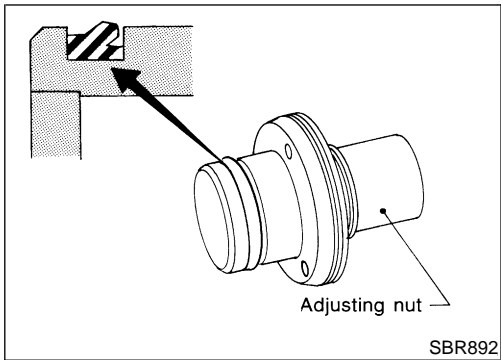
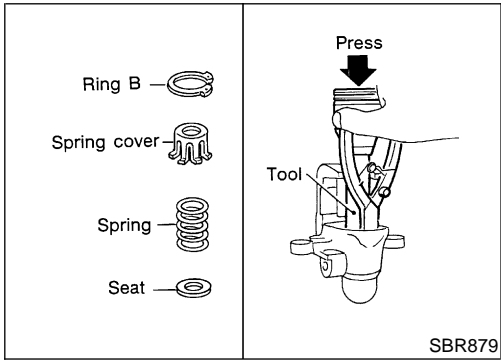
SC
 EL
 IDX

REAR DISC BRAKE

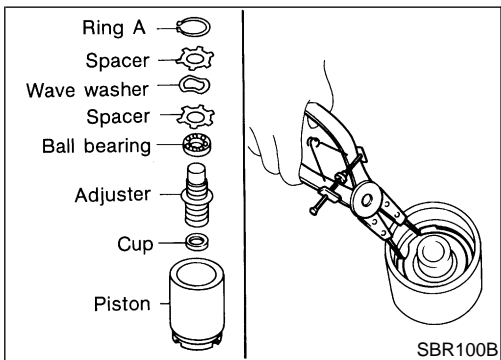
Assembly (Cont'd)



5. Install seat, spring, spring cover and ring B with suitable press and drift.



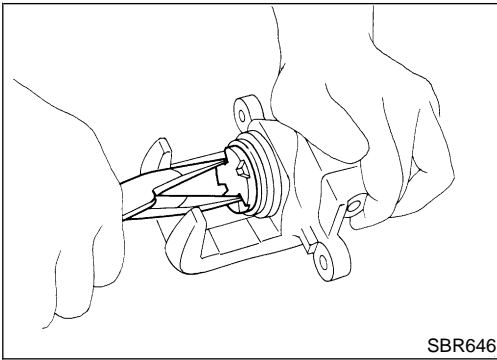
6. Install cup in the specified direction.



7. Install cup, adjuster, bearing, spacers, washer and ring A with a suitable tool.

REAR DISC BRAKE

Assembly (Cont'd)



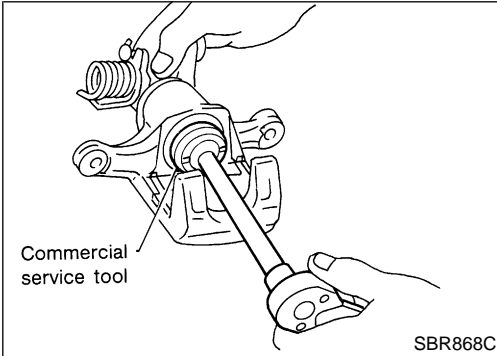
8. Insert piston seal into groove on cylinder body.
9. With piston boot fitted to piston, insert piston boot into groove on cylinder body and fit piston by turning it clockwise with long nose pliers, or suitable tool.

GI

MA

EM

LC

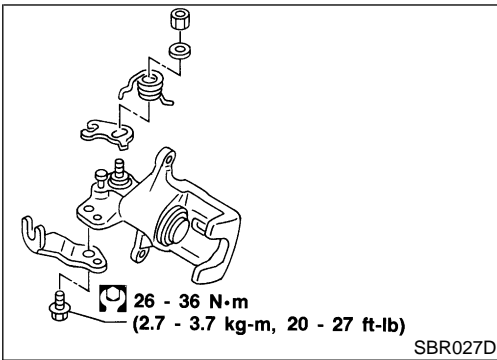


EC

FE

CL

MT



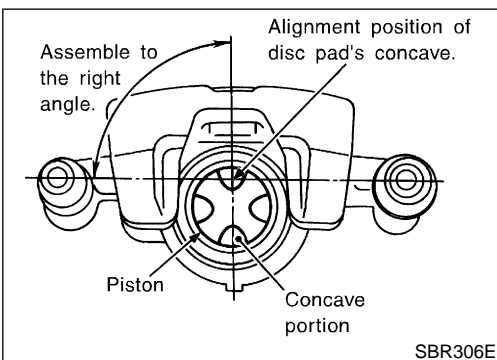
10. Fit toggle lever, return spring and cable guide.

AT

AX

SU

BR



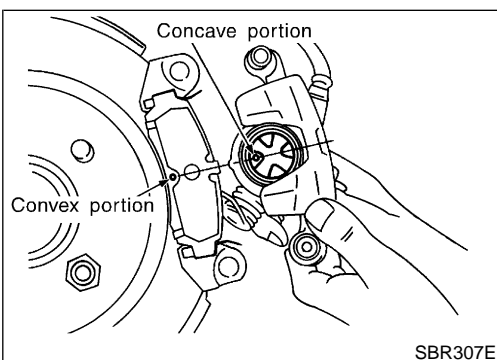
11. Adjust the piston to the right angle as shown in the figure.

ST

RS

BT

HA



Installation

NIBR0043

CAUTION:

- Refill with new brake fluid "DOT 3".
- Never reuse drained brake fluid.

EL

1. Install caliper assembly.
- As shown in the figure, align the piston's concave to the pad's convex, then install the cylinder body to the torque member.
2. Install brake hose to caliper securely.
3. Install all parts and secure all bolts.
4. Bleed air. Refer to "Bleeding Brake System", BR-8.

IDX

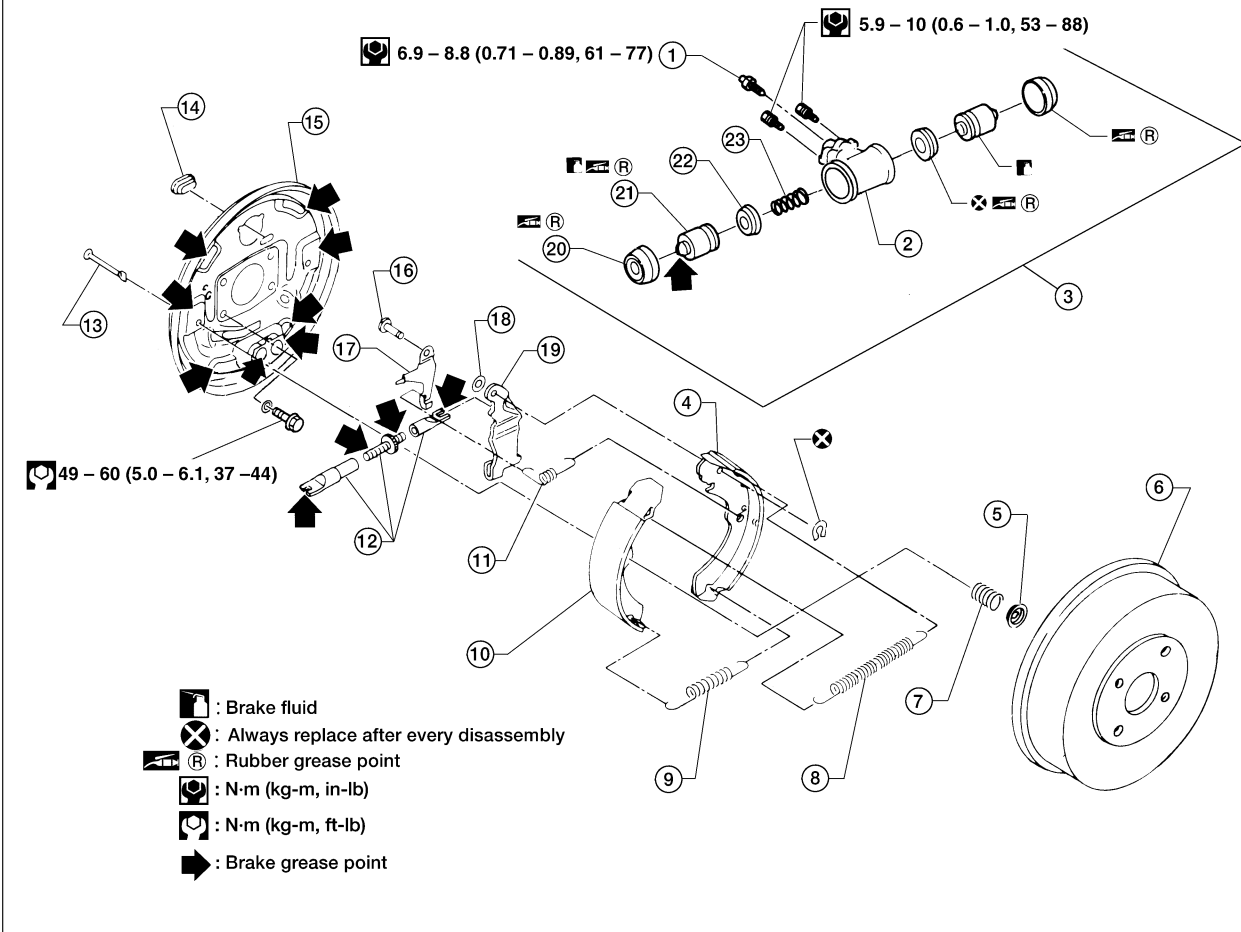
REAR DRUM BRAKE

Components

Components

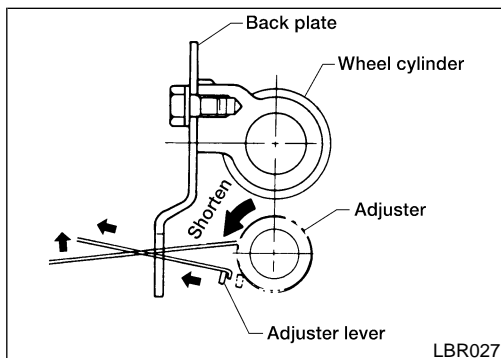
NIBR0100

SEC. 441



LBR024

- | | | |
|--------------------------|------------------------|---------------------|
| 1. Air bleeder valve | 9. Return spring | 17. Adjusting lever |
| 2. Cylinder body | 10. Shoe | 18. Washer |
| 3. Wheel cylinder | 11. Adjuster spring | 19. Toggle lever |
| 4. Shoe | 12. Adjuster | 20. Dust cover |
| 5. Retainer ring | 13. Shoe hold-down pin | 21. Piston |
| 6. Brake drum | 14. Adjuster plug | 22. Piston cap |
| 7. Shoe hold-down spring | 15. Back plate | 23. Spring |
| 8. Return spring | 16. Retainer | |



Removal

NIBR0101

WARNING:

Clean brake lining with a vacuum dust collector to minimize the hazard of airborne materials or other materials.

CAUTION:

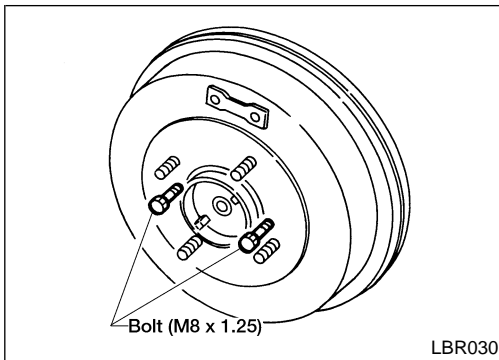
Make sure parking brake lever is completely released.

1. Release parking brake lever fully, then remove drum.
If drum is hard to remove, the following procedures should be carried out.
 - a. Remove adjuster plug. Shorten adjuster as shown to make clearance between brake shoe and drum.

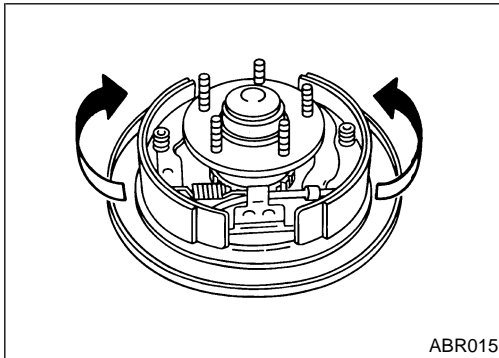
BR-32

REAR DRUM BRAKE

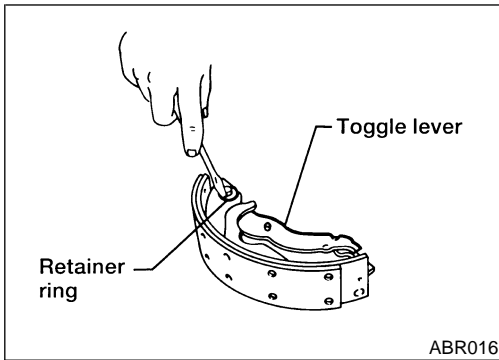
Removal (Cont'd)



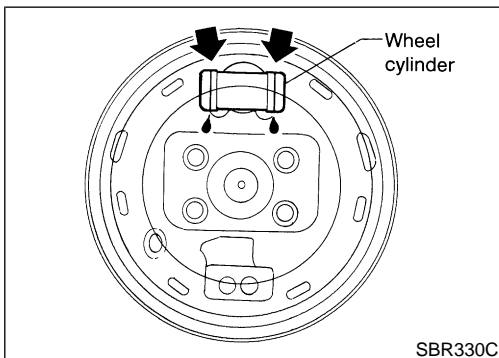
b. Install two bolts as shown. Tighten the two bolts gradually.



2. After removing retainer, remove spring by rotating shoes. **Be careful not to damage parking brake cable when separating it.**
3. Remove adjuster.
4. Disconnect parking brake cable from toggle lever.



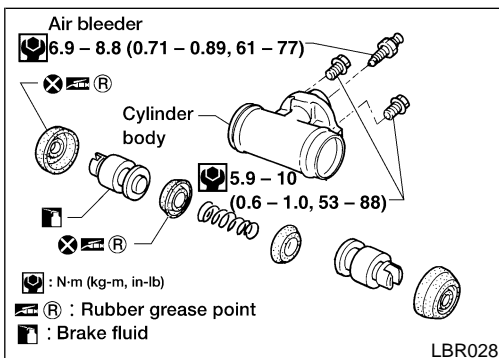
5. Remove retainer ring with a suitable tool. Then separate toggle lever and brake shoe.



Inspection

WHEEL CYLINDER

- Check wheel cylinder for leakage.
- Check for wear, damage and loose conditions. Replace if any such condition exists.



WHEEL CYLINDER OVERHAUL

- Check all internal parts for wear, rust and damage. Replace if necessary.
- Be careful not to scratch cylinder when installing pistons.

GI

MA

EM

LC

EC

FE

CL

MT

AT

AX

SU

BR

ST

RS

BT

HA

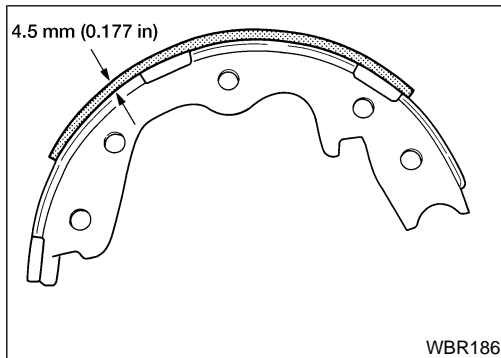
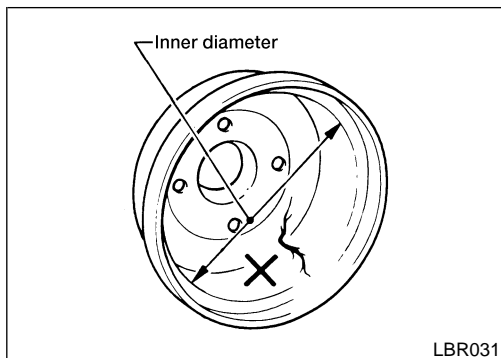
SC

EL

IDX

REAR DRUM BRAKE

Inspection (Cont'd)



DRUM

NIBR0102S03

Maximum inner diameter:

204.5 mm (8.05 in)

Out-of-roundness:

0.03 mm (0.0012 in) or less

- Contact surface should be fine finished with No. 120 to 150 emery paper.
- Using a drum lathe, resurface brake drum if it shows score, partial wear or stepped wear.
- After brake drum has been completely reconditioned or replaced, check drum and shoes for proper contact pattern.

LINING

NIBR0102S04

Check lining thickness.

Standard lining thickness:

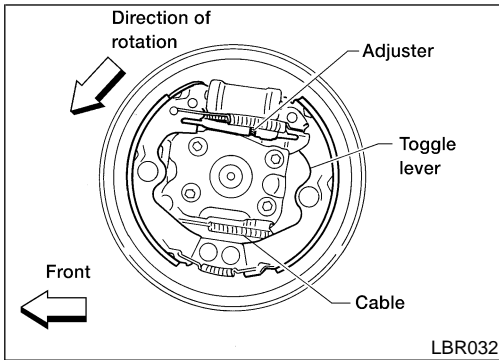
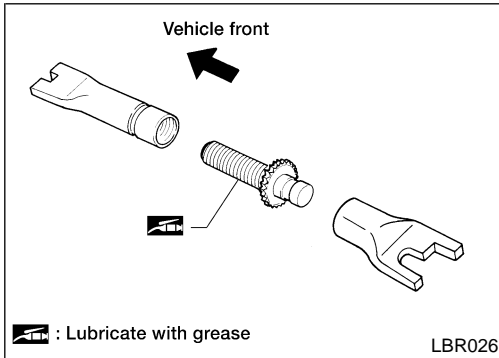
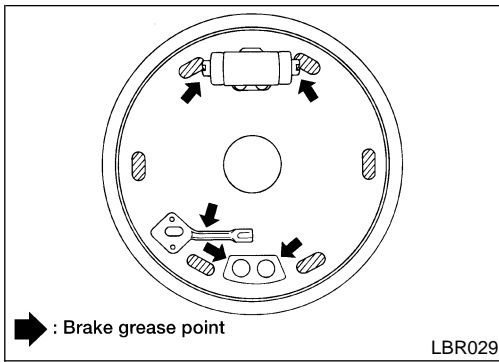
4.5 mm (0.177 in)

Lining wear limit:

1.5 mm (0.059 in)

REAR DRUM BRAKE

Installation



Installation

^{=NIBR0103}

- Always perform shoe clearance adjustment. Refer to “Adjustment”, BR-37.
 - Burnish the brake contact surfaces after refinishing or replacing drums, after replacing linings, or if a soft pedal occurs at very low mileage. Refer to “Brake Burnishing Procedure”, BR-7.
1. Fit toggle lever to brake shoe with retainer ring.
 2. Apply brake grease to the contact areas shown at left.
 3. Shorten adjuster by rotating it.
- Pay attention to direction of adjuster.

Wheel	Screw
Left	Left-hand thread
Right	Right-hand thread

4. Connect parking brake cable to toggle lever.
5. Install all parts.

Be careful not to damage wheel cylinder piston boots.

6. Check that all parts are installed properly.
- Pay attention to direction of adjuster assembly.**
7. Install brake drum.
 8. When installing new wheel cylinder or overhauling wheel cylinder, bleed air. Refer to “Bleeding Brake System”, BR-8.
 9. Adjust parking brake. Refer to “Adjustment”, BR-37.

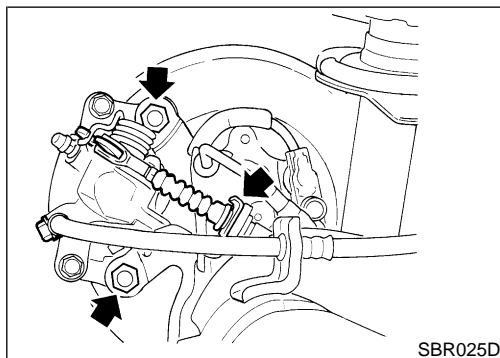
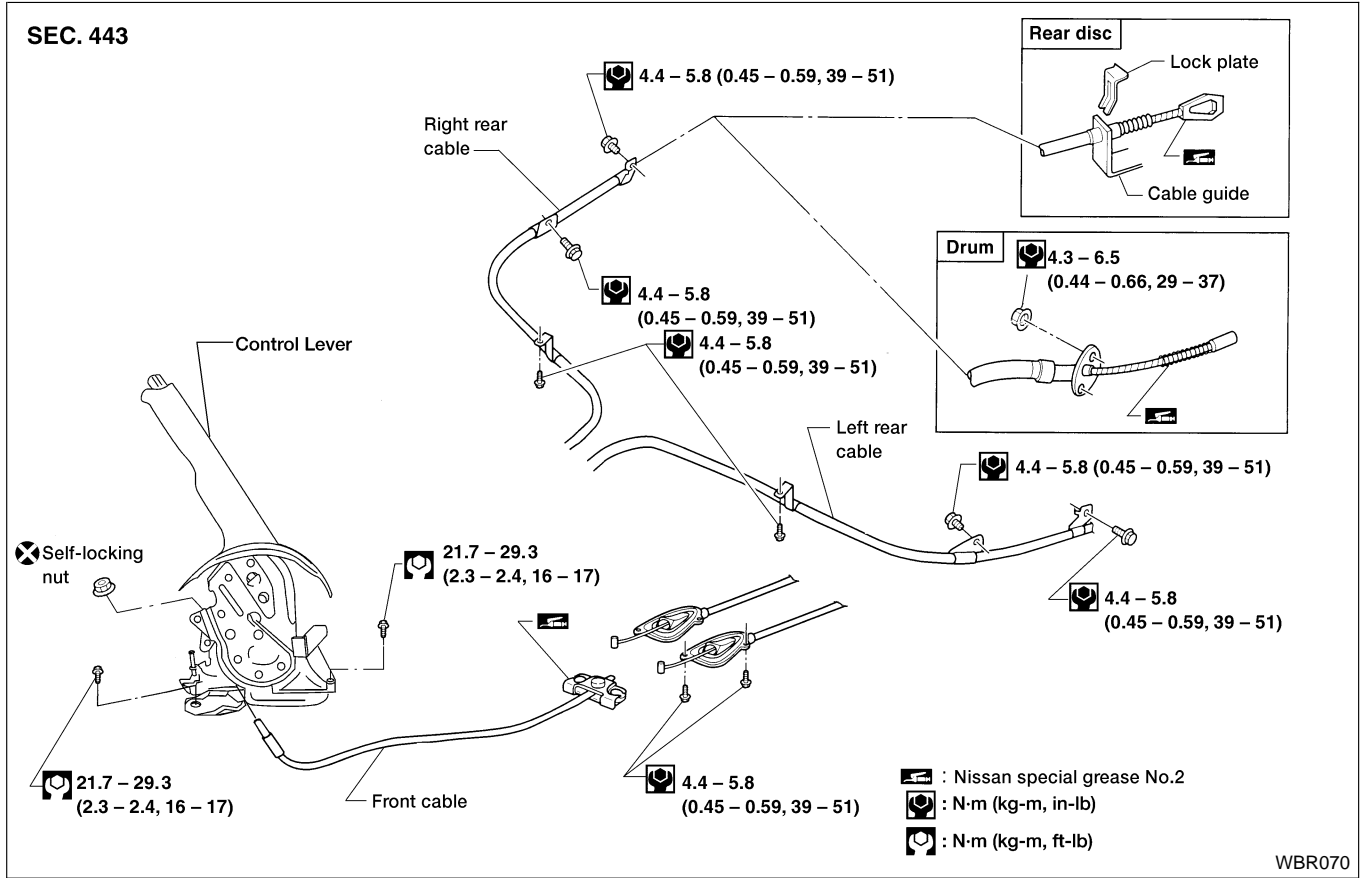
GI
MA
EM
LC
EC
FE
CL
MT
AT
AX
SU
BR
ST
RS
BT
HA
SC
EL
IDX

PARKING BRAKE CONTROL

Components

Components

NIBR0044



Removal and Installation

NIBR0045

1. Remove center console. Refer to **BT-21**, "Removal and Installation".
2. Disconnect the parking brake front cable.
3. Remove the control lever.
4. Remove bolts, slacken off and remove the front cable.
5. Remove lock plate and disconnect cable.
6. Remove the rear cables.

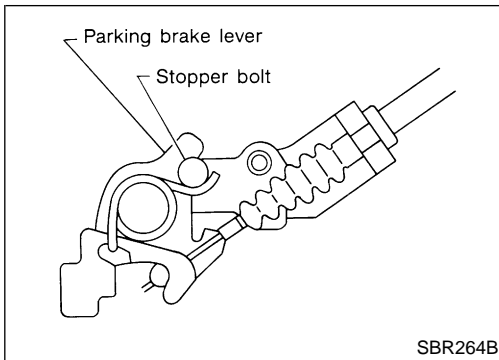
Inspection

NIBR0046

1. Check control lever or parking brake pedal assembly for wear or other damage. Replace if necessary.
2. Check cables for discontinuity or deterioration. Replace if necessary.
3. Check warning lamp and switch. Replace if necessary.
4. Check parts at each connecting portion and, if found deformed or damaged, replace.

PARKING BRAKE CONTROL

Adjustment



Adjustment

=NIBR0047

Pay attention to the following points after adjustment.

- 1) There is no drag when control lever is being released.
- 2) Be sure that toggle lever returns to stopper when parking brake lever is released.

1. Loosen parking brake cable.
2. Depress brake pedal fully more than five times.
3. Operate control lever 10 times or more with a full stroke [215.2 mm (8.47 in)].
4. Adjust control lever by turning adjusting nut.
5. Pull control lever with specified amount of force. Check lever stroke and ensure smooth operation.

Number of notches:

6 - 7 [196 N (20 kg, 44 lb)]

6. Bend warning lamp switch plate. Warning lamp should come on when lever is pulled or depressed one notch. It should go off when the lever is fully released.

GI

MA

EM

LC

EC

FE

CL

MT

AT

AX

SU

BR

ST

RS

BT

HA

SC

EL

IDX

Purpose

Purpose

NIBR0104

The Anti-Lock Brake System (ABS) consists of electronic and hydraulic components. It allows for control of braking force so locking of the wheels can be avoided.

- 1) Improves proper tracking performance through steering wheel operation.
- 2) Eases obstacle avoidance through steering wheel operation.
- 3) Improves vehicle stability.

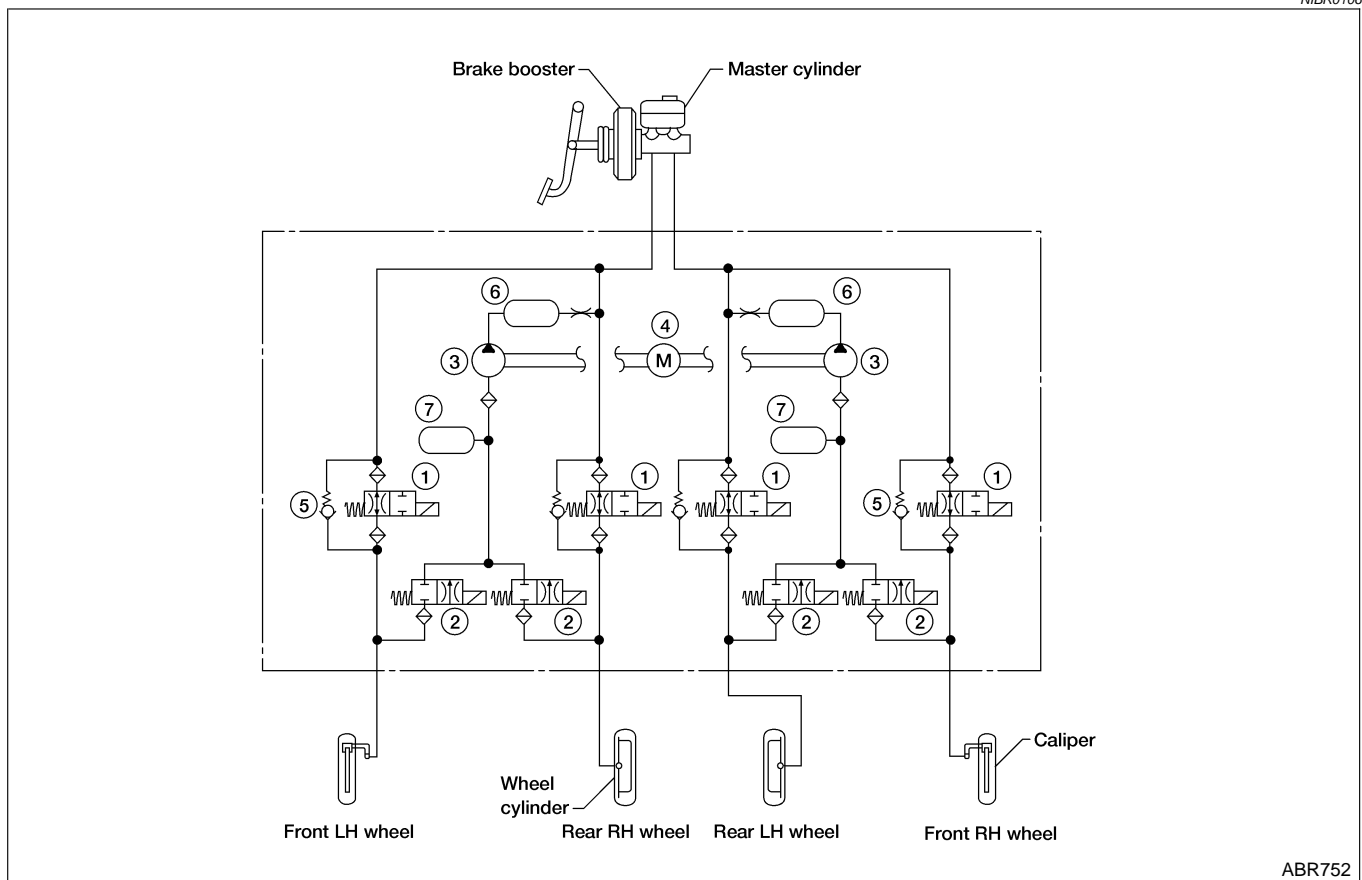
Operation

NIBR0105

- When the vehicle speed is less than 10 km/h (6 MPH) this system does not work.
- The Anti-Lock Brake System (ABS) has a self-test function. The system turns on the ABS warning lamp for 1 second each time the ignition switch is turned "ON". After the engine is started, the ABS warning lamp turns off. The system performs a test the first time the vehicle reaches 6 km/h (4 MPH). A mechanical noise may be heard as the ABS performs this self-test. This is a normal part of the self-test feature. If a malfunction is found during this check, the ABS warning lamp will stay on.
- While driving, a mechanical noise may be heard during ABS operation. This is a normal condition.

ABS Hydraulic Circuit

NIBR0106

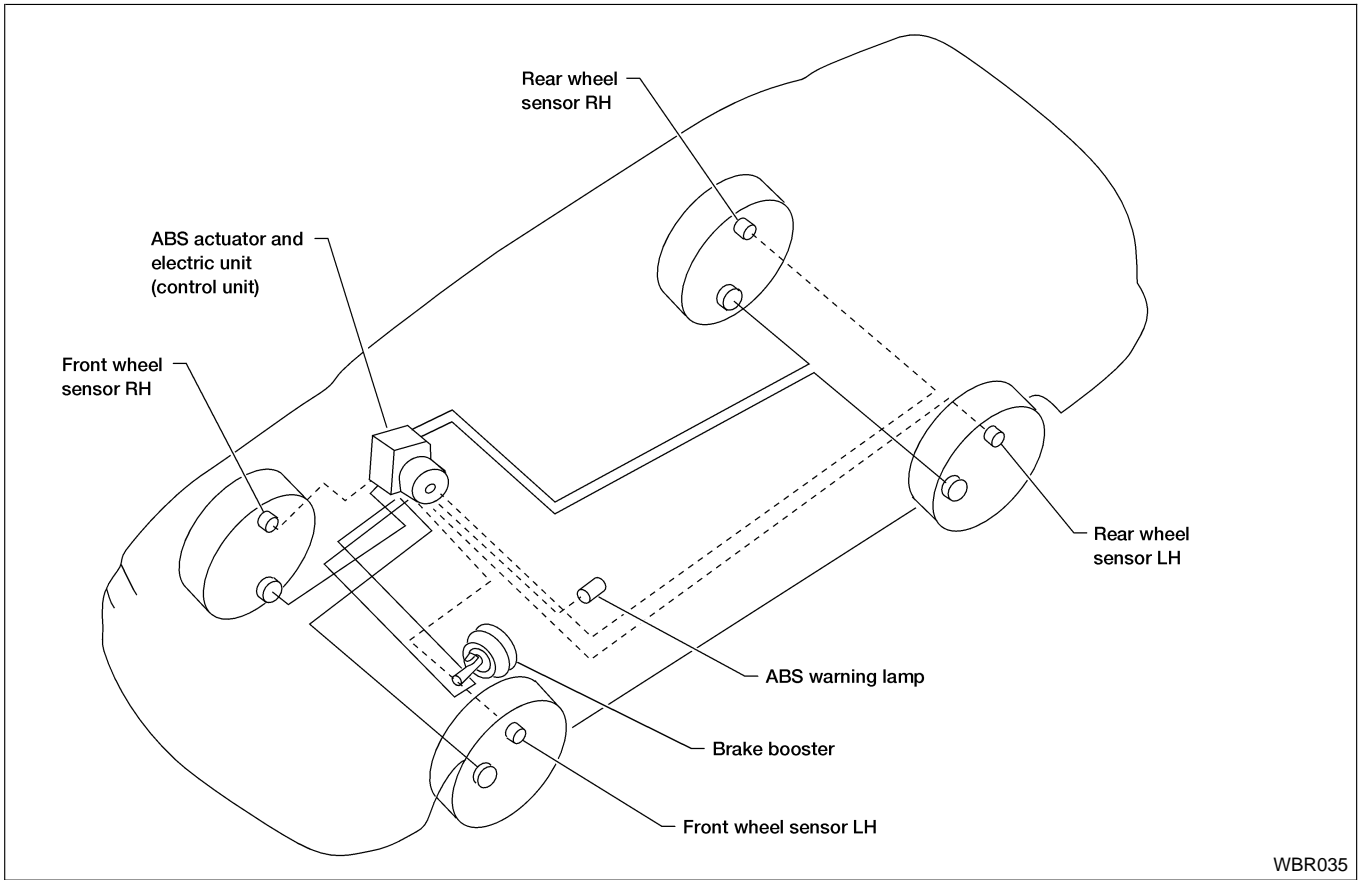


ABR752

- | | | |
|--------------------------|-----------------------|----------------------------------|
| 1. Inlet solenoid valve | 4. Motor | 6. Damper |
| 2. Outlet solenoid valve | 5. Bypass check valve | 7. Solenoid valve relay actuator |
| 3. Pump | | |

System Components

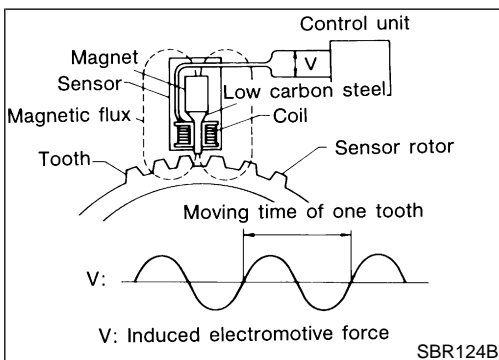
NIBR0107



WBR035

GI
MA
EM
LC
EC
FE
CL
MT
AT
AX
SU

BR



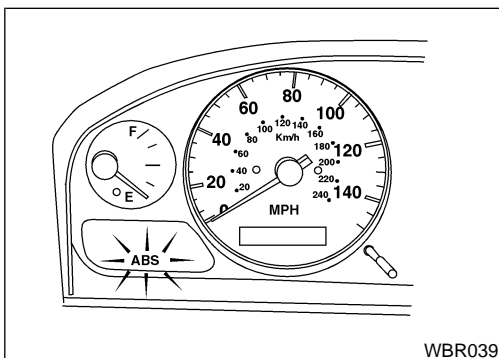
System Description
SENSOR

NIBR0108

NIBR0108S01

The sensor unit consists of a gear-shaped sensor rotor and a sensor element. The element contains a bar magnet around which a coil is wound. The front sensors are installed on the front spindles and the rear sensors are installed on the rear spindles. As the wheel rotates, the sensor generates a sine-wave pattern. The frequency and voltage increase(s) as the rotating speed increases.

ST
RS
BT
HA



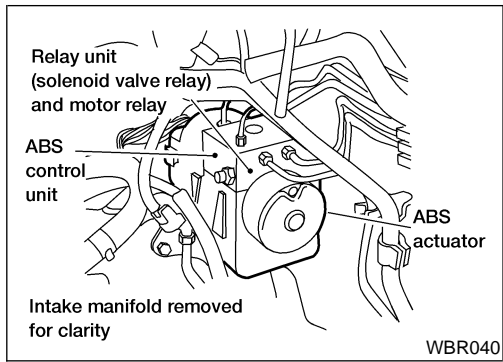
CONTROL UNIT (BUILT-IN ABS ACTUATOR AND ELECTRIC UNIT)

NIBR0108S02

The control unit computes the wheel rotating speed by the signal current sent from the sensor. Then it supplies a DC current to the actuator solenoid valve. It also controls ON-OFF operation of the valve relay and motor relay. If any electrical malfunction should be detected in the system, the control unit causes the warning lamp to light up. In this condition, the ABS will be deactivated by the control unit, and the vehicle's brake system reverts to normal operation. (For control unit layout, refer to "ABS ACTUATOR AND ELECTRIC UNIT", BR-40.)

SC
EL
IDX

System Description (Cont'd)



ABS ACTUATOR AND ELECTRIC UNIT

NIBR0108S03

The ABS actuator and electric unit contains:

- An electric motor and pump
- Two relays
- Eight solenoid valves, each inlet and outlet for
 - LH front
 - RH front
 - LH rear
 - RH rear
- ABS control unit

This component controls the hydraulic circuit and increases, holds or decreases hydraulic pressure to all or individual wheels. The ABS actuator and electric unit is serviced as an assembly.

ABS Actuator Operation

NIBR0108S0301

		Inlet solenoid valve	Outlet solenoid valve	
Normal brake operation		OFF (Open)	OFF (Closed)	Master cylinder brake fluid pressure is directly transmitted to caliper via the inlet solenoid valve.
ABS operation	Pressure hold	ON (Closed)	OFF (Closed)	Hydraulic circuit is shut off to hold the caliper brake fluid pressure.
	Pressure decrease	ON (Closed)	ON (Open)	Caliper brake fluid is sent to reservoir via the outlet solenoid valve. Then it is pushed up to the master cylinder by pump.
	Pressure increase	OFF (Open)	OFF (Closed)	Master cylinder brake fluid pressure is transmitted to caliper.

Component Parts and Harness Connector Location

NIBR0109

GI

MA

EM

LC

EC

FE

CL

MT

AT

AX

SU

BR

ST

RS

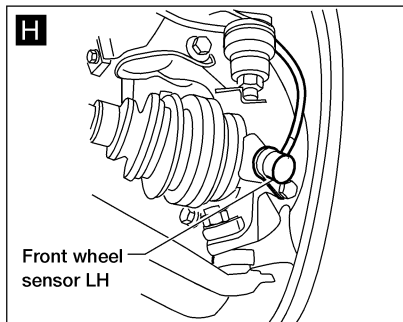
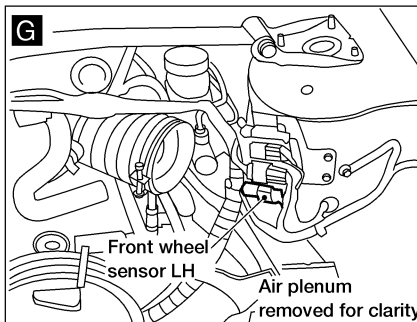
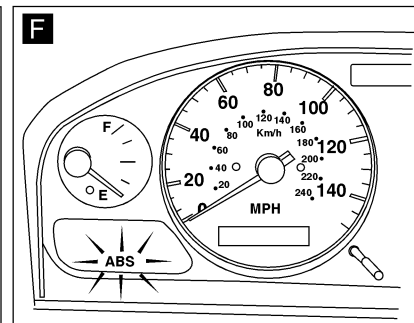
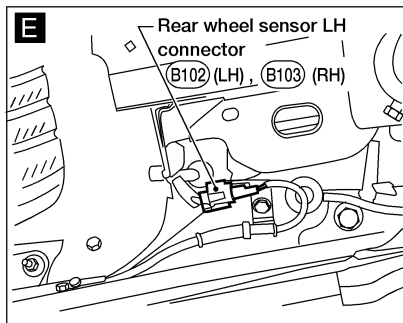
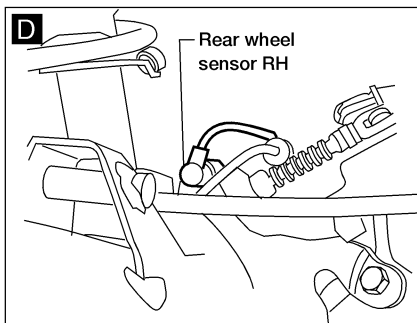
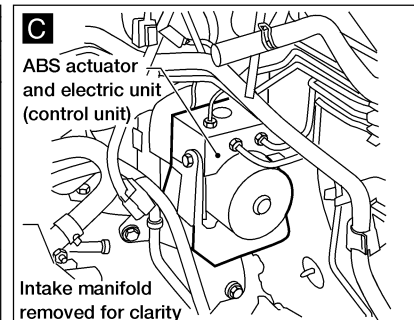
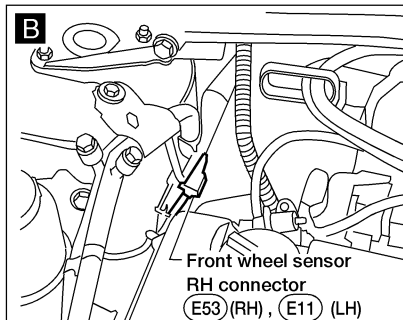
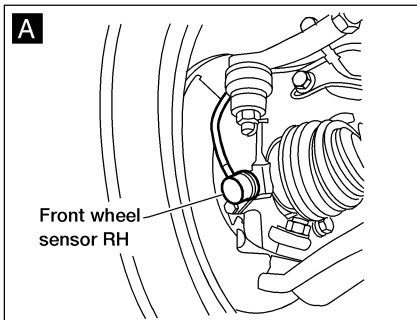
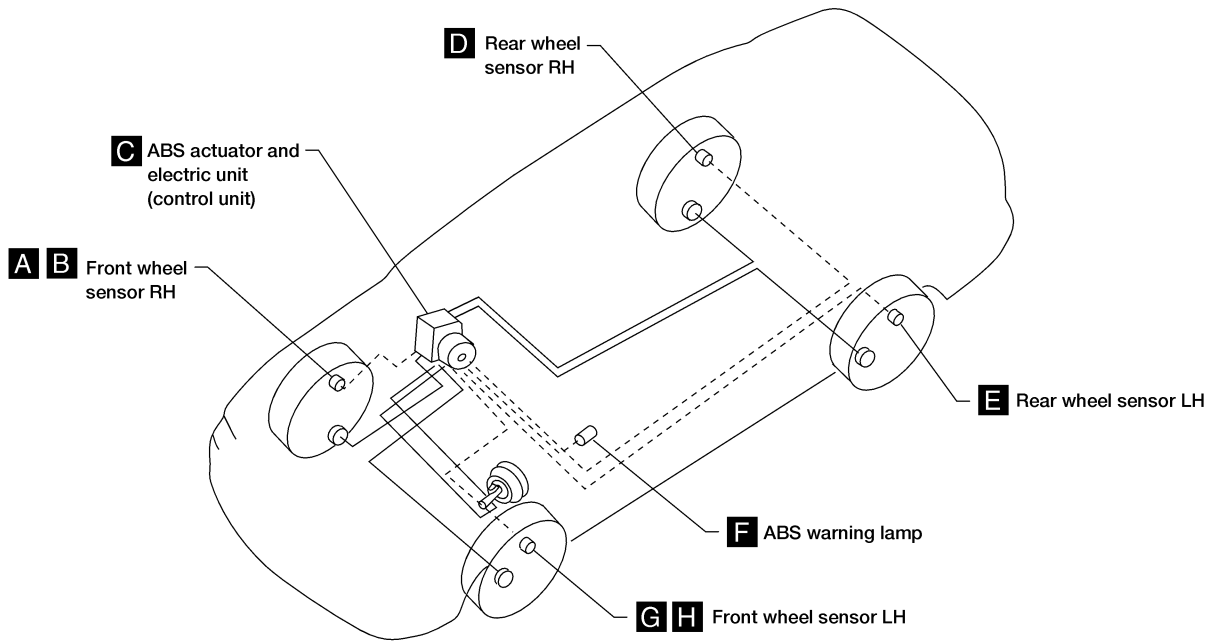
BT

HA

SC

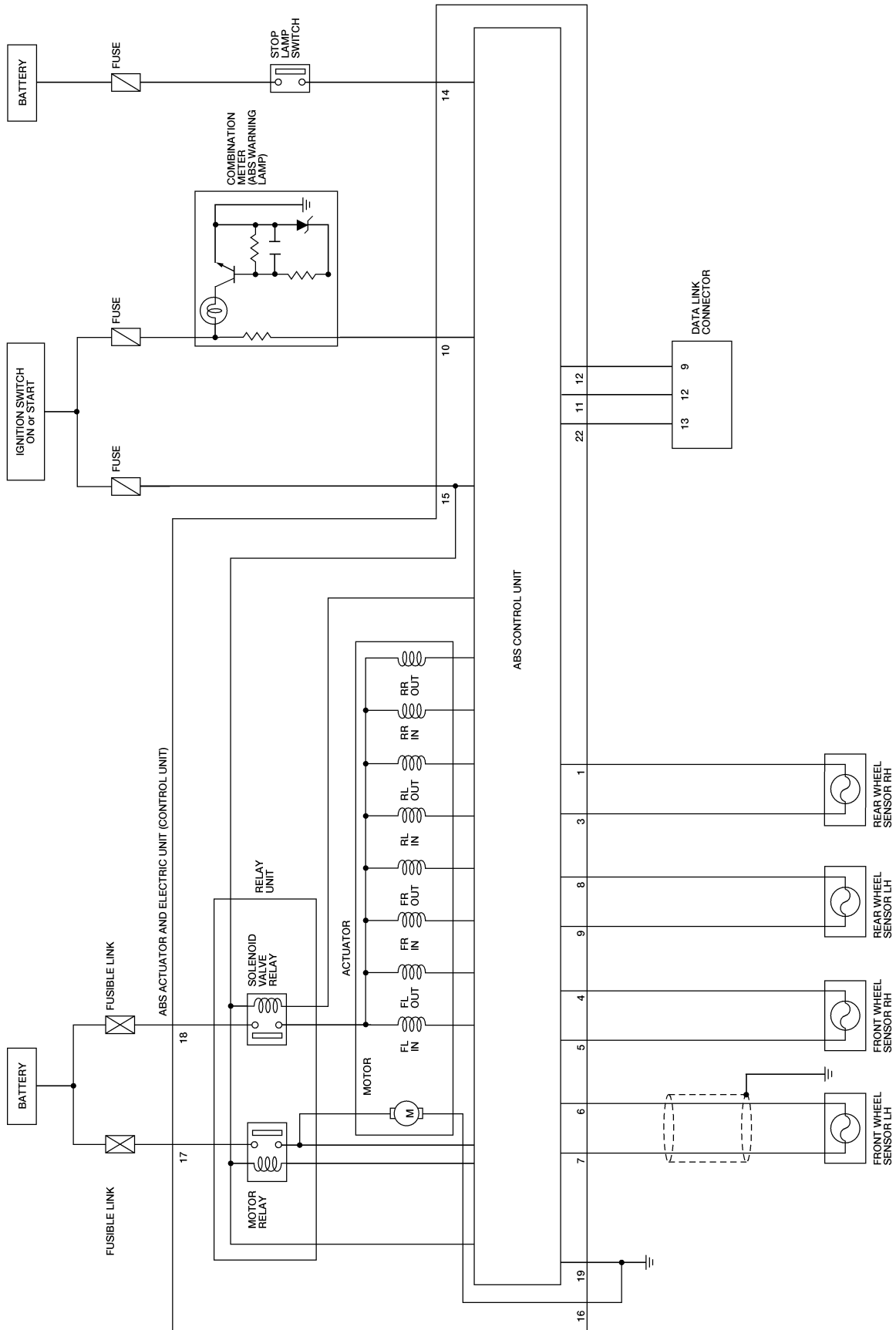
EL

IDX



Schematic

NIBR0110



WBR018

DESCRIPTION

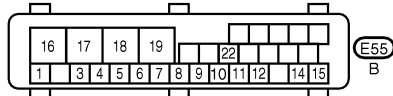
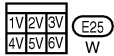
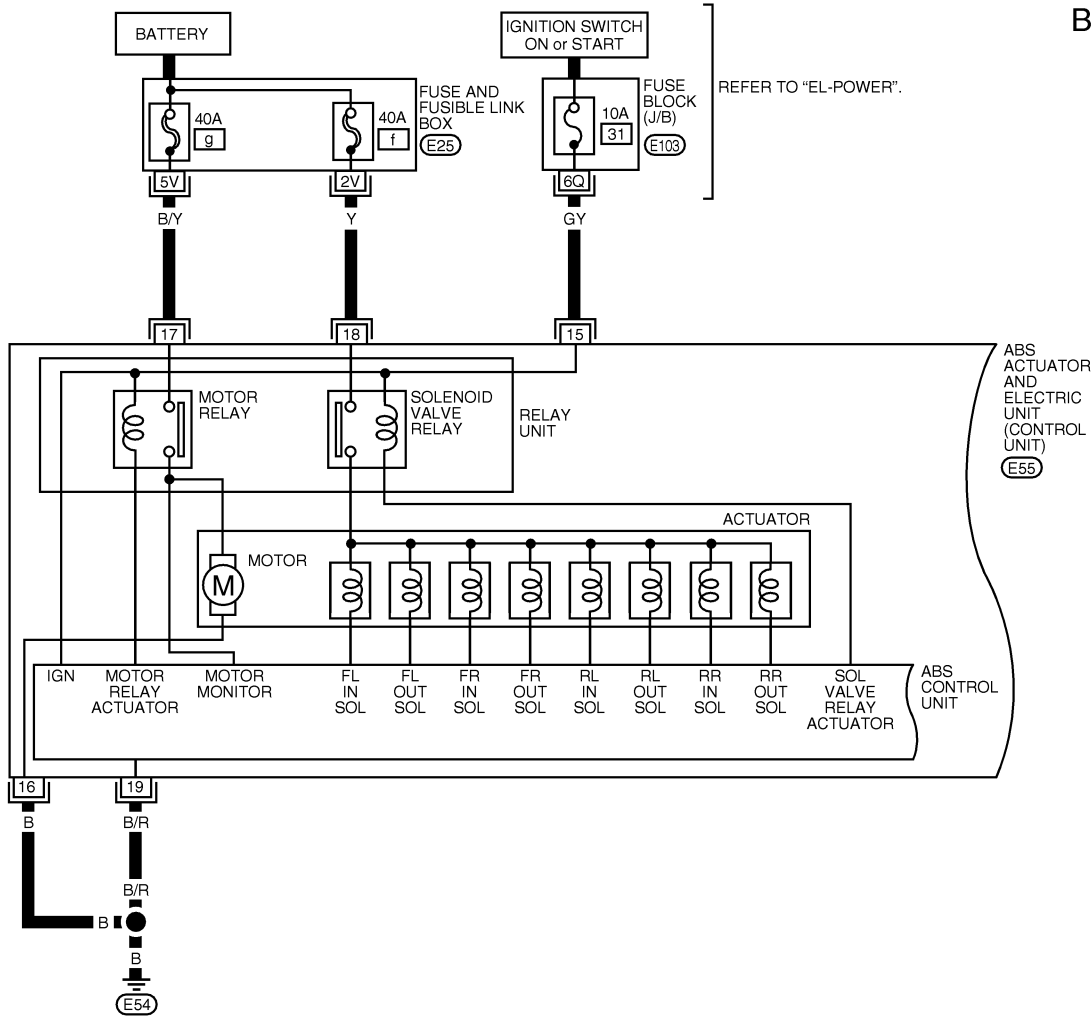
ABS

Wiring Diagram — ABS —

Wiring Diagram — ABS —

NIBR0111

BR-ABS-01



WBR019

ABS ACTUATOR AND ELECTRIC UNIT (CONTROL UNIT)
TERMINALS AND REFERENCE VALUE MEASURED BETWEEN EACH TERMINAL AND GROUND

TERMINAL	WIRE COLOR	ITEM	CONDITION	DATA (DC)
15	GY	POWER SOURCE (FUSE)	IGNITION ON OR START	BATTERY VOLTAGE
16	B	GROUND	—	—
17	B/Y	POWER SOURCE (FUSE)	BATTERY	BATTERY VOLTAGE
18	Y	POWER SOURCE (FUSE)	BATTERY	BATTERY VOLTAGE
19	B/R	GROUND	—	—

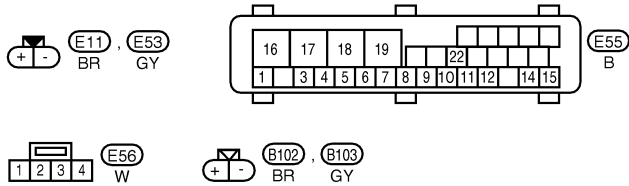
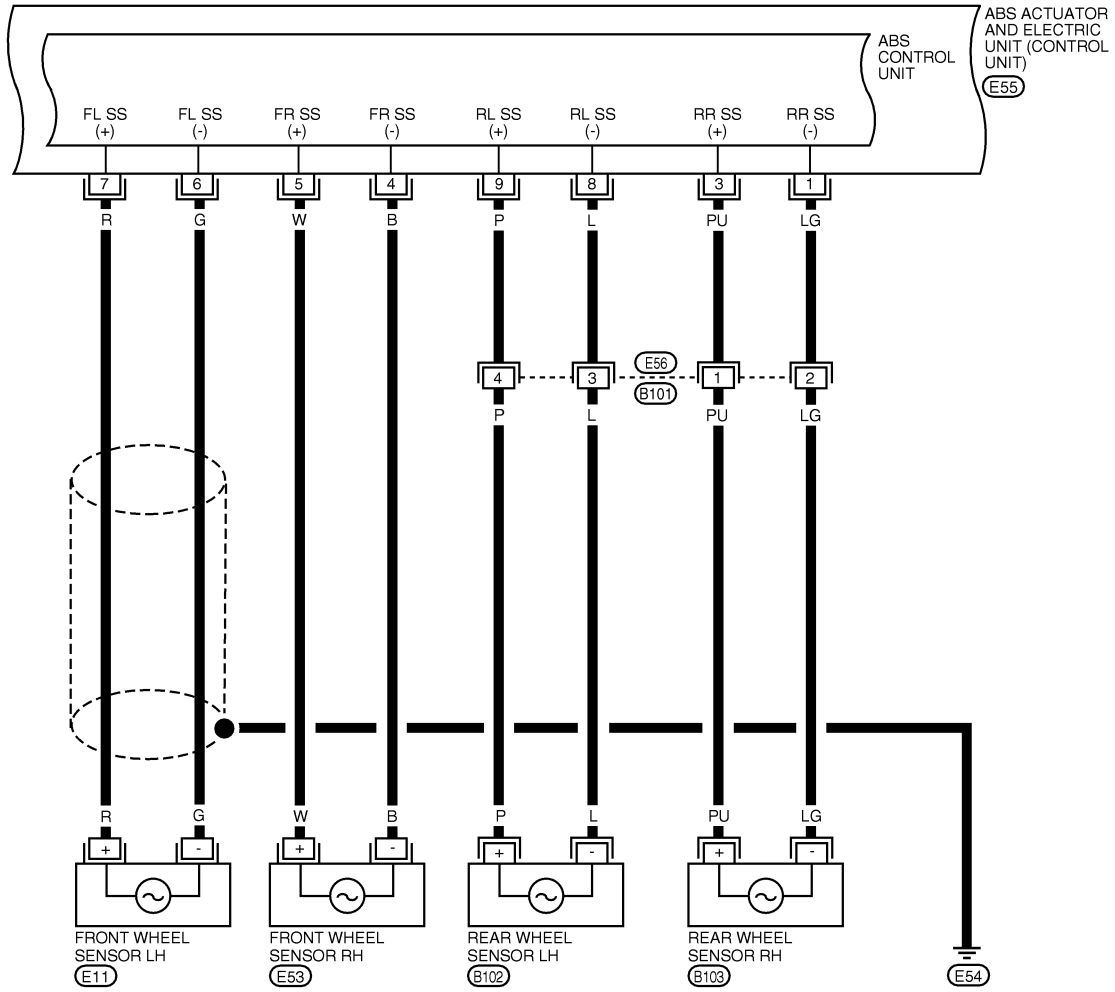
LBR071

DESCRIPTION

ABS

Wiring Diagram — ABS — (Cont'd)

BR-ABS-02



WBR020

ABS ACTUATOR AND ELECTRIC UNIT (CONTROL UNIT)
TERMINALS AND REFERENCE VALUE MEASURED BETWEEN EACH TERMINAL AND GROUND

TERMINAL	WIRE COLOR	ITEM	CONDITION	DATA (DC)
1	LG	REAR WHEEL SENSOR RH	WHEN VEHICLE CRUISES AT 30 KM/H (19 MPH)	PULSE FRONT: APPROX. 190 HZ REAR: APPROX. 190 HZ
3	PU	REAR WHEEL SENSOR RH		
4	B	FRONT WHEEL SENSOR RH		
5	W	FRONT WHEEL SENSOR RH		
6	G	FRONT WHEEL SENSOR LH		
7	R	FRONT WHEEL SENSOR LH		
8	L	REAR WHEEL SENSOR LH		
9	P	REAR WHEEL SENSOR LH		

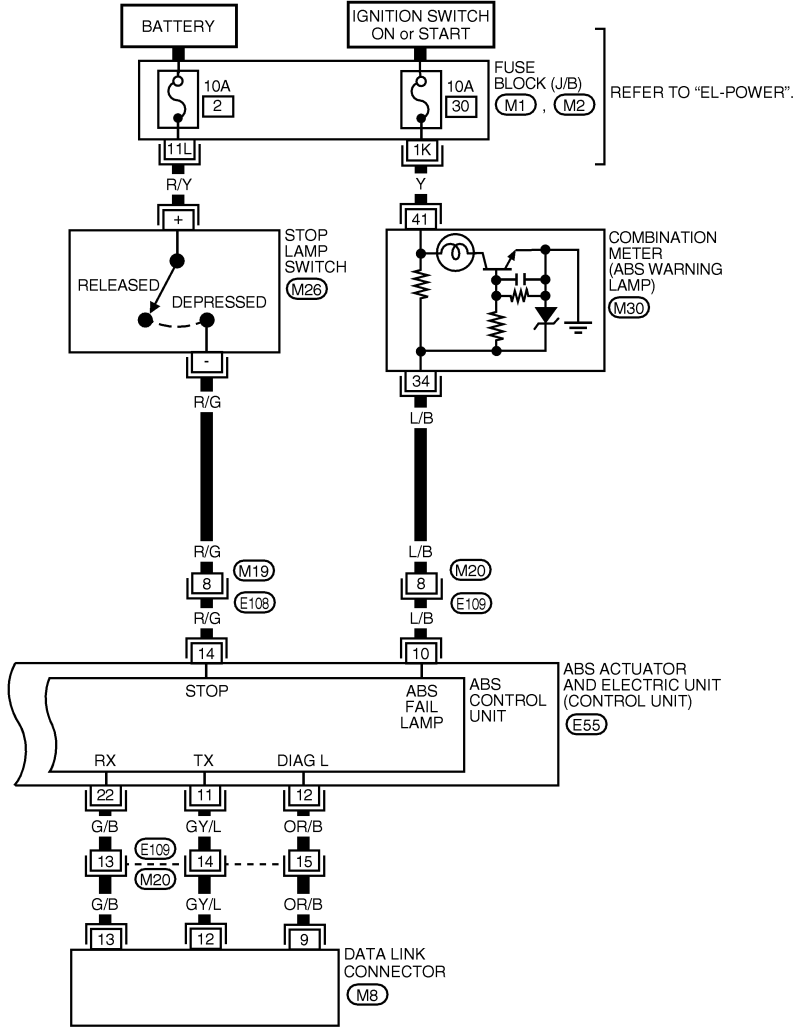
LBR072

DESCRIPTION

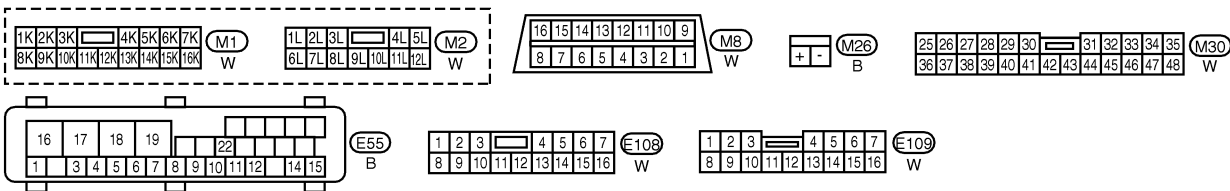
ABS

Wiring Diagram — ABS — (Cont'd)

BR-ABS-03



GI
MA
EM
LC
EC
FE
CL
MT
AT
AX
SU
BR



ST
RS
BT
HA
SC
EL
IDX

WBR021

ABS ACTUATOR AND ELECTRIC UNIT (CONTROL UNIT)
TERMINALS AND REFERENCE VALUE MEASURED BETWEEN EACH TERMINAL AND GROUND

TERMINAL	WIRE COLOR	ITEM	CONDITION	DATA (DC)
10	L/B	ABS WARNING LAMP IN COMBINATION METER	WHEN ABS LAMP IS ACTIVE	APPROX. 0V
			WHEN ABS LAMP IS NOT ACTIVE	BATTERY VOLTAGE
11	GY/L	DATA LINK CONNECTOR	—	—
12	OR/B	DATA LINK CONNECTOR	—	—
14	R/G	STOP LAMP SWITCH	WHEN BRAKE PEDAL IS DEPRESSED	BATTERY VOLTAGE
			WHEN BRAKE PEDAL IS RELEASED	APPROX. 0V
22	G/B	DATA LINK CONNECTOR	—	—

LBR073

Self-diagnosis

FUNCTION

NIBR0112

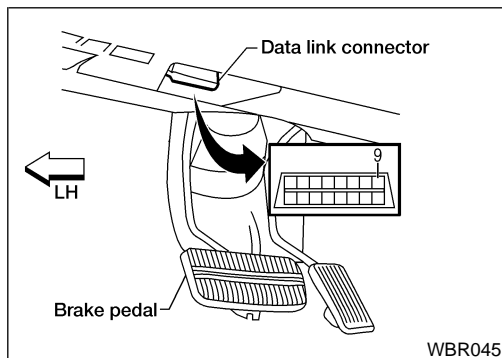
NIBR0112S01

- When a problem occurs in the ABS, the warning lamp on the instrument panel comes on. To start the self-diagnostic results mode, ground the self-diagnostic (check) terminal located on "Data Link Connector". The location of the malfunction is indicated by the warning lamp flashing.

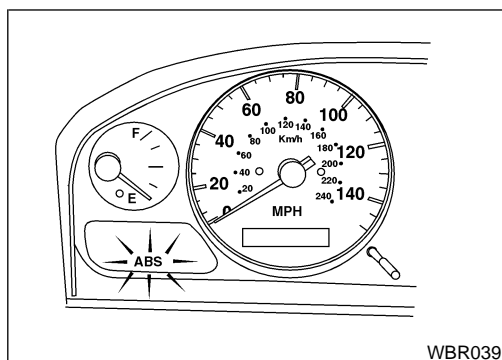
SELF-DIAGNOSIS PROCEDURE

NIBR0112S02

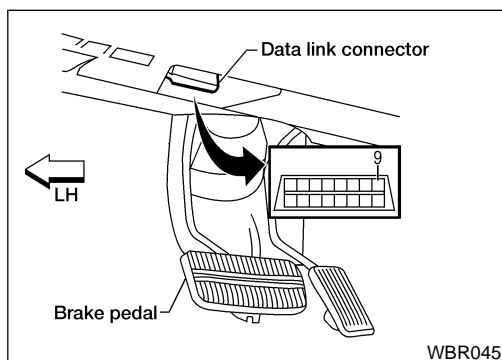
- Drive vehicle over 30 km/h (19 MPH) for at least one minute.
- Turn ignition switch OFF.
- Ground terminal 9 of "Data Link Connector" with a suitable harness.
- Turn ignition switch ON while grounding terminal 9.
Do not depress brake pedal.
- After 3.0 seconds, the warning lamp starts flashing to indicate the malfunction code No. (See NOTE.)
- Verify the location of the malfunction with the malfunction code chart. Refer to "Malfunction Code/Symptom Chart", BR-59. Then make the necessary repairs following the diagnostic procedures.
- After the malfunctions are repaired, erase the malfunction codes stored in the control unit. Refer to "HOW TO ERASE SELF-DIAGNOSTIC RESULTS (MALFUNCTION CODES)", BR-47.
- Rerun the self-diagnostic results mode to verify that the malfunction codes have been erased.



WBR045



WBR039



WBR045

- Disconnect the check terminal from the ground. The self-diagnostic results mode is now complete.
- Check warning lamp for deactivation after driving vehicle over 30 km/h (19 MPH) for at least one minute.
- After making certain that warning lamp does not come on, test the ABS in a safe area to verify that it functions properly.

NOTE:

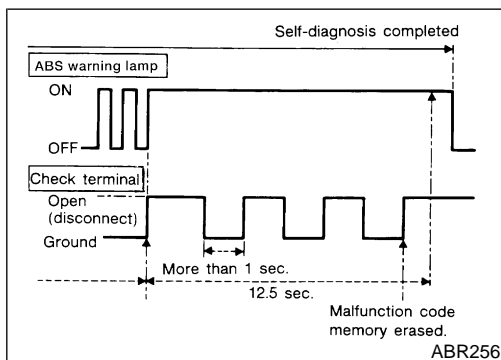
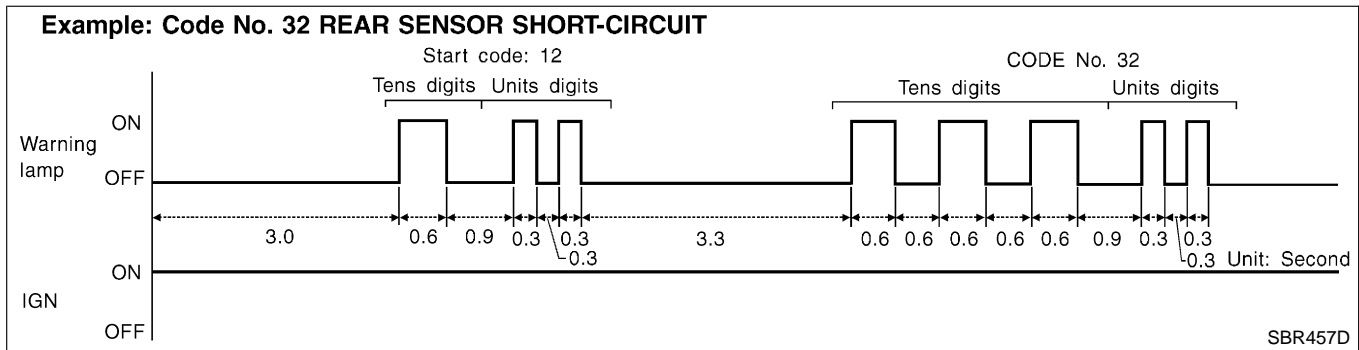
The indication terminates after 5 minutes.

However, when the ignition switch is turned from OFF to ON, the indication starts flashing again.

HOW TO READ SELF-DIAGNOSTIC RESULTS (MALFUNCTION CODES)

=NIBR0112S03

1. Determine the code No. by counting the number of times the warning lamp flashes on and off.
2. When several malfunctions occur at one time, up to three code numbers can be stored; the latest malfunction will be indicated first.
3. The indication begins with the start code 12. After that a maximum of three code numbers appear in the order of the latest one first. The indication then returns to the start code 12 to repeat (the indication will stay on for five minutes at the most).
4. The malfunction code chart is given on page "Malfunction Code/Symptom Chart", BR-59.



HOW TO ERASE SELF-DIAGNOSTIC RESULTS (MALFUNCTION CODES)

NIBR0112S04

1. Disconnect the check terminal from ground (ABS warning lamp will stay lit).
2. Within 12.5 seconds, ground the check terminal three times. Each terminal ground must last more than 1 second. The ABS warning lamp goes out after the erase operation has been completed.
3. Perform self-diagnosis again. Refer to "SELF-DIAGNOSIS PROCEDURE", BR-46. Only the start code should appear, no malfunction codes.

CONSULT-II

=NIBR0113

CONSULT-II APPLICATION TO ABS

NIBR0113S01

ITEM	SELF-DIAGNOSTIC RESULTS	DATA MONITOR	ACTIVE TEST
Front right wheel sensor	×	×	—
Front left wheel sensor	×	×	—
Rear right wheel sensor	×	×	—
Rear left wheel sensor	×	×	—
ABS sensor	×	—	—
Stop lamp switch	—	×	—
Front right inlet solenoid valve	×	×	×
Front right outlet solenoid valve	×	×	×
Front left inlet solenoid valve	×	×	×
Front left outlet solenoid valve	×	×	×
Rear right inlet solenoid valve	×	×	×
Rear right outlet solenoid valve	×	×	×
Rear left inlet solenoid valve	×	×	×
Rear left outlet solenoid valve	×	×	×
Actuator solenoid valve relay	×	×	—
Actuator motor relay (ABS MOTOR is shown on the Data Monitor screen.)	×	×	×
ABS warning lamp	—	×	—
Battery voltage	×	×	—
Control unit	×	—	—

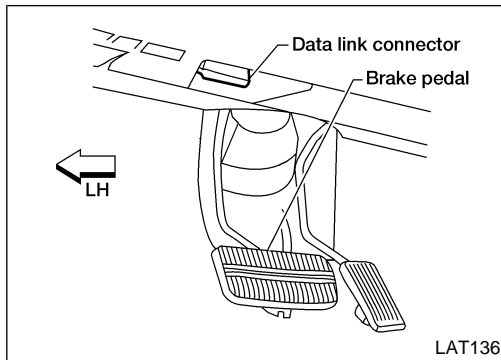
×: Applicable

—: Not applicable

ECU (ABS CONTROL UNIT) PART NUMBER MODE

NIBR0113S02

Ignore the ECU part number displayed in the ECU PART NUMBER MODE. Refer to parts catalog to order the ECU.



LAT136

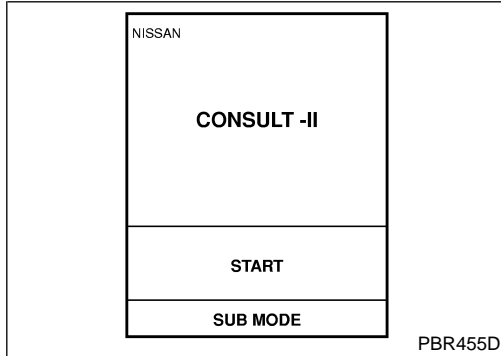
CONSULT-II Inspection Procedure

=NIBR0114

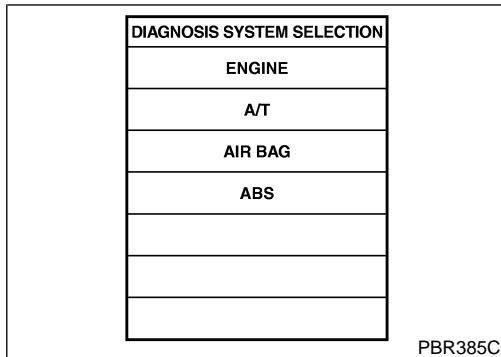
NIBR0114S01

SELF-DIAGNOSIS PROCEDURE

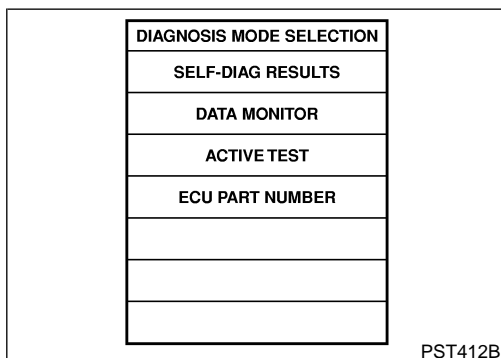
1. Turn ignition switch OFF.
2. Connect CONSULT-II to Data Link Connector.
3. Start engine.
4. Drive vehicle over 30 km/h (19 MPH) for at least one minute.
5. Stop vehicle with engine running and touch "START" on CONSULT-II screen.



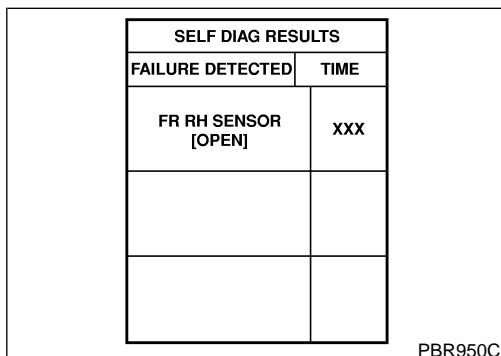
PBR455D



PBR385C



PST412B



PBR950C

6. Touch "ABS".
7. Touch "SELF-DIAG RESULTS".
 - The screen shows the detected malfunction and how many times the ignition switch has been turned ON since the malfunction.
8. Make the necessary repairs following the diagnostic procedures.
9. After the malfunctions are repaired, erase the self-diagnostic results stored in the control unit by touching "ERASE".
10. Check warning lamp for deactivation after driving vehicle over 30 km/h (19 MPH) for at least one minute.
11. Test the ABS in a safe area to verify that it functions properly.

GI

MA

EM

LC

EC

FE

CL

MT

AT

AX

SU

BR

ST

RS

BT

HA

SC

EL

IDX

ON BOARD DIAGNOSTIC SYSTEM DESCRIPTION

ABS

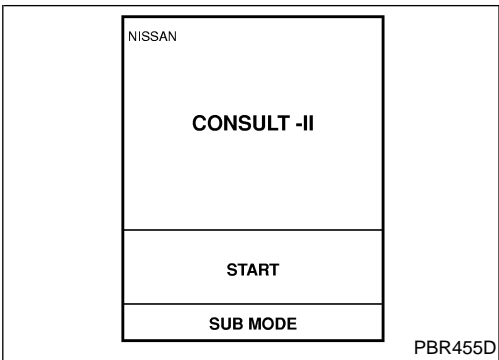
CONSULT-II Inspection Procedure (Cont'd)

SELF-DIAGNOSTIC RESULTS MODE

NIBR0114S02

Diagnostic item	Diagnostic item is detected when ...	Reference Page
FR RH SENSOR★ [OPEN]	<ul style="list-style-type: none"> ● Circuit for front right wheel sensor is open. (An abnormally high input voltage is entered.) 	BR-60
FR LH SENSOR★ [OPEN]	<ul style="list-style-type: none"> ● Circuit for front left wheel sensor is open. (An abnormally high input voltage is entered.) 	BR-60
RR RH SENSOR★ [OPEN]	<ul style="list-style-type: none"> ● Circuit for rear right sensor is open. (An abnormally high input voltage is entered.) 	BR-60
RR LH SENSOR★ [OPEN]	<ul style="list-style-type: none"> ● Circuit for rear left sensor is open. (An abnormally high input voltage is entered.) 	BR-60
FR RH SENSOR★ [SHORT]	<ul style="list-style-type: none"> ● Circuit for front right wheel sensor is shorted. (An abnormally low input voltage is entered.) 	BR-60
FR LH SENSOR★ [SHORT]	<ul style="list-style-type: none"> ● Circuit for front left wheel sensor is shorted. (An abnormally low input voltage is entered.) 	BR-60
RR RH SENSOR★ [SHORT]	<ul style="list-style-type: none"> ● Circuit for rear right sensor is shorted. (An abnormally low input voltage is entered.) 	BR-60
RR LH SENSOR★ [SHORT]	<ul style="list-style-type: none"> ● Circuit for rear left sensor is shorted. (An abnormally low input voltage is entered.) 	BR-60
ABS SENSOR★ [ABNORMAL SIGNAL]	<ul style="list-style-type: none"> ● Teeth damage on sensor rotor or improper installation of wheel sensor. (Abnormal wheel sensor signal is entered.) 	BR-60
FR RH IN ABS SOL [OPEN, SHORT]	<ul style="list-style-type: none"> ● Circuit for front right inlet solenoid valve is open. (An abnormally low output voltage is entered.) 	BR-63
FR LH IN ABS SOL [OPEN, SHORT]	<ul style="list-style-type: none"> ● Circuit for front left inlet solenoid valve is open. (An abnormally low output voltage is entered.) 	BR-63
FR RH OUT ABS SOL [OPEN, SHORT]	<ul style="list-style-type: none"> ● Circuit for front right outlet solenoid valve is open. (An abnormally low output voltage is entered.) 	BR-63
FR LH OUT ABS SOL [OPEN, SHORT]	<ul style="list-style-type: none"> ● Circuit for front left outlet solenoid valve is open. (An abnormally low output voltage is entered.) 	BR-63
RR RH IN ABS SOL [OPEN, SHORT]	<ul style="list-style-type: none"> ● Circuit for rear right inlet solenoid valve is shorted. (An abnormally high output voltage is entered.) 	BR-63
RR LH IN ABS SOL [OPEN, SHORT]	<ul style="list-style-type: none"> ● Circuit for rear left inlet solenoid valve is shorted. (An abnormally high output voltage is entered.) 	BR-63
RR RH OUT ABS SOL [OPEN, SHORT]	<ul style="list-style-type: none"> ● Circuit for rear right outlet solenoid valve is shorted. (An abnormally high output voltage is entered.) 	BR-63
RR LH OUT ABS SOL [OPEN, SHORT]	<ul style="list-style-type: none"> ● Circuit for rear left outlet solenoid valve is shorted. (An abnormally high output voltage is entered.) 	BR-63
ABS ACTUATOR RELAY [ABNORMAL]	<ul style="list-style-type: none"> ● Actuator solenoid valve relay is ON, even if control unit sends off signal. ● Actuator solenoid valve relay is OFF, even if control unit sends on signal. 	BR-63
ABS MOTOR RELAY [ABNORMAL]	<ul style="list-style-type: none"> ● Circuit for ABS motor relay is open or shorted. ● Circuit for actuator motor is open or shorted. ● Actuator motor relay is stuck. 	BR-65
BATTERY VOLT [VB-LOW]	<ul style="list-style-type: none"> ● Power source voltage supplied to ABS control unit is abnormally low. 	BR-67
CONTROL UNIT	<ul style="list-style-type: none"> ● Function of calculation in ABS control unit has failed. 	BR-69

★: If one or more wheels spin on a rough or slippery road for 40 seconds or more, the ABS warning lamp will illuminate. This does not indicate a malfunction. Only in the case of the short-circuit (Code Nos. 26, 22, 32 and 36), after repair the ABS warning lamp also illuminates when the ignition switch is turned ON. In this case, drive the vehicle at speeds greater than 30 km/h (19 MPH) for approximately 1 minute as specified in "SELF-DIAGNOSIS PROCEDURE", BR-46. Check to ensure that the ABS warning lamp goes out while the vehicle is being driven.



PBR455D

DATA MONITOR PROCEDURE

NIBR0114S03

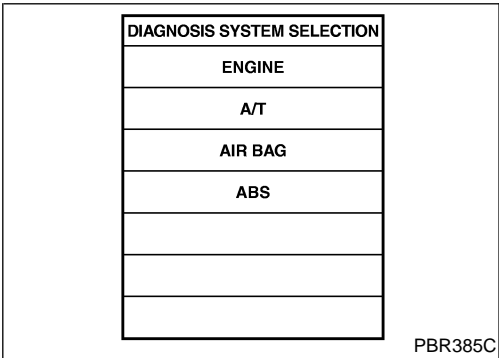
1. Turn ignition switch OFF.
2. Connect CONSULT-II to Data Link Connector.
3. Turn ignition switch ON.
4. Touch "START" on CONSULT-II screen.

GI

MA

EM

LC



PBR385C

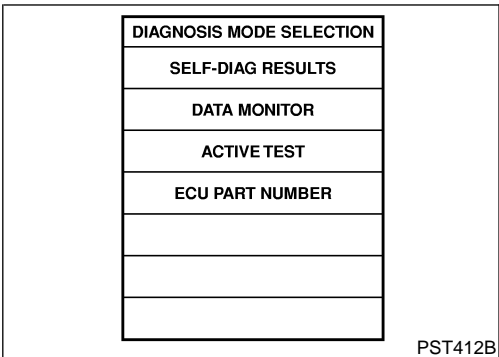
5. Touch "ABS".

EC

FE

CL

MT



PST412B

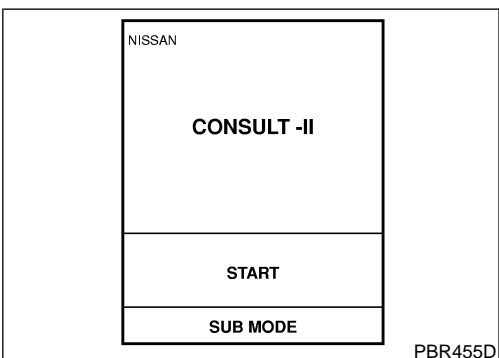
6. Touch "DATA MONITOR".

AT

AX

SU

BR



PBR455D

ACTIVE TEST PROCEDURE

NIBR0114S04

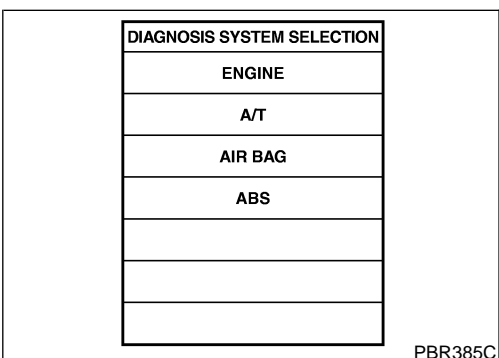
- When conducting Active test, vehicle must be stationary.
 - When ABS warning lamp stays on, never conduct Active test.
1. Turn ignition switch OFF.
 2. Connect CONSULT-II to Data Link Connector.
 3. Start engine.
 4. Touch "START" on CONSULT-II screen.

ST

RS

BT

HA



PBR385C

5. Touch "ABS".

SC

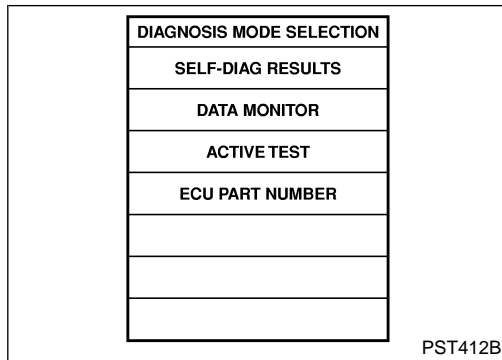
EL

IDX

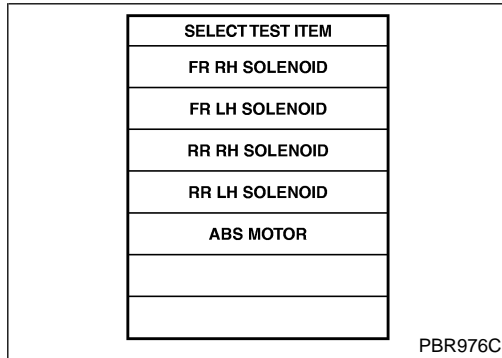
ON BOARD DIAGNOSTIC SYSTEM DESCRIPTION

ABS

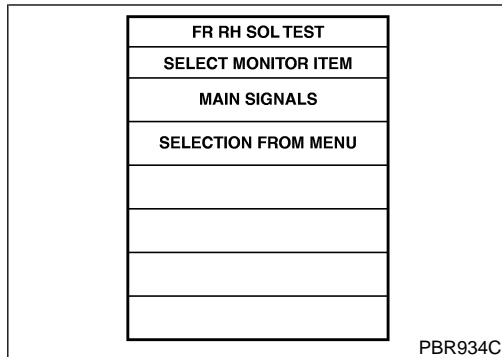
CONSULT-II Inspection Procedure (Cont'd)



6. Touch "ACTIVE TEST".



7. Select active test item by touching screen.



8. Touch "START".

9. Carry out the active test by touching screen key.

DATA MONITOR MODE

NIBR0114S05

MONITOR ITEM	CONDITION	SPECIFICATION
FR RH SENSOR FR LH SENSOR RR RH SENSOR RR LH SENSOR	Drive vehicle. (Each wheel is rotating.)	Wheel speed signal (Almost the same speed as speedometer.)
STOP LAMP SW	Brake is depressed.	Depress the pedal: ON Release the pedal: OFF
FR RH IN SOL FR RH OUT SOL FR LH IN SOL FR LH OUT SOL RR RH IN SOL RR RH OUT SOL RR LH IN SOL RR LH OUT SOL	1. Drive vehicle at speeds over 30 km/h (19 MPH) for at least 1 minute. 2. Engine is running.	Operating conditions for each solenoid valve are indicated. ABS is not operating: OFF
MOTOR RELAY		ABS is not operating: OFF ABS is operating: ON

ON BOARD DIAGNOSTIC SYSTEM DESCRIPTION

ABS

CONSULT-II Inspection Procedure (Cont'd)

MONITOR ITEM	CONDITION	SPECIFICATION
ACTUATOR RELAY	Ignition switch is ON or engine is running.	Ignition switch ON (Engine stops): OFF Engine running: ON
WARNING LAMP		ABS warning lamp is turned on: ON ABS warning lamp is turned off: OFF
BATTERY VOLT		Power supply voltage for control unit

ACTIVE TEST MODE

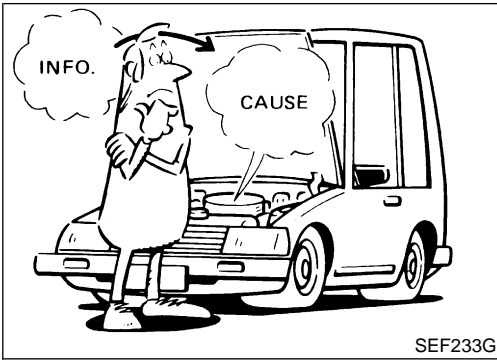
NIBR0114S06

TEST ITEM	CONDITION	JUDGEMENT		
FR RH SOL FR LH SOL RR RH SOL RR LH SOL	Engine is running.	Brake fluid pressure control operation		
			IN SOL	OUT SOL
		UP (Increase):	OFF	OFF
		KEEP (Hold):	ON	OFF
		DOWN (Decrease):	ON	ON
ABS MOTOR		ABS actuator motor ON: Motor runs (ABS motor relay ON) OFF: Motor stops (ABS motor relay OFF)		

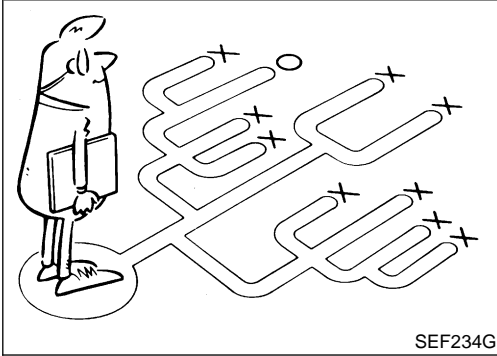
NOTE:

Active test will automatically stop ten seconds after the test starts. (TEST IS STOPPED monitor shows ON.)

GI
MA
EM
LC
EC
FE
CL
MT
AT
AX
SU
BR
ST
RS
BT
HA
SC
EL
IDX



SEF233G



SEF234G

How to Perform Trouble Diagnoses for Quick and Accurate Repair

NIBR0115

INTRODUCTION

NIBR0115S01

The ABS system has an electronic control unit to control major functions. The control unit accepts input signals from sensors and instantly drives the actuators. It is essential that both kinds of signals are proper and stable. It is also important to check for conventional problems: such as air leaks in booster lines, lack of brake fluid, or other problems with the brake system.

It is much more difficult to diagnose a problem that occurs intermittently rather than continuously. Most intermittent problems are caused by poor electric connections or faulty wiring. In this case, careful checking of suspicious circuits may help prevent the replacement of good parts.

A visual check only may not find the cause of the problems, so a road test should be performed.

Before undertaking actual checks, take a few minutes to talk with a customer who approaches with an ABS complaint. The customer is a very good source of information on such problems; especially intermittent ones. By talking to the customer, find out what symptoms are present and under what conditions they occur. Start your diagnosis by looking for "conventional" problems first. This is one of the best ways to troubleshoot brake problems on an ABS controlled vehicle.

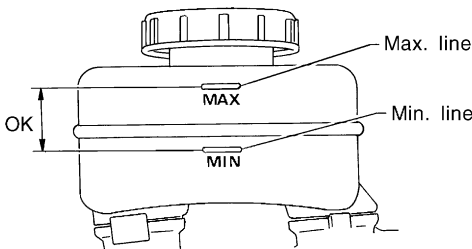
Also check related Service bulletins for information.

Preliminary Check

NIBR0116

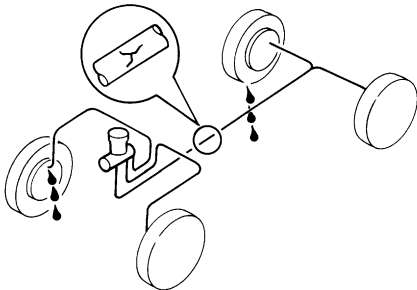
1	CHECK BRAKE FLUID	
Check brake fluid for contamination.		
Has brake fluid been contaminated?		
Yes	▶	Replace. GO TO 2.
No	▶	GO TO 2.

GI
MA
EM

2	CHECK BRAKE FLUID LEVEL	
Check brake fluid level in reservoir tank. Low fluid level may indicate brake pad wear or leakage from brake line.		
		
Is brake fluid filled between MAX and MIN lines on reservoir tank ?		
Yes	▶	GO TO 3.
No	▶	Fill up brake fluid. GO TO 3.

SBR451D

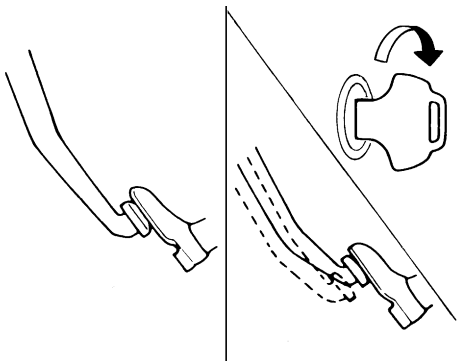
LC
EC
FE
CL
MT
AT
AX

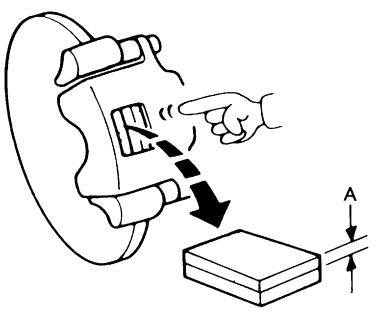
3	CHECK BRAKE LINE	
Check brake line for leakage.		
		
Is leakage present at or around brake lines, tubes or hoses or are any of these parts cracked or damaged?		
Yes	▶	Repair. GO TO 4.
No	▶	GO TO 4.

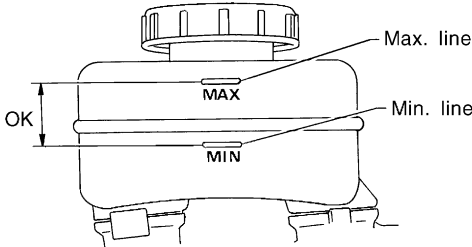
SBR389C

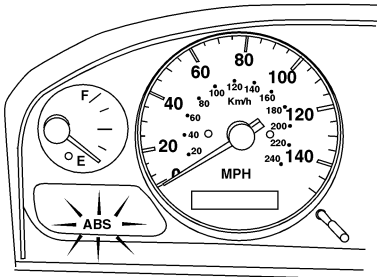
SU
BR
ST
RS
BT
HA
SC
EL
IDX

Preliminary Check (Cont'd)

4	CHECK BRAKE BOOSTER OPERATION	
<p>Check brake booster for operation. Refer to "OPERATING CHECK", BR-17. Also, check air tightness. Refer to "AIRTIGHT CHECK", BR-17.</p>		
		
SBR058C		
Is brake booster airtight and functioning properly?		
Yes	▶	GO TO 5.
No	▶	Replace. GO TO 5.

5	CHECK BRAKE PAD AND ROTOR	
<p>Check brake pad and rotor. Refer to "Pad Replacement", BR-20, "ROTOR", BR-22.</p>		
		
SBR059C		
Are brake pads and rotors functioning properly?		
Yes	▶	GO TO 6.
No	▶	Replace.

6	RECHECK BRAKE FLUID LEVEL	
Check brake fluid level in reservoir tank again.		
		
SBR451D		
Is brake fluid filled between MAX and MIN lines on reservoir tank ?		
Yes	▶	GO TO 7.
No	▶	Fill up brake fluid.

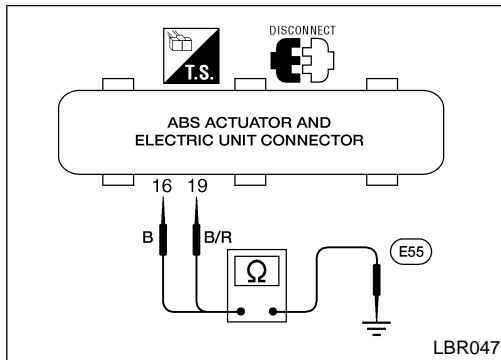
7	CHECK WARNING LAMP ACTIVATION	
Check warning lamp activation.		
		
WBR039		
Does warning lamp turn on when ignition switch is turned ON?		
Yes	▶	GO TO 8.
No	▶	Check fuse, warning lamp bulb and warning lamp circuit.

8	CHECK WARNING LAMP DEACTIVATION	
Check warning lamp for deactivation after engine is started.		
Does warning lamp turn off when engine is started?		
Yes	▶	GO TO 9.
No (with Consult-II)	▶	Refer to "SELF-DIAGNOSIS PROCEDURE", BR-49.
No (without Consult-II)	▶	Refer to "SELF-DIAGNOSIS PROCEDURE", BR-49.

9	DRIVE VEHICLE	
Drive vehicle at speeds over 30 km/h (19 MPH) for at least one minute.		
Does warning lamp remain off after vehicle has been driven at 30 km/h (19 MPH) for at least one minute?		
Yes	▶	INSPECTION END
No (with Consult-II)	▶	Refer to "SELF-DIAGNOSIS PROCEDURE", BR-49.
No (without Consult-II)	▶	Refer to "SELF-DIAGNOSIS PROCEDURE", BR-49.

GI
MA
EM
LC
EC
FE
CL
MT
AT
AX
SU
BR
ST
RS
BT
HA
SC
EL
IDX

Ground Circuit Check

**Ground Circuit Check****ABS ACTUATOR AND ELECTRIC UNIT GROUND**

=NIBR0117

NIBR0117S01

- Check resistance between ABS actuator and electric unit connector terminals and ground.

Resistance: approximately 0Ω

TROUBLE DIAGNOSIS — GENERAL DESCRIPTION

ABS

Malfunction Code/Symptom Chart

Malfunction Code/Symptom Chart

NIBR0118

Code No. (No. of warning lamp flashes)	Malfunctioning part	Reference Page	
12	Self-diagnosis could not detect any malfunctions.	—	GI
45	Actuator front left outlet solenoid valve	BR-63	MA
46	Actuator front left inlet solenoid valve	BR-63	
41	Actuator front right outlet solenoid valve	BR-63	EM
42	Actuator front right inlet solenoid valve	BR-63	
51	Actuator rear right outlet solenoid valve	BR-63	LC
52	Actuator rear right inlet solenoid valve	BR-63	
55	Actuator rear left outlet solenoid valve	BR-63	EC
56	Actuator rear left inlet solenoid valve	BR-63	
25 ★1	Front left sensor (open-circuit)	BR-60	FE
26 ★1	Front left sensor (short-circuit)	BR-60	CL
21 ★1	Front right sensor (open-circuit)	BR-60	
22 ★1	Front right sensor (short-circuit)	BR-60	MT
31 ★1	Rear right sensor (open-circuit)	BR-60	
32 ★1	Rear right sensor (short-circuit)	BR-60	AT
35 ★1	Rear left sensor (open-circuit)	BR-60	
36 ★1	Rear left sensor (short-circuit)	BR-60	AX
18 ★1	Sensor rotor	BR-60	
61 ★3	Actuator motor or motor relay	BR-65	SU
63	Solenoid valve relay	BR-63	
57 ★2	Power supply (Low voltage)	BR-67	BR
71	Control unit	BR-69	
Warning lamp stays on when ignition switch is turned ON.	Control unit power supply circuit Warning lamp bulb circuit Control unit or control unit connector Solenoid valve relay stuck Power supply for solenoid valve relay coil	BR-76	ST RS
Warning lamp does not come on when ignition switch is turned ON.	Fuse, warning lamp bulb or warning lamp circuit Control unit	BR-74	BT
Pedal vibration and noise	—	BR-73	
Long stopping distance	—	BR-71	HA
Unexpected pedal action	—	BR-70	
ABS does not work	—	BR-73	SC
ABS works frequently	—	BR-70	EL

★1: If one or more wheels spin on a rough or slippery road for 40 seconds or more, the ABS warning lamp will illuminate. This does not indicate a malfunction. Only in the case of the short-circuit (Code Nos. 26, 22, 32 and 36), after repair the ABS warning lamp also illuminates when the ignition switch is turned ON. In this case, drive the vehicle at speeds greater than 30 km/h (19 MPH) for approximately 1 minute as specified in "SELF-DIAGNOSIS PROCEDURE", BR-46. Check to ensure that the ABS warning lamp goes out while the vehicle is being driven.

★2: The trouble code "57", which refers to a low power supply voltage, does not indicate that the ABS control unit is malfunctioning. Do not replace the ABS control unit with a new one.

★3: The trouble code "61" can sometimes appear when the ABS motor is not properly grounded. If it appears, be sure to check the condition of the ABS motor ground circuit connection.

Wheel Sensor or Rotor DIAGNOSTIC PROCEDURE

Malfunction code No. 21, 22, 25, 26, 31, 32, 35, 36 or 18

NIBR0119

NOTE:

Wheel position should be distinguished by code No. except code No. 18 (sensor rotor).

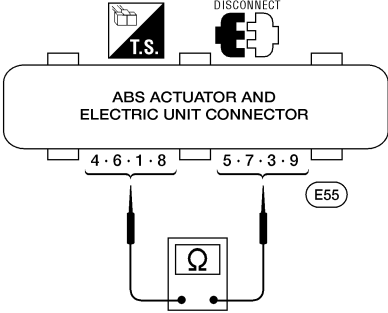
1	INSPECTION START				
<p>Wheel sensor inspection</p> <div style="text-align: center;"> <p style="text-align: center;">Wheel sensor connectors (sensor side)</p> <table style="margin: auto; border: none;"> <tr> <td style="text-align: center;">Front RH (E53)</td> <td style="text-align: center;">Rear RH (B103)</td> </tr> <tr> <td style="text-align: center;">Front LH (E11)</td> <td style="text-align: center;">Rear LH (B102)</td> </tr> </table> </div>		Front RH (E53)	Rear RH (B103)	Front LH (E11)	Rear LH (B102)
Front RH (E53)	Rear RH (B103)				
Front LH (E11)	Rear LH (B102)				
<small>LBR048</small>					
	GO TO 2.				

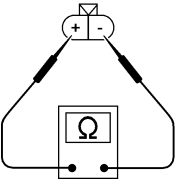
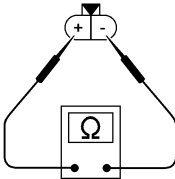
2	CHECK CONNECTOR
<ol style="list-style-type: none"> 1. Disconnect connectors from ABS actuator and electric unit and wheel sensor of malfunction code No. Check terminals for damage or loose connection. Then reconnect connectors. 2. Carry out self-diagnosis again. <p style="text-align: center;">Does warning lamp activate again?</p>	
Yes	GO TO 3.
No	INSPECTION END

TROUBLE DIAGNOSES FOR SELF-DIAGNOSTIC ITEMS

ABS

Wheel Sensor or Rotor (Cont'd)

3	CHECK WHEEL SENSOR ELECTRICAL	<p>1. Disconnect ABS actuator and electric unit connector.</p> <p>2. Check resistance between ABS actuator and electric unit connector E55 (body side) terminals.</p> <p>Code No. 21 or 22 (Front RH wheel) Terminals 4 and 5</p> <p>Code No. 25 or 26 (Front LH wheel) Terminals 6 and 7</p> <p>Code No. 31 or 32 (Rear RH wheel) Terminals 1 and 3</p> <p>Code No. 35 or 36 (Rear LH wheel) Terminals 8 and 9</p> <div style="text-align: center;">  </div> <div style="text-align: right; margin-top: 10px;"> <p>Resistance: Front 1.45 - 1.85 kΩ Rear 1.45 - 1.85 kΩ</p> </div> <p style="text-align: right; margin-top: 10px;">LBR049</p>	<p>GI</p> <p>MA</p> <p>EM</p> <p>LC</p> <p>EC</p> <p>FE</p> <p>CL</p> <p>MT</p>
<p>Is front resistance 1.45 - 1.85 kΩ and rear resistance 1.45 - 1.85 kΩ?</p>			
Yes	▶	GO TO 5.	AT
No	▶	GO TO 4.	AX

4	CHECK WHEEL SENSOR	<p>Check each sensor for resistance.</p> <div style="display: flex; justify-content: space-around; align-items: flex-start;"> <div style="text-align: center;"> <p>Front RH sensor (E53)</p> <p>Front LH sensor (E11)</p>  </div> <div style="text-align: center;"> <p>Rear RH sensor (B103)</p> <p>Rear LH sensor (B102)</p>  </div> <div style="text-align: center;"> <p>T.S.</p> <p>DISCONNECT</p> </div> </div> <div style="text-align: right; margin-top: 10px;"> <p>Resistance: Front 1.45 - 1.85 kΩ Rear 1.45 - 1.85 kΩ</p> </div> <p style="text-align: right; margin-top: 10px;">LBR050</p>	<p>BR</p> <p>ST</p> <p>RS</p> <p>BT</p> <p>HA</p> <p>SC</p> <p>EL</p>
<p>Is front resistance 1.45 - 1.85 kΩ and rear resistance 1.45 - 1.85 kΩ?</p>			
Yes	▶	<p>Check the following.</p> <p>If NG, repair harness or connectors.</p> <ul style="list-style-type: none"> ● Harness connectors E11, E53, E55, B102, B103 ● Harness for open or short between wheel sensor connectors and ABS actuator and electric unit 	<p>HA</p> <p>SC</p>
No	▶	Replace wheel sensor.	<p>EL</p> <p>IDX</p>

5	CHECK TIRE	<p>Check for inflation pressure, wear and size of each tire. (See NOTE)</p> <p style="text-align: center;">Are tire pressure and size correct and is tire wear within specifications?</p>	<p>IDX</p>
Yes	▶	GO TO 6.	
No	▶	Adjust tire pressure or replace tire(s). (See NOTE)	

TROUBLE DIAGNOSES FOR SELF-DIAGNOSTIC ITEMS

ABS

Wheel Sensor or Rotor (Cont'd)

6	CHECK WHEEL BEARING
Check wheel bearing axial end play. (See NOTE)	
Is wheel bearing axial end play within specifications? Refer to "Front Wheel Bearing", AX-4, "Rear Wheel Bearing", AX-22 .	
Yes	▶ GO TO 7.
No	▶ Check wheel bearing. Refer to "Front Wheel Bearing", AX-4 , "Rear Wheel Bearing", AX-22 .

7	CHECK SENSOR ROTOR
Check sensor rotor for teeth damage. (See NOTE)	
Is sensor rotor free from damage?	
Yes	▶ Check ABS actuator and electric unit pin terminals for damage or the connection of ABS actuator and electric unit harness connector. Reconnect ABS actuator and electric unit harness connector. Then retest.
No	▶ Replace sensor rotor. (See NOTE)

ABS Actuator Solenoid Valve and Solenoid Valve Relay

DIAGNOSTIC PROCEDURE

Malfunction code No. 41, 45, 51, 55, 42, 46, 52, 56, 63

=NIBR0120

1	INSPECTION START	<p>Solenoid valve relay inspection</p> <div style="text-align: center;"> </div> <p style="text-align: right;">WBR051</p>
▶		GO TO 2.

2	CHECK FUSE	<p>Check 40A fusible link f. For fuse layout, refer to "Schematic", EL-9.</p> <p style="text-align: center;">Is fusible link OK?</p>
Yes	▶	GO TO 3.
No	▶	GO TO 6.

3	CHECK CONNECTOR	<p>1. Disconnect connector from ABS actuator and electric unit. Check terminals for damage or loose connection. Then reconnect connector.</p> <p>2. Carry out self-diagnosis again.</p> <p style="text-align: center;">Does warning lamp activate again?</p>
Yes	▶	GO TO 4.
No	▶	INSPECTION END

4	CHECK ABS ACTUATOR AND ELECTRIC UNIT GROUND CIRCUIT	<p>Refer to "ABS ACTUATOR AND ELECTRIC UNIT GROUND", BR-58.</p> <p style="text-align: center;">Is ground circuit OK?</p>
Yes	▶	GO TO 5.
No	▶	Repair harness or connector.

GI
 MA
 EM
 LC
 EC
 FE
 CL
 MT
 AT
 AX
 SU
 BR
 ST
 RS
 BT
 HA
 SC
 EL
 IDX

TROUBLE DIAGNOSES FOR SELF-DIAGNOSTIC ITEMS

ABS

ABS Actuator Solenoid Valve and Solenoid Valve Relay (Cont'd)

5	CHECK SOLENOID VALVE POWER SUPPLY CIRCUIT	
<p>1. Disconnect ABS actuator and electric unit connector. 2. Check voltage between ABS actuator and electric unit connector E55 (body side) terminal 18 and ground.</p>		
LBR052		
Does battery voltage exist?		
Yes	▶	Replace ABS actuator and electric unit.
No	▶	<p>Check the following. If NG, repair harness or connectors.</p> <ul style="list-style-type: none"> ● Harness connector E55 ● Harness for open or short between ABS actuator and electric unit and fusible link.

6	REPLACE FUSE	
<p>Replace 40A fusible link h. For fuse layout, refer to EL-9, "Schematic".</p>		
Does the fusible link blow out when ignition switch is turned ON?		
Yes	▶	GO TO 7.
No	▶	INSPECTION END

7	CHECK SOLENOID VALVE RELAY POWER SUPPLY CIRCUIT FOR SHORT	
<p>1. Disconnect battery cable and ABS actuator and electric unit connector. 2. Check continuity between ABS actuator and electric unit connector E55 (body side) terminal 18 and ground.</p>		
LBR053		
Continuity should exist		
Does continuity exist?		
Yes	▶	<p>Check the following. If NG, repair harness or connector.</p> <ul style="list-style-type: none"> ● Harness connector E55 ● Harness for open or short between ABS actuator and electric unit and fusible link.
No	▶	Replace ABS actuator and electric unit.

Motor Relay or Motor DIAGNOSTIC PROCEDURE Malfunction code No. 61

=NIBR0121

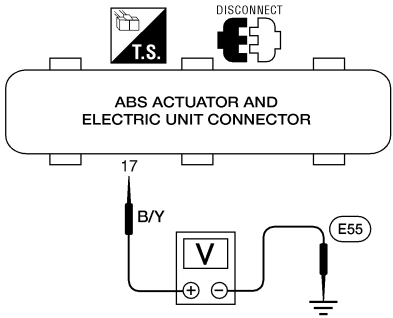
1	INSPECTION START
ABS motor relay inspection	
WBR054	
▶	GO TO 2.

2	CHECK FUSIBLE LINK
Check 40A fusible link g . For fusible link layout, refer to "Schematic", EL-9 .	
Is fusible link OK?	
Yes ▶	GO TO 3.
No ▶	GO TO 6.

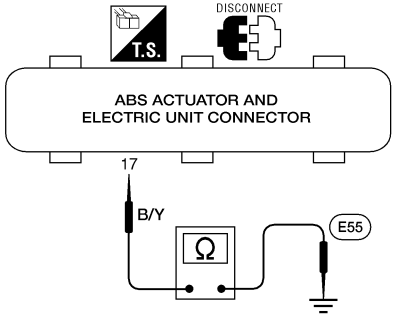
3	CHECK CONNECTOR
1. Disconnect ABS actuator and electric unit connector. Check terminals for damage or loose connection. Then reconnect connector.	
2. Carry out self-diagnosis again.	
Does warning lamp activate again?	
Yes ▶	GO TO 4.
No ▶	INSPECTION END

4	CHECK ABS ACTUATOR AND ELECTRIC UNIT GROUND CIRCUIT
Refer to "ABS ACTUATOR AND ELECTRIC UNIT GROUND", BR-58.	
Is ground circuit OK?	
Yes ▶	GO TO 5.
No ▶	Repair harness or connector.

GI
MA
EM
LC
EC
FE
CL
MT
AT
AX
SU
BR
ST
RS
BT
HA
SC
EL
IDX

5	CHECK MOTOR RELAY POWER SUPPLY CIRCUIT	
<p>1. Disconnect ABS actuator and electric unit connector. 2. Check voltage between ABS actuator and electric unit connector E55 (body side) terminal 17 and ground.</p>		
		
LBR055		
Does battery voltage exist?		
Yes	▶	Replace ABS actuator and electric unit.
No	▶	Check the following. If NG, repair harness or connector. <ul style="list-style-type: none"> ● Harness connector E55 ● Harness for open or short between ABS actuator and electric unit and fusible link

6	REPLACE FUSIBLE LINK	
<p>Replace 40A fusible link h. For fuse layout, refer to EL-9, "Schematic."</p>		
Does the fusible link blow out when ignition switch is turned ON?		
Yes	▶	GO TO 7.
No	▶	INSPECTION END

7	CHECK ABS ACTUATOR MOTOR POWER SUPPLY CIRCUIT FOR SHORT	
<p>1. Disconnect battery cable and ABS actuator and electric unit connector. 2. Check continuity between ABS actuator and electric unit connector E55 (body side) terminal 17 and ground.</p>		
		
LBR056		
Does continuity exist?		
Continuity should not exist.		
Yes	▶	Check the following. If NG, repair harness or connector. <ul style="list-style-type: none"> ● Harness connector E55 ● Harness for open or short between ABS actuator and electric unit and fusible link
No	▶	Replace ABS actuator and electric unit.

Low Voltage DIAGNOSTIC PROCEDURE Malfunction code No. 57

NIBR0122

1	INSPECTION START
ABS actuator and electric unit power supply and ground circuit inspection	
<i>LBR057</i>	
▶	GO TO 2.

2	CHECK FUSE
Check 10A fuse No. 31. For fuse layout, refer to "Schematic", <i>EL-9</i> .	
Is fuse OK?	
Yes	▶ GO TO 3.
No	▶ GO TO 6.

3	CHECK CONNECTOR
1. Disconnect ABS actuator and electric unit connector. Check terminals for damage or loose connections. Then reconnect connector. 2. Carry out self-diagnosis again.	
Does warning lamp activate again?	
Yes	▶ GO TO 4.
No	▶ INSPECTION END

4	CHECK ABS ACTUATOR AND ELECTRIC UNIT GROUND CIRCUIT
Refer to "ABS ACTUATOR AND ELECTRIC UNIT GROUND", BR-58.	
Is ground circuit OK?	
Yes	▶ GO TO 5.
No	▶ Repair harness or connector.

GI
 MA
 EM
 LC
 EC
 FE
 CL
 MT
 AT
 AX
 SU
 BR
 ST
 RS
 BT
 HA
 SC
 EL
 IDX

5	CHECK ABS ACTUATOR AND ELECTRIC UNIT POWER SUPPLY CIRCUIT	
<p>1. Disconnect ABS actuator and electric unit connector. 2. Check voltage between ABS actuator and electric unit connector E55 (body side) terminal 15 and ground.</p>		
LBR058		
Does battery voltage exist when ignition switch is turned ON?		
Yes	▶	Replace ABS actuator and electric unit.
No	▶	Check the following. If NG, repair harness or connector. <ul style="list-style-type: none"> ● Harness connector E55 ● Harness for open or short between ABS actuator and electric unit and fuse

6	REPLACE FUSE	
<p>Replace 10A fuse 31. For fuse layout, refer to EL-9, "Schematic".</p>		
Does the fuse blow out when ignition switch is turned ON?		
Yes	▶	GO TO 7.
No	▶	INSPECTION END

7	CHECK ABS ACTUATOR AND ELECTRIC UNIT POWER SUPPLY CIRCUIT FOR SHORT	
<p>1. Disconnect battery cable and ABS actuator and electric unit connector. 2. Check continuity between ABS actuator and electric unit connector E55 (body side) terminal 15 and ground.</p>		
LBR059		
Continuity should not exist.		
Does continuity exist?		
Yes	▶	Check the following. If NG, repair harness or connector. <ul style="list-style-type: none"> ● Harness connector E55 ● Harness for open or short between ABS actuator and electric unit and fuse
No	▶	Replace ABS actuator and electric unit.

Control Unit DIAGNOSTIC PROCEDURE Malfunction code No. 71

=NIBR0123

1	INSPECTION START
ABS actuator and electric unit power supply and ground circuit inspection	
LBR057	
▶	GO TO 2.

2	CHECK CONNECTOR
1. Disconnect ABS actuator and electric unit connector. Check terminals for damage or loose connection. Then reconnect connector. 2. Carry out self-diagnosis again.	
Does warning lamp activate again?	
Yes	▶ GO TO 3.
No	▶ INSPECTION END

3	CHECK ABS ACTUATOR AND ELECTRIC UNIT POWER SUPPLY CIRCUIT
Check voltage. Refer to "CHECK ABS ACTUATOR AND ELECTRIC UNIT POWER SUPPLY CIRCUIT", BR-68.	
Does battery voltage exist when ignition switch is turned ON?	
Yes	▶ GO TO 4.
No	▶ Repair.

4	CHECK WARNING LAMP INDICATION
Does warning lamp indicate code No. 71 again?	
Yes or No	
Yes	▶ Replace ABS actuator and electric unit.
No	▶ Inspect the system according to the code No.

GI
MA
EM
LC
EC
FE
CL
MT
AT
AX
SU
BR
ST
RS
BT
HA
SC
EL
IDX

TROUBLE DIAGNOSES FOR SYMPTOMS

ABS

1. ABS Works Frequently

1. ABS Works Frequently

NIBR0124

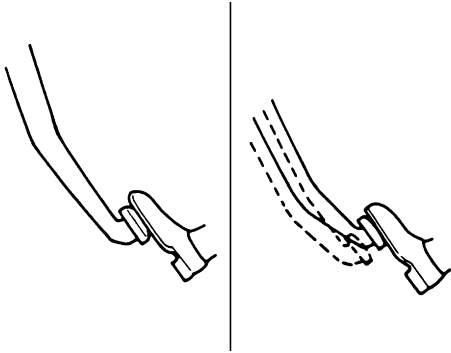
1	CHECK BRAKE FLUID PRESSURE	
Check brake fluid pressure distribution. Refer to "Inspection", BR-11.		
Is brake fluid pressure distribution normal?		
Yes	▶	GO TO 2.
No	▶	Repair. Then perform Preliminary Check. Refer to "Preliminary Check", BR-55.

2	CHECK WHEEL SENSOR	
1. Check wheel sensor connector for terminal damage or loose connections. 2. Perform wheel sensor mechanical check. Refer to "CHECK SENSOR ROTOR", BR-62.		
Is wheel sensor mechanism OK?		
Yes	▶	GO TO 3.
No	▶	Repair.

3	CHECK FRONT AXLE	
Check front axles for excessive looseness. Refer to "Front Wheel Bearing", AX-4.		
Is front axle installed properly?		
Yes	▶	Go to "CHECK WARNING LAMP INDICATION", BR-71.
No	▶	Repair.

2. Unexpected Pedal Action

NIBR0125

1	CHECK BRAKE PEDAL STROKE	
Check brake pedal stroke.		
		
Is brake pedal stroke excessively large?		
Yes	▶	Perform Preliminary Check. Refer to "Preliminary Check", BR-55.
No	▶	GO TO 2.

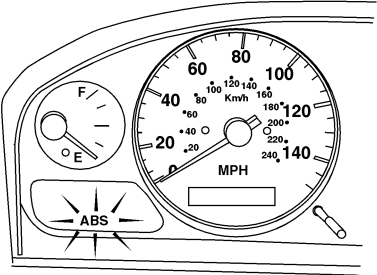
SBR540A

TROUBLE DIAGNOSES FOR SYMPTOMS

ABS

2. Unexpected Pedal Action (Cont'd)

2	CHECK MECHANICAL BRAKE SYSTEM PERFORMANCE	
Disconnect ABS actuator and electric unit connector and check whether brake is effective.		
Does brake system function properly when brake pedal is depressed?		
Yes	▶	GO TO 3.
No	▶	Perform Preliminary Check. Refer to "Preliminary Check", BR-55.

3	CHECK WARNING LAMP INDICATION	
Ensure warning lamp remains off while driving.		
		
WBR039		
Is warning lamp turned off?		
Yes	▶	GO TO 4.
No (with Consult-II)	▶	Carry out self-diagnosis. Refer to "SELF-DIAGNOSIS PROCEDURE", BR-49.
No (without Consult-II)	▶	Carry out self-diagnosis. Refer to "SELF-DIAGNOSIS PROCEDURE", BR-46.

4	CHECK WHEEL SENSOR	
1. Check wheel sensor connector for terminal damage or loose connection. 2. Perform wheel sensor mechanical check. Refer to "CHECK SENSOR ROTOR", BR-62.		
Is wheel sensor mechanism OK?		
Yes	▶	Check ABS actuator and electric unit pin terminals for damage or the connection of ABS actuator and electric unit harness connector. Reconnect ABS actuator and electric unit harness connector. Then retest.
No	▶	Repair.

3. Long Stopping Distance

NIBR0126

1	CHECK MECHANICAL BRAKE SYSTEM PERFORMANCE	
Disconnect ABS actuator and electric unit connector and check whether stopping distance is still long.		
Does brake system function properly when brake pedal is depressed?		
Yes	▶	Perform Preliminary Check and air bleeding (if necessary).
No	▶	Go to "CHECK WARNING LAMP INDICATION", BR-71.

GI
MA
EM
LC
EC
FE
CL
MT
AT
AX
SU
BR
ST
RS
BT
HA
SC
EL
IDX

TROUBLE DIAGNOSES FOR SYMPTOMS

ABS

3. Long Stopping Distance (Cont'd)

NOTE:

Stopping distance may be longer for vehicles without ABS when road condition is slippery.

4. ABS Does Not Work

=NIBR0127

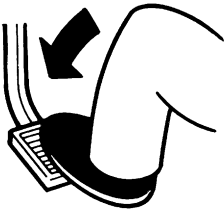
1	CHECK WARNING LAMP INDICATION	
Does the ABS warning lamp activate?		
Yes or No		
Yes (with Consult-II)	▶	Carry out self-diagnosis. Refer to "SELF-DIAGNOSIS PROCEDURE", BR-49.
Yes (without Consult-II)	▶	Carry out self-diagnosis. Refer to "SELF-DIAGNOSIS PROCEDURE", BR-46.
No	▶	Go to "CHECK WARNING LAMP INDICATION", BR-71.

NOTE:

ABS does not work when vehicle speed is under 10 km/h (6 MPH).

5. Pedal Vibration and Noise

NIBR0128

1	INSPECTION START	
Pedal vibration and noise inspection		
Brake pedal 		
SAT797A		
▶		GO TO 2.

2	CHECK SYMPTOM	
1. Apply brake. 2. Start engine.		
Does the symptom appear only when engine is started?		
Yes (with Consult-II)	▶	Carry out self-diagnosis. Refer to "SELF-DIAGNOSIS PROCEDURE", BR-49.
Yes (without Consult-II)	▶	Carry out self-diagnosis. Refer to "SELF-DIAGNOSIS PROCEDURE", BR-46.
No	▶	Go to "CHECK WARNING LAMP INDICATION", BR-71.

NOTE:

ABS may operate and cause vibration under any of the following conditions.

- Applying brake gradually when shifting or operating clutch.
- Low friction (slippery) road.
- High speed cornering.
- Driving over bumps and pot holes.

TROUBLE DIAGNOSES FOR SYMPTOMS

ABS

6. Warning Lamp Does Not Come On When Ignition Switch Is Turned On

- Engine speed is over 5,000 rpm with vehicle stopped.

6. Warning Lamp Does Not Come On When Ignition Switch Is Turned On

NIBR0129

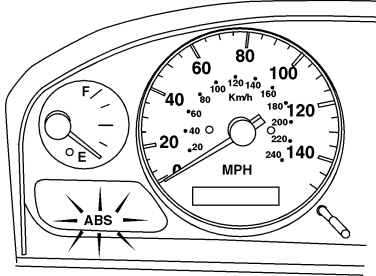
1	INSPECTION START
Warning lamp circuit inspection	
WBR060	
▶	GO TO 2.

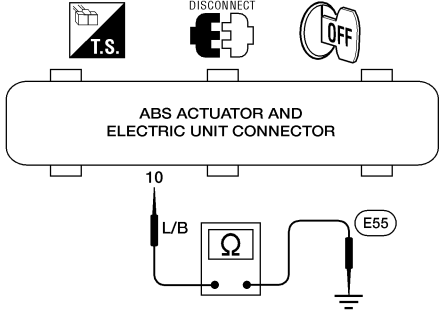
2	CHECK FUSE
Check 10A fuse No. 30. For fuse layout, refer to "Schematic", <i>EL-9</i> .	
Is fuse OK?	
Yes	▶ GO TO 3.
No	▶ Replace fuse.

TROUBLE DIAGNOSES FOR SYMPTOMS

ABS

6. Warning Lamp Does Not Come On When Ignition Switch Is Turned On (Cont'd)

3	CHECK WARNING LAMP ACTIVATE	<p>Disconnect ABS actuator and electric unit connector.</p> <div style="text-align: center;">  </div> <p style="text-align: right;">WBR039</p> <p style="text-align: center;">Does the warning lamp activate?</p>	
Yes	▶	Replace ABS actuator and electric unit.	
No	▶	GO TO 4.	

4	CHECK HARNESS FOR SHORT	<p>1. Disconnect ABS actuator and electric unit connector and combination meter connector M30. 2. Check continuity between ABS actuator and electric unit connector E55 (body side) terminal 10 and ground.</p> <div style="text-align: center;">  <p style="text-align: right;">Continuity should not exist</p> </div> <p style="text-align: right;">LBR061</p> <p style="text-align: center;">Does continuity exist?</p>	
Yes	▶	Repair harness or connectors.	
No	▶	<p>Check combination meter. Refer to <i>EL-106</i>, "WARNING LAMPS," "WITH TACHOMETER".</p>	

GI
MA
EM
LC
EC
FE
CL
MT
AT
AX
SU
BR
ST
RS
BT
HA
SC
EL
IDX

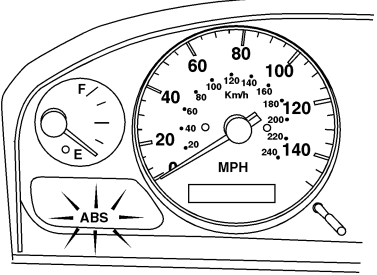
TROUBLE DIAGNOSES FOR SYMPTOMS

ABS

7. Warning Lamp Stays On When Ignition Switch Is Turned On

7. Warning Lamp Stays On When Ignition Switch Is Turned On

=NIBR0130

1	INSPECTION START
ABS control unit inspection.	
	
WBR039	
▶	GO TO 2.

2	CHECK FUSE
Check 10A fuse No. 31. For fuse layout, refer to "Schematic", EL-9 .	
Is fuse OK?	
Yes	▶ GO TO 3.
No	▶ GO TO 8.

3	CHECK HARNESS CONNECTOR
Check ABS actuator and electric unit pin terminals for damage or bad connection of ABS actuator and electric unit harness connector. Reconnect ABS actuator and electric unit harness connector. Then retest.	
Does warning lamp stay on when ignition switch is turned ON?	
Yes	▶ GO TO 4.
No	▶ INSPECTION END

4	CHECK ABS ACTUATOR AND ELECTRIC UNIT GROUND CIRCUIT
Refer to "ABS ACTUATOR AND ELECTRIC UNIT GROUND", BR-58.	
Is ground circuit OK?	
Yes	▶ GO TO 5.
No	▶ Repair harness or connector.

TROUBLE DIAGNOSES FOR SYMPTOMS

ABS

7. Warning Lamp Stays On When Ignition Switch Is Turned On (Cont'd)

5	CHECK ABS ACTUATOR AND ELECTRIC UNIT POWER SUPPLY CIRCUIT	
<p>1. Disconnect ABS actuator and electric unit connector. 2. Check voltage between ABS actuator and electric unit connector E55 (body side) terminal 15 and ground.</p>		
LBR063		
Does battery voltage exist when ignition switch is turned ON?		
Yes	▶	GO TO 6.
No	▶	<p>Check the following. If NG, repair harness or connector.</p> <ul style="list-style-type: none"> ● Harness connector E55 ● Harness for open or short between ABS actuator and electric unit and fuse

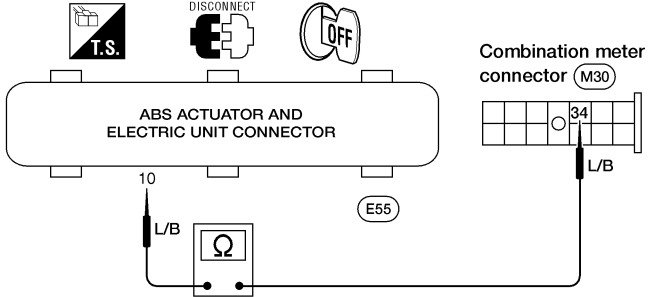
GI
MA
EM
LC
EC
FE
CL
MT
AT
AX
SU
BR
ST
RS
BT
HA
SC
EL
IDX

6	CHECK WARNING LAMP	
<p>1. Disconnect ABS actuator and electric unit connector. 2. Connect suitable wire between ABS actuator and electric unit connector E55 (body side) terminal 10 and ground.</p>		
LBR064		
Does the warning lamp deactivate?		
Yes	▶	Replace ABS actuator and electric unit.
No	▶	GO TO 7.

TROUBLE DIAGNOSES FOR SYMPTOMS

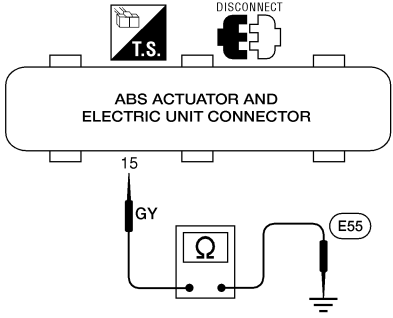
ABS

7. Warning Lamp Stays On When Ignition Switch Is Turned On (Cont'd)

7	CHECK ABS WARNING LAMP CONTROL CIRCUIT FOR OPEN	
<p>1. Disconnect combination meter connector M30.</p> <p>2. Check continuity between combination meter connector M30 (body side) terminal 34 (with Tachometer), 38 (without Tachometer) and ABS actuator and electric unit connector E55 (body side) terminal 10.</p> <p>NOTE: Connect positive lead of multimeter to combination meter connector M30 (body side) terminal 34 (with Tachometer), 38 (without Tachometer) and negative lead to ABS actuator and electric unit connector E55 (body side) terminal 10.</p>		
		
<p>Continuity should exist.</p> <p>Does continuity exist?</p>		
Yes	▶	Check combination meter. Refer to <i>EL-106</i> , "WARNING LAMPS", "WITH TACHOMETER".
No	▶	GO TO 8.

LBR065

8	REPLACE FUSE	
Replace fuse.		
Does the fuse blow out when ignition switch is turned ON?		
Yes	▶	GO TO 9.
No	▶	INSPECTION END

9	CHECK ABS ACTUATOR AND ELECTRIC UNIT POWER SUPPLY CIRCUIT FOR SHORT	
<p>1. Disconnect battery cable and ABS actuator and electric unit connector.</p> <p>2. Check continuity between ABS actuator and electric unit connector E55 (body side) terminal 15 and ground.</p>		
		
<p>Continuity should not exist.</p> <p>Does continuity exist?</p>		
Yes	▶	Check the following. If NG, repair harness or connector. <ul style="list-style-type: none"> ● Harness connector E55 ● Harness for open or short between ABS actuator and electric unit and fuse
No	▶	Replace ABS actuator and electric unit.

LBR066

CAUTION:

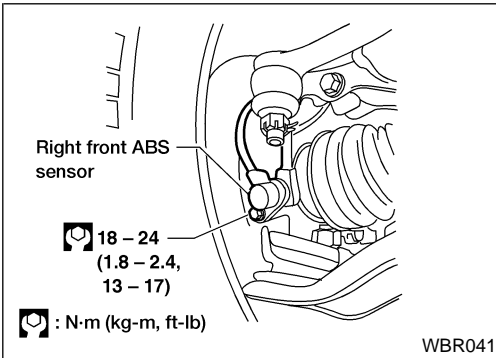
Be careful not to damage sensor edge and sensor rotor teeth. When removing the front or rear wheel hub assembly, disconnect the ABS wheel sensor from the assembly and move it away.

GI

MA

EM

LC



Front Wheel Sensor

NIBR0131S01

EC

FE

CL

MT

Rear Wheel Sensor

NIBR0131S02

AT

AX

SU

BR

ST

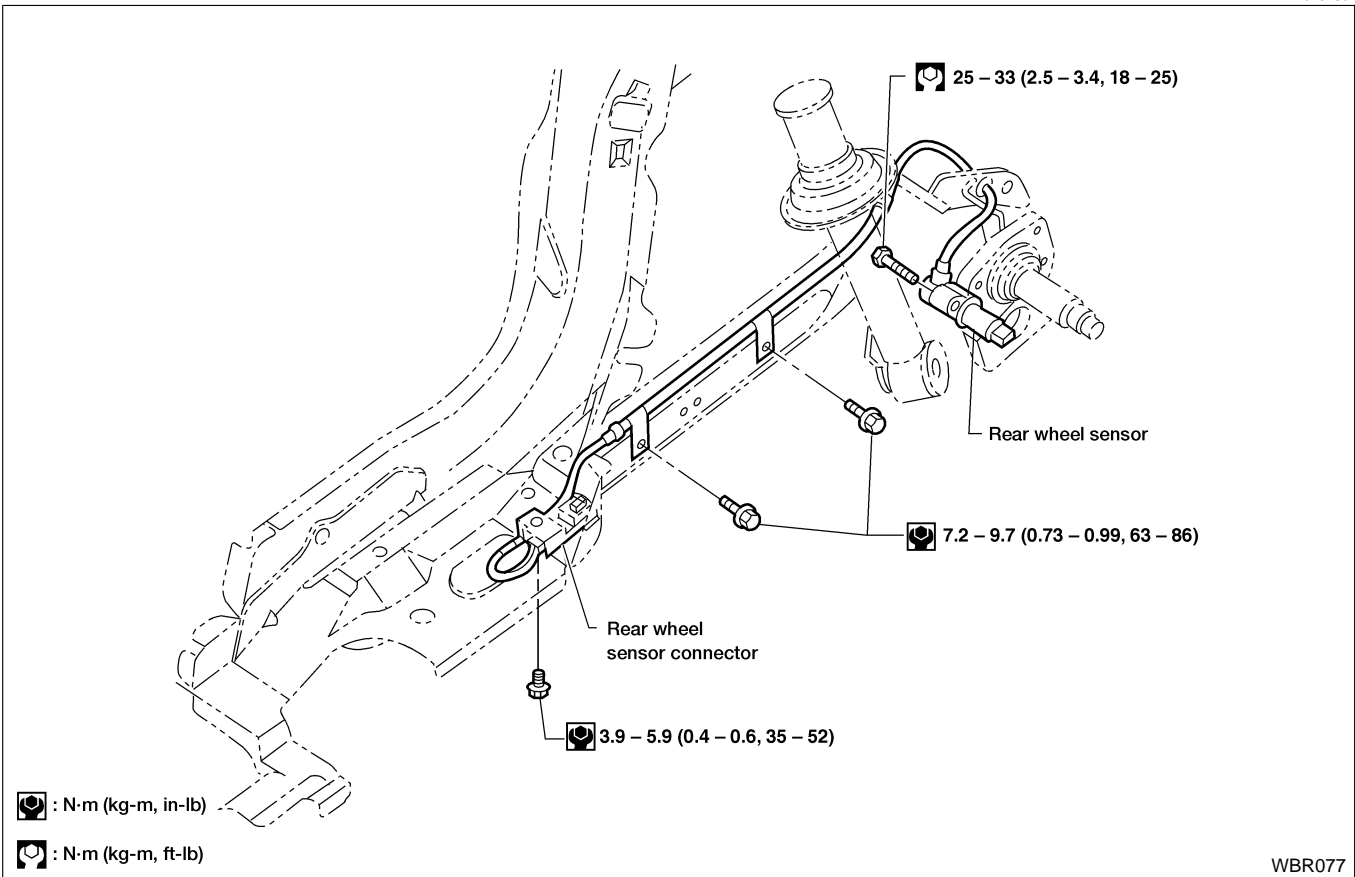
RS

BT

HA

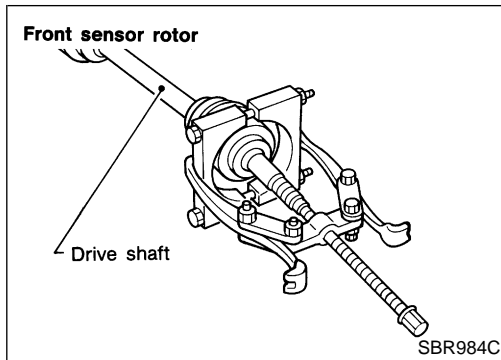
SC

EL



IDX

Sensor Rotor

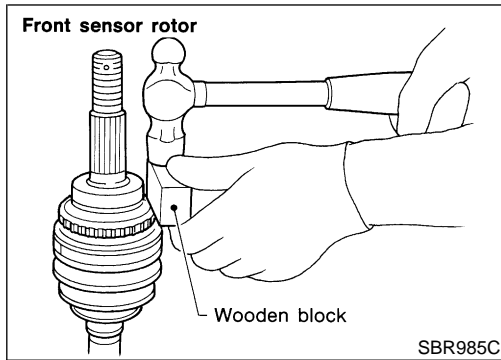
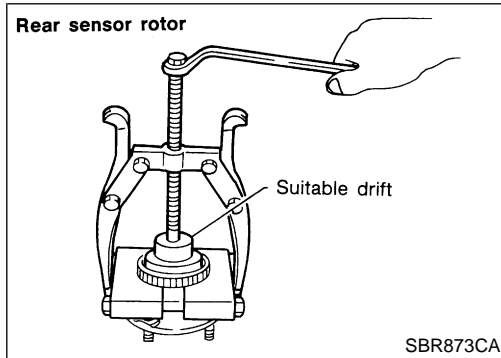


Sensor Rotor REMOVAL

NIBR0131S03

NIBR0131S0301

1. Remove the drive shaft or rear wheel hub. Refer to "Removal", **AX-12** or "Removal", **AX-23** respectively.
2. Remove the sensor rotor using suitable puller, drift and bearing replacer.



INSTALLATION

NIBR0131S0302

Install the sensor rotor. For front sensor rotor, use hammer and wooden block. For rear sensor rotor, use suitable drift and press.

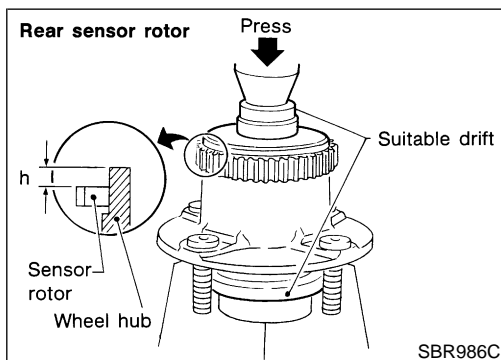
- Always replace sensor rotor with new one.
- Pay attention to the dimension of rear sensor rotor as shown in figure.

Rear Disc

h: 1.5 - 2.5 mm (0.06 - 0.10 in)

Rear Drum

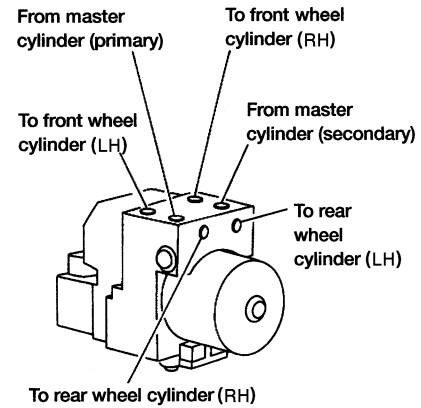
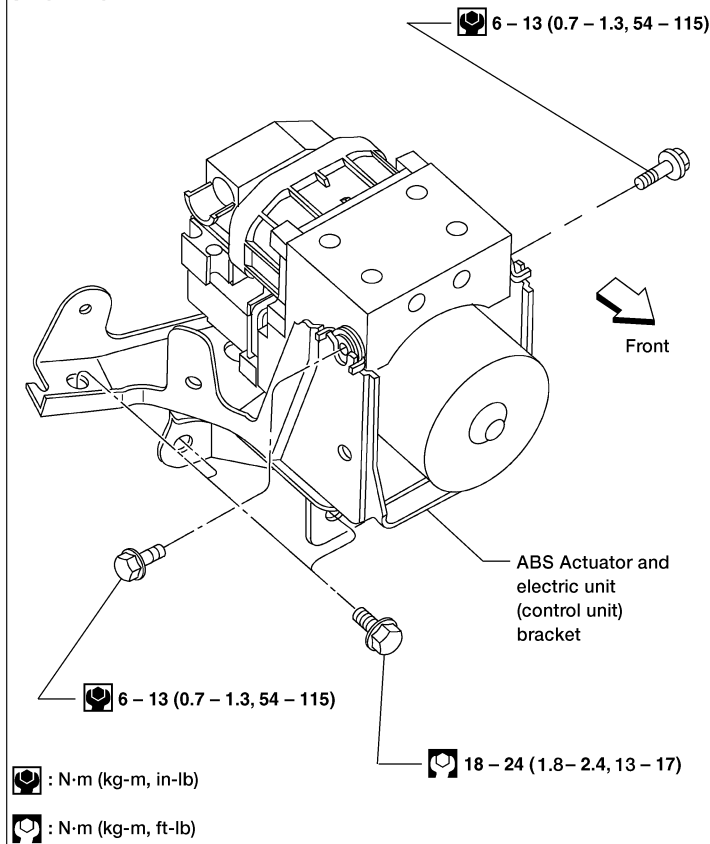
h: 17.7 - 18.7 mm (0.70 - 0.74 in)



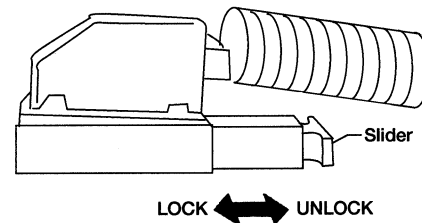
Actuator

NIBR0131S04

SEC. 476



Connector lock



WBR044

REMOVAL

NIBR0131S0401

1. Disconnect negative battery cable.
2. Drain brake fluid. Refer to "Changing Brake Fluid", BR-7.
3. Remove the A/C high pressure and A/C low pressure lines. Refer to **HA-75**, "Removal and Installation".
4. Remove mounting bracket bolts and nuts.
5. Disconnect harness connector and brake lines.

INSTALLATION

NIBR0131S0402

1. Connect brake lines temporarily.
2. Tighten bolts.
3. Tighten brake lines.
4. Connect harness connector and negative battery cable.
5. Refill and bleed the brake fluid. Then bleed air. Refer to "Bleeding Brake System", BR-8.
6. Install the A/C high pressure and A/C low pressure lines. Evacuate and recharge the A/C system. Refer to **HA-61**, "Evacuating System and Charging Refrigerant".

SERVICE DATA AND SPECIFICATIONS (SDS)

General Specifications

General Specifications

NIBR0077
Unit: mm (in)

Applied Model		QG18DE	SR20DE
Front brake	Brake model	CL25VA	CL25VB
	Cylinder bore diameter	57.2 (2.252)	
	Pad length × width × thickness	125.6 × 46.0 × 11.0 (4.94 × 1.811 × 0.433)	
	Rotor outer diameter × thickness	257 × 22 (10.12 × 0.87)	280 × 22 (11.02 × 0.87)
Rear brake	Brake model	LT20G	CL9HC
	Cylinder bore diameter/caliper bore diameter	17.45 (11/16)	33.96 (1.3370)
	Lining length × width × thickness	219.4 × 35 × 4.5 (8.64 × 1.38 × 0.177)	89.1 × 39.5 × 10 (3.508 × 1.555 × 0.39)
	Drum inner diameter/Disc diameter × thickness	203.2 (8)	258 × 9 (10.16 × 0.35)
Master cylinder	Cylinder bore diameter	23.81 (15/16)	
Control valve	Valve model	Dual proportioning valve	
	Split point [kPa (kg/cm ² , psi)] × reducing ratio	1,961 (20,284) × 0.2	2,942 (30,427) × 0.2
Brake booster	Booster model	M215T	
	Diaphragm diameter	Primary: 230 (9.06) Secondary: 205 (8.07)	
Brake fluid	Recommended brake fluid	DOT 3	

Disc Brake

NIBR0078
Unit: mm (in)

Brake model	CL25VA/CL25VB (Front)	CL9HC (Rear)
Pad wear limit Minimum thickness	2.0 (0.079)	2.0 (0.079)
Rotor repair limit Minimum thickness	20.0 (0.787)	8.0 (0.315)

Drum Brake

NIBR0132
Unit: mm (in)

Brake model		LT20G
Lining wear limit	Minimum thickness	1.5 (0.059)
	Maximum inner diameter	204.5 (8.05)
Drum repair limit	Maximum out-of round	0.03 (0.0012)

Brake Pedal

NIBR0079
Unit: mm (in)

Free height "H"	M/T	156 - 166 (6.14 - 6.54)
	A/T	164.9 - 174.9 (6.49 - 6.89)
Depressed height "D" [under force of 490 N (50 kg, 110 lb) with engine running]		90 (3.54)
Pedal free play "A"		1.0 - 3.0 (0.039 - 0.118)

*: Measured from surface of dash reinforcement panel.

SERVICE DATA AND SPECIFICATIONS (SDS)

Parking Brake

Parking Brake

NIBR0080

Type	Lever
Number of notches [under force of 196 N (20 kg, 44 lb)]	6 - 7
Number of notches when warning lamp comes on	1

GI

MA

EM

LC

EC

FE

CL

MT

AT

AX

SU

BR

ST

RS

BT

HA

SC

EL

IDX

NOTES