

SECTION **PWO**  
POWER OUTLET

A  
B  
C  
D  
E  
F  
G  
H  
I  
J  
K  
L  
N  
O  
P

CONTENTS

<b>COMPONENT DIAGNOSIS</b> .....	2	FOR MEXICO : Precaution for Supplemental Restraint System (SRS) "AIR BAG" and "SEAT BELT PRE-TENSIONER" .....	4
<b>POWER SOCKET</b> .....	2	<b>ON-VEHICLE REPAIR</b> .....	5
Wiring Diagram - POWER SOCKET - .....	2	<b>POWER SOCKET</b> .....	5
<b>PRECAUTION</b> .....	4	<b>FRONT POWER SOCKET</b> .....	5
<b>PRECAUTIONS</b> .....	4	FRONT POWER SOCKET : Exploded View .....	5
<b>FOR USA AND CANADA</b> .....	4	FRONT POWER SOCKET : Removal and Installation .....	5
FOR USA AND CANADA : Precaution for Supplemental Restraint System (SRS) "AIR BAG" and "SEAT BELT PRE-TENSIONER" .....	4	<b>CONSOLE POWER SOCKET</b> .....	5
<b>FOR MEXICO</b> .....	4	CONSOLE POWER SOCKET : Exploded View .....	5
		CONSOLE POWER SOCKET : Removal and Installation .....	5

PWO

# POWER SOCKET

< COMPONENT DIAGNOSIS >

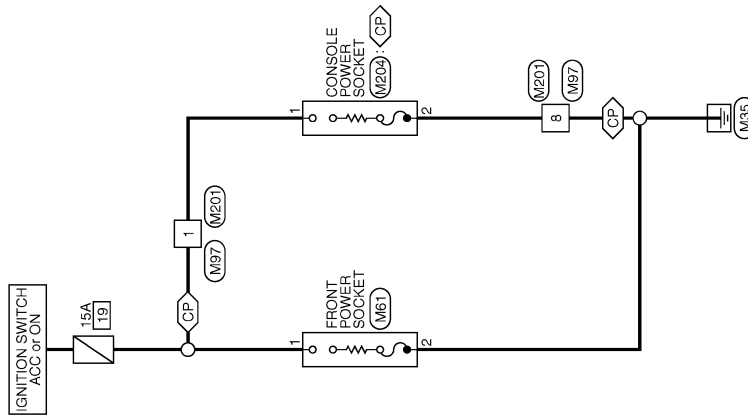
## COMPONENT DIAGNOSIS

### POWER SOCKET

Wiring Diagram - POWER SOCKET -

INFOID:000000004230980

CP : With console power socket






POWER SOCKET

2008/07/15




JCMWM2848G

# POWER SOCKET




## < COMPONENT DIAGNOSIS >

POWER SOCKET		
Connector No.	M61	M204
Connector Name	FRONT POWER SOCKET	CONSOLE POWER SOCKET
Connector Type	POPEF-Z	POPEF-Z
		
Terminal No.	Color of Wire	Signal Name [Specification]
1	O	
2	B	
Terminal No.	Color of Wire	Signal Name [Specification]
1	G	
2	B	

POWER SOCKET		
Connector No.	M87	M201
Connector Name	WIRE TO WIRE	WIRE TO WIRE
Connector Type	NSI (P)F-C	NSI (BMW)-CS
		
Terminal No.	Color of Wire	Signal Name [Specification]
1	P	
8	B	
Terminal No.	Color of Wire	Signal Name [Specification]
1	G	
8	B	

POWER SOCKET		
Connector No.	M201	M204
Connector Name	WIRE TO WIRE	CONSOLE POWER SOCKET
Connector Type	NSI (BMW)-CS	POPEF-Z
		
Terminal No.	Color of Wire	Signal Name [Specification]
1	G	
8	B	
Terminal No.	Color of Wire	Signal Name [Specification]
1	G	
2	B	

A  
B  
C  
D  
E  
F  
G  
H  
I  
J  
K  
L  
PWO  
N  
O  
P

JCMWM2849G

# PRECAUTIONS

< PRECAUTION >

## PRECAUTION

### PRECAUTIONS

#### FOR USA AND CANADA

#### FOR USA AND CANADA : Precaution for Supplemental Restraint System (SRS) "AIR BAG" and "SEAT BELT PRE-TENSIONER"

INFOID:000000004673674

The Supplemental Restraint System such as "AIR BAG" and "SEAT BELT PRE-TENSIONER", used along with a front seat belt, helps to reduce the risk or severity of injury to the driver and front passenger for certain types of collision. This system includes seat belt switch inputs and dual stage front air bag modules. The SRS system uses the seat belt switches to determine the front air bag deployment, and may only deploy one front air bag, depending on the severity of a collision and whether the front occupants are belted or unbelted.

Information necessary to service the system safely is included in the "SRS AIRBAG" and "SEAT BELT" of this Service Manual.

#### **WARNING:**

- **To avoid rendering the SRS inoperative, which could increase the risk of personal injury or death in the event of a collision which would result in air bag inflation, all maintenance must be performed by an authorized NISSAN/INFINITI dealer.**
- **Improper maintenance, including incorrect removal and installation of the SRS, can lead to personal injury caused by unintentional activation of the system. For removal of Spiral Cable and Air Bag Module, see the "SRS AIRBAG".**
- **Never use electrical test equipment on any circuit related to the SRS unless instructed to in this Service Manual. SRS wiring harnesses can be identified by yellow and/or orange harnesses or harness connectors.**

#### FOR MEXICO

#### FOR MEXICO : Precaution for Supplemental Restraint System (SRS) "AIR BAG" and "SEAT BELT PRE-TENSIONER"

INFOID:000000004673675

The Supplemental Restraint System such as "AIR BAG" and "SEAT BELT PRE-TENSIONER", used along with a front seat belt, helps to reduce the risk or severity of injury to the driver and front passenger for certain types of collision. Information necessary to service the system safely is included in the "SRS AIRBAG" and "SEAT BELT" of this Service Manual.

#### **WARNING:**

- **To avoid rendering the SRS inoperative, which could increase the risk of personal injury or death in the event of a collision which would result in air bag inflation, all maintenance must be performed by an authorized NISSAN/INFINITI dealer.**
- **Improper maintenance, including incorrect removal and installation of the SRS, can lead to personal injury caused by unintentional activation of the system. For removal of Spiral Cable and Air Bag Module, see the "SRS AIRBAG".**
- **Do not use electrical test equipment on any circuit related to the SRS unless instructed to in this Service Manual. SRS wiring harnesses can be identified by yellow and/or orange harnesses or harness connectors.**

# POWER SOCKET

< ON-VEHICLE REPAIR >

## ON-VEHICLE REPAIR

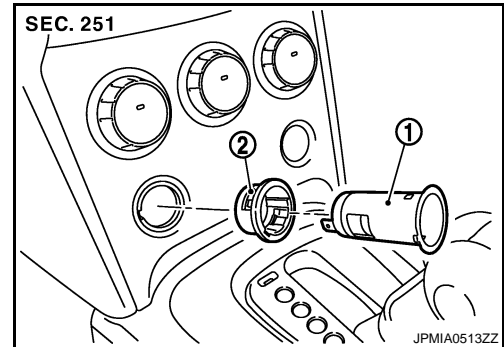
### POWER SOCKET

#### FRONT POWER SOCKET

#### FRONT POWER SOCKET : Exploded View

INFOID:000000004230983

- 1 : Inner socket
- 2 : Ring



#### FRONT POWER SOCKET : Removal and Installation

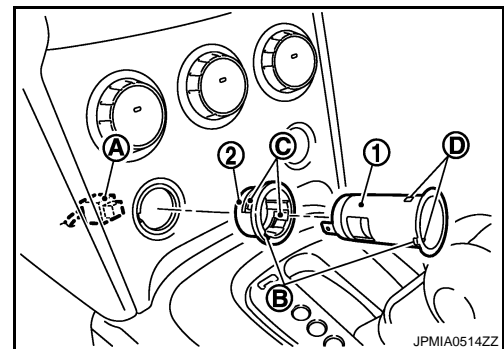
INFOID:000000004230984

##### REMOVAL

1. Remove cluster lid D. Refer to [IP-12. "Exploded View"](#).
2. Disconnect power socket connector (A).

B : Cut out

3. Pull out inner socket (1) by pushing the ring pawl (C) from the inner socket hole (square) (D).
4. Remove ring (2) from cluster lid D while pressing pawls.



##### INSTALLATION

Install in the reverse order of removal.

##### NOTE:

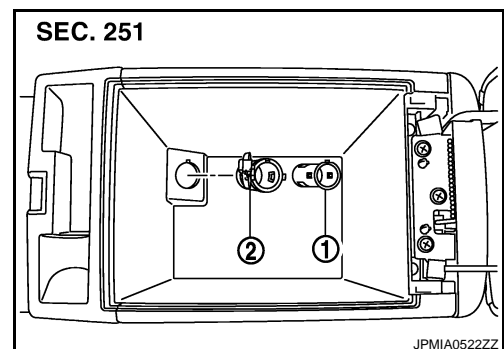
Align the cut outs of inner socket, ring, and cluster lid D.

### CONSOLE POWER SOCKET

#### CONSOLE POWER SOCKET : Exploded View

INFOID:000000004230985

- 1 : Inner socket
- 2 : Ring



#### CONSOLE POWER SOCKET : Removal and Installation

INFOID:000000004230986

##### REMOVAL

A  
B  
C  
D  
E  
F  
G  
H  
I  
J  
K  
L  
N  
O  
P

PWO

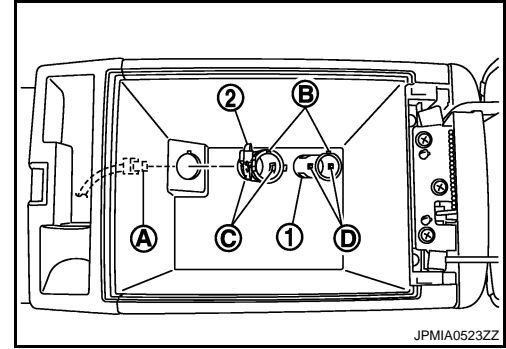
## POWER SOCKET

### < ON-VEHICLE REPAIR >

1. Remove console body assembly. Refer to [JP-20. "Exploded View"](#).
2. Disconnect power socket connector (A).

B : Cut out

3. Pull out inner socket (1) by pushing the ring pawl (C) from the inner socket hole (square) (D).
4. Remove ring (2) from console body assembly while pressing pawls.



### INSTALLATION

Install in the reverse order of removal.

#### **NOTE:**

Align the cut outs of inner socket, ring, and console body assembly.