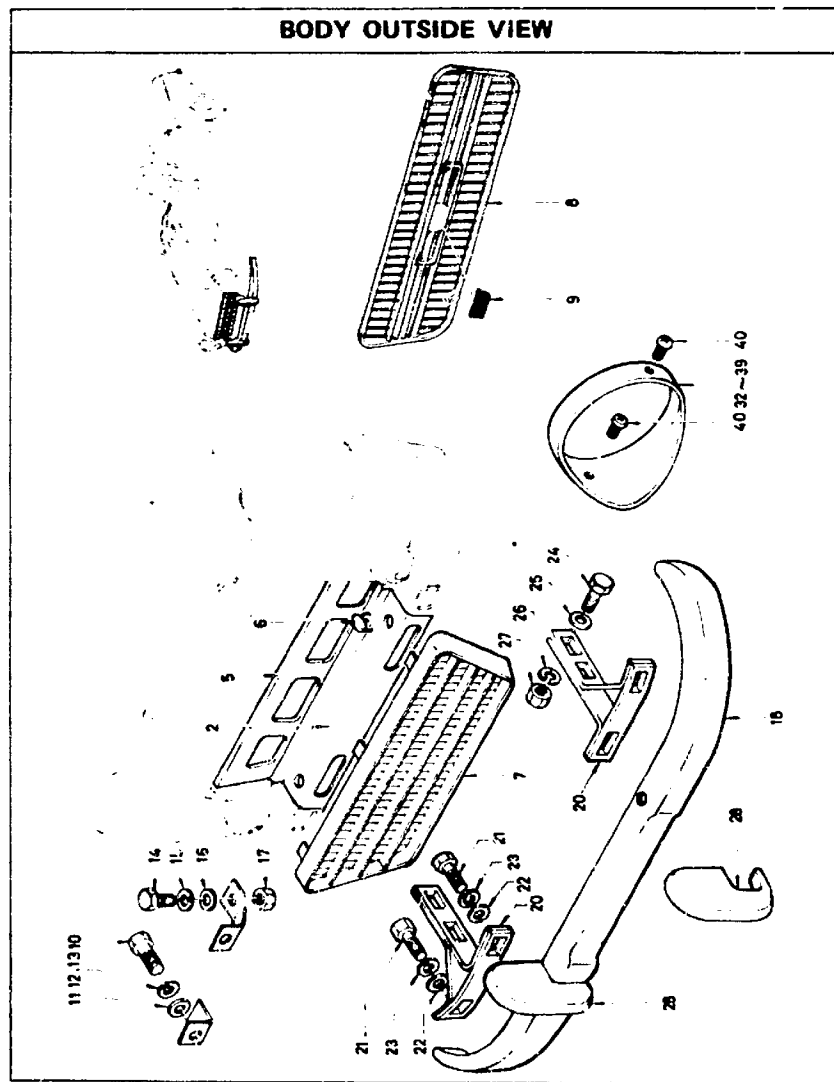


J1

BODY

FIG. 54 J2 NISSAN MOTOR CO., LTD.



DECEMBER, 1968

F54 - 1

Printed in Japan

NISSAN MOTOR CO., LTD.

FIG. 54

S	KEY NO.	PART NO.	PART NAME	QTY	SALES UNIT	MODEL	ICA
			BODY OUTSIDE VIEW				
•	1	67600-10400	ASSY-APRON, FRONT	1	1.6L		
	2	67600-25551	ASSY-APRON, FRONT (FROM F/R K-40001)	1	1 ALL		Y
	3	67600-25000	ASSY-APRON, FRONT (FROM F/R K-40001) (FROM OCT-68)	1	1 ALL		Y
•	4	67330-10400	ASSY-CROSS MEMBER, RADIATOR GRILLE	1	1.6L		
	5	67330-25501	ASSY-CROSS MEMBER, RADIATOR GRILLE (FROM F/R K-40001)	1	1 ALL		Y
	6	67672-36700	PLUG-HOLE, FOG LAMP	2	5 ALL		
	7	67300-14000	ASSY-GRILLE, RADIATOR	1	1.6L		
	8	67300-25000	ASSY-GRILLE, RADIATOR	1	1.2L		
	9	67305-25000	EMPLN-RADIATOR GRILLE	1	2.2L		
	10	07314-01210	SCREW	10	50 ALL		
	11	07915-41010	WASHER-PLAIN	10	50 ALL		
•	12	07915-11000	WASHER-LOCK	10	ALL		
	13	07915-11010	WASHER-LOCK	10	50 ALL		Y
	14	07314-01210	SCREW TO FIX RADIATOR GRILLE	5	50 ALL		
	15	07915-11010	WASHER-LOCK TO FIX RADIATOR GRILLE	5	50 ALL		
	16	07915-41010	WASHER-PLAIN TO FIX RADIATOR GRILLE	4	50 ALL		
	17	07911-14010	NUT TO FIX RADIATOR GRILLE	3	50 ALL		
	18	67650-10401	ASSY-BUMPER, FRONT	1	1 ALL		

REVISED: SEPTEMBER, 1971

56 - 1

Printed in Japan

FIG. 54 J3 NISSAN MOTOR CO., LTD.

S	KEY NO.	PART NO.	PART NAME	QTY	SALES UNIT	MODEL	ICA
•	19	67670-10400	ASSY-STAY,FRONT BUMPER	2	1	1.6L	
	20	67670-25500	ASSY-STAY,FRONT BUMPER (FROM E/P P=40031)	2	1	ALL	Y
	21	00114-62010	BOLT TO FIX STAY TO BUMPER	4	50	ALL	
	22	00915-41610	WASHER-PLAIN TO FIX STAY TO BUMPER	4	50	ALL	
	23	00915-11610	WASHER-LOCK TO FIX STAY TO BUMPER	4	50	ALL	
	24	00114-62510	BOLT	4	50	ALL	
	25	00915-41610	WASHER-PLAIN	4	50	ALL	
	26	00915-11610	WASHER-LOCK	4	50	ALL	
	27	00911-14610	NUT	4	50	ALL	
	28	67663-10401	ASSY-OVERRIDER	2	1	ALL	
	29	00114-51610	BOLT	4	50	ALL	
	30	00915-41510	WASHER-PLAIN	4	50	ALL	
	31	00915-11900	WASHER-LOCK	4	50	ALL	
	32	67821-10400	RIM-HEAD LAMP RH (TO SEP=68)	1	1	1.6L	
	33	67821-25600	RIM-HEAD LAMP RH (TO SEP=68)	1	1	2L	N
	34	67821-10400	RIM HEAD LAMP RH (FROM OCT=67)	1	1	ALL EXC. AUSTRALIA & DENMARK	
	35	67821-25600	RIM HEAD LAMP RH (FROM OCT=67)	1	1	AUSTRALIA & DENMARK	
	36	67822-10400	RIM-HEAD LAMP LH (TO SEP=68)	1	1	1.6L	
	37	67822-25600	RIM-HEAD LAMP LH (TO SEP=68)	1	1	2L	N

REVISED: SEPTEMBER, 1971

54 - 2

Printed in Japan

NISSAN MOTOR CO., LTD.

FIG. 54

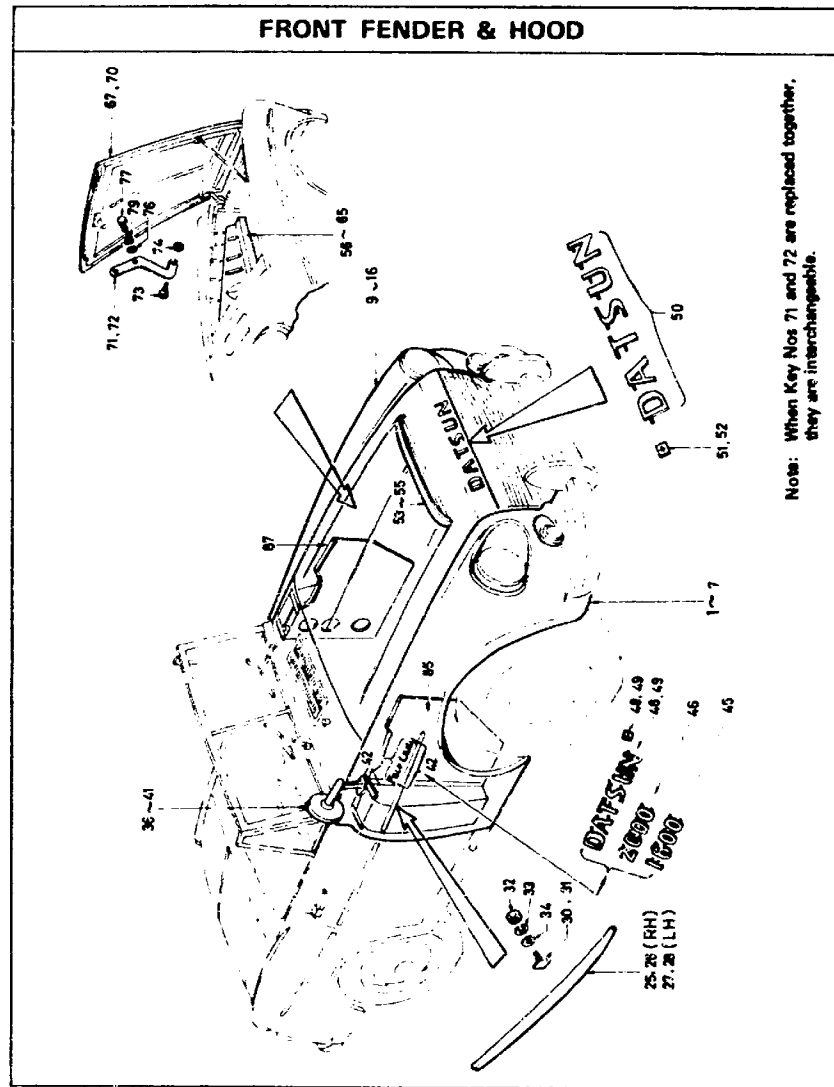
S	KEY NO.	PART NO.	PART NAME	QTY	SALES UNIT	MODEL	ICA
	38	67822-10400	RIM HEAD LAMP LH (FROM OCT=68)	1	1	ALL EXC. AUSTRALIA & DENMARK	
	39	67822-25600	RIM HEAD LAMP LH (FROM OCT=68)	1	1	AUSTRALIA & DENMARK	
	40	00538-61020	SCREW TO FIX HEAD LAMP RIM	2	50	ALL	
	41	00510-60712	SCREW TO FIX HEAD LAMP RIM	2	50	ALL	

REVISED: SEPTEMBER, 1971

54 - 3

Printed in Japan

FIG. 55 J4 NISSAN MOTOR CO., LTD.



JUNE, 1972

F55 - 1

Printed in Japan

NISSAN MOTOR CO., LTD.

FIG. 55

S	KEY NO.	PART NO.	PART NAME	QTY	SALES UNIT	MODEL	ICA
FRONT FENDER & HOOD							
	1	63100-14739	ASSY-FENDER,FRONT RH	2	1,6L		
	2	63100-25659	ASSY-FENDER,FRONT RH (FROM E/R R-40001 TO SEP-67)	1	ALL		N
	3	63100-26059	ASSY-FENDER,FRONT RH (FROM OCT-67 TO SEP-68)	1	ALL		N
	4	63100-25959	ASSY-FENDER,FRONT RH FOR SIDE LAMP (FROM OCT-67)	1	DENMARK OP,ALL		
	5	63100-26059	ASSY-FENDER,FRONT RH (FROM OCT-68 TO SEP-69)	1	ALL EXC USA		
	6	63100-A7559	ASSY-FENDER,FRONT RH (FROM OCT-69)	1	2 ALL EXC USA,CANADA		N
	7	63100-25959	ASSY FENDER FR RH FOR S/LAMP(FROM OCT-68 TO JUNE-69)	1	1 USA		
	8	63100-A7859	ASSY FENDER FRONT RH FOR SIDE LAMP(FROM JULY-69)	1	2 USA & CANADA		N
	9	63101-14637	ASSY-FENDER,FRONT LH	1	1,6L		
	10	63101-25659	ASSY-FENDER,FRONT LH (FROM E/R R-40001 TO SEP-67)	1	1 ALL		N
	11	63101-26059	ASSY-FENDER,FRONT LH (FROM OCT-67 TO SEP-68)	1	1 ALL		N
	12	63101-25959	ASSY-FENDER FRONT LH FOR SIDE LAMP (FROM OCT-67)	1	1 DENMARK OP,ALL		
	13	63101-26059	ASSY-FENDER FRONT LH (FROM OCT-68 TO SEP-69)	1	1 USA		

REVISED. JUNE, 1972

55 - 1

Printed in Japan

S	KEY NO.	PART NO.	PART NAME	QTY	SALES UNIT	MODEL	ICA
	14	63101-A7559	ASSY-FENDER FRONT LH (FROM OCT-69)	1	2	ALL EXC USA, CANADA	N
	15	63101-25959	ASSY-FENDER FR LH FOR S/LAMP (FROM OCT-68 TO JUNE-69)	1	1	USA & CANADA	
	16	63101-A7859	ASSY-FENDER FRONT LH FOR SIDE LAMP (FROM JULY-69)	1	2	USA & CANADA	N
	17	00314-41212	SCREW	27	50	ALL	
	18	00915-11410	WASHER-LOCK	22	50	ALL	
	19	00911-14410	NUT	20	50	ALL	N
	20	00114-51610	BOLT	4	50	ALL	
	21	00915-41510	WASHER-PLAIN	4	50	ALL	N
	22	00114-41610	BOLT	2	50	ALL	
	23	00915-41410	WASHER-PLAIN	2	50	ALL	
	24	00915-11410	WASHER-SPRING	2	50	ALL	
	25	63801-14600	MOULDING-SIDE, FRONT FENDER RH	1	1	1.6L	
	26	63801-25500	MOULDING-SIDE, FRONT FENDER RH (FROM E/P R-40001)	1	1	2L	N
	27	63802-14600	MOULDING-SIDE, FRONT FENDER LH	1	1	1.6L	
	28	63802-25500	MOULDING-SIDE, FRONT FENDER LH (FROM E/P R-40001)	1	1	2L	N
	29	63803-08800	RETAINER-SIDE MOULDING	12	10	1.6L	N
	30	63804-25500	RETAINER-SIDE MOULDING	12	1	1.6L	Y
	31	63803-25500	RETAINER-SIDE MOULDING (FROM E/P R-40001, U20-00001)	12	10	ALL	N
	32	00911-10810	NUT TO FIX OUTSIDE MOULDING	12	50	ALL	

S	KEY NO.	PART NO.	PART NAME	QTY	SALES UNIT	MODEL	ICA
	33	00915-10810	WASHER-LOCK TO FIX OUTSIDE MOULDING	12	50	ALL	
	34	00915-40810	WASHER-PLAIN TO FIX OUTSIDE MOULDING	12	50	ALL	
	35	96301-10500	ASSY-BACKMIRROR OUTSIDE (PLANE) (TO E/P R-40000)	1	1	OP 1.6L	
	36	96301-26800	ASSY-BACKMIRROR OUTSIDE (PLANE) (TO E/P R-40000)	1	1	OP, 1.6L	Y
	37	96301-25600	BACKMIRROR O/S (PLANE) (FROM E/P R-40001 TO SEP-67)	1	1	OP ALL	N
	38	96301-25900	BACKMIRROR OUTSIDE ON DOOR (PLANE) (FROM OCT-67)	1	2	OP ALL	N
	39	96301-35000	ASSY-BACKMIRROR OUTSIDE (CONVEX) (NOT ADOPTED)	1	1	OP ALL	N
	40	96301-84700	ASSY-BACKMIRROR OUTSIDE	1	1	OP ALL	Y
	41	96301-26000	ASSY-BACKMIRROR OUTSIDE ON FENDER (PLANE) (FROM OCT-67)	1	1	OP ALL	Y
	42	67805-84700	EMBLEM-SIDE (DATSUN)	2	2	ALL	
	43	79811-14600	EMBLEM-SIDE (DATSUN 1600)	2	2	ALL	Y
	44	67808-25500	EMBLEM-SIDE (DATSUN) (FROM E/P R-40001)	2	2	ALL	N
	45	79811-14601	MARK (1600) (FROM E/P R-40001)	1	2	1.6L	Y
	46	79811-25501	MARK (2000)	1	2	2L	
	47	00918-10500	FIXING-SPIRE	6		ALL	
	48	00918-10540	FIXING-SPIRE	6	50	ALL	Y
	49	00961-13210	FIXING-SPIRE	6		ALL	Y

FIG. 55 J6 NISSAN MOTOR CO., LTD.

S	KEY NO.	PART NO.	PART NAME	QTY	SALES UNIT	MODEL	ICA
	50	65812-12900	SET-EMBLEM, HOOD	1	2	ALL	N
	51	07918-10540	FIXING-SPIRE	12	50	ALL	
	52	07961-13210	FIXING-SPIRE	12		ALL	Y
	53	65810-10400	MOULDING-HOOD	1	1	1.6L	
	54	65810-25501	MOULDING-HOOD (FROM E/F# R-40001 TO SEP-67)	1	1	ALL	N
	55	65810-25900	MOULDING-HOOD (FROM OCT-67)	1	1	ALL	N
	56	64100-14750	ASSY-PANEL, HOOD LEDGE RH	1	1	SPL	N
	57	64100-25650	ASSY-PANFL, HOOD LEDGE RH (FROM E/F# R-40001 TO SEP-67)	1	1	SPL, SRL	N
	58	64100-26000	ASSY-PANEL, HOOD LEDGE RH (FROM OCT-67)	1	1	SPL, SRL	N
	59	64100-14650	ASSY-PANEL, HOOD LEDGE RH	1	1	SP	N
	60	64100-25550	ASSY-PANEL, HOOD LEDGE RH (FROM E/F# R-40001 TO SEP-67)	1	1	SP, SR	N
	61	64100-25900	ASSY-PANFL, HOOD LEDGE RH (FROM OCT-67)	1	1	SP, SR	N
	62	64101-14650	ASSY-PANEL, HOOD LEDGE LH (TO E/F# R-40000)	1	1	SP	N
	63	64101-14750	ASSY-PANEL, HOOD LEDGE LH	1	1	SPL	
	64	64101-25550	ASSY-PANEL, HOOD LEDGE LH (FROM E/F# R-40001 TO SEP-67)	1	1	ALL	N
	65	64101-25900	ASSY-PANEL, HOOD LEDGE LH (FROM OCT-67)	1	1	ALL	N
	66	65100-14600	ASSY-HOOD	1	1	1.6L	
	67	65100-14630	ASSY-HOOD	1	1	1.6L	Y

55-4

Printed in Japan

REVISED JUNE, 1972

NISSAN MOTOR CO., LTD.

FIG. 55

S	KEY NO.	PART NO.	PART NAME	QTY	SALES UNIT	MODEL	ICA
	68	65100-25500	ASSY-HOOD (FROM E/F# R-40001 TO SEP-67)	1	1	ALL	N
	69	65100-25900	ASSY-HOOD (FROM OCT-67 TO SEP-68)	1	1	ALL	N
	70	65100-A3201	ASSY HOOD (FROM OCT-68)	1		ALL	
	71	65405-12900	HINGE-HOOD	2	1	ALL	
	72	65141-25500	ASSY-BRACKET HOOD HINGE	2	1	ALL	
	73	65409-04100	PIN-HINGE, HOOD	2	10	ALL	N
	74	00911-14410	NUT	2	50	ALL	
	75	00915-11400	WASHER-PLAIN TO FIX HINGE TO HOOD	2		ALL	
	76	00915-11410	WASHER-PLAIN TO FIX HINGE TO HOOD	2	50	ALL	Y
	77	00114-51610	BOLT TO FIX HINGE TO HOOD	4	50	ALL	
	78	00915-11500	WASHER-LOCK TO FIX HINGE TO HOOD	4		ALL	
	79	00915-11510	WASHER-LOCK TO FIX HINGE TO HOOD	4	50	ALL	Y
	80	65101-25900	ASSY SUPPORT RADIATOR CORE RH (FROM OCT-68)	1		ALL	
	81	67501-25900	ASSY-SUPPORT RADIATOR CORE RH (FROM OCT-68)	1	1	ALL	Y
	82	67501-25930	ASSY-SUPPORT RADIATOR CORE RH (FROM OCT-68)	1	1	ALL	Y
	83	65102-25900	ASSY SUPPORT RADIATOR CORE LH (FROM OCT-68)	1		ALL	
	84	67502-25900	ASSY-SUPPORT RADIATOR CORE LH (FROM OCT-68)	1	1	ALL	Y
	85	65103-25900	ASSY PILLAR HINGE RH	1	1	ALL	

55-5

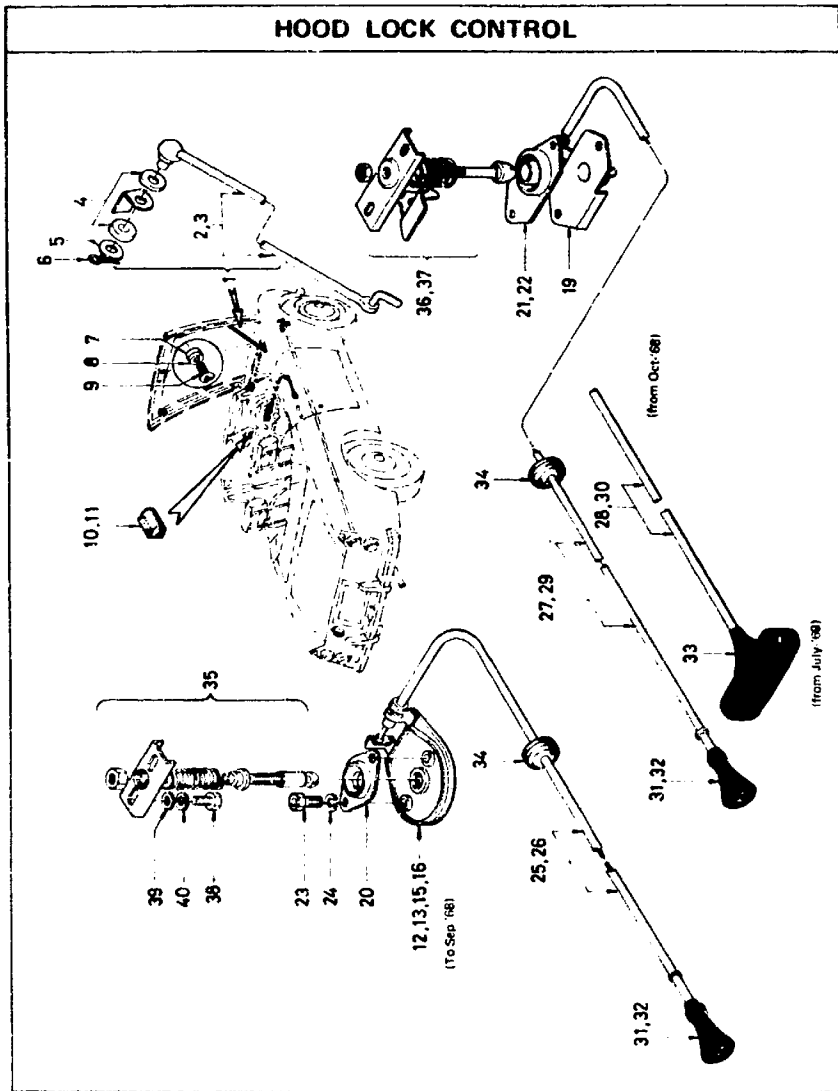
Printed in Japan

REVISED JUNE, 1972

FIG. 55 J7 NISSAN MOTOR CO., LTD.

S	KEY NO.	PART NO.	PART NAME	QTY	SALES UNIT	MODEL	ICA
•	J ⁶	66104-25900	ASSY-PILLAR HINGE LH (TO JUNE-69)	1	1	ALL	
	67	66104-A4500	ASSY PILLAR HINGE LH (FROM JULY-69)	1	1	ALL	Y
	8 ⁿ	67100-A3201	ASSY-PANFL DASH (FROM OCT-68)	1		R DRIVE	
	6 ^o	67100-A3300	ASSY-PANFL DASH (FROM OCT-68)	1		L DRIVE	

FIG. 55A J8 NISSAN MOTOR CO., LTD.



JUNE, 1970

F55A- 1

Printed in Japan

NISSAN MOTOR CO., LTD.

FIG. 55A

S	KEY NO.	PART NO.	PART NAME	QTY	SALES UNIT	MODEL	ICA
			HOOD LOCK CONTROL				
	1	65701-10400	ASSY=ROD HOOD SUPPORT (TO EFF R=40000)	1	1	1.6L	
	7	64704-25900	ROD(FROM EFF R=40000 TO SPL311-17481 SRL311-1690)	1	1	ALL	"
	7	65704-25901	ROD-SUPPORT(FROM SPL311-17481 SPL311-1690)	1	5	ALL	N
	8	65846-43700	PACKING=HOOD SUPPORT	2	10	ALL	
	9	00915-51410	WASHER=PLAIN	1	50	ALL	
	9	00921-21510	PIN=COTTER	1	50	ALL	
	7	57267-44000	RUMPER=A	2	5	ALL	
	7	57269-44000	RUMPER=B	2	5	ALL	
	9	00921-01612	SCREW	2	50	ALL	
	10	65158-04100	RUMPER=HOOD (TO JUNE 69)	4	10	ALL	
	11	65158-A4500	RUMPER=HOOD (FROM JULY 69)	4	10	ALL	Y
	12	65617-10400	ASSY=LOCK HOOD (TO SEP 67)	1	1	SP SR	
	13	65617-25900	ASSY=LOCK HOOD (FROM OCT-67 TO SEP-68)	1	1	SP SR	N
	14	65617-11200	ASSY=LOCK HOOD (FROM OCT-68)	1	1	SP, SR	"
	15	65617-00000	ASSY=LOCK HOOD (TO SEP 67)	1	1	SPL SPL	
	16	65617-26000	ASSY=LOCK HOOD (FROM OCT-67 TO SEP-68)	1	1	SPL SPLU SPL SRLU	"

REVISED: 5 PTEMBER, 1971

S-A- 1

Printed in Japan

FIG. 55A J9 NISSAN MOTOR CO., LTD.

S	KEY NO.	PART NO.	PART NAME	QTY	SALES UNIT	MODEL	ICA
•	17	65617-20000	ASSY-LOCK HOOD (FROM OCT-68) (NOT FOR SALE)	1		SPL SPLU SRL SRLU	N
	18	65618-A3200	ASSY BODY HOOD LOCK (FROM OCT-68)	1		1 R DRIVE	
	19	65618-A3300	ASSY BODY HOOD LOCK (FROM OCT-68)	1		1 L DRIVE	
	20	65638-81300	PLATE DOVETAIL MOLT GUIDE (TO SEP-68)	1	10	ALL	
	21	65638-A3200	PLATE DOVETAIL BODY GUIDE (FROM OCT-68)	1	5	R DRIVE	N
	22	65638-A3300	PLATE DOVETAIL BODY GUIDE (FROM OCT-68)	1	5	L DRIVE	N
	23	00114-41210	BOLT TO FIX GUIDE PLATE	2	50	ALL	
	24	00916-31410	WASHER-LOCK TO FIX GUIDE PLATE	2	50	ALL	
	25	65645-10400	ASSY-WIRE HOOD LOCK (TO SEP-67)	1	1	ALL	
	26	65645-25900	ASSY-WIRE HOOD LOCK (FROM OCT-67 TO SEP-68)	1	5	ALL	N
•	27	65645-A3200	ASSY-WIRE HOOD LOCK (FROM OCT-68)	1	1	R DRIVE	N
	28	65645-A7400	ASSY-WIRE HOOD LOCK (FROM JULY-69)	1	5	R DRIVE	Y
•	29	65645-A3300	ASSY-WIRE HOOD LOCK (FROM OCT-68)	1	5	L DRIVE	
	30	65645-A7500	ASSY-WIRE HOOD LOCK (FROM JULY-69)	1	1	L DRIVE	Y
	31	65649-32200	ASSY-Knob HOOD CONTROL (TO SEP-67)	1	5	ALL	
•	32	65649-25900	ASSY-Knob HOOD CONTROL (FROM OCT-67)	1	5	ALL	N
	33	65649-A7400	ASSY-Knob HOOD CONTROL (FROM JULY-69)	1	5	ALL	Y

54-A-2

Printed in Japan

REVISED: SEPTEMBER, 1971

NISSAN MOTOR CO., LTD.

FIG. 55A

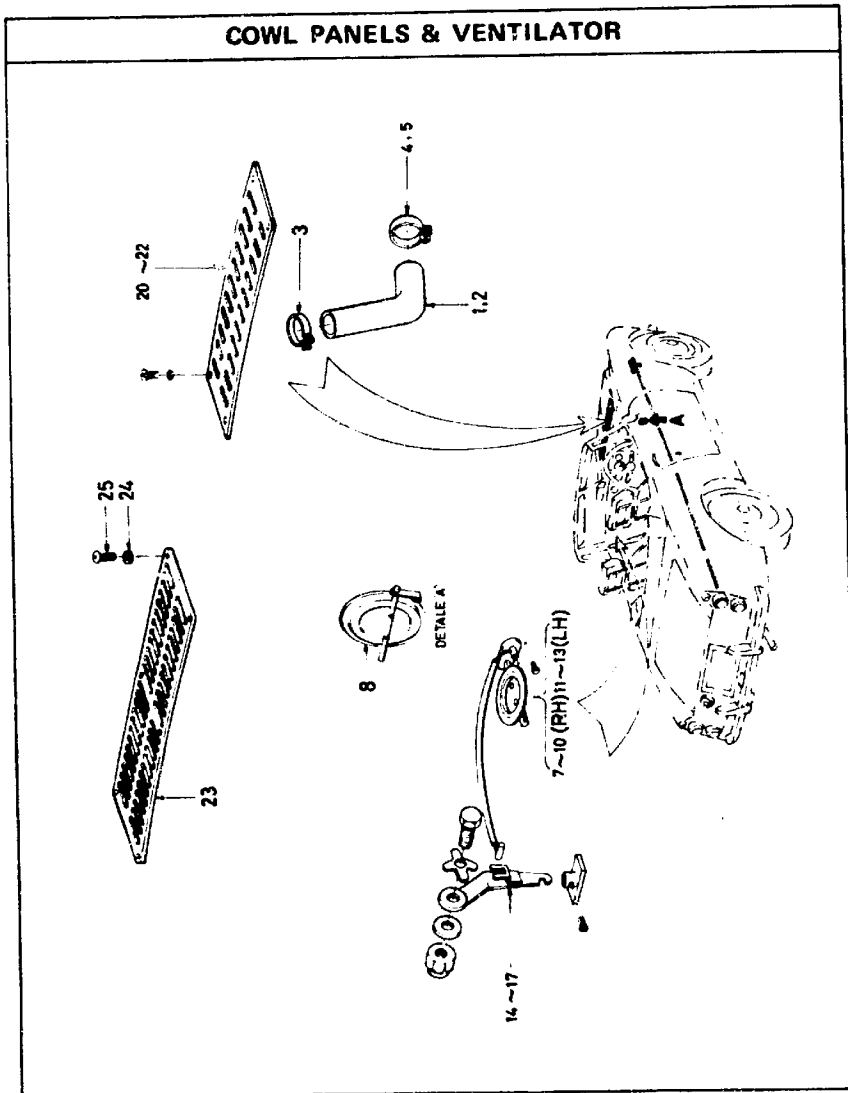
S	KEY NO.	PART NO.	PART NAME	QTY	SALES UNIT	MODEL	ICA
	34	00951-10600	GROMMET-RUBBER	1	10	ALL	
	35	65601-10600	ASSY-MALE HOOD LOCK (TO SEP-68)	1	1	ALL	
	36	65601-A3200	ASSY-MALE HOOD LOCK (FROM OCT-68)	1	1	R DRIVE	N
	37	65601-A3300	ASSY-MALE HOOD LOCK (FROM OCT-68)	1	1	L DRIVE	N
	38	00114-41210	BOLT TO FIX MALE	2	50	ALL	
	39	00915-41410	WASHER-PLAIN TO FIX MALE	2	50	ALL	
	40	00915-11410	WASHER-LOCK TO FIX MALE	2	50	ALL	

54-A-3

Printed in Japan

REVISED: SEPTEMBER, 1971

FIG. 55B J10 NISSAN MOTOR CO., LTD.



NISSAN MOTOR CO., LTD.

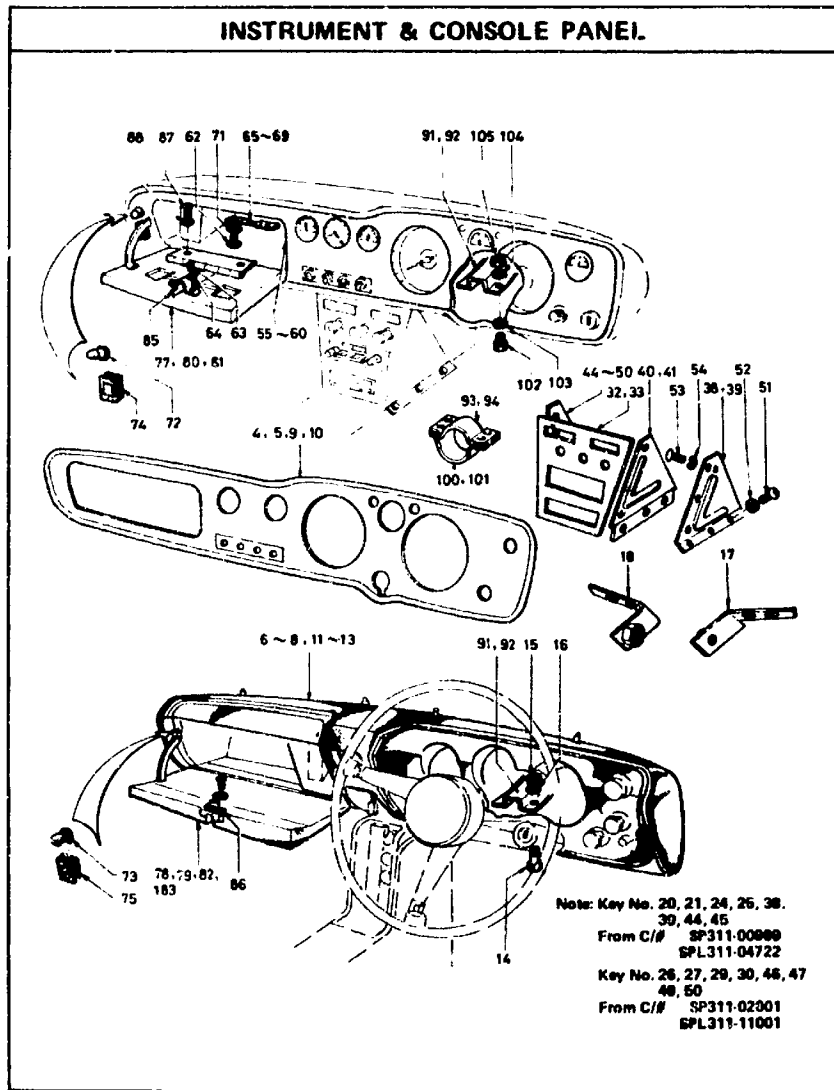
FIG. 55B

KEY NO.	PART NO.	PART NAME	QTY	SALES UNIT	MODEL	ICA
COWL PANELS & VENTILATOR						
1	66514-14601	HOSE-DRAIN,COWL VENTILATOR	1	10	1,6L	
2	66514-14602	HOSE-DRAIN COWL VENTILATOR (TO SEP-67)	1	5	ALL	Y
3	66513-25900	HOSE-DRAIN COWL VENTILATOR (FROM OCT-67)	1	1	ALL	N
4	66518-14600	CLAMP-DRAIN HOSE	1	2	1,6L	
5	66518-14601	CLAMP-DRAIN HOSE	1	2	ALL	Y
6	66524-12900	BRACKET-CLAMP,COWL CONTROL WIRE	2	4	ALL	
7	66530-14600	ASSY-VALVE,COWL VENTILATOR RH	1	1	ALL	
8	66530-14601	VALVE-COWL VENTRH(FROM C/RS311-00989 SPL311-04722)	1	1	ALL	N
9	66530-25900	ASSY-VALVE,COWL VENTILATOR RH(FROM OCT-67)	1	1	SPL,SRL	Y
10	66530-25901	ASSY-VALVE,COWL VENTILATOR RH(FROM OCT-67)	1	1	SP,SR	Y
11	66531-14600	ASSY-VALVE,COWL VENTILATOR LH	1	1	ALL	
12	66531-14601	VALVE-COWL VENT LH(FROM C/RS311-00989 SPL311-04722)	1	1	ALL	N
13	66531-25900	VALVE-COWL VENT LH (FROM OCT-67)	1	1	ALL	N
14	66124-12900	ASSY-PLATE,CONTROL LEVER RH	1	1	ALL	
15	66124-14600	PLATE LEVER RH(FROM C/RS311-00989,SPL311-04722)	1	1	ALL	N

FIG. 55 ■ J11 NISSAN MOTOR CO., LTD.

S	KEY NO.	PART NO.	PART NAME	QTY	SALES UNIT	MODEL	ICA
	16	66125-12900	ASSY-PLATE, CONTROL LEV ER (LH)	1	1 ALL		
	17	66125-14600	PLATE LEVER LH(FROM C/ # SP311-00989, SPL311- 04722)	1	1 ALL		N
	18	66539-14600	VALVE-VENTILATOR	1	5 ALL		
	19	66539-14601	VALVE-VENTILATOR(FROM C/# SP311-00989 SPL311- 04722)	1	5 ALL		N
	20	66305-10400	GRILLE-COWL TOP(TO E/# R-40000)	1	1 1,6L		
•	21	66305-25550	GRILLE-COWL TOP (FROM E/# R-40001 TO SEP-67)	1	1 ALL		N
	22	66305-25525	GRILLE-COWL TOP(FROM E/# R-40001 TO SEP-67)	1	1 ALL		Y
	23	66304-25930	GRILLE-COWL TOP(FROM OCT-67)	1	1 ALL		N
	24	73970-25760	WASHER-FINISHING TO FIX COWL TOP GRILLE	6	100 ALL		
	25	00530-61320	SCREW TO FIX COWL TOP GRILLE	6	50 ALL		
	26	66300-14750	ASSY-COWL, TOP(TO E/# R-40000)	1	1 SPL		
	27	66300-25650	ASSY-COWL TOP (FROM E/# R-40001 TO SEP-67)	1	1 SPL, SRL		N
	28	66300-26050	ASSY-COWL TOP (FROM OCT-67)	1	1 SPL SRL		N
	29	66300-14650	ASSY-COWL, TOP(TO E/# R-40000)	1	1 SP		
	30	66300-25550	ASSY-COWL TOP (FROM E/# R-40001 TO SEP-67)	1	1 SP, SR		N
	31	66300-25950	ASSY-COWL TOP (FROM OCT-67)	1	1 SP SR		N

FIG. 56 J12 NISSAN MOTOR CO., LTD.



NISSAN MOTOR CO., LTD.

FIG. 56

S	KEY NO.	PART NO.	PART NAME	QTY	SALES UNIT	MODEL	ICA
INSTRUMENT & CONSOLE PANEL							
	1	46472-14600	BRACKET-BRAKE PEDAL	1	1 SP		
	2	46472-14700	BRACKET-BRAKE PEDAL	1	1 SPL		
	3	46473-12900	BRACKET-CLUTCH PEDAL	1	ALL		
	4	68100-14600	ASSY-PANEL INSTRUMENT GRAY (TO E/S R-40000)	1	1 SP		
	5	68100-25500	ASSY-PANEL INSTRUMENT BLACK (FROM E/S R-40001 TO SEP-67)	1	1 SP, SR		N
	6	68100-25901	ASSY-PANEL INSTRUMENT BLACK (FROM OCT-67)	1	SP SR		N
	7	68100-25930	ASSY-PANEL INSTRUMENT BLACK (FROM OCT-67 TO SEP-68)	1	1 SP SR		Y
	8	68100-A3250	ASSY-PANEL INSTRUMENT BLACK (FROM OCT-68)	1	SP SR		Y
	9	68100-14700	ASSY-PANEL INSTRUMENT GRAY (TO E/S R-40000)	1	1 SPL		
	10	68100-25600	ASSY-PANEL INSTRUMENT BLACK (FROM E/S R-40001 TO SEP-67)	1	1 SPL, SRL		N
	11	68100-26001	ASSY-PANEL INSTRUMENT BLACK (FROM OCT-67)	1	1 SPL SPLU SRL SRLU		N
	12	68100-26050	ASSY-PANEL INSTRUMENT WITH PAD (BLACK) (TO SEP-68)	1	1 SPL SPLU SRL SRLU		Y
	13	68100-A3351	ASSY-PANEL INSTRUMENT (FROM OCT-68)	1	SPL SPLU SPL SRLU		Y
	14	00114-41210	BOLT TO FIX INSTRUMENT (SEE FIG 23)	4	50 ALL		N
	15	00911-14410	NUT TO FIX INSTRUMENT (SEE FIG 23)	4	50 ALL		N

FIG. 56 J13 NISSAN MOTOR CO., LTD.

S	KEY NO.	PART NO.	PART NAME	QTY	SALES UNIT	MODEL	ICA
	16	00919-11410	WASHER-LOCK TO FIX INSTRUMENT(FIG 23)	4	90	ALL	
	17	60170-A3200	ASSY-BRACKET INST CENTER RH (FROM OCT-68)	1	5	ALL	
	18	60171-A3200	ASSY-BRACKET INST CENTER LH (FROM OCT-68)	1	5	ALL	
	19	60120-12930	ASSY-PANEL CONSOLE(TO C/SP311-00988 SFL311-04721)	1	1	ALL	
	20	60702-12930	PANEL CONSOL MAIN & RH W/TRIM (RED)(C/P SEE FIG56)	1	1	1.6L	
	21	60702-12931	PANEL CONSOL MAIN & RH W/TRIM (BLACK)(C/P SEE FIG56)	1	1	1.6L	
	22	60120-14600	PANEL-CONSOLE,MAIN	1	1	1.6L	N
	23	60702-12931	PANEL-CONSOLE,MAIN	1	1	1.6L	Y
	24	60702-12900	TRIM-CONSOL MAIN & RH (RED)(C/P SEE FIG56)	1	1	1.6L	
	25	60702-12901	TRIM-CONSOL MAIN & RH (BLACK)(C/P SEE FIG56)	1	1	1.6L	
	26	60120-25530	PANEL CONSOL MAIN & RH W/TRIM(RED)(C/P SEE FIG56)	1	1	ALL	
	27	60120-25531	PANEL CONSOL MAIN & RH W/TRIM(BLACK)(C/P SEE FIG56)	1	1	ALL	
	28	60120-25500	PANEL-CONSOLE,MAIN (NOT FOR SALE)	3	1	ALL	N
	29	60702-12900	TRIM-CONSOL MAIN & RH (RED)(C/P SEE FIG56)	1	1	ALL	
	30	60702-12901	TRIM-CONSOL MAIN & RH (BLACK)(C/P SEE FIG56)	1	1	ALL	

56- - 2

Printed in Japan

REVISED: DECEMBER,1970

NISSAN MOTOR CO., LTD.

FIG. 56

S	KEY NO.	PART NO.	PART NAME	QTY	SALES UNIT	MODEL	ICA
	31	60120-25501	PANEL-CONSOL MAIN(FROM C/P SEE FIG 56)	1		ALL	N
	32	60120-25900	ASSY-PANEL CONSOLE MAIN (FROM OCT-67 TO SEP-68)	1	1	ALL	N
	33	60120-A3200	ASSY-PANEL CONSOLE MAIN (FROM OCT-68)	1	1	ALL	Y
	34	00114-41410	BOLT TO FIX CONSOLE PANEL,UPPER	3	90	ALL	N
	35	00919-11410	WASHER-LOCK TO FIX CONSOLE PANEL,UPPER	3	90	ALL	N
	36	00919-41410	WASHER-PLAIN TO FIX CONSOLE PANEL,UPPER	3	90	ALL	N
	37	60122-12930	PANEL-CONSOLE,LH	1	1	1.6L	N
	38	60701-12930	PANEL-CONSOL LH W/TRIM (RED)(C/P SEE FIG56)	1		1.6L	
	39	60701-12931	PANEL-CONSOL LH W/TRIM (BLACK)(C/P SEE FIG56)	1		1.6L	
	40	60123-14600	PANEL-CONSOLE RH (RED) (NOT ADOPTED)	1		ALL	N
	41	60123-14601	PANEL-CONSOLE RH (BLACK) (NOT ADOPTED)	1		ALL	N
	42	60122-14600	PANEL-CONSOLE LH (RED) (NOT ADOPTED)	1		ALL	N
	43	60122-14601	PANEL-CONSOLE LH (BLACK) (NOT ADOPTED)	1		ALL	N
	44	60701-12900	TRIM-CONSOL LH (RED) (C/P SEE FIG56)	1	1	1.6L	
	45	60701-12901	TRIM-CONSOL LH (BLACK) (C/P SEE FIG56)	1	1	1.6L	
	46	60122-25530	PANEL-CONSOL LH W/TRIM (RED)(C/P SEE FIG 56)	1	1	ALL	
	47	60122-25531	PANEL-CONSOL LH W/TRIM (BLACK)(C/P SEE FIG56)	1	1	ALL	

56- - 3

Printed in Japan

REVISED: DECEMBER,1970

FIG. 56 J14 NISSAN MOTOR CO., LTD.

S	KEY NO.	PART NO.	PART NAME	QTY	SALES UNIT	MODEL	ICA
	48	68122-29500	PANEL-CONSOLE LH(C/S SEE FIG 96)	1	1 ALL		N
	49	68701-12900	TRIM-CONSOL LH (RED) (C/S SEE FIG56)	1	1 ALL		
	50	68701-12901	TRIM-CONSOL LH (BLACK) (C/S SEE FIG56)	1	1 ALL		
	51	00114-41810	BOLT TO FIX SIDE CONSOLE PANEL	6	50 ALL		N
	52	00915-11410	WASHER-LOCK TO FIX SIDE CONSOLE PANEL	6	50 ALL		N
	53	00314-01210	SCREW TO FIX LEFT CONSOLE PANEL	2	50 ALL		N
	54	00915-41010	WASHER-PLAIN TO FIX LEFT CONSOLE PANEL	2	50 ALL		N
	55	68600-12900	ASSY-BOX GLOVE(TO SEP-67)	1	1 SP SR		
	56	68600-29900	ASSY-BOX GLOVE (FROM OCT-67 TO SEP-68)	1	1 SP SR		N
	57	68600-A3200	ASSY-BOX GLOVE (FROM OCT-68)	1	1 SP,SR		N
	58	68600-13000	ASSY-BOX GLOVE(TO SEP-67)	1	1 SPL SRL		
	59	68600-26000	ASSY-BOX GLOVE(FROM OCT-67)	1	1 SPL SPLU SRL SRLU		N
	60	68600-A3300	ASSY-BOX GLOVE (FROM OCT-68)	1	1 SPL SPLU SRL SRLU		N
	61	68635-09400	NUT-U TYPE	1	ALL		
	62	00918-41000	NUT-U TYPE	1	50 ALL		Y
	63	00314-01310	SCREW TO FIX GLOVE BOX & HING	4	50 ALL		
	64	00915-41010	WASHER-PLAIN TO FIX GLOVE BOX & HING	4	50 ALL		
	65	68639-12900	STRIKER-LOCK GLOVE BOX LID(TO SEP-67)	1	10 SP		N

56 - 4

Printed in Japan

REVISED: DECEMBER, 1970

NISSAN MOTOR CO., LTD.

FIG. 56

S	KEY NO.	PART NO.	PART NAME	QTY	SALES UNIT	MODEL	ICA
	66	68639-13000	STRIKER-LOCK GLOVE BOX LID(TO SEP-67)	1	10 SPL SRL		
	67	68639-25901	STRIKER-LOCK GLOVE BOX LID(FROM OCT-67)	1	10 ALL		N
	68	68639-25903	STRIKER-LOCK GLOVE BOX LID	1	1 ALL		Y
	69	68639-25900	STRIKER-LOCK GLOVE BOX LID	1	10 ALL		Y
	70	00310-68610	SCREW	2	50 ALL		
	71	00915-10610	WASHER-PLAIN	2	50 ALL		N
	72	68643-12900	BUMPER-GLOVE BOX LID (TO SEP-67)	2	1 ALL		N
	73	68643-25900	BUMPER-GLOVE BOX LID (FROM OCT-67)	2	10 ALL		N
	74	68622-09400	GRONMET-LID STOPPER (TO SEP-67)	1	10 ALL		
	75	68622-25900	GRONMET-LID STOPPER (FROM OCT-67)	1	10 ALL		N
	76	68607-12900	ASSY-LID GLOVE BOX (TO E/S R-40000)	1	1 SP		N
	77	68607-25900	ASSY-LID GLOVE BOX (FROM E/S R-40001 TO SEP-67)	1	1 SP SR		Y
	78	68607-25901	ASSY-LID GLOVE BOX (FROM OCT-67)	1	1 SP SR		N
	79	68607-25901	ASSY-LID GLOVE BOX (FROM OCT-67)	1	1 SP SR		Y
	80	68607-13000	ASSY-LID GLOVE BOX (TO E/S R-40000)	1	1 SPL		
	81	68607-25600	ASSY-LID GLOVE BOX (FROM E/S R-40001 TO SEP-67)	1	1 SPL SRL		Y
	82	68607-26001	ASSY-LID GLOVE BOX (FROM OCT-67)	1	1 SPL SPLU SRL SRLU		N

56 - 5

Printed in Japan

REVISED: DECEMBER, 1970

FIG. 56 J15 NISSAN MOTOR CO., LTD.

S	KEY NO.	PART NO.	PART NAME	QTY	SALES UNIT	MODEL	ICA
	83	68607-26951	ASSY-LID GLOVE BOX	1	1 SRL SRLU		Y
•	84	68631-09408	ASSY-LOCK, GLOVE BOX LID	1	3 1.6L		
	85	68631-25500	ASSY-LOCK GLOVE BOX LID (FROM 5/SR-48981 TO SEP-67)	1	1 ALL		Y
	86	68631-25900	ASSY-LOCK GLOVE BOX LID (FROM OCT-67)	1	1 ALL		N
	87	00314-08618	SCREW TO FIX LOCK	2	90 ALL		
	88	00915-10810	WASHER-LOCK TO FIX LOCK	2	90 ALL		
•	89	68641-09400	COVER-LOCK	1	3 ALL		
	90	68641-25500	COVER-LOCK	1	3 ALL		Y
	91	48317-14600	ASSY-BRACKET, STEERING SUPPORT	1	1 R DRIVE		
	92	48317-14700	ASSY-BRACKET, STEERING SUPPORT	1	1 L DRIVE		
	93	48324-14600	CLAMP-STEERING POST, UPPER (TO SEP-67)	1	10 ALL		N
	94	48324-25900	CLAMP-STEERING POST, UPPER (FROM OCT-67)	1	1 ALL		N
	95	48325-04100	PACKING-RUBBER, STEERING POST	3	10 ALL		
	96	48325-25901	PACKING-RUBBER, STEERING POST "A" (FROM OCT-67)	1	3 ALL		N
•	97	48327-25900	PACKING-RUBBER, STEERING POST "B"	1	ALL		
•	98	48325-23100	PACKING-RUBBER, STEERING POST "B"	1	ALL		Y
	99	48964-23100	PACKING-RUBBER, STEERING POST "B"	1	3 ALL		Y
	100	48326-14600	CLAMP-STEERING POST LOWER (TO SEP-67)	1	10 ALL		

56 - 6

Printed in Japan

REVISED DECEMBER, 1970

NISSAN MOTOR CO., LTD.

FIG. 56

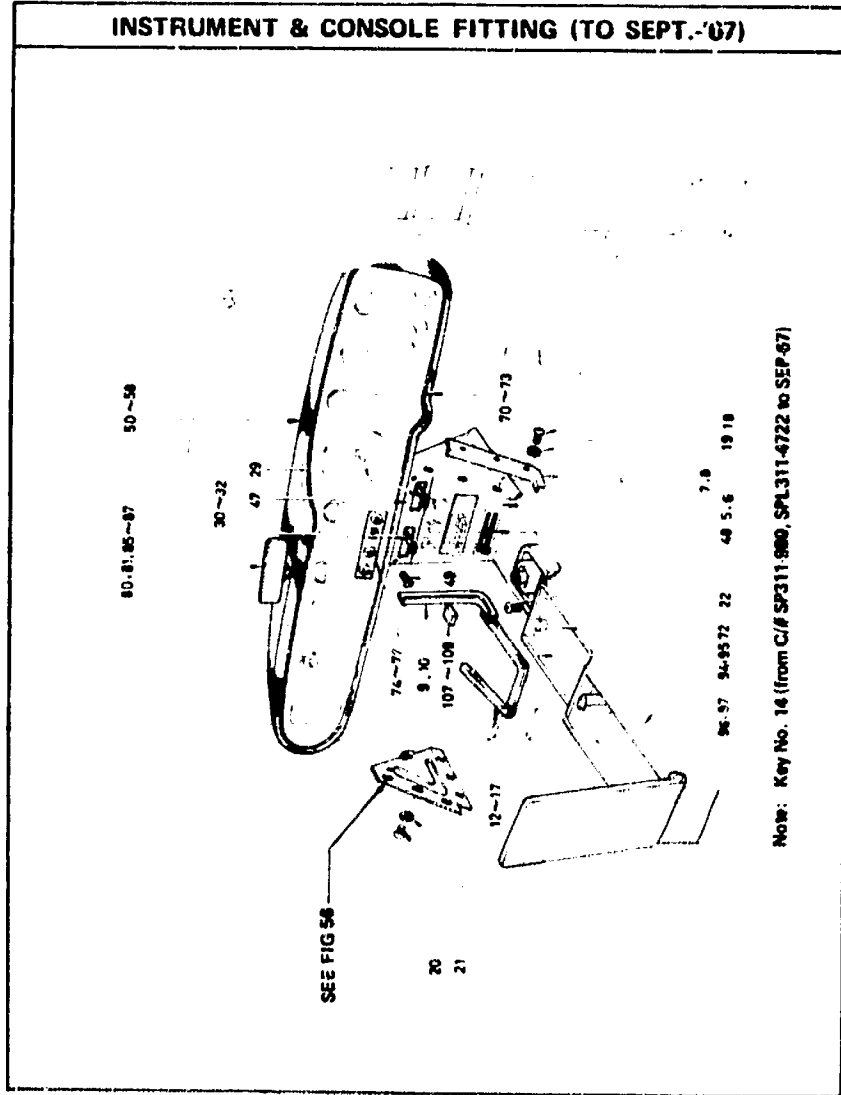
S	KEY NO.	PART NO.	PART NAME	QTY	SALES UNIT	MODEL	ICA
	101	48326-25700	CLAMP-STEERING POST LOWER (FROM OCT-67)	1	1 ALL		N
	102	00114-42910	BOLT TO FIX CLAMP	2	90 ALL		
	103	00915-41410	WASHER-PLAIN TO FIX CLAMP	2	90 ALL		
	104	00915-11410	WASHER-LOCK TO FIX CLAMP	2	90 ALL		
	105	00911-14410	NUT TO FIX CLAMP	2	90 ALL		
	106	F8300-25501	ASSY-PAD, INST (BLACK) (TO SEP-67)	1	1 SP, SR		Y
	107	F8300-25601	ASSY-PAD, INST (BLACK) (TO SEP-67)	1	1 SPL, SRL		Y
	108	48325-25901	PACKING-RUBBER, STEERING POST	1	3 ALL		Y
	109	74801-25950	ASSY-BOX, GLOVE FLOOR (BLACK) W/LOCK (FROM OCT-67)	1	1 ALL		Y

56 - 7

Printed in Japan

REVISED DECEMBER, 1970

FIG. 56A-1 J16 NISSAN MOTOR CO., LTD.

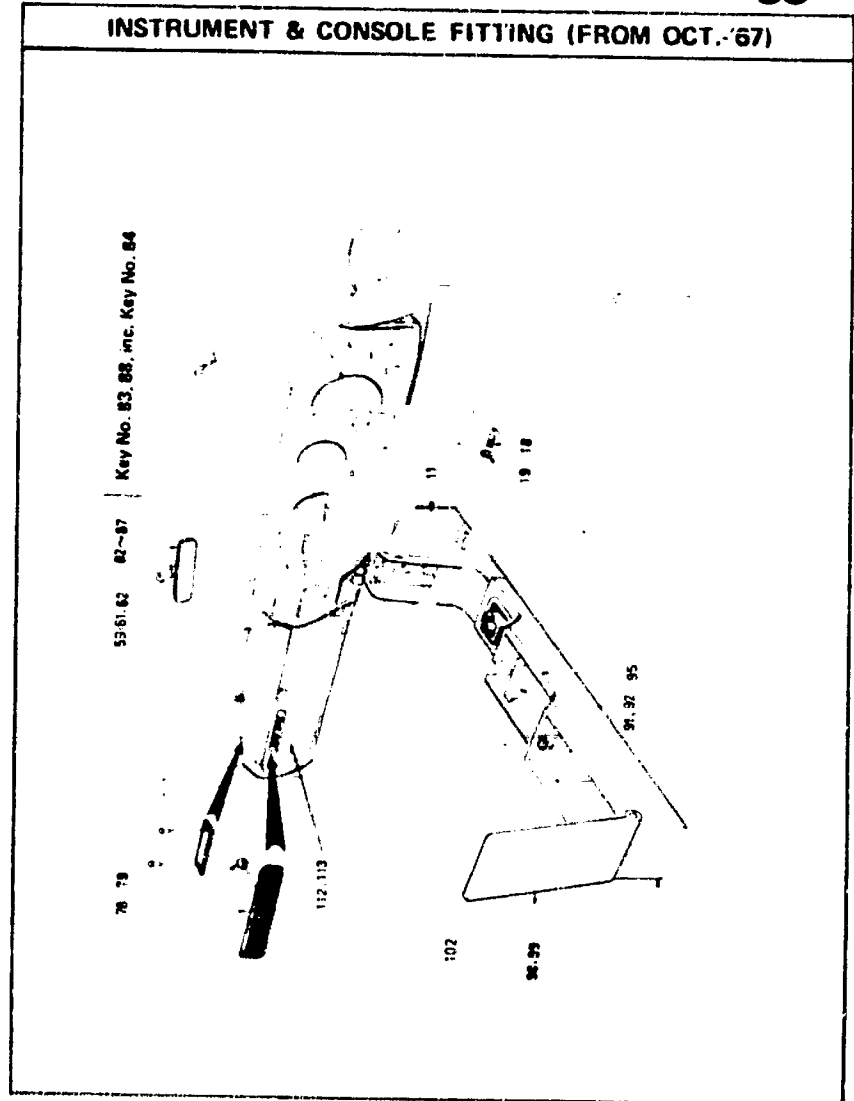


JUNE, 1971

F56A - 1

Printed in Japan

NISSAN MOTOR CO., LTD. FIG. 56A-2



JUNE, 1971

F56A - 2

Printed in Japan

FIG. 56A K1 NISSAN MOTOR CO., LTD.

S	KEY NO.	PART NO.	PART NAME	QTY	SALES UNIT	MODEL	ICA
INSTRUMENT & CONSOLE FITTING							
	1	6F710-25900	FINISHER-DEF NOZZLE RH (FROM OCT-67)	1	1	ALL	
	2	6F711-25900	FINISHER-DEF NOZZLE LH (FROM OCT-67)	1	1	ALL	
	3	6F137-14600	MOULDING-CONSOLE REAR (FROM C/SPL311-12747)	1	1	1.6L	
	4	6F137-25500	MOULDING-CONSOLE REAR (FROM C/S SHL311-34)	1	1	2L	
	5	6F131-14600	FINISH-CONSOLE PANEL (TO E/R R-40000)	1	1	1.6L	
	6	6F131-25500	FINISH-CONSOLE PANEL (FROM E/R R-40001)	1	1	ALL	
	7	6F132-14600	MOULDING-CONSOLE PANEL FRONT RH (TO E/R R-40000)	1	1	1.6L	
	8	6F132-25500	MOULDING-CONSOLE PANEL FRONT RH (FROM E/R R-40001)	1	1	ALL	N
	9	6F133-14600	MOULDING-CONSOLE PANEL FRONT LH (TO E/R R-40000)	1	1	1.6L	
	10	6F133-25500	MOULDING FRONT LH (FROM E/R R-40001 TO SEP-67)	1	1	ALL	N
	11	6F132-25901	MOULDING FRONT (FROM OCT-67)	1	1	ALL	N
	12	6F134-14650	MOULDING REAR GRAY (TO C/SPL311-918 SPL311-4721)	1	1	1.6L	
	13	6F134-14600	MOULDING REAR GRAY (TO C/SPL311-978 SPL311-4721)	1	1	1.6L	Y

NISSAN MOTOR CO., LTD.

FIG. 56A

S	KEY NO.	PART NO.	PART NAME	QTY	SALES UNIT	MODEL	ICA
	14	6F134-14610	MOULDING REAR BLACK (FROM C/S SEE FIG 56)	1	1	1.6L	N
	15	6F133-14602	MOULDING REAR BLACK (FROM OCT-67)	1	1	1.6L	N
	16	6F134-25500	MOULDING-CONSOLE PANEL REAR BLACK (TO SEP-67)	1	1	2L	
	17	6F133-25901	MOULDING-CONSOLE PANEL REAR BLACK (FROM OCT-67)	1	1	1.6L	N
	18	00510-61010	SCREW TO FIX FRONT MOULDING RH	3	50	ALL	
	19	00915-10620	WASHER-LOCK TO FIX FRONT MOULDING RH	3	50	ALL	
	20	00340-61210	SCREW TO FIX MOULDING LH	3	50	ALL	
	21	00915-10610	WASHER-LOCK TO FIX MOULDING LH	3	50	ALL	
	22	00320-61210	SCREW TO FIX REAR MOULDING	4	50	ALL	
	23	6F702-12900	TRIMMING-CONSOLE SIDE RH (BLACK)	1	1	ALL	
	24	6F702-12901	TRIMMING-CONSOLE SIDE RH (RED)	1	1	ALL	
	25	6F701-12900	TRIMMING-CONSOLE SIDE LH (BLACK)	1	1	ALL	
	26	6F701-12901	TRIMMING-CONSOLE SIDE LH (RED)	1	1	ALL	
	27	6F152-12900	LEVER-VENT CONTROL RH (TO C/SPL311-968, SPL311-4721)	1	1	1.6L	
	28	6F152-14600	LEVER-VENT RH (FROM C/SPL311-089, SPL311-4722 TO SEP-67)	1	1	ALL	
	29	6F516-25901	LEVER-VENT LH (FROM OCT-67)	1	1	ALL	

FIG. 56A K2 NISSAN MOTOR CO., LTD.

S	KEY NO.	PART NO.	PART NAME	QTY	SALES UNIT	MODEL	ICA
	30	6F151-12900	LEVEN=VENT CONTROL LM (TO C/S#311-988,SPL311-4722)	1	5	2.6L	
	31	6F153-14600	LEVEN=VENT LM (FROM C/S#311-988,SPL311-4722 TO SEP-67)	1	1	ALL	N
	37	6A517-25901	LEVEN=VENT LM (FROM OCT-67)	1	5	ALL	N
	33	6F147-12900	SPRING=CONTROL	2	10	ALL	
	34	0F114-42210	NUT TO FIX CONTROL LEVER	2	50	ALL	
	35	00915-41410	WASHER=PLAIN TO FIX CONTROL LEVER	1	50	ALL	
	34	00915-11410	WASHER=LOCK TO FIX CONTROL LEVER	2	50	ALL	
	37	00911-14410	NUT TO FIX CONTROL LEVER	2	50	ALL	
	32	6F570-12900	ASSY=CABLE, VENTILATOR CONTROL (TO SEP-67)	2	2	ALL	
	30	6F570-25900	ASSY=CABLE, VENTILATOR (FROM OCT-67)	2	5	SPL, SPL	Y
	41	6F570-25900	ASSY=CABLE, VENTILATOR (FROM OCT-67)	1	5	SP, SH	Y
	41	6F570-25901	ASSY=CABLE, VENTILATOR (FROM OCT-67)	1	5	SP, SH	Y
	42	0F314-01210	SCREW TO FIX WIRE CONTROL	2	50	ALL	
	44	0F911-14010	NUT TO FIX WIRE CONTROL	2	50	ALL	
	44	00915-11010	WASHER=LOCK TO FIX WIRE CONTROL	2	50	ALL	
	45	6F148-12900	PLATE=CABLE CLAMP	2	10	ALL	
	46	0F310-00812	SCREW	2	50	ALL	

NISSAN MOTOR CO., LTD.

FIG. 56A

S	KEY NO.	PART NO.	PART NAME	QTY	SALES UNIT	MODEL	ICA
	47	6F133-12900	ESCUTCHEON=VENTILATOR CONTROL	1	1	ALL	
	49	6F136-12900	ESCUTCHEON=HEATER CONTROL	2	1	ALL	
	40	0F910-81010	SCREW	2	50	ALL	
	50	6F300-12900	PAD=INSTRUMENT(BLACK) (TO E/P#R-40000)	1	1	SP	
	51	6F300-25500	PAD=INST(BLACK)(FROM E/P#R-40001 TO SEP-67)	1	1	SP, SH	N
	52	F#300-25501	ASSY=PAD, INST(BLACK) (TO SEP-67)	1	1	SP, SH	Y
	53	6F101-25900	PAD=INSTRUMENT(BLACK) (FROM OCT-67)	1	1	SP, SH	N
	54	6F100-25900	PAD=INSTRUMENT(BLACK) (FROM OCT-67)	1	1	SP, SH	Y
	55	6F300-13000	PAD=INSTRUMENT(BLACK) (TO E/P#R-40000)	1		SPL	
	55	6F300-13001	PAD=INSTRUMENT(RED) (TO E/P#R-40000)	1		SPL	
	57	6F300-25600	ASSY=PAD, INST(BLACK) (FROM E/P#R-40001 TO SEP-67)	1	1	SPL, SPL	N
	58	F#300-25601	ASSY=PAD, INSTRUMENT (BLACK) (TO SEP-67)	1	1	SPL, SPL	Y
	59	6F101-26000	PAD=INSTRUMENT (BLACK) (FROM OCT-67 TO SEP-68)	1	1	SPL, SPL, SPL, SPL	N
	60	6F101-26000	PAD=INSTRUMENT (BLACK) (FROM OCT-68) (NOT FOR SALE)	1	1	SPL, SPL	Y
	61	6F100-26050	PAD INST WITH PANEL (BLACK)	1	1	SPL, SPL	Y
	62	6F101-43301	PAD=INSTRUMENT(BLACK) (FROM OCT-68) (NOT FOR SALE)	1		SPL, SPL	N

FIG. 56A K3 NISSAN MOTOR CO., LTD.

S	KEY NO.	PART NO.	PART NAME	QTY	SALES UNIT	MODEL	ICA
•	63	00334-01220	SCREW TO FIX INSTRUMENT PAD	7		ALL	
	64	00334-01210	SCREW TO FIX INSTRUMENT PAD	7	50	ALL	Y
	65	00915-01020	WASHER-FINISH TO FIX INSTRUMENT PAD	7	50	ALL	
	66	00314-01410	SCREW TO FIX INSTRUMENT PAD	7	50	ALL	
	67	00915-01010	WASHER-PLAIN TO FIX INSTRUMENT PAD	7	50	ALL	
	68	00314-01410	SCREW TO FIX INSTRUMENT PAD	6	50	ALL	
	69	00915-01010	WASHER-PLAIN TO FIX INSTRUMENT PAD	6	50	ALL	
	70	60860-12000	MOLDING-INSTRUMENT (TO E/P R=40000)	1	1	SP	
	71	60860-25500	MOLDING-INSTRUMENT (FROM E/P R=40001)	1	1	SP,SR	N
	72	60860-13000	MOLDING-INSTRUMENT (TO E/P R=40000)	1	1	SPL	
	73	60860-25000	MOLDING-INSTRUMENT (FROM E/P R=40001)	1	1	SPL, SRL	N
	74	60149-14600	FINISHER-SWITCH (TO E/P R=40000)	1	2	SP	
	75	60149-25500	FINISHER-SWITCH (FROM E/P R=40001)	1	2	SP, SN	N
	76	60149-14700	FINISHER-SWITCH (TO E/P R=40000)	1	20	SPL	
	77	60149-25000	FINISHER-SWITCH (FROM E/P R=40001)	1	2	SPL, SRL	N
	78	60850-25900	PIPLER-INSTRUMENT (FROM OCT=67)	1	1	ALL	
	79	60603-25900	NOTER-PUSH OFF (FROM OCT=67)	2	10	ALL	

REVISED: SEPTEMBER, 1971

56-A-5

Printed in Japan

NISSAN MOTOR CO., LTD.

FIG. 56A

S	KEY NO.	PART NO.	PART NAME	QTY	SALES UNIT	MODEL	ICA
	80	90321-14600	ASSY-BACKMIRROR INSIDE (TO E/P R=40000)	1	2	1, 6L	
	81	90321-25500	ASSY-BACKMIRROR INSIDE (FROM E/P R=40001 TO SLP=67)	1	1	ALL	N
	82	90321-25900	ASSY-BACKMIRROR INSIDE (FROM OCT=67)	1	2	ALL	N
	83	90322-25000	SLT-BACKMIRROR INSIDE (FROM OCT=67)	1		ALL	
	84	90323-25900	RASE-BACKMIRROR INSIDE (FROM OCT=67)	1	1	ALL	
	85	90321-14700	ASSY-BACKMIRROR INSIDE (TO E/P R=40000)	1	1	1, 6L	
	86	90321-25901	ASSY-BACKMIRROR INSIDE (FROM E/P R=40001 TO SEP=67)	1	1	OP, ALL	N
	87	90321-25901	ASSY-BACKMIRROR INSIDE (FROM OCT=67)	1	2	OP, ALL	N
	88	90322-25001	SLT-BACKMIRROR INSIDE (FROM OCT=67)	1	1	OP, ALL	
	89	00524-01620	SCREW-MAIN	1	10	SP	
	90	00324-02010	SCREW-MAIN	1	50	SPL	
	91	90500-14601	ASSY-ASH TRAY (TO SEP=67)	1	1	ALL	
	92	90500-25900	ASSY-ASH TRAY (FROM OCT=67)	1	1	ALL	N
	93	74347-25900	PACKING-RUBBER FLOOR ASH TRAY (FROM OCT=67)	1	5	ALL	
	94	74013-14601	MOLDING-ASH TRAY (TO SEP=67)	1	1	ALL	
	95	74013-25901	MOLDING-ASH TRAY (FROM OCT=67)	1	1	ALL	N
	96	74001-14602	ASSY-BOX GLOVE FLOOR (FROM OCT=67)	1	1	ALL	

REVISED: SEPTEMBER, 1971

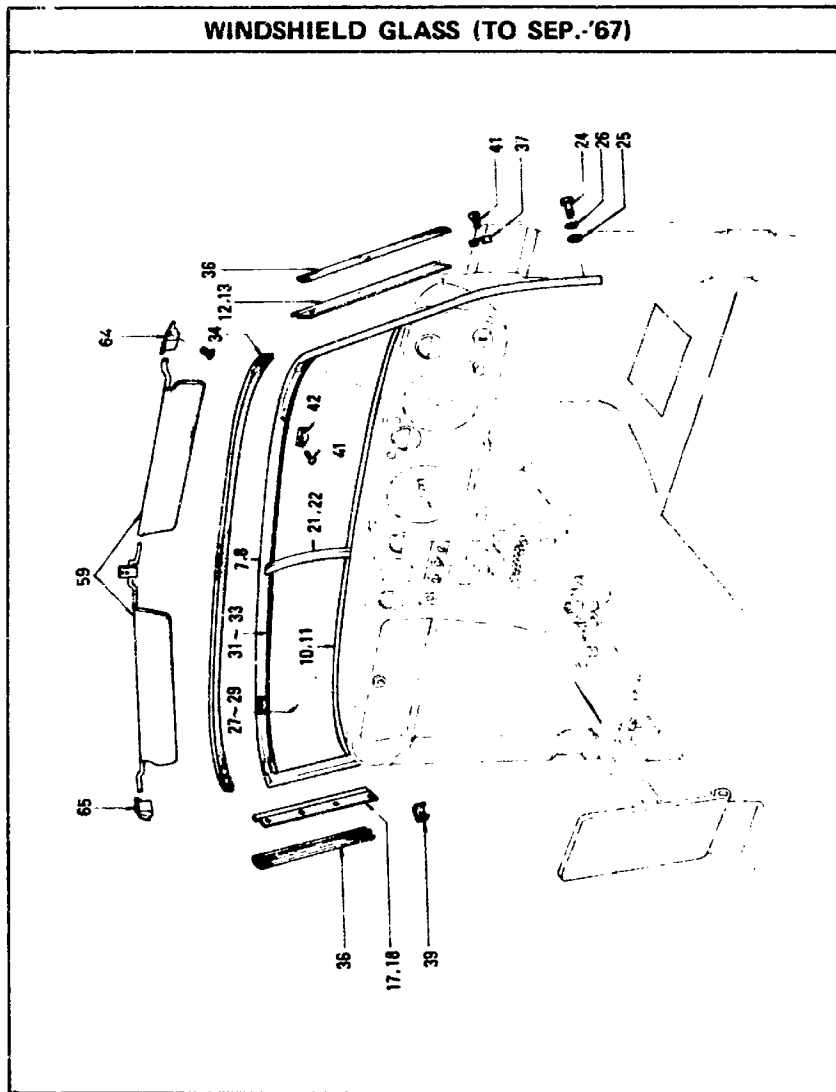
56-A-6

Printed in Japan

FIG. 56A K4 NISSAN MOTOR CO., LTD.

S	KEY NO.	PART NO.	PART NAME	QTY	SALES UNIT	MODEL	ICA
•	97	7*801-14673	ASSY=BOX GLOVE FLOOR (BLACK)(TO SEP-67)	1	1	ALL	
•	97	7*801-25900	ASSY=BOX GLOVE FLOOR (BLACK)(FROM OCT-67)	1		ALL	N
	99	7*801-25950	ASSY=BOX GLOVE FLOOR W/LOCK(BLACK)	1	1	ALL	Y
	100	7*815-14600	ASSY=LOCK CYLINDER (TO E/R R-40000)	1	1	1.6L	
	101	7*815-25500	ASSY=LOCK CYLINDER (FROM E/R R-40001 TO SEP-67)	1	1	ALL	Y
	102	7*815-25900	ASSY=LOCK CYLINDER (FROM OCT-67)	1	1	ALL	N
	103	0*314-41212	SCREW TO FIX CYLINDER LOCK	2	50	ALL	
	104	0*915-11410	WASHER=LOCK TO FIX CYLINDER LOCK	2	50	ALL	
	105	0*334-01420	SCREW	4	50	ALL	
	106	0*916-41010	WASHER=LOCK	4	50	ALL	
	107	67145-14700	PAD=FOOT REST DRIVEN (TO E/R R-40000)	1	5	SPL	
	108	67145-25500	PAD=FOOT REST, DRIVEN (FROM E/R R-40001)	1	5	ALL	N
	109	74340-25550	ASSY=FOOT REST, ASSIST (FROM E/R R-40001)	1	1	OP, ALL	
	110	74342-25500	PAD=ASSIST (FROM E/R R-40001)	1	1	OP ALL	
	111	6*198-25900	GROMMET=SW HOLE (FROM OCT-67)	1	10	ALL	
	112	6 625-43270	ASSY COVER INSTRUMENT (FROM OCT-66)	1	1	M DRIVE	
	113	6 625-43300	ASSY COVER INSTRUMENT (FROM OCT-66)	1	1	L DRIVE	

FIG. 56B-1 K5 NISSAN MOTOR CO., LTD.



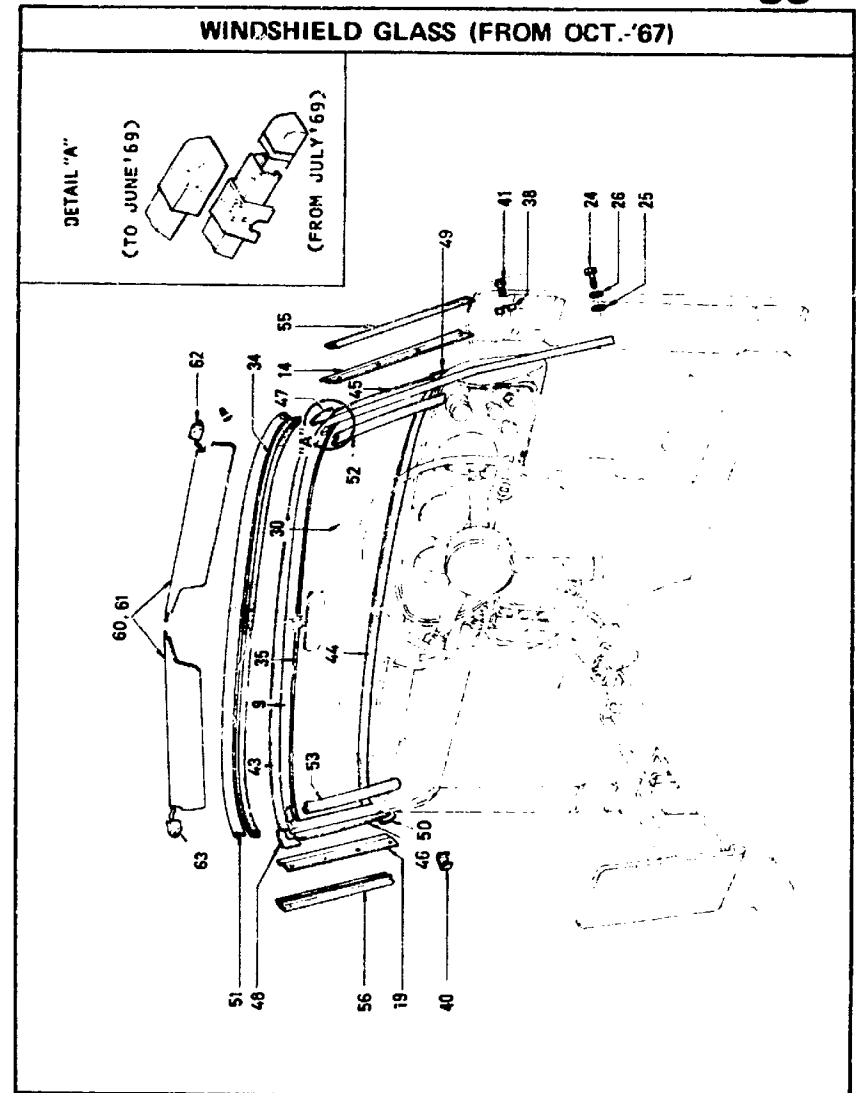
JUNE, 1971

F56B - 1

Printed in Japan

NISSAN MOTOR CO., LTD.

FIG. 56B-2



JUNE, 1971

F56B - 2

Printed in Japan

FIG. 56B KG NISSAN MOTOR CO., LTD.

S	KEY NO.	PART NO.	PART NAME	QTY	SALES UNIT	MODEL	ICA
			WINDSHIELD GLASS				
•	1	72110-22900	ASSY=FRAME,WINDSHIELD	1	1.6L		
	2	72110-14600	ASSY=FRAME,WINDSHIELD (TO E/P R=40000)	1	1.6L		Y
•	3	72110-25500	ASSY=FRAME,WINDSHIELD (FROM E/P R=40001 TO SEP=67)	1	1 ALL		N
•	4	72110-A3200	ASSY=FRAME,W/S (FROM OCT=68)(NOT ADOPTED)	1	ALL		Y
•	5	72110-25900	ASSY=FRAME,W/S (FROM OCT=67 TO JUNE=69)	1	1 ALL		N
•	6	72110-A7400	ASSY=FRAME,W/S (FROM JULY=69)	1	1 ALL		Y
•	7	72112-12900	ASSY=FRAME,WINDSHIELD UPPER	1	1.6L		
•	8	72112-14600	ASSY=FRAME,WINDSHIELD UPPER	1	1.6L		Y
•	9	72112-25500	ASSY=FRAME,WINDSHIELD UPPER (FROM E/P R=40001)	1	1 ALL		N
•	10	72113-12900	ASSY=FRAME,WINDSHIELD LOWER	1	1.6L		
•	11	72113-14600	ASSY=FRAME,WINDSHIELD LOWER	1	1.6L		Y
•	12	72114-12900	ASSY=FRAME,WINDSHIELD SIDE R	1	1.6L		
•	13	72114-14600	ASSY=FRAME,WINDSHIELD SIDE R (TO E/P R=40000)	1	1.6L		Y
•	14	72114-25500	ASSY=FRAME,WINDSHIELD SIDE R (FROM E/P R=40001)	1	1 ALL		N

56B-1

Printed in Japan

REVISED: 5 PTEMBER, 1971

NISSAN MOTOR CO., LTD.

FIG. 56B

S	KEY NO.	PART NO.	PART NAME	QTY	SALES UNIT	MODEL	ICA
•	15	72145-10400	RETAINER-WINDSHIELD SIDE R	1	1.6L		
	16	72145-14600	RETAINER-WINDSHIELD SIDE R	1	1.6L		Y
	17	72115-10400	ASSY=FRAME,WINDSHIELD SIDE L	1	1.6L		
	18	72115-14600	ASSY=FRAME,WINDSHIELD SIDE L	1	1.6L		Y
	19	72115-25500	ASSY=FRAME,WINDSHIELD SIDE L (FROM E/P R=40001)	1	1 ALL		N
	20	72120-A7400	ASSY=FRAME,W/S INNER (FROM JULY=69)	1	1 ALL		
	21	72510-12900	ROD-TENSION,WINDSHIELD (TO E/P R=40000)	1	2 1.6L		
	22	72510-25500	ROD-TENSION,WINDSHIELD (FROM E/P R=40001)	1	5 ALL		N
	23	00320-81212	SCREW	10	50 ALL		
	24	00114-53010	BOLT	4	50 ALL		
	25	00915-41510	WASHER=PLAIN	4	50 ALL		
	26	00916-31510	WASHER=LOCK	4	50 ALL		
•	27	72613-10900	GLASS=WINDSHIELD (TO E/P R=40000)	1	ALL		
	28	72613-10901	GLASS=WINDSHIELD (TO E/P R=40000)(HVSS)	1	1 ALL		Y
	29	72613-25600	GLASS=WINDSHIELD (FROM E/P R=40001 TO SEP=67)	1	1 ALL		
	30	72613-25900	GLASS=WINDSHIELD (FROM OCT=67)	1	1 ALL		N
	31	72610-10901	HEATRE STRIP=W/S (TO E/P R=40000)	1	1 1.6L		
•	32	72610-25500	HEATRE STRIP=W/S (NOT ADOPTED)	1	ALL		N

56B-2

Printed in Japan

REVISED: 5 PTEMBER, 1971

FIG. 56- K7 NISSAN MOTOR CO., LTD.

S	KEY NO.	PART NO.	PART NAME	QTY	SALES UNIT	MODEL	ICA
	33	77610-12900	WEATHERSTRIP-W/S(FROM E/S R=40001 TO SEP=67)	1	1	ALL	Y
	34	77620-12900	WEATHERSTRIP-WINDSHIELD OUTSIDE(TO SEP=67)	1	1	ALL	
	35	77610-25900	WEATHERSTRIP-WINDSHIELD (FROM OCT=67)	1	1	ALL	N
	36	77801-10400	WEATHERSTRIP-WINDSHIELD SIDE	2	9	ALL	
	37	77811-10401	RETAINER-WEATHERSTRIP RH(TO E/S R=40000)	1	9	1.6L	
	38	77811-25900	RETAINER-WEATHERSTRIP RH(FROM E/S R=40001)	1	9	ALL	N
	39	77812-10401	RETAINER-WEATHERSTRIP LH(TO E/S R=40000)	1	9	1.6L	
	40	77812-25900	RETAINER-WEATHERSTRIP LH(FROM E/S R=40001)	1	9	ALL	N
	41	00510-60712	SCROLL	2	50	ALL	
	42	77613-14600	RUBBER-PIECE-WINDSHIELD BENT (ADOPTED)	7	1	1.6L	
	43	77621-25900	MOLDING W/S UPPER (FROM OCT=67)	1	1	ALL	
	44	77622-25900	MOLDING W/S LOWER (FROM OCT=67)	1	1	ALL	
	45	77623-25900	MOLDING W/S SIDE RH (FROM OCT=67)	1	1	ALL	
	46	77624-25900	MOLDING W/S SIDE LH (FROM OCT=67)	1	1	ALL	
	47	77625-25900	CONNECTOR-MOLDING UPPER RH(FROM OCT=67)	1	9	ALL	
	48	77626-25900	CONNECTOR-MOLDING UPPER LH(FROM OCT=67)	1	9	ALL	
	49	77627-25900	CONNECTOR-MOLDING LOWER RH(FROM OCT=67)	1	1	ALL	

Scale 3

Printed in Japan

REVISED: SEPTEMBER, 1971

NISSAN MOTOR CO., LTD.

FIG. 56-

S	KEY NO.	PART NO.	PART NAME	QTY	SALES UNIT	MODEL	ICA
	50	77628-25900	CONNECTOR-MOLDING LOWER LH(FROM OCT=67)	1	1	ALL	
	51	77900-25900	PAD W/S UPPER(FROM OCT=67)	1	1	ALL	
	52	77910-25900	PAD W/S SIDE RH(FROM OCT=67)	1	1	ALL	
	53	77920-25900	PAD W/S SIDE LH(FROM OCT=67)	1	1	ALL	
	54	77629-25900	MOLDING PAD W/S UPPER (FROM OCT=68)	1	1	ALL	
	55	77931-25900	GARNISH W/S SIDE RH (FROM OCT=67)	1	9	ALL	
	56	77932-25900	GARNISH W/S SIDE LH (FROM OCT=67)	1	9	ALL	
	57	77933-25900	RETAINER-GARNISH-A*	2	1	ALL	
	58	77934-25900	RETAINER-GARNISH-B*	2	9	ALL	
	59	96400-25900	ASSY-SUNVISOR(FROM E/S R=40001 TO SEP=67)	2	1	ALL	
	60	96400-25900	ASSY-SUNVISOR (GRAY) (FROM OCT=67 TO SEP=68)	2	1	ALL	N
	61	96400-43200	ASSY-SUNVISOR (BLACK) (FROM OCT=68)	2	1	ALL	Y
	62	96411-25900	BRACKET-SUNVISOR RH (FROM E/S R=40001)	2	2	ALL	
	63	96412-25900	BRACKET-SUNVISOR LH (FROM E/S R=40001)	2	2	ALL	
	64	66177-25900	ANGLE-WINDSHIELD RH (FROM OCT=67)	1	1	ALL	
	65	66178-25900	ANGLE-WINDSHIELD LH (FROM OCT=67)	1	1	ALL	
	66	77901-47401	ASSY-TWIN WINDSHIELD UPPER (FROM JULY=69)	1	1	ALL	

Scale 4

Printed in Japan

REVISED: SEPTEMBER, 1971

FIG. 56 ■ K8 NISSAN MOTOR CO., LTD.

S	KEY NO.	PART NO.	PART NAME	QTY	SALES UNIT	MODEL	ICA
	67	72902-A7401	ASBY-TIM WINDSHIELD SIDE (FROM JULY-69)	2	1	ALL	
•	68	72906-A7401	MULTI-WINDSHIELD UPPER	2	5	ALL	
	69	72906-A7402	MULTI-WINDSHIELD	2	5	ALL	Y

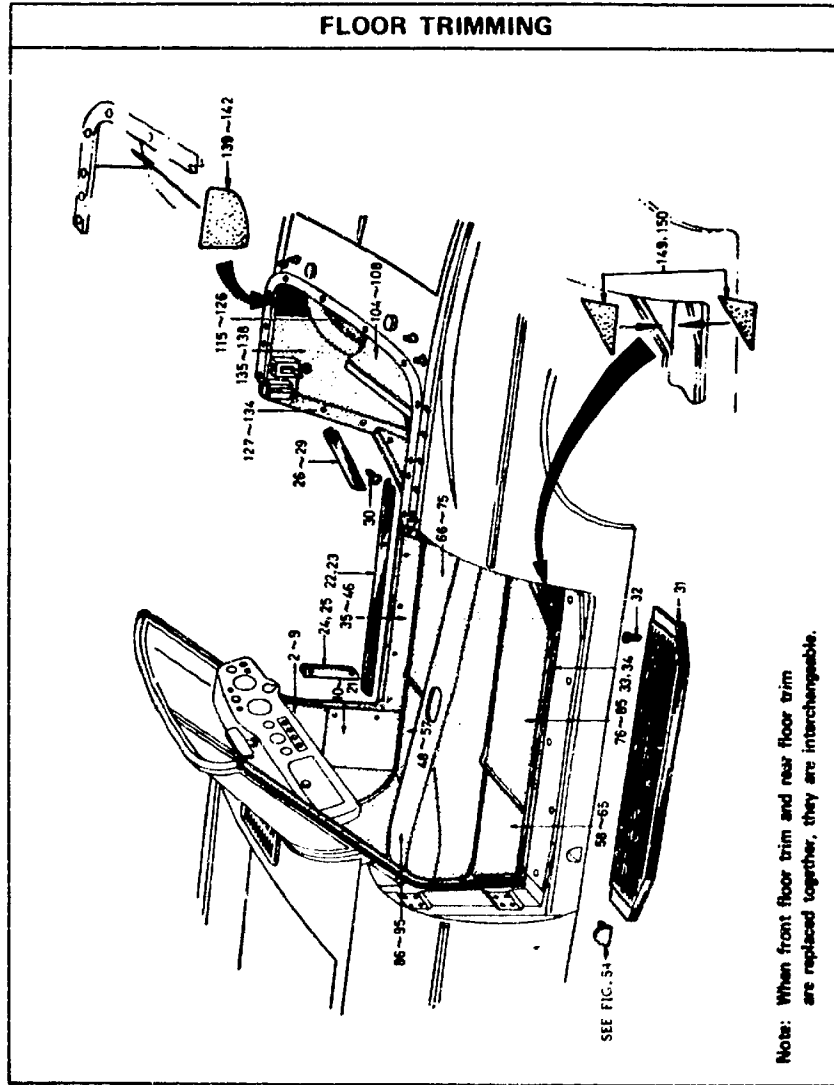
REVISED: SEPTEMBER, 1971

Sheet 5

Printed in Japan

FIG. 57 K9

NISSAN MOTOR CO., LTD.



MARCH, 1971

F57-1

Printed in Japan

NISSAN MOTOR CO., LTD.

FIG. 57

S	KEY NO.	PART NO.	PART NAME	QTY	SALES UNIT	MODEL	ICA
			FLOOR TRIMMING				
	1	6A920-12900	TRIMMING-COWL SIDE, TOP (BLACK)	2	10	ALL	
	2	66919-12900	TRIMMING-COWL SIDE UPPER (RED)RH (TO SEP-67)	1	1	ALL	
	3	66919-25900	TRIMMING-COWL SIDE UPPER (RED)RH (FROM OCT-67)	1	1	ALL	N
	4	65919-12901	TRIMMING-COWL SIDE UPPER (BLACK)RH (TO SEP-67)	1	1	ALL	
	5	66919-25901	TRIMMING-COWL SIDE UPPER (BLACK)RH (FROM OCT-67)	1	1	ALL	N
	6	6A916-12900	TRIMMING-COWL SIDE UPPER (RED)LH (TO SEP-67)	1	1	ALL	
	7	66916-25900	TRIMMING-COWL SIDE UPPER (RED)LH (FROM OCT-67)	1	1	ALL	N
	8	6A916-12901	TRIMMING-COWL SIDE UPPER (BLACK)LH (TO SEP-67)	1	1	ALL	
	9	66916-25901	TRIMMING-COWL SIDE UPPER (BLACK)LH (FROM OCT-67)	1	1	ALL	N
	10	6A911-14600	TRIMMING-COWL SIDE LOWER (RED)RH (TO SEP-67)	1	1	ALL	
	11	6A911-25900	TRIMMING-COWL SIDE LOWER (RED)RH (FROM OCT-67 TO SEP-68)	1	1	ALL	N
	12	6A907-A4570	TRIMMING-COWL SIDE (RED)RH (FROM OCT-68)	1	1	ALL	V
	13	6A911-14601	TRIMMING-COWL SIDE LOWER (BLACK)RH (TO SEP-67)	1	1	ALL	

REVISED: SEPTEMBER, 1971

57- - 1

Printed in Japan

FIG. 57 K10 NISSAN MOTOR CO., LTD.

S	KEY NO.	PART NO.	PART NAME	QTY	SALES UNIT	MODEL	ICA
	1 ^a	64911-25901	TRIM-COWL SIDE LOW ER (BLACK) R (FROM OCT-67 TO SEP-68)	1	1 ALL		N
	1 ^b	64907-44501	TRIMMING-COWL SIDE (BLACK) RH (FROM OCT-68)	1	1 ALL		Y
	1 ^c	64912-14600	TRIMMING-COWL SIDE LOW ER (NEO) LH (TO SEP-67)	1	1 ALL		
	1 ^d	64912-25900	TRIMMING-COWL SIDE LOW ER (NEO) LH (FROM OCT-67)	1	1 ALL		N
	1 ^e	64908-44500	TRIMMING-COWL SIDE (NEO) LH	1	1 ALL		Y
	1 ^f	64912-14601	TRIMMING-COWL SIDE LOW ER (BLACK) LH (TO SEP-67)	1	1 ALL		
	1 ^g	64912-25901	TRIMMING-COWL SIDE LOW ER (BLACK) LH (FROM OCT-67)	1	1 ALL		N
	2 ¹	64908-44501	TRIMMING-COWL SIDE (BLACK) LH	1	1 ALL		Y
	2 ²	74932-14600	PLATE-SCUFF, CENTER (R.H.)	1	1 ALL		
	2 ³	74933-14600	PLATE-SCUFF, CENTER (L.H.)	1	1 ALL		
	2 ⁴	74934-14600	PLATE-SCUFF, FRONT (R.H.)	1	1 ALL		
	2 ⁵	74936-14600	PLATE-SCUFF, FRONT (L.H.)	1	1 ALL		
	2 ⁶	74937-14600	PLATE-SCUFF REAR RH (TO E/P R-40000)	1	1 1.6L		
	2 ⁷	74937-25500	PLATE-SCUFF, REAR (R.H.) (FROM E/P R-40001)	1	5 ALL		Y
	2 ⁸	74938-14600	PLATE-SCUFF REAR LH (TO E/P R-40000)	1	10 1.6L		
	2 ⁹	74938-25500	PLATE-SCUFF, REAR (L.H.) (FROM E/P R-40001)	1	5 ALL		Y

37 - 2

Printed in Japan

REVISED: SEPTEMBER, 1971

NISSAN MOTOR CO., LTD

FIG. 57

S	KEY NO.	PART NO.	PART NAME	QTY	SALES UNIT	MODEL	ICA
	30	04538-61012	SCREW TO FIX SCUFF PLATE	10	20 ALL		
	31	74935-12900	PLATE-KICKING, SILL, OUT ER	2	1 ALL		
	32	04513-60710	SCREW (TO FIX KICKING PLATE)	10	50 ALL		
	33	74802-10400	WEATHERSTRIP-DOOR (TO E/P R-40000)	2	1 1.6L		
	34	74802-25500	WEATHERSTRIP-DOOR (FROM E/P R-40001)	2	1 ALL		N
	35	74901-12900	TRIMMING-PANEL SILL RH (NEO) (TO E/P R-40000)	1	1 1.6L		
	36	74901-25500	TRIMMING-PANEL SILL RH REO (FROM E/P R-40001 TO SEP-67)	1	5 ALL		N
	37	74901-25900	TRIMMING-PANEL SILL RH REO (FROM OCT-67)	1	1 ALL		N
	38	74901-12901	TRIMMING-PANEL SILL RH BLACK (TO E/P R-40000)	1	1 1.6L		
	39	74901-25501	TRIM-PANEL SILL RH BLACK (FROM E/P R-40001 TO SEP-67)	1	5 ALL		N
	40	74901-25901	TRIMMING-PANEL SILL RH BLACK (FROM OCT-67)	1	1 ALL		N
	41	74902-12900	TRIMMING-PANEL SILL LH (NEO) (TO E/P R-40000)	1	1 1.6L		
	42	74902-25500	TRIMMING-PANEL SILL LH REO (FROM E/P R-40001 TO SEP-67)	1	5 ALL		N
	43	74902-25900	TRIMMING-PANEL SILL LH REO (FROM OCT-67)	1	1 ALL		N
	44	74902-12901	TRIMMING-PANEL SILL LH (BLACK) (TO E/P R-40000)	1	1 1.6L		

37 - 3

Printed in Japan

REVISED: SEPTEMBER, 1971

FIG. 57 K11 NISSAN MOTOR CO., LTD.

S	KEY NO.	PART NO.	PART NAME	QTY	SALES UNIT	MODEL	ICA
	45	74902-25901	TRIM-PANEL SILL LH BLACK (FROM E/S R=40001 TO S/E/P=07)	1	5	ALL	N
	46	74902-25901	TRIMMING-PANEL SILL LH BLACK (FROM OCT-67)	1	1	ALL	N
	47	74902-04100	PLUG-RUBBER	2	50	ALL	
	48	74921-14600	ASSY-TRIMMING FLOOR RH FRONT (RED) (TO E/S R=40000)	1	1	SP	
	49	74921-25500	TRIM, FLOOR RH FR (RED) (FROM E/S R=40001 TO C/S SEE FIG)	1	1	SP, SR	N
	50	74921-25900	ASSY-TRIMMING, FLOOR RH FRONT (RED) (FROM C/S SEE FIG)	1	1	SP, SR	C
	51	74921-14601	ASSY-TRIMMING FLOOR RH FRONT (BLACK) (TO E/S R=40000)	1	10	SP	
	52	74921-25501	TRIM-FLOOR, RH FR (BLACK) (FROM E/S R=40001 TO C/S SEE FIG)	1	1	SP, SR	N
	53	74921-25901	ASSY-TRIMMING, FLOOR RH FRONT (BLACK) (FROM C/S SEE FIG)	1	1	SP, SR	C
	54	74921-14700	ASSY-TRIMMING, FLOOR FR ONT (RED) RH (TO C/S SEE FIG)	1	1	SPL, SRL	
	55	74921-26000	ASSY-TRIM, FLOOR FRONT (RED) RH (FROM C/S SEE FIG)	1	1	SPL, SRL	C
	56	74921-14701	ASSY-TRIMMING, FLOOR, FR ONT (BLACK) RH (TO C/S SEE FIG)	1	10	SPL, SRL	
	57	74921-26001	ASSY-TRIMMING, FLOOR FR ONT (BLACK) RH (FROM C/S SEE FIG)	1	1	SPL, SRL	C

57 - 4

Printed in Japan

REVISED: SEPTEMBER, 1971

NISSAN MOTOR CO., LTD.

FIG. 57

S	KEY NO.	PART NO.	PART NAME	QTY	SALES UNIT	MODEL	ICA
	58	74922-14600	ASSY-TRIMMING, FLOOR, FR ONT (RED) LH (TO C/S SEE FIG)	1	1	SP, SR	
	59	74922-25900	ASSY-TRIMMING, FLOOR, FR ONT (RED) LH (FROM C/S SEE FIG)	1	1	SP, SR	C
	60	74922-14601	ASSY-TRIMMING, FLOOR, FR ONT (BLACK) LH (TO C/S SEE FIG)	1	1	SP, SR	
	61	74922-25901	ASSY-TRIMMING, FLOOR FR ONT (BLACK) LH (FROM C/S SEE FIG)	1	1	SP, SR	C
	62	74922-14700	ASSY-TRIMMING, FLOOR, FR ONT (RED) LH (TO C/S SEE FIG)	1	1	SPL, SRL	
	63	74922-26000	ASSY-TRIMMING, FLOOR, FR ONT (RED) LH (FROM C/S SEE FIG)	1	1	SPL, SRL	C
	64	74922-14701	ASSY-TRIMMING, FLOOR, FR ONT (BLACK) LH (TO C/S SEE FIG)	1	10	SPL, SRL	
	65	74922-26001	ASSY-TRIMMING, FLOOR FR ONT (BLACK) LH (FROM C/S SEE FIG)	1	1	SPL, SRL	C
	66	74925-13002	TRIMMING-FLOOR REAR RH (HFU) (TO E/S R=40000)	1	1	L, RL	
	67	74925-25600	TRIM-FLOOR RR RH (RED) (FROM E/S R=40001 TO C/S SEE FIG)	1	1	ALL	N
	68	74925-26002	TRIM-FLOOR RR RH (RED) (FROM E/S R=40001 TO C/S SEE FIG)	1	1	ALL	C
	69	74925-26000	TRIM-FLOOR RR RH (RED) P RH HOLL RAPT (TO C/S SEE FIG)	1	1	OP, ALL	
	70	74925-26004	TRIM-FLOOR REAR RH (RED) FROM R'LL RAPT (FROM C/S SEE FIG)	1	1	OP, ALL	C

57 - 5

Printed in Japan

REVISED: SEPTEMBER, 1971

FIG. 57 K12 NISSAN MOTOR CO., LTD.

S	KEY NO.	PART NO.	PART NAME	QTY	SALES UNIT	MODEL	ICA
	71	74925-13003	THINNING-FLOOR REAR RH (BLACK)(TO E/S R=40000)	1	1	1.6L	
	77	74925-25601	THIN-FLOOR RR RH BLACK (FRON E/S R=40001 TO C/S SEE FIG)	1	1	ALL	N
	73	74925-26003	THIN-FLOOR REAR RH BLACK (FRON C/S SEE FIG)	1	1	ALL	C
	74	74925-26001	THIN-FLOOR RR RH BLACK (FRON OCT-67 TO C/S SEE FIG)	1	1	OP ALL	
	75	74925-26003	THIN-FLOOR RR RH BLACK FOR ROLL BAR (FRON C/S SEE FIG)	1	1	OP,ALL	C
	71	74926-13002	THINNING-FLOOR HEAR LH (NEU)(TO E/S R=40000)	1	1	1.6L	
	77	74926-25600	THIN-FLOOR REAR LH RED (FRON E/S R=40001 TO SEP-67)	1	1	ALL	N
	71	74926-26002	THIN-FLOOR RR RH RED (FRON C/S SEE FIG)	1	1	ALL	C
	70	74926-26000	THIN-FLOOR RR LH RED (FRON OCT-67 TO C/S SEE FIG)	1	1	OP,ALL	
	80	74926-26004	THIN-FLOOR HEAR RH RED (FRON C/S SEE FIG)	1	1	OP,ALL	
	81	74926-13003	THINNING-FLOOR HEAR LH (BLACK)(TO E/S R=40000)	1	1	1.6L	
	82	74926-25601	THIN-FLOOR RR LH BLACK (FRON E/S R=40001 TO C/S SEE FIG)	1	1	ALL	N
	83	74926-26003	THIN-FLOOR HEAR LH BLACK (FRON C/S SEE FIG)	1	1	ALL	C
	84	74926-26001	THIN-FLOOR RR LH BLACK (FRON OCT-67 TO SEE FIG)	1	1	OP,ALL	

NISSAN MOTOR CO., LTD.

FIG. 57

S	KEY NO.	PART NO.	PART NAME	QTY	SALES UNIT	MODEL	ICA
	85	74926-26003	THINNING-FLOOR REAR LH BLACK (FRON C/S SEE FIG)	1		OP,ALL	C
	86	74927-14600	THINNING-TUNNEL PANEL CENTER(RED)(TO E/S R=40000)	1	1	1.6L	
	87	74927-25500	THIN-TUNNEL CENTER(RED)(FRON E/S R=40001 TO SEP-67)	1	1	ALL	N
	88	74927-25600	THIN-TUNNEL PANEL CENTER(RED)(FRON OCT-67)	1	1	ALL	N
	89	74931-25900	THIN-TUNNEL PANEL CENTER(RED)	1	1	L DRIVE	Y
	90	74927-25900	THIN-TUNNEL PANEL CENTER(RED)	1	1	R DRIVE	
	91	74927-14601	THINNING-TUNNEL PANEL CENTER(BLACK)(TO E/S R=40000)	1	1	1.6L	
	92	74927-25501	THIN-TUNNEL CENTER(BLACK)(FRON E/S R=40001 TO SEP-67)	1	1	ALL	N
	93	74927-25901	THIN-TUNNEL PANEL CENTER(BLACK)(FRON OCT-67)	1	1	ALL	N
	94	74931-25901	THIN-TUNNEL PANEL CENTER(BLACK)	1		L DRIVE	Y
	95	74927-25901	THIN-TUNNEL PANEL CENTER(BLACK)	1		R DRIVE	
	96	74928-12902	THINNING-FLOOR END(RED)(TO E/S R=40000)	1	1	1.6L	
	97	74928-25500	THINNING-FLOOR END(RED)(FRON E/S R=40001 TO SEP-67)	1	1	ALL	N
	98	74928-26000	THINNING-FLOOR END(RED)(FRON OCT-67)	1	1	ALL	N
	99	74933-44500	THINNING-FLOOR END (NEU)	1	1	ALL	Y

FIG. 57 K13 NISSAN MOTOR CO., LTD.

S	KEY NO.	PART NO.	PART NAME	QTY	SALES UNIT	MODEL	ICA
	10 ⁿ	74928-12903	TRIMMING-FLOOR END(BLACK)(TO E/S R=40000)	1	1	1.6L	
	101	74928-25501	TRIM-FLOOR END(BLACK)(FROM E/S R=40001 TO SEP-67)	1	1	ALL	N
	102	74928-26001	TRIMMING-FLOOR END(BLACK)(FROM OCT-67)	1	1	ALL	N
	103	74933-44501	TRIM-FLOOR END (BLACK)	1	1	ALL ALL	Y
	104	74950-14600	ASSY=TRIMMING PARCEL SHELF (RED)(TO E/S R=40000)	1	1	1.6L	
	105	74950-25500	ASSY=TRIMMING, PARCEL SHELF (FROM E/S R=40001)	1	1	ALL	N
	106	74950-25500	ASSY=TRIMMING PARCEL SHELF FOR ANTI-ROLL BAR	1	1	OP ALL	
	107	74950-14601	ASSY=TRIMMING PARCEL SHELF (BLACK)(TO E/S R=40000)	1	1	1.6L	
	108	74950-25501	ASSY=TRIMMING, PARCEL SHELF (BLACK)(FROM E/S R=40001)	1	1	ALL	N
	109	74900-14600	ASSY=TRIMMING PARCEL SHELF END (RED)(TO E/S R=40000)	1	1	1.6L	
	110	74900-25500	TRIM SHELF END(RED)(FROM E/S R=40001 TO SEP-67)	1	1	ALL	N
	111	74900-25500	ASSY=TRIM PARCEL SHELF END(RED)(FROM OCT-67)	1	1	ALL	N
	112	74900-14601	ASSY=TRIM PARCEL SHELF END(BLACK)(TO E/S R=40000)	1	1	1.6L	
	113	74900-25501	ASSY=TRIM SHELF END (BLACK)(FROM E/S R=40001 TO SEP-67)	1	1	ALL	N

57-0-0

Printed in Japan

REVISED: SEPTEMBER, 1971

NISSAN MOTOR CO., LTD.

FIG. 57

S	KEY NO.	PART NO.	PART NAME	QTY	SALES UNIT	MODEL	ICA
	114	74900-25601	ASSY=TRIM PARCEL SHELF END(BLACK)(FROM OCT-67)	1	1	ALL	N
	115	74931-14600	TRIM-PANEL WHEEL RH HOUSE(RED)(TO E/S R=40000)	1	10	1.6L	
	116	74931-25500	TRIM-WHEEL RH HOUSE(RED)(FROM E/S R=40001 TO SEP-67)	1	5	ALL	N
	117	74931-25000	TRIM-PANEL WHEEL RH HOUSE(RED)(FROM OCT-67)	1	1	ALL	N
	118	74931-14601	TRIM-PANEL WHEEL RH HOUSE(BLACK)(TO E/S R=40000)	1	10	1.6L	
	119	74931-25501	TRIM-WHEEL RH HOUSE(BLACK)(FROM E/S R=40001 TO SEP-67)	1	5	ALL	N
	120	74931-25901	TRIM-WHEEL RH HOUSE (BLACK)(FROM OCT-67)	1	1	ALL	N
	121	74932-14600	TRIM-PANEL WHEEL LH HOUSE(RED)(TO E/S R=40000)	1	10	1.6L	
	122	74932-25500	TRIM-WHEEL LH HOUSE (RED)(FROM E/S R=40001 TO SEP-67)	1	5	ALL	N
	123	74932-25900	TRIM-WHEEL LH HOUSE (RED)(FROM E/S R=40001 TO SEP-67)	1	1	ALL	N
	124	74932-14601	TRIM-PANEL WHEEL LH HOUSE(BLACK)(TO E/S R=40000)	1	1	1.6L	
	125	74932-25501	TRIM-WHEEL LH HOUSE (BLACK)(FROM E/S R=40001 TO SEP-67)	1	5	ALL	N
	126	74932-25901	TRIM-PANEL WHEEL LH HOUSE (BLACK)(FROM OCT-67)	1	1	ALL	N

57-0-0

Printed in Japan

REVISED: SEPTEMBER, 1971

FIG. 57 K14 NISSAN MOTOR CO., LTD.

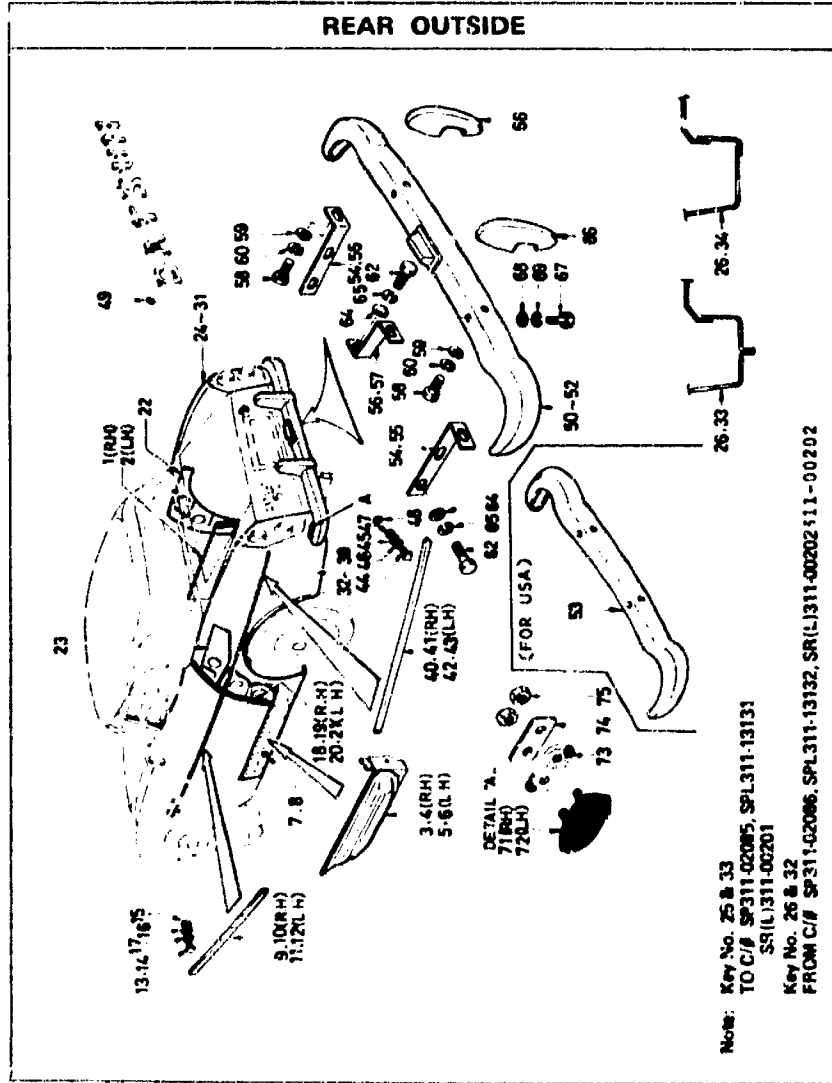
S KEY NO.	PART NO.	PART NAME	QTY	SALES UNIT	MODEL	ICA
127	74903-14600	TRIM-LOCK PILLAR RH (RED)(TO E/S R-40000)	1	1	1.6L	
128	74903-25500	TRIMMING-LOCK PILLAR, R H, (RED)(FROM E/S R-40001)	1	5	ALL	N
129	74903-14601	TRIM-LOCK PILLAR RH (BLACK)(TO E/S R-40000)	1	1	1.6L	
130	74903-25501	TRIMMING-LOCK PILLAR, R H, (BLACK)(FROM E/S R-40001)	1	5	ALL	N
131	74904-14600	TRIM-LOCK PILLAR LH (RED)(TO E/S R-40000)	1	1	1.6L	
132	74904-25500	TRIMMING-LOCK PILLAR, L H, (RED)(FROM E/S R-40001)	1	5	ALL	N
133	74904-14601	TRIM-LOCK PILLAR LH (BLACK)(TO E/S R-40000)	1	1	1.6L	
134	74904-25501	TRIMMING-LOCK PILLAR, L H, (BLACK)(FROM E/S R-40001)	1	5	ALL	N
135	74921-14600	TRIMMING-QUARTER PANEL (RED)R,H.	1	1	ALL	
136	74921-14601	TRIMMING-QUARTER PANEL (BLACK)R,H.	1	1	ALL	
137	74922-14600	TRIMMING-QUARTER PANEL (RED)L,H.	1	1	ALL	
138	74922-14601	TRIMMING-QUARTER PANEL (BLACK)L,H.	1	1	ALL	
139	74923-25500	TRIM-EXTENSION(RED)RH	1	1	ALL	
140	74923-25501	TRIM-EXTENSION(BLACK)RH	1	1	ALL	
141	74924-25500	TRIM-EXTENSION(RED)LH	1	1	ALL	
142	74924-25501	TRIM-EXTENSION(BLACK)LH	1	1	ALL	

NISSAN MOTOR CO., LTD.

FIG. 57

S KEY NO.	PART NO.	PART NAME	QTY	SALES UNIT	MODEL	ICA
143	74810-14600	CAP-LOCK PILLAR TOP RH (TO E/S R-40000)	1	5	1.6L	
144	74811-14600	CAP-LOCK PILLAR TOP LH (TO E/S R-40000)	1	5	1.6L	
145	74810-25500	CAP-LOCK PILLAR R&LH (FROM E/S R-40001)	2	5	ALL	N
146	00530-01310	SCREW	9	20	ALL	
147	74820-25500	RAND-PARCEL (RED) (FROM ICT-07)	1	1	ALL	
148	74820-25501	RAND-PARCEL (BLACK) (FROM ICT-07)	1	1	ALL	
149	74907-25500	TRIM-BUSSET (BLACK)RH	1	1	ALL	
150	74908-25500	TRIM-BUSSET (BLACK)LH	1	1	ALL	

FIG. 57A K15 NISSAN MOTOR CO., LTD.



MARCH, 1970

57A - 1

Printed in Japan

NISSAN MOTOR CO., LTD.

FIG. 57A

S	KEY NO.	PART NO.	PART NAME	QTY	SALES UNIT	MODEL	ICA
			REAR OUTSIDE				
	1	76420-25900	ASSY-SILL INNER RH (FROM OCT-67)	1	1	ALL	
	2	76421-25900	ASSY-SILL INNER LH (FROM OCT-67)	1	1	ALL	
	3	76400-12930	ASSY-SIDE SILL OUTER RH (TO E/P R=40000)	1	1	1.0L	
	4	76400-25900	ASSY-SIDE SILL OUTER RH (FROM E/P R=40001)	1	1	ALL	N
	5	76401-12930	ASSY-SIDE SILL OUTER LH (TO E/P R=40000)	1	1	1.0L	
	6	76401-25900	ASSY-SIDE SILL OUTER LH (FROM E/P R=40001)	1	1	ALL	Y
	7	76419-10400	COVER-JACK HOLE	2		ALL	
	8	76419-04100	COVER-JACK HOLE	2	5	ALL	Y
	9	80801-14600	HOULDING-DOOR OUTSIDE RH	1	1	1.0L	
	10	80801-25900	HOULDING-DOOR OUTSIDE RH (FROM E/P R=40001)	1	1	ALL	N
	11	80802-14600	HOULDING-DOOR OUTSIDE LH	1	1	1.0L	
	12	80802-25900	HOULDING-DOOR OUTSIDE LH (FROM E/P R=40001)	1	1	ALL	N
	13	6380J-08000	RETAINER-OUTSIDE MOULDING	10	10	ALL	
	14	63804-25900	RETAINER-OUTSIDE MOULDING	10	1	ALL	Y
	15	80911-10810	WASHER-LOCK TO FIX OUTSIDE MOULDING	10	50	ALL	
	16	80915-10810	WASHER-LOCK TO FIX OUTSIDE MOULDING	10	50	ALL	

REVISED JUNE, 1970

57A - 1

Printed in Japan

FIG. 57A K16 NISSAN MOTOR CO., LTD.

S	KEY NO.	PART NO.	PART NAME	QTY	SALES UNIT	MODEL	ICA
	17	00915-40010	WASHER-PLAIN TO FIX OUTSIDE MOULDING	10	50	ALL	
	18	76600-25500	ASSY-PILLAR LOCK RM	1	1	ALL	
	19	76600-25900	ASSY-PILLAR LOCK RM (FROM OCT-67)	1	1	ALL	N
	20	76601-25900	ASSY-PILLAR LOCK LH	1	1	ALL	
	21	76601-25900	ASSY-PILLAR LOCK LH (FROM OCT-67)	1	1	ALL	N
	22	76650-A3200	PANEL-QUARTER INNER RM	1	1	ALL	
	23	76651-A3200	PANEL-QUARTER INNER LH	1	1	ALL	
	24	78100-14600	ASSY-FENDER, REAR RH (TO E/P R-40000)	1	1	1.6L	
	25	78100-25925	ASSY-FENDER, RR RH (FROM E/P R-40001 TO C/P SEE FIG 57A)	1	1	ALL	N
	26	78100-25950	ASSY-FENDER, RR RH (FROM C/P SEE FIG 57A TO SEP-67)	1	1	ALL	N
	27	78100-25950	ASSY-FENDER, REAR RH (FROM OCT-67 TO SEP-68)	1	1	ALL	N
	28	78100-25950	ASSY-FENDER, REAR RH (FROM OCT-68)	1	1	ALL EXC US A & CANADA	Y
	29	78100-26050	ASSY-FENDER RR RH FOR SIDE LAMP (FROM OCT-67 TO SEP-68)	1	1	USA	N
	30	78100-A3350	ASSY FENDER, RR RH FOR SIDE LAMP (FROM OCT-68 TO JULY-69)	1	1	USA & CANADA	N
	31	78100-A7050	ASSY-FENDER, REAR RH FOR SIDE LAMP (FROM JULY-69)	1	1	USA & CANADA	N
	32	78101-14600	ASSY-FENDER, REAR LH (TO E/P R-40000)	1	1	1.6L	

REVISED JUNE, 1970

57-A- 2

Printed in Japan

NISSAN MOTOR CO., LTD.

FIG. 57A

S	KEY NO.	PART NO.	PART NAME	QTY	SALES UNIT	MODEL	ICA
	33	78101-25925	ASSY-FENDER, RR LH (FROM E/P R-40001 TO C/P SEE FIG 57A)	1	1	ALL	N
	34	78101-25950	ASSY-FENDER, RR LH (FROM C/P SEE FIG 57A TO SEP-67)	1	1	ALL	N
	35	78101-25950	ASSY-FENDER, REAR LH (FROM OCT-67 TO SEP-68)	1	1	ALL EXC USA	N
	36	78101-25950	ASSY-FENDER, REAR LH (FROM OCT-68)	1	1	ALL EXC US A & CANADA	Y
	37	78101-26050	FENDER, REAR LH FOR SIDE LAMP (FROM OCT-67 TO SEP-68)	1	1	USA	N
	38	78101-A3350	ASSY FENDER, REAR LH FOR SIDE LAMP (FROM OCT-68)	1	1	USA & CANADA	N
	39	78101-A7050	ASSY FENDER, REAR LH FOR SIDE LAMP (FROM JULY-69)	1	1	USA & CANADA	N
	40	78201-14600	MOULDING-REAR FENDER RH	1	1	1.6L	
	41	78201-25900	MOULDING-REAR FENDER RH (FROM E/P R-40001)	1	1	ALL	N
	42	78201-14600	MOULDING-REAR FENDER LH	1	1	1.6L	
	43	78202-25900	MOULDING-REAR FENDER LH (FROM E/P R-40001)	1	1	ALL	N
	44	63003-10100	RETAINER-MOULDING	10	10	ALL	
	45	00915-10010	WASHER-LOCK TO FIX MOLDING	10	50	ALL	
	46	00915-40010	WASHER-PLAIN TO FIX MOLDING	10	50	ALL	
	47	00911-10010	PUT TO FIX MOLDING	10	50	ALL	
	48	97331-04100	WASHER-RUBBER TO FIX MOLDING	10	50	ALL	

REVISED JUNE, 1970

57-A- 3

Printed in Japan

FIG. 57A L1 NISSAN MOTOR CO., LTD.

S	KEY NO.	PART NO.	PART NAME	QTY	SALES UNIT	MODEL	ICA
	49	97331-25900	WASHER-SPONGE,EMBLEM	17	10	ALL	Y
	50	85002-10401	ASSY-BUMPER,REAR (TO SEP-67)	1	1	ALL	
	51	85002-26000	ASSY-BUMPER,REAR (FROM OCT-67)	1	1	ALL	N
	52	85002-26000	ASSY BUMPER REAR (FROM OCT-68)	1	1	ALL EXC USA & CANA DA	Y
	53	85002-A3300	ASSY BUMPER REAR (FROM OCT-68)	1	1	USA & CANA DA	N
	54	85200-10400	STAY-REAR BUMPER,SIDE (TO SEP-67)	2	1	ALL	
	55	85200-12200	STAY-REAR BUMPER,SIDE (FROM OCT-67)	2	1	ALL	N
	56	85201-10400	STAY-REAR BUMPER,CENTE R(TO SEP-67)	1	1	ALL	
	57	85201-25900	STAY-REAR BUMPER,CENTE R(FROM OCT-67 TO SEP- 68)	1	1	ALL	N
	58	00114-62010	BOLT TO FIX BUMPER TO STAY	3	50	ALL	
	59	00915-41610	WASHER-PLAIN TO FIX BUMPER TO STAY	3	50	ALL	
	60	00915-11600	WASHER-LOCK TO FIX BUMPER TO STAY	3		ALL	
	61	00915-11610	WASHER-LOCK TO FIX BUM PER TO STAY	3	50	ALL	Y
	62	00114-62510	BOLT TO FIX STAY TO FRAME	5	50	ALL	
	63	00915-41600	WASHER-PLAIN TO FIX STAY TO FRAME	5		ALL	
	64	00915-41610	WASHER-PLAIN TO FIX STAY TO FRAME	5	50	ALL	Y
	65	00915-11610	WASHER-LOCK TO FIX STAY TO FRAME	5	50	ALL	

57-A- 4

Printed in Japan

REVISED: JUNE , 1970

NISSAN MOTOR CO., LTD.

FIG. 57A

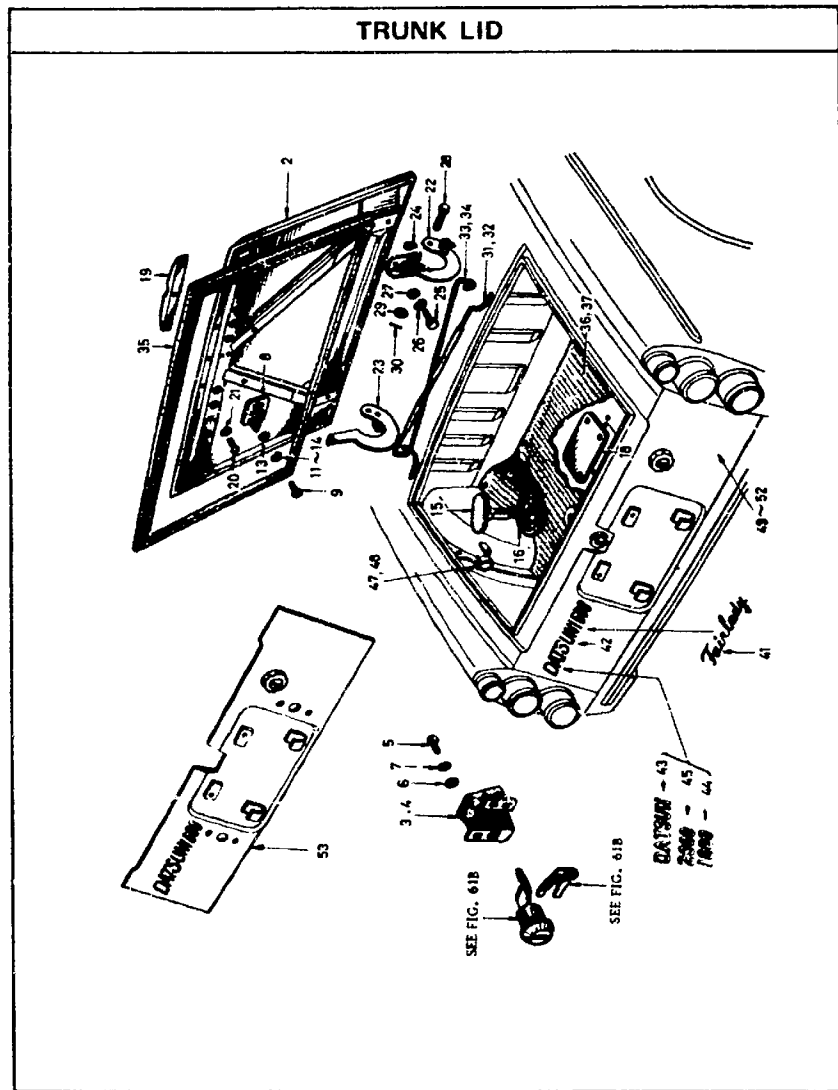
S	KEY NO.	PART NO.	PART NAME	QTY	SALES UNIT	MODEL	ICA
	66	62643-10401	ASSY-OVERRIDE	2	1	ALL	
	67	00114-51610	BOLT TO FIX OVERRIDE	4	50	ALL	
	68	00915-41510	WASHER-PLAIN TO FIX OVERRIDE	4	50	ALL	
	69	00915-11900	WASHER-LOCK TO FIX OVERRIDE	4		ALL	
	70	00915-11910	WASHER-LOCK TO FIX OVERRIDE	4	50	ALL	Y
	71	78204-A3200	RUBBER BUMPER REAR RH (FROM OCT-68)	1	5	ALL	
	72	78205-A3200	RUBBER BUMPER REAR LH (FROM OCT-68)	1	5	ALL	
	73	78206-A3200	PLAIN WASHER SPONGE (FROM OCT-68)	2	10	ALL	
	74	78207-A3200	PLAIN WASHER (FROM OCT -68)	2	10	ALL	
	75	00911-14010	NUT HEX (FROM OCT-68)	4	50	ALL	
	76	79111-12930	ASSY-PANEL WAIST (TO SEP-68)	1	1	ALL	
	77	79111-14600	ASSY-PANEL WAIST (FROM OCT-68)	1	1	ALL	Y

57-A- 5

Printed in Japan

REVISED: JUNE , 1970

FIG. 58 L2 NISSAN MOTOR CO., LTD.



JUNE, 1972

F58 - 1

Printed in Japan

NISSAN MOTOR CO., LTD.

FIG. 58

S	KEY NO.	PART NO.	PART NAME	Q'TY	SALES UNIT	MODEL	JCA
			TRUNK LID				
•	1	84300-14600	ASSY-PANFL,TRUNK LID	1	1.6L		
	2	84300-25900	ASSY-PANFL,TRUNK LID(FR ROM E/F# R-40001)	1	1 ALL		Y
	3	84430-12900	ASSY-LOCK,TRUNK LID	1	1.6L		
	4	84430-25900	ASSY-LOCK,TRUNK LID(FR OM E/F# R-40001)	1	1 ALL		N
	5	00314-01610	SCREW TO FIX TRUNK LID LOCK	4	50 ALL		
	6	00915-41010	WASHER-PLAIN TO FIX TR UNK LID LOCK	4	50 ALL		
	7	00915-11010	WASHER-LOCK TO FIX TRU NK LID LOCK	4	50 ALL		
	8	84420-12900	ASSY-STRIKER,TRUNK LID LOCK	1	2 ALL		
	9	00314-41610	SCREW TO FIX STRIKER	2	50 ALL		
	10	00915-41410	WASHER-PLAIN TO FIX ST RIKER	2	50 ALL		
	11	00915-11410	WASHER-LOCK TO FIX STR IKER	2	50 ALL		
	12	76750-25900	ASSY-PANFL WHEEL HOUSE INNER RH (FROM OCT-67)	1	1 ALL		
	13	76751-25900	ASSY-PANFL WHEEL HOUSE IN LH (FROM OCT-67)	1	1 ALL		
	14	84100-A7400	ASSY-FLOOR TRUNK	1	1 ALL		
	15	57210-14600	ASSY-HANDLE, SPARE TIRE	1	1 ALL		
	16	57216-10600	ASSY-CLAMP, SPARE TIRE	1	1 ALL		
•	17	84120-12900	COVER-INSPECTION HOLE	1	1.6L		

REVISED: JUNE, 1972

58 - 1

Printed in Japan

FIG. 58 L3 NISSAN MOTOR CO., LTD.

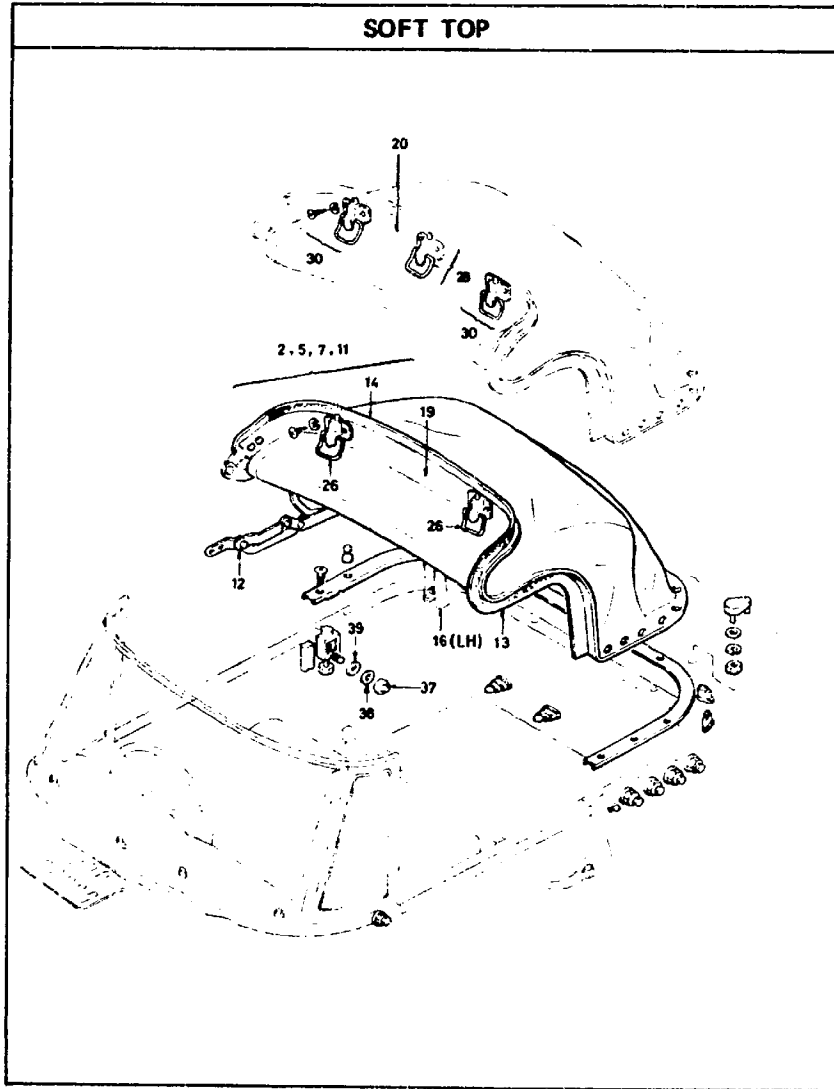
S	KEY NO.	PART NO.	PART NAME	QTY	SALES UNIT	MODEL	ICA
	18	84120-25530	COVER-INSPECTION HOLE (FROM E/S R-40001)	1	1	ALL	Y
	19	84051-12900	HANDLE-TRUNK LID	1	1	ALL	
	20	07314-00610	SCREW	3	50	ALL	
	21	07915-11010	WASHER-LOCK	3	50	ALL	
	22	84403-14601	ASSY-HINGE, TRUNK LID (R.H.)	1	1	ALL	
	23	84404-14601	ASSY-HINGE, TRUNK LID (L.H.)	1	1	ALL	
	24	84408-14602	BUMPER-HINGE, TRUNK LID	2	10	ALL	
	25	07114-51810	BOLT	4	50	ALL	
	26	07915-11510	WASHER-SPRING	4	50	ALL	
	27	07915-41510	WASHER-PLAIN	4	50	ALL	
	28	84409-14601	PIN-HINGE, TRUNK LID	2	5	ALL	
	29	00915-41610	WASHER-PLAIN	2	50	ALL	
	30	07921-21810	PIN-COTTER	2	50	ALL	
	31	84530-14600	ASSY-BAR, TORSION, TRUNK LID (R.H.)	1	10	1.6L	
	32	84530-25500	ASSY-BAR, TORSION, TRUNK LID (R.H.) (FROM E/S R-40001)	1	1	ALL	N
	33	84533-14601	BAR-TORSION, TRUNK LID (L.H.)	1	1	1.6L	
	34	84533-25500	BAR-TORSION, TRUNK LID (L.H.) (FROM E/S R-40001)	1	1	ALL	N
	35	84606-10400	WEATHERSTRIP-TRUNK LID	1	1	ALL	
	36	84901-14600	ASSY-TRIMMING, TRUNK FLOOR	1	10	1.6L	
	37	84901-14601	ASSY-TRIMMING, TRUNK FLOOR	1	1	ALL EXC EVAP	N

NISSAN MOTOR CO., LTD.

FIG. 58

S	KEY NO.	PART NO.	PART NAME	QTY	SALES UNIT	MODEL	ICA
	38	84901-47800	ASSY-TRIMMING, TRUNK FLOOR (FROM JULY-69)	1	1	EVAP	
	39	84901-25900	HAT-TRUNK ROOM (FROM OCT-67)	1	1	ALL	
	40	57901-14600	COVER-SPARE TIRE (VINYL)	1	1	ALL	
	41	79810-14600	EMBLEM-REAR PANEL (FAIR LADY)	1	2	ALL	
	42	79811-14600	EMBLEM-REAR PANEL (DATSUN 1600)	1	2	1.6L	
	43	62800-25500	EMBLEM-REAR PANEL (DATSUN)	1	2	ALL	N
	44	79811-14601	MARK (1600) (FROM E/S R-40001)	1	2	ALL	N
	45	79811-25501	MARK (2000) (FROM E/S R-40001)	1	2	ALL	N
	46	00918-10500	NUT-STEERING	3		ALL	
	47	00918-10540	NUT-STEERING	3	50	ALL	Y
	48	07961-13210	NUT-STEERING	3		ALL	Y
	49	70100-12930	ASSY-PANEL, REAR (TO E/S R-40000)	1	1	1.6L	
	50	70100-25500	ASSY-PANEL, REAR (FROM E/S R-40001 TO SEP-67)	1	1	ALL	N
	51	70100-26000	ASSY-PANEL, REAR (FROM OCT-67 TO SEP-68)	1	1	ALL	N
	52	70100-26000	ASSY-PANEL, REAR (FROM OCT-68)	1	1	ALL EXC USA & CANADA	Y
	53	70100-A3300	ASSY-PANEL, REAR (FROM OCT-68)	1	1	USA & CANADA	N
	54	70620-25600	MOLDING-LICENSE, REAR	1	1	2L	

FIG. 59-1 L4 NISSAN MOTOR CO., LTD.



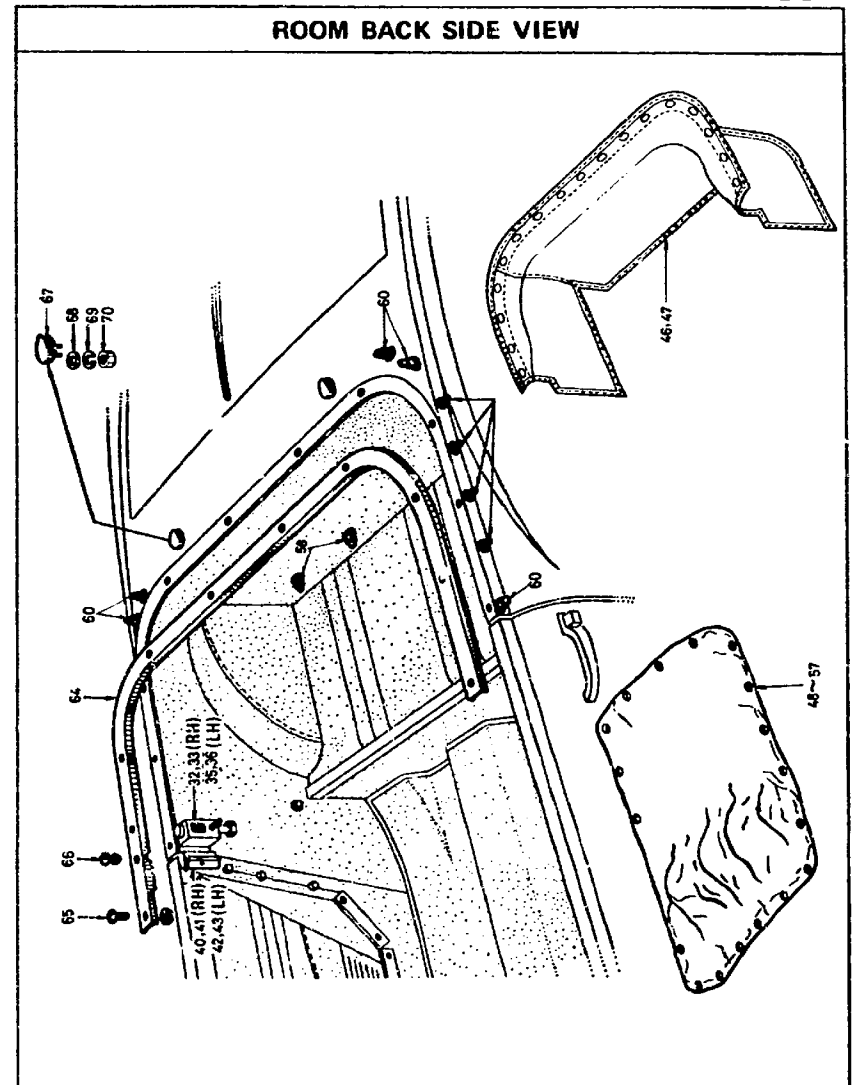
MARCH, 1971

F59 - 1

Printed in Japan

NISSAN MOTOR CO., LTD.

FIG. 59-2

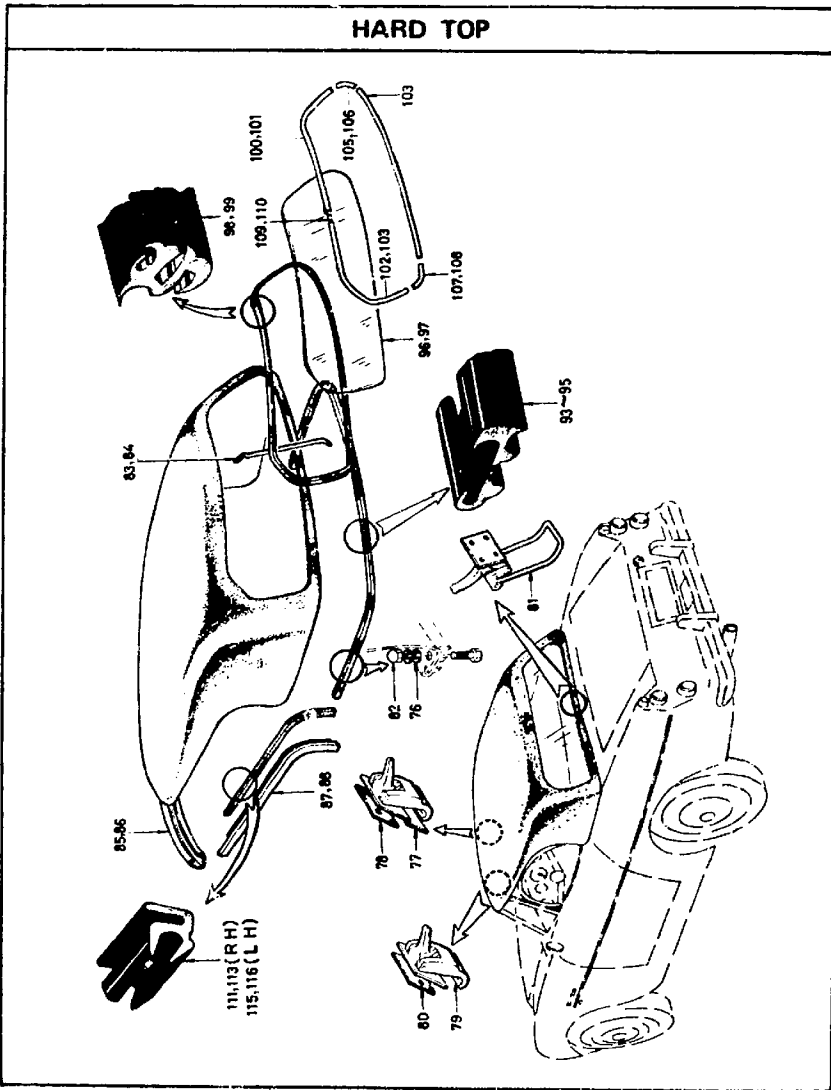


MARCH, 1971

F59 - 2

Printed in Japan

FIG. 59-3 L5 NISSAN MOTOR CO., LTD.



NISSAN MOTOR CO., LTD.

FIG. 59

S	KEY NO.	PART NO.	PART NAME	QTY	SALES UNIT	MODEL	ICA
SOFT & HARD TOP & ROOM BACK SIDE VIEW							
•	1	97800-14651	ASSY-SOFT TOP, WITH FRAME	1	1,6L		
•	2	97800-25551	ASSY-SOFT TOP, WITH FRAME (FROM E/8 K=40001	1	1 ALL		Y
•	3	97800-25951	ASSY-SOFT TOP W/FRAME (FROM OCT-67)	1	1 ALL		Y
•	4	97800-A3251	ASSY-SOFT TOP W/FRAME (FROM OCT-68 TO JUNE-69)	1	1 ALL		Y
•	5	97800-A7851	ASSY-SOFT TOP W/FRAME (FROM JULY-69)	1	1 ALL		Y
•	6	97700-14600	COMP-SOFT TOP WITHOUT FRAME	1	1,6L		
•	7	97700-25500	COMP-SOFT TOP W/O FRAME (FROM E/8 40001 TO SEP-67)	1	1 ALL		Y
•	8	97700-25900	COMP-SOFT TOP WITHOUT FRAME (FROM OCT-67)	1	1 ALL		H
•	9	97700-A3200	COMP-SOFT TOP WITHOUT FRAME (FROM OCT-68)	1	1 ALL		Y
•	10	97700-A3201	COMP-SOFT TOP WITHOUT FRAME (TO JUNE-69)	1	1 ALL		Y
•	11	97700-A7800	COMP-SOFT TOP WITHOUT FRAME (FROM JULY-69)	1	1 ALL		Y
•	12	97800-A3250	ASSY-FRAME (FROM OCT-68)	1	1 ALL		
•	13	97780-12900	WEATHERSTRIP-SOFT TOP, SIDE	2	2 ALL		
•	14	97780-12900	WEATHERSTRIP-SOFT TOP, FRONT	1	1 ALL		
•	15	97700-14600	PLATE-PUSHING (H.H.)	1	5 ALL		

FIG. 59 L6 NISSAN MOTOR CO., LTD.

S	KEY NO.	PART NO.	PART NAME	QTY	SALES UNIT	MODEL	ICA
	14	97709-14600	PLATE=PUSHING (L.H.)	1	5	ALL	
	17	07660-91010	RIVET TO FIX PLATE TO BRACKET	2	50	ALL	
	18	97798-25900	WASHER=RUBBER (FROM OCT-67)	2	10	ALL	
	19	97720-12900	SET=FRAME,SOFT TOP W/FASTENER (TO SEP-67)	1	1	ALL	
	20	97720-25900	SET=FRAME,SOFT TOP NO.1 W/FASTENER (FROM OCT-67)	1	1	ALL	N
	21	97721-A7800	ASSY=FRAME,SOFT TOP NO.1 (FROM OCT-69) NOT ADOPTED	1	1	ALL	
	22	97721-A3250	ASSY=FRAME,SOFT TOP NO.1 (FROM OCT-69)	1	1	ALL	Y
	23	97790-A7800	ASSY=TRIM,SOFT TOP FOR NO.1 FRAME (FROM JULY-69)	1	1	ALL	
	24	97791-A7800	WHLT=SOFT TOP FOR NO.1 FRAME (FROM JULY-69)	1	1	ALL	
	25	97730-12900	SET=FASTENER,ROOF	2	1.6L		
	26	97730-25900	SET=FASTENER,ROOF (FROM F/W N=40001 TO SEP-67)	2	1	ALL	Y
	27	97730-25901	SET=FASTENER,ROOF CENTER (FROM OCT-67 TO JUN E-69)	1	1	ALL	N
	28	97730-A4500	SET=FASTENER,ROOF CENTER (FROM JULY-69)	1	1	ALL	Y
	29	97740-25901	ASSY=FASTENER SIDE (FROM OCT-67 TO JUNE-69)	2	1	ALL	N
	30	97740-A4500	ASSY=FASTENER, SIDE (FROM JULY-69)	2	1	ALL	Y
	31	97740-12950	SET=BRACKET,FRAME,SOFT TOP (O.H.)	1	1	ALL	

NISSAN MOTOR CO., LTD.

FIG. 59

S	KEY NO.	PART NO.	PART NAME	QTY	SALES UNIT	MODEL	ICA
	32	97740-14650	SET=BRACKET,FRAME,SOFT TOP (R.H.)	1	1	ALL	Y
	33	97741-25900	SET=BRACKET,FRAME,SOFT TOP (R.H.) (FROM OCT-67)	1	1	ALL	N
	34	97742-12950	SET=BRACKET,FRAME,SOFT TOP (L.H.)	1	1	ALL	
	35	97742-14650	SET=BRACKET,FRAME,SOFT TOP (L.H.)	1	1	ALL	Y
	36	97743-25900	SET=BRACKET,FRAME,SOFT TOP (L.H.) (FROM OCT-67)	1	1	ALL	N
	37	07743-12900	NUT=CAP	2	10	ALL	
	38	00915-91510	WASHER=PLAIN	2	50	ALL	
	39	00915-09101	WASHER PLAIN	2	10	ALL	
	40	97791-14600	ASSY=BRACKET,PUSHING PLATE (R.H.) (TO SEP-67)	1	5	ALL	
	41	97701-25900	ASSY=BRACKET,PUSHING PLATE (L.H.) (FROM OCT-67)	1	5	ALL	N
	42	97702-14600	ASSY=BRACKET,PUSHING PLATE (L.H.) (TO SEP-67)	1	5	ALL	
	43	97702-25900	ASSY=BRACKET,PUSHING PLATE (L.H.) (FROM OCT-67)	1	5	ALL	N
	44	00314-01210	SCREW TO FIX BRACKET	4	50	ALL	
	45	00915-11010	WASHER=LOCK TO FIX BRACKET	4	50	ALL	
	46	97760-14600	CUMP=COVER,COMPARTMENT	1	1	ALL	
	47	97760-25900	CUMP=COVER,COMPARTMENT (VINYL) (FROM OCT-67)	1	1	ALL	N
	48	97770-12900	CUMP=COVER,TONNEAU	1		OP,SP	
	49	97770-25900	ASSY=TONNEAU COVER FOR HEAD SUPPORT (TO SEP-67)	1	1	SP,SH	

FIG. 59 L7 NISSAN MOTOR CO., LTD.

S	KEY NO.	PART NO.	PART NAME	QTY	SALES UNIT	MODEL	ICA
	50	97770-25901	ASSY-COVER, TONNEAU (FROM OCT-67)	1	1	SP, SR	Y
	51	97770-25900	ASSY-COVER, TONNEAU FOR SAFETY BAR	1	1	OP, SP, SR	
	52	97770-25902	ASSY-COVER, TONNEAU FOR SAFETY BAR	1	1	OP, SP, SR	Y
	53	97770-13000	CUMP-COVER, TONNEAU	1	1	SPL	
	54	97770-25600	ASSY-TONNEAU COVER FOR HEAD SUPPORT (TO SEP-67)	1	1	SPL, SPL	
	55	97770-26001	ASSY-COVER, TONNEAU (FROM OCT-67)	1	1	SPL, SRL	Y
	56	97770-A3300	ASSY-COVER, TONNEAU	1	1	SPLU, SRLU	
	57	97770-26000	ASSY-COVER, TONNEAU FOR SAFETY BAR	1	1	OP, SPL, SRL SPLU, SRLU	
	58	97751-12900	HOOK-NALEPA (20MM)	10	5	ALL	
	59	97753-12900	HOOK-NALEPA (7MM)	2	5	ALL	
	60	97754-12900	HOOK-NALEPB (8MM)	6	10	ALL	
	61	97754-12900	HOOK-NALEPB (8MM)	2	10	ALL	Y
	62	97754-A3200	HOOK-NALEPB (4MM)	4	10	ALL	Y
	63	97754-A4500	HOOK-NALEPB (4MM)	4	5	ALL	Y
	64	70850-12900	MULDING-WAIST	1	1	ALL	
	65	00930-61012	SCREW	12	50	ALL	
	66	70853-12900	PLUG	2	10	ALL	
	67	97738-12900	FASTENER-SKIRT, SOFT TOP, REAR	3	5	ALL	
	68	00915-40610	WASHER-PLAIN	6	50	ALL	
	69	00915-10810	WASHER-LOCK	6	50	ALL	
	70	00911-10810	NUT	6	50	ALL	
	71	73832-12900	JAW-FASTENER REAR	1	1	ALL	

59 - 4

Printed in Japan

REVISED: SEPTEMBER, 1971

NISSAN MOTOR CO., LTD.

FIG. 59

S	KEY NO.	PART NO.	PART NAME	QTY	SALES UNIT	MODEL	ICA
	72	73810-12920	ASSY-ROOF, HARD TOP	1	1	OP, ALL	
	73	73810-14620	ASSY-ROOF, HARD TOP (TO SEPT-67)	1	1	OP, ALL	Y
	74	73810-25950	ASSY-ROOF, HARD TOP (BLACK) (FROM OCT-67)	1	1	OP, ALL	N
	75	73816-14600	WASHER-HARD TOP	2	1	ALL	
	76	73861-14600	WASHER-HARD TOP	2	10	ALL	Y
	77	73870-25900	ASSY-FASTENER, CENTER FOR 73010-25950	1	1	OP, ALL	
	78	73870-25900	SHIM-FASTENER, CENTER FOR 73010-25950	1	10	OP, ALL	
	79	73871-25900	ASSY-FASTENER, SIDE FOR 73010-25950	2	1	OP, ALL	
	80	73870-25900	SHIM-FASTENER, SIDE FOR 73010-25950	1	10	OP, ALL	
	81	73830-25900	SET-FASTENER, ROOF REAR FOR 73010-25950	1	1	OP, ALL	
	82	73820-12900	NUT-CAP	4	10	OP, ALL	
	83	70850-12900	WIRE-TENSION BACK WINDOW FOR 73010-14620	1	1	OP, ALL	
	84	70850-25900	WIRE-TENSION BACK WINDOW FOR 73010-25950	1	1	OP, ALL	
	85	73810-12900	MULDING-ROOF DRIP FRONT FOR 73010-14620	1	1	OP, ALL	
	86	73810-25900	MULDING-ROOF DRIP FRONT FOR 73010-25950	1	1	OP, ALL	
	87	73812-25900	MULDING-ROOF, DRIP SIDE, RM FOR 73010-25950	1	1	OP, ALL	
	88	73813-25900	MULDING-ROOF DRIP SIDE, LM FOR 73010-25950	1	1	OP, ALL	
	89	73814-12900	CLIP-MULDING ROOF DRIP FOR 73010-14620	1	10	OP, ALL	

59 - 5

Printed in Japan

REVISED: SEPTEMBER, 1971

FIG. 59 L8 NISSAN MOTOR CO., LTD.

S	KEY NO.	PART NO.	PART NAME	QTY	SALES UNIT	MODEL	ICA
	90	73014-25900	CLIP-MOULDING, ROOF DRIP FOR 73010-25950	1	1	OP, ALL	
	91	73011-25900	WEATHERSTRIP-ROOF FRONT FOR 73010-25950	1	1	OP, ALL	
	92	73919-25901	WEATHERSTRIP-DOOR ROOF SIDE FOR 73010-25950	2	5	OP, ALL	
	93	73917-14600	WEATHERSTRIP-ROOF LOWE R FOR 73010-14625	1	1	OP, ALL	
	94	73917-25900	WEATHERSTRIP-ROOF LOWE R FOR 73010-25950	1	1	OP, ALL	
	95	73917-A3200	WEATHERSTRIP-ROOF LOWE R FOR 73010-25950	1	1	OP, ALL	Y
	96	70739-10400	GLASS-PACK WINDOW FOR 73010-14625	1	1	OP, ALL	
	97	70739-25900	GLASS-PACK WINDOW FOR 73010-25950	1	1	OP, ALL	
	98	70716-10400	WEATHERSTRIP-BACK WIND OW FOR 73010-14625	1	1	OP, ALL	
	99	70716-25900	WEATHERSTRIP-BACK WIND OW FOR 73010-25950	1	1	OP, ALL	
	100	72823-10400	MOULDING-BACK WINDOW RH FOR 73010-14625	1	1	OP, ALL	
	101	72823-25900	MOULDING-BACK WINDOW RH FOR 73010-25950	1	1	OP, ALL	
	102	72824-10400	MOULDING-BACK WINDOW LH FOR 73010-14625	1	1	OP, ALL	
	103	72824-25900	MOULDING-BACK WINDOW LH FOR 73010-25950	1	1	OP, ALL	
	104	72825-25900	MOULDING-BACK WINDOW LOWER FOR 73010-25950	1	1	OP, ALL	
	105	72676-10400	CONNECTOR-MOULDING BACK WINDOW RH FOR 730 10-14625	1	1	OP, ALL	

49 - 6

Printed in Japan

REVISED: SEPTEMBER, 1971

NISSAN MOTOR CO., LTD.

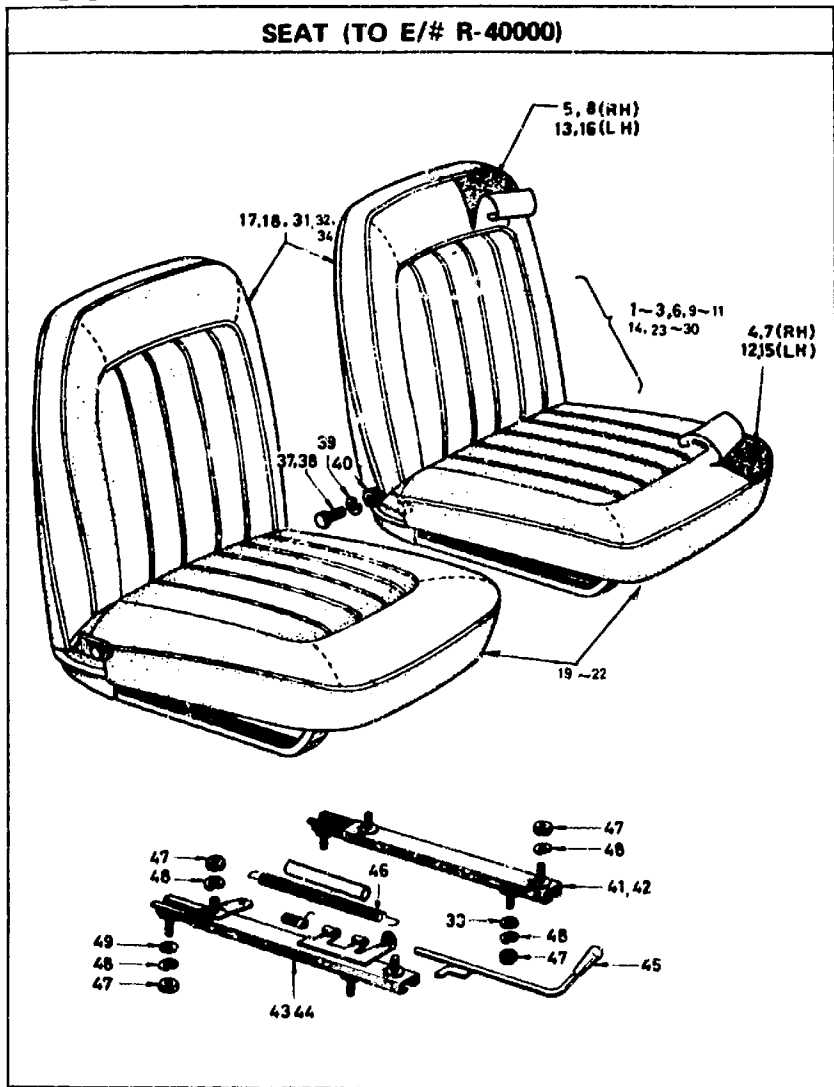
FIG. 59

S	KEY NO.	PART NO.	PART NAME	QTY	SALES UNIT	MODEL	ICA
	106	72626-25900	CONNECTOR-MOULDING BACK WINDOW RH FOR 730 10-25950	1	1	OP, ALL	
	107	72827-10400	CONNECTOR-MOULDING BACK WINDOW LH FOR 730 10-14625	1	1	OP, ALL	
	108	72827-25900	CONNECTOR-MOULDING BACK WINDOW LH FOR 730 10-25950	1	1	OP, ALL	
	109	72805-12900	CLIP-MOULDING WINDSHIE LD FOR 73010-14625	1		OP, ALL	
	110	72805-25900	CLIP-MOULDING WINDSHIE LD FOR 73010-25950	1	5	OP, ALL	
	111	73913-14600	ASSY-WEATHERSTRIP, DOOR UPPER RH FOR 73010-146 25	1	1	OP, ALL	
	112	73913-25900	ASSY-WEATHERSTRIP, DOOR UPPER RH FOR 73010-259 50	1	1	OP, ALL	
	113	73913-25901	ASSY-WEATHERSTRIP, DOOR UPPER, RH FOR 73010-259 50	1	1	OP, ALL	Y
	114	73914-14600	ASSY-WEATHERSTRIP, DOOR UPPER, LH FOR 73010-146 25	1	1	OP, ALL	
	115	73914-25900	ASSY-WEATHERSTRIP, DOOR UPPER, LH FOR 73010-259 50	1	1	OP, ALL	
	116	73914-25901	ASSY-WEATHERSTRIP, DOOR UPPER, LH FOR 73010-259 50	1	1	OP, ALL	Y

59 - 7

Printed in Japan

REVISED: SEPTEMBER, 1971



S	KEY NO.	PART NO.	PART NAME	QTY	SALES UNIT	MODEL	ICA
			SEAT (TO E/# R-40000)				
•	1	86000-14600	COMP. SEAT, RH (RED) TO C/P SP311-00009 SPL311-03194	1		SP	
•	2	86000-14601	COMP. SEAT, RH (BLACK) TO C/P SP311-00009 SPL311-03194	1	1	SP	
•	3	86000-14700	COMP. SEAT, RH (RED) TO C/P SP311-00009 SPL311-03194	1	1	SPL	
	4	86320-14700	TRIM CUSHION RH (RED) (TO C/P SPL311-03194)	1	1	SPL	
	5	86630-14700	TRIM BACK RH (RED) (TO C/P SPL311-03194)	1	1	SPL	
	6	86000-14701	COMP. SEAT, RH (BLACK) TO C/P SP311-00009 SPL311-03194	1	1	SPL	
	7	86320-14701	TRIM CUSHION RH (BLACK) (TO C/P SPL311-03194)	1	1	SPL	
	8	86630-14701	TRIM BACK RH (BLACK) (TO C/P SPL311-03194)	1	1	SPL	
	9	87000-14600	COMP. SEAT, LM (RED) TO C/P SP311-00009 SPL311-03194	1		SP	
	10	87000-14601	COMP. SEAT, LM (BLACK) TO C/P SP311-00009 SPL311-03194	1	1	SP	
•	11	87000-14700	COMP. SEAT, LM (RED) TO C/P SP311-00009 SPL311-03194	1		SPL	
	12	87320-14700	TRIM CUSHION LH (RED) (TO C/P SPL311-03194)	1	1	SPL	

FIG. 60 L10 NISSAN MOTOR CO., LTD.

S	KEY NO.	PART NO.	PART NAME	QTY	SALES UNIT	MODEL	ICA
	13	87630-14703	TRIM BACK LH (RED) (TO C/# SPL311-03194)	1	1 SPL		
	14	87000-14701	COMP=SEAT, LH (BLACK) TO C/# SP311-00005 SPL311 -03194	1	1 SPL		
	15	87320-14701	TRIM CUSHION LH (BLACK) (TO C/# SPL311-03194)	1	1 SPL		
	16	87630-14701	TRIM BACK LH (BLACK) (TO C/# SPL311-03194)	1	1 SPL		
	17	86600-14600	ASSY=BACK, SEAT (RED) TO C/# SP311-00005 SPL311 -03194	2	1 SP		
	18	86600-14601	ASSY=BACK, SEAT (BLACK) TO C/# SP311-00005 SPL3 11-03194	2	1 SP		
	19	86300-14600	ASSY=CUSHION, RH (RED) TO C/# SP311-00005 SPL311 -03194	1	1 SP		
	20	86300-14601	ASSY=CUSHION, RH (BLACK) TO C/# SP311-00005 SPL3 11-03194	1	1 SP		
	21	87300-14600	ASSY=CUSHION, LH (RED) TO C/# SP311-00005 SPL311 -03194	1	1 SP		
	22	87300-14601	ASSY=CUSHION, LH (BLACK) TO C/# SP311-00005 SPL3 11-03194	1	1 SP		
	23	86000-14602	COMP=SEAT, RH (RED) FROM C/# SP311-00006 SPL311 -03195	1	1 SP		
	24	86000-14603	COMP=SEAT, RH (BLACK) FROM C/# SP311-00006 SPL3 11-03195	1	1 SP		
	25	86000-14702	COMP=SEAT, RH (RED) FROM C/# SP311-00006 SPL311 -03195	1	1 SPL		

NISSAN MOTOR CO., LTD.

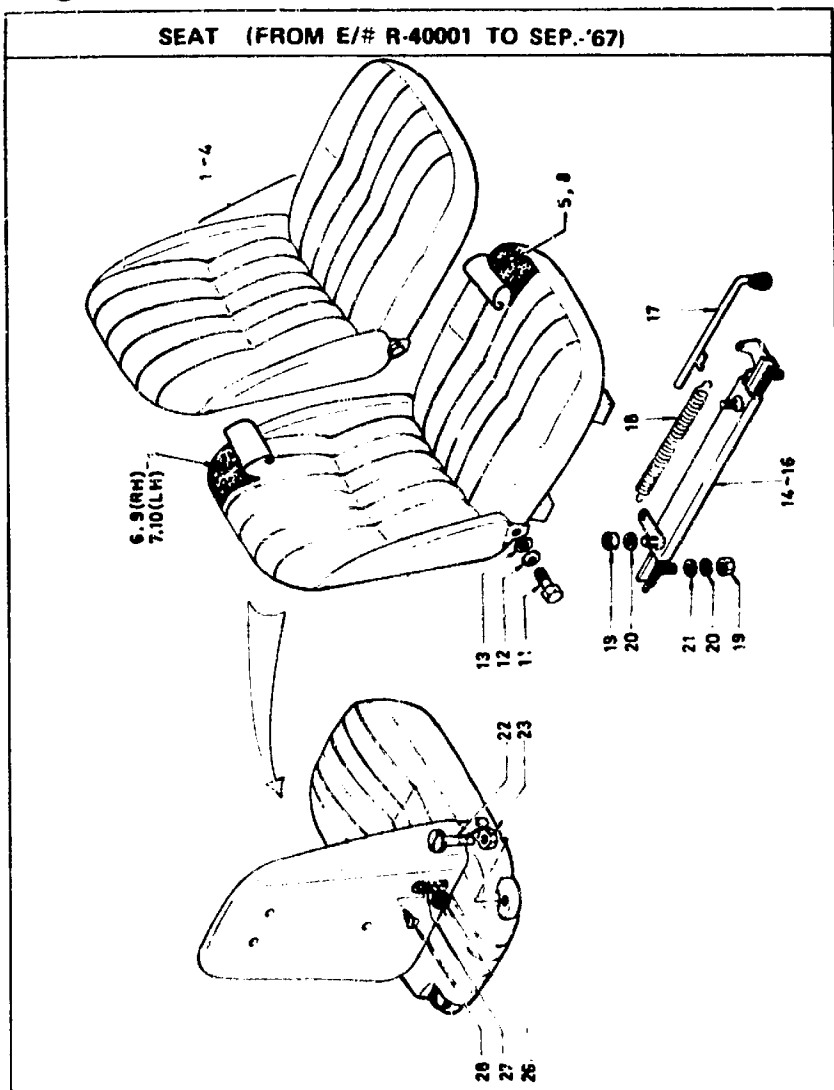
FIG. 60

S	KEY NO.	PART NO.	PART NAME	QTY	SALES UNIT	MODEL	ICA
	26	86000-14703	COMP=SEAT, RH (BLACK) FROM C/# SP311-00006 SPL3 11-03195	1	1 SPL		
	27	87000-14602	COMP=SEAT, LH (RED) FROM C/# SP311-00005 SPL311 -03195	1	1 SP		
	28	87000-14603	COMP=SEAT, LH (BLACK) FROM C/# SP311-00006 SPL3 11-03195	1	1 SP		
	29	87000-14702	COMP=SEAT, LH (RED) FROM C/# SP311-00005 SPL311 -03195	1	1 SPL		
	30	87000-14703	COMP=SEAT, LH (BLACK) FROM C/# SP311-00006 SPL3 11-03195	1	1 SPL		
	31	86600-14602	ASSY=BACK, SEAT (RED) FROM C/# SP311-00006 SPL3 11-03195	1	1 ALL		
	32	86600-14603	ASSY=BACK, SEAT (BLACK) FROM C/# SP311-00006 SPL3 11-03195	1	1 ALL		
	33	86300-14602	ASSY=CUSHION, RH (RED) FROM C/# SP311-00006 SPL3 11-03195	1	1 ALL		
	34	86300-14603	ASSY=CUSHION, RH (BLACK) FROM C/# SP311-00006 SPL3 11-03195	1	1 ALL		
	35	87300-14602	ASSY=CUSHION, LH (RED) FROM C/# SP311-00006 SPL3 11-03195	1	1 ALL		
	36	87300-14603	ASSY=CUSHION, LH (BLACK) FROM C/# SP311-00006 SPL3 11-03195	1	1 ALL		
	37	86011-12901	BOLT (TO C/# SP311-005, SPL311-03194)	2	5 1.6L		
	38	86011-14600	BOLT (FROM C/# SP311-00 6, SPL311-03195 TO E/# R=40000)	2	10 1.6L		N

FIG. 60 L11 NISSAN MOTOR CO., LTD.

S	KEY NO.	PART NO.	PART NAME	QTY	SALES UNIT	MODEL	ICA
	39	00915-11610	WASHER-LOCK (TO E/S R-40000)	2	90	1,6L	
	40	00912-34610	NUT-MEX(TO E/S R-40000)	2	90	1,6L	N
	41	86500-12901	ASSY-SLIDE,RH OUTER (TO E/S R-40000)	1	1	1,6L	
	42	87500-12901	ASSY-SLIDE LH OUTER (TO E/S R-40000)	1	1	1,6L	N
	43	87501-12901	ASSY-SLIDE W/LEVER RH INNER (TO E/S R-40000)	1		1,6L	
	44	87501-12901	ASSY-SLIDE W/LEVER LH INNER (TO E/S R-40000)	1		1,6L	N
	45	87524-12900	KNOB-RELEASE LEVER	2	1	ALL	
	46	86510-12900	SPRING-RETURN,SEAT	2	9	ALL	N
	47	00911-14510	NUT-MBX TO FIX FLOOR TO SEAT	10	90	ALL	N
	48	00915-11910	WASHER-LOCK TO FIX FLOOR TO SEAT	10	90	ALL	
	49	00915-41610	WASHER-PLAIN TO FIX FLOOR TO SEAT	8	90	ALL	

FIG. 60A L12 NISSAN MOTOR CO., LTD.



JUNE, 1969

PC0A-1

Printed in Japan

NISSAN MOTOR CO., LTD.

FIG. 60A

S	KEY NO.	PART NO.	PART NAME	QTY	SALES UNIT	MODEL	ICA
SEAT (FROM E/# R-40001 TO SEP.-'67)							
	1	86800-25500	COMP-SEAT RH(RED)(FROM E/#R-40001 TO SEP-67)	1	2	ALL	
	2	86800-25501	COMP-SEAT RH(BLACK)(FROM E/#R-40001 TO SEP-67)	1	2	ALL	
	3	87000-25500	COMP-SEAT LH(RED)(FROM E/#R-40001 TO SEP-67)	1	1	ALL	
	4	87000-25501	COMP-SEAT LH(BLACK)(FROM E/#R-40001 TO SEP-67)	1	1	ALL	
	5	86320-25500	TRIM CUSHION RH&LH RED (FROM E/# R-40001 TO SEP-67)	2	1	ALL	
	6	86630-25500	TRIM BACK RH(RED)(FROM E/# R-40001 TO SEP-67)	1	1	ALL	
	7	87630-25500	TRIM BACK LH (RED)(FROM E/# R-40001 TO SEP-67)	1	1	ALL	
	8	86320-25501	TRIM CUSHION RH&LH BLACK (FROM E/#R-40001 TO SEP-67)	2	1	ALL	
	9	86630-25501	TRIM BACK RH (BLACK)(FROM E/# R-40001 TO SEP-67)	1	1	ALL	
	10	87630-25501	TRIM BACK LH (BLACK)(FROM E/# R-40001 TO SEP-67)	1	1	ALL	
	11	86111-25500	BOLT-HINGE SEAT(FROM E/# R-40001 TO SEP-67)	4	10	ALL	N
	12	86012-25500	WASHER-PLAIN,NYLON (FROM E/# R-40001)	4	10	ALL	N

REVISED: DECEMBER, 1970

60-A- 2

Printed in Japan

FIG. 60A L13 NISSAN MOTOR CO., LTD.

S	KEY NO.	PART NO.	PART NAME	QTY	SALES UNIT	MODEL	ICA
	13	00915-51510	WASHER-PLAIN (FROM E/S R-40001)	2	50	ALL	N
	14	06950-12901	ASSY-SLIDE(FROM E/S R-40001 TO SEP-67)	2		ALL	N
	15	06901-14604	SLIDE-W/LEVER RH INNER (FROM E/S R-40001 TO SEP-67)	1	1	ALL	N
	16	07901-14604	SLIDE-W/LEVER LH INNER (FROM E/S R-40001 TO SEP-67)	1	1	ALL	N
	17	07924-12900	KNOW=RELEASE LEVER	2	1	ALL	
	18	06910-12900	SPRING=RETURN,SEAT	2	9	ALL	
	19	00011-14910	NUT=HEX, TO FIX FLOOR TO SEAT	16	90	ALL	
	20	00915-11910	WASHER=LOCK TO FIX FLOOR TO SEAT	16	90	ALL	
	21	00915-41610	WASHER=PLAIN TO FIX FLOOR TO SEAT	8	90	ALL	
	22	06110-29500	BOLT=STOPPER SEAT BACK RH(FROM E/S R-40001 TO SEP-67)	4	5	ALL	
	23	00911-34610	NUT=STOPPER BOLT(FROM E/S R-40001)	4	90	ALL	
	24	06805-19400	ASSY=BUMPER,SEAT BACK (FROM E/S R-40001)	4	10	ALL	
	25	00310-01010	SCREW TO FIX BUMPER (FROM E/S R-40001)	4	90	ALL	
	26	07617-10200	KNOW=SEAT LOCK OFF LEVER(FROM E/S R-40001)	2	1	ALL	
	27	06610-29500	ORNAMENT=LOCK(FROM E/S R-40001 TO SEP-67)	2	2	ALL	
	28	00930-51010	SCREW TO FIX ORNAMENT (FROM E/S R-40001 TO SEP-67)	4	90	ALL	

FIG. 60, L15 NISSAN MOTOR CO., LTD.

S	KEY NO.	PART NO.	PART NAME	QTY	SALES UNIT	MODEL	ICA
	15	86630-25902	TRIM-SEAT BACK RH (RED) (MVSS)	1	1 USA		
•	16	86000-25901	COMP-SEAT RH(BLACK) (FROM OCT-67)	1	1 ALL		N
	17	86000-25903	COMP-SEAT RH(BLACK)	1	ALL EXC USA		Y
	18	86001-A3201	COMP-SEAT RH(BLACK) (FROM OCT-68)	1	1 ALL EXC USA & CANA DA		Y
	19	86300-25903	SEAT-CUSHION RH (BLACK) (FROM OCT-68)	1	1 ALL EXC USA & CANA DA		
	20	86320-25901	TRIM CUSHION RH (BLACK) (FROM OCT-67)	1	1 ALL EXC. USA		N
	21	86320-25903	TRIM CUSHION RH (BLACK)	1	1 ALL EXC. USA		N
	22	86600-25903	SEAT-BACK RH (BLACK) (FROM OCT-68)	1	1 ALL EXC USA & CANA DA		
	23	86630-25901	TRIM BACK RH (BLACK) (FROM OCT-67)	1	1 ALL		
	24	86630-25903	TRIM BACK RH (BLACK)	1	1 ALL EXC. USA		N
	25	86000-25907	COMP-SEAT RH(BLACK) (MVSS)	1	1 USA		
	26	86001-A3301	COMP-SEAT RH(BLACK) (FROM OCT-68)	1	1 USA & CANA DA		Y
	27	86300-25907	SEAT-CUSHION RH (BLACK) (FROM OCT-68)	1	1 USA & CANA DA		
	28	86320-25907	TRIM-SEAT CUSHION RH (BLACK) (MVSS)	1	1 USA		
	29	86600-25901	SEAT-BACK RH (BLACK) (FROM OCT-68)	1	1 USA & CANA DA		
	30	86630-25903	TRIM-SEAT BACK RH (BLACK) (MVSS)	1	1 USA		

60-R- 2

Printed in Japan

REVISED SEPTEMBER, 1969

NISSAN MOTOR CO., LTD.

FIG. 60.

S	KEY NO.	PART NO.	PART NAME	QTY	SALES UNIT	MODEL	ICA
•	31	87000-25900	COMP-SEAT, LH(RED) (FROM OCT-67)	1	1 ALL		N
	32	87000-25902	COMP-SEAT, LH(RED)	1	ALL EXC USA		Y
	33	87001-A3200	COMP-SEAT LH(RED) (FROM OCT-68)	1	1 ALL EXC USA & CANA DA		Y
	34	87300-25902	SEAT-CUSHION LH (RED) (FROM OCT-68)	1	1 ALL EXC USA & CANA DA		
	35	87320-25900	TRIM CUSHION LH (RED) (FROM OCT-67)	1	1 ALL		
	36	87320-25902	TRIM CUSHION LH (RED)	1	1 ALL EXC. USA		N
	37	87600-25902	SEAT-BACK LH (RED) (FROM OCT-68)	1	1 ALL EXC USA & CANA DA		
	38	87630-25900	TRIM BACK LH (RED) (FROM OCT-67)	1	1 ALL		
	39	87630-25902	TRIM BACK LH (RED)	1	1 ALL EXC. USA		N
	40	87000-25906	COMP-SEAT LH RFD (MVSS)	1	1 USA		
	41	87001-A3300	COMP-SEAT LH(RED) (FROM OCT-68)	1	1 USA & CANA DA		Y
	42	87300-25906	SEAT-CUSHION LH (RED) (FROM OCT-68)	1	1 USA & CANA DA		
	43	87320-25906	TRIM SEAT CUSHION LH (RED) (MVSS)	1	1 USA		
	44	87600-25900	SEAT-BACK LH (RED) (FROM OCT-68)	1	1 USA & CANA DA		
	45	87630-25902	TRIM-SEAT BACK LH (RED) (MVSS)	1	1 USA		
•	46	87000-25901	COMP-SEAT, LH(BLACK) (FROM OCT-67)	1	1 ALL		N

60-R- 3

Printed in Japan

REVISED SEPTEMBER, 1969

FIG. 60- L16 NISSAN MOTOR CO., LTD.

S KEY NO.	PART NO.	PART NAME	QTY.	SALES UNIT	MODEL	ICA
47	87888-25903	COMP-SEAT, LH(BLACK)	1		ALL EXC USA	Y
48	87881-A3201	COMP-SEAT LH(BLACK) (FROM OCT-68)	1		ALL EXC USA & CANA DA	Y
49	87308-25903	SEAT-CUSHION LH (BLACK) (FROM OCT-68)	1	1	ALL EXC USA & CANA DA	
50	87328-25901	TRIM CUSHION LH (BLACK) (FROM OCT-67)	1	1	ALL	
51	87328-25903	TRIM CUSHION LH(BLACK)	1	1	ALL EXC, USA	N
52	87608-25903	SEAT-BACK LH (BLACK) (FROM OCT-68)	1	1	ALL EXC USA & CANA DA	
53	87638-25901	TRIM BACK LH(BLACK) (FROM OCT-67)	1	1	ALL	
54	87638-25903	TRIM BACK LH (BLACK)	1	1	ALL EXC, USA	N
55	87888-25907	COMP-SEAT LH(BLACK) (MVSS)	1		USA	
56	87881-A3301	COMP-SEAT LH(BLACK) (FROM OCT-68)	1	1	USA & CANA DA	Y
57	87308-25907	SEAT-CUSHION LH (BLACK) (FROM OCT-68)	1	1	USA & CANA DA	
58	87328-25907	TRIM-SEAT CUSHION LH (BLACK)(MVSS)	1	1	USA	
59	87608-25901	SEAT-BACK LH (BLACK) (FROM OCT-68)	1	1	USA & CANA DA	
60	87638-25903	TRIM-SEAT BACK LH (BLACK)(MVSS)	1	1	USA	
61	86011-25901	BOLT-HINGE INNER (FROM OCT-67)	2	10	ALL	
62	00114-51210	BOLT-HINGE OUTER (FROM OCT-67)	2	10	ALL	

60-N- 4

REVISED SEPTEMBER, 1969

NISSAN MOTOR CO., LTD.

FIG. 60B

S KEY NO.	PART NO.	PART NAME	QTY.	SALES UNIT	MODEL	ICA
63	86012-25500	WASHER-PLAIN, NYLON (FROM E/S R-40001)	4	10	ALL	N
64	00915-51510	WASHER-PLAIN(FROM E/S R-40001)	2	50	ALL	N
65	86501-25900	ASSY-SLIDE RH INNER (FROM OCT-67)	1	1	ALL	N
66	86501-A3200	ASSY-SLIDE RH INNER (FROM OCT-68)	1	1	ALL	
67	87501-25900	ASSY-SLIDE LH INNER (FROM OCT-67)	1	1	ALL	N
68	87501-A3200	ASSY-SLIDE LH INNER (FROM OCT-68)	1	1	ALL	Y
69	86500-25900	ASSY-SLIDE W/LEVER RH OUTER(FROM OCT-67)	1	1	ALL EXC USA	N
70	86500-25902	ASSY-SLIDE W/LEVER RH OUTER(FROM OCT-67)	1	1	USA	
71	86500-A3200	ASSY SLIDE W/LEVER RH (FROM OCT-68)	1	1	ALL	Y
72	87500-25900	ASSY-SLIDE W/LEVER LH OUTER(FROM OCT-67)	1	1	ALL EXC USA	N
73	87500-25902	ASSY-SLIDE W/LEVER LH OUTER(FROM OCT-67)	1	1	USA	
74	87500-A3200	ASSY SLIDE W/LEVER LH (FROM OCT-68)	1	1	ALL	
75	86552-12901	DISTANCE PIECE (FROM OCT-68)	4		ALL	
76	87524-12900	KNOB-RELEASE LEVER	2	1	ALL	
77	86510-12900	SPRING-RETURN, SEAT	2	9	ALL	
78	00911-14510	NUT-MEX, TO FIX FLOOR TO SEAT	16	50	ALL	
79	00915-11510	WASHER-LOCK TO FIX FLOOR TO SEAT	16	50	ALL	
80	00915-41610	WASHER-PLAIN TO FIX FLOOR TO SEAT	8	50	ALL	

60-N- 9

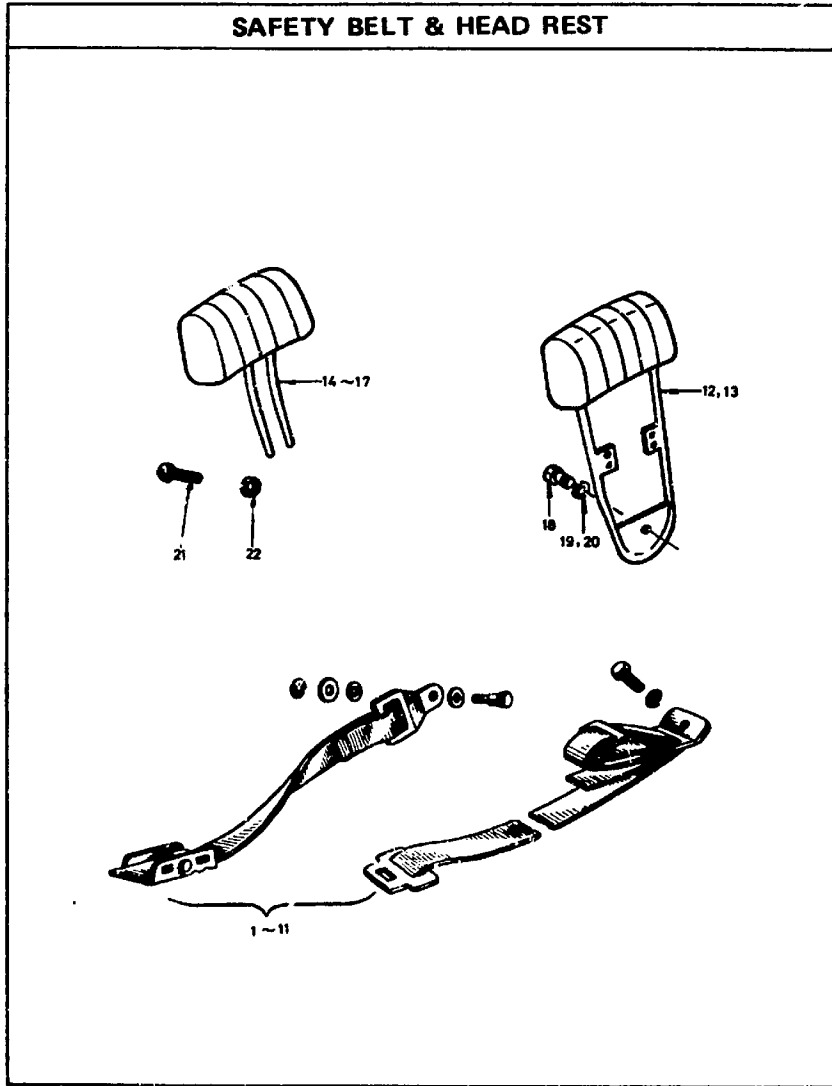
REVISED SEPTEMBER, 1969

Printed in Japan

FIG. 60_B M1 NISSAN MOTOR CO., LTD.

S	KEY NO.	PART NO.	PART NAME	QTY	SALES UNIT	MODEL	ICA
•	81	86110-25900	BOLT-STOPPER SEAT BACK RH(FROM OCT-67)	2	10	ALL	N
	82	86110-25901	BOLT-STOPPER SEAT BACK RH	2	10	ALL	Y
•	83	86111-23900	BOLT-STOPPER SEAT BACK LH(FROM OCT-67)	2	10	ALL	N
	84	86111-25901	BOLT-STOPPER SEAT BACK LH	2	10	ALL	Y
o	85	00911-34610	NUT-STOPPER BOLT(FROM E/# R-40001)	4	50	ALL	
	86	86805-15400	ASSY-BUMPER SEAT BACK (FROM E/# R-40001)	4	10	ALL	
	87	00310-81010	SCREW TO FIX BUMPER (FROM E/# R-40001)	4	50	ALL	
	88	87617-18200	KNOB-SEAT LOCK OFF LEVER(FROM E/# R-40001)	2	1	ALL	
	89	86610-25900	ORNAMENT-LOCK(FROM OCT-67)	2	1	ALL	N
	90	86050-25900	WIRE-SEAT SLIDE(FROM OCT-67)	2	5	ALL	
	91	86050-A3200	WIRE-PULL SLIDE SEAT (FROM OCT-68)	2	5	ALL	N
	92	86620-25900	PLUG-SEAT BACK	4	1	ALL	

FIG. 60 C-1 M2 NISSAN MOTOR CO., LTD.

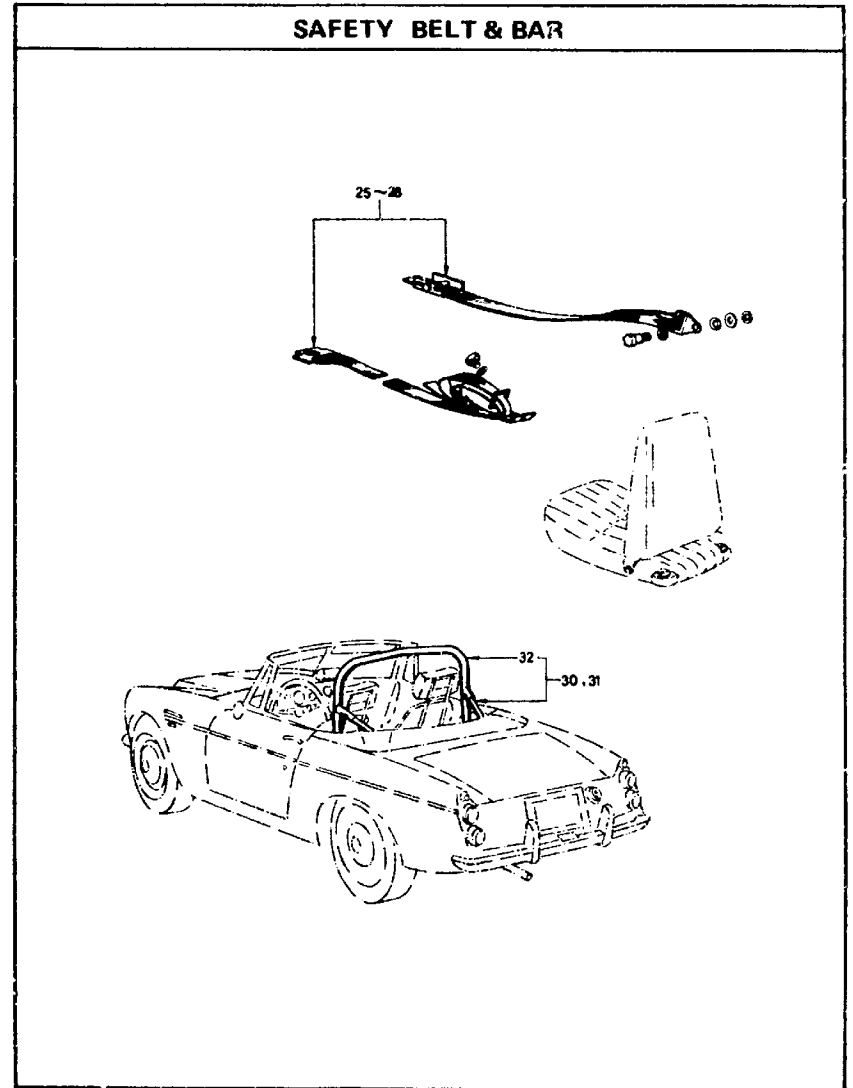


MARCH, 1971

F60C - 1

Printed in Japan

NISSAN MOTOR CO., LTD. FIG. 60 C-2



MARCH, 1971

F60C-2

Printed in Japan

FIG. 60c M3 NISSAN MOTOR CO., LTD.

S	KEY NO.	PART NO.	PART NAME	QTY	SALES UNIT	MODEL	ICA
SAFETY BELT, BAR & HEAD REST							
•	1	84800-10400	ASSY-BELT FRONT SEAT 2-POINT (RED)(TO E/S R=40000)	2	1.6L		
	2	84800-25902	BELT-FRONT 3-POINT(RED)(FROM E/S R=40001 TO SEP=67)	2	1 ALL		N
	3	84800-25900	BELT-FRONT 3-POINT(RED)(FROM OCT=67)	2	1 ALL		N
•	4	84800-25901	BELT-FRONT 3-POINT (RED)	2	1 ALL		Y
	5	84800-E4100	BELT-FRONT 3-POINT	2	1 ALL		Y
•	6	84800-10401	ASSY-BELT, FRONT SEAT 2-POINT(BLACK)(TO E/S R=40000)	2	1.6L		
	7	84800-25903	BELT-FRONT 3-POINT(BLACK)(FROM E/S R=40001 TO SEP=67)	2	1 ALL EXC. USA & CANADA		N
•	8	84800-25901	BELT-FRONT 3-POINT(BLACK)(FROM E/S R=40001 TO SEP=67)	2	1 USA & CANADA		N
	9	84800-E4100	BELT-FRONT 3-POINT (BLACK)	2	1 USA & CANADA		Y
•	10	84800-25901	BELT-FRONT 3-POINT(BLACK)(FROM OCT=67)	2	1 ALL		Y
	11	84800-E4100	BELT-FRONT 3-POINT	2	1 ALL		Y
	12	84900-25902	SUPPORT-HEAD(RED)(FROM E/S R=40001 TO SEP=67)	2	1 OP ALL		
	13	84900-25903	SUPPORT-HEAD(BLACK)(FROM E/S R=40001 TO SEP=67)	2	1 OP ALL		
•	14	84900-25900	ASSY-HEAD REST(RED)(FROM OCT=67)	2	1 OP ALL		

60-C- 1

Printed in Japan

REVISED: SEPTEMBER, 1971

NISSAN MOTOR CO., LTD.

FIG. 60c

S	KEY NO.	PART NO.	PART NAME	QTY	SALES UNIT	MODEL	ICA
	15	84900-25902	ASSY-HEAD REST(RED)	2	1 OP ALL		N
•	16	86900-25901	ASSY-HEAD REST(BLACK)(FROM OCT=67)	2	1 OP ALL		
	17	84900-25903	ASSY-HEAD REST(BLACK)	2	1 OP ALL		N
	18	00114-52010	BELT-HEAD REST(FROM E/S R=40001 TO SEP=67)	6	50 OP ALL		
	19	00915-11510	WASHER-PLAIN, HEAD REST (FROM E/S R=40001 TO SEP=67)	6	50 OP ALL		
	20	00915-01510	WASHER-SPRING, HEAD REST (FROM E/S R=40001 TO SEP=67)	6	50 OP ALL		
	21	00414-01210	SCREW MACHINE (FROM OCT=67)	4	50 JP, ALL		
	22	00915-11410	WASHER SPRING (FROM OCT=67)	4	50 OP, ALL		
	23	84025-25900	SPRING-STRETCH(FROM OCT=67)	2	10 ALL		
	24	84030-25900	PLATE-PULLEY(FROM OCT=67)	2	5 ALL		
	25	84020-25900	BELT-SEAT STOP(RED)(FROM OCT=67)	2	1 ALL		
	26	84020-25902	BELT-SEAT STOP(RED)	2	1 ALL		Y
	27	84020-25901	BELT-SEAT STOP(BLACK)(FROM OCT=67)	2	1 ALL		
	28	84020-25903	BELT-SEAT STOP(BLACK)	2	1 ALL		Y
	29	84015-25900	PLATE-STOP BELT(FROM OCT=67)	2	1 ALL		
•	30	94101-25925	SET-BAR SAFETY	1	1 OP, ALL		
	31	94101-44526	SET-BAR SAFETY	1	1 OP, ALL		Y
	32	94110-25900	ASSY-BAR SAFETY MAIN	1	1 OP, ALL		
	33	94113-25901	SUPPORT-SAFETY BAR	1	1 OP, ALL		

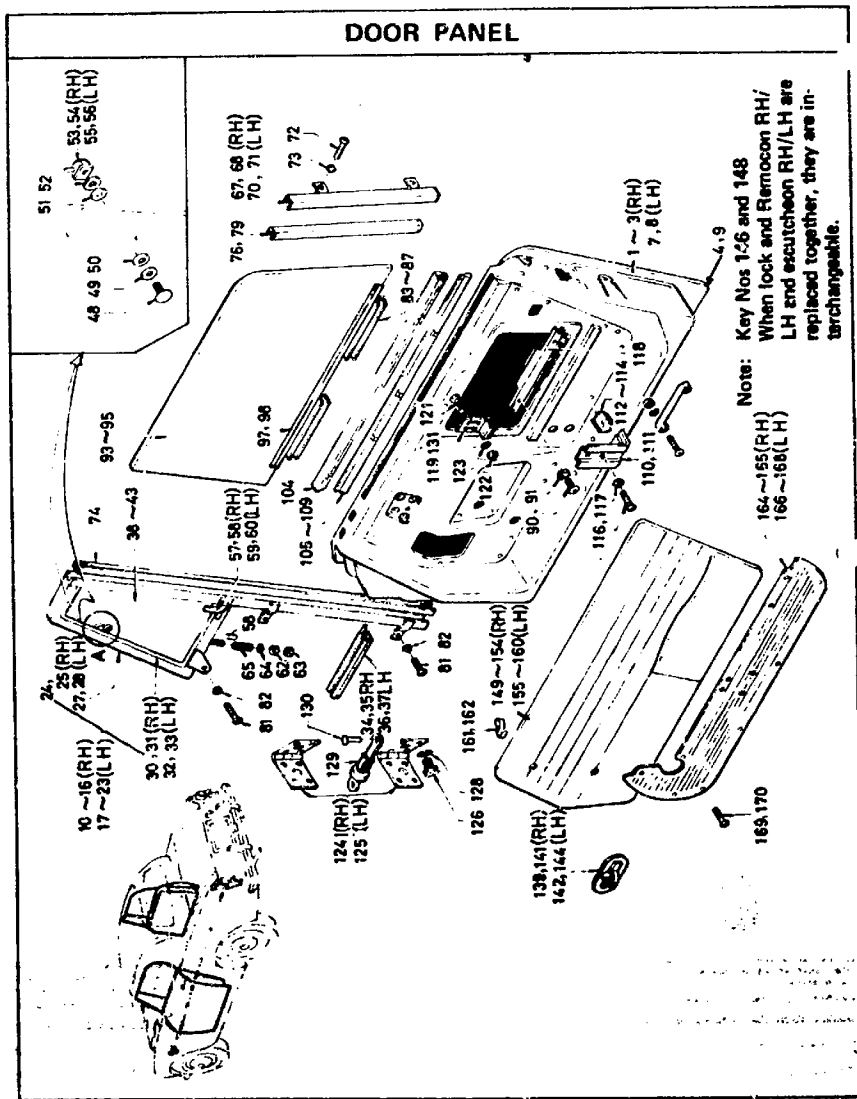
60-C- 2

Printed in Japan

REVISED: SEPTEMBER, 1971

FIG. 60c M4 NISSAN MOTOR CO., LTD.

S	KEY NO.	PART NO.	PART NAME	QTY	SALES UNIT	MODEL	ICA
	34	9A120-25900	BRACKET-SAFETY BAR LOWER RH	1	1	OP,ALL	
	35	9A121-25900	BRACKET-SAFETY BAR LOWER LH	1	1	OP,ALL	
	36	9A125-25901	BRACKET-SAFETY BAR REAR RH	1	1	OP,ALL	
	37	9A126-25901	BRACKET-SAFETY BAR REAR LH	1	1	OP,ALL	



S	KEY NO.	PART NO.	PART NAME	QTY	SALES UNIT	MODEL	ICA
			DOOR PANEL				
	1	80100-14600	ASSY-PANEL, DOOR RH (TO E/P R-40000)	1	1	3.6L	
	2	80100-25550	ASSY-PANEL, DOOR (RH) (FR OM E/P R-40001 TO SEP- 67)	1	1	ALL	N
	3	80100-25050	ASSY-PANEL, DOOR (RH) (FR OM E/P R-40001 FROM OC T-67)	1	1	ALL	N
	4	80152-25900	PANEL-DOOR OUTER RH	2	1	ALL	
	5	80101-14600	ASSY-PANEL, DOOR LH (TO E/P R-40000)	1	1	3.6L	
	6	80101-25550	ASSY-PANEL, DOOR (L.H.) (C FROM E/P R-40001)	1	1	ALL	N
	7	80101-25551	ASSY-PANEL, DOOR (L.H.) (C FROM E/P R-40001)	1	1	ALL EXC US A & CANADA	Y
	8	80101-25930	ASSY-PANEL, DOOR LH (FROM OCT-67)	1	1	USA & CANA DA	N
	9	80153-25900	PANEL DOOR OUTER LH	1	1	ALL	
	10	80200-13000	ASSY-VENTILATOR, DOOR W INDOW (R.H.)	2	1	3.6L	
	11	80200-13002	ASSY-VENTILATOR, DOOR WINDOW (R.H.) (HVSS)	1	1	3.6L	Y
	12	80200-14700	ASSY VENTILATOR, DOOR WINDOW RH (TO E/P R- 40000)	1	1	3.6L	N
	13	80200-14702	ASSY-VENTILATOR, DOOR WINDOW RH (HVSS)	1	1	3.6L	Y
	14	80200-25550	ASSY-VENT DOOR WINDOW RH (FROM E/P R-40001 TO SEP67)	1	1	ALL	N

FIG. 61 M6 NISSAN MOTOR CO., LTD.

S	KEY NO.	PART NO.	PART NAME	QTY	SALES UNIT	MODEL	ICA
	15	80200-25601	ASSY-VENT D/W RH(FROM E/FR-40001 TO SEP-67) (MVSS)	1	1 ALL		Y
	16	80200-25900	ASSY-VENTILATOR, DOOR WINDOW RH(FROM OCT-67)	1	1 ALL		N
	17	80201-13000	ASSY-VENTILATOR, DOOR WINDOW(L, M,)	1	1.6L		
	18	80201-13002	ASSY-VENTILATOR, DOOR WINDOW (L, M,) (MVSS)	1	1.6L		Y
	19	80201-14700	ASSY VENTILATOR, DOOR WINDOW LH (TO E/FR-40000)	1	1.6L		N
	20	80201-14702	ASSY VENTILATOR, DOOR WINDOW LH (MVSS)	1	1.6L		Y
	21	80201-25550	ASSY-VENT, DOOR WINDOW LH(FROM E/FR-40001 TO SEP-67)	1	1 ALL		N
	22	80201-25601	ASSY-VENT D/W LH(FROM E/FR-40001 TO SEP-67) (MVSS)	1	1 ALL		Y
	23	80201-25900	ASSY-VENTILATOR DOOR WINDOW LH(FROM OCT-67)	1	1 ALL		N
	24	80270-14600	ASSY-CHANNEL SASH, DOOR VENTILATOR(R, M,)	1	1.6L		
	25	80270-25500	ASSY-CHANNEL SASH RH (FROM E/FR-40001)(TO SEP-67)	1	1 ALL		N
	26	80210-25900	ASSY-CHANNEL SASH DOOR VENT RH (FROM OCT-67)	1	1 ALL		N
	27	80271-14600	ASSY-CHANNEL SASH, DOOR VENTILATOR(L, M,)	1	1.6L		
	28	80271-25500	ASSY-CHANNEL SASH LH (FROM E/FR-40001)(TO SEP-67)	1	1 ALL		N
	29	80211-25900	ASSY-CHANNEL SASH DOOR VENT LH (FROM OCT-67)	1	1 ALL		N

NISSAN MOTOR CO., LTD.

FIG. 61

S	KEY NO.	PART NO.	PART NAME	QTY	SALES UNIT	MODEL	ICA
	30	80241-12900	WEATHERSTRIP DOOR VENTILATOR RH (TO SEP-67)	1	1 ALL		N
	31	80241-25900	WEATHERSTRIP DOOR VENTILATOR RH (FROM OCT-67)	1	1 ALL		N
	32	80242-12900	WEATHERSTRIP DOOR VENTILATOR LH (TO SEP-67)	1	1 ALL		
	33	80242-25900	WEATHERSTRIP DOOR VENTILATOR LH (FROM OCT-67)	1	1 ALL		N
	34	80243-12900	WEATHERSTRIP DOOR VENTILATOR RH (TO SEP-67)	1	1 ALL		
	35	80243-25900	WEATHERSTRIP DOOR VENT OUTER RH (FROM OCT-67)	1	1 ALL		N
	36	80244-12900	WEATHERSTRIP DOOR VENT OUTER LH (TO SEP-67)	1	1 ALL		
	37	80244-25900	WEATHERSTRIP DOOR VENT OUTER LH (FROM OCT-67)	1	1 ALL		N
	38	80255-13000	GLASS-DOOR VENTILATOR (AS TEMPERED SHEET)	2	1.6L		
	39	80255-13002	GLASS-DOOR VENTILATOR (AS TEMPERED SHEET) (MVSS)	2	1.6L		Y
	40	80255-13001	GLASS-DOOR VENTILATOR (AS TEMPERED SHEET) (FROM E/FR-40001 TO SEP-67)	2	1.6L		N
	41	80255-13003	GLASS-DOOR VENTILATOR (AS TEMPERED SHEET) (MVSS)	2	1.6L		Y
	42	80255-12901	GLASS DOOR VENTILATOR (FROM E/FR-40001 TO SEP-67)	2	1 ALL		Y
	43	80280-25900	GLASS DOOR VENTILATOR (FROM OCT-67)	2	1 ALL		N
	44	80256-12900	ASSY-SASH VENT RH	1	1 ALL		

FIG. 61 M7 NISSAN MOTOR CO., LTD.

S	KEY NO.	PART NO.	PART NAME	QTY	SALES UNIT	MODEL	ICA
	45	80257-12900	ASSY-SASH VENT LH	1		ALL	
	46	80284-12900	RUBBER-GLAZING	2	2	ALL	
	47	80292-25900	RUBBER VENT, SASH UPPER (FROM OCT-67)	2		ALL	
	48	80334-01012	BOLT-ROUND HEAD	2	50	ALL	
	49	80246-12900	WASHER-SPACER	2	10	1.6L	
	50	80246-25900	WASHER-SPACER (FROM E/S R-40001)	2	10	ALL	N
	51	80248-12900	WASHER-SPACER	2	10	ALL	
	52	80247-12900	WASHER-SPACER	2	10	ALL	
	53	80245-12900	HOLDER-BRACKET, PIVOT	2	5	ALL	
	54	80245-12901	HOLDER-BRACKET, PIVOT (RH) (TO E/S R-40000)	1	5	ALL	M
	55	80249-12900	HOLDER-BRACKET, PIVOT (LH) (TO E/S R-40000)	1	5	1.6L	N
	56	80249-25900	HOLDER-BRACKET, PIVOT (LH) (FROM E/S R-40001)	1		ALL	N
	57	80206-12900	ASSY-HANDLE, CATCH, VENTILATOR (R, H,)	1	1	1.6L	
	58	80261-25900	ASSY-HANDLE, CATCH, VENTILATOR (FROM E/S R-40001)	1	1	ALL	N
	59	80207-12900	ASSY-HANDLE, CATCH, VENTILATOR (L, H,)	1	1	1.6L	
	60	80262-25900	ASSY-HANDLE, CATCH, VENTILATOR (L, H,) (FROM E/S R-40001)	1	1	ALL	N
	61	80263-12900	TUBE-DISTANCE, PIVOT BOTTOM	2	10	ALL	
	62	00911-34410	NUT-LOCK	2	50	ALL	
	63	00911-14410	NUT	2	50	ALL	
	64	00915-41410	WASHER-PLAIN	4	50	ALL	

NISSAN MOTOR CO., LTD.

FIG. 61

S	KEY NO.	PART NO.	PART NAME	QTY	SALES UNIT	MODEL	ICA
	65	80247-32200	SPRING-DOOR VENTILATOR	2	10	ALL	
	66	80220-10400	ASSY-CHANNEL, SASH, DOOR, REAR (R, H,)	1	1	1.6L	
	67	80220-14600	ASSY-CHANNEL SASH DOOR REAR RH (FROM E/S R-40001 TO SEP 67)	1	1	ALL	Y
	68	80258-25900	ASSY-CHANNEL SASH DOOR REAR RH (FROM OCT-67)	1	1	ALL	N
	69	80221-10400	ASSY-CHANNEL, SASH, DOOR, REAR (L, H,)	1	1	1.6L	
	70	80221-14600	ASSY-CHANNEL SASH DOOR REAR LH (FROM E/S R-40001 TO SEP 67)	1	1	ALL	Y
	71	80251-25900	ASSY-CHANNEL SASH DOOR REAR LH (FROM OCT-67)	1	1	ALL	N
	72	00314-41212	SCREW TO FIX SASH REAR	4	50	ALL	
	73	00916-31410	WASHER-LOCK TO FIX SASH REAR	4	50	ALL	
	74	80335-10400	RUBBER-GLASS RUN "A"	2	2	ALL	
	75	80245-25900	RUBBER-GLASS RUN "A" (FROM OCT-67 TO SEP-68)	2	5	ALL	N
	76	80245-25900	RUBBER GLASS RUN A RH (FROM OCT-68)	1	5	ALL	Y
	77	80246-25900	RUBBER GLASS RUN A LH (FROM OCT-68)	1	5	ALL	N
	78	80247-25900	RUBBER-GLASS RUN "B"	2	5	ALL	
	79	80247-A7400	RUBBER-GLASS RUN "B"	2	5	ALL	Y
	80	80336-10400	RUBBER-GLASS RUN "B"	2	2	ALL	Y
	81	00314-41212	SCREW TO FIX VENTILATOR	6	50	ALL	
	82	00916-31410	WASHER-LOCK TO FIX VENTILATOR	6	50	ALL	

FIG. 61 M8 NISSAN MOTOR CO., LTD.

S	KEY NO.	PART NO.	PART NAME	QTY	SALES UNIT	MODEL	ICA
	67	B0302-10400	ASSY-CHANNEL, DOOR GLASS BUTTON	2	1	ALL	
	68	B0302-14600	ASSY-CHANNEL BOTTOM RH (FROM C/PL311-4103 TO SLP=67)	1	1	ALL	N
	69	B0302-25900	ASSY-CHANNEL BOTTOM RH (FROM OCT=67)	1	1	ALL	N
	66	B0303-14600	ASSY-CHANNEL BOTTOM LH (FROM C/PL311-4103 TO SLP=67)	1	1	ALL	N
	67	B0303-25900	ASSY-CHANNEL BOTTOM LH (FROM C/PL311-4103 TO SLP=67)	1	1	ALL	N
	68	B0316-12900	STOPPER-DOOR WINDOW GLASS	2	1	ALL	
	67	B0316-14600	STOPPER-DOOR WINDOW GLASS (FROM C/PL311-4103)	2	5	ALL	N
	91	B0314-41212	SCREW	2	50	ALL	
	93	07915-11410	WASHER-SPRING	2	50	ALL	
	92	B0306-13000	GLASS-WINDOW, DOOR (TO SLP=67)	2	1	ALL	
	90	B0306-12900	GLASS-WINDOW, DOOR (TO SLP=67)	2	1	ALL	Y
	92	B0306-13001	GLASS WINDOW DOOR (TO SLP=67) (MVS)	2	1	ALL	Y
	91	B0306-25900	GLASS-WINDOW, DOOR (FROM OCT=67)	2	1	ALL	N
	94	B0312-10400	RUBBER-GLAZING, DOOR GLASS	2	2	1, 6L	
	97	B0312-14600	RUBBER-GLAZING DOOR GLASS (FROM C/PL311-4103 TO SEP=67)	2	5	ALL	Y
	95	B0312-25900	RUBBER-GLAZING, DOOR GLASS (FROM OCT=67)	2	5	ALL	N

NISSAN MOTOR CO., LTD.

FIG. 61

S	KEY NO.	PART NO.	PART NAME	QTY	SALES UNIT	MODEL	ICA
	91	B0328-25500	ASSY-GARNISH WITH W/C (RH) (FROM E/R=4000 TO SLP=67)	1	1	ALL	
	100	B0328-25900	ASSY-GARNISH WITH W/C (RH) (FROM OCT=67)	1	1	ALL	
	101	B0329-25500	ASSY-GARNISH WITH W/C (LH) (FROM E/R=4000 TO SLP=67)	1	1	ALL	
	102	B0329-25900	ASSY-GARNISH WITH W/C (LH) (FROM OCT=67)	1	1	ALL	N
	103	B0341-12900	WEATHERSTRIP-DOOR WINDOW, OUTER (TO SEP=67)	2	1	ALL	
	104	B0341-25900	WEATHERSTRIP DOOR WINDOW OUTER (FROM OCT=67)	2	5	ALL	N
	105	B0330-12900	WEATHERSTRIP-DOOR WINDOW INNER (RH) (TO E/R=4000)	1	1	1, 6L	
	106	B0331-12900	WEATHERSTRIP-DOOR WINDOW INNER (LH) (TO E/R=4000)	1	1	1, 6L	
	107	B0330-25500	WEATHERSTRIP-DOOR WINDOW (FROM E/R=4000 TO SLP=67)	2	1	ALL	N
	108	B0330-25900	WEATHERSTRIP DOOR WINDOW INNER (RH) (FROM OCT=67)	1	1	ALL	
	109	B0331-25900	WEATHERSTRIP DOOR WINDOW INNER (LH) (FROM OCT=67)	1	1	ALL	
	110	B0314-10400	ASSY-STOPPER DOOR GLASS LOWER (TO E/R=4000)	2	1	1, 6L	
	111	B0314-25500	ASSY-STOPPER DOOR GLASS LOWER (FROM E/R=4000)	2	1	ALL	N
	112	B0317-00600	CAUTION-GLASS, LOWER (TO SEP=67)	2	50	ALL	

FIG. 61 M9 NISSAN MOTOR CO., LTD.

S	KEY NO.	PART NO.	PART NAME	QTY	SALES UNIT	MODEL	ICA
•	117	80317-25900	CUSHION-GLASS, LOWER (FROM OCT-67)	2	10 ALL		N
	116	80317-43250	CUSHION-GLASS, LOWER	2	5 ALL		Y
	116	80919-22550	CLIP-CUSHION (FROM OCT-67)	2	10 ALL		
	117	00314-41212	SCREW TO FIX STOPPER & GUIDE RAIL	4	50 ALL		
	117	00915-11410	WASHER-LOCK TO FIX STOPPER & GUIDE RAIL	4	50 ALL		
	11	80308-10400	ASSY-RAIL, GUIDE, REGULATOR	2	1 ALL		
•	116	80316-10400	ANGLE-STOPPER, DOOR WINDOW (L, H) (NO LONGER SALE)	1	1 ALL		
	121	80316-12900	ANGLE-STOPPER, DOOR WINDOW (L, H)	1	1 ALL		
	121	00314-41212	SCREW TO FIX STOPPER ANGLE	2	50 ALL		
	120	00911-14410	NUT TO FIX STOPPER ANGLE	2	50 ALL		
	123	00915-11410	WASHER-LOCK TO FIX STOPPER ANGLE	2	50 ALL		
	124	80400-10400	ASSY-HINGE, DOOR RH	2	1 ALL		
	125	80401-14600	ASSY-HINGE, DOOR (L, H)	2	1, 6L		
	126	00314-41610	BOLT	32	50 ALL		
•	127	00915-11400	WASHER-LOCK	32	ALL		
	127	00915-11410	WASHER-LOCK	32	50 ALL		Y
	120	80410-14600	ASSY-LINK, CHECK, DOOR	2	1 ALL		
	130	80451-30000	PIVOT	2	10 ALL		
	131	80691-26261	HANDLE-PULL	2	2, 6L		

NISSAN MOTOR CO., LTD.

FIG. 61

S	KEY NO.	PART NO.	PART NAME	QTY	SALES UNIT	MODEL	ICA
	132	80691-25500	HANDLE-PULL ANTI-DAZZLE (FROM E/P R-40001 TO SEP-67)	2	1 ALL		Y
•	135	80691-23100	HANDLE-PULL ANTI-DAZZLE (FROM OCT-67)	2	2 ALL		U
	134	80691-40600	HANDLE-PULL ANTI-DAZZLE (FROM OCT-67)	2	2 ALL		Y
	137	00314-01220	SCREW	4	50 ALL		
	135	00911-14010	NUT	4	50 ALL		U
•	137	00915-41000	WASHER-LOCK	4	ALL		N
	137	00915-41010	WASHER-LOCK	4	50 ALL		Y
	130	80510-25500	ASSY-COVER REMO CON RH (FROM E/P R-40001 TO SEP-67)	1	1 ALL		
•	141	80510-25900	ASSY-COVER REMO CON RH (FROM OCT-67)	1	1 ALL		N
	141	80512-25900	ASSY-COVER REMO CON RH (FROM OCT-67)	1	1 ALL		Y
	142	80511-25500	ASSY-COVER REMO CON LH (FROM E/P R-40001 TO SEP-67)	1	1 ALL		N
•	147	80511-25900	ASSY-COVER REMO CON LH (FROM OCT-67)	1	1 ALL		N
	144	00324-01010	SCREW TO ATTACH COVER (FROM E/P R-40001)	2	50 ALL		N
	145	80512-25900	ASSY-ESCUTCHION REMO CON RH	1	1 ALL		
•	146	80512-47400	ASSY-ESCUTCHION REMO CON RH	1	5 ALL		C
	147	80513-25900	ASSY-ESCUTCHION REMO CON LH	1	1 ALL		
•	147	80513-47400	ASSY-ESCUTCHION REMO CON LH	1	5 ALL		C

FIG. 61 M10 NISSAN MOTOR CO., LTD.

S	KEY NO.	PART NO.	PART NAME	QTY	SALES UNIT	MODEL	ICA
	140	B0950-12000	ASSY-TRIMMING DOOR RH (NEW) (TO E/P R=40000)	1	1	1.6L	N
	150	B0950-25500	ASSY-TRIMMING DOOR RH (FROM E/P R=40001 TO S.P=67)	1	1	ALL	N
	151	B0950-25900	ASSY-TRIMMING DOOR RH (NEW) (FROM OCT=67)	1	1	ALL	N
	152	B0950-12001	ASSY-TRIM DOOR RH BLAC KITD E/P R=40000	1	1	1.6L	N
	153	B0950-25501	ASSY-TRIM DOOR RH BLAC (FROM E/P R=40001 TO S.P=67)	1	1	ALL	N
	154	B0950-25901	ASSY-TRIM DOOR RH BLAC (FROM OCT=67)	1	1	ALL	N
	155	B0951-12000	ASSY-TRIM DOOR LH RED (TO E/P R=40000)	1	1	1.6L	N
	156	B0951-25600	ASSY-TRIM DOOR LH RED (FROM E/P R=40001 TO S.P=67)	1	1	ALL	N
	157	B0951-25900	ASSY-TRIM DOOR LH RED (FROM OCT=67)	1	1	ALL	N
	158	B0951-12001	ASSY-TRIM DOOR LH BLAC KITD E/P R=40000	1	1	1.6L	N
	159	B0951-25601	ASSY-TRIM DOOR LH BLAC K (FROM E/P R=40001 TO S.P=67)	1	1	ALL	N
	160	B0951-25901	ASSY-TRIM DOOR LH BLAC K (FROM OCT=67)	1	1	ALL	N
	161	B0919-14600	CLIP-DOOR FINISH	10	10	ALL	N
	162	B0919-32200	CLIP-DOOR FINISH	10	50	ALL	N
	163	B0811-12000	PLATE-KICKING DOOR INS (UF RH) (TO E/P R=40000)	1	1	1.6L	N
	164	B0811-25200	PLATE-KICKING D/I RH (FROM E/P R=40001 TO S.P=67)	1	1	ALL	Y

NISSAN MOTOR CO., LTD.

FIG. 61

S	KEY NO.	PART NO.	PART NAME	QTY	SALES UNIT	MODEL	ICA
	165	B0811-25900	PLATE-KICKING DOOR INS (UF RH) (FROM OCT=67)	1	1	ALL	N
	166	B0812-12000	PLATE-KICKING DOOR INS (UF LH) (TO E/P R=40000)	1	1	1.6L	N
	167	B0812-25500	PLATE-KICKING D/I LH (FROM E/P R=40001 TO S.P=67)	1	1	ALL	N
	168	B0812-25900	PLATE-KICKING DOOR INS (UF LH) (FROM OCT=67)	1	1	ALL	N
	169	00530-61012	SCREW TO FIX KICKING PLATE	20	50	ALL	N
	170	00510-61010	SCREW TO FIX KICKING PLATE	4	50	ALL	Y

FIG. 61A-1 M11 NISSAN MOTOR CO., LTD.

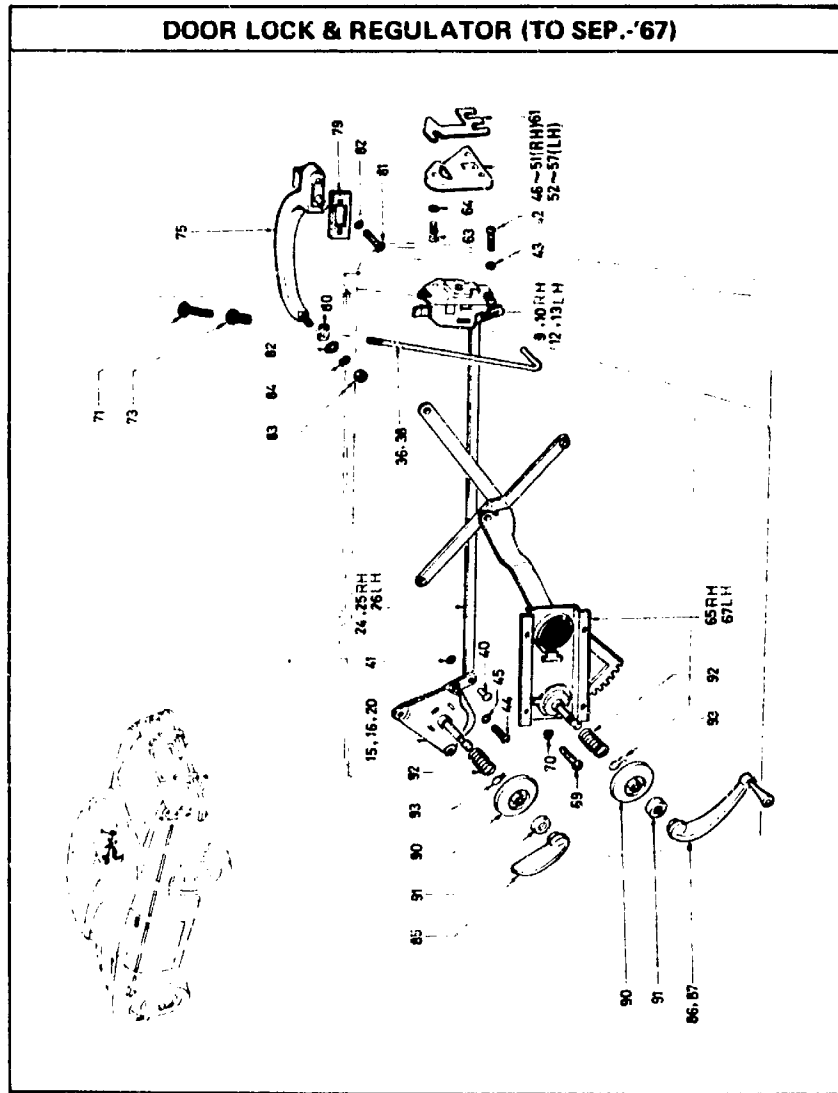
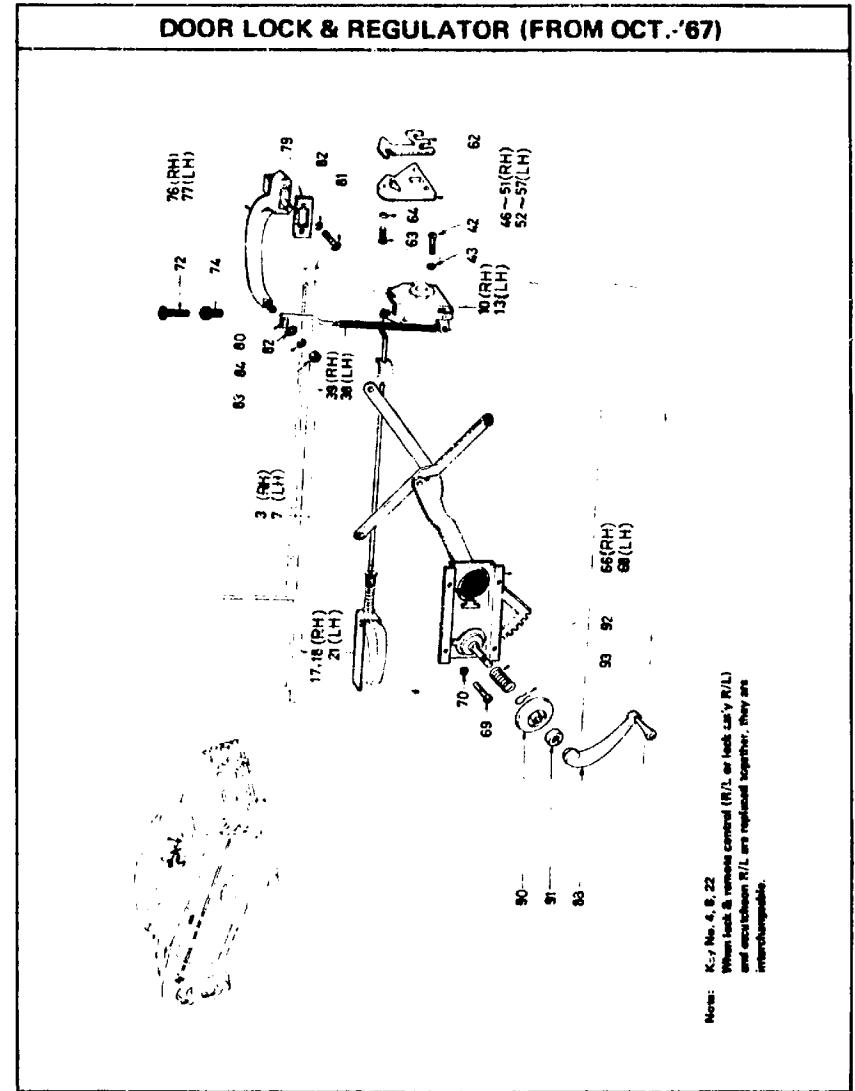


FIG. 61A-2



Note: Key No. 4, 8, 22
When lock & release control (R/L or lock only R/L) and actuator (R/L) are replaced together, they are interchangeable.

FIG. 61A M12 NISSAN MOTOR CO., LTD.

S KEY NO.	PART NO.	PART NAME	QTY	SALES UNIT	MODEL	ICA
DOOR LOCK & REGULATOR						
1	80500-10402	ASSY-LOCK & REMO CON DOOR RH (TO E/P R=40000)	1	1	1.6L	
2	80500-25500	ASSY-LOCK&REMO CON DOO R RH(FROM E/P R=40001 T O SEP=67)	1	1	ALL	N
3	80500-25900	ASSY-LOCK & REMO CON DOOR RH (FROM OCT=67)	1	1	ALL	N
4	80500-A7400	ASSY-LOCK & REMO CON RH	1	1	ALL	C
5	80501-10402	ASSY-LOCK & REMO CON DOOR LH (TO E/P R=40000)	1	1	1.6L	
6	80501-25500	ASSY-LOCK&REMO CON DOO R LH(FROM E/P R=40001 T O SEP=67)	1	1	ALL	N
7	80501-25900	ASSY-LOCK & REMO CON DOOR LH (FROM OCT=67)	1	1	ALL	N
8	80501-A7400	ASSY-LOCK & REMO CON DOOR LH	1	1	ALL	C
9	80502-10401	ASSY-LOCK DOOR RH (TO E/P R=40000)	1	1	1.6L	
10	80502-25500	ASSY-LOCK DOOR RH (FROM E/P R=40001 TO SEP=67)	1	1	ALL	N
11	80502-25900	ASSY-LOCK DOOR RH (FROM OCT=67)	1	1	ALL	N
12	80503-10401	ASSY-LOCK DOOR LH (TO E/P R=40000)	1	1	ALL	
13	80503-25500	ASSY-LOCK DOOR LH (FROM E/P R=40001 TO SEP=67)	1	1	ALL	N
14	80503-25900	ASSY-LOCK DOOR LH (FROM OCT=67)	1	1	ALL	N

61-A- 1

Printed in Japan

REVISED: SEPTEMBER, 1971

NISSAN MOTOR CO., LTD.

FIG. 61A

S KEY NO.	PART NO.	PART NAME	QTY	SALES UNIT	MODEL	ICA
15	80504-35001	ASSY-REMO CON DOOR LOC KITU (E/P R=40000)	2	1	1.6L	
16	80504-25500	ASSY-REMO CON RH (FROM E/P R=40001 TO SEP=67)	1	1	ALL	N
17	80504-25900	ASSY-REMO CON (FROM OCT =67)	1	1	ALL	N
18	80504-A7400	ASSY-REMO CON RH	1	1	ALL	C
19	X0017-41711	HANDLE REMO CON RH (FROM OCT=67)	1	1	ALL	
20	80505-25500	ASSY-REMO CON LH (FROM E/P R=40001 TO SEP=67)	1	1	ALL	N
21	80505-25900	ASSY-REMO CON LH (FROM OCT=67)	1	1	ALL	N
22	80505-A7400	ASSY-REMO CON LH	1	1	ALL	C
23	X0017-41011	HANDLE REMO CON LH (FROM OCT=67)	1	1	ALL	
24	80565-10400	LINK-DOOR LOCK & REMO CON RH (TO E/P R=40000)	1	1	1.6L	
25	80565-25500	LINK-DOOR LOCK & REMO CON RH (FROM E/P R=4000 1)	1	1	ALL	N
26	80566-10400	LINK-DOOR LOCK & REMO CON LH	1	1	ALL	
27	W0506-25501	ASSY-REMOTE CONTROL RH (FROM E/P R=40001 TO SE P=67)	1	1	ALL	
28	W0506-25901	ASSY-REMOTE CONTROL RH (FROM OCT=67)	1	1	ALL	N
29	W0507-25501	ASSY-REMOTE CONTROL LH (FROM E/P R=40001 TO SEP=67)	1	1	ALL	
30	W0507-25901	ASSY-REMOTE CONTROL LH (FROM OCT=67)	1	1	ALL	N
31	W0508-25901	ASSY-REMOTE CONTROL LH	1	1	ALL	Y

61-A- 2

Printed in Japan

REVISED: SEPTEMBER, 1971

FIG. 61A M13 NISSAN MOTOR CO., LTD.

S	KEY NO.	PART NO.	PART NAME	QTY	SALES UNIT	MODEL	ICA
	32	M0508-25901	ASSY=LINK RH (FROM E/S R=40001 TO SEP-67)	1	5	ALL	
	33	M0508-25901	ASSY=LINK RH (FROM OCT-67)	1	5	ALL	N
	34	M0509-25501	ASSY=LINK PH (FROM E/S R=40001 TO SEP-67)	1	5	ALL	
	35	M0509-25901	ASSY=LINK LH (FROM OCT-67)	1	5	ALL	N
	36	B0560-25500	RJD=DOOR LOCK RH(FROM R=40001 TO SEP-67)	1	1	ALL	
	37	B0560-25900	RJD=DOOR LOCK RH(FROM OCT-67)	1	5	ALL	N
	38	B0561-25500	RJD=DOOR LOCK LH(FROM F/R R=40001 TO SEP-67)	1	5	ALL	N
	39	B0561-25900	RJD=DOOR LOCK RH(FROM OCT-67)	1	5	ALL	N
	40	B0549-35001	RIVET=LINK	2	10	ALL	
	41	B0559-35000	WASHER=WAVE	2	10	ALL	
	42	00324-01212	SCREW TO FIX LOCK TO DOOR	6	50	ALL	
	43	00916-41010	WASHER=LOCK TO FIX LOCK TO DOOR	6	50	ALL	
	44	00314-00810	SCREW TO FIX REMO CON TO DOOR	6	50	ALL	
	45	00915-11010	WASHER=LOCK TO FIX REMO CON TO DOOR	6	50	ALL	
	46	B0570-10602	ASSY=STRIKER, DOOR LOCK RH (TO E/S R=40000)	1	1	1.6L	
	47	B0570-24800	ASSY=STRIKER, DOOR LOCK RH (FROM E/S R=40001)	1	1	ALL	N
	48	B0570-21000	ASSY=STRIKER, DOOR LOCK RH	1	1	ALL	Y
	49	B0570-00400	ASSY=STRIKER, DOOR LOCK RH	1	1	ALL	Y

61-A- 3

Printed in Japan

REVISED: SEPTEMBER, 1971

NISSAN MOTOR CO., LTD.

FIG. 61A

S	KEY NO.	PART NO.	PART NAME	QTY	SALES UNIT	MODEL	ICA
	50	B0570-78501	ASSY=STRIKER, DOOR LOCK RH	1	1	ALL	Y
	51	B0570-06000	ASSY=STRIKER, DOOR LOCK RH	1	1	ALL	Y
	52	B0570-10602	ASSY=STRIKER, DOOR LOCK LH (TO E/S R=40000)	1	1	1.6L	
	53	B0571-24800	ASSY=STRIKER, DOOR LOCK LH (FROM E/S R=40001)	1	1	ALL	N
	54	B0571-21000	ASSY=STRIKER, DOOR LOCK LH	1	1	ALL	Y
	55	B0571-00400	ASSY=STRIKER, DOOR LOCK LH	1	1	ALL	Y
	56	B0571-78501	ASSY=STRIKER, DOOR LOCK LH	1	1	ALL	Y
	57	B0571-06000	ASSY=STRIKER, DOOR LOCK LH	1	1	ALL	Y
	58	B0585-35000	BUMPER=DOOR (TO SEP-67)	2	10	ALL	
	59	B0585-25900	BUMPER=DOOR (FROM OCT-67)	4	10	ALL	N
	60	B0630-35000	SHIM=ADJUSTING, DOOR LOCK STRIKER (TO E/S R=40000)	19		1.6L	
	61	B0630-10601	SHIM=ADJUSTING, DOOR LOCK STRIKER (TO L/R=40001)	19	5	1.6L	Y
	62	B0575-24800	SHIM=ADJUST, DOOR LOCK STRIKER T1, U (FROM E/S R=40001)	19	5	ALL	N
	63	00324-43012	SCREW TO FIX STRIKER	6	50	ALL	
	64	00916-41410	WASHER=LOCK TO FIX STRIKER	6	50	ALL	
	65	B0700-10400	ASSY=REGULATOR DOOR WINDOW RH (TO SEP-67)	1	1	ALL	
	66	B0700-25900	ASSY=REGULATOR DOOR WINDOW RH (FROM OCT-67)	1	1	ALL	N

61-A- 4

Printed in Japan

REVISED: SEPTEMBER, 1971

FIG. 61A M14 NISSAN MOTOR CO., LTD.

S	KEY NO.	PART NO.	PART NAME	QTY	SALES UNIT	MODEL	ICA
	67	00701-10400	ASSY-REGULATOR DOOR WINDOW LM(TO SEP-67)	1	1 ALL		
	68	00701-25900	ASSY-REGULATOR DOOR WINDOW LM(FROM OCT-67)	1	1 ALL		N
	69	00314-41212	SCREW TO FIX REGULATOR	8	50 ALL		
	70	00915-11410	WASHER-LOCK TO FIX REGULATOR	8	50 ALL		
	71	00595-25500	KNOB-DOOR LOCK(FROM E/S R-40001 TO SEP-67)	2	10 ALL		
	72	00595-25900	KNOB-DOOR LOCK(FROM OCT-67)	2	10 ALL		N
	73	00970-73001	GRIPPET-DOOR CHECK KNOB(FROM E/S K-40001)	2	ALL		
	74	00970-69000	GRIPPET-DOOR CHECK KNOB(FROM E/S R-40001)	2	10 ALL		Y
	75	00675-04100	HANDLE-DOOR OUTSIDE (TO SEP-67)	2	1 ALL		
	76	00605-25900	HANDLE-OUTSIDE HM(FROM OCT-67)	1	1 ALL		N
	77	00606-25900	HANDLE-OUTSIDE LM(FROM OCT-67)	1	1 ALL		N
	78	00608-25900	HND-DOOR HANDLE OUTSIDE(FROM OCT-67)	2	1 ALL		
	79	00605-04100	WASHER-SEATING(LARGE)	2	50 ALL		
	80	00606-04100	WASHER-SEATING(SMALL)	2	50 ALL		
	81	00314-01010	SCREW	2	50 ALL		
	82	00916-31010	WASHER-LOCK	2	50 ALL		
	83	00911-14010	NUT	2	50 ALL		
	84	00915-11010	WASHER-LOCK	2	50 ALL		
	85	00672-32200	HANDLE-DOOR, INSIDE	2	2 ALL		

61-A- 5

Printed in Japan

REVISED: SEPTEMBER, 1971

NISSAN MOTOR CO., LTD.

FIG. 61A

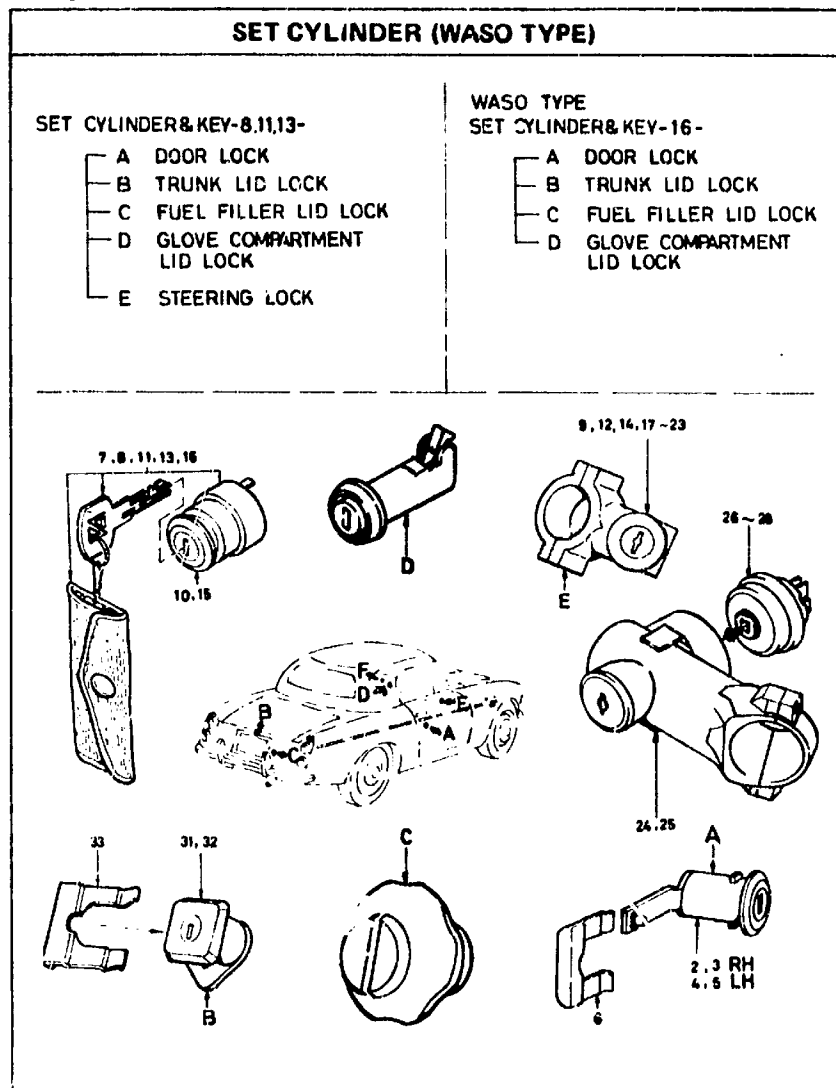
S	KEY NO.	PART NO.	PART NAME	QTY	SALES UNIT	MODEL	ICA
	86	00760-32200	ASSY-HANDLE DOOR WINDOW REGULATOR(TO E/S R-40000)	2	1 1.6L		
	87	00760-25900	HANDLE-REGULATOR(FROM E/S R-40001 TO SEP-67)	2	1 ALL		Y
	88	00760-25900	HANDLE-REGULATOR D/M (FROM OCT-67)	2	1 ALL		N
	89	00763-23101	WASHER-REGULATOR HANDLE(FROM OCT-67)	2	10 ALL		
	90	00675-10000	ESCUTCHEON-DOOR HANDLE	4	5 ALL		
	91	00676-10400	CHROME-ESCUTCHEON	4	5 ALL		
	92	00674-10001	SPRING-ESCUTCHEON	4	10 ALL		
	93	00673-32200	SPRING-RETAINING, HANDLE	4	50 ALL		

61-A- 6

Printed in Japan

REVISED: SEPTEMBER, 1971

FIG. 61 M15 NISSAN MOTOR CO., LTD.



MARCH, 1972

F61B-1

Printed in Japan

NISSAN MOTOR CO., LTD.

FIG. 61

KEY NO.	PART NO.	PART NAME	QTY	SALES UNIT	MODEL	ICA
SET CYLINDER (WASO TYPE)						
1	B0600-12900	ASSY-CYLINDER DOOR L (TO E/R R=40000)	7	1	1,6L	
2	B0600-25501	ASSY-CYLINDER DOOR RH (FROM E/R R=40001 TO SEP=67)	1	1	ALL	
3	B0600-25900	ASSY-CYLINDER DOOR RH (FROM OCT=67)	1	1	ALL	
4	B0601-25501	ASSY-CYLINDER DOOR LH (FROM E/R R=40001 TO SEP=67)	1	1	ALL	
5	B0601-25900	ASSY-CYLINDER DOOR LH (FROM OCT=67)	1	1	ALL	
6	B0590-10601	CLIP-RETAINER, DOOR LOCK CYLINDER	7	10	ALL	
7	S0010-14600	SET-CYLINDERS, LOCK A KEY (TO E/R R=40000)	1	1	1,6L	
8	H0010-25501	SET-CYL, LOCK & KEY (FROM E/R R=40001 TO SEP=67)	1	1	ALL	
9	40700-25500	ASSY-STRG LOCK (NOT WASO TYPE) (FROM E/R R=40001 TO SEP=67)	1	1	OP, ALL	
10	H0750-25501	SWITCH IGNITION (NOT FOR WASO TYPE) (TO SEP=67)	1	10	OP ALL	
11	B0010-25950	SET CYL & KEY FOR STRG LOCK (NOT WASO) (FROM OCT=67)	1	1	SP, SW	
12	40700-25900	ASSY-STEERING LOCK (NOT WASO TYPE) (FROM OCT=67)	1	1	OP R DRIVE	

REVISED: MARCH, 1972

61-00 1

Printed in Japan

FIG. 61B M16 NISSAN MOTOR CO., LTD.

S	KEY NO.	PART NO.	PART NAME	QTY	SALES UNIT	MODEL	ICA
	1	80010-24000	SOV CYL W/KEY FOR STEERING LOCK (NOT WASO TYPE) (FROM OCT-67)	1	1	SPL, SRL	N
	10	4700-24000	ASSY-STEERING LOCK (NOT WASO TYPE) (FROM OCT-67)	1	1	OP L DRIVE	N
	10	4750-25000	SWITCH-IGNITION (NOT FOR WASO TYPE) (FROM OCT-67)	1	1	OP ALL	
	10	80010-25001	SOV CYLINDERS W/KEY (FOR WASO TYPE)	1	1	ALL	N
	17	4700-25001	ASSY-STEERING LOCK (WASO TYPE)	1	1	OP R DRIVE	Y
	17	4700-A1100	ASSY-STEERING LOCK (WASO TYPE) (FROM JULY-69)	1	1	OP, R DRIVE	N
	17	4700-E4400	ASSY-STEERING LOCK (WASO TYPE) (FROM JULY-69)	1	1	OP R DRIVE	Y
	20	4700-26001	ASSY-STEERING LOCK (WASO TYPE)	1	1	OP L DRIVE	Y
	21	4700-26020	ASSY-STEERING LOCK	1		OP L DRIVE	Y
	20	4700-A2300	ASSY-STEERING LOCK (WASO TYPE) (FROM JULY-69)	1	1	OP, L DRIVE EXC, USA & CANADA	N
	20	4700-29020	ASSY-STEERING LOCK	1		OP L DRIVE EXC USA & CANADA	Y
	20	4700-A5500	ASSY-STEERING LOCK (FROM JULY-69)	1	1	USA & CANADA	N
	20	48700-A5520	ASSY-STEERING LOCK	1		USA & CANADA	Y
	20	4750-22001	SWITCH IGNITION (FOR WASO TYPE)	1	2	OP ALL	N
	20	4750-A6900	SWITCH IGNITION (FOR WASO TYPE)	1	1	OP, ALL	Y

NISSAN MOTOR CO., LTD.

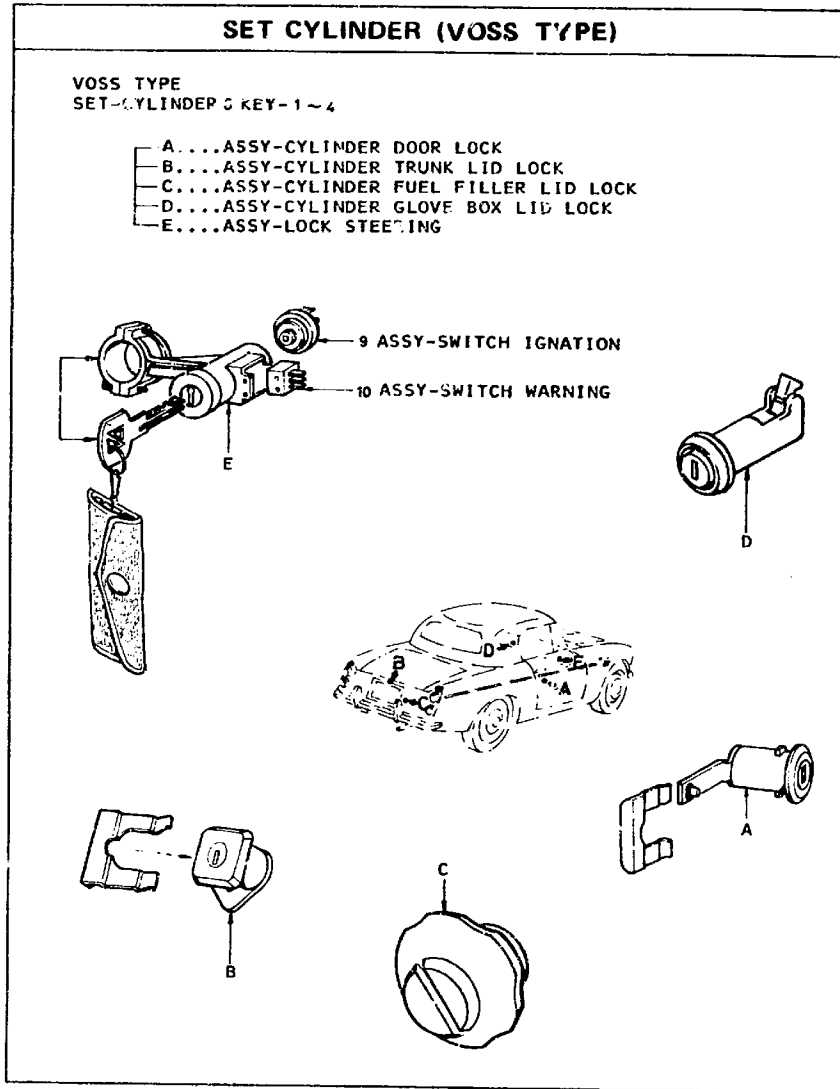
FIG. 61B

S	KEY NO.	PART NO.	PART NAME	QTY	SALES UNIT	MODEL	ICA
	20	4750-A1101	SWITCH IGNITION (FROM WASO TYPE) (FROM JULY-69)	1	1	OP, ALL	N
	20	07700-22001	SCREW IGNITION SWITCH (FOR WASO TYPE)	1	10	OP ALL	
	30	07700-22001	CAP-IGNITION SWITCH (FOR WASO TYPE)	1	10	OP, ALL	
	31	84460-12900	ASSY-CYLINDER, TRUNK LID LOCK	1	1	1, 6L	
	32	84460-25500	ASSY-CYLINDER, TRUNK LID LOCK (FROM 5/2 5-40001)	1	1	ALL	N
	33	80590-10601	CLIP-RETAINING, CYLINDER LOCK	1	10	ALL	

FIG. 61c N1 NISSAN MOTOR CO., LTD.

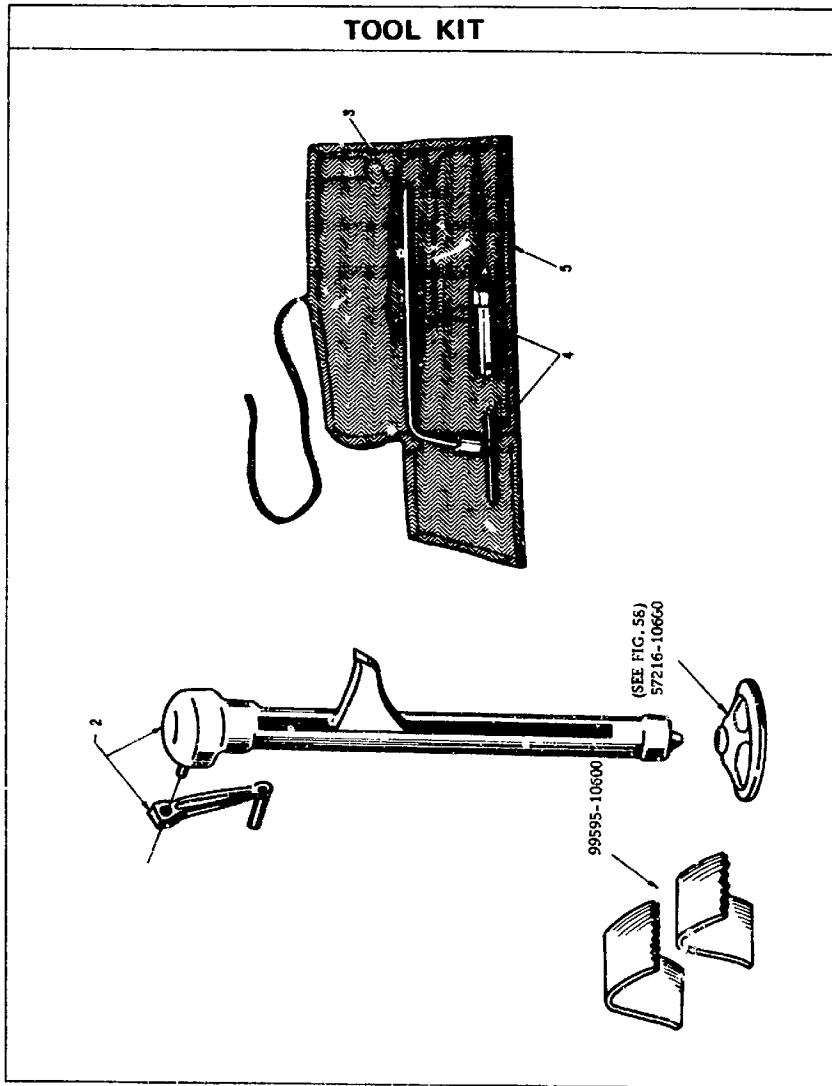
NISSAN MOTOR CO., LTD.

FIG. 61c



S	KEY NO.	PART NO.	PART NAME	QTY	SALES UNIT	MODEL	ICA
SET CYLINDER (VOSS TYPE)							
•	1	80010-E4100	SET-CYLINDER LOCK & KEY (VOSS TYPE)	1	1	R DRIVE	
•	2	80010-A7805	SET-CYLINDER LOCK & KEY (VOSS TYPE)	1	1	L DRIVE	
	3	80010-A7001	SET-CYLINDER LOCK & KEY (VOSS TYPE)	1		L DRIVE	Y
•	4	80010-E5600	SET-CYLINDER LOCK & KEY (VOSS TYPE)	1	1	USA & CANADA	
	5	4A700-E4100	ASSY-LOCK STEERING	1	1	R DRIVE	
	6	4A700-A7805	ASSY-LOCK STEERING (VOSS TYPE)	1	1	L DRIVE EXC USA & CANADA	
•	7	4A700-E5600	ASSY-LOCK STEERING (VOSS TYPE)	1	1	USA & CANADA	
	8	4A700-A7801	ASSY-LOCK STEERING (VOSS TYPE)	1	1	USA & CANADA	Y
	9	4A750-E4700	ASSY-SWITCH IGNITION (VOSS TYPE)	1	1	ALL	
•	10	4A745-A5500	ASSY-SWITCH WARNING	1	1	USA & CANADA	

FIG. 61D N2 NISSAN MOTOR CO., LTD.



NISSAN MOTOR CO., LTD.

FIG. 61D

KEY NO.	PART NO.	PART NAME	QTY	SALES UNIT	MODEL	ICA
TOOL KIT						
# 1	99500-14601	KIT-TOOL	1		ALL	
# 2	99550-12900	SET-JACK WITH HANDLE	1		ALL	
# 3	99545-16500	WRENCH-WHEEL NUT	1		ALL	
# 4	99505-61000	WRENCH-SPARK PLUG	1		ALL	
# 5	99595-10600	ASSY-BAG, TOOL	1		ALL	

MARCH, 1970

F61D-1

Printed in Japan

REVISED: MARCH, 1970

61-D- 1

Printed in Japan

Install the best!
GENUINE DATSUN PARTS



Engineering Department Parts Division



NISSAN MOTOR CO., LTD.



Tokyo, Japan