

H1

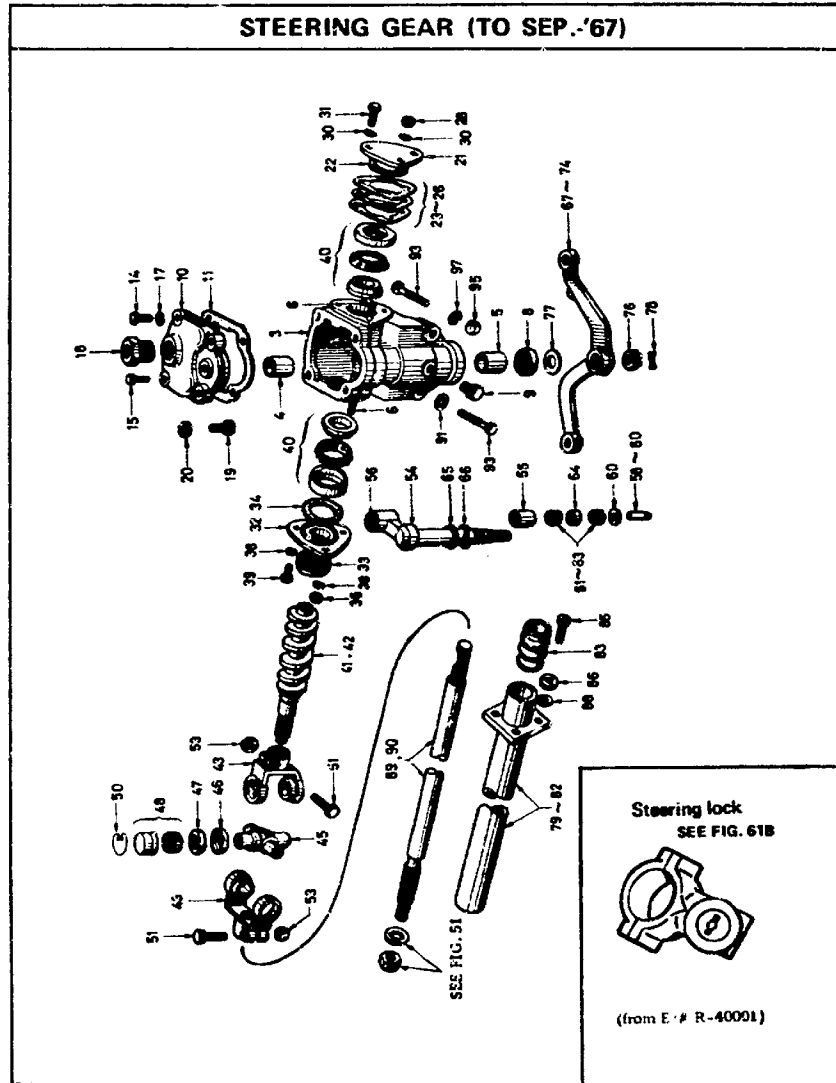
STEERING & FRAME

FIG. 49 H2

NISSAN MOTOR CO., LTD.

NISSAN MOTOR CO., LTD.

FIG. 49



S	KEY NO.	PART NO.	PART NAME	QTY	SALES UNIT	MODEL	ICA
STEERING GEAR (TO SEP.-'67)							
•	1	4P010-10451	ASSY-GEAR, STEERING	1	1 SP, SH		
•	2	4P010-10551	ASSY-GEAR, STEERING	1	1 SPL SRL		
	3	4P011-10400	COMP. HOUSING, STEERING	1	1 ALL		
	4	4P127-32200	RUSHING-IDLER SHAFT	1	10 ALL		
	5	4P128-32200	RUSHING-IDLER SHAFT	1	10 ALL		
	6	4P206-30800	STUD-BUSHING, FRONT	2	10 ALL		
•	7	4P539-36700	SEAL-OIL, ROCKER SHAFT	1	ALL		
•	8	4P539-32200	SEAL-OIL, ROCKER SHAFT	1	10 ALL		Y
	9	11120-10460	PLUG-DRAIN	1	10 ALL		
	10	4P201-10600	COVER-ROCKER SHAFT	1	1 ALL		
	11	4P204-10600	GASKET-ROCKER SHAFT COVER	1	10 ALL		
	12	0P124-52510	BOLT	2	50 ALL		
•	13	37120-H3000	BOLT	2	10 ALL		Y
	14	0P124-52910	BOLT	2	50 ALL		Y
	15	0P124-53510	BOLT	2	50 ALL		
•	16	0P915-11500	WASHER-LOCK	4	ALL		
	17	0P915-11510	WASHER-LOCK	50	ALL		Y
	18	4P064-04100	ASSY-PLUG, FILLER	1	5 ALL		
	19	4P135-30800	SCREW-ROCKER SHAFT ADJUST	1	5 ALL		
	20	0P911-34710	NUT-LOCK	1	50 ALL		
	21	4P219-10600	COVER-HOUSING, SHAFT ADJUST	1	1 ALL		

FIG. 49 H3 NISSAN MOTOR CO., LTD.

S	KEY NO.	PART NO.	PART NAME	QTY	SALES UNIT	MODEL	ICA
	27	4*025-04100	RING=OIL HOUSING COVER	1	50	ALL	
	28	4*210-10600	SHIM-NORM BEARING(0.76 21)	1	10	ALL	
	29	4*211-10600	SHIM-NORM BEARING(0.25 41)	1	10	ALL	
	25	4*212-10600	SHIM-NORM BEARING(0.12 71)	1	10	ALL	
	26	4*213-10600	SHIM-NORM BEARING(0.09 01)	1	10	ALL	
	27	00911-24500	NUT TO FIX FRONT COVER	1		ALL	
	28	00911-24510	NUT TO FIX FRONT COVER	1	50	ALL	Y
	29	00915-11500	WASHER-LOCK TO FIX FRONT COVER	3		ALL	
	30	00915-11510	WASHER-LOCK TO FIX FRONT COVER	3	50	ALL	Y
	31	00124-51810	BOLT TO FIX FRONT COVER	2	25	ALL	
	32	4*203-10400	COVER-HOUSING, REAR	1	1	ALL	
	33	4*029-04100	SEAL-OIL, NORM SHAFT	1	5	ALL	
	34	4*035-04100	RING=OIL HOUSING COVER	1	50	ALL	
	35	00911-24500	NUT TO FIX REAR COVER	1		ALL	
	36	00911-24510	NUT TO FIX REAR COVER	1	50	ALL	Y
	37	00915-11500	WASHER-LOCK TO FIX REAR COVER	3		ALL	
	38	00915-11510	WASHER-LOCK TO FIX REAR COVER	3	50	ALL	Y
	39	00124-51810	BOLT TO FIX REAR COVER	2	25	ALL	
	40	4*025-04200	ASSY-BEARING, NORM	2	1	ALL	
	41	4*023-04100	CLAN-NORM	1	1	SP SR	
	42	4*023-04200	CLAN-NORM	1	1	SPL SRL	

49- 2

Printed in Japan

REVISED: SEPTEMBER, 1971

NISSAN MOTOR CO., LTD.

FIG. 49

S	KEY NO.	PART NO.	PART NAME	QTY	SALES UNIT	MODEL	ICA
	43	4*081-04700	YOKO=UNIVERSAL JOINT	2	1	ALL	
	44	4*084-04725	KIT=JOURNAL STEERING	1	1	ALL	
	45	4*085-04700	JOURNAL	1	1	ALL	
	46	37133-11960	RETAINER-OIL SEAL, BEARING	4	50	ALL	
	47	37134-11960	SEAL-OIL, BEARING	4	50	ALL	
	48	37130-11960	ASSY-BEARING	4	5	ALL	
	49	37136-11960	RING=SNAP	4	10	ALL	
	50	37131-08000	RING=SNAP	4	50	ALL	Y
	51	00124-53010	BOLT	2	50	ALL	
	52	00911-34500	NUT	2		ALL	
	53	00911-34510	NUT	2	50	ALL	Y
	54	4*100-10400	ASSY-SHAFT, ROCKER	1	1	ALL	
	55	4*046-30000	FACE-NEEDLE ROLLER	1	10	ALL	
	56	4*062-30000	PLUG-BALL ROLLER	1	10	ALL	
	57	4*047-30000	COVER-NEEDLE ROLLER	1	5	ALL	
	58	4*105-30000	BALL-ROLLER(12,990)	1	1	ALL	
	59	4*106-30000	BALL-ROLLER(12,993)	1	1	ALL	
	60	4*107-30000	BALL-ROLLER(12,988)	1	1	ALL	
	61	4*100-95060	ROLLER-NEEDLE(2,540)	1	100	ALL	
	62	4*109-95060	ROLLER-NEEDLE(2,543)	1	100	ALL	
	63	4*110-95060	ROLLER-NEEDLE(2,546)	1	50	ALL	
	64	4*111-95060	SPACER-NEEDLE ROLLER	1	10	ALL	
	65	4*126-10600	WASHER-THRUST, ROCKER SHAFT	1	10	ALL	
	66	4*125-10600	WASHER-THRUST, SHAFT ADJUSTING	1	10	ALL	

49- 3

Printed in Japan

REVISED: SEPTEMBER, 1971

FIG. 49 H4 NISSAN MOTOR CO., LTD.

S	KEY NO.	PART NO.	PART NAME	QTY	SALES UNIT	MODEL	ICA
•	67	47501-10450	ARM=STEERING GEAR 6.2+ =U,4 D MARK	1	1 SP,SR		
	67	47501-10451	ARM=STEERING GEAR 7.0+ =U,4 NO MARK	1	1 SP,SR		Y
•	69	47501-10550	ARM=STEERING GEAR 6.2+ =U,4 D MARK	1	1 SPL,SPL		
	77	47501-10451	ARM=STEERING GEAR 7.0+ =U,4 NO MARK	1	1 SP,SR		
•	71	47501-10551	ARM=STEERING GEAR 7.0+ =U,4 NO MARKING LONGER (S&L)	1	1 SPL,SPL		
•	73	47501-10452	ARM=STEERING GEAR 7.8+ =U,4 2 LINES	1	1 SP,SR		
	73	47501-10451	ARM=STEERING GEAR 20+ =U,4 2 NO MARK	1	1 SP,SR		Y
	74	47501-10552	ARM=STEERING GEAR 7.8+ =U,4 2 LINES	1	1 SPL,SPL		
•	75	00911-05200	NUT	1	ALL		
	76	00911-05210	NUT	2	25 ALL		Y
	77	00915-42210	WASHER	1	50 ALL		
	78	00921-44010	PIN=COYTER	1	50 ALL		
	79	47050-14600	COMP.=JACKET,STEERING COLUMN	1	1 SP		
	80	47050-25500	COMP.=JACKET,STEERING COLUMN(FROM E/2 R=4000 1)	1	1 SP,SR		N
	81	47050-14700	COMP.=JACKET,STEERING COLUMN	1	1 SPL		
	82	47050-25600	COMP.=JACKET,STEERING COLUMN(FROM E/2 R=4000 1)	1	1 SPL,SPL		
	83	47054-10400	ASSY=BUSH,COLUMN	1	1 ALL		
•	84	00369-41600	BOLT TO FIX JACKET TO DASH BOARD	4	ALL		

49 - 4

Printed in Japan

REVISED: 5-PTENBER,1971

NISSAN MOTOR CO., LTD.

FIG. 49

S	KEY NO.	PART NO.	PART NAME	QTY	SALES UNIT	MODEL	ICA
	85	00369-41610	BOLT TO FIX JACKET TO DASH BOARD	4	50 ALL		Y
	86	47053-10500	WASHER=LOCK TO FIX JAC KET TO DASH BOARD	4	10 ALL		
•	87	00915-51400	WASHER=PLAIN TO FIX JA CKET TO DASH BOARD	4	ALL		
	88	00915-51410	WASHER=PLAIN TO FIX JACKET TO DASH BOARD	4	50 ALL		Y
	89	47020-14600	COMP.=COLUMN,STEERING	1	1 1.6L		
	90	47020-25500	COMP.=COLUMN,STEERING(FROM E/2 R=40001)	1	1 ALL		N
	91	00916-21610	WASHER=LOCK TO FIX STE ERING GEAR	1	50 ALL		
•	92	00124-63010	BOLT TO FIX STEERING G EAR	3	ALL		
	93	00124-63510	BOLT TO FIX STEERING GEAR	3	75 ALL		Y
•	94	00912-64600	NUT TO FIX STEERING GE AR	2	ALL		
	95	00912-64610	NUT TO FIX STEERING GEAR	2	25 ALL		Y
•	96	00915-11600	WASHER=LOCK TO FIX STE ERING GEAR	2	ALL		
	97	00915-11610	WASHER=LOCK TO FIX STEERING GEAR	2	50 ALL		Y
	98	47324-14600	CLAMP=STEERING POST UPPER(TO SEP-67)	1	10 ALL		
	99	49329-04100	PACKING=RUBER,STRG POST (TO SEP-67)	1	10 ALL		
	100	47326-14600	CLAMP=STEERING POST LOWER(TO SEP-67)	1	10 ALL		
	101	00114-42510	BOLT=CLAMP	2	50 ALL		
	102	00915-41410	WASHER=PLAIN,CLAMP	2	50 ALL		

49 - 5

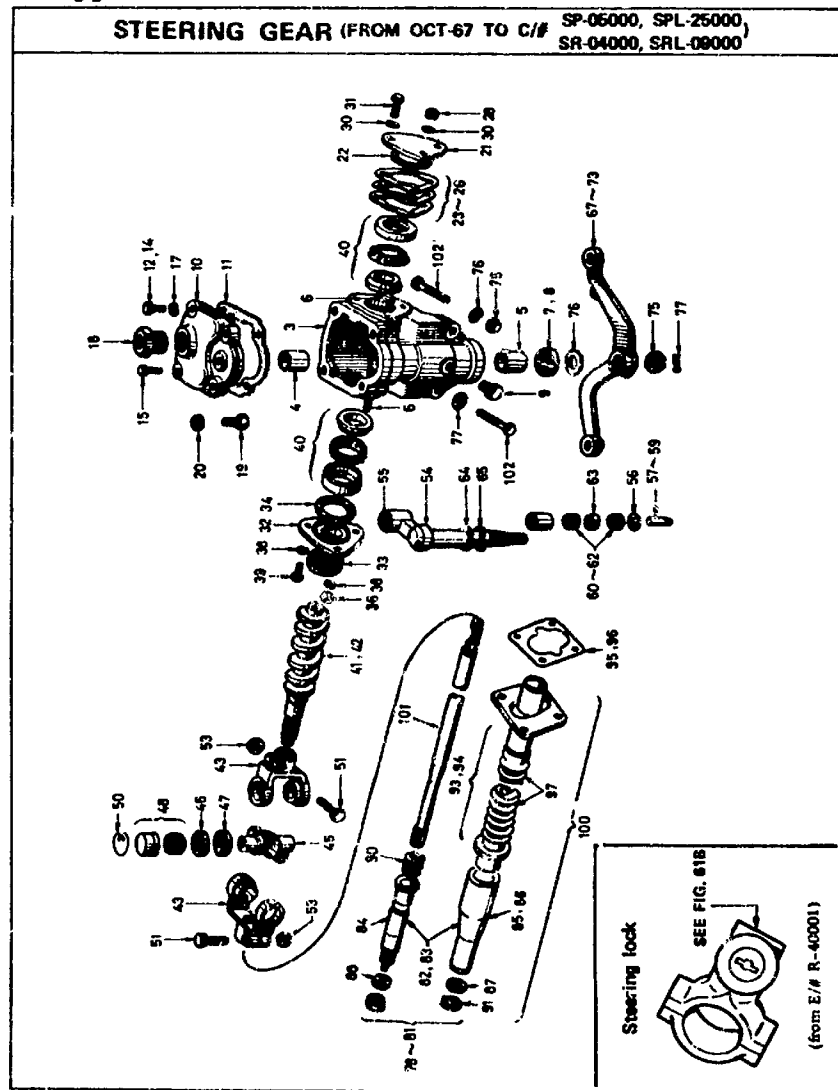
Printed in Japan

REVISED: 5-PTENBER,1971

FIG. 49 H5 NISSAN MOTOR CO., LTD.

S	KEY NO.	PART NO.	PART NAME	QTY	SALES UNIT	MODEL	ICA
	103	07915-11410	WASHER-LOCK, CLAMP	2	50	ALL	
	104	07911-14410	NUT-CLAMP	2	50	ALL	

FIG. 49A H6 NISSAN MOTOR CO., LTD.



MARCH, 1971

F49A - 1

Printed in Japan

NISSAN MOTOR CO., LTD.

FIG. 49A

S	KEY NO.	PART NO.	PART NAME	QTY	SALES UNIT	MODEL	ICA
STEERING GEAR							
(FROM OCT-'67 TO C/F SP-06000, SPL-25000, SR-04000, SRL-09000)							
•	1	01018-10451	ASSY=GEAR, STEERING	1	1 SP, SR		
•	2	01018-10551	ASSY=GEAR, STEERING	1	1 SPL SRL		
	3	01011-10400	COMP=HOUSING	1	1 ALL		
	4	0127-32200	BUSHING=IDLER SHAFT	1	10 ALL		
	5	0128-32200	BUSHING=IDLER SHAFT	1	10 ALL		
	6	0206-30800	STUD=BUSHING, FRONT	2	10 ALL		
•	7	01539-36700	SEAL=OIL, ROCKER SHAFT	1	ALL		
•	8	01539-32200	SEAL=OIL, ROCKER SHAFT	1	10 ALL		Y
	9	11128-10460	PLUG=DRAIN	1	10 ALL		
	10	01201-10600	COVER=ROCKER SHAFT	1	1 ALL		
	11	01204-10600	GASKET=ROCKER SHAFT COVER	1	10 ALL		
	12	01124-52510	BOLT	2	50 ALL		
•	13	37128-03000	BOLT	2	10 ALL		Y
	14	01124-52510	BOLT	2	50 ALL		Y
	15	01124-53510	BOLT	2	50 ALL		
•	16	01015-11900	WASHER=LOCK	4	ALL		
	17	01015-11510	WASHER=LOCK	4	50 ALL		Y
	18	01064-04100	PLUG=FILLER	1	5 ALL		
	19	01135-30800	SCREW=ROCKER SHAFT ADJUST	1	5 ALL		
	20	01011-34710	NUT=LOCK	1	50 ALL		
	21	01219-10600	COVER=HOUSING	1	1 ALL		
	22	01035-04100	RING=O, HOUSING COVER	1	50 ALL		

REVISED: SEPTEMBER, 1971

49-A-1

Printed in Japan

FIG. 49 A H7 NISSAN MOTOR CO., LTD.

S	KEY NO.	PART NO.	PART NAME	QTY	SALES UNIT	MODEL	ICA
	23	4*210-10600	SHIM-WORM BEARING TO.7 62	AR	10	ALL	
	24	4*211-10600	SHIM-WORM BEARING TO.2 56	AR	10	ALL	
	25	4*212-10600	SHIM-WORM BEARING TO.1 77	AR	10	ALL	
	26	4*213-10600	SHIM-WORM BEARING TO.0 5	AR	10	ALL	
•	27	00911-24500	NUT FIXING FRONT COVER	1		ALL	
	28	00911-24510	NUT FIXING FRONT COVER	1	50	ALL	Y
•	29	0*915-11500	WASHER-LOCK FIXING FRONT COVER	3		ALL	
	30	0*915-11510	WASHER-LOCK FIXING FRONT COVER	3	50	ALL	Y
	31	00124-51810	BOLT FIXING FRONT COVER	2	25	ALL	
	32	4*203-10400	COVER-HOUSING, REAR	1	1	ALL	
	33	4*029-04100	SEAL-OIL, WORM SHAFT	1	2	ALL	
	34	4*089-04100	RING-O, HOUSING COVER	1	50	ALL	
•	35	00911-24500	NUT FIXING REAR COVER	1		ALL	
	36	00911-24510	NUT FIXING REAR COVER	1	50	ALL	Y
•	37	0*915-11500	WASHER-LOCK, FIXING REAR COVER	3		ALL	
	38	0*915-11510	WASHER-LOCK, FIXING REAR COVER	3	50	ALL	Y
	39	00124-51810	BOLT FIXING REAR COVER	2	25	ALL	
	40	4*025-04100	BEARING-WORM	2	1	ALL	
	41	4*023-04100	GEAR-WORM	1	1	SP, SH	
	42	4*023-04200	GEAR-WORM	1	1	SPL SRL	
	43	4*081-04700	YUKE-UNIVERSAL JOINT	2	1	ALL	

49-A-2

Printed in Japan

REVISED: 5 SEPTEMBER, 1971

NISSAN MOTOR CO., LTD.

FIG. 49 A

S	KEY NO.	PART NO.	PART NAME	QTY	SALES UNIT	MODEL	ICA
	44	4*084-04725	KIT-JOURNAL STEERING	1	1	ALL	
•	45	4*089-04700	JOURNAL	1	1	ALL	
•	46	37133-11960	RETAINER-OIL SEAL BEARING	4	50	ALL	
•	47	37134-11960	SEAL-OIL, BEARING	4	50	ALL	
•	48	37130-11960	ASSY-BEARING	4	8	ALL	
•	49	37136-11960	RING-SNAP	4	10	ALL	
	50	37131-08000	RING-SNAP	4	50	ALL	Y
	51	00124-53010	BOLT	2	50	ALL	
•	52	00911-34500	NUT	2		ALL	
	53	00911-34510	NUT	2	50	ALL	Y
	54	4*100-10400	ASSY-SHAFT, ROCKER	1	1	ALL	
	55	4*082-30800	PLUG-BALL ROLLER	1	10	ALL	
	56	4*047-30800	COVER-NEEDLE ROLLER	1	5	ALL	
	57	4*109-30800	BALL-ROLLER 12,998	1	1	ALL	
	58	4*106-30800	BALL-ROLLER 12,993	1	1	ALL	
	59	4*107-30800	BALL-ROLLER 12,998	1	1	ALL	
	60	4*108-95960	PULLER-NEEDLE 2,54	1	100	ALL	
	61	4*109-95960	PULLER-NEEDLE 2,543	1	100	ALL	
	62	4*110-95960	PULLER-NEEDLE 2,546		50		
	63	4*111-95960	SPACER-NEEDLE ROLLER	1	10	ALL	
	64	4*126-10600	WASHER-THRUST ROCKER	1	10	ALL	
	65	4*125-10600	WASHER-THRUST ROCKER	1	10	ALL	
•	66	4*501-10450	ARM-STEERING GEAR 6.7 D MARK	1	1	SP SR	
	67	4*501-10451	ARM-STEERING GEAR 7.0 MARK	1	1	SP SH	Y

49-A-3

Printed in Japan

REVISED: 5 SEPTEMBER, 1971

FIG. 49A H8 NISSAN MOTOR CO., LTD.

S	KEY NO.	PART NO.	PART NAME	QTY	SALES UNIT	MODEL	ICA
•	68	4501-10550	AHM-STEERING GEAR 6.2 0 MARK	1	1 SPL SRL		
	69	4501-10451	AHM-STEERING GEAR 7.0 NO MARK	1	1 SP SR		
•	70	4501-10551	AHM-STEERING GEAR 7.0 NO MARK (NO LONGER SALE)	1	1 SPL SRL		
•	71	4501-10452	AHM-STEERING GEAR 7.8 2-LINES	1	1 SP SR		
	72	4501-10451	AHM-STEERING GEAR 7.0 NO MARK	1	1 SP SR		Y
	73	4501-10552	AHM-STEERING GEAR 7.8 2-LINES	1	1 SPL SRL		
•	74	00911-05200	NUT	1	ALL		
	75	00911-05210	NUT	1	25 ALL		Y
	76	00915-42210	WASHER	1	50 ALL		
	77	00921-44010	PIN-COTTER	1	50 ALL		
	78	4805-25950	SHAFT & TUBE, STEERING	1	1 R DRIVE		
	79	4805-25951	SHAFT & TUBE, STEERING	1	1 R DRIVE		Y
	80	4805-26050	SHAFT & TUBE, STEERING	1	1 L DRIVE		
	81	4805-26051	SHAFT & TUBE, STEERING	1	1 L DRIVE		Y
	82	4810-25901	COLUMN-STEERING, UPPER	1	1 R DRIVE		
	83	4810-26001	COLUMN-STEERING UPPER	1	1 L DRIVE		
	84	4820-26001	SHAFT-STEERING, UPPER	1	1 ALL		
	85	4860-25901	TUBE-JACKET, UPPER	1	1 R DRIVE		
	86	4860-26001	TUBE-JACKET, UPPER	1	1 L DRIVE		
	87	4910-23100	BEARING-STEERING COLUMN	2	1 ALL		
	88	4931-23100	WASHER-PLAIN	2	10 ALL		
•	89	4934-23100	SPRING-STEERING	1	ALL		

49-A-4

Printed in Japan

REVISED: SEPTEMBER, 1971

NISSAN MOTOR CO., LTD.

FIG. 49A

S	KEY NO.	PART NO.	PART NAME	QTY	SALES UNIT	MODEL	ICA
	90	4934-23101	SPRING-STEERING	1	10 ALL		Y
	91	00922-12000	RING-SNAP	1	50 ALL		
•	92	4978-25901	JACKET-TUBE, LOWER	1	R DRIVE		
	93	4978-25900	JACKET-TUBE, LOWER	1	1 R DRIVE		Y
	94	4978-26000	JACKET-TUBE, LOWER	1	1 L DRIVE		
	95	4954-25901	SHEET-RUBBER	1	1 R DRIVE		
	96	4954-26000	SHEET-RUBBER	1	1 L DRIVE		
	97	4938-23100	SEAL-DUST	1	10 ALL		
	98	00320-41210	SCREW-MACHINE M4	3	50 ALL		
•	99	4838-26001	COLUMN-STEERING	1	1 ALL		
	100	4833-26001	COLUMN-STEERING	1	1 ALL		Y
	101	4833-26001	SHAFT-LOWER	1	1 ALL		
	102	00111-41010	BOLT-MEX	4	50 ALL		
	103	00911-11410	NUT-MEX	4	50 ALL		
	104	00915-51410	WASHER-PLAIN	8	50 ALL		
	105	00915-11410	WASHER-LOCK	4	50 ALL		
	106	49324-25900	CLAMP-STEERING POST UPPER (FROM OCT-67)	1	1 ALL		N
•	107	49325-25900	PACKING-RUBBER, STRG POST-A* (FROM OCT-67)	1	ALL		N
	108	49325-25901	PACKING-RUBBER, STRG POST-A*	1	4 ALL		Y
•	109	49327-25900	PACKING-RUBBER, STRG POST-B*	1	ALL		
•	110	49325-23100	PACKING-RUBBER, STRG POST-B**	1	ALL		Y
	111	4964-23100	PACKING-RUBBER, STRG POST-B**	1	5 ALL		Y

49-A-5

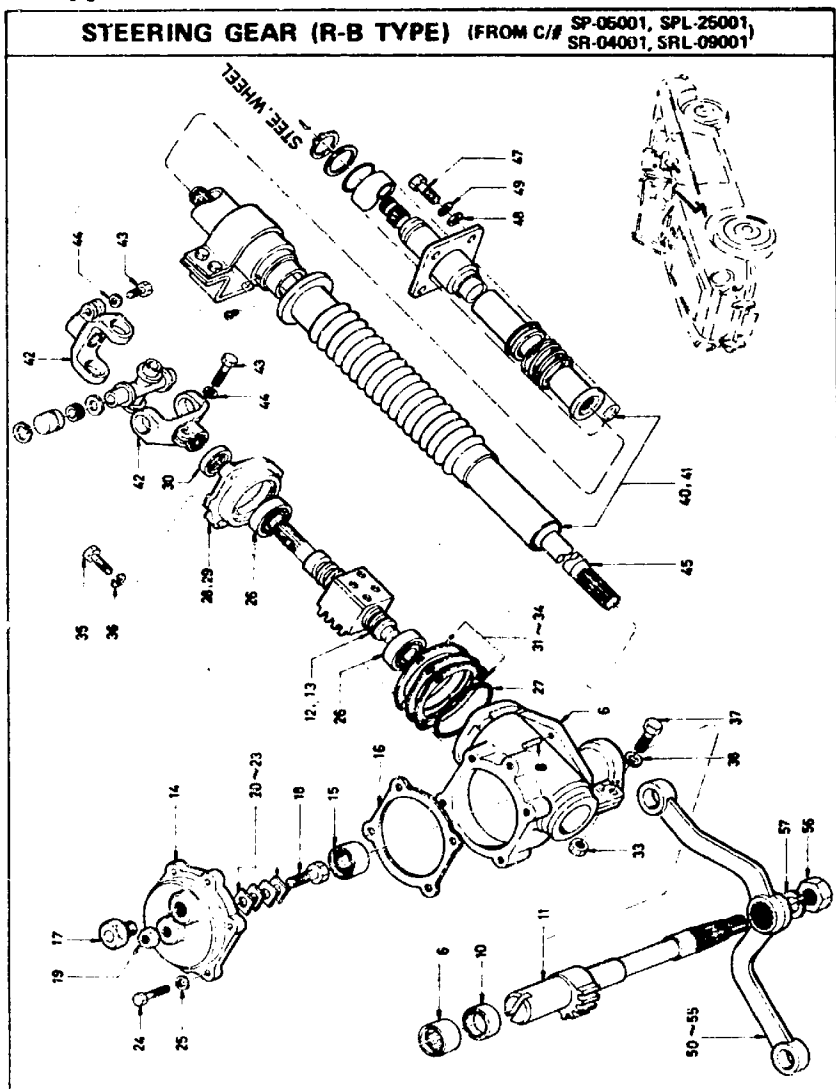
Printed in Japan

REVISED: SEPTEMBER, 1971

FIG. 49A H9 NISSAN MOTOR CO., LTD.

S	KEY NO.	PART NO.	PART NAME	QTY	SALES UNIT	MODEL	ICA
	112	00326-25900	CLAMP-STEERING POST LOWER(FROM OCT-67)	1	1	ALL	N
	117	00114-42510	NUT-CLAMP	2	50	ALL	
	114	00915-41410	WASHER-PLAIN,CLAMP	2	50	ALL	
	115	00915-11410	WASHER-LOCK,CLAMP	2	50	ALL	
	114	00911-14410	NUT-CLAMP	2	50	ALL	

FIG. 49B H10 NISSAN MOTOR CO., LTD.



MARCH, 1972

F49 R - 1

Printed In Japan

NISSAN MOTOR CO., LTD.

FIG. 49B

S	KEY NO.	PART NO.	PART NAME	QTY	SALES UNIT	MODEL	ICA
			STEERING GEAR (R. B TYPE) (From C/W SP-05001, SPL-25001, SR-04001, SRL-09001)				
	1	48010-A3250	ASSY-STEERING GEAR	1		R DRIVE	
	2	48010-A3350	ASSY-STEERING GEAR	1		L DRIVE	
	3	48011-A3200	COMP-HOUSING STEERING GEAR	1		R DRIVE	
	4	48011-A3250	COMP-HOUSING STEERING GEAR (INC. 48201-A3200)	1		R DRIVE	Y
	5	48011-A3300	COMP-HOUSING STEERING GEAR	1		L DRIVE	
	6	48011-A3350	COMP-HOUSING STEERING GEAR (INC. 48201-A3200)	1		L DRIVE	Y
	7	48127-71201	COMP-NEEDLE BEARING	1		ALL	
	8	48206-26760	LOCATION PIN-STEERING GEAR HOUSING	1		ALL	
	9	88933-23800	PLUG-EXPANSION	1	50	ALL	
	10	48137-36700	SEAL-OIL SECTOR SHAFT	1	10	ALL	
	11	48103-A3200	SHAFT-SECTOR STEERING	1		ALL	
	12	48150-23100	ASSY-STEERING WORN	1		R DRIVE	
	13	48150-26100	ASSY-STEERING WORN	1		L DRIVE	
	14	48201-A3200	COVER-SECTOR SHAFT	1	10	ALL	
	15	48127-71201	COMP-NEEDLE BEARING	1		ALL	
	16	48204-A3200	BASKET-SECTOR SHAFT COVER	1	10	ALL	
	17	48860-23100	ASSY-PLUG FILLER	1	10	ALL	
	18	48139-A3200	SCREW-SECTOR SHAFT ADJUST	1	10	ALL	
	19	89011-20810	NUT-LOCK ADJUST SCREW	1	50	ALL	

REVISED: MARCH, 1972

49-R-1

Printed in Japan

FIG. 49a H11 NISSAN MOTOR CO., LTD.

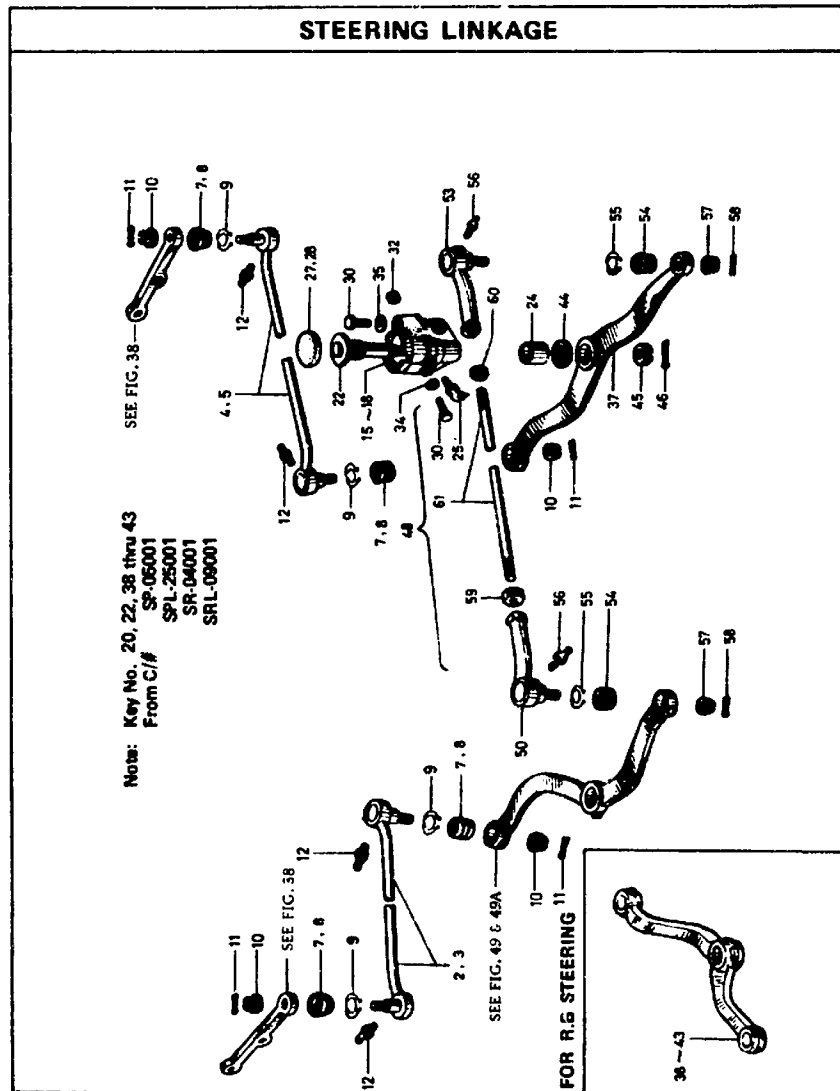
S	KEY NO.	PART NO.	PART NAME	QTY	SALES UNIT	MODEL	ICA
	20	48129-A3200	SHIM-SECTOR SHAFT ADJUST	1	10	ALL	
	21	48130-A3200	SHIM-SECTOR SHAFT ADJUST	1	10	ALL	
	22	48131-A3200	SHIM-SECTOR SHAFT ADJUST	1	10	ALL	
	23	48132-A3200	SHIM-SECTOR SHAFT ADJUST	1	10	ALL	
	24	08120-82510	BOLT-HEX M8X1.25X25	4	90	ALL	
	25	08915-13810	WASHER-LOCK SPRING	4	90	ALL	
	26	48190-21000	ASSY-BEARING WORN	2	1	ALL	
	27	48035-71200	O RING	1	10	ALL	
	28	48250-23100	COMP-REAR COVER HOUSING	1	1	ALL	
	29	48250-40000	COMP-REAR COVER HOUSING	1	1	ALL	Y
	30	48029-04100	SEAL-OIL WORN	1	9	ALL	
	31	48029-71200	SHIM-WORM BEARING T=0.762	1	10	ALL	
	32	48030-71200	SHIM-WORM BEARING T=0.254	2	10	ALL	
	33	48031-71200	SHIM-WORM BEARING T=0.127	1	10	ALL	
	34	48032-71200	SHIM-WORM BEARING T=0.050	1	10	ALL	
	35	08120-82810	BOLT-HEX M8X1.25X20	3	90	ALL	
	36	08915-13810	WASHER-LOCK SPRING	3	90	ALL	
	37	08124-63010	BOLT-3/8-24X30	3	90	ALL	
	38	08012-64610	NUT-3/8-24 SELF LOCK	1	25	ALL	
	39	08915-11610	WASHER-LOCK SPRING	2	90	ALL	

NISSAN MOTOR CO., LTD.

FIG. 49b

S	KEY NO.	PART NO.	PART NAME	QTY	SALES UNIT	MODEL	ICA
	40	48005-25951	ASSY-SHAFT & TUBE STEERING	1	1	R DRIVE	
	41	48005-26051	ASSY-SHAFT & TUBE STEERING	1	1	L DRIVE	
	42	48080-A3200	ASSY-STEERING JOINT	1	1	ALL	
	43	08134-02810	BOLT-HEX M10X1.25X20	2	90	ALL	
	44	08915-14810	WASHER-LOCK SPRING	2	90	ALL	
	45	48033-A3200	SHAFT-STEERING COLUMN LOWER	1	1	ALL	
	46	48057-10400	BLOCK-RUBBER	1	10	ALL	
	47	08111-41610	BOLT HEX 1/4-20UNCX16	4	90	ALL	
	48	08915-51410	WASHER-PLAIN	4	90	ALL	
	49	08915-11410	WASHER SPRING LOCK	4	90	ALL	
	50	48501-A3250	ARM-STEERING GEAR	1	1	R DRIVE	
	51	48501-A3251	ARM-STEERING GEAR	1	1	R DRIVE	
	52	48501-A3252	ARM-STEERING GEAR	1	1	R DRIVE	
	53	48501-A3350	ARM-STEERING GEAR	1	1	L DRIVE	
	54	48501-A3351	ARM-STEERING GEAR	1	1	L DRIVE	
	55	48501-A3352	ARM-STEERING GEAR	1	1	L DRIVE	
	56	08911-25000	NUT-HEX M20X1.5	1	10	ALL	
	57	08915-15000	WASHER-LOCK SPRING	1	10	ALL	

FIG. 50 H12 NISSAN MOTOR CO., LTD.



S	KEY NO.	PART NO.	PART NAME	QTY	SALES UNIT	MODEL	ICA
			STEERING LINKAGE				
•	1	4*500-04100	ASSY=ROD, SIDE, R.H.	1		ALL	
	2	4*500-09400	ASSY=ROD, SIDE R.H.	1	1	ALL	Y
	3	4*510-25900	ASSY=ROD, SIDE RH	1	1	ALL	Y
	4	4*510-09400	ASSY=ROD, SIDE, L.H.	1	1	ALL	
	5	4*630-25900	ASSY=ROD, SIDE LH	1	1	ALL	Y
•	6	4*522-04301	SEAL=DUST, SOCKET (TO SEP-67)	4		ALL	
	7	4*522-16901	SEAL=DUST, SOCKET (TO SEP-67)	1	3	ALL	Y
	8	4*522-25900	SEAL=DUST, SOCKET (FROM UCT-67)	4	3	ALL	N
	9	4*570-04100	CLAMP=DUST, SEAL	4	50	ALL	
	10	00911-04710	NUT	4	50	ALL	
	11	00921-32210	PIN-COTTER	4	50	ALL	
	12	00932-30200	WIPPLE-GREASE	4	50	ALL	
•	13	4*530-04101	ASSY=IDLER	1	1	R DRIVE	
•	14	4*530-A3200	ASSY=IDLER	1		R DRIVE	Y
	15	4*530-A3250	ASSY=IDLER	1	1	R DRIVE	Y
•	16	4*530-04200	ASSY=IDLER	1		L DRIVE	
	17	4*530-A3300	ASSY=IDLER	1		L DRIVE	Y
	18	4*530-A3350	ASSY=IDLER	1	1	L DRIVE	Y
•	19	4*530-04151	ASSY=IDLER WITH ARM	1	1	R DRIVE	
	20	4*530-A3250	ASSY=IDLER WITH ARM	1	1	R DRIVE	Y
•	21	4*530-04250	ASSY=IDLER WITH ARM	1	1	L DRIVE	

FIG. 50 H13 NISSAN MOTOR CO., LTD.

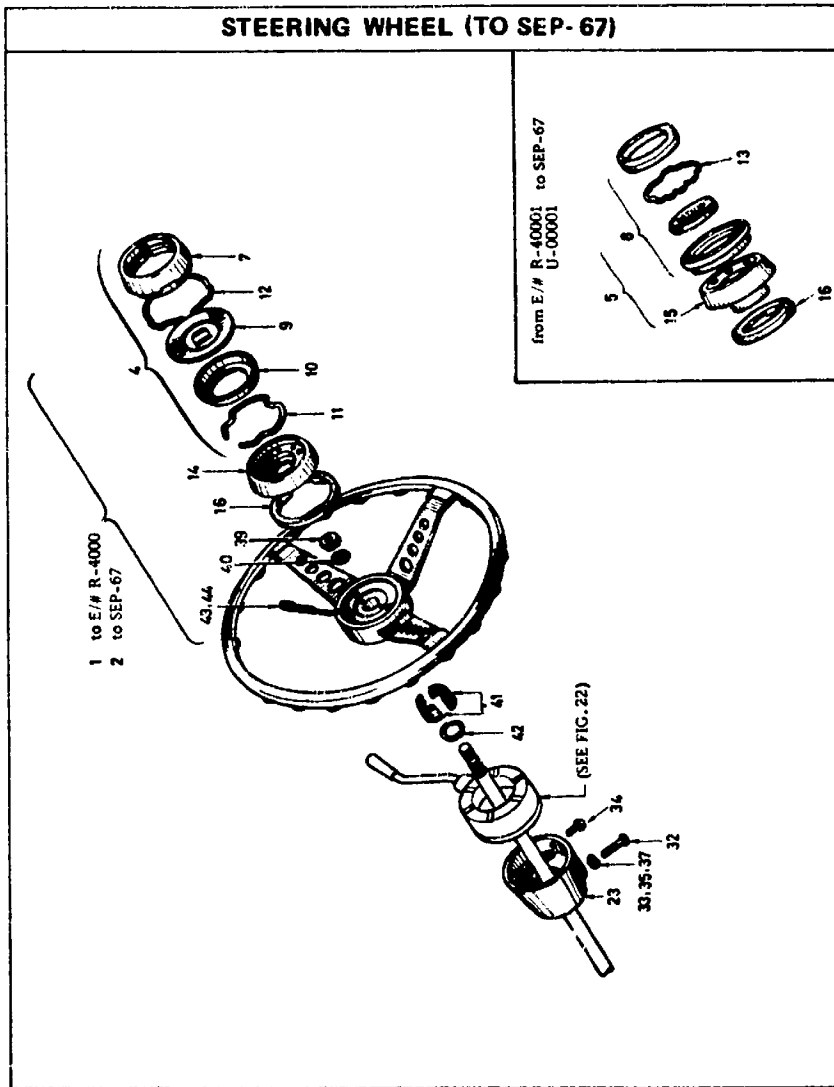
S	KEY NO.	PART NO.	PART NAME	QTY	SALES UNIT	MODEL	ICA
	27	4P530-43350	ASSY=IDLER WITH ARM	1	1	L DRIVE	Y
•	23	4P531-04100	COMP.=BODY, IDLER	1	1	ALL	
	24	4P127-30801	BUSHING=IDLER SOCKET	1	10	ALL	
	25	00932-30200	NIPPLE=GREASE	1	50	ALL	
	26	4P540-04100	COMP.=SHAFT, IDLER	1	1	ALL	
	27	4P546-04100	COVER=IDLER(RUBBER)	1	5	ALL	
	28	4P546-A3200	COVER=IDLER(RUBBER)	1	10	ALL	N
•	29	00124-63810	BOLT	3		ALL	
	30	00124-63510	BOLT	3	25	ALL	Y
•	31	00912-64600	NUT	2		ALL	
	32	00912-64610	NUT	2	25	ALL	Y
•	33	00915-11600	WASHER=LOCK	2		ALL	
	34	00915-11610	WASHER=LOCK	2	50	ALL	Y
	35	00916-21610	WASHER=LOCK	2	50	ALL	
•	36	4P551-04100	ARM=IDLER	1		ALL	
	37	4P551-04150	ARM=IDLER	1	1	SP	Y
	38	4P551-04150	ARM=IDLER NO.1	1	1	R DRIVE	
	39	4P551-04151	ARM=IDLER NO.2	1	1	R DRIVE	
	40	4P551-04152	ARM=IDLER NO.3	1	1	R DRIVE	
	41	4P501-04150	ARM=IDLER NO.1	1	1	L DRIVE	
•	42	4P501-04151	ARM=IDLER NO.2	1	1	L DRIVE	
	43	4P501-04152	ARM=IDLER NO.3	1	1	L DRIVE	Y
	44	4P571-04100	SEAL=DUST, PUCKER SHAFT	1	10	ALL	
	45	4P504-04100	NUT=STEERING LEVER	1	10	ALL	
	46	0P921-43510	PIN=COYTER	1	50	ALL	
•	47	4P560-04100	ASSY=ROD,CROSS	1	1	ALL	

NISSAN MOTOR CO., LTD.

FIG. 50

S	KEY NO.	PART NO.	PART NAME	QTY	SALES UNIT	MODEL	ICA
	4P	4P560-25900	ASSY=ROD,CROSS	1	1	ALL	Y
•	40	4P570-04100	ASSY=SOCKET,CROSS ROD, P.H.	1		ALL	
	50	4P570-25900	ASSY=SOCKET,CROSS ROD RH	1	2	ALL	Y
•	51	4P571-04100	ASSY=SOCKET,CROSS ROD, L.H.	1		ALL	
	52	4P571-71200	ASSY=SOCKET,CROSS ROD, L.H.	1	2	ALL	Y
	53	4P571-25900	ASSY=SOCKET,CROSS ROD LH	1	2	ALL	Y
•	54	4P522-04301	SEAL=DUST(RUBBER)	2		ALL	
	55	4P520-04100	CLAMP=DUST SEAL	2	50	ALL	
	56	00932-10200	NIPPLE=GREASE	2	50	ALL	
	57	00911-04710	NUT=SLOTTED	2	50	ALL	
	58	0P921-32210	PIN=COYTER	2	50	ALL	
	59	0P911-34810	NUT	1	50	ALL	
	60	4P583-04100	NUT=CROSS ROD,LOCKING	1	50	ALL	
	61	4P590-04100	PAP=CROSS ROD	1	1	ALL	

FIG. 51-1 H14 NISSAN MOTOR CO., LTD.



NISSAN MOTOR CO., LTD.

FIG. 51-2

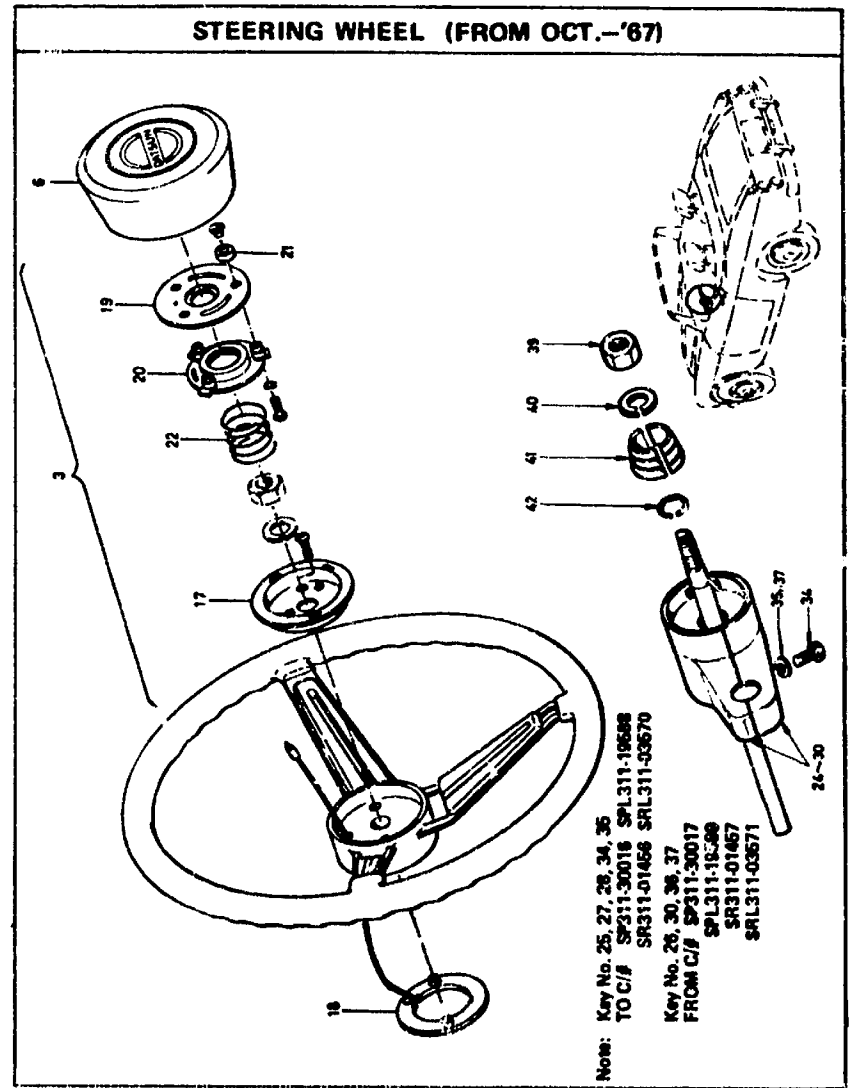


FIG. 51 H15 NISSAN MOTOR CO., LTD.

S	KEY NO.	PART NO.	PART NAME	QTY	SALES UNIT	MODEL	ICA
			STEERING WHEEL				
	1	4A400-12900	ASSY=WHEEL,STEERING (TO E/S R=40000)	1	1 1.6L		
	2	4A400-25500	ASSY=WHEEL STEERING (FROM E/S R=40001 TO SEP-67)	1	1 ALL	Y	
	3	4A400-25901	ASSY=WHEEL STEERING (FROM OCT-67)	1	1 ALL	N	
	4	4A420-10400	ASSY-BUTTON HORN (TO E/S R=40000)	1	1 1.6L		
	5	4A420-25900	ASSY-BUTTON (FROM E/S R=40001 TO SEP-67)	1	1 ALL	N	
	6	4A420-25900	ASSY-BUTTON (FROM OCT-67)	1	1 ALL	N	
	7	4A433-09400	RETAINER-BUTTON UPPER (TO E/S R=40000)	1	1 1.6L		
	8	4A432-25500	RETAINER-BUTTON UPPER (FROM E/S R=40001 TO SEP-67)	1	1 ALL	N	
	9	4A421-10400	BUTTON-HORN (TO E/S R=40000)	1	1 1.6L		
	10	4A423-09400	CAP-HORN BUTTON (TO E/S R=40000)	1	1 1.6L		
	11	4A422-09400	SPRING-BUTTON LOCK (TO E/S R=40000)	1	1 1.6L		
	12	4A425-09400	SPRING-RETAINER LOCK (TO E/S R=40000)	1	1 1.6L		
	13	4A425-25900	SPRING-RETAINER LOCK (FROM E/S R=40001 TO SEP-67)	1	1 ALL	N	
	14	4A440-10400	ASSY-SWITCH,HORN (TO E/S R=40000)	1	1 1.6L		

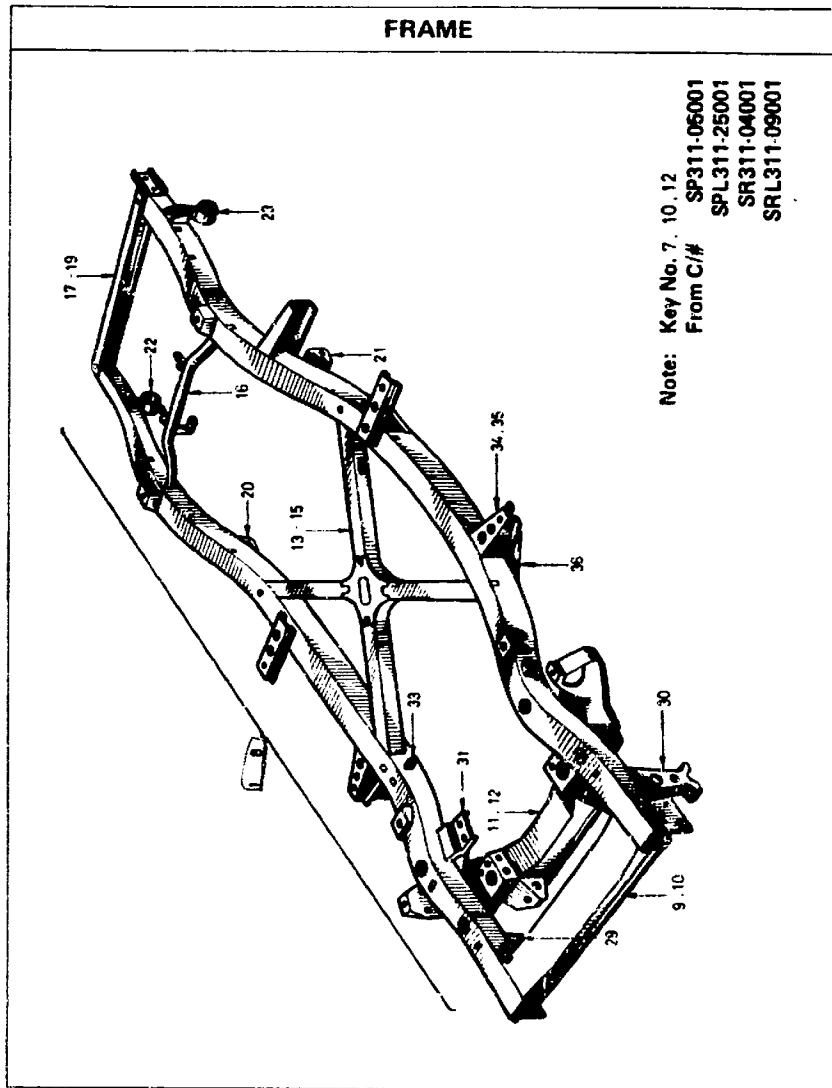
NISSAN MOTOR CO., LTD.

FIG. 51

S	KEY NO.	PART NO.	PART NAME	QTY	SALES UNIT	MODEL	ICA
	15	4A440-25500	ASSY-SWITCH,HORN (FROM E/S R=40001 TO SEP-67)	1	1 ALL		N
	16	4A424-10400	SPRING-HORN BUTTON (TO SEP-67)	1	1 1.6L		
	17	4A493-25900	SET-CAP,HORN PAD (FROM OCT-67)	1	1 ALL		
	18	4A495-25900	ASSY-RING CONTACT (FROM OCT-67)	1	1 1.6L		
	19	4A422-25900	PLATE-CONTACT (FROM OCT-67)	1	1 1.6L		
	20	4A423-25900	SET-PLATE,HORN PAD (FROM OCT-67)	1	1 1.6L		
	21	4A424-25900	CUSHION (FROM OCT-67)	1	10 ALL		
	22	4A425-25900	SPRING-HORN PAD (FROM OCT-67)	1	1 1.6L		
	23	4A327-12951	SET-SWHEEL,STEERING COLUMN (TO SEP-67)	1	1 ALL		
	24	4A470-25901	SET-SWHEEL,STRG COLUMN (FROM OCT-67 TO C/S SEE FIG 51)	1	1 SP SR		N
	25	4A470-25902	SET-SWHEEL,STRG COLUMN (FROM OCT-67 TO C/S SEE FIG 51)	1	1 SP SR		Y
	26	4A470-25903	SET-SWHEEL,STRG COLUMN (FROM C/S SEE FIG 51-2)	1	1 SP SR		N
	27	4A470-26001	SET-SWHEEL,STRG COLUMN (FROM OCT-67 TO C/S SEE FIG 51)	1	1 SPL SPLU SRL SRLU		N
	28	4A470-26002	SET-SWHEEL,STRG COLUMN (FROM OCT-67 TO C/S SEE FIG 51)	1	1 SPL SPLU SRL SRLU		Y
	29	4A470-26003	SET-SWHEEL,STRG COLUMN (FROM C/S SEE FIG 51-2)	1	1 SPL SPLU SRL SRLU		N

FIG. 51 H16 NISSAN MOTOR CO., LTD.

KEY NO.	PART NO.	PART NAME	QTY	SALES UNIT	MODEL	ICA
32	47470-47870	5-T-SHEEL, STRG COLUMN (FROM JULY-69)	1	1	SPL SRLU	Y
31	47332-10400	CLAMP-STEERING SHELL	1	1	ALL	
32	00310-61612	SCREW (10 SEP-67)	2	50	ALL	
33	00915-10610	WASHER-LOCK (10 SEP-67)	2	50	ALL	
34	00310-31612	SCREW (FROM OCT-67 TO C/N SEE FIG 51)	3	50	ALL	
35	00915-13310	WASHER-LOCK (FROM OCT-67 TO C/N SEE FIG 51)	3	50	ALL	
36	00310-71610	P/N SCREW 35X16 (FROM C/N SEE FIG 51-2)	3	50	ALL	
37	00915-13710	WASHER-SPRING 1135 (FROM C/N SEE FIG 51-2)	3	50	ALL	
38	00330-31210	O/W SCREW 13X16 (FROM OCT-67)	1	50	ALL	
39	47405-30800	NUT-STEERING WHEEL FIX 1-6	1	10	ALL	
40	00916-12000	WASHER-LOCK	1	50	ALL	
41	47418-30800	COLLAR-STEERING WHEEL FIXING	2	50	ALL	
42	47419-30800	WIRE	1	50	ALL	
43	47450-10400	COMP., COND, HORN UPPER	1	1	1.6L	
44	47438-12905	COMP., COND, HORN UPPER (FROM E/S R-40001)	1	10	ALL	



KEY NO.	PART NO.	PART NAME	QTY.	SALES UNIT	MODEL	ICA
FRAME						
1	50100-14650	ASSY=FRAME W/FRONT SUS MEMBER (TO E/R=40000)	1	1	SPL	
2	50100-14651	ASSY=FRAME W/FRONT SUS MEMBER (TO E/R=40000)	1		SP	
3	50100-25552	ASSY=FRAME W/O FR MEMBER (FROM E/R=40001 TO SEP=67)	1		ALL	N
4	50100-25553	ASSY=FRAME W/O FR MEMBER (FROM E/R=40001 TO SEP=67)	1	1	ALL	Y
5	50100-25553	ASSY=FRAME (FROM C/# SRL311-70, SR311-1 TO SEP=67)	1	1	2L	N
6	50100-25970	ASSY=FRAME (FROM OCT-67)	1	1	ALL	* Only for Production
7	50100-25951	ASSY=FRAME LESS SUSP, (FROM C/# SEE FIG 52)	1		ALL	Y
8	50100-25991	ASSY=FRAME W/SUSP MEMBER	1	1	ALL	Y
9	51010-14600	ASSY=MEMBER, CROSS, FRONT	1	1	ALL	
10	51010-14601	ASSY=MEMBER, CROSS, FRONT	1	1	ALL	N
11	54401-04102	ASSY=MEMBER, FRONT SUSPENSION	1	1	ALL	
12	54401-04103	ASSY=MEMBER, FRONT SUSPENSION	1	1	ALL	N
13	51860-10400	ASSY=MEMBER, "X" TYPE	1	1	1, 6L	

FIG. 52 i2 NISSAN MOTOR CO., LTD.

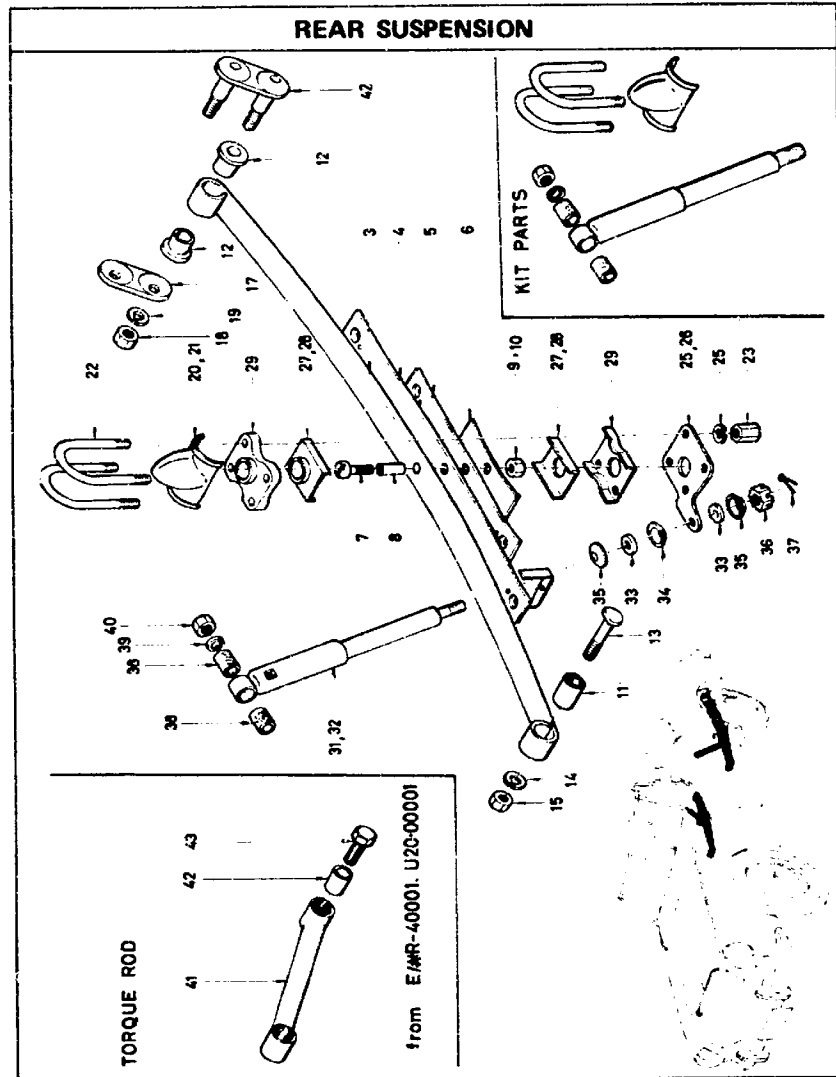
S KEY NO.	PART NO.	PART NAME	QTY	SALES UNIT	MODEL	ICA
• 14	51060-25550	ASSY-MEMBER, *X*TYPE (FROM E/S R-40001 TO SEP-67)	1		ALL	N
15	51060-25950	ASSY-MEMBER *X*TYPE (FROM OCT-67)	1	1	ALL	Y
16	51030-14600	ASSY-MEMBER, 3RD CROSS	1	1	ALL	
• 17	51050-10400	ASSY-MEMBER, 4TH CROSS	1	1	SP	
• 18	51050-10500	ASSY-MEMBER, 4TH CROSS	1		SPL	
19	51050-25500	ASSY-MEMBER, 4TH CROSS (FROM E/S R-40001)	1	1	ALL	Y
20	55201-10400	ASSY-BRACKET, REAR SPRING, FRONT, R, H.	1	1	ALL	
21	55202-10400	ASSY-BRACKET, REAR SPRING, FRONT, L, H.	1	1	ALL	
22	55205-10400	BRACKET-REAR SPRING, REAR R, H.	1	1	ALL	
23	55206-10400	BRACKET-REAR SPRING, REAR L, H.	1	1	ALL	
• 24	00114-62800	BOLT	6		ALL	
25	00114-62810	BOLT	6	50	ALL	Y
• 26	00911-14600	NUT	2		ALL	
27	00911-14610	NUT	2	50	ALL	Y
28	00916-21610	WASHER-LOCK	6	50	ALL	
29	54620-04200	ASSY-BRACKET, FRONT STABILIZER, R, H.	1	1	ALL	
30	54621-04200	ASSY-BRACKET, FRONT STABILIZER, L, H.	1	1	ALL	
31	11223-10401	SUPPORT-ENGINE MOUNTING, FRONT, R, H.	1	1	ALL	
32	11224-10401	SUPPORT ENGINE MOUNTING FRONT, L, H.	1	1	ALL	
33	46269-14600	BRACKET-BRAKE HOSE	5	5	ALL	

NISSAN MOTOR CO., LTD.

FIG. 52

S KEY NO.	PART NO.	PART NAME	QTY	SALES UNIT	MODEL	ICA
• 34	50140-25500	BRACKET-TORQUE ROD, FRAME RIDE (FROM E/S R-40001)	1		ALL	
35	50140-25501	BRACKET-TORQUE ROD, FRAME RIDE (FROM E/S R-40001)	1	1	ALL	Y
36	50144-25901	REINFORCEMENT-TORQUE ROD (FROM E/S R-40001)	1	1	ALL	
37	46228-25900	GROMMET-BRAKE TUBE (FROM E/S R-40001)	1	10	ALL	
38	46245-25500	PROTECTOR-BRAKE TUBE	1	5	ALL	

FIG. 53 i3 NISSAN MOTOR CO., LTD.



NISSAN MOTOR CO., LTD.

FIG. 53

S	KEY NO.	PART NO.	PART NAME	QTY	SALES UNIT	MODEL	ICA
			REAR SUSPENSION				
	1	55020-10500	ASSY=SPRING,REAR (TO E /# R=40000)	2	1.6L		
	2	55020-25500	ASSY=SPRING,REAR(2,52KG/MM)(FROM E/# R=40001)	2	ALL		N
	3	55021-10500	LEAF=REAR SPRING(NO.1)	2	1.6L		
	4	55022-10500	LEAF=REAR SPRING(NO.2)	2	1.6L		
	5	55023-10500	LEAF=REAR SPRING(NO.3)	2	1.6L		
	6	55024-10500	LEAF=REAR SPRING(NO.4)	2	1.6L		
	7	55057-10500	BOLT-CENTER	2	ALL		
	8	55056-04100	PIECE-DISTANCE,CENTER BOLT'S NUT	2	10	ALL	
	9	00999-20400	NUT	2	ALL		
	10	00999-20410	NUT	2	50	ALL	Y
	11	55045-04100	BUSHING=REAR SPRING	2	5	ALL	
	12	55046-04100	BUSHING=RUBBER,REAR SPRING	6	10	ALL	
	13	55224-04100	PIN=REAR SPRING,FRONT	2	10	ALL	
	14	00919-11710	WASHER=LOCK	2	50	ALL	
	15	00911-24710	NUT	2	50	ALL	
	16	55220-04100	ASSY=SHACKLE,REAR SPRING	2	1	ALL	
	17	55221-04100	SHACKLE=REAR SPRING	2	10	ALL	
	18	00919-11710	NUT	4	50	ALL	
	19	00911-24710	WASHER=LOCK	4	50	ALL	

FIG. 53 14 NISSAN MOTOR CO., LTD.

S. KEY NO.	PART NO.	PART NAME	QTY	SALES UNIT	MODEL	ICA
20	55240-14600	ASSY=BUMPER, REAR AXLE (TO E/# R=40000)	2	1.6L		
21	55240-25500	ASSY=BUMPER, REAR AXLE (FROM E/# R=40001)	2	1 ALL		N
22	55247-14700	CLIP=REAR SPRING	4	1 ALL		
23	00911-54610	NUT	8	50 ALL		
24	00915-21610	WASHER=LOCK	8	50 ALL		
25	55262-14600	SEAT=REAR SPRING, R. H.	1	1 ALL		
26	55266-14600	SEAT=REAR SPRING, L. H.	1	1 ALL		
27	55243-04100	PAD=SEATING, REAR SPRING	4	5 1.6L		
28	55041-10605	PAD=SEATING, REAR SPRING (FROM E/# R=40001)	4	5 ALL		N
29	55054-14600	PLATE=LOCATING, REAR SPRING	4	10 ALL		
30	56210-04225	KIT=ABSORBER, SHOCK, REAR (TO E/# R=40000)	2	10 1.6L		
31	56210-14625	KIT=ABSORBER, SHOCK, REAR (TO E/# R=40000)	2	1 1.6L		Y
32	56210-25525	KIT=ABSORBER, SHOCK, REAR (FROM E/# R=40001)	2	1 ALL		Y
33	56112-09400	BUSHING=RUBBER	4	50 ALL		
34	56113-09400	WASHER=SPECIAL, OUTER	2	50 ALL		
35	56114-09400	WASHER=SPECIAL, INNER	4	50 ALL		
36	00911-74610	NUT	2	50 ALL		
37	00921-22210	PIN=COTTER	2	50 ALL		
38	56127-49460	BUSHING=RUBBER	4	10 ALL		
39	56229-04100	WASHER=SPECIAL	2	1 ALL		
40	00912-35010	NUT	2	25 ALL		

NISSAN MOTOR CO., LTD.

FIG. 53

S. KEY NO.	PART NO.	PART NAME	QTY	SALES UNIT	MODEL	ICA
41	55401-25500	ASSY=ROD, TORQUE (FROM E/# R=40001)	2	1 ALL		
42	55405-25500	BUSH=TORQUE ROD (FROM E/# R=40001)	2	5 ALL		
43	55406-25500	BOLT=TORQUE ROD (FROM E/# R=40001)	2	10 ALL		

Install the best!
GENUINE DATSUN PARTS



Engineering Department Parts Division



NISSAN MOTOR CO., LTD.



Tokyo, Japan