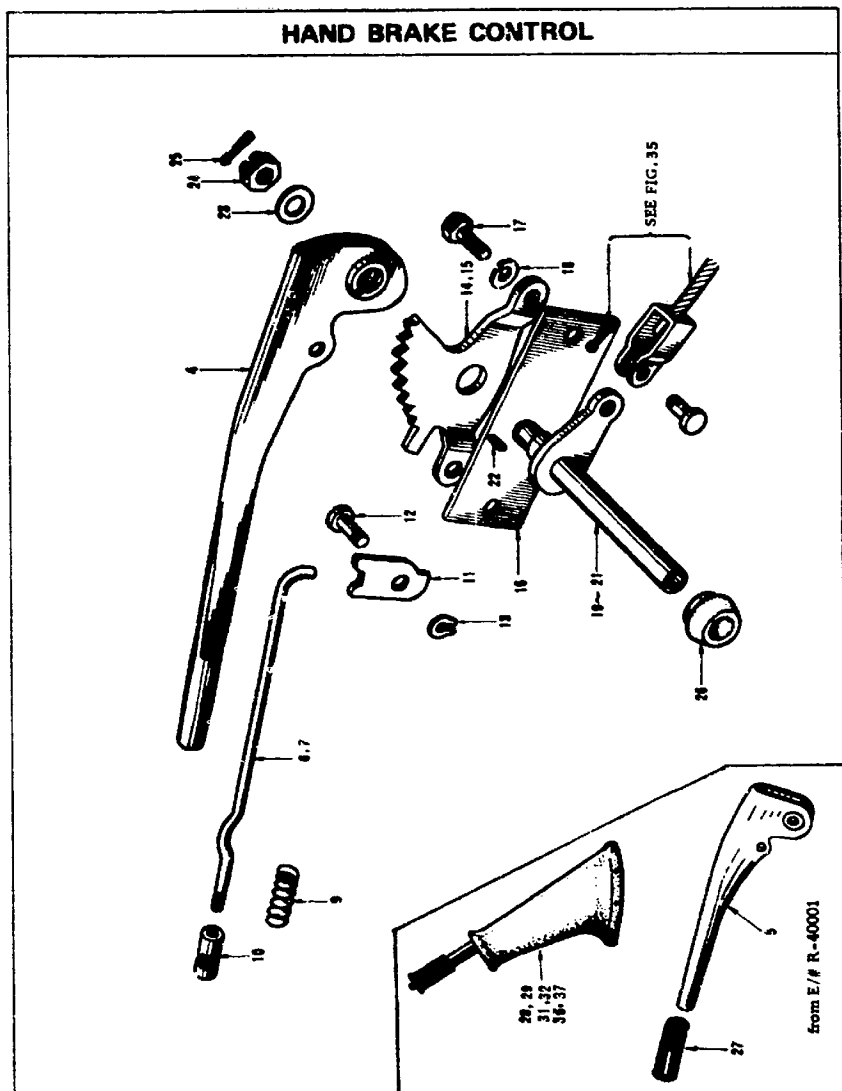


E1

BRAKE & AXLE

FIG. 34 E2 NISSAN MOTOR CO., LTD.



NISSAN MOTOR CO., LTD.

FIG. 34

KEY NO.	PART NO.	PART NAME	QTY	SALES UNIT	MODEL	ICA
HAND BRAKE CONTROL						
1	36818-18401	ASSY-CONTROL, HAND BRAKE	1	1.6L		
2	36818-25908	ASSY-CONTROL, H/B (FROM E/R R-40001 TO S EP-67)	1	1 ALL		N
3	36818-29908	ASSY-CONTROL H/B (FROM OCT-67)	1	1 ALL		N
4	36318-18401	ASSY-LEVER, HAND BRAKE	1	1.6L		
5	36318-29900	ASSY-LEVER, HAND BRAKE (FROM E/R R-40001)	1	1 ALL		N
6	36327-04101	ROD-RELEASE, HAND BRAKE	1	5 1.6L		
7	36327-29900	ROD-RELEASE, HAND BRAKE (FROM E/R R-40001)	1	1 ALL		N
8	36338-04100	SPRING-RELEASE ROD	1	10 ALL		
9	36338-29900	SPRING-RELEASE ROD	1	10 ALL		Y
10	36329-04100	BUTTON-RELEASE, HAND BRAKE	1	5 ALL		
11	36332-04100	PAWL-RATCHET	1	5 ALL		
12	36339-04100	PIN-PAWL	1	10 ALL		
13	41058-10360	WASHER-PC TYPE	1	50 ALL		
14	36328-10401	PLATE-RATCHET	1	1.6L		
15	36328-29900	PLATE-RATCHET (FROM E/R R-40001)	1	1 ALL		N
16	36343-10408	PLATE-SEAL, LEVER SHAFT	1	1 ALL		
17	00114-51610	BOLT TO FIX HAND LEVER	2	50 ALL		
18	00915-11910	WASHER-LOCK TO FIX HAND LEVER	2	50 ALL		

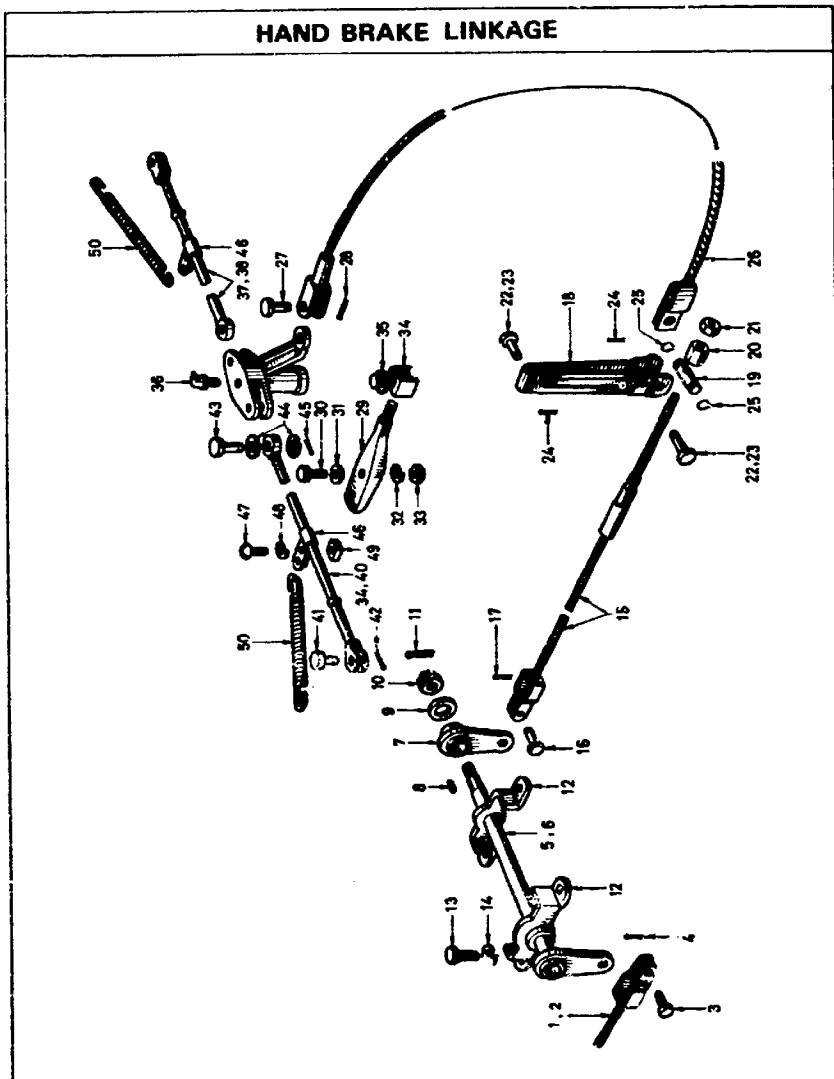
FIG. 34 E3 NISSAN MOTOR CO., LTD.

S	KEY NO.	PART NO.	PART NAME	QTY	SALES UNIT	MODEL	ICA
	19	26433-10400	ASSY-SHAFT,HAND BRAKE LEVER	1	1	1.6L	
	20	26433-29900	SHAFT-H/B LEVER (FROM E/S R-40001 TO SEP-67)	1	1	ALL	N
	21	26433-29900	SHAFT-H/B LEVER (FROM OCT-67)	1	1	ALL	N
	22	00920-31600	KEY-FEATHER	1	90	ALL	
	23	00915-41610	WASHER-PLAIN	1	90	ALL	
	24	00911-94610	NUT	1	90	ALL	
	25	00921-22210	PIN-COTTER	1	90	ALL	
	26	26463-10400	COVER-DUST,LEVER SHAFT	1	9	ALL	
	27	26315-29900	GRIP-HAND BRAKE LEVER (FROM E/S R-40001)	1	2	ALL	
	28	74900-12900	ASSY-COVER,HAND BRAKE LEVER(RED)	1	1	1.6L	
	29	74900-29900	ASSY-COVER,HAND BRAKE LEVER(RED)(FROM E/S R-40001)	1	1	ALL	N
	30	74900-29900	COVER-H/B LEVER(RED) (FROM OCT-67)	1	1	ALL	
	31	74900-12901	ASSY-COVER,HAND BRAK LEVER(BLACK)	1	1	1.6L	
	32	74900-29901	ASSY-COVER,HAND BRAKE LEVER(BLACK)(FROM E/S R-40001)	1	1	ALL	N
	33	74900-29901	COVER-H/B LEVER(BLACK) (FROM OCT-67)	1	1	ALL	
	34	61224-73210	FASENER-MALE	4	20	ALL	
	35	00930-61310	SCREW	4	20	ALL	

FIG. 35 E4. NISSAN MOTOR CO., LTD.

NISSAN MOTOR CO., LTD.

FIG. 35



S	KEY NO.	PART NO.	PART NAME	QTY	SALES UNIT	MODEL	ICA
			HAND BRAKE LINKAGE				
	1	36402-10400	ASSY-CABLE,HAND BRAKE, FRONT	1	1 1.6L		
	2	36402-29900	ASSY-CABLE,HAND BRAKE, FRONT(FROM E/S R-00001)	1	9 ALL		N
	3	36420-04100	PIN-CLEVIS	2	10 ALL		
	4	00921-11010	PIN-COTTER	2	90 ALL		
	5	36990-10401	ASSY-SHAFT, IDLER, HAND BRAKE	1	1 1.6L		
	6	36990-29901	ASSY-SHAFT, IDLER, HAND BRAKE(FROM E/S R-00001)	1	1 ALL		N
	7	36999-10400	ASSY-BOSS, IDLER, HAND BRAKE	1	9 ALL		
	8	00920-31600	KEY	1	90 ALL		
	9	00919-41610	WASHER-PLAIN	1	90 ALL		
	10	00911-74610	NUT	1	90 ALL		
	11	00921-22200	PIN-COTTER	1	ALL		
	12	36305-10400	SHACKET-IDLER SHAFT, HAND BRAKE	2	1 ALL		
	13	00124-91010	BOLT	4	29 ALL		
	14	00919-11500	WASHER-LOCK	4	ALL		
	15	36490-12900	ASSY-CABLE,HAND BRAKE MIDDLE	1	9 ALL		
	16	36420-04100	PIN-CLEVIS	1	10 ALL		
	17	00921-11010	PIN-COTTER	1	90 ALL		
	18	36910-04100	ASSY-ARM, SWING, HAND BRAKE	1	1 ALL		

FIG. 35 E5 NISSAN MOTOR CO., LTD.

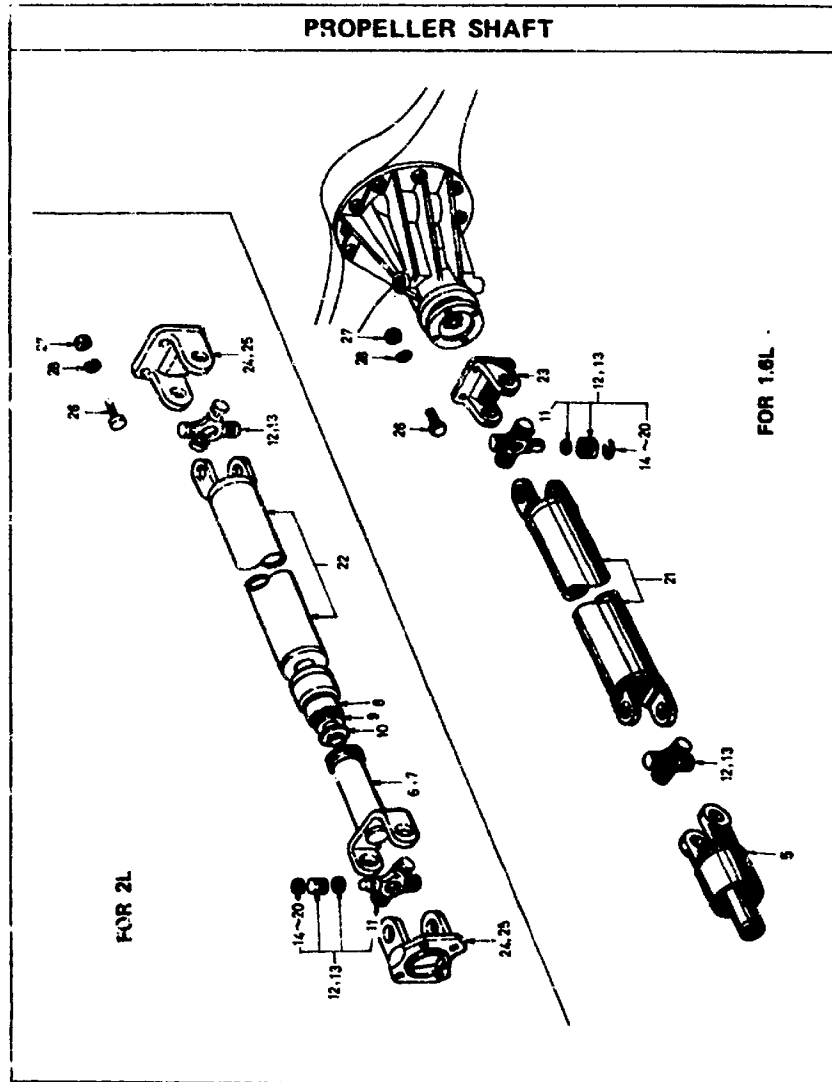
S	KEY NO.	PART NO.	PART NAME	QTY	SALES UNIT	MODEL	ICA
	19	36429-04100	PIN-SWING ARM	1	10	ALL	
	20	36437-04100	NUT-CABLE, HAND BRAKE	1	50	ALL	
	21	00911-34410	NUT-LOCK	1	50	ALL	
•	22	36541-30000	PIN-CLEVIS	2		ALL	
	23	36541-24000	PIN-CLEVIS	2	10	ALL	Y
	24	00921-01010	PIN-COTTER	2	50	ALL	
	25	36471-04100	RING-SNAP, HAND BRAKE	2	50	ALL	
	26	36451-14000	ASSY-CABLE, HAND BRAKE, REAR	1	5	ALL	
•	27	36541-30000	PIN-CLEVIS	1		ALL	
	28	00921-01010	PIN-COTTER	1	50	ALL	
	29	36511-19000	ASSY-SUPPORT, BRAKE BALANCE LEVER	1	1	ALL	
	30	00124-92010	BOLT	2	50	ALL	
	31	00915-41910	WASHER-PLAIN	2	50	ALL	
•	32	00915-21900	WASHER-LOCK	2		ALL	
	33	00911-14910	NUT	2	50		
	34	36514-14000	CARRIER-BALANCE LEVER	1	5	ALL	
	35	36523-30000	RING-FELT, BALANCE LEVER	1	10	ALL	
	36	00932-30200	NIPPLE-GREASE	1	50	ALL	
	37	36538-14000	ROD-CROSS, HAND BRAKE, S HURT	1	1	1.0L	
	38	36530-14001	ROD-CROSS, HAND BRAKE, S HURT (FROM E/S R-40001)	1	1	ALL	N
	39	36531-14000	ROD-CROSS, HAND BRAKE, L ONG	1	1	1.0L	
	40	36531-14001	ROD-CROSS, HAND BRAKE, L ONG (FROM E/S R-40001)	1	1	ALL	N

NISSAN MOTOR CO., LTD.

FIG. 35

S	KEY NO.	PART NO.	PART NAME	QTY	SALES UNIT	MODEL	ICA
•	41	36541-30000	PIN-CLEVIS	2		ALL	
	42	00921-01010	PIN-COTTER	2	50	ALL	
	43	36530-30000	PIN-CLEVIS	2	10	ALL	
	44	26543-30000	RING-FELT	4	10	ALL	
	45	00921-01010	PIN-COTTER	2	50	ALL	
	46	36544-30000	BRACKET-HANGER, CROSS ROD PULL OFF SPRING	1	10	ALL	
	47	00314-01010	SCREW	2	50	ALL	
•	48	00915-11000	WASHER-LOCK	2		ALL	
	49	00913-14010	NUT-SQUARE	2	50	ALL	
	50	36545-30000	SPRING-PULL OFF, CROSS ROD	2	10	ALL	

FIG. 36 E6 NISSAN MOTOR CO., LTD.



MARCH, 1970

F36 - 1

Printed in Japan

NISSAN MOTOR CO., LTD.

FIG. 36

S	KEY NO.	PART NO.	PART NAME	QTY	SALES UNIT	MODEL	ICA
			PROPELLER SHAFT				
	1	37009-14600	ASSY-SHAFT, PROPELLER, WITH JOINT	1	1	1.6L EXC USA	
	2	37009-14601	ASSY-SHAFT, PROPELLER, WITH JOINT	1	1	1.6L USA	
	3	37009-20100	ASSY-SHAFT, PROPELLER, WITH JOINT	1	1	2L EXC USA	
	4	37009-20101	ASSY-SHAFT, PROPELLER, WITH JOINT	1	1	2L USA	
	5	37111-14600	ASSY-YOKE, SLEEVE	1	1	1.6L	
	6	37111-20100	ASSY-YOKE, SLEEVE	1		2L	
	7	37111-20101	ASSY-YOKE, SLEEVE	1	1	2L	Y
	8	37223-20100	RETAINER OIL SEAL	1		2L	
	9	37228-20100	OIL SEAL STUB SHAFT	1		2L	
	10	37224-20100	WASHER RETAINER OIL SEAL	1		2L	
	11	37125-14600	JOURNAL	2	1	ALL	
	12	37125-14625	KIT-JOURNAL	2	10	ALL	Y
	13	37125-14627	KIT-JOURNAL	2	10	ALL	Y
	14	37144-14600	RING-SNAP, ADJUSTING (2.00T) (WHITE)	8	50	ALL	
	15	37147-14600	RING-SNAP, ADJUSTING (2.00T) (YELLOW)	8	50	ALL	
	16	37148-14600	RING-SNAP, ADJUSTING (2.00T) (RED)	8	50	ALL	
	17	37149-14600	RING-SNAP, ADJUSTING (2.00T) (GREEN)	8	50	ALL	
	18	37150-14600	RING-SNAP, ADJUSTING (2.00T) (BLUE)	8	10	ALL	

REVISED: JUNE, 1971

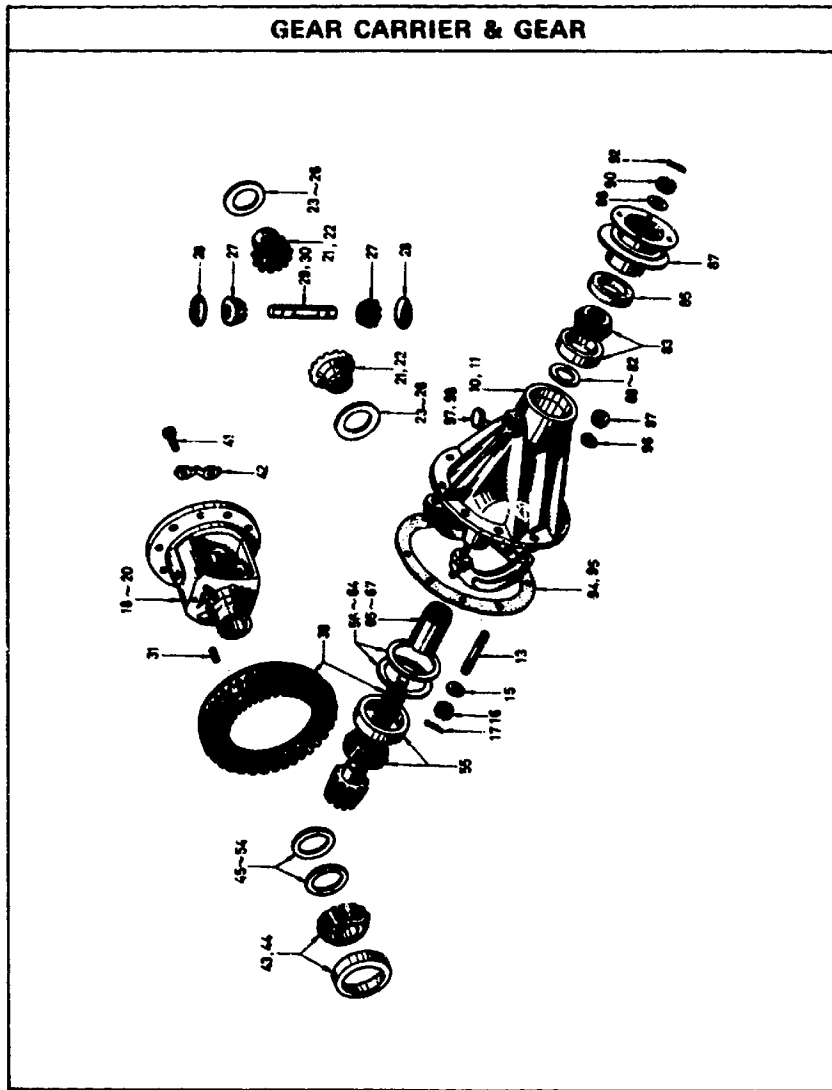
36 - 1

Printed in Japan

FIG. 36 E7 NISSAN MOTOR CO., LTD.

S	KEY NO.	PART NO.	PART NAME	QTY	SALES UNIT	MODEL	ICA
	19	37151-14600	RING-SNAP, ADJUSTING (2.10T) (BROWN)	8	10	ALL	
	20	37152-14600	RING-SNAP, ADJUSTING (2.12T) (NO MARK)	8	10	ALL	
•	21	37216-14600	ASSY-SHAFT PROPELLER (NOT FOR SALE)	1	1	1.6L	
•	22	37216-20100	ASSY-SHAFT PROPELLER (NOT FOR SALE)	1	1	2L	
•	23	37117-14600	YUKE-FLANGE	1	1	1.6L	
	24	37117-14601	YUKE-FLANGE	2	1	2L	
	25	37226-20400	COVER DUST	1		2L	
	26	00124-92510	BOLT TO FIX PROPELLER SHAFT TO COMPANION FLANGE	4	50	ALL	
	27	00911-24510	NUT TO FIX PROPELLER SHAFT TO COMPANION FLANGE	4	50	ALL	
	28	00911-21510	WASHER-LOCK TO FIX PROPELLER SHAFT TO COMPANION FLANGE	4	50	ALL	

FIG. 37 E8 NISSAN MOTOR CO., LTD.



JUNE, 1972

F37 - 1

Printed in Japan

NISSAN MOTOR CO., LTD.

FIG. 37

S	KEY NO.	PART NO.	PART NAME	QTY	SALES UNIT	MODEL	ICA
			GEAR CARRIER & GEAR				
•	1	38300-14600	ASSY-CARRIER WITH GEAR (35/9)	1	1.6L		
•	2	38300-A5300	ASSY-CARRIER WITH GEAR (35/9)	1	1.6L		Y
	3	38300-A5302	ASSY-CARRIER WITH GEAR (35/9)	1	1.6L		Y
•	4	38300-14610	ASSY-CARRIER WITH GEAR (35/9)NON-SLIP DIFFERENTIAL	1	OP.1.6L		
•	5	38300-14625	ASSY-CARRIER WITH GEAR (35/9)NON-SLIP DIFFERENTIAL	1	OP.1.6L		Y
•	6	38300-25500	ASSY-CARRIER WITH GEAR (37/10)	1	2L		
•	7	38300-A5800	ASSY-CARRIER WITH GEAR (37/10)	1	2L		Y
•	8	38300-A5802	ASSY-CARRIER WITH GEAR (37/10)	1	2L		Y
•	9	38300-25510	ASSY-CARRIER WITH GEAR (37/10)NON-SLIP DIFFERENTIAL	1	OP.2L		
•	10	38310-14600	ASSY-CARRIER, GEAR	1	ALL		
	11	38310-A3000	ASSY-CARRIER, GEAR	1	ALL		Y
•	12	38315-01302	STUD-DIFFERENTIAL BEARING CAP	4	ALL		
	13	38315-13200	STUD-DIFFERENTIAL BEARING CAP	4	10 ALL		Y
•	14	00915-41600	WASHER-PLAIN	4	ALL		
	15	00915-41610	WASHER-PLAIN	4	50 ALL		Y
	16	00912-04600	NUT	4	10 ALL		

REVISED: JUNE, 1972

37 - 1

Printed in Japan

FIG. 37 E9 NISSAN MOTOR CO., LTD.

S	KEY NO.	PART NO.	PART NAME	QTY	SALES UNIT	MODEL	ICA
	17	00921-21810	PIN-COTTER	4	50	ALL	
	18	3R421-07200	CASE-DIFFERENTIAL GEAR	1	1	ALL	
	19	3R421-16300	CASE-DIFFERENTIAL GEAR FOR NON-SLIP DIFFERENTIAL	1		OP,ALL	
	20	3R422-16300	CASE-DIFFERENTIAL GEAR FOR NON-SLIP DIFFERENTIAL	1		OP,ALL	
	21	3R423-14600	GEAR-SIDE	2	1	ALL	
	22	3R423-16300	GEAR-SIDE FOR NON-SLIP DIFFERENTIAL	2	5	OP,ALL	
	23	3R424-25660	WASHER-THRUST, SIDE GEAR (T=0,76-0,81)	2	10	ALL	
	24	3R424-32200	WASHER-THRUST, SIDE GEAR (T=0,81-0,86)	2	5	ALL	
	25	3R424-32201	WASHER-THRUST, SIDE GEAR (T=0,86-0,91)	2	5	ALL	
	26	3R424-32202	WASHER-THRUST, SIDE GEAR (T=1,01-1,06)	2	5	ALL	
	27	3R425-00100	GEAR-PINION MATE	2	1	ALL	
	28	3R426-32200	WASHER-THRUST, PINION MATE	2	10	ALL	
	29	3R427-25660	SHAFT-PINION MATE	1	5	ALL	
	30	3R427-16300	SHAFT-PINION MATE FOR NON-SLIP DIFFERENTIAL	1	1	OP,ALL	
	31	3R428-25660	PIN-PINION MATE	1	50	ALL	
	32	3R431-16300	RING-PRESSURE DIFFERENTIAL BEVEL FOR NON-SLIP DIFFERENTIAL GEAR	2	1	OP,ALL	
	33	3R432-16300	PLATE-FRICTION GEAR SIDE FOR NON-SLIP DIFFERENTIAL GEAR	4	5	OP,ALL	
	34	3R433-16300	DISK-FRICTION FOR NON-SLIP DIFFERENTIAL GEAR	4	5	OP,ALL	

NISSAN MOTOR CO., LTD.

FIG. 37

S	KEY NO.	PART NO.	PART NAME	QTY	SALES UNIT	MODEL	ICA
	35	3R433-16301	DISK-FRICTION FOR NON-SLIP DIFFERENTIAL GEAR	4	5	OP,ALL	
	36	3R434-16300	SCREW-COUPLE FOR NON-SLIP DIFFERENTIAL GEAR	2	5	OP,ALL	
	37	3R100-61000	SET-GEAR, HYPOID DRIVE (35/9)	1	1	1.6L	
	38	3R100-25600	SET-GEAR, HYPOID DRIVE (35/9)	1	1	1.6L	Y
	39	3R100-45300	SET-GEAR, HYPOID DRIVE (35/9)	1	1	1.6L	Y
	40	3R100-77700	SET-GEAR, HYPOID DRIVE (37/10)	1	1	2L	
	41	3R102-01300	BOLT-DRIVE GEAR	8	10	ALL	
	42	3R103-01300	STAP-LOCK, BOLT	4	50	ALL	
	43	3R440-25660	BEARING-SIDE	2	1	ALL	
	44	40210-85000	BEARING-SIDE	2	1	ALL	Y
	45	3R153-27160	SHIM-ADJUSTING, DRIVE GEAR (0,75T) (INCH)	AR	10	ALL	
	46	3R457-61200	SHIM-ADJUSTING, DRIVE GEAR (0,50T) (MM)	AR	10	ALL	Y
	47	3R154-27160	SHIM-ADJUSTING, DRIVE GEAR (0,75T) (INCH)	AR	50	ALL	
	48	3R456-61200	SHIM-ADJUSTING, DRIVE GEAR (0,25T) (INCH)	AR	10	ALL	Y
	49	3R155-27160	SHIM-ADJUSTING, DRIVE GEAR (0,125T) (INCH)	AR	50	ALL	
	50	3R455-61200	SHIM-ADJUSTING, DRIVE GEAR (0,10T) (MM)	AR	10	ALL	Y
	51	3R156-27160	SHIM-ADJUSTING, DRIVE GEAR (0,75T) (INCH)	AR	50	ALL	
	52	3R454-61200	SHIM-ADJUSTING, DRIVE GEAR (0,07T) (MM)	AR	10	ALL	Y

FIG. 37 E10 NISSAN MOTOR CO., LTD.

S KEY NO.	PART NO.	PART NAME	QTY	SALES UNIT	MODEL	ICA
53	3A161-27160	SHIM-ADJUSTING,DRIVE GEAR (0,05T) (INCH)	AM	50	ALL	
54	3A453-61200	SHIM-ADJUSTING,DRIVE GEAR (0,05T) (MM)	AM	10	ALL	Y
55	38126-61000	BEARING-DRIVE PINION, R EAR	1	1	ALL	
55	3A153-61000	SHIM-ADJUSTING,DRIVE PINION,(0,75T) (INCH)	AM	9	ALL	
57	3A157-61200	SHIM-ADJUSTING,DRIVE PINION (0,90T) (MM)	AM	10	ALL	Y
58	3A154-61000	SHIM-ADJUSTING,DRIVE PINION (0,125T) (INCH)	AM	9	ALL	
59	3A156-61200	SHIM-ADJUSTING,DRIVE PINION (0,20T) (MM)	AM	10	ALL	Y
60	38155-61000	SHIM-ADJUSTING,DRIVE PINION (0,125T) (INCH)	AM	9	ALL	
61	3A155-61200	SHIM-ADJUSTING,DRIVE PINION (0,10T) (MM)	AM	10	ALL	Y
62	3A156-61000	SHIM-ADJUSTING,DRIVE PINION (0,075T) (INCH)	Z	10	ALL	
63	38154-61200	SHIM-ADJUSTING,DRIVE PINION (0,07T) (MM)	AM	10	ALL	Y
64	3A153-61200	SHIM-ADJUSTING,DRIVE PINION (0,05T) (MM)	AM	10	ALL	Y
65	3A165-61001	SPACER-DRIVE PINION BEARING(59,25H/M)	1	1	ALL	
66	3A166-61001	SPACER-DRIVE PINION BEARING(59,50H/M)	1	1	ALL	
67	3A167-61001	SPACER-DRIVE PINION BEARING(59,75H/M)	1	1	ALL	
68	3A125-61001	WASHER-ADJUST,DRIVE PINION BEARING	1	10	ALL	
69	38126-61001	WASHER-ADJUST,DRIVE PINION BEARING	1	10	ALL	

NISSAN MOTOR CO., LTD.

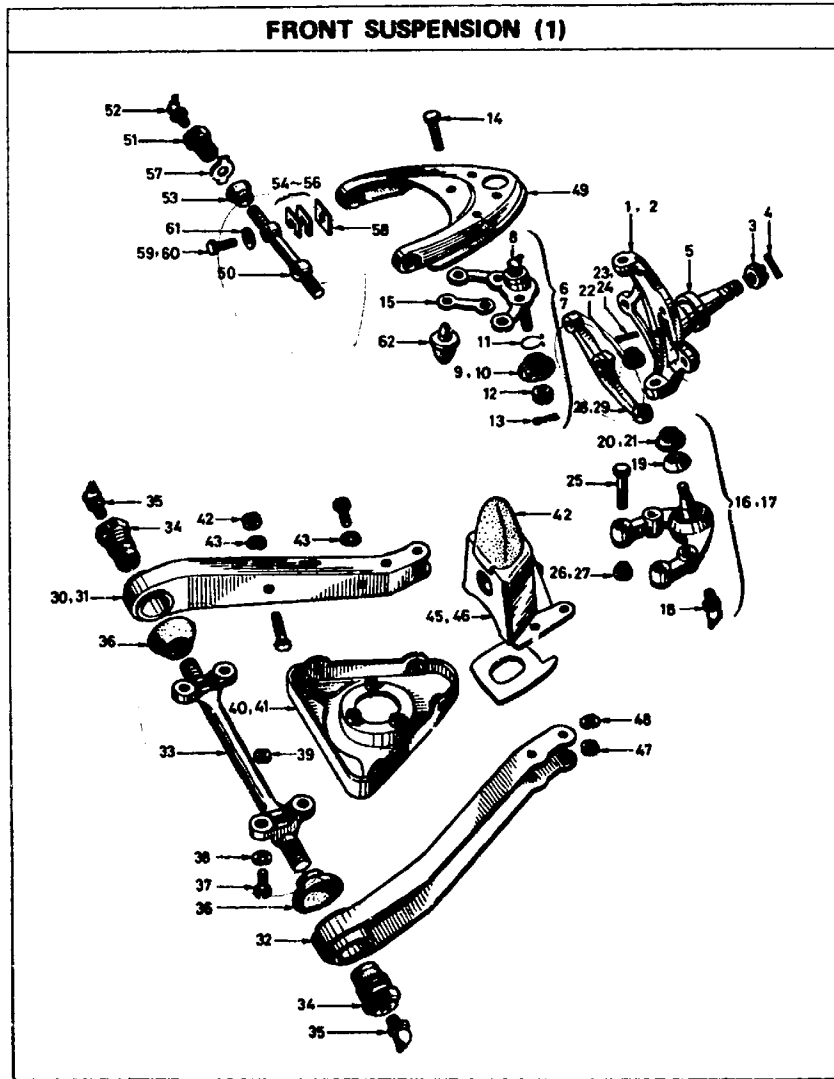
FIG. 37

S KEY NO.	PART NO.	PART NAME	QTY	SALES UNIT	MODEL	ICA
70	38127-61001	WASHER-ADJUST,DRIVE PINION BEARING	1	10	ALL	
71	3A128-61001	WASHER-ADJUST,DRIVE PINION BEARING	1	10	ALL	
72	3A129-61001	WASHER-ADJUST,DRIVE PINION BEARING	1	10	ALL	
73	38130-61001	WASHER-ADJUST,DRIVE PINION BEARING	1	10	ALL	
74	38131-61001	WASHER-ADJUST,DRIVE PINION BEARING	1	10	ALL	
75	38132-61001	WASHER-ADJUST,DRIVE PINION BEARING	1	10	ALL	
76	38133-61001	WASHER-ADJUST,DRIVE PINION BEARING	1	10	ALL	
77	38134-61001	WASHER-ADJUST,DRIVE PINION BEARING	1	10	ALL	
78	38135-61001	WASHER-ADJUST,DRIVE PINION BEARING	1	10	ALL	
79	38136-61001	WASHER-ADJUST,DRIVE PINION BEARING	1	10	ALL	
80	38137-61001	WASHER-ADJUST,DRIVE PINION BEARING	1	10	ALL	
81	38138-61001	WASHER-ADJUST,DRIVE PINION BEARING	1	10	ALL	
82	38139-61001	WASHER-ADJUST,DRIVE PINION BEARING	1	10	ALL	
83	3A140-61000	BEARING-DRIVE PINION, FRONT	1	1	ALL	
84	38189-61000	SEAL-OIL,DRIVE PINION	1	10	ALL	
85	38189-61001	SEAL-OIL,DRIVE PINION	1	10	ALL	Y
86	38210-73000	ASSY-FLANGE,COMPANION	1	1	ALL	
87	38210-73001	ASSY-FLANGE,COMPANION	1	1	ALL	Y
88	38215-61000	WASHER-PLAIN	1	10	ALL	

FIG. 37 E11 NISSAN MOTOR CO., LTD.

S	KEY NO.	PART NO.	PART NAME	QTY	SALES UNIT	MODEL	ICA
	80	38216-61000	NUT-DRIVE PINION	1	10	1.6L	
	90	38216-13200	NUT-DRIVE PINION(FROM E/R R.40001)	1	5	ALL	N
	91	00921-43000	PIN-COTTER	1		ALL	
	92	00921-43010	PIN-COTTER	1	50	ALL	Y
	93	38320-25660	GASKET-GEAR CARRIER	1	10	ALL	
	94	38320-25670	GASKET-GEAR CARRIER	1	10	ALL	Y
	95	38320-83000	GASKET-GEAR CARRIER	1		ALL	Y
	96	00915-11510	WASHER-LOCK	5	50	ALL	
	97	00911-14510	NUT	5	50	ALL	
	98	00933-12200	PLUG-DIFFERENTIAL GEAR HOUSING	1	10	1.6L	

FIG. 38 E12 NISSAN MOTOR CO., LTD.



NISSAN MOTOR CO., LTD.

FIG. 38

S	KEY NO.	PART NO.	PART NAME	QTY	SALES UNIT	MODEL	ICA
			FRONT SUSPENSION (1)				
	1	40010-14650	ASSY-SPINDLE, KNUCKLE, W ITH NUT, R.H.	1	1	ALL	
	2	40010-14650	ASSY-SPINDLE, KNUCKLE, W ITH NUT, L.H.	1	1	ALL	
	3	40040-04100	NUT	2	20	ALL	
	4	00921-44010	PIN-COTTER	2	50	ALL	
	5	40020-25660	COLLAR-FRONT SPINDLE	1	5	ALL	
	6	40070-04100	JOINT-BALL, FRONT SUSPE NSION UPPER (TO SEP-67)	2	1	ALL	
	7	40110-25900	JOINT-BALL, FRONT SUSPE NSION UPPER (FROM OCT- 67)	2	1	ALL	N
	8	00932-30200	NIPPLE-GREASE	2	50	ALL	
	9	40074-10602	COVER-DUST, UPPER (TO S EP-67)	2	5	ALL	
	10	40142-25900	COVER-DUST, UPPER (FROM OCT-67)	2	5	ALL	N
	11	40081-04100	CLAMP-DUST COVER	2	50	ALL	
	12	00911-04710	NUT	2	50	ALL	
	13	00921-32500	PIN-COTTER	2		ALL	
	14	00124-51610	PLATE	1	50	ALL	
	15	40091-08800	PLATE-LOCK	1	10	ALL	
	16	40071-04200	JOINT-BALL, LOWER (TO SEP-67)	2	1	ALL	
	17	40160-25900	JOINT-BALL, LOWER (FROM OCT-67)	2	1	ALL	N
	18	00932-20200	NIPPLE-GREASE	2	50	ALL	

FIG. 38 E13 NISSAN MOTOR CO., LTD.

S	KEY NO.	PART NO.	PART NAME	QTY	SALES UNIT	MODEL	ICA
	17	00087-04100	COVER=DUST, INNER	2	50	ALL	
	20	00088-04100	COVER=DUST, OUTER RUBBER (TO SEP-67)	2	10	ALL	
	21	00192-25900	COVER=DUST, OUTER RUBBER (FROM OCT-67)	2	5	ALL	N
	22	00911-04510	NUT	2	50	ALL	
	23	00921-33000	PIN-COTTER	2		ALL	
	24	00921-33010	PIN-COTTER	2	50	ALL	Y
	25	00124-55000	NUT	0	25	ALL	
	26	00912-44500	NUT	0		ALL	
	27	00912-44510	NUT	0	50	ALL	Y
	29	00952-04100	AHM=KNUCKLE, R.H.	1	1	ALL	
	29	00953-04100	AHM=KNUCKLE, L.H.	1	1	ALL	
	30	54829-04200	ASSY-LINK, LOWER, FRONT SUSPENSION, FRONT, R.H.	1	1	ALL	
	31	54552-04200	ASSY-LINK, LOWER, FRONT SUSPENSION, FRONT, L.H.	1	1	ALL	
	32	54530-04200	ASSY-LINK, LOWER, FRONT SUSPENSION, REAR	2	1	ALL	
	33	54410-04200	SPINDLE=LOW&P LINK, FRONT SUSPENSION	2	1	ALL	
	34	54506-10600	ASSY-BUSHING, LOWER LINK, FRONT SUSPENSION	4	5	ALL	
	35	00932-20200	NIPPLE-GREASE	4	50	ALL	
	36	54539-04200	SEAL=DUST, LOWER LINK BUSH	4	50	ALL	
	37	54596-32200	PULY	0	100	ALL	
	38	00915-21610	WASHER=LOCK	0	50	ALL	
	39	00911-24610	NUT	0	50	ALL	

3P - 2

Printed in Japan

REVISED: SEPTEMBER, 1971

NISSAN MOTOR CO., LTD.

FIG. 38

S	KEY NO.	PART NO.	PART NAME	QTY	SALES UNIT	MODEL	ICA
	40	54830-04200	ASSY-BEAT, FRONT SPRING, LOWER R.H.	1	1	ALL	
	41	54831-04200	ASSY-BEAT, FRONT SPRING, LOWER L.H.	1	1	ALL	
	42	00911-14610	NUT	0	50	ALL	
	43	00915-11610	WASHER=LOCK	0	50	ALL	
	44	54850-14600	ASSY-BUMPER, REBOUND, FRONT SUSPENSION	2	1	ALL	
	45	54807-09400	ASSY-BRACKET, REBOUND, FRONT SUSPENSION, R.H.	1	1	ALL	
	46	54808-09400	ASSY-BRACKET, REBOUND, FRONT SUSPENSION, L.H.	1	1	ALL	
	47	00911-14510	NUT-PLAIN	2	50	ALL	
	48	00915-11510	WASHER=LOCK	2	50	ALL	
	49	54533-04100	ASSY-LINK, UPPER, FRONT SUSPENSION	2	1	ALL	
	50	54536-10600	SPINDLE=UPPER LINK, FRONT SUSPENSION	2	5	ALL	
	51	54507-10600	ASSY-BUSHING, UPPER LINK, FRONT SUSPENSION	4	5	ALL	
	52	00932-20200	NIPPLE-GREASE	4	50	ALL	
	53	54501-04100	SEAL=DUST, UPPER LINK BUSH	4	50	ALL	
	54	54542-04101	SHIM-CAMBER, A(1.0T)	4	50	ALL	
	55	54543-04101	SHIM-CAMBER, B(2.0T)	4	50	ALL	
	56	54544-04101	SHIM-CAMBER, C(4.0T)	4	50	ALL	
	57	54509-04100	WASHER=LOCK	4	50	ALL	
	58	54546-04101	SHIM-CASTER, REAR(1.2T)	4	10	ALL	
	59	00124-74010	NUT	4		ALL	
	60	54545-00700	PULY	4	10	ALL	Y

3P - 3

Printed in Japan

REVISED: SEPTEMBER, 1971

FIG. 38 E14 NISSAN MOTOR CO., LTD.

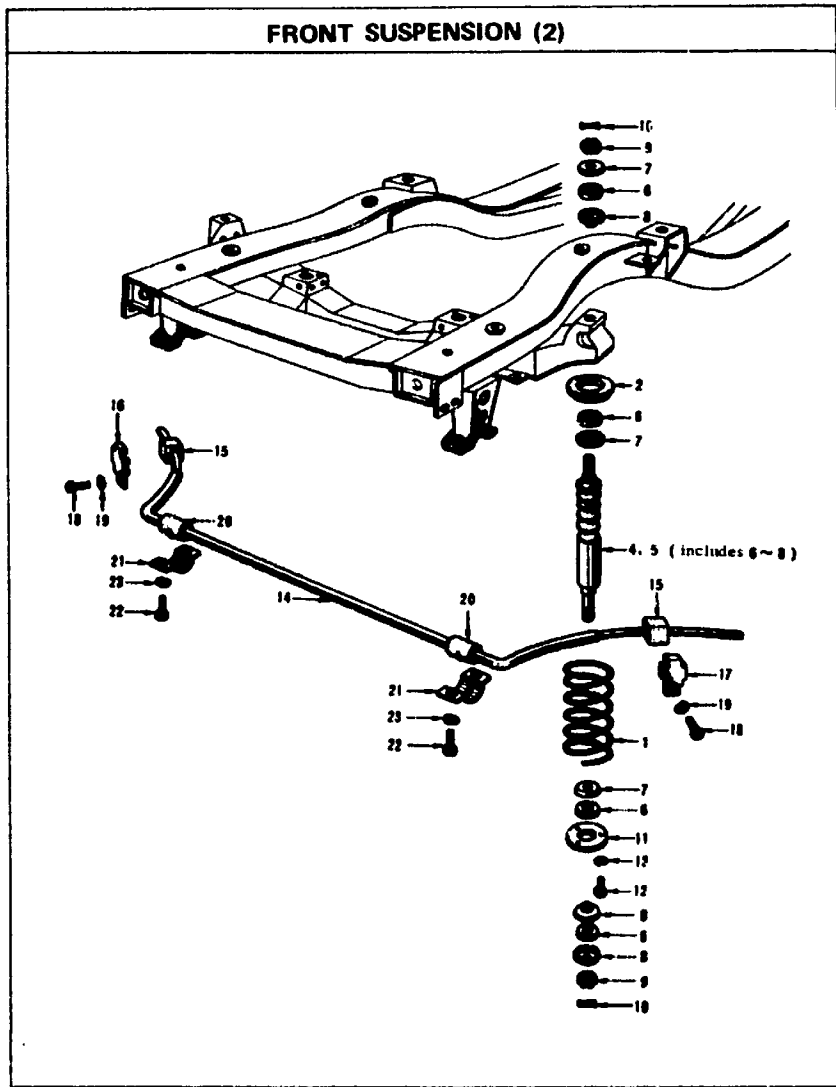
KEY NO.	PART NO.	PART NAME	QTY	SALES UNIT	MODEL	ICA
61	0916-21710	WASHER-LOCK	4	50	ALL	
62	54053-04100	BUMPER-RUBBER, REBOUND, FRONT SUSPENSION	2	5	ALL	

REVISED: SEPTEMBER, 1971

38 - 4

Printed in Japan

FIG. 39 E15 NISSAN MOTOR CO., LTD.



NISSAN MOTOR CO., LTD.

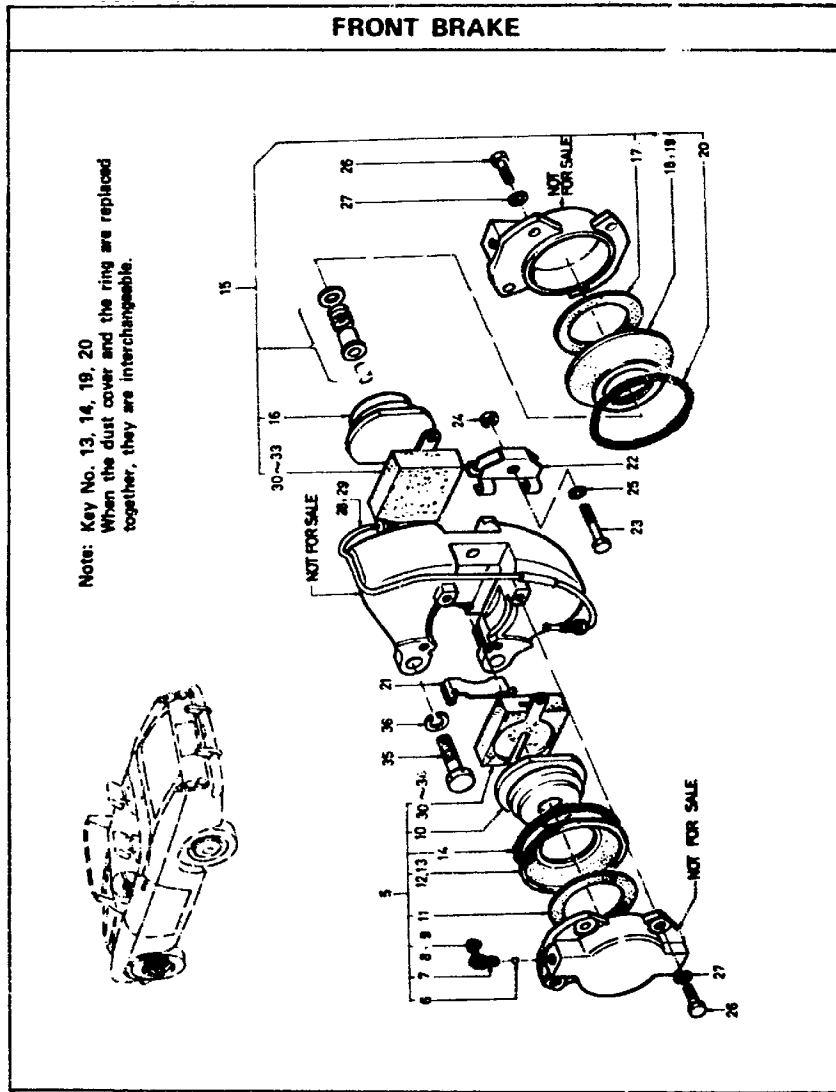
FIG. 39

S	KEY NO.	PART NO.	PART NAME	QTY	SALES UNIT	MODEL	ICA	
			FRONT SUSPENSION (2)					
	1	54010-10501	SPRING-FRONT	2	ALL			
	2	54036-04100	SEAT-RUBBER, FRONT SPRING	2	5 ALL			
	3	56110-04225	KIT-ABSORBER, SHOCK, FRONT	2	1 ALL			
	4	56110-14625	KIT-ABSORBER, SHOCK, FRONT (INC. 4, 5, 6, 7)	2	1 ALL		Y	
	5	56110-25525	KIT-ABSORBER, SHOCK, FRONT (FROM E/S R-40801)	2	1 ALL		N	
	6	56112-09400	BUSHING-RUBBER	8	50 ALL			
	7	56113-09400	WASHER-SPECIAL	8	50 ALL			
	8	56114-09400	WASHER-SPECIAL	4	50 ALL			
	9	00911-74610	NUT	4	50 ALL			
	10	00921-22810	PIN-COTTER	4	50 ALL			
	11	56115-04100	BRACKET-MOUNTING, FRONT SHOCK ABSORBER, LOWER	2	1 ALL			
	12	00369-41610	SCREW	6	50 ALL			
	13	00915-11410	WASHER-LOCK	6	50 ALL			
	14	54611-04200	BAR-TORSION, FRONT STABILIZER	1	1 ALL			
	15	54616-04200	BUSHING-RUBBER, FRONT STABILIZER, LOWER LINK SIDE	2	10 ALL			
	16	54617-04200	CLIP-FRONT STABILIZER, LINK SIDE R.H.	1	5 ALL			
	17	54618-04200	CLIP-FRONT STABILIZER, LINK SIDE L.H.	1	10 ALL			
	18	00369-00810	SCREW	2	50 ALL			

FIG. 39 E16 NISSAN MOTOR CO., LTD.

S	KEY NO.	PART NO.	PART NAME	QTY	SALES UNIT	MODEL	ICA
•	19	00919-11000	WASHER-LOCK	2		ALL	
	20	54613-04200	BUSHING-RUBBER,FRONT STABILIZER,FRAME SIDE	2	10	ALL	
	21	54614-04200	RETAINER-BUSH,FRONT STABILIZER,FRAME SIDE	2	1	ALL	
	22	00114-01610	BOLT	4	50	ALL	
•	23	00919-11400	WASHER-LOCK	4		ALL	

FIG. 40 F1 NISSAN MOTOR CO., LTD.



DECEMBER, 1971

F40 - 1

Printed in Japan

NISSAN MOTOR CO., LTD.

FIG. 40

S	KEY NO.	PART NO.	PART NAME	QTY	SALES UNIT	MODEL	ICA
			FRONT BRAKE				
•	1	41000-73400	ASSY-CALIPER,FRONT BRAKE,R.H.	1		ALL	
	2	41000-65001	ASSY-CALIPER,FRONT BRAKE,R.H.	1	1	ALL	Y
•	3	41010-73400	ASSY-CALIPER,FRONT BRAKE,L.H.	1		ALL	
	4	41010-65001	ASSY-CALIPER,FRONT BRAKE,L.H.	1	1	ALL	Y
	5	41100-14600	ASSY-CYLINDER,INNER	2	1	ALL	
	6	41126-14600	BALL-13/16	2	10	ALL	
	7	41128-14600	SCREW-BLEEDER	2	10	ALL	
	8	41129-30001	CAP-BLEEDER	2	10	ALL	
	9	41129-A2410	CAP-BLEEDER	2	10	ALL	Y
	10	41120-14600	ASSY-PISTON	2	1	ALL	
	11	41124-14600	PACKING-PISTON	2	10	ALL	
•	12	41127-14600	COVER-DUST	2	10	ALL	
	13	41127-73400	COVER DUST	2	10	ALL	C
	14	41135-73400	RING	2	10	ALL	C
	14	41101-14600	ASSY-CYLINDER,OUTER	2	1	ALL	
	16	41120-14600	ASSY-PISTON	2	1	ALL	
	17	41124-14600	PACKING-PISTON	2	10	ALL	
•	18	41127-14600	COVER-DUST	2	10	ALL	
	19	41127-73400	COVER DUST	2	10	ALL	C
	20	41135-73400	RING	2	10	ALL	C
	21	41214-14600	PLATE-SUPPORT	4	5	ALL	

REVISED: DECEMBER, 1971

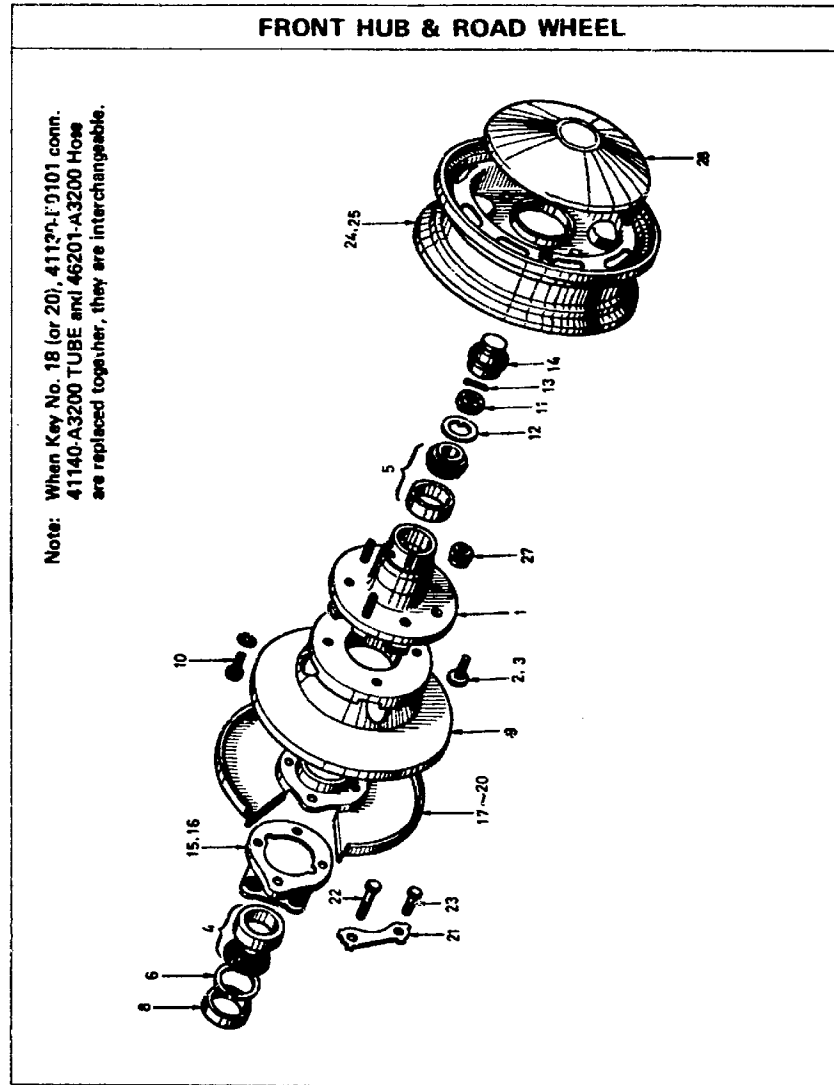
40 - 1

Printed in Japan

FIG. 40 F2 NISSAN MOTOR CO., LTD.

S	KEY NO.	PART NO.	PART NAME	QTY	SALES UNIT	MODEL	ICA
	27	41071-14600	PLATE-KEEP	2	5	ALL	
	23	41217-14600	BOLT TO FIX KEEP PLATE	2	10	ALL	
	24	41049-14600	NUT TO FIX KEEP PLATE	2	10	ALL	
	25	41057-14600	WASHER TO FIX KEEP PLATE	2	50	ALL	
	26	41218-14600	BOLT TO FIX CYLINDER	10	10	ALL	
	27	41057-14600	WASHER TO FIX CYLINDER	15	50	ALL	
	28	41142-14600	ASSY-TUBE, BRIDGE, R.H.	1	5	ALL	
	29	41143-14600	ASSY-TUBE, BRIDGE, L.H.	1	5	ALL	
•	30	41060-73400	ASSY-PAD	4		ALL	
•	31	41060-65001	ASSY-PAD(M33)RH/LH	4		ALL	Y
•	32	41060-65002	ASSY-PAD(M33S)RH	2	1	ALL	Y
•	33	41070-65002	ASSY-PAD(M33S)LH	2	1	ALL	
	34	41060-65025	KIT-PAD RH/LH	1		ALL	
	35	41005-14600	BOLT TO FIX CALIPER	4	10	ALL	
	36	00915-11810	WASHER TO FIX CALIPER	4	50	ALL	

FIG. 41 F3 NISSAN MOTOR CO., LTD.



NISSAN MOTOR CO., LTD.

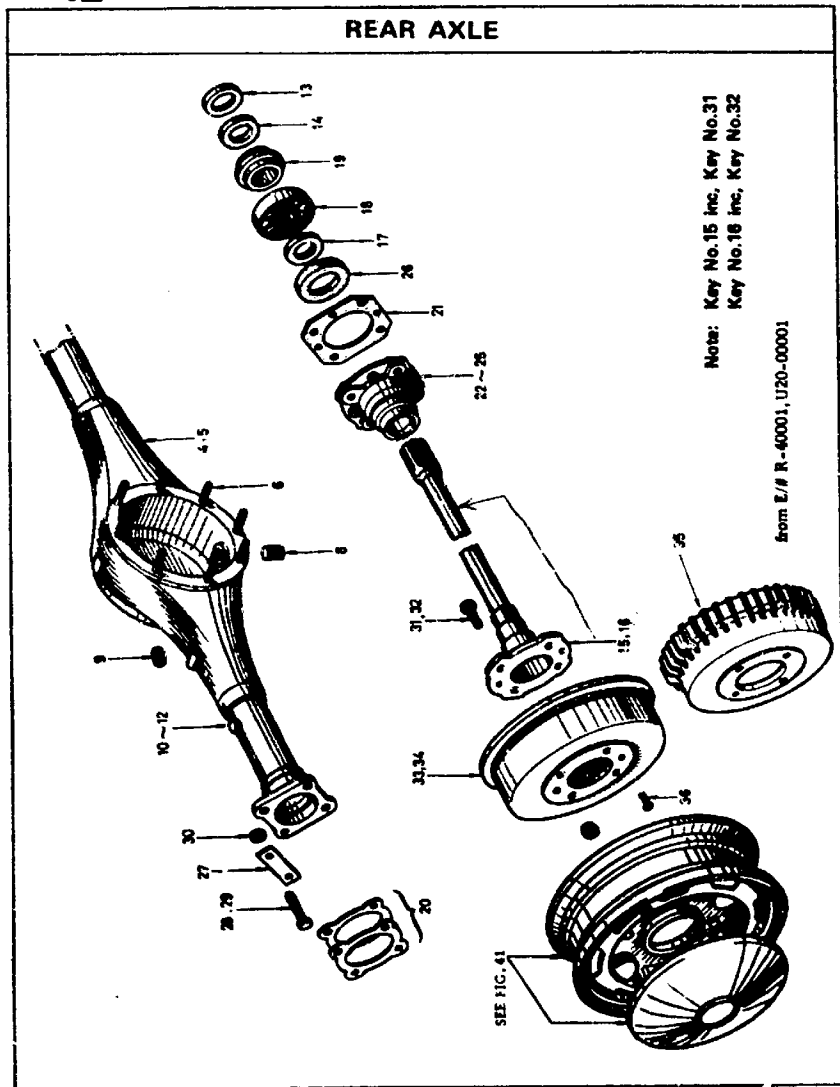
FIG. 41

S	KEY NO.	PART NO.	PART NAME	QTY	SALES UNIT	MODEL	ICA
			FRONT HUB & ROAD WHEEL				
	1	40202-14650	ASSY-HUB, ROAD WHEEL, FRONT	2	1	ALL	
	2	40221-14600	BOLT-HUB, ROAD WHEEL	8	10	1, 6L	
	3	40221-29900	BOLT-HUB, ROAD WHEEL (FRONT E/S R=40801)	8	10	ALL	N
	4	3A440-14361	BEARING-FRONT WHEEL, INNER	2	1	ALL	
	5	40213-14600	BEARING-FRONT WHEEL, OUTER	2	1	ALL	
	6	40221-04100	SPACER-OIL SEAL, FRONT HUB	2	10	ALL	
	7	40227-00000	SEAL-OIL, FRONT HUB	2		ALL	
	8	40232-16900	SEAL-OIL, FRONT HUB	2	10	ALL	Y
	9	40206-14600	ROTOR-DISC BRAKE	2	1	ALL	
	10	40229-14600	BOLT-HUB ROTOR FIX	8	10	ALL	
	11	40840-04100	NUT-NUCKLE SPINDLE	2	10	ALL	
	12	40837-04100	WASHER-FRONT WHEEL BEARING	2	10	ALL	
	13	00021-44010	PIN-COTTER	2	50	ALL	
	14	40234-14600	CAP-HUB, FRONT WHEEL	2	5	ALL	
	15	41020-14600	ADAPTER-CALIPER, R.H.	1	10	ALL	
	16	41030-14600	ADAPTER-CALIPER, L.H.	1	10	ALL	
	17	41029-14600	PLATE-PAFFLE, R.H.	1	1	ALL	
	18	41029-A3200	PLATE-PAFFLE, R.H. (FROM JULY-69)	1	1	ALL	C
	19	41030-14600	PLATE-PAFFLE, L.H.	1	1	ALL	

FIG. 41 F4 NISSAN MOTOR CO., LTD.

S	KEY NO.	PART NO.	PART NAME	QTY	SALES UNIT	MODEL	ICA
	20	41035-A3200	PLATE-RAFFLE,L.H.(FROM JULY-67)	1	1	ALL	C
	21	41035-04100	PLATE-LOCK	4	10	ALL	
	22	00134-65010	BOLT	4	20	ALL	
	23	00134-63210	BOLT	4	50	ALL	
	24	40300-14600	ASSY-WHEEL,ROAD (TO E/ P 40000)	5	1	1.6L	
	25	40300-14601	ASSY-WHEEL,ROAD 4 1/2 J X 14(FROM E/P W-4000 1)	5	1	DP,ALL	N
	26	40225-04100	NUT-ROAD WHEEL	10	10	ALL	
	27	40225-25000	NUT-ROAD WHEEL	10	50	ALL	Y
	28	40310-14600	ASSY-COVER,ROAD WHEEL	4	1	ALL	

FIG. 42 F5 NISSAN MOTOR CO., LTD.



NISSAN MOTOR CO., LTD.

FIG. 42

S	KEY NO.	PART NO.	PART NAME	QTY	SALES UNIT	MODEL	ICA
			REAR AXLE				
	1	43000-14630	ASSY-AXLF, REAR WITH WHEEL 35/9(3,889)	1	1	1.6L	
	2	43000-25550	ASSY-AXLF, REAR WITH WHEEL 35/9(3,889)	1	1	1.6L	N
	3	43000-25650	ASSY-AXLF, REAR WITH WHEEL 37/10(3,700)	1	1	2L	
	4	43010-14600	COMP-CASE, REAR AXLE (TYPE E/R-40000)	1	1	1.6L	
	5	43010-25550	COMP-CASE R/A (FROM E/R-40001, U-00001)	1	1	ALL	N
	6	00224-52010	STUD-GEAR CARRIER	10	50	ALL	
	7	43027-04100	ASSY-PLUG DRAIN	1		ALL	
	8	32103-14600	ASSY-PLUG DRAIN	1	10	ALL	Y
	9	00031-21210	PLUG-TAPER	1	10	ALL	
	10	3R322-14600	ASSY-BREATHER	1		1.6L	
	11	3R322-14601	ASSY-BREATHER	1	10	1.6L	Y
	12	3R322-55100	ASSY-BREATHER (FROM E/R-40001, U-00001)	1	10	ALL	N
	13	43068-04101	SPACER-OIL SEAL, REAR AXLE	1	10	ALL	
	14	3R212-04101	SEAL-OIL, REAR AXLE SHAFT	2	10	ALL	
	15	3R164-14650	SHAFT-REAR AXLE	2	1	ALL	
	16	3R164-25550	SHAFT-REAR AXLE	2	1	ALL	C
	17	43070-04101	SPACER-REAR AXLE BEARING	2	5	ALL	
	18	43215-00000	BEARING-REAR AXLE	2	1	ALL	

FIG. 42 F6 NISSAN MOTOR CO., LTD.

S	KEY NO.	PART NO.	PART NAME	QTY	SALES UNIT	MODEL	ICA
	10	43084-10600	COLLAR-BEARING, REAR AXLE	2	5	ALL	
	20	43036-04100	SHIM-REAR AXLE CASE FRONT	AR	50	ALL	
	21	43239-04100	PACKING-GREASE CATCHER	2	50	ALL	
	22	43234-04101	ASSY-CATCHER, GREASE, REAR	1	5	ALL	
	23	43235-04101	ASSY-CATCHER, GREASE, REAR AXLE CASE, L.H.	1	5	ALL	
•	24	43234-10400	ASSY-CATCHER, GREASE, REAR AXLE BEARING (FROM C/P SP311-U 01000 SPL31 1 07020)	2		ALL	N
	25	43234-10401	ASSY-CATCHER, GREASE REAR	2	10	ALL	Y
	26	43223-04100	SEAL-GREASE, REAR AXLE BEARING	2	10	ALL	
	27	43233-04100	PLATE-LOCK, BRAKE DISC FIXING BOLT	4	50	ALL	
	28	43083-04101	BOLT-FIXING, REAR BRAKE DISC	6	10	ALL	
	29	43083-10400	BOLT-FIXING, REAR BRAKE DISC (FROM C/P SP311-U 01000 SPL31 07020)	6	50	ALL	N
	30	00912-44510	NUT	8	50	ALL	
	31	40221-04101	BOLT-HUB, ROAD WHEEL (TO E/S R-40000)	8	20	1.6L	
	32	40221-23500	BOLT-HUB, ROAD WHEEL (FROM E/S R-40001)	8	10	ALL	N
•	33	40206-10501	DRUM-BRAKE	2		1.6L	
	34	40206-10700	DRUM-BRAKE (TO E/S R-40000)	2	1	1.6L	Y
	35	43206-23500	DRUM-BRAKE WITH A1 FINISH (FROM E/S R-40001)	2	1	ALL	N

REVISED: DECEMBER, 1971

42 - 2

Printed in Japan

NISSAN MOTOR CO., LTD.

FIG. 42

S	KEY NO.	PART NO.	PART NAME	QTY	SALES UNIT	MODEL	ICA
	36	00324-41410	SCREW	4	50	ALL	

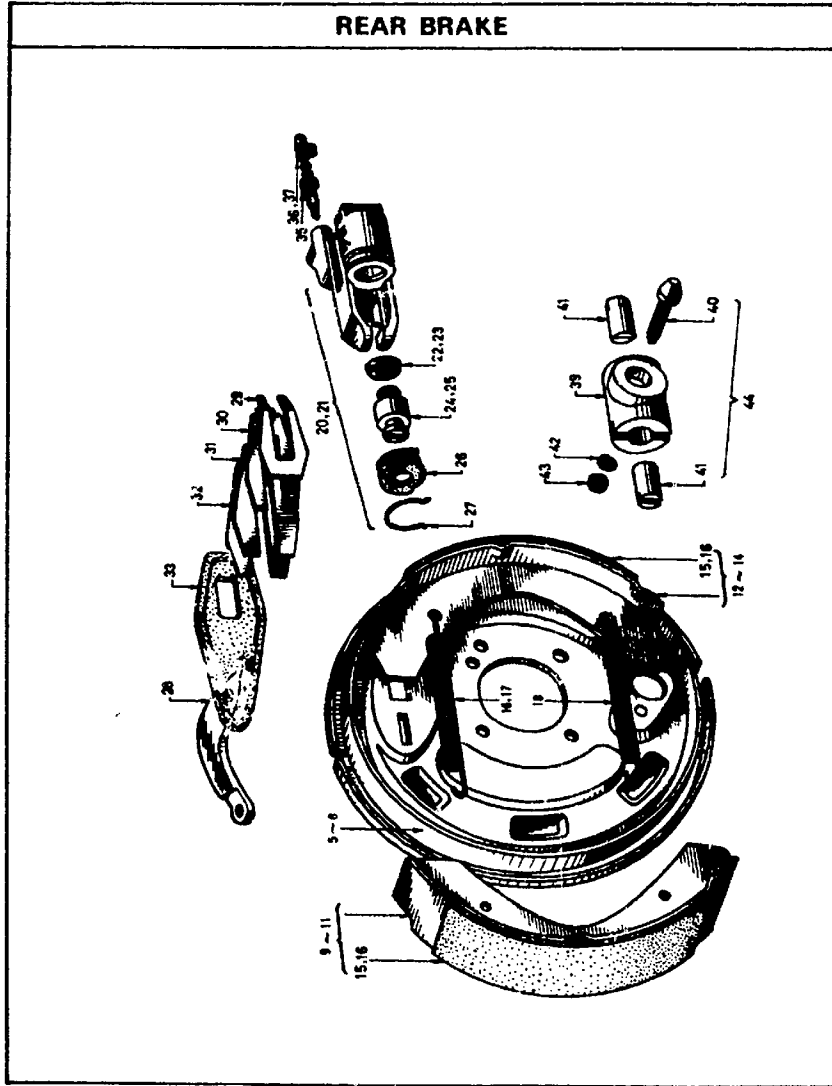
REVISED: DECEMBER, 1971

42 - 3

Printed in Japan

FIG. 43 F7

NISSAN MOTOR CO., LTD.



MARCH, 1971

F43 - 1

Printed in Japan

NISSAN MOTOR CO., LTD.

FIG. 43

KEY NO	PART NO.	PART NAME	QTY	SALES UNIT	MODEL	ICA
REAR BRAKE						
1	44000-14600	ASSY-BRAKE, REAR, R.H.	1	1 1.6L		
2	44000-25500	ASSY-BRAKE, REAR, R.H. (FROM E/S R-40001)	1	1 ALL		N
3	44010-14600	ASSY-BRAKE, REAR, L.H.	1	1 1.6L		
4	44010-25500	ASSY-BRAKE, REAR, L.H. (FROM E/S R-40001)	1	1 ALL		N
5	44020-10600	ASSY-DISC, REAR BRAKE, R.H.	1	1 1.6L		
6	44020-25500	ASSY-DISC, REAR BRAKE, R.H. (FROM E/S R-40001)	1	1 ALL		N
7	44030-10600	ASSY-DISC, REAR BRAKE, L.H.	1	1 1.6L		X
8	44030-25500	ASSY-DISC, REAR BRAKE, L.H. (FROM E/S R-40001)	1	1 ALL		N
9	44060-10500	ASSY-SHOE, REAR BRAKE, FRONT	2	1 1.6L		
10	44060-16500	ASSY-SHOE, REAR BRAKE, FRONT (FROM E/S R-40001)	2	4 ALL		N
11	44060-14600	ASSY-SHOE, REAR BRAKE, FRONT (FROM E/S R-40001)	2	1 OP, ALL		
12	44070-10500	ASSY-SHOE, REAR BRAKE, AFTER	2	1 1.6L		
13	44070-16500	ASSY-SHOE, REAR BRAKE, AFTER (FROM E/S R-40001)	2	4 ALL		N
14	44070-14600	ASSY-SHOE, REAR BRAKE, AFTER (FROM E/S R-40001)	2	1 OP, ALL		
15	41066-10500	LINING-BRAKE (M40)	4	1 ALL		
16	44066-14600	LINING-BRAKE (AM-4)	4	2 OP, ALL		

REVISED: MARCH, 1971

43 - 1

Printed in Japan

FIG. 43 F8 NISSAN MOTOR CO., LTD.

S	KEY NO.	PART NO.	PART NAME	QTY	SALES UNIT	MODEL	ICA
	17	44070-30001	SPRING-RETURN, BRAKE SHOE, CYLINDER SIDE	2	10 1.6L		
	18	44090-14000	SPRING-RETURN, BRAKE SHOE, CYLINDER SIDE (FROM E/S R-40001)	2	5 ALL		N
	19	44071-30001	SPRING-RETURN, BRAKE SHOE, ADJUSTER SIDE	2	10 1.6L		
	20	44100-14000	ASSY-CYLINDER, REAR WHEEL (1 3/16") (NABCO)	2	1 1.6L		
	21	44100-29000	ASSY-CYLINDER, REAR WHEEL (1 3/4") (NABCO) (FROM E/S R-40001)	2	1 ALL		N
	22	44112-71200	CUP-PISTON (TO E/S R-40000)	2	20 1.6L		
	23	44112-32201	CUP-PISTON (FROM E/S R-40001)	2	50 ALL		N
	24	44100-14000	PISTON-REAR WHEEL (TO E/S R-40000)	2	2 1.6L		
	25	44100-73000	PISTON-REAR WHEEL (FROM E/S R-40001)	2	5 ALL		N
	26	44124-31700	COVER-DUST, A	2	10 ALL		
	27	44113-31700	RING-SNAP	2	10 ALL		
	28	44110-30001	ASSY-LEVER	2	5 ALL		
	29	44141-31700	SHIM-ADJUSTING, A	2	10 ALL		
	30	44142-31700	SHIM-ADJUSTING, B	2	10 ALL		
	31	44140-31700	PLATE-A	2	5 ALL		
	32	44150-31700	PLATE-B	2	10 ALL		
	33	44144-31700	COVER-DUST, B	2	10 ALL		
	34	44131-14000	BASKET	2	10 ALL		
	35	41120-30001	SCREW-BLEEDER	2	10 ALL		
	36	41120-30001	CAP-BLEEDER	2	10 ALL		

NISSAN MOTOR CO., LTD.

FIG. 43

S	KEY NO.	PART NO.	PART NAME	QTY	SALES UNIT	MODEL	ICA
	37	41120-42010	CAP-BLEEDER	2	10 ALL		Y
	38	44001-04100	ASSY-HOUSING, BRAKE SHOE ADJUSTER	2	1.6L		
	39	44202-10400	ASSY-HOUSING, BRAKE SHOE ADJUSTER	2	1 ALL		Y
	40	44004-30000	WEDGE-ADJUSTER	2	10 ALL		
	41	44205-10500	TAPPET-ADJUSTER	4	10 ALL		
	42	00915-11410	WASHER-LOCK	4	50 ALL		
	43	00911-14410	NUT	4	50 ALL		
	44	44208-10400	ASSY-ADJUSTER, REAR WHEEL (INC. 20, 21, 22)	2	1 ALL		
	45	44100-14625	KIT-A, REAR WHEEL CYLINDER (TO E/S R-40000)	1	1 1.6L		
	46	44100-14626	KIT-B, REAR WHEEL CYLINDER (TO E/S R-40000)	1	1 1.6L		
	45-02	44100-73425	KIT-A, REAR WHEEL CYLINDER (FROM E/S R-40001)	1	ALL		N
	46-02	44100-73426	KIT-B, REAR WHEEL CYLINDER (FROM E/S R-40001)	1	ALL		N

FIG. 44 F9

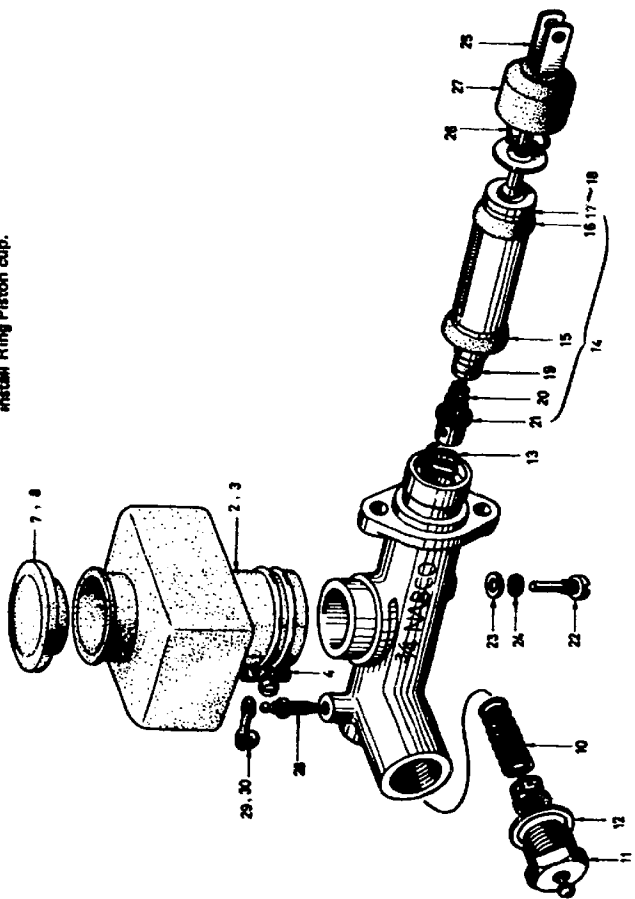
NISSAN MOTOR CO., LTD.

NISSAN MOTOR CO., LTD.

FIG. 44

BRAKE MASTER CYLINDER (SINGLE) (TO E/# R-40000)

Note: When using Key No. 15 (Piston cup), you need not install Ring Piston cup.



JUNE, 1972

F44 - 1

Printed in Japan

KEY NO.	PART NO.	PART NAME	QTY	SALES UNIT	MODEL	ICA
BRAKE MASTER CYLINDER (SINGLE) (TO E/# R-40000)						
1	46010-14602	ASSY-CYLINDER, BRAKE MASTER (3/4" NABCO)	1	1	1.6L	
2	46091-14601	RESERVOIR-BRAKE OIL	1	1	1.6L	
3	46091-23100	RESERVOIR-BRAKE OIL	1	1	1.6L	Y
4	46016-14600	ASSY-BAND, OIL RESERVOIR	1	5	1.6L	
5	46020-10601	SET-CAP, OIL RESERVOIR	1	5	1.6L	
6	46020-18003	SET-CAP, OIL RESERVOIR	1	5	1.6L	Y
7	46020-28600	SET-CAP, OIL RESERVOIR	1	5	1.6L	Y
8	46020-E0300	SET-CAP, OIL RESERVOIR	1	10	1.6L	Y
9	46050-14600	SPRING-CYL (TOKICO)	1	10	1.6L	
10	46027-10600	SPRING-VALVE	1	10	1.6L	
11	46038-12200	CAP-VALVE	1	5	1.6L	
12	46042-27260	GASKET-CAP VALVE	1	10	1.6L	
13	46075-27260	SPRING-PISTON	1	5	1.6L	
14	46063-30001	ASSY-PISTON, BRAKE MASTER	1	1	1.6L	
15	46078-27261	CUP-PISTON (P)	1	10	1.6L	
16	46065-27261	CUP-PISTON (S)	1	10	1.6L	
17	46069-27260	RING-PISTON CUPS	1	10	1.6L	
18	2R211-0503P	CUP-PISTON (S)	1	20	1.6L	Y
19	46073-30000	ASSY-VALVE, INLET	1	10	1.6L	
20	46056-27260	SPRING-VALVE INLET	1	10	1.6L	
21	46076-30000	RETAINER-SPRING	1	10	1.6L	

REVISED: JUNE, 1972

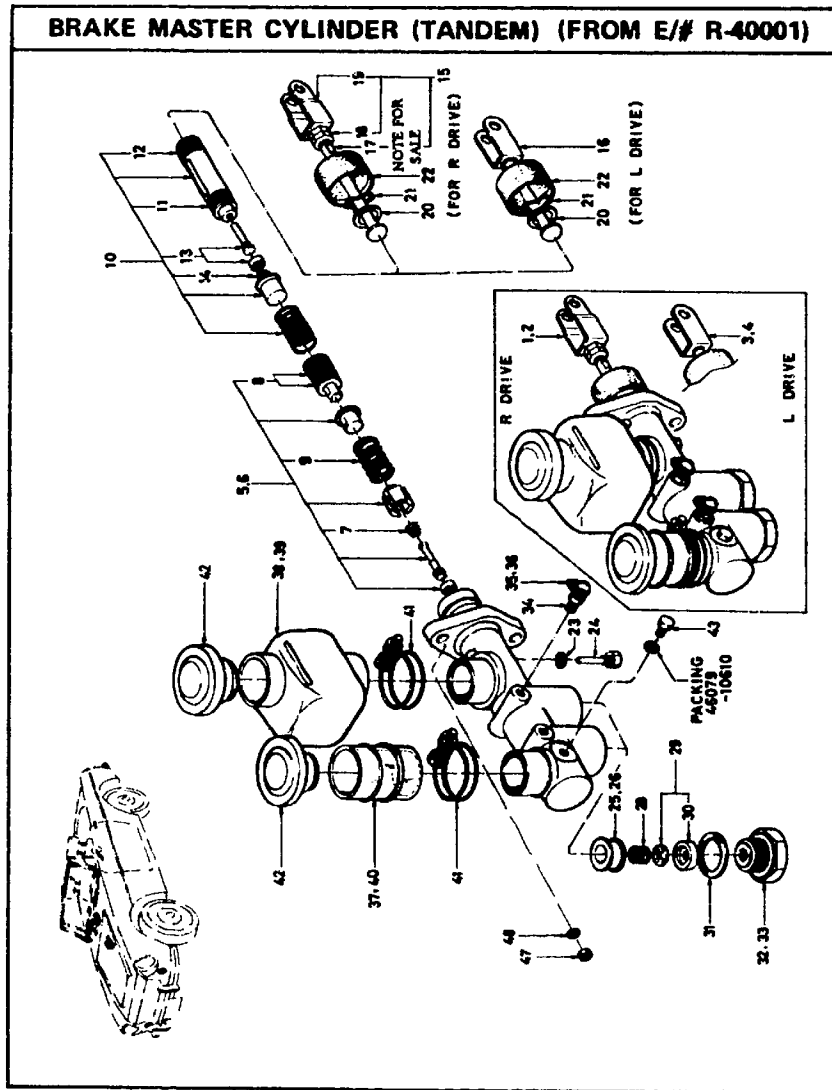
44 - 1

Printed in Japan

FIG. 44 F10 NISSAN MOTOR CO., LTD.

S	KEY NO.	PART NO.	PART NAME	QTY	SALES UNIT	MODEL	ICA
	27	46032-27260	SCREW-STOPPER	1	10	1.6L	
	28	46043-27260	PACKING	1	50	1.6L	
	24	46079-27260	RING-ROD	1	10	1.6L	
	25	46081-12900	ASSY-ROD,PUSH	1	5	1.6L	
	26	46070-27260	RING-SNAP	1	50	ALL	
	27	46100-27260	COVER-DUST	1	10	ALL	
	28	41120-30001	SCREW-BLEEDER	1	10	ALL	
	29	41120-30001	CAP-BLEEDER SCREW	1	10	ALL	
	30	41120-A2410	CAP-BLEEDER,SCREW	1	10	ALL	Y
•	31	46117-27260	SHIM-MASTER CYLINDER(1.6T)	AR	50	ALL	
	32	46117-25600	SHIM-MASTER CYLINDER (1.6T)	19	10	ALL	Y
•	33	46118-27260	SHIM-MASTER CYLINDER(0.8T)	AR	50	ALL	
	34	46118-25600	SHIM-MASTER CYLINDER (0.8T)	19	10	ALL	Y
•	35	46119-27260	SHIM-MASTER CYLINDER(0.5T)	AR	10	ALL	
	36	46119-25600	SHIM-MASTER CYLINDER (0.5T)	19	10	ALL	Y
	37	30614-01300	BOLT TO FIX BRAKE MASTER	2	5	ALL	
	38	00911-14910	NUT TO FIX BRAKE MASTER	2	50	ALL	
	39	00915-21910	WASHER-LOCK TO FIX SPARK MASTER	2	50	ALL	
	40	46010-14625	KIT-A,BRAKE MASTER CYL (SINGLE)	1	1	1.6L	
	41	46010-14626	KIT-P,BRAKE MASTER CYL (SINGLE)	1	1	1.6L	

FIG. 44 A F11 NISSAN MOTOR CO., LTD.



MARCH, 1971

F44A - 1

Printed in Japan

NISSAN MOTOR CO., LTD.

FIG. 44A

S	KEY NO.	PART NO.	PART NAME	QTY	SALES UNIT	MODEL	ICA
		BRAKE MASTER CYLINDER (TANDEM) (FROM E/# R-40001)					
	1	46010-25900	ASSY-CYLINDER, BRAKE MASTER, TANDEM TYPE W/S TOPPER	1	1 SP, SR		
	2	46010-A7400	ASSY-CYLINDER, BRAKE MASTER, TANDEM TYPE W/S TOPPER	1	1 SP, SR		Y
	3	46010-25600	ASSY-CYLINDER, BRAKE MASTER (FROM E/# R-40001, U 20-8001)	1	1 SPL, SRL		
	4	46010-A7000	ASSY-CYLINDER, BRAKE MASTER TANDEM TYPE W/S TOPPER	1	1 SPL, SRL		Y
	5	46063-25910	ASSY-PISTON (TOKICO)	1	5 ALL		
	6	46063-A7410	ASSY-PISTON (TOKICO)	1	5 ALL		Y
	7	46056-73010	SPRING-VALVE INLET (TOKICO)	1	10 ALL		
	8	46070-61010	CUP-PISTON (P&S) (TOKICO)	2	10 ALL		
	9	46075-23111	SPRING-CYLINDER (TOKICO)	1	5 ALL		
	10	46063-23112	ASSY-PISTON (B) (TOKICO)	1	1 ALL		
	11	46068-61010	CUP-PISTON (S) (TOKICO)	1	10 ALL		
	12	46070-61010	CUP-PISTON (P&S) (TOKICO)	1	10 ALL		
	13	46073-10610	ASSY-VALVE INLET (TOKICO)	2	10 ALL		
	14	46056-73010	SPRING-VALVE INLET (TOKICO)	1	10 ALL		
	15	46080-25910	ASSY-ROD PUSH (TOKICO)	1	5 SP, SR		
	16	46080-25610	ASSY-ROD PUSH (TOKICO)	1	5 SPL, SRL		

REVISED: MARCH, 1971

44-A- 1

Printed in Japan

FIG. 44A F12 NISSAN MOTOR CO., LTD.

S	KEY NO.	PART NO.	PART NAME	QTY	SALES UNIT	MODEL	ICA
	17	46080-25510	ROD-PUSH	1	5	SP,SR	
	18	46103-73410	NUT-HEXAGON	1	50	SP,SK	
	19	30629-73410	YUWE	1	5	SP,SR	
	20	46082-73410	STOPPER	1	10	SP,SK	
	21	46070-27260	RING-SHAP	1	50	ALL	
	22	46100-27260	COVER-DUST	1	10	ALL	
	23	46079-10610	PACKING	2	10	ALL	
	24	46032-10610	SCREW-STOPPER	1	10	ALL	
	25	46059-73010	SEAT-VALVE	2	5	ALL	
	26	46059-69010	SEAT-VALVE	2	10	ALL	Y
	27	46027-73010	SPRING-VALVE	2	10	ALL	
	28	46027-A6900	SPRING-VALVE	2	5	ALL	Y
	29	46050-73410	ASSY-VALVE	2	5	ALL	
	30	46057-73410	RETAINER	2	10	ALL	
	31	46036-30100	GASKET-CAP VALVE	2	10	ALL	
	32	46038-73010	CAP-VALVE	2	5	ALL	
	33	46038-E0110	CAP-VALVE	2		ALL	Y
	34	41128-21011	SCREW-BLEEDER	2	10	ALL	
	35	41129-30001	CAP-BLEEDER SCREW	2	10	ALL	
	36	41129-A2410	CAP-BLEEDER, SCREW	2	10	ALL	Y
	37	46090-10610	RESERVOIR-BRAKE OIL (YOKICO)	1	1	SP,SR	
	38	46090-25610	RESERVOIR-BRAKE OIL (YOKICO)	1	1	SPL,SRL	
	39	46090-25510	RESERVOIR-BRAKE OIL (YOKICO)	1	1	SP,SK	
	40	46091-25610	RESERVOIR-BRAKE OIL (YOKICO)	1	1	SPL,SRL	

44-A- 2

Printed in Japan

REVISED: MARCH, 1971

NISSAN MOTOR CO., LTD.

FIG. 44A

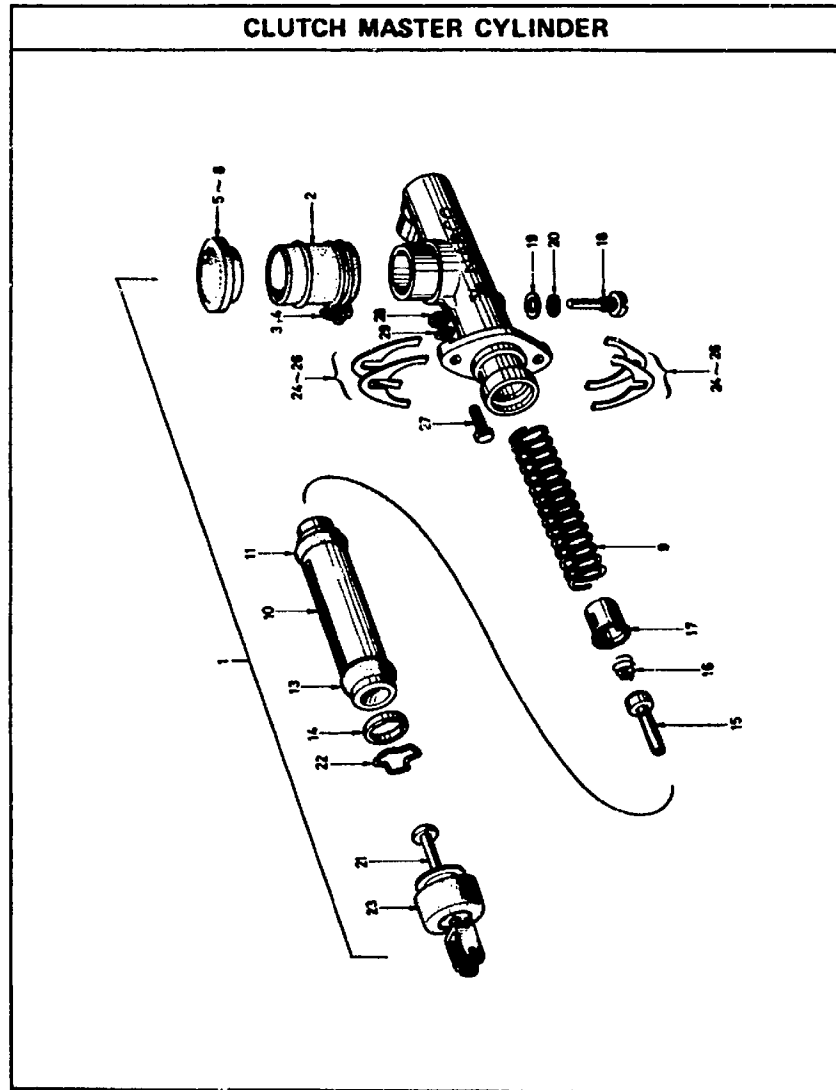
S	KEY NO.	PART NO.	PART NAME	QTY	SALES UNIT	MODEL	ICA
	41	46016-10610	ASSY-BAND OIL RESERVOIR	2	5	ALL	
	42	46020-10611	SEY-CAP OIL RESERVOIR (YOKICO)	2	5	ALL	
	43	46070-20511	STOPPER	1	10	ALL	
	44	46117-25600	SHIM-BRAKE MASTER (1.0T)	AP	10	ALL	
	45	46110-25600	SHIM-BRAKE MASTER (0.6T)	AP	10	ALL	
	46	46119-25600	SHIM-BRAKE MASTER (0.5T)	AP	10	ALL	
	47	00911-14510	NUT-HEXAGON 5/16-24-UNF	2	50	ALL	
	48	00915-21510	WASHER-LOCK 5/16	2	50	ALL	
	49	46010-23127	KIT-"A", BRAKE MASTER (FROM E/S R-40001)	1	1	ALL	
	50	46010-A7427	KIT-"A", BRAKE MASTER	1	1	ALL	Y
	51	46010-25520	KIT-"B", BRAKE MASTER (FROM E/S R-40001)	1	1	ALL	
	52	46010-A7420	KIT-"B", BRAKE MASTER	1	1	ALL	Y

44-A- 3

Printed in Japan

REVISED: MARCH, 1971

FIG. 45 F13 NISSAN MOTOR CO., LTD.



NISSAN MOTOR CO., LTD.

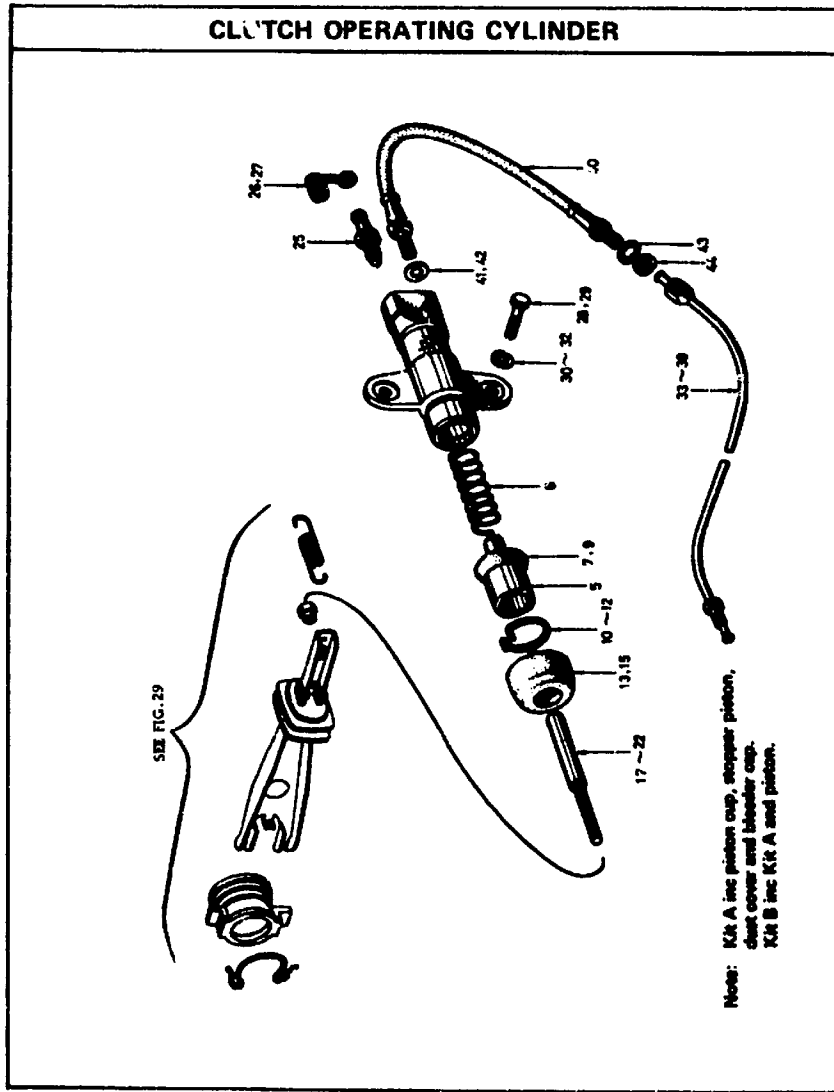
FIG. 45

S	KEY NO.	PART NO.	PART NAME	QTY	SALES UNIT	MODEL	ICA
CLUTCH MASTER CYLINDER							
	1	30610-12000	ASSY-CYLINDER, CLUTCH MASTER (5/8" NABCO)	1	1	ALL	
	2	46890-10600	RESERVOIR-BRAKE OIL	1	1	ALL	
	3	46816-12200	ASSY-BAND, OIL RESERVOIR	1	5	ALL	+7コ Y
	4	46816-14600	ASSY-BAND, OIL RESERVOIR	1		ALL	Y
	5	46820-10601	SET-CAP, OIL RESERVOIR	1	5	ALL	
	6	46820-12000	SET-CAP, OIL RESERVOIR	1	5	ALL	Y
	7	46820-20600	SET-CAP, OIL RESERVOIR (NOT FOR SALE)	1	5	ALL	Y
	8	46820-20300 46820-R0100	SET-CAP, OIL RESERVOIR	1	10	ALL	Y
	9	46861-30000	SPRING-PISTON	1	5	ALL	+7コ Y 94-1537
	10	46876-00700	ASSY-PISTON, CLUTCH MASTER	1	1	ALL	
	11	46864-30002	CUP-PISTON(P)	1	10	ALL	
	12	46865-30002	CUP-PISTON(S)	1		ALL	
	13	46865-15000	CUP-PISTON(S)	1	10	ALL	Y
	14	46869-30000	RING-PISTON CUP(S)	1	50	ALL	
	15	46873-30000	ASSY-VALVE, INLET	1	10	ALL	
	16	46896-27200	SPRING-VALVE, INLET	1	10	ALL	
	17	46876-30000	RETAINER-SPRING	1	10	ALL	
	18	46832-27200	SCREW-STOPPER	1	10	ALL	
	19	46843-27200	PACKING	1	50	ALL	
	20	46879-27200	RING-O"	1	10	ALL	

FIG. 45 F14 NISSAN MOTOR CO., LTD.

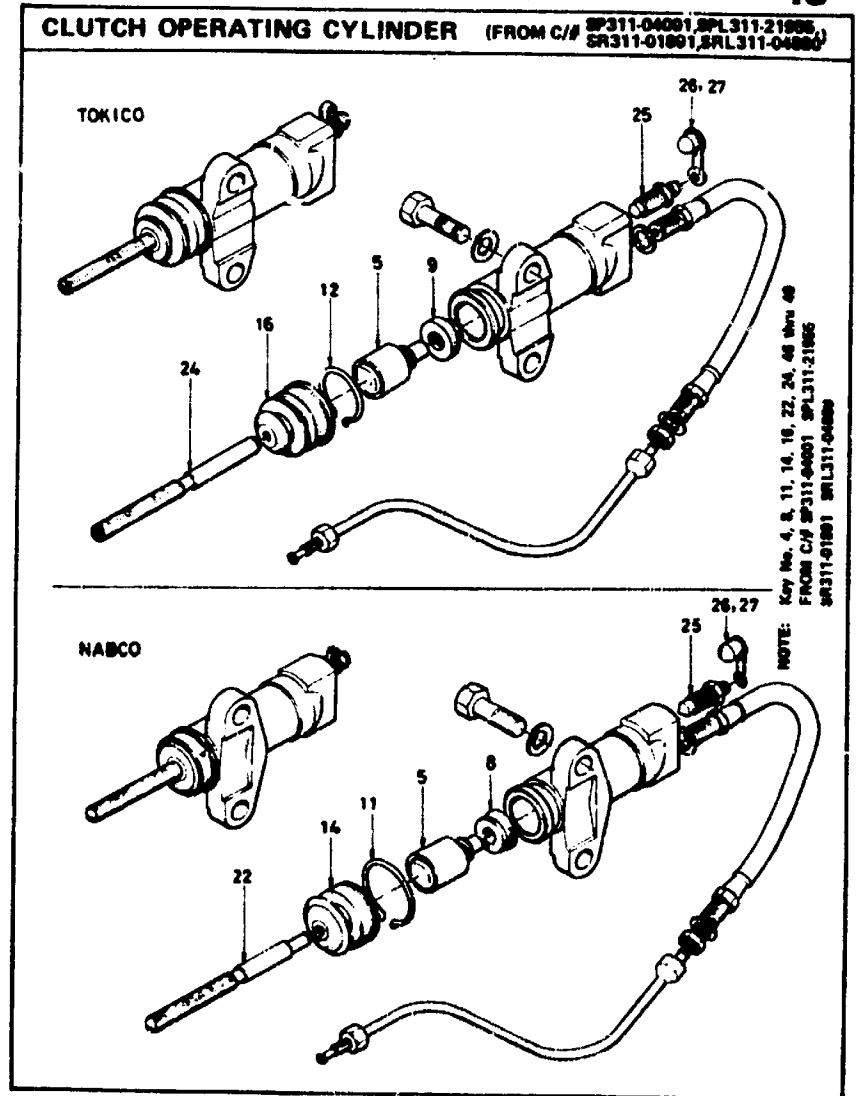
S	KEY NO.	PART NO.	PART NAME	QTY	SALES UNIT	MODEL	ICA
	21	46081-12900	ASSY-ROD,PUSH	1	5	ALL	
	22	46070-27260	RING-SNAP	1	50	ALL	
	23	46100-27260	COVER-DUST	1	10	ALL	
	24	30611-27260	SHIM-MASTER CYLINDER(1 .6T)	AR	50	ALL	
	25	30612-27260	SHIM-MASTER CYLINDER(0 .6T)	AR	50	ALL	
	26	30613-27260	SHIM-MASTER CYLINDER(0 .5T)	AR	50	ALL	
	27	30614-01300	BOLT TO FIX CLUTCH MAST TER CYLINDER	2	5	ALL	
	28	00911-14910	NUT TO FIX CLUTCH MAST TER CYLINDER	2	50	ALL	
•	29	00919-21900	WASHER-LOCK TO FIX CLU TCH MASTER CYLINDER	2		ALL	
	30	30610-10625	KIT-A,CLUTCH MASTER RE PAIR	1	1	ALL	
	31	30610-10626	KIT-B,CLUTCH MASTER RE PAIR	1	1	ALL	

FIG. 46-1 F15 NISSAN MOTOR CO., LTD.



NISSAN MOTOR CO., LTD.

FIG. 46-2



S	KEY NO.	PART NO.	PART NAME	QTY	SALES UNIT	MODEL	ICA
CLUTCH OPERATING CYLINDER							
	1	30620-14601	ASSY-CYLINDER, CLUTCH OPERATING (TO SEP-67)	1	1 1.6L		
	2	30620-25900	ASSY-CYLINDER, CLUTCH OPERATING (TO SEP-67)	1	1 2L		
	3	30620-25900	ASSY-CYL, CLUTCH OPERATING (NABCO TOKICO) (FROM OCT-67)	1	ALL		Y
	4	30620-25901	ASSY-CYL, CLUTCH OPERATING (NABCO TOKICO) (FROM SEE FIG)	1	1 ALL		Y
	9	30620-27200	PISTON-CLUTCH OPERATING CYLINDER (NABCO TOKICO)	1	10 ALL		
	6	30622-J, 900	SPRING-RETURN, PISTON (ONLY FOR 30620-14601)	1	10 ALL		
	7	30624-30002	CUP-PISTON (SYNTHETIC RUBBER) (NABCO)	1	50 ALL		
	8	30624-21000	CUP-PISTON (NABCO) (FROM C/S SEE FIG)	1	20 ALL		Y
	9	30624-10610	CUP-PISTON (TOKICO)	1	10 ALL		
	10	30626-30001	STOPPER-PISTON (NABCO)	1	50 ALL		
	11	30626-70000	STOPPER-PISTON (NABCO) (FROM C/S SEE FIG)	1	10 ALL		N
	12	30626-25910	STOPPER-PISTON (TOKICO) (FROM OCT-67)	1	10 ALL		
	13	30627-32200	COVER-CLUTCH OPERATING CYLINDER (NABCO)	1	10 ALL		
	14	30627-25900	COVER-CLUTCH OPERATING CYL, (NABCO) (FROM C/S SEE FIG)	1	10 ALL		N
	15	30627-10610	COVER-JUST (TOKICO)	1	10 ALL		

S	KEY NO.	PART NO.	PART NAME	QTY	SALES UNIT	MODEL	ICA
	16	30627-25910	COVER-CLUTCH OPERATING CYL, (TOKICO) (FROM C/S SEE FIG)	1	5 ALL		N
	17	30620-30000	ROB-PUSH, CLUTCH OPERATING CYLINDER	1	10 1.6L		
	18	30620-30700	ROB-PUSH, CLUTCH OPERATING CYLINDER	1	5.6L		Y
	19	30620-25900	ROB-PUSH	1	10 2L		
	20	30620-30000	ROB-PUSH (NABCO)	1	10 1.6L		Y
	21	30620-30001	ROB-PUSH (NABCO)	1	10 2L		Y
	22	30620-25902	ROB-PUSH (NABCO) (FROM C/S SEE FIG)	1	10 ALL		N
	23	30620-25910	ROB-PUSH (TOKICO)	1	10 ALL		
	24	30620-25911	ROB-PUSH (TOKICO) (FROM C/S SEE FIG)	1	10 ALL		N
	25	41120-30001	SCREW-BLEEDER (NABCO & TOKICO)	1	10 ALL		
	26	41120-30001	CAP-BLEEDER SCREW (NABCO & TOKICO)	1	10 ALL		
	27	41120-12010	CAP-BLEEDER SCREW	1	10 ALL		Y
	28	00124-63010	BOLT TO ATTACH CLUTCH OPERATING CYLINDER	2	50 1.6L		
	29	00121-03010	BOLT TO ATTACH CLUTCH OPERATING CYLINDER	2	25 2L		
	30	00915-21600	WASHER TO ATTACH CLUTCH OPERATING CYLINDER	2	50 1.6L		
	31	00915-21610	WASHER TO ATTACH CLUTCH OPERATING CYLINDER	2	50 1.6L		Y
	32	00915-24010	WASHER TO ATTACH CLUTCH OPERATING CYLINDER	2	50 2L		
	33	30620-10700	ASSY-TUBE, CLUTCH MASTER CYLINDER TO CLUTCH MASTER	1	1 SPL		

FIG. 46 G1 NISSAN MOTOR CO., LTD.

S	KEY NO.	PART NO.	PART NAME	QTY	SALES UNIT	MODEL	ICA
	34	30650-25600	ASSY-TUBE, CLUTCH MASTER CYLINDER TO CLUTCH HOSE (FROM E/S R-40001)	1	1 SPL, SRL		
	35	30650-26000	TUBE-M/C TO CLUTCH HOSE (FROM E/S R-40001)	1	1 SPL, SRL		N
	36	30650-A3300	TUBE-M/C TO CLUTCH HOSE	2	SPL, SRL		C
	37	30650-14600	ASSY-TUBE, CLUTCH MASTER CYLINDER TO CLUTCH HOSE	1	1 SP		
	38	30650-25500	ASSY-TUBE, CLUTCH MASTER CYLINDER TO CLUTCH HOSE (FROM E/S R-40001)	1	1 SP, SR		
	39	30650-25900	TUBE-M/C TO CLUTCH HOSE (FROM E/S R-40001)	1	1 SP, SR		N
	40	44212-30000	ASSY-HOSE, CLUTCH	1	2 ALL		
	41	44237-30000	BASKET-CLUTCH HOSE TO OPERATING CYLINDER	1	10 ALL		
	42	44237-F0000	BASKET-CLUTCH HOSE TO OPERATING CYLINDER	1	10 ALL		Y
	43	80916-11610	WASHER-LOCK, INTERNAL TIGHTEN	1	50 ALL		
	44	80511-34610	NUT	1	50 ALL		
	45	30620-00025	KIT-A CLUTCH OPERATING REPAIR	1	1 ALL		
	46	30620-13026	KIT-B CLUTCH OPERATING REPAIR	1	1 ALL		
	47	30620-25525	KIT-A REPAIR CLUTCH OPERATING (MABCO) (FROM SEE FIG)	1	1 ALL		
	48	30620-25526	KIT-B REPAIR CLUTCH OPERATING (MABCO) (FROM SEE FIG)	1	1 ALL		
	49	30620-25527	KIT-A REPAIR CLUTCH OPERATING (TOKICO) (FROM SEE FIG)	1	1 ALL		

NISSAN MOTOR CO., LTD.

FIG. 46

S	KEY NO.	PART NO.	PART NAME	QTY	SALES UNIT	MODEL	ICA
	50	30620-25528	KIT-B REPAIR CLUTCH OPERATING (TOKICO) (FROM SEE FIG)	1	1 ALL		

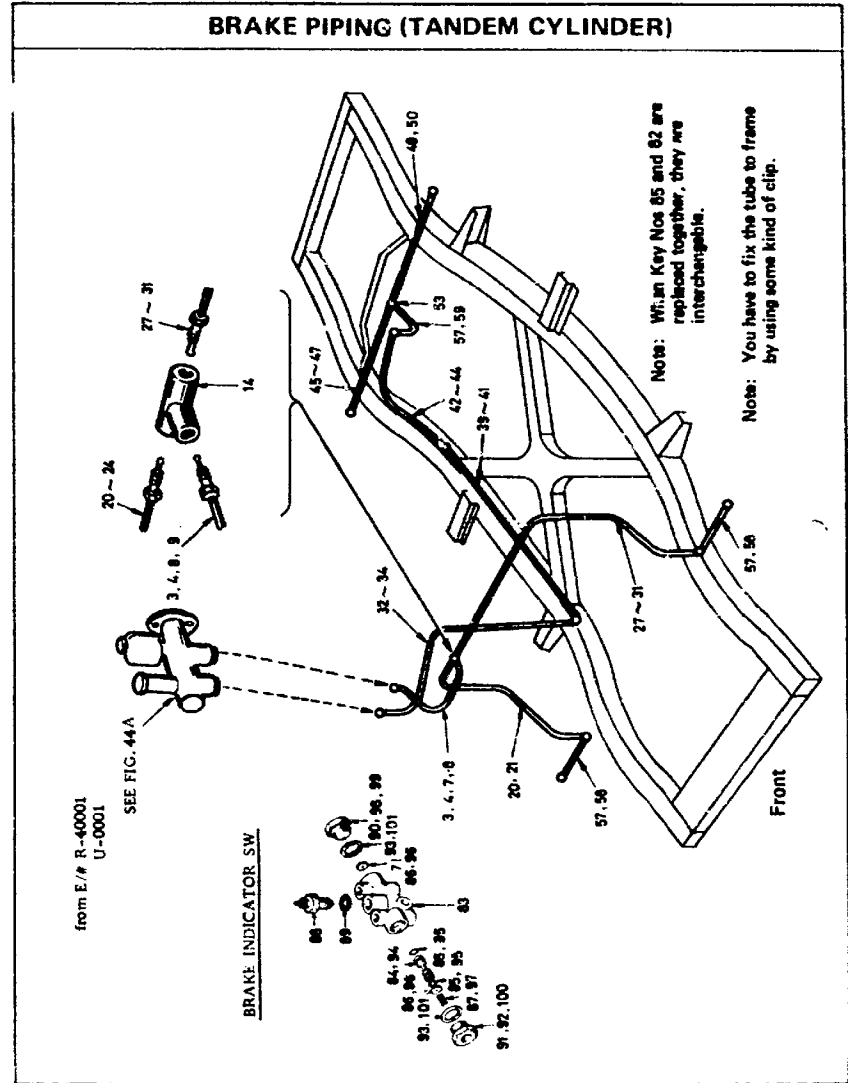
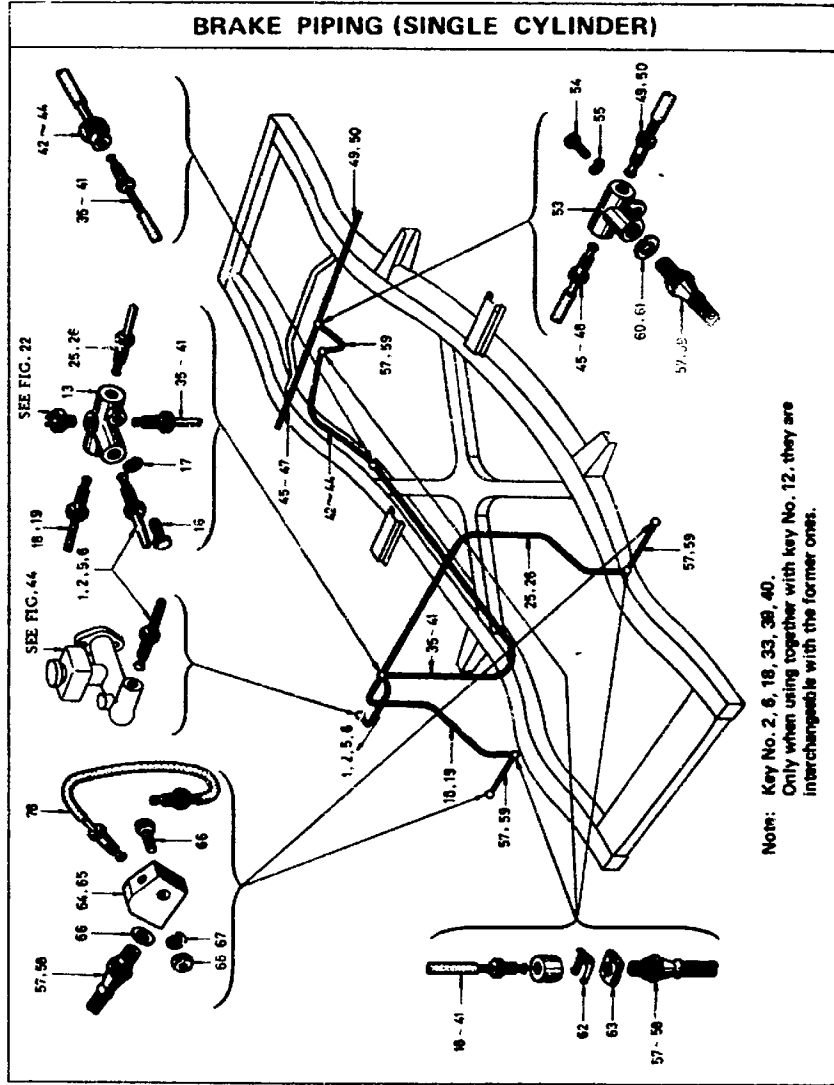


FIG. 47 G3 NISSAN MOTOR CO., LTD.

S	KEY NO.	PART NO.	PART NAME	QTY	SALES UNIT	MODEL	ICA
			BRAKE PIPING				
•	1	46223-14600	ASSY-TUBE, BRAKE MASTER CYLINDER TO 5-WAY CONNECTOR	1	1 SP		
	2	46223-14601	ASSY-TUBE, BRAKE MASTER CYLINDER TO 5-WAY CONNECTOR	1	5 SP	C	
	3	46223-25500	TUBE-MASTER CYL TO 3-WAY CON(FROM E/R R-40001)	1	5 SP, SR	N	
	4	46223-25901	TUBE-MASTER CYL TO 3-WAY CONNECTOR FR(FROM OCT-67)	1	5 R DRIVE	N	
	5	46223-14700	ASSY-TUBE, BRAKE MASTER CYLINDER TO 5-WAY CONNECTOR	1	10 SPL		
	6	46223-14701	ASSY-TUBE, BRAKE MASTER CYLINDER TO 5-WAY CONNECTOR	1	1 SPL	C	
	7	46223-14700	ASSY-TUBE, BRAKE MASTER CYLINDER TO 5-WAY CONNECTOR	1	SPL	Y	
	8	46223-25600	TUBE-MASTER CYL TO 3-WAY CON(FROM E/R R-40001)	1	1 SPL, SRL	N	
•	9	46223-26001	TUBE-MASTER CYL TO 3-WAY CONNECTOR FR(FROM OCT-67)	1	1 L DRIVE	N	
	10	46223-A3300	TUBE-MASTER CYL TO 3-WAY CONNECTOR FR(FROM OCT-67)	1	5 L DRIVE	Y	
	11	46223-A7000	TUBE-MASTER CYL TO 3-WAY CONNECTOR FR(FROM JULY-69)	1	5 L DRIVE	N	

NISSAN MOTOR CO., LTD.

FIG. 47

S	KEY NO.	PART NO.	PART NAME	QTY	SALES UNIT	MODEL	ICA
•	12	46234-04100	CONNECTOR-5-WAY, BRAKE TUBE	1	5 1.6L		
	13	46234-10600	CONNECTOR-5-WAY, BRAKE TUBE(YO E/R R-40000)	1	1 1.6L		Y
•	14	46215-30500	CONNECTOR-3-WAY, BRAKE TUBE(FROM E/R R-40001)	1	5 ALL		N
	15	46215-46501	CONNECTOR 3-WAY, BRAKE TUBE(FROM E/R R-40001)	1	5 ALL		Y
	16	00114-43010	BOLT TO ATTACH 5-WAY CONNECTOR	1	75 ALL		
	17	00915-11410	WASHER-LOCK TO ATTACH 5-WAY CONNECTOR	1	50 ALL		
•	18	46240-14600	ASSY-TUBE, 5-WAY CONNECTOR TO FRONT BRAKE HOSE E, R, H.	1	5 1.6L		
	19	46240-14601	ASSY-TUBE, 5-WAY CONNECTOR TO FRONT BRAKE HOSE E, R, H.	1	5 1.6L		C
	20	46240-25500	TUBE 3-WAY CON TO FR BRAKE HOSE RH(FROM E/R R-40001)	1	5 ALL		N
	21	46240-25901	TUBE-CONNECTOR TO FRONT BRAKE RH (FROM OCT-67)	1	5 R DRIVE		N
	22	46240-A3200	TUBE-CONNECTOR TO FRONT BRAKE RH (FROM JULY-69)	1	5 R DRIVE		N
	23	46240-26000	TUBE-CONNECTOR TO FRONT BRAKE RH (FROM OCT-67)	1	5 L DRIVE		N
	24	46240-A3300	TUBE-CONNECTOR TO FRONT BRAKE RH (FROM JULY-69)	1	5 L DRIVE		N
	25	46242-14700	ASSY-TUBE, 5-WAY CONNECTOR TO FRONT BRAKE HOSE L, H.	1	1 1.6L		

FIG. 47 G4 NISSAN MOTOR CO., LTD.

S	KEY NO.	PART NO.	PART NAME	QTY	SALES UNIT	MODEL	ICA
	26	46242-14701	ASSY-TUBE, 5-WAY CONNECTOR TO FRONT BRAKE HOSE F.L.H.	1	1 1.6L		C
	27	46242-25500	TUBE-CONNECTOR TO FRONT BRAKE LH (FROM E/S R-40001)	1	1 ALL		N
	28	46242-25901	TUBE-CONNECTOR TO FRONT BRAKE LH (FROM OCT-67)	1	5 R DRIVE		N
	29	46242-A3200	TUBE-CONNECTOR TO FRONT BRAKE LH (FROM JULY-69)	1	5 R DRIVE		
	30	46242-26000	TUBE-CONNECTOR TO FRONT BRAKE LH (FROM OCT-67)	1	5 L DRIVE		N
	31	46242-A3300	TUBE-CONNECTOR TO FRONT BRAKE LH (FROM JULY-69)	1	5 L DRIVE		N
	32	46225-25901	TUBE-MASTER CYL TO 3-WAY CONNECTOR RR (FROM OCT-67)	1	1 R DRIVE		
	33	46225-26001	TUBE-MASTER CYL TO 3-WAY CONNECTOR RR (FROM OCT-67)	1	1 L DRIVE		
	34	46224-A3300	TUBE-MASTER CYL TO 3-WAY CONNECTOR RR (FROM JULY-69)	1	5 L DRIVE		
	35	46229-12900	ASSY-TUBE, 5-WAY CONNECTOR TO CENTER CONNECTION	1	1 1.6L		
	36	46229-14600	ASSY-TUBE, 5-WAY CONNECTOR TO CENTER CONNECTION	1	1 1.6L		C
	37	46229-25900	TUBE TO CENTER (FROM E/S R-40001)	1	2 R DRIVE		N
	38	46229-25900	TUBE TO CENTER (FROM OCT-67)	1	1 R DRIVE		N

NISSAN MOTOR CO., LTD.

FIG. 47

S	KEY NO.	PART NO.	PART NAME	QTY	SALES UNIT	MODEL	ICA
	39	46229-25601	TUBE-CENTER CONNECTION FROM E/S R-40001 TO SEP-67)	1	1 SPL SPL		N
	40	46229-26000	TUBE-CENTER CONNECTOR FRONT (FROM OCT-67)	1	5 L DRIVE		N
	41	46229-A3300	TUBE CENTER CONNECTOR FRONT (FROM JULY-69)	1	5 L DRIVE		N
	42	46228-14600	ASSY-TUBE, CENTER CONNECTION TO REAR BRAKE HOSE	1	5 1.6L		
	43	46228-14601	ASSY-TUBE, CENTER CONNECTION TO REAR BRAKE HOSE	1	5 ALL		C
	44	46227-25900	ASSY-TUBE, CENTER CONNECTION TO REAR BRAKE HOSE	1	5 ALL		C
	45	46290-14601	ASSY-TUBE, 3-WAY CONNECTOR TO REAR WHEEL CYLINDER, R.H.	1	5 1.6L		
	46	46290-14602	ASSY-TUBE, 3-WAY CONNECTOR TO REAR WHEEL CYLINDER, R.H.	1	5 1.6L		Y
	47	46290-25500	ASSY-TUBE, 3-WAY CONNECTOR TO REAR WHEEL CYLINDER, R.H. (FROM E/S R-40001)	1	1 ALL		C
	48	46290-A7400	ASSY-TUBE BRAKE REAR RH	1	5 ALL		Y
	49	46310-14601	ASSY-TUBE, 3-WAY CONNECTOR TO REAR WHEEL CYLINDER, L.H.	1	2 1.6L		
	50	46310-14602	ASSY-TUBE, 3-WAY CONNECTOR TO REAR WHEEL CYLINDER, L.H. (FROM E/S R-40001)	1	5 ALL		Y
	51	46310-A7400	ASSY-TUBE BRAKE REAR LH	1	5 ALL		Y

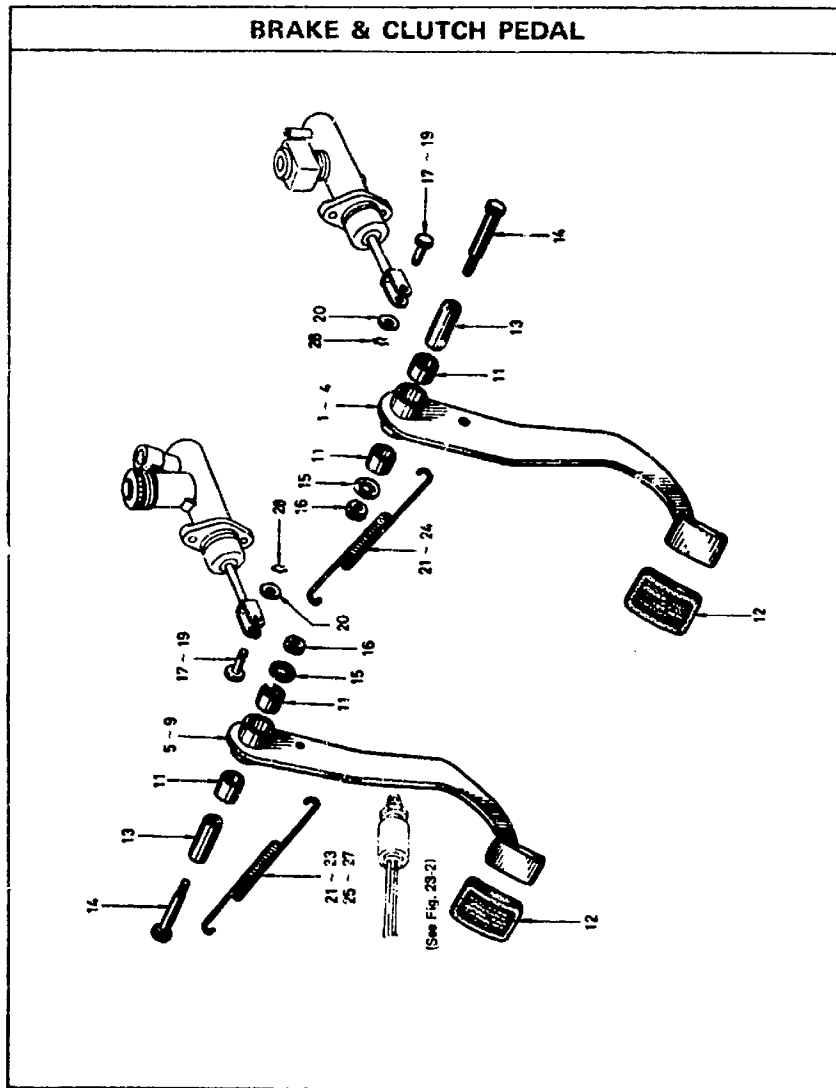
S	KEY NO.	PART NO.	PART NAME	QTY	SALES UNIT	MODEL	ICA
•	52	46357-35000	CONNECTOR-BRAKE TUBE 3-WAY	1		1.6L	
	53	46357-35001	CONNECTOR-BRAKE TUBE 3-WAY	1	2	ALL	Y
	54	00111-51610	BULT	1	50	ALL	
	55	00915-11510	WASHER-LOCK	1	50	ALL	
•	56	46201-10600	ASSY-HOSE, HYDRAULIC BRAKE	3	2	ALL	
	57	46201-25900	ASSY-HOSE, HYDRAULIC BRAKE FRONT & REAR	3	2	ALL	Y
	58	46201-A3200	ASSY-HOSE, HYDRAULIC BRAKE FRONT	2	2	ALL	Y
	59	46201-A3201	ASSY-HOSE, HYDRAULIC BRAKE REAR	1	2	ALL	
•	60	46237-30000	GASKET-3-WAY CONNECTION & BRAKE HOSE TO CYLINDER	3	10	ALL	
	61	46237-FC000	GASKET-3-WAY CONNECTION & BRAKE HOSE TO CYLINDER	3	10	ALL	Y
	62	46206-61000	SPRING-LOCK, BRAKE HOSE	3	5	ALL	
	63	46205-61000	PLATE-LOCK, BRAKE HOSE	3	10	ALL	
	64	41130-61001	CONNECTOR-FRONT BRAKE HOSE TO TUBE	2	1	ALL	
	65	41130-60101	CONNECTOR-FRONT BRAKE HOSE TO TUBE (FROM JULY-69)	2	1	ALL	N
	66	00111-52510	BULT TO FIX CONNECTOR	2	50	ALL	
	67	00915-21510	WASHER-LOCK TO FIX CONNECTOR	2	50	ALL	
	68	00911-11510	NUT TO FIX CONNECTOR	2	50	ALL	
•	69	41029-14600	ASSY-TUBE, FRONT BRAKE, R.H.	1		ALL	

S	KEY NO.	PART NO.	PART NAME	QTY	SALES UNIT	MODEL	ICA
	70	41140-14600	ASSY-TUBE, FRONT BRAKE, RH	1	1	ALL	Y
	71	41140-A3200	ASSY-TUBE, FRONT BRAKE, RH (FROM JULY-69)	1	5	ALL	N
	72	41140-A3201	ASSY-TUBE, FRONT BRAKE RH	1		ALL	Y
•	73	41140-A7400	ASSY-TUBE, FRONT BRAKE, RH (NOT FOR SALE)	1		ALL	Y
	74	41140-A3200	ASSY-TUBE, FRONT BRAKE RH	1	5	ALL	C
	75	41140-A3201	ASSY-TUBE, FRONT BRAKE RH	1		ALL	Y
•	76	41039-14600	ASSY-TUBE, FRONT BRAKE, L.H.	1		ALL	
	77	41141-14600	ASSY-TUBE, FRONT BRAKE LH	1	5	ALL	Y
	78	41141-A3200	ASSY-TUBE, FRONT BRAKE LH (FROM JULY-69)	1	1	ALL	N
	79	41141-A3201	ASSY-TUBE, FRONT BRAKE LH	1		ALL	Y
•	80	41141-A7400	ASSY-TUBE, FRONT BRAKE LH (NOT FOR SALE)	1		ALL	Y
	81	41141-A3200	ASSY-TUBE, FRONT BRAKE LH	1	1	ALL	C
	82	41141-A3201	ASSY-TUBE, FRONT BRAKE LH	1		ALL	Y
	83	46100-26001	SWITCH-BRAKE INDICATOR (TOKICO) (FROM OCT-67)	1	1	ALL	
	84	46136-26110	PISTON (TOKICO)	1	10	ALL	
	85	46137-26110	RING-O (TOKICO)	2	10	ALL	
	86	46138-26110	PLATE (TOKICO)	2	10	ALL	
	87	46139-26110	SPRING (TOKICO)	2	10	ALL	
	88	46140-26110	TERMINAL (TOKICO)	1	5	ALL	

FIG. 47 G6 NISSAN MOTOR CO., LTD.

S	KEY NO.	PART NO.	PART NAME	QTY	SALES UNIT	MODEL	ICA
	89	41131-85060	PACKING(TOKICO)	1	10	ALL	
	90	46141-26110	PLUG-CYLINDER (TOKICO)	1	10	ALL	
	91	46142-26111	PLUG-CYLINDER (TOKICO)	1	10	ALL	
	92	46142-26110	PLUG-CYLINDER (TOKICO)	1	10	ALL	Y
	93	46143-26110	PACKING (TOKICO)	2	10	ALL	
	94	46156-26100	PISTON(NABCO)(FROM OCT-67)	1	10	ALL	
	95	46137-26100	RING-D(NABCO)(FROM OCT-67)	2	10	ALL	
	96	46138-26100	PLATE(NABCO)(FROM OCT-67)	2	10	ALL	
	97	46139-26100	SPRING(NABCO)(FROM OCT-67)	2	10	ALL	
	98	46146-26000	PLUG-CYLINDER***(NABCO)(FROM OCT-67)	1	10	ALL	
	99	46146-26001	PLUG-CYLINDER***(NABCO)	1	10	ALL	N
	100	46142-26100	PLUG-CYLINDER***(NABCO)(FROM OCT-67)	1	10	ALL	
	101	46143-26100	PACKING(NABCO)(FROM OCT-67)	2	10	ALL	
	102	46140-26100	TERMINAL(NABCO)(FROM OCT-67)	1	1	ALL	
	103	46227-26000	CLIP-BRAKE TUBE (FROM OCT-67)	1	10	ALL	
	104	46228-26000	RUBBER-CLIP (FROM OCT-67)	1	10	ALL	
	105	46228-A3300	RUBBER-CLIP	2	10	ALL	Y
	106	00310-80812	SCREW (FROM OCT-67)	1	50	ALL	
	107	00915-10810	WASHER (FROM OCT-67)	1	50	ALL	

FIG. 48. G7 NISSAN MOTOR CO., LTD.



NISSAN MOTOR CO., LTD.

FIG. 48

S	KEY NO.	PART NO.	PART NAME	QTY	SALES UNIT	MODEL	ICA
			BRAKE & CLUTCH PEDAL				
	1	46528-14600	ASSY-PEDAL, BRAKE	1	1 SP		
	2	46528-29900	ASSY-PEDAL, BRAKE (FROM E/F R-40001)	1	SP, SR		N
	3	46528-14701	ASSY-PEDAL, BRAKE	1	10 SPL		
	4	46528-29600	ASSY-PEDAL, BRAKE (FROM E/F R-40001)	1	SPL, SRL		N
	5	46548-14600	ASSY-PEDAL, CLUTCH	1	1 SP		
	6	46548-29900	ASSY-PEDAL, CLUTCH (FROM E/F R-40001)	1	1 SP, SR		N
	7	46548-14700	ASSY-PEDAL, CLUTCH (TO JUNE-69)	1	1 SPL, SRL		
	8	46548-14700	ASSY-PEDAL, CLUTCH (FROM JULY-69)	1	1 L DRIVE EXC 1.6L EMISSION CONTROL		
	9	46548-17700	ASSY-PEDAL, CLUTCH (FROM JULY-69)	1	1 1.6L EMISSION CONTROL		
	10	46513-29900	PLUG PEDAL STOP (FROM JULY-69)	1	10 1.6L EMISSION CONTROL		
	11	46425-30000	BUSHING-PEDAL FULCRUM	4	10 ALL		
	12	46431-84100	COVER-PEDAL PAD, BRAKE & CLUTCH	2	10 ALL		
	13	46482-30000	SLEEVE-PEDAL SHAFT, BRAKE & CLUTCH	2	10 ALL		
	14	46448-84100	PIN-FULCRUM, BRAKE & CLUTCH	2	2 ALL		
	15	80916-11010	WASHER-LOCK, INTERNAL TIGHT	2	50 ALL		

FIG. 48 G8 NISSAN MOTOR CO., LTD.

S	KEY NO.	PART NO.	PART NAME	QTY	SALES UNIT	MODEL	ICA
	16	80911-34810	NUT	2	50	ALL	
	17	46123-88700	PIN-CLEVIS, BRAKE & CLUTCH MASTER CYLINDER	2		1.6L	
	18	46123-73802	PIN-CLEVIS, BRAKE & CLUTCH MASTER CYLINDER	2	10	1.6L	Y
	19	46123-25900	PIN-CLEVIS, BRAKE & CLUTCH MASTER CYLINDER (FROM E/P R-40801)	2	10	ALL	N
	20	80915-41510	WASHER-PLAIN	2	50	ALL	
•	21	46485-12900	SPRING-RETURN, BRAKE & CLUTCH PEDAL	2		1.6L	
•	22	46485-12901	SPRING-RETURN, BRAKE & CLUTCH PEDAL	2		1.6L	Y
	23	46485-26800	SPRING-RETURN, BRAKE & CLUTCH PEDAL	2	5	1.6L	Y
•	24	46485-25500	SPRING-RETURN, BRAKE (FROM E/P R-40801)	1	10	SPL, SRL	N
	25	46485-25900	SPRING-RETURN, CLUTCH	1	5	SP SRL	Y
•	26	46485-25501	SPRING-RETURN, CLUTCH (FROM E/P R-40801)	1	10	SPL SRL	N
	27	46487-25900	SPRING-RETURN, CLUTCH	1	5	SPL SRL	Y
	28	46124-39100	RETAINER-SPRING	2	20	ALL	

Install the best!
GENUINE DATSUN PARTS



Engineering Department Parts Division



NISSAN MOTOR CO., LTD.



Tokyo, Japan