

SECTION **SE**
SEAT

A
B
C

CONTENTS

D
E

PRECAUTIONS	3	KEYFOB INTERLOCK OPERATION	17	F
Precautions for Supplemental Restraint System (SRS) "AIR BAG" and "SEAT BELT PRE-TENSIONER"	3	CAN Communication System Description	17	
Precautions for Work	3	Schematic	18	
PREPARATION	4	Wiring Diagram — AUT/DP —	20	G
Special Service Tool	4	Terminals and Reference Values for BCM	30	
Commercial Service Tool	4	Terminals and Reference Values for Driver Seat Control Unit	30	H
SQUEAK AND RATTLE TROUBLE DIAGNOSES	5	Terminals and Reference Values for Automatic Drive Positioner Control Unit	32	
Work Flow	5	Work Flow	34	
CUSTOMER INTERVIEW	5	Preliminary Check	35	SE
DUPLICATE THE NOISE AND TEST DRIVE	6	SETTING CHANGE FUNCTION	35	
CHECK RELATED SERVICE BULLETINS	6	POWER SUPPLY AND GROUND CIRCUIT INSPECTION	35	J
LOCATE THE NOISE AND IDENTIFY THE ROOT CAUSE	6	CONSULT-II Function (AUTO DRIVE POS.)	38	
REPAIR THE CAUSE	6	CONSULT-II INSPECTION PROCEDURE	38	
CONFIRM THE REPAIR	7	SELF-DIAGNOSIS RESULTS	40	K
Generic Squeak and Rattle Troubleshooting	7	DATA MONITOR	41	
INSTRUMENT PANEL	7	ACTIVE TEST	41	
CENTER CONSOLE	7	CAN Communication Inspection Using CONSULT-II (Self-Diagnosis)	42	L
DOORS	7	Symptom Chart	42	
TRUNK	8	Sliding Motor Circuit Inspection	44	
SUNROOF/HEADLINING	8	Reclining Motor LH Circuit Inspection	45	M
OVERHEAD CONSOLE (FRONT AND REAR).....	8	Lifting Motor (Front) Circuit Inspection	46	
SEATS	8	Lifting Motor (Rear) Circuit Inspection	48	
UNDERHOOD	8	Pedal Adjusting Motor Circuit Inspection	49	
Diagnostic Worksheet	9	Mirror Motor LH Circuit Check	50	
AUTOMATIC DRIVE POSITIONER	11	Mirror Motor RH Circuit Check	52	
Component Parts And Harness Connector Location	11	Steering Wheel Tilt Circuit Inspection	53	
Manual Operation	12	Sliding Sensor Circuit Inspection	55	
Automatic Operation	12	Reclining Sensor Circuit Inspection	56	
System Description	12	Lifting Sensor (Front) Circuit Inspection	57	
FAIL- SAFE MODE	14	Lifting Sensor (Rear) Circuit Inspection	58	
CANCEL OF FAIL-SAFE MODE	14	Pedal Adjusting Sensor Circuit Inspection	59	
MEMORY STORING AND KEYFOB INTER-LOCK STORING	15	Mirror Sensor LH Circuit Check	60	
MEMORY OPERATION	16	Mirror Sensor RH Circuit Check	62	
ENTRY OPERATION	16	Steering Wheel Tilt Sensor Circuit Inspection	64	
EXITING OPERATION	16	Sliding Switch Circuit Inspection	66	
		Reclining Switch Inspection	67	

F
G
H

J
K
L

M

Lifting Switch (Front) Circuit Inspection	69	HEATED SEAT	90
Lifting Switch (Rear) Circuit Inspection	70	Description	90
Power Seat Switch Ground Inspection	71	Schematic	91
Pedal Adjusting Switch Circuit Inspection	72	Wiring Diagram — HSEAT —	92
Door Mirror Remote Control Switch (Changeover Switch) Circuit Check	74	FRONT SEAT	97
Door Mirror Remote Control Switch (Mirror Switch) Circuit Check	75	Removal and Installation	97
Door Mirror Remote Control Switch Ground Circuit Inspection	77	REMOVAL	100
Seat Memory Switch Circuit Inspection	78	INSTALLATION	100
Seat Memory Indicator Lamp Circuit Inspection	79	Disassembly and Assembly	100
Door Mirror Sensor Power Supply and Ground Cir- cuit inspection	81	SEATBACK TRIM AND PAD	100
A/T Device (Detent Switch) Circuit Inspection	82	REMOVAL OF SEATBACK ASSEMBLY	102
Steering Wheel Tilt Switch Circuit Inspection	83	INSTALLATION OF SEATBACK ASSEMBLY ..	102
Front Door Switch LH Circuit Inspection	84	SEAT CUSHION TRIM AND PAD (DRIVER) OR	
UART Communication Line Circuit Inspection	86	SEAT CUSHION ASSEMBLY (PASSENGER) ..	102
Removal and Installation	88	REAR SEAT	104
POWER SEAT	89	Removal and Installation	104
Wiring Diagram — SEAT — for Passenger Seat ...	89	SECOND ROW OUTBOARD	104
		SECOND ROW CENTER	104
		THIRD ROW	104
		Disassembly and Assembly	106

PRECAUTIONS

PRECAUTIONS

PFP:00001

Precautions for Supplemental Restraint System (SRS) “AIR BAG” and “SEAT BELT PRE-TENSIONER”

EIS004X5

The Supplemental Restraint System such as “AIR BAG” and “SEAT BELT PRE-TENSIONER”, used along with a front seat belt, helps to reduce the risk or severity of injury to the driver and front passenger for certain types of collision. This system includes seat belt switch inputs and dual stage front air bag modules. The SRS system uses the seat belt switches to determine the front air bag deployment, and may only deploy one front air bag, depending on the severity of a collision and whether the front occupants are belted or unbelted. Information necessary to service the system safely is included in the SRS and SB section of this Service Manual.

WARNING:

- To avoid rendering the SRS inoperative, which could increase the risk of personal injury or death in the event of a collision which would result in air bag inflation, all maintenance must be performed by an authorized NISSAN/INFINITI dealer.
- Improper maintenance, including incorrect removal and installation of the SRS, can lead to personal injury caused by unintentional activation of the system. For removal of Spiral Cable and Air Bag Module, see the SRS section.
- Do not use electrical test equipment on any circuit related to the SRS unless instructed to in this Service Manual. SRS wiring harnesses can be identified by yellow and/or orange harnesses or harness connectors.

Precautions for Work

EIS004X6

- When removing or disassembling each component, be careful not to damage or deform it. If a component may be subject to interference, be sure to protect it with a shop cloth.
- When removing (disengaging) components with a screwdriver or similar tool, be sure to wrap the component with a shop cloth or vinyl tape to protect it.
- Protect the removed parts with a shop cloth and keep them.
- Replace a deformed or damaged clip.
- If a part is specified as a non-reusable part, always replace it with new one.
- Be sure to tighten bolts and nuts securely to the specified torque.
- After re-installation is completed, be sure to check that each part works normally.
- Follow the steps below to clean components.
 - Water soluble foul: Dip a soft cloth into lukewarm water, and wring the water out of the cloth to wipe the fouled area. Then rub with a soft and dry cloth.
 - Oily foul: Dip a soft cloth into lukewarm water with mild detergent (concentration: within 2 to 3%), and wipe the fouled area. Then dip a cloth into fresh water, and wring the water out of the cloth to wipe the detergent off. Then rub with a soft and dry cloth.
- Do not use organic solvent such as thinner, benzene, alcohol, or gasoline.
- For genuine leather seats, use a genuine leather seat cleaner.

PREPARATION

PREPARATION

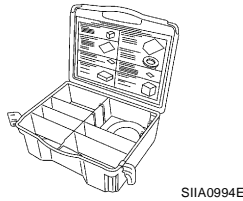
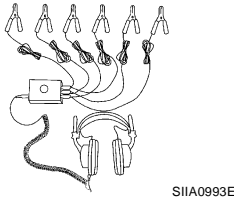
PFP:00002

Special Service Tool

EIS004X7

The actual shapes of Kent-Moore tools may differ from those of special service tools illustrated here.

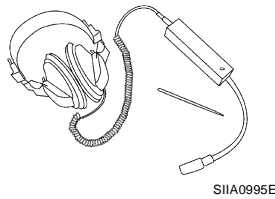
Tool number (Kent-Moore No.) Tool name	Description
— (J-39570) Chassis ear	Locating the noise
— (J-43980) NISSAN Squeak and Rattle Kit	Repairing the cause of noise



Commercial Service Tool

EIS004X8

(Kent-Moore No.) Tool name	Description
(J-39565) Engine ear	Locating the noise



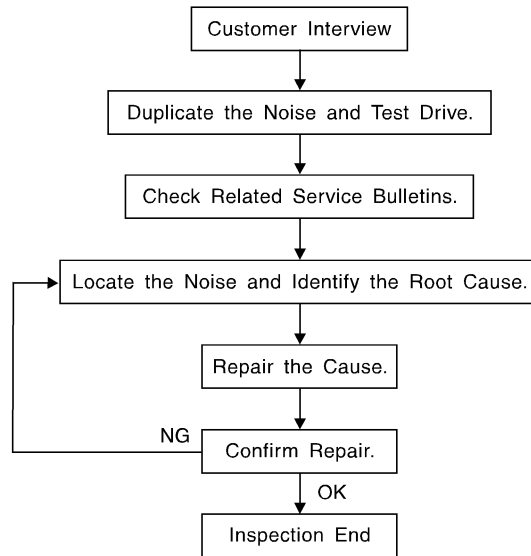
SQUEAK AND RATTLE TROUBLE DIAGNOSES

SQUEAK AND RATTLE TROUBLE DIAGNOSES

PF0:0000

Work Flow

EIS00508



SBT842

CUSTOMER INTERVIEW

Interview the customer if possible, to determine the conditions that exist when the noise occurs. Use the Diagnostic Worksheet during the interview to document the facts and conditions when the noise occurs and any customer's comments; refer to [SE-9, "Diagnostic Worksheet"](#). This information is necessary to duplicate the conditions that exist when the noise occurs.

- The customer may not be able to provide a detailed description or the location of the noise. Attempt to obtain all the facts and conditions that exist when the noise occurs (or does not occur).
- If there is more than one noise in the vehicle, be sure to diagnose and repair the noise that the customer is concerned about. This can be accomplished by test driving the vehicle with the customer.
- After identifying the type of noise, isolate the noise in terms of its characteristics. The noise characteristics are provided so the customer, service adviser and technician are all speaking the same language when defining the noise.
- Squeak —(Like tennis shoes on a clean floor)
Squeak characteristics include the light contact/fast movement/brought on by road conditions/hard surfaces = higher pitch noise/softer surfaces = lower pitch noises/edge to surface = chirping.
- Creak—(Like walking on an old wooden floor)
Creak characteristics include firm contact/slow movement/twisting with a rotational movement/pitch dependent on materials/often brought on by activity.
- Rattle—(Like shaking a baby rattle)
Rattle characteristics include the fast repeated contact/vibration or similar movement/loose parts/missing clip or fastener/incorrect clearance.
- Knock —(Like a knock on a door)
Knock characteristics include hollow sounding/sometimes repeating/often brought on by driver action.
- Tick—(Like a clock second hand)
Tick characteristics include gentle contacting of light materials/loose components/can be caused by driver action or road conditions.
- Thump—(Heavy, muffled knock noise)
Thump characteristics include softer knock/dead sound often brought on by activity.
- Buzz—(Like a bumble bee)
Buzz characteristics include high frequency rattle/firm contact.
- Often the degree of acceptable noise level will vary depending upon the person. A noise that you may judge as acceptable may be very irritating to the customer.
- Weather conditions, especially humidity and temperature, may have a great effect on noise level.

SQUEAK AND RATTLE TROUBLE DIAGNOSES

DUPLICATE THE NOISE AND TEST DRIVE

If possible, drive the vehicle with the customer until the noise is duplicated. Note any additional information on the Diagnostic Worksheet regarding the conditions or location of the noise. This information can be used to duplicate the same conditions when you confirm the repair.

If the noise can be duplicated easily during the test drive, to help identify the source of the noise, try to duplicate the noise with the vehicle stopped by doing one or all of the following:

- 1) Close a door.
 - 2) Tap or push/pull around the area where the noise appears to be coming from.
 - 3) Rev the engine.
 - 4) Use a floor jack to recreate vehicle "twist".
 - 5) At idle, apply engine load (electrical load, half-clutch on M/T model, drive position on A/T model).
 - 6) Raise the vehicle on a hoist and hit a tire with a rubber hammer.
- Drive the vehicle and attempt to duplicate the conditions the customer states exist when the noise occurs.
 - If it is difficult to duplicate the noise, drive the vehicle slowly on an undulating or rough road to stress the vehicle body.

CHECK RELATED SERVICE BULLETINS

After verifying the customer concern or symptom, check ASIST for Technical Service Bulletins (TSBs) related to that concern or symptom.

If a TSB relates to the symptom, follow the procedure to repair the noise.

LOCATE THE NOISE AND IDENTIFY THE ROOT CAUSE

1. Narrow down the noise to a general area. To help pinpoint the source of the noise, use a listening tool (Chassis Ear: J-39570, Engine Ear: J-39565 and mechanic's stethoscope).
2. Narrow down the noise to a more specific area and identify the cause of the noise by:
 - removing the components in the area that you suspect the noise is coming from. Do not use too much force when removing clips and fasteners, otherwise clips and fasteners can be broken or lost during the repair, resulting in the creation of new noise.
 - tapping or pushing/pulling the component that you suspect is causing the noise. Do not tap or push/pull the component with excessive force, otherwise the noise will be eliminated only temporarily.
 - feeling for a vibration with your hand by touching the component(s) that you suspect is (are) causing the noise.
 - placing a piece of paper between components that you suspect are causing the noise.
 - looking for loose components and contact marks.
Refer to [SE-7, "Generic Squeak and Rattle Troubleshooting"](#).

REPAIR THE CAUSE

- If the cause is a loose component, tighten the component securely.
- If the cause is insufficient clearance between components:
 - separate components by repositioning or loosening and retightening the component, if possible.
 - insulate components with a suitable insulator such as urethane pads, foam blocks, felt cloth tape or urethane tape. A NISSAN Squeak and Rattle Kit (J-43980) is available through your authorized NISSAN Parts Department.

CAUTION:

Do not use excessive force as many components are constructed of plastic and may be damaged.

Always check with the Parts Department for the latest parts information.

The following materials are contained in the NISSAN Squeak and Rattle Kit (J-43980). Each item can be ordered separately as needed.

URETHANE PADS [1.5 mm (0.059 in) thick]

Insulates connectors, harness, etc.

76268-9E005: 100×135 mm (3.94×5.31 in)/76884-71L01: 60×85 mm (2.36×3.35 in)/76884-71L02: 15×25 mm (0.59×0.98 in)

INSULATOR (Foam blocks)

Insulates components from contact. Can be used to fill space behind a panel.

73982-9E000: 45 mm (1.77 in) thick, 50×50 mm (1.97×1.97 in)/73982-50Y00: 10 mm (0.39 in) thick, 50×50 mm (1.97×1.97 in)

INSULATOR (Light foam block)

SQUEAK AND RATTLE TROUBLE DIAGNOSES

80845-71L00: 30 mm (1.18 in) thick, 30×50 mm (1.18×1.97 in)

FELT CLOTH TAPE

Used to insulate where movement does not occur. Ideal for instrument panel applications.

68370-4B000: 15×25 mm (0.59×0.98 in) pad/68239-13E00: 5 mm (0.20 in) wide tape roll. The following materials not found in the kit can also be used to repair squeaks and rattles.

UHMW (TEFLON) TAPE

Insulates where slight movement is present. Ideal for instrument panel applications.

SILICONE GREASE

Used instead of UHMW tape that will be visible or not fit.

Note: Will only last a few months.

SILICONE SPRAY

Use when grease cannot be applied.

DUCT TAPE

Use to eliminate movement.

CONFIRM THE REPAIR

Confirm that the cause of a noise is repaired by test driving the vehicle. Operate the vehicle under the same conditions as when the noise originally occurred. Refer to the notes on the Diagnostic Worksheet.

Generic Squeak and Rattle Troubleshooting

E/S00509

Refer to Table of Contents for specific component removal and installation information.

INSTRUMENT PANEL

Most incidents are caused by contact and movement between:

1. The cluster lid A and instrument panel
2. Acrylic lens and combination meter housing
3. Instrument panel to front pillar garnish
4. Instrument panel to windshield
5. Instrument panel mounting pins
6. Wiring harnesses behind the combination meter
7. A/C defroster duct and duct joint

These incidents can usually be located by tapping or moving the components to duplicate the noise or by pressing on the components while driving to stop the noise. Most of these incidents can be repaired by applying felt cloth tape or silicone spray (in hard to reach areas). Urethane pads can be used to insulate wiring harness.

CAUTION:

Do not use silicone spray to isolate a squeak or rattle. If you saturate the area with silicone, you will not be able to recheck the repair.

CENTER CONSOLE

Components to pay attention to include:

1. Shifter assembly cover to finisher
2. A/C control unit and cluster lid C
3. Wiring harnesses behind audio and A/C control unit

The instrument panel repair and isolation procedures also apply to the center console.

DOORS

Pay attention to the:

1. Finisher and inner panel making a slapping noise
2. Inside handle escutcheon to door finisher
3. Wiring harnesses tapping
4. Door striker out of alignment causing a popping noise on starts and stops

Tapping or moving the components or pressing on them while driving to duplicate the conditions can isolate many of these incidents. You can usually insulate the areas with felt cloth tape or insulator foam blocks from the NISSAN Squeak and Rattle Kit (J-43980) to repair the noise.

SQUEAK AND RATTLE TROUBLE DIAGNOSES

TRUNK

Trunk noises are often caused by a loose jack or loose items put into the trunk by the owner. In addition look for:

1. Trunk lid bumpers out of adjustment
2. Trunk lid striker out of adjustment
3. The trunk lid torsion bars knocking together
4. A loose license plate or bracket

Most of these incidents can be repaired by adjusting, securing or insulating the item(s) or component(s) causing the noise.

SUNROOF/HEADLINING

Noises in the sunroof/headlining area can often be traced to one of the following:

1. Sunroof lid, rail, linkage or seals making a rattle or light knocking noise
2. Sun visor shaft shaking in the holder
3. Front or rear windshield touching headliner and squeaking

Again, pressing on the components to stop the noise while duplicating the conditions can isolate most of these incidents. Repairs usually consist of insulating with felt cloth tape.

OVERHEAD CONSOLE (FRONT AND REAR)

Overhead console noises are often caused by the console panel clips not being engaged correctly. Most of these incidents are repaired by pushing up on the console at the clip locations until the clips engage.

In addition look for:

1. Loose harness or harness connectors.
2. Front console map/reading lamp lense loose.
3. Loose screws at console attachment points.

SEATS

When isolating seat noise it's important to note the position the seat is in and the load placed on the seat when the noise is present. These conditions should be duplicated when verifying and isolating the cause of the noise.

Cause of seat noise include:

1. Headrest rods and holder
2. A squeak between the seat pad cushion and frame
3. The rear seatback lock and bracket

These noises can be isolated by moving or pressing on the suspected components while duplicating the conditions under which the noise occurs. Most of these incidents can be repaired by repositioning the component or applying urethane tape to the contact area.

UNDERHOOD

Some interior noise may be caused by components under the hood or on the engine wall. The noise is then transmitted into the passenger compartment.

Causes of transmitted underhood noise include:

1. Any component mounted to the engine wall
2. Components that pass through the engine wall
3. Engine wall mounts and connectors
4. Loose radiator mounting pins
5. Hood bumpers out of adjustment
6. Hood striker out of adjustment

These noises can be difficult to isolate since they cannot be reached from the interior of the vehicle. The best method is to secure, move or insulate one component at a time and test drive the vehicle. Also, engine RPM or load can be changed to isolate the noise. Repairs can usually be made by moving, adjusting, securing, or insulating the component causing the noise.

SQUEAK AND RATTLE TROUBLE DIAGNOSES

Diagnostic Worksheet

EIS0050A



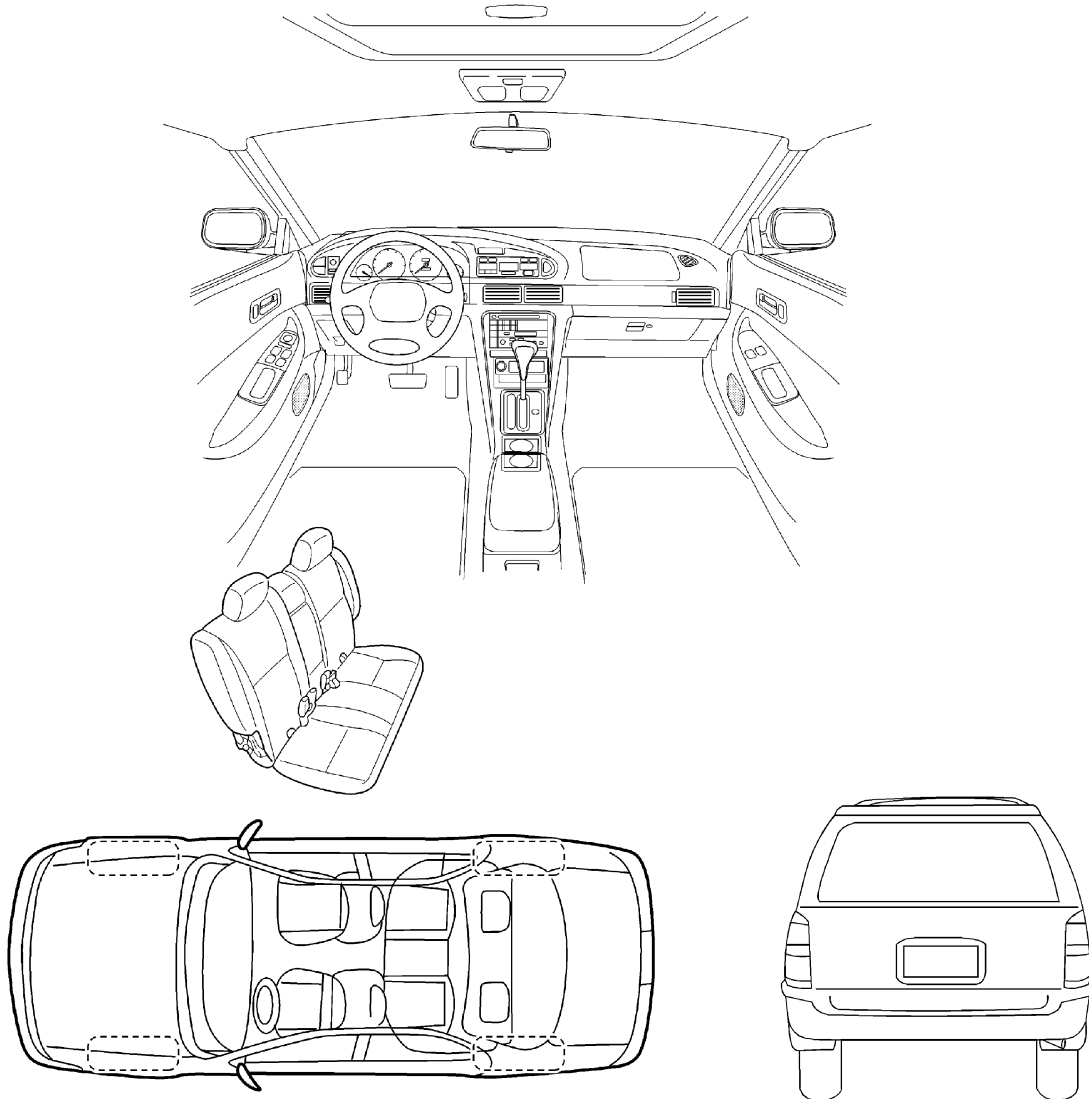
SQUEAK & RATTLE DIAGNOSTIC WORKSHEET

Dear Infiniti Customer:

We are concerned about your satisfaction with your Infiniti vehicle. Repairing a squeak or rattle sometimes can be very difficult. To help us fix your Infiniti right the first time, please take a moment to note the area of the vehicle where the squeak or rattle occurs and under what conditions. You may be asked to take a test drive with a service advisor or technician to ensure we confirm the noise you are hearing.

I. WHERE DOES THE NOISE COME FROM? (circle the area of the vehicle)

The illustrations are for reference only, and may not reflect the actual configuration of your vehicle.



Continue to the back of the worksheet and briefly describe the location of the noise or rattle. In addition, please indicate the conditions which are present when the noise occurs.

SBT860

A
B
C
D
E
F
G
H
SE
J
K
L
M

SQUEAK AND RATTLE TROUBLE DIAGNOSES

SQUEAK & RATTLE DIAGNOSTIC WORKSHEET- page 2

Briefly describe the location where the noise occurs:

II. WHEN DOES IT OCCUR? (check the boxes that apply)

- | | |
|--|---|
| <input type="checkbox"/> anytime | <input type="checkbox"/> after sitting out in the sun |
| <input type="checkbox"/> 1 st time in the morning | <input type="checkbox"/> when it is raining or wet |
| <input type="checkbox"/> only when it is cold outside | <input type="checkbox"/> dry or dusty conditions |
| <input type="checkbox"/> only when it is hot outside | <input type="checkbox"/> other: _____ |

III. WHEN DRIVING:

- through driveways
- over rough roads
- over speed bumps
- only at about ____ mph
- on acceleration
- coming to a stop
- on turns : left, right or either (circle)
- with passengers or cargo
- other: _____
- after driving ____ miles or ____ minutes

IV. WHAT TYPE OF NOISE?

- squeak (like tennis shoes on a clean floor)
- creak (like walking on an old wooden floor)
- rattle (like shaking a baby rattle)
- knock (like a knock on a door)
- tick (like a clock second hand)
- thump (heavy, muffled knock noise)
- buzz (like a bumble bee)

TO BE COMPLETED BY DEALERSHIP PERSONNEL

Test Drive Notes:

	<u>YES</u>	<u>NO</u>	Initials of person <u>performing</u>
Vehicle test driven with customer	<input type="checkbox"/>	<input type="checkbox"/>	_____
- Noise verified on test drive	<input type="checkbox"/>	<input type="checkbox"/>	_____
- Noise source located and repaired	<input type="checkbox"/>	<input type="checkbox"/>	_____
- Follow up test drive performed to confirm repair	<input type="checkbox"/>	<input type="checkbox"/>	_____

VIN: _____ Customer Name: _____

W.O. #: _____ Date: _____

SBT844

This form must be attached to Work Order

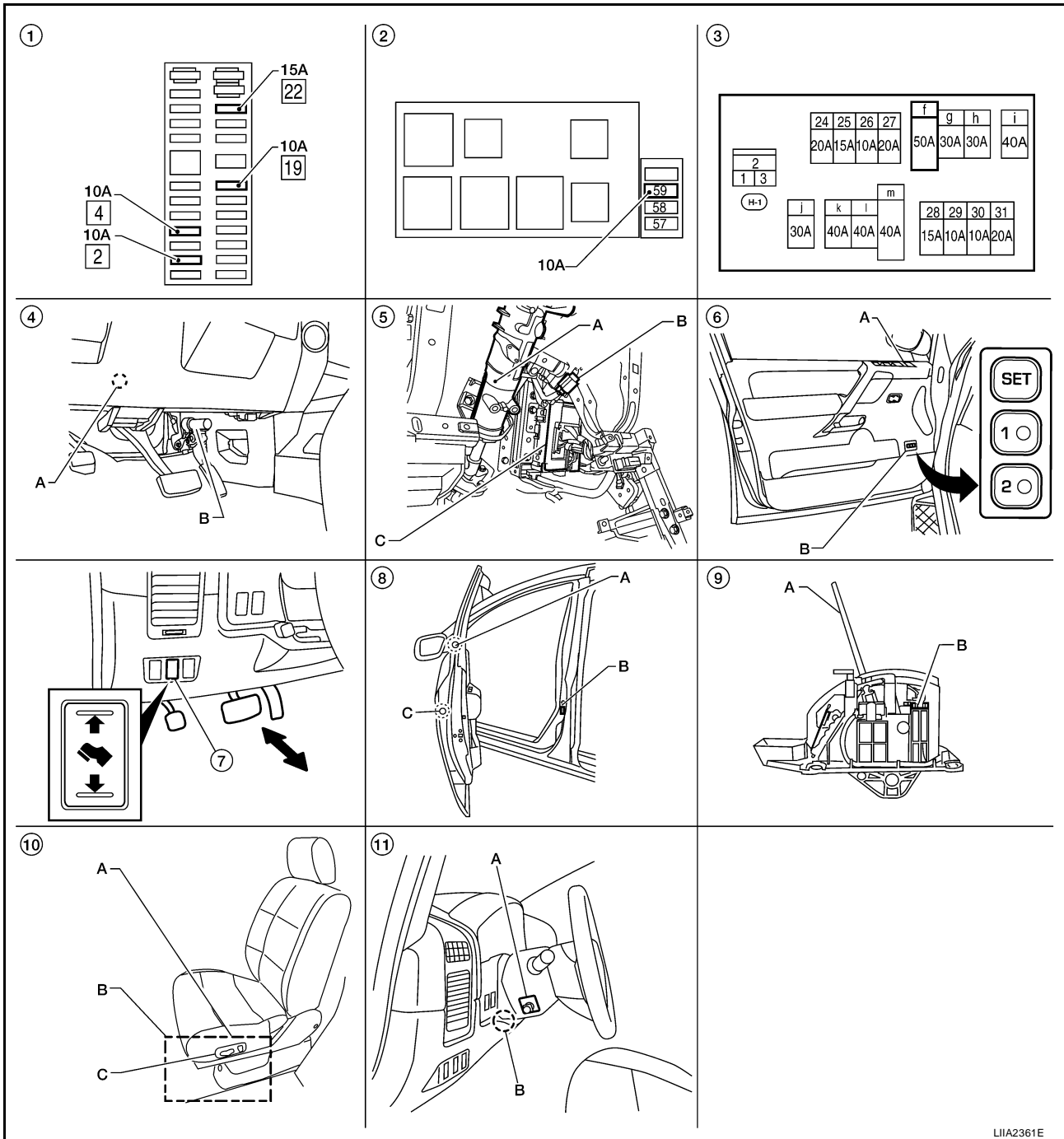
AUTOMATIC DRIVE POSITIONER

AUTOMATIC DRIVE POSITIONER

PF28491

Component Parts And Harness Connector Location

EIS0058U



- | | | |
|---|---|---|
| 1. Fuse block (J/B) | 2. Fuse and relay box | 3. Fuse and fusible link box |
| 4. A. Automatic drive positioner control unit M33, M34
B. Pedal adjusting motor E109, E110 | 5. A. Steering column
B. Key switch and key lock solenoid M27
C. BCM M18, M19, M20 (view with instrument panel removed) | 6. A. Door mirror remote control switch D10
B. Seat memory switch D5 |

LIIA2361E

AUTOMATIC DRIVE POSITIONER

- | | | |
|--|---|--|
| <p>7. Pedal adjusting switch M96</p> | <p>8. A. Door mirror LH D4, RH D107
B. Front door switch LH B8
C. Front door lock assembly LH (key cylinder switch) D14</p> | <p>9. A. A/T selector lever
B. A/T device (detent switch) M203</p> |
| <p>10. A. Sliding motor LH P4 (driver seat view), reclining motor LH P5, lifting motor (front) P6, lifting motor (rear) P7
B. Driver seat control unit P2, P3
C. Power seat switch LH P8</p> | <p>11. A. ADP steering switch M16
B. Tilt motor M68, M69</p> | |

Manual Operation

E/S004XC

The driving position [seat position, steering wheel, pedal position (accelerator, brake) and door mirror position] can be adjusted with the power seat switch LH, pedal adjusting switch, door mirror remote control switch or ADP steering switch.

NOTE:

- The door mirrors can be manually operated with the ignition switch turned to ACC or ON.
- Adjustable pedals can only operate when A/T shift lever is in P position (except when ignition switch turned to OFF).
- If A/T device (detent switch) error is detected, manual adjustable pedal operation cannot be performed when ignition switch turns ON.

Automatic Operation

E/S004XD

Function	Description
Memory operation	The seat, steering wheel, pedals (accelerator, brake) and door mirrors move to the stored driving position by pushing seat memory switch (1 or 2).
Entry/Exiting function	Exiting operation At exit, the seat moves backward and the steering wheel raises. (Exiting position)
	Entry operation At entry, the seat and steering wheel return from Exiting position to the previous driving position before the Exiting operation.
Keyfob interlock operation	Perform memory operation, turnout operation and return operation by pressing keyfob unlock button.

NOTE:

- Disconnecting the battery erases the stored memory.
- After connecting the battery, insert the key into the ignition cylinder and turn the front door switch LH ON (open)→OFF (close)→ON (open), the Entry/ Exiting function becomes possible.
- After Exiting operation is carried out, return operation can be operated.

Auto operation temporary stop conditions.	When ignition switch is turned to START during seat memory switch operation and return operation, seat memory switch operation and return operation is stopped.
Auto operation stop conditions.	<ul style="list-style-type: none"> ● When the vehicle speed becomes 7 km/h (4 MPH) or higher (memory switch operation and entry operation). ● When the setting switch, seat memory switch 1, or 2 are pressed. ● When A/T shift lever is in any position other than P. ● When the door mirror remote control switch is operated (when ignition switch turned to ON). ● When power seat switch turned ON. ● When pedal adjusting switch turned ON. ● When front seat sliding Entry/Exiting setting is OFF (entry/exiting operation).

NOTE:

During automatic operation, if the ignition switch is turned ON→START, the automatic operation is suspended. When the ignition switch returns to ON, it resumes.

System Description

E/S004XE

- The system automatically moves the driver seat and steering wheel to facilitate entry/exit to/from the vehicle. The driver seat control unit can also store the optimum driving positions (driver seat, steering wheel, pedal position and door mirror position) for 2 people. One-touch operation allows changing between driving positions.

AUTOMATIC DRIVE POSITIONER

- The settings (ON/OFF) of the automatic sliding seat (Entry/Exiting operation) at entry/exit can be changed as desired, using the display unit in the center of the instrument panel. The set content is transmitted by CAN communication, from display control unit to driver seat control unit.
- Using CONSULT-II, the seat slide amount at entry/exit setting can be changed.

A

B

C

D

E

F

G

H

SE

J

K

L

M

AUTOMATIC DRIVE POSITIONER

FAIL- SAFE MODE

When any manual and automatic operations are not performed, if any motor operations of seats or pedals are detected for T2 or more, status is judged "Output error".

OPERATED PORTION	T2
Seat sliding	Approx. 0.1 sec.
Seat reclining	Same as above
Seat lifting (Front)	Same as above
Seat lifting (Rear)	Same as above
Steering wheel	Same as above
Pedal adjust	Same as above

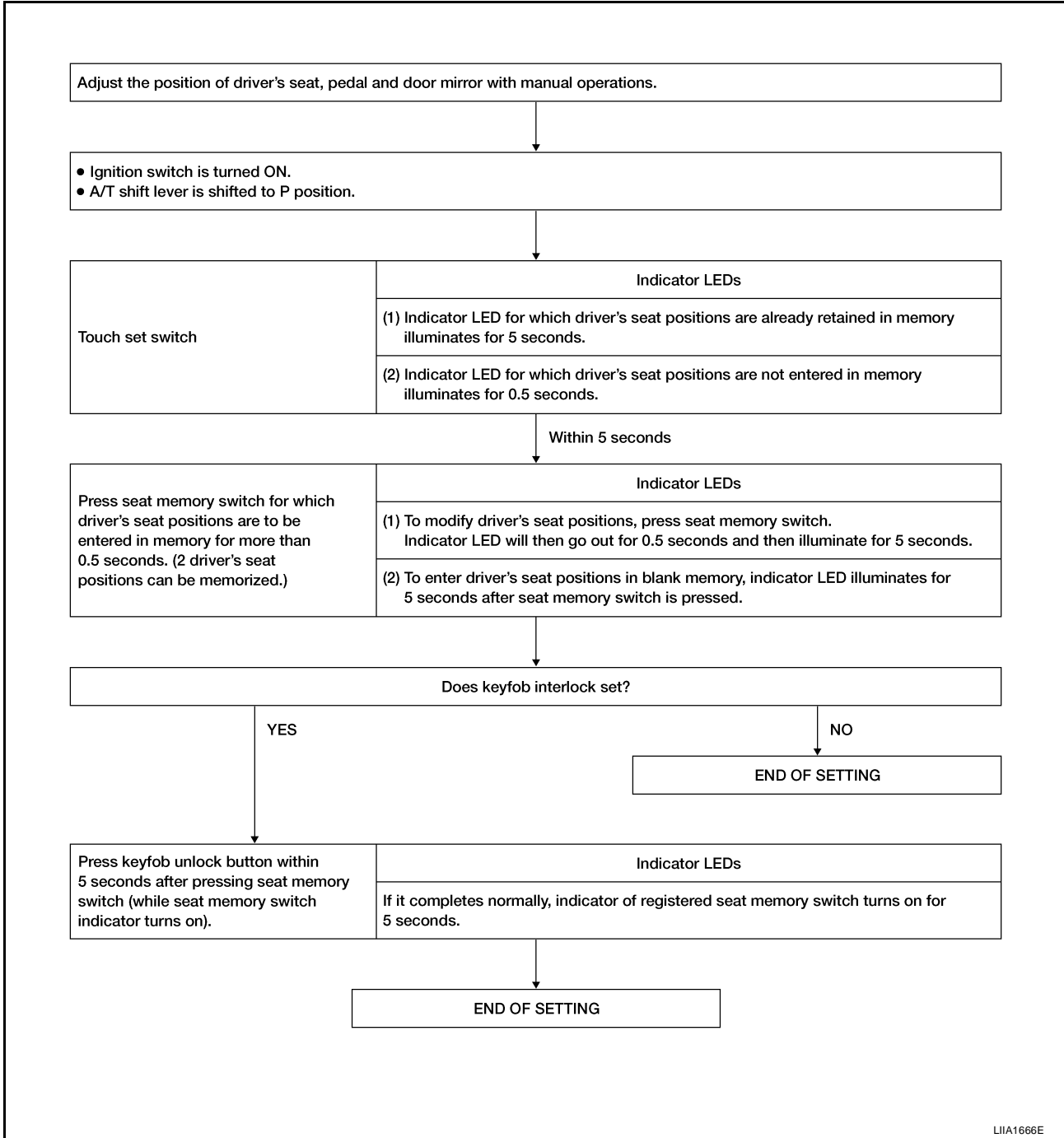
CANCEL OF FAIL-SAFE MODE

The mode is cancelled when the selector lever is shifted to P position from any other position.

AUTOMATIC DRIVE POSITIONER

MEMORY STORING AND KEYFOB INTERLOCK STORING

- Store the 2 driving positions and shifts to the stored driving position with the memory switch.
- Keyfob interlock function is set simultaneously with setting driving position memory. It can set driving position to memory position.



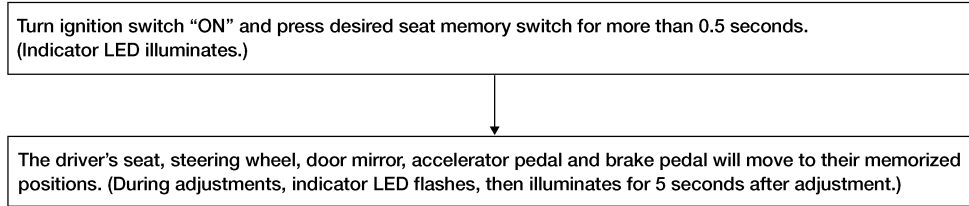
NOTE:

- If another keyfob interlock function setting is performed by same key, the newly registered setting is valid.
- If a new memory string is performed to memory switch that already set keyfob interlock function, keyfob interlock function setting is reset.
- If the keyfob has not been previously programmed to the vehicle, keyfob interlock function cannot set.

AUTOMATIC DRIVE POSITIONER

MEMORY OPERATION

Selecting the memorized position.



LIA1477E

NOTE:

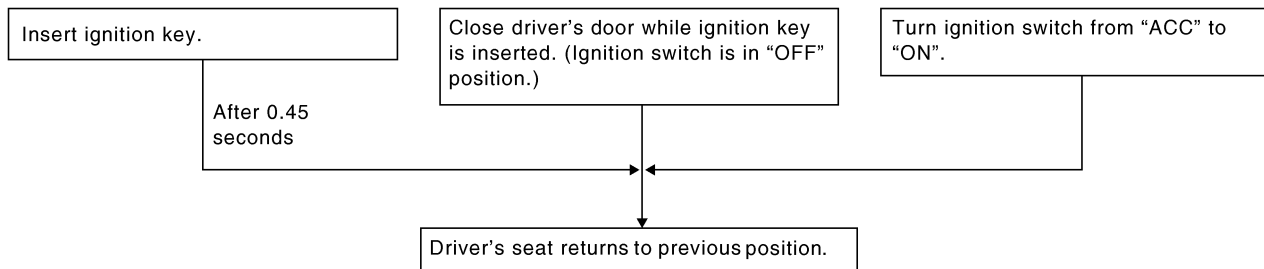
The front seat position and pedal adjustment functions (see the following table) operate simultaneously in the order of priority.

Priority	Function	Priority	Function
1	Seat sliding, (door mirror LH/RH)*	4	Seat reclining
2	Pedal	5	Seat lifter-FR
3	Steering wheel	6	Seat lifter-RR

*: In conjunction with sliding the seat, the door mirrors are positioned.

ENTRY OPERATION

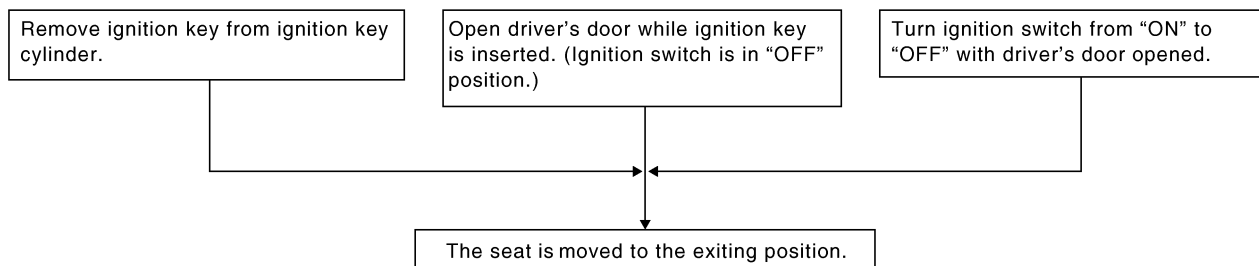
When the seat is in the exiting position, the following operation moves the seat to the previous position before the exiting operation.



LIA0855E

EXITING OPERATION

At Entry/Exiting, the seat is automatically moved to the exiting position.

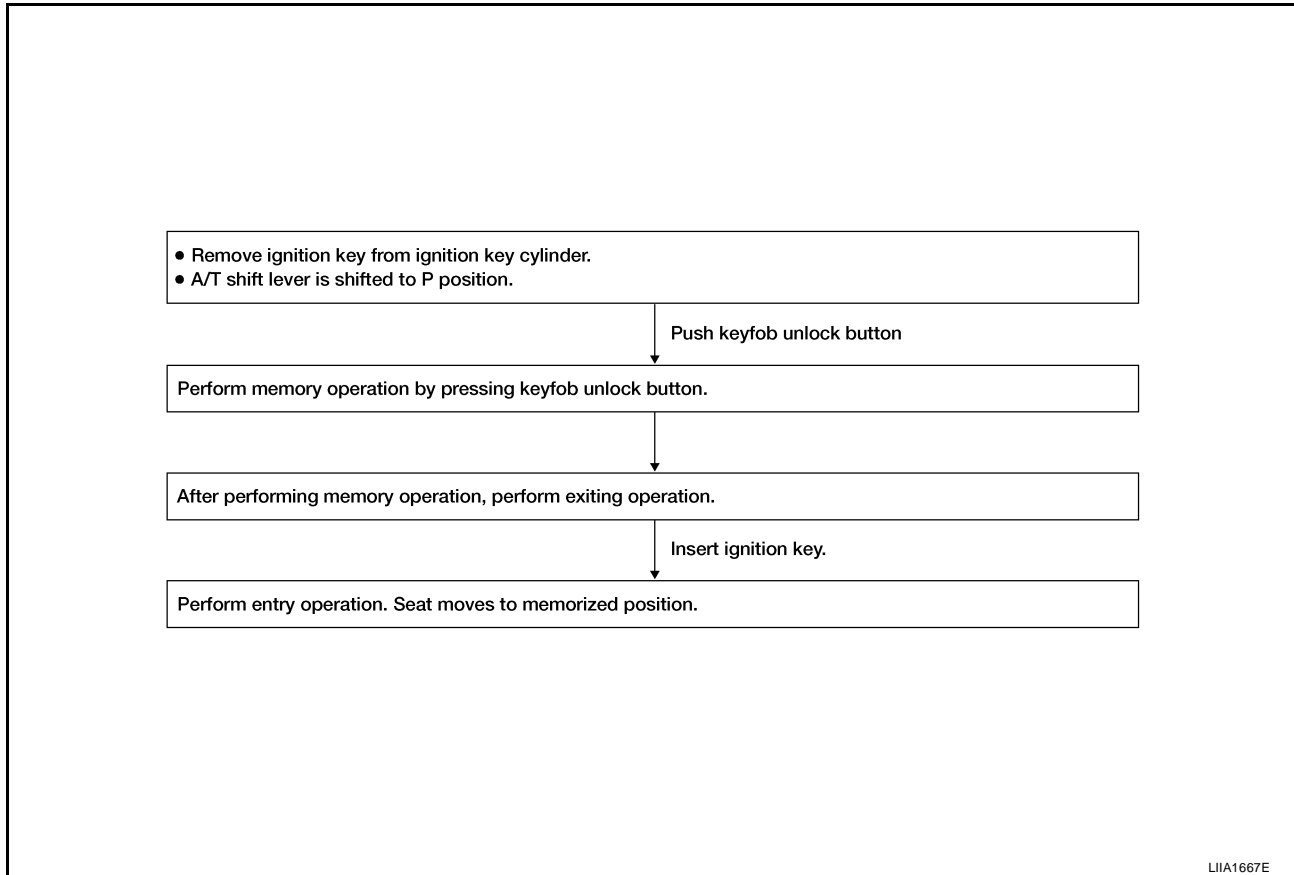


LIA0856E

AUTOMATIC DRIVE POSITIONER

KEYFOB INTERLOCK OPERATION

- The system performs memory operation, exiting operation and return operation by pressing keyfob unlock button.



NOTE:

- If Entry/Exiting operation is cancelled, the system performs memory operation only.
- If ignition switch turns ON in the middle of memory operation, the system does not perform exiting operation after memory operation.
- If ignition switch turns ON in the middle of exiting operation, entry operation starts at that time.

CAN Communication System Description

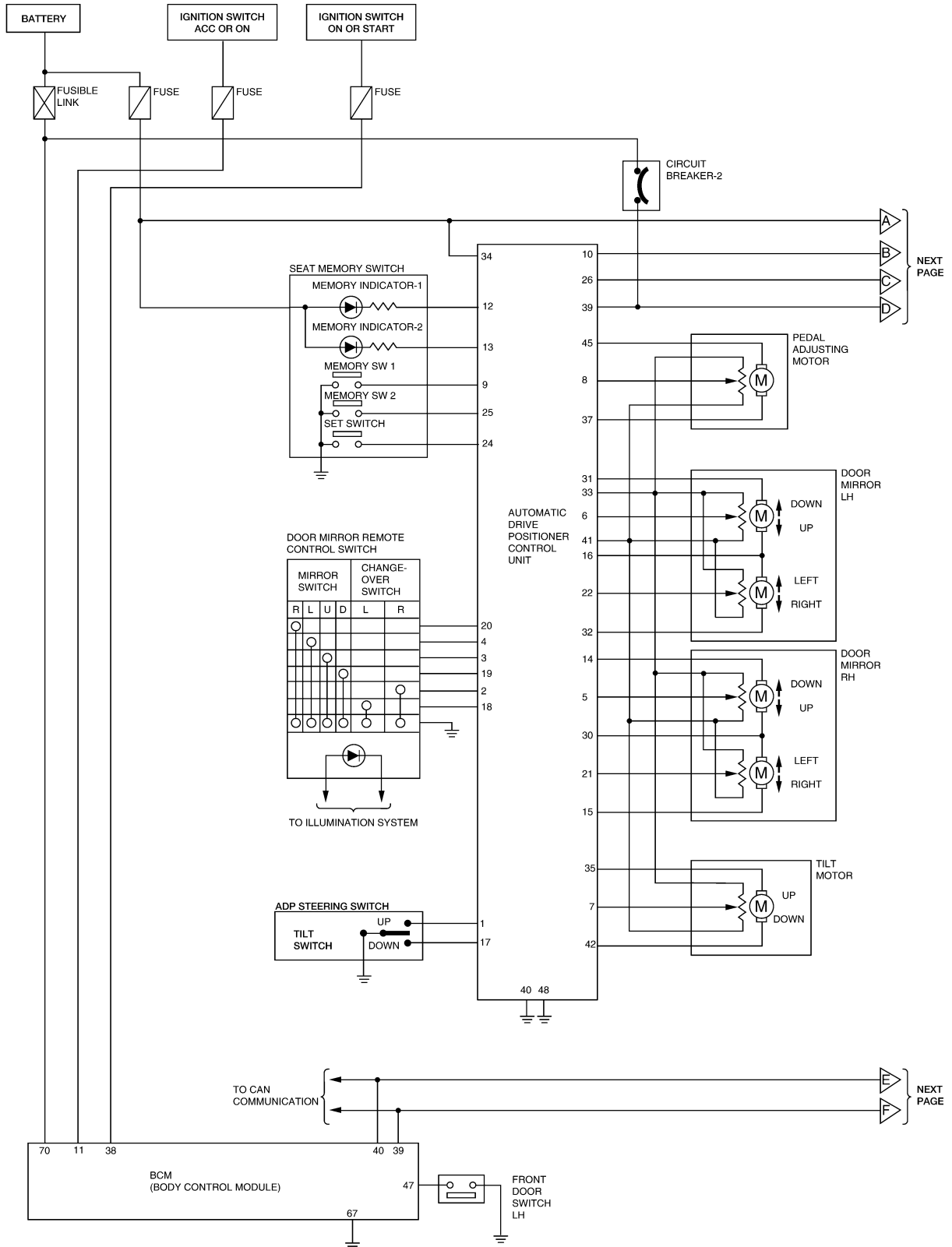
EIS004XG

Refer to [LAN-5, "CAN COMMUNICATION"](#) .

AUTOMATIC DRIVE POSITIONER

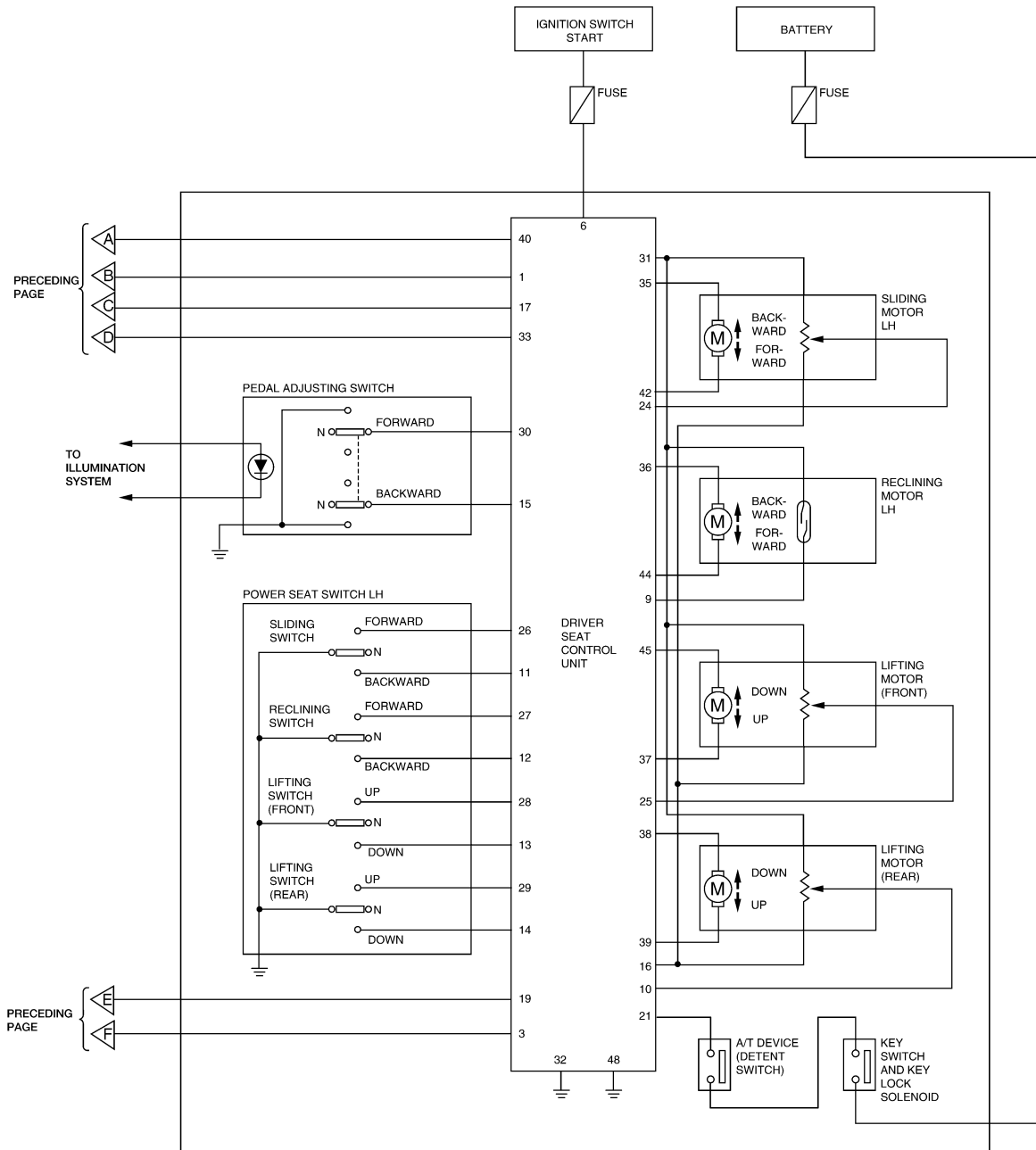
Schematic

EIS004XH



WIWA0575E

AUTOMATIC DRIVE POSITIONER



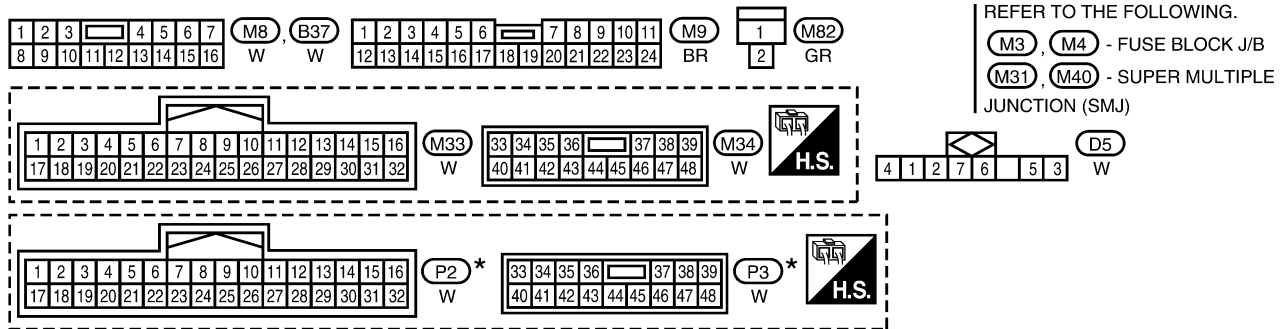
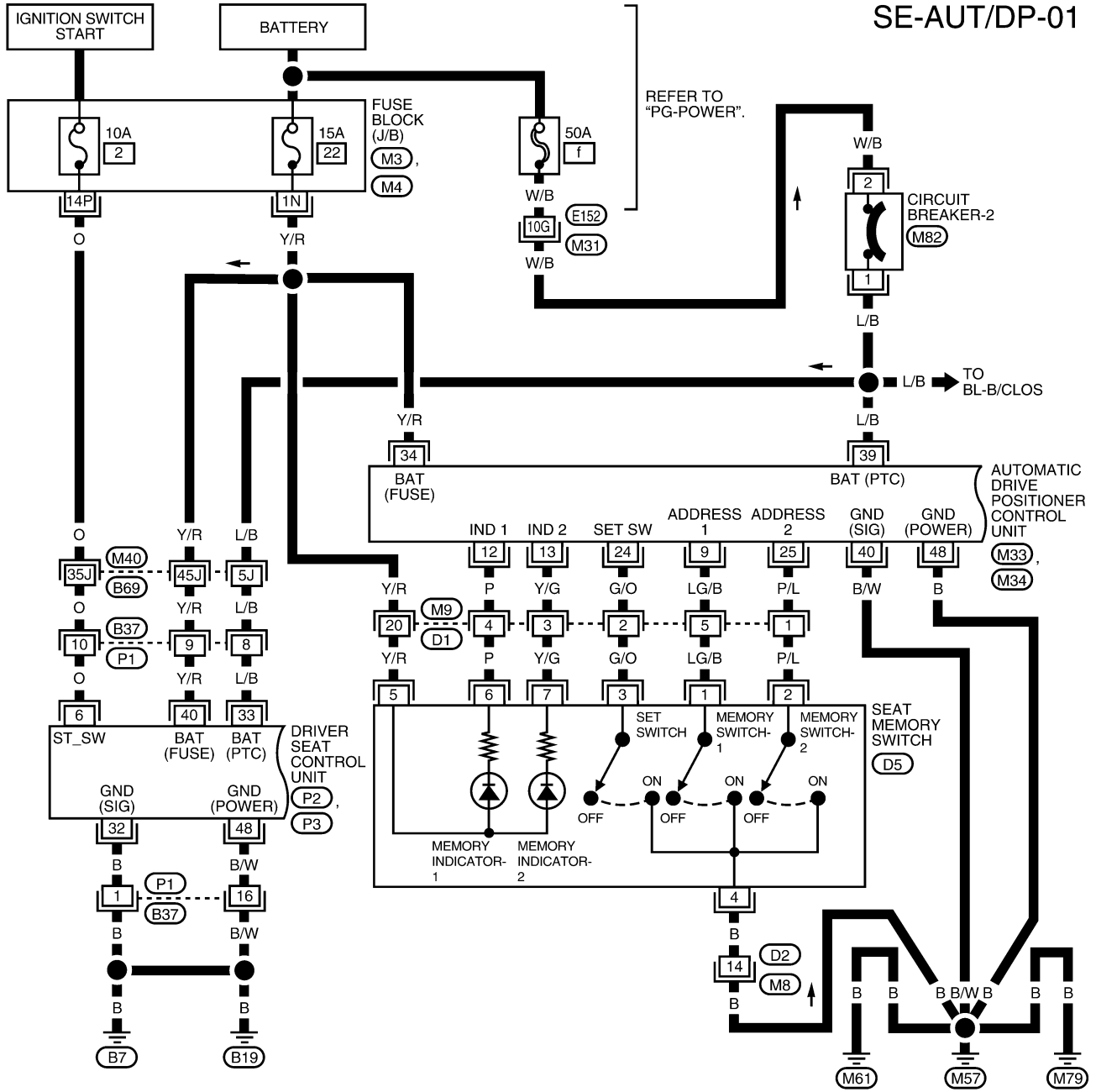
A
B
C
D
E
F
G
H
SE
J
K
L
M

WIWA0576E

AUTOMATIC DRIVE POSITIONER

Wiring Diagram — AUT/DP —

E/ISO04X1



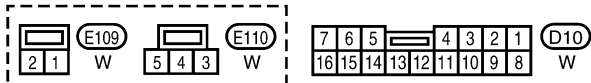
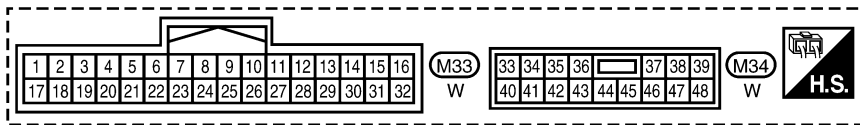
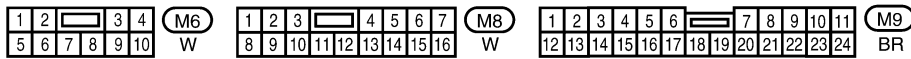
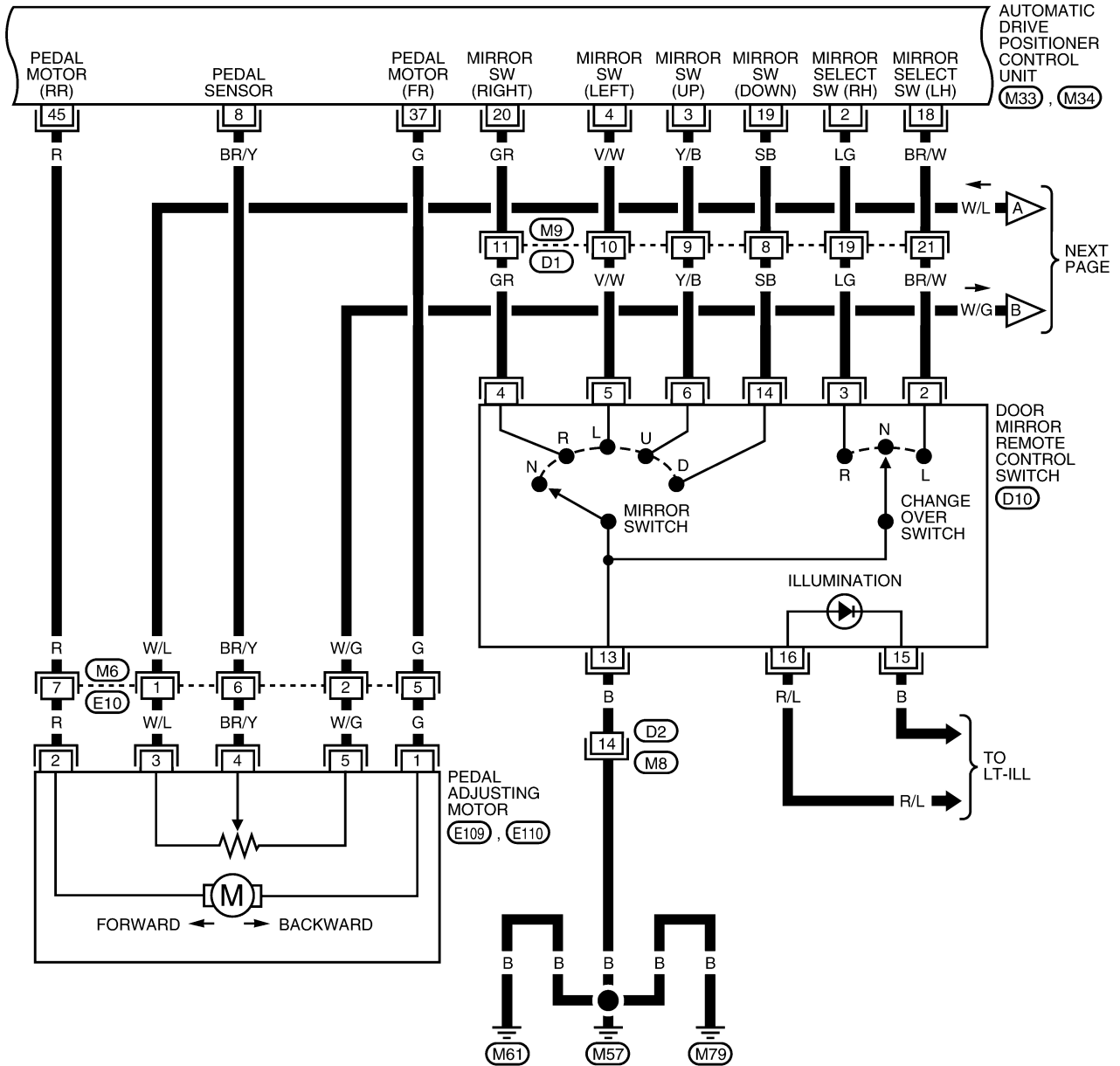
REFER TO THE FOLLOWING.
 (M3), (M4) - FUSE BLOCK J/B
 (M31), (M40) - SUPER MULTIPLE JUNCTION (SMJ)

*: THIS CONNECTOR IS NOT SHOWN IN "HARNESS LAYOUT" OF PG SECTION.

WIWA0577E

AUTOMATIC DRIVE POSITIONER

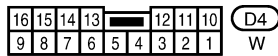
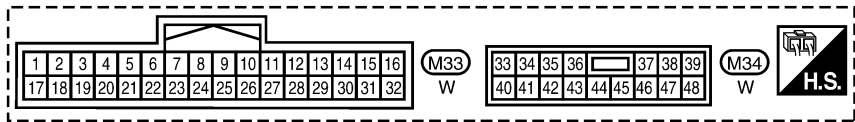
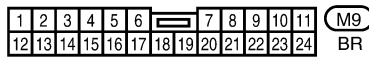
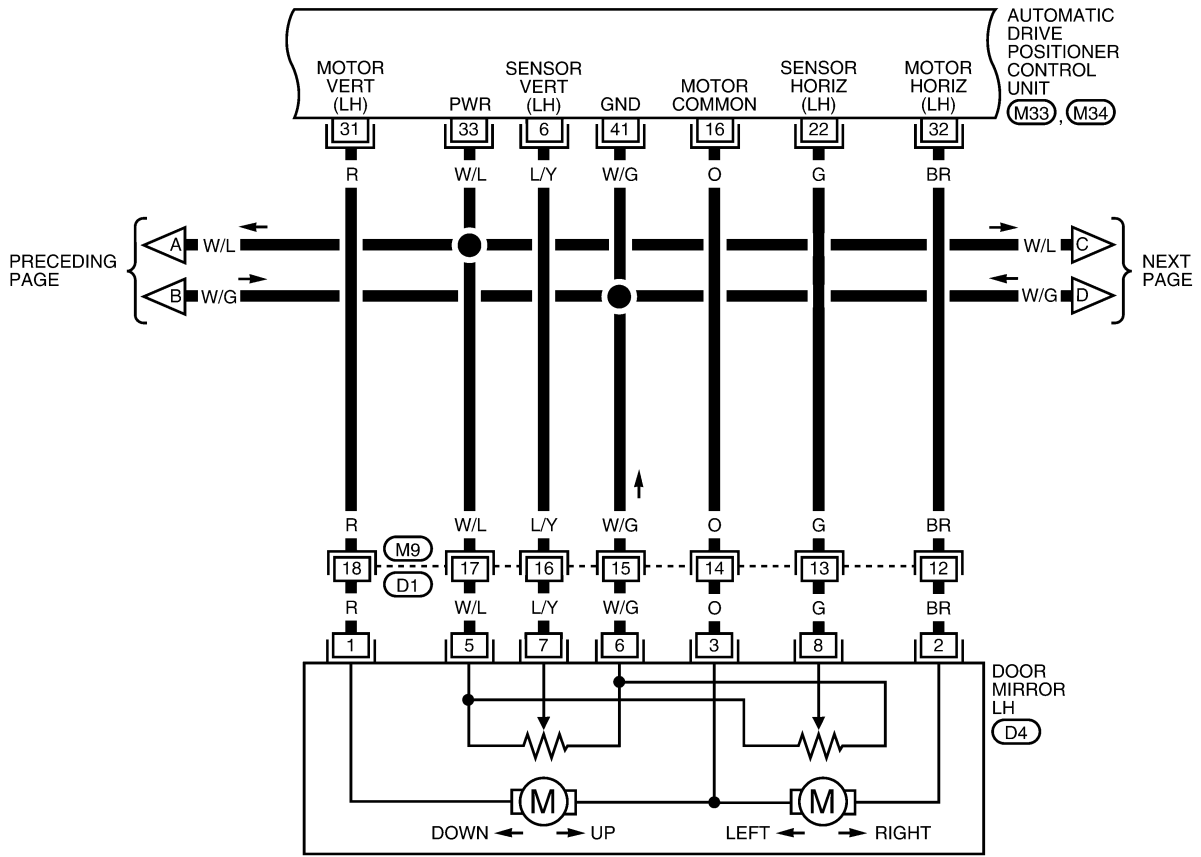
SE-AUT/DP-02



W1WA0578E

AUTOMATIC DRIVE POSITIONER

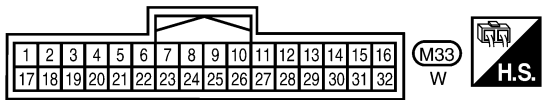
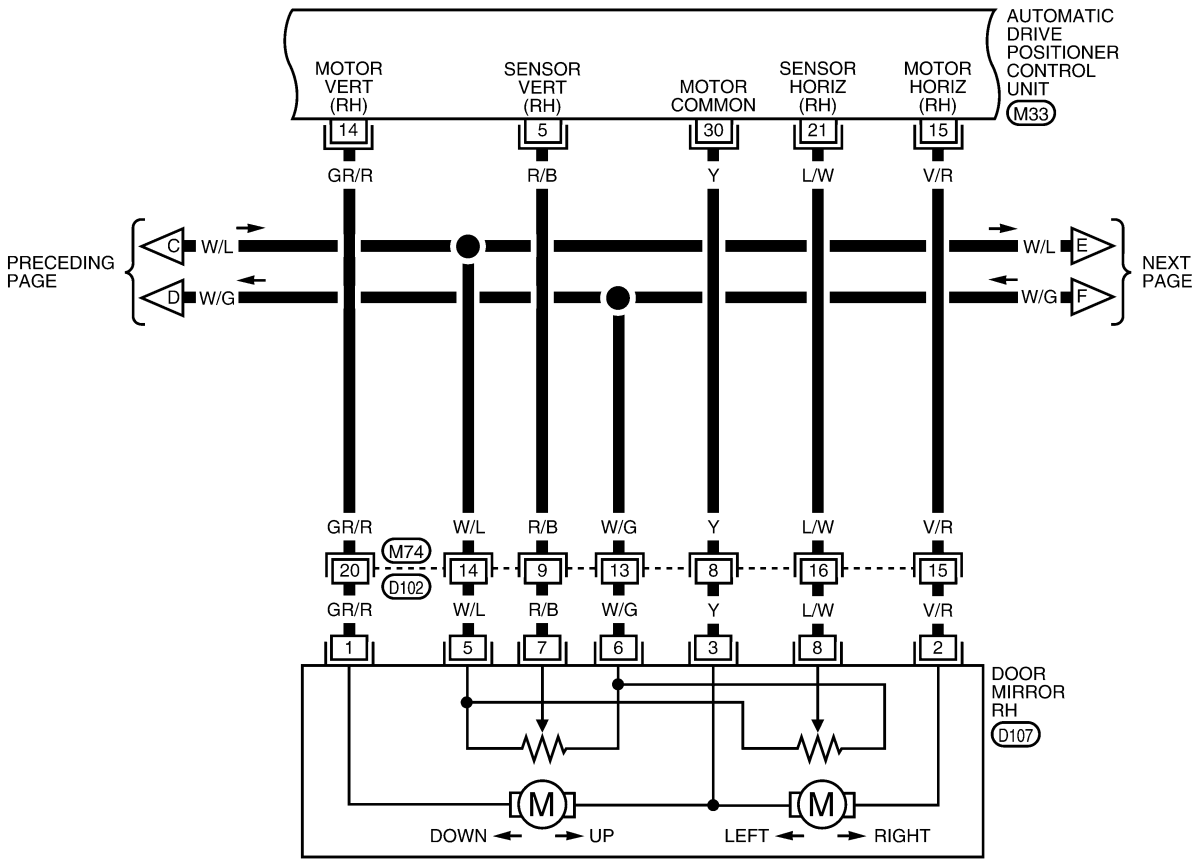
SE-AUT/DP-03



WIWA0579E

AUTOMATIC DRIVE POSITIONER

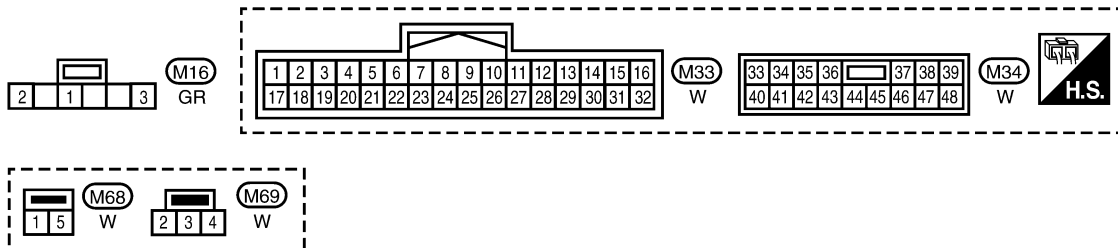
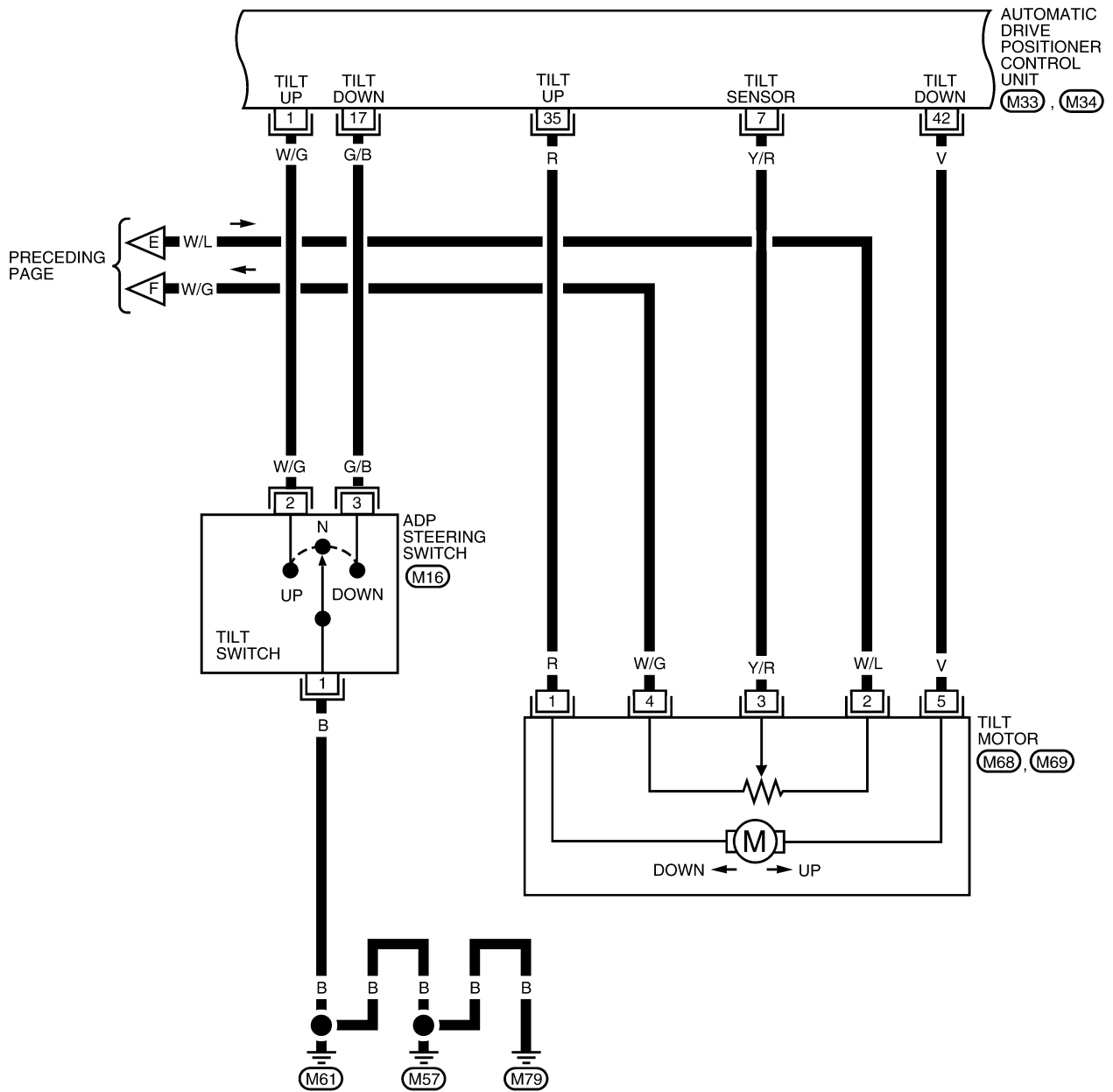
SE-AUT/DP-04



W1WA0580E

AUTOMATIC DRIVE POSITIONER

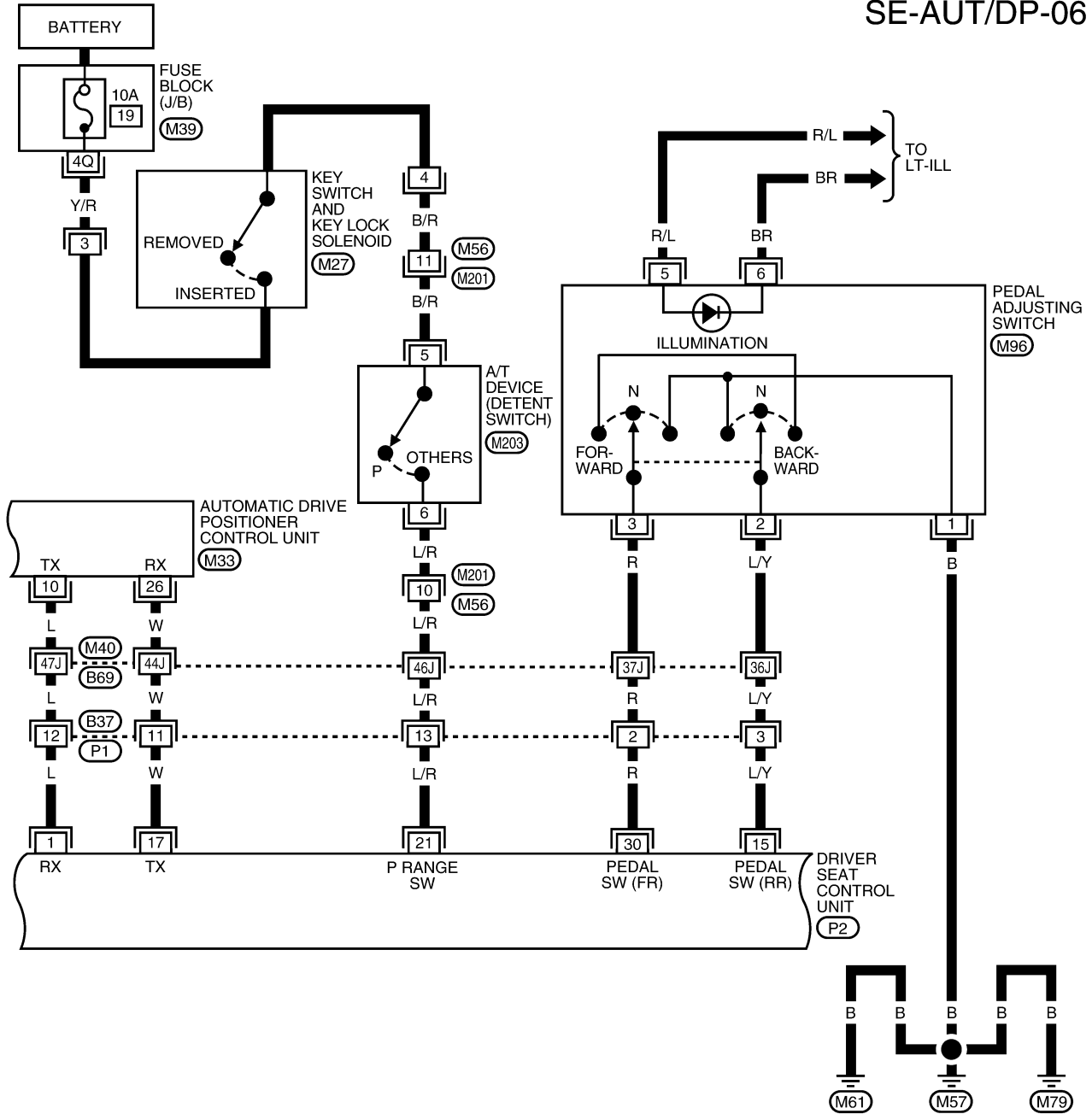
SE-AUT/DP-05



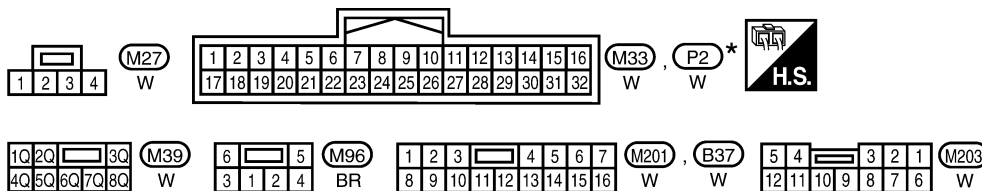
WIWA0581E

AUTOMATIC DRIVE POSITIONER

SE-AUT/DP-06



A
B
C
D
E
F
G
H
SE
J
K
L
M



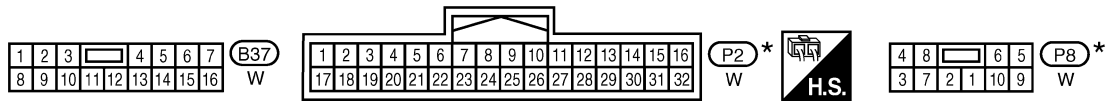
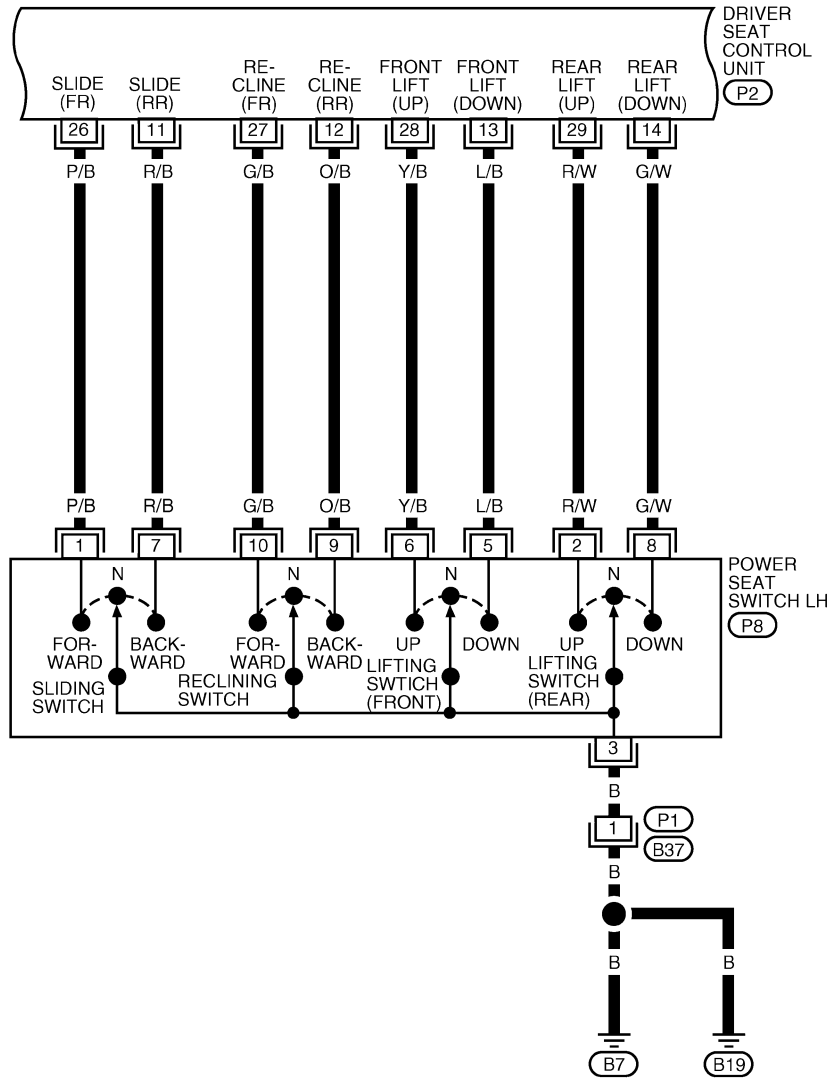
REFER TO THE FOLLOWING.
 (M40) - SUPER MULTIPLE JUNCTION (SMJ)

* : THIS CONNECTOR IS NOT SHOWN IN "HARNESS LAYOUT" OF PG SECTION.

WIWA0582E

AUTOMATIC DRIVE POSITIONER

SE-AUT/DP-07

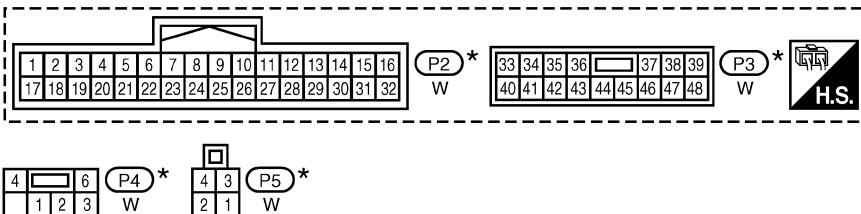
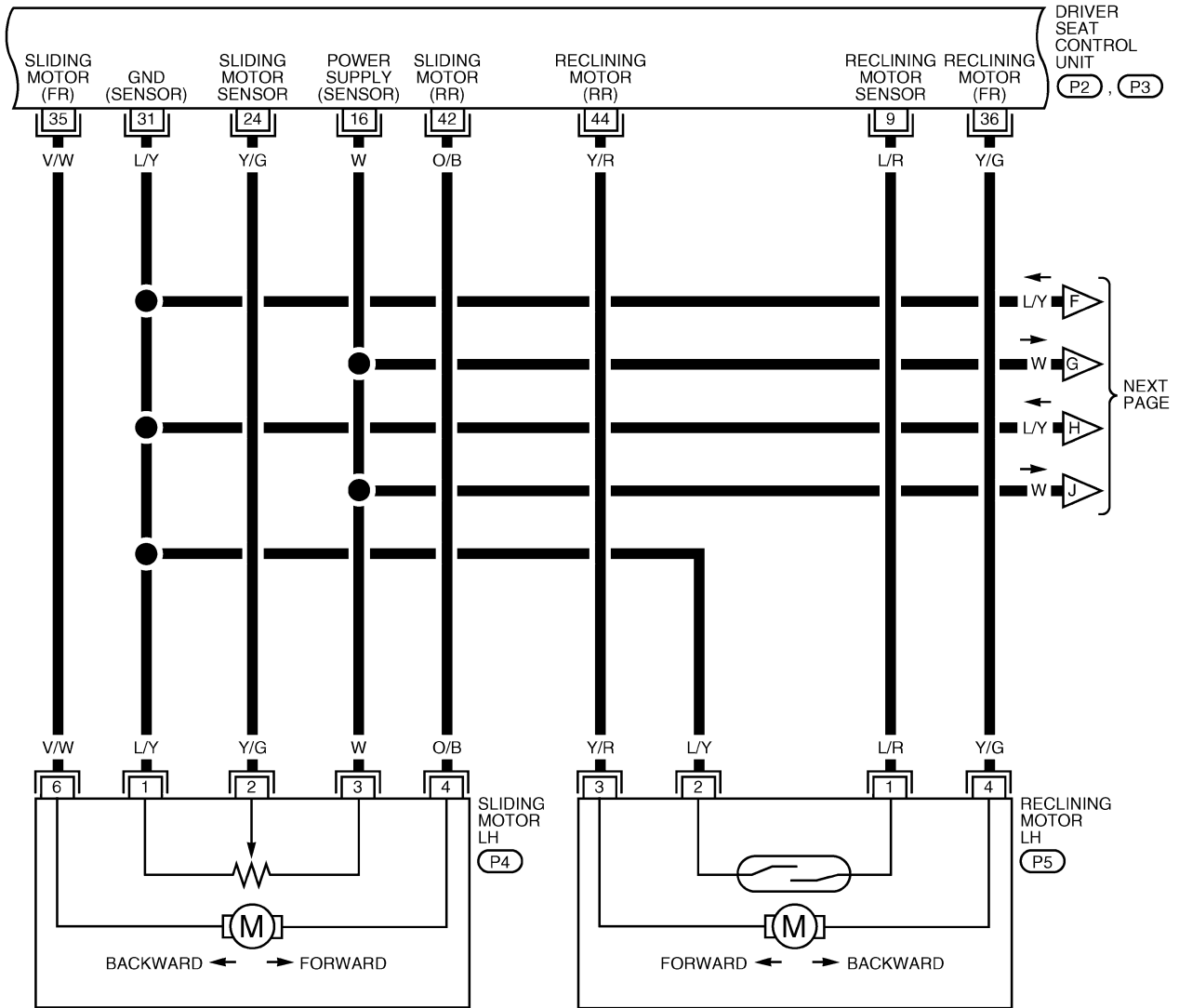


★: THIS CONNECTOR IS NOT SHOWN IN "HARNESS LAYOUT" OF PG SECTION.

LIWA0449E

AUTOMATIC DRIVE POSITIONER

SE-AUT/DP-08

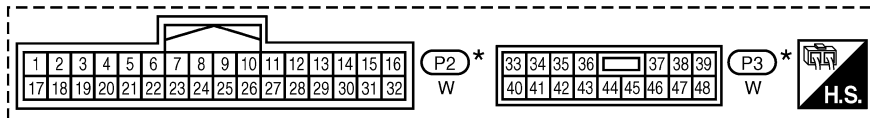
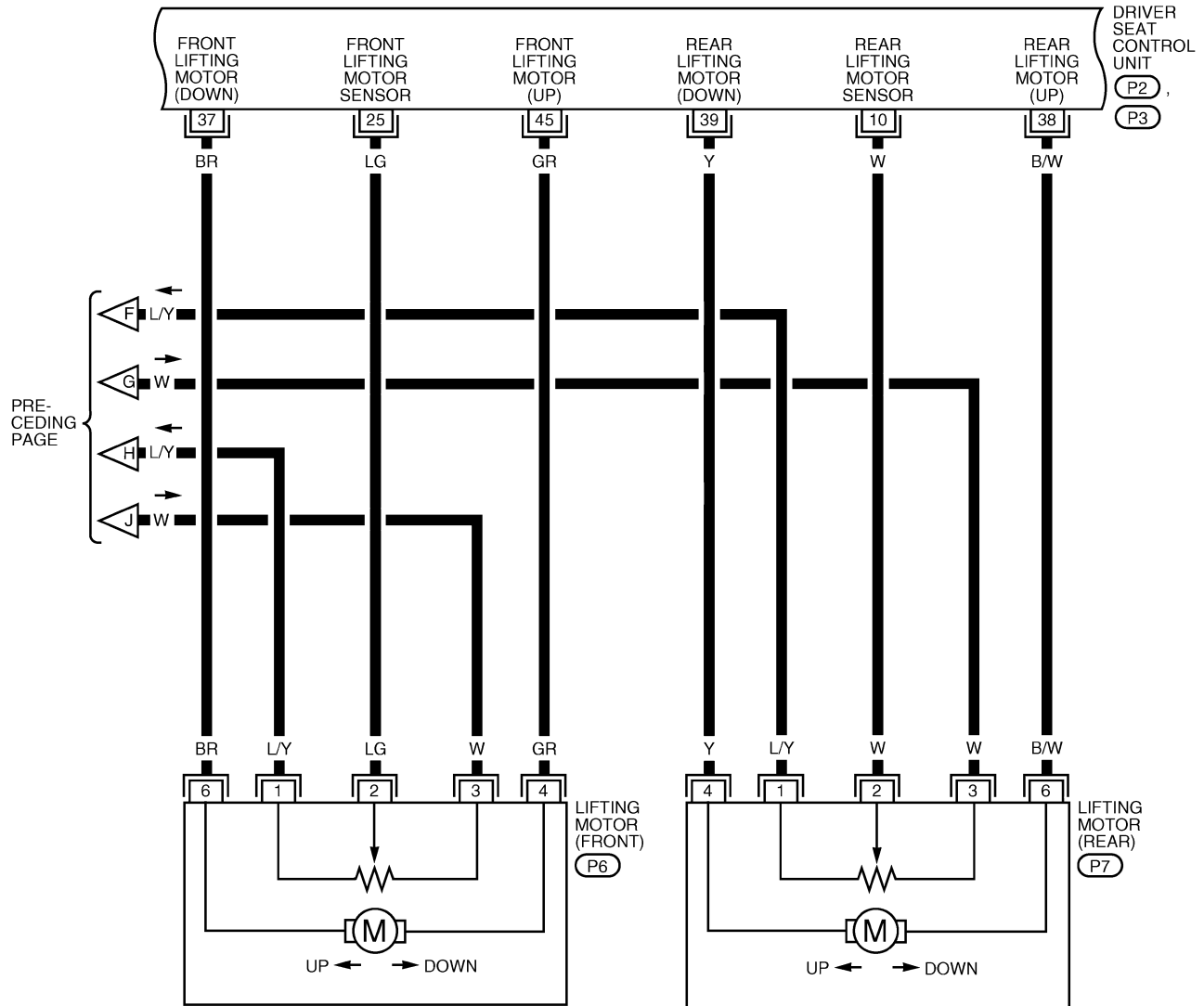


* : THIS CONNECTOR IS NOT SHOWN IN "HARNESS LAYOUT" OF PG SECTION.

LIWA0439E

AUTOMATIC DRIVE POSITIONER

SE-AUT/DP-09

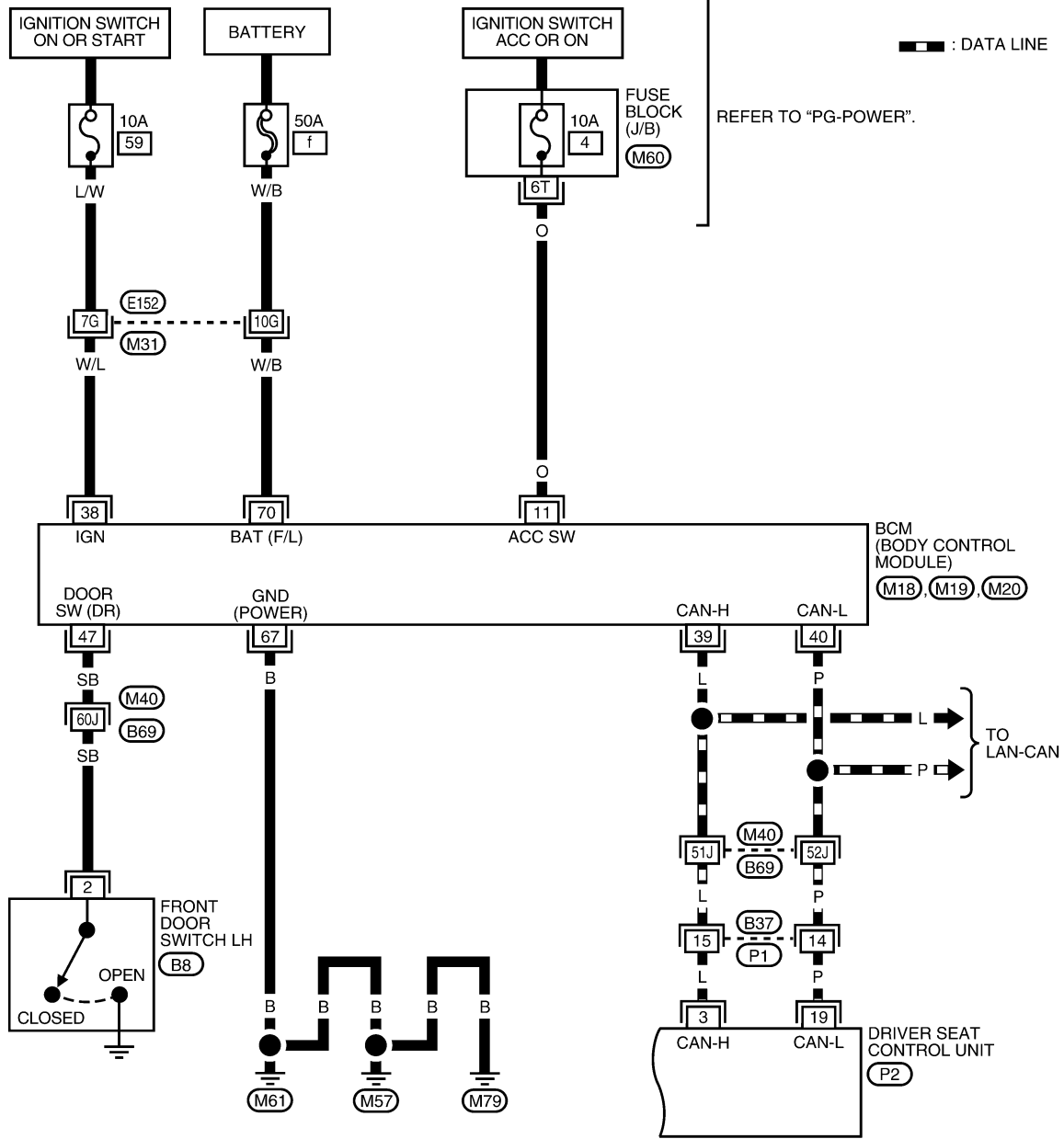


* : THIS CONNECTOR IS NOT SHOWN IN "HARNESS LAYOUT" OF PG SECTION.

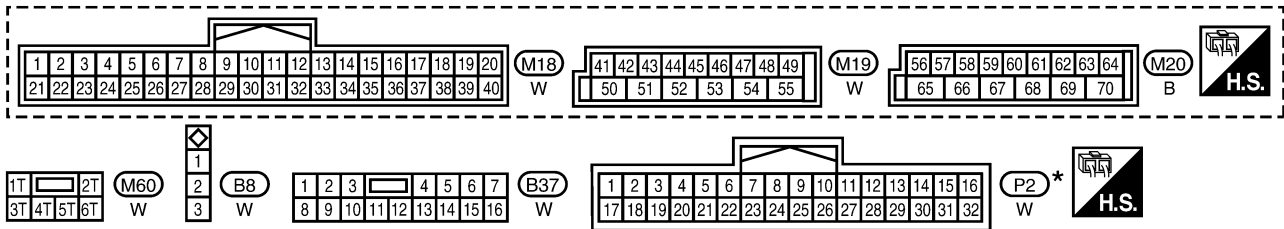
LIWA0440E

AUTOMATIC DRIVE POSITIONER

SE-AUT/DP-10



REFER TO THE FOLLOWING.
M31, M40 - SUPER MULTIPLE JUNCTION (SMJ)



*: THIS CONNECTOR IS NOT SHOWN IN "HARNESS LAYOUT" OF PG SECTION.

WIIWA0584E

AUTOMATIC DRIVE POSITIONER

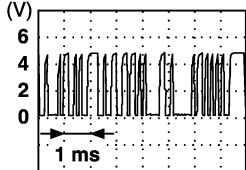
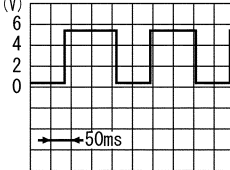
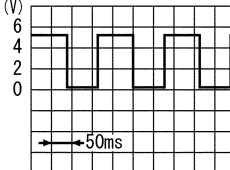
Terminals and Reference Values for BCM

EIS004XJ

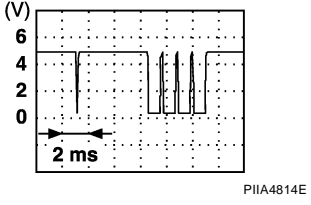
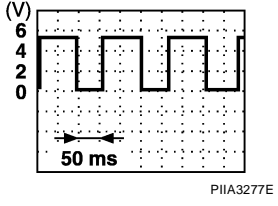
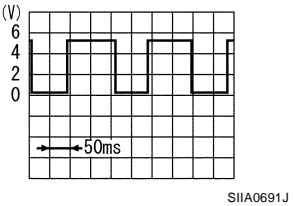
TERMINAL	WIRE COLOR	ITEM	CONDITION	VOLTAGE (V) (Approx.)
11	O	Ignition switch (ACC or ON)	Ignition switch (ACC or ON position)	Battery voltage
38	W/L	Ignition switch (ON or START)	Ignition switch (ON or START position)	Battery voltage
39	L	CAN-H	—	—
40	P	CAN-L	—	—
47	SB	Front door switch LH	ON (Open) → OFF (Closed)	0 → Battery voltage
67	B	Ground	—	0
70	W/B	Battery power supply	—	Battery voltage

Terminals and Reference Values for Driver Seat Control Unit

EIS004XK

TERMINAL	WIRE COLOR	ITEM	CONDITION	VOLTAGE (V) (Approx.)
1	L	UART LINE (RX)	Pedal adjusting switch ON (FORWARD or BACKWARD operation)	 <p style="text-align: right; font-size: small;">PIIA4813E</p>
3	L	CAN-H	—	—
6	O	Ignition switch (START)	Ignition switch (START position)	Battery voltage
9	L/R	Reclining motor sensor signal	ON (seat reclining motor operation)	 <p style="text-align: right; font-size: small;">SIIA0692J</p>
			Other than above	0 or 5
10	W	Rear lifting motor sensor signal	ON (rear lifting motor operation)	 <p style="text-align: right; font-size: small;">SIIA0693J</p>
			Other than above	0 or 5
11	R/B	Sliding switch BACKWARD signal	ON (seat sliding switch BACKWARD operation)	0
			Other than above	Battery voltage
12	O/B	Reclining switch BACKWARD signal	ON (seat reclining switch BACKWARD operation)	0
			Other than above	Battery voltage
13	L/B	Front lifting switch DOWN signal	ON (front lifting switch DOWN operation)	0
			Other than above	Battery voltage

AUTOMATIC DRIVE POSITIONER

TERMINAL	WIRE COLOR	ITEM	CONDITION	VOLTAGE (V) (Approx.)
14	G/W	Rear lifting switch DOWN signal	ON (rear lifting switch DOWN operation)	0
			Other than above	Battery voltage
15	L/Y	Pedal adjusting switch BACKWARD signal	ON (pedal adjusting switch BACKWARD operation)	0
			Other than above	Battery voltage
16	W	Seat sensor power	Ignition switch ON	5
17	W	UART LINE (TX)	Pedal adjusting switch ON (FORWARD or BACKWARD operation)	
19	P	CAN-L	—	—
21	L/R	A/T device (detent switch) signal	Selector lever in P position	0
			Selector lever other than P position with ignition key in ignition cylinder	Battery voltage
24	Y/G	Seat sliding motor sensor signal	ON (seat sliding motor operation)	
			Other than above	0 or 5
25	LG	Front lifting motor sensor signal	ON (front lifting motor operation)	
			Other than above.	0 or 5
26	P/B	Seat sliding switch FORWARD signal	ON (seat sliding switch FORWARD operation)	0
			Other than above	Battery voltage
27	G/B	Seat reclining switch FORWARD signal	ON (seat reclining switch FORWARD operation)	0
			Other than above	Battery voltage
28	Y/B	Front lifting switch UP signal	ON (front lifting switch UP operation)	0
			Other than above	Battery voltage
29	R/W	Rear lifting switch UP signal	ON (rear lifting switch UP operation)	0
			Other than above	Battery voltage
30	R	Pedal adjusting switch FORWARD signal	ON (pedal adjusting switch FORWARD operation)	0
			Other than above	Battery voltage

A
B
C
D
E
F
G
H
J
K
L
M

SE

AUTOMATIC DRIVE POSITIONER

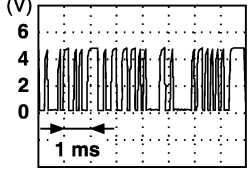
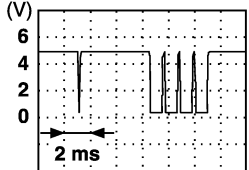
TERMINAL	WIRE COLOR	ITEM	CONDITION	VOLTAGE (V) (Approx.)
31	L/Y	Sensor ground	—	0
32	B	Ground	—	0
33	L/B	Battery power supply	—	Battery voltage
35	V/W	Sliding motor FORWARD output signal	Sliding switch FORWARD operation (Motor operated)	Battery voltage
			Other than above	0
36	Y/G	Reclining motor FORWARD output signal	Reclining switch FORWARD operation (Motor operated)	Battery voltage
			Other than above	0
37	BR	Front lifting motor DOWN output signal	Front lifting switch DOWN operation (Motor operated)	Battery voltage
			Other than above	0
38	B/W	Rear lifting motor UP output signal	Rear end lifting switch UP operation (Motor operated)	Battery voltage
			Other than above	0
39	Y	Rear lifting motor DOWN output signal	Rear end lifting switch DOWN operation (Motor operated)	Battery voltage
			Other than above	0
40	Y/R	Battery power supply	—	Battery voltage
42	O/B	Sliding motor BACKWARD output signal	Sliding switch BACKWARD operation (Motor operated)	Battery voltage
			Other than above	0
44	Y/R	Reclining motor BACKWARD output signal	Reclining switch BACKWARD operation (Motor operated)	Battery voltage
			Other than above	0
45	GR	Front lifting motor UP output signal	Front lifting switch UP operation (Motor operated)	Battery voltage
			Other than above	0
48	B/W	Ground	—	0

Terminals and Reference Values for Automatic Drive Positioner Control Unit

EIS004XL

TERMINAL	WIRE COLOR	ITEM	CONDITION	VOLTAGE (V) (Approx.)
1	W/G	ADP steering switch TILT UP	ADP steering switch in UP position	0
			Other than above	5
2	LG	Changeover switch RH signal	Changeover switch in RH position	0
			Other than above	5
3	Y/B	Mirror switch UP signal	Mirror switch in UP position	0
			Other than above	5
4	V/W	Mirror switch LEFT signal	Mirror switch in LEFT position	0
			Other than above	5
5	R/B	Mirror sensor (RH vertical) signal	Mirror motor RH is operated UP or DOWN	Changes between 3.4 (close to peak) 0.6 (close to valley)
6	L/Y	Mirror sensor (LH vertical) signal	Mirror motor LH is operated UP or DOWN	Changes between 3.4 (close to peak) 0.6 (close to valley)
7	Y/R	Tilt sensor input	Tilt position TOP	2
			Tilt position BOTTOM	4

AUTOMATIC DRIVE POSITIONER

TERMINAL	WIRE COLOR	ITEM	CONDITION	VOLTAGE (V) (Approx.)
8	BR/Y	Pedal sensor input signal	Pedal position front end	0.5
			Pedal position rear end	4.5
9	LG/B	Seat memory switch 1 signal	Memory switch 1 ON	0
			Memory switch 1 OFF	5
10	L	UART LINE (TX)	Pedal adjusting switch ON (FORWARD or BACKWARD operation)	 PIIA4813E
12	P	Seat memory switch indicator 1 signal	Memory switch 1 ON	0
			Memory switch 1 OFF	Battery voltage
13	Y/G	Seat memory switch indicator 2 signal	Memory switch 2 ON	0
			Memory switch 2 OFF	Battery voltage
14	GR/R	Mirror motor RH UP signal	Mirror motor RH is operated UP	1.5 - Battery voltage
			Other than above	0
15	V/R	Mirror motor RH LEFT signal	Mirror motor RH is operated LEFT	1.5 - Battery voltage
			Other than above	0
16	O	Mirror motor LH DOWN signal	Mirror motor LH is operated DOWN	1.5 - Battery voltage
			Other than above	0
		Mirror motor LH RIGHT signal	Mirror motor LH is operated RIGHT	1.5 - Battery voltage
			Other than above	0
17	G/B	ADP steering switch TILT DOWN	ADP steering switch in DOWN position	0
			Other than above	5
18	BR/W	Changeover switch LH signal	Changeover switch in LH position	0
			Other than above	5
19	SB	Mirror switch DOWN signal	Mirror switch in DOWN position	0
			Other than above	5
20	GR	Mirror switch RIGHT signal	Mirror switch in RIGHT position	0
			Other than above	5
21	L/W	Mirror sensor (RH horizontal) signal	Mirror motor RH is operated LEFT or RIGHT	Changes between 3.4 (close to left edge) 0.6 (close to right edge)
22	G	Mirror sensor (LH horizontal) signal	Mirror motor LH is operated LEFT or RIGHT	Changes between 3.4 (close to left edge) 0.6 (close to right edge)
24	G/O	Seat memory set switch signal	Set switch 1 ON	0
			Set switch 1 OFF	5
25	P/L	Seat memory switch 2 signal	Memory switch 2 ON	0
			Memory switch 2 OFF	5
26	W	UART LINE (RX)	Pedal adjusting switch ON (FORWARD or BACKWARD operation)	 PIIA4814E

AUTOMATIC DRIVE POSITIONER

TERMINAL	WIRE COLOR	ITEM	CONDITION	VOLTAGE (V) (Approx.)
30	Y	Mirror motor RH DOWN signal	Mirror motor RH is operated DOWN	1.5 - Battery voltage
			Other than above	0
		Mirror motor RH RIGHT signal	Mirror motor RH is operated RIGHT	1.5 - Battery voltage
			Other than above	0
31	R	Mirror motor LH UP signal	Mirror motor LH is operated UP	1.5 - Battery voltage
			Other than above	0
32	BR	Mirror motor LH LEFT signal	Mirror motor LH is operated LEFT	1.5 - Battery voltage
			Other than above	0
33	W/L	Sensor power supply	—	5
34	Y/R	Battery power supply	—	Battery voltage
35	R	Tilt motor UP signal	ADP steering switch in UP position	Battery voltage
			Other than above	0
37	G	Pedal adjust motor FORWARD signal	Pedal adjust motor FORWARD operation (Motor operated)	Battery voltage
			Other than above	0
39	L/B	Battery power supply	—	Battery voltage
40	B/W	Ground	—	0
41	W/G	Sensor ground	—	0
42	V	Tilt motor DOWN signal	ADP steering switch in DOWN position	Battery voltage
			Other than above	0
45	R	Pedal adjust motor BACKWARD signal	Pedal adjust motor BACKWARD operation (Motor operated)	Battery voltage
			Other than above	0
48	B	Ground	—	0

Work Flow

EIS004XM

1. Check the symptom and customer's requests.
2. Understand the system description. Refer to [SE-12, "System Description"](#) .
3. Perform the preliminary check. Refer to [SE-35, "Preliminary Check"](#) .
4. Check the self-diagnosis, results using CONSULT-II. Refer to [SE-38, "CONSULT-II Function \(AUTO DRIVE POS.\)"](#) .
5. Repair or replace depending on the self-diagnostic results.
6. Based on the trouble diagnosis chart, repair or replace the cause of the malfunction. Refer to [SE-42, "Symptom Chart"](#) .
7. Does the automatic drive positioner system operate normally?
If it is normal, GO TO 8.
If it is not normal, GO TO 3.
8. Inspection End.

AUTOMATIC DRIVE POSITIONER

Preliminary Check SETTING CHANGE FUNCTION

EIS004XN

The settings of the automatic driving positioner system can be changed, using CONSULT-II and the display in the center of the instrument panel.

×: Applicable -: Not applicable

Setting item	Content	CONSULT-II (WORK SUPPORT)	Display unit	Default setting	Factory setting
SEAT SLIDE VOLUME SET	The distance at exiting operation can be selected from the following 3 modes.	40mm	—	×	×
		80mm		—	—
		150mm		—	—
Sliding Front Seat and Steering Wheel Raise When Entry/ Exiting Vehicle	The seat sliding and steering wheel raise turnout and return at entry/exit can be selected: ON (operated)—OFF (not operated)	ON	ON: Indicator lamp ON	—	×
		OFF	OFF: Indicator lamp OFF	×	—
Reset custom settings*	All settings to default.	—	Default: Setting button ON	—	—

It is possible to set sliding front seat for entry/exit of vehicle by pressing set switch.

Content	Setting change operation	Indicator LEDs
The seat sliding and steering wheel raise turnout and return at entry/exit can be operated.	Press the set switch for more than 10 seconds	Blinking twice
The seat sliding and steering wheel raise turnout and return at entry/exit can be not operated.		Blinking once

*: Setting of sliding front seat for entry/exit of vehicle is ON at factory-shipment. But if custom settings are reset, setting turns OFF.

NOTE:

After the setting is registered, the new setting is effective, even if the battery is disconnected.

POWER SUPPLY AND GROUND CIRCUIT INSPECTION

1. CHECK BCM FUSES AND FUSIBLE LINK

Check if any of the following fuses in the BCM are blown.

Unit	Power source	Fuse No.
BCM	Battery power supply	f (50A)
	ON or START power supply	59 (10A)
	ACC or ON power supply	4 (10A)

NOTE:

Refer to [SE-11, "Component Parts And Harness Connector Location"](#) .

OK or NG

OK >> GO TO 2.

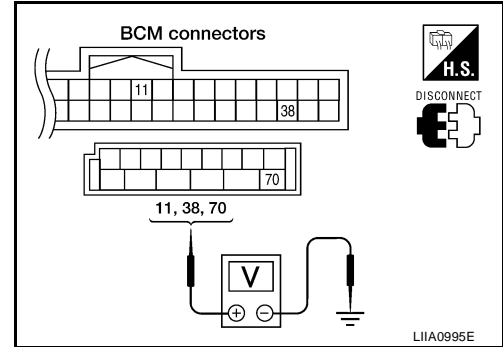
NG >> If fuse is blown, be sure to eliminate cause of malfunction before installing new fuse. Refer to [PG-63, "ELECTRICAL UNITS LOCATION"](#) .

AUTOMATIC DRIVE POSITIONER

2. CHECK BCM POWER SUPPLY CIRCUIT

1. Disconnect BCM.
2. Check voltage between BCM connector and ground.

Connector	Terminals (Wire color)		Power source	Condition	Voltage (V) (Approx.)
	(+)	(-)			
M20	70 (W/B)	Ground	Battery power supply	Ignition switch OFF	Battery voltage
M18	38 (W/L)	Ground	Ignition power supply	Ignition switch ON or START	Battery voltage
	11 (O)	Ground	ACC or ON power supply	Ignition switch ACC or ON	Battery voltage



OK or NG

- OK >> GO TO 3.
- NG >> Repair or replace harness.

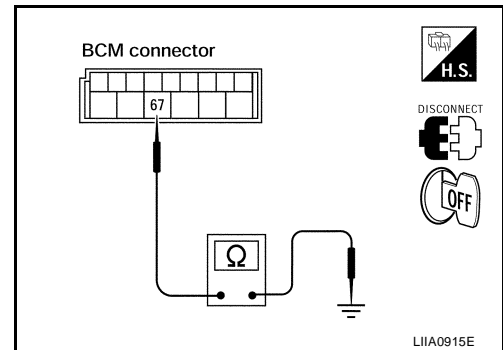
3. CHECK BCM GROUND CIRCUIT

1. Turn ignition switch OFF.
2. Check continuity between BCM connector M20 terminal 67 (B) and ground.

67 (B) - Ground : Continuity should exist.

OK or NG

- OK >> BCM circuit is OK. Check the driver seat control unit. GO TO 4.
- NG >> Repair or replace harness.



4. CHECK DRIVER SEAT CONTROL UNIT FUSES AND FUSIBLE LINK

Make sure any of the following fuses in the driver seat control unit and automatic drive positioner control unit are not blown.

Unit	Power source	Fuse No.
Driver seat control unit	START power supply	2 (10A)
	Battery power supply	22 (15A)
	Battery power supply	f (50A)

NOTE:

Refer to [SE-11, "Component Parts And Harness Connector Location"](#) .

OK or NG

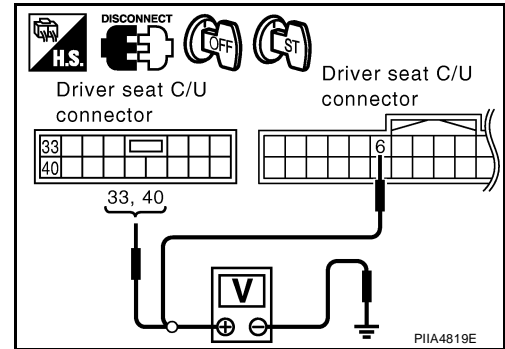
- OK >> GO TO 5.
- NG >> If fuse is blown, be sure to eliminate cause of malfunction before installing new fuse. Refer to [PG-63, "ELECTRICAL UNITS LOCATION"](#) .

AUTOMATIC DRIVE POSITIONER

5. CHECK DRIVER SEAT CONTROL UNIT POWER SUPPLY CIRCUIT

1. Disconnect driver seat control unit.
2. Check voltage between driver seat control unit connector and ground.

Connector	Terminals (Wire color)		Power source	Condition	Voltage (V) (Approx.)
	(+)	(-)			
P3	33 (L/B)	Ground	Battery power supply	Ignition switch OFF	Battery voltage
	40 (Y/R)	Ground	Battery power supply	Ignition switch OFF	Battery voltage
P2	6 (O)	Ground	START power supply	Ignition switch START	Battery voltage



OK or NG

- OK >> GO TO 6.
 NG >> Repair or replace harness.

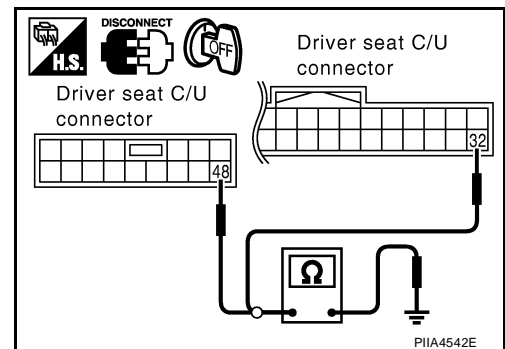
6. CHECK DRIVER SEAT CONTROL UNIT GROUND CIRCUIT

1. Turn ignition switch OFF.
2. Check continuity between the driver seat control unit connector P2 terminal 32, P3 terminal 48 and ground.

- 32 (B) - Ground : Continuity should exist.**
48 (B) - Ground : Continuity should exist.

OK or NG

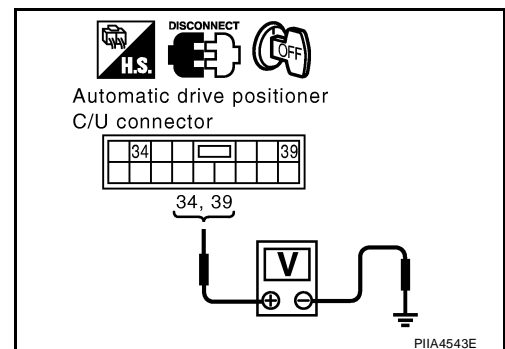
- OK >> Driver seat control unit circuit check is OK, GO TO 7.
 NG >> Repair or replace harness.



7. CHECK AUTOMATIC DRIVE POSITIONER CONTROL UNIT POWER SUPPLY CIRCUIT

1. Disconnect automatic drive positioner control unit.
2. Check voltage between automatic drive positioner control unit connector M34 terminals 34, 39 and ground.

Connector	Terminals (Wire color)		Power source	Condition	Voltage (V) (Approx.)
	(+)	(-)			
M34	34 (Y/R)	Ground	Battery power supply	Ignition switch OFF	Battery voltage
	39 (L/B)	Ground	Battery power supply	Ignition switch OFF	Battery voltage



OK or NG

- OK >> GO TO 8.
 NG >> Repair or replace harness.

AUTOMATIC DRIVE POSITIONER

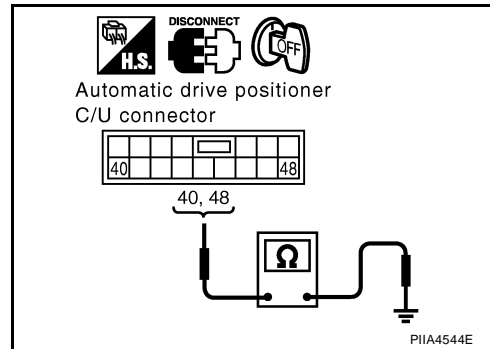
8. CHECK AUTOMATIC DRIVE POSITIONER CONTROL UNIT GROUND CIRCUIT

Check continuity between the automatic drive positioner control unit connector M34 terminals 40, 48 and ground.

- 40 (B/W) – Ground : Continuity should exist.**
- 48 (B) – Ground : Continuity should exist.**

OK or NG

- OK >> Automatic drive positioner control unit circuit is OK.
- NG >> Repair or replace harness.



CONSULT-II Function (AUTO DRIVE POS.)

EIS004XO

CONSULT-II can display each diagnostic item using the diagnostic test modes shown following.

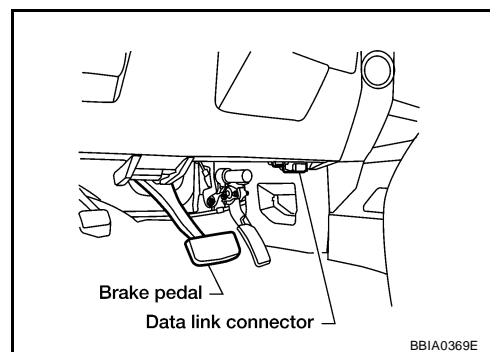
AUTO DRIVE POS. diagnostic mode	Description
WORK SUPPORT	Supports inspections and adjustments. Commands are transmitted to the driver seat control unit for setting the status suitable for required operation, input/output signals are received from the driver seat control unit and received data is displayed.
SELF-DIAG RESULTS	Displays driver seat control unit self-diagnosis results.
DATA MONITOR	Displays driver seat control unit input/output data in real time.
CAN DIAG SUPPORT MNTR	The result of transmit/receive diagnosis of CAN communication can be read.
ACTIVE TEST	Operation of electrical loads can be checked by sending drive signal to them.
ECU PART NUMBER	Driver seat control unit part number can be read.

CONSULT-II INSPECTION PROCEDURE

CAUTION:

If **CONSULT-II** is used with no connection of **CONSULT-II CONVERTER**, malfunctions might be detected in self-diagnosis depending on control unit which carry out CAN communication.

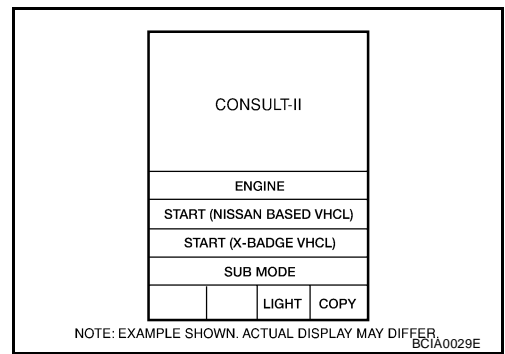
1. Turn ignition switch OFF.
2. Connect CONSULT-II and CONSULT-II CONVERTER to the data link connector.



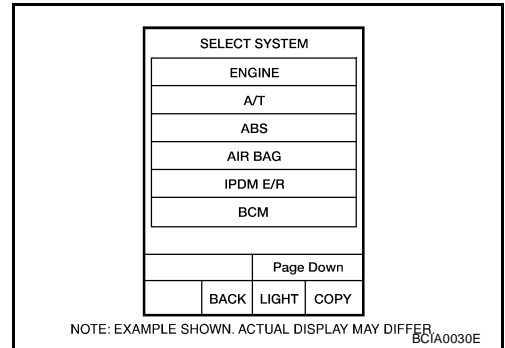
3. Turn ignition switch ON.

AUTOMATIC DRIVE POSITIONER

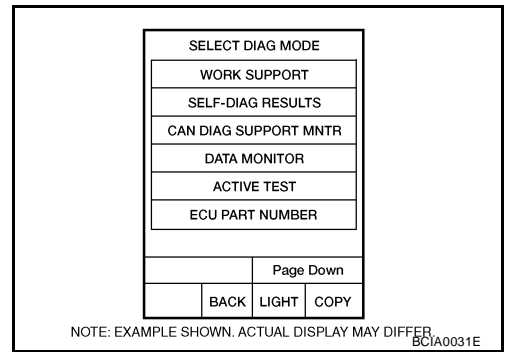
4. Touch "START (NISSAN BASED VHCL)".



5. Touch "AUTO DRIVE POS".
 If "AUTO DRIVE POS." is not indicated, refer to [GI-39, "CONSULT-II Data Link Connector \(DLC\) Circuit"](#).



6. Select diagnosis mode.
 "DATA MONITOR", "ACTIVE TEST", "SELF-DIAG RESULTS",
 "ECU PART NUMBER" and "WORK SUPPORT" are available.



A
B
C
D
E
F
G
H
SE
J
K
L
M

AUTOMATIC DRIVE POSITIONER

SELF-DIAGNOSIS RESULTS

DISPLAY ITEM LIST

CONSULT-II display	Item	Malfunction is detected when...	Reference page
CAN COMM CIRC [U1000]	CAN communication	Malfunction is detected in CAN communication.	SE-42
SEAT SLIDE [B2112]	Seat slide motor	When any manual and automatic operations are not performed, if any motor operations of seat slide is detected for 0.1 second or more, status is judged "Output error".	SE-44
SEAT RECLINING [B2113]	Seat reclining motor	When any manual and automatic operations are not performed, if any motor operations of seat reclining is detected for 0.1 second or more, status is judged "Output error".	SE-45
SEAT LIFTER FR [B2114]	Seat lifting FR motor	When any manual and automatic operations are not performed, if any motor operations of seat lifting FR is detected for 0.1 second or more, status is judged "Output error".	SE-46
SEAT LIFTER RR [B2115]	Seat lifting RR motor	When any manual and automatic operations are not performed, if any motor operations of seat lifting RR is detected for 0.1 second or more, status is judged "Output error".	SE-48
STEERING TILT [B2116]	Steering tilt motor	When any manual and automatic operations are not performed, if any motor operations of tilt is detected for 0.1 second or more, status is judged "Output error".	SE-53
TILT SENSOR [B2118]	Steering tilt sensor	When steering tilt sensor detects 0.5V or lower, or 4.5V or higher, for 0.5 seconds or more.	SE-64
ADJ PEDAL MOTOR [B2117]	Pedal adjust motor	When any manual and automatic operations are not performed, if motor operations of seat pedal is detected for 0.1 second or more, status is judged "Output error".	SE-49
ADJ PEDAL SENSOR [B2120]	Pedal adjust sensor	When pedal adjust sensor detects 0.5V or lower, or 4.5V or higher, for 0.5 seconds or more.	SE-59
DETENT SW [B2126]	Park SW	With the A/T shift lever in P position (Park switch OFF), if the vehicle speed of 7 km/h (4 MPH) or higher was input the park switch input system is judged malfunctioning.	SE-82
UART COMM [B2128]	UART communication	Malfunction is detected in UART communication.	SE-86

NOTE:

- If park switch error is detected, manual adjustable pedal operation cannot be performed when ignition switch turns ON.
- The displays of CAN communication and detection switch display error detecting condition from memory erase to the present on "TIME".
 - If error is detected in the past and present error is detected, "CRNT" is displayed.
 - If error is detected in the past and present error is not detected, "PAST" is displayed.
 - If error has never been detected, nothing is displayed on "TIME".
- Any items other than CAN communication and park switch count error detection frequency occurred after erase history to "1-127".
 - If error was detected in the past, error detection frequency from memory erase to the present is displayed on "TIME".
 - If error has never been detected, nothing is displayed on "TIME".
 - Can clear the detected memory.
 - Normal: Clear memory in normal condition, history is erased and nothing is displayed on "TIME".
 - Error: Clear memory in error condition, error is detected again and "1" is displayed on "TIME".

AUTOMATIC DRIVE POSITIONER

DATA MONITOR SELECTION FROM MENU

Monitor item [OPERATION or UNIT]		Contents
SLIDE SW-FR	"ON/OFF"	ON/OFF status judged from the sliding switch (FR) signal is displayed.
SLIDE SW-RR	"ON/OFF"	ON/OFF status judged from the sliding switch (RR) signal is displayed.
RECLN SW-FR	"ON/OFF"	ON/OFF status judged from the reclining switch (FR) signal is displayed.
RECLN SW-RR	"ON/OFF"	ON/OFF status judged from the reclining switch (RR) signal is displayed.
LIFT FR SW-UP	"ON/OFF"	ON/OFF status judged from the FR lifter switch (UP) signal is displayed.
LIFT FR SW-DN	"ON/OFF"	ON/OFF status judged from the FR lifter switch (DOWN) signal is displayed.
LIFT RR SW-UP	"ON/OFF"	ON/OFF status judged from the RR lifter switch (UP) signal is displayed.
LIFT RR SW-DN	"ON/OFF"	ON/OFF status judged from the RR lifter switch (DOWN) signal is displayed.
MIR CON SW-UP	"ON/OFF"	ON/OFF status judged from the door mirror remote control switch (UP) signal is displayed.
MIR CON SW-DN	"ON/OFF"	ON/OFF status judged from the door mirror remote control switch (DOWN) signal is displayed.
MIR CON SW-RH	"ON/OFF"	ON/OFF status judged from the door mirror remote control switch (RIGHT) signal is displayed.
MIR CON SW-LH	"ON/OFF"	ON/OFF status judged from the door mirror remote control switch (LEFT) signal is displayed.
MIR CHNG SW-R	"ON/OFF"	ON/OFF status judged from the door mirror remote control switch (switching to RIGHT) signal is displayed.
MIR CHNG SW-L	"ON/OFF"	ON/OFF status judged from the door mirror remote control switch (switching to LEFT) signal is displayed.
SET SW	"ON/OFF"	ON/OFF status judged from the setting switch signal is displayed.
TILT SW-UP	"ON/OFF"	ON/OFF status judged from the tilt adjusting switch (UP) signal is displayed.
PEDAL SW-FR	"ON/OFF"	ON/OFF status judged from the pedal adjusting switch (FR) signal is displayed.
PEDAL SW-RR	"ON/OFF"	ON/OFF status judged from the pedal adjusting switch (RR) signal is displayed.
MEMORY SW1	"ON/OFF"	ON/OFF status judged from the seat memory switch 1 signal is displayed.
MEMORY SW2	"ON/OFF"	ON/OFF status judged from the seat memory switch 2 signal is displayed.
DETENT SW	"ON/OFF"	The selector lever position "OFF (P position) / ON (other than P position)" judged from the park switch signal is displayed.
STARTER SW	"ON/OFF"	Ignition key switch ON (START, ON) /OFF (ignition switch IGN, ACC, or OFF) status judged from the ignition switch signal is displayed.
SLIDE PULSE	—	Value (32768) when battery connects is as standard. If it moves BACKWARD, the value increases. If it moves FORWARD, the value decreases.
RECLN PULSE	—	Value (32768) when battery connects is as standard. If it moves BACKWARD, the value increases. If it moves FORWARD, the value decreases.
LIFT FR PULSE	—	Value (32768) when battery connects is as standard. If it moves DOWN, the value increases. If it moves UP, the value decreases.
LIFT RR PULSE	—	Value (32768) when battery connects is as standard. If it moves DOWN, the value increases. If it moves UP, the value decreases.
MIR/SEN RH R-L	"V"	Voltage output from RH door mirror sensor (LH/RH) is displayed.
MIR/SEN RH U-D	"V"	Voltage output from RH door mirror sensor (UP/DOWN) is displayed.
MIR/SEN LH R-L	"V"	Voltage output from LH door mirror sensor (LH/RH) is displayed.
MIR/SEN LH U-D	"V"	Voltage output from LH door mirror sensor (UP/DOWN) is displayed.
PEDAL SEN	"V"	The pedal position (voltage) judged from the pedal adjust sensor signal is displayed.

ACTIVE TEST

CAUTION:

During vehicle driving, do not perform active test.

A
B
C
D
E
F
G
H
SE
J
K
L
M

AUTOMATIC DRIVE POSITIONER

NOTE:

If active test is performed, reset seat memory and keyfob interlock drive positioner after performing work.

DISPLAY ITEM LIST

Test item	Description
SEAT SLIDE	The sliding motor is activated by receiving the drive signal.
SEAT RECLINING	The reclining motor is activated by receiving the drive signal.
SEAT LIFTER FR	The lifting motor (front) is activated by receiving the drive signal.
SEAT LIFTER RR	The lifting motor (rear) is activated by receiving the drive signal.
PEDAL MOTOR	The pedal adjust motor is activated by receiving the drive signal.
MEMORY SW INDCTR	The memory switch indicator is lit by receiving the drive signal.
MIRROR MOTOR RH	The RH mirror motor moves the mirror UP/DOWN and LEFT/RIGHT by receiving the drive signal.
MIRROR MOTOR LH	The LH mirror motor moves the mirror UP/DOWN and LEFT/RIGHT by receiving the drive signal.

CAN Communication Inspection Using CONSULT-II (Self-Diagnosis)

EIS004XP

1. SELF-DIAGNOSTIC RESULT CHECK

CAUTION:

If **CONSULT-II** is used with no connection of **CONSULT-II CONVERTER**, malfunctions might be detected in self-diagnosis depending on control unit which carry out **CAN** communication.

1. Connect to CONSULT-II, and select "AUTO DRIVE POS." on the "SELECT DIAG SYSTEM" screen.
2. Select "SELF-DIAG RESULTS" on "SELECT DIAG MODE" screen.
3. Check display content in self-diagnostic results.

CONSULT-II display code	Diagnosis item
U1000	INITIAL DIAG
	TRANSMIT DIAG
	BCM
	METER/M&A
	ECM

Contents displayed

No malfunction>>Inspection End.

Malfunction in CAN communication system>>After printing the monitor items, go to "CAN System". Refer to [LAN-3, "Precautions When Using CONSULT-II"](#).

Symptom Chart

EIS004XQ

Symptom	Diagnoses / service procedure	Refer to page
Only setting change function cannot be set with display.	1. Preliminary check	SE-35
	2. CAN communication inspection using CONSULT-II (self-diagnosis)	SE-42
	3. If the above systems are normal, check display system.	AV-61
A part of seat system does not operate (both automatically and manually).	1. Sliding motor circuit inspection	SE-44
	2. Reclining motor circuit inspection	SE-45
	3. Lifting motor (front) circuit inspection	SE-46
	4. Lifting motor (rear) circuit inspection	SE-48
	5. If the above systems are normal, replace the driver seat control unit.	SE-11

AUTOMATIC DRIVE POSITIONER

Symptom	Diagnoses / service procedure	Refer to page	
A part of pedal adjust and door mirror does not operate (both automatically and manually).	1. Pedal adjusting motor circuit inspection	SE-49	A
	2. Mirror motor LH circuit check	SE-50	B
	3. Mirror motor RH circuit check	SE-52	C
	4. If the above systems are normal, replace the automatic drive positioner control unit.	SE-11	
A part of seat system does not operate (only automatic operation).	1. Sliding sensor circuit inspection	SE-55	D
	2. Reclining sensor circuit inspection	SE-56	E
	3. Lifting sensor (front) circuit inspection	SE-57	F
	4. Lifting sensor (rear) circuit inspection	SE-58	G
	5. If the above systems are normal, replace the driver seat control unit.	SE-11	H
A part of door mirror system does not operate (only automatic operation).	1. Mirror sensor LH circuit check	SE-60	I
	2. Mirror sensor RH circuit check	SE-62	J
	3. If the above systems are normal, replace the automatic drive positioner control unit.	SE-11	K
All of the automatic operations do not operate.	1. Park switch circuit inspection	SE-82	L
	2. UART communication line circuit inspection	SE-86	M
	3. Pedal adjusting sensor circuit inspection	SE-59	N
	4. Steering wheel tilt sensor circuit inspection	SE-64	O
	4. If all the above systems are normal, replace the automatic drive positioner control unit.	SE-11	P
A part of seat system does not operate (only manual operation).	1. Sliding switch circuit inspection	SE-66	Q
	2. Reclining switch circuit inspection	SE-67	R
	3. Lifting switch (front) circuit inspection	SE-69	S
	4. Lifting switch (rear) circuit inspection	SE-70	T
	5. If the above systems are normal, replace the driver seat control unit.	SE-11	U
A part of pedal adjust and door mirror does not operate (only manual operation).	1. Pedal adjusting switch circuit inspection	SE-72	V
	2. Door mirror remote control switch (change over switch) circuit inspection	SE-74	W
	3. Door mirror remote control switch (mirror switch) switching circuit inspection	SE-75	X
	4. If the above systems are normal, replace the automatic drive positioner control unit.	SE-11	Y
Only memory switch operation.	1. Seat memory switch circuit inspection	SE-78	Z
	2. If the above systems are normal, replace the driver seat control unit.	SE-11	AA
Seat memory indicator lamps 1 and 2 do not illuminate.	1. Seat memory indicator lamp circuit inspection	SE-79	AB
	2. If all the above systems are normal, replace the driver seat control unit.	SE-11	AC
The Entry/Exiting does not operate when door is opened and closed. (The Entry/Exiting operates with key switch)	1. Front door switch circuit inspection	SE-84	AD
	2. If all the above systems are normal, replace the BCM.	BCS-20	AE
Only door mirror system does not operate (only manual operation).	1. Door mirror remote control switch ground circuit inspection	SE-77	AF

SE

AUTOMATIC DRIVE POSITIONER

Symptom	Diagnoses / service procedure	Refer to page
Only door mirror system does not operate (only automatic operation).	1. Door mirror sensor power supply and ground circuit inspection	SE-81
Only seat system does not operate (only manual operation).	1. Power seat switch ground circuit inspection	SE-71

Sliding Motor Circuit Inspection

EIS004XR

1. CHECK SEAT SLIDING MECHANISM

Check the following.

- Operation malfunction caused by sliding rail deformation, pinched harness or other foreign materials
- Operation malfunction caused by foreign materials adhered to the sliding motor LH or sliding rail connector rod
- Operation malfunction and interference with other parts by poor installation

OK or NG

OK >> GO TO 2.

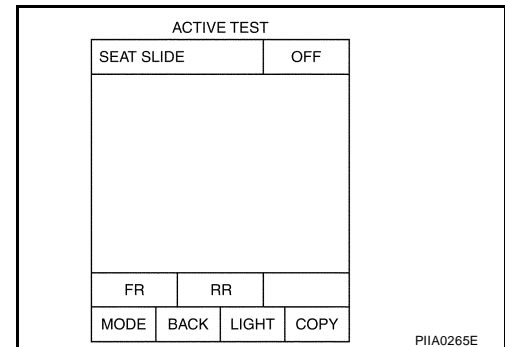
NG >> Repair or replace the malfunctioning part and check again.

2. CHECK FUNCTION

With CONSULT-II

Check operation with "SEAT SLIDE" in ACTIVE TEST.

Test item	Description
SEAT SLIDE	The sliding motor is activated by receiving the drive signal.



Without CONSULT-II

GO TO 3.

OK or NG

OK >> Sliding motor circuit is OK.

NG >> GO TO 3.

3. CHECK SLIDING MOTOR CIRCUIT HARNESS CONTINUITY

1. Turn ignition switch OFF.
2. Disconnect driver seat control unit and sliding motor LH.
3. Check continuity between driver seat control unit connector P3 terminals 35, 42 and sliding motor connector P4 terminals 4, 6.

35 (V/W) - 6 (V/W) : Continuity should exist.

42 (O/B) - 4 (O/B) : Continuity should exist.

4. Check continuity between driver seat control unit connector P3 terminals 35, 42 and ground.

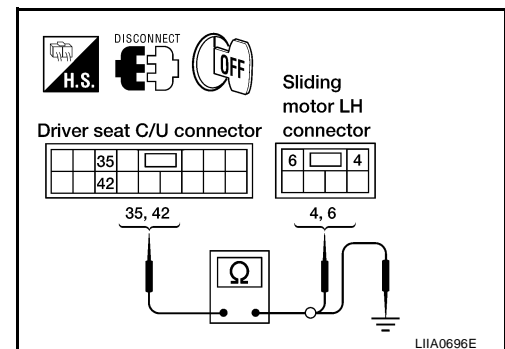
35 (V/W) - Ground : Continuity should not exist.

42 (O/B) - Ground : Continuity should not exist.

OK or NG

OK >> GO TO 4.

NG >> Repair or replace harness.

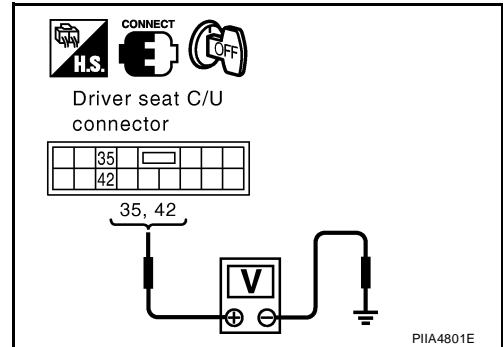


AUTOMATIC DRIVE POSITIONER

4. CHECK DRIVER SEAT CONTROL UNIT OUTPUT SIGNAL

1. Connect the driver seat control unit and sliding motor LH.
2. Check voltage between driver seat control unit connector and ground.

Connector	Terminals (Wire color)		Condition	Voltage (V) (Approx.)
	(+)	(-)		
P3	35 (V/W)	Ground	Sliding switch ON (FORWARD operation)	Battery voltage
			Other than above	0
	42 (O/B)		Sliding switch ON (BACKWARD operation)	Battery voltage
			Other than above	0



OK or NG

- OK >> Replace sliding motor.
- NG >> Replace driver seat control unit.

Reclining Motor LH Circuit Inspection

EIS004XS

1. CHECK SEAT RECLINING MECHANISM

Check the following.

- Operation malfunction caused by an interference with the center pillar or center console
- Operation malfunction and interference with other parts by poor installation

OK or NG

- OK >> GO TO 2.
- NG >> Repair or replace the malfunctioning part and check again.

2. CHECK FUNCTION

With CONSULT-II

Check operation with "SEAT RECLINING" in ACTIVE TEST.

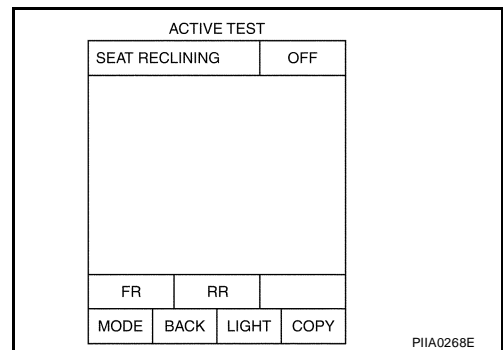
Test item	Description
SEAT RECLINING	The reclining motor LH is activated by receiving the drive signal.

Without CONSULT-II

GO TO 3.

OK or NG

- OK >> Reclining motor LH circuit is OK.
- NG >> GO TO 3.



AUTOMATIC DRIVE POSITIONER

3. CHECK RECLINING MOTOR CIRCUIT HARNESS CONTINUITY

1. Turn ignition switch OFF.
2. Disconnect driver seat control unit and reclining motor LH.
3. Check continuity between driver seat control unit connector P3 terminals 36, 44 and reclining motor LH connector P5 terminals 3, 4.

36 (Y/G) - 4 (Y/G) : Continuity should exist.

44 (Y/R) - 3 (Y/R) : Continuity should exist.

4. Check continuity between driver seat control unit connector P3 terminals 36, 44 and ground.

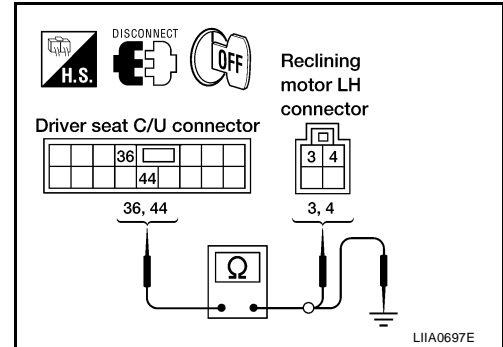
36 (Y/G) - Ground : Continuity should not exist.

44 (Y/R) - Ground : Continuity should not exist.

OK or NG

OK >> GO TO 4.

NG >> Repair or replace harness.



4. CHECK DRIVER SEAT CONTROL UNIT OUTPUT SIGNAL

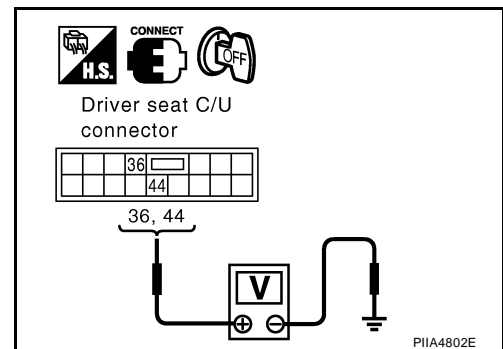
1. Connect the driver seat control unit and reclining motor LH.
2. Check voltage between driver seat control unit connector and ground.

Connector	Terminals (Wire color)		Condition	Voltage (V) (Approx.)
	(+)	(-)		
P3	36 (Y/G)	Ground	Reclining switch ON (FORWARD operation)	Battery voltage
			Other than above	0
	44 (Y/R)		Reclining switch ON (BACKWARD operation)	Battery voltage
			Other than above	0

OK or NG

OK >> Replace reclining motor LH.

NG >> Replace driver seat control unit.



Lifting Motor (Front) Circuit Inspection

EIS004XT

1. CHECK FRONT END SEAT LIFTING MECHANISM

Check the following.

- Operation malfunction caused by lifter mechanism deformation, pinched harness or other foreign materials
- Operation malfunction caused by foreign materials adhered to the lifting motor (front) or lead screws
- Operation malfunction and interference with other parts by installation

OK or NG

OK >> GO TO 2.

NG >> Repair or replace the malfunctioning part and check again.

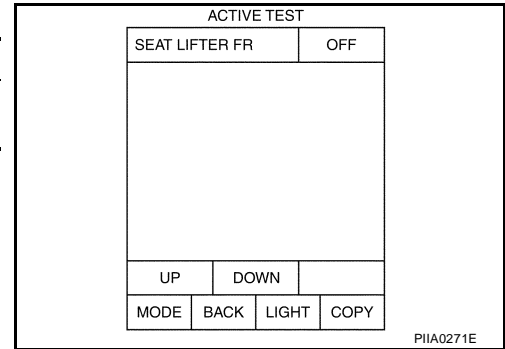
AUTOMATIC DRIVE POSITIONER

2. CHECK FUNCTION

With CONSULT-II

Check operation with "SEAT LIFTER FR" in ACTIVE TEST.

Test item	Description
SEAT LIFTER FR	The lifting motor (front) is activated by receiving the drive signal.



Without CONSULT-II

GO TO 3.

OK or NG

- OK >> Lifting motor (front) circuit is OK.
- NG >> GO TO 3.

3. CHECK LIFTING MOTOR (FRONT) CIRCUIT HARNESS CONTINUITY

- Turn ignition switch OFF.
- Disconnect driver seat control unit and lifting motor (front).
- Check continuity between driver seat control unit connector P3 terminals 37, 45 and lifting motor (front) connector P6 terminals 4, 6.

37 (BR) - 6 (BR) : Continuity should exist.

45 (GR) - 4 (GR) : Continuity should exist.

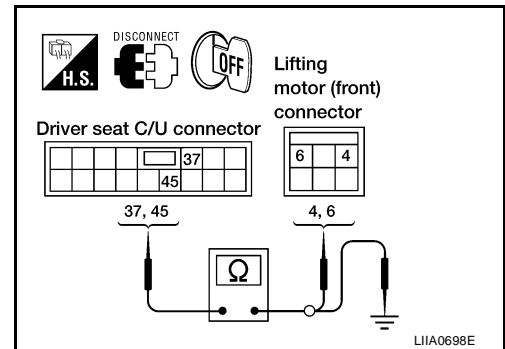
- Check continuity between driver seat control unit connector P3 terminals 37, 45 and ground.

37 (BR) - Ground : Continuity should not exist.

45 (GR) - Ground : Continuity should not exist.

OK or NG

- OK >> GO TO 4.
- NG >> Repair or replace harness.



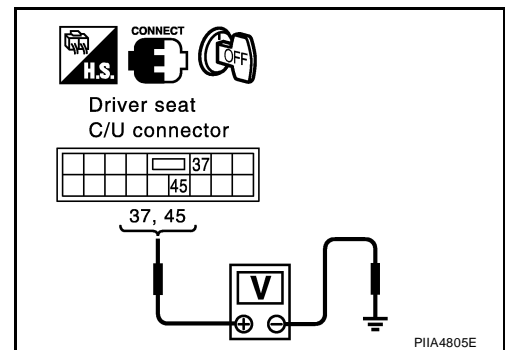
4. CHECK DRIVER SEAT CONTROL UNIT OUTPUT SIGNAL

- Connect the driver seat control unit and lifting motor (front).
- Check voltage between driver seat control unit connector and ground.

Connector	Terminals (Wire color)		Condition	Voltage (V) (Approx.)
	(+)	(-)		
P3	37 (BR)	Ground	Lifting switch (front) ON (DOWN operation)	Battery voltage
			Other than above	0
	45 (GR)		Lifting switch (front) ON (UP operation)	Battery voltage
			Other than above	0

OK or NG

- OK >> Replace lifting motor (front).
- NG >> Replace driver seat control unit.



AUTOMATIC DRIVE POSITIONER

EIS004XU

Lifting Motor (Rear) Circuit Inspection

1. CHECK REAR SEAT LIFTING MECHANISM

Check the following.

- Operation malfunction caused by lifter mechanism deformation or pinched harness or other foreign materials
- Operation malfunction caused by foreign materials adhered to the lifting motor (rear) or lead screws
- Operation malfunction and interference with other parts by poor installation

OK or NG

OK >> GO TO 2.

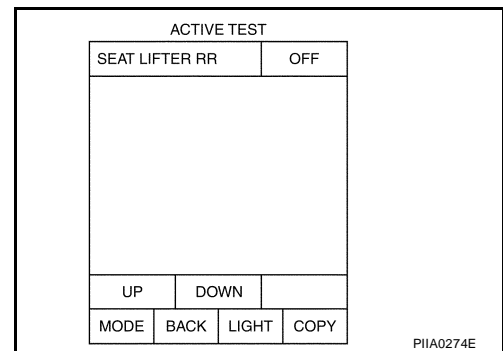
NG >> Repair or replace the malfunctioning part and check again.

2. CHECK FUNCTION

Ⓟ With CONSULT-II

Check operation with "SEAT LIFTER RR" in ACTIVE TEST.

Test item	Description
SEAT LIFTER RR	The lifting motor (rear) is activated by receiving the drive signal.



ⓧ Without CONSULT-II

GO TO 3.

OK or NG

OK >> Lifting motor (rear) circuit is OK.

NG >> GO TO 3.

3. CHECK LIFTING MOTOR (REAR) CIRCUIT HARNESS CONTINUITY

1. Turn ignition switch OFF.
2. Disconnect driver seat control unit and lifting motor (rear).
3. Check continuity between driver seat control unit connector P3 terminals 38, 39 and lifting motor (rear) connector P7 terminals 4, 6.

38 (B/W) - 6 (B/W) : Continuity should exist.

39 (Y) - 4 (Y) : Continuity should exist.

4. Check continuity between driver seat control unit P3 terminals 38, 39 and ground.

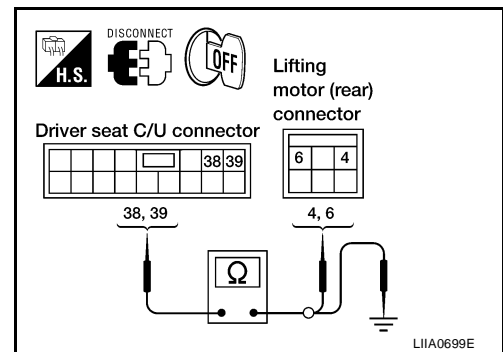
38 (B/W) - Ground : Continuity should not exist.

39 (Y) - Ground : Continuity should not exist.

OK or NG

OK >> GO TO 4.

NG >> Repair or replace harness.

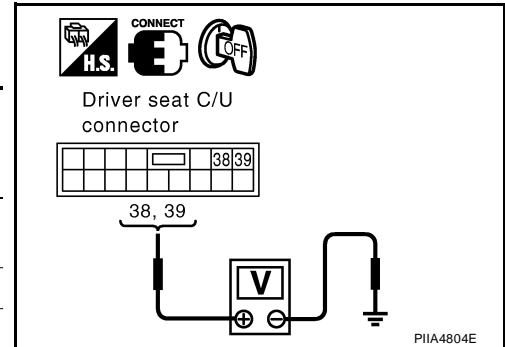


AUTOMATIC DRIVE POSITIONER

4. CHECK DRIVER SEAT CONTROL UNIT OUTPUT SIGNAL

1. Connect the driver seat control unit and lifting motor (rear).
2. Check voltage between driver seat control unit connector and ground.

Connector	Terminals (Wire color)		Condition	Voltage (V) (Approx.)
	(+)	(-)		
P3	38 (B/W)	Ground	Lifting switch (rear) ON (UP operation)	Battery voltage
			Other than above	0
	39 (Y)		Lifting switch (rear) ON (DOWN operation)	Battery voltage
			Other than above	0



OK or NG

- OK >> Replace lifting motor (rear).
- NG >> Replace driver seat control unit.

Pedal Adjusting Motor Circuit Inspection

EIS004XV

1. CHECK PEDAL ADJUSTING MECHANISM

Check the following.

- Operation malfunction caused by pedal adjusting mechanism deformation or pinched harness or other foreign materials
- Operation malfunction and interference with other parts by poor installation

OK or NG

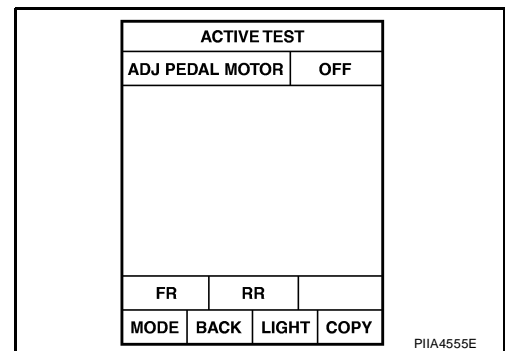
- OK >> GO TO 2.
- NG >> Repair or replace the malfunctioning part and check again.

2. CHECK FUNCTION

With CONSULT-II

Check operation with "ADJ PEDAL MOTOR" in ACTIVE TEST.

Test item	Description
ADJ PEDAL MOTOR	The pedal adjusting motor is activated by receiving the drive signal.



Without CONSULT-II

GO TO 3.

OK or NG

- OK >> Pedal adjusting motor circuit is OK.
- NG >> GO TO 3.

AUTOMATIC DRIVE POSITIONER

3. CHECK PEDAL ADJUSTING MOTOR CIRCUIT HARNESS CONTINUITY

1. Turn ignition switch OFF.
2. Disconnect automatic drive positioner control unit and pedal adjusting motor.
3. Check continuity between automatic drive positioner control unit connector M34 terminals 37, 45 and pedal adjusting motor connector E109 terminals 1, 2.

37 (G) - 1 (G) : Continuity should exist.

45 (R) - 2 (R) : Continuity should exist.

4. Check continuity between automatic drive positioner control unit connector M34 terminals 37, 45 and ground.

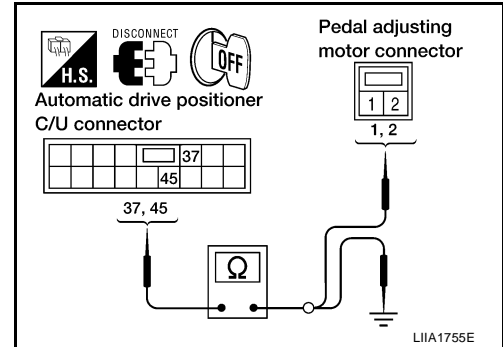
37 (G) - Ground : Continuity should not exist.

45 (R) - Ground : Continuity should not exist.

OK or NG

OK >> GO TO 4.

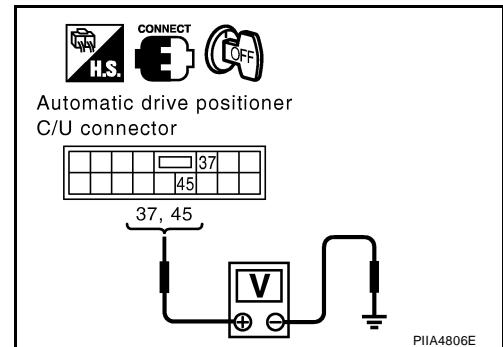
NG >> Repair or replace harness.



4. CHECK AUTOMATIC DRIVE POSITIONER CONTROL UNIT OUTPUT SIGNAL

1. Connect the automatic drive positioner control unit and pedal adjusting motor.
2. Check voltage between automatic drive positioner control unit connector and ground.

Connector	Terminals (Wire color)		Condition	Voltage (V) (Approx.)
	(+)	(-)		
M34	37 (G)	Ground	Pedal adjusting switch ON (FORWARD operation)	Battery voltage
			Other than above	0
	45 (R)		Pedal adjusting switch ON (BACKWARD operation)	Battery voltage
			Other than above	0



OK or NG

OK >> Replace pedal adjusting motor.

NG >> Replace automatic drive positioner control unit.

Mirror Motor LH Circuit Check

EIS004XW

1. CHECK DOOR MIRROR LH MECHANISM

Check the following items.

Operation malfunction caused by a foreign object caught in door mirror face edge.

OK or NG

OK >> GO TO 2.

NG >> Repair or replace the malfunctioning parts, and check the symptom again.

AUTOMATIC DRIVE POSITIONER

2. CHECK FUNCTION

With CONSULT-II

Check the operation with "MIRROR MOTOR LH" in the ACTIVE TEST.

Test item	Description
MIRROR MOTOR LH	The mirror motor LH moves the mirror UP/DOWN and LEFT/RIGHT by receiving the drive signal.

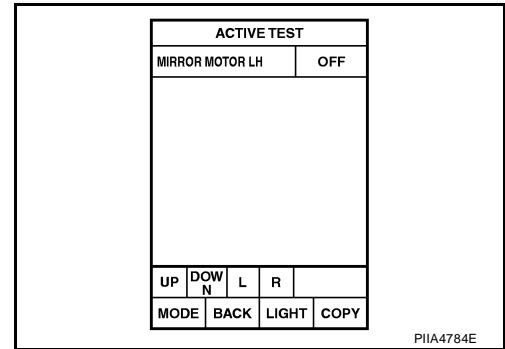
Without CONSULT-II

GO TO 3.

OK or NG

OK >> Mirror motor LH circuit is OK.

NG >> GO TO 3.



3. CHECK DOOR MIRROR MOTOR LH CIRCUIT HARNESS CONTINUITY

- Turn ignition switch OFF.
- Disconnect automatic drive positioner control unit and door mirror LH.
- Check continuity between automatic drive positioner control unit connector M33 terminals 16, 31, 32 and door mirror LH connector D4 terminals 1, 2, 3.

16 (O) - 3 (O) : Continuity should exist.

31 (R) - 1 (R) : Continuity should exist.

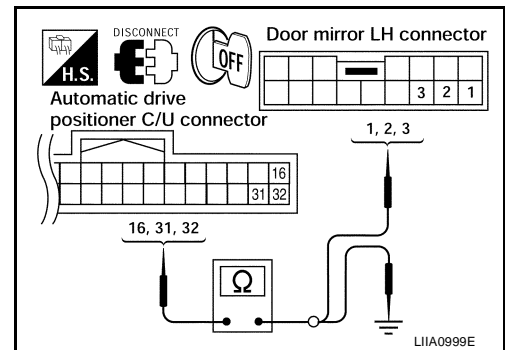
32 (BR) - 2 (BR) : Continuity should exist.

- Check continuity between automatic drive positioner control unit connector M41 terminal 16, 31, 32 and ground.

16 (O) - Ground : Continuity should not exist.

31 (R) - Ground : Continuity should not exist.

32 (BR) - Ground : Continuity should not exist.



OK or NG

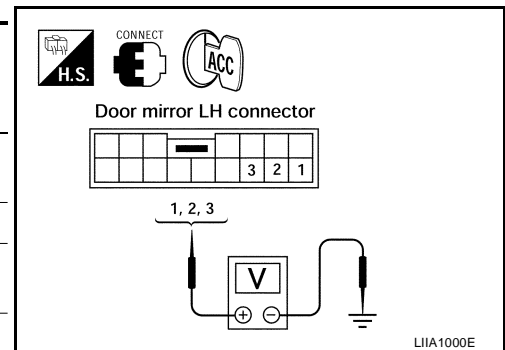
OK >> GO TO 4.

NG >> Repair or replace harness.

4. CHECK MIRROR MOTOR SIGNAL

- Turn ignition switch to ACC.
- Check voltage between door mirror LH connector and ground.

Connector	Terminals (Wire color)		Condition	Voltage (V) (Approx.)
	(+)	(-)		
D4	1 (R)	Ground	When motor is operated UP	1.5 - Battery voltage
			Other than above	0
	2 (BR)		When motor is operated LEFT	1.5 - Battery voltage
			Other than above	0
	3 (O)		When motor is operated DOWN or RIGHT	1.5 - Battery voltage
			Other than above	0



OK or NG

OK >> Replace door mirror LH. Refer to [GW-97, "Door Mirror Assembly"](#).

NG >> Repair or replace harness.

AUTOMATIC DRIVE POSITIONER

EIS004XX

Mirror Motor RH Circuit Check

1. CHECK DOOR MIRROR RH MECHANISM

Check the following items.

Operation malfunction caused by a foreign object caught in door mirror face edge.

OK or NG

OK >> GO TO 2.

NG >> Repair or replace the malfunctioning parts, and check the symptom again.

2. CHECK FUNCTION

With CONSULT-II

Check the operation with "MIRROR MOTOR RH" in the ACTIVE TEST.

Test item	Description
MIRROR MOTOR RH	The mirror motor RH moves the mirror UP/DOWN and LEFT/RIGHT by receiving the drive signal.

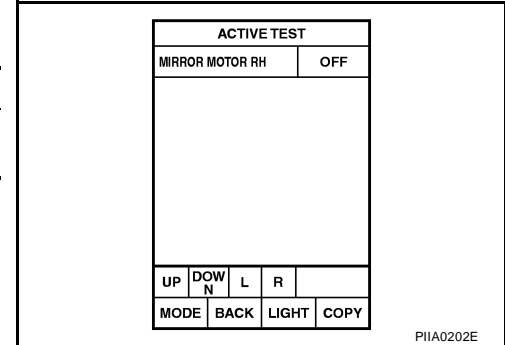
Without CONSULT-II

GO TO 3.

OK or NG

OK >> Mirror motor RH circuit is OK.

NG >> GO TO 3.



3. CHECK DOOR MIRROR RH CIRCUIT HARNESS CONTINUITY

- Turn ignition switch OFF.
- Disconnect automatic drive positioner control unit and door mirror RH.
- Check continuity between automatic drive positioner control unit connector M33 terminals 14, 15, 30 and door mirror RH connector D107 terminals 1, 2, 3.

14 (GR/R) - 1 (GR/R) : Continuity should exist.

15 (V/R) - 2 (V/R) : Continuity should exist.

30 (Y) - 3 (Y) : Continuity should exist.

- Check continuity between automatic drive positioner control unit connector M33 terminal 14, 15, 30 and ground.

14 (GR/R) - Ground : Continuity should not exist.

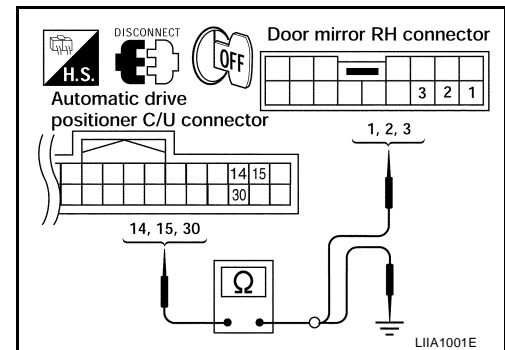
15 (V/R) - Ground : Continuity should not exist.

30 (Y) - Ground : Continuity should not exist.

OK or NG

OK >> GO TO 4.

NG >> Repair or replace harness.

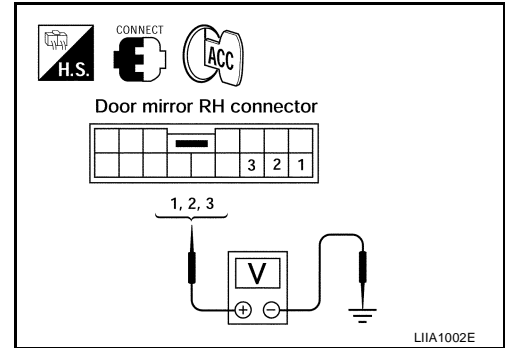


AUTOMATIC DRIVE POSITIONER

4. CHECK MIRROR MOTOR SIGNAL

1. Turn ignition switch to ACC.
2. Check voltage between door mirror RH connector and ground.

Connector	Terminals (Wire color)		Condition	Voltage (V) (Approx.)
	(+)	(-)		
D107	1 (GR/R)	Ground	Mirror motor is operated UP	1.5 - Battery voltage
			Other than above	0
	2 (V/R)		Mirror motor is operated LEFT	1.5 - Battery voltage
			Other than above	0
	3 (Y)		Mirror motor is operated DOWN or RIGHT	1.5 - Battery voltage
			Other than above	0



OK or NG

- OK >> Replace door mirror motor RH. Refer to [GW-97, "Door Mirror Assembly"](#).
- NG >> Repair or replace harness.

Steering Wheel Tilt Circuit Inspection

EIS004XY

1. CHECK STEERING WHEEL TILT MECHANISM

Check the following.

- Operation malfunction caused by pedal adjusting mechanism deformation or pinched harness or other foreign materials
- Operation malfunction and interference with other parts by poor installation

OK or NG

- OK >> GO TO 2.
- NG >> Repair or replace the malfunctioning part and check again.

2. CHECK FUNCTION

Ⓜ With CONSULT-II

Check operation with "TILT MOTOR" in ACTIVE TEST.

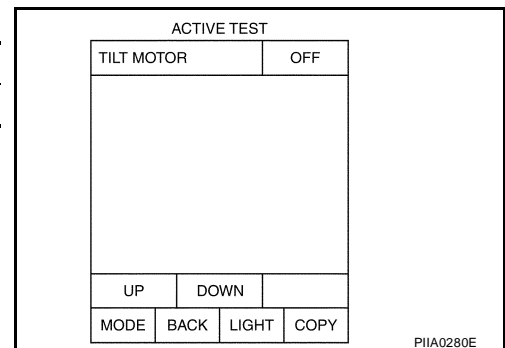
Test item	Description
TILT MOTOR	The pedal adjust motor is activated by receiving the drive signal.

ⓧ Without CONSULT-II

GO TO 3.

OK or NG

- OK >> Steering wheel tilt motor circuit is OK.
- NG >> GO TO 3.



AUTOMATIC DRIVE POSITIONER

3. CHECK STEERING WHEEL MOTOR HARNESS CONTINUITY

1. Turn ignition switch OFF.
2. Disconnect automatic drive positioner control unit and steering wheel tilt motor.
3. Check continuity between automatic drive positioner control unit connector M34 terminals 35, 42 and steering wheel tilt motor connector M68 terminals 1, 5.

35 (R) - 1 (R) : Continuity should exist.

42 (V) - 5 (V) : Continuity should exist.

4. Check continuity between automatic drive positioner control unit connector M34 terminals 35, 42 and ground.

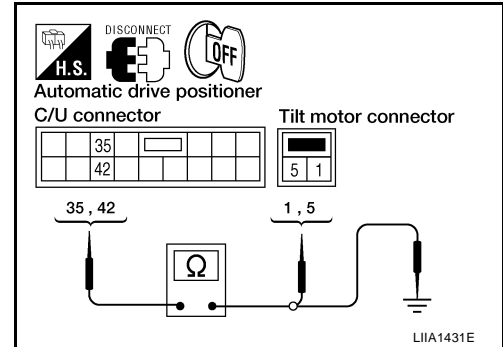
35 (R) - Ground : Continuity should not exist.

42 (V) - Ground : Continuity should not exist.

OK or NG

OK >> GO TO 4.

NG >> Repair or replace harness.



4. CHECK AUTOMATIC DRIVE POSITIONER CONTROL UNIT OUTPUT SIGNAL

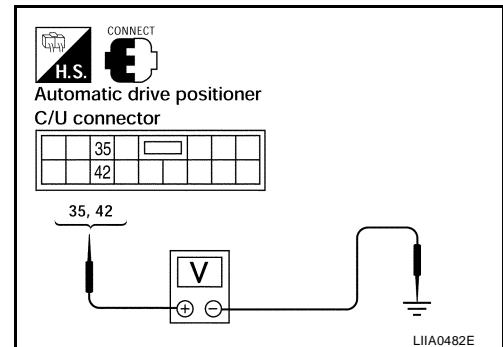
1. Connect the automatic drive positioner control unit connector and steering wheel tilt motor.
2. Check voltage between automatic drive positioner control unit connector and ground.

Connector	Terminals (Wire color)		Condition	Voltage (V) (Approx.)
	(+)	(-)		
M34	35 (R)	Ground	Tilt switch ON (UP operation)	Battery voltage
			Other than above	0
	42 (V)		Tilt switch ON (DOWN operation)	Battery voltage
			Other than above	0

OK or NG

OK >> Replace steering wheel tilt motor. Refer to [PS-9, "TILT MOTOR AND TILT SENSOR"](#) .

NG >> Replace automatic drive positioner control unit.



AUTOMATIC DRIVE POSITIONER

EIS004XZ

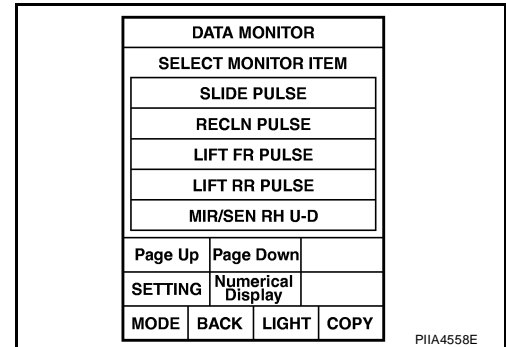
Sliding Sensor Circuit Inspection

1. CHECK FUNCTION

With CONSULT-II

Check operation with "SLIDE PULSE" on the DATA MONITOR to make sure the pulse changes.

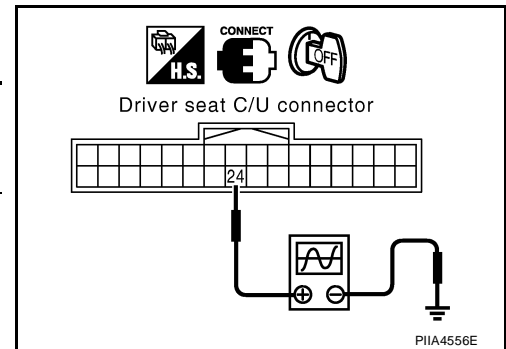
Monitor item [OPERATION or UNIT]	Contents
SLIDE PULSE	— The seat sliding position (pulse) judged from the sliding sensor signal is displayed



Without CONSULT-II

- Turn ignition switch OFF.
- Check signal between driver seat control unit connector and ground, with oscilloscope.

Connector	Terminals (Wire color)		Condition	Signal
	(+)	(-)		
P2	24 (Y/G)	Ground	Sliding motor operation	



OK or NG

- OK >> Sliding sensor circuit is OK.
- NG >> GO TO 2.

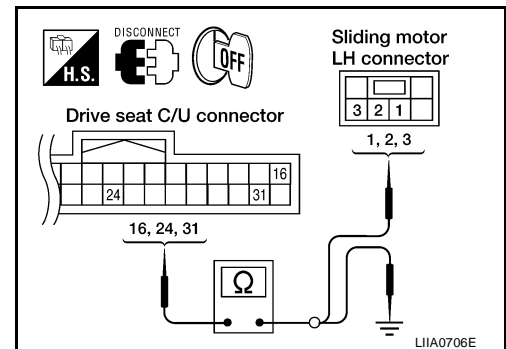
2. CHECK SLIDING MOTOR SENSOR CIRCUIT HARNESS CONTINUITY

- Disconnect driver seat control unit connector and sliding motor LH.
- Check continuity between driver seat control unit connector P2 terminals 16, 24, 31 and sliding motor P4 terminals 1, 2, 3.

- 16 (W) - 3 (W) : Continuity should exist.
- 24 (Y/G) - 2 (Y/G) : Continuity should exist.
- 31 (L/Y) - 1 (L/Y) : Continuity should exist.

- Check continuity between driver seat control unit P2 terminals 16, 24, 31 and ground.

- 16 (W) - Ground : Continuity should not exist.
- 24 (Y/G) - Ground : Continuity should not exist.
- 31 (L/Y) - Ground : Continuity should not exist.



OK or NG

- OK >> Replace sliding motor.
- NG >> Repair or replace harness.

AUTOMATIC DRIVE POSITIONER

EIS004Y0

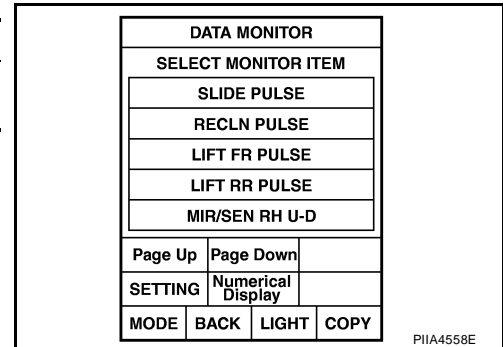
Reclining Sensor Circuit Inspection

1. CHECK FUNCTION

With CONSULT-II

Check operation with "RECLN PULSE" on the DATA MONITOR to make sure the pulse changes.

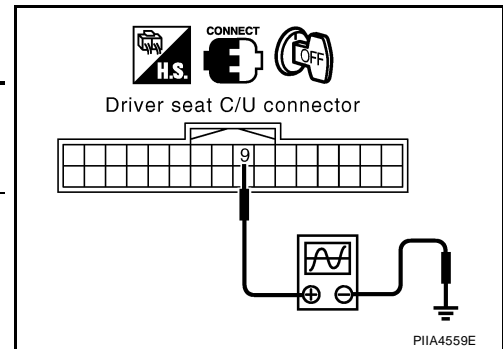
Monitor item [OPERATION or UNIT]	Contents
RECLN PULSE	The seat reclining position (pulse) judged from the reclining sensor is displayed



Without CONSULT-II

- Turn ignition switch OFF.
- Check signal between driver seat control unit connector and ground, with oscilloscope.

Connector	Terminals (Wire color)		Condition	Signal
	(+)	(-)		
P2	9 (L/R)	Ground	Reclining motor operation	<p>PIIA3278E</p>



OK or NG

- OK >> Reclining sensor circuit is OK.
- NG >> GO TO 2.

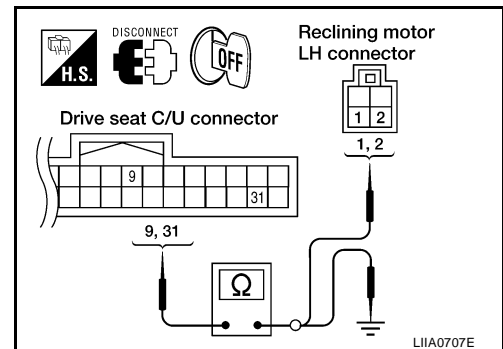
2. CHECK RECLINING MOTOR SENSOR CIRCUIT HARNESS CONTINUITY

- Disconnect driver seat control unit and reclining motor LH.
- Check continuity between driver seat control unit connector P2 terminals 9, 31 and reclining motor LH connector P5 terminals 1, 2.

- 9 (L/R) - 1 (L/R) : Continuity should exist.**
- 31 (L/Y) - 2 (L/Y) : Continuity should exist.**

- Check continuity between driver seat control unit connector P2 terminals 9, 31 and ground.

- 9 (L/R) - Ground : Continuity should not exist.**
- 31 (L/Y) - Ground : Continuity should not exist.**



OK or NG

- OK >> Replace reclining motor.
- NG >> Repair or replace harness.

AUTOMATIC DRIVE POSITIONER

Lifting Sensor (Front) Circuit Inspection

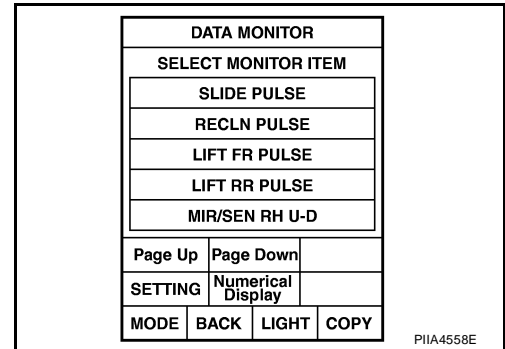
EIS004Y1

1. CHECK FUNCTION

With CONSULT-II

Check operation with "LIFT FR PULSE" on the DATA MONITOR to make sure the pulse changes.

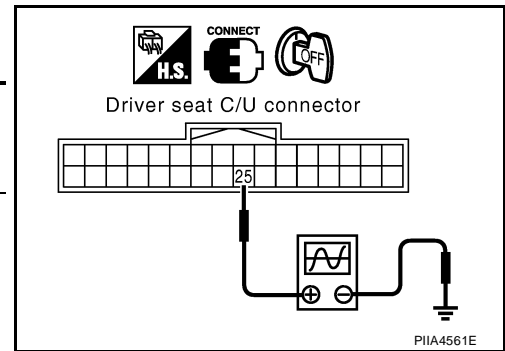
Monitor item [OPERATION or UNIT]	Contents
LIFT FR PULSE	— The front lifting position (pulse) judged from the lifting sensor (front) is displayed



Without CONSULT-II

- Turn ignition switch OFF.
- Check signal between driver seat control unit connector and ground, with oscilloscope.

Connector	Terminals (Wire color)		Condition	Signal
	(+)	(-)		
P2	25 (LG)	Ground	Lifting motor (front) operation	



OK or NG

- OK >> Front lifting sensor is OK.
- NG >> GO TO 2.

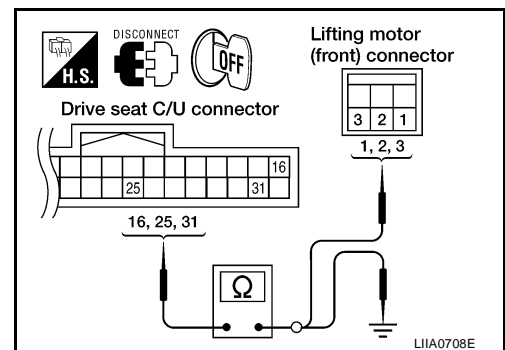
2. CHECK FRONT LIFTING MOTOR SENSOR CIRCUIT HARNESS CONTINUITY

- Disconnect driver seat control unit and lifting motor (front).
- Check continuity between driver seat control unit connector P2 terminals 16, 25, 31 and lifting motor (front) connector P6 terminals 1, 2, 3.

- 16 (W) - 3 (W) : Continuity should exist.**
- 25 (LG) - 2 (LG) : Continuity should exist.**
- 31 (LY) - 1 (LY) : Continuity should exist.**

- Check continuity between driver seat control unit connector P2 terminals 16, 25, 31 and ground.

- 16 (W) - Ground : Continuity should not exist.**
- 25 (LG) - Ground : Continuity should not exist.**
- 31 (LY) - Ground : Continuity should not exist.**



OK or NG

- OK >> Replace lifting motor (front).
- NG >> Repair or replace harness.

AUTOMATIC DRIVE POSITIONER

EIS004Y2

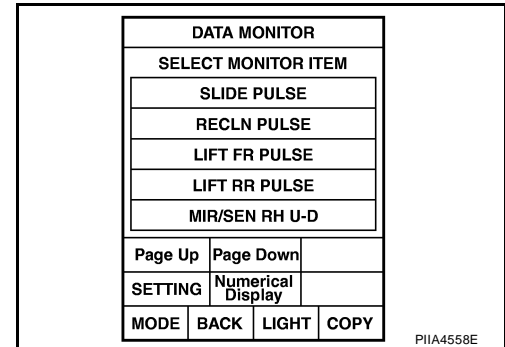
Lifting Sensor (Rear) Circuit Inspection

1. CHECK FUNCTION

With CONSULT-II

Check operation with "LIFT RR PULSE" on the DATA MONITOR to make sure pulse changes.

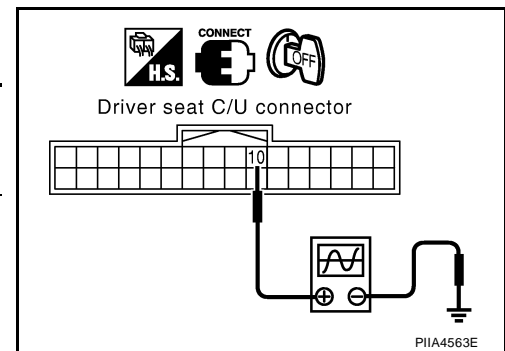
Monitor item [OPERATION or UNIT]		
LIFT RR PULSE	—	The rear lifting position (pulse) judged from the lifting sensor (rear) is displayed.



Without CONSULT-II

- Turn ignition switch OFF.
- Check signal between driver seat control unit connector and ground, with oscilloscope.

Connector	Terminals (Wire color)		Condition	Signal
	(+)	(-)		
P2	10 (W)	Ground	Lifting motor (rear) operation	



OK or NG

- OK >> Rear lifting sensor circuit is OK.
- NG >> GO TO 2.

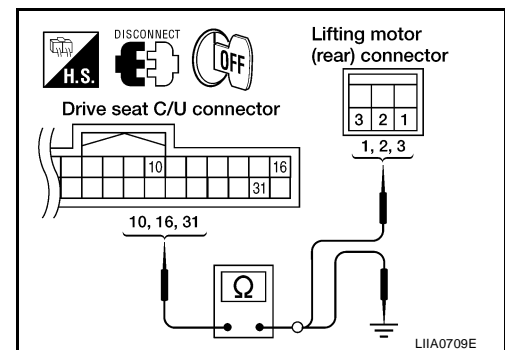
2. CHECK REAR LIFTING MOTOR SENSOR CIRCUIT HARNESS CONTINUITY

- Disconnect driver seat control unit and lifting motor (rear).
- Check continuity between driver seat control unit connector P2 terminals 10, 16, 31 and lifting motor (rear) connector P7 terminals 1, 2, 3.

- 10 (W) - 2 (W) : Continuity should exist.**
- 16 (W) - 3 (W) : Continuity should exist.**
- 31 (L/Y) - 1 (L/Y) : Continuity should exist.**

- Check continuity between driver seat control unit connector P2 terminals 10, 16, 31 and ground.

- 10 (W) - Ground : Continuity should not exist.**
- 16 (W) - Ground : Continuity should not exist.**
- 31 (L/Y) - Ground : Continuity should not exist.**



OK or NG

- OK >> Replace lifting motor (rear).
- NG >> Repair or replace harness.

AUTOMATIC DRIVE POSITIONER

EIS004Y3

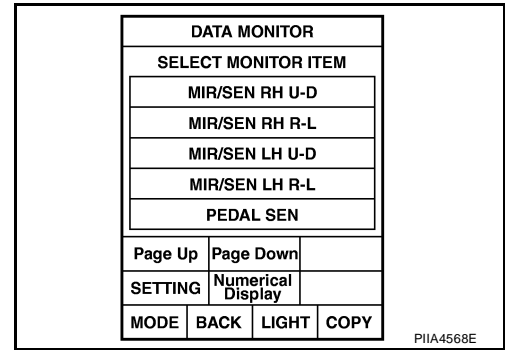
Pedal Adjusting Sensor Circuit Inspection

1. CHECK FUNCTION

With CONSULT-II

Operate the pedal adjusting switch with "PEDAL SEN" on the DATA MONITOR to make sure the voltage changes.

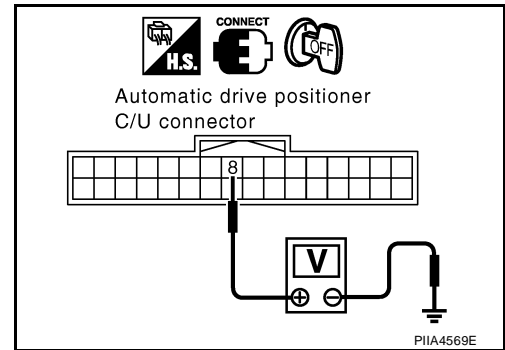
Monitor item [OPERATION or UNIT]		Contents
PEDAL SEN	"V"	The pedal adjusting position (voltage) judged from the pedal adjust sensor signal is displayed.



Without CONSULT-II

1. Turn ignition switch OFF.
2. Check voltage between automatic drive positioner control unit connector and ground.

Connector	Terminals (Wire color)		Condition	Voltage (V) (Approx.)
	(+)	(-)		
M33	8 (BR/Y)	Ground	Pedal front end position	0.5
			Pedal back end position	4.5



OK or NG

- OK >> Pedal adjusting sensor circuit is OK.
- NG >> GO TO 2.

AUTOMATIC DRIVE POSITIONER

2. CHECK PEDAL ADJUSTING SENSOR CIRCUIT HARNESS CONTINUITY

1. Disconnect automatic drive positioner control unit and pedal adjusting sensor.
2. Check continuity between automatic drive positioner connector M33, M34 terminals 8, 33, 41 and pedal adjusting sensor connector E110 terminals 3, 4, 5.

8 (BR/Y) - 4 (BR/Y) : Continuity should exist.

33 (W/L) - 3 (W/L) : Continuity should exist.

41 (W/G) - 5 (W/G) : Continuity should exist.

3. Check continuity between automatic drive positioner control unit connector M33, M34 terminals 8, 33, 41 and ground.

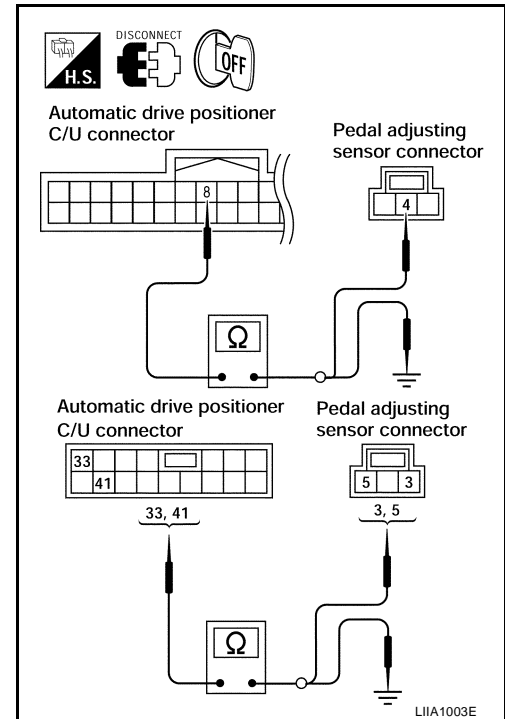
8 (BR/Y) - Ground : Continuity should not exist.

33 (W/L) - Ground : Continuity should not exist.

41 (W/G) - Ground : Continuity should not exist.

OK or NG

- OK >> Replace pedal adjusting motor.
NG >> Repair or replace harness.



Mirror Sensor LH Circuit Check

1. CHECK DOOR MIRROR FUNCTION

Check the following items.
Operation malfunction in memory control

NOTE:

If a door mirror face position is set to an implausible angle, the set position may not be reproduced.

OK or NG

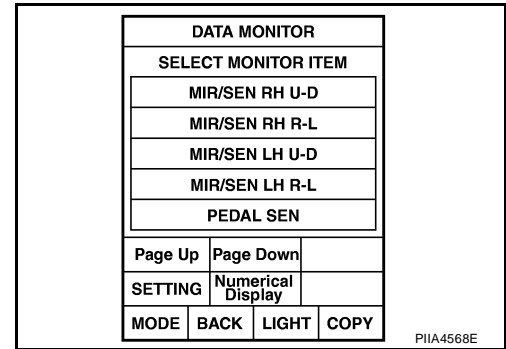
- OK >> GO TO 2.
NG >> Repair or replace the malfunctioning parts, and check the symptom again.

AUTOMATIC DRIVE POSITIONER

2. CHECK MIRROR SENSOR INSPECTION

With CONSULT-II

Check that "ON" is displayed on "MIR/SEN LH R-L, MIR/SEN LH U-D" in the DATA MONITOR.

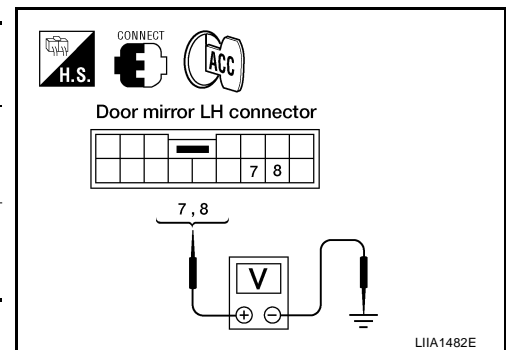


Monitor item [OPERATION or UNIT]		Contents
MIR/SEN LH R-L	"V"	Voltage output from door mirror LH sensor (LH/RH) is displayed.
MIR/SEN LH U-D	"V"	Voltage output from door mirror LH sensor (UP/DOWN) is displayed.

Without CONSULT-II

1. Turn ignition switch to ACC.
2. Check voltage between door mirror LH connector and ground.

Con-connector	Terminals (Wire color)		Condition	Voltage (V) (Approx.)
	(+)	(-)		
D4	7 (L/Y)	Ground	Mirror motor is operated UP or DOWN	Changes between 3.4 (close to peak) – 0.6 (close to valley)
	8 (G)		Mirror motor is operated LEFT or RIGHT	Changes between 3.4 (close to right edge) – 0.6 (close to left edge)



OK or NG

- OK >> Mirror sensor LH is OK.
- NG >> GO TO 3.

3. CHECK HARNESS CONTINUITY 1

1. Disconnect automatic drive positioner control unit and door mirror LH.
2. Check continuity between automatic drive positioner control unit connector M34 terminals 33, 41 and door mirror LH connector D4 terminals 5, 6.

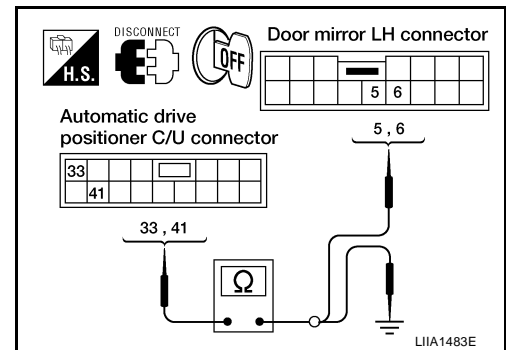
- 33 (W/L) - 5 (W/L) : Continuity should exist.**
- 41 (W/G) - 6 (W/G) : Continuity should exist.**

3. Check continuity between automatic drive positioner control unit connector M34 terminal 33, 41 and ground.

- 33 (W/L) - Ground : Continuity should not exist.**
- 41 (W/G) - Ground : Continuity should not exist.**

OK or NG

- OK >> GO TO 4.
- NG >> Repair or replace harness.



AUTOMATIC DRIVE POSITIONER

4. CHECK HARNESS CONTINUITY 2

1. Disconnect automatic drive positioner control unit and door mirror LH.
2. Check continuity between automatic drive positioner control unit connector M33 terminals 6, 22 and door mirror LH connector D4 terminals 7, 8.

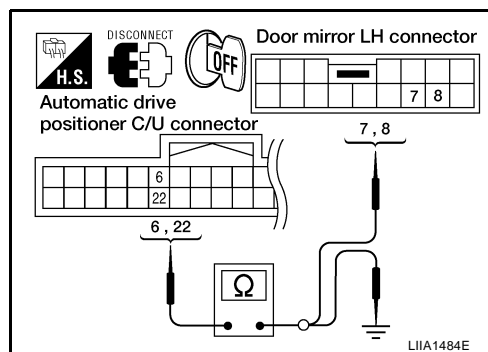
6 (L/Y) - 7 (L/Y) : Continuity should exist.
22 (G) - 8 (G) : Continuity should exist.

3. Check continuity between automatic drive positioner control unit connector M33 terminals 6, 22 and ground.

6 (L/Y) - Ground : Continuity should not exist.
22 (G) - Ground : Continuity should not exist.

OK or NG

- OK >> Replace door mirror LH. Refer to [GW-97, "Door Mirror Assembly"](#).
- NG >> Repair or replace harness.



Mirror Sensor RH Circuit Check

EIS004Y5

1. CHECK DOOR MIRROR FUNCTION

Check the following items.
Operation malfunction in memory control

NOTE:

If a door mirror face position is set to an implausible angle, the set position may not be reproduced.

OK or NG

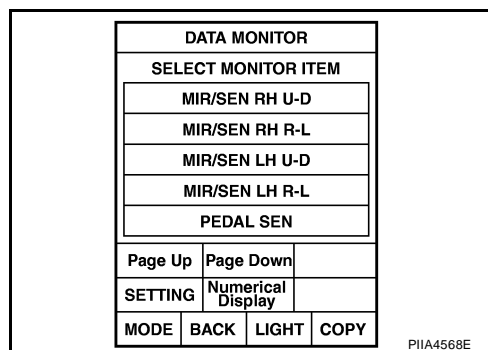
- OK >> GO TO 2.
- NG >> Repair or replace the malfunctioning parts, and check the symptom again.

2. CHECK MIRROR SENSOR INSPECTION

Ⓜ With CONSULT-II

Check that "ON" is displayed on "MIR/SEN RH R-L, MIR/SEN RH U-D" in the DATA MONITOR.

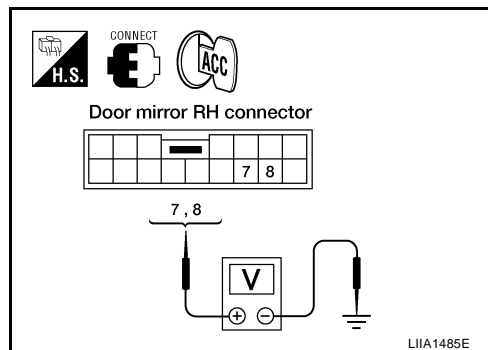
Monitor item [OPERATION or UNIT]		Contents
MIR/SEN RH R-L	"V"	Voltage output from door mirror RH sensor (LH/RH) is displayed.
MIR/SEN RH U-D	"V"	Voltage output from door mirror RH sensor (UP/DOWN) is displayed.



⊗ Without CONSULT-II

1. Turn ignition switch to ACC.
2. Check voltage between door mirror RH connector and ground.

Con-connector	Terminals (Wire color)		Condition	Voltage(V) (Approx.)
	(+)	(-)		
D107	7 (R/B)	Ground	Mirror motor is operated UP or DOWN	Changes between 3.4 (close to peak) – 0.6 (close to valley)
	8 (L/W)		Mirror motor is operated LEFT or RIGHT	Changes between 3.4 (close to left edge) – 0.6 (close to right edge)



OK or NG

- OK >> Mirror sensor RH is OK.
- NG >> GO TO 3.

AUTOMATIC DRIVE POSITIONER

3. CHECK HARNESS CONTINUITY 1

1. Disconnect automatic drive positioner control unit and door mirror RH.
2. Check continuity between automatic drive positioner control unit connector M34 terminals 33, 41 and door mirror RH connector D107 terminals 5, 6.

33 (W/L) - 5 (W/L) : Continuity should exist.

41 (W/G) - 6 (W/G) : Continuity should exist.

3. Check continuity between automatic drive positioner control unit connector M34 terminals 33, 41 and ground.

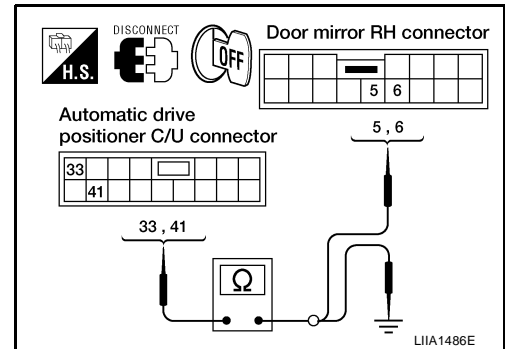
33 (W/L) - Ground : Continuity should not exist.

41 (W/G) - Ground : Continuity should not exist.

OK or NG

OK >> GO TO 4.

NG >> Repair or replace harness.



4. CHECK HARNESS CONTINUITY 2

1. Disconnect automatic drive positioner control unit and door mirror RH.
2. Check continuity between automatic drive positioner control unit connector M33 terminals 5, 21 and door mirror RH connector D107 terminals 7, 8.

5 (R/B) - 7 (R/B) : Continuity should exist.

21 (L/W) - 8 (L/W) : Continuity should exist.

3. Check continuity between automatic drive positioner control unit connector M33 terminals 5, 21 and ground.

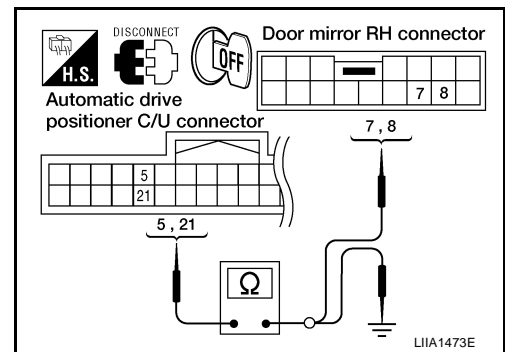
5 (R/B) - Ground : Continuity should not exist.

21 (L/W) - Ground : Continuity should not exist.

OK or NG

OK >> Replace door mirror RH. Refer to [GW-97, "Door Mirror Assembly"](#).

NG >> Repair or replace harness.



AUTOMATIC DRIVE POSITIONER

EIS004Y6

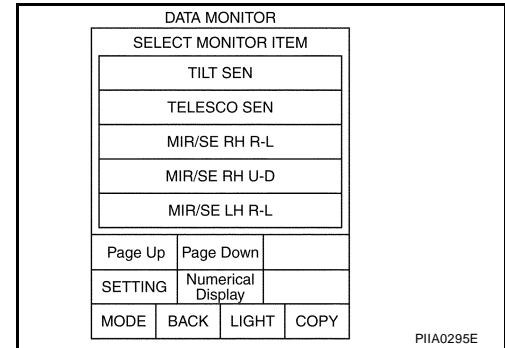
Steering Wheel Tilt Sensor Circuit Inspection

1. CHECK FUNCTION

④ With CONSULT-II

Operate the pedal adjusting switch with "TILT SEN" on the DATA MONITOR to make sure the voltage changes.

Monitor item [OPERATION or UNIT]	Contents	
TILT SEN	"V"	The tilt position (voltage) judged from the tilt sensor signal is displayed.



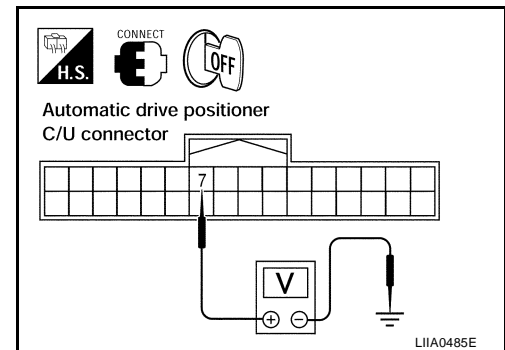
⊗ Without CONSULT-II

1. Turn ignition switch OFF.
2. Check voltage between automatic drive positioner connector and ground.

Connector	Terminals (Wire color)		Condition	Voltage (V) (Approx.)
	(+)	(-)		
M33	7 (Y/R)	Ground	Pedal front end position	0.6
			Pedal back end position	4.5

OK or NG

- OK >> Steering wheel tilt sensor circuit is OK.
 NG >> GO TO 2.



AUTOMATIC DRIVE POSITIONER

2. CHECK HARNESS CONTINUITY

1. Disconnect automatic drive positioner control unit and steering wheel tilt sensor.
2. Check continuity between automatic drive positioner connector M33, M34 terminals 7, 33, 41 and steering wheel tilt sensor connector M69 terminals 2, 3, 4.

7 (Y/R) - 3 (Y/BR) : Continuity should exist.

33 (W/L) - 2 (W/L) : Continuity should exist.

41 (W/G) - 4 (W/G) : Continuity should exist.

3. Check continuity between automatic drive positioner control unit connectors M33, M34 terminals 7, 33, 41 and ground.

7 (Y/R) - Ground : Continuity should not exist.

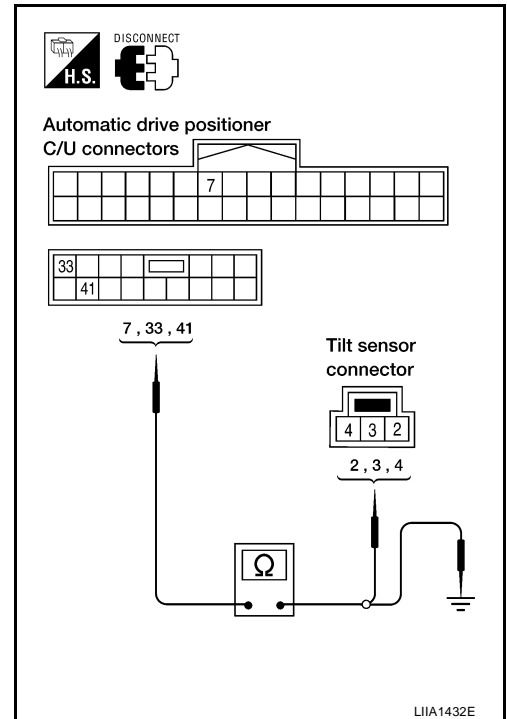
33 (W/L) - Ground : Continuity should not exist.

41 (W/G) - Ground : Continuity should not exist.

OK or NG

OK >> Replace steering wheel tilt motor. Refer to [PS-9, "TILT MOTOR AND TILT SENSOR"](#) .

NG >> Repair or replace harness.



AUTOMATIC DRIVE POSITIONER

EIS004Y7

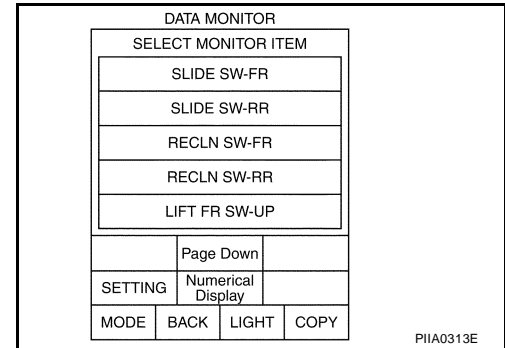
Sliding Switch Circuit Inspection

1. CHECK FUNCTION

With CONSULT-II

With "SLIDE SW-FR, SLIDE SW-RR" on the DATA MONITOR, operate the sliding switch to check ON/OFF operation.

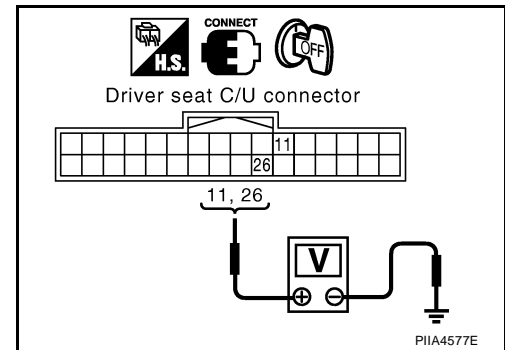
Monitor item [OPERATION or UNIT]		Contents
SLIDE SW-FR	"ON/OFF"	ON / OFF status judged from the sliding switch (FR) signal is displayed.
SLIDE SW-RR	"ON/OFF"	ON / OFF status judged from the sliding switch (RR) signal is displayed.



Without CONSULT-II

1. Turn ignition switch OFF.
2. Check voltage between driver seat control unit connector and ground.

Connector	Terminal (Wire color)		Condition	Voltage (V) (Approx.)
	(+)	(-)		
P2	11 (R/B)	Ground	Sliding switch ON (BACKWARD operation)	0
			Other than above	Battery voltage
	26 (P/B)		Sliding switch ON (FORWARD operation)	0
			Other than above	Battery voltage



OK or NG

- OK >> Sliding switch circuit is OK.
 NG >> GO TO 2.

2. CHECK SLIDING SWITCH CIRCUIT HARNESS CONTINUITY

1. Disconnect driver seat control unit connector and power seat switch LH.
2. Check continuity between driver seat control unit connector P2 terminals 11, 26 and power seat switch LH connector P8 terminals 1, 7.

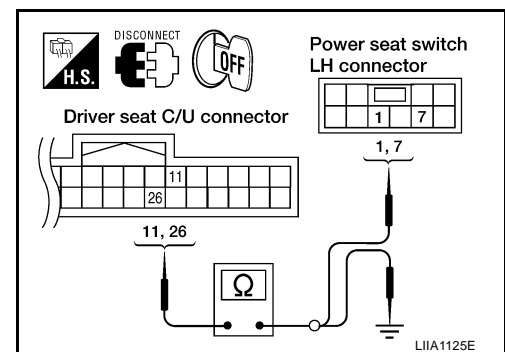
11 (R/B) - 7 (R/B) : Continuity should exist.

26 (P/B) - 1 (P/B) : Continuity should exist.

3. Check continuity between driver seat control unit connector P2 terminals 11, 26 and ground.

11 (R/B) - Ground : Continuity should not exist.

26 (P/B) - Ground : Continuity should not exist.



OK or NG

- OK >> GO TO 3.
 NG >> Repair or replace harness.

AUTOMATIC DRIVE POSITIONER

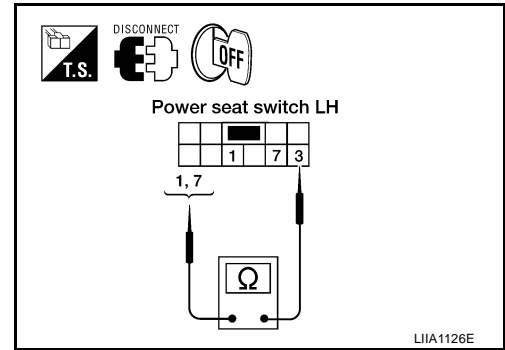
3. CHECK SLIDING SWITCH

Check continuity between power seat switch LH as follows.

Connector	Terminal		Condition	Continuity
	(+)	(-)		
P8	7	3	Sliding switch ON (BACKWARD operation)	Yes
			Other than above	No
	1		Sliding switch ON (FORWARD operation)	Yes
			Other than above	No

OK or NG

- OK >> Check the condition of the harness and connector.
- NG >> Replace power seat switch LH.



Reclining Switch Inspection

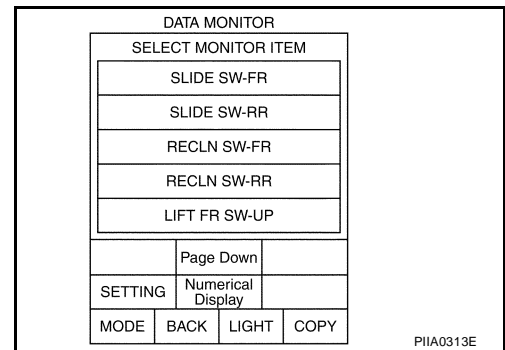
E/S004Y8

1. CHECK FUNCTION

Ⓜ With CONSULT-II

With "RECLN SW-FR, RECLN SW-RR" on the DATA MONITOR, operate the reclining switch to check ON/OFF operation.

Monitor item [OPERATION or UNIT]		Contents
RECLN SW -FR	"ON/OFF"	ON/OFF status judged from the reclining switch (FR) signal is displayed.
RECLN SW -RR	"ON/OFF"	ON/OFF status judged from the reclining switch (RR) signal is displayed.



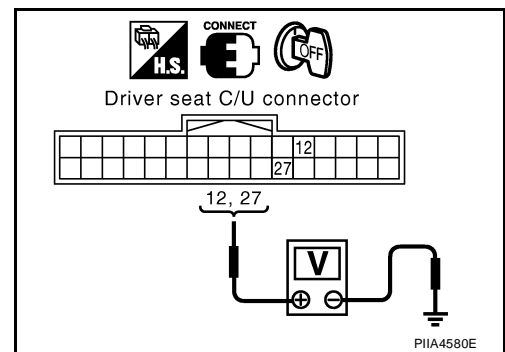
⊗ Without CONSULT-II

1. Turn ignition switch OFF.
2. Check voltage between driver seat control unit connector and ground.

Connector	Terminals (Wire color)		Condition	Voltage (V) (Approx.)
	(+)	(-)		
P2	12 (O/B)	Ground	Reclining switch ON (BACKWARD operation)	0
			Other than above	Battery voltage
	27 (G/B)		Reclining switch ON (FORWARD operation)	0
			Other than above	Battery voltage

OK or NG

- OK >> Reclining switch circuit is OK.
- NG >> GO TO 2.



AUTOMATIC DRIVE POSITIONER

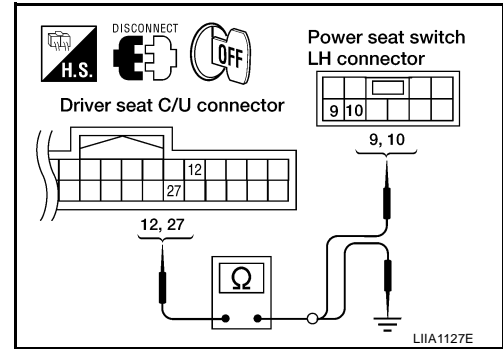
2. CHECK RECLINING SWITCH CIRCUIT HARNESS CONTINUITY

1. Disconnect driver seat control unit and power seat switch LH.
2. Check continuity between driver seat control unit connector P2 terminals 12, 27 and power seat switch LH connector P8 terminals 9, 10.

12 (O/B) - 9 (O/B) : Continuity should exist.
27 (G/B) - 10 (G/B) : Continuity should exist.

3. Check continuity between driver seat control unit connector P2 terminals 12, 27 and ground.

12 (O/B) - Ground : Continuity should not exist.
27 (G/B) - Ground : Continuity should not exist.



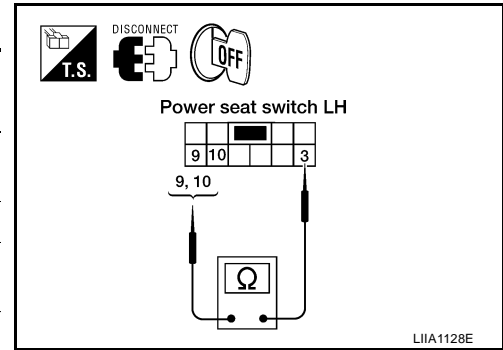
OK or NG

- OK >> GO TO 3.
- NG >> Repair or replace harness.

3. RECLINING SWITCH INSPECTION

Check continuity between power seat switch LH as follows.

Connector	Terminal		Condition	Continuity
	(+)	(-)		
P8	9	3	Reclining switch ON (BACKWARD operation)	Yes
			Other than above	No
	10		Reclining switch ON (FORWARD operation)	Yes
			Other than above	No



OK or NG

- OK >> Check the condition of the harness and connector.
- NG >> Replace power seat switch LH.

AUTOMATIC DRIVE POSITIONER

EIS004Y9

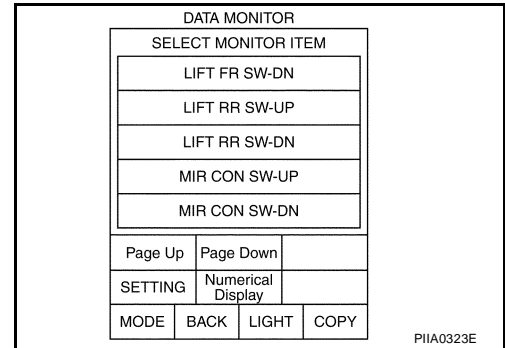
Lifting Switch (Front) Circuit Inspection

1. CHECK FUNCTION

With CONSULT-II

With "LIFT FR SW-UP, LIFT FR SW-DN" on the DATA MONITOR, operate the lifting switch (front) to check ON/OFF operation.

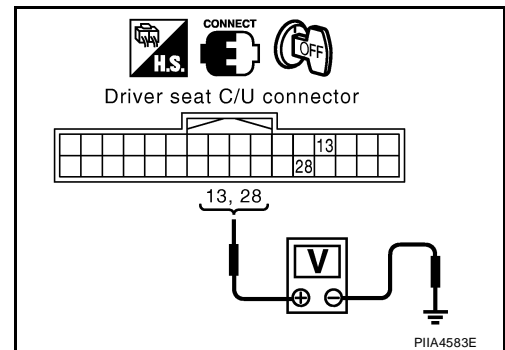
Monitor item [OPERATION or UNIT]		Contents
LIFT FR SW-DN	"ON/OFF"	ON / OFF status judged from the FR lifter switch (DOWN) signal is displayed.
LIFT FR SW-UP	"ON/OFF"	ON / OFF status judged from the FR lifter switch (UP) signal is displayed.



Without CONSULT-II

- Turn ignition switch OFF.
- Check voltage between driver seat control unit connector and ground.

Connector	Terminals (Wire color)		Condition	Voltage (V) (Approx.)
	(+)	(-)		
P2	13 (L/B)	Ground	Lifting switch (front) ON (DOWN operation)	0
			Other than above	Battery voltage
	28 (Y/B)		Lifting switch (front) ON (UP operation)	0
			Other than above	Battery voltage



OK or NG

- OK >> Lifting switch (front) circuit is OK.
- NG >> GO TO 2.

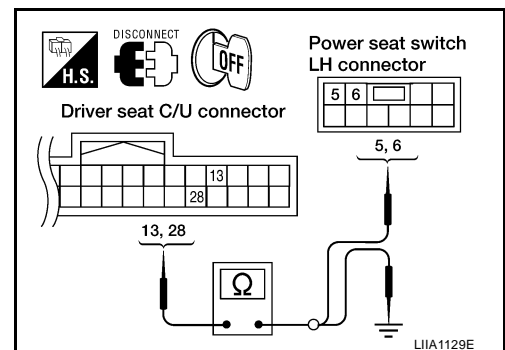
2. CHECK LIFTING SWITCH (FRONT) CIRCUIT HARNESS CONTINUITY

- Disconnect driver seat control unit and power seat switch LH.
- Check continuity between driver seat control unit connector P2 terminals 13, 28 and power seat switch LH connector P2 terminals 5, 6.

- 13 (L/B) - 5 (L/B) : Continuity should exist.
- 28 (Y/B) - 6 (Y/B) : Continuity should exist.

- Check continuity between driver seat control unit connector P2 terminals 13, 28 and ground

- 13 (L/B) - Ground : Continuity should not exist.
- 28 (Y/B) - Ground : Continuity should not exist.



OK or NG

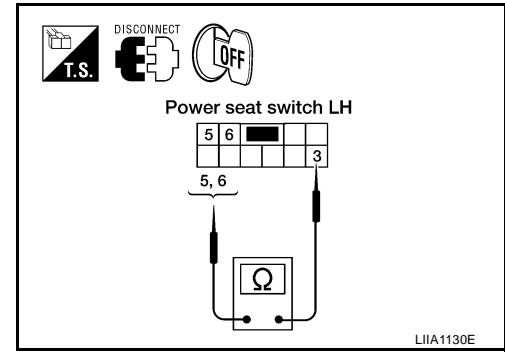
- OK >> GO TO 3.
- NG >> Repair or replace harness.

AUTOMATIC DRIVE POSITIONER

3. CHECK LIFTING SWITCH (FRONT)

Check continuity between power seat switch LH as follows.

Connector	Terminals		Condition	Continuity
	(+)	(-)		
P8	5	3	Lifting switch (front) ON (DOWN operation)	Yes
			Other than above	No
	6		Lifting switch (front) ON (UP operation)	Yes
			Other than above	No



OK or NG

- OK >> Check the condition of the harness and connector.
- NG >> Replace power seat switch LH.

Lifting Switch (Rear) Circuit Inspection

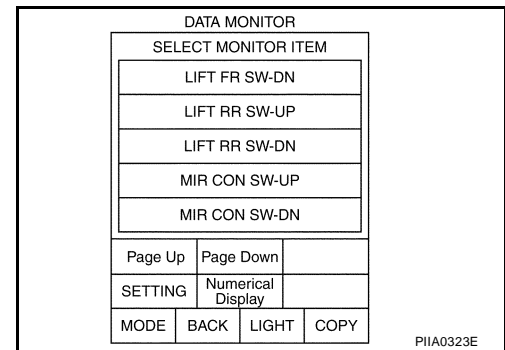
EIS004YA

1. CHECK FUNCTION

Ⓜ With CONSULT-II

With "LIFT RR SW-UP, LIFT RR SW-DN" on the DATA MONITOR, operate the rear lifting switch to check ON/OFF operation.

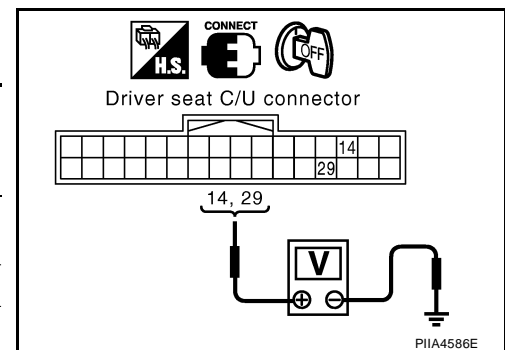
Monitor item [OPERATION or UNIT]		Contents
LIFT RR SW-UP	"ON/OFF"	Operation (ON)/open (OFF) status judged from the RR lifter switch (UP) signal is displayed.
LIFT RR SW-DN	"ON/OFF"	Operation (ON)/open (OFF) status judged from the RR lifter switch (DOWN) signal is displayed.



⊗ Without CONSULT-II

1. Turn ignition switch OFF.
2. Check voltage between driver seat control unit connector and ground.

Connector	Terminals (Wire color)		Condition	Voltage (V) (Approx.)
	(+)	(-)		
P2	14 (G/W)	Ground	Rear lifting switch ON (DOWN operation)	0
			Other than above	Battery voltage
	29 (R/W)		Rear lifting switch ON (UP operation)	0
			Other than above	Battery voltage



OK or NG

- OK >> Rear lifting switch circuit is OK.
- NG >> GO TO 2.

AUTOMATIC DRIVE POSITIONER

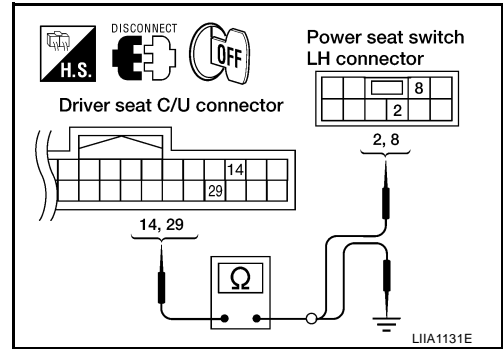
2. CHECK LIFTING SWITCH (REAR) CIRCUIT HARNESS CONTINUITY

1. Disconnect driver seat control unit and power seat switch LH.
2. Check continuity between driver seat control unit connector P2 terminals 14, 29 and power seat switch connector P8 terminals 2, 8.

14 (G/W) - 8 (G/W) : Continuity should exist.
29 (R/W) - 2 (R/W) : Continuity should exist.

3. Check continuity between driver seat control unit connector P2 terminals 14, 29 and ground.

14 (G/W) - Ground : Continuity should not exist.
29 (R/W) - Ground : Continuity should not exist.



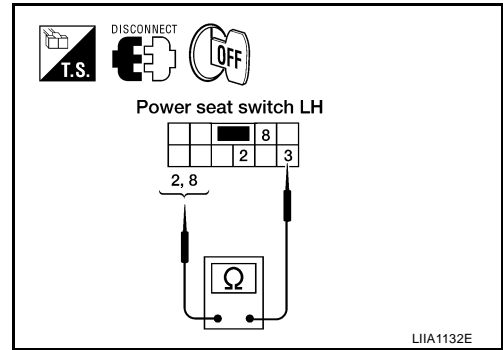
OK or NG

- OK >> GO TO 3.
- NG >> Repair or replace harness.

3. CHECK LIFTING SWITCH (REAR)

Check continuity between power seat switch LH as follows.

Connector	Terminals		Condition	Continuity
	(+)	(-)		
P8	8	3	Lifting switch (rear) ON (DOWN operation)	Yes
			Other than above	No
	2		Lifting switch (rear) ON (UP operation)	Yes
			Other than above	No



OK or NG

- OK >> Check the condition of the harness and connector.
- NG >> Replace power seat switch LH.

Power Seat Switch Ground Inspection

EIS004YB

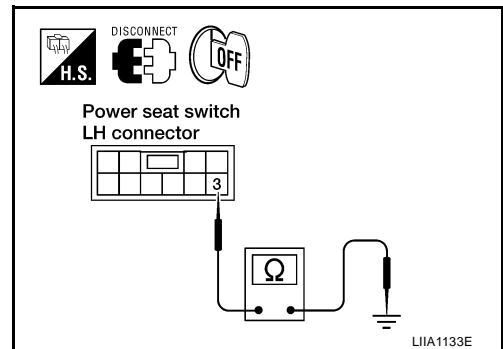
1. CHECK POWER SEAT SWITCH GROUND CIRCUIT

Check continuity between power seat switch LH connector P8 terminal 3 and ground.

3 (B) - Ground : Continuity should exist.

OK or NG

- OK >> Check the condition of the harness and connector.
- NG >> Repair or replace harness.



AUTOMATIC DRIVE POSITIONER

EIS004YC

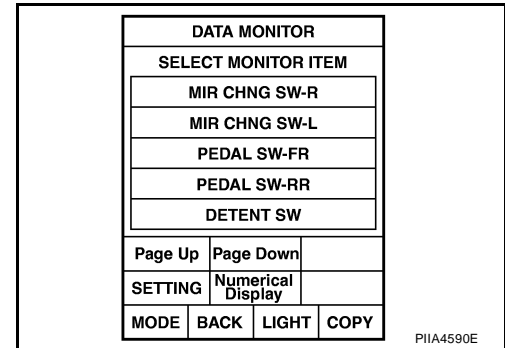
Pedal Adjusting Switch Circuit Inspection

1. CHECK FUNCTION

With CONSULT-II

With "PEDAL SW-FR, PEDAL SW-RR" on the DATA MONITOR, operate the pedal adjusting switch to check ON/OFF operation.

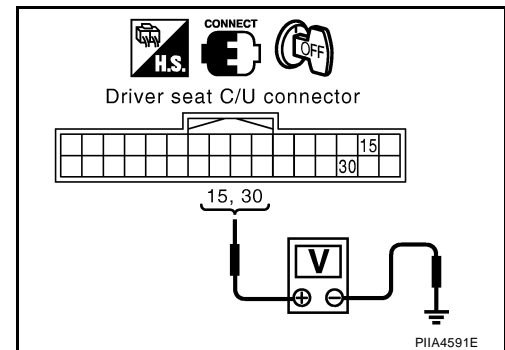
Monitor item [OPERATION or UNIT]		Contents
PEDAL SW-FR	"ON/OFF"	Operation (ON)/open (OFF) status judged from the pedal adjusting switch (FR) signal is displayed.
PEDAL SW-RR	"ON/OFF"	Operation (ON)/open (OFF) status judged from the pedal adjusting switch (RR) signal is displayed.



Without CONSULT-II

- Turn ignition switch OFF.
- Check voltage between driver seat control unit connector and ground.

Connector	Terminals (Wire color)		Condition	Voltage (V) (Approx.)
	(+)	(-)		
P2	15 (L)	Ground	Pedal adjusting switch ON (BACKWARD operation)	0
			Other than above	Battery voltage
	30 (R)		Pedal adjusting switch ON (FORWARD operation)	0
			Other than above	Battery voltage



OK or NG

- OK >> Pedal adjusting switch circuit is OK.
 NG >> GO TO 2.

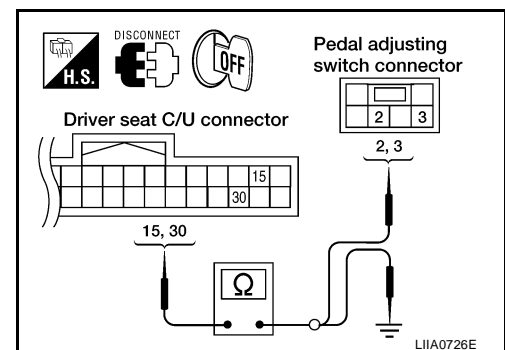
2. CHECK PEDAL ADJUSTING SWITCH CIRCUIT HARNESS CONTINUITY

- Disconnect driver seat control unit and pedal adjusting switch.
- Check continuity between driver seat control unit connector P2 terminals 15, 30 and pedal adjusting switch connector M96 terminals 2, 3.

- 15 (L) - 2 (L/Y) : Continuity should exist.**
30 (R) - 3 (R) : Continuity should exist.

- Check continuity between driver seat control unit connector P2 terminals 15, 30 and ground.

- 15 (L) - Ground : Continuity should not exist.**
30 (R) - Ground : Continuity should not exist.



OK or NG

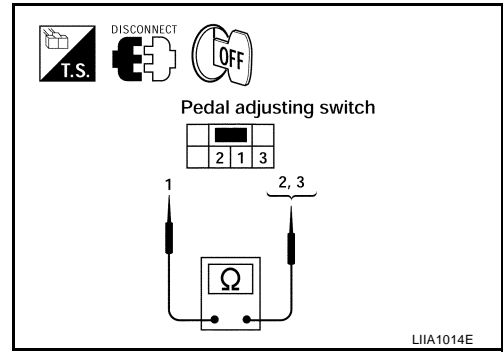
- OK >> GO TO 3.
 NG >> Repair or replace harness.

AUTOMATIC DRIVE POSITIONER

3. CHECK PEDAL ADJUSTING SWITCH

Check continuity between pedal adjusting switch as follows.

Connector	Terminals		Condition	Continuity
	(+)	(-)		
M96	2	1	Pedal adjusting switch ON (BACKWARD operation)	Yes
			Other than above	No
	3		Pedal adjusting switch ON (FORWARD operation)	Yes
			Other than above	No



OK or NG

OK >> GO TO 4.

NG >> Replace pedal adjusting switch.

4. CHECK PEDAL ADJUSTING SWITCH GROUND CIRCUIT

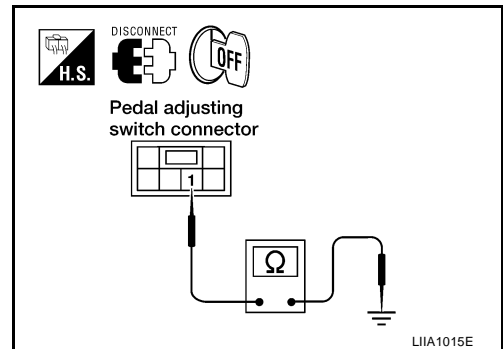
Check continuity between pedal adjusting switch connector M96 terminal 1 and ground.

1 (B) - Ground : Continuity should exist.

OK or NG

OK >> Check the condition of the harness and connector.

NG >> Replace or replace harness.



AUTOMATIC DRIVE POSITIONER

Door Mirror Remote Control Switch (Changeover Switch) Circuit Check

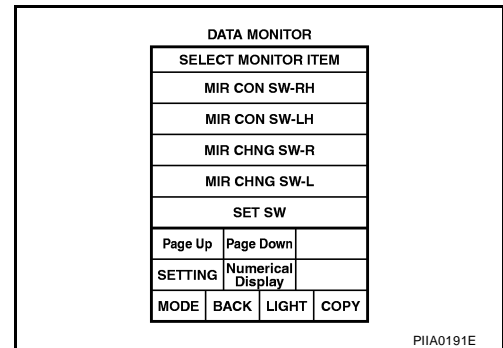
EIS004YD

1. CHECK FUNCTION

With CONSULT-II

Check the operation on "MIR CHNG SW-R" or "MIR CHNG SW-L" in the DATA MONITOR.

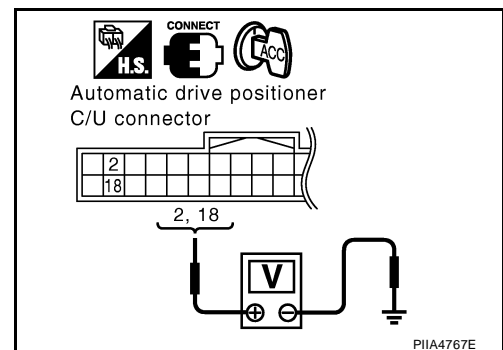
Monitor item [OPERATION or UNIT]		Contents
MIR CHNG S W-R	"ON/OFF"	ON/OFF status judged from the door mirror switch (switching to RIGHT) signal is displayed.
MIR CHNG S W-L	"ON/OFF"	ON/OFF status judged from the door mirror switch (switching to LEFT) signal is displayed.



Without CONSULT-II

- Turn ignition switch to ACC.
- Check voltage between automatic drive positioner control unit connector and ground.

Connector	Terminals (Wire color)		Condition	Voltage (V) (Approx.)
	(+)	(-)		
M33	2 (LG)	Ground	Changeover switch RIGHT position	0
			Other than above	5
	18 (BR/W)		Changeover switch LEFT position	0
			Other than above	5



OK or NG

- OK >> Door mirror remote control switch (changeover switch) is OK.
 NG >> GO TO 2.

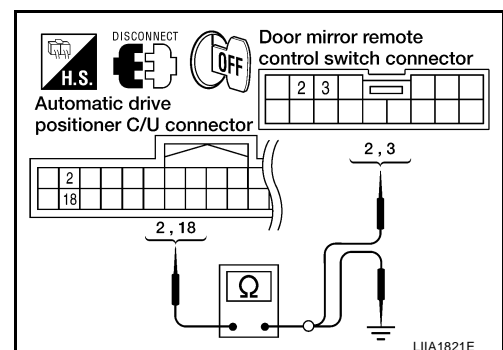
2. CHECK DOOR MIRROR REMOTE CONTROL SWITCH CIRCUIT HARNESS CONTINUITY

- Turn ignition switch OFF.
- Disconnect automatic drive positioner control unit and door mirror remote control switch.
- Check continuity between automatic drive positioner control unit connector M33 terminals 2, 18 and door mirror remote control switch connector D10 terminals 2, 3.

2 (LG) - 2 (LG) : Continuity should exist.
18 (BR/W) - 3 (BR/W) : Continuity should exist.

- Check continuity between automatic drive positioner control unit connector M33 terminals 2, 18 and ground.

2 (LG) - Ground : Continuity should not exist.
18 (BR/W) - Ground : Continuity should not exist.



OK or NG

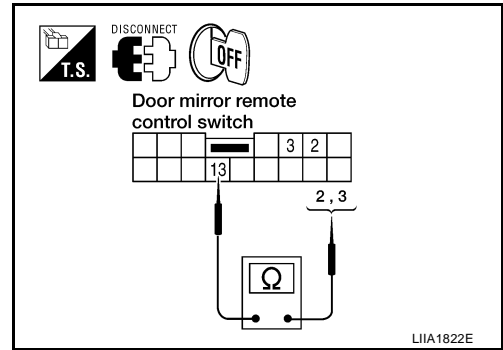
- OK >> GO TO 3.
 NG >> Repair or replace harness.

AUTOMATIC DRIVE POSITIONER

3. CHECK DOOR MIRROR REMOTE CONTROL SWITCH (CHANGEOVER SWITCH)

Check continuity between door mirror remote control switch as follows.

Connector	Terminals		Condition	Continuity
	(+)	(-)		
D10	3	13	Changeover switch RIGHT position	Yes
			Other than above	No
	2		Changeover switch LEFT position	Yes
			Other than above	No



OK or NG

- OK >> Check the condition of the harness and the connector.
- NG >> Replace door mirror remote control switch.

Door Mirror Remote Control Switch (Mirror Switch) Circuit Check

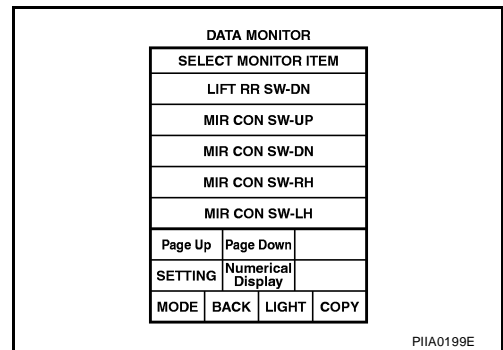
EIS004YE

1. CHECK DOOR MIRROR REMOTE CONTROL SWITCH (MIRROR SWITCH) SIGNAL

With CONSULT-II

Check the operation on "MIR CON SW-UP/DN" and "MIR CON SW-RH/LH" in the DATA MONITOR.

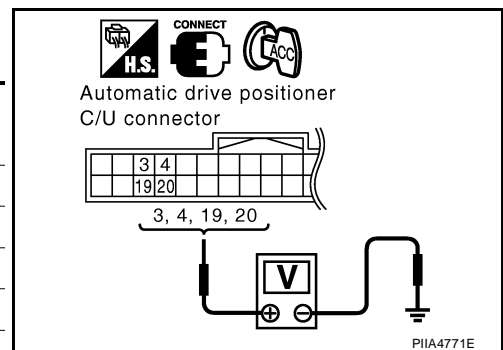
Monitor item [OPERATION or UNIT]		Contents
MIR CON SW -UP	"ON/OFF"	ON/OFF status judged from the door mirror switch (UP) signal is displayed.
MIR CON SW -DN	"ON/OFF"	ON/OFF status judged from the door mirror switch (DOWN) signal is displayed.
MIR CON SW -RH	"ON/OFF"	ON/OFF status judged from the door mirror switch (RIGHT) signal is displayed.
MIR CON SW -LH	"ON/OFF"	ON/OFF status judged from the door mirror switch (LEFT) signal is displayed.



Without CONSULT-II

- Turn ignition switch to ACC.
- Check voltage between automatic drive positioner control unit connector and ground.

Connector	Terminals (Wire color)		Condition	Voltage (V) (Approx.)
	(+)	(-)		
M33	3 (Y/B)	Ground	Mirror switch UP operation	0
			Other than above	5
	4 (V/W)		Mirror switch LEFT operation	0
			Other than above	5
	19 (SB)		Mirror switch DOWN operation	0
			Other than above	5
	20 (GR)		Mirror switch RIGHT operation	0
			Other than above	5



OK or NG

- OK >> Door mirror remote control switch (mirror switch) circuit is OK.
- NG >> GO TO 2.

AUTOMATIC DRIVE POSITIONER

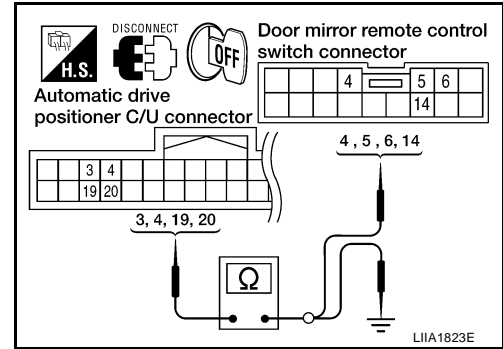
2. CHECK HARNESS CONTINUITY

1. Turn ignition switch OFF.
2. Disconnect automatic drive positioner control unit and door mirror remote control switch.
3. Check continuity between automatic drive positioner control unit connector M33 terminals 3, 4, 19, 20 and door mirror remote control switch connector D10 terminals 4, 5, 6, 14.

3 (Y/B) - 6 (Y/B) : Continuity should exist.
4 (V/W) - 5 (V/W) : Continuity should exist.
19 (SB) - 14 (SB) : Continuity should exist.
20 (GR) - 4 (GR) : Continuity should exist.

4. Check continuity between automatic drive positioner control unit connector M33 terminals 3, 4, 19, 20 and ground.

3 (Y/B) - Ground : Continuity should not exist.
4 (V/W) - Ground : Continuity should not exist.
19 (SB) - Ground : Continuity should not exist.
20 (GR) - Ground : Continuity should not exist.



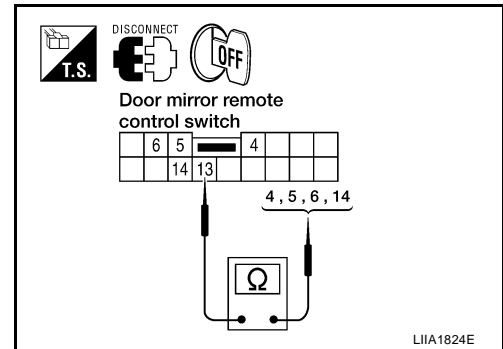
OK or NG

- OK >> GO TO 3.
 NG >> Repair or replace harness.

3. CHECK DOOR MIRROR REMOTE CONTROL SWITCH (MIRROR SWITCH)

Check continuity between door mirror remote control switch as follows.

Connector	Terminals	Switch condition	Continuity
D10	4	Mirror switch RIGHT operation	Yes
		Other than above	No
	5	Mirror switch LEFT operation	Yes
		Other than above	No
	6	Mirror switch UP operation	Yes
		Other than above	No
	14	Mirror switch DOWN operation	Yes
		Other than above	No



OK or NG

- OK >> Check the condition of the harness and connector.
 NG >> Replace door mirror remote control switch.

AUTOMATIC DRIVE POSITIONER

EIS004YF

Door Mirror Remote Control Switch Ground Circuit Inspection

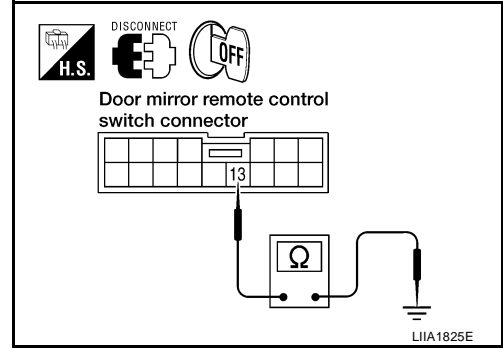
1. CHECK DOOR MIRROR REMOTE CONTROL SWITCH GROUND CIRCUIT

1. Turn ignition switch OFF.
2. Disconnect door mirror remote control switch.
3. Check continuity between door mirror remote control switch connector D10 terminal 13 and ground.

13 (B) - Ground : Continuity should exist.

OK or NG

- OK >> GO TO 2.
 NG >> Repair or replace harness.



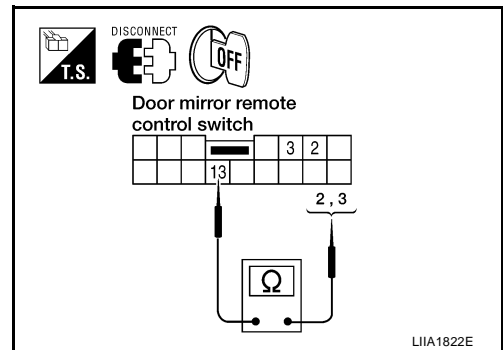
2. CHECK DOOR MIRROR REMOTE CONTROL SWITCH (CHANGEOVER SWITCH)

Check continuity between door mirror remote control switch as follows.

Connector	Terminals		Condition	Continuity
	(+)	(-)		
D10	3	13	Changeover switch RIGHT position	Yes
			Other than above	No
	2		Changeover switch LEFT position	Yes
			Other than above	No

OK or NG

- OK >> Check the condition of the harness and the connector.
 NG >> Replace door mirror remote control switch.



A
B
C
D
E
F
G
H
SE
J
K
L
M

AUTOMATIC DRIVE POSITIONER

EIS004YG

Seat Memory Switch Circuit Inspection

1. CHECK FUNCTION

④ With CONSULT-II

With "SET SW, MEMORY SW1, MEMORY SW2" on the DATA MONITOR, operate the switch to check ON/OFF operation.

Monitor item [OPERATION or UNIT]		Contents
MEMORY SW1	"ON/OFF"	ON/OFF status judged from the seat memory switch 1 signal is displayed.
MEMORY SW2	"ON/OFF"	ON/OFF status judged from the seat memory switch 2 signal is displayed.
SET SW	"ON/OFF"	ON/OFF status judged from the setting switch signal is displayed.

⊗ Without CONSULT-II

GO TO 2.

OK or NG

- OK >> Seat memory switch circuit is OK.
- NG >> GO TO 2.

DATA MONITOR

MONITOR		
SLIDE SW-FR		OFF
SLIDE SW-RR		OFF
RECLN SW-FR		OFF
RECLN SW-RR		OFF
LIFT FR SW-UP		OFF
LIFT FR SW-DN		OFF
LIFT RR SW-UP		OFF
LIFT RR SW-DN		OFF
SET SW		OFF

		Page Down
RECORD		
MODE	BACK	LIGHT COPY

DATA MONITOR

MONITOR		
TELESCO SW-FR		OFF
TELESCO SW-RR		OFF
TILT SW-UP		OFF
TILT SW-DOWN		OFF
MEMORY SW 1		OFF
MEMORY SW 2		OFF
CANCEL SW		OFF
DOOR SW-DR		OFF
VHCL SPEED SE		<7km/

Page Up	Page Down
RECORD	
MODE	BACK LIGHT COPY

PIA0309E

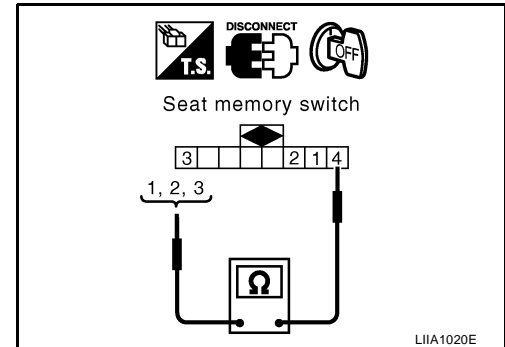
2. CHECK SEAT MEMORY SWITCH

1. Turn ignition switch OFF.
2. Disconnect seat memory switch.
3. Operate the setting switch and seat memory switch.
4. Check continuity between seat memory switch as follows.

Con- nector	Terminal		Condition	Continuity
	(+)	(-)		
D5	1	4	Memory switch 1: ON	Yes
			Memory switch 1: OFF	No
	2		Memory switch 2: ON	Yes
			Memory switch 2: OFF	No
	3		Set switch: ON	Yes
			Set switch: OFF	No

OK or NG

- OK >> GO TO 3.
- NG >> Replace seat memory switch.



AUTOMATIC DRIVE POSITIONER

3. CHECK HARNESS CONTINUITY

1. Disconnect automatic drive positioner control unit.
2. Check continuity between automatic drive positioner control unit connector M33 terminals 9, 24, 25 and seat memory switch connector D5 terminals 1, 2, 3.

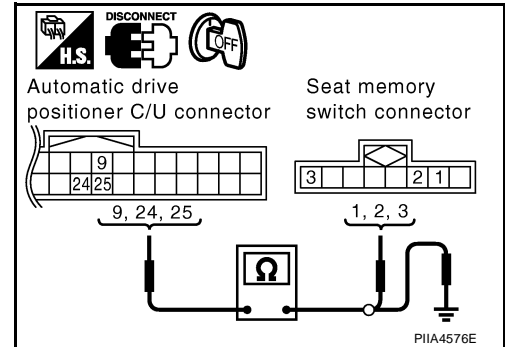
9 (LG/B) 1 (LG/B) : Continuity should exist.
24 (G/O) 3 (G/O) : Continuity should exist.
25 (P/L) 2 (P/L) : Continuity should exist.

3. Check continuity between automatic drive positioner control unit connector M41 terminals 9, 24, 25 and ground.

9 (LG/B) Ground : Continuity should not exist.
24 (G/O) Ground : Continuity should not exist.
25 (P/L) Ground : Continuity should not exist.

OK or NG

- OK >> GO TO 4.
 NG >> Repair or replace harness.



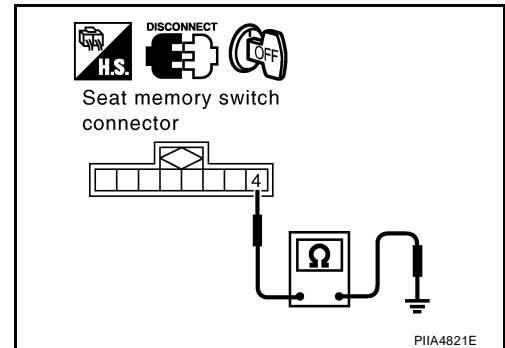
4. CHECK SEAT MEMORY SWITCH GROUND CIRCUIT

Check continuity between seat memory switch D5 terminal 4 and ground.

4 (B) - Ground : Continuity should exist.

OK or NG

- OK >> Replace automatic drive positioner control unit.
 NG >> Repair or replace harness.



Seat Memory Indicator Lamp Circuit Inspection

1. CHECK FUNCTION

With CONSULT-II

With "MEMORY SW INDCTR" in ACTIVE TEST, check operation.

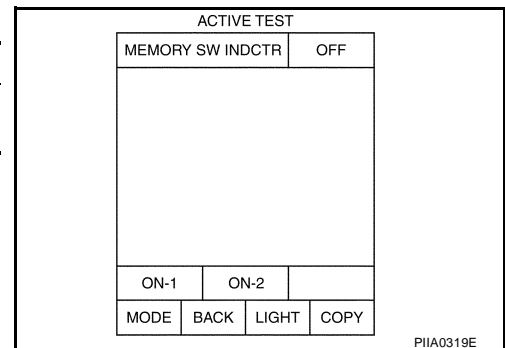
Test item	Description
MEMORY SW INDCTR	The memory switch indicator is lit by receiving the drive signal.

Without CONSULT-II

GO TO 2.

OK or NG

- OK >> Seat memory switch indicator lamp circuit is OK.
 NG >> GO TO 2.



AUTOMATIC DRIVE POSITIONER

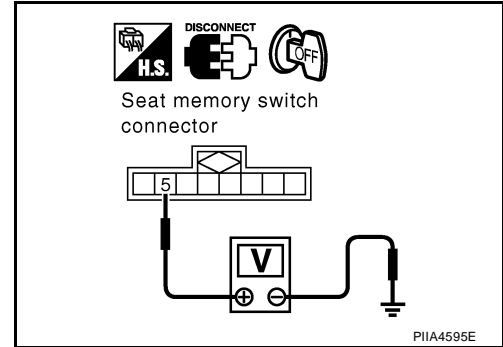
2. CHECK SEAT MEMORY SWITCH POWER SUPPLY CIRCUIT

1. Turn ignition switch OFF.
2. Disconnect seat memory switch.
3. Check voltage between seat memory switch connector D5 terminal 5 and ground.

5 (Y/R) - Ground : Battery voltage

OK or NG

- OK >> GO TO 3.
NG >> Repair or replace harness.



3. CHECK SEAT MEMORY INDICATOR CIRCUIT HARNESS CONTINUITY

1. Turn ignition switch OFF.
2. Disconnect automatic drive positioner control unit.
3. Check continuity between automatic drive positioner control unit connector M33 terminals 12, 13 and seat memory switch connector D5 terminals 6, 7.

12 (P) - 6 (P) : Continuity should exist.

13 (Y/G) - 7 (Y/G) : Continuity should exist.

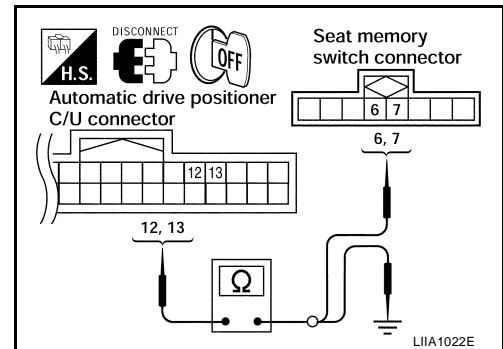
4. Check continuity between automatic drive positioner control unit connector M33 terminals 12, 13 and ground.

12 (P) - Ground : Continuity should not exist.

13 (Y/G) - Ground : Continuity should not exist.

OK or NG

- OK >> GO TO 4.
NG >> Repair or replace harness.



4. CHECK SEAT MEMORY SWITCH INDICATOR SIGNAL

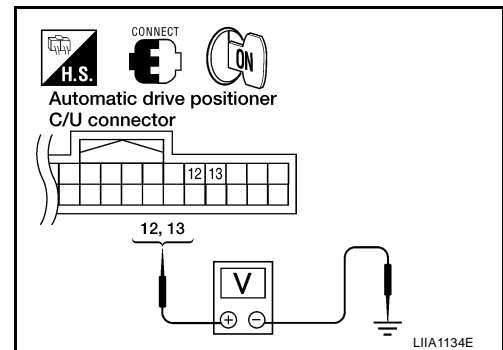
1. Connect seat memory switch.
2. Turn ignition switch ON.
3. Check voltage between automatic drive positioner control unit connector M33 terminals 12, 13 and ground.

12 (P) - Ground : Battery voltage

13 (Y/G) - Ground : Battery voltage

OK or NG

- OK >> Replace automatic drive positioner control unit.
NG >> Replace seat memory switch.



AUTOMATIC DRIVE POSITIONER

E/IS004Y1

Door Mirror Sensor Power Supply and Ground Circuit inspection

1. CHECK DOOR MIRROR SENSOR CIRCUIT HARNESS CONTINUITY

1. Disconnect automatic drive positioner control unit and door mirror (LH and RH).
2. Check continuity between automatic drive positioner control unit connector M34 terminals 33, 41 and door mirror connector D4 (LH), D107 (RH) terminals 5, 6.

33 (W/L) - 5 (W/L) : Continuity should exist.

41 (W/G) - 6 (W/G) : Continuity should exist.

3. Check continuity between automatic drive positioner control unit connector M34 terminals 33, 41 and ground.

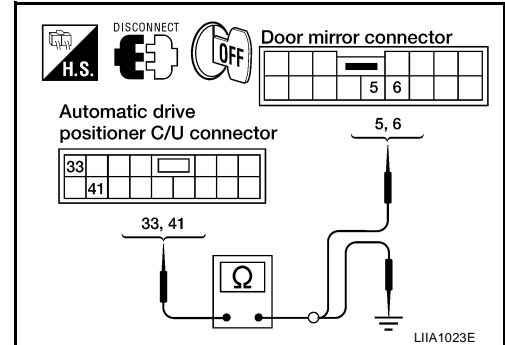
33 (W/L) - Ground : Continuity should not exist.

41 (W/G) - Ground : Continuity should not exist.

OK or NG

OK >> GO TO 2.

NG >> Repair or replace harness.



2. CHECK MIRROR SENSOR POWER SUPPLY

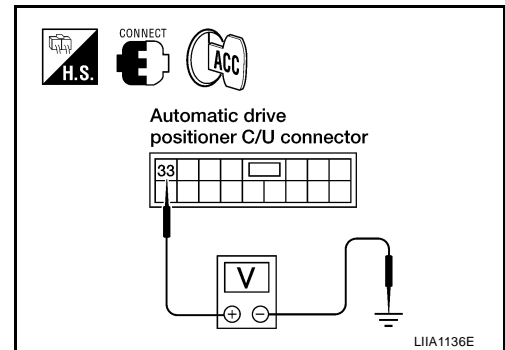
1. Connect automatic drive positioner control unit and door mirror LH.
2. Turn ignition switch to ACC.
3. Check voltage between automatic drive positioner control unit connector M34 terminal 33 and ground.

33 (W/L) - Ground : Approx. 5V

OK or NG

OK >> GO TO 3.

NG >> Replace automatic drive positioner control unit.



3. CHECK MIRROR SENSOR GROUND CIRCUIT

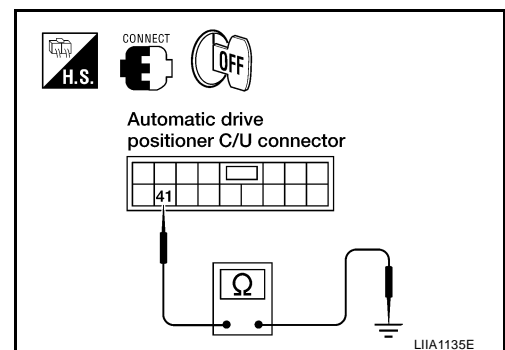
1. Turn ignition switch OFF.
2. Check continuity between automatic drive positioner control unit connector M34 terminal 41 and ground.

41 (W/G) - Ground : Continuity should exist.

OK or NG

OK >> Check the condition of the harness and connector.

NG >> Replace automatic drive positioner control unit.



AUTOMATIC DRIVE POSITIONER

EIS004YJ

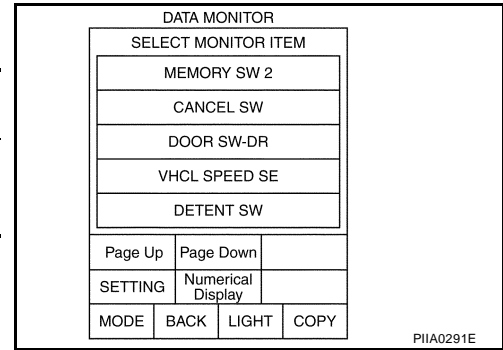
A/T Device (Detent Switch) Circuit Inspection

1. CHECK FUNCTION

With CONSULT-II

Check that when the A/T shift lever is in P position, "DETENT SW" on the DATA MONITOR becomes OFF.

Monitor item [OPERATION or UNIT]	Contents	
DETENT SW	"ON/OFF"	The selector lever position "P position (OFF)/other than P position (ON)" judged from the park switch signal is displayed.



Without CONSULT-II

GO TO 2.

OK or NG

- OK >> A/T device (detent switch) circuit is OK.
- NG >> GO TO 2.

2. CHECK A/T DEVICE (DETENT SWITCH) HARNESS

- Turn ignition switch OFF.
- Disconnect A/T device and driver seat control unit.
- Check continuity between A/T device connector M203 terminal 6 and driver seat control unit connector P2 terminal 21.

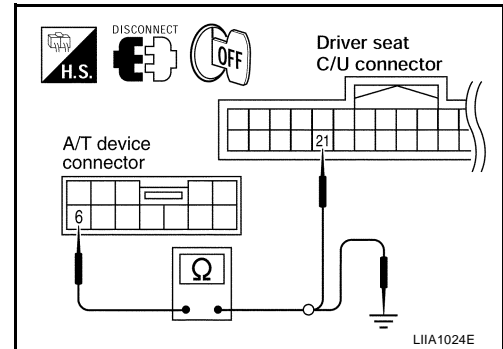
6 (L/R) - 21 (L/R) : Continuity should exist.

- Check continuity between A/T device connector M203 terminal 6 and ground.

6 (L/R) - Ground : Continuity should not exist.

OK or NG

- OK >> GO TO 3.
- NG >> Repair or replace harness.



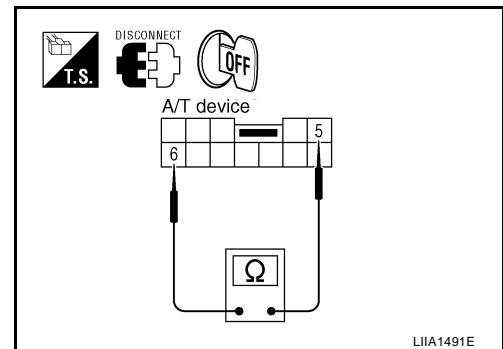
3. CHECK DETENT SWITCH

Check continuity between A/T device (detent switch) as follows.

Connector	Terminals		Condition	Continuity
	(+)	(-)		
M203	5	6	P position	No
			Other than P position	Yes

OK or NG

- OK >> A/T device is OK.
- NG >> Replace A/T device.



AUTOMATIC DRIVE POSITIONER

EIS004YK

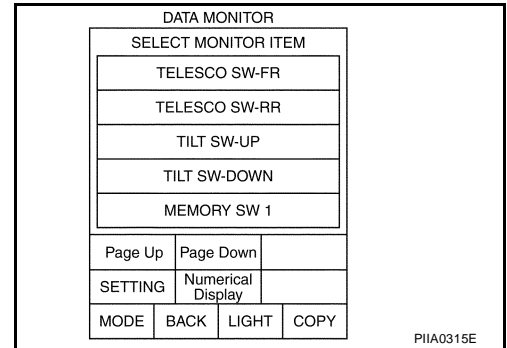
Steering Wheel Tilt Switch Circuit Inspection

1. CHECK FUNCTION

With CONSULT-II

With "TILT SW-UP, TILT SW-DOWN" on the DATA MONITOR, operate the ADP steering wheel tilt switch to check ON/OFF operation.

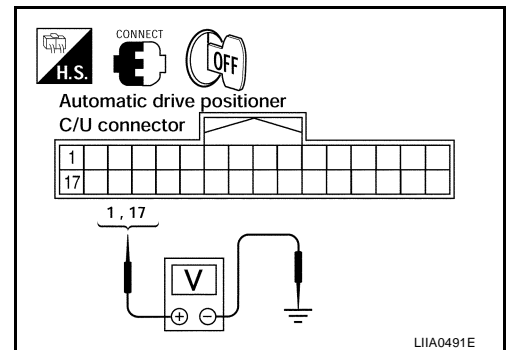
Monitor item [OPERATION or UNIT]		Contents
TILT SW-UP	"ON/OFF"	Operation (ON)/open (OFF) status judged from the tilt switch (FR) signal is displayed.
TILT SW-DOWN	"ON/OFF"	Operation (ON)/open (OFF) status judged from the tilt switch (RR) signal is displayed.



Without CONSULT-II

- Turn ignition switch OFF.
- Check voltage between automatic drive positioner control unit connector and ground.

Connector	Terminals (Wire color)		Condition	Voltage (V) (Approx.)
	(+)	(-)		
M33	1 (W/G)	Ground	Tilt switch ON (UP operation)	0
			Other than above	5
	17 (G/B)		Tilt switch ON (DOWN operation)	0
			Other than above	5



OK or NG

- OK >> ADP steering wheel tilt switch circuit is OK.
 NG >> GO TO 2.

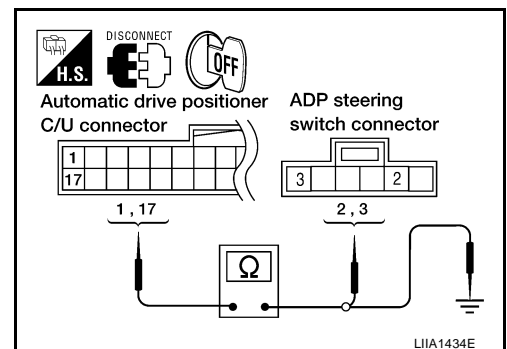
2. CHECK ADP STEERING WHEEL TILT SWITCH HARNESS CONTINUITY

- Disconnect automatic drive positioner control unit connector and ADP steering wheel tilt switch.
- Check continuity between automatic drive positioner control unit connector M33 terminals 1, 17 and ADP steering wheel tilt switch connector M16 terminals 2, 3.

- 1 (W/G) - 2 (W/G) : Continuity should exist.**
17 (G/B) - 3 (G/B) : Continuity should exist.

- Check continuity between automatic drive positioner control unit connector M33 terminals 1, 17 and ground.

- 1 (W/G) - Ground : Continuity should not exist.**
17 (G/B) - Ground : Continuity should not exist.



OK or NG

- OK >> GO TO 3.
 NG >> Repair or replace harness.

AUTOMATIC DRIVE POSITIONER

3. CHECK ADP STEERING WHEEL TILT SWITCH

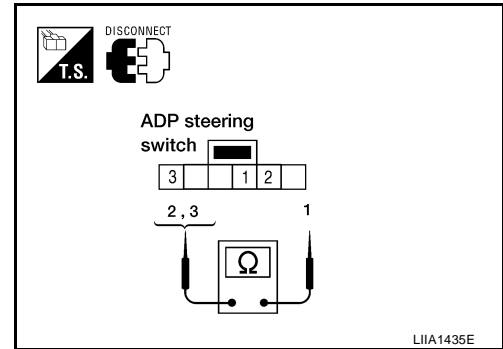
Check continuity between ADP steering wheel tilt switch as follows.

Connector	Terminals		Condition	Continuity
	(+)	(-)		
M16	2	1	Tilt switch ON (UP operation)	Yes
			Other than above	No
	3		Tilt switch ON (DOWN operation)	Yes
			Other than above	No

OK or NG

OK >> GO TO 4.

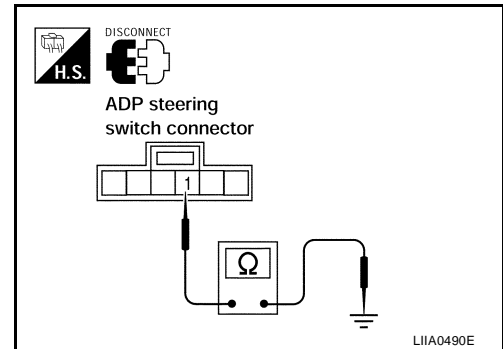
NG >> Replace ADP steering wheel tilt switch.



4. CHECK ADP STEERING WHEEL TILT SWITCH GROUND CIRCUIT

Check continuity between ADP steering wheel tilt switch connector M16 terminal 1 and ground.

1 (B) - Ground : Continuity should exist.



OK or NG

OK >> Check the condition of the harness and connector.

NG >> Replace or replace harness.

Front Door Switch LH Circuit Inspection

EIS004YL

1. CHECK FUNCTION

Ⓟ With CONSULT-II

Touch "BCM" with "DOOR SW-DR" on the DATA MONITOR, check ON/OFF operation when the front door is open and closed.

Monitor item [OPERATION or UNIT]		Contents
DOOR SW DR*	"ON/OFF"	Door open (ON)/door closed (OFF) status judged from the front door switch is displayed.

*:Refer to SE-41, "DATA MONITOR" .

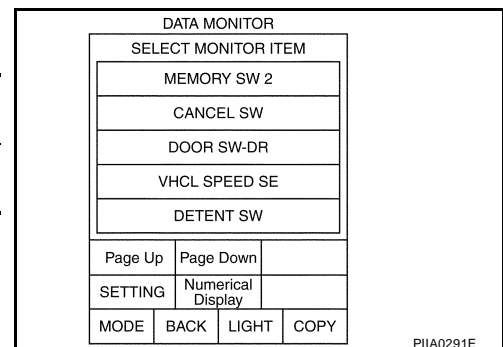
ⓧ Without CONSULT-II

GO TO 2.

OK or NG

OK >> Front door switch LH circuit is OK.

NG >> GO TO 2.



AUTOMATIC DRIVE POSITIONER

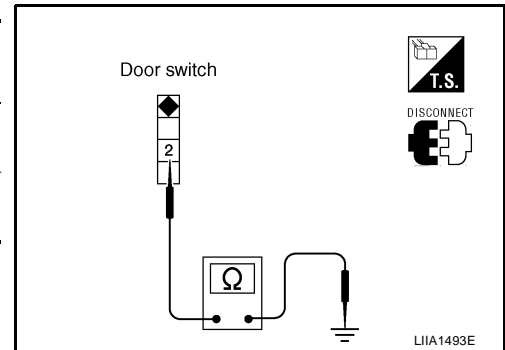
2. CHECK FRONT DOOR SWITCH LH

1. Turn ignition switch OFF.
2. Disconnect front door switch LH.
3. Check continuity between front door switch LH terminal 2 and ground.

Connector	Terminals		Condition	Continuity
	(+)	(-)		
B8	2	Ground	With the front door switch LH pressed	No
			With the front door switch LH released	Yes

OK or NG

- OK >> GO TO 3.
 NG >> Replace front door switch LH.



3. CHECK HARNESS CONTINUITY

1. Disconnect BCM.
2. Check continuity between BCM connector M19 terminal 47 and front door switch LH connector B8 terminal 2.

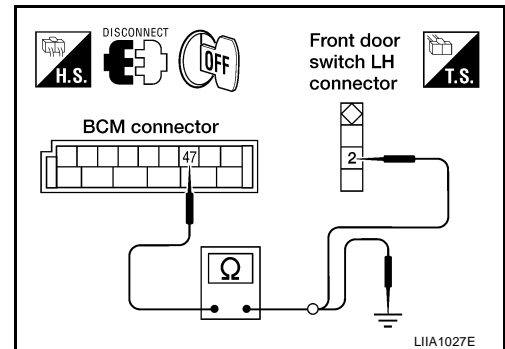
47 (SB) - 2 (SB) : Continuity should exist.

3. Check continuity between BCM connector M19 terminal 47 and ground.

47 (SB) - Ground : Continuity should not exist.

OK or NG

- OK >> Front door switch LH circuit is OK.
 NG >> Repair or replace harness.



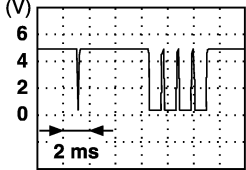
AUTOMATIC DRIVE POSITIONER

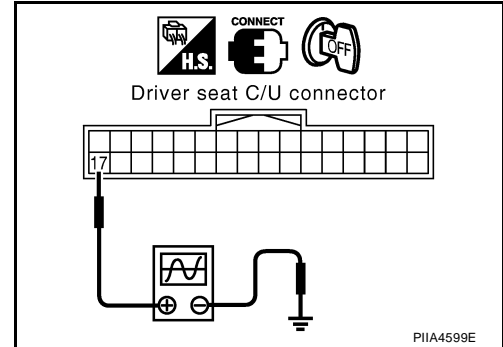
EIS004YM

UART Communication Line Circuit Inspection

1. CHECK UART LINE INPUT/OUTPUT SIGNAL 1

1. Turn ignition switch OFF.
2. Check signal between driver seat control unit connector and ground, with oscilloscope.

Connector	Terminals (Wire color)		Condition	Signal
	(+)	(-)		
P2	17 (W)	Ground	Pedal adjusting switch ON (FORWARD or BACKWARD operation)	 <p>(V) 6 4 2 0</p> <p>2 ms</p> <p>PIIA4814E</p>



OK or NG

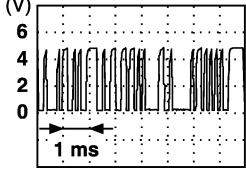
OK >> GO TO 2.

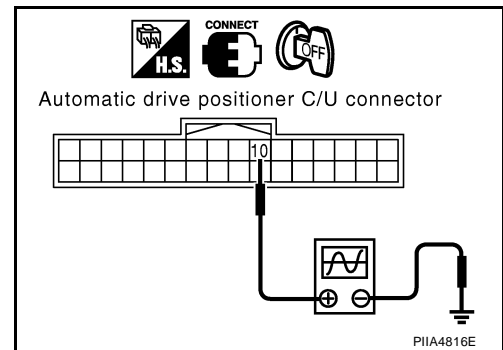
NG >> Check the following.

- When voltage wave form does not appear with a constant voltage (approx. 5V), replace driver seat control unit.
- When voltage wave form does not appear with a constant voltage (approx. 0V), replace automatic driver seat control unit.

2. CHECK UART LINE INPUT/OUTPUT SIGNAL 2

Check signal between automatic drive positioner control unit connector ground, with oscilloscope.

Connector	Terminals (Wire color)		Condition	Signal
	(+)	(-)		
M33	10 (L)	Ground	Pedal adjusting switch ON (FORWARD or BACKWARD operation)	 <p>(V) 6 4 2 0</p> <p>1 ms</p> <p>PIIA4813E</p>



OK or NG

OK >> GO TO 3.

NG >> Check the following.

- When voltage wave form does not appear with a constant voltage (approx. 5V), replace automatic drive positioner control unit.
- When voltage wave form does not appear with a constant voltage (approx. 0V), replace driver seat control unit.

AUTOMATIC DRIVE POSITIONER

3. CHECK UART LINE HARNESS

1. Disconnect driver seat control unit and automatic drive positioner control unit.
2. Check continuity between driver seat control unit connector P2 terminals 1, 17, and automatic drive positioner connector M33 terminals 10, 26.

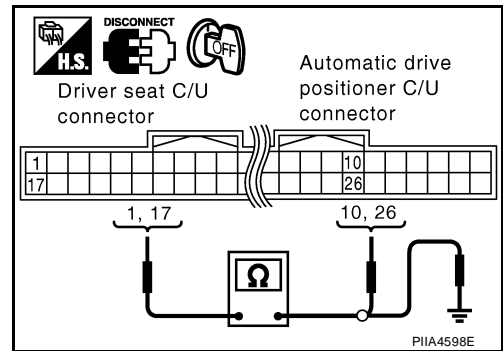
1 (L) - 10 (L) : Continuity should exist.

17 (W) - 26 (W) : Continuity should exist.

3. Check continuity between driver seat control unit connector P2 terminals 1, 17 and ground.

1 (L) - Ground : Continuity should not exist.

17 (W) - Ground : Continuity should not exist.



OK or NG

OK >> GO TO 4.

NG >> Repair or replace harness.

4. CHECK DRIVER SEAT CONTROL UNIT

Does the automatic drive positioner operate when the driver seat control unit is exchanged?

OK or NG

OK >> Replace driver seat control unit.

NG >> Replace automatic drive positioner control unit.

AUTOMATIC DRIVE POSITIONER

Removal and Installation

EIS004YN

Refer to [ACC-2, "ACCELERATOR CONTROL SYSTEM"](#) and [BR-6, "BRAKE PEDAL"](#) .

POWER SEAT

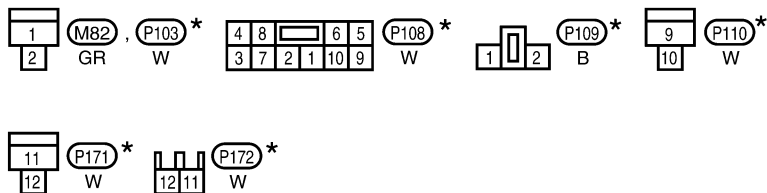
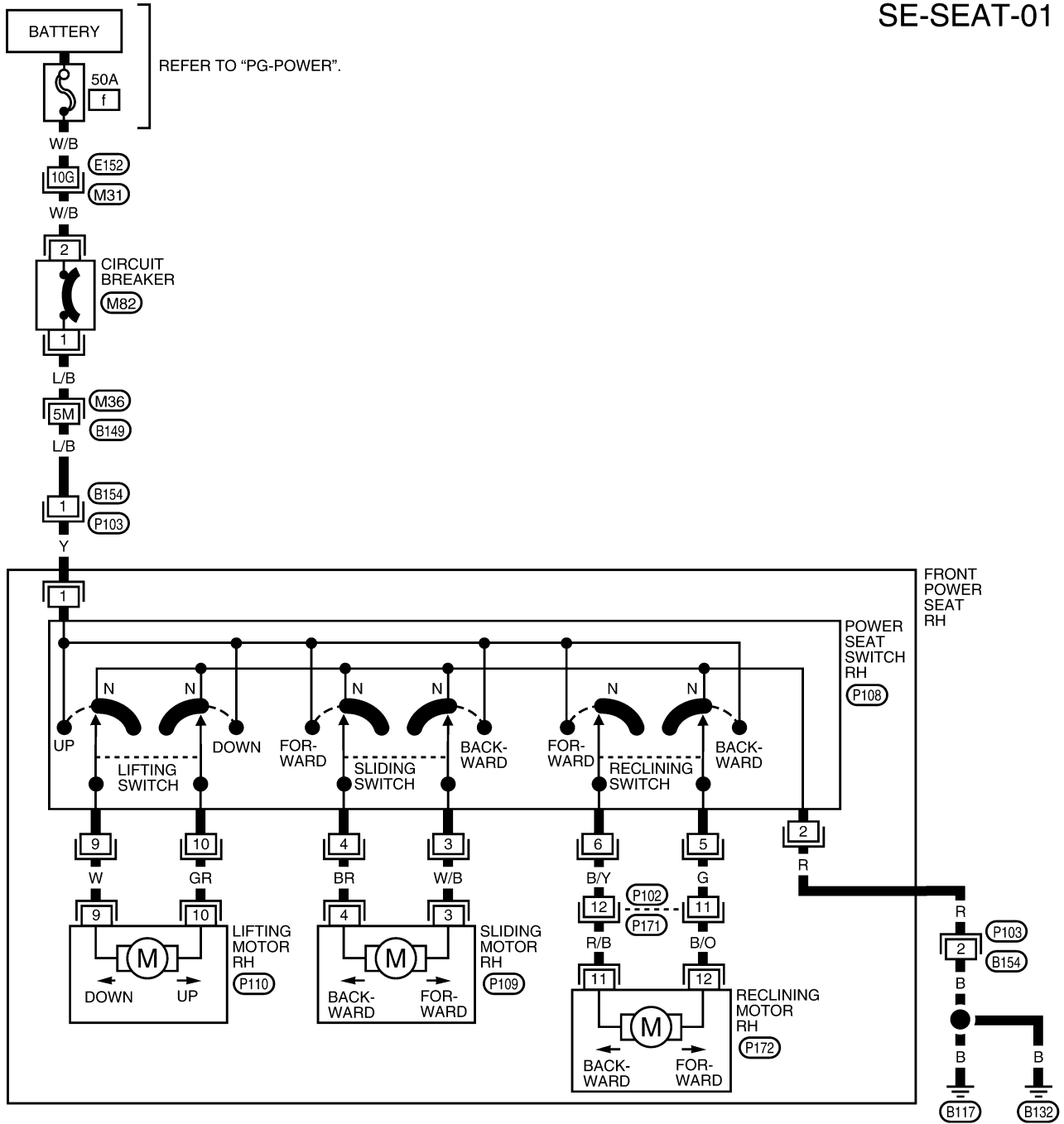
PF-P:87016

POWER SEAT

Wiring Diagram — SEAT — for Passenger Seat

EIS004YO

SE-SEAT-01



REFER TO THE FOLLOWING.
 (M31), (M36) - SUPER
 MULTIPLE JUNCTION (SMJ)

* : THIS CONNECTOR IS NOT SHOWN IN "HARNESS LAYOUT" OF PG SECTION.

WIWA0585E

HEATED SEAT

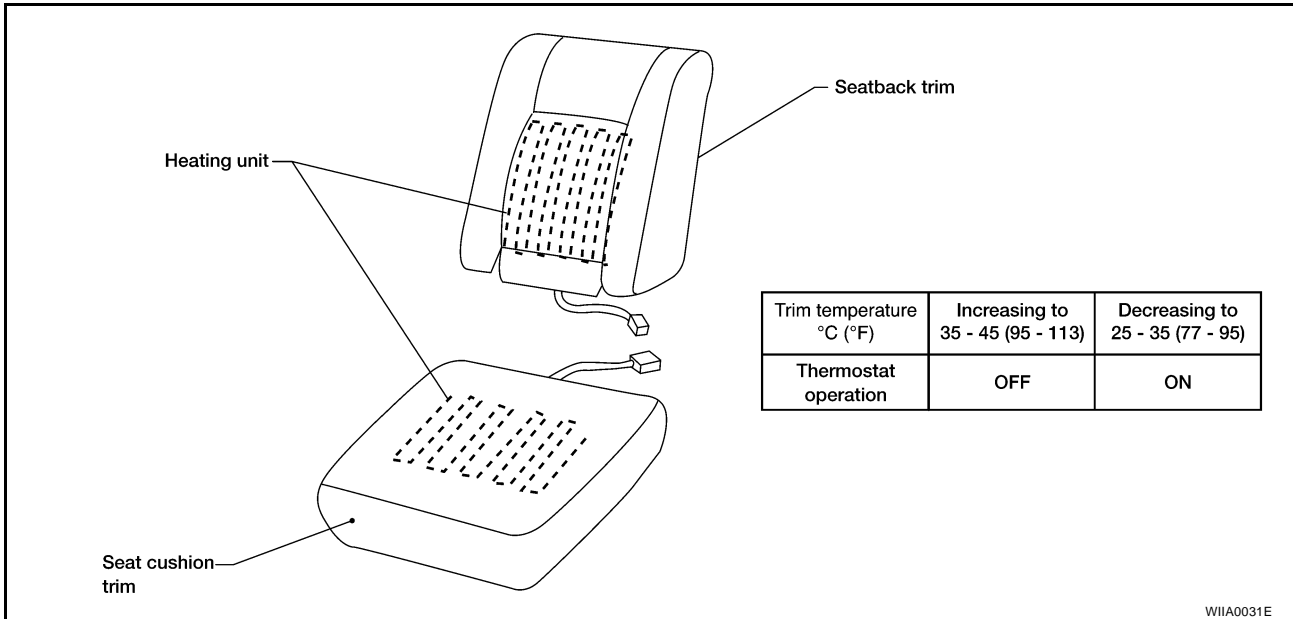
HEATED SEAT

PFP:87335

Description

EIS004YP

- When handling seat, be extremely careful not to scratch heating unit.
- To replace heating unit, seat trim and pad should be separated.
- Do not use any organic solvent, such as thinner, benzene, alcohol, etc. to clean trim.

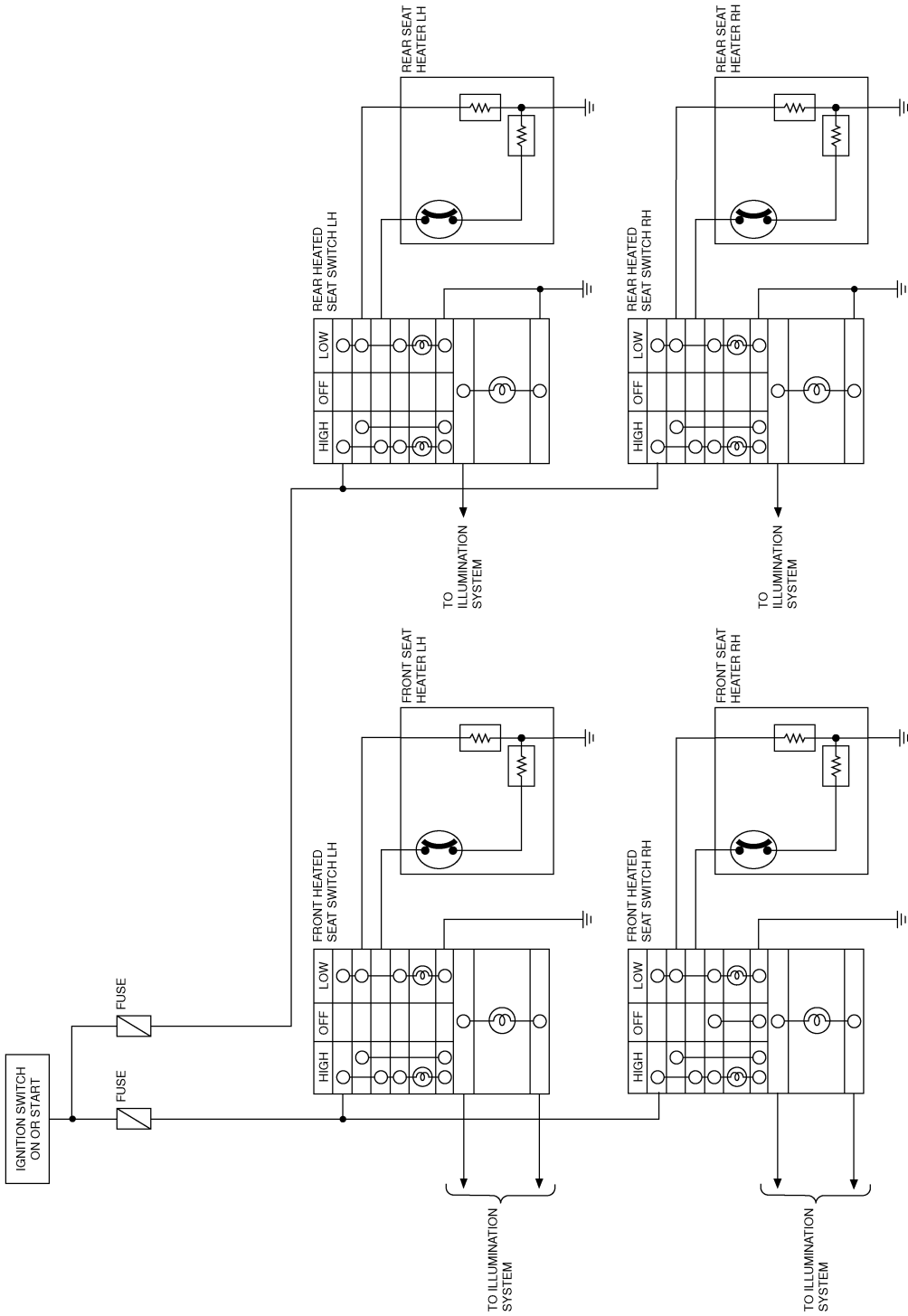


WI1A0031E

HEATED SEAT

Schematic

EIS004YQ



A
B
C
D
E
F
G
H
SE
J
K
L
M

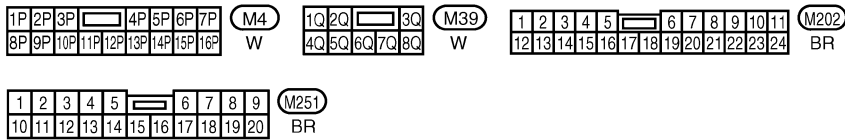
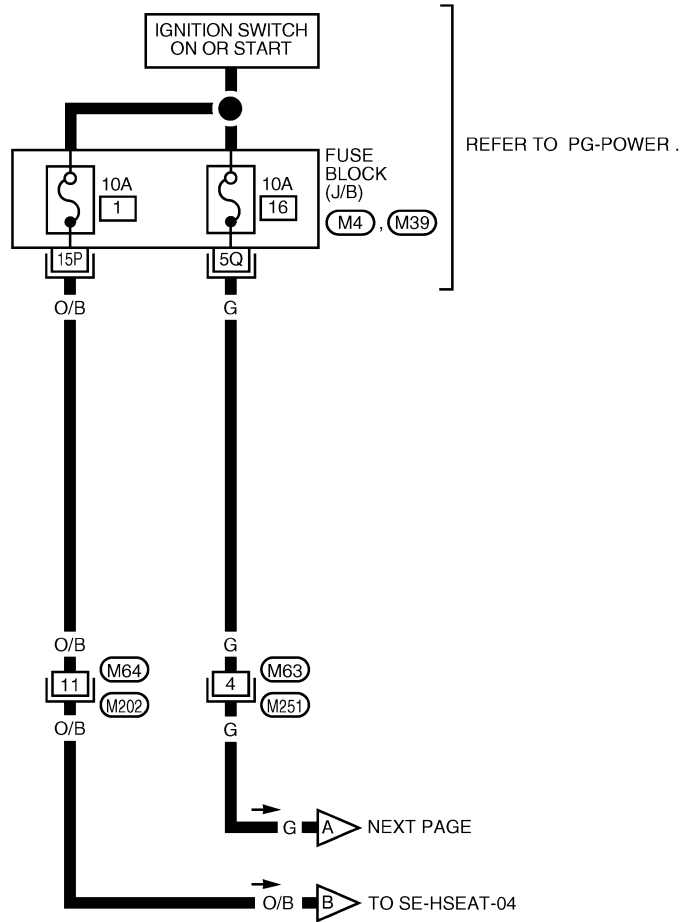
WIWA0586E

HEATED SEAT

Wiring Diagram — HSEAT —

EIS004YR

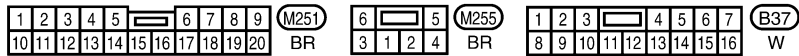
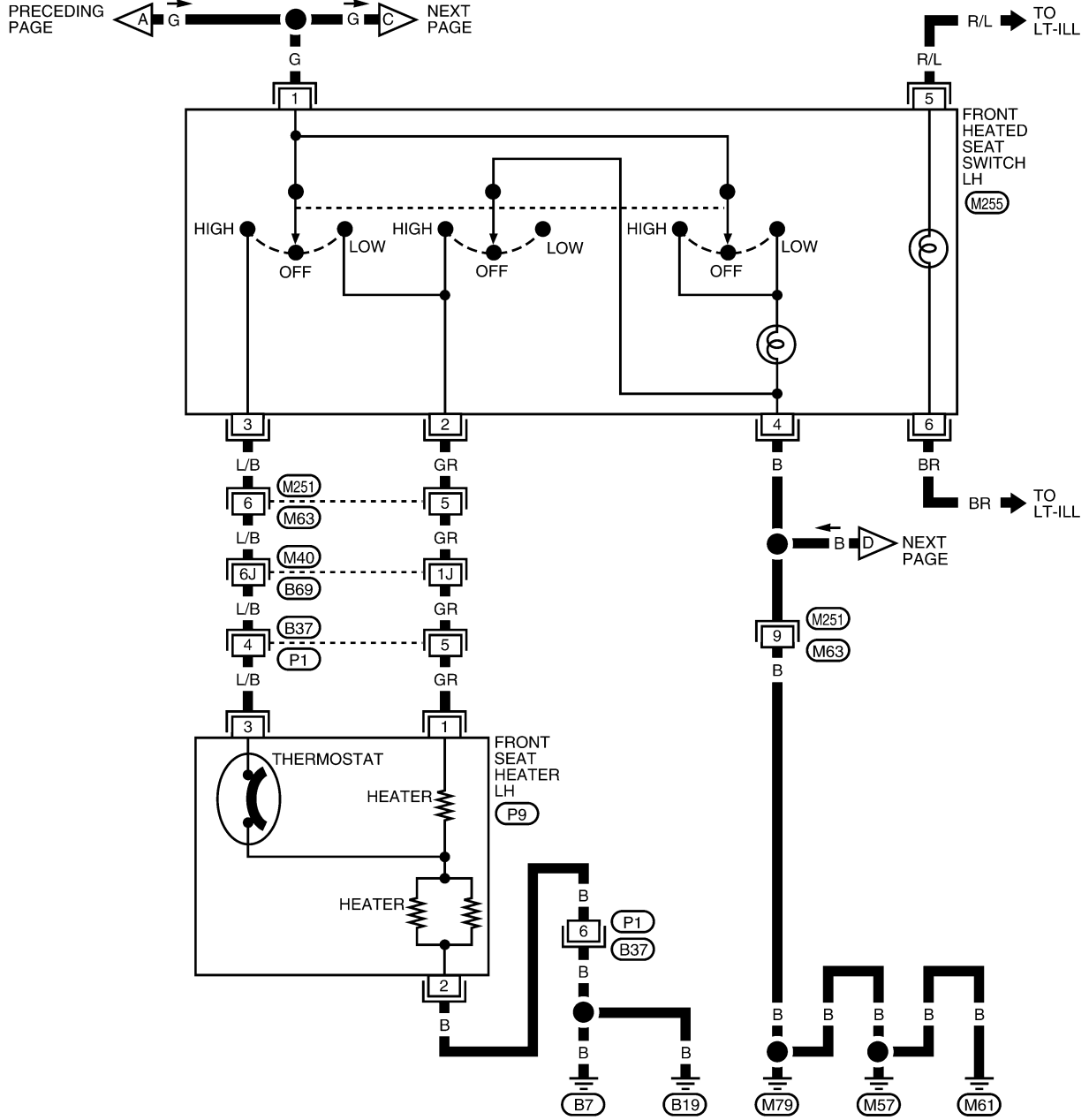
SE-HSEAT-01



WIWA0587E

HEATED SEAT

SE-HSEAT-02



REFER TO THE FOLLOWING.

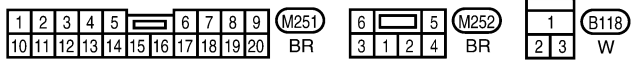
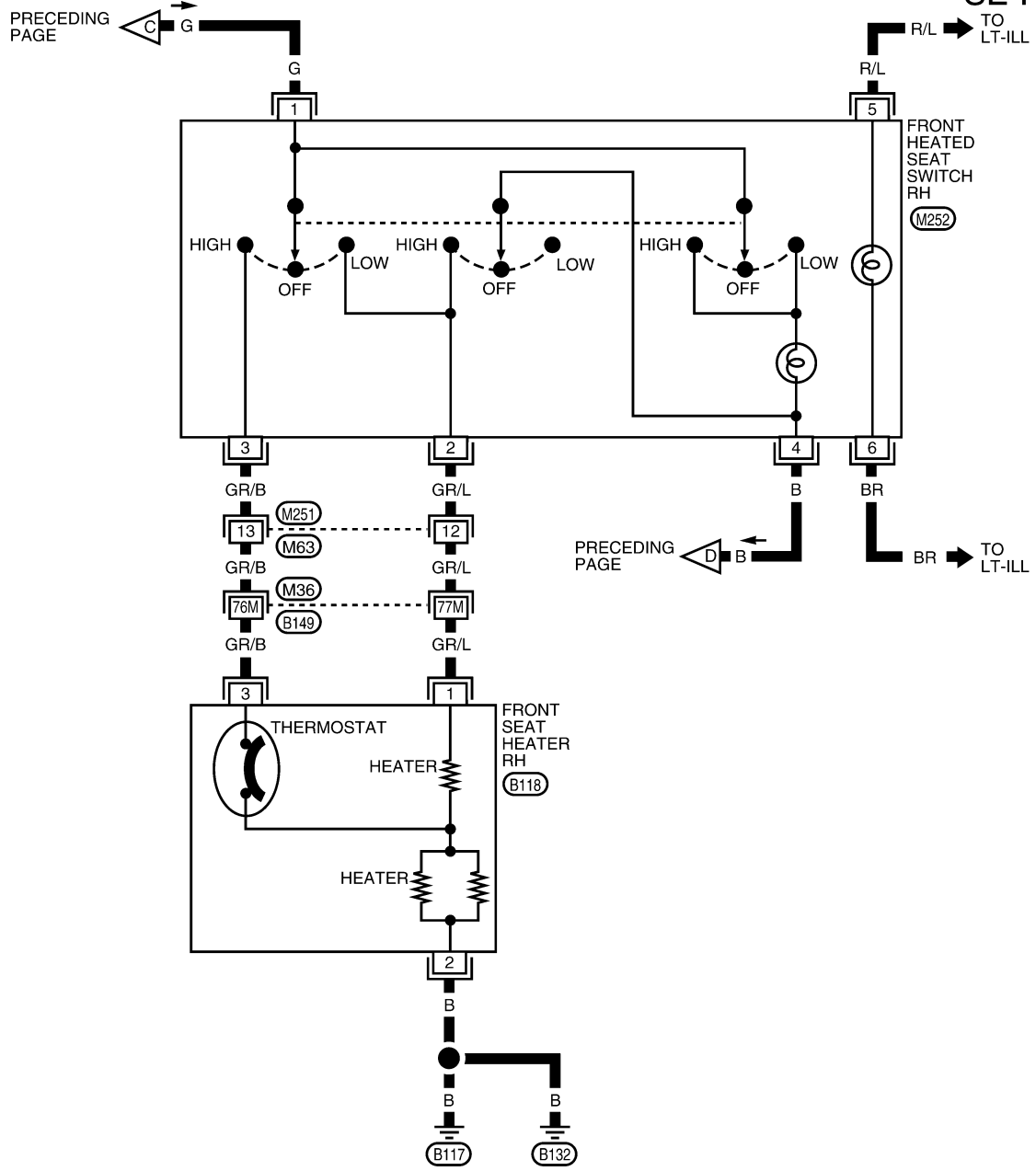
(M40) - SUPER MULTIPLE JUNCTION (SMJ)

*: THIS CONNECTOR IS NOT SHOWN IN "HARNESS LAYOUT" OF PG SECTION.

WIWA0588E

HEATED SEAT

SE-HSEAT-03

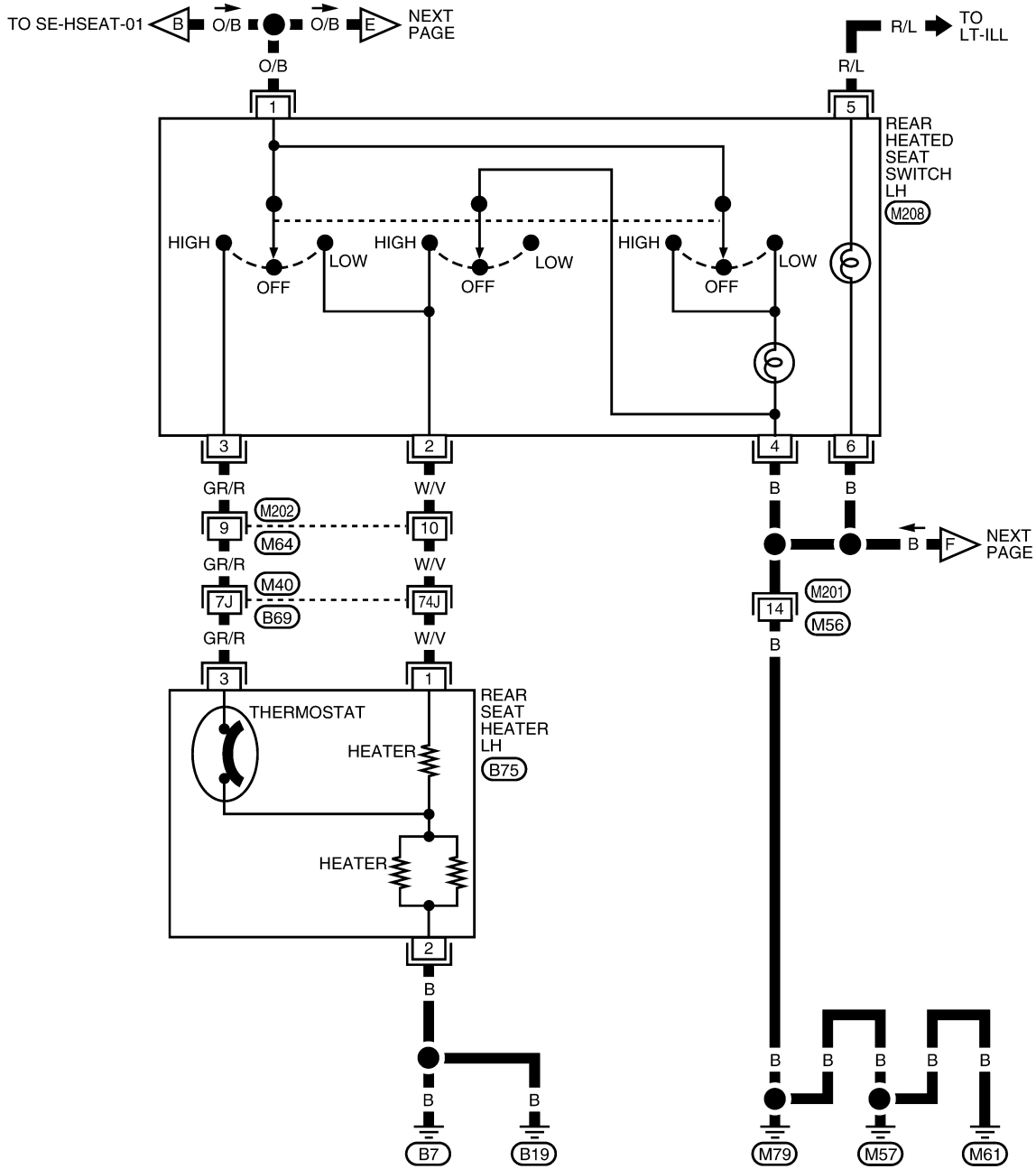


REFER TO THE FOLLOWING.
M36 - SUPER MULTIPLE JUNCTION (SMJ)

WIWA0589E

HEATED SEAT

SE-HSEAT-04



1	2	3	4	5	6	7
8	9	10	11	12	13	14

1	2	3	4	5	6	7	8	9	10	11
12	13	14	15	16	17	18	19	20	21	22

6	5
3	4

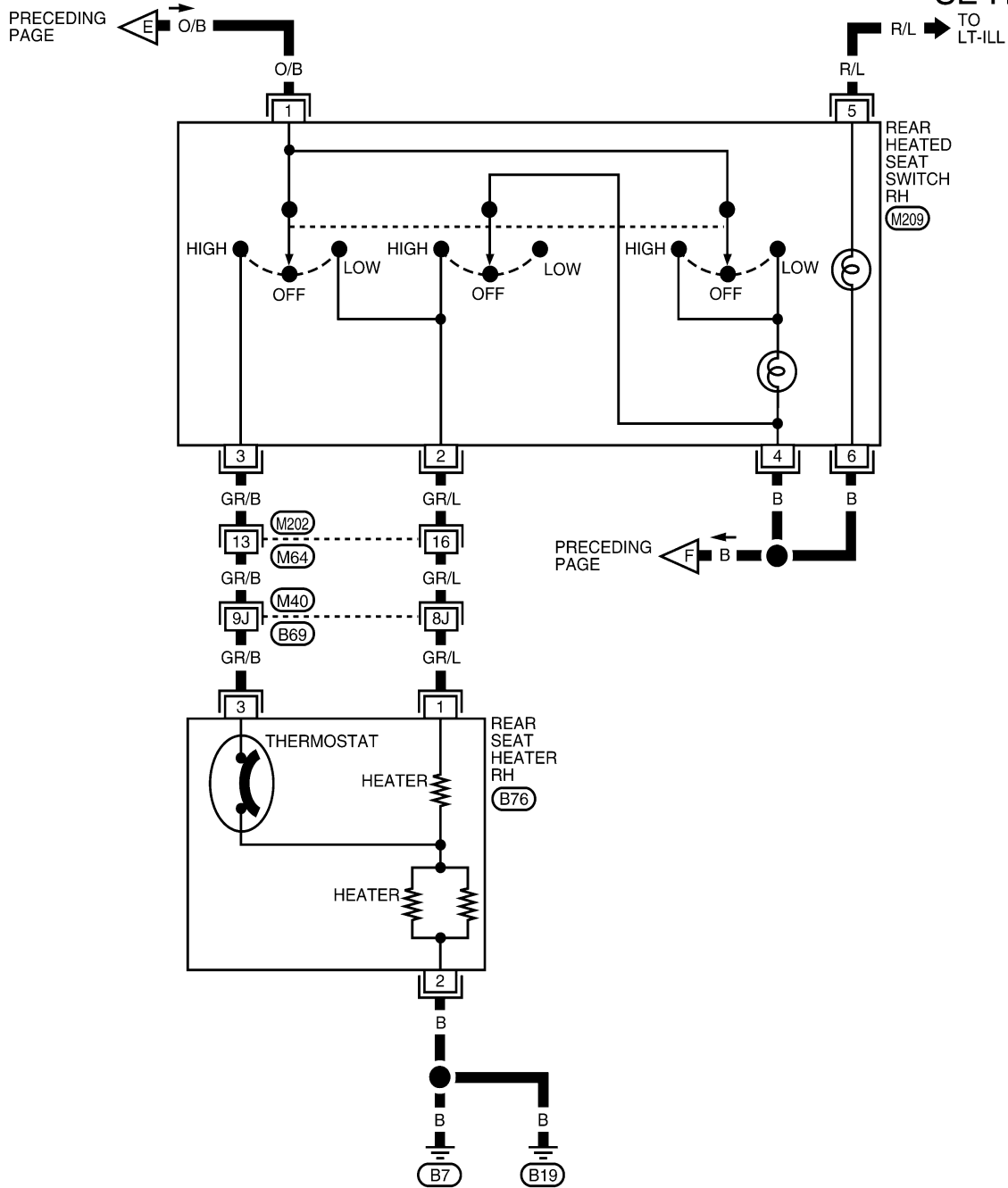
1
2
3

REFER TO THE FOLLOWING.
 (M40) - SUPER MULTIPLE JUNCTION (SMJ)

A
B
C
D
E
F
G
H
SE
J
K
L
M

HEATED SEAT

SE-HSEAT-05



REFER TO THE FOLLOWING.
 (M40) - SUPER MULTIPLE JUNCTION (SMJ)

WIWA1731E

FRONT SEAT

PFP:87000

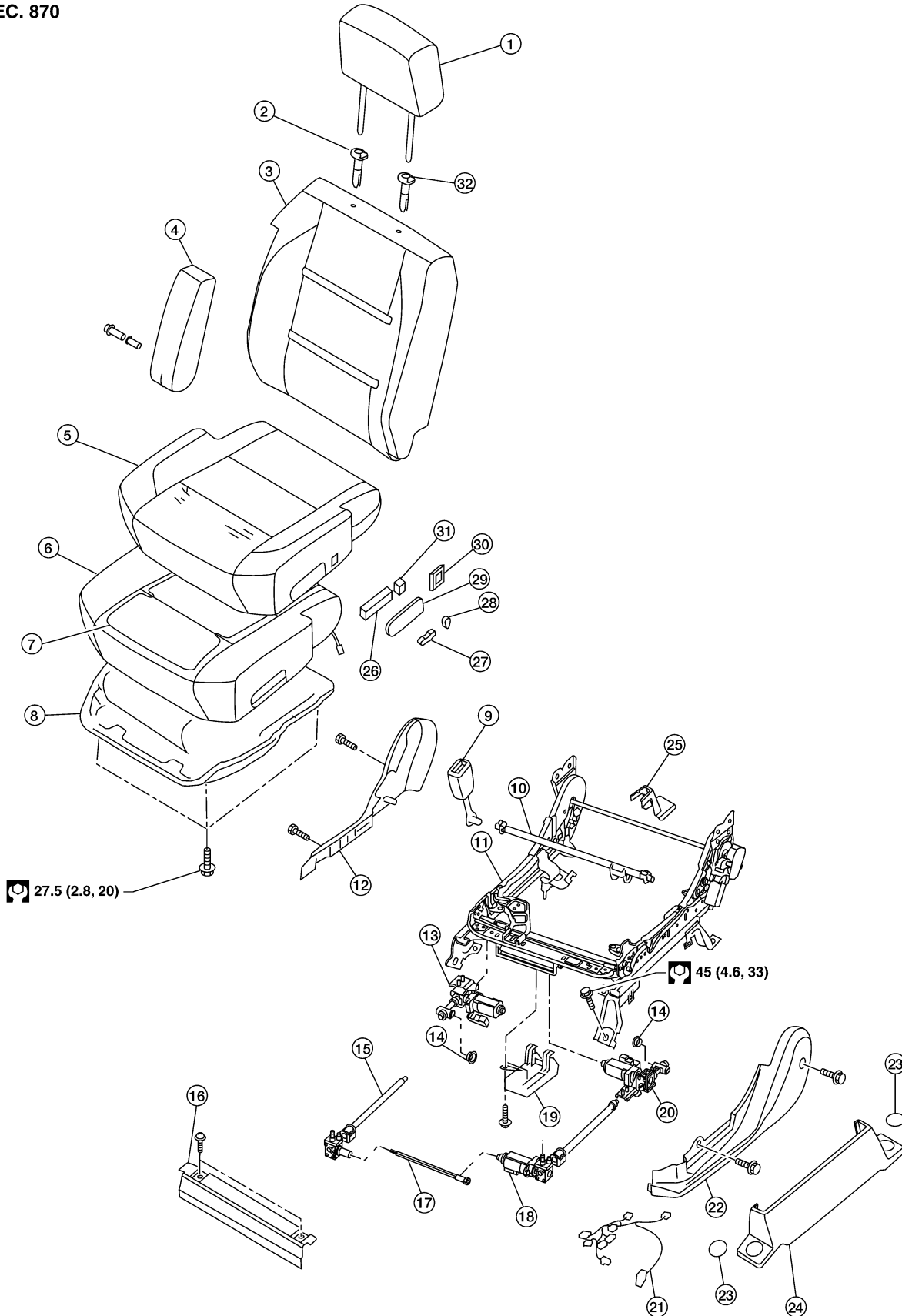
FRONT SEAT

Removal and Installation

EIS004YS

Driver Seat

SEC. 870



A
B
C
D
E
F
G
H
SE
J
K
L
M

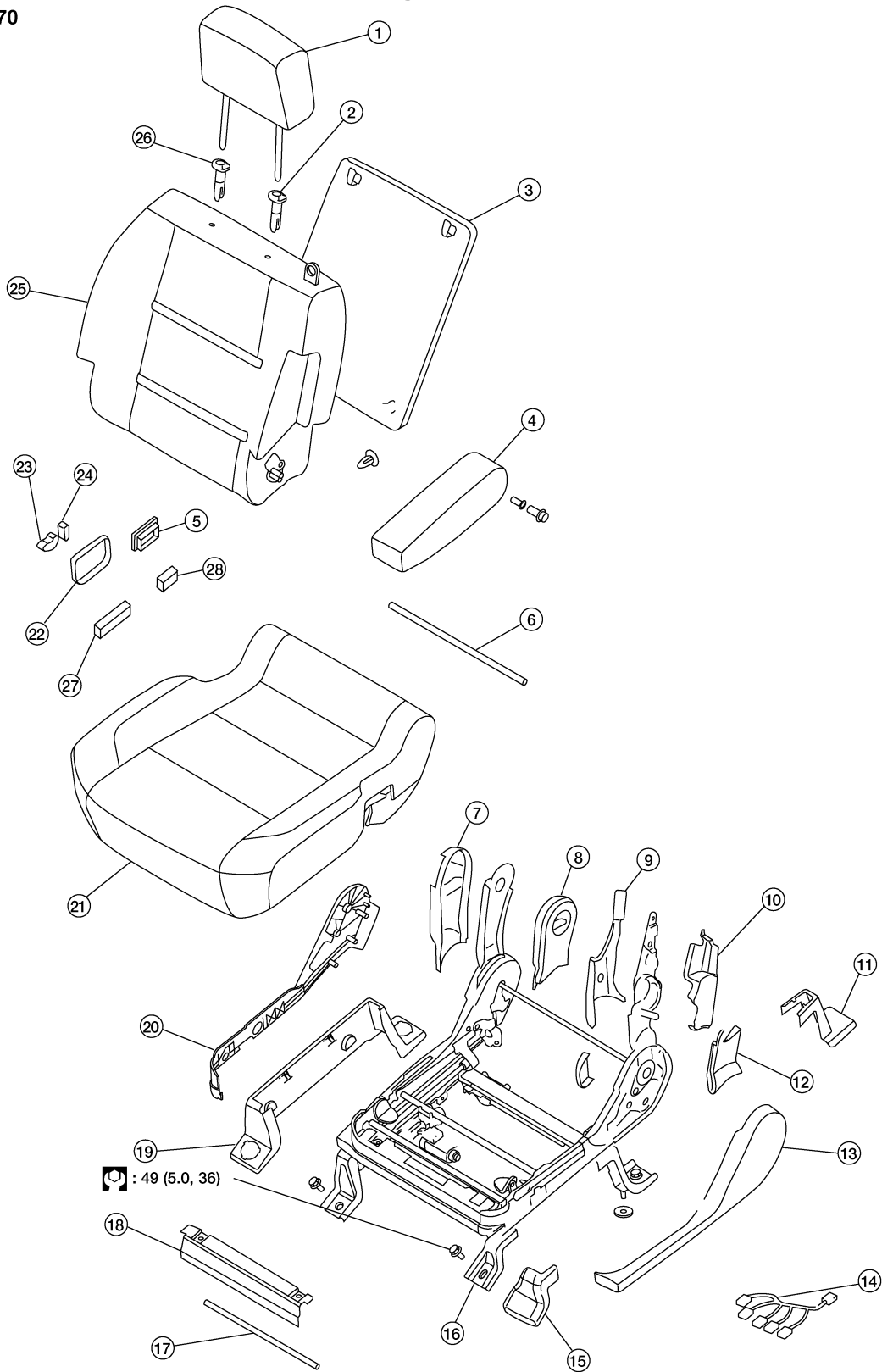
FRONT SEAT

- | | | |
|---------------------------------|--|--|
| 1. Headrest | 2. Headrest holder | 3. Seatback assembly |
| 4. Armrest assembly | 5. Seat cushion trim cover | 6. Seat cushion pad |
| 7. Seat cushion heating element | 8. Seat cushion frame | 9. Seatbelt buckle assembly |
| 10. Lifter motor link bar | 11. Seat frame assembly | 12. Seat cushion inner finisher |
| 13. Seat lifter motor assembly | 14. Seat spacer | 15. Lock gear |
| 16. Seat cushion front finisher | 17. Flexible seat wire | 18. Front seat slide motor assembly (LH) |
| 19. Power seat memory module | 20. Lifter motor bracket assembly | 21. Driver seat wiring harness |
| 22. Seat cushion outer finisher | 23. Bolt cover | 24. Outer pedestal finisher |
| 25. LH outer leg cover | 26. Seat slide/ recline switch | 27. Slide switch knob |
| 28. Recliner switch knob | 29. Power seat switch escutcheon | 30. Lumbar switch bezel |
| 31. Lumbar switch | 32. Headrest holder with multi-position lock | |

FRONT SEAT

Passenger Seat

SEC. 870



A
B
C
D
E
F
G
H
SE
J
K
L
M

1. Headrest

2. Headrest holder with multi-position lock

3. Seatback board lock

4. Armrest assembly

5. Lumbar switch bezel

6. Fold flat link bar

W11A0476E

FRONT SEAT

-
- | | | |
|---------------------------------------|---------------------------------------|--|
| 7. Outboard reclining arm outer cover | 8. Outboard reclining arm inner cover | 9. Inboard reclining arm inner cover |
| 10. Latch cover | 11. LH outer leg cover | 12. Outboard reclining arm inner cover |
| 13. Seat cushion inner cover | 14. Passenger seat wiring harness | 15. Inner front leg cover |
| 16. Power seat frame assembly | 17. NVH assembly | 18. Seat cushion front finisher |
| 19. Outer pedestal finisher | 20. Seat cushion outer finisher | 21. Seat cushion assembly |
| 22. Power seat switch escutcheon | 23. Slide switch knob | 24. Recliner switch knob |
| 25. Seatback assembly | 26. Headrest holder | 27. Seat slide/ recline switch |
| 28. Power lumbar switch | | |

REMOVAL

When removing or installing the seat trim, handle it carefully to keep dirt out and avoid damage.

CAUTION:

- Before removing the front seat, turn the ignition switch off, disconnect both battery cables and wait at least 3 minutes.
- When checking the power seat circuit for continuity using a circuit tester, do not confuse its connector with the side air bag module connector. Such an error may cause the air bag to deploy.
- Do not drop, tilt, or bump the side air bag module while installing the seat. Always handle it with care.
- After front side air bag module inflates, front seatback assembly must be replaced.
- Front passenger seat is equipped with an Occupant Classification System sensor and control module. Do not disassemble front passenger seat cushion assembly or remove the trim as this will affect the Occupant Classification System calibration.
- Always replace passenger seat cushion as an assembly.

1. Slide the seat until the four body mounting bolts are visible and a tool can be inserted.

NOTE:

- If disassembling the seat after removal, set the front/rear cushion lifters to the top position.
2. Disconnect both battery cables and wait at least 3 minutes.
 3. Disconnect the side air bag module harness connector.
 4. Remove the four body mounting bolts.
 5. Disconnect the power seat harness connectors and remove the seat from the vehicle.

NOTE:

When removing and installing the seat, use shop cloths to protect the vehicle from damage.

INSTALLATION

- Installation is in the reverse order of removal.

Disassembly and Assembly SEATBACK TRIM AND PAD

EIS004YT

WARNING:

Removal of front side air bag module should only be done to allow deployment of front side air bag module prior to disposal of seatback assembly.

NOTE:

Only complete seatback assemblies can be replaced on vehicles equipped with side air bags.

NOTE:

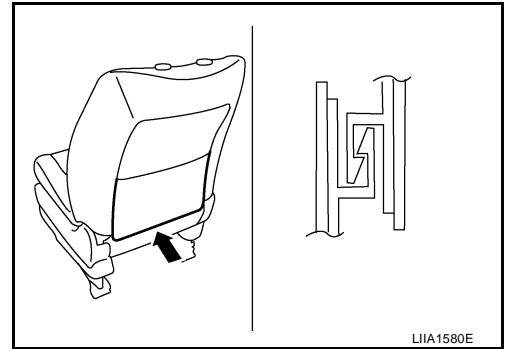
Be sure to set the front/rear cushion lifter to the top position.

Driver Seat

1. Remove the headrest.

FRONT SEAT

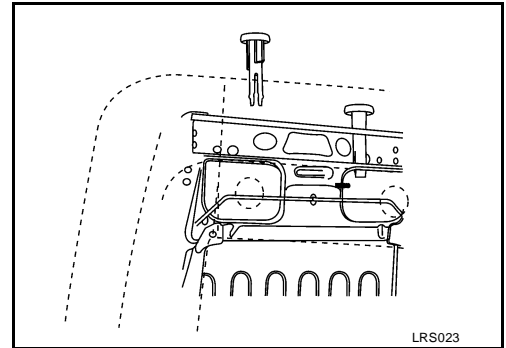
- Unhook the j-channel.



- From inside of the seatback, squeeze the headrest holder tabs at the base of the stay pipe and pull up to remove.

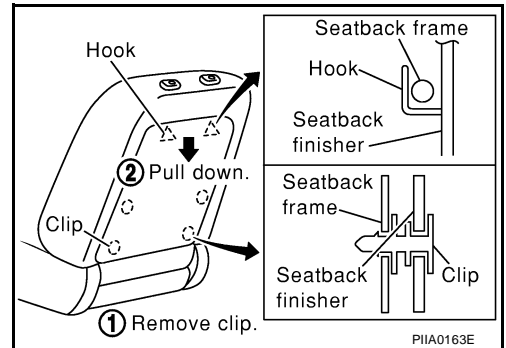
NOTE:

Before installing the headrest holder, check its orientation (front/rear and right/left).

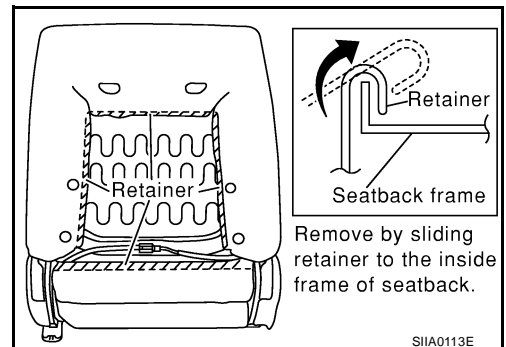


Passenger Seat

- Remove the headrest.
- Remove the seatback board from the back of the seatback.



- Remove the retainer.



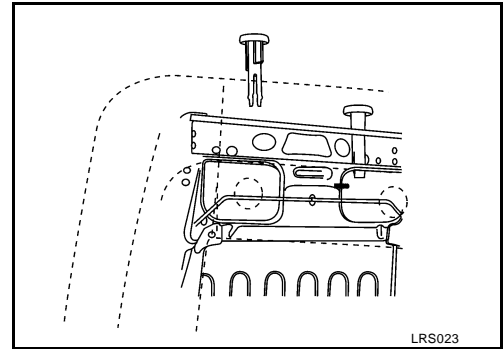
A
B
C
D
E
F
G
H
SE
J
K
L
M

FRONT SEAT

4. From inside of the seatback, squeeze the headrest holder tabs at the base of the stay pipe and pull up to remove.

NOTE:

Before installing the headrest holder, check its orientation (front/rear and right/left).



REMOVAL OF SEATBACK ASSEMBLY

1. After completing the steps 1 and 2 of "Seatback Trim and Pad", remove the side air bag harness connector from the seat cushion.
2. Remove the mounting bolts (2 for each side) and seatback assembly.

INSTALLATION OF SEATBACK ASSEMBLY

- Installation is in the reverse order of removal.

SEAT CUSHION TRIM AND PAD (DRIVER) OR SEAT CUSHION ASSEMBLY (PASSENGER)

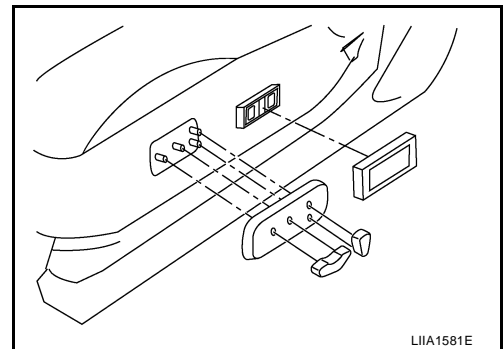
CAUTION:

- Front passenger seat is equipped with an Occupant Classification System sensor and control module. Do not disassemble front passenger seat cushion assembly or remove the trim as this will affect the Occupant Classification System calibration.
- Always replace passenger seat cushion as an assembly.
- When removed, the passenger seat cushion must always be placed pan side UP to prevent damage.
- During installation, the wire harness clips must be reinstalled in the holes they were originally in. Do not add clips.
- The Occupant Classification System control module can only be replaced as part of the seat cushion assembly.

NOTE:

If the vehicle has been involved in a collision the seat must be inspected for damage. Refer to [SRS-61, "COLLISION DIAGNOSIS"](#).

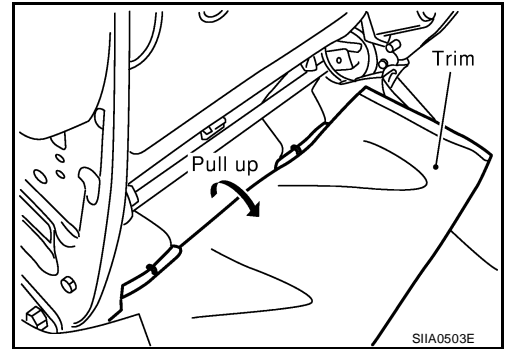
1. Remove the power seat switch knobs, power seat switch escutcheon and lumbar switch bezel.



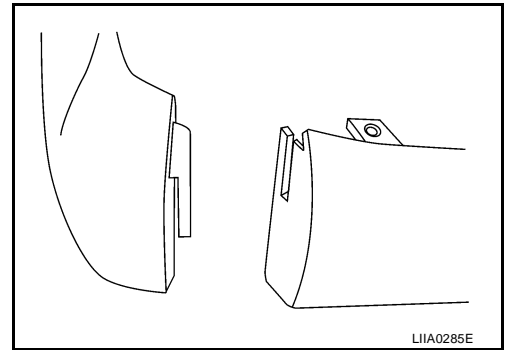
2. Remove the power seat and power lumbar switches.

FRONT SEAT

3. Remove four bolts and the seat cushion assembly.



4. Remove the retainer on the seat cushion frame, then remove the harness connector for the seat heater.
5. Remove the front seat cushion finisher (inner).



6. On the drivers seat only, after removing the seat cushion trim and pad, remove the hog rings to separate the trim cover from the pad and seat cushion heater unit.

A
B
C
D
E
F
G
H
J
K
L
M

SE

REAR SEAT

REAR SEAT

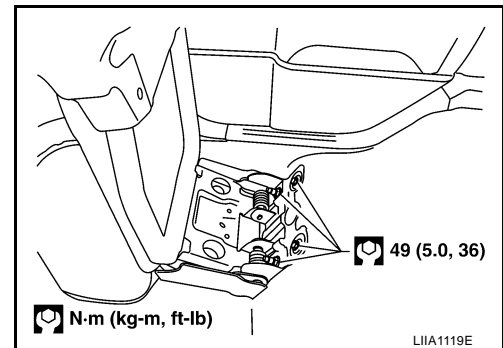
PF88300

Removal and Installation SECOND ROW OUTBOARD

EIS004YU

Removal

1. Remove seat base trim cover.
2. Lift handle and tilt seat forward.
3. Disconnect the seat cushion heating element electrical connector.
4. Remove seat anchor nuts, bolts and seat assembly.



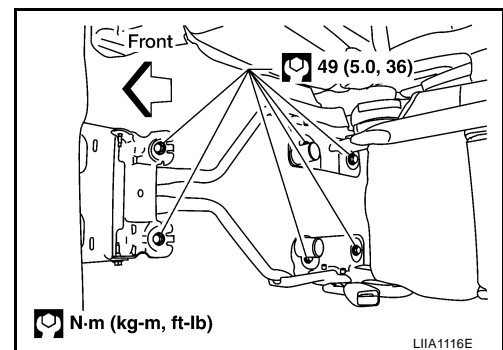
Installation

Installation is in the reverse order of removal.

SECOND ROW CENTER

Removal

1. Tilt the seat cushion forward.
2. Remove the seat anchor bolts.
3. Tilt the seat cushion back and remove the seat.



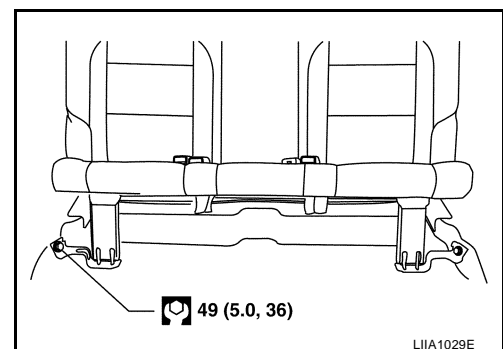
Installation

Installation is in the reverse order of removal.

THIRD ROW

Removal

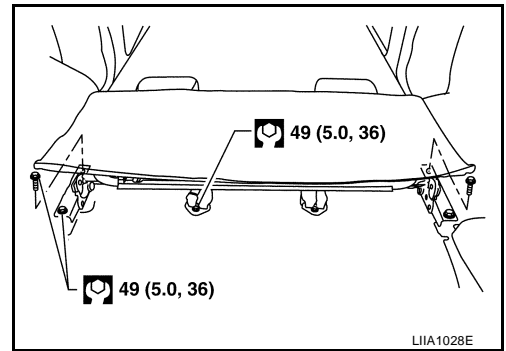
1. Remove the lower base trim covers.
2. Remove front anchor bolts.



3. Retract the seat into the cargo floor position.

REAR SEAT

4. Remove the rear anchor bolts from the seat assembly.
5. Remove the seat assembly.



Installation

Installation is in the reverse order of removal.

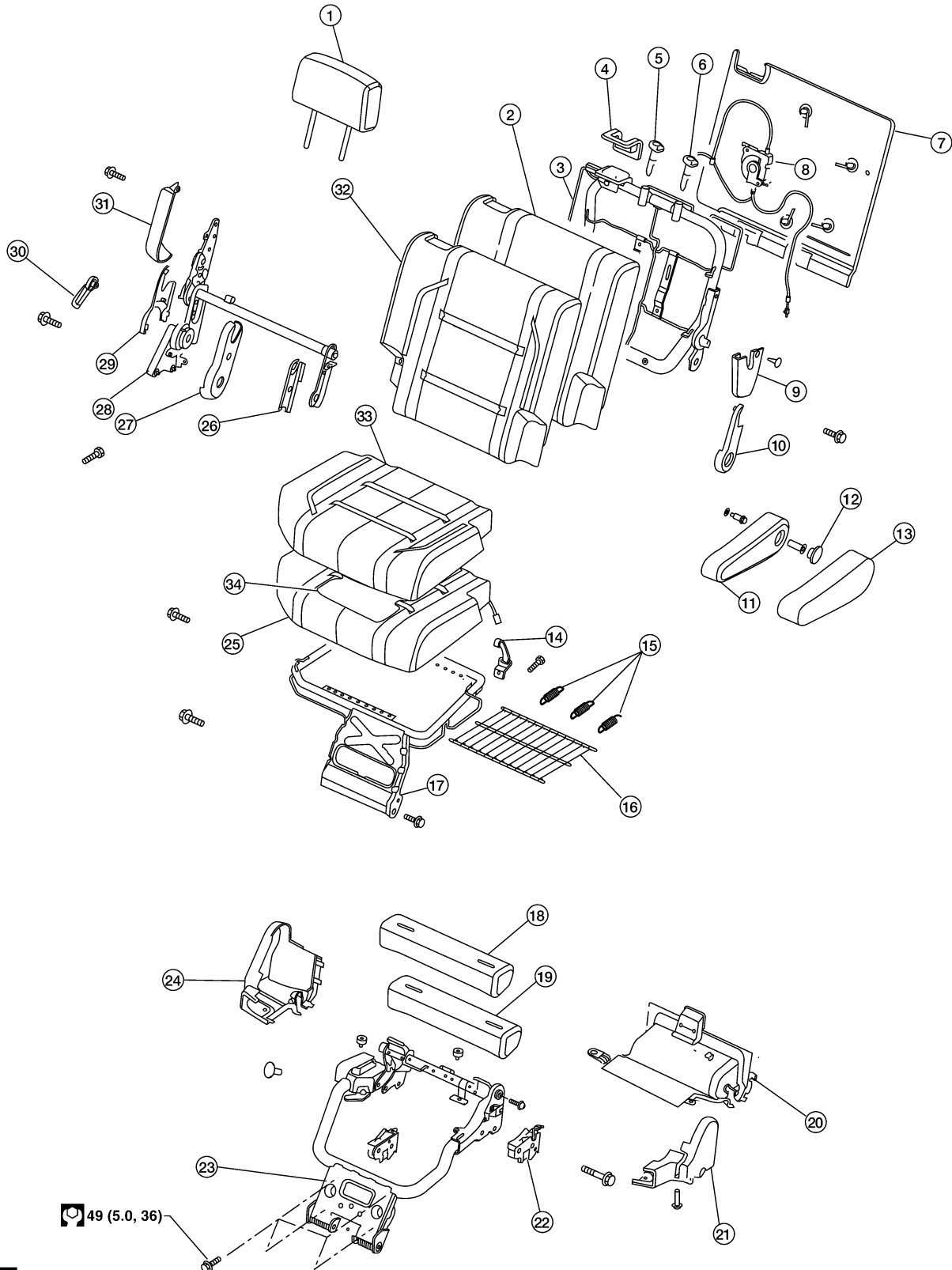
A
B
C
D
E
F
G
H
SE
J
K
L
M

REAR SEAT

Disassembly and Assembly

EIS004YV

Second Row RH



N·m (kg·m, ft·lb)

WIHA0473E

REAR SEAT

1. Headrest	2. Seatback pad	3. Seatback frame	A
4. Rear seat bezel	5. RH Headrest guide	6. LH Headrest guide	
7. Seat back panel	8. Seat actuator assembly	9. Reclining device inner cover	
10. Reclining device inner mid cover	11. Armrest assembly	12. Armrest bolt cover	B
13. Armrest trim cover	14. Latch assembly	15. Seat cushion mat springs	
16. Seat cushion mat	17. Seat cushion frame assembly	18. Seat support trim cover	
19. Seat support pad assembly	20. Lower rear seat cover	21. Lower rear seat cover inner	C
22. Outboard cushion floor latch	23. Seat cushion support frame assembly	24. Lower rear seat cover outer	
25. Seat cushion pad	26. Inner inboard reclining device cover	27. Outer inboard reclining device cover	D
28. Seat latch and recliner release	29. Reclining device outer mid cover	30. Reclining device lever	
31. Reclining device outer cover	32. Seatback trim cover	33. Seat cushion trim cover	E
34. Seat cushion heating element			

SE

J

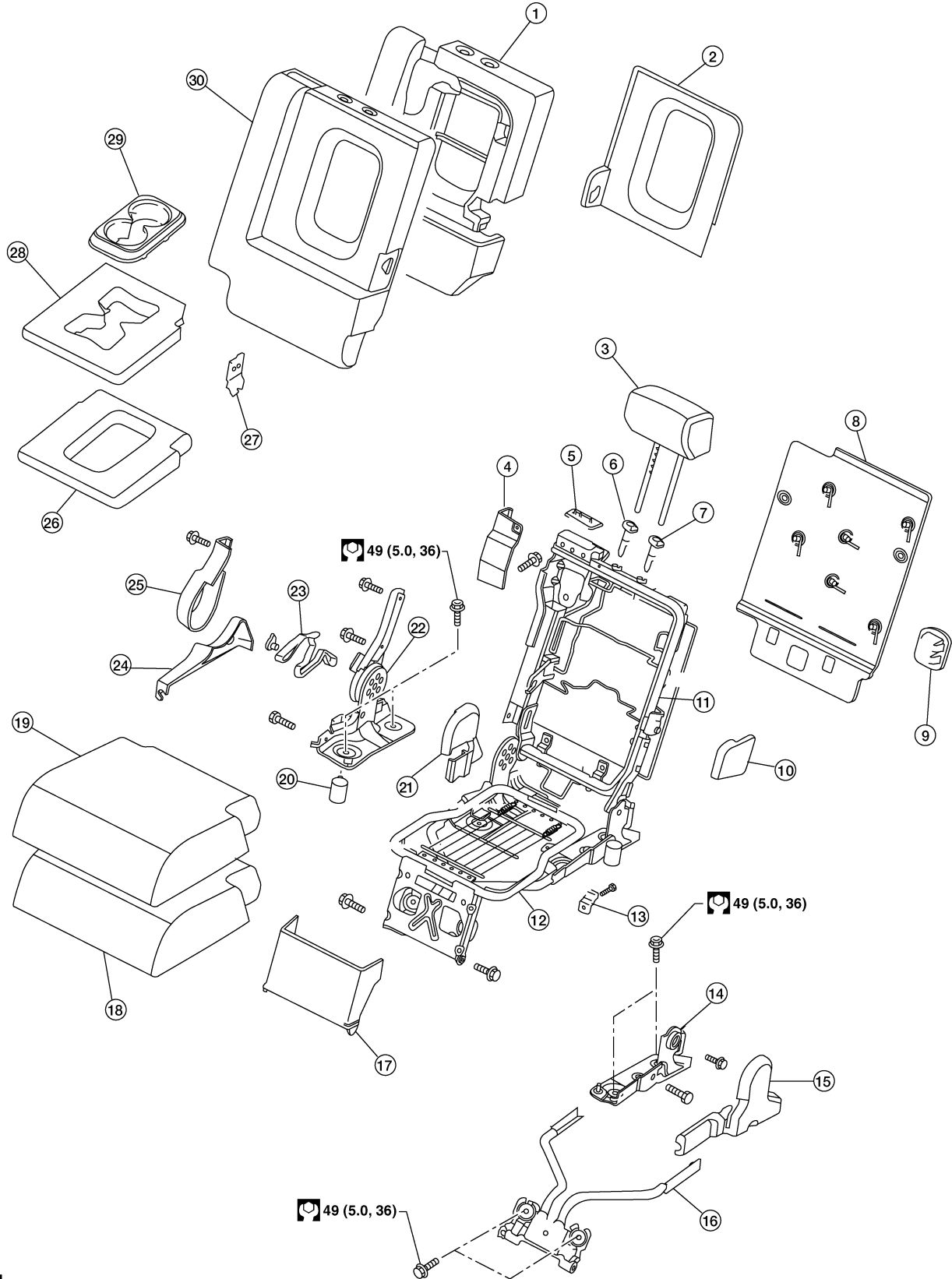
K


L

M

REAR SEAT

Second row center



 N-m (kg-m, ft-lb)

- 1. Seatback pad
- 4. Seat belt retractor cover

- 2. Armrest finisher
- 5. Seat belt bezel

- 3. Headrest
- 6. RH headrest guide locking

WI1A0410E

REAR SEAT

7. LH headrest guide free	8. Seatback board	9. Seat bracket cover	A
10. Armrest pivot bracket cover	11. Seatback frame	12. Seat cushion frame	
13. Latch assembly	14. Lower rear pivot bracket support	15. Outer hinge cover	B
16. Center seat base assembly	17. Link and pivot bracket apron	18. Seat cushion pad	
19. Seat cushion trim cover	20. Cushion stop bumper	21. Inner lever cover	B
22. Seat hinge assembly	23. Seat lever assembly	24. Outer lever cover	
25. Seat lock cover	26. Armrest cover	27. Armrest bracket	C
28. Armrest pad	29. Cup holder	30. Seatback trim cover	

D

E

F

G

H

SE

J

K

L

M

REAR SEAT

7. Headrest	8. Seat latch and recliner release	9. Reclining device outer cover	A
10. Reclining device lever	11. Reclining device outer mid cover	12. Outer inboard reclining device cover	
13. Inner inboard reclining device cover	14. Seat cushion trim cover	15. Seat cushion pad	
16. Seat cushion frame assembly	17. Lower rear seat cover outer	18. Outboard cushion floor latch	B
19. Seat cushion support frame assembly	20. Inboard cushion floor latch	21. Lower rear seat cover inner	
22. Lower rear seat cover	23. Seat support pad assembly	24. Seat support trim cover	C
25. Seat cushion mat	26. Seat cushion mat springs	27. Latch assembly	
28. Armrest assembly	29. Armrest trim cover	30. Reclining device outer cover	
31. Reclining device inner mid cover	32. Seatback frame	33. Seat actuator assembly	D
34. Seat cushion heating element			

E

F

G

H

SE

J

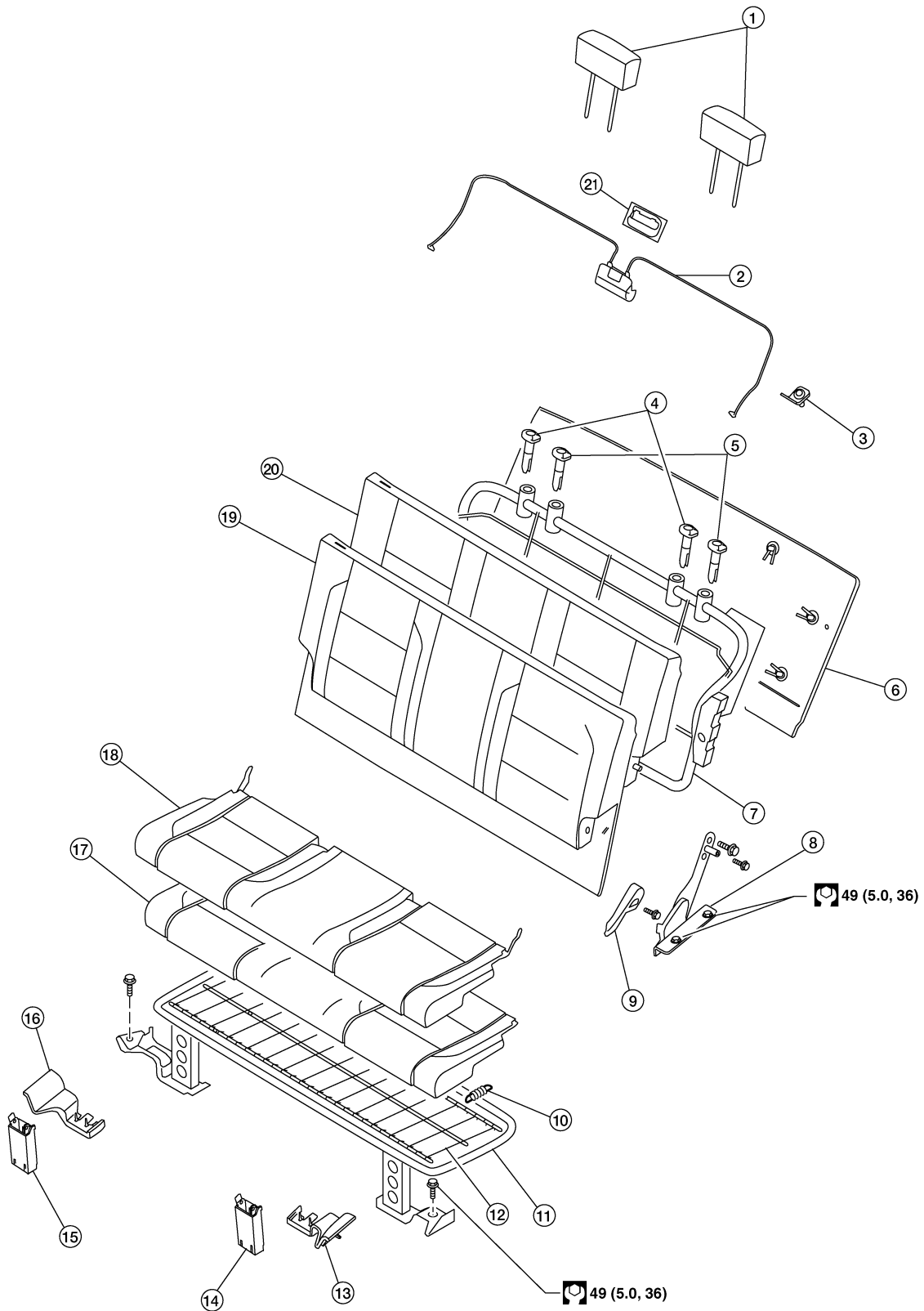
K

L

M

REAR SEAT

Third row



N·m (kg·m, ft·lb)

- | | | |
|---------------------------|-----------------------------|------------------------|
| 1. Headrests | 2. Release handle and cable | 3. Tether anchor plate |
| 4. Headrest locking guide | 5. Headrest guide free | 6. Seatback panel |

WIHA0412E

REAR SEAT

7. Seatback frame	8. Seatback latch	9. Slide link cover	A
10. Extension spring	11. Seat cushion frame	12. Flex mat	
13. Floor bracket cover LH	14. Front link cover LH	15. Front link cover RH	
16. Floor bracket cover RH	17. Seat cushion pad	18. Seat cushion trim cover	B
19. Seatback trim cover	20. Seatback pad	21. Release handle cover	

C

D

E

F

G

H

SE

J

K

L

M

REAR SEAT
