

SECTION **LT**
LIGHTING SYSTEM

A
 B
 C
 D
 E
 F
 G
 H
 I
 J
 LT
 L
 M

CONTENTS

PRECAUTIONS	4	Tail Lamp Relay System Check	30
Precautions for Supplemental Restraint System (SRS) "AIR BAG" and "SEAT BELT PRE-TENSIONER"	4	Aiming Adjustment	31
General Precautions for Service Operations	4	LOW BEAM AND HIGH BEAM	31
Wiring Diagrams and Trouble Diagnosis	4	Bulb Replacement	32
HEADLAMP (FOR USA)	6	HEADLAMP (OUTER SIDE), FOR LOW BEAM..	32
Component Parts and Harness Connector Location...	6	HEADLAMP (INNER SIDE), FOR HIGH BEAM..	33
System Description	6	PARKING LAMP (CLEARANCE LAMP)	33
OUTLINE	6	FRONT TURN SIGNAL LAMP	33
BATTERY SAVER CONTROL	8	FRONT SIDE MARKER LAMP	33
AUTO LIGHT OPERATION	8	Removal and Installation	34
VEHICLE SECURITY SYSTEM	8	REMOVAL	34
XENON HEADLAMP	8	INSTALLATION	34
Schematic	10	Disassembly and Assembly	35
Wiring Diagram — H/LAMP —	11	DISASSEMBLY	35
Terminals and Reference Value for Battery Saver Control Unit	17	ASSEMBLY	36
Terminals and Reference Value for BCM	18	HEADLAMP (FOR CANADA) - DAYTIME LIGHT SYSTEM -	37
Work Flow	20	Component Parts and Harness Connector Location..	37
Preliminary Check	20	System Description	37
SETTING CHANGE FUNCTION FOR AUTO LIGHT SYSTEM	20	HEADLAMP OPERATION	38
INSPECTION FOR POWER SUPPLY AND GROUND CIRCUIT	20	BATTERY SAVER CONTROL	39
CONSULT-II Function for Auto Light System	22	AUTO LIGHT OPERATION	39
CONSULT-II BASIC OPERATION PROCEDURE	22	DAYTIME LIGHT OPERATION	39
WORK SUPPORT	23	OPERATION	39
DATA MONITOR	23	Schematic	41
ACTIVE TEST	23	Wiring Diagram — DTRL —	42
On Board Diagnosis	24	Terminals and Reference Value for Daytime Light Control Unit	51
DIAGNOSIS ITEM	24	Symptom Chart	52
SWITCH MONITOR	24	Aiming Adjustment	54
Symptom Chart	25	Bulb Replacement	54
HEADLAMP SYSTEM	25	Removal and Installation	54
AUTO LIGHT SYSTEM	26	Disassembly and Assembly	54
Lighting Switch (AUTO) System Check	27	HEADLAMP AIMING CONTROL	55
Optical Sensor System Check	28	Wiring Diagram — H/AIM —	55
Headlamp Relay System Check	29	Removal and Installation	57
		Switch Circuit Inspection	57
		TURN SIGNAL AND HAZARD WARNING LAMPS..	58
		System Description	58
		TURN SIGNAL OPERATION	58

HAZARD LAMP OPERATION	58	Terminals and Reference Value for BCM	92
MULTI-REMOTE CONTROL SYSTEM OPERA- TION	59	Terminals and Reference Value for Driver Door Con- trol Unit (LCU01)	93
LOW TIRE PRESSURE WARNING CONTROL SYSTEM	59	Work Flow	93
Schematic	60	Preliminary Check	93
Wiring Diagram — TURN —	61	SETTING CHANGE FUNCTION	93
Symptom Chart	65	INSPECTION FOR POWER AND GROUND CIRCUIT	94
Electrical Components Inspection	66	CONSULT-II Function	96
COMBINATION FLASHER UNIT CHECK	66	CONSULT-II BASIC OPERATION PROCEDURE WORK SUPPORT	96
Bulb Replacement	66	DATA MONITOR	97
FRONT TURN SIGNAL LAMP	66	ACTIVE TEST	97
REAR TURN SIGNAL LAMP	66	On Board Diagnosis	98
Removal and Installation	66	DIAGNOSIS ITEM	98
FRONT TURN SIGNAL LAMP	66	SWITCH MONITOR	98
SIDE TURN SIGNAL LAMP	66	Symptom Chart	99
REAR TURN SIGNAL LAMP	66	Interior Lamp ILL Switch System Check	100
LIGHTING AND TURN SIGNAL SWITCH	67	Personal Lamp Switch System Check	102
Removal and Installation	67	Door Switch System Check	103
Switch Circuit Inspection	67	Key Switch and Key Lock Solenoid System Check	105
HAZARD SWITCH	68	Bulb Replacement	107
Removal and Installation	68	MAP LAMP (FRONT PERSONAL LIGHT) AND CONSOLE LAMP (CONSOLE LIGHT)	107
STOP LAMP	69	PERSONAL LAMP (REAR PERSONAL LIGHT)	107
Wiring Diagram — STOP/L —	69	Removal and Installation	107
Bulb Replacement	70	FRONT INTERIOR LAMP	107
STOP LAMP	70	REAR INTERIOR LAMP	107
HIGH-MOUNTED STOP LAMP	70	IGNITION KEY HOLE ILLUMINATION	108
Removal and Installation	70	STEP LAMP	109
STOP LAMP	70	Component Parts and Harness Connector Location	109
HIGH-MOUNTED STOP LAMP	70	System Description	110
BACK-UP LAMP	71	POWER SUPPLY AND GROUND	110
Wiring Diagram — BACK/L —	71	OPERATING PROCEDURE	110
Bulb Replacement	71	Schematic	111
Removal and Installation	71	Wiring Diagram — STEP/L —	112
PARKING, LICENSE PLATE AND TAIL LAMPS	72	Terminals and Reference Value for BCM	118
System Description	72	Terminals and Reference Value for Driver Door Con- trol Unit (LCU01)	118
LIGHTING OPERATION BY LIGHTING SWITCH	72	Terminals and Reference Value for Passenger Door Control Unit	119
BATTERY SAVER CONTROL	72	Terminals and Reference Value for Rear LH, RH Door Control Unit	119
Schematic	73	Work Flow	119
Wiring Diagram — TAIL/L —	74	Preliminary Check	120
Trouble Diagnoses	78	INSPECTION FOR POWER SUPPLY AND GROUND CIRCUIT	120
Bulb Replacement	79	CONSULT-II Function	122
LICENSE PLATE LAMP	79	CONSULT-II BASIC OPERATION PROCEDURE DATA MONITOR	122
FRONT COMBINATION LAMP	79	ACTIVE TEST	123
REAR COMBINATION LAMP	79	On Board Diagnosis	124
Removal and Installation	79	DIAGNOSIS ITEM	124
LICENSE PLATE LAMP	79	SWITCH MONITOR	124
FRONT COMBINATION LAMP	79	Symptom Chart	125
REAR COMBINATION LAMP	80	DIAGNOSTIC PROCEDURE	125
INTERIOR ROOM LAMP	81		
System Description	81		
OUTLINE	81		
TIMER FUNCTION	81		
LAMP OUTPUT CONTROL FUNCTION	82		
AUTO OFF FUNCTION	82		
LIGHTS ON/OFF MODES	82		
Major Components and Their Functions	84		
Schematic	85		
Wiring Diagram — INT/L —	86		

Bulb Replacement	127	TION	145	
Removal and Installation	127	CONSOLE BOX LAMP	145	A
DOOR MIRROR LAMP	128	GLOVE BOX LAMP	145	
System Description	128	Removal and Installation	146	B
Wiring Diagram — MIRR/L —	129	FRONT CIGARETTE LIGHTER ILLUMINATION	146	
Bulb Replacement	130	REAR ASHTRAY ILLUMINATION	146	B
DOOR MIRROR LAMP	130	VANITY MIRROR AND TRUNK ROOM LAMPS ...	147	
ILLUMINATION	131	Wiring Diagram — INT/L —	147	C
System Description	131	Bulb Replacement	148	
LIGHTING OPERATION BY LIGHTING SWITCH	131	VANITY MIRROR LAMP	148	C
BATTERY SAVER CONTROL	131	TRUNK ROOM LAMP	148	
Schematic	132	BULB SPECIFICATIONS	149	D
Wiring Diagram — ILL —	134	Headlamp	149	
Removal and Installation	145	Exterior Lamp	149	D
ILLUMINATION CONTROL SWITCH	145	Interior Lamp/Illumination	149	E
POWER WINDOW MAIN SWITCH ILLUMINA-				E

LT

PRECAUTIONS

PRECAUTIONS

PFP:00011

Precautions for Supplemental Restraint System (SRS) “AIR BAG” and “SEAT BELT PRE-TENSIONER”

EKS00F55

The Supplemental Restraint System such as “AIR BAG” and “SEAT BELT PRE-TENSIONER”, used along with a front seat belt, helps to reduce the risk or severity of injury to the driver and front passenger for certain types of collision. This system includes seat belt switch inputs and dual stage front air bag modules. The SRS system uses the seat belt switches to determine the front air bag deployment, and may only deploy one front air bag, depending on the severity of a collision and whether the front occupants are belted or unbelted. Information necessary to service the system safely is included in the SRS and SB section of this Service Manual.

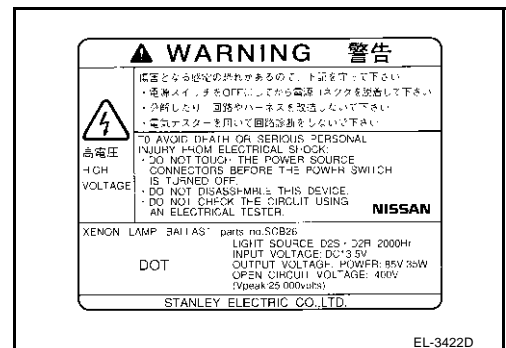
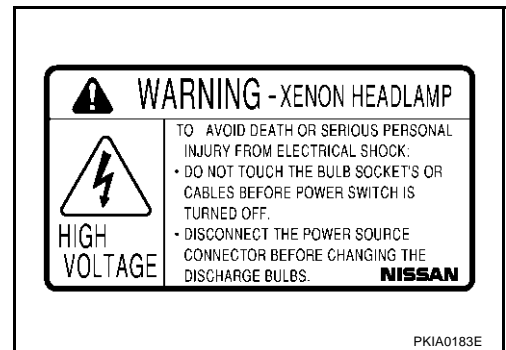
WARNING:

- To avoid rendering the SRS inoperative, which could increase the risk of personal injury or death in the event of a collision which would result in air bag inflation, all maintenance must be performed by an authorized NISSAN/INFINITI dealer.
- Improper maintenance, including incorrect removal and installation of the SRS, can lead to personal injury caused by unintentional activation of the system. For removal of Spiral Cable and Air Bag Module, see the SRS section.
- Do not use electrical test equipment on any circuit related to the SRS unless instructed to in this Service Manual. SRS wiring harnesses can be identified by yellow and/or orange harnesses or harness connectors.

General Precautions for Service Operations

EKS000XN

- Never work with wet hands.
- Xenon headlamp includes high voltage generating part. Be sure to disconnect battery negative cable (negative terminal) or power fuse before removing, installing, or touching the xenon headlamp (including lamp bulb).
- Turn the lighting switch OFF before disconnecting and connecting the connector.
- When turning the xenon headlamp on and while it is illuminated, never touch the harness, bulb, and socket of the headlamp.
- When checking the headlamp on/off operation, check it on vehicle and with the power connected to the vehicle-side connector.
- Do not touch the headlamp bulb glass surface with bare hands or allow oil or grease to get on it. Do not touch the headlamp bulb just after the headlamp is turned off, because it is very hot.
- Install the xenon headlamp bulb socket correctly. If it is installed improperly, high-voltage leak or corona discharge may occur that can melt the bulb, connector, and housing. Do not illuminate the xenon headlamp bulb out of the headlamp housing. Doing so can cause fire and harm your eyes.
- When the bulb has burned out, wrap it in a thick vinyl bag and discard. Do not break the bulb.
- Leaving the bulb removed from the headlamp housing for long period of time can deteriorate performance of the lens and reflector (dirt, clouding). Always prepare a new bulb and have it on hand when replacing the bulb.
- When adjusting the headlamp aiming, turn the aiming adjustment screw only in the tightening direction. (If it is necessary to turn the screw in loosening direction, first fully loosen the screw, and then turn it in tightening direction.)
- Do not use organic solvent (paint thinner or gasoline) to clean lamps and to remove old sealant.



Wiring Diagrams and Trouble Diagnosis

EKS0014T

When you read wiring diagrams, refer to the followings:

- Refer to [GI-14, "How to Read Wiring Diagrams"](#) in GI section
- Refer to [PG-2, "POWER SUPPLY ROUTING"](#) for power distribution circuit in PG section

PRECAUTIONS

When you perform trouble diagnosis, refer to the followings:

- Refer to [GI-10, "HOW TO FOLLOW TEST GROUPS IN TROUBLE DIAGNOSES"](#) in GI section
- Refer to [GI-26, "How to Perform Efficient Diagnosis for an Electrical Incident"](#) in GI section

A

B

C

D

E

F

G

H

I

J

LT

L

M

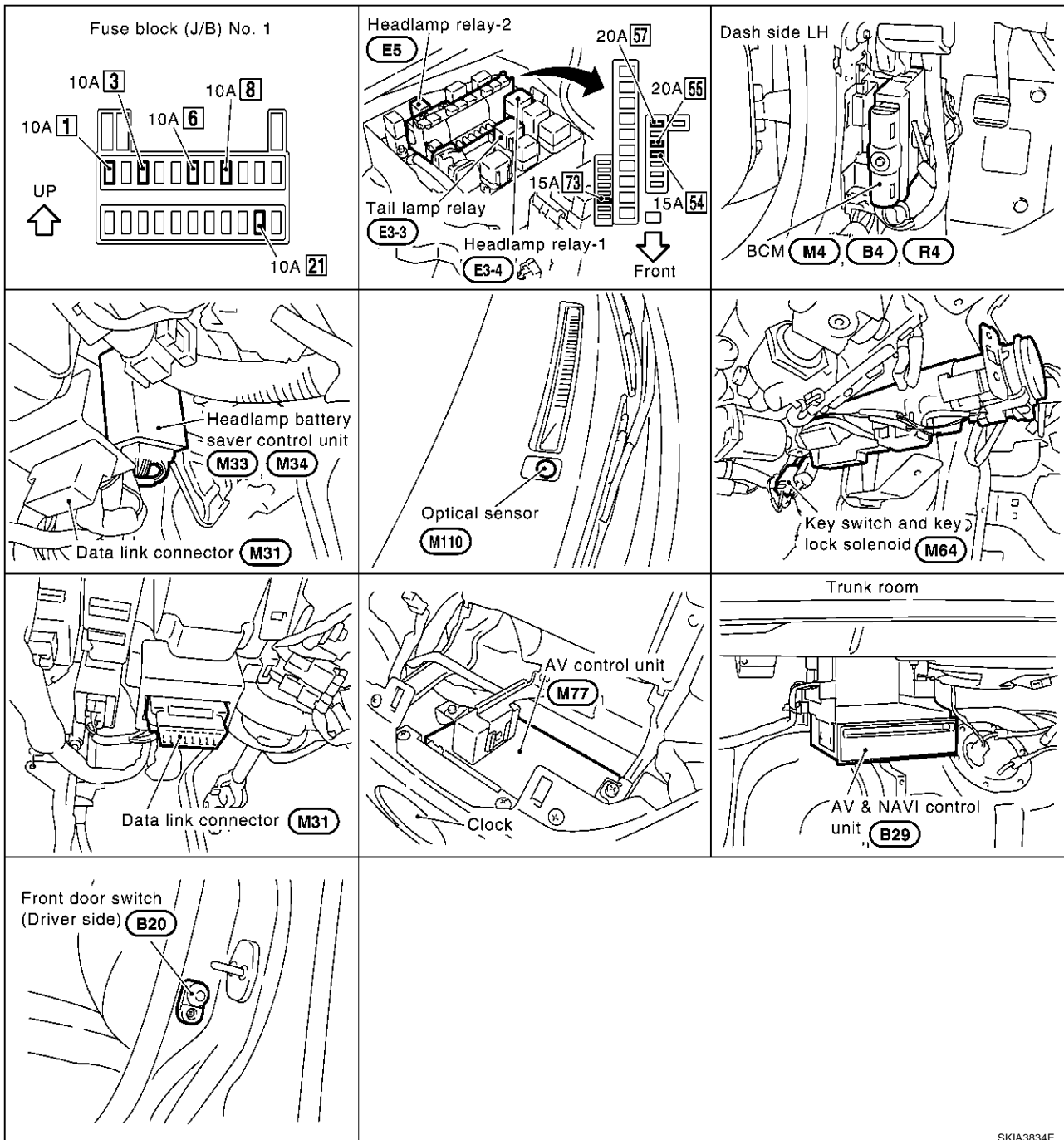
HEADLAMP (FOR USA)

PFP:26010

HEADLAMP (FOR USA)

Component Parts and Harness Connector Location

EKS000UL



SKIA3834E

System Description

EKS000SX

The headlamp operation is controlled by the lighting switch which is built into the spiral cable and headlamp battery saver control unit. And the headlamp battery saver system is controlled by the headlamp battery saver control unit and BCM.

OUTLINE

Power is supplied at all times

- to headlamp relay-1 terminal 2, and
- to headlamp relay-1 terminal 3
- through 20A fuse [No. 57, located in the fuse, fusible link and relay block (J/B)], and
- to headlamp relay-1 terminal 7

HEADLAMP (FOR USA)

- through 20A fuse [No. 55, located in the fuse, fusible link and relay block (J/B)], and
- to headlamp relay-2 terminals 2 and 5
- through 15A fuse [No. 73, located in the fuse, fusible link and relay block (J/B)], and
- to headlamp battery saver control unit terminal 7
- through 10A fuse [No. 6, located in the fuse block (J/B) No. 1].

When the ignition switch is in the ON or START position, power is supplied

- to headlamp battery saver control unit terminal 1
- to BCM terminal 68
- through 10A fuse [No. 1, located in the fuse block (J/B) No. 1].

When the ignition switch is in the ACC or ON position, power is supplied

- to BCM terminal 60
- through 10A fuse [No. 21, located in the fuse block (J/B) No. 1].

Ground is supplied

- to headlamp battery saver control unit terminals 4 and 11
- through body grounds M25 and M115.

Power Supply to Low Beam and High Beam

When lighting switch is in 2ND or PASS position, ground is supplied

- to headlamp relay-1 and 2 terminals 1 from headlamp battery saver control unit terminals 2 and 8
- through headlamp battery saver control unit terminals 3 and 9,
- through lighting switch terminals 12 and 8
- through body grounds M25 and M115.

Headlamp relays are energized and then power is supplied to headlamps.

Low Beam Operation

When lighting switch is turned to the 2ND position and placed in LOW position, power is supplied

- from terminals 5 and 6 of headlamp relay-1
- to terminal 7 of each headlamp

Ground is supplied

- to terminal 8 of each headlamp
- through body grounds E42 and E62.

With power and ground supplied, low beam headlamps illuminate.

High Beam Operation/Flash-to-pass Operation

When lighting switch is turned to the 2ND position and placed in HIGH position or PASS position, power is supplied

- from terminal 3 of headlamp relay-2
- to terminal 13 of each headlamp, and
- to combination meter terminal 48 for the HIGH BEAM indicator.

Ground is supplied

- to headlamp LH terminal 14
- to combination meter terminal 47 for the HIGH BEAM indicator
- through lighting switch terminals 9 and 8
- through body grounds M25 and M115, and
- to headlamp RH terminal 14
- through lighting switch terminals 6 and 5
- through body grounds M25 and M115.

With power and ground supplied, the high beams headlamps and the HIGH BEAM indicator illuminate.

NOTE:

The lamp will be force to turn off when the driver door is opened with the ignition switch in OFF or ACC position. (when except for lighting switch is "AUTO" position)

A

B

C

D

E

F

G

H

I

J

LT

L

M

HEADLAMP (FOR USA)

BATTERY SAVER CONTROL

When the ignition switch is turned from ON (or START) to OFF (or ACC) positions while headlamps are illuminated, the RAP signal is supplied to terminal 10 of the headlamp battery saver control unit from BCM terminal 135.

After counting 45 seconds by the RAP signal from the BCM to headlamp battery saver control unit, the ground supply to terminal 1 of the headlamp relay-1 and -2 from headlamp battery saver control unit terminals 2 and 8 is terminated.

Then the headlamps are turned off.

The headlamps are turned off when driver or passenger side door is opened even if 45 seconds have not passed after ignition switch is turned from ON (or START) to OFF (or ACC) positions while headlamps are illuminated.

When the lighting switch is turned from OFF to 2ND after headlamps are turned to off by the battery saver control, ground is supplied

- to headlamp battery saver control unit terminals 5 and 13 from lighting switch terminal 11, and then,
- to headlamp relay-1 and 2 terminals 1 from headlamp battery saver control unit terminals 2 and 8
- through headlamp battery saver control unit terminals 3 and 9, and
- through lighting switch terminal 12.

Then headlamps illuminate again.

AUTO LIGHT OPERATION

The auto light control system has an optical sensor inside it that detects outside brightness.

When the lighting switch is in AUTO position, it automatically turns on/off the parking (clearance) lamps and the headlamps in accordance with the ambient light. Sensitivity can be adjusted in four steps. For the details of the setting, refer to [LT-20, "SETTING CHANGE FUNCTION FOR AUTO LIGHT SYSTEM"](#).

When lighting switch is in "AUTO" position, ground is supplied

- to BCM terminal 14
- from lighting switch terminal 42.

When ignition switch is turn to "ON" or "START" position and

Outside brightness is darker than prescribed level, ground is supplied

- to headlamp relay-1 and 2 terminals 1
- through headlamp battery saver control unit terminal 2, 8 and 4, 11, and
- to tail lamp relay terminal 1
- through headlamp battery saver control unit terminals 6, 14 and 4,11.

Then headlamp relay-1, 2 and tail lamp relay are energized, headlamps (low or high) and tail lamps are illuminate according to switch position.

Shut Off Delay

While the headlamps are lit in the auto-light operation mode, the ignition switch is turned from "ON" to "OFF" position. The BCM no longer receives a voltage signal at terminal 68. This starts the auto light shut off delay timer. The timer is set based on the resistance value at BCM terminal 6. With the timer running, the headlamps remain lit. When the timer reaches the end of its cycle, the headlamps turn off. Headlamp lighting time can be adjusted from about 0 to 3 minutes. (This function is not applicable to the tail lamps.)

Auto light shut off delay timer can be adjusted in seven steps. For the details of the setting, refer to [LT-20, "SETTING CHANGE FUNCTION FOR AUTO LIGHT SYSTEM"](#).

VEHICLE SECURITY SYSTEM

The vehicle security system will flash the high beams if the system is triggered. Refer to [BL-153, "VEHICLE SECURITY \(THEFT WARNING\) SYSTEM"](#).

XENON HEADLAMP

Xenon type headlamp is adopted to the low beam headlamps. Xenon bulbs do not use a filament. Instead, they produce light when a high voltage current is passed between two tungsten electrodes through a mixture of xenon (an inert gas) and certain other metal halides. In addition to added lighting power, electronic control of the power supply gives the headlamps stable quality and tone color.

Followings are some of the many advantages of the xenon type headlamp.

- The light produced by the headlamps is white color approximating to sunlight that is easy on the eyes.
- Light output is nearly double that of halogen headlamps, affording increased area of illumination.

HEADLAMP (FOR USA)

- The light features a high relative spectral distribution at wavelengths to the human eye is most sensitive, which means that even in the rain, more light is reflected back from the road surface toward the vehicle, for added visibility.
- Power consumption is approximately 25 percent less than halogen headlamps, reducing battery load.

A

B

C

D

E

F

G

H

I

J

LT

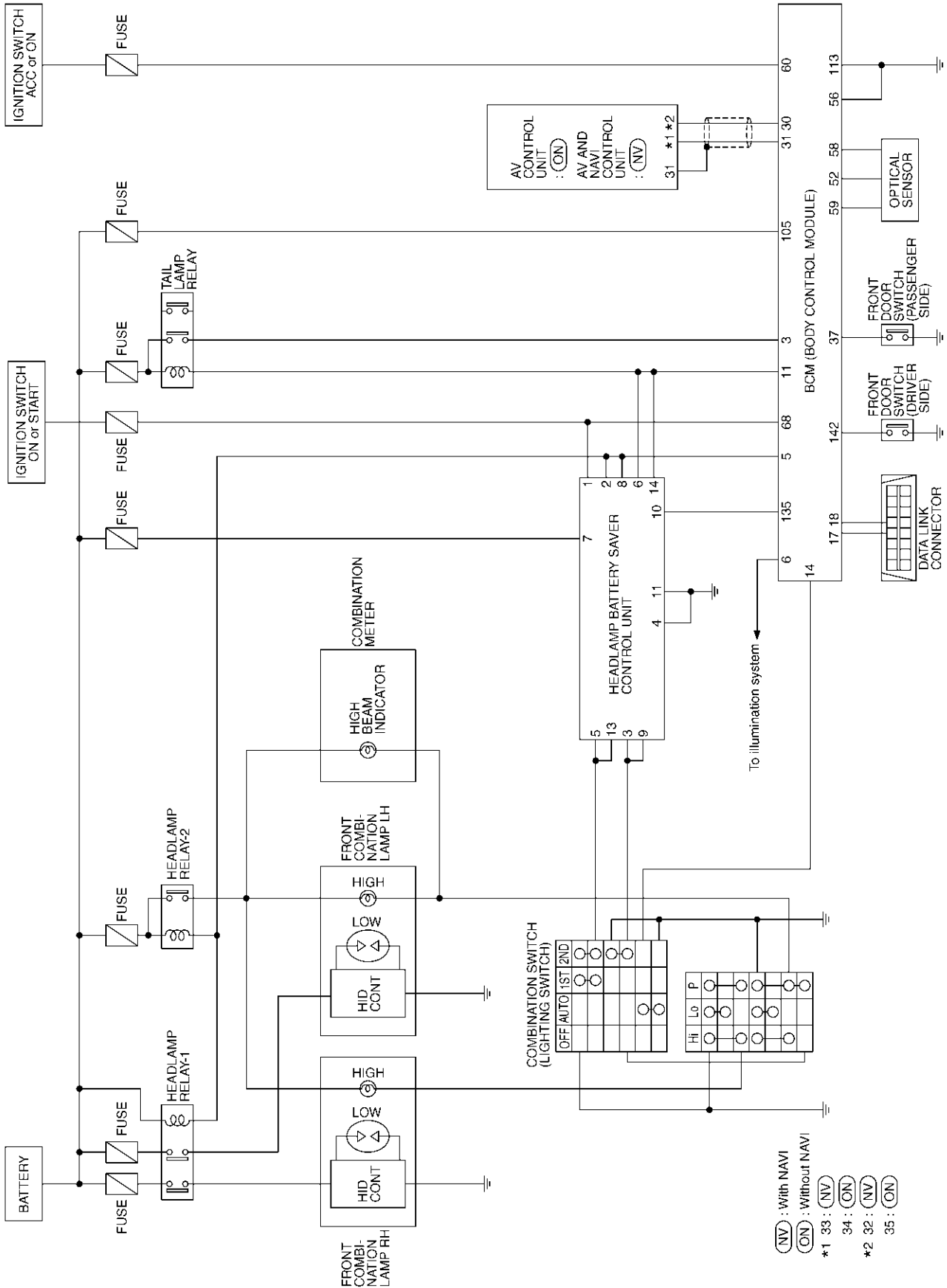
L

M

HEADLAMP (FOR USA)

Schematic

EKS000SY



TKWM0332E

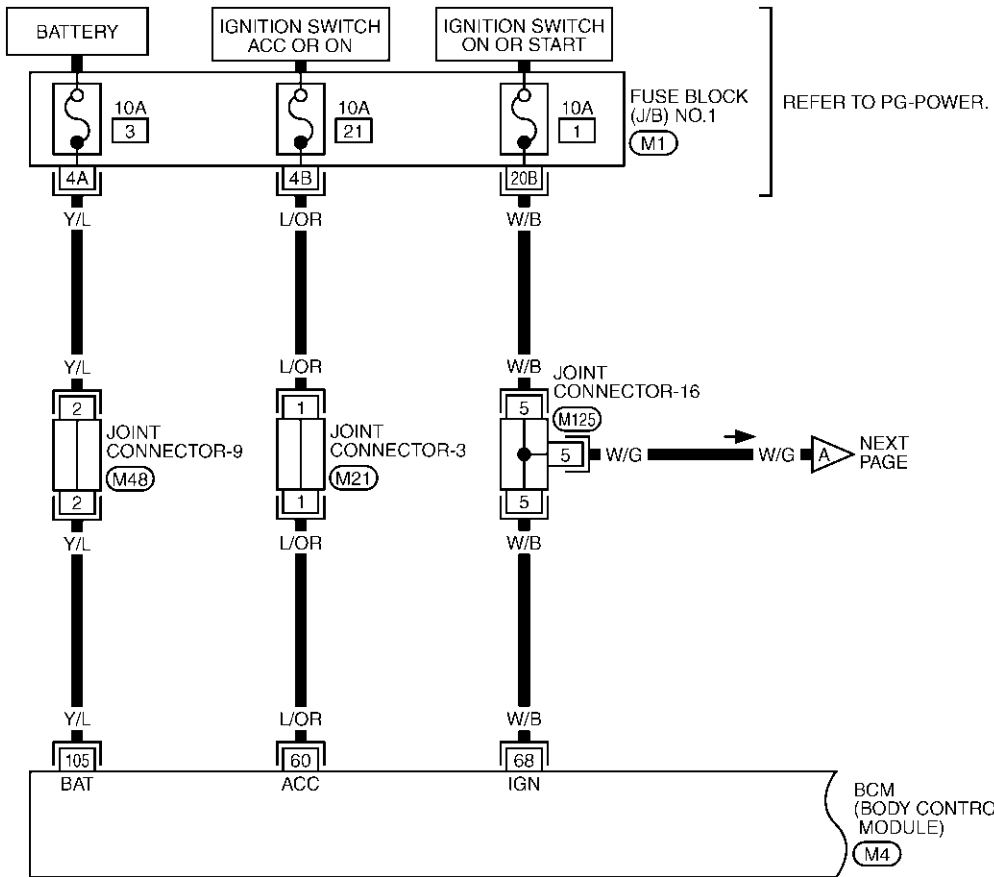
HEADLAMP (FOR USA)

Wiring Diagram — H/LAMP —

EKS000SZ

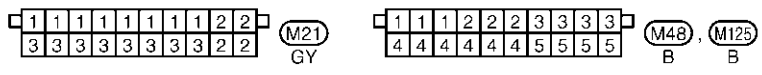
LT-H/LAMP-01

A
B
C
D
E
F
G
H
I
J
LT
L
M



REFER TO PG-POWER.

NEXT PAGE

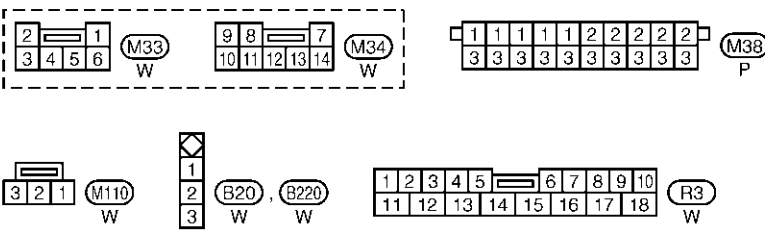
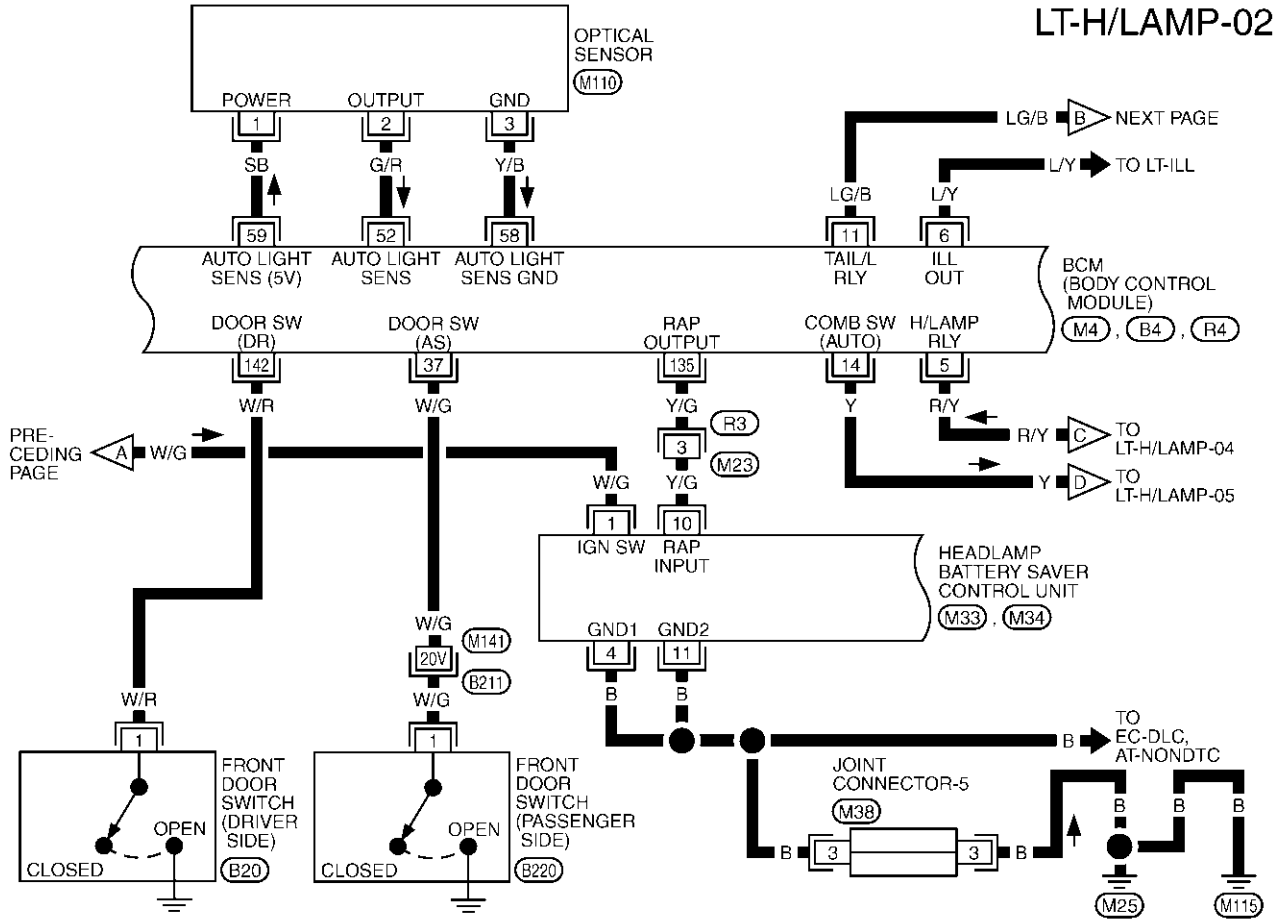


REFER TO THE FOLLOWING.
 (M1) - FUSE BLOCK-JUNCTION BOX (J/B) NO.1
 (M4) - ELECTRICAL UNITS

TKWM0537E

HEADLAMP (FOR USA)

LT-H/LAMP-02



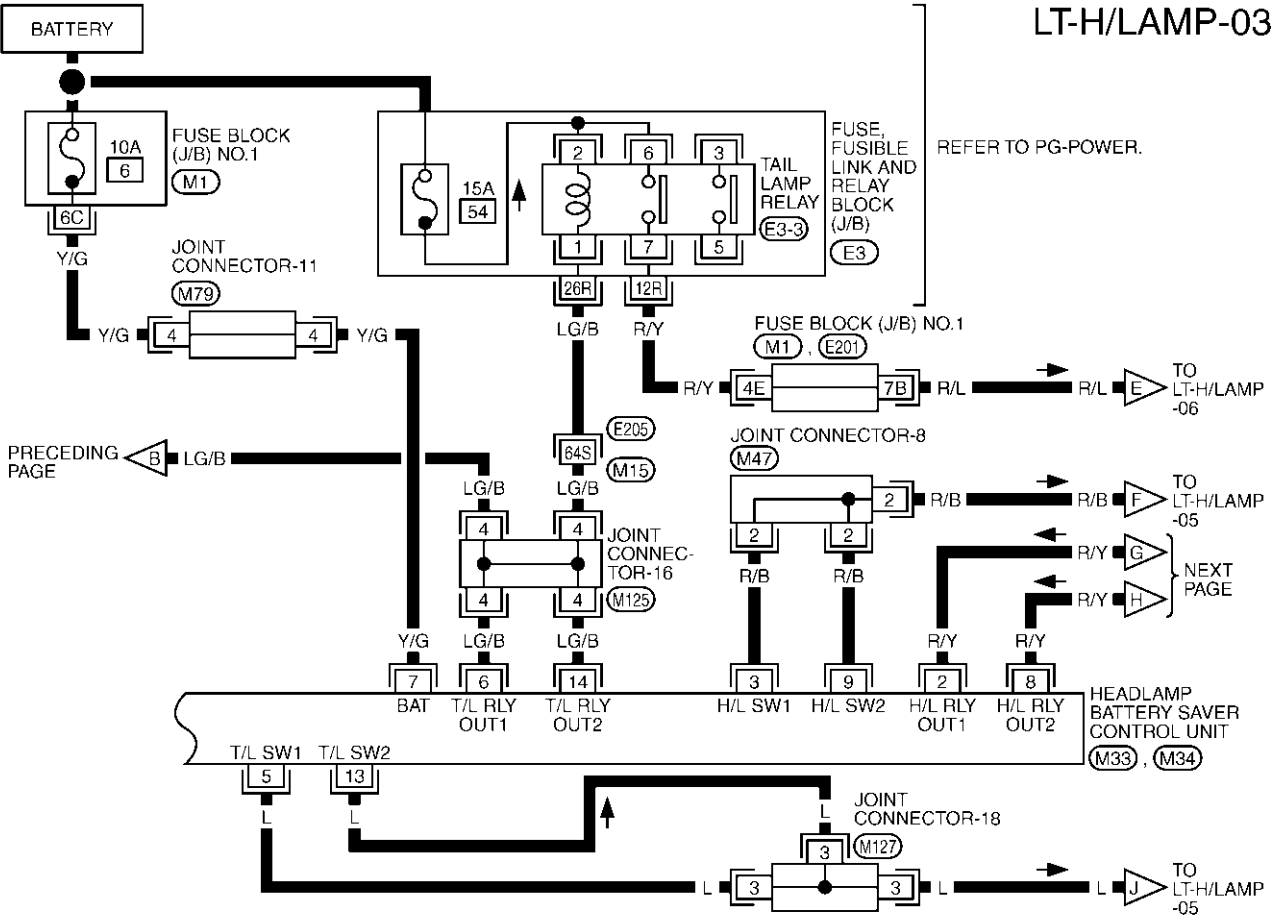
REFER TO THE FOLLOWING.

- (B21) -SUPER MULTIPLE JUNCTION (SMJ)
- (M4, B4, R4) -ELECTRICAL UNITS

TKWM0392E

HEADLAMP (FOR USA)

LT-H/LAMP-03



REFER TO PG-POWER.

PRECEDING PAGE

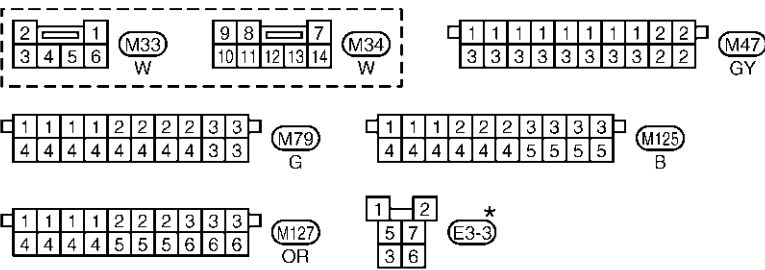
TO LT-H/LAMP -06

TO LT-H/LAMP -05

NEXT PAGE

HEADLAMP BATTERY SAVER CONTROL UNIT (M33, M34)

TO LT-H/LAMP -05



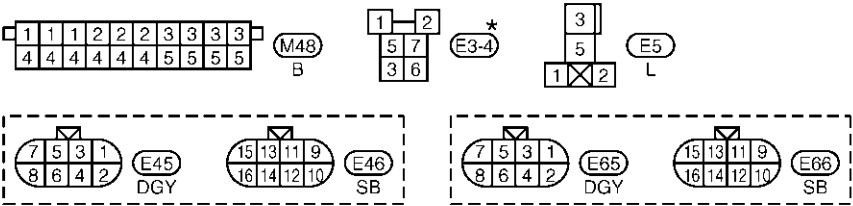
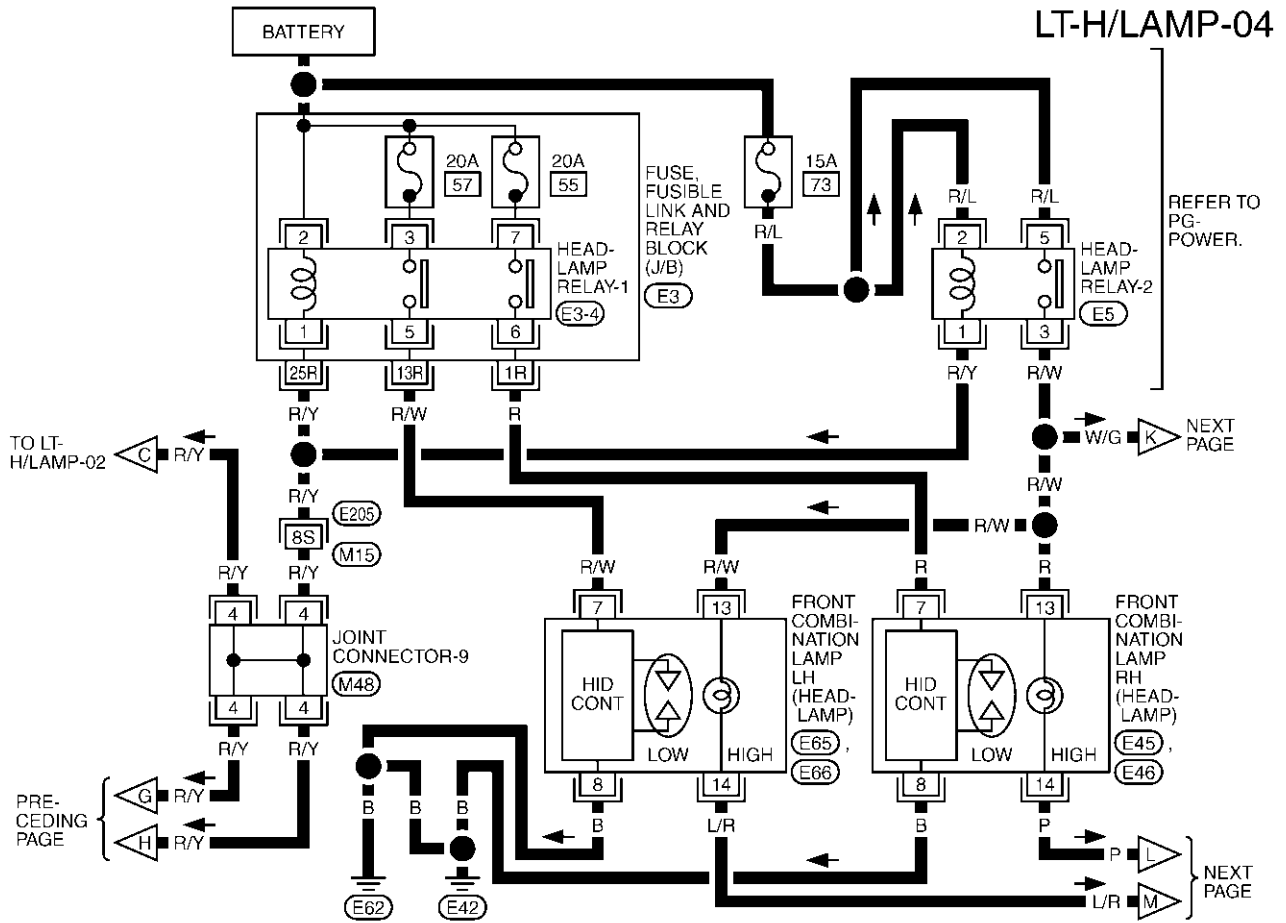
REFER TO THE FOLLOWING.

- (E205) -SUPER MULTIPLE JUNCTION (SMJ)
- (M1), (E201) -FUSE BLOCK-JUNCTION BOX (J/B) NO.1
- (E3) -FUSE, FUSIBLE LINK AND RELAY BLOCK (J/B)

*: THIS CONNECTOR IS NOT SHOWN IN "HARNESS LAYOUT", PG SECTION.

A
B
C
D
E
F
G
H
I
J
LT
L
M

HEADLAMP (FOR USA)



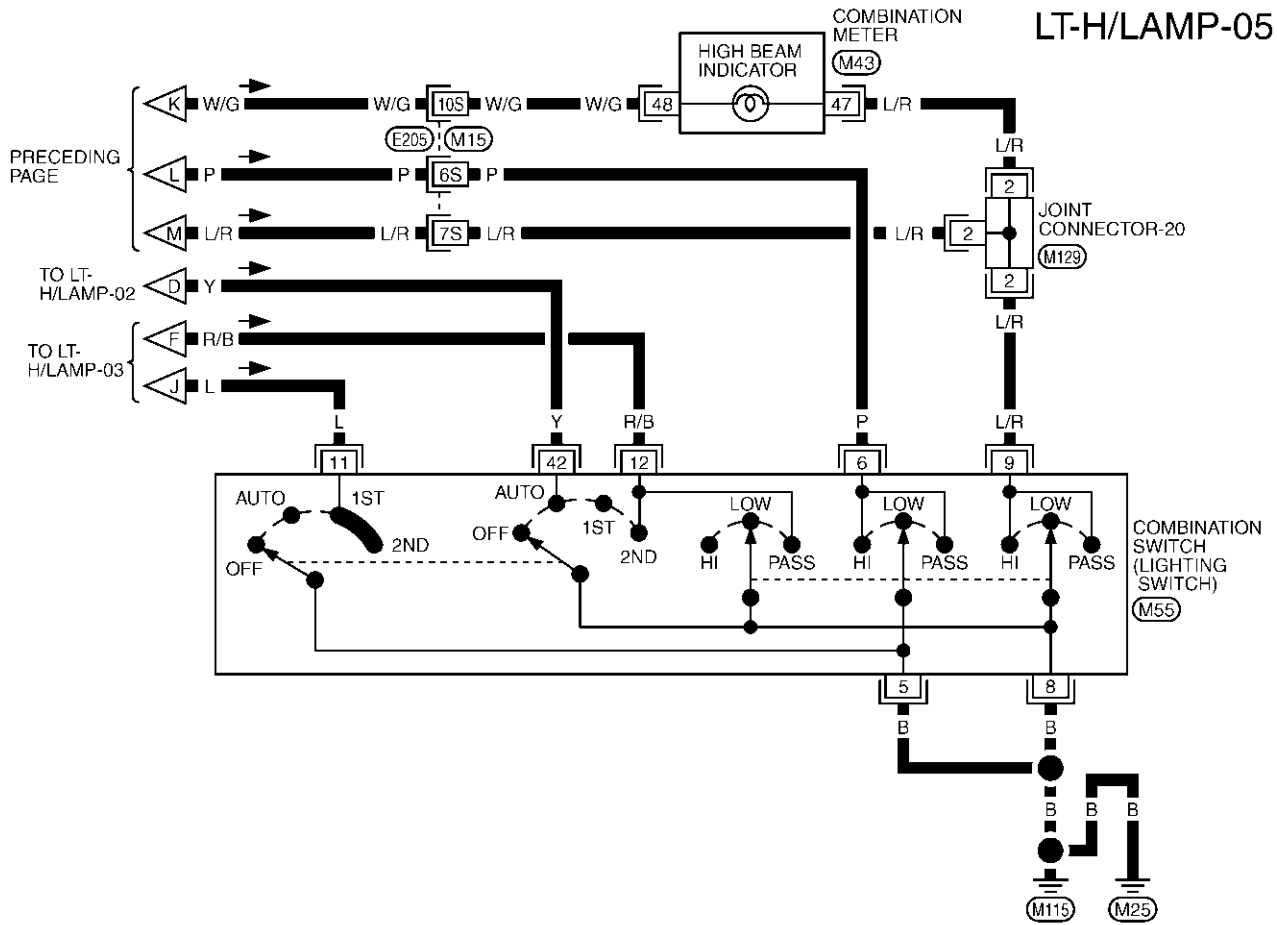
*: THIS CONNECTOR IS NOT SHOWN IN "HARNESS LAYOUT", PG SECTION.

REFER TO THE FOLLOWING.
 (E205) -SUPER MULTIPLE JUNCTION (SMJ)
 (E3) -FUSE, FUSIBLE LINK AND RELAY BLOCK (J/B)

TKWM0333E

HEADLAMP (FOR USA)

LT-H/LAMP-05



45	46	47	48	49	50	51	52	53	54	55		
56	57	58	59	60	61	62	63	64	65	66	67	68

(M43)
W

2	1	3	12	8		
7	6	5	9	10	11	42

(M55)
W

1	1	1	2	2	2	3	3	3	3
4	4	4	4	4	4	5	5	5	5

(M129)
B

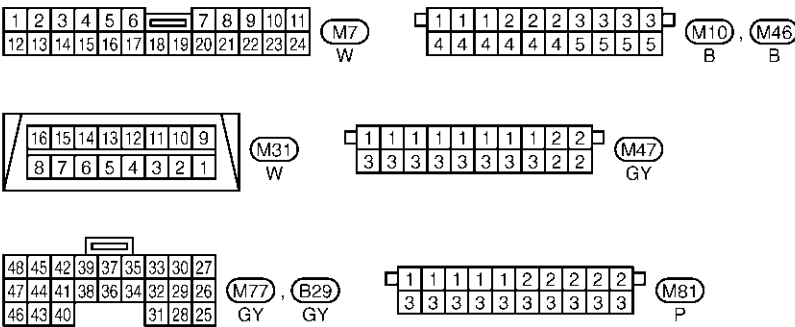
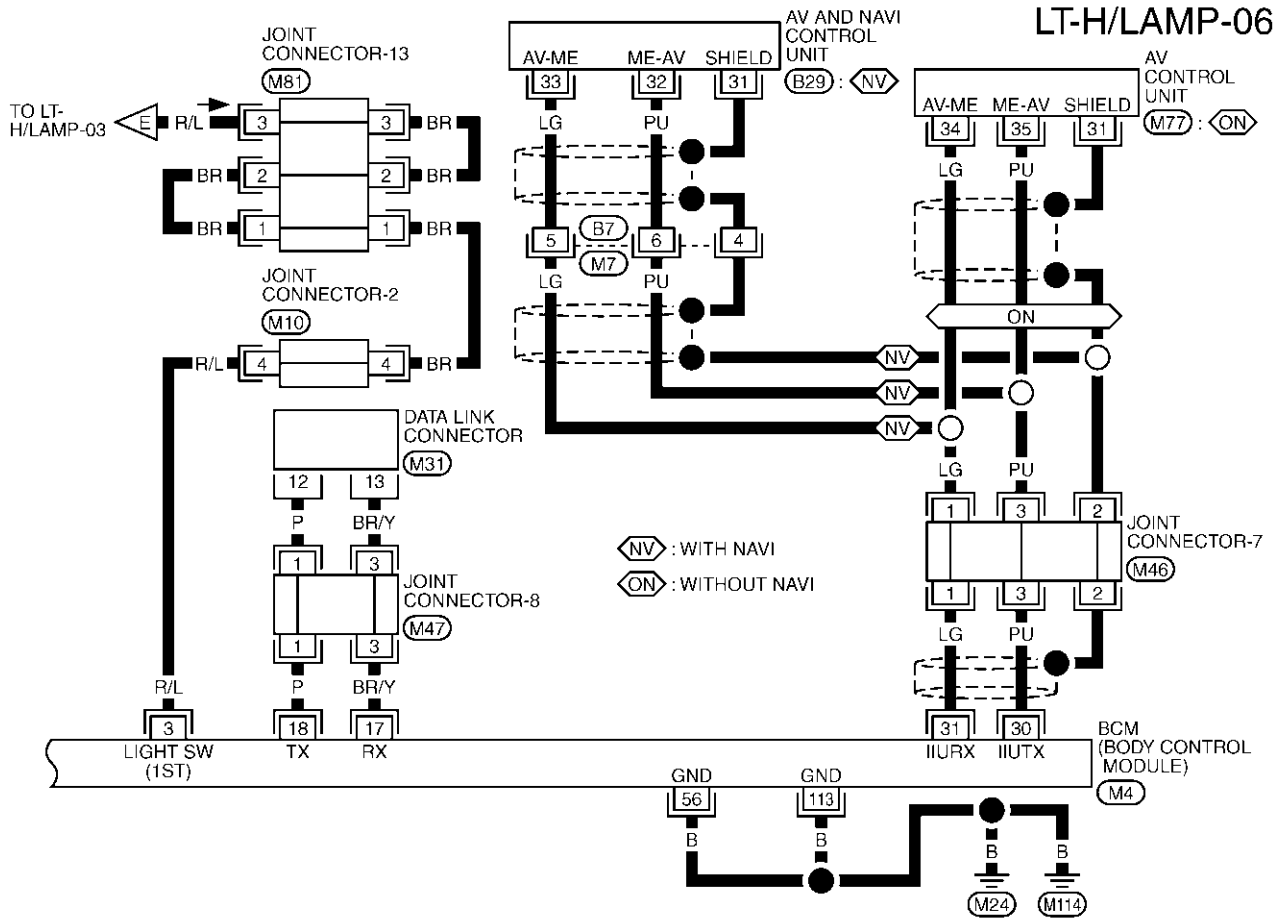
REFER TO THE FOLLOWING.

(E205) -SUPER MULTIPLE JUNCTION (SMJ)

A
B
C
D
E
F
G
H
I
J
LT
L
M

TKWM0334E

HEADLAMP (FOR USA)



REFER TO THE FOLLOWING.
(M4) -ELECTRICAL UNITS

TKWM0335E

HEADLAMP (FOR USA)

Terminals and Reference Value for Battery Saver Control Unit

EKS000T4

Terminal No.	Wire color	Item	Condition		Reference value (Approximate values)	
1	W/G	IGN power supply	Ignition switch	OFF or ACC	Less than 1V	
				ON or START	Battery voltage	
2	R/Y	Headlamp relay OUT1	Ignition switch (with lighting switch except OFF or 1ST)	OFF or ACC	More than 45 seconds after ignition switch is turned OFF or ACC	Battery voltage
					Within 45 seconds after ignition switch is turned OFF or ACC	Less than 1V
				ON or START		Less than 1V
			Headlamps illuminate by auto light control.			
3	R/B	Headlamp switch1	Lighting switch	1ST	2.4V	
				PASS or 2ND	Less than 1V	
			Headlamps illuminate by auto light control.			
4	B	Ground	—		—	
5	L	Tail lamp switch1	lighting switch	OFF	Battery voltage	
				1ST or 2ND	Less than 1V	
6	LG/B	Tail lamp relay OUT1	Ignition switch (with lighting switch 1ST or 2ND)	OFF or ACC	More than 45 seconds after ignition switch is turned OFF or ACC	Battery voltage
					Within 45 seconds after ignition switch is turned OFF or ACC	Less than 1V
				ON or START		Less than 1V
			Headlamps illuminate by auto light control.			
7	Y/G	BAT power supply	—		Battery voltage	
8	R/Y	Headlamp relay OUT2	Ignition switch (with lighting switch except OFF or 1ST)	OFF or ACC	More than 45 seconds after ignition switch is turned OFF or ACC	Battery voltage
					With 45 seconds after ignition switch is turned OFF or ACC	Less than 1V
				ON or START		Less than 1V
			Headlamps illuminate by auto light control.			
9	R/B	Headlamp switch2	Lighting switch	1ST	2.4V	
				PASS or 2ND	Less than 1V	
			Headlamps illuminate by auto light control.			
10	Y/G	RAP signal	Ignition switch	OFF or ACC (After more than 45 seconds with ignition switch turned OFF or ACC)	Battery voltage	
				ON or START	Less than 1V	
11	B	Ground	—		—	
13	L	Tail lamp switch2	Lighting switch	OFF	Battery voltage	
				1ST or 2ND	Less than 1V	

A
B
C
D
E
F
G
H
I
J
LT
L
M

HEADLAMP (FOR USA)

Terminal No.	Wire color	Item	Condition			Reference value (Approximate values)
			Ignition switch (with lighting switch 1ST or 2ND)	OFF or ACC	More than 45 seconds after ignition switch is turned OFF or ACC	
14	LG/B	Tail lamp relay OUT2				
			Within 45 seconds after ignition switch is turned OFF or ACC	Less than 1V		
				ON or START		Less than 1V
			Headlamps illuminate by auto light control.			Less than 1V

Terminals and Reference Value for BCM

EKS000XP

Terminal NO.	Wire color	Item	Measuring condition			Reference value (Approximate values)
			Ignition switch	Operation or condition		
3	R/L	Parking (clearance) lamp signal	—	Lighting switch: 1st	OFF	Less than 1V
					ON	Battery voltage
5	R/Y	Headlamp relay signal	ON	Lighting switch: AUTO	Light is applied to optical sensor.	Battery voltage
					Light is not applied to optical sensor.	Less than 1V
6	L/Y	Automatic brightness adjustment signal	ON	Lighting switch: ON	Light is applied to optical sensor.	Less than 1V
					Light is not applied to optical sensor.	Battery voltage
11	LG/B	Tail lamp relay control signal	ON	Light switch: AUTO	Light is applied to optical sensor.	Battery voltage
					Light is not applied to optical sensor.	Less than 1V
14	Y	Lighting switch AUTO signal	ON	Lighting switch	AUTO	Less than 1V
					OFF	8V
17	BR/Y	Data link RX	—	—	—	—
18	P	Data link TX	—	—	—	—
30	PU	Communication signal TX (BCM-AV: Transmission)	—	—	—	—
31	LG	Communication signal RX (AV-BCM: Receiving)	—	—	—	—
37	W/G	Passenger door switch signal	OFF	Passenger door switch	ON (open)	Less than 1V
					OFF (close)	Battery voltage
52	G/R	Optical sensor signal	ON	Light is applied to optical sensor.		3V
				Light is not applied to optical sensor.		Less than 1V
56	B	Ground	—	—	—	—
58	Y/B	Optical sensor ground	ON	—	—	Less than 1V
59	SB	Optical sensor power supply	ON	—	—	5V
60	L/OR	ACC power supply	ACC	—	—	Battery voltage
68	W/B	IGN power supply	ON	—	—	Battery voltage
69	PU/W	Key-in detection switch signal	OFF	Key withdrawn (OFF)		Less than 1V
				Key inserted (ON)		Battery voltage
105	Y/L	BAT power supply	OFF	—	—	Battery voltage
113	B	Ground	—	—	—	—

HEADLAMP (FOR USA)

Terminal NO.	Wire color	Item	Measuring condition		Reference value (Approximate values)	
			Ignition switch	Operation or condition		
135	Y/G	RAP output signal	OFF	When headlamp battery saver timer is operated.	Less than 1V	
142	W/R	Driver door switch signal	OFF	Driver door switch	ON (open)	Less than 1V
					OFF (close)	Battery voltage

A
B
C
D
E
F
G
H
I
J
LT
L
M

LT

HEADLAMP (FOR USA)

Work Flow

EKS0014U

1. Confirm the symptom or customer complaint.
2. Understand system description. Refer to [LT-6, "System Description"](#) .
3. Perform the preliminary check. Refer to [LT-20, "Preliminary Check"](#) .
4. Find the cause of trouble following the symptom chart and repair or replace as necessary. Refer to [LT-25, "Symptom Chart"](#) .
5. Does the auto light system operate normally? When yes, go to step 6. When no, go to step 4.
6. Inspection end.

Preliminary Check

EKS0014V

SETTING CHANGE FUNCTION FOR AUTO LIGHT SYSTEM

- Setting for each operation can be changed using CONSULT-II and a display unit.

Setting mode change	Explanation	CONSULT-II (Work support)	Display Unit (Preset at each vehicle status)	Factory-preset data
AUTO LIGHT SENS ADJ (CONSULT-II) Sensitivity of Automatic Headlights (Display unit)	Auto light sensitivity is set at four grades.	Mode 1	Lower (Dull) ↑ ↓ Higher (Sensitive)	
		Mode 2		
		Normal		X
		Mode 3		
Automatic headlights off delay (Display unit)	Auto light time delay is set at seven grades.	-	OFF	
			20 sec.	
			45 sec.	X
			90 sec.	
			120 sec.	
			150 sec.	
			180 sec.	

Note: When setting is changed, even though the battery is removed, mode will be after setting mode.

SKIA3782E

INSPECTION FOR POWER SUPPLY AND GROUND CIRCUIT

1. FUSE CHECK

Check if any of the following fuses in BCM are blown.

Unit	Power source	Terminal	Fuse No.
BCM	BAT power supply	105	3
	ACC power supply	60	21
	IGN power supply	68	1

Refer to [PG-2, "POWER SUPPLY ROUTING"](#) .

OK or NG

OK >> GO TO 2.

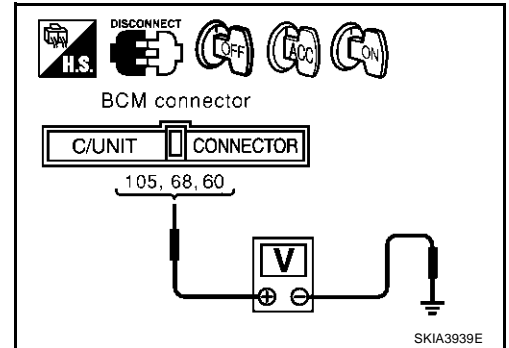
NG >> If the fuse is brown be sure to eliminate cause of incident before installing new fuse.

HEADLAMP (FOR USA)

2. POWER SUPPLY CIRCUIT CHECK

1. Disconnect the BCM connector.
2. Check voltage between BCM and ground.

Unit	Terminals (wire color)		Power source	condition	Voltage
	(+)	(-)			
BCM (M4)	105 (Y/L)	Body ground	Battery power supply	Ignition switch OFF	Battery voltage
	68 (W/B)		IGN power supply	Ignition switch ON	Battery voltage
	60 (L/OR)		ACC power supply	Ignition switch ACC	Battery voltage



OK or NG

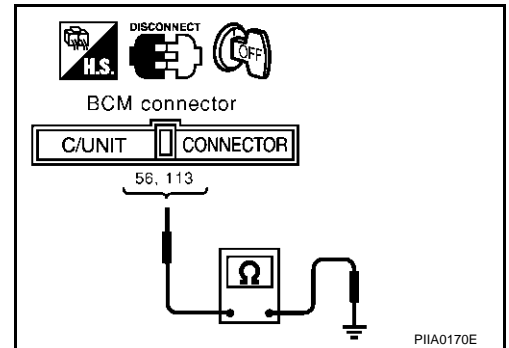
OK >> GO TO 3.

NG >> Check harness for open or short between BCM and fuse.

3. GROUND CIRCUIT CHECK

Check continuity between BCM harness connector M4 terminals 56, 113 and body ground.

Unit	Terminal (wire color)		Signal	Ignition switch	Continuity
	(+)	(-)			
BCM(M4)	56 (B)	Body ground	Ground	Ignition switch OFF	Continuity should exist
	113(B)	Body ground	Ground	Ignition switch OFF	Continuity should exist



OK or NG

OK >> Inspection end.

NG >> Repair or replace harness.

HEADLAMP (FOR USA)

EKS000VO

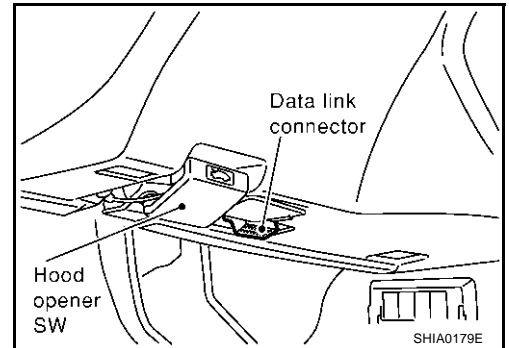
CONSULT-II Function for Auto Light System

- CONSULT-II has the display function for the work support, data monitor and active test for each part by combining data receiving and sending via the communication line from the BCM.

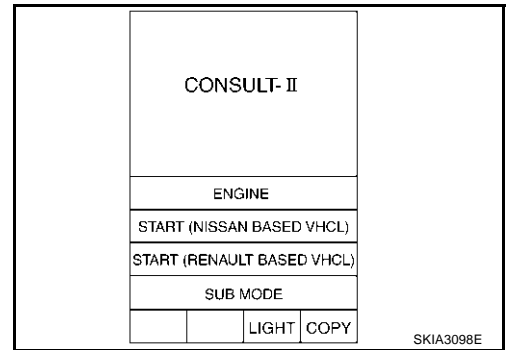
IVMS diagnosis position	Diagnosis mode	Description
auto light system	Work support	Changes setting of each function.
	Data monitor	Displays input data of the BCM and each LCU in real-time.
	Active test	Operation of electrical loads can be checked by sending driving signal to them.
BCM part number		Displays BCM part No.

CONSULT-II BASIC OPERATION PROCEDURE

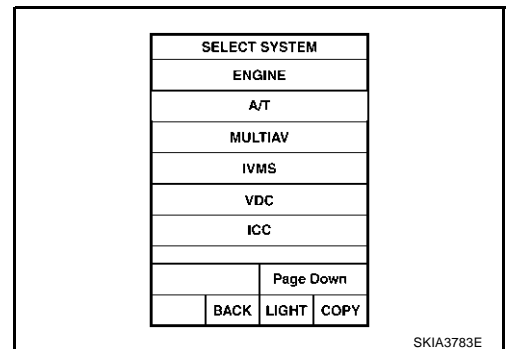
- With the ignition switch OFF, connect "CONSULT-II" and "CONSULT-II CONVERTER" to the data link connector, then turn ignition switch ON.



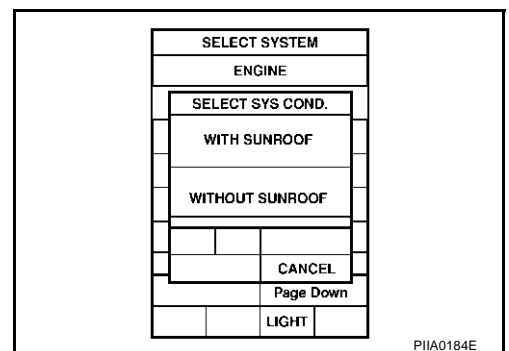
- Touch "START(NISSAN BASED VHCL)".



- Touch "IVMS" on "SELECT SYSTEM" screen. If "IVMS" is not indicated, go to [GI-38, "CONSULT-II Data Link Connector \(DLC\) Circuit"](#).



- Check the model specification, touch either "WITH SUNROOF" or "WITHOUT SUNROOF".
- Touch "OK". If the selection is wrong, touch "CANCEL".



HEADLAMP (FOR USA)

6. Select the desired part to be diagnosed on the "SELECT TEST ITEM" screen.

WORK SUPPORT

Operation Procedure

1. Touch "AUTO LIGHT SYSTEM" on the "SELECT TEST ITEM" screen.
2. Touch "WORK SUPPORT" on the "SELECT DIAG MODE" screen.
3. Touch "AUTO LIGHT SENS ADJ" on the "SELECT WORK ITEM" screen.
4. Touch "START".
5. Touch "NORMAL". "MODE 1 - 3" of which setting is to be changed.
6. Touch "CHANGE SETT".
7. The setting will be changed and "CURRENT SETTING STATUS" will be displayed.
8. Touch "END".

Display Item List

Refer to [LT-20, "SETTING CHANGE FUNCTION FOR AUTO LIGHT SYSTEM"](#) .

DATA MONITOR

Operation Procedure

1. Touch "AUTO LIGHT SYSTEM" on the "SELECT TEST ITEM" screen.
2. Touch "DATA MONITOR" on the "SELECT DIAG MODE" screen.
3. Touch "ALL SIGNALS" or "SELECTION FROM MENU" on the "SELECT MONITOR ITEM" screen.

MAIN SIGNALS	Monitors the main items.
SELECTION FROM MENU	Selects and monitors the items.

4. Touch "START".
5. When selected "SELECTION FROM MENU", touch items to be monitored. When "ALL SIGNALS" is selected all items will be monitored.
6. Touch "RECORD" while monitoring and status of the item being monitored can be recorded. To stop recording, touch "STOP".

Data Monitor Item

Monitored item ["OPERATION OR UNIT"]	Description
IGN ON SW [ON/OFF]	Displays status of the ignition switch as judged from the ignition switch signal. (Key is in ON position: ON/Key is in ACC or OFF position: OFF)
DOOR SW-DR [ON/OFF]	Displays status of the driver door as judged from the driver door switch signal. (Door is open: ON/Door is closed: OFF)
AUTO LIGHT SW [ON/OFF]	Displays status of the lighting switch as judged from the lighting switch signal. (AUTO position: ON/Other than AUTO position: OFF)
HD/LMP 1ST SW [ON/OFF]	Displays status of the lighting switch as judged from the lighting switch signal. (OFF or AUTO position: OFF/Other than OFF and AUTO position: ON)
OPTICAL SEN [ON/OFF]	Displays "Illumination outside of the vehicle (close to 5V when light/close to 0V when dark)" as judged from the optical sensor signal.

ACTIVE TEST

Operation Procedure

1. Touch "AUTO LIGHT SYSTEM" on the "SELECT TEST ITEM" screen.
2. Touch "ACTIVE TEST" on the "SELECT DIAG MODE" screen.
3. Touch item to be tested and check operation of the selected item.
4. Touch "STOP" while testing and the operation will be stopped.

Active Test Item

Test items	Display on CONSULT-II screen	Description
Headlamp relay output	HEAD LAMP RELAY	Headlamp relay can be operated by any on-off operation of the headlamp.

HEADLAMP (FOR USA)

Tail lamp relay output	TAIL LAMP RELAY	Tail lamp relay can be operated by any on-off operation of the tail lamp.
Auto light adjustment output	ILL DIM SIGNAL	Night time dimming signal can be operated by any on-off operation.

On Board Diagnosis

EKS001HB

BCM can check malfunction in each local control unit (LCU), switches, loads and communications using the self-diagnosis function.

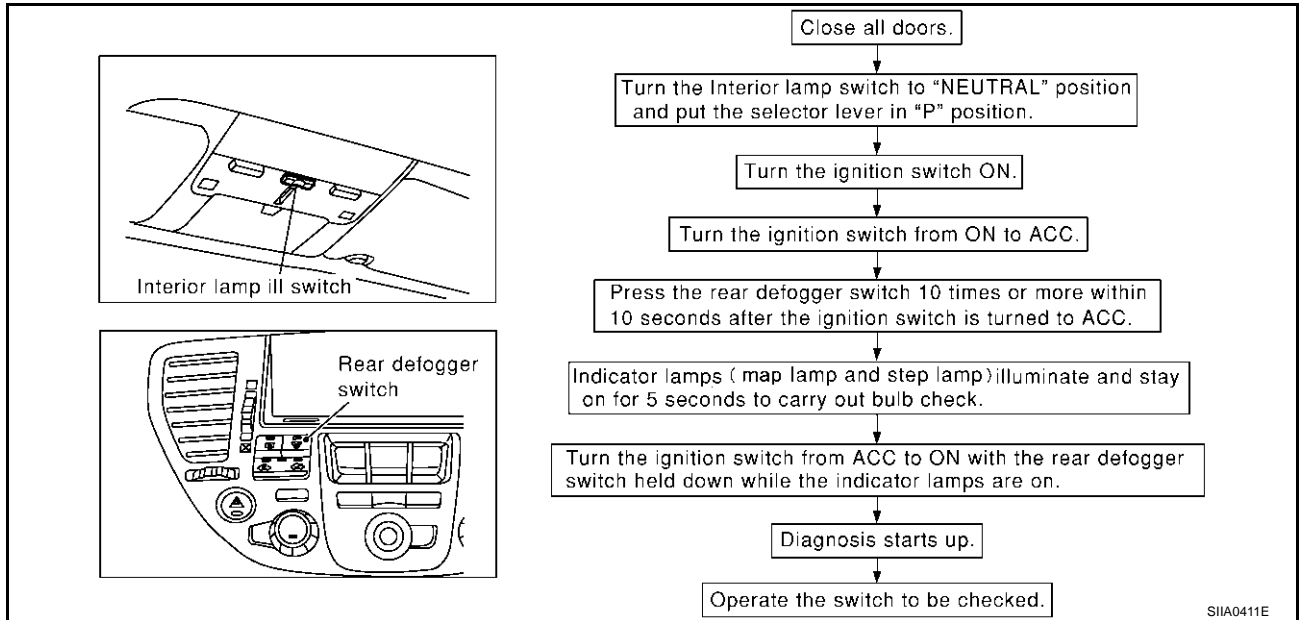
DIAGNOSIS ITEM

Diagnosis item	Description
Switch monitor	Checks for malfunction in switch systems that input to BCM and each LCU.

SWITCH MONITOR

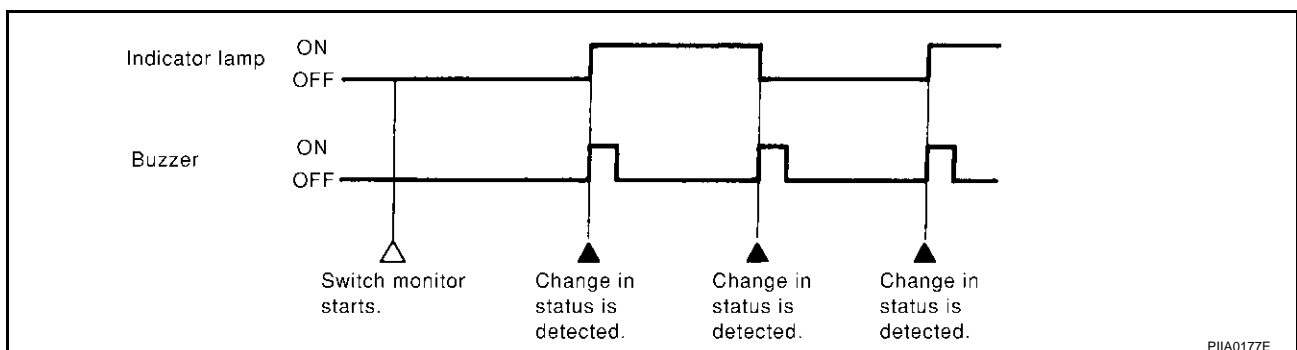
- Perform the diagnosis on the switch system to each control unit.

How to Perform Switch Monitor



Description

- In this mode, when BCM detects the input signal from a switch in IVMS as shown below, the detection is indicated by the map lamp and front step lamps with buzzer.



Switch Monitor Item

- The status of the switch (except the ignition switch, interior lamp ill switch, and map lamp switch) as input to each control unit can be monitored.

Control unit	Item
BCM	Lighting switch (AUTO, 1ST position)
	Driver door switch

HEADLAMP (FOR USA)

Cancel of Switch Monitor

If the following conditions are satisfied, the communication diagnosis is cancelled.

- Turn ignition switch OFF.
- Drive the vehicle more than 7 km/h (4 MPH).

Symptom Chart HEADLAMP SYSTEM

EKS001HC

Symptom	Repair Procedure
Neither headlamp operates.	<ol style="list-style-type: none"> 1. Check 10A fuse [No. 6, located in fuse block (J/B) No. 1]. Verify battery positive voltage is present at terminal 7 of headlamp battery saver control unit. 2. Check lighting switch. Refer to LT-67, "Switch Circuit Inspection". 3. Check headlamp battery saver control unit. Refer to LT-17, "Terminals and Reference Value for Battery Saver Control Unit".
Headlamp (low beam) does not operate, but headlamp (high beam) does operate.	<ol style="list-style-type: none"> 1. Check 20A fuse [No. 57, located in fuse, fusible link and relay block (J/B)]. Verify battery positive voltage is present at terminals 3 of headlamp relay-1. 2. Check headlamp relay-1. 3. Check harness between headlamp relay-1 and headlamp battery saver control unit. 4. Check headlamp battery saver control unit. Refer to LT-17, "Terminals and Reference Value for Battery Saver Control Unit".
Headlamp (high beam) does not operate, but headlamp (low beam) does operate.	<ol style="list-style-type: none"> 1. Check 15A fuse (No. 73, located in fuse, fusible link and relay box). Verify battery positive voltage is present at terminals 2 and 5 of headlamp relay-2. 2. Check headlamp relay-2. 3. Check harness between headlamp relay-2 and battery saver control unit. 4. Check headlamp battery saver control unit. Refer to LT-17, "Terminals and Reference Value for Battery Saver Control Unit".
RH low beam does not operate, but LH low beam does operate.	<ol style="list-style-type: none"> 1. Check 20A fuse [No. 55, located in fuse, fusible link and relay block (J/B)]. Verify battery positive voltage is present at terminal 7 of headlamp relay-1. 2. Check headlamp relay-1. 3. Check harness between headlamp relay-1 terminal 6 and RH headlamp for open circuit. 4. Check RH low beam ground circuit. 5. Replace the xenon bulb with other side bulb or new one. (If eclampsia illuminate correctly, replace the bulb.) 6. Replace the HID control unit with other side control unit or new one. (If eclampsia illuminate correctly, replace the HID control unit.)
LH low beam does not operate, but RH low beam does operate.	<ol style="list-style-type: none"> 1. Check 20A fuse [No. 57, located in fuse, fusible link and relay block (J/B)]. Verify battery positive voltage is present at terminal 3 of headlamp relay-1. 2. Check headlamp relay-1. 3. Check harness between headlamp relay-1 terminal 5 and LH headlamp for open circuit. 4. Check LH low beam ground circuit. 5. Replace the xenon bulb with other side bulb or new one. (If eclampsia illuminate correctly, replace the bulb.) 6. Replace the HID control unit with other side control unit or new one. (If headlamps illuminate correctly, replace the HID control unit.)

HEADLAMP (FOR USA)

Symptom	Repair Procedure
RH high beam does not operate, but LH high beam does operate.	<ol style="list-style-type: none"> 1. Check bulb. 2. Check harness between headlamp relay-2 terminal 3 and headlamp RH terminal 13. 3. Check lighting switch. Refer to LT-67, "Switch Circuit Inspection" . 4. Check harness between headlamp RH terminal 14 and lighting switch. 5. Check lighting switch ground circuit.
LH high beam does not operate, but RH high beam does operate.	<ol style="list-style-type: none"> 1. Check bulb. 2. Check harness between headlamp relay-2 terminal 3 and headlamp LH terminal 13. 3. Check lighting switch. Refer to LT-67, "Switch Circuit Inspection" . 4. Check harness between headlamp LH terminal 14 and lighting switch. 5. Check lighting switch ground circuit
High beam indicator does not work.	<ol style="list-style-type: none"> 1. Check bulb in combination meter. 2. Check harness between headlamp relay-2 terminal 3 and lighting switch for open circuit.
Battery saver control does not operate properly.	<ol style="list-style-type: none"> 1. Verify 12 positive voltage from BCM is present at terminal 10 of headlamp battery saver control unit: <ul style="list-style-type: none"> - Within 45 seconds after ignition switch turned off. - Front door is opened or more than 45 seconds after ignition switch is turn off. 2. Check the following. <ul style="list-style-type: none"> - Harness between BCM and LH or RH front door switch for open or short circuit. - LH or RH front door switch ground circuit. - LH or RH front door switch. 3. Check the following. <ul style="list-style-type: none"> - Harness between headlamp battery saver control unit terminals 5 or 13 and lighting switch terminal 11 for open or short circuit. - Harness between lighting switch terminal 5 and ground. - Lighting switch. Refer to LT-67, "Switch Circuit Inspection" . 4. Check headlamp battery saver control unit. Refer to LT-17, "Terminals and Reference Value for Battery Saver Control Unit" . 5. Check BCM. Refer to LT-18, "Terminals and Reference Value for BCM" .

AUTO LIGHT SYSTEM

Symptom	Malfunctioning system and reference
<ul style="list-style-type: none"> ● Clearance lamps and headlamps will not illuminate when outside of the vehicle becomes dark. (Lighting switch 1st position and 2nd position operate normally.) ● Clearance lamps and headlamp will not go out when outside of the vehicle becomes light. (Lighting switch 1st position and 2nd position operate normally.) 	<ul style="list-style-type: none"> ● Lighting switch (AUTO) system. Refer to LT-27, "Lighting Switch (AUTO) System Check" . ● Optical sensor system. Refer to LT-28, "Optical Sensor System Check" . <p>If above systems are normal, replace the BCM.</p>

HEADLAMP (FOR USA)

Symptom	Malfunctioning system and reference
Clearance lamps illuminate when outside of the vehicle becomes dark, but headlamp stay off. (Lighting switch 1st position and 2nd position operate normally.)	<ul style="list-style-type: none"> Headlamp relay system. Refer to LT-29, "Headlamp Relay System Check". Optical sensor system. Refer to LT-28, "Optical Sensor System Check". If above systems are normal, replace the BCM.
<ul style="list-style-type: none"> Headlamps illuminate when outside of the vehicle becomes dark, but clearance lamps stay off. (Lighting switch 1st position and 2nd position operate normally.) Headlamps go out when outside of the vehicle becomes light, but clearance lamps stay on. 	<ul style="list-style-type: none"> Tail lamp relay system. Refer to LT-30, "Tail Lamp Relay System Check". If above system is normal, replace the BCM.

Lighting Switch (AUTO) System Check

EKS001HD

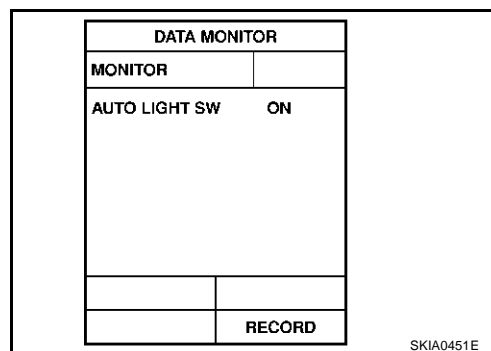
1. CHECK LIGHTING SWITCH AUTO SIGNAL

 With CONSULT-II

- Operate the lighting switch via "AUTO LIGHT SWITCH" on DATA MONITOR screen and check that the lamp turns on and off as commanded.

Lighting switch AUTO : ON

Lighting switch OFF : OFF



 Without CONSULT-II

- Operate the lighting switch via "switch monitor" of self-diagnosis function check that the lamp turns on and off as commanded.

OK or NG

OK >> Lighting switch (AUTO) is OK.

NG >> GO TO 2.

2. CHECK WIRE HARNESS CONTINUITY

- Disconnect BCM connector and lighting switch connector.
- Check continuity at the harness between BCM harness connector M4 terminal 14 (Y) and the lighting switch harness connector M55 terminal 42 (Y).

14 (Y) - 42 (Y) : Continuity should exist.

- Check continuity between BCM harness connector M4 terminal 14(Y) and body ground.

14(Y) - Body ground : Continuity should not exist.

OK or NG

OK >> GO TO 3.

NG >> Repair or replace harness.

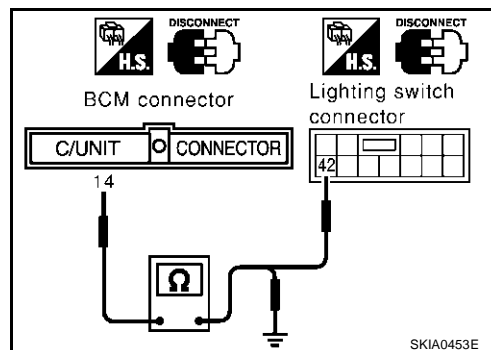
3. CHECK LIGHTING SWITCH

Check continuity of the lighting switch. Refer to [LT-67, "Switch Circuit Inspection"](#).

OK or NG

OK >> Replace BCM.

NG >> Replace the lighting switch.



HEADLAMP (FOR USA)

EKS006ZL

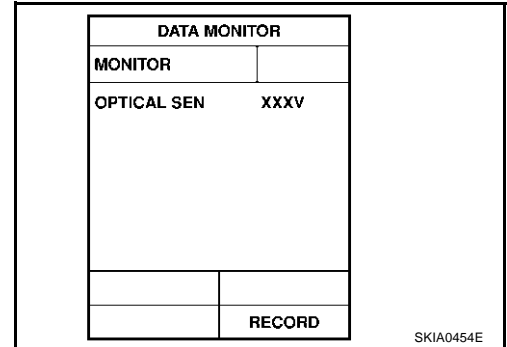
Optical Sensor System Check

1. CHECK OPTICAL SENSOR OUTPUT SIGNAL

 With CONSULT-II

- Using "OPTICAL SEN" on DATA MONITOR screen, check difference in the voltage when light is applied to optical sensor and light is not applied to optical sensor.

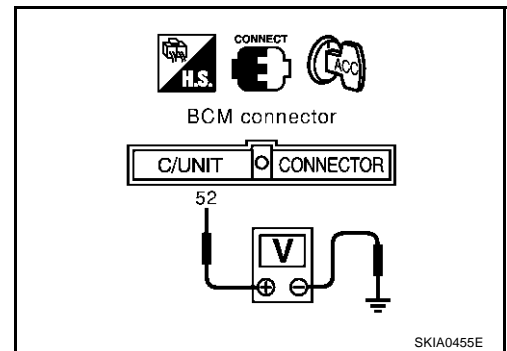
Condition	Reference value of data monitor [V]
Light is applied to optical sensor.	More than 3
Light is not applied to optical sensor.	Approx. 0.5



 Without CONSULT-II

- Turn ignition switch to ACC position.
- Check voltage between BCM harness connector M4 terminal 52 (G/R) and ground when light is applied to optical sensor and light is not applied to optical sensor.

Terminals		Condition	Voltage (V)
(+)	(-)		
Connector	Terminal (Wire color)		
M4	52 (G/R)	Ground	Light is applied to optical sensor More than 3
		Ground	Light is not applied to optical sensor Approx. 0.5



OK or NG

- OK >> INSPECTION END
- NG >> GO TO 2.

2. CHECK OPTICAL SENSOR POWER SUPPLY CIRCUIT

- Turn ignition switch to OFF position.
- Disconnect the BCM connector and the optical sensor connector.
- Check continuity between BCM harness connector M4 terminal 59 (SB) and optical sensor harness connector M110 terminal 1 (SB).

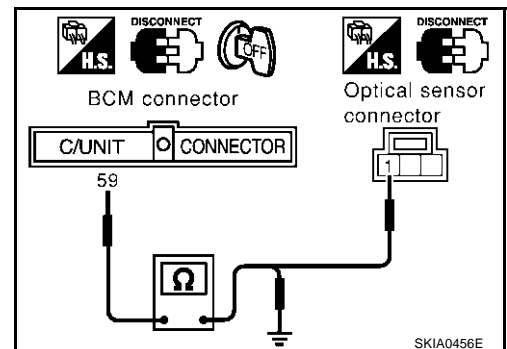
Continuity should exist.

- Check continuity between BCM harness connector M4 terminal 59 (SB) and ground.

Continuity should not exist.

OK or NG

- OK >> GO TO 3.
- NG >> Repair harness or connector.



HEADLAMP (FOR USA)

3. CHECK OPTICAL SENSOR SIGNAL CIRCUIT

1. Check continuity between BCM harness connector M4 terminal 52 (G/R) and optical sensor harness connector M110 terminal 2 (G/R).

Continuity should exist.

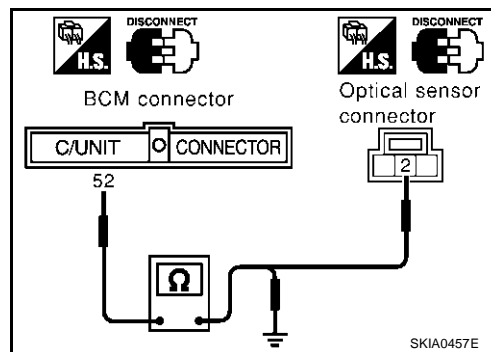
2. Check continuity between BCM harness connector M4 terminal 52 (G/R) and ground.

Continuity should not exist.

OK or NG

OK >> GO TO 4.

NG >> Repair harness or connector.



4. CHECK OPTICAL SENSOR GROUND CIRCUIT

1. Check continuity between BCM harness connector M4 terminal 58 (Y/B) and optical sensor harness connector M110 terminal 3 (Y/B).

Continuity should exist.

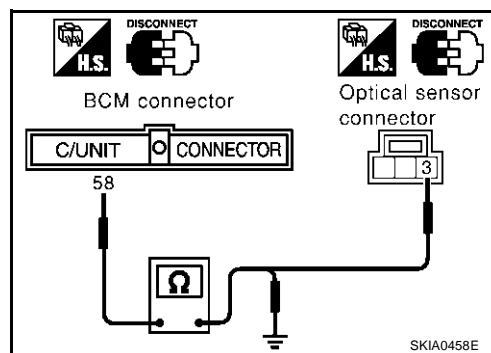
2. Check continuity between BCM harness connector M4 terminal 58 (Y/B) and ground.

Continuity should not exist.

OK or NG

OK >> GO TO 5.

NG >> Repair harness or connector.



5. CHECK OPTICAL SENSOR POWER SUPPLY OUTPUT SIGNAL

1. Connect BCM connector.
2. Check voltage between BCM harness connector M4 terminal 59 (SB).

Approx. 5V

OK or NG

OK >> Replace the optical sensor.

NG >> Replace the BCM.

Headlamp Relay System Check

EKS001HF

1. CHECK HEADLAMP RELAY CONTROL SIGNAL VOLTAGE

1. Turn the ignition switch OFF.
2. Disconnect the BCM connector.
3. Check voltage between BCM harness connector M4 terminal 5 (R/Y) and body ground while operating the lighting switch in OFF.

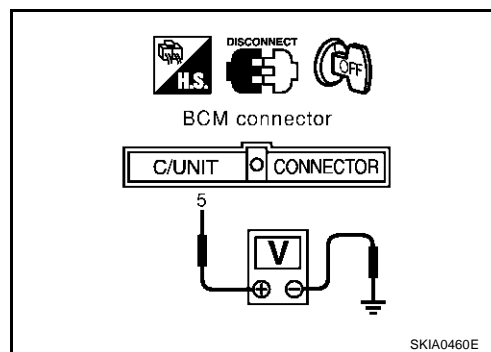
Lighting switch OFF

5 - Body ground : Battery voltage should exist.

OK or NG

OK >> Headlamp relay is OK.

NG >> Check harness for open or short between BCM and headlamp relay-1 and 2.



HEADLAMP (FOR USA)

EKS001HG

Tail Lamp Relay System Check

1. CHECK TAIL LAMP RELAY CONTROL SIGNAL VOLTAGE

1. Turn the ignition switch OFF.
2. Disconnect the BCM connector.
3. Check voltage between BCM harness connector M4 terminal 11 (LG/B) and body ground while operating the lighting switch in OFF.

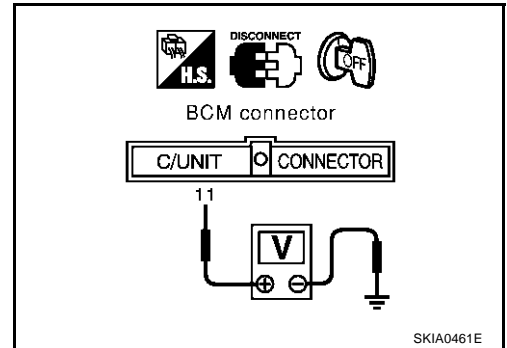
Lighting switch OFF

11 - Body ground : Battery voltage should exist.

OK or NG

OK >> GO TO 2.

NG >> Check harness for open or short between BCM and tail lamp relay.



2. CHECK TAIL LAMP SIGNAL VOLTAGE

Check voltage between BCM harness connector M4 terminal 3 (R/L) and body ground while operating lighting switch in 1ST position.

Lighting switch in

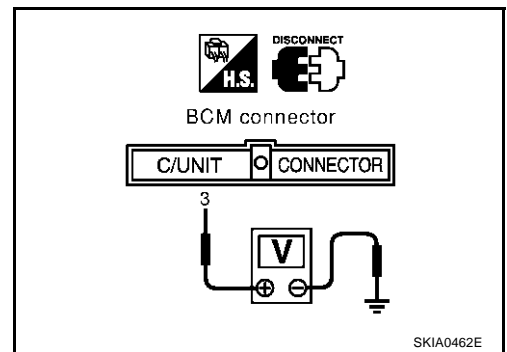
1ST position

3 - Body ground : Battery voltage should exist.

OK or NG

OK >> Tail lamp relay is OK.

NG >> GO TO 3.



3. CHECK TAIL LAMP RELAY

1. Remove the tail lamp relay.
2. Apply 12V between tail lamp relay terminals 2 and 1, and check continuity between terminals 3 and 5 and between 6 and 7.

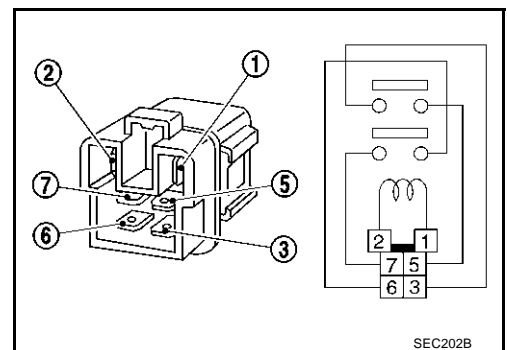
3 - 5 : Continuity should exist.

6 - 7 : Continuity should exist.

OK or NG

OK >> Check harness for open or short between BCM and tail lamp relay.

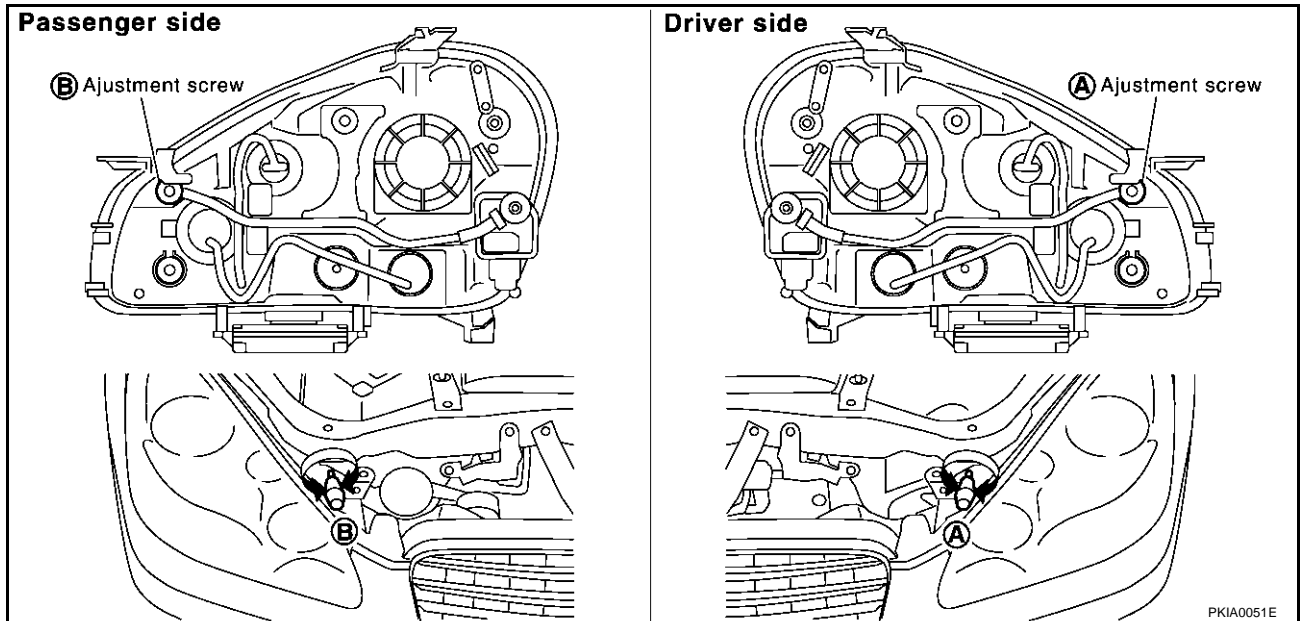
NG >> Replace the tail lamp relay.



HEADLAMP (FOR USA)

Aiming Adjustment

EKS001HI



For details, refer to the regulations in your own country.

Before performing aiming adjustment, check the following.

1. Keep all tires inflated to correct pressures.
2. Place vehicle on flat surface.
3. See that there is no-load in vehicle other than the driver (or equivalent weight placed in driver's position). Coolant, engine oil filled up to correct level and full fuel tank.

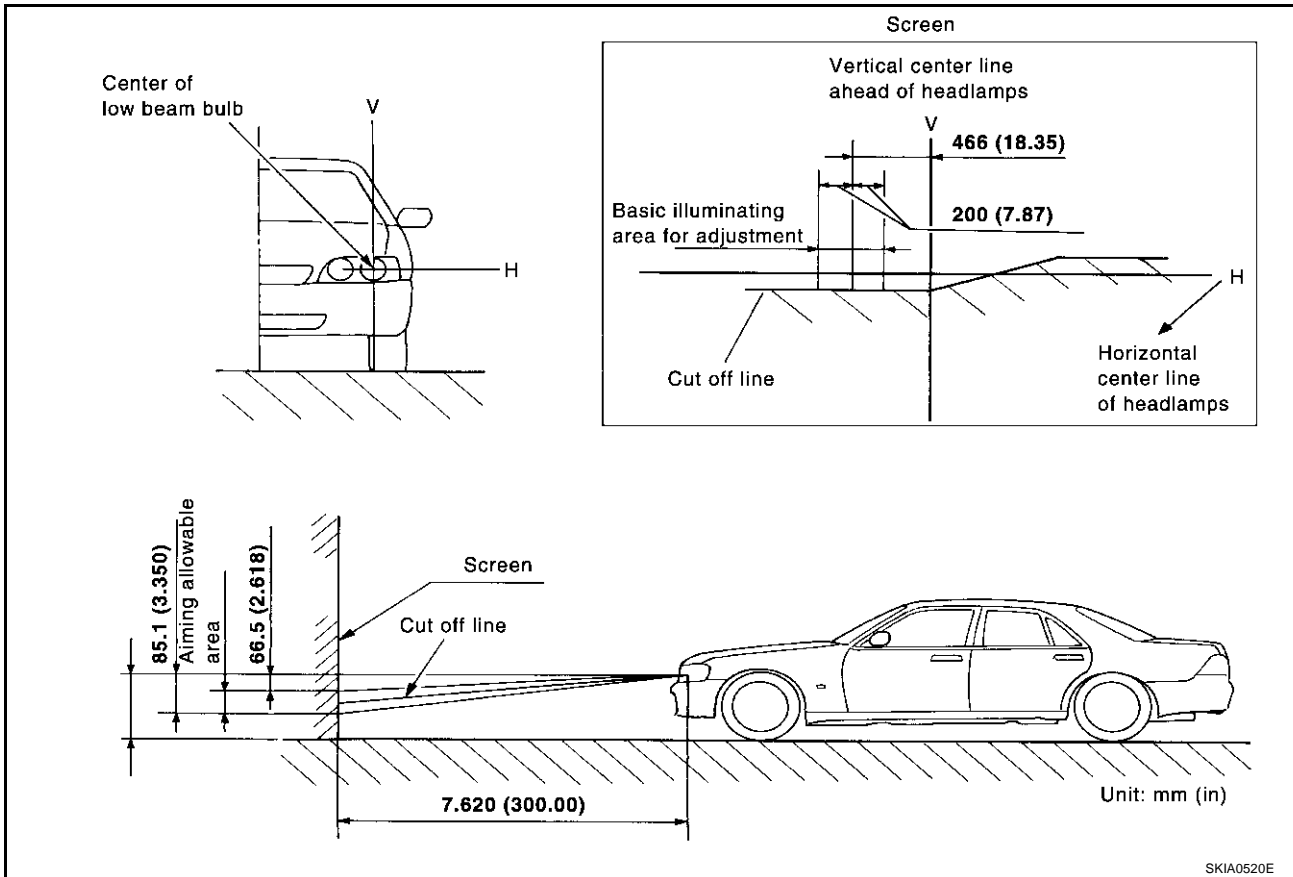
LOW BEAM AND HIGH BEAM

1. Turn headlamp low beam on.
2. Use adjusting screws to perform aiming adjustment.

A
B
C
D
E
F
G
H
I
J
LT
L
M

HEADLAMP (FOR USA)

- First tighten the adjusting screw all the way and then make adjustment by loosening the screw.

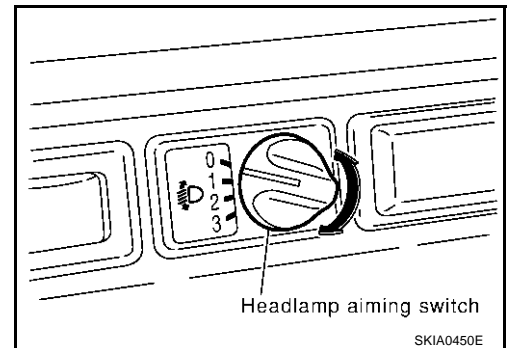


If the vehicle front body has been repaired and/or the headlamp assembly has been replaced, check aiming. Use the aiming chart shown in the figure.

- Basic illuminating area for adjustment should be within the range shown on the aiming chart. Adjust headlamps accordingly.

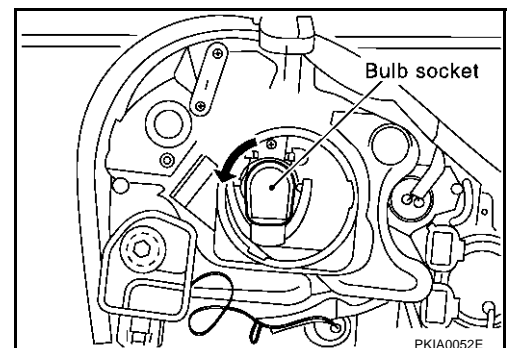
CAUTION:

Be sure aiming switch is set to "0" when performing aiming adjustment.



Bulb Replacement HEADLAMP (OUTER SIDE), FOR LOW BEAM

1. Remove the headlamps. Refer to [LT-34, "Removal and Installation"](#).
2. Turn the plastic cap counterclockwise and unlock it.
3. Disconnect the headlamp connector.
4. Turn the bulb socket counterclockwise and unlock it.
5. Unlock the retaining spring and remove the bulb from the headlamp.



HEADLAMP (FOR USA)

HEADLAMP (INNER SIDE), FOR HIGH BEAM

1. Turn the lighting switch OFF. A
2. Disconnect the negative battery cable or remove the power fuse.
3. Disconnect the headlamp connector.
4. Remove the mass airflow sensor cover and the air cleaner (when replacing LH bulb). Refer to [EM-15, "Removal and Installation"](#) in "ENGINE MECHANICAL (EM)" section. B
5. Remove the battery cover and the battery (when replacing RH bulb). Refer to [SC-8, "Removal and Installation"](#) in "STARTING AND CHARGING SYSTEM (SC)" section. C
6. Turn the plastic cap counterclockwise and unlock it.
7. Disconnect the terminal connected to the bulb.
8. Unlock the retaining spring and remove the bulb from the headlamp. D

PARKING LAMP (CLEARANCE LAMP)

1. Turn the lighting switch OFF. E
2. Disconnect the negative battery cable or remove the power fuse.
3. Disconnect the headlamp connector.
4. Remove the mass airflow sensor cover and the air cleaner (when replacing LH bulb). Refer to [EM-15, "Removal and Installation"](#) in "ENGINE MECHANICAL (EM)" section. F
5. Remove the battery cover and the battery (when replacing RH bulb). Refer to [SC-8, "Removal and Installation"](#) in "STARTING AND CHARGING SYSTEM (SC)" section. G
6. Turn the bulb socket counterclockwise and unlock it.
7. Remove the bulb from its socket. H

FRONT TURN SIGNAL LAMP

1. Turn the lighting switch OFF.
2. Disconnect the negative battery cable or remove the power fuse.
3. Disconnect the headlamp connector.
4. Remove the mass airflow sensor cover and the air cleaner assembly (when replacing LH bulb). Refer to [EM-15, "Removal and Installation"](#) in "ENGINE MECHANICAL (EM)" section. I
5. Remove the battery cover and the battery (when replacing RH bulb). Refer to [SC-8, "Removal and Installation"](#) in "STARTING AND CHARGING SYSTEM (SC)" section. J
6. Turn the bulb socket counterclockwise and unlock it. LT
7. Remove the bulb from its socket.

FRONT SIDE MARKER LAMP

1. Turn the lighting switch OFF. L
2. Disconnect the negative battery cable or remove the power fuse.
3. Disconnect the headlamp connector.
4. Remove the engine undercover and fender protector.
5. Remove the washer tank (when replacing LH bulb).
6. Turn the bulb socket counterclockwise and unlock it.
7. Remove the bulb from its socket. M

Headlamp (outer side), for low beam : 12V 35W (D2S)

Headlamp (inner side), for high beam : 12V 55W (H1)

Parking lamp (clearance lamp) : 12V 5W

Front turn signal lamp : 12V 27W (amber)

Front side marker lamp : 12V 5W

CAUTION:

After installing the bulb, be sure to install the plastic cap and the bulb socket securely to ensure watertightness.

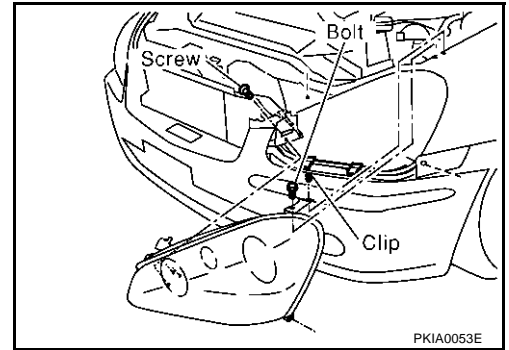
HEADLAMP (FOR USA)

EKS001HK

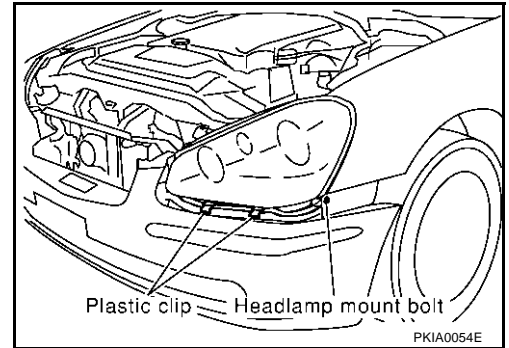
Removal and Installation

REMOVAL

1. Remove the front grille. Refer to [EI-19, "FRONT GRILLE"](#) in "EXTERIOR & INTERIOR (EI)" section.
2. Remove the filler cap on the washer tank and the front air guide.
3. Remove the front undercover and the fender protector. Refer to [EI-21, "FENDER PROTECTOR"](#) in "EXTERIOR & INTERIOR (EI)" section.
4. Remove mounting clip on top of the front bumper and mounting bolts on the side of the front bumper. Refer to [EI-15, "FRONT BUMPER"](#) in "EXTERIOR & INTERIOR (EI)" section.



5. Pull the side of the front bumper toward the front of the vehicle and disengage it from clips on the body.
6. Remove the headlamp mounting bolts and clip.
7. Remove the headlamp mounting screws inside the headlamp.
8. Pull the headlamp toward the front of the vehicle, disconnect the connector, and remove from the vehicle.



CAUTION:

When removing the headlamp, place a rag between the headlamp and the bumper to protect the bumper.

INSTALLATION

Install in the reverse order of removal, taking care of the following points.

Headlamp mounting bolt:

: 4.4 - 6.5 N·m (0.45 - 0.66 kg-m, 39 - 57 in-lb)

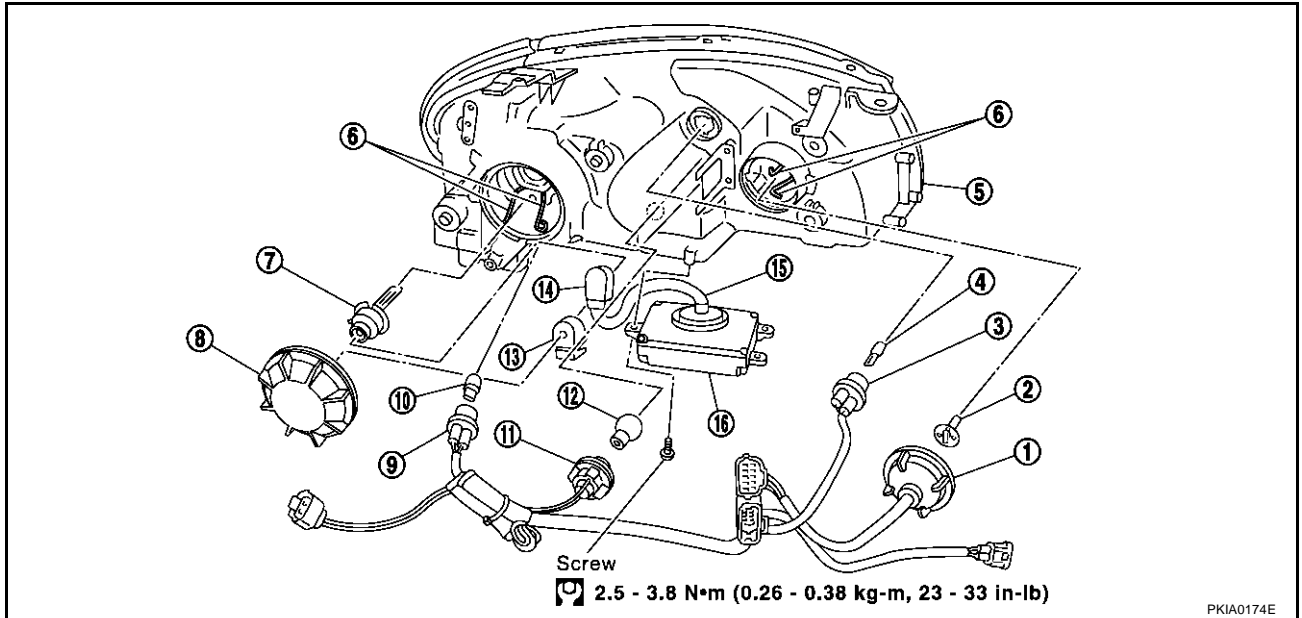
Headlamp mounting screw:

: 4.4 - 6.5 N·m (0.45 - 0.66 kg-m, 39 - 57 in-lb)

HEADLAMP (FOR USA)

Disassembly and Assembly DISASSEMBLY

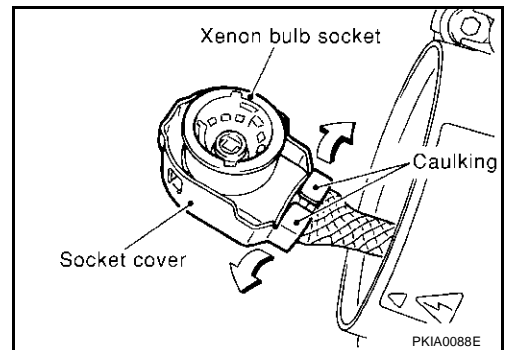
EKS001HL



PKIA0174E

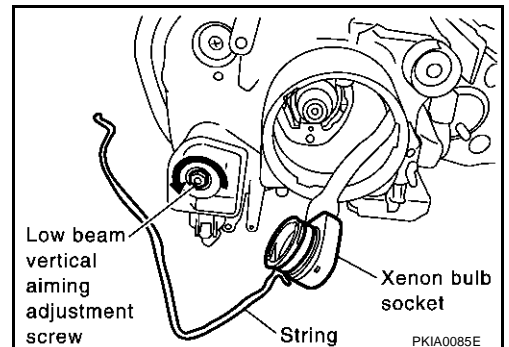
- | | | |
|---------------------------------------|--|--|
| 1. Plastic cap (high) | 2. Halogen bulb | 3. Parking lamp (Clearance lamp) bulb socket |
| 4. Parking lamp (Clearance lamp) bulb | 5. Xenon headlamp assembly | 6. Retaining springs |
| 7. Xenon bulb | 8. Plastic cap (low) | 9. Front side marker lamp bulb socket |
| 10. Front side marker lamp bulb | 11. Front turn signal lamp bulb socket | 12. Front turn signal lamp bulb |
| 13. Socket cover | 14. Xenon bulb socket | 15. Mesh cord |
| 16. H.I.D control unit | | |

1. Turn the plastic cap (low) counterclockwise and unlock it.
2. Turn the xenon bulb socket counterclockwise and unlock it.
3. Unlock the retaining spring and remove the xenon bulb (low).
4. Expand calking of socket cover, and then remove socket cover from the xenon valve socket.
5. Disconnect the H.I.D control unit connector and remove the H.I.D control unit mounting screws.



PKIA0088E

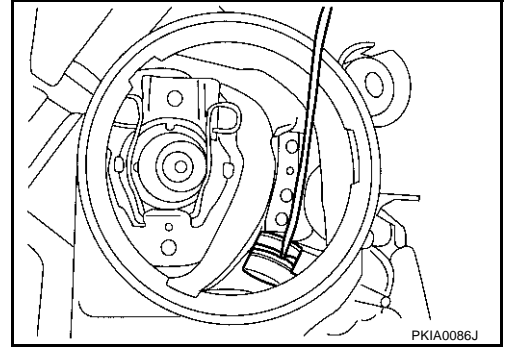
6. Turn the dipped beam vertical aiming adjustment screw counterclockwise to secure space in the headlamp for the xenon bulb socket to pass through. Tie a cord to the bulb socket to facilitate removal and insertion.



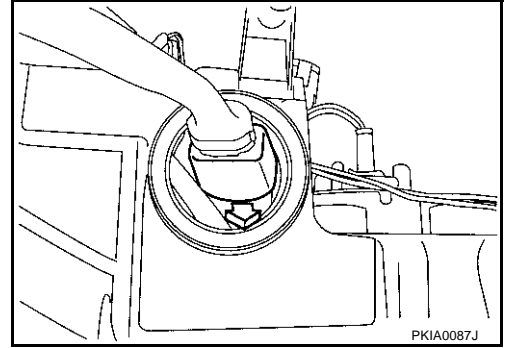
PKIA0085E

HEADLAMP (FOR USA)

7. Face the xenon bulb socket as shown in the figure, and pull it while maintaining its direction by turning the mesh cord from the H.I.D control unit side.




8. Face the xenon bulb socket as shown in the figure, and pull it up in the direction of arrow using the mesh cord.
9. Turn the plastic cap (high) counterclockwise and unlock it.
10. Disconnect the terminal connected to the halogen bulb.
11. Unlock the retaining spring and remove the halogen bulb (high).
12. Turn the parking lamp (clearance lamp) bulb socket counterclockwise and unlock it.
13. Remove the parking lamp (clearance lamp) bulb from its socket.
14. Turn the front side marker lamp bulb socket counterclockwise and unlock it.
15. Remove the front side marker lamp bulb from its socket.
16. Turn the front turn signal lamp bulb socket counterclockwise and unlock it.
17. Remove the front turn signal lamp bulb from its socket.



ASSEMBLY

Assemble in the reverse order of disassembly, taking care of the following points.

H.I.D control unit:

: 2.5 - 3.8 N·m (0.26 - 0.38 kg·m, 23 - 33 in·lb)

CAUTION:

- When the H.I.D control unit is removed, reinstall it securely and avoid any looseness.
- After installing the bulb, be sure to install the plastic cap and the bulb socket securely to ensure watertightness.

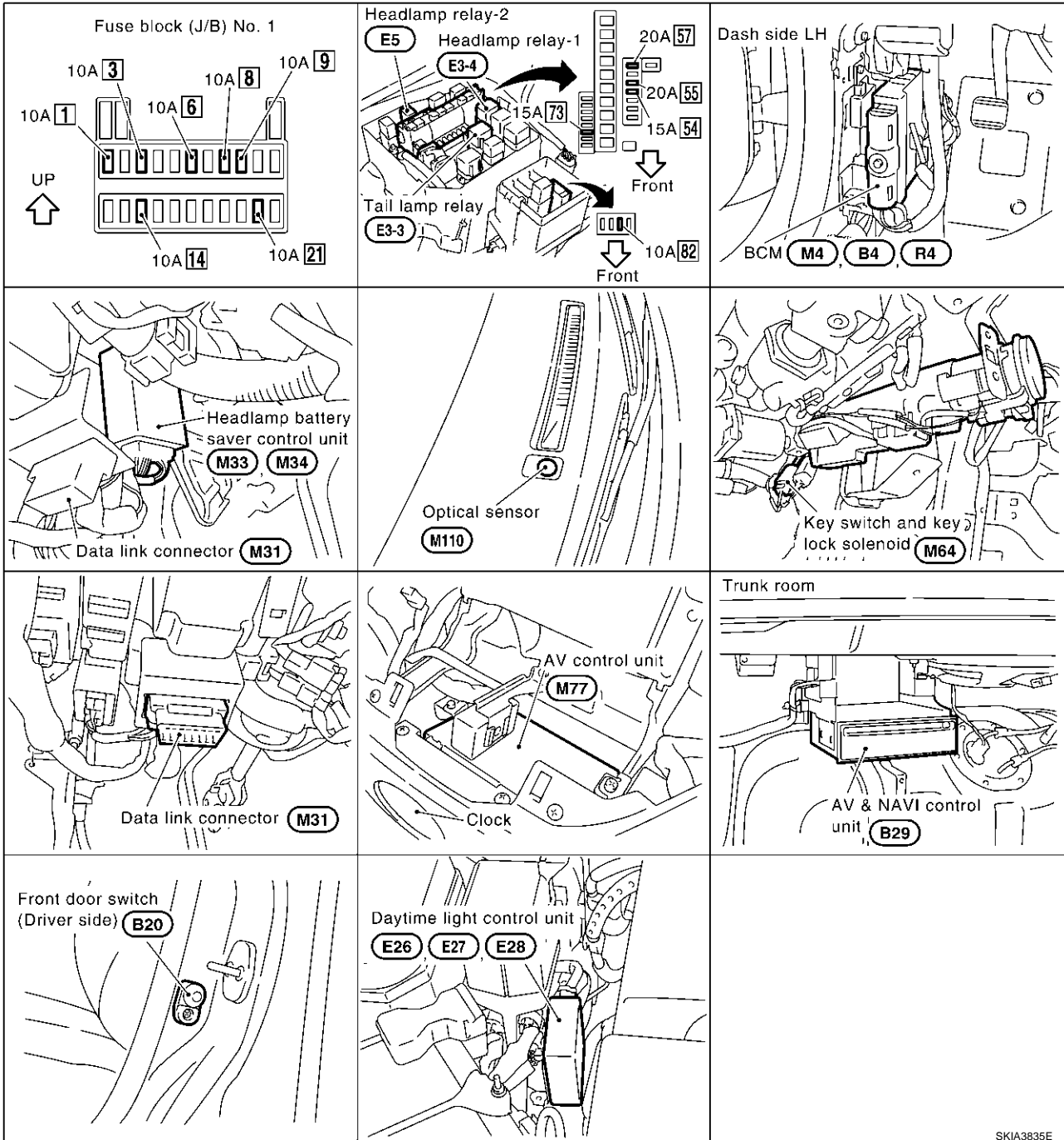
HEADLAMP (FOR CANADA) - DAYTIME LIGHT SYSTEM -

HEADLAMP (FOR CANADA) - DAYTIME LIGHT SYSTEM -

PPF:26010

Component Parts and Harness Connector Location

EKS000SK



SKIA3835E

System Description

EKS000SL

The headlamp system for Canada vehicles is equipped with a daytime light control unit that activates the high beam headlamps at approximately half illumination whenever the engine is running. If the parking brake is applied before the engine is started the daytime lights will not be illuminated. The daytime lights will illuminate once the parking brake is released. Thereafter, the daytime lights will continue to operate when the parking brake is applied.

And battery saver system is controlled by the headlamp battery saver control unit and BCM.

Power is supplied at all times

- to headlamp relay-1 terminal 3
- through 20A fuse [No. 57, located in the fuse, fusible link and relay block (J/B)],
- to headlamp relay-1 terminal 7

A
B
C
D
E
F
G
H
I
J
LT
L
M

HEADLAMP (FOR CANADA) - DAYTIME LIGHT SYSTEM -

- through 20A fuse [No. 55, located in the fuse, fusible link and relay block (J/B)],
- to headlamp relay-2 terminals 2 and 5
- through 15A fuse (No. 73, located in the fuse, fusible link and relay box), and
- to tail lamp relay terminals 2 and 6
- through 15A fuse [No. 54, located in the fuse, fusible link and relay block (J/B)]
- to headlamp battery saver control unit terminal 7
- through 10A fuse [No. 6, located in the fuse block (J/B) No. 1]
- to BCM terminal 105
- through 10A fuse [No. 3, located in the fuse block (J/B) No. 1]

Ground is supplied

- to daytime light control unit terminal 16
- through body grounds E62 and E42, and
- to headlamp battery saver control unit terminals 4 and 11
- through body grounds M25 and M115.

When the ignition switch is in the ON or START position, power is also supplied

- to daytime light control unit terminal 3
- through 10A fuse (No. 82, located in the fuse, fusible link and relay box),
- to headlamp battery saver control unit terminal 1, and
- to BCM terminal 68
- through 10A fuse [No. 1, located in the fuse block (J/B) No. 1].

When the ignition switch is in the ACC or ON position, power is supplied

- to BCM terminal 60
- through 10A fuse [No. 21, located in the fuse block (J/B) No. 1].

When the ignition switch is in the START position, power is supplied

- to daytime light control unit terminal 2
- through 10A fuse [No. 14, located in the fuse block (J/B) No. 1].

HEADLAMP OPERATION

Power Supply to Low Beam and High Beam

When lighting switch is in 2ND or PASS position, ground is supplied

- to headlamp relay-1 and 2 terminals 1
- from headlamp battery saver control unit terminals 2 and 8
- through headlamp battery saver control unit terminals 3 and 9
- through lighting switch terminals 12 and 8
- through body grounds M25 and M115.

Headlamp relays are energized and then power is supplied to headlamps.

Low Beam Operation

When the lighting switch is turned to 2ND position and placed in LOW positions, power is supplied

- from terminals 5 and 6 of headlamp relay-1
- to terminal 7 of each headlamp

Ground is supplied

- to terminal 8 of each headlamp
- through body grounds E42 (RH) and E62 (LH).

With power and ground supplied, the low beam headlamps illuminate.

High Beam Operation/Flash-to-pass Operation

When the lighting switch is turned to 2ND position and placed in HIGH position or PASS position, power is supplied

- through terminal 3 of headlamp relay-2
- to terminals 4 and 5 of daytime light control unit and

HEADLAMP (FOR CANADA) - DAYTIME LIGHT SYSTEM -

- to combination meter terminal 48 for the HIGH BEAM indicator.

Ground is supplied

- to terminal 14 of each headlamp
- through daytime light control unit terminals 9 and 10, and
- to daytime light control unit terminals 6 and 7
- through terminals 13 of each headlamp.
- to daytime light control unit terminal 13
- through combination meter terminal 47 for the HIGH BEAM indicator
- to daytime light control unit terminals 13 and 14
- through lighting switch terminals 6 and 9
- to lighting switch terminals 5 and 8
- through body grounds M25 and M115.

With power and ground supplied, the high beam headlamps and HIGH BEAM indicator illuminate.

BATTERY SAVER CONTROL

When the ignition switch is turned from ON (or START) to OFF (or ACC) positions while headlamps are illuminated, The RAP signal is supplied to terminal 10 of the headlamp battery saver control unit from BCM terminal 135.

After counting 45 seconds by the RAP signal from the BCM to headlamp battery saver control unit, the ground supply to terminals 1 of headlamp relay-1 and 2 from headlamp battery saver control unit terminals 2 and 8 is terminated.

Then headlamps are turned off.

The headlamps are turned off when driver or passenger door is opened even if 45 seconds have not passed after the ignition switch is turned from ON (or START) to OFF (or ACC) positions while headlamps are illuminated.

When the lighting switch is turned from OFF to 2ND after headlamps are turned to off by the battery saver control, ground is supplied

- to headlamp battery saver control unit terminals 5 and 13 from lighting switch terminal 11, and then
- to headlamp relay-1 and 2 terminals 1 from headlamp battery saver control unit terminals 2 and 8
- through headlamp battery saver control unit terminals 3 and 9, and
- through lighting switch terminal 12.

Then headlamps illuminate again.

AUTO LIGHT OPERATION

For auto light operation, refer to [LT-8, "AUTO LIGHT OPERATION"](#) in "HEADLAMP (USA)".

DAYTIME LIGHT OPERATION

With the engine running, the lighting switch in the OFF or 1ST position and parking brake released, power is supplied

- through daytime light control unit terminal 7
- to terminal 13 of RH headlamp
- through terminal 14 of RH headlamp
- to daytime light control unit terminal 9
- through daytime light control unit terminal 6
- to terminal 13 of LH headlamp.
- through terminal 14 of LH headlamp to daytime light control unit terminal 10

Ground is supplied

- to daytime light control unit terminal 16
- through body grounds E42 and E62.

Because the high beam headlamps are now wired in series, they operate at half illumination.

OPERATION

After starting the engine with the lighting switch in the "OFF" or "1ST" position, the headlamp high beam automatically turns on. Lighting switch operations other than the above are the same as conventional light systems.

HEADLAMP (FOR CANADA) - DAYTIME LIGHT SYSTEM -

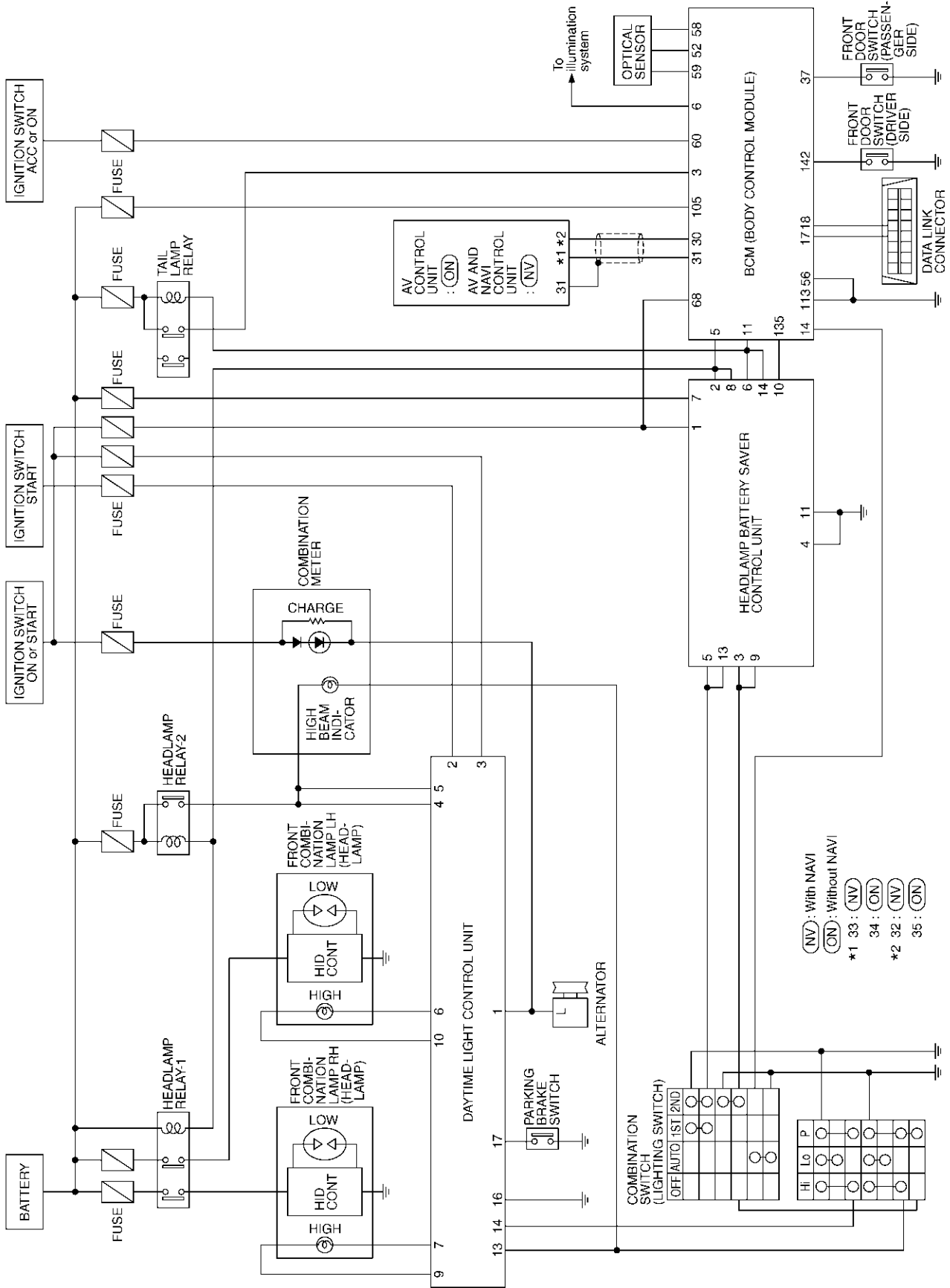
Engine		With engine stopped									With engine running								
Lighting switch		OFF			1ST			2ND			OFF			1ST			2ND		
		Hi	Lo	P	Hi	Lo	P	Hi	Lo	P	Hi	Lo	P	Hi	Lo	P	Hi	Lo	P
Headlamp	High beam	-	-	-	-	-	×	×	-	×	●*	●*	×	●*	●*	×	×	-	×
	Low beam	-	-	-	-	-	×	×	×	×	-	-	×	-	-	×	×	×	×
Parking (clearance), side marker and tail lamp		-	-	-	×	×	×	×	×	×	-	-	-	×	×	×	×	×	×
License and instrument illumination lamp		-	-	-	×	×	×	×	×	×	-	-	-	×	×	×	×	×	×

- Hi: "HIGH BEAM" position
- Lo: "LOW BEAM" position
- P: "FLASH TO PASS" position
- ×: Lamp "ON"
- -: Lamp "OFF"
- ●: Lamp dims. (Added functions)
- *: When starting the engine with the parking brake released, the daytime light will come ON.
When starting the engine with the parking brake pulled, the daytime light won't come ON.

HEADLAMP (FOR CANADA) - DAYTIME LIGHT SYSTEM -

Schematic

EKS000SM



A
B
C
D
E
F
G
H
I
J
K
L
M

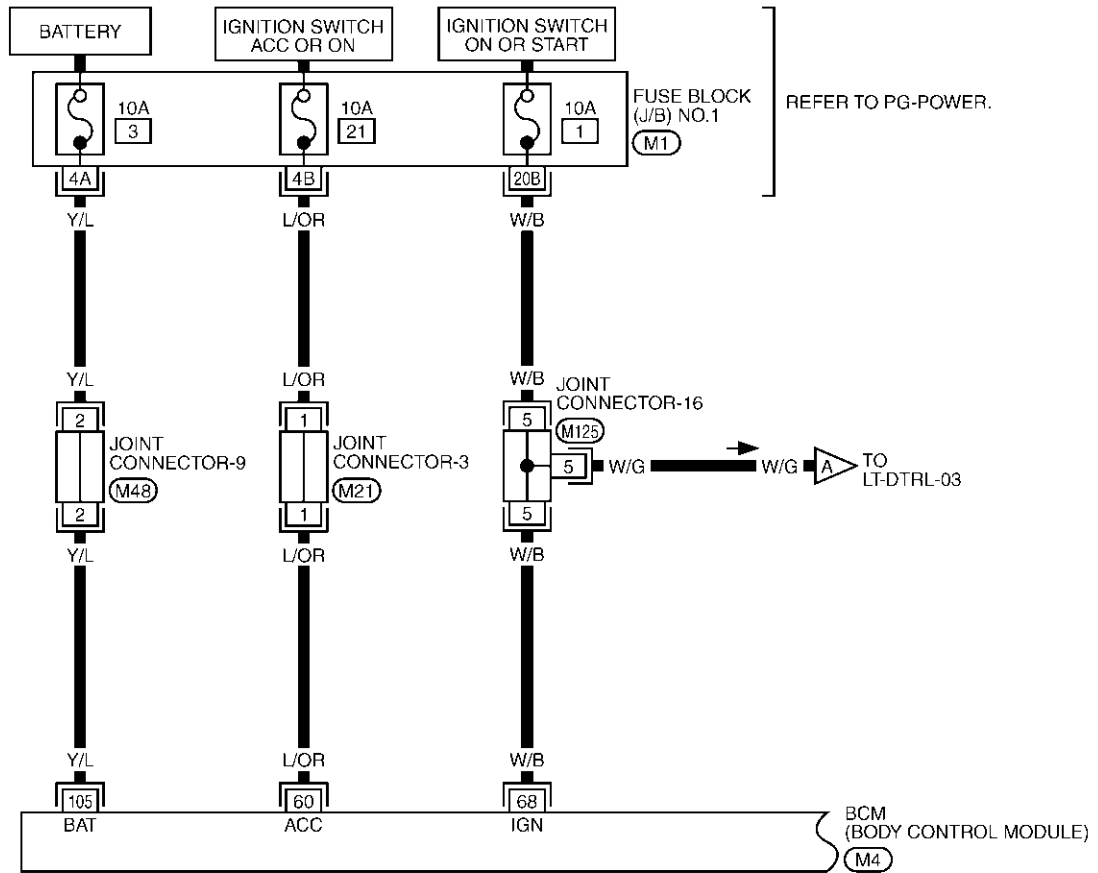
LT

HEADLAMP (FOR CANADA) - DAYTIME LIGHT SYSTEM -

EKS000SN

LT-DTRL-01

Wiring Diagram — DTRL —



1	1	1	1	1	1	1	2	2
3	3	3	3	3	3	3	2	2

(M21)
GY

1	1	1	2	2	2	3	3	3
4	4	4	4	4	4	5	5	5

(M48), (M125)
B B

REFER TO THE FOLLOWING.

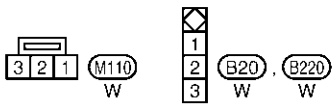
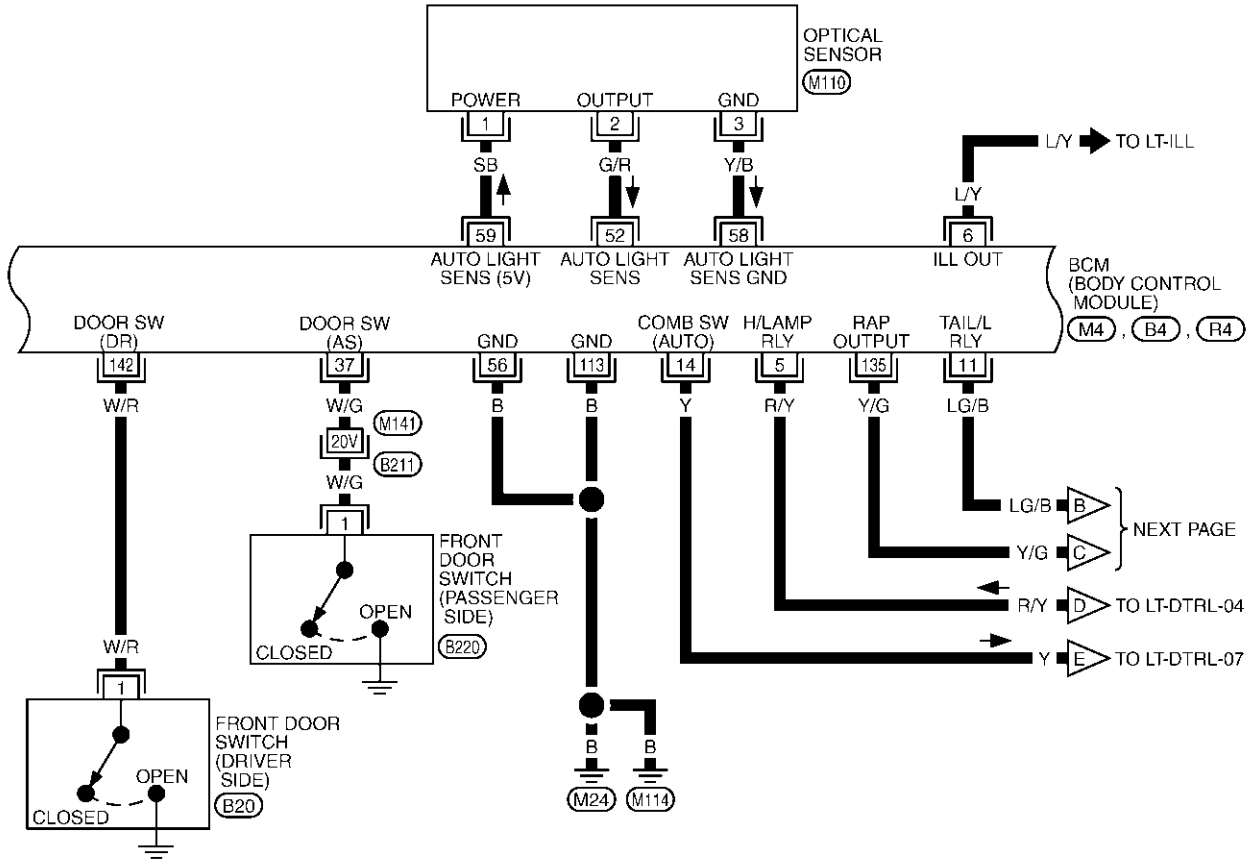
(M1) - FUSE BLOCK-JUNCTION BOX (J/B) NO.1

(M4) - ELECTRICAL UNITS

TKWM0538E

HEADLAMP (FOR CANADA) - DAYTIME LIGHT SYSTEM -

LT-DTRL-02



REFER TO THE FOLLOWING.

- (B21) -SUPER MULTIPLE JUNCTION (SMJ)
- (M4), (B4), (R4) -ELECTRICAL UNITS

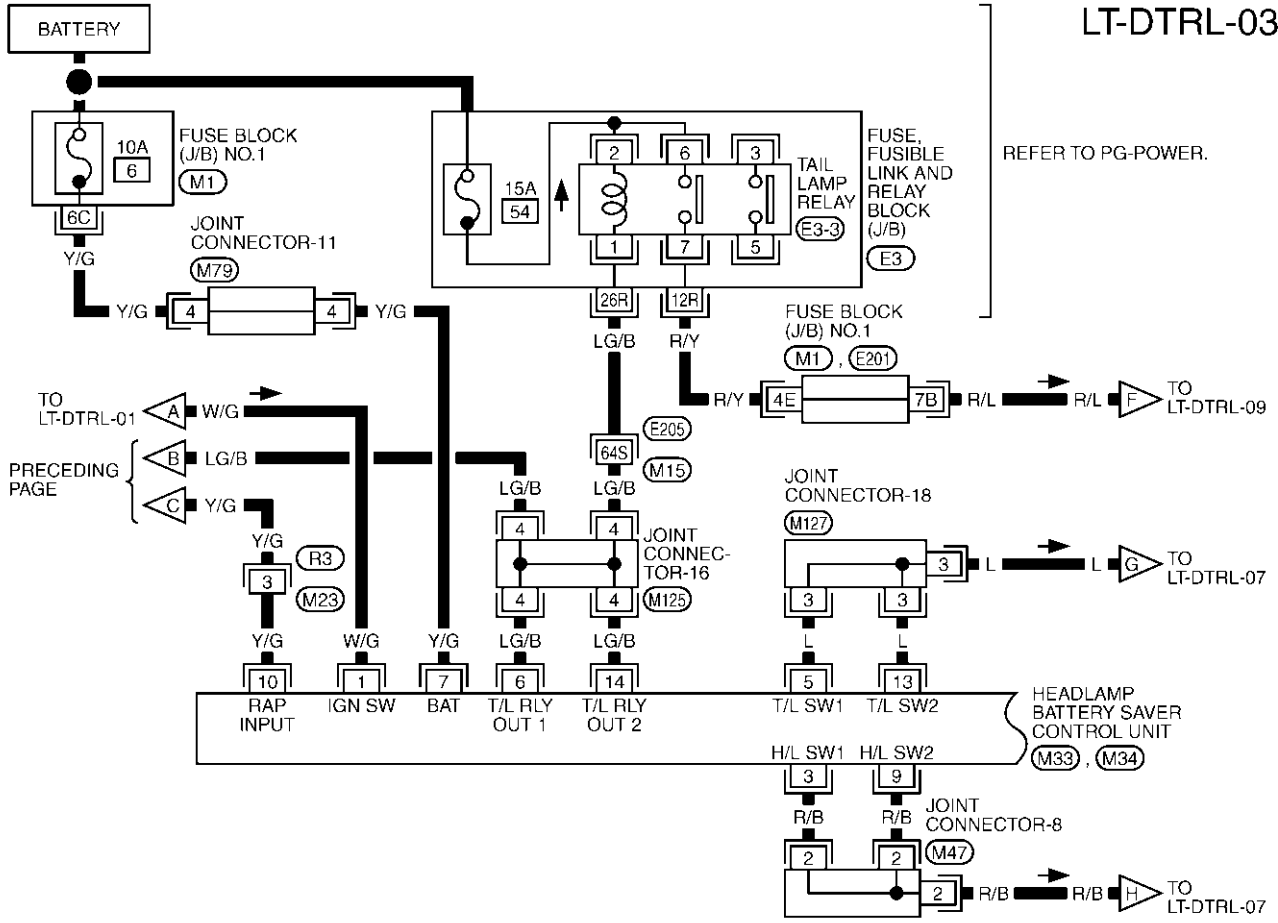
TKWM0393E

A
B
C
D
E
F
G
H
I
J
L
M

LT

HEADLAMP (FOR CANADA) - DAYTIME LIGHT SYSTEM -

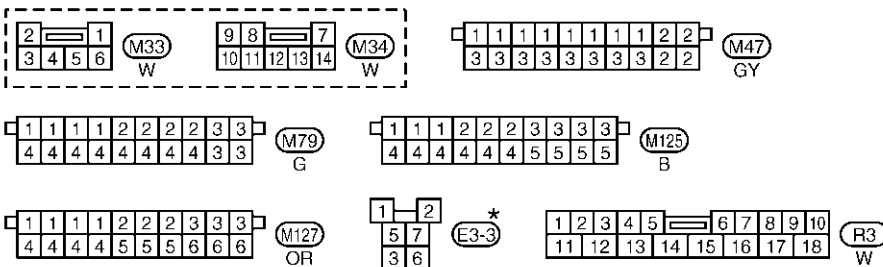
LT-DTRL-03



REFER TO PG-POWER.

REFER TO THE FOLLOWING.

- (E205) -SUPER MULTIPLE JUNCTION (SMJ)
- (M1) , (E201) -FUSE BLOCK-JUNCTION BOX (J/B) NO.1
- (E3) -FUSE,FUSIBLE LINK AND RELAY BLOCK (J/B)

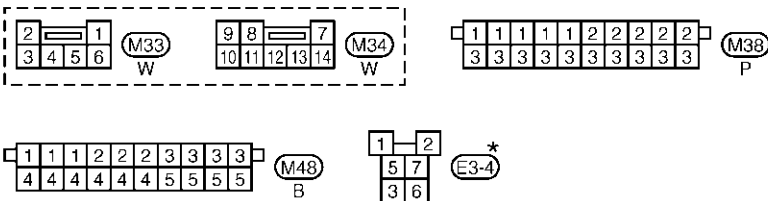
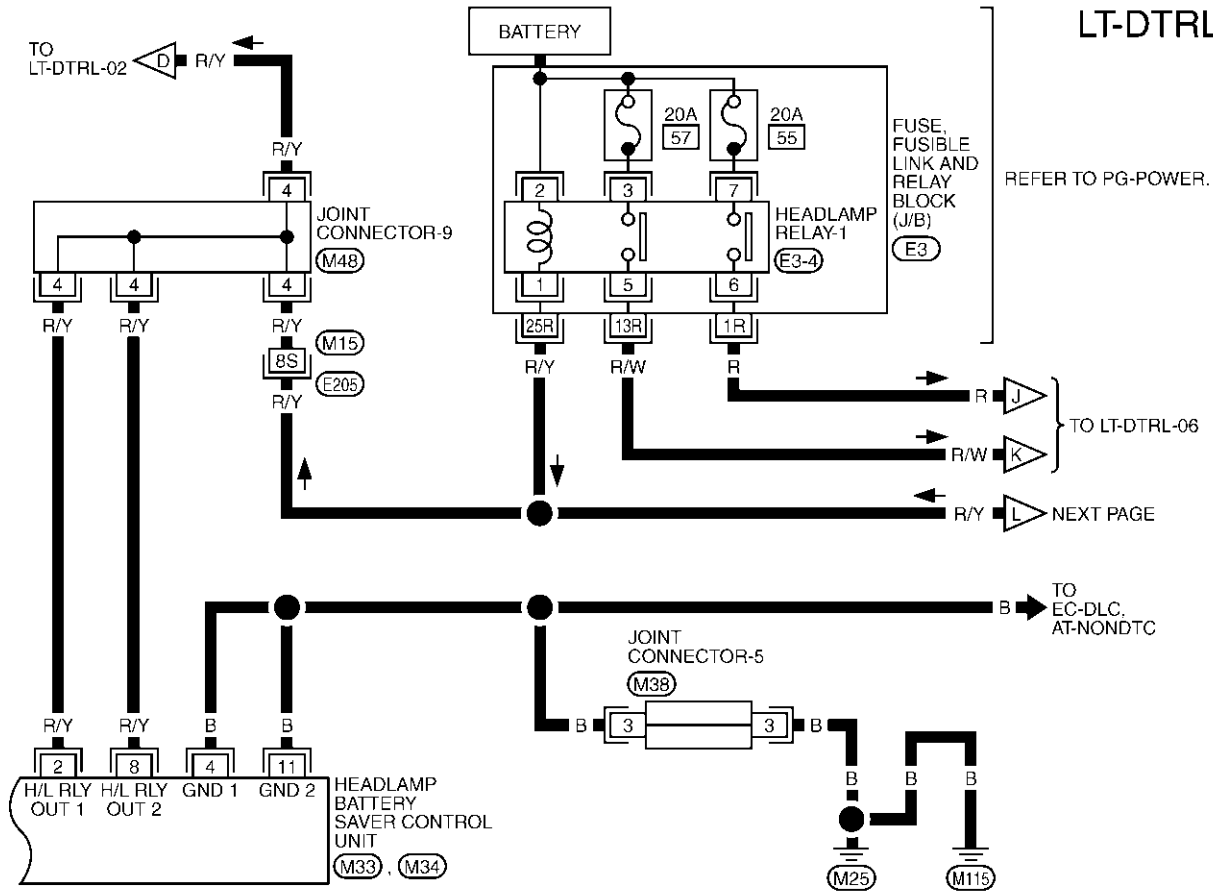


*: THIS CONNECTOR IS NOT SHOWN IN "HARNESS LAYOUT", PG SECTION.

TKWM0014E

HEADLAMP (FOR CANADA) - DAYTIME LIGHT SYSTEM -

LT-DTRL-04



*: THIS CONNECTOR IS NOT SHOWN IN "HARNESS LAYOUT", PG SECTION.

REFER TO THE FOLLOWING.

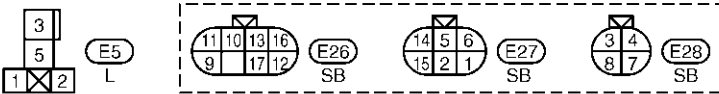
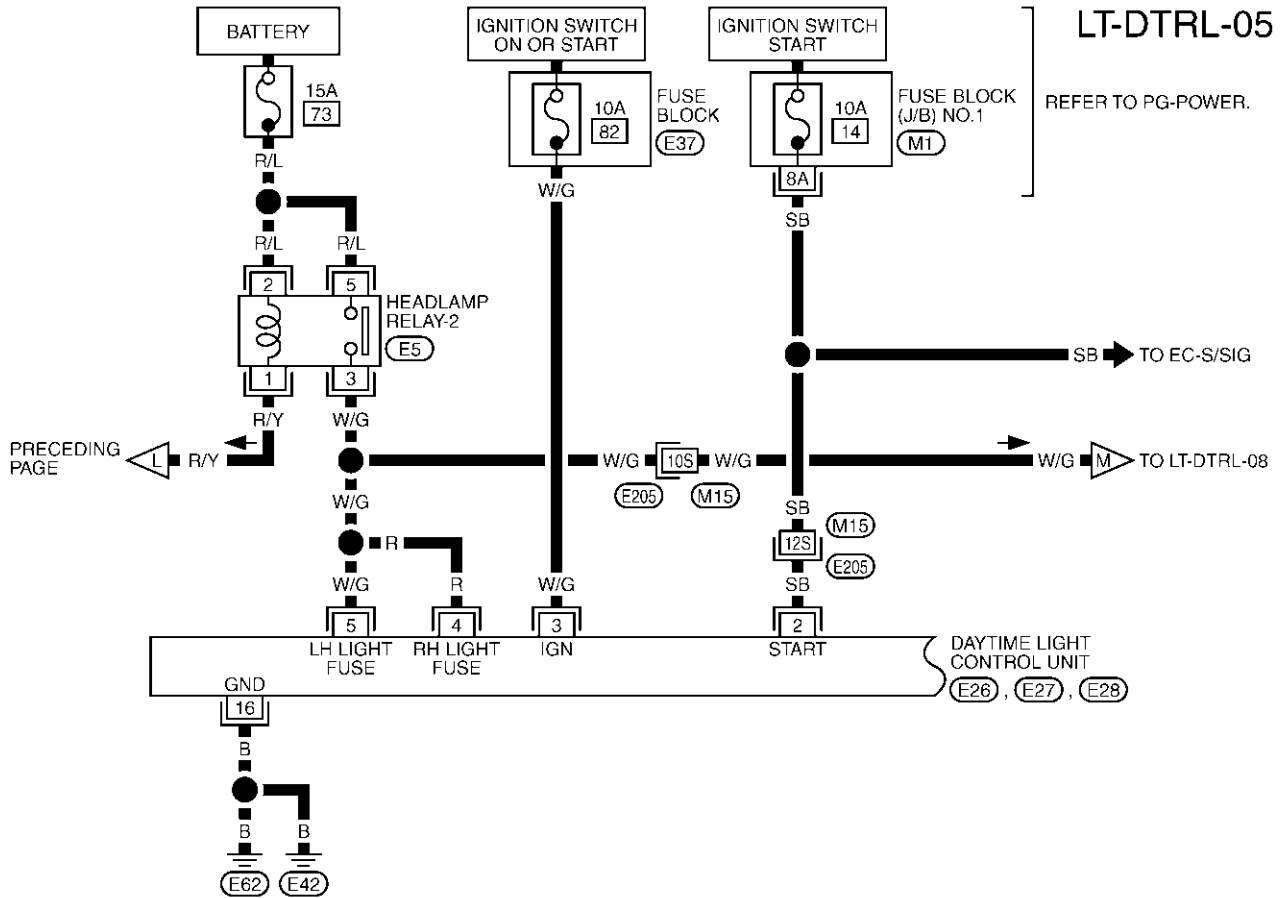
(E205) -SUPER MULTIPLE JUNCTION (SMJ)

(E3) -FUSE, FUSIBLE LINK AND RELAY BLOCK (J/B)

A
B
C
D
E
F
G
H
I
J
L
M

LT

HEADLAMP (FOR CANADA) - DAYTIME LIGHT SYSTEM -



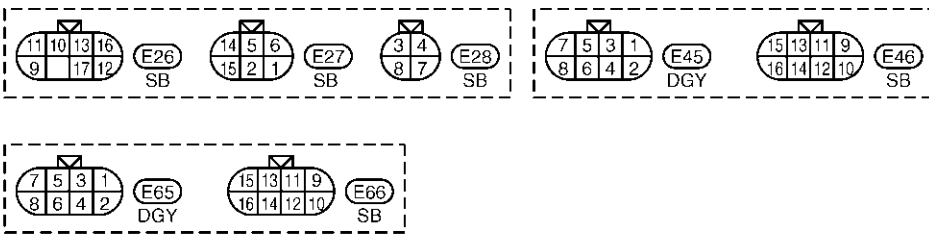
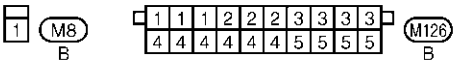
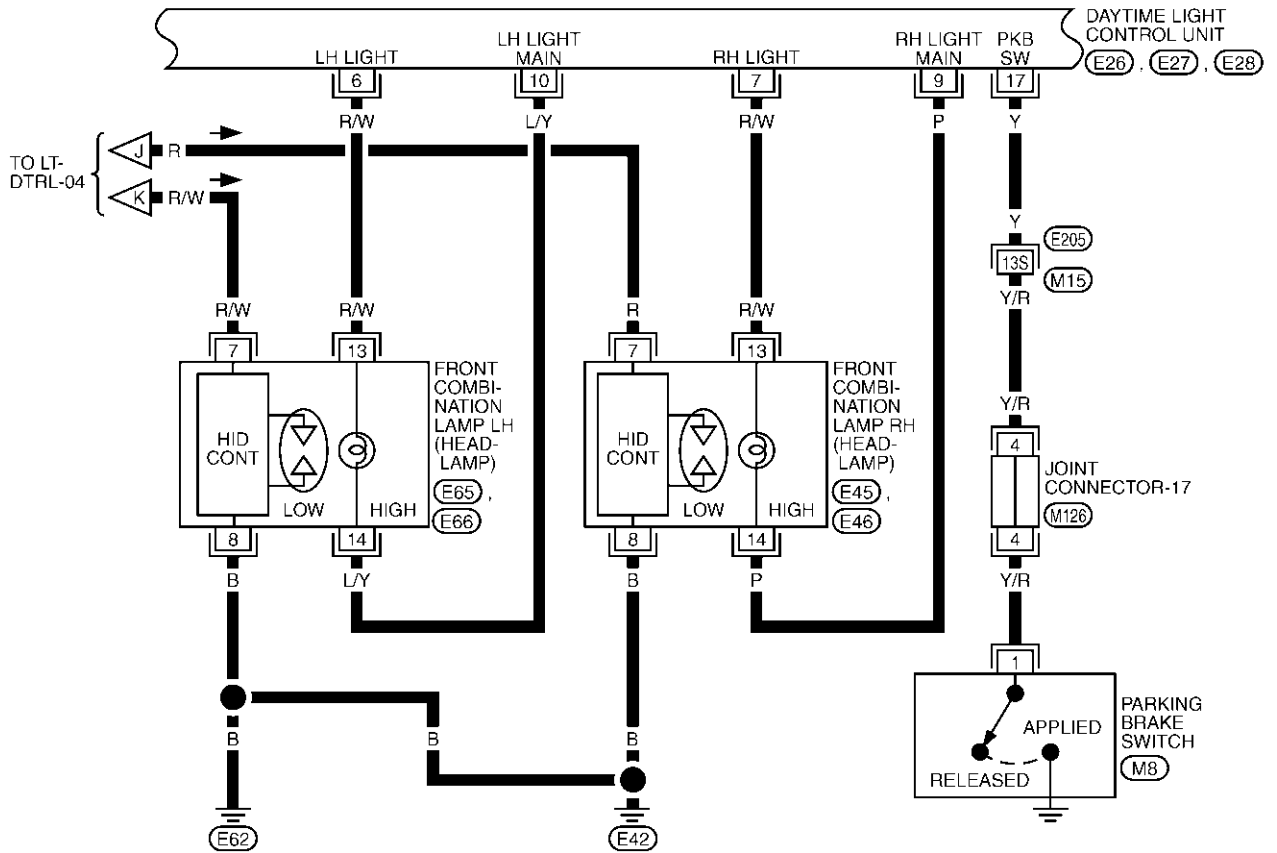
REFER TO THE FOLLOWING.

- (E205) -SUPER MULTIPLE JUNCTION (SMJ)
- (M1) -FUSE BLOCK-JUNCTION BOX (J/B) NO.1
- (E37) -FUSE BLOCK

TKWM0395E

HEADLAMP (FOR CANADA) - DAYTIME LIGHT SYSTEM -

LT-DTRL-06



REFER TO THE FOLLOWING.

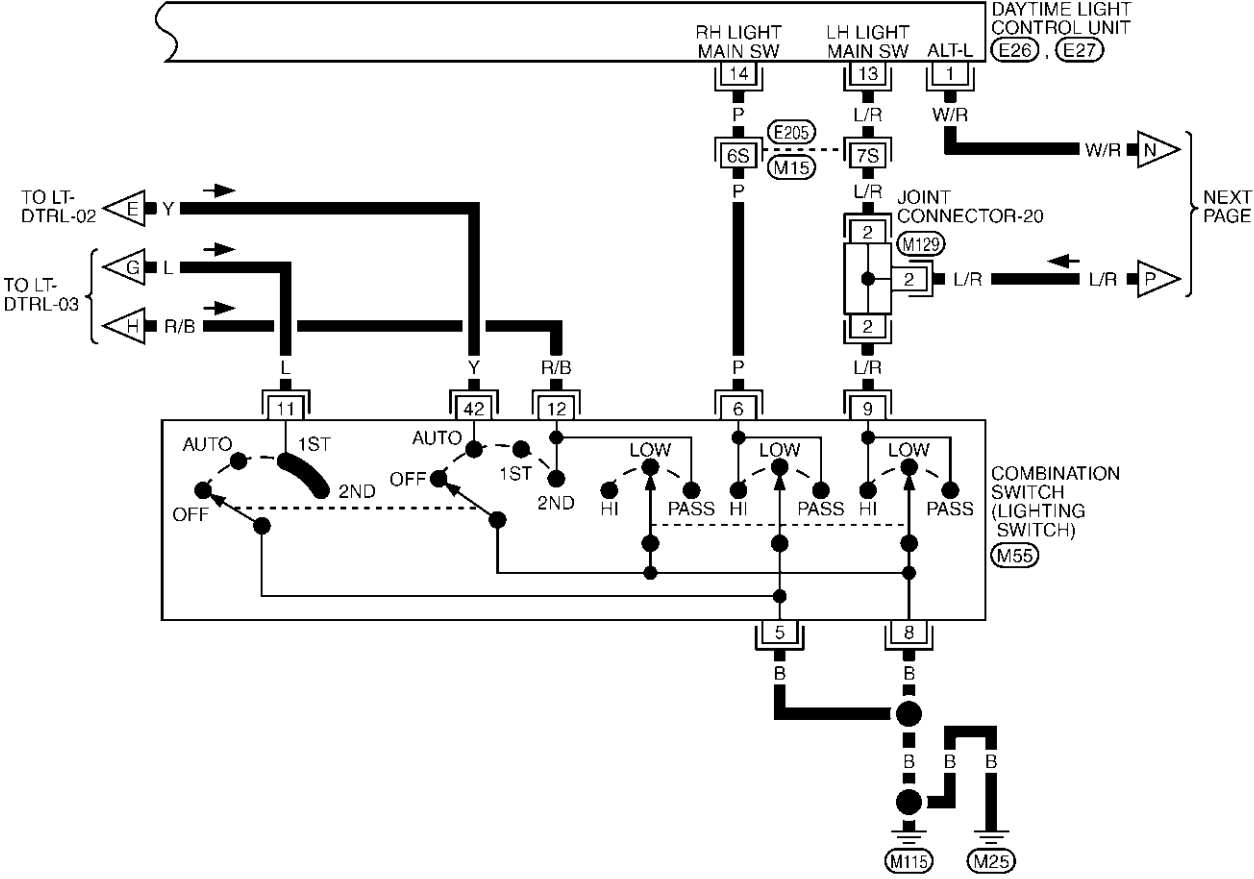
E205 - SUPER MULTIPLE JUNCTION (SMJ)

A
B
C
D
E
F
G
H
I
J
L
M

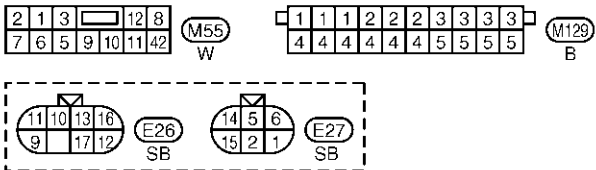
LT

HEADLAMP (FOR CANADA) - DAYTIME LIGHT SYSTEM -

LT-DTRL-07



NEXT PAGE

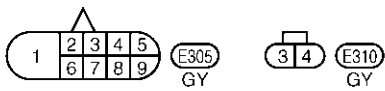
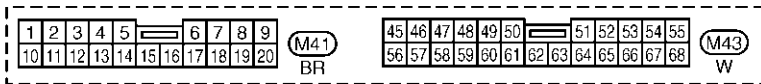
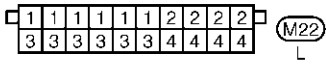
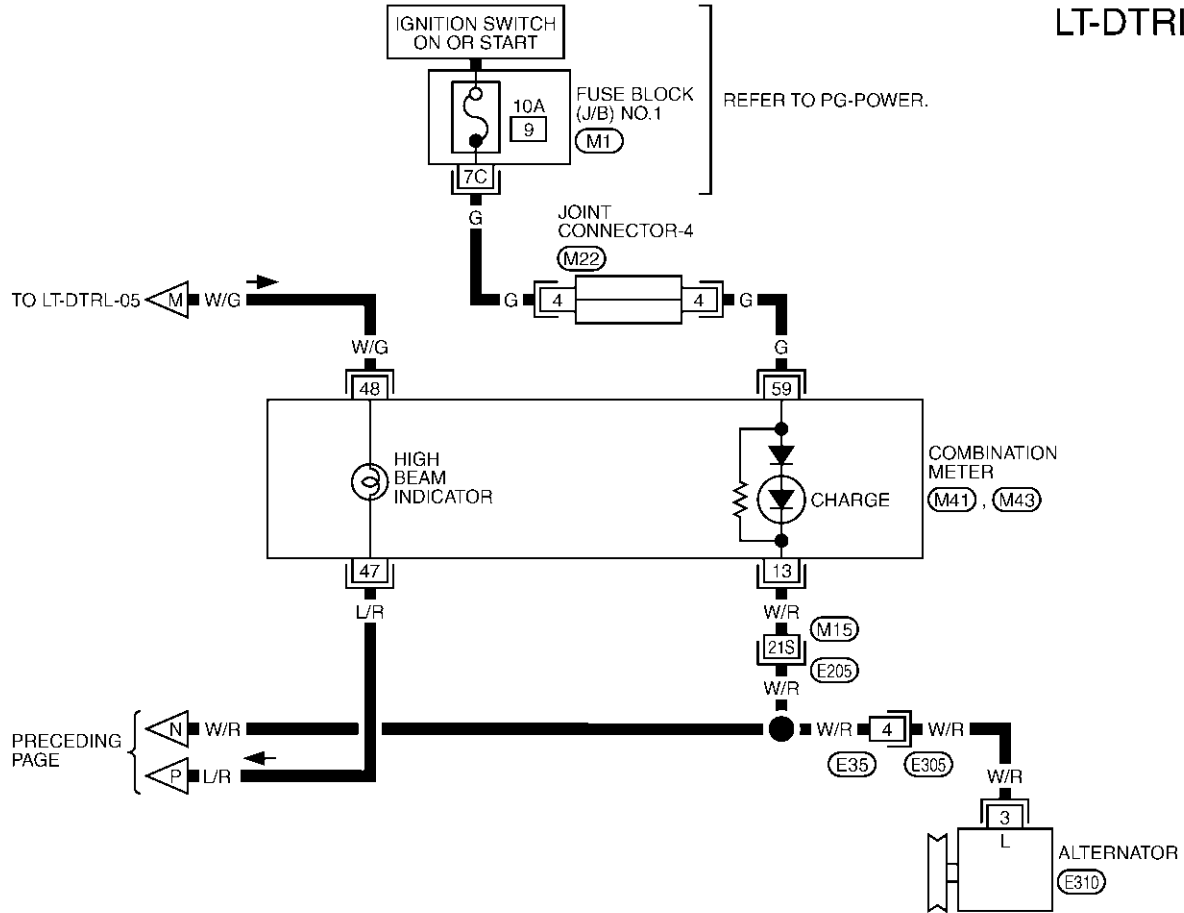


REFER TO THE FOLLOWING.
 (E205) -SUPER MULTIPLE JUNCTION (SMJ)

TKWM0018E

HEADLAMP (FOR CANADA) - DAYTIME LIGHT SYSTEM -

LT-DTRL-08



REFER TO THE FOLLOWING.

(E205) -SUPER MULTIPLE JUNCTION (SMJ)

(M1) -FUSE BLOCK-JUNCTION BOX (J/B) NO.1

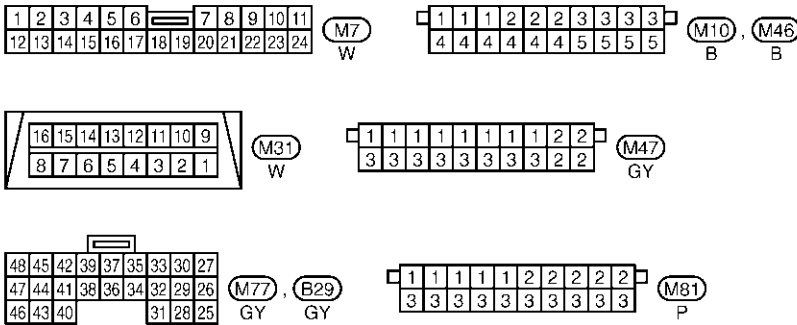
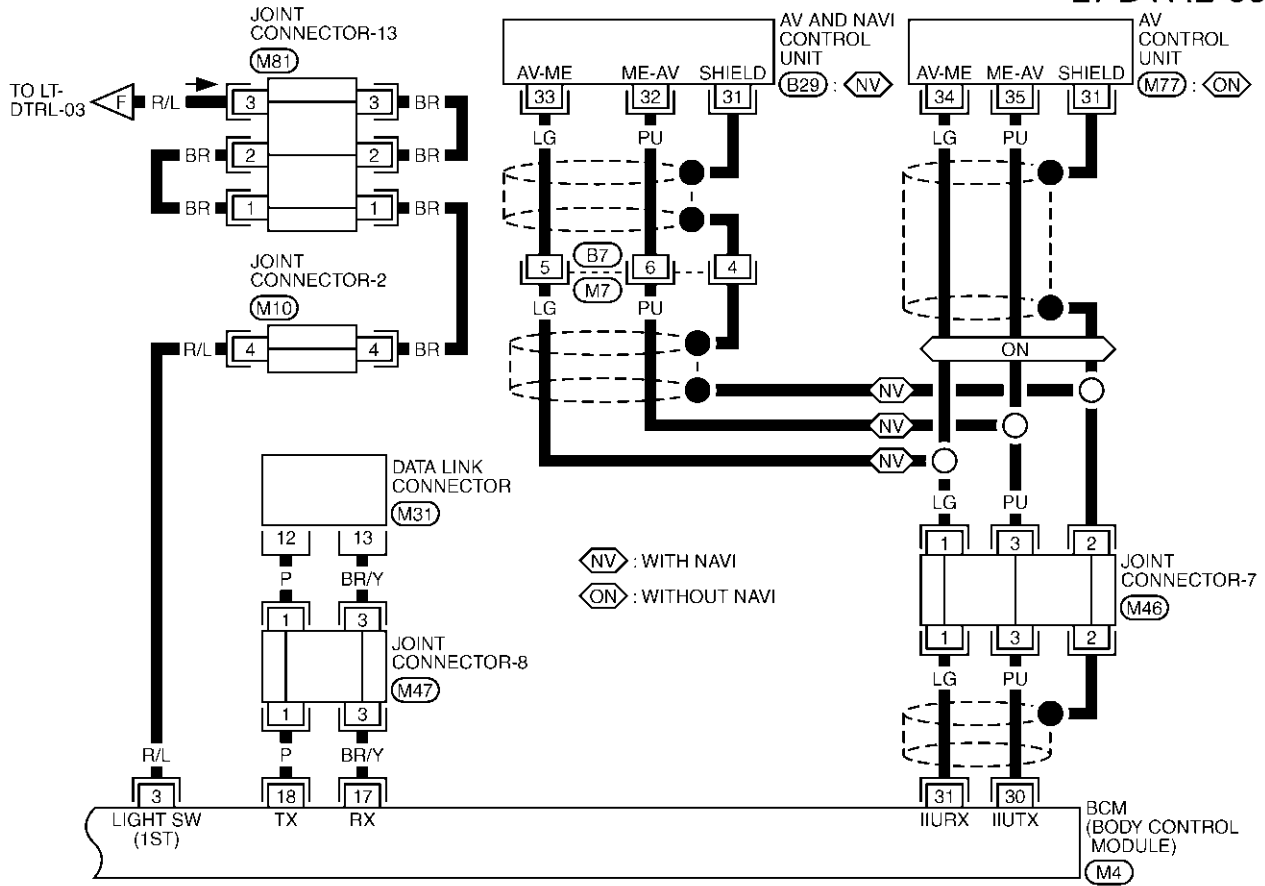
A
B
C
D
E
F
G
H
I
J
L
M

LT

TKWM0397E

HEADLAMP (FOR CANADA) - DAYTIME LIGHT SYSTEM -

LT-DTRL-09



REFER TO THE FOLLOWING.
M4 -ELECTRICAL UNITS

TKWM0337E

HEADLAMP (FOR CANADA) - DAYTIME LIGHT SYSTEM -

Terminals and Reference Value for Daytime Light Control Unit

EKS001BH

Terminal No.	Wire color	Item	Condition	Reference value (Approximate values)
1	W/R	Alternator	When turning ignition switch to "ON"	Less than 1V
			When engine is running	Battery voltage
			When turning ignition switch to "OFF"	Less than 1V
2	SB	Start signal	When turning ignition switch to "START"	Battery voltage
			When turning ignition switch to "ON" from "START"	Less than 1V
			When turning ignition switch to "ACC" or "OFF"	Less than 1V
3	W/G	Power source	When turning ignition switch to "ON"	Battery voltage
			When turning ignition switch to "START"	Battery voltage
			When turning ignition switch to "ACC" or "OFF"	Less than 1V
4	R	RH light fuse	When lighting switch is turned to the 2ND position with "HI BEAM" or "FLASH TO PASS" position	Battery voltage
			When lighting switch is turned to "FLASH TO PASS" position with ignition switch "ON" position	Battery voltage
5	W/G	LH light fuse	When lighting switch is turned to the 2ND position with "HI BEAM" or "FLASH TO PASS" position	Battery voltage
			When lighting switch is turned to "FLASH TO PASS" position with ignition switch "ON" position	Battery voltage
6	R/W	LH hi beam	When lighting switch is turned to the 2ND position with "HI BEAM" or "FLASH TO PASS" position	Battery voltage
			When releasing parking brake with engine running and turning lighting switch to "OFF" (daytime light operation) CAUTION: Block wheels and ensure selector lever is in N or P position.	Half battery voltage
7	R/W	RH hi beam	When lighting switch is turned to the 2ND position with "HI BEAM" or "FLASH TO PASS" position	Battery voltage
			When releasing parking brake with engine running and turning lighting switch to "OFF" (daytime light operation) CAUTION: Block wheels and ensure selector lever is in N or P position.	Battery voltage
9	P	RH hi beam (ground)	When turning lighting switch to the 2ND position with "HI BEAM" or "FLASH TO PASS" position	Less than 1V
			When releasing parking brake with engine running and turning lighting switch to "OFF" (daytime light operation) CAUTION: Block wheels and ensure selector lever is in N or P position.	Half battery voltage
10	L/Y	LH hi beam (ground)	When turning lighting switch to the 2ND position with "HI BEAM" or "FLASH TO PASS" position	Less than 1V
			When releasing parking brake with engine running and turning lighting switch to "OFF" (daytime light operation) CAUTION: Block wheels and ensure selector lever is in N or P position.	Less than 1V
13	L/R	LH lighting switch (Hi beam)	When turning lighting switch to the 2ND position with "HI BEAM" or "FLASH TO PASS" position	Less than 1V
14	P	RH lighting switch (Hi beam)	When turning lighting switch to the 2ND position with "HI BEAM" or "FLASH TO PASS" position	Less than 1V
16	B	Ground	—	0V

HEADLAMP (FOR CANADA) - DAYTIME LIGHT SYSTEM -

Terminal No.	Wire color	Item	Condition	Reference value (Approximate values)
17	Y	Parking brake switch	When parking brake is released	Battery voltage
			When parking brake is pulled	Less than 1.7V

Symptom Chart

EKS000SO

Symptom	Repair Procedure
Neither headlamp operates.	<ol style="list-style-type: none"> 1. Check 10A fuse [No. 6, located in fuse block (J/B) No. 1]. Verify battery positive voltage is present at terminal 7 of headlamp battery saver control unit. 2. Check lighting switch. Refer to LT-67, "Switch Circuit Inspection". 3. Check headlamp battery saver control unit. Refer to LT-17, "Terminals and Reference Value for Battery Saver Control Unit".
Headlamp (low beam) does not operate, but headlamp (high beam) does operate.	<ol style="list-style-type: none"> 1. Check 20A fuse [No. 57, located in fuse, fusible link and relay block (J/B)]. Verify battery positive voltage is present at terminals 3 of headlamp relay-1. 2. Check headlamp relay-1. 3. Check harness between headlamp relay-1 and headlamp battery saver control unit. 4. Check headlamp battery saver control unit. Refer to LT-17, "Terminals and Reference Value for Battery Saver Control Unit".
Headlamp (high beam) does not operate, but headlamp (low beam) does operate.	<ol style="list-style-type: none"> 1. Check 15A fuse (No. 73, located in fuse, fusible link and relay box). Verify battery positive voltage is present at terminals 2 and 5 of headlamp relay-2. 2. Check headlamp relay-2. 3. Check harness between headlamp relay-2 and headlamp battery saver control unit. 4. Check headlamp battery saver control unit. Refer to LT-17, "Terminals and Reference Value for Battery Saver Control Unit".
RH low beam does not operate, but LH low beam does operate.	<ol style="list-style-type: none"> 1. Check 20A fuse [No. 55, located in fuse, fusible link and relay block (J/B)]. Verify battery positive voltage is present at terminal 7 of headlamp relay-1. 2. Check headlamp relay-1. 3. Check harness between headlamp relay-1 terminal 6 and RH headlamp for open circuit. 4. Check RH low beam ground circuit. 5. Replace the xenon bulb with other side bulb or new one. (If headlamps illuminate correctly, replace the bulb.) 6. Replace the HID control unit with other side control unit or new one. (If headlamps illuminate correctly, replace the HID control unit.)

HEADLAMP (FOR CANADA) - DAYTIME LIGHT SYSTEM -

Symptom	Repair Procedure
LH low beam does not operate, but RH low beam does operate.	<ol style="list-style-type: none"> 1. Check 20A fuse [No. 57, located in fuse, fusible link and relay block (J/B)]. Verify battery positive voltage is present at terminal 3 of headlamp relay-1. 2. Check headlamp relay-1. 3. Check harness between headlamp relay-1 terminal 5 and LH headlamp for open circuit. 4. Check LH low beam ground circuit. 5. Replace the xenon bulb with other side bulb or new one. (If headlamps illuminate correctly, replace the bulb.) 6. Replace the HID control unit with other side control unit or new one. (If headlamps illuminate correctly, replace the HID control unit.)
RH high beam does not operate, but LH high beam does operate.	<ol style="list-style-type: none"> 1. Check bulb. 2. Check the following. <ul style="list-style-type: none"> – Check harness between headlamp relay-2 terminal 3 and daytime light control unit terminal 4. – Check harness between daytime light control unit and headlamp RH. 3. Check lighting switch. Refer to LT-67, "Switch Circuit Inspection". 4. Check harness between daytime light control unit and lighting switch. 5. Check daytime light control unit. Refer to LT-51, "Terminals and Reference Value for Daytime Light Control Unit".
LH high beam does not operate, but RH high beam does operate.	<ol style="list-style-type: none"> 1. Check bulb. 2. Check the following. <ul style="list-style-type: none"> – Check harness between headlamp relay-2 terminal 3 and daytime light control unit terminal 5. – Check harness between daytime light control unit and headlamp LH. 3. Check lighting switch. Refer to LT-67, "Switch Circuit Inspection". 4. Check harness between daytime light control unit and lighting switch. 5. Check daytime light control unit. Refer to LT-51, "Terminals and Reference Value for Daytime Light Control Unit".
High beam indicator does not work.	<ol style="list-style-type: none"> 1. Check bulb in combination meter. 2. Check harness between headlamp relay-2 terminal 3 and combination meter for open circuit.

A
B
C
D
E
F
G
H
I
J
L
M

LT

HEADLAMP (FOR CANADA) - DAYTIME LIGHT SYSTEM -

Symptom	Repair Procedure
Battery saver control does not operate properly.	<ol style="list-style-type: none"> Verify 12 positive voltage from BCM is present at terminal 10 of headlamp battery saver control unit: <ul style="list-style-type: none"> Within 45 seconds after ignition switch turned off. Front door is opened or more than 45 seconds after ignition switch is turned off. Check the following. <ul style="list-style-type: none"> Harness between BCM and LH or RH front door switch for open or short circuit. LH or RH front door switch ground circuit. LH or RH front door switch. Check the following. <ul style="list-style-type: none"> Harness between headlamp battery saver control unit terminals 5 or 13 and lighting switch terminal 11 for open or short circuit. Harness between lighting switch terminal 5 and ground. Lighting switch. Refer to LT-67, "Switch Circuit Inspection". Check headlamp battery saver control unit. Check BCM. Refer to LT-18, "Terminals and Reference Value for BCM".
Daytime light control does not operate properly.	<ol style="list-style-type: none"> Check 10A fuse [No. 82, located in fuse, fusible link and relay box]. Verify battery positive voltage is present at terminal 3 of daytime light control unit. Check parking brake switch. Check harness between parking brake switch and daytime light control unit. Check harness between alternator and daytime light control unit. Check daytime light control unit. Refer to LT-51, "Terminals and Reference Value for Daytime Light Control Unit".

Aiming Adjustment

EKS000SQ

Refer to [LT-31, "Aiming Adjustment"](#) in "HEADLAMP (FOR USA)".

Bulb Replacement

EKS000SP

Refer to [LT-32, "Bulb Replacement"](#) in "HEADLAMP (FOR USA)".

Removal and Installation

EKS000T5

Refer to [LT-34, "Removal and Installation"](#) in "HEADLAMP (FOR USA)".

Disassembly and Assembly

EKS000UN

Refer to [LT-35, "Disassembly and Assembly"](#) in "HEADLAMP (FOR USA)".

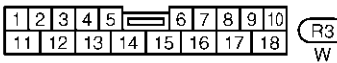
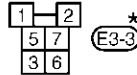
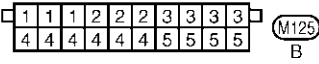
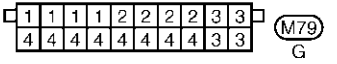
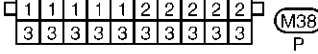
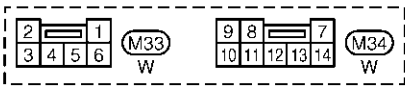
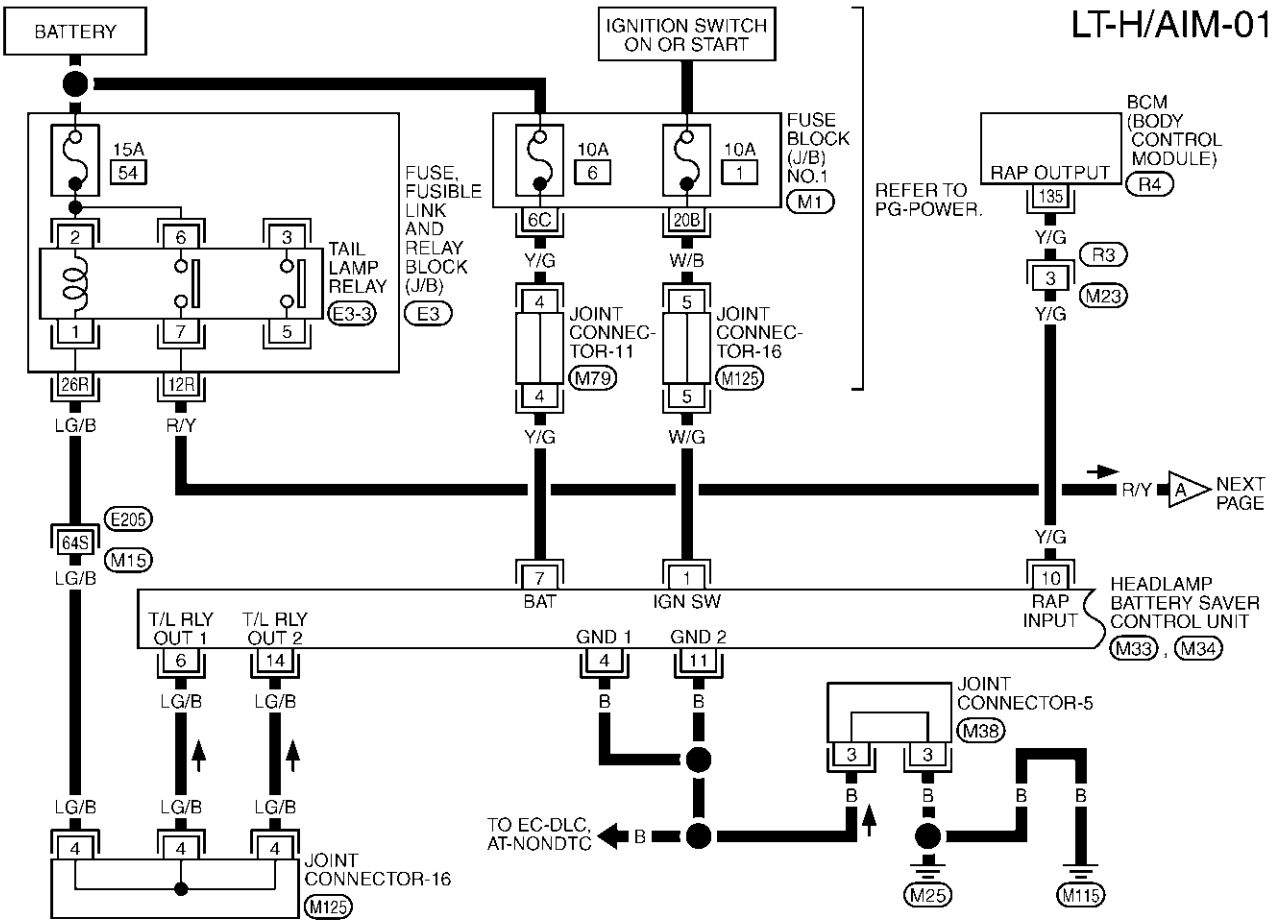
HEADLAMP AIMING CONTROL

HEADLAMP AIMING CONTROL

PFP:26010

Wiring Diagram — H/AIM —

EKS00077



REFER TO THE FOLLOWING.

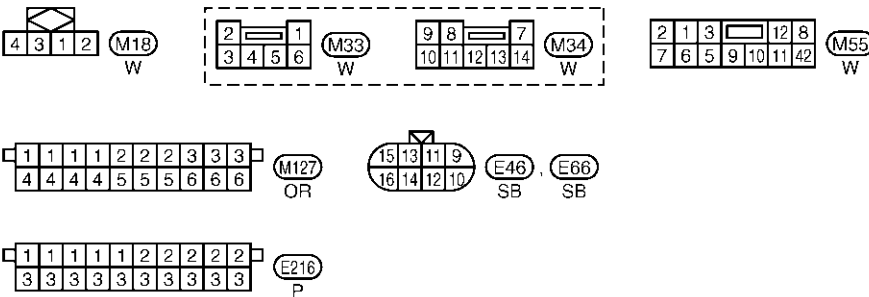
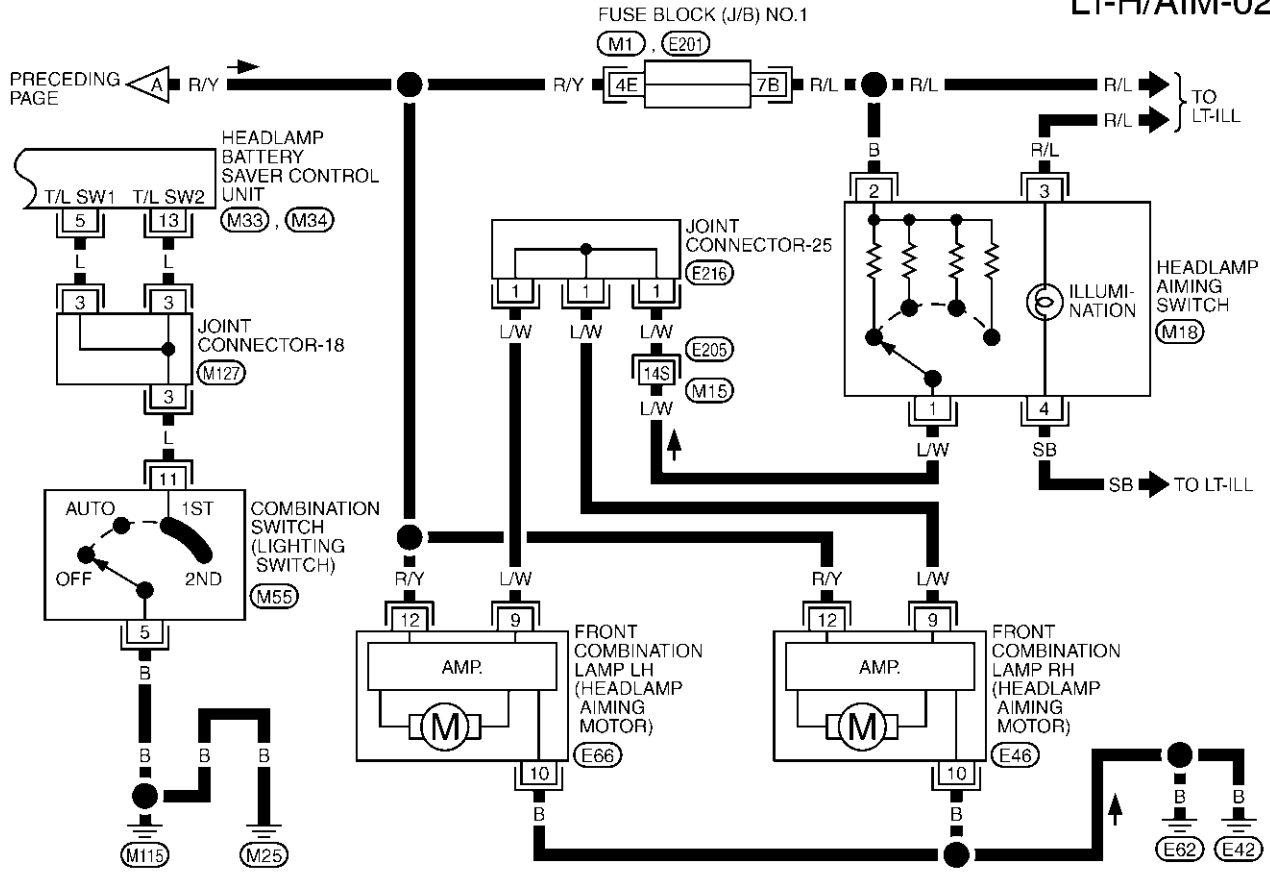
- (E205) -SUPER MULTIPLE JUNCTION (SMJ)
- (M1) -FUSE BLOCK-JUNCTION BOX (J/B) NO.1
- (E3) -FUSE,FUSIBLE LINK AND RELAY BLOCK (J/B)
- (R4) -ELECTRICAL UNITS

*: THIS CONNECTOR IS NOT SHOWN IN "HARNESS LAYOUT", PG SECTION.

TKWM0398E

HEADLAMP AIMING CONTROL

LT-H/AIM-02



REFER TO THE FOLLOWING.

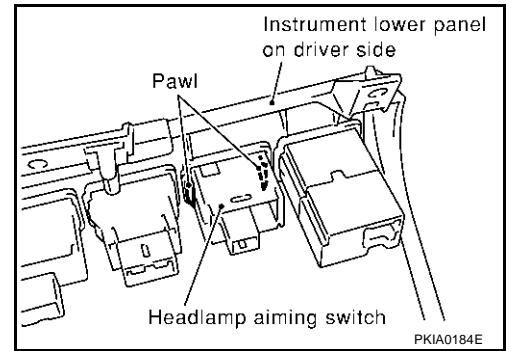
- (E205) -SUPER MULTIPLE JUNCTION (SMJ)
- (M1), (E201) -FUSE BLOCK-JUNCTION BOX (J/B) NO.1

TKWM0399E

HEADLAMP AIMING CONTROL

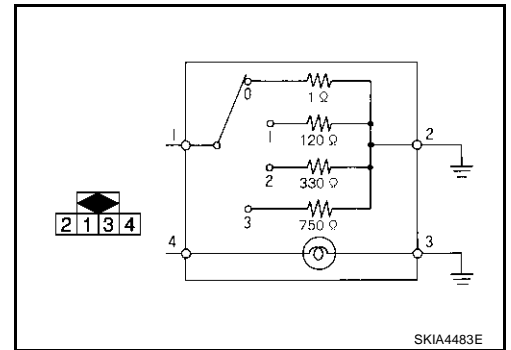
Removal and Installation

1. Remove the lower instrument panel (driver side). Refer to [IP-10](#), "[Removal and Installation](#)" in "INSTRUMENT PANEL (IP)" section.
2. Press the headlamp aiming switch fixing tabs and remove the unit from the instrument lower panel (driver side).



Switch Circuit Inspection

Using a circuit tester, check continuity between the headlamp aiming switch connector terminals in each operation status of the aiming switch.



A
B
C
D
E
F
G
H
I
J
LT
L
M

TURN SIGNAL AND HAZARD WARNING LAMPS

TURN SIGNAL AND HAZARD WARNING LAMPS

PFP:26120

System Description

TURN SIGNAL OPERATION

EKS00078

When the ignition switch in the ON or START position, power is supplied

- through 10A fuse [No. 5, located in the fuse block (J/B) NO.1]
- to combination flasher unit terminal 1
- through terminal 2 of the combination flasher unit
- to terminal 1 of combination switch.

Ground is supplied to combination flasher unit terminal 7 through body grounds M24 and M114.

LH Turn

When the turn signal switch is moved to the L position, power is supplied from turn signal switch terminal 3

- to front combination lamp LH (turn signal) terminal 1
- to rear combination lamp LH (turn signal) terminal 5
- to door mirror (driver side) terminal 7
- to combination meter terminal 45.

Ground is supplied to the front turn signal lamp LH terminal 2 through body grounds E42 and E62.

Ground is supplied to the rear turn signal lamp LH terminal 6 through body grounds B17 and B57.

Ground is supplied to the door mirror (driver side) terminal 5 through body grounds M24 and M114.

Ground is supplied to combination meter terminal 62 through body grounds M24 and M114.

With power and ground supplied, the combination flasher unit controls the flashing of the LH turn signal lamps.

RH Turn

When the turn signal switch is moved to the R position, power is supplied from turn signal switch terminal 2

- to front turn signal lamp RH terminal 1
- to rear turn signal lamp RH terminal 5
- to door mirror (passenger side) terminal 7
- to combination meter terminal 46.

Ground is supplied to the front turn signal lamp RH terminal 2 through body grounds E42 and E62.

Ground is supplied to the rear turn signal lamp RH terminal 6 through body grounds B17 and B57.

Ground is supplied to the door mirror (passenger side) terminal 5 through body grounds M24 and M114.

Ground is supplied to combination meter terminal 62 through body grounds M24 and M114.

With power and ground supplied, the combination flasher unit controls the flashing of the RH turn signal lamps.

HAZARD LAMP OPERATION

Power is supplied at all times to hazard switch terminal 1

- through 15A fuse [No. 22, located in the fuse block (J/B) NO.1]
- to combination flasher unit terminal 4
- through combination flasher unit terminal 6
- to hazard switch terminal 1.

With the hazard switch in the ON position, power is supplied

Ground is supplied to hazard switch terminal 2 through body grounds M24 and M114.

Power is supplied through terminal 8 of the combination flasher unit

- to front combination lamp LH terminal 1
- to rear combination lamp LH terminal 5
- to door mirror (driver side) terminal 7
- to combination meter terminal 45.

Power is supplied through terminal 3 of the combination flasher unit

- to front turn signal lamp RH terminal 1
- to rear turn signal lamp RH terminal 5
- to door mirror (passenger side) terminal 7
- to combination meter terminal 46.

TURN SIGNAL AND HAZARD WARNING LAMPS

Ground is supplied to terminals 2 of each front turn signal lamp through body grounds E42 and E62.
Ground is supplied to terminals 6 of each rear turn signal lamp through body grounds B17 and B57.
Ground is supplied to terminals 5 of each door mirror through body grounds M24 and M114.
Ground is supplied to combination meter terminal 62 through body grounds M24 and M114.
With power and ground supplied, the combination flasher unit controls the flashing of the hazard warning lamps.

A
B

MULTI-REMOTE CONTROL SYSTEM OPERATION

Power is supplied at all times

- through 15A fuse [No. 22, located in the fuse block (J/B) NO.1]
- to combination flasher unit terminal 4.

Ground is supplied to combination flasher unit terminal 6, when the multi-remote control system is triggered through the BCM.

Refer to [BL-52, "REMOTE KEYLESS ENTRY SYSTEM"](#) in "BODY, LOCK & SECURITY SYSTEM (BL)" section.

The BCM is energized.

Power is supplied through terminal 8 of the combination flasher unit

- to front turn signal lamp LH terminal 1
- to rear turn signal lamp LH terminal 5
- to door mirror (driver side) terminal 7
- to combination meter terminal 45.

Power is supplied through terminal 3 of the combination flasher unit

- to front turn signal lamp RH terminal 1
- to rear turn signal lamp RH terminal 5
- to door mirror (passenger side) terminal 7
- to combination meter terminal 46.

Ground is supplied to terminals 2 of each front turn signal lamp through body grounds E42 and E62.

Ground is supplied to terminals 6 of each rear turn signal lamp through body grounds B17 and B57.

Ground is supplied to terminals 5 of each door mirror through body grounds M24 and M114.

Ground is supplied to combination meter terminal 62 through body grounds M24 and M114.

With power and ground supplied, the BCM controls the flashing of the hazard warning lamps.

C
D
E

LOW TIRE PRESSURE WARNING CONTROL SYSTEM

When ID is normally registered to each transmitter in the LOW TIRE PRESSURE WARNING CONTROL UNIT, the hazard warning lamp flashes twice. Refer to [WT-13, "ID Registration Procedure"](#) in "ROAD WHEELS & TIRES (WT)" section.

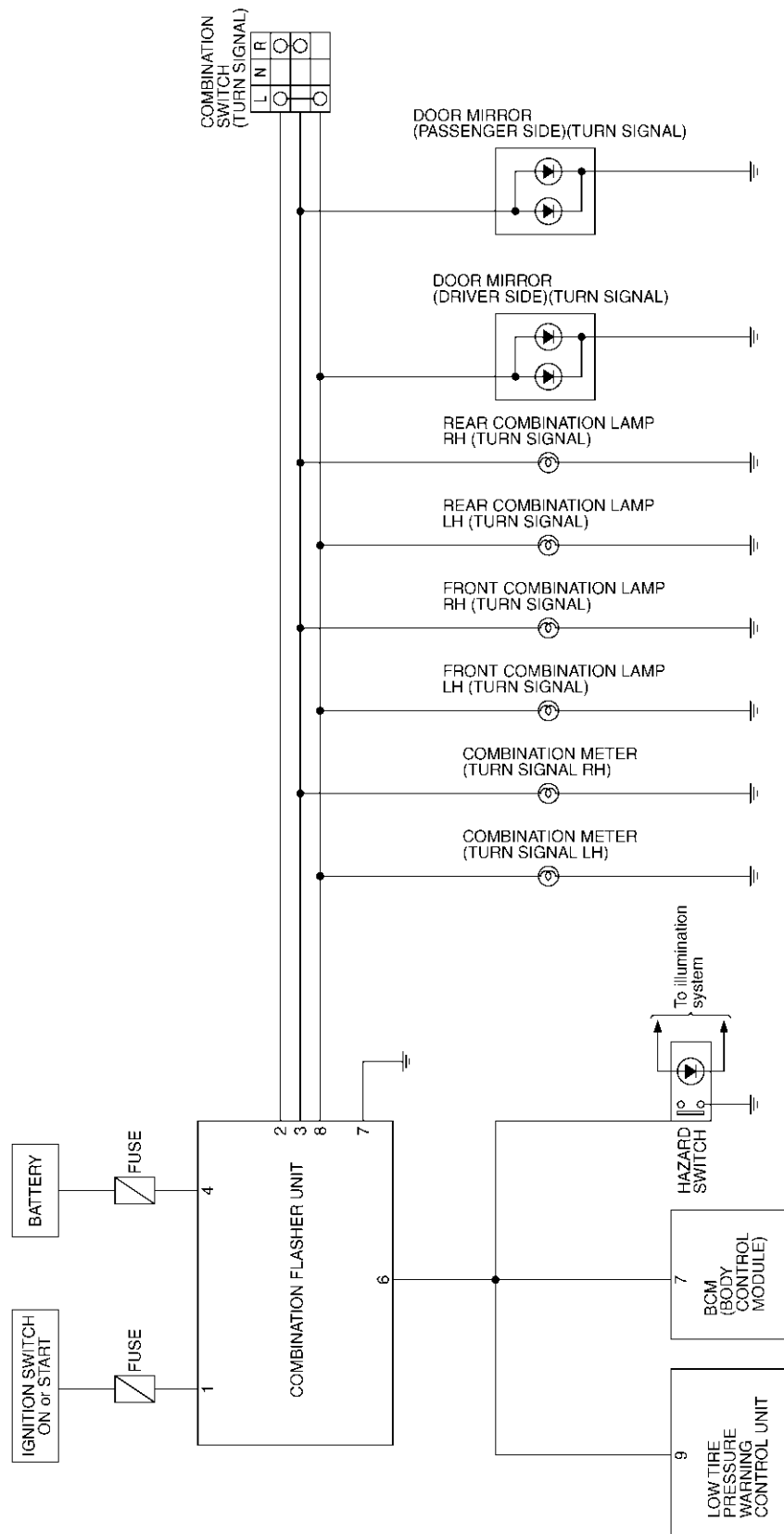
LT

L
M

TURN SIGNAL AND HAZARD WARNING LAMPS

Schematic

EKS000VD



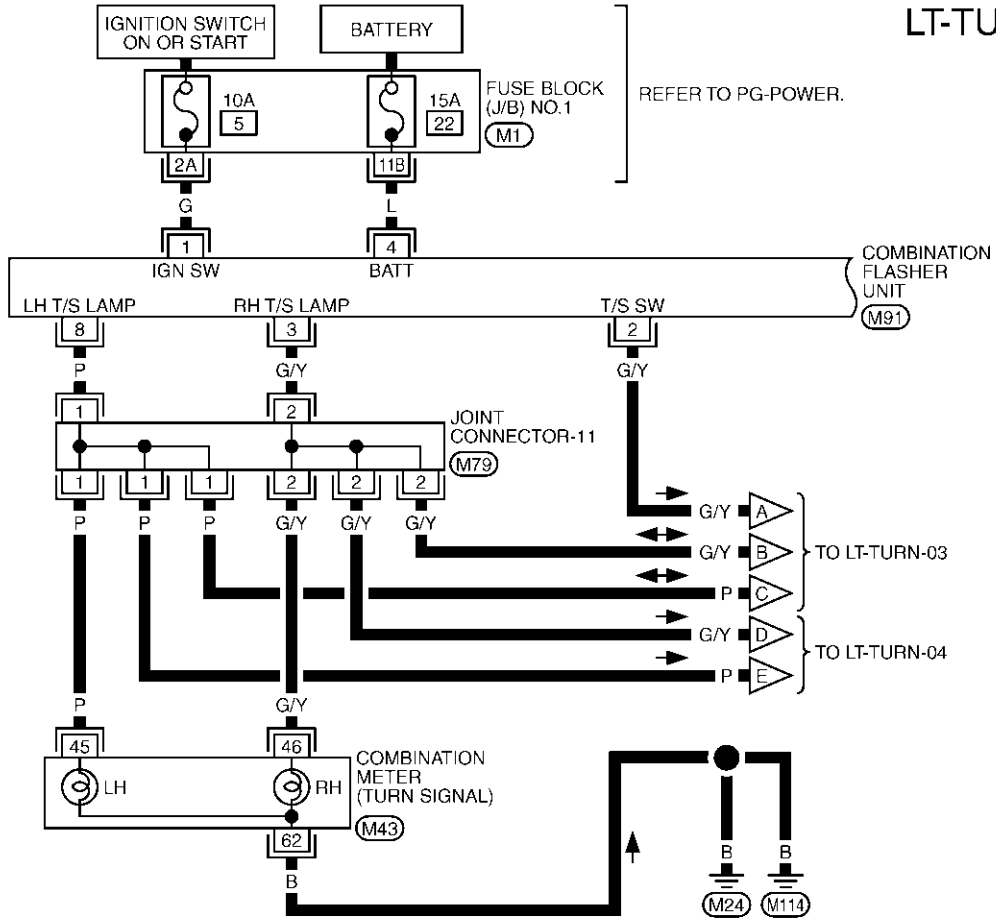
TKWM0029E

TURN SIGNAL AND HAZARD WARNING LAMPS

Wiring Diagram — TURN —

EKS00079

LT-TURN-01



45	46	47	48	49	50	51	52	53	54	55		
56	57	58	59	60	61	62	63	64	65	66	67	68

(M43)
W

1	1	1	1	2	2	2	2	3	3
4	4	4	4	4	4	4	4	3	3

(M79)
G

3	2	1	
8	7	5	4

(M91)
W

REFER TO THE FOLLOWING.

(M1) - FUSE BLOCK-JUNCTION BOX (J/B) NO.1

A
B
C
D
E
F
G
H
I
J

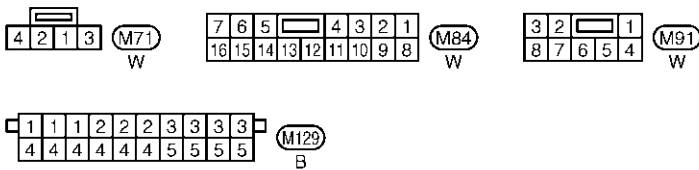
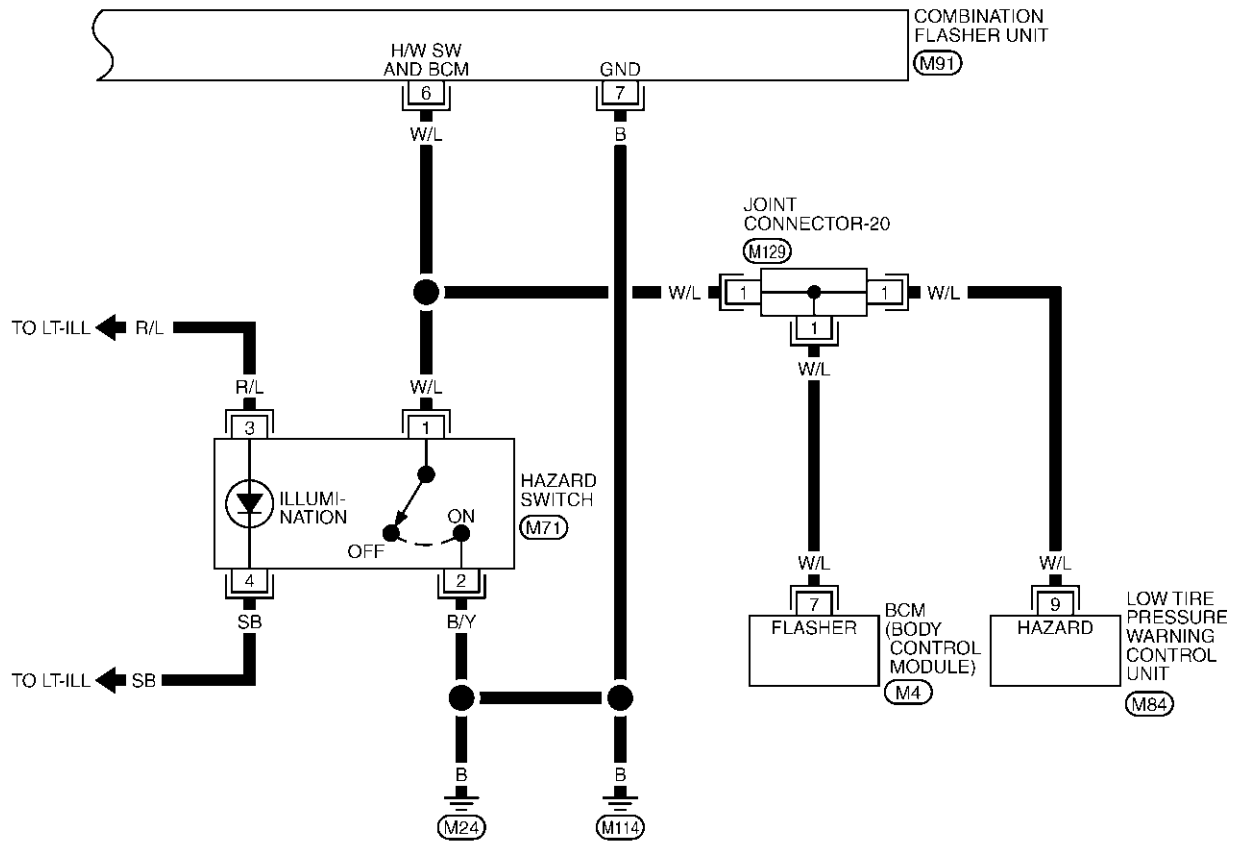
LT

L
M

TKWM0406E

TURN SIGNAL AND HAZARD WARNING LAMPS

LT-TURN-02

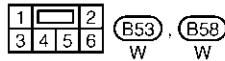
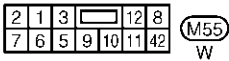
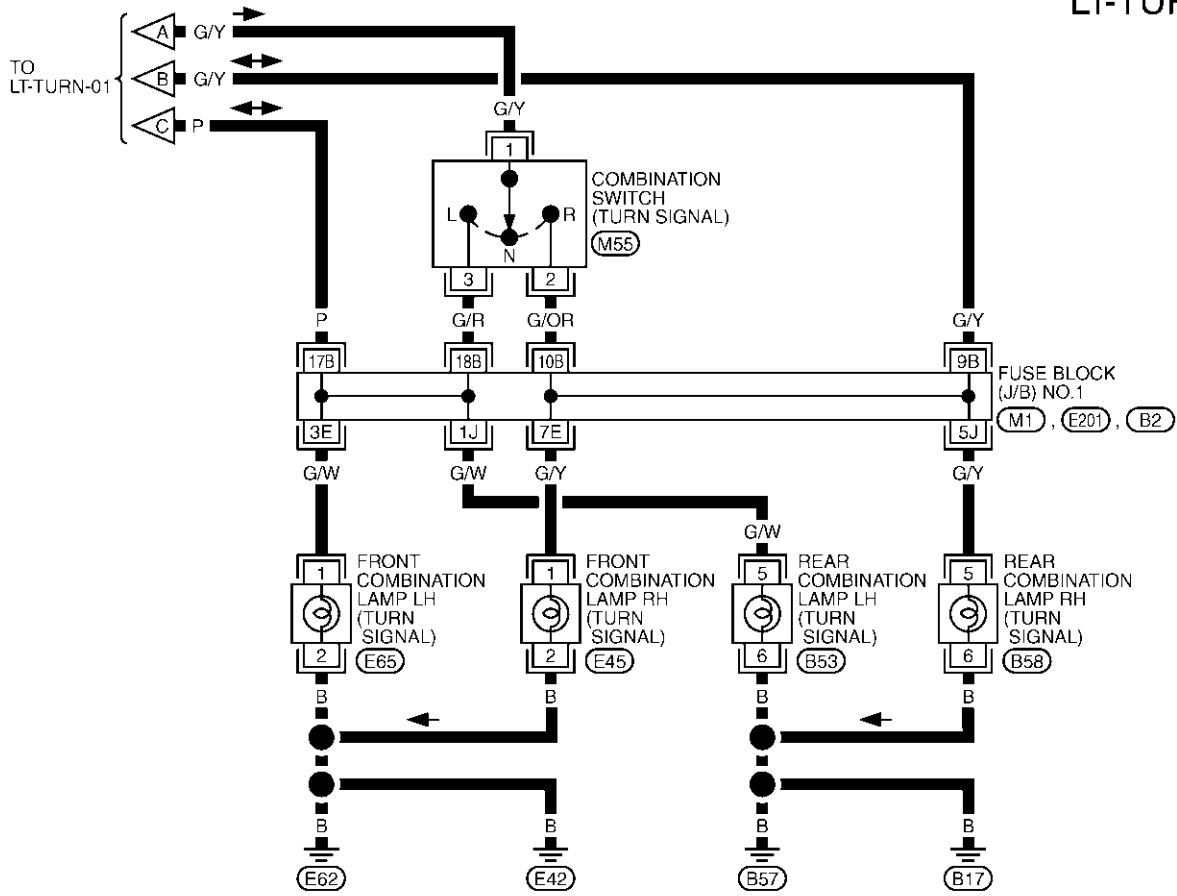


REFER TO THE FOLLOWING.
 (M4) -ELECTRICAL UNITS

TKWM0407E

TURN SIGNAL AND HAZARD WARNING LAMPS

LT-TURN-03



REFER TO THE FOLLOWING.

(M1), (E201), (B2) - FUSE BLOCK-JUNCTION BOX (J/B) NO.1

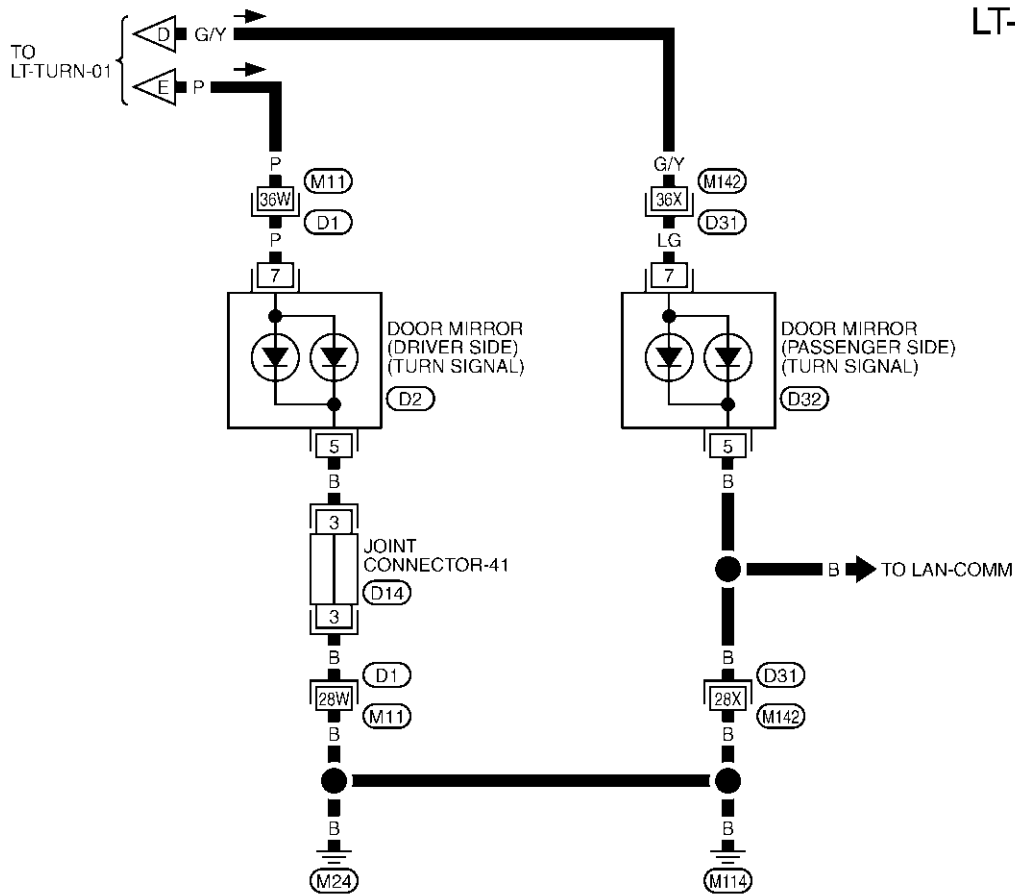
A
B
C
D
E
F
G
H
I
J
L
M

LT

TKWM0408E

TURN SIGNAL AND HAZARD WARNING LAMPS

LT-TURN-04



16	14	12	10	6	4	2		
15	13	11	9	8	7	5	3	1

D2
BR

D32
BR

1	1	1	1	2	2	2	2
3	3	3	3	3	3	3	3

D14
P

REFER TO THE FOLLOWING.

D1, D31 -SUPER MULTIPLE JUNCTION (SMJ)

TKWM0409E

TURN SIGNAL AND HAZARD WARNING LAMPS

Symptom Chart

EKS0007A

Symptom	Possible cause	Repair Procedure
Turn signal and hazard warning lamps do not operate.	<ol style="list-style-type: none"> 1. Combination flasher unit 2. Open in combination flasher unit circuit 	<ol style="list-style-type: none"> 1. Check combination flasher unit. Refer to LT-66, "Electrical Components Inspection". 2. Check wiring to combination flasher unit for open circuit.
Turn signal lamps do not operate but hazard warning lamps operate.	<ol style="list-style-type: none"> 1. 10A fuse 2. Combination flasher unit 3. Turn signal switch 4. Open in turn signal switch circuit 	<ol style="list-style-type: none"> 1. Check 10A fuse [No. 5, located in fuse block (J/B) NO.1]. Turn ignition switch ON and verify battery positive voltage is present at terminal 1 of combination flasher unit. 2. Check combination flasher unit. Refer to LT-66, "Electrical Components Inspection". 3. Check turn signal switch. Refer to LT-67, "Switch Circuit Inspection". 4. Check harness between combination flasher unit terminal 2 and turn signal switch terminal 1 for open circuit.
Hazard warning lamps do not operate but turn signal lamps operate.	<ol style="list-style-type: none"> 1. 15A fuse 2. Combination flasher unit 3. Hazard switch 4. Open in hazard switch circuit 5. Grounds M24 and M114 	<ol style="list-style-type: none"> 1. Check 15A fuse [No. 22, located in fuse block (J/B) NO.1]. Verify battery positive voltage is present at terminal 4 of combination flasher unit. 2. Check combination flasher unit. Refer to LT-66, "Electrical Components Inspection". 3. Check hazard switch. 4. Check harness between combination flasher unit terminal 6 and hazard switch terminal 1 for open circuit. 5. Check grounds M24 and M114.
Front turn signal lamp LH or RH does not operate.	<ol style="list-style-type: none"> 1. Bulb 2. Grounds E42 and E62 3. Open in front turn signal lamp circuit 	<ol style="list-style-type: none"> 1. Check bulb. 2. Check grounds E42 and E62. 3. Check harness between combination switch and front turn signal lamp for open circuit.
Rear turn signal lamp LH or RH does not operate.	<ol style="list-style-type: none"> 1. Bulb 2. Grounds B17 and B57 3. Open in rear turn signal lamp circuit 	<ol style="list-style-type: none"> 1. Check bulb. 2. Check grounds B17 and B57. 3. Check harness between combination switch and rear turn signal lamp for open circuit.
LH and RH turn indicators do not operate.	<ol style="list-style-type: none"> 1. Grounds M24 and M114 	<ol style="list-style-type: none"> 1. Check grounds M24 and M114.
LH or RH turn indicator does not operate.	<ol style="list-style-type: none"> 1. Bulb 2. Open in turn indicator circuit 	<ol style="list-style-type: none"> 1. Check bulb in combination meter. 2. Check harness between combination flasher unit and combination meter (turn indicator) for open circuit.

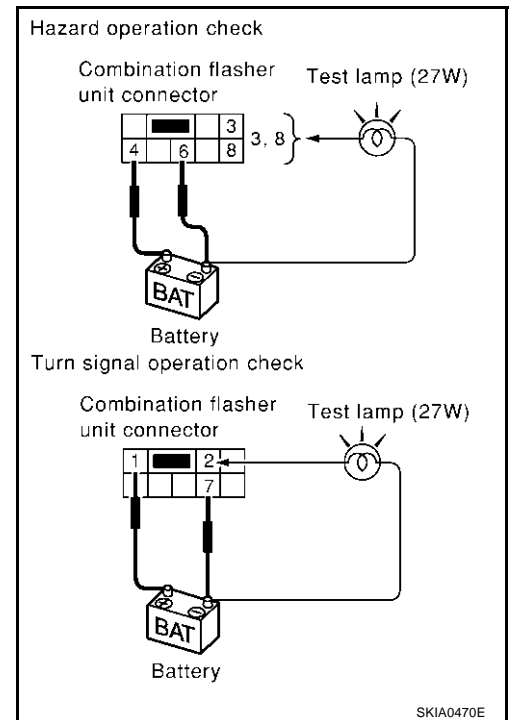
A
B
C
D
E
F
G
H
I
J
LT
L
M

TURN SIGNAL AND HAZARD WARNING LAMPS

Electrical Components Inspection COMBINATION FLASHER UNIT CHECK

EKS0007B

- Before checking, ensure that bulbs meet specifications.
- Connect a battery and test lamp to the combination flasher unit, as shown. Combination flasher unit is properly functioning if it blinks when power is supplied to the circuit.



Bulb Replacement FRONT TURN SIGNAL LAMP

Refer to [LT-32, "Bulb Replacement"](#) in "HEADLAMP (USA)".

REAR TURN SIGNAL LAMP

Refer to [LT-79, "REAR COMBINATION LAMP"](#) in "PARKING, LICENSE PLATE AND TAIL LAMPS".

Removal and Installation FRONT TURN SIGNAL LAMP

Refer to [LT-34, "Removal and Installation"](#) in "HEADLAMP (USA)".

SIDE TURN SIGNAL LAMP

Refer to [GW-115, "Disassembly and Assembly"](#) in "GLASSES, WINDOW SYSTEM & MIRRORS (GW)" section.

REAR TURN SIGNAL LAMP

Refer to [LT-80, "REAR COMBINATION LAMP"](#) in "PARKING, LICENSE PLATE AND TAIL LAMPS".

EKS001AS

EKS000W3

LIGHTING AND TURN SIGNAL SWITCH

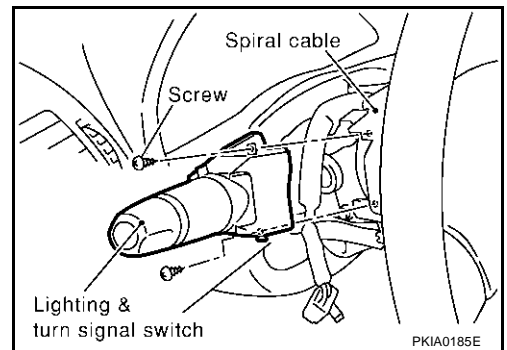
LIGHTING AND TURN SIGNAL SWITCH

PPF:25540

Removal and Installation

EKS000TG

1. Remove the steering column cover. Refer to [PS-11, "STEERING COLUMN"](#) in "POWER STEERING SYSTEM (PS)" section.
2. Remove lighting and turn signal switch mounting screw and remove the lighting and turn signal switch from the spiral cable.
3. Disconnect the lighting and turn signal switch connector.



Switch Circuit Inspection

EKS000TH

Using circuit tester, check continuity between the lighting and turn signal switch connector terminals in each operation status of the switch.

LIGHTING SWITCH					TURN SIGNAL LAMP SWITCH			
	OFF	AUTO	1ST	2ND		Hi	Lo	P
5			○	○	(5)	○	○	○
11			○	○	7	○	○	○
8				○	6	○		○
12				○	(8)	○	○	○
42		○			10	○	○	○
(8)		○			9	○		○
					(12)			○

TURN SIGNAL LAMP SWITCH			
	L	N	R
1	○		○
2	○		○
3	○		○

8	12	3	1	2
42	11	10	9	5
				6
				7

○—○ : Continuity should exist.

SKIA0469E

Hi: "HIGH BEAM" position, Lo: "LOW BEAM" position, P: "FLASH TO PASS" position

A
B
C
D
E
F
G
H
I
J
L
M

LT

HAZARD SWITCH

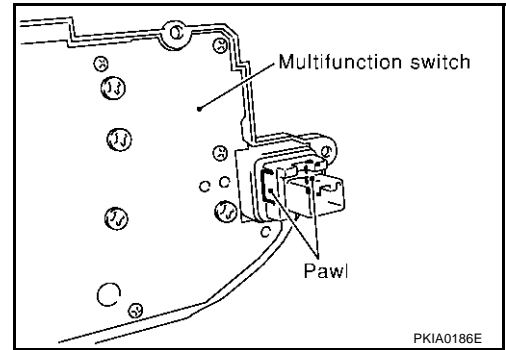
HAZARD SWITCH

PFP:25290

Removal and Installation

EKS00071

Refer to [DI-131, "Disassembly and Assembly for Multifunction Switch"](#), [DI-161, "Disassembly and Assembly for Multifunction Switch"](#) in "DRIVER INFORMATION SYSTEM (DI)" section.



STOP LAMP

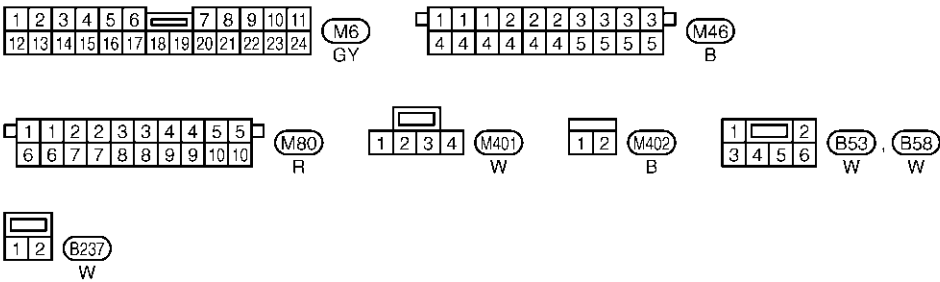
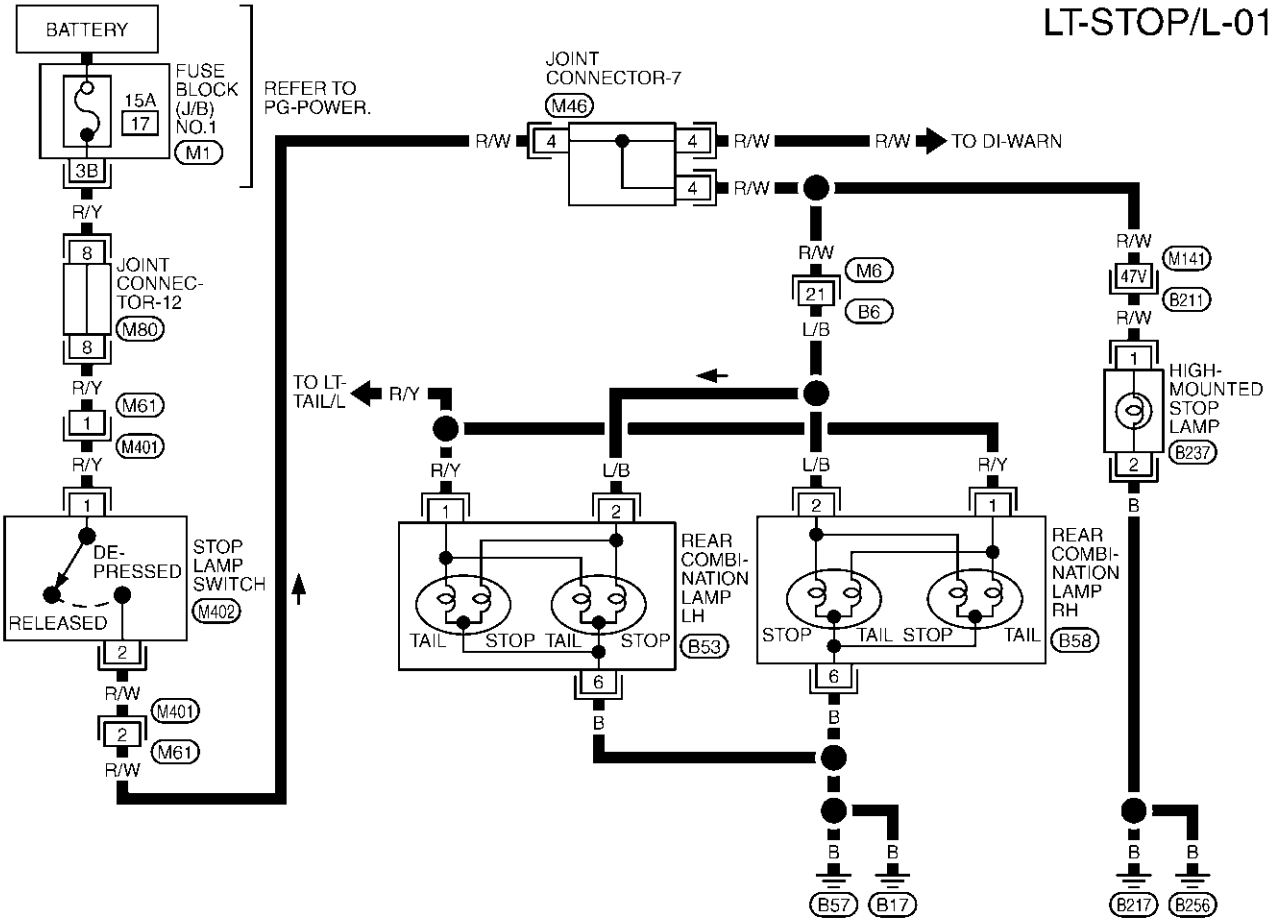
PFP:26550

STOP LAMP

Wiring Diagram — STOP/L —

EKS000V1

LT-STOP/L-01



REFER TO THE FOLLOWING.

- (B211) -SUPER MULTIPLE JUNCTION (SMJ)
- (M1) -FUSE BLOCK-JUNCTION BOX (J/B) NO.1

TKWM0404E

STOP LAMP

EKS0014S

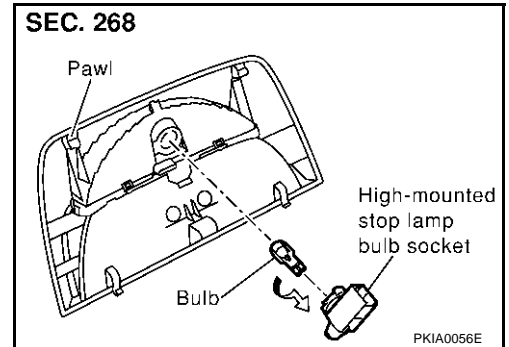
Bulb Replacement STOP LAMP

Refer to [LT-79, "REAR COMBINATION LAMP"](#) in "PARKING, LICENSE PLATE AND TAIL LAMPS".

HIGH-MOUNTED STOP LAMP

1. Remove the high-mounted stop lamp. Refer to [LT-70, "HIGH-MOUNTED STOP LAMP"](#) in "Removal and Installation".
2. Turn the high-mounted stop lamp bulb socket counterclockwise and unlock it.
3. Remove the bulb.

High-mounted Stop Lamp : 12V 18W

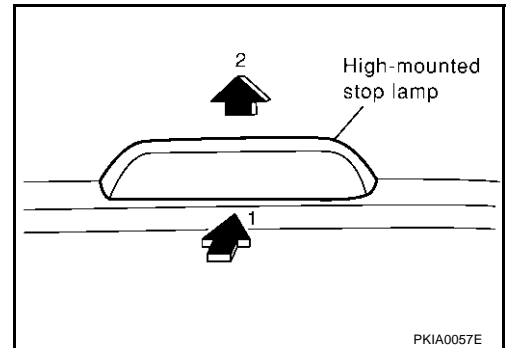


Removal and Installation STOP LAMP

Refer to [LT-80, "REAR COMBINATION LAMP"](#) in "PARKING, LICENSE PLATE AND TAIL LAMPS".

HIGH-MOUNTED STOP LAMP

1. Pull up the high-mounted stop lamp while pressing it toward rear of the vehicle and remove from the vehicle.
2. Disconnect the high-mounted stop lamp connector.



BACK-UP LAMP

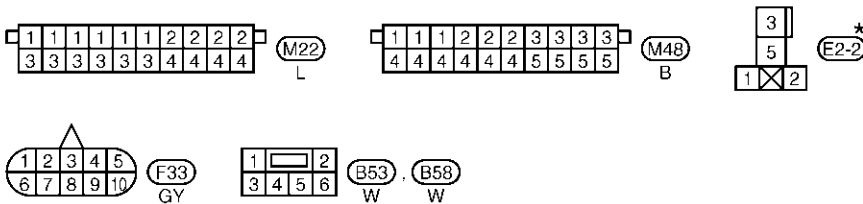
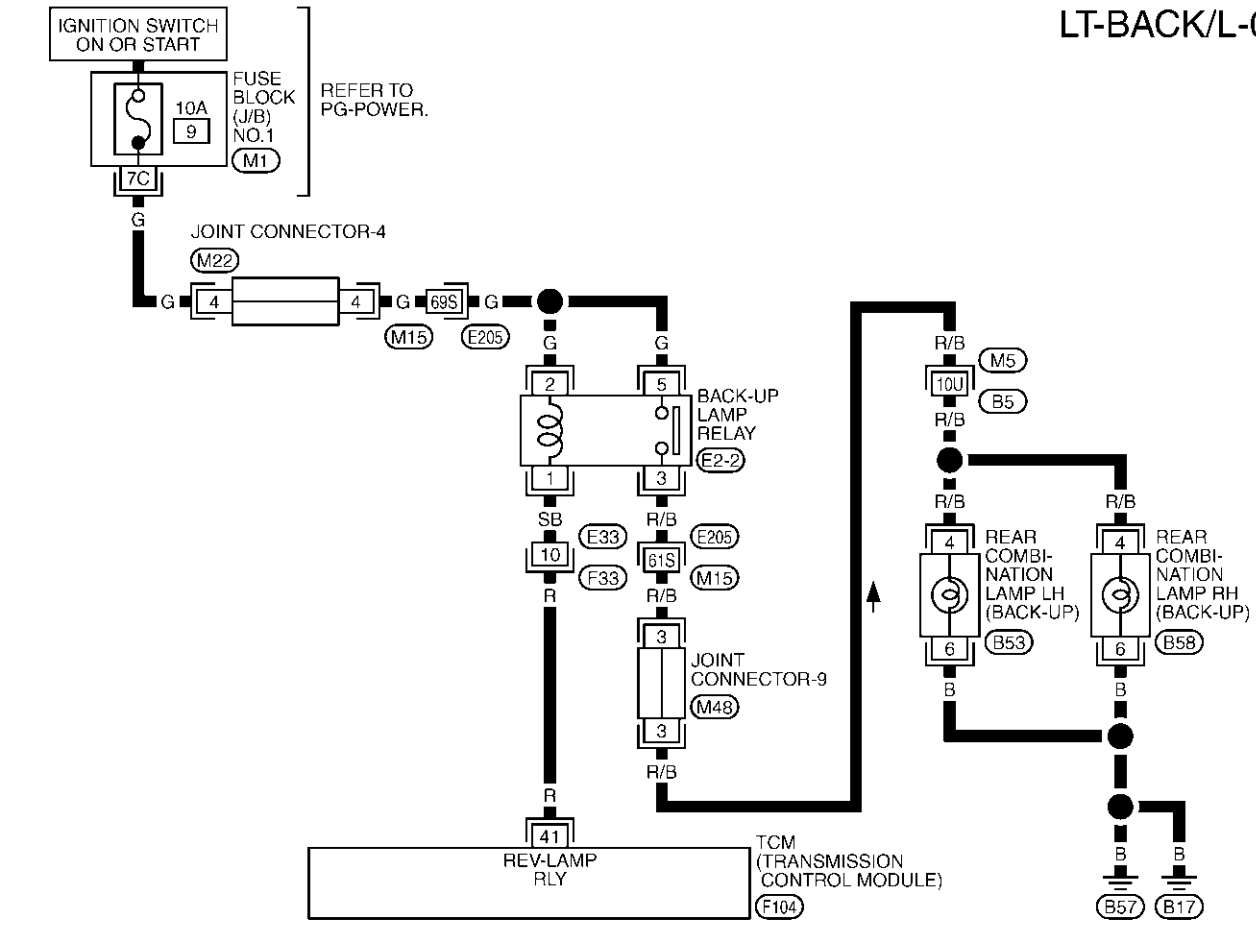
PPF:26550

BACK-UP LAMP

Wiring Diagram — BACK/L —

EKS000V6

LT-BACK/L-01



*: THIS CONNECTOR IS NOT SHOWN IN "HARNESS LAYOUT", PG SECTION.

REFER TO THE FOLLOWING.

(M5), (E205) -SUPER MULTIPLE JUNCTION (SMJ)

(M1) -FUSE BLOCK-JUNCTION BOX (J/B) NO.1

(F104) -ELECTRICAL UNITS

LT

L

M

TKWM0405E

Bulb Replacement

EKS000V7

Refer to [LT-79. "REAR COMBINATION LAMP"](#) in PARKING, LICENSE PLATE AND TAIL LAMPS.

Removal and Installation

EKS000V8

Refer to [LT-80. "REAR COMBINATION LAMP"](#) in PARKING, LICENSE PLATE AND TAIL LAMPS.

PARKING, LICENSE PLATE AND TAIL LAMPS

PARKING, LICENSE PLATE AND TAIL LAMPS

PF:26550

System Description

EKS000TK

The parking, license and tail lamp operation is controlled by the lighting switch which is built into the spiral cable and BCM. The battery saver system is controlled by the headlamp battery saver control unit and BCM. Power is supplied at all times

- to tail lamp relay terminals 2 and 6
- through 15A fuse [No. 54, located in the fuse, fusible link and relay block (J/B)], and
- to headlamp battery saver control unit terminal 7
- through 10A fuse [No. 6, located in the fuse block (J/B) NO.1].

When ignition switch is in ON or START position, power is supplied

- to headlamp battery saver control unit terminal 1
- through 10A fuse [No. 1, located in the fuse block (J/B) NO.1].

Ground is supplied

- to headlamp battery saver control unit terminals 4 and 11
- through body grounds M25 and M115.

LIGHTING OPERATION BY LIGHTING SWITCH

When lighting switch is in 1ST (or 2ND) position, ground is supplied

- to tail lamp relay terminal 1 from headlamp battery saver control unit terminals 6 and 14
- through headlamp battery saver control unit terminals 5 and 13, and
- through lighting switch and body grounds M25 and M115.

Tail lamp relay is then energized and the parking, license, side marker and tail lamps illuminate.

BATTERY SAVER CONTROL

When the ignition switch is turned from ON (or START) to OFF (or ACC) positions while parking, license, side marker and tail lamps are illuminated, the RAP signal is supplied to terminal 10 of headlamp battery saver control unit terminal from BCM terminal 135.

After counting 45 seconds by the RAP signal from the BCM to headlamp battery saver control unit, the ground supply to terminal 1 of the tail lamp relay from headlamp battery saver control unit terminals 6 and 14 is terminated.

Then the parking, license, side marker and tail lamps are turned off.

The parking, license, side marker and tail lamps are turned off when driver or passenger side door is opened even if 45 seconds have not passed after the ignition switch is turned from ON (or START) to OFF (or ACC) positions while the parking, license, side marker and tail lamps are illuminated.

When the lighting switch is turned from OFF to 1ST (or 2ND) after the parking, license, side marker and tail lamps are turned off by the headlamp battery saver control, ground is supplied.

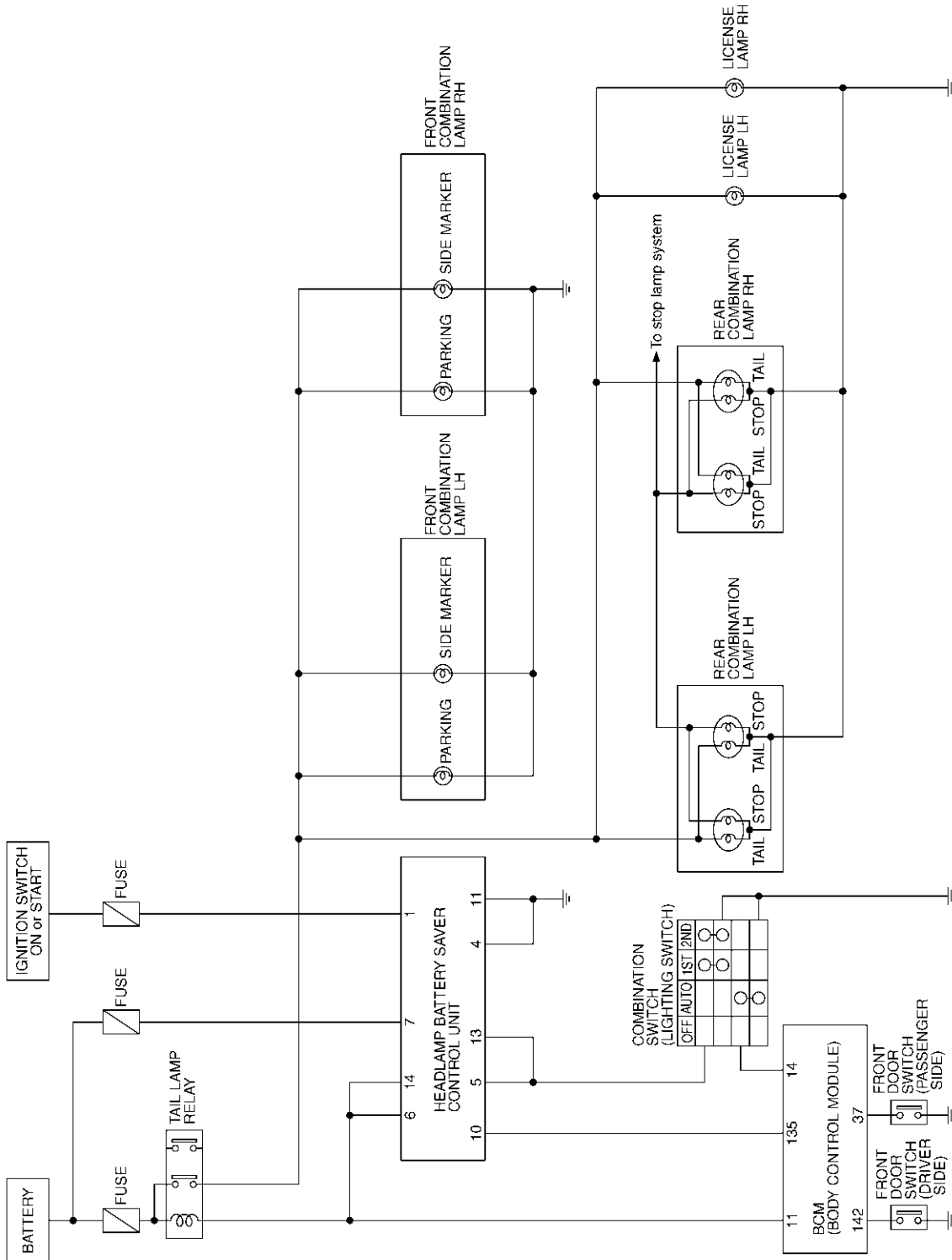
- to headlamp battery saver control unit terminals 5 and 13 from lighting switch terminal 11, and
- to tail lamp relay terminal 1 from headlamp battery saver control unit terminals 6 and 14.

Then the parking, license, side marker and tail lamps illuminate again.

PARKING, LICENSE PLATE AND TAIL LAMPS

Schematic

EKS000TL



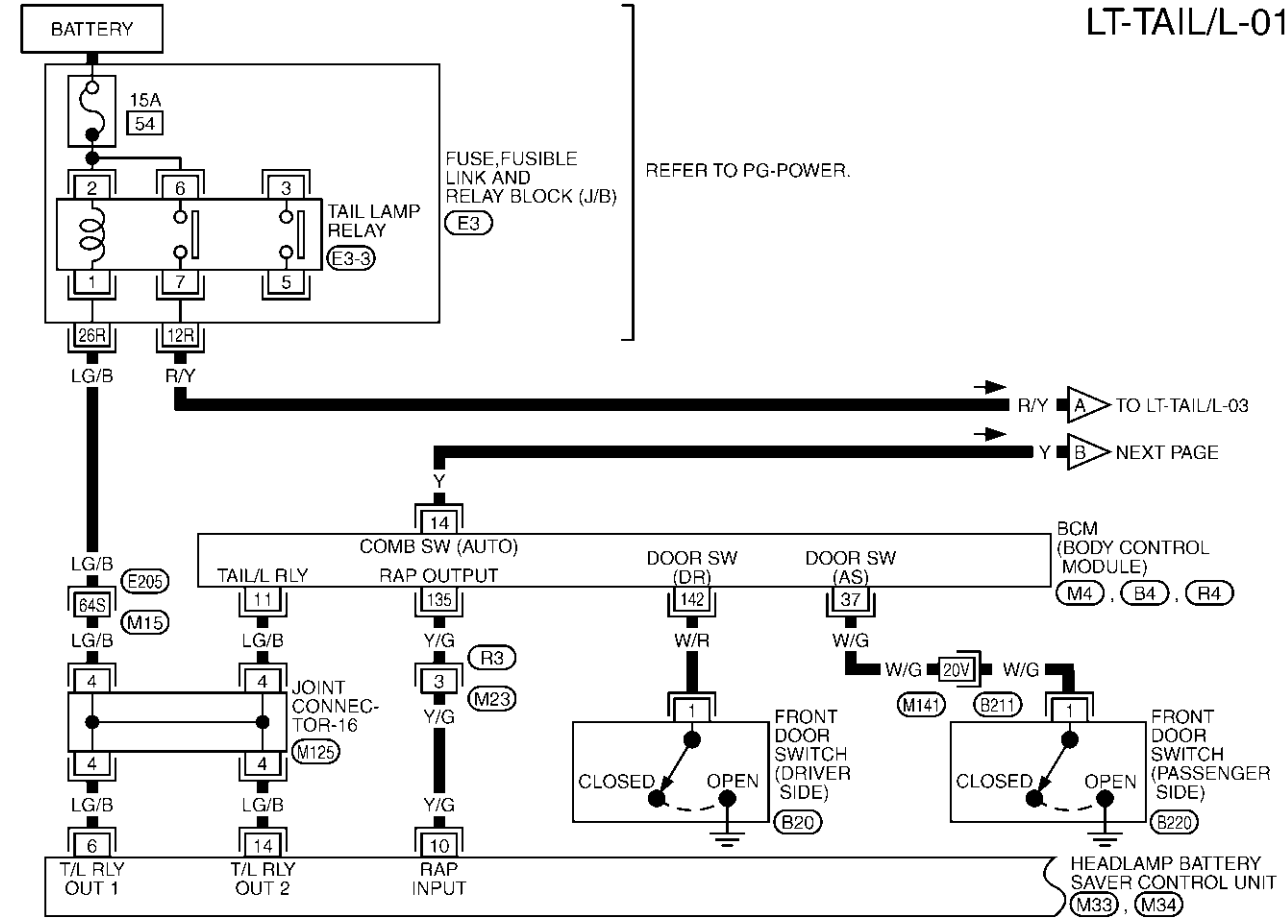
A
B
C
D
E
F
G
H
I
J
LT
L
M

PARKING, LICENSE PLATE AND TAIL LAMPS

Wiring Diagram — TAIL/L —

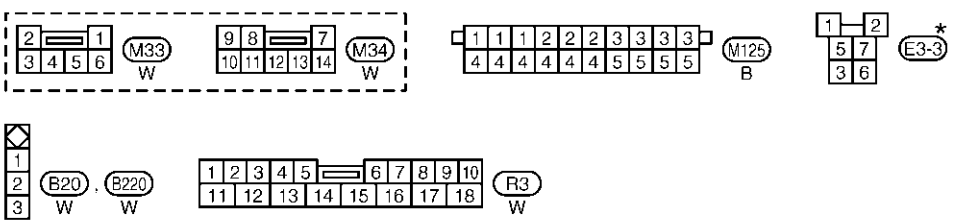
EKS000TM

LT-TAIL/L-01



REFER TO PG-POWER.

R/Y A TO LT-TAIL/L-03
Y B NEXT PAGE



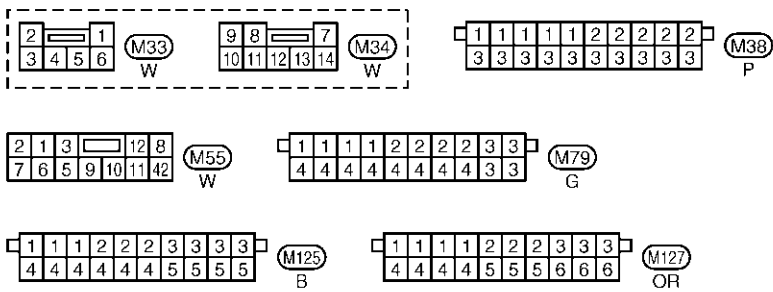
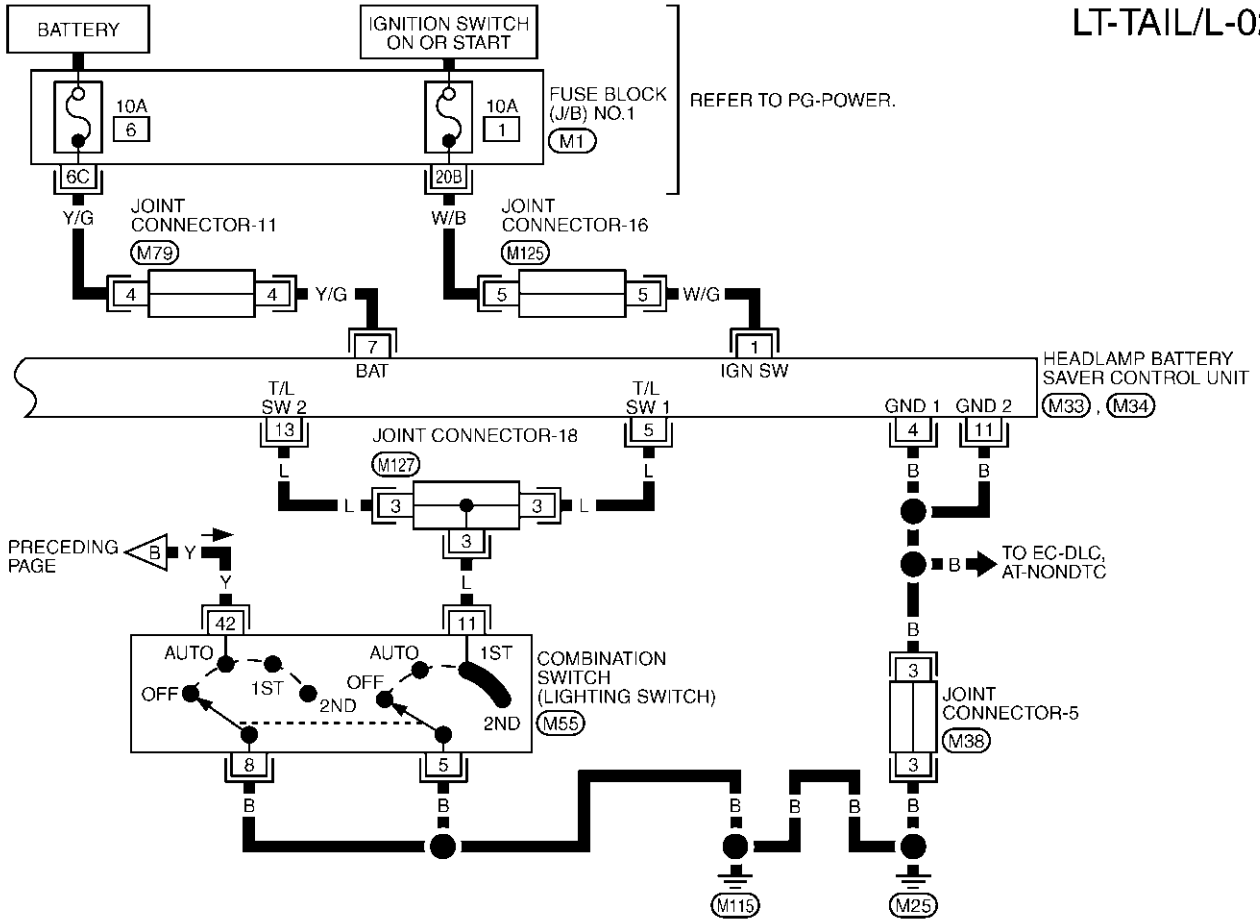
REFER TO THE FOLLOWING.
 (E205), (B211) -SUPER MULTIPLE JUNCTION (SMJ)
 (E3) -FUSE,FUSIBLE LINK AND RELAY BLOCK (J/B)
 (M4), (B4), (R4) -ELECTRICAL UNITS

*: THIS CONNECTOR IS NOT SHOWN IN "HARNES LAYOUT", PG SECTION.

TKWM0023E

PARKING, LICENSE PLATE AND TAIL LAMPS

LT-TAIL/L-02



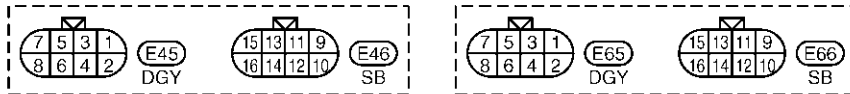
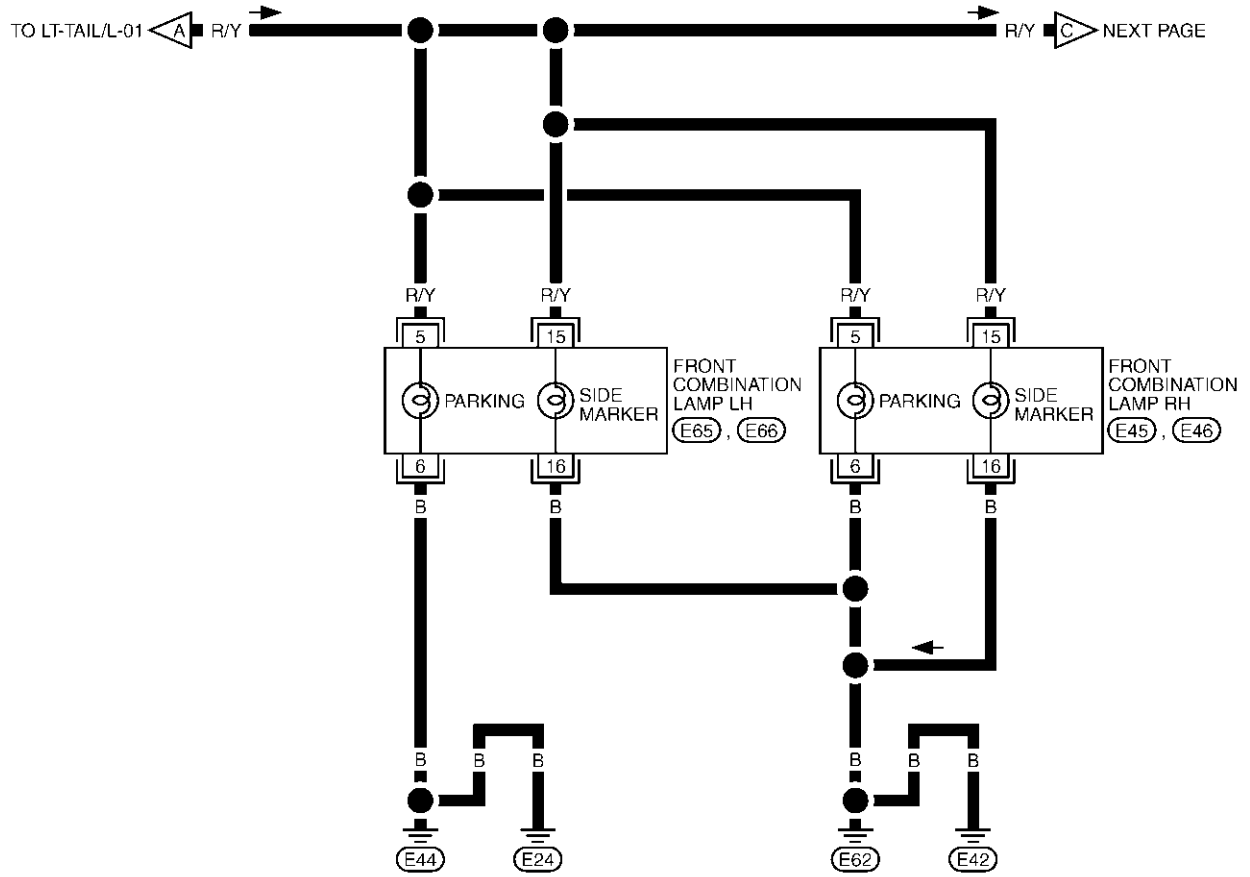
REFER TO THE FOLLOWING.
 (M1) -FUSE BLOCK-JUNCTION BOX (J/B) NO.1

A
B
C
D
E
F
G
H
I
J
LT
L
M

TKWM0401E

PARKING, LICENSE PLATE AND TAIL LAMPS

LT-TAIL/L-03



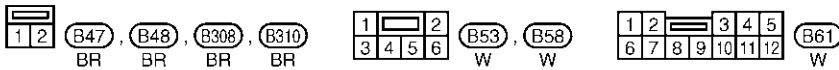
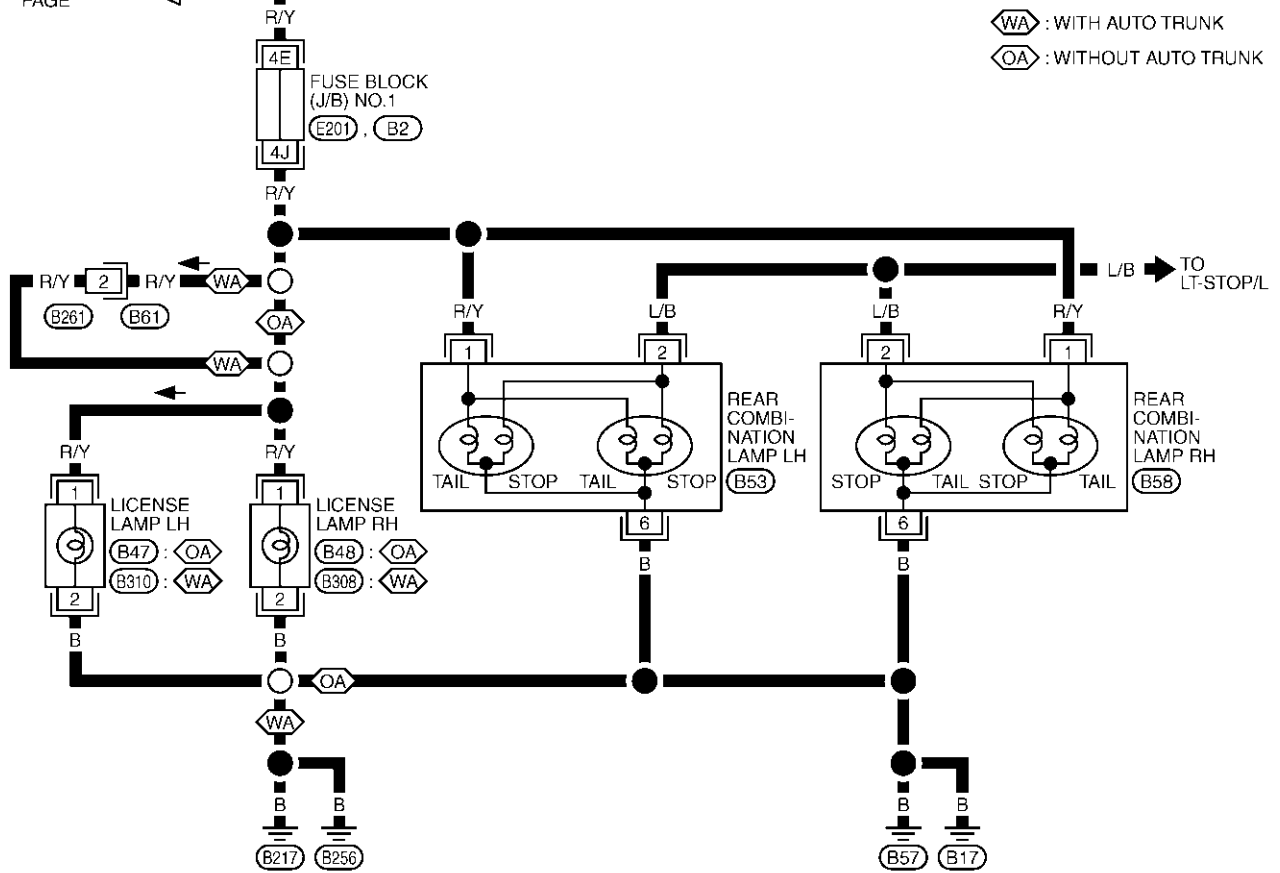
TKWM0402E

PARKING, LICENSE PLATE AND TAIL LAMPS

LT-TAIL/L-04

PRECEDING PAGE C R/Y

: WITH AUTO TRUNK
 : WITHOUT AUTO TRUNK



REFER TO THE FOLLOWING.
 - FUSE BLOCK-JUNCTION BOX (J/B) NO.1

A
B
C
D
E
F
G
H
I
J
LT
L
M

PARKING, LICENSE PLATE AND TAIL LAMPS

Trouble Diagnoses

EKS0007N

Symptom	Repair Procedure
No lamps operate (including headlamps).	<ol style="list-style-type: none"> 1. Check 10A fuse [No. 6, located in fuse block (J/B) NO.1]. Verify battery positive voltage is present at terminal 7 of headlamp battery saver control unit. 2. Check lighting switch. Refer to LT-67, "Switch Circuit Inspection". 3. Check headlamp battery saver control unit. Refer to LT-17, "Terminals and Reference Value for Battery Saver Control Unit".
No parking, side marker, license and tail lamps operate, but headlamps do operate.	<ol style="list-style-type: none"> 1. Check 15A fuse [No. 54, located in fuse, fusible link and relay block (J/B)]. Verify battery positive voltage is present at terminals 6 and 2 of tail lamp relay. 2. Check tail lamp relay. 3. Check harness between headlamp battery saver control unit terminals 6 and 14 and tail lamp relay terminal 1. Check harness between tail lamp relay terminal 7 and terminals of each combination lamp. 4. Check lighting switch. Refer to LT-67, "Switch Circuit Inspection". 5. Check harness between lighting switch terminal 11 and headlamp battery saver control unit terminals 5 and 13. Check harness between lighting switch terminal 5 and ground. 6. Check headlamp battery saver control unit. Refer to LT-17, "Terminals and Reference Value for Battery Saver Control Unit".
Battery saver control does not operate properly.	<ol style="list-style-type: none"> 1. Check RAP signal. Verify 12 positive voltage from BCM is present at terminal 10 of headlamp battery saver control unit: <ul style="list-style-type: none"> - Within 45 seconds after ignition switch turned off. - Front door is opened or more than 45 seconds after ignition switch is turned off. 2. Check the following. <ul style="list-style-type: none"> - Harness between BCM and front door switch (driver side) or front door switch (passenger side) for open or short circuit. - Front door switch (driver side) or front door switch (passenger side) ground circuit. - Front door switch (driver side) or front door switch (passenger side). 3. Check the following. <ul style="list-style-type: none"> - Harness between headlamp battery saver control unit terminals 5 or 13 and lighting switch terminal 11 for open or short circuit. - Harness between lighting switch terminal 5 and ground. - Lighting switch. Refer to LT-67, "Switch Circuit Inspection". 4. Check headlamp battery saver control unit. Refer to LT-17, "Terminals and Reference Value for Battery Saver Control Unit". 5. Check BCM. Refer to LT-18, "Terminals and Reference Value for BCM".

PARKING, LICENSE PLATE AND TAIL LAMPS


Bulb Replacement LICENSE PLATE LAMP

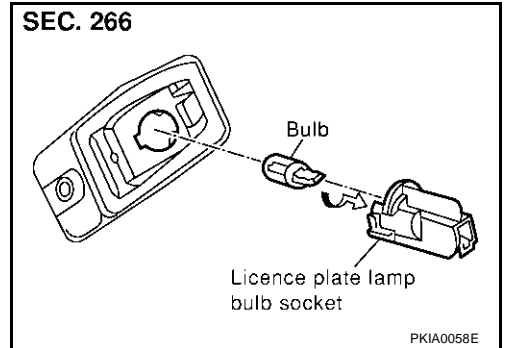
EKS000WE

1. Open the trunk and remove the trunk lid finisher. Refer to [EI-52, "TRUNK ROOM TRIM & TRUNK LID FINISHER"](#) in "EXTERIOR & INTERIOR (EI)" section.
2. Disconnect the license plate lamp connector.
3. Turn the bulb socket counterclockwise and unlock it.
4. Remove the bulb from its socket.

License plate lamp : 12V 5W

License plate lamp mounting screw:

 **1.86 - 2.94 N·m (0.19 - 0.29 kg-m, 17 - 26 in-lb)**



FRONT COMBINATION LAMP

Refer to [LT-32, "Bulb Replacement"](#) in "HEADLAMP (FOR USA)".

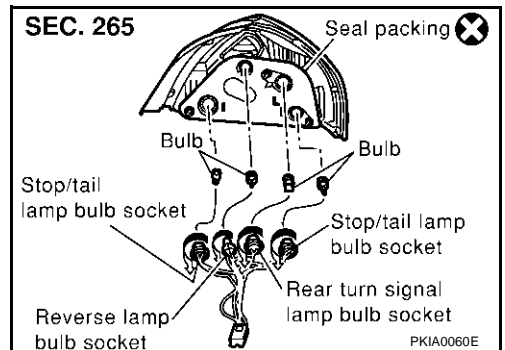
REAR COMBINATION LAMP

1. Open the trunk and remove the trunk side finisher. Refer to [EI-52, "TRUNK ROOM TRIM & TRUNK LID FINISHER"](#) in "EXTERIOR & INTERIOR (EI)" section.
2. Turn the bulb socket counterclockwise and unlock it.
3. Remove the bulb.

Stop/Tail lamp (outer-inner side) : 12V 21/5W

Rear turn signal lamp : 12V 21W

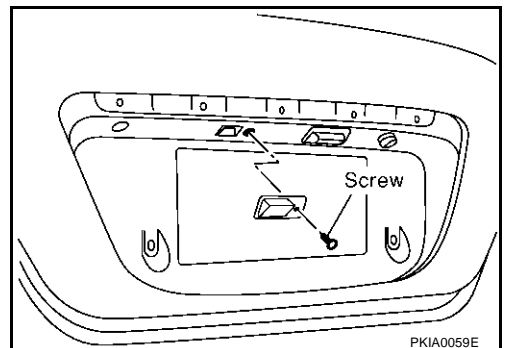
Buck-up lamp : 12V 18W



Removal and Installation LICENSE PLATE LAMP

Removal

1. Remove the license plate finisher. Refer to [EI-52, "TRUNK ROOM TRIM & TRUNK LID FINISHER"](#) in "EXTERIOR & INTERIOR (EI)" section.
2. Disconnect the license plate lamp connector.
3. Remove the license plate lamp mounting screw and remove the license plate lamp from the vehicle.



Installation

Install in the reverse order of removal, taking care of the following points.

License plate lamp mounting screw:

 **1.86 - 2.94 N·m (0.19 - 0.29 kg-m, 17 - 26 in-lb)**

FRONT COMBINATION LAMP

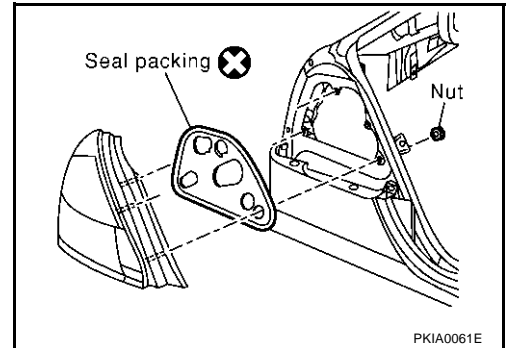
Refer to [LT-34, "Removal and Installation"](#) in "HEADLAMP (FOR USA)".

PARKING, LICENSE PLATE AND TAIL LAMPS

REAR COMBINATION LAMP

Removal

1. Open the trunk and remove the trunk side finisher. Refer to [EI-52. "TRUNK ROOM TRIM & TRUNK LID FINISHER"](#) in "EXTERIOR & INTERIOR (EI)" section.
2. Disconnect the rear combination lamp connector.
3. Remove the rear combination lamp mounting nuts.
4. Pull the rear combination lamp toward rear of the vehicle and remove from the vehicle.
5. Remove the seal packing from the vehicle.



Installation

Install in the reverse order of removal, taking care of the following points.

- Install a new seal packing to the rear combination lamp.

CAUTION:

Seal packing cannot be reused.

Rear combination lamp mounting nut:

: **2.5 - 3.8 N·m (0.26 - 0.38 kg·m, 23 - 33 in·lb)**

INTERIOR ROOM LAMP

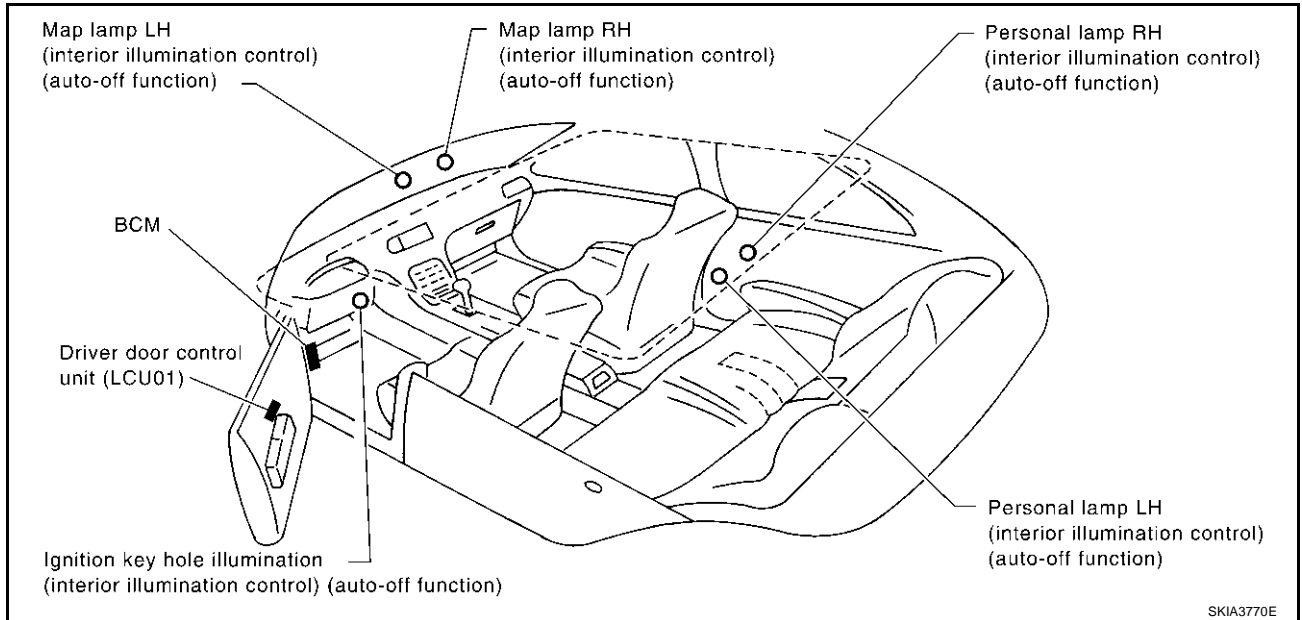
INTERIOR ROOM LAMP

PFP:26410

System Description OUTLINE

EKS0017P

Controls on/off and afterglow time of the map lamp (front personal light), personal lamp (rear personal light), and ignition key hole illumination.



TIMER FUNCTION

Controls the illumination duration of the lamps and illuminations according to the signals from the door unlock sensor, front door switch (driver side), ignition switch, and key switch.

- The timer operates for approx. 30 seconds.
- The timer will be actuated or cancelled by the signals from the following switches.

Components	Operation
Front door lock actuator (driver side) (Door unlock sensor)	<ul style="list-style-type: none"> ● Timer will be actuated by input of the switch ON (door unlocked) signal when the driver door switch is OFF (door closed) and the key-in detection switch is OFF (key withdrawn). ● Timer will be cancelled by input of the switch OFF (door locked) signal.
Front door switch (driver side)	<ul style="list-style-type: none"> ● Timer will be cancelled by input of the switch ON (door open) signal. ● Timer will be actuated by input of the switch ON→OFF (door open→closed) signal when the key-in detection switch is OFF.
Ignition switch	<ul style="list-style-type: none"> ● Timer will be cancelled by input of the switch ACC or ON signal.
Key switch and key lock solenoid (Key switch)	<ul style="list-style-type: none"> ● Timer will be actuated by input of the switch ON→OFF (key inserted→withdrawn) signal when the driver door switch is OFF (door closed).

- If a new timer actuation signal is input while the timer is operating, the later input will have priority.
- If any lamp switch is operated and a separate actuation signal is input while the timer is operating, the lamp operation will be prioritized. However, the timer operation will not be renewed or cancelled.

INTERIOR ROOM LAMP

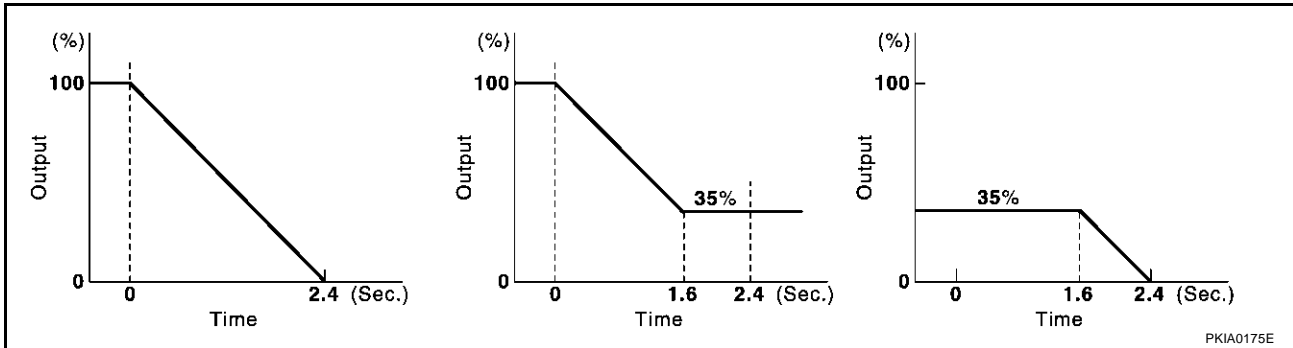
LAMP OUTPUT CONTROL FUNCTION

Controls output of lamps except for the ignition key hole illumination.

- In case from full illumination to off, from full illumination to half illumination, and from half illumination to off.

NOTE:

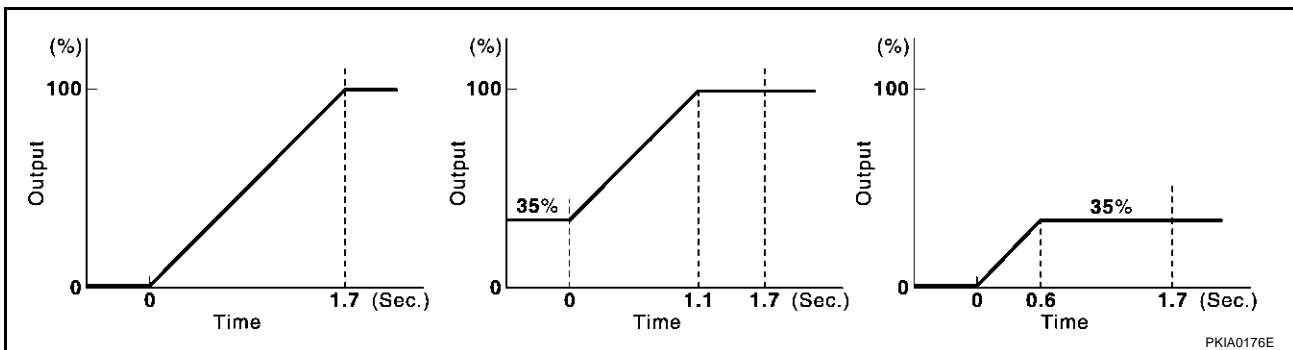
In full illumination, brightness of the lamps is 100%. In half illumination, it is 35% (25% for the personal lamp).



- In case from off to full illumination, from half illumination to full illumination, and from off to half illumination.

NOTE:

In full illumination, brightness of the lamps is 100%. In half illumination, it is 35% (25% for the personal lamp).



AUTO OFF FUNCTION

When ignition switch is in OFF, and following condition is continued for approximately 30 minutes without the change, then interior room lamps are automatically turned OFF.

- Interior lamp ill switch and personal lamps switch are "AUTO" position, and then door switch of either is opened.
- Interior lamp ill switch is "ON" position.
- Personal lamp switch is "FULL" position.

The auto off function is turned OFF when the one of following change is operated, and executes a usual operation control thereafter.

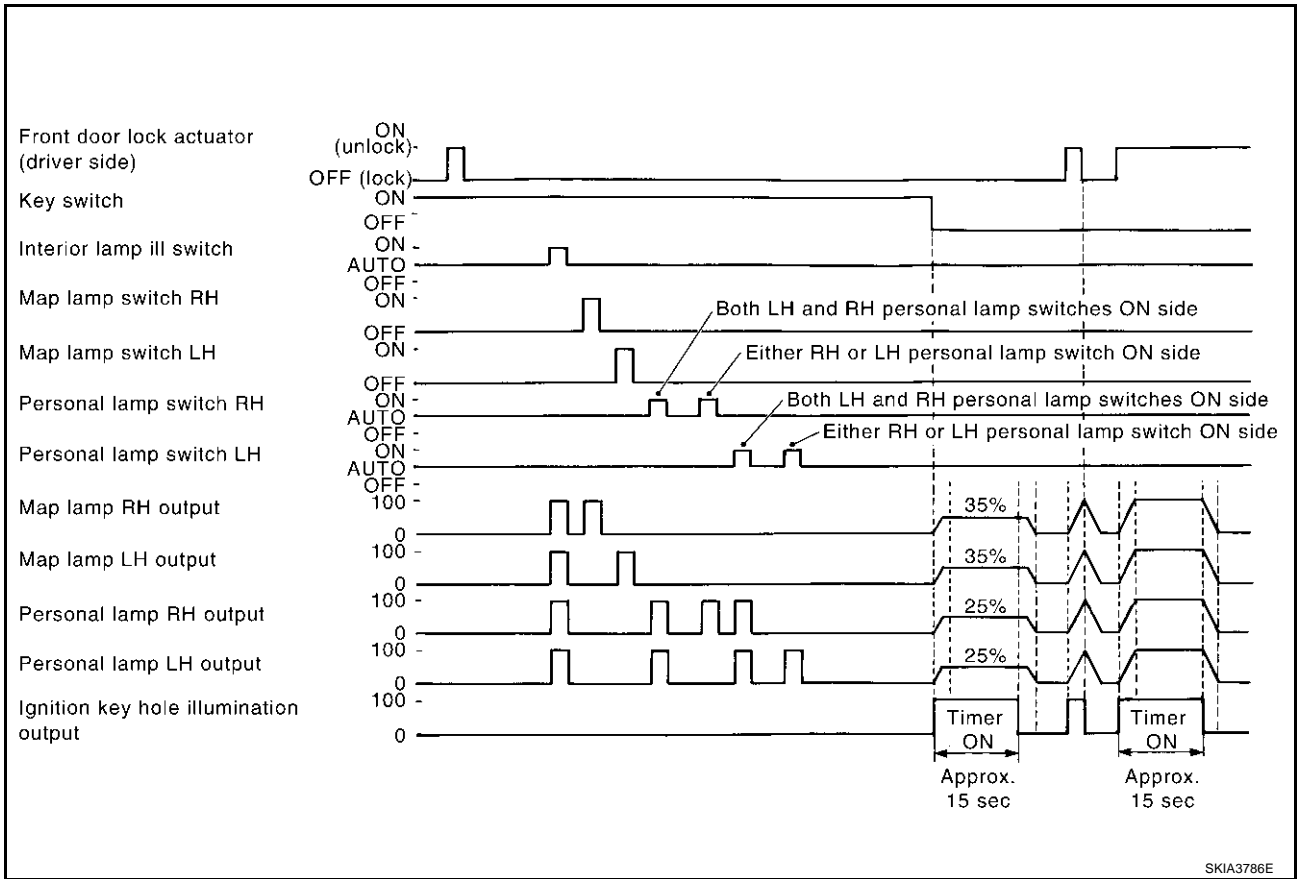
- Ignition switch is turned from OFF to ON.
- Each door switch is switched from OFF to ON. (Door closed → open)
- Interior lamp ill switch is switched from OFF to ON.
- Personal lamp switch is switched from AUTO to ON.

LIGHTS ON/OFF MODES

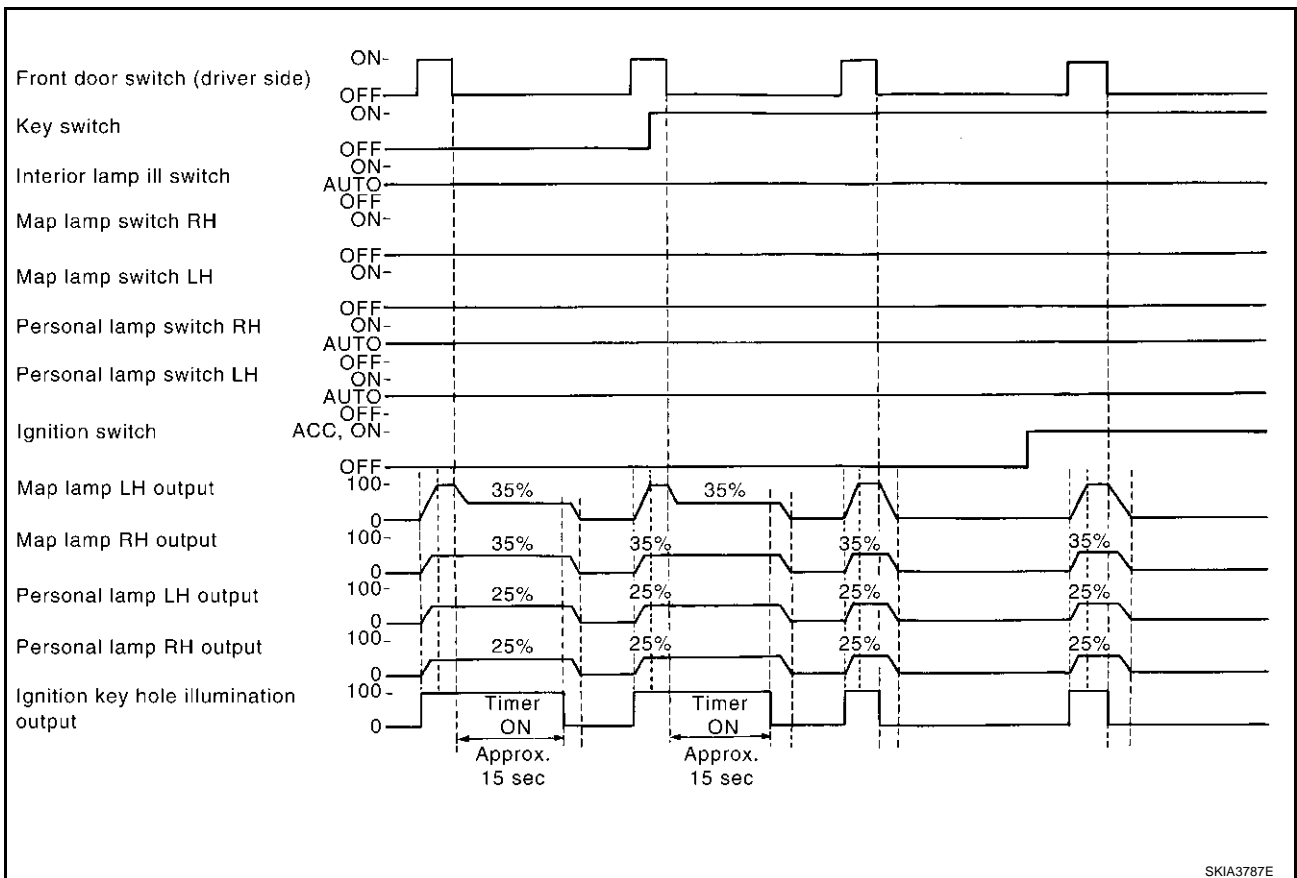
Separate signal from each switch and signals of higher output have priority over these modes.

INTERIOR ROOM LAMP

1. Lights on-off modes when each lamp switch is operated



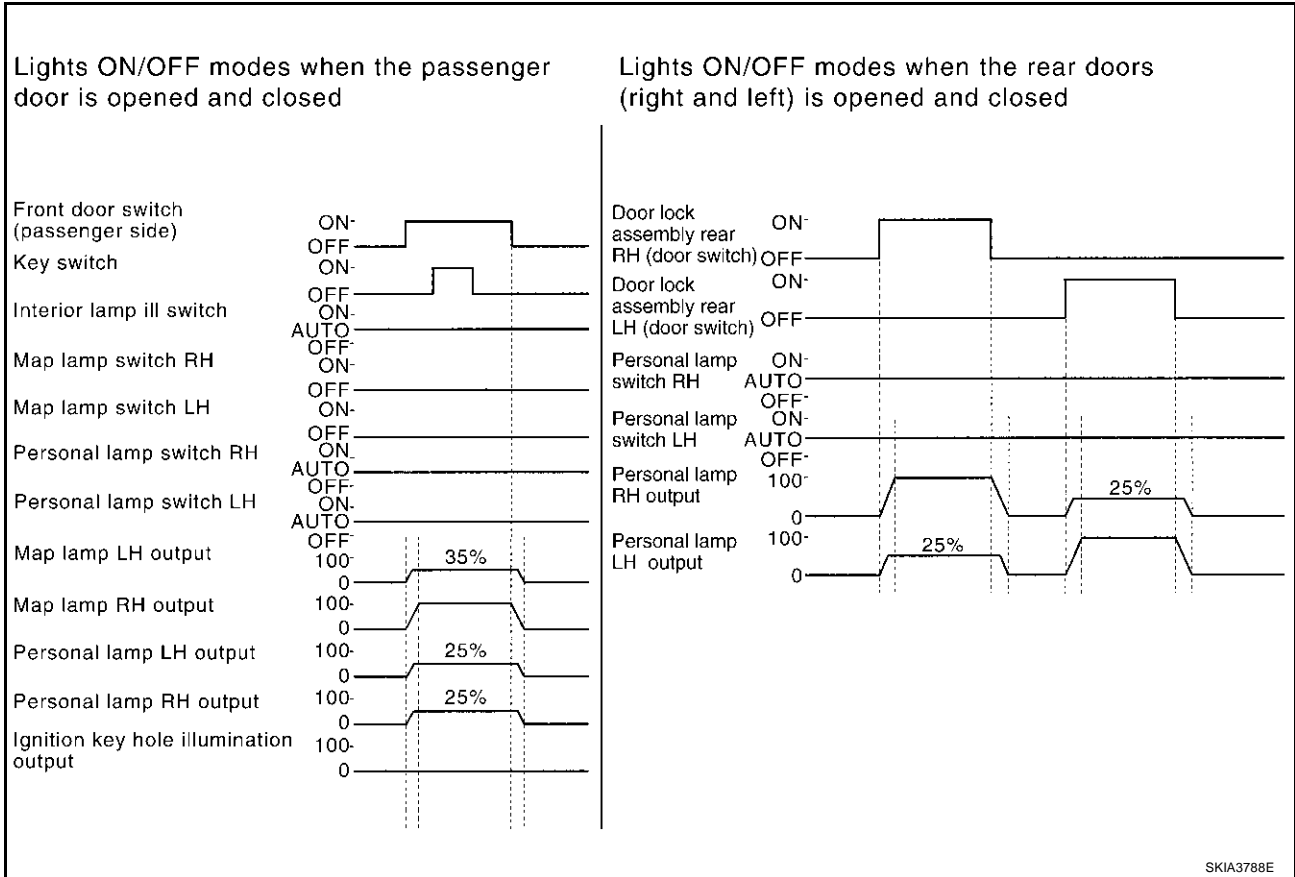
2. Lights on-off modes when the driver door is opened and closed



A
B
C
D
E
F
G
H
I
J
LT
L
M

INTERIOR ROOM LAMP

3. Lights on-off modes when the passenger door is opened and closed, lights on-off modes when rear doors (LH, RH) are opened and closed



SKIA3788E

Major Components and Their Functions

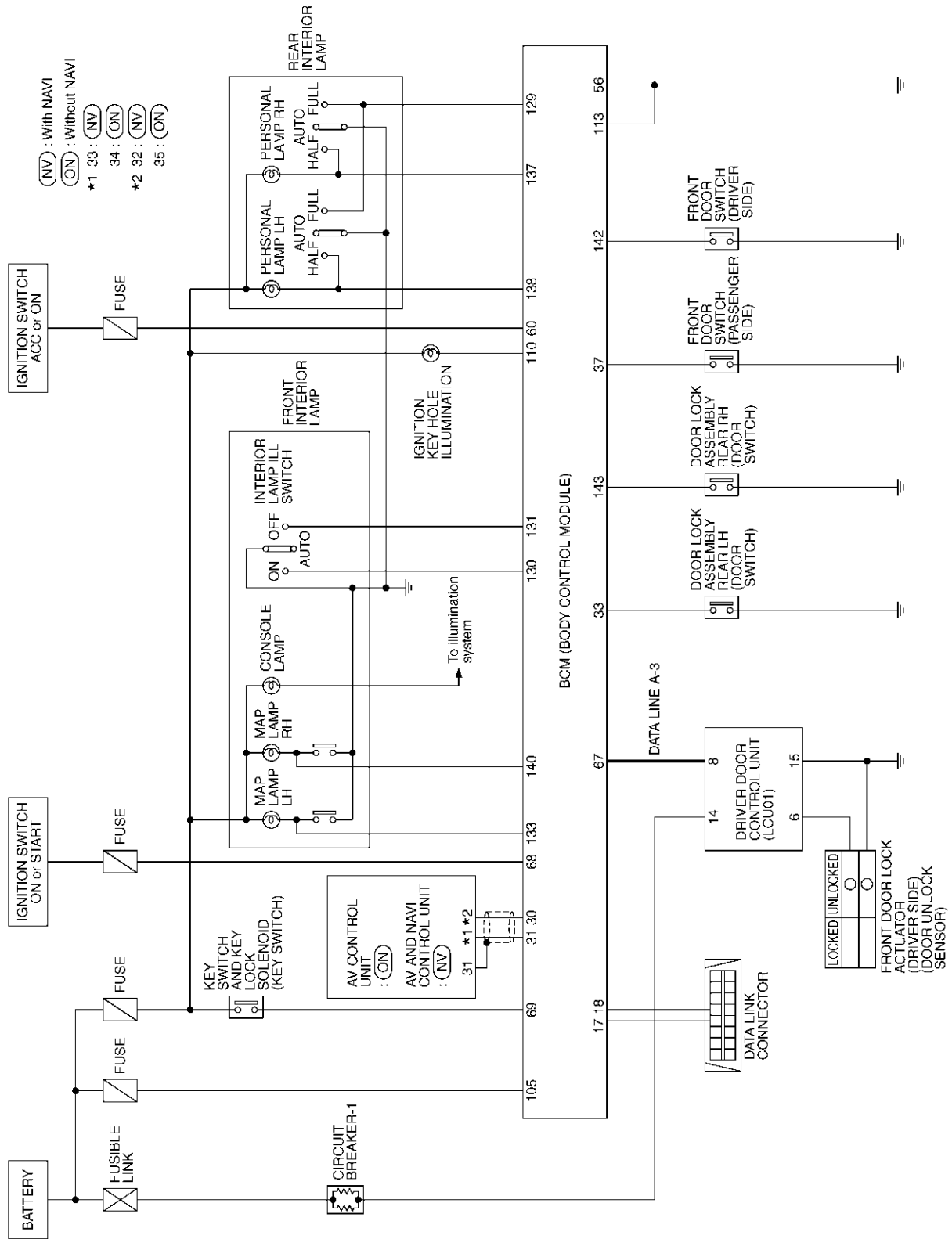
EKS0017R

Components	Functions
BCM	<ul style="list-style-type: none"> Controls on/off and afterglow time of the interior lamps and illuminations according to the signals from the ignition switch, key switch, lighting switch, each door switch, door unlock sensor, and each lamp switch. <p>CAUTION: On/off control varies with signal input from each switch. Refer to LT-82. "LIGHTS ON/OFF MODES".</p>
Door unlock sensor	<ul style="list-style-type: none"> Detects driver door lock (switch OFF)/unlock (switch ON) status and inputs it to the BCM via the driver door LCU.
Driver door switch	<ul style="list-style-type: none"> Detects driver door open (switch ON)/closed (switch OFF) status and inputs it to the BCM.
Ignition switch	<ul style="list-style-type: none"> Detects ignition switch OFF (OFF), ACC-IGN (ON) status and inputs it to the BCM.
Key-in detection switch	<ul style="list-style-type: none"> Detects ignition key inserted (ON)/withdrawn (OFF) status and inputs it to the BCM.

INTERIOR ROOM LAMP

Schematic

EKS000TZ



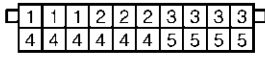
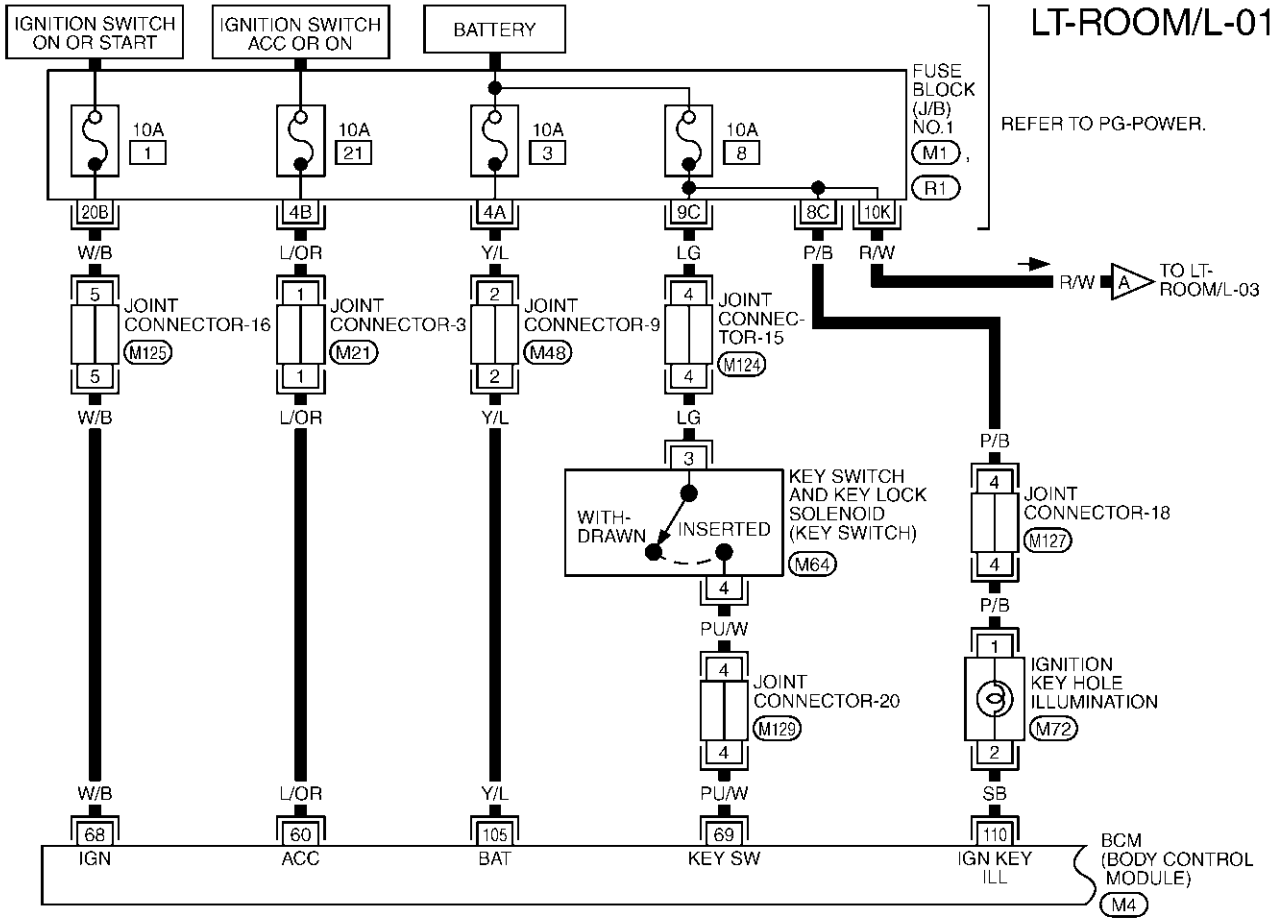
A
B
C
D
E
F
G
H
I
J
K
L
M

LT

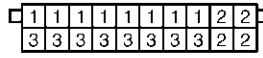
INTERIOR ROOM LAMP

Wiring Diagram — INT/L —

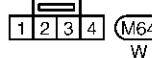
EKS000U0



M48 B
M125 B



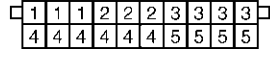
M21 GY



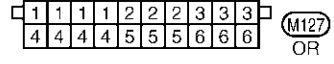
M64 W



M72 W



M124 B
M129 B



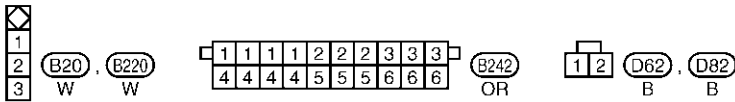
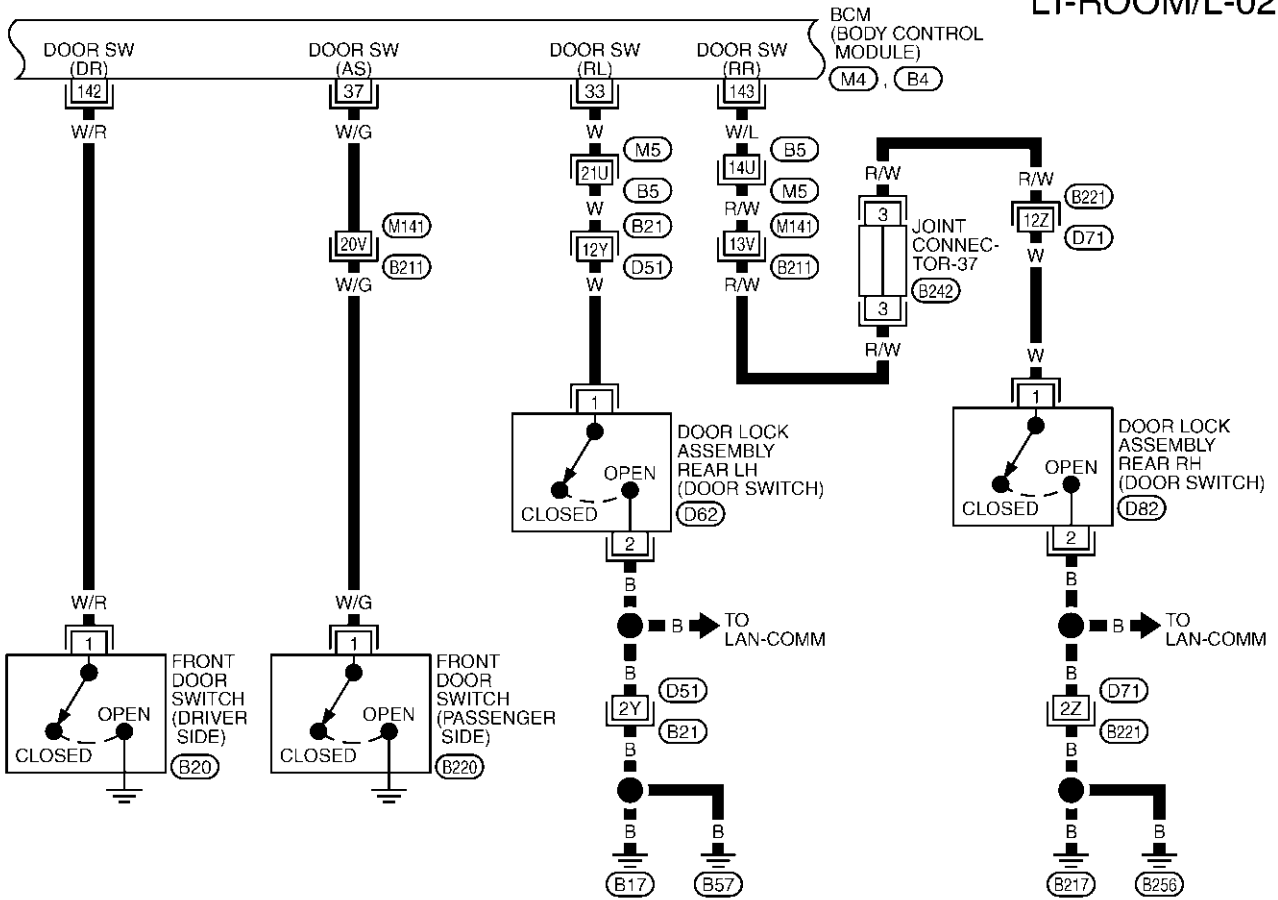
M127 OR

REFER TO THE FOLLOWING.
 (M1), (R1) - FUSE BLOCK-JUNCTION BOX (J/B) NO.1
 (M4) - ELECTRICAL UNITS

TKWM0539E

INTERIOR ROOM LAMP

LT-ROOM/L-02

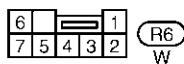
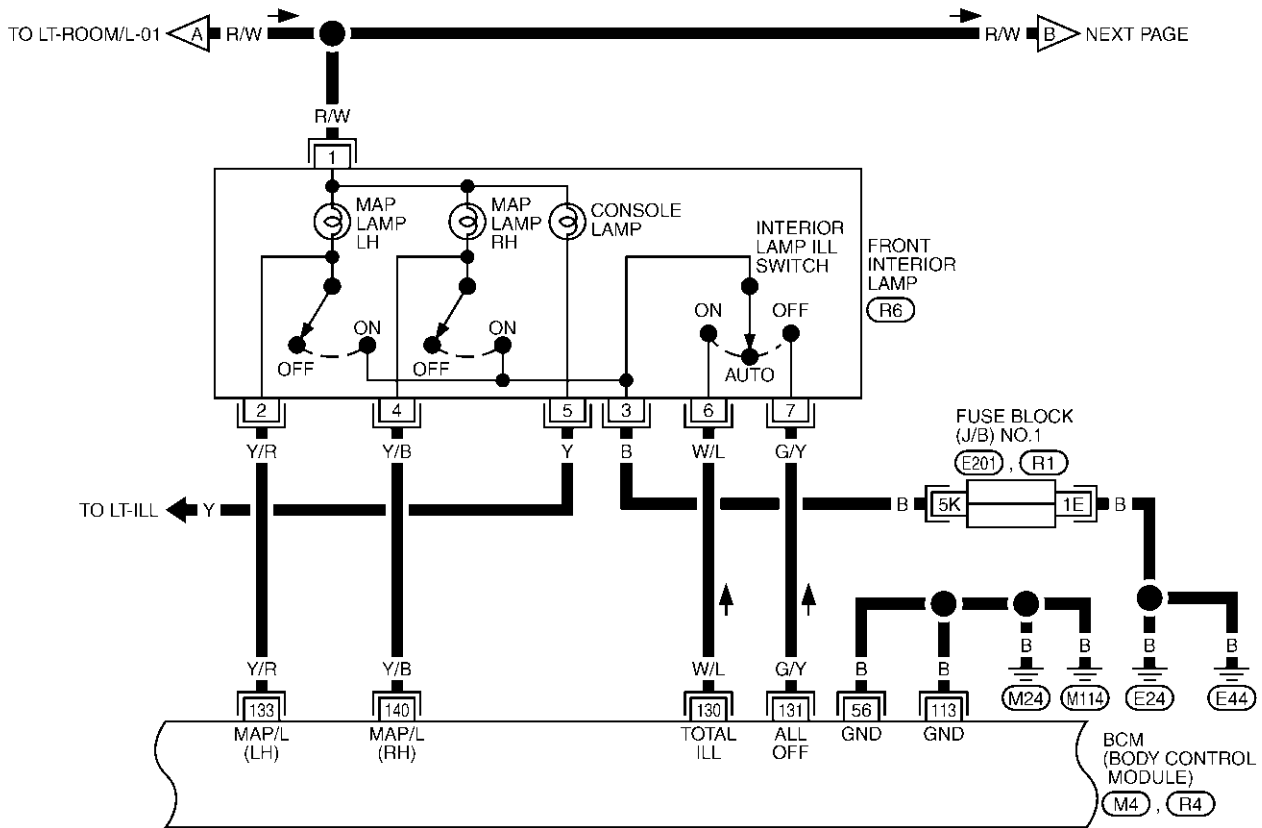


REFER TO THE FOLLOWING.
 (M5), (B21), (B211), (B221)
 -SUPER MULTIPLE JUNCTION (SMJ)
 (M4), (B4) -ELECTRICAL UNITS

A
B
C
D
E
F
G
H
I
J
LT
L
M

INTERIOR ROOM LAMP

LT-ROOM/L-03

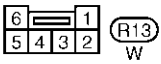
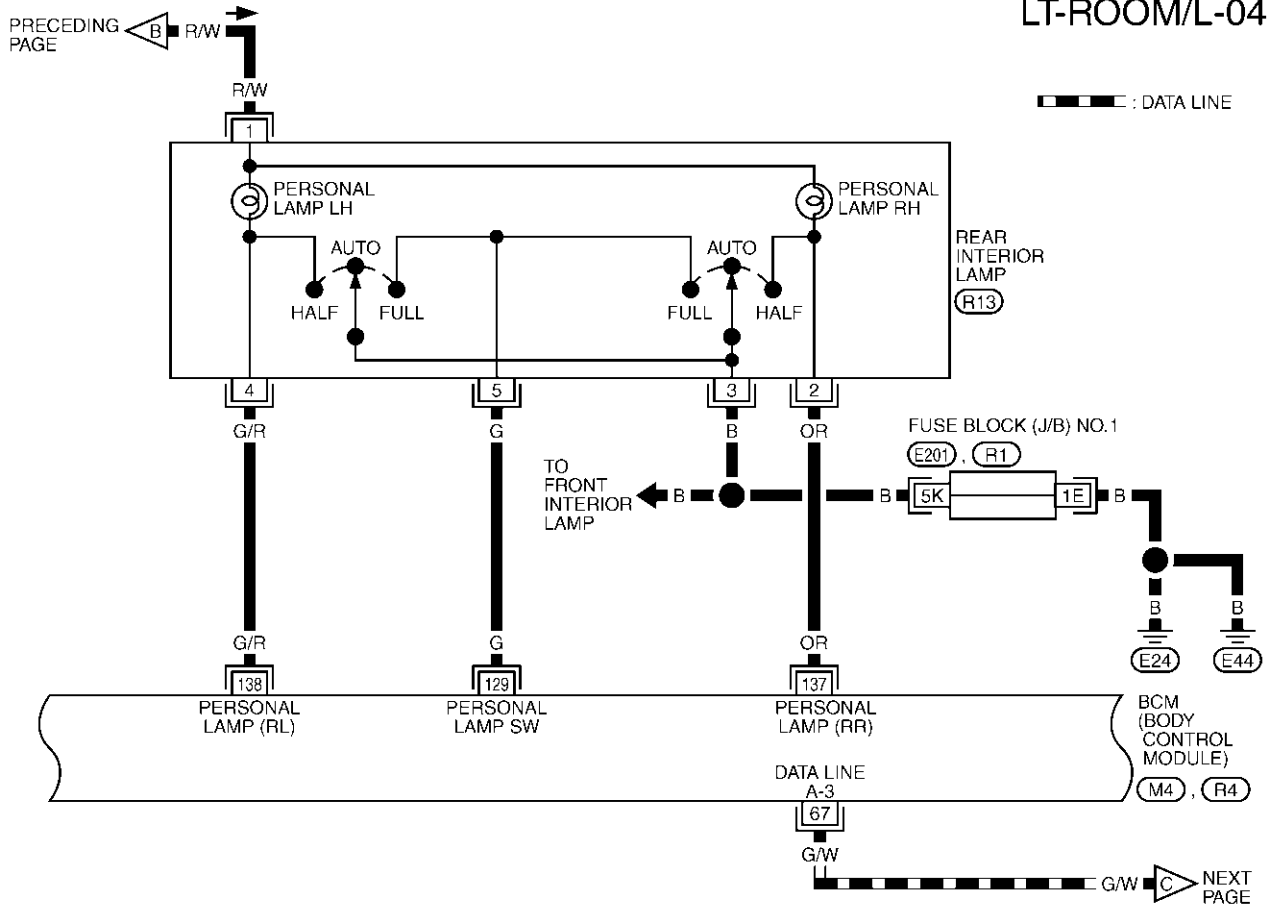


REFER TO THE FOLLOWING.
 (E201), (R1) - FUSE BLOCK-
 JUNCTION BOX (J/B) NO.1
 (M4), (R4) - ELECTRICAL
 UNITS

TKWM0414E

INTERIOR ROOM LAMP

LT-ROOM/L-04



REFER TO THE FOLLOWING.

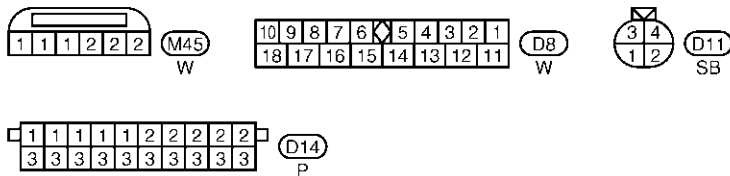
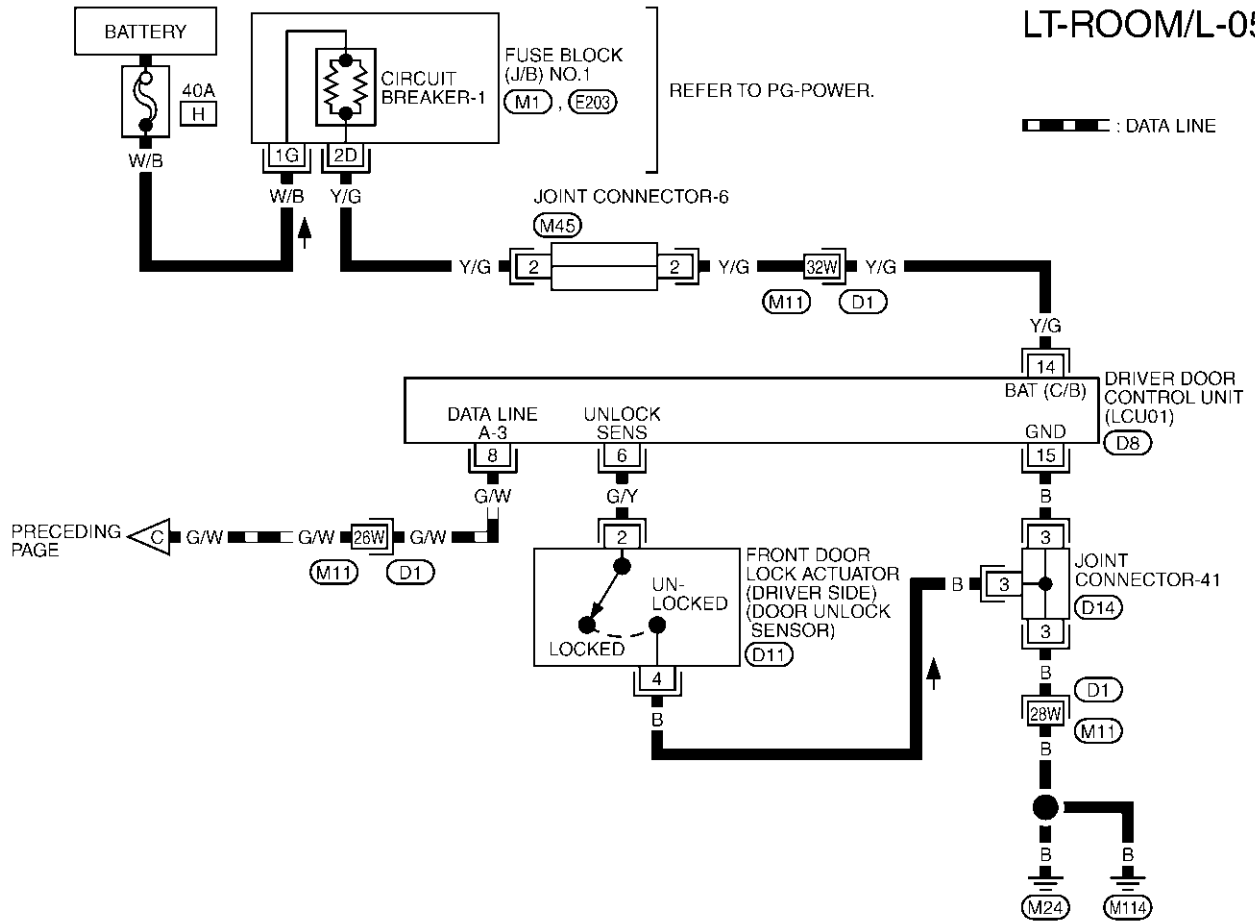
(E201), (R1) - FUSE BLOCK-JUNCTION BOX (J/B) NO.1

(M4), (R4) - ELECTRICAL UNITS

TKWM0415E

INTERIOR ROOM LAMP

LT-ROOM/L-05



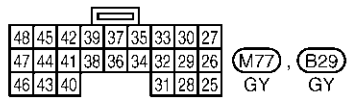
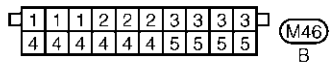
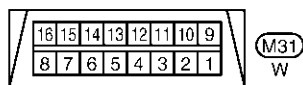
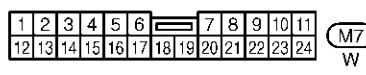
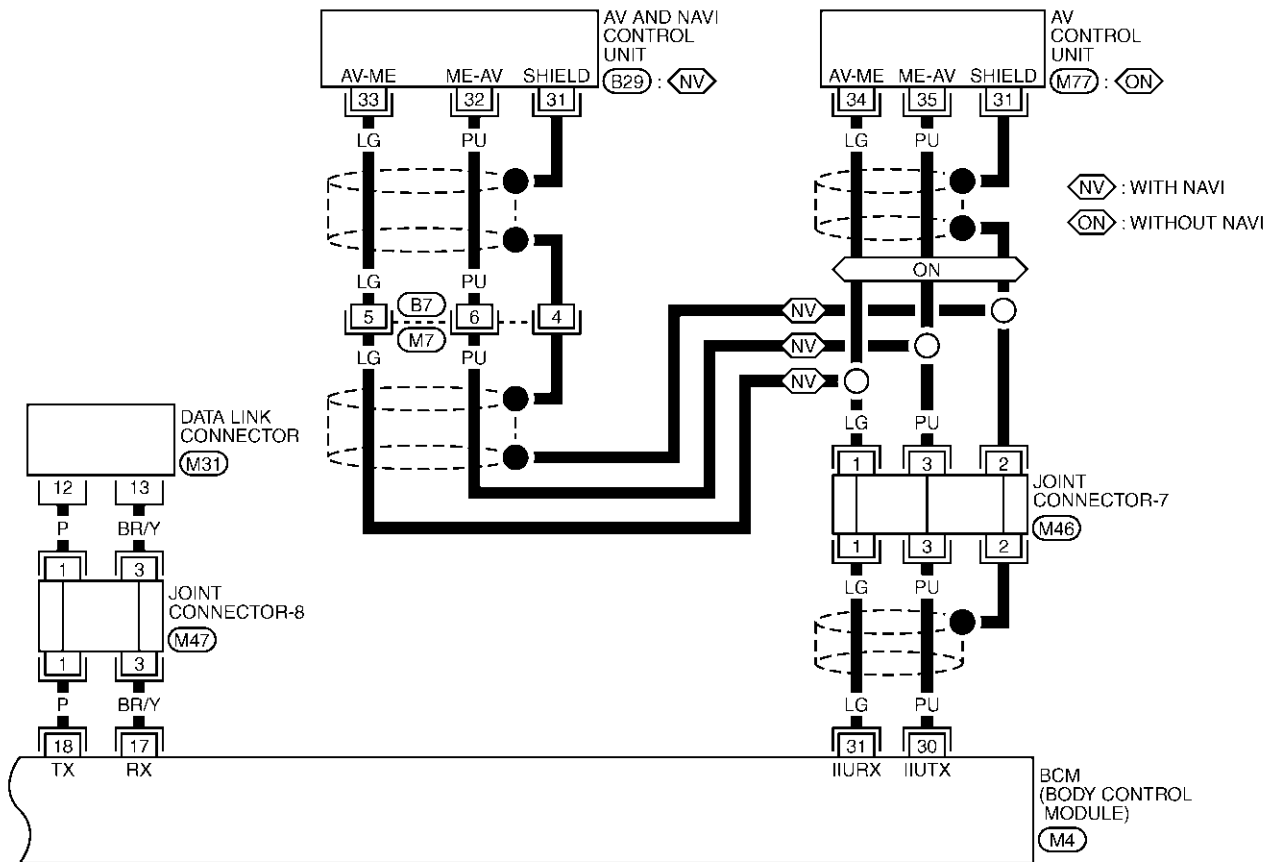
REFER TO THE FOLLOWING.

- (D1) -SUPER MULTIPLE JUNCTION (SMJ)
- (M1, E203) -FUSE BLOCK-JUNCTION BOX (J/B) NO.1

TKWM0416E

INTERIOR ROOM LAMP

LT-ROOM/L-06



REFER TO THE FOLLOWING.
(M4) -ELECTRICAL UNITS

A
B
C
D
E
F
G
H
I
J
LT
L
M

TKWM0349E

INTERIOR ROOM LAMP

Terminals and Reference Value for BCM

EKS00174

Terminal No.	Wire color	Signal description	Measuring condition			Voltage (Approximate values)
			Ignition switch	Operation or condition		
17	BR/Y	Data link RX	—	—		—
18	P	Data link TX	—	—		—
30	PU	Communication signal TX (BCM-AV: Transmission)	—	—		—
31	LG	Communication signal RX (AV-BCM: Receiving)	—	—		—
33	W	Rear LH door switch signal	OFF	Rear LH door switch	ON (open)	Less than 1V
					OFF (closed)	Battery voltage
37	W/G	Passenger door switch signal	OFF	Passenger door switch	ON (open)	Less than 1V
					OFF (closed)	Battery voltage
56	B	Ground	—	—		—
60	L/OR	ACC power supply	ACC	—		Battery voltage
67	G/W	LAN communication	—	—		—
68	W/B	IGN power supply	ON	—		Battery voltage
69	PU/W	Key switch and key lock solenoid signal	OFF	Key withdrawn (OFF)		Less than 1V
				Key inserted (ON)		Battery voltage
105	Y/L	BAT power supply	OFF	—		Battery voltage
110	SB	Ignition switch illumination signal	OFF	Turned OFF		Battery voltage
				Turned ON		Less than 1V
113	B	Ground	—	—		—
129	G	Personal lamp switch signal	OFF	Personal lamp switch	One switch ON	5V
					AUTO	5V
					Both switch ON	Less than 1V
130	W/L	Interior lamp ill switch ON signal	OFF	Interior lamp ill switch	ON	Less than 1V
					AUTO	5V
					OFF	5V
131	G/Y	Interior lamp ill switch OFF signal	OFF	Interior lamp ill switch	ON	5V
					AUTO	5V
					OFF	Less than 1V
133	Y/R	Map lamp LH signal	OFF	Turned OFF		Battery voltage
				Dimming		8V
				Turned ON		Less than 1V
137	OR	Personal lamp RH signal	OFF	Turned OFF		Battery voltage
				Dimming		8V
				Turned ON		Less than 1V
138	G/R	Personal lamp LH signal	OFF	Turned OFF		Battery voltage
				Dimming		8V
				Turned ON		Less than 1V
140	Y/B	Map lamp RH signal	OFF	Turned OFF		Battery voltage
				Dimming		8V
				Turned ON		Less than 1V

INTERIOR ROOM LAMP

Terminal No.	Wire color	Signal description	Measuring condition			Voltage (Approximate values)
			Ignition switch	Operation or condition		
142	W/R	Driver door switch signal	OFF	Driver door switch	ON (open)	Less than 1V
					OFF (closed)	Battery voltage
143	W/L	Rear RH door switch signal	OFF	Rear RH door switch	ON (open)	Less than 1V
					OFF (closed)	Battery voltage

Terminals and Reference Value for Driver Door Control Unit (LCU01)

EKS000X0

Terminal No.	Wire color	Item	Condition	Voltage (Approximate values)
6	G/Y	Door unlock sensor	OFF (Locked) → ON (unlocked)	5V → 0V
8	G/W	Data line A-3	—	—
14	Y/G	Power source (PTC)	—	Battery voltage
15	B	Ground	—	0V

Work Flow

EKS000X1

1. Confirm the symptom or customer complaint.
2. Understand system description. Refer to [LT-81, "System Description"](#).
3. Perform the preliminary check. Refer to [LT-93, "Preliminary Check"](#).
4. Does the door lock system operate normally? When yes, go to step 5. When no, go to Power door lock system [BL-43, "Symptom Chart"](#) in "BODY LOCK & SECURITY SYSTEM (BL)" section.
5. Find the cause of trouble following the trouble diagnosis chart by symptom and repair or replace as necessary. Refer to [LT-99, "Symptom Chart"](#).
6. Does the total coordinated interior illumination operate normally? When yes, go to step 7. When no, go to step 5.
7. Inspection end.

Preliminary Check

EKS000X2

SETTING CHANGE FUNCTION

- Setting for each operation can be changed using CONSULT-II and a display unit.

Item	Description	CONSULT-II (Work support)	Display unit (Setting of various vehicle conditions)	Factory setting
SET I/L LGC-D- UNLCK (CONSULT-II) Illuminate Interior When Unlocking Vehicle (display unit)	Selects ON-OFF of the interior lamp illumination at the time the driver door is unlocked.	ON	ON: Indicator ON	×
		OFF	OFF: indicator OFF	—
SET INT- L LOGIC-TIM (CONSULT-II) Interior Lights Off Delay (display unit)	Selects interior lamp timer set time in four steps.	Mode 1 (off)	OFF: Display OFF	—
		Mode 2 (15 seconds)	15 seconds: Display 15 sec.	—
		Normal (30 seconds)	30 seconds: Display 30 sec.	×
		Mode 3 (45 seconds)	45 seconds: Display 45 sec.	—

CAUTION:

After the setting is changed, the new setting will be maintained even if the battery is disconnected.

INTERIOR ROOM LAMP

INSPECTION FOR POWER AND GROUND CIRCUIT

1. FUSE CHECK

Check if any of the following fuses in BCM are blown.

Unit	Power source	Terminal	Fuse No.
BCM	Battery power supply	105	3
	ACC power supply	60	21
	IGN power supply	68	1

Refer to [PG-2. "POWER SUPPLY ROUTING"](#).

OK or NG

OK >> GO TO 2.

NG >> If fuse is blown, be sure to eliminate cause of malfunction before installing new fuse.

2. CHECK POWER SUPPLY CIRCUIT

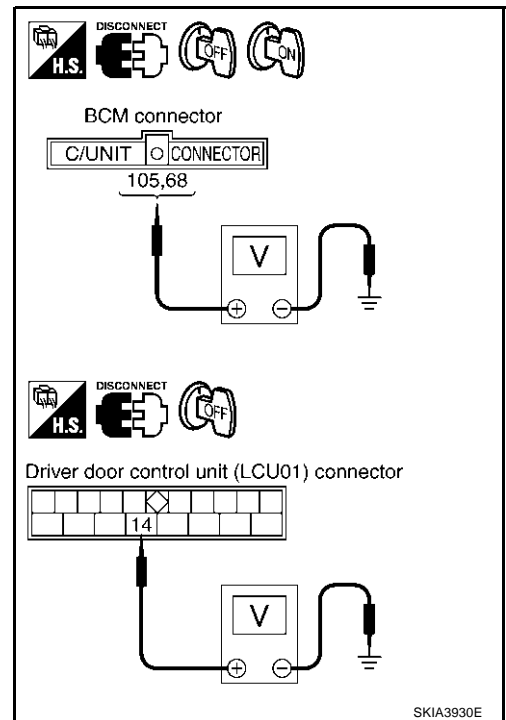
1. Disconnect the BCM connector and driver door LCU connector.
2. Check voltage between the following harness connector terminals and ground.

Unit Connector	Terminals (Wire color)		Power source	condition	Voltage
	(+)	(-)			
BCM (M4)	105 (Y/L)	Body ground	Battery power supply	Ignition switch OFF	Battery voltage
	68 (W/B)		IGN power supply	Ignition switch ON	Battery voltage
Driver door LCU (D8)	14 (Y/G)		Battery power supply	Ignition switch OFF	Battery voltage

OK or NG

OK >> GO TO 3.

NG >> Check harness for open or short between BCM or driver door LCU and fuse.



SKIA3930E

INTERIOR ROOM LAMP

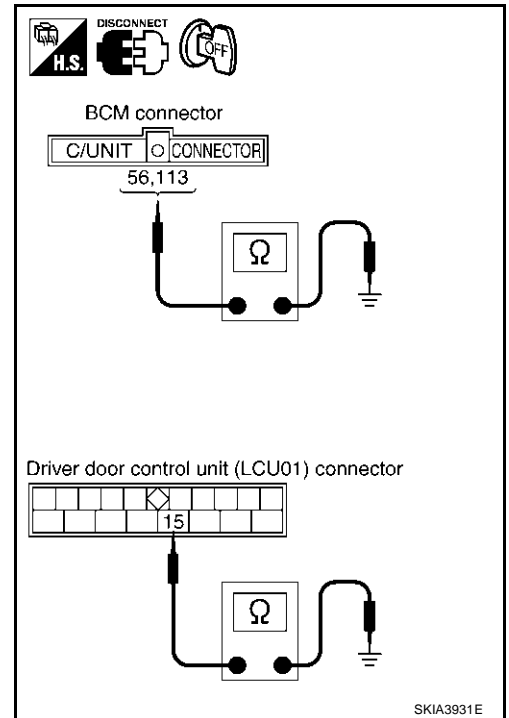
3. CHECK GROUND CIRCUIT

Check continuity between the following harness connector terminal of the BCM and driver door LCU and body ground.

Unit Connector	Terminal (Wire color)		Signal	Ignition switch	Continuity
	(+)	(-)			
BCM (M4)	56 (B), 113 (B)	Body ground	Ground	Ignition switch OFF	Continuity should exist
Driver door LCU (D8)	15 (B)		Ground	Ignition switch OFF	Continuity should exist

OK or NG

- OK >> Inspection end.
- NG >> Repair or replace harness.



A
B
C
D
E
F
G
H
I
J
LT
L
M

INTERIOR ROOM LAMP

CONSULT-II Function

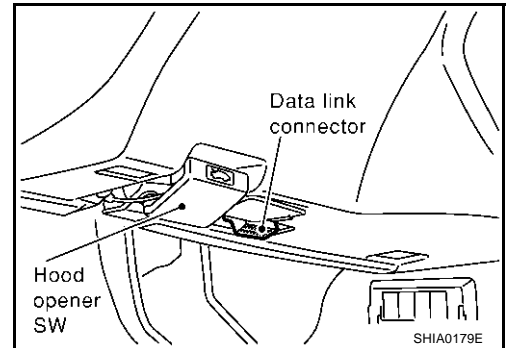
EKS000X3

- CONSULT-II has the display function for the work support, data monitor and active test for each part by combining data receiving and sending via the communication line from the BCM.

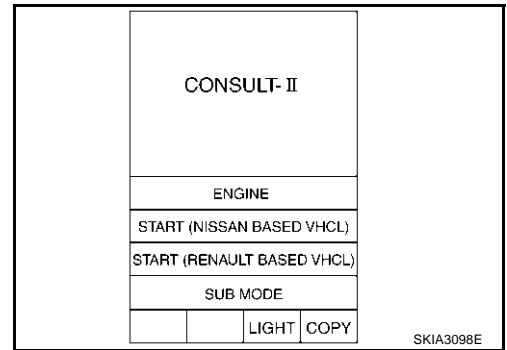
IVMS diagnosis position	Diagnosis mode	Description
Interior illumination	Work support	Changes setting of each function.
	Data monitor	Displays input data of the BCM and each LCU in real-time.
	Active test	Operation of electrical loads can be checked by sending driving signal to them.
BCM part number		Displays BCM part No.

CONSULT-II BASIC OPERATION PROCEDURE

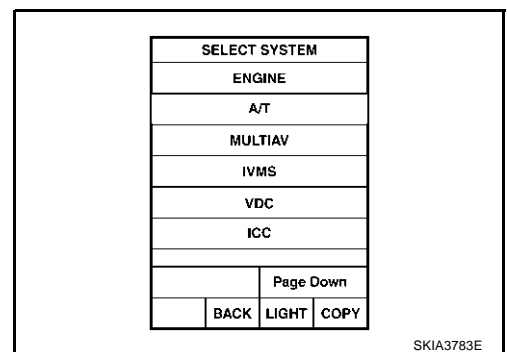
- With the ignition switch OFF, connect "CONSULT-II" and "CONSULT-II CONVERTER" to the data link connector, then turn ignition switch ON.



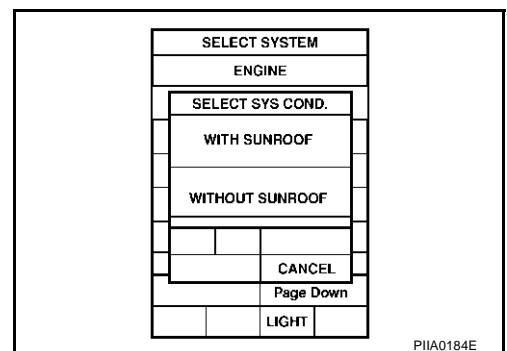
- Touch "START (NISSAN BASED VHCL)".



- Touch "IVMS" on "SELECT SYSTEM" screen. If "IVMS" is not indicated, go to [GI-38, "CONSULT-II Data Link Connector \(DLC\) Circuit"](#).



- Check the model specification, touch either "WITH SUNROOF" or "WITHOUT SUNROOF".
- Touch "OK". If the selection is wrong, touch "CANCEL".



INTERIOR ROOM LAMP

6. Select the desired part to be diagnosed on the "SELECT TEST ITEM" screen.

WORK SUPPORT

Operation procedure

1. Touch "INTERIOR ILLUMINATION" on the "SELECT TEST ITEM" screen.
2. Touch "WORK SUPPORT" on the "SELECT DIAG MODE" screen.
3. Touch "SET INT-L LOGIC-TIM" or "SET I/L LGC-D-UNLCK" on the "SELECT WORK ITEM" screen.
4. Touch "START".
5. Touch "NORMAL"/"MODE 1 - 3" of which setting is to be changed (for the interior lamp logic timer setting only).
6. Touch "CHANGE SET".
7. The setting will be changed and the current setting status will be displayed.
8. Touch "END".

Display item list

Refer to [LT-93, "SETTING CHANGE FUNCTION"](#) .

DATA MONITOR

Operation procedure

1. Touch "INTERIOR ILLUMINATION" on the "SELECT TEST ITEM" screen.
2. Touch "DATA MONITOR" on the "SELECT DIAG MODE" screen.
3. Touch "ALL SIGNALS" or "SELECTION FROM MENU" on the "DATA MONITOR" screen.

MAIN SIGNALS	Monitors the main items.
SELECTION FROM MENU	Selects and monitors the items.

4. Touch "START".
5. When selected "SELECTION FROM MENU", touch items to be monitored. When "ALL SIGNALS" is selected all items will be monitored.
6. Touch "RECORD" while monitoring and status of the item being monitored can be recorded. To stop recording, touch "STOP".

Display item list

Monitored item ["OPERATION OR UNIT"]	Description
IGN ON SW [ON/OFF]	Displays status of the ignition switch as judged from the ignition switch signal. (Key is in ON position: ON/Key is in ACC or OFF position: OFF)
DOOR SW-DR [ON/OFF]	Displays status of the driver door as judged from the driver door switch signal. (Door is open: ON/Door is closed: OFF)
DOOR SW-AS [ON/OFF]	Displays "Door open (ON)/door closed (OFF)" status judged from the door switch AS signal.
DOOR SW-RR [ON/OFF]	Displays "Door open (ON)/door closed (OFF)" status judged from the door switch RR signal.
DOOR SW-RL [ON/OFF]	Displays "Door open (ON)/door closed (OFF)" status judged from the door switch RL signal.
HD/LMP 1ST SW [ON/OFF]	Displays status of the lighting switch as judged from the lighting switch signal. (OFF or AUTO position: OFF/Other than OFF and AUTO position: ON)
IGN KEY SW [ON/OFF]	Displays "Key inserted (ON)/key withdrawn (OFF)" status judged from the key remainder detection switch signal.
IGN ACC SW [ON/OFF]	Displays "Ignition ON or ACC (ON)/ignition OFF (OFF)" status judged from the ignition switch signal.
LOCK SIG-DR [LOCK/UNLK]	Displays "Door locked (LOCK)/door unlocked (UNLK)" status judged from the locking detection switch DR signal.

ACTIVE TEST

Operation procedure

1. Touch "INTERIOR ILLUMINATION" on the "SELECT TEST ITEM" screen.

INTERIOR ROOM LAMP

2. Touch "ACTIVE TEST" on the "SELECT DIAG MODE" screen.
3. Touch item to be tested and check operation of the selected item.
4. Touch "STOP" while testing and the operation will be stopped.

Display item list

Test items	Display on CONSULT-II screen	Description
Map lamp output	FR PERSONAL LAMP	Map lamp can be operated by any ON-OFF operation of lights.
Personal lamp output	RR PERSONAL LAMP	Personal lamp can be operated by any ON-OFF operation of lights.
Ignition key hole illumination output	KEY RING ILLUM	Ignition key hole illumination can be operated by any ON-OFF operation of lights.

CAUTION:

Active test should be conducted with the lamp switch in AUTO position.

On Board Diagnosis

EKS000X4

ON BOARD DIAGNOSTIC RESULTS INDICATOR LAMP.

- Front map lamps and step lamps (all seats) act as the indicators for the on board diagnosis.

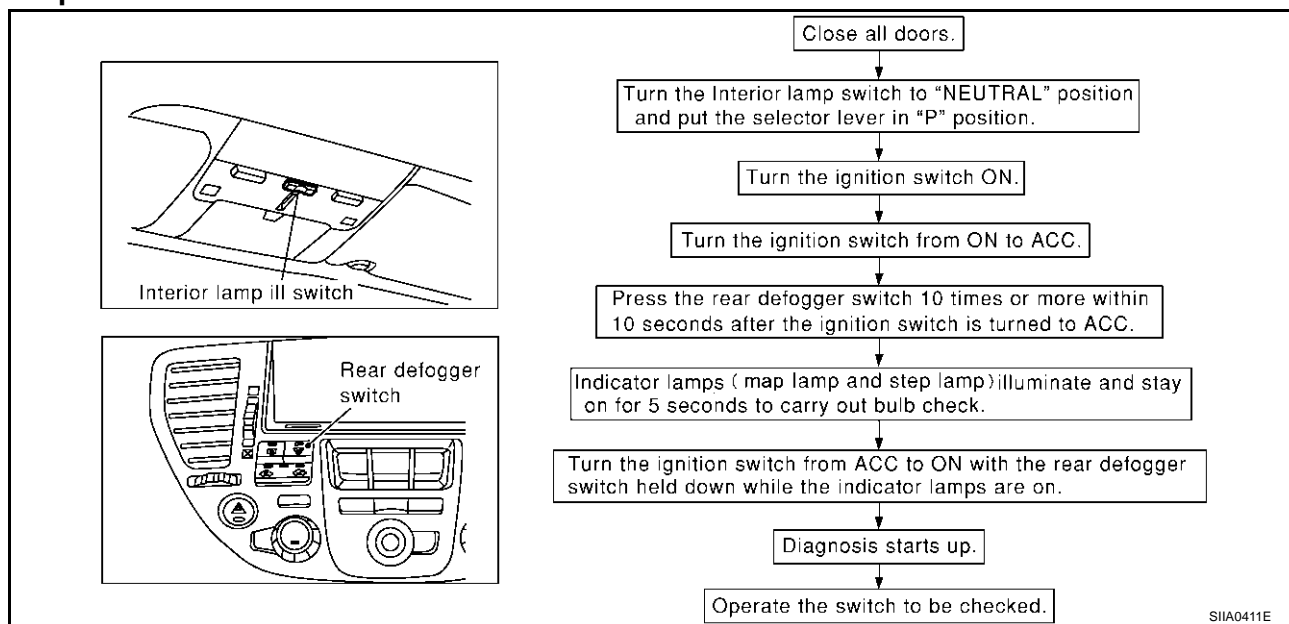
DIAGNOSIS ITEM

Diagnosis item	Description
Switch monitor	Checks for malfunction in switch systems that input to BCM and each LCU.

SWITCH MONITOR

- Perform the diagnosis on the switch system to each control unit.

How to perform switch monitor

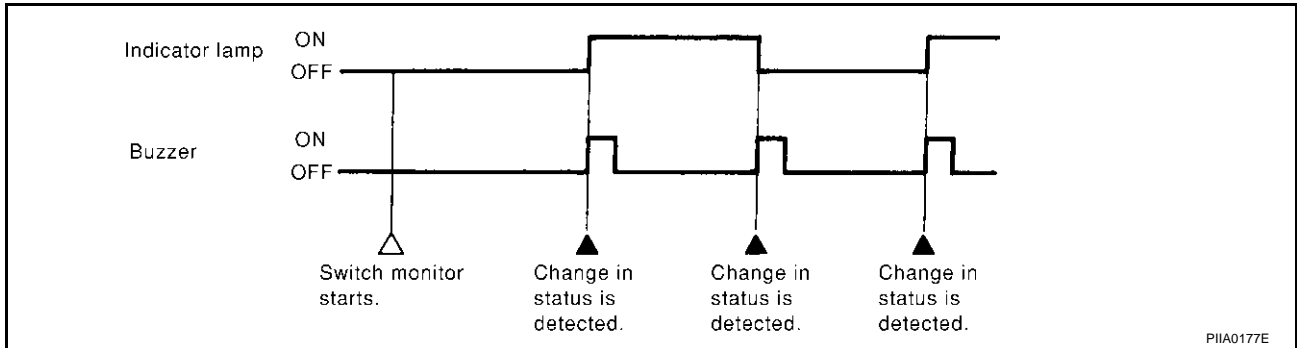


SIIA0411E

INTERIOR ROOM LAMP

Description

- In this mode, when BCM detects the input signal from a switch in IVMS as shown below, the detection is indicated by the map lamp and front step lamps with buzzer.



Switch monitor item

- The status of the switch (except the ignition switch, interior lamp ill switch, and map lamp switch) as input to each control unit can be monitored.

Control unit	Item
BCM	Lighting switch (AUTO, 1st position)
	Each door switch
Driver door LCU	Door locking detection switch

Cancel of Switch Monitor

If the following conditions are satisfied, the communication diagnosis is cancelled.

- Turn ignition switch OFF.
- Drive the vehicle more than 7 km/h (4 MPH).

Symptom Chart

EKS000X5

Symptom	Malfunctioning system and reference
<ul style="list-style-type: none"> Map lamp, and personal lamp will not illuminate when the interior lamp ill switch is turned ON with the personal lamp switch in AUTO position. Map lamp, and personal lamp will not go out when the interior lamp ill switch is turned OFF with the personal lamp switch in AUTO position. 	<ul style="list-style-type: none"> Interior lamp ill switch system. Refer to LT-100, "Interior Lamp ILL Switch System Check". <p>If above systems are normal, replace the BCM.</p>
<ul style="list-style-type: none"> Personal lamp will not illuminate when RH personal lamp switch is turned ON with LH personal lamp switch in AUTO position. Personal lamp will not illuminate when LH personal lamp switch is turned ON with RH personal lamp switch in AUTO position. Personal lamp switch will not go out when both RH and LH personal lamp switches are turned to AUTO position. 	<ul style="list-style-type: none"> Personal lamp switch system. Refer to LT-102, "Personal Lamp Switch System Check". <p>If above system is normal, replace the BCM.</p>
<ul style="list-style-type: none"> All lamps (except step lamp) will not illuminate in the lamp illumination conditions with the interior lamp ill switch and RH and LH personal lamp switches in AUTO position. All lamps (except step lamp) will not go out in the lamp off conditions with the interior lamp switch and RH and LH personal lamp switches in AUTO position. 	<ul style="list-style-type: none"> Interior lamp ill switch system. Refer to LT-100, "Interior Lamp ILL Switch System Check". Door switch system. Refer to LT-103, "Door Switch System Check". Key-in detection switch system. Refer to LT-105, "Key Switch and Key Lock Solenoid System Check". <p>If above system is normal, replace the BCM.</p>
<ul style="list-style-type: none"> Lamps illuminate fully in half illumination conditions. Dimming function will not operate when turning the lamp off. 	<p>Replace the BCM.*1</p>

*1: When BCM input/output signal are normal .

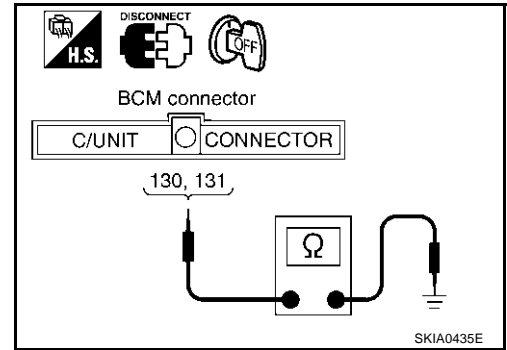
INTERIOR ROOM LAMP

EKS000X6

Interior Lamp ILL Switch System Check

1. CHECK INTERIOR LAMP ILL SWITCH SIGNAL

1. Turn the ignition switch OFF.
2. Disconnect the BCM connector.
3. Check continuity between BCM harness connector R4 terminal 130 (W/L), 131 (G/Y) and body ground while operating the interior lamp ill switch.



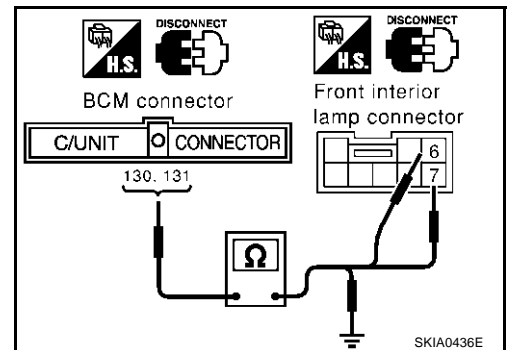
Terminals			Condition	Continuity
(+)		(-)		
Connector	Terminal (Wire color)	Terminal		
R4	130(W/L)	Body ground	Interior lamp ill switch ON	Yes
			Interior lamp ill switch OFF and AUTO	No
	131(G/Y)	Body ground	Interior lamp ill switch OFF	Yes
			Interior lamp ill switch ON and AUTO	No

OK or NG

- OK >> Interior lamp ill switch is OK.
 NG >> GO TO 2.

2. CHECK WIRE HARNESS CONTINUITY

1. Disconnect the front interior lamp connector.
2. Check continuity at the harness between BCM harness connector R4 terminals 130 (W/L), 131 (G/Y) and front interior lamp harness connector R6 terminals 6 (W/L), 7 (G/Y).
3. Check continuity between BCM harness connector R4 terminals 130 (W/L), 131 (G/Y) and body ground.



Terminals				Continuity
(+)		(-)		
Connector	Terminal (Wire color)	Connector	Terminal (Wire color)	
R4	130(W/L)	R6	6(W/L)	Yes
	131(G/Y)	R6	7(G/Y)	Yes
	130(W/L)	Body ground		No
	131(G/Y)			

OK or NG

- OK >> GO TO 3.
 NG >> Repair or replace harness.

INTERIOR ROOM LAMP

3. CHECK GROUND CIRCUIT

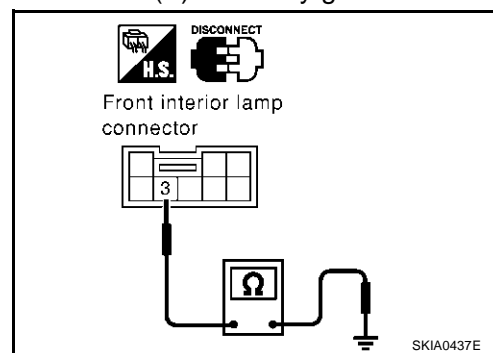
Check continuity between the front interior lamp harness connector R6 terminal 3(B) and body ground.

3(B) - Body ground : Continuity should exist.

OK or NG

OK >> Check interior lamp ill switch.

NG >> Repair or replace harness.



A
B
C
D
E
F
G
H
I
J
LT
L
M

INTERIOR ROOM LAMP

EKS000X7

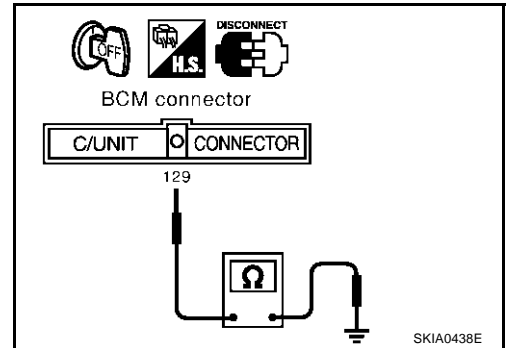
Personal Lamp Switch System Check

1. CHECK PERSONAL LAMP SWITCH SIGNAL

1. Turn the ignition switch OFF.
2. Disconnect the BCM connector.
3. Check continuity between BCM harness connector R4 terminal 129(G) and body ground while operating the personal lamp switch.

RH and LH personal lamp switches in HALF or AUTO position : Continuity should not exist.

RH or LH personal lamp switch in FULL position : Continuity should exist.



OK or NG

- OK >> Personal lamp switch is OK.
NG >> GO TO 2.

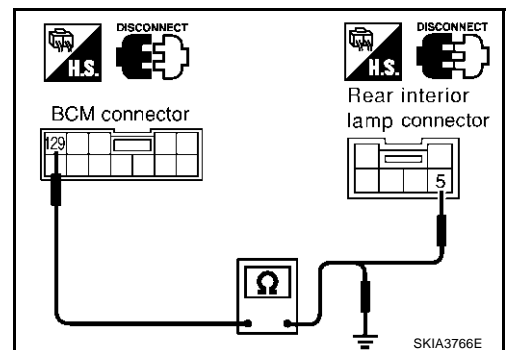
2. CHECK WIRE HARNESS CONTINUITY

1. Disconnect the rear interior lamp connector.
2. Check continuity between BCM harness connector R4 terminal 129(G) and the rear interior lamp harness connector R13 terminal 5(G) while operating the personal lamp switch.

129(G) - 5(G) : Continuity should exist.

3. Check continuity between BCM harness connector R4 terminal 129(G) and body ground.

129(G) - Body ground : Continuity should not exist.



OK or NG

- OK >> GO TO 3.
NG >> Repair or replace harness.

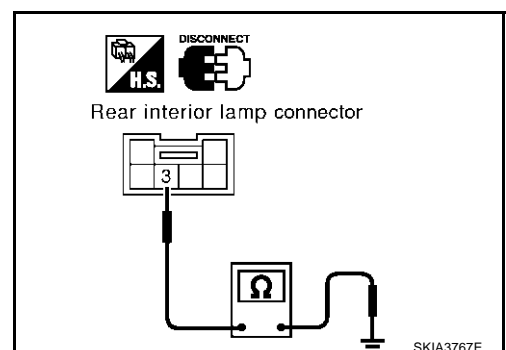
3. CHECK GROUND CIRCUIT

Check continuity between the rear interior lamp harness connector R13 terminal 3(B) and body ground.

3(B) - Body ground : Continuity should exist.

OK or NG

- OK >> Replace personal lamp switch.
NG >> Repair or replace harness.



INTERIOR ROOM LAMP

EKS006ZN

Door Switch System Check

1. CHECK DOOR SWITCH SIGNAL

 With CONSULT-II

- Operate each door via "DOOR SW" on DATA MONITOR screen and make sure that the switch turns on and off as commanded.

DATA MONITOR	
MONITOR	
DOOR SW-DR	OFF
DOOR SW-AS	OFF
DOOR SW-RR	OFF
DOOR SW-RL	OFF
RECORD	

SKIA0441E

 Without CONSULT-II

- Operate each door and via "switch monitor" of the self-diagnosis function and make sure that the switch turns on and off as commanded.

OK or NG

- OK >> Door switch is OK.
- NG >> GO TO 2.

2. CHECK FRONT DOOR SWITCH (DRIVER SIDE) CIRCUIT

1. Turn ignition switch to OFF position.
2. Disconnect the BCM connector and the front door switch (driver side) connector.
3. Check continuity between BCM harness connector B4 terminal 142 (W/R) and front door switch (driver side) harness connector B20 terminal 1 (W/R).

Continuity should exist.

4. Check continuity between BCM harness connector B4 terminal 142 (W/R) and ground.

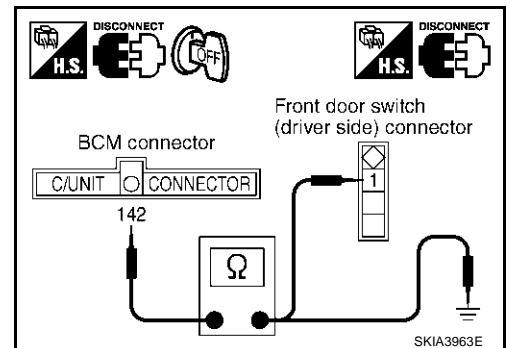
Continuity should not exist.

NOTE:

If front door switch (driver side) is normal, skip this procedure and go to 3.

OK or NG

- OK >> GO TO 3.
- NG >> Repair harness or connector.



INTERIOR ROOM LAMP

3. CHECK FRONT DOOR SWITCH (PASSENGER SIDE) CIRCUIT

1. Disconnect the front door switch (passenger side) connector.
2. Check continuity between BCM harness connector M4 terminal 37 (W/G) and front door switch (passenger side) harness connector B220 terminal 1 (W/G).

Continuity should exist.

3. Check continuity between BCM harness connector M4 terminal 37 (W/G) and ground.

Continuity should not exist.

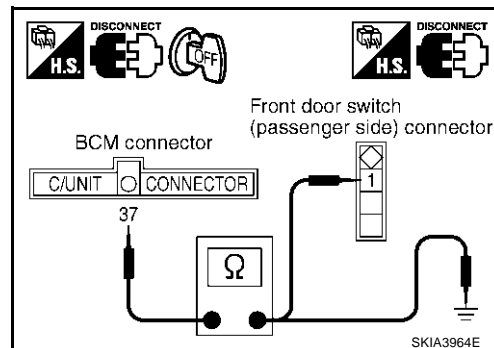
NOTE:

If front door switch (passenger side) is normal, skip this procedure and go to 4.

OK or NG

OK >> GO TO 4.

NG >> Repair harness or connector.



4. CHECK DOOR LOCK ASSEMBLY REAR LH (DOOR SWITCH) CIRCUIT

1. Disconnect the door lock assembly rear LH connector.
2. Check continuity between BCM harness connector M4 terminal 33 (W) and door lock assembly rear LH harness connector D62 terminal 1 (W).

Continuity should exist.

3. Check continuity between BCM harness connector M4 terminal 33 (W) and ground.

Continuity should not exist.

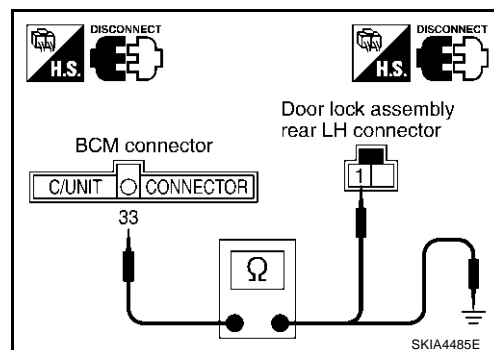
NOTE:

If door lock assembly rear LH (door switch) is normal, skip this procedure and go to 5.

OK or NG

OK >> GO TO 5.

NG >> Repair harness or connector.



5. CHECK DOOR LOCK ASSEMBLY REAR RH (DOOR SWITCH) CIRCUIT

1. Disconnect door lock assembly rear RH connector.
2. Check continuity between BCM harness connector B4 terminal 143 (W/L) and door lock assembly rear RH harness connector D82 terminal 1 (W).

Continuity should exist.

3. Check continuity between BCM harness connector B4 terminal 143 (W/L) and ground.

Continuity should not exist.

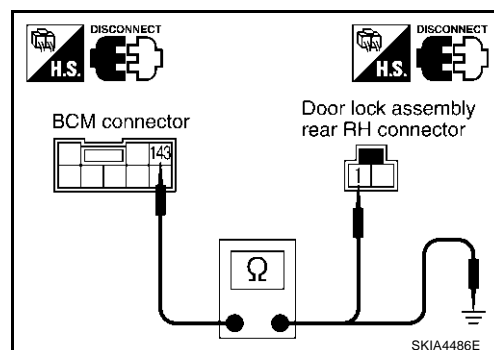
NOTE:

If door lock assembly rear RH (door switch) is normal, skip this procedure and go to 6.

OK or NG

OK >> GO TO 6.

NG >> Repair harness or connector.

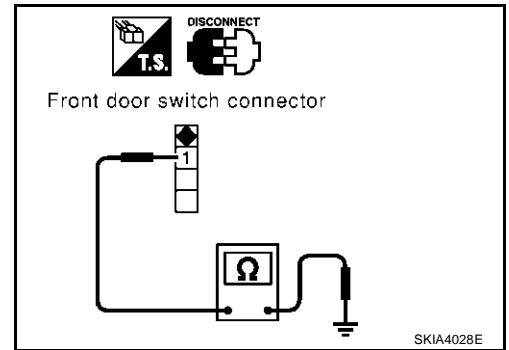


INTERIOR ROOM LAMP

6. CHECK DOOR SWITCH

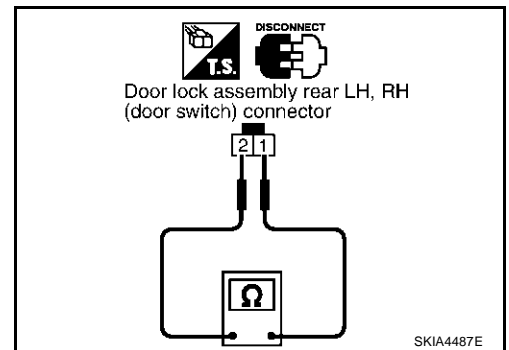
1. Check continuity between front door switch connector B20, B220 terminal 1 and ground while turning the door switches ON (open) and OFF (closed).

Connector	Terminal		Condition	Continuity
B20	1	Ground	ON (Door open)	Yes
B220			OFF (Door closed)	No



2. Check continuity between door lock assembly rear LH, RH (door switch) connector D62, D82 terminals 1 and 2 while turning the door switches ON (open) and OFF (closed).

Connector	Terminal		Condition	Continuity
D62	1	2	ON (Door open)	Yes
D82			OFF (Door closed)	No



OK or NG

- OK >> Check front door switch case ground condition or door lock assembly rear LH, RH (door switch) ground circuit.
- NG >> Replace the door switch.

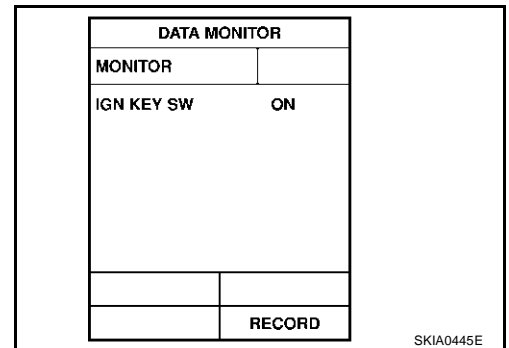
Key Switch and Key Lock Solenoid System Check

EKS000X9

1. CHECK KEY SWITCH AND KEY LOCK SOLENOID SIGNAL

With CONSULT-II

- Insert and withdrawn the key via "IGN KEY SW" on DATA MONITOR screen and check that the switch turns on and off accordingly.



Without CONSULT-II

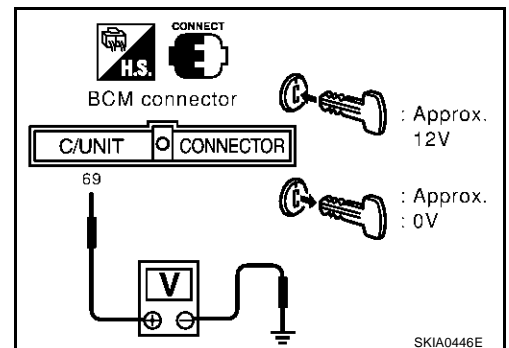
- Check voltage between BCM connector M4 terminal 69(PU/W) and body ground while inserting and withdrawn the key.

Key withdrawn (switch OFF) : approx. 0V

Key inserted (switch ON) : approx. 12V

OK or NG

- OK >> Key switch and key lock solenoid is OK.
- NG >> GO TO 2.



INTERIOR ROOM LAMP

2. CHECK HARNESS CONTINUITY

1. Disconnect the BCM connector and key switch connector.
2. Check continuity at the harness between BCM harness connector M4 terminal 69(PU/W) and the key switch and key lock solenoid harness connector M64 terminal 4(PU/W).

69(PU/W) - 4(PU/W) : Continuity should exist.

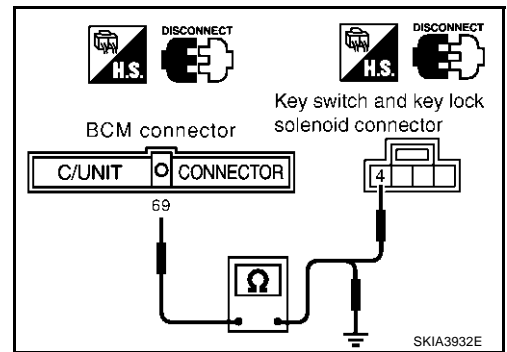
3. Check continuity between BCM harness connector M4 terminal 69(PU/W) and body ground.

69(PU/W) - Body ground : Continuity should not exist.

OK or NG

OK >> GO TO 3.

NG >> Repair or replace harness.



3. CHECK KEY SWITCH AND KEY LOCK SOLENOID

Check continuity between the key switch and key lock solenoid harness connector M64 terminals 3(LG) and 4(PU/W) while inserting and withdrawing the ignition key.

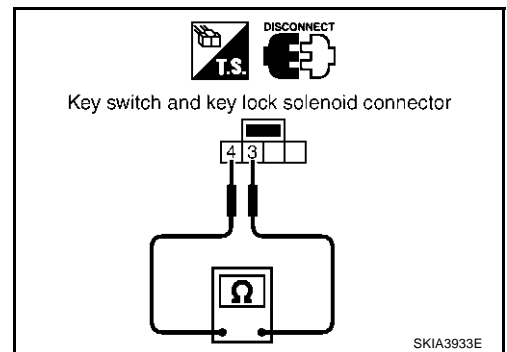
Key withdrawn (switch OFF) : Continuity should not exist.

Key inserted (switch ON) : Continuity should exist.

OK or NG?

OK >> GO TO 4.

NG >> Replace the key switch and key lock solenoid.



4. CHECK POWER SUPPLY CIRCUIT

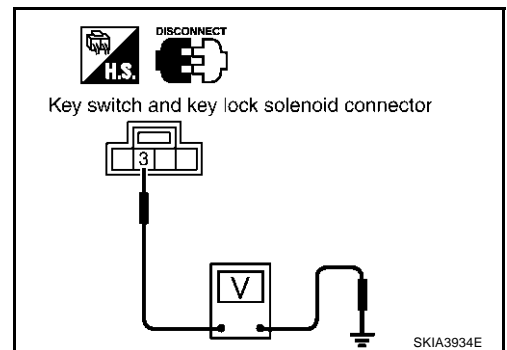
Check voltage between the key switch and key lock solenoid harness connector M64 terminal 3(LG) and body ground.

3(LG) - Body ground : Battery voltage should exist.

OK or NG

OK >> Key switch and key lock solenoid is OK.

NG >> Check harness for open and short between key switch and key lock solenoid and fuse.



INTERIOR ROOM LAMP

Bulb Replacement

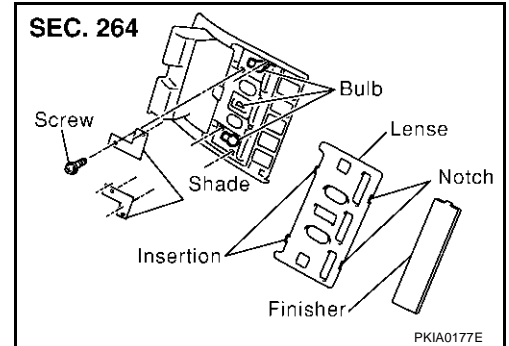
MAP LAMP (FRONT PERSONAL LIGHT) AND CONSOLE LAMP (CONSOLE LIGHT)

EKS000WN

Map Lamp

1. Remove the finisher using a clip driver or a suitable tool.
2. Insert a thin screwdriver in the notch and remove the lens.
3. Remove the screw and remove the shade.
4. Remove the bulb.

Map lamp (Front personal light) : 12V 8W



Console Lamp

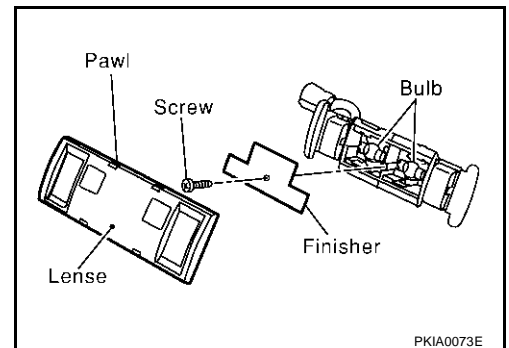
1. Remove the front interior lamp. Refer to [LT-107, "FRONT INTERIOR LAMP"](#).
2. Turn the console lamp bulb socket counterclockwise and unlock it.

Console lamp (Console light) : 12V 1.4W

PERSONAL LAMP (REAR PERSONAL LIGHT)

1. Remove the rear interior lamp. Refer to [LT-107, "REAR INTERIOR LAMP"](#) in "Removal and Installation".
2. Unfold the tabs and remove the lens.
3. Remove the shade mounting screw and remove the shade from the personal lamp.
4. Remove the bulb.

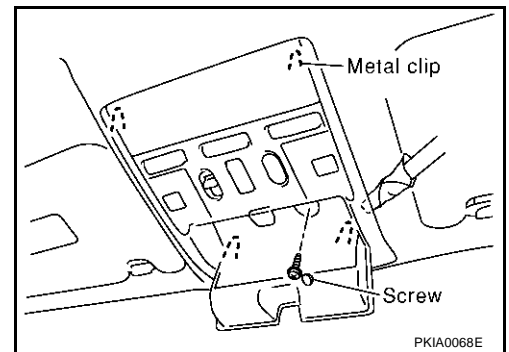
Personal lamp (Rear personal light) : 12V 8W



Removal and Installation

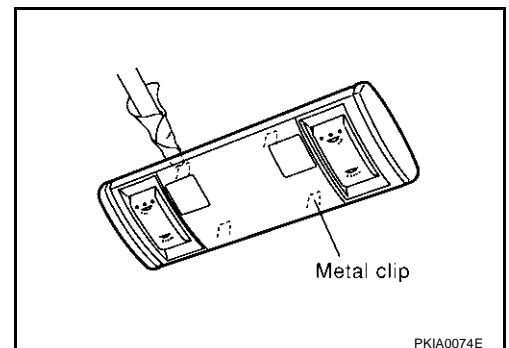
FRONT INTERIOR LAMP

1. Open the front interior lamp box and remove the screw.
2. Insert a clip driver or a suitable tool and disengage the metal clip fittings of the front interior lamp.
3. Disconnect the connector and remove the front interior lamp.



REAR INTERIOR LAMP

1. Using a clip driver or a suitable tool, press and remove the metal clip of the rear interior lamp.
2. Disconnect the rear interior lamp connector.

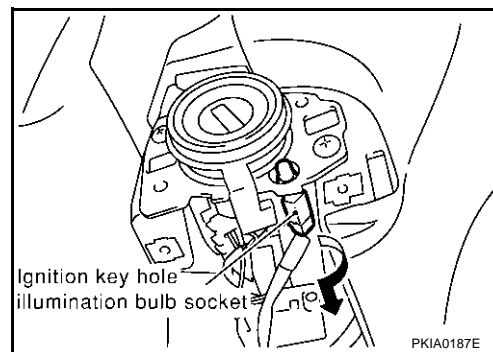


INTERIOR ROOM LAMP

IGNITION KEY HOLE ILLUMINATION

1. Remove the lower instrument panel (driver side). Refer to [IP-10, "Removal and Installation"](#) in "INSTRUMENT PANEL (IP)" section.
2. Turn the bulb socket counterclockwise and unlock it.

Ignition key hole illumination : 12V 1.4W



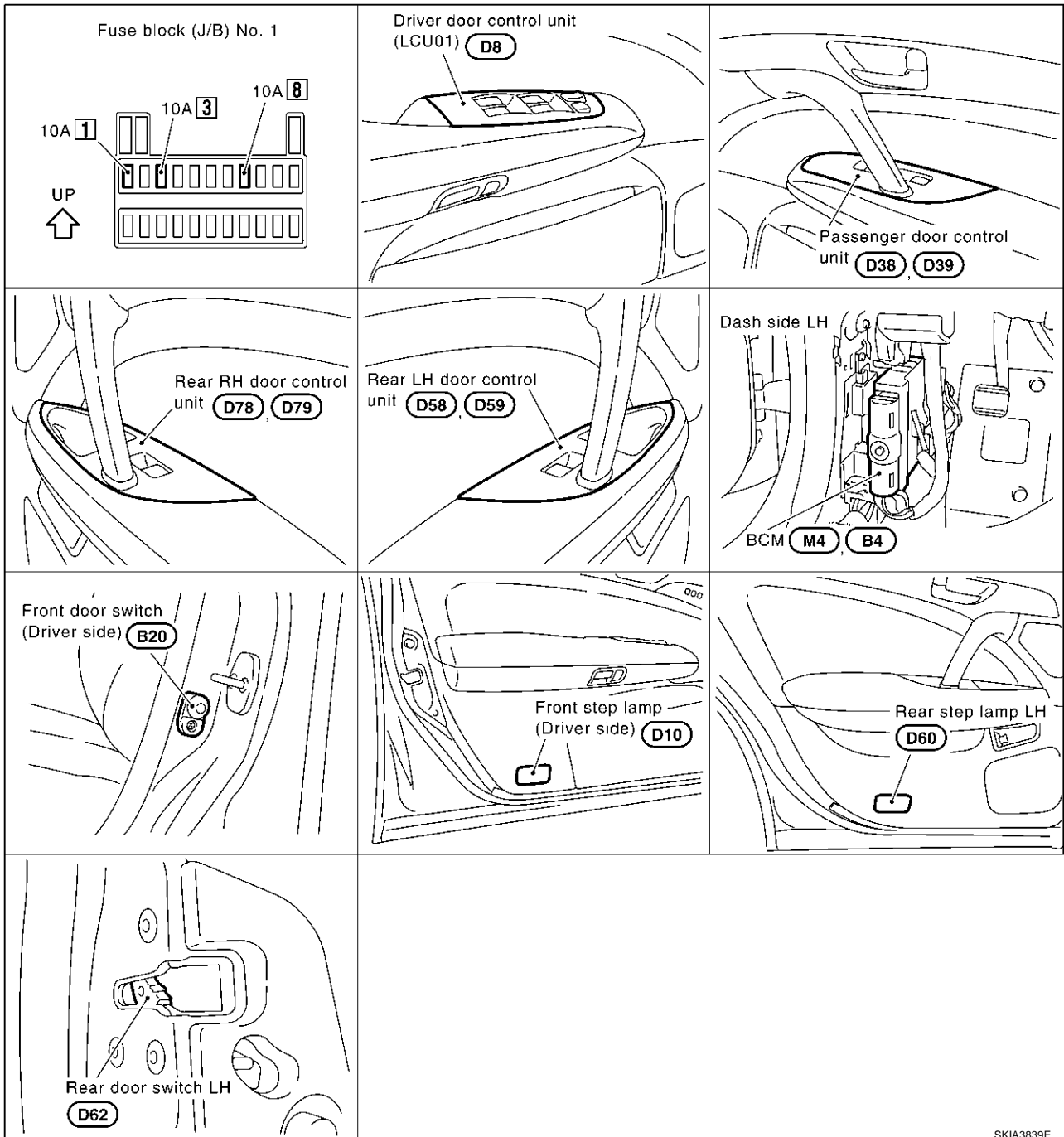
STEP LAMP

PFP:26420

STEP LAMP

Component Parts and Harness Connector Location

EKS000ZR



SKIA3839E

A
B
C
D
E
F
G
H
I
J
LT
L
M

STEP LAMP

EKS0017S

System Description

POWER SUPPLY AND GROUND

Power is supplied at all times

- to BCM terminal 105
- through 10A fuse [No. 3, located in the fuse block (J/B) No. 1], and
- to all step lamps terminal 1
- through 10A fuse [No. 8, located in the fuse block (J/B) No. 1].

Ground is supplied to terminal 15 of driver door control unit through body grounds M24 and M114.

Ground is supplied to terminal 7 of passenger door control unit through body grounds M24 and M114.

Ground is also supplied to terminal 7 of rear LH door control unit and rear RH door control unit through body grounds B17 and B57 or B217 and B256.

OPERATING PROCEDURE

BCM is connected to driver door control unit as DATA LINE A-3.

Then driver door control unit is connected to each door control unit.

When any door switch is in OPEN position, ground is supplied

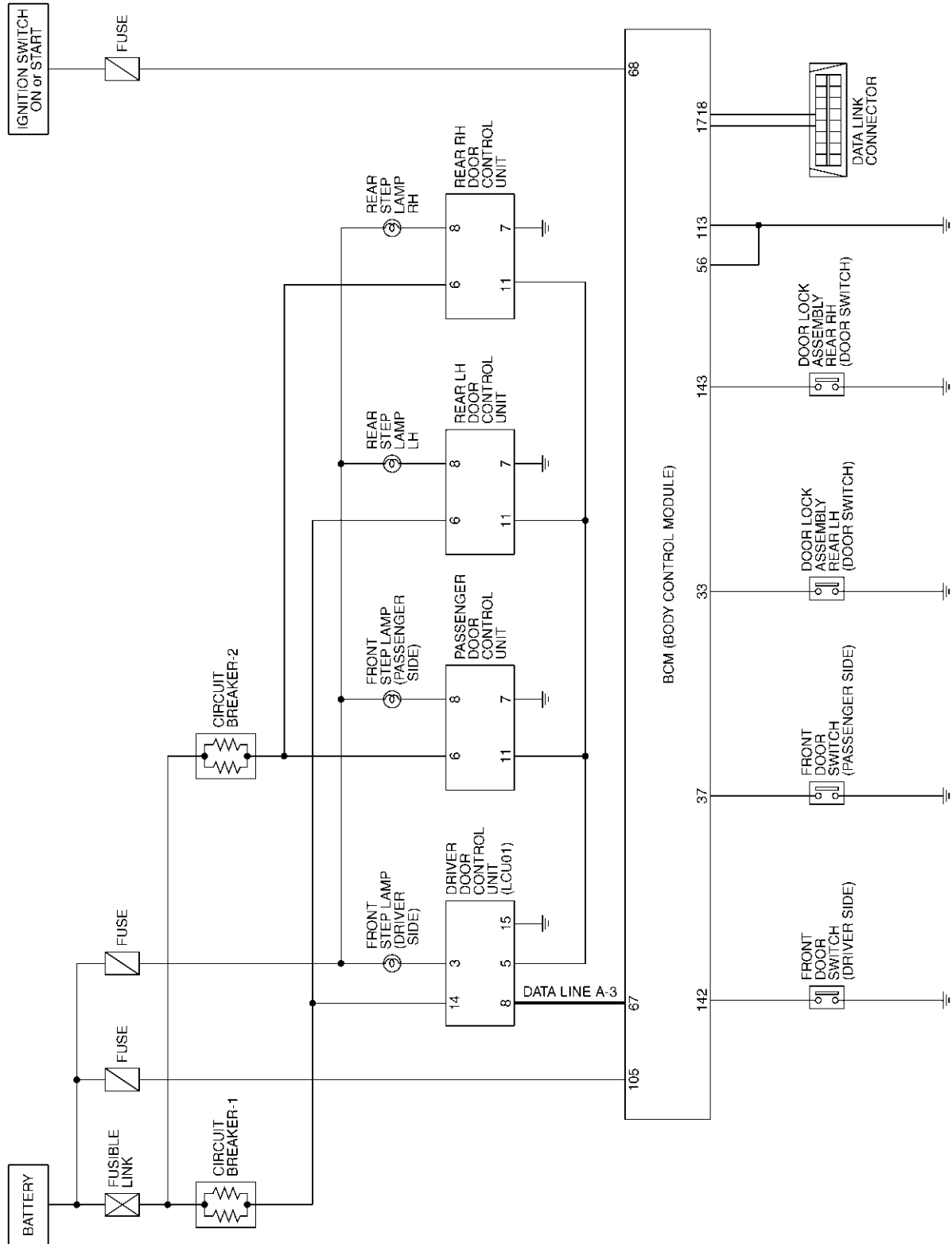
- to BCM terminal 33, 37, 142, or 143
- through driver side, passenger side, rear LH or RH door switch.

Then BCM sends a signal to the driver door control unit (LCU 01) to turn on step lamp. With ground supplied, step lamp turns on.

STEP LAMP

Schematic

EKS000V9



A
B
C
D
E
F
G
H
I
J
LT
L
M

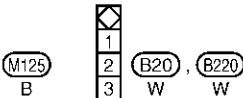
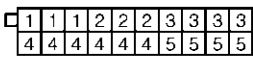
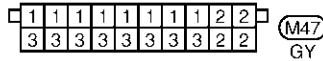
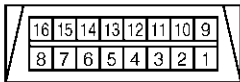
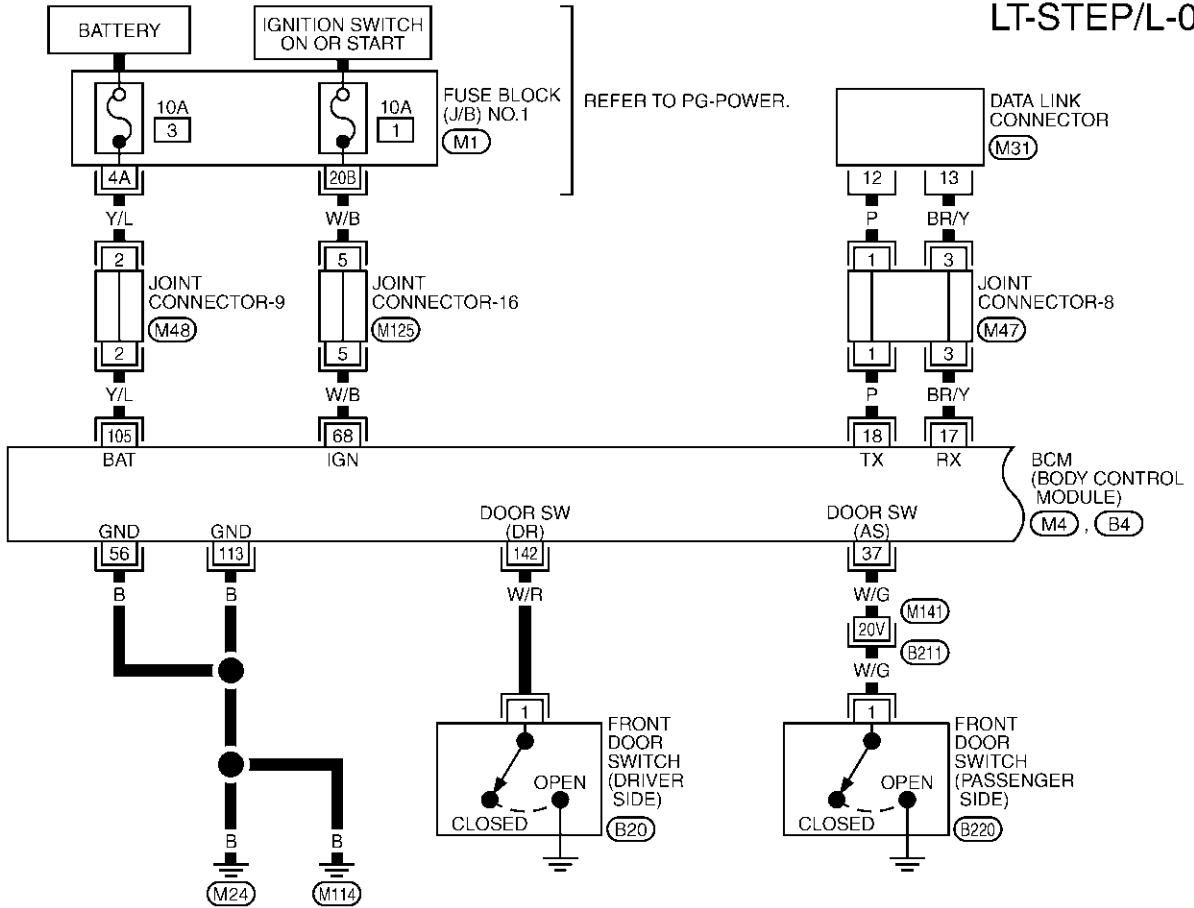
TKWM0205E

STEP LAMP

EKS000VA

Wiring Diagram — STEP/L —

LT-STEP/L-01



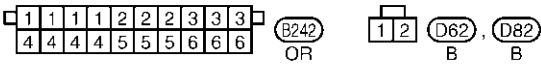
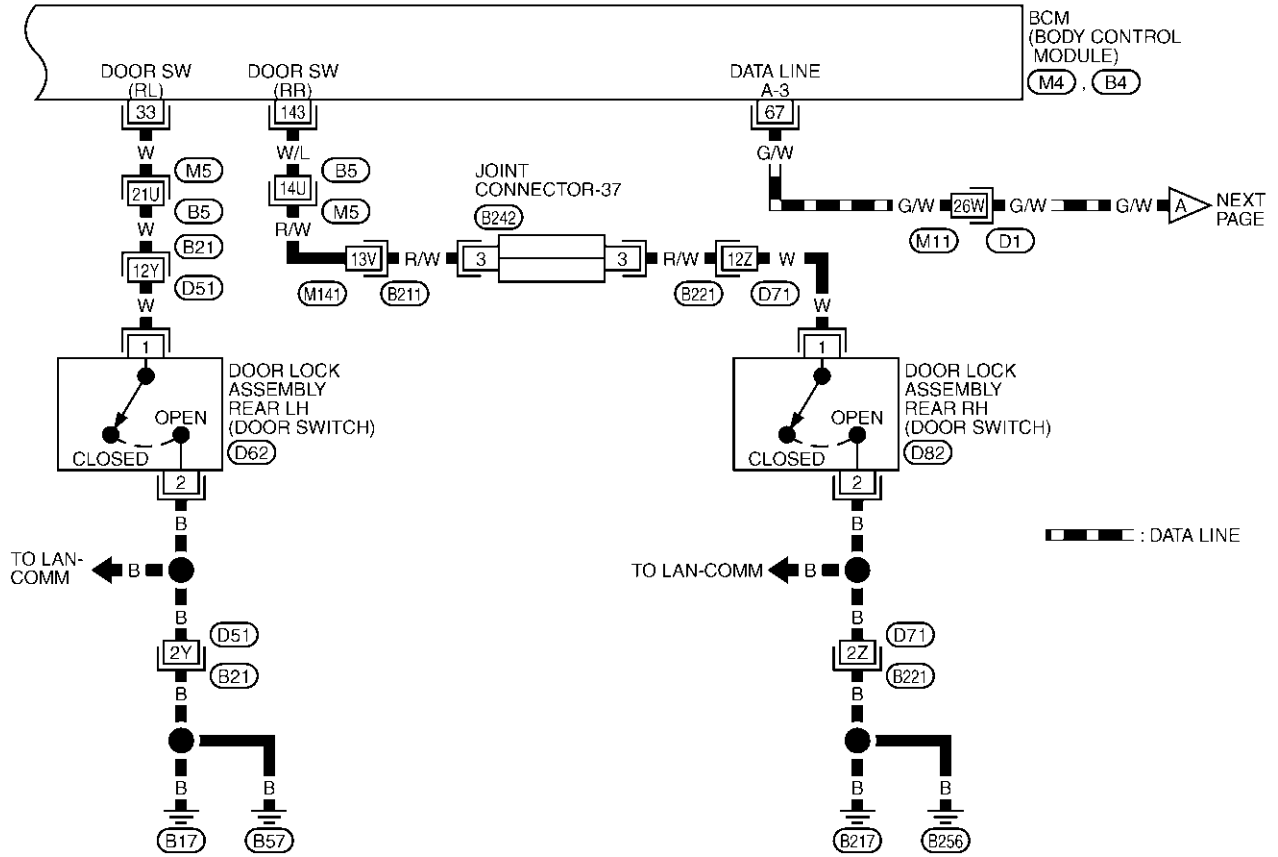
REFER TO THE FOLLOWING.

- (B211) -SUPER MULTIPLE JUNCTION (SMJ)
- (M1) -FUSE BLOCK-JUNCTION BOX (J/B) NO.1
- (M4) , (B4) -ELECTRICAL UNITS

TKWM0417E

STEP LAMP

LT-STEP/L-02



REFER TO THE FOLLOWING.

(M5), (B21), (B211), (B221),

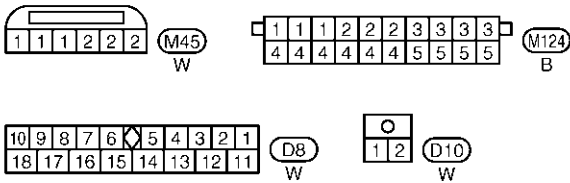
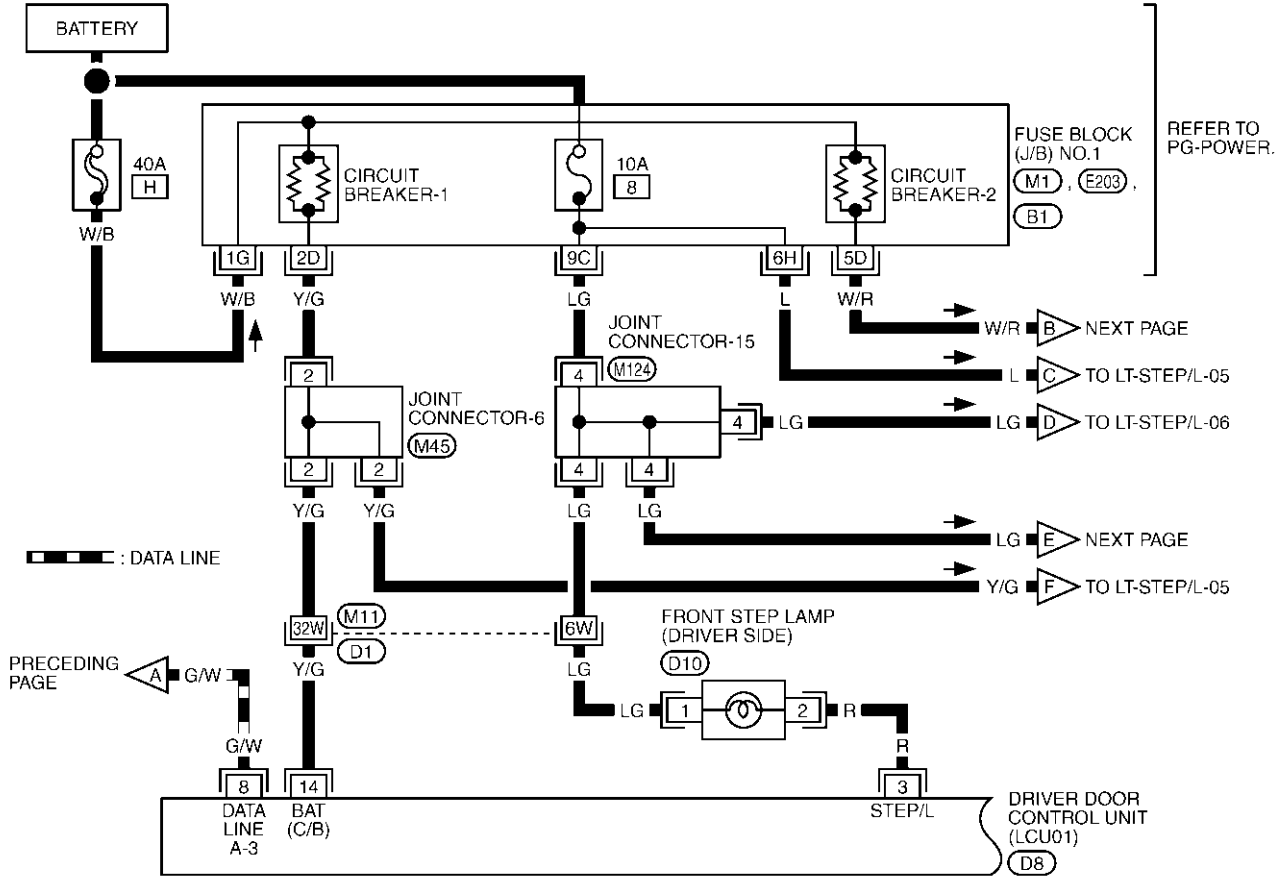
(D1) -SUPER MULTIPLE JUNCTION (SMJ)

(M4), (B4) -ELECTRICAL UNITS

TKWM0418E

STEP LAMP

LT-STEP/L-03



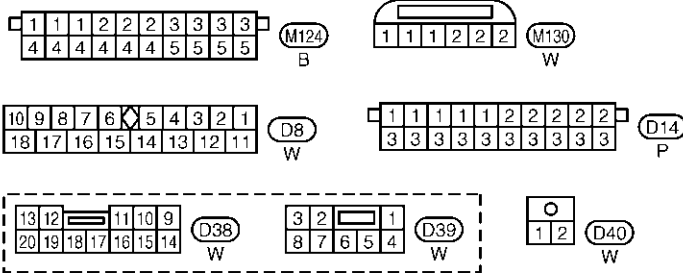
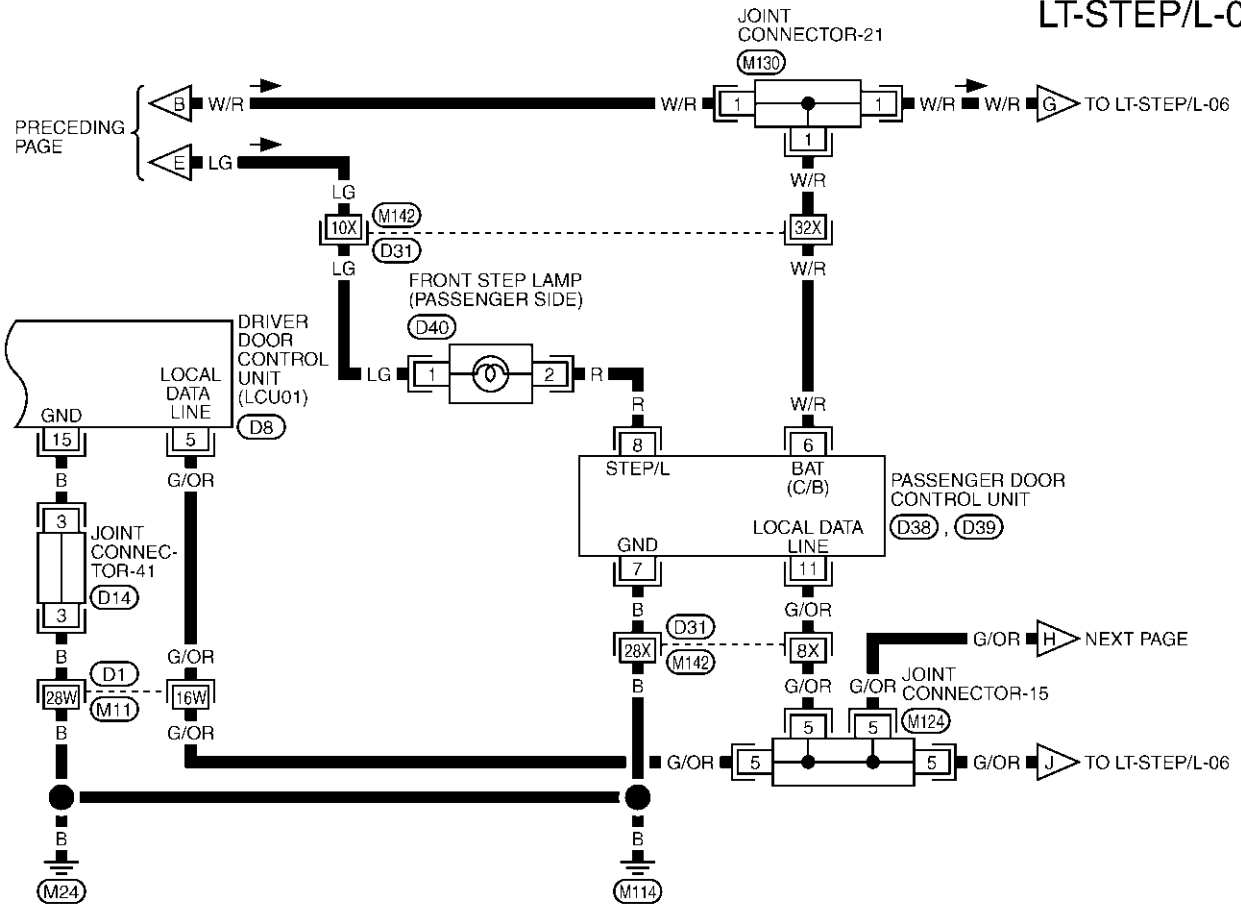
REFER TO THE FOLLOWING.

- (D1) -SUPER MULTIPLE JUNCTION (SMJ)
- (M1), (E203), (B1) -FUSE BLOCK-JUNCTION BOX (J/B) NO.1

TKWM0056E

STEP LAMP

LT-STEP/L-04

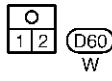
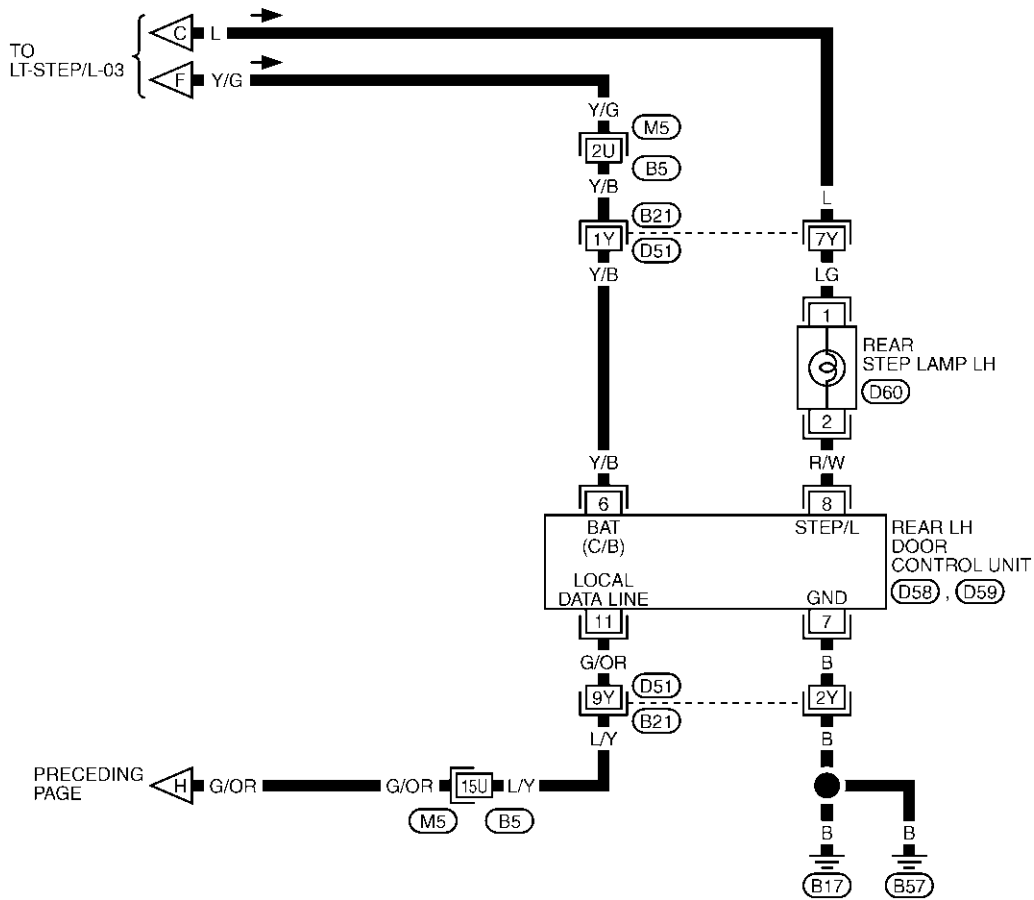


REFER TO THE FOLLOWING.
 (D1), (D31) -SUPER MULTIPLE JUNCTION (SMJ)

A
B
C
D
E
F
G
H
I
J
LT
L
M

STEP LAMP

LT-STEP/L-05



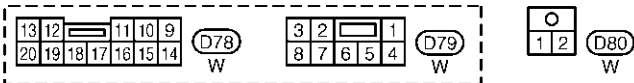
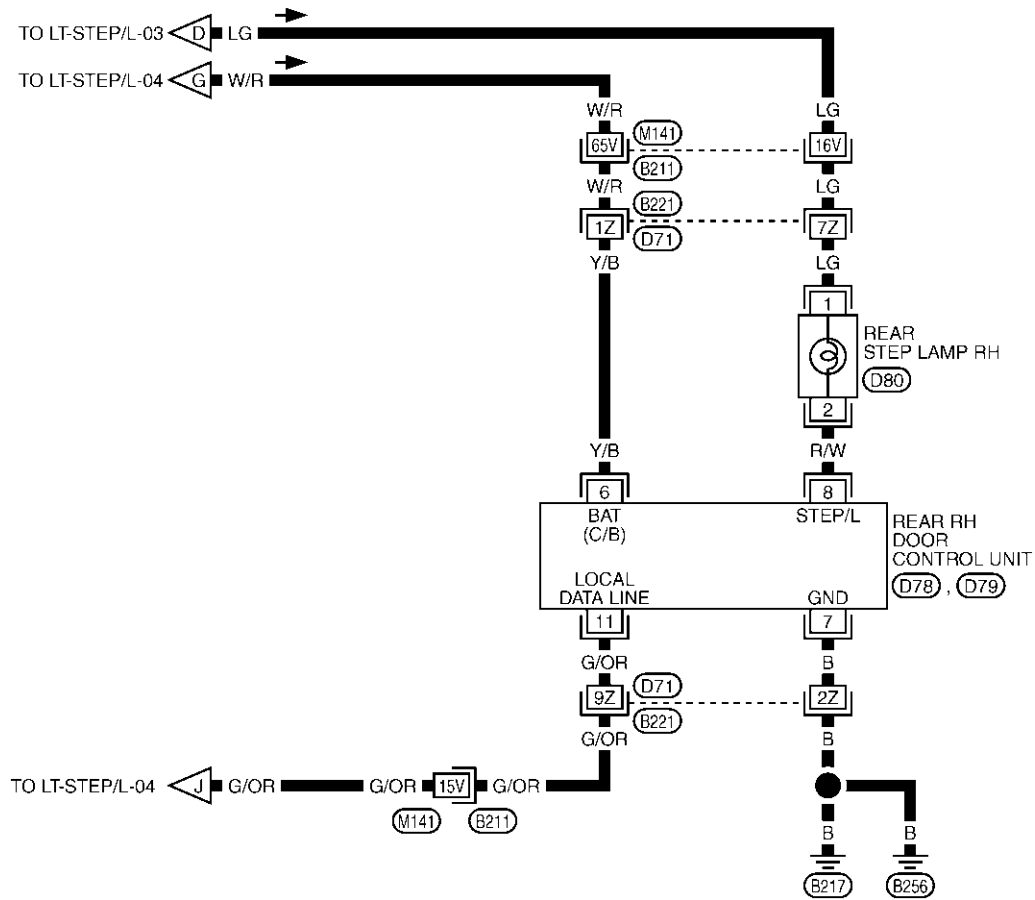
REFER TO THE FOLLOWING.

(M5), (B21) -SUPER MULTIPLE JUNCTION (SMJ)

TKWM0420E

STEP LAMP

LT-STEP/L-06



REFER TO THE FOLLOWING.
 (B211), (B221) -SUPER MULTIPLE JUNCTION (SMJ)

A
B
C
D
E
F
G
H
I
J
LT
L
M

TKWM0421E

STEP LAMP

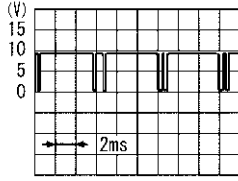
Terminals and Reference Value for BCM

EKS0017T

Terminal No.	Wire color	Signal description	Measuring condition		Reference value (Approximate values)	
			Ignition switch	Operation or condition		
17	BR/Y	Data link RX	—	—	—	
18	P	Data link TX	—	—	—	
33	W	Rear LH door switch signal	OFF	Rear LH door switch	ON (open)	Less than 1V
					OFF (closed)	Battery voltage
37	W/G	Passenger door switch signal	OFF	Passenger door switch	ON (open)	Less than 1V
					OFF (closed)	Battery voltage
56	B	Ground	—	—	—	
67	G/W	Data line A-3	—	—	—	
68	W/B	IGN power supply	ON	—	Battery voltage	
105	Y/L	BAT power supply	OFF	—	Battery voltage	
113	B	Ground	—	—	—	
142	W/R	Driver door switch signal	OFF	Driver door switch	ON (open)	Less than 1V
					OFF (closed)	Battery voltage
143	W/L	Rear RH door switch signal	OFF	Rear RH door switch	ON (open)	Less than 1V
					OFF (closed)	Battery voltage

Terminals and Reference Value for Driver Door Control Unit (LCU01)

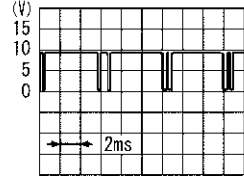
EKS0017U

Terminal No.	Wire color	Item	Condition		Voltage (Approximate values)
3	R	Step lamp	Each door switch	ON (open)	Less than 1V
				OFF (closed)	Battery voltage
5	G/OR	Local data line	—	 <p style="text-align: right; font-size: small;">SIIA0591J</p>	
8	G/W	Data line A-3	—	—	
14	Y/G	Power source (PTC)	—	—	Battery voltage
15	B	Ground	—	—	Less than 1V

STEP LAMP

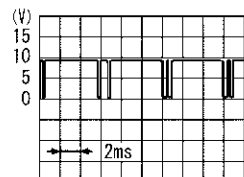
Terminals and Reference Value for Passenger Door Control Unit

EKS001G7

Terminal No.	Wire color	Item	Condition	Voltage (Approximate values)	
6	W/R	Power source (PTC)	—	Battery voltage	
7	B	Ground	—	Less than 1V	
8	R	Step lamp	Each door switch	ON (open)	Less than 1V
				OFF (closed)	Battery voltage
11	G/OR	Local data line	—		

Terminals and Reference Value for Rear LH, RH Door Control Unit

EKS006PN

Terminal No.	Wire color	Item	Condition	Voltage (Approximate values)	
6	Y/B	Power source (PTC)	—	Battery voltage	
7	B	Ground	—	Less than 1V	
8	R/W	Step lamp	Each door switch	ON (open)	Less than 1V
				OFF (closed)	Battery voltage
11	G/OR	Local data line	—		

Work Flow

EKS0017V

1. Confirm the symptom or customer complaint.
2. Understand system description. Refer to [LT-110, "System Description"](#) .
3. Perform preliminary check. Refer to [LT-120, "Preliminary Check"](#) .
4. Does the door lock system operate normally? When yes, go to step 5. When no, go to Power door lock system [BL-43, "Symptom Chart"](#) in "BODY LOCK & SECURITY SYSTEM (BL)" section.
5. Find the cause of trouble following the trouble diagnosis chart by symptom and repair or replace as necessary. Refer to [LT-125, "Symptom Chart"](#) .
6. Does the total coordinated interior illumination operate normally? When yes, go to step 7. When no, go to step 5.
7. Inspection end.

STEP LAMP

EKS0017W

Preliminary Check INSPECTION FOR POWER SUPPLY AND GROUND CIRCUIT

1. CHECK FUSE

Check if any of the following fuses in BCM are blown.

Unit	Power source	Terminal	Fuse No.
BCM	BAT power supply	105	3
	IGN power supply	68	1

Refer to [PG-2. "POWER SUPPLY ROUTING"](#).

OK or NG

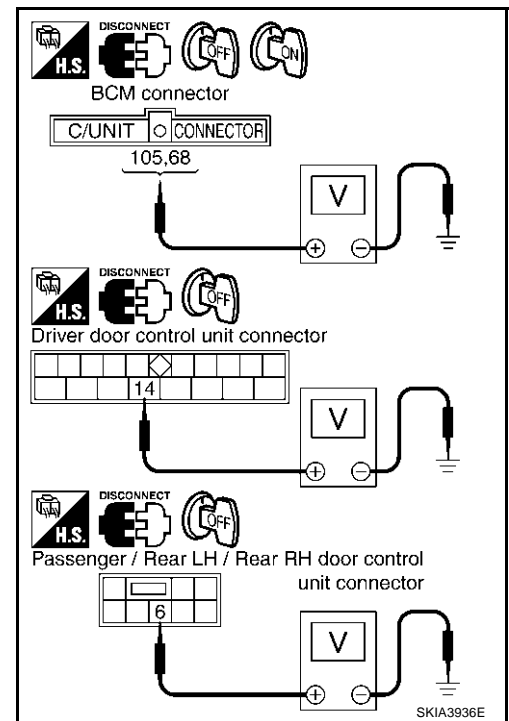
OK >> GO TO 2.

NG >> If fuse is blown be sure eliminate cause of malfunction before installing new fuse.

2. CHECK POWER CIRCUIT

1. Disconnect the BCM, driver door and passenger door control unit, rear LH door, RH door control unit connector.
2. Check voltage between the following harness connector and body ground.

Unit	Terminals (Wire color)		Power source	Condition	Voltage
	(+)	(-)			
BCM (M4)	105 (Y/L)	Body ground	Battery power supply	Ignition switch OFF	Battery voltage
	68 (W/B)		IGN power supply	Ignition switch ON	Battery voltage
Driver door control unit (D8)	14 (Y/G)		Battery power supply	Ignition switch OFF	Battery voltage
Passenger door control unit (D39)	6 (W/R)		Battery power supply	Ignition switch OFF	Battery voltage
Rear LH door control unit (D59)	6 (Y/B)				
Rear RH door control unit (D79)	6 (Y/B)				



OK or NG

OK >> GO TO 3.

NG >> Check harness for open or short between BCM, driver door control unit passenger door control unit, rear LH, RH door control unit and fuse.

STEP LAMP

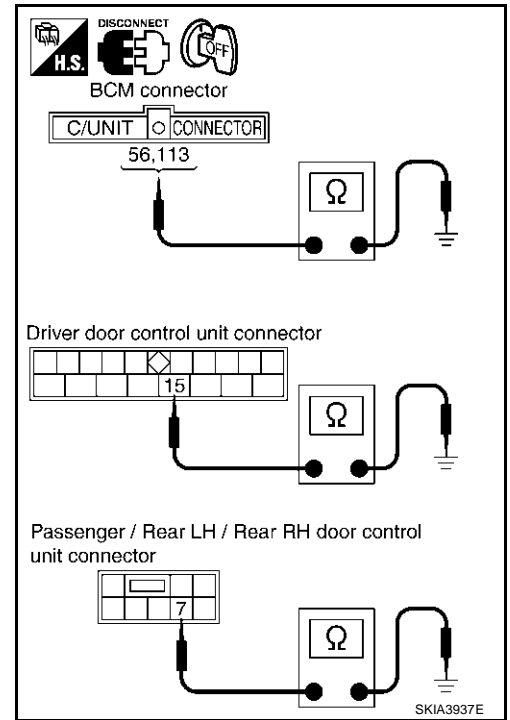
3. CHECK GROUND CIRCUIT

Check continuity between the following harness connector terminal of the BCM and driver door, passenger or RH, LH door control units and body ground.

Unit	Terminal (wire color)		Signal	Ignition switch	Continuity
	(+)	(-)			
BCM (M4)	56 (B) and 113 (B)	Body ground	Ground	Ignition switch OFF	Continuity should exist
Driver door control unit (D8)	15 (B)		Ground	Ignition switch OFF	Continuity should exist
Passenger door control unit (D39)	7 (B)		Ground	Ignition switch OFF	Continuity should exist
Rear LH door control unit (D59)					
Rear RH door control unit (D79)					

OK or NG

- OK >> Inspection end.
- NG >> Repair or replace harness.



A
B
C
D
E
F
G
H
I
J
LT
L
M

STEP LAMP

EKS0017Z

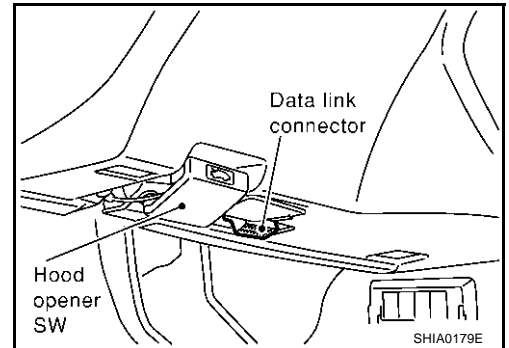
CONSULT-II Function

- CONSULT-II has the display function for the work support, data monitor and active test for each part by combining data receiving and sending via the communication line from the BCM.

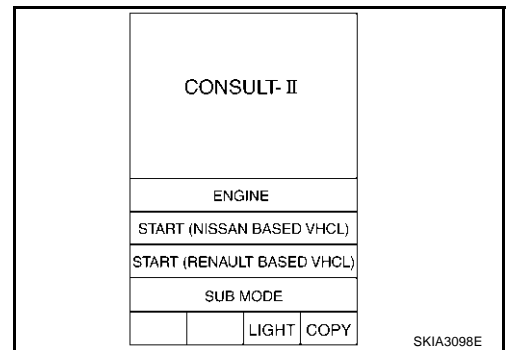
IVMS diagnosis position	Diagnosis mode	Description
Step lamp	Data monitor	Displays input data of the BCM and each LCU in real-time.
	Active test	Operation of electrical loads can be checked by sending driving signal to them.
BCM part number		Displays BCM part No.

CONSULT-II BASIC OPERATION PROCEDURE

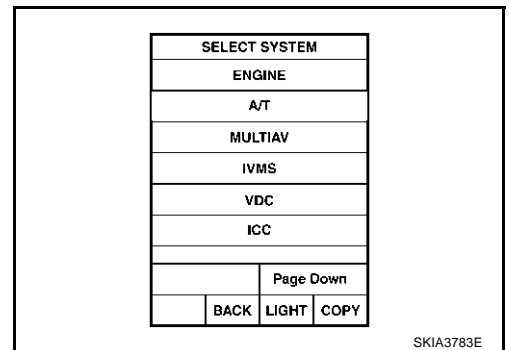
- With the ignition switch OFF, connect "CONSULT-II" and "CONSULT-II CONVERTER" to the data link connector, then turn ignition switch ON.



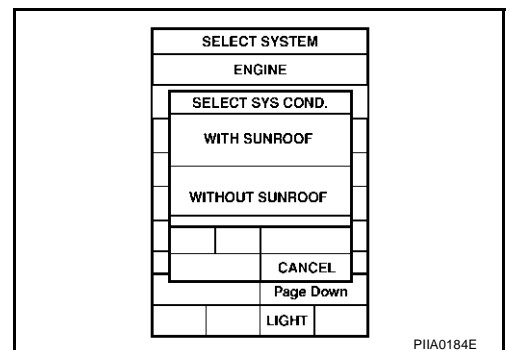
- Touch "START(NISSAN BASED VHCL)".



- Touch "IVMS" on "SELECT SYSTEM" screen. If "IVMS" is not indicated, go to [GI-38, "CONSULT-II Data Link Connector \(DLC\) Circuit"](#).



- Check the model specification, touch either "WITH SUNROOF" or "WITHOUT SUNROOF".
- Touch "OK". If the selection is wrong, touch "CANCEL".



STEP LAMP

6. Select the desired part to be diagnosed on the "SELECT TEST ITEM" screen.

DATA MONITOR

Operation Procedure

1. Touch "STEP LAMP" on the "SELECT TEST ITEM" screen.
2. Touch "DATA MONITOR" on the "SELECT DIAG MODE" screen.
3. Touch "ALL SIGNALS" or "SELECTION FROM MENU" on the "DATA MONITOR" screen.

MAIN SIGNALS	Monitors the main items.
SELECTION FROM MENU	Selects and monitors the items.

4. Touch "START".
5. When selected "SELECTION FROM MENU", touch items to be monitored. When "ALL SIGNALS" is selected all items will be monitored.
6. Touch "RECORD" while monitoring and status of the item being monitored can be recorded. To stop recording, touch "STOP".

Data Monitor Item

Monitored item ["OPERATION OR UNIT"]	Description
DOOR SW-DR [ON/OFF]	Displays status of the driver door as judged from the driver door switch signal. (Door is open: ON/ Door is closed: OFF)
DOOR SW-AS [ON/OFF]	Displays "Door open (ON)/door closed (OFF)" status judged from the passenger door switch signal.
DOOR SW-RR [ON/OFF]	Displays "Door open (ON)/door closed (OFF)" status judged from the Rear RH door switch signal.
DOOR SW-RL [ON/OFF]	Displays "Door open (ON)/door closed (OFF)" status judged from the Rear LH door switch signal.

ACTIVE TEST

Operation Procedure

1. Touch "STEP LAMP" on the "SELECT TEST ITEM" screen.
2. Touch "ACTIVE TEST" on the "SELECT DIAG MODE" screen.
3. Touch item to be tested and check operation of the selected item.
4. Touch "STOP" while testing and the operation will be stopped.

Active Test Item

Test items	Display on CONSULT-II screen	Description
Driver door step lamp output	STEP LAMP-DR	Driver door step lamp can be operated by any ON-OFF operation of lights.
Passenger door step lamp output	STEP LAMP-AS	Passenger door step lamp can be operated by any ON-OFF operation of lights.
Rear RH door step lamp output	STEP LAMP-RR/RH	Rear RH door step lamp can be operated by any ON-OFF operation of lights.
Rear LH door step lamp output	STEP LAMP-RR/LH	Rear LH door step lamp can be operated by any ON-OFF operation of lights.

STEP LAMP

EKS00180

On Board Diagnosis

ON BOARD DIAGNOSTIC RESULTS INDICATOR LAMP.

- Map lamps and step lamps (all seats) act as the indicators for the on board diagnosis.

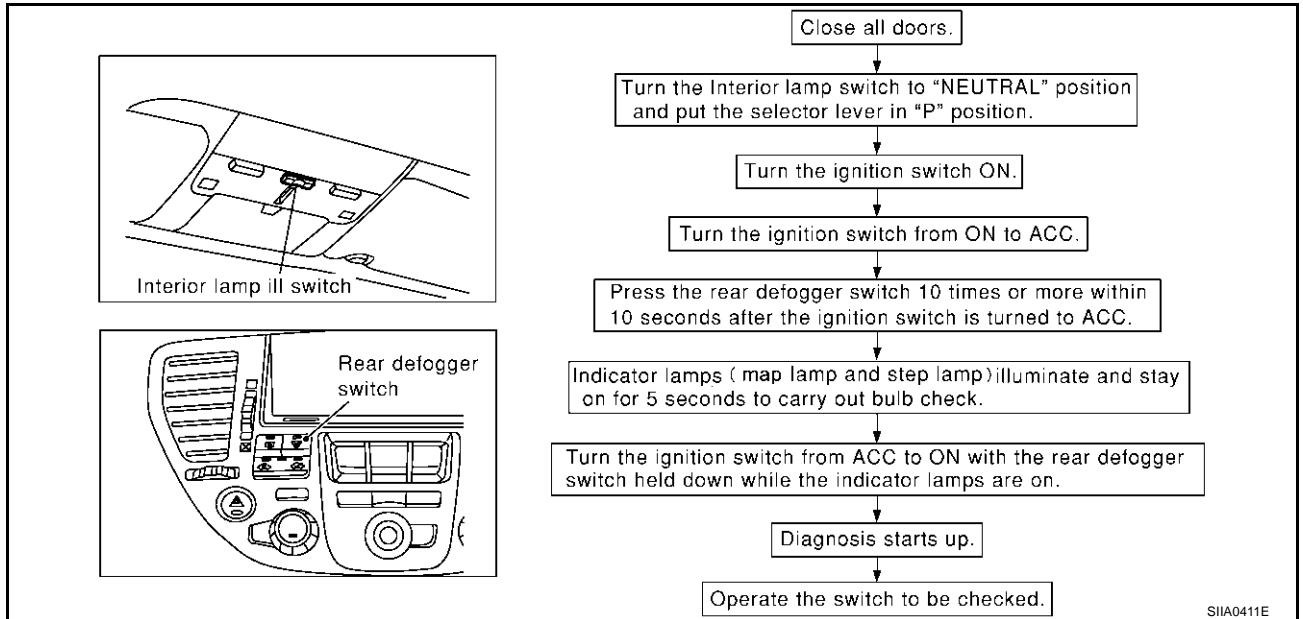
DIAGNOSIS ITEM

Diagnosis item	Description
Switch monitor	Checks for malfunction in switch systems that input to BCM and each LCU.

SWITCH MONITOR

- Perform the diagnosis on the switch system to each control unit.

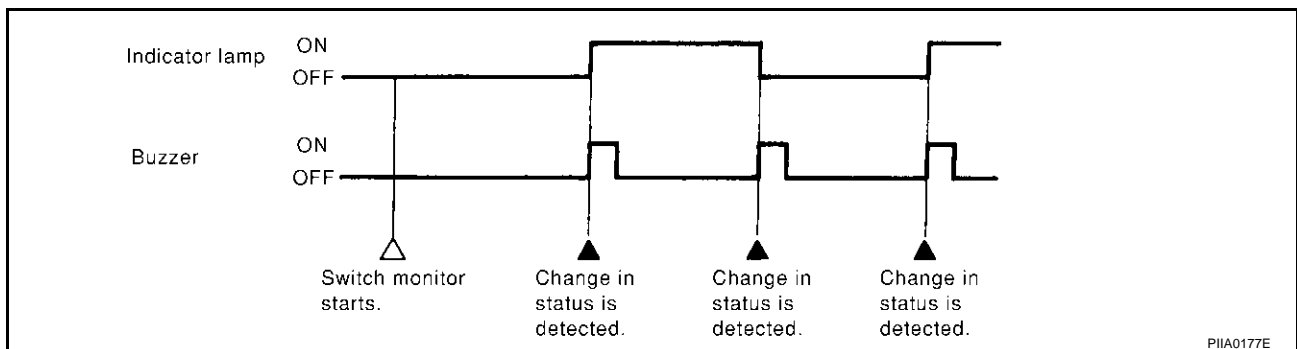
How to Perform Switch Monitor



SIA0411E

Description

- In this mode, when BCM detects the input signal from a switch in IVMS as shown below, the detection is indicated by the map lamp and front step lamps with buzzer.



PIIA0177E

Switch Monitor Item

- The status of the switch (except the ignition switch, interior lamp ill switch, and map lamp switch) as input to each control unit can be monitored.

Control unit	Item
BCM	Each door switch

Cancel of Switch Monitor

If the following conditions are satisfied, the communication diagnosis is cancelled.

- Turn ignition switch OFF.
- Drive the vehicle more than 7 km/h (4 MPH).

STEP LAMP

EKS00181

Symptom Chart DIAGNOSTIC PROCEDURE

SYMPTOM: Step lamp does not illuminate/dose not go off when door is opened/closed.


1. CHECK DOOR SWITCH SIGNAL

 With CONSULT-II

- Operate each door via "DOOR SW" on DATA MONITOR screen and check that the switch turns on and off as commanded.

DATA MONITOR	
MONITOR	
DOOR SW-DR	OFF
DOOR SW-AS	OFF
DOOR SW-RR	OFF
DOOR SW-RL	OFF
RECORD	

SKIA0441E

 Without CONSULT-II

- Operate each door and via "switch monitor" of the self-diagnosis function and check that the switch turns on and off as commanded.

OK or NG

- OK >> GO TO 5.
NG >> GO TO 2.

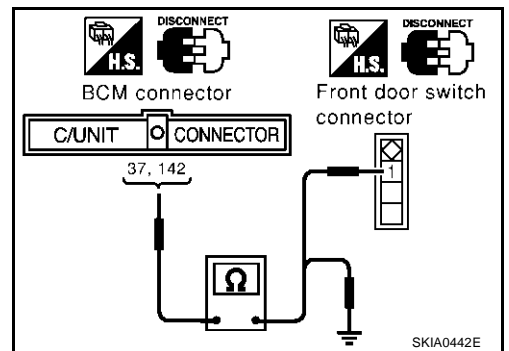
2. CHECK FRONT DOOR SWITCH HARNESS CONTINUITY

- Disconnect connectors of the BCM and front door switch.
- Check continuity between BCM harness connector M4, B4 terminals 37 (W/G), 142 (W/R) and the door switches harness connectors B20, B220 terminal 1 (W/R, W/G).
- Check continuity between BCM harness connector M4, B4 terminals 37 (W/G), 142 (W/R) and body ground.

Terminals				Continuity
(+)		(-)		
Connector	Terminal (Wire color)	Connector	Terminal (Wire color)	
B4	142 (W/R)	B20	1(W/R)	Yes
M4	37 (W/G)	B220	1(W/G)	
B4	142 (W/R)	Body ground		No
M4	37 (W/G)			

OK or NG

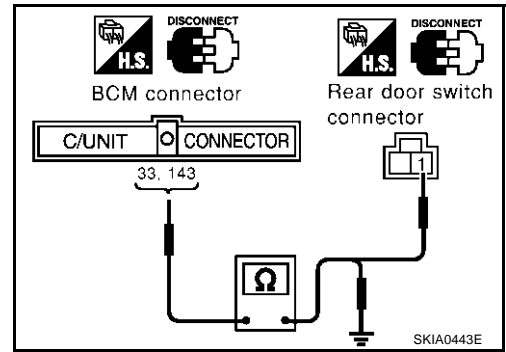
- OK >> GO TO 3.
NG >> Repair or replace harness.



STEP LAMP

3. CHECK REAR DOOR SWITCH HARNESS CONTINUITY

1. Disconnect connectors of rear door switch.
2. Check continuity between BCM harness connector M4, B4 terminals 33 (W), 143 (W/L) and the door switches harness connectors D62, D82 terminal 1 (W).
3. Check continuity between BCM harness connector M4, B4 terminals 33 (W), 143 (W/L) and body ground.



Terminals				Continuity
(+)		(-)		
Connector	Terminal (Wire color)	Connector	Terminal (Wire color)	
M4	33 (W)	D62	1(W)	Yes
B4	143 (W/L)	D82	1(W)	Yes
M4	33 (W)	Body ground		No
B4	143 (W/L)			

OK or NG

- OK >> GO TO 4.
 NG >> Repair or replace harness.

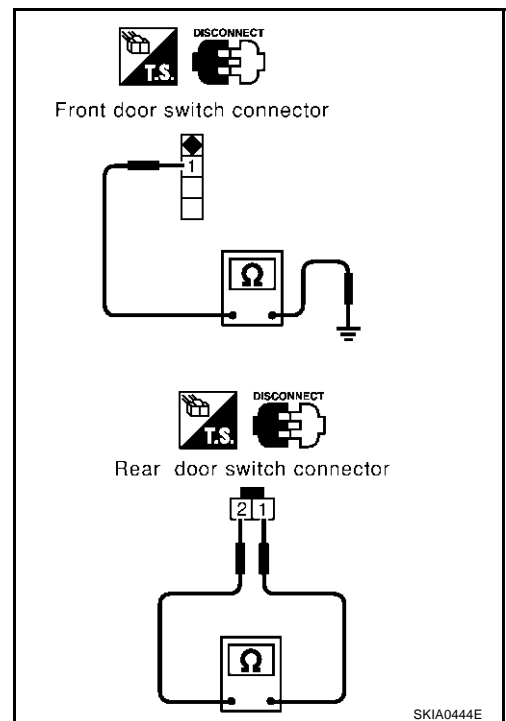
4. CHECK DOOR SWITCH

Check continuity between front door switch connector B20, B220 terminal 1 (W/R, W/G) and body ground, and between the rear door switch connector D62, D82 terminals 1 (W) and 2 (B) while turning the door switches ON (open) and OFF (closed).

Terminals			Condition	Continuity
Connector	(+)	(-)		
	Terminal (Wire color)	Terminal (Wire color)		
B20	1 (W/R)	Body ground	ON (Open)	Yes
B220	1 (W/G)		OFF (Closed)	No
D62	1 (W)	2 (B)	ON (Open)	Yes
D82			OFF (Closed)	No

OK or NG

- OK >> Check door switch ground circuit or door switch ground condition.
 NG >> Replace door switch.



5. CHECK BULB

Check step lamp bulb.

OK or NG

- OK >> GO TO 6.
 NG >> Replace bulb.

STEP LAMP

6. CHECK POWER SUPPLY CIRCUIT

1. Turn ignition switch OFF.
2. Disconnect step lamp connector.
3. Check voltage between step lamp connector D10, D40, D60, D80 terminal 1 (LG) and ground.

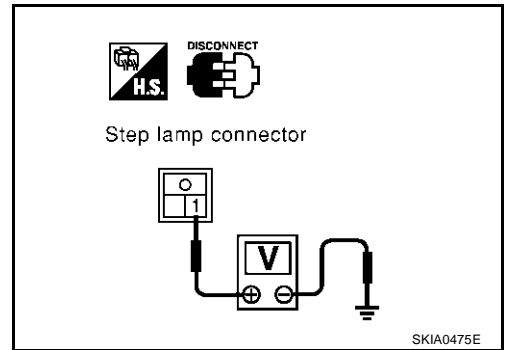
1 (LG) - Body ground : Battery voltage should exist.

OK or NG

OK >> Check harness for open or short between step lamp and door control unit.

NG >> **Check the following.**

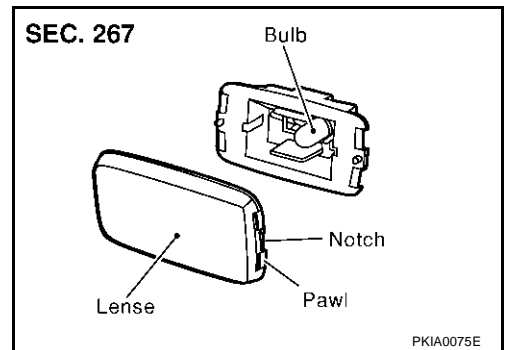
- 10A fuse [No. 8, located in the fuse block (J/B) No. 1]
- Harness for open or short between fuse and step lamp.



Bulb Replacement

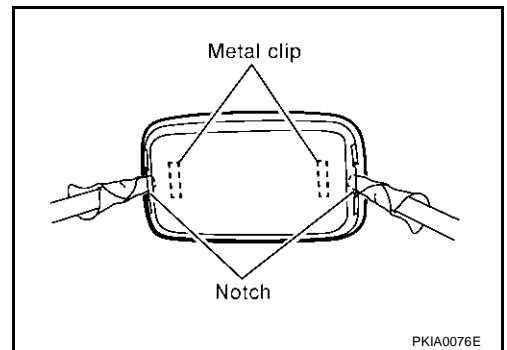
1. Remove the step lamp. Refer to [LT-127, "Removal and Installation"](#) in "Step Lamp".
2. Insert a screwdriver in the notch and remove the lens.
3. Remove the bulb.

Step lamp : 12V 2.7W



Removal and Installation

1. Using a clip driver or a suitable tool, press and remove the metal clip of the step lamp.
2. Disconnect the step lamp connector.



DOOR MIRROR LAMP

PFP:96301

System Description

EKS006RU

The door mirror lamp for approx. 15 seconds when door unlocking operation is commanded with remote controller.

It goes off when the driver door is opened during illumination after the door unlocking operation with remote controller.

Power is supplied at all times

- to door mirror lamp terminal 4
- through 10A fuse [No. 8, located in the fuse block (J/B)NO.1]

when door unlocking operation is commanded with remote controller.

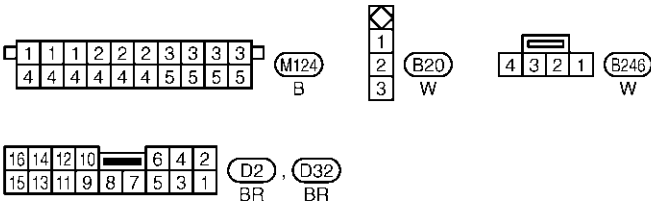
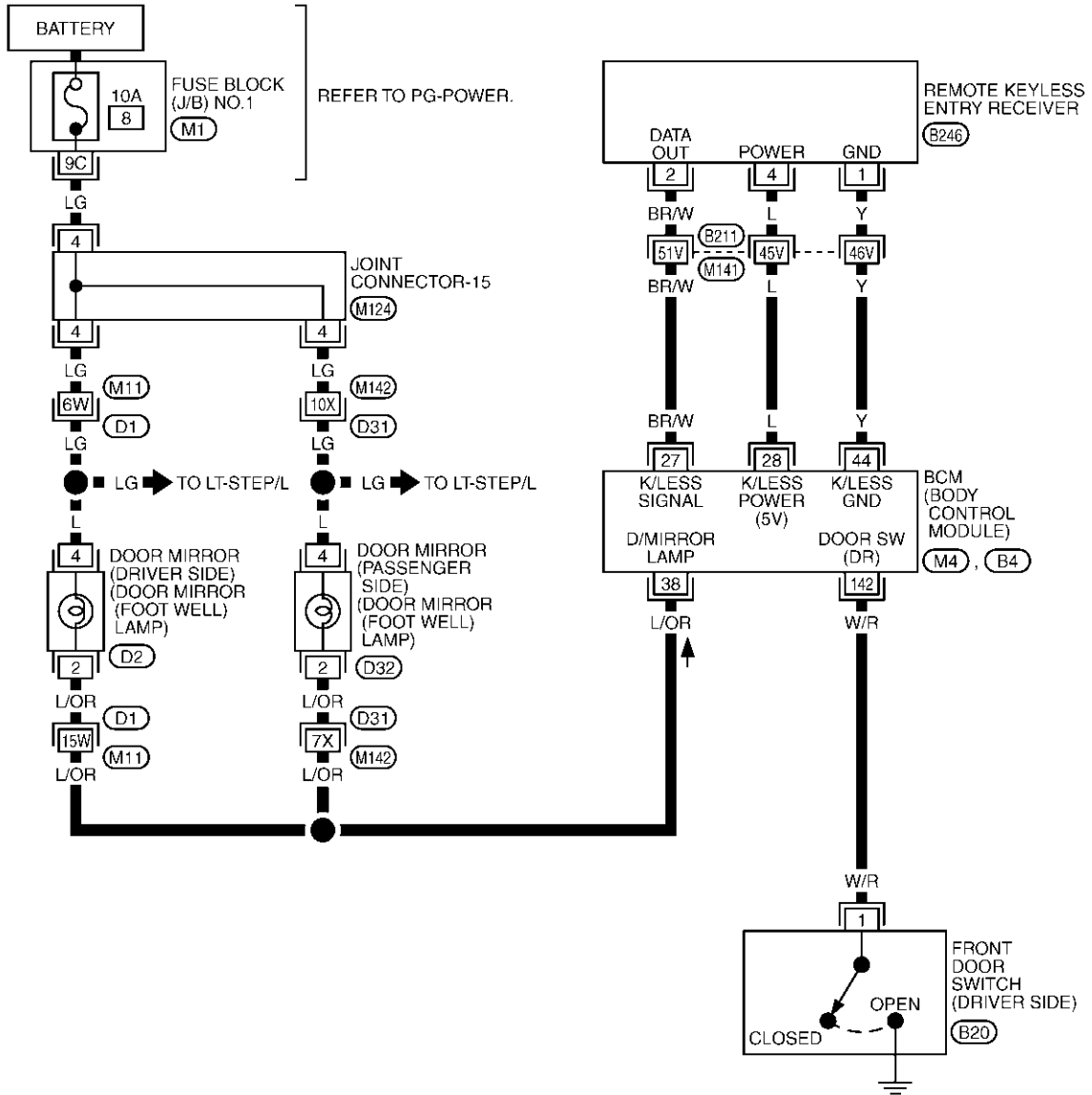
- to BCM terminal 38
- through BCM terminal 27 and,
- to remote keyless entry receiver terminal 2

DOOR MIRROR LAMP

Wiring Diagram — MIRR/L —

EKS006RV

LT-MIRR/L-01



REFER TO THE FOLLOWING.
 (B211), (D1), (D31) -SUPER MULTIPLE JUNCTION (SMJ)
 (M1) -FUSE BLOCK-JUNCTION BOX (J/B) NO.1
 (M4), (B4) -ELECTRICAL UNITS

TKWM0350E

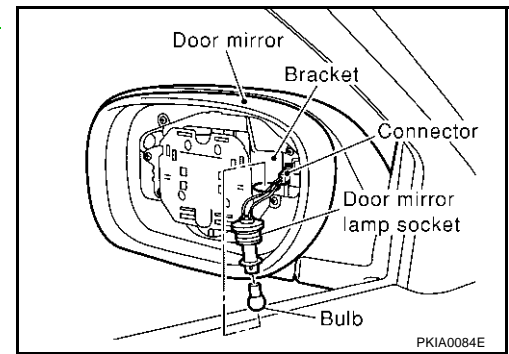
DOOR MIRROR LAMP

EKS006RW

Bulb Replacement DOOR MIRROR LAMP

1. Remove the mirror from door mirror. Refer to [GW-114, "DOOR MIRROR"](#) in "GW" section.
2. Remove lamp socket.
3. Remove the bulb from lamp socket.

Door mirror lamp : 12V 8W



ILLUMINATION

PFP:27545

System Description

EKS000U6

The illumination lamp operation is controlled by the lighting switch which is built into the spiral cable and headlamp battery saver control unit. The battery saver system is controlled by headlamp battery saver control unit and BCM.

Power is supplied at all times

- to tail lamp relay terminals 2 and 6
- through 15A fuse [No. 54, located in the fuse, fusible link and relay block (J/B)], and
- to headlamp battery saver control unit terminal 7
- through 10A fuse [No. 6, located in the fuse block (J/B) No. 1].

When ignition switch is in ON or START position, power is supplied

- to headlamp battery saver control unit terminal 1
- through 10A fuse [No. 1, located in the fuse block (J/B) No. 1].

Ground is supplied

- to headlamp battery saver control unit terminals 4 and 11
- through body grounds M25 and M115.

LIGHTING OPERATION BY LIGHTING SWITCH

When lighting switch is 1ST (or 2ND) position, ground is supplied

- to tail lamp relay terminal 1 from headlamp battery saver control unit terminals 6 and 14
- through headlamp battery saver control unit terminals 5 and 13, and
- through lighting switch and body grounds M25 and M115.

Tail lamp relay is then energized and illumination lamps illuminate.

The lighting switch must be in the 1ST or 2ND position for illumination.

The illumination control switch that controls the amount of current to the illumination system. As the amount of current increases, the illumination becomes brighter.

The ground for all of the components except for grove box lamp, cigarette lighter socket, ashtray, auto return cancel switch, rear control switch, rear sunshade rear switch, rear power seat switch and console box lamp are controlled through terminals 2 and 3 of the illumination control switch and body grounds M25 and M115.

BATTERY SAVER CONTROL

When the ignition switch is turned from ON (or START) to OFF (or ACC) positions while illumination lamps are illuminated, the RAP signal is supplied to terminal 10 of the headlamp battery saver control unit from BCM terminal 135.

After counting 45 seconds by the RAP signal from the BCM to headlamp battery saver control unit, the ground supply to terminal 1 of the tail lamp relay from headlamp battery saver control unit terminals 6 and 14 is terminated.

Then illumination lamps are turned off.

Illumination lamps are turned off when driver or passenger side door is opened even if 45 seconds have not passed after the ignition switch is turned from ON (or START) to OFF (or ACC) positions while illumination lamps are illuminated.

When the lighting switch is turned from OFF to 1ST (or 2ND) after illumination lamps are turned off by the battery saver control, ground is supplied

- to headlamp battery saver control unit terminals 5 and 13 from lighting switch terminal 11, and
- to tail lamp relay terminal 1 from headlamp battery saver control unit terminals 6 and 14.

Then illumination lamps illuminate again.

A

B

C

D

E

F

G

H

I

J

LT

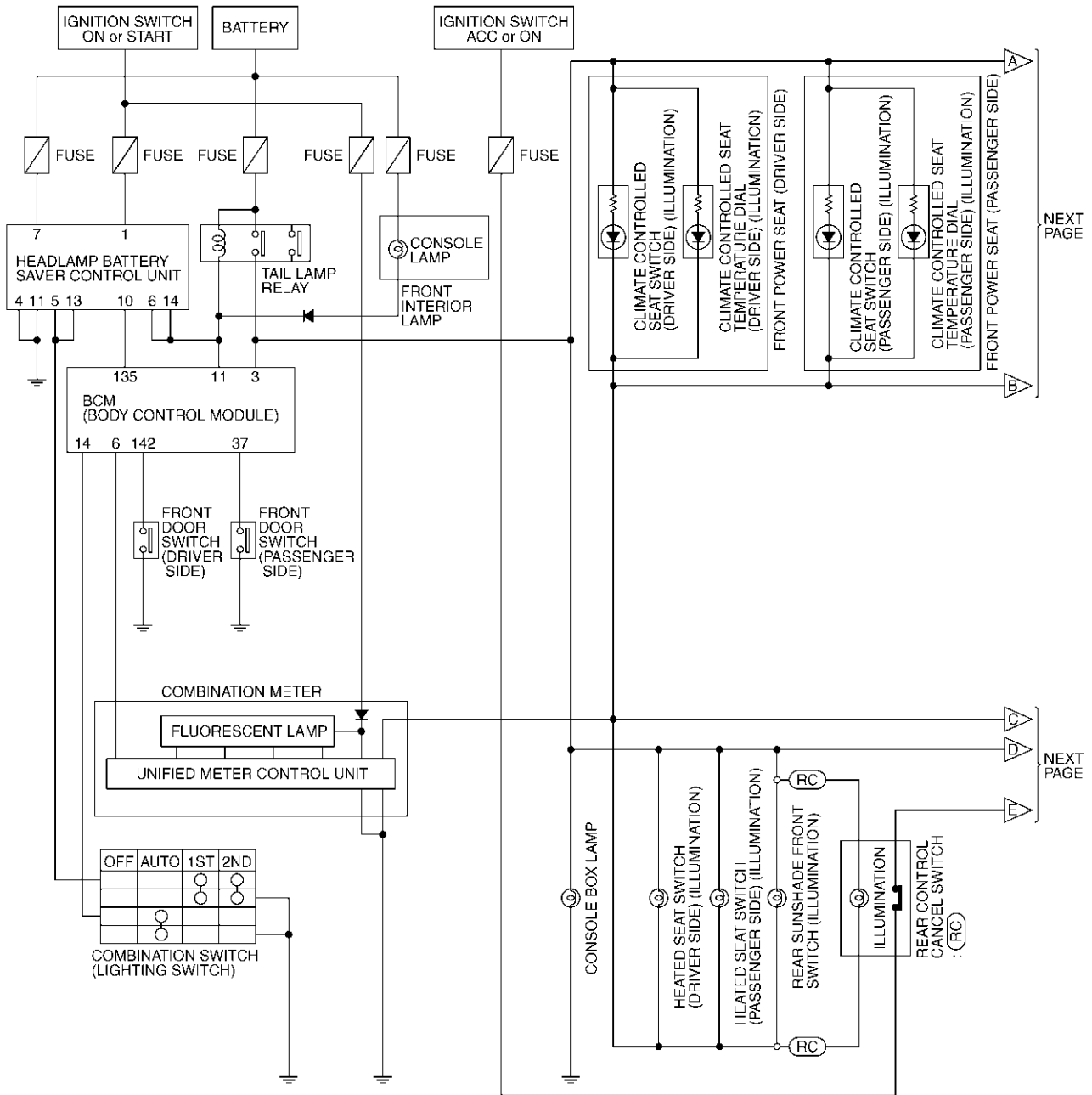
L

M

ILLUMINATION

Schematic

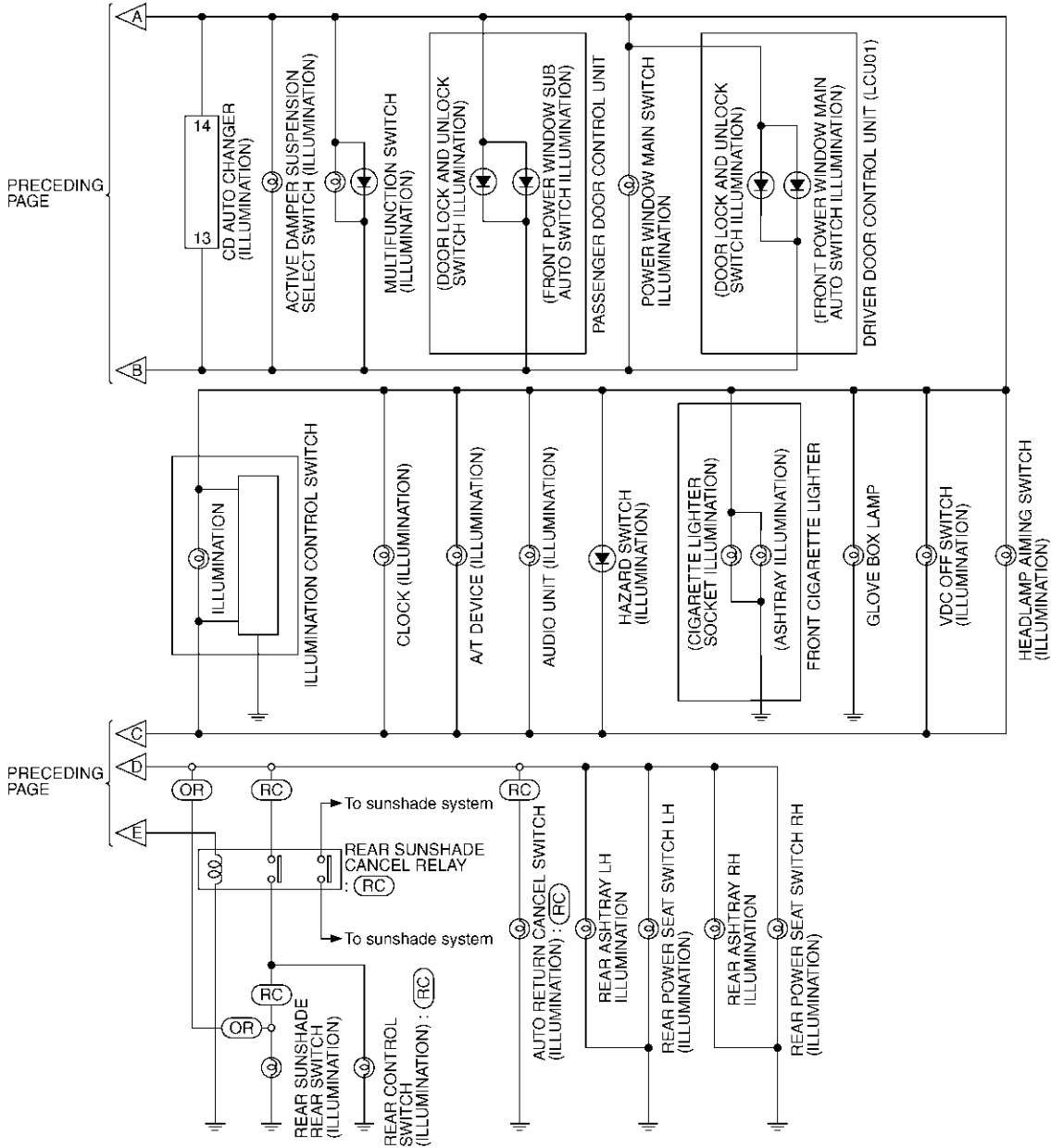
EKS000U7



NEXT PAGE

NEXT PAGE

ILLUMINATION



A
B
C
D
E
F
G
H
I
J
LT
L
M

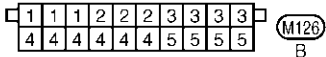
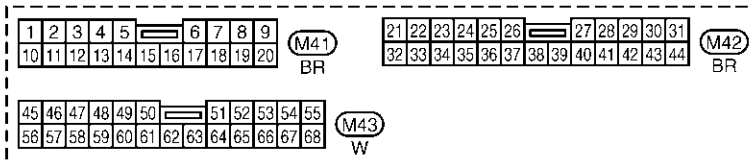
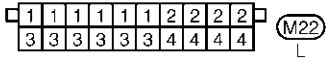
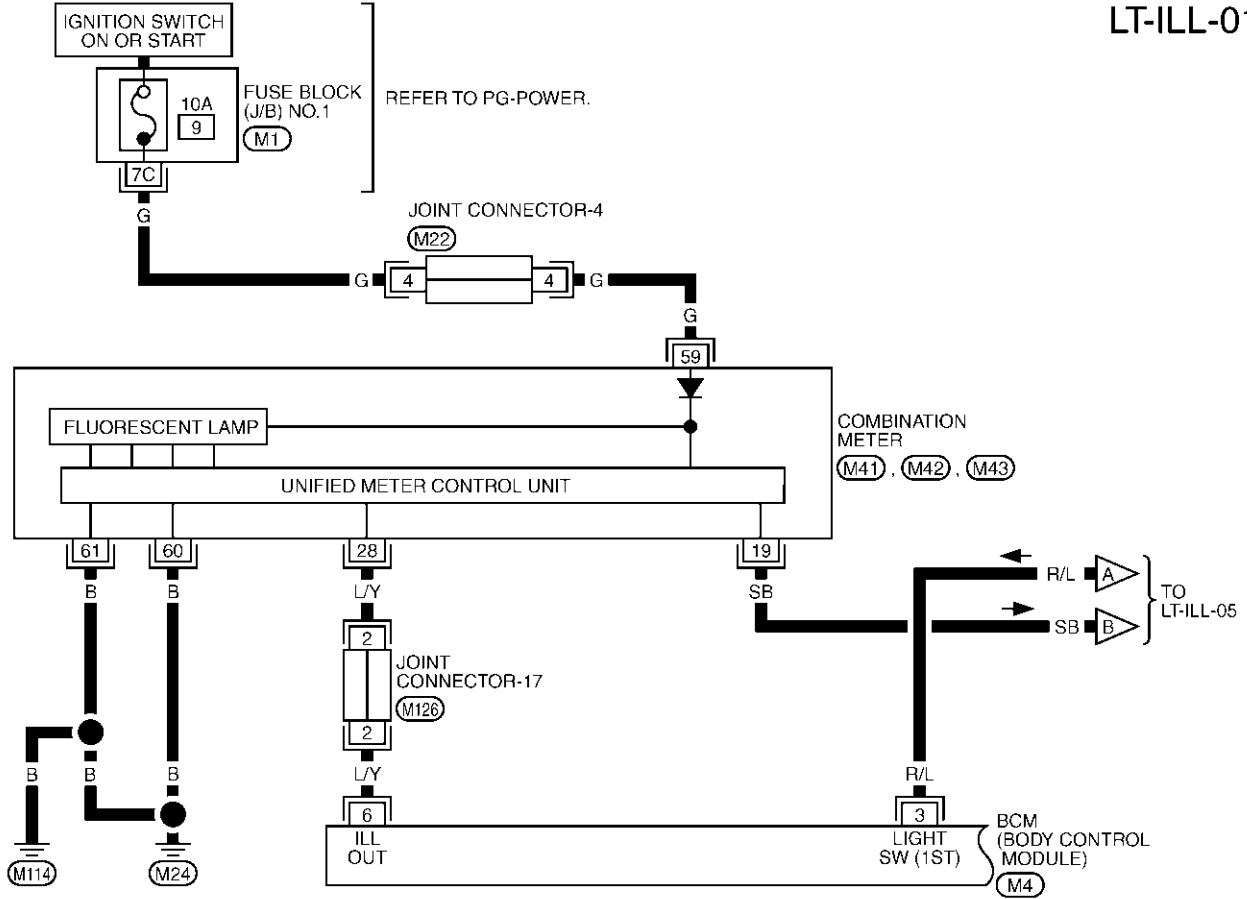
TKWM0373E

ILLUMINATION

EKS000UB

Wiring Diagram — ILL —

LT-ILL-01



REFER TO THE FOLLOWING.

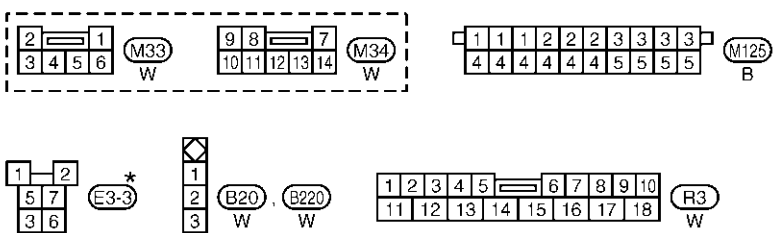
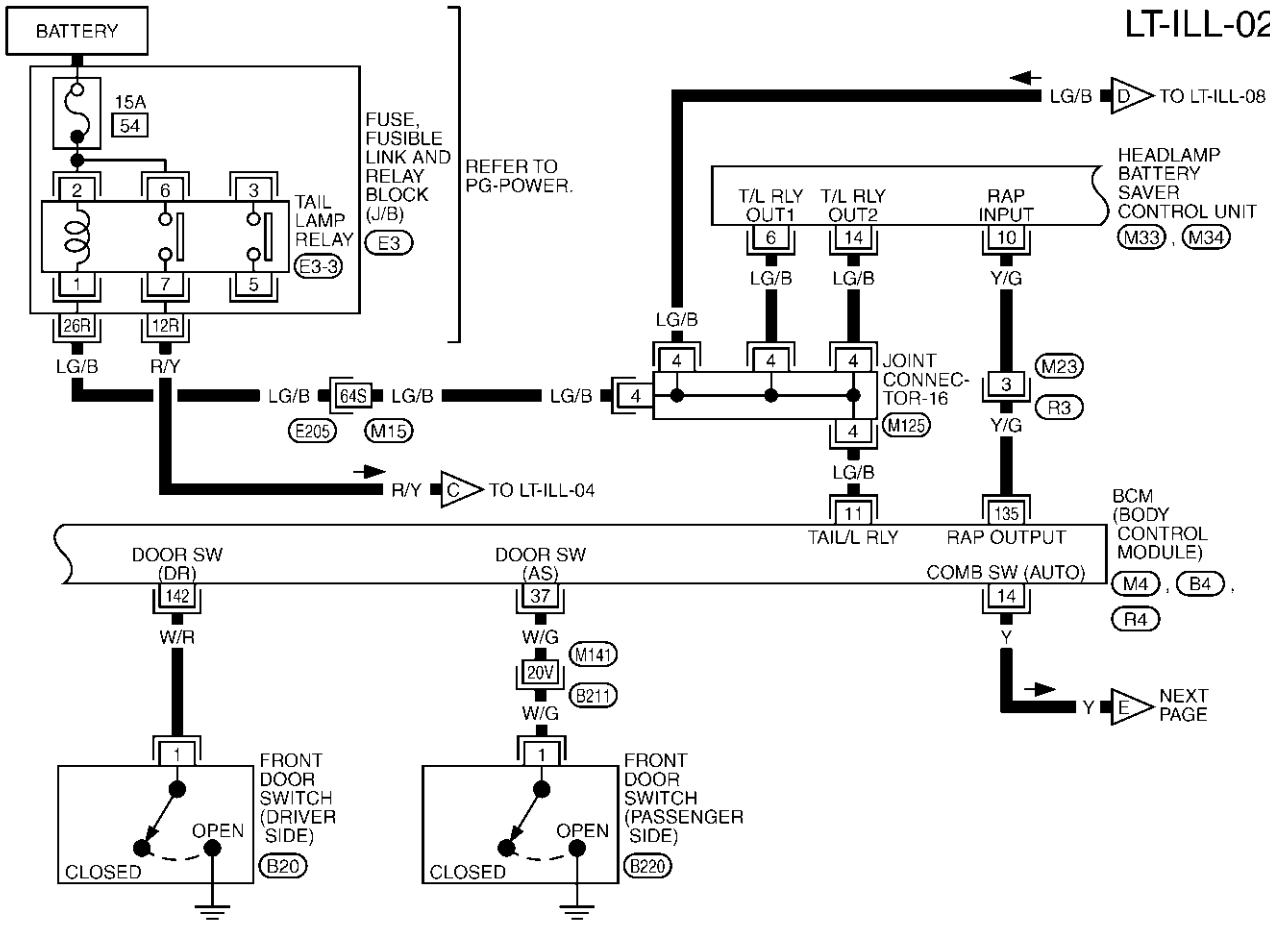
- (M1) - FUSE BLOCK-JUNCTION BOX (J/B) NO.1
- (M4) - ELECTRICAL UNITS

TKWM0410E

ILLUMINATION

LT-ILL-02

A
B
C
D
E
F
G
H
I
J
K
L
M



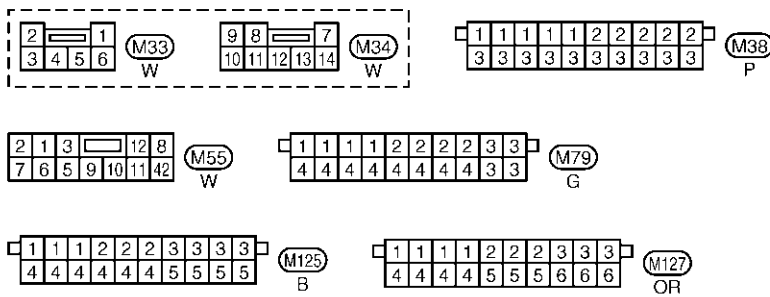
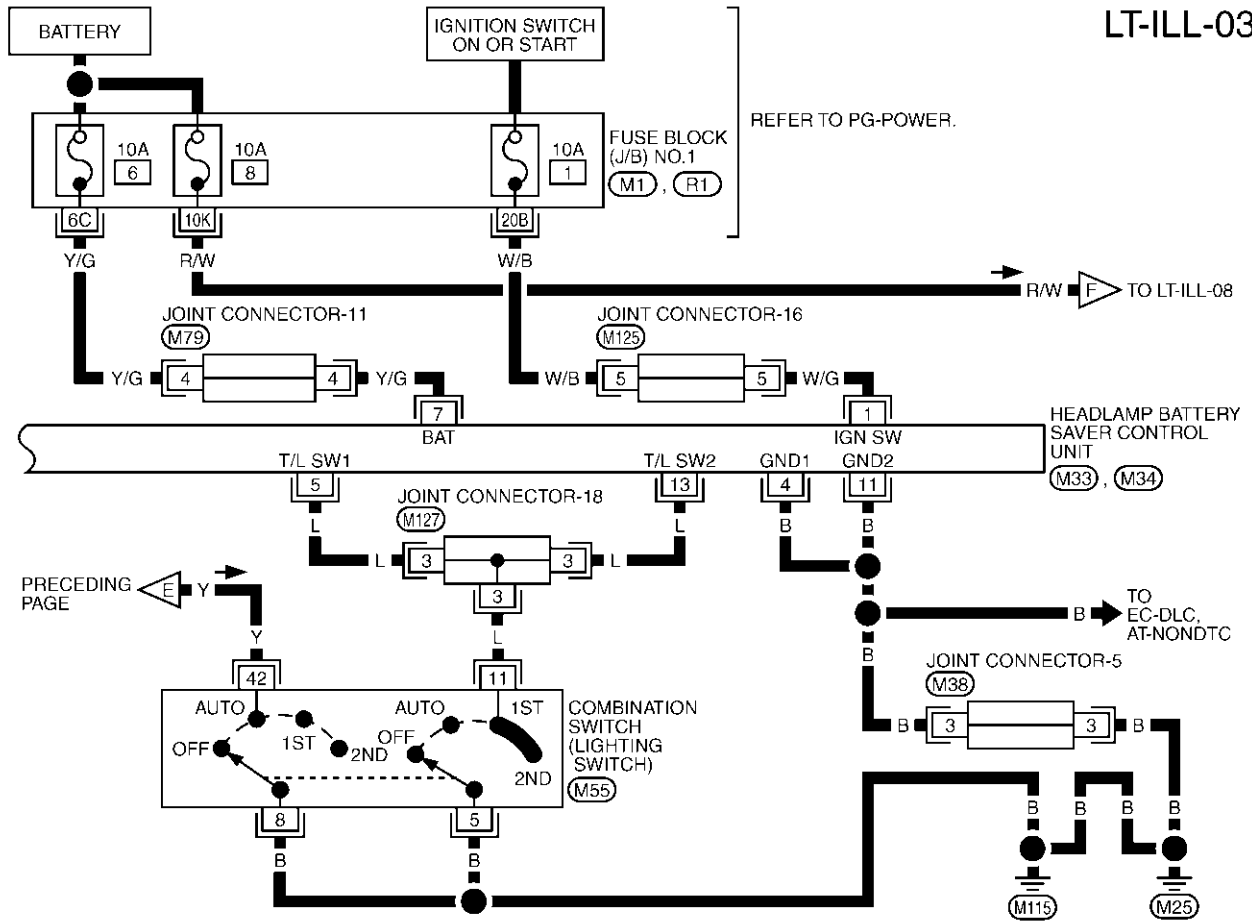
REFER TO THE FOLLOWING.
 (E205), (B211) -SUPER MULTIPLE JUNCTION (SMJ)
 (E3) -FUSE, FUSIBLE LINK AND RELAY BLOCK (J/B)
 (M4), (B4), (R4) -ELECTRICAL UNITS

*: THIS CONNECTOR IS NOT SHOWN IN "HARNES LAYOUT", PG SECTION.

LT

ILLUMINATION

LT-ILL-03

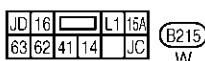
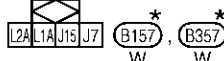
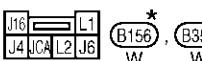
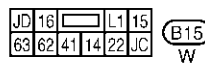
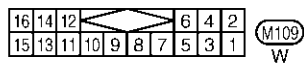
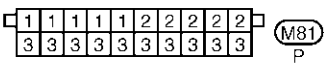
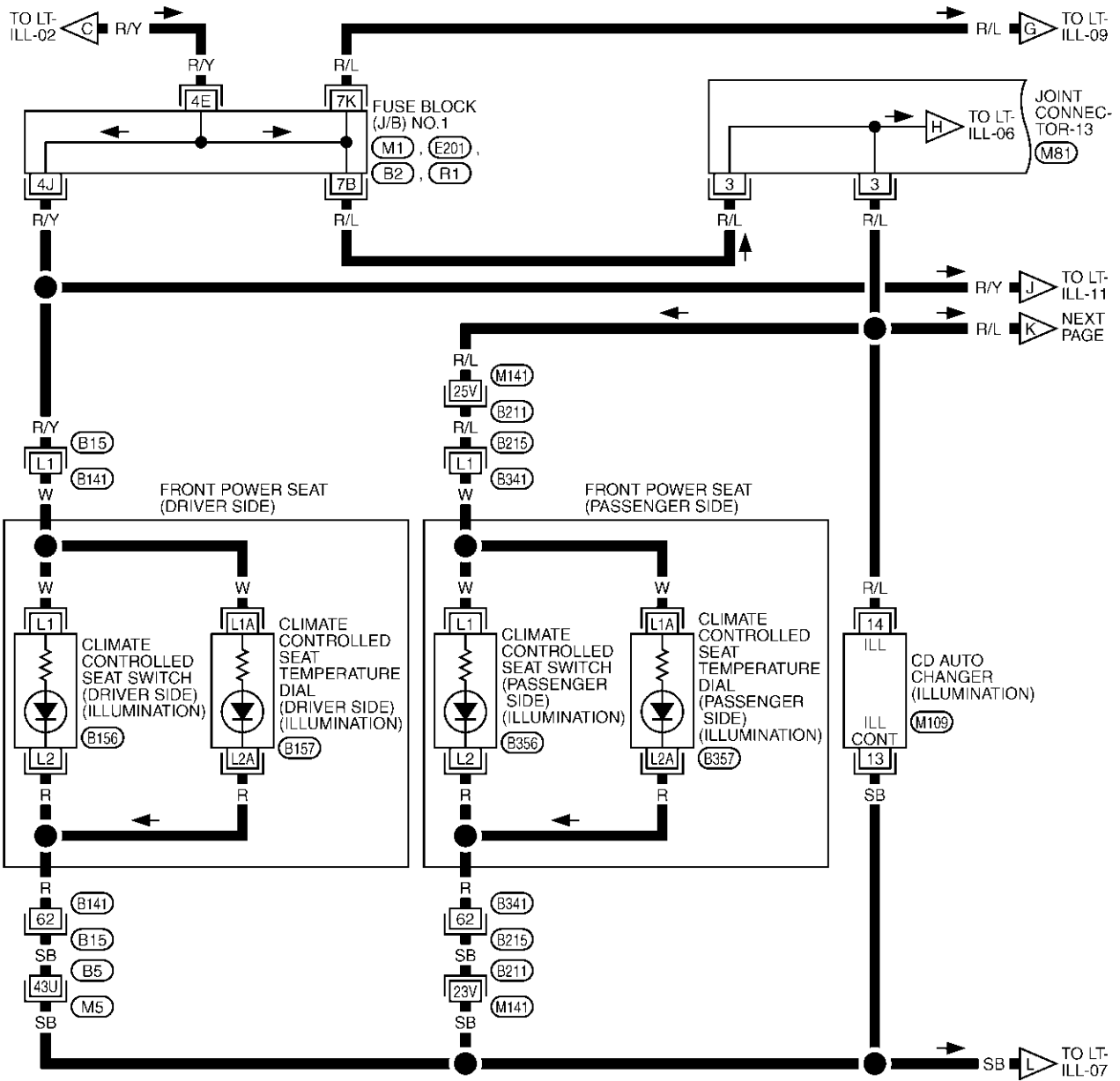


REFER TO THE FOLLOWING.
 (M1), (R1) - FUSE BLOCK-
 JUNCTION BOX (J/B) NO.1

TKWM0411E

ILLUMINATION

LT-ILL-04



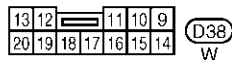
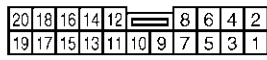
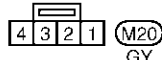
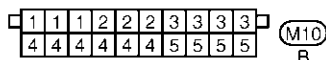
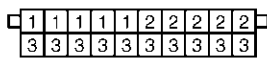
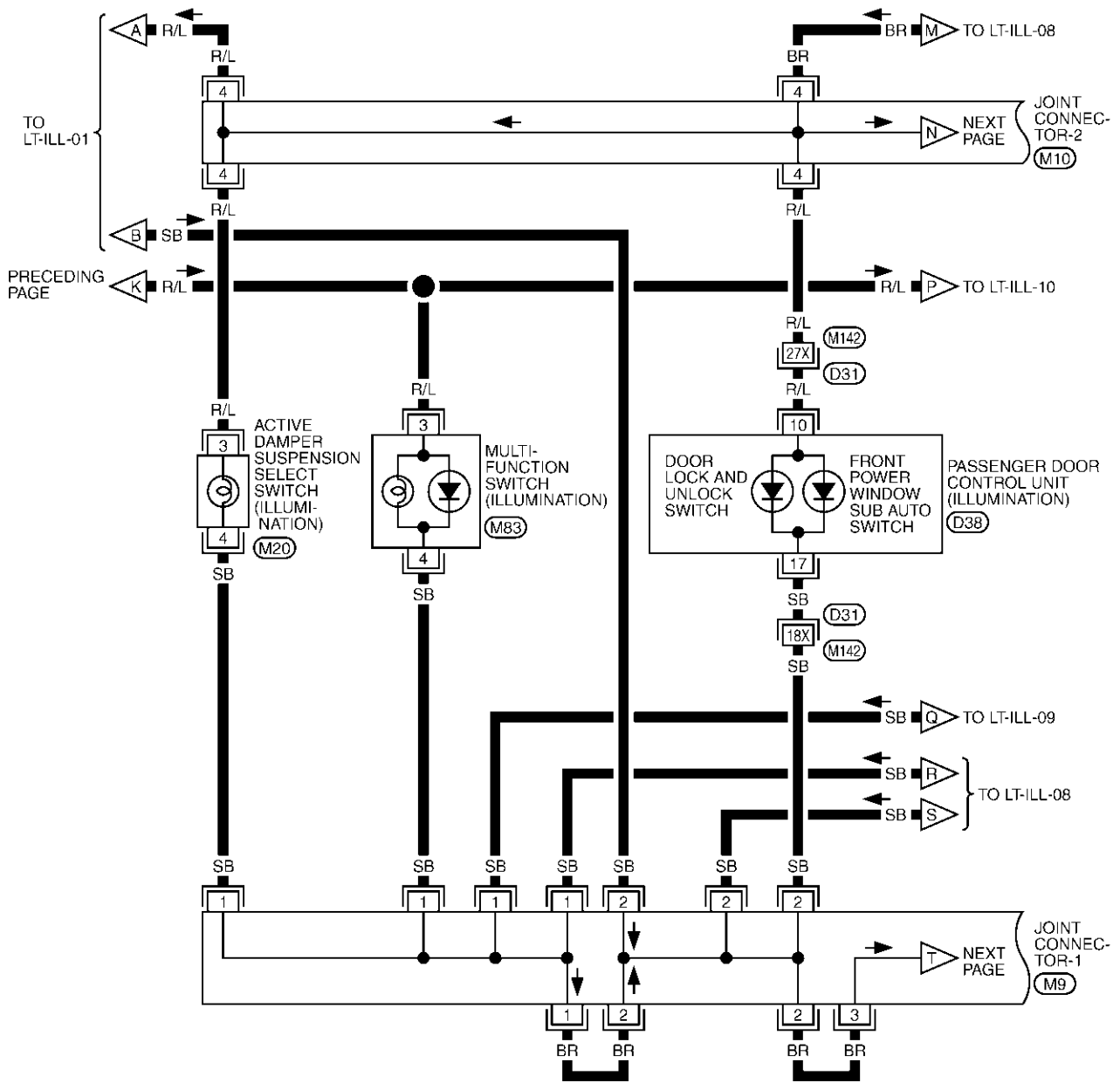
REFER TO THE FOLLOWING.
 (M5), (B211) -SUPER MULTIPLE JUNCTION (SMJ)
 (M1), (E201), (B2), (R1) -FUSE BLOCK-JUNCTION BOX (J/B) NO.1

*: THIS CONNECTOR IS NOT SHOWN IN "HARNESS LAYOUT", PG SECTION.

TKWM0339E

ILLUMINATION

LT-ILL-05



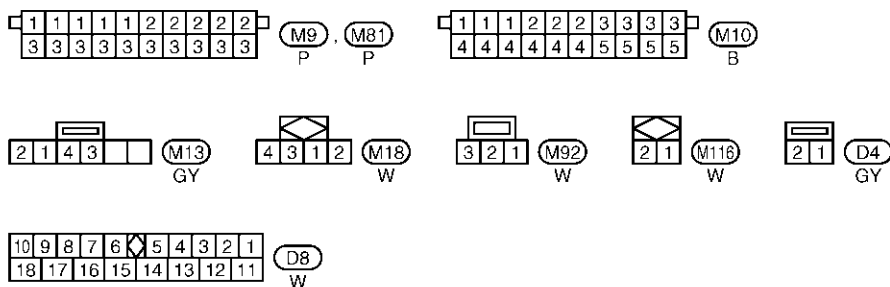
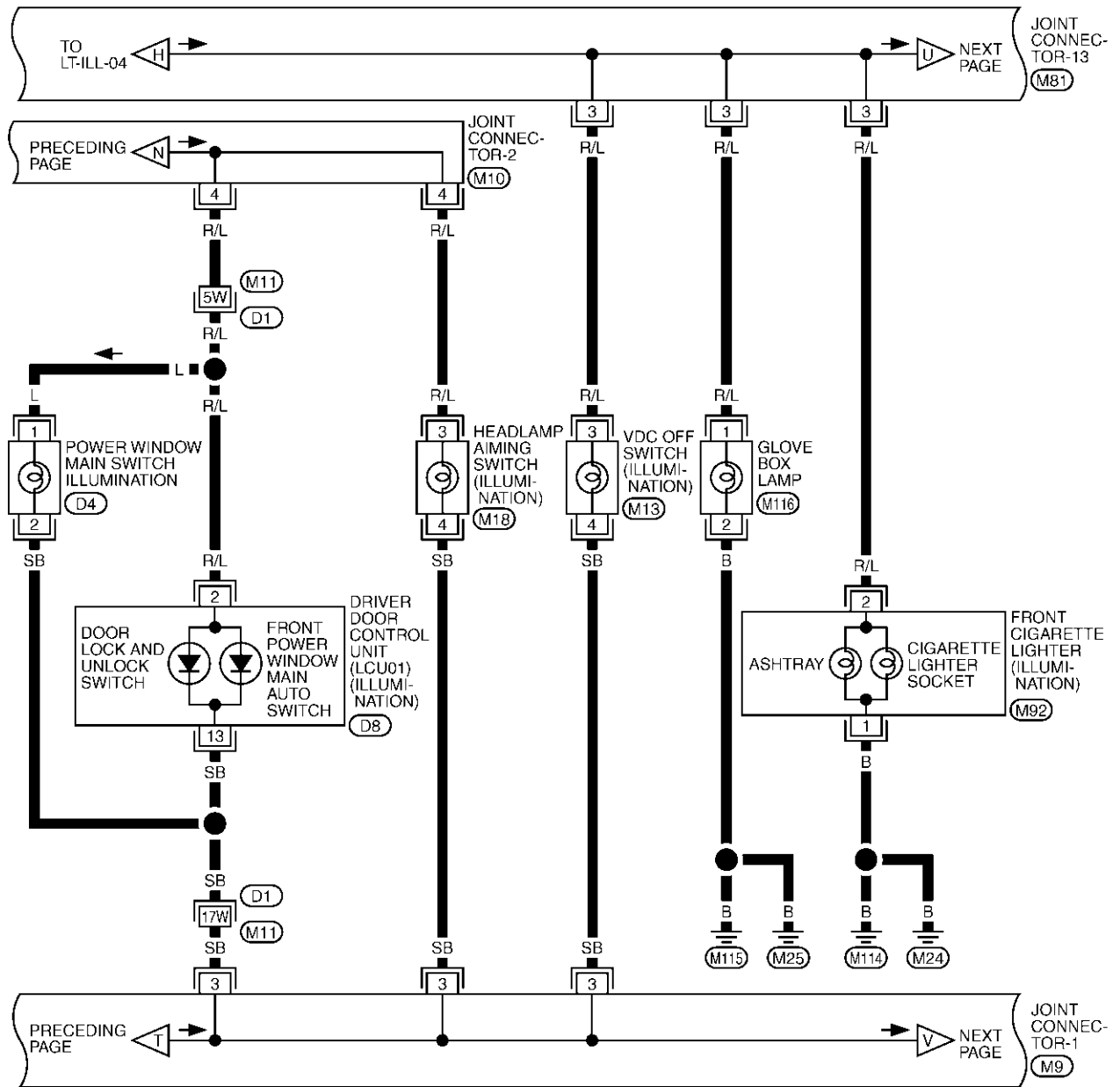
REFER TO THE FOLLOWING.

(D31) -SUPER MULTIPLE JUNCTION (SMJ)

TKWM0340E

ILLUMINATION

LT-ILL-06



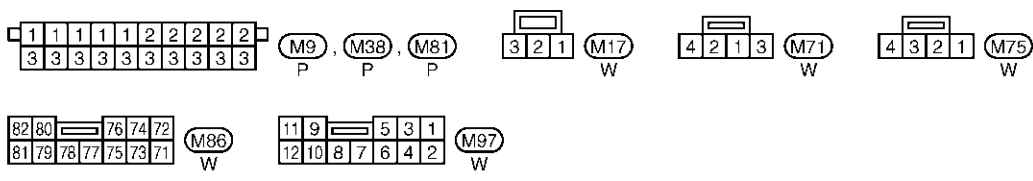
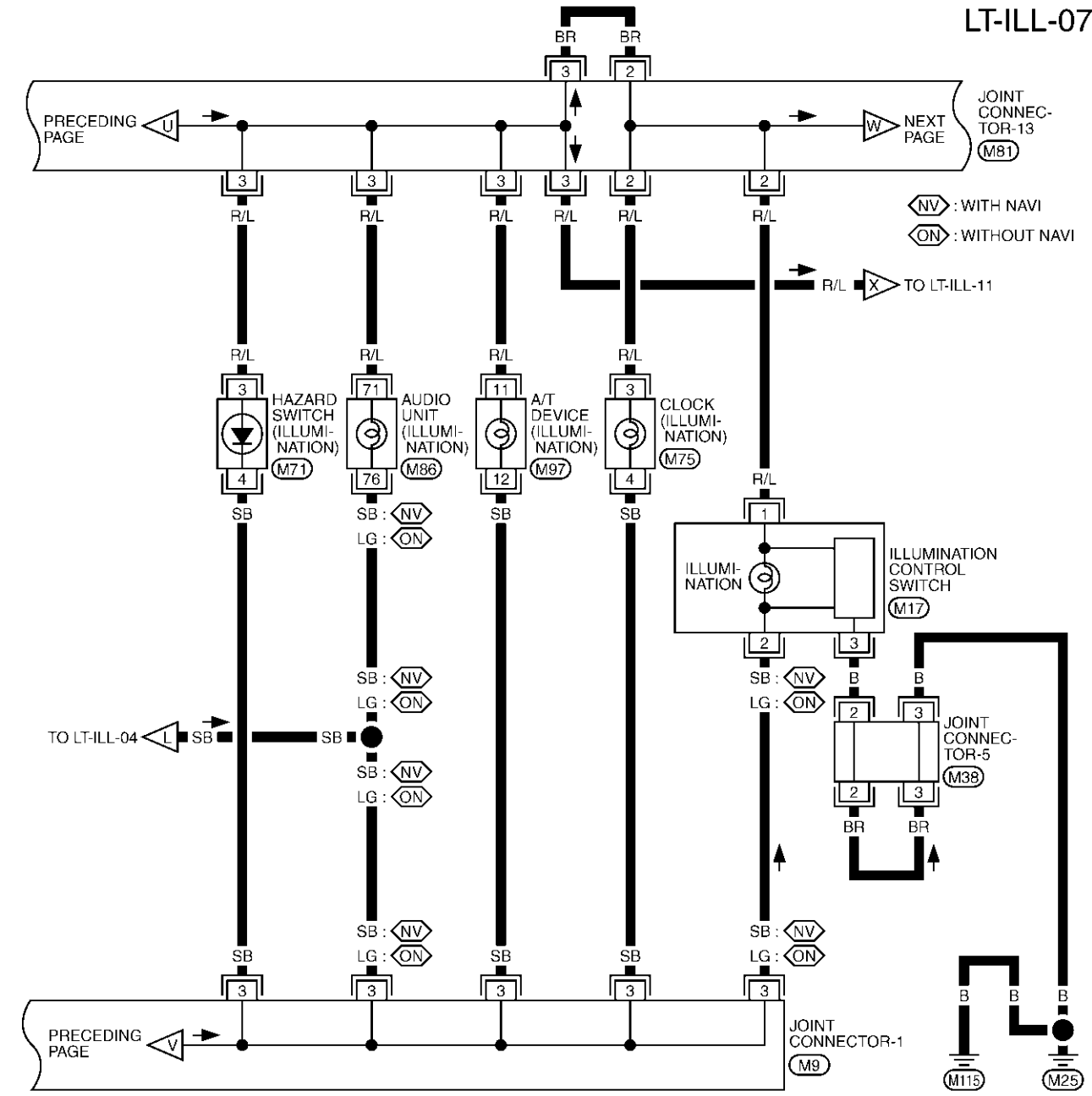
REFER TO THE FOLLOWING.

(D1) -SUPER MULTIPLE JUNCTION (SMJ)

TKWM0341E

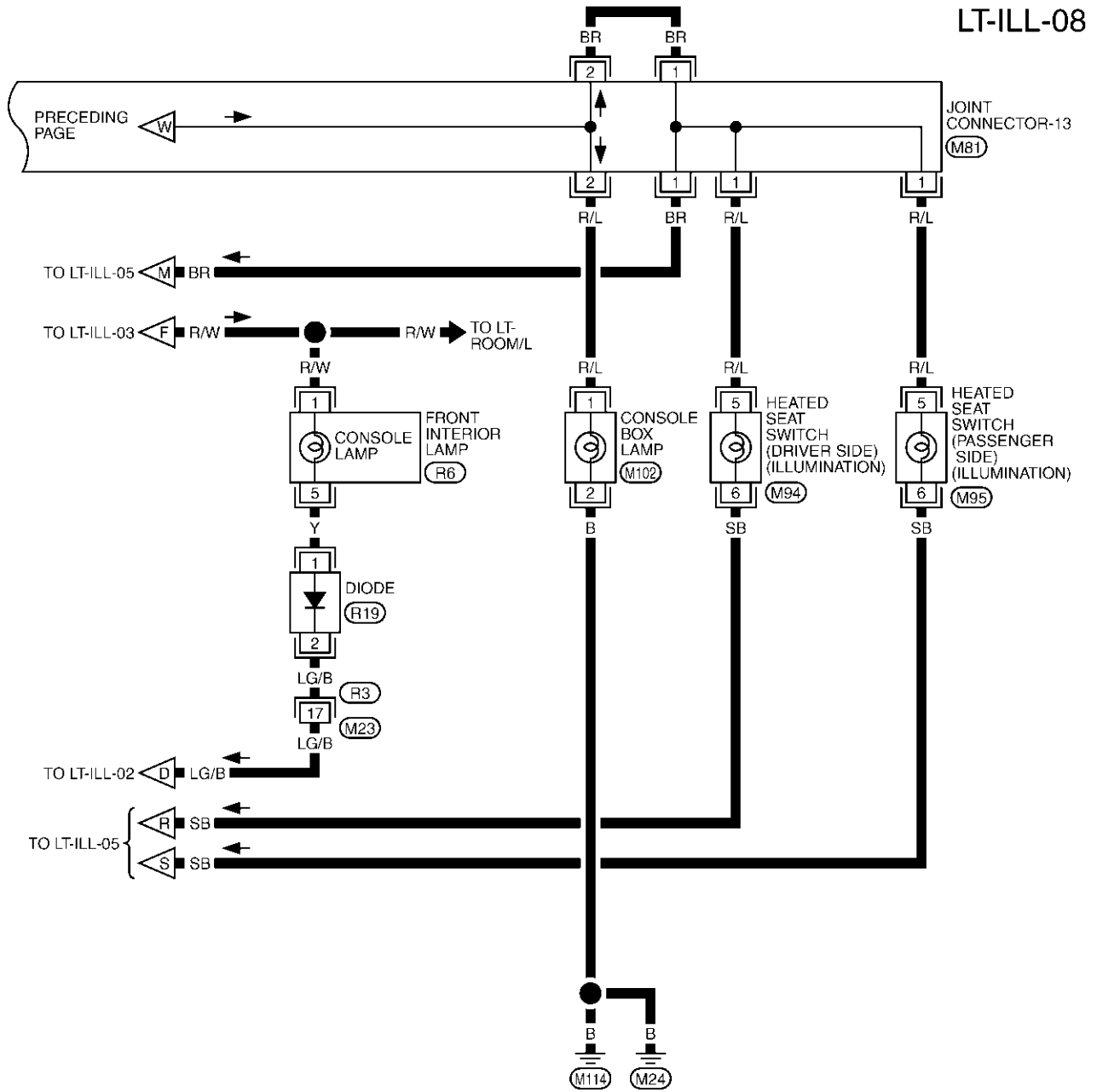
ILLUMINATION

LT-ILL-07

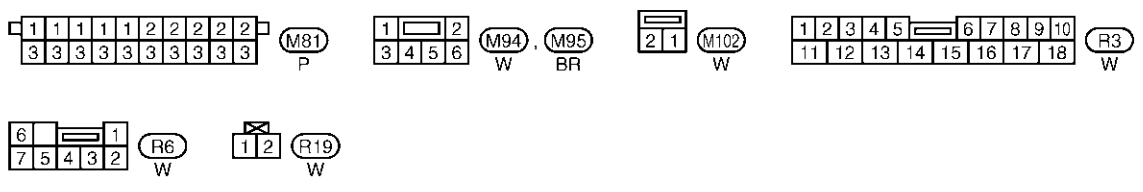


TKWM0342E

ILLUMINATION



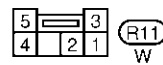
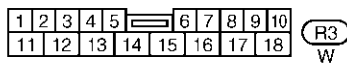
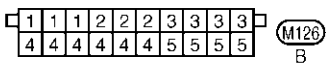
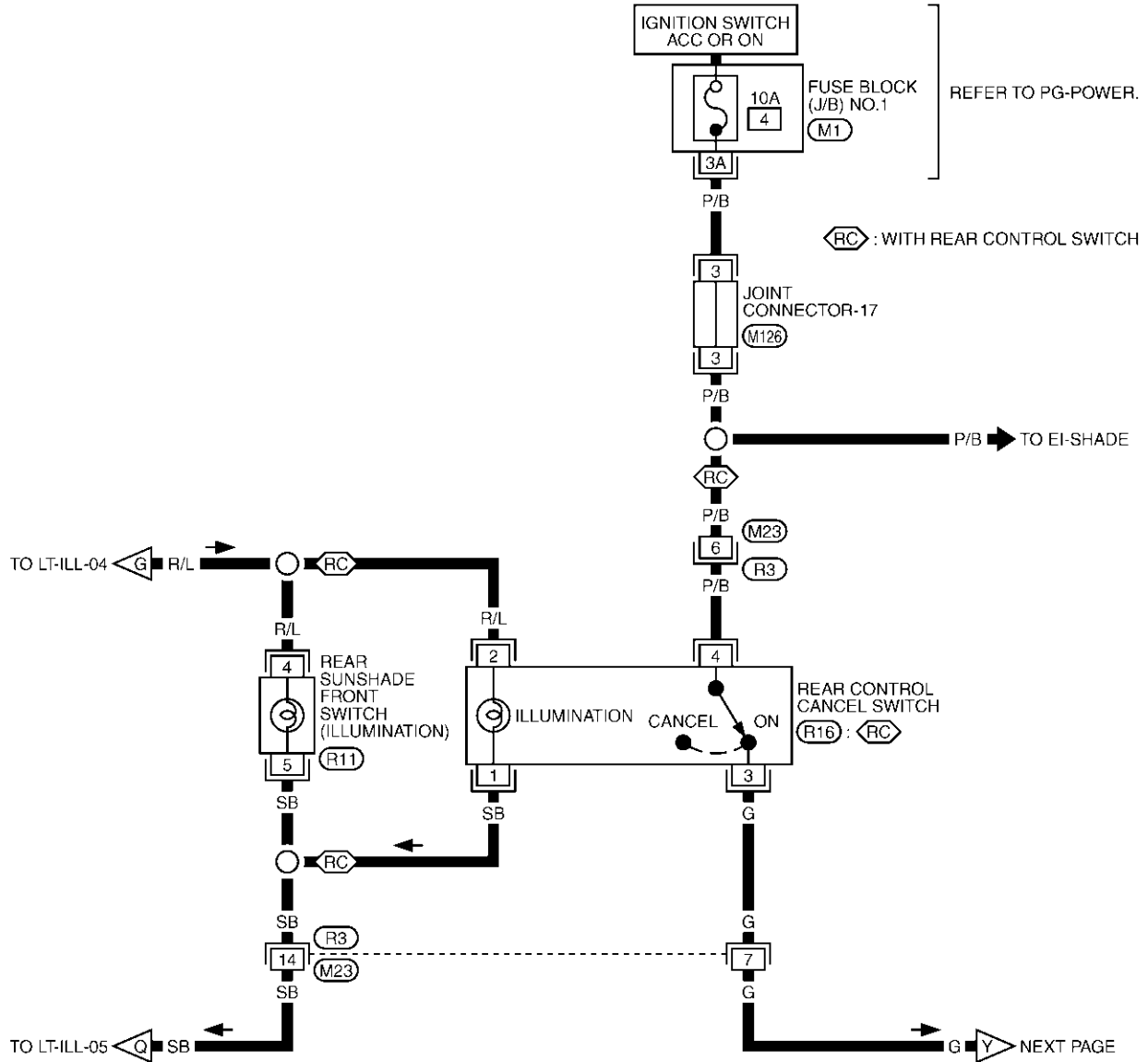
A
B
C
D
E
F
G
H
I
J
LT
L
M



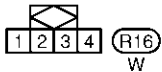
TKWM0343E

ILLUMINATION

LT-ILL-09



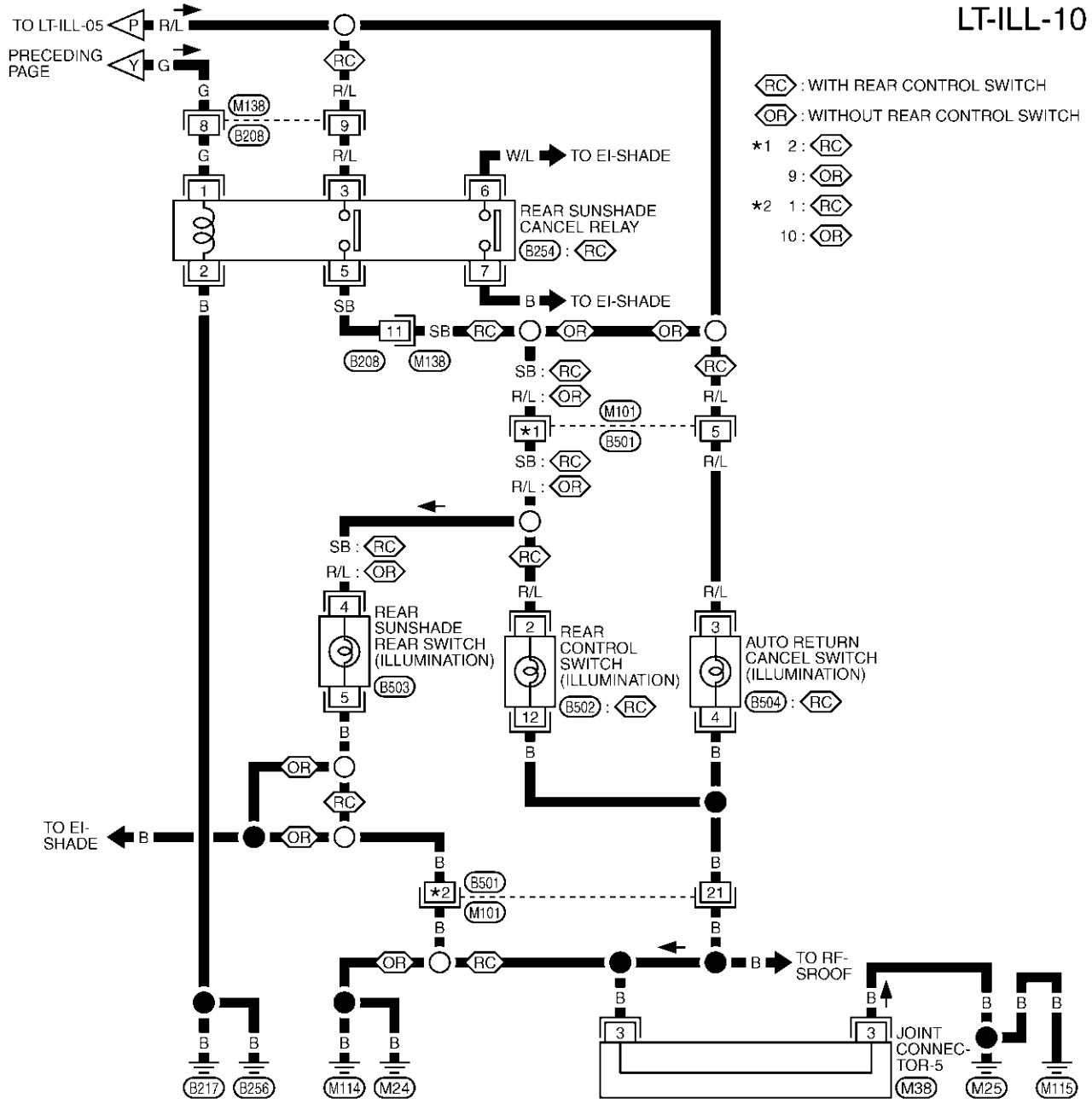
REFER TO THE FOLLOWING.
(M1) - FUSE BLOCK-JUNCTION BOX (J/B) NO.1



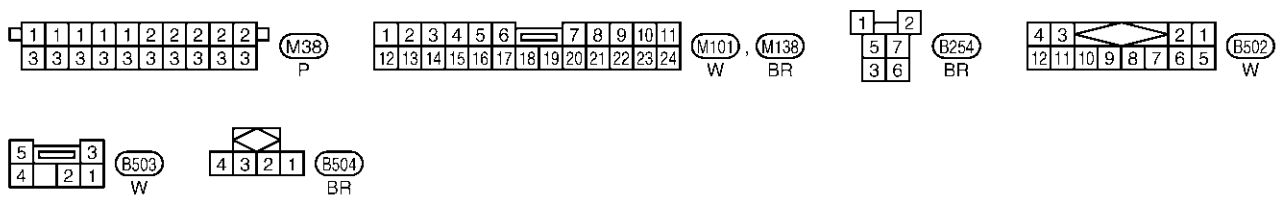
TKWM0344E

ILLUMINATION

LT-ILL-10



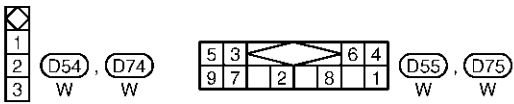
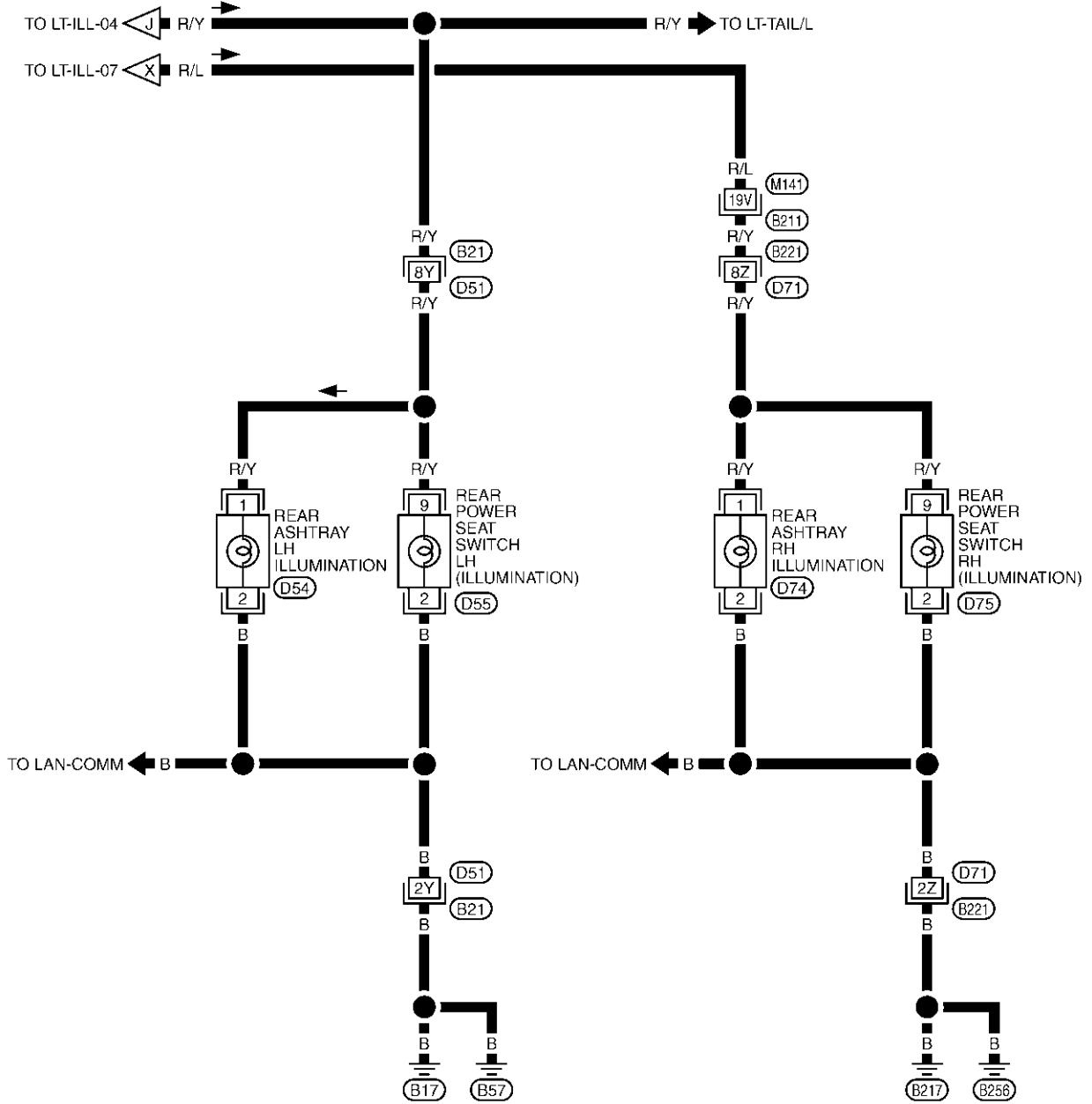
- RC : WITH REAR CONTROL SWITCH
- OR : WITHOUT REAR CONTROL SWITCH
- *1 2: RC
- 9: OR
- *2 1: RC
- 10: OR



TKWM0345E

ILLUMINATION

LT-ILL-11



REFER TO THE FOLLOWING.
 (B21), (B211), (B221) -SUPER
 MULTIPLE JUNCTION (SMJ)

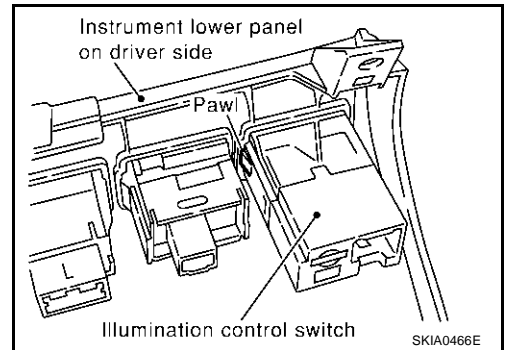
TKWM0346E

ILLUMINATION

Removal and Installation ILLUMINATION CONTROL SWITCH

EKS0017N

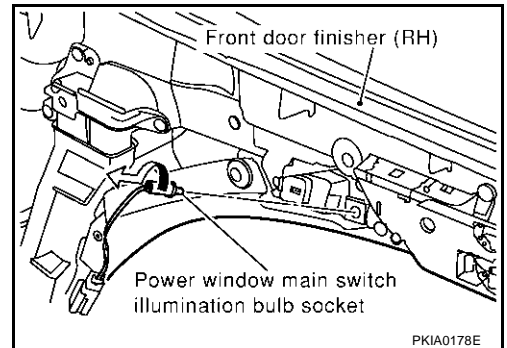
1. Remove the lower instrument panel (driver side). Refer to [IP-10, "Removal and Installation"](#) in "INSTRUMENT PANEL (IP)" section.
2. Press the illumination control switch fixing tabs and remove the unit from the lower instrument panel (driver side).



POWER WINDOW MAIN SWITCH ILLUMINATION

1. Remove the front door finisher (RH). Refer to [EI-31, "FRONT DOOR FINISHER"](#) in "EXTERIOR & INTERIOR (EI)" section.
2. Turn the bulb socket counterclockwise and unlock it.

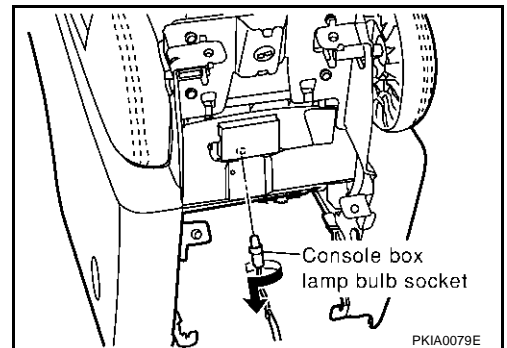
Power window main switch illumination : 12V 1.4W



CONSOLE BOX LAMP

1. Remove the center console box assembly. Refer to [IP-10, "Removal and Installation"](#) in "INSTRUMENT PANEL (IP)" section.
2. Remove the console box finisher. Refer to [IP-17, "Disassembly and Assembly"](#) in "INSTRUMENT PANEL (IP)" section.
3. Turn the bulb socket and unlock it.

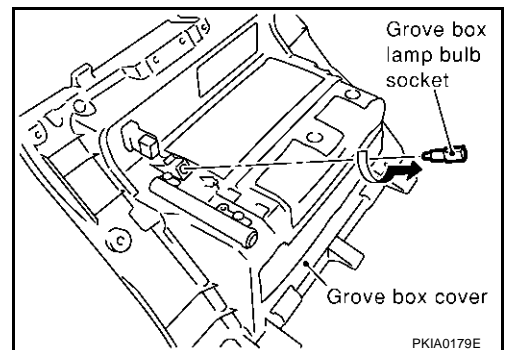
Console box lamp : 12V 1.4W



GLOVE BOX LAMP

1. Remove the glove box cover. Refer to [IP-10, "Removal and Installation"](#) in "INSTRUMENT PANEL (IP)" section.
2. Turn the bulb socket counterclockwise and unlock it.

Glove box lamp : 12V 1.4W



A
B
C
D
E
F
G
H
I
J
LT
L
M

ILLUMINATION

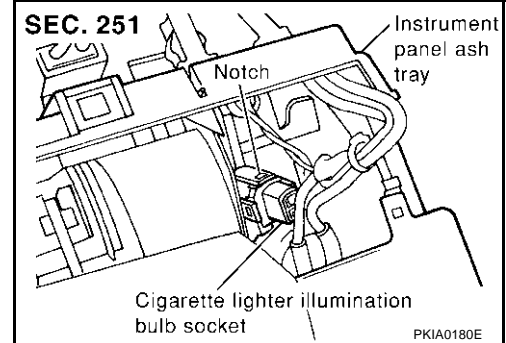
EKS000XI

Removal and Installation FRONT CIGARETTE LIGHTER ILLUMINATION

Cigarette Lighter Socket Illumination

1. Remove the instrument panel ashtray. Refer to [IP-10, "Removal and Installation"](#) in "INSTRUMENT PANEL (IP)" section.
2. Unfold three notches and remove the bulb socket.

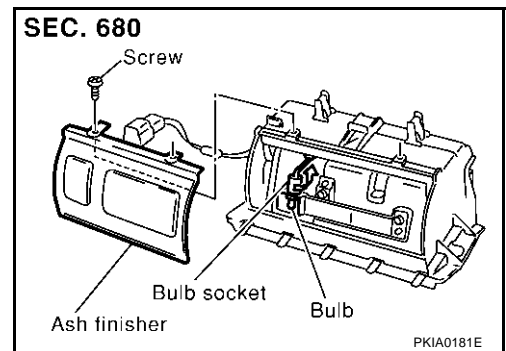
Cigarette lighter illumination : 12V 1.4W



Ashtray Illumination

1. Remove the instrument panel ashtray. Refer to [IP-10, "Removal and Installation"](#) in "INSTRUMENT PANEL (IP)" section.
2. Remove the ashtray finisher mounting screws and remove the ashtray finisher.
3. Turn the bulb socket counterclockwise and unlock it.

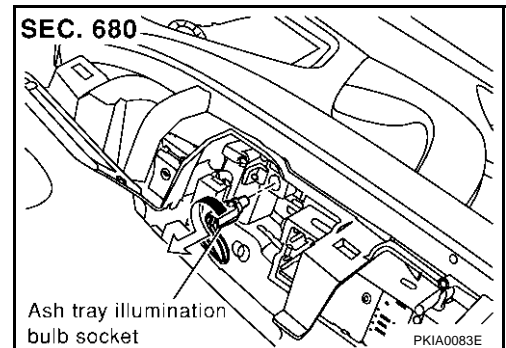
Ashtray illumination : 12V 1.4W



REAR ASHTRAY ILLUMINATION

1. Remove the rear door armrest finisher. Refer to [EI-32, "REAR DOOR FINISHER"](#) in "EXTERIOR & INTERIOR (EI)" section.
2. Turn the bulb socket counterclockwise and unlock it.
3. Disconnect the ashtray illumination connector.

Ashtray illumination : 12V 1.4W



VANITY MIRROR AND TRUNK ROOM LAMPS

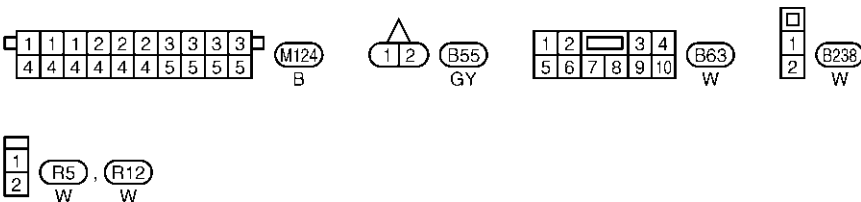
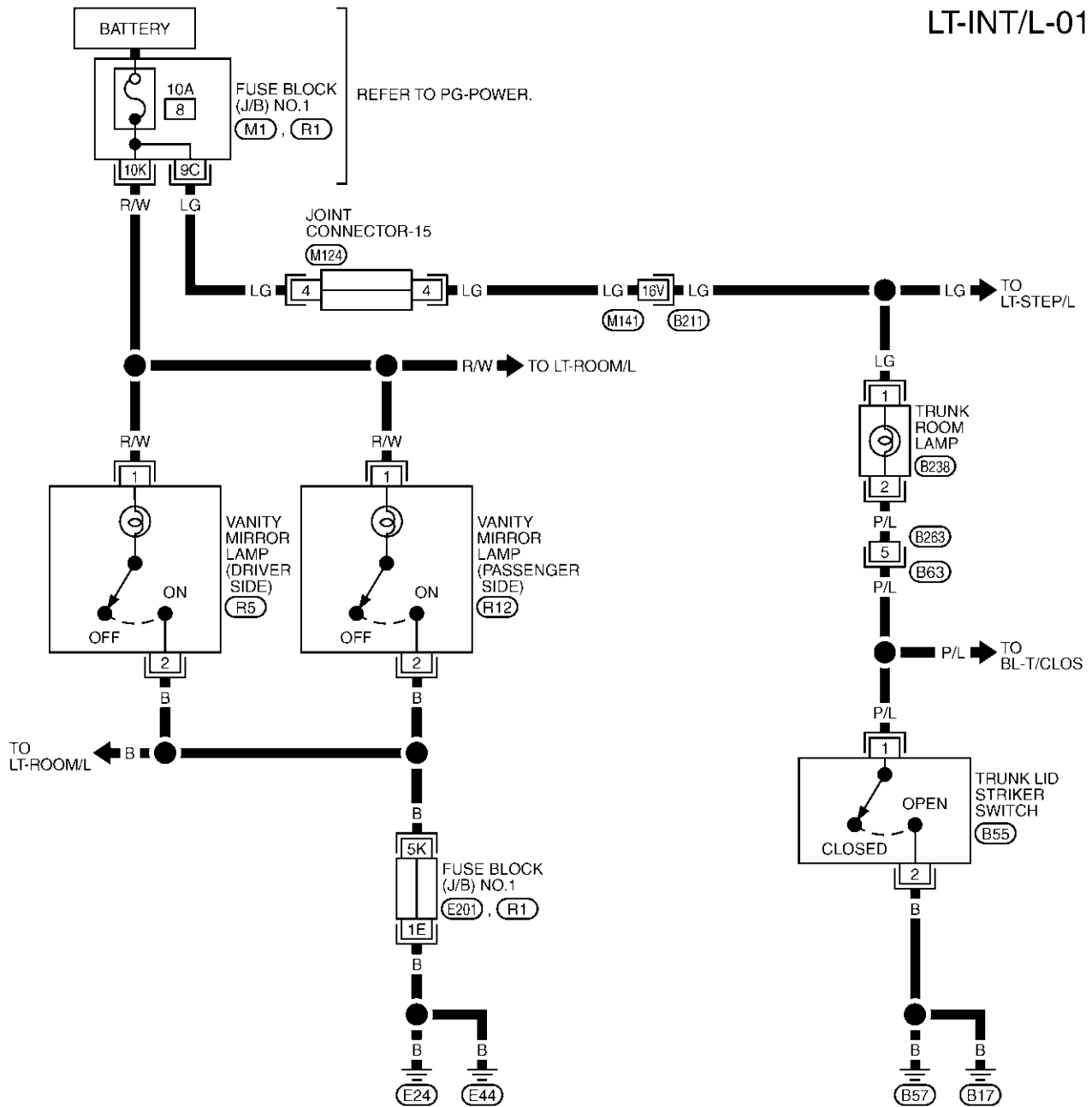
PF26470

VANITY MIRROR AND TRUNK ROOM LAMPS

Wiring Diagram — INT/L —

EKS000UC

LT-INT/L-01



REFER TO THE FOLLOWING.
 (B211) -SUPER MULTIPLE JUNCTION (SMJ)
 (M1) , (E201) , (R1) -FUSE BLOCK-JUNCTION BOX (J/B) NO.1

TKWM0347E

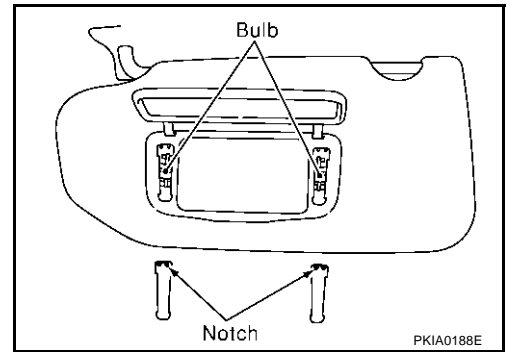
VANITY MIRROR AND TRUNK ROOM LAMPS

EKS000UD

Bulb Replacement VANITY MIRROR LAMP

1. Insert a thin screwdriver in the notch and remove the lens.
2. Remove the bulb.

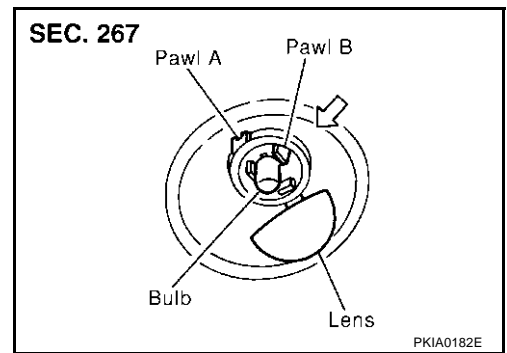
Vanity mirror lamp : 12V 1.4W



TRUNK ROOM LAMP

1. Unfold pawl A and remove the lens.
2. Remove the bulb.
3. Remove the trunk room lamp while pressing pawl B in the direction of the arrow.
4. Disconnect the trunk room lamp connector.

Trunk room lamp : 12V 3.4W



BULB SPECIFICATIONS

BULB SPECIFICATIONS

PFP:26297

Headlamp

EKS0018Q

Item	Wattage (W)
Low	35 (D2S)
High	55W (H1)

Exterior Lamp

EKS0018R

Item	Wattage (W)	
Front combination lamp	Turn signal lamp	27(amber)
	Parking lamp (Clearance lamp)	5
	Side marker lamp	5
Rear combination lamp	Stop/Tail lamp	21/5
	Turn signal lamp	21
	Back-up lamp	18
Door mirror lamp	8	
License plate lamp	5	
High-mounted stop lamp	18	

Interior Lamp/Illumination

EKS0018S

Item	Wattage (W)
Map lamp (Front personal light)	8
Console lamp (Console light)	1.4
Personal lamp (Rear personal light)	8
Step lamp	2.7
Vanity mirror lamp	1.4
Trunk room lamp	3.4

A
B
C
D
E
F
G
H
I
J
LT
L
M

LT

BULB SPECIFICATIONS
