

REAR AXLE & REAR SUSPENSION

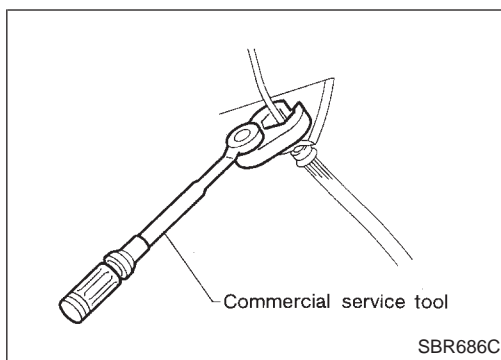
SECTION **RA**

GI
MA
EM
LC
EC
FE
AT
PD
FA
RA
BR
ST
RS
BT
HA
EL
IDX

CONTENTS

PRECAUTIONS AND PREPARATION2	Drive Shaft.....8
Precautions.....2	REAR AXLE9
Special Service Tools.....2	Wheel Hub and Axle Housing.....9
Commercial Service Tools.....3	Drive Shaft.....15
NOISE, VIBRATION AND HARSHNESS (NVH)	REAR SUSPENSION19
TROUBLESHOOTING4	Removal and Installation.....20
NVH Troubleshooting Chart.....4	Coil Spring and Shock Absorber.....21
REAR SUSPENSION SYSTEM5	Multi-link and Lower Ball Joint.....22
ON-VEHICLE SERVICE6	Stabilizer Bar.....25
Rear Axle and Rear Suspension Parts.....6	SERVICE DATA AND SPECIFICATIONS (SDS)26
Rear Wheel Bearing.....7	General Specifications.....26
Rear Wheel Alignment.....7	Inspection and Adjustment.....26

PRECAUTIONS AND PREPARATION



Precautions

- When installing rubber parts, final tightening must be carried out under unladen condition* with tires on ground.
- * Fuel, radiator coolant and engine oil full. Spare tire, jack, hand tools and mats in designated positions.
- Use flare nut wrench when removing or installing brake lines.
- After installing removed suspension parts, check wheel alignment and adjust if necessary.
- Always torque brake lines when installing.
- Do not jack up at the lower arm.

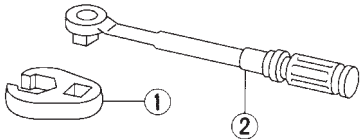
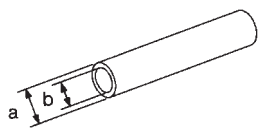
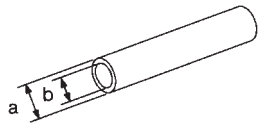
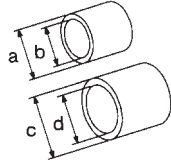
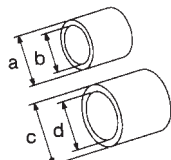
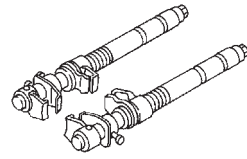
Special Service Tools

The actual shapes of Kent-Moore tools may differ from those of special service tools illustrated here.

Tool number (Kent-Moore No.) Tool name	Description
ST35652000 (—) Shock absorber attachment	<p>Fixing strut assembly</p>
ST30031000 (J22912-01) Bearing puller	<p>Removing inner race of wheel bearing</p> <p>a: 50 mm (1.97 in) dia.</p>
ST38280000 (—) Arm bushing remover	<p>Removing and installing rear axle housing bushing</p>
IM23600800 (—) Attachment	<p>Measure rear wheel alignment</p> <p>a: Screw M24 x 1.5 b: 35 mm (1.38 in) dia. c: 65 mm (2.56 in) dia. d: 56 mm (2.20 in) e: 12 mm (0.47 in)</p>
ST29020001 (24319-01) Pitman arm puller	<p>Removing lower ball joint</p> <p>a: 34 mm (1.34 in) b: 6.5 mm (0.256 in) c: 61.5 mm (2.421 in)</p>

PRECAUTIONS AND PREPARATION

Commercial Service Tools

Tool name	Description	
① Flare nut crowfoot ② Torque wrench	Removing and installing each brake piping  NT223	GI MA
Rear wheel bearing drift	Installing wheel bearing  NT065 a: 76 mm (2.99 in) dia. b: 68.5 mm (2.697 in) dia.	EM LC
Rear drive shaft plug seal drift	Installing rear drive shaft plug seal  NT065 a: 78 mm (3.07 in) dia. b: 72 mm (2.83 in) dia.	EC FE
Rear axle housing ball joint drift	Removing ball joint  NT164 a: 28 mm (1.10 in) dia. b: 20 mm (0.79 in) dia. c: 43 mm (1.69 in) dia. d: 40 mm (1.57 in) dia.	AT PD FA
Rear axle housing ball joint drift	Installing ball joint  NT164 a: 43 mm (1.69 in) dia. b: 33 mm (1.30 in) dia. c: 40 mm (1.57 in) dia. d: 30 mm (1.18 in) dia.	RA BR
Spring compressor	Removing and installing coil spring  NT717	ST RS BT

GI
 MA
 EM
 LC
 EC
 FE
 AT
 PD
 FA
 RA
 BR
 ST
 RS
 BT
 HA
 EL
 IDX

NOISE, VIBRATION AND HARSHNESS (NVH) TROUBLESHOOTING

NVH Troubleshooting Chart

Use the chart below to help you find the cause of the symptom. If necessary, repair or replace these parts.

Symptom		Possible cause and SUSPECTED PARTS	Reference page		
			—	RA-17	
DRIVE SHAFT	Noise, Vibration	Excessive joint angle	—	RA-17	
	Shake	Joint sliding resistance	—	RA-17	
	REAR AXLE AND REAR SUSPENSION	Noise	Imbalance	—	RA-6
		Shake	Improper installation, looseness	—	RA-6
		Vibration	Shock absorber deformation, damage or deflection	—	RA-21
		Shimmy	Bushing or mounting deterioration	—	—
		Judder	Parts interference	—	—
		Poor quality ride or handling	Spring fatigue	—	—
			Suspension looseness	—	RA-5, 19
	DRIVE SHAFT	Noise, Vibration	Incorrect wheel alignment	—	RA-7
Shake		Stabilizer bar fatigue	—	RA-25	
REAR AXLE AND REAR SUSPENSION		Noise	Wheel bearing damage	—	RA-9
		Shake	PROPELLER SHAFT	—	NVH in PD section
FRONT AXLE AND FRONT SUSPENSION		Noise	DIFFERENTIAL	—	NVH in PD section
		Shake	FRONT AXLE AND FRONT SUSPENSION	—	NVH in FA section
REAR AXLE AND REAR SUSPENSION		Noise	REAR AXLE AND REAR SUSPENSION	—	Refer to REAR AXLE AND REAR SUSPENSION in this chart.
		Shake	TIRES	—	NVH in FA section
ROAD WHEEL		Noise	ROAD WHEEL	—	NVH in FA section
		Shake	DRIVE SHAFT	—	Refer to DRIVE SHAFT in this chart.
BRAKES	Noise	BRAKES	—	NVH in BR section	
	Shake	STEERING	—	NVH in ST section	

X: Applicable

REAR SUSPENSION SYSTEM

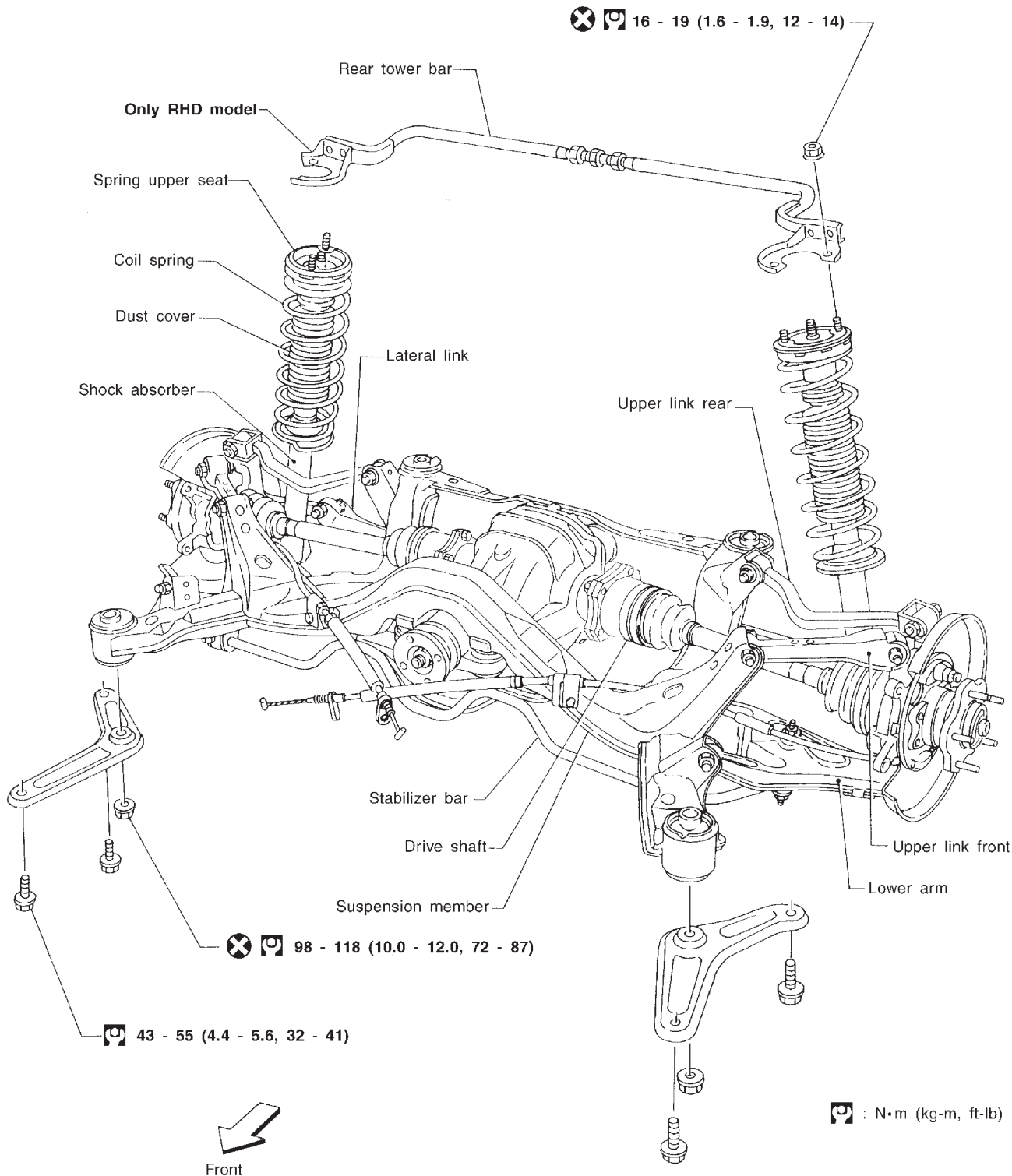
SEC. 380•396•430•431

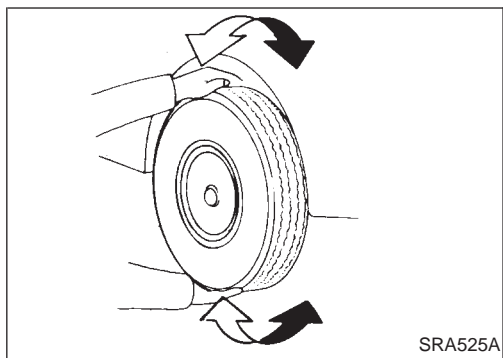
When installing rubber parts, final tightening must be carried out under unladen condition* with tires on ground.

* Fuel, radiator coolant and engine oil full.

Spare tire, jack, hand tools and mats in designated positions.

GI
MA
EM
LC
EC
FE
AT
PD
FA
RA
BR
ST
RS
BT
HA
EL
IDX

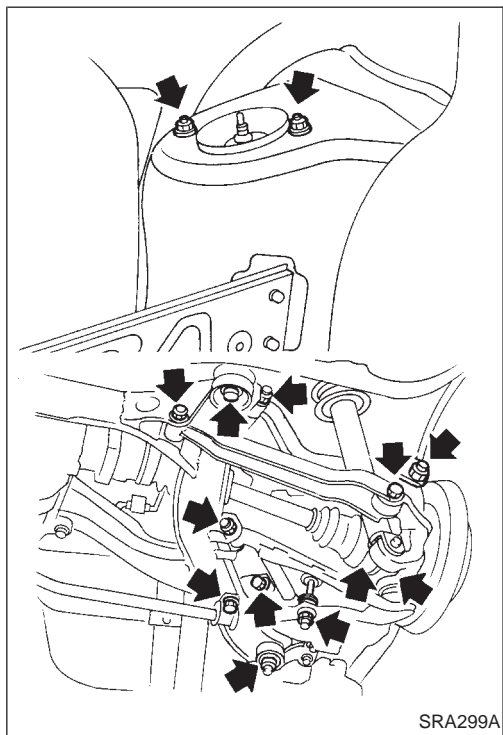




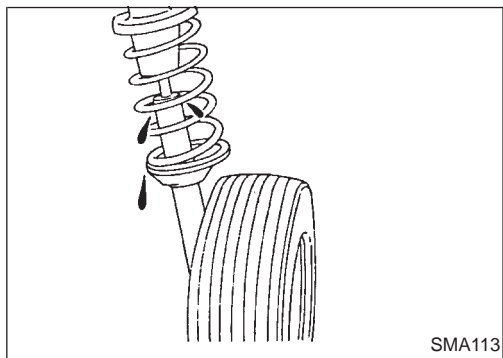
Rear Axle and Rear Suspension Parts

Check axle and suspension parts for excessive play, wear or damage.

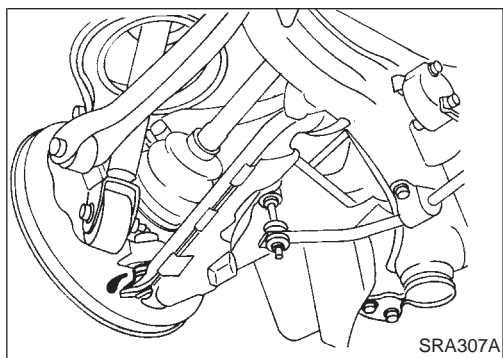
- Shake each rear wheel to check for excessive play.



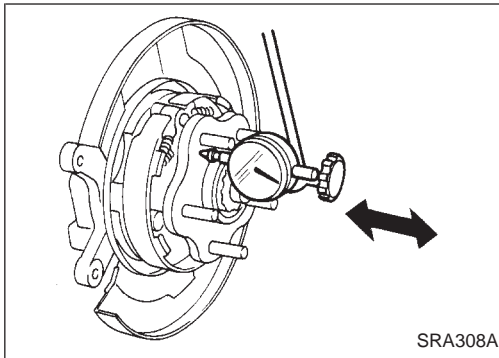
- Retighten all nuts and bolts to the specified torque.
Tightening torque:
Refer to drawing in REAR SUSPENSION (RA-19).
- Make sure that cotter pin is inserted.



- Check shock absorber for oil leakage or other damage.
- Check wheelarch height. Refer to Front Axle and Front Suspension Parts of ON-VEHICLE SERVICE in FA section.



- Check suspension ball joint for grease leakage and ball joint dust cover for cracks or other damage.



Rear Wheel Bearing

- Check wheel bearings for smooth operation.
- Check axial end play.

Axial end play:

0.05 mm (0.0020 in) or less

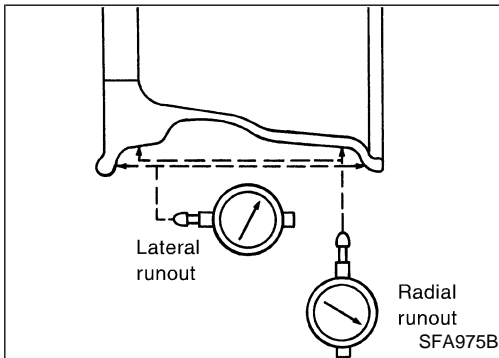
If axial end play is not within specification or wheel bearing does not turn smoothly, replace wheel bearing assembly.

Refer to Wheel Hub and Axle Housing in REAR AXLE (RA-10).

GI

MA

EM



Rear Wheel Alignment

Before checking rear wheel alignment, be sure to make a preliminary inspection.

PRELIMINARY INSPECTION

1. Check tires for wear and improper inflation.
2. Check wheels for deformation, cracks and other damage. If deformed, remove wheel and check wheel runout.
 - a. Remove tire from wheel and mount on wheel a tire balance machine.
 - b. Set dial indicator as shown in the illustration.

Wheel runout (Dial indicator value):

Refer to SDS.

3. Check front wheel bearings for looseness.
4. Check front suspension for looseness.
5. Check steering linkage for looseness.
6. Check that front shock absorbers work properly.
7. Check vehicle posture (Unladen).

LC

EC

FE

AT

PD

FA

RA

BR

ST

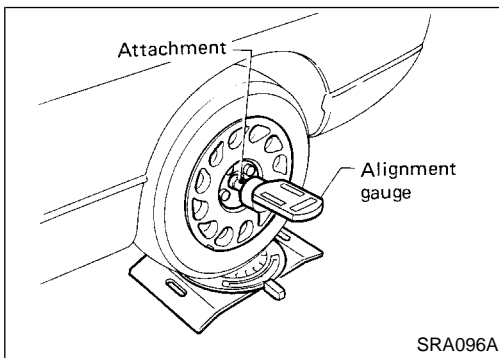
RS

BT

HA

EL

IDX

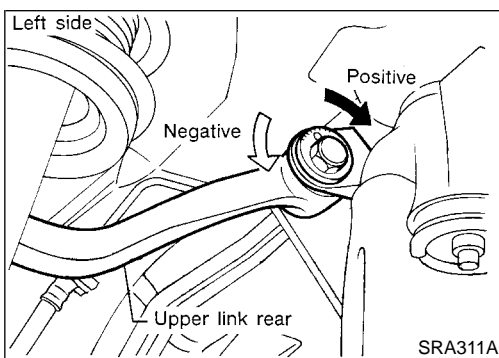


CAMBER

- Measure camber of both right and left wheels with a suitable alignment gauge and adjust in accordance with the following procedures.

Camber:

Refer to SDS (RA-26).



If camber is not within specification, adjust by turning the adjusting bolt.

- a. Turn the adjusting bolt to adjust.

Camber changes about 5' with each graduation of the adjusting bolt.

- b. Tighten to the specified torque.

**⌚: 69 - 88 N·m
(7.0 - 9.0 kg-m, 51 - 65 ft-lb)**

ON-VEHICLE SERVICE

Rear Wheel Alignment (Cont'd)

TOE-IN

Measure toe-in using following procedure. If out of specification, inspect and replace any damaged or worn rear suspension parts.

WARNING:

- **Always perform following procedure on a flat surface.**
- **Make sure that no person is in front of the vehicle before pushing it.**

1. Bounce rear of vehicle up and down to stabilize the posture.
2. Push the vehicle straight ahead about 5 m (16 ft).
3. Put a mark on base line of the tread (rear side) of both tires at the same height of hub center. This mark is a measuring point.
4. Measure distance "A" (rear side).
5. Push the vehicle slowly ahead to rotate the wheels 180 degrees (1/2 turn).

If the wheels have rotated more than 180 degrees (1/2 turn), try the above procedure again from the beginning. Never push vehicle backward.

6. Measure distance "B" (front side).

Total toe-in:

Refer to SDS (RA-26).

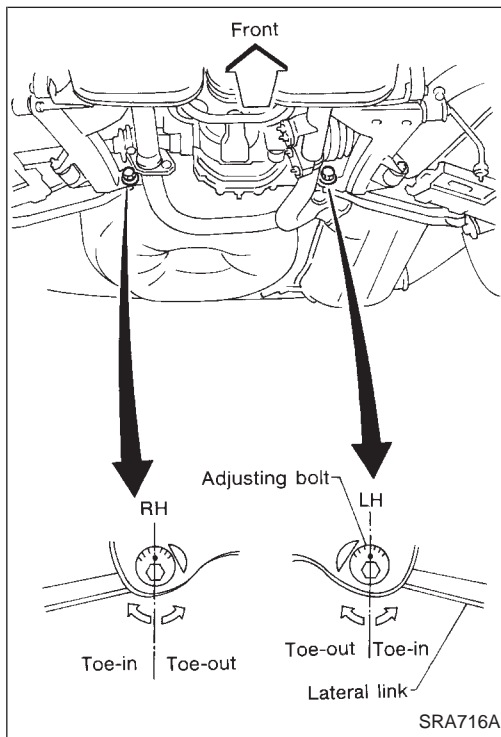
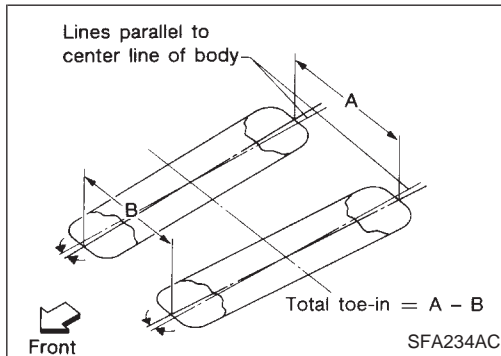
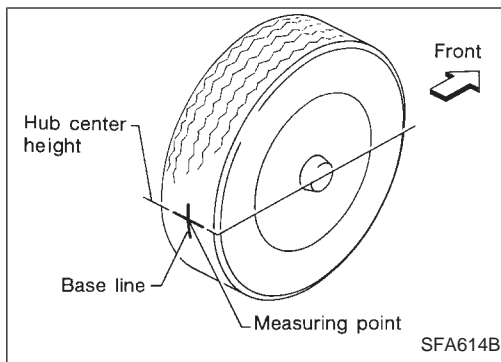
7. Adjust toe-in by turning adjusting bolts.

Toe changes about 1.5 mm (0.059 in) [One side] with each graduation of the adjusting bolt.

8. Tighten to the specified torque.

: 69 - 88 N·m

(7.0 - 9.0 kg-m, 51 - 65 ft-lb)



Drive Shaft

Check boot and drive shaft for cracks, wear, damage or grease leakage.

REAR AXLE

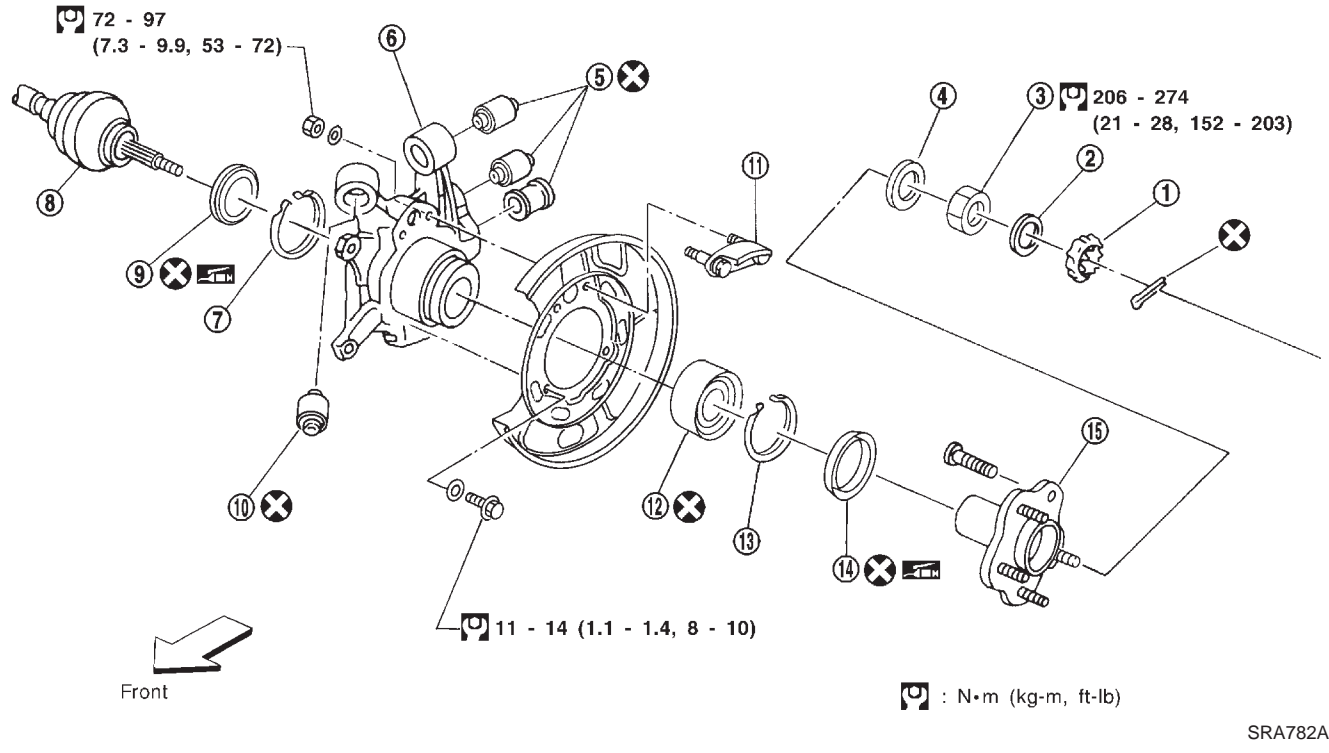
Wheel Hub and Axle Housing

SEC. 396•430

When installing rubber parts, final tightening must be carried out under unladen condition* with tires on ground.

* Fuel, radiator coolant and engine oil full.

Spare tire, jack, hand tools and mats in designated positions.



- ① Adjusting cap
- ② Insulator
- ③ Wheel bearing lock nut
- ④ Washer
- ⑤ Bushing

- ⑥ Axle housing
- ⑦ Snap ring
- ⑧ Drive shaft
- ⑨ Grease seal
- ⑩ Bushing

- ⑪ Anchor block
- ⑫ Wheel bearing
- ⑬ Snap ring
- ⑭ Grease seal
- ⑮ Wheel hub

GI

MA

EM

LC

EC

FE

AT

PD

FA

RA

BR

ST

RS

BT

HA

EL

IDX

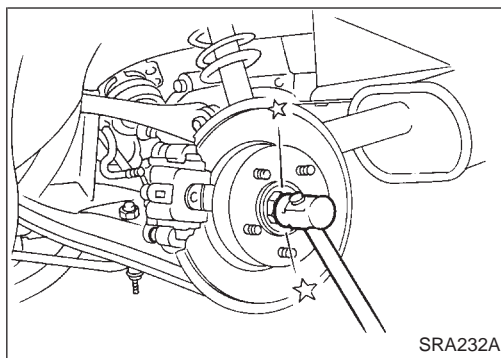
REAR AXLE

Wheel Hub and Axle Housing (Cont'd)

REMOVAL

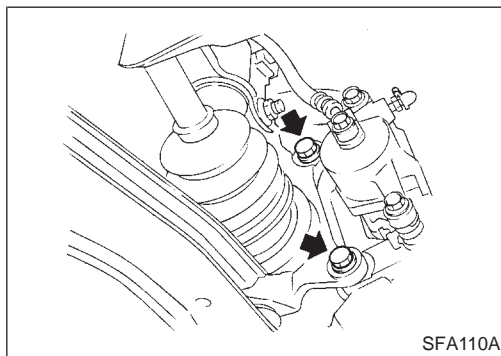
- Remove wheel bearing lock nut.
- Separate drive shaft from axle housing by lightly tapping it. If it is hard to remove use puller.

When removing drive shaft, cover boots with shop towel to prevent them from being damaged.

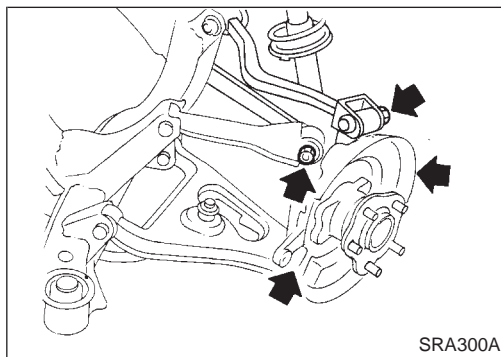


- Remove brake caliper assembly and rotor.

Brake line need not be disconnected from brake caliper. Be careful not to depress brake pedal, or piston will pop out. Do not pull or twist brake hose.




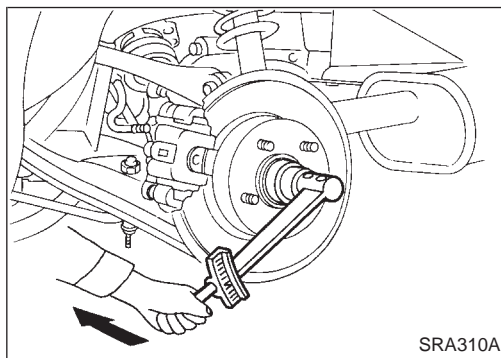
- Remove axle housing.



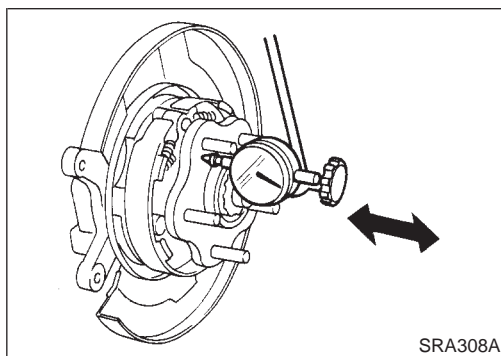
INSTALLATION

- Install axle housing with wheel hub.
- Tighten wheel bearing lock nut. Before tightening, apply oil to threaded portion of rear spindle and both sides of plain washer.

: 206 - 274 N·m
(21 - 28 kg-m, 152 - 203 ft-lb)



- Check wheel bearing axial end play.
Axial end play: 0.05 mm (0.0020 in) or less
- Make sure that wheel bearings operate smoothly.
- Check toe-in — Refer to ON-VEHICLE SERVICE (RA-8).



REAR AXLE

Wheel Hub and Axle Housing (Cont'd)

DISASSEMBLY

CAUTION:

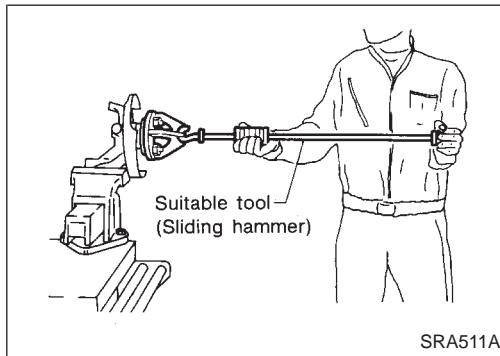
Wheel bearing does not require maintenance. If any of the following symptoms are noted, replace wheel bearing assembly.

- Growling noise is emitted from wheel bearing during operation.
- Wheel hub bearing drags or turns roughly. This occurs when turning hub by hand after bearing lock nut is tightened to specified torque.
- After wheel bearing is removed from hub.

GI

MA

EM



Wheel bearing

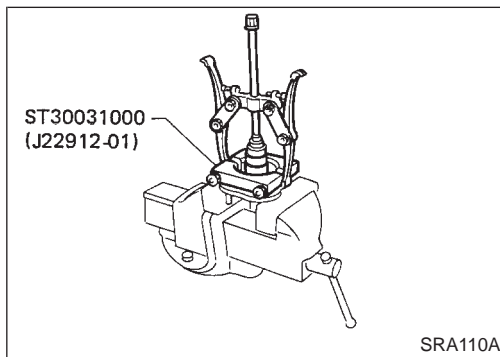
- Remove wheel hub from axle housing using a suitable tool.

LC

EC

FE

AT

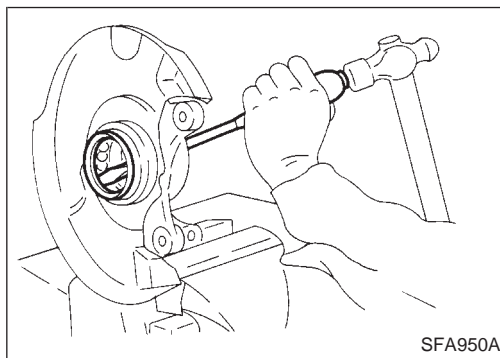


- Remove inner race from hub using a bearing replacer/puller.

PD

FA

RA



- Remove grease seals from axle housing.

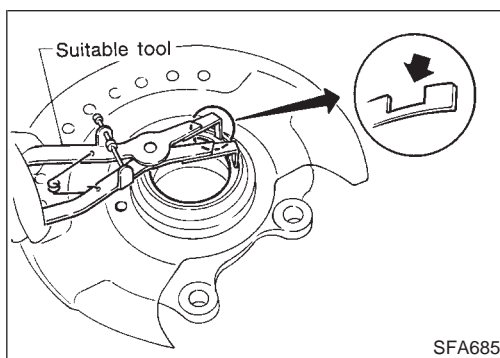
BR

ST

RS

BT

HA



- Remove snap rings.

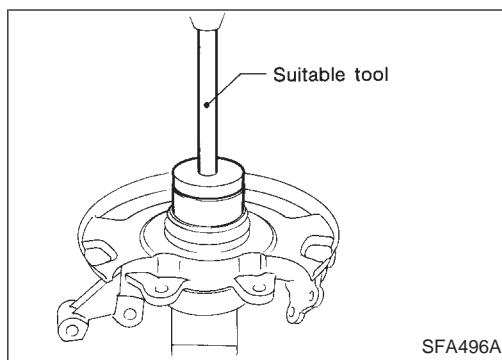
EL

IDX

REAR AXLE

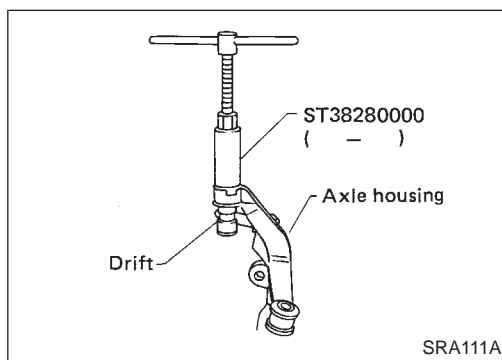
Wheel Hub and Axle Housing (Cont'd)

- Press out bearing outer race.



CAUTION:

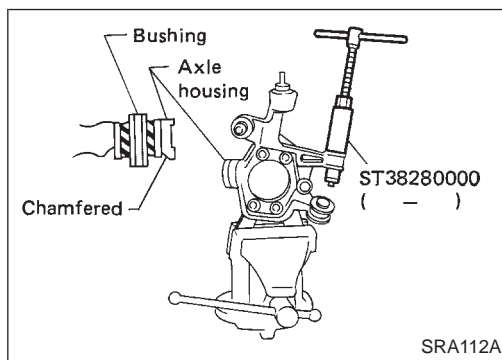
Do not reuse old inner race although it is of the same brand as the bearing assembly.



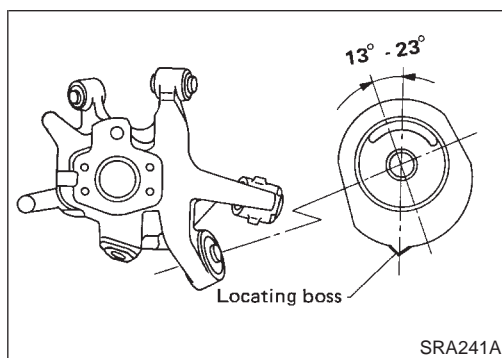
Axle housing

- Attach a drift on outer shell of bushing as shown in figure at left, remove bushing using arm bushing remover.

When placing axle housing in a vise, use wooden blocks or copper plates as pads.



- Ensure axle housing bore is free from scratches or deformities before pressing bushing into it.
- Attach bushing to chamfered bore end of axle housing and press it until it is flush with end face of axle housing.



- When installing shock absorber bushing, make sure that it is positioned as shown.

REAR AXLE

Wheel Hub and Axle Housing (Cont'd) INSPECTION

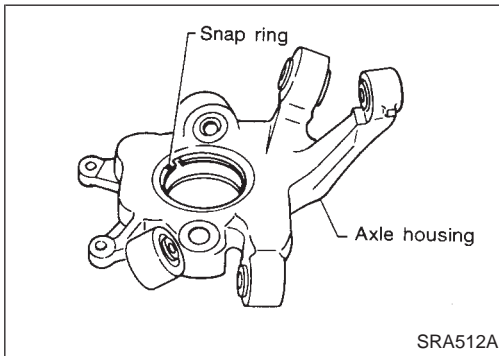
Wheel hub and axle housing

- Check wheel hub and axle housing for cracks by using a magnetic exploration or dyeing test.
 - Check wheel bearing for damage, seizure, rust or rough operation.
 - Check rubber bushing for wear or other damage.
 - Check snap ring for wear or cracks.
- Replace if necessary.

GI

MA

EM



ASSEMBLY

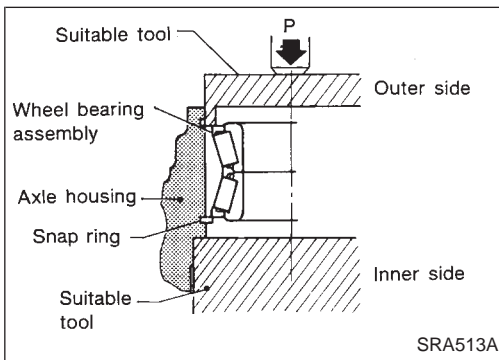
1. Install snap ring into groove of axle housing.

LC

EC

FE

AT



2. Press new wheel bearing assembly into axle housing. Press only on outer race of wheel bearing assembly.

PD

Maximum load P:

29 kN (3 ton, 3.3 US ton, 3.0 Imp ton)

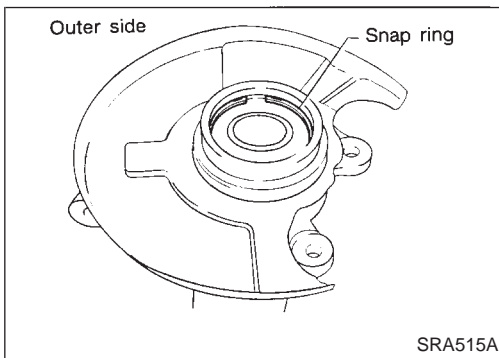
CAUTION:

- Do not press inner race of wheel bearing assembly.
- Do not apply oil or grease to mating surfaces of wheel bearing outer race and axle housing.
- Before pressing, check for correct bearing grease seal orientation, as inner and outer seals are different.

FA

RA

BR



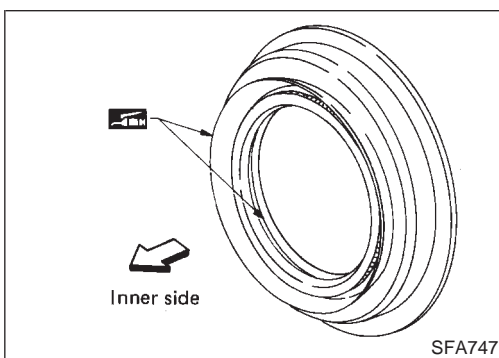
- Install snap ring.

ST

RS

BT

HA



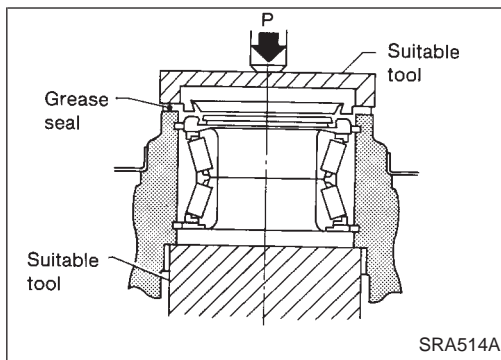
- Pack grease seal lip with multi-purpose grease.

EL

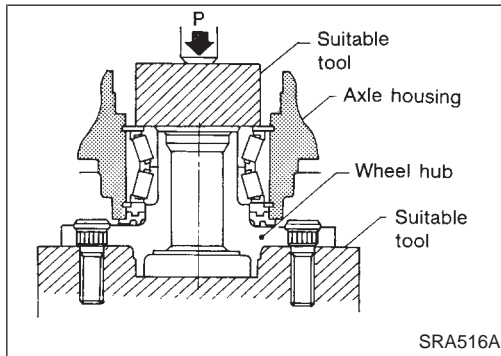
IDX

REAR AXLE

Wheel Hub and Axle Housing (Cont'd)



- Install outer grease seal.

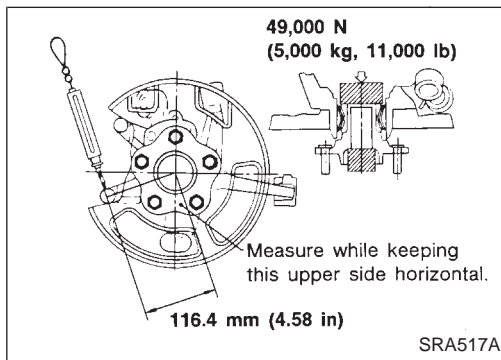


- Press wheel hub into axle housing with suitable tool.

Maximum load P:

29 kN (3 ton, 3.3 US ton, 3.0 Imp ton)

Be careful not to damage grease seal.



With wheel hub pressed into axle housing, apply 49,000 N (5,000 kg, 11,000 lb) to wheel hub and rotate both clockwise and counter-clockwise 10 times to minimize resistance.

Attach spring scale in the position shown at left and pull at a rate of 10 rpm to measure rotating torque.

Load:

49,000 N (5,000 kg, 11,000 lb)

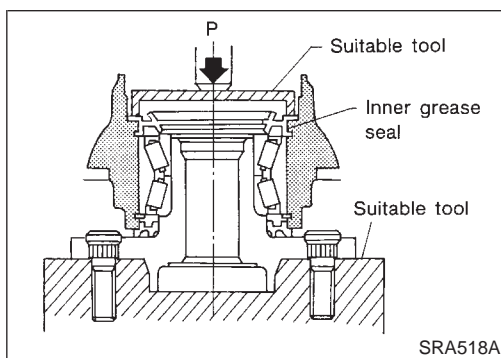
Rotating torque:

0.2 - 2.4 N·m (2.3 - 24.3 kg-cm, 2.0 - 21.1 in-lb)

Spring scale reading:

2.0 - 20.6 N (0.2 - 2.1 kg, 0.4 - 4.6 lb)

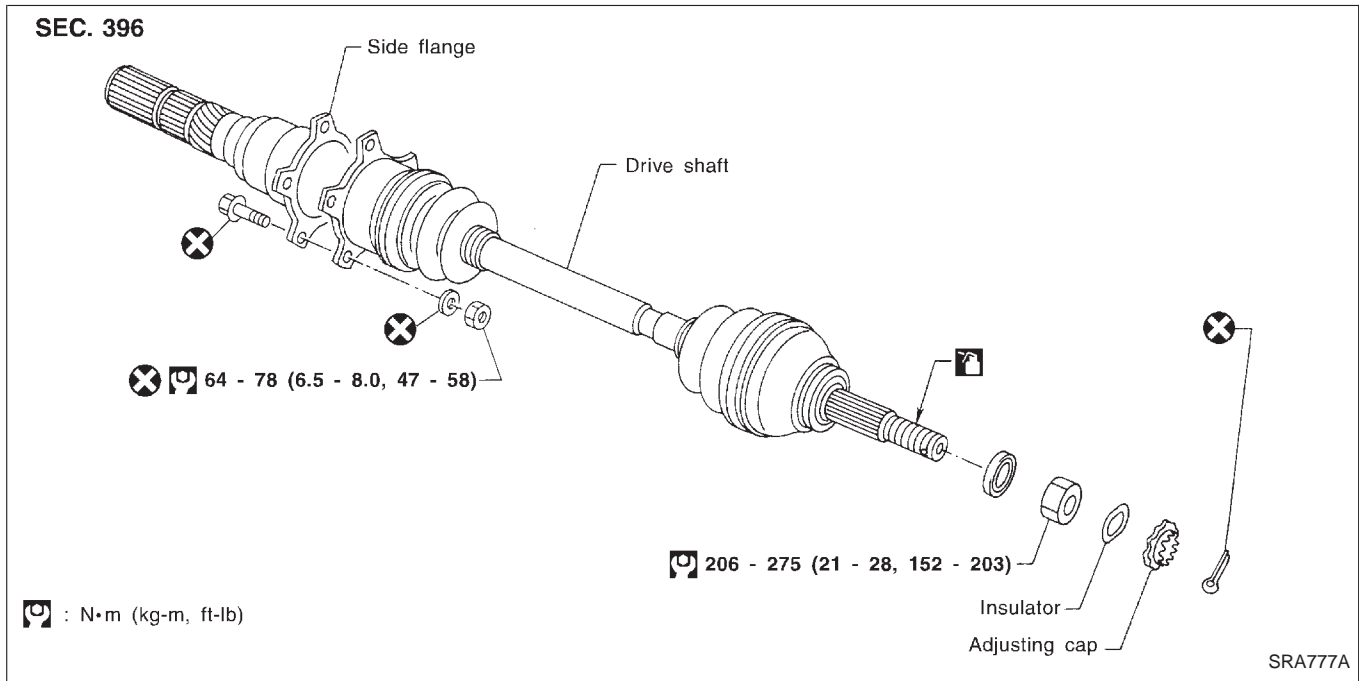
If measured value is outside specifications, replace wheel bearing. Also make sure axial play does not exist in wheel hub when a 49,000 N (5,000 kg, 11,000 lb) load is applied.



- Install inner grease seal.

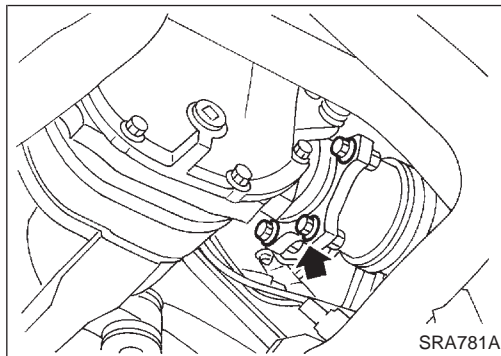
REAR AXLE

Drive Shaft



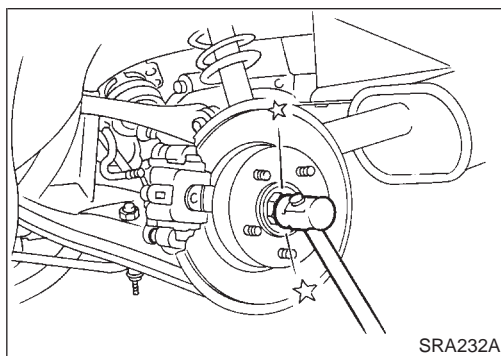
REMOVAL

- Before removing the drive shaft assembly, disconnect the ABS wheel sensor to prevent the damage of the sensor.
- Cover boots with shop towel so as not to damage them when removing drive shaft.



Final drive side

Remove side flange mounting bolt and separate shaft.



Wheel side

Remove drive shaft by lightly tapping it with a copper hammer. If it is hard to remove, use a puller.

To avoid damaging threads of drive shaft, install a nut while removing drive shaft.

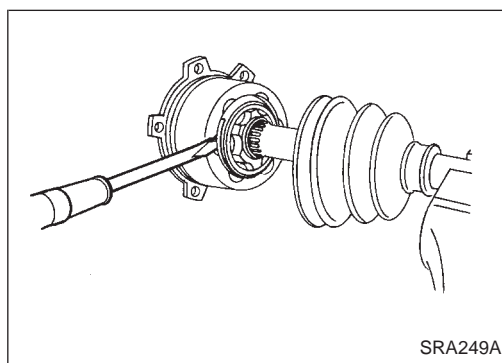
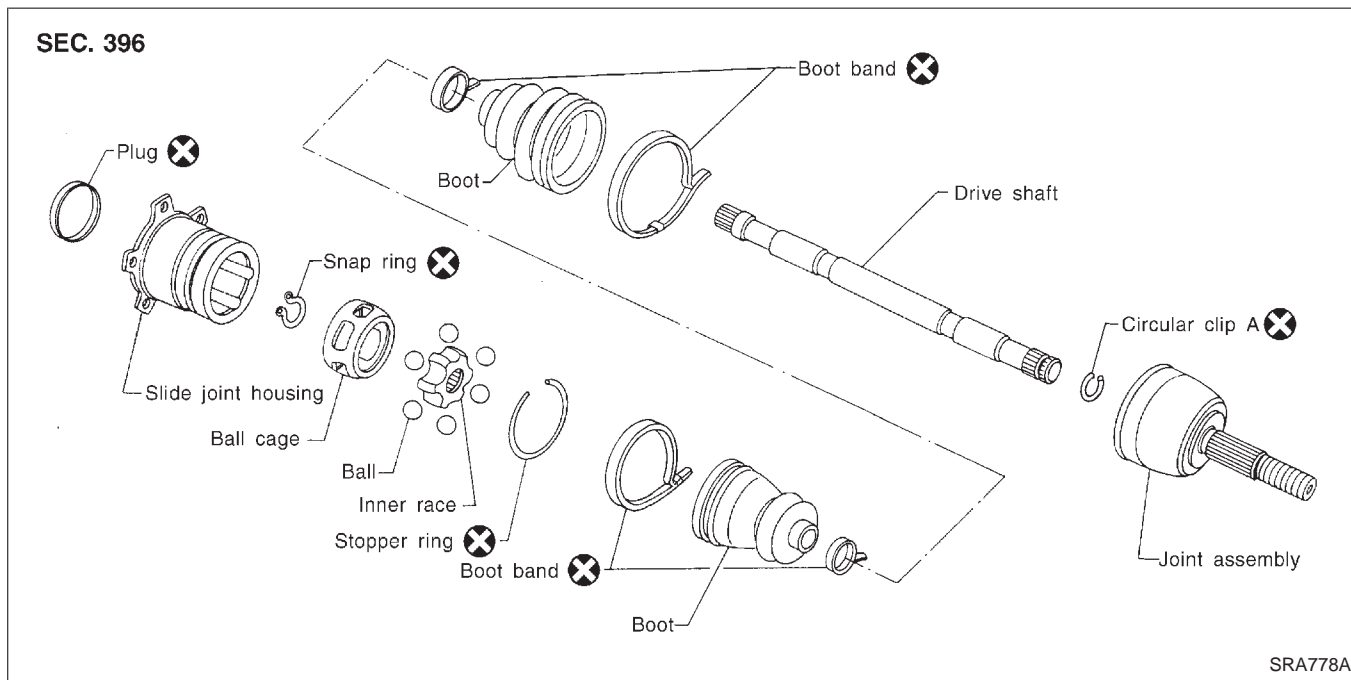
INSTALLATION

1. Insert drive shaft from wheel hub and temporarily tighten wheel bearing lock nut.
2. Tighten side flange mounting bolts to specified torque.
3. Tighten wheel bearing lock nut to specified torque.

REAR AXLE

Drive Shaft (Cont'd)

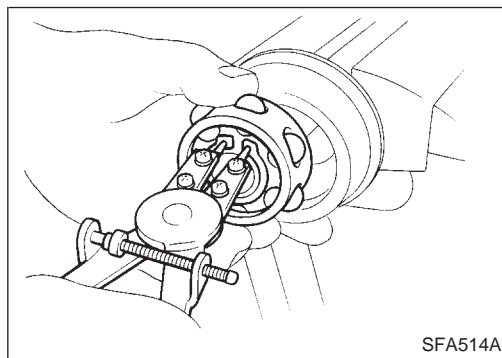
COMPONENTS



DISASSEMBLY

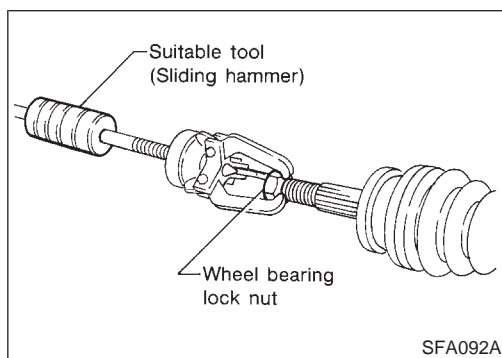
Final drive side

1. Remove boot bands.
2. Put matching marks on slide joint housing and inner race, before separating joint assembly.
3. Remove stopper ring with a screwdriver, and pull out slide joint housing.



4. Put matching marks on inner race and drive shaft.
5. Remove snap ring, then remove ball cage, inner race and balls as a unit.
6. Draw out boot.

Cover drive shaft serration with tape to prevent damage to the boot.



Wheel side

CAUTION:

The joint on the wheel side cannot be disassembled.

1. Before separating joint assembly, put matching marks on drive shaft and joint assembly.
2. Separate joint assembly with a suitable tool.

Be careful not to damage threads on drive shaft.

3. Remove boot bands.
4. Draw out boot.

REAR AXLE

Drive Shaft (Cont'd)

INSPECTION

Thoroughly clean all parts in cleaning solvent, and dry with compressed air. Check parts for evidence of deformation or other damage.

Drive shaft

Replace drive shaft if it is twisted or cracked.

Boot

Check boot for fatigue, cracks, or wear. Replace boot with new boot bands.

Joint assembly (Final drive side)

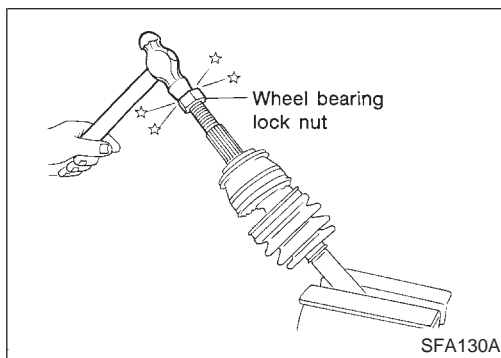
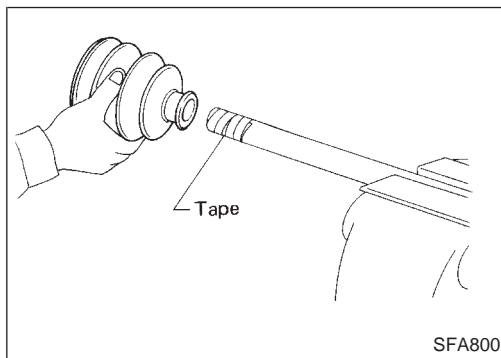
- Replace any parts of double offset joint which show signs of scorching, rust, wear or excessive play.
- Check serration for deformation. Replace if necessary.
- Check slide joint housing for any damage. Replace if necessary.

Joint assembly (Wheel side)

Replace joint assembly if it is deformed or damaged.

ASSEMBLY

- After drive shaft has been assembled, ensure that it moves smoothly over its entire range without binding.
- Use **NISSAN GENUINE GREASE** or equivalent after every overhaul.



Wheel side

1. Install boot and new small boot band on drive shaft.

Cover drive shaft serration with tape so as not to damage boot during installation.

2. Set joint assembly onto drive shaft by lightly tapping it. Install joint assembly securely, ensuring marks which were made during disassembly are properly aligned.

GI

MA

EM

LC

EC

FE

AT

PD

FA

RA

BR

ST

RS

BT

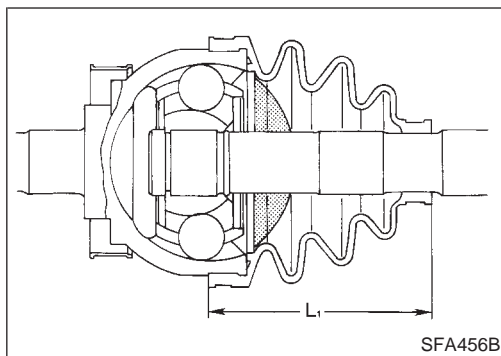
HA

EL

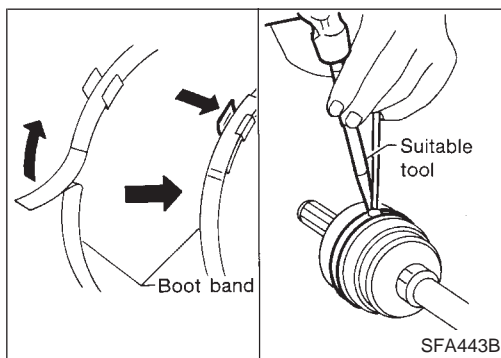
IDX

REAR AXLE

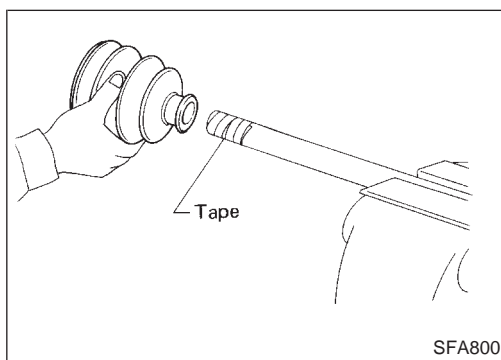
Drive Shaft (Cont'd)



3. Pack drive shaft with specified amount of grease.
Specified amount of grease:
113 - 123 g (3.99 - 4.34 oz)
4. Make sure that boot is properly installed on the drive shaft groove.
Set boot so that it does not swell and deform when its length is " L_1 ".
Length " L_1 ":
96 - 98 mm (3.78 - 3.86 in)

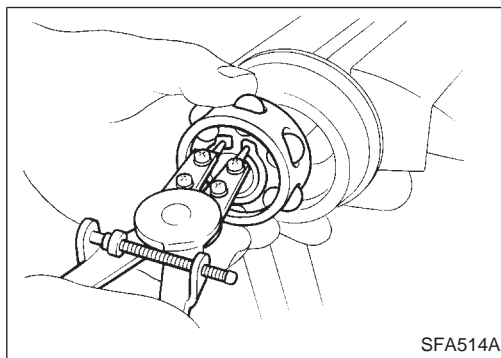


5. Lock new larger and smaller boot bands securely with a suitable tool.

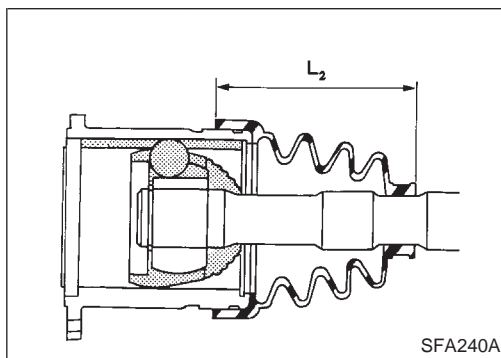


Final drive side

1. Install boot and new small boot band on drive shaft.
Cover drive shaft serration with tape so as not to damage boot during installation.



2. Install ball cage, inner race and balls as a unit, making sure the marks which were made during disassembly are properly aligned.
3. Install new snap ring.



4. Pack drive shaft with specified amount of grease.
Specified amount of grease:
165 - 175 g (5.82 - 6.17 oz)
5. Install slide joint housing, then install new stopper ring.
6. Make sure that boot is properly installed on the drive shaft groove.
Set boot so that it does not swell and deform when its length is " L_2 ".
Length " L_2 ":
93 - 95 mm (3.66 - 3.74 in)
7. Lock new larger and smaller boot bands securely with a suitable tool.

REAR SUSPENSION

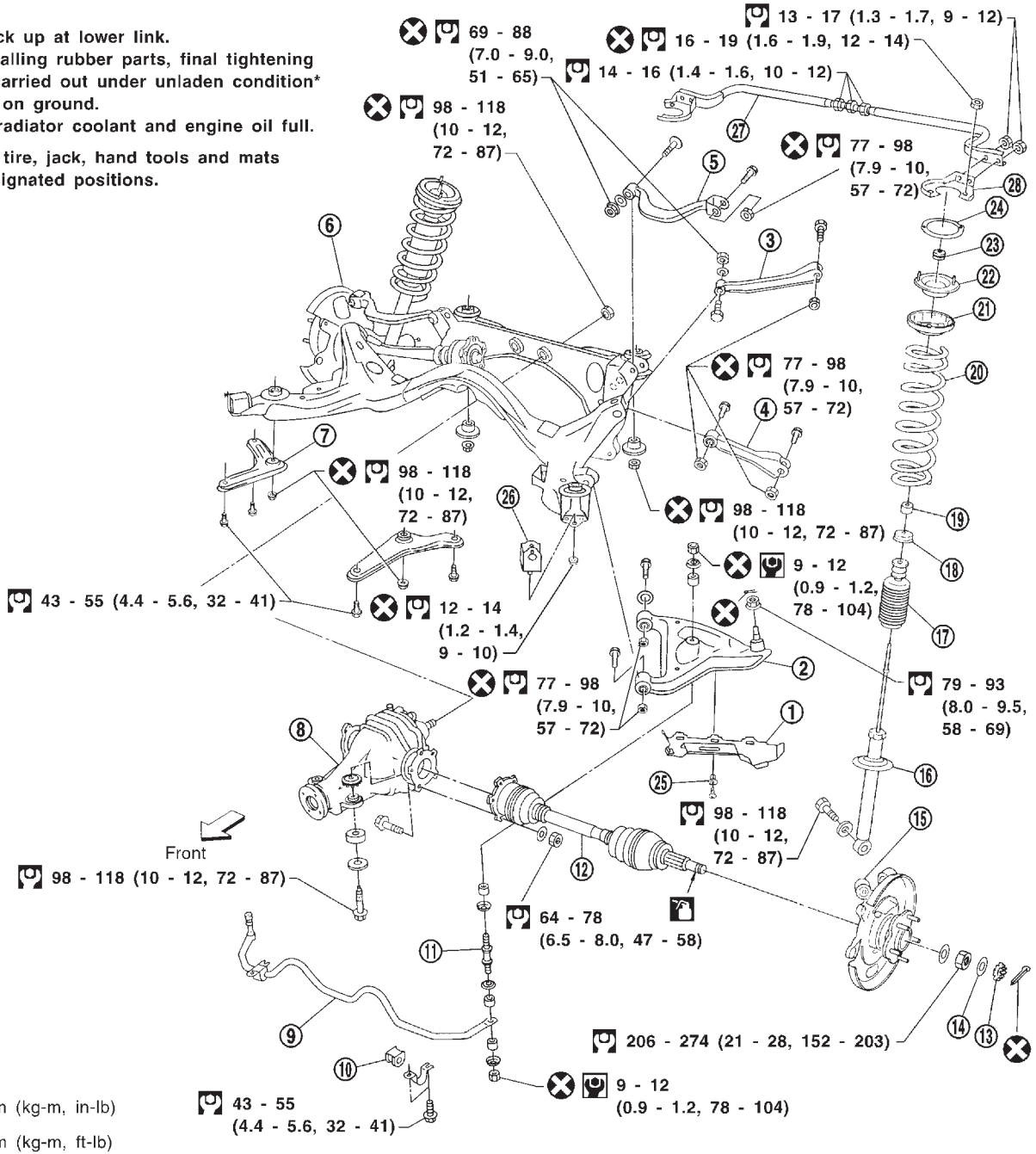
SEC. 380•396•430•431

CAUTION:

Do not jack up at lower link.
When installing rubber parts, final tightening must be carried out under unladen condition* with tires on ground.

* Fuel, radiator coolant and engine oil full.

Spare tire, jack, hand tools and mats in designated positions.



- ① Protector
- ② Lower link
- ③ Lateral link
- ④ Front upper link
- ⑤ Rear upper link
- ⑥ Suspension member
- ⑦ Member stay
- ⑧ Final drive
- ⑨ Stabilizer bar
- ⑩ Bushing

- ⑪ Connecting rod
- ⑫ Drive shaft
- ⑬ Adjusting cap
- ⑭ Insulator
- ⑮ Axle housing
- ⑯ Shock absorber
- ⑰ Bound bumper
- ⑱ Plate
- ⑲ Bushing

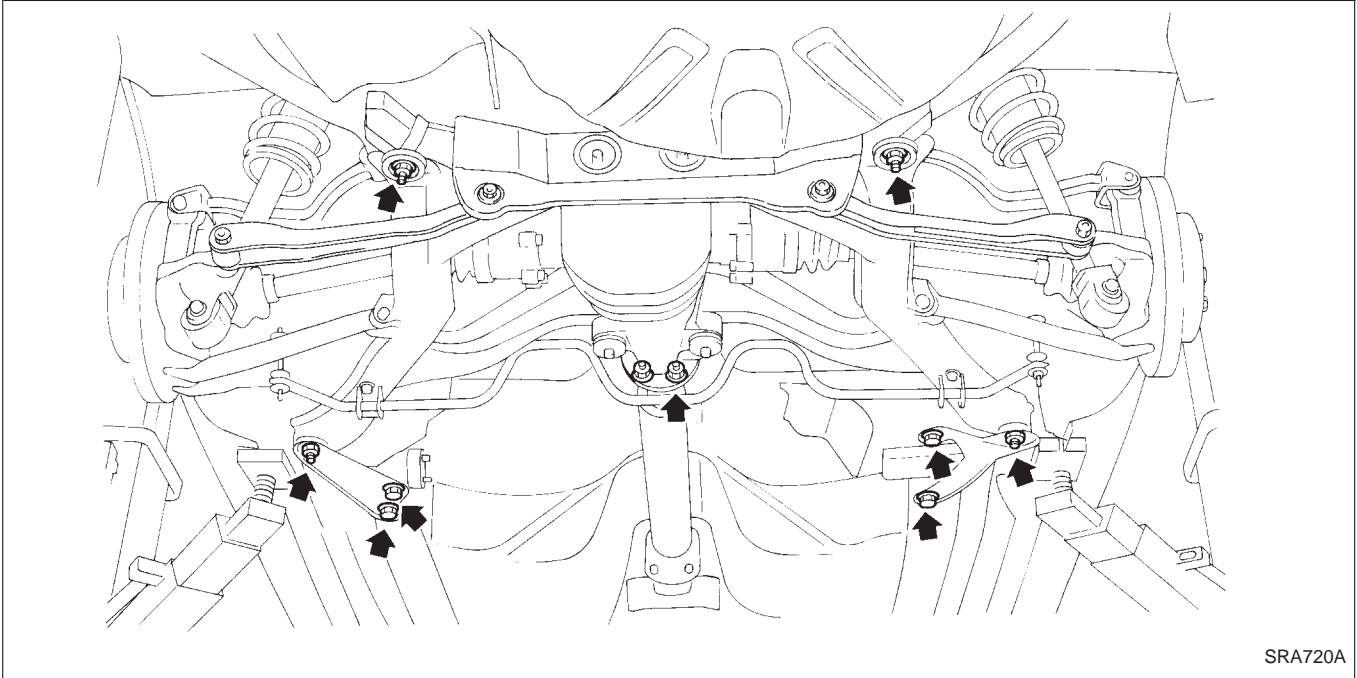
- ⑳ Coil spring
- ㉑ Upper rubber seat
- ㉒ Upper spring seat
- ㉓ Bushing
- ㉔ Gasket
- ㉕ Clip
- ㉖ Dynamic damper assembly
- ㉗ Rear tower bar
- ㉘ Bracket

SRA779A

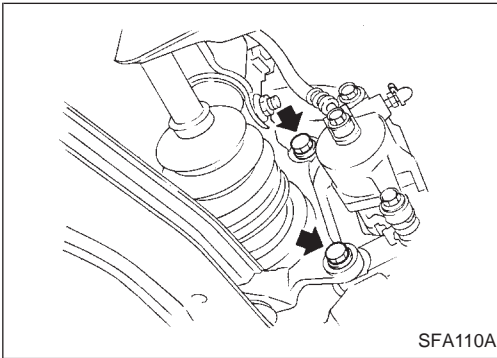
GI
MA
EM
LC
EC
FE
AT
PD
FA
RA
BR
ST
RS
BT
HA
EL
IDX

REAR SUSPENSION

Removal and Installation



SRA720A



SFA110A

CAUTION:

Before removing the rear suspension assembly, disconnect the ABS wheel sensor from the assembly. Then move it away from the rear suspension assembly.

Failure to do so may result in the sensor wires being damaged and the sensor becoming inoperative.

- Remove exhaust tube.
- Disconnect propeller shaft rear end.
- Disconnect hand brake wire front end.
- Remove brake caliper assembly.

Brake line need not be disconnected from brake caliper.

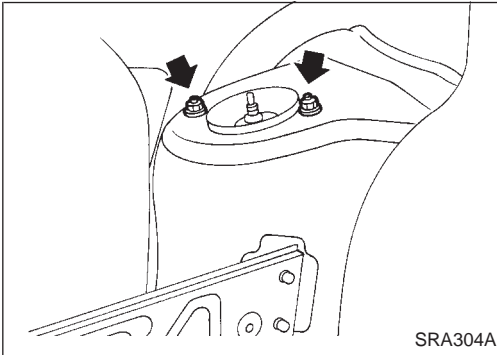
Be careful not to depress brake pedal, or piston will pop out.

Do not pull or twist brake hose.

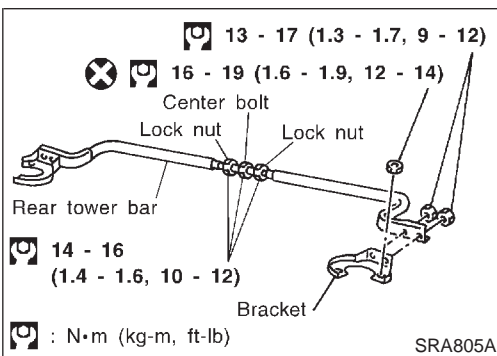
- Remove upper end nuts of shock absorber.

Do not remove piston rod lock nut.

- Remove suspension member fixing nuts. Then draw out rear axle and rear suspension assembly.



SRA304A



SRA805A

- To install the rear tower bar, proceed as follows:

1. Install the left and right brackets to the top of their corresponding shock absorbers.
2. Install the tower bar to the left and right brackets.
3. Adjust the tower bar position by tightening the center bolt to the specified torque. This will extend the tower bar length. (Center bolt may rotate about one full turn.)
4. Tighten the lock nut.

REAR SUSPENSION

Coil Spring and Shock Absorber

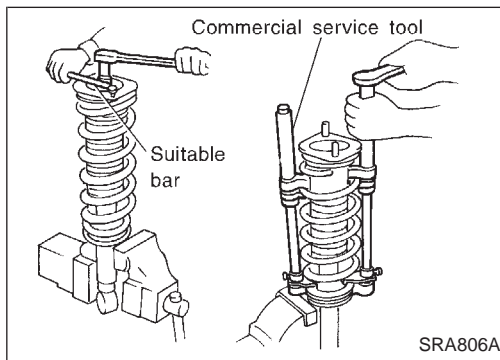
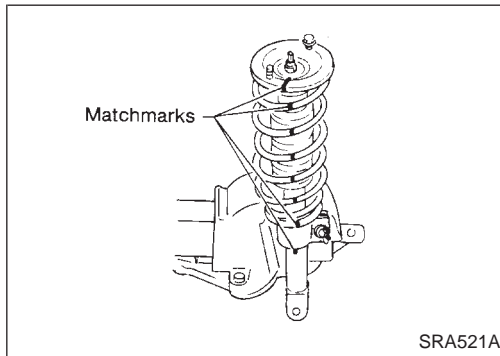
NOTE:

For removal and installation procedures of active damper suspension-related parts, refer to “Removal and Installation”, “ACTIVE DAMPER SUSPENSION” in FA section.

REMOVAL

Remove shock absorber upper and lower fixing nuts.

Do not remove piston rod lock nut on vehicle.



DISASSEMBLY

- Put matchmarks on coil spring and shock absorber.

1. Set shock absorber in vise with attachment, then **loosen** piston rod lock nut.

WARNING:

Do not remove piston rod lock nut at this time.

2. Compress spring with tool so that the shock absorber upper spring seat can be turned by hand.

WARNING:

Make sure that the pawls of the two spring compressors are firmly hooked on the spring. The spring compressors must be tightened alternately so as not to tilt the spring.

3. Remove piston rod lock nut.

INSPECTION

Shock absorber assembly

- Check for smooth operation through a full stroke, both compression and extension.
- Check for oil leakage occurring on welded or gland packing portions.
- Check piston rod for cracks, deformation or other damage. Replace if necessary.

Upper rubber seat and bushing

Check rubber parts for deterioration or cracks. Replace if necessary.

Coil spring

Check for cracks, deformation or other damage. Replace if necessary.

GI

MA

EM

LC

EC

FE

AT

PD

FA

RA

BR

ST

RS

BT

HA

EL

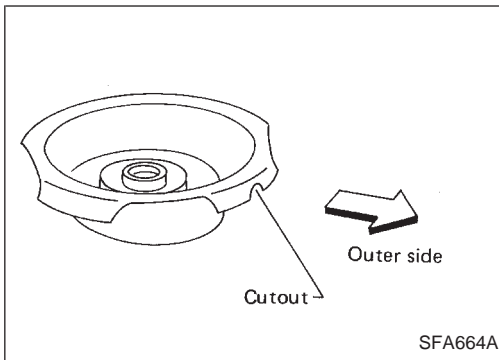
IDX

REAR SUSPENSION

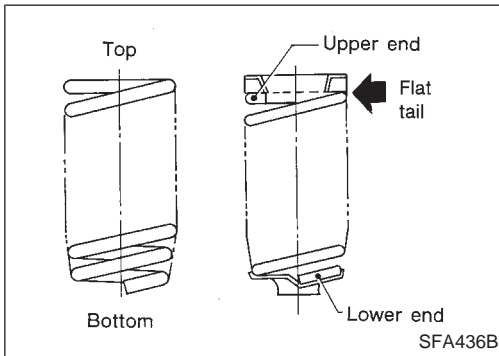
Coil Spring and Shock Absorber (Cont'd)

ASSEMBLY

- Install upper spring seat with its cutout facing the outer side of vehicle.



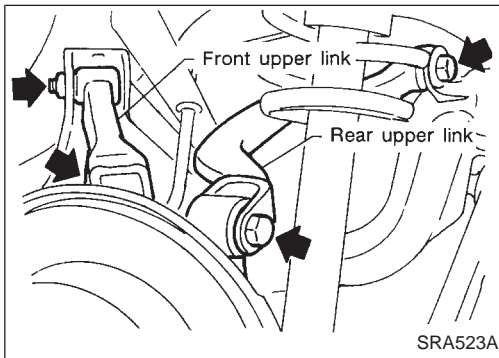
- When installing coil springs, be careful not to reverse top and bottom direction. (Top end is flat.)
- When installing coil spring on shock absorber, it must be positioned as shown in figure at left.



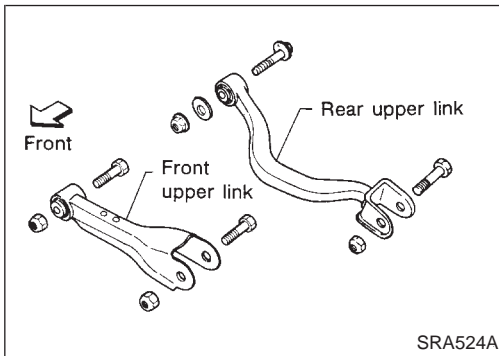
Multi-link and Lower Ball Joint

REMOVAL AND INSTALLATION

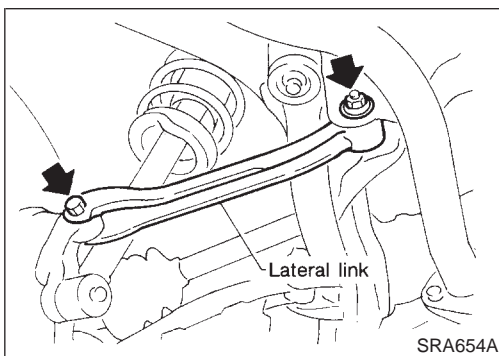
- Remove upper link.



- Install upper link.

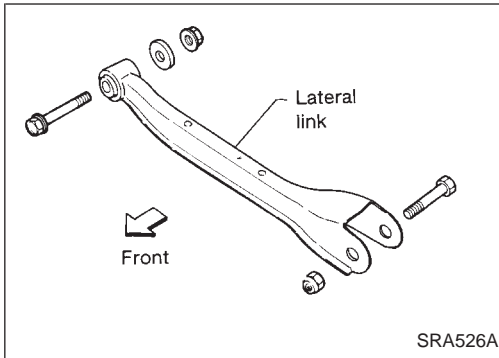


- Remove lateral link.

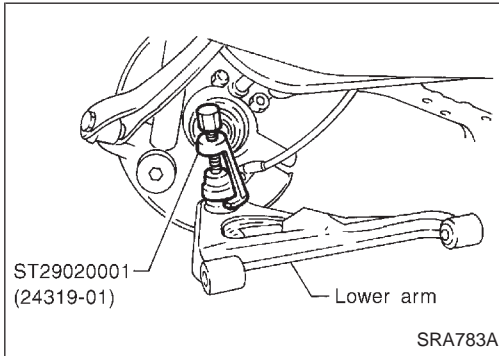


REAR SUSPENSION

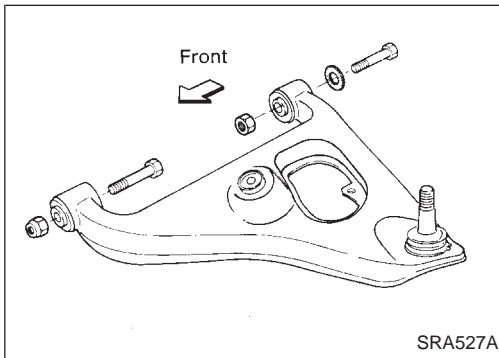
Multi-link and Lower Ball Joint (Cont'd)



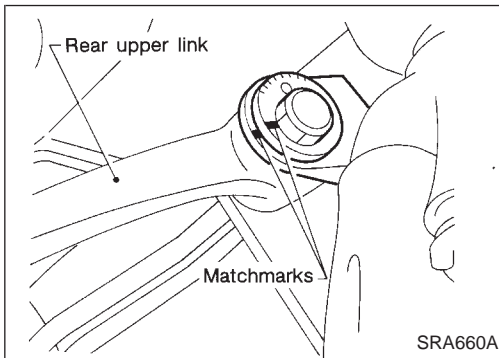
- Install lateral link.



- Remove lower arm with Tool.



- Install lower arm.



Before removing, put matchmarks on adjusting bolt.

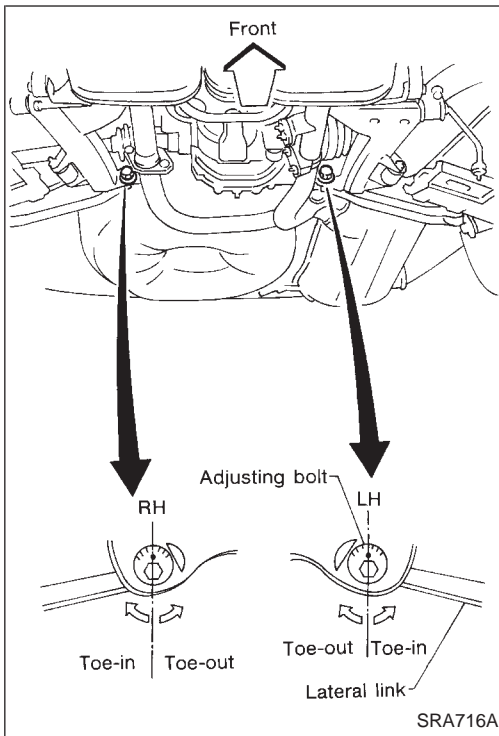
- When installing, final tightening must be done under unladen condition with tires on ground.

GI
MA
EM
LC
EC
FE
AT
PD
FA
RA
BR
ST
RS
BT
HA
EL
IDX

REAR SUSPENSION

Multi-link and Lower Ball Joint (Cont'd)

- After installation, check wheel alignment. Refer to Rear Wheel Alignment in ON-VEHICLE SERVICE (RA-7).



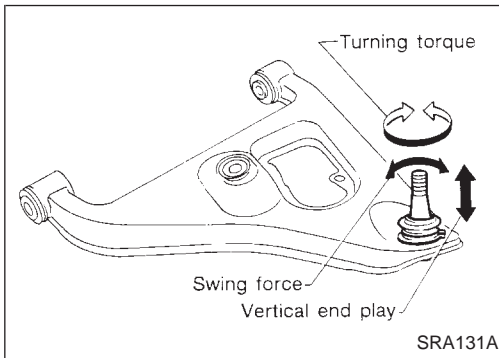
INSPECTION

Rear suspension member

Replace suspension member assembly if cracked or deformed or if any part (insulator, for example) is damaged.

Upper, lower and lateral links

Replace upper, lower or lateral link as required if cracked or deformed or if bushing is damaged.

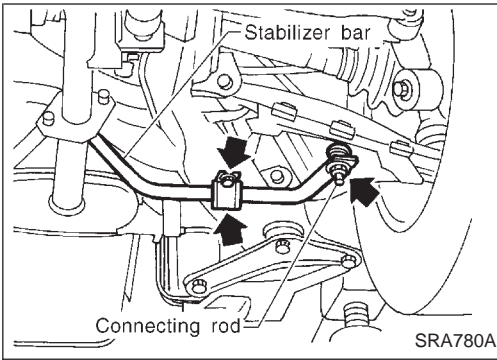


Suspension lower ball joint

- Measure swing force, turning torque and vertical end play in axial direction. (Use same measurement procedures as that of FA section.)
- If ball stud is worn, play in axial direction is excessive, or joint is hard to swing, replace lower arm.

Ball joint specifications	Swing force	7.8 - 78.5 N (0.8 - 8.0 kg, 1.8 - 17.6 lb)
	Turning torque	0.5 - 4.9 N-m (5 - 50 kg-cm, 4.3 - 43.4 in-lb)
	Vertical end play	0 mm (0 in)

REAR SUSPENSION



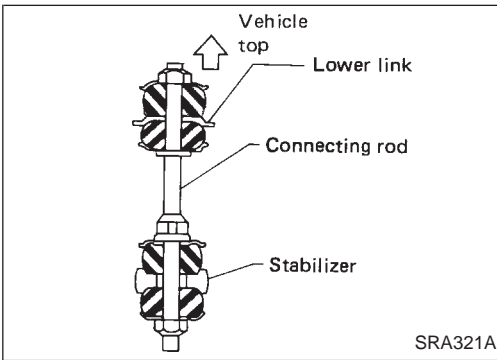
Stabilizer Bar

REMOVAL

Remove connecting rod and clamp.

INSPECTION

- Check stabilizer bar for deformation or cracks. Replace if necessary.
- Check rubber bushings for deterioration or cracks. Replace if necessary.



INSTALLATION

When installing connecting rod, make sure direction is correct (as shown at left).

GI

MA

EM

LC

EC

FE

AT

PD

FA

RA

BR

ST

RS

BT

HA

EL

IDX

SERVICE DATA AND SPECIFICATIONS (SDS)

General Specifications

Suspension type	Independent multi-link with coil spring
Shock absorber type	Standard: Double-acting hydraulic Optional: Adjusting hydraulic (Active damper suspension)
Stabilizer	Standard equipment

Inspection and Adjustment

WHEEL ALIGNMENT (Unladen*)

Camber	Minimum	-0°15' (-0.25°)
	Nominal	-0°45' (-0.75°)
	Maximum	-1°15' (-1.25°)
Total toe-in	Minimum	0 (0)
	Nominal	2.5 (0.098)
	Maximum	5 (0.20)
Angle (left plus right)	Minimum	0' (0.00°)
	Nominal	14' (0.23°)
	Maximum	28' (0.47°)

*: Fuel, radiator coolant and engine oil full. Spare tire, jack, hand tools and mats in designated positions.

WHEEL RUNOUT (Radial and lateral)

Wheel type	Radial runout	Lateral runout
Aluminum wheel	mm (in)	0.3 (0.012) or less

LOWER BALL JOINT

Swing force (Measuring point: cotter pin hole of ball stud) N (kg, lb)	7.8 - 78.5 (0.8 - 8.0, 1.8 - 17.6)
Turning torque N-m (kg-cm, in-lb)	0.5 - 4.9 (5 - 50, 4.3 - 43.4)
Vertical end play mm (in)	0 (0)

WHEEL BEARING

Wheel bearing axial end play mm (in)	0.05 (0.0020) or less
Wheel bearing lock nut Tightening torque N-m (kg-m, ft-lb)	206 - 274 (21 - 28, 152 - 203)

DRIVE SHAFT

Joint type		
Final drive side	DS90	
Wheel side	ZF100	
Grease	Nissan genuine grease or equivalent	
Specified amount of grease	g (oz)	
Final drive side	165 - 175 (5.82 - 6.17)	SRA668A
Wheel side	113 - 123 (3.99 - 4.34)	
Boot length	mm (in)	
Final drive side (L ₂)	93 - 95 (3.66 - 3.74)	
Wheel side (L ₁)	96 - 98 (3.78 - 3.86)	