

SECTION MA
MAINTENANCE

A
B
C
D
E
F
G
H
I
J
K
MA
M

CONTENTS

PRECAUTIONS	3	REMOVAL	18
Precautions for Supplemental Restraint System (SRS) "AIR BAG" and "SEAT BELT PRE-TENSIONER"	3	INSPECTION AFTER REMOVAL	18
PREPARATION	4	INSTALLATION	19
Special Service Tools	4	Checking EVAP Vapor Lines	19
Commercial Service Tools	4	Checking Cooling Fan Fluid Level and Lines	19
GENERAL MAINTENANCE	5	CHASSIS AND BODY MAINTENANCE	20
Explanation of General Maintenance	5	Checking Exhaust System	20
PERIODIC MAINTENANCE	7	Checking A/T Fluid	20
Introduction of Periodic Maintenance	7	Changing A/T Fluid	21
Schedule 1	7	Checking Propeller Shaft	22
EMISSION CONTROL SYSTEM MAINTENANCE	7	Checking Differential Gear Oil	22
CHASSIS AND BODY MAINTENANCE	8	Changing Differential Gear Oil	22
Schedule 2	9	Balancing Wheels (Bonding Weight Type)	24
EMISSION CONTROL SYSTEM MAINTENANCE	9	REMOVAL	24
CHASSIS AND BODY MAINTENANCE	10	WHEEL BALANCE ADJUSTMENT	24
RECOMMENDED FLUIDS AND LUBRICANTS	11	Tire Rotation	25
Fluids and Lubricants	11	Checking Brake Fluid Level and Leaks	25
SAE Viscosity Number	11	Checking Brake Lines and Cables	26
GASOLINE ENGINE OIL	11	Changing Brake Fluid	26
Anti-Freeze Coolant Mixture Ratio	12	Checking Disc Brake	26
ENGINE MAINTENANCE	13	ROTOR	26
Checking Drive Belts	13	CALIPER	27
Tension Adjustment	13	PAD	27
Changing Engine Coolant	13	Checking Steering Gear and Linkage	27
DRAINING ENGINE COOLANT	13	STEERING GEAR	27
REFILLING ENGINE COOLANT	14	STEERING LINKAGE	27
FLUSHING COOLING SYSTEM	15	Checking Power Steering Fluid and Lines	27
Checking Fuel Lines	16	Axle and Suspension Parts	28
Changing Air Cleaner Filter	16	Drive Shaft	28
VISCOUS PAPER TYPE	16	Lubricating Locks, Hinges and Hood Latch	29
Changing Engine Oil	16	Checking Seat Belts, Buckles, Retractors, Anchors and Adjusters	29
Changing Oil Filter	17	SERVICE DATA AND SPECIFICATIONS (SDS)	30
REMOVAL	17	Standard and Limit	30
INSTALLATION	17	BELT DEFLECTION AND TENSION	30
INSPECTION AFTER INSTALLATION	17	ENGINE COOLANT CAPACITY	30
Changing Spark Plugs (Platinum-Tipped Type)	18	RADIATOR	30
		ENGINE OIL CAPACITY	30
		SPARK PLUG (PLATINUM-TIPPED TYPE)	30

WHEEL BALANCE	30
Tightening Torque	30

PRECAUTIONS

PRECAUTIONS

PF0:00001

Precautions for Supplemental Restraint System (SRS) “AIR BAG” and “SEAT BELT PRE-TENSIONER”

ALS000QG

The Supplemental Restraint System such as “AIR BAG” and “SEAT BELT PRE-TENSIONER”, used along with a front seat belt, helps to reduce the risk or severity of injury to the driver and front passenger for certain types of collision. This system includes seat belt switch inputs and dual stage front air bag modules. The SRS system uses the seat belt switches to determine the front air bag deployment, and may only deploy one front air bag, depending on the severity of a collision and whether the front occupants are belted or unbelted. Information necessary to service the system safely is included in the SRS and SB section of this Service Manual.

WARNING:

- To avoid rendering the SRS inoperative, which could increase the risk of personal injury or death in the event of a collision which would result in air bag inflation, all maintenance must be performed by an authorized NISSAN/INFINITI dealer.
- Improper maintenance, including incorrect removal and installation of the SRS, can lead to personal injury caused by unintentional activation of the system. For removal of Spiral Cable and Air Bag Module, see the SRS section.
- Do not use electrical test equipment on any circuit related to the SRS unless instructed to in this Service Manual. SRS wiring harnesses can be identified by yellow and/or orange harnesses or harness connectors.

A
B
C
D
E
F
G
H
I
J
K
MA
M

MA

PREPARATION

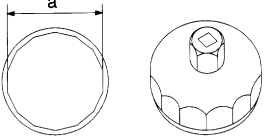
PREPARATION

PF0:00002

Special Service Tools

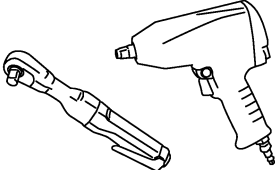
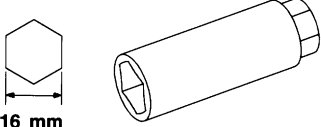
ALS00026

The actual shapes of Kent-Moore tools may differ from those of special service tools illustrated here.

Tool number (Kent-Moore No.) Tool name	Description
KV10115801 (J38956) Oil filter wrench <div style="text-align: center;">  <p>S-NT375</p> </div>	Removing and installing oil filter a: 64.3 mm (2.531 in)

Commercial Service Tools

ALS00027

Tool name	Description
Power tool <div style="text-align: center;">  <p>PBIC0190E</p> </div>	Loosening bolts and nuts
Spark plug wrench <div style="text-align: center;">  <p>16 mm (0.63 in)</p> <p>S-NT047</p> </div>	Removing and installing spark plug

GENERAL MAINTENANCE

GENERAL MAINTENANCE

PPF:00000

Explanation of General Maintenance

ALS00098

General maintenance includes those items which should be checked during the normal day-to-day operation of the vehicle. They are essential if the vehicle is to continue operating properly. The owners can perform checks and inspections themselves or have their INFINITI dealers do them.

OUTSIDE THE VEHICLE

The maintenance items listed here should be performed from time to time, unless otherwise specified.

Item		Reference page
Tires	Check the pressure with a gauge, including the spare, at least once a month and always prior to a long distance trips. Adjust to the specified pressure if necessary. Check carefully for damage, cuts or excessive wear.	—
Wheel nuts	When checking the tires, make sure no nuts are missing, and check for any loose nuts. Tighten if necessary.	—
Tire rotation	Tires should be rotated every 12,000 km (7,500 miles).	MA-25
Wheel alignment and balance	If the vehicle pulls to either side while driving on a straight and level road, or if you detect uneven or abnormal tire wear, there may be a need for wheel alignment. If the steering wheel or seat vibrates at normal highway speeds, wheel balancing may be needed.	FSU-6 , MA-24
Windshield	Clean the windshield on a regular basis. Check the windshield at least every six months for cracks or other damage. Repair as necessary.	—
Windshield wiper blades	Check for cracks or wear if they do not wipe properly.	—
Doors and engine hood	Check that all doors and the engine hood operate smoothly as well as the trunk lid and back hatch. Also make sure that all latches lock securely. Lubricate if necessary. Make sure that the secondary latch keeps the hood from opening when the primary latch is released. When driving in areas using road salt or other corrosive materials, check lubrication frequently.	MA-29
Lamps	Make sure that the headlamps, stop lamps, tail lamps, turn signal lamps, and other lamps are all operating properly and installed securely. Also check headlamp aim. Clean the headlamps on a regular basis.	—

INSIDE THE VEHICLE

The maintenance items listed here should be checked on a regular basis, such as when performing periodic maintenance, cleaning the vehicle, etc.

Item		Reference page
Warning lamps and chimes	Make sure that all warning lamps and chimes are operating properly.	—
Windshield wiper and washer	Check that the wipers and washer operate properly and that the wipers do not streak.	—
Windshield defroster	Check that the air comes out of the defroster outlets properly and in sufficient quantity when operating the heater or air conditioner.	—
Steering wheel	Check that it has the specified play. Be sure to check for changes in the steering condition, such as excessive play, hard steering or strange noises. Free play: Less than 35 mm (1.38 in)	—
Seats	Check seat position controls such as seat adjusters, seatback recliner, etc. to make sure they operate smoothly and that all latches lock securely in every position. Check that the head restraints move up and down smoothly and that the locks (if equipped) hold securely in all latched positions. Check that the latches lock securely for folding-down rear seatbacks.	—
Seat belts	Check that all parts of the seat belt system (e.g. buckles, anchors, adjusters and retractors) operate properly and smoothly, and are installed securely. Check the belt webbing for cuts, fraying, wear or damage.	MA-29
Accelerator pedal	Check the pedal for smooth operation and make sure the pedal does not catch or require uneven effort. Keep the floor mats away from the pedal.	—

GENERAL MAINTENANCE

Item	Reference page
Brakes	Check that the brake does not pull the vehicle to one side when applied. —
Brake pedal and booster	Check the pedal for smooth operation and make sure it has the proper distance under it when depressed fully. Check the brake booster function. Be sure to keep the floor mats away from the pedal. BR-6 , BR-21
Parking brake	Check that the lever has the proper travel and make sure that the vehicle is held securely on a fairly steep hill when only the parking brake is applied. PB-3
Automatic transmission “Park” mechanism	Check that the lock release button on the selector lever operates properly and smoothly. On a fairly steep hill check that the vehicle is held securely with the selector lever in the “P” position without applying any brakes. —

UNDER THE HOOD AND VEHICLE

The maintenance items listed here should be checked periodically (e.g. each time you check the engine oil or refuel).

Item	Reference page
Windshield washer fluid	Check that there is adequate fluid in the tank. —
Engine coolant level	Check the coolant level when the engine is cold. MA-13
Radiator and hoses	Check the front of the radiator and clean off any dirt, insects, leaves, etc., that may have accumulated. Make sure the hoses have no cracks, deformation, deterioration or loose connections. —
Brake fluid level	Make sure that the brake fluid level is between the “MAX” and “MIN” lines on the reservoir. MA-25
Battery	Check the fluid level in each cell. It should be between the “MAX” and “MIN” lines. Vehicles operated in high temperatures or under severe conditions require frequent checks of the battery fluid level. —
Engine drive belts	Make sure that no belt is frayed, worn, cracked or oily. MA-13
Engine oil level	Check the level on the dipstick after parking the vehicle on a level spot and turning off the engine. MA-16
Power steering fluid level and lines	Check the level on the dipstick with the engine off. Check the lines for improper attachment, leaks, cracks, etc. MA-27
Cooling fan fluid level and lines	Check the level when the fluid is cold and the engine is turned off. Check the lines for proper attachment, leaks, cracks, etc. MA-19
Exhaust system	Make sure there are no loose supports, cracks or holes. If the sound of the exhaust seems unusual or there is a smell of exhaust fumes, immediately locate the trouble and correct it. MA-20
Underbody	The underbody is frequently exposed to corrosive substances such as those used on icy roads or to control dust. It is very important to remove these substances, otherwise rust will form on the floor pan, frame, fuel lines and around the exhaust system. At the end of winter, the underbody should be thoroughly flushed with plain water, being careful to clean those areas where mud and dirt can easily accumulate. —
Fluid leaks	Check under the vehicle for fuel, oil, water or other fluid leaks after the vehicle has been parked for a while. Water dripping from the air conditioner after use is normal. If you should notice any leaks or gasoline fumes are evident, check for the cause and correct it immediately. —

PERIODIC MAINTENANCE

PERIODIC MAINTENANCE

PFP:00026

Introduction of Periodic Maintenance

ALS00099

Two different maintenance schedules are provided, and should be used, depending upon the conditions in which the vehicle is mainly operated. **After 60,000 miles (96,000 km) or 48 months, continue the periodic maintenance at the same mileage/time intervals.**

Schedule 1	Follow Periodic Maintenance Schedule 1 if the driving habits frequently include one or more of the following driving conditions: <ul style="list-style-type: none"> ● Repeated short trips of less than 5 miles (8 km). ● Repeated short trips of less than 10 miles (16 km) with outside temperatures remaining below freezing. ● Operating in hot weather in stop-and-go “rush hour” traffic. ● Extensive idling and/or low speed driving for long distances, such as police, taxi or door-to-door delivery use. ● Driving in dusty conditions. ● Driving on rough, muddy, or salt spread roads. ● Towing a trailer, using a camper or a car-top carrier. 	Emission Control System Maintenance	MA-7
		Chassis and Body Maintenance	MA-8
Schedule 2	Follow Periodic Maintenance Schedule 2 if none of driving conditions shown in Schedule 1 apply to the driving habits.	Emission Control System Maintenance	MA-9
		Chassis and Body Maintenance	MA-10

Schedule 1 EMISSION CONTROL SYSTEM MAINTENANCE

ALS0009A

Abbreviations: R = Replace. I = Inspect. Correct or replace if necessary. []: At the mileage intervals only

MAINTENANCE OPERATION		MAINTENANCE INTERVAL								Reference Section - Page or - Content Title
Perform at number of miles, kilometers or months, whichever comes first.	Miles x 1,000 (km x 1,000) Months	3.75 (6)	7.50 (12)	11.25 (18)	15 (24)	18.75 (30)	22.5 (36)	26.25 (42)	30 (48)	
Drive belts	NOTE (1)									MA-13
Air cleaner filter	NOTE (2)								[R]	MA-16
EVAP vapor lines									I*	MA-19
Fuel lines									I*	MA-16
Fuel filter	NOTE (3)									-
Engine coolant	NOTE (4)									MA-13
Engine oil		R	R	R	R	R	R	R	R	MA-16
Engine oil filter (Use part No. 15208-31U00 or equivalent.)		R	R	R	R	R	R	R	R	MA-17
Spark plugs (PLATINUM-TIPPED type)		Replace every 105,000 miles (169,000 km).								MA-18
Intake & exhaust valve clearance*	NOTE (5)									EM-52

MAINTENANCE OPERATION		MAINTENANCE INTERVAL								Reference Section - Page or - Content Title
Perform at number of miles, kilometers or months, whichever comes first.	Miles x 1,000 (km x 1,000) Months	33.75 (54)	37.5 (60)	41.25 (66)	45 (72)	48.75 (78)	52.5 (84)	56.25 (90)	60 (96)	
Drive belts	NOTE (1)								I*	MA-13
Air cleaner filter	NOTE (2)								[R]	MA-16
EVAP vapor lines									I*	MA-19
Fuel lines									I*	MA-16
Fuel filter	NOTE (3)									-
Engine coolant	NOTE (4)								R*	MA-13

PERIODIC MAINTENANCE

MAINTENANCE OPERATION		MAINTENANCE INTERVAL								Reference Section - Page or - Content Title
Perform at number of miles, kilometers or months, whichever comes first.	Miles x 1,000 (km x 1,000) Months	33.75 (54) 27	37.5 (60) 30	41.25 (66) 33	45 (72) 36	48.75 (78) 39	52.5 (84) 42	56.25 (90) 45	60 (96) 48	
Engine oil		R	R	R	R	R	R	R	R	MA-16
Engine oil filter (Use part No. 15208-31U00 or equivalent.)		R	R	R	R	R	R	R	R	MA-17
Spark plugs (PLATINUM-TIPPED type)		Replace every 105,000 miles (169,000 km).								MA-18
Intake & exhaust valve clearance*	NOTE (5)									EM-52

NOTE:

- (1) After 60,000 miles (96,000 km) or 48 months, inspect every 15,000 miles (24,000 km) or 12 months. Replace the drive belts if found damaged or if the auto belt tensioner reading reaches the maximum limit.
- (2) If operating mainly in dusty conditions, more frequent maintenance may be required.
- (3) Maintenance-free item. For service procedures, refer to FL section.
- (4) After 60,000 miles (96,000 km) or 48 months, replace every 30,000 miles (48,000 km) or 24 months.
- (5) If valve noise increases, inspect valve clearance.

* Maintenance items and intervals with "*" are recommended by INFINITI for reliable vehicle operation. The owner need not perform such maintenance in order to maintain the emission warranty or manufacturer recall liability. Other maintenance items and intervals are required.

CHASSIS AND BODY MAINTENANCE

Abbreviations: R = Replace. I = Inspect. Correct or replace if necessary.

MAINTENANCE OPERATION		MAINTENANCE INTERVAL								Reference Section - Page or - Content Title
Perform at number of miles, kilometers or months, whichever comes first.	Miles x 1,000 (km x 1,000) Months	3.75 (6) 3	7.50 (12) 6	11.25 (18) 9	15 (24) 12	18.75 (30) 15	22.5 (36) 18	26.25 (42) 21	30 (48) 24	
Brake lines & cables					I				I	MA-26
Brake pads & rotors			I		I		I		I	MA-26
Automatic transmission fluid & differential gear oil	NOTE (1)				I				I	MA-20 , MA-22
Steering gear & linkage, axle & suspension parts			I		I		I		I	MA-27 , MA-28
Tire rotation	NOTE (2)									MA-5 , MA-25
Exhaust system			I		I		I		I	MA-20
In-cabin microfilter					R				R	ATC-121
Climate controlled seat filter									R	SE-132
ASCD vacuum hoses					I				I	ACS-27

PERIODIC MAINTENANCE

MAINTENANCE OPERATION		MAINTENANCE INTERVAL								Reference Section - Page or - Content Title
		Miles x 1,000 (km x 1,000) Months	33.75 (54) 27	37.5 (60) 30	41.25 (66) 33	45 (72) 36	48.75 (78) 39	52.5 (84) 42	56.25 (90) 45	
Perform at number of miles, kilometers or months, whichever comes first.										
Brake lines & cables					I				I	MA-26
Brake pads & rotors			I		I		I		I	MA-26
Automatic transmission fluid & differential gear oil	NOTE (1)				I				I	MA-21 , MA-22
Steering gear & linkage, axle & suspension parts			I		I		I		I	MA-27 , MA-28
Tire rotation	NOTE (2)									MA-5 , MA-25
Exhaust system			I		I		I		I	MA-20
In-cabin microfilter					R				R	ATC-121
Climate controlled seat filter									R	SE-132
ASCD vacuum hoses					I				I	ACS-27

NOTE:

- (1) If towing a trailer, using a camper or a car-top carrier, or driving on rough or muddy roads, change (not just inspect) oil at every 30,000 miles (48,000 km) or 24 months. **Using automatic transmission fluid other than Genuine Nissan ATF Matic Fluid J will cause deterioration in driveability and automatic transmission durability, and may damage the automatic transmission, which is not covered by the INFINITI new vehicle limited warranty.**
- (2) Refer to "Tire rotation" under the "General maintenance" heading earlier in this section.

Schedule2 EMISSION CONTROL SYSTEM MAINTENANCE

ALS0009B

Abbreviations: R = Replace. I = Inspect. Correct or replace if necessary. []: At the mileage intervals only

MAINTENANCE OPERATION		MAINTENANCE INTERVAL								Reference Section - Page or - Content Title
		Miles x 1,000 (km x 1,000) Months	7.5 (12) 6	15 (24) 12	22.5 (36) 18	30 (48) 24	37.5 (60) 30	45 (72) 36	52.5 (84) 42	
Perform at number of miles, kilometers or months, whichever comes first.										
Drive belts	NOTE (1)								I*	MA-13
Air cleaner filter					[R]				[R]	MA-16
EVAP vapor lines					I*				I*	MA-19
Fuel lines					I*				I*	MA-16
Fuel filter	NOTE (2)									-
Engine coolant	NOTE (3)								R*	MA-13
Engine oil		R	R	R	R	R	R	R	R	MA-16
Engine oil filter (Use part No. 15208-31U00 or equivalent.)		R	R	R	R	R	R	R	R	MA-17
Spark plugs (PLATINUM-TIPPED type)		Replace every 105,000 miles (169,000 km).								MA-18
Intake & exhaust valve clearance*	NOTE (4)									EM-52

NOTE:

- (1) After 60,000 miles (96,000 km) or 48 months, inspect every 15,000 miles (24,000 km) or 12 months. Replace the drive belts if found damaged or if the auto belt tensioner reading reaches the maximum limit.
- (2) Maintenance-free item. For service procedures, refer to FL section.
- (3) After 60,000 miles (96,000 km) or 48 months, replace every 30,000 miles (48,000 km) or 24 months.
- (4) If valve noise increases, inspect valve clearance.

PERIODIC MAINTENANCE

* Maintenance items and intervals with “*” are recommended by INFINITI for reliable vehicle operation. The owner need not perform such maintenance in order to maintain the emission warranty or manufacturer recall liability. Other maintenance items and intervals are required.

CHASSIS AND BODY MAINTENANCE

Abbreviations: R = Replace. I = Inspect. Correct or replace if necessary.

MAINTENANCE OPERATION		MAINTENANCE INTERVAL								Reference Section - Page or - Content Title
Perform at number of miles, kilometers or months, whichever comes first.	Miles x 1,000 (km x 1,000) Months	7.5 (12) 6	15 (24) 12	22.5 (36) 18	30 (48) 24	37.5 (60) 30	45 (72) 36	52.5 (84) 42	60 (96) 48	
Brake lines & cables			I		I		I		I	MA-26
Brake pads & rotors			I		I		I		I	MA-26
Automatic transmission fluid & differential gear oil	NOTE(1)		I		I		I		I	MA-20 , MA-22
Steering gear & linkage, axle & suspension parts					I				I	MA-27 , MA-28
Tire rotation	NOTE (2)									MA-5 , MA-25
Exhaust system					I				I	MA-20
In-cabin microfilter			R		R		R		R	ATC-121
Climate controlled seat filter					R				R	SE-132
ASCD vacuum hoses			I		I		I		I	ACS-27

NOTE:

(1) Using automatic transmission fluid other than Genuine Nissan ATF Matic Fluid J will cause deterioration in driveability and automatic transmission durability, and may damage the automatic transmission, which is not covered by the INFINITI new vehicle limited warranty.

(2) Refer to “Tire rotation” under the “General maintenance” heading earlier in this section.

RECOMMENDED FLUIDS AND LUBRICANTS

RECOMMENDED FLUIDS AND LUBRICANTS

PF0:00000

Fluids and Lubricants

ALS0009C

		Capacity (Approximate)			Recommended Fluids/Lubricants
		US measure	Imp measure	Liter	
Engine oil Drain and refill	With oil filter change	5-7/8 qt	4-7/8 qt	5.6	<ul style="list-style-type: none"> ● API Certification Mark*1 ● API grade SJ or SL, Energy Conserving*1 ● ILSAC grade GF-II & GF-III*1
	Without oil filter change	5-1/4 qt	4-5/8 qt	5.0	
Dry engine (engine overhaul)		7-1/8 qt	5-7/8 qt	6.7	
Cooling system	With reservoir	10-3/8 qt	8-5/8 qt	9.8	Genuine Nissan Anti-freeze coolant or equivalent
	Reservoir	7/8 qt	3/4 qt	0.8	
Cooling fan fluid		26.3 fl oz	27.4 fl oz	0.8	Genuine Nissan PSF or equivalent*2
Automatic transmission fluid		10-7/8 qt	9-1/8 qt	10.3	Genuine NISSAN ATF Matic Fluid J *3
Power steering fluid (PSF)		—	—	—	Genuine Nissan PSF or equivalent*2
Brake fluid		—	—	—	Genuine Nissan Brake Fluid*4 or equivalent DOT 3 (US FMVSS No. 116)
Differential gear oil		3 pt	2-1/2 pt	1.4	API GL-5, Viscosity SAE 80W- 90 *5
Multi-purpose grease		—	—	—	NLGI No. 2 (Lithium soap base)

*1: For further details, see "SAE Viscosity Number".

*2: For Canada, NISSAN Automatic Transmission Fluid (ATF), DEXRON™ III/ MERCON™, or equivalent ATF may also be used.

*3: **Using automatic transmission fluid other than Genuine NISSAN ATF Matic Fluid J will cause deterioration in driveability and automatic transmission durability, and may damage the automatic transmission, which is not covered by the INFINITI new vehicle limited warranty.**

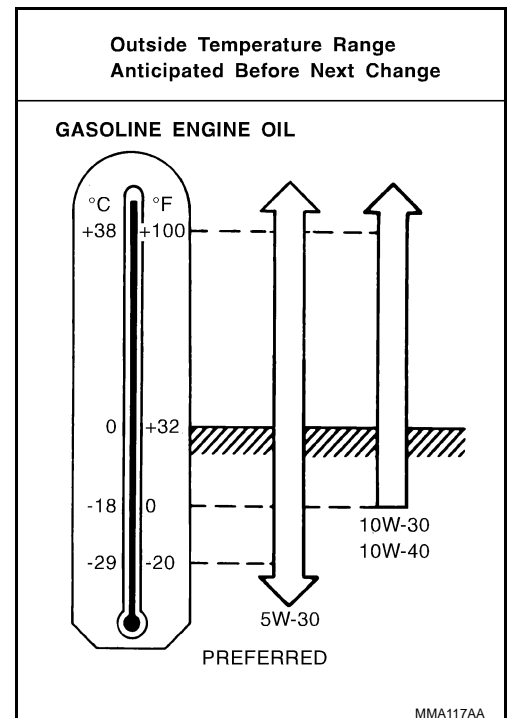
*4: Available in mainland U.S.A. through your INFINITI dealer.

*5: For hot climates, viscosity SAE 90 is suitable for ambient temperatures above 0°C (32°F).

SAE Viscosity Number GASOLINE ENGINE OIL

ALS0009D

SAE 5W-30 viscosity oil is preferred for all temperatures. SAE 10W-30 and 10W-40 viscosity oil may be used if the ambient temperature is above -18°C(0°F).



RECOMMENDED FLUIDS AND LUBRICANTS

Anti-Freeze Coolant Mixture Ratio

ALS0009F

The engine cooling system is filled at the factory with a high-quality, year-round, anti-freeze coolant solution. The anti-freeze solution contains rust and corrosion inhibitors. Therefore, additional cooling system additives are not necessary.

CAUTION:

When adding or replacing coolant, be sure to use only Genuine Nissan anti-freeze coolant or equivalent with the proper mixture ratio of 50% anti-freeze and 50% demineralized water/distilled water.

Other types of coolant solutions may damage your cooling system.

Outside temperature down to		Anti-freeze	Demineralized water or distilled water
°C	°F		
-35	-30	50%	50%

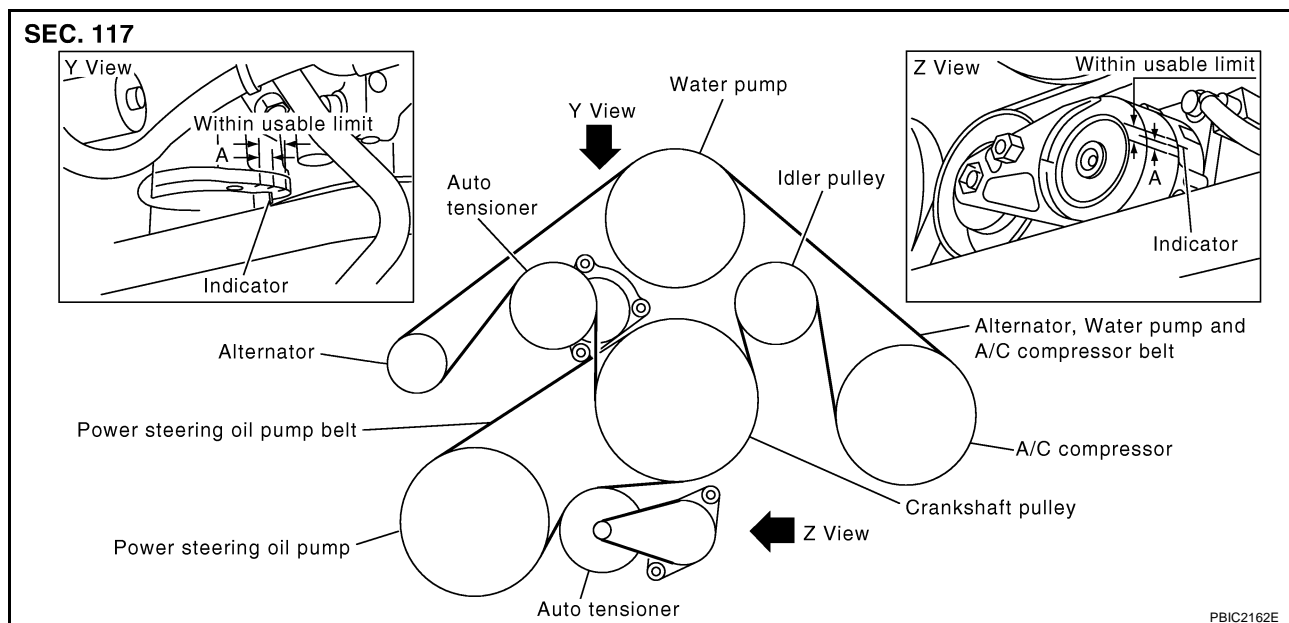
SMA947CA

ENGINE MAINTENANCE

PFP:00100

Checking Drive Belts

ALS0062



WARNING:

Be sure to perform when engine is stopped.

- Remove air duct (inlet) when inspecting drive belt for alternator, water pump and A/C compressor.
- Remove engine undercover (with power tool) when inspecting power steering oil pump belt.
- Make sure that indicator (single line notch) of each auto tensioner is within the allowable working range (between three line notches).

NOTE:

- Check the auto tensioner indication when engine is cold.
- When new drive belt is installed, the range should be A.
- The indicator notch is located on the moving side of the tensioner for alternator, water pump and A/C compressor belt, while it is found on the fixed side for power steering oil pump belt.
- Visually check entire belt for wear, damage or cracks.
- If the indicator is out of allowable working range or belt is damaged, replace belt.

Tension Adjustment

ALS0063

Belt tensioning is not necessary, as it is automatically adjusted by auto tensioner.

Changing Engine Coolant

ALS0064

WARNING:

- **To avoid being scalded, never change engine coolant when engine is hot.**
- **Wrap a thick cloth around cap and carefully remove cap. First, turn cap a quarter of a turn to release built-up pressure. Then turn cap all the way.**

DRAINING ENGINE COOLANT

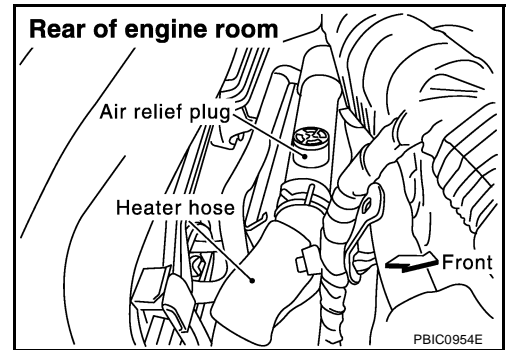
1. Remove engine undercover with power tool.
2. Open radiator drain plug at the bottom of radiator, and remove radiator cap.
 - **Be careful not to allow engine coolant to contact drive belts.**

When draining all engine coolant in the system, also perform the following steps.

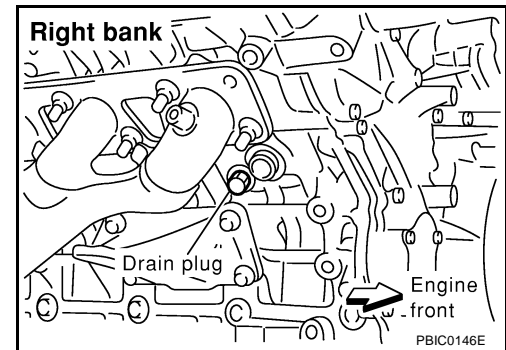
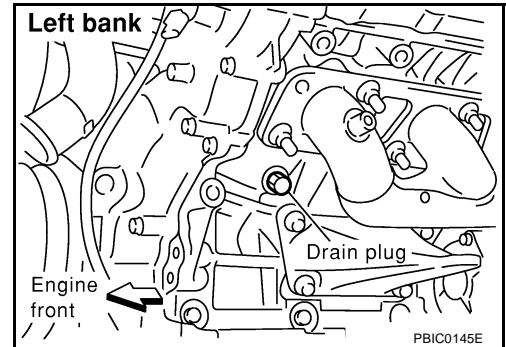
A
B
C
D
E
F
G
H
I
J
K
MA

ENGINE MAINTENANCE

3. Remove air relief plug on heater hose.



4. Drain engine coolant from both sides of cylinder block when draining all engine coolant in the system.



5. Check drained engine coolant for contaminants such as rust, corrosion or discoloration. If contaminated, flush engine cooling system. Refer to [MA-15, "FLUSHING COOLING SYSTEM"](#).
6. Remove reservoir tank, drain engine coolant, then clean reservoir tank.

REFILLING ENGINE COOLANT

1. Install reservoir tank if removed, and radiator drain plug.

CAUTION:

Be sure to clean drain plug and install with new O-ring.

Radiator drain plug:

 : 0.78 - 1.56 N·m (0.08 - 0.16 kg·m, 7 - 14 in·lb)

2. Install cylinder block drain plugs if removed.

- Apply thread sealant to the thread of cylinder block drain plugs. Use **Genuine Thread Sealant** or equivalent. Refer to [GI-46, "RECOMMENDED CHEMICAL PRODUCTS AND SEALANTS"](#).

Cylinder block drain plug (right, left):

 : 14.7 - 24.5 N·m (1.5 - 2.5 kg·m , 11 - 18 ft·lb)

ENGINE MAINTENANCE

3. Fill radiator and reservoir tank to specified level.

- Use genuine Nissan anti-freeze engine coolant or equivalent mixed with water (distilled or demineralized). Refer to [MA-11, "RECOMMENDED FLUIDS AND LUBRICANTS"](#).

Engine coolant capacity (With reservoir tank at "MAX" level):

Approximately 9.8 ℓ (10-3/8 US qt, 8-5/8 Imp qt)

Reservoir tank engine coolant capacity (at "MAX" level):

0.8 ℓ (7/8 US qt, 3/4 Imp qt)

- Pour engine coolant through engine coolant filler neck slowly of less than 2 ℓ (2-1/8 US qt, 1-3/4 Imp qt) a minute to allow air in system to escape.
- When engine coolant overflows air relief hole on heater hose, install air relief plug.

4. Warm up engine to normal operating temperature with radiator cap installed.

5. Run engine at 3,000 rpm for 10 seconds and return to idle speed.

- Repeat two or three times.

CAUTION:

Watch engine coolant temperature gauge so as not to overheat engine.

6. Stop engine and cool down to less than approximately 50°C (122°F).

- Cool down using a fan to reduce the time.
- If necessary, refill radiator up to filler neck with engine coolant.

7. Refill reservoir tank to MAX level line with engine coolant.

8. Repeat steps 3 through 6 two or more times with radiator cap installed until engine coolant level no longer drops.

9. Check cooling system for leaks with engine running.

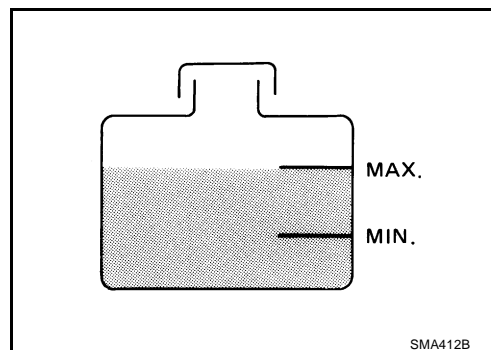
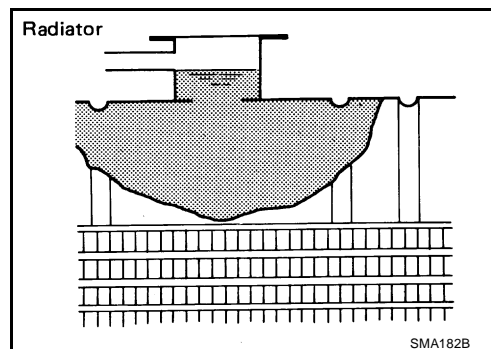
10. Warm up engine, and check for sound of engine coolant flow while running engine from idle up to 3,000 rpm with heater temperature controller set at several position between COOL and WARM.

- Sound may be noticeable at heater unit.

11. Repeat step 10 three times.

12. If sound is heard, bleed air from cooling system by repeating steps 3 through 6 until engine coolant level no longer drops.

- Clean excess engine coolant from engine.



A
B
C
D
E
F
G
H
I
J
K

MA

M

FLUSHING COOLING SYSTEM

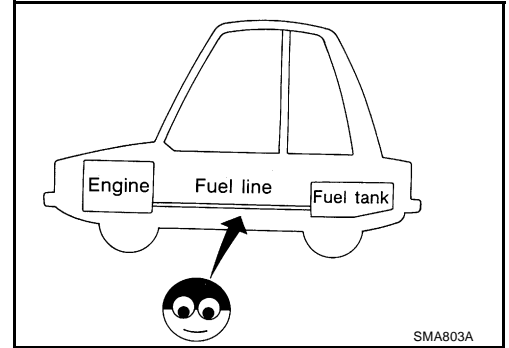
1. Fill radiator with water until water spills from the air relief hole, then close air relief plug. Fill radiator and reservoir tank with water and reinstall radiator cap.
2. Run engine and warm it up to normal operating temperature.
3. Rev engine two or three times under no-load.
4. Stop engine and wait until it cools down.
5. Drain water from the system. Refer to [MA-13, "DRAINING ENGINE COOLANT"](#).
6. Repeat steps 1 through 5 until clear water begins to drain from radiator.

ENGINE MAINTENANCE

Checking Fuel Lines

ALS0001V

Inspect fuel lines and tank for improper attachment, leaks, cracks, damage, loose connections, chafing or deterioration. If necessary, repair or replace damaged parts.

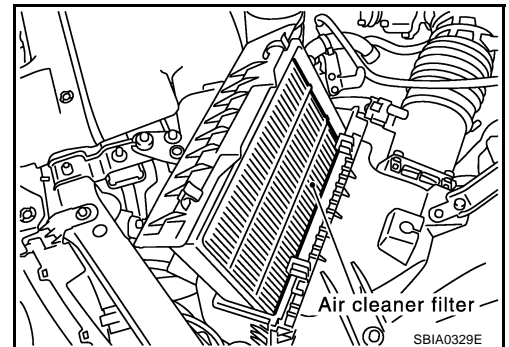


Changing Air Cleaner Filter VISCIOUS PAPER TYPE

ALS0001W

The viscous paper type filter does not need cleaning between replacement intervals. Refer to [MA-7, "PERIODIC MAINTENANCE"](#).

1. Unhook two clips and lift up air cleaner filter along with holder.
2. Remove air cleaner filter from holder.



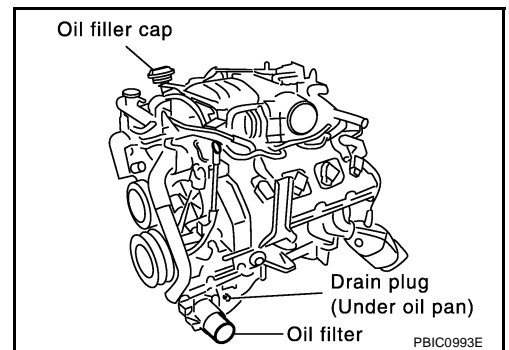
Changing Engine Oil

ALS00065

WARNING:

- Be careful not to burn yourself, as engine oil is hot.
- Prolonged and repeated contact with used engine oil may cause skin cancer; try to avoid direct skin contact with used engine oil. If skin contact is made, wash thoroughly with soap or hand cleaner as soon as possible.


1. Remove engine undercover with power tool.
2. Warm up engine, and check for engine oil leakage from engine components.
3. Stop engine and wait for 15 minutes.
4. Loosen oil filler cap, then remove drain plug.
5. Drain engine oil.
6. Install drain plug with new washer. Refer to [EM-25, "OIL PAN AND OIL STRAINER"](#).



CAUTION:

- Be sure to clean drain plug and install with new washer.

Oil pan drain plug:

 : 29.4 - 39.2 N·m (3.0 - 4.0 kg·m, 22 - 28 ft·lb)

7. Refill with new engine oil.
Engine oil specification and viscosity:
Refer to [MA-11, "RECOMMENDED FLUIDS AND LUBRICANTS"](#).

ENGINE MAINTENANCE

Engine oil capacity (Approximate):

		Unit: ℓ (US qt, Imp qt)
Drain and refill	With oil filter change	5.6 (5-7/8, 4-7/8)
	without oil filter change	5.0 (5-1/4, 4-3/8)
Dry engine (engine overhaul)		6.7 (7-1/8, 5-7/8)

CAUTION:

- The refill capacity depends on the engine oil temperature and drain time. Use these specifications for reference only.
 - Always use oil level gauge to determine when the proper amount of engine oil is in engine.
8. Warm up engine and check area around drain plug and oil filter for oil leakage.
 9. Stop engine and wait for 15 minutes.
 10. Check the engine oil level. Refer to [LU-6, "Inspection"](#).

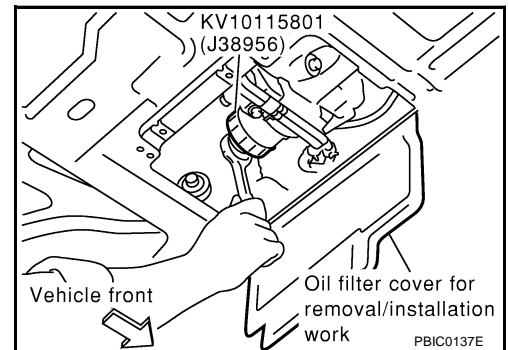
Changing Oil Filter

REMOVAL

1. Open oil filter installation/removal cover on engine undercover.
2. Using the oil filter wrench (SST), remove oil filter.

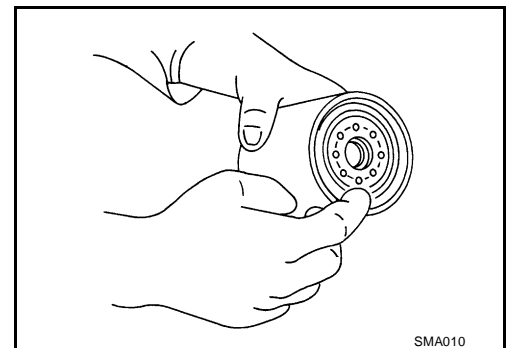
CAUTION:

- The oil filter is provided with a relief valve. Use genuine NISSAN oil filter or equivalent.
- Be careful not to get burned when engine and engine oil are hot.
- When removing, prepare a shop cloth to absorb any engine oil leakage or spillage.
- Do not allow engine oil to adhere to drive belts.
- Completely wipe off any engine oil that adhere to engine and vehicle.



INSTALLATION

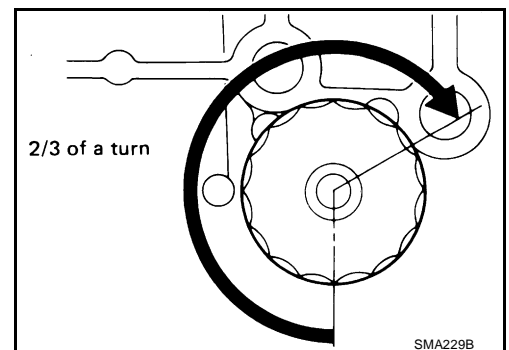
1. Remove foreign materials adhering to the oil filter installation surface.
2. Apply engine oil to the oil seal circumference of new oil filter.



3. Screw oil filter manually until it touches the installation surface, then tighten it by 2/3 turn. Or tighten to specification.

Oil filter:

:14.7 - 20.6 N·m (1.5 - 2.1 kg·m, 11 - 15 ft·lb)



INSPECTION AFTER INSTALLATION

1. After warming up engine, check for engine oil leakage.

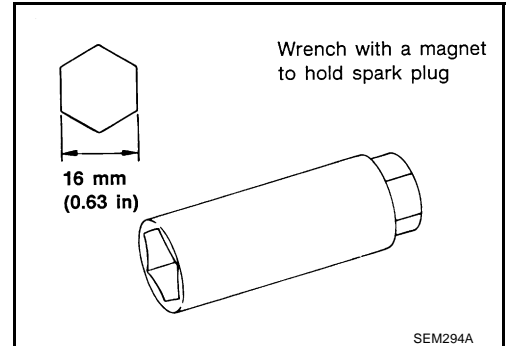
ENGINE MAINTENANCE

2. Stop engine and wait for 15 minutes.
3. Check engine oil level and add engine oil. Refer to [LU-6, "ENGINE OIL"](#) .

Changing Spark Plugs (Platinum-Tipped Type) REMOVAL

ALS0006A

1. Remove engine cover with power tool. Refer to [EM-11, "ENGINE ROOM COVER"](#) .
2. Remove ignition coil. Refer to [EM-28, "IGNITION COIL"](#) .
3. Remove spark plug using the spark plug wrench (commercial service tool).



INSPECTION AFTER REMOVAL

- Use standard type spark plug for normal condition.

The hot type spark plug is suitable when fouling occurs with the standard type spark plug under conditions such as:

- Frequent engine starts
- Low ambient temperatures

The cold type spark plug is suitable when spark plug knock occurs with the standard type spark plug under conditions such as:

- Extended highway driving
- Frequent high engine revolution

Spark plug (Platinum-tipped type):

Make	NGK
Standard type	PLFR5A-11
Hot type	PLFR4A-11
Cold type	PLFR6A-11

Gap (Nominal) : 1.1 mm (0.043 in)

CAUTION:

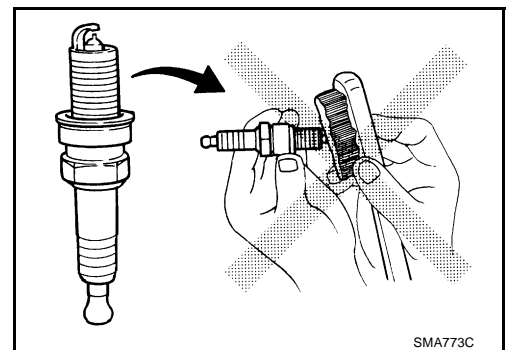
- Do not drop or shock spark plug.
- Do not use a wire brush for cleaning.
- If plug tip is covered with carbon, spark plug cleaner may be used.

Cleaner air pressure:

Less than 588 kPa (6 kg/cm² , 85 psi)

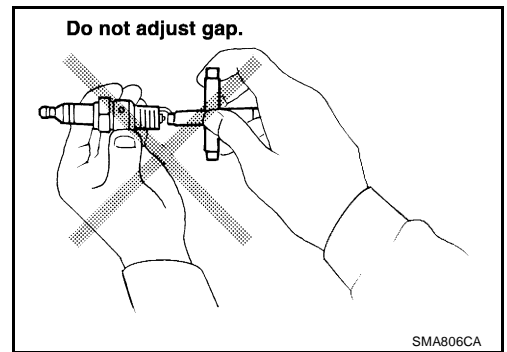
Cleaning time:

Less than 20 seconds



ENGINE MAINTENANCE

- Checking and adjusting plug gap is not required between change intervals.



A
B
C
D

INSTALLATION

Install in the reverse order of removal.

Spark plug:

 : 24. 6 N·m (2.5 kg·m, 18 ft·lb)

E

Checking EVAP Vapor Lines

ALS00020

1. Visually inspect EVAP vapor lines for improper attachment and for cracks, damage, loose connections, chafing and deterioration.
2. Inspect fuel tank filler cap vacuum relief valve for clogging, sticking, etc.

F

Refer to [EC-685. "EVAPORATIVE EMISSION SYSTEM"](#) .

G

Checking Cooling Fan Fluid Level and Lines

ALS00021

- Check that there is no fluid leaking from any hose connection or any other part.
- Check the fluid level with level gauge on reservoir tank cap. If there is too much or too little, adjust the amount of fluid.
- Check that under the fluid temperature conditions below, the fluid level is within the "COLD" or "HOT" range on level gauge.

H

COLD : Fluid temperature 0 - 30 °C (32 - 86 °F)

HOT : Fluid temperature 50 - 80 °C (122 - 176 °F)

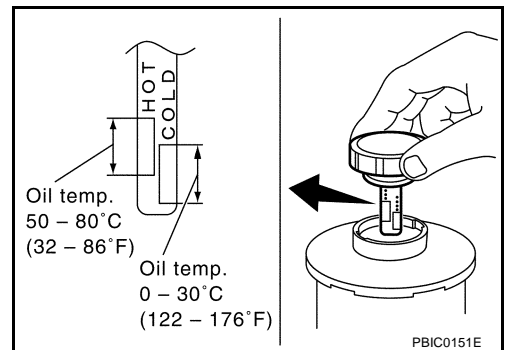
I

NOTE:

- There is no specified timing for replacing the fluid.
- The total fluid volume is 777 ml (26.3 US fl oz, 27.4 Imp fl oz) (with the cold maximum on level gauge when engine is cold).

J

K



MA

M

CHASSIS AND BODY MAINTENANCE

CHASSIS AND BODY MAINTENANCE

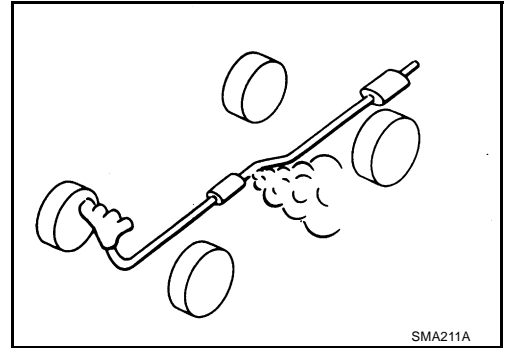
PFP:00100

Checking Exhaust System

ALS00061

Check exhaust pipes, muffler and mounting for improper attachment, leaks, cracks, damage, chafing or deterioration.

- If anything is found, repair or replace damaged parts.



Checking A/T Fluid

ALS0005G

1. Warm up engine.
2. Check for fluid leakage.
3. Remove the tightening bolt for A/T fluid level gauge.
4. Before driving, fluid level can be checked at fluid temperatures of 30 to 50°C (86 to 122°F) using “COLD” range on A/T fluid level gauge as follows.
 - a. Park vehicle on level surface and set parking brake.
 - b. Start engine and move selector lever through each gear position. Leave selector lever in “P” position.
 - c. Check fluid level with engine idling.
 - d. Remove A/T fluid level gauge and wipe clean with lint-free paper.

CAUTION:

When wiping away A/T fluid level gauge, always use lint-free paper, not a cloth one.

- e. Re-insert A/T fluid level gauge into charging pipe as far as it will go.

CAUTION:

To check fluid level, insert A/T fluid level gauge until the cap contacts the end of the charging pipe, with the gauge reversed from the normal attachment conditions.

- f. Remove A/T fluid level gauge and note reading. If reading is at low side of range, add fluid to the charging pipe.

CAUTION:

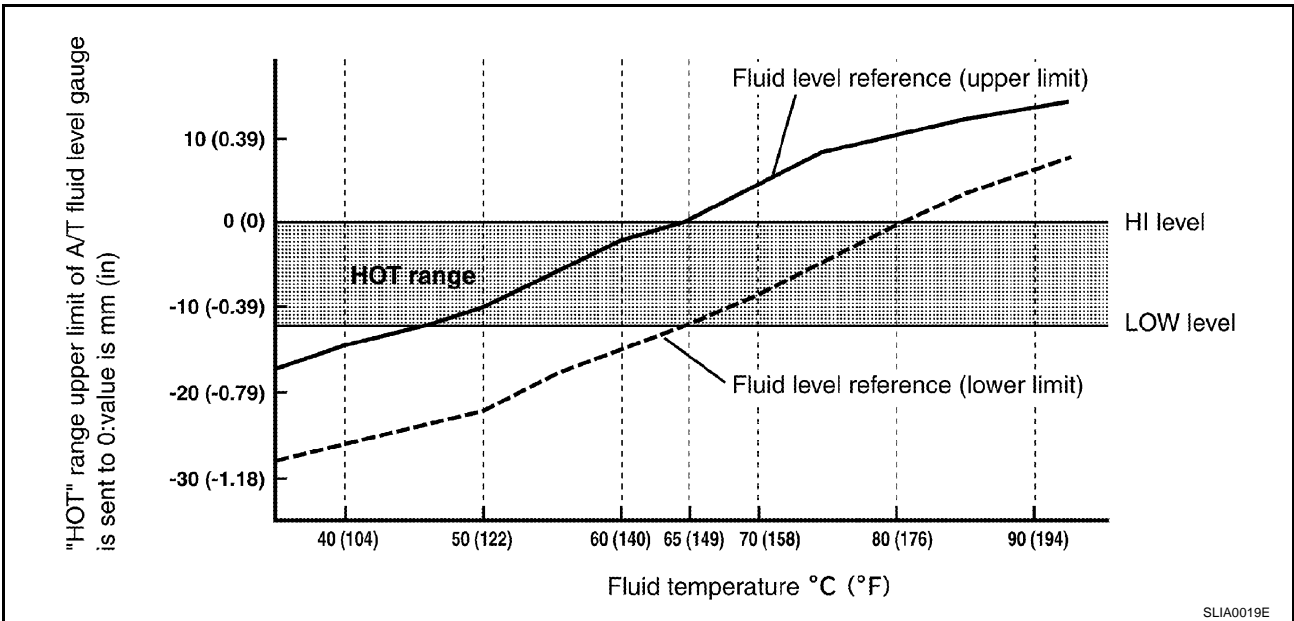
Do not overfill.

5. Drive vehicle for approximately 5 minutes in urban areas.
6. Make the fluid temperature approximately 65°C (149°F).

CHASSIS AND BODY MAINTENANCE

NOTE:

Fluid level will be greatly affected by temperature as shown in figure. Therefore, be certain to perform operation while checking data with CONSULT-II.

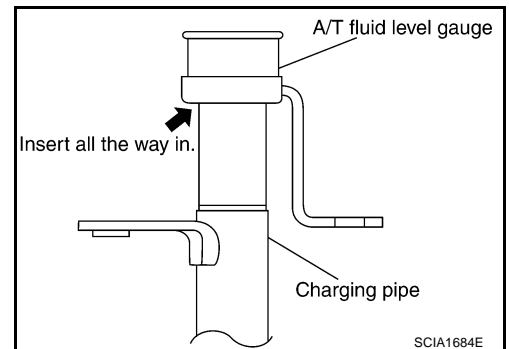


- Connect CONSULT-II to data link connector.
- Select "MAIN SIGNALS" in "DATA MONITOR" mode for "A/T" with CONSULT-II.
- Read out the value of "ATF TEMP 1".
- Re-check fluid level at fluid temperatures of approximately 65°C (149°F) using "HOT" range on A/T fluid level gauge.

CAUTION:

- When wiping away the fluid level gauge, always use lint-free paper, not a cloth one.
- To check fluid level, insert the A/T fluid level gauge until the cap contacts the end of the charging pipe, with the gauge reversed from the normal attachment conditions as shown.

- Check fluid condition.
 - If fluid is very dark or smells burned, refer to check operation of A/T. Flush cooling system after repair of A/T.
 - If A/T fluid contains frictional material (clutches, bands, etc.), replace radiator and flush cooler line using cleaning solvent and compressed air after repair of A/T. Refer to [CO-12, "RADIATOR"](#).



- Install the removed A/T fluid level gauge in the fluid charging pipe.

Level gauge bolt:

: 4.4 - 5.8 N·m (0.45 - 0.59 kg·m, 39 - 51 in·lb)

Changing A/T Fluid

AL50005H

- Warm up A/T fluid.
- Stop engine.
- Remove the tightening bolt for A/T fluid level gauge.
- Drain A/T fluid from drain plug and refill with new A/T fluid. Always refill same volume with drained fluid.
 - To replace the A/T fluid, pour in new fluid at the charging pipe with the engine idling and at the same time drain the old fluid from the radiator cooler hose return side.
 - When the color of the fluid coming out is about the same as the color of the new fluid, the replacement is complete. The amount of new transmission fluid to use should be 30 to 50% of the stipulated amount.

CHASSIS AND BODY MAINTENANCE


A/T fluid: Genuine Nissan ATF Matic Fluid J

Fluid capacity: 10.3 ℓ (10-7/8 US pt, 9-1/8 Imp pt)

CAUTION:


- Use only Genuine Nissan ATF Matic Fluid J. Do not mix with other fluid.
- Using automatic transmission fluid other than Genuine Nissan ATF Matic Fluid J will cause deterioration in driveability and automatic transmission durability, and may damage the automatic transmission, which is not covered by the warranty.
- When filling A/T fluid, take care not to scatter heat generating parts such as exhaust.

Drain plug:

 : 29 - 39 N·m (3.0 - 4.0 kg·m, 22 - 29 ft·lb)

5. Run engine at idle speed for 5 minutes.
6. Check fluid level and condition. Refer to [MA-20, "Checking A/T Fluid"](#) . If fluid is still dirty, repeat step 2. through 5.
7. Install the removed A/T fluid level gauge in the fluid charging pipe.

Level gauge bolt:

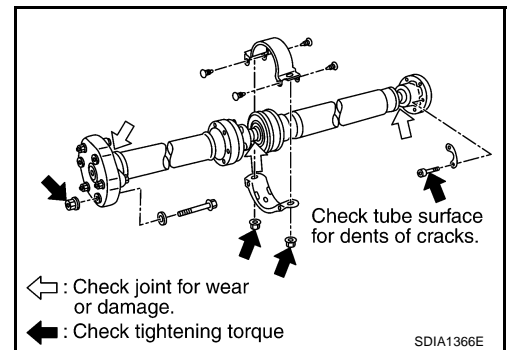
 : 4.4 - 5.8 N·m (0.45 - 0.59 kg·m, 39 - 51 in·lb)

Checking Propeller Shaft

Check propeller shaft for damage, looseness or grease leakage.

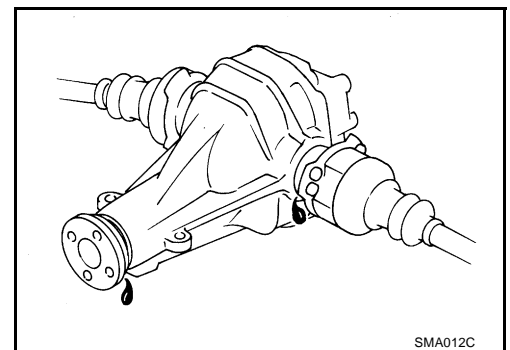
Tightening torque:

Refer to [PR-4, "REAR PROPELLER SHAFT"](#)



Checking Differential Gear Oil

Check for oil leakage.



Changing Differential Gear Oil

1. Drain oil from drain plug and refill with new gear oil.

CHASSIS AND BODY MAINTENANCE

2. Check oil level.

Oil grade and Viscosity:


Refer to [MA-11, "Fluids and Lubricants"](#)

Capacity:


R200

1.4 ℓ (3 US pt, 2 - 1/2 Imp pt)

Drain plug:

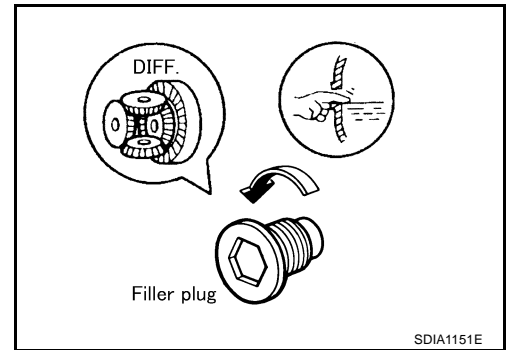
: 30 - 39 N·m (3.1 - 3.9 kg·m, 23 - 28 ft·lb)

Filler plug:

: 30 - 39 N·m (3.1 - 3.9 kg·m, 23 - 28 ft·lb)

CAUTION:

Gaskets are not reusable. Never reuse them.



A

B

C

D

E

F

G

H

I

J

K

MA

M

CHASSIS AND BODY MAINTENANCE

ALS0005L

Balancing Wheels (Bonding Weight Type) REMOVAL

1. Remove inner and outer balance weights from the road wheel.

CAUTION:

Be careful not to scratch the road wheel during removal.

2. Using releasing agent, remove double-faced adhesive tape from the road wheel.

CAUTION:

- Be careful not to scratch the road wheel during removal.
- After removing double-faced adhesive tape, wipe clean traces of releasing agent from the road wheel.

WHEEL BALANCE ADJUSTMENT

- If a tire balance machine has adhesion balance weight mode settings and drive-in weight mode setting, select and adjust a drive-in weight mode suitable for road wheels.
1. Set road wheel on wheel balancer using the center hole as a guide. Start the tire balance machine.
 2. When inner and outer unbalance values are shown on the wheel balancer indicator, multiply outer unbalance value by $5/3$ to determine balance weight that should be used. Select the outer balance weight with a value closest to the calculated value above and install it to the designated outer position of, or at the designated angle in relation to the road wheel.

CAUTION:

- Do not install the inner balance weight before installing the outer balance weight.
- Before installing the balance weight, be sure to clean the mating surface of the road wheel.

Indicated unbalance value $\times 5/3$ = balance weight to be installed
Calculation example:

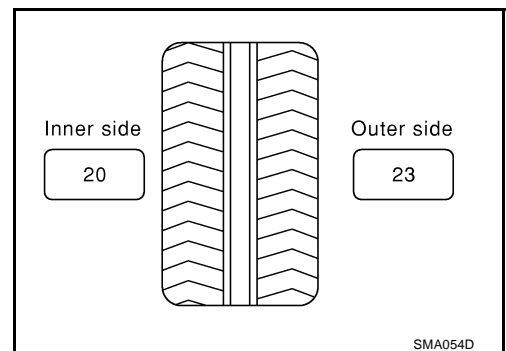
$23 \text{ g (0.81 oz)} \times 5/3 = 38.33 \text{ g (1.35 oz)} = 40 \text{ g (1.41 oz)}$ balance weight (closer to calculated balance weight value)

Note that balance weight value must be closer to the calculated balance weight value.

Example:

$37.4 = 35 \text{ g (1.23 oz)}$

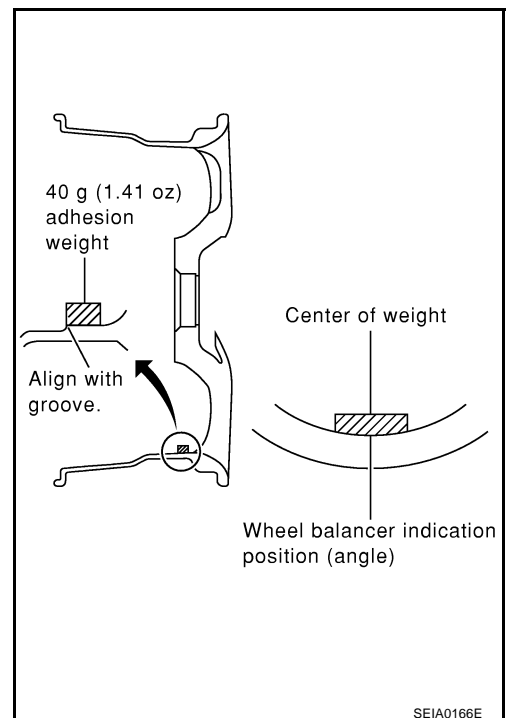
$37.5 = 40 \text{ g (1.41 oz)}$



- a. Install balance weight in the position shown in the figure at right.
- b. When installing balance weight to road wheels, set it into the grooved area on the inner wall of the road wheel as shown in the figure so that the balance weight center is aligned with the wheel balancer indication position (angle).

CAUTION:

- Always use genuine Nissan adhesion balance weights.
- Balance weights are un reusable; always replace with new ones.
- Do not install more than three sheets of balance weight.



CHASSIS AND BODY MAINTENANCE

- c. If calculated balance weight value exceeds 50 g (1.76 oz), install two balance weight sheets in line with each other (as shown in the figure).

CAUTION:

Do not install one balance weight sheet on top of another.

3. Start wheel balancer again.
 4. Install drive-in balance weight on inner side of road wheel in the wheel balancer indication position (angle).

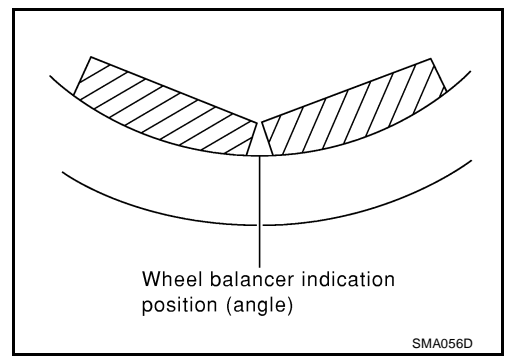
CAUTION:

Do not install more than two balance weights.

5. Start wheel balancer. Make sure that inner and outer residual unbalance values are 10 g (0.35 oz) each or below.
 ● If either residual unbalance value exceeds 10 g (0.35 oz), repeat installation procedures.

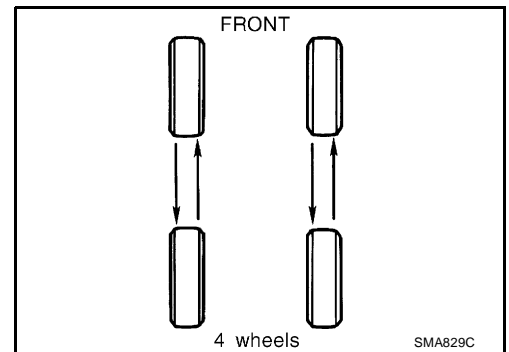
Wheel balance (Maximum allowable unbalance):

Maximum allowable unbalance	Dynamic (At rim flange)	Less than 10 g (0.35 oz) (one side)
	Static (At rim flange)	Less than 20 g (0.70 oz)




Tire Rotation

ALS0005M



Do not include the T-type spare tire when rotating the tires.

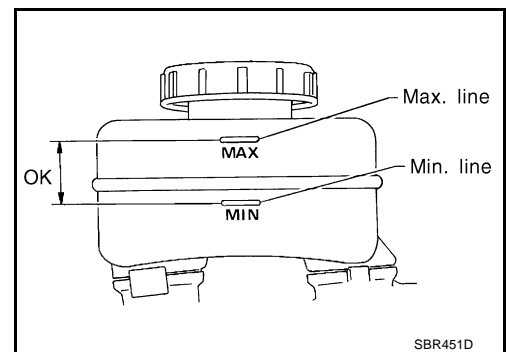
Wheel nuts

 : 98 - 118 N·m (10.0 - 12.0 kg·m, 72 - 87 ft·lb)

Checking Brake Fluid Level and Leaks

ALS0005N

- If fluid level is extremely low, check brake system for leaks.



A
B
C
D
E
F
G
H
I
J
K

MA

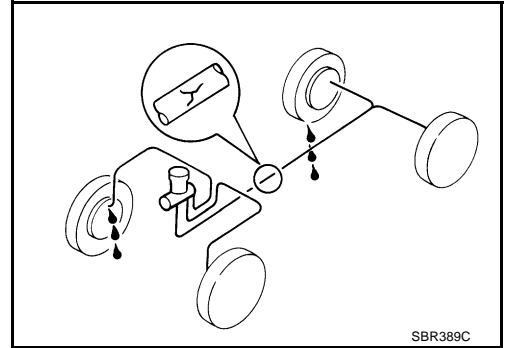
M

CHASSIS AND BODY MAINTENANCE

Checking Brake Lines and Cables

ALS0005O

- Check brake fluid lines and parking brake cables for improper attachment, leaks, chafing, abrasions, deterioration, etc.



Changing Brake Fluid

ALS0005P

1. Drain brake fluid from each air bleeder valve.
2. Refill until new brake fluid comes out from each air bleeder valve.

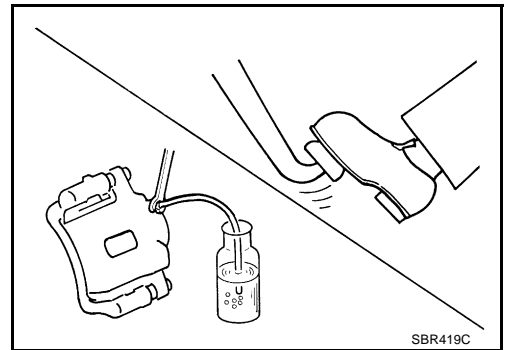
Use same procedure as in bleeding hydraulic system to refill brake fluid.

Refer to [BR-9, "Bleeding Brake System"](#).

- Refill with recommended Genuine Brake Fluid or equivalent DOT 3 (US FMVSS No. 116).

Refer to [MA-11, "RECOMMENDED FLUIDS AND LUBRICANTS"](#).

- Never reuse drained brake fluid.
- Be careful not to splash brake fluid on painted areas.



Checking Disc Brake ROTOR

ALS0005Q

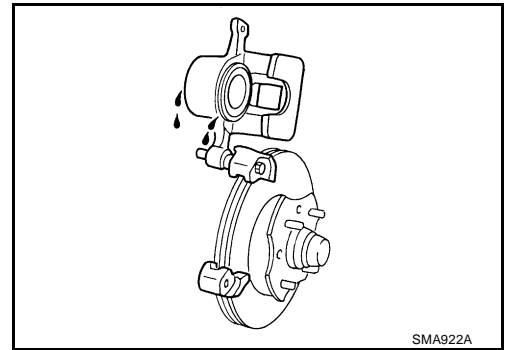
Check condition, wear, and damage.

	Front	Rear
Brake model	CLZ31VA	AD14VD
Standard thickness	28.0 mm (1.102 in)	16.0 mm (0.630 in)
Maximum runout	0.07 mm (0.0028 in)	0.10 mm (0.0039 in)
Minimum thickness (Wear limit)	26.0 mm (1.024 in)	14.0 mm (0.551 in)

CHASSIS AND BODY MAINTENANCE

CALIPER

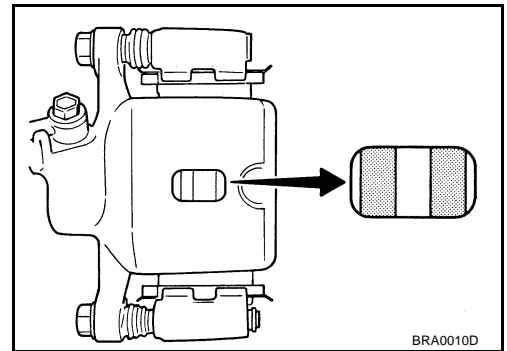
- Check for leakage.



PAD

- Check for wear or damage.

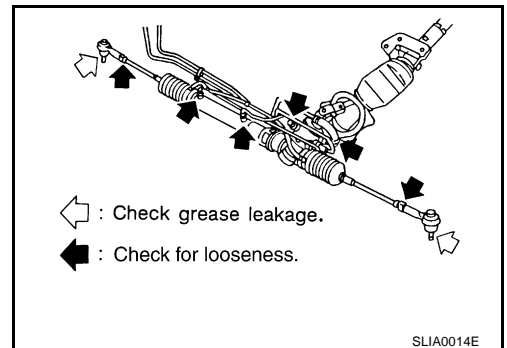
Brake model	CLZ31VA	AD14VD
Standard thickness	10.0 mm (0.394 in)	9.8 mm (0.386 in)
Minimum thickness (Wear limit)	2.0 mm (0.079 in)	2.0 mm (0.079 in)



Checking Steering Gear and Linkage

STEERING GEAR

- Check gear housing and boots for looseness, damage and grease leakage.
- Check connection with steering column for looseness.



STEERING LINKAGE

Check ball joint, dust cover and other component parts for looseness, wear, damage and grease leakage.

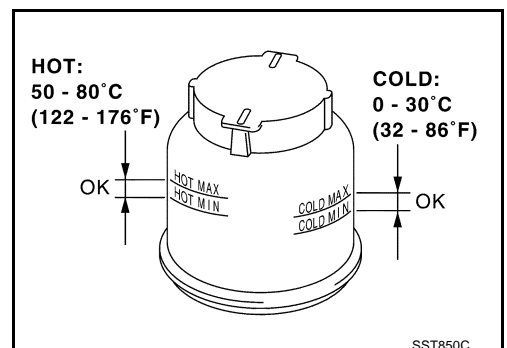
Checking Power Steering Fluid and Lines

Check fluid level in reservoir tank with engine off.

Use "HOT" range at fluid temperatures of 50 to 80°C (122 to 176°F) or "COLD" range at fluid temperatures of 0 to 30°C (32 to 86°F).

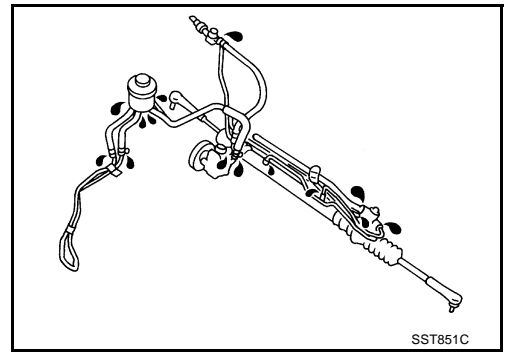
CAUTION:

- Do not overfill.
- Recommended fluid is Genuine NISSAN PSF or equivalent. Refer to [MA-11, "RECOMMENDED FLUIDS AND LUBRICANTS"](#)



CHASSIS AND BODY MAINTENANCE

- Check lines for improper attachment, leaks, cracks, damage, loose connections, chafing and deterioration.
- Check rack boots for accumulation of power steering fluid.

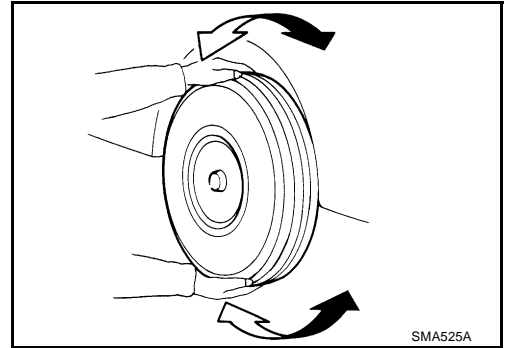


ALS0005T

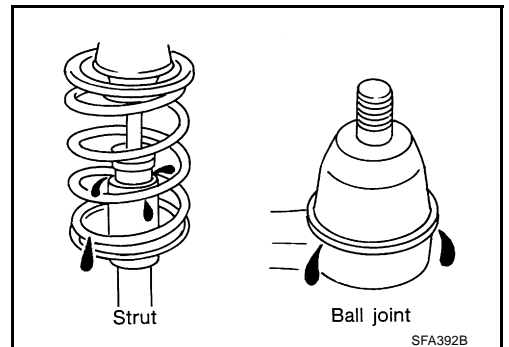
Axle and Suspension Parts

Check front and rear axle and suspension parts for excessive play, cracks, wear or other damage.

- Shake each wheel to check for excessive play.
- Check wheel bearings for smooth operation.
- Check axle and suspension nuts and bolts for looseness.
- Check strut (shock absorber) for oil leakage or other damage.
- Check suspension ball joint for grease leakage and ball joint dust cover for cracks or other damage.



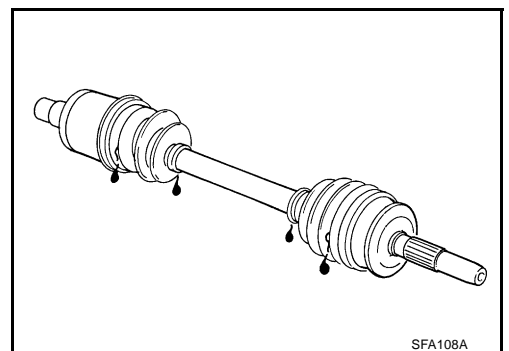
SFA392B



ALS0005U

Drive Shaft

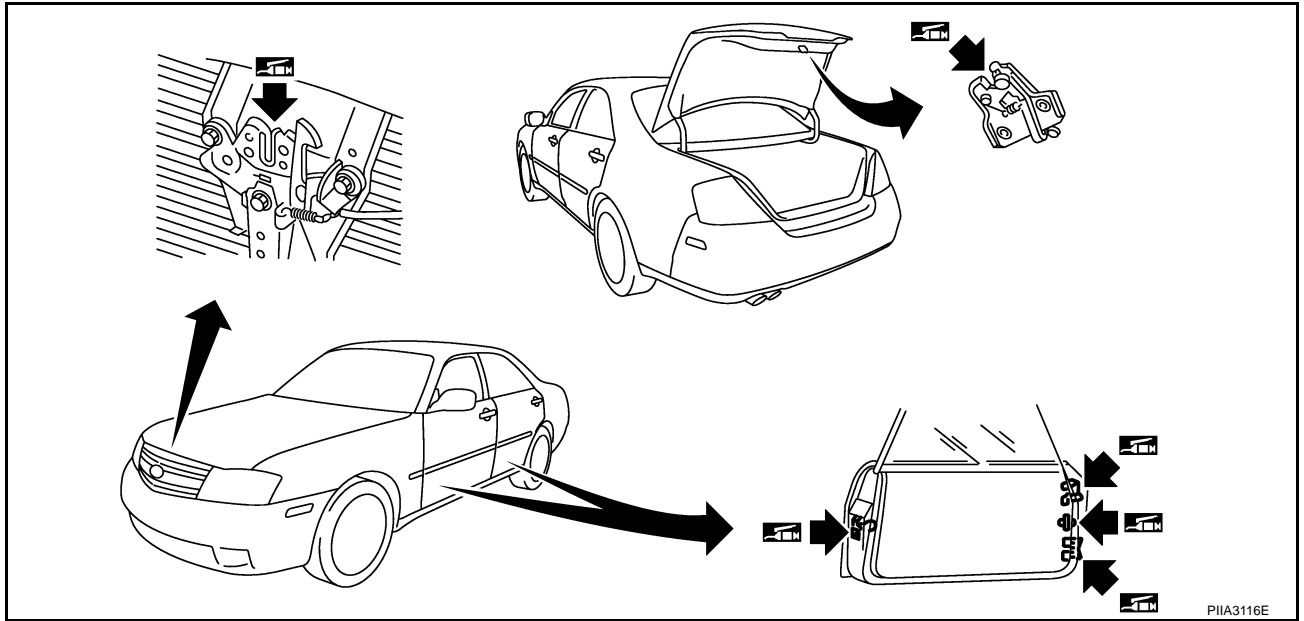
Check boot and drive shaft for cracks, wear, damage and grease leakage.



CHASSIS AND BODY MAINTENANCE

Lubricating Locks, Hinges and Hood Latch

ALS0005V



PIIA3116E

Checking Seat Belts, Buckles, Retractors, Anchors and Adjusters

ALS0005W

CAUTION:

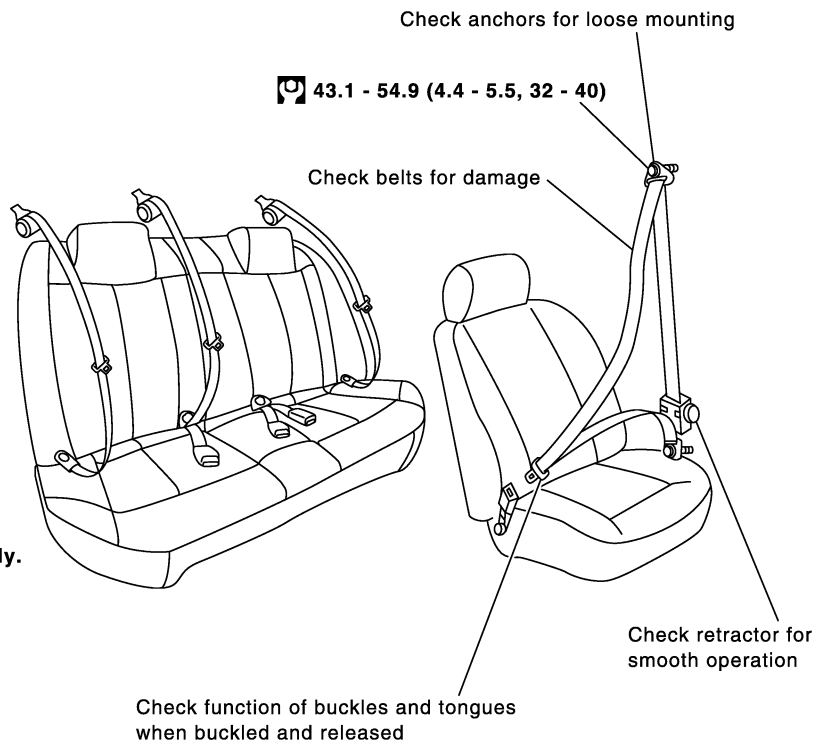
- After any collision, inspect all seat belt assemblies, including retractors and other attached hardware (i.e. anchor bolt, guide rail set). Nissan recommends to replace all seat belt assemblies in use during a collision, unless not damaged and properly operating after minor collision. Also inspect seat belt assemblies not in use during a collision, and replace if damaged or improperly operating. Seat belt pre-tensioner should be replaced even if the seat belts are not in use during a frontal collision where the driver and passenger air bags are deployed.
- If any component of seat belt assembly is questionable, do not repair. Replace as seat belt assembly.
- If webbing is cut, frayed, or damaged, replace belt assembly.
- Never oil tongue and buckle.
- Use a genuine NISSAN seat belt assembly.

For details, refer to "Seat Belt Inspection" in SB section.

Anchor bolt

43.1 - 54.9 (4.4 - 5.5, 32 - 40)

N•m (kg-m, ft-lb)



PIIA1111E

SERVICE DATA AND SPECIFICATIONS (SDS)

SERVICE DATA AND SPECIFICATIONS (SDS)

PFP:00030

Standard and Limit BELT DEFLECTION AND TENSION

ALS00024

Tensions of drive belts	Auto-adjustment by auto tensioner
-------------------------	-----------------------------------

ENGINE COOLANT CAPACITY

Unit: ℓ (US qt, Imp qt)

Engine coolant capacity [With reservoir tank (MAX level)]	Approximately 9.8 (10-3/8, 8-5/8)
Reservoir tank	0.8 (7/8, 3/4)

RADIATOR

Unit: kPa (kg/cm², psi)

Cap relief pressure	Standard	78 - 98 (0.8 - 1.0, 11 - 14)
	Limit	59 (0.6, 9)
Leakage test pressure		157 (1.6, 23)

ENGINE OIL CAPACITY

Unit: ℓ (US qt, Imp qt)

With oil filter change	Approximately 5.6 (5-7/8, 4-7/8)
Without oil filter change	Approximately 5.0 (5-1/4, 4-3/8)
Dry engine (engine overhaul)	Approximately 6.7 (7-1/8, 5-7/8)

SPARK PLUG (PLATINUM-TIPPED TYPE)

Make	NGK	
Type	Standard	PLFR5A-11
	Hot	PLFR4A-11
	Cold	PLFR6A-11
	Plug gap (Nominal)	1.1 mm (0.043 in)

WHEEL BALANCE

Unit: g (oz)

Maximum allowable unbalance	Dynamic (At rim flange)	10 (0.35) (one side)
	Static	20 (0.71)

Tightening Torque

ALS0007H

Unit: N·m (kg·m, ft·lb)

Unit: N·m (kg·m, in·lb)*

Cylinder block drain plug	14.7 - 24.5 (1.5 - 2.5, 11 - 18)
Radiator drain plug	0.78 - 1.56 (0.08 - 0.16, 7 - 14)*
Oil pan drain plug	29.4 - 39.2 (3.0 - 4.0, 22 - 28)
Oil filter	14.7 - 20.6 (1.5 - 2.1, 11 - 15)
Spark plug	24.6 (2.5, 18)