

MAINTENANCE

SECTION **MA**

GI

MA

EM

LC

EF &
EC

CONTENTS

PRECAUTIONS	2	CHASSIS AND BODY MAINTENANCE	15	FE
Supplemental Restraint System "AIR BAG" and "SEAT BELT PRE-TENSIONER"	2	Checking A/T Fluid	15	
GENERAL MAINTENANCE	3	Changing A/T Fluid	15	AT
PERIODIC MAINTENANCE	5	Checking Differential Gear Oil	16	
Schedule 1	6	Changing Differential Gear Oil.....	16	
Schedule 2	7	Checking Brake Fluid Level and Leaks	16	PD
RECOMMENDED FLUIDS AND LUBRICANTS	8	Checking Brake Lines and Cables.....	17	
Fluids and Lubricants	8	Checking Disc Brake	17	
SAE Viscosity Number	8	Balancing Wheels	17	FA
ENGINE MAINTENANCE	9	Tire Rotation.....	18	
Checking Drive Belts	9	Checking Steering Gear and Linkage.....	18	
Changing Engine Coolant.....	10	Checking Power Steering Fluid and Lines	18	RA
Checking Fuel Lines	11	Checking SUPER HICAS Linkage (With SUPER HICAS system)	19	BR
Changing Fuel Filter	12	Checking Exhaust System	19	
Changing Air Cleaner Filter	12	Lubricating Locks, Hinges and Hood Latches	20	
Changing Engine Oil.....	12	Checking Seat Belts, Buckles, Retractors, Anchors and Adjusters	20	ST
Changing Oil Filter.....	13	SERVICE DATA AND SPECIFICATIONS (SDS)	21	BF
Changing Spark Plugs	14	Engine Maintenance	21	
Checking Vapor Lines.....	14	Chassis and Body Maintenance.....	22	

HA

EL

IOX

PRECAUTIONS

Supplemental Restraint System “AIR BAG” and “SEAT BELT PRE-TENSIONER”

The Supplemental Restraint System “Air Bag” and “Seat Belt Pre-tensioner” help to reduce the risk or severity of injury to the driver and front passenger in a frontal collision. The Supplemental Restraint System consists of air bags (located in the center of the steering wheel and on the instrument panel on the passenger side), seat belt pre-tensioners sensors, a diagnosis unit, warning lamp, wiring harness and spiral cable. Information necessary to service the system safely is included in the **BF section** of this Service Manual.

WARNING:

- **To avoid rendering the SRS inoperative, which could lead to personal injury or death in the event of a severe frontal collision, all maintenance must be performed by an authorized INFINITI dealer.**
- **Improper maintenance, including incorrect removal and installation of the SRS, can lead to personal injury caused by unintentional activation of the system.**
- **All SRS air bag electrical wiring harnesses and connectors are covered with yellow outer insulation. Do not use electrical test equipment on any circuit related to the SRS SYSTEM.**

GENERAL MAINTENANCE

General maintenance includes those items which should be checked during the normal day-to-day operation of the vehicle. They are essential if the vehicle is to continue operating properly. The owners can perform the checks and inspections themselves or they can have their INFINITI dealers do them.

Item	Reference page	
OUTSIDE THE VEHICLE		
The maintenance items listed here should be performed from time to time, unless otherwise specified.		
Tires Check the pressure with a gauge periodically when at a service station, including the spare, and adjust to the specified pressure if necessary. Check carefully for damage, cuts or excessive wear.	—	GI MA EM
Wheel nuts When checking the tires, make sure no nuts are missing, and check for any loose nuts. Tighten if necessary.	—	LC
Tire rotation Tires should be rotated every 12,000 km (7,500 miles).	MA-18	
Wheel alignment and balance If the vehicle should pull to either side while driving on a straight and level road, or if you detect uneven or abnormal tire wear, there may be a need for wheel alignment. If the steering wheel or seat vibrates at normal highway speeds, wheel balancing may be needed.	MA-17 FA-7	EF & EC
Windshield wiper blades Check for cracks or wear if they do not wipe properly.	—	FE
Doors and engine hood Check that all doors and the engine hood operate smoothly as well as the trunk lid. Also ensure, that all latches lock securely. Lubricate hinges and latches if necessary. Make sure that the secondary latch keeps the hood from opening when the primary latch is released. When driving in areas using road salt or other corrosive materials, check lubrication frequently.	MA-20	AT PD
INSIDE THE VEHICLE		
The maintenance items listed here should be checked on a regular basis, such as when performing periodic maintenance, cleaning the vehicle, etc.		
Lights Make sure that the headlights, stop lights, tail lights, turn signal lights, and other lights are all operating properly and installed securely. Also check headlight aim.	—	FA RA
Warning lights and buzzers/chimes Make sure that all warning lights and buzzers/chimes are operating properly.	—	BR
Windshield wiper and washer Check that the wipers and washer operate properly and that the wipers do not streak.	—	ST
Windshield defroster Check that the air comes out of the defroster outlets properly and in sufficient quantity when operating the heater or air conditioner.	—	BF
Steering wheel Check that it has the specified free play. Be sure to check for changes in the steering condition, such as excessive free play, hard steering or strange noises. Free play: Less than 35 mm (1.38 in)	—	HA
Seats Check seat position controls such as seat adjuster, seatback recliner, etc. to ensure they operate smoothly and that all latches lock securely in every position. Check that the head restraints move up and down smoothly and that the locks (if so equipped) hold securely in all latched positions. Check that the latches lock securely for folding-down rear seatbacks.	—	EI
Seat belts Check that all parts of the seat belt system (e.g. buckles, anchors, adjusters and retractors) operate properly and smoothly, and are installed securely. Check the belt webbing for cuts, fraying, wear or damage.	MA-20	IDX
Brakes Check that the brake does not pull the vehicle to one side when applied.	—	
Brake pedal and booster Check the pedal for smooth operation and make sure it has the proper distance under it when depressed fully. Check the brake booster function. Be certain to keep floor mats away from the pedal.	BR-8 BR-13	

GENERAL MAINTENANCE

Item	Reference page
Parking brake Check that the lever has the proper travel and confirm that your vehicle is held securely on a fairly steep hill with only the parking brake applied.	BR-29
Automatic transmission "Park position" mechanism Check that the lock release button on the selector lever operates properly and smoothly. On a fairly steep hill check that your vehicle is held securely with the selector lever in the "P" position without applying any brakes.	—
UNDER THE HOOD AND VEHICLE	
The maintenance items listed here should be checked periodically (e.g. each time you check the engine oil or refuel).	
Windshield washer fluid Check that there is adequate fluid in the tank.	—
Engine coolant level Check the coolant level when the engine is cold.	MA-11
Radiator and hoses Check the front of the radiator and clean off any dirt, insects, leaves, etc., that may have accumulated. Make sure the hoses have no cracks, deformation, rot or loose connections.	—
Brake fluid level Make sure that the brake fluid level is between the "MAX" and "MIN" lines on the reservoir.	MA-16
Battery Check the fluid level in each cell. It should be between the "MAX" and "MIN" lines.	—
Engine drive belts Make sure that no belts is frayed, worn, cracked or oily.	MA-9
Engine oil level Check the level on the dipstick after parking the vehicle on a level spot and turning off the engine.	MA-13
Power steering fluid level and lines Check the level when the fluid is cold and the engine is turned off. Check the lines for proper attachment, leaks, cracks etc.	MA-18
Automatic transmission fluid level Check the level on the dipstick after putting the selector lever in "P" with the engine idling.	MA-15
Exhaust system Make sure there are no loose supports, cracks or holes. If the sound of the exhaust seems unusual or there is a small of exhaust fumes, immediately locate the trouble and correct it.	MA-19
Underbody The underbody is frequently exposed to corrosive substances such as those used on icy roads or to control dust. It is very important to remove these substances, otherwise rust will form on the floor pan, frame, fuel lines and around the exhaust system. At the end of winter, the underbody should be thoroughly flushed with plain water, being careful to clean those areas where mud and dirt can easily accumulate.	—
Fluid leaks Check under the vehicle for fuel, oil water or other fluid leaks after the vehicle has been parked for a while. Water dripping from the air conditioner after use is normal. If you should notice any leaks or gasoline fumes are evident, check for the cause and correct it immediately.	—

PERIODIC MAINTENANCE

Two different maintenance schedules are provided, and should be used, depending upon the conditions in which the vehicle is mainly operated. **After 60,000 miles (96,000 km) or 48 months, continue the periodic maintenance at the same mileage/time intervals.**

SCHEDULE 1

Follow Periodic Maintenance Schedule 1 if your driving habits frequently includes one or more of the following driving conditions:

- Repeated short trips of less than 5 miles (8 km).
- Repeated short trips of less than 10 miles (16 km) with outside temperatures remaining below freezing.
- Operating in hot weather in stop-and-go “rush hour” traffic.
- Extensive idling and/or low speed driving for long distances, such as police, taxi or door-to-door delivery use.
- Driving in dusty conditions.
- Driving on rough, muddy, or salt spread roads.
- Towing a trailer, using a camper or a car-top carrier.

SCHEDULE 2

Follow Periodic Maintenance Schedule 2 if none of the driving conditions shown in Schedule 1 apply to your driving habits.

GI

MA

EM

LC

EF &
EC

FE

AT

PD

FA

RA

BR

ST

BF

HA

EL

IDX

PERIODIC MAINTENANCE

Schedule 1

[]: Perform service at the mileage intervals only

Abbreviations: R = Replace I = Inspect C = Correct or replace as necessary.

MAINTENANCE OPERATION	MAINTENANCE INTERVAL												Reference page					
	Miles x 1,000	3.75	7.5	11.25	15	18.75	22.5	26.25	30	33.75	37.5	41.25		45	48.75	52.5	56.25	60
Perform at number of miles, kilometers or months, whichever comes first.	Miles x 1,000 (km x 1,000)	(6)	(12)	(18)	(24)	(30)	(36)	(42)	(48)	(54)	(60)	(66)	(72)	(78)	(84)	(90)	(96)	
	Months	3	6	9	12	15	18	21	24	27	30	33	36	39	42	45	48	

EMISSION CONTROL SYSTEM MAINTENANCE

Service "A"																			
Engine oil	R	R	R	R	R	R	R	R	R	R	R	R	R	R	R	R	R	R	MA-12
Engine oil filter (Use Nissan Part No. 15208-60U00 or equivalent)	R	R	R	R	R	R	R	R	R	R	R	R	R	R	R	R	R	R	MA-13
Service "E"																			
Air cleaner filter									[R]										MA-12
Service "F"																			
Vapor lines									I*										MA-14
Fuel lines									I*										MA-11
Fuel filter																			MA-12
Service "G"																			
Drive belts																			MA-9
Service "J"																			
Engine coolant																			MA-11
Service "H"																			
Spark plugs (PLATINUM-TIPPED type)																			MA-14
Timing belt																			EM-14

CHASSIS AND BODY MAINTENANCE

Service "B"																			
Brake pads & discs																			MA-17
Steering gear & linkage, axle & suspension parts																			MA-18, FA-5, RA-5
Steering linkage ball joints & front suspension ball joints																			MA-15, FA-6
SUPER HICAS linkage																			MA-19
Exhaust system																			MA-19
Service "D"																			
Brake lines & cables																			MA-16
Automatic transmission oil & differential gear oil																			MA-15, 16
Air bag system																			BF-74

- NOTE:**
- (1) If operating mainly in dusty conditions, more frequent maintenance may be required.
 - (2) If vehicle is operated under extremely adverse weather conditions or in areas where ambient temperatures are either extremely low or extremely high, the filters might become clogged. In such an event, replace them immediately.
 - (3) After 60,000 miles (96,000 km) or 48 months, inspect every 15,000 miles (24,000 km) or 12 months.
 - (4) After 60,000 miles (96,000 km) or 48 months, replace every 30,000 miles (48,000 km) or 24 months.
 - (5) Replace every 105,000 miles (168,000 km).
 - (6) If towing a trailer, using a camper or a car-top carrier, or driving on rough or muddy roads, change (not just inspect) oil at every 30,000 miles (48,000 km) or 24 months.
 - (7) Inspect the air bag system 10 years after the date of manufacture as noted on the F.M.V.S.S. certification label.
 - (8) Maintenance items and intervals with "I*" are recommended by INFINITI for reliable vehicle operation. The owner need not perform such maintenance in order to maintain the emission warranty or manufacturer recall liability. Other maintenance items and intervals are required.

RECOMMENDED FLUIDS AND LUBRICANTS

Fluids and Lubricants

	Capacity (Approximate)			Recommended fluids and lubricants
	US measure	Imp measure	Liter	
Engine oil (Refill)				
With oil filter	4-1/2 qt	3-3/4 qt	4.3	Energy Conserving Oils of API SG*2, *3
Without oil filter	4-1/8 qt	3-3/8 qt	3.9	
Cooling system (With reservoir)	9-3/4 qt	8-1/8 qt	9.2	Anti-freeze coolant (Ethylene glycol base)
Differential gear oil	3-1/8 pt	2-5/8 pt	1.5	API GL-5*2
Automatic transmission fluid	8-3/4 qt	7-1/4 qt	8.3	Genuine ATF*1 or equivalent Type DEXRON™II
Power steering fluid	—	—	—	Type DEXRON™
Brake fluid	—	—	—	Genuine Brake Fluid*1 or equivalent DOT 3 (US FMVSS No. 116)
Multi-purpose grease	—	—	—	NLGI No. 2 (Lithium soap base)
Air conditioning system refrigerant	—	—	—	R-134a
Air conditioning lubricants	—	—	—	Nissan A/C System Oil Type R or equivalent

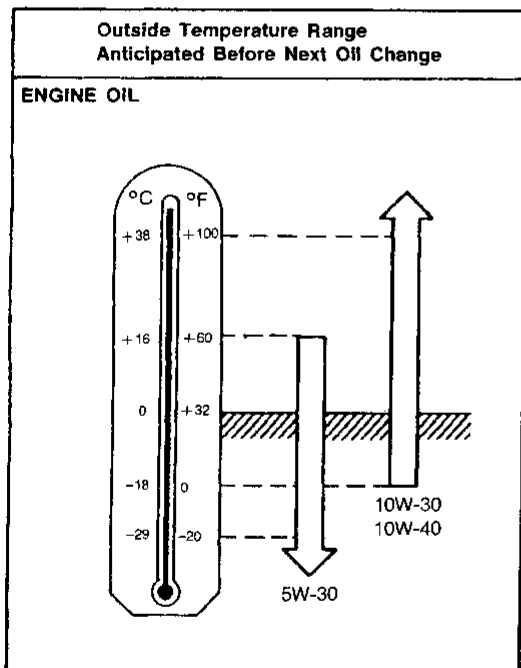
*1: Available in mainland U.S.A. through your INFINITI dealer.

*2: For further details, see "Recommended SAE viscosity number".

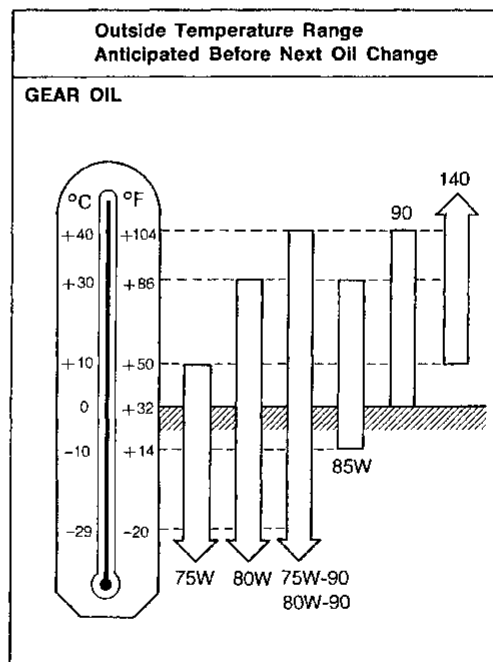
*3: Energy conserving oils

These oils can be identified by such labels as EC-I, EC-II, energy conserving, energy saving, improved fuel economy, etc.

SAE Viscosity Number



T10002

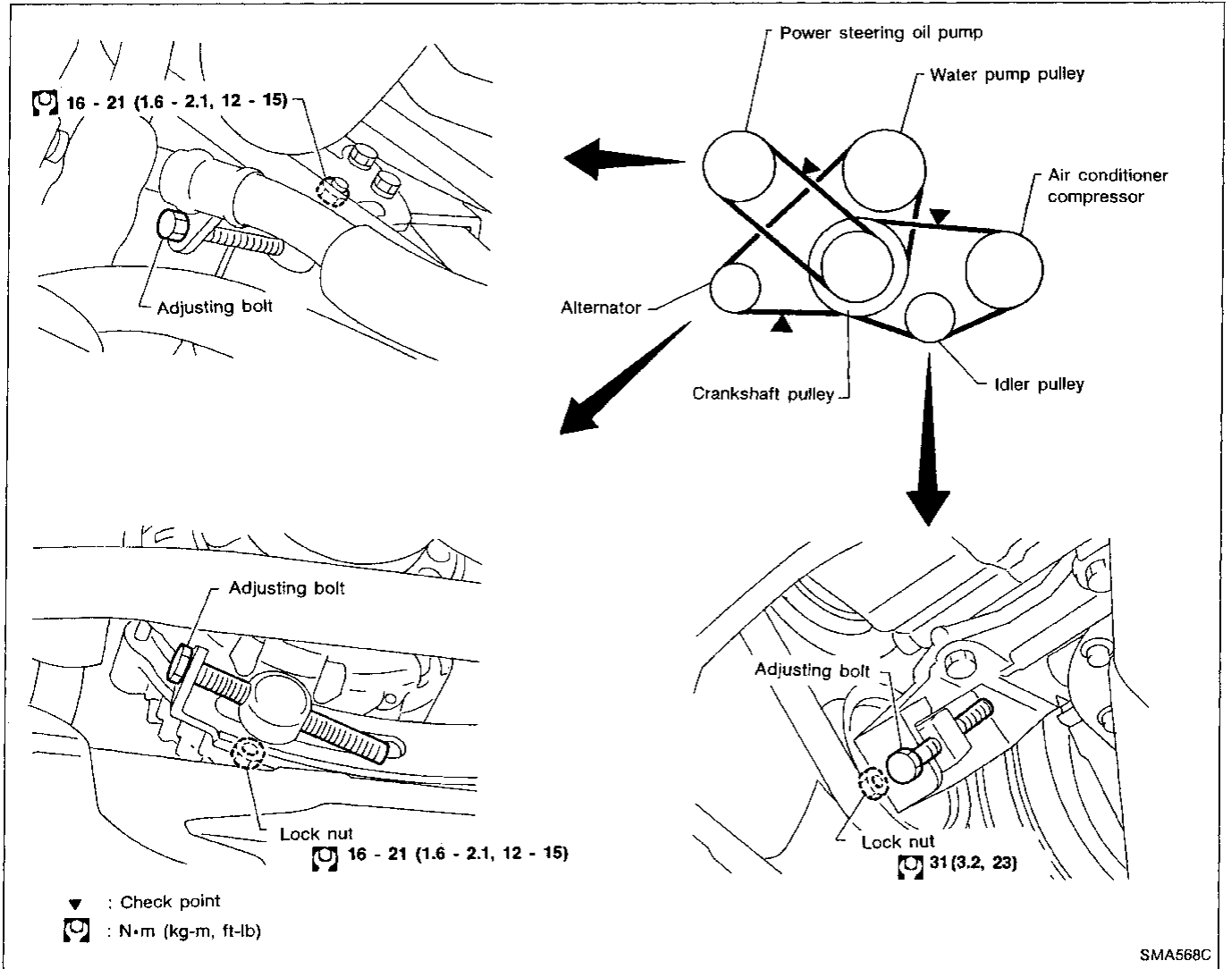


T10003

10W-30 is preferable for ambient temperatures above -18°C (0°F). 20W-40 and 20W-50 are usable for ambient temperatures above 10°C (50°F) for all seasons.

80W-90 for differential gear is preferable for ambient temperatures below 40°C (104°F).

Checking Drive Belts



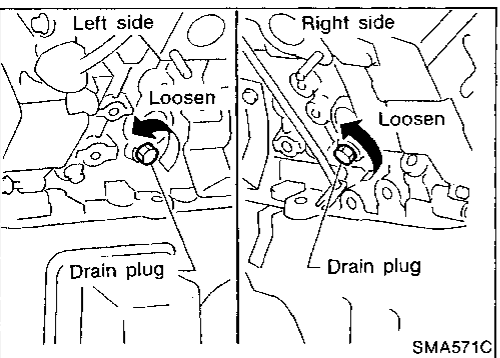
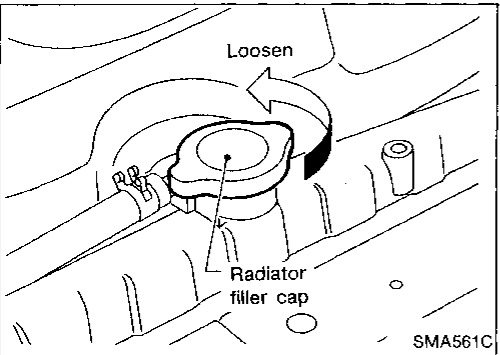
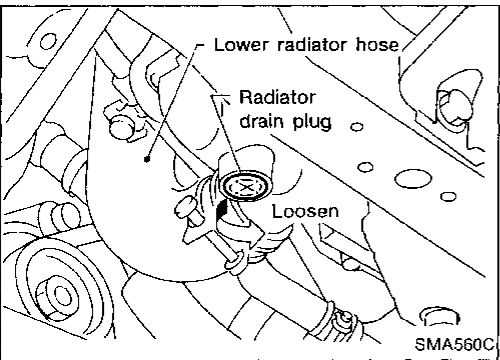
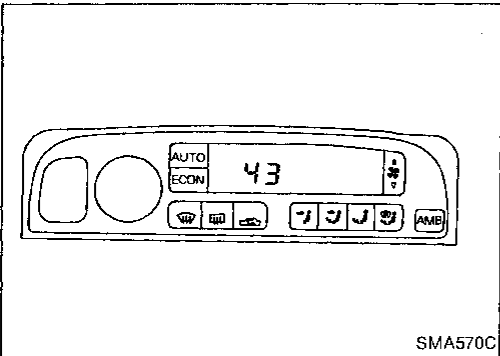
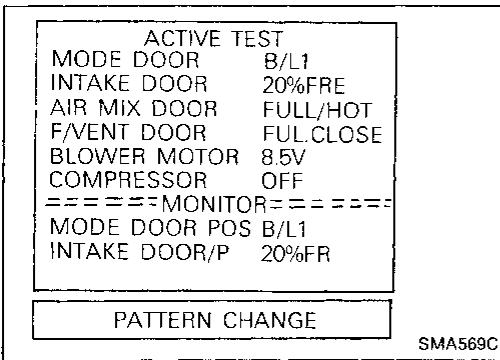
1. Inspect for cracks, fraying, wear or oil adhesion. If necessary, replace with a new one.
2. Inspect drive belt deflection by pushing on the belt midway between pulleys.

Adjust if belt deflection exceed the limit.

Belt deflection:

	Used belt deflection		Deflection of new belt
	Limit	Deflection after adjustment	
Alternator	10 (0.39)	6.5 - 7.5 (0.256 - 0.295)	5.5 - 6.5 (0.217 - 0.256)
Air conditioner compressor	14 (0.55)	8.5 - 9.5 (0.335 - 0.374)	7.5 - 8.5 (0.295 - 0.335)
Power steering oil pump	20 (0.79)	13 - 15 (0.51 - 0.59)	11 - 13 (0.43 - 0.51)
Applied pushing force	98 N (10 kg, 22 lb)		

Inspect drive belt deflection when engine is cold.



Changing Engine Coolant

WARNING:

To avoid the danger of being scalded, never change the coolant when the engine is hot.

1. Perform "COMPLEX PATTERNS" test in "ACTIVE TEST" mode of "AUTO A/C" (Automatic Air Conditioner) system.
Set "AIR MIX DOORS" at (full) HOT and wait 10 seconds before turning ignition switch off.
1. Perform self-diagnosis step 2 of Automatic Air Conditioner system, referring to the following notes:
 - 1) Turn ignition switch from "OFF" to "ON".
 - 2) Press "TEMP" knob for at least 5 seconds.
 - 3) Turn "TEMP" knob in Hot or Cool direction until CODE "41" is indicated.
 - 4) Press (DEF) switch 2 times.
 - 5) Confirm indication of the A/C display shown at left.
 - 6) Wait 10 seconds before turning ignition switch off.

2. Open drain plug at the bottom of radiator, and remove radiator cap.

3. Open drain plugs on both sides of cylinder block.
 - Left side drain plug is located beside the left side engine mounting.

ENGINE MAINTENANCE

Changing Engine Coolant (Cont'd)

4. Flush cooling system by running fresh water through radiator.
5. Close drain plug and tighten drain plugs securely.
 - **Apply sealant to the drain plug thread.**
⚙️: 34 - 44 N·m (3.5 - 4.5 kg-m, 25 - 33 ft-lb)

GI

MA

EM

LC

EF &
EC

FE

AT

PD

FA

RA

BR

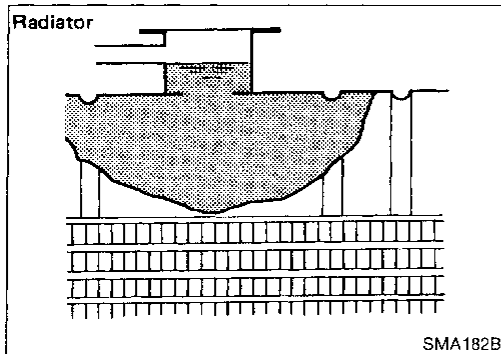
ST

BF

HA

EL

IDX



6. Fill radiator slowly with proper mixture of coolant and water. Fill reservoir tank up to the "H" level. Then install radiator cap and close air release plug.

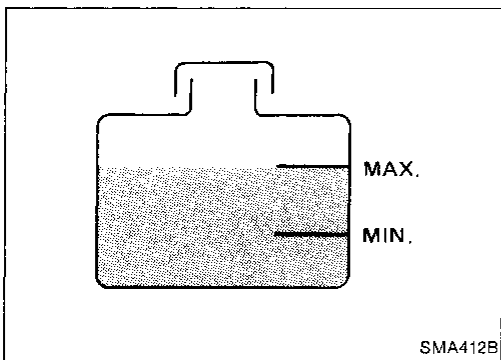
Coolant capacity (With reservoir tank):

9.2ℓ (9-3/4 US qt, 8-1/8 Imp qt)

Reservoir tank:

1.0ℓ (1-1/8 US qt, 7/8 Imp qt)

Pour coolant through coolant filler neck slowly to allow air in system to escape.

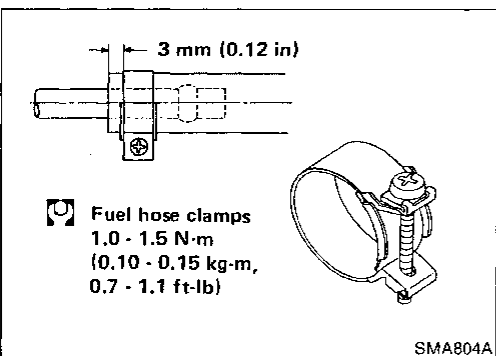
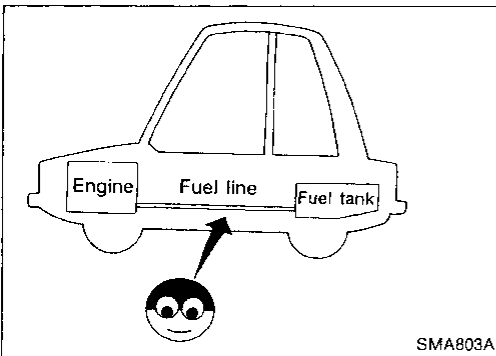


7. Start engine and warm it up until it reaches normal operating temperature. Then race engine 2 or 3 times under no-load. Watch coolant temperature gauge for signs of overheating.
8. Stop engine. After it completely cools down, refill radiator up to filler opening. Fill reservoir tank up to the "H" level.
9. Check drain cock and drain plug for any sign of leakage.

Checking Fuel Lines

Inspect fuel lines and tank for improper attachment and for leaks, cracks, damage, loose connections, chafing and deterioration.

If necessary, repair or replace faulty parts.



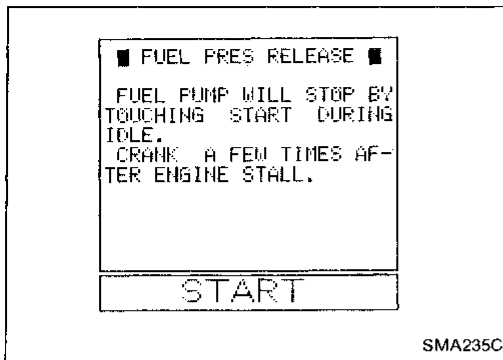
CAUTION:

Tighten high-pressure rubber hose clamp so that clamp end is 3 mm (0.12 in) from hose end.

Tightening torque specifications are the same for all rubber hose clamps.

Ensure that screw does not contact adjacent parts.

ENGINE MAINTENANCE



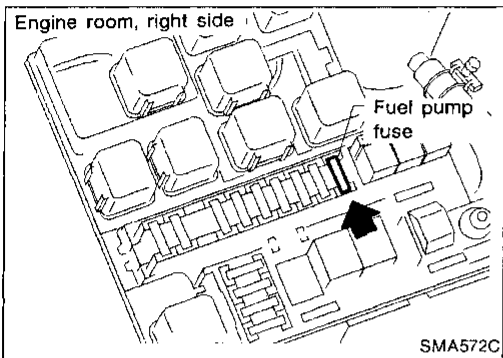
Changing Fuel Filter

WARNING:

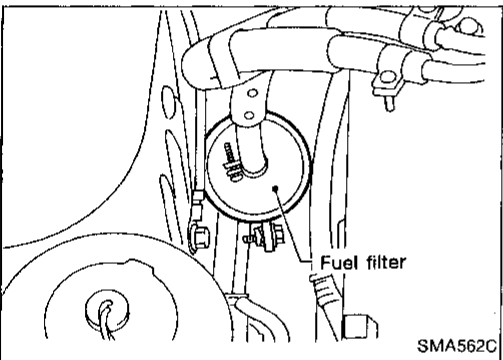
Before removing fuel filter, release fuel pressure from fuel line to eliminate danger.



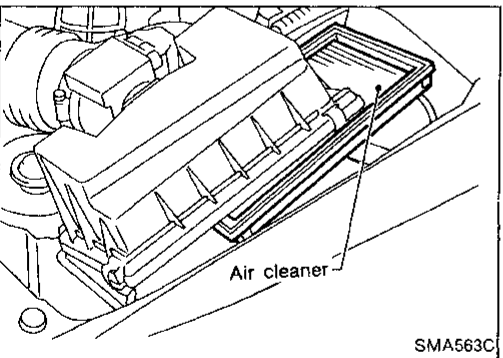
1. Perform "FUEL PRESSURE RELEASE" in "WORK SUPPORT" mode and release fuel pressure to zero.
2. Turn ignition switch off.



1. Remove fuel pump fuse and start engine.
2. After engine stalls, crank engine two or three times to make sure that fuel pressure is released. Then turn ignition switch off and reconnect fuel pump relay.

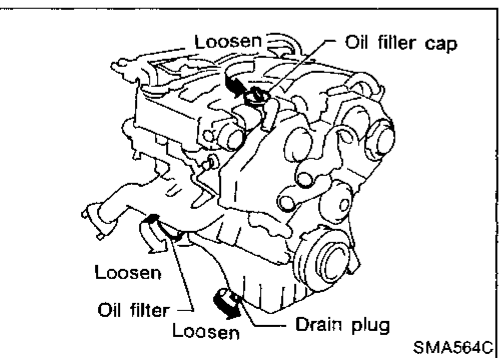


3. Loosen fuel hose clamps.
 4. Replace fuel filter.
- Be careful not to spill fuel over engine compartment. Place a shop towel to absorb fuel.
 - Use a high-pressure type fuel filter. Do not use a synthetic resinous fuel filter.
 - When tightening fuel hose clamps, refer to "Checking Fuel Lines" (MA-11).



Changing Air Cleaner Filter

The viscous paper type filter does not need cleaning between renewals.



Changing Engine Oil

WARNING:

Be careful not to burn yourself, as the engine oil is hot.

1. Warm up engine, and check for oil leakage from engine components.
2. Remove drain plug and oil filler cap.

ENGINE MAINTENANCE

Changing Engine Oil (Cont'd)

3. Drain oil and refill with new engine oil.

Oil grade: API SG

Viscosity:

See "RECOMMENDED FLUIDS AND LUBRICANTS" (MA-8).

Refill oil capacity (Approximately): ℓ (US qt, Imp qt)

With oil filter

4.3 (4-1/2, 3-3/4)

Without oil filter

3.9 (4-1/8, 3-3/8)

CAUTION:

- Be sure to clean drain plug and install with new washer.
Oil pan drain plug:
⌚: 29 - 39 N·m (3.0 - 4.0 kg-m, 22 - 29 ft-lb)
- Since the refill capacity changes depending on the oil temperature and drain time, use these values as a reference and be certain to check with the dipstick when changing the oil.

GI

MA

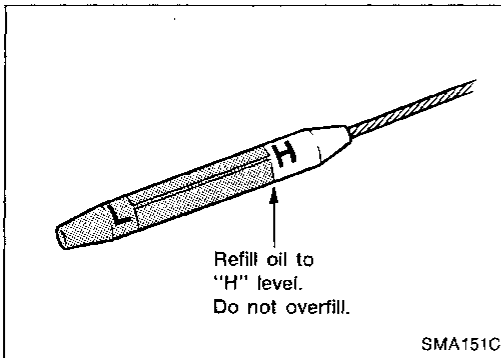
EM

LC

EF &
EC

FE

AT



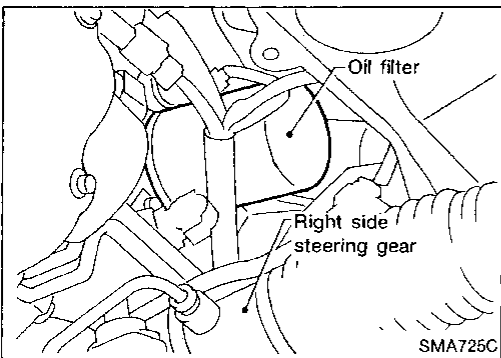
4. Check oil level.
5. Start engine and check area around drain plug and oil filter for oil leakage.
6. Run engine for a few minutes, then turn it off. After several minutes, check oil level.

PD

FA

RA

BR



Changing Oil Filter

1. Remove oil filter with a suitable tool.

WARNING:

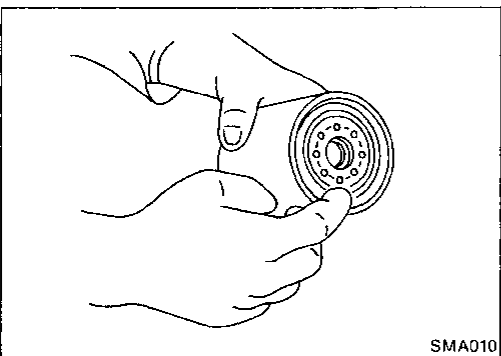
Be careful not to burn yourself, as the engine and engine oil are hot.

ST

BF

HA

EL

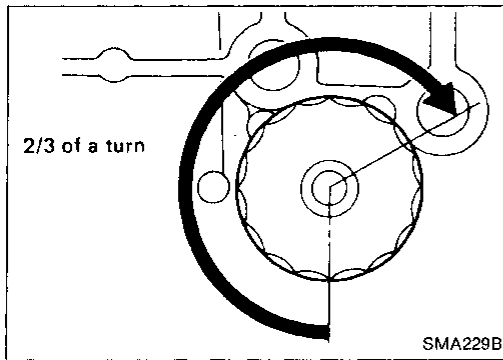


2. Before installing a new oil filter, clean the oil filter mounting surface on cylinder block, and coat the oil filter rubber seal with a little engine oil.

IDX

ENGINE MAINTENANCE

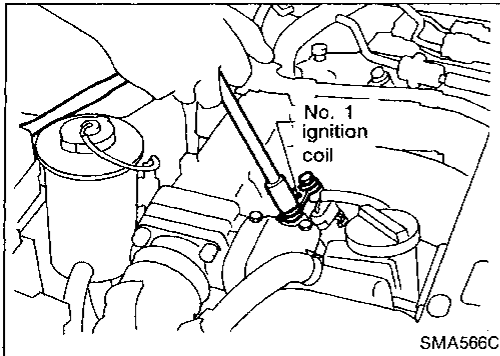
Changing Oil Filter (Cont'd)



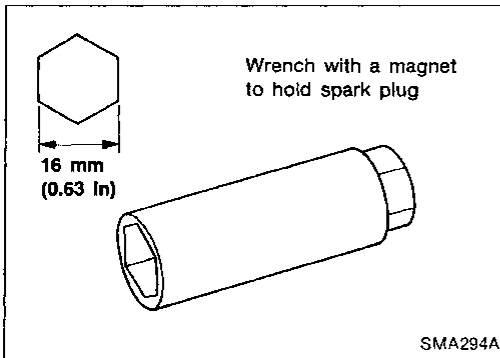
3. Screw in the oil filter until a slight resistance is felt, then tighten additionally more than 2/3 turn.
4. Add engine oil.

Refer to Changing Engine Oil (MA-12).

Changing Spark Plugs



1. Disconnect ignition coil harness connector.
2. Loosen ignition coil fixing bolts and pull out coil from intake manifold collector.




3. Remove spark plugs with suitable spark plug wrench.

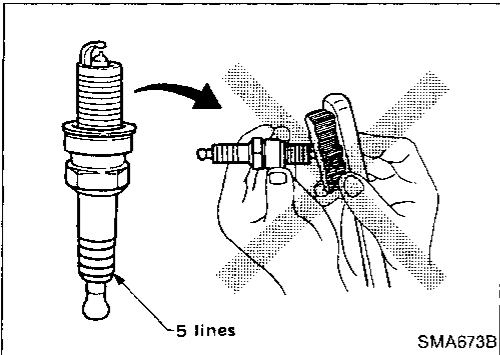
Spark plug (Platinum-tipped type):

Standard type PFR5B-11

Cold type PFR6B-11

PFR7B-11

: 20 - 29 N·m (2.0 - 3.0 kg-m, 14 - 22 ft-lb)



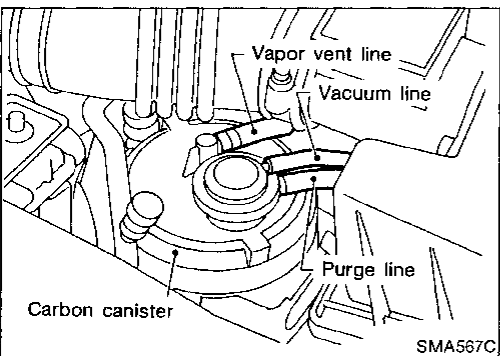
- Checking and adjusting plug gap are not required between renewals.
- Do not use a wire brush for cleaning.
- If plug tip is covered with carbon, spark plug cleaner may be used.

Cleaner air pressure:

Less than 588 kPa (6 kg/cm², 85 psi)

Cleaning time:

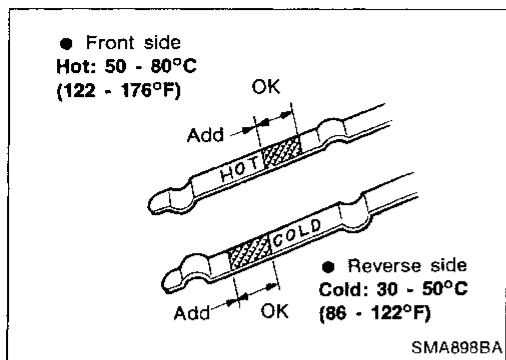
Less than 20 seconds



Checking Vapor Lines

1. Visually inspect vapor lines for improper attachment and for cracks, damage, loose connections, chafing and deterioration.
2. Inspect vacuum relief valve of fuel tank filler cap for clogging, sticking, etc.

Refer to "EVAPORATIVE EMISSION SYSTEM" in EF & EC section.

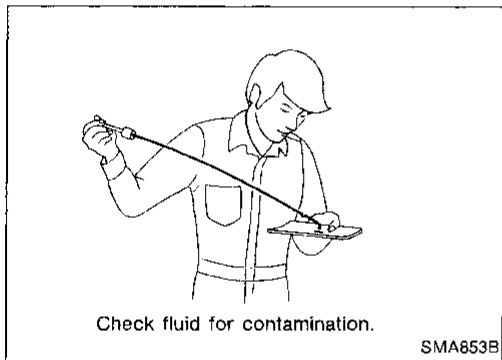


Checking A/T Fluid

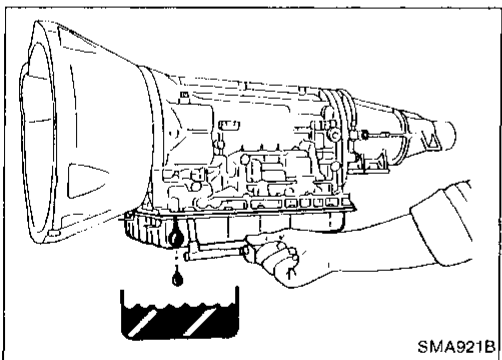
1. Check for fluid leakage.
2. If leakage is found, check fluid level. Fluid level should be checked using "HOT" range on dipstick at fluid temperatures of 50 to 80°C (122 to 176°F) after vehicle has been driven approximately 5 minutes in urban areas after engine is warmed up. But it can be checked at fluid temperatures of 30 to 50°C (86 to 122°F) using "COLD" range on dipstick for reference after engine is warmed up and before driving. However, fluid level must be rechecked using "HOT" range.

- 1) Park vehicle on level surface and set parking brake.
- 2) Start engine and then move selector lever through each gear range, ending in "P".
- 3) Check fluid level with engine idling.
- 4) Remove dipstick and wipe it clean with lint-free paper.
- 5) Reinsert dipstick into charging pipe as far as it will go.
- 6) Remove dipstick and note reading. If level is at low side of either range, add fluid to the charging pipe.

Do not overfill.



3. Check fluid condition.
Check fluid for contamination. If fluid is very dark or smells burned, or contains frictional material (clutches, band, etc.), check operation of A/T.
Refer to section AT for checking operation of A/T.



Changing A/T Fluid

1. Warm up A/T fluid.
2. Stop engine.
3. Drain A/T fluid from drain plug and refill with new A/T fluid. Always refill same volume with drained fluid.

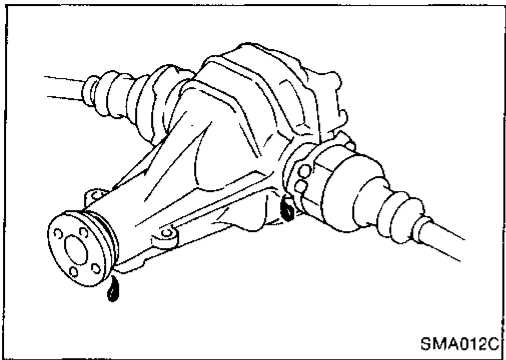
Oil grade:

**Genuine Nissan ATF or equivalent type
DEXRON™II**

Oil capacity (With torque converter):

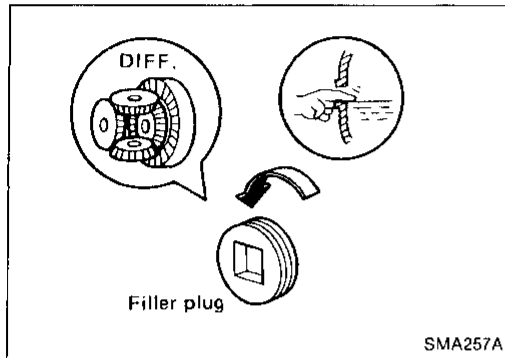
8.3 l (8-3/4 US qt, 7-1/4 Imp qt)

4. Run engine at idle speed for five minutes.
5. Check fluid level and condition. Refer to "Checking A/T Fluid". If fluid is still dirty, repeat step 2. through 5.



Checking Differential Gear Oil

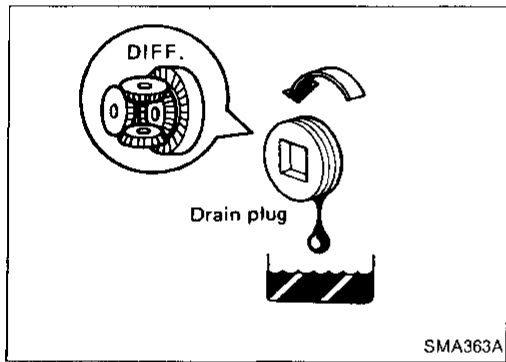
1. Check differential carrier for oil leakage.



2. If leakage is found, check oil level.

Filler plug:

: 39 - 59 N·m (4 - 6 kg-m, 29 - 43 ft-lb)



Changing Differential Gear Oil

1. Drain oil and refill with new gear oil.
2. Check oil level.

Oil grade:

API GL-5

Viscosity:

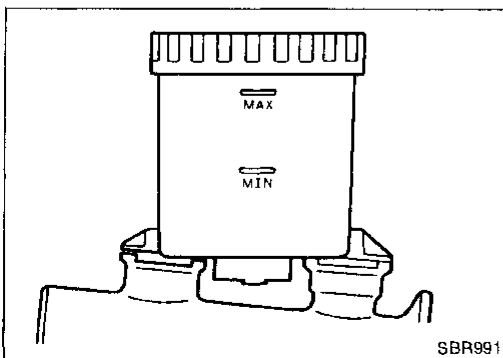
See "RECOMMENDED FLUIDS AND LUBRICANTS"
(MA-8).

Oil capacity:

1.5 l (3-1/8 US pt, 2-5/8 Imp pt)

Drain plug:

: 39 - 59 N·m (4 - 6 kg-m, 29 - 43 ft-lb)



Checking Brake Fluid Level and Leaks

- If fluid level is extremely low, check brake system for leaks.

Checking Brake Lines and Cables

- Check brake fluid lines and parking brake cables for improper attachment and for leaks, chafing, abrasions, deterioration, etc.

GI

MA

EM

LC

EF &
EC

FE

AT

PD

FA

RA

BR

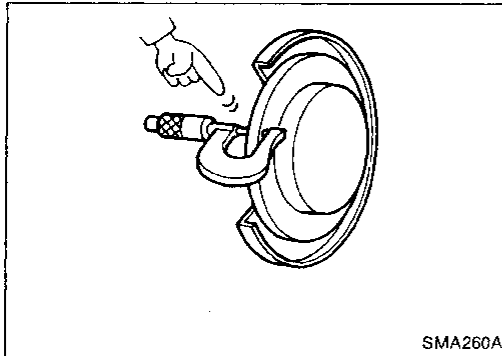
ST

BF

HA

EL

IDX



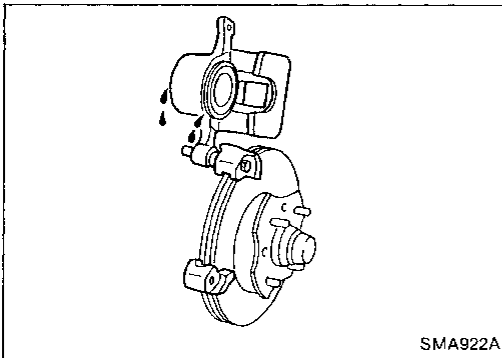
Checking Disc Brake

ROTOR

- Check condition and thickness.

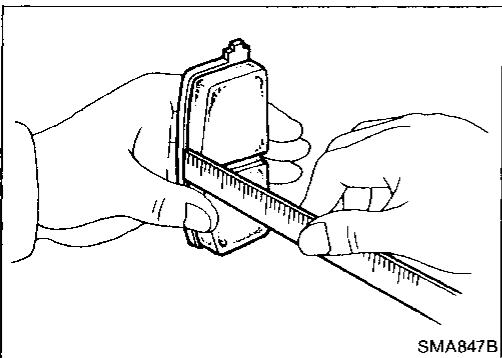
Unit: mm (in)

	Front	Rear
Standard thickness	28 (1.10)	16 (0.63)
Minimum thickness	26.0 (1.024)	14.0 (0.551)



CALIPER

- Check operation and for leakage.



PAD

- Check for wear or damage.

Unit: mm (in)

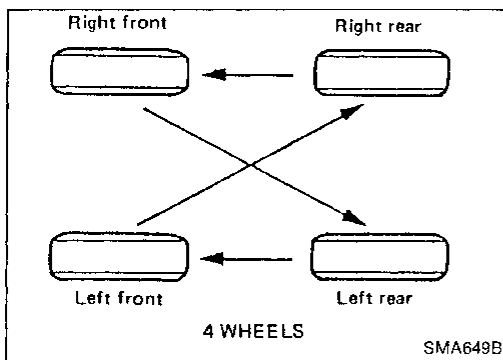
	Front	Rear
Standard thickness	9.5 (0.374)	10 (0.39)
Minimum thickness	2.0 (0.079)	

Balancing Wheels

- Adjust wheel balance using road wheel center.

Wheel balance (Maximum allowable unbalance):

Refer to SDS.

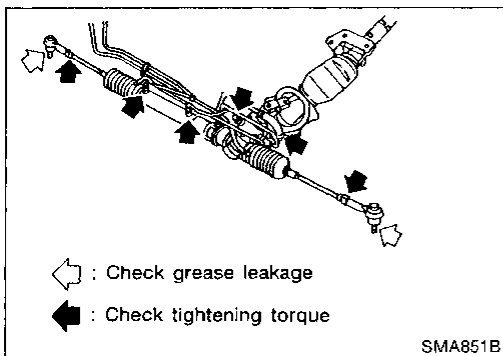


Tire Rotation

- Do not include the T-type spare tire when rotating the tires.

Wheel nuts:

: 98 - 118 N·m (10 - 12 kg-m, 72 - 87 ft-lb)



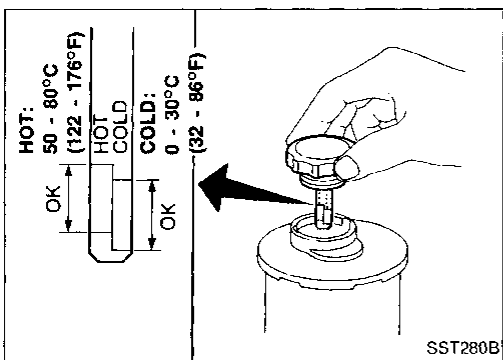
Checking Steering Gear and Linkage

STEERING GEAR

- Check gear housing and boots for looseness, damage or grease leakage.
- Check connection with steering column for looseness.

STEERING LINKAGE

- Check ball joint, dust cover and other component parts for looseness, wear, damage or grease leakage.



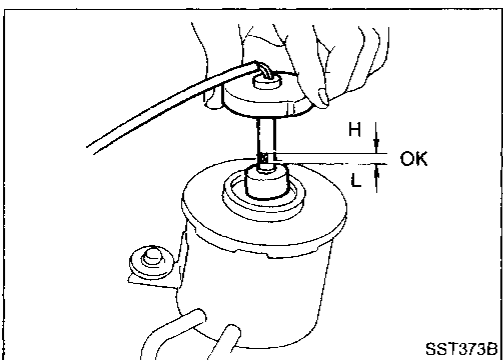
Checking Power Steering Fluid and Lines

CHECKING FLUID LEVEL (WITHOUT SUPER HICAS SYSTEM)

Fluid level should be checked using "HOT" range on dipstick at fluid temperatures of 50 to 80°C (122 to 176°F) or using "COLD" range on dipstick at fluid temperatures of 0 to 30°C (32 to 86°F).

CAUTION:

Do not overfill.

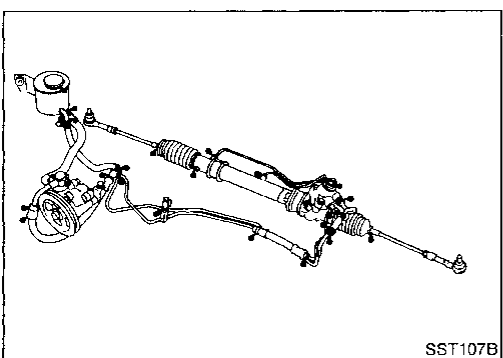


CHECKING FLUID LEVEL (WITH SUPER HICAS SYSTEM)

Maintain the fluid level so that the fluid level is maintained between the "L" and "H" marks on the gauge rod. The fluid level should be checked when the engine is stopped and at fluid temperatures of 50 to 80°C (122 to 176°F).

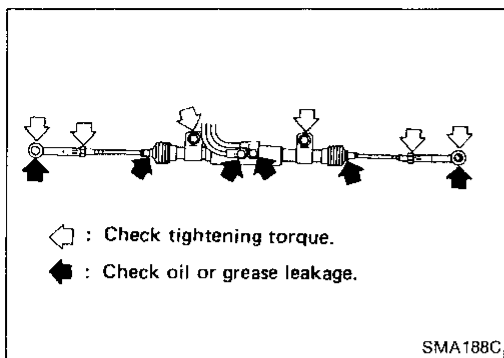
CAUTION:

Do not overfill.



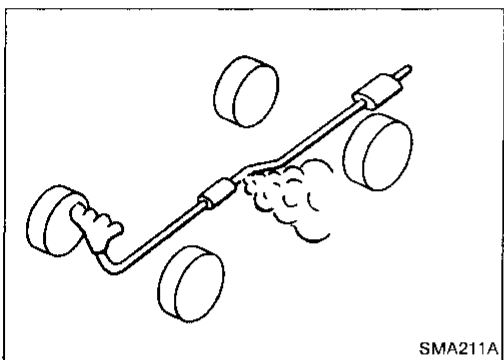
CHECKING LINES

Check lines for improper attachment, leaks, cracks, damage, loose connections, chafing and deterioration.



Checking SUPER HICAS Linkage (With SUPER HICAS system)

- Check power cylinder and linkage for damage, looseness and leakage of oil or grease.



Checking Exhaust System

- Check exhaust pipes, muffler and mounting for improper attachment, leaks, cracks, damage, loose connections, chafing and deterioration.

GI

MA

EM

LC

EF &
EC

FE

AT

PD

FA

RA

BR

ST

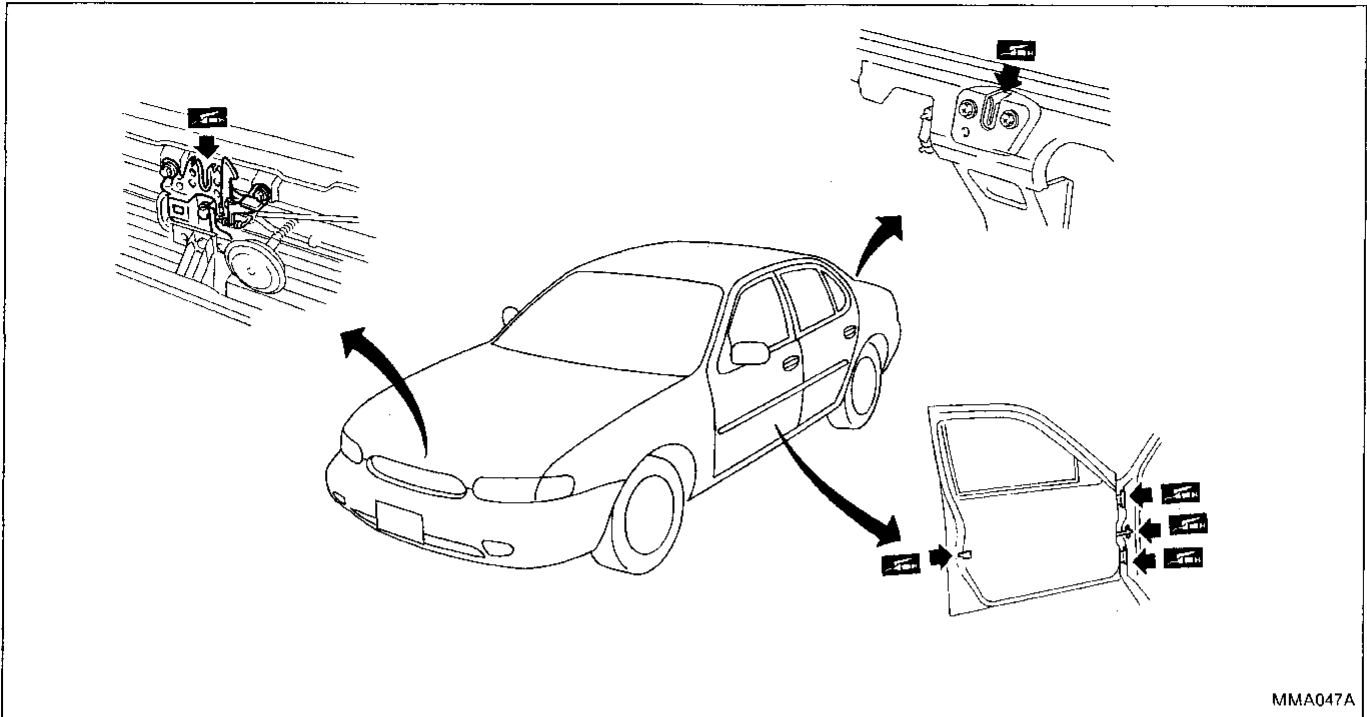
BF

HA

EL

IDX

Lubricating Locks, Hinges and Hood Latches




MMA047A

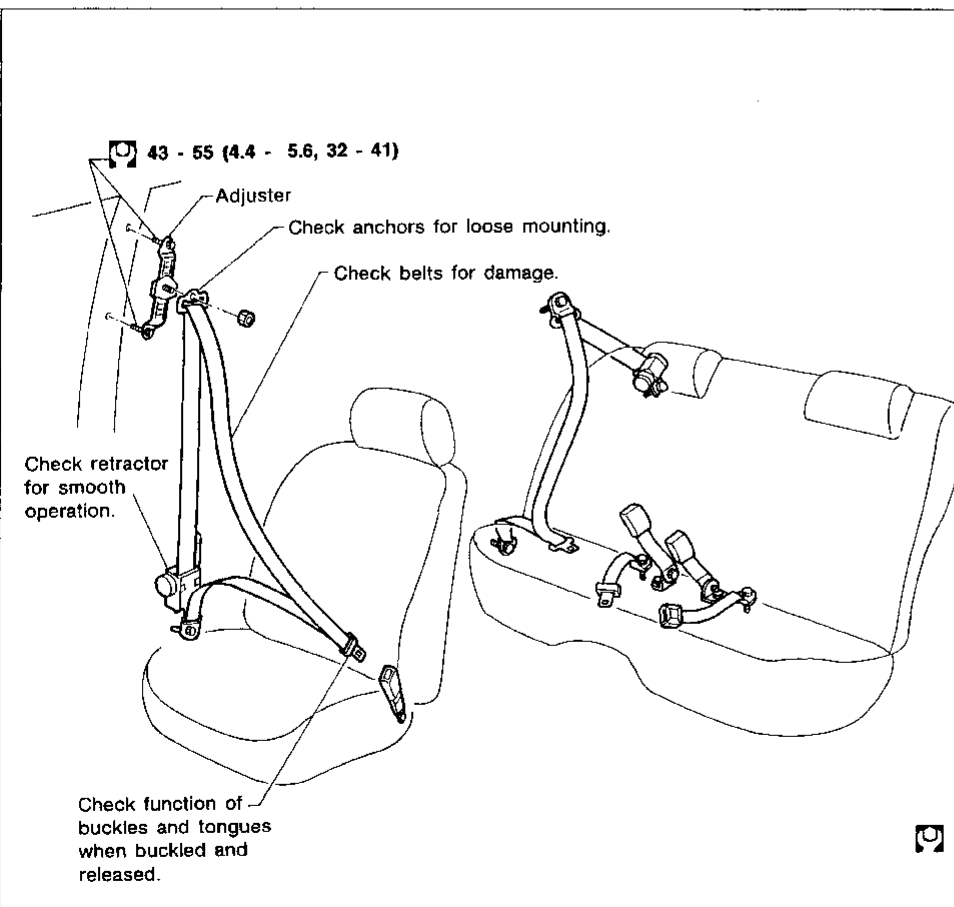
Checking Seat Belts, Buckles, Retractors, Anchors and Adjusters


CAUTION:

1. All seat belt assemblies, including retractors and attaching hardware such as guide rail set, etc., should be inspected after any collision. Nissan recommends that all seat belt assemblies in use during a collision be replaced unless the collision was minor and the belts show no damage and continue to operate properly. Seat belt assemblies not in use during a collision should also be inspected and replaced if either damage or improper operation is noted.
2. If the condition of any component of seat belt assembly is questionable, do not have it repaired, but replaced as seat belt assembly.
3. If webbing is cut, frayed, or damaged, replace belt assembly.
4. Do not spill drinks, oil, etc. on inner lap belt buckle. Never oil tongue and buckle.
5. Use a genuine seat belt assembly.

 Anchor bolt
43 - 55 (4.4 - 5.6, 32 - 41)

For seat belt pre-tensioner, refer to section BF.



 : N·m (kg·m, ft·lb)

MMA048A

SERVICE DATA AND SPECIFICATIONS (SDS)

Engine Maintenance

INSPECTION AND ADJUSTMENT

Drive belt deflection

Unit: mm (in)

	Used belt deflection		Deflection of new belt
	Limit	Deflection after adjustment	
Alternator	10 (0.39)	6.5 - 7.5 (0.256 - 0.295)	5.5 - 6.5 (0.217 - 0.256)
Air conditioner compressor	14 (0.55)	8.5 - 9.5 (0.335 - 0.374)	7.5 - 8.5 (0.295 - 0.335)
Power steering oil pump	20 (0.79)	13 - 15 (0.51 - 0.59)	11 - 13 (0.43 - 0.51)
Applied pushing force	98 N (10 kg, 22 lb)		

Oil capacity (Refill)

Unit: ℓ (US qt, Imp qt)

With oil filter	4.3 (4-1/2, 3-3/4)
Without oil filter	3.9 (4-1/8, 3-3/8)

Coolant capacity

Unit: ℓ (US qt, Imp qt)

With reservoir tank	9.2 (9-3/4, 8-1/8)
Reservoir tank	1.0 (1-1/8, 7/8)

Spark plug

Standard type	PFR5B-11
Cold type	PFR6B-11
	PFR7B-11

GI

MA

EM

LC

EF &
EC

FE

AT

PD

FA

RA

BR

ST

BF

HA

EL

DX

SERVICE DATA AND SPECIFICATIONS (SDS)

Chassis and Body Maintenance

INSPECTION AND ADJUSTMENT

Front axle and front suspension (Unladen)*

Camber	degree	-1°30' to 0°
Caster	degree	5°50' - 7°20'
Kingpin inclination	degree	12°40' - 14°10'
Toe-in		
A - B	mm (in)	0 - 2 (0 - 0.08)
Total angle 2θ	degree	0° - 10°
Front wheel turning angle		
Full turn		
Inside/outside	degree	35°20' - 39°20'/31°50'

*: Fuel, radiator coolant and engine oil full.
Spare tire, jack, hand tools and mats in designated positions.

Rear axle and rear suspension (Unladen)*

Camber	degree	-1°30' to -0°30'
Toe-in		
A - B	mm (in)	0 - 4 (0 - 0.16)
Total angle 2θ	degree	0° - 28°

*: Fuel, radiator coolant and engine oil full.
Spare tire, jack, hand tools and mats in designated positions.

Wheel bearing

	Front	Rear
Wheel bearing axle end play mm (in)	0 (0)	0.05 (0.0020) or less
Wheel bearing lock nut		
Tightening torque N·m (kg·m, ft·lb)	206 - 284 (21 - 29, 152 - 210)	206 - 275 (21 - 28, 152 - 203)

Wheel balance

Maximum allowable unbalance	Dynamic (at rim flange)	10 (0.35) (One side)
	Static	20 (0.71)

Brake

Unit: mm (in)

Disc brake	
Pad	
Standard thickness	
Front	9.5 (0.374)
Rear	10 (0.39)
Minimum thickness	
All	2.0 (0.079)
Rotor	
Standard thickness	
Front	28 (1.10)
Rear	16 (0.63)
Minimum thickness	
Front	26.0 (1.024)
Rear	14.0 (0.551)

TIGHTENING TORQUE

Unit	N·m	kg·m	ft·lb
Final drive			
Drain plug	39 - 59	4 - 6	29 - 43
Filler plug	39 - 59	4 - 6	29 - 43
Front axle and front suspension			
Tie-rod lock nut	78 - 98	8.0 - 10.0	58 - 72
Rear axle and rear suspension			
Toe adjusting bolt	69 - 88	7.0 - 9.0	51 - 65
Camber adjusting bolt (Models without super HICAS)	69 - 88	7.0 - 9.0	51 - 65
Lower link lock nut (Models with super HICAS)	37 - 46	3.8 - 4.7	27 - 34
Brake system			
Air bleed valve	7 - 9	0.7 - 0.9	5.1 - 6.5
Wheel and tire			
Wheel nut	98 - 118	10 - 12	72 - 87