

SECTION **PWO**
POWER OUTLET

A
B
C
D
E
F
G
H
I
J
K
L
N
O
P

CONTENTS

COMPONENT DIAGNOSIS	2	Precaution for Supplemental Restraint System (SRS) "AIR BAG" and "SEAT BELT PRE-TENSIONER"	6
CIGARETTE LIGHTER	2	ON-VEHICLE REPAIR	7
Wiring Diagram — Cigarette Lighter —	2	CIGARETTE LIGHTER	7
POWER SOCKET	4	Exploded View	7
Wiring Diagram — Power Socket —	4	Removal and Installation	7
PRECAUTION	6	POWER SOCKET	9
PRECAUTIONS	6	Exploded View	9
		Removal and Installation	9

PWO

CIGARETTE LIGHTER

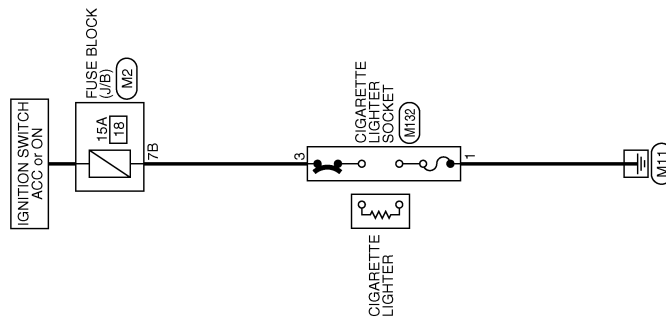
< COMPONENT DIAGNOSIS >

COMPONENT DIAGNOSIS

CIGARETTE LIGHTER

Wiring Diagram —Cigarette Lighter —

INFOID:000000000963854



CIGARETTE LIGHTER

2006/09/15

JCMWA0001GE

CIGARETTE LIGHTER

< COMPONENT DIAGNOSIS >

CIGARETTE LIGHTER

Connector No.	M2
Connector Name	FUSE BLOCK (J/B)
Connector Type	NS10FW-CS



Terminal No.	Color of Wire	Signal Name
7B	P	-

Connector No.	M132
Connector Name	CIGARETTE LIGHTER SOCKET
Connector Type	NS33FW-CS



Terminal No.	Color of Wire	Signal Name
1	B	-
3	P	-

A
B
C
D
E
F
G
H
I
J
K
L
N
O
P

PWO

JCMWA0002GE

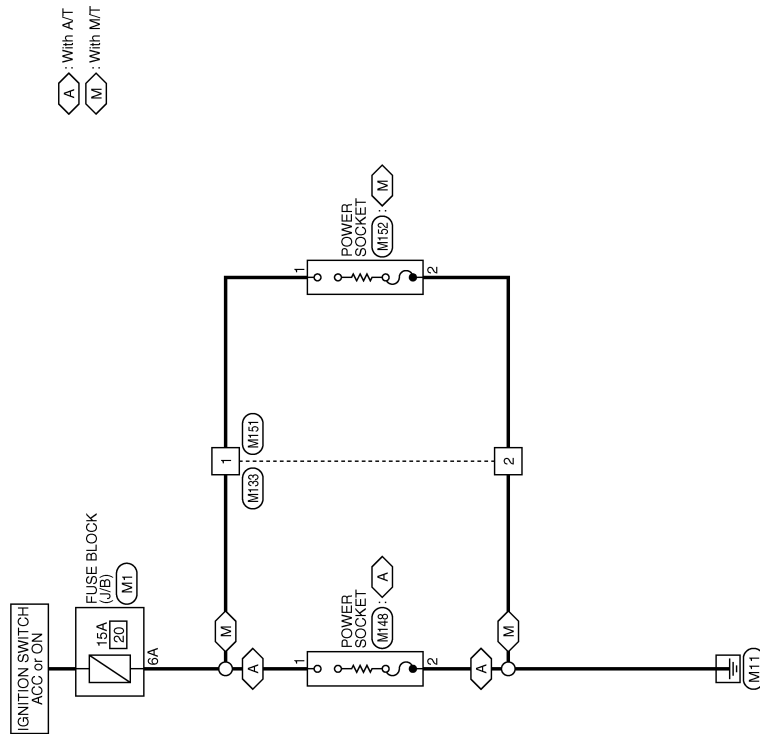
POWER SOCKET

< COMPONENT DIAGNOSIS >

POWER SOCKET

Wiring Diagram —Power Socket —

INFOID:000000000963855



POWER SOCKET

2006/09/15

JCMWA0003GE

POWER SOCKET

< COMPONENT DIAGNOSIS >

POWER SOCKET

Connector No.	M1
Connector Name	FUSE BLOCK (J/B)
Connector Type	NS08FV-MZ



Terminal No.	Color of Wire	Signal Name
6A	Y	-

Connector No.	M133
Connector Name	WIRE TO WIRE
Connector Type	MD2FB-LC



Terminal No.	Color of Wire	Signal Name
1	Y	-
2	B	-

Connector No.	M148
Connector Name	POWER SOCKET
Connector Type	P02FB-Z



Terminal No.	Color of Wire	Signal Name
1	Y	-
2	B	-

Connector No.	M151
Connector Name	WIRE TO WIRE
Connector Type	MD2MB-P-LC



Terminal No.	Color of Wire	Signal Name
1	R	-
2	B	-

Connector No.	M152
Connector Name	POWER SOCKET
Connector Type	P02FB-Z



Terminal No.	Color of Wire	Signal Name
1	R	-
2	B	-

A
B
C
D
E
F
G
H
I
J
K
L
N
O
P

PWO

JCMWA0004GE

PRECAUTIONS

< PRECAUTION >

PRECAUTION

PRECAUTIONS

Precaution for Supplemental Restraint System (SRS) "AIR BAG" and "SEAT BELT PRE-TENSIONER"

INFOID:000000000963856

The Supplemental Restraint System such as "AIR BAG" and "SEAT BELT PRE-TENSIONER", used along with a front seat belt, helps to reduce the risk or severity of injury to the driver and front passenger for certain types of collision. This system includes seat belt switch inputs and dual stage front air bag modules. The SRS system uses the seat belt switches to determine the front air bag deployment, and may only deploy one front air bag, depending on the severity of a collision and whether the front occupants are belted or unbelted. Information necessary to service the system safely is included in the SRS and SB section of this Service Manual.

WARNING:

- To avoid rendering the SRS inoperative, which could increase the risk of personal injury or death in the event of a collision which would result in air bag inflation, all maintenance must be performed by an authorized NISSAN/INFINITI dealer.
- Improper maintenance, including incorrect removal and installation of the SRS, can lead to personal injury caused by unintentional activation of the system. For removal of Spiral Cable and Air Bag Module, see the SRS section.
- Do not use electrical test equipment on any circuit related to the SRS unless instructed to in this Service Manual. SRS wiring harnesses can be identified by yellow and/or orange harnesses or harness connectors.

CIGARETTE LIGHTER

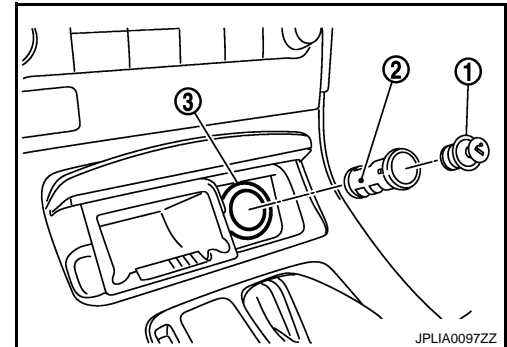
< ON-VEHICLE REPAIR >

ON-VEHICLE REPAIR

CIGARETTE LIGHTER

Exploded View

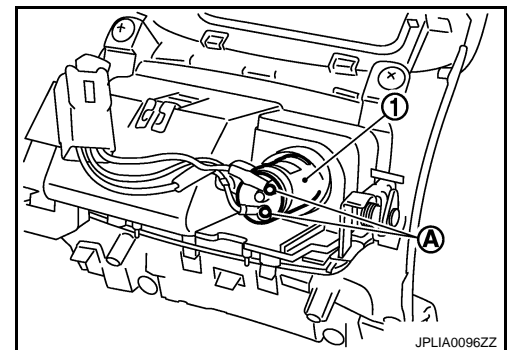
- 1 : Cigarette lighter
- 2 : Cigarette lighter socket
- 3 : Cigarette lighter ring



Removal and Installation

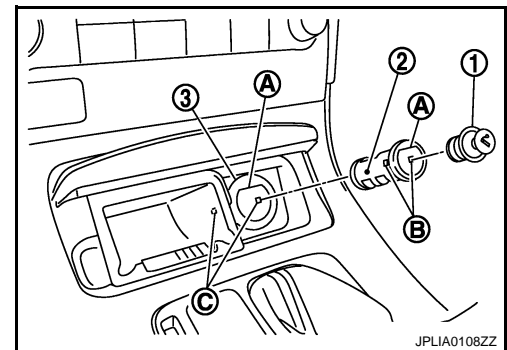
REMOVAL

1. Remove console finisher. Refer to [IP-12, "Removal and Installation"](#).
2. Remove screws (A) from reverse side cigarette lighter socket (1).



3. Pull out cigarette lighter (1).
4. Pull out the cigarette lighter socket (2) by pushing the cigarette lighter ring pawl (C) from the cigarette lighter socket hole (square).

- 3 : Cigarette lighter ring
- A : Cut out
- B : Hole (square)

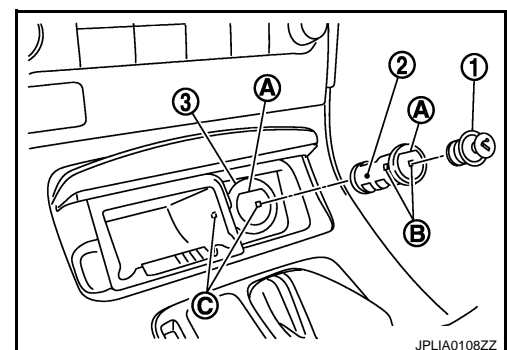


INSTALLATION

Note the following, and install in the reverse order of removal.

- 1 : Cigarette lighter
- 2 : Cigarette lighter socket
- 3 : Cigarette lighter ring
- A : Cut out
- B : Hole (square)
- C : Pawl

CAUTION:



A
B
C
D
E
F
G
H
I
J
K
L
N
O
P

PWO

CIGARETTE LIGHTER

< ON-VEHICLE REPAIR >

Align the cigarette lighter socket and cigarette lighter ring cut out.

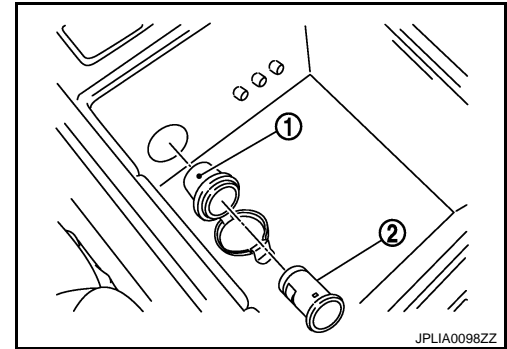
POWER SOCKET

< ON-VEHICLE REPAIR >

POWER SOCKET

Exploded View

- 1 : Ring
- 2 : Inner socket

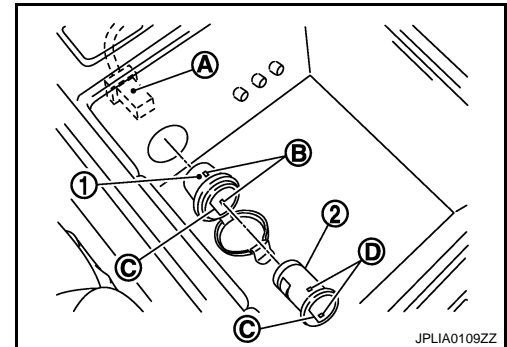


Removal and Installation

REMOVAL

1. Remove rear upper console assembly. Refer to [IP-26, "Disassembly and Assembly"](#).
2. Disconnect power socket connector (A).
3. Pull out the Inner socket (2) by pushing the ring pawl (B) from the Inner socket hole (square).
4. Remove ring (1) from console box while pressing pawls.

- C : Cut out
- D : Hole (square)

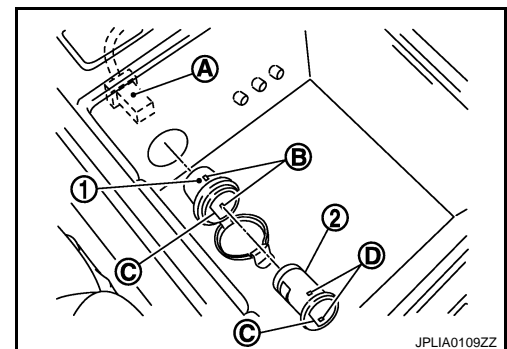


INSTALLATION

Note the following, and install in the reverse order of removal.

- 1 : Ring
- 2 : Inner socket
- A : Power socket connector
- B : Pawl
- C : Cut out
- D : Hole (square)

CAUTION:
Align the Inner socket and the ring cut out.



A
B
C
D
E
F
G
H
I
J
K
L
PWO
N
O
P