

SECTION EI
EXTERIOR & INTERIOR

A
B
C
D
E
F
G
H
EI
J
K
L
M

CONTENTS

PRECAUTIONS	3	COWL TOP	21
Precautions for Supplemental Restraint System (SRS) "AIR BAG" and "SEAT BELT PRE-TENSIONER"	3	Removal and Installation	21
Precautions for Work	3	REMOVAL	21
PREPARATION	4	INSTALLATION	21
Special Service Tools	4	FENDER PROTECTOR	22
Commercial Service Tools	4	Removal and Installation	22
SQUEAK AND RATTLE TROUBLE DIAGNOSES	5	REMOVAL	22
Work Flow	5	INSTALLATION	22
CUSTOMER INTERVIEW	5	DOOR OUTSIDE MOLDING	23
DUPLICATE THE NOISE AND TEST DRIVE	6	Removal and Installation	23
CHECK RELATED SERVICE BULLETINS	6	FRONT DOOR OUTSIDE MOLDING	23
LOCATE THE NOISE AND IDENTIFY THE ROOT CAUSE	6	REAR DOOR OUTSIDE MOLDING	23
REPAIR THE CAUSE	6	DOOR SASH MOLDING	24
CONFIRM THE REPAIR	7	Removal and Installation	24
Generic Squeak and Rattle Troubleshooting	7	FRONT DOOR	24
INSTRUMENT PANEL	7	REAR DOOR	24
CENTER CONSOLE	7	DOOR PARTING SEAL	26
DOORS	7	Removal and Installation	26
TRUNK	8	FRONT DOOR PARTING SEAL	26
SUNROOF/HEADLINING	8	REAR DOOR PARTING SEAL	26
SEATS	8	SIDE GUARD MOLDING	27
UNDERHOOD	8	Removal and Installation	27
Diagnostic Worksheet	9	REMOVAL	27
CLIP AND FASTENER	11	INSTALLATION	27
Clip and Fastener	11	CENTER MUD GUARD	28
FRONT BUMPER	14	Removal and Installation	28
Removal and Installation	14	REMOVAL	28
REMOVAL	16	INSTALLATION	28
INSTALLATION	16	REAR MUDGUARD	29
REAR BUMPER	17	Removal and Installation	29
Removal and Installation	17	REMOVAL	29
REMOVAL	19	INSTALLATION	29
INSTALLATION	19	WINDSHIELD MOLDING	30
FRONT GRILLE	20	Removal and Installation	30
Removal and Installation	20	REMOVAL	30
REMOVAL	20	INSTALLATION	30
INSTALLATION	20	REAR WINDOW MOLDING	32
		Removal and Installation	32
		REMOVAL	32
		INSTALLATION	32

FLOOR SIDE FAIRING	33	REAR PARCEL SHELF FINISHER	41
Removal and Installation	33	Removal and Installation	41
REMOVAL	33	REMOVAL	41
INSTALLATION	33	INSTALLATION	42
REAR DIFFUSER	34	FLOOR TRIM	43
Removal and Installation	34	Removal and Installation	43
REMOVAL	34	REMOVAL	43
INSTALLATION	34	INSTALLATION	44
REAR SPOILER	35	HEADLINING	45
Removal and Installation	35	Removal and Installation	45
REMOVAL	35	REMOVAL	46
INSTALLATION	35	INSTALLATION	46
ROOF SIDE MOLDING	36	TRUNK ROOM TRIM & TRUNK LID FINISHER	47
Removal and Installation	36	Removal and Installation for Trunk Room Trim	47
REMOVAL	36	REMOVAL	47
INSTALLATION	36	INSTALLATION	47
DOOR FINISHER	37	Removal and Installation for Trunk Lid Finisher Inner	...48
Removal and Installation	37	REMOVAL	48
REMOVAL	37	INSTALLATION	48
INSTALLATION	38		
BODY SIDE TRIM	39		
Removal and Installation	39		
CENTER PILLAR LOWER GARNISH	39		
CENTER PILLAR UPPER GARNISH	40		
DASH SIDE FINISHER	40		

PRECAUTIONS

PRECAUTIONS

PPF:00001

Precautions for Supplemental Restraint System (SRS) “AIR BAG” and “SEAT BELT PRE-TENSIONER”

AIS000B3

The Supplemental Restraint System such as “AIR BAG” and “SEAT BELT PRE-TENSIONER”, used along with a front seat belt, helps to reduce the risk or severity of injury to the driver and front passenger for certain types of collision. This system includes seat belt switch inputs and dual stage front air bag modules. The SRS system uses the seat belt switches to determine the front air bag deployment, and may only deploy one front air bag, depending on the severity of a collision and whether the front occupants are belted or unbelted. Information necessary to service the system safely is included in the SRS and SB section of this Service Manual.

WARNING:

- To avoid rendering the SRS inoperative, which could increase the risk of personal injury or death in the event of a collision which would result in air bag inflation, all maintenance must be performed by an authorized NISSAN/INFINITI dealer.
- Improper maintenance, including incorrect removal and installation of the SRS, can lead to personal injury caused by unintentional activation of the system. For removal of Spiral Cable and Air Bag Module, see the SRS section.
- Do not use electrical test equipment on any circuit related to the SRS unless instructed to in this Service Manual. SRS wiring harnesses can be identified by yellow and/or orange harnesses or harness connectors.

Precautions for Work

AIS000B4

- After removing and installing the opening/closing parts, be sure to carry out fitting adjustments to check their operation.
- Check the lubrication level, damage, and wear of each part. If necessary, grease or replace it.

A

B

C

D

E

F

G

H

EI

J

K

L

M

PREPARATION

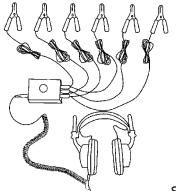

PREPARATION

PFP:00002

Special Service Tools

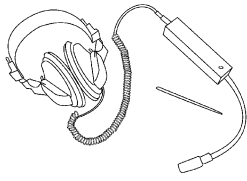
AIS0008Z

The actual shapes of Kent-Moore tools may differ from those of special service tools illustrated here.

Tool number (Kent-Moore No.) Tool name	Description
(J-39570) Chassis ear  SIIA0993E	Locationing the noise
(J-43980) NISSAN Squeak and Rattle Kit  SIIA0994E	Repairing the cause of the noise

Commercial Service Tools

AIS00090

Tool name	Description
Engine ear  SIIA0995E	Locationing the noise

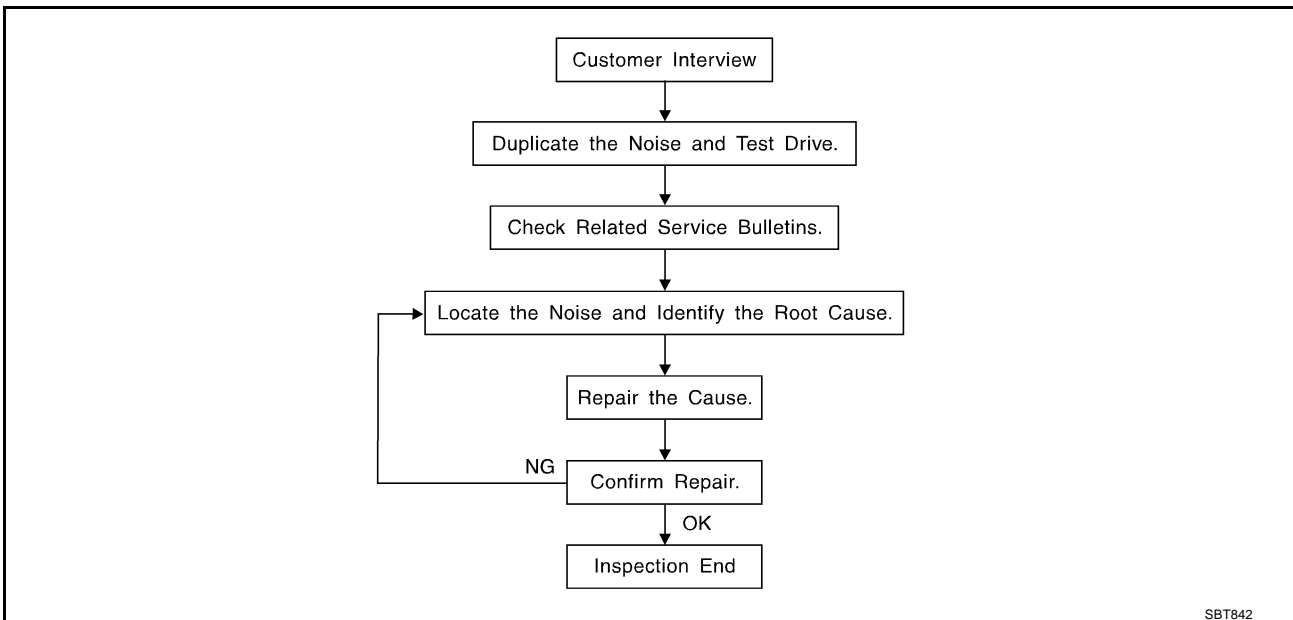
SQUEAK AND RATTLE TROUBLE DIAGNOSES

SQUEAK AND RATTLE TROUBLE DIAGNOSES

PPF:00000

Work Flow

AIS000BD



CUSTOMER INTERVIEW

Interview the customer if possible, to determine the conditions that exist when the noise occurs. Use the Diagnostic Worksheet during the interview to document the facts and conditions when the noise occurs and any customer's comments; refer to [EI-9, "Diagnostic Worksheet"](#). This information is necessary to duplicate the conditions that exist when the noise occurs.

- The customer may not be able to provide a detailed description or the location of the noise. Attempt to obtain all the facts and conditions that exist when the noise occurs (or does not occur).
- If there is more than one noise in the vehicle, be sure to diagnose and repair the noise that the customer is concerned about. This can be accomplished by test driving the vehicle with the customer.
- After identifying the type of noise, isolate the noise in terms of its characteristics. The noise characteristics are provided so the customer, service adviser and technician are all speaking the same language when defining the noise.
- Squeak—(Like tennis shoes on a clean floor)
Squeak characteristics include the light contact/fast movement/brought on by road conditions/hard surfaces=higher pitch noise/softer surfaces=lower pitch noises/edge to surface=chirping
- Creak—(Like walking on an old wooden floor)
Creak characteristics include firm contact/slow movement/twisting with a rotational movement/pitch dependent on materials/often brought on by activity.
- Rattle—(Like shaking a baby rattle)
Rattle characteristics include the fast repeated contact/vibration or similar movement/loose parts/missing clip or fastener/incorrect clearance.
- Knock—(Like a knock on a door)
Knock characteristics include hollow sounding/sometimes repeating/often brought on by driver action.
- Tick—(Like a clock second hand)
Tick characteristics include gentle contacting of light materials/loose components/can be caused by driver action or road conditions.
- Thump—(Heavy, muffled knock noise)
Thump characteristics include softer knock/dead sound often brought on by activity.
- Buzz—(Like a bumble bee)
Buzz characteristics include high frequency rattle/firm contact.
- Often the degree of acceptable noise level will vary depending upon the person. A noise that you may judge as acceptable may be very irritating to the customer.
- Weather conditions, especially humidity and temperature, may have a great effect on noise level.

SQUEAK AND RATTLE TROUBLE DIAGNOSES

DUPLICATE THE NOISE AND TEST DRIVE

If possible, drive the vehicle with the customer until the noise is duplicated. Note any additional information on the Diagnostic Worksheet regarding the conditions or location of the noise. This information can be used to duplicate the same conditions when you confirm the repair.

If the noise can be duplicated easily during the test drive, to help identify the source of the noise, try to duplicate the noise with the vehicle stopped by doing one or all of the following:

- 1) Close a door.
 - 2) Tap or push/pull around the area where the noise appears to be coming from.
 - 3) Rev the engine.
 - 4) Use a floor jack to recreate vehicle "twist".
 - 5) At idle, apply engine load (electrical load, half-clutch on M/T model, drive position on A/T model).
 - 6) Raise the vehicle on a hoist and hit a tire with a rubber hammer.
- Drive the vehicle and attempt to duplicate the conditions the customer states exist when the noise occurs.
 - If it is difficult to duplicate the noise, drive the vehicle slowly on an undulating or rough road to stress the vehicle body.

CHECK RELATED SERVICE BULLETINS

After verifying the customer concern or symptom, check ASIST for Technical Service Bulletins (TSBs) related to that concern or symptom.

If a TSB relates to the symptom, follow the procedure to repair the noise.

LOCATE THE NOISE AND IDENTIFY THE ROOT CAUSE

1. Narrow down the noise to a general area. To help pinpoint the source of the noise, use a listening tool (Chassis Ear: J-39570, Engine Ear: and mechanics stethoscope).
2. Narrow down the noise to a more specific area and identify the cause of the noise by:
 - removing the components in the area that you suspect the noise is coming from.
Do not use too much force when removing clips and fasteners, otherwise clips and fastener can be broken or lost during the repair, resulting in the creation of new noise.
 - tapping or pushing/pulling the component that you suspect is causing the noise.
Do not tap or push/pull the component with excessive force, otherwise the noise will be eliminated only temporarily.
 - feeling for a vibration with your hand by touching the component(s) that you suspect is (are) causing the noise.
 - placing a piece of paper between components that you suspect are causing the noise.
 - looking for loose components and contact marks.
Refer to [EI-7, "Generic Squeak and Rattle Troubleshooting"](#).

REPAIR THE CAUSE

- If the cause is a loose component, tighten the component securely.
- If the cause is insufficient clearance between components:
 - separate components by repositioning or loosening and retightening the component, if possible.
 - insulate components with a suitable insulator such as urethane pads, foam blocks, felt cloth tape or urethane tape. A Nissan Squeak and Rattle Kit (J-43980) is available through your authorized Nissan Parts Department.

CAUTION:

Do not use excessive force as many components are constructed of plastic and may be damaged.

NOTE:

Always check with the Parts Department for the latest parts information.

The following materials are contained in the Nissan Squeak and Rattle Kit (J-43980). Each item can be ordered separately as needed.

URETHANE PADS [1.5 mm (0.059 in) thick]

Insulates connectors, harness, etc.

76268-9E005: 100 × 135 mm (3.94 × 5.31 in)/76884-71L01: 60 × 85 mm (2.36 × 3.35 in)/76884-71L02: 15 × 25 mm (0.59 × 0.98 in)

INSULATOR (Foam blocks)

Insulates components from contact. Can be used to fill space behind a panel.

73982-9E000: 45 mm (1.77 in) thick, 50 × 50 mm (1.97 × 1.97 in)/73982-50Y00: 10 mm (0.39 in) thick, 50 × 50 mm (1.97 × 1.97 in)

SQUEAK AND RATTLE TROUBLE DIAGNOSES

INSULATOR (Light foam block)

80845-71L00: 30 mm (1.18 in) thick, 30 × 50 mm (1.18 × 1.97 in)

FELT CLOTH TAPE

Used to insulate where movement does not occur. Ideal for instrument panel applications.

68370-4B000: 15 × 25 mm (0.59 × 0.98 in) pad/68239-13E00: 5 mm (0.20 in) wide tape roll

The following materials, not found in the kit, can also be used to repair squeaks and rattles.

UHMW(TEFLON) TAPE

Insulates where slight movement is present. Ideal for instrument panel applications.

SILICONE GREASE

Used in place of UHMW tape that will be visible or not fit.

Note: Will only last a few months.

SILICONE SPRAY

Use when grease cannot be applied.

DUCT TAPE

Use to eliminate movement.

CONFIRM THE REPAIR

Confirm that the cause of a noise is repaired by test driving the vehicle. Operate the vehicle under the same conditions as when the noise originally occurred. Refer to the notes on the Diagnostic Worksheet.

Generic Squeak and Rattle Troubleshooting

AIS000BE

Refer to Table of Contents for specific component removal and installation information.

INSTRUMENT PANEL

Most incidents are caused by contact and movement between:

1. The cluster lid A and instrument panel
2. Acrylic lens and combination meter housing
3. Instrument panel to front pillar garnish
4. Instrument panel to windshield
5. Instrument panel mounting pins
6. Wiring harnesses behind the combination meter
7. A/C defroster duct and duct joint

These incidents can usually be located by tapping or moving the components to duplicate the noise or by pressing on the components while driving to stop the noise. Most of these incidents can be repaired by applying felt cloth tape or silicon spray (in hard to reach areas). Urethane pads can be used to insulate wiring harness.

CAUTION:

Do not use silicone spray to isolate a squeak or rattle. If you saturate the area with silicone, you will not be able to recheck the repair.

CENTER CONSOLE

Components to pay attention to include:

1. Shifter assembly cover to finisher
2. A/C control unit and cluster lid C
3. Wiring harnesses behind audio and A/C control unit

The instrument panel repair and isolation procedures also apply to the center console.

DOORS

Pay attention to the:

1. Finisher and inner panel making a slapping noise
2. Inside handle escutcheon to door finisher
3. Wiring harnesses tapping
4. Door striker out of alignment causing a popping noise on starts and stops

Tapping or moving the components or pressing on them while driving to duplicate the conditions can isolate many of these incidents. You can usually insulate the areas with felt cloth tape or insulator foam blocks from the Nissan Squeak and Rattle Kit (J-43980) to repair the noise.

SQUEAK AND RATTLE TROUBLE DIAGNOSES

TRUNK

Trunk noises are often caused by a loose jack or loose items put into the trunk by the owner. In addition look for:

1. Trunk lid dumpers out of adjustment
2. Trunk lid striker out of adjustment
3. The trunk lid torsion bars knocking together
4. A loose license plate or bracket

Most of these incidents can be repaired by adjusting, securing or insulating the item(s) or component(s) causing the noise.

SUNROOF/HEADLINING

Noises in the sunroof/headlining area can often be traced to one of the following:

1. Sunroof lid, rail, linkage or seals making a rattle or light knocking noise
2. Sun-visor shaft shaking in the holder
3. Front or rear windshield touching headlining and squeaking

Again, pressing on the components to stop the noise while duplicating the conditions can isolate most of these incidents. Repairs usually consist of insulating with felt cloth tape.

SEATS

When isolating seat noise it's important to note the position the seat is in and the load placed on the seat when the noise is present. These conditions should be duplicated when verifying and isolating the cause of the noise.

Cause of seat noise include:

1. Headrest rods and holder
2. A squeak between the seat pad cushion and frame
3. The rear seatback lock and bracket

These noises can be isolated by moving or pressing on the suspected components while duplicating the conditions under which the noise occurs. Most of these incidents can be repaired by repositioning the component or applying urethane tape to the contact area.

UNDERHOOD

Some interior noise may be caused by components under the hood or on the engine wall. The noise is then transmitted into the passenger compartment.

Causes of transmitted under-hood noise include:

1. Any component mounted to the engine wall
2. Components that pass through the engine wall
3. Engine wall mounts and connectors
4. Loose radiator mounting pins
5. Hood bumpers out of adjustment
6. Hood striker out of adjustment

These noises can be difficult to isolate since they cannot be reached from the interior of the vehicle. The best method is to secure, move or insulate one component at a time and test drive the vehicle. Also, engine RPM or load can be changed to isolate the noise. Repairs can usually be made by moving, adjusting, securing, or insulating the component causing the noise.

SQUEAK AND RATTLE TROUBLE DIAGNOSES

Diagnostic Worksheet

AIS000BF



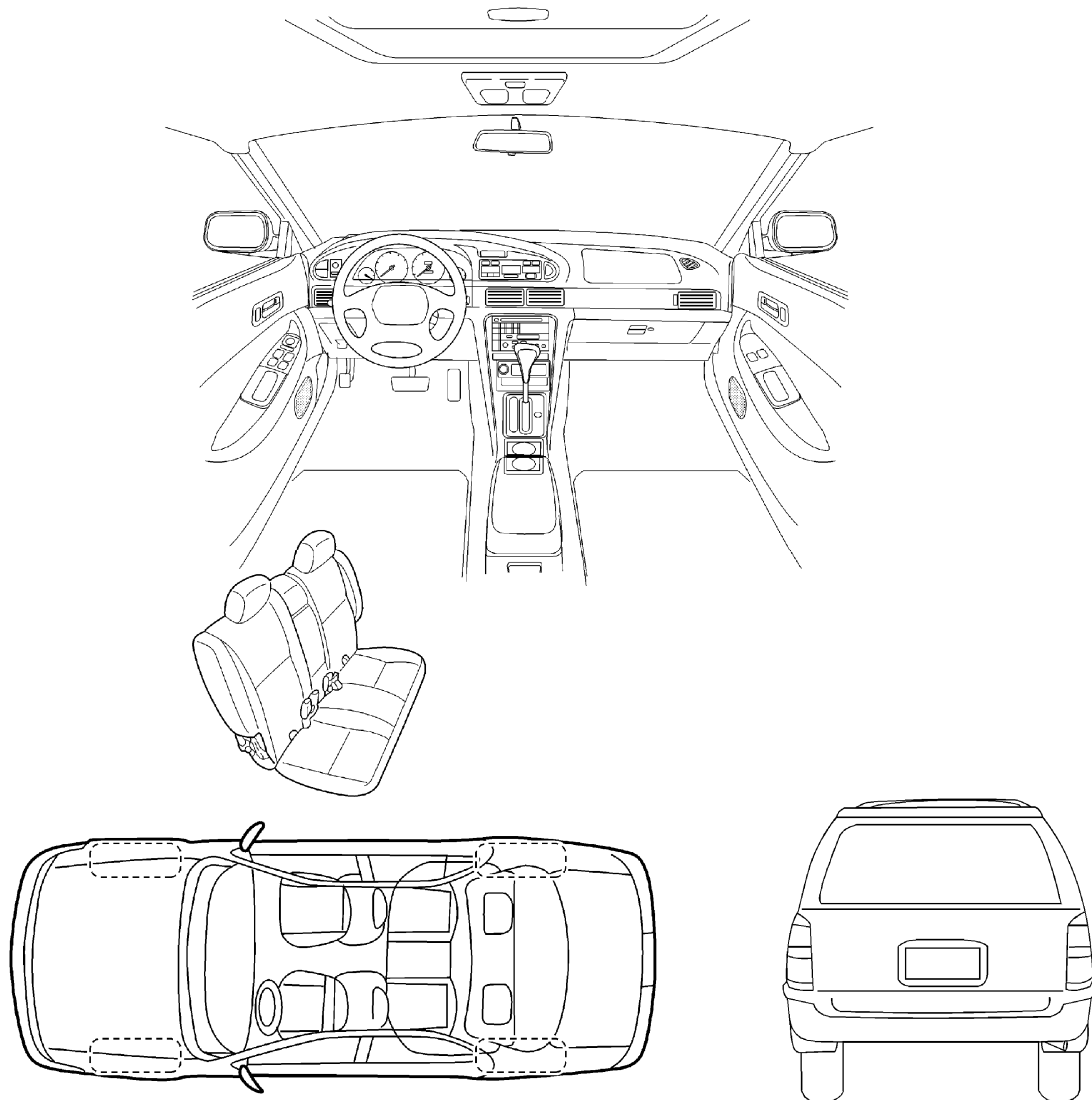
SQUEAK & RATTLE DIAGNOSTIC WORKSHEET

Dear Infiniti Customer:

We are concerned about your satisfaction with your Infiniti vehicle. Repairing a squeak or rattle sometimes can be very difficult. To help us fix your Infiniti right the first time, please take a moment to note the area of the vehicle where the squeak or rattle occurs and under what conditions. You may be asked to take a test drive with a service advisor or technician to ensure we confirm the noise you are hearing.

I. WHERE DOES THE NOISE COME FROM? (circle the area of the vehicle)

The illustrations are for reference only, and may not reflect the actual configuration of your vehicle.



Continue to the back of the worksheet and briefly describe the location of the noise or rattle. In addition, please indicate the conditions which are present when the noise occurs.

SBT860

A
B
C
D
E
F
G
H
EI
J
K
L
M

SQUEAK AND RATTLE TROUBLE DIAGNOSES

SQUEAK & RATTLE DIAGNOSTIC WORKSHEET- page 2

Briefly describe the location where the noise occurs:

II. WHEN DOES IT OCCUR? (check the boxes that apply)

- | | |
|--|---|
| <input type="checkbox"/> anytime | <input type="checkbox"/> after sitting out in the sun |
| <input type="checkbox"/> 1 st time in the morning | <input type="checkbox"/> when it is raining or wet |
| <input type="checkbox"/> only when it is cold outside | <input type="checkbox"/> dry or dusty conditions |
| <input type="checkbox"/> only when it is hot outside | <input type="checkbox"/> other: _____ |

III. WHEN DRIVING:

- through driveways
- over rough roads
- over speed bumps
- only at about ____ mph
- on acceleration
- coming to a stop
- on turns : left, right or either (circle)
- with passengers or cargo
- other: _____
- after driving ____ miles or ____ minutes

IV. WHAT TYPE OF NOISE?

- squeak (like tennis shoes on a clean floor)
- creak (like walking on an old wooden floor)
- rattle (like shaking a baby rattle)
- knock (like a knock on a door)
- tick (like a clock second hand)
- thump (heavy, muffled knock noise)
- buzz (like a bumble bee)

TO BE COMPLETED BY DEALERSHIP PERSONNEL

Test Drive Notes:

	YES	NO	Initials of person performing
Vehicle test driven with customer	<input type="checkbox"/>	<input type="checkbox"/>	_____
- Noise verified on test drive	<input type="checkbox"/>	<input type="checkbox"/>	_____
- Noise source located and repaired	<input type="checkbox"/>	<input type="checkbox"/>	_____
- Follow up test drive performed to confirm repair	<input type="checkbox"/>	<input type="checkbox"/>	_____

VIN: _____ Customer Name: _____

W.O. #: _____ Date: _____

This form must be attached to Work Order

SBT844


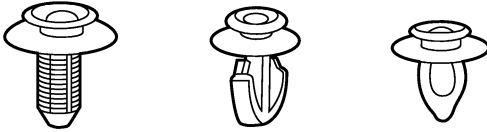
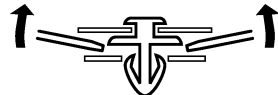

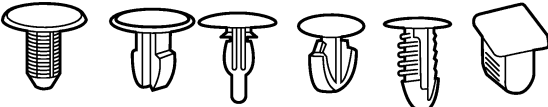
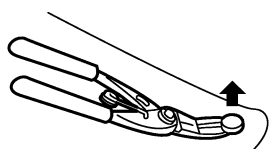

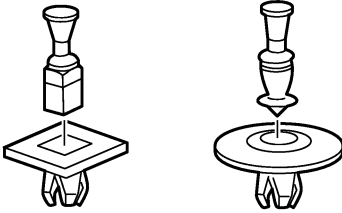
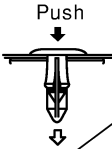
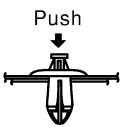

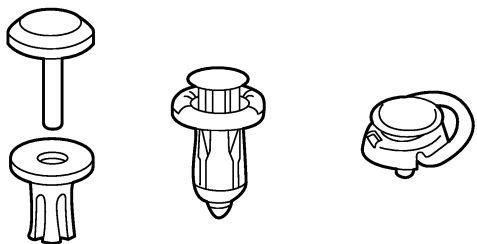


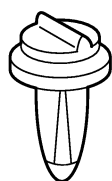
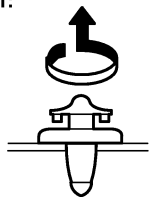
CLIP AND FASTENER

CLIP AND FASTENER

PFP:76906

Clip and Fastener


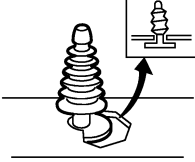
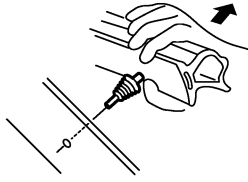

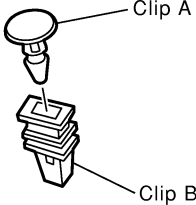
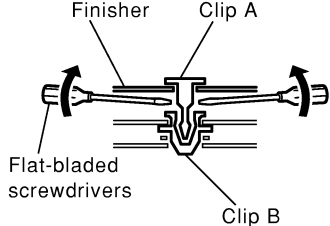

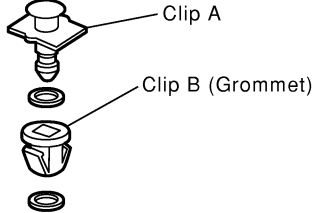
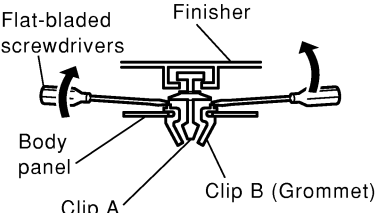
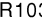

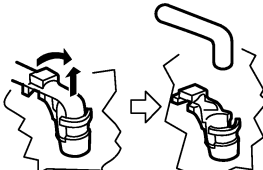

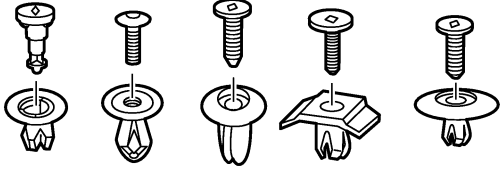

AIS00094

Symbol No.	Shapes	Removal & Installation
<p>C101</p> 		<p>Removal: Remove by bending up with flat-bladed screwdrivers or clip remover.</p> 
<p>C103</p> 		 <p>Removal: Remove with a clip remover.</p>
<p>C203</p> 		<p>Removal: Push center pin to catching position. (Do not remove center pin by hitting it.)</p>  <p>Installation:</p> 
<p>C205</p> 		<p>Removal: Flat-bladed screwdriver</p>  <p>Clip Finisher</p>
<p>C206</p> 		<p>Removal:</p> 

A
B
C
D
E
F
G
H
EI
J
K
L
M


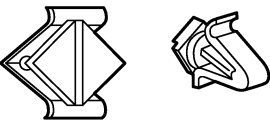

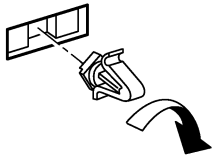





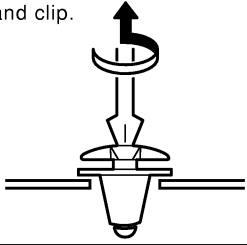



SIIA0315E

CLIP AND FASTENER

Symbol No.	Shapes	Removal & Installation
<p>CE103</p> 		<p>Removal:</p> 
<p>CF110</p> 		<p>Removal:</p> 
<p>CF118</p> 		<p>Removal:</p> 
<p>CR103</p> 		<p>Removal: Holder portion of clip must be spread out to remove rod.</p> 
<p>CS101</p> 		<p>Removal:</p> <ol style="list-style-type: none"> 1. Screw out with a Phillips screwdriver. 2. Remove female portion with flat-bladed screwdriver. 

SIIA0316E

CLIP AND FASTENER

Symbol No.	Shapes	Removal & Installation	
<p>CG101</p> 		<p>Removal:</p>  <p>Rotate 45° to remove</p>	<p>Installation:</p> 
<p>CS102</p> 			
<p>CS113</p> 		<p>Removal: Disconnect upper connection of clip with a flat-bladed screwdriver, then remove clip while inserting a flat-bladed screwdriver between body panel and clip.</p> 	
<p>C111</p> 			

A
B
C
D
E
F
G
H
EI
J
K
L
M

SIIA0317E

FRONT BUMPER

FRONT BUMPER

PFP:F2022

Removal and Installation

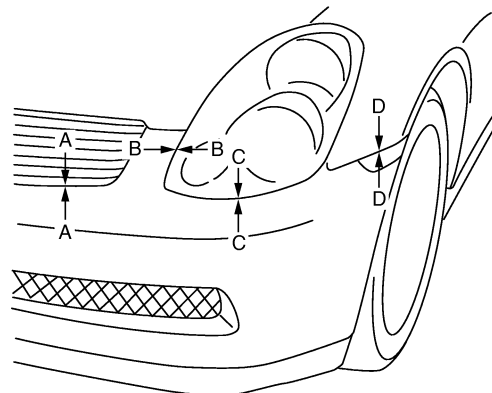
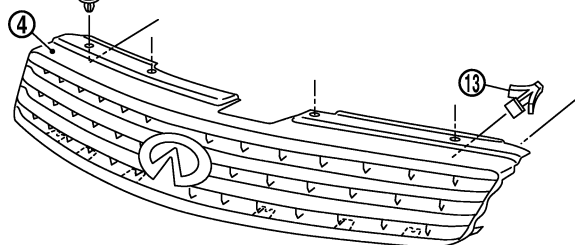
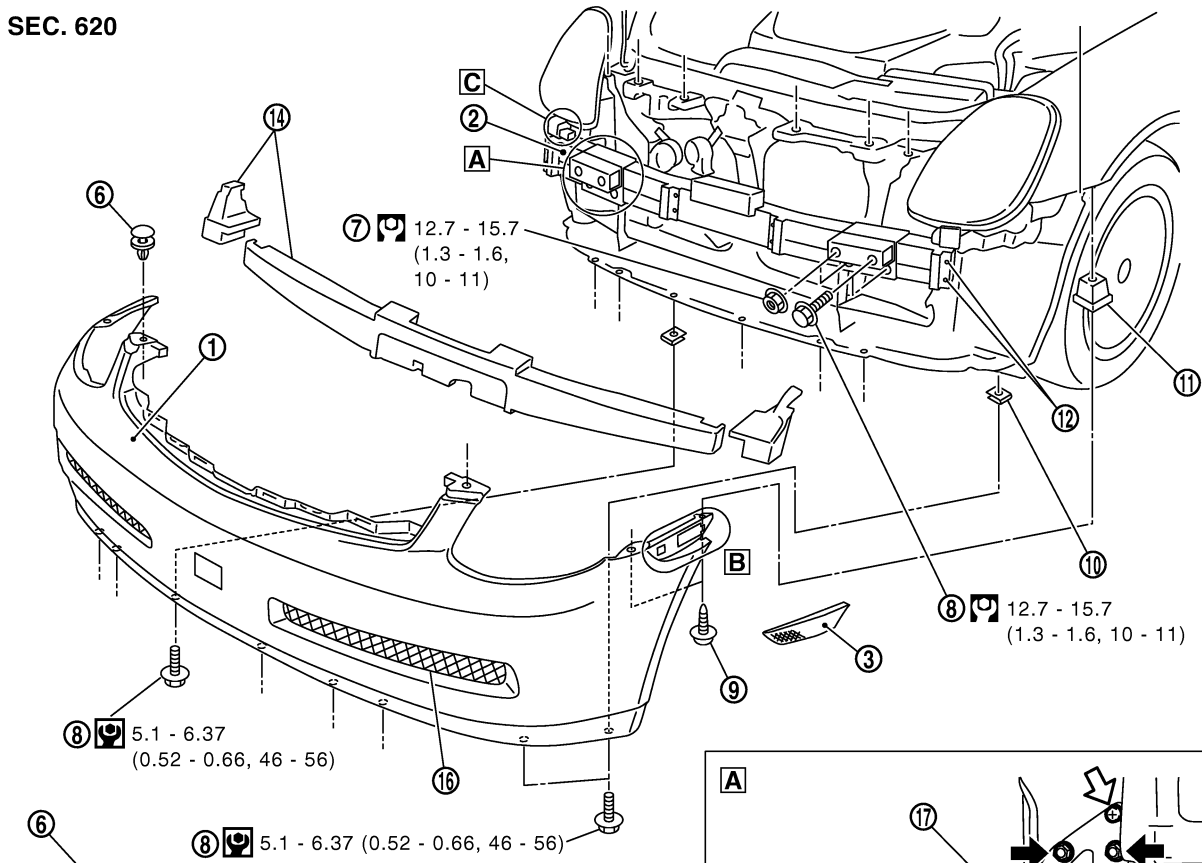
AIS00095

CAUTION:

Bumper fascia is made of resin. Do not apply strong force to it, and be careful to prevent contact with oil.

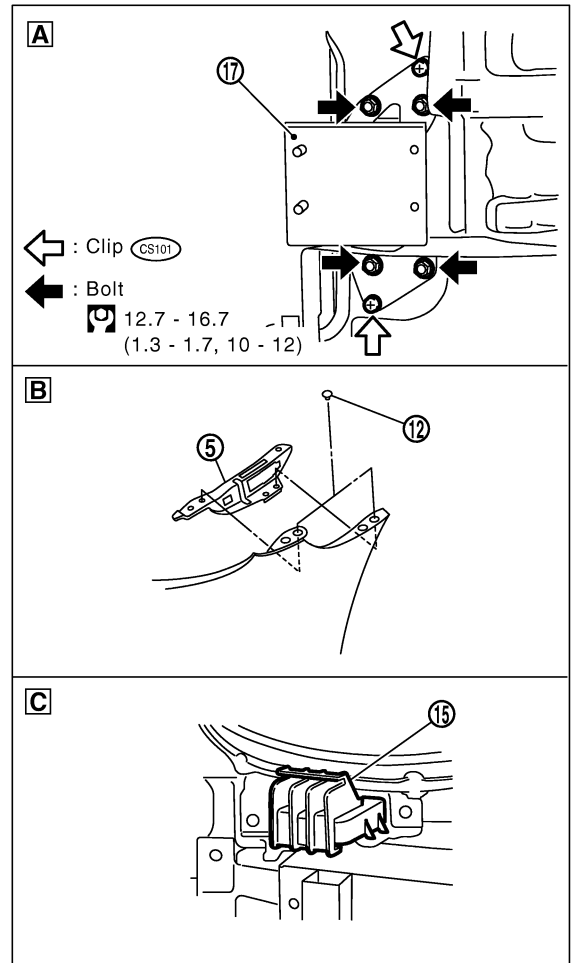
FRONT BUMPER

SEC. 620



Clearance measurement
between parts
A - A: 0.5 - 3.5 (0.020 - 0.138)
B - B: 2.5 - 5.5 (0.098 - 0.217)
C - C: 1.5 - 4.5 (0.059 - 0.177)
D - D: 0.5 - 1.5 (0.020 - 0.059)
 Unit: mm (in)

: N•m (kg-m, in-lb)
 : N•m (kg-m, ft-lb)



A
B
C
D
E
F
G
H
EI
J
K
L
M

EI

PIIB4170E

- 1. Bumper fascia assembly
- 4. Front grille

- 2. Bumper reinforcement
- 5. Bumper side bracket

- 3. Side turn signal lamp
- 6. Clip (C205)

FRONT BUMPER

- | | | |
|---------------------------|---------------------|-----------------|
| 7. Nut | 8. Bolt | 9. Screw |
| 10. Spring nut | 11. Grommet | 12. Rivet |
| 13. Turn fastener (CG101) | 14. Energy absorber | 15. Bumper clip |
| 16. Bumper grille | 17. Bumper stay | |

REMOVAL

1. Remove bumper clips, front grille clips, and remove front grille.
2. Remove bolts on lower side of bumper.
3. Remove screws and clips of both right/left fender protectors on front side. Refer to [EI-22, "FENDER PROTECTOR"](#) .
4. Remove screws of both right/left fender and remove bumper fascia assembly.
5. Remove bolts and nuts of bumper reinforcement and remove bumper fascia.
6. Remove bumper bracket bolts and remove brackets.
7. Remove side turn signal lamps located in bumper fascia. Refer to [LT-127, "Removal and Installation of Front Turn Signal Lamp"](#) .
8. Remove bumper grille from bumper fascia.
9. Remove bolts and clips of bumper stay and remove bumper stay.

Removal of Bumper Side Brackets

Shave head of rivet with drill [4.0 to 4.5 mm (0.157 to 0.177 in) dia.]

Installation of Bumper Side Brackets

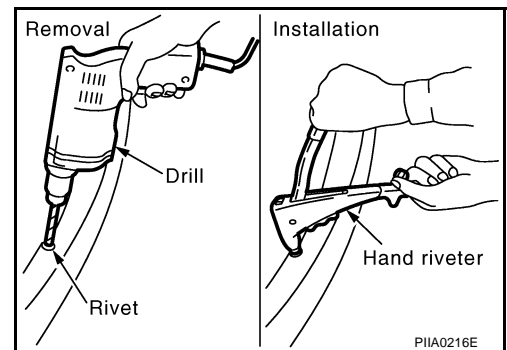
Install bracket to fascia firmly with hand riveter.

NOTE:

Use the following rivet, when installation of bumper side brackets.

Rivet thickness : 1.2 - 6.4 mm (0.047 – 0.252 in)

Under hole diameter : 4.1 - 4.4 mm (0.161 – 0.173 in)



INSTALLATION

Install in the reverse order of removal.

REAR BUMPER

REAR BUMPER

PFP:H5022

Removal and Installation

AIS00096

CAUTION:

Bumper fascia is made of resin. Do not apply strong force to it, and be careful to prevent contact with oil.

A

B

C

D

E

F

G

H

EI

J

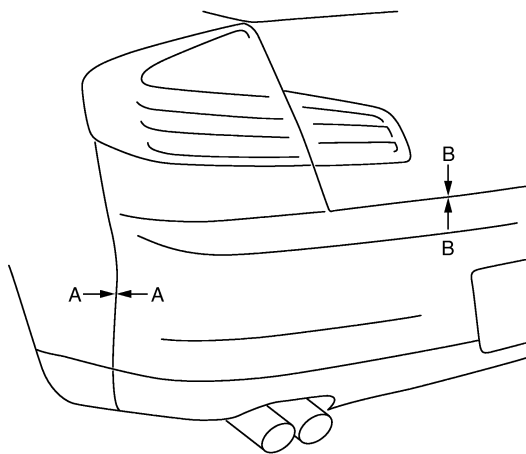
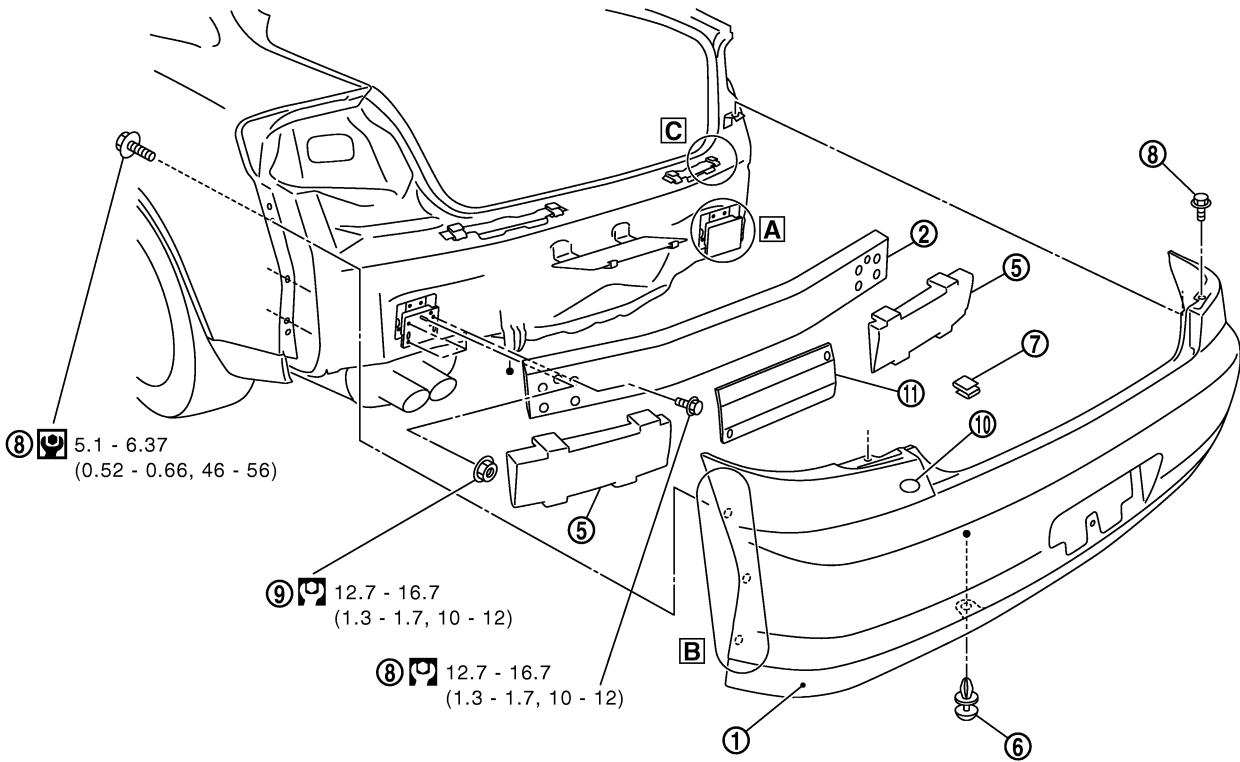
K

L

M

REAR BUMPER

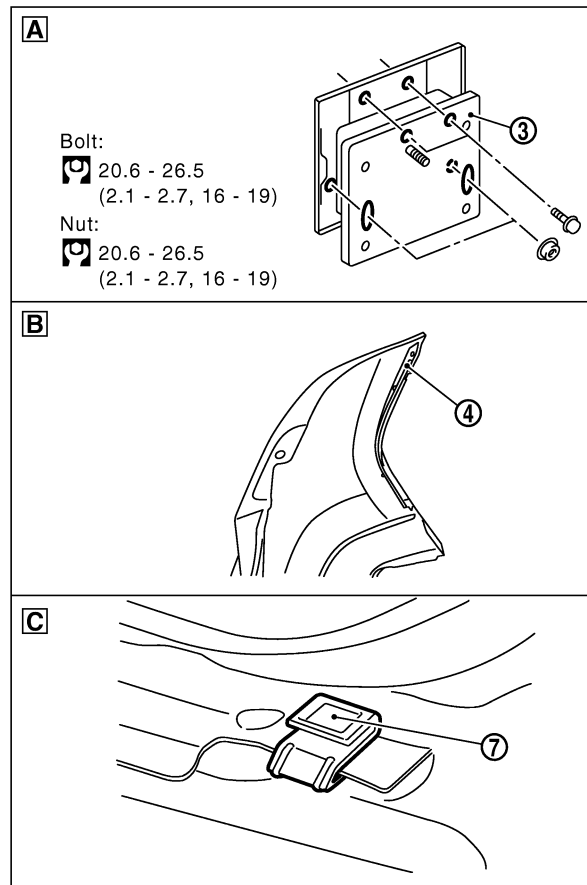
SEC. 850



Clearance measurement
between parts
A - A: 0 - 0.50 (0 - 0.0197)
B - B: 4.50 - 7.50 (0.1772 - 0.2953)
Unit: mm (in)

: N•m (kg-m, in-lb)

: N•m (kg-m, ft-lb)



PIIB4171E

- 1. Bumper fascia assembly
- 4. Bumper side bracket

- 2. Bumper reinforcement
- 5. Energy absorber

- 3. Bumper stay
- 6. Clip (C205)

REAR BUMPER

- 7. Bumper clip
- 10. Request switch

- 8. Bolt
- 11. Bumper override

- 9. Nut

REMOVAL

1. Remove trunk trim. Refer to [EI-47, "TRUNK ROOM TRIM & TRUNK LID FINISHER"](#) .
2. Remove rear combination lamp assembly. Refer to [LT-158, "Removal and Installation"](#) .
3. Remove bumper fascia bolts from both right/left rear fender.
4. Remove upper portion of bumper fascia bolts, and remove clips of lower portion.
5. Pull out center of bumper fascia, and remove bumper fascia from bumper clips.
6. Disconnect request switch harness connector.
7. Disconnect license lamp harness connector and remove bumper fascia assembly.
8. Remove energy absorber.
9. Remove muffler hanger fixed nuts of lower portion.
10. Remove bumper reinforcement bolts and nuts, and remove bumper reinforcement assembly.
11. Remove bumper stay bolts and nuts, and remove bumper stay.

Removal of Bumper Side Brackets

Shave head of rivet with drill [4.0 to 4.5 mm (0.157 to 0.177 in) dia.]

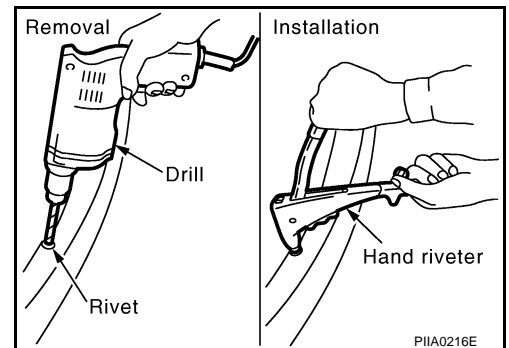
Installation of Bumper Side Brackets

Install bracket to fascia firmly with hand riveter.

NOTE:

Use the following rivet, when installation of bumper side brackets.

- Rivet thickness** : 1.2 - 6.4 mm (0.047- 0.252 in)
- Under hole diameter** : 4.1 - 4.4 mm (0.161 - 0.173 in)



INSTALLATION

Install in the reverse order of removal.

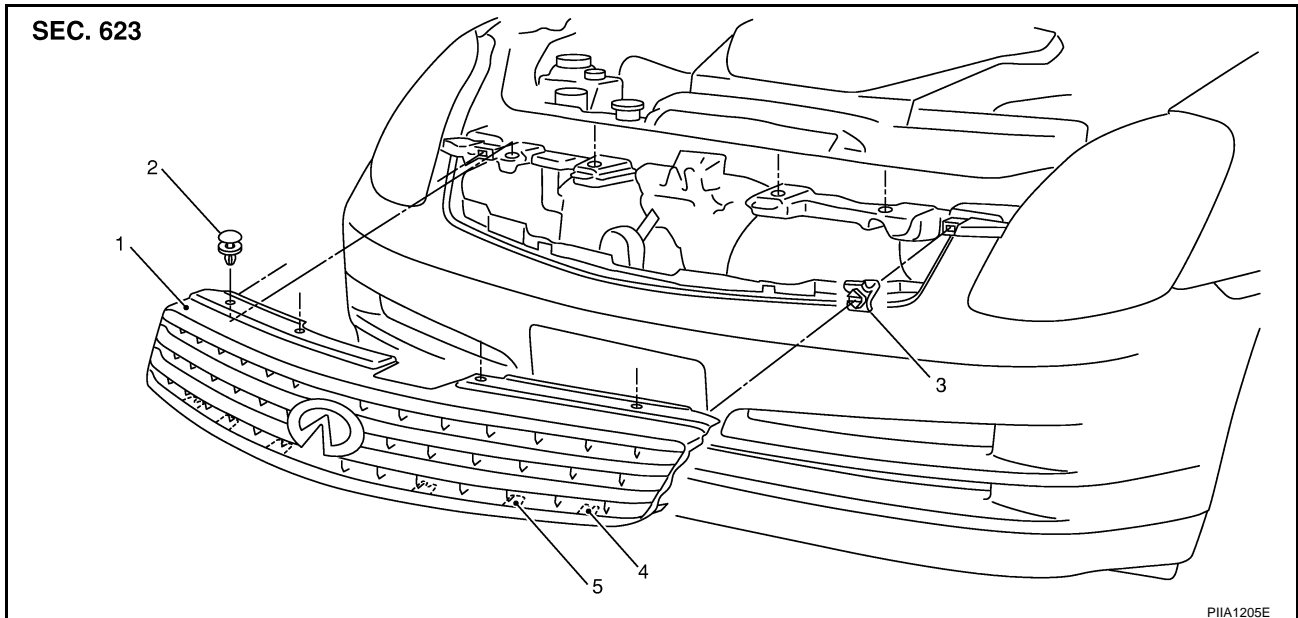
FRONT GRILLE

FRONT GRILLE

PFP:62310

Removal and Installation

AIS00097



- | | | |
|-----------------|----------------------|--------------------------|
| 1. Front grille | 2. Clip (C205) | 3. Turn fastener (CG101) |
| 4. Pawl | 5. Insertion portion | |

REMOVAL

1. Apply protection tape around outer circumference of front grille (bumper fascia side).
2. Remove clips on upper side of grille.
3. Pull down tips of four turn fasteners from rear side of grille.
4. Pull out grille, and disconnect turn fasteners and remove grille.

INSTALLATION

Install in the reverse order of removal.

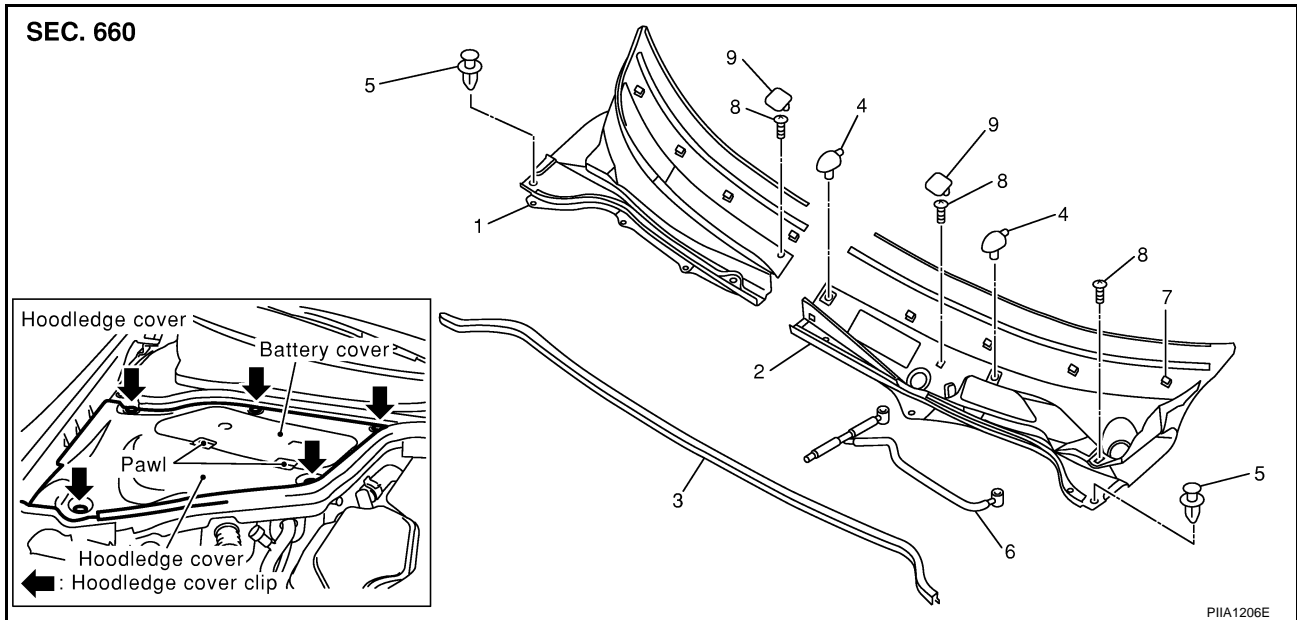
COWL TOP

COWL TOP

PFP:66100

Removal and Installation

AIS00098



- | | | |
|---------------------------|--------------------------|-------------------------|
| 1. Cowl top cover (right) | 2. Cowl top cover (left) | 3. Cowl top seal rubber |
| 4. Washer joint | 5. Clip (C205) | 6. Washer tube |
| 7. Pawl | 8. Screw | 9. Cap |

REMOVAL

1. Remove hoodedge cover.
2. Remove both right/left wiper arms. Refer to [WW-32, "Removal and Installation of Front Wiper Arms, Adjustment of Wiper Arms Stop Location"](#).
3. Remove cowl top seal rubber.
4. Remove clips, cap of cowl top cover and remove cowl top cover (right).
5. Remove clips, cap, screws and remove cowl top cover (left).
6. Remove washer nozzles and hose from cowl top cover.

INSTALLATION

Install in the reverse order of removal.

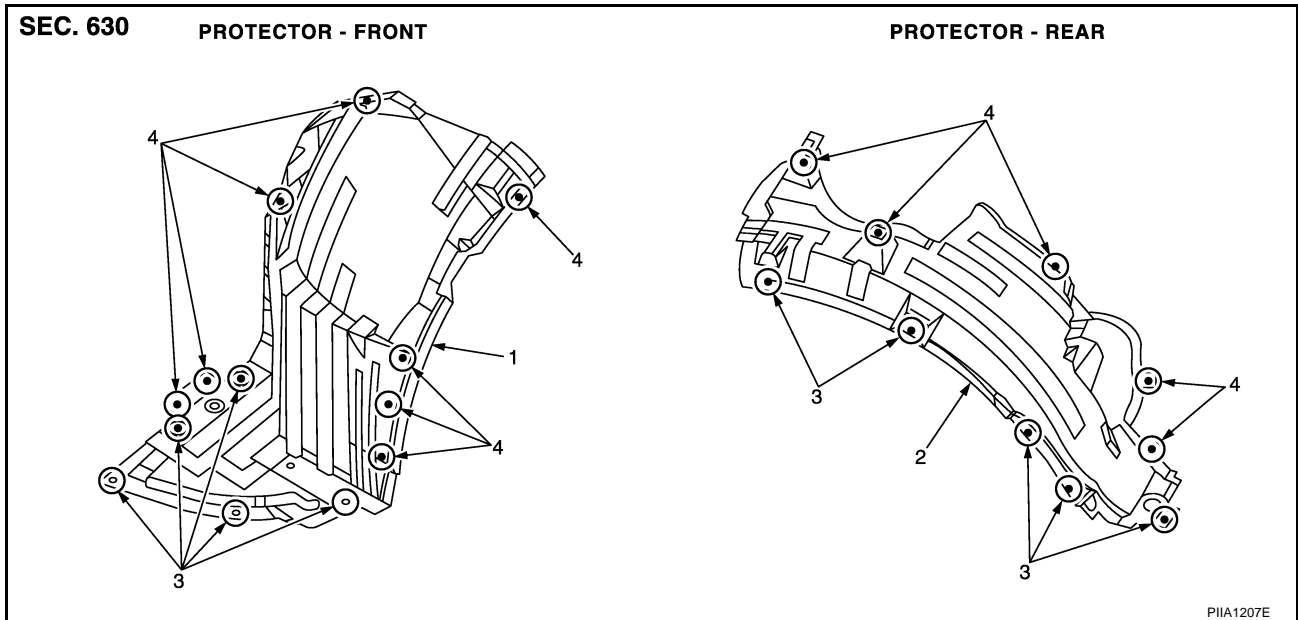
FENDER PROTECTOR

FENDER PROTECTOR

PFP:63840

Removal and Installation

AIS00099



1. Fender protector (front)

2. Fender protector (rear)

3. Screw

4. Clip

REMOVAL

1. Remove screws and clips of fender protector.
2. Remove fender protector (front/rear).

INSTALLATION

Install in the reverse order of removal.

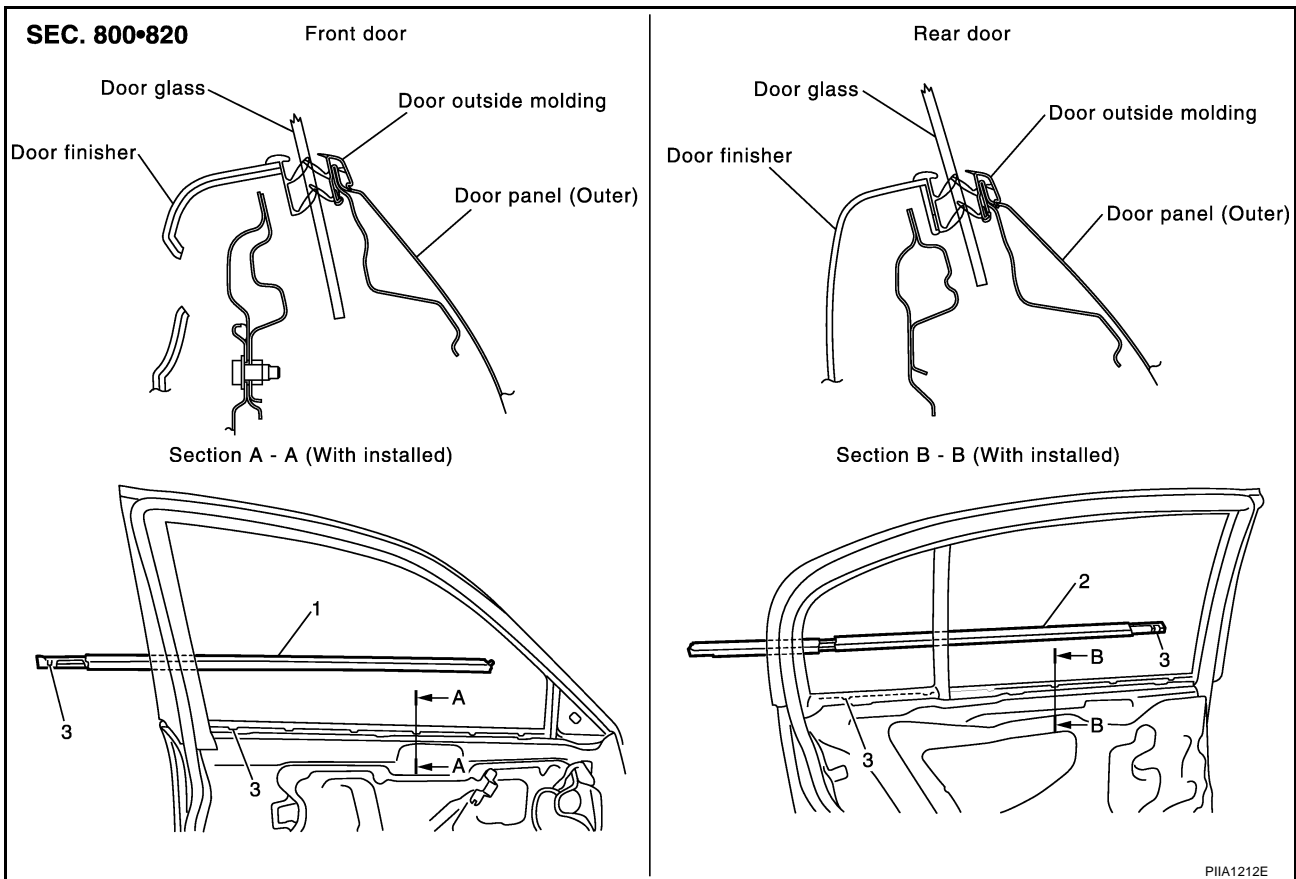
DOOR OUTSIDE MOLDING

DOOR OUTSIDE MOLDING

PFP:82820

Removal and Installation

AIS0009A



1. Front door outside molding

2. Rear door outside molding

3. Pawl

FRONT DOOR OUTSIDE MOLDING

Removal

1. Open windows fully.
2. Remove door mirror. Refer to [GW-109, "Removal and Installation"](#).
3. Disconnect pawls on front edge of molding.
4. Disconnect pawls in the order from front side of door panel portion, with clip clamp remover.
5. Remove to slide molding to vehicle reward side, after disconnecting all pawls.

Installation

Install in the reverse order of removal.

REAR DOOR OUTSIDE MOLDING

Removal

1. Open windows fully.
2. Disconnect pawl on front edge of molding.
3. Disconnect pawl of door panel portion with clip clamp remover.
4. Lift up to upper side, and remove molding.

Installation

Install in the reverse order of removal.

A
B
C
D
E
F
G
H
EI
J
K
L
M

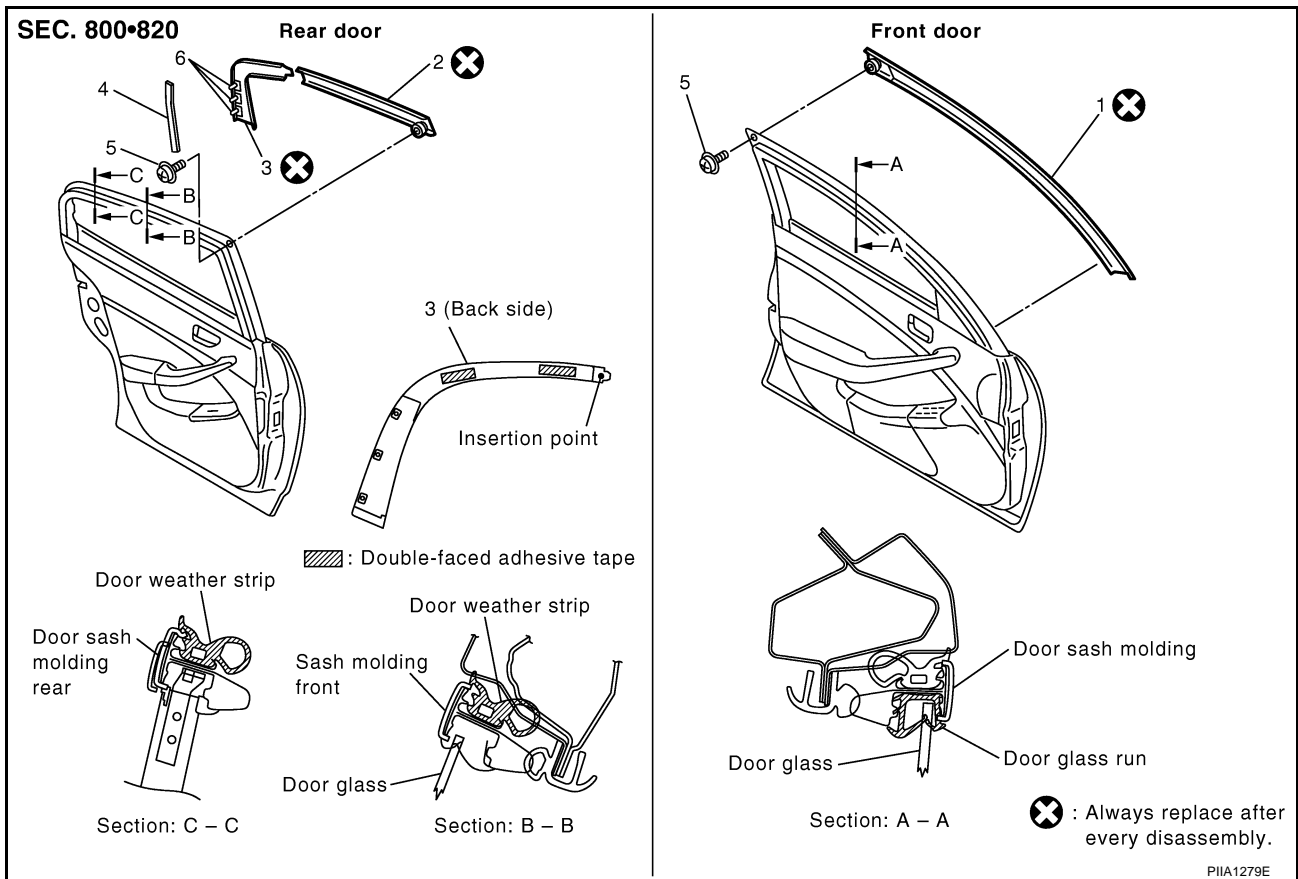
DOOR SASH MOLDING

PFP:80282

A/S0009B

DOOR SASH MOLDING

Removal and Installation



- | | | |
|----------------------------|-----------------------------------|----------------------------------|
| 1. Front door sash molding | 2. Rear door sash molding (front) | 3. Rear door sash molding (rear) |
| 4. Weatherstrip clip | 5. Screw | 6. Clip |

FRONT DOOR

Removal

1. Remove front door weatherstrip. Refer to [BL-169, "Door Weatherstrip"](#) .
2. Release roof portion of glass run.
3. Remove door sash molding screws.
4. Remove door sash molding connection between door panel and molding from glass run side and remove molding.

Installation

Install in the reverse order of removal.

REAR DOOR

Removal

1. Remove clips of rear door weatherstrip.
2. Remove rear door weatherstrip. Refer to [BL-169, "Door Weatherstrip"](#) .
3. Release roof portion of glass run.
4. Remove door sash molding (front) screws.
5. Remove door sash molding connection between door panel and molding from glass run side and remove molding (front).
6. Release door sash molding connection between door panel and molding and take off double-faced adhesive tape.
7. Remove door sash molding (rear).

DOOR SASH MOLDING

Installation

- 1. After cleaning on installation portion of rear door sash molding (body side), install molding on body.
- 2. Install in the reverse order of removal.

CAUTION:
To hold adhesive, do not wash vehicle within 24 hours.

A
B
C
D
E
F
G
H
EI
J
K
L
M

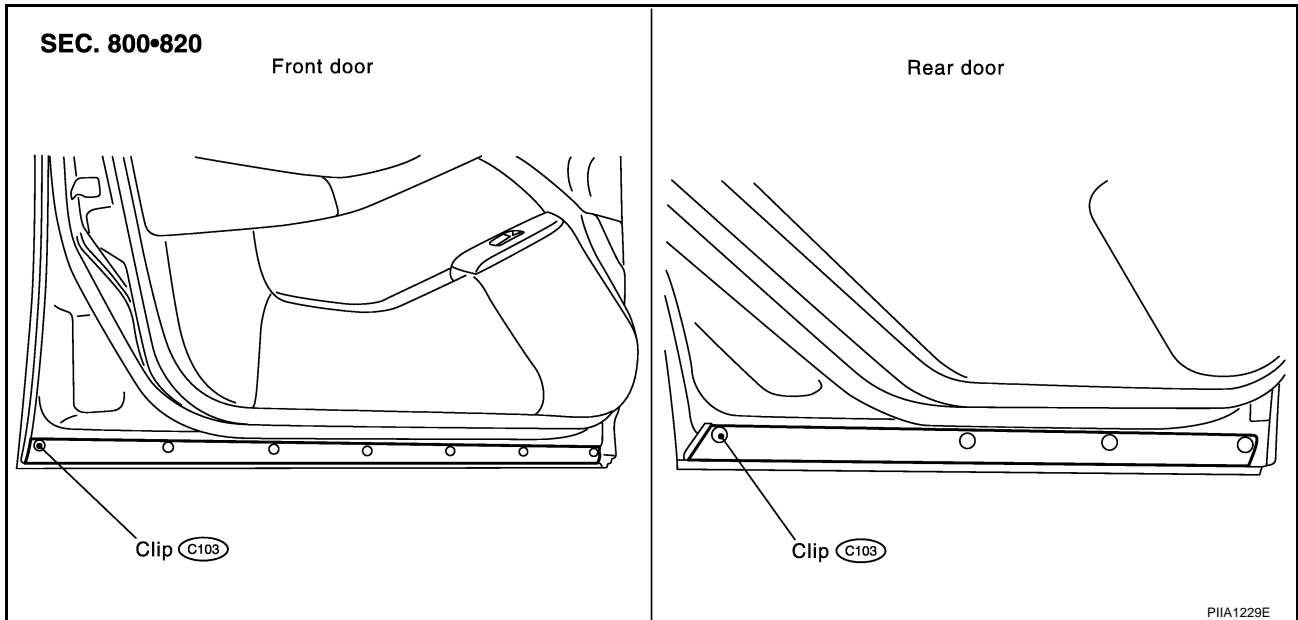
DOOR PARTING SEAL

DOOR PARTING SEAL

PFP:80838

Removal and Installation

AIS0009C



FRONT DOOR PARTING SEAL

Removal

1. Remove clips of parting seal.
2. Remove parting seal.

Installation

Install in the reverse order of removal.

REAR DOOR PARTING SEAL

Removal

1. Remove clips of parting seal.
2. Remove parting seal.

Installation

Install in the reverse order of removal.

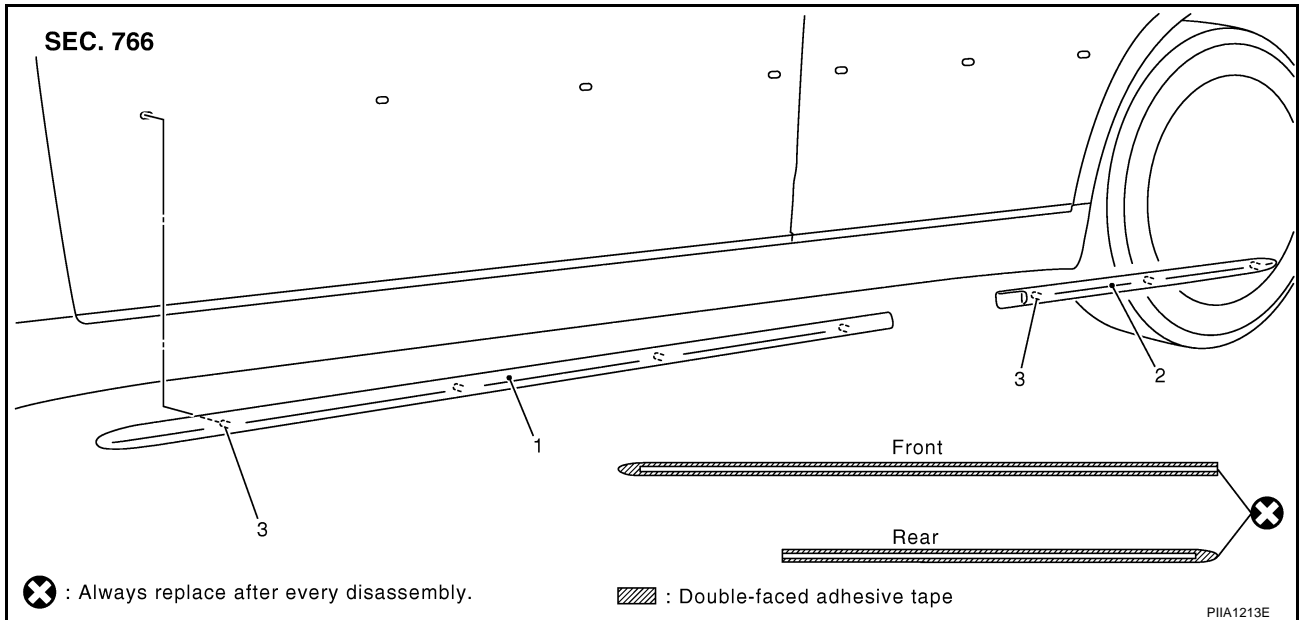
SIDE GUARD MOLDING

SIDE GUARD MOLDING

PFP:76840

Removal and Installation

AIS0009W



1. Side guard molding (front)

2. Side guard molding (rear)

3. Clip

REMOVAL

1. Apply masking tape around outer circumference of side guard molding.
2. Remove double-faced adhesive tapes with (wide) plastic spatula. Disconnect clips and remove side guard molding.

INSTALLATION

1. Remove double-faced adhesive tape remaining on vehicle.
 2. Clean contact surface of vehicle (to side guard molding), and install side guard molding to vehicle.
- To re-use side guard molding, follow above steps 1 and 2 as well, clean surface after removing double-faced adhesive tape, apply new double-faced adhesive tape as shown in the figure, then install side guard molding to vehicle.

CAUTION:

- Do not let air between contact surfaces when installing.
- To secure contact, do not wash vehicle within 24 hours after installation.

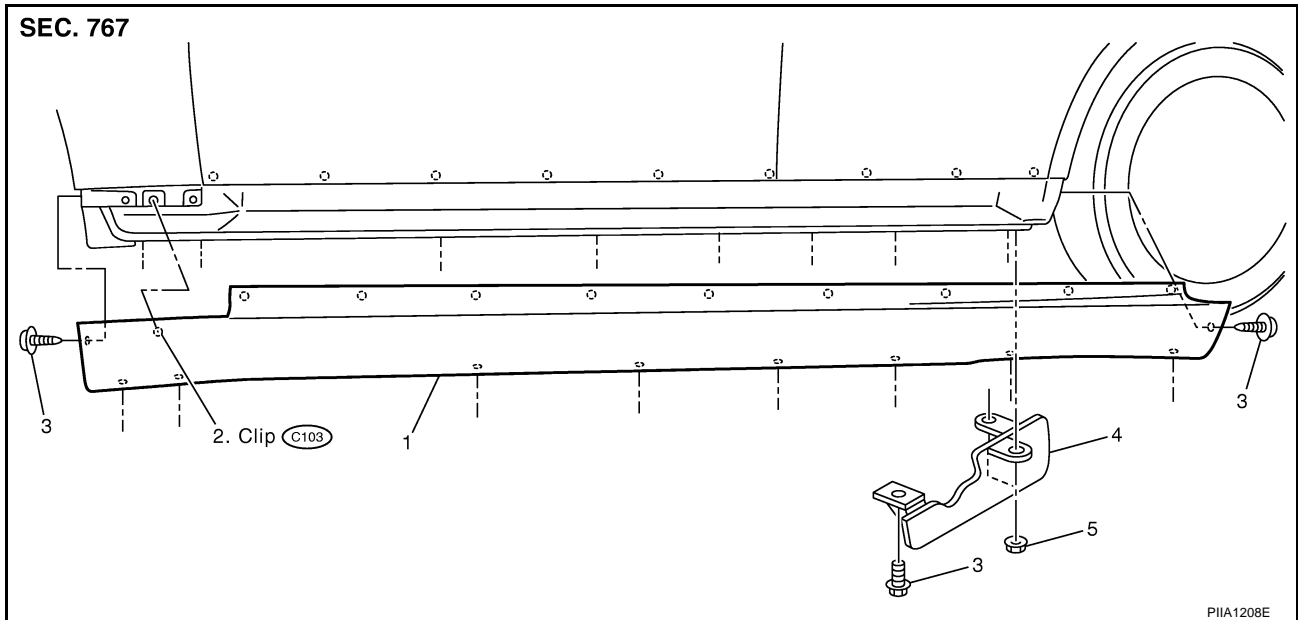
CENTER MUD GUARD

CENTER MUD GUARD

PFP:76850

Removal and Installation

AIS0009D



- | | | |
|--------------------------|----------------|----------|
| 1. Center mud guard | 2. Clip (C103) | 3. Screw |
| 4. Center mud guard rear | 5. Nut | |

REMOVAL

1. Remove mud guard finisher. Refer to [EI-39, "BODY SIDE TRIM"](#) .
2. Remove screws on front, rear and lower side of center mud guard.
3. Disconnect clips on back side of center mud guard and remove center mud guard.
4. Remove center mud guard rear.

INSTALLATION

Install in the reverse order of removal.

REAR MUDGUARD

REAR MUDGUARD

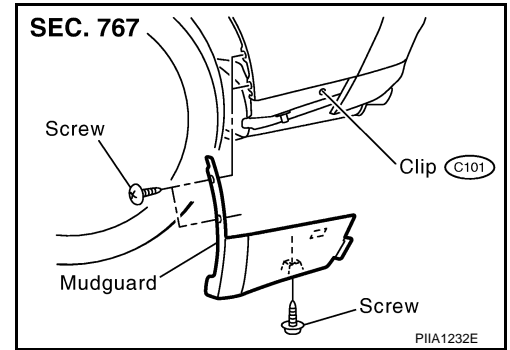
PFP:78812

Removal and Installation

AIS0009E

REMOVAL

1. Remove screws of rear mudguard.
2. Pull rear mudguard to out side of vehicle and disconnect clip and remove mudguard.



INSTALLATION

Install in the reverse order of removal.

A
B
C
D
E
F
G
H
EI
J
K
L
M

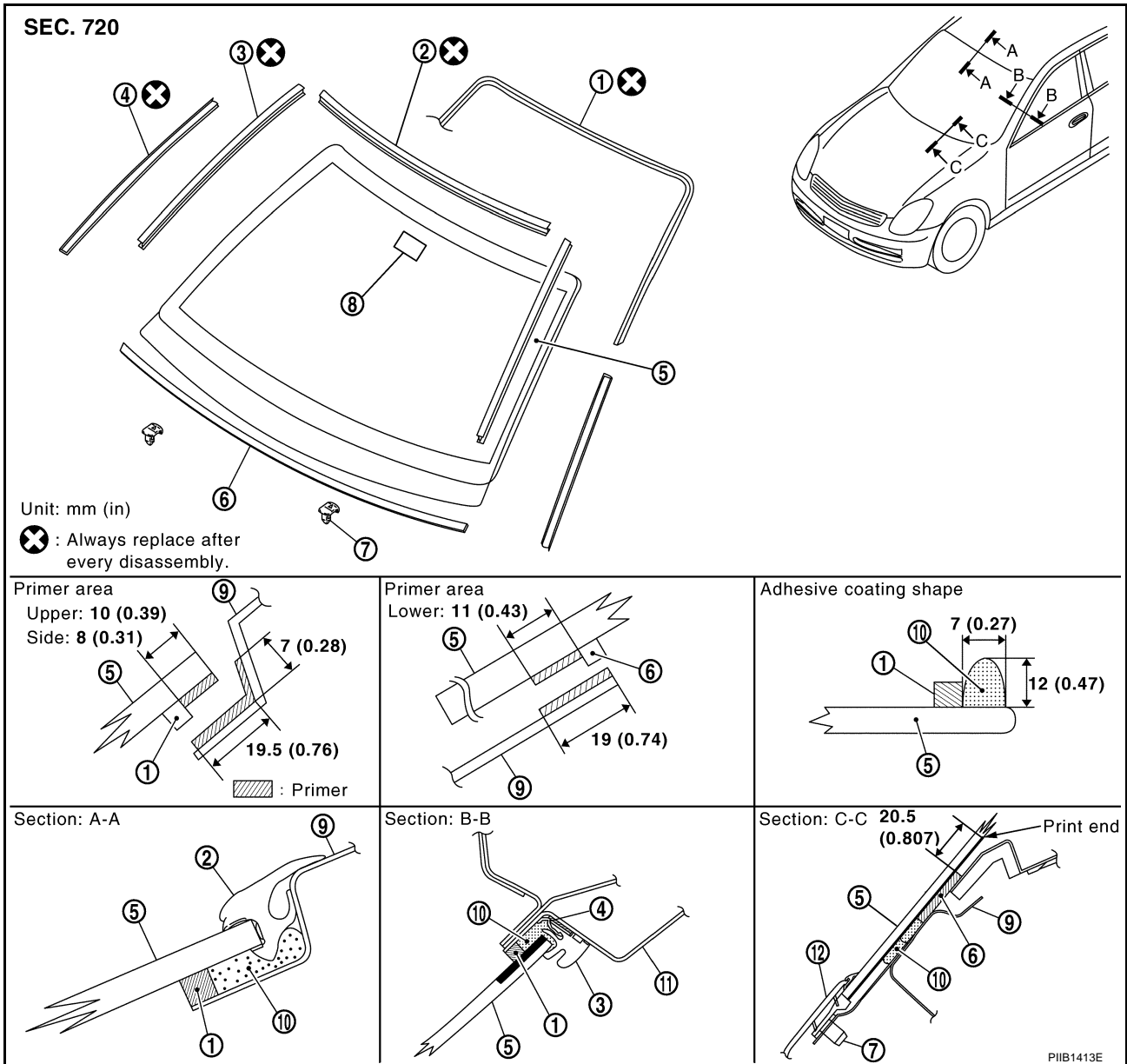
WINDSHIELD MOLDING

PFP:72700

A/S0009X

WINDSHIELD MOLDING

Removal and Installation



- | | | |
|---------------|-----------------------|--------------------|
| 1. Dam rubber | 2. Molding (upper) | 3. Molding (side) |
| 4. Fastener | 5. Windshield glass | 6. Insulator |
| 7. Spacer | 8. Mirror base | 9. Panel |
| 10. Adhesive | 11. Body side (outer) | 12. Cowl top cover |

REMOVAL

Remove windshield molding. Refer to [GW-12, "WINDSHIELD GLASS"](#) .

NOTE:

- Apply protective tape around circumference of windshield.
- Guiding a cutter knife along glass, cut surface of molding.
- Using pliers, draw out all remaining molding left in flanged area of body, and remove it completely from adhering surface on glass.

INSTALLATION

Install windshield molding. Refer to [GW-12, "WINDSHIELD GLASS"](#) .

WINDSHIELD MOLDING

NOTE:

- Align matching marks on body and glass. Install glass to body.
- Press entire surface of glass lightly to fit it completely.

Using a spatula, repair any adhesive overflow or shortage to make surface smooth. Position windshield moldings and allow their adhesion.

CAUTION:

- **Be sure to install windshield molding before adhesive hardens.**
- **After installing glass, keep door windows open and avoid driving vehicle until adhesive has completely cured.**

A

B

C

D

E

F

G

H

EI

J

K

L

M

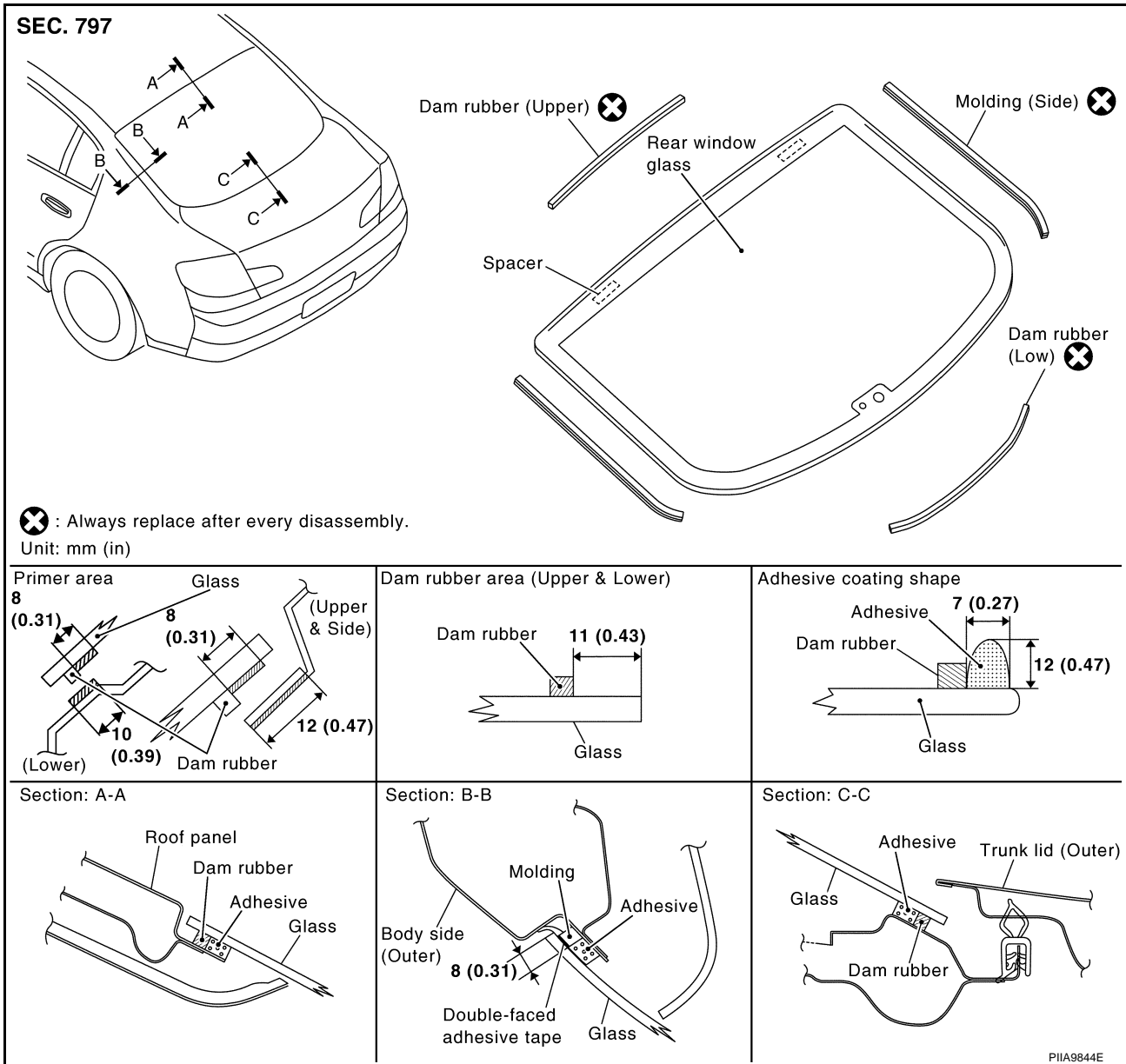
REAR WINDOW MOLDING

PFP:79762

AIS0009Y

REAR WINDOW MOLDING

Removal and Installation



REMOVAL

Remove rear window molding. Refer to [GW-14, "REAR WINDOW GLASS AND MOLDING"](#) .

NOTE:

Apply a strip of protective tape along the contour of rear window glass (molding) to prevent paint surface from being damaged.

INSTALLATION

Install rear window molding. Refer to [GW-14, "REAR WINDOW GLASS AND MOLDING"](#) .

NOTE:

- Clean adhesive portion of rear window glass and around circumference with white gasoline.
- Apply dam rubber to upper and lower surfaces of glass.
- Attach rear window molding to side face of glass.
- Rear window molding should not overlap on the surface of rear window glass.

FLOOR SIDE FAIRING

FLOOR SIDE FAIRING

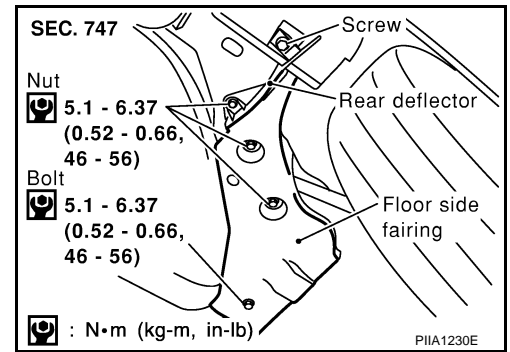
PFP:74586

Removal and Installation

AIS009Z

REMOVAL

1. Remove bolt, nut and screws of floor side fairing.
2. Remove floor fairing.



INSTALLATION

Install in the reverse order of removal.

A
B
C
D
E
F
G
H
EI
J
K
L
M

REAR DIFFUSER

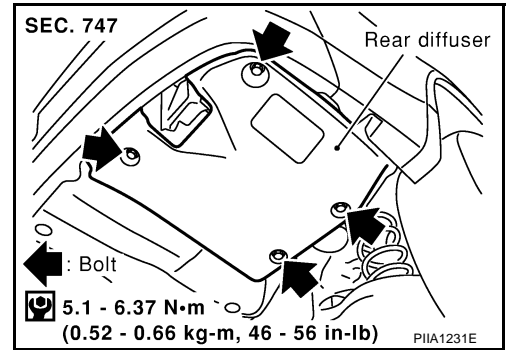
REAR DIFFUSER

PFP:748A0

Removal and Installation

AIS0009F

1. Remove bolts of rear diffuser.
2. Remove rear diffuser.



INSTALLATION

Install in the reverse order of removal.

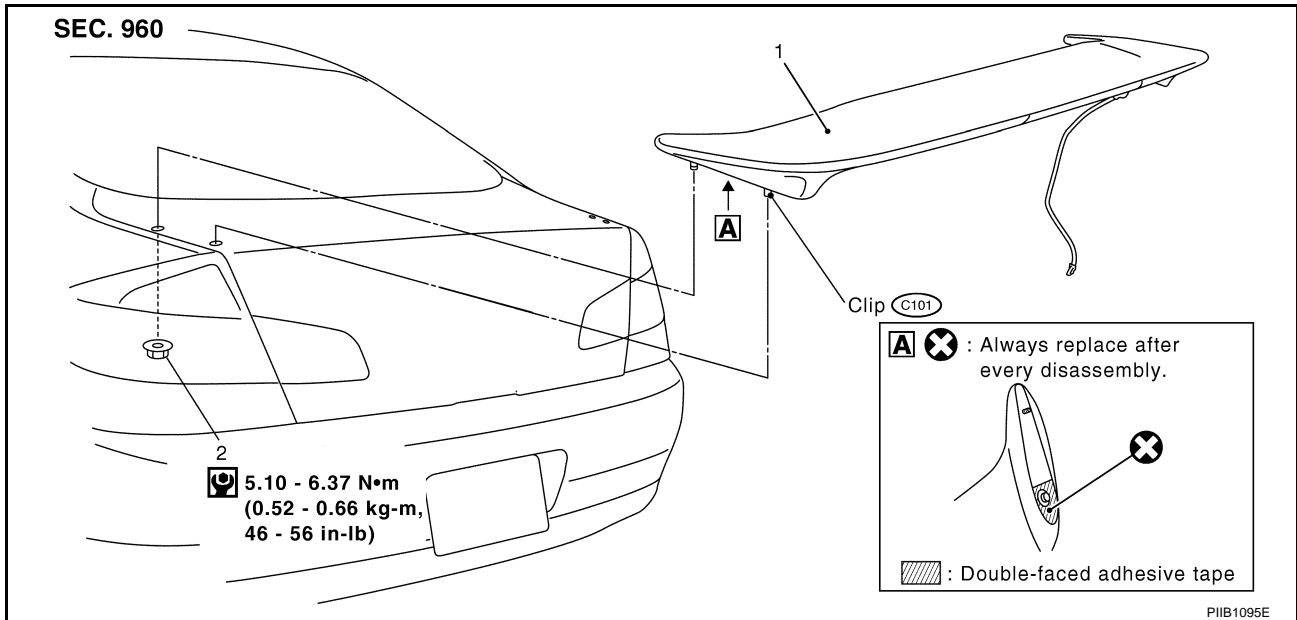
REAR SPOILER

REAR SPOILER

PFP:96030

Removal and Installation

AIS000A0



1. Rear spoiler

2. Nut

REMOVAL

1. Remove trunk lid trim. Refer to [EI-47, "TRUNK ROOM TRIM & TRUNK LID FINISHER"](#) .
2. Disconnect harness connector of high-mounted stop lamp.
3. Remove rear spoiler nuts.
4. Remove rear spoiler clip, disconnect grommet of high-mounted stop lamp harness, and remove rear spoiler.

INSTALLATION

Install in the reverse order of removal.

A
B
C
D
E
F
G
H
I
J
K
L
M

EI

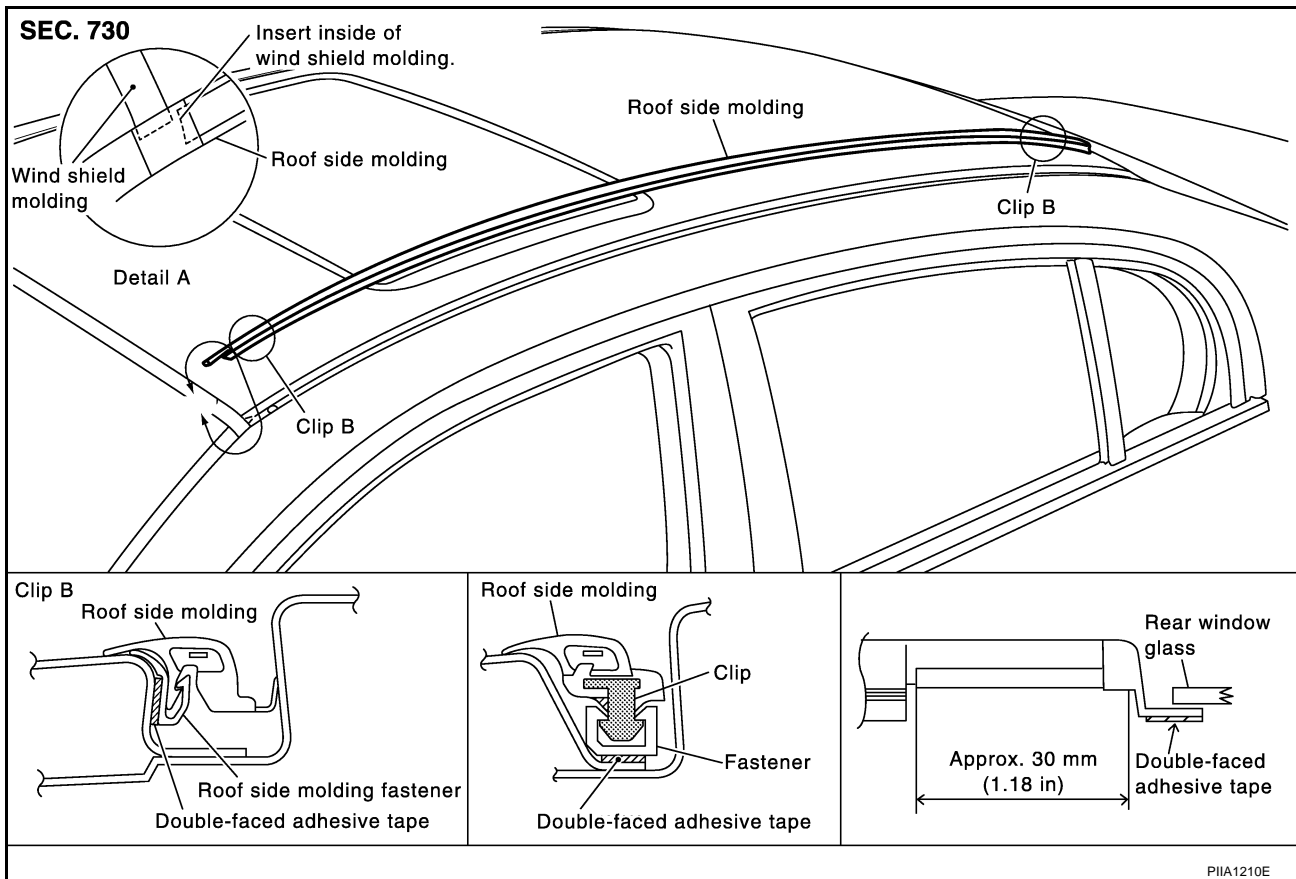
ROOF SIDE MOLDING

ROOF SIDE MOLDING

PFP:73854

Removal and Installation

AIS0009G



REMOVAL

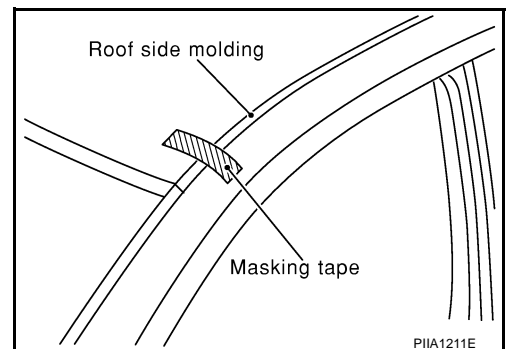
Take off double-faced adhesive tape and adhesive on front edge of molding and remove it.

INSTALLATION

1. Apply double-faced adhesive tape, apply primer and adhesive on front edge of molding at standard extent.
2. Insert rear edge of molding in rear window glass, after applying double-faced adhesive tape of rear edge on panel flange.

CAUTION:

- Insert both ends (front and rear) of molding under windshield side molding.
- Use high-viscosity, slow-drying (with 5-hour or longer curing time) adhesive.
- After installation, temporarily fix it with masking tape until adhesive has completely cured.
- Do not wash vehicle unless adhesive has completely cured.



DOOR FINISHER

DOOR FINISHER

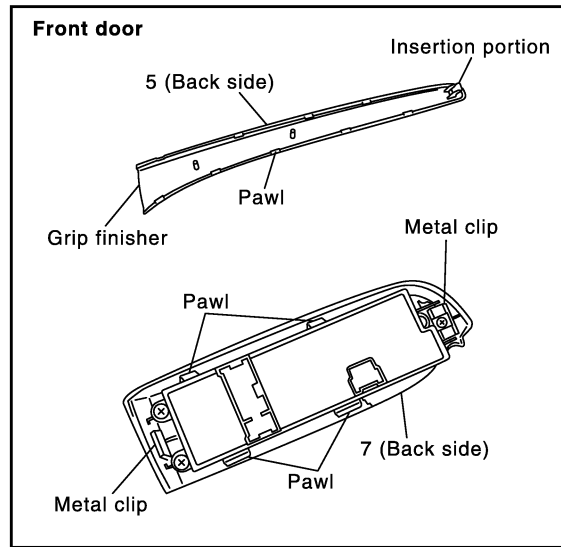
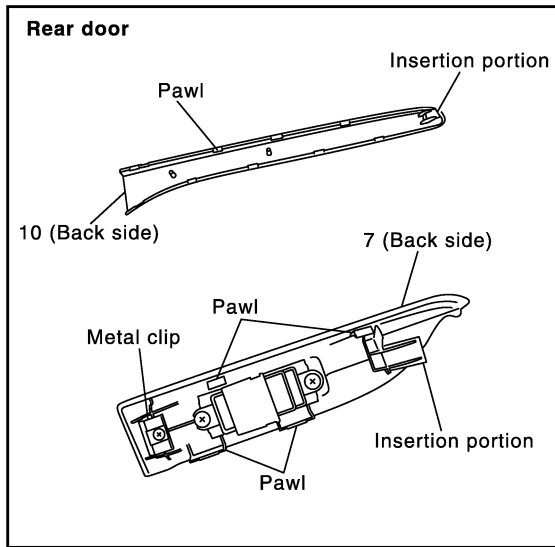
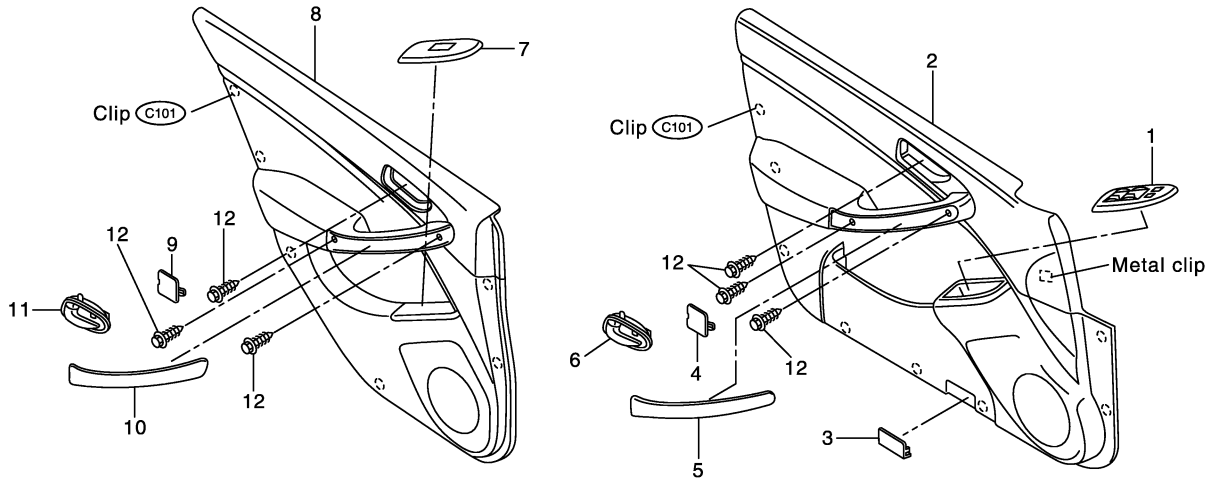
PFP:80900

Removal and Installation

AIS0009H

A
B
C
D
E
F
G
H
EI
J
K
L
M

SEC. 809•828



PIA1214E

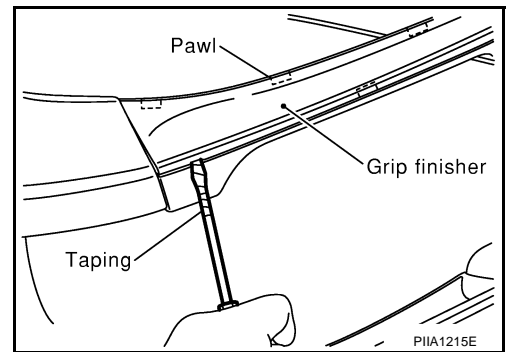
- | | | |
|--|-----------------------------|--------------------------|
| 1. Power window SW finisher (front door) | 2. Front door finisher | 3. Step lamp |
| 4. Mask (front door) | 5. Front door grip finisher | 6. Inside handle (front) |
| 7. Power window SW finisher (rear door) | 8. Rear door finisher | 9. Mask (rear door) |
| 10. Rear door grip finisher | 11. Inside handle (rear) | 12. Screw |

REMOVAL

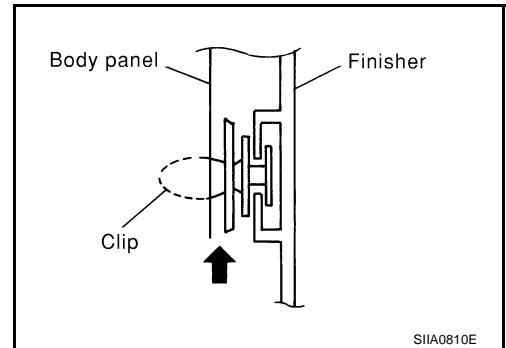
1. Remove mask of inside handle portion and remove screws.

DOOR FINISHER

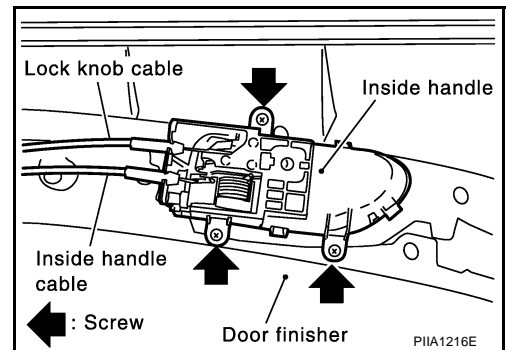
2. Insert taping flat-bladed screw driver into edge portion, disconnect pawls, and remove grip finisher.



3. Remove screw of grip portion.
4. Insert driver rolled with cloth between panel on vehicle and clips (as indicated with arrow), and remove finisher.



5. Pull up door finisher, and remove power window switch and electrical parts connectors.
6. Remove lock knob cable and inside handle cable of inside handle assembly back side.
7. Remove inside handle screws, and remove it from finisher.



8. Disconnect metal clips and pawls from door finisher back side, and remove power window switch finisher.

INSTALLATION

Install in the reverse order of removal.

CAUTION:

To install finisher, check if all clips are matched over holes of panel on vehicle, then push it.

BODY SIDE TRIM

BODY SIDE TRIM

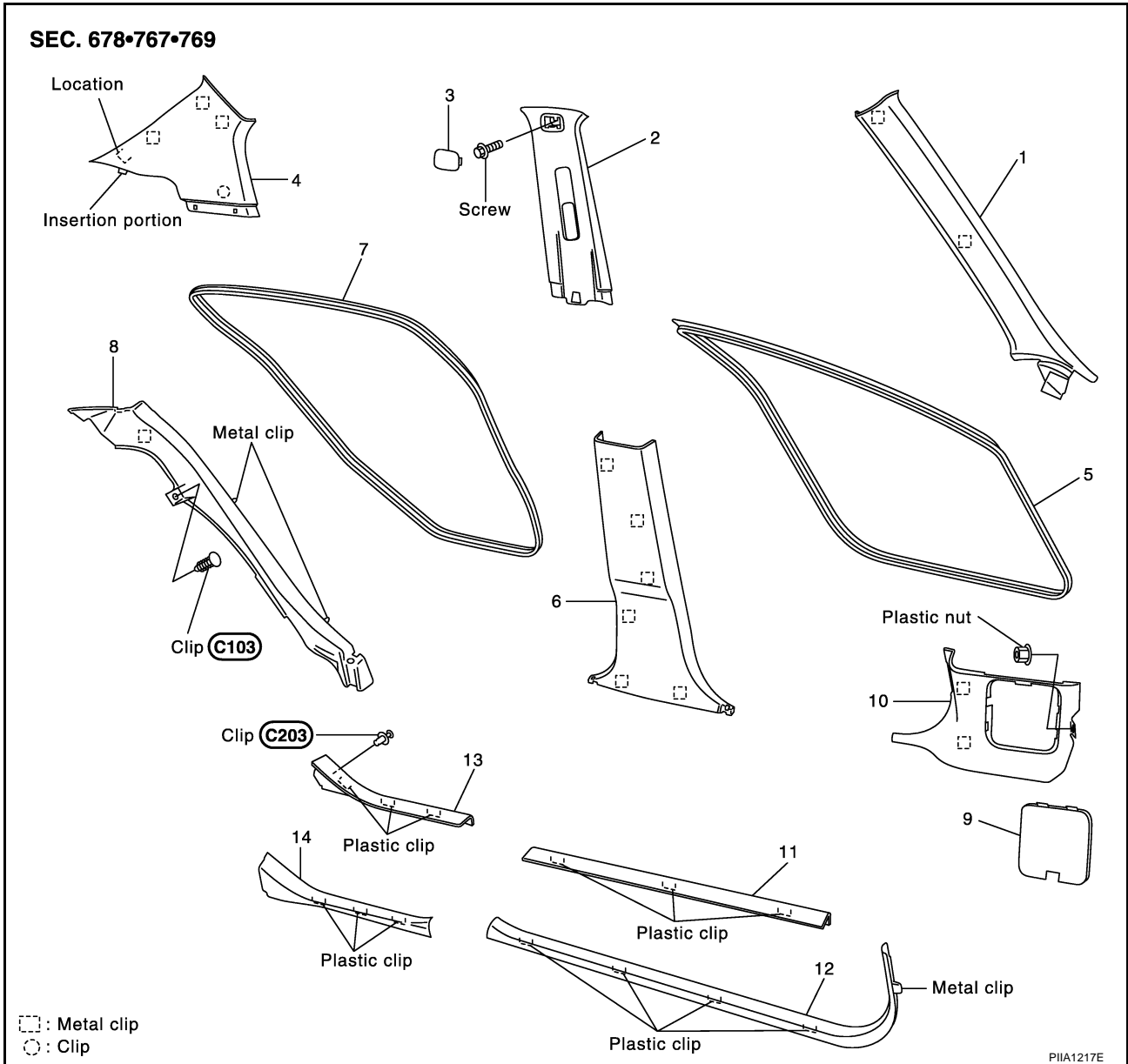
PF7:76913

Removal and Installation

AIS0009I

CAUTION:

Wrap the tip of flat-bladed screwdriver with a cloth when removing metal clips from garnishes.



- | | | |
|-------------------------------|--------------------------------|--------------------------------|
| 1. Front pillar garnish | 2. Center pillar upper garnish | 3. Center pillar upper cap |
| 4. Rear pillar finisher | 5. Front body side welt | 6. Center pillar lower garnish |
| 7. Rear body side welt | 8. Rear wheel house garnish | 9. Fuse cover |
| 10. Dash side finisher | 11. Mud guard finisher (front) | 12. Front kicking plate |
| 13. Mud guard finisher (rear) | 14. Rear kicking plate | |

CENTER PILLAR LOWER GARNISH

Removal

Remove front and rear kicking plate.

Installation

Install in the reverse order of removal.

BODY SIDE TRIM

CENTER PILLAR UPPER GARNISH

Removal

1. Remove seat belt shoulder anchor. Refer to [SB-3, "Removal and Installation of Front Seat Belt"](#) .
2. Remove front and rear kicking plate.
3. Remove center pillar lower garnish.

Installation

Install in the reverse order of removal.

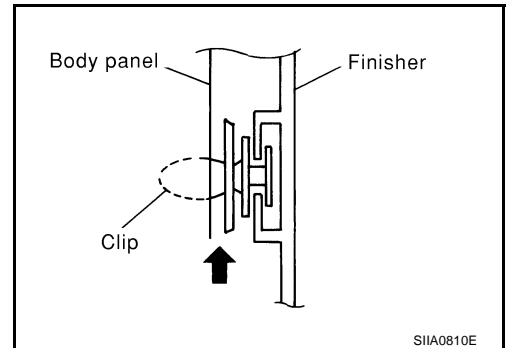
DASH SIDE FINISHER

Removal

1. Remove front kicking plate.
2. Remove front body side welt.

NOTE:

Insert driver rolled with cloth between panel on vehicle and clips (as indicated with arrow), and disconnected clips.



Installation

Install in the reverse order of removal.

NOTE:

To install, check if all clips are matched over holes of panel on vehicle, then push on.

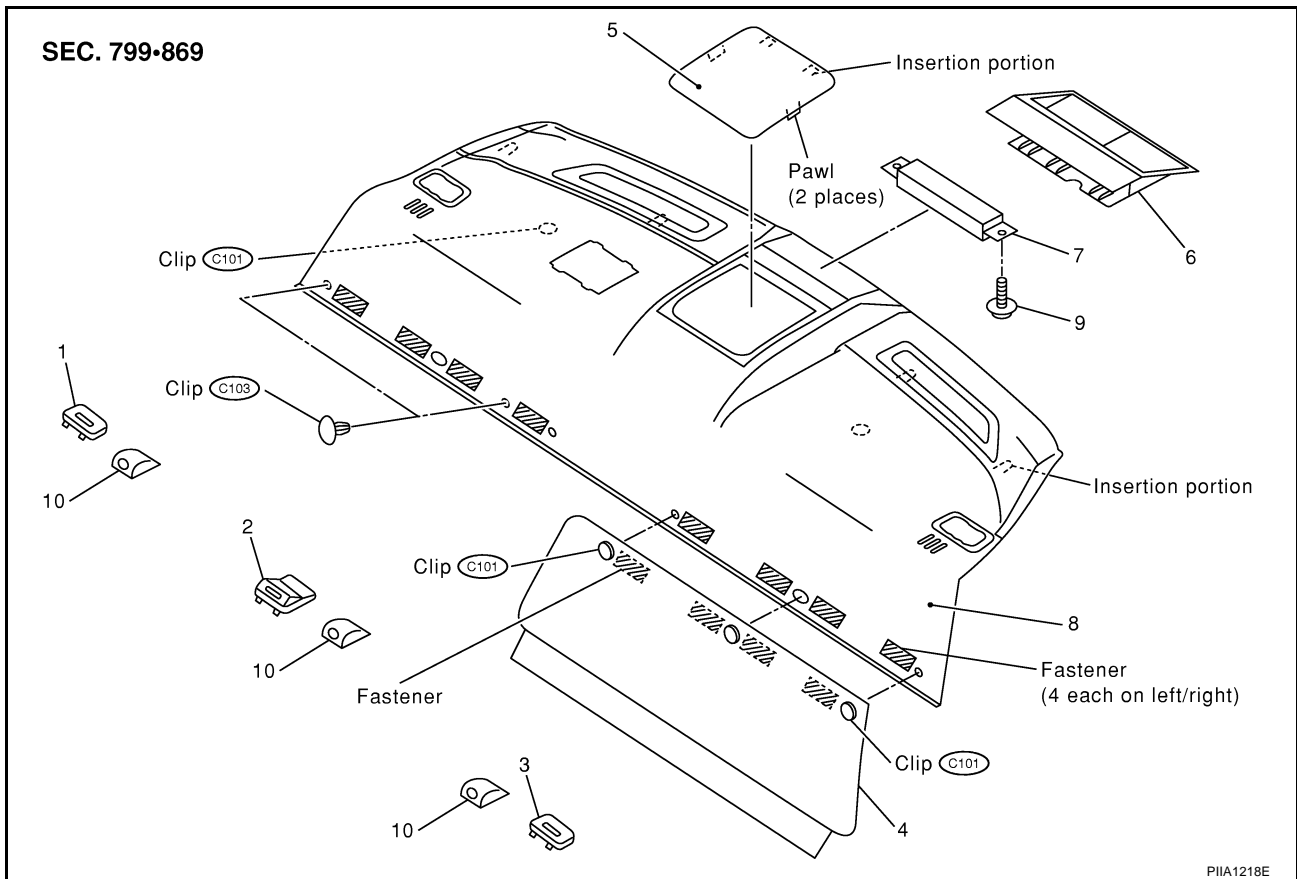
REAR PARCEL SHELF FINISHER

REAR PARCEL SHELF FINISHER

PFP:79910

Removal and Installation

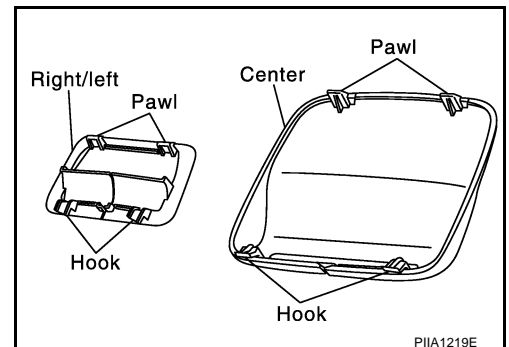
AIS0009K



- | | | |
|---------------------------------|----------------------------------|------------------------------------|
| 1. Seat belt escutcheon (right) | 2. Seat belt escutcheon (center) | 3. Seat belt escutcheon (left) |
| 4. Rear seat back trim | 5. Woofer grille | 6. High-mounted stop lamp finisher |
| 7. High-mounted stop lamp | 8. Rear parcel shelf finisher | 9. Screw |
| 10. Child anchor cover | | |

REMOVAL

1. Remove rear seat. Refer to [SE-98, "Removal and Installation"](#) .
2. Remove rear seat back center finisher. Refer to [SE-98, "Removal and Installation"](#) .
3. Remove rear seat belt floor anchor bolts. Refer to [SB-4, "Removal and Installation of Rear Seat Belt"](#) .
4. Remove rear pillar finisher. Refer to [EI-39, "BODY SIDE TRIM"](#) .
5. Remove clips of rear parcel shelf finisher.
6. Remove clips on upper side of trunk front finisher, and disconnect connectors of high-mounted stop lamp.
7. Pull rear parcel shelf finisher back to your side and remove hooks and finisher.
8. Remove seat belt escutcheon, woofer grille and high-mounted stop lamp, after removing rear parcel shelf finisher.



9. Remove seat belt escutcheon, after removing rear parcel finisher.

REAR PARCEL SHELF FINISHER

INSTALLATION

Install in the reverse order of removal.

NOTE:

- Confirm hooks of rear parcel shelf finisher are completely inserted in to holes on vehicle side.
- Confirm clips are matched over holes on vehicle side, then push on.

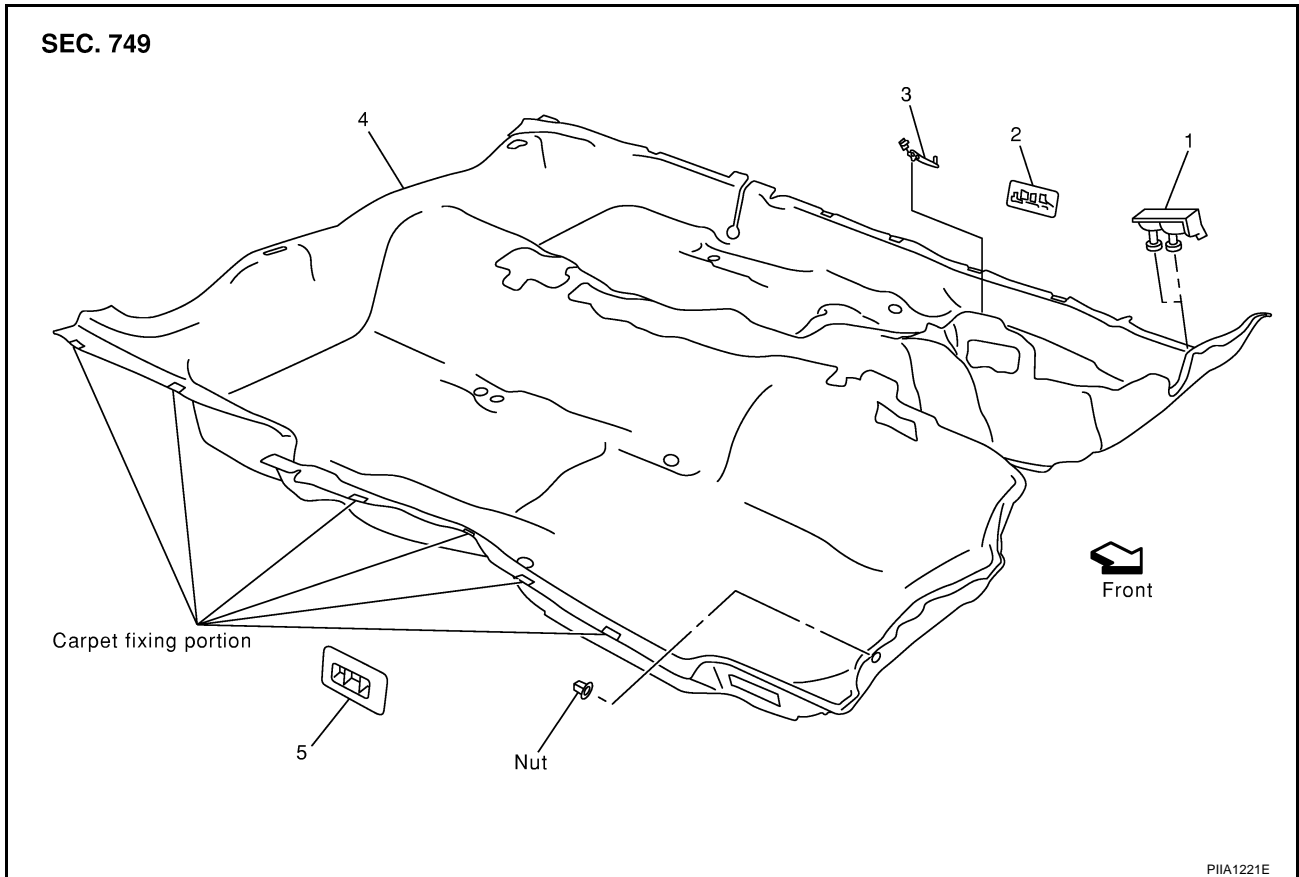
FLOOR TRIM

FLOOR TRIM

PF7:74902

Removal and Installation

AIS0009L



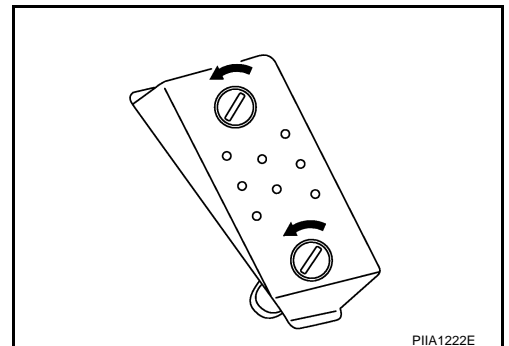
1. Foot-rest (driver)
4. Floor carpet

2. Foot-grille (left)
5. Foot-grille (right)

3. Carpet hook

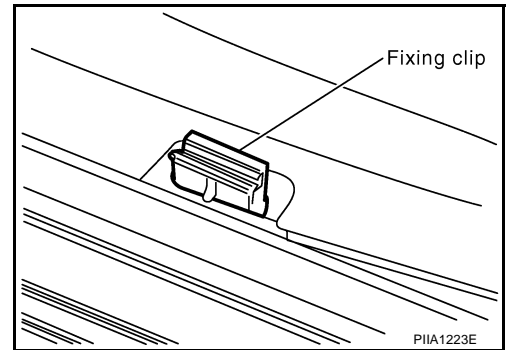
REMOVAL

1. Remove front seat and rear seat cushions. Refer to [SE-90, "Removal and Installation"](#) and [SE-98, "Removal and Installation"](#).
2. Remove center console. Refer to [IP-10, "INSTRUMENT PANEL ASSEMBLY"](#).
3. Remove instrument side panel (left and right). Refer to [IP-10, "INSTRUMENT PANEL ASSEMBLY"](#).
4. Remove front and rear kicking plate.
5. Remove front and rear body side welt.
6. Remove center pillar lower garnish.
7. Remove dash side finisher.
8. Turn flat-bladed screw driver in counter-clockwise, and remove foot-rest from stud bolts on vehicle.
9. Remove foot-rest (left and right).



FLOOR TRIM

10. Remove carpet hook.



11. Remove floor carpet from carpet clip and remove floor carpet.

INSTALLATION

Install in the reverse order of removal.

HEADLINING

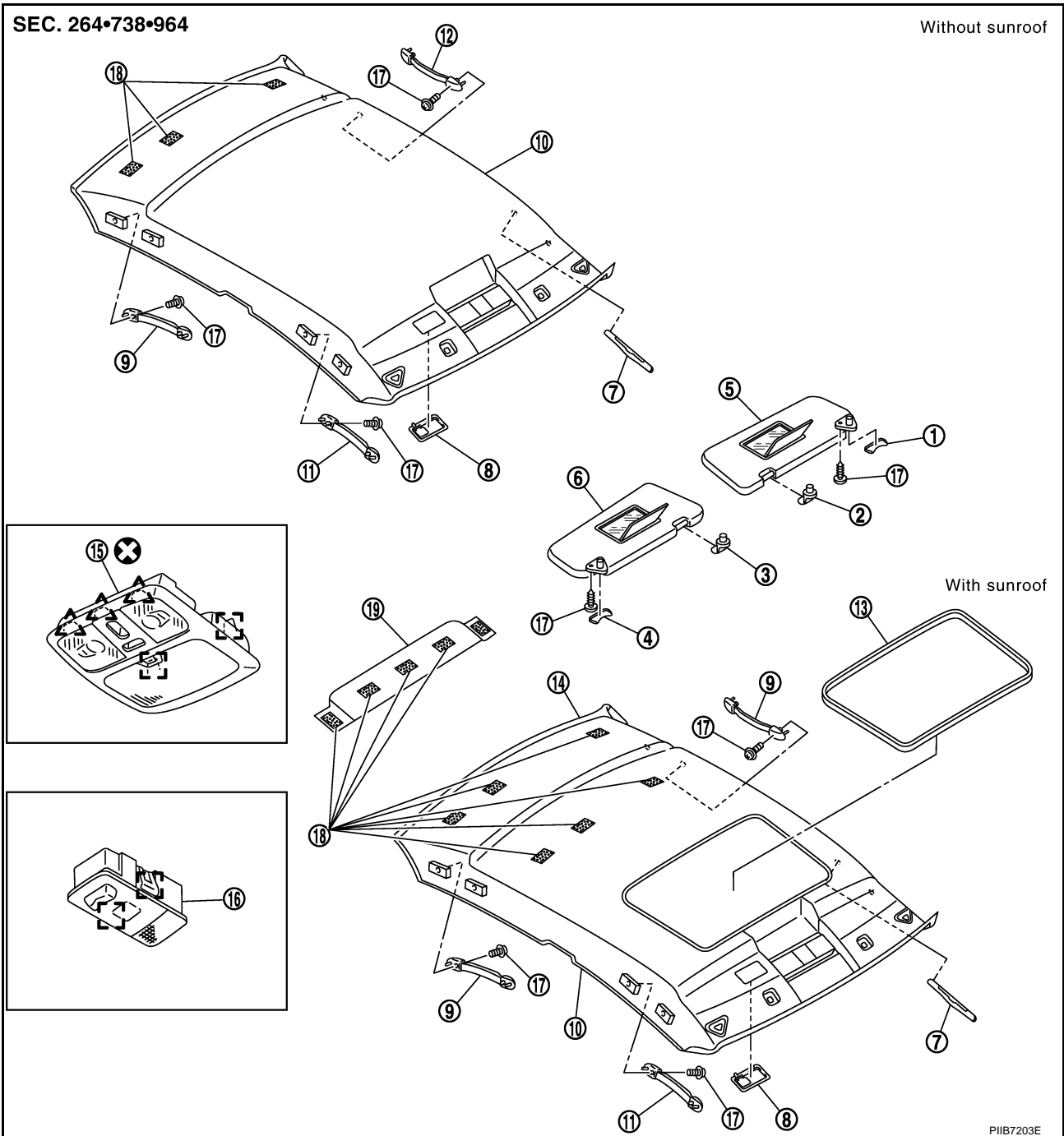
HEADLINING

PFP:73910

Removal and Installation

AIS00750

A
B
C
D
E
F
G
H
EI
J
K
L
M



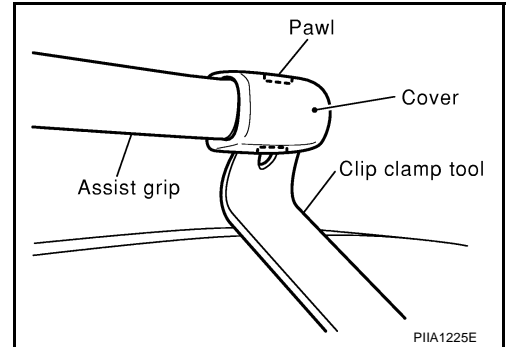
PHB7203E

- | | | |
|---------------------------|--------------------------|----------------------------------|
| 1. Sun-visor cover (LH) | 2. Sun-visor holder (LH) | 3. Sun-visor holder (RH) |
| 4. Sun-visor cover (RH) | 5. Sun-visor (LH) | 6. Sun-visor (RH) |
| 7. Roof side finisher | 8. Roof front finisher | 9. Assist grip (rear right seat) |
| 10. Headlining (standard) | 11. Assist grip (front) | 12. Assist grip (rear seat) |
| 13. Sunroof welt | 14. Headlining (sunroof) | 15. Map lamp assembly |
| 16. Rear personal lamp | 17. Screw | 18. Fastener |
| 19. Bracket | △ Pawl | □ Metal clip |

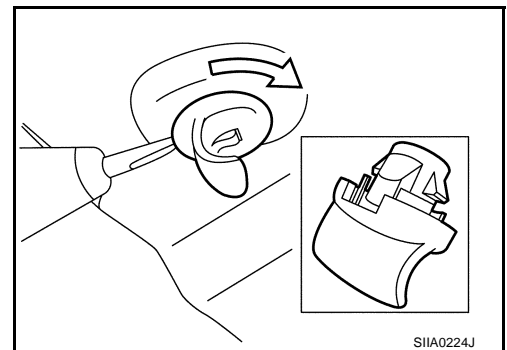
HEADLINING

REMOVAL

1. Remove front pillar and center pillar upper garnish. Refer to [EI-39, "Removal and Installation"](#) .
2. Remove rear pillar finisher. Refer to [EI-39, "Removal and Installation"](#) .
3. Remove assist grip cover, disconnect pawls both on upper and lower parts insert clip clamp remover, slide cover inward, and remove screws (one each for left and right).



4. Remove sun-visor (RH/LH), and disconnect harness connector with lamp model.
5. Remove sun-visors holder (RH/LH).
NOTE:
Insert flat-bladed screw driver to edge, and turn it 90 degrees and remove sun-visor holder.
6. Remove sunroof welt (with sunroof only).
7. Remove roof front finisher.
8. Disconnect map lamp harness connector.
9. Disconnect roof harness connector at back side of headlining.
10. Put front seat to front most and recline seatback to backward.

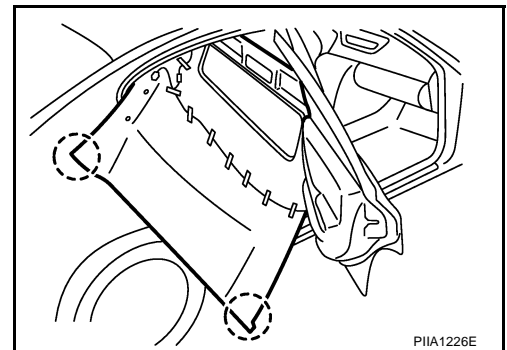


11. Remove headlining, turn and take out from right rear door.

CAUTION:

- Always remove or install in a pair.
- Cover surroundings with waste to avoid scratches or damages.
- Do not bend headlining too hard.

12. Remove following parts after removing headlining.
 - Roof side finisher
 - Rear personal lamp

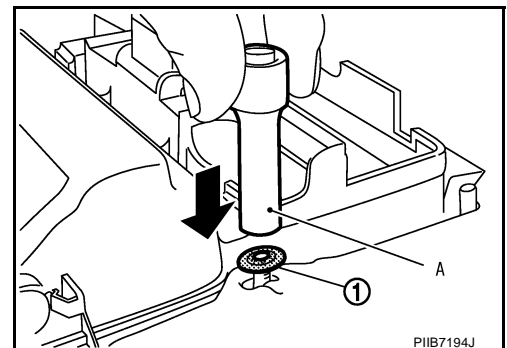


INSTALLATION

Install in the reverse order of removal.

CAUTION:

- Do not bend headlining when installing.
- When installing the map lamp assembly (new unit), use tools like drafter or deep socket A to eliminate the gap between the headlining and the above new units while the push on nuts (1).

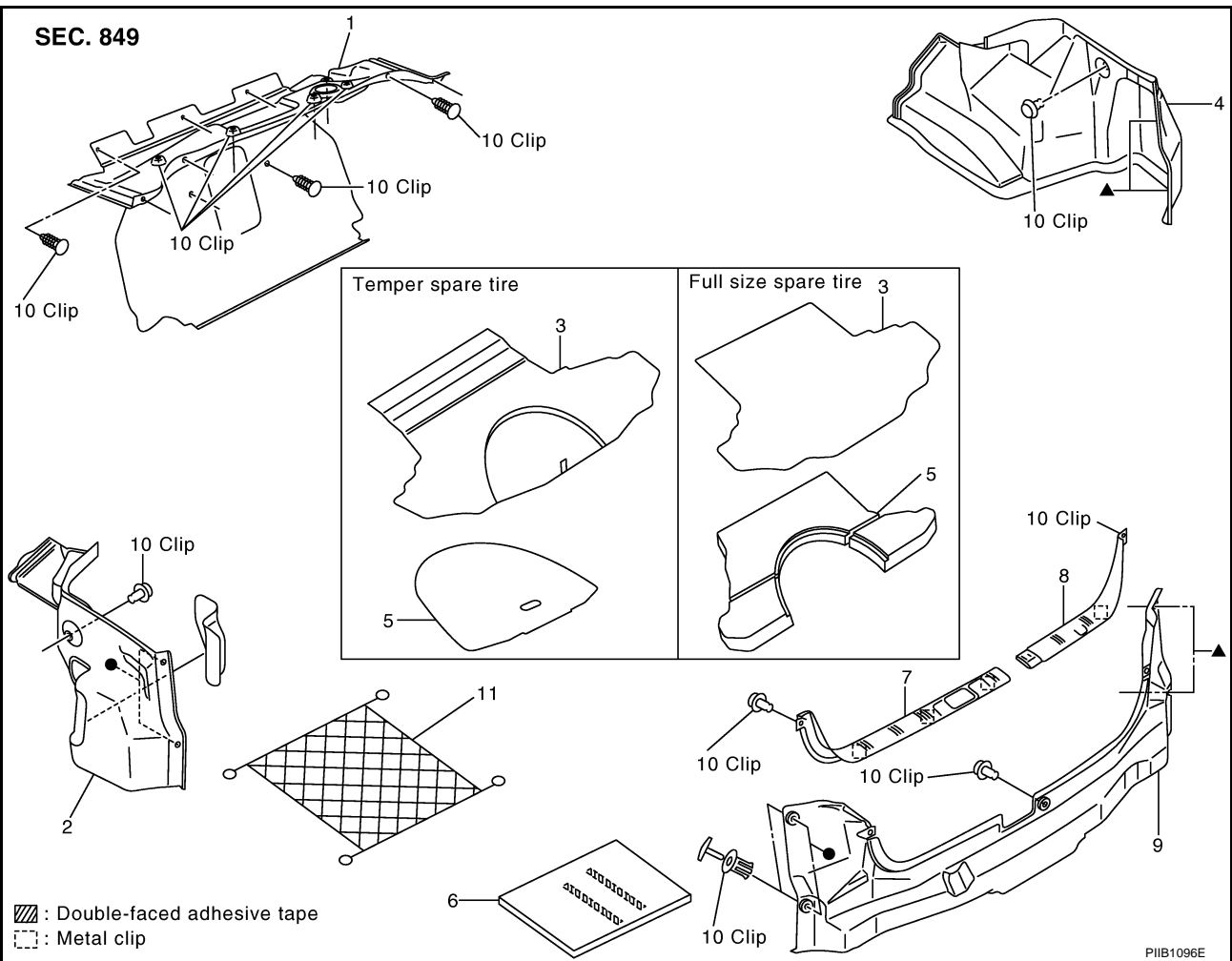


TRUNK ROOM TRIM & TRUNK LID FINISHER

TRUNK ROOM TRIM & TRUNK LID FINISHER Removal and Installation for Trunk Room Trim

PFP:84920

AIS0005L



- | | | |
|-------------------------------------|------------------------------------|------------------------|
| 1. Trunk rear finisher (upper) | 2. Rear wheelhouse finisher (left) | 3. Trunk floor carpet |
| 4. Rear wheelhouse finisher (right) | 5. Luggage floor board | 6. Trunk floor felt |
| 7. Trunk rear plate (left) | 8. Trunk rear plate (right) | 9. Trunk rear finisher |
| 10. Clip (C205) | 11. Net | |

REMOVAL

1. Remove trunk floor carpet.
2. Remove luggage floor board.
3. Remove clips of trunk rear plate and remove trunk rear plate (left/right).
4. Remove clips of trunk rear finisher and remove trunk rear finisher.
5. Remove clips of rear wheelhouse finisher and remove rear wheelhouse finisher (left/right).
6. Remove clip of trunk rear finisher upper and remove trunk rear finisher rear.

INSTALLATION

Install in the reverse order of removal.

A
B
C
D
E
F
G
H
EI
J
K
L
M

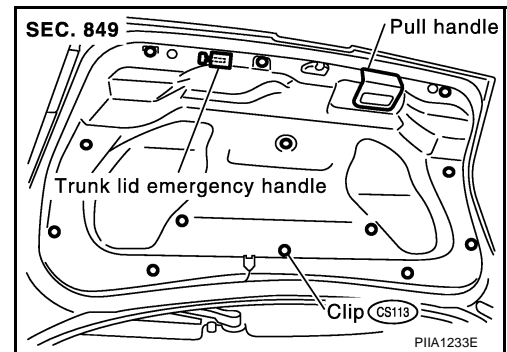
TRUNK ROOM TRIM & TRUNK LID FINISHER

Removal and Installation for Trunk Lid Finisher Inner

AIS004RQ

REMOVAL

1. Remove clips of trunk lid finisher.
2. Remove trunk lid finisher.



INSTALLATION

Install in the reverse order of removal.