

A
B
C

WT

SECTION

ROAD WHEELS & TIRES

CONTENTS

WT

<p>PREPARATION 2</p> <p style="padding-left: 20px;">Special Service Tools 2</p> <p style="padding-left: 20px;">Commercial Service Tools 2</p> <p>NOISE, VIBRATION AND HARSHNESS (NVH)</p> <p>TROUBLESHOOTING 3</p> <p style="padding-left: 20px;">NVH Troubleshooting Chart 3</p> <p>ROAD WHEEL 4</p> <p style="padding-left: 20px;">Inspection 4</p> <p style="padding-left: 40px;">ALUMINUM WHEEL 4</p> <p style="padding-left: 40px;">STEEL WHEEL 4</p> <p>ROAD WHEEL TIRE ASSEMBLY 5</p> <p style="padding-left: 20px;">Balancing Wheels (Bonding Weight Type) 5</p> <p style="padding-left: 20px;">REMOVAL 5</p> <p style="padding-left: 20px;">WHEEL BALANCE ADJUSTMENT 5</p> <p style="padding-left: 20px;">Rotation 6</p> <p>LOW TIRE PRESSURE WARNING SYSTEM 7</p> <p style="padding-left: 20px;">System Components 7</p> <p style="padding-left: 20px;">System Description 7</p> <p style="padding-left: 40px;">TRANSMITTER 7</p> <p style="padding-left: 40px;">REMOTE KEYLESS ENTRY RECEIVER 7</p> <p style="padding-left: 40px;">BCM (BODY CONTROL MODULE) 8</p> <p style="padding-left: 40px;">LOW TIRE PRESSURE WARNING LAMP 8</p> <p>CAN COMMUNICATION 9</p> <p style="padding-left: 20px;">System Description 9</p> <p>TROUBLE DIAGNOSES 10</p> <p style="padding-left: 20px;">Wiring Diagram 10</p> <p style="padding-left: 20px;">Control Unit Input/Output Signal Standard 12</p> <p style="padding-left: 20px;">ID Registration Procedure 13</p> <p style="padding-left: 40px;">ID REGISTRATION WITH TRANSMITTER</p> <p style="padding-left: 60px;">ACTIVATION TOOL 13</p> <p style="padding-left: 60px;">ID REGISTRATION WITHOUT TRANSMITTER</p> <p style="padding-left: 60px;">ACTIVATION TOOL 14</p> <p style="padding-left: 20px;">Transmitter Wake Up Operation 15</p> <p style="padding-left: 40px;">WITH TRANSMITTER ACTIVATION TOOL 15</p> <p style="padding-left: 20px;">Self-Diagnosis 16</p> <p style="padding-left: 40px;">DESCRIPTION 16</p>	<p style="padding-left: 20px;">FUNCTION 16</p> <p style="padding-left: 20px;">CONSULT-II 16</p> <p style="padding-left: 20px;">How to Perform Trouble Diagnosis for Quick and Accurate Repair 18</p> <p style="padding-left: 40px;">INTRODUCTION 18</p> <p style="padding-left: 40px;">WORK FLOW 18</p> <p style="padding-left: 20px;">Preliminary Check 19</p> <p style="padding-left: 20px;">Malfunction Code/Symptom Chart 20</p> <p>TROUBLE DIAGNOSIS FOR SELF-DIAGNOSTIC ITEMS 21</p> <p style="padding-left: 20px;">Inspection 1: Transmitter or Control Unit (BCM) 21</p> <p style="padding-left: 40px;">MALFUNCTION CODE NO. 21, 22, 23 OR 24 ... 21</p> <p style="padding-left: 20px;">Inspection 2: Transmitter - 1 21</p> <p style="padding-left: 40px;">MALFUNCTION CODE NO. 31, 32, 33, 34, 41, 42, 43, 44, 45, 46, 47 OR 48 21</p> <p style="padding-left: 20px;">Inspection 3: Transmitter - 2 22</p> <p style="padding-left: 40px;">MALFUNCTION CODE NO. 35, 36, 37 OR 38 ... 22</p> <p style="padding-left: 20px;">Inspection 4: Vehicle Speed Signal 23</p> <p style="padding-left: 40px;">MALFUNCTION CODE NO. 52 23</p> <p>TROUBLE DIAGNOSIS FOR SYMPTOMS 24</p> <p style="padding-left: 20px;">Inspection 1: Warning Lamp Does Not Come On When Ignition Switch Is Turned On. 24</p> <p style="padding-left: 20px;">Inspection 2: Warning Lamp Stays On When Ignition Switch Is Turned On. 24</p> <p style="padding-left: 20px;">Inspection 3: Warning Lamp Blinks When Ignition Switch Is Turned On. 26</p> <p style="padding-left: 20px;">Inspection 4: Turn Signal Lamp Blinks When Ignition Switch Is Turned On. 27</p> <p style="padding-left: 20px;">Inspection 5: ID Registration Can Not Be Completed.. 27</p> <p>REMOVAL AND INSTALLATION 28</p> <p style="padding-left: 20px;">Transmitter 28</p> <p style="padding-left: 40px;">REMOVAL 28</p> <p style="padding-left: 40px;">INSTALLATION 28</p> <p>SERVICE DATA 30</p> <p style="padding-left: 20px;">Road Wheel 30</p> <p style="padding-left: 20px;">Tire 30</p>	<p>F</p> <p>G</p> <p>H</p> <p>I</p> <p>J</p> <p>K</p> <p>L</p> <p>M</p>
--	---	---

PREPARATION

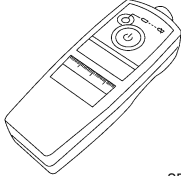
PREPARATION

PFP:00002

Special Service Tools

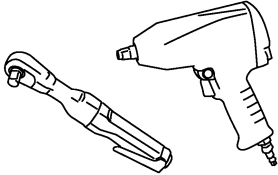
AES000RH

The actual shapes of Kent-Moore tools may differ from those of special service tools illustrated here.

Tool number (Kent-Moore No.) Tool name	Description
(J45295) Transmitter activation tool  SEIA0462E	ID registration

Commercial Service Tools

AES000RI

Tool name	Description
Power tool  PBIC0190E	Removing wheel nuts

NOISE, VIBRATION AND HARSHNESS (NVH) TROUBLESHOOTING

NOISE, VIBRATION AND HARSHNESS (NVH) TROUBLESHOOTING

PPF:00003

NVH Troubleshooting Chart

AES0000T

Use the chart below to help you find the cause of the symptom. If necessary, repair or replace these parts.

Symptom		Reference page		Possible cause and SUSPECTED PARTS																	
		2WD Model FAX-4, FSU-9	AWD Model FAX-12, FSU-23	Improper installation, looseness	Out-of-round	Imbalance	Incorrect tire pressure	Uneven tire wear	Deformation or damage	Non-uniformity	Incorrect tire size	PROPELLER SHAFT	DIFFERENTIAL	FRONT AXLE AND FRONT SUSPENSION	REAR AXLE AND REAR SUSPENSION	TIRES	ROAD WHEELS	DRIVE SHAFT	BRAKE	STEERING	
Noise	Tires	Noise	x	x	x	x	x	x	x	x	x	x	x	x	x	x	x	x	x	x	
		Shake	x	x	x	x	x	x	x	x	x	x	x	x	x	x	x	x	x	x	x
		Vibration				x					x	x		x	x			x			x
		Shimmy	x	x	x	x	x	x	x	x	x			x	x		x		x	x	x
	Road wheel	Noise	x	x	x			x				x	x	x	x	x		x	x	x	x
		Shake	x	x	x				x			x		x	x	x		x	x	x	x
		Shimmy, Judder	x	x	x				x					x	x	x			x	x	x
		Poor quality ride or handling	x	x	x				x					x	x	x					
Judder	Tires	Judder	x	x	x	x	x	x		x			x	x		x		x		x	
		Shimmy	x	x	x	x	x	x	x	x			x	x		x		x		x	
		Poor quality ride or handling	x	x	x	x	x	x	x	x			x	x		x					
		Shimmy, Judder	x	x	x				x					x	x	x			x	x	x

x: Applicable

A
B
C
D
E
F
G
H
I
J
K
L
M

WT

ROAD WHEEL

ROAD WHEEL

PFP:40300

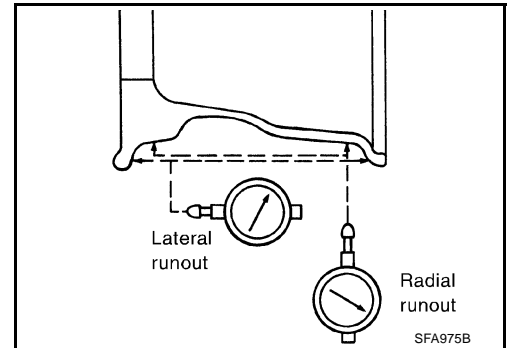
Inspection ALUMINUM WHEEL

AES000RJ

1. Check tires for wear and improper inflation.
2. Check wheels for deformation, cracks and other damage. If deformed, remove wheel and check wheel runout.
 - a. Remove tire from aluminum wheel and mount on a tire balance machine.
 - b. Set dial indicator as shown in the illustration.

Wheel runout (Dial indicator value):

Refer to [WT-30, "SERVICE DATA"](#) .



STEEL WHEEL

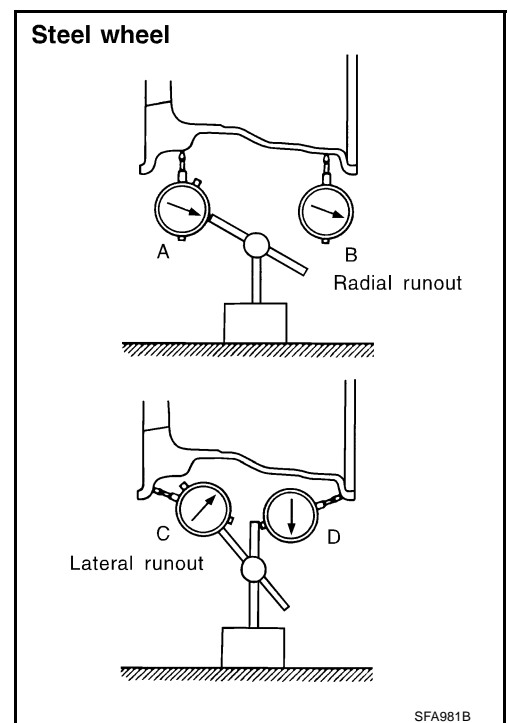
1. Check tires for wear and improper inflation.
2. Check wheels for deformation, cracks and other damage. If deformed, remove wheel and check wheel runout.
 - a. Remove tire from steel wheel and mount wheel on a tire balance machine.
 - b. Set two dial indicators as shown in the illustration.
 - c. Set each dial indicator to 0.
 - d. Rotate wheel and check dial indicators at several points around the circumference of the wheel.
 - e. Calculate runout at each point as shown below.

$$\text{Radial runout} = (A+B)/2$$

$$\text{Lateral runout} = (C+D)/2$$

- f. Select maximum positive runout value and the maximum negative value. Add the two values to determine total runout. In case a positive or negative value is not available, use the maximum value (negative or positive) for total runout. If the total runout value exceeds the limit, replace steel wheel.

Wheel runout : Refer to [WT-30, "SERVICE DATA"](#) .



ROAD WHEEL TIRE ASSEMBLY

ROAD WHEEL TIRE ASSEMBLY

PPF:40300

Balancing Wheels (Bonding Weight Type) REMOVAL

AES0002H

1. Remove inner and outer balance weights from the road wheel.

CAUTION:

Be careful not to scratch the road wheel during removal.

2. Using releasing agent, remove double-faced adhesive tape from the road wheel.

CAUTION:

- **Be careful not to scratch the road wheel during removal.**
- **After removing double-faced adhesive tape, wipe clean traces of releasing agent from the road wheel.**

WHEEL BALANCE ADJUSTMENT

- If a tire balance machine has adhesion balance weight mode settings and drive-in weight mode setting, select and adjust a drive-in weight mode suitable for road wheels.

1. Set road wheel on wheel balancer using the center hole as a guide. Start the tire balance machine.
2. When inner and outer unbalance values are shown on the wheel balancer indicator, multiply outer unbalance value by $5/3$ to determine balance weight that should be used. Select the outer balance weight with a value closest to the calculated value above and install it to the designated outer position of, or at the designated angle in relation to the road wheel.

CAUTION:

- **Do not install the inner balance weight before installing the outer balance weight.**
- **Before installing the balance weight, be sure to clean the mating surface of the road wheel.**

Indicated unbalance value $\times 5/3$ = balance weight to be installed

Calculation example:

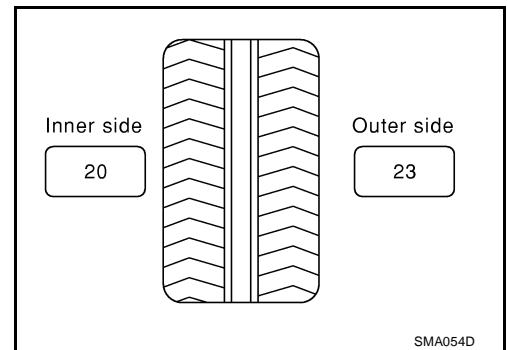
$23 \text{ g (0.81 oz)} \times 5/3 = 38.33 \text{ g (1.35 oz)} = 40 \text{ g (1.41 oz)}$ balance weight (closer to calculated balance weight value)

Note that balance weight value must be closer to the calculated balance weight value.

Example:

$37.4 = 35 \text{ g (1.23 oz)}$

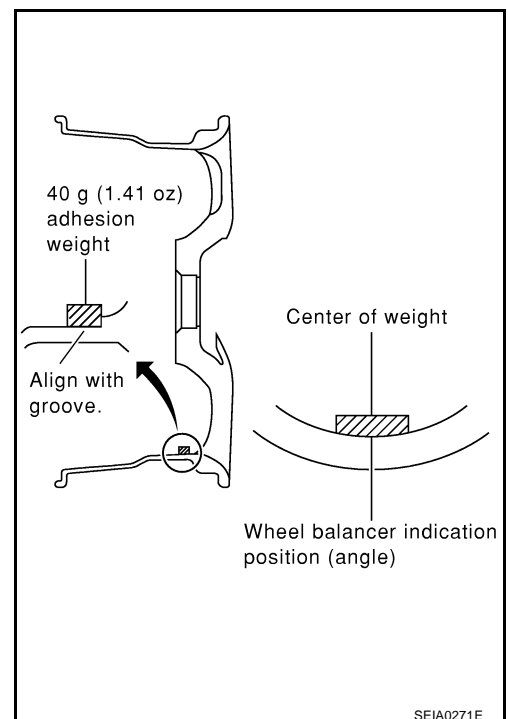
$37.5 = 40 \text{ g (1.41 oz)}$



- a. Install balance weight in the position shown in the figure.
- b. When installing balance weight to road wheels, set it into the grooved area on the inner wall of the road wheel as shown in the figure so that the balance weight center is aligned with the wheel balancer indication position (angle).

CAUTION:

- **Always use genuine NISSAN adhesion balance weights.**
- **Balance weights are un reusable; always replace with new ones.**
- **Do not install more than three sheets of balance weight.**



ROAD WHEEL TIRE ASSEMBLY

- c. If calculated balance weight value exceeds 50 g (1.76 oz), install two balance weight sheets in line with each other as shown in the figure.

CAUTION:

Do not install one balance weight sheet on top of another.

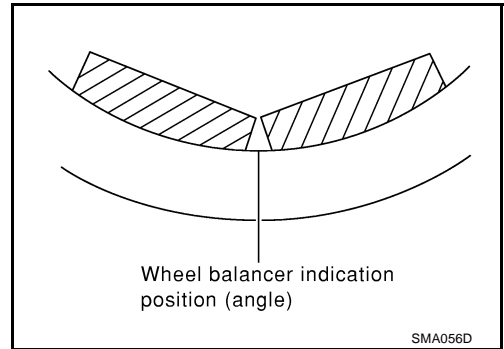
3. Start wheel balancer again.
 4. Install drive-in balance weight on inner side of road wheel in the wheel balancer indication position (angle).

CAUTION:

Do not install more than two balance weights.

5. Start wheel balancer. Make sure that inner and outer residual unbalance values are 10 g (0.35 oz) each or below.
- If either residual unbalance value exceeds 10 g (0.35 oz), repeat installation procedures.

Wheel balance (Maximum allowable unbalance):



Maximum allowable unbalance	Dynamic (At rim flange)	Less than 10 g (0.35 oz) (one side)
	Static (At rim flange)	Less than 20 g (0.70 oz)

Rotation

AES0000W

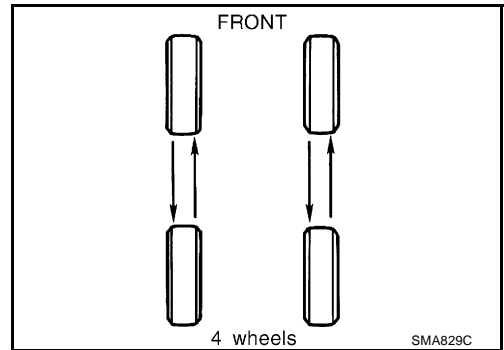
- Follow the maintenance schedule for tire rotation service intervals. Refer to [MA-6. "PERIODIC MAINTENANCE"](#).
- Do not include the T-type spare tire when rotating the tires.

CAUTION:

When installing wheels, tighten them diagonally by dividing the work two to three times in order to prevent the wheels from developing any distortion.

Tightening torque of wheel nut:

:98 – 118 N·m (10 – 12 kg·m, 72 – 87 ft·lb)



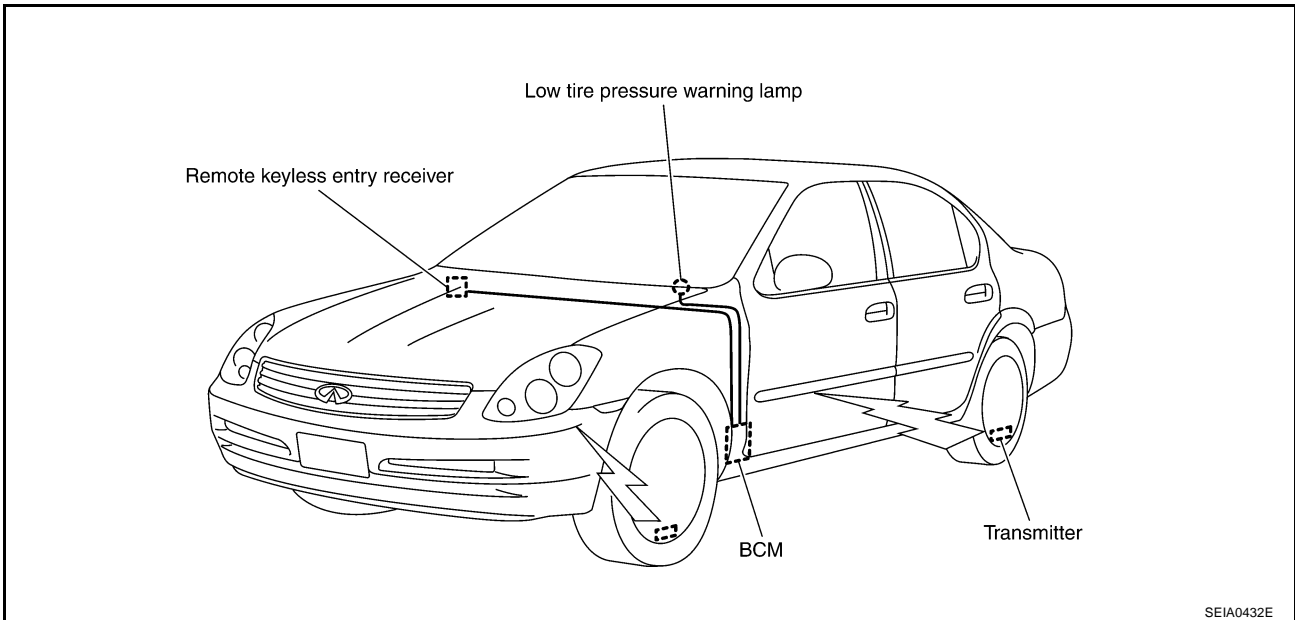
LOW TIRE PRESSURE WARNING SYSTEM

LOW TIRE PRESSURE WARNING SYSTEM

PFP:40300

System Components

AES000QT

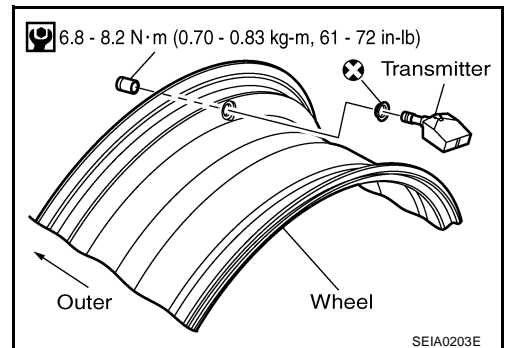


System Description

TRANSMITTER

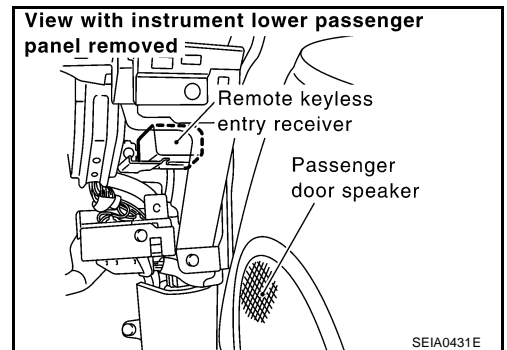
AES000QU

A sensor-transmitter integrated with a valve is installed on a wheel, and transmits a detected air pressure signal in the form of a radio wave.



REMOTE KEYLESS ENTRY RECEIVER

The remote keyless entry receiver receives the air pressure signal transmitted by the transmitter in each wheel.



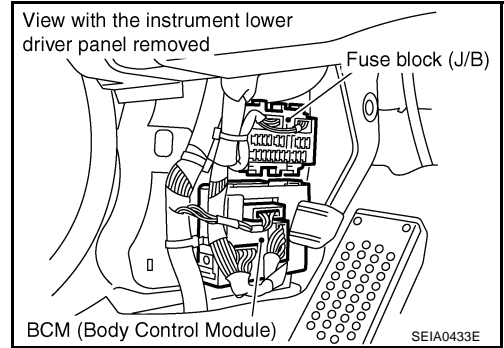
A
B
C
D
WT
F
G
H
I
J
K
L
M

LOW TIRE PRESSURE WARNING SYSTEM

BCM (BODY CONTROL MODULE)

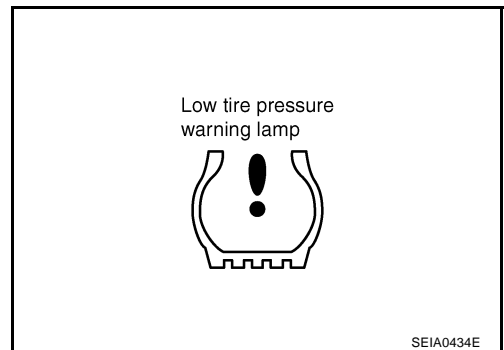
The BCM reads the air pressure signal received by the remote keyless entry receiver, and controls the low tire pressure warning lamp and the buzzer operations as shown below. It also has a judgement function to detect a system malfunction.

Condition	Warning lamp	Buzzer
Less than 170 kPa (1.7 kg/cm ² , 24 psi) [Flat tire]	ON	Sounds for 10 sec.
System malfunction	ON	OFF



LOW TIRE PRESSURE WARNING LAMP

The combination meter receives tire pressure status from the BCM using CAN communication. When a low tire pressure condition is sensed by the BCM, the combination meter low tire pressure warning lamp and buzzer are actives.



CAN COMMUNICATION

CAN COMMUNICATION

PFP:23710

System Description

AES000QV

CAN (Controller Area Network) is a serial communication line for real time application. It is an on-vehicle multiplex communication line with high data communication speed and excellent error detection ability. Many electronic control units are equipped onto a vehicle, and each control unit shares information and links with other control units during operation (not independent). In CAN communication, control units are connected with 2 communication lines (CAN H line, CAN L line) allowing a high rate of information transmission with less wiring. Each control unit transmits/receives data but selectively reads required data only.

Refer to [LAN-5, "CAN COMMUNICATION"](#) .

A
B
C
D

WT

F
G
H
I
J
K
L
M

TROUBLE DIAGNOSES

TROUBLE DIAGNOSES

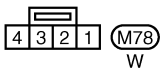
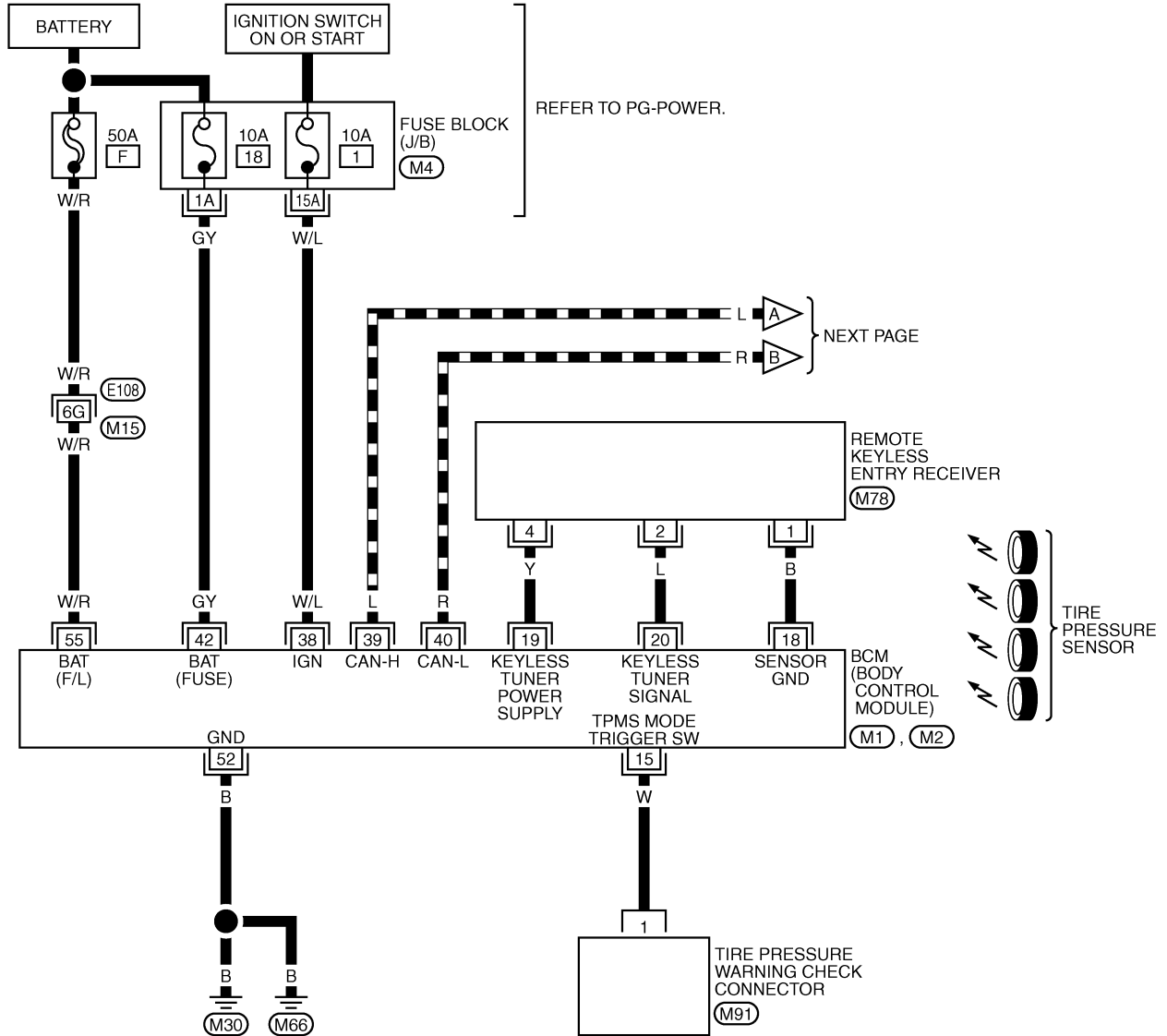
PFP:00004

Wiring Diagram

AES000QX

WT-T/WARN-01

▬ : DATA LINE



REFER TO THE FOLLOWING.

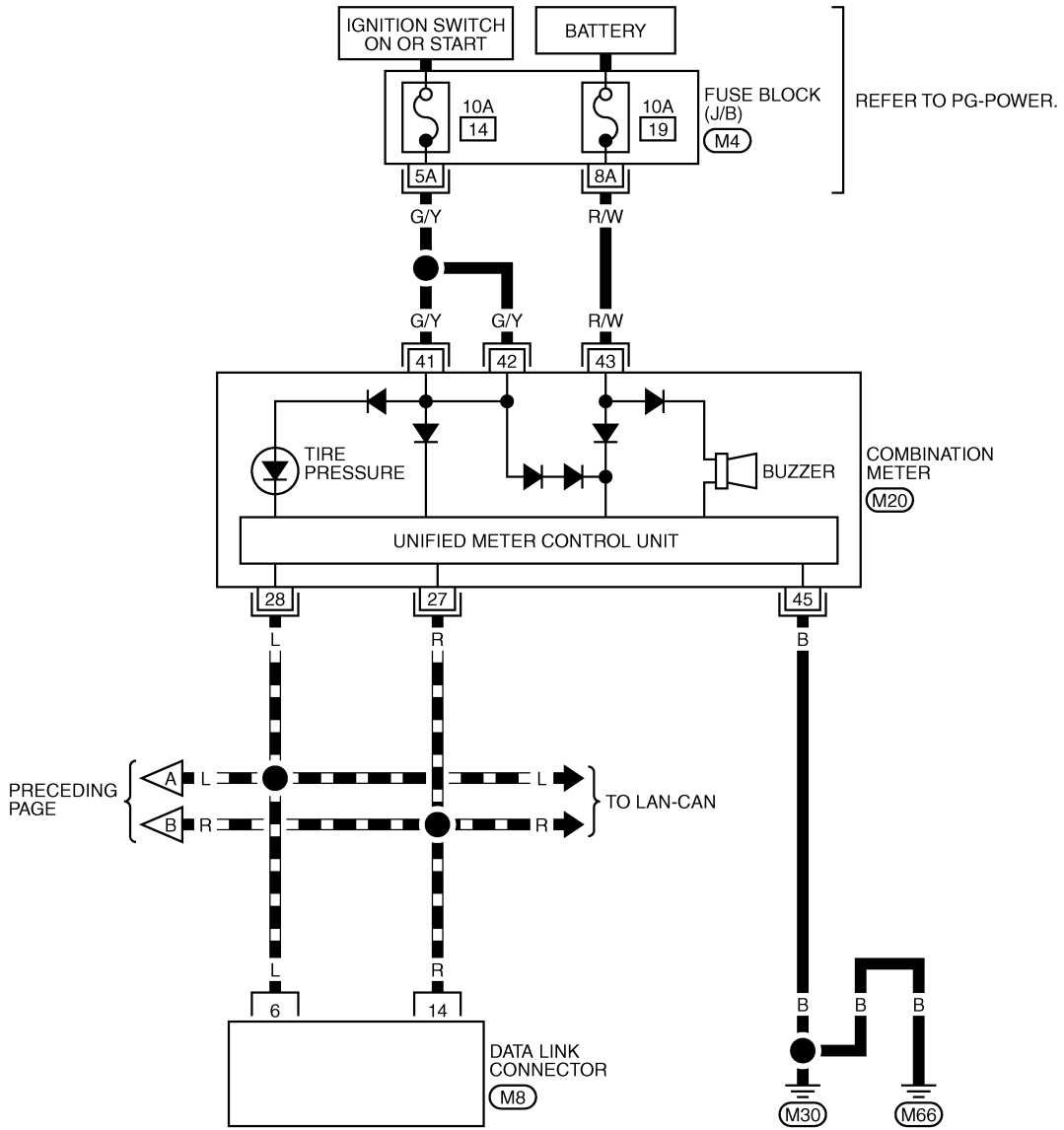
- (E108) -SUPER MULTIPLE JUNCTION (SMJ)
- (M4) -FUSE BLOCK-JUNCTION BOX (J/B)
- (M1), (M2) -ELECTRICAL UNITS

TEWT0010E

TROUBLE DIAGNOSES

WT-T/WARN-02

▬ : DATA LINE



16	15	14	13	12	11	10	9
8	7	6	5	4	3	2	1

(M8)
W

25	26	27	28	29	30	31	32	33	34	35		
36	37	38	39	40	41	42	43	44	45	46	47	48

(M20)
W

REFER TO THE FOLLOWING.

(M4) - FUSE BLOCK-JUNCTION BOX (J/B)

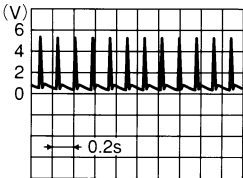
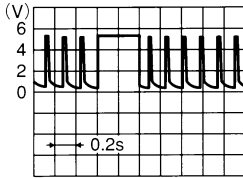
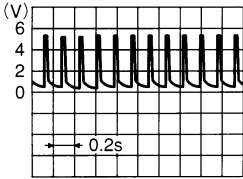
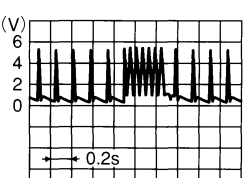
TEWT0011E

TROUBLE DIAGNOSES

Control Unit Input/Output Signal Standard

AES000QY

Standards using a circuit tester and oscilloscope.

Terminal		Item	Condition	Voltage (V) Approx. value	
+	-				
15 (W)	Ground	Tire pressure warning check connector	Always	5V	
18 (B)		Remote keyless entry receiver (Ground)	—	0V	
19 (Y)		Remote keyless entry receiver (Power supply)	Stand-by		OCC3879D
			Press any of the key fob switches		OCC3882D
20 (L)		Remote keyless entry receiver (Signal)	Stand-by		OCC3881D
			Press any of the key fob switches		OCC3880D
38 (W/L)		Ignition switch	Ignition switch ON or START	Battery voltage (12V)	
39 (L)		Data line (CAN H)	—	—	
40 (R)		Data line (CAN L)	—	—	
42 (GY)		Battery power supply (Fuse)	Always	Battery voltage (12V)	
52 (B)	GND	—	0V		
55 (W/R)	Battery power supply (F/L)	Always	Battery voltage (12V)		

(): Wire color

TROUBLE DIAGNOSES

AES000QZ

ID Registration Procedure

ID REGISTRATION WITH TRANSMITTER ACTIVATION TOOL

This procedure must be done after replacement of a transmitter, BCM, or tire rotation.

CAUTION:

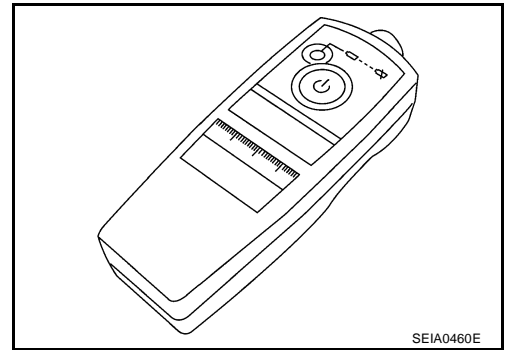
If CONSULT-II is used with no connection of CONSULT-II CONVERTER, malfunction might be detected during self-diagnosis depending on control unit which carry out CAN communication.

1. With the ignition switch OFF, connect CONSULT-II and CONSULT-II CONVERTER to the data link connector, then turn the ignition switch ON.
2. Select "START (NISSAN BASED VHCL)".
3. Select "BCM" on "SELECT SYSTEM" screen.

NOTE:

If "BCM" is not indicated, go to [GI-38, "CONSULT-II Data Link Connector \(DLC\) Circuit"](#) .

4. Select "AIR PRESSURE MONITOR" on "SELECT WORK ITEM" screen.
5. Select "WORK SUPPORT" on "SELECT DIAG MODE" screen, and select "ID REGIST".
6. With the transmitter activation tool (J-45295) pushed against the front-left transmitter position of the tire air valve, press the button then keep 5 seconds.



7. Register the IDs in order from FR LH, FR RH, RR RH or RR LH. When ID registration of each wheel has been completed, a buzzer sounds and turn signal lamp (LH/ RH) blinks.

Activation tire position	Buzzer	Turn signal lamp	CONSULT-II
1 Front LH	Once	2 times flashing	"YET" ↓ "DONE"
2 Front RH	2 times		
3 Rear RH	3 times		
4 Rear LH	4 times		

8. After completing all ID registrations, press "END" to complete the procedure.

NOTE:

Be sure to register the IDs in order from FR LH, FR RH, RR RH, to RR LH, or the self-diagnostic results display will not function properly.

TROUBLE DIAGNOSES

ID REGISTRATION WITHOUT TRANSMITTER ACTIVATION TOOL

This procedure must be done after replacement of a transmitter, BCM, or tire rotation.

CAUTION:

If CONSULT-II is used with no connection of CONSULT-II CONVERTER, malfunction might be detected during self-diagnosis depending on control unit which carry out CAN communication.

1. With the ignition switch OFF, connect CONSULT-II and CONSULT-II CONVERTER to the data link connector, then turn the ignition switch ON.
2. Select "START (NISSAN BASED VHCL)".
3. Select "BCM" on "SELECT SYSTEM" screen.

NOTE:

If "BCM" is not indicated, go to [GI-38, "CONSULT-II Data Link Connector \(DLC\) Circuit"](#) .

4. Select "AIR PRESSURE MONITOR" on "SELECT WORK ITEM" screen.
5. Select "WORK SUPPORT" on "SELECT DIAG MODE" screen, and select "ID REGIST".
6. Adjust the tire pressure to the values shown in the table below for ID registration, and drive the vehicle at 15 km/h (9.4 MPH) or more for a few minutes.

Tire position	Tire pressure kPa (kg/cm ² , psi)
Front – Left	240 (2.4, 34)
Front – Right	220 (2.2, 31)
Rear – Right	200 (2.0, 29)
Rear – Left	180 (1.8, 26)

7. After completing all ID registrations, press "END" to complete the procedure.

Activation tire position	CONSULT-II
Front LH	"YET" ↓ "DONE"
Front RH	
Rear RH	
Rear LH	

8. Inflate all tires to proper pressure.

Tire pressure

16 inch tire : 210kPa (2.1 kg/cm² , 30 psi)

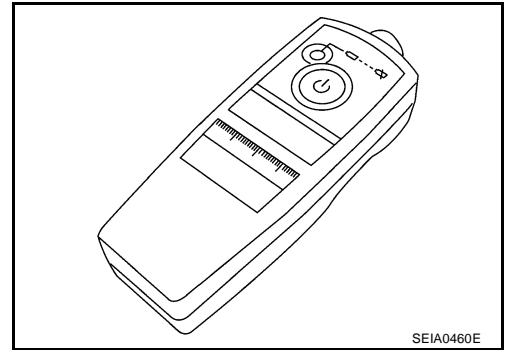
17 inch tire : 210kPa (2.1 kg/cm² , 30 psi)

TROUBLE DIAGNOSES

Transmitter Wake Up Operation WITH TRANSMITTER ACTIVATION TOOL

AES000R0

1. With the transmitter activation tool (J-45295) pushed against the front-left transmitter, press the button for 5 seconds.
 - When ignition switch ON, as the low tire pressure warning lamp blinks per the follow diagram, the respective transmitter then must be woken up.



A
B
C
D

WT

Warning lamp blinking timing		Need to activation tire position	
ON		a : 0.3sec b : 1.3sec	Front LH
ON		a : 0.3sec b : 1.3sec	Front RH
ON		a : 0.3sec b : 1.3sec	Rear RH
ON		a : 0.3sec b : 1.3sec	Rear LH
ON		a : 2sec b : 0.2sec	All tire

F
G
H
I

SEIA0378E

2. Register the IDs in order from FR LH, FR RH, RR RH or RR LH. When wake up of each wheel has been completed, turn signal lamp 2 time flashing and the buzzer sound is one time.
3. After completing wake up all transmitters, make sure low tire pressure warning lamp goes out.

J
K
L
M

TROUBLE DIAGNOSES

AES000R1

Self-Diagnosis DESCRIPTION

During driving, the low tire pressure warning system receives the signal transmitted from the transmitter installed in each wheel, and gives alarms when the tire pressure becomes low. The control unit (BCM) of this system has pressure judgement and trouble diagnosis functions.

FUNCTION

When the low tire pressure warning system detects low inflation pressure or another unusual symptom, the warning lamps in the combination meter comes on. To start the self-diagnostic results mode, ground terminal of the tire pressure warning check connector. The malfunction location is indicated by the warning lamp flashing and the buzzer sounds.

CONSULT-II

CONSULT-II Main Function

In a diagnosis function (main function), there are "WORK SUPPORT", "SELF-DIAGNOSTIC RESULTS", "DATA MONITOR", "CAN DIAG SUPPORT MNTR".

Diagnostic test mode	Function
WORK SUPPORT	This mode enables a technician to adjust some devices faster and more accurately by following the indications on CONSULT-II.
SELF-DIAGNOSTIC RESULTS	Self-diagnostic results can be read and erased quickly.
DATA MONITOR	Input/Output data in the control unit can be read.
CAN DIAG SUPPORT MNTR	The results of transmit/receive diagnosis of communication can be read.

CONSULT-II Application to Low Tire Pressure Warning System

ITEM	SELF-DIAGNOSTIC RESULTS	DATA MONITOR
Front - Left transmitter	×	×
Front - Right transmitter	×	×
Rear - Left transmitter	×	×
Rear - Right transmitter	×	×
Warning lamp	—	×
Vehicle speed	×	×
Buzzer (in combination meter)	—	—

×: Applicable

—: Not applicable

TROUBLE DIAGNOSES

Self-Diagnostic Results Mode

Diagnostic item	Diagnostic item is detected when ...
FLAT - TIRE - FL FLAT - TIRE - FR FLAT - TIRE - RR FLAT - TIRE - RL	Front-left tire pressure drops to 170 kPa (1.7 kg/cm ² , 24 psi) or less Front-right tire pressure drops to 170 kPa (1.7 kg/cm ² , 24 psi) or less Rear-right tire pressure drops to 170 kPa (1.7 kg/cm ² , 24 psi) or less Rear-left tire pressure drops to 170 kPa (1.7 kg/cm ² , 24 psi) or less
[NO-DATA] - FL [NO-DATA] - FR [NO-DATA] - RR [NO-DATA] - RL	Data from front-left transmitter cannot be received. Data from front-right transmitter cannot be received. Data from rear-right transmitter cannot be received. Data from rear-left transmitter cannot be received.
[CHECKSUM- ERR] - FL [CHECKSUM- ERR] - FR [CHECKSUM- ERR] - RR [CHECKSUM- ERR] - RL	Checksum data from front-left transmitter is malfunctioning. Checksum data from front-right transmitter is malfunctioning. Checksum data from rear-right transmitter is malfunctioning. Checksum data from rear-left transmitter is malfunctioning.
[PRESS DATA- ERR] - FL [PRESS DATA- ERR] - FR [PRESS DATA- ERR] - RR [PRESS DATA- ERR] - RL	Air pressure data from front-left transmitter is malfunctioning. Air pressure data from front-right transmitter is malfunctioning. Air pressure data from rear-right transmitter is malfunctioning. Air pressure data from rear-left transmitter is malfunctioning.
[CODE- ERR] - FL [CODE- ERR] - FR [CODE- ERR] - RR [CODE- ERR] - RL	Function code data from front-left transmitter is malfunctioning. Function code data from front-right transmitter is malfunctioning. Function code data from rear-right transmitter is malfunctioning. Function code data from rear-left transmitter is malfunctioning.
[BATT - VOLT - LOW] - FL [BATT - VOLT - LOW] - FR [BATT - VOLT - LOW] - RR [BATT - VOLT - LOW] - RL	Battery voltage of front-left transmitter drops. Battery voltage of front-right transmitter drops. Battery voltage of rear-right transmitter drops. Battery voltage of rear-left transmitter drops.
VHCL_SPEED_SIG_ERR	Vehicle speed signal is error.

NOTE:

Before performing the self-diagnosis, be sure to register the ID, or else the actual malfunction location may be different from that displayed on CONSULT-II.

Data Monitor Mode

MONITOR	CONDITION	SPECIFICATION
VEHICLE SPEED	Drive vehicle.	Vehicle speed (km/h or MPH)
AIR PRESS FL AIR PRESS FR AIR PRESS RR AIR PRESS RL	<ul style="list-style-type: none"> ● Drive vehicle for a few minutes. <li style="text-align: center;">or ● Ignition switch ON and activation tool is transmitting activate signals. 	Tire pressure (kPa or Psi)
ID REGST FL 1 ID REGST FR 1 ID REGST RR 1 ID REGST RL 1	Ignition switch ON	Registration ID: DONE No registration ID: YET
WARNING LAMP		Low tire pressure warning lamp on: ON Low tire pressure warning lamp off: OFF
BUZZER		Buzzer in combination meter on: ON Buzzer in combination meter off: OFF

NOTE:

Before performing the self-diagnosis, be sure to register the ID, or else the actual malfunction location may be different from that displayed on CONSULT-II.

TROUBLE DIAGNOSES

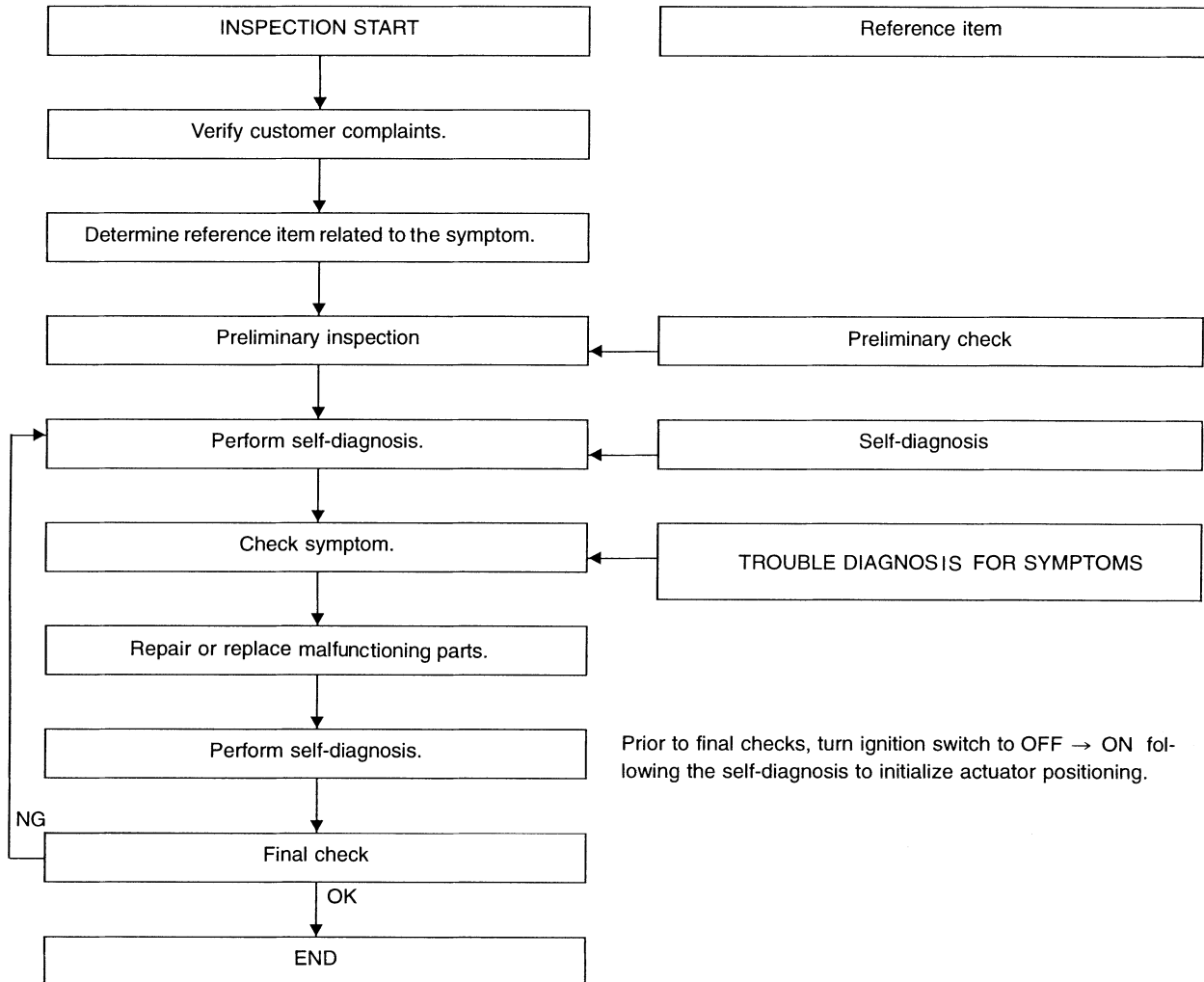
How to Perform Trouble Diagnosis for Quick and Accurate Repair

AES000R2

INTRODUCTION

- Before troubleshooting, verify customer complaints.
- If a vehicle malfunction is difficult to reproduce, harnesses, harness connectors or terminals may be malfunctioning. Hold and shake these parts to make sure they are securely connected.
- When using a circuit tester to measure voltage or resistance of each circuit, be careful not to damage or deform connector terminals.

WORK FLOW



Preliminary check: [WT-19](#)

Self-diagnosis: [WT-16](#)

Trouble diagnosis for symptoms: [WT-24](#)

SEIA0100E

TROUBLE DIAGNOSES

Preliminary Check

AES000R3

BASIC INSPECTION

1. CHECK ALL TIRES PRESSURES

- Check all tires pressures.

Tire pressure

16 inch tire : 210 kPa (2.1 kg/cm² , 30 psi)

17 inch tire : 210 kPa (2.1 kg/cm² , 30 psi)

OK or NG

OK >> GO TO 2.

NG >> Adjust tire pressure to specified value.

2. CHECK LOW TIRE PRESSURE WARNING LAMP ACTIVATION

1. Check low tire pressure warning lamp activation.
2. Does low tire pressure warning lamp activate for 1 seconds when ignition switch is turned "ON"?

Does warning lamp active?

YES >> GO TO 3.

NO >> Check fuse and combination meter.

3. CHECK CONNECTOR

1. Disconnect BCM harness connectors M1 and M2.
2. Check terminals for damage or loose connection.

OK or NG

OK >> GO TO 4.

NG >> Repair or replace damaged parts.

4. CHECK TRANSMITTER ACTIVATION TOOL

- Check transmitter activation tool battery.

OK or NG

OK >> Carry out self-diagnosis.

NG >> Replace transmitter activation tool battery.

A

B

C

D

WT

F

G

H

I

J

K

L

M

TROUBLE DIAGNOSES

Malfunction Code/Symptom Chart

AES000R4

Code/Symptom	Malfunction part	Reference page
15 16 17 18	Front-left tire pressure drops to 170 kPa (1.7 kg/cm ² , 24 psi) or less Front-right tire pressure drops to 170 kPa (1.7 kg/cm ² , 24 psi) or less Rear-right tire pressure drops to 170 kPa (1.7 kg/cm ² , 24 psi) or less Rear-left tire pressure drops to 170 kPa (1.7 kg/cm ² , 24 psi) or less	—
21 22 23 24	Transmitter no data (front - left) Transmitter no data (front - right) Transmitter no data (rear - right) Transmitter no data (rear - left)	WT-21
31 32 33 34	Transmitter checksum error (front - left) Transmitter checksum error (front - right) Transmitter checksum error (rear - right) Transmitter checksum error (rear - left)	WT-21
35 36 37 38	Transmitter pressure data error (front - left) Transmitter pressure data error (front - right) Transmitter pressure data error (rear - right) Transmitter pressure data error (rear - left)	WT-22
41 42 43 44	Transmitter function code error (front - left) Transmitter function code error (front - right) Transmitter function code error (rear - right) Transmitter function code error (rear - left)	WT-21
45 46 47 48	Transmitter battery voltage low (front - left) Transmitter battery voltage low (front - right) Transmitter battery voltage low (rear - right) Transmitter battery voltage low (rear - left)	WT-21
52	Vehicle speed signal	WT-23
Warning lamp does not come on when ignition switch is turned on.	Fuse or combination meter BCM connector or circuit BCM	WT-24
Warning lamp stays on when ignition switch is turned on.	Combination meter BCM connector or circuit BCM	WT-24
Warning lamp blinks when ignition switch is turned on.	BCM connector or circuit BCM Transmitter's mode off ID registration not yet	WT-26
Turn signal lamp blinks when ignition switch is turned on.	BCM connector or circuit BCM	WT-27
ID registration can not be operated.	Transmitter Remote keyless entry receiver connector or circuit Remote keyless entry receiver BCM connector or circuit BCM	WT-27

TROUBLE DIAGNOSIS FOR SELF-DIAGNOSTIC ITEMS

TROUBLE DIAGNOSIS FOR SELF-DIAGNOSTIC ITEMS

PFP:00000

Inspection 1: Transmitter or Control Unit (BCM) MALFUNCTION CODE NO. 21, 22, 23 OR 24

AES000R5

1. CHECK CONTROL UNIT

- Drive for several minutes. Check all tires' pressure with CONSULT-II "DATA MONITOR ITEM".

Are all tires' pressure displayed 0 kPa?

- YES >> GO TO 2.
NO >> GO TO 3.

2. CHECK REMOTE KEYLESS ENTRY RECEIVER CONNECTOR

1. Disconnect remote keyless entry receiver harness connector M78.
2. Check terminals for damage or loose connection.
3. Reconnect harness connector.

OK or NG

- OK >> Replace BCM refer to [BCS-15. "Removal and Installation of BCM"](#) , then GO TO 3.
NG >> Repair or replace remote keyless entry receiver harness connector.

3. ID REGISTRATION

- Carry out ID registration of all transmitters.

Is there a tire that cannot register ID?

- YES >> Replace transmitter of the tire, then GO TO 5.
NO >> GO TO 4.

4. VEHICLE DRIVING

- Drive at a speed of 40 km/h (25 MPH) or more for several minutes without stopping.
Check all tires' pressure with CONSULT-II "DATA MONITOR ITEM" within 15 minutes after vehicle speed becomes 17 km/h (11 MPH).

Does "DATA MONITOR ITEM" displayed tire pressure as normal without any warning lamp?

- YES >> INSPECTION END.
NO >> GO TO 5.

5. ID REGISTRATION AND VEHICLE DRIVING

1. Carry out ID registration of all transmitters.
2. Drive at a speed of 40 km/h (25 MPH) or more for 3 minutes, and then drive the vehicle at any speed for 10 minutes. Then check all tires' pressure with CONSULT-II "DATA MONITOR ITEM" within 5 minutes.

Does "DATA MONITOR ITEM" displayed tire pressure as normal without any warning lamp?

- YES >> INSPECTION END.
NO >> GO TO the inspection applicable to DTC.

Inspection 2: Transmitter - 1

MALFUNCTION CODE NO. 31, 32, 33, 34, 41, 42, 43, 44, 45, 46, 47 OR 48

AES000R6

1. ID REGISTRATION (CORRECTION OF TRANSMITTER LOCATION)

1. Carry out ID registration of all transmitters.
2. Drive at a speed of 40 km/h (25 MPH) or more for 3 minutes, and then drive the vehicle at any speed for 10 minutes.

>> GO TO 2.

TROUBLE DIAGNOSIS FOR SELF-DIAGNOSTIC ITEMS

2. REPLACE TRANSMITTER

1. Check low tire pressure warning condition again, replace malfunctioning transmitter.
2. Carry out ID registration of all transmitter.

Can ID registration of all transmitters be completed?

YES >> GO TO 3.

NO >> GO TO the inspection 1. Refer to [WT-21, "Inspection 1: Transmitter or Control Unit \(BCM\)"](#) .

3. VEHICLE DRIVING

- Drive at a speed of 40 km/h (25 MPH) or more for 3 minutes, and then drive the vehicle at any speed for 10 minutes. Then check all tires' pressure with CONSULT-II "DATA MONITOR ITEM" within 5 minutes.

Does "DATA MONITOR ITEM" displayed tire pressure as normal without any warning lamp?

YES >> INSPECTION END.

NO >> Replace malfunctioning transmitter, and perform "Step 3" again.

Inspection 3: Transmitter - 2 MALFUNCTION CODE NO. 35, 36, 37 OR 38

AES000R7

1. CHECK ALL TIRE PRESSURE

- Check all tire pressures.

Tire pressure

16 inch tire : 210 kPa (2.1 kg/m² , 30 psi)

17 inch tire : 210 kPa (2.1 kg/m² , 30 psi)

Are there any tires' which pressure is "64 psi" or more?

YES >> Adjust tire pressure to specified value.

NO >> GO TO 2.

2. VEHICLE DRIVING

1. Carry out ID registration of all transmitters.
2. Drive at a speed of 40 km/h (25 MPH) or more for several minutes without stopping. Check all tires' pressure with CONSULT-II "DATA MONITOR ITEM" within 15 minutes after vehicle speed become 17 km/h (11 MPH).

>> Replace transmitter with new one if "DATA MONITOR ITEM" displayed 64 psi or more. Then GO TO 3.

3. ID REGISTRATION AND VEHICLE DRIVING

1. Carry out ID registration of all transmitters.
2. Drive at a speed of 40 km/h (25 MPH) or more for 3 minutes, and then drive the vehicle at any speed for 10 minutes. Then check all tires' pressure with CONSULT-II "DATA MONITOR ITEM" within 5 minutes.

Does "DATA MONITOR ITEM" displayed tire pressure as normal without any warning lamp?

YES >> INSPECTION END.

NO >> GO TO the inspection applicable to DTC.

TROUBLE DIAGNOSIS FOR SELF-DIAGNOSTIC ITEMS

Inspection 4: Vehicle Speed Signal MALFUNCTION CODE NO. 52

AES000R8

1. SELF-DIAGNOSIS RESULT CHECK

1. With the ignition switch OFF, connect CONSULT-II and CONSULT-II CONVERTER to the data link connector, then turn the ignition switch ON.
2. Select "START (NISSAN BASED VHCL)".
3. Select "BCM" on "SELECT SYSTEM" screen.

NOTE:

If "BCM" is not indicated, go to [GI-38, "CONSULT-II Data Link Connector \(DLC\) Circuit"](#) .

4. Select "BCM C/U" on "SELECT SYSTEM" screen.
5. Select "SELF-DIAG RESULTS" on "SELECT DIAG MODE" screen.
6. Check display contents in self-diagnostic results.

Is "CAN COMM CIRCUIT" displayed in the self-diagnosis display items?

YES >> Malfunction in CAN communication system. GO TO [LAN-3, "Precautions When Using CONSULT-II"](#) .

NO >> No malfunction. Check combination meter refer to [DI-4, "System Description"](#) .

A

B

C

D

WT

F

G

H

I

J

K

L

M

TROUBLE DIAGNOSIS FOR SYMPTOMS

PFP:00007

Inspection 1: Warning Lamp Does Not Come On When Ignition Switch Is Turned On.

AES000R9

DIAGNOSTIC PROCEDURE

1. SELF-DIAGNOSIS RESULT CHECK

1. With the ignition switch OFF, connect CONSULT-II and CONSULT-II CONVERTER to the data link connector, then turn the ignition switch ON.
2. Select "START (NISSAN BASED VHCL)".
3. Select "BCM" on "SELECT SYSTEM" screen.

NOTE:

If the "BCM" is not indicated, go to [LAN-3, "Precautions For Trouble Diagnosis"](#) .

4. Select "BCM C/U" on "SELECT WORK ITEM" screen, and select "SELF-DIAG RESULTS".
5. Select "SELF-DIAG RESULTS" on "SELECT DIAG MODE" screen.
6. Check display contents in self-diagnostic results.

Is "CAN COMM CIRCUIT" displayed in the self-diagnosis display items?

YES >> Malfunction in CAN communication system. GO TO [LAN-3, "Precautions When Using CONSULT-II"](#) .

NO >> No malfunction. GO TO 2.

2. CHECK COMBINATION METER

- Check combination meter function.

OK or NG

OK >> GO TO 3.

NG >> Check combination meter. Refer to [DI-4, "System Description"](#) .

3. CHECK LOW TIRE PRESSURE WARNING LAMP

- Disconnect BCM harness connectors M1 and M2.

Does the warning lamp activate?

YES >> Replace BCM. Refer to [BCS-15, "Removal and Installation of BCM"](#) .

NO >> Check combination meter and repair or replace.

Inspection 2: Warning Lamp Stays On When Ignition Switch Is Turned On.

AES000RA

DIAGNOSTIC PROCEDURE

1. CHECK CONNECTOR

1. Disconnect BCM harness connectors M1 and M2.
2. Check terminals for damage or loose connections.

OK or NG

OK >> GO TO 2.

NG >> Repair or replace damaged parts.

TROUBLE DIAGNOSIS FOR SYMPTOMS

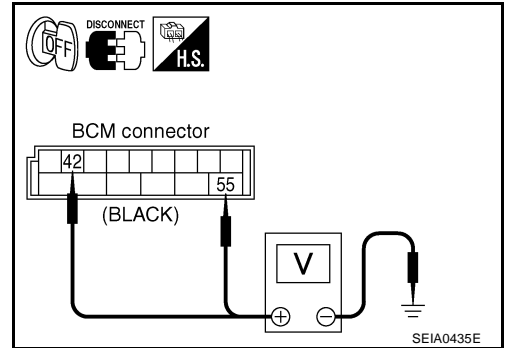
2. CHECK POWER SUPPLY CIRCUIT (BATTERY)

Check voltage between BCM harness connector M2 terminals 42 (GY), 55 (W/R) and ground.

		Terminal		Voltage
		(+)	(-)	
Connector	Terminal (Wire color)	Ground		12V
M2	42 (GY), 55 (W/R)			

OK or NG

- OK >> GO TO 3.
- NG >> Check BCM power supply circuit for open or short.



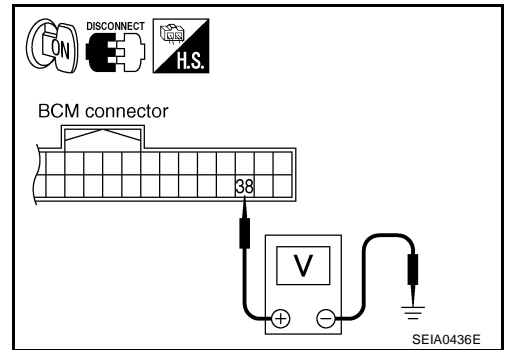
3. CHECK POWER SUPPLY CIRCUIT (IGN)

1. Turn ignition switch ON.
2. Check voltage between BCM harness connector M1 terminal 38 (W/L) and ground.

		Terminal		Voltage
		(+)	(-)	
Connector	Terminal (Wire color)	Ground		12V
M1	38 (W/L)			

OK or NG

- OK >> GO TO 4.
- NG >> Check BCM power supply circuit for open or short.



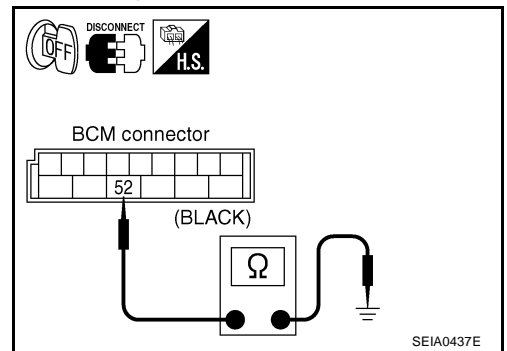
4. CHECK GROUND CIRCUIT

- Check continuity between BCM harness connector M2 terminal 52 (B) and ground.

		Terminal		Continuity
		(+)	(-)	
Connector	Terminal (Wire color)	Ground		Should exist.
M2	52 (B)			

OK or NG

- OK >> Replace BCM. Refer to [BCS-15. "Removal and Installation of BCM"](#).
- NG >> Repair or replace BCM ground circuit.



TROUBLE DIAGNOSIS FOR SYMPTOMS

Inspection 3: Warning Lamp Blinks When Ignition Switch Is Turned On.

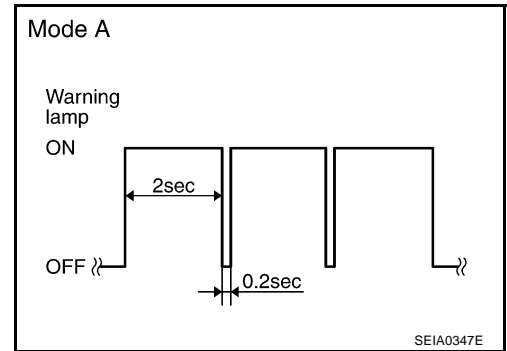
AES000RB

NOTE:

If warning lamp blink below, the system is normal.

Blink Mode A

- This mode shows transmitter status is OFF-mode. Carry out transmitter wake up operation. Refer to [WT-15, "Transmitter Wake Up Operation"](#).



DIAGNOSTIC PROCEDURE

1. CHECK CONNECTOR

- Disconnect BCM harness connector M1.
- Check terminals for damage or loose connections.

OK or NG

- OK >> GO TO 2.
- NG >> Repair or replace damaged parts.

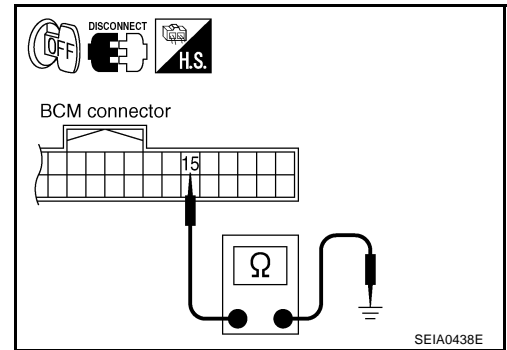
2. CHECK TIRE PRESSURE WARNING CHECK CONNECTOR CIRCUIT

- Check continuity between BCM harness connector M1 terminal 15 (W) and ground.

Terminal		Continuity
(+)	(-)	
Connector	Terminal (Wire color)	Ground
M1	15 (W)	Should not exist.

OK or NG

- OK >> Replace BCM. Refer to [BCS-15, "Removal and Installation of BCM"](#).
- NG >> Repair or replace harness connector.



TROUBLE DIAGNOSIS FOR SYMPTOMS

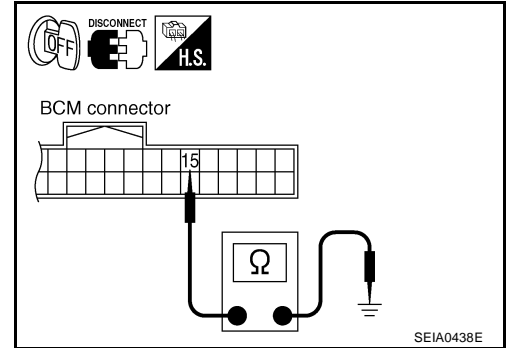
Inspection 4: Turn Signal Lamp Blinks When Ignition Switch Is Turned On. AES000RC

DIAGNOSTIC PROCEDURE

1. CHECK TIRE PRESSURE WARNING CHECK CONNECTOR CIRCUIT

- Check continuity between BCM harness connector M1 terminal 15 (W) and ground.

Terminal		Continuity
(+)	(-)	
Connector	Terminal (Wire color)	Ground
M1	15 (W)	Should not exist.



OK or NG

- OK >> Check turn signal lamp operation. Refer to [LT-107, "System Description"](#).
- NG >> Repair or replace harness connector.

Inspection 5: ID Registration Can Not Be Completed AES000RE

DIAGNOSTIC PROCEDURE

1. ID REGISTRATION (ALL)

- Carry out ID registration of all transmitter.

Can ID registration of all transmitter be completed?

- YES >> INSPECTION END.
- NO >> GO TO [WT-21, "TROUBLE DIAGNOSIS FOR SELF-DIAGNOSTIC ITEMS"](#).

REMOVAL AND INSTALLATION

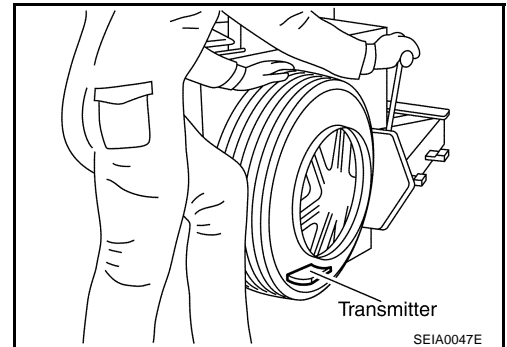
REMOVAL AND INSTALLATION

PFP:00000

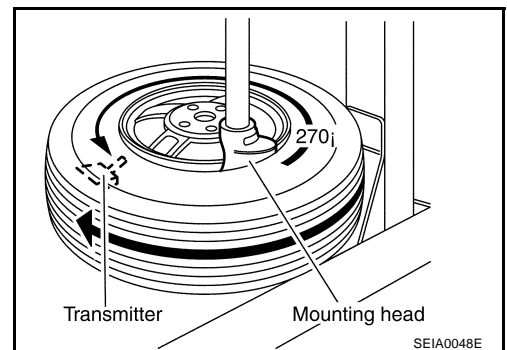
Transmitter REMOVAL

AES000RG

1. Deflate tire. Unscrew transmitter retaining nut and allow transmitter to fall into tire.
2. Gently bounce tire so that transmitter falls to bottom of tire. Place on tire changing machine and break both tire beads ensuring that the transmitter remains at the bottom of the tire.

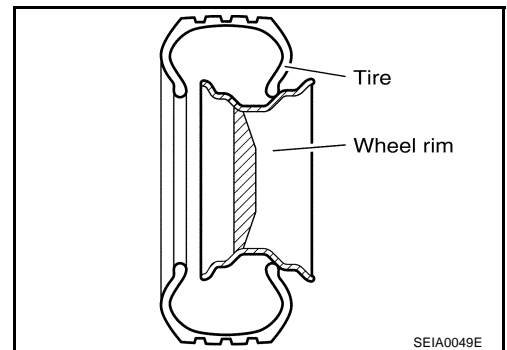


3. Turn tire so that valve hole is at bottom and bounce so that transmitter is near valve hole. Carefully lift tire onto turntable and position valve hole (and transmitter) 270 degree from mounting/dismounting head.
4. Lubricate tire well and remove first side of the tire. Reach inside the tire and remove the transmitter.

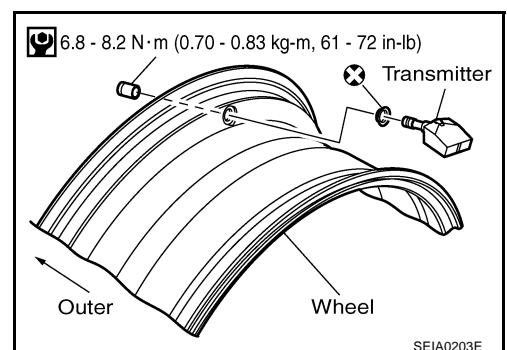


INSTALLATION

1. Put first side of tire onto rim.



2. Mount transmitter on rim and tighten nut.

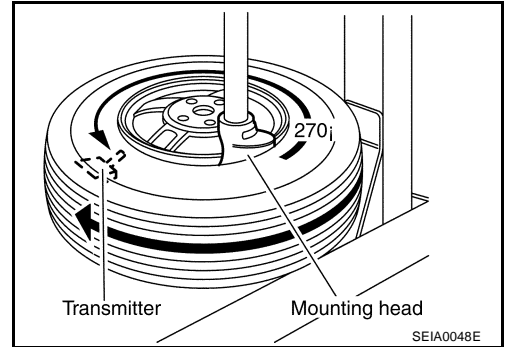


REMOVAL AND INSTALLATION

- Place wheel on turntable of tire machine. Ensure that transmitter is 270 degree from mounting head when second side of tire is fitted.

NOTE:

Do not touch transmitter at mounting head.



- Lubricate tire well and fit second side of tire as normal. Ensure that tire does not rotate relative to rim.
- Inflate tire and fit to appropriate wheel position.

A
B
C
D

WT

F
G
H
I
J
K
L
M

SERVICE DATA

SERVICE DATA

PFP:00030

Road Wheel

AES0001F

Standard item		Allowable value	
		Aluminum	Steel (for emergency use)
Deflection limit	Lateral deflection	Less than 0.3 mm (0.012 in)	Less than 1.0 mm (0.039 in)
	Vertical deflection	Less than 0.3mm (0.012 in)	Less than 1.2mm (0.047 in)
Allowable quantity of residual unbalance	Dynamic (At rim flange)	Less than 10g (0.35 oz) (per side)	
	Static (At rim flange)	Less than 20g (0.70 oz)	

Tire

AES0001G

Unit: kPa (kg/cm², psi)

Tire size	Air pressure	
	Front tire	Rear tire
P205/65R16 94V P215/55R17 93V P215/55R17 93W	210 (2.1, 30)	210 (2.1, 30)
T145/90D16	420 (4.2, 60)	420 (4.2, 60)