

SECTION **PWO**
POWER OUTLET

A
B
C
D
E
F
G
H
I
J
K
L
N
O
P

CONTENTS

COMPONENT DIAGNOSIS	2	Precaution for Battery Service	6
CIGARETTE LIGHTER	2	ON-VEHICLE REPAIR	7
Wiring Diagram - CIGARETTE LIGHTER -	2	CIGARETTE LIGHTER	7
POWER SOCKET	4	Exploded View	7
Wiring Diagram - POWER SOCKET -	4	Removal and Installation	7
PRECAUTION	6	POWER SOCKET	8
PRECAUTIONS	6	Exploded View	8
Precaution for Supplemental Restraint System (SRS) "AIR BAG" and "SEAT BELT PRE-TEN- SIONER"	6	Removal and Installation	8

PWO

CIGARETTE LIGHTER

< COMPONENT DIAGNOSIS >

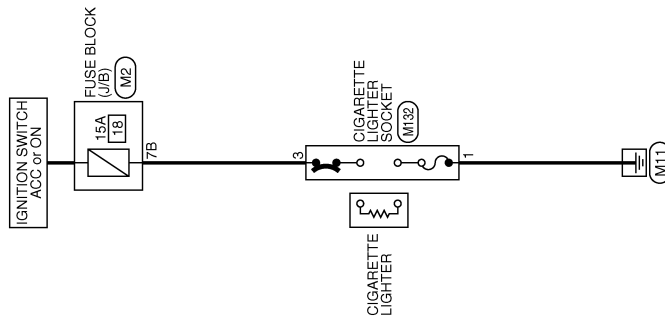
COMPONENT DIAGNOSIS

CIGARETTE LIGHTER

Wiring Diagram - CIGARETTE LIGHTER -

INFOID:000000001680378

[Click here to view the eWD.](#)



CIGARETTE LIGHTER

2006/09/15

JCMWA0001Gf

CIGARETTE LIGHTER

< COMPONENT DIAGNOSIS >

CIGARETTE LIGHTER

Connector No.	M2
Connector Name	FUSE BLOCK (J/B)
Connector Type	INS10FW-CS



Terminal No.	7B	P
Color of Wire		
Signal Name [Specification]		

Connector No.	M132
Connector Name	CIGARETTE LIGHTER SOCKET
Connector Type	INS03FW-CS



Terminal No.	1	3
Color of Wire	B	P
Signal Name [Specification]		

A
B
C
D
E
F
G
H
I
J
K
L
N
O
P

PWO

JCMWA0832GE

POWER SOCKET

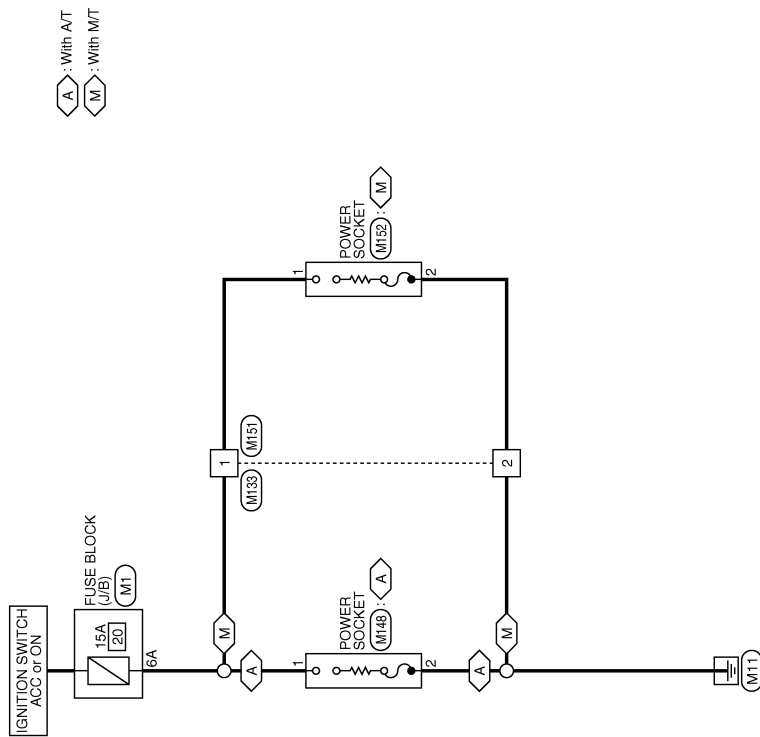
< COMPONENT DIAGNOSIS >

POWER SOCKET

Wiring Diagram - POWER SOCKET -

INFOID:000000001680379

Click here to view the eWD.



POWER SOCKET

2006/09/15

JCMWA0003GI

POWER SOCKET

< COMPONENT DIAGNOSIS >

POWER SOCKET

Connector No.	M1
Connector Name	FUSE BLOCK (J/B)
Connector Type	NSURFW-M2



Terminal No.	Color of Wire	Signal Name [Specification]
6A	Y	—

Connector No.	M133
Connector Name	WIRE TO WIRE
Connector Type	M02FB-LC



Terminal No.	Color of Wire	Signal Name [Specification]
1	Y	—
2	B	—

Connector No.	M148
Connector Name	POWER SOCKET
Connector Type	P02FB-Z



Terminal No.	Color of Wire	Signal Name [Specification]
1	Y	—
2	B	—

Connector No.	M151
Connector Name	WIRE TO WIRE
Connector Type	M02MB-P-LC



Terminal No.	Color of Wire	Signal Name [Specification]
1	R	—
2	B	—

Connector No.	M152
Connector Name	POWER SOCKET
Connector Type	P02FB-Z



Terminal No.	Color of Wire	Signal Name [Specification]
1	R	—
2	B	—

A
B
C
D
E
F
G
H
I
J
K
L
N
O
P

PWO

JCMWA0833GE

PRECAUTIONS

< PRECAUTION >

PRECAUTION

PRECAUTIONS

Precaution for Supplemental Restraint System (SRS) "AIR BAG" and "SEAT BELT PRE-TENSIONER"

INFOID:000000001680380

The Supplemental Restraint System such as "AIR BAG" and "SEAT BELT PRE-TENSIONER", used along with a front seat belt, helps to reduce the risk or severity of injury to the driver and front passenger for certain types of collision. This system includes seat belt switch inputs and dual stage front air bag modules. The SRS system uses the seat belt switches to determine the front air bag deployment, and may only deploy one front air bag, depending on the severity of a collision and whether the front occupants are belted or unbelted. Information necessary to service the system safely is included in the "SRS AIRBAG" and "SEAT BELT" of this Service Manual.

WARNING:

- **To avoid rendering the SRS inoperative, which could increase the risk of personal injury or death in the event of a collision which would result in air bag inflation, all maintenance must be performed by an authorized NISSAN/INFINITI dealer.**
- **Improper maintenance, including incorrect removal and installation of the SRS, can lead to personal injury caused by unintentional activation of the system. For removal of Spiral Cable and Air Bag Module, see the "SRS AIRBAG".**
- **Do not use electrical test equipment on any circuit related to the SRS unless instructed to in this Service Manual. SRS wiring harnesses can be identified by yellow and/or orange harnesses or harness connectors.**

Precaution for Battery Service

INFOID:000000002912429

Before disconnecting the battery, lower both the driver and passenger windows. This will prevent any interference between the window edge and the vehicle when the door is opened/closed. During normal operation, the window slightly raises and lowers automatically to prevent any window to vehicle interference. The automatic window function will not work with the battery disconnected.

CIGARETTE LIGHTER

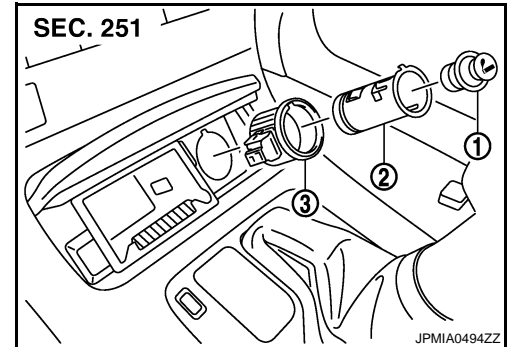
< ON-VEHICLE REPAIR >

ON-VEHICLE REPAIR

CIGARETTE LIGHTER

Exploded View

- 1 : Cigarette lighter
- 2 : Cigarette lighter socket
- 3 : Cigarette lighter ring

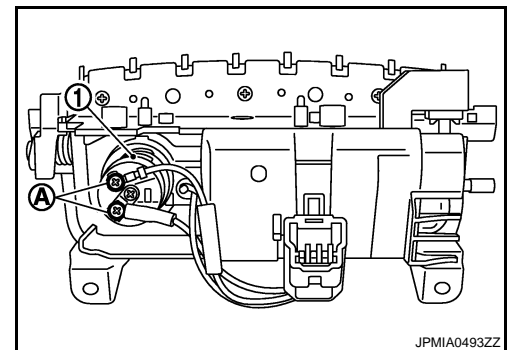


Removal and Installation

INFOID:000000001680382

REMOVAL

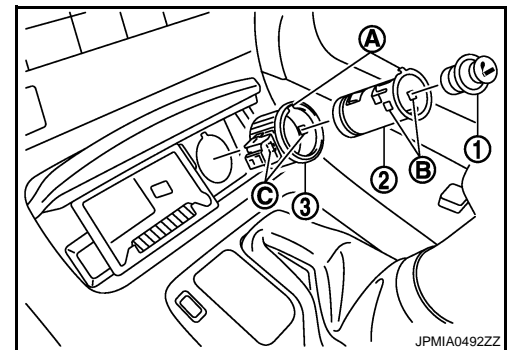
1. Remove console finisher. Refer to [IP-24, "Removal and Installation"](#).
2. Remove screws (A) from reverse side cigarette lighter socket (1).



3. Pull out cigarette lighter (1).

- 3 : Cigarette lighter ring
- A : Cut out
- B : Hole (square)

4. Pull out the cigarette lighter socket (2) by pushing the cigarette lighter ring pawl (C) from the cigarette lighter socket hole (square).



INSTALLATION

Install in the reverse order of removal.

NOTE:

Align the cigarette lighter socket and the cigarette lighter ring cut out.

POWER SOCKET

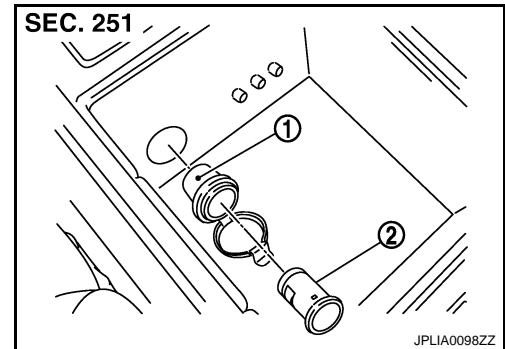
< ON-VEHICLE REPAIR >

POWER SOCKET

Exploded View

INFOID:000000001680383

- 1 : Ring
- 2 : Inner socket



Removal and Installation

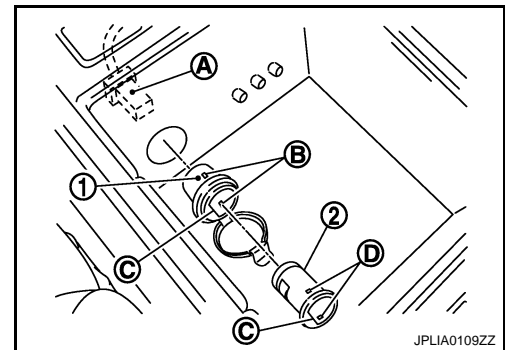
INFOID:000000001680384

REMOVAL

1. Remove rear upper console assembly (A/T models) or center console assembly (M/T models). Refer to [IP-24, "Removal and Installation"](#).
2. Disconnect power socket connector (A).

- C : Cut out
- D : Hole (square)

3. Pull out the inner socket (2) by pushing the ring pawl (B) from the inner socket hole (square).
4. Remove ring (1) from console box while pressing pawls.



INSTALLATION

Install in the reverse order of removal.

NOTE:

Align the inner socket and the ring cut out.