

SECTION **HRN**  
HORN

A  
B  
C  
D  
E  
F  
G  
H  
I  
J  
K  
M  
N  
O  
P

CONTENTS

<b>COMPONENT DIAGNOSIS</b> .....	2	Precaution for Supplemental Restraint System (SRS) "AIR BAG" and "SEAT BELT PRE-TENSIONER" .....	5
<b>HORN</b> .....	2	Precaution for Battery Service .....	5
Wiring Diagram - HORN - .....	2	<b>ON-VEHICLE REPAIR</b> .....	6
<b>PRECAUTION</b> .....	5	<b>HORN</b> .....	6
<b>PRECAUTIONS</b> .....	5	Exploded View .....	6
		Removal and Installation .....	6

HRN

# HORN

< COMPONENT DIAGNOSIS >

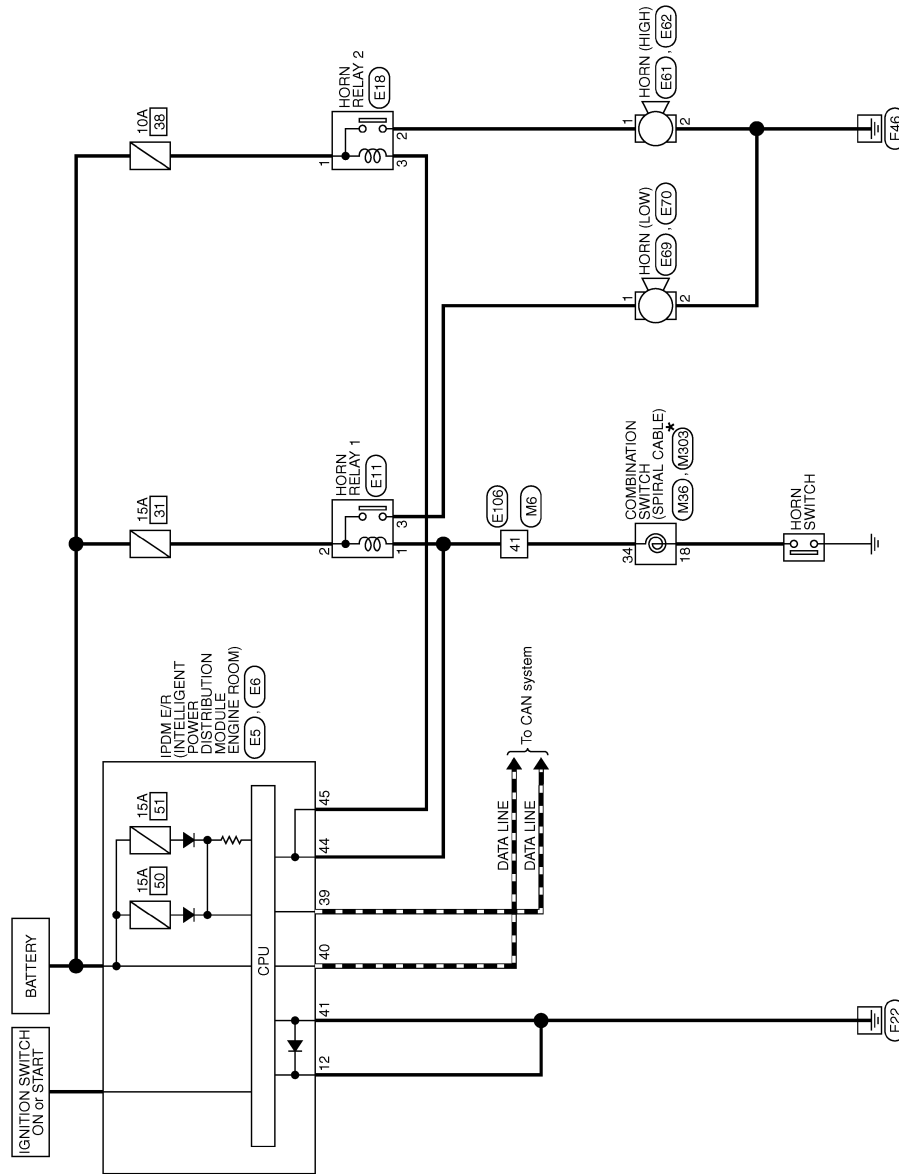
## COMPONENT DIAGNOSIS

### HORN

#### Wiring Diagram - HORN -

INFOID:000000001683339

[Click here to view the eWD.](#)



\*: This connector is not shown in "Harness Layout".

HORN

2007/05/18

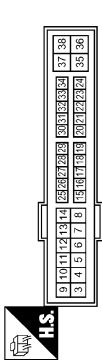
JCLWA0787GE

# HORN

## < COMPONENT DIAGNOSIS >

### HORN

Connector No.	E5
Connector Name	IPDM E/R (INTELLIGENT POWER DISTRIBUTION MODULE ENGINE ROOM)
Connector Type	TH20W-GS12-IM-IV



Terminal No.	Color of Wire	Signal Name [Specification]
12	B/W	-

Connector No.	E6
Connector Name	IPDM E/R (INTELLIGENT POWER DISTRIBUTION MODULE ENGINE ROOM)
Connector Type	TH68W-NH



Terminal No.	Color of Wire	Signal Name [Specification]
39	P	-
40	L	-
41	B/W	-
44	W	-
45	G	-

Connector No.	E11
Connector Name	HORN RELAY 1
Connector Type	24381, 7990A



Terminal No.	Color of Wire	Signal Name [Specification]
1	LG	-
2	SB	-
3	G	-

Connector No.	E18
Connector Name	HORN RELAY 2
Connector Type	M30FW-R-LC



Terminal No.	Color of Wire	Signal Name [Specification]
1	P	-
2	Y	-
3	G	-

Connector No.	E61
Connector Name	HORN (HIGH)
Connector Type	P01FB-A



Terminal No.	Color of Wire	Signal Name [Specification]
1	Y	-

Connector No.	E62
Connector Name	HORN (HIGH)
Connector Type	P01FB-A



Terminal No.	Color of Wire	Signal Name [Specification]
2	B	-

Connector No.	E69
Connector Name	HORN (LOW)
Connector Type	P01FB-A



Terminal No.	Color of Wire	Signal Name [Specification]
1	G	-

Connector No.	E70
Connector Name	HORN (LOW)
Connector Type	P01FB-A



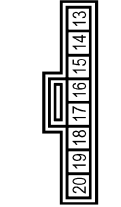
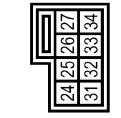
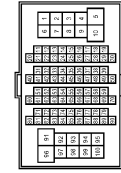
Terminal No.	Color of Wire	Signal Name [Specification]
2	B	-

A  
B  
C  
D  
E  
F  
G  
H  
I  
J  
K  
HRN  
M  
N  
O  
P

# HORN

## < COMPONENT DIAGNOSIS >

Connector No.	Connector Name	Connector Type	Terminal No.	Color of Wire	Signal Name [Specification]
E106	WIRE TO WIRE	TH80FW-CS16-TM4	41	LG	
M6	WIRE TO WIRE	TH80MW-CS16-TM4	41	LG	
M303	COMBINATION SWITCH (SPIRAL CABLE)	TK08FGY	13	G	
M306	COMBINATION SWITCH (SPIRAL CABLE)	TK08FGY-TV	34	LG	



JCLWA0789GB

# PRECAUTIONS

< PRECAUTION >

## PRECAUTION

### PRECAUTIONS

#### Precaution for Supplemental Restraint System (SRS) "AIR BAG" and "SEAT BELT PRE-TENSIONER"

INFOID:000000001683340

The Supplemental Restraint System such as "AIR BAG" and "SEAT BELT PRE-TENSIONER", used along with a front seat belt, helps to reduce the risk or severity of injury to the driver and front passenger for certain types of collision. This system includes seat belt switch inputs and dual stage front air bag modules. The SRS system uses the seat belt switches to determine the front air bag deployment, and may only deploy one front air bag, depending on the severity of a collision and whether the front occupants are belted or unbelted. Information necessary to service the system safely is included in the "SRS AIRBAG" and "SEAT BELT" of this Service Manual.

#### **WARNING:**

- To avoid rendering the SRS inoperative, which could increase the risk of personal injury or death in the event of a collision which would result in air bag inflation, all maintenance must be performed by an authorized NISSAN/INFINITI dealer.
- Improper maintenance, including incorrect removal and installation of the SRS, can lead to personal injury caused by unintentional activation of the system. For removal of Spiral Cable and Air Bag Module, see the "SRS AIRBAG".
- Do not use electrical test equipment on any circuit related to the SRS unless instructed to in this Service Manual. SRS wiring harnesses can be identified by yellow and/or orange harnesses or harness connectors.

#### Precaution for Battery Service

INFOID:000000001911526

Before disconnecting the battery, lower both the driver and passenger windows. This will prevent any interference between the window edge and the vehicle when the door is opened/closed. During normal operation, the window slightly raises and lowers automatically to prevent any window to vehicle interference. The automatic window function will not work with the battery disconnected.

A

B

C

D

E

F

G

H

I

J

K

HRN

M

N

O

P

# HORN

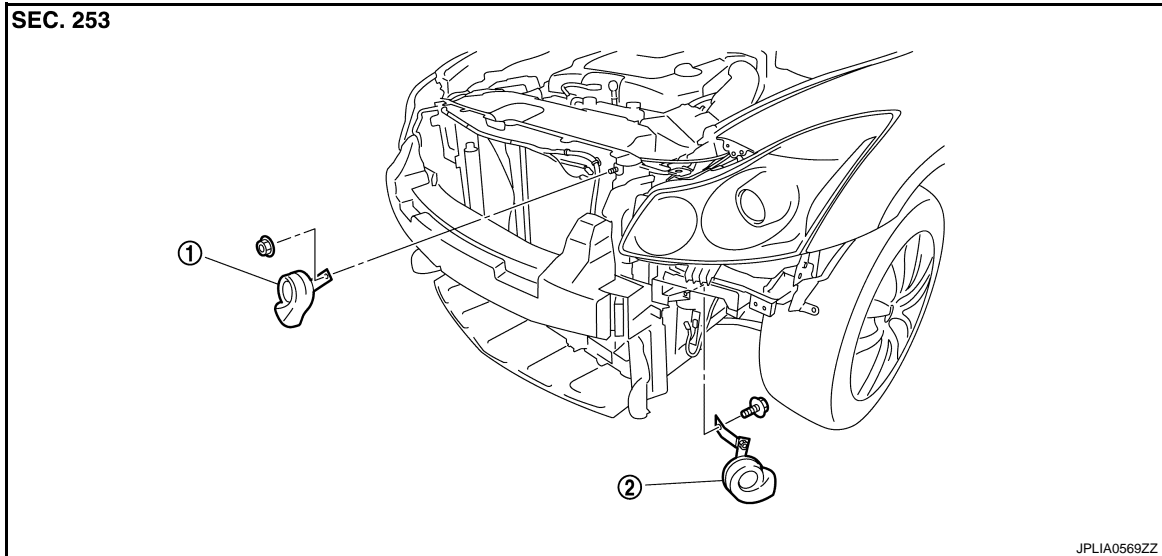
< ON-VEHICLE REPAIR >

## ON-VEHICLE REPAIR

### HORN

#### Exploded View

INFOID:000000001683342



1. Horn (LOW)

2. Horn (HIGH)

#### Removal and Installation

INFOID:000000001683343

##### REMOVAL

###### Horn (LOW)

1. Remove radiator core support ornament. Refer to [DLK-214, "Exploded View"](#).
2. Disconnect the horn (LOW) connector.
3. Remove the horn mounting nut, and remove the horn (LOW) from the vehicle.

###### Horn (HIGH)

1. Remove fender protector (LH). Refer to [EXT-24, "FENDER PROTECTOR : Exploded View"](#).
2. Disconnect the horn (HIGH) connector.
3. Remove the horn mounting bolt, and remove the horn (HIGH) from the vehicle.

##### INSTALLATION

Install in the reverse order of removal.