

SECTION **PG**

**POWER SUPPLY, GROUND & CIRCUIT ELEMENTS**

**CONTENTS**

<b>POWER SUPPLY ROUTING CIRCUIT</b> .....	<b>3</b>	<b>GROUND</b> .....	<b>28</b>
Schematic .....	3	Ground Distribution .....	28
Wiring Diagram — POWER — .....	4	MAIN HARNESS .....	28
BATTERY POWER SUPPLY — IGNITION SW. IN ANY POSITION .....	4	ENGINE ROOM HARNESS .....	32
ACCESSORY POWER SUPPLY — IGNITION SW. IN “ACC” OR “ON” .....	9	ENGINE CONTROL HARNESS .....	34
IGNITION POWER SUPPLY — IGNITION SW. IN “ON” AND/OR “START” .....	10	BODY HARNESS .....	35
Fuse .....	15	BODY NO. 2 HARNESS .....	38
Fusible Link .....	15	<b>HARNESS</b> .....	<b>40</b>
Circuit Breaker .....	15	Harness Layout .....	40
<b>IPDM E/R (INTELLIGENT POWER DISTRIBUTION MODULE ENGINE ROOM)</b> .....	<b>16</b>	HOW TO READ HARNESS LAYOUT .....	40
System Description .....	16	OUTLINE .....	41
SYSTEMS CONTROLLED BY IPDM E/R .....	16	MAIN HARNESS .....	42
CAN COMMUNICATION LINE CONTROL .....	16	ENGINE ROOM HARNESS .....	45
IPDM E/R STATUS CONTROL .....	17	ENGINE CONTROL HARNESS .....	49
CAN Communication System Description .....	17	BODY HARNESS .....	51
CAN Communication Unit .....	17	BODY NO. 2 HARNESS .....	54
Function of Detecting Ignition Relay Malfunction ...	17	ROOM LAMP HARNESS .....	56
CONSULT-II Function (IPDM E/R) .....	18	DOOR HARNESS .....	57
CONSULT-II BASIC OPERATION .....	18	Wiring Diagram Codes (Cell Codes) .....	58
SELF-DIAG RESULTS .....	18	<b>ELECTRICAL UNITS LOCATION</b> .....	<b>61</b>
DATA MONITOR .....	19	Electrical Units Location .....	61
ACTIVE TEST .....	20	ENGINE COMPARTMENT .....	61
Auto Active Test .....	21	PASSENGER COMPARTMENT .....	62
DESCRIPTION .....	21	LUGGAGE COMPARTMENT .....	64
OPERATION PROCEDURE .....	21	<b>HARNESS CONNECTOR</b> .....	<b>65</b>
INSPECTION IN AUTO ACTIVE TEST MODE ...	21	Description .....	65
Schematic .....	23	HARNESS CONNECTOR (TAB-LOCKING TYPE) .....	65
IPDM E/R Terminal Arrangement .....	24	HARNESS CONNECTOR (SLIDE-LOCKING TYPE) .....	66
IPDM E/R Power/Ground Circuit Inspection .....	25	HARNESS CONNECTOR (LEVER LOCKING TYPE) .....	67
Inspection With CONSULT-II (Self-Diagnosis) .....	26	<b>ELECTRICAL UNITS</b> .....	<b>68</b>
Removal and Installation of IPDM E/R .....	27	Terminal Arrangement .....	68
REMOVAL .....	27	<b>SMJ (SUPER MULTIPLE JUNCTION)</b> .....	<b>69</b>
INSTALLATION .....	27	Terminal Arrangement .....	69
		<b>STANDARDIZED RELAY</b> .....	<b>71</b>
		Description .....	71
		NORMAL OPEN, NORMAL CLOSED AND	

---

MIXED TYPE RELAYS .....	71	<b>FUSE, FUSIBLE LINK AND RELAY BOX .....</b>	<b>74</b>
TYPE OF STANDARDIZED RELAYS .....	71	Terminal Arrangement .....	74
<b>FUSE BLOCK - JUNCTION BOX (J/B) .....</b>	<b>73</b>		
Terminal Arrangement .....	73		

# POWER SUPPLY ROUTING CIRCUIT

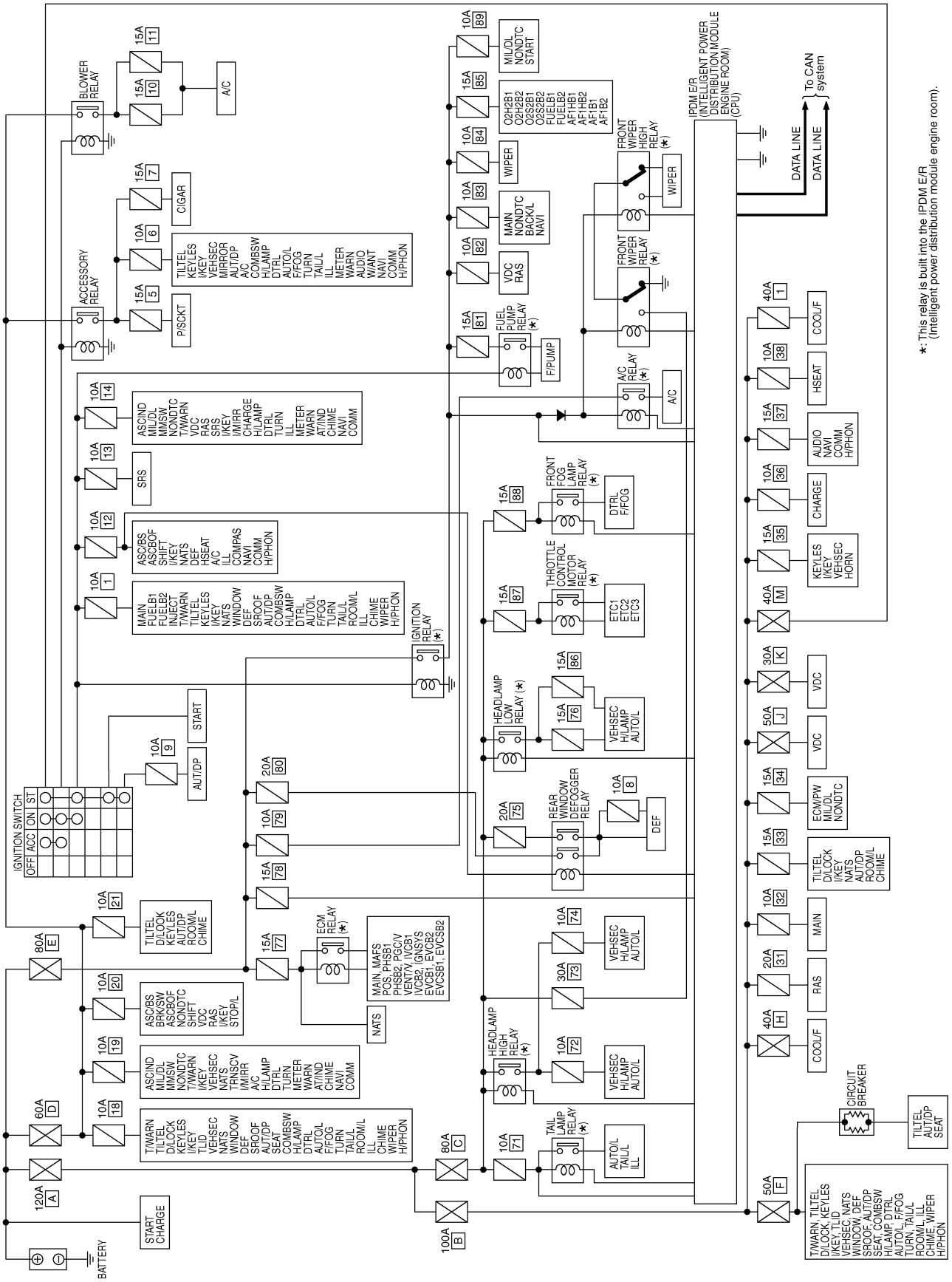
## POWER SUPPLY ROUTING CIRCUIT

PPF:24110

### Schematic

NKS00009

A  
B  
C  
D  
E  
F  
G  
H  
I  
J  
K  
L  
M  
PG



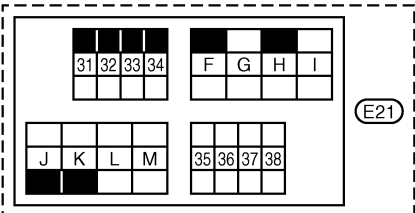
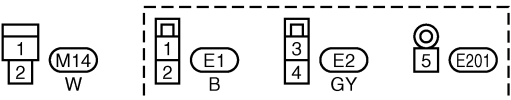
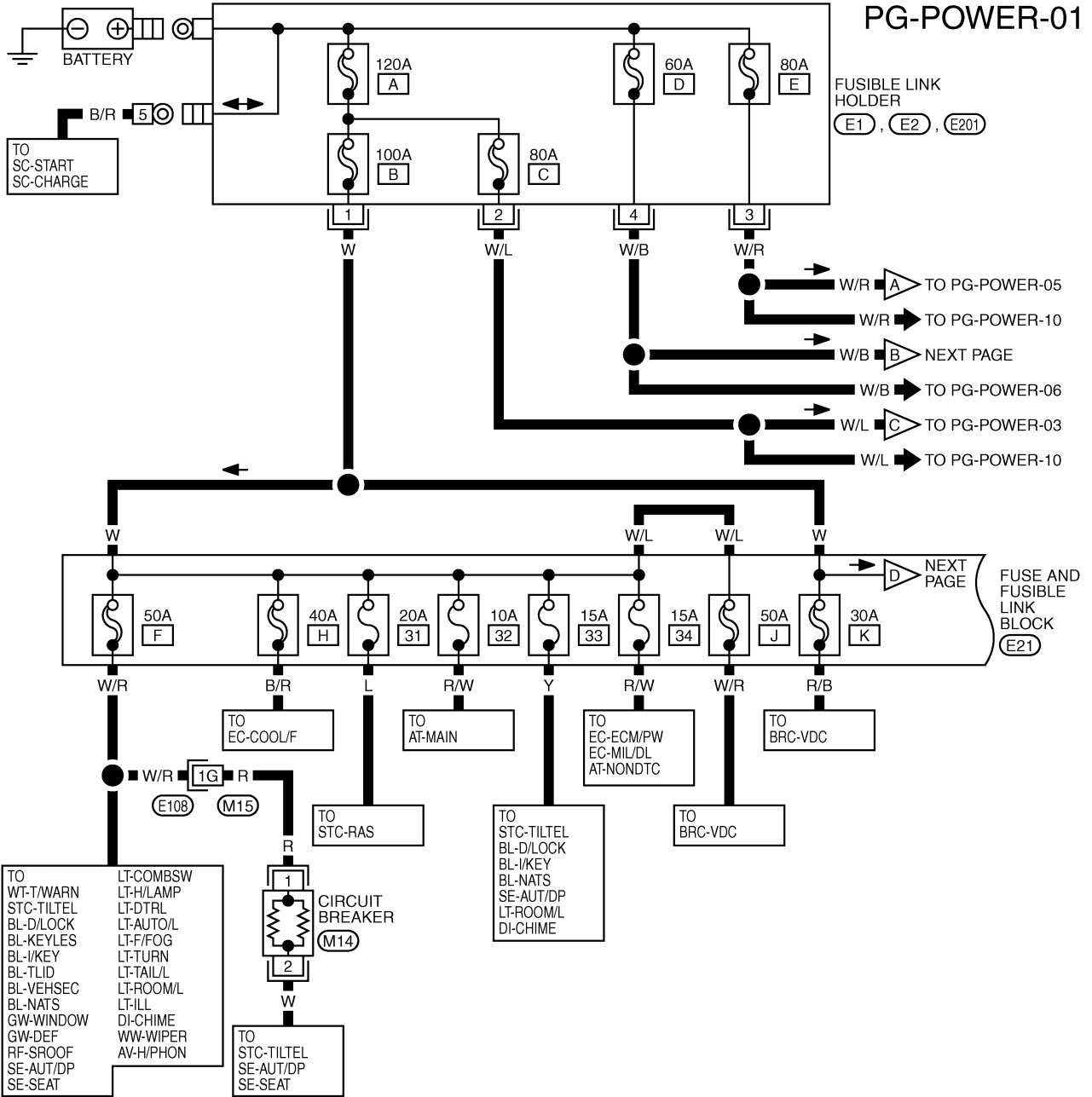
\*: This relay is built into the IPDM E/R (Intelligent power distribution module engine room).

# POWER SUPPLY ROUTING CIRCUIT

NKS000QA

## Wiring Diagram — POWER — BATTERY POWER SUPPLY — IGNITION SW. IN ANY POSITION

PG-POWER-01



REFER TO THE FOLLOWING.

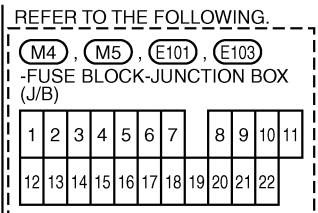
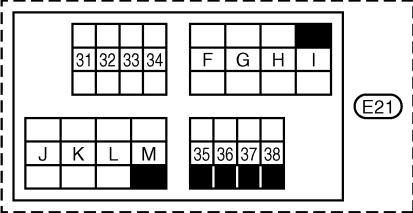
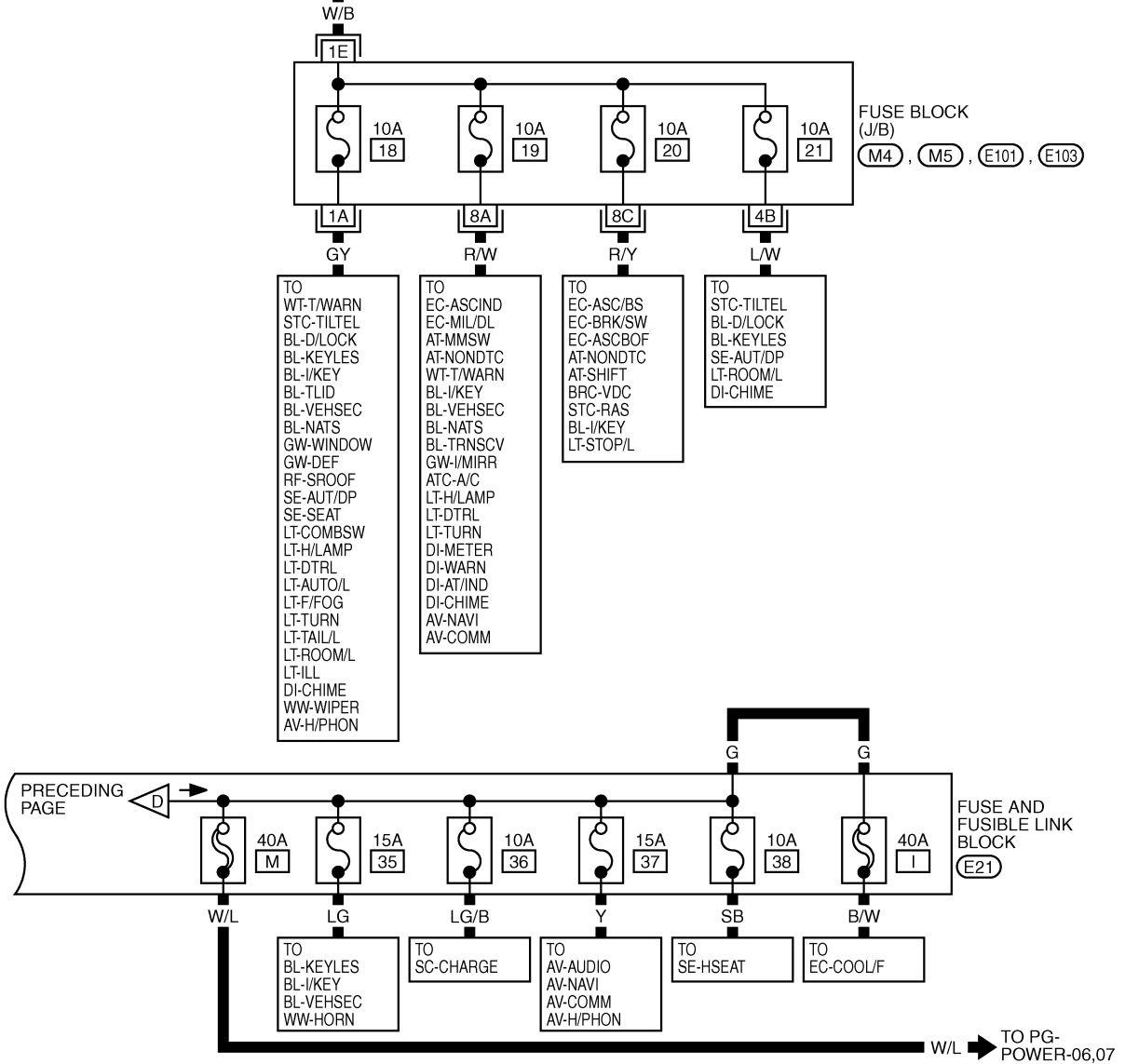
(E108) -SUPER MULTIPLE JUNCTION (SMJ)

TKWM3524E

# POWER SUPPLY ROUTING CIRCUIT

PG-POWER-02

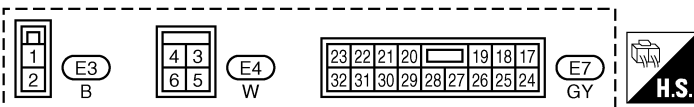
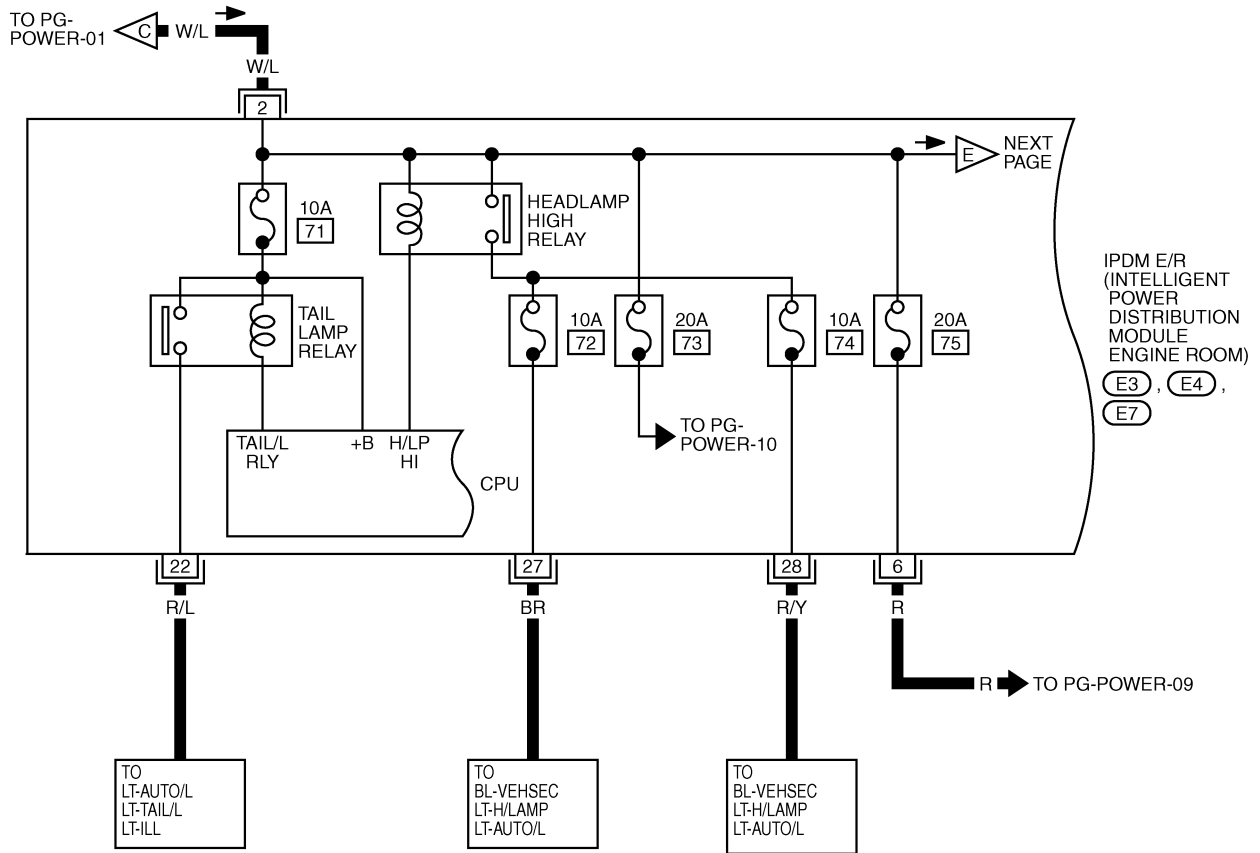
PRECEDING PAGE



TKWM3525E

# POWER SUPPLY ROUTING CIRCUIT

PG-POWER-03

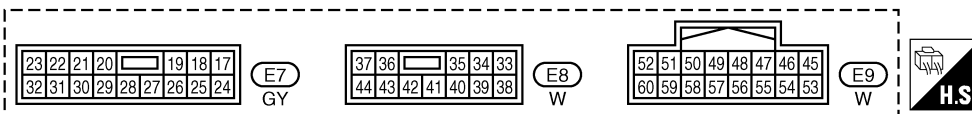
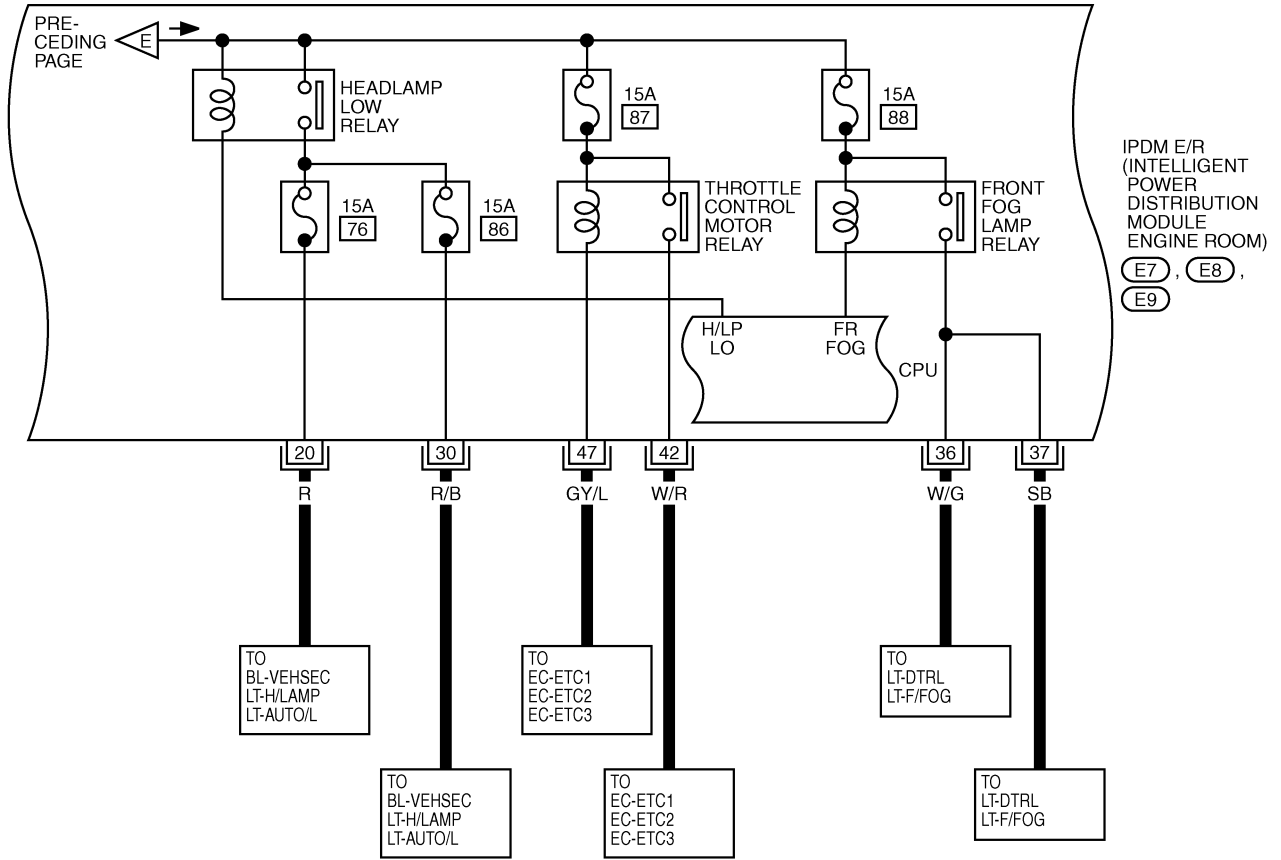


TKWM4019E

# POWER SUPPLY ROUTING CIRCUIT

PG-POWER-04

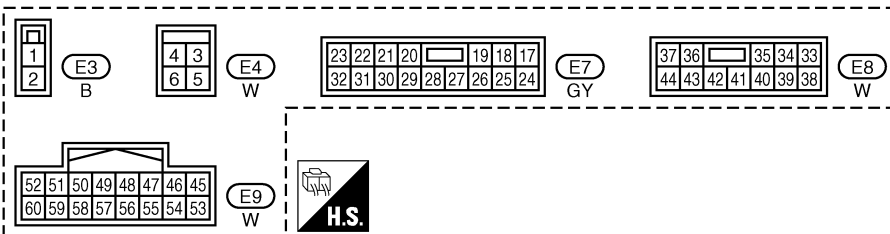
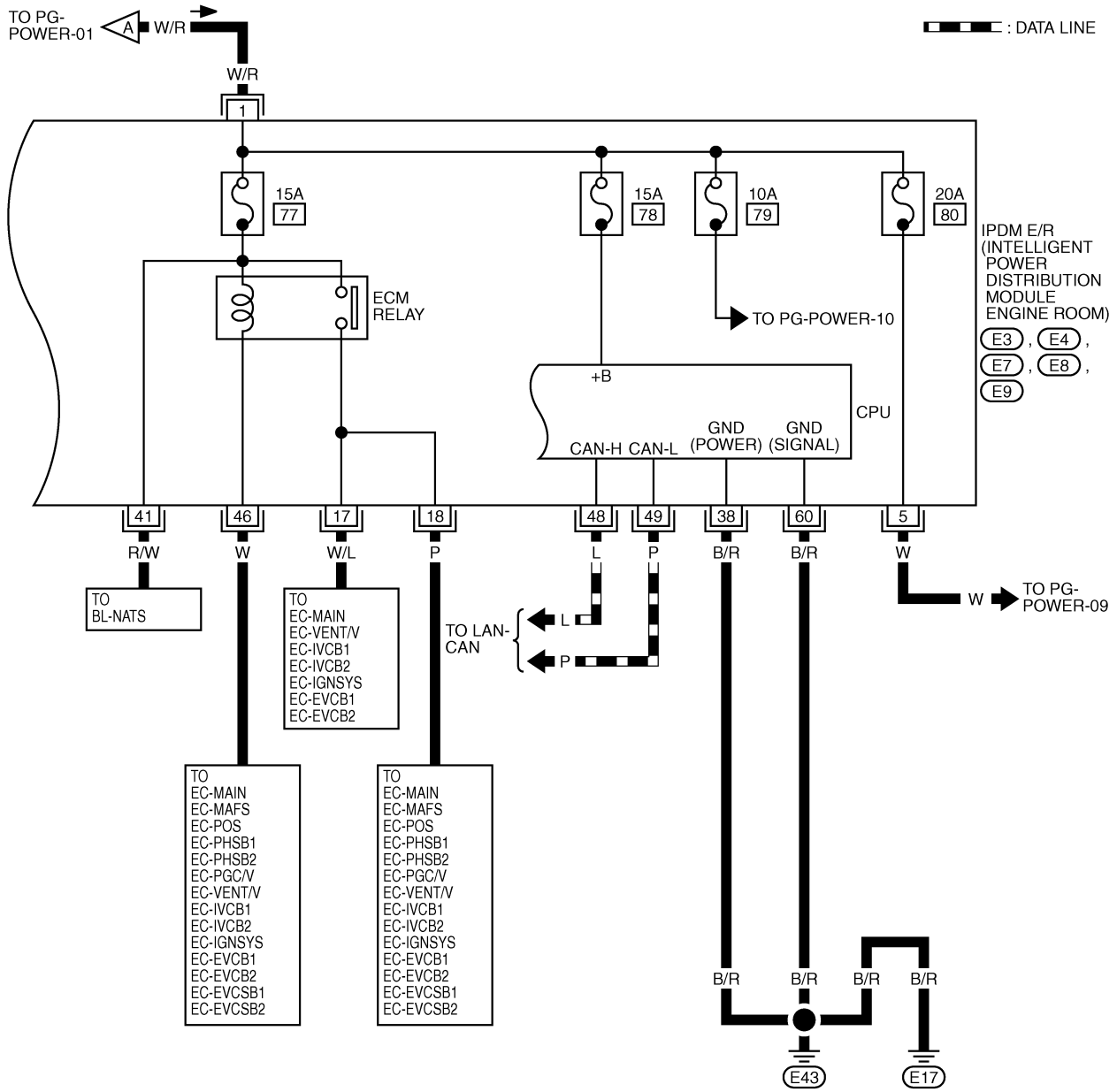
A  
B  
C  
D  
E  
F  
G  
H  
I  
J  
PG  
L  
M



TKWM4996E

# POWER SUPPLY ROUTING CIRCUIT

PG-POWER-05



TKWM2173E

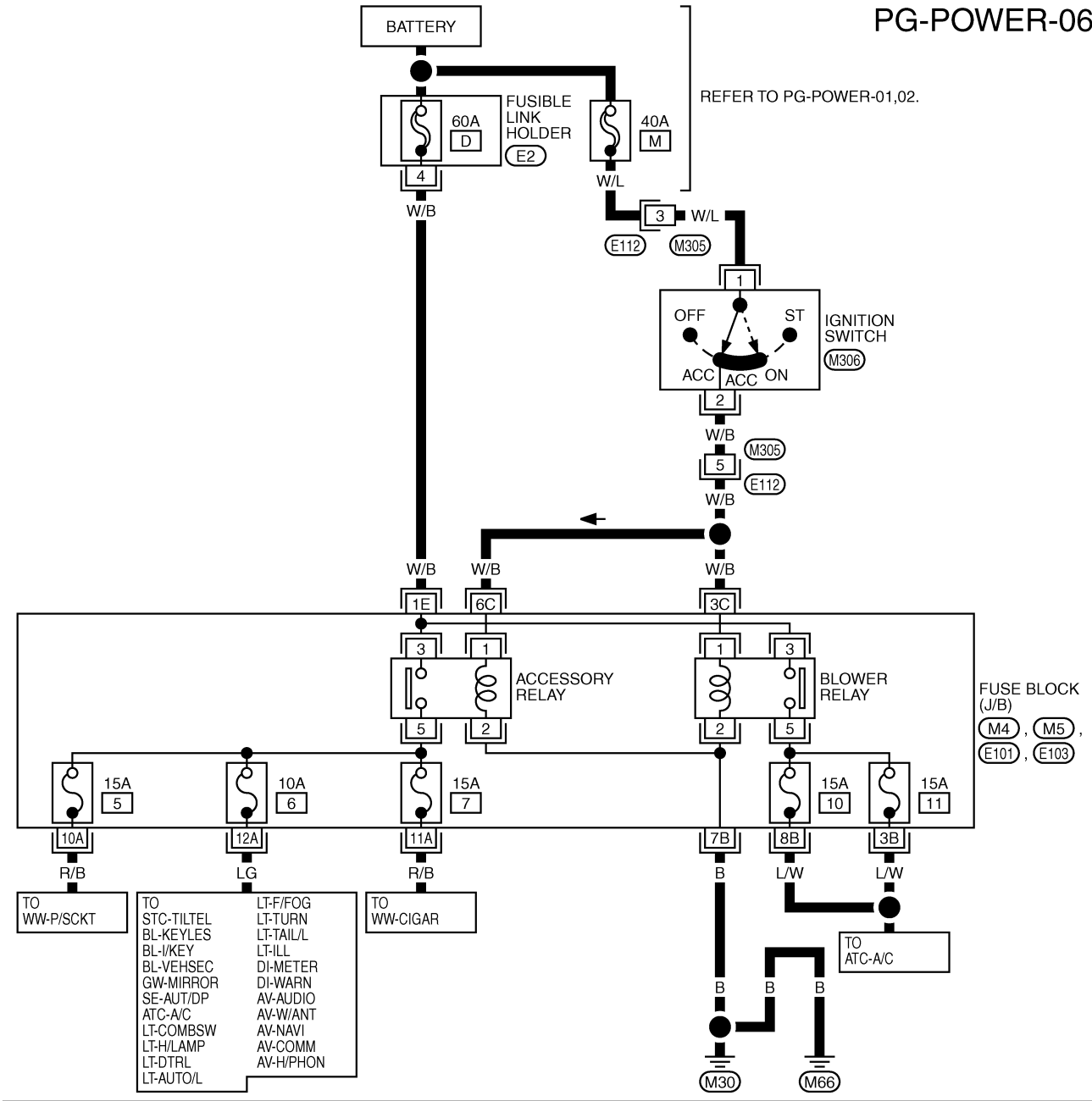


# POWER SUPPLY ROUTING CIRCUIT

## ACCESSORY POWER SUPPLY — IGNITION SW. IN “ACC” OR “ON”

PG-POWER-06

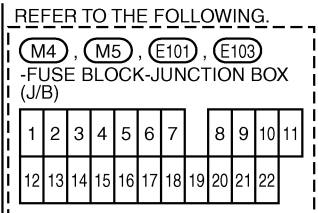
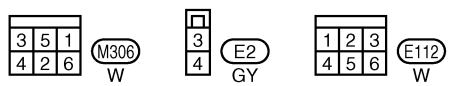
A  
B  
C  
D  
E  
F  
G  
H  
I  
J  
PG  
L  
M



REFER TO PG-POWER-01,02.

FUSE BLOCK (J/B)  
M4, M5, E101, E103

- TO WW-P/SCKT
- TO STC-TILTEL
- TO BL-KEYLES
- TO BL-I/KEY
- TO BL-VEHSEC
- TO GW-MIRROR
- TO SE-AUT/DP
- TO ATC-A/C
- TO LT-COMBSW
- TO LT-H/LAMP
- TO LT-DTRL
- TO LT-AUTO/L
- TO LF-F/FOG
- TO LT-TURN
- TO LT-TAIL/L
- TO LT-ILL
- TO DI-METER
- TO DI-WARN
- TO AV-AUDIO
- TO AV-W/ANT
- TO AV-NAVI
- TO AV-COMM
- TO AV-H/PHON
- TO WW-CIGAR

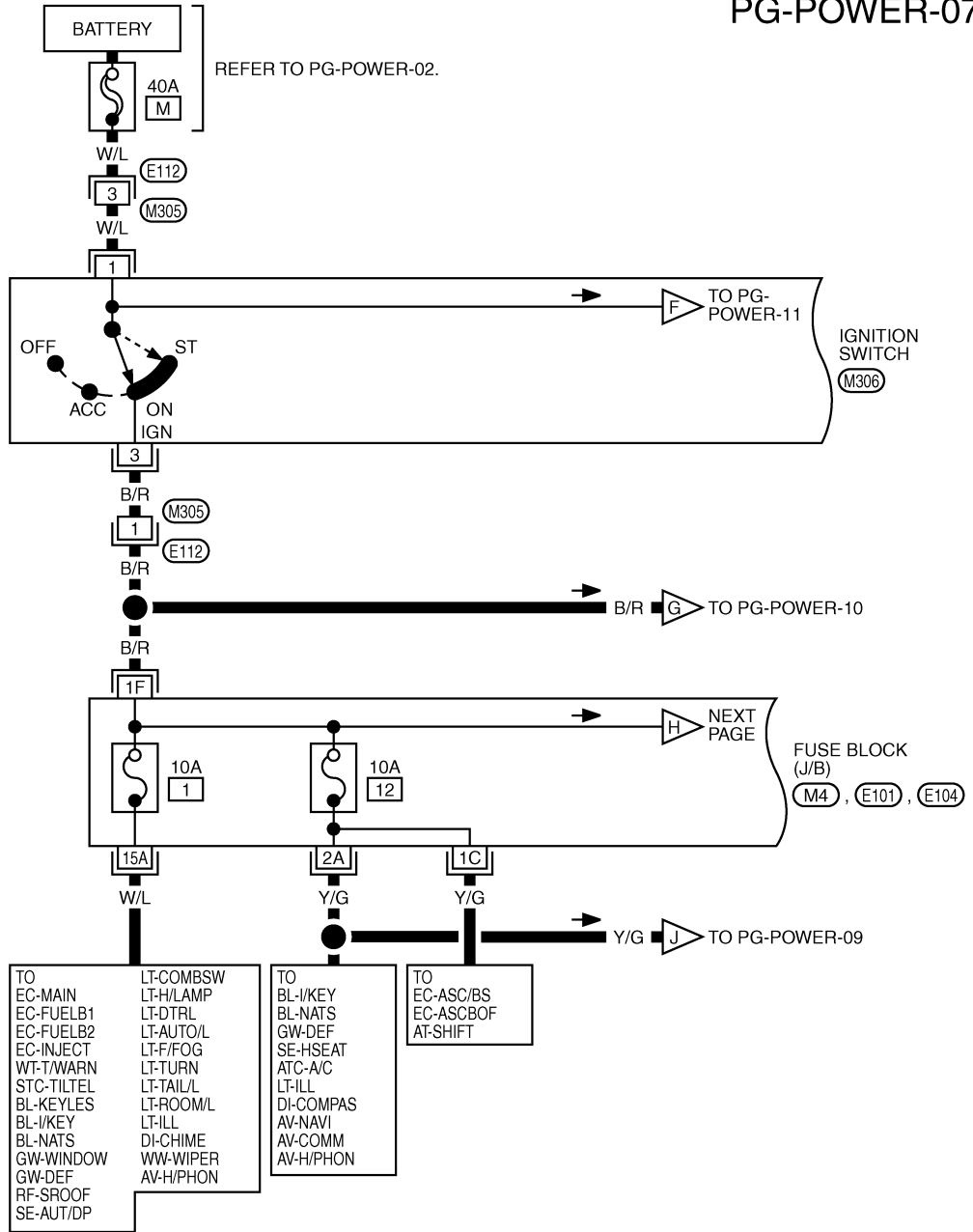


TKWM3527E

# POWER SUPPLY ROUTING CIRCUIT

## IGNITION POWER SUPPLY — IGNITION SW. IN “ON” AND/OR “START”

PG-POWER-07



3	5	1
4	2	6

(M306)  
W

1	2	3
4	5	6

(E112)  
W

REFER TO THE FOLLOWING.

(M4), (E101), (E104)

-FUSE BLOCK-JUNCTION BOX (J/B)

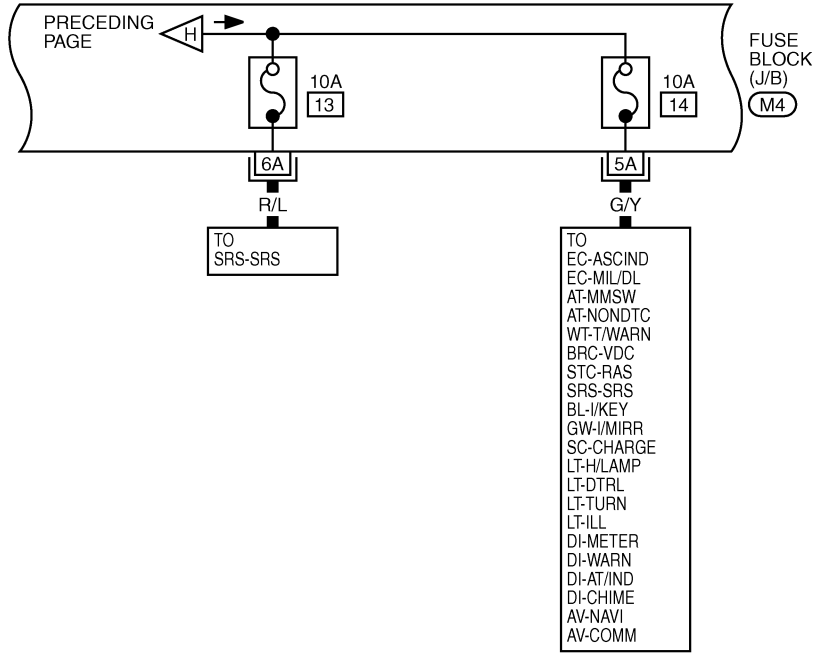
1	2	3	4	5	6	7	8	9	10	11
12	13	14	15	16	17	18	19	20	21	22

TKWM3528E

# POWER SUPPLY ROUTING CIRCUIT

PG-POWER-08

A  
B  
C  
D  
E  
F  
G  
H  
I  
J  
PG  
L  
M



REFER TO THE FOLLOWING.

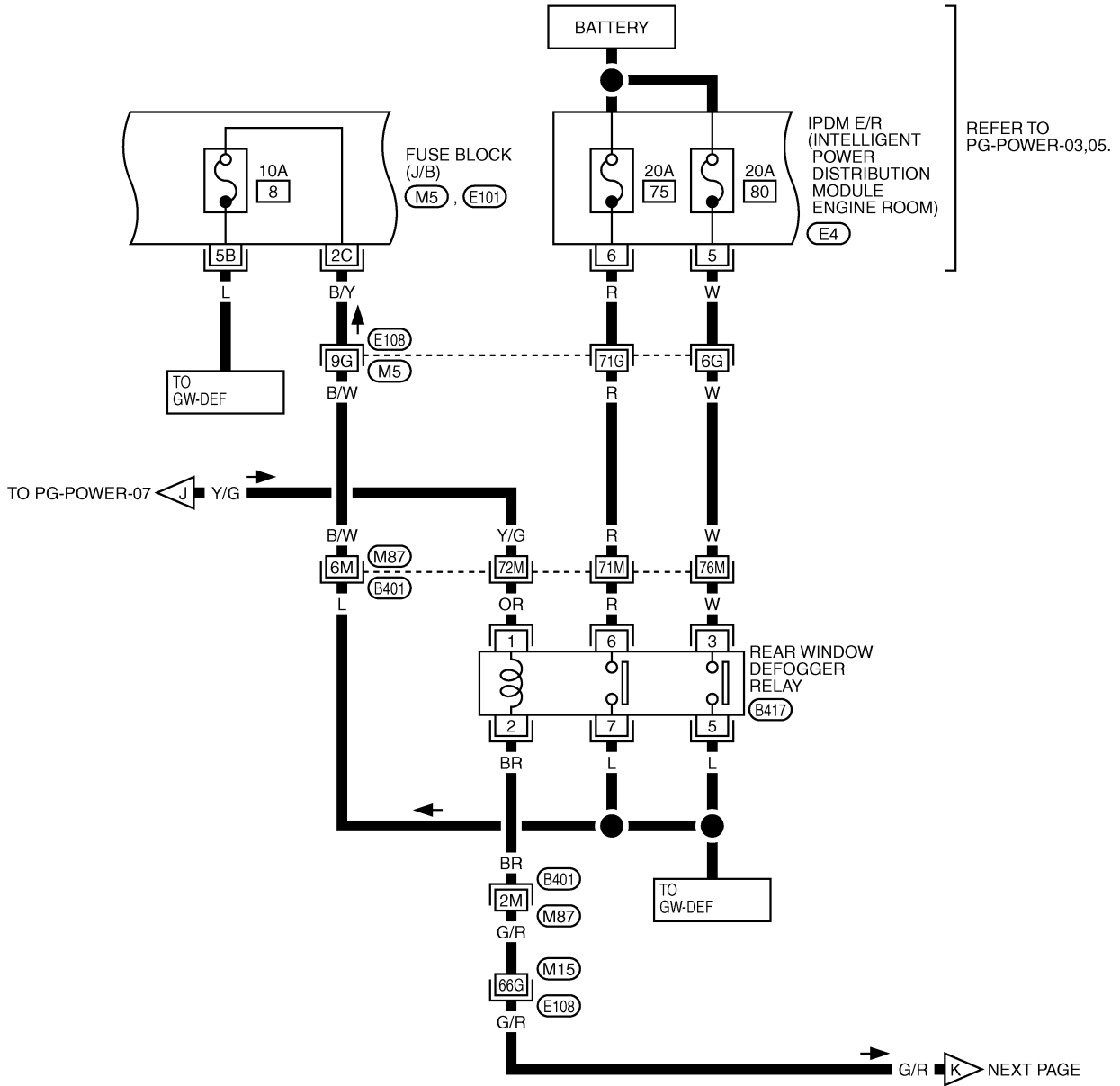
(M4) - FUSE BLOCK- JUNCTION BOX (J/B)

1	2	3	4	5	6	7	8	9	10	11
12	13	14	15	16	17	18	19	20	21	22

TKWM3529E

# POWER SUPPLY ROUTING CIRCUIT

PG-POWER-09



REFER TO THE FOLLOWING.

(E108), (B401) -SUPER MULTIPLE JUNCTION (SMJ)

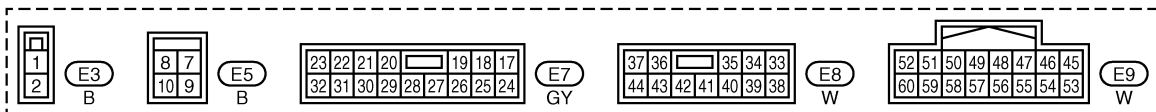
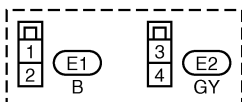
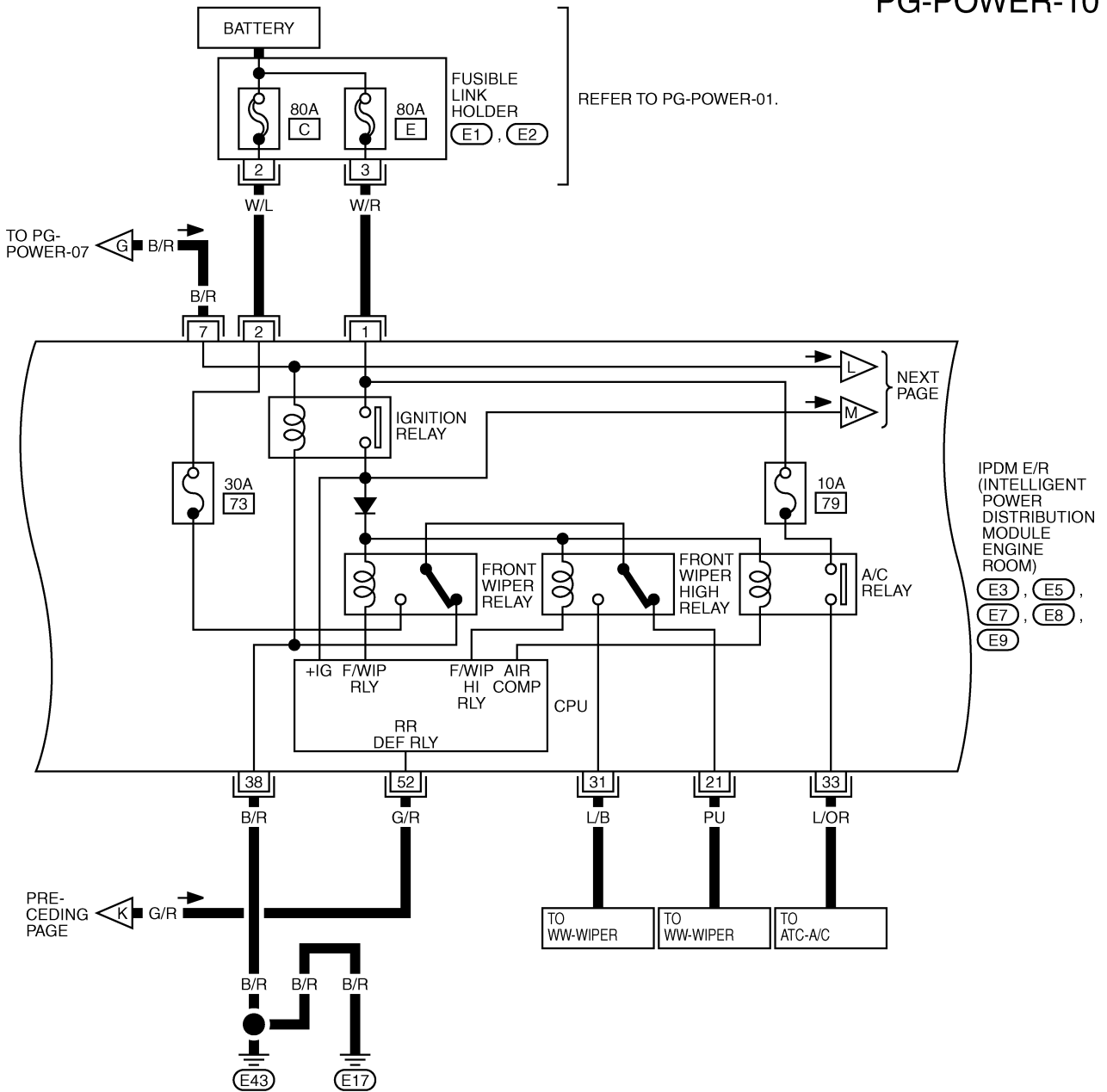
(M5), (E101) -FUSE BLOCK-JUNCTION BOX (J/B)

1	2	3	4	5	6	7	8	9	10	11
12	13	14	15	16	17	18	19	20	21	22

TKWM2177E

# POWER SUPPLY ROUTING CIRCUIT

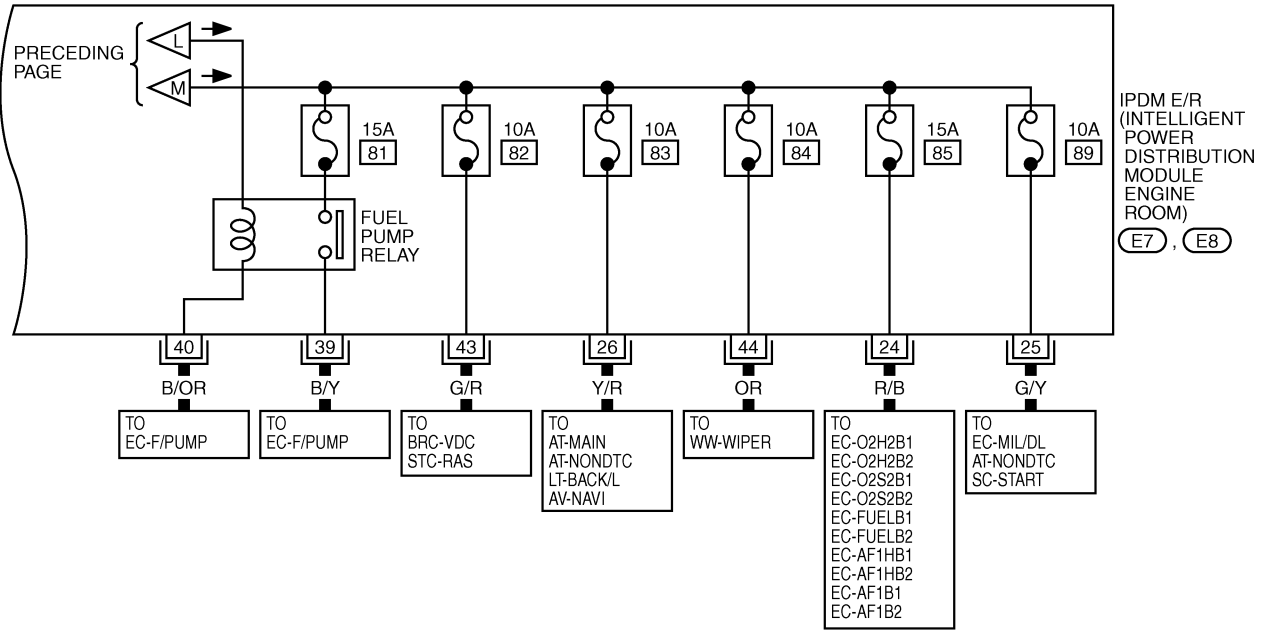
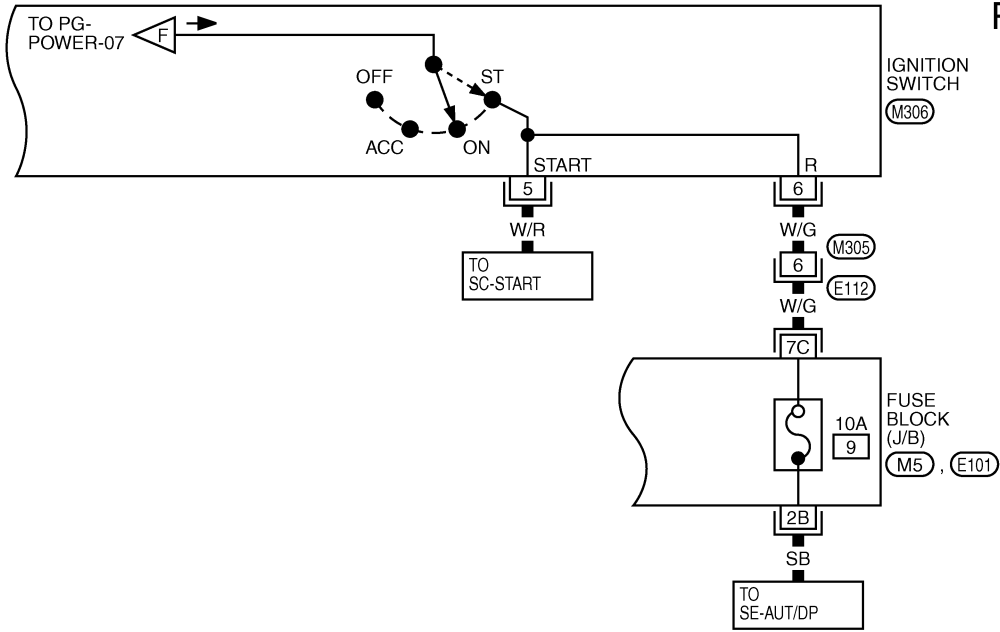
PG-POWER-10



TKWM5246E

# POWER SUPPLY ROUTING CIRCUIT

PG-POWER-11



3	5	1
4	2	6

(M306)  
W

23	22	21	20	19	18	17		
32	31	30	29	28	27	26	25	24

(E7)  
GY

37	36	35	34	33		
44	43	42	41	40	39	38

(E8)  
W



1	2	3
4	5	6

(E112)  
W

REFER TO THE FOLLOWING.

(M5), (E101) - FUSE BLOCK-JUNCTION BOX (J/B)

1	2	3	4	5	6	7	8	9	10	11
12	13	14	15	16	17	18	19	20	21	22

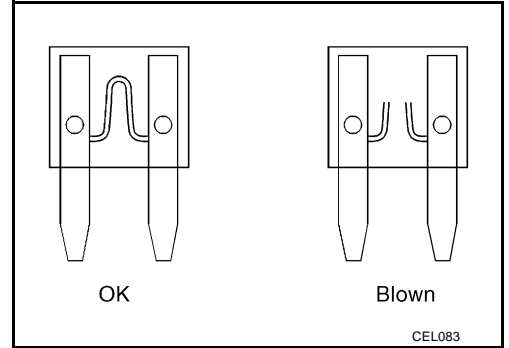
TKWM3530E

# POWER SUPPLY ROUTING CIRCUIT

## Fuse

NKS000QB

- If fuse is blown, be sure to eliminate cause of malfunction before installing new fuse.
- Use fuse of specified rating. Never use fuse of more than specified rating.
- Do not partially install fuse; always insert it into fuse holder properly.
- Remove fuse for "ELECTRICAL PARTS (BAT)" if vehicle is not used for a long period of time.



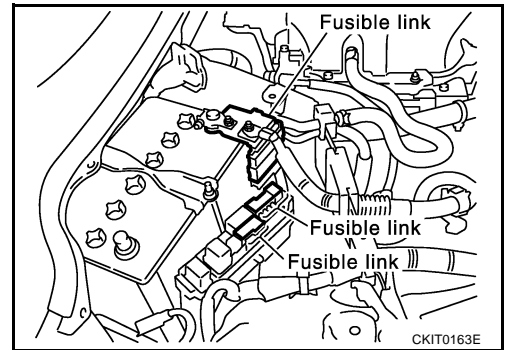
## Fusible Link

NKS000QC

A melted fusible link can be detected either by visual inspection or by feeling with finger tip. If its condition is questionable, use circuit tester or test lamp.

### CAUTION:

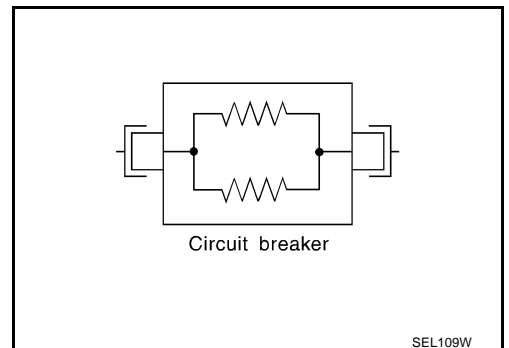
- If fusible link should melt, it is possible that critical circuit (power supply or large current carrying circuit) is shorted. In such a case, carefully check and eliminate cause of malfunction.
- Never wrap outside of fusible link with vinyl tape. Important: Never let fusible link touch any other wiring harness, vinyl or rubber parts.



## Circuit Breaker

NKS000QD

The PTC thermistor generates heat in response to current flow. The temperature (and resistance) of the thermistor element varies with current flow. Excessive current flow will cause the element's temperature to rise. When the temperature reaches a specified level, the electrical resistance will rise sharply to control the circuit current. Reduced current flow will cause the element to cool. Resistance falls accordingly and normal circuit current flow is allowed to resume.



A  
B  
C  
D  
E  
F  
G  
H  
I  
J  
PG  
L  
M

## IPDM E/R (INTELLIGENT POWER DISTRIBUTION MODULE ENGINE ROOM)

PFP:284B7

### System Description

NKS000QE

- IPDM E/R (Intelligent Power Distribution Module Engine Room) integrates the relay box and fuse block which were originally placed in engine compartment. It controls integrated relay via IPDM E/R control circuit.
- IPDM E/R-integrated control circuit performs ON-OFF operation of relay, CAN communication control, oil pressure switch signal and hood switch signal reception, etc.
- It controls operation of each electrical part via ECM, BCM and CAN communication lines.

#### CAUTION:

**None of the IPDM E/R-integrated relays can be removed.**

### SYSTEMS CONTROLLED BY IPDM E/R

1. Lamp control  
Using CAN communication line, it receives signal from BCM and controls the following lamps:
  - Headlamps (HI, LO)
  - Parking, license plate, side marker and tail lamps
  - Front fog lamps
2. Wiper control  
Using CAN communication line, it receives signals from BCM and controls the front wiper.
3. Rear window defogger relay control  
Using CAN communication line, it receives signals from BCM and controls the rear window defogger relay.
4. A/C compressor control  
Using CAN communication line, it receives signals from ECM and controls the A/C compressor.
5. Cooling fan control  
Using CAN communication line, it receives signals from ECM and controls cooling fan.
6. Horn control  
Using CAN communication line, it receives signals from BCM and controls horn relay.

### CAN COMMUNICATION LINE CONTROL

With CAN communication, by connecting each control unit using two communication lines (CAN L-line, CAN H-line), it is possible to transmit maximum amount of information with minimum wiring. Each control unit can transmit and receive data, and reads necessary information only.

1. Fail-safe control
  - When CAN communication with other control units is impossible, IPDM E/R performs fail-safe control. After CAN communication recovers normally, it also returns to normal control.
  - Operation of control parts by IPDM E/R during fail-safe mode is as follows:

Controlled system	Fail-safe mode
Headlamp	<ul style="list-style-type: none"> <li>● With the ignition switch ON, the headlamp (low) is ON.</li> <li>● With the ignition switch OFF, the headlamp (low) is OFF.</li> </ul>
Parking, license plate, side marker and tail lamps	<ul style="list-style-type: none"> <li>● With the ignition switch ON, the parking, license plate, side marker and tail lamps is ON.</li> <li>● With the ignition switch OFF, the parking, license plate, side marker and tail lamps is OFF.</li> </ul>
Cooling fan	<ul style="list-style-type: none"> <li>● With the ignition switch ON, the cooling fan HI operates.</li> <li>● With the ignition switch OFF, the cooling fan stops.</li> </ul>
Front wiper	Until the ignition switch is turned off, the front wiper LO and HI remains in the same status it was in just before fail-safe control was initiated.
Rear window defogger	Rear window defogger relay OFF
A/C compressor	A/C compressor OFF
Front fog lamps	Front fog lamp relay OFF



# IPDM E/R (INTELLIGENT POWER DISTRIBUTION MODULE ENGINE ROOM)

## IPDM E/R STATUS CONTROL

In order to save power, IPDM E/R switches status by itself based on each operating condition.

1. CAN communication status
  - CAN communication is normally performed with other control units.
  - Individual unit control by IPDM E/R is normally performed.
  - When sleep request signal is received from BCM, mode is switched to sleep waiting status.
2. Sleep waiting status
  - Process to stop CAN communication is activated.
  - All systems controlled by IPDM E/R are stopped. When 3 seconds have elapsed after CAN communication with other control units is stopped, mode switches to sleep status.
3. Sleep status
  - IPDM E/R operates in low power mode.
  - CAN communication is stopped.
  - When a change in CAN communication line is detected, mode switches to CAN communication status.
  - When a change hood switch or ignition switch signal is detected, mode switches to CAN communication status.

## CAN Communication System Description

NKS000QF

CAN (Controller Area Network) is a serial communication line for real time application. It is an on-vehicle multiplex communication line with high data communication speed and excellent error detection ability. Modern vehicles are equipped with many electronic control units and each control unit shares information and links with other control units during operation (not independent). In CAN communication, control units are connected with 2 communication lines (CAN H line, CAN L line) allowing a high rate of information transmission with less wiring. Each control unit transmits/receives data but selectively reads required data only.

## CAN Communication Unit

NKS000QG

Refer to [LAN-47, "CAN System Specification Chart"](#).

## Function of Detecting Ignition Relay Malfunction

NKS000QH

- When contact point of integrated ignition relay is stuck and cannot be turned OFF, IPDM E/R turns ON tail and parking lamps for 10 minutes to indicate ignition relay malfunction.
- When a state of ignition relay having built-in does not agree with a state of Ignition switch signal input by a CAN communication from BCM, IPDM E/R lets tail lamp relay operate.

Ignition switch signal	Ignition relay status	Tail lamp relay
ON	ON	—
OFF	OFF	—
ON	OFF	—
OFF	ON	ON (10 minutes)

### NOTE:

When the ignition switch is turned ON, the tail lamps are OFF.

# IPDM E/R (INTELLIGENT POWER DISTRIBUTION MODULE ENGINE ROOM)

## CONSULT-II Function (IPDM E/R)

NKS000QI

CONSULT-II can display each diagnostic item using the diagnostic test mode shown following.

Inspection Item, Diagnosis Mode	Description
SELF-DIAG RESULTS	The IPDM E/R performs diagnosis of the CAN communication and self-diagnosis.
DATA MONITOR	The input/output data of the IPDM E/R is displayed in real time.
CAN DIAG SUPPORT MNTR	The result of transmit/receive diagnosis of CAN communication can be read.
ACTIVE TEST	The IPDM E/R sends a drive signal to electronic components to check their operation.

## CONSULT-II BASIC OPERATION

Refer to [GI-37, "CONSULT-II Start Procedure"](#).

### SELF-DIAG RESULTS

#### Operation Procedure

1. Touch "SELF-DIAG RESULTS" on "SELECT DIAG MODE" screen.
2. Check display content in self-diagnostic results.

#### Display Item List

Display Items	CONSULT-II display code	Malfunction detecting condition	TIME		Possible causes
			CRNT	PAST	
NO DTC IS DETECTED.FURTHER TESTING MAY BE REQUIRED.	—	—	—	—	—
CAN COMM CIRC	U1000	<ul style="list-style-type: none"> <li>● If CAN communication reception/transmission data has a malfunction, or if any of the control units malfunction, data reception/transmission cannot be confirmed.</li> <li>● When the data in CAN communication is not received before the specified time</li> </ul>	×	×	Any of or several items below have errors. <ul style="list-style-type: none"> <li>● TRANSMIT DIAG</li> <li>● ECM</li> <li>● BCM/SEC</li> </ul>

#### NOTE:

The details for display of the period are as follows:

- CRNT: Error currently detected with IPDM E/R
- PAST: Error detected in the past and memorized with IPDM E/R

# IPDM E/R (INTELLIGENT POWER DISTRIBUTION MODULE ENGINE ROOM)

## DATA MONITOR

### Operation Procedure

1. Touch "DATA MONITOR" on "SELECT MONITOR ITEM" screen.
2. Touch "ALL SIGNALS", "MAIN SIGNALS" or "SELECTION FROM MENU" on the "DATA MONITOR" screen.

ALL SIGNALS	All items will be monitored.
MAIN SIGNALS	Monitor the predetermined item.
SELECTION FROM MENU	Select any item for monitoring.

3. Touch the required monitoring item on "SELECTION FROM MENU". In "ALL SIGNALS", all items are monitored. In "MAIN SIGNALS", predetermined items are monitored.
4. Touch "START".
5. Touch "RECORD" while monitoring to record the status of the item being monitored. To stop recording, touch "STOP".

### All Signals, Main Signals, Selection From Menu

Item name	CONSULT-II screen display	Display or unit	Monitor item selection			Description
			ALL SIGNALS	MAIN SIGNALS	SELECTION FROM MENU	
Motor fan request	MOTOR FAN REQ	1/2/3/4	×	×	×	Signal status input from ECM
Compressor request	AC COMP REQ	ON/OFF	×	×	×	Signal status input from ECM
Position lights request	TAIL&CLR REQ	ON/OFF	×	×	×	Signal status input from BCM
H/L LO request	HL LO REQ	ON/OFF	×	×	×	Signal status input from BCM
H/L HI request	HL HI REQ	ON/OFF	×	×	×	Signal status input from BCM
FR fog request	FR FOG REQ	ON/OFF	×	×	×	Signal status input from BCM
H/L washer request	HL WASHER REQ*1	OFF	×		×	—
FR wiper request	FR WIP REQ	STOP/1LOW/ LOW/HI	×	×	×	Signal status input from BCM
Wiper auto stop	WIP AUTO STOP	ACT P/STOP P	×	×	×	Output status of IPDM E/R
Wiper protection	WIP PROT	OFF/BLOCK	×	×	×	Control status of IPDM E/R
Starter request	ST RLY REQ*1	ON	×		×	—
Ignition relay status	IGN RLY	ON/OFF	×	×	×	Ignition relay status monitored with IPDM E/R
Rear window defogger request	RR DEF REQ	ON/OFF	×	×	×	Signal status input from BCM
Oil pressure switch	OIL P SW	OPEN/CLOSE	×		×	Signal status input in IPDM E/R
DTRL request	DTRL REQ*1	ON/OFF	×		×	—
Hood switch	HOOD SW	ON/OFF	×		×	Input signal status
Theft warning horn request	THFT HRN REQ	ON/OFF	×		×	Signal status input from BCM
Horn chirp	HORN CHIRP	ON/OFF	×		×	Output status of IPDM E/R

#### NOTE:

- Perform monitoring of IPDM E/R data with the ignition switch ON. When the ignition switch is at ACC, the display may not be correct.
- \*1: This item is displayed, but does not function.

# IPDM E/R (INTELLIGENT POWER DISTRIBUTION MODULE ENGINE ROOM)

## ACTIVE TEST

### Operation Procedure

1. Touch "ACTIVE TEST" on "SELECT DIAG MODE" screen.
2. Touch item to be tested.
3. Touch "START", and confirm its operation.
4. Touch "STOP" while testing to stop the operation.

Test item	CONSULT-II screen display	Description
Tail lamp operation	TAIL LAMP	With a certain ON-OFF operation, the tail lamp relay can be operated.
Rear window defogger operation	REAR DEFOGGER	With a certain ON-OFF operation, the rear window defogger relay can be operated.
Front wiper (HI, LO) operation	FRONT WIPER	With a certain operation (OFF, HI ON, LO ON), the front wiper relay (Lo, Hi) can be operated.
Cooling fan operation	MOTOR FAN	With a certain operation (1, 2, 3, 4), the cooling fan can be operated.
Headlamp washer operation	HEAD LAMP WASHER <sup>NOTE</sup>	—
Lamp (HI, LO, FOG) operation	LAMPS	With a certain operation (OFF, HI ON, LO ON, FOG ON), the lamp relay (Lo, Hi, Fog) can be operated.
Horn operation	HORN	Push "ON" button, horn relay operates 20ms.

#### NOTE:

This item is displayed, but cannot be tested.

## Auto Active Test DESCRIPTION

- In auto active test mode, operation inspection can be performed when IPDM E/R sends a drive signal to the following systems:
  - Rear window defogger
  - Front wiper
  - Parking, license plate, side marker and tail lamps
  - Front fog lamps
  - Headlamps (HI, LO)
  - A/C compressor (magnetic clutch)
  - Cooling fan

## OPERATION PROCEDURE

1. Close hood and front door (passenger side) and then lift wiper arms away from windshield (to prevent glass damage by wiper operation).

### NOTE:

When auto active test is performed with hood opened, sprinkle water on windshield beforehand.

2. Turn ignition switch OFF.
3. Turn ignition switch ON, and within 20 seconds, press drivers door switch 10 times (close other door). Then turn ignition switch OFF.
4. Turn ignition switch ON within 10 seconds after ignition switch OFF.
5. When auto active test mode is actuated, horn chirps once. Oil pressure warning lamp starts blinking.
6. After a series of operations is repeated three times, auto active test is completed.

### NOTE:

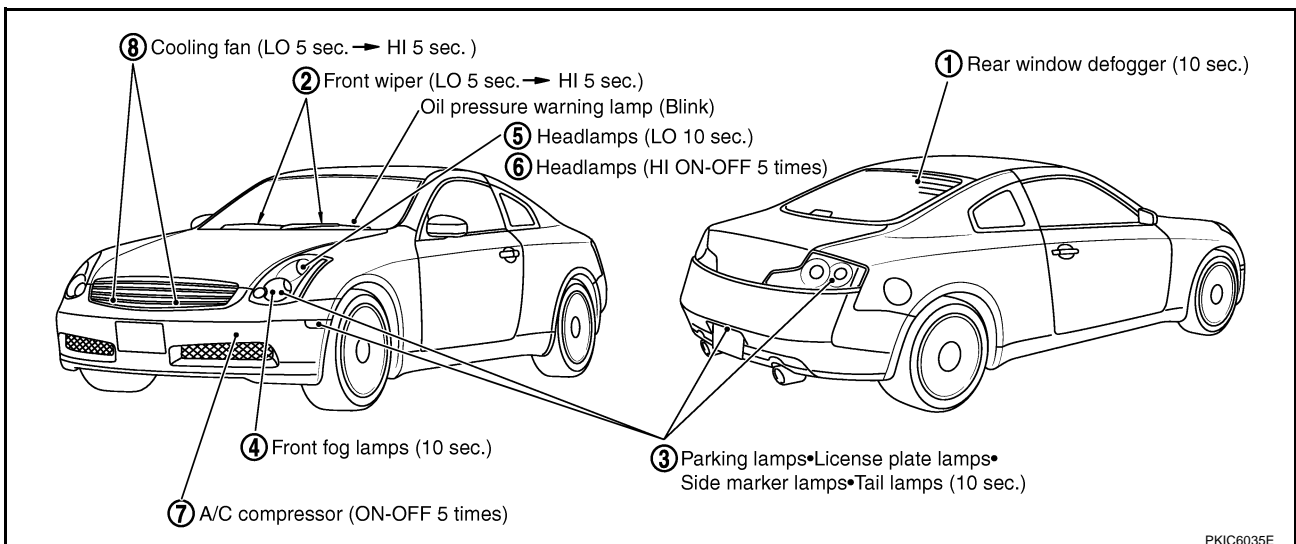
When auto active test mode has to be cancelled halfway, turn ignition switch OFF.

### CAUTION:

Be sure to inspect [BL-39. "Check Door Switch"](#) when the auto active test cannot be performed.

## INSPECTION IN AUTO ACTIVE TEST MODE

When auto active test mode is actuated, the following eight steps are repeated three times.



# IPDM E/R (INTELLIGENT POWER DISTRIBUTION MODULE ENGINE ROOM)

## Concept of Auto Active Test

- IPDM E/R actuates auto active test mode when it receives door switch signal from BCM via CAN communication line. Therefore, when auto active test mode is activated successfully, CAN communication between IPDM E/R and BCM is normal.
- If any of systems controlled by IPDM E/R cannot be operated, possible cause can be easily diagnosed using auto active test.

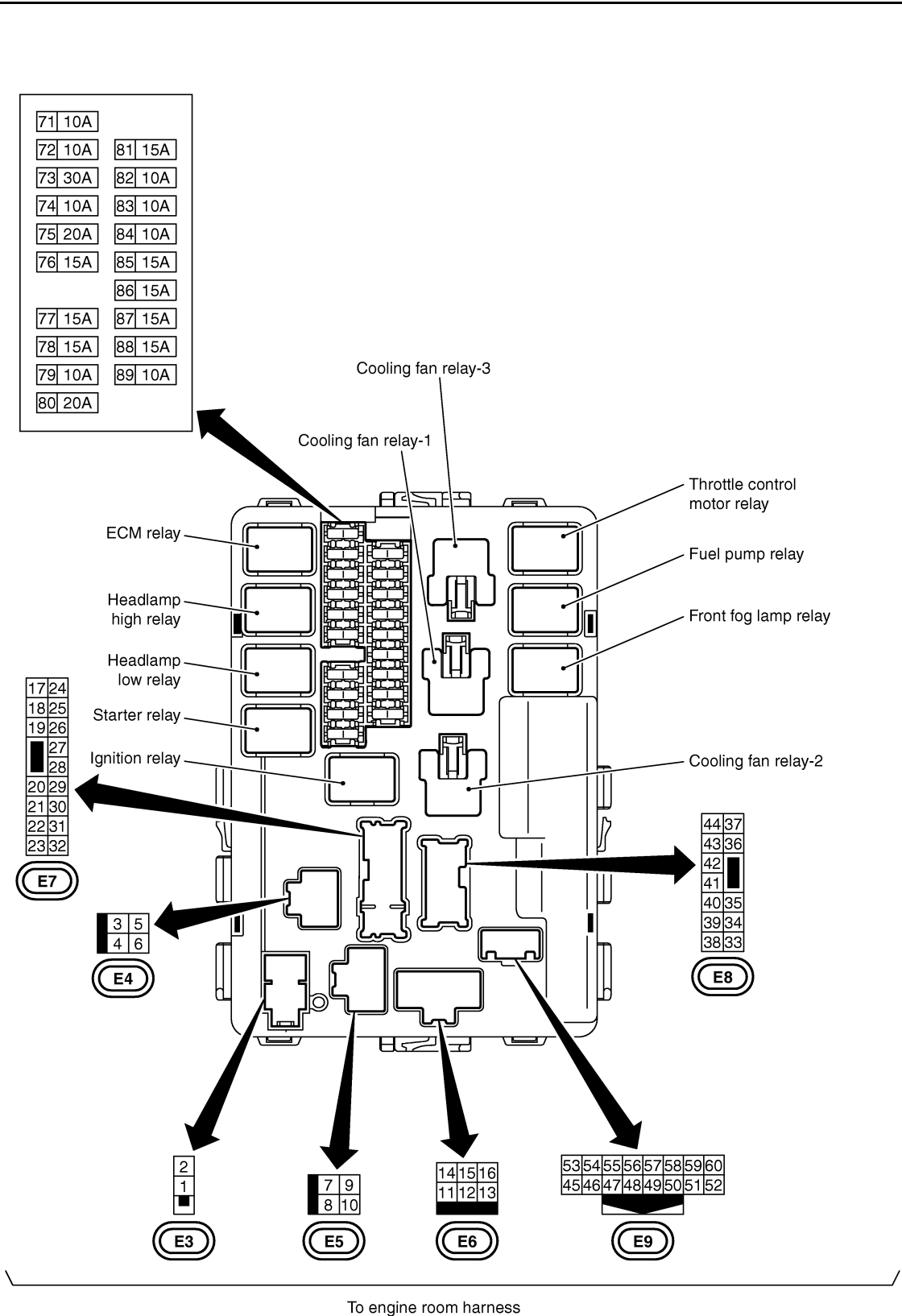
Diagnosis chart in auto active test mode

Symptom	Inspection contents	Possible cause	
Rear window defogger does not operate.	Perform auto active test. Does rear window defogger operate?	YES	● BCM signal input circuit malfunction
		NO	<ul style="list-style-type: none"> <li>● Rear window defogger relay malfunction</li> <li>● Harness/connector malfunction between IPDM E/R and rear window defogger relay</li> <li>● Open circuit of rear window defogger</li> <li>● IPDM E/R malfunction</li> </ul>
Any of front wipers, tail and parking lamps, front fog lamps, and head lamps (Hi, Lo) do not operate.	Perform auto active test. Does system in question operate?	YES	● BCM signal input system malfunction
		NO	<ul style="list-style-type: none"> <li>● Lamp/wiper motor malfunction</li> <li>● Lamp/wiper motor ground circuit malfunction</li> <li>● Harness/connector malfunction between IPDM E/R and system in question</li> <li>● IPDM E/R (integrated relay) malfunction</li> </ul>
A/C compressor does not operate.	Perform auto active test. Does magnetic clutch operate?	YES	<ul style="list-style-type: none"> <li>● BCM signal input circuit malfunction</li> <li>● CAN communication signal between BCM and ECM.</li> <li>● CAN communication signal between ECM and IPDM E/R</li> </ul>
		NO	<ul style="list-style-type: none"> <li>● Magnetic clutch malfunction</li> <li>● Harness/connector malfunction between IPDM E/R and magnetic clutch</li> <li>● IPDM E/R (integrated relay) malfunction</li> </ul>
Cooling fan does not operate.	Perform auto active test. Does cooling fan operate?	YES	<ul style="list-style-type: none"> <li>● ECM signal input circuit</li> <li>● CAN communication signal between ECM and IPDM E/R</li> </ul>
		NO	<ul style="list-style-type: none"> <li>● Cooling fan motor malfunction</li> <li>● Harness/connector malfunction between IPDM E/R and cooling fan motor</li> <li>● IPDM E/R (integrated relay) malfunction</li> </ul>
Oil pressure warning lamp does not operate.	Perform auto active test. Does oil pressure warning lamp blink?	YES	<ul style="list-style-type: none"> <li>● Harness/connector malfunction between IPDM E/R and oil pressure switch</li> <li>● Oil pressure switch malfunction</li> <li>● IPDM E/R malfunction</li> </ul>
		NO	<ul style="list-style-type: none"> <li>● CAN communication signal between IPDM E/R and combination meter</li> <li>● Combination meter</li> </ul>



IPDM E/R Terminal Arrangement

NKS000QL



CKIM0763E



# IPDM E/R (INTELLIGENT POWER DISTRIBUTION MODULE ENGINE ROOM)

## IPDM E/R Power/Ground Circuit Inspection

NKS0000M

### 1. CHECK FUSE AND FUSIBLE LINK

Make sure the following fusible links or IPDM E/R fuses are not blown.

Terminal No.	Power source	Fuse, fusible link No.
1	Battery	E
2		C
—		71
—		78

OK or NG

OK >> GO TO 2.

NG >> If fuse or fusible link is blown, be sure to eliminate cause of malfunction before installing new one.

### 2. CHECK POWER SUPPLY CIRCUIT

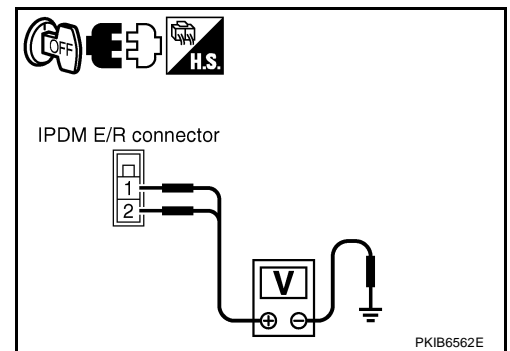
1. Turn ignition switch OFF.
2. Disconnect IPDM E/R harness connector E3.
3. Check voltage between IPDM E/R harness connector E3 terminals 1, 2 and ground.

**1, 2 – Ground : Battery voltage**

OK or NG

OK >> GO TO 3.

NG >> Repair harness and connector.



### 3. CHECK GROUND CIRCUIT

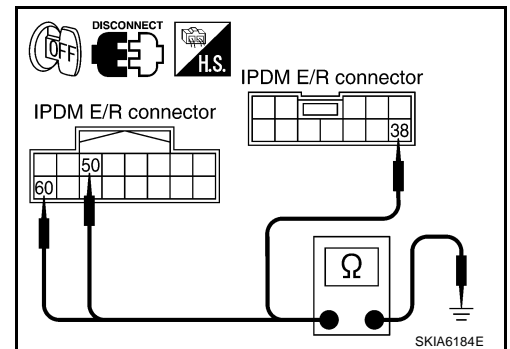
1. Disconnect IPDM E/R harness connectors E8 and E9.
2. Check continuity between IPDM E/R harness connectors E8 terminal 38, E9 terminal 50, 60 and ground.

**38, 50, 60 – Ground : Continuity should exist.**

OK or NG

OK >> INSPECTION END

NG >> Repair harness and connector.



# IPDM E/R (INTELLIGENT POWER DISTRIBUTION MODULE ENGINE ROOM)

## Inspection With CONSULT-II (Self-Diagnosis)

NKS0000N

### CAUTION:

If CONSULT-II is used with no connection of CONSULT-II CONVERTER, malfunctions might be detected in self-diagnosis depending on control unit which carry out CAN communication.

### 1. CHECK SELF DIAGNOSTIC RESULT

1. Connect CONSULT-II and select "IPDM E/R" on the "SELECT SYSTEM" screen.
2. Select "SELF-DIAG RESULTS" on the "SELECT DIAG MODE" screen.
3. Check display content in self diagnostic results.

CONSULT-II display	CONSULT-II display code	TIME		Details of diagnosis result
		CRNT	PAST	
NO DTC IS DETECTED. FURTHER TESTING MAY BE REQUIRED.	—	—	—	No malfunction
CAN COMM CIRC	U1000	×	×	Any of or several items below have errors. ● TRANSMIT DIAG ● ECM ● BCM/SEC

#### NOTE:

The details for display of the period are as follows:

- CRNT: Error currently detected with IPDM E/R
- PAST: Error detected in the past and memorized with IPDM E/R

#### Contents displayed

NO DTC IS DETECTED.FURTHER TESTING MAY BE REQUIRED.>>INSPECTION END

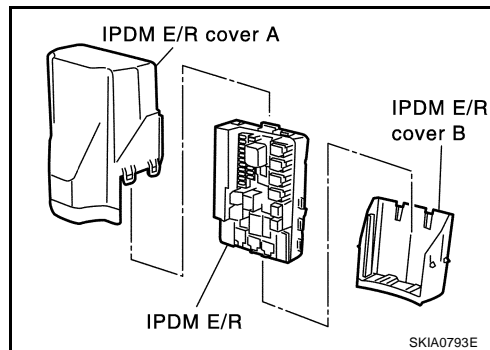
CAN COMM CIRC>>After print-out of the monitor items, refer to [LAN-42, "Precautions When Using CONSULT-II"](#) .

# IPDM E/R (INTELLIGENT POWER DISTRIBUTION MODULE ENGINE ROOM)

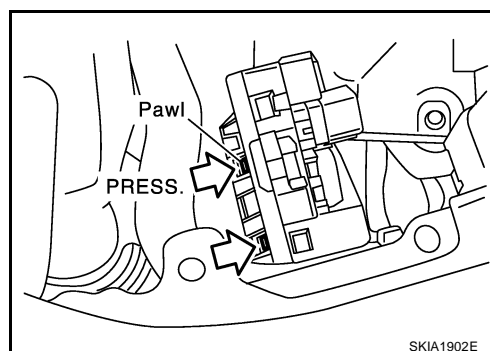
## Removal and Installation of IPDM E/R REMOVAL

NKS000QO

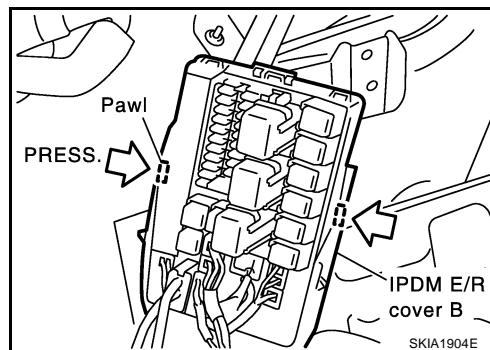
1. Remove battery. Refer to [SC-9, "Removal and Installation"](#) .



2. Remove IPDM E/R cover A. While pushing pawl on backside of IPDM E/R cover B toward vehicle front to unlock, lift up IPDM E/R.



3. While pushing tabs on right and left side of IPDM E/R, remove IPDM E/R cover B from IPDM E/R.
4. Remove harness connector from IPDM E/R.



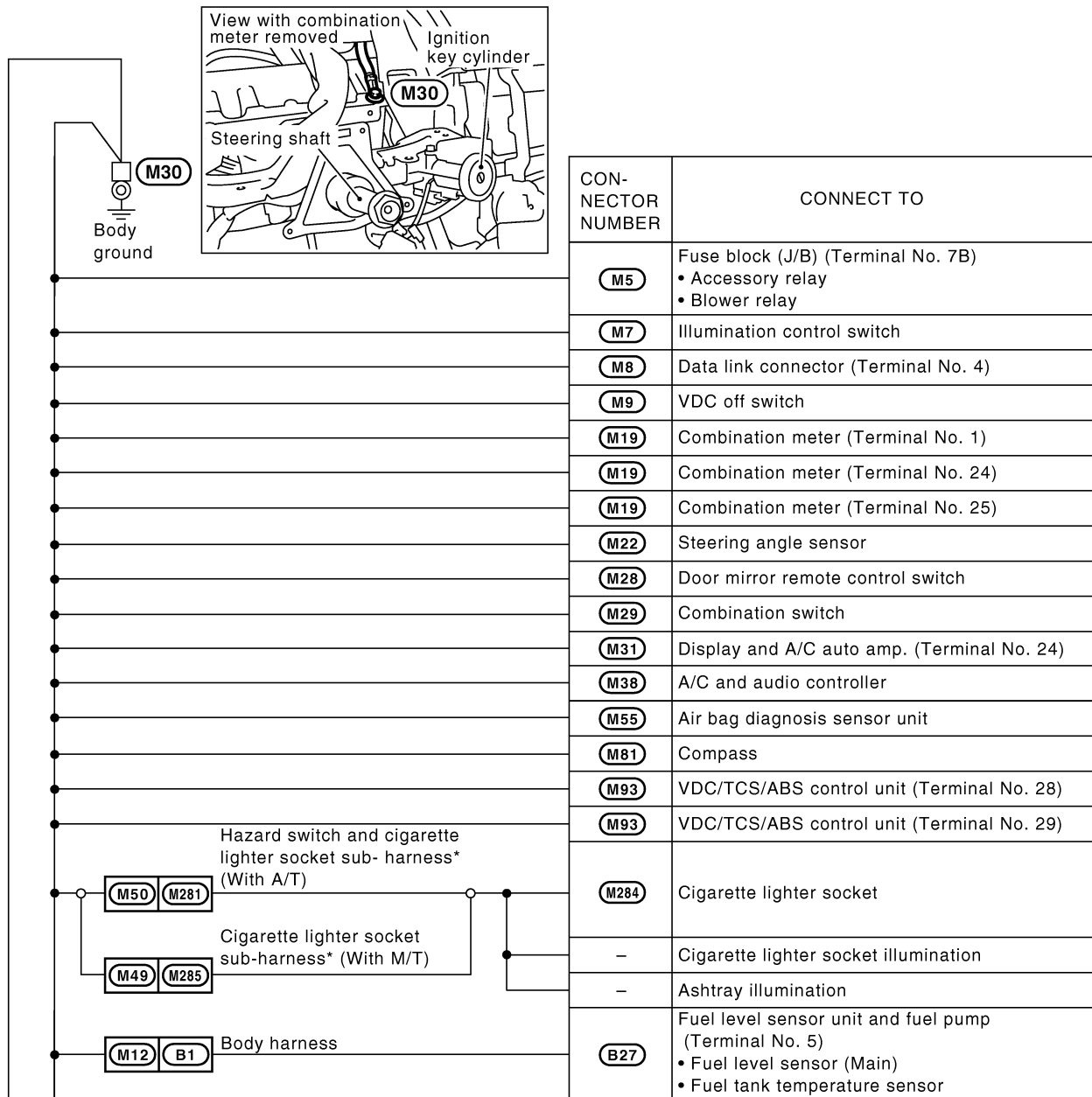
## INSTALLATION

Installation is the reverse order of removal.

A  
B  
C  
D  
E  
F  
G  
H  
I  
J  
PG  
L  
M

GROUND

Ground Distribution  
MAIN HARNESS

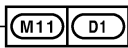


\* : This sub-harness is not shown in "HARNESS LAYOUT".

A B  
Next page

# GROUND

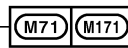
Preceding page



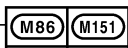
Driver door harness

CONNECTOR NUMBER	CONNECT TO
D2	Door mirror (Driver side) • Door mirror defogger
D7	Power window main switch • CPU • Power window lock switch • Door lock and unlock switch • Illumination
D15	Driver side door lock assembly • Door key cylinder switch • Door unlock sensor
D16	Door request switch (Driver side)

CONNECTOR NUMBER	CONNECT TO
M2	BCM (Body control module)
M37	NAVI switch
M46	Hazard switch (With M/T)
M47	A/T device (Terminal No. 1) • Park position switch • Shift lock solenoid
M47	A/T device (Terminal No. 9) • Mode select switch
M52	Power socket (With A/T)
M53	Heated seat switch (Passenger side) (With A/T)
M54	Heated seat switch (Driver side) (With A/T)
M56	Trunk lid opener cancel switch (With Intelligent Key)
M68	Upper glove box lamp
M69	Shield wire [Inside key antenna (Dashbord)]
M172	Shield wire [Inside key antenna (Center console)]
M75	Intelligent Key unit
M84	Trunk lid opener switch (Without Intelligent Key)
M85	Heated seat relay
M95	Up-and-down unit (Display unit)
M154	Heated seat switch (Driver side) (With M/T)
M155	Heated seat switch (Passenger side) (With M/T)
M282	Hazard switch (With A/T)
M292	Power socket (With M/T)
M308	NATS antenna amp.
B424	Shield wire [Inside key antenna (Trunk room)]



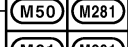
Console sub-harness



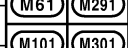
Switch sub-harness



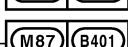
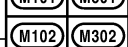
Switch sub-harness  
Hazard switch and cigarette lighter socket sub-harness\*



Power socket sub-harness\*  
Steering column sub-harness (Without Intelligent Key)



Steering column sub-harness (With Intelligent Key)



Body No. 2 harness

\* : This sub-harness is not shown in "HARNES LAYOUT".



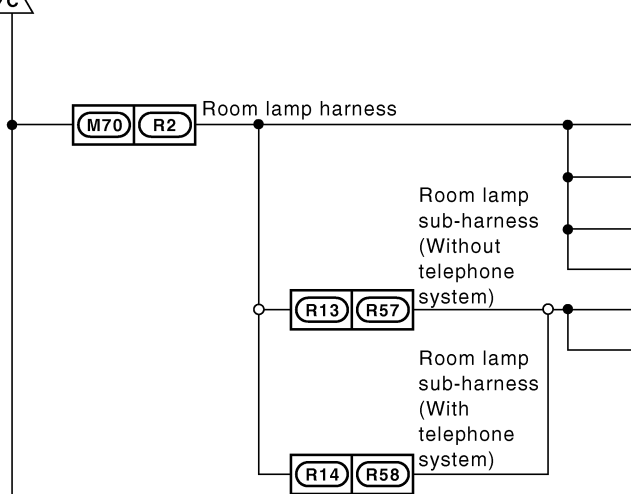
Next page

A  
B  
C  
D  
E  
F  
G  
H  
I  
J  
PG  
L  
M

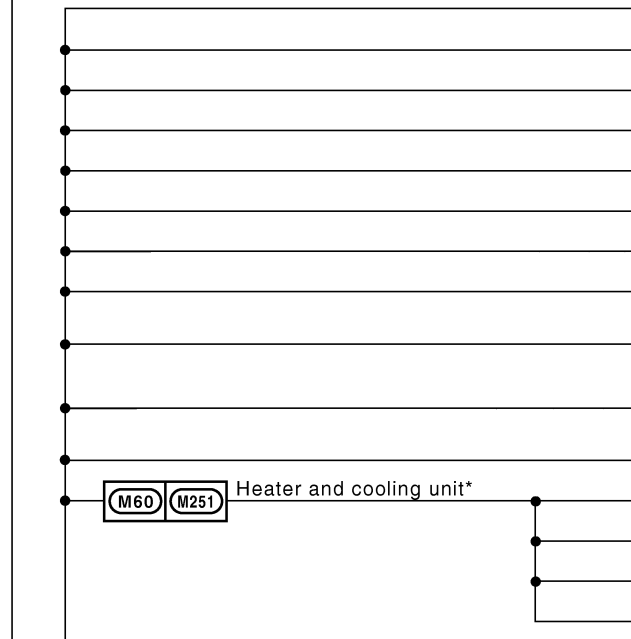
CKIM0718E

# GROUND

Preceding page



CON-NECTOR NUMBER	CONNECT TO
R4	Vanity mirror lamp (Passenger side)
R7	Auto anti-dazzling inside mirror • Homelink universal transceiver
R9	Vanity mirror lamp (Driver side)
R12	Sunroof motor assembly
R52	Map lamp
R53	Sunroof switch



CON-NECTOR NUMBER	CONNECT TO
M8	Data link connector (Terminal No. 5)
M31	Display and A/C auto amp. (Terminal No. 5)
M35	Display unit (Terminal No. 22)
M35	Display unit (Terminal No. 24)
M57	NAVI control unit (Terminal No. 1)
M57	NAVI control unit (Terminal No. 21)
M62	Blower motor
M64	Glove box lamp
M97	Automatic drive positioner control unit (Terminal No. 40)
M97	Automatic drive positioner control unit (Terminal No. 48)
M100	ADP steering switch
M252	Mode door motor
M253	Air mix door motor (Passenger side)
M254	Air mix door motor (Driver side)
M255	Intake door motor

\* : This sub-harness is not shown in "HARNES LAYOUT".

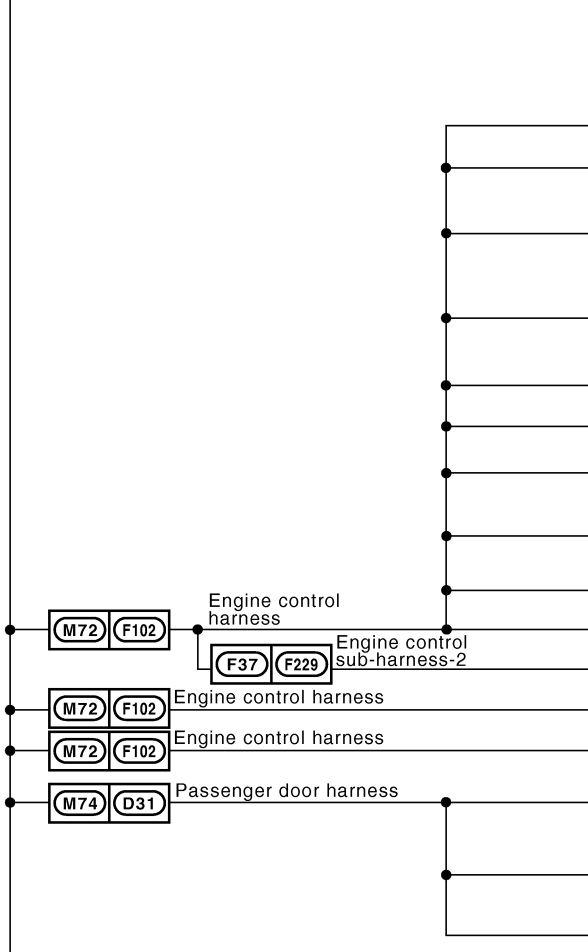
Next page



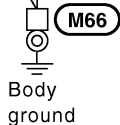
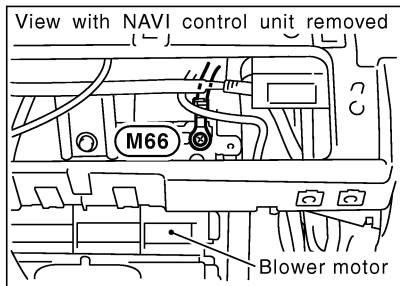
CKIM0573E

# GROUND

Preceding page



CON-NECTOR NUMBER	CONNECT TO
F4	Camshaft position sensor (PHASE) (BANK 1)
F10	Crankshaft position sensor (POS)
F31	Shield wire [Electric throttle control actuator (Throttle position sensor 1)] (For circuit from terminal No. 1)
F31	Shield wire [Electric throttle control actuator (Throttle position sensor 1, 2)] (For circuit from terminal No. 2,4,5)
F32	Camshaft position sensor (PHASE) (BANK 2)
F35	Park/Neutral position switch (With M/T)
F45	Exhaust valve timing control position sensor (Bank 1) (With M/T)
F46	Exhaust valve timing control position sensor (Bank 2) (With M/T)
F108	ECM (Terminal No. 1)
F108	ECM (Terminal No. 116)
F228	Shield wire (Knock sensor)
F8	Power steering solenoid valve
F108	ECM (Terminal No. 115)
D32	Door mirror (Passenger side) • Door mirror defogger
D43	Power window sub-switch • CPU • Door lock and unlock switch
D45	Door request switch (Passenger side)



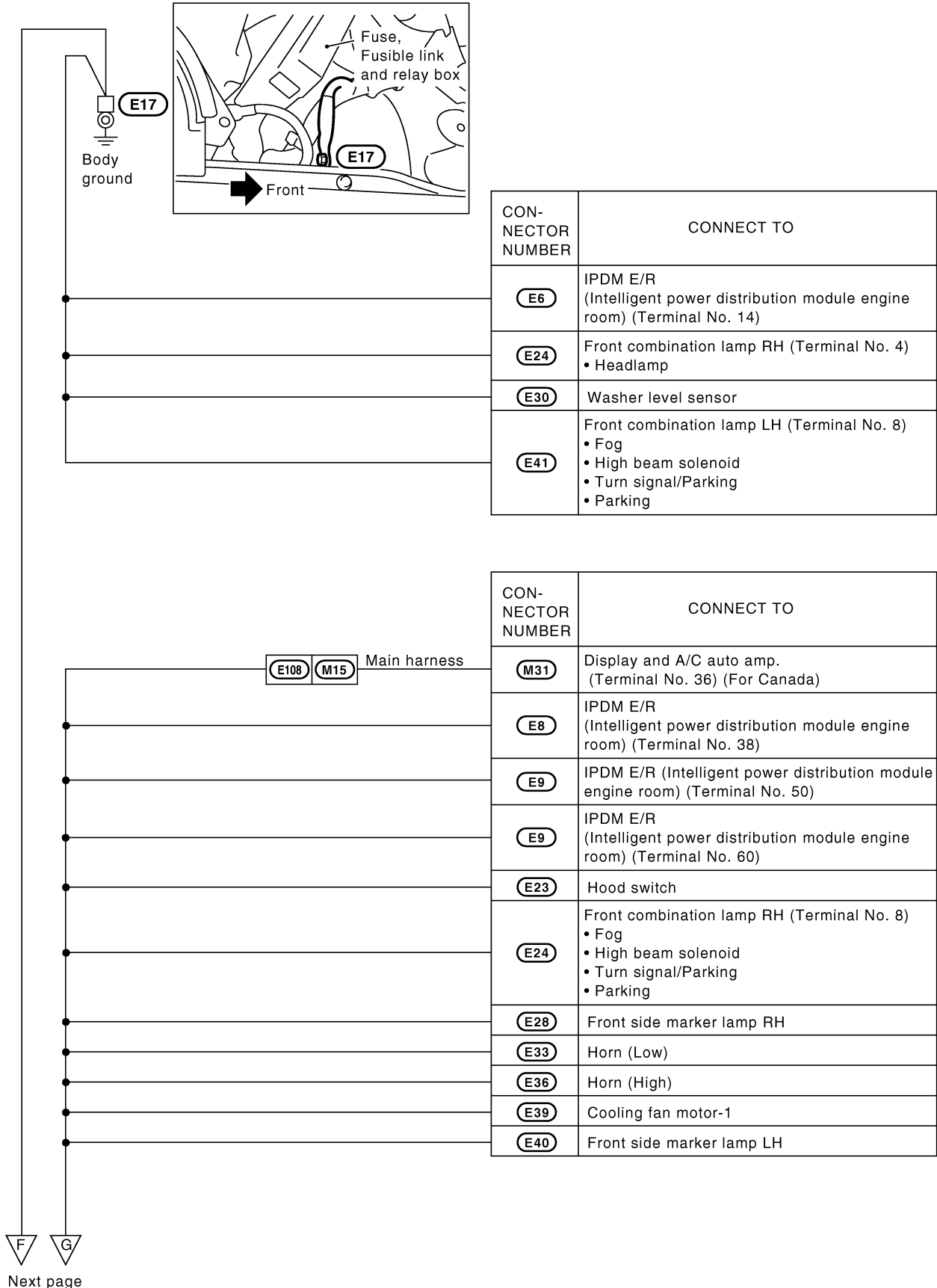
A  
B  
C  
D  
E  
F  
G  
H  
I  
J  
PG  
L  
M

PG

CKIM0574E

# GROUND

## ENGINE ROOM HARNESS

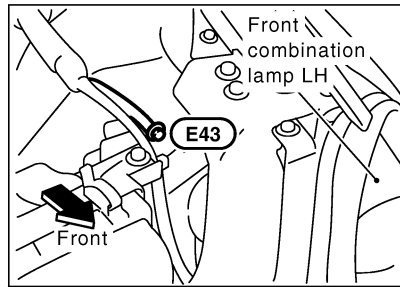
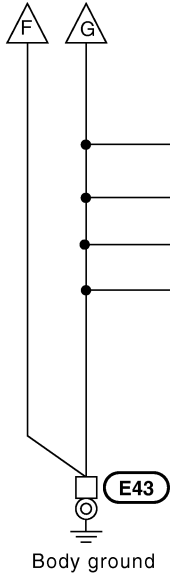


CKIM0575E

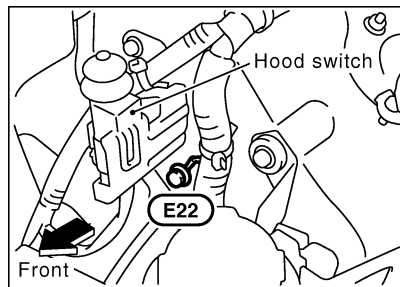
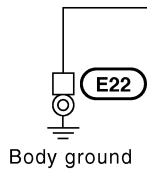


# GROUND

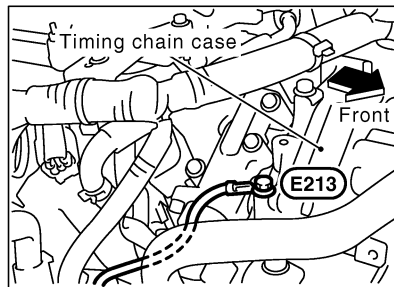
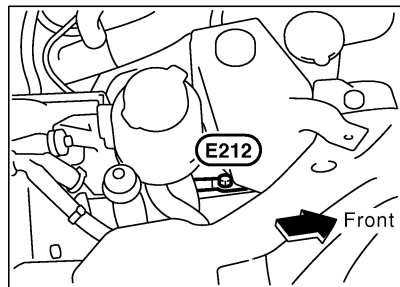
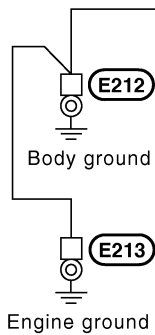
Preceding page



CON-NECTOR NUMBER	CONNECT TO
E41	Front combination lamp LH (Terminal No. 4) • Headlamp
E44	Brake fluid level switch
E52	Front wiper motor
E53	Cooling fan motor-2



CON-NECTOR NUMBER	CONNECT TO
E37	Shield wire (Crash zone sensor)



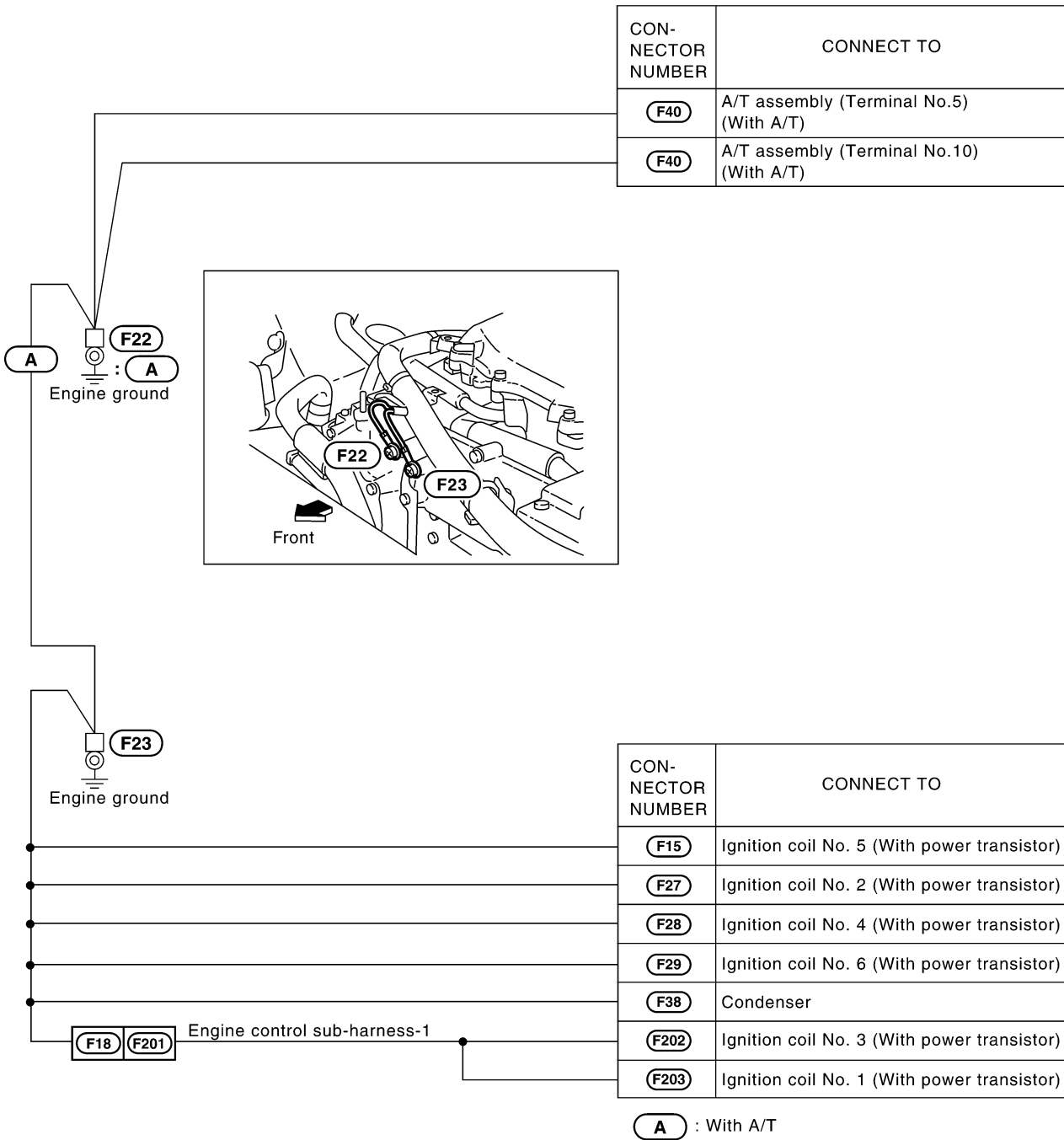
CON-NECTOR NUMBER	CONNECT TO
E211	Alternator (E)

A  
B  
C  
D  
E  
F  
G  
H  
I  
J  
PG  
L  
M

CKIM0576E

# GROUND

## ENGINE CONTROL HARNESS

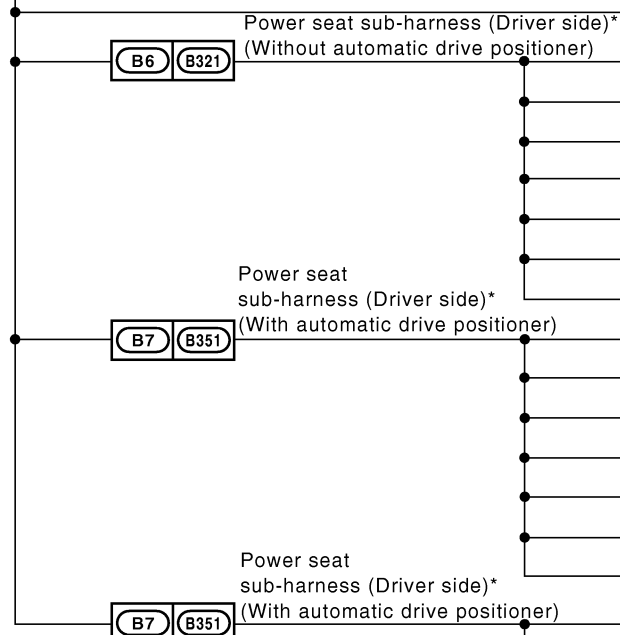
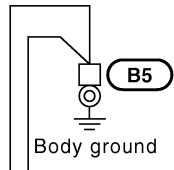
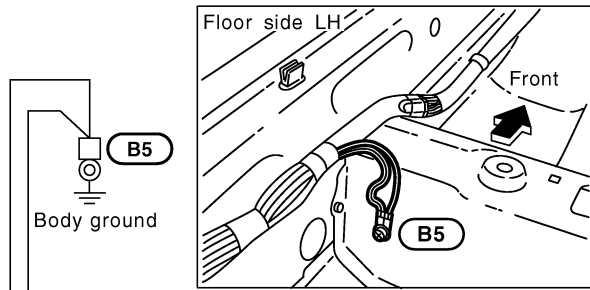


CKIM0283E

# GROUND

## BODY HARNESS

A  
B  
C  
D  
E  
F  
G  
H  
I  
J  
PG  
L  
M



CON-NECTOR NUMBER	CONNECT TO
B136	Shield wire (RAS control unit) (For circuit from terminal No. 1, 8)
B324	Driver side seat control unit
B326	Power seat switch (Terminal No. 2)
B326	Power seat switch (Terminal No. 11)
B329	Sliding limit switch
B332	Seat cushion heater (Driver side)
B348	Seat back switch
B349	Power walk-in switch
B329	Sliding limit switch
B348	Seat back switch
B349	Power walk-in switch
B352	Driver seat control unit (Terminal No. 32)
B354	Seat memory switch
B355	Power seat switch (Terminal No. 32D)
B356	Power seat switch (Terminal No. 32)
B332	Seat cushion heater
B353	Driver seat control unit (Terminal No. 48)

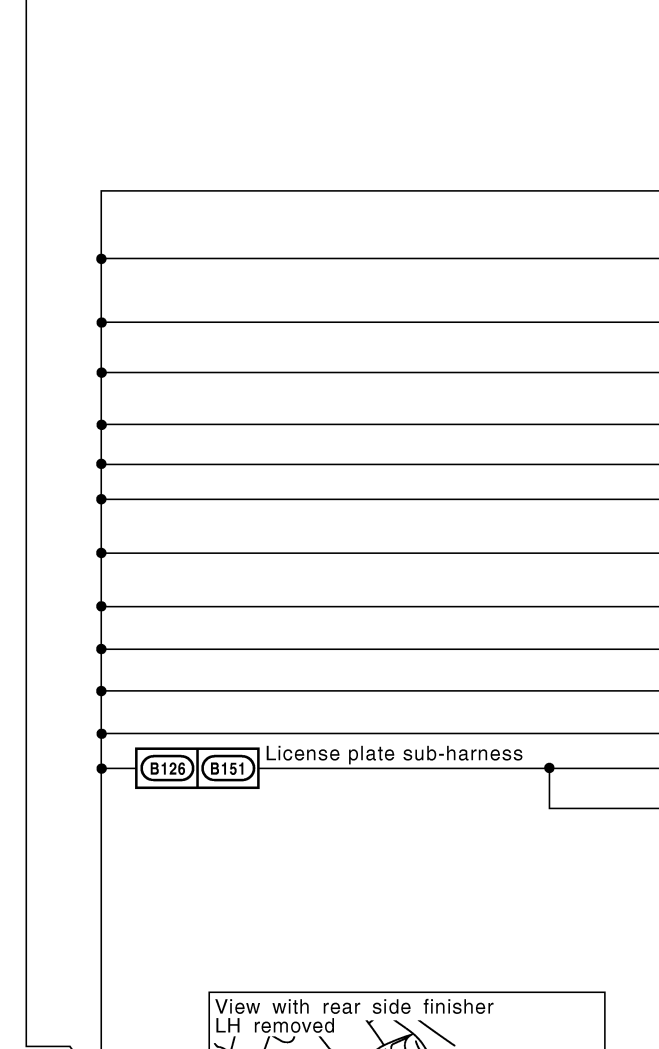
\* : This sub-harness is not shown in "HARNESS LAYOUT".

H  
Next page

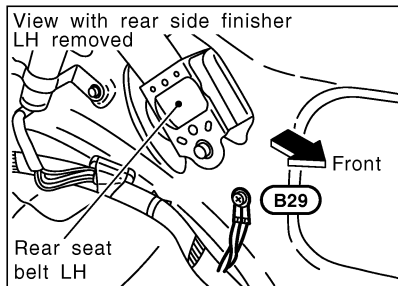
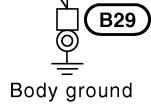
CKIM0577E

# GROUND

Preceding page



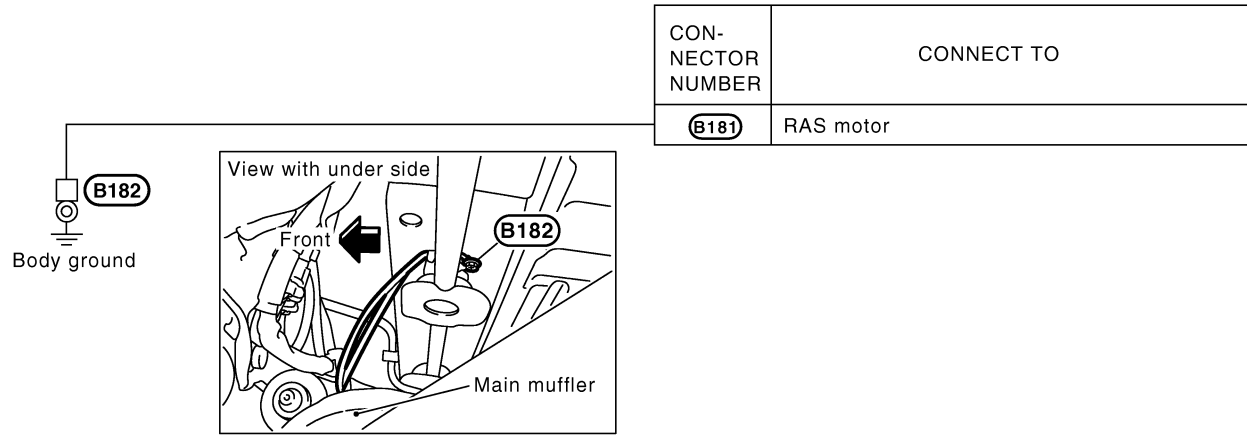
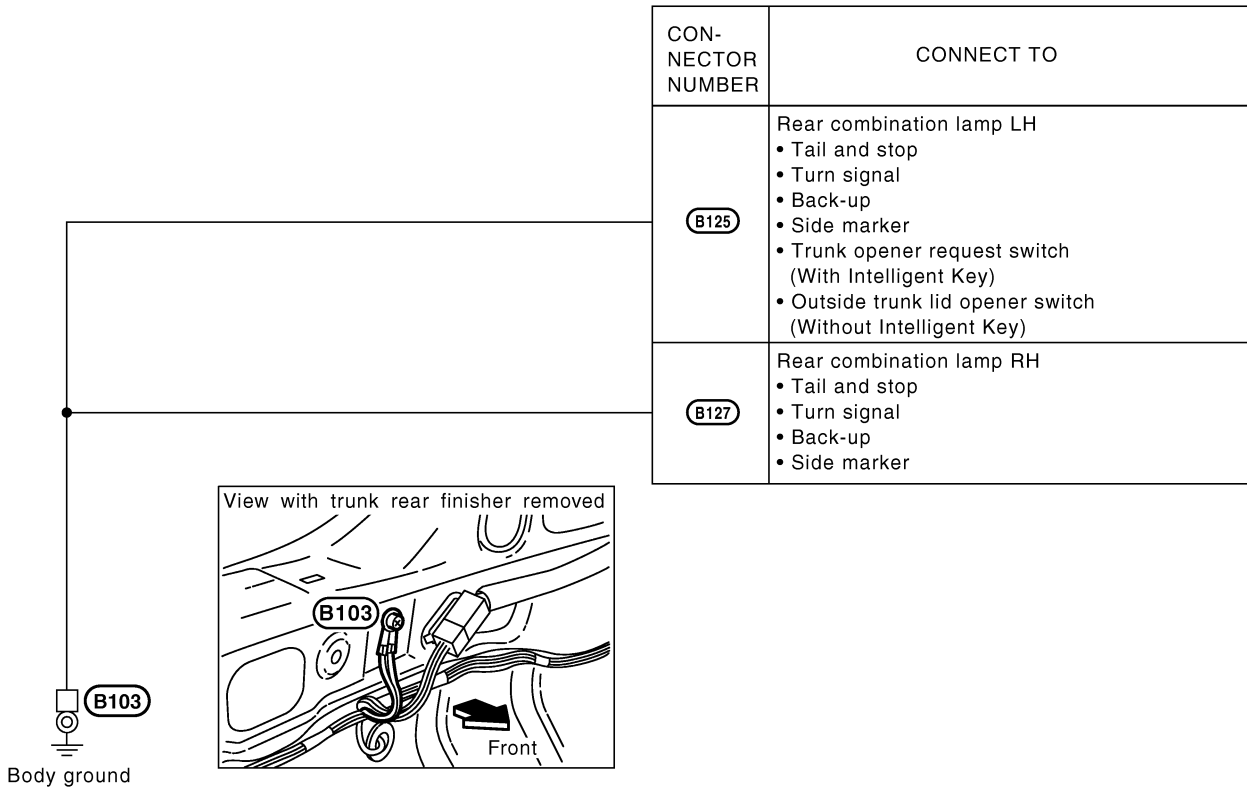
CON-NECTOR NUMBER	CONNECT TO
B8	Seat belt buckle switch (Driver side)
B27	Fuel level sensor unit and fuel pump (Terminal No. 3) • Fuel pump
B42	Condenser
B116	High-mounted stop lamp (On the rear parcel shelf)
B123	BOSE speaker amp.
B134	Shield wire (RAS motor)
B136	RAS control unit
B136	Shield wire (RAS control unit) (For circuit from terminal No. 1, 8)
B137	Noise suppressor
B139	RAS motor relay
B140	TEL adapter unit (Terminal No. 4)
B140	TEL adapter unit (Terminal No. 22)
B152	License plate lamp LH
B153	License plate lamp RH



CKIM0578E

# GROUND

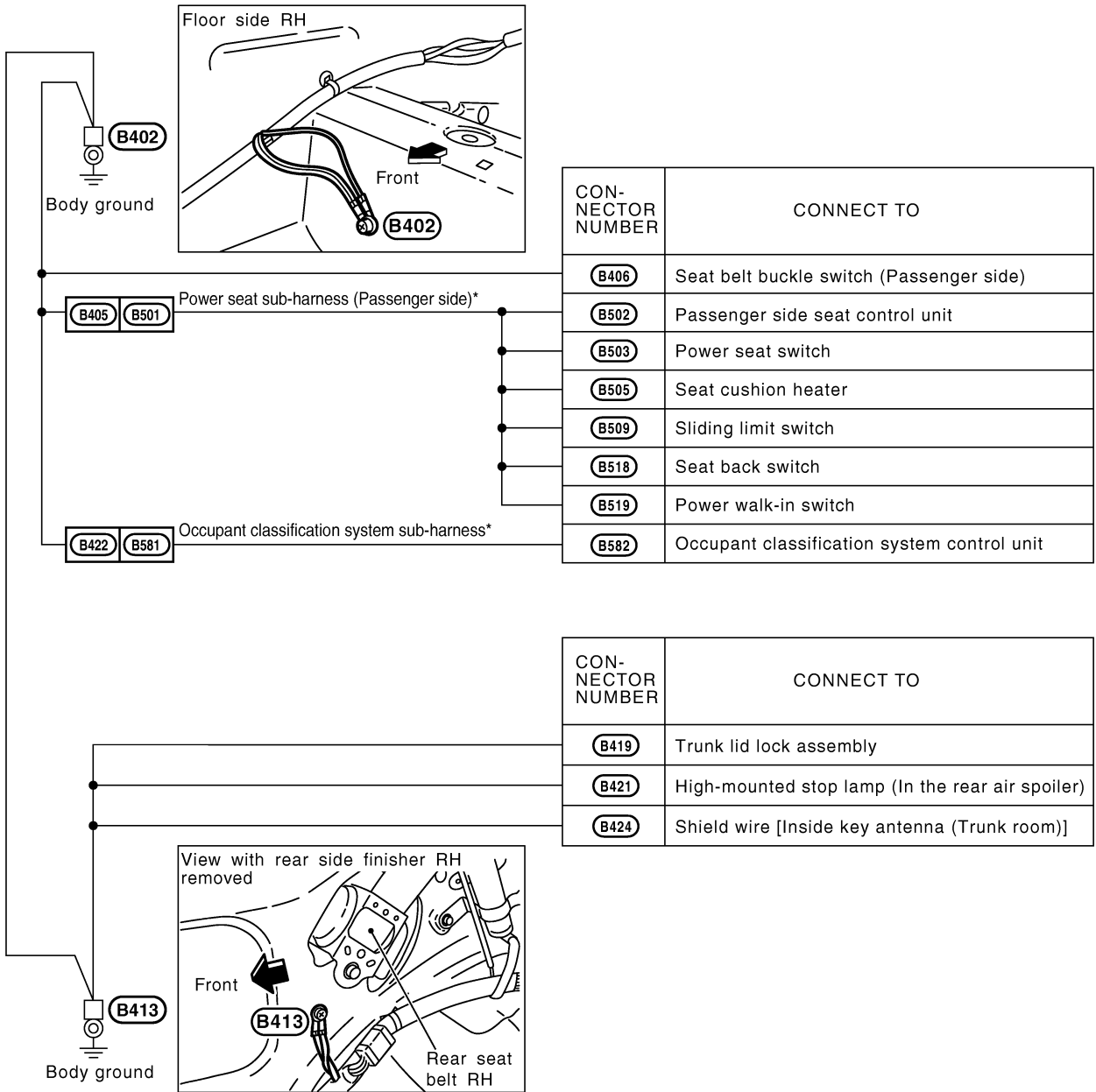
A  
B  
C  
D  
E  
F  
G  
H  
I  
J  
PG  
L  
M



CKIM0719E

# GROUND

## BODY NO. 2 HARNESS

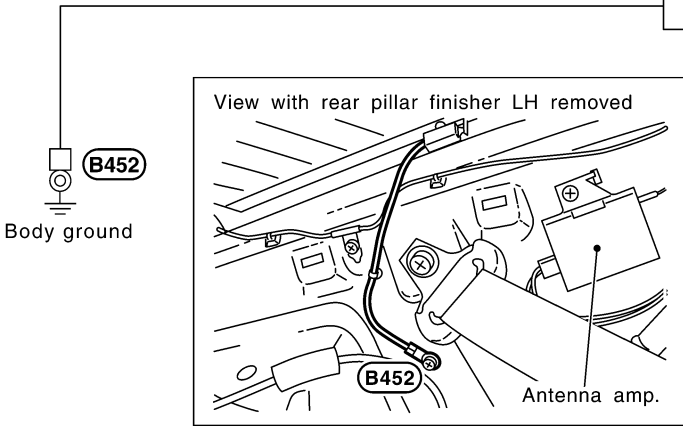


CKIM0720E

# GROUND

A  
B  
C  
D  
E  
F  
G  
H  
I  
J  
PG  
L  
M

CON-NECTOR NUMBER	CONNECT TO
<b>B451</b>	Rear window defogger (-)



CKIT0254E

# HARNESS

## HARNESS

PFP:00011

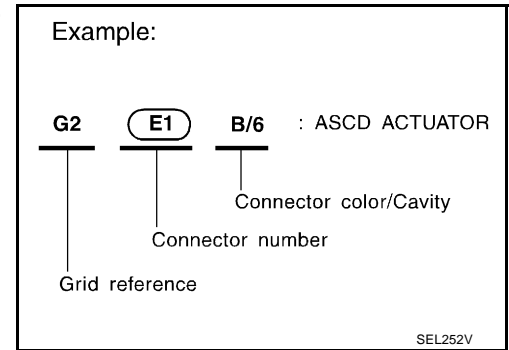
### Harness Layout

NKS000QO

#### HOW TO READ HARNESS LAYOUT

The following Harness Layouts use a map style grid to help locate connectors on the figures:

- Main Harness
- Engine Room Harness (Engine Compartment)
- Engine Control Harness
- Body Harness (Passenger Compartment)
- Body No. 2 Harness



#### To Use the Grid Reference

1. Find the desired connector number on the connector list.
2. Find the grid reference.
3. On the figure, find the crossing of the grid reference letter column and number row.
4. Find the connector number in the crossing zone.
5. Follow the line (if used) to the connector.

#### CONNECTOR SYMBOL

Main symbols of connector (in Harness Layout) are indicated in the below.

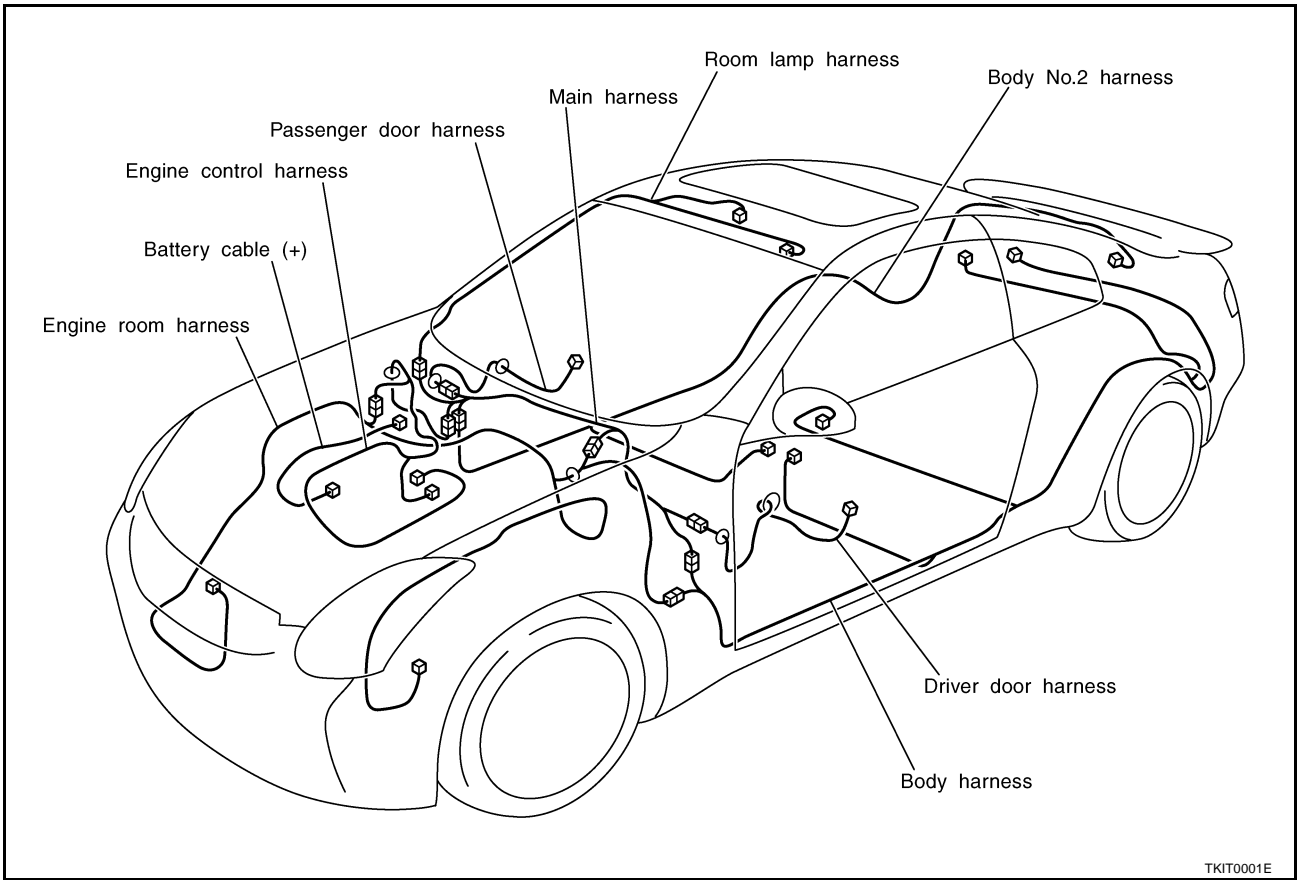
Connector type	Water proof type		Standard type	
	Male	Female	Male	Female
<ul style="list-style-type: none"> <li>• Cavity: Less than 4</li> <li>• Relay connector</li> </ul>				
<ul style="list-style-type: none"> <li>• Cavity: From 5 to 8</li> </ul>				
<ul style="list-style-type: none"> <li>• Cavity: More than 9</li> </ul>				
<ul style="list-style-type: none"> <li>• Ground terminal etc.</li> </ul>	—			

CKIT0108E



# HARNESS

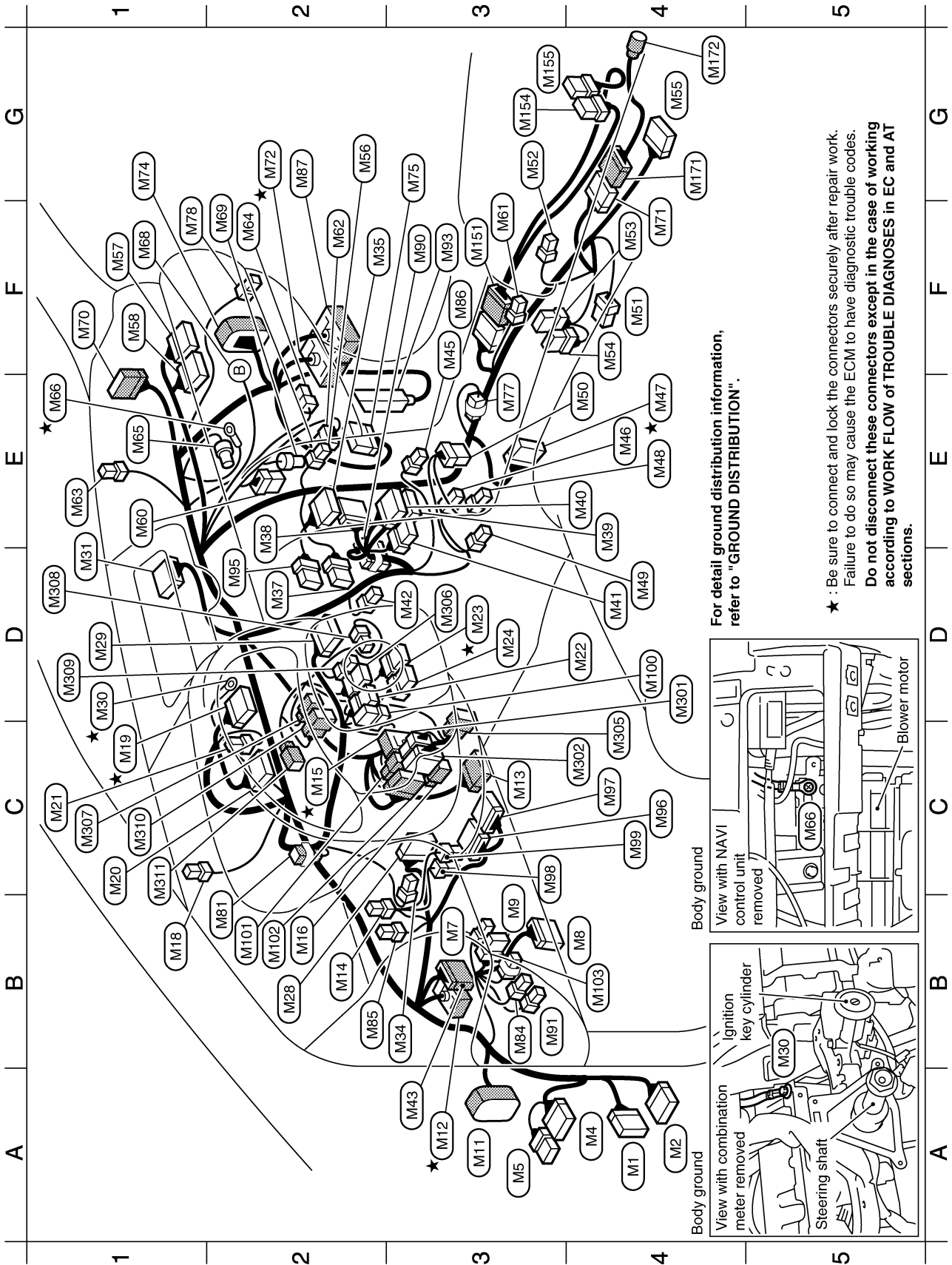
## OUTLINE



A  
B  
C  
D  
E  
F  
G  
H  
I  
J  
PG  
L  
M

# HARNESS

## MAIN HARNESS



TKIM0848E

# HARNESSES

A4	(M1)	W/40 : BCM (Body control module)	(M47)	W/10 : A/T device (With A/T)	G3	(M75)	W/40 : Intelligent Key unit (With Intelligent Key)
A4	(M2)	B/15 : BCM (Body control module)	(M48)	BR/2 : A/T illumination (With A/T)	E3	(M77)	W/2 : Diode (With A/T)
A4	(M4)	W/16 : Fuse block (J/B)	(M49)	W/3 : Cigarette lighter socket	F1	(M78)	W/4 : Remote keyless entry receiver
A3	(M5)	W/8 : Fuse block (J/B)	(M50)	W/8 : Hazard switch and Cigarette lighter socket (Via sub-harness)	B2	(M81)	W/4 : Compass
B3	(M7)	W/3 : Illumination control switch	(M51)	B/6 : Yaw rate/side G sensor	B3	(M84)	W/4 : Trunk lid opener switch
B4	(M8)	W/16 : Data link connector	(M52)	B/2 : Power socket (With A/T)	B2	(M85)	L/4 : Heated seat relay
B3	(M9)	GY/6 : VDC off switch	(M53)	BR/6 : Heated seat switch (Passenger side)	F3	(M86)	W/12 : To (M15) (With M/T)
A3	(M11)	SMJ : To (D1)	(M54)	W/6 : Heated seat switch (Driver side)	G2	(M87)	SMJ : To (E401)
A3	(M12)	SMJ : To (B1)	(M55)	Y/28 : Air bag diagnosis sensor unit	F3	(M90)	W/12 : Option connector for audio unit
C3	(M13)	BR/16 : To (E105)	(M56)	W/2 : Trunk lid opener cancel switch	B3	(M91)	W/2 : Tire pressure warning check switch
B2	(M14)	W/2 : Circuit breaker	(M57)	W/40 : NAVI control unit	F3	(M93)	SMJ : VDC/TCS/ABS control unit
C2	(M15)	SMJ : To (E108)	(M58)	W/32 : NAVI control unit	D2	(M95)	GY/6 : Up-and-down unit (Display unit) (With navigation system)
B2	(M16)	Y/4 : To (E109)	(M59)	W/4 : Tilt sensor and telescopic sensor (With automatic drive positioner or electric tilt and telescopic steering)	C4	(M96)	W/32 : Automatic drive positioner control unit (With automatic drive positioner or electric tilt and telescopic steering)
B1	(M18)	B/2 : Sunload sensor	(M60)	W/6 : Heater and cooling unit	C4	(M97)	W/16 : Automatic drive positioner control unit (With automatic drive positioner or electric tilt and telescopic steering)
C1	(M19)	W/40 : Combination meter	(M61)	W/2 : Power socket (Via sub-harness)	C4	(M99)	W/4 : Tilt sensor and telescopic sensor (With automatic drive positioner or electric tilt and telescopic steering)
C1	(M20)	W/12 : Combination meter	(M62)	W/6 : Blower motor	D4	(M100)	GY/6 : ADP steering switch (With automatic drive positioner or electric tilt and telescopic steering)
C1	(M21)	W/3 : Intelligent Key warning buzzer (Instrument panel) (With Intelligent Key)	(M63)	W/3 : Optical sensor	B2	(M101)	W/8 : To (M301) (Without Intelligent Key)
D4	(M22)	W/8 : Steering angle sensor	(M64)	W/2 : Glove box lamp	B2	(M102)	W/12 : To (M302) (With Intelligent Key)
D3	(M23)	GY/8 : Combination switch (Spiral cable)	(M65)	Y/4 : Front passenger air bag module	B4	(M103)	-/2 : Resistor
D3	(M24)	Y/6 : Combination switch (Spiral cable)	(M66)	— : Body ground			
B2	(M28)	W/10 : Door mirror remote control switch	(M68)	Bulb : Upper glove box lamp (Without navigation system)			
D1	(M29)	W/16 : Combination switch	(M69)	GY/2 : Inside key antenna (Dashboard) (With Intelligent Key)			
D1	(M30)	— : Body ground	(M70)	W/18 : To (R2)			
D1	(M31)	W/40 : Display and A/C auto amp.	(M71)	W/32 : To (M171) (With Intelligent Key)			
B3	(M34)	W/2 : Security indicator lamp	(M72)	SMJ : To (F102)			
F2	(M35)	W/24 : Display unit (With navigation system)	(M74)	SMJ : To (D31)			
D2	(M37)	W/8 : NAVI switch (With navigation system)					
E2	(M38)	W/12 : A/C and audio controller					
E4	(M39)	W/16 : Audio unit					
E4	(M40)	W/10 : Audio unit					
D4	(M41)	W/6 : Audio unit					
D3	(M42)	W/2 : In-vehicle sensor					
A3	(M43)	W/12 : To (E43) (With option connector for satellite radio system)					
F3	(M45)	BR/2 : Antenna amp. (Via sub-harness)					
E4	(M46)	W/4 : Hazard switch (With M/T)					

★ : Be sure to connect and lock the connectors securely after repair work.  
Failure to do so may cause the ECM to have diagnostic trouble codes.  
**Do not disconnect these connectors except in the case of working  
according to WORK FLOW of TROUBLE DIAGNOSES in EC and AT  
sections.**

## Switch sub-harness (With M/T)

- F3 (M151) W/12 : To (M86)
- G3 (M154) W/6 : Heated seat switch (Driver side)
- G3 (M155) BR/6 : Heated seat switch (Passenger side)

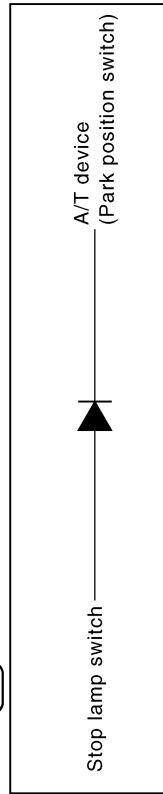
## Console sub-harness (With Intelligent Key)

- G4 (M171) W/32 : To (M71)
- G4 (M172) GY/2 : Inside key antenna (Center console)

## Steering column sub-harness

- D4 (M301) W/8 : To (M101) (Without Intelligent Key)
- C4 (M302) W/12 : To (M102) (With Intelligent Key)
- C4 (M305) W/6 : To (E112)
- D3 (M306) W/6 : Ignition switch
- C1 (M307) BR/2 : Key switch (Without Intelligent Key)
- D1 (M308) W/4 : NATS antenna amp.
- D1 (M309) W/2 : Ignition keyhole illumination
- C1 (M310) GY/6 : Key switch and ignition knob switch (With Intelligent Key)
- C1 (M311) W/4 : Steering lock unit (With Intelligent Key)

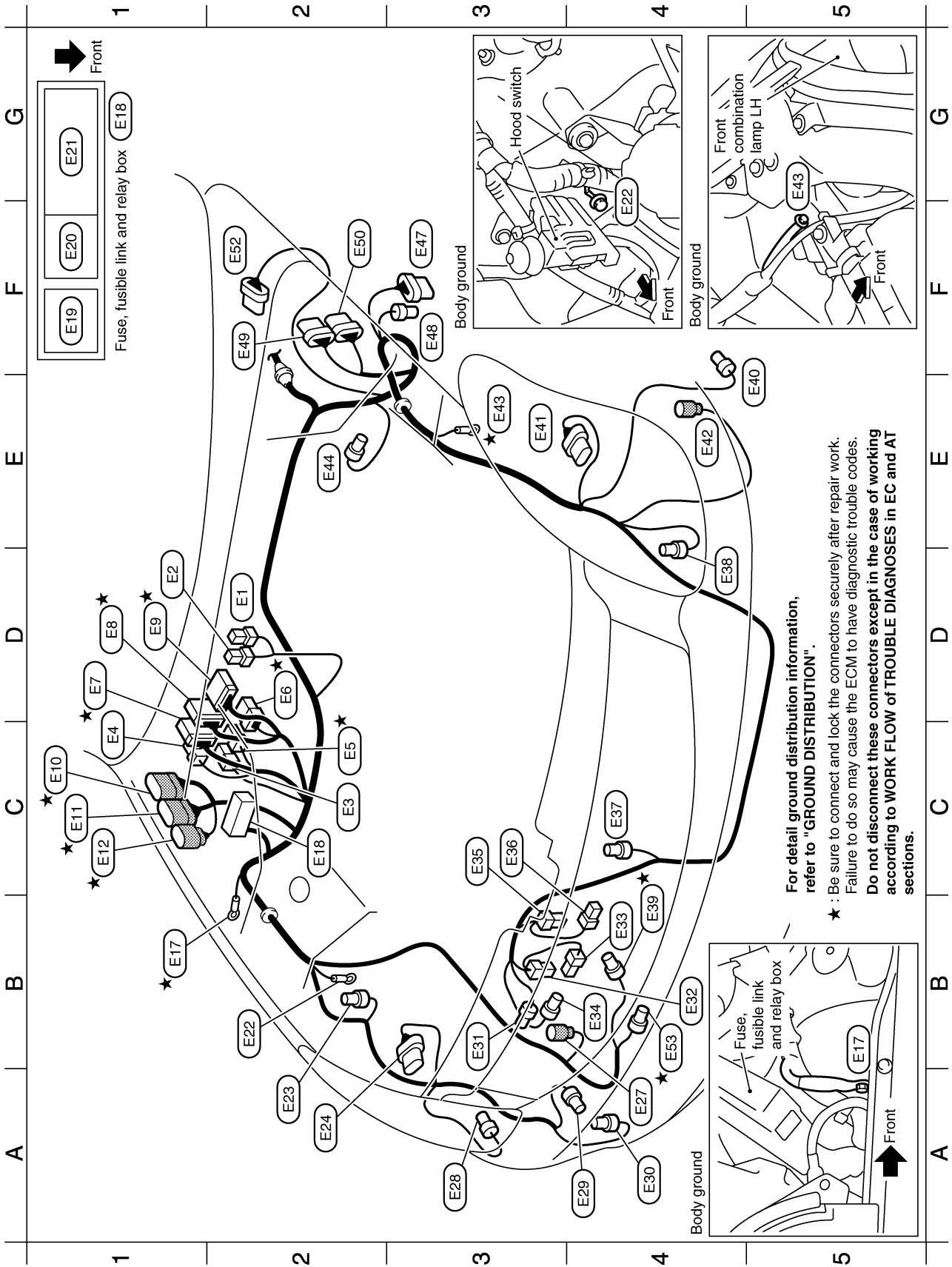
Diode (M77)



TKIM0497E

# HARNESSES

## ENGINE ROOM HARNESS Engine Compartment



TKIM0806E

A  
B  
C  
D  
E  
F  
G  
H  
I  
J  
K  
L  
M  
N  
O  
P  
Q  
R  
S  
T  
U  
V  
W  
X  
Y  
Z

PG

# HARNESS

D2	(E1)	B/2	:	Fusible link holder	E4	(E42)	B/2	:	Front wheel sensor LH
D1	(E2)	GY/2	:	Fusible link holder	E3	★(E43)	—	:	Body ground
C2	(E3)	B/2	:	IPDM E/R (Intelligent power distribution module engine room)	E2	(E44)	GY/2	:	Brake fluid level switch
C1	(E4)	W/4	:	IPDM E/R (Intelligent power distribution module engine room)	F3	(E47)	B/8	:	VDC relay box
C2	★(E5)	B/4	:	IPDM E/R (Intelligent power distribution module engine room)	F3	(E48)	B/2	:	VDC relay box
D2	★(E6)	W/6	:	IPDM E/R (Intelligent power distribution module engine room)	F2	(E49)	GY/8	:	VDC actuator
D1	★(E7)	GY/16	:	IPDM E/R (Intelligent power distribution module engine room)	F2	(E50)	B/8	:	VDC actuator
D1	★(E8)	W/12	:	IPDM E/R (Intelligent power distribution module engine room)	F2	(E52)	GY/5	:	Front wiper motor
D1	★(E9)	W/16	:	IPDM E/R (Intelligent power distribution module engine room)	B4	★(E53)	GY/4	:	Cooling fan motor-2
C1	★(E10)	GY/9	:	To (F1)					
C1	★(E11)	GY/10	:	To (F2)					
C1	★(E12)	B/8	:	To (F3)					
B1	★(E17)	—	:	Body ground					
C2	(E18)	—	:	Fuse, fusible link and relay box					
F1	(E19)	L/4	:	Back-up lamp relay (With A/T)					
F1	(E20)	W/3	:	Horn relay					
G1	(E21)	—	:	Fuse and fusible link block					
B2	(E22)	—	:	Body ground					
A2	(E23)	GY/2	:	Hood switch					
A2	(E24)	B/8	:	Front combination lamp RH					
A4	(E27)	GY/2	:	Front wheel sensor RH					
A3	(E28)	DGY/2	:	Front side marker lamp RH					
A4	(E29)	GY/2	:	Front washer pump					
A4	(E30)	BR/2	:	Washer level sensor					
B3	(E31)	B/3	:	Refrigerant pressure sensor					
B4	(E32)	B/1	:	Horn (Low)					
B4	(E33)	B/1	:	Horn (Low)					
B4	(E34)	B/2	:	Ambient sensor					
C3	(E35)	B/1	:	Horn (High)					
C3	(E36)	B/1	:	Horn (High)					
C4	(E37)	Y/2	:	Crash zone sensor					
D4	(E38)	DGY/3	:	Intelligent Key warning buzzer (Engine room) (With Intelligent Key)					
B4	★(E39)	GY/4	:	Cooling fan motor-1					
E5	(E40)	DGY/2	:	Front side marker lamp LH					
E3	(E41)	B/8	:	Front combination lamp LH					

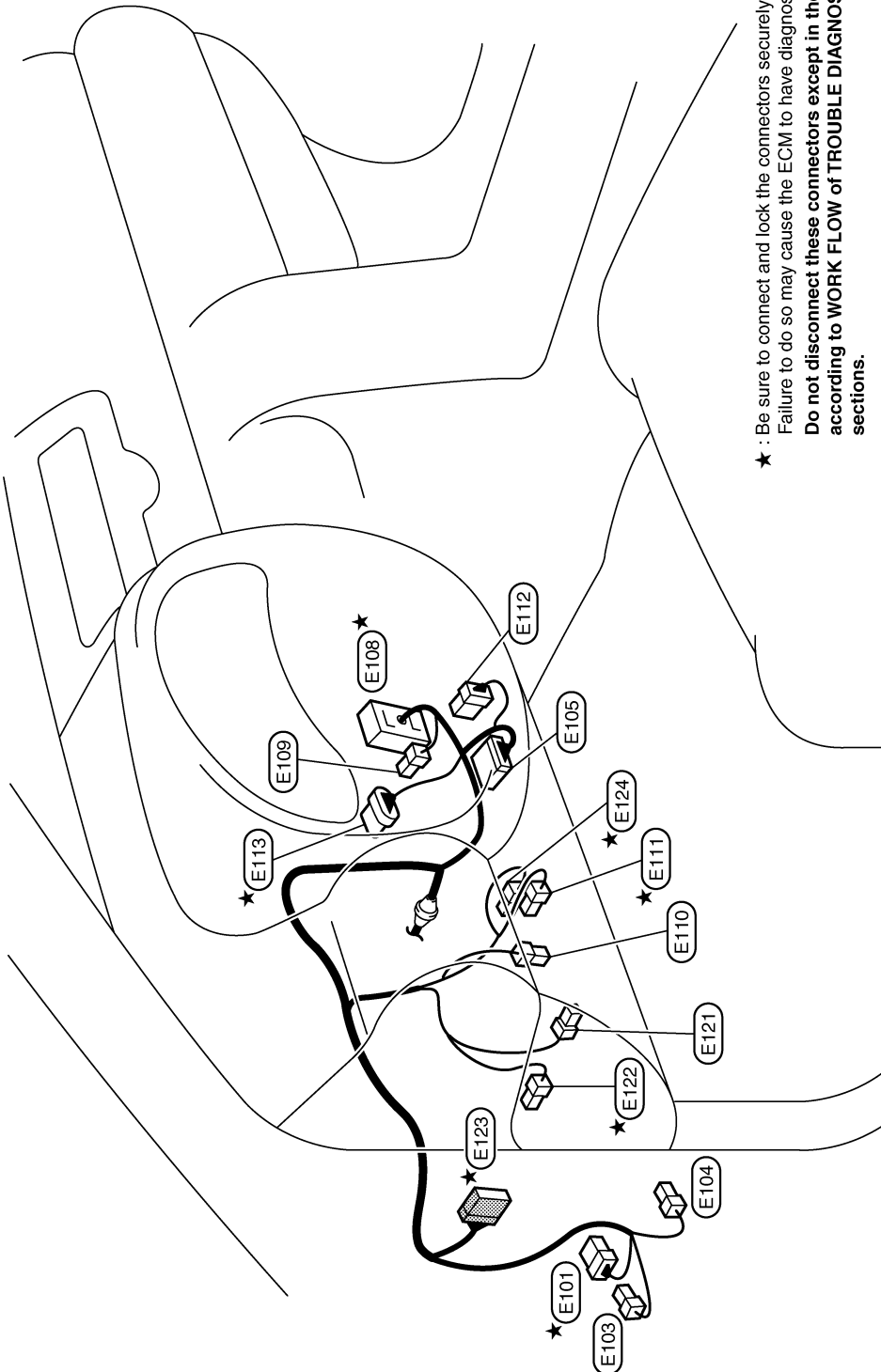
★ : Be sure to connect and lock the connectors securely after repair work.  
 Failure to do so may cause the ECM to have diagnostic trouble codes.  
 Do not disconnect these connectors except in the case of working  
 according to WORK FLOW of TROUBLE DIAGNOSES in EC and AT  
 sections.

TKIM0807E

# HARNESSES

## Passenger Compartment

A  
B  
C  
D  
E  
F  
G  
H  
I  
J  
PG  
L  
M



★ : Be sure to connect and lock the connectors securely after repair work.  
Failure to do so may cause the ECM to have diagnostic trouble codes.  
**Do not disconnect these connectors except in the case of working according to WORK FLOW of TROUBLE DIAGNOSES in EC and AT sections.**

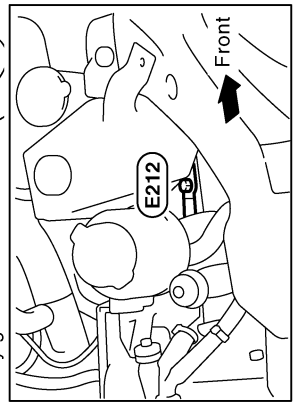
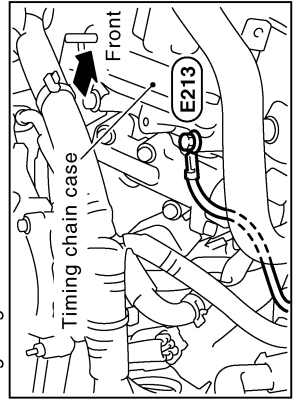
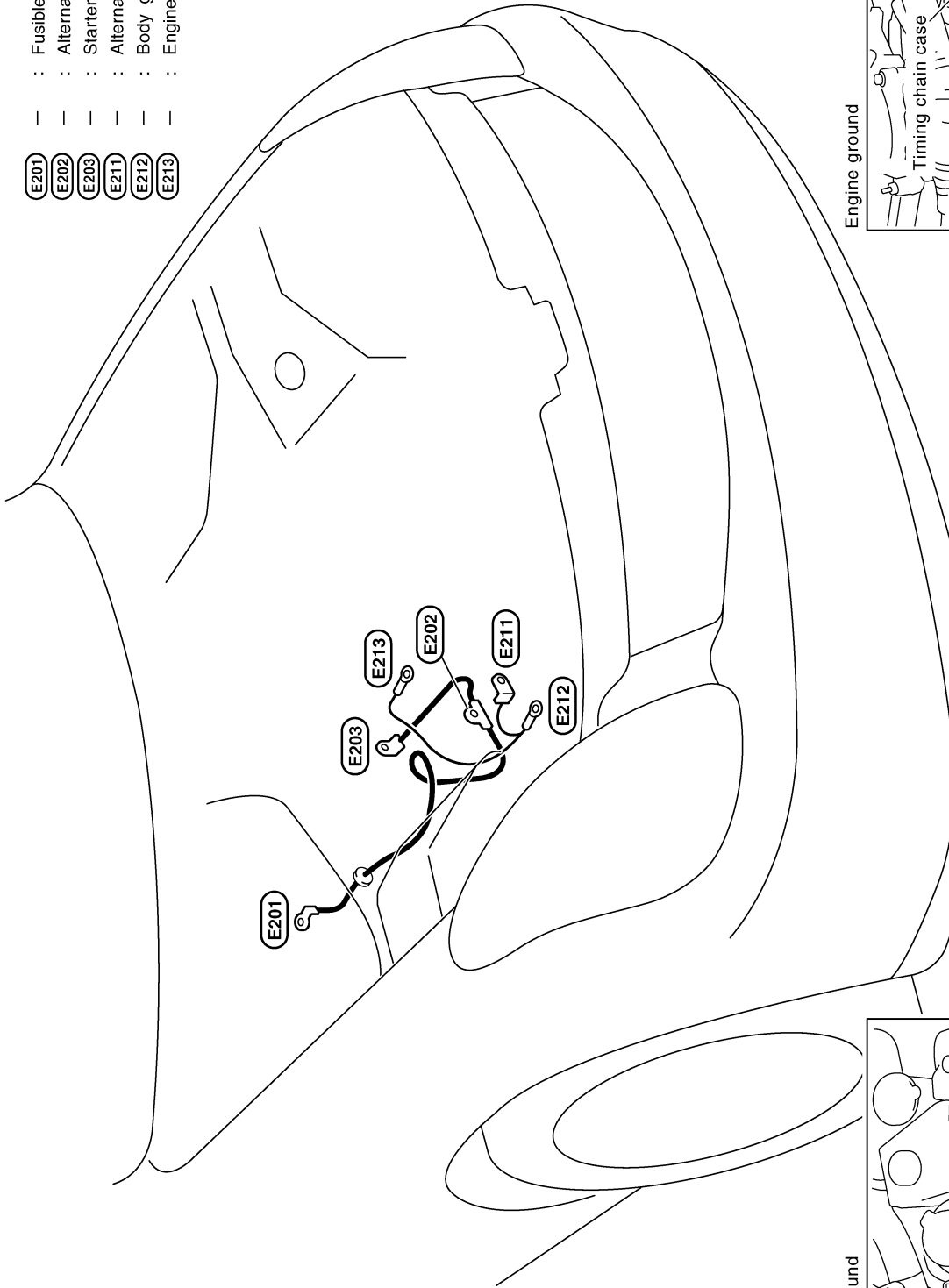
- |        |       |   |                                 |      |   |                                    |
|--------|-------|---|---------------------------------|------|---|------------------------------------|
| ★ E101 | W/8   | : | Fuse block (J/B)                | W/6  | : | To (M305)                          |
| E103   | B/1   | : | Fuse block (J/B)                | GY/6 | : | Accelerator pedal position sensor  |
| E104   | B/2   | : | Fuse block (J/B)                | L/2  | : | Clutch interlock switch (With M/T) |
| E105   | BR/16 | : | To (M13)                        | L/2  | : | ASCD clutch switch (With M/T)      |
| ★ E108 | SMJ   | : | To (M15)                        | W/12 | : | To (B41)                           |
| E109   | Y/4   | : | To (M16)                        | W/4  | : | Stop lamp switch                   |
| E110   | W/1   | : | Parking brake switch (With A/T) |      |   |                                    |
| ★ E111 | BR/2  | : | ASCD brake switch               |      |   |                                    |
| E112   |       |   |                                 |      |   |                                    |
| ★ E113 |       |   |                                 |      |   |                                    |
| E109   |       |   |                                 |      |   |                                    |
| E108   |       |   |                                 |      |   |                                    |
| E112   |       |   |                                 |      |   |                                    |
| E105   |       |   |                                 |      |   |                                    |
| E124   |       |   |                                 |      |   |                                    |
| ★ E111 |       |   |                                 |      |   |                                    |
| E110   |       |   |                                 |      |   |                                    |
| E121   |       |   |                                 |      |   |                                    |
| E122   |       |   |                                 |      |   |                                    |
| E123   |       |   |                                 |      |   |                                    |
| ★ E124 |       |   |                                 |      |   |                                    |
| E104   |       |   |                                 |      |   |                                    |
| E101   |       |   |                                 |      |   |                                    |
| E103   |       |   |                                 |      |   |                                    |
| E104   |       |   |                                 |      |   |                                    |
| E105   |       |   |                                 |      |   |                                    |
| E108   |       |   |                                 |      |   |                                    |
| E109   |       |   |                                 |      |   |                                    |
| E110   |       |   |                                 |      |   |                                    |
| E111   |       |   |                                 |      |   |                                    |
| E112   |       |   |                                 |      |   |                                    |
| E113   |       |   |                                 |      |   |                                    |
| E121   |       |   |                                 |      |   |                                    |
| E122   |       |   |                                 |      |   |                                    |
| E123   |       |   |                                 |      |   |                                    |
| E124   |       |   |                                 |      |   |                                    |

TKIM0808E

# HARNESS

## Battery Cable

- (E201) : Fusible link holder
- (E202) : Alternator (B)
- (E203) : Starter motor
- (E211) : Alternator (E)
- (E212) : Body ground
- (E213) : Engine ground



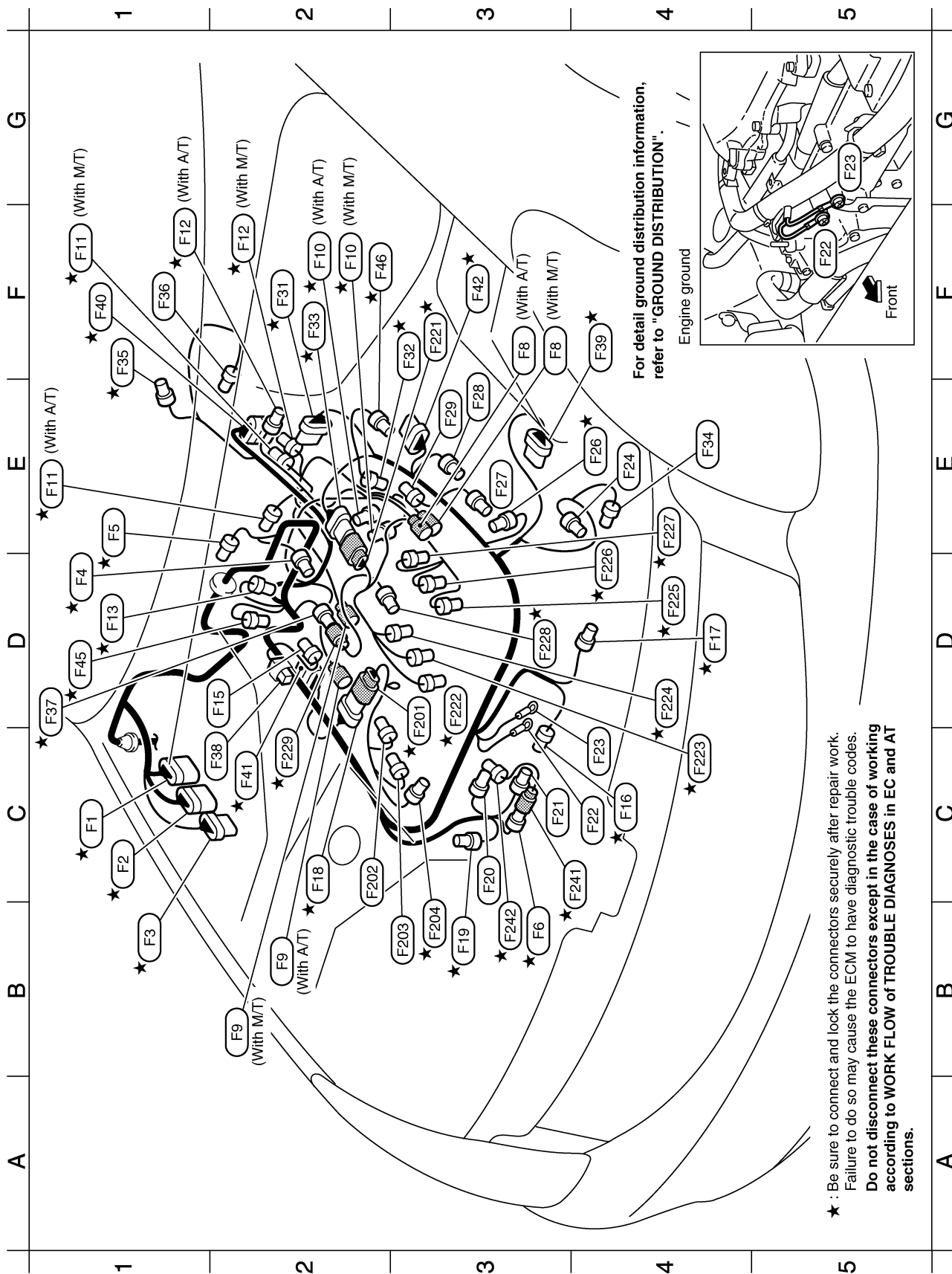
For detail ground distribution information, refer to "GROUND DISTRIBUTION".

TKIM0334E



# HARNESS

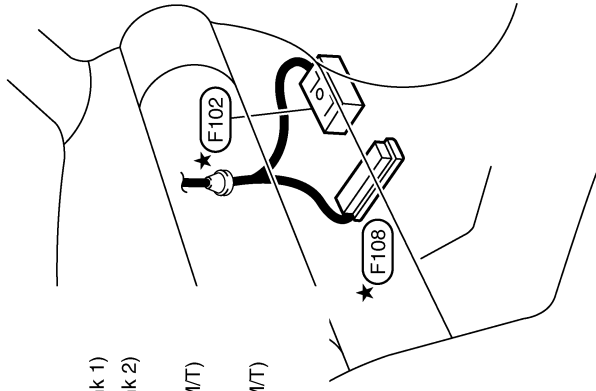
## ENGINE CONTROL HARNESS



★ : Be sure to connect and lock the connectors securely after repair work. Failure to do so may cause the ECM to have diagnostic trouble codes. Do not disconnect these connectors except in the case of working according to WORK FLOW of TROUBLE DIAGNOSES in EC and AT sections.

TKIM0809E

## Passenger compartment



★ F102 : To M72  
 ★ F108 : To ECM

C1	★ F1	GY/9	: To E10	F1	★ F36	B/2	: Back-up lamp switch (With M/T)
C1	★ F2	GY/10	: To E11	D1	★ F37	B/2	: To F229
B1	★ F3	B/8	: To E12	C2	★ F38	W/2	: Condenser
D1	★ F4	GY/3	: Camshaft position sensor (PHASE) (Bank 1)	F4	★ F39	B/6	: Mass air flow sensor
E1	★ F5	LG/2	: EVAP canister purge volume control solenoid valve	F1	★ F40	DGY/10	: A/T assembly (With A/T)
B3	★ F6	BR/2	: To F241 (With M/T)	C2	★ F41	B/6	: Air fuel ratio (A/F) sensor 1 (Bank 1)
F3	★ F8	DGY/2	: Power steering solenoid valve (With RAS)	F3	★ F42	B/6	: Air fuel ratio (A/F) sensor 1 (Bank 2)
B2	★ F9	GY/1	: Starter motor	D1	★ F45	B/3	: Exhaust valve timing control
F2	★ F10	B/3	: Crankshaft position sensor (POS)	F2	★ F46	GY/3	: position sensor (Bank 1) (With M/T)
E1,F1	★ F11	B/4	: Heated oxygen sensor 2 (Bank 1)	F2			: Exhaust valve timing control
F1,F2	★ F12	B/4	: Heated oxygen sensor 2 (Bank 2)				: position sensor (Bank 2) (With M/T)
D1	★ F13	GY/2	: Engine coolant temperature sensor				
D2	★ F15	GY/3	: Ignition coil No. 5 (With power transistor)				
C4	★ F16	GY/4	: Exhaust valve timing control				
D4	★ F17	L/4	: magnet retarder (Bank 1) (With M/T)				
			: Exhaust valve timing control				
C2	★ F18	B/6	: magnet retarder (Bank 2) (With M/T)				
B3	★ F19	B/3	: To F201				
C3	★ F20	GY/2	: Power steering pressure sensor				
C3	★ F21	GY/1	: Alternator (S, L)				
C4	★ F22	—	: Oil pressure switch				
C4	★ F23	—	: Engine ground (With A/T)				
E4	★ F24	B/1	: Engine ground				
E4	★ F26	LG/2	: Compressor				
E3	★ F27	GY/3	: Intake valve timing control solenoid valve (Bank 2)				
E3	★ F28	GY/3	: Ignition coil No. 2 (With power transistor)				
E3	★ F29	GY/3	: Ignition coil No. 4 (With power transistor)				
F2	★ F31	DGY/6	: Ignition coil No. 6 (With power transistor)				
F3	★ F32	B/3	: Electric throttle control actuator				
F2	★ F33	GY/8	: Camshaft position sensor (PHASE) (Bank 2)				
E4	★ F34	B/2	: To F221				
F1	★ F35	B/2	: Compressor				
			: Park/Neutral position switch (With M/T)				

### Engine control sub-harness-1

D3	★ F201	L/6	: To F18				
C2	★ F202	GY/3	: Ignition coil No. 3				
B3	★ F203	GY/3	: (With power transistor)				
B3	★ F204	GY/3	: Ignition coil No. 1				
			: (With power transistor)				
			: Intake valve timing control				
			: solenoid valve (Bank 1)				

### Engine control sub-harness-2

F3	★ F221	GY/8	: To F33				
D3	★ F222	GY/2	: Fuel injector No. 1				
C4	★ F223	GY/2	: Fuel injector No. 3				
D4	★ F224	GY/2	: Fuel injector No. 5				
D4	★ F225	GY/2	: Fuel injector No. 2				
D4	★ F226	GY/2	: Fuel injector No. 4				
E4	★ F227	GY/2	: Fuel injector No. 6				
D3	★ F228	L/2	: Knock sensor				
C2	★ F229	SB/2	: To F37				

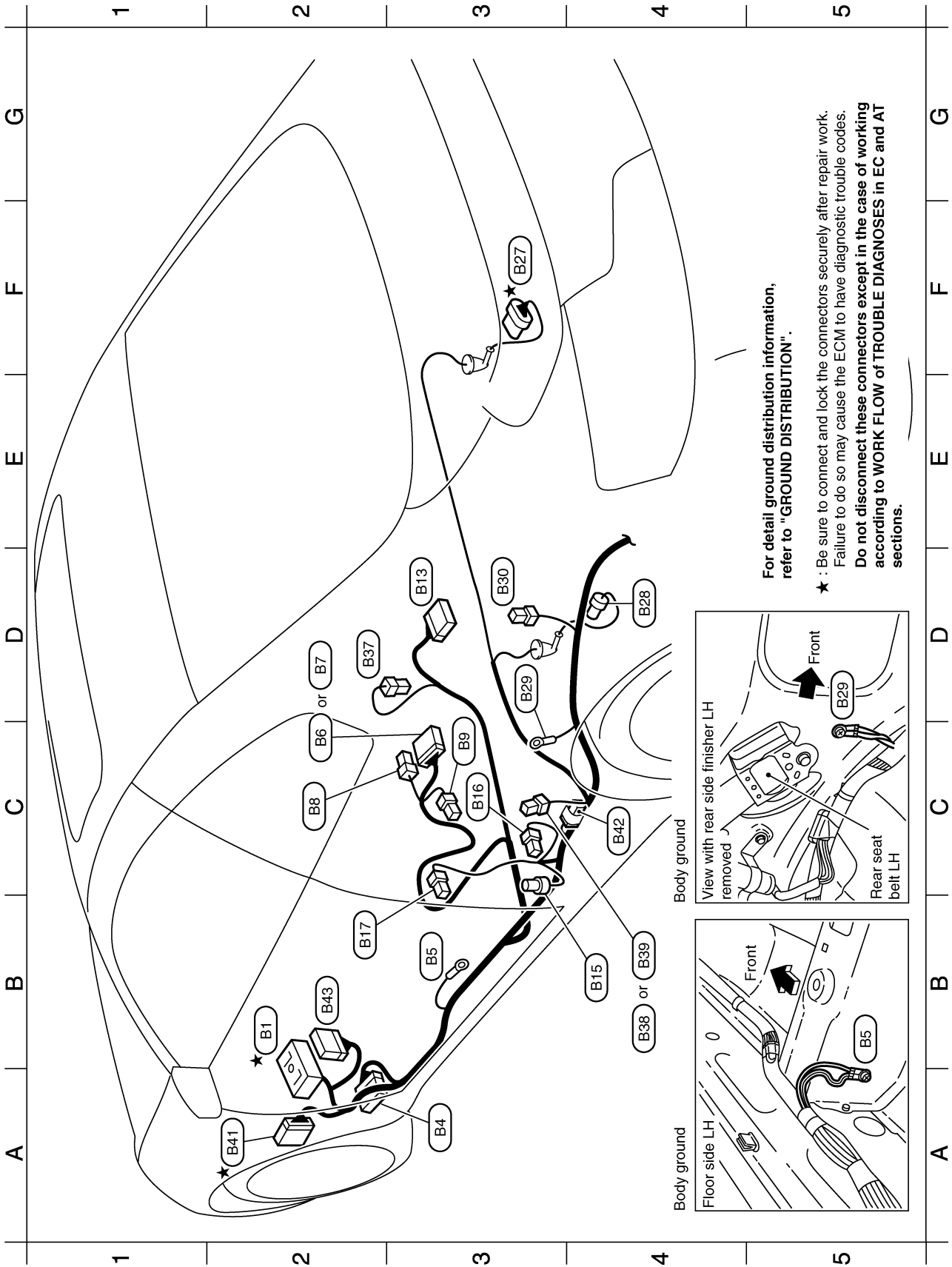
### Engine control sub-harness-3 (With M/T)

C4	★ F241	BR/2	: To F6				
B3	★ F242	GY/2	: Engine oil temperature sensor				

★ : Be sure to connect and lock the connectors securely after repair work.  
 Failure to do so may cause the ECM to have diagnostic trouble codes.  
**Do not disconnect these connectors except in the case of working according to WORK FLOW of TROUBLE DIAGNOSES in EC and AT sections.**

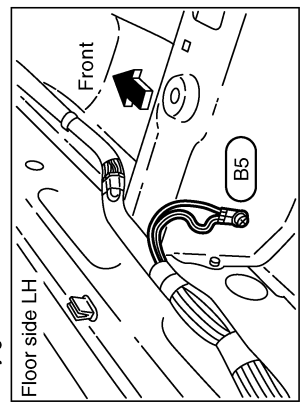
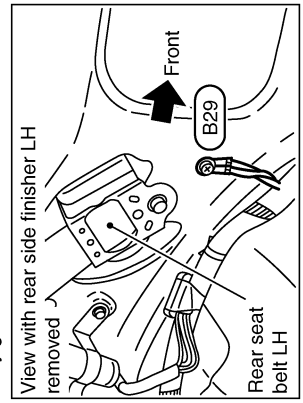
# HARNESS

## BODY HARNESS Passenger Compartment



For detail ground distribution information, refer to "GROUND DISTRIBUTION".

★ : Be sure to connect and lock the connectors securely after repair work. Failure to do so may cause the ECM to have diagnostic trouble codes. Do not disconnect these connectors except in the case of working according to WORK FLOW of TROUBLE DIAGNOSES in EC and AT sections.



A B C D E F G H I J K L M

# HARNESSES

★ B2	(B1)	SMJ	:	To (M12)
A3	(B4)	W/15	:	BCM (Body control module)
B3	(B5)	—	:	Body ground
C2	(B6)	W/12	:	Front power seat (Driver side) (Without automatic drive positioner)
D2	(B7)	W/16	:	Front power seat (Driver side) (With automatic drive positioner)
C2	(B8)	W/3	:	Seat belt buckle switch (Driver side)
C3	(B9)	Y/2	:	Front LH side air bag module
D3	(B13)	Y/12	:	Air bag diagnosis sensor unit
B4	(B15)	Y/2	:	LH side air bag (Satellite) sensor
C3	(B16)	Y/2	:	Front LH seat belt pre-tensioner
B2	(B17)	W/3	:	Driver side door switch
F3	★ (B27)	GY/5	:	Fuel level sensor unit and fuel pump
D4	(B28)	GY/2	:	Fuel level sensor unit (Sub)
D3	(B29)	—	:	Body ground
D3	(B30)	Y/2	:	LH side curtain air bag module
D2	(B37)	B/1	:	Parking brake switch (With M/T)
B4	(B38)	W/2	:	Rear speaker LH (Without BOSE system)
B4	(B39)	BR/2	:	Rear speaker LH (With BOSE system)
A2	★ (B41)	W/12	:	To (E123)
C4	(B42)	W/2	:	Condenser
B2	(B43)	W/12	:	To (M43) (With option connector for satellite radio system)

★ : Be sure to connect and lock the connectors securely after repair work.  
 Failure to do so may cause the ECM to have diagnostic trouble codes.  
**Do not disconnect these connectors except in the case of working according to WORK FLOW of TROUBLE DIAGNOSES in EC and AT sections.**

TKIM0812E

# HARNESS

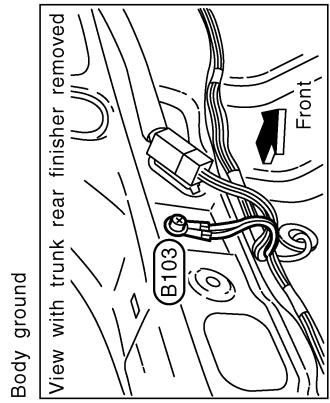
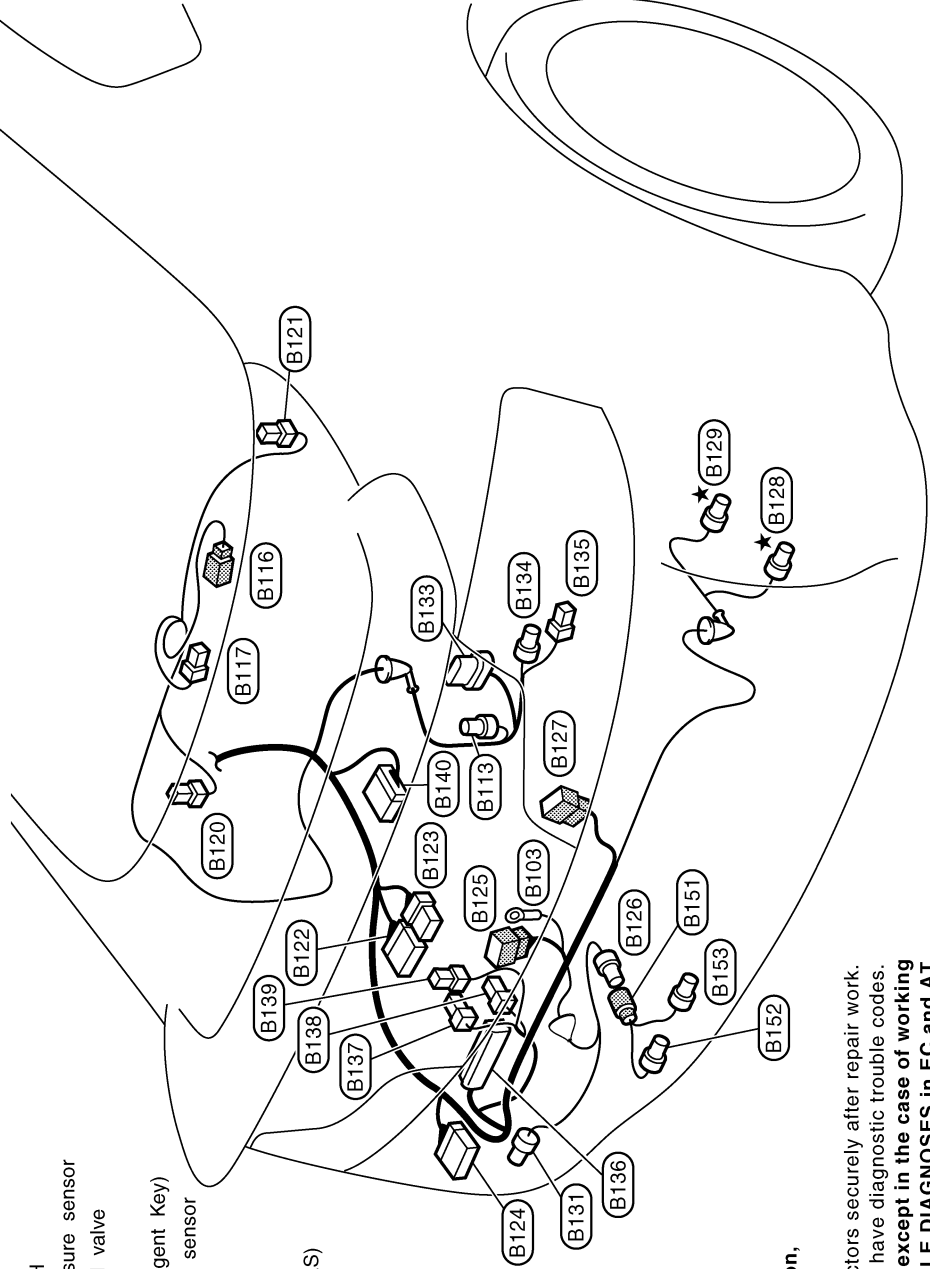
## Trunk Room

- (B103) — : Body ground
- (B113) SB/4 : Rear wheel sensor
- (B116) BR/2 : High-mounted stop lamp (On the rear parcel shelf)
- (B117) W/2 : Trunk room lamp
- (B120) W/2 : Woofer LH (With BOSE system)
- (B121) W/2 : Woofer RH (With BOSE system)
- (B122) B/24 : BOSE speaker amp. (With BOSE system)
- (B123) GY/8 : BOSE speaker amp. (With BOSE system)
- (B124) W/16 : Option connector for satellite radio tuner
- (B125) W/6 : Rear combination lamp LH
- (B126) GY/2 : To (B151)
- (B127) W/6 : Rear combination lamp RH
- (B128) GY/3 : EVAP control system pressure sensor
- (B129) B/2 : EVAP canister vent control valve
- (B131) GY/2 : Outside key antenna
- (B133) (Rear bumper) (With Intelligent Key)
- (B134) SB/6 : Rear wheel steering angle sensor (With RAS)
- (B135) B/2 : RAS motor (With RAS)
- (B136) B/1 : RAS motor (With RAS)
- (B136) W/40 : RAS control unit (With RAS)

- (B137) W/2 : Noise suppressor (With RAS)
- (B138) W/3 : Noise suppressor (With RAS)
- (B139) L/4 : RAS motor relay (With RAS)
- (B140) W/32 : TEL adapter unit (With telephone system)

### License plate sub-harness

- (B151) GY/2 : To (B126)
- (B152) BR/2 : License plate lamp LH
- (B153) BR/2 : License plate lamp RH



For detail ground distribution information, refer to "GROUND DISTRIBUTION".

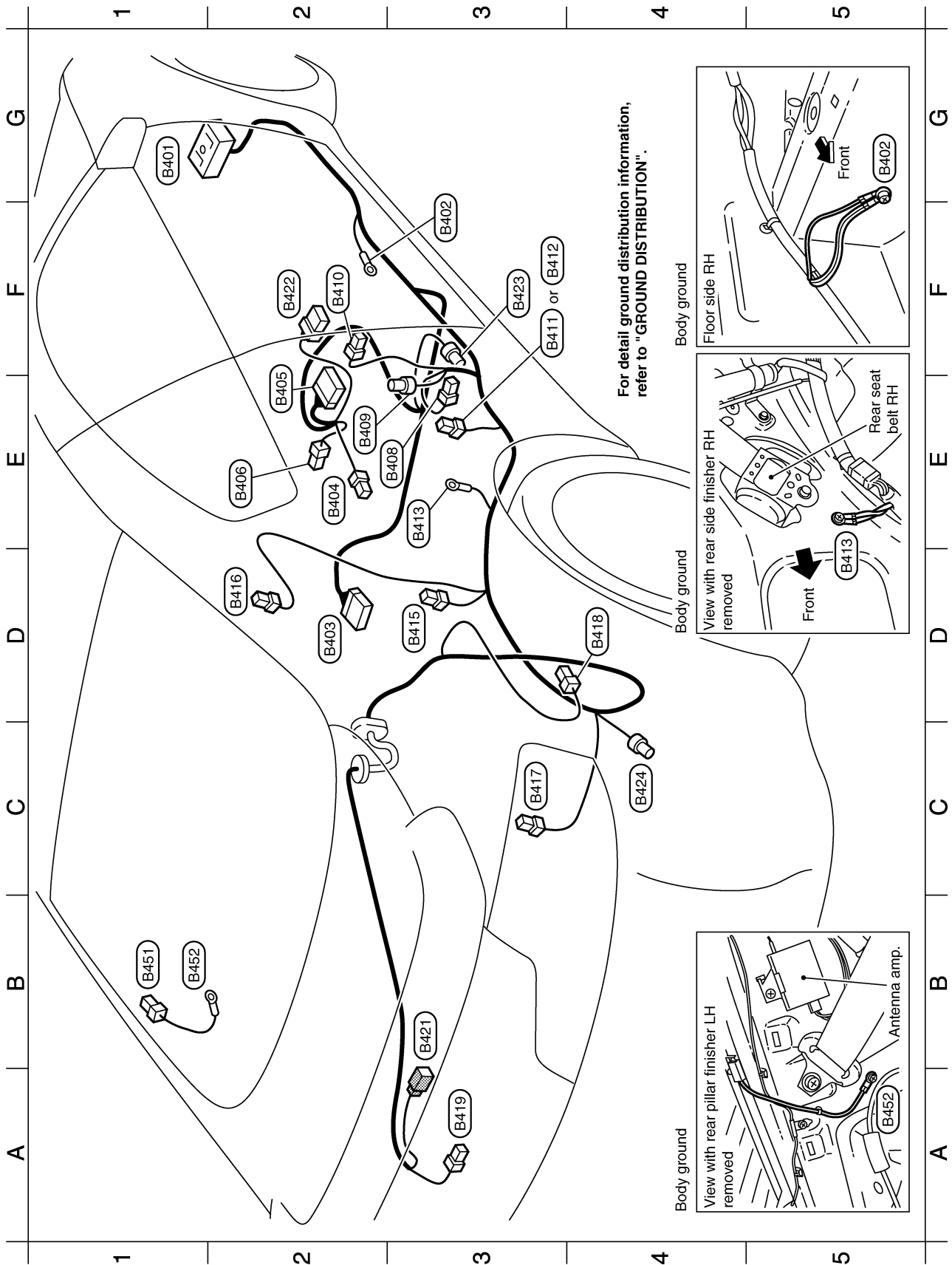
★ : Be sure to connect and lock the connectors securely after repair work. Failure to do so may cause the ECM to have diagnostic trouble codes. Do not disconnect these connectors except in the case of working according to WORK FLOW of TROUBLE DIAGNOSES in EC and AT sections.

TKIM0505E

A  
B  
C  
D  
E  
F  
G  
H  
I  
J  
L  
M  
PG

# HARNESSES

## BODY NO. 2 HARNESS



TKIM0813E

# HARNESS

G1	(B401)	SMJ	:	To (M87)
F3	(B402)	—	:	Body ground
D2	(B403)	Y/12	:	Air bag diagnosis sensor unit
E2	(B404)	Y/2	:	Front RH side air bag module
E2	(B405)	W/12	:	Front power seat (Passenger side)
E2	(B406)	W/3	:	Seat belt buckle switch (Passenger side)
E3	(B408)	Y/2	:	Front RH seat belt pre-tensioner
E2	(B409)	Y/2	:	RH side air bag (Satellite) sensor
F2	(B410)	W/3	:	Passenger side door switch
F3	(B411)	W/2	:	Rear speaker RH (Without BOSE system)
F3	(B412)	BR/2	:	Rear speaker RH (With BOSE system)
E3	(B413)	—	:	Body ground
D3	(B415)	Y/2	:	RH side curtain air bag module
D2	(B416)	W/1	:	Condenser
C3	(B417)	BR/6	:	Rear window defogger relay
D4	(B418)	W/4	:	Fuel lid lock actuator
A3	(B419)	W/3	:	Trunk lid lock assembly
B3	(B421)	BR/2	:	High-mounted stop lamp (In the rear spoiler)
F2	(B422)	W/8	:	Occupant classification system control unit (Via sub-harness)
F3	(B423)	B/3	:	Belt tension sensor
C4	(B424)	GY/2	:	Inside key antenna (Trunk room) (With Intelligent Key)

## Body sub-harness

B1	(B451)	B/1	:	Rear window defogger (-)
B1	(B452)	—	:	Body ground

A  
B  
C  
D  
E  
F  
G  
H  
I  
J  
PG  
L  
M

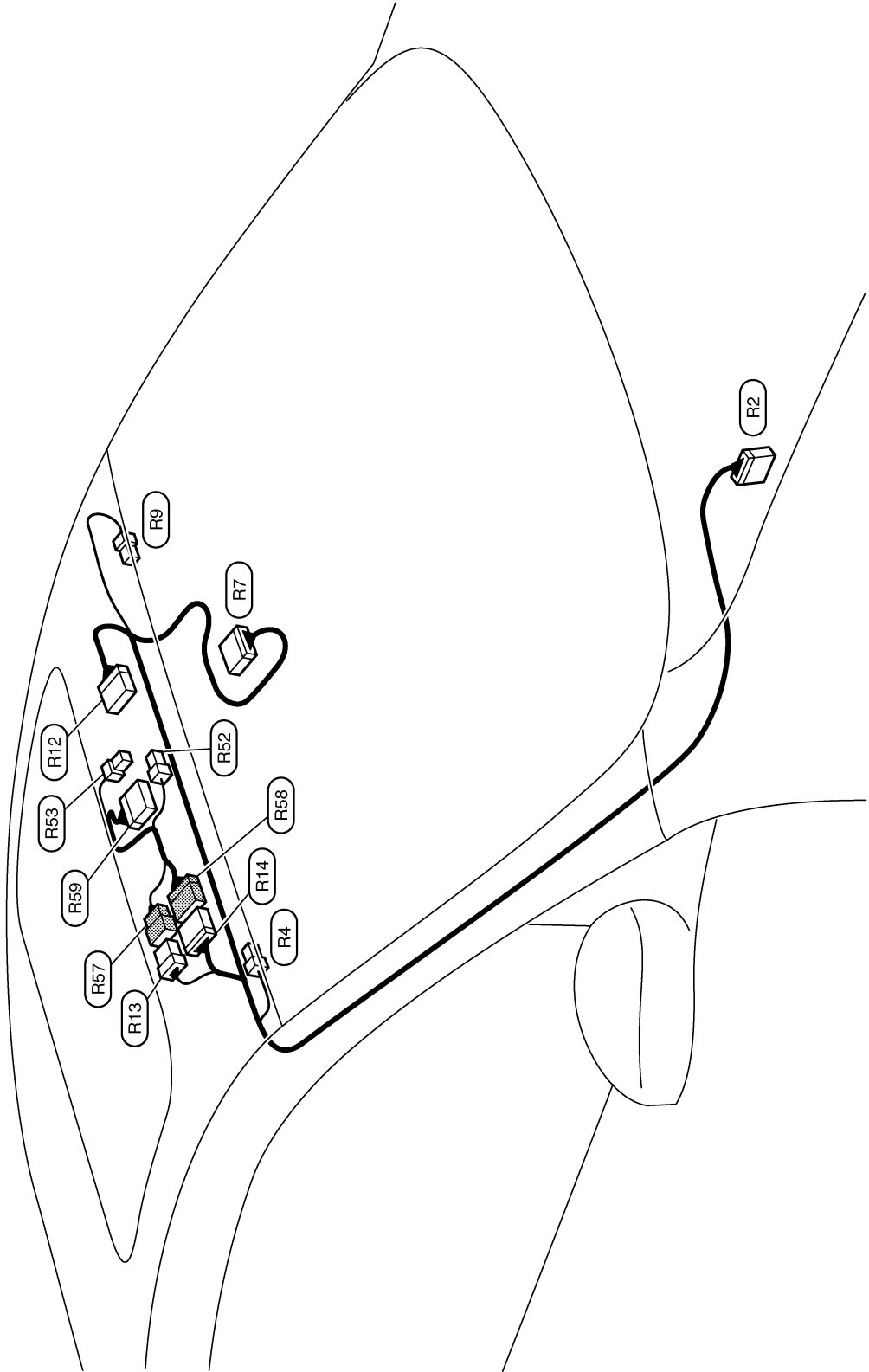
TKIM0814E

# HARNESS

## ROOM LAMP HARNESS

### Room lamp sub-harness

- |       |      |   |                                       |
|-------|------|---|---------------------------------------|
| (R2)  | W/18 | : | To (W70)                              |
| (R4)  | W/2  | : | Vanity mirror lamp (Passenger side)   |
| (R7)  | B/10 | : | Auto anti-dazzling inside mirror      |
| (R9)  | W/2  | : | Vanity mirror lamp (Driver side)      |
| (R12) | -/10 | : | Sunroof motor assembly (With sunroof) |
| (R13) | W/6  | : | To (R57) (Without telephone system)   |
| (R14) | W/12 | : | To (R58) (With telephone system)      |
| (R52) | W/3  | : | Map lamp                              |
| (R53) | W/3  | : | Sunroof switch (With sunroof)         |
| (R57) | W/6  | : | To (R13) (Without telephone system)   |
| (R58) | W/12 | : | To (R14) (With telephone system)      |
| (R59) | W/12 | : | Microphone (With telephone system)    |



TKIM0815E

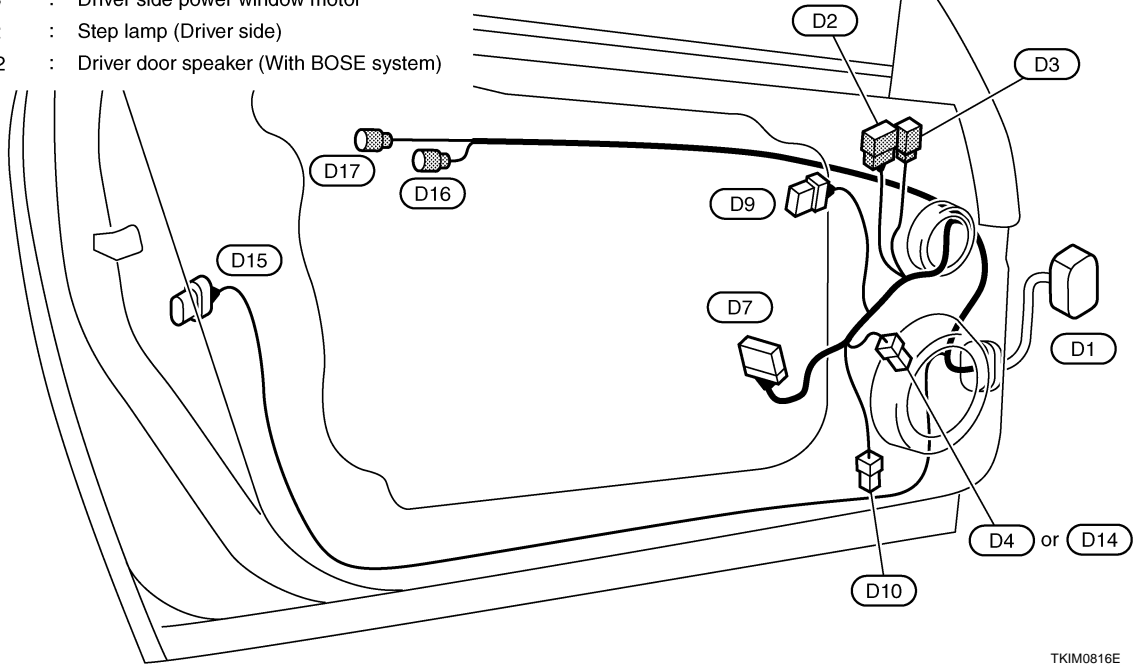


# HARNESS

## DOOR HARNESS

### Driver Side Door

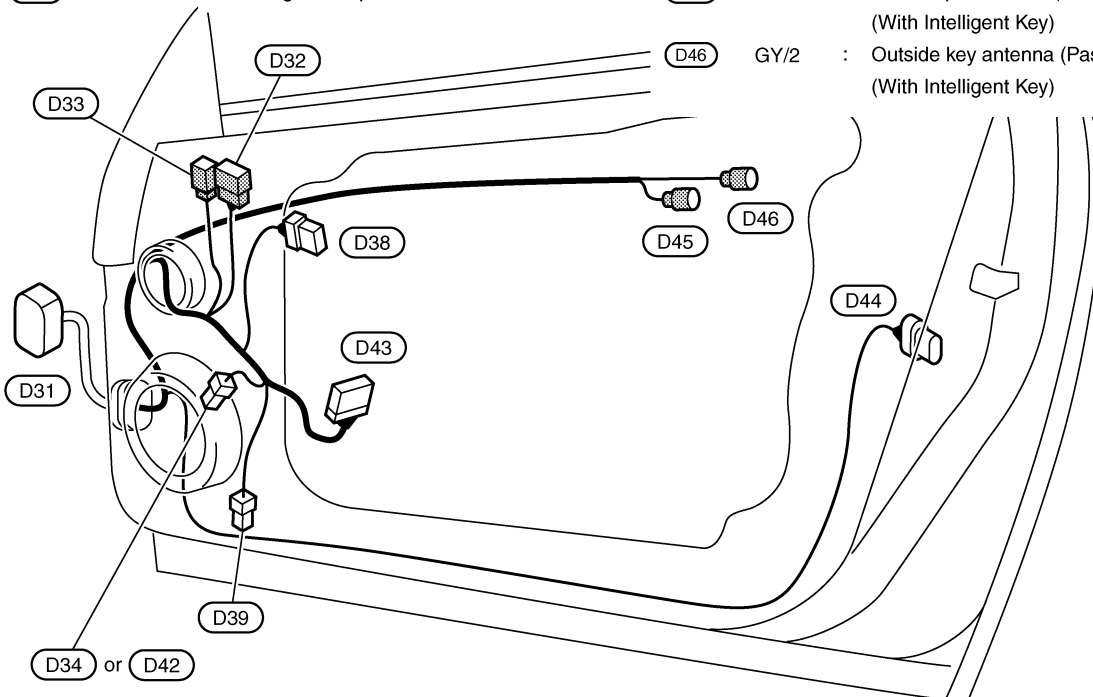
- |       |      |   |       |      |   |
|-------|------|---|-------|------|---|
| (D1)  | SMJ  | : To (M11)                                  | (D15) | B/6  | : Driver side door lock assembly                              |
| (D2)  | W/8  | : Door mirror (Driver side)                 | (D16) | L/2  | : Door request switch (Driver side)<br>(With Intelligent Key) |
| (D3)  | BR/2 | : Tweeter (Driver side)                     | (D17) | GY/2 | : Outside key antenna (Driver side)<br>(With Intelligent Key) |
| (D4)  | W/2  | : Driver door speaker (Without BOSE system) |       |      |   |
| (D7)  | W/16 | : Power window main switch                  |       |      |   |
| (D9)  | W/6  | : Driver side power window motor            |       |      |   |
| (D10) | W/2  | : Step lamp (Driver side)                   |       |      |   |
| (D14) | BR/2 | : Driver door speaker (With BOSE system)    |       |      |   |



TKIM0816E

### Passenger Side Door

- |       |      |  |       |      |  |
|-------|------|--|-------|------|--|
| (D31) | SMJ  | : To (M74)                                     | (D39) | W/2  | : Step lamp (Passenger side)                                     |
| (D32) | W/8  | : Door mirror (Passenger side)                 | (D42) | BR/2 | : Passenger door speaker (With BOSE system)                      |
| (D33) | BR/2 | : Tweeter (Passenger side)                     | (D43) | W/16 | : Power window sub-switch  |
| (D34) | W/2  | : Passenger door speaker (Without BOSE system) | (D44) | B/6  | : Passenger side door lock assembly                              |
| (D38) | W/6  | : Passenger side power window motor            | (D45) | L/2  | : Door request switch (Passenger side)<br>(With Intelligent Key) |
|       |      |  | (D46) | GY/2 | : Outside key antenna (Passenger side)<br>(With Intelligent Key) |



TKIM0817E

A  
B  
C  
D  
E  
F  
G  
H  
I  
J  
PG  
L  
M

# HARNESS

## Wiring Diagram Codes (Cell Codes)

NKS000QR

Use the chart below to find out what each wiring diagram code stands for.

Refer to the wiring diagram code in the alphabetical index to find the location (page number) of each wiring diagram.

Code	Section	Wiring Diagram Name
A/C	ATC	Air Conditioner
AF1B1	EC	Air Fuel Ratio Sensor 1 Bank 1
AF1B2	EC	Air Fuel Ratio Sensor 1 Bank 2
AF1HB1	EC	Air Fuel Ratio Sensor 1 Heater Bank 1
AF1HB2	EC	Air Fuel Ratio Sensor 1 Heater Bank 2
APPS1	EC	Accelerator Pedal Position Sensor
APPS2	EC	Accelerator Pedal Position Sensor
APPS3	EC	Accelerator Pedal Position Sensor
ASC/BS	EC	Automatic Speed Control Device (ASCD) Brake Switch
ASC/SW	EC	Automatic Speed Control Device (ASCD) Steering Switch
ASCBOF	EC	Automatic Speed Control Device (ASCD) Brake Switch
ASCIND	EC	Automatic Speed Control Device (ASCD) Indicator
AT/IND	DI	A/T Indicator Lamp
AUDIO	AV	Audio
AUT/DP	SE	Automatic Drive Positioner
AUTO/L	LT	Automatic Light System
BACK/L	LT	Back-Up Lamp
BRK/SW	EC	Brake Switch
CAN	AT	CAN Communication Line
CAN	EC	CAN Communication Line
CAN	LAN	CAN System
CHARGE	SC	Charging System
CHIME	DI	Warning Chime
CIGAR	WW	Cigarette Lighter
COMBSW	LT	Combination Switch
COMM	AV	Audio Visual Communication Line
COMPAS	DI	Compass and Thermometer
COOL/F	EC	Cooling Fan Control
D/LOCK	BL	Power Door Lock
DEF	GW	Rear Window Defogger
DTRL	LT	Headlamp - With Daytime Light System
ECM/PW	EC	ECM Power Supply for Back-Up
ECTS	EC	Engine Coolant Temperature Sensor
ETC1	EC	Electric Throttle Control Function
ETC2	EC	Electric Throttle Control Motor Relay
ETC3	EC	Electric Throttle Control Motor
EVCB1	EC	Exhaust Valve Timing Control Magnet Retarder (Bank 1)
EVCB2	EC	Exhaust Valve Timing Control Magnet Retarder (Bank 2)
EVCSB1	EC	Exhaust Valve Timing Control Position Sensor (Bank 1)
EVCSB2	EC	Exhaust Valve Timing Control Position Sensor (Bank 2)
F/FOG	LT	Front Fog Lamp

# HARNESSES

Code	Section	Wiring Diagram Name
F/PUMP	EC	Fuel Pump
FTS	AT	A/T Fluid Temperature Sensor Circuit
FTTS	EC	Fuel Tank Temperature Sensor
FUELB1	EC	Fuel Injection System Function (Bank 1)
FUELB2	EC	Fuel Injection System Function (Bank 2)
H/LAMP	LT	Headlamp
H/PHON	AV	Hands Free Telephone
HORN	WW	Horn
HSEAT	SE	Heated Seat
I/KEY	BL	Intelligent Key System
I/MIRR	GW	Inside Mirror (Auto Anti-Dazzling Mirror)
IATS	EC	Intake Air Temperature Sensor
IGNSYS	EC	Ignition System
ILL	LT	Illumination
INJECT	EC	Injector
IVCB1	EC	Intake Valve Timing Control Solenoid Valve Bank 1
IVCB2	EC	Intake Valve Timing Control Solenoid Valve Bank 2
KEYLES	BL	Remote Keyless Entry System
KS	EC	Knock Sensor
MAFS	EC	Mass Air Flow Sensor
MAIN	AT	Main Power Supply and Ground Circuit
MAIN	EC	Main Power Supply and Ground Circuit
METER	DI	Speedometer, Tachometer, Temp. and Fuel Gauges
MIL/DL	EC	MIL & Data Link Connector
MIRROR	GW	Door Mirror
MMSW	AT	Manual Mode Switch
NATS	BL	Nissan Anti-Theft System
NAVI	AV	Navigation System
NONDTC	AT	Non-Detective Items
O2H2B1	EC	Heated Oxygen Sensor 2 Heater Bank 1
O2H2B2	EC	Heated Oxygen Sensor 2 Heater Bank 2
O2S2B1	EC	Heated Oxygen Sensor 2 Bank 1
O2S2B2	EC	Heated Oxygen Sensor 2 Bank 2
P/SCKT	WW	Power Socket
PGC/V	EC	EVAP Canister Purge Volume Control Solenoid Valve
PHSB1	EC	Camshaft Position Sensor (PHASE) (Bank 1)
PHSB2	EC	Camshaft Position Sensor (PHASE) (Bank 2)
PNP/SW	AT	Park/Neutral Position Switch
PNP/SW	EC	Park/Neutral Position Switch
POS	EC	Crankshaft Position Sensor (CKPS) (POS)
POWER	PG	Power Supply Routing
PRE/SE	EC	EVAP Control System Pressure Sensor
PS/SEN	EC	Power Steering Pressure Sensor
RAS	STC	Rear Active Steer

A

B

C

D

E

F

G

H

I

J

PG

L

M

# HARNESS

Code	Section	Wiring Diagram Name
ROOM/L	LT	Interior Room Lamp
RP/SEN	EC	Refrigerant Pressure Sensor
SEAT	SE	Power Seat
SEN/PW	EC	Sensor Power Supply
SHIFT	AT	A/T Shift Lock System
SROOF	RF	Sunroof
SRS	SRS	Supplemental Restraint System
START	SC	Starting System
STOP/L	LT	Stop Lamp
STSIG	AT	Start Signal Circuit
T/WARN	WT	Low Tire Pressure Warning System
TAIL/L	LT	Parking, License and Tail Lamps
TILTEL	STC	Electric Tilt and Telescopic Steering
TLID	BL	Trunk Lid Opener
TPS1	EC	Throttle Position Sensor (Sensor 1)
TPS2	EC	Throttle Position Sensor (Sensor 2)
TPS3	EC	Throttle Position Sensor
TRNSCV	BL	Homelink Universal Transceiver
TURN	LT	Turn Signal and Hazard Warning Lamp
VDC	BRC	Vehicle Dynamics Control System
VEHSEC	BL	Vehicle Security System
VENT/V	EC	EVAP Canister Vent Control Valve
VSSA/T	AT	Vehicle Speed Sensor A/T (Revolution Sensor)
W/ANT	AV	Audio Antenna
WARN	DI	Warning Lamps
WINDOW	GW	Power Window
WIPER	WW	Front Wiper and Washer

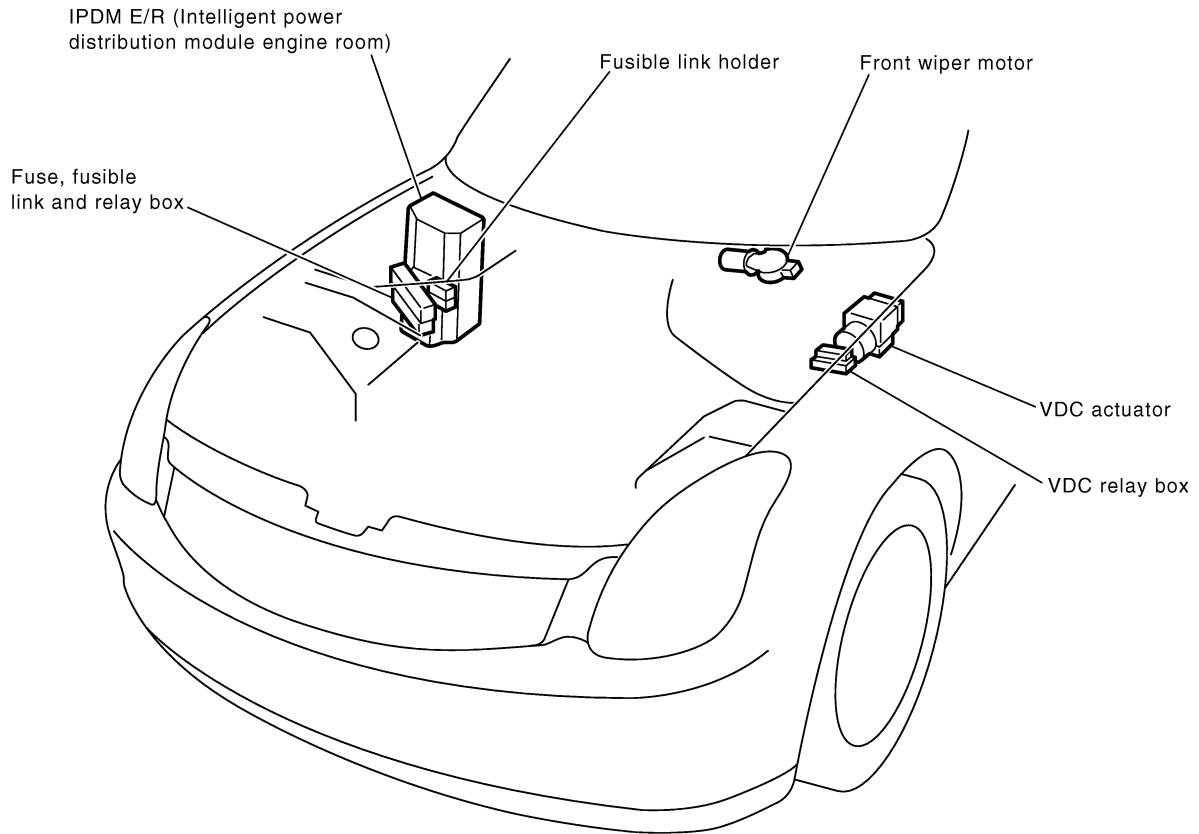
# ELECTRICAL UNITS LOCATION

## ELECTRICAL UNITS LOCATION

PPF:25230

### Electrical Units Location ENGINE COMPARTMENT

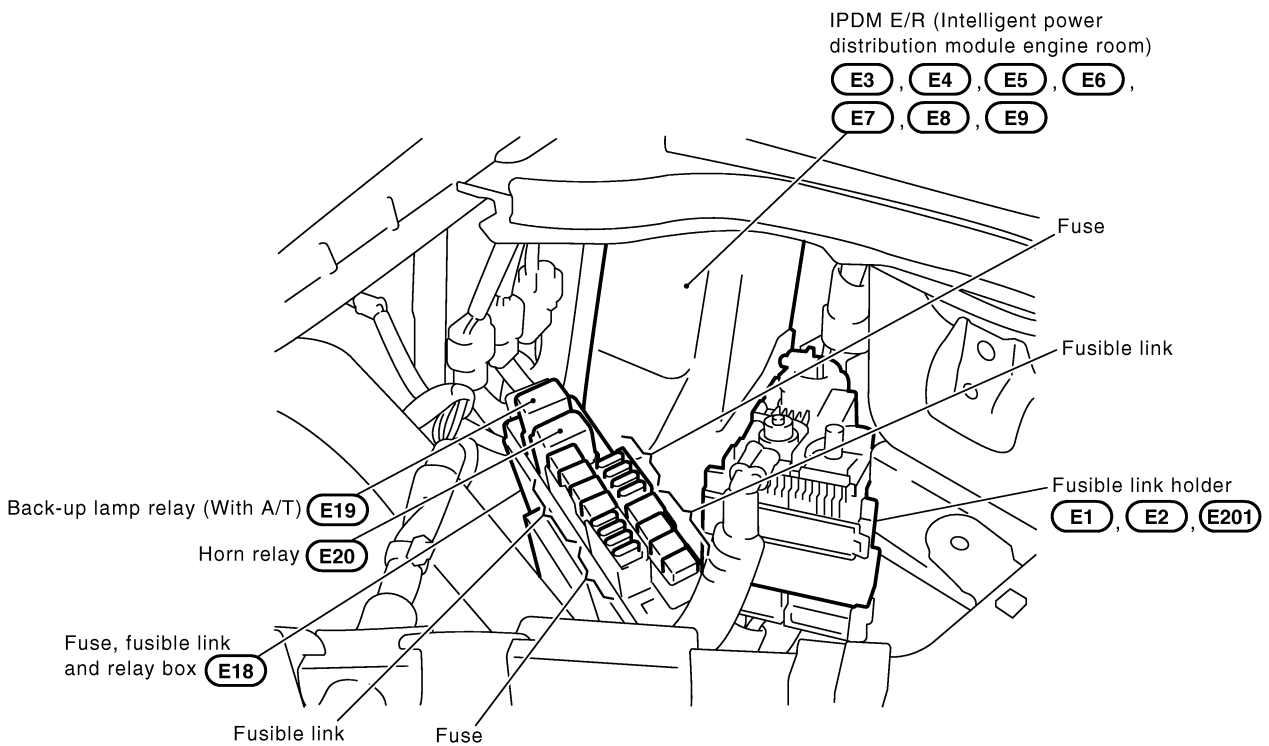
NKS000QS



A  
B  
C  
D  
E  
F  
G  
H  
I  
J

PG

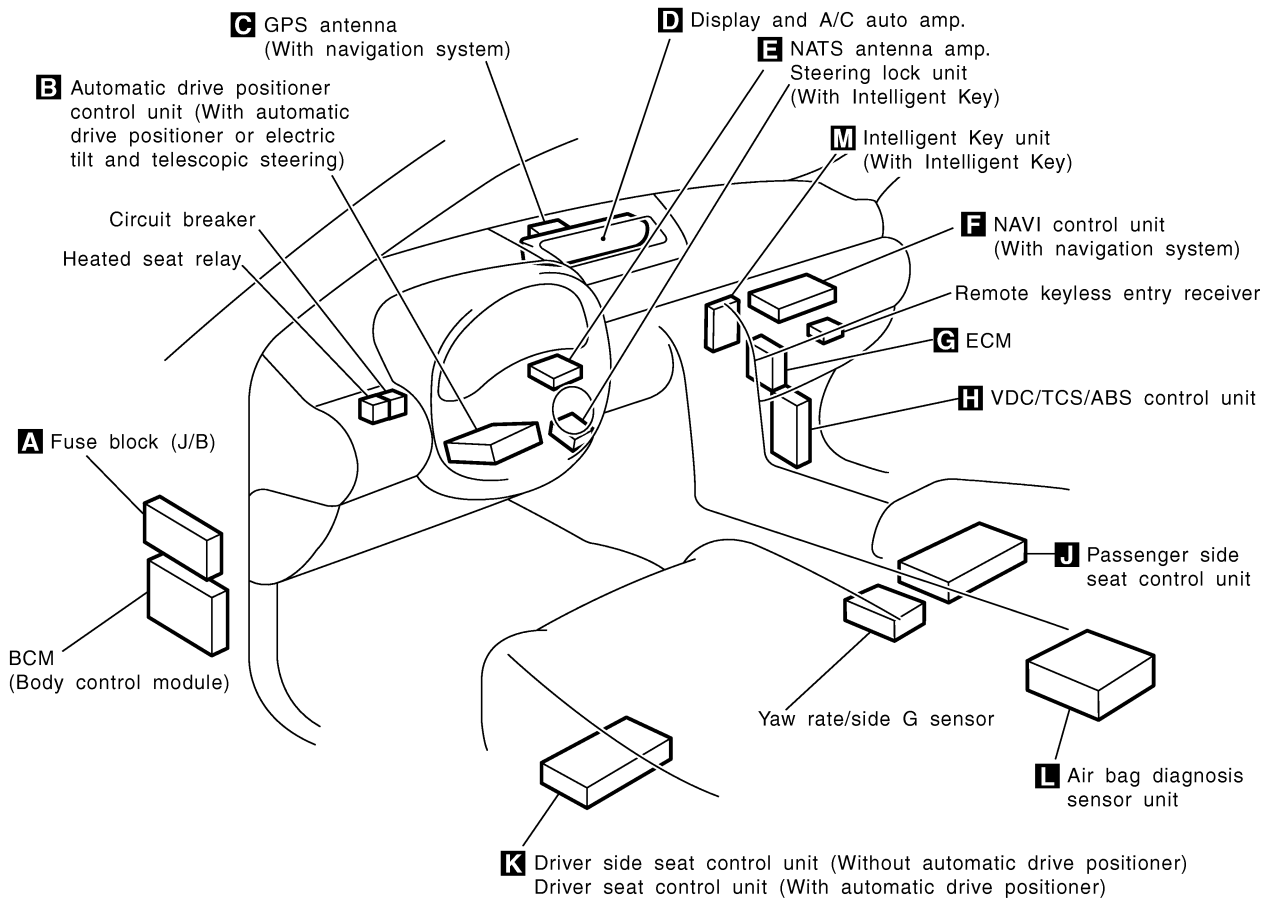
L  
M



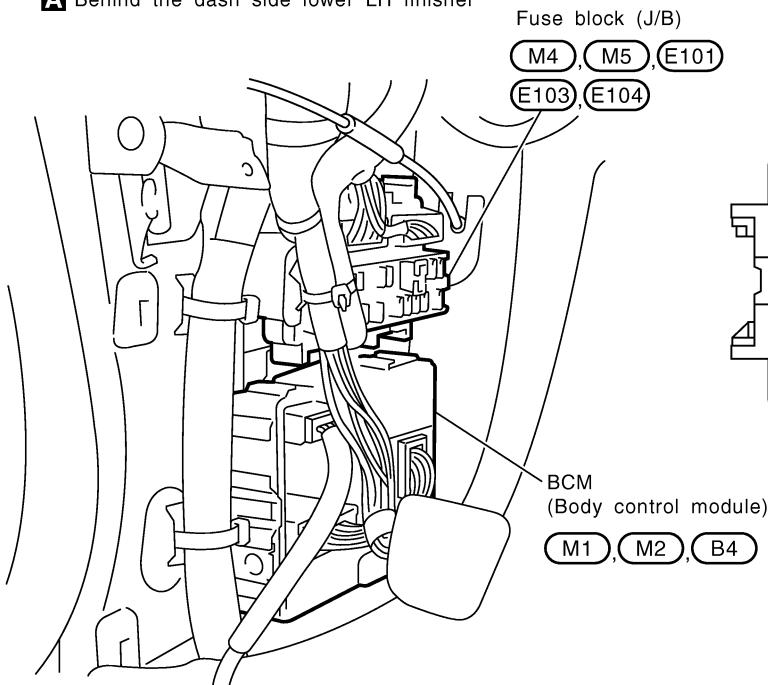
CKIM0581E

# ELECTRICAL UNITS LOCATION

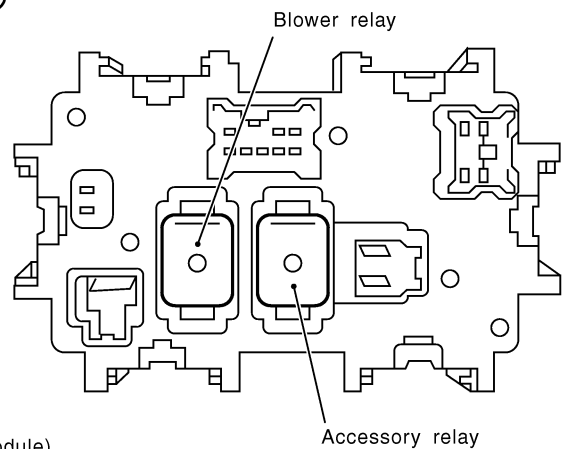
## PASSENGER COMPARTMENT



**A** Behind the dash side lower LH finisher

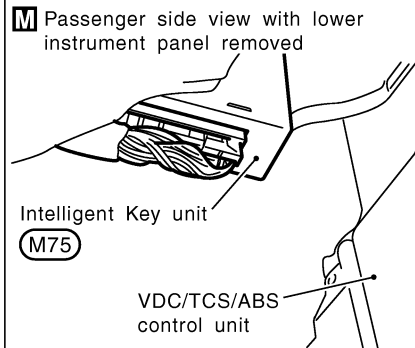
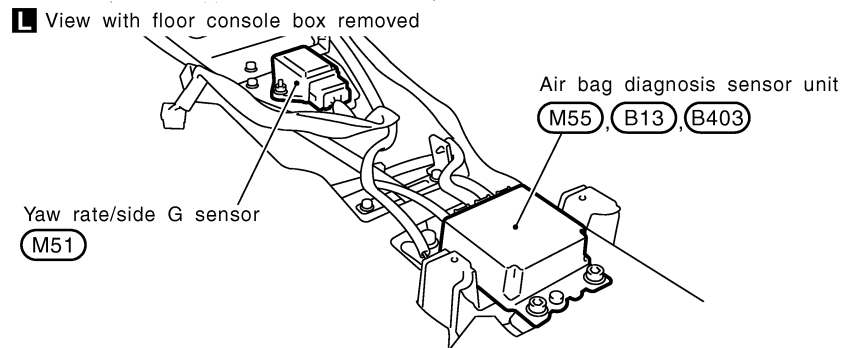
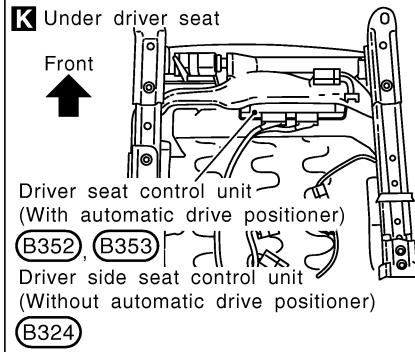
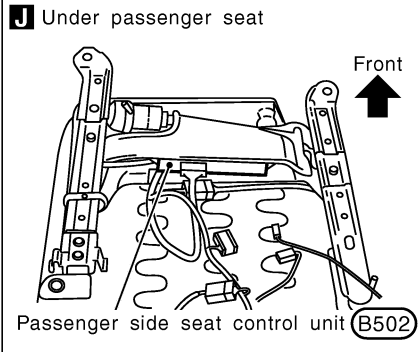
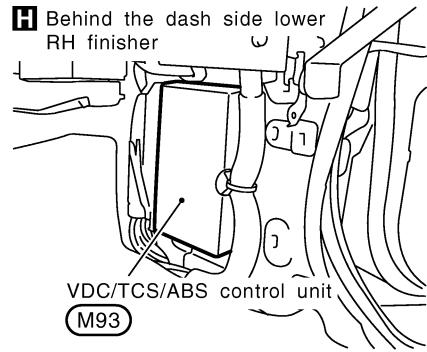
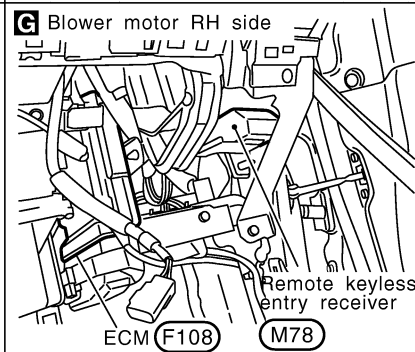
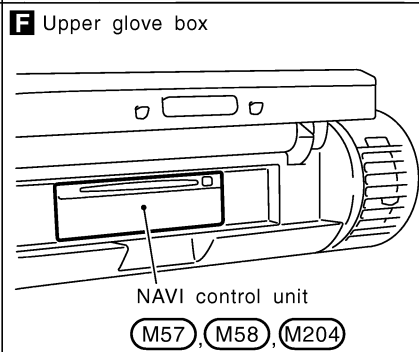
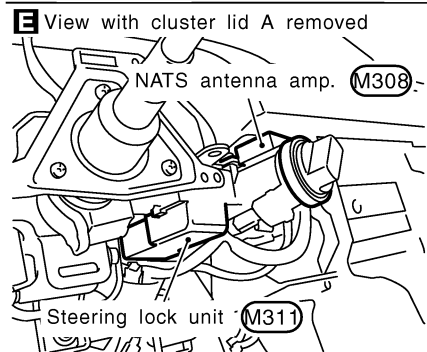
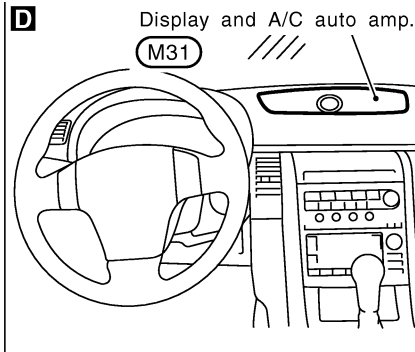
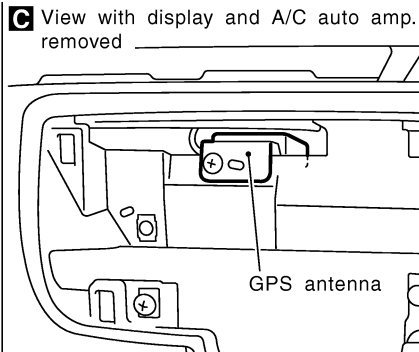
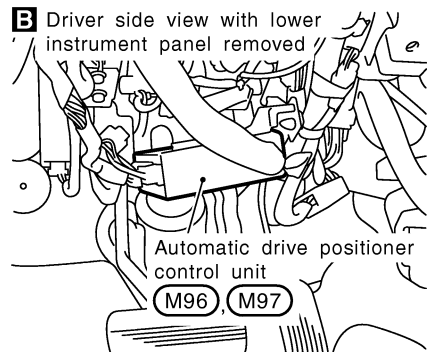


Fuse block (J/B) rear view



CKIM0738E

# ELECTRICAL UNITS LOCATION

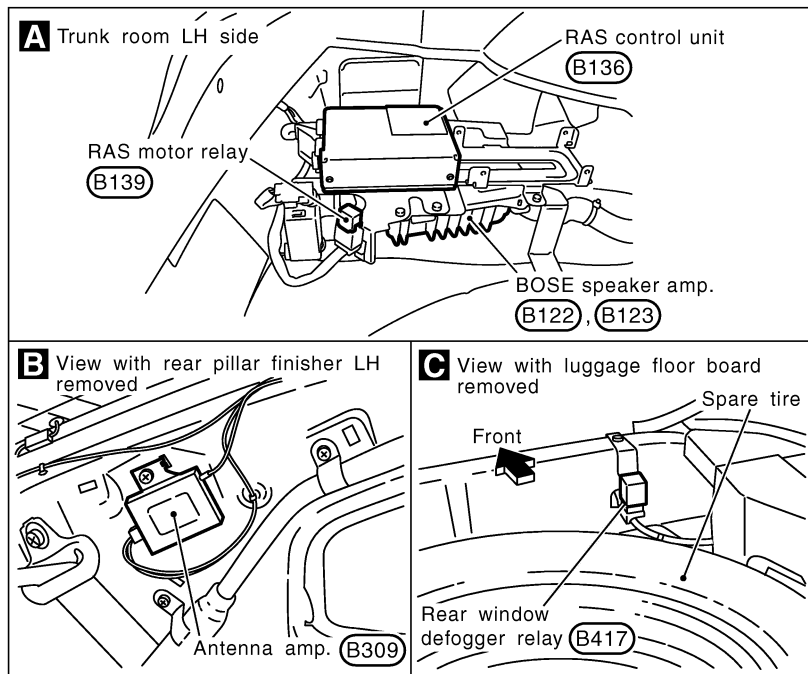
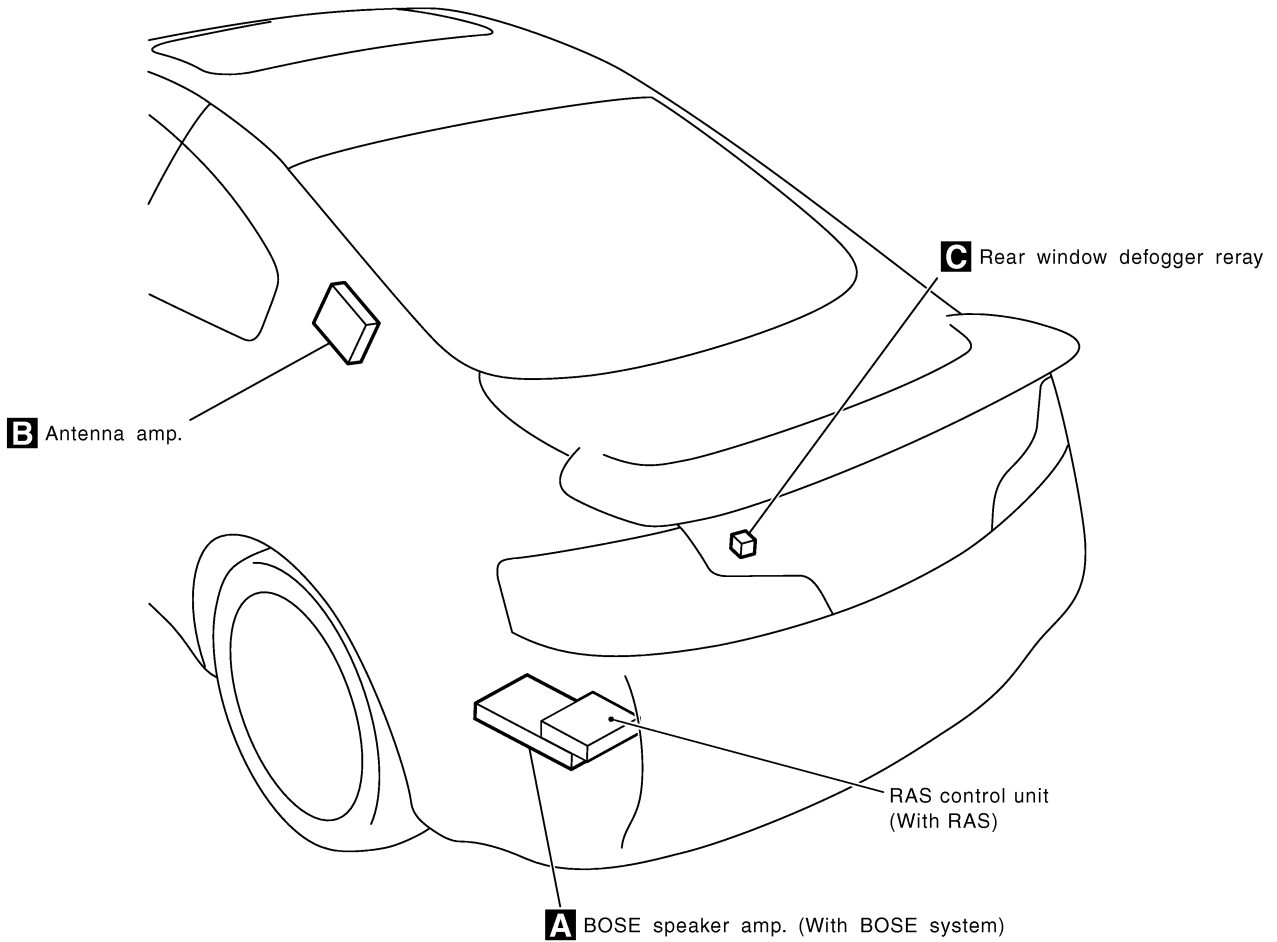


A  
B  
C  
D  
E  
F  
G  
H  
I  
J  
K  
L  
M  
PG

CKIM0583E

# ELECTRICAL UNITS LOCATION

## LUGGAGE COMPARTMENT



CKIM0584E



# HARNESS CONNECTOR

## HARNESS CONNECTOR

PFP:00011

### Description

#### HARNESS CONNECTOR (TAB-LOCKING TYPE)

NKS000QT

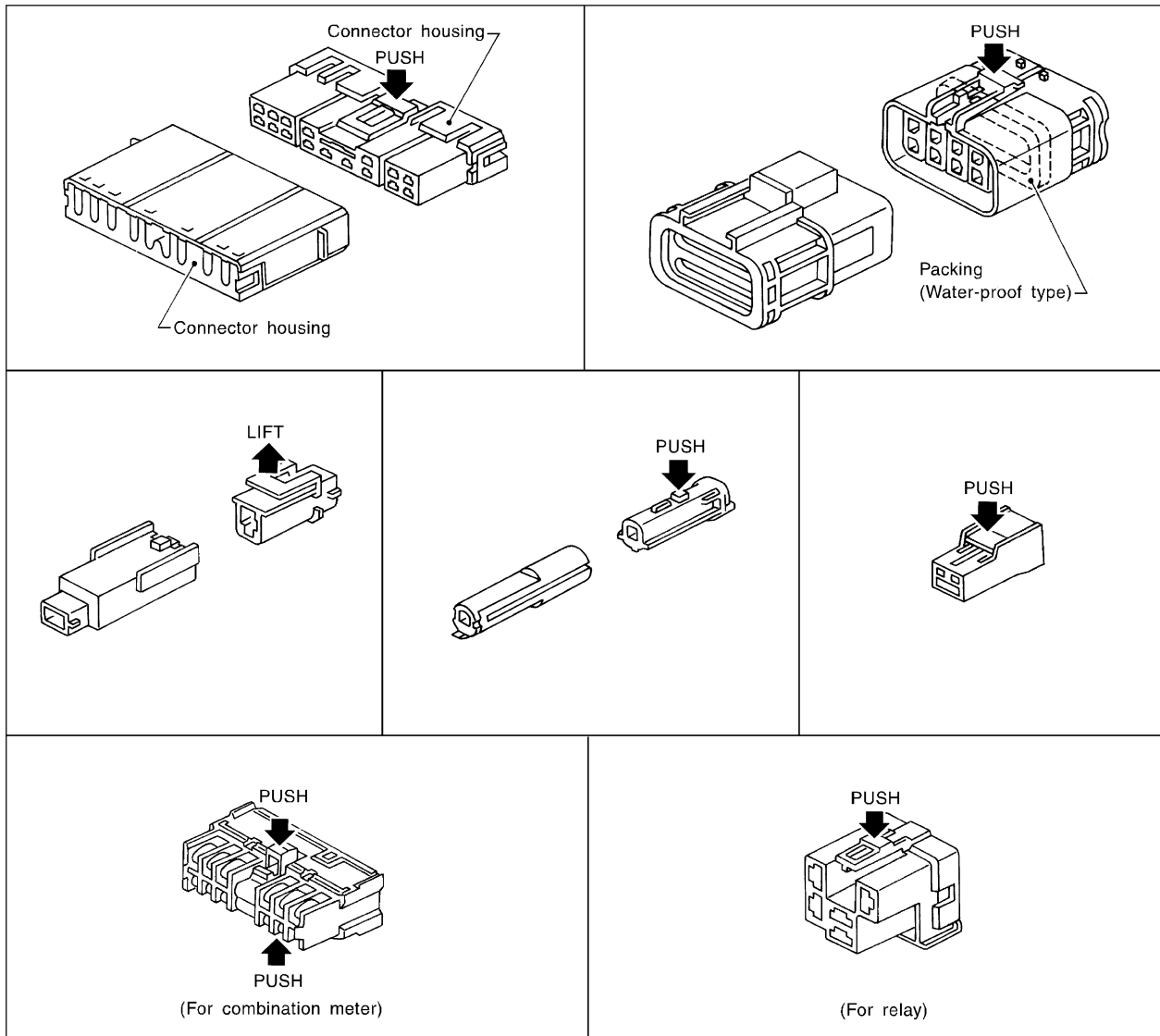
- The tab-locking type connectors help prevent accidental looseness or disconnection.
- The tab-locking type connectors are disconnected by pushing or lifting the locking tab(s). Refer to the figure below.

Refer to the next page for description of the slide-locking type connector.

#### CAUTION:

Never pull the harness or wires when disconnecting the connector.

[Example]



A  
B  
C  
D  
E  
F  
G  
H  
I  
J  
PG  
L  
M

PG

SEL769DA

# HARNESS CONNECTOR

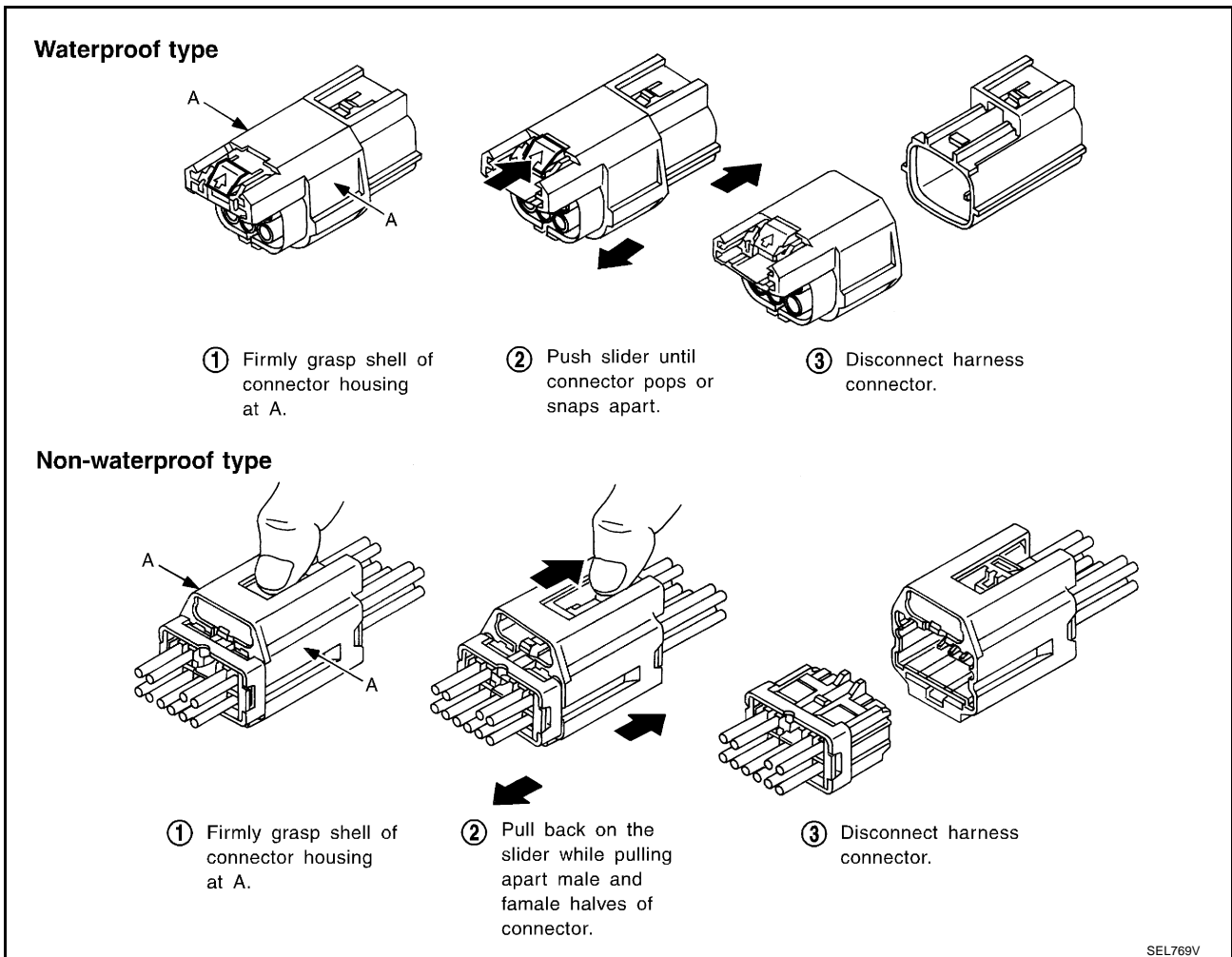
## HARNESS CONNECTOR (SLIDE-LOCKING TYPE)

- A new style slide-locking type connector is used on certain systems and components, especially those related to OBD.
- The slide-locking type connectors help prevent incomplete locking and accidental looseness or disconnection.
- The slide-locking type connectors are disconnected by pushing or pulling the slider. Refer to the figure below.

### CAUTION:

- **Never pull the harness or wires when disconnecting the connector.**
- **Be careful not to damage the connector support bracket when disconnecting the connector.**

[Example]



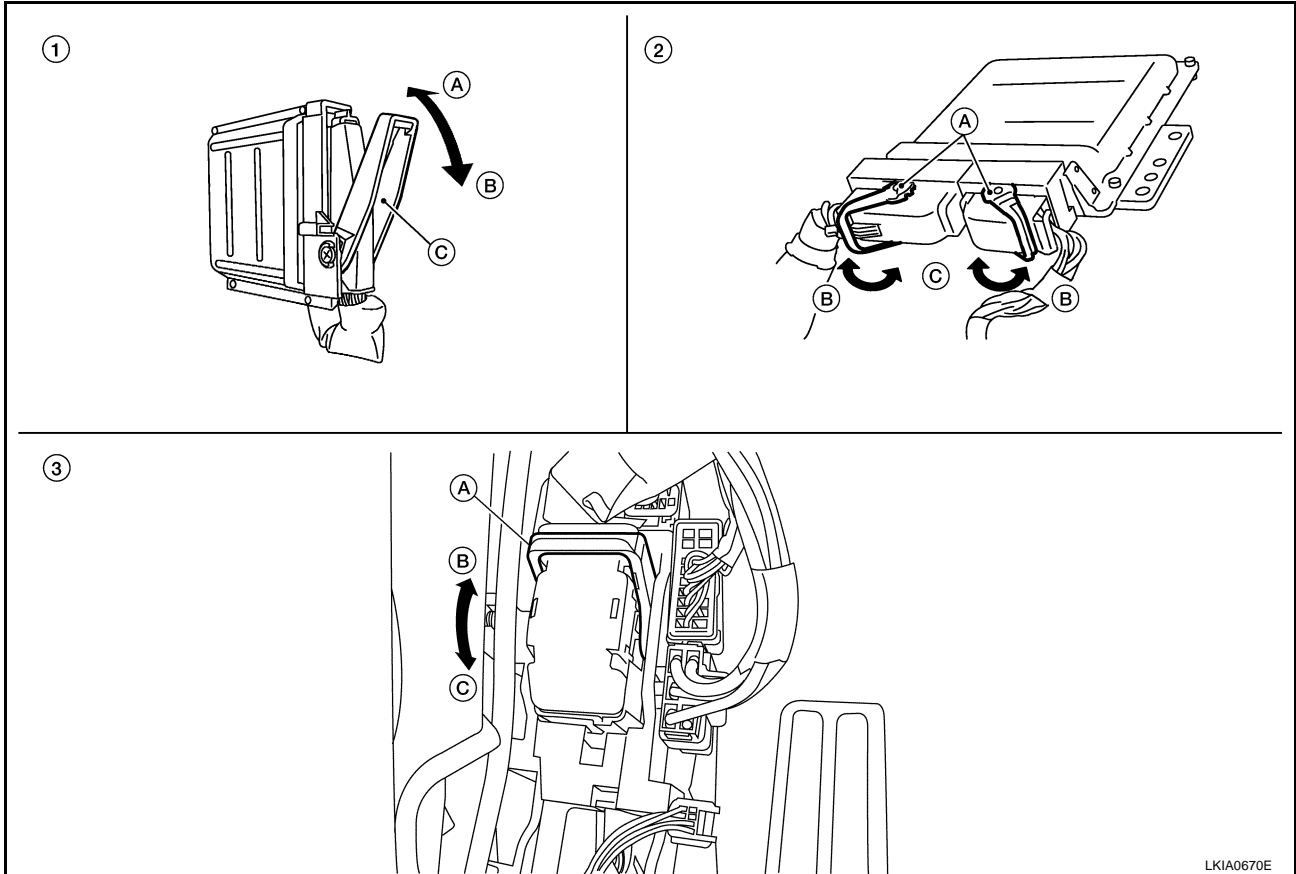
# HARNESS CONNECTOR

## HARNESS CONNECTOR (LEVER LOCKING TYPE)

- Lever locking type harness connectors are used on certain control units and control modules such as ECM, ABS actuator and electric unit (control unit), etc.
- Lever locking type harness connectors are also used on super multiple junction (SMJ) connectors.
- Always confirm the lever is fully locked in place by moving the lever as far as it will go to ensure full connection.

### CAUTION:

Always confirm the lever is fully released (loosened) before attempting to disconnect or connect these connectors to avoid damage to the connector housing or terminals.



1. Control unit with single lever

- A. Fasten
- B. Loosen
- C. Lever

2. Control unit with dual levers

- A. Levers
- B. Fasten
- C. Loosen

3. SMJ connector

- A. Lever
- B. Fasten
- C. Loosen

LKIA0670E

PG

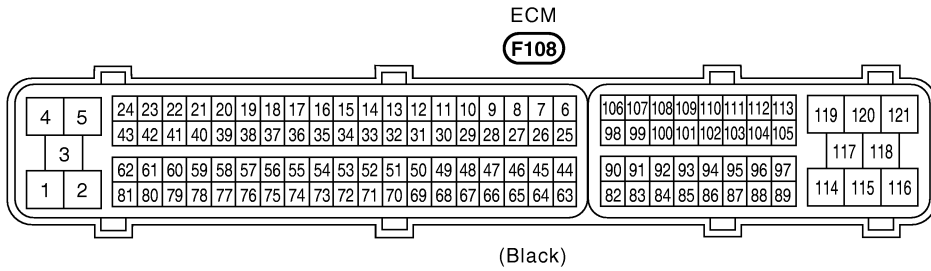
# ELECTRICAL UNITS

PPF:00011

NKS000QU

## ELECTRICAL UNITS

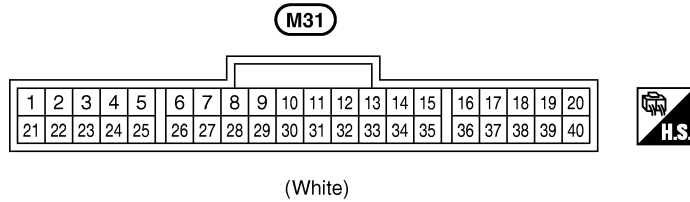
### Terminal Arrangement



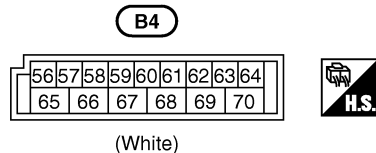
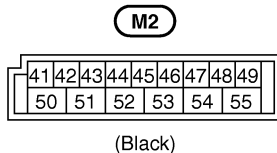
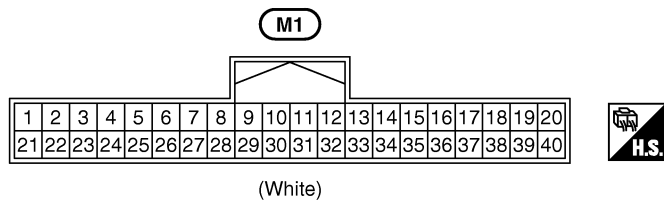
### VDC/TCS/ABS CONTROL UNIT



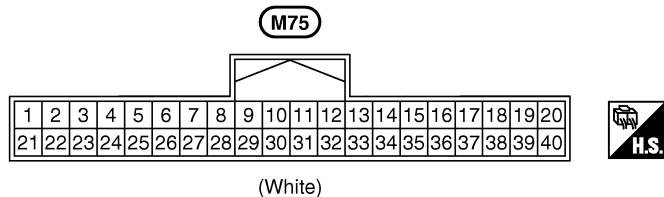
### DISPLAY AND A/C AUTO AMP.



### BCM (BODY CONTROL MODULE)



### INTELLIGENT KEY UNIT



CKIM0587E

# SMJ (SUPER MULTIPLE JUNCTION)

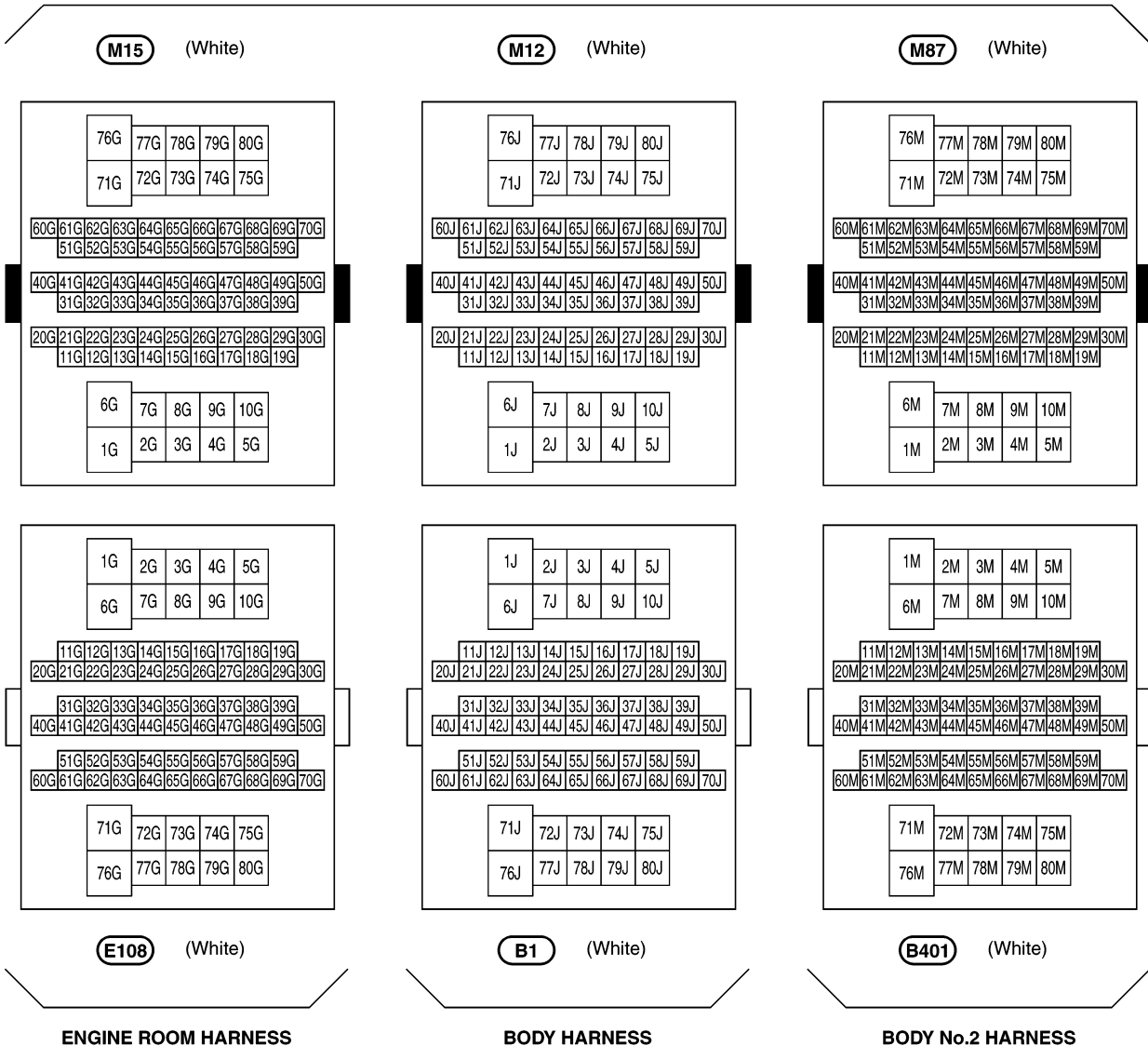
## SMJ (SUPER MULTIPLE JUNCTION)

PFP:B4341

### Terminal Arrangement

NKS000QV

MAIN HARNESS



A  
B  
C  
D  
E  
F  
G  
H  
I  
J  
PG  
L  
M

CKIM0430E

# SMJ (SUPER MULTIPLE JUNCTION)



## MAIN HARNESS

**M72** (White)

6H	7H	8H	9H	10H	21H	22H	23H	24H	25H	26H	27H	28H	29H	39H	40H	41H	42H	43H	44H	45H	46H		
1H	2H	3H	4H	5H	11H	12H	13H	14H	15H	16H	17H	18H	19H	20H	30H	31H	32H	33H	34H	35H	36H	37H	38H

1H	2H	3H	4H	5H	11H	12H	13H	14H	15H	16H	17H	18H	19H	20H	30H	31H	32H	33H	34H	35H	36H	37H	38H
6H	7H	8H	9H	10H	21H	22H	23H	24H	25H	26H	27H	28H	29H	39H	40H	41H	42H	43H	44H	45H	46H		

**F102** (White)

## ENGINE CONTROL HARNESS



## MAIN HARNESS

**M11** (White)

20K	21K	22K	23K	24K	25K	26K	27K	36K	37K	38K	39K		
11K	12K	13K	14K	15K	16K	17K	18K	19K	32K	33K	34K	35K	
1K	2K	3K	4K	5K	6K	7K	8K	9K	10K	28K	29K	30K	31K

**M74** (White)

20L	21L	22L	23L	24L	25L	26L	27L	36L	37L	38L	39L		
11L	12L	13L	14L	15L	16L	17L	18L	19L	32L	33L	34L	35L	
1L	2L	3L	4L	5L	6L	7L	8L	9L	10L	28L	29L	30L	31L

**D1** (White)

1K	2K	3K	4K	5K	6K	7K	8K	9K	10K	28K	29K	30K	31K
11K	12K	13K	14K	15K	16K	17K	18K	19K	32K	33K	34K	35K	
20K	21K	22K	23K	24K	25K	26K	27K	36K	37K	38K	39K		

**D31** (White)

1L	2L	3L	4L	5L	6L	7L	8L	9L	10L	28L	29L	30L	31L
11L	12L	13L	14L	15L	16L	17L	18L	19L	32L	33L	34L	35L	
20L	21L	22L	23L	24L	25L	26L	27L	36L	37L	38L	39L		

## FRONT DOOR HARNESS (DRIVER SIDE)

## FRONT DOOR HARNESS (PASSENGER SIDE)

CKIT0158E

# STANDARDIZED RELAY

PFP:00011

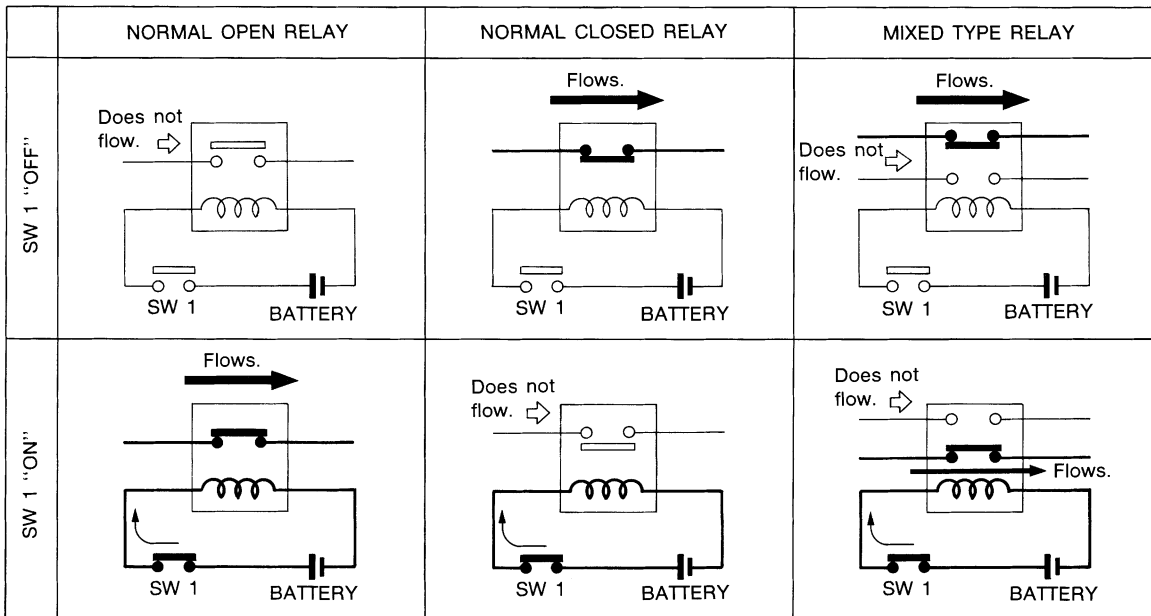
NKS000QW

## STANDARDIZED RELAY

### Description

### NORMAL OPEN, NORMAL CLOSED AND MIXED TYPE RELAYS

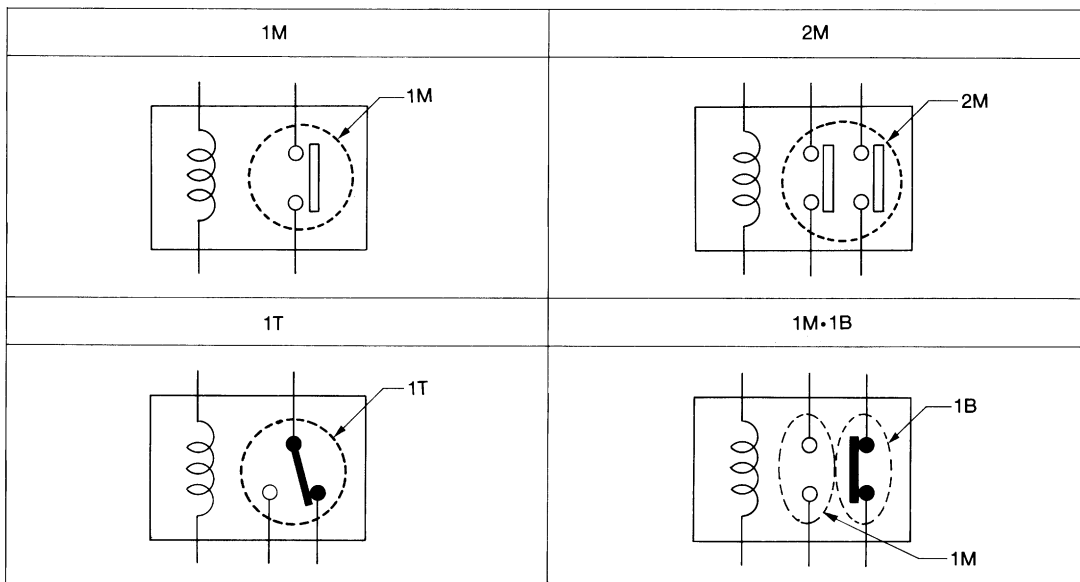
Relays can mainly be divided into three types: normal open, normal closed and mixed type relays.



SEL881H

### TYPE OF STANDARDIZED RELAYS

- 1M ..... 1 Make
- 2M ..... 2 Make
- 1T ..... 1 Transfer
- 1M-1B ..... 1 Make 1 Break



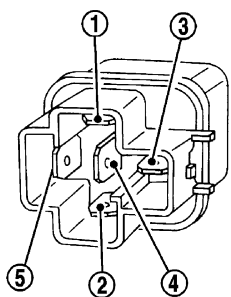
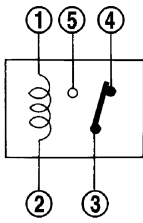
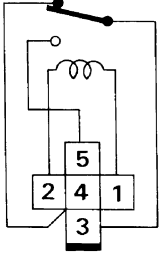
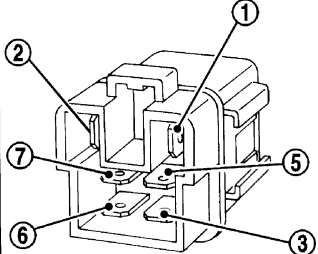
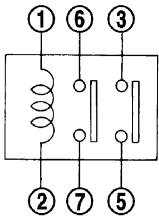
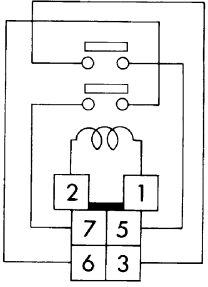
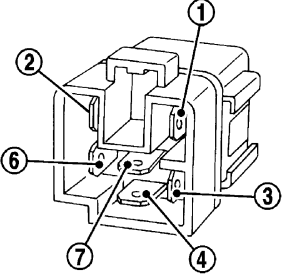
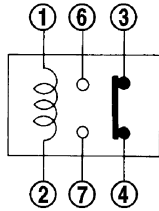
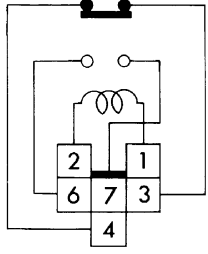
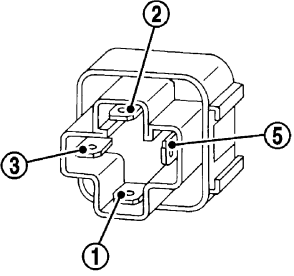
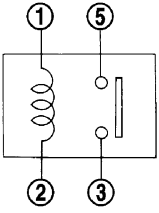
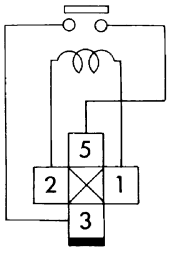
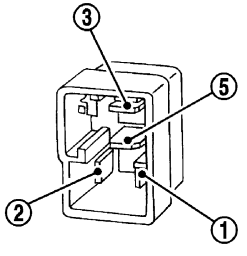
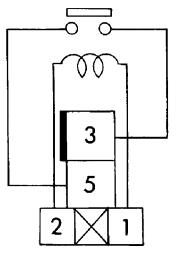
SEL882H

A  
B  
C  
D  
E  
F  
G  
H  
I  
J

PG

L  
M

# STANDARDIZED RELAY

Type	Outer view	Circuit	Connector symbol and connection	Case color
1T				BLACK
2M				BROWN
1M•1B				GRAY
1M				BLUE
				

The arrangement of terminal numbers on the actual relays may differ from those shown above.

SEL188W



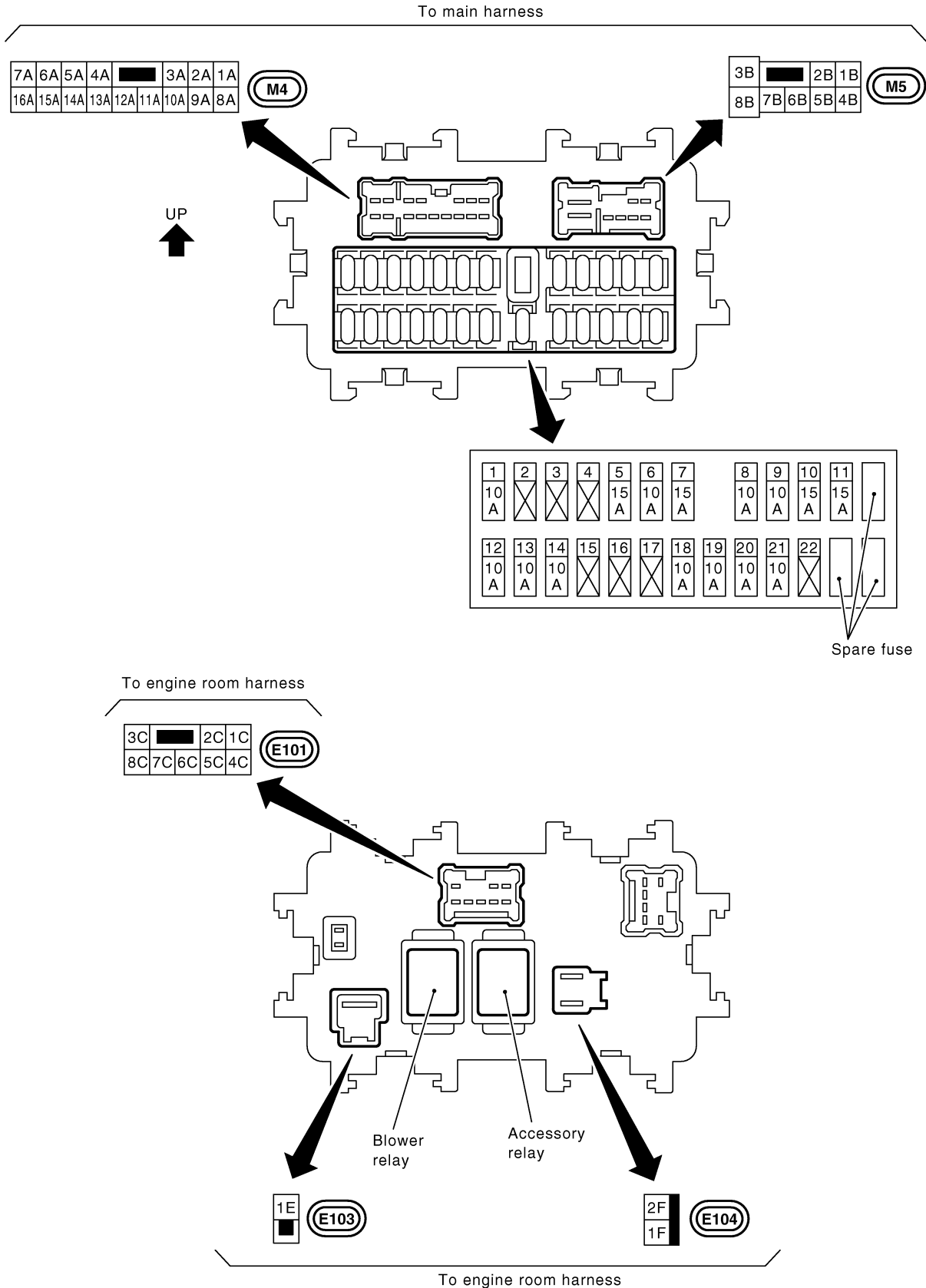
# FUSE BLOCK - JUNCTION BOX (J/B)

## FUSE BLOCK - JUNCTION BOX (J/B)

PF24350

### Terminal Arrangement

NKS000QX



A  
B  
C  
D  
E  
F  
G  
H  
I  
J  
PG  
L  
M

CKIM0721E

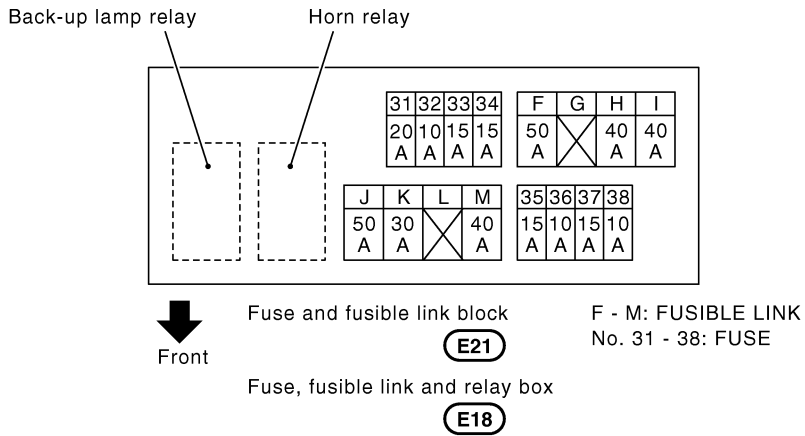
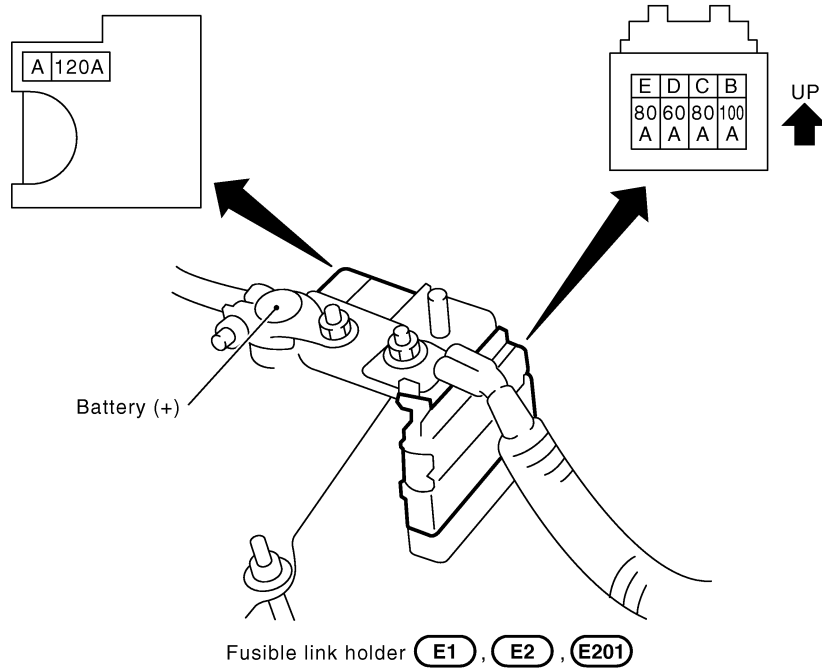
# FUSE, FUSIBLE LINK AND RELAY BOX

PFP:24382

## FUSE, FUSIBLE LINK AND RELAY BOX

### Terminal Arrangement

NKS000QY



CKIM0586E