

SECTION **FSU**
FRONT SUSPENSION

A
B
C
D

FSU

CONTENTS

PRECAUTIONS	2	TRANSVERSE LINK	13	F
Caution	2	Removal and Installation	13	
PREPARATION	3	REMOVAL	13	G
Special Service Tools	3	INSPECTION AFTER REMOVAL	13	
Commercial Service Tools	3	INSTALLATION	13	H
NOISE, VIBRATION AND HARSHNESS (NVH)		UPPER LINK	14	
TROUBLESHOOTING	4	Removal and Installation	14	I
NVH Troubleshooting Chart	4	REMOVAL	14	J
FRONT SUSPENSION ASSEMBLY	5	INSPECTION AFTER REMOVAL	14	
On-Vehicle Inspection and Service	5	INSTALLATION	15	K
INSPECTION OF BALL JOINT END PLAY OF		COMPRESSION ROD	16	
EACH LINK	5	Removal and Installation	16	L
SHOCK ABSORBER INSPECTION	5	REMOVAL	16	M
Wheel Alignment Inspection	6	INSPECTION AFTER REMOVAL	16	
DESCRIPTION	6	INSTALLATION	17	
PRELIMINARY INSPECTION	6	STABILIZER BAR	18	
INSPECTION OF CAMBER, CASTER.	6	Removal and Installation	18	
Components	8	REMOVAL	18	
Removal and Installation	9	INSPECTION AFTER REMOVAL	18	
REMOVAL	9	INSTALLATION	18	
INSTALLATION	9	FRONT SUSPENSION MEMBER	19	
COIL SPRING AND SHOCK ABSORBER	10	Removal and Installation	19	
Removal and Installation	10	REMOVAL	19	
REMOVAL	10	INSPECTION AFTER REMOVAL	19	
INSTALLATION	10	INSTALLATION	19	
Disassembly and Assembly	10	SERVICE DATA	20	
DISASSEMBLY	10	Wheel Alignment (Unladen)	20	
INSPECTION AFTER DISASSEMBLY	11	Ball Joint	20	
ASSEMBLY	11	Wheelarch Height (Unladen*)	20	

PRECAUTIONS

PRECAUTIONS

PFP:00001

Caution

AES000DT

- When installing rubber bushings, final tightening must be carried out under unladen condition with tires on level ground. Oil will shorten the life of rubber bushings. Be sure to wipe off any spilled oil.
- Unladen condition means that fuel, coolant, and lubricant are full. Spare tire, jack, hand tools and mats in designated positions.
- After servicing suspension parts, be sure to check wheel alignment.
- Caulking nuts are not reusable. Always use new ones when installing. Since new caulking nuts are pre-oiled, tighten as they are.
- Avoid burden to front cross bar.

PREPARATION

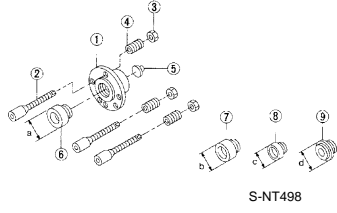
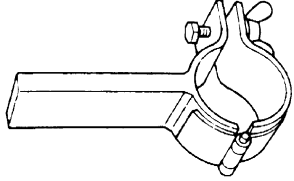
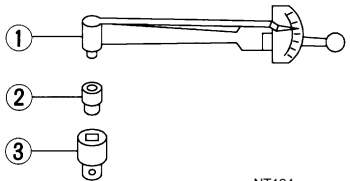
PREPARATION

PPF:00002

Special Service Tools

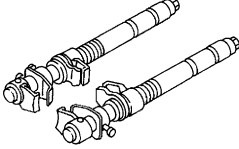
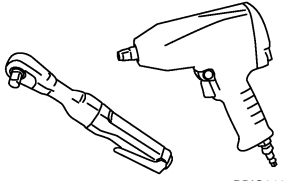
AES000DU

The actual shapes of Kent-Moore tools may differ from those of special service tools illustrated here.

Tool number (Kent-Moore No.) Tool name	Description
KV991040S0 (—) CCK gauge attachment 1. Plate 2. Guide bolts 3. Nuts 4. Springs 5. Center plate 6. KV9910 4020 Adapter A a: 72 mm (2.83 in) dia. 7. KV9910 4030 Adapter B b: 65 mm (2.56 in) dia. 8. KV9910 4040 Adapter C c: 57 mm (2.24 in) dia. 9. KV9910 4050 Adapter D d: 53.4 mm (2.102 in) dia.	 <p>S-NT498</p> <p>Measuring wheel alignment</p>
ST3565 2000 (—) Strut attachment	 <p>ZZA0807D</p> <p>Disassembling and assembling shock absorber</p>
ST3127 S000 (See J25742-1) Preload Gauge 1. GC91030000 Torque wrench (J25765) 2. HT62940000 (—) Socket adapter (1/2") 3. HT62900000 (—) Socket adapter (3/8")	 <p>NT124</p> <p>Measuring sliding torque of ball joint</p>

Commercial Service Tools

AES000DV

Tool name	Description
Spring compressor	 <p>S-NT717</p> <p>Removing coil spring</p>
Power tool	 <p>PBIC0190E</p> <ul style="list-style-type: none"> ● Removing wheel nuts ● Removing under cover ● Removing front suspension components parts

NOISE, VIBRATION AND HARSHNESS (NVH) TROUBLESHOOTING

NOISE, VIBRATION AND HARSHNESS (NVH) TROUBLESHOOTING

PF0:00003

NVH Troubleshooting Chart

AES000DW

Use chart below to help you find the cause of the symptom. If necessary, repair or replace these parts.

		FSU-8.	FSU-11.	—	—	—	FSU-8.	FSU-6.	FSU-18.	NVH in PR section	NVH in RFD section.	NVH in RAX and RSU section.	NVH in WT section.	NVH in WT section.	NVH in RAX section.	NVH in BR section.	NVH in PS section.	
Reference page		FSU-8.	FSU-11.	—	—	—	FSU-8.	FSU-6.	FSU-18.	NVH in PR section	NVH in RFD section.	NVH in RAX and RSU section.	NVH in WT section.	NVH in WT section.	NVH in RAX section.	NVH in BR section.	NVH in PS section.	
Possible cause and SUSPECTED PARTS		Improper installation, looseness	Shock absorber deformation, damage or deflection	Bushing or mounting deterioration	Parts interference	Spring fatigue	Suspension looseness	Incorrect wheel alignment	Stabilizer bar fatigue	PROPELLER SHAFT	DIFFERENTIAL	REAR AXLE AND REAR SUSPENSION	TIRES	ROAD WHEEL	DRIVE SHAFT	BRAKES	STEERING	
Symptom	FRONT SUSPENSION	Noise	x	x	x	x	x			x	x	x	x	x	x	x	x	
		Shake	x	x	x	x		x		x		x	x	x	x	x	x	
		Vibration	x	x	x	x	x				x		x	x		x		x
		Shimmy	x	x	x	x			x				x	x	x		x	x
		Judder	x	x	x								x	x	x		x	x
		Poor quality ride or handling	x	x	x	x	x		x	x			x	x	x			

x: Applicable

FRONT SUSPENSION ASSEMBLY

FRONT SUSPENSION ASSEMBLY

PFP:54010

On-Vehicle Inspection and Service

AES000DY

Check that the mounting conditions (looseness, back lash) of each component and component statuses (wear, damage) are normal.

INSPECTION OF BALL JOINT END PLAY OF EACH LINK

1. Set front wheels in a straight-ahead position. Do not depress brake pedal.
2. Check ball joint axial end play of each link.

CAUTION:

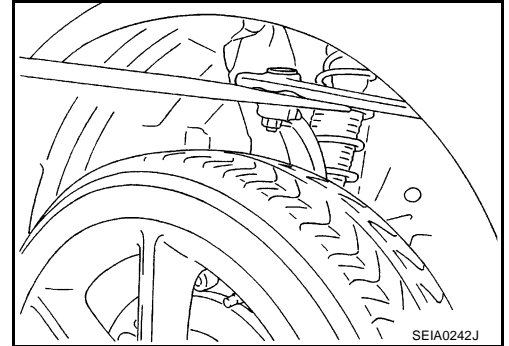
Be careful not to damage ball joint boot.

Upper Link Ball Joint

- Measure axial end play by installing and moving up/down with an iron pry bar or something similar between upper link and steering knuckle.

Standard value

Axial end play : 0 mm (0 in)

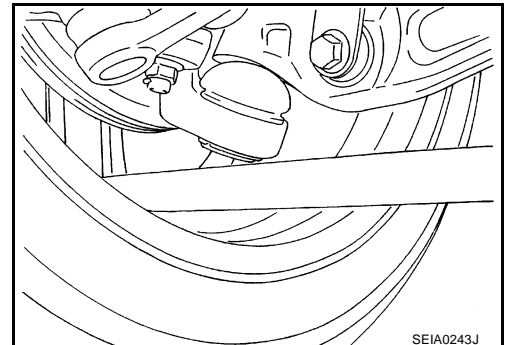


Steering Knuckle Lower Ball Joint

- Measure axial end play by installing and moving up/down with an iron pry bar or something similar between steering knuckle and wheel.

Standard value

Axial end play : 0 mm (0 in)

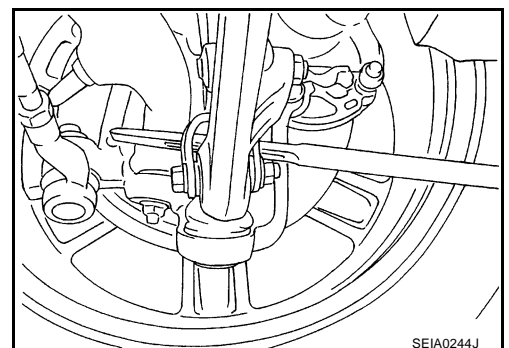


Compression Rod Ball Joint

- Measure axial end play by installing and moving up/down with an iron pry bar or something similar between compression rod and transverse link.

Standard value

Axial end play : 0 mm (0 in)



SHOCK ABSORBER INSPECTION

Check shock absorber for oil leakage, damage and replace if necessary.

A
B
C
D

FSU

F
G
H
I
J
K
L
M

FRONT SUSPENSION ASSEMBLY

AES000DZ

Wheel Alignment Inspection

DESCRIPTION

- Measure wheel alignment under unladen conditions. "Unladen conditions" means that fuel, coolant, and lubricant are full. Spare tire, jack, hand tools and mats in designated positions.

PRELIMINARY INSPECTION

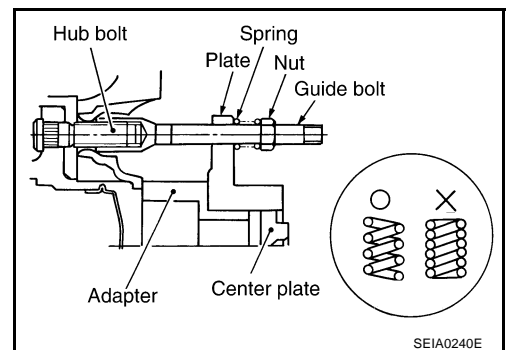
1. Check tires for improper air pressure and wear.
2. Check road wheels for runout.
3. Check wheel bearing axial end play.
4. Check ball joint axial end play of compression rod, upper link, and steering knuckle.
5. Check shock absorber operation.
6. Check each mounting point of axle and suspension for looseness and deformation.
7. Check each link, rod, and member for cracks, deformation and other damage.
8. Check vehicle posture.

INSPECTION OF CAMBER, CASTER.

- Camber, caster cannot be adjusted.
- Before inspection, mount front wheels onto turning radius gauge. Mount rear wheels onto a stand that has same height so vehicle will remain horizontal.

Using a CCK Gauge

1. Remove wheel nuts (2), and install a guide bolt (special service tool) to hub bolt.
2. Screw adapter (special service tool) into plate body (special service tool) until it contacts body tightly.
3. Screw center plate (special service tool) into plate body (special service tool).
4. Insert plate (special service tool) on guide bolt (special service tool). Put spring in, and then evenly screw in guide bolt nut (special service tool). When fastening guide bolt nut, do not completely compress spring.



5. Place the dent of alignment gauge onto the projection of center plate (special service tool) and tightly contact them to measure.

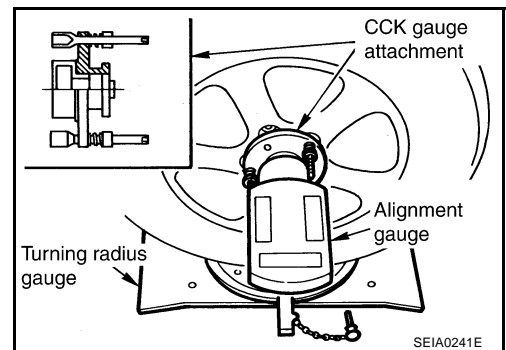
Standard value

Camber, caster:

Refer to [FSU-20, "SERVICE DATA"](#)

CAUTION:

- If camber, caster, is outside the standard, check front suspension parts for wear and damage, and replace suspect parts if necessary.
- King pin inclination angle is reference value, no inspection is required. (Due to the type of suspension, the kingpin inclination angle cannot be measured correctly using a normal alignment tester).



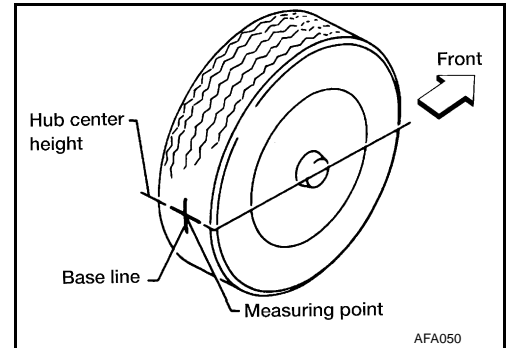
FRONT SUSPENSION ASSEMBLY

Toe-In Inspection

Measure toe-in using the following procedure.

WARNING:

- Always perform the following procedure on a flat surface.
 - Make sure that no person is in front of vehicle before pushing it.
1. Bounce front of vehicle up and down to stabilize the posture.
 2. Push vehicle straight ahead about 5 m (16 ft).
 3. Put a mark on base line of the tread (rear side) of both tires at the same height of hub center. These are measuring points.



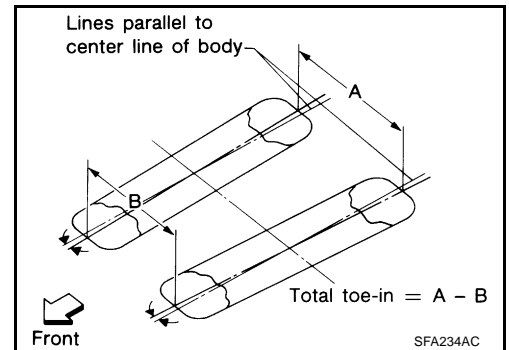
4. Measure distance "A" (rear side).
5. Push vehicle slowly ahead to rotate wheels 180 degrees (1/2 turn).

If wheels have rotated more than 180 degrees (1/2 turn), try the above procedure again from the beginning. Never push vehicle backward.

6. Measure distance "B" (front side).

Standard value

Total toe-in : Refer to [FSU-20, "SERVICE DATA"](#)



A
B
C
D

FSU

F
G
H

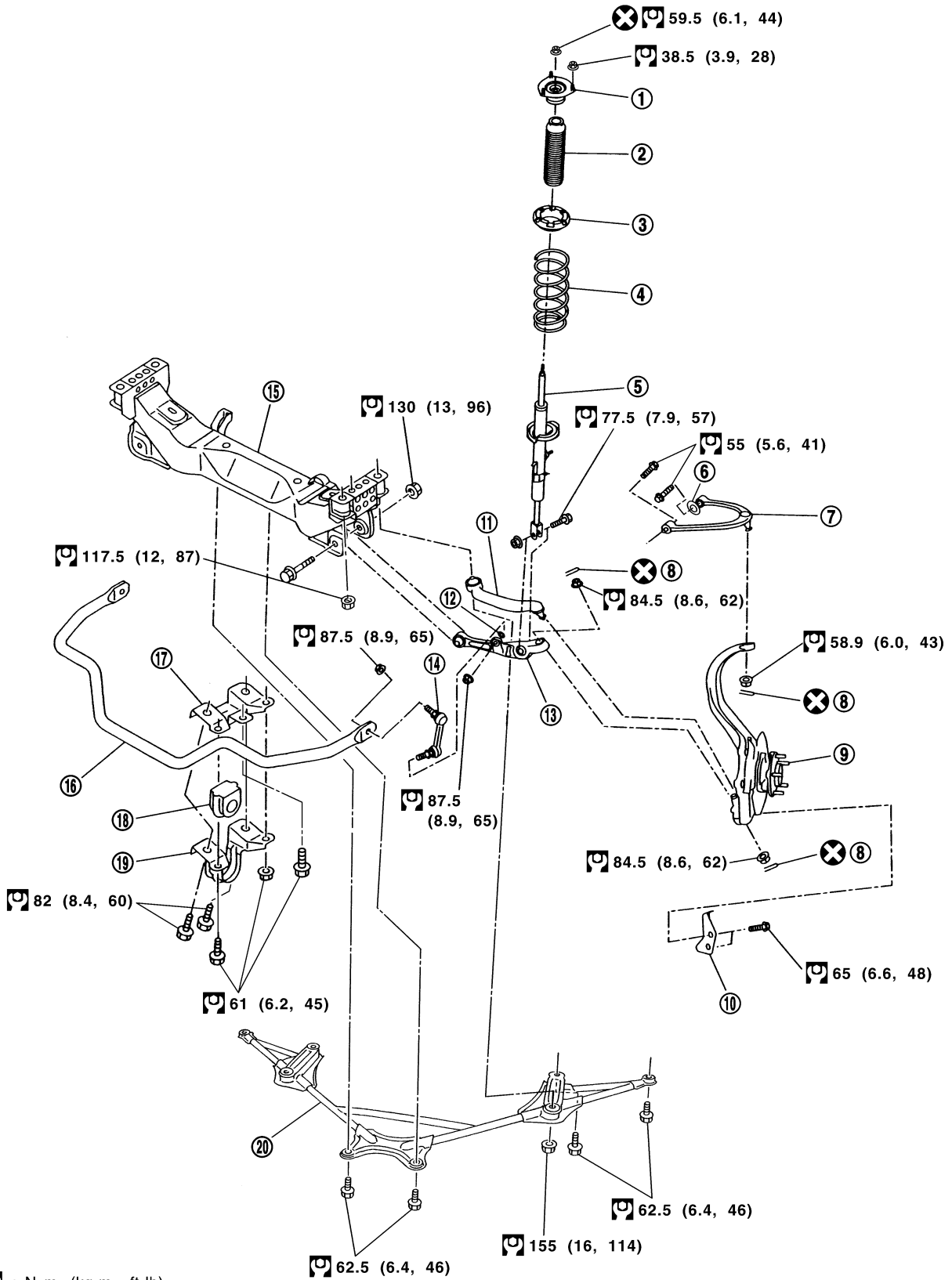
I
J
K
L
M

FRONT SUSPENSION ASSEMBLY

Components

AES000DX

SEC.400·401·406



: N·m (kg-m, ft-lb)

: Always replace after every disassembly.

SEIA0503E

FRONT SUSPENSION ASSEMBLY

- | | | |
|------------------------------|-------------------------------|-----------------------------|
| 1. Mounting insulator | 2. Bound bumper | 3. Spring upper seat |
| 4. Coil spring | 5. Shock absorber | 6. Stopper rubber |
| 7. Upper link | 8. Cotter pin | 9. Front axle |
| 10. Steering stopper bracket | 11. Compression rod | 12. Washer |
| 13. Transverse link | 14. Stabilizer connecting rod | 15. Front suspension member |
| 16. Stabilizer bar | 17. Stabilizer clamp bracket | 18. Stabilizer bushing |
| 19. Stabilizer clamp | 20. Front cross bar | |

A
B
C
D
F
G
H
I
J
K
L
M

AES00017

Removal and Installation

REMOVAL

1. Remove tire with power tool.
2. Remove brake caliper with power tool. Hang it in a place where it will not interfere with work. Refer to [BR-21, "FRONT DISC BRAKE \(CLZ25VD TYPE\)"](#) , [BR-28, "FRONT DISC BRAKE \(OPB27VA TYPE\)"](#) .
3. Remove disc rotor.
4. Remove front air spoiler.
5. Remove under cover with power tool.
6. Remove fixing bolts and nuts, then remove front cross bar from vehicle with power tool.
7. Remove steering hydraulic piping bracket from front suspension member. Refer to [PS-28, "HYDRAULIC LINE"](#) .
8. Remove steering gear and front suspension member attachment bolts and hang steering gear on vehicle. Refer to [PS-13, "POWER STEERING GEAR AND LINKAGE"](#) .
9. Set jack under engine.

CAUTION:

When setting jack to the engine, use a wooden block or an equivalent for the setting.

10. Remove fixing bolt and nut between shock absorber and transverse link with power tool.
11. Remove cotter pin of upper link ball joint, and then loosen nut.
12. Use a ball joint remover (suitable tool) to remove upper link from steering knuckle. Be careful not to damage ball joint boot.

CAUTION:

To prevent damage to threads and to prevent ball joint remover (suitable tool) from coming off, and temporarily tighten lock nuts.

13. Remove fixing nut and washer located at the bottom of stabilizer connecting rod, and then remove stabilizer connecting rod from transverse link with power tool.
14. Remove fixing nuts between engine mounting insulator and front suspension member. Refer to [EM-93, "ENGINE ASSEMBLY"](#) .
15. Remove fixing nuts between front suspension member and body with power tool.
16. Remove front suspension assembly from vehicle.

INSTALLATION

- Refer to [FSU-8, "Components"](#) for tightening torque. Install in the reverse order of removal.

CAUTION:

Refer to component parts location and do not reuse non-reusable parts.

- Perform final tightening of shock absorber lower side (rubber bushing) under unladen condition with tires on level ground. Check wheel alignment. Refer to [FSU-6, "Wheel Alignment Inspection"](#) .

FSU

COIL SPRING AND SHOCK ABSORBER

COIL SPRING AND SHOCK ABSORBER

PFP:54302

Removal and Installation

REMOVAL

AES000E0

1. Remove tire with power tool.
2. Remove harness of wheel sensor from shock absorber. Refer to [BRC-64, "WHEEL SENSORS"](#).
CAUTION:
Do not pull on wheel sensor harness.
3. Remove mounting nuts of brake hose from shock absorber.
4. Remove mounting bolt and nut between shock absorber and transverse link with power tool.
5. Remove mounting nuts on mounting insulator with power tool, then remove shock absorber from vehicle.

INSTALLATION

- Refer to [FSU-8, "Components"](#) for tightening torque. Install in the reverse order of removal.
CAUTION:
Refer to component parts location and do not reuse non-reusable parts.
- Perform final tightening of shock absorber lower side (rubber bushing) under unladen condition with tires on level ground. Check wheel alignment. Refer to [FSU-6, "Wheel Alignment Inspection"](#).

Disassembly and Assembly

DISASSEMBLY

AES000E1

CAUTION:

Make sure piston rod on shock absorber is not damaged when removing components from shock absorber.

1. Install strut attachment (special service tool) to shock absorber and fix it in a vise.

CAUTION:

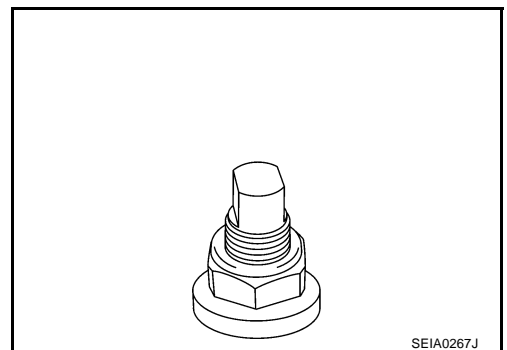
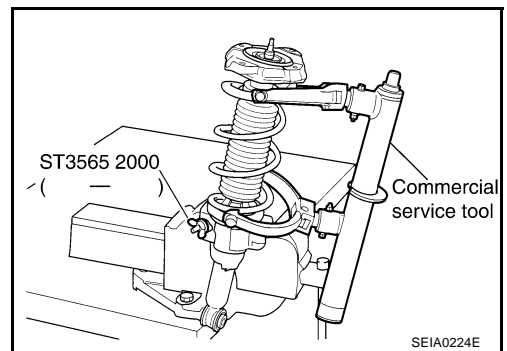
When installing strut attachment (special service tool) to shock absorber, wrap a shop cloth around shock absorber to protect it from damage.

2. Using a spring compressor (commercial service tool), compress coil spring between spring upper seat and spring lower seat (on shock absorber) until coil spring is free.

CAUTION:

Be sure spring compressor (commercial service tool) is securely attached to coil spring. Compress coil spring.

3. Check that coil spring between spring upper seat and spring lower seat is free and then secure piston rod tip so that piston rod does not turn, and remove piston rod lock nut.



4. Remove mounting insulator, bound bumper, spring upper seat. Then remove coil spring from shock absorber.
5. Gradually release spring compressor (commercial service tool), and remove coil spring.

CAUTION:

Loosen while marking sure coil spring attachment position does not move.

6. Remove strut attachment (special service tool) from shock absorber.

COIL SPRING AND SHOCK ABSORBER

INSPECTION AFTER DISASSEMBLY

Shock Absorber Inspection

- Check shock absorber for deformation, cracks, damage, and replace if necessary.
- Check piston rod for damage, uneven wear, distortion, and replace if necessary.
- Check welded and sealed areas for oil leakage, and replace if necessary.

Mounting Insulator and Rubber Parts Inspection

Check mounting insulator for cracks and rubber parts for wear. Replace them if necessary.

Coil Spring Inspection

Check coil spring for cracks, wear, damage, and replace if necessary.

ASSEMBLY

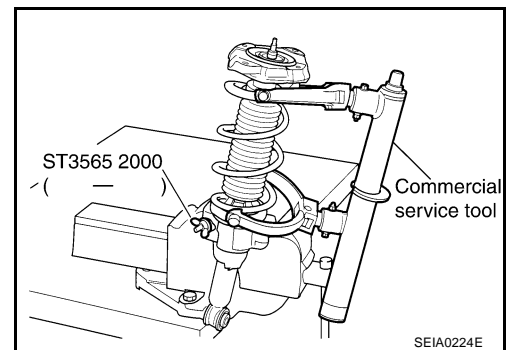
CAUTION:

Make sure piston rod on shock absorber is not damaged when attaching components to shock absorber.

1. Install strut attachment (special service tool) to shock absorber and fix it in a vise.

CAUTION:

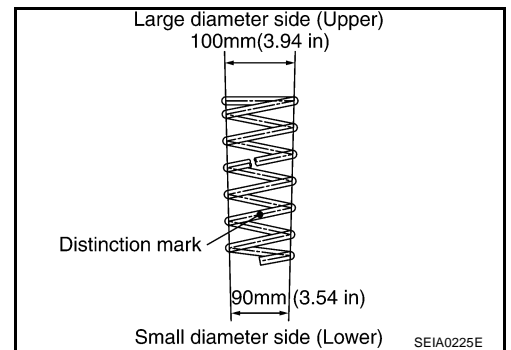
When installing strut attachment (special service tool) to shock absorber, wrap a shop cloth around shock absorber to protect it from damage.



2. Compress coil spring using a spring compressor (commercial service tool), and install it onto shock absorber.

CAUTION:

- Install coil spring as shown in the figure with large diameter side [100 mm (3.94 in)] up and small diameter side [90 mm (3.54 in)] down. (Identification paint is the 4th winding point from lower side.)
- Be sure spring compressor (commercial service tool) is securely attached to coil spring. Compress coil spring.



3. Apply soapy water to bound bumper and insert into mounting insulator.

CAUTION:

Do not use machine oil.

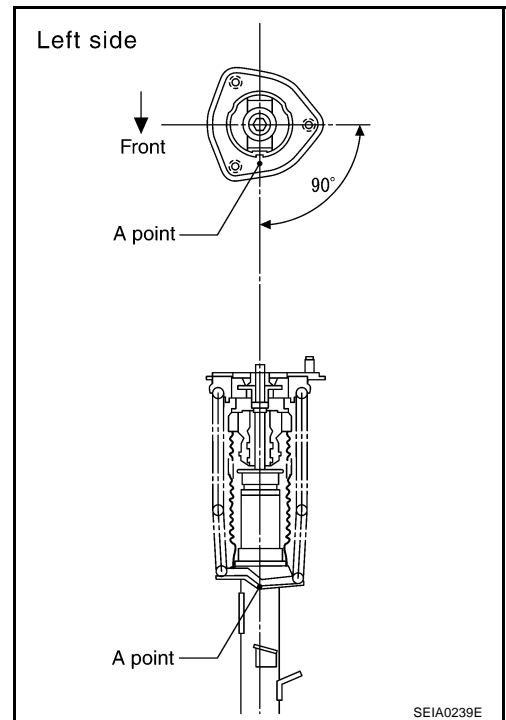
A
B
C
D
FSU
F
G
H
I
J
K
L
M

COIL SPRING AND SHOCK ABSORBER

- Attach spring upper seat and mounting insulator as shown in the figure.

CAUTION:

- Make sure coil spring is securely seated in spring mounting groove of spring upper seat.
- The bottom part of spring should be at the piston of A point of spring seat.



- Secure piston rod tip so that piston rod does not turn, and tighten the specified torque on piston rod lock nut.
 - Gradually release spring compressor (commercial service tool), and remove coil spring.
- CAUTION:**
Loosen while making sure coil spring attachment position does not move.
- Remove strut attachment (special service tool) from shock absorber.

TRANSVERSE LINK

TRANSVERSE LINK

PFP:54500

Removal and Installation

AES000E2

REMOVAL

1. Remove tire with power tool. A
2. Remove front air spoiler. B
3. Remove under cover with power tool. C
4. Remove mounting nut and washer on lower portion of stabilizer connecting rod with power tool. C
5. Remove mounting nut between transverse link and shock absorber on lower position. D
6. Remove mounting nut between transverse link and front suspension member with power tool. D
7. Remove transverse link from steering knuckle. Refer to [FAX-4, "FRONT WHEEL HUB AND KNUCKLE"](#). D
8. Remove transverse link from vehicle. D

INSPECTION AFTER REMOVAL

Visual Inspection

Check transverse link and bushing for deformation, cracks, or damage. Replace the entire transverse link assembly if cracks, deformation or any other damage is found.

INSTALLATION

- Refer to [FSU-8, "Components"](#) for tightening torque. Install in the reverse order of removal. F
- CAUTION:** G
Refer to component parts location and do not reuse non-reusable parts.
- Perform final tightening of front suspension member installation position and shock absorber lower side (rubber bushing) under unladen condition with tires on level ground. Check wheel alignment. Refer to [FSU-6, "Wheel Alignment Inspection"](#). H

FSU

F

G

H

I

J

K

L

M

UPPER LINK

PFP:54524

Removal and Installation

REMOVAL

AES000ES

1. Remove tire with power tool.
2. Remove shock absorber. Refer to [FSU-10, "COIL SPRING AND SHOCK ABSORBER"](#).
3. Remove cotter pin of upper link ball joint, and loosen nut.
4. Use a ball joint remover (suitable tool) to remove upper link from steering knuckle. Be careful not to damage ball joint boot.

CAUTION:

To prevent damage to threads and to prevent ball joint remover (suitable tool) from coming off, and temporarily tighten lock nuts.

5. Remove bolts holding upper link to body with power tool.
6. Remove upper link from vehicle.

INSPECTION AFTER REMOVAL

Visual Inspection

- Check upper link and bushing for deformation, cracks, or damage. If any non-standard conditions is found, replace it.
- Check boot of ball joint for cracks, or damage, and also for grease leakage. If any non-standard condition is found, replace it.

Ball Joint Inspection

- Manually move ball stud to confirm it moves smoothly with no binding.

Swing Torque Inspection

CAUTION:

Before measurement, move ball joint at least ten times by hand to check for smooth movement.

- Hook spring scale at cotter pin mounting hole. Confirm spring scale measurement value is within specifications when ball stud begins moving.

Standard value

Swing torque:

Less than 2.0 N·m (0.20 kg·m, 18 in·lb)

Measured value of spring scale:

Less than 34.8 N (3.5 kg, 7.8 lb)

- If it is outside the specified range, replace upper link assembly.

Rotating Torque Inspection

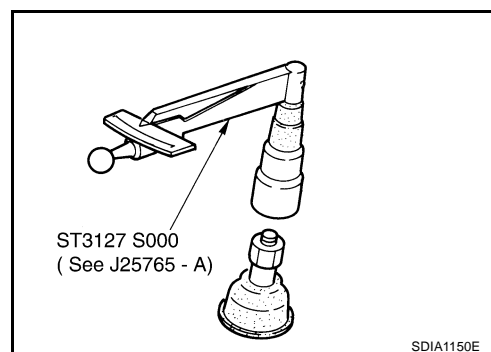
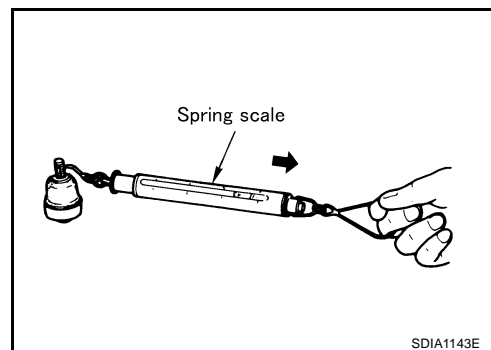
- Attach mounting nut to ball stud. Check that sliding torque is within specifications with a preload gauge (special service tool).

Standard value

Rotating torque:

Less than 2.0 N·m (0.20 kg·m, 18 in·lb)

- If it is outside the specified range, replace upper link assembly.



UPPER LINK

Axial End Play Inspection

- Move tip of ball joint in axial direction to check for looseness.

Standard value

Axial end play : 0 mm (0 in)

- If it is outside the specified range, replace upper link assembly.

INSTALLATION

- Refer to [FSU-8, "Components"](#) for tightening torque. Install in the reverse order of removal.

CAUTION:

Refer to component parts location and do not reuse non-reusable parts.

- Perform final tightening of installation position between upper link and body (rubber bushing) under unladen condition with tires on level ground. Check wheel alignment. Refer to [FSU-6, "Wheel Alignment Inspection"](#) .

A

B

C

D

FSU

F

G

H

I

J

K

L

M

COMPRESSION ROD

PFP:54468

AES000ET

COMPRESSION ROD

Removal and Installation

REMOVAL

1. Remove tire with power tool.
2. Remove front air spoiler.
3. Remove under cover with power tool.
4. Remove front cross bar from vehicle with power tool.
5. Remove cotter pin of compression rod ball joint, and loosen nut.
6. Use a ball joint remover (suitable tool) to remove compression rod from steering knuckle. Be careful not to damage ball joint boot.

CAUTION:

To prevent damage to threads and to prevent ball joint remover (suitable tool) from coming off, and temporarily tighten lock nut.

INSPECTION AFTER REMOVAL

Visual Inspection

- Check compression rod and bushing for deformation, cracks, or damage. If any non-standard condition is found, replace it.
- Check boot of ball joint for cracks, or damage, and also for grease leakage. If any non-standard condition is found, replace it.

Ball Joint Inspection

- Manually move ball stud to confirm it moves smoothly with no binding.

Swing Torque Inspection

CAUTION:

Before measurement, move ball joint at least ten times by hand to check for smooth movement.

- Hook spring scale at cotter pin mounting hole. Confirm spring scale measurement value is within specifications when ball stud begins moving.

Standard value

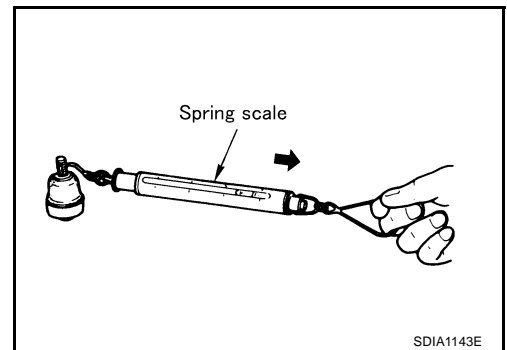
Swing torque:

0.147 - 2.45 N·m (0.02 - 0.24 kg·m, 2 - 21 in-lb)

Measured value of spring scale:

2.37 - 39.5 N (0.24 - 4.03 kg, 0.53 - 8.88 lb)

- If it is outside the specified range, replace compression rod assembly.



Rotating Torque Inspection

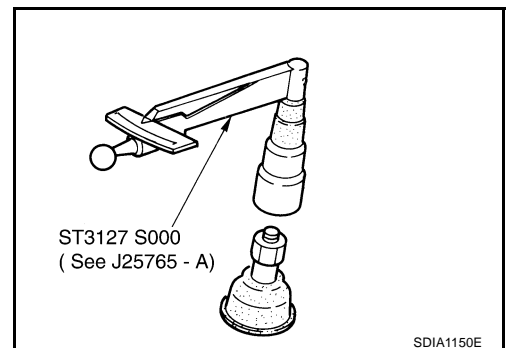
- Attach mounting nut to ball stud. Check that sliding torque is within specifications with a preload gauge (special service tool).

Standard value

Rotating torque:

0.147 - 2.45 N·m (0.02 - 0.24 kg·m, 2 - 21 in-lb)

- If it is outside the specified range, replace compression rod assembly.



COMPRESSION ROD

Axial End Play Inspection

- Move tip of ball joint in axial direction to check for looseness.

Standard value

Axial end play : 0 mm (0 in)

- If it is outside the specified range, replace compression rod assembly.

INSTALLATION

- Refer to [FSU-8, "Components"](#) for tightening torque. Install in the reverse order of removal.

CAUTION:

Refer to component parts location and do not reuse non-reusable parts.

- Perform final tightening of installation position between compression rod and body (rubber bushing) under unladen condition with tires on level ground. Check wheel alignment. Refer to [FSU-6, "Wheel Alignment Inspection"](#) .

A

B

C

D

FSU

F

G

H

I

J

K

L

M

STABILIZER BAR

STABILIZER BAR

PFP:54611

Removal and Installation

REMOVAL

AES000E3

1. Remove tire with power tool.
2. Remove front air spoiler.
3. Remove under cover with power tool.
4. Remove mounting nut on upper portion of stabilizer connecting rod with power tool.
5. Remove mounting bolts and nuts, then remove stabilizer clamp, stabilizer bushing, and stabilizer clamp bracket.
6. Remove stabilizer bar from vehicle.

INSPECTION AFTER REMOVAL

Check stabilizer bar, stabilizer connecting rod, stabilizer bushing, stabilizer clamp and stabilizer clamp bracket for deformation, cracks and damage, and replace if necessary.

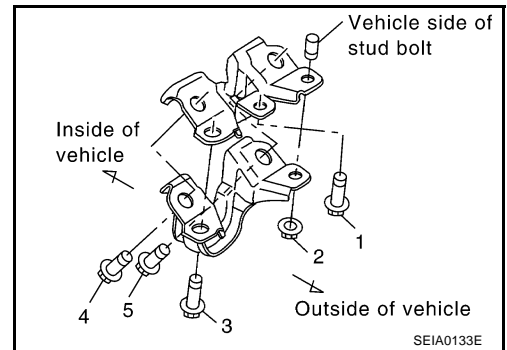
INSTALLATION

- Refer to [FSU-8, "Components"](#) for tightening torque. Install in the reverse order of removal.

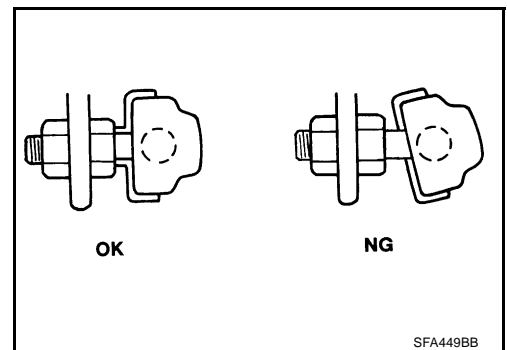
CAUTION:

Refer to component parts location and do not reuse non-reusable parts.

- Tighten each bolt and nut as shown in the figure for tightening stabilizer bracket and stabilizer clamp. Tightening order is as follows. 1 (fully tighten) → 2 (temporarily tighten) → 3 (temporarily tighten) → 2 (fully tighten) → 3 (fully tighten) → 4, 5 (temporarily tighten) → 4, 5 (fully tighten).



- Stabilizer bar uses pillow ball type connecting rod. Position ball joint with case on pillow ball head parallel to stabilizer bar.



FRONT SUSPENSION MEMBER

FRONT SUSPENSION MEMBER

PPF:54401

A

Removal and Installation

AES000E4

REMOVAL

1. Remove tire with power tool.
2. Remove front air spoiler.
3. Remove under cover with power tool.
4. Remove fixing bolts and nuts, then remove front cross bar from vehicle with power tool.
5. Remove steering hydraulic piping bracket from front suspension member. Refer to [PS-28, "HYDRAULIC LINE"](#) .
6. Remove steering gear and front suspension member attachment bolts and hang steering gear on vehicle. Refer to [PS-13, "POWER STEERING GEAR AND LINKAGE"](#) .
7. Remove transverse link from front suspension member with power tool. Refer to [FSU-13, "TRANSVERSE LINK"](#) .
8. Set jack under engine.
CAUTION:
When setting jack to the engine, use a wooden block or an equivalent for the setting.
9. Remove fixing nuts between engine mounting insulator and front suspension member. Refer to [EM-93, "ENGINE ASSEMBLY"](#) .
10. Remove fixing nuts between front suspension member and body with power tool.
11. Remove front suspension member from vehicle.

B

C

D

FSU

F

G

H

INSPECTION AFTER REMOVAL

Check front suspension member for deformed parts, cracks, or any other damage. Replace if necessary.

INSTALLATION

- Refer to [FSU-8, "Components"](#) for tightening torque. Install in the reverse order of removal.
CAUTION:
Refer to component parts location and do not reuse non-reusable parts.
- Perform final tightening of installation position between front suspension member and transverse link (rubber bushing) under unladen condition with tires on level ground. Check wheel alignment. Refer to [FSU-6, "Wheel Alignment Inspection"](#) .

I

J

K

L

M

SERVICE DATA

SERVICE DATA

PFP:00030

Wheel Alignment (Unladen)

AES000E7

Tire		17 inch	18 inch
Camber Degree minute (Decimal degree)	Minimum	- 1°15' (- 1.25°)	
	Nominal	- 0°30' (- 0.50°)	
	Maximum	0°15' (0.25°)	
	Left and right difference	45' (0.75°)	
Caster Degree minute (Decimal degree)	Minimum	7°25' (7.42°)	7°15' (7.25°)
	Nominal	8°10' (8.17°)	8°00' (8.00°)
	Maximum	8°55' (8.92°)	8°45' (8.75°)
	Left and right difference	45' (0.75°)	
Kingpin inclination Degree minute (Decimal degree)	Minimum	4°10' (4.17°)	
	Nominal	4°55' (4.92°)	
	Maximum	5°40' (5.67°)	
Total toe-in Distance (A - B)	Minimum	0 mm (0 in)	
	Nominal	1 mm (0.04 in)	
	Maximum	2 mm (0.08 in)	

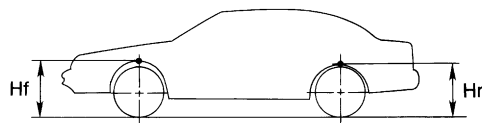
Ball Joint

AES000E8

Swing torque	Less than 2.0 N·m (0.20 kg-m, 18 in-lb) (Upper link) 0.147 - 2.45 N·m (0.02 - 0.24 kg-m, 2 - 21 in-lb) (Compression rod)
Measurement on spring balance (cotter pinhole position)	Less than 34.8 N (3.5 kg, 7.8 lb) (Upper link) 2.37 - 39.5 N (0.24 - 4.03 kg, 0.53 - 8.88 lb) (Compression rod)
Rotating torque	Less than 2.0 N·m (0.20 kg-m, 18 in-lb) (Upper link) 0.147 - 2.45 N·m (0.02 - 0.24 kg-m, 2 - 21 in-lb) (Compression rod)
Axial end play	0 mm (0 in)

Wheelarch Height (Unladen*)

AES000EU



SFA818A

Applied model	225/50R17 (Front) 235/50R17 (Rear)	225/45R18 (Front) 245/45R18 (Rear)
Front (Hf)	691 mm (27.20 in)	694 mm (27.32 in)
Rear (Hr)	702 mm (27.64 in)	710 mm (27.95 in)

*: Fuel, radiator coolant and engine oil full. Spare tire, jack, hand tools and mats in designated positions.