

SECTION **EX** EXHAUST SYSTEM

CONTENTS

<b>PREPARATION</b> .....	2	REMOVAL .....	4	F
Commercial Service Tools .....	2	INSTALLATION .....	4	
<b>EXHAUST SYSTEM</b> .....	3	Inspection After Installation .....	4	
Checking Exhaust System .....	3	<b>SERVICE DATA AND SPECIFICATIONS (SDS)</b> .....	5	G
Removal and Installation .....	3	Tightening Torque .....	5	

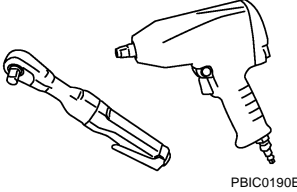
# PREPARATION

## PREPARATION

PFP:00002

### Commercial Service Tools

ABS002YD

Tool name	Description
Power tool  PBIC0190E	Loosening nuts and bolts

# EXHAUST SYSTEM

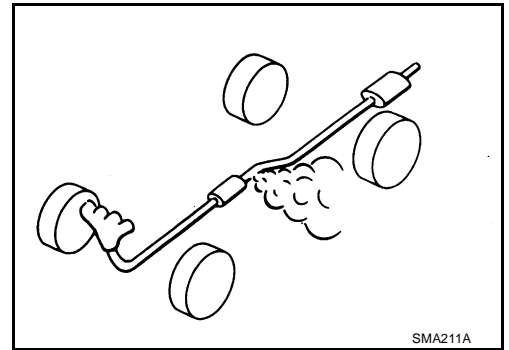
## EXHAUST SYSTEM

PF20:20100

### Checking Exhaust System

ABS004SD

Check exhaust pipes, muffler and mounting for improper attachment, leaks, cracks, damage or deterioration.



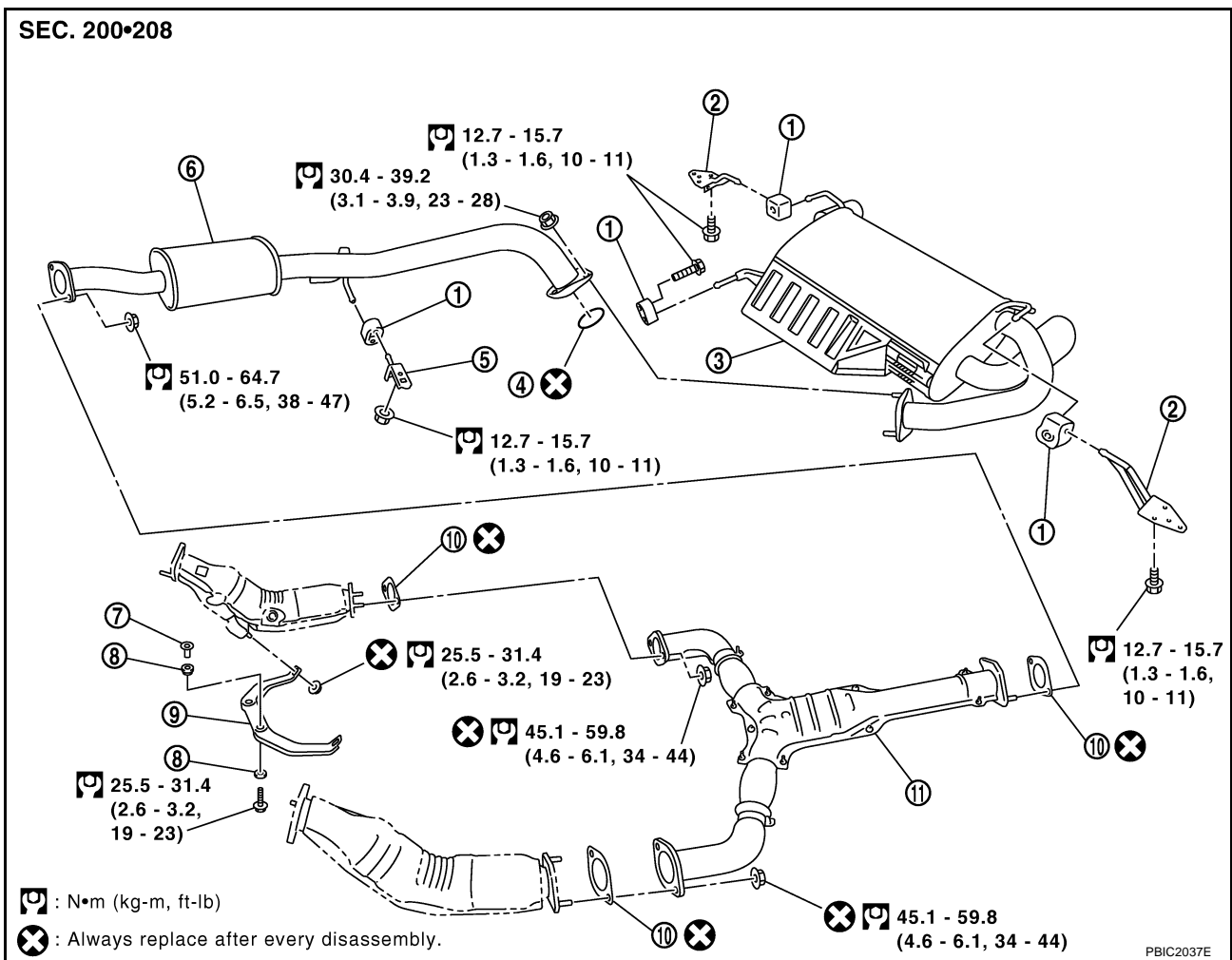
SMA211A

### Removal and Installation

ABS004SE

#### CAUTION:

- Be sure to use genuine exhaust system parts or equivalents which are specially designed for heat resistance, corrosion resistance, and shape.
- Perform the operation with the exhaust system fully cooled down because the system will be hot just after the engine stops.
- Be careful not to cut your hand on the insulator edge.



PBIC2037E

- |                    |                                  |                             |
|--------------------|----------------------------------|-----------------------------|
| 1. Mounting rubber | 2. Main muffler mounting bracket | 3. Main muffler             |
| 4. Ring gasket     | 5. Mounting bracket              | 6. Center muffler           |
| 7. Collar          | 8. Grommet                       | 9. Exhaust mounting bracket |
| 10. Gasket         | 11. Exhaust front tube           |                             |

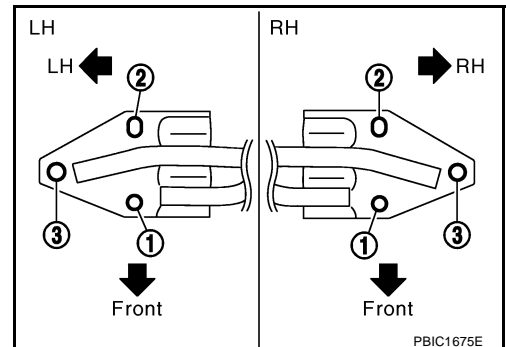
# EXHAUST SYSTEM

## REMOVAL

- Disconnect each joint and mounting using power tool.
- When removing main muffler, remove main muffler mounting bracket bolts.

## INSTALLATION

- Tighten main muffler mounting bracket bolts in order shown in the figure.

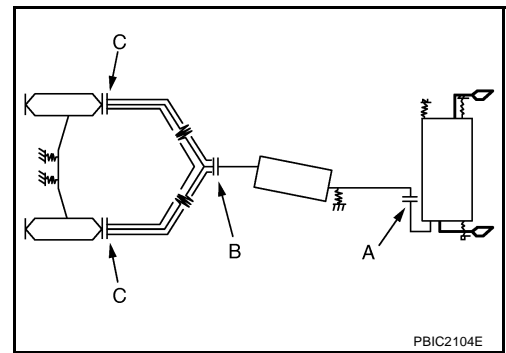


When reassembling main muffler only.

- Temporarily tighten flange connecting center muffler to main muffler (A).
- Move main muffler front / rear / left / right so that clearance between tail tube and dumper is even.
- Fully tighten (A) to the specified torque.

When reassembling center muffler.

- Temporarily tighten all connecting flanges (A) (B).
- Move main muffler front / rear / left / right so that clearance between tail tube and bumper is even.
- Fully tighten connecting flanges to the specified torque.



When reassembling front tube.

- Temporarily tighten flange connecting center muffler to main muffler (A), flange connecting front tube to center muffler (B), flange connecting catalyst to front tube (C).
- Move main muffler front / rear / left / right so that clearance between tail tube and bumper is even.
- Tighten connecting flanges in order of (A), (B), and (C) to the specified torque.

## CAUTION:

- **Always replace exhaust tube gaskets with new ones when reassembling.**
- **If the insulator is badly deformed, repair or replace it. If deposits such as mud pile up on the insulator, remove them.**
- **When installing the insulator avoid large gaps or interference between the insulator and each exhaust pipe.**
- **Remove deposits from the sealing surface of each connection. Connect them securely to avoid gas leakage.**
- **Temporarily tighten mounting nuts on the exhaust manifold side and mounting bolts on the vehicle side. Check each part for unusual interference, and then tighten them to the specified torque.**
- **When installing each mounting rubber, avoid twisting or unusual extension in up/down and right/left directions.**

## Inspection After Installation

ABS004SF

Install in the reverse order of removal paying attention to the followings.

- Check clearance between tail tube and bumper is even.
- With the engine running, check exhaust tube joints for gas leakage and unusual noises.
- Check to ensure that mounting brackets and mounting insulators are installed properly and free from undue stress. Improper installation could result in excessive noise and vibration.

# SERVICE DATA AND SPECIFICATIONS (SDS)

## SERVICE DATA AND SPECIFICATIONS (SDS)

PFP:00030

A

### Tightening Torque

ABS004SG

Unit: N-m (kg-m, ft-lb)

Exhaust system connections		
Between three way catalyst and exhaust front tube	45.1 - 59.8 (4.6 - 6.1, 34 - 44)	EX
Between exhaust front tube and center muffler	51.0 - 64.7 (5.2 - 6.5, 38 - 47)	
Between center muffler and main muffler	30.4 - 39.2 (3.1 - 3.9, 23 - 28)	
Three way catalyst mounting bracket	25.5 - 31.4 (2.6 - 3.2, 19 - 23)	C
Center muffler mounting bracket	12.7 - 15.7 (1.3 - 1.6, 10 - 11)	
Main muffler mounting bracket	12.7 - 15.7 (1.3 - 1.6, 10 - 11)	

EX

C

D

E

F

G

H

I

J

K

L

M

# SERVICE DATA AND SPECIFICATIONS (SDS)

---