

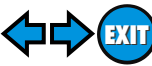
STARTING & CHARGING SYSTEM

SECTION SC

GI
MA
EM
LC
EC
FE
CL
MT
AT
AX
SU
BR
ST
RS
BT
HA
SC
EL
IDX

CONTENTS

PRECAUTIONS	2	Construction.....	9
Supplemental Restraint System (SRS) "AIR BAG" and "SEAT BELT PRE-TENSIONER".....	2	Removal and Installation	9
Wiring Diagrams and Trouble Diagnosis.....	2	Pinion/Clutch Check	9
BATTERY	3	CHARGING SYSTEM	10
How to Handle Battery	3	System Description.....	10
METHODS OF PREVENTING OVER-DISCHARGE	3	Wiring Diagram - CHARGE -.....	11
CHECKING ELECTROLYTE LEVEL	3	Trouble Diagnoses.....	12
SPECIFIC GRAVITY CHECK.....	4	WITH IC REGULATOR.....	12
CHARGING THE BATTERY.....	5	MALFUNCTION INDICATOR	12
STARTING SYSTEM	6	Construction.....	13
System Description.....	6	Removal and Installation	13
M/T MODELS	6	SERVICE DATA AND SPECIFICATIONS (SDS)	14
A/T MODELS.....	6	Battery.....	14
Wiring Diagram - START -.....	7	Starter	14
M/T MODELS	7	Alternator	14
A/T MODELS.....	8		



PRECAUTIONS

Supplemental Restraint System (SRS) "AIR BAG" and "SEAT BELT PRE-TENSIONER"

Supplemental Restraint System (SRS) "AIR BAG" and "SEAT BELT PRE-TENSIONER"

NCSC0001

The Supplemental Restraint System such as "AIR BAG" and "SEAT BELT PRE-TENSIONER" used along with a seat belt, helps to reduce the risk or severity of injury to the driver and front passenger for certain types of collision. The SRS system composition which is available to INFINITI G20 is as follows:

- For a frontal collision
The Supplemental Restraint System consists of driver air bag module (located in the center of the steering wheel), front passenger air bag module (located on the instrument panel on passenger side), seat belt pre-tensioners, a diagnosis sensor unit, warning lamp, wiring harness and spiral cable.
- For a side collision
The Supplemental Restraint System consists of side air bag module (located in the outer side of front seat), satellite sensor, diagnosis sensor unit (one of components of air bags for a frontal collision), wiring harness, warning lamp (one of components of air bags for a frontal collision).

Information necessary to service the system safely is included in the **RS** section of this Service Manual.

WARNING:

- **To avoid rendering the SRS inoperative, which could increase the risk of personal injury or death in the event of a collision which would result in air bag inflation, all maintenance must be performed by an authorized INFINITI dealer.**
- **Improper maintenance, including incorrect removal and installation of the SRS, can lead to personal injury caused by unintentional activation of the system. For removal of Spiral Cable and Air Bag Module, see the RS section.**
- **Do not use electrical test equipment on any circuit related to the SRS unless instructed to in this Service Manual. Spiral cable and wiring harnesses (except "SEAT BELT PRE-TENSIONER") covered with yellow insulation tape either just before the harness connectors or for the complete harness are related to the SRS.**

Wiring Diagrams and Trouble Diagnosis

NCSC0002

When you read wiring diagrams, refer to the following:

- GI-11, "HOW TO READ WIRING DIAGRAMS"
- EL-9, "POWER SUPPLY ROUTING" for power distribution circuit

When you perform trouble diagnosis, refer to the following:

- GI-36, "HOW TO FOLLOW TEST GROUP IN TROUBLE DIAGNOSIS"
- GI-25, "HOW TO PERFORM EFFICIENT DIAGNOSIS FOR AN ELECTRICAL INCIDENT"

How to Handle Battery

NCSC0003

CAUTION:

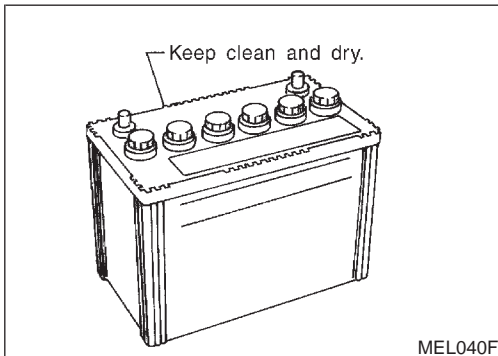
- If it becomes necessary to start the engine with a booster battery and jumper cables, use a 12-volt booster battery.
- After connecting battery cables, ensure that they are tightly clamped to battery terminals for good contact.
- Never add distilled water through the hole used to check specific gravity.

GI

MA

EM

LC



METHODS OF PREVENTING OVER-DISCHARGE

NCSC0003S01

The following precautions must be taken to prevent over-discharging a battery.

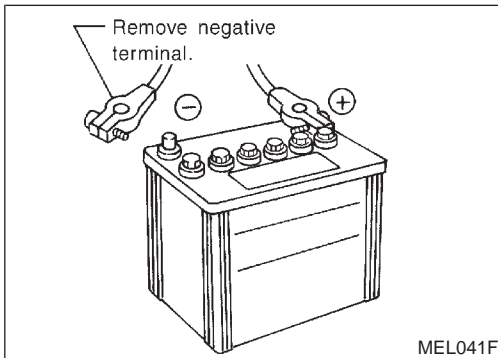
- The battery surface (particularly its top) should always be kept clean and dry.
- The terminal connections should be clean and tight.
- At every routine maintenance, check the electrolyte level. This also applies to batteries designated as "low maintenance" and "maintenance-free".

EC

FE

CL

MT



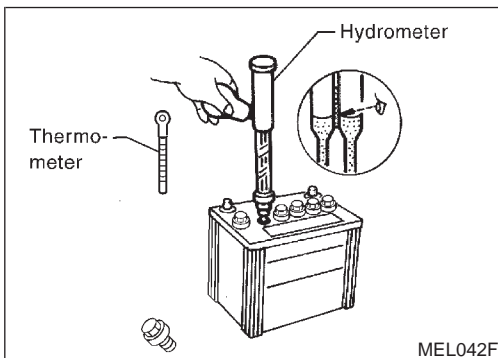
- When the vehicle is not going to be used over a long period of time, disconnect the negative battery terminal. (If the vehicle has an extended storage switch, turn it off.)

AT

AX

SU

BR



- Check the charge condition of the battery. Periodically check the specific gravity of the electrolyte. Keep a close check on charge condition to prevent over-discharge.

ST

RS

BT

HA

CHECKING ELECTROLYTE LEVEL

NCSC0003S02

WARNING:

Do not allow battery fluid to come in contact with skin, eyes, fabrics, or painted surfaces. After touching a battery, do not touch or rub your eyes until you have thoroughly washed your hands. If acid contacts eyes, skin or clothing, immediately flush with water for 15 minutes and seek medical attention.

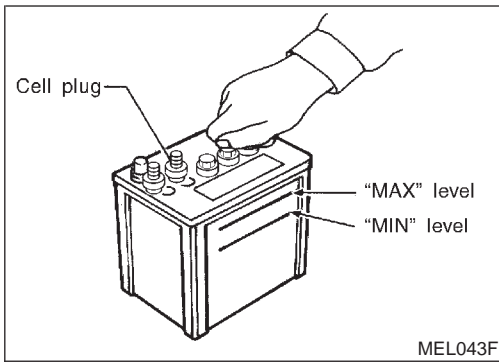
SC

EL

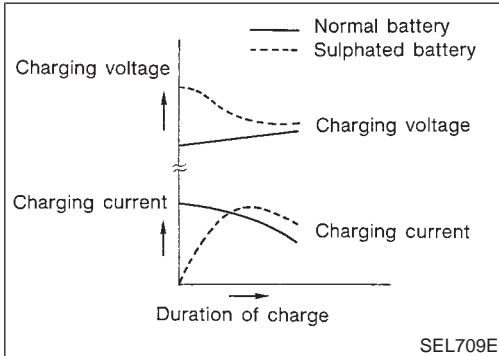
IDX

BATTERY

How to Handle Battery (Cont'd)



- Remove the cell plug using a suitable tool.
- Add distilled water up to the MAX level.



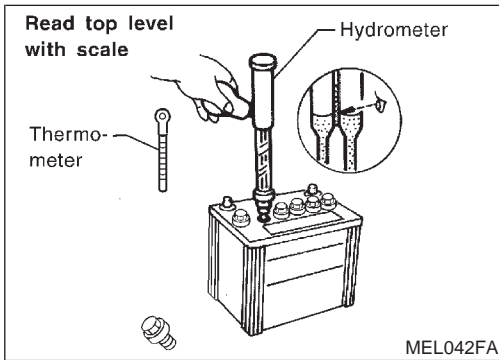
Sulphation

NCSC0003S0201

A battery will be completely discharged if it is left unattended for a long time and the specific gravity will become less than 1.100. This may result in sulphation on the cell plates.

To determine if a battery has been “sulphated”, note its voltage and current when charging it. As shown in the figure, less current and higher voltage are observed in the initial stage of charging sulphated batteries.

A sulphated battery may sometimes be brought back into service by means of a long, slow charge, 12 hours or more, followed by a battery capacity test.



SPECIFIC GRAVITY CHECK

NCSC0003S03

1. Read hydrometer and thermometer indications at eye level.

2. Use the chart below to correct your hydrometer reading according to electrolyte temperature.

Hydrometer Temperature Correction

NCSC0003S0301

Battery electrolyte temperature °C (°F)	Add to specific gravity reading
71 (160)	0.032
66 (150)	0.028
60 (140)	0.024
54 (130)	0.020
49 (120)	0.016
43 (110)	0.012
38 (100)	0.008
32 (90)	0.004
27 (80)	0
21 (70)	-0.004
16 (60)	-0.008
10 (50)	-0.012

BATTERY

How to Handle Battery (Cont'd)

Battery electrolyte temperature °C (°F)	Add to specific gravity reading	
4 (40)	-0.016	GI
-1 (30)	-0.020	
-7 (20)	-0.024	MA
-12 (10)	-0.028	
-18 (0)	-0.032	EM

Corrected specific gravity	Approximate charge condition	
1.260 - 1.280	Fully charged	LC
1.230 - 1.250	3/4 charged	EC
1.200 - 1.220	1/2 charged	
1.170 - 1.190	1/4 charged	FE
1.140 - 1.160	Almost discharged	
1.110 - 1.130	Completely discharged	CL

CHARGING THE BATTERY

NCSC0003S04

CAUTION:

- Do not “quick charge” a fully discharged battery.
- Keep the battery away from open flame while it is being charged.
- When connecting the charger, connect the leads first, then turn on the charger. Do not turn on the charger first, as this may cause a spark.
- If battery electrolyte temperature rises above 60°C (140°F), stop charging. Always charge battery at a temperature below 60°C (140°F).

Charging Rates

NCSC0003S0401

Amps	Time	
50	1 hour	ST
25	2 hours	
10	5 hours	RS
5	10 hours	BT

Do not charge at more than 50 ampere rate.

NOTE:

The ammeter reading on your battery charger will automatically decrease as the battery charges. This indicates that the voltage of the battery is increasing normally as the state of charge improves. The charging amps indicated above refer to initial charge rate.

- If, after charging, the specific gravity of any two cells varies more than .050, the battery should be replaced.

System Description

NCSC0004

NCSC0004S01

M/T MODELS

Power is supplied at all times

- to ignition switch terminal 1
- through 40A fusible link (letter **g**, located in the fuse and fusible link box).

With the ignition switch in the START position, power is supplied through 10A fuse [No. 26, located in the fuse block (J/B)]

- to park/neutral position relay terminal 1.

Also, with the ignition switch in the START position, power is supplied

- from ignition switch terminal 5
- to park/neutral position relay terminal 3.

When the clutch pedal is depressed, ground is supplied

- to park/neutral position relay terminal 2 through the clutch interlock switch
- from body grounds M15, M71 and M76.

Then park/neutral position relay is energized and power is supplied

- from park/neutral position relay terminal 5
- to starter motor harness connector terminal 2.

The starter motor plunger closes and provides a closed circuit between the battery and starter motor. The starter motor is grounded to the engine block. With power and ground supplied, cranking occurs and the engine starts.

A/T MODELS

NCSC0004S02

Power is supplied at all times

- to ignition switch terminal 1
- through 40A fusible link (letter **g**, located in the fuse and fusible link box).

With the ignition switch in the ON or START position, power is supplied through 10A fuse [No. 16, located in the fuse block (J/B)]

- to park/neutral position relay terminal 1.

Also, with the ignition switch in the START position, power is supplied

- from ignition switch terminal 5
- to park/neutral position relay terminal 6.

With the selector lever in the P or N position, ground is supplied

- to park/neutral position relay terminal 2 through the park/neutral position switch
- from body grounds, E28 and E9.

Then park/neutral position relay is energized and power is supplied

- from park/neutral position relay terminal 7
- to starter motor harness connector terminal 2.

The starter motor plunger closes and provides a closed circuit between the battery and starter motor. The starter motor is grounded to the engine block. With power and ground supplied, cranking occurs and the engine starts.

STARTING SYSTEM

Wiring Diagram — START —

Wiring Diagram — START —

M/T MODELS

NCSC0005

NCSC0005S01

SC-START-01

GI

MA

EM

LC

EC

FE

CL

MT

AT

AX

SU

BR

ST

RS

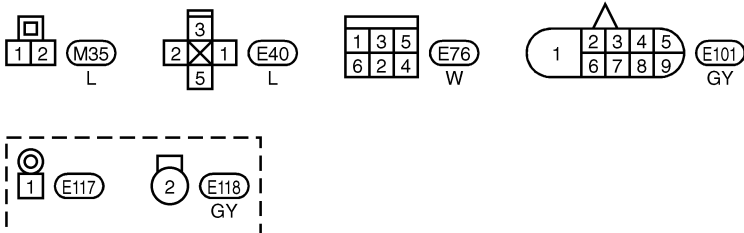
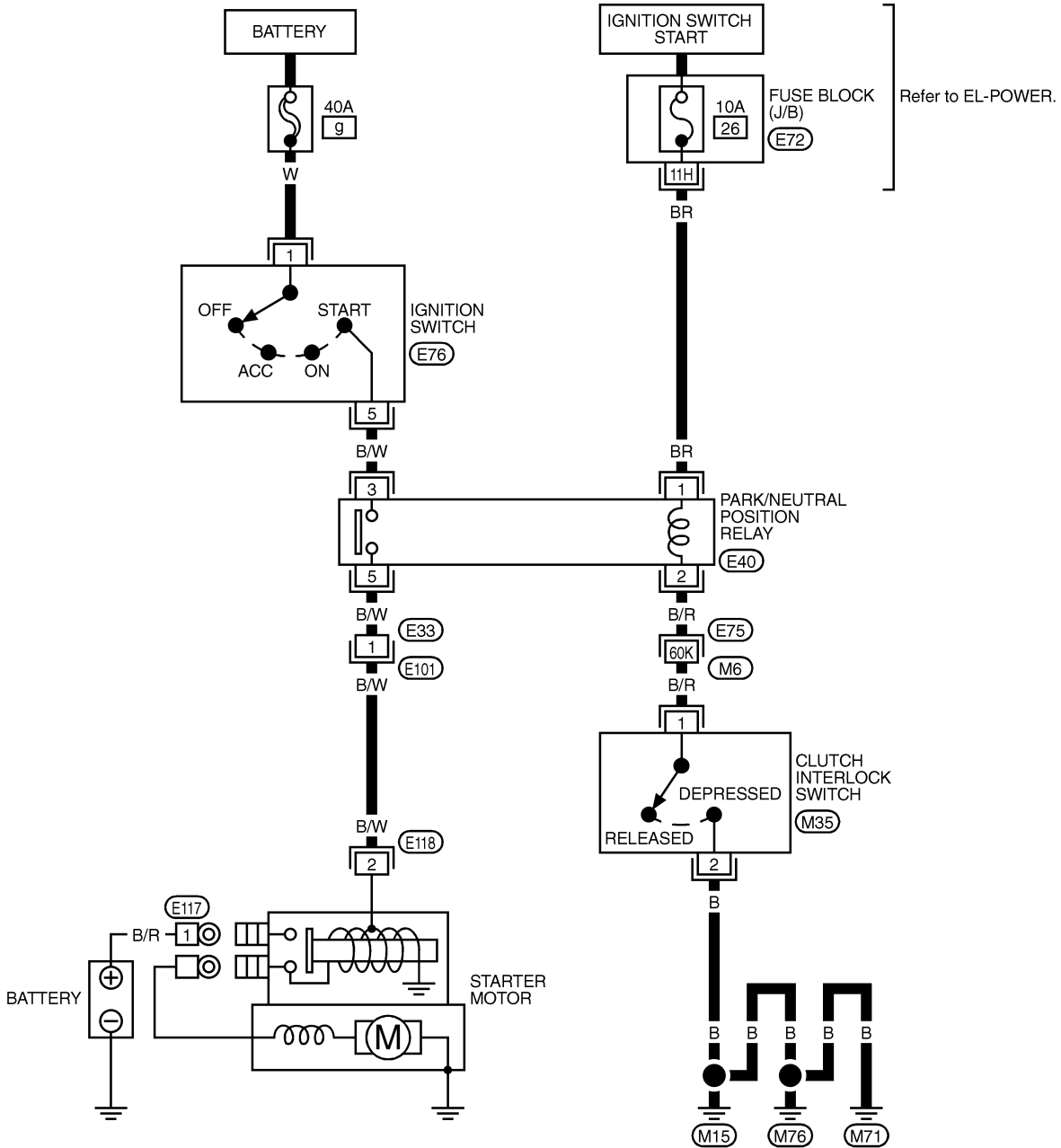
BT

HA

SC

EL

IDX



STARTING SYSTEM

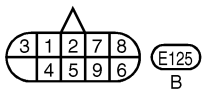
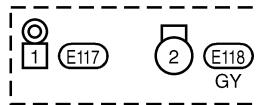
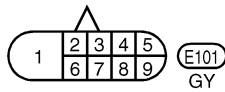
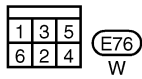
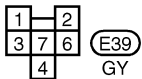
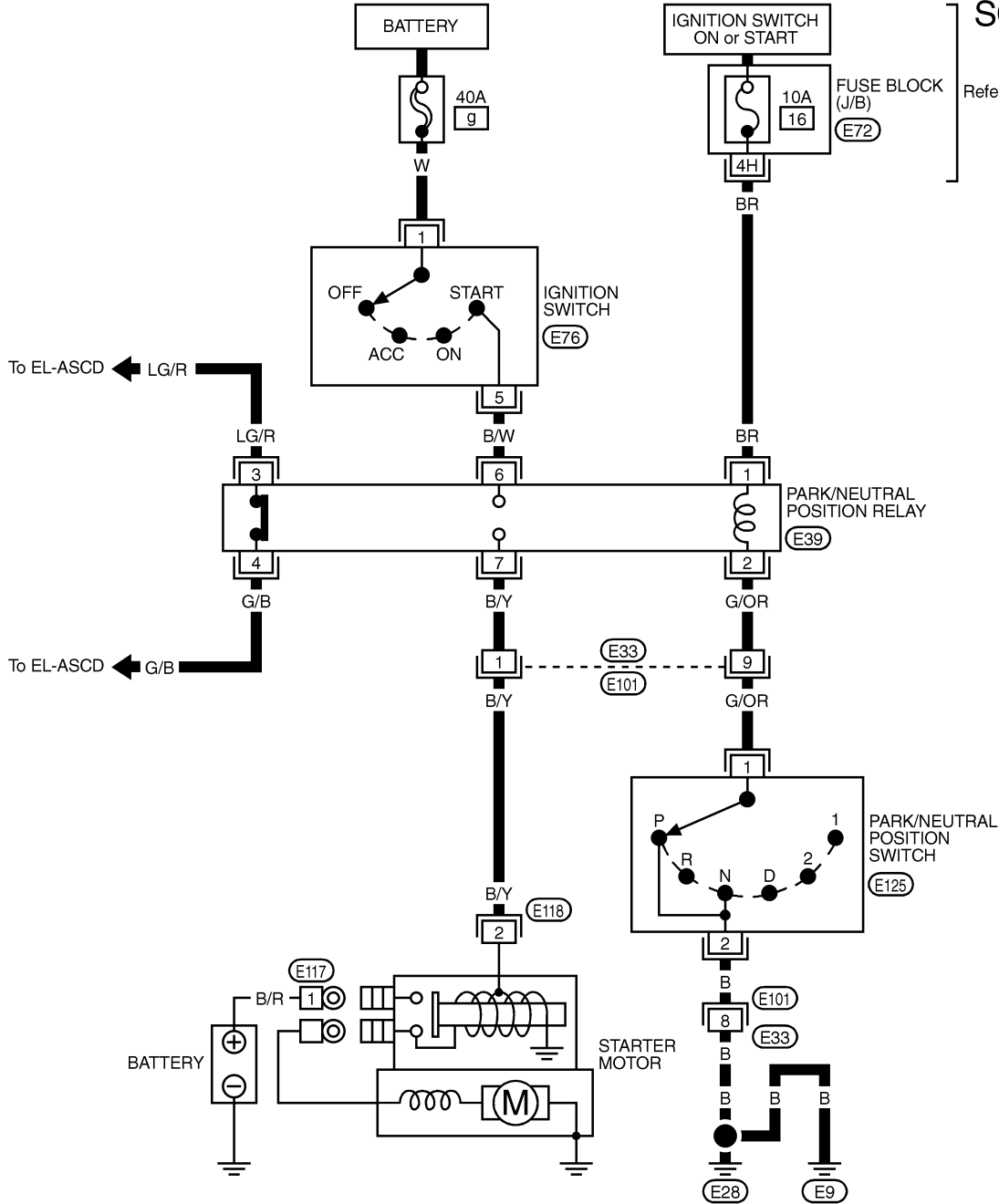
Wiring Diagram — START — (Cont'd)

A/T MODELS

NCSC0005S02

SC-START-02

Refer to EL-POWER.

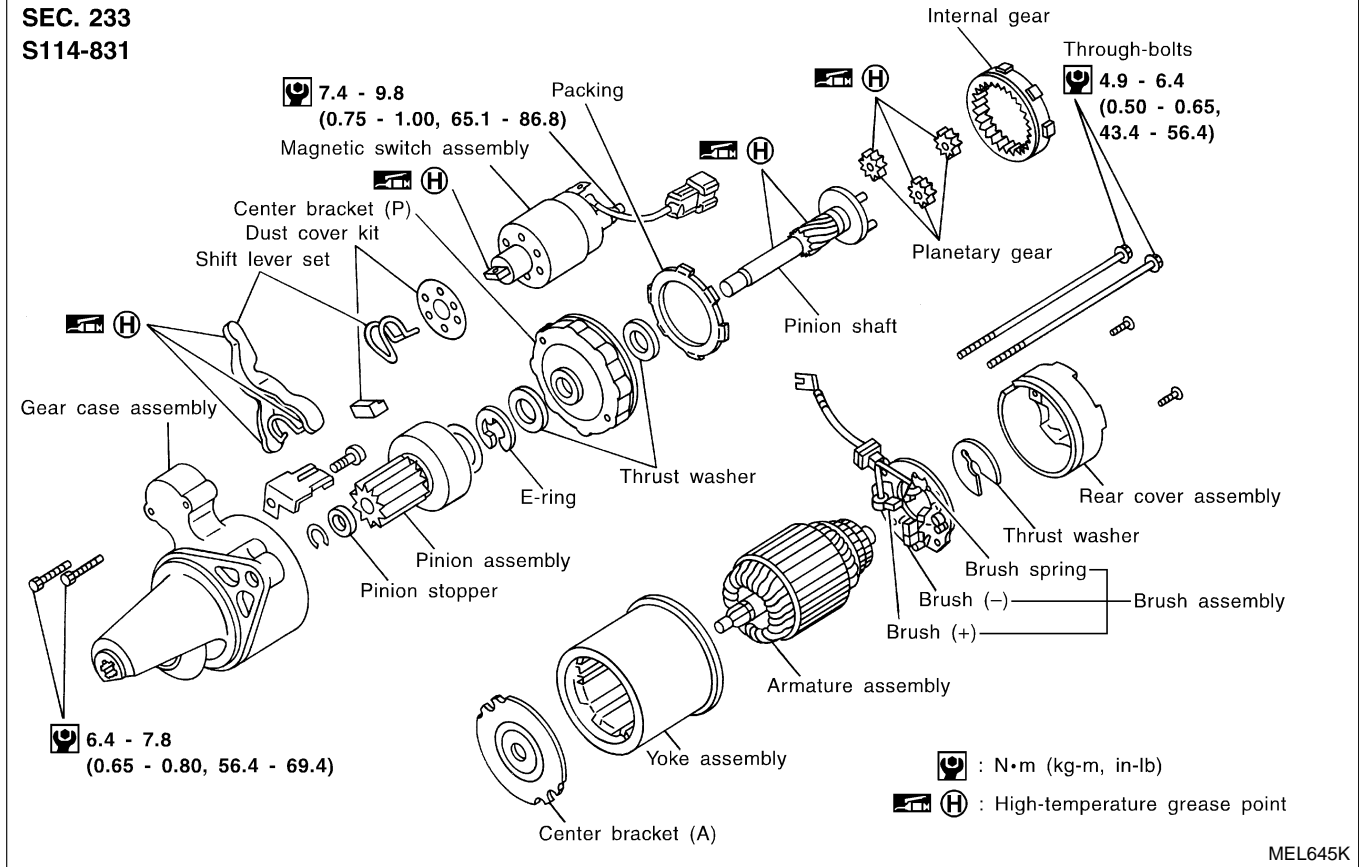


REFER TO THE FOLLOWING.
 (E72) - FUSE BLOCK-JUNCTION BOX (J/B)

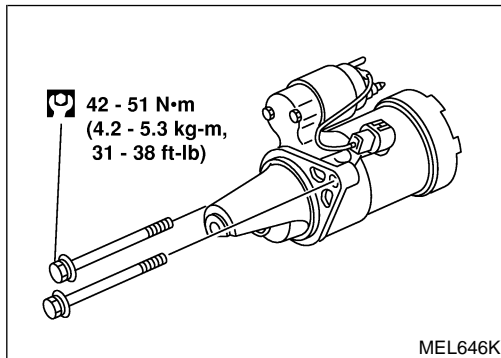
Construction

NCSC0006

SEC. 233
S114-831



GI
MA
EM
LC
EC
FE
CL
MT
AT
AX



Removal and Installation

NCSC0007

SU
BR
ST
RS
BT
HA

Pinion/Clutch Check

NCSC0008

- Inspect pinion teeth.
 - Replace pinion if teeth are worn or damaged. (Also check condition of ring gear teeth.)
- Inspect reduction gear teeth.
 - Replace reduction gear if teeth are worn or damaged. (Also check condition of armature shaft gear teeth.)
- Check to see if pinion locks in one direction and rotates smoothly in the opposite direction.
 - If it locks or rotates in both directions, or unusual resistance is evident, replace.

SC
EL
IDX

System Description

NCSC0009

The alternator provides DC voltage to operate the vehicle's electrical system and to keep the battery charged. The voltage output is controlled by the IC regulator.

Power is supplied at all times to alternator terminal 4 (S) through:

- 100A fusible link (letter e, located in the fuse and fusible link box), and
- 7.5A fuse (No. 37, located in the fuse and fusible link box).

Terminal B supplies power to charge the battery and operate the vehicle's electrical system. Output voltage is controlled by the IC regulator at terminal 4 (S) detecting the input voltage. The charging circuit is protected by the 100A fusible link.

The alternator is grounded to the engine block.

With the ignition switch in the ON or START position, power is supplied

- through 10A fuse [No. 11, located in the fuse block (J/B)]
- to combination meter terminal 37 for the charge warning lamp.

Ground is supplied to terminal 38 of the combination meter through terminal 3 (L) of the alternator. With power and ground supplied, the charge warning lamp will illuminate. When the alternator is providing sufficient voltage with the engine running, the ground is opened and the charge warning lamp will go off.

If the charge warning lamp illuminates with the engine running, a fault is indicated.

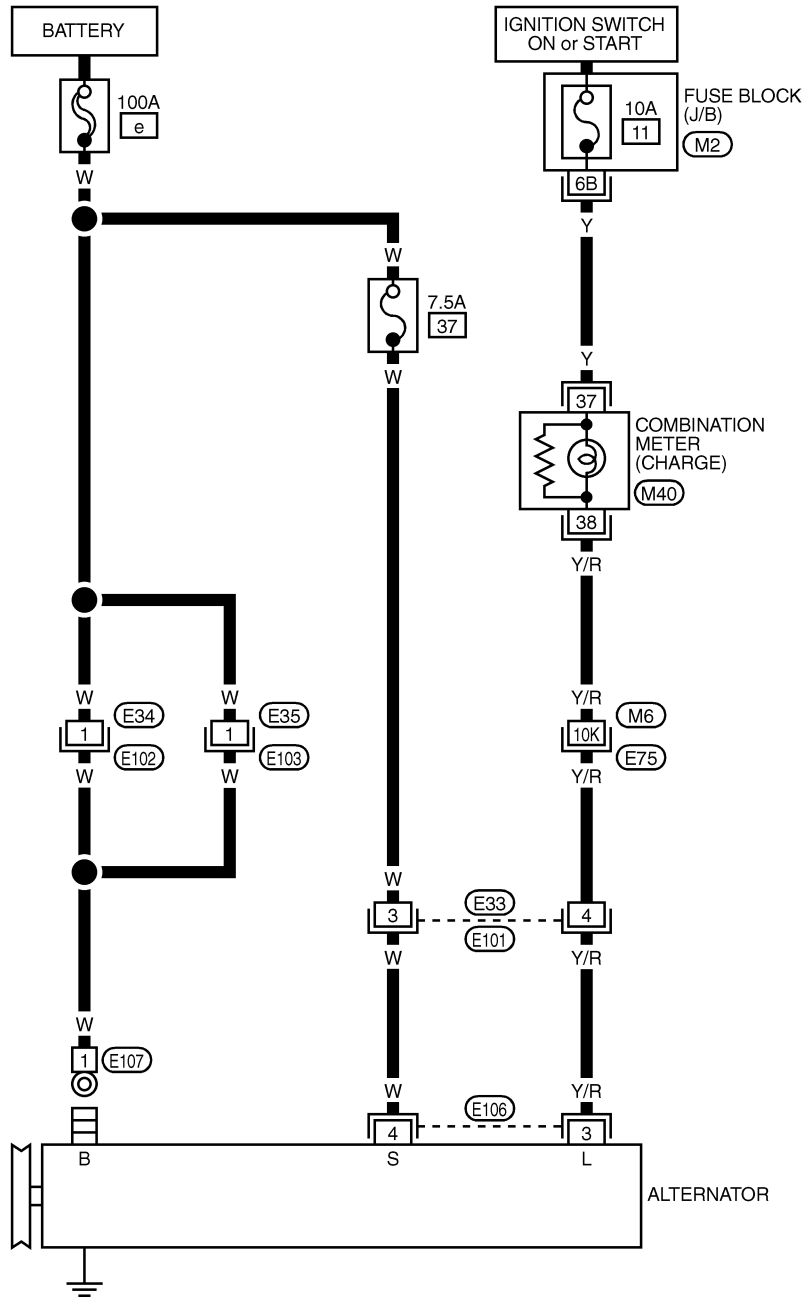
CHARGING SYSTEM

Wiring Diagram — CHARGE —

Wiring Diagram — CHARGE —

NCSC0010

SC-CHARGE-01



Refer to EL-POWER.

GI

MA

EM

LC

EC

FE

CL

MT

AT

AX

SU

BR

ST

RS

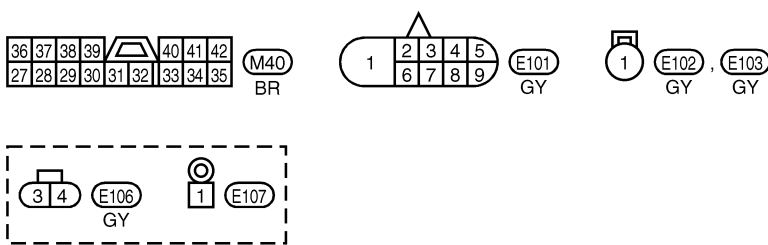
BT

HA

SC

EL

IDX



REFER TO THE FOLLOWING.

(E75) -SUPER MULTIPLE JUNCTION (SMJ)

(M2) -FUSE BLOCK-JUNCTION BOX (J/B)

TSC006

CHARGING SYSTEM

Trouble Diagnoses

Trouble Diagnoses

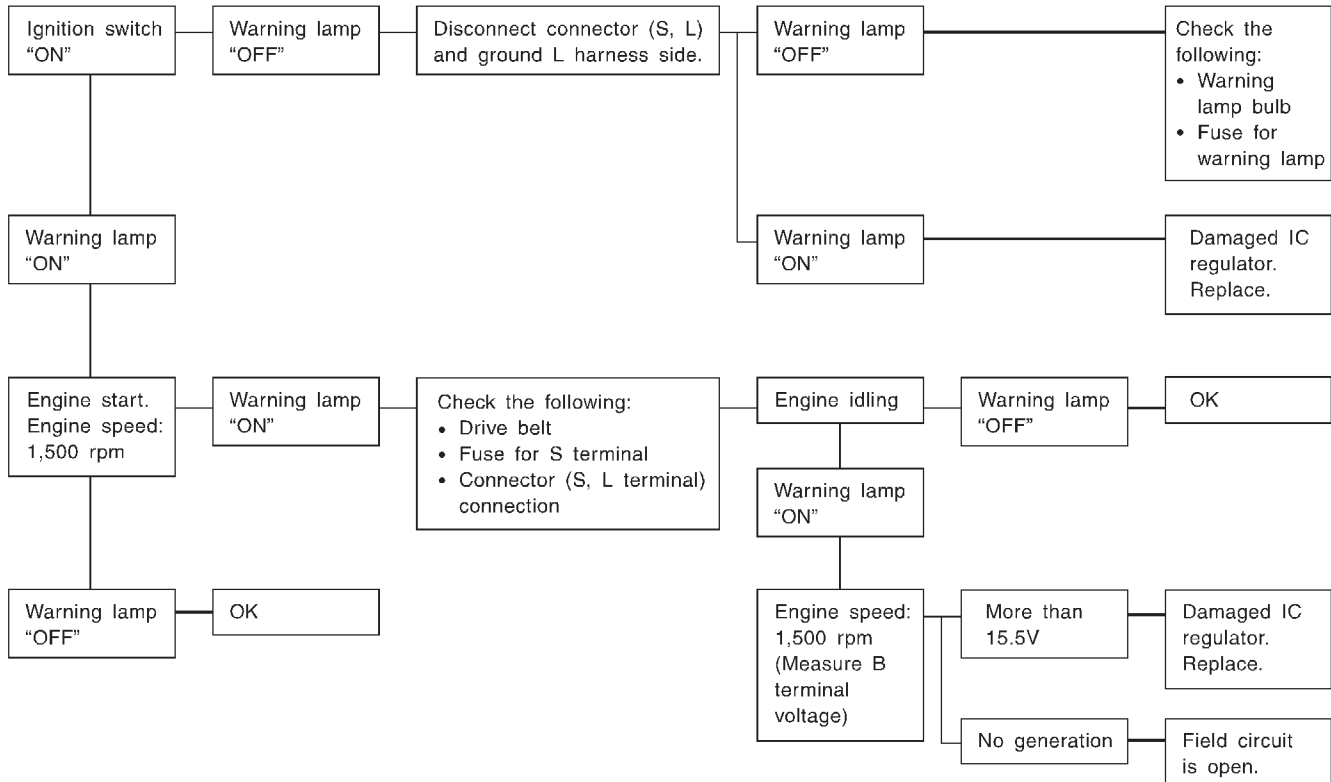
NCSC0011

Before conducting an alternator test, make sure that the battery is fully charged. A 30-volt voltmeter and suitable test probes are necessary for the test. The alternator can be checked easily by referring to the Inspection Table.

- Before starting, inspect the fusible link.
- Use fully charged battery.

WITH IC REGULATOR

NCSC0011S01



Warning lamp: "CHARGE" warning lamp in combination meter

SEL338V

NOTE:

- If the inspection result is OK even though the charging system is malfunctioning, check the B terminal connection. (Check the tightening torque.)
- When field circuit is open, check condition of rotor coil, rotor slip ring and brush. If necessary, replace faulty parts with new ones.

MALFUNCTION INDICATOR

NCSC0011S02

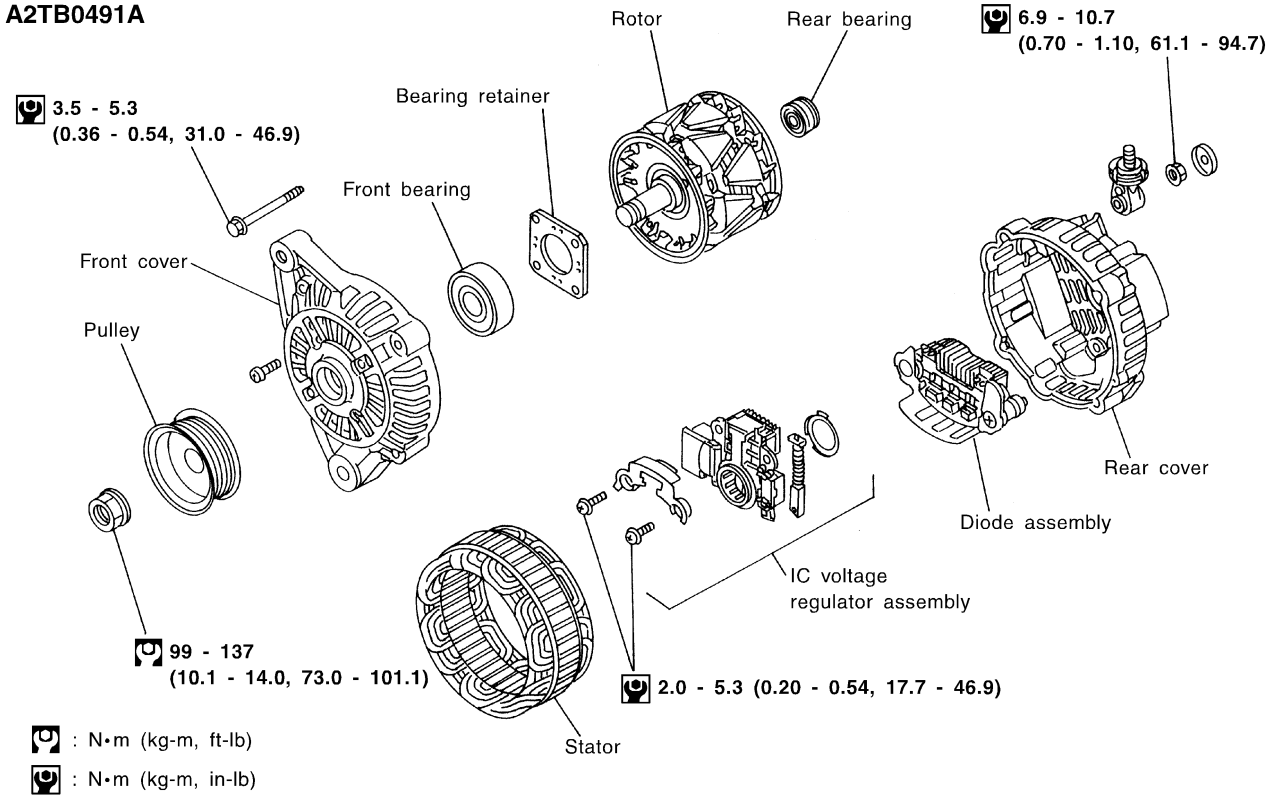
The IC regulator warning function activates to illuminate "CHARGE" warning lamp, if any of the following symptoms occur while alternator is operating:

- Excessive voltage is produced.
- No voltage is produced.

Construction

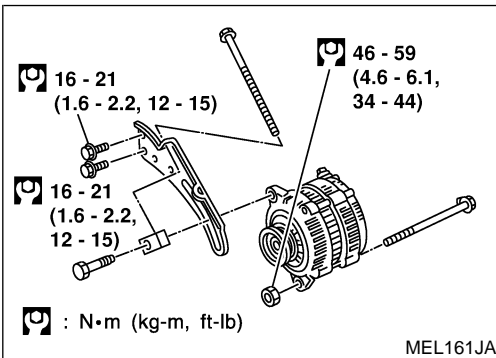
NCSC0012

SEC. 231
A2TB0491A



MEL249JB

GI
MA
EM
LC
EC
FE
CL
MT
AT
AX
SU
BR
ST
RS
BT
HA
SC
EL
IDX



MEL161JA

Removal and Installation

NCSC0013

1. Remove A/C compressor assembly fixing bolt and move the compressor assembly under the vehicle.
2. Remove alternator adjusting bar.
3. Remove alternator bracket with alternator.
4. Pull out alternator assembly under the vehicle.
5. Remove alternator pivot bolt from bracket.
6. Install in the reverse order of removal.

SERVICE DATA AND SPECIFICATIONS (SDS)



Battery

Battery		<small>NCSC0014</small>
Type	80D26L	
Capacity V-AH	12-55	
Cold cranking current A (For reference value)	582	

Starter		<small>NCSC0015</small>
Type	S114-831	
	HITACHI make	
	Reduction gear type	
System voltage	12V	
No-load	Terminal voltage	11.0V
	Current	Less than 90A
	Revolution	More than 2,700 rpm
Minimum diameter of commutator	28.0 mm (1.102 in)	
Minimum length of brush	10.5 mm (0.413 in)	
Brush spring tension	16.2 N (1.65 kg, 3.64 lb)	
Clearance between bearing metal and armature shaft	Less than 0.2 mm (0.008 in)	
Clearance between pinion front edge and pinion stopper	0.3 - 2.5 mm (0.012 - 0.098 in)	

Alternator		<small>NCSC0016</small>
Type	A2TB0491A	
	MITSUBISHI make	
Nominal rating	12V-90A	
Ground polarity	Negative	
Minimum revolution under no-load (When 13.5 volts is applied)	Less than 1,300 rpm	
Hot output current (When 13.5 volts is applied)	More than 25A/1,300 rpm More than 67A/2,500 rpm	
Regulated output voltage	14.1 - 14.7V	
Minimum length of brush	5.0 mm (0.197 in)	
Brush spring pressure	4.8 - 6.0 N (490 - 610 g, 17.28 - 21.51 oz)	
Slip ring minimum outer diameter	22.1 mm (0.870 in)	
Rotor (Field coil) resistance	1.8 - 2.1Ω	