

# JACKING & HOISTING

1992 Infiniti G20

1991-92 WHEEL ALIGNMENT  
Jacking & Hoisting

G20, M30, Q45

## JACKING & HOISTING

### FLOOR JACK

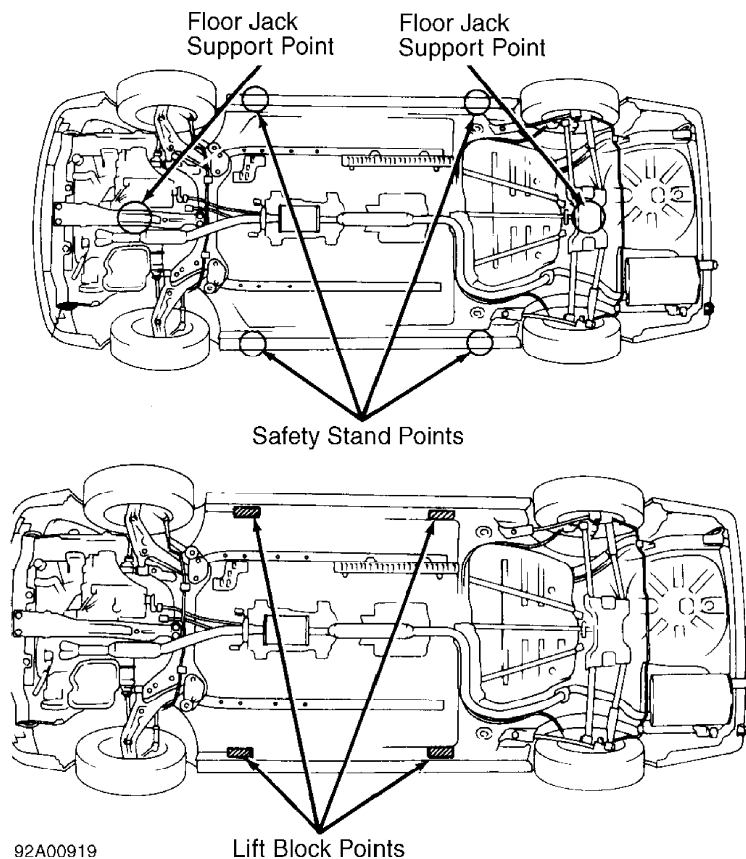
Place floor jack on support points shown. See Fig. 1, 2 or 3.

### EMERGENCY JACKING

Place manufacturer-supplied jack on reinforced support points of side body panel (between front and rear wheels).

### LIFTING VEHICLE WITH HOIST (G20)

On G20 models without sill spoiler, place lift blocks at support points at front and rear ends of sill. On G20 models with sill spoiler, place lift blocks on inner side of sill. See Fig. 1.



92A00919

Fig. 1: Locating Jacking & Hoisting Support Points (G20)  
Courtesy of Nissan Motor Co., U.S.A.

### LIFTING VEHICLE WITH HOIST (M30)

Place lift blocks on support points shown. Safety stands may also be placed at these points. See Fig. 2.

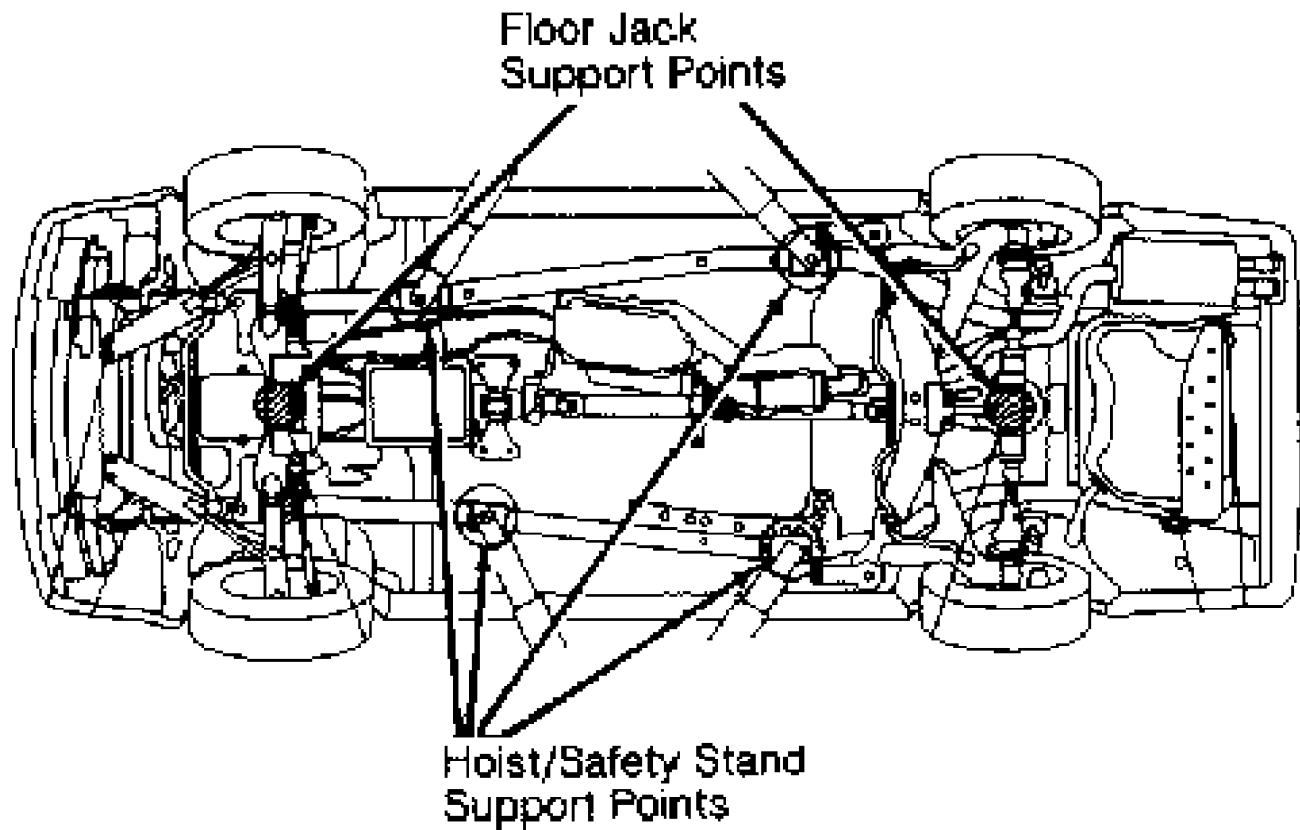
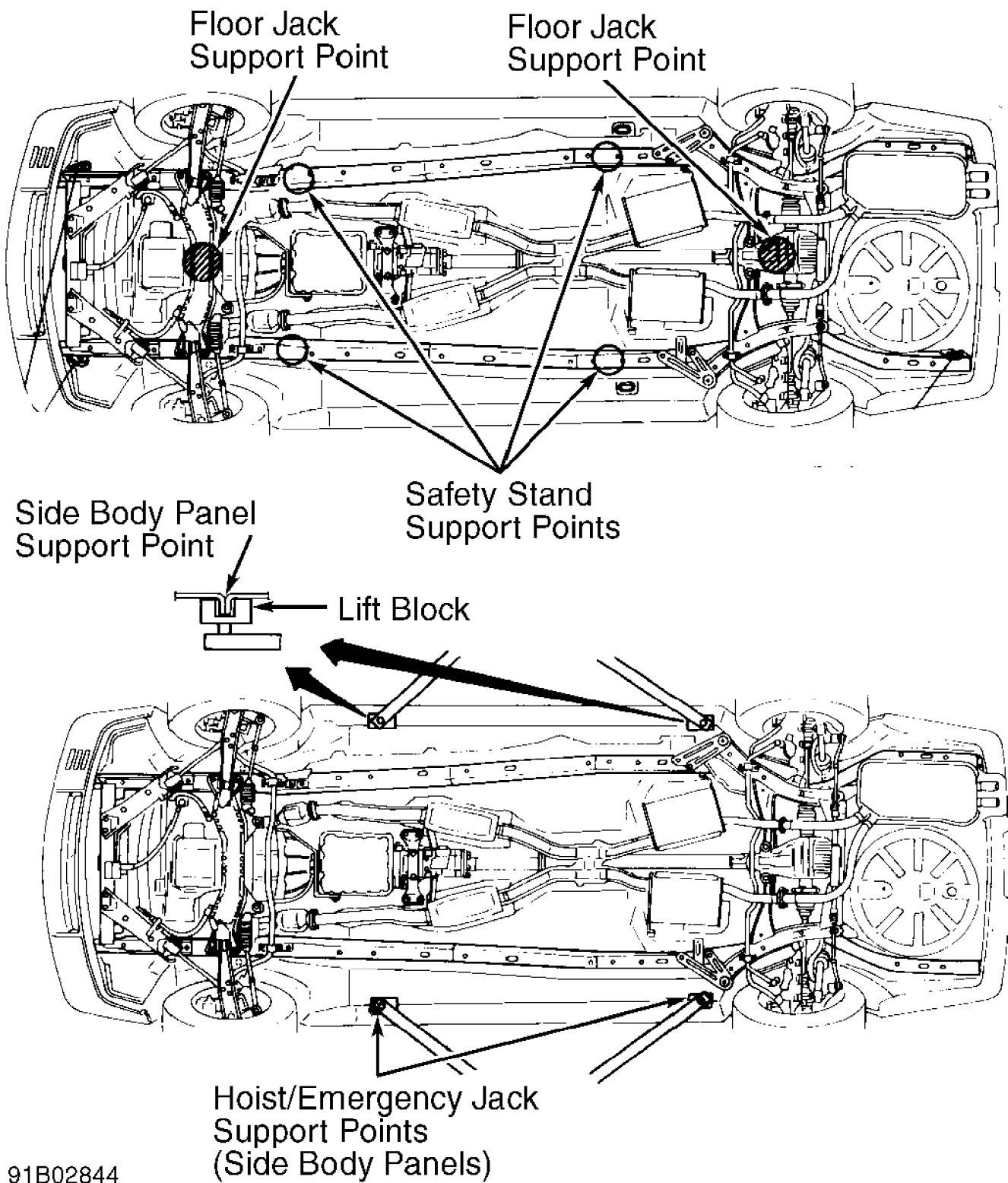


Fig. 2: Locating Jacking & Hoisting Support Points (M30)  
Courtesy of Nissan Motor Co., U.S.A.

#### LIFTING VEHICLE WITH HOIST (Q45)

Place lift blocks on reinforced support points of side body panels (between front and rear wheels). Points are also used with manufacturer-supplied jack. See Fig. 3.



91B02844

Fig. 3: Locating Jacking & Hoisting Support Points (Q45)  
 Courtesy of Nissan Motor Co., U.S.A.