

FUSES & CIRCUIT BREAKERS

1992 Infiniti G20

FUSES & CIRCUIT BREAKERS
1991-95 Infiniti

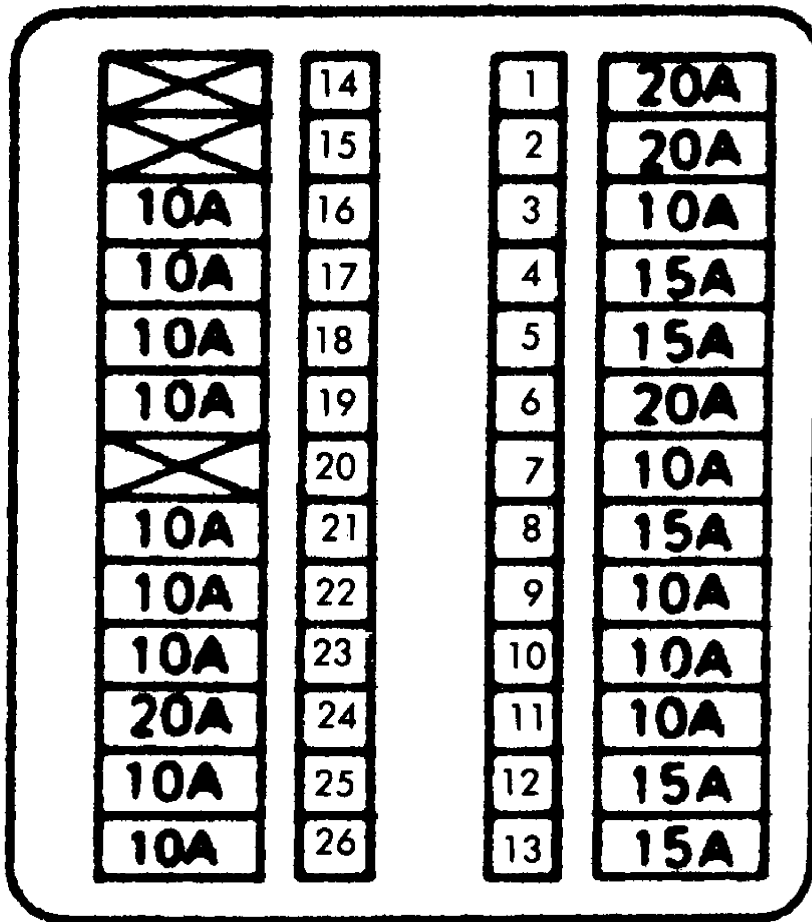
G20

IDENTIFICATION

FUSE & RELAY PANEL LOCATION

Electrical components are protected against shorts by fuses. Main fuse box is located under dashboard on driver's side. An underhood fuse and fusible link box is located next to battery. Relay boxes are located next to battery and on right side of engine compartment.

UNDERDASH FUSE & CIRCUIT BREAKER IDENTIFICATION (1991-93)



DASH PANEL FUSE BLOCK

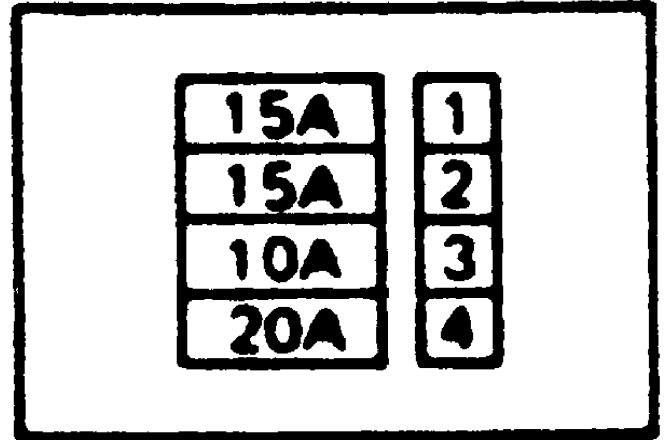
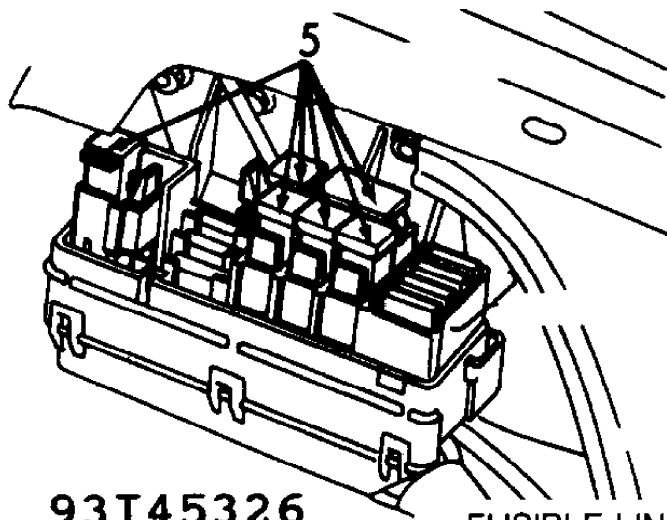
93J45327

Fig. 1: Underdash Fuse Panel Identification (1991-93)
Courtesy of Nissan Motor Co., U.S.A.

* 1 - 20 Amp
Rear Window Defogger

- * 2 - 20 Amp
Rear Window Defogger
- * 3 - 10 Amp
Shift Lock System Time, Control Unit (A/T Only)
- * 4 - 15 Amp
Blower Motor
- * 5 - 15 Amp
Blower Motor
- * 6 - 20 Amp
Wiper & Washer
- * 7 - 10 Amp
Electronic Control Computer System (ECCS), Bulb Check Relay,
Theft Warning System, Radiator Fan System
- * 8 - 15 Amp
Fuel Pump
- * 9 - 10 Amp
Audio, Clock Illumination
- * 10 - 10 Amp
Air Conditioner, Time Control Unit, Theft Warning System
- * 11 - 10 Amp
Door Mirror
- * 12 - 15 Amp
Cigarette Lighter
- * 13 - 15 Amp
Front Foglight
- * 14 - Blank
- * 15 - Blank
- * 16 - 10 Amp
Starting System, Electronic Control Computer System (ECCS),
Clutch Interlock Relay (M/T Only), Daytime Light Unit (Canada
Only)
- * 17 - 10 Amp
Hazard Warning
- * 18 - 10 Amp
Horn, Theft Warning System
- * 19 - 10 Amp
Taillights, Clearance Lights, License Plate Light, Side
Marker Lights, Illumination Lights, Clock, Warning Chime
- * 20 - Blank
- * 21 - 10 Amp
Combination Meter, Shift Lock System, Check Connector, Rear
Window Defogger Relay, Power Antenna Timer, Blower Relay,
Back-Up Light
- * 22 - 10 Amp
Turn Signal
- * 23 - 10 Amp
Electronic Control Computer System (ECCS)
- * 24 - 20 Amp
Stoptlights
- * 25 - 10 Amp
Interior Lights, Spotlights, Trunk Room Lights, Time Control
Unit, Theft Warning System, Power Antenna Timer, Two-Point
Motorized Automatic Seat Belt System
- * 26 - 10 Amp
Anti-Lock Braking System, Time Control Unit, Two-Point
Motorized Automatic Seat Belt System, Automatic Speed Control
Device (ASCD), Daytime Light Unit (Canada Only)

FUSE & FUSIBLE LINK IDENTIFICATION (1991-93)



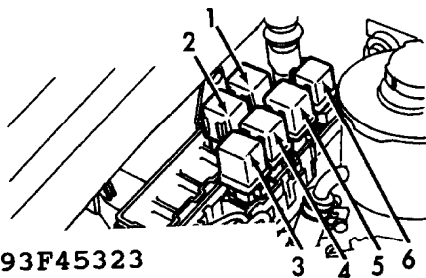
93I45326

FUSIBLE LINK & ENGINE COMPARTMENT FUSE BLOCK

Fig. 2: Fusible Link & Engine Compartment Fuse I.D. (1991-93)
 Courtesy of Nissan Motor Co., U.S.A.

- * 1 - 15 Amp
Headlights
- * 2 - 15 Amp
Daytime Light Unit (Canada Only)
- * 3 - 10 Amp
Electronic Control Computer System (ECCS)
- * 4 - 20 Amp
Anti-Lock Brake System
- * 5 - 30 AMP (Fusible Link)
Ignition Switch
- * 6 - 30 AMP (Fusible Link)
Main Harness
- * 7 - 25 AMP (Fusible Link)
ECCS
- * 8 - 75 AMP (Fusible Link)
Alternator
- * 9 - 30 AMP (Fusible Link)
Radiator Fan System
- * 10 - 30 AMP (Fusible Link)
ABS System Relay Box, ABS Control Unit

ENGINE COMPARTMENT RELAYS (RIGHT FENDERWELL - A/T MODELS)



93F45323

RELAYS (RIGHT INNER FENDER PANEL)
 A/T MODELS

Fig. 3: Engine Compartment Relays (Right Fenderwell - A/T Models)
 Courtesy of Nissan Motor Co., U.S.A.

- * 1 - Brown
Theft Warning Relay - 1

- * 2 - Blue
Automatic Speed Control Device (ASCD)
- * 3 - Blue
Air Conditioner Relay
- * 4 - Black
Theft Warning Relay - 2
- * 5 - Blue
Front Foglight Relay
- * 6 - Gray
Horn Relay

ENGINE COMPARTMENT RELAYS (RIGHT FENDERWELL - M/T MODELS)

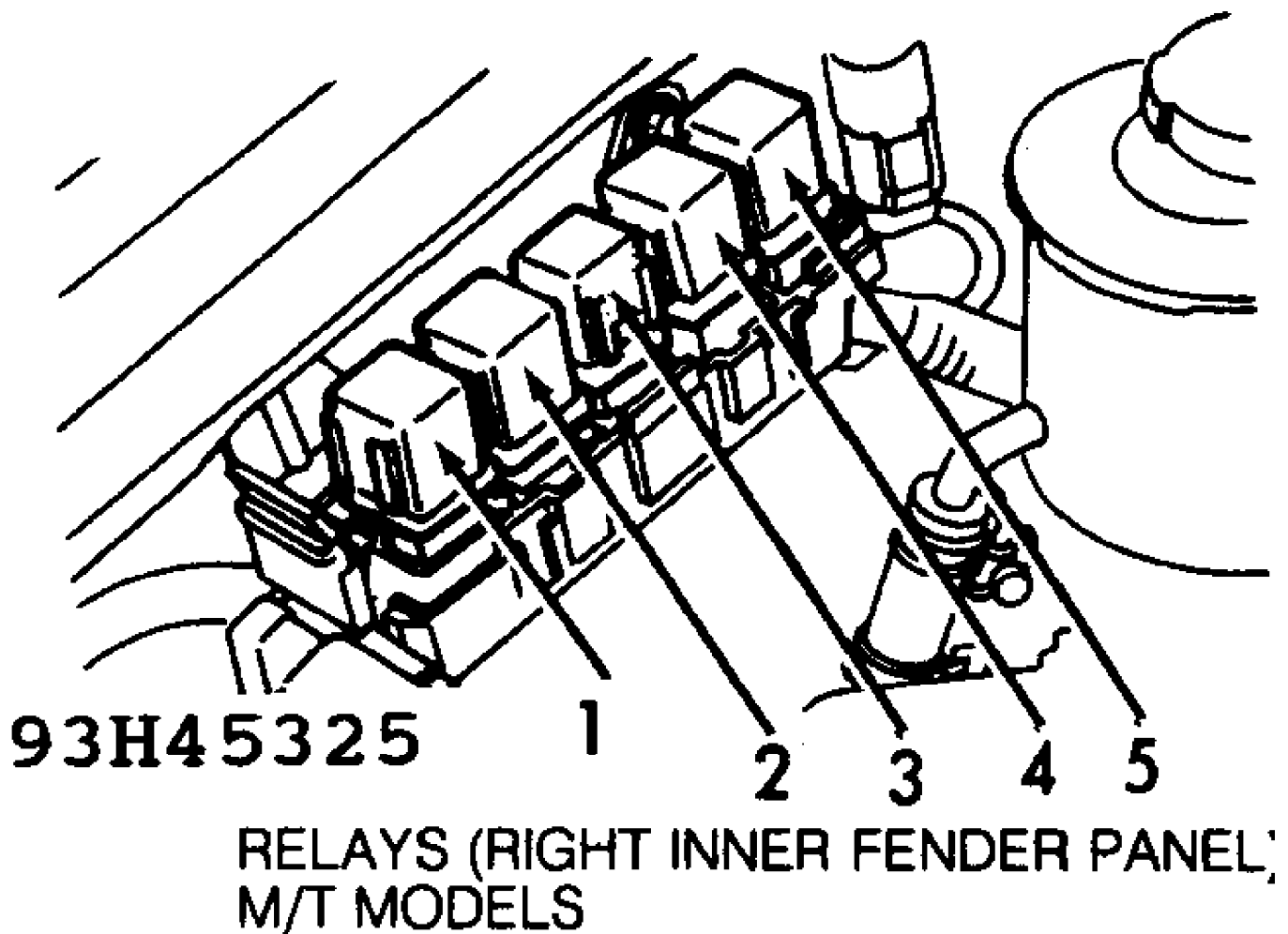
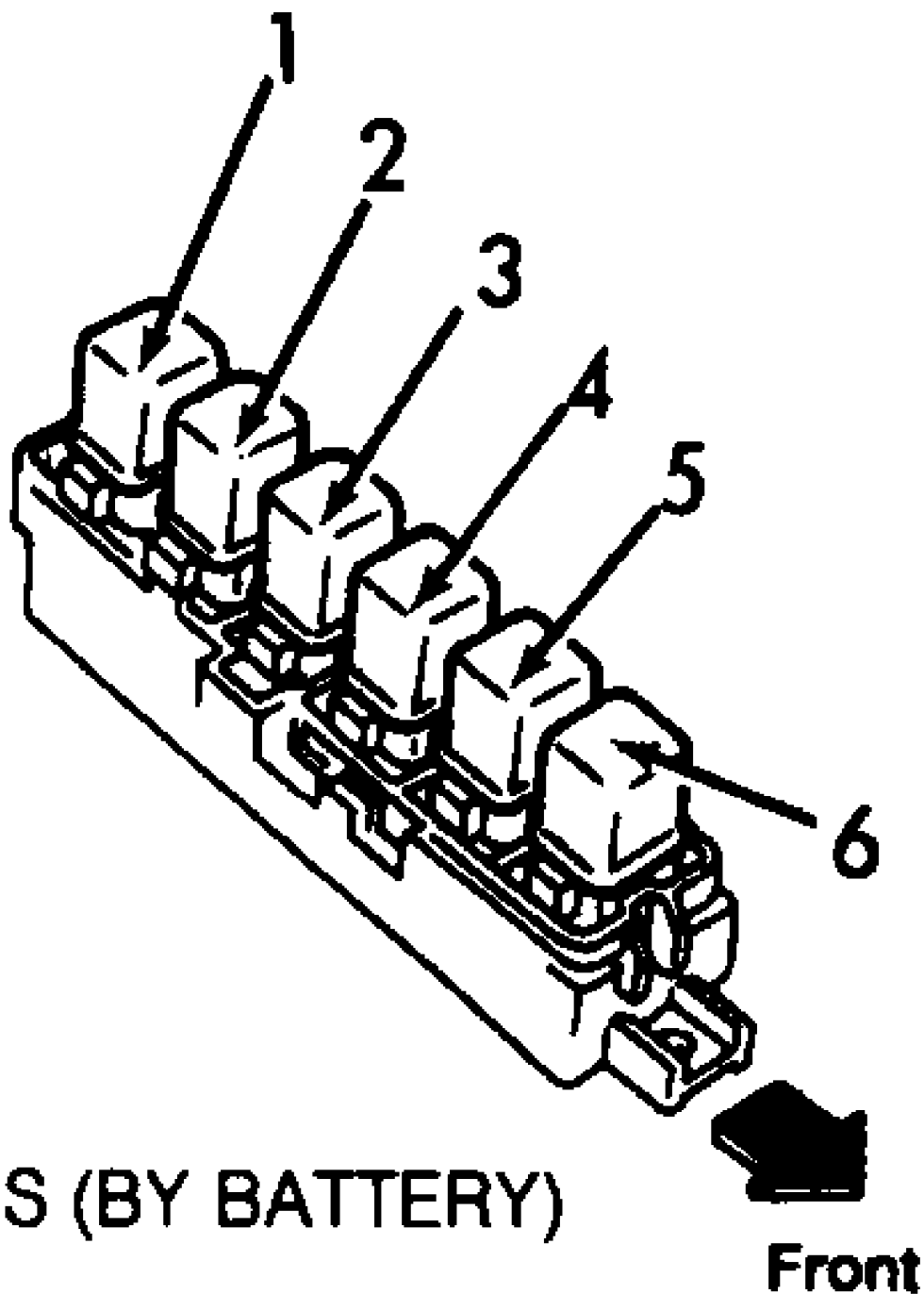


Fig. 4: Engine Compartment Relays (Right Fenderwell - M/T Models)
Courtesy of Nissan Motor Co., U.S.A.

- * 1 - Blue
Air Conditioner Relay
- * 2 - Blue
Automatic Speed Control Device Hold Relay (ASCD)
- * 3 - Gray
Horn Relay
- * 4 - Brown
Theft Warning Relay - 1
- * 5 - Black
Theft Warning Relay - 2

ENGINE COMPARTMENT RELAYS (BY BATTERY) (1991-93)



RELAYS (BY BATTERY)

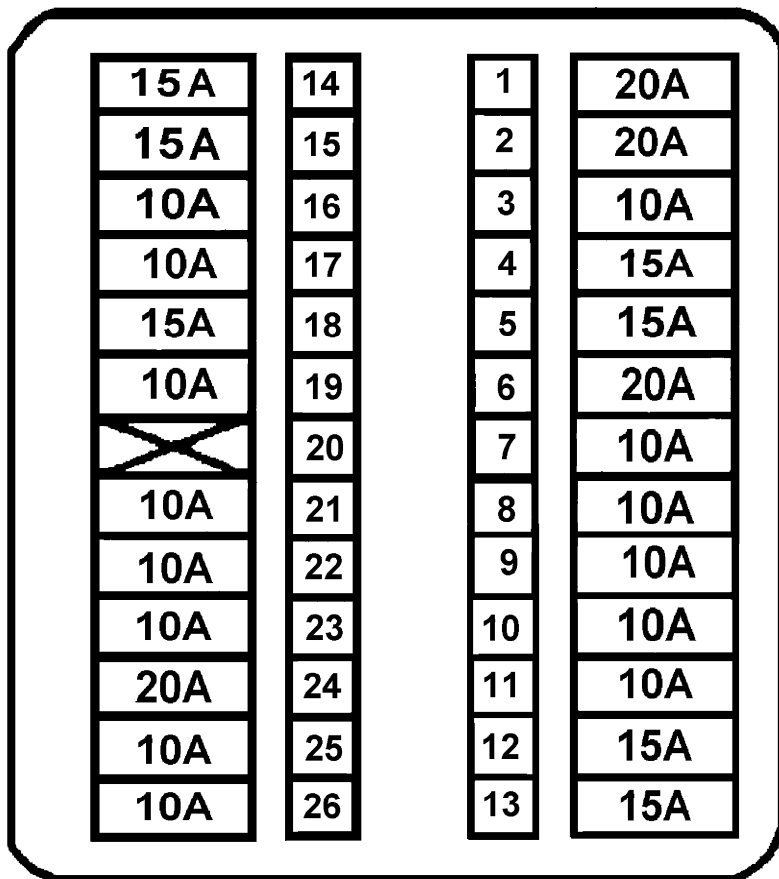
93G45324

Fig. 5: Engine Compartment Relays (By Battery) (1991-93)
Courtesy of Nissan Motor Co., U.S.A.

* 1 - Green
Fuel Pump Relay

- * 2 - Blue (1991)
Front Foglight Relay (M/T Models)
- * 2 - Green (1992-93)
ECCS Relay
- * 3 - Brown (1991)
Radiator Fan Relay - 2 (A/T Models)
- * 3 - Brown (1992-93)
Radiator Fan Relay - 2 (A/T Models)
- * 3 - Blue (1992-93)
Front Foglight Relay (M/T Models)
- * 4 - Blue
Radiator Fan Relay - 1
- * 5 - Blue
Clutch Interlock Relay (U.S. M/T Models)
- * 5 - Blue
Inhibitor Relay (A/T Models w/o ASCD)
- * 5 - Gray
Inhibitor Relay (A/T Models w/ASCD)
- * 6 - Black
Front Wiper Relay

UNDERDASH FUSE & CIRCUIT BREAKER IDENTIFICATION (1993.5-94)



DASH PANEL FUSE BLOCK 50G11607

Fig. 6: Underdash Fuse Panel Identification (1993.5-94)
Courtesy of Nissan Motor Co., U.S.A.

- * 1 - 20 Amp
Rear Window Defogger

- * 2 - 20 Amp
Rear Window Defogger
- * 3 - 10 Amp
Trunk & Fuel Filler Lid Opener, Multi-Remote Control System
- * 4 - 15 Amp
Blower Motor
- * 5 - 15 Amp
Blower Motor
- * 6 - 20 Amp
Wiper & Washer
- * 7 - 10 Amp
Electronic Control Computer System (ECCS), Bulb Check Relay,
Theft Warning System, Radiator Fan System, Starting System,
A/T Control System, A.S.C.D.
- * 8 - 10 Amp
Air Bag System
- * 9 - 10 Amp
Audio, Clock Illumination
- * 10 - 10 Amp
Air Conditioner, Time Control Unit, Theft Warning System
- * 11 - 10 Amp
Door Mirror
- * 12 - 15 Amp
Cigarette Lighter
- * 13 - 15 Amp
Front Foglight
- * 14 - 15 Amp
Audio
- * 15 - 15 Amp
Fuel Pump
- * 16 - 10 Amp
Starting System, Electronic Control Computer System (ECCS),
Clutch Interlock Relay (M/T Only), Daytime Light Unit (Canada
Only), Theft Warning System
- * 17 - 10 Amp
Hazard Warning, Multi-Remote Control System
- * 18 - 15 Amp
Horn, A.S.C.D., Theft Warning System
- * 19 - 10 Amp
Taillights, Clearance Lights, License Plate Light, Side
Marker Lights, Illumination Lights, Clock, Warning Chime
- * 20 - Blank
- * 21 - 10 Amp
Combination Meter, Shift Lock System (A/T), Blower Relay,
Data Link Connector (Check Connector), Back-Up Light, Rear
Window Defogger Relay, Daytime Light Unit (Canada), A/T
Control System, Power Antenna Timer, Seat Belt Relay, Heated
Mirror Relay
- * 22 - 10 Amp
Turn Signal
- * 23 - 10 Amp
Electronic Control Computer System (ECCS)
- * 24 - 20 Amp
Stoplights, A.S.C.D, Shift Lock System, ABS System
- * 25 - 10 Amp
Interior Lights, Spotlights, Trunk Room Lights, Time Control
Unit, Theft Warning System, Power Antenna Timer
- * 26 - 10 Amp
Anti-Lock Braking System, Time Control Unit, Air Bag System,
Automatic Speed Control Device (ASCD), Multi-Remote Control
System, Daytime Light Unit (Canada Only)

FUSIBLE LINK & ENGINE COMPARTMENT FUSE I.D. (1993.5-94)

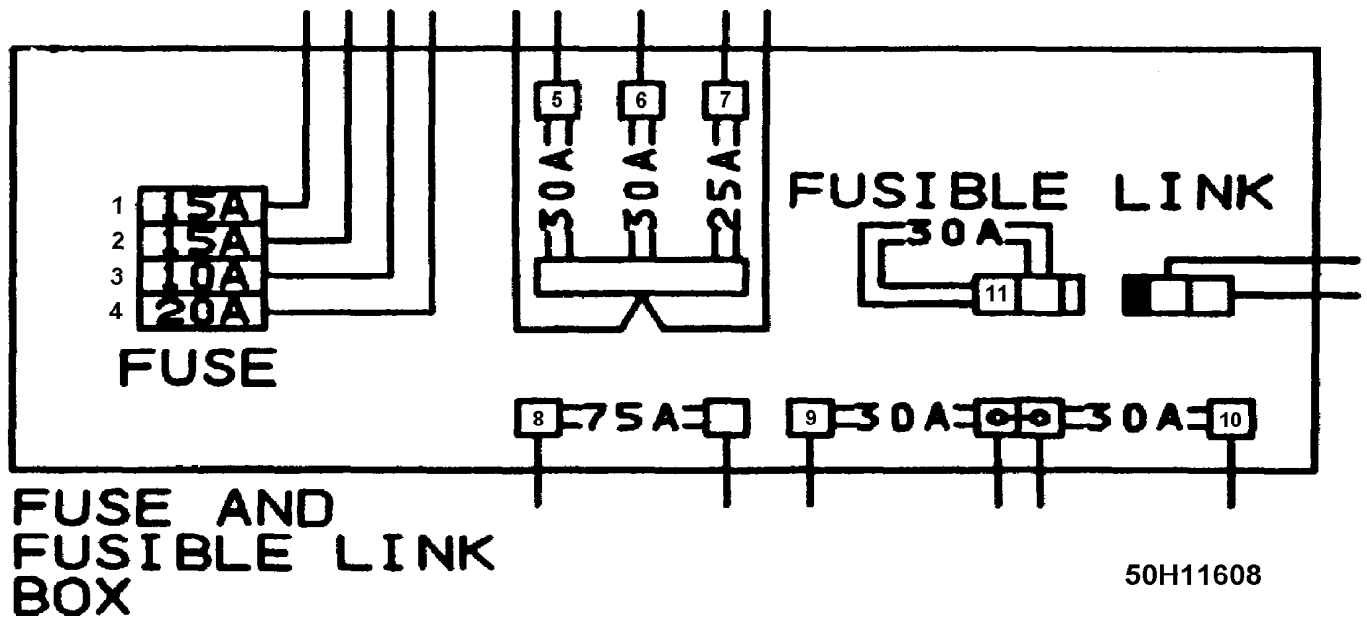
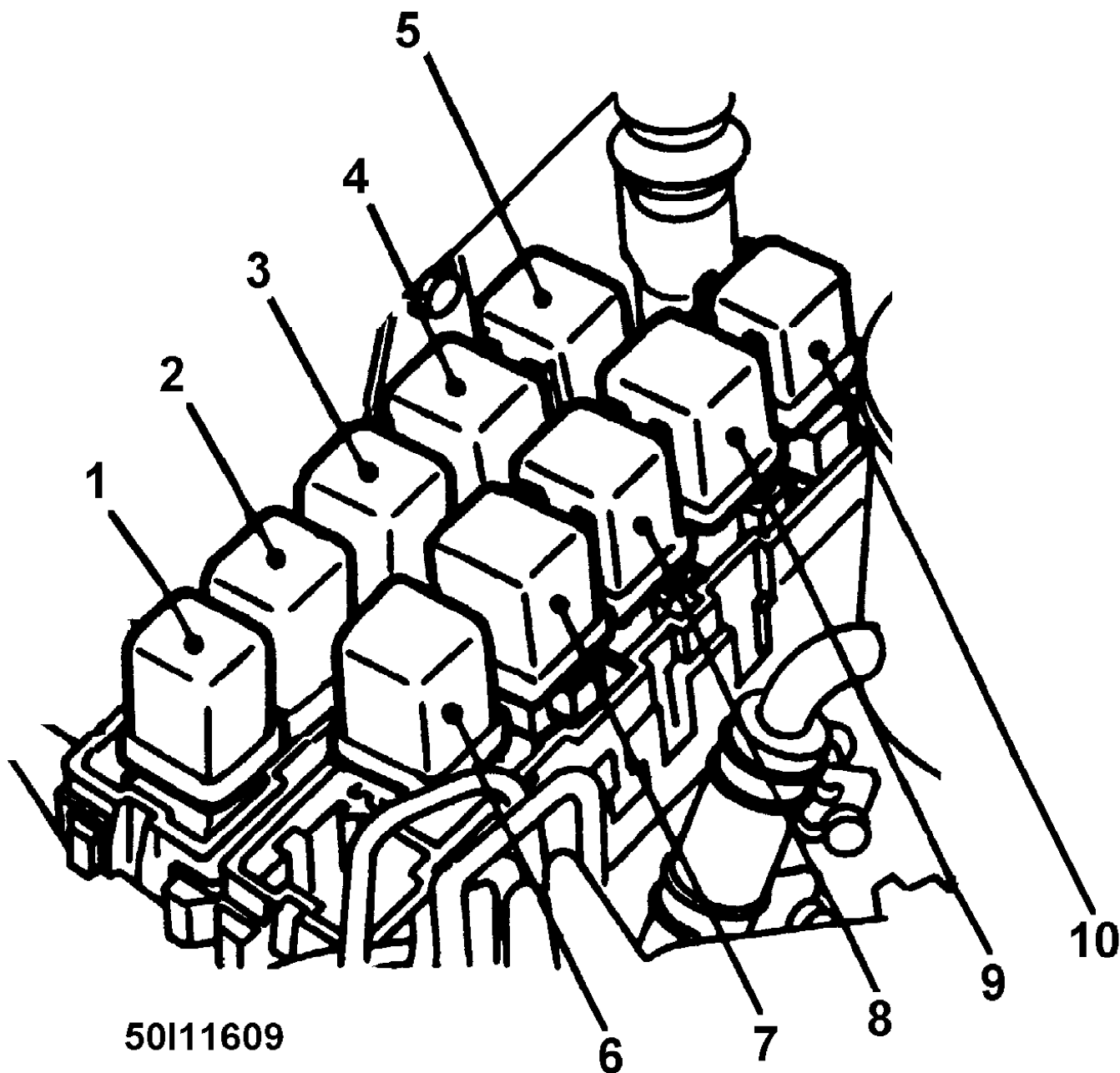


Fig. 7: Fusible Link & Engine Compartment Fuses I.D. (1993.5-94)
 Courtesy of Nissan Motor Co., U.S.A.

WARNING: Always disconnect battery ground cable before servicing "high-current fuses. It is recommended that "high-current" fuses be replaced by a qualified technician.

- * 1 - 15 Amp
Headlights
- * 2 - 15 Amp
Daytime Light Unit (Canada Only)
- * 3 - 10 Amp
Electronic Control Computer System (ECCS)
- * 4 - 20 Amp
Anti-Lock Brake System
- * 5 - 30 AMP (Fusible Link)
Ignition Switch
- * 6 - 30 AMP (Fusible Link)
Main Harness
- * 7 - 25 AMP (Fusible Link)
ECCS
- * 8 - 75 AMP (Fusible Link)
Alternator
- * 9 - 30 AMP (Fusible Link)
Radiator Fan System
- * 10 - 30 AMP (Fusible Link)
Radiator Fan System (Relay-3 A/T Models)
- * 11 - 30 AMP (Fusible Link)
ABS System Relay Box, ABS Control Unit

ENGINE COMPARTMENT RELAYS (RIGHT FENDERWELL) (1993.5-94)



50111609

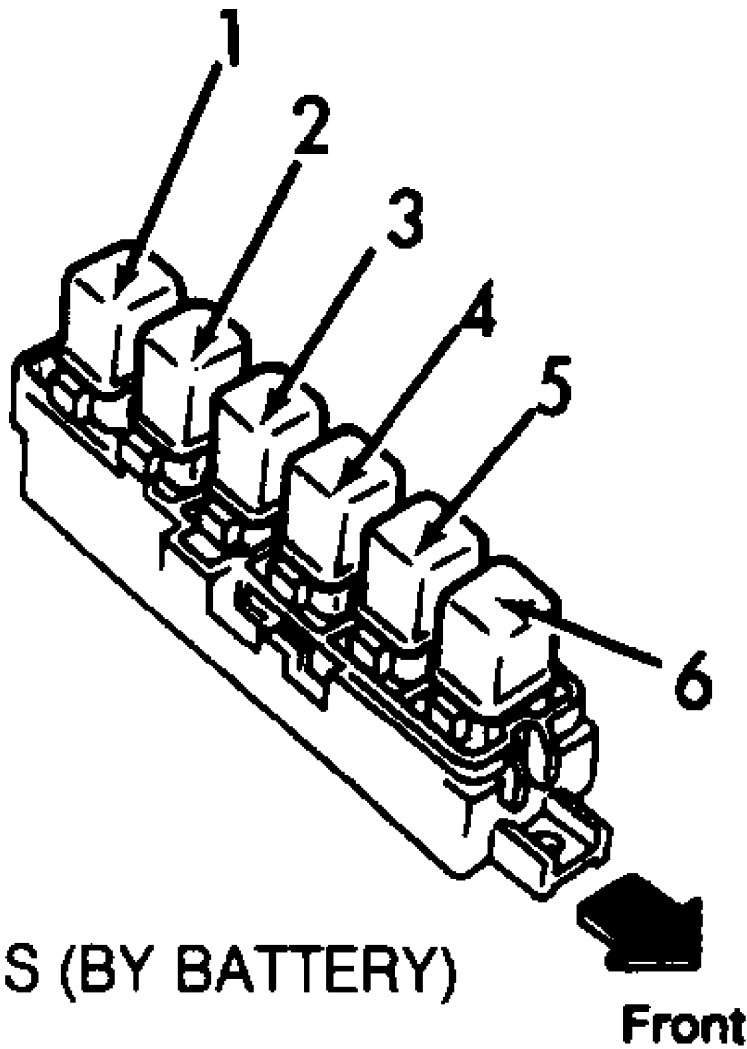
Fig. 8: Engine Compartment Relays (Right Fenderwell) (1993.5-94)
 Courtesy of Nissan Motor Co., U.S.A.

WARNING: Always disconnect battery ground cable before servicing "high-current fuses. It is recommended that "high-current" fuses be replaced by a qualified technician.

- * 1 - Brown
Radiator Ran Relay - 3
- * 2 - Brown
Horn Relay - 2
- * 3 - Blue (M/T)
3 - Brown (A/T)
Radiator Fan Relay
- * 4 - Blue

- Automatic Speed Control Device Hold Relay (ASCD)
- * 5 - Blue
- Front Foglight Relay
- * 6 - Blue
- Air Conditioner Relay
- * 7 - Blue
- Daytime Light Relay (Canada)
- * 8 - Blue
- Heated Mirror Relay
- * 9 - Brown
- Theft Warning Relay - 1
- * 10 - Gray
- Horn Relay

ENGINE COMPARTMENT RELAYS (BY BATTERY) (1993.5-94)



RELAYS (BY BATTERY)

93G45324

Fig. 9: Engine Compartment Relays (By Battery) (1993.5-94)
 Courtesy of Nissan Motor Co., U.S.A.

WARNING: Always disconnect battery ground cable before servicing "high-current fuses. It is recommended that "high-current"

fuses be replaced by a qualified technician.

- * 1 - Black
Front Wiper Relay
- * 2 - Green
ECCS Relay
- * 3 - Black
Theft Warning Relay - 2
- * 4 - Green
Fuel Pump Relay
- * 5 - Blue
Clutch Interlock Relay (U.S. M/T Models)
- * Gray
Inhibitor Relay (A/T Models)
- * 6 - Brown
Radiator Fan Relay - 2