

ELECTRICAL COMPONENT LOCATOR

1992 Infiniti G20

1992 INFINITI
Electrical Component Locator

G20

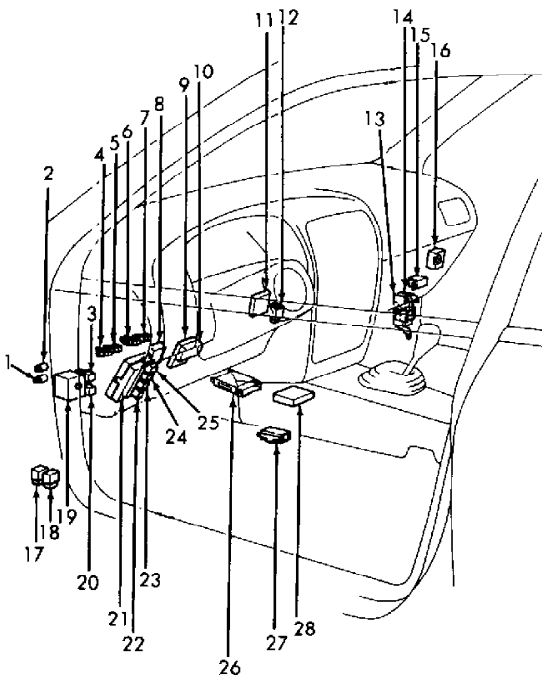
SAFETY PRECAUTION

WARNING: When working on vehicles equipped with Supplemental Restraint System (SRS), never apply electrical voltage to the system. This could cause the SRS (air bag) to be deployed. For complete Air Bag Safety precautions see AIR BAGS article in ACCESSORIES/SAFETY EQUIPMENT Section.

BUZZERS, RELAYS & TIMERS

Component

Component Location

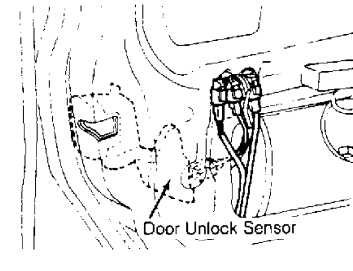
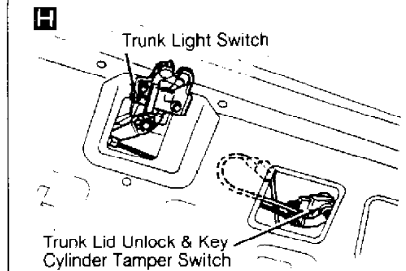
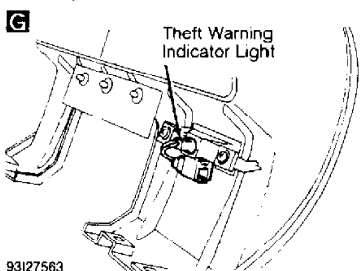
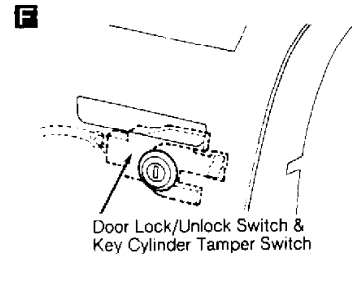
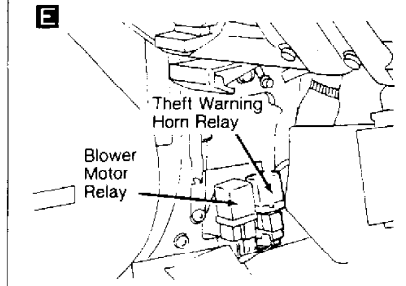
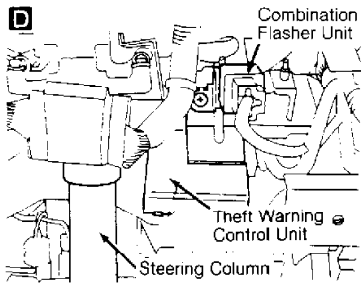
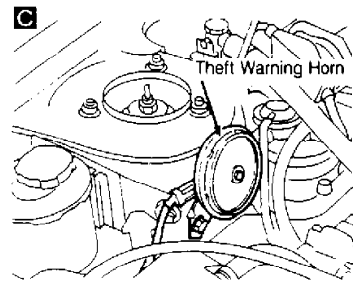
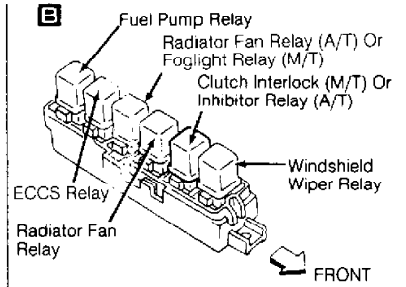
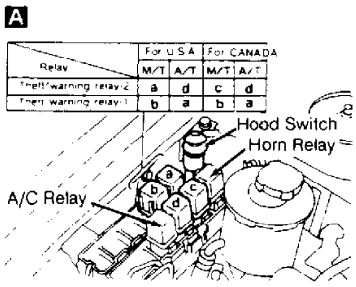
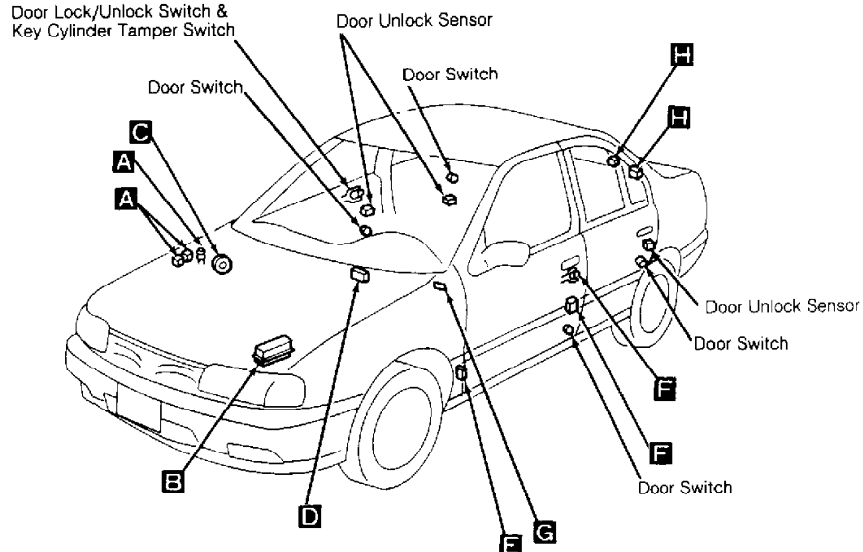


- | | | |
|----------------------------------|--------------------------------|---|
| 1. Circuit Breaker | 10. Time Control Unit | 19. Super Multiple Junction (SMJ) |
| 2. Circuit Breaker | 11. Theft Warning Control Unit | 20. Power Window Relay |
| 3. Bulb Check Relay | 12. Combination Flasher Unit | 21. Fuse/Relay Block |
| 4. ASCD Clutch Switch | 13. Power Door Lock Timer | 22. Ignition Relay |
| 5. Clutch Interlock Switch (M/T) | 14. ABS Control Unit | 23. Accessory Relay |
| 6. ASCD Brake Switch | 15. Power Door Lock Relay | 24. Accessory Relay |
| 7. Brakelight Switch | 16. Power Door Lock Timer | 25. Rear Window Defogger Relay |
| 8. A/T Shift Lock Control Unit | 17. Theft Warning Horn Relay | 26. ECCS Control Unit |
| 9. ASCD Control Unit | 18. Blower Motor Relay | 27. Power Window Amplifier |
| | | 28. Automatic Seat Belt Control Unit (USA)
Daytime Running Light Control Unit (Canada) |

93J27465

Accessory Relays (2)

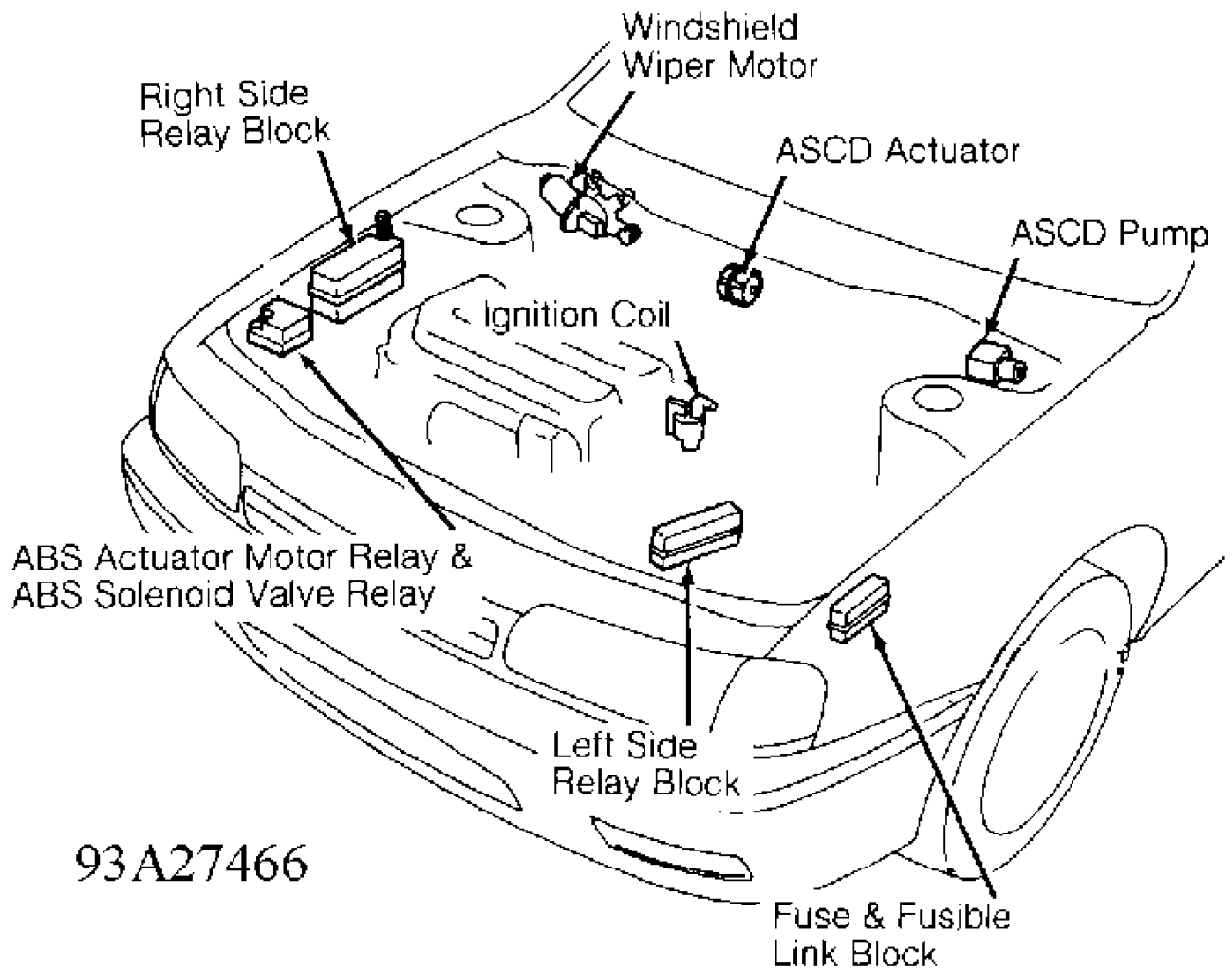
On passenger compartment
relay block.



93127563

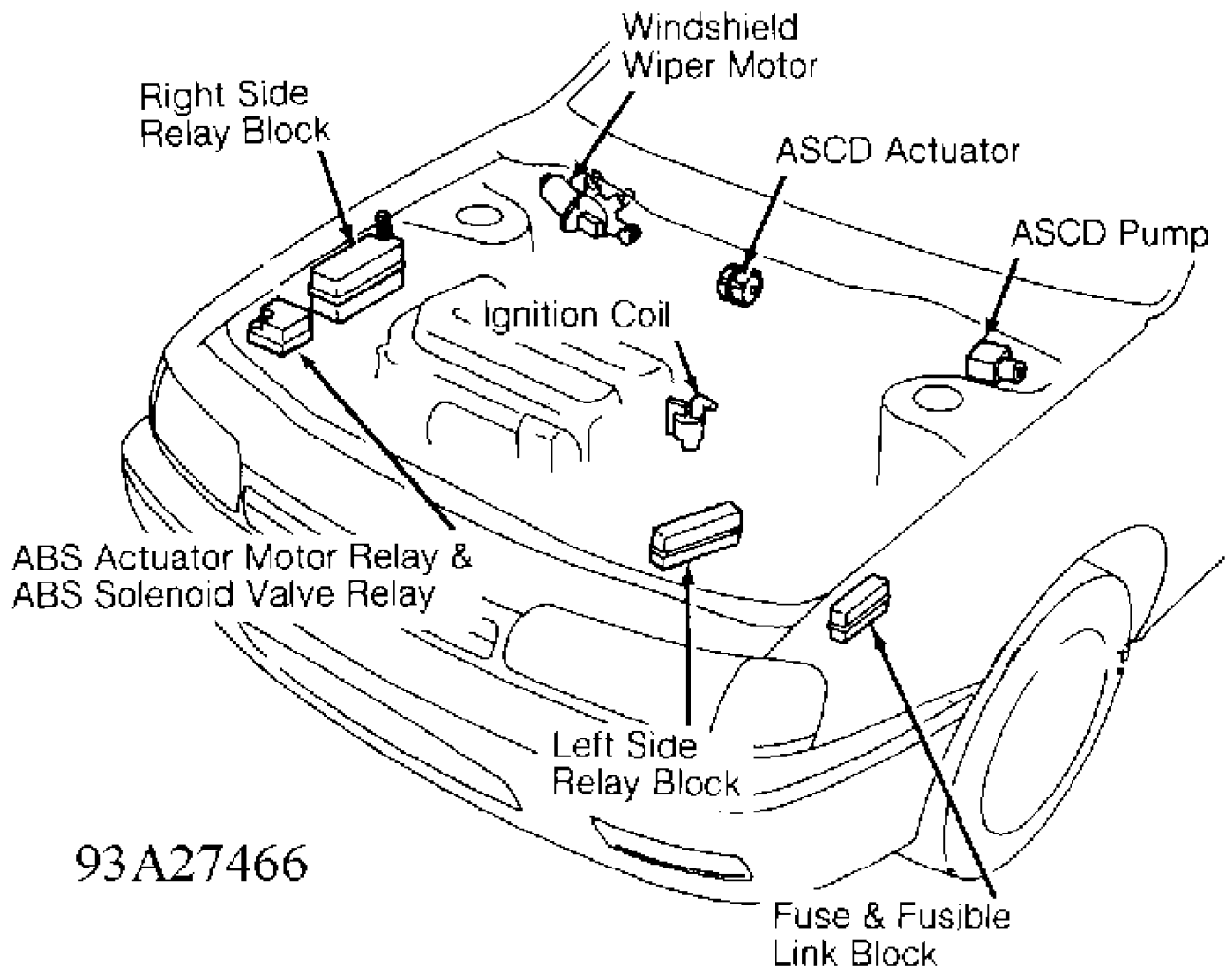
A/C Relay (Blue)

On relay block, in front of right strut tower.



Motor Relay (ABS)

On right front corner of engine compartment, near ABS actuator.



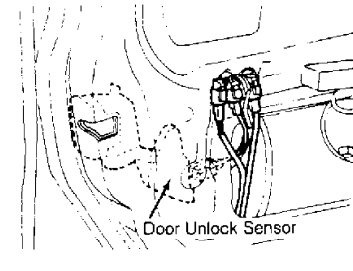
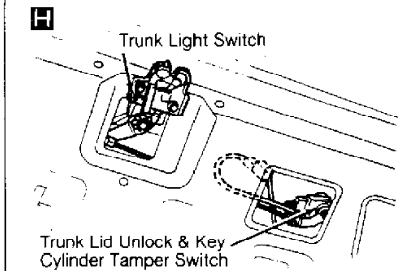
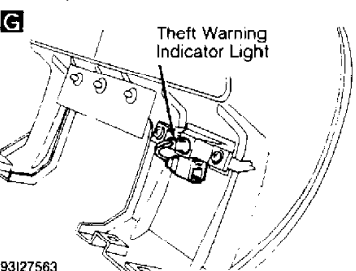
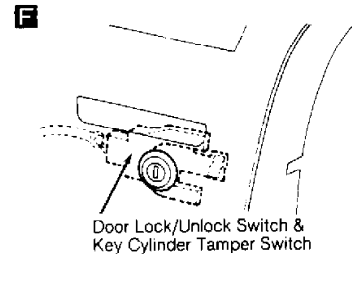
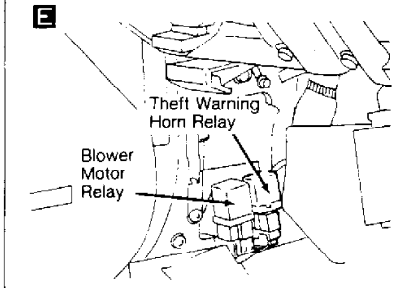
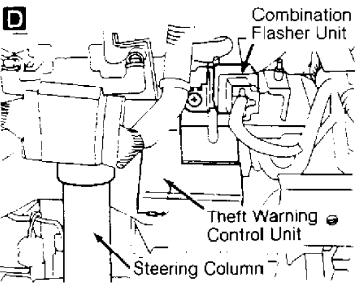
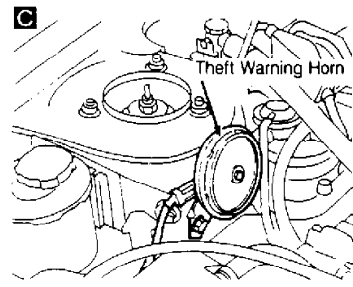
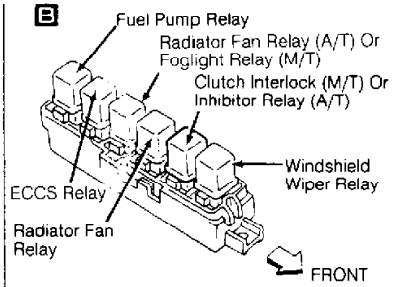
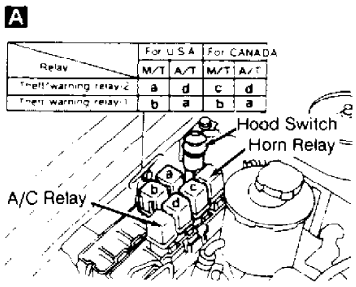
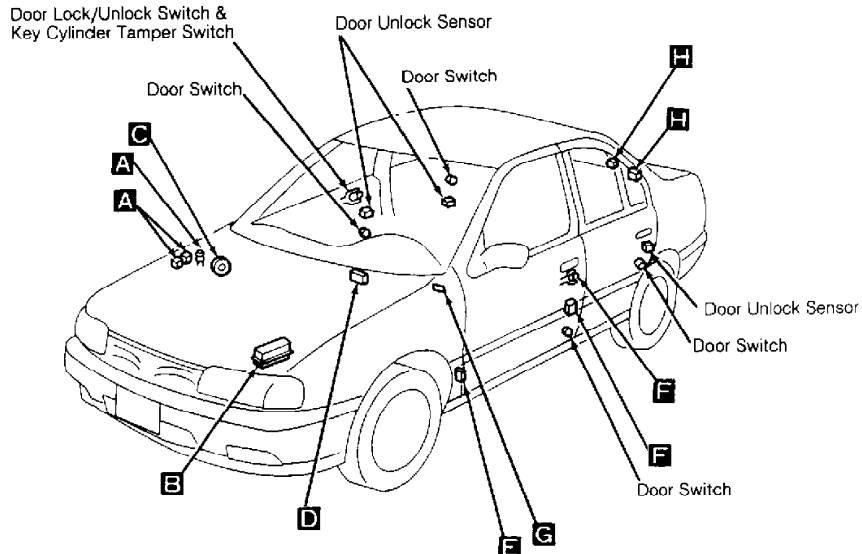
93A27466

Solenoid Valve Relay (ABS)

On right front corner of engine compartment, near ABS actuator.

ASCD Hold Relay

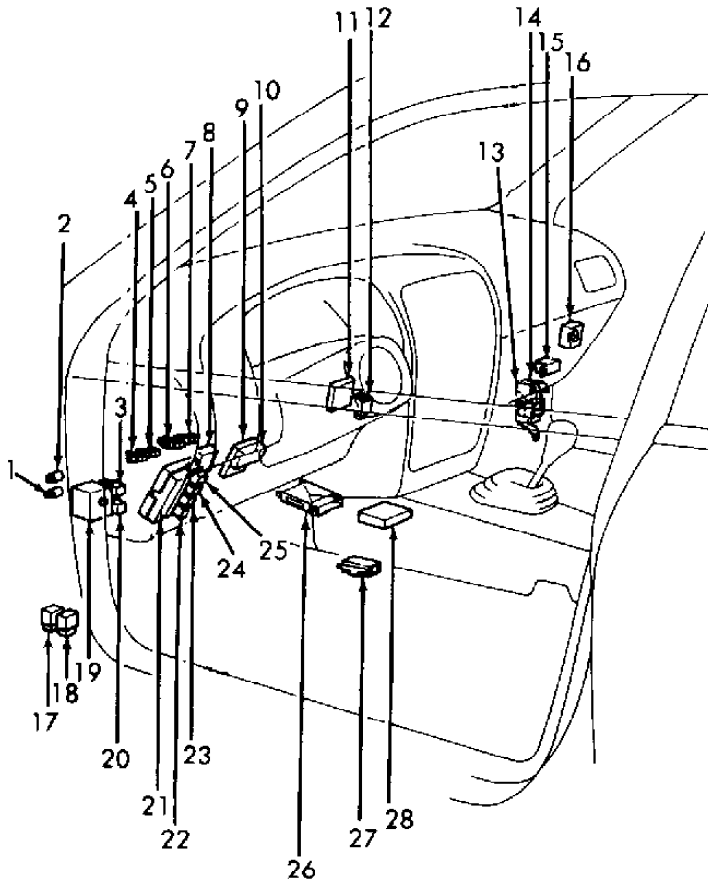
On relay block, in front of right strut tower.



93127563

Blower Motor Relay
(Blue) - Caption E (View 1)

Behind left kick panel.

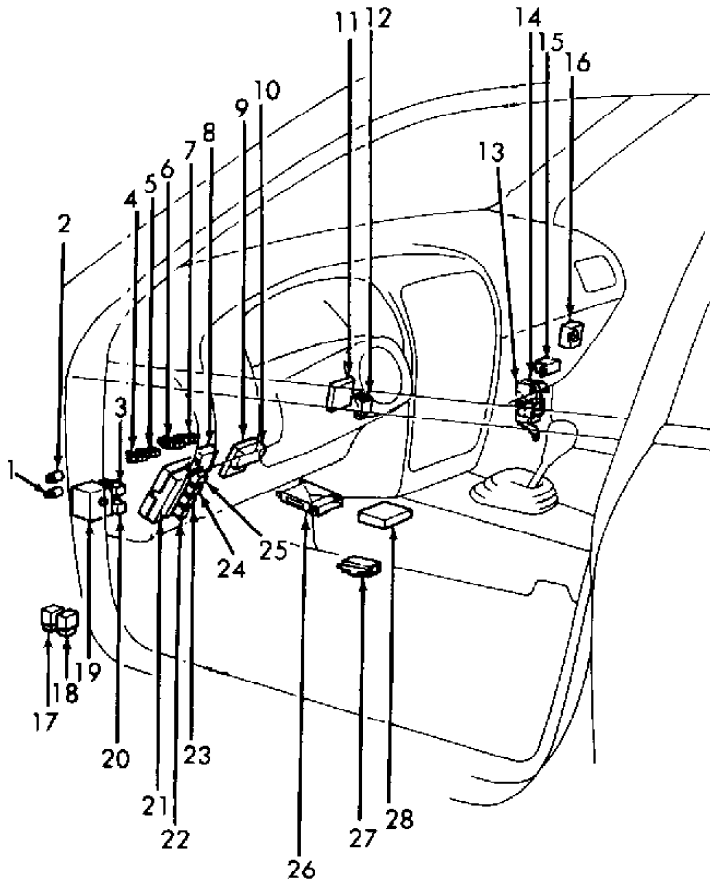


- | | | |
|----------------------------------|--------------------------------|---|
| 1. Circuit Breaker | 10. Time Control Unit | 19. Super Multiple Junction (SMJ) |
| 2. Circuit Breaker | 11. Theft Warning Control Unit | 20. Power Window Relay |
| 3. Bulb Check Relay | 12. Combination Flasher Unit | 21. Fuse/Relay Block |
| 4. ASCD Clutch Switch | 13. Power Door Lock Timer | 22. Ignition Relay |
| 5. Clutch Interlock Switch (M/T) | 14. ABS Control Unit | 23. Accessory Relay |
| 6. ASCD Brake Switch | 15. Power Door Lock Relay | 24. Accessory Relay |
| 7. Brakelight Switch | 16. Power Door Lock Timer | 25. Rear Window Defogger Relay |
| 8. A/T Shift Lock Control Unit | 17. Theft Warning Horn Relay | 26. ECCS Control Unit |
| 9. ASCD Control Unit | 18. Blower Motor Relay | 27. Power Window Amplifier |
| | | 28. Automatic Seat Belt Control Unit (USA)
Daytime Running Light Control Unit (Canada) |

93J27465

Blower Motor Relay
(Blue) (View 2)

Behind left kick panel.



- 1. Circuit Breaker
- 2. Circuit Breaker
- 3. Bulb Check Relay
- 4. ASCD Clutch Switch
- 5. Clutch Interlock Switch (M/T)
- 6. ASCD Brake Switch
- 7. Brakelight Switch
- 8. A/T Shift Lock Control Unit
- 9. ASCD Control Unit

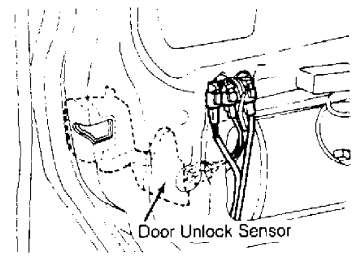
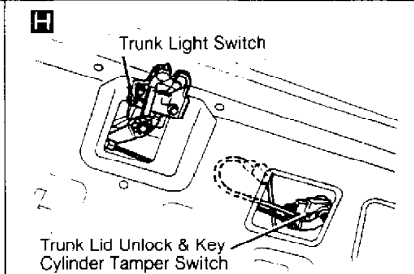
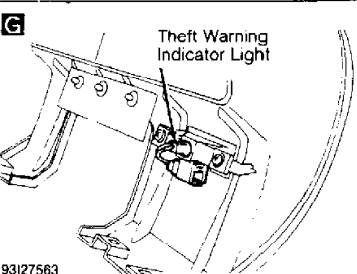
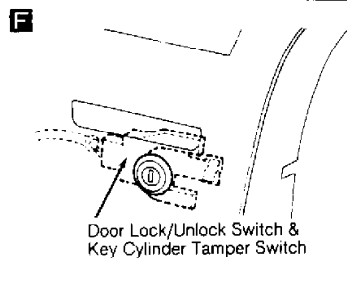
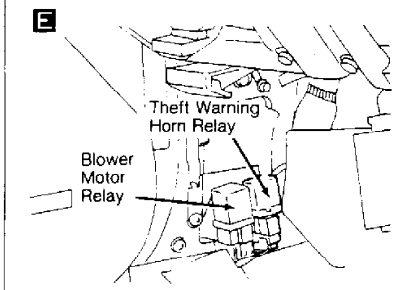
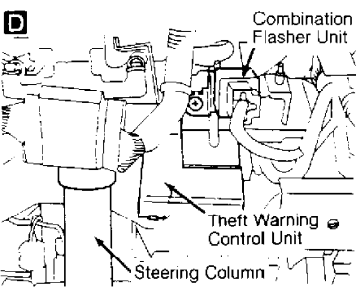
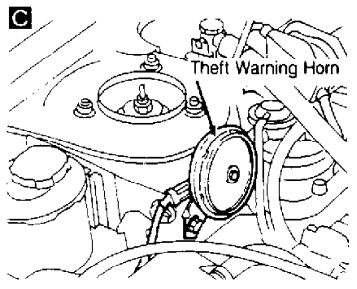
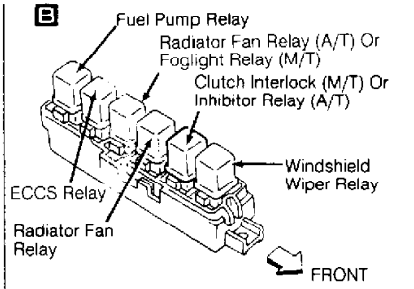
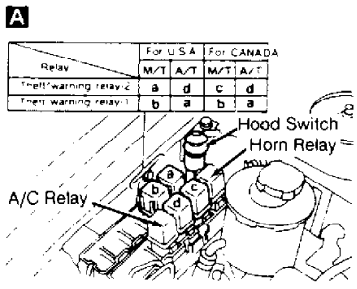
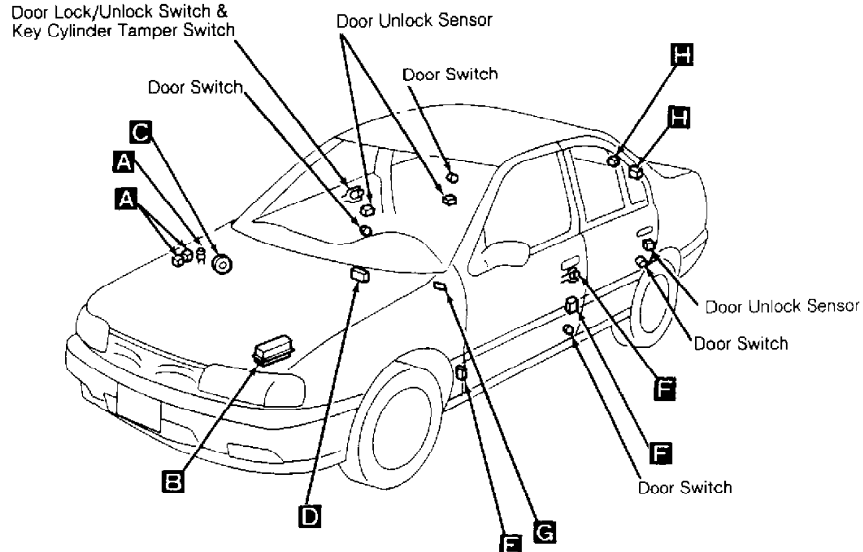
- 10. Time Control Unit
- 11. Theft Warning Control Unit
- 12. Combination Flasher Unit
- 13. Power Door Lock Timer
- 14. ABS Control Unit
- 15. Power Door Lock Relay
- 16. Power Door Lock Timer
- 17. Theft Warning Horn Relay
- 18. Blower Motor Relay

- 19. Super Multiple Junction (SMJ)
- 20. Power Window Relay
- 21. Fuse/Relay Block
- 22. Ignition Relay
- 23. Accessory Relay
- 24. Accessory Relay
- 25. Rear Window Defogger Relay
- 26. ECCS Control Unit
- 27. Power Window Amplifier
- 28. Automatic Seat Belt Control Unit (USA)
Daytime Running Light Control Unit (Canada)

93J27465

Bulb Check Relay (Blue)

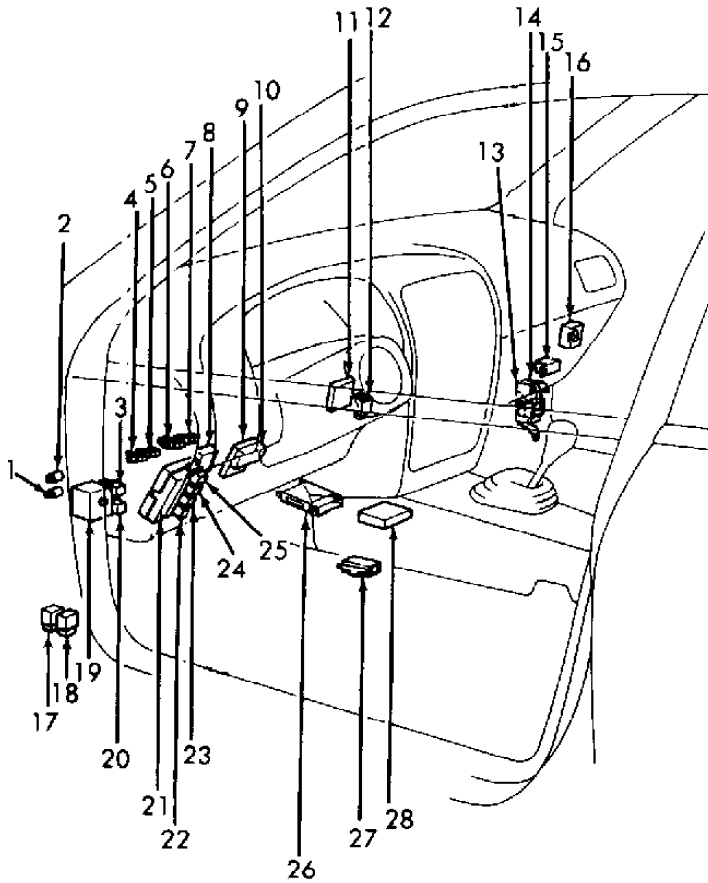
Behind left side of dash,
near fuse/relay block.



93127563

Combination Flasher Unit - Caption D (View 1)

Behind center console, above theft warning control unit.



1. Circuit Breaker
2. Circuit Breaker
3. Bulb Check Relay
4. ASCD Clutch Switch
5. Clutch Interlock Switch (M/T)
6. ASCD Brake Switch
7. Brakelight Switch
8. A/T Shift Lock Control Unit
9. ASCD Control Unit

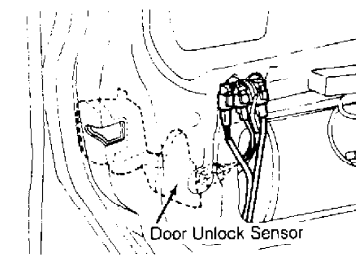
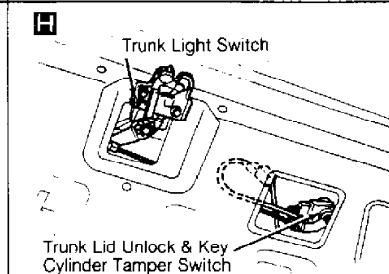
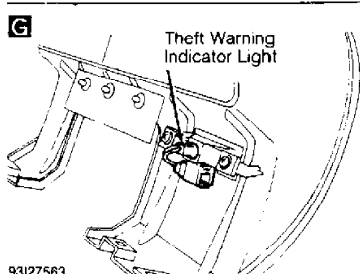
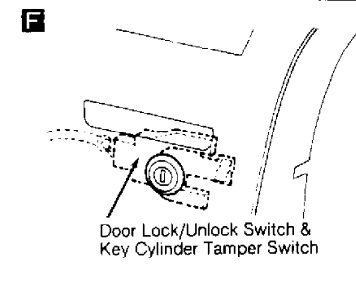
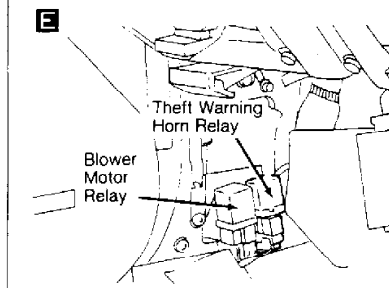
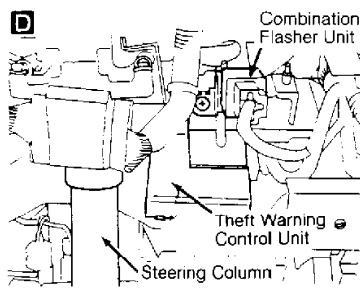
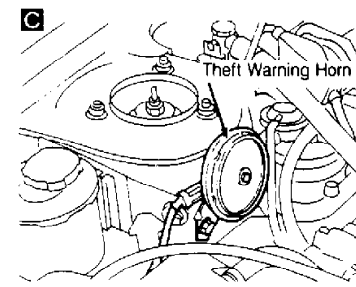
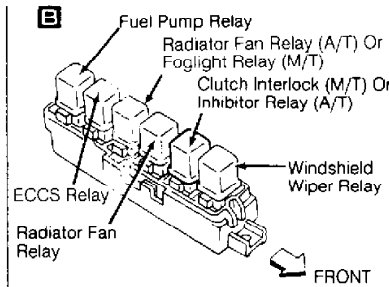
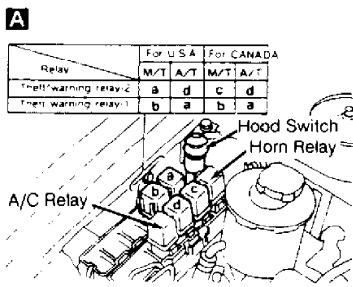
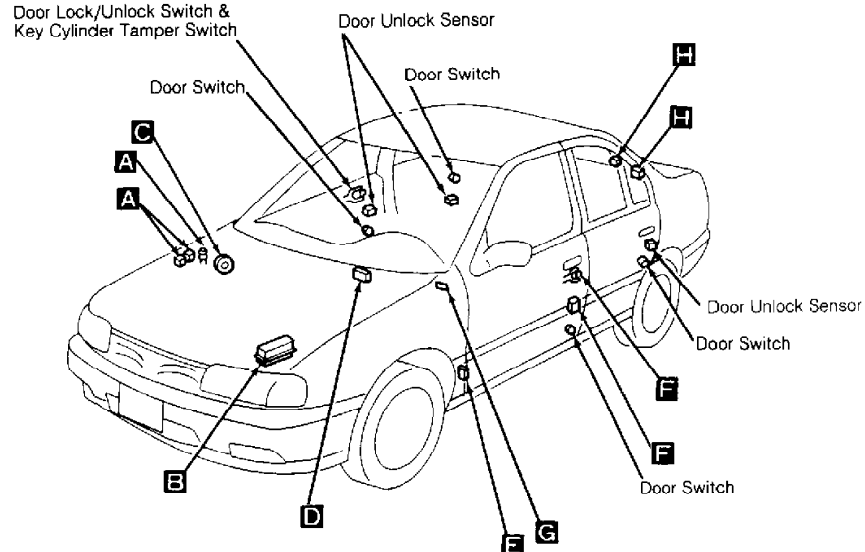
10. Time Control Unit
11. Theft Warning Control Unit
12. Combination Flasher Unit
13. Power Door Lock Timer
14. ABS Control Unit
15. Power Door Lock Relay
16. Power Door Lock Timer
17. Theft Warning Horn Relay
18. Blower Motor Relay

19. Super Multiple Junction (SMJ)
20. Power Window Relay
21. Fuse/Relay Block
22. Ignition Relay
23. Accessory Relay
24. Accessory Relay
25. Rear Window Defogger Relay
26. ECCS Control Unit
27. Power Window Amplifier
28. Automatic Seat Belt Control Unit (USA)
Daytime Running Light Control Unit (Canada)

93J27465

Combination Flasher
Unit (View 2)

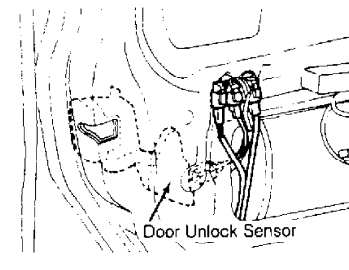
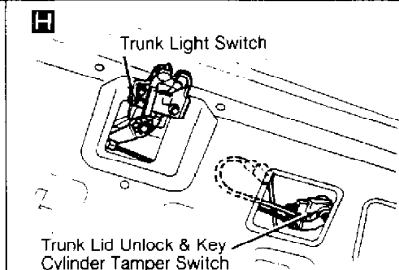
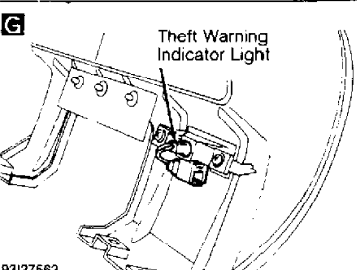
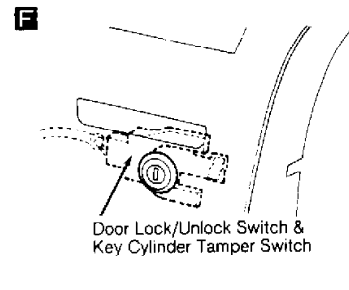
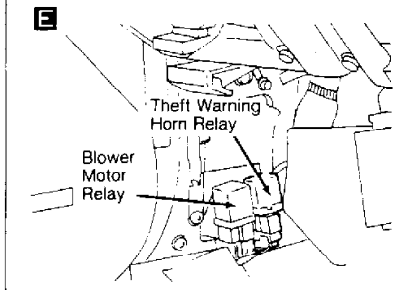
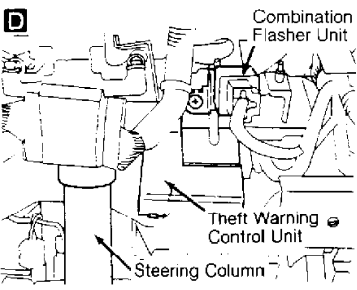
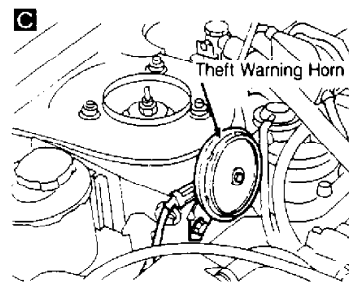
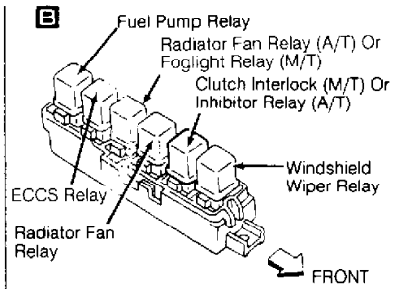
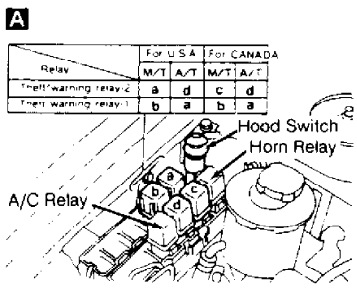
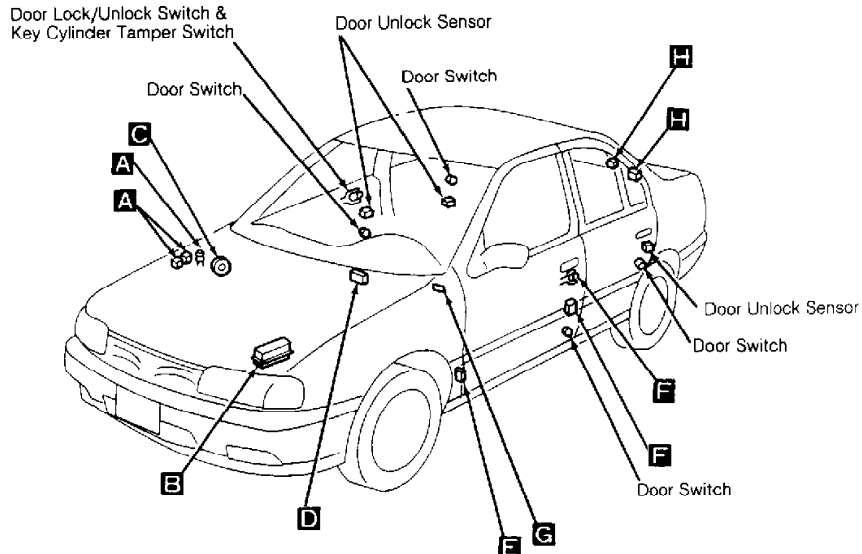
Behind center console, above
theft warning control unit.



93127563

ECCS Relay (Green)

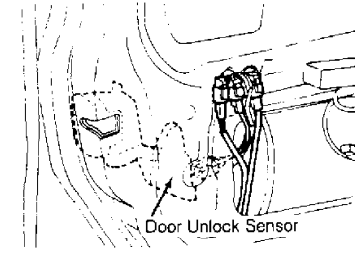
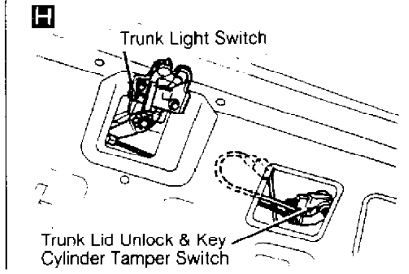
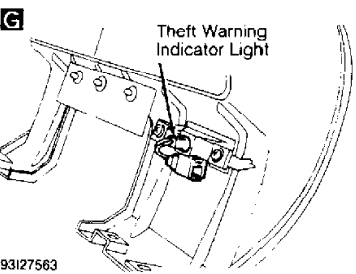
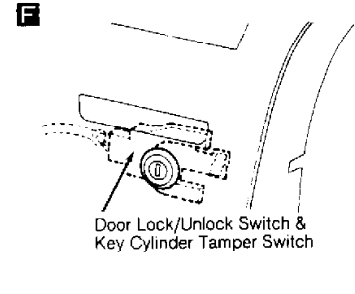
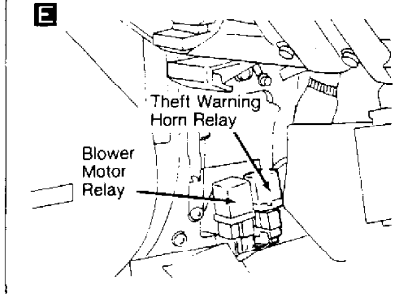
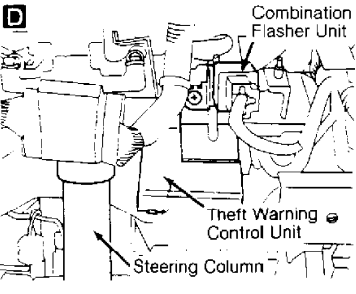
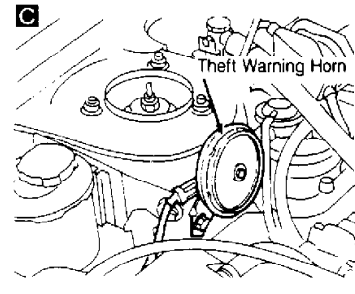
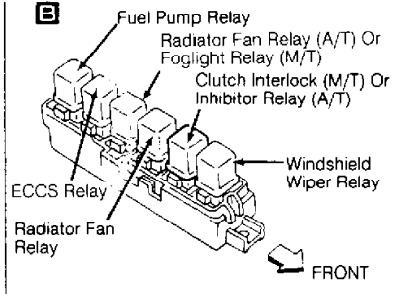
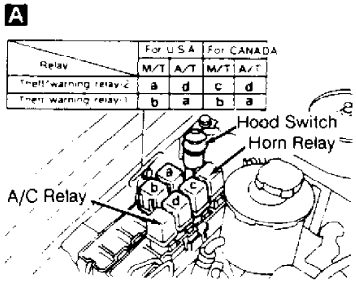
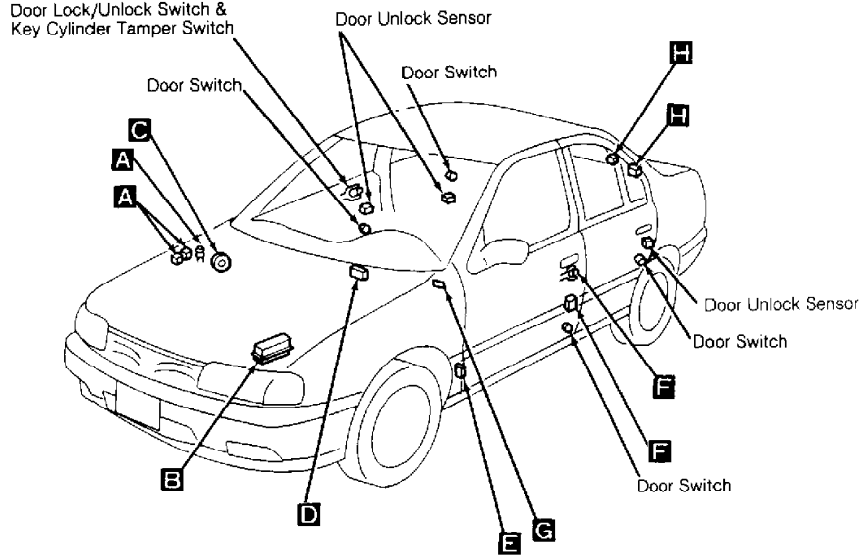
On relay block, near battery.



93127563

Foglight Relay (Blue) M/T Models

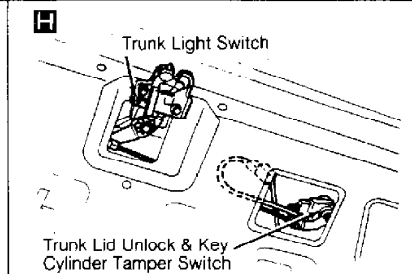
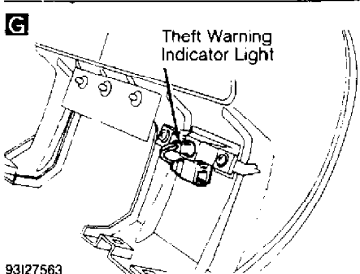
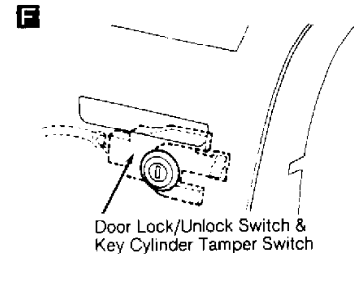
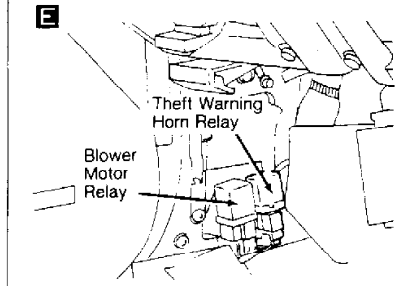
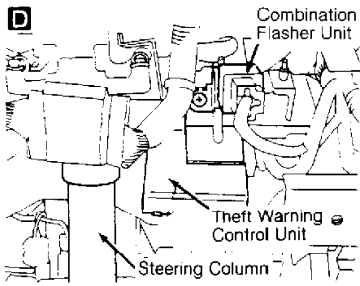
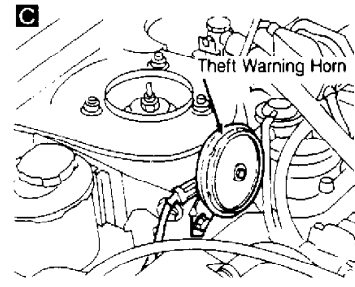
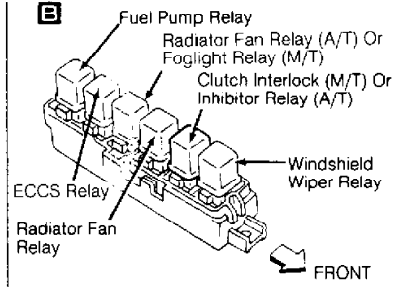
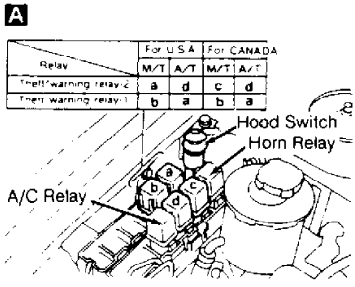
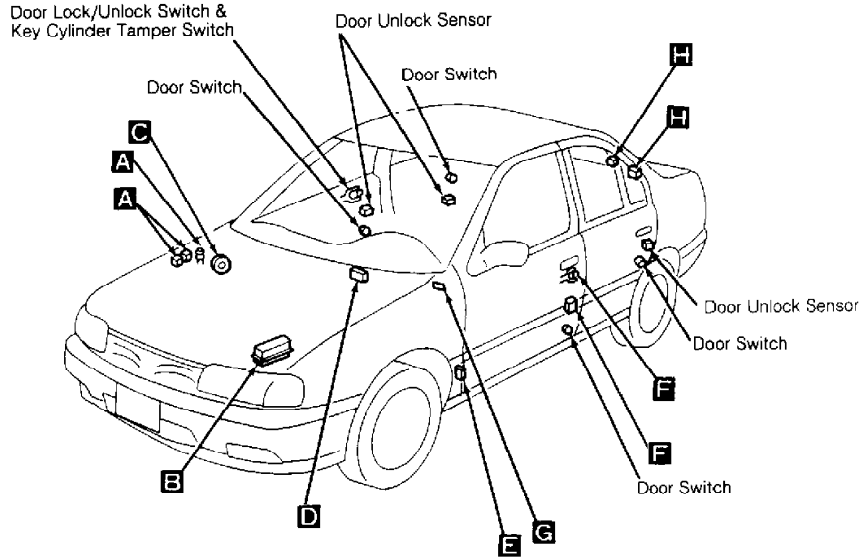
On relay block, near battery.



93127563

Fuel Pump Relay (Green)

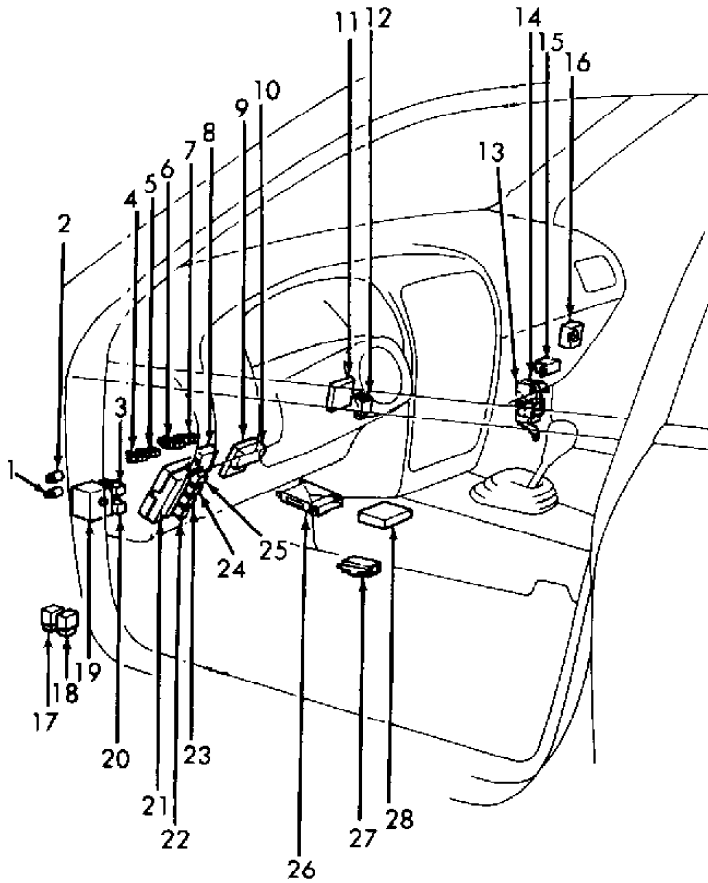
On relay block, near battery.



93127563

Horn Relay (Gray)

On relay block, in front of right strut tower.

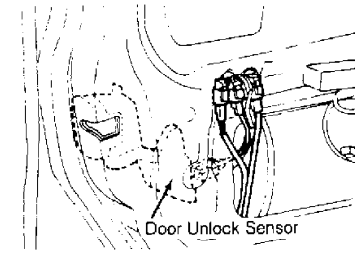
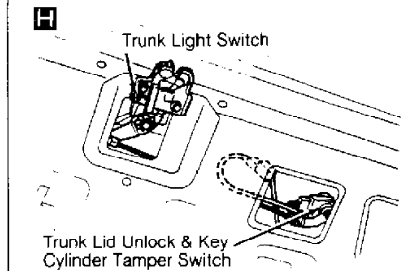
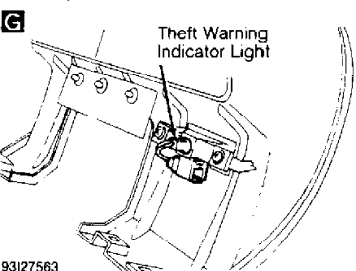
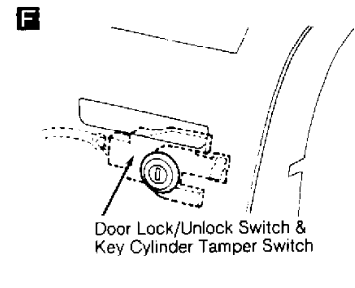
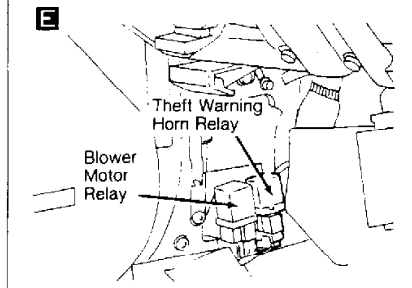
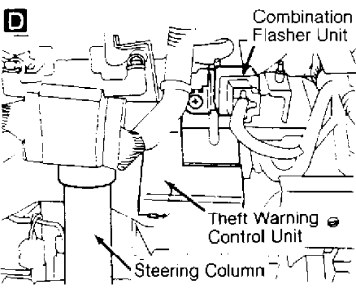
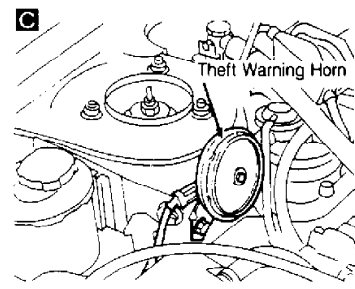
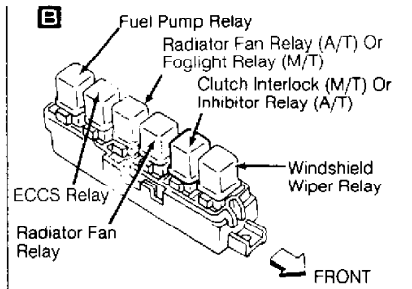
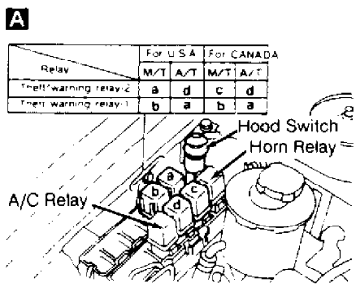
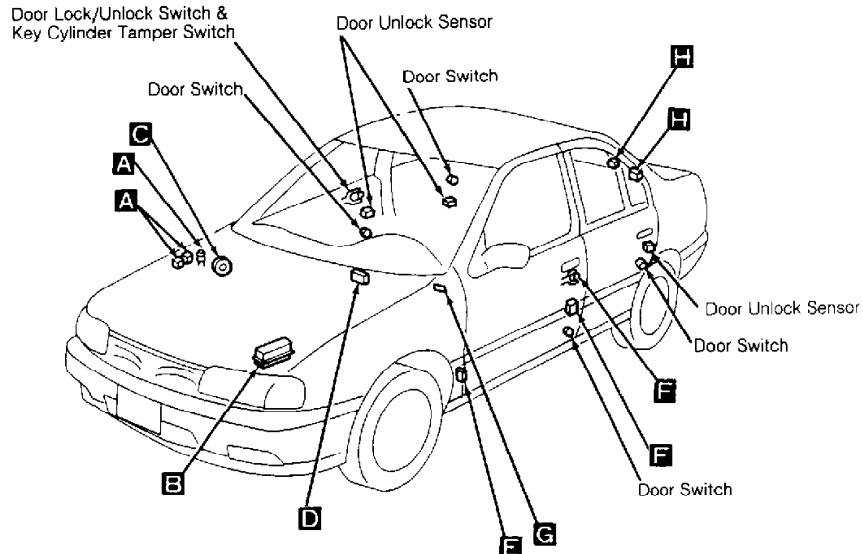


- | | | |
|----------------------------------|--------------------------------|---|
| 1. Circuit Breaker | 10. Time Control Unit | 19. Super Multiple Junction (SMJ) |
| 2. Circuit Breaker | 11. Theft Warning Control Unit | 20. Power Window Relay |
| 3. Bulb Check Relay | 12. Combination Flasher Unit | 21. Fuse/Relay Block |
| 4. ASCD Clutch Switch | 13. Power Door Lock Timer | 22. Ignition Relay |
| 5. Clutch Interlock Switch (M/T) | 14. ABS Control Unit | 23. Accessory Relay |
| 6. ASCD Brake Switch | 15. Power Door Lock Relay | 24. Accessory Relay |
| 7. Brakelight Switch | 16. Power Door Lock Timer | 25. Rear Window Defogger Relay |
| 8. A/T Shift Lock Control Unit | 17. Theft Warning Horn Relay | 26. ECCS Control Unit |
| 9. ASCD Control Unit | 18. Blower Motor Relay | 27. Power Window Amplifier |
| | | 28. Automatic Seat Belt Control Unit (USA)
Daytime Running Light Control Unit (Canada) |

93J27465

Ignition Relays (Blue)

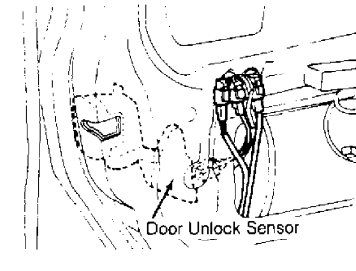
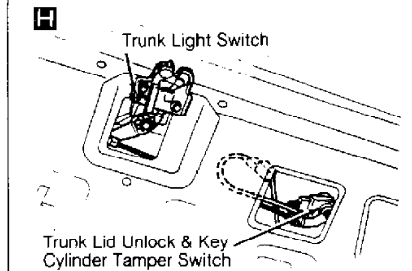
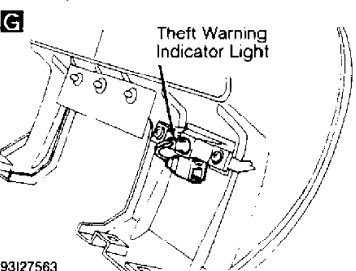
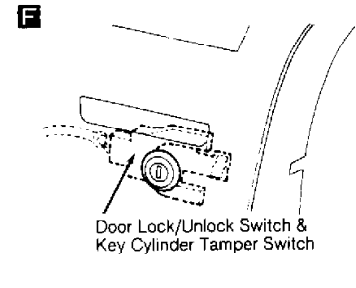
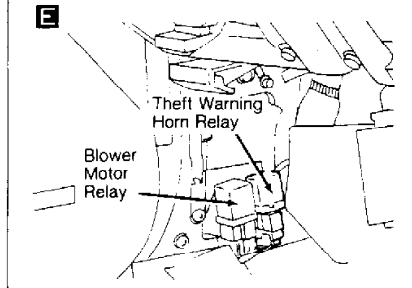
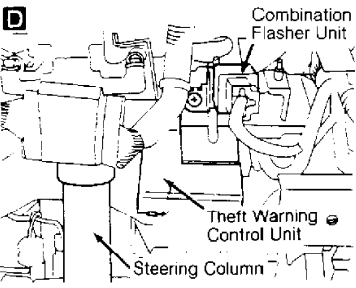
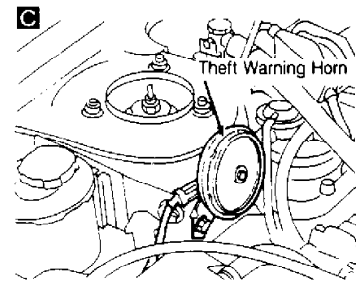
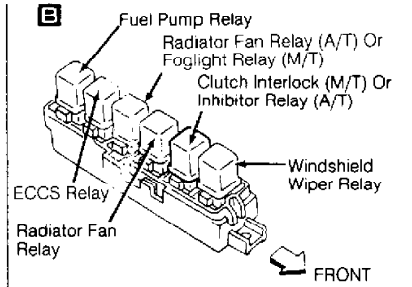
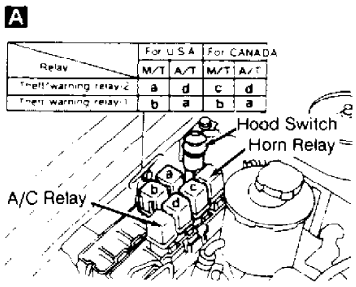
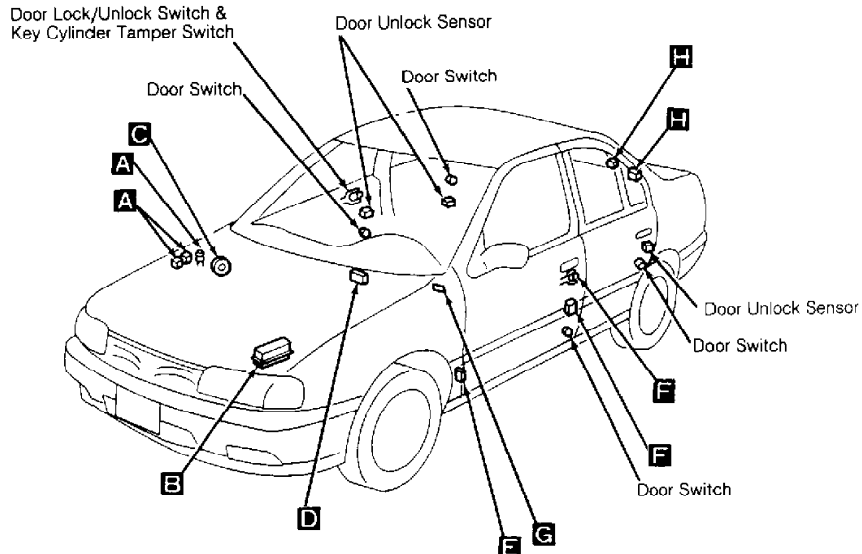
On passenger compartment
relay block.



93127563

Inhibitor Relay (A/T)
W/ASCD (Gray)

On relay block, near battery.



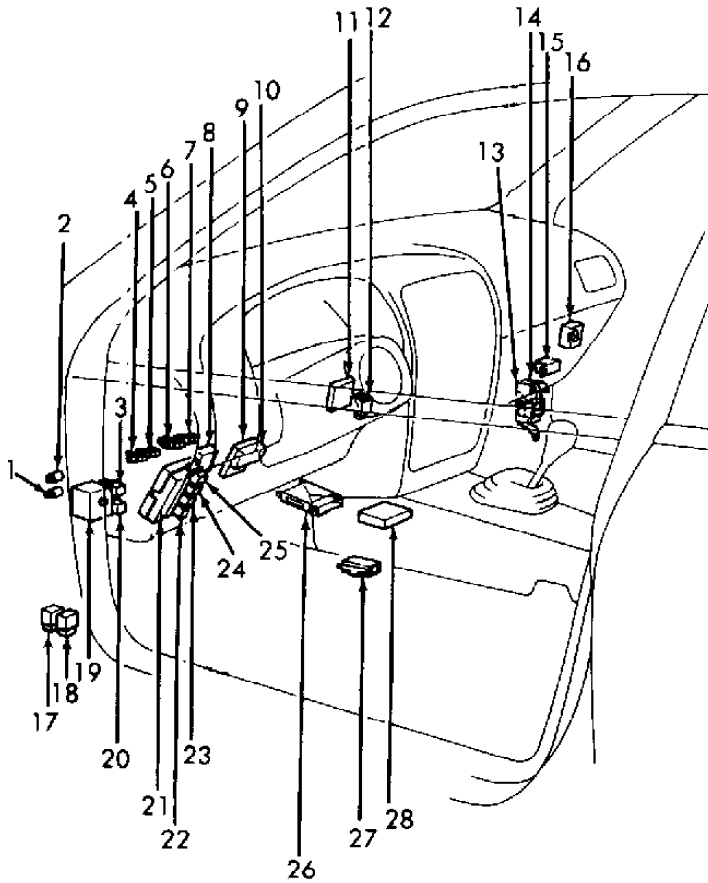
93127563

Inhibitor Relay (A/T)
W/O ASCD (Blue)

On relay block, near battery.

Power Antenna Timer

Mounted on base of antenna.



- 1. Circuit Breaker
- 2. Circuit Breaker
- 3. Bulb Check Relay
- 4. ASCD Clutch Switch
- 5. Clutch Interlock Switch (M/T)
- 6. ASCD Brake Switch
- 7. Brakelight Switch
- 8. A/T Shift Lock Control Unit
- 9. ASCD Control Unit

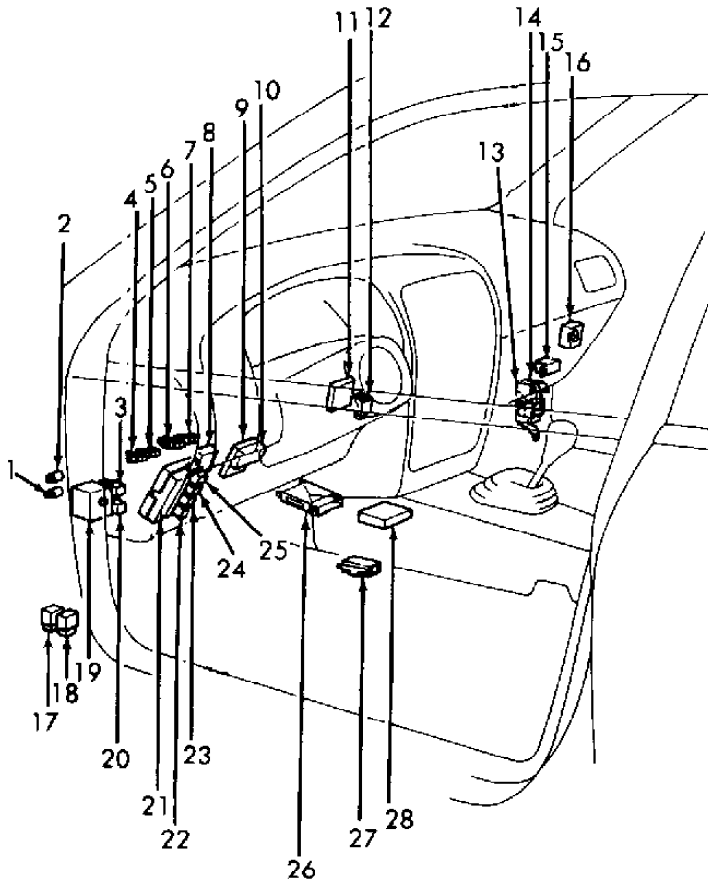
- 10. Time Control Unit
- 11. Theft Warning Control Unit
- 12. Combination Flasher Unit
- 13. Power Door Lock Timer
- 14. ABS Control Unit
- 15. Power Door Lock Relay
- 16. Power Door Lock Timer
- 17. Theft Warning Horn Relay
- 18. Blower Motor Relay

- 19. Super Multiple Junction (SMJ)
- 20. Power Window Relay
- 21. Fuse/Relay Block
- 22. Ignition Relay
- 23. Accessory Relay
- 24. Accessory Relay
- 25. Rear Window Defogger Relay
- 26. ECCS Control Unit
- 27. Power Window Amplifier
- 28. Automatic Seat Belt Control Unit (USA)
Daytime Running Light Control Unit (Canada)

93J27465

Power Door Lock Relay

Behind right side of dash.



1. Circuit Breaker
2. Circuit Breaker
3. Bulb Check Relay
4. ASCD Clutch Switch
5. Clutch Interlock Switch (M/T)
6. ASCD Brake Switch
7. Brakelight Switch
8. A/T Shift Lock Control Unit
9. ASCD Control Unit

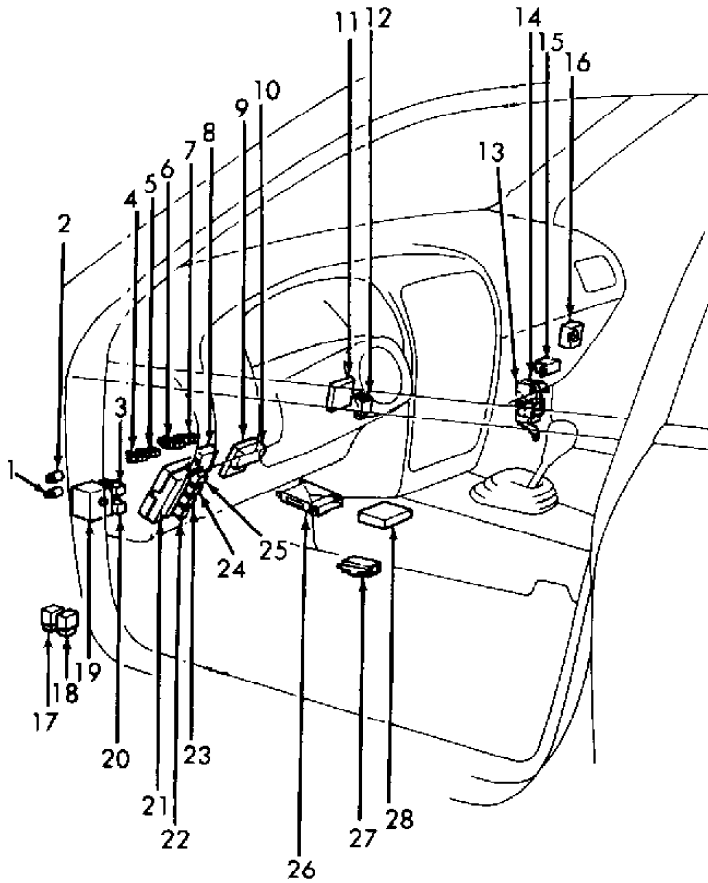
10. Time Control Unit
11. Theft Warning Control Unit
12. Combination Flasher Unit
13. Power Door Lock Timer
14. ABS Control Unit
15. Power Door Lock Relay
16. Power Door Lock Timer
17. Theft Warning Horn Relay
18. Blower Motor Relay

19. Super Multiple Junction (SMJ)
20. Power Window Relay
21. Fuse/Relay Block
22. Ignition Relay
23. Accessory Relay
24. Accessory Relay
25. Rear Window Defogger Relay
26. ECCS Control Unit
27. Power Window Amplifier
28. Automatic Seat Belt Control Unit (USA)
Daytime Running Light Control Unit (Canada)

93J27465

Power Door Lock Timers (2)

Behind right side of dash.



1. Circuit Breaker
2. Circuit Breaker
3. Bulb Check Relay
4. ASCD Clutch Switch
5. Clutch Interlock Switch (M/T)
6. ASCD Brake Switch
7. Brakelight Switch
8. A/T Shift Lock Control Unit
9. ASCD Control Unit

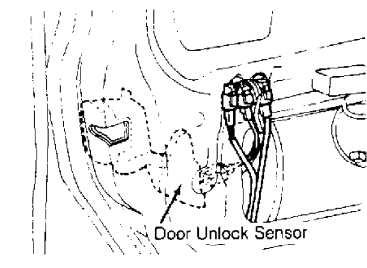
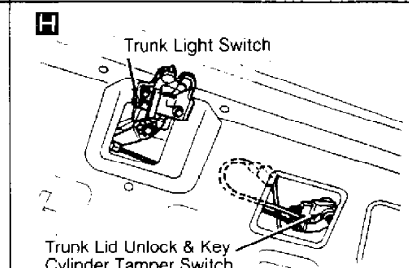
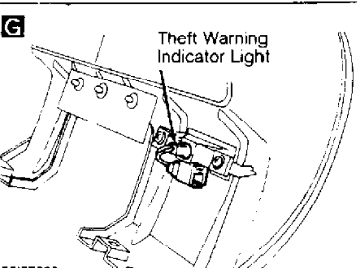
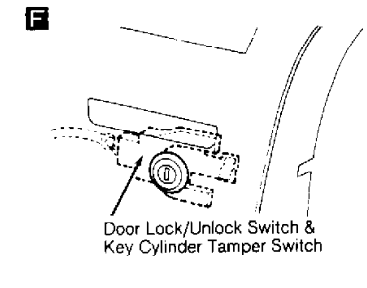
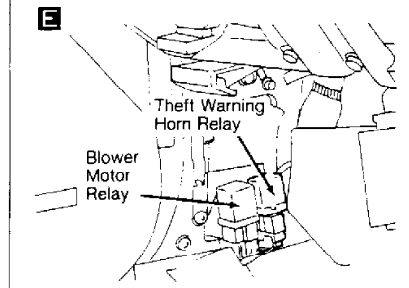
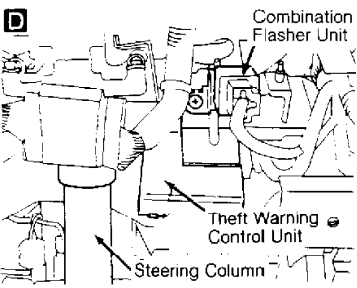
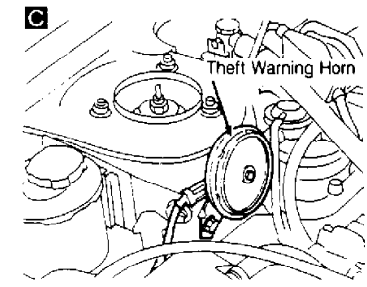
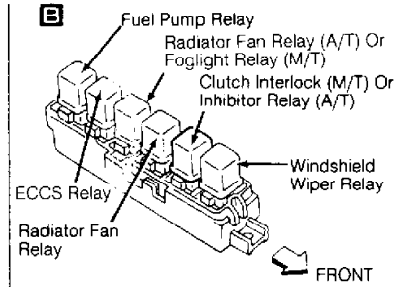
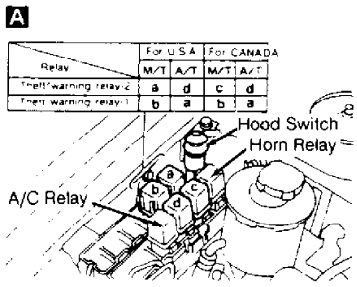
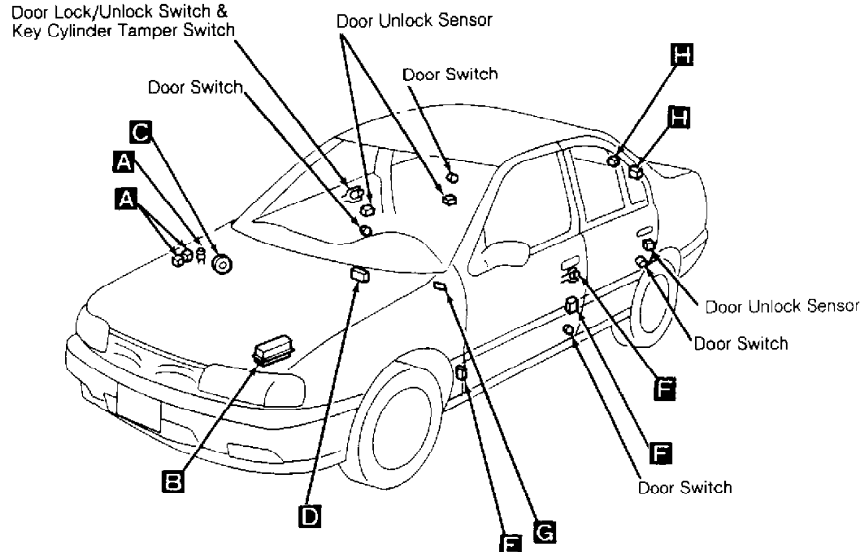
10. Time Control Unit
11. Theft Warning Control Unit
12. Combination Flasher Unit
13. Power Door Lock Timer
14. ABS Control Unit
15. Power Door Lock Relay
16. Power Door Lock Timer
17. Theft Warning Horn Relay
18. Blower Motor Relay

19. Super Multiple Junction (SMJ)
20. Power Window Relay
21. Fuse/Relay Block
22. Ignition Relay
23. Accessory Relay
24. Accessory Relay
25. Rear Window Defogger Relay
26. ECCS Control Unit
27. Power Window Amplifier
28. Automatic Seat Belt Control Unit (USA)
Daytime Running Light Control Unit (Canada)

93J27465

Power Window Relay (Blue)

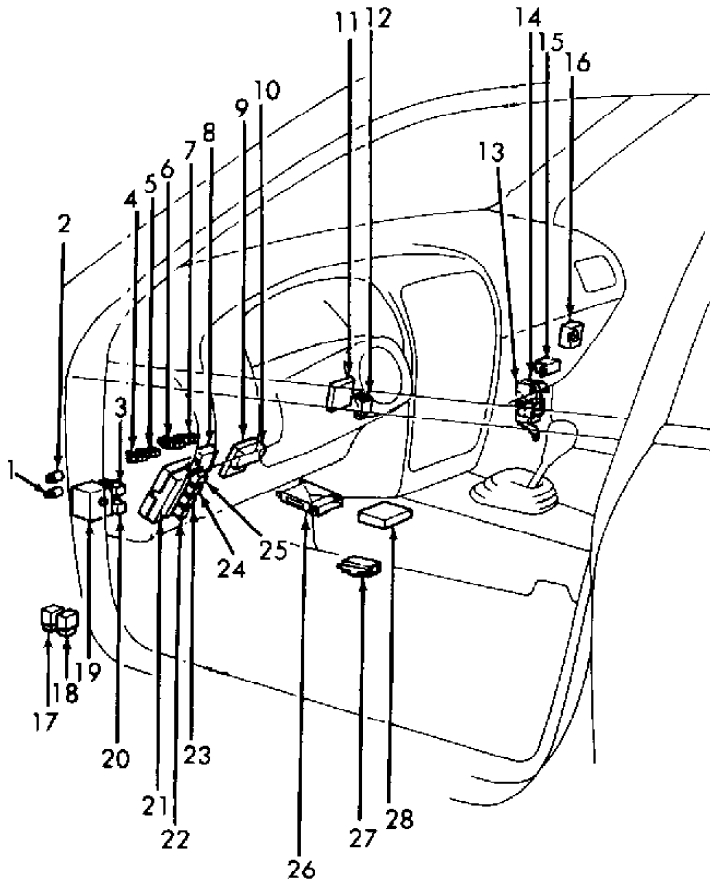
Behind left side of dash,
near fuse/relay block.



93127563

Radiator Fan Relays (2)

On relay block, near battery.



- 1. Circuit Breaker
- 2. Circuit Breaker
- 3. Bulb Check Relay
- 4. ASCD Clutch Switch
- 5. Clutch Interlock Switch (M/T)
- 6. ASCD Brake Switch
- 7. Brakelight Switch
- 8. A/T Shift Lock Control Unit
- 9. ASCD Control Unit

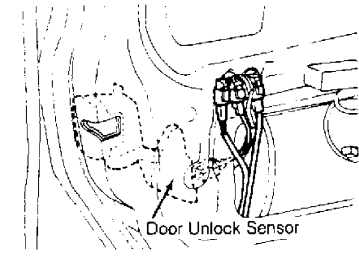
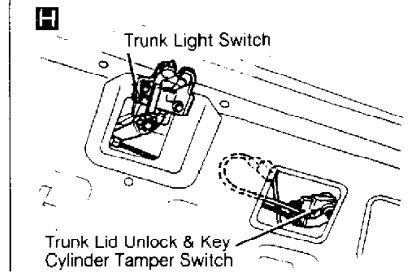
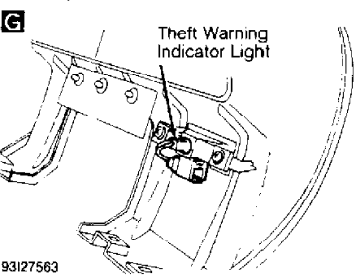
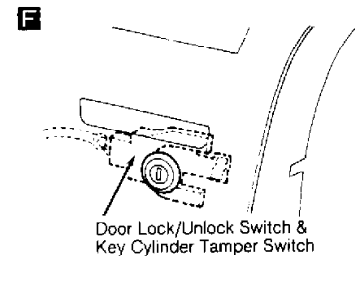
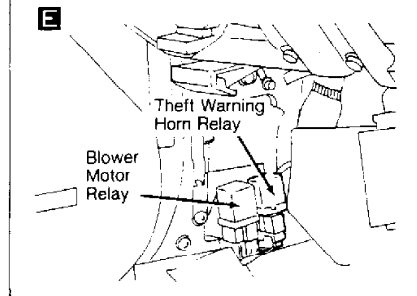
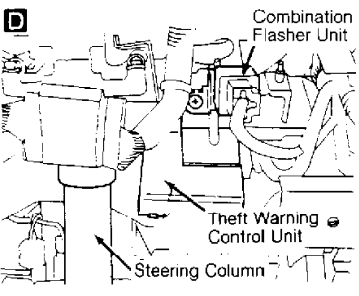
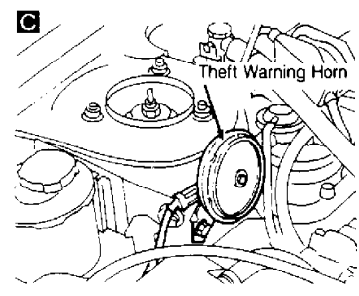
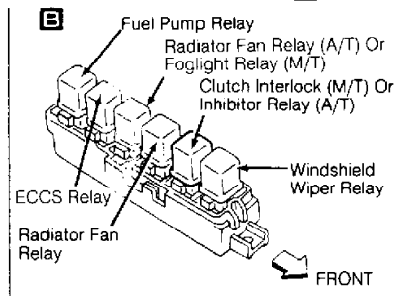
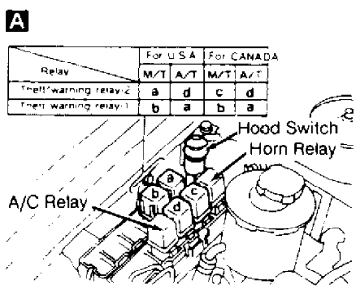
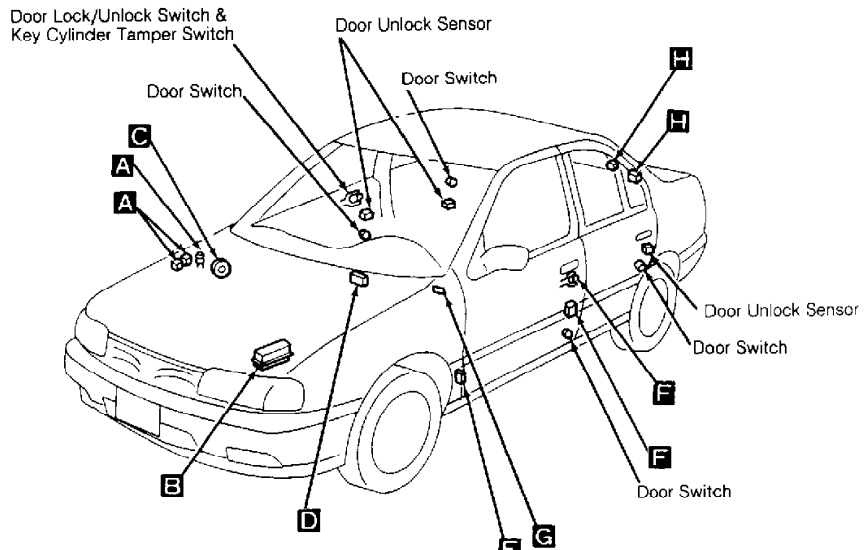
- 10. Time Control Unit
- 11. Theft Warning Control Unit
- 12. Combination Flasher Unit
- 13. Power Door Lock Timer
- 14. ABS Control Unit
- 15. Power Door Lock Relay
- 16. Power Door Lock Timer
- 17. Theft Warning Horn Relay
- 18. Blower Motor Relay

- 19. Super Multiple Junction (SMJ)
- 20. Power Window Relay
- 21. Fuse/Relay Block
- 22. Ignition Relay
- 23. Accessory Relay
- 24. Accessory Relay
- 25. Rear Window Defogger Relay
- 26. ECCS Control Unit
- 27. Power Window Amplifier
- 28. Automatic Seat Belt Control Unit (USA)
Daytime Running Light Control Unit (Canada)

93J27465

Rear Window Defogger Relay

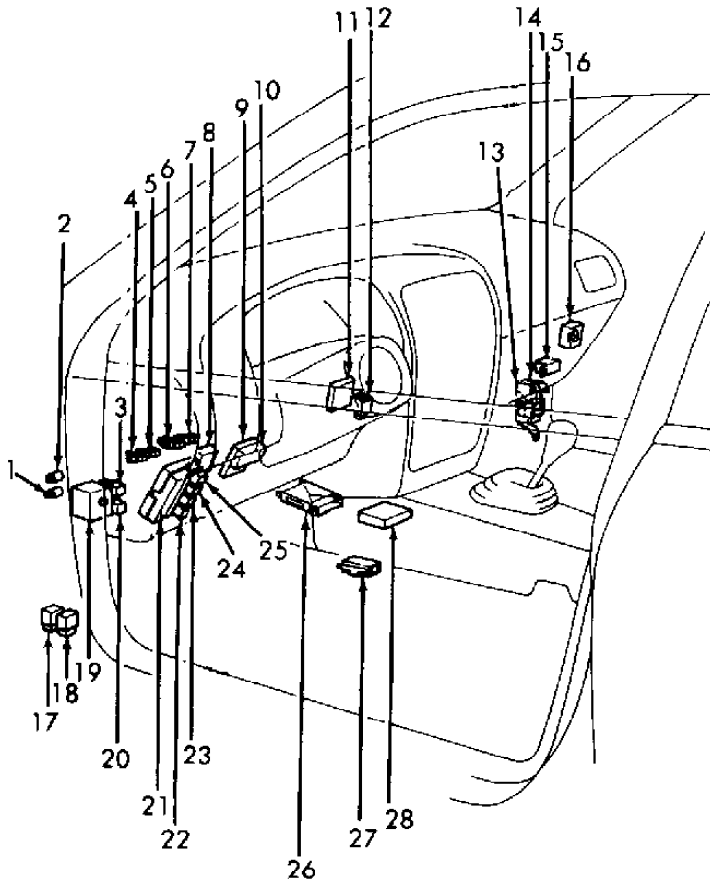
On passenger compartment
relay block.



93127563

Theft Warning System Horn Relay (Gray) - Caption A (View 1)

Behind left side kick panel.



1. Circuit Breaker
2. Circuit Breaker
3. Bulb Check Relay
4. ASCD Clutch Switch
5. Clutch Interlock Switch (M/T)
6. ASCD Brake Switch
7. Brakelight Switch
8. A/T Shift Lock Control Unit
9. ASCD Control Unit

10. Time Control Unit
11. Theft Warning Control Unit
12. Combination Flasher Unit
13. Power Door Lock Timer
14. ABS Control Unit
15. Power Door Lock Relay
16. Power Door Lock Timer
17. Theft Warning Horn Relay
18. Blower Motor Relay

19. Super Multiple Junction (SMJ)
20. Power Window Relay
21. Fuse/Relay Block
22. Ignition Relay
23. Accessory Relay
24. Accessory Relay
25. Rear Window Defogger Relay
26. ECCS Control Unit
27. Power Window Amplifier
28. Automatic Seat Belt Control Unit (USA)
Daytime Running Light Control Unit (Canada)

93J27465

Theft Warning System Horn
Relay (Gray) - Caption A (View 2)

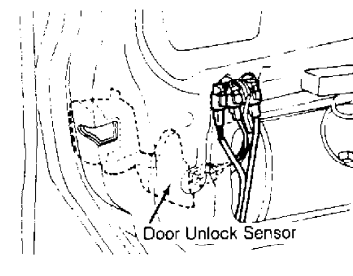
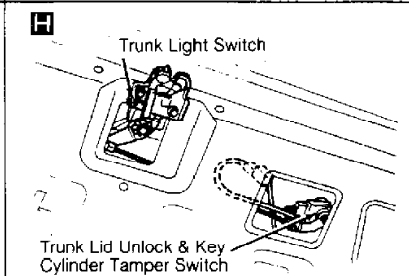
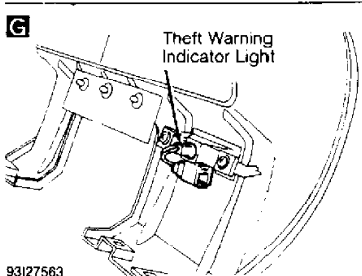
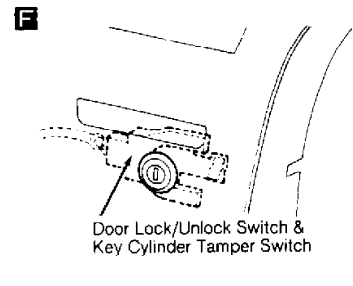
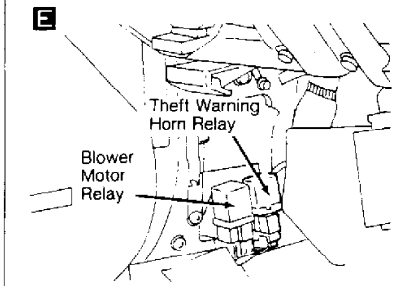
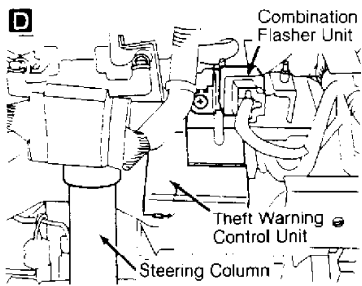
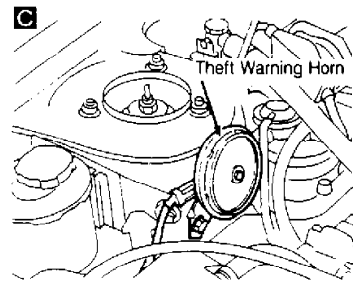
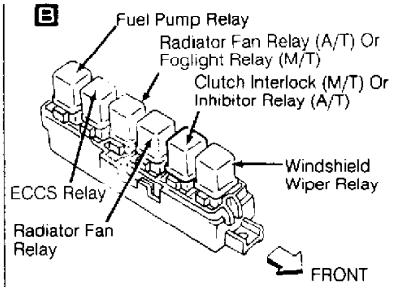
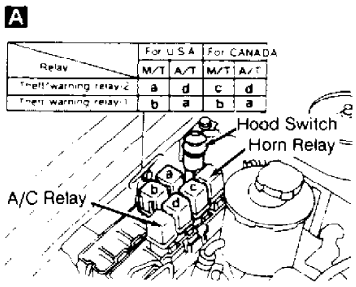
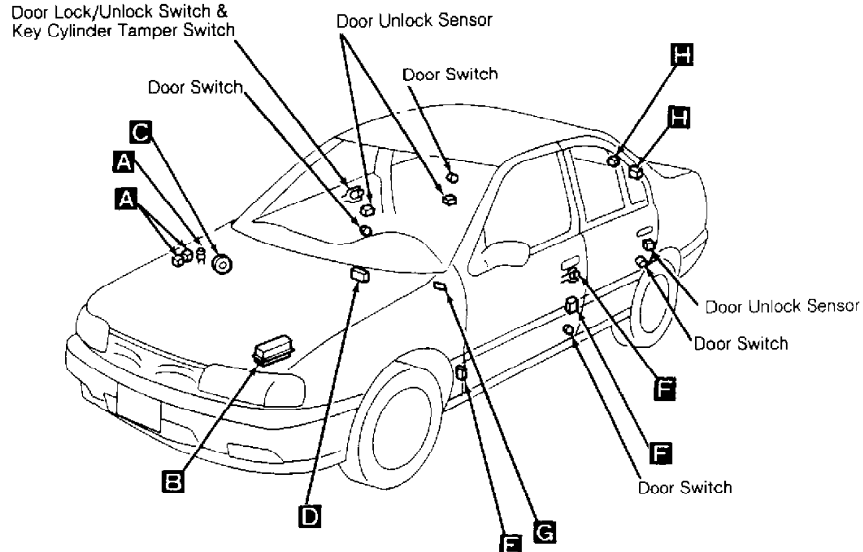
Behind left side kick panel.

Theft Warning System Relays (2)

On relay block, in front of
right strut tower.

Warning Chime

Mounted on back of instrument
cluster.



93127563

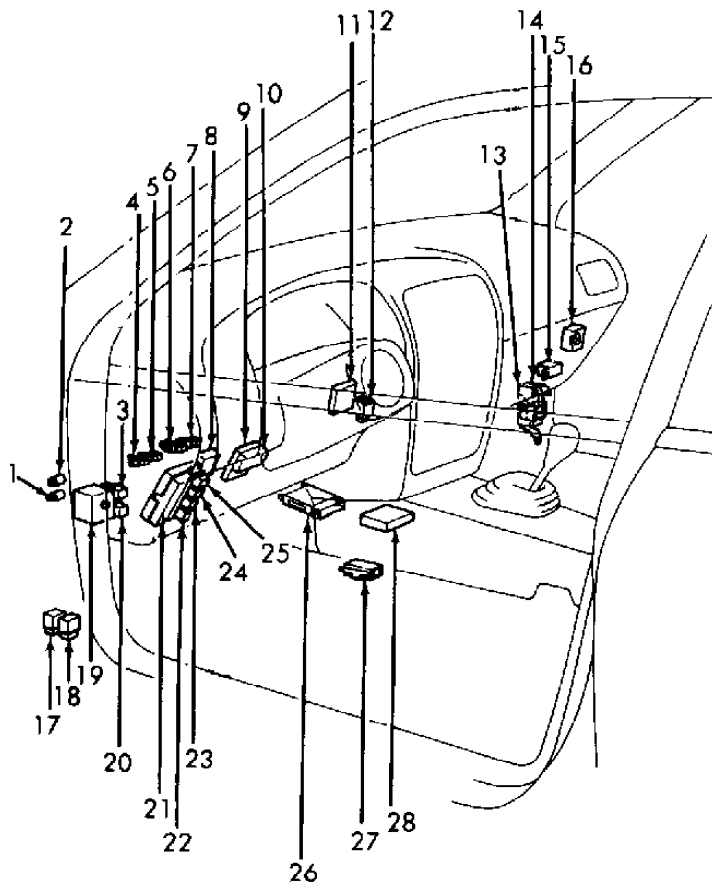
Windshield Wiper Relay (Black)

On relay block, near battery.

CIRCUIT PROTECTION DEVICES

Component

Component Location



- 1. Circuit Breaker
- 2. Circuit Breaker
- 3. Bulb Check Relay
- 4. ASCD Clutch Switch
- 5. Clutch Interlock Switch (M/T)
- 6. ASCD Brake Switch
- 7. Brakelight Switch
- 8. A/T Shift Lock Control Unit
- 9. ASCD Control Unit

- 10. Time Control Unit
- 11. Theft Warning Control Unit
- 12. Combination Flasher Unit
- 13. Power Door Lock Timer
- 14. ABS Control Unit
- 15. Power Door Lock Relay
- 16. Power Door Lock Timer
- 17. Theft Warning Horn Relay
- 18. Blower Motor Relay

- 19. Super Multiple Junction (SMJ)
- 20. Power Window Relay
- 21. Fuse/Relay Block
- 22. Ignition Relay
- 23. Accessory Relay
- 24. Accessory Relay
- 25. Rear Window Defogger Relay
- 26. ECCS Control Unit
- 27. Power Window Amplifier
- 28. Automatic Seat Belt Control Unit (USA)
Daytime Running Light Control Unit (Canada)

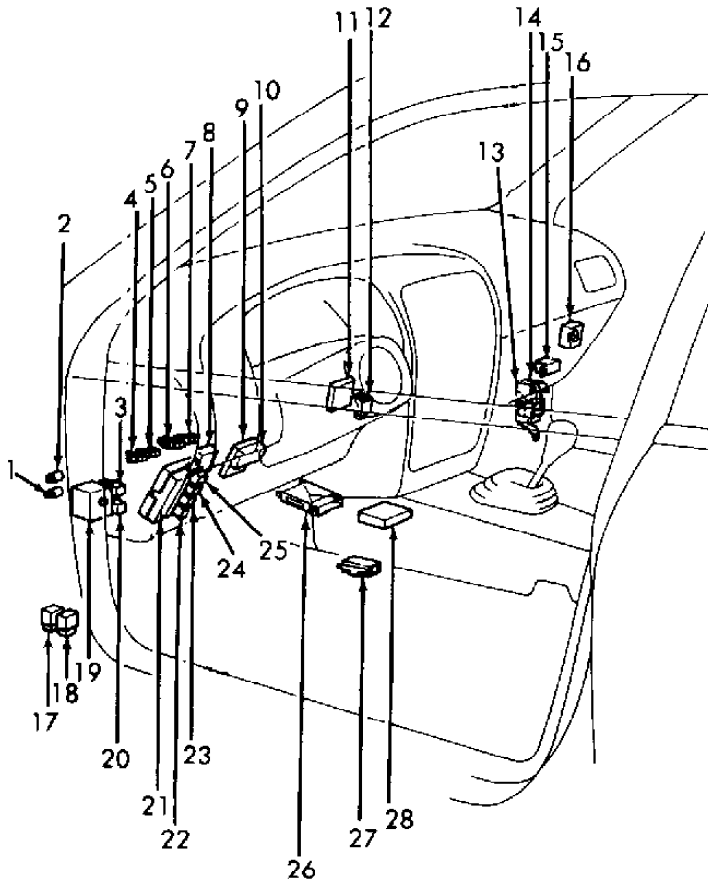
93J27465

Circuit Breakers (2)

Behind left side of dash.

Fuel Pump Fuse

In fuse block, to left of steering column.



1. Circuit Breaker
2. Circuit Breaker
3. Bulb Check Relay
4. ASCD Clutch Switch
5. Clutch Interlock Switch (M/T)
6. ASCD Brake Switch
7. Brakelight Switch
8. A/T Shift Lock Control Unit
9. ASCD Control Unit

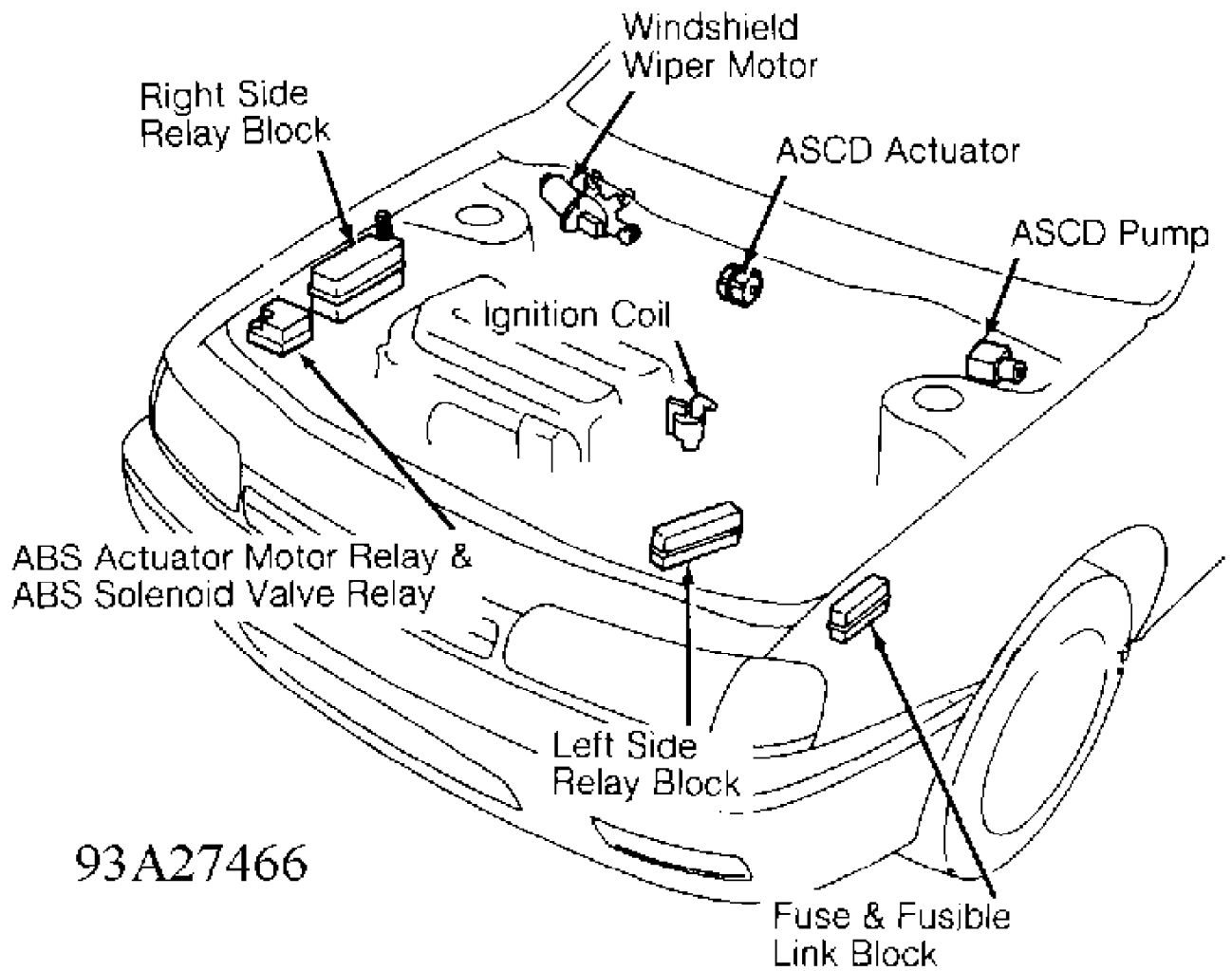
10. Time Control Unit
11. Theft Warning Control Unit
12. Combination Flasher Unit
13. Power Door Lock Timer
14. ABS Control Unit
15. Power Door Lock Relay
16. Power Door Lock Timer
17. Theft Warning Horn Relay
18. Blower Motor Relay

19. Super Multiple Junction (SMJ)
20. Power Window Relay
21. Fuse/Relay Block
22. Ignition Relay
23. Accessory Relay
24. Accessory Relay
25. Rear Window Defogger Relay
26. ECCS Control Unit
27. Power Window Amplifier
28. Automatic Seat Belt Control Unit (USA)
Daytime Running Light Control Unit (Canada)

93J27465

Fuse/Relay lock

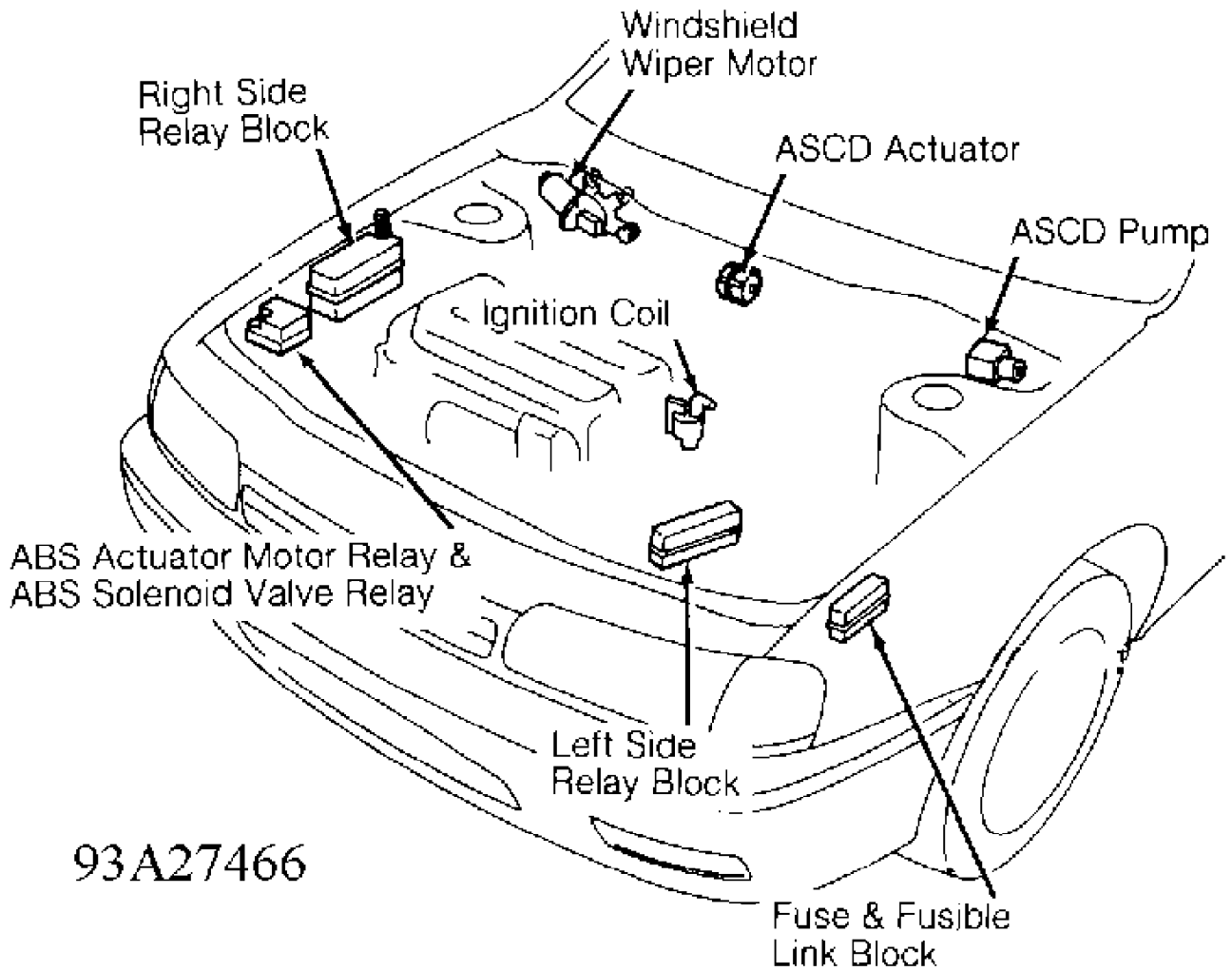
Behind access panel, to left
of steering column.



93A27466

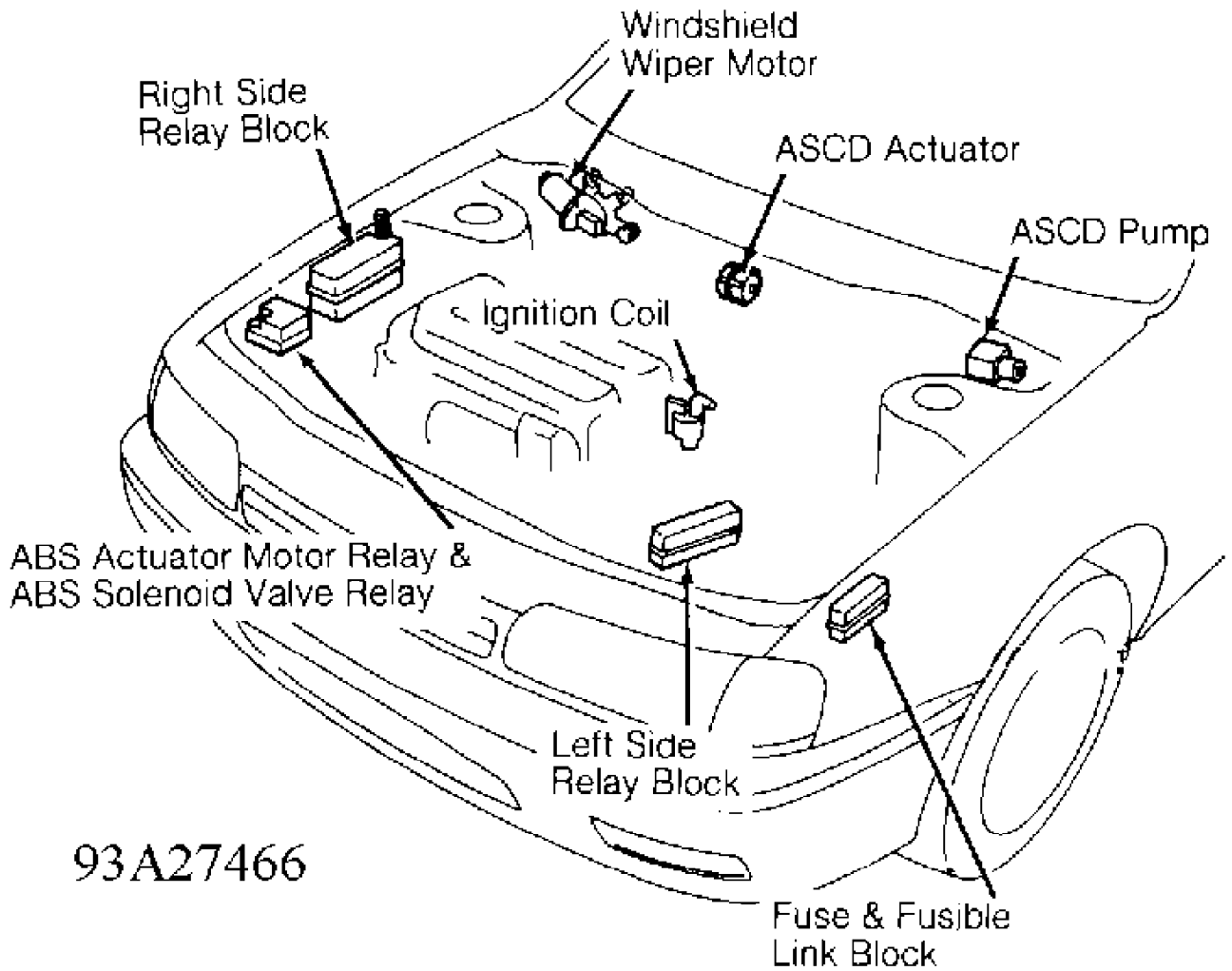
Fuse & Fusible Link Block

On left front corner of engine compartment, on fender.



Right Side Engine Compartment
Relay Block

On right front of engine
compartment, near battery.



93A27466

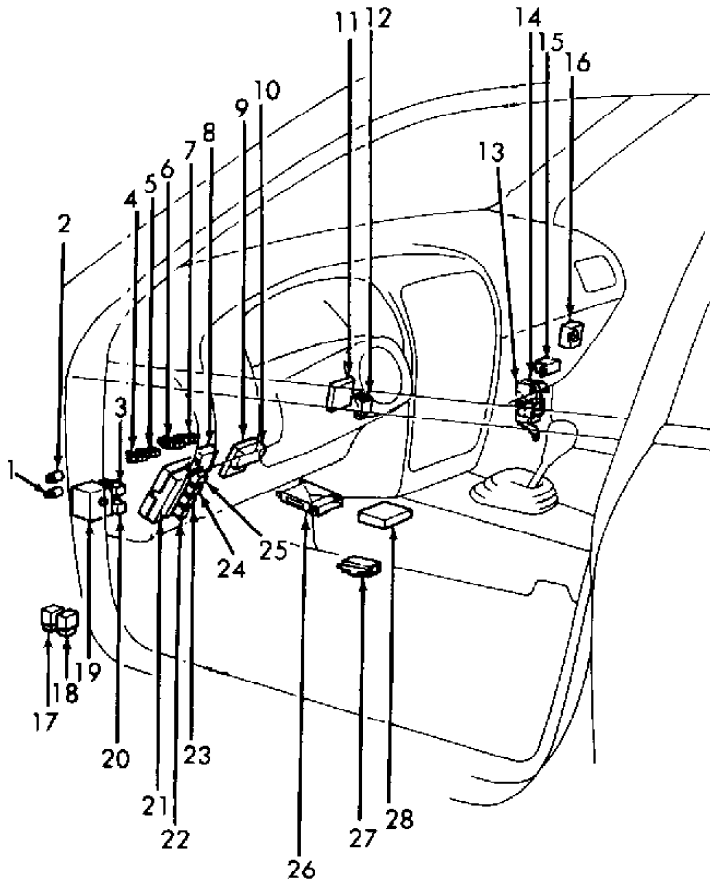
Left Side Engine Compartment
Relay Block

On left side of engine
compartment, in front of strut
tower.

CONTROL UNITS

Component

Component Location

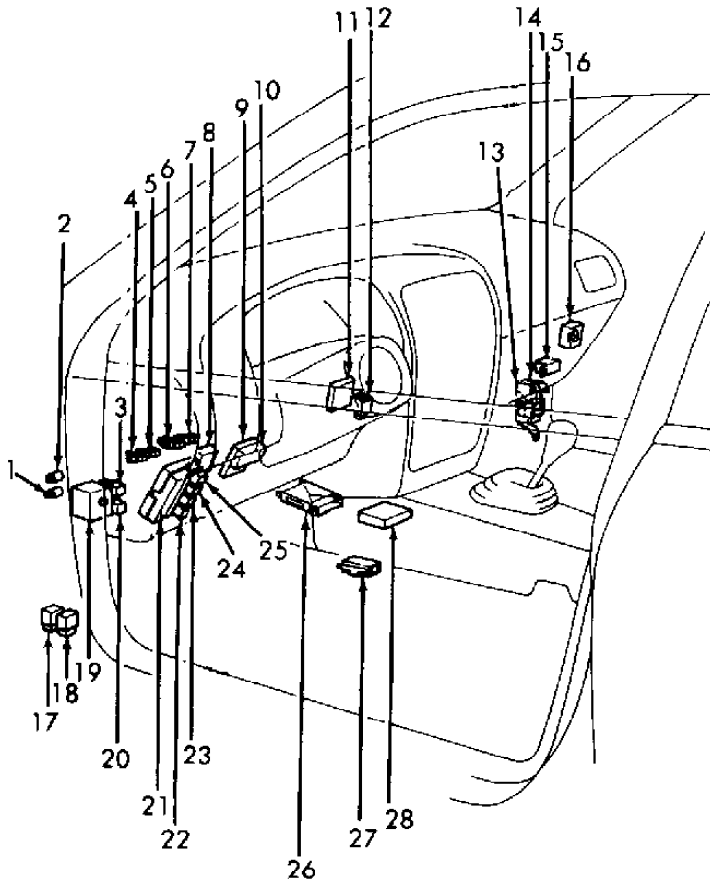


- | | | |
|----------------------------------|--------------------------------|---|
| 1. Circuit Breaker | 10. Time Control Unit | 19. Super Multiple Junction (SMJ) |
| 2. Circuit Breaker | 11. Theft Warning Control Unit | 20. Power Window Relay |
| 3. Bulb Check Relay | 12. Combination Flasher Unit | 21. Fuse/Relay Block |
| 4. ASCD Clutch Switch | 13. Power Door Lock Timer | 22. Ignition Relay |
| 5. Clutch Interlock Switch (M/T) | 14. ABS Control Unit | 23. Accessory Relay |
| 6. ASCD Brake Switch | 15. Power Door Lock Relay | 24. Accessory Relay |
| 7. Brakelight Switch | 16. Power Door Lock Timer | 25. Rear Window Defogger Relay |
| 8. A/T Shift Lock Control Unit | 17. Theft Warning Horn Relay | 26. ECCS Control Unit |
| 9. ASCD Control Unit | 18. Blower Motor Relay | 27. Power Window Amplifier |
| | | 28. Automatic Seat Belt Control Unit (USA)
Daytime Running Light Control Unit (Canada) |

93J27465

ABS Control Unit

Behind right side kick panel.



- 1. Circuit Breaker
- 2. Circuit Breaker
- 3. Bulb Check Relay
- 4. ASCD Clutch Switch
- 5. Clutch Interlock Switch (M/T)
- 6. ASCD Brake Switch
- 7. Brakelight Switch
- 8. A/T Shift Lock Control Unit
- 9. ASCD Control Unit

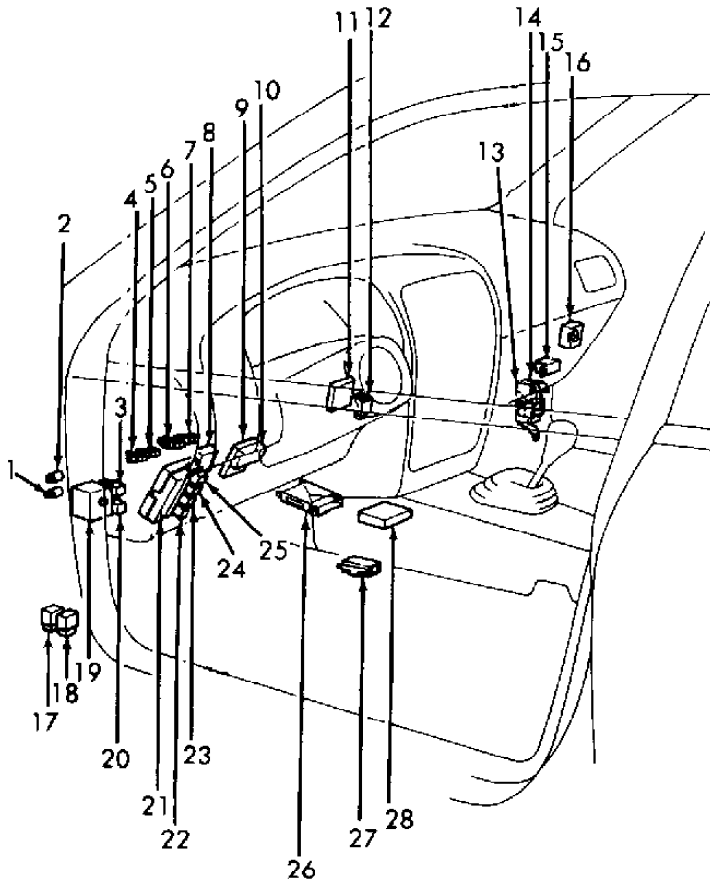
- 10. Time Control Unit
- 11. Theft Warning Control Unit
- 12. Combination Flasher Unit
- 13. Power Door Lock Timer
- 14. ABS Control Unit
- 15. Power Door Lock Relay
- 16. Power Door Lock Timer
- 17. Theft Warning Horn Relay
- 18. Blower Motor Relay

- 19. Super Multiple Junction (SMJ)
- 20. Power Window Relay
- 21. Fuse/Relay Block
- 22. Ignition Relay
- 23. Accessory Relay
- 24. Accessory Relay
- 25. Rear Window Defogger Relay
- 26. ECCS Control Unit
- 27. Power Window Amplifier
- 28. Automatic Seat Belt Control Unit (USA)
Daytime Running Light Control Unit (Canada)

93J27465

A/T Shift Lock Control Unit

Behind left side kick panel.



- 1. Circuit Breaker
- 2. Circuit Breaker
- 3. Bulb Check Relay
- 4. ASCD Clutch Switch
- 5. Clutch Interlock Switch (M/T)
- 6. ASCD Brake Switch
- 7. Brakelight Switch
- 8. A/T Shift Lock Control Unit
- 9. ASCD Control Unit

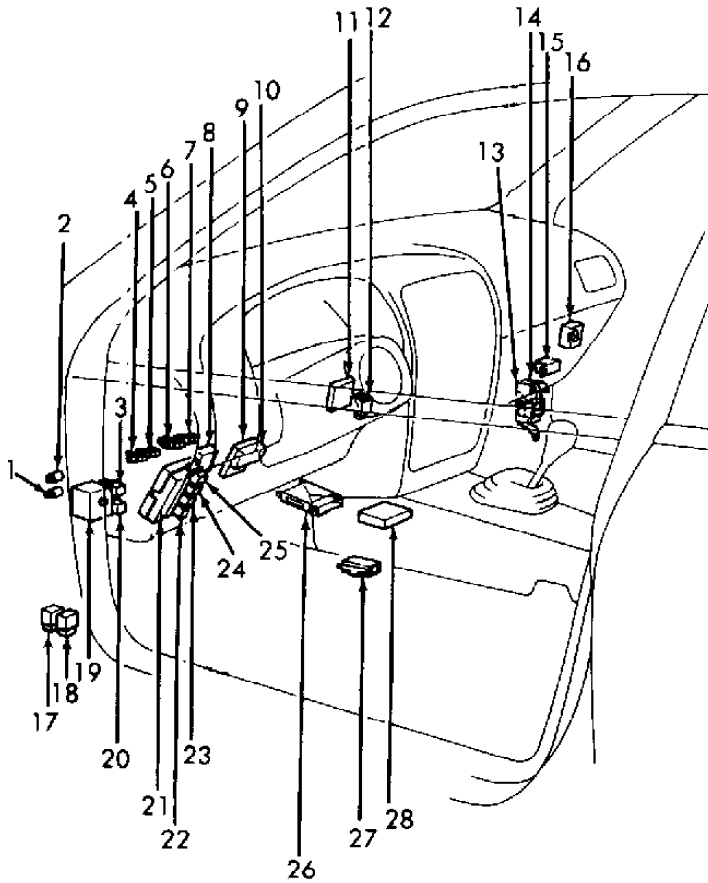
- 10. Time Control Unit
- 11. Theft Warning Control Unit
- 12. Combination Flasher Unit
- 13. Power Door Lock Timer
- 14. ABS Control Unit
- 15. Power Door Lock Relay
- 16. Power Door Lock Timer
- 17. Theft Warning Horn Relay
- 18. Blower Motor Relay

- 19. Super Multiple Junction (SMJ)
- 20. Power Window Relay
- 21. Fuse/Relay Block
- 22. Ignition Relay
- 23. Accessory Relay
- 24. Accessory Relay
- 25. Rear Window Defogger Relay
- 26. ECCS Control Unit
- 27. Power Window Amplifier
- 28. Automatic Seat Belt Control Unit (USA)
Daytime Running Light Control Unit (Canada)

93J27465

Automatic Seat Belt Control Unit

Behind center console.



1. Circuit Breaker
2. Circuit Breaker
3. Bulb Check Relay
4. ASCD Clutch Switch
5. Clutch Interlock Switch (M/T)
6. ASCD Brake Switch
7. Brakelight Switch
8. A/T Shift Lock Control Unit
9. ASCD Control Unit

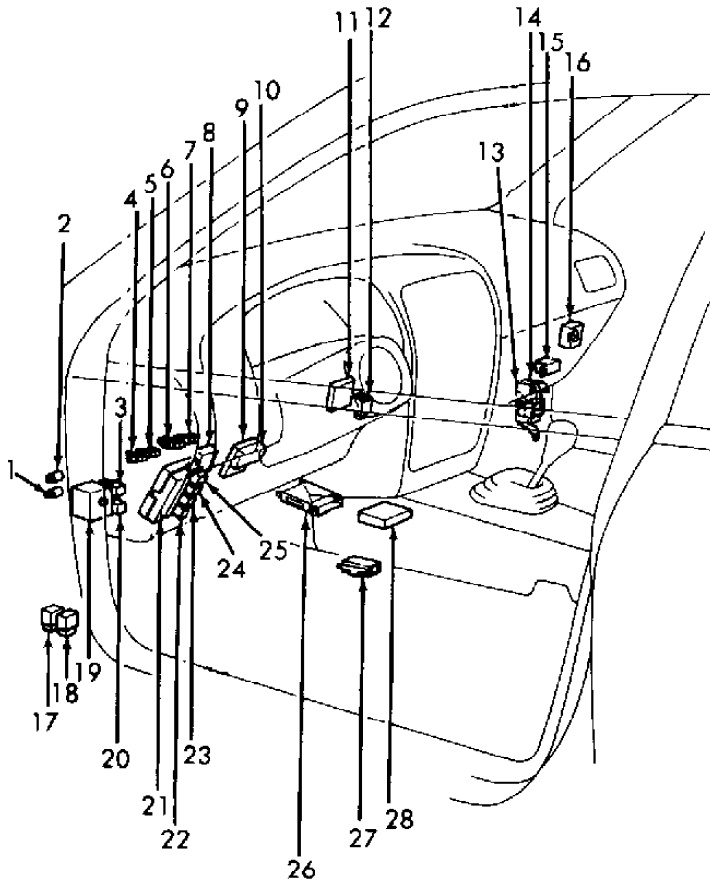
10. Time Control Unit
11. Theft Warning Control Unit
12. Combination Flasher Unit
13. Power Door Lock Timer
14. ABS Control Unit
15. Power Door Lock Relay
16. Power Door Lock Timer
17. Theft Warning Horn Relay
18. Blower Motor Relay

19. Super Multiple Junction (SMJ)
20. Power Window Relay
21. Fuse/Relay Block
22. Ignition Relay
23. Accessory Relay
24. Accessory Relay
25. Rear Window Defogger Relay
26. ECCS Control Unit
27. Power Window Amplifier
28. Automatic Seat Belt Control Unit (USA)
Daytime Running Light Control Unit (Canada)

93J27465

Automatic Speed Control Device
(ASCD) Control Unit

Behind left side of dash.

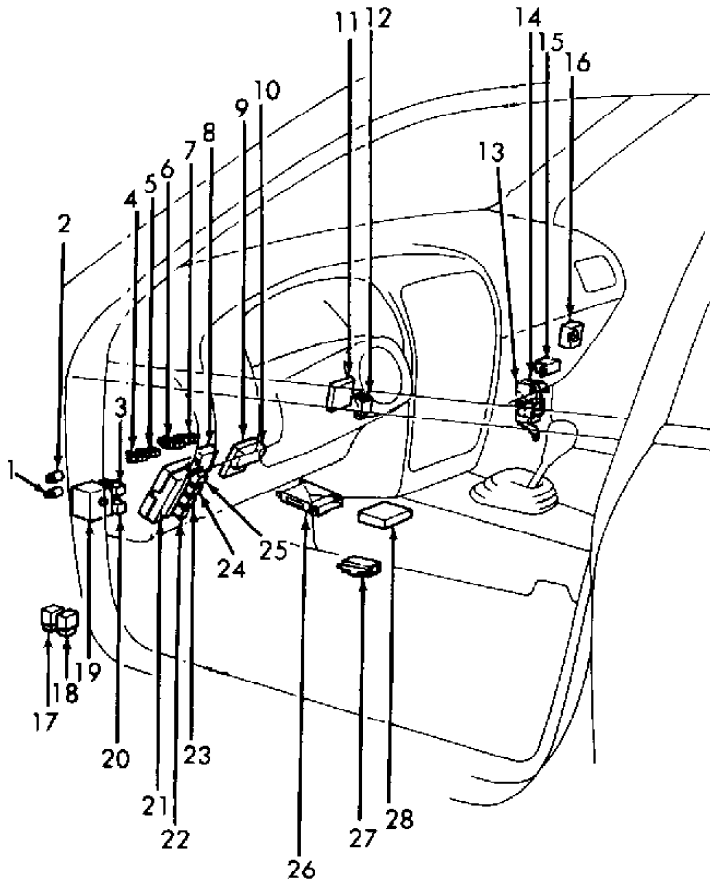


- | | | |
|----------------------------------|--------------------------------|---|
| 1. Circuit Breaker | 10. Time Control Unit | 19. Super Multiple Junction (SMJ) |
| 2. Circuit Breaker | 11. Theft Warning Control Unit | 20. Power Window Relay |
| 3. Bulb Check Relay | 12. Combination Flasher Unit | 21. Fuse/Relay Block |
| 4. ASCD Clutch Switch | 13. Power Door Lock Timer | 22. Ignition Relay |
| 5. Clutch Interlock Switch (M/T) | 14. ABS Control Unit | 23. Accessory Relay |
| 6. ASCD Brake Switch | 15. Power Door Lock Relay | 24. Accessory Relay |
| 7. Brakelight Switch | 16. Power Door Lock Timer | 25. Rear Window Defogger Relay |
| 8. A/T Shift Lock Control Unit | 17. Theft Warning Horn Relay | 26. ECCS Control Unit |
| 9. ASCD Control Unit | 18. Blower Motor Relay | 27. Power Window Amplifier |
| | | 28. Automatic Seat Belt Control Unit (USA)
Daytime Running Light Control Unit (Canada) |

93J27465

Daytime Running Light Ctrl. Unit

Behind center console.



- 1. Circuit Breaker
- 2. Circuit Breaker
- 3. Bulb Check Relay
- 4. ASCD Clutch Switch
- 5. Clutch Interlock Switch (M/T)
- 6. ASCD Brake Switch
- 7. Brakelight Switch
- 8. A/T Shift Lock Control Unit
- 9. ASCD Control Unit

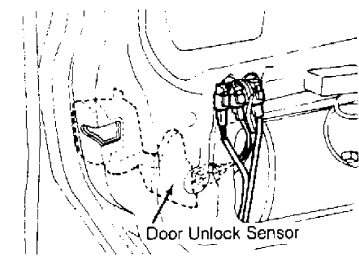
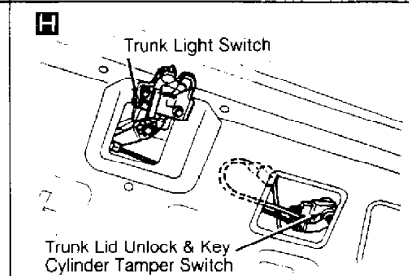
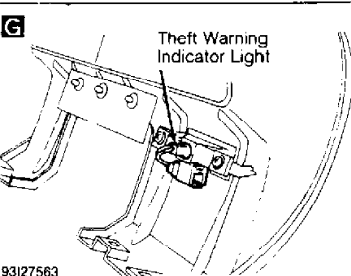
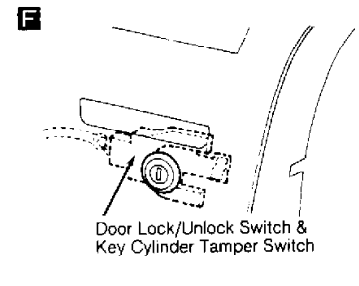
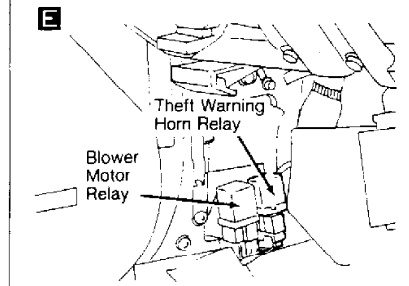
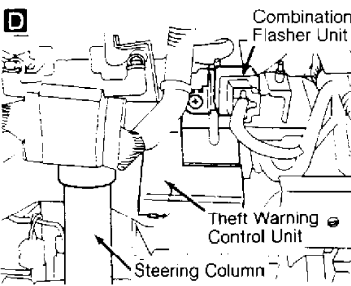
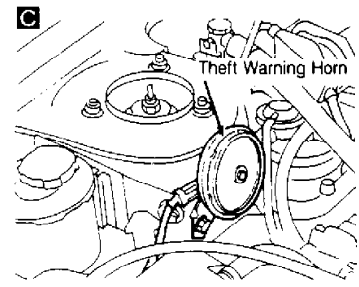
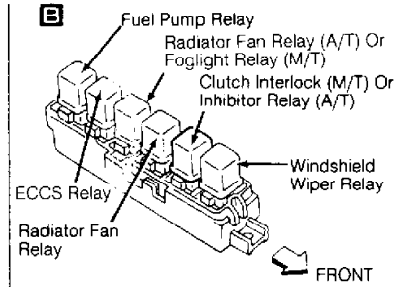
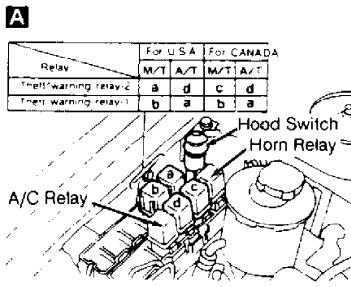
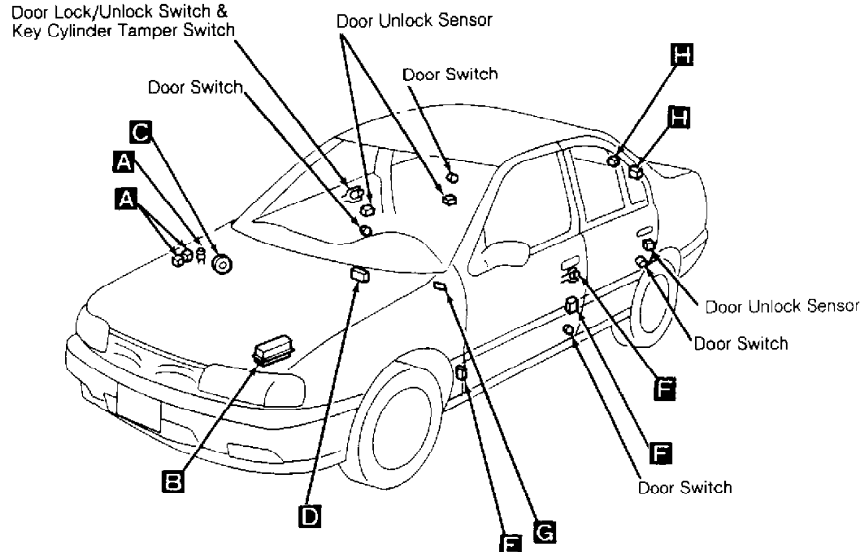
- 10. Time Control Unit
- 11. Theft Warning Control Unit
- 12. Combination Flasher Unit
- 13. Power Door Lock Timer
- 14. ABS Control Unit
- 15. Power Door Lock Relay
- 16. Power Door Lock Timer
- 17. Theft Warning Horn Relay
- 18. Blower Motor Relay

- 19. Super Multiple Junction (SMJ)
- 20. Power Window Relay
- 21. Fuse/Relay Block
- 22. Ignition Relay
- 23. Accessory Relay
- 24. Accessory Relay
- 25. Rear Window Defogger Relay
- 26. ECCS Control Unit
- 27. Power Window Amplifier
- 28. Automatic Seat Belt Control Unit (USA)
Daytime Running Light Control Unit (Canada)

93J27465

ECCS Control Unit

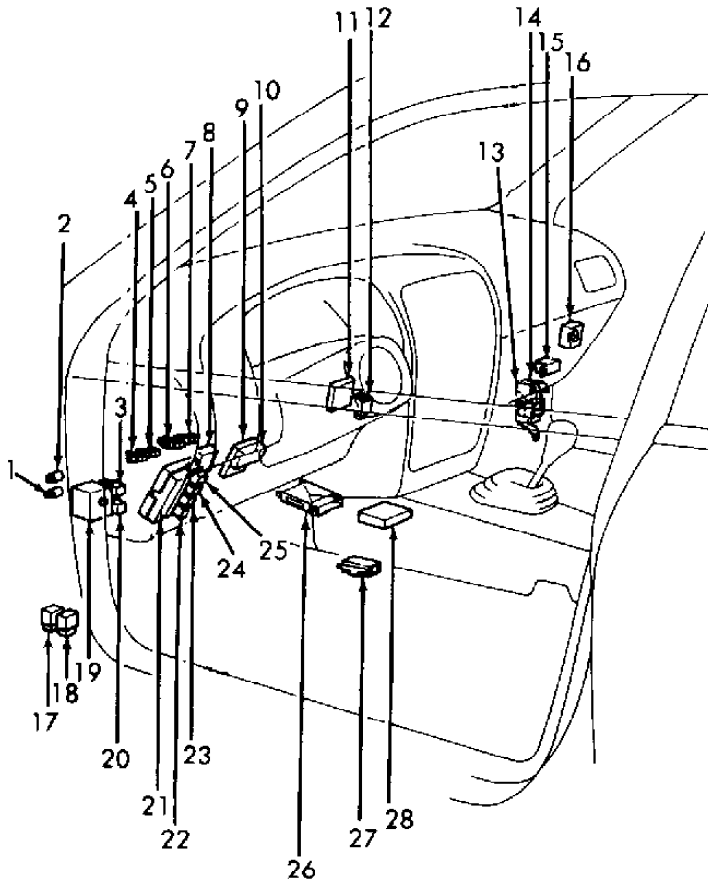
Behind center console.



93127563

Theft Warning Control Unit - Caption D (View 1)

Behind left side of dash, above steering column.

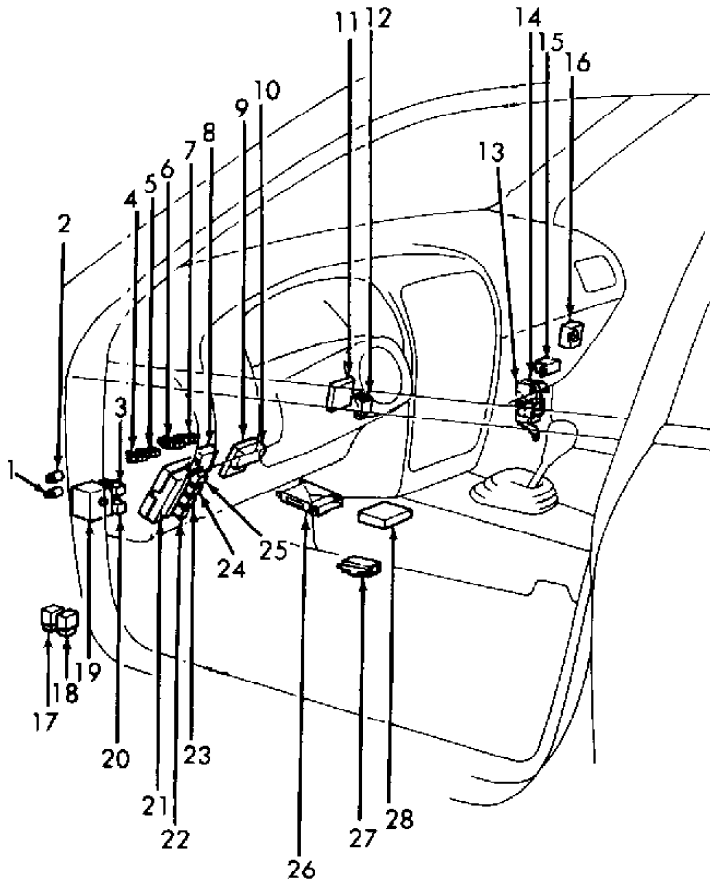


- | | | |
|----------------------------------|--------------------------------|---|
| 1. Circuit Breaker | 10. Time Control Unit | 19. Super Multiple Junction (SMJ) |
| 2. Circuit Breaker | 11. Theft Warning Control Unit | 20. Power Window Relay |
| 3. Bulb Check Relay | 12. Combination Flasher Unit | 21. Fuse/Relay Block |
| 4. ASCD Clutch Switch | 13. Power Door Lock Timer | 22. Ignition Relay |
| 5. Clutch Interlock Switch (M/T) | 14. ABS Control Unit | 23. Accessory Relay |
| 6. ASCD Brake Switch | 15. Power Door Lock Relay | 24. Accessory Relay |
| 7. Brakelight Switch | 16. Power Door Lock Timer | 25. Rear Window Defogger Relay |
| 8. A/T Shift Lock Control Unit | 17. Theft Warning Horn Relay | 26. ECCS Control Unit |
| 9. ASCD Control Unit | 18. Blower Motor Relay | 27. Power Window Amplifier |
| | | 28. Automatic Seat Belt Control Unit (USA)
Daytime Running Light Control Unit (Canada) |

93J27465

Theft Warning Control
Unit (View 2)

Behind left side of dash,
above steering column.



1. Circuit Breaker
2. Circuit Breaker
3. Bulb Check Relay
4. ASCD Clutch Switch
5. Clutch Interlock Switch (M/T)
6. ASCD Brake Switch
7. Brakelight Switch
8. A/T Shift Lock Control Unit
9. ASCD Control Unit

10. Time Control Unit
11. Theft Warning Control Unit
12. Combination Flasher Unit
13. Power Door Lock Timer
14. ABS Control Unit
15. Power Door Lock Relay
16. Power Door Lock Timer
17. Theft Warning Horn Relay
18. Blower Motor Relay

19. Super Multiple Junction (SMJ)
20. Power Window Relay
21. Fuse/Relay Block
22. Ignition Relay
23. Accessory Relay
24. Accessory Relay
25. Rear Window Defogger Relay
26. ECCS Control Unit
27. Power Window Amplifier
28. Automatic Seat Belt Control Unit (USA)
Daytime Running Light Control Unit (Canada)

93J27465

Time Control Unit

Behind left side of dash.

MOTORS

Component

Component Location

A/C-Heater System

Air Intake Door Motor

Under right side of dash,
behind glove compartment.

Air Mix Door Motor

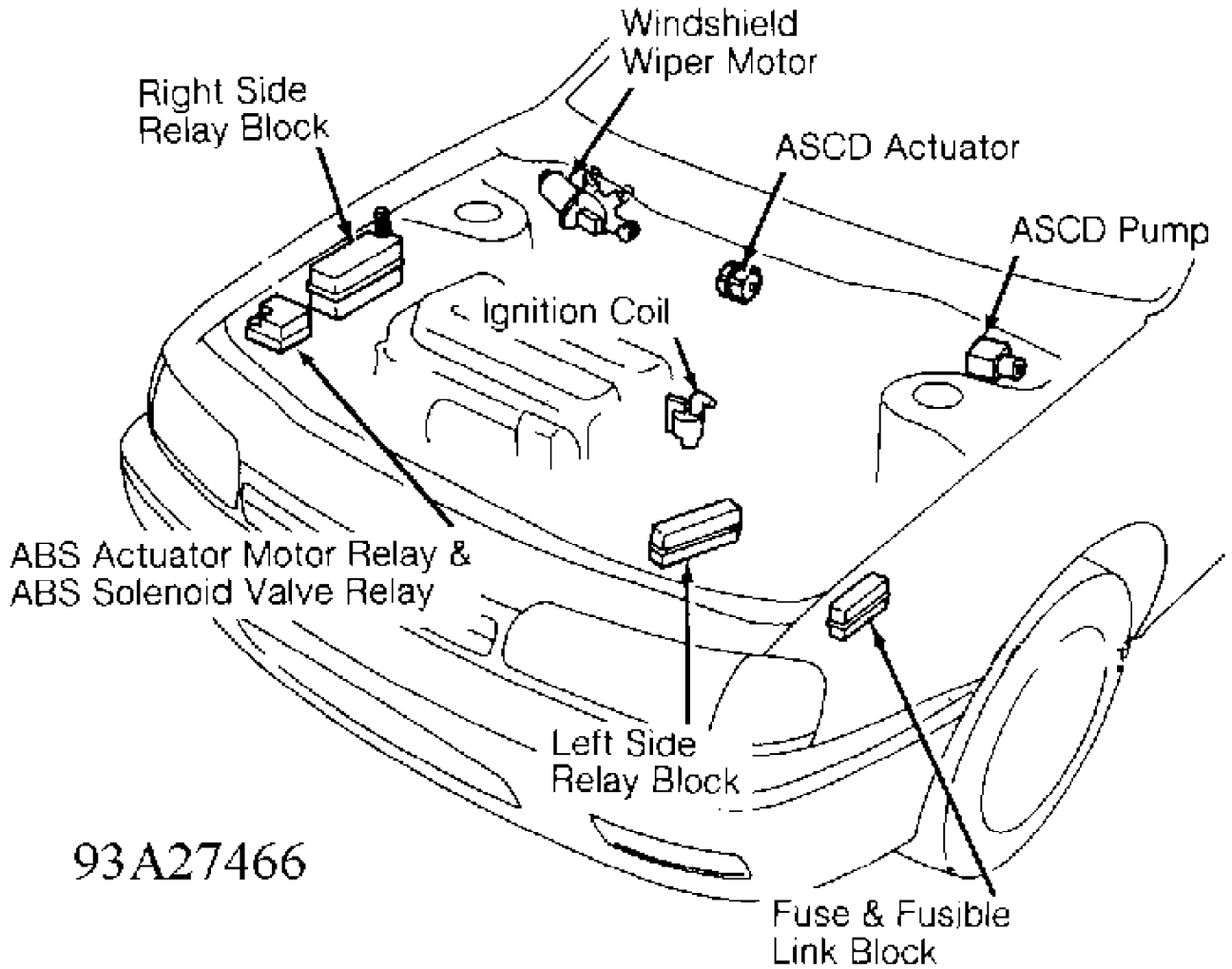
Behind right side of center
console.

Blower Motor

Below right side of dash.

Mode Door Motor

Behind left side of center console.



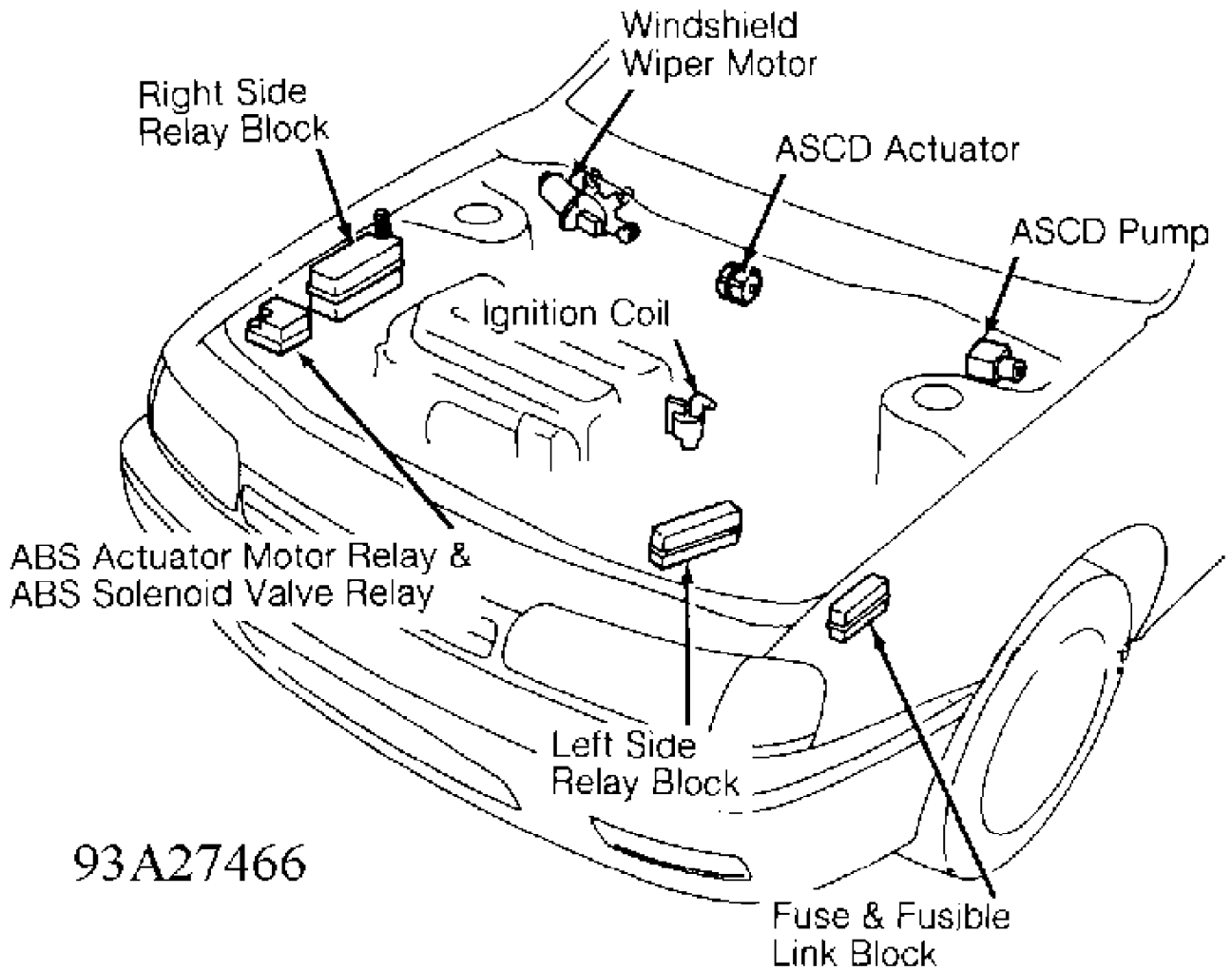
93A27466

ASCD Pump

On left rear corner of engine compartment, on firewall.

Fuel Pump

Inside fuel tank.



93A27466

Windshield Wiper Motor

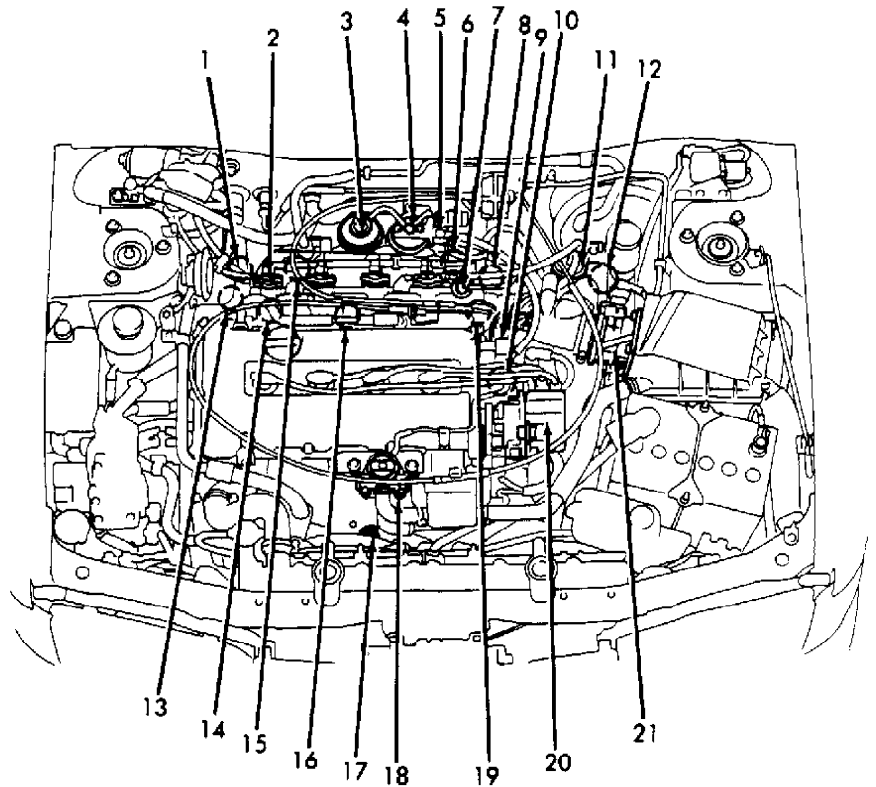
On right rear corner of engine compartment, on firewall.

SENDING UNITS & SENSORS

Component

Component Location

1. AAC Valve
2. Injector
3. EGR Valve
4. BPT Valve
5. AIV Control Solenoid
6. EGR Temperature Sensor (Calif.)
7. Fuel Pressure Regulator
8. Throttle Position Sensor
9. Power Transistor
10. Ignition Coil
11. Fuel Filter
12. Charcoal Canister
13. FICD Solenoid
14. Engine Temperature Sensor
15. Air Regulator
16. Detonation/Knock Sensor
17. Oxygen (O₂) Sensor
18. AIV Valve
19. EGR/Canister Control Solenoid
20. Crank Angle Sensor (In Distributor)
21. Airflow Meter



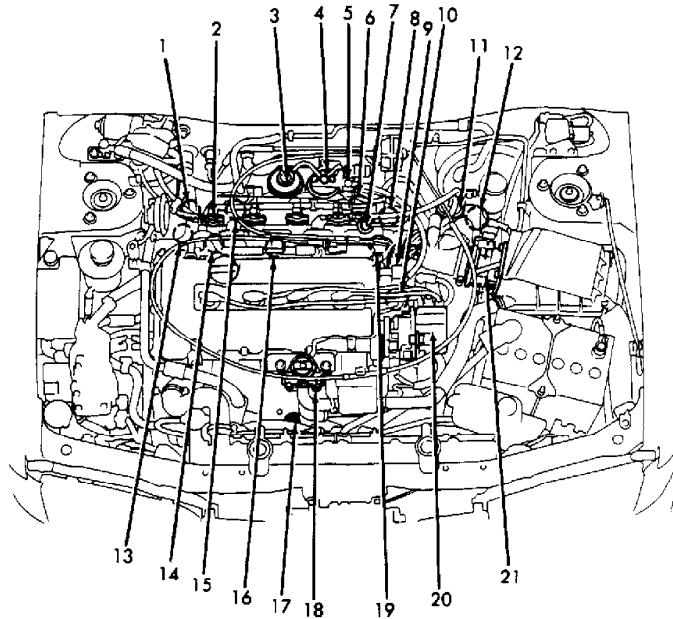
Airflow Meter

Between air duct and air cleaner housing.

ABS Wheel Sensors

On each wheel hub assembly.

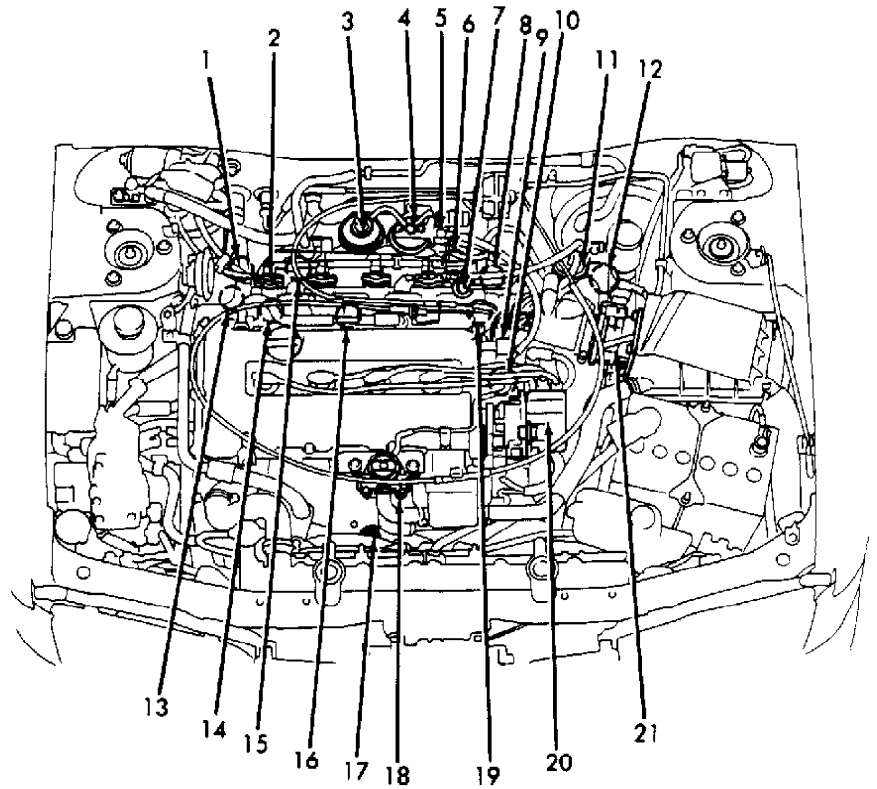
1. AAC Valve
2. Injector
3. EGR Valve
4. BPT Valve
5. AIV Control Solenoid
6. EGR Temperature Sensor (Calif.)
7. Fuel Pressure Regulator
8. Throttle Position Sensor
9. Power Transistor
10. Ignition Coil
11. Fuel Filter
12. Charcoal Canister
13. FICD Solenoid
14. Engine Temperature Sensor
15. Air Regulator
16. Detonation/Knock Sensor
17. Oxygen (O₂) Sensor
18. AIV Valve
19. EGR/Canister Control Solenoid
20. Crank Angle Sensor (In Distributor)
21. Airflow Meter



Crank Angle Sensor

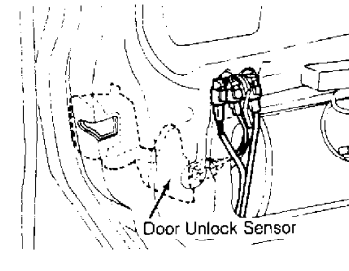
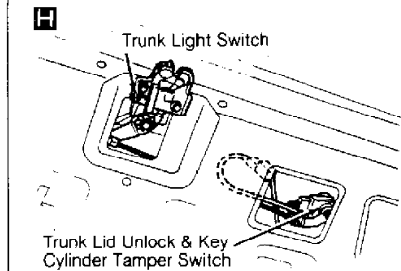
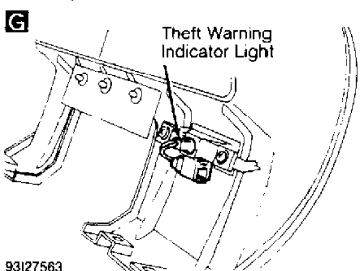
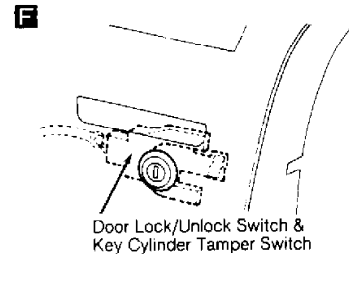
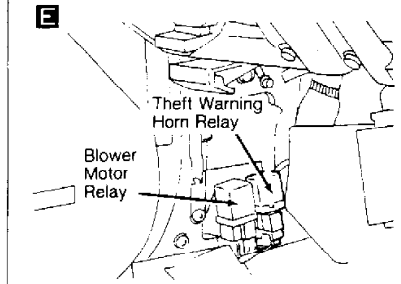
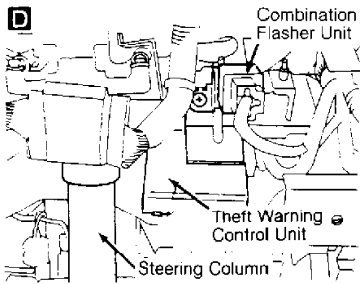
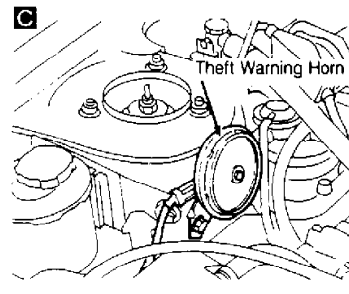
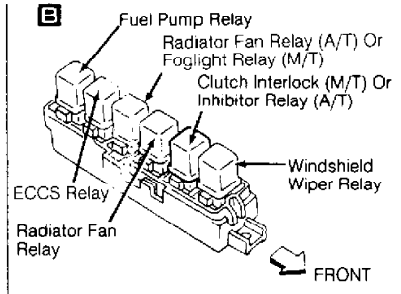
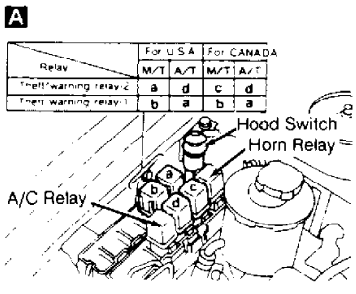
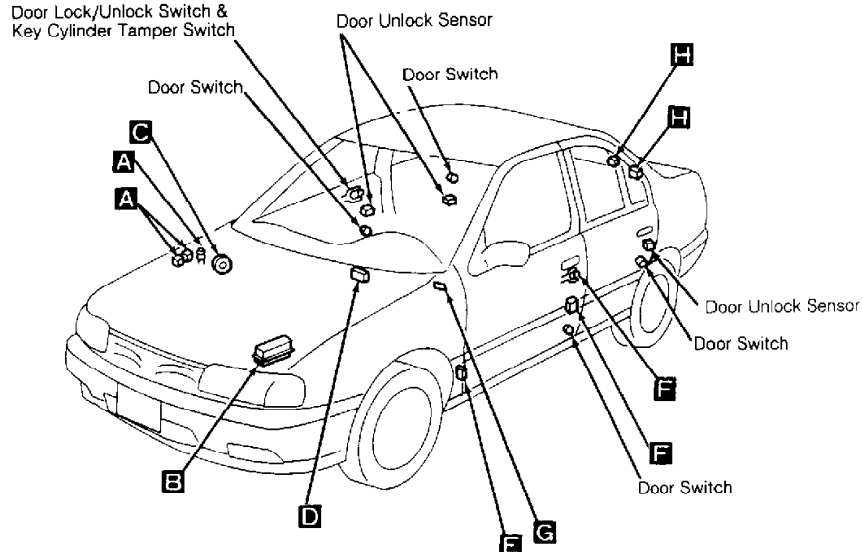
Built into distributor.

1. AAC Valve
2. Injector
3. EGR Valve
4. BPT Valve
5. AIV Control Solenoid
6. EGR Temperature Sensor (Calif.)
7. Fuel Pressure Regulator
8. Throttle Position Sensor
9. Power Transistor
10. Ignition Coil
11. Fuel Filter
12. Charcoal Canister
13. FICD Solenoid
14. Engine Temperature Sensor
15. Air Regulator
16. Detonation/Knock Sensor
17. Oxygen (O₂) Sensor
18. AIV Valve
19. EGR/Canister Control Solenoid
20. Crank Angle Sensor (In Distributor)
21. Airflow Meter



Detonation/Knock Sensor

On left side of engine, near intake manifold.

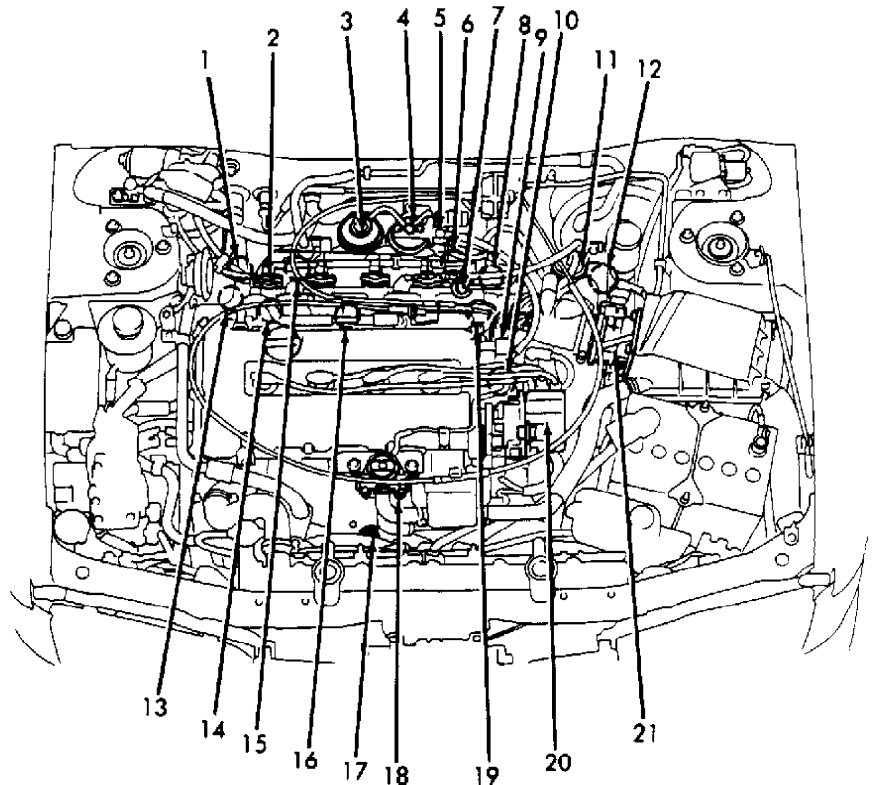


93127563

Door Unlock Sensor

On each door.

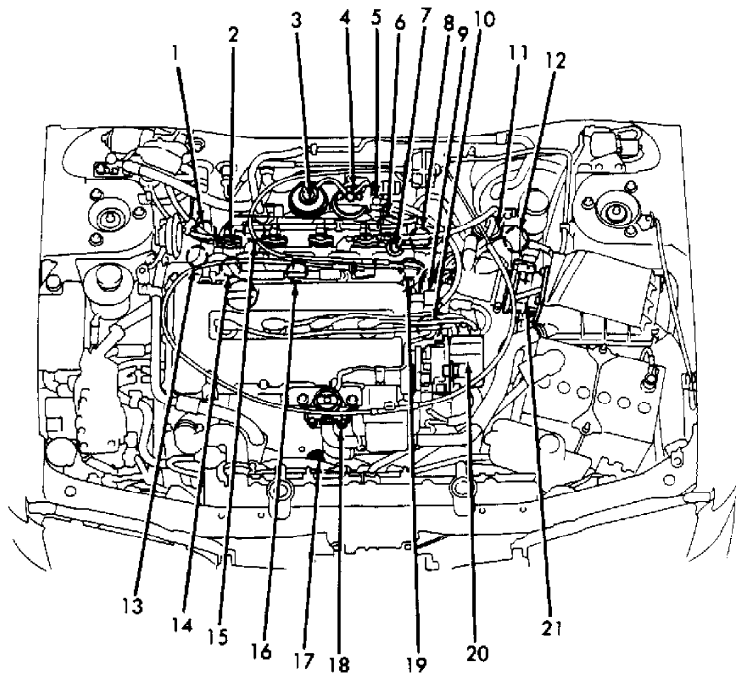
1. AAC Valve
2. Injector
3. EGR Valve
4. BPT Valve
5. AIV Control Solenoid
6. EGR Temperature Sensor (Calif.)
7. Fuel Pressure Regulator
8. Throttle Position Sensor
9. Power Transistor
10. Ignition Coil
11. Fuel Filter
12. Charcoal Canister
13. FICD Solenoid
14. Engine Temperature Sensor
15. Air Regulator
16. Detonation/Knock Sensor
17. Oxygen (O₂) Sensor
18. AIV Valve
19. EGR/Canister Control Solenoid
20. Crank Angle Sensor (In Distributor)
21. Airflow Meter



EGR Temperature Sensor (Calif.)

On left side of engine, near EGR valve.

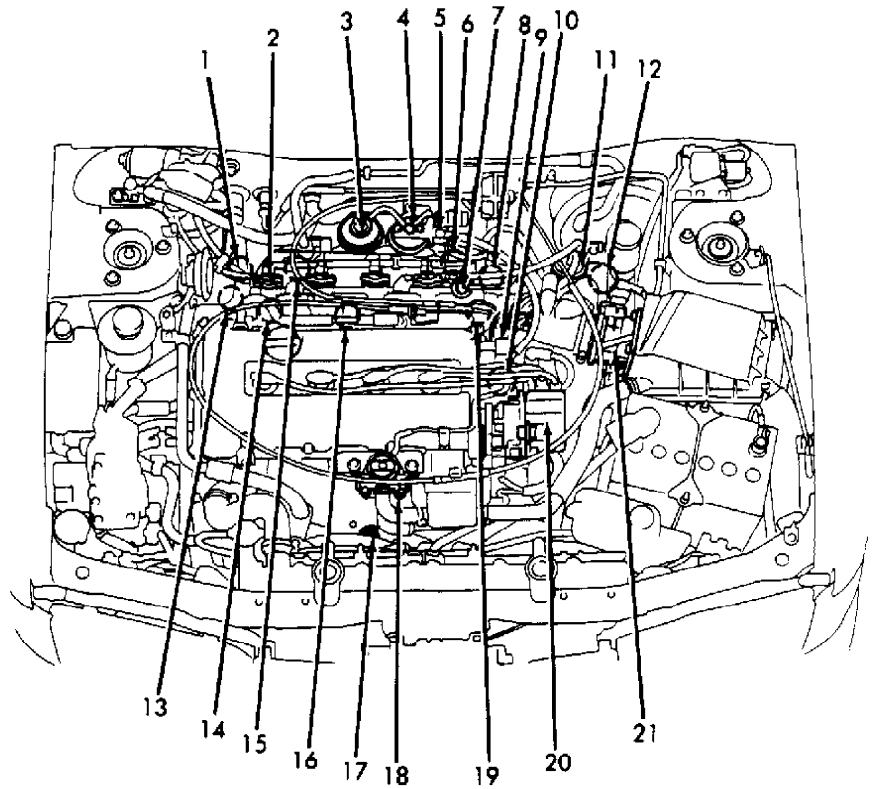
1. AAC Valve
2. Injector
3. EGR Valve
4. BPT Valve
5. AIV Control Solenoid
6. EGR Temperature Sensor (Calif.)
7. Fuel Pressure Regulator
8. Throttle Position Sensor
9. Power Transistor
10. Ignition Coil
11. Fuel Filter
12. Charcoal Canister
13. FICD Solenoid
14. Engine Temperature Sensor
15. Air Regulator
16. Detonation/Knock Sensor
17. Oxygen (O₂) Sensor
18. AIV Valve
19. EGR/Canister Control Solenoid
20. Crank Angle Sensor (In Distributor)
21. Airflow Meter



Engine Temperature Sensor

On left rear of engine, above oil filter.

1. AAC Valve
2. Injector
3. EGR Valve
4. BPT Valve
5. AIV Control Solenoid
6. EGR Temperature Sensor (Calif.)
7. Fuel Pressure Regulator
8. Throttle Position Sensor
9. Power Transistor
10. Ignition Coil
11. Fuel Filter
12. Charcoal Canister
13. FICD Solenoid
14. Engine Temperature Sensor
15. Air Regulator
16. Detonation/Knock Sensor
17. Oxygen (O₂) Sensor
18. AIV Valve
19. EGR/Canister Control Solenoid
20. Crank Angle Sensor (In Distributor)
21. Airflow Meter



Throttle Position Sensor (TPS)

On throttle body assembly.

Vehicle Speed Sensor (VSS)

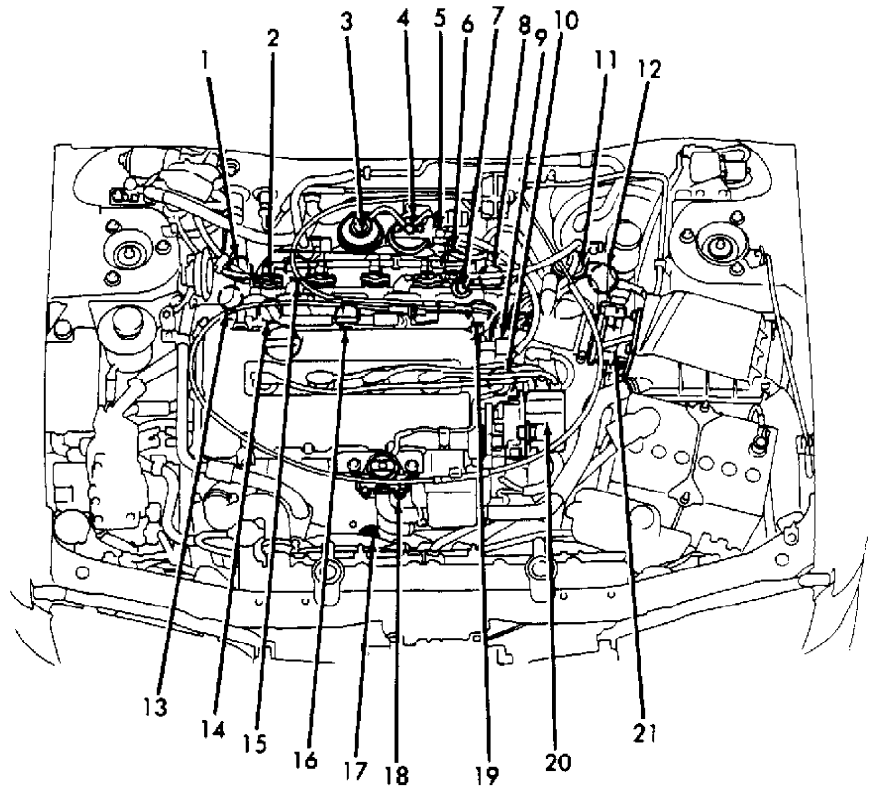
On speedometer assembly.

SOLENOIDS & SOLENOID VALVES

Component

Component Location

1. AAC Valve
2. Injector
3. EGR Valve
4. BPT Valve
5. AIV Control Solenoid
6. EGR Temperature Sensor (Calif.)
7. Fuel Pressure Regulator
8. Throttle Position Sensor
9. Power Transistor
10. Ignition Coil
11. Fuel Filter
12. Charcoal Canister
13. FICD Solenoid
14. Engine Temperature Sensor
15. Air Regulator
16. Detonation/Knock Sensor
17. Oxygen (O₂) Sensor
18. AIV Valve
19. EGR/Canister Control Solenoid
20. Crank Angle Sensor (In Distributor)
21. Airflow Meter



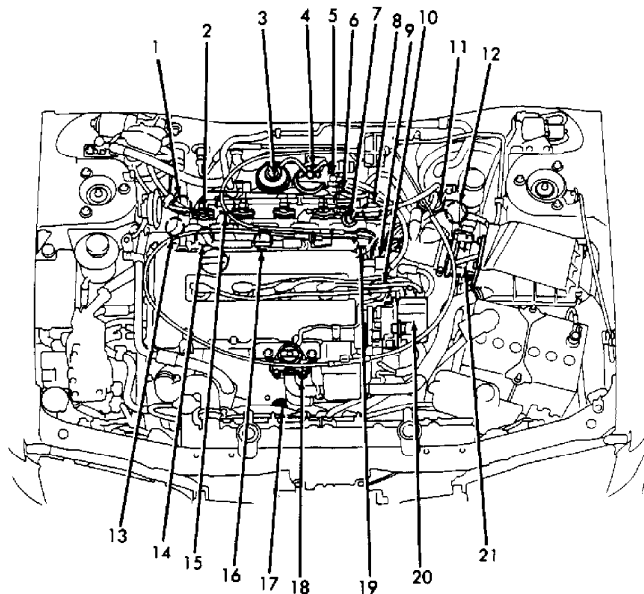
Air Injection Valve (AIV)
Control Solenoid

On left side of engine, above
intake manifold.

A/T Shift Lock Solenoid

On base of shift lever.

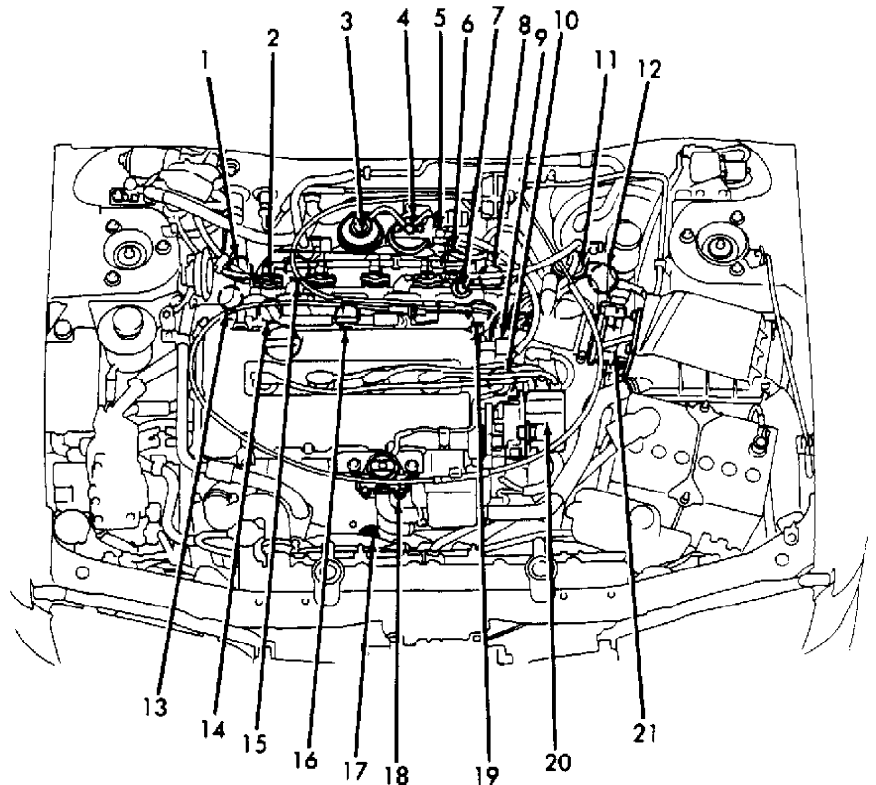
1. AAC Valve
2. Injector
3. EGR Valve
4. BPT Valve
5. AIV Control Solenoid
6. EGR Temperature Sensor (Calif.)
7. Fuel Pressure Regulator
8. Throttle Position Sensor
9. Power Transistor
10. Ignition Coil
11. Fuel Filter
12. Charcoal Canister
13. FICD Solenoid
14. Engine Temperature Sensor
15. Air Regulator
16. Detonation/Knock Sensor
17. Oxygen (O₂) Sensor
18. AIV Valve
19. EGR/Canister Control Solenoid
20. Crank Angle Sensor (In Distributor)
21. Airflow Meter



Auxiliary Air Ctrl. (AAC) Valve

On left rear of engine, near
intake manifold.

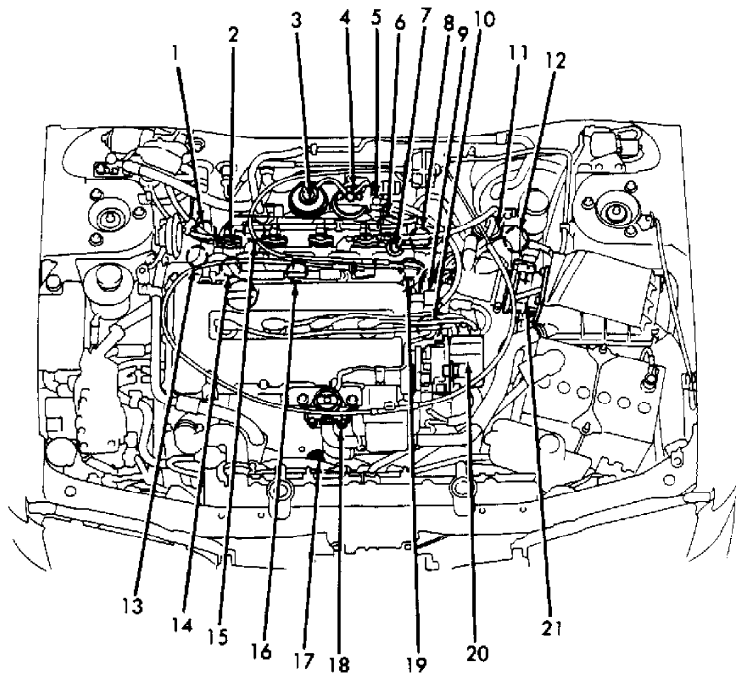
1. AAC Valve
2. Injector
3. EGR Valve
4. BPT Valve
5. AIV Control Solenoid
6. EGR Temperature Sensor (Calif.)
7. Fuel Pressure Regulator
8. Throttle Position Sensor
9. Power Transistor
10. Ignition Coil
11. Fuel Filter
12. Charcoal Canister
13. FICD Solenoid
14. Engine Temperature Sensor
15. Air Regulator
16. Detonation/Knock Sensor
17. Oxygen (O₂) Sensor
18. AIV Valve
19. EGR/Canister Control Solenoid
20. Crank Angle Sensor (In Distributor)
21. Airflow Meter



EGR/Canister Control Solenoid

On left front side of engine,
on intake manifold.

1. AAC Valve
2. Injector
3. EGR Valve
4. BPT Valve
5. AIV Control Solenoid
6. EGR Temperature Sensor (Calif.)
7. Fuel Pressure Regulator
8. Throttle Position Sensor
9. Power Transistor
10. Ignition Coil
11. Fuel Filter
12. Charcoal Canister
13. FICD Solenoid
14. Engine Temperature Sensor
15. Air Regulator
16. Detonation/Knock Sensor
17. Oxygen (O₂) Sensor
18. AIV Valve
19. EGR/Canister Control Solenoid
20. Crank Angle Sensor (In Distributor)
21. Airflow Meter



Fast Idle Control Device
(FICD) Solenoid

On left rear of engine, near
intake manifold.

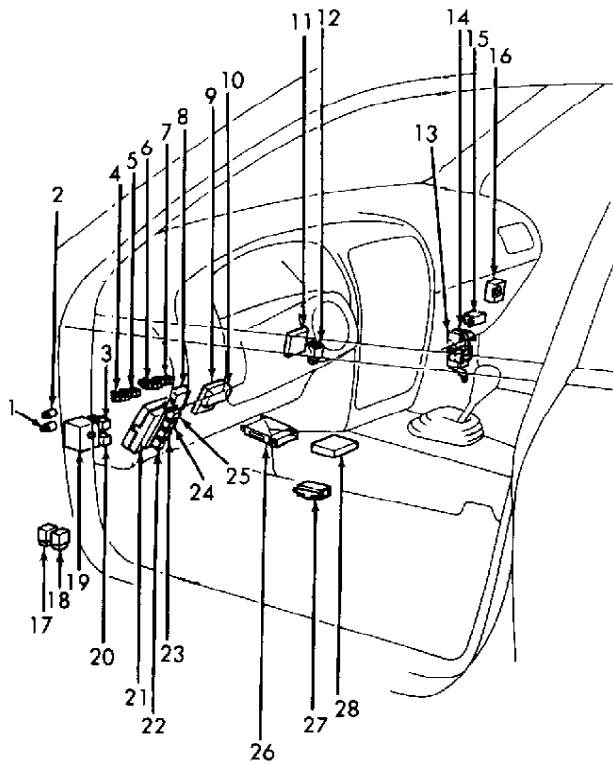
Fuel Filler Door Solenoid

Behind panel, on left side of

Ignition Key Lock Solenoid	On ignition switch assembly.
Trunk Lid Opener Solenoid	On rear center of luggage compartment, near trunk lock.

SWITCHES

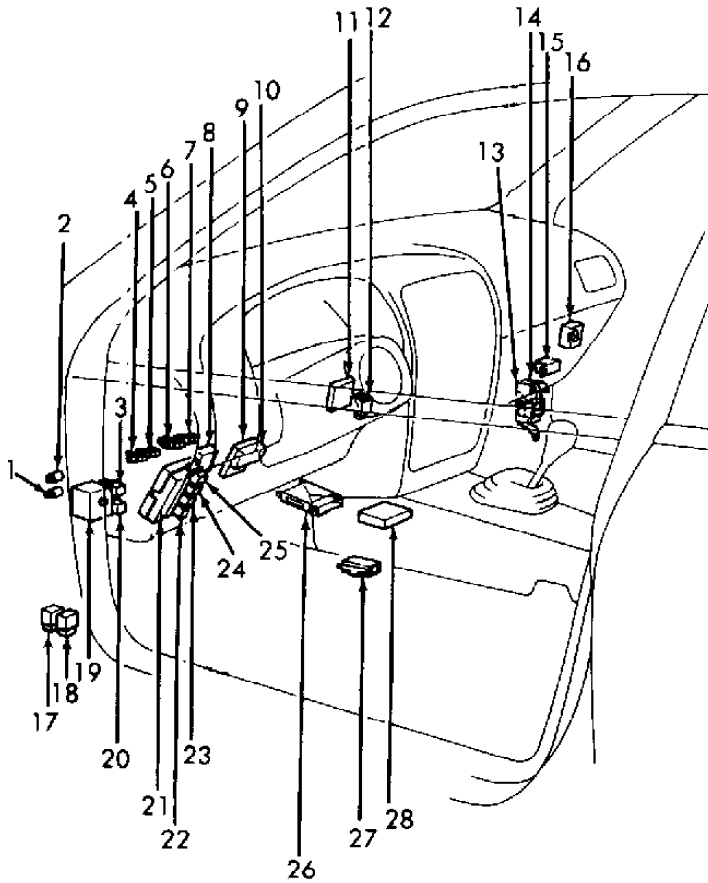
Component	Component Location
A/C Dual-Pressure Switch	On left front of engine compartment, on receiver-drier.



- | | | |
|----------------------------------|--------------------------------|---|
| 1. Circuit Breaker | 10. Time Control Unit | 19. Super Multiple Junction (SMJ) |
| 2. Circuit Breaker | 11. Theft Warning Control Unit | 20. Power Window Relay |
| 3. Bulb Check Relay | 12. Combination Flasher Unit | 21. Fuse/Relay Block |
| 4. ASCD Clutch Switch | 13. Power Door Lock Timer | 22. Ignition Relay |
| 5. Clutch Interlock Switch (M/T) | 14. ABS Control Unit | 23. Accessory Relay |
| 6. ASCD Brake Switch | 15. Power Door Lock Relay | 24. Accessory Relay |
| 7. Brakelight Switch | 16. Power Door Lock Timer | 25. Rear Window Defogger Relay |
| 8. A/T Shift Lock Control Unit | 17. Theft Warning Horn Relay | 26. ECCS Control Unit |
| 9. ASCD Control Unit | 18. Blower Motor Relay | 27. Power Window Amplifier |
| | | 28. Automatic Seat Belt Control Unit (USA)
Daytime Running Light Control Unit (Canada) |

93J27465

ASCD Brake Switch	On bracket, above brake pedal.
-------------------	--------------------------------



- 1. Circuit Breaker
- 2. Circuit Breaker
- 3. Bulb Check Relay
- 4. ASCD Clutch Switch
- 5. Clutch Interlock Switch (M/T)
- 6. ASCD Brake Switch
- 7. Brakelight Switch
- 8. A/T Shift Lock Control Unit
- 9. ASCD Control Unit

- 10. Time Control Unit
- 11. Theft Warning Control Unit
- 12. Combination Flasher Unit
- 13. Power Door Lock Timer
- 14. ABS Control Unit
- 15. Power Door Lock Relay
- 16. Power Door Lock Timer
- 17. Theft Warning Horn Relay
- 18. Blower Motor Relay

- 19. Super Multiple Junction (SMJ)
- 20. Power Window Relay
- 21. Fuse/Relay Block
- 22. Ignition Relay
- 23. Accessory Relay
- 24. Accessory Relay
- 25. Rear Window Defogger Relay
- 26. ECCS Control Unit
- 27. Power Window Amplifier
- 28. Automatic Seat Belt Control Unit (USA)
Daytime Running Light Control Unit (Canada)

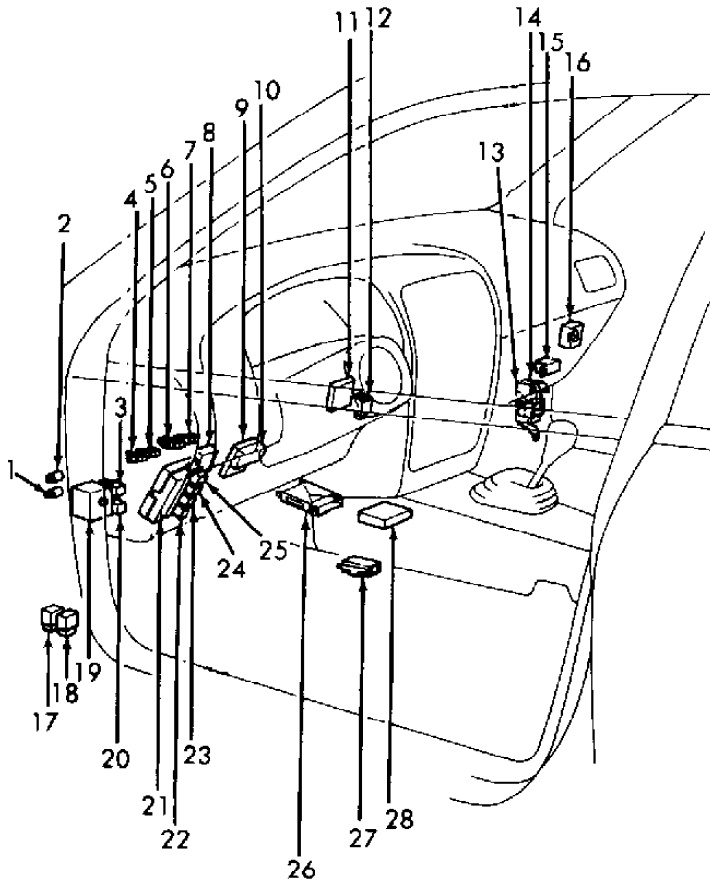
93J27465

ASCD Clutch Switch

On bracket, above clutch pedal.

A/T Shift Lock Detention Switch

On base of shift lever.



- 1. Circuit Breaker
- 2. Circuit Breaker
- 3. Bulb Check Relay
- 4. ASCD Clutch Switch
- 5. Clutch Interlock Switch (M/T)
- 6. ASCD Brake Switch
- 7. Brakelight Switch
- 8. A/T Shift Lock Control Unit
- 9. ASCD Control Unit

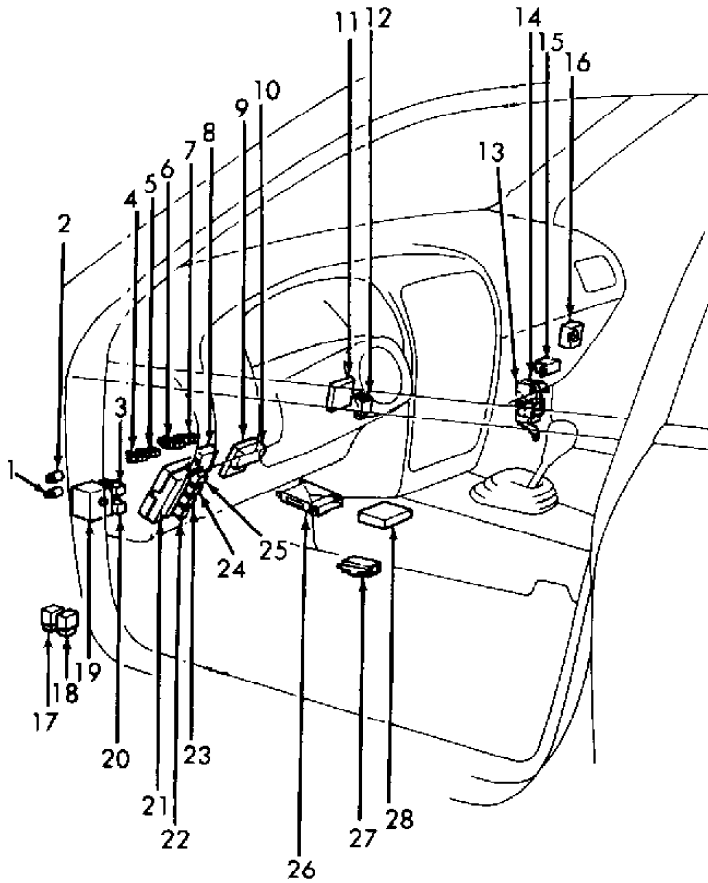
- 10. Time Control Unit
- 11. Theft Warning Control Unit
- 12. Combination Flasher Unit
- 13. Power Door Lock Timer
- 14. ABS Control Unit
- 15. Power Door Lock Relay
- 16. Power Door Lock Timer
- 17. Theft Warning Horn Relay
- 18. Blower Motor Relay

- 19. Super Multiple Junction (SMJ)
- 20. Power Window Relay
- 21. Fuse/Relay Block
- 22. Ignition Relay
- 23. Accessory Relay
- 24. Accessory Relay
- 25. Rear Window Defogger Relay
- 26. ECCS Control Unit
- 27. Power Window Amplifier
- 28. Automatic Seat Belt Control Unit (USA)
Daytime Running Light Control Unit (Canada)

93J27465

Brakelight Switch

On bracket, above brake pedal.



- 1. Circuit Breaker
- 2. Circuit Breaker
- 3. Bulb Check Relay
- 4. ASCD Clutch Switch
- 5. Clutch Interlock Switch (M/T)
- 6. ASCD Brake Switch
- 7. Brakelight Switch
- 8. A/T Shift Lock Control Unit
- 9. ASCD Control Unit

- 10. Time Control Unit
- 11. Theft Warning Control Unit
- 12. Combination Flasher Unit
- 13. Power Door Lock Timer
- 14. ABS Control Unit
- 15. Power Door Lock Relay
- 16. Power Door Lock Timer
- 17. Theft Warning Horn Relay
- 18. Blower Motor Relay

- 19. Super Multiple Junction (SMJ)
- 20. Power Window Relay
- 21. Fuse/Relay Block
- 22. Ignition Relay
- 23. Accessory Relay
- 24. Accessory Relay
- 25. Rear Window Defogger Relay
- 26. ECCS Control Unit
- 27. Power Window Amplifier
- 28. Automatic Seat Belt Control Unit (USA)
Daytime Running Light Control Unit (Canada)

93J27465

Clutch Interlock Switch (M/T)

On bracket, above clutch pedal.

Inhibitor Switch (A/T)

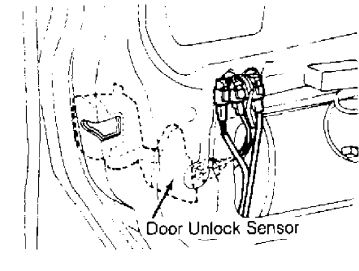
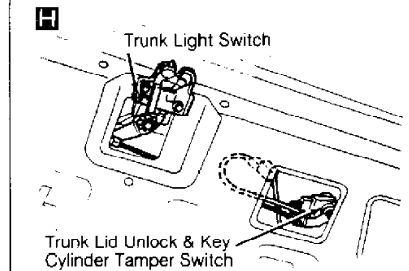
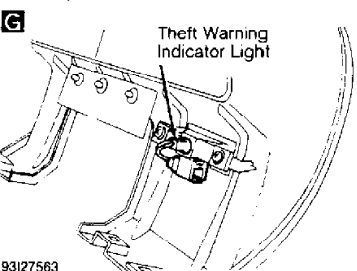
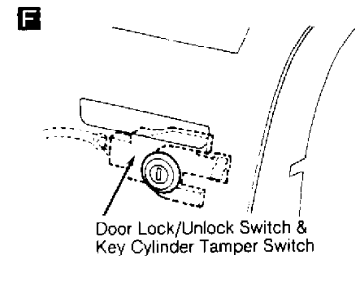
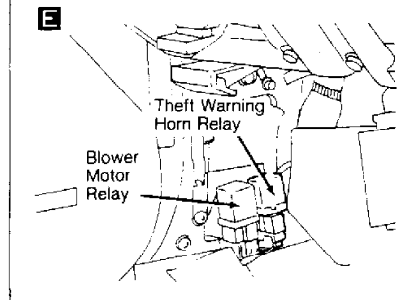
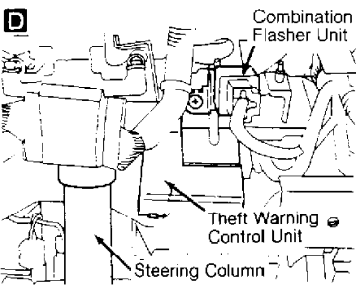
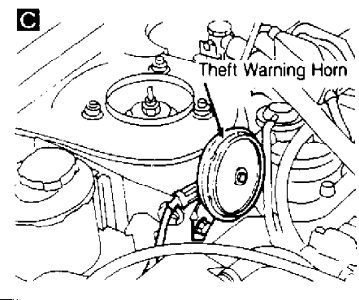
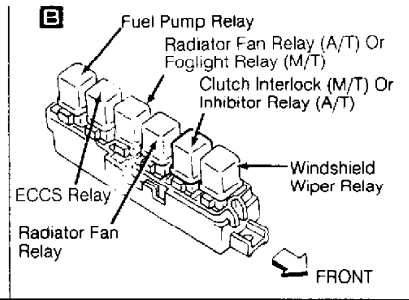
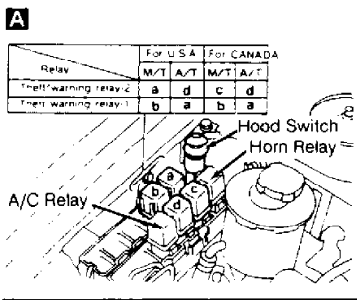
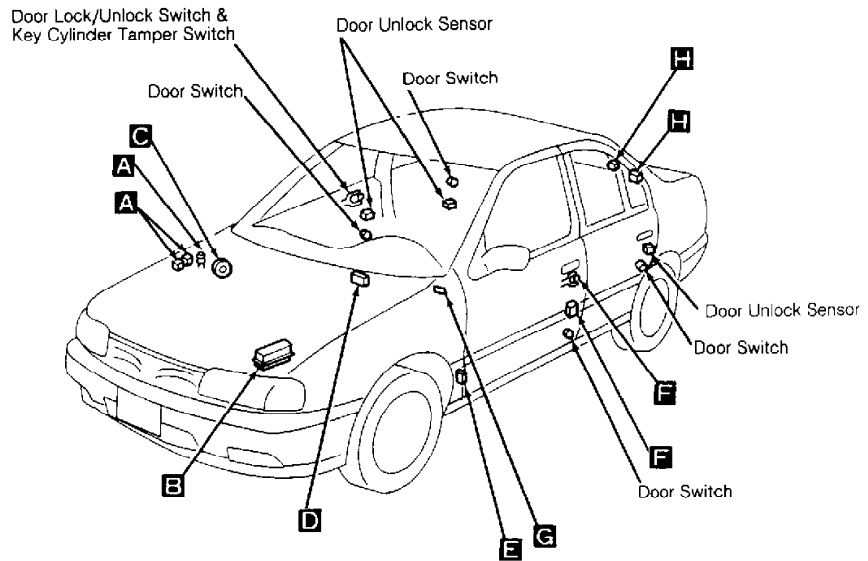
On left side of transaxle.

Oil Pressure Switch

On engine block, left of oil filter.

Power Steering Pressure Switch

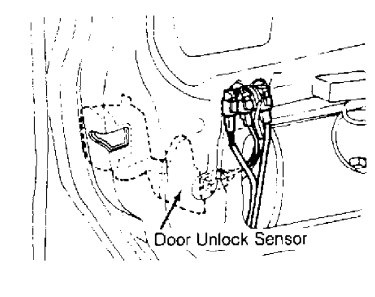
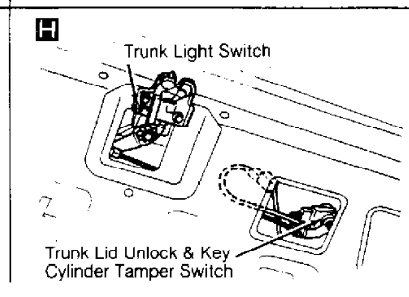
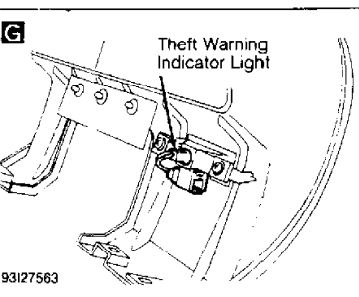
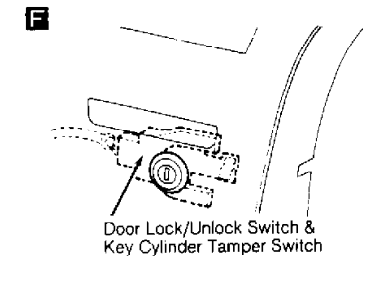
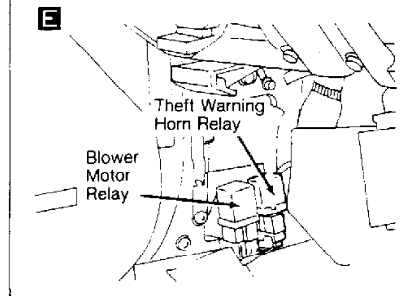
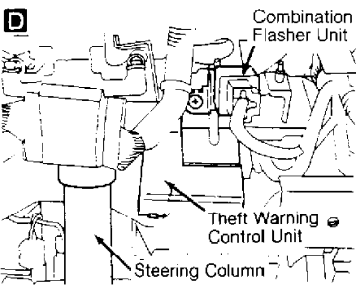
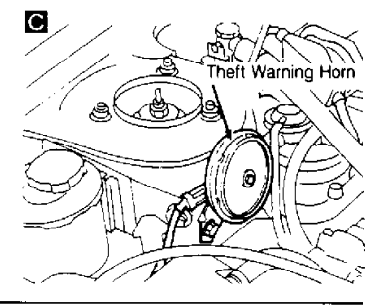
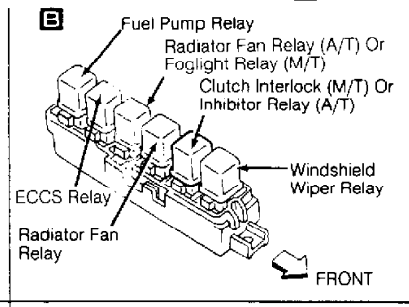
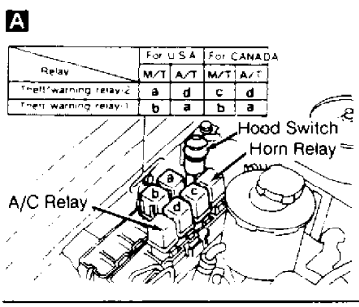
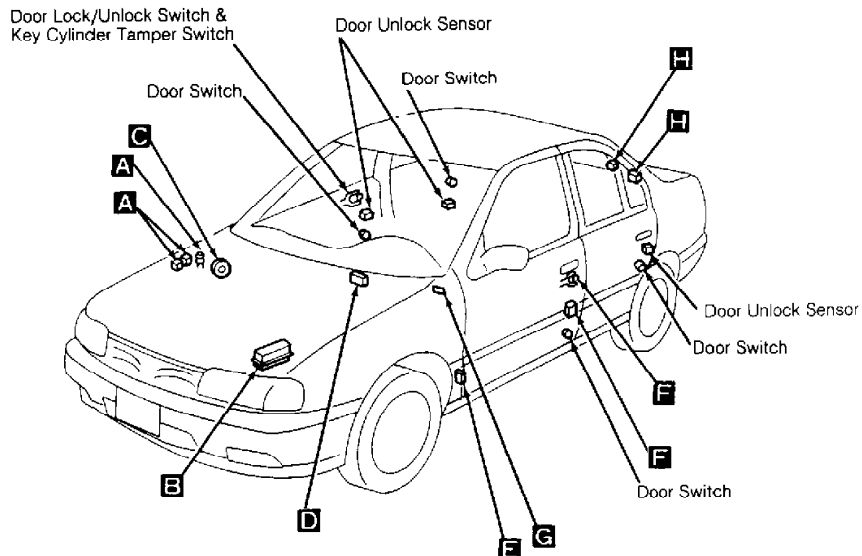
On power steering pump assembly.



93127563

Door Lock/Unlock Sw.
 (Theft Warning System)

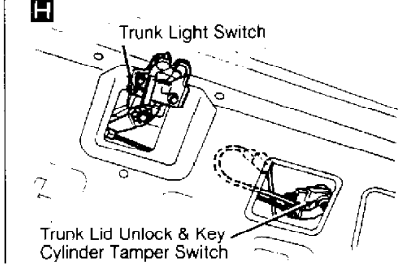
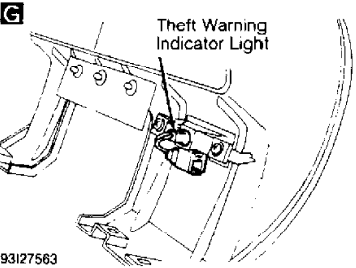
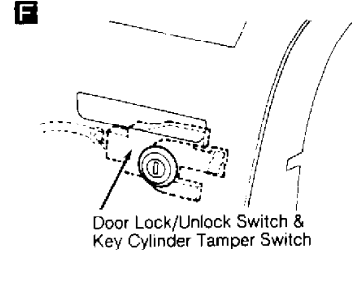
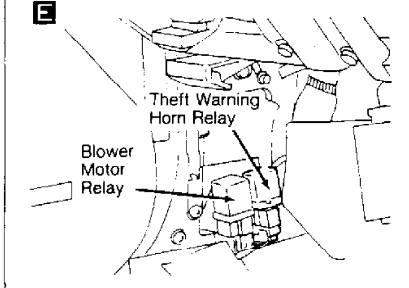
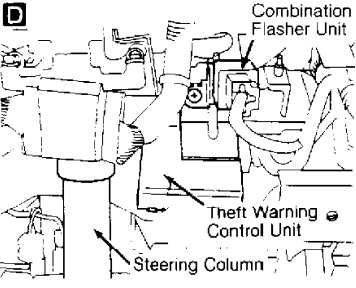
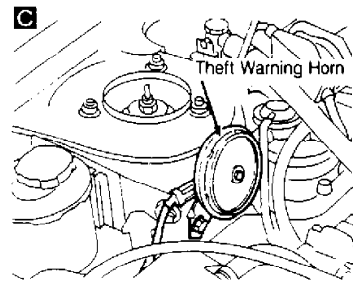
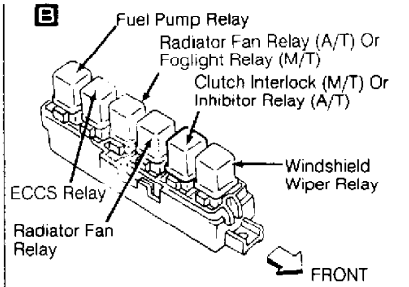
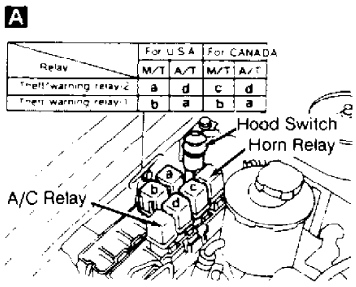
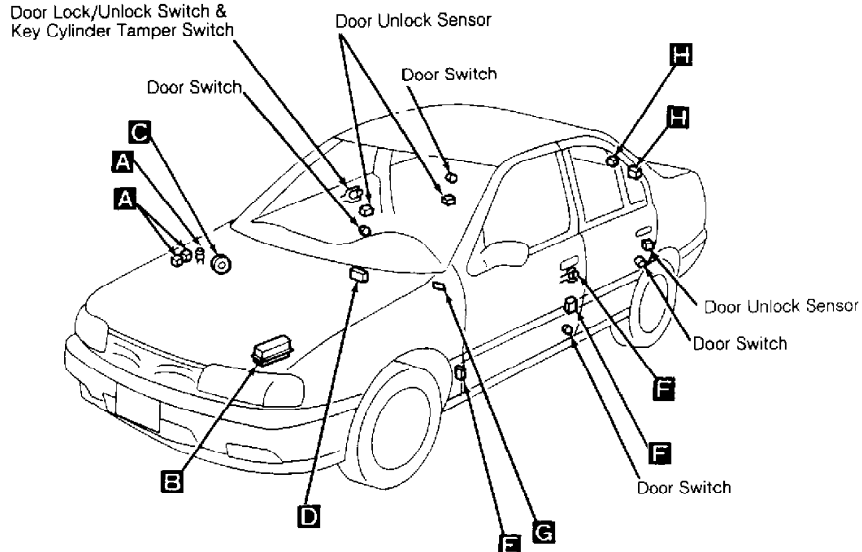
On each door lock cylinder assembly.



93127563

Hood Sw. (Theft Warning System)

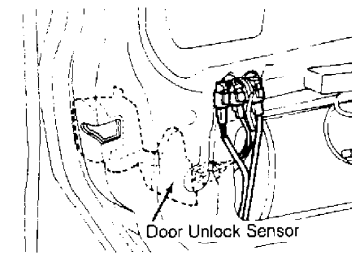
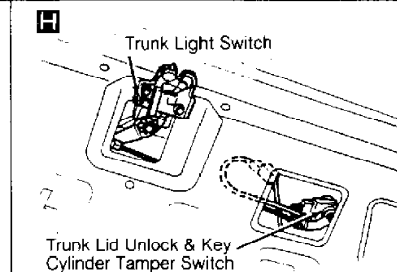
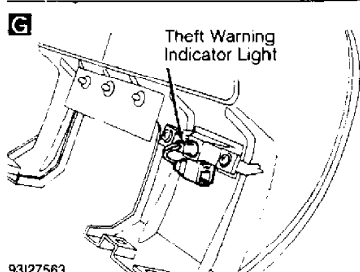
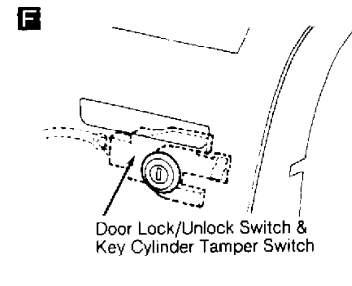
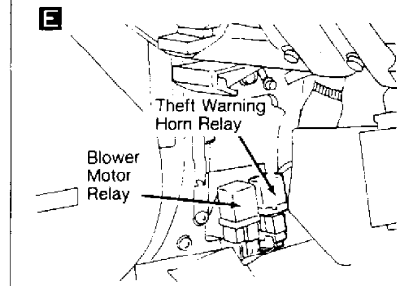
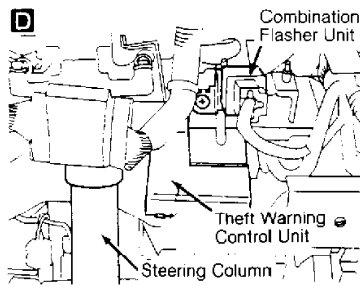
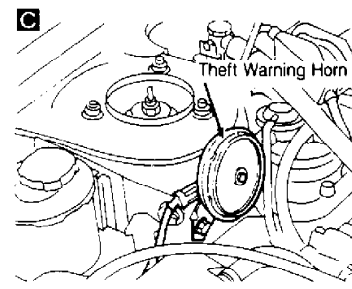
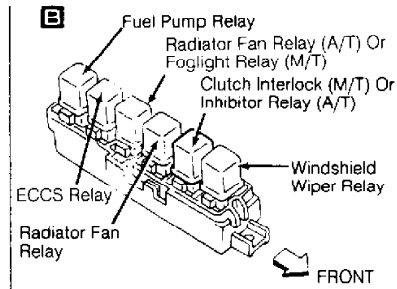
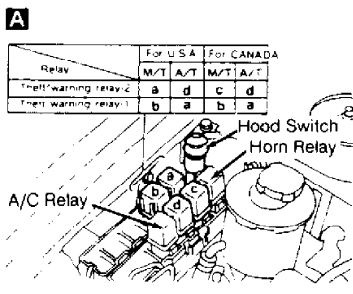
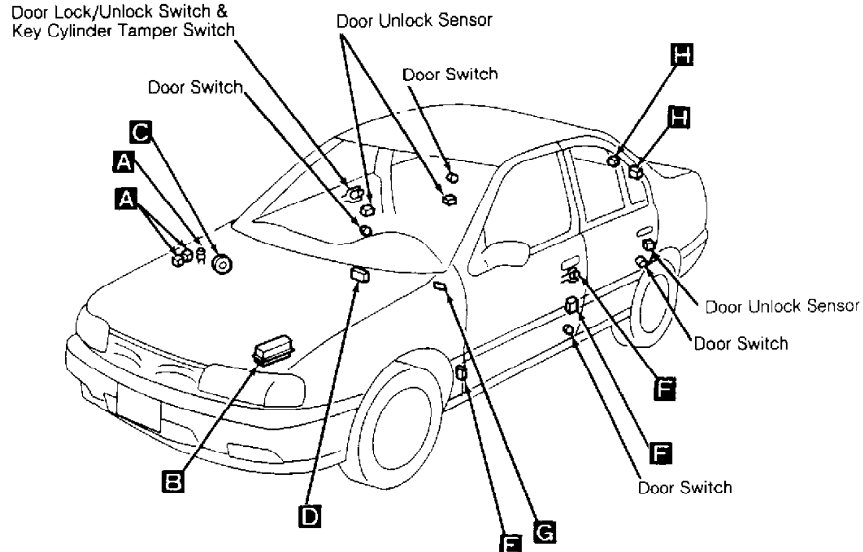
Under hood, near right engine compartment relay block.



93127563

Key Cyl. Tamper Sw.
(Theft Warning System)

On each door lock cylinder assembly.



93127563

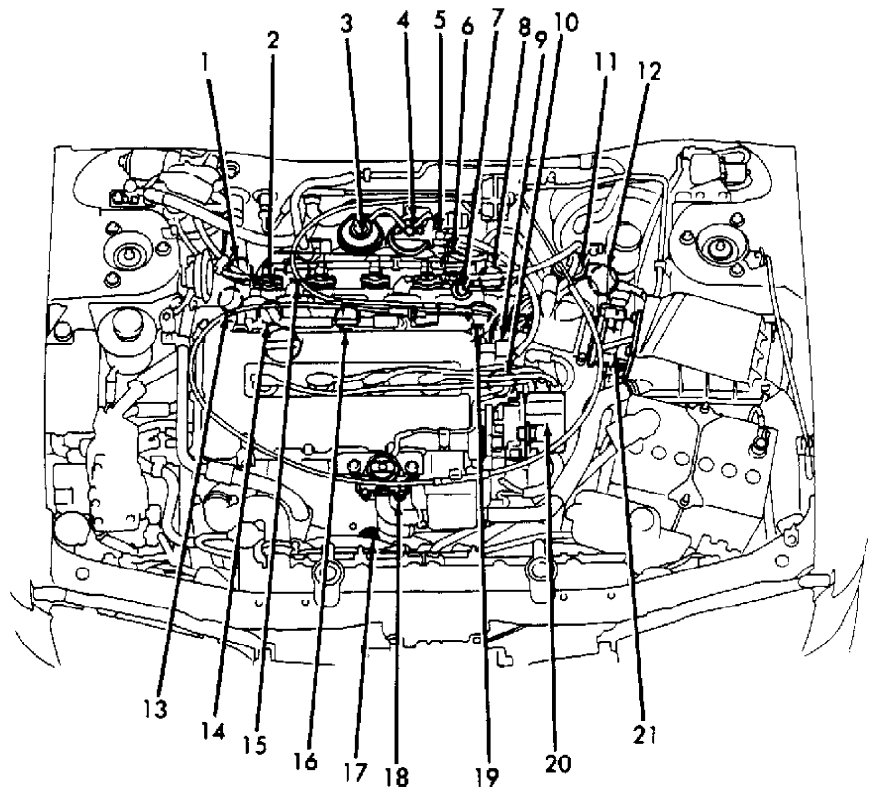
Trunk Lid Unlock & Key Cyl.
Tamper Sw. (Theft Warning Sys.)

On trunk lid, on key cylinder
assembly.

MISCELLANEOUS

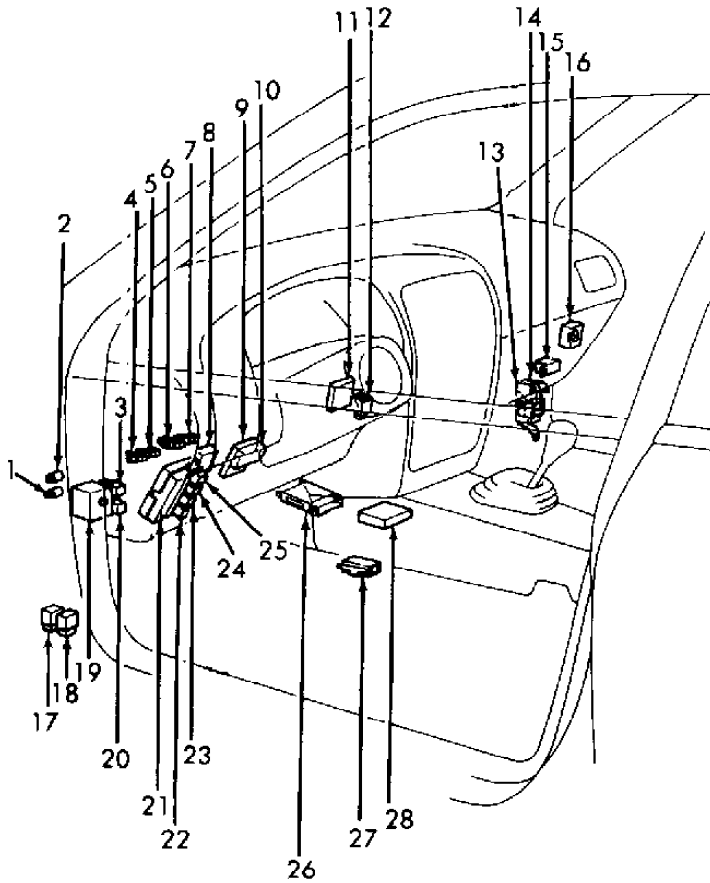
Component	Component Location
Blower Fan Motor Resistor	Behind glove compartment, on blower motor.
Diagnostic Connector	In fuse block, under left side of dash.
Diagnostic Mode Selector	In ECCS control unit.

1. AAC Valve
2. Injector
3. EGR Valve
4. BPT Valve
5. AIV Control Solenoid
6. EGR Temperature Sensor (Calif.)
7. Fuel Pressure Regulator
8. Throttle Position Sensor
9. Power Transistor
10. Ignition Coil
11. Fuel Filter
12. Charcoal Canister
13. FICD Solenoid
14. Engine Temperature Sensor
15. Air Regulator
16. Detonation/Knock Sensor
17. Oxygen (O₂) Sensor
18. AIV Valve
19. EGR/Canister Control Solenoid
20. Crank Angle Sensor (In Distributor)
21. Airflow Meter



Power Transistor

On left front side of engine,
near throttle lever.



- 1. Circuit Breaker
- 2. Circuit Breaker
- 3. Bulb Check Relay
- 4. ASCD Clutch Switch
- 5. Clutch Interlock Switch (M/T)
- 6. ASCD Brake Switch
- 7. Brakelight Switch
- 8. A/T Shift Lock Control Unit
- 9. ASCD Control Unit

- 10. Time Control Unit
- 11. Theft Warning Control Unit
- 12. Combination Flasher Unit
- 13. Power Door Lock Timer
- 14. ABS Control Unit
- 15. Power Door Lock Relay
- 16. Power Door Lock Timer
- 17. Theft Warning Horn Relay
- 18. Blower Motor Relay

- 19. Super Multiple Junction (SMJ)
- 20. Power Window Relay
- 21. Fuse/Relay Block
- 22. Ignition Relay
- 23. Accessory Relay
- 24. Accessory Relay
- 25. Rear Window Defogger Relay
- 26. ECCS Control Unit
- 27. Power Window Amplifier
- 28. Automatic Seat Belt Control Unit (USA)
Daytime Running Light Control Unit (Canada)

93J27465

Power Window Amplifier

Behind driver-side door trim.

