

# A - ENGINE/VIN ID

1992 Infiniti G20

1992 ENGINE PERFORMANCE  
Infiniti Introduction

## MODEL IDENTIFICATION

MODEL IDENTIFICATION TABLE

MODEL	BODY CODE	ENGINE (1)	ENGINE ID	FUEL SYSTEM (2)	IGNITION SYSTEM
G20	N/A	2.0L 4-CYL (SR20DE)	C	PFI	Optical
M30	N/A	3.0L V6 (VG30E)	H	PFI	Optical
Q45	N/A	4.5L V8 (VH45DE)	N	PFI	Optical (3)

(1) - Engine code is located on top rear of engine block, on flange.  
 (2) - Sequential fuel injection.  
 (3) - A distributorless system using optical crank angle sensor and one ignition coil for each spark plug.

## VIN DEFINITION

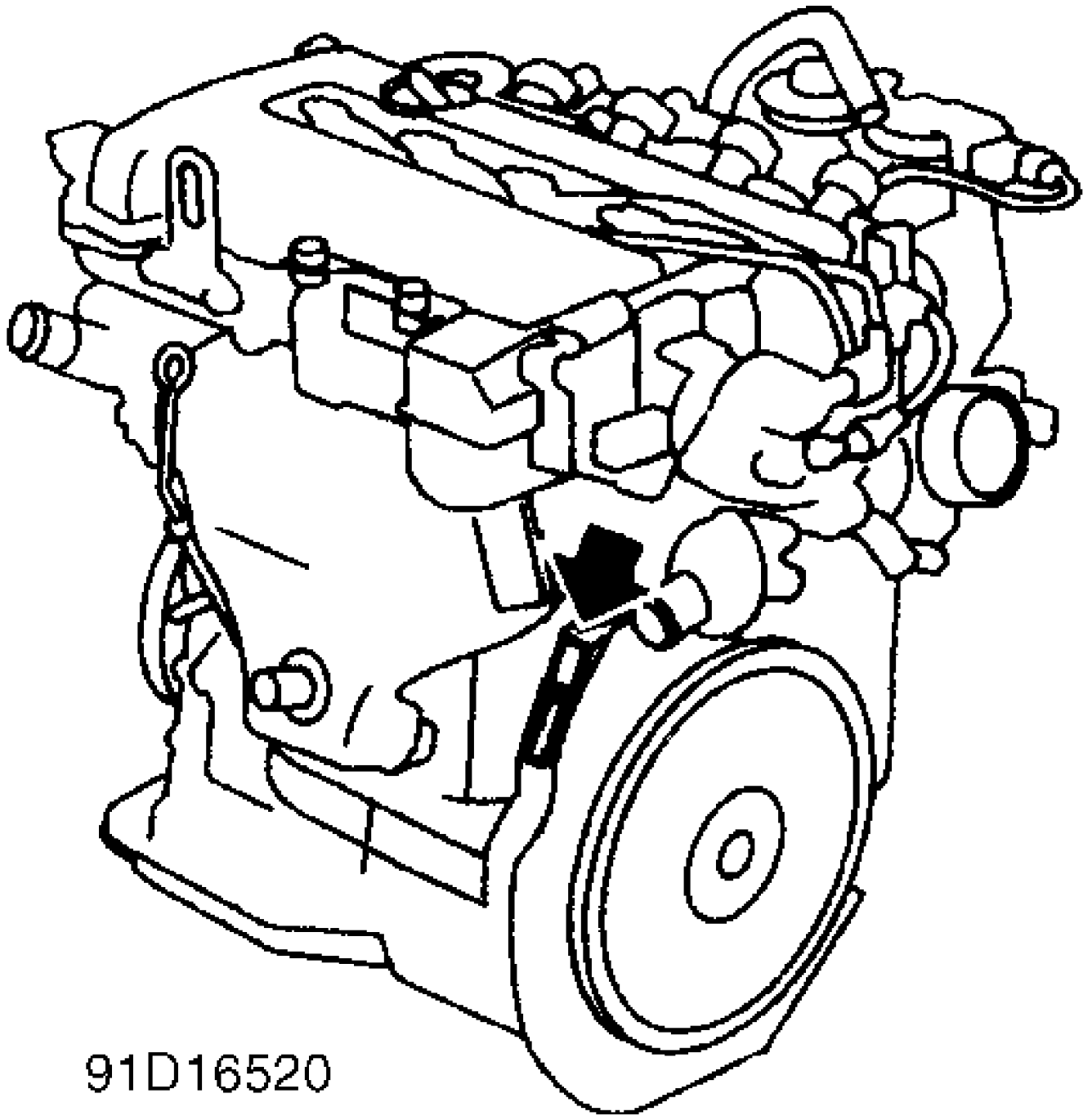
(VIN)      J N K N G 0 1 C \* N M 0 0 0 0 0 1  
             1 2 3 4 5 6 7 8 9 10 11 12 13 14 15 16 17

- 1-3 - Indicates Nation of Origin & Manufacturer.
- 4 - Indicates Engine Code.
- 5 - Indicates Model.
- 6 - Indicates Model Change.
- 7 - Indicates Body Type.
- 8 - Indicates Restraint System.
- 9 - Indicates Check Digit (0-9 or X).
- 10 - Indicates Model Year.
- 11 - Indicates Assembly Plant.
- 12-17 - Indicate Plant Sequential Number.

MODEL YEAR VIN CODE APPLICATION TABLE

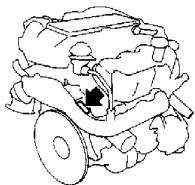
VIN Code	Model Year
M	1991
N	1992

## ENGINE CODE LOCATION



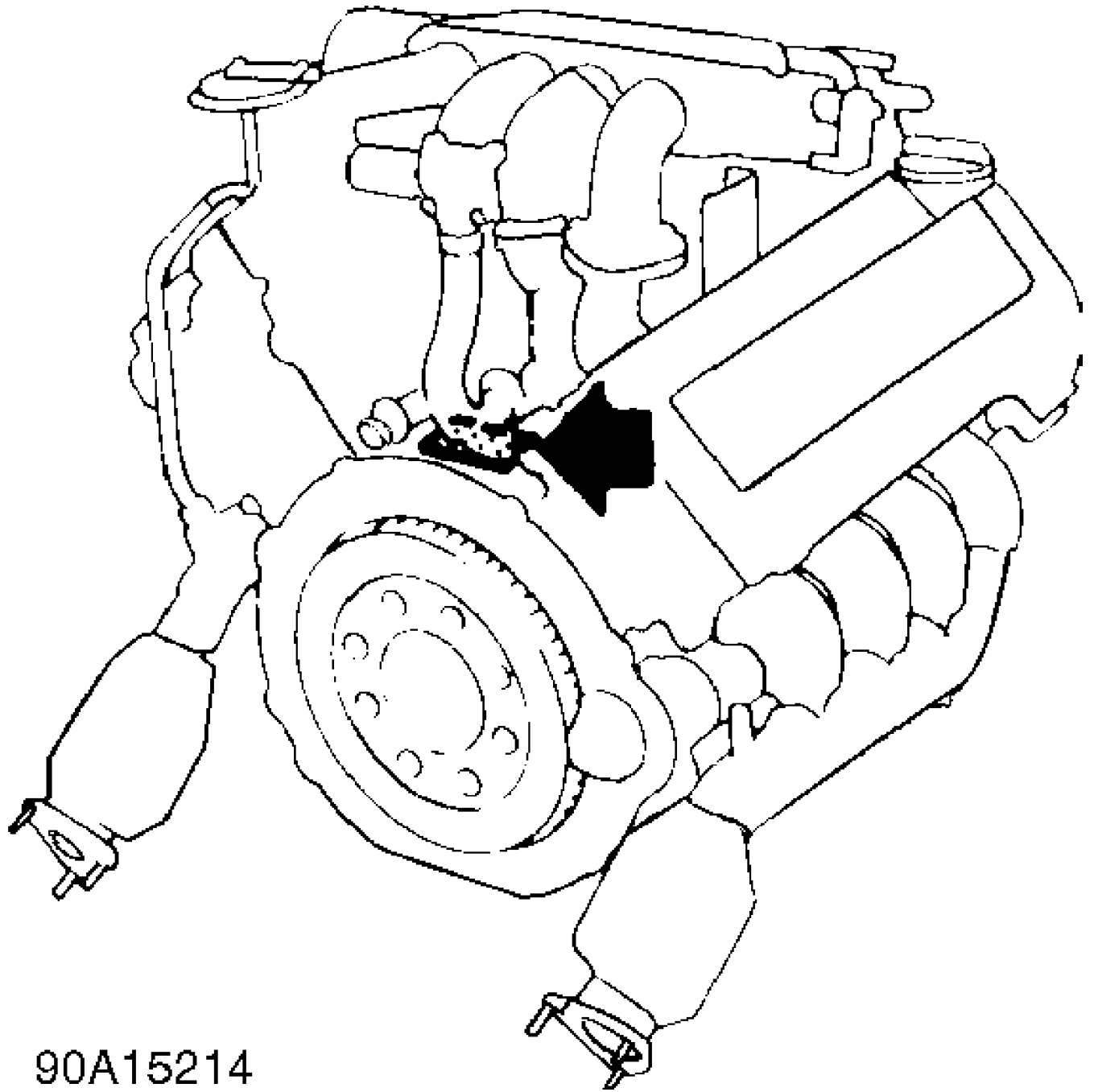
91D16520

Fig. 1: Engine Code Location (2.0L 4-Cylinder)  
Courtesy of Nissan Motor Co., U.S.A.



v6

Fig. 2: Engine Code Location (3.0L V6)  
Courtesy of Nissan Motor Co., U.S.A.



**90A15214**

Fig. 3: Engine Code Location (4.5L V8)  
Courtesy of Nissan Motor Co., U.S.A.