

SECTION **PR**
PROPELLER SHAFT

A
B
C

PR

CONTENTS

E

SERVICE INFORMATION	2	Removal and Installation	4	F
PREPARATION	2	REAR PROPELLER SHAFT	7	
Special Service Tool	2	On-Vehicle Inspection	7	G
Commercial Service Tool	2	Component	8	
NOISE, VIBRATION AND HARSHNESS		Removal and Installation	9	
(NVH) TROUBLESHOOTING	3	Disassembly and Assembly of Center Bearing	11	H
NVH Troubleshooting Chart	3	SERVICE DATA AND SPECIFICATIONS		
FRONT PROPELLER SHAFT	4	(SDS)	13	
On-Vehicle Inspection	4	General Specification	13	I
Component	4	Journal Axial Play	13	
		Propeller Shaft Runout	13	J

H

I

J

K

L

M

N

O

P

PREPARATION

< SERVICE INFORMATION >

SERVICE INFORMATION

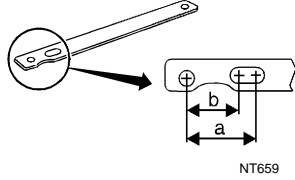
PREPARATION

Special Service Tool

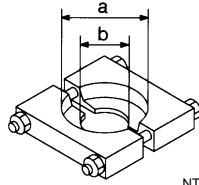
INFOID:000000001327463

The actual shapes of Kent-Moore tools may differ from those of special service tools illustrated here.

Tool number (Kent-Moore No.) Tool name	Description
KV40104000 (—) Flange wrench a: 85 mm (3.35 in) b: 65 mm (2.56 in)	Removing and installing center flange lock nut
ST30031000 (J-22912-01) Puller a: 90 mm (3.54 in) dia. b: 50 mm (1.97 in) dia.	Removing rear propeller shaft center bearing



NT659

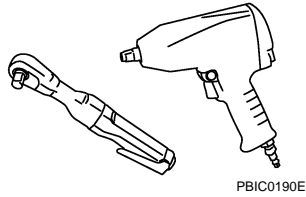


NT411

Commercial Service Tool

INFOID:000000001327464

Tool name	Description
Power tool	Loosening bolts and nuts



PBIC0190E

NOISE, VIBRATION AND HARSHNESS (NVH) TROUBLESHOOTING

< SERVICE INFORMATION >

NOISE, VIBRATION AND HARSHNESS (NVH) TROUBLESHOOTING

NVH Troubleshooting Chart

INFOID:000000001327465

Use the chart below to help you find the cause of the symptom. If necessary, repair or replace these parts.

Reference page	Front	PR-4	—	—	—	—	PR-4	PR-4	NVH in FFD and RFD section	NVH in FAX, RAX, FSU, and RSU section	NVH in WT section	NVH in WT section	NVH in RAX section	NVH in BR section	NVH in PS section
	Rear	PR-7	PR-9	—	PR-8	—	PR-7	PR-9							
Possible cause and SUSPECTED PARTS	Uneven rotating torque	Center bearing improper installation	Excessive center bearing axial end play	Center bearing mounting (insulator) cracks, damage or deterioration	Excessive joint angle	Rotation imbalance	Excessive runout	DIFFERENTIAL	AXLE AND SUSPENSION	TIRE	ROAD WHEEL	DRIVE SHAFT	BRAKE	STEERING	
Symptom	Noise	x	x	x	x	x	x	x	x	x	x	x	x	x	x
	Shake		x			x				x	x	x	x	x	x
	Vibration	x	x	x	x	x	x	x	x	x		x			x

x: Applicable

A
B
C
PR
E
F
G
H
I
J
K
L
M
N
O
P

FRONT PROPELLER SHAFT

< SERVICE INFORMATION >

FRONT PROPELLER SHAFT

On-Vehicle Inspection

INFOID:000000001327466

APPEARANCE AND NOISE INSPECTION

Check the propeller shaft tube surface for dents or cracks. If damaged, replace propeller shaft assembly.

PROPELLER SHAFT VIBRATION

If vibration is present at high speed, inspect propeller shaft runout first.

1. Measure propeller shaft runout at runout measuring point by rotating final drive companion flange with hands. For measuring point, refer to "Propeller Shaft Runout Measuring Point".

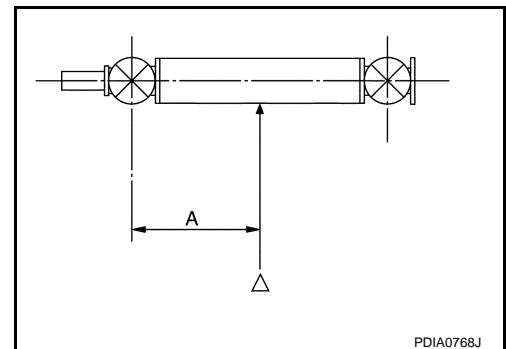
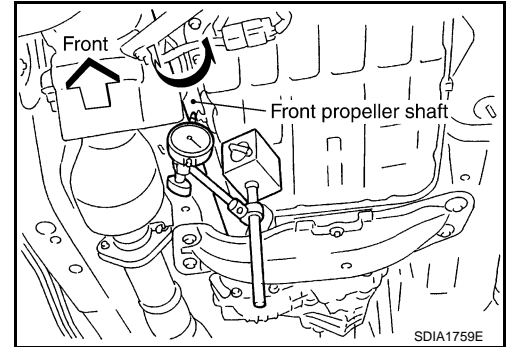
Propeller shaft runout limit : 0.8 mm (0.031 in)

2. If runout still exceeds specifications, separate propeller shaft at final drive companion flange; then rotate companion flange 90, 180, 270 degrees and install propeller shaft.
3. Check runout again. If runout still exceeds specifications, replace propeller shaft assembly.
4. Check the vibration by driving vehicle.

Propeller Shaft Runout Measuring Point

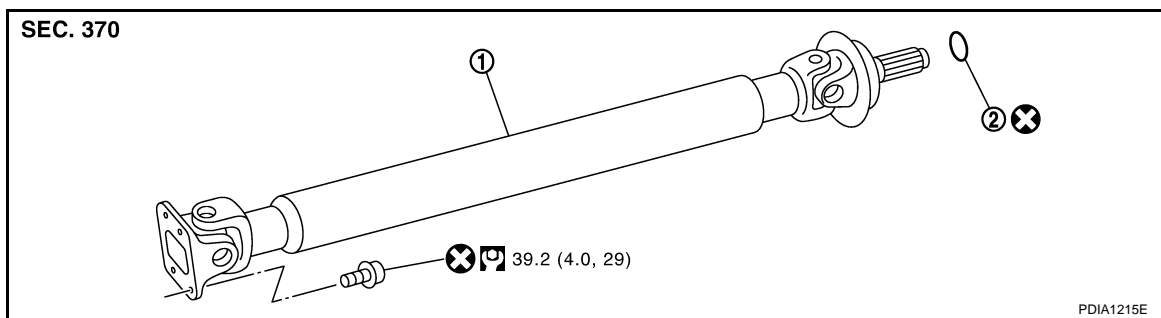
Propeller shaft runout measuring point (Point "Δ")

Dimension A: 381.5 mm (15.01 in)



Component

INFOID:000000001327467



1. Propeller shaft assembly
 2. O-ring
- Refer to [GI-8, "Component"](#), for the symbols in the figure.

Removal and Installation

INFOID:000000001327468

REMOVAL

1. Remove the front and rear engine undercover with a power tool.
2. Remove the front cross bar with a power tool. Refer to [FSU-5](#).
3. Remove the exhaust front tube bracket with a power tool. Refer to [EX-3](#).
4. Disconnect the heated oxygen sensor harness connector.

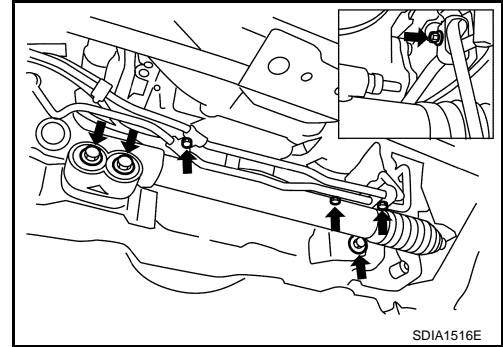
FRONT PROPELLER SHAFT

< SERVICE INFORMATION >

5. Remove the exhaust front tube mounting nuts with a power tool. Refer to [EX-3](#).
6. Remove the right bank three way catalyst with a power tool. Refer to [EM-26, "Removal and Installation"](#) (VQ35DE), [EM-179, "Removal and Installation"](#) (VK45DE).
7. Remove the power steering piping mounting bolts. Refer to [PS-37](#).
8. Remove the power steering gear box fixing bolts to secure working area for removal of propeller shaft. Refer to [PS-17](#).

CAUTION:

Be careful not to damage the steering gear box piping during removal.

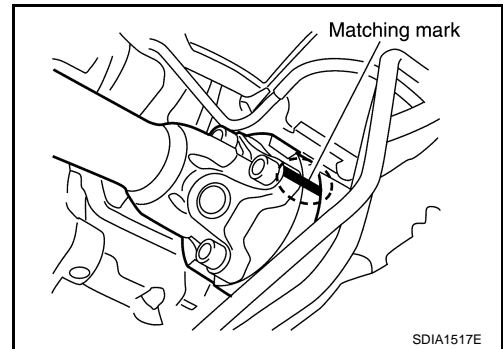


9. Put matching marks onto propeller shaft flange yoke and final drive companion flange.

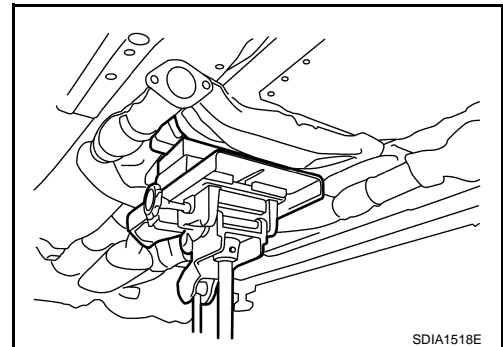
CAUTION:

For matching mark, use paint. Never damage propeller shaft flange and companion flange.

10. Remove the propeller shaft fixing bolts.



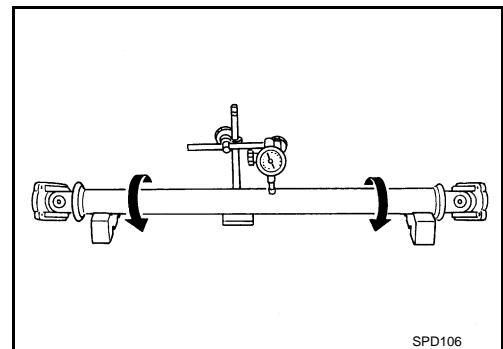
11. Set the transmission jack at the transfer, remove rear engine mounting bolts, and then lower transmission jack about 40 - 50 mm (0.16 - 0.21 in).
12. Remove propeller shaft from the front final drive and transfer.



INSPECTION

- Inspect propeller shaft runout at measuring point. If runout exceeds specifications, replace propeller shaft assembly. For measuring point, refer to [PR-4, "On-Vehicle Inspection"](#).

Propeller shaft runout limit : 0.8 mm (0.031 in)



FRONT PROPELLER SHAFT

< SERVICE INFORMATION >

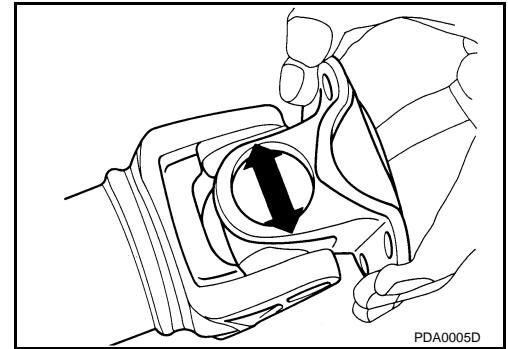
- As shown in the figure, while fixing yoke on one side, check axial play of joint. If outside the standard, replace propeller shaft assembly.

Journal axial play : 0 mm (0 in)

- Check propeller shaft for bend and damage. If damage is detected, replace propeller shaft assembly.

CAUTION:

Never disassemble joints.



INSTALLATION

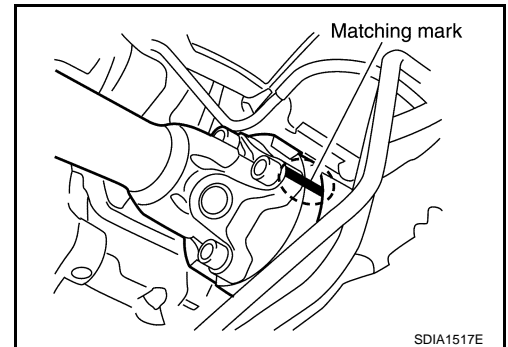
Note the following, install in the reverse order of removal.

- Align matching marks to install propeller shaft to final drive companion flange, and then tighten to specified torque. Refer to [PR-4, "Component"](#).

CAUTION:

Never reuse the bolts.

- After assembly, perform a driving test to check propeller shaft vibration. If vibration occurred, separate propeller shaft from final drive or transfer. Reinstall companion flange after rotating it by 90, 180, 270 degrees. Then perform driving test and check propeller shaft vibration again at each point.



REAR PROPELLER SHAFT

< SERVICE INFORMATION >

REAR PROPELLER SHAFT

On-Vehicle Inspection

INFOID:000000001327469

APPEARANCE AND NOISE INSPECTION

- Check the propeller shaft tube surface for dents or cracks. If damaged, replace propeller shaft assembly.
- If center bearing is noisy or damaged, replace center bearing.

PROPELLER SHAFT VIBRATION

If vibration is present at high speed, inspect propeller shaft runout first.

1. Measure propeller shaft runout at runout measuring points by rotating final drive companion flange with hands. For measuring point, refer to [PR-4, "On-Vehicle Inspection"](#).

Propeller shaft runout limit : 0.8 mm (0.031 in)

2. If runout still exceeds specifications, separate propeller shaft at final drive companion flange; then rotate companion flange 60, 120, 180, 240, 300 degrees and install propeller shaft.
3. Check runout again. If runout still exceeds specifications, replace propeller shaft assembly.
4. Check the vibration by driving vehicle.

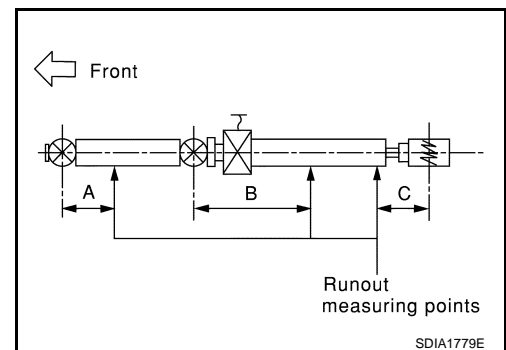
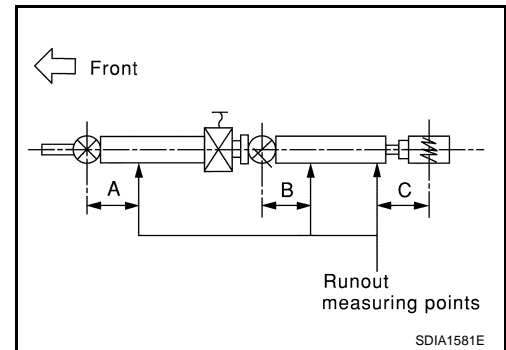
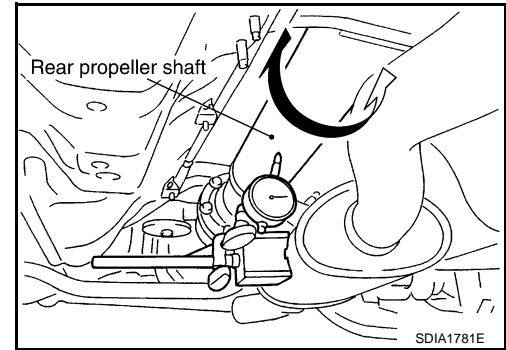
Propeller Shaft Runout Measuring Point

- **2WD models (3S80A-1VL107 type)**

Dimension A: 192 mm (7.56 in)
B: 190 mm (7.48 in)
C: 185 mm (7.28 in)

- **AWD models (3F80A-1VL107 type)**

Dimension A: 162 mm (6.38 in)
B: 245 mm (9.65 in)
C: 185 mm (7.28 in)

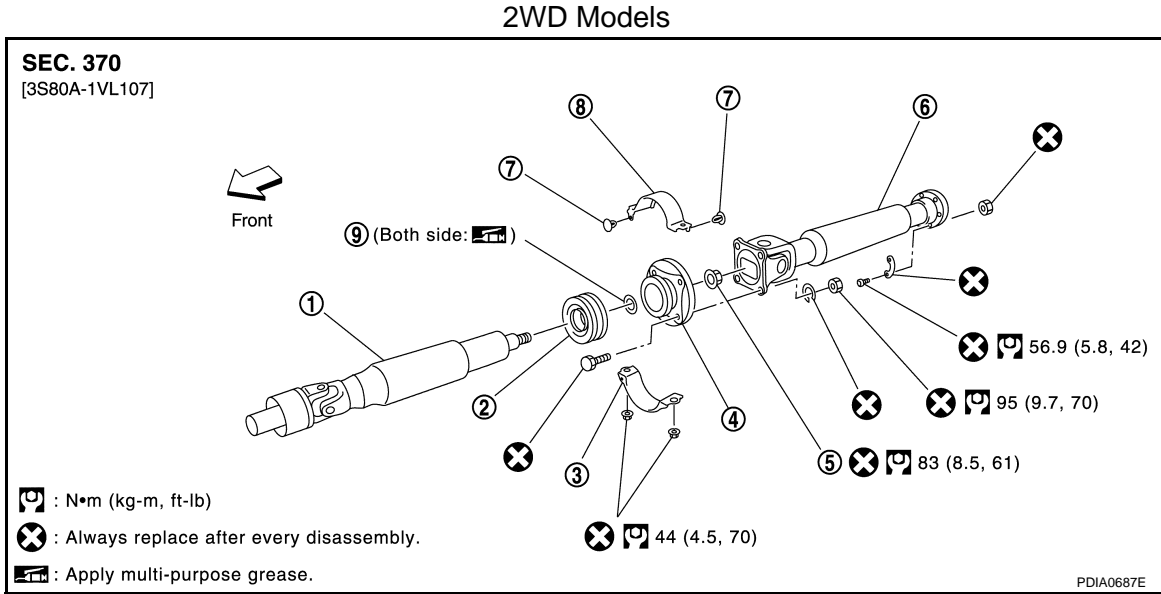


REAR PROPELLER SHAFT

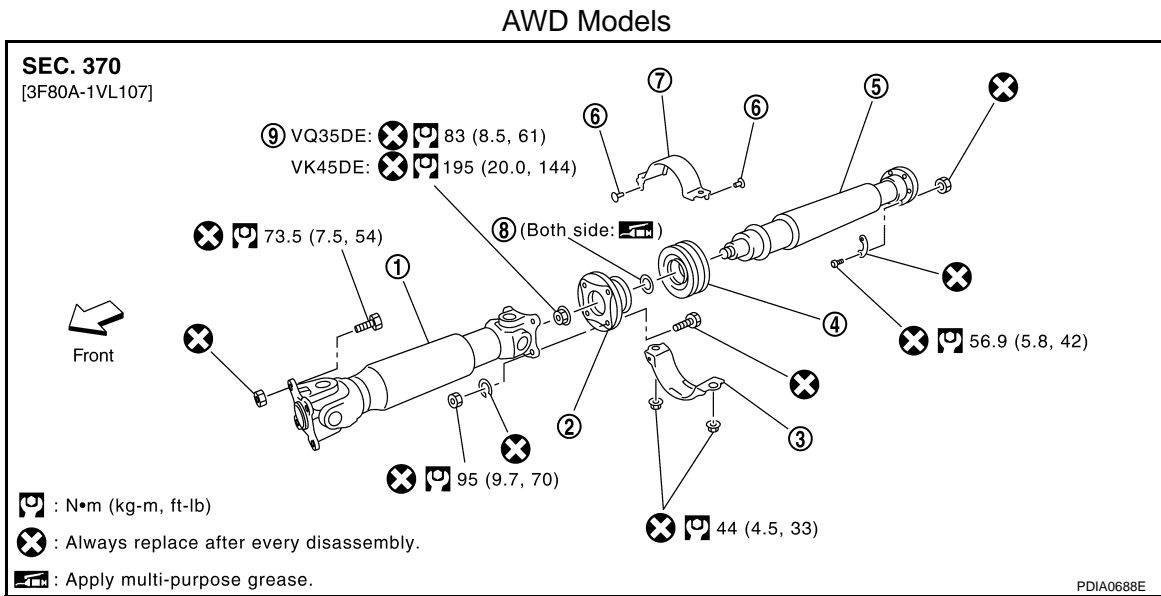
< SERVICE INFORMATION >

Component

INFOID:000000001327470



- | | | |
|--------------------------------|--|--|
| 1. Propeller shaft (1st shaft) | 2. Center bearing assembly | 3. Center bearing mounting bracket (Lower) |
| 4. Center flange | 5. Lock nut | 6. Propeller shaft (2nd shaft) |
| 7. Clip | 8. Center bearing mounting bracket (Upper) | 9. Washer |



- | | | |
|--|--------------------------------|--|
| 1. Propeller shaft (1st shaft) | 2. Center flange | 3. Center bearing mounting bracket (Lower) |
| 4. Center bearing assembly | 5. Propeller shaft (2nd shaft) | 6. Clip |
| 7. Center bearing mounting bracket (Upper) | 8. Washer | 9. Lock nut |

NOTE:

- The joint cannot be disassembled.
- The center bearing can be disassembled. Refer to [PR-11, "Disassembly and Assembly of Center Bearing"](#).

REAR PROPELLER SHAFT

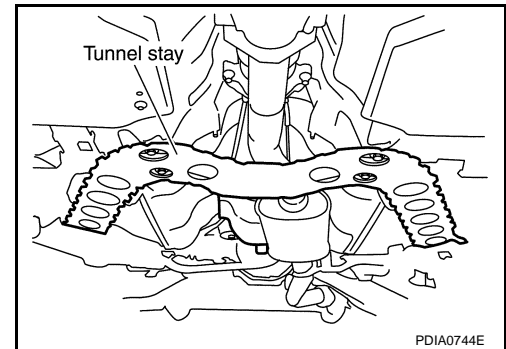
< SERVICE INFORMATION >

Removal and Installation

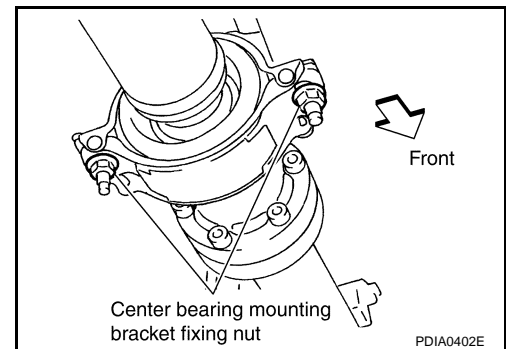
INFOID:000000001327471

REMOVAL

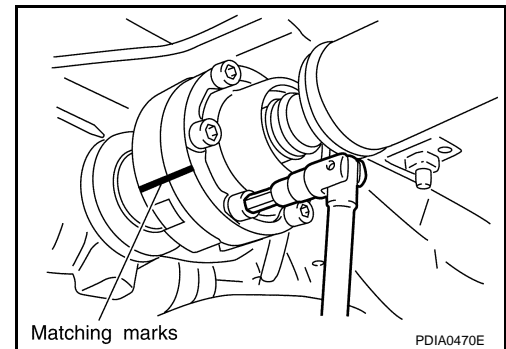
1. Move the A/T select lever to N position and release the parking brake.
2. Remove the tunnel stay with power tool. Refer to [RSU-5](#).
3. Remove the center muffler with power tool. Refer to [EX-3](#).



4. Loosen mounting nuts of center bearing mounting brackets with power tool.
CAUTION:
Tighten mounting nuts temporarily.



5. **For 2WD models**
 - Put matching marks on propeller shaft rebro joint with final drive companion flange.
CAUTION:
For matching mark, use paint. Never damage propeller shaft and companion flange.**For AWD models**
 - Put matching marks on propeller shaft flange yoke with transfer companion flange and on rebro joint with final drive companion flange.
CAUTION:
For matching mark, use paint. Never damage propeller shaft flange yoke, rebro joint and companion flanges.



6. Remove propeller shaft fixing bolts and nuts.
7. Remove center bearing mounting bracket fixing nuts.
8. Remove propeller shaft.
CAUTION:
If constant velocity joint was bent during propeller shaft assembly removal, installation, or transportation, its boot may be damaged. Wrap boot interference area to metal part with shop cloth or rubber to protect boot from breakage.

INSPECTION

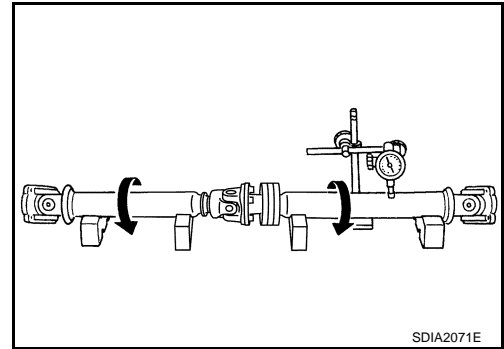
A
B
C
PR
E
F
G
H
I
J
K
L
M
N
O
P

REAR PROPELLER SHAFT

< SERVICE INFORMATION >

- Inspect propeller shaft runout at measuring points. If runout exceeds specifications, replace propeller shaft assembly. For measuring point, refer to [PR-4. "On-Vehicle Inspection"](#).

Propeller shaft runout limit : 0.8 mm (0.031 in)



SDIA2071E

- As shown in the figure, while fixing yoke on one side, check axial play of joint. If outside the standard, replace relevant propeller shaft.

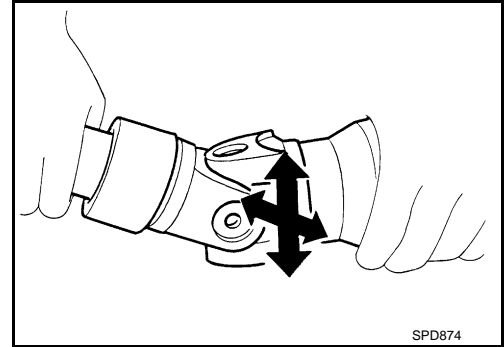
Journal axial play : 0 mm (0 in)

- Check propeller shaft for bend and damage. If damage is detected, replace relevant propeller shaft.

CAUTION:

Never disassemble joints.

- Check center bearing for noise and damage. If noise or damage is detected, replace center bearing. Refer to [PR-11. "Disassembly and Assembly of Center Bearing"](#).



SPD874

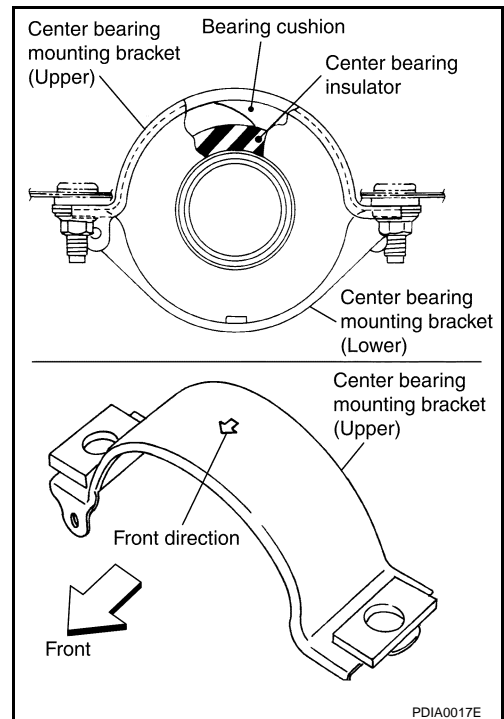
INSTALLATION

Note the following, and install in the reverse order of removal.

CAUTION:

Avoid damaging the rebro joint boot, protect it with a shop towel or equivalent.

- Align matching marks to install propeller shaft to final drive and transfer (AWD models only) companion flanges, and then tighten to specified torque. Refer to [PR-8. "Component"](#).
- Install center bearing mounting bracket (Upper) with its arrow mark facing forward.
- Adjust position of mounting bracket sliding back and forth to prevent play in thrust direction of center bearing insulator. Install bracket to vehicle.
- After assembly, perform a driving test to check propeller shaft vibration. If vibration occurred, separate propeller shaft from final drive. Reinstall companion flange after rotating it by 60, 120, 180, 240, 300 degrees. Then perform driving test and check propeller shaft vibration again at each point.



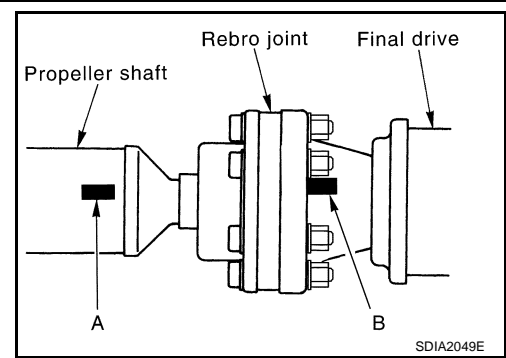
PDIA0017E

- If propeller shaft or final drive has been replaced, connect them as follows:

REAR PROPELLER SHAFT

< SERVICE INFORMATION >

1. Install the propeller shaft while aligning its matching mark A with the matching mark B on the joint as close as possible.
2. Tighten the joint bolts to the specified torque. Refer to [PR-8](#).
"Component".
CAUTION:
Never reuse the bolts, nuts and washers.

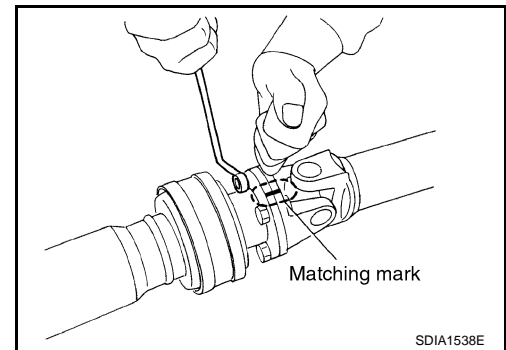


Disassembly and Assembly of Center Bearing

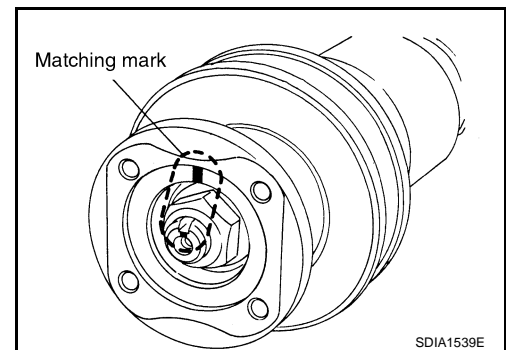
INFOID:000000001327472

DISASSEMBLY

1. Put matching marks on propeller shaft and center flange, then disassemble the 1st and 2nd propeller shaft.
CAUTION:
For matching mark, use paint. Never damage the propeller shaft flange and center flange.



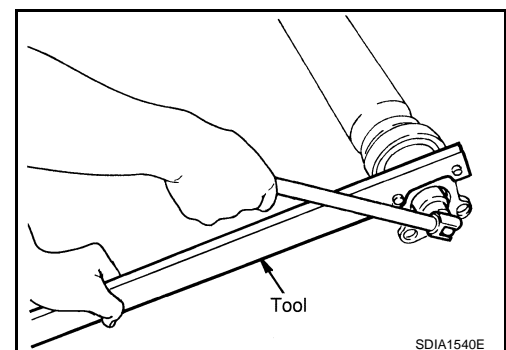
2. Put matching marks onto the center flange and propeller shaft end as shown.
CAUTION:
For matching mark, use paint. Never damage propeller shaft end and center flange.



3. Hold the center flange using the flange wrench, and remove the lock nut.

Tool number : KV40104000 (—)

4. Remove the center flange using a commercial available bearing puller then remove washer.

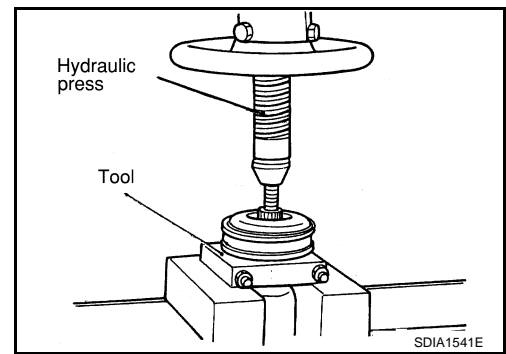


REAR PROPELLER SHAFT

< SERVICE INFORMATION >

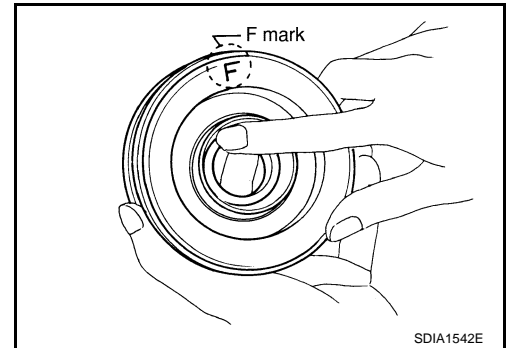
5. Press out the center bearing using the puller and hydraulic press.

Tool number : ST30031000 (J-22912-01)



ASSEMBLY

1. **For the 3S80A-1VL107 (VQ35DE/2WD) and 3F80A-1VL107 (VK45DE/AWD) type**
 - Install the center bearing with its "F" mark facing the front of the vehicle.
- For the 3F80A-1VL107 (VQ35DE/AWD) type**
 - Install the center bearing with its "F" mark facing the rear of the vehicle.
2. Apply multi-purpose grease to the each face of the washer, then install washer.
3. Install the center flange onto the propeller shaft with aligning the marks that are marked while removal.
4. Install and tighten the lock nut to specified torque. Refer to [PR-8. "Component"](#).
5. Place a piece of wood under the center flange, stake the lock nut against the propeller shaft groove. [For the 3S80A-1VL107 (VQ35DE/2WD) and 3F80A-1VL107 (VQ35DE/AWD) type]



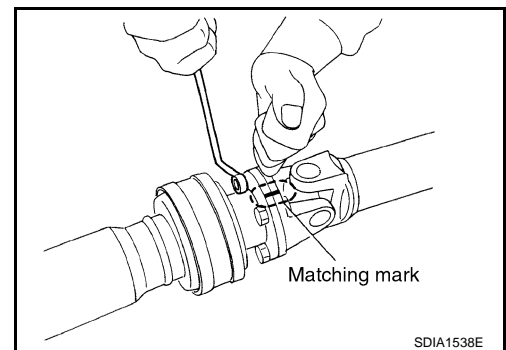
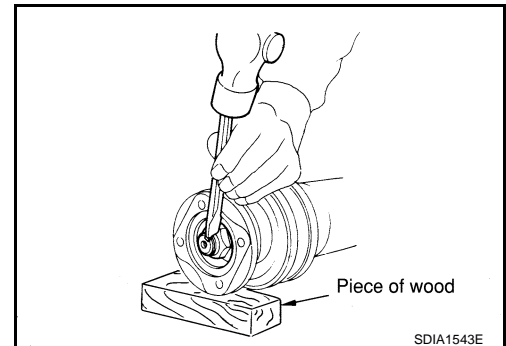
CAUTION:

Never use the lock nut.

6. Assemble the 1st and 2nd shaft propeller shafts while aligning the matching marks that are marked during removal.
7. Install and tighten the bolts/nuts and tighten them to specified torque. Refer to [PR-8. "Component"](#).

CAUTION:

Never reuse the bolts, nuts and washers.



SERVICE DATA AND SPECIFICATIONS (SDS)

< SERVICE INFORMATION >

SERVICE DATA AND SPECIFICATIONS (SDS)

General Specification

INFOID:000000001327473

2WD MODELS

Applied model		VQ35DE	
Propeller shaft model		3S80A-1VL107	
Number of joints		3	
Coupling method with transmission		Sleeve type	
Coupling method with rear final drive		Rebro joint type	
Shaft length	1st (Spider to spider)	795 mm (31.30 in)	
	2nd (Spider to rebro joint center)	681 mm (35.51 in)	
Shaft outer diameter	1st	82.6 mm (3.25 in)	
	2nd	82.6 mm (3.25 in)	

AWD MODELS

Applied model		VQ35DE	VK45DE	
Front	Propeller shaft model	2S56A		
	Number of joints	2		
	Coupling method with transfer	Sleeve type		
	Coupling method with front final drive	Flange type		
	Shaft length (Spider to spider)	763 mm (30.04 in)		
	Shaft outer diameter	42.7 mm (1.68 in)		
Rear	Propeller shaft model	3F80A-1VL107		
	Number of joints	3		
	Coupling method with transfer	Flange type		
	Coupling method with rear final drive	Rebro joint type		
	Shaft length	1st (Spider to spider)	399 mm (15.71 in)	
		2nd (Spider to rebro joint center)	753 mm (29.65 in)	
Shaft outer diameter	1st	82.6 mm (3.25 in)		
	2nd	82.6 mm (3.25 in)		

Journal Axial Play

INFOID:000000001327474

Unit: mm (in)

Model	Front propeller shaft	Rear propeller shaft	
		2S56A	3S80A-1VL107
Journal axial play	0 (0)		

Propeller Shaft Runout

INFOID:000000001327475

Unit : mm (in)

Model	Front propeller shaft	Rear propeller shaft	
		2S56A	3S80A-1VL107
Propeller shaft runout limit	0.8 (0.031)		