

SECTION **BL**

BODY, LOCK & SECURITY SYSTEM

A
B
C
D
E
F
G
H
I
J
K
L
M
N
O
P

CONTENTS

<p>SERVICE INFORMATION 4</p> <p>DTC INDEX 4</p> <p style="padding-left: 20px;">INTELLGENT KEY UNIT U10004</p> <p style="padding-left: 20px;">INTELLGENT KEY UNIT B2013-B20144</p> <p style="padding-left: 20px;">ECM P1610-P16154</p> <p>PRECAUTIONS 5</p> <p style="padding-left: 20px;">Precaution for Supplemental Restraint System (SRS) "AIR BAG" and "SEAT BELT PRE-TENSIONER"5</p> <p style="padding-left: 20px;">Precaution Necessary for Steering Wheel Rotation After Battery Disconnect5</p> <p style="padding-left: 20px;">Precaution for Work5</p> <p>PREPARATION 6</p> <p style="padding-left: 20px;">Special Service Tool6</p> <p style="padding-left: 20px;">Commercial Service Tool6</p> <p>SQUEAK AND RATTLE TROUBLE DIAGNOSIS 7</p> <p style="padding-left: 20px;">Work Flow7</p> <p style="padding-left: 20px;">Generic Squeak and Rattle Troubleshooting9</p> <p style="padding-left: 20px;">Diagnostic Worksheet 11</p> <p>HOOD13</p> <p style="padding-left: 20px;">Fitting Adjustment 13</p> <p style="padding-left: 20px;">Removal and Installation of Hood Assembly 14</p> <p style="padding-left: 20px;">Removal and Installation of Hood Lock Control 15</p> <p style="padding-left: 20px;">Hood Lock Control Inspection 16</p> <p>RADIATOR CORE SUPPORT18</p> <p style="padding-left: 20px;">Removal and Installation 18</p> <p>FRONT FENDER20</p> <p style="padding-left: 20px;">Removal and Installation20</p> <p>POWER DOOR LOCK SYSTEM21</p> <p style="padding-left: 20px;">Component Parts and Harness Connector Location21</p> <p style="padding-left: 20px;">System Description22</p> <p style="padding-left: 20px;">CAN Communication System Description23</p>	<p>CAN Communication Unit23</p> <p style="padding-left: 20px;">Schematic/With Intelligent Key24</p> <p style="padding-left: 20px;">Wiring Diagram - D/LOCK -/With Intelligent Key25</p> <p style="padding-left: 20px;">Schematic/Without Intelligent Key30</p> <p style="padding-left: 20px;">Wiring Diagram - D/LOCK -/Without Intelligent Key31</p> <p style="padding-left: 20px;">Terminal and Reference Value for BCM35</p> <p style="padding-left: 20px;">Terminal and Reference Value for Intelligent Key Unit (With Intelligent Key System)35</p> <p style="padding-left: 20px;">Work Flow36</p> <p>CONSULT-III Function (BCM)36</p> <p>Trouble Diagnosis Chart by Symptom37</p> <p>Check BCM Power Supply and Ground Circuit37</p> <p>Check Door Switch38</p> <p>Check Key Switch42</p> <p>Check Door Lock and Unlock Switch43</p> <p>Check Door Lock Actuator (Driver Side)45</p> <p>Check Door Lock Actuator (Passenger Side and Rear LH/RH)45</p> <p>Check Fuel Lid Lock Actuator46</p> <p>Check Front Door Key Cylinder Switch (Lock)47</p> <p>Check Front Door Key Cylinder Switch (Unlock)47</p> <p>Check Select Unlock Relay Circuit48</p> <p>REMOTE KEYLESS ENTRY SYSTEM50</p> <p style="padding-left: 20px;">Component Parts and Harness Connector Location 50</p> <p style="padding-left: 20px;">System Description50</p> <p style="padding-left: 20px;">CAN Communication System Description53</p> <p style="padding-left: 20px;">CAN Communication Unit53</p> <p style="padding-left: 20px;">Schematic54</p> <p style="padding-left: 20px;">Wiring Diagram - KEYLES -55</p> <p style="padding-left: 20px;">Terminal and Reference Value for BCM58</p> <p style="padding-left: 20px;">Terminal and Reference Value for IPDM E/R59</p> <p style="padding-left: 20px;">CONSULT-III Function (BCM)60</p> <p style="padding-left: 20px;">Work Flow62</p> <p style="padding-left: 20px;">Trouble Diagnosis Chart by Symptom62</p> <p style="padding-left: 20px;">Check Key Fob Battery and Function63</p> <p style="padding-left: 20px;">Check ACC Switch64</p> <p style="padding-left: 20px;">Check Door Switch65</p> <p style="padding-left: 20px;">Check Key Switch68</p>
--	---



Check Remote Keyless Entry Receiver	69	FRONT DOOR LOCK	135
Check IPDM E/R Operation	71	Removal and Installation	135
Check Hazard Warning Lamp Function	72	REAR DOOR LOCK	138
Check Horn Function	72	Removal and Installation	138
Check Headlamp Function	72	BACK DOOR	141
Check Map Lamp and Ignition Keyhole Illumina- tion Function	72	Fitting Adjustment	141
ID Code Entry Procedure	73	Back Door Assembly	141
Removal and Installation of Remote keyless Entry receiver	75	Removal and Installation of Back Door Striker	142
Key Fob Battery Replacement	75	Removal and Installation of Back Door Stay	143
INTELLIGENT KEY SYSTEM	76	Removal and Installation of Dave Tail Male & Fe- male	144
Component Parts and Harness Connector Loca- tion	76	Removal and Installation of Back Door Weather- strip	144
System Description	78	BACK DOOR LOCK ASSEMBLY	146
CAN Communication System Description	83	Removal and Installation of Back Door Lock & Closure Assembly	146
CAN Communication Unit	84	Removal and Installation of Back Door Opener Switch	146
Schematic	84	Disassembly and Assembly	147
Wiring Diagram - I/KEY -	86	BACK DOOR AUTO CLOSURE SYSTEM	148
Terminal and Reference Value for INTELLIGENT KEY UNIT	99	Component Parts and Harness Connector Loca- tion	148
Terminal and Reference Value for Steering Lock unit	101	System Description	148
Terminal and Reference Value for BCM	101	Wiring Diagram - B/CLOS -	150
Terminal and Reference Value for IPDM E/R	102	Terminal and Reference Value for Back Door Clo- sure Control Unit	152
Diagnosis Procedure	103	Work Flow	153
CONSULT-III Functions (INTELLIGENT KEY)	103	Preliminary Check	153
CONSULT-III Application Item	104	Trouble Diagnosis Chart by Symptom	153
List of Operation Related Parts	105	Check Back Door Closure Control Unit Power Supply and Ground Circuit	153
Trouble Diagnosis Symptom Chart	106	Check Half-Latch Switch	154
Check CAN Communication System Inspection ...	111	Check Close Switch	155
Check Intelligent Key Unit Power Supply and Ground Circuit	111	Check Open Switch	156
Check Key Switch (Intelligent Key Unit Input)	112	Check Back Door Opener Switch (With Intelligent Key)	157
Check Key Switch (BCM Input)	113	Check Back Door Opener Switch (Without Intelli- gent Key)	159
Check Ignition Knob Switch	114	Check Unlock Sensor (Without Intelligent Key) ...	160
Check Door Switch	115	Check Closure Motor	161
Check Unlock Sensor	117	Removal and Installation of Back Door Closer Control Unit	162
Check Door Request Switch	119	VEHICLE SECURITY (THEFT WARNING) SYSTEM	163
Check Intelligent Key Warning Buzzer	120	Component Parts and Harness Connector Loca- tion	163
Check Outside Key Antenna	121	System Description	164
Check Inside Key Antenna	123	CAN Communication System Description	166
Check Steering Lock Unit	124	CAN Communication Unit	166
Check Stop Lamp Switch	126	Schematic	167
Check Park Position Switch	126	Wiring Diagram - VEHSEC -	168
Check Select Unlock Relay	128	Terminal and Reference Value for BCM	173
Check Hazard Function	128	Terminal and Reference Value for IPDM E/R	174
Check Horn Function	129	CONSULT-III Function	174
Check Headlamp Function	129	Trouble Diagnosis	176
Check IPDM E/R Operation	129	DOOR	131
Removal and Installation of Intelligent Key Unit ...	130	Fitting Adjustment	131
Intelligent Key Battery Replacement	130	Removal and Installation of Front Door	132
DOOR	131	Removal and Installation of Rear Door	133
Fitting Adjustment	131	Removal and Installation of Door Weatherstrip	134
Removal and Installation of Front Door	132		
Removal and Installation of Rear Door	133		
Removal and Installation of Door Weatherstrip	134		

Preliminary Check	177	Trouble Diagnosis Symptom Chart	195	
Trouble Diagnosis Symptom Chart	177	Security Indicator Inspection	195	A
Diagnosis Procedure 1	178	Diagnosis Procedure 1	195	
Diagnosis Procedure 2	182	Diagnosis Procedure 2	197	B
Diagnosis Procedure 3	183	Diagnosis Procedure 3	197	
Diagnosis Procedure 4	183	Diagnosis Procedure 4	197	B
Diagnosis Procedure 5	183	Diagnosis Procedure 5	198	
Diagnosis Procedure 6	184	Diagnosis Procedure 6	200	C
		Removal and Installation NATS Antenna Amp	201	C
IVIS (INFINITI VEHICLE IMMOBILIZER SYSTEM-NATS)	185	INTEGRATED HOMELINK TRANSMITTER ..	202	
Component Parts and Harness Connector Location	185	Wiring Diagram - TRNSCV -	202	D
System Description	185	Trouble Diagnosis	202	
System Composition	186			
ECM Re-Communicating Function	187	BODY REPAIR	204	E
Wiring Diagram - NATS -	188	Body Exterior Paint Color	204	
Terminal and Reference Value for Steering Lock Unit/with Intelligent Key System	191	Body Component Parts	205	F
Terminal and Reference Value for Intelligent Key Unit/with Intelligent Key System	191	Corrosion Protection	208	
Terminal and Reference Value for BCM	192	Body Sealing	211	F
CONSULT-III Function	192	Body Construction	215	
Diagnosis Procedure	194	Body Alignment	215	G
		Handling Precaution for Plastics	225	
		Precaution in Repairing High Strength Steel	228	G
		Replacement Operation	230	

H

BL

J

K

L

M

N

O

P

DTC INDEX

< SERVICE INFORMATION >

SERVICE INFORMATION

DTC INDEX

INTELLIGENT KEY UNIT U1000

INFOID:000000001529387

CONSULT display	Description	Reference page
U1000: CAN COMM CIRCUIT	Malfunction is detected in CAN communication.	BCS-13. "U1000 CAN Communication Circuit"

INTELLIGENT KEY UNIT B2013-B2014

INFOID:000000001529388

CONSULT display	Description	Reference page
B2013: STRG COMM 1	.Malfunction is detected in communication of Intelligent Key unit and steering lock unit	BL-124. "Check Steering Lock Unit"
B2014: STRG COMM 2	Malfunction is detected in communication of Intelligent Key unit and steering lock unit.	BL-124. "Check Steering Lock Unit"

ECM P1610-P1615

INFOID:000000001529389

CONSULT display	Description	Reference page
P1610: LOCK MODE	When the starting operation is carried out 5 or more times consecutively under the following conditions, IVIS(NATS) will shift the mode to prevent the engine start. <ul style="list-style-type: none">• unregistered ignition key is used (without intelligent key system)• BCM or ECM malfunctioning	BL-198. "Diagnosis Procedure 5"
P1611: ID DISCORD, IMM-ECM	The result of ID verification between BCM and ECM is NG. System initialization is required.	BL-197. "Diagnosis Procedure 4"
P1612: CHAIN OF ECM-IMMU	Communication impossible between ECM and BCM.	BL-197. "Diagnosis Procedure 2"
P1613: ECM INT CIRC-IMMU	The malfunction of ECM internal circuit to BCM communication line is detected.	BL-195. "Diagnosis Procedure 1"
P1614: CHAIN OF IMMU-KEY	BCM cannot receive the key ID signal.	BL-200. "Diagnosis Procedure 6"
P1615: DIFFERENCE OF KEY	BCM can receive the key ID signal but the result of ID verification between key ID and BCM is NG.	BL-197. "Diagnosis Procedure 3"

PRECAUTIONS

< SERVICE INFORMATION >

PRECAUTIONS

Precaution for Supplemental Restraint System (SRS) "AIR BAG" and "SEAT BELT PRE-TENSIONER"

INFOID:000000001612892

The Supplemental Restraint System such as "AIR BAG" and "SEAT BELT PRE-TENSIONER", used along with a front seat belt, helps to reduce the risk or severity of injury to the driver and front passenger for certain types of collision. This system includes seat belt switch inputs and dual stage front air bag modules. The SRS system uses the seat belt switches to determine the front air bag deployment, and may only deploy one front air bag, depending on the severity of a collision and whether the front occupants are belted or unbelted. Information necessary to service the system safely is included in the "SUPPLEMENTAL RESTRAINT SYSTEM" and "SEAT BELTS" of this Service Manual.

WARNING:

- To avoid rendering the SRS inoperative, which could increase the risk of personal injury or death in the event of a collision which would result in air bag inflation, all maintenance must be performed by an authorized NISSAN/INFINITI dealer.
- Improper maintenance, including incorrect removal and installation of the SRS, can lead to personal injury caused by unintentional activation of the system. For removal of Spiral Cable and Air Bag Module, see the "SUPPLEMENTAL RESTRAINT SYSTEM".
- Do not use electrical test equipment on any circuit related to the SRS unless instructed to in this Service Manual. SRS wiring harnesses can be identified by yellow and/or orange harnesses or harness connectors.

Precaution Necessary for Steering Wheel Rotation After Battery Disconnect

INFOID:000000001612889

NOTE:

- This Procedure is applied only to models with Intelligent Key system and NVIS/IVIS (NISSAN/INFINITI VEHICLE IMMOBILIZER SYSTEM - NATS).
- Remove and install all control units after disconnecting both battery cables with the ignition knob in the "LOCK" position.
- Always use CONSULT-III to perform self-diagnosis as a part of each function inspection after finishing work. If DTC is detected, perform trouble diagnosis according to self-diagnostic results.

For models equipped with the Intelligent Key system and NVIS/IVIS, an electrically controlled steering lock mechanism is adopted on the key cylinder.

For this reason, if the battery is disconnected or if the battery is discharged, the steering wheel will lock and steering wheel rotation will become impossible.

If steering wheel rotation is required when battery power is interrupted, follow the procedure below before starting the repair operation.

OPERATION PROCEDURE

1. Connect both battery cables.

NOTE:

Supply power using jumper cables if battery is discharged.

2. Use the Intelligent Key or mechanical key to turn the ignition switch to the "ACC" position. At this time, the steering lock will be released.
3. Disconnect both battery cables. The steering lock will remain released and the steering wheel can be rotated.
4. Perform the necessary repair operation.
5. When the repair work is completed, return the ignition switch to the "LOCK" position before connecting the battery cables. (At this time, the steering lock mechanism will engage.)
6. Perform a self-diagnosis check of all control units using CONSULT-III.

Precaution for Work

INFOID:000000001327777

- After removing and installing the opening/closing parts, be sure to carry out fitting adjustments to check their operation.
- Check the lubrication level, damage, and wear of each part. If necessary, grease or replace it.

A
B
C
D
E
F
G
H
BL
J
K
L
M
N
O
P

PREPARATION

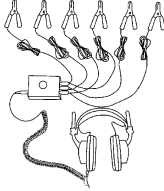
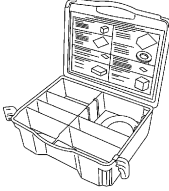
< SERVICE INFORMATION >

PREPARATION

Special Service Tool

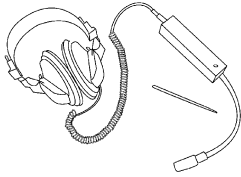

INFOID:000000001327778

The actual shapes of Kent-Moore tools may differ from those of special service tools illustrated here.

Tool number (Kent-Moore No.) Tool name	Description
<p>(J-39570) Chassis ear</p>  <p style="text-align: right;">SIA0993E</p>	<p>Locating the noise</p>
<p>(J-43980) NISSAN Squeak and Rattle Kit</p>  <p style="text-align: right;">SIA0994E</p>	<p>Repairing the cause of the noise</p>

Commercial Service Tool

INFOID:000000001327779

Tool name	Description
<p>Engine ear</p>  <p style="text-align: right;">SIA0995E</p>	<p>Locating the noise</p>
<p>Power tool</p>  <p style="text-align: right;">PIIB1407E</p>	<p>Loosening bolts and nuts</p>

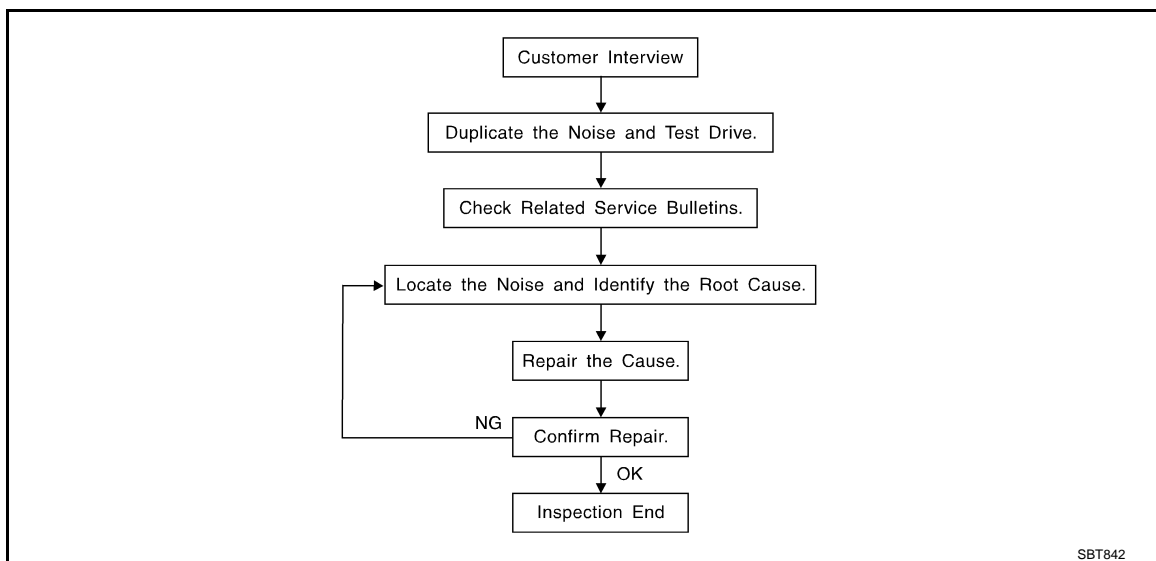
SQUEAK AND RATTLE TROUBLE DIAGNOSIS

< SERVICE INFORMATION >

SQUEAK AND RATTLE TROUBLE DIAGNOSIS

Work Flow

INFOID:000000001327780



CUSTOMER INTERVIEW

Interview the customer if possible, to determine the conditions that exist when the noise occurs. Use the Diagnostic Worksheet during the interview to document the facts and conditions when the noise occurs and any customer's comments; refer to [BL-11, "Diagnostic Worksheet"](#). This information is necessary to duplicate the conditions that exist when the noise occurs.

- The customer may not be able to provide a detailed description or the location of the noise. Attempt to obtain all the facts and conditions that exist when the noise occurs (or does not occur).
- If there is more than one noise in the vehicle, be sure to diagnose and repair the noise that the customer is concerned about. This can be accomplished by test driving the vehicle with the customer.
- After identifying the type of noise, isolate the noise in terms of its characteristics. The noise characteristics are provided so the customer, service adviser and technician are all speaking the same language when defining the noise.
- Squeak —(Like tennis shoes on a clean floor)
Squeak characteristics include the light contact/fast movement/brought on by road conditions/hard surfaces=higher pitch noise/softer surfaces=lower pitch noises/edge to surface=chirping
- Creak—(Like walking on an old wooden floor)
Creak characteristics include firm contact/slow movement/twisting with a rotational movement/pitch dependent on materials/often brought on by activity.
- Rattle—(Like shaking a baby rattle)
Rattle characteristics include the fast repeated contact/vibration or similar movement/loose parts/missing clip or fastener/incorrect clearance.
- Knock —(Like a knock on a door)
Knock characteristics include hollow sounding/sometimes repeating/often brought on by driver action.
- Tick—(Like a clock second hand)
Tick characteristics include gentle contacting of light materials/loose components/can be caused by driver action or road conditions.
- Thump—(Heavy, muffled knock noise)
Thump characteristics include softer knock/dead sound often brought on by activity.
- Buzz—(Like a bumble bee)
Buzz characteristics include high frequency rattle/firm contact.
- Often the degree of acceptable noise level will vary depending upon the person. A noise that you may judge as acceptable may be very irritating to the customer.
- Weather conditions, especially humidity and temperature, may have a great effect on noise level.

DUPLICATE THE NOISE AND TEST DRIVE

If possible, drive the vehicle with the customer until the noise is duplicated. Note any additional information on the Diagnostic Worksheet regarding the conditions or location of the noise. This information can be used to duplicate the same conditions when you confirm the repair.

SQUEAK AND RATTLE TROUBLE DIAGNOSIS

< SERVICE INFORMATION >

If the noise can be duplicated easily during the test drive, to help identify the source of the noise, try to duplicate the noise with the vehicle stopped by doing one or all of the following:

- 1) Close a door.
 - 2) Tap or push/pull around the area where the noise appears to be coming from.
 - 3) Rev the engine.
 - 4) Use a floor jack to recreate vehicle "twist".
 - 5) At idle, apply engine load (electrical load, half-clutch on M/T model, drive position on A/T model).
 - 6) Raise the vehicle on a hoist and hit a tire with a rubber hammer.
- Drive the vehicle and attempt to duplicate the conditions the customer states exist when the noise occurs.
 - If it is difficult to duplicate the noise, drive the vehicle slowly on an undulating or rough road to stress the vehicle body.

CHECK RELATED SERVICE BULLETINS

After verifying the customer concern or symptom, check ASIST for Technical Service Bulletins (TSBs) related to that concern or symptom.

If a TSB relates to the symptom, follow the procedure to repair the noise.

LOCATE THE NOISE AND IDENTIFY THE ROOT CAUSE

1. Narrow down the noise to a general area. To help pinpoint the source of the noise, use a listening tool (Chassis Ear: J-39570, Engine Ear and mechanics stethoscope).
2. Narrow down the noise to a more specific area and identify the cause of the noise by:
 - removing the components in the area that you suspect the noise is coming from.
Do not use too much force when removing clips and fasteners, otherwise clips and fastener can be broken or lost during the repair, resulting in the creation of new noise.
 - tapping or pushing/pulling the component that you suspect is causing the noise.
Do not tap or push/pull the component with excessive force, otherwise the noise will only be eliminated temporarily.
 - feeling for a vibration with your hand by touching the component(s) that you suspect is (are) causing the noise.
 - placing a piece of paper between components that you suspect are causing the noise.
 - looking for loose components and contact marks.
Refer to [BL-9. "Generic Squeak and Rattle Troubleshooting"](#).

REPAIR THE CAUSE

- If the cause is a loose component, tighten the component securely.
- If the cause is insufficient clearance between components:
 - separate components by repositioning or loosening and retightening the component, if possible.
 - insulate components with a suitable insulator such as urethane pads, foam blocks, felt cloth tape or urethane tape. A Nissan Squeak and Rattle Kit (J-43980) is available through your authorized Nissan Parts Department.

CAUTION:

Do not use excessive force as many components are constructed of plastic and may be damaged.

NOTE:

Always check with the Parts Department for the latest parts information.

The following materials are contained in the Nissan Squeak and Rattle Kit (J-43980). Each item can be ordered separately as needed.

URETHANE PADS [1.5 mm (0.059 in) thick]

Insulates connectors, harness, etc.

76268-9E005: 100 × 135 mm (3.94 × 5.31 in)/76884-71L01: 60 × 85 mm (2.36 × 3.35 in)/76884-71L02: 15 × 25 mm (0.59 × 0.98 in)

INSULATOR (Foam blocks)

Insulates components from contact. Can be used to fill space behind a panel.

73982-9E000: 45 mm (1.77 in) thick, 50 × 50 mm (1.97 × 1.97 in)/73982-50Y00: 10 mm (0.39 in) thick, 50 × 50 mm (1.97 × 1.97 in)

INSULATOR (Light foam block)

80845-71L00: 30 mm (1.18 in) thick, 30 × 50 mm (1.18 × 1.97 in)

FELT CLOTHTAPE

Used to insulate where movement does not occur. Ideal for instrument panel applications.

68370-4B000: 15 × 25 mm (0.59 × 0.98 in) pad/68239-13E00: 5 mm (0.20 in) wide tape roll The following materials, not found in the kit, can also be used to repair squeaks and rattles.

UHMW(TEFLON) TAPE

SQUEAK AND RATTLE TROUBLE DIAGNOSIS

< SERVICE INFORMATION >

Insulates where slight movement is present. Ideal for instrument panel applications.

SILICONE GREASE

Used in place of UHMW tape that will be visible or not fit.

Note: Will only last a few months.

SILICONE SPRAY

Use when grease cannot be applied.

DUCT TAPE

Use to eliminate movement.

CONFIRM THE REPAIR

Confirm that the cause of a noise is repaired by test driving the vehicle. Operate the vehicle under the same conditions as when the noise originally occurred. Refer to the notes on the Diagnostic Worksheet.

Generic Squeak and Rattle Troubleshooting

INFOID:000000001327781

Refer to Table of Contents for specific component removal and installation information.

INSTRUMENT PANEL

Most incidents are caused by contact and movement between:

1. The cluster lid A and instrument panel
2. Acrylic lens and combination meter housing
3. Instrument panel to front pillar garnish
4. Instrument panel to windshield
5. Instrument panel mounting pins
6. Wiring harnesses behind the combination meter
7. A/C defroster duct and duct joint

These incidents can usually be located by tapping or moving the components to duplicate the noise or by pressing on the components while driving to stop the noise. Most of these incidents can be repaired by applying felt cloth tape or silicon spray (in hard to reach areas). Urethane pads can be used to insulate wiring harness.

CAUTION:

Do not use silicone spray to isolate a squeak or rattle. If you saturate the area with silicone, you will not be able to recheck the repair.

CENTER CONSOLE

Components to pay attention to include:

1. Shifter assembly cover to finisher
2. A/C control unit and cluster lid C
3. Wiring harnesses behind audio and A/C control unit

The instrument panel repair and isolation procedures also apply to the center console.

DOORS

Pay attention to the:

1. Finisher and inner panel making a slapping noise
2. Inside handle escutcheon to door finisher
3. Wiring harnesses tapping
4. Door striker out of alignment causing a popping noise on starts and stops

Tapping or moving the components or pressing on them while driving to duplicate the conditions can isolate many of these incidents. You can usually insulate the areas with felt cloth tape or insulator foam blocks from the Nissan Squeak and Rattle Kit (J-43980) to repair the noise.

TRUNK

Trunk noises are often caused by a loose jack or loose items put into the trunk by the owner.

In addition look for:

1. Trunk lid dumpers out of adjustment
2. Trunk lid striker out of adjustment
3. The trunk lid torsion bars knocking together
4. A loose license plate or bracket

A
B
C
D
E
F
G
H
J
K
L
M
N
O
P

BL

SQUEAK AND RATTLE TROUBLE DIAGNOSIS

< SERVICE INFORMATION >

Most of these incidents can be repaired by adjusting, securing or insulating the item(s) or component(s) causing the noise.

SUNROOF/HEADLINING

Noises in the sunroof/headlining area can often be traced to one of the following:

1. Sunroof lid, rail, linkage or seals making a rattle or light knocking noise
2. Sunvisor shaft shaking in the holder
3. Front or rear windshield touching headlining and squeaking

Again, pressing on the components to stop the noise while duplicating the conditions can isolate most of these incidents. Repairs usually consist of insulating with felt cloth tape.

SEATS

When isolating seat noise it's important to note the position the seat is in and the load placed on the seat when the noise is present. These conditions should be duplicated when verifying and isolating the cause of the noise.

Cause of seat noise include:

1. Headrest rods and holder
2. A squeak between the seat pad cushion and frame
3. The rear seatback lock and bracket

These noises can be isolated by moving or pressing on the suspected components while duplicating the conditions under which the noise occurs. Most of these incidents can be repaired by repositioning the component or applying urethane tape to the contact area.

UNDERHOOD

Some interior noise may be caused by components under the hood or on the engine wall. The noise is then transmitted into the passenger room.

Causes of transmitted underhood noise include:

1. Any component mounted to the engine wall
2. Components that pass through the engine wall
3. Engine wall mounts and connectors
4. Loose radiator mounting pins
5. Hood bumpers out of adjustment
6. Hood striker out of adjustment

These noises can be difficult to isolate since they cannot be reached from the interior of the vehicle. The best method is to secure, move or insulate one component at a time and test drive the vehicle. Also, engine RPM or load can be changed to isolate the noise. Repairs can usually be made by moving, adjusting, securing, or insulating the component causing the noise.

SQUEAK AND RATTLE TROUBLE DIAGNOSIS

< SERVICE INFORMATION >

Diagnostic Worksheet

INFOID:000000001327782



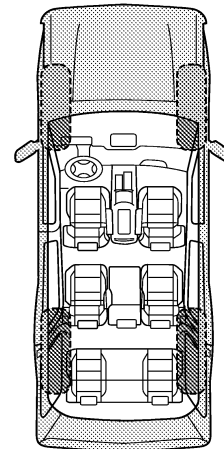
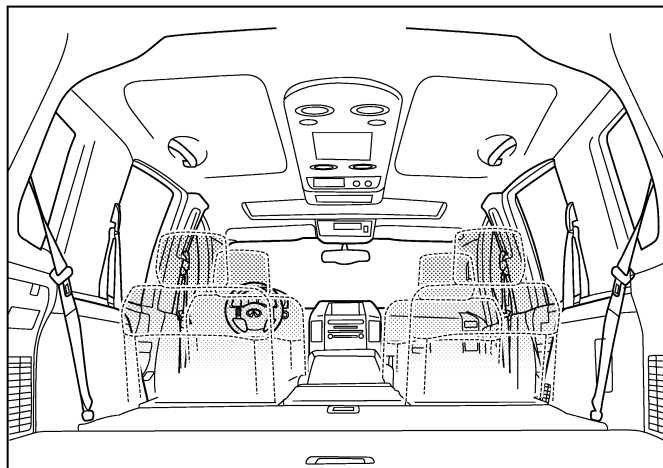
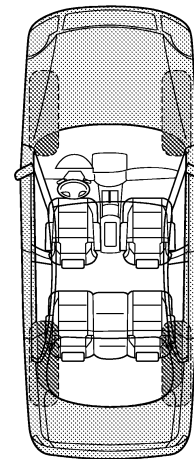
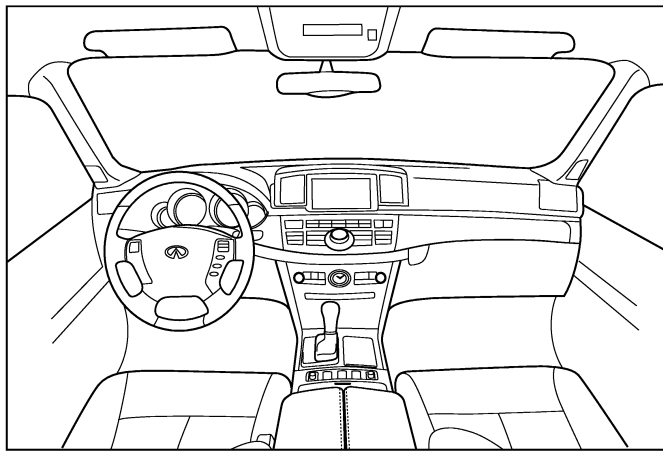
SQUEAK & RATTLE DIAGNOSTIC WORKSHEET

Dear Infiniti Customer:

We are concerned about your satisfaction with your Infiniti vehicle. Repairing a squeak or rattle sometimes can be very difficult. To help us fix your Infiniti right the first time, please take a moment to note the area of the vehicle where the squeak or rattle occurs and under what conditions. You may be asked to take a test drive with a service consultant or technician to ensure we confirm the noise you are hearing.

I. WHERE DOES THE NOISE COME FROM? (circle the area of the vehicle)

The illustrations are for reference only, and may not reflect the actual configuration of your vehicle.



Continue to page 2 of the worksheet and briefly describe the location of the noise or rattle. In addition, please indicate the conditions which are present when the noise occurs.

PIIB8741E

A
B
C
D
E
F
G
H
BL
J
K
L
M
N
O
P

SQUEAK AND RATTLE TROUBLE DIAGNOSIS

< SERVICE INFORMATION >

SQUEAK & RATTLE DIAGNOSTIC WORKSHEET - page 2

Briefly describe the location where the noise occurs:

II. WHEN DOES IT OCCUR? (please check the boxes that apply)

- | | |
|---|--|
| <input type="checkbox"/> anytime | <input type="checkbox"/> after sitting out in the rain |
| <input type="checkbox"/> 1st time in the morning | <input type="checkbox"/> when it is raining or wet |
| <input type="checkbox"/> only when it is cold outside | <input type="checkbox"/> dry or dusty conditions |
| <input type="checkbox"/> only when it is hot outside | <input type="checkbox"/> other: |

III. WHEN DRIVING:

- through driveways
- over rough roads
- over speed bumps
- only about ____ mph
- on acceleration
- coming to a stop
- on turns: left, right or either (circle)
- with passengers or cargo
- other: _____
- after driving ____ miles or ____ minutes

IV. WHAT TYPE OF NOISE

- squeak (like tennis shoes on a clean floor)
- creak (like walking on an old wooden floor)
- rattle (like shaking a baby rattle)
- knock (like a knock at the door)
- tick (like a clock second hand)
- thump (heavy, muffled knock noise)
- buzz (like a bumble bee)

TO BE COMPLETED BY DEALERSHIP PERSONNEL

Test Drive Notes:

	YES	NO	Initials of person performing
Vehicle test driven with customer	<input type="checkbox"/>	<input type="checkbox"/>	_____
- Noise verified on test drive	<input type="checkbox"/>	<input type="checkbox"/>	_____
- Noise source located and repaired	<input type="checkbox"/>	<input type="checkbox"/>	_____
- Follow up test drive performed to confirm repair	<input type="checkbox"/>	<input type="checkbox"/>	_____

VIN: _____ Customer Name: _____
W.O.# _____ Date: _____

This form must be attached to Work Order

PIIB8742E

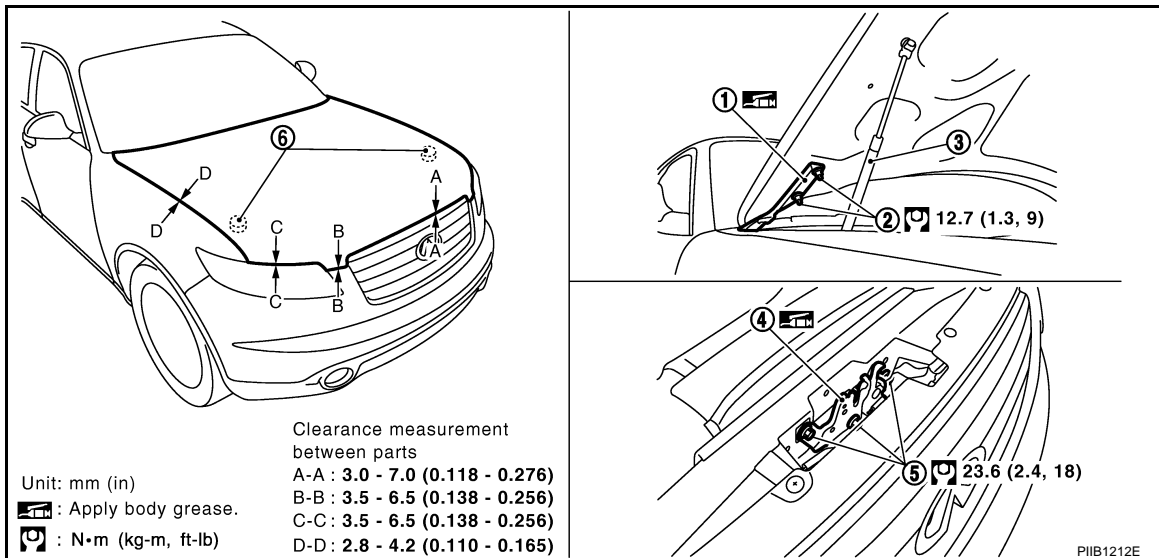
HOOD

< SERVICE INFORMATION >

HOOD

Fitting Adjustment

INFOID:000000001327783



- | | | |
|---------------|---------|------------------|
| 1. Hood hinge | 2. Nut | 3. Hood stay |
| 4. Hood lock | 5. Bolt | 6. Bumper rubber |

LONGITUDINAL AND LATERAL CLEARANCE ADJUSTMENT

1. Remove hood lock assembly, loosen the hood hinge nuts and close the hood.
2. Adjust the lateral and longitudinal clearance, and open the hood to tighten the hood hinge mounting bolts to the specified torque.
3. Install the hood lock temporarily, and align the hood striker and lock so that the centers of striker and lock become vertical viewed from the front, by moving the hood lock laterally.
4. Tighten hood lock mounting bolts to the specified torque.

CAUTION:

Adjust right/left clearance between hood and headlamp to the following specification.

Hood and headlamp (C-C) : Less than 2.0 mm (0.08 in)

FRONT END HEIGHT ADJUSTMENT

1. Remove the hood lock and adjust the height by rotating the bumper rubber until the hood becomes 1 to 1.5 mm (0.04 to 0.059 in) lower than the fender.
2. Temporarily tighten the hood lock, and position it by engaging it with the hood striker. Check the lock and striker for looseness, and tighten the hood lock mounting bolts to the specified torque.

SURFACE HEIGHT ADJUSTMENT

1. Remove hood lock, and adjust the surface height difference of hood, fender and headlamp according to the fitting standard dimension, by rotating RH and LH bumper rubbers.
2. Install hood lock temporarily, and move hood lock laterally until the centers of striker and lock become vertical when viewed from the front.

HOOD

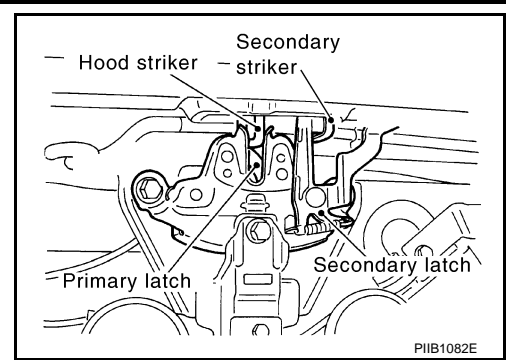
< SERVICE INFORMATION >

3. Make sure that the hood lock secondary latch is properly engaged with the secondary striker with hood's own weight.
4. Make sure that the hood lock primary latch is securely engaged with the hood striker with hood's own weight by dropping hood from approx. 200 mm (7.87 in) height.

CAUTION:

Do not drop hood from a height of 300 mm (11.81 in) or more.

5. Move hood lockup and down until striker smoothly engages the lock when the hood is closed.
6. When pulling the hood opener lever gently, make sure that front end of the hood rises by approximately 20 mm (0.79 in) and that hood striker and hood lock primary latch is disengaged. Also make sure that hood opener returns to the original position.
7. After adjustment, tighten lock bolts to the specified torque.



CAUTION:

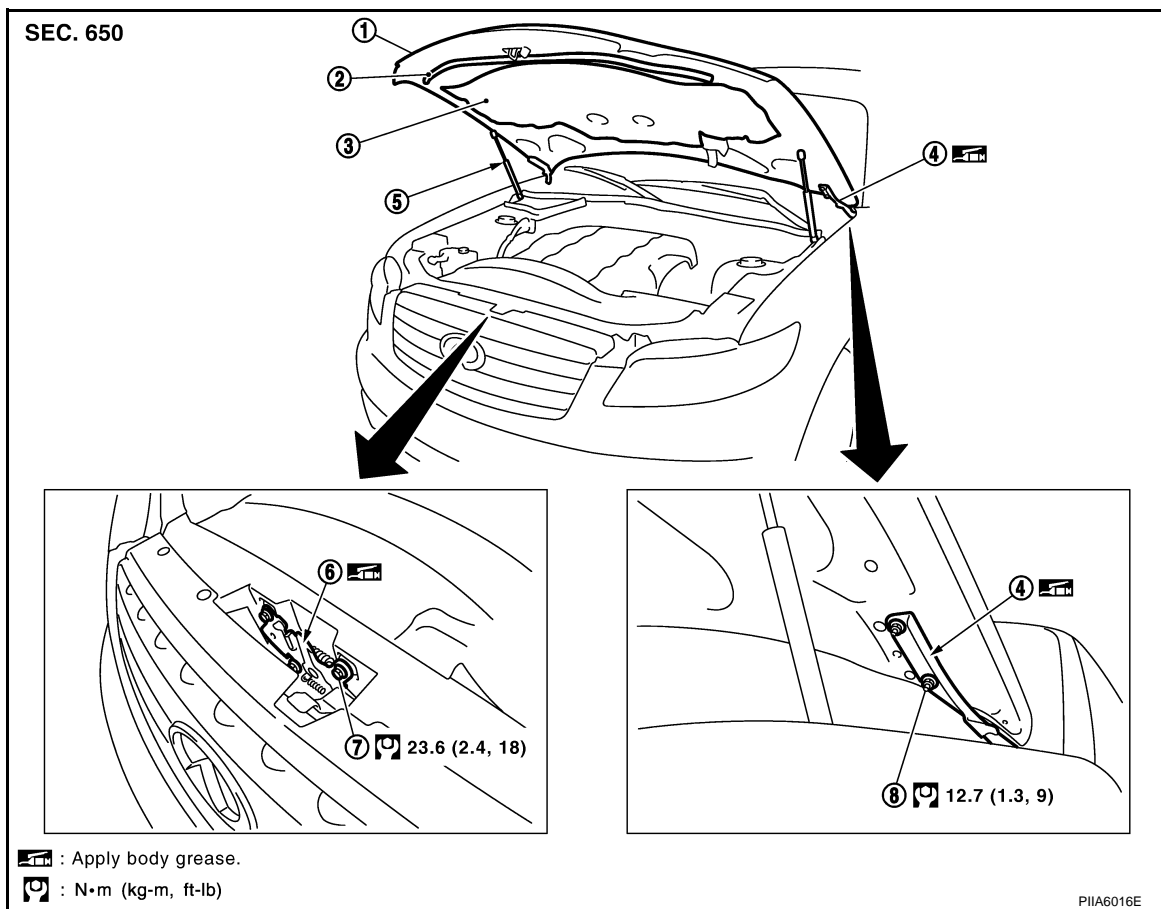
Adjust evenness between hood and each part to the following specification.

Hood and head lamp (C-C) : 0.9 ± 1.5 mm (0.035 ± 0.059 in)

Hood and fender (D-D) : 0.1 ± 1.0 mm (0.004 ± 0.04 in)

Removal and Installation of Hood Assembly

INFOID:000000001327784



- | | | |
|------------------|------------------------------|-------------------|
| 1. Hood assembly | 2. Hood front sealing rubber | 3. Hood insulator |
| 4. Hood hinge | 5. Hood stay | 6. Hood lock |
| 7. Bolt | 8. Nut | |

REMOVAL

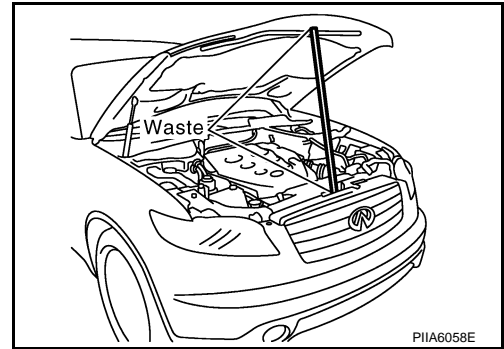
HOOD

< SERVICE INFORMATION >

1. Support the hood striker with a proper material to prevent it from falling.

WARNING:

Body injury may occur if no supporting rod is holding the hood open when removing the hood stay.



2. Remove the hood stays from the stud balls on the body side.
3. Remove the hinge mounting nuts on the hood to remove the hood assembly.

CAUTION:

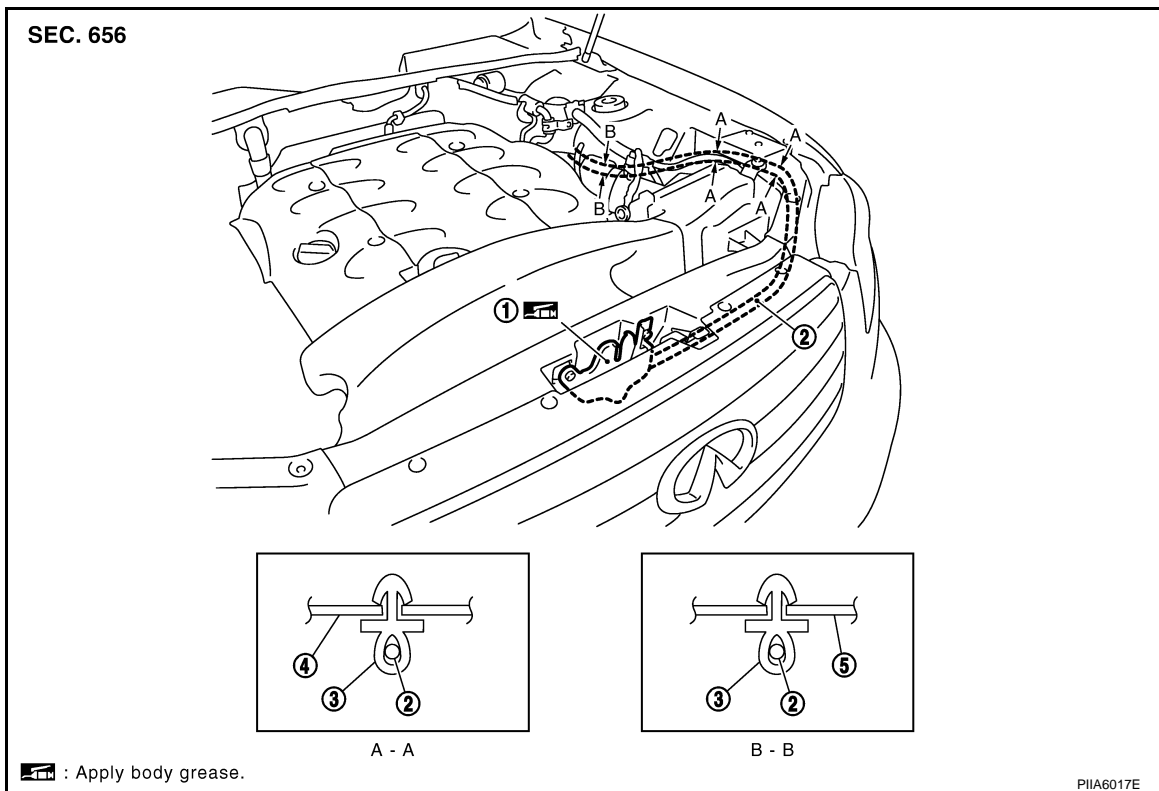
Operate with two workers, because of its heavy weight.

INSTALLATION

Install in the reverse order of removal.

Removal and Installation of Hood Lock Control

INFOID:000000001327785



- | | | |
|--------------------------------|---|---------|
| 1. Hood lock | 2. Hood lock cable | 3. Clip |
| 4. Hood ledge upper front (LH) | 5. Dash lower cross member reinforce (LH) | |

REMOVAL

1. Remove the front grill. Refer to [EI-22, "Component Parts Location"](#).
2. Remove the front fender protector (LH). Refer to [EI-24, "Component Parts Location"](#).
3. Disconnect the hood lock cable from the hood lock, and clip it from the radiator core support upper and hood ledge.
4. Remove instrument driver lower panel. Refer to [IP-11, "Removal and Installation"](#).
5. After the bolt of the case with the air cleaner is disconnected, and it is moved, the cable is pulled.

A
B
C
D
E
F
G
H
BL
J
K
L
M
N
O
P

HOOD

< SERVICE INFORMATION >

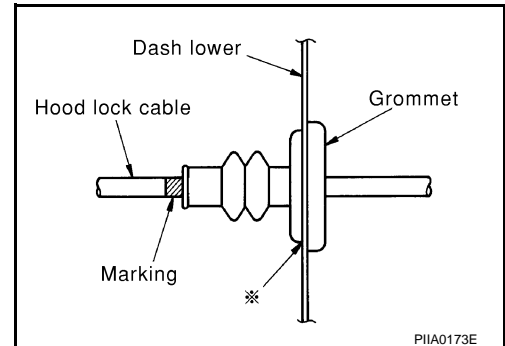
6. Remove the grommet on the dashboard, and pull the hood lock cable toward the passenger room.

CAUTION:

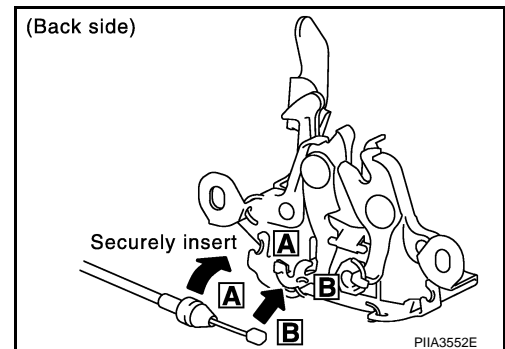
While pulling, be careful not to damage (peeling) the outside of the hood lock cable.

INSTALLATION

1. Pull the hood lock cable through the panel hole to the engine room.
Be careful not to bend the cable too much, keeping the radius 100 mm (3.94 in) or more.
2. Make sure the cable is not offset from the positioning grommet, and push the grommet into the panel hole securely.
3. Apply the sealant to the grommet (at * mark) properly.



4. Install the cable securely to the lock.
5. After installing, check the hood lock adjustment and hood opener operation.



Hood Lock Control Inspection

INFOID:000000001327786

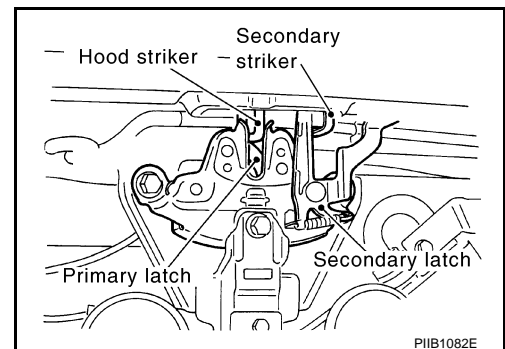
CAUTION:

If the hood lock cable is bent or deformed, replace it.

1. Make sure that the hood lock secondary latch is properly engaged with the secondary striker with hood's own weight.
2. Make sure that the hood lock primary latch is securely engaged with the hood striker with hood's own weight by dropping it from approx. 200 mm (7.87 in) height.

CAUTION:

Do not drop hood from a height of 300 mm (11.81 in) or more.

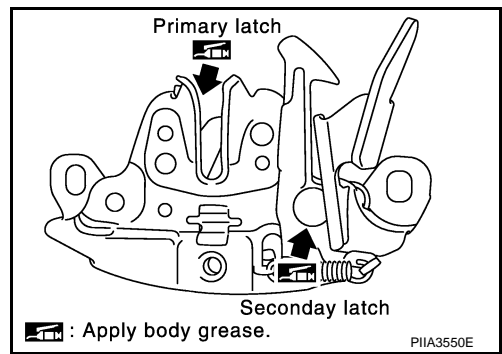


3. When pulling hood opener lever gently, make sure that front end of the hood rises by approximately 20 mm (0.79 in) and that hood striker and hood lock primary latch are disengaged. Also make sure that hood opener returns to the original position.

HOOD

< SERVICE INFORMATION >

4. Confirm hood lock is properly lubricated. If necessary, apply grease at the point shown in the figure.



A
B
C
D
E
F
G
H
J
K
L
M
N
O
P

BL

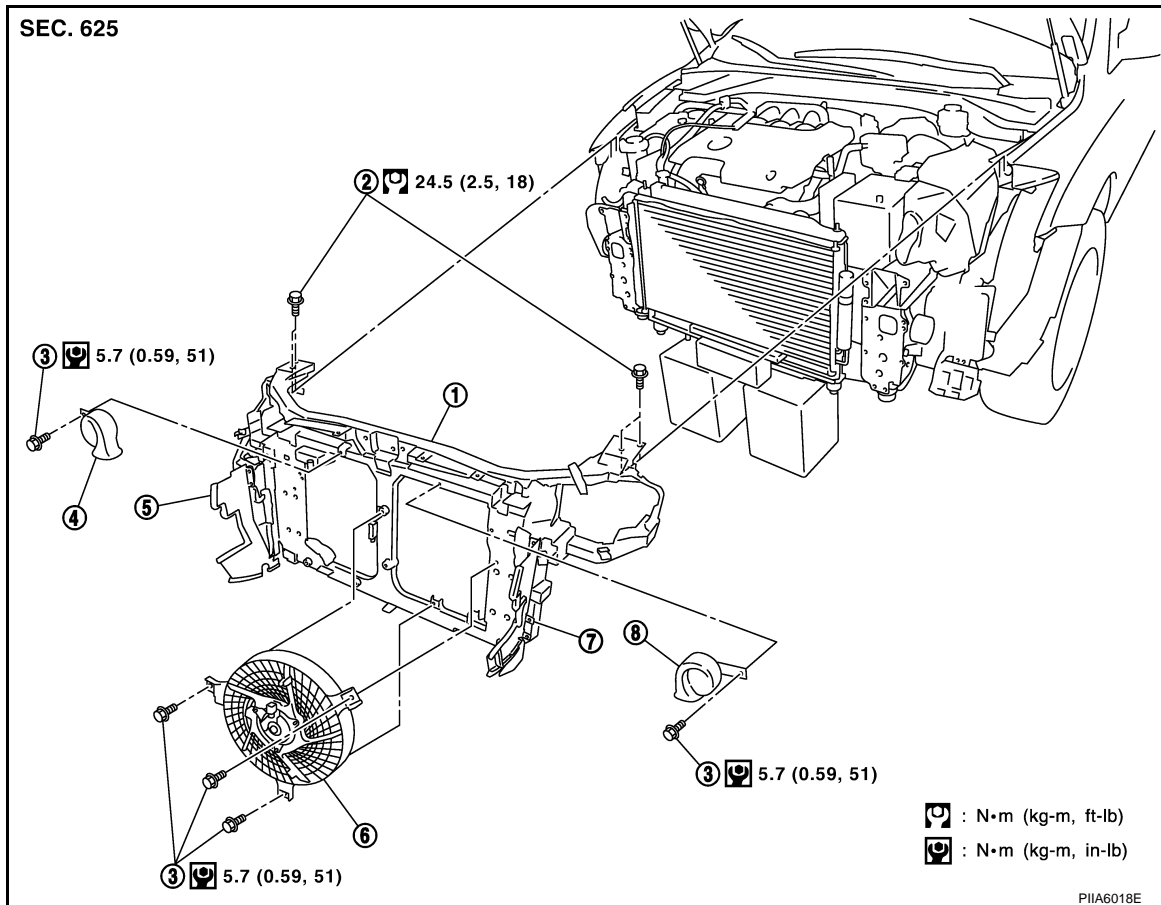
RADIATOR CORE SUPPORT

< SERVICE INFORMATION >

RADIATOR CORE SUPPORT

Removal and Installation

INFOID:000000001327787



- | | | |
|-----------------------------------|-------------------|----------------|
| 1. Radiator core support assembly | 2. Bolt | 3. Bolt |
| 4. Horn (High) | 5. Air guide (RH) | 6. Cooling fan |
| 7. Air guide (LH) | 8. Horn (Low) | |

REMOVAL

1. Remove the front fender protector. Refer to [EI-24, "Component Parts Location"](#).
2. Remove the front bumper. Refer to [EI-14, "Component Parts Location"](#).
3. Remove the ICC. Refer to [ACS-65](#).
4. Remove the headlamp. Refer to [LT-30, "Removal and Installation"](#).
5. Remove the washer tank. Refer to [WW-28, "Removal and Installation of Washer Tank"](#).
6. Remove the resonator. Refer to [EM-17](#) or [EM-173](#).
7. Remove the power steering oil cooler. Refer to [PS-37](#).
8. Remove the ambient sensor. Refer to [ATC-99, "Removal and Installation"](#).
9. Remove the crash zone sensor. Refer to [SRS-42, "Removal and Installation"](#).
10. Remove the horn connector, cooling fan connector and harness clip.
11. Remove the hood lock and disconnect hood lock control cable. Refer to [BL-15, "Removal and Installation of Hood Lock Control"](#).
12. Remove the reservoir tank. Refer to [CO-40, "Removal and Installation"](#) or [CO-13, "Removal and Installation"](#).
13. Remove mounting blots and remove radiator core support. Remove mounting bolts with power tool.
14. After remove radiator core support, remove the horn, cooling fan.

RADIATOR CORE SUPPORT

< SERVICE INFORMATION >

INSTALLATION

Install in the reverse order of removal.

A

B

C

D

E

F

G

H

BL

J

K

L

M

N

O

P

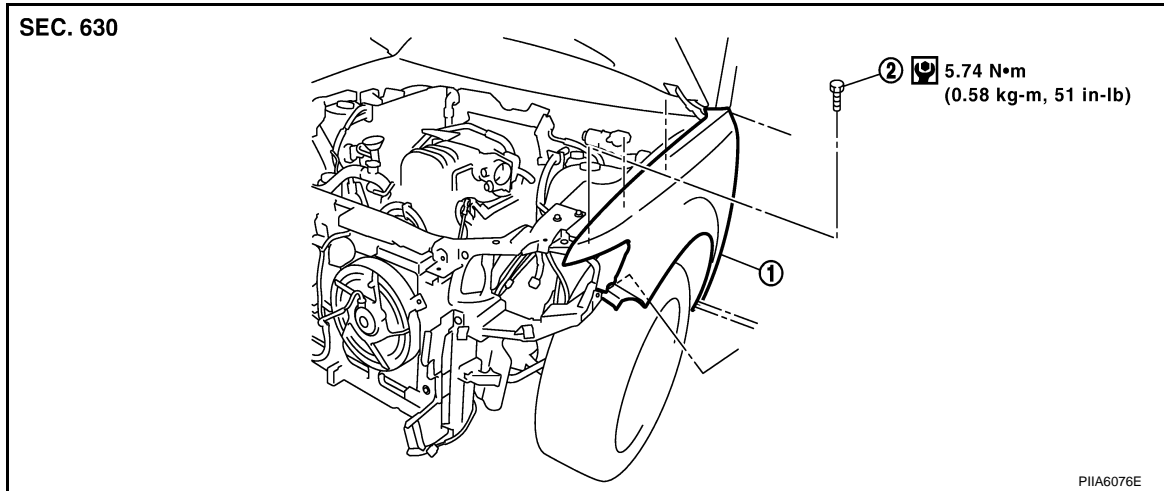
FRONT FENDER

< SERVICE INFORMATION >

FRONT FENDER

Removal and Installation

INFOID:000000001327788



1. Front fender

2. Bolt

REMOVAL

1. Remove the front bumper. Refer to [EI-14, "Component Parts Location"](#).
2. Remove the headlamp. Refer to [LT-30, "Removal and Installation"](#).
3. Remove the front fender protector. Refer to [EI-24, "Component Parts Location"](#).
4. Remove the mounting bolt and remove the front fender.

CAUTION:

While removing use a shop cloth to protect body from damaging.

INSTALLATION

Install in the reverse order of removal.

CAUTION:

- After installing, apply touch-up paint (the body color) onto the head of the front fender mounting bolts.
- After installing, check front fender adjustment. Refer to [BL-13, "Fitting Adjustment"](#) and [BL-131, "Fitting Adjustment"](#).

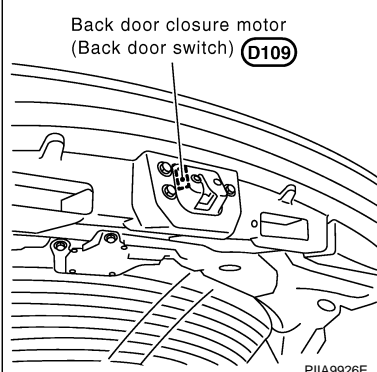
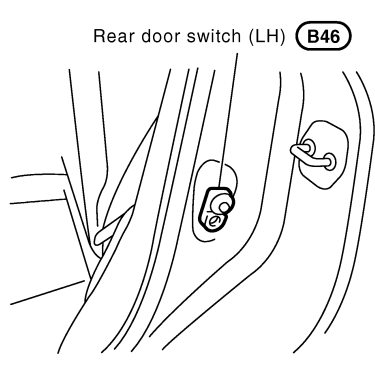
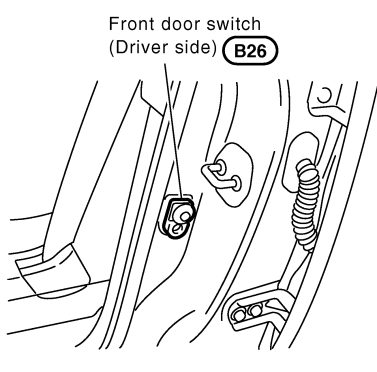
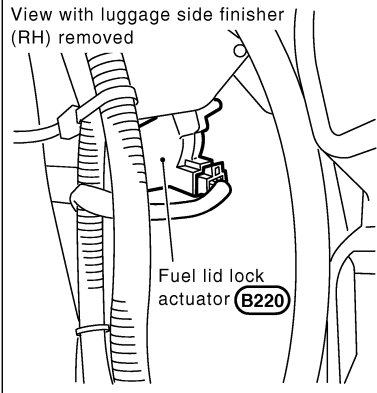
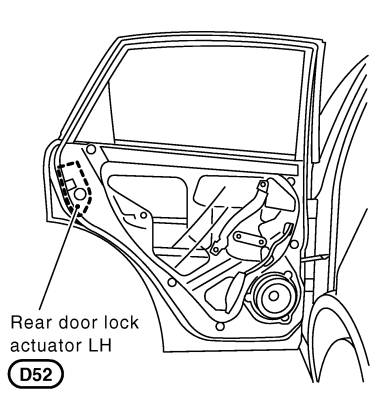
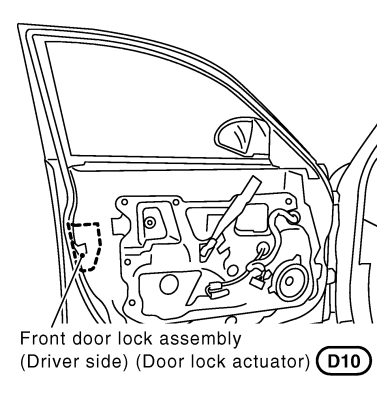
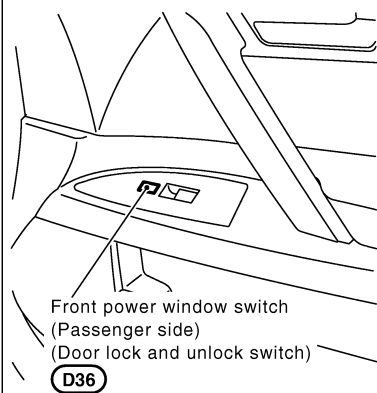
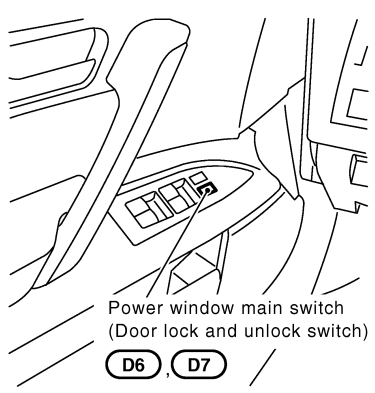
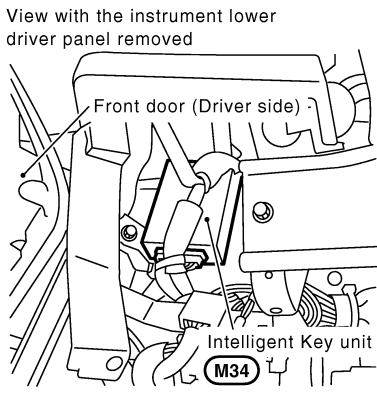
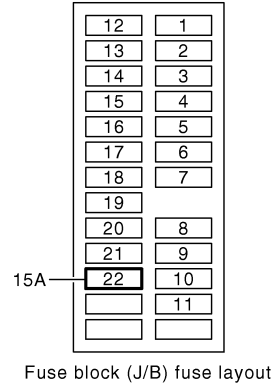
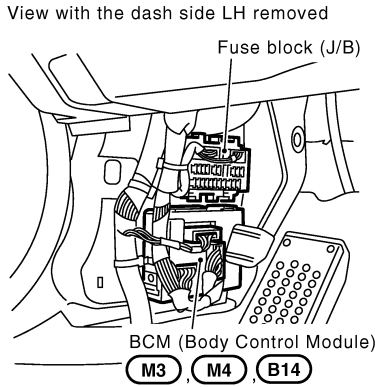
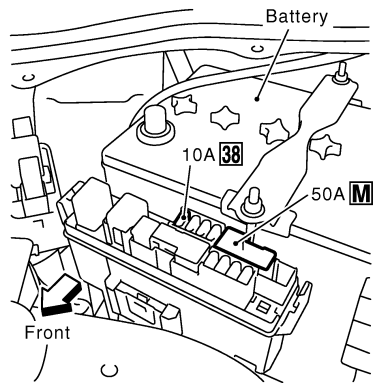
POWER DOOR LOCK SYSTEM

< SERVICE INFORMATION >

POWER DOOR LOCK SYSTEM

Component Parts and Harness Connector Location

INFOID:000000001327789

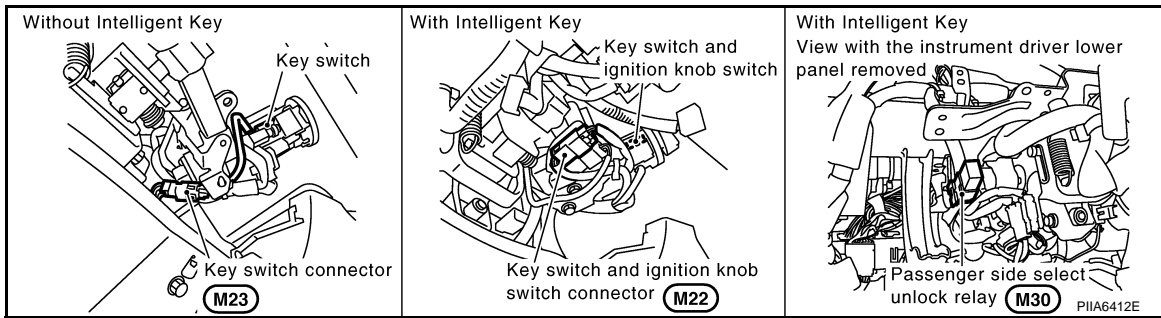


PIIA9926E

A
B
C
D
E
F
G
H
BL
J
K
L
M
N
O
P

POWER DOOR LOCK SYSTEM

< SERVICE INFORMATION >



System Description

INFOID:000000001327790

Power is supplied at all times

- through 50A fusible link (letter **M**, located in the fuse and fusible link box).
- to BCM terminal 55
- through 15A fuse [No. 22, located in the fuse block (J/B)]
- to BCM terminal 42
- through 15A fuse [No. 22, located in the fuse block (J/B)]
- to key switch terminal 2 (without intelligent key system)
- through 15A fuse [No. 22, located in the fuse block (J/B)].
- to key switch and ignition knob switch terminal 3 (with intelligent key system)

When key switch is ON (key is inserted in ignition key cylinder), power is supplied

- through key switch terminal 1 (without intelligent key system) or 4 (with intelligent key system).
- to BCM terminal 37

When the door is locked or unlocked with power window main switch (door lock and unlock switch), ground is supplied

- to CPU of power window main switch
- through power window main switch (door lock and unlock switch) terminal 17
- through grounds M35, M45 and M85.

Then power window main switch (door lock and unlock switch) operation signal is supplied.

- through power window main switch terminal 14.
- to BCM terminal 22

When the door is locked or unlocked with front power window switch (passenger side) (door lock and unlock switch), ground is supplied

- to CPU of front power window switch (passenger side)
- through front power window switch (passenger side) (door lock and unlock switch) terminal 11
- through grounds M35, M45 and M85.

Then front power window switch (passenger side) (door lock and unlock switch) operation signal is supplied

- through front power window switch (passenger side) terminal 16.
- to BCM terminal 22

When the door is locked with front door key cylinder switch, ground is supplied

- to power window main switch terminal 4
- through key cylinder switch terminals 1 and 5
- through grounds M35, M45 and M85.

Then key cylinder switch operation signal (lock) is supplied

- through power window main switch terminal 14.
- to BCM terminal 22

When the door is unlocked with key cylinder switch, ground is supplied

- to power window main switch terminal 6
- through key cylinder switch terminal 6 and 5
- through grounds M35, M45 and M85.

Then key cylinder switch operation signal (unlock) is supplied

- through power window main switch terminal 14.
- to BCM terminal 22

BCM is connected to power window main switch and front power window switch (passenger side) as serial link.

When the front door switch (driver side) is ON (door is OPEN), ground is supplied

- to BCM terminal 62
- through front door switch (driver side) terminal 1
- through front door switch (driver side) case ground.

POWER DOOR LOCK SYSTEM

< SERVICE INFORMATION >

When the front door switch (passenger side) is ON (door is OPEN), ground is supplied

- to BCM terminal 12
- through front door switch (passenger side) terminal 1
- through front door switch (passenger side) case ground.

When the rear door switch LH is ON (door is OPEN), ground is supplied

- to BCM terminal 63
- through front door switch LH terminal 1
- through rear door switch LH case ground.

When the rear door switch RH is ON (door is OPEN), ground is supplied

- to BCM terminal 13
- through front door switch RH terminal 1
- through rear door switch RH case ground.

When the back door switch is ON (door is OPEN), ground is supplied

- to BCM terminal 58
- through back door closure motor (door switch) terminal 7 and 8
- through grounds B15 and B45.

OUTLINE

Functions Available by Operating the Door Lock and Unlock Switches on Driver's Door and Passenger's Door

- Interlocked with the locking operation of door lock and unlock switch, door lock actuators of all doors and fuel lid lock actuator are locked.
- Interlocked with the unlocking operation of door lock and unlock switch, door lock actuators of all doors and fuel lid lock actuator are unlocked.

Functions Available by Operating the Key Cylinder Switch on Driver's

- Interlocked with the locking operation of door key cylinder, door lock actuators of all doors and fuel lid lock actuator are locked.

Select Unlock Operation

- When door key cylinder is unlocked, door lock actuator driver side and fuel lid lock actuator are unlocked.
- When door key cylinder is unlocked for the second time within 5 seconds after the first operation, door lock actuators on all doors are unlocked.

BL

Select unlock operation mode can be changed using "DOOR LOCK-UNLOCK SET" mode in "WORK SUPPORT". Refer to [BL-36, "CONSULT-III Function \(BCM\)"](#).

Select unlock operation mode can be changed also on the display.

Key Reminder Door System

When door lock and unlock switch is operated to lock doors with ignition key put in key cylinder and any door open, all door lock actuators are locked and then unlocked.

Key reminder door mode can be changed using "WORK SUPPORT" mode in "ANTI-LOCK OUT SET".

Refer to [BL-36, "CONSULT-III Function \(BCM\)"](#).

CAN Communication System Description

INFOID:000000001327791

CAN (Controller Area Network) is a serial communication line for real time application. It is an on-vehicle multiplex communication line with high data communication speed and excellent error detection ability. Many electronic control units are equipped onto a vehicle, and each control unit shares information and links with other control units during operation (not independent). In CAN communication, control units are connected with 2 communication lines (CAN H line, CAN L line) allowing a high rate of information transmission with less wiring. Each control unit transmits/receives data but selectively reads required data only.

CAN Communication Unit

INFOID:000000001327792

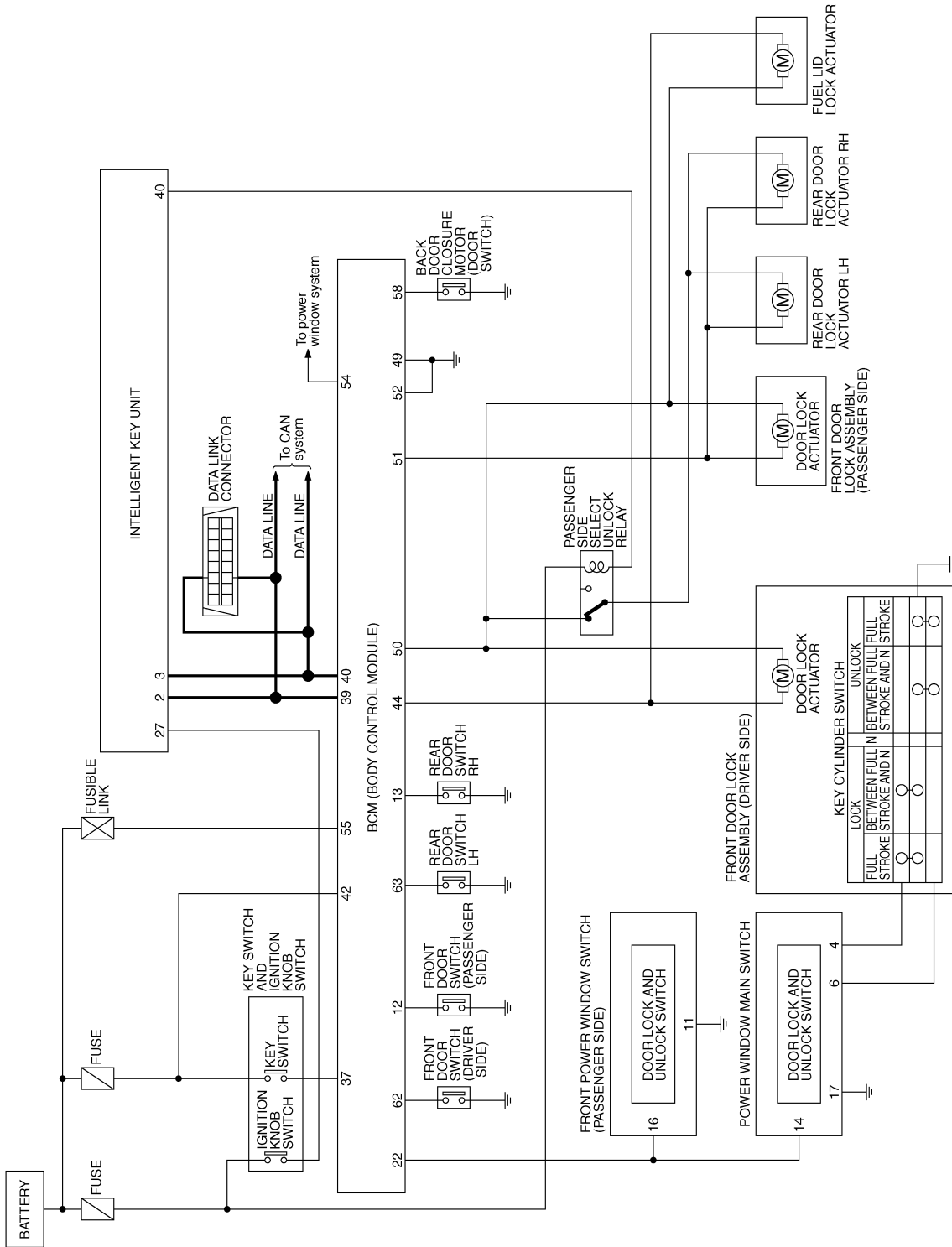
Refer to [LAN-43, "CAN System Specification Chart"](#).

POWER DOOR LOCK SYSTEM

< SERVICE INFORMATION >

Schematic/With Intelligent Key

INFOID:000000001327793



T1WM1714E

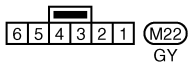
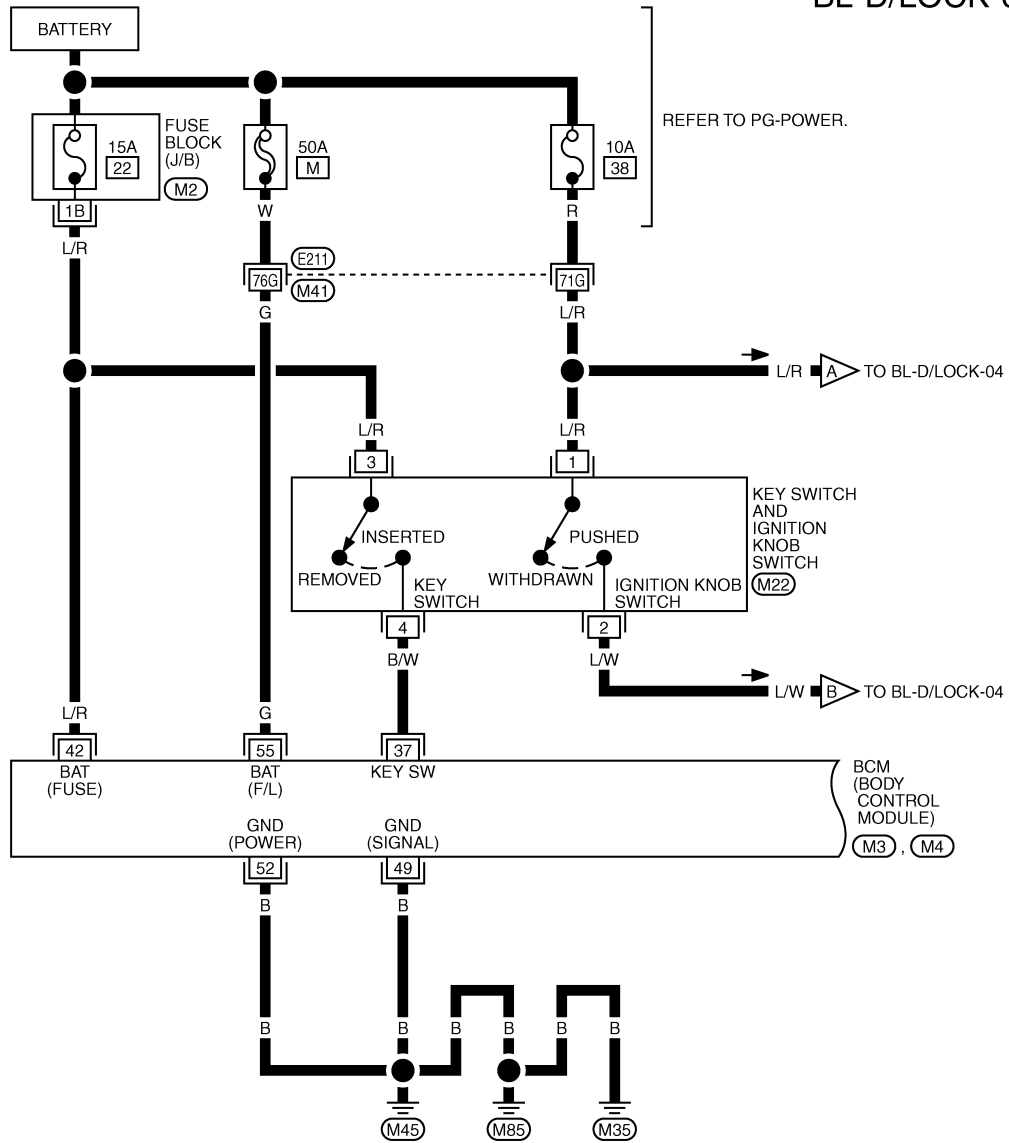
POWER DOOR LOCK SYSTEM

< SERVICE INFORMATION >

Wiring Diagram - D/LOCK -/With Intelligent Key

INFOID:000000001327794

BL-D/LOCK-01



REFER TO THE FOLLOWING.
 (E21) -SUPER MULTIPLE JUNCTION (SMJ)
 (M2) -FUSE BLOCK-JUNCTION BOX (J/B)
 (M3), (M4) -ELECTRICAL UNITS

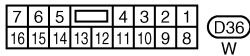
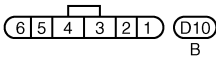
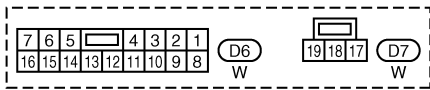
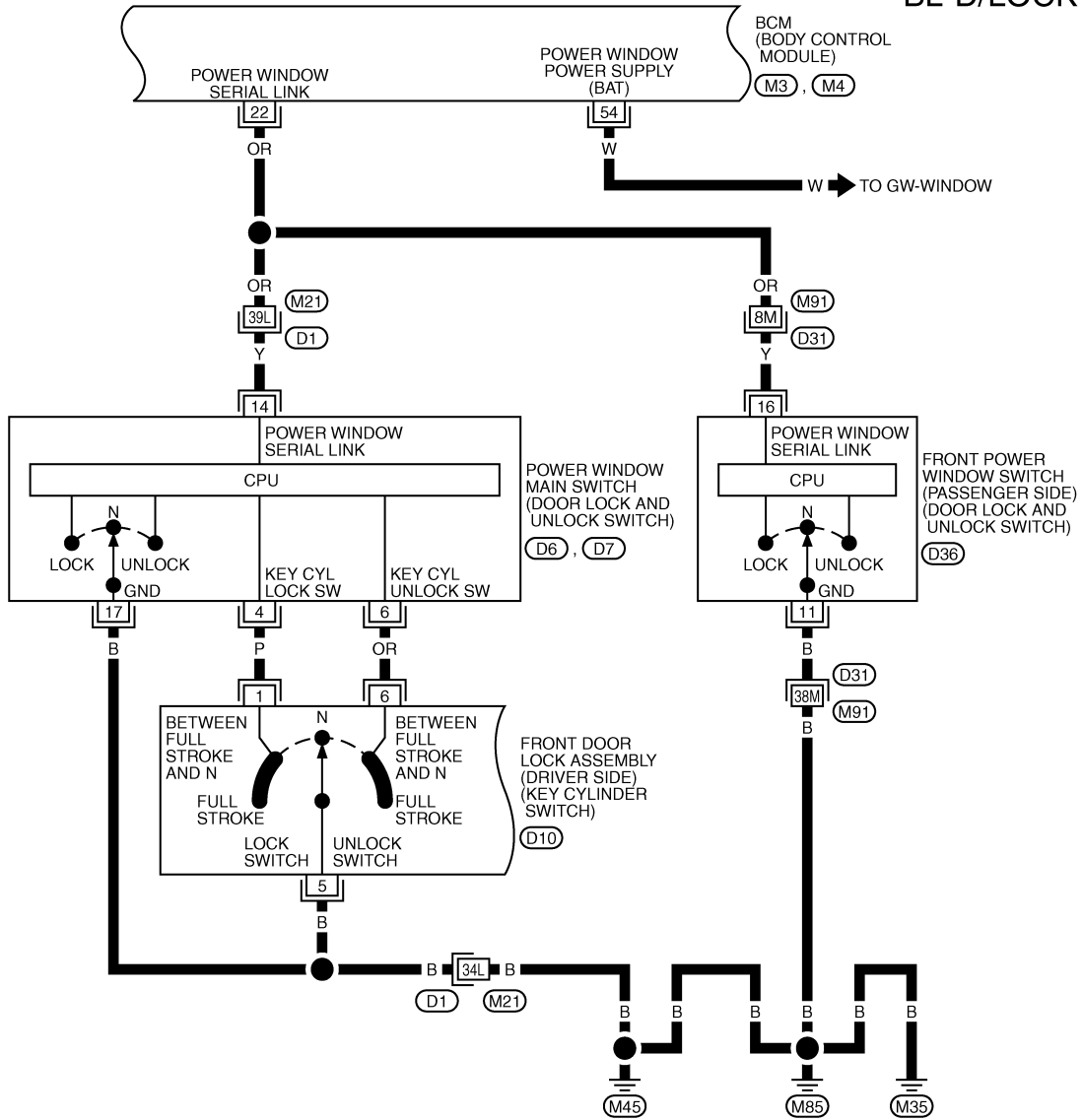
TIWM1649E

A
B
C
D
E
F
G
H
BL
J
K
L
M
N
O
P

POWER DOOR LOCK SYSTEM

< SERVICE INFORMATION >

BL-D/LOCK-03



REFER TO THE FOLLOWING.
 (D1), (D31) -SUPER MULTIPLE JUNCTION (SMJ)
 (M3), (M4) -ELECTRICAL UNITS

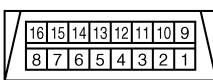
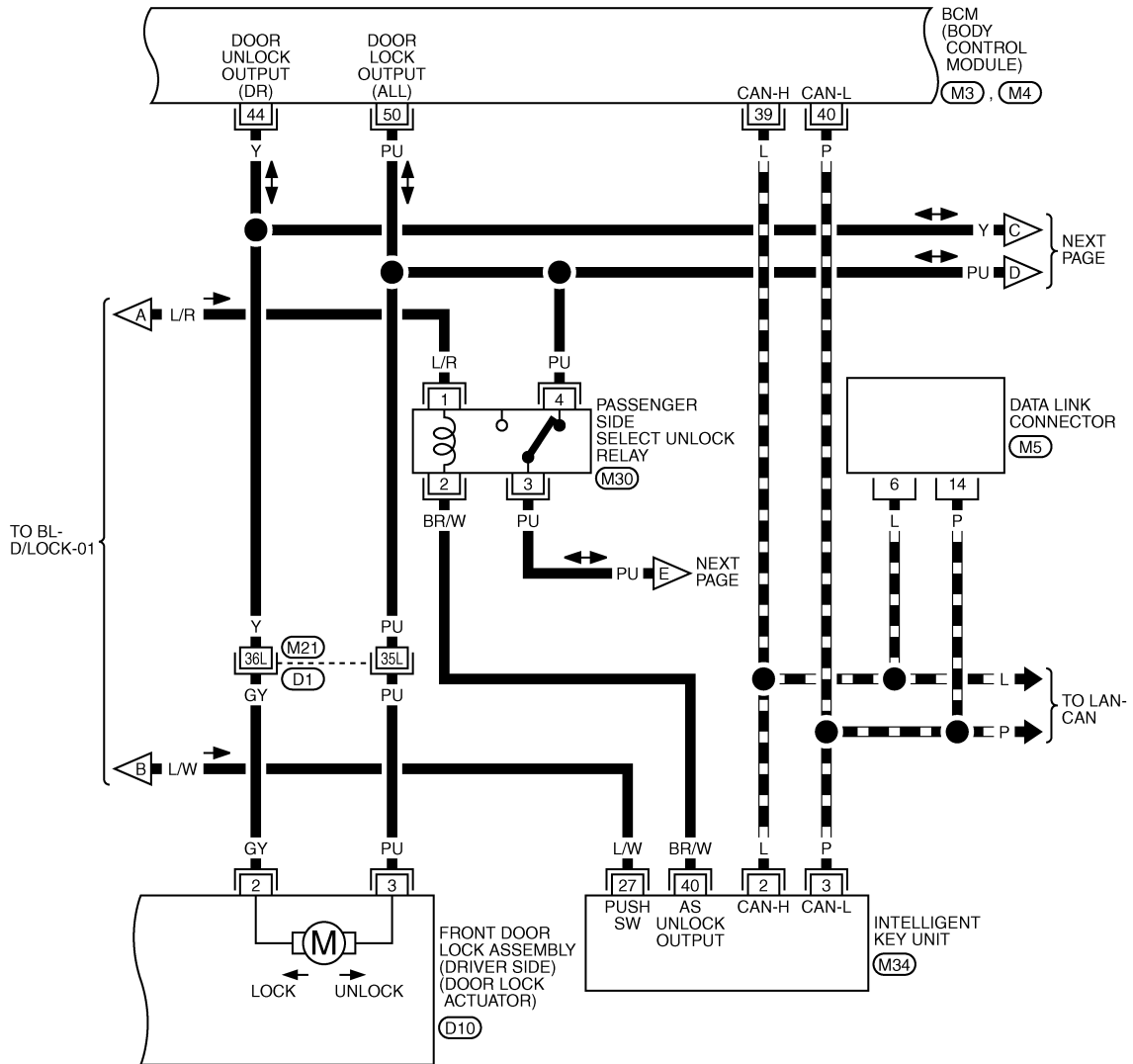
TIWM1651E

POWER DOOR LOCK SYSTEM

< SERVICE INFORMATION >

BL-D/LOCK-04

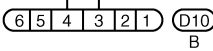
▬▬▬ : DATA LINE



(M5)
W



(M30)
B



(D10)
B

REFER TO THE FOLLOWING.

(D1) -SUPER MULTIPLE JUNCTION (SMJ)

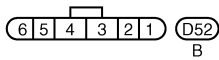
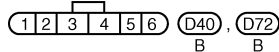
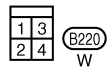
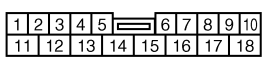
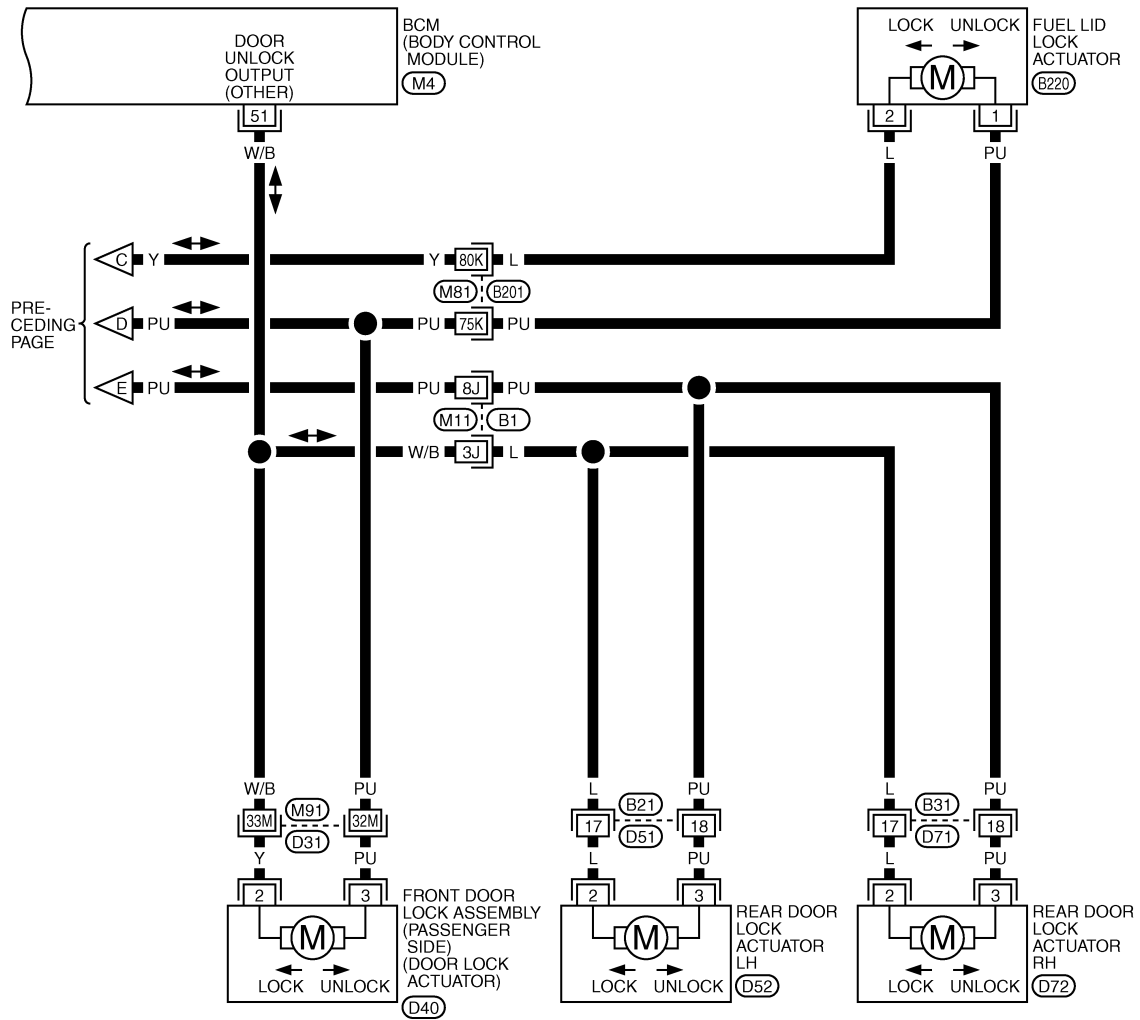
(M3), (M4), (M34)
-ELECTRICAL UNITS

TIWM1652E

POWER DOOR LOCK SYSTEM

< SERVICE INFORMATION >

BL-D/LOCK-05



REFER TO THE FOLLOWING.
 (B1), (B201), (D31) -SUPER
 MULTIPLE JUNCTION (SMJ)
 (M4) -ELECTRICAL UNITS

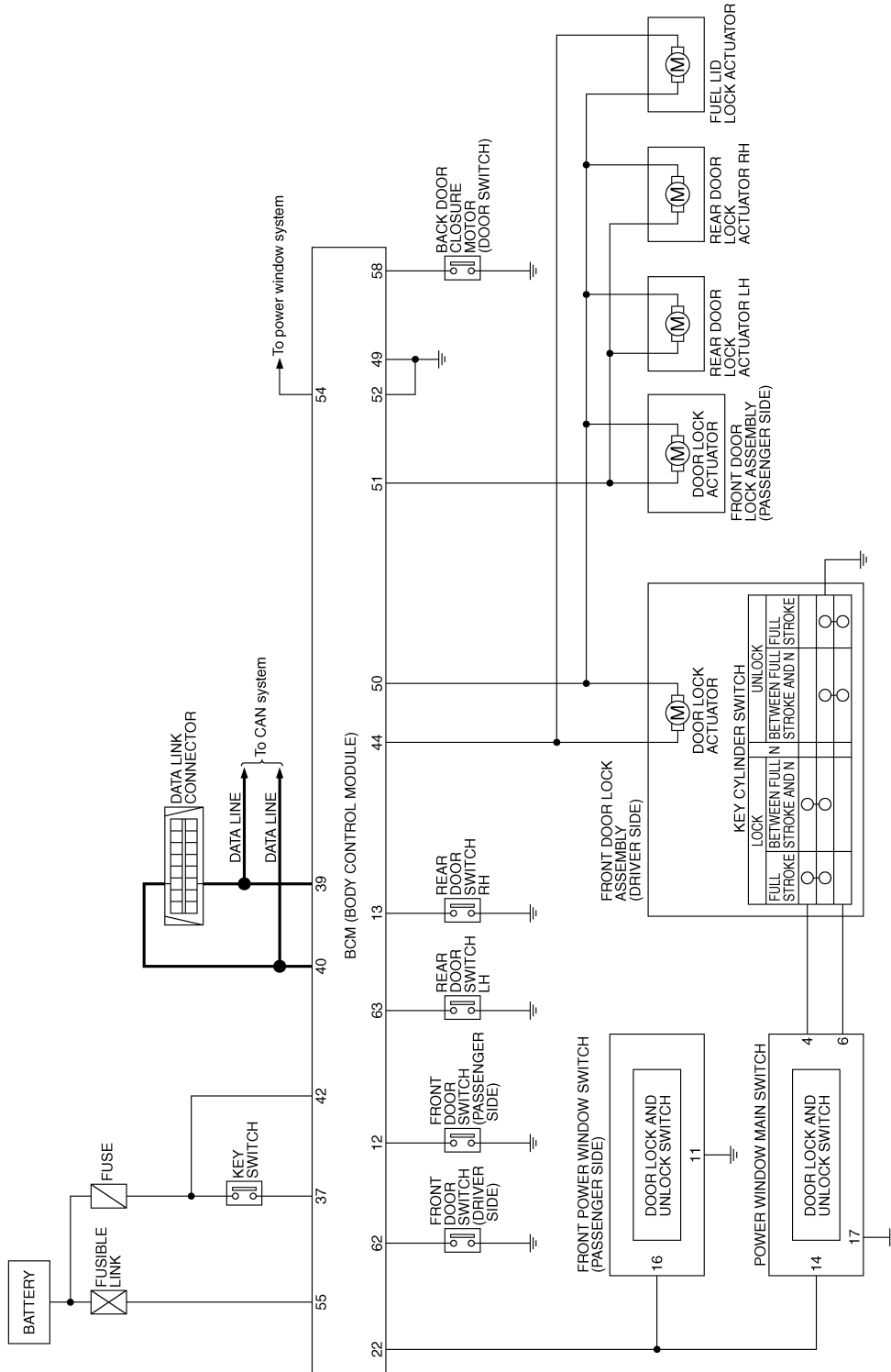
TIWH0037E

POWER DOOR LOCK SYSTEM

< SERVICE INFORMATION >

Schematic/Without Intelligent Key

INFOID:000000001327795



TIWM0321E

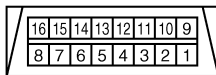
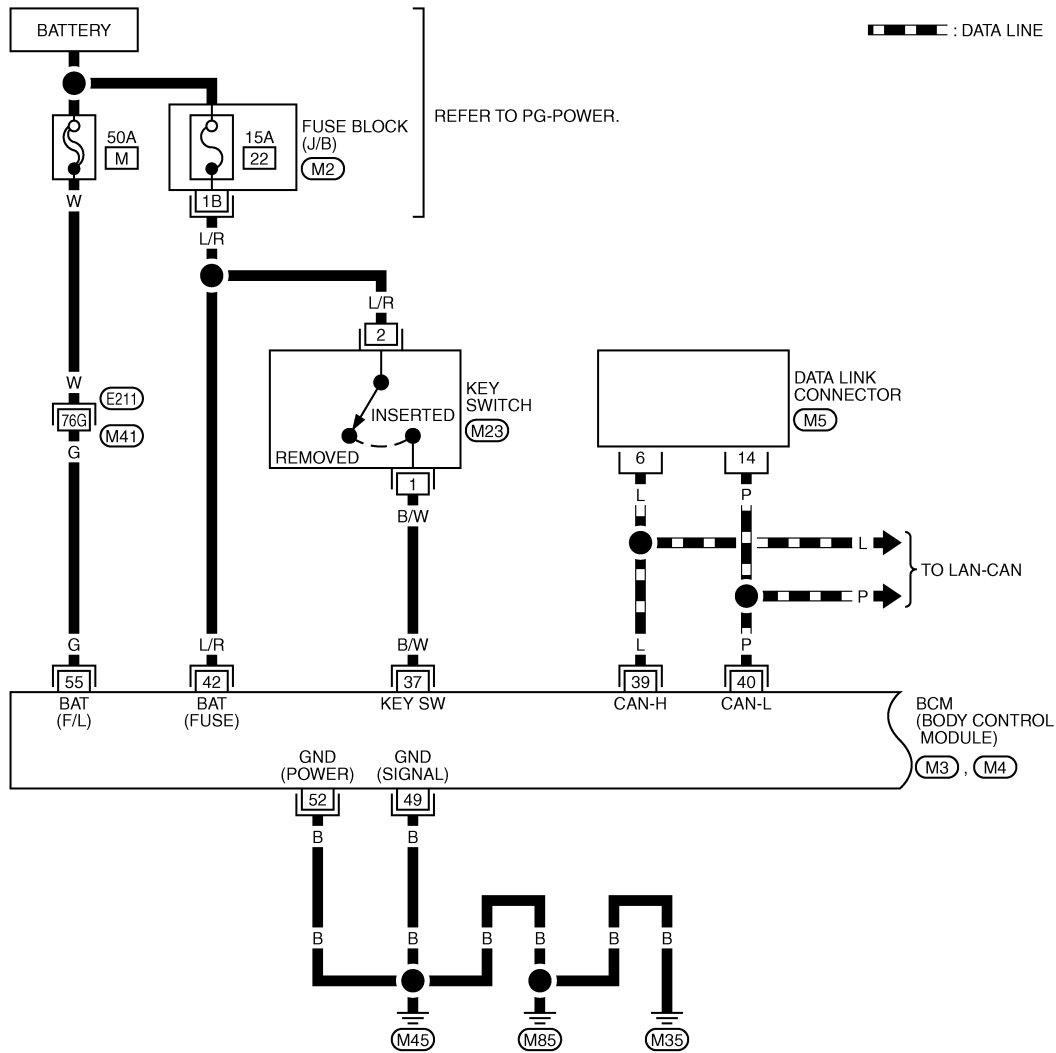
POWER DOOR LOCK SYSTEM

< SERVICE INFORMATION >

Wiring Diagram - D/LOCK -/Without Intelligent Key

INFOID:000000001327796

BL-D/LOCK-06



(M5) W



(M23) BR

REFER TO THE FOLLOWING.

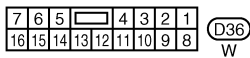
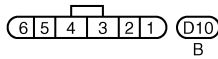
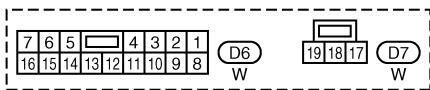
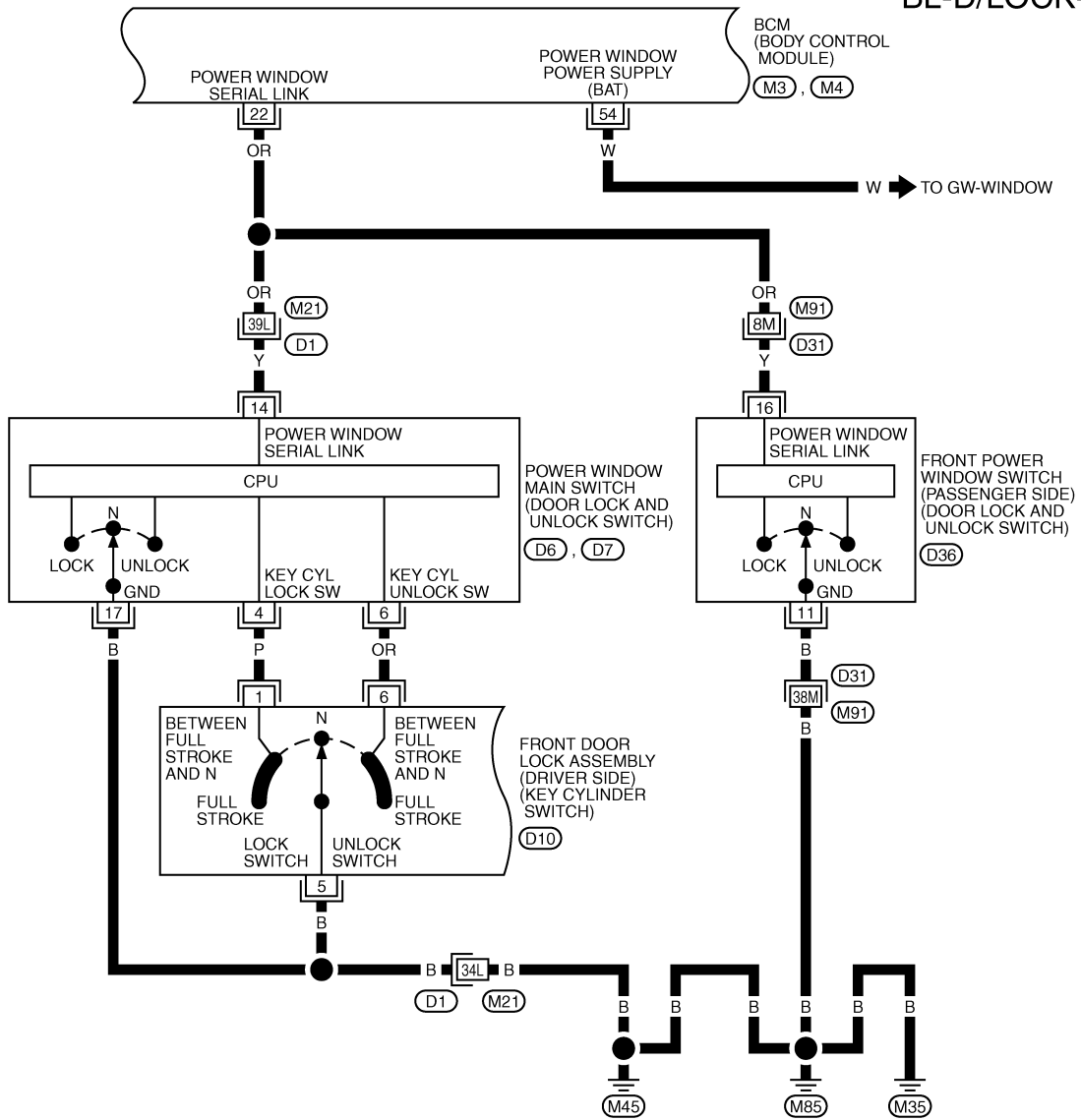
- (E21) -SUPER MULTIPLE JUNCTION (SMJ)
- (M2) -FUSE BLOCK-JUNCTION BOX (J/B)
- (M3), (M4) -ELECTRICAL UNITS

TIWM1653E

POWER DOOR LOCK SYSTEM

< SERVICE INFORMATION >

BL-D/LOCK-08

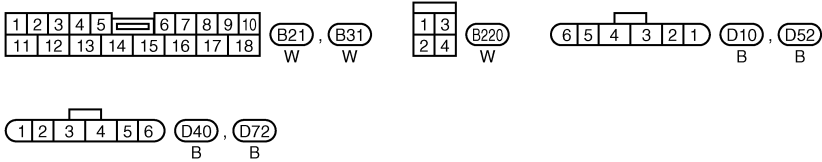
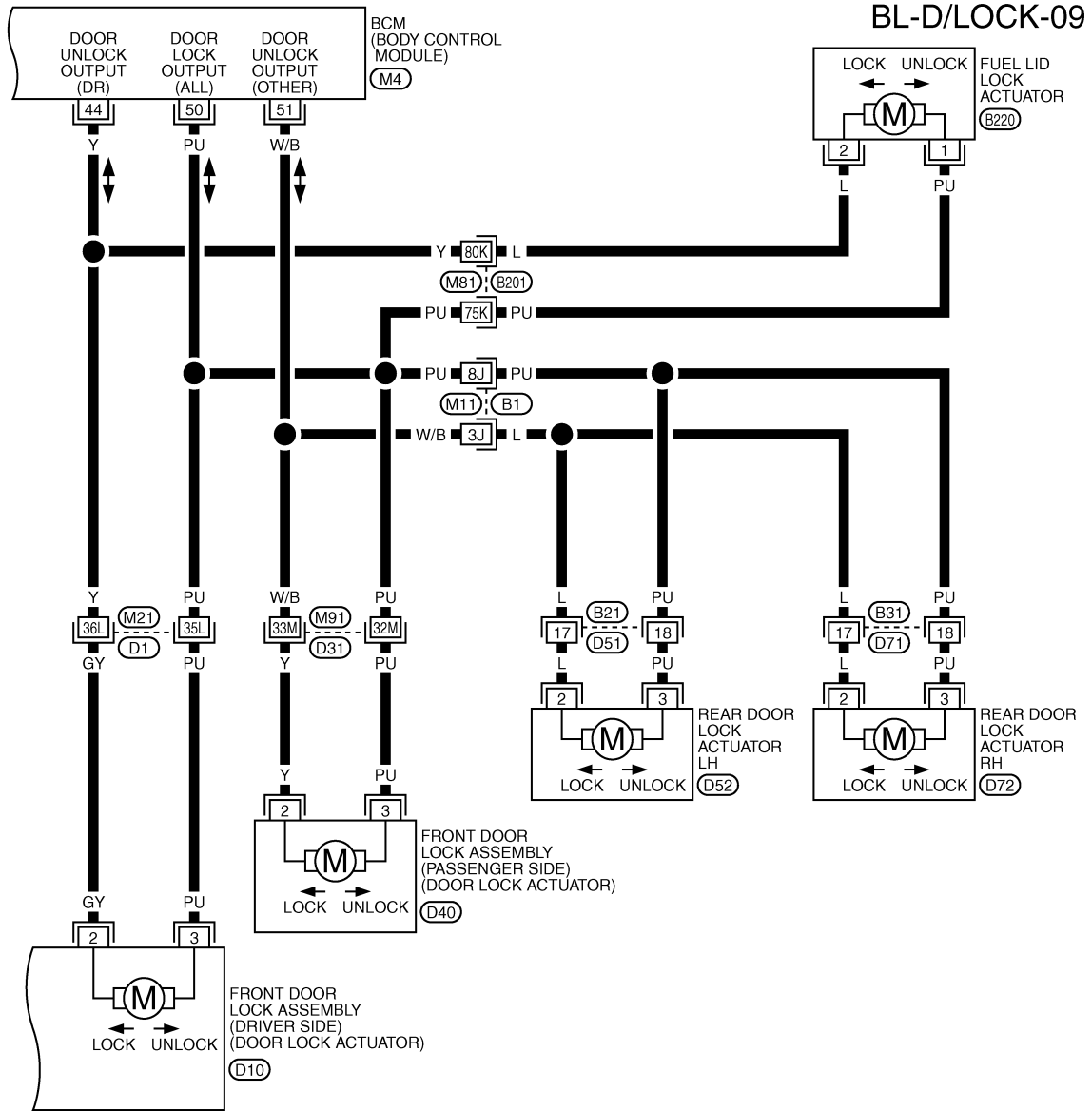


REFER TO THE FOLLOWING.
 (D1), (D31) -SUPER MULTIPLE JUNCTION (SMJ)
 (M3), (M4) -ELECTRICAL UNITS

TIWM1655E

POWER DOOR LOCK SYSTEM

< SERVICE INFORMATION >



REFER TO THE FOLLOWING.

(B1), (B201), (D1), (D31)
-SUPER MULTIPLE JUNCTION (SMJ)

(M4) -ELECTRICAL UNITS

TIWH0039E

POWER DOOR LOCK SYSTEM

< SERVICE INFORMATION >

Terminal and Reference Value for BCM

INFOID:000000001327797

Terminal	Wire Color	Item	Signal Input/output	Condition	Voltage (V) (Approx.)
12	P/B	Front door switch (Passenger side)	Input	ON (door open) → OFF (door closed)	0 → Battery voltage
13	P/L	Rear door switch RH	Input	ON (door open) → OFF (door closed)	0 → Battery voltage
22	OR	Power window serial link	Input/Output	Ignition switch ON	
37	B/W	Key switch	Input	ON (Key inserted) → OFF (Key removed from IGN key cylinder)	Battery voltage → 0
39	L	CAN H	Input/Output	—	—
40	P	CAN L	Input/Output	—	—
42	L/R	Battery power supply (fuse)	Input	—	Battery voltage
44	Y	Driver door lock actuator (unlock)	Output	Door lock / unlock switch (Free → Unlock)	0 → Battery voltage → 0
49	B	Ground	—	—	0
50	PU	Door lock actuator (lock)	Output	Door lock / unlock switch (Free → Lock)	0 → Battery voltage → 0
51	W/B	Passenger and rear doors lock actuator (unlock)	Output	Door lock / unlock switch (Free → Unlock)	0 → Battery voltage → 0
52	B	Ground	—	—	0
55	G	Power source (Fusible link)	Input	—	Battery voltage
58	L	Back door switch	Input	ON (Door open) → OFF (Door closed)	0 → 9
62	W	Front door switch (Driver side)	Input	ON (Door open) → OFF (Door closed)	0 → Battery voltage
63	P	Rear door switch LH	Input	ON (Door open) → OFF (Door closed)	0 → Battery voltage

Terminal and Reference Value for Intelligent Key Unit (With Intelligent Key System)

INFOID:000000001327798

Terminal	Wire Color	Item	Signal Input/output	Condition	Voltage (V) (Approx.)
2	L	CAN H	Input/Output	—	—
3	P	CAN L	Input/Output	—	—
27	L/W	Push switch	Input	Push switch (OFF → ON)	0 → Battery voltage
40	BR/W	AS unlock output signal	Output	Door lock / unlock switch (Free → Unlock)	0 → Battery voltage

POWER DOOR LOCK SYSTEM

< SERVICE INFORMATION >

Work Flow

INFOID:000000001327799

1. Check the symptom and customer's requests.
2. Understand the outline of system. Refer to [BL-22, "System Description"](#).
3. According to the trouble diagnosis chart by symptom, repair or replace the cause of the malfunction. Refer to [BL-37, "Trouble Diagnosis Chart by Symptom"](#).
4. Does power door lock system operate normally?
YES: GO TO 5.
NO: GO TO 3.
5. INSPECTION END

CONSULT-III Function (BCM)

INFOID:000000001327800

BCM diagnosis test item	Check item diagnosis test mode	Content
Door lock	DATA MONITOR	Displays the input data of BCM real time.
	ACTIVE TEST	Gives a drive signal to a load to check the operation.

CONSULT-III APPLICATION ITEMS

Work Support

Work item	Description
DOOR LOCK-UNLOCK SET	Select unlock mode can be changed in this mode. Selects ON-OFF of select unlock mode.
ANTI-LOCK OUT SET	Key reminder door mode can be changed in this mode. Selects ON-OFF of key reminder door mode.

Data Monitor

Monitor item	Content
IGN ON SW	Indicates [ON/OFF] condition of ignition switch in ON position.
KEY ON SW	Indicates [ON/OFF] condition of key switch.
CDL LOCK SW	Indicates [ON/OFF] condition of lock signal from door lock and unlock switch.
CDL UNLOCK SW	Indicates [ON/OFF] condition of unlock signal from door lock and unlock switch.
DOOR SW-DR	Indicates [ON/OFF] condition of front door switch driver side.
DOOR SW-AS	Indicates [ON/OFF] condition of front door switch passenger side.
DOOR SW-RR	Indicates [ON/OFF] condition of rear door switch RH.
DOOR SW-RL	Indicates [ON/OFF] condition of rear door switch LH.
BACK DOOR SW	Indicates [ON/OFF] condition of back door switch.
KEY CYL LK-SW	Indicates [ON/OFF] condition of lock signal from key cylinder.
KEY CYL UN-SW	Indicates [ON/OFF] condition of unlock signal from key cylinder.
KEYLESS LOCK	Indicates [ON/OFF] condition of lock signal from key fob.
KEYLESS UNLOCK	Indicates [ON/OFF] condition of unlock signal from key fob.
I-KEY LOCK*	Indicates [ON/OFF] condition of lock signal from door request switch.
I-KEY UNLOCK*	Indicates [ON/OFF] condition of unlock signal from door request switch.

*: With Intelligent Key system

Active Test

POWER DOOR LOCK SYSTEM

< SERVICE INFORMATION >

Test item in "DOOR LOCK"	Content
ALL LOCK	This test is able to check all door lock actuators lock operation. These actuators lock when "ALL LOCK" on CONSULT-III screen is touched.
ALL UNLOCK	This test is able to check all door lock actuators unlock operation. These actuators unlock when "ALL UNLOCK" on CONSULT-III screen is touched.
DR UNLOCK	This test is able to check door lock actuator (driver side) unlock operation. This actuator unlock when "DR UNLOCK" on CONSULT-III screen is touched.
OTHER UNLOCK	This test is able to check all door lock actuators (except driver side) unlock operation. These actuators unlock when "OTHER UNLOCK" on CONSULT-III screen is touched.

Trouble Diagnosis Chart by Symptom

INFOID:000000001327801

Always check the "Work Flow" before troubleshooting. Refer to [BL-36, "Work Flow"](#).

Symptom	Diagnoses service procedure	Reference page
Key reminder door system does not operate properly.	1. Check key reminder door mode.* *: Key reminder door mode can be changed. First check key reminder door mode.	BL-36
	2. Check BCM power supply and ground circuit	BL-37
	3. Check key switch.	BL-42
	4. Check door switch.	BL-38
	5. Replace BCM.	BCS-13
Power door lock does not operate with door lock and unlock switch.	2. Check BCM power supply and ground circuit	BL-37
	2. Check door lock and unlock switch.	BL-37
	3. Replace BCM.	BCS-13
Power door lock does not operate with door key cylinder operation. (Power door lock operate properly with door lock and unlock switch.)	1. Check front door key cylinder switch.	BL-47 * ¹ BL-47 * ²
	2. Replace power window main switch.	-
Specific door lock actuator does not operate.	1. Check door lock actuator.	BL-45 * ³ BL-45 * ⁴
	2. Replace BCM.	BCS-13
Rear door lock actuator (LH and RH) does not operate.* *: Only model with intelligent key system.	1. Check select unlock relay circuit.	BL-48
Select unlock does not operate. (All other power door lock system is "OK".)	1. Check select unlock mode.* *: Select unlock mode can be changed. First check select unlock mode.	BL-36
	2. Replace BCM.	BCS-13
Fuel lid lock actuator does not operate. (All door lock actuators operates properly.)	1. Check fuel lid lock actuator.	BL-46

*1: Lock operation

*2: Unlock operation

*3: Driver side

*4: Except driver side

Check BCM Power Supply and Ground Circuit

INFOID:000000001327802

1. CHECK FUSE AND FUSIBLE LINK

- Check 50A fusible link (letter M, located in the fuse and fusible link box).
- Check 15A fuse [No. 22, located in the fuse block (J/B)].

POWER DOOR LOCK SYSTEM

< SERVICE INFORMATION >

NOTE:

Refer to [BL-21, "Component Parts and Harness Connector Location"](#).

OK or NG

OK >> GO TO 2.

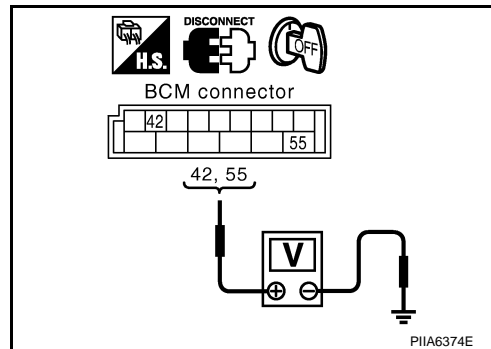
NG >> If fuse is blown, be sure to eliminate cause of malfunction before installing new fuse, refer to [PG-3](#).

2.CHECK POWER SUPPLY CIRCUIT

1. Turn ignition switch OFF.
2. Disconnect BCM connectors.
3. Check voltage between BCM connectors M4 terminals 42, 55 and ground.

42 (L/R) – Ground : Battery voltage

55 (G) – Ground : Battery voltage



OK or NG

OK >> GO TO 3.

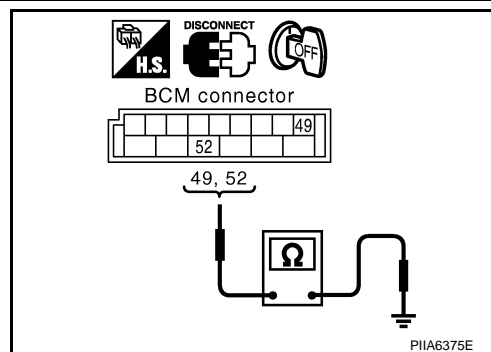
NG >> Repair or replace BCM power supply circuit.

3.CHECK GROUND CIRCUIT

Check continuity between BCM connectors M4 terminals 49, 52 and ground.

49 (B) – Ground : Continuity should exist.

52 (B) – Ground : Continuity should exist.



OK or NG

OK >> Power supply and ground circuit are OK.

NG >> Repair or replace BCM ground circuit.

Check Door Switch

INFOID:000000001327803

CHECK DOOR SWITCH (EXCEPT BACK DOOR SWITCH)

1.CHECK DOOR SWITCH INPUT SIGNAL

With CONSULT-III

Check door switches (“DOOR SW-DR”, “DOOR SW-AS”, “DOOR SW-RL” and “DOOR SW-RR”) in “DATA MONITOR” mode with CONSULT-III.

Monitor item	Condition
DOOR SW-DR	
DOOR SW-AS	CLOSE → OFF
DOOR SW-RL	OPEN → ON
DOOR SW-RR	

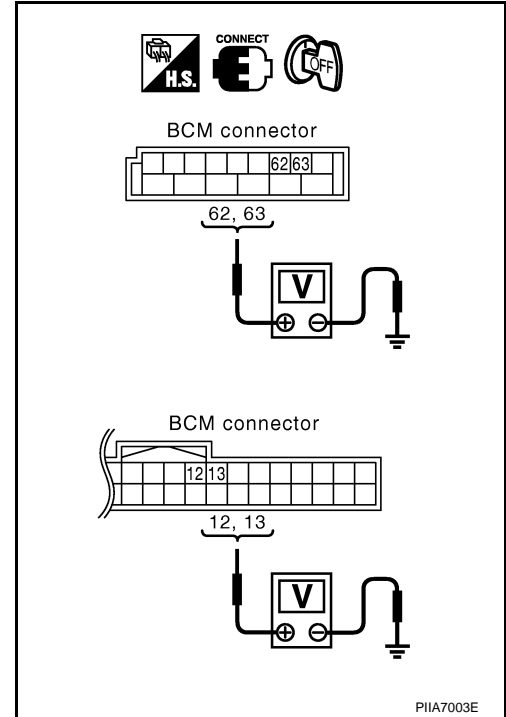
POWER DOOR LOCK SYSTEM

< SERVICE INFORMATION >

⊗ Without CONSULT-III

Check voltage between BCM connector and ground.

Item	Connector	Terminals (Wire color)		Door condition	Voltage (V) (Approx.)
		(+)	(-)		
Driver side	B14	62 (W)	Ground	CLOSE ↓ OPEN	Battery voltage ↓ 0
Rear LH		63 (P)			
Passenger side	M3	12 (P/B)	Ground	CLOSE ↓ OPEN	Battery voltage ↓ 0
Rear RH		13 (P/L)			



OK or NG

OK >> Door switch circuit is OK.

NG >> GO TO 2.

2. CHECK DOOR SWITCH CIRCUIT

- Turn ignition switch OFF.
- Disconnect door switch and BCM connector.
- Check continuity between door switch connector B26, B36, B46, B206 terminals 1 and BCM connector M3, B14 terminals 62, 12, 63, 13.

Driver side door

1 (W) – 62 (W) : Continuity should exist.

Passenger side door

1 (SB) – 12 (P/B) : Continuity should exist.

Rear door LH

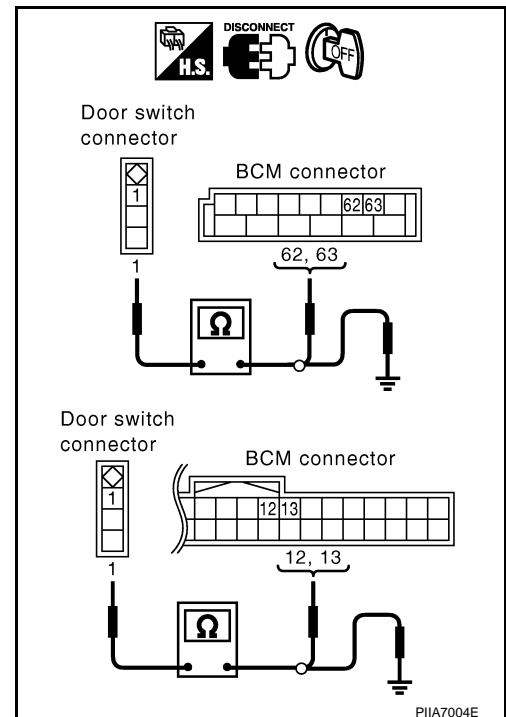
1 (P) – 63 (P) : Continuity should exist.

Rear door RH

1 (P) – 13 (P/L) : Continuity should exist.

- Check continuity between door switch connector B26, B36, B46, B206 terminal 1 and ground.

1 (W, SB, P) – Ground : Continuity should not exist.



OK or NG

OK >> GO TO 3.

POWER DOOR LOCK SYSTEM

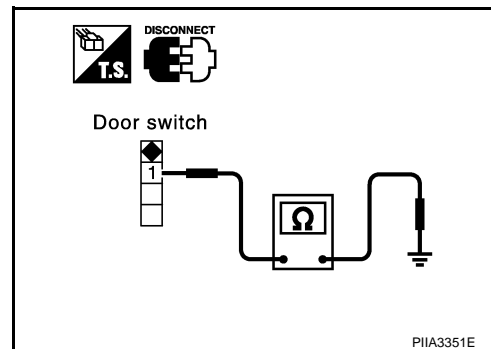
< SERVICE INFORMATION >

NG >> Repair or replace harness.

3. CHECK DOOR SWITCH

Check continuity between door switch terminal 1 and ground part of door switch.

Terminal	Door switch condition	Continuity
1	Pushed	No
	Released	Yes



OK or NG

OK >> Check door switch case ground condition.

NG >> Replace door switch.

CHECK BACK DOOR SWITCH

1. CHECK BACK DOOR SWITCH INPUT SIGNAL

Ⓟ With CONSULT-III

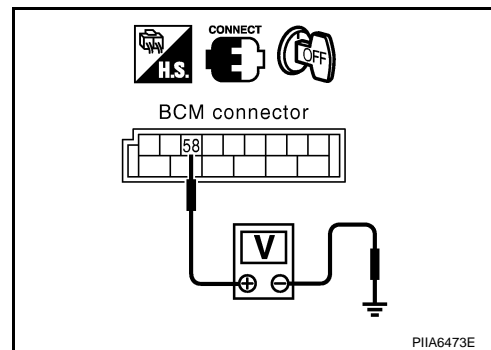
Check door switches ("BACK DOOR SW") in "DATA MONITOR" mode with CONSULT-III.

Monitor item	Condition
BACK DOOR SW	CLOSE → OFF OPEN → ON

⊗ Without CONSULT-III

Check voltage between BCM connector and ground.

Item	Connector	Terminal (Wire color)		Back door condition	Voltage (V) (Approx.)
		(+)	(-)		
Back door switch	B14	58 (L)	Ground	CLOSE ↓ OPEN	9 ↓ 0



OK or NG

OK >> Door switch circuit is OK.

NG >> GO TO 2.

2. CHECK BACK DOOR SWITCH CIRCUIT

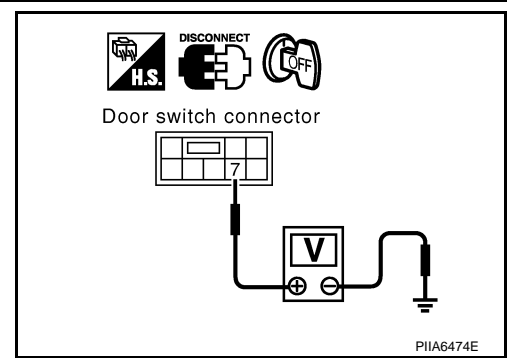
1. Turn ignition switch OFF.
2. Disconnect back door switch connector.

POWER DOOR LOCK SYSTEM

< SERVICE INFORMATION >

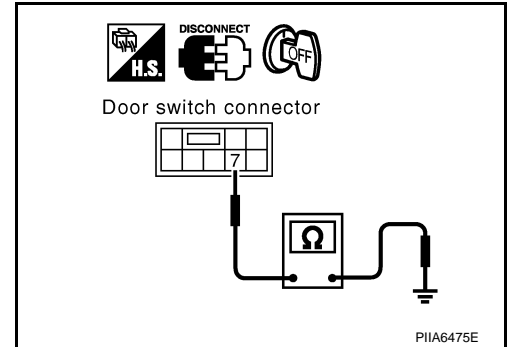
- Check voltage between back door switch connector D109 terminal 7 and ground. (Check harness for open.)

7 (L) – Ground : Approx. 9V



- Check continuity between back door switch connector D109 terminal 7 and ground. (Check harness for short.)

7 (L) – Ground : Continuity should not exist.



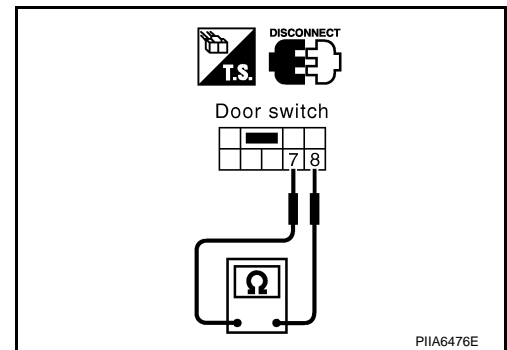
OK or NG

- OK >> GO TO 3.
- NG >> Repair or replace harness.

3. CHECK BACK DOOR SWITCH

Check continuity between back door switch terminals 7 and 8.

Terminal		Back door condition	Continuity
7	8	Closed	No
		Opened	Yes



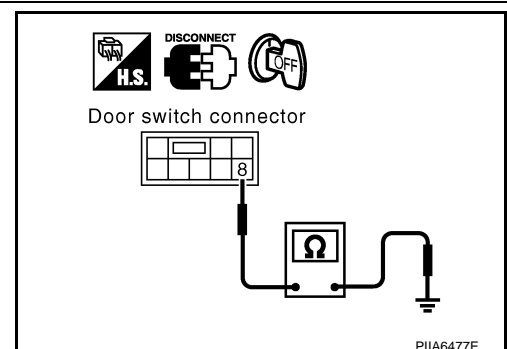
OK or NG

- OK >> GO TO 4.
- NG >> Replace back door closure motor (door switch).

4. CHECK BACK DOOR SWITCH GROUND HARNESS

Check continuity between back door switch connector D109 terminal 8 and ground.

8 (B) – Ground : Continuity should exist.



POWER DOOR LOCK SYSTEM

< SERVICE INFORMATION >

OK or NG

- OK >> Check harness connection.
- NG >> Repair or replace harness.

Check Key Switch

INFOID:000000001327804

1. CHECK KEY SWITCH INPUT SIGNAL

With CONSULT-III

Check ignition key switch "KEY ON SW" in "DATA MONITOR" mode with CONSULT-III.

- When key is inserted in ignition key cylinder

KEY ON SW : ON

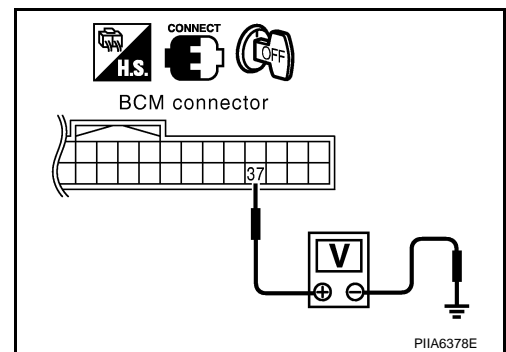
- When key is removed from ignition key cylinder

KEY ON SW : OFF

Without CONSULT-III

Check voltage between BCM connector and ground.

Connector	Terminal		Condition of key switch	Voltage (V) Approx.
	(+)	(-)		
M3	37 (B/W)	Ground	Key is inserted in IGN key cylinder.	Battery voltage
			Key is removed from IGN key cylinder.	0



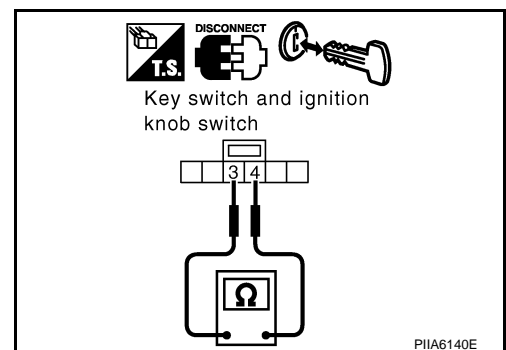
OK or NG

- OK >> Key switch circuit is OK.
- NG >> GO TO 2. (With Intelligent Key)
- NG >> GO TO 3. (Without Intelligent Key)

2. CHECK KEY SWITCH (WITH INTELLIGENT KEY)

1. Disconnect key switch and ignition knob switch connector.
2. Check continuity between key switch or key switch and ignition knob switch terminals 3 and 4.

Terminal	Condition of key switch	Continuity
3 4	Key is inserted in IGN key cylinder.	Yes
	Key is removed from IGN key cylinder.	No



OK or NG

- OK >> Check the following.
 - 15A fuse (No. 22, located in fuse and fusible link block)
 - Harness for open or short between key switch and fuse
 - Harness for open or short between BCM and key switch
- NG >> Replace key switch or key switch and ignition knob switch.

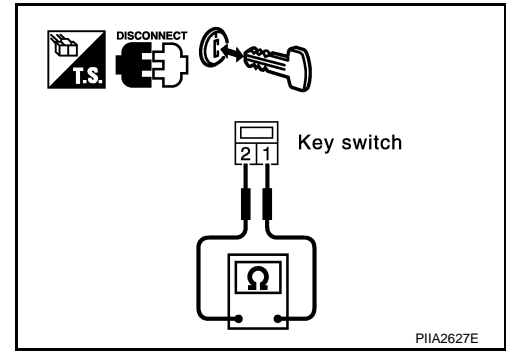
3. CHECK KEY SWITCH (WITHOUT INTELLIGENT KEY)

POWER DOOR LOCK SYSTEM

< SERVICE INFORMATION >

1. Disconnect key switch connector.
2. Check continuity between key switch terminals 1 and 2.

Terminal		Condition of key switch	Continuity
1	2	Key is inserted in IGN key cylinder.	Yes
		Key is removed from IGN key cylinder.	No



OK or NG

- OK >> Check the following.
- 15A fuse (No. 22, located in fuse and fusible link block)
 - Harness for open or short between key switch and fuse
 - Harness for open or short between BCM and key switch
- NG >> Replace key switch or key switch and ignition knob switch.

Check Door Lock and Unlock Switch

INFOID:000000001327805

1. CHECK DOOR LOCK AND UNLOCK SWITCH INPUT SIGNAL

With CONSULT-III

Check door lock and unlock switch ("CDL LOCK SW" and "CDL UNLOCK SW") in DATA MONITOR mode with CONSULT-III.

- When door lock and unlock switch is turned to LOCK:

CDL LOCK SW : ON

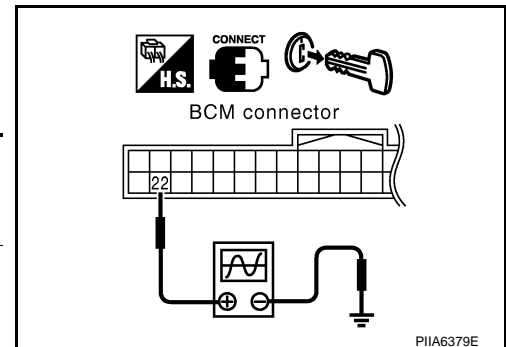
- When door lock and unlock switch is turned to UNLOCK:

CDL UNLOCK SW : ON

Without CONSULT-III

1. Remove key from ignition key cylinder.
2. Check the signal between BCM connector M3 terminal 22 and ground with oscilloscope when door lock and unlock switch is turned "LOCK" or "UNLOCK".
3. Make sure signals which are shown in the figure below can be detected during 10 second just after door lock and unlock switch is turned "LOCK" or "UNLOCK".

Connector	Terminal (Wire color)		Signal (Reference value)
	(+)	(-)	
M3	22 (OR)	Ground	<p>(V)</p> <p>15</p> <p>10</p> <p>5</p> <p>0</p> <p>10 ms</p> <p>PIIA1297E</p>



OK or NG

- OK >> Door lock and unlock switch circuit is OK.
- NG >> GO TO 2.

POWER DOOR LOCK SYSTEM

< SERVICE INFORMATION >

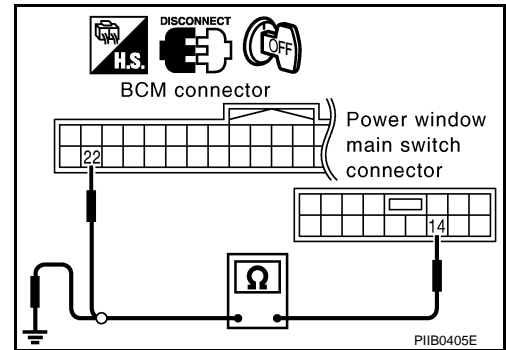
2. CHECK POWER WINDOW SERIAL LINK CIRCUIT

1. Turn ignition switch OFF.
2. Disconnect BCM, power window main switch and front power window switch connectors.
3. Check continuity between BCM connector M3 terminal 22 and power window main switch (door lock and unlock switch) connector D6 terminal 14.

22 (OR) – 14 (Y) : Continuity should exist.

4. Check continuity between power window main switch (door lock and unlock switch) connector D6 terminal 14 and ground.

14 (Y) – Ground : Continuity should not exist.

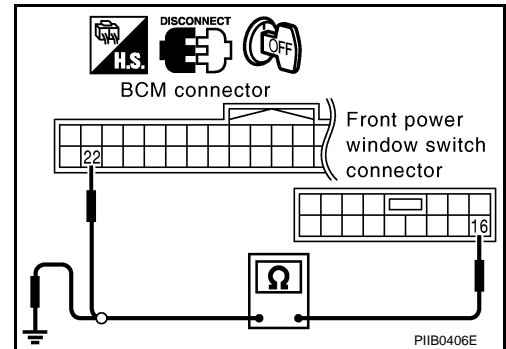


5. Check continuity between BCM connector M3 terminal 22 and front power window switch (door lock and unlock switch) connector D36 terminal 16.

22 (OR) – 16 (Y) : Continuity should exist.

6. Check continuity between front power window switch (door lock and unlock switch) connector D36 terminal 16 and ground.

16 (Y) – Ground : Continuity should not exist.



OK or NG

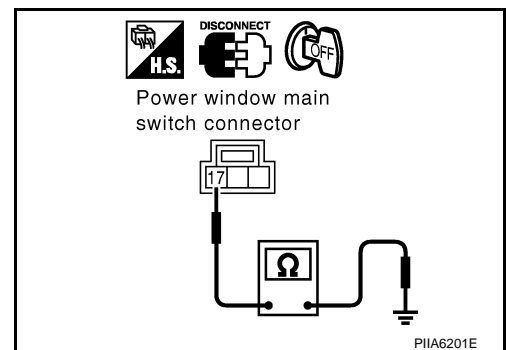
OK >> GO TO 3.

NG >> Repair or replace harness.

3. CHECK DOOR LOCK AND UNLOCK SWITCH GROUND HARNESS

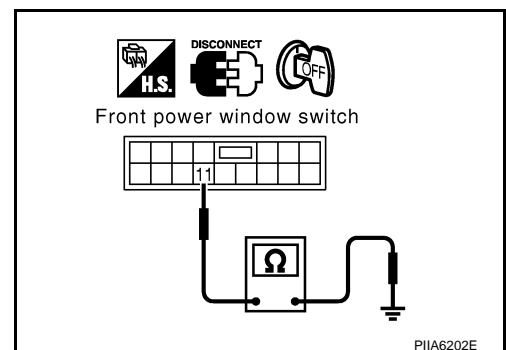
- Check continuity between power window main switch (door lock and unlock switch) connector D7 terminal 17 and ground.

17 (B) – Ground : Continuity should exist.



- Check continuity between power window sub-switch (front passenger side) (door lock and unlock switch) connector D36 terminal 11 and ground.

11 (B) – Ground : Continuity should exist.



OK or NG

POWER DOOR LOCK SYSTEM

< SERVICE INFORMATION >

- OK >> Replace power window main switch or power window sub-switch.
- NG >> Repair or replace harness.

Check Door Lock Actuator (Driver Side)

INFOID:000000001327806

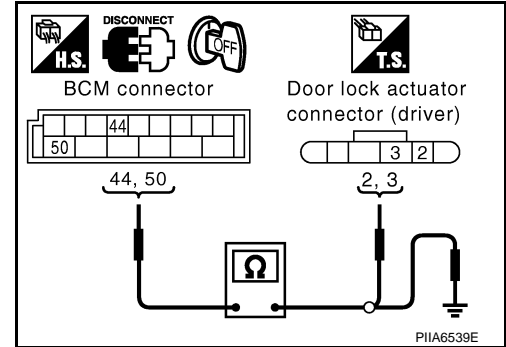
1. CHECK DOOR LOCK ACTUATOR CIRCUIT

1. Turn ignition switch OFF.
2. Disconnect BCM and front door lock actuator (driver side) connector.
3. Check continuity between BCM connector M4 terminals 44, 50 and front door lock actuator (driver side) connector D10 terminals 2, 3.

44 (Y) – 2 (GY) : Continuity should exist.
50 (PU) – 3 (PU) : Continuity should exist.

4. Check continuity between BCM connector M4 terminals 44, 50 and ground.

44 (Y) – Ground : Continuity should not exist.
50 (PU) – Ground : Continuity should not exist.



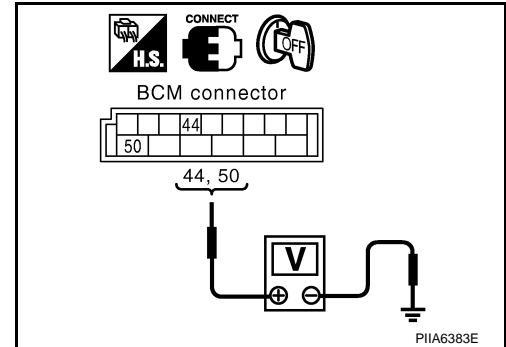
OK or NG

- OK >> GO TO 2.
- NG >> Repair or replace harness.

2. CHECK OUTPUT SIGNAL

1. Connect BCM and door lock actuator (driver side) connector.
2. Check voltage between BCM connector M4 terminals 44, 50 and ground.

Con- nector	Terminal (Wire color)		Condition	Voltage (V) (Approx.)
	(+)	(-)		
M4	44 (Y)	Ground	Driver door lock/unlock switch is turned to UN-LOCK.	0 → Battery voltage → 0
	50 (PU)		Driver door lock/unlock switch is turned to LOCK.	0 → Battery voltage → 0



OK or NG

- OK >> Check harness connection.
- NG >> Replace BCM.

Check Door Lock Actuator (Passenger Side and Rear LH/RH)

INFOID:000000001327807

1. CHECK DOOR LOCK ACTUATOR CIRCUIT

1. Disconnect BCM and each door lock actuator connectors.

POWER DOOR LOCK SYSTEM

< SERVICE INFORMATION >

- Check continuity between BCM connector M4 terminals 50, 51 and front door lock actuator passenger side, rear door lock actuator LH/RH connectors D40, D52, D72 terminals 2, 3.

50 (PU) – 3 (PU) : Continuity should exist.

51 (W/B) – 2 (L or Y) : Continuity should exist.

- Check continuity between BCM connector M4 terminals 50, 51 and ground.

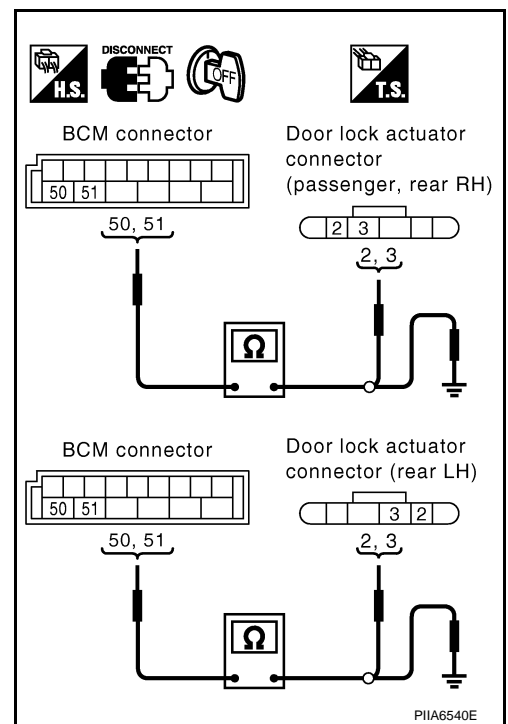
50 (PU) – Ground : Continuity should not exist.

51 (W/B) – Ground : Continuity should not exist.

OK or NG

OK >> GO TO 2.

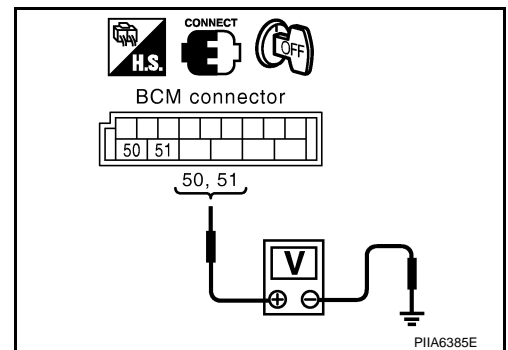
NG >> Repair or replace harness.



2. CHECK DOOR LOCK ACTUATOR SIGNAL

Check voltage between BCM connector M4 terminals 50, 51 and ground.

Connector	Terminal (Wire color)		Condition	Voltage (V) (Approx.)
	(+)	(-)		
M4	50 (PU)	Ground	Door lock/unlock switch is turned to LOCK.	0 → Battery voltage → 0
	51 (W/B)		Door lock/unlock switch is turned to UNLOCK.	0 → Battery voltage → 0



OK or NG

OK >> Replace front door lock assembly (passenger side) or rear door lock actuator LH/RH.

NG >> Replace BCM.

Check Fuel Lid Lock Actuator

INFOID:000000001327808

1. CHECK FUEL LID LOCK ACTUATOR CIRCUIT

- Turn ignition switch OFF.
- Disconnect BCM and fuel lid lock actuator connector.
- Check continuity between BCM connector M4 terminals 44, 50 and fuel lid lock actuator connector B70 terminals 1, 2.

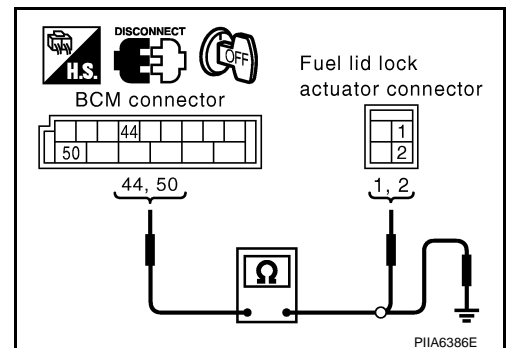
44 (Y) – 2 (L) : Continuity should exist.

50 (PU) – 1 (PU) : Continuity should exist.

- Check continuity between BCM connector M4 terminals 44, 50 and ground.

44 (Y) – Ground : Continuity should not exist.

50 (PU) – Ground : Continuity should not exist.



OK or NG

POWER DOOR LOCK SYSTEM

< SERVICE INFORMATION >

- OK >> Replace fuel lid lock actuator.
- NG >> Repair or replace harness.

Check Front Door Key Cylinder Switch (Lock)

INFOID:000000001327809

1. CHECK FRONT DOOR KEY CYLINDER SWITCH INPUT SIGNAL (LOCK SIGNAL)

With CONSULT-III

Check front door key cylinder switch LH ("KEY CYL LK SW") in "DATA MONITOR" mode with CONSULT-III.

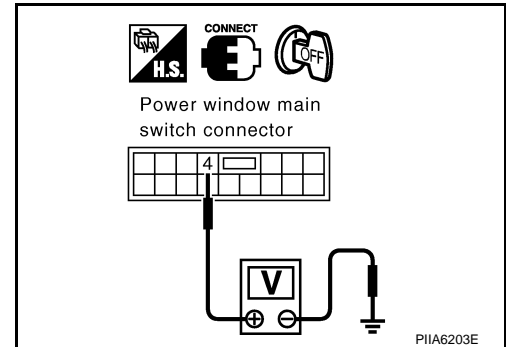
- When key cylinder switch is turned to "LOCK".

KEY CYL LK-SW : ON

Without CONSULT-III

Check voltage between power window main switch (door lock and unlock switch) connector and ground.

Connector	Terminal (Wire color)		Front door key cylinder switch position	Voltage (V) (Approx.)
	(+)	(-)		
D6	4 (P)	Ground	Neutral / Unlock	5
			Lock	0



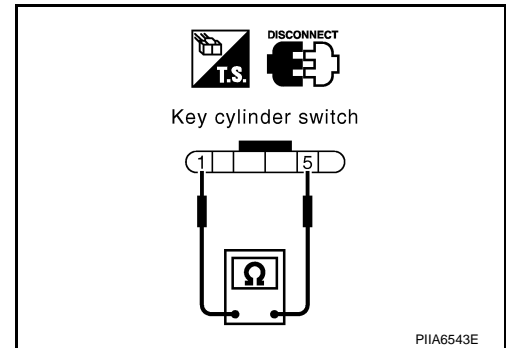
OK or NG

- OK >> Front door key cylinder switch circuit driver side (lock) is OK.
- NG >> GO TO 2.

2. CHECK FRONT DOOR KEY CYLINDER SWITCH

1. Disconnect front door key cylinder switch driver side connector.
2. Check continuity between front door key cylinder switch driver side terminals 1 and 5.

Terminal	Front door key cylinder switch position	Continuity	
1	5	Neutral / Unlock	No
		Lock	Yes



OK or NG

- OK >> Check the following.
 - Front door key cylinder switch driver side ground circuit.
 - Harness for open or short between power window main switch (door lock and unlock switch) and front door key cylinder switch driver side.
- NG >> Replace front door key cylinder switch driver side.

Check Front Door Key Cylinder Switch (Unlock)

INFOID:000000001327810

1. CHECK FRONT DOOR KEY CYLINDER SWITCH INPUT SIGNAL (UNLOCK SIGNAL)

With CONSULT-III

Check front door key cylinder switch driver side ("KEY CYL UN-SW") in "DATA MONITOR" mode with CONSULT-III.

- When key cylinder switch is turned to "UNLOCK".

POWER DOOR LOCK SYSTEM

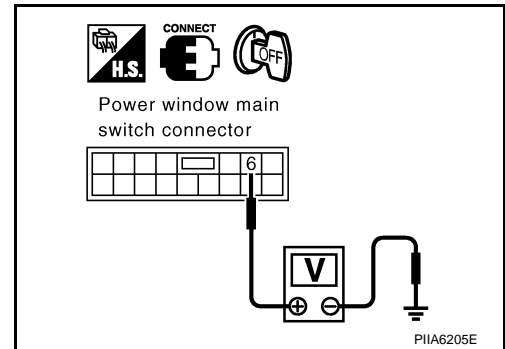
< SERVICE INFORMATION >

KEY CYL UN-SW : ON

⊗ **Without CONSULT-III**

Check voltage between main power window switch (door lock and unlock switch) connector and ground.

Connector	Terminal (Wire color)		Front door key cylinder switch position	Voltage (V) (Approx.)
	(+)	(-)		
D6	6 (OR)	Ground	Neutral / Lock	5
			Unlock	0



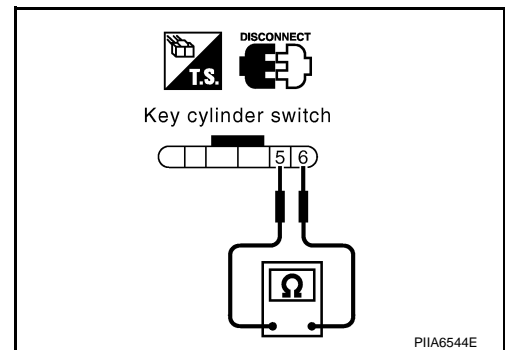
OK or NG

- OK >> Front door key cylinder switch circuit driver side (unlock) is OK.
- NG >> GO TO 2.

2. CHECK FRONT DOOR KEY CYLINDER SWITCH

1. Disconnect front door key cylinder switch driver side connector.
2. Check continuity between front door key cylinder switch driver side terminals 5 and 6.

Terminal	Front door key cylinder switch position	Continuity	
5	6	Neutral / Lock	No
		Unlock	Yes



OK or NG

- OK >> Check the following.
 - Front door key cylinder switch driver side ground circuit
 - Harness for open or short between power window main switch (door lock and unlock switch) and front door key cylinder switch driver side
- NG >> Replace front door key cylinder switch driver side.

Check Select Unlock Relay Circuit

INFOID:000000001327811

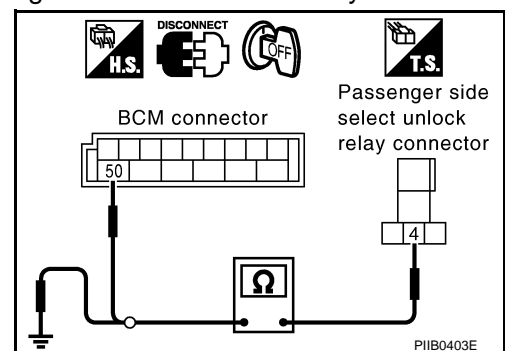
1. CHECK SELECT UNLOCK CIRCUIT

1. Turn ignition switch OFF.
2. Disconnect BCM, rear door lock actuator (LH and RH), and passenger side select unlock relay connector.
3. Check continuity between BCM connector M4 terminal 50 and passenger side select unlock relay connector M30 terminal 4.

50 (PU) – 4 (PU) : Continuity should exist.

4. Check continuity between passenger side select unlock relay connector M30 terminal 4 and ground.

4 (PU) – Ground : Continuity should not exist.



POWER DOOR LOCK SYSTEM

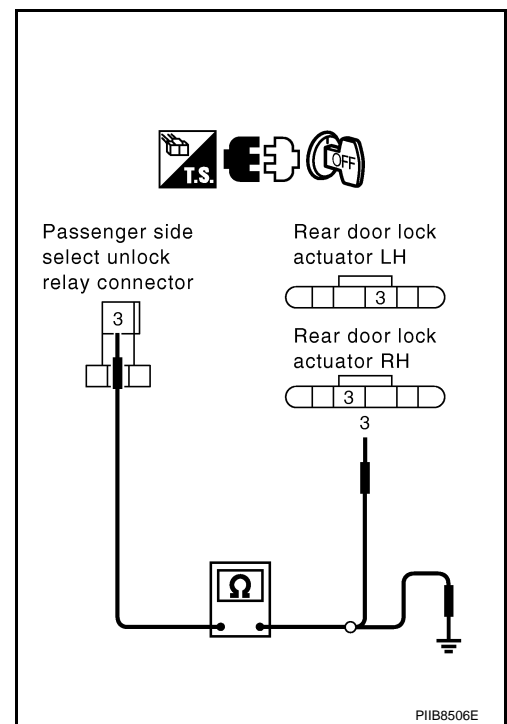
< SERVICE INFORMATION >

5. Check continuity between passenger side select unlock relay connector M30 terminal 3 and rear door lock actuator connector D52 (LH), D72 (RH) terminal 3.

3 (PU) – 3 (PU) : Continuity should exist.

6. Check continuity between passenger side unlock relay connector M30 terminal 3 and ground.

3 (PU) – Ground : Continuity should not exist.



OK or NG

- OK >> Check passenger side select unlock relay.
NG >> Repair or replace harness.

A
B
C
D
E
F
G
H
J
K
L
M
N
O
P

BL

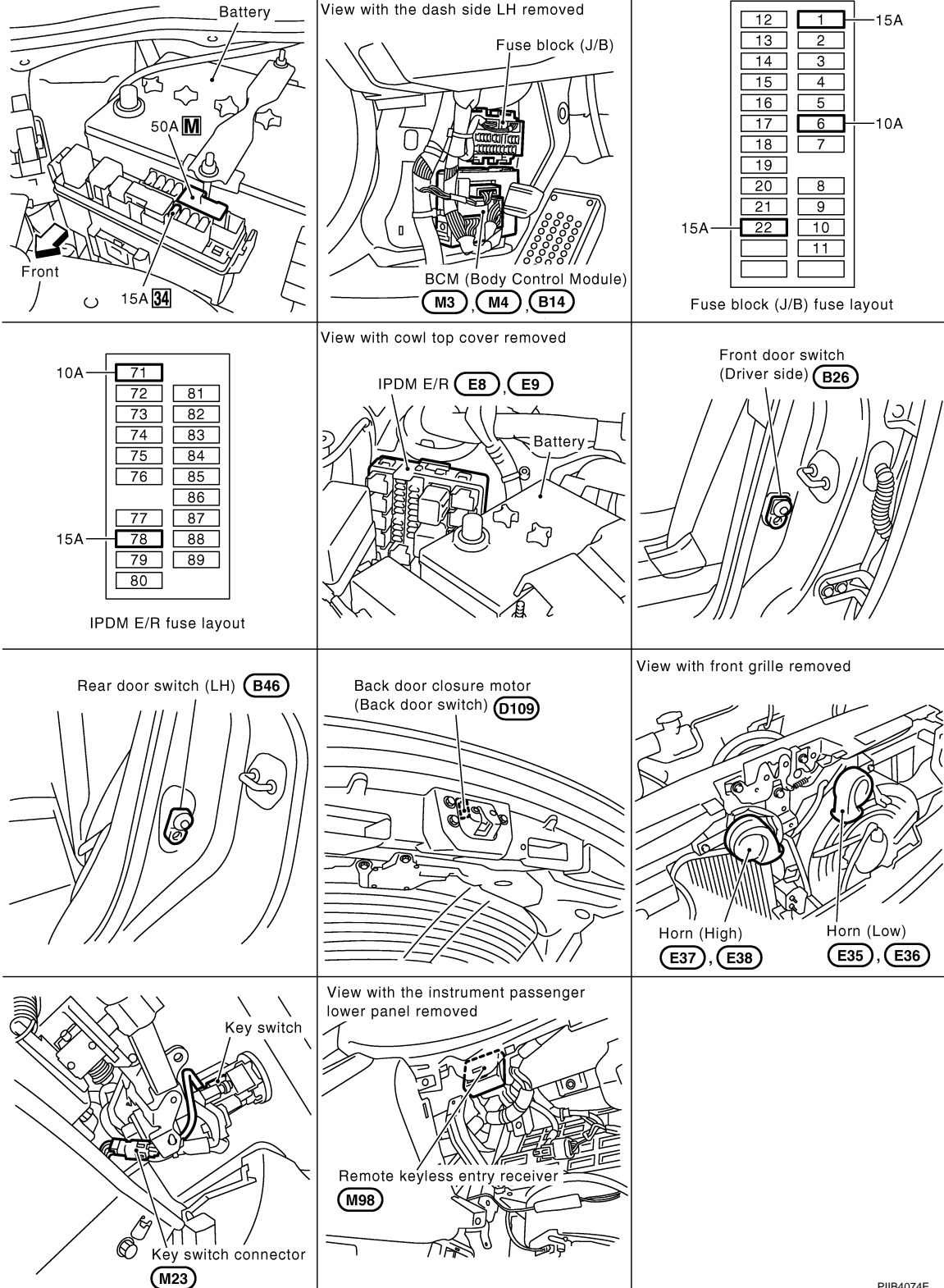
REMOTE KEYLESS ENTRY SYSTEM

< SERVICE INFORMATION >

REMOTE KEYLESS ENTRY SYSTEM

Component Parts and Harness Connector Location

INFOID:000000001327812



PIIB4074E

System Description

INFOID:000000001327813

INPUTS

Power is supplied at all times

REMOTE KEYLESS ENTRY SYSTEM

< SERVICE INFORMATION >

- to BCM terminal 55
- through 50A fusible link (letter **M**, located in the fuse and fusible link box). A
- to BCM terminal 42
- through 15A fuse [No. 22, located in the fuse block (J/B)].
- to Horn relay terminal 2 B
- through 15A fuse (No. 34, located in the fuse and fusible link box).
- When the key switch is ON (key is inserted in ignition key cylinder), power is supplied
- to BCM terminal 37 C
- through key switch terminal 1 and 2
- through 15A fuse [No. 22, located in the fuse block (J/B)].
- When the ignition switch is ACC or ON, power is supplied
- to BCM terminal 11 D
- through 10A fuse [No. 6, located in the fuse block (J/B)].
- When the ignition switch is ON or START, power is supplied
- to BCM terminal 38 E
- through 15A fuse [No. 1, located in the fuse block (J/B)].
- When the front door switch (driver side) is ON (door is OPEN), ground is supplied
- to BCM terminal 62 F
- through front door switch (driver side) terminal 1
- through front door switch (driver side) case ground.
- When the front door switch (passenger side) is ON (door is OPEN), ground is supplied
- to BCM terminal 12 G
- through front door switch (passenger side) terminal 1
- through front door switch (passenger side) case ground.
- When the rear door switch LH is ON (door is OPEN), ground is supplied
- to BCM terminal 63 H
- through rear door switch LH terminal 1
- through rear door switch LH case ground.
- When the rear door switch RH is ON (door is OPEN), ground is supplied
- to BCM meter terminal 13 BL
- through rear door switch RH terminal 1
- through rear door switch RH case ground.
- When the back door switch is ON (door is open), ground is supplied J
- to BCM terminal 58
- through back door closure motor (door switch) terminals 7 and 8
- through body grounds B15 and B45
- Key fob signal is inputted to remote keyless entry receiver (the antenna of the system is built in remote keyless entry receiver). K
- to BCM terminal 20
- from remote keyless entry system controls operation of the L
- The remote keyless entry system controls operation of the
- power door lock M
- hazard and horn reminder
- auto door lock
- panic alarm
- keyless power window down (open)
- room lamp and key ring illumination N

OPERATED PROCEDURE

Power Door Lock Operation O

BCM receives a LOCK signal from key fob. BCM locks all doors with input of LOCK signal from key fob.

When an UNLOCK signal is sent from key fob once, driver's door will be unlocked.

Then, if an UNLOCK signal is sent from key fob again within 5 seconds, all other door will be unlocked.

Power door lock operation mode can be changed using "DOOR LOCK-UNLOCK SET" mode in "WORK SUPPORT" of "POWER DOOR LOCK SYSTEM". P

Refer to [BL-60, "CONSULT-III Function \(BCM\)"](#).

Power door lock operation mode can be changed also on the display.

Hazard and Horn Reminder

When the doors are locked or unlocked by key fob, power is supplied to hazard warning lamp and lamp flash as follows

REMOTE KEYLESS ENTRY SYSTEM

< SERVICE INFORMATION >

- LOCK operation: C mode (flash twice) or S mode (flash twice)
 - UNLOCK operation: C mode (flash once) or S mode (do not flash)
- BCM outputs to IPDM E/R for horn reminder signal as DATA LINE (CAN H line and CAN L line).
The hazard and horn reminder has C mode (horn chirp mode) and S mode (non-horn chirp mode).

Operating function of hazard and horn reminder

	C mode		S mode	
	Lock	Unlock	Lock	Unlock
Remote controller operation	Lock	Unlock	Lock	Unlock
Hazard warning lamp flash	Twice	Once	Twice	—
Horn sound	Once	—	—	—

Hazard and horn reminder do not operate if any door switch is ON (any door is OPEN).

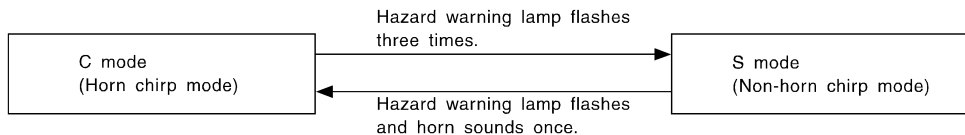
How to change hazard and horn reminder mode

📄 With CONSULT-III

Hazard and horn reminder can be changed using “MULTI ANSWER BACK SET” mode in “WORK SUPPORT”. Refer to [BL-60, "CONSULT-III Function \(BCM\)"](#).

⊗ Without CONSULT-III

When LOCK and UNLOCK signals are sent from the key fob for more than 2 seconds at the same time, the hazard and horn reminder mode is changed and hazard warning lamp flashes and horn sounds as follows:



SEL153WA

Auto Door Lock Operation

Auto lock function signal is sent for operation when any of the following signals are not sent within 1 minute after the unlock signal is sent from the key fob:

- when door switch is turned ON for open.
- when the key switch is turned ON.
- when the lock signal is sent from the key fob.

Auto door lock mode can be changed using “AUTO LOCK SET” mode in “WORK SUPPORT”.

Refer to [BL-60, "CONSULT-III Function \(BCM\)"](#).

Auto door lock mode can be changed also on the display.

Panic Alarm Operation

When key switch is OFF (when ignition key is not inserted in key cylinder), BCM turns on and off horn and headlamp intermittently with input of PANIC ALARM signal from key fob.

The alarm automatically turns off after 25 seconds or when BCM receives any signal from key fob.

Panic alarm operation mode can be changed using “PANIC ALARM SET” mode in “WORK SUPPORT”.

Refer to [BL-60, "CONSULT-III Function \(BCM\)"](#).

For detailed description, refer to [BL-163](#).

Keyless Power Window Down (Open) Operation

When key fob unlock switch is turned ON with ignition switch OFF, and key fob unlock switch is detected to be on continuously for 3 seconds, the driver's door and passenger's door power windows are simultaneously opened.

Power window is operated to open and the operation continues as long as the key fob unlock switch is pressed.

Keyless power window down operation mode can be changed using “PW DOWN SET” mode in “WORK SUPPORT”. Refer to [BL-60, "CONSULT-III Function \(BCM\)"](#)

Room Lamp and Ignition Key Ring Illumination Operation

When the following conditions come:

- condition of interior lamp switch is DOOR position;

REMOTE KEYLESS ENTRY SYSTEM

< SERVICE INFORMATION >

- door switch OFF (when all the doors are closed);
Remote keyless entry system turns on interior lamp (for 30 seconds) with input of UNLOCK signal from key fob. For detailed description, refer to [LT-138](#).

CAN Communication System Description

INFOID:000000001327814

CAN (Controller Area Network) is a serial communication line for real time application. It is an on-vehicle multiplex communication line with high data communication speed and excellent error detection ability. Many electronic control units are equipped onto a vehicle, and each control unit shares information and links with other control units during operation (not independent). In CAN communication, control units are connected with 2 communication lines (CAN H line, CAN L line) allowing a high rate of information transmission with less wiring. Each control unit transmits/receives data but selectively reads required data only.

CAN Communication Unit

INFOID:000000001327815

Refer to [LAN-43, "CAN System Specification Chart"](#).

A
B
C
D
E
F
G
H
J
K
L
M
N
O
P

BL

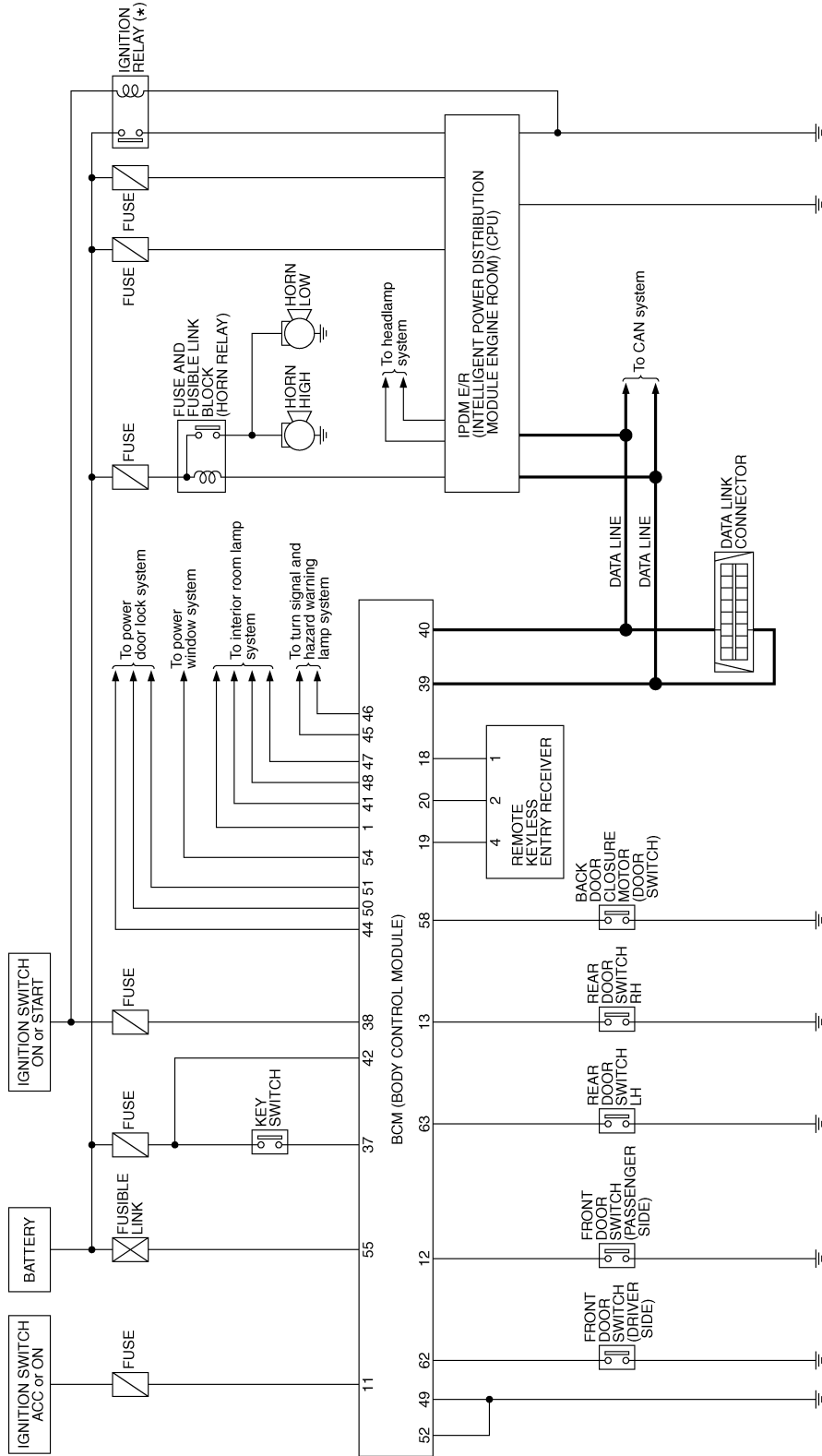
REMOTE KEYLESS ENTRY SYSTEM

< SERVICE INFORMATION >

Schematic

INFOID:000000001327816

* : This relay is built into the IPDM E/R (Intelligent power distribution module engine room).



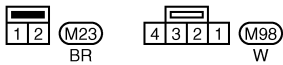
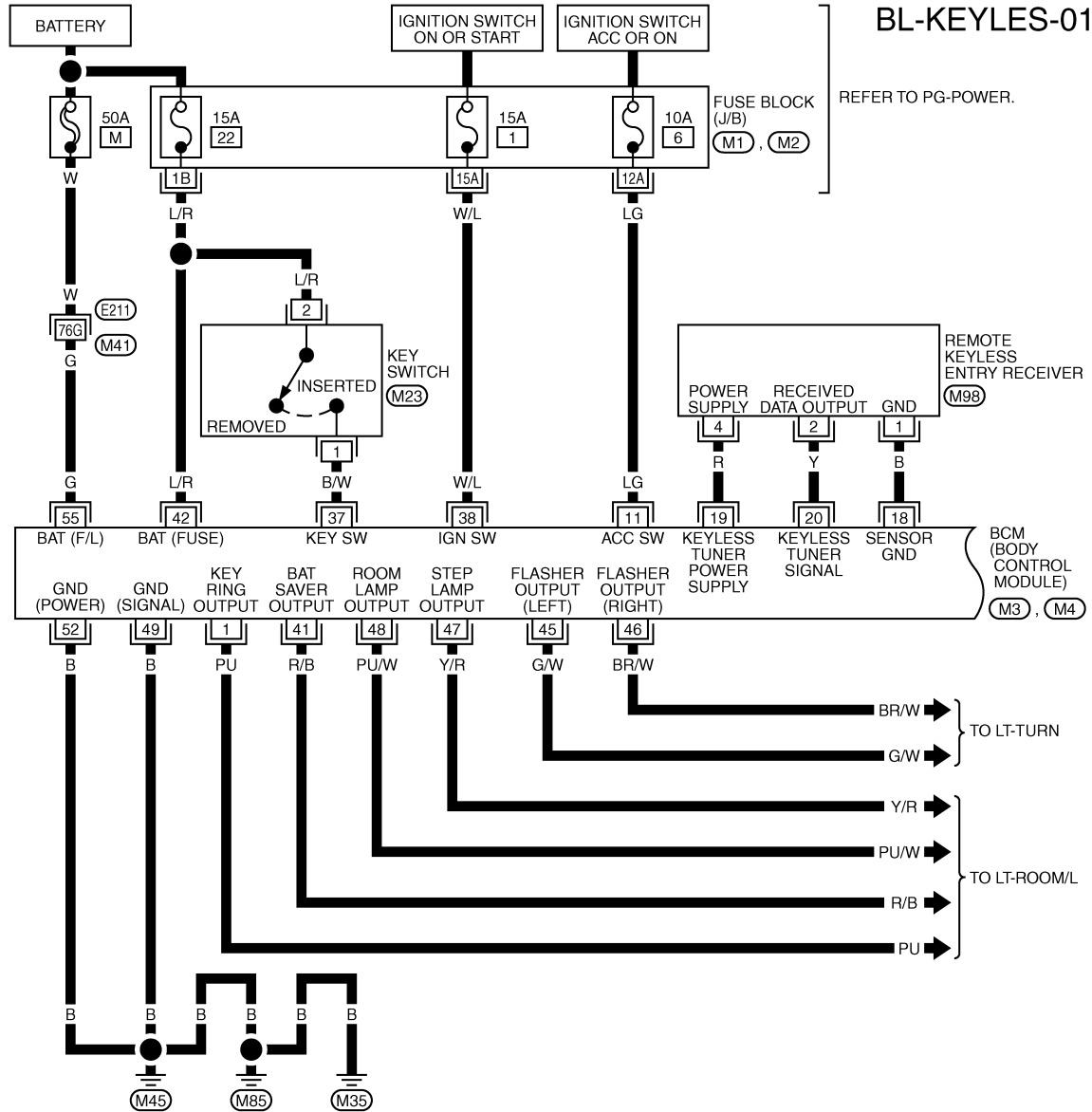
TIWM0976E

REMOTE KEYLESS ENTRY SYSTEM

< SERVICE INFORMATION >

Wiring Diagram - KEYLES -

INFOID:000000001327817



REFER TO THE FOLLOWING.

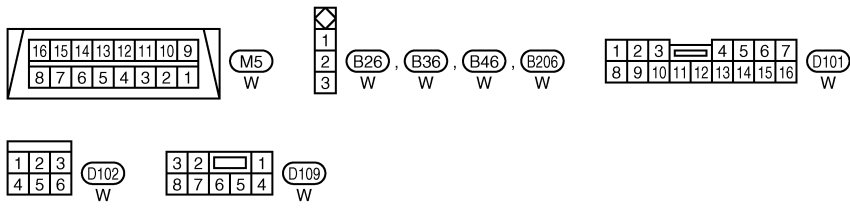
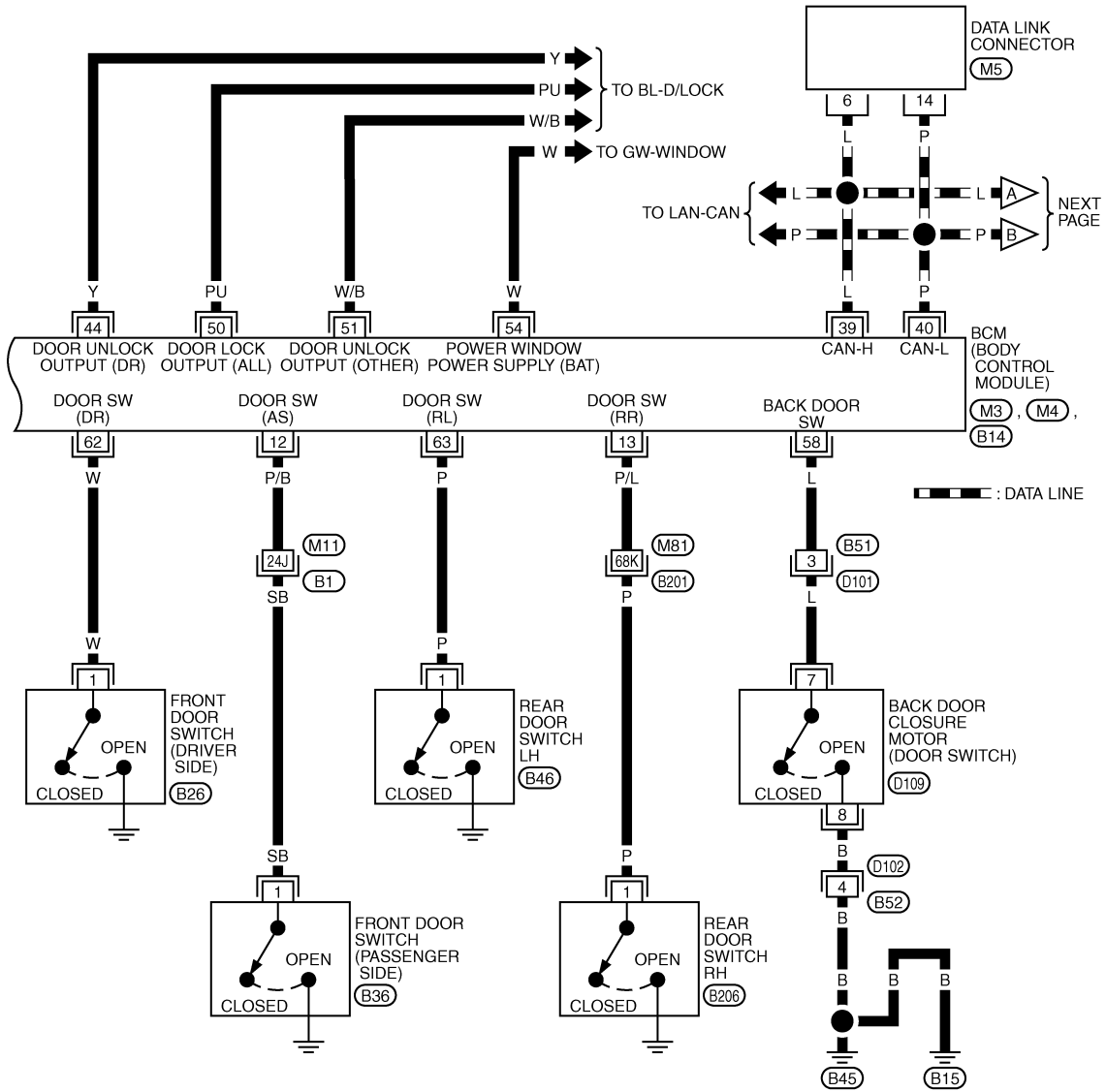
- (E21) -SUPER MULTIPLE JUNCTION (SMJ)
- (M1), (M2) -FUSE BLOCK-JUNCTION BOX (J/B)
- (M3), (M4) -ELECTRICAL UNITS

TIWM1656E

REMOTE KEYLESS ENTRY SYSTEM

< SERVICE INFORMATION >

BL-KEYLES-02

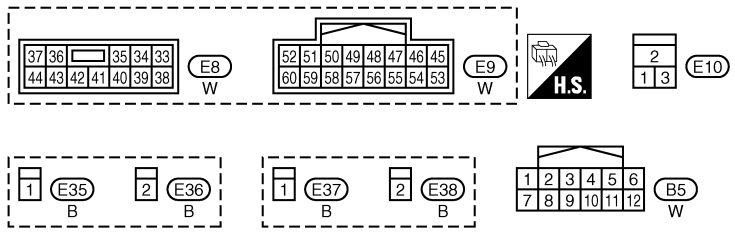
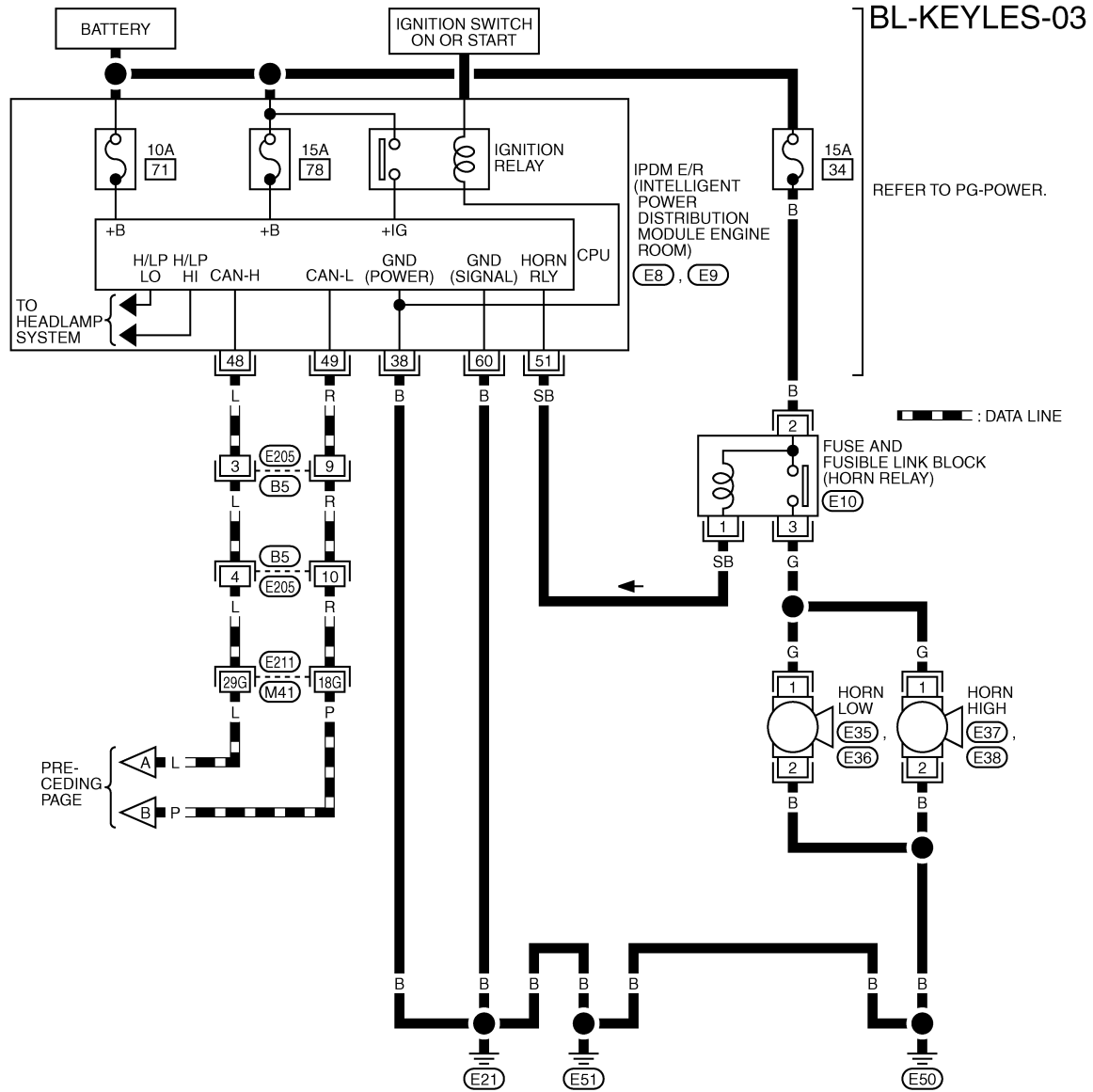


REFER TO THE FOLLOWING.
 (B1), (B201) -SUPER MULTIPLE JUNCTION (SMJ)
 (M3), (M4), (B14) -ELECTRICAL UNITS

TIWM1657E

REMOTE KEYLESS ENTRY SYSTEM

< SERVICE INFORMATION >



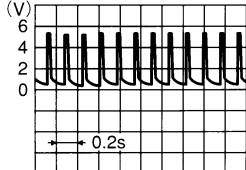

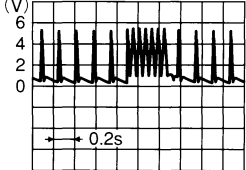
TIWM1658E

REMOTE KEYLESS ENTRY SYSTEM

< SERVICE INFORMATION >

Terminal and Reference Value for BCM

INFOID:000000001327818

Terminal	Wire Color	Item	Signal Input/ output	Condition	Voltage (V) Approx.
1	PU	Key ring illumination output signal	Output	Key ring illumination is lighting.	Battery voltage
				Key ring illumination is being turned off.	0
11	LG	Ignition switch	Input	Ignition switch is in ACC or ON position	Battery voltage
12	P/B	Front door switch (Passenger side)	Input	ON (door open) → OFF (door closed)	0 → Battery voltage
13	P/L	Rear door switch RH	Input	ON (door open) → OFF (door closed)	0 → Battery voltage
18	B	Remote keyless entry receiver (Ground)	—	—	0
19	R	Remote keyless entry receiver (Power supply)	Output	Key is inserted in IGN key cylinder	0
				All door closed	 <p style="text-align: right;">OCC3881D</p>
20	Y	Remote keyless entry receiver (Signal)	Input	Key is inserted in IGN key cylinder	0
				Waiting (All door closed)	 <p style="text-align: right;">OCC3879D</p>
				When signal is received (All door closed)	 <p style="text-align: right;">OCC3880D</p>
37	B/W	Key switch	Input	ON (Key is inserted in IGN key cylinder) → OFF (Key is removed from IGN key cylinder)	Battery voltage → 0
38	W/L	Ignition switch	Input	Ignition switch is in ON or START position	Battery voltage
39	L	CAN H	Input/ Output	—	—
40	P	CAN L	Input/ Output	—	—
41	R/B	Battery saver output signal	Output	30 minutes after ignition switch is turned to OFF	0
				Ignition switch is in ON position	Battery voltage
42	L/R	Battery power supply (fuse)	Input	—	Battery voltage

REMOTE KEYLESS ENTRY SYSTEM

< SERVICE INFORMATION >

Terminal	Wire Color	Item	Signal Input/ output	Condition	Voltage (V) Approx.	
44	Y	Driver door lock actuator (Unlock)	Output	Door lock / unlock switch (Free → Unlock)	0 → Battery voltage	A
45	G/W	Left turn signal lamp	Output	When door lock or unlock is operated using key fob.* ¹ (ON → OFF)	Battery voltage → 0	B
46	BR/W	Right turn signal lamp	Output	When door lock or unlock is operated using key fob.* ¹ (ON → OFF)	Battery voltage → 0	C
47	Y/R	Step lamp output signal	Output	Step lamp is lighting.	0	D
				Step lamp is being turned off.	Battery voltage	E
48	PU/W	Room lamp output signal	Output	Room lamp is lighting.* ²	0	F
				Room lamp is being turned off.* ²	Battery voltage	G
49	B	Ground	—	—	0	H
50	PU	Door lock actuator (Lock)	Output	Door lock / unlock switch (Free → Lock)	0 → Battery voltage	I
51	W/B	Passenger and rear doors lock actuator (Unlock)	Output	Door lock / unlock switch (Free → Unlock)	0 → Battery voltage	J
52	B	Ground	—	—	0	K
54	W	Battery power supply (power window)	Input	—	Battery voltage	L
55	G	Battery power supply (Fusible link)	Input	—	Battery voltage	M
58	L	Back door switch	Input	OFF (Door close) → ON (Door open)	9 → 0	N
62	W	Front door switch (Driver side)	Input	OFF (Door close) → ON (Door open)	Battery voltage → 0	O
63	P	Rear door switch LH	Input	OFF (Door close) → ON (Door open)	Battery voltage → 0	P

*¹: In the state that hazard reminder operates.

*²: In the state that room lamp switch is in "DOOR" position.

Terminal and Reference Value for IPDM E/R

INFOID:000000001327819

Terminal	Wire Color	Item	Signal Input/ Output	Condition	Voltage (V) Approx.	
38	B	Ground	—	—	0	
48	L	CAN H	Input/ Output	—	—	
49	R	CAN L	Input/ Output	—	—	
51	SB	Horn relay	Output	When door lock is operated using key fob* (OFF → ON)	Battery voltage → 0	
60	B	Ground	—	—	0	

*: In the state that horn reminder operates.

REMOTE KEYLESS ENTRY SYSTEM

< SERVICE INFORMATION >

CONSULT-III Function (BCM)

INFOID:000000001327820

BCM diagnosis position	Inspection items and diagnosis mode	Description
BCM C/U*	Self-diagnosis results	Carries out the self-diagnosis.
	DATA MONITOR	Displays the input data to BCM on real-time basis.
	CAN DIAG SUPPORT MNTR	Displays CAN communication system diagnosis, disabled transmission status, and communication status of each unit communicated with BCM.
MULTI REMOTE ENT	DATA MONITOR	Displays the input remote keyless entry system data to BCM on real-time basis.
	ACTIVE TEST	Gives a drive to a load to check the operation.
	WORK SUPPORT	Changes the setting for each function.

*: Refer to [LAN-43, "CAN System Specification Chart"](#).

DATA MONITOR

Monitored Item	Description
IGN ON SW	Indicates [ON/OFF] condition of ignition switch in ON position.
KEY ON SW	Indicates [ON/OFF] condition of key switch.
ACC ON SW	Indicates [ON/OFF] condition of ignition switch in ACC position.
KEYLESS LOCK	Indicates [ON/OFF] condition of lock signal from key fob.
KEYLWSS UNLOCK	Indicates [ON/OFF] condition of unlock signal from key fob.
KEYLESS PANIC	Indicates [ON/OFF] condition of panic signal from key fob.
KEYLESS TRUNK	This is displayed even when it is not equipped.
DOOR SW-DR	Indicates [ON/OFF] condition of front door switch driver side.
DOOR SW-AS	Indicates [ON/OFF] condition of door switch passenger side.
DOOR SW-RR	Indicates [ON/OFF] condition of front door switch RH.
DOOR SW-RL	Indicates [ON/OFF] condition of door switch LH.
BACK DOOR SW	Indicates [ON/OFF] condition of back door switch.
TRUNK OPN MNTR	This is displayed even when it is not equipped.
CDL LOCK SW	Indicates [ON/OFF] condition of lock signal from door lock and unlock switch.
CDL UNLOCK SW	Indicates [ON/OFF] condition of unlock signal from door lock and unlock switch.
RKE LCK-UNLOCK	Indicates [ON/OFF] condition of simultaneous signal of lock and unlock from key fob.
RKE KEEP UNLK	Indicates [ON/OFF] condition of unlock continuousness signal from key fob.
KEY CYL LK-SW	Indicates [ON/OFF] condition of lock signal from door key cylinder switch.
KEY CYL UN-SW	Indicates [ON/OFF] condition of unlock signal from door key cylinder switch.

ACTIVE TEST

Test Item	Description
FLASHER	This test is able to check right hazard reminder operation. The right hazard lamp turns on when "ON" on CONSULT-III screen is touched.
POWER WINDOW DOWN	This test is able to check power window open operation. The front power windows activate for 10 seconds after "ON" on CONSULT-III screen is touched.
HORN	This test is able to check panic alarm and horn reminder operations. The horn activate for 0.5 seconds after "ON" on CONSULT-III screen is touched.

REMOTE KEYLESS ENTRY SYSTEM

< SERVICE INFORMATION >

Test Item	Description
DOOR LOCK	<p>This test is able to check door lock actuator operation.</p> <ul style="list-style-type: none"> The all door lock actuator are locked when "ALL LOCK" on CONSULT-III screen is touched. The all door lock actuator are unlocked when "ALL UNLOCK" on CONSULT-III screen is touched. The door lock actuator (driver side) is unlocked when "DR UNLOCK" on CONSULT-III screen is touched. The all door lock actuator (except driver side) are unlocked when "OTHER UNLOCK" on CONSULT-III screen is touched.
TRUNK/BACK DOOR	This is displayed even when it is not equipped.

WORK SUPPORT

Test Item	Description
HORN CHIRP SET*	Horn reminder mode can be changed in this mode. The horn reminder mode will be changed when "CHANGE SETT" on CONSULT-III screen is touched.
HAZARD LAMP SET*	Hazard reminder mode can be changed in this mode. The hazard reminder mode will be changed when "CHANGE SETT" on CONSULT-III screen is touched.
MULTI ANSWER BACK SET	Hazard and horn reminder mode can be changed in this mode. The hazard and horn reminder mode will be changed when "CHANGE SETT" on CONSULT-III screen is touched.
AUTO LOCK SET	Auto locking function mode can be changed in this mode. The function mode will be changed when "CHANGE SETT" on CONSULT-III screen is touched.
PANIC ALRM SET	Panic alarm operation mode can be changed in this mode. The operation mode will be changed when "CHANGE SETT" on CONSULT-III screen is touched.
PW DOWN SET	Keyless power window down (open) operation mode can be changed in this mode. The operation mode will be changed when "CHANGE SETT" on CONSULT-III screen is touched.

*: Perform this mode always in the state of C mode. Refer to [BL-50. "System Description"](#).

Horn Chirp Set*

Horn chirp function	ON	OFF

*: Perform this mode always in the state of C mode. Refer to [BL-50. "System Description"](#).

This mode can be changed also on the display.

Hazard Lamp Set*

	MODE1	MODE2	MODE3	MODE4
Hazard lamp operation mode	Nothing	Unlock only	Lock only	Lock and Unlock

*: Perform this mode always in the state of C mode. Refer to [BL-50. "System Description"](#).

This mode can be changed also on the display.

Multi Answer Back Set

	MODE 1 (C mode)		MODE 2 (S mode)	
Key fob operation	Lock	Unlock	Lock	Unlock
Hazard warning lamp flash	Twice	Once	Twice	—
Horn sound	Once	—	—	—

Auto Lock Set

	MODE 1	MODE 2	MODE 3
Auto locking function	1 minutes	Nothing	5 minutes

Panic Alarm Set

	MODE 1	MODE 2	MODE 3
Key fob operation	0.5 seconds	Nothing	1.5 seconds

REMOTE KEYLESS ENTRY SYSTEM

< SERVICE INFORMATION >

PW Down Set

	MODE 1	MODE 2	MODE 3
Key fob operation	3 seconds	Nothing	5 seconds

Work Flow

INFOID:000000001327821

1. Check the symptom and customer's requests.
2. Understand outline of system. Refer to [BL-50, "System Description"](#).
3. Confirm that power door lock system operates normally.
Refer to [BL-21](#).
4. Repair or replace any malfunctioning parts.
Refer to [BL-62, "Trouble Diagnosis Chart by Symptom"](#).
5. INSPECTION END

Trouble Diagnosis Chart by Symptom

INFOID:000000001327822

NOTE:

- Always check the "Work Flow" before troubleshooting. Refer to [BL-62, "Work Flow"](#).
- Always check key fob battery before replacing key fob.

Symptom	Diagnoses/service procedure	Reference page
All function of remote keyless entry system do not operate.	1. Check key fob battery and function.	BL-63
	2. Replace key fob. Refer to ID Code Entry Procedure. NOTE: If the result of key fob function check with CONSULT-III is OK, key fob is not malfunctioning.	BL-73
	3. Check remote keyless entry receiver.	BL-69
	4. Replace BCM.	BCS-13
The new ID of key fob cannot be entered.	1. Check key fob battery and function.	BL-63
	2. Check key switch.	BL-68
	3. Check door switch.	BL-65
	4. Check ACC switch.	BL-64
	5. Replace key fob. Refer to ID Code Entry Procedure. NOTE: If the result of key fob function check with CONSULT-III is OK, key fob is not malfunctioning.	BL-73
	6. Replace BCM.	BCS-13
Door lock or unlock does not function with key fob. (Power door lock system is "OK".)	1. Check key fob battery and function.	BL-63
	2. Replace key fob. Refer to ID Code Entry Procedure. NOTE: If the result of key fob function check with CONSULT-III is OK, key fob is not malfunctioning.	BL-73
	3. Replace BCM.	BCS-13
Hazard and horn reminder does not activate properly when pressing lock or unlock button of key fob.	1. Check hazard and horn reminder mode.* *: Hazard and horn reminder mode can be changed. First check the hazard and horn reminder setting.	BL-60
	2. Check door switch.	BL-65
	3. Replace BCM.	BCS-13

REMOTE KEYLESS ENTRY SYSTEM

< SERVICE INFORMATION >

Symptom	Diagnoses/service procedure	Reference page	
Hazard reminder does not activate properly when pressing lock or unlock button of key fob. (Horn reminder is "OK".)	1. Check hazard reminder mode.* *: Hazard reminder mode can be changed. First check the hazard reminder setting.	BL-60	A
	2. Check hazard function with hazard switch.	BL-72	B
	3. Replace BCM.	BCS-13	
Horn reminder does not activate properly when pressing lock button of key fob. (Hazard reminder is "OK".)	1. Check horn reminder mode.* *: Horn reminder can be changed. First check the horn chirp setting.	BL-60	C
	2. Check horn function.	BL-72	D
	3. Check IPDM E/R operation.	BL-71	
	4. Replace BCM.	BCS-13	E
Panic alarm (horn and headlamp) does not activate when panic alarm button is continuously pressed.	1. Check panic alarm mode.* *: Panic alarm mode can be changed. First check the panic alarm setting.	BL-60	F
	2. Check key fob battery and function.	BL-63	
	3. Check headlamp function.	BL-72	G
	4. Check horn function.	BL-72	
	5. Check IPDM E/R operation.	BL-71	H
	6. Check key switch.	BL-68	
	7. Replace key fob. Refer to ID Code Entry Procedure. NOTE: If the result of key fob function check with CONSULT-III is OK, key fob is not malfunctioning.	BL-73	
	8. Replace BCM.	BCS-13	BL
Auto door lock operation does not activate properly. (All other remote keyless entry system function is OK.)	1. Check auto door lock operation mode.* *: Auto door lock operation mode can be changed. First check the auto door lock operation setting.	BL-60	J
	2. Replace BCM.	BCS-13	
Keyless power window down (open) operation does not activate properly. (All other remote keyless entry system function is OK.)	1. Check power window down operation mode.* *: Power window down operation mode can be changed. First check the power window down setting.	BL-60	K
	2. Check power window function.	GW-15	L
	3. Replace BCM.	BCS-13	
Map lamp and ignition keyhole illumination operation does not activate properly.	1. Check map lamp and ignition keyhole illumination operation.	BL-72	M
	2. Check door switch.	BL-65	
	3. Replace BCM.	BCS-13	N

Check Key Fob Battery and Function

INFOID:000000001327823

1. CHECK KEY FOB BATTERY

1. Remove key fob battery. Refer to [BL-75, "Key Fob Battery Replacement"](#).

REMOTE KEYLESS ENTRY SYSTEM

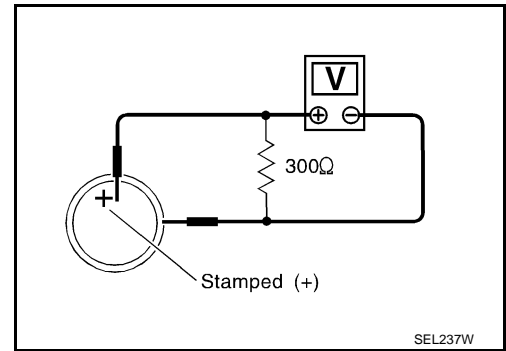
< SERVICE INFORMATION >

2. Measure voltage between battery positive and negative terminals, (+) and (-).

Voltage : 2.5 – 3.0V

NOTE:

Key fob does not function if battery is not set correctly.



OK or NG

- OK >> GO TO 2.
- NG >> Replace battery.

2.CHECK KEY FOB FUNCTION

With CONSULT-III

Check key fob function in “DATA MONITOR” mode with CONSULT-III. When pushing each button of key fob, the corresponding monitor item should be turned as follows.

Condition	Monitor item
Pushing LOCK	KEYLESS LOCK : ON
Pushing UNLOCK	KEYLESS UNLOCK : ON
Keep pushing UNLOCK	RKE KEEP UNLK : ON
Pushing PANIC	KEYLESS PANIC : ON
Pushing LOCK and UNLOCK at the same time	RKE LCK-UNLOCK : ON

OK or NG

- OK >> Key fob is OK.
- NG >> Replace key fob.

Check ACC Switch

INFOID:000000001327824

1.CHECK ACC SWITCH

With CONSULT-III

Check ACC switch (“ACC ON SW”) in “DATA MONITOR” mode with CONSULT-III.

Monitor item	Condition
ACC SW	Ignition switch position is ACC or ON : ON
	Ignition switch position is OFF : OFF

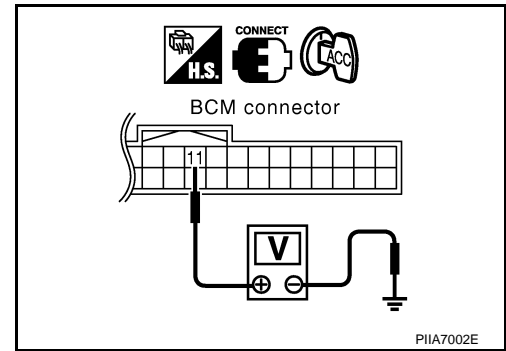
Without CONSULT-III

REMOTE KEYLESS ENTRY SYSTEM

< SERVICE INFORMATION >

Check voltage between BCM connector and ground.

Item	(+) Terminal (Wire color)		(-)	Condition	Voltage (V) Approx.
	Con- nector	Terminal (Wire color)			
BCM	M3	11 (LG)	Ground	ACC or ON	Battery voltage
				OFF	0



OK or NG

- OK >> ACC switch is OK.
- NG >> Check the following.
 - 10A fuse [No. 6, located in fuse block (J/B)]
 - Harness for open or short between BCM and fuse.

Check Door Switch

INFOID:000000001327825

CHECK DOOR SWITCH (EXCEPT BACK DOOR SWITCH)

1. CHECK DOOR SWITCH INPUT SIGNAL

With CONSULT-III

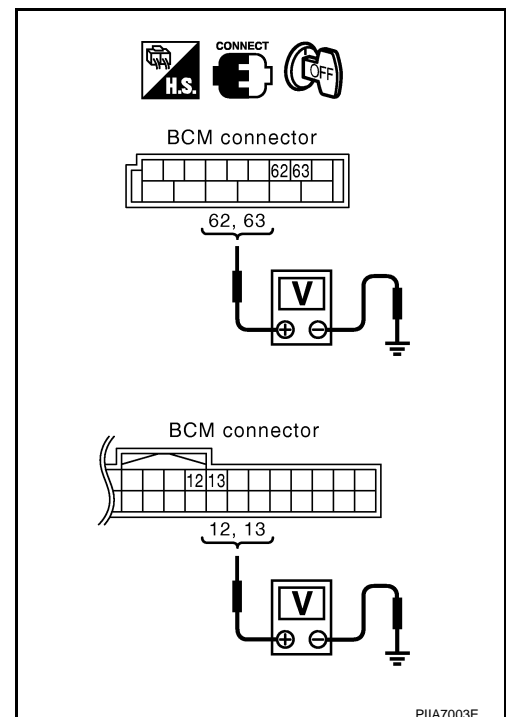
Check door switches (“DOOR SW-DR”, “DOOR SW-AS”, “DOOR SW-RL” and “DOOR SW-RR”) in “DATA MONITOR” mode with CONSULT-III.

Monitor item	Condition	DATA MONITOR
DOOR SW-DR	CLOSE ↓ OPEN:	OFF ↓ ON
DOOR SW-AS		
DOOR SW-RL		
DOOR SW-RR		

Without CONSULT-III

Check voltage between BCM connector and ground.

Item	Connector	Terminals (Wire color)		Door condition	Voltage (V) (Approx.)
		(+)	(-)		
Driver side	B14	62 (W)	Ground	CLOSE ↓ OPEN	Battery voltage ↓ 0
Rear LH		63 (P)			
Passenger side	M3	12 (P/B)			
Rear RH		13 (P/L)			



REMOTE KEYLESS ENTRY SYSTEM

< SERVICE INFORMATION >

OK or NG

- OK >> Door switch circuit is OK.
- NG >> GO TO 2.

2.CHECK DOOR SWITCH CIRCUIT

1. Turn ignition switch OFF.
2. Disconnect door switch and BCM connector.
3. Check continuity between door switch connector B26, B36, B46, B206 terminals 1 and BCM connector M3, B14 terminals 62, 12, 63, 13.

Driver side door

1 (W) – 62 (W) : Continuity should exist.

Passenger side door

1 (SB) – 12 (P/B) : Continuity should exist.

Rear door LH

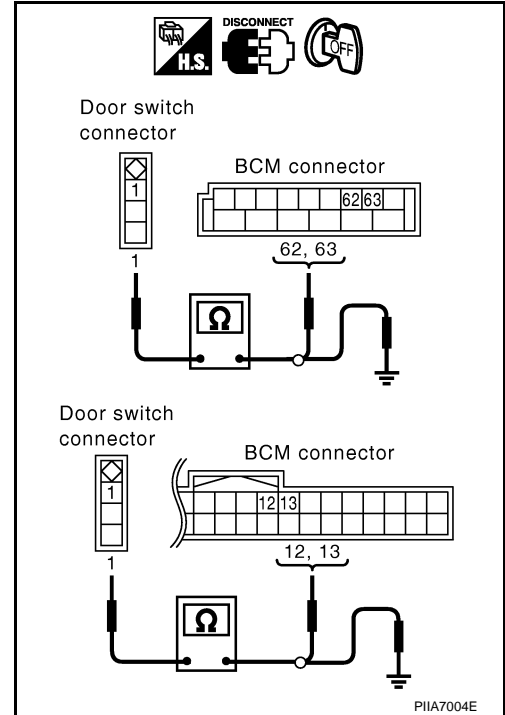
1 (P) – 63 (P) : Continuity should exist.

Rear door RH

1 (P) – 13 (P/L) : Continuity should exist.

4. Check continuity between door switch connector B26, B36, B46, B206 terminal 1 and ground.

1 (W, SB, P) – Ground : Continuity should not exist.



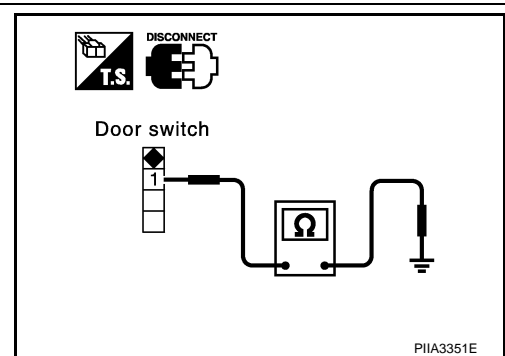
OK or NG

- OK >> GO TO 3.
- NG >> Repair or replace harness.

3.CHECK DOOR SWITCH

Check continuity between door switch terminal 1 and ground part of door switch.

Terminal	Door switch condition	Continuity
1	Pushed	No
	Released	Yes



OK or NG

- OK >> Check door switch case ground condition.
- NG >> Replace door switch.

CHECK BACK DOOR SWITCH

1.CHECK BACK DOOR SWITCH INPUT SIGNAL

With CONSULT-III

Check ("BACK DOOR SW") in "DATA MONITOR" mode with CONSULT-III.

REMOTE KEYLESS ENTRY SYSTEM

< SERVICE INFORMATION >

Monitor item	Condition	DATA MONITOR
BACK DOOR SW	OPEN	ON
	↓ CLOSE	↓ OFF

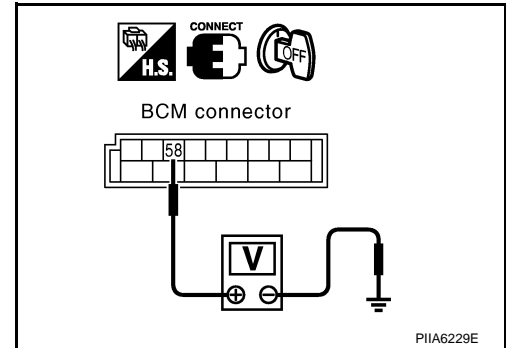
⊗ Without CONSULT-III

Check voltage between BCM connector and ground.

Connector	Terminals (Wire color)		Condition	Voltage (V) (Approx.)
	(+)	(-)		
B14	58 (L)	Ground	OPEN	0
			CLOSE	9

OK or NG

- OK >> Back door switch circuit is OK.
 NG >> GO TO 2.



2. CHECK HARNESS CONTINUITY

- Turn ignition switch OFF.
- Disconnect BCM and back door closure motor connector.
- Check continuity between BCM connector B14 terminal 58 and back door closure motor connector D109 terminal 7.

58 (L) – 7 (L) : Continuity should exist.

- Check continuity between BCM connector B14 terminal 58 and ground.

58 (L) – Ground : Continuity should not exist.

OK or NG

- OK >> GO TO 3.
 NG >> Repair or replace harness.

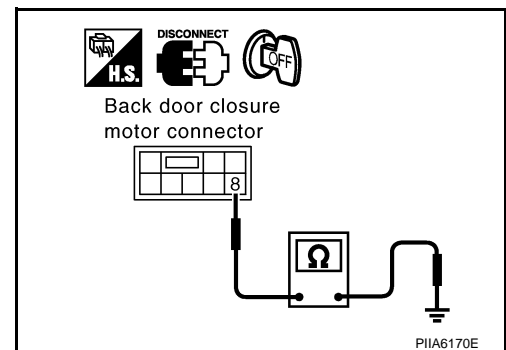
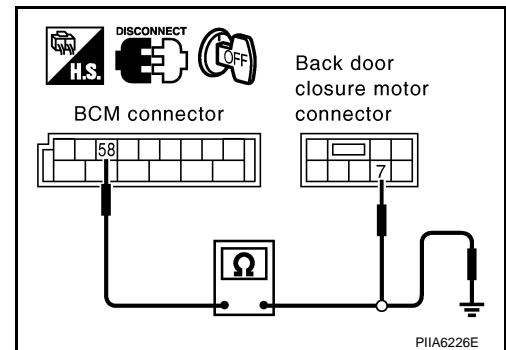
3. CHECK GROUND CIRCUIT

Check continuity between back door closure motor connector D109 terminal 8 and ground.

8 (B) – Ground : Continuity should exist.

OK or NG

- OK >> GO TO 4.
 NG >> Repair or replace harness.



4. CHECK BACK DOOR SWITCH

REMOTE KEYLESS ENTRY SYSTEM

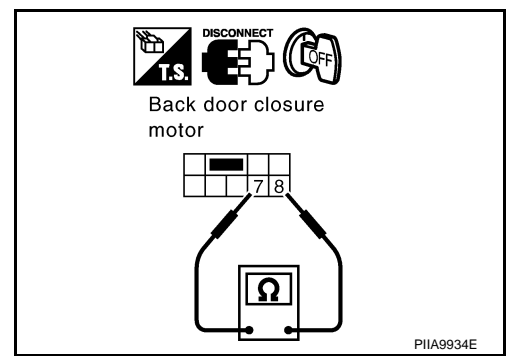
< SERVICE INFORMATION >

Check continuity between back door closure motor D109 terminals 7 and 8.

Terminals		Back door condition	Continuity
7	8	Open	Yes
		Close	No

OK or NG

- OK >> GO TO 5.
- NG >> Replace back door closure motor.



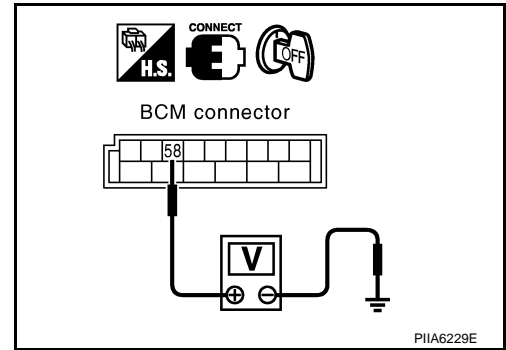
5. CHECK BCM OUTPUT SIGNAL

1. Connect BCM connector.
2. Check voltage between BCM connector and ground.

58 (L) – Ground : Approx. 9V

OK or NG

- OK >> Check condition of harness and connector.
- NG >> Replace BCM.



Check Key Switch

1. CHECK KEY SWITCH INPUT SIGNAL

Ⓜ With CONSULT-III

Check ignition key switch "KEY ON SW" in "DATA MONITOR" mode with CONSULT-III.

- When key is inserted in ignition key cylinder

KEY ON SW : ON

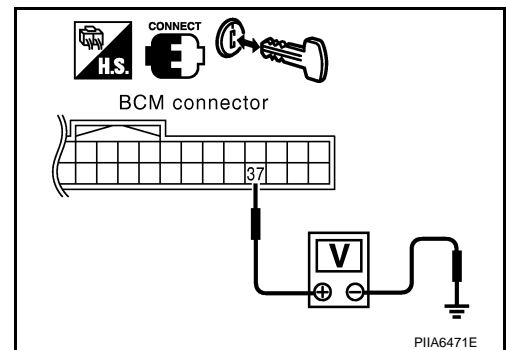
- When key is removed from ignition key cylinder

KEY ON SW : OFF

ⓧ Without CONSULT-III

Check voltage between BCM connector M3 terminal 37 (B/W) and ground.

Condition of ignition key cylinder	Voltage (V) Approx.
Key is inserted	Battery voltage
Key is removed	0



OK or NG

- OK >> Key switch circuit is OK.
- NG >> GO TO 2.

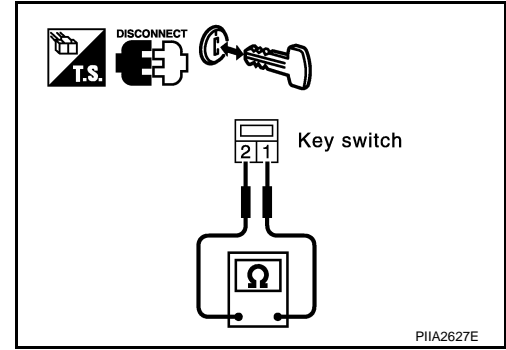
2. CHECK KEY SWITCH

REMOTE KEYLESS ENTRY SYSTEM

< SERVICE INFORMATION >

1. Disconnect key switch connector.
2. Check continuity between key switch terminals 1 and 2.

Terminal		Key switch condition	Continuity
1	2	Key is inserted in IGN key cylinder.	Yes
		Key is removed from IGN key cylinder	No



OK or NG

- OK >> Check the following.
- 15A fuse [No. 22, located in fuse block (J/B)]
 - Harness for open or short between key switch and fuse
 - Harness for open or short between BCM and key switch
- NG >> Replace key switch.

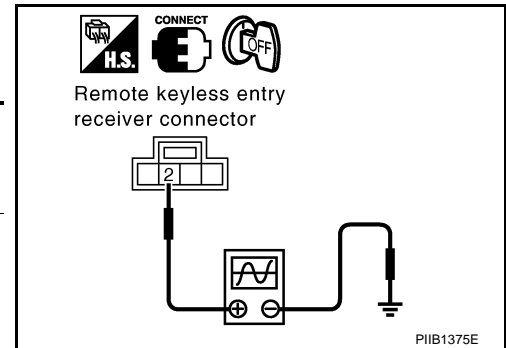
Check Remote Keyless Entry Receiver

INFOID:000000001327827

1. CHECK REMOTE KEYLESS ENTRY RECEIVER OUTPUT SIGNAL

1. Turn ignition switch OFF.
2. Check remote keyless entry receiver connector M98 terminal 2 (L) and ground signal with oscilloscope.

Connector	Terminal (Wire color)		Condition of keyfob	Voltage (Reference value)
	(+)	(-)		
M98	2	Ground	No function	
			Any button is pressed	



OK or NG

- OK >> Remote keyless entry receiver circuit is OK.
- NG >> GO TO 2.

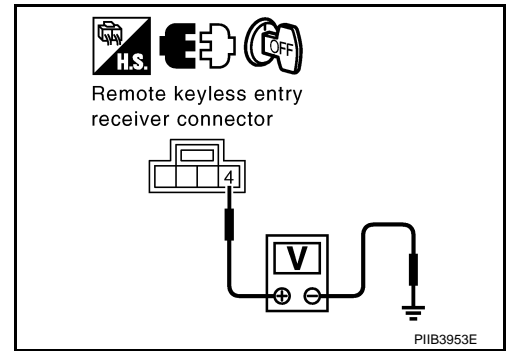
2. CHECK REMOTE KEYLESS ENTRY RECEIVER INPUT VOLTAGE

1. Disconnect remote keyless entry receiver connector.
2. Check voltage between remote keyless entry receiver connector M98 terminal 4 (R) and ground.

REMOTE KEYLESS ENTRY SYSTEM

< SERVICE INFORMATION >

4 (Y) – Ground : Approx. 4.5V



OK or NG

OK >> GO TO 4.

NG >> GO TO 3.

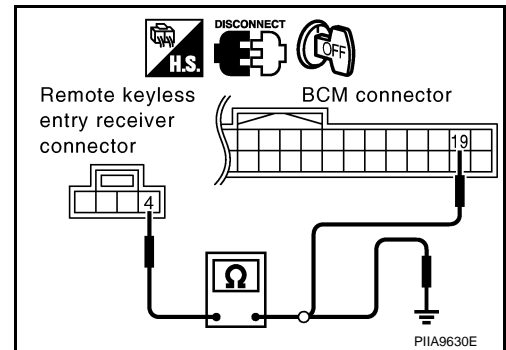
3. CHECK REMOTE KEYLESS ENTRY RECEIVER POWER SUPPLY CIRCUIT

1. Disconnect BCM connector.
2. Check continuity between remote keyless entry receiver connector M78 terminal 4 (R) and BCM connector M1 terminal 19 (R).

4 (R) – 19 (R) : Continuity should exist.

3. Check continuity between remote keyless entry receiver connector M78 terminal 4 (R) and ground.

4 (R) – Ground : Continuity should not exist.



OK or NG

OK >> Check harness connection.

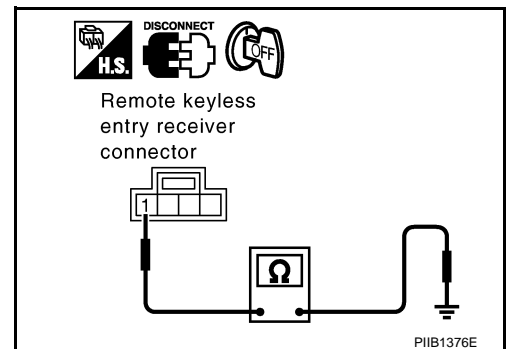
- If it is OK, replace BCM.
- If it is NG, repair or replace malfunction part.

NG >> Repair or replace the harness.

4. CHECK REMOTE KEYLESS ENTRY RECEIVER GROUND CIRCUIT

1. Check continuity between remote keyless entry receiver connector M78 terminal 1 (B) and ground.

1 (B) – Ground : Continuity should exist.



OK or NG

OK >> GO TO 6.

NG >> GO TO 5.

REMOTE KEYLESS ENTRY SYSTEM

< SERVICE INFORMATION >

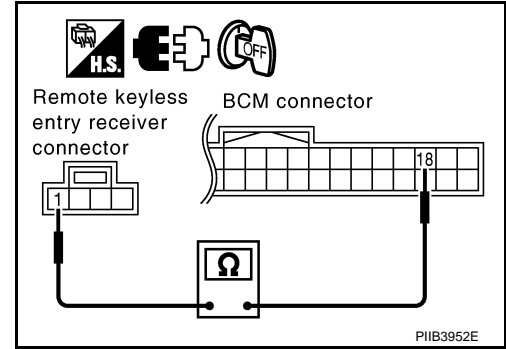
5. CHECK REMOTE KEYLESS ENTRY RECEIVER GROUND CIRCUIT

1. Check continuity between remote keyless entry receiver connector M78 terminal 1 (B) and BCM connector M1 terminal 18 (B)

1 (B) – 18 (B) : Continuity should exist.

OK or NG

- OK >> Check harness connection.
- If it is OK, replace BCM.
 - If it is NG, repair or replace malfunction part.
- NG >> Repair or replace the harness.



6. CHECK REMOTE KEYLESS ENTRY RECEIVER SIGNAL CIRCUIT

1. Check continuity between remote keyless entry receiver connector M78 terminal 2 (Y) and BCM connector M1 terminal 20 (Y).

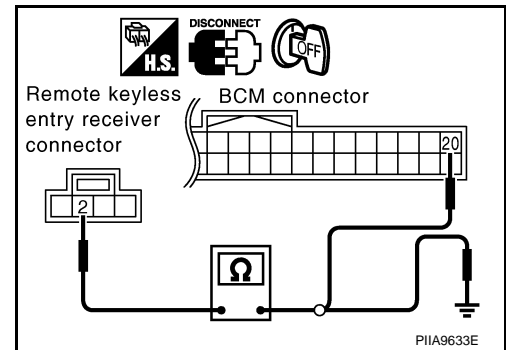
2 (Y) – 20 (Y) : Continuity should exist.

2. Check continuity between remote keyless entry receiver connector M78 terminal 2 (Y) and ground.

2 (Y) – Ground : Continuity should not exist.

OK or NG

- OK >> Check harness connection.
- If it is OK, replace remote keyless entry receiver.
 - If it is NG, repair or replace malfunction part.
- NG >> Repair or replace harness.



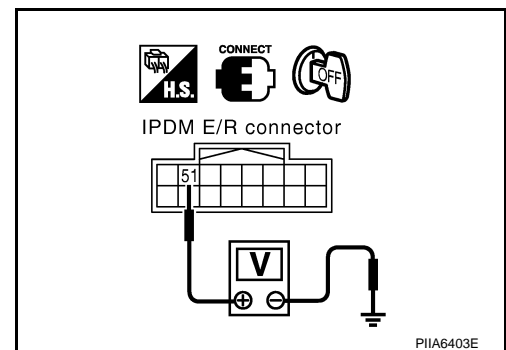
Check IPDM E/R Operation

INFOID:000000001327828

1. CHECK IPDM E/R INPUT VOLTAGE

Check voltage between IPDM E/R connector E9 terminal 51 and ground.

51 (SB) – Ground : Battery voltage



OK or NG

- OK >> Replace IPDM E/R.
- NG >> GO TO 2.

2. CHECK IPDM E/R HARNESS

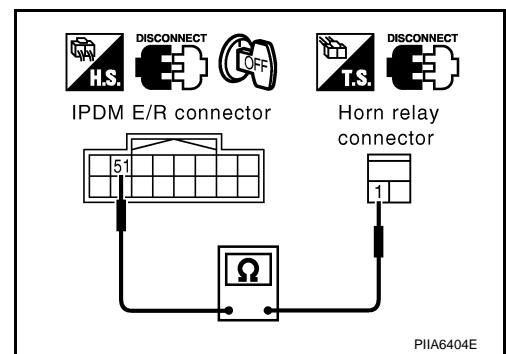
1. Turn ignition switch OFF.
2. Disconnect IPDM E/R and horn relay connector.

REMOTE KEYLESS ENTRY SYSTEM

< SERVICE INFORMATION >

3. Check continuity between IPDM E/R connector E9 terminal 51 and horn relay connector E10 terminal 1.

51 (SB) – 1 (SB) : Continuity should exist.



OK or NG

- OK >> Check harness connection.
NG >> Repair or replace harness.

Check Hazard Warning Lamp Function

INFOID:000000001327829

1. CHECK HAZARD WARNING LAMP

Do hazard warning lamp flash with hazard switch?

YES or NO

- YES >> Hazard warning lamp circuit is OK.
NO >> Check hazard circuit. Refer to [LT-78](#).

Check Horn Function

INFOID:000000001327830

First perform the "SELF-DIAG RESULTS" in "BCM" with CONSULT-III, then perform the trouble diagnosis of malfunction system indicated "SELF-DIAG RESULTS" of "BCM". Refer to [BCS-13, "U1000 CAN Communication Circuit"](#).

1. CHECK HORN FUNCTION

Does horn sound with horn switch?

YES or NO

- YES >> Horn circuit is OK.
NO >> Check horn circuit. Refer to [WW-48, "Wiring Diagram - HORN -"](#).

Check Headlamp Function

INFOID:000000001327831

First perform the "SELF-DIAG RESULTS" in "BCM" with CONSULT-III, then perform the trouble diagnosis of malfunction system indicated "SELF-DIAG RESULTS" of "BCM". Refer to [BCS-13, "U1000 CAN Communication Circuit"](#).

1. CHECK HEADLAMP FUNCTION

Does headlamp come on when turning lighting switch "ON"?

YES or NO

- YES >> Headlamp operation circuit is OK.
NO >> Check headlamp system. Refer to [LT-5, "System Description"](#).

Check Map Lamp and Ignition Keyhole Illumination Function

INFOID:000000001327832

1. CHECK MAP LAMP AND IGNITION KEYHOLE ILLUMINATION FUNCTION

When map lamp switch is in "DOOR" position, open the front door (LH or RH).

Map lamp and ignition keyhole illumination should illuminate.

OK or NG

REMOTE KEYLESS ENTRY SYSTEM

< SERVICE INFORMATION >

- OK >> Replace BCM.
- NG >> Check ignition illumination circuit. Refer to [LT-138](#).

A

ID Code Entry Procedure

INFOID:000000001327833

KEY FOB ID SET UP WITH CONSULT-III

B

NOTE:

- If a key fob is lost, the ID code of the lost key fob must be erased to prevent unauthorized use. A specific ID code can be erased with CONSULT-III. However, when the ID code of a lost key fob is not known, all controller ID codes should be erased. After all ID codes are erased, the ID codes of all remaining and/or new key fobs must be re-registered.

C

1. Touch "WORK SUPPORT".

D

2. The items are shown on the figure can be set up.

- "REMO CONT ID REGIST"
Use this mode to register a key fob ID code.

E

NOTE:

Register the ID code when key fob or BCM is replaced, or when additional key fob is required.

- "REMO CONT ID ERASUR"
Use this mode to erase a key fob ID code.
- "REMO CONT ID CONFIR"
Use this mode to confirm if a key fob ID code is registered or not.

F

G

H

BL

J

K

L

M

N

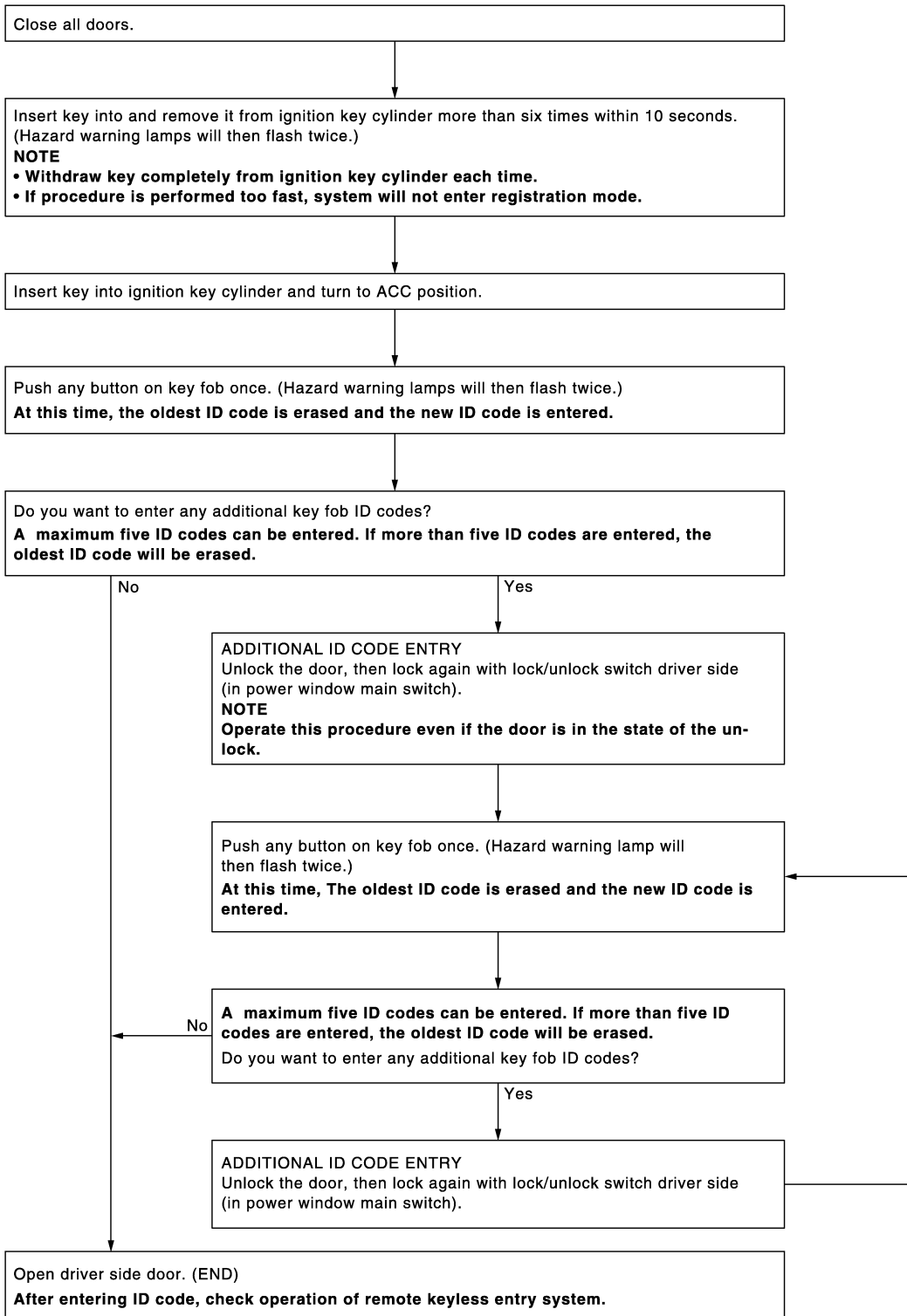
O

P

REMOTE KEYLESS ENTRY SYSTEM

< SERVICE INFORMATION >

KEY FOB ID SET UP WITHOUT CONSULT-III



PIIA2639E

NOTE:

- If a key fob is lost, the ID code of the lost key fob must be erased to prevent unauthorized use. A specific ID code can be erased with CONSULT-III. However, when the ID code of a lost key fob is not known, all controller ID codes should be erased. After all ID codes are erased, the ID codes of all remaining and/or new key fobs must be re-registered.

To erase all ID codes in memory, register one ID code (key fob) five times. After all ID codes are erased, the ID codes of all remaining and/or new key fobs must be re-registered.

REMOTE KEYLESS ENTRY SYSTEM

< SERVICE INFORMATION >

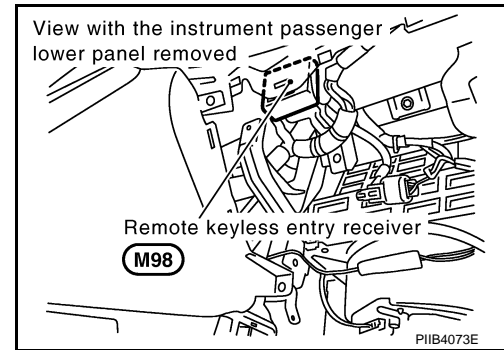
- When registering an additional key fob, the existing ID codes in memory may or may not be erased. If five ID codes are stored in memory, when an additional code is registered, only the oldest code is erased. If less than five ID codes are stored in memory, when an additional ID code is registered, the new ID code is added and no ID codes are erased.
- If you need to activate more than two additional new key fobs, repeat the procedure "Additional ID code entry" for each new key fob.
- Entry of maximum five ID codes is allowed. When more than five ID codes are entered, the oldest ID code will be erased.
- Even if same ID code that is already in the memory is input, the same ID code can be entered. The code is counted as an additional code.

Removal and Installation of Remote keyless Entry receiver

INFOID:000000001327834

REMOVAL

1. Remove the instrument passenger lower panel. Refer to [IP-16, "Disassembly and Assembly"](#).
2. Disconnect remote keyless entry receiver harness connector, remove screw and remote keyless entry receiver.

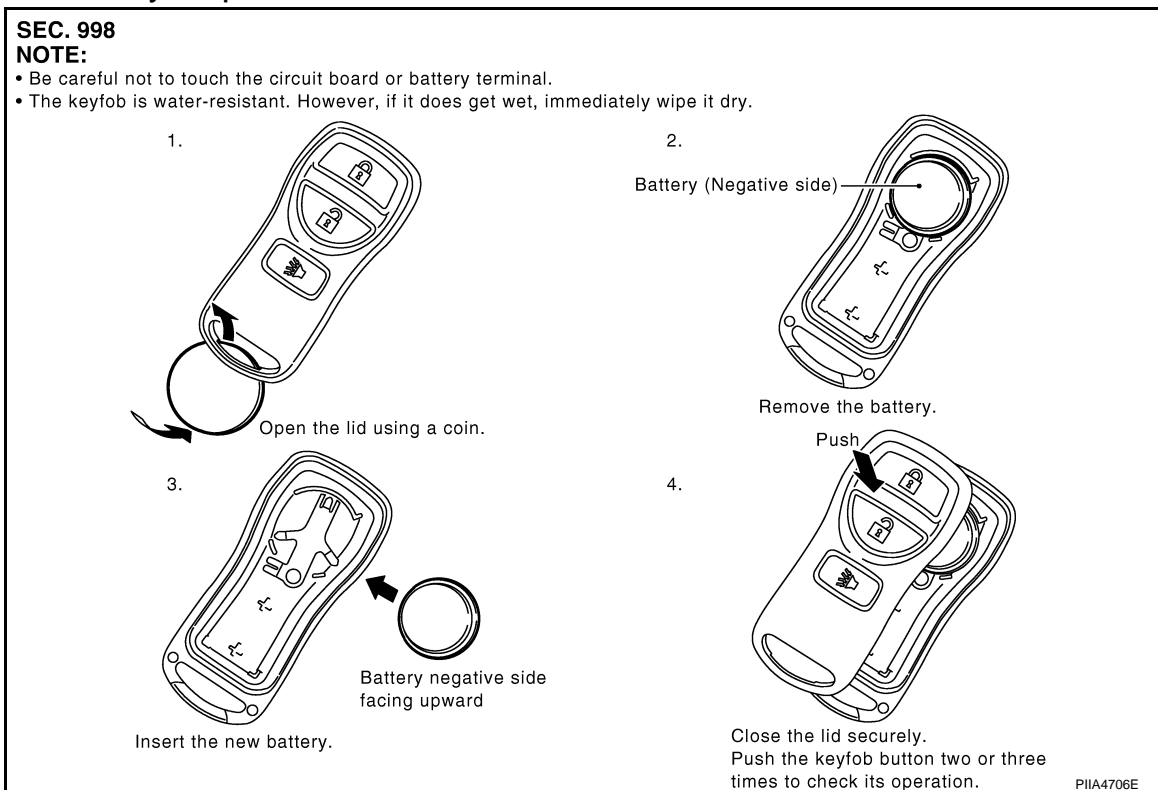


INSTALLATION

Install in the reverse order of removal.

Key Fob Battery Replacement

INFOID:000000001327835



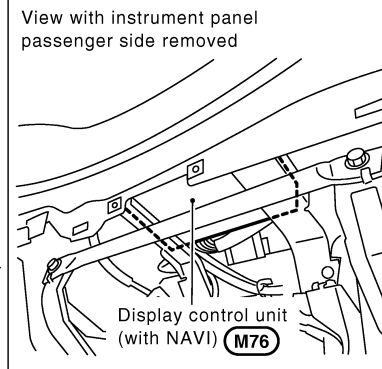
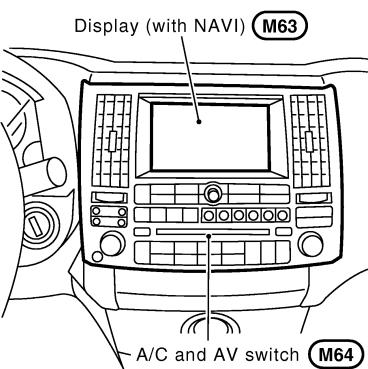
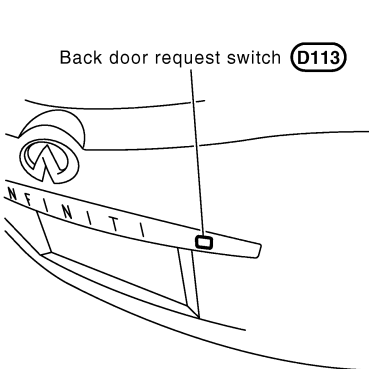
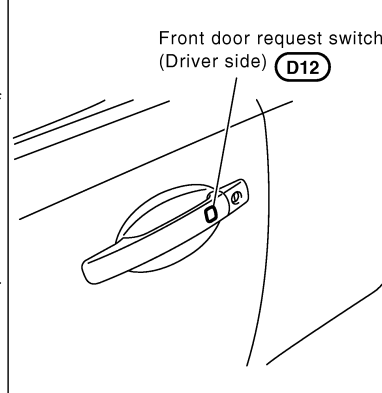
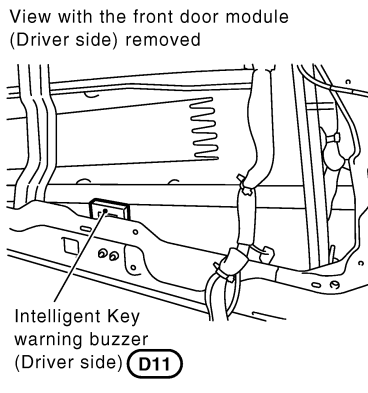
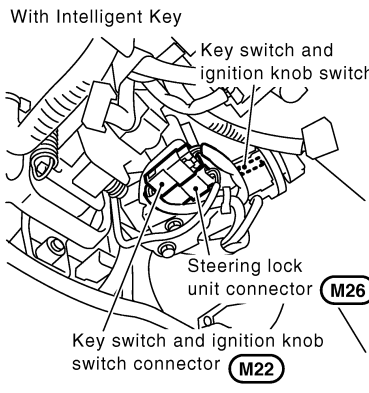
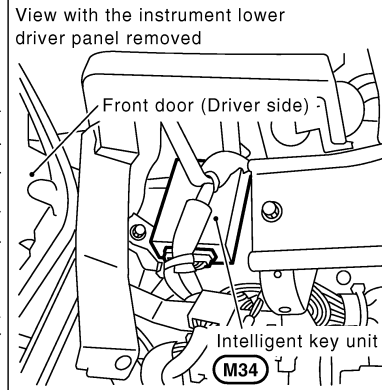
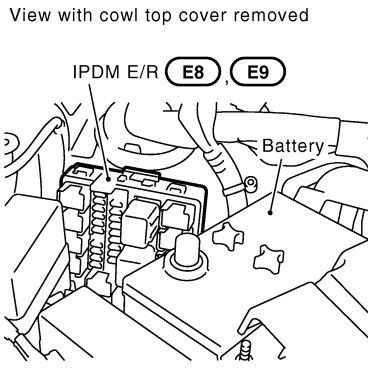
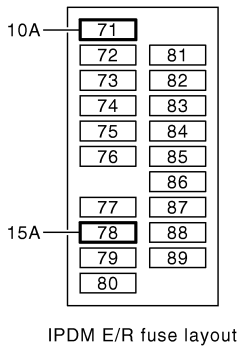
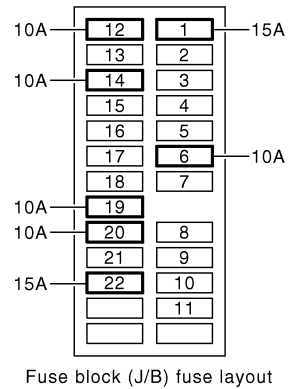
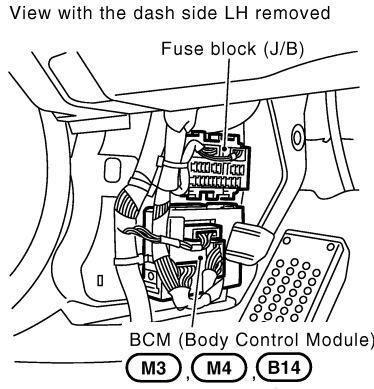
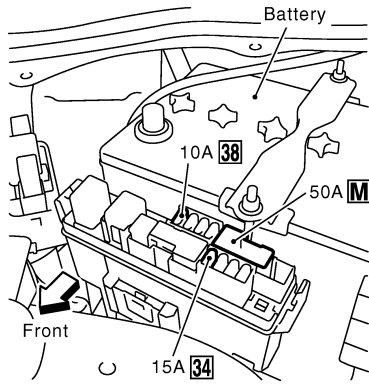
INTELLIGENT KEY SYSTEM

< SERVICE INFORMATION >

INTELLIGENT KEY SYSTEM

Component Parts and Harness Connector Location

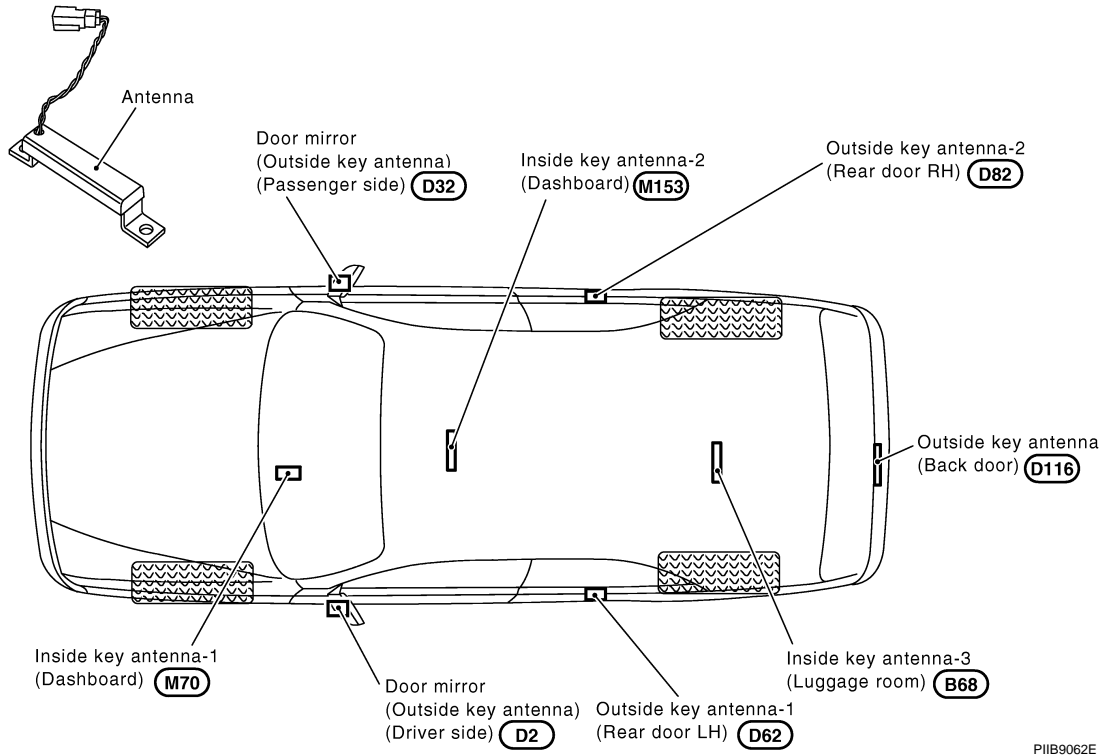
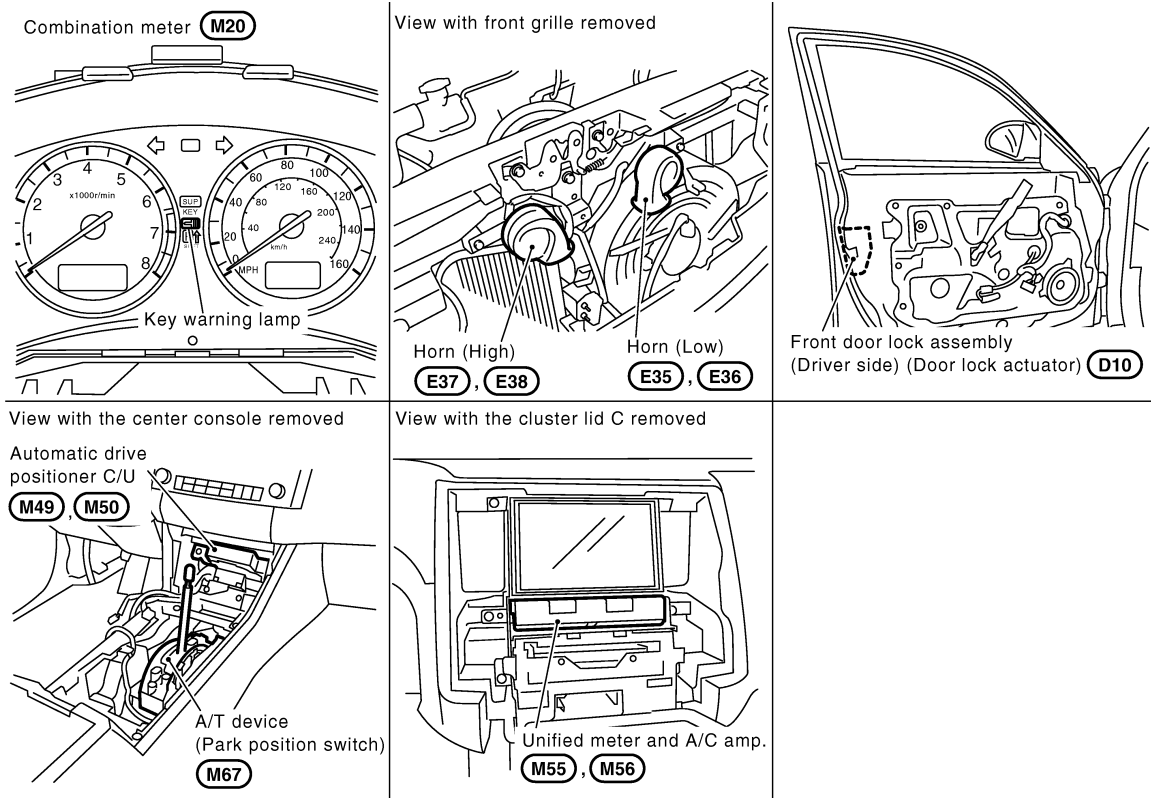
INFOID:000000001327836



PIIA9927E

INTELLIGENT KEY SYSTEM

< SERVICE INFORMATION >

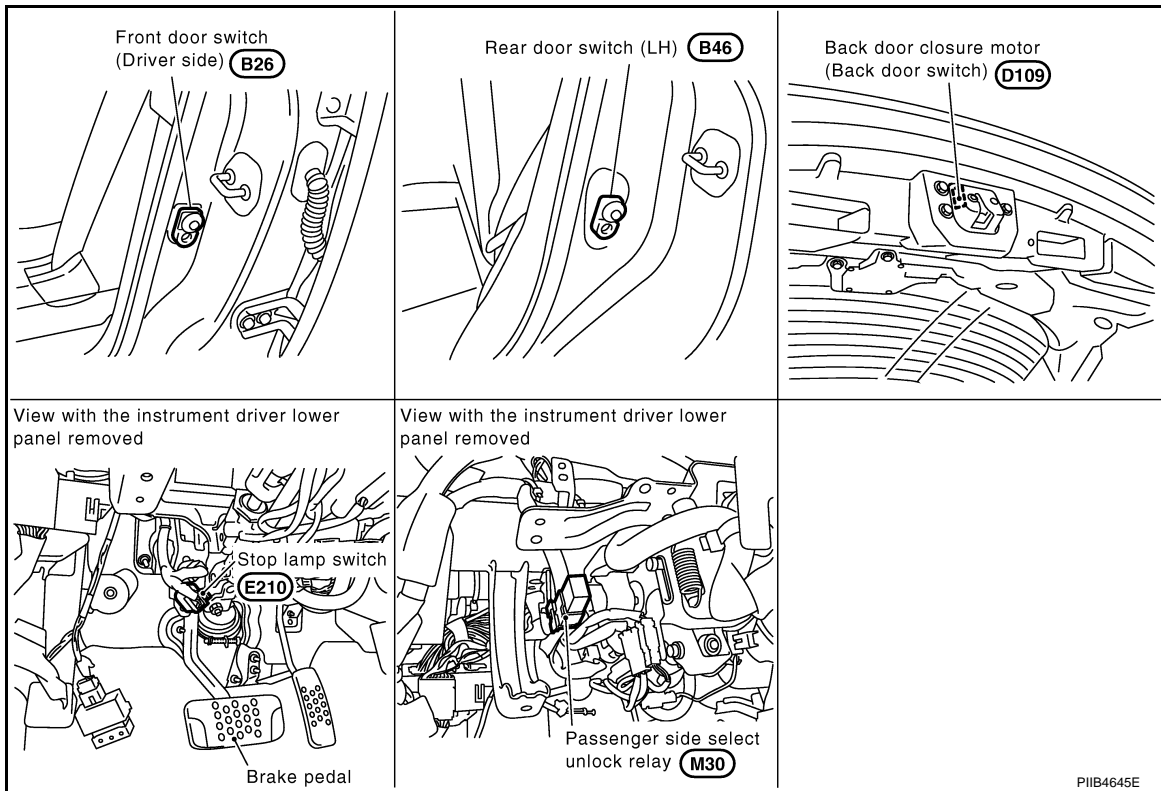


PIIB9062E

A
B
C
D
E
F
G
H
BL
J
K
L
M
N
O
P

INTELLIGENT KEY SYSTEM

< SERVICE INFORMATION >



System Description

INFOID:000000001327837

- The Intelligent Key system is a system which can lock and unlock the doors (door lock function) and start the engine (engine start function) by carrying around the Intelligent Key, which operates based on the results of electrical key-ID verification using two-way communications between the Intelligent Key and the vehicle
- Operation of the remote control buttons on the Intelligent Key also provides the same functions as the remote control entry system. (Remote control entry functions)
- As an ignition key warning function, when a door is locked or unlocked with entry switch or remote controller button operation, the hazard lamps flash and the Intelligent Key warning buzzer sounds.
- Even if the vehicle or Intelligent Key battery runs down, the door can be locked and unlocked and the engine started with the mechanical key built into the Intelligent Key.
- If an Intelligent Key was lost, a new Intelligent Key can be registered. A maximum of 4 Intelligent Keys can be registered.
- It has been made possible to diagnose the system, change the function setting and register an Intelligent Key with the CONSULT-III.

DOOR LOCK FUNCTION

Operation Description

- When the driver door, passenger door, or back door request switch is pressed, Intelligent Key unit sends a request signal from the transmission antenna corresponding to the pressed door request switch, key-ID verification is performed using two-way communication with Intelligent Key, and if ID is successfully verified, a door lock/unlock request signal is sent to BCM (Body Control Module) using CAN communication to lock/unlock the door lock.
- When door is locking, door is unlocked, when door is unlocking, door is locked.
- When door is locked/unlocked by door request switch operation, hazard lamps flash and Intelligent Key warning buzzer sounds.
- With the locking operation of door request switch, door lock actuators of all door are locked.

Driver side door request switch operation

- When door request switch (driver side) is pushed (unlock), driver side door lock actuator is unlocked. (Selective door unlock function)
- When door request switch (driver side) is pushed (unlock) for the second time within 5 seconds after the first operation, door lock actuators on passenger's and other's doors are unlocked.

INTELLIGENT KEY SYSTEM

< SERVICE INFORMATION >

- Unlock mode can be changed using “WORK SUPPORT” mode in “SELECTIVE UNLOCK FUNCTION”. Refer to [BL-104, "CONSULT-III Application Item"](#).

Passenger side door request switch operation

- When door request switch (passenger side) is pushed (unlock), passenger side door lock actuator is unlocked.
- When door request switch (passenger side) is pushed (unlock) for the second time with in 5 seconds after the first operation, door lock actuators on driver's and other's doors are unlocked.
- Unlock mode can be changed using “WORK SUPPORT” mode in “SELECTIVE UNLOCK FUNCTION”. Refer to [BL-104, "CONSULT-III Application Item"](#).

Back door request switch operation

- When back door request switch is pushed (unlock), back door lock actuator is unlocked.
- When back door request switch is pushed (unlock) for the second time with in 5 seconds after the first operation, door lock actuators on driver's and passenger's doors are unlocked.
- Unlock mode can be changed using “WORK SUPPORT” mode in “SELECTIVE UNLOCK FUNCTION”. Refer to [BL-104, "CONSULT-III Application Item"](#).

Operation Condition

Request switch operation	Operating conditions (When all the conditions below are met)
Door request switch (Driver side)	<ul style="list-style-type: none"> • Closing all doors (door switch: OFF) • The Intelligent Key is in the antenna detection area for the door for which the door request switch (LOCK) was operated.
Door request switch (passenger side)	
Door request switch (back door)	

Auto Door Lock Function

After the door request switch in the driver or passenger or back door is operated and the vehicle door is unlocked, all the doors are automatically locked unless the mechanical key is inserted into the ignition knob, the ignition knob is pressed, any door request switch is pressed, any one of the doors is opened, or an Intelligent Key remote control button is operated within 30 seconds.

Key Reminder Function

The hazard lamps will flash and the Intelligent Key warning buzzer will sound several times when the door lock is locked or unlocked by door request switch operation.

When ignition switch ON or any door is opened, key reminder function is not operate.

Vehicle operation	Hazard lamp	Intelligent Key warning buzzer
Door unlock operation	Once	Once
Door lock operation	Twice	Twice

Intelligent Key Lock-in Prevention Function

When doors are locked using door lock and unlock switch or driver door lock knob while Intelligent key is in vehicle and doors open, Intelligent Key unit sends door unlock request signal to BCM via CAN communication to unlock all doors to prevent Intelligent Key from becoming locked in vehicle.

CAUTION:

The above function operates when the Intelligent Key is inside the vehicle. However, there are cases that Intelligent Key cannot be detected and this function will not operate when Intelligent Key is on the instrument panel, rear parcel shelf, or in the glove box. Also, this system sometimes does not operate if the Intelligent Key is in the door pocket for the open door.

REMOTE CONTROL ENTRY FUNCTIONS

Door Lock Function

- Operating a remote controller button on the Intelligent Key sends the Intelligent Key-ID to the Intelligent Key unit. Intelligent Key unit conducts a verification of the received key-ID, and if the verification is accepted, a door lock or door unlock request signal is sent to BCM via CAN communication to lock/unlock the door.
- When door lock/unlock is performed using Intelligent Key remote controller button operation, operation confirmation is conducted by making hazard lamps flash and Intelligent Key warning buzzer sound.

OPERATION CONDITION

Door lock/unlock operation is necessary for all doors close.

Map Lamp And Keyhole Illumination Function

When the following conditions come:

- condition of map lamp switch is DOOR position;

INTELLIGENT KEY SYSTEM

< SERVICE INFORMATION >

- door switch OFF (when all the doors are closed); Remote control button of Intelligent Key turns on interior lamp (for 30 seconds) with input of UNLOCK signal from Intelligent Key.

Panic Alarm Function

When key switch is OFF and ignition knob is not pushed (when mechanical key is not inserted in ignition knob), BCM turns ON and OFF horn and headlamp intermittently with input of PANIC ALARM signal from Intelligent Key. The alarm automatically turns off after 25 seconds or when Intelligent Key unit receives any signal from Intelligent Key.

Panic alarm operation mode can be changed using "WORK SUPPORT" mode in "PANIC ALARM DELAY". Refer to [BL-104, "CONSULT-III Application Item"](#).

Remote Control Power Window Down (Open) Operation

When Intelligent Key unlock switch is turned ON with ignition switch OFF, and Intelligent Key unlock switch is detected to be on continuously for 3 seconds, the driver's door and passenger's door power windows are simultaneously opened.

Power window is operated to open and the operation continues as long as the Intelligent Key unlock switch is pressed.

Remote control power window down operation mode can be changed using "P/W DOWN DELAY" mode in "WORK SUPPORT". Refer to [BL-104, "CONSULT-III Application Item"](#).

Key Reminder Function

As an operation verification function, when doors are locked or unlocked using Intelligent Key remote controller button operation, hazard lamps flash and horn sounds.

Vehicle operation	Hazard lamp	Horn
Door unlocking operation	Once	—
Door locking operation	Twice	Once

ENGINE STARTUP FUNCTION

Operation Description

- When ignition knob is pressed, Intelligent Key unit sends request signal from inside key antenna, key-ID verification is conducted with Intelligent Key using two-way communication, and if verification is successful, an ignition rotation prohibition latch release signal is sent to steering lock unit. Steering lock unit releases ignition knob rotation prohibition latch. (Ignition knob can now be turned.)
- When it becomes possible to rotate the ignition knob, "KEY" warning lamp in combination meter lights up green to notify driver that ignition knob can be turned.

NOTE:

When it becomes impossible to rotate the ignition knob, "KEY" warning lamp in combination meter lights up red.

- When key-ID verification is successful and ignition knob switch is in the ON state, Intelligent Key unit uses CAN communication to send engine start permission signal to BCM.
- When BCM receives engine start permission signal, it uses CAN communication to send starter request signal to IPDM E/R so that the engine will start when ignition knob is rotated to START position.

Operation Range

Engine can be started when Intelligent Key is in the vehicle. However, sometimes engine might not start when Intelligent Key is on instrument panel, rear parcel shelf, or in glove box.

NOTE:

luggage room can enable detection of Intelligent Key by a CONSULT-III function. Refer to [BL-104, "CONSULT-III Application Item"](#).

Active Check Function

Confirm whether or not ignition knob can be rotated by checking the color of warning lamp in combination meter.

Condition	Operation
Ignition knob rotation possible	"KEY" warning lamp in combination meter is lit up green.
Ignition rotation not possible	"KEY" warning lamp in combination meter is lit up red.

WARNING AND ALARM FUNCTION

INTELLIGENT KEY SYSTEM

< SERVICE INFORMATION >

Operation Description

The warnings and alarms are as follows and are given to the user as warning information and warnings using combinations of Intelligent Key warning buzzer (in driver door and passenger door), inside vehicle buzzer (in combination meter), and warning lamps "KEY" and "LOCK."

- Ignition switch return forgotten warning
With the ignition in OFF or ACC position, if the driver door is opened, this warning is issued.
- Selector lever return forgotten warning
With the ignition in OFF position, if the selector lever is in except "P" position, this warning is issued.
- Key left in ignition warning (when mechanical key used)
With the mechanical key in the ignition knob and the ignition switch is in the OFF, ACC, or LOCK position, if the driver door is opened, this warning is issued.
- Ignition switch OFF position warning (for inside car: when door closed)
This warning is issued when the user forgets to return the ignition knob to the LOCK position.
- Ignition switch OFF position warning (for outside car: when door opened/closed)
This warning is issued when the user leaves the car without returning the ignition knob to the LOCK position.
- Warning for removal of Intelligent Key to outside the car (when door open/closed)
This warning is issued if the Intelligent Key is taken outside the car while the engine is running.
- Warning for removal of Intelligent Key to outside the car (from window)
This warning is issued if the Intelligent Key is taken outside the car through a window while the engine is running.
- Door lock non-operation warning
This warning is issued if the door lock (lock) operation by a door request switch is not effected.
- Intelligent Key low battery warning
This warning is issued when it is detected that the battery in the Intelligent Key has been used up.

Operation Condition

Warning and alarm names	Operating conditions (when all the conditions below are met)
Ignition knob return forgotten warning	<ul style="list-style-type: none"> • The ignition switch is in the ACC, OFF, or LOCK position (knob pressed) • The driver door is opened.
Selector lever return forgotten warning	<ul style="list-style-type: none"> • The ignition switch is in the OFF position. • The selector lever is except "P" position.
Ignition key warning (When mechanical key used)	<ul style="list-style-type: none"> • The mechanical key is inserted in the ignition knob (key switch: ON) • The ignition switch is in the ACC, OFF, or LOCK position. • The driver door is opened
Ignition knob OFF position warning (for inside car: when door closed)	<ul style="list-style-type: none"> • The ignition switch is in the OFF or LOCK position (knob pressed) • In the above state, when the ACC switch is changed from ON to OFF and 1 second passes. (However, this warning is not issued if the mechanical key is inserted in the ignition knob, ignition knob is turned except OFF position or ignition or ignition knob is not pushed.)
Ignition knob OFF position warning (for outside car: when door opened/closed)	<ul style="list-style-type: none"> • The ignition switch is in the OFF or LOCK position (knob pressed) • In the above state, when the ACC switch is changed from ON to OFF and 1 second passes. (However, this warning is not issued if the mechanical key is inserted in the ignition knob, ignition knob is turned except OFF position or ignition or ignition knob is not pushed.) • Driver door open → closed
Warning for take out of Intelligent Key to outside the car (when door open/closed)	<p style="text-align: center;">When Any of the Following Conditions Are Met</p> <ul style="list-style-type: none"> • When the ignition knob is pressed in so that it can be rotated (or has been rotated), if any of the doors has been opened, when all the doors are closed, the Intelligent Key unit compares the key-ID with that of the Intelligent Key using the inside key antenna, if the results of the comparison are NG (the Intelligent Key is not found) • When the ignition knob is pressed in so that it can be rotated (or has been rotated), if any of the doors is open, the Intelligent Key unit compares the key-ID with that of the Intelligent Key every 5 seconds using the inside key antenna (center console), if the results of the comparison are NG (the Intelligent Key is not found) <p>NOTE: However, this warning is not issued if the mechanical key is inserted in the ignition knob.</p>

INTELLIGENT KEY SYSTEM

< SERVICE INFORMATION >

Warning and alarm names	Operating conditions (when all the conditions below are met)
Warning for take out of Intelligent Key to outside the car (from window)	When the ignition knob is pressed in so that it can be rotated (or has been rotated), if the vehicle speed is no greater than 5 km per hour, the Intelligent Key unit compares the key-ID with that of the Intelligent Key every 30 seconds using the inside key antenna, if the results of the comparison are NG (the Intelligent Key is not found) Note: The factory setting for this function is OFF.
Door lock non-operation warning	When any of the following conditions are met Intelligent Key Lock-in Prevention Warning <ul style="list-style-type: none"> When the Intelligent Key is inside the car and the ignition knob is not pressed, when an attempt is made to lock a door lock with a door request switch NOTE: This warning is issued even if the Intelligent Key is not in the out side key antenna detection area corresponding to the door request switch was operated. Knob Return Forgotten Warning <ul style="list-style-type: none"> When the ignition knob is pressed, when an attempt is made to lock a door lock with a door request switch NOTE: This warning is only issued if the Intelligent Key is in the out side key antenna detection area corresponding to the door request switch was operated. Door Ajar Alarm <ul style="list-style-type: none"> When any of the doors is open, when an attempt is made to lock a door lock with a door request switch NOTE: This warning is only issued if the Intelligent Key is in the out side key antenna detection area corresponding to the door request switch was operated.
Intelligent Key low battery pre-warning	This warning is issued when it is detected that the battery in the Intelligent Key has been used up.

Warning Procedure

Warning and alarm names	Buzzer		Warning lamp	
	Inside car	Outside car	"KEY"	"P" shift
Ignition switch return forgotten warning	Buzzer: Continuous	—	—	—
Selector lever return forgotten warning	—	—	—	Illuminate
Ignition key warning (When mechanical key used)	Buzzer: Continuous	—	—	—
Ignition switch OFF position warning (for inside car: when door closed)	Buzzer: Continuous	—	—	—
Ignition switch OFF position warning (for outside car: when door opened/closed)	Buzzer: Continuous	Buzzer (10 seconds)	—	—
Warning for removal of Intelligent Key to outside the car (when door open/closed)	—	Buzzer (3 seconds)	Red illuminate	—
Warning for removal of Intelligent Key to outside the car (from window)	Buzzer (3 seconds)	—	Red illuminate	—
Door lock non-operation warning	—	Buzzer (2 seconds)	—	—
Intelligent Key low battery pre-warning	—	—	Green illuminate (30 seconds after ignition switch comes ON)	—

CHANGE SETTINGS FUNCTION

The settings for each function can be changed with the CONSULT-III or Intelligent Key operation.

Changing Settings With the Intelligent Key

INTELLIGENT KEY SYSTEM

< SERVICE INFORMATION >

Intelligent Key remote controller button and door request switch operations change the engine startup function settings (startup enabled/disabled) for each Intelligent Key independently.

Settings Change Procedure

1. With the ignition switch is in the LOCK position (ignition knob not pressed), hold down both the LOCK and UNLOCK remote control buttons on the Intelligent Key at the same time for at least 10 seconds (The yardstick is that the Intelligent Key LED flashes 20 times.)
2. Within 5 seconds of releasing the Intelligent Key remote controller buttons, press the driver door request switch.
3. The KEY warning lamp in combination meter lights up for 3 seconds (engine starting enabled → starting disabled: lights up red, engine starting disabled → flashes green). This completes the settings change.

Changing Settings Using CONSULT-III

The settings for the Intelligent Key system functions can be changed using CONSULT-III (WORK SUPPORT). Refer to [BL-104, "CONSULT-III Application Item"](#).

NOTE:

Once a function setting is changed, it will remain effective even if the battery is disconnected.

Changing Settings Using Display Unit

The settings of the Intelligent Key system can be changed, using CONSULT-III, display unit, Intelligent Key and door request switch in the center of the instrument panel.

Setting item	Description
Intelligent Key Lock Response-Sound	The sound pattern of the Intelligent Key operation can be set as desired. (Setting value: OFF, Beeper or Horn chirp)
Intelligent Key Unlock Response-Beeper Sound	The beep sound when unlocking door with the Intelligent Key operation can be turned ON or OFF.
Intelligent Key Engine Start Function	This function can be performed to ON or OFF.
Intelligent Key Lock/Unlock Function	The door handle request switch lock/unlock operation with the Intelligent Key can be canceled or activated.
Return All Settings to Default	The all settings made by VEHICLE ELECTRONICS will return to default.

NOTE:

Once a function setting is changed, it will remain effective even if the battery is disconnected.

INTELLIGENT KEY REGISTRATION

Intelligent Key-ID registration is executed using the CONSULT-III. Up to 4 can be registered.

CAUTION:

- After a new Intelligent Key-ID is registered, be sure to check the function.
- When registering an additional Intelligent Key-ID, take any Intelligent Keys already registered and Intelligent Keys for any other vehicles out of the vehicle before starting.

CONSULT-III can be used to check and delete Intelligent Key-IDs.

For future information, see the CONSULT-III Operation Manual NATS.

STEERING LOCK UNIT REGISTRATION

Steering Lock Unit ID Registration

CAUTION:

- The method for registering a steering lock unit ID depends on the status of the steering lock unit and Intelligent Key unit (new or old unit).
- After registration is completed, press ignition knob with a portable unit in the vehicle so that it can be rotated, and confirm that it cannot be rotated even when ignition switch is pressed without a portable unit in the vehicle.

For further information, see the CONSULT-III Operation Manual NATS.

CAN Communication System Description

INFOID:000000001327838

CAN (Controller Area Network) is a serial communication line for real time application. It is an on-vehicle multiplex communication line with high data communication speed and excellent error detection ability. Many electronic control units are equipped onto a vehicle, and each control unit shares information and links with other control units during operation (not independent). In CAN communication, control units are connected with 2 communication lines (CAN H line, CAN L line) allowing a high rate of information transmission with less wiring. Each control unit transmits/receives data but selectively reads required data only.

INTELLIGENT KEY SYSTEM

< SERVICE INFORMATION >

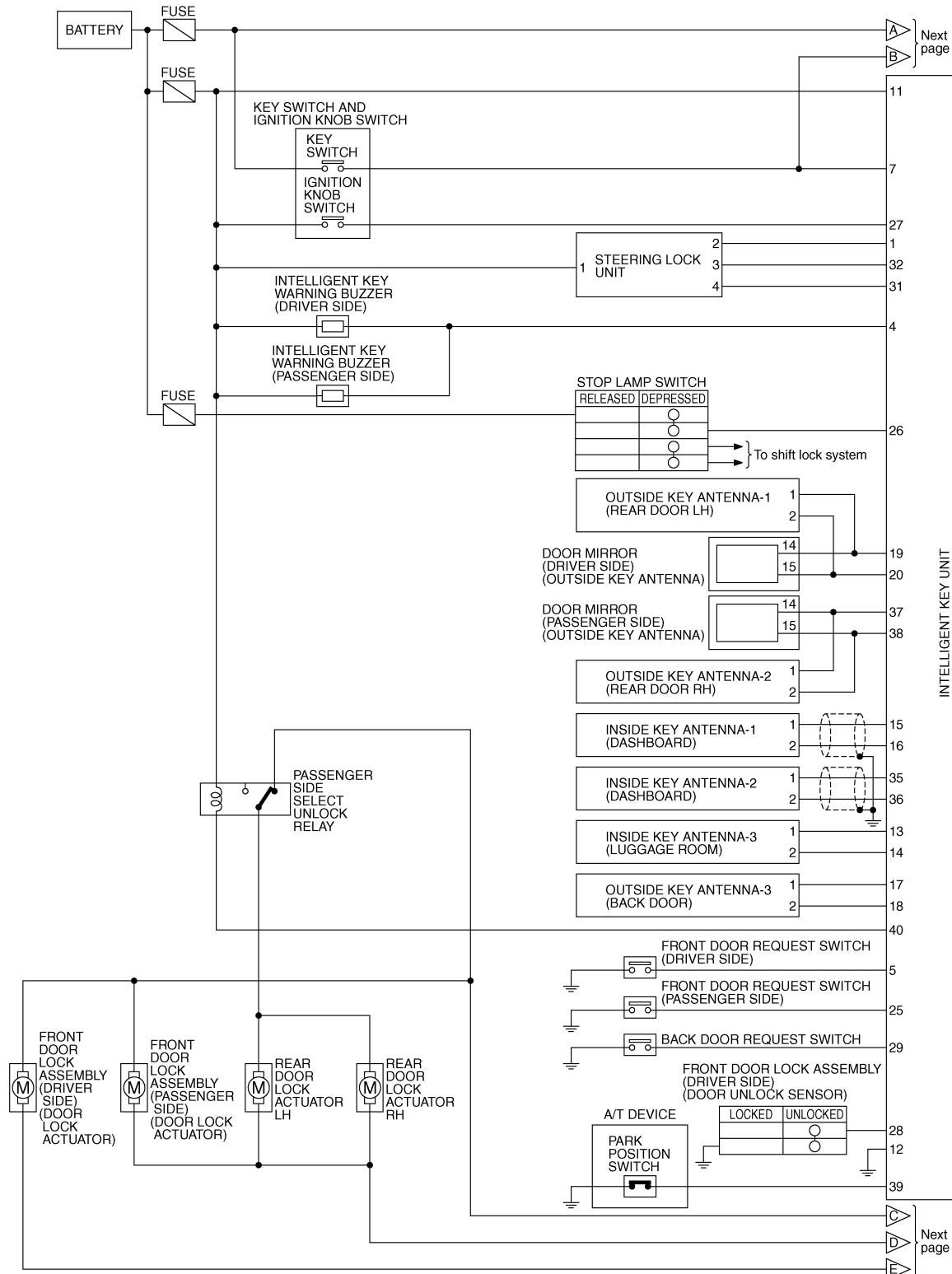
CAN Communication Unit

INFOID:000000001327839

Refer to [LAN-43. "CAN System Specification Chart"](#).

Schematic

INFOID:000000001327840



TIWM1984E

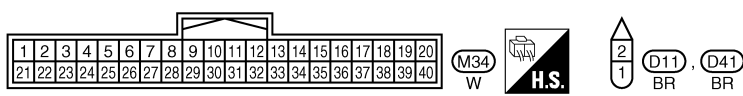
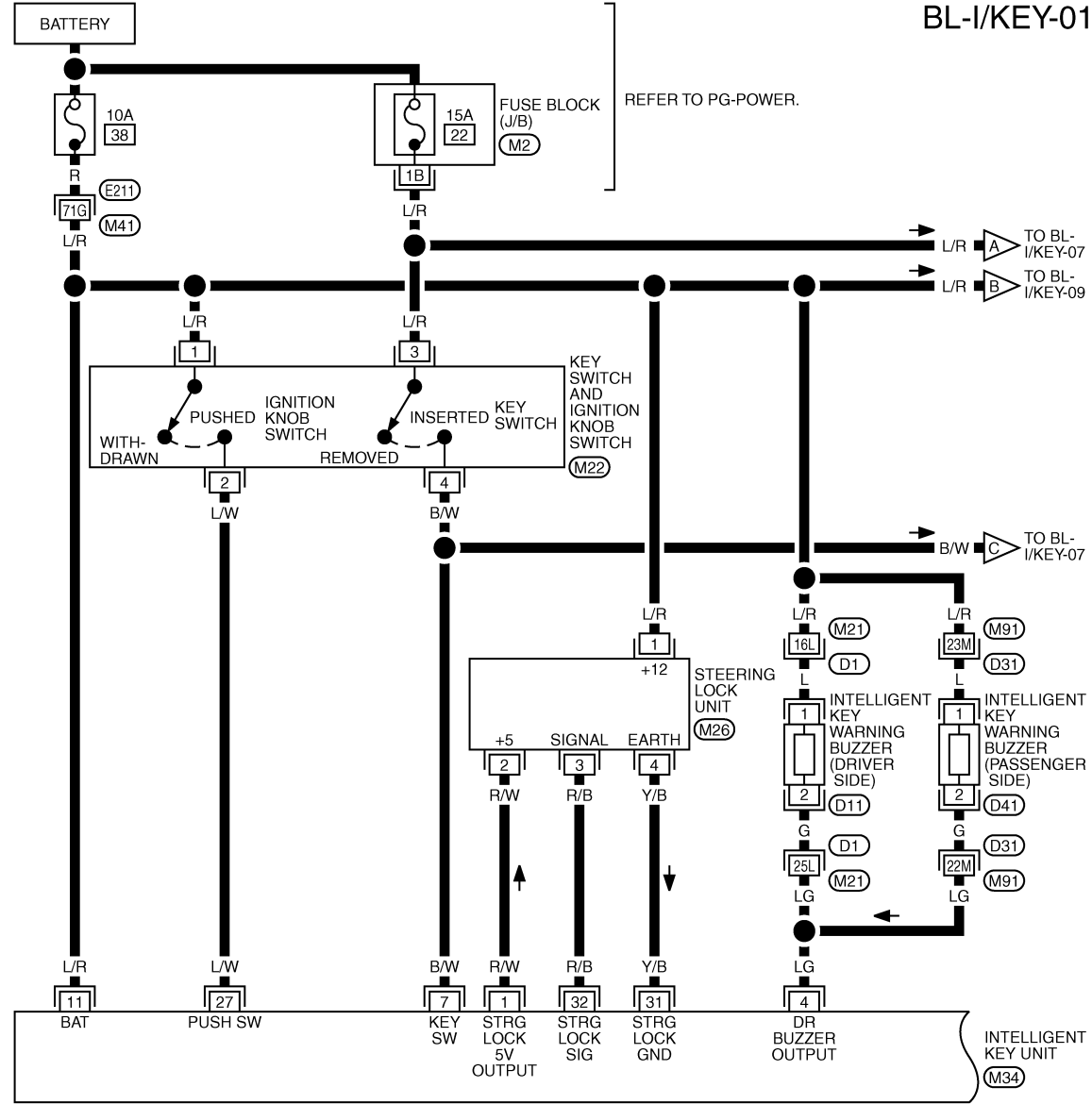
INTELLIGENT KEY SYSTEM

< SERVICE INFORMATION >

Wiring Diagram - I/KEY -

INFOID:000000001327841

BL-I/KEY-01



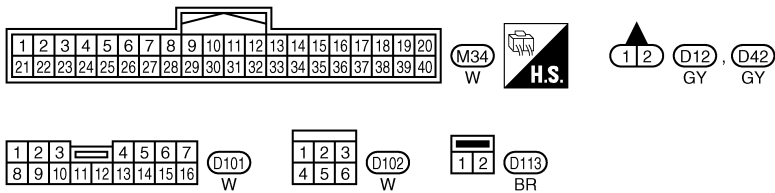
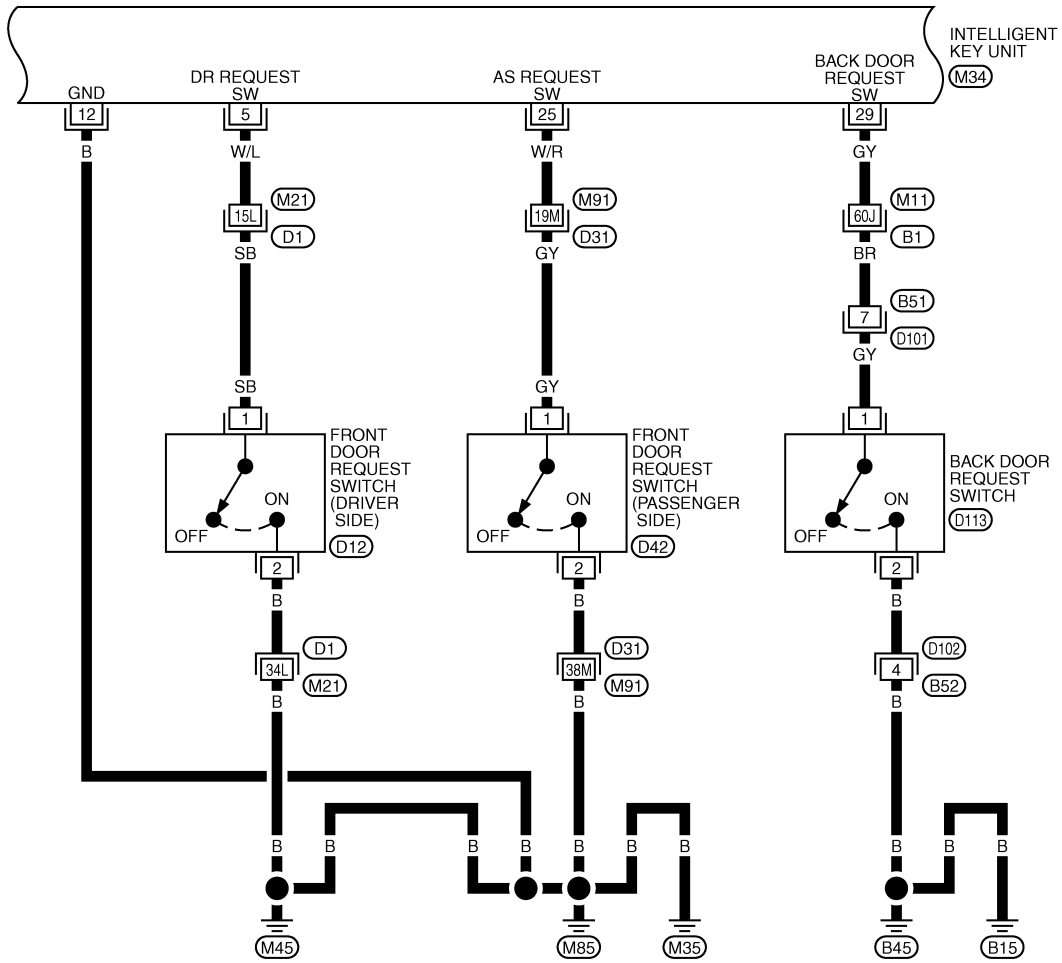
REFER TO THE FOLLOWING.
 (E211), (D1), (D31) -SUPER MULTIPLE JUNCTION (SMJ)
 (M2) -FUSE BLOCK-JUNCTION BOX (J/B)

T1WM1661E

INTELLIGENT KEY SYSTEM

< SERVICE INFORMATION >

BL-I/KEY-02



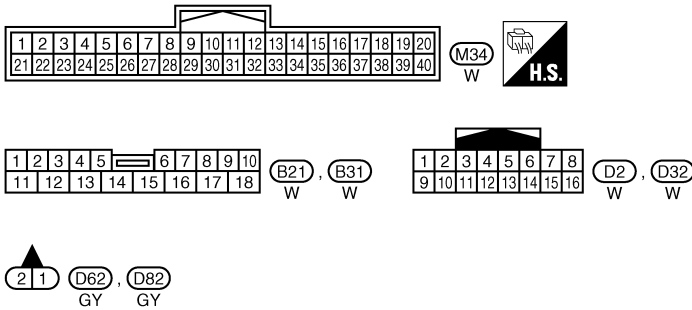
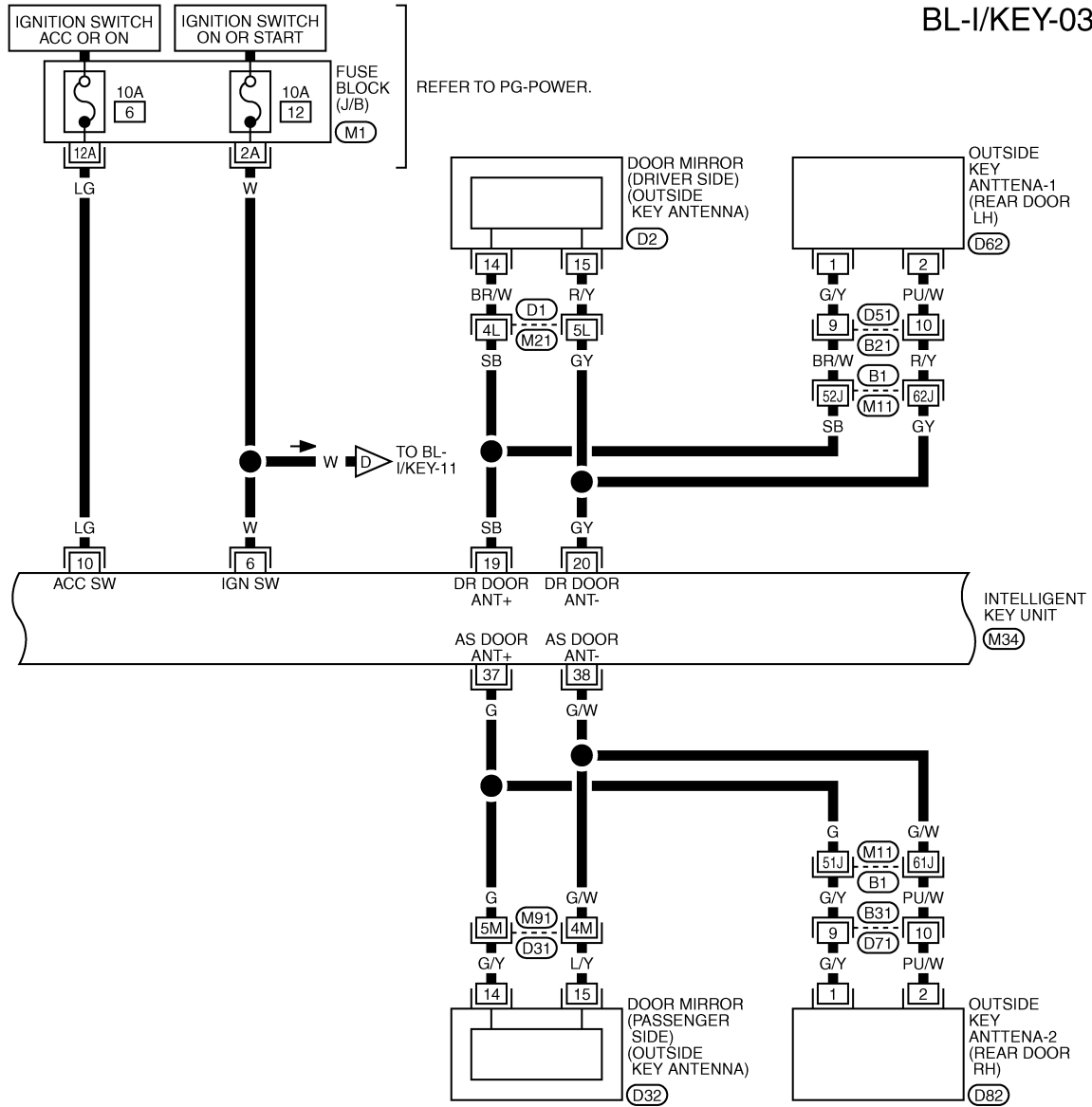
REFER TO THE FOLLOWING.
 (B1), (D1), (D31) -SUPER
 MULTIPLE JUNCTION (SMJ)

TIWM1662E

INTELLIGENT KEY SYSTEM

< SERVICE INFORMATION >

BL-I/KEY-03



REFER TO THE FOLLOWING.

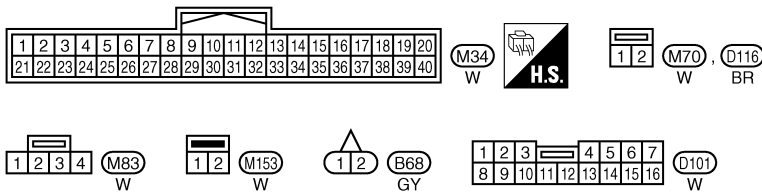
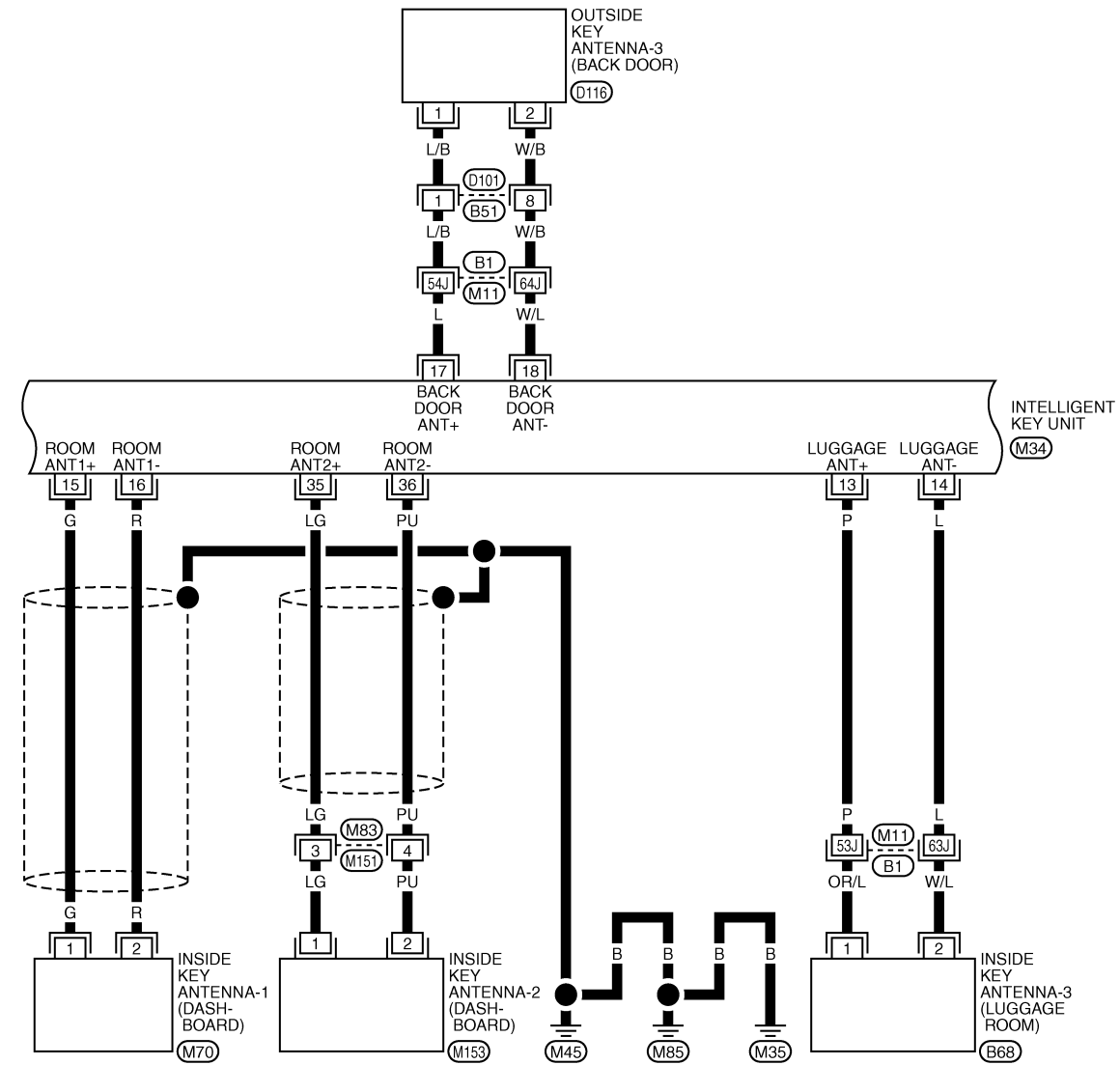
- (B1), (D1), (D31) -SUPER MULTIPLE JUNCTION (SMJ)
- (M1) -FUSE BLOCK-JUNCTION BOX (J/B)

TIWM1663E

INTELLIGENT KEY SYSTEM

< SERVICE INFORMATION >

BL-I/KEY-04



REFER TO THE FOLLOWING.
 (B1) -SUPER MULTIPLE JUNCTION (SMJ)

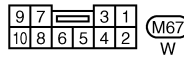
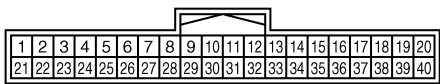
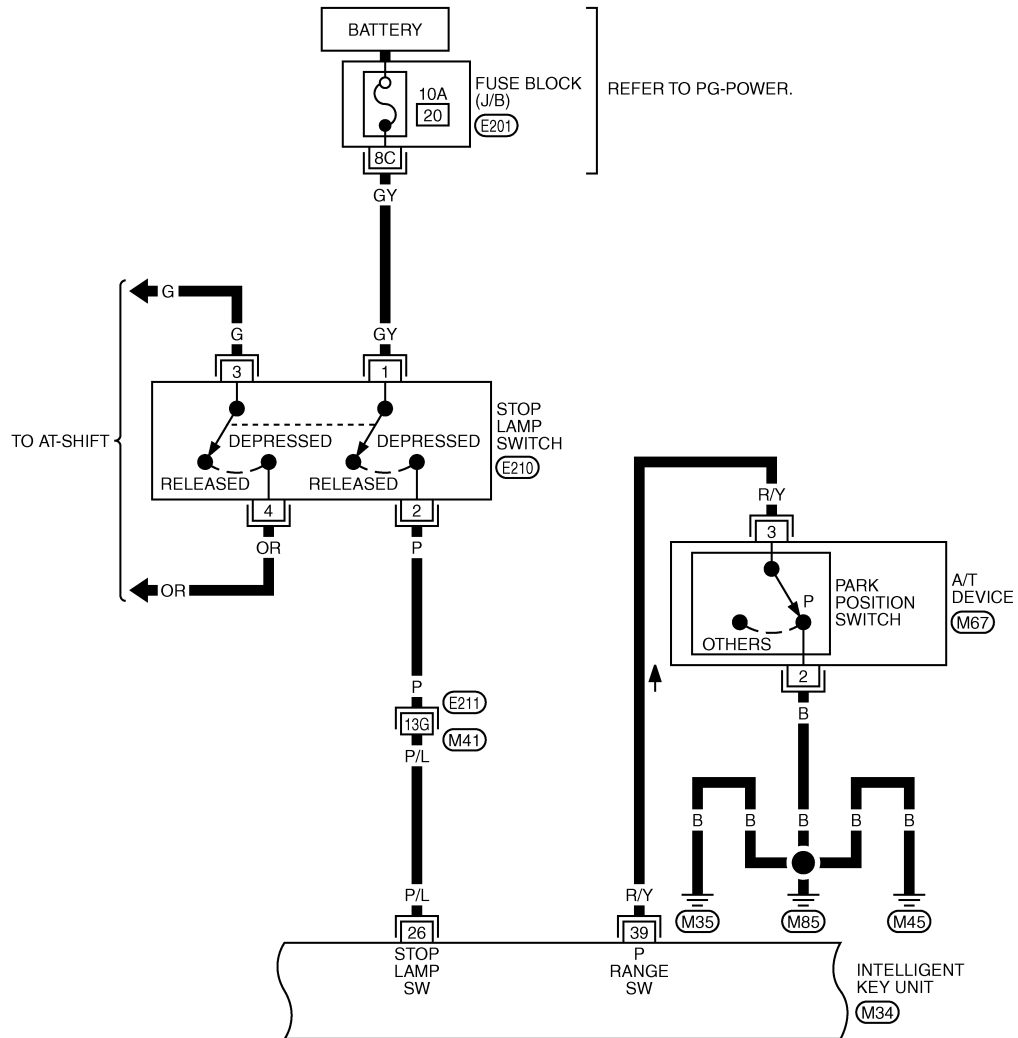
TIWM1664E

A
B
C
D
E
F
G
H
BL
J
K
L
M
N
O
P

INTELLIGENT KEY SYSTEM

< SERVICE INFORMATION >

BL-I/KEY-05



REFER TO THE FOLLOWING.

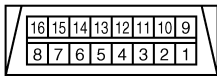
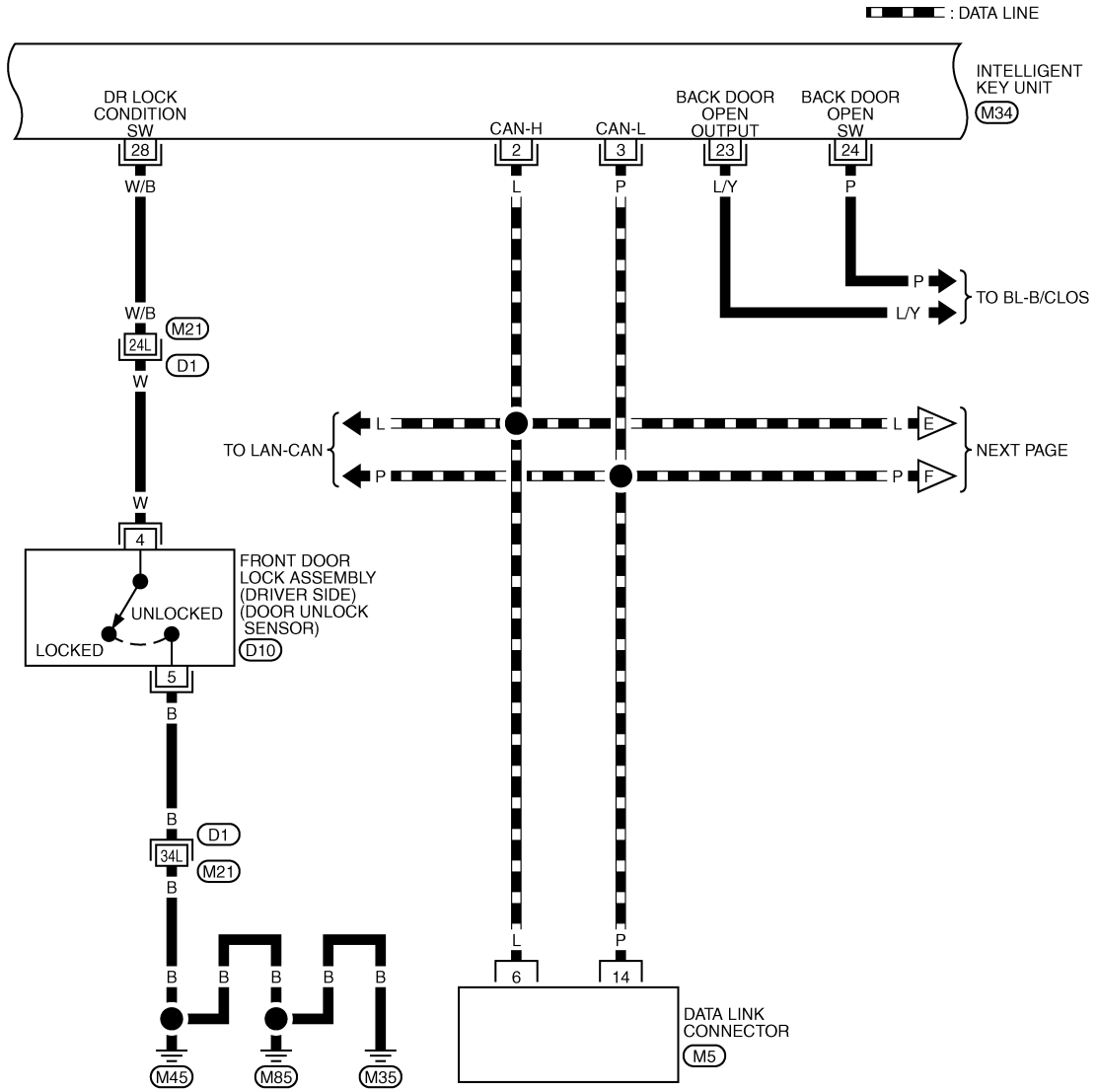
- (E211) -SUPER MULTIPLE JUNCTION (SMJ)
- (E201) -FUSE BLOCK-JUNCTION BOX (J/B)

TIWM1985E

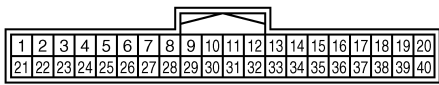
INTELLIGENT KEY SYSTEM

< SERVICE INFORMATION >

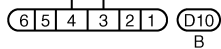
BL-I/KEY-06



(M5)
W



(M34)
W



(D10)
B

REFER TO THE FOLLOWING.
(D1) -SUPER MULTIPLE JUNCTION (SMJ)

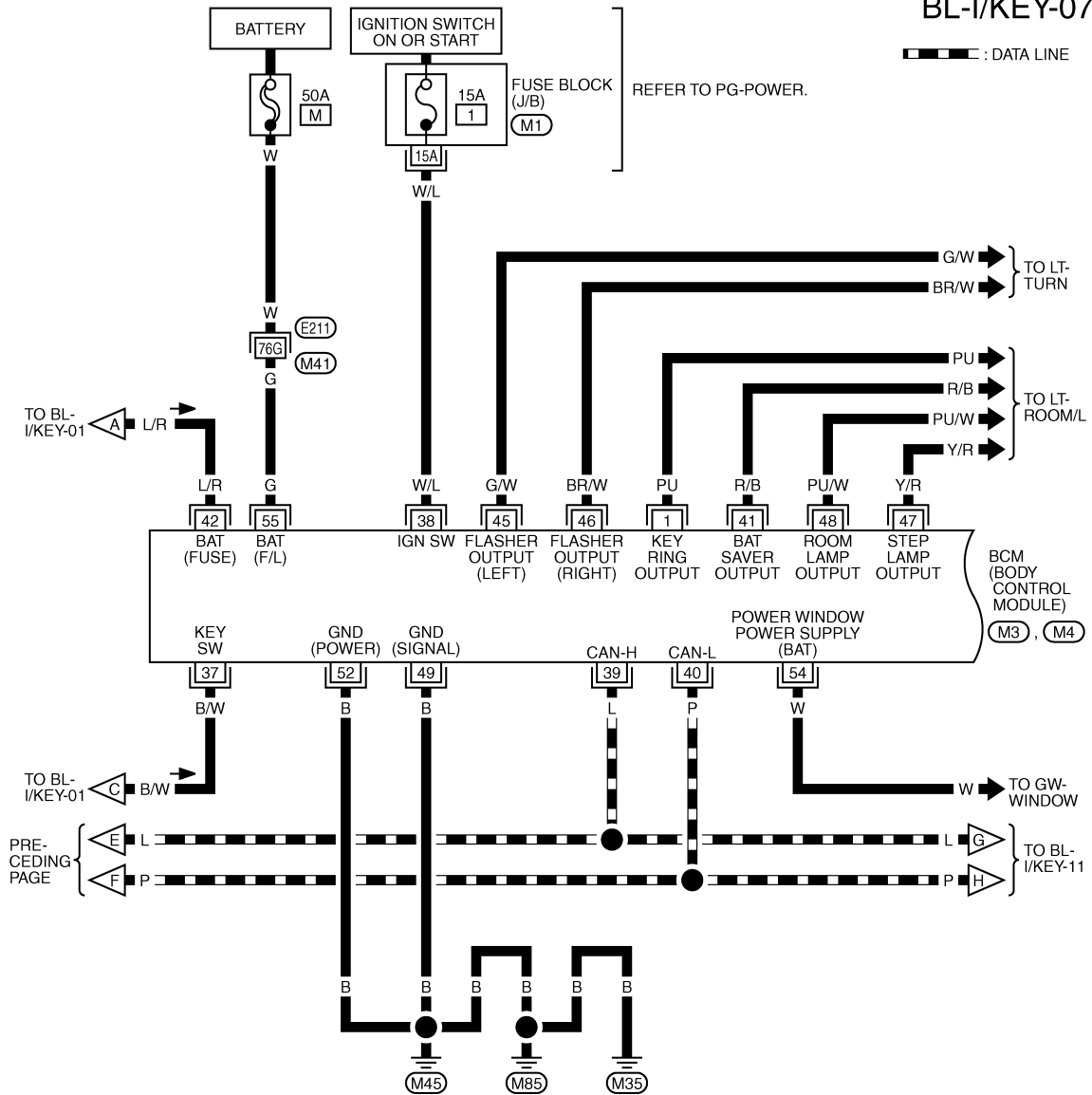
TIWM1666E

INTELLIGENT KEY SYSTEM

< SERVICE INFORMATION >

BL-I/KEY-07

— : DATA LINE



REFER TO THE FOLLOWING.

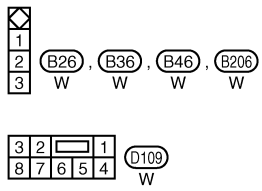
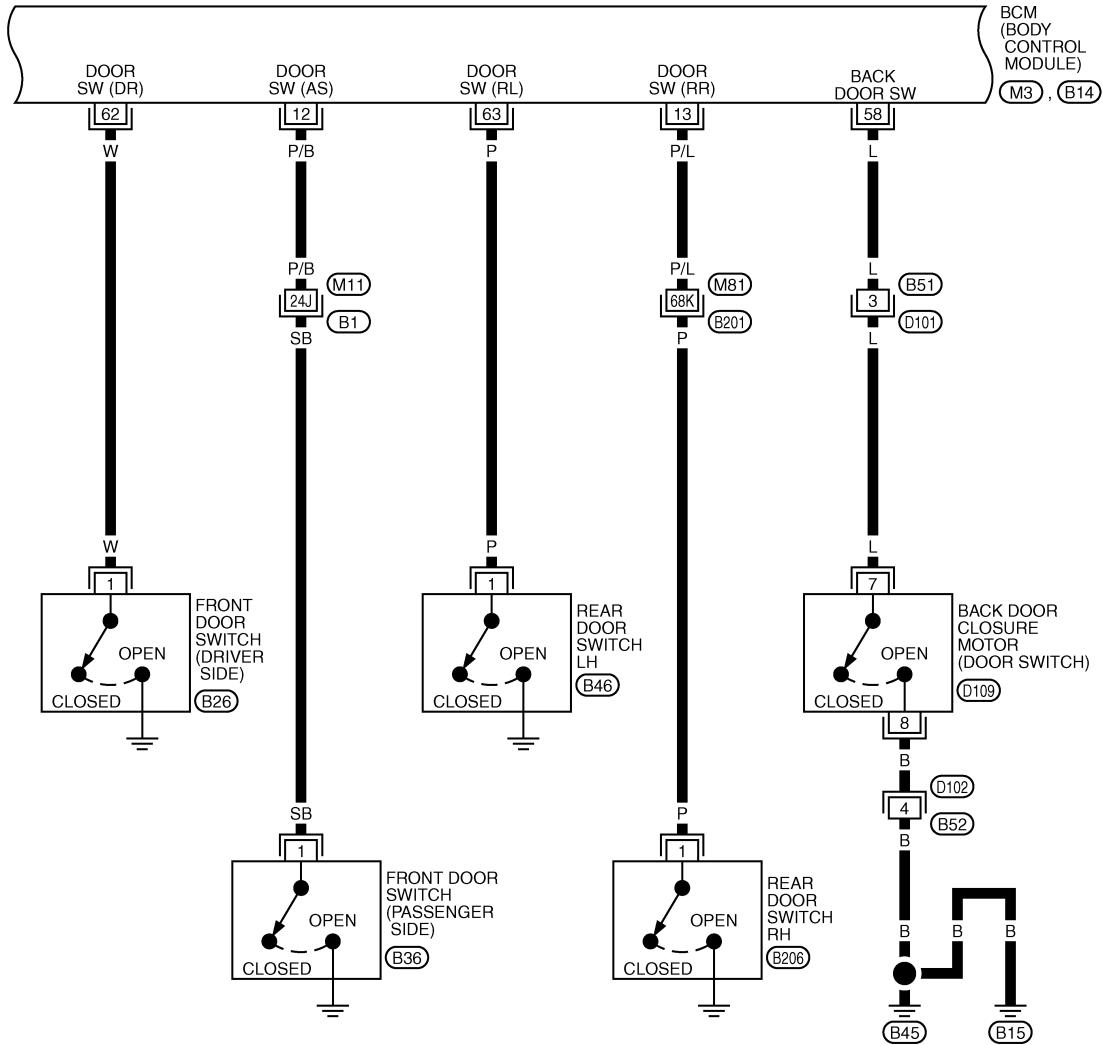
- (E21) -SUPER MULTIPLE JUNCTION (SMJ)
- (M1) -FUSE BLOCK-JUNCTION BOX (J/B)
- (M3), (M4) -ELECTRICAL UNITS

TIWM1667E

INTELLIGENT KEY SYSTEM

< SERVICE INFORMATION >

BL-I/KEY-08



REFER TO THE FOLLOWING.
 (B1), (B201) -SUPER MULTIPLE JUNCTION (SMJ)
 (M3), (B14) -ELECTRICAL UNITS

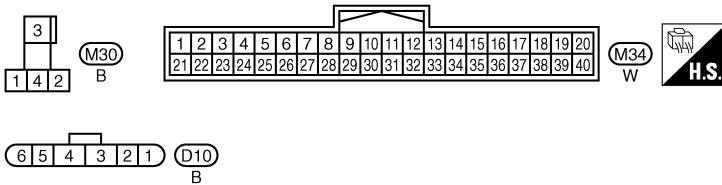
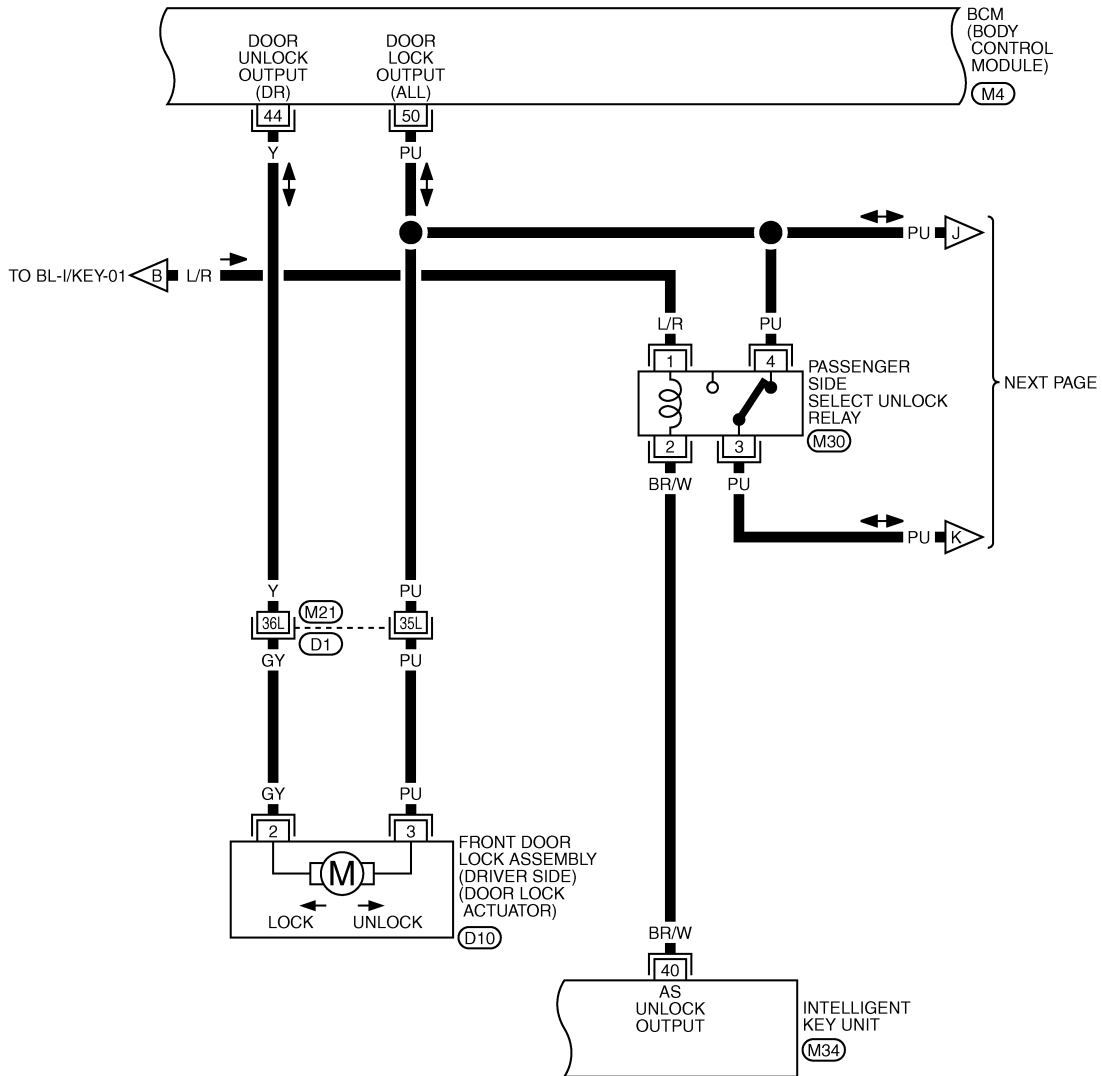
TIWM1668E

A
B
C
D
E
F
G
H
BL
J
K
L
M
N
O
P

INTELLIGENT KEY SYSTEM

< SERVICE INFORMATION >

BL-I/KEY-09



REFER TO THE FOLLOWING.

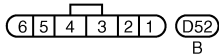
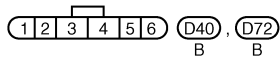
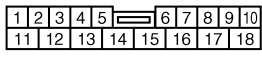
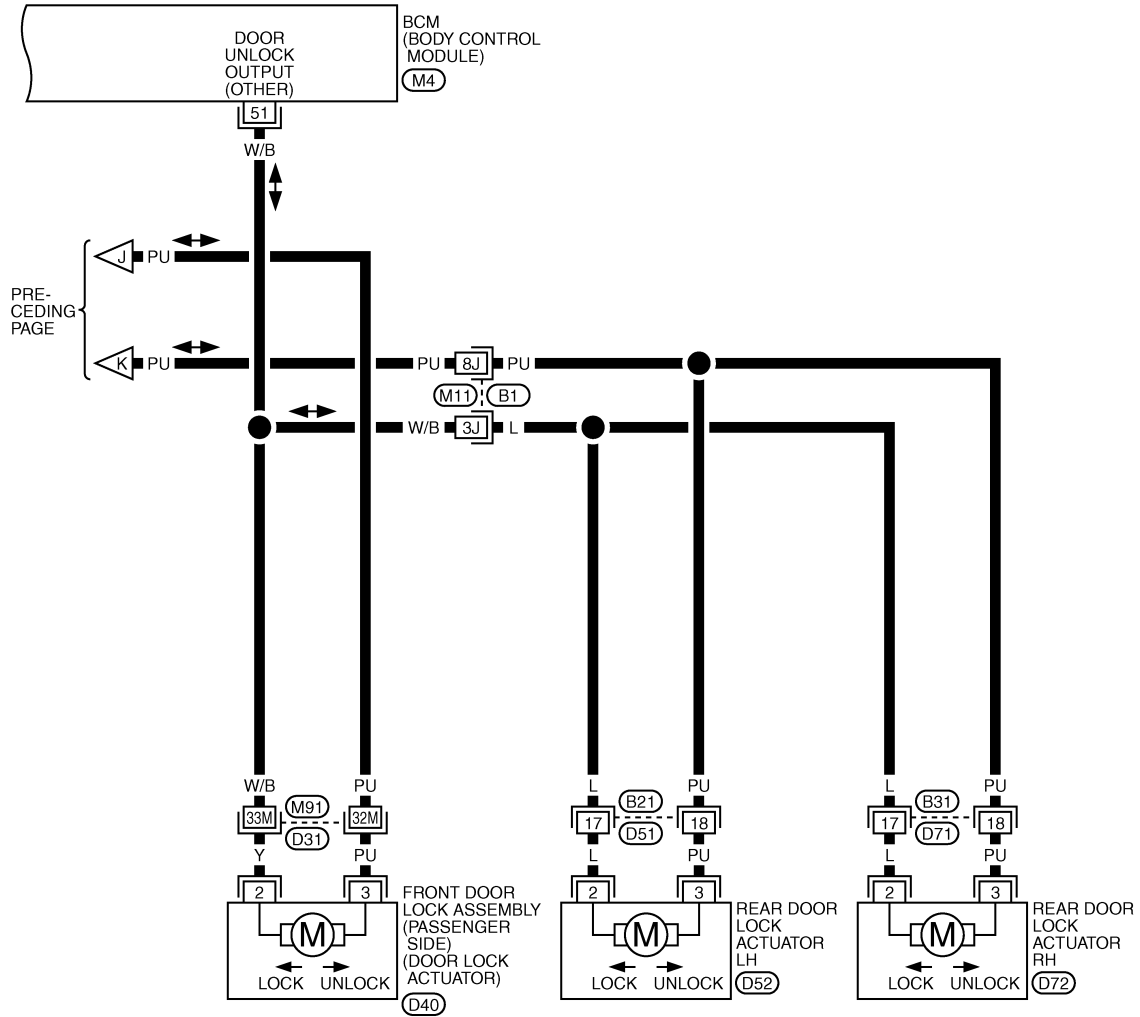
- (D1) -SUPER MULTIPLE JUNCTION (SMJ)
- (M4) -ELECTRICAL UNITS

TIWM1715E

INTELLIGENT KEY SYSTEM

< SERVICE INFORMATION >

BL-I/KEY-10



REFER TO THE FOLLOWING.
 (B1), (D31) -SUPER MULTIPLE JUNCTION (SMJ)
 (M4) -ELECTRICAL UNITS

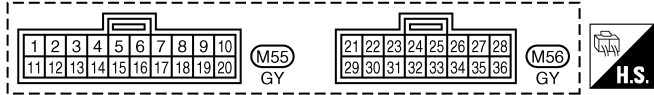
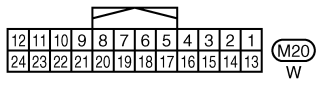
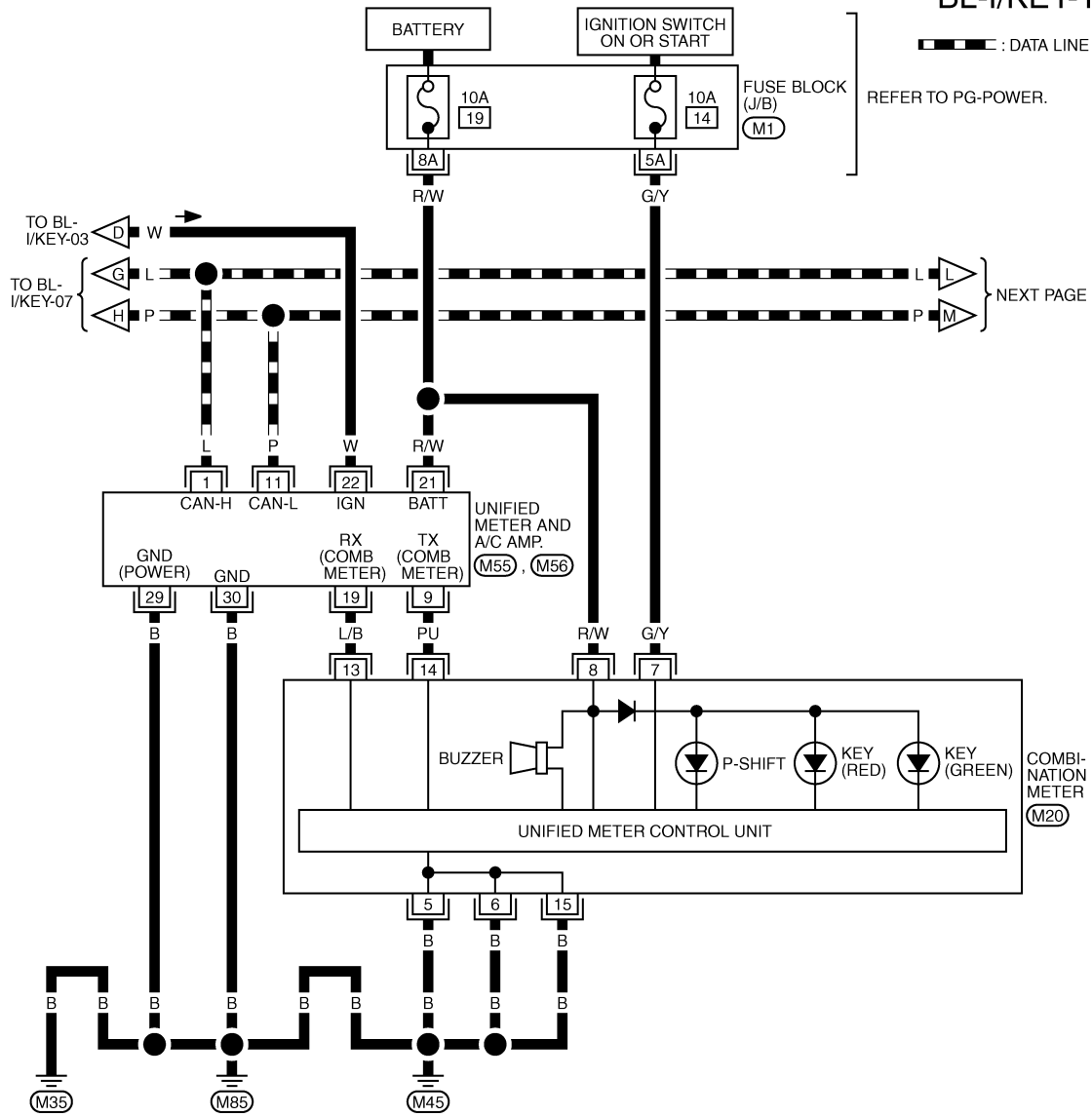
TIWH0046E

A
B
C
D
E
F
G
H
BL
J
K
L
M
N
O
P

INTELLIGENT KEY SYSTEM

< SERVICE INFORMATION >

BL-I/KEY-11



REFER TO THE FOLLOWING.
 (M1) - FUSE BLOCK-JUNCTION BOX (J/B)

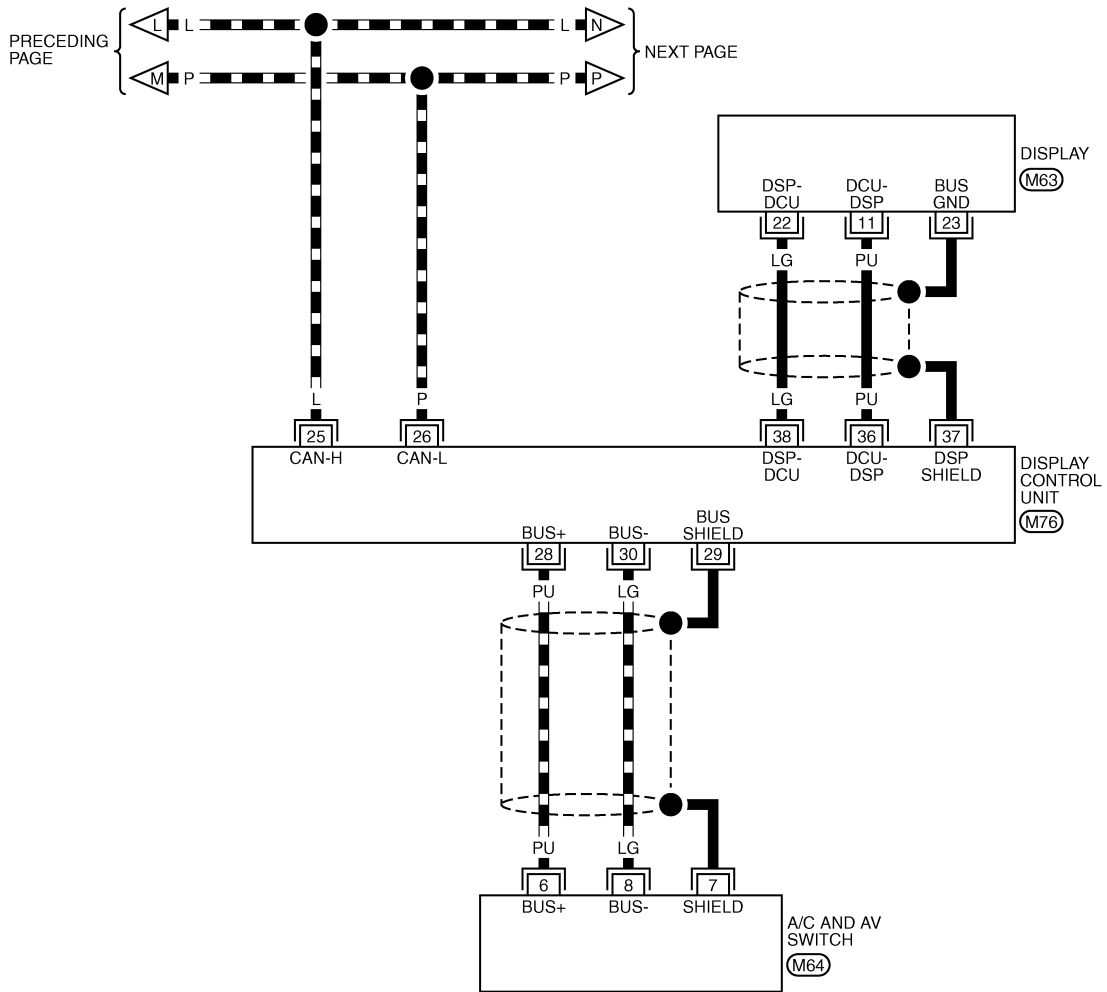
TIWM1669E

INTELLIGENT KEY SYSTEM

< SERVICE INFORMATION >

BL-I/KEY-12

▬ : DATA LINE



1	2	3	4	5	6	7	8	9	10	11	12
13	14	15	16	17	18	19	20	21	22	23	24

(M63)
W

16	14	12	10	8	6	4	2
15	13	11	9	7	5	3	1

(M64)
W

56	54	52	50	48	46	44	42	40	38	36	34	32	30	28	26
55	53	51	49	47	45	43	41	39	37	35	33	31	29	27	25

(M76)
W

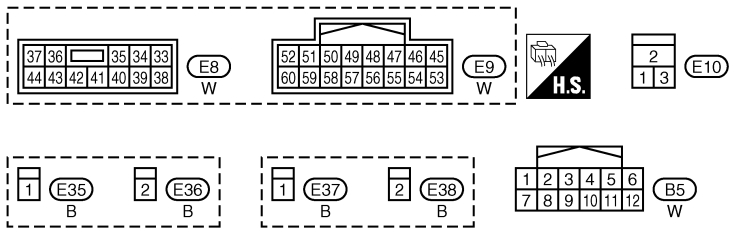
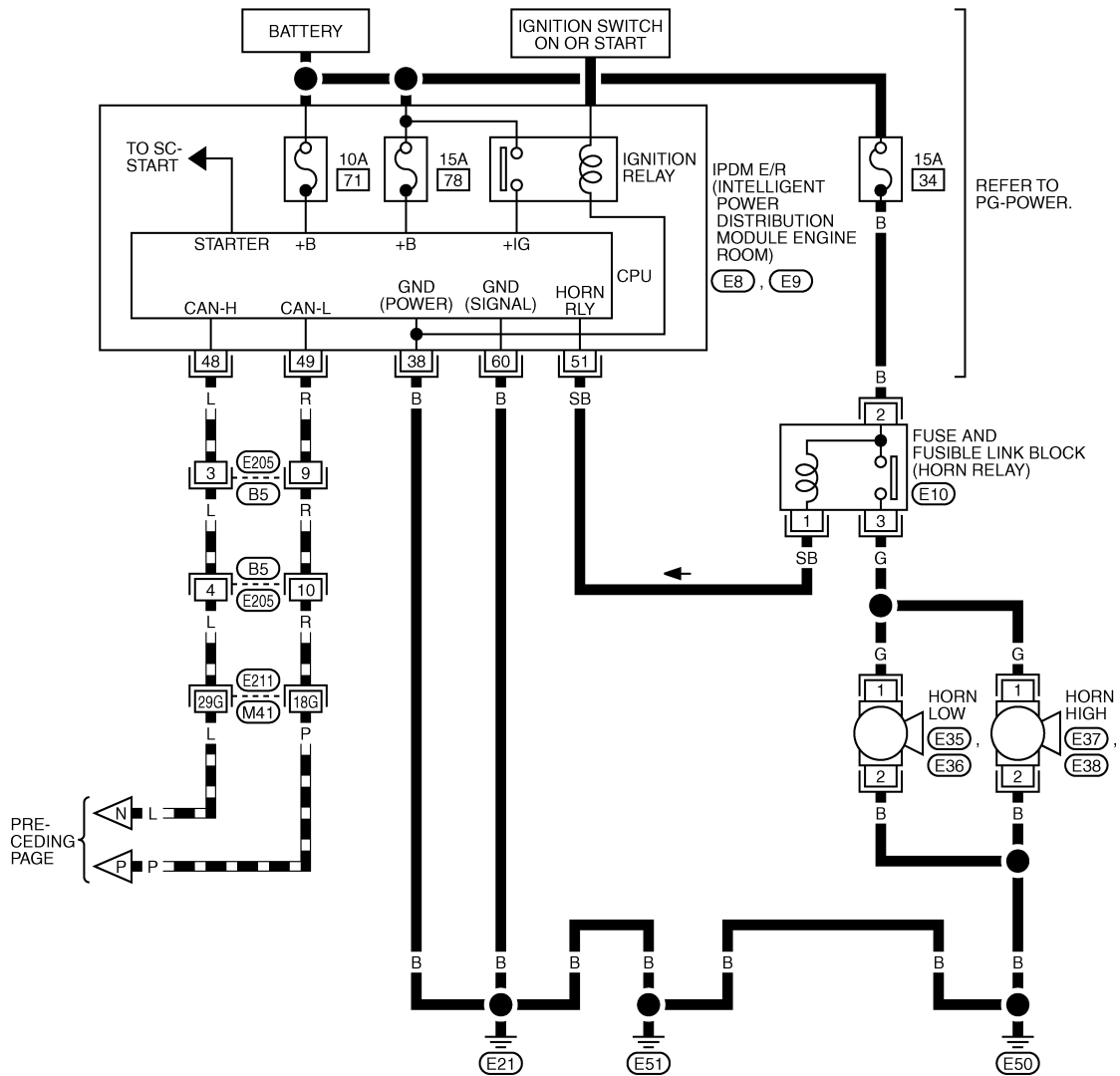
TIWM1670E

INTELLIGENT KEY SYSTEM

< SERVICE INFORMATION >

BL-I/KEY-13

▬ : DATA LINE



REFER TO THE FOLLOWING.
(E21) -SUPER MULTIPLE JUNCTION (SMJ)

TIWM1671E

INTELLIGENT KEY SYSTEM

< SERVICE INFORMATION >

Terminal and Reference Value for INTELLIGENT KEY UNIT

INFOID:000000001327842

Terminal	Wire color	Item	Signal Input/output	Condition		Voltage (V) (Approx.)	
				Ignition knob position	Operation or conditions		
1	R/W	Steering lock unit power supply	Output	LOCK	—	5	
2	L	CAN-H	Input/Output	—	—	—	
3	P	CAN-L	Input/Output	—	—	—	
4	LG	Intelligent Key warning buzzer	Output	LOCK	Operate remote controller button or door request switch.	Buzzer OFF	Battery voltage
						Sound buzzer	0
5	W/L	Door request switch (driver side)	Input	—	Door request switch operation: Press (ON).		0
					Other than the above (OFF)		5
6	W	Ignition switch (ON)	Input	ON or START	—	Battery voltage	
7	B/W	key switch	Input	LOCK	Insert mechanical key into ignition key cylinder.		Battery voltage
					Remove mechanical key from ignition key cylinder.		0
10	LG	Ignition switch (ACC)	Input	ACC or ON	—	Battery voltage	
11	L/R	Power source (Fuse)	Input	—	—	Battery voltage	
12	B	Ground	—	—	—	0	
13	P	Inside key antenna (+) (Luggage room)	Output	LOCK	Any door open → all doors shut (Door switch: ON → OFF)		
14	L	Inside key antenna (-) (Luggage room)	Output				
15	G	Inside key antenna (+) signal (Dashboard)	Output	LOCK	Any door open → Close (Door switch: ON → OFF) Ignition knob switch: ON (press ignition knob.)		
16	R	Inside key antenna (-) signal (Dashboard)	Output				
17	L	Back door antenna (+)	Output	LOCK	Back door request switch operation (Switch: ON)		
18	W/L	Back door antenna (-)	Output				

A

B

C

D

E

F

G

H

BL

J

K

L

M

N

O

P

INTELLIGENT KEY SYSTEM

< SERVICE INFORMATION >

Terminal	Wire color	Item	Signal Input/output	Condition		Voltage (V) (Approx.)
				Ignition knob position	Operation or conditions	
19	SB	Outside antenna LH (+)	Output	LOCK	Driver door request signal operation (Switch: ON)	
20	G/Y	Outside antenna LH (-)	Output			
25	W/R	Door request switch (passenger side)	Input	—	Door request switch operation: Press (ON)	0
					Other than the above (OFF)	5
26	P/L	Stop lamp switch	Input	—	Brake pedal depressed (ON)	5
					Brake pedal not depressed (OFF)	0
27	L/W	Ignition knob switch	Input	—	Press ignition knob.	12
					Return ignition knob to LOCK position.	0
28	W/B	Door unlock sensor	Input	—	Door is locking → unlock	5 → 0
29	GY	Door request switch (back door)	Input	—	Back door request switch operation: Press (ON)	0
					Other than the above (OFF)	5
31	Y/B	Steering lock unit ground	—	—	—	0
32	R/B	Steering lock unit communication	Output	LOCK	Press ignition knob with Intelligent Key inside vehicle.	
					Other than the above	5
35	LG	Inside key antenna (+) signal (Dashboard)	Output	LOCK	Any door open → Close (Door switch: ON → OFF) Ignition knob switch: ON (press ignition knob.)	
36	PU	Inside key antenna (-) signal (Dashboard)	Output			
37	G	Outside antenna RH (+)	Output	LOCK	Passenger door request switch operation (Switch: ON)	
38	G/W	Outside antenna RH (-)	Output			

INTELLIGENT KEY SYSTEM

< SERVICE INFORMATION >

Terminal	Wire color	Item	Signal Input/output	Condition		Voltage (V) (Approx.)
				Ignition knob position	Operation or conditions	
39	R/Y	Park position switch	Input	LOCK	A/T selector lever in "P" position.	0
					A/T selector lever in other position.	Battery voltage
40	BR/W	Door lock relay	Output	LOCK	Door request switch (passenger side) pressed	Battery voltage → 0 → Battery voltage

Terminal and Reference Value for Steering Lock unit

INFOID:000000001327843

Terminal	Wire color	Item	Signal Input/output	Condition		Voltage (V) (Approx.)
				Ignition knob position	Operation or conditions	
1	L/R	Power source (Fuse)	Input	LOCK	—	Battery voltage
2	R/W	Steering lock unit power supply	Input	LOCK	—	5
3	R/B	Steering lock unit communication signal	Input	LOCK	Press ignition knob with Intelligent Key inside vehicle.	
					Other than the above	5
4	Y/B	Steering lock unit ground	—	—	—	0

Terminal and Reference Value for BCM

INFOID:000000001327844

Terminal	Wire color	Item	Signal Input/output	Condition	Voltage (V) (Approx.)
1	PU	Key ring illumination output signal	Output	Key ring illumination is lighting.	Battery voltage
				Key ring illumination is being turned off.	0
12	P/B	Front door switch (Passenger side)	Input	Door open (ON) → Close (OFF)	0 → Battery voltage
13	P/L	Rear door switch RH	Input	Door open (ON) → Close (OFF)	0 → Battery voltage
37	B/W	Key switch	Input	Insert mechanical key from ignition key cylinder.	Battery voltage
				Remove mechanical key from ignition key cylinder.	0
38	W/L	Ignition switch (ON)	Input	Ignition switch is in ON or START position	Battery voltage
39	L	CAN-H	Input/Output	—	—
40	P	CAN-L	Input/Output	—	—
41	R/B	Battery saver output signal	Output	30 minutes after ignition switch is turned to OFF	0
				Ignition switch is in ON position	Battery voltage

INTELLIGENT KEY SYSTEM

< SERVICE INFORMATION >

Terminal	Wire color	Item	Signal Input/output	Condition	Voltage (V) (Approx.)
42	L/R	Power source (Fuse)	Input	—	Battery voltage
44	Y	Driver door lock actuator (Unlock)	Output	Door lock / unlock switch (Free → Unlock)	0 → Battery voltage
45	G/W	Left turn signal lamp	Output	When door lock or unlock is operated using Intelligent Key.*1 (ON → OFF)	Battery voltage → 0
46	BR/W	Right turn signal lamp	Output	When door lock or unlock is operated using Intelligent Key.*1 (ON → OFF)	Battery voltage → 0
47	Y/R	Step lamp output signal	Output	Step lamp is lighting.	0
				Step lamp is being turned off.	Battery voltage
48	PU/W	Room lamp output signal	Output	Room lamp is lighting.*2	0
				Room lamp is being turned off.*2	Battery voltage
49	B	Ground	—	—	0
50	PU	Door lock actuator (Lock)	Output	Door lock / unlock switch (Free → Lock)	0 → Battery voltage
51	W/B	Passenger and rear doors lock actuator (Unlock)	Output	Door lock / unlock switch (Free → Unlock)	0 → Battery voltage
52	B	Ground	—	—	0
54	W	Power source (power window)	Input	—	Battery voltage
55	G	Power source (Fusible link)	Input	—	Battery voltage
58	L	Back door switch	Input	Back door open (ON) → Close (OFF)	0 → 9
62	W	Front door switch (Driver side)	Input	Door open (ON) → Close (OFF)	0 → Battery voltage
63	P	Rear door switch LH	Input	Door open (ON) → Close (OFF)	0 → Battery voltage

*1: In the state that hazard reminder operates.

*2: In the state that room lamp switch is in "DOOR" position.

Terminal and Reference Value for IPDM E/R

INFOID:000000001327845

Terminal	Wire color	Item	Signal Input/output	Condition	Voltage (V) (Approx.)
38	B	Ground	—	—	0
48	L	CAN – H	Input/Output	—	—
49	R	CAN – L	Input/Output	—	—
51	SB	Horn relay	Output	When panic alarm is operated using Intelligent Key (OFF → ON)	Battery voltage → 0
60	B	Ground	—	—	0

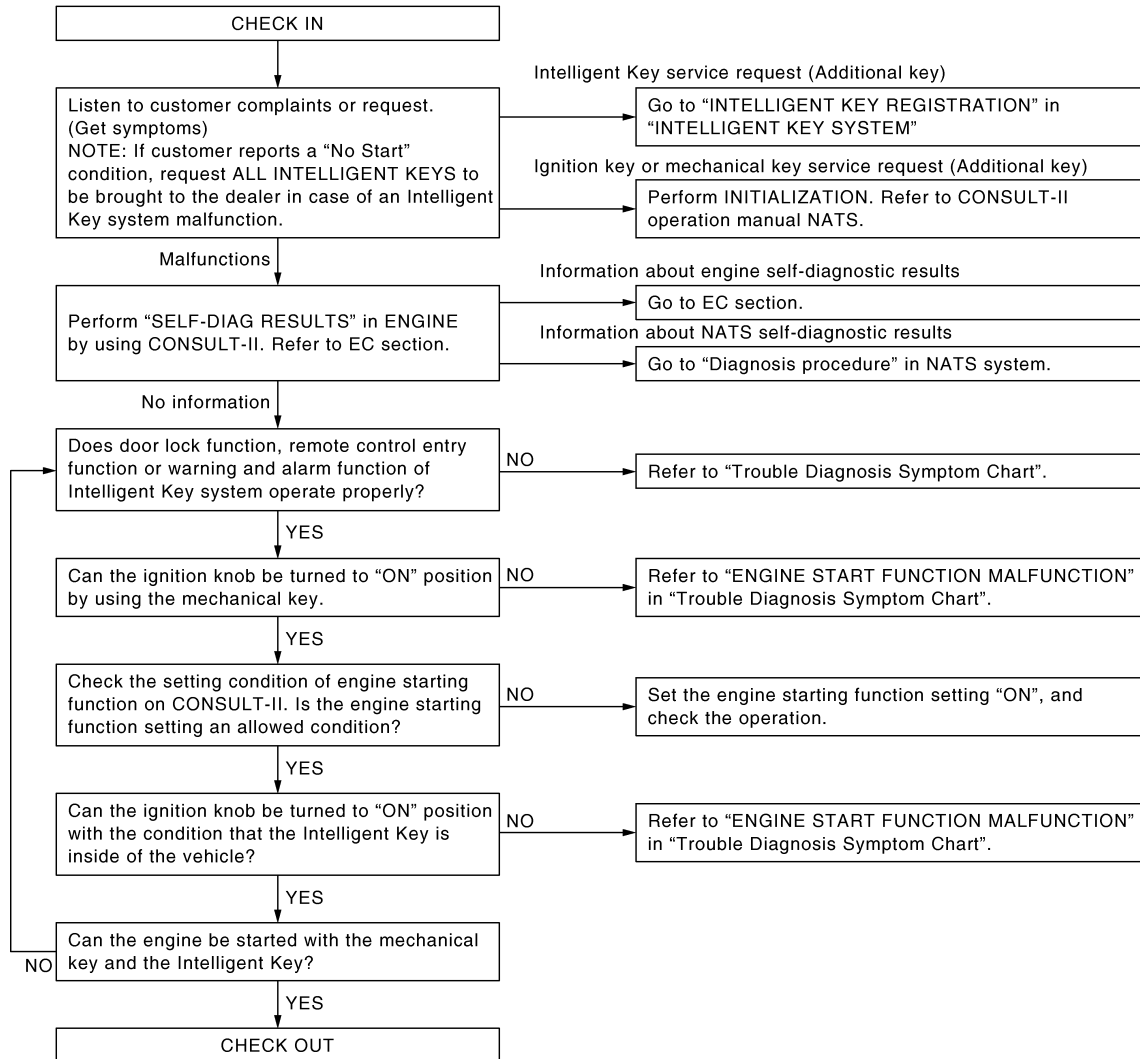
INTELLIGENT KEY SYSTEM

< SERVICE INFORMATION >

Diagnosis Procedure

INFOID:000000001327846

WORK FLOW



A
B
C
D
E
F
G
H
BL
J
K
L
M
N
O
P

PIA6736E

CONSULT-III Functions (INTELLIGENT KEY)

INFOID:000000001327847

- CONSULT-III has display and inspection functions for work support, self-diagnosis, data monitor, and control unit part number by combining data reception and command transmission via communication lines from the Intelligent Key unit.

INTELLIGENT KEY SYSTEM

< SERVICE INFORMATION >

Part to be diagnosed	Inspection Item, Diagnosis Mode	Description
Intelligent Key	WORK SUPPORT	<ul style="list-style-type: none"> Performs Intelligent Key-ID registration, check, and deletion. Performs steering lock unit ID registration. Changes settings for each function (ON/OFF).
	SELF-DIAG RESULTS	Intelligent Key unit performs CAN communication diagnosis.
	DATA MONITOR	Displays Intelligent Key unit input data in real time.
	CAN DIAG SUPPORT MNTR	The results of transmit/receive diagnosis of CAN communication can be read.
	ACTIVE TEST	Sends drive signals door lock actuator, buzzer or combination meter to perform operation check.
	ECU PART NUMBER	Displays Intelligent Key unit part No.

CONSULT-III Application Item

INFOID:000000001327849

WORK SUPPORT

Monitor item	Description
CONFIRM KEY FOB ID	The Intelligent Key ID can be confirmed.
TAKE OUT FROM WINDOW WARN	The condition of Intelligent Key warning function can be changed.
LOW BATT OF KEY FOB WARN	The condition of low battery warning function can be changed.
I-KEY FUNCTION	The condition of Intelligent Key's function can be changed.
ANSWER BACK FUNCTION	The condition of answer back function can be changed.
HORN WITH KEYLESS LOCK	The condition of key reminder function can be set.
SELECTIVE UNLOCK FUNCTION	The condition of selective unlock function can be changed.
HAZARD ANSWER BACK	The condition of key reminder function can be set.
ANSWER BACK WITH I-KEY LOCK	The condition of key reminder function (LOCK) can be changed.
ANSWER BACK WITH I-KEY UNLOCK	The condition of key reminder function (UNLOCK) can be changed.
AUTO RELOCK TIMER	This mode is able confirm and changed auto door lock function operation time setting.
PANIC ALARM DELAY	This mode is able to confirm and change panic alarm function operation delay time setting.
P/W DOWN DELAY	This mode is able to confirm and change remote window open function.
ENGINE START BY I-KEY	This mode is able to confirm and change start function ON - OFF setting.
LOCK/UNLOCK BY I-KEY	The condition of lock/unlock function can be set.
LUG ROOM ENGINE START	This mode is able to confirm and change operation range.

SELF-DIAGNOSTIC RESULTS

Self-diag results	Description	Diagnosis procedure	Reference page
CAN COMM [U1000]	Malfunction is detected in CAN communication.	Check CAN communication system.	BCS-13
STRG COMM1 [B2013]	Malfunction is detected in communication of Intelligent Key unit and steering lock unit.	Check steering lock unit.	BL-124
STRG COMM2 [B2014]	Malfunction is detected in communication of Intelligent Key unit and steering lock unit.	Check steering lock unit.	BL-124

DATA MONITOR

MAIN SIGNALS Display Item

INTELLIGENT KEY SYSTEM

< SERVICE INFORMATION >

Monitor item [OPERATION]	Description
PUSH SWITCH [ON/OFF]	Displays status (Ignition knob switch ON/ignition knob switch OFF) as judged from ignition knob switch signal.
KEY SW [ON/OFF]	Displays status (Key inserted: ON/Key removed: OFF) as judged by key switch.
DR REQ SW [ON/OFF]	Displays status (Operable: ON/Non-operable: OFF) as judged from door request switch (driver side) signal.
AS REQ SW [ON/OFF]	Displays status (Operable: ON/Non-operable: OFF) as judged from door request switch (passenger side) signal.
BD/TR REQ SW [ON/OFF]	Displays status (Operable: ON/Non-operable: OFF) as judged from door request switch (back door) signal.
IGN SW [ON/OFF]	Displays status (Ignition knob ON position: ON/Ignition knob OFF position: OFF) as judged from ignition switch signal.
ACC SW [ON/OFF]	Displays status (Ignition switch ACC position: ON/Ignition switch OFF position: OFF) as judged from ignition switch signal.
DOOR STAT SW [ON/OFF]	Displays status from door unlock sensor ON/OFF condition.
STOP LAMP SW [ON/OFF]	Displays status (Brake pedal depress: ON/brake pedal not depress: OFF) as judged from stop lamp switch signal.
P RANGE SW [ON/OFF]	Displays status from park/neutral position switch ON/OFF condition.
BD OPEN SW [ON/OFF]	Displays status (Back door open: ON/Back door closed: OFF) as judged from back door opener switch signal.

ACTIVE TEST

Monitor item	Description
DOOR LOCK/UNLOCK	This test is able to check all door lock actuators lock/unlock operation. These actuators lock when "ON" on CONSULT-III screen is touched.
OUTSIDE BUZZER	This test is able to check Intelligent Key warning buzzer operation. The buzzer will be activated on when "ON" on CONSULT-III screen is touched.
INSIDE BUZZER	This test is able to check buzzer (built-in combination meter) operation. The buzzer will be activated on when "ON" on CONSULT-III screen is touched.
INDICATOR	This test is able to check warning lamp operation. The lamp will be turned on when "ON" on CONSULT-III screen is touched.

List of Operation Related Parts

INFOID:000000001327850

Parts marked with × are the parts related to operation.

Will not operate if there is a malfunction in the area where there is a ×.	Intelligent Key	Key switch	Ignition knob switch	ACC switch	Ignition switch	Door unlock sensor	Door switch	Door request switch	Inside key antenna	Out side key antenna	Intelligent Key warning buzzer	Intelligent Key unit	CAN communication system	BCM	Combination meter	Steering lock unit	Stop lamp switch	Detention switch	Passenger side select unlock relay
Door lock/unlock operation using Intelligent Key remote controller button operation	×					×	×				×	×	×	×					
Door lock/unlock operation using door request switch operation	×					×	×	×		×	×	×	×	×					
Selective door unlock function using door request switch operation	×					×	×	×				×	×	×					×

INTELLIGENT KEY SYSTEM

< SERVICE INFORMATION >

Will not operate if there is a malfunction in the area where there is a ×.	Intelligent Key	Key switch	Ignition knob switch	ACC switch	Ignition switch	Door unlock sensor	Door switch	Door request switch	Inside key antenna	Out side key antenna	Intelligent Key warning buzzer	Intelligent Key unit	CAN communication system	BCM	Combination meter	Steering lock unit	Stop lamp switch	Detention switch	Passenger side select unlock relay
Selective door unlock function using Intelligent Key remote controller button operation	×					×	×					×	×	×					
Door lock/unlock operation using mechanical key														×					
Ignition knob rotation permission using Intelligent Key	×	×	×						×			×	×		×	×			
Ignition knob rotation permission using mechanical key		×	×									×	×	×	×	×			
Engine start using Intelligent Key	×				×				×			×	×	×		×	×	×	
Engine start using mechanical key					×	×						×	×			×	×	×	
Key reminder door lock operation	×					×	×		×			×	×	×					
Selector lever reminder operation		×			×							×	×		×			×	
Ignition switch return forgotten warning			×	×	×		×					×		×	×				
Ignition key warning (when using mechanical key)		×											×	×	×				
Ignition switch OFF position warning (for inside car: when door closed)		×	×	×	×							×	×		×				
Ignition switch OFF position warning (for outside car: when door opened/closed)		×	×	×	×		×				×	×	×	×	×				
Warning for removal of Intelligent Key to outside the car (when door open/closed)	×	×	×				×		×			×	×	×	×				
Warning for removal of Intelligent Key to outside the car (from window)	×	×	×				×		×			×	×		×				
Door lock non-operation warning	×					×	×	×		×	×	×	×	×					
Intelligent key low battery warning	×				×							×	×		×				

Trouble Diagnosis Symptom Chart

INFOID:000000001327851

ALL FUNCTIONS OF THE INTELLIGENT KEY ARE NOT OPERATING

Symptom	Diagnoses service procedure	Refer to page
"KEY" and "P shift" warning lamps in combination meter do not light up at all.	1. Check Intelligent Key unit power supply and ground circuit	BL-111
	2. Check CAN communication	BCS-13
	3. Replace Intelligent Key unit	BL-130

INTELLIGENT KEY SYSTEM

< SERVICE INFORMATION >

Symptom	Diagnoses service procedure	Refer to page
"KEY" and "P shift" warning lamps in combination meter turn on, but doors cannot be locked/unlocked or the engine can not be started using Intelligent Key.	1. Use CONSULT-III to check if the Intelligent Key has been registered	Refer to CONSULT-III Operation Manual
	2. Use CONSULT-III setting change function to check if Intelligent Key system has been cancelled	BL-104
	3. Intelligent Key battery inspection	BL-130
	4. Replace Intelligent Key unit	BL-130

REMOTE CONTROL ENTRY FUNCTION MALFUNCTION

Symptom	Diagnoses service procedure	Refer to page
Door lock/unlock does not operate (other functions normal) when Intelligent Key remote controller button is operated.	1. Check door lock/unlock setting	BL-104
	2. Intelligent Key battery inspection	BL-130
	3. Check door unlock sensor	BL-117
	4. Check door switch	BL-115
	5. Replace BCM	BCS-13
	6. Replace Intelligent Key unit	BL-130
Driver side selective door unlock function does not operate, when Intelligent Key remote controller button is operated. (All other remote control entry function is OK.)	1. Check selective door unlock setting	BL-104
	2. Replace BCM	BCS-13
	3. Replace Intelligent Key unit	BL-130
Panic alarm (horn and headlamp) do not activate, when panic alarm button is continuously pressed. (All other remote control entry function is OK.)	1. Check panic alarm mode	BL-104
	2. Check headlamp function	BL-129
	3. Check horn function	BL-129
	4. Check IPDM E/R operation	BL-129
	5. Check key switch (Intelligent Key unit input)	BL-112
	6. Check ignition knob switch	BL-114
	7. Replace Intelligent Key unit	BL-130
Hazard lamps do not flash during door lock operation using Intelligent Key remote controller button operated. (Turn signal lamp operation is OK.) (All other remote control entry function is OK.)	1. Check key reminder setting	BL-104
	2. Replace BCM	BCS-13
	3. Replace Intelligent Key unit	BL-130
Hazard lamps do not flash during door lock operation using Intelligent Key remote controller button operated. (Turn signal lamps do not operate.)	Check hazard function	BL-128
Intelligent Key warning buzzer does not sound during door lock/unlock operation using Intelligent Key remote controller button is operated. (All other remote control entry function is OK.)	1. Check if the operation confirmation Intelligent Key warning buzzer was cancelled by the CONSULT-III settings change function	BL-104
	2. Check Intelligent Key warning buzzer	BL-120
	3. Replace Intelligent Key unit	BL-130

DOOR LOCK FUNCTION MALFUNCTION

Before conducting the diagnosis in the following table, check all power door lock system function. Refer to [BL-21](#).

INTELLIGENT KEY SYSTEM

< SERVICE INFORMATION >

Symptom	Diagnoses service procedure	Refer to page
Door lock/unlock does not operate when door request switch operation is used (power door lock system is normal).	1. Check door lock/unlock setting	BL-104
	2. Check outside key antenna	BL-121
	3. Intelligent Key battery inspection	BL-130
	4. Replace Intelligent Key unit	BL-130
Door lock/unlock do not operate using door request switch operated (power door lock system is normal).	1. Check door switch	BL-115
	2. Check key switch (Intelligent Key unit input)	BL-112
	3. Check ignition knob switch	BL-114
	4. Replace Intelligent Key unit	BL-130
Driver side selective door unlock function does not operate, when door request switch is operated. (All other door lock function is OK.)	1. Check selective door unlock setting	BL-104
	2. Replace BCM	BCS-13
Passenger side selective door unlock function does not operate, when door request switch is operated. (All other door lock function is OK.)	1. Check selective door unlock setting	BL-104
	2. Check passenger side select unlock relay	BL-128
	3. Replace Intelligent Key unit	BL-130
Hazard lamps do not flash during door lock operation using door request switch operated. (Turn signal lamp operation is normal.) (All other door lock function is OK.)	1. Check key reminder setting	BL-104
	2. Replace BCM	BCS-13
	3. Replace Intelligent Key unit	BL-130
Hazard lamps do not flash during door lock operation using door request switch operated. (Turn signal lamps do not operate.)	Check hazard function	BL-128
Intelligent Key warning buzzer does not sound during door lock/unlock operation using Intelligent Key (regardless of whether Intelligent Key remote controller button or request switch operation is used).	1. Check if the operation confirmation Intelligent Key warning buzzer was cancelled by the CONSULT-III settings change function	BL-104
	2. Check Intelligent Key warning buzzer	BL-120
	3. Replace Intelligent Key unit	BL-130
Door lock/unlock operation confirmation Intelligent Key warning buzzer sounds, but door lock actuator does not operate. (And hazard lamps do not flash.)	1. Check CAN communication	BCS-13
	2. Replace Intelligent Key unit	BL-130

ENGINE START FUNCTION MALFUNCTION

Intelligent Key Operation Inspection

INTELLIGENT KEY SYSTEM

< SERVICE INFORMATION >

Symptom		Diagnoses service procedure	Refer to page
Ignition knob can not turn	KEY warning lamp on combination meter lights up in red when ignition knob is pressed. (door lock functions normal)	1. Intelligent Key battery inspection	BL-130
		2. Check inside key antenna	BL-123
		3. Replace Intelligent Key unit	BL-130
	KEY warning lamp on combination meter lights up in green when ignition knob is pressed.	1. Check ignition knob switch	BL-114
		2. Check steering lock unit	BL-124
		3. Check Intelligent Key unit power supply and ground circuit	BL-111
		4. Replace Intelligent Key unit	BL-130
	Ignition knob turns even without both Intelligent Key and mechanical key.	Replace steering lock unit	—
	Security indicator will still flash when ignition knob is pressed.	1. Check key switch (Intelligent Key unit input)	BL-112
		2. Replace Intelligent Key unit	BL-130
	Security indicator does not flash with ignition knob released at LOCK position. (push switch OFF)	1. CAN communication system	BCS-13
		2. Ignition knob switch system	BL-114
		3. Intelligent Key unit power supply and ground circuit	BL-111
	Starter motor does not cranking. (Ignition knob can turn)	1. Check detention switch	BL-126
		2. Check stop lamp switch	BL-126
3. Replace Intelligent Key unit		BL-130	

Mechanical Key Operation Inspection

Symptom		Diagnoses service procedure	Refer to page
Ignition knob can not turn	Security indicator remains flashing with mechanical key inserted.	1. Check key switch (BCM input)	BL-113
		2. Replace Intelligent Key unit	BL-130
Ignition knob can not turn	KEY indicator and security indicator does not flashing with mechanical key inserted.	1. Check stop lamp switch	BL-126
		2. Replace Intelligent Key unit	BL-130
Starter motor does not cranking. (Ignition knob can turn)	1. Check detention switch	BL-126	
	2. Check stop lamp switch	BL-126	
	3. Replace Intelligent Key unit	BL-130	

WARNING CHIME FUNCTION MALFUNCTION

Before conducting the diagnosis in the following table, check “key reminder function” with power door lock system.

Symptom	Diagnoses service procedure	Refer to page
Ignition key warning chime is inoperative. (When mechanical key used)	1. Check CAN communication	BCS-13
	2. Check key switch (Intelligent Key unit input)	BL-112
	3. Check door switch	BL-115
	4. Inspect combination meter (warning)	DI-5
	5. Replace Intelligent Key unit	BL-130
Ignition knob OFF position warning chime (for inside vehicle) does not sound. (Ignition key warning chime operates)	1. Check CAN communication	BCS-13
	2. Check ignition knob switch	BL-114
	3. Check key switch (Intelligent Key unit input)	BL-112
	4. Replace Intelligent Key unit	BL-130

INTELLIGENT KEY SYSTEM

< SERVICE INFORMATION >

Symptom	Diagnoses service procedure	Refer to page
Ignition knob OFF position warning chime (for outside vehicle: after door open/closed) does not sound.	1. Check CAN communication	BCS-13
	2. Check ignition knob switch	BL-114
	3. Check door switch	BL-115
	4. Check Intelligent Key warning buzzer	BL-120
	5. Replace Intelligent Key unit	BL-130
Intelligent Key take out warning chime (when door open/closed) does not sound.	1. Check CAN communication	BCS-13
	2. Intelligent Key battery inspection	BL-130
	3. Check ignition knob switch	BL-114
	4. Check door switch	BL-115
	5. Check Intelligent Key warning buzzer	BL-120
	6. Replace Intelligent Key unit	BL-130
Intelligent Key take out warning chime (when door opened/closed) sounds even though Intelligent Key is in vehicle.	1. Check inside key antenna	BL-123
	2. Intelligent Key battery inspection	BL-130
	3. Replace Intelligent Key unit	BL-130
P position selecting warning lamp does not light up	1. Check detention switch	BL-126
	2. Check combination meter	DI-5
	3. Replace Intelligent Key unit	BL-130
Intelligent Key take out warning chime (when selector lever is except P position) does not sound.	1. Check CAN communication	BCS-13
	2. Check detention switch	BL-126
	3. Replace Intelligent Key unit	BL-130
Intelligent Key take out warning chime (through window) does not sound	1. Check if Intelligent Key removal warning (take out from window) was canceled by CONSULT-III settings change function	BL-104
	2. Check CAN communication	BCS-13
	3. Intelligent Key battery inspection	BL-130
	4. Check ignition knob switch	BL-114
	5. Replace Intelligent Key unit	BL-130
Intelligent Key take out warning chime (through window) sounds even though Intelligent Key is in vehicle.	1. Check inside key antenna	BL-123
	2. Intelligent Key battery inspection	BL-130
	3. Replace Intelligent Key unit	BL-130

INTELLIGENT KEY SYSTEM

< SERVICE INFORMATION >

Symptom	Diagnoses service procedure	Refer to page
Door lock non-operation warning does not sound.	Intelligent Key warning chime does not sound	
	1. Intelligent Key battery inspection	BL-130
	2. Check door request switch	BL-119
	3. Check inside key antenna	BL-123
	4. Check Intelligent Key warning buzzer	BL-120
	5. Replace Intelligent Key unit	BL-130
	Ignition knob OFF position warning chime does not sound	
	1. Intelligent Key battery inspection	BL-130
	2. Check door request switch	BL-119
	3. Check outside key antenna	BL-121
	4. Check Intelligent Key warning buzzer	BL-120
	5. Check ignition knob switch	BL-114
	6. Replace Intelligent Key unit	BL-130
	Door ajar alarm	
	1. Check CAN communications	BCS-13
	2. Check door request switch	BL-119
	3. Check outside key antenna	BL-121
	4. Check Intelligent Key warning buzzer	BL-120
	5. Check door switch	BL-115
	6. Intelligent Key battery inspection	BL-130
	7. Replace Intelligent Key unit	BL-130

Check CAN Communication System Inspection

INFOID:000000001534751

1. PERFORM SELF DIAGNOSTIC

1. Turn ignition switch ON and wait for 2 seconds or more.
2. Check "Self Diagnostic Result" of BCM.

Is "CAN COMM CIRCUIT" displayed?

- YES >> Refer to [BCS-13, "U1000 CAN Communication Circuit"](#).
 NO >> INSPECTION END.

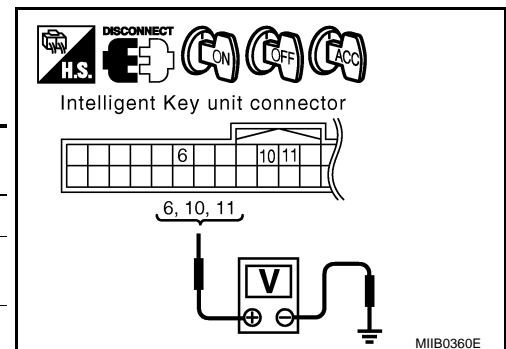
Check Intelligent Key Unit Power Supply and Ground Circuit

INFOID:000000001327853

1. CHECK POWER SUPPLY CIRCUIT

1. Turn ignition knob OFF position.
2. Disconnect Intelligent Key unit connector.
3. Check voltage between Intelligent Key unit connector and ground.

Connector	Terminal (Wire color)		Ignition knob position		
	(+)	(-)	OFF	ACC	ON
M34	6 (W)	Ground	0V	0V	Battery voltage
	10 (LG)		0V	Battery voltage	Battery voltage
	11 (L/R)		Battery voltage	Battery voltage	Battery voltage



OK or NG

INTELLIGENT KEY SYSTEM

< SERVICE INFORMATION >

- OK >> GO TO 2.
- NG >> Repair or replace Intelligent Key power supply circuit.

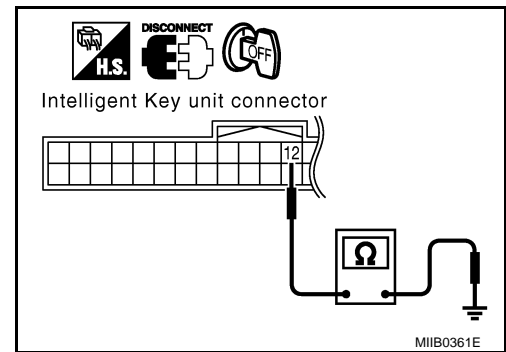
2.CHECK GROUND CIRCUIT

Check continuity between Intelligent Key unit connector M34 terminal 12 (B) and ground.

12 (B) - Ground : Continuity should exist.

OK or NG

- OK >> Power supply and ground circuits are normal.
- NG >> Repair or replace the Intelligent Key unit ground circuit.



INFOID:000000001327854

Check Key Switch (Intelligent Key Unit Input)

1.CHECK KEY SWITCH

Ⓟ With CONSULT-III

Display "KEY SW" on DATA MONITOR screen, and check if ON-OFF display is linked to insertion of mechanical key in ignition knob.

When key is inserted in ignition knob : ON

When key is removed in ignition knob : OFF

OK or NG

- OK >> Key switch is OK.
- NG >> GO TO 2.

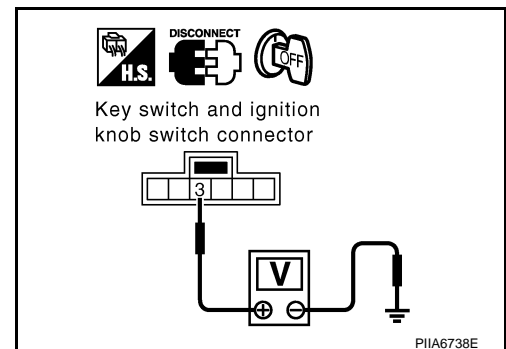
2.CHECK KEY SWITCH POWER SUPPLY CIRCUIT

1. Remove mechanical key from ignition knob.
2. Disconnect key switch and ignition knob switch connector.
3. Check voltage between key switch and ignition knob switch connector M22 terminal 3 (L/R) and ground.

3 (L/R) - Ground : Battery voltage

OK or NG

- OK >> GO TO 3.
- NG >> Repair or replace key switch power supply circuit.



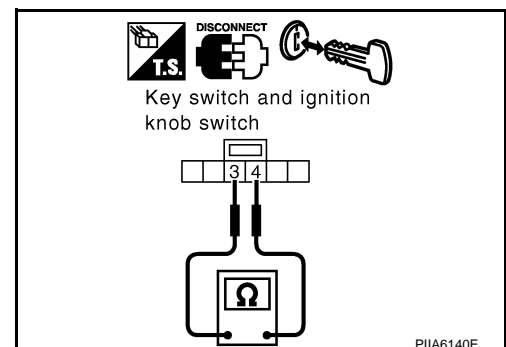
3.CHECK KEY SWITCH OPERATION

Check continuity between key switch and ignition knob switch terminals 3 and 4.

Terminals		Condition	Continuity
3	4	Key is inserted in ignition key cylinder.	Yes
		Key is removed from ignition key cylinder.	No

OK or NG

- OK >> GO TO 4.
- NG >> Replace key switch.



INTELLIGENT KEY SYSTEM

< SERVICE INFORMATION >

4. CHECK KEY SWITCH CIRCUIT

1. Disconnect Intelligent Key unit connector.
2. Check continuity between Intelligent Key unit connector M34 terminal 7 (B/W) and key switch and ignition knob switch connector M22 terminal 4 (B/W).

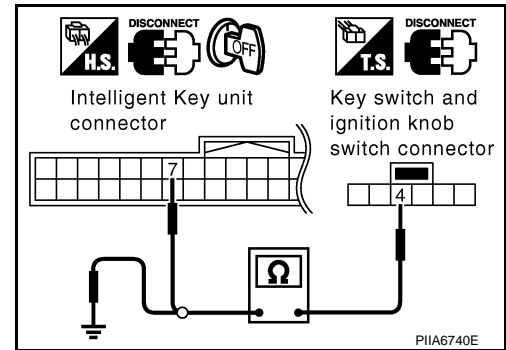
7 (B/W) - 4 (B/W) : Continuity should exist.

3. Check continuity between key switch and ignition knob switch connector M22 terminal 4 (B/W) and ground.

4 (B/W) - Ground : Continuity should not exist.

OK or NG

- OK >> Replace Intelligent key unit.
- NG >> Repair or replace harness between Intelligent Key unit and key switch and ignition knob switch.



INFOID:000000001327855

Check Key Switch (BCM Input)

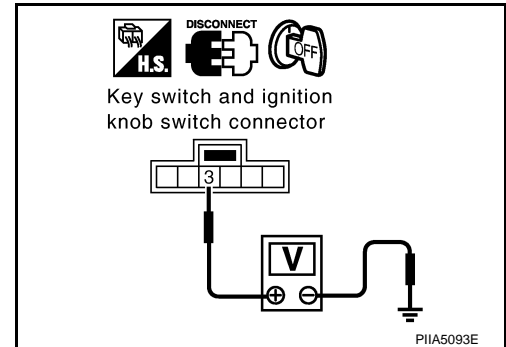
1. CHECK KEY SWITCH POWER SUPPLY CIRCUIT

1. Turn ignition knob OFF position.
2. Disconnect key switch and ignition knob switch connector.
3. Check voltage between key switch and ignition knob switch connector M22 terminal 3 (L/R) and ground.

3 (L/R) - Ground : Battery voltage.

OK or NG

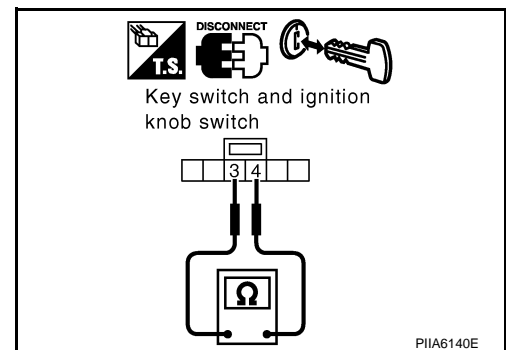
- OK >> GO TO 2.
- NG >> Check harness between key switch and ignition knob switch and fuse.



2. CHECK KEY SWITCH

Check continuity between key switch and ignition knob switch as follows.

Terminals		Condition	Continuity
3	4	Key is inserted in ignition key cylinder.	Yes
		Key is removed from ignition key cylinder.	No



OK or NG

- OK >> GO TO 3.
- NG >> Replace key switch and ignition knob switch.

3. CHECK KEY SWITCH SIGNAL CIRCUIT

INTELLIGENT KEY SYSTEM

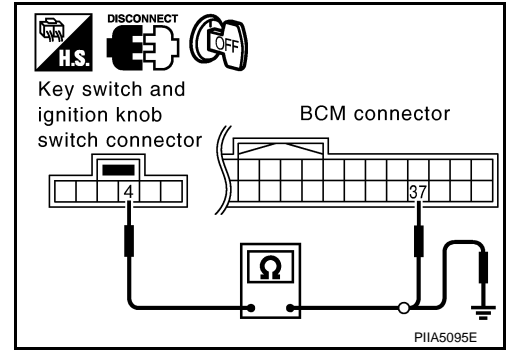
< SERVICE INFORMATION >

1. Disconnect key switch and ignition knob switch connector and BCM connector.
2. Check continuity between key switch and ignition knob switch connector M22 terminal 4 (B/W) and BCM connector M3 terminal 37 (B/W).

4 (B/W) – 37 (B/W) : Continuity should exist.

3. Check continuity between key switch and ignition knob switch connector M22 terminal 4 (B/W) and ground.

4 (B/W) – Ground : Continuity should not exist.



OK or NG

OK >> Key switch (BCM input) circuit is OK.

NG >> Repair or replace harness between key switch and ignition knob switch and BCM.

Check Ignition Knob Switch

INFOID:000000001327856

1. CHECK IGNITION KNOB SWITCH

With CONSULT-III

Display "PUSH SW" on "DATA MONITOR" screen, and check if ON/OFF display is linked to ignition knob operation.

Press ignition knob. : ON

Return ignition knob (release hands from ignition knob) : OFF

OK or NG

OK >> Ignition knob switch is OK.

NG >> GO TO 2.

2. CHECK IGNITION KNOB SWITCH POWER SUPPLY CIRCUIT

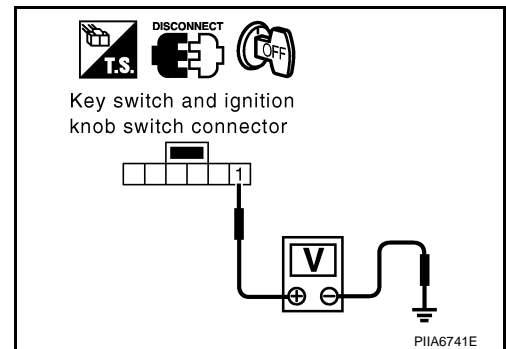
1. Turn ignition knob LOCK position.
2. Disconnect key switch and ignition knob switch connector.
3. Check voltage between key switch and ignition knob switch connector M22 terminal 1 (L/R) and ground.

1 (L/R) - Ground : Battery voltage

OK or NG

OK >> GO TO 3.

NG >> Repair or replace key switch and ignition knob switch power supply circuit.



3. CHECK IGNITION KNOB SWITCH OPERATION

Check continuity between key switch and ignition knob switch terminals 1 and 2.

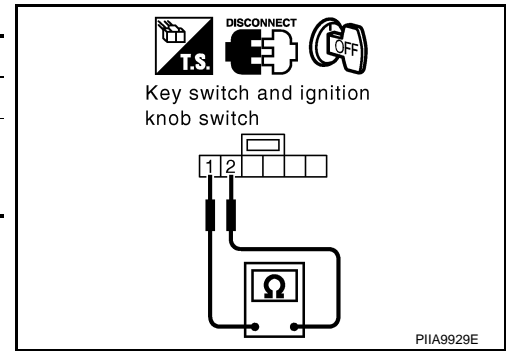
INTELLIGENT KEY SYSTEM

< SERVICE INFORMATION >

Connector	Terminal		Condition	Continuity
M22	1	2	Press ignition knob	Yes
			Return ignition knob (Release hands from ignition knob)	No

OK or NG

- OK >> GO TO 4.
- NG >> Replace key switch and ignition knob switch.



4. CHECK IGNITION KNOB SWITCH CIRCUIT

- Disconnect Intelligent Key unit connector.
- Check continuity between Intelligent Key unit connector M34 terminal 27 (L/W) and key switch and ignition knob switch connector M22 terminal 2 (L/W).

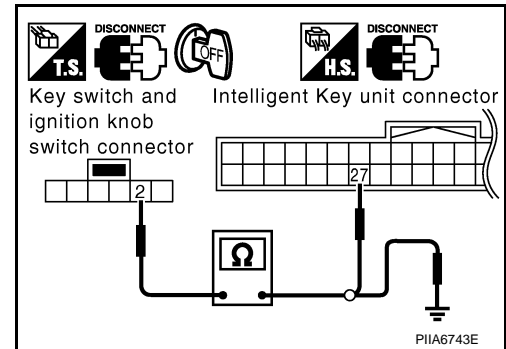
27 (L/W) - 2 (L/W) : Continuity should exist.

- Check continuity between key switch and ignition knob switch connector terminal 2 (L/W) and ground.

2 (L/W) - Ground : Continuity should not exist.

OK or NG

- OK >> Replace Intelligent Key unit.
- NG >> Repair or replace harness between Intelligent Key unit and key switch and ignition knob switch.



INFOID:000000001327857

Check Door Switch

CHECK DOOR SWITCH (EXCEPT BACK DOOR SWITCH)

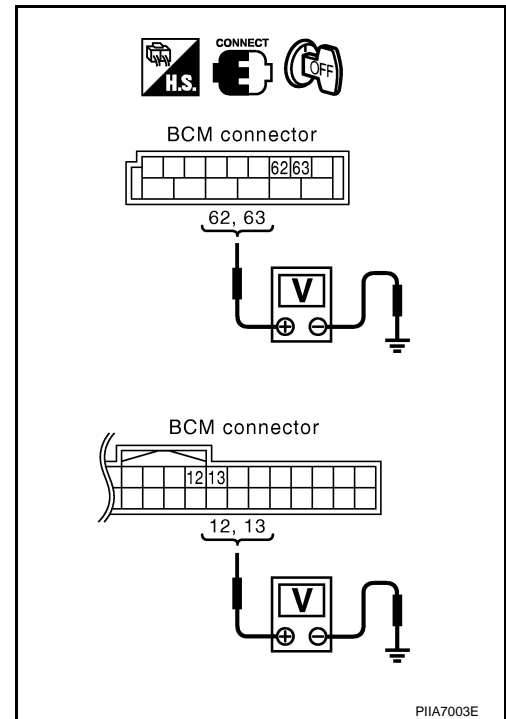
1. CHECK DOOR SWITCH INPUT SIGNAL

- Turn ignition knob LOCK position.
- Check voltage between BCM connector and ground.

Item	Connector	Terminals (Wire color)		Door condition	Voltage (V) (Approx.)
		(+)	(-)		
Driver side	B14	62 (W)	Ground	CLOSE ↓ OPEN	Battery voltage ↓ 0
Rear LH		63 (P)			
Passenger side	M3	12 (P/B)	Ground	CLOSE ↓ OPEN	Battery voltage ↓ 0
Rear RH		13 (P/L)			

OK or NG

- OK >> Door switch circuit is OK.
- NG >> GO TO 2.



2. CHECK DOOR SWITCH CIRCUIT

INTELLIGENT KEY SYSTEM

< SERVICE INFORMATION >

1. Disconnect door switch and BCM connector.
2. Check continuity between door switch connector B26, B36, B46, B206 terminals 1 and BCM connector M3, B14 terminals 62, 12, 63, 13.

Driver side door

1 (W) – 62 (W) : Continuity should exist.

Passenger side door

1 (SB) – 12 (P/B) : Continuity should exist.

Rear door LH

1 (P) – 63 (P) : Continuity should exist.

Rear door RH

1 (P) – 13 (P/L) : Continuity should exist.

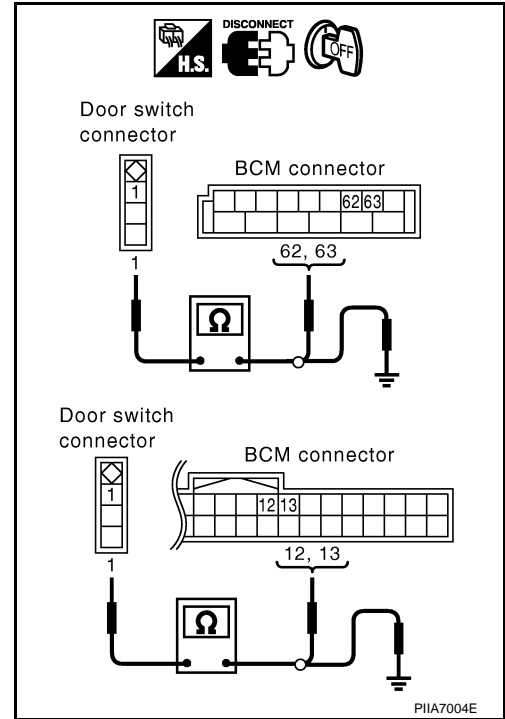
3. Check continuity between door switch connector B26, B36, B46, B206 terminal 1 and ground.

1 (W, SB, P) – Ground : Continuity should not exist.

OK or NG

OK >> GO TO 3.

NG >> Repair or replace harness.



3. CHECK DOOR SWITCH

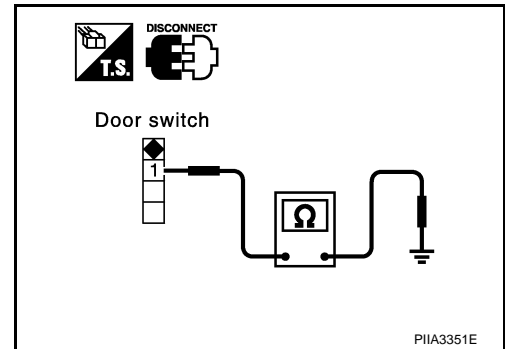
Check continuity between door switch terminal 1 and ground part of door switch.

Terminal	Door switch condition	Continuity
1	Pushed	No
	Released	Yes

OK or NG

OK >> Check door switch case ground condition.

NG >> Replace door switch.



CHECK BACK DOOR SWITCH

1. CHECK BACK DOOR SWITCH INPUT SIGNAL

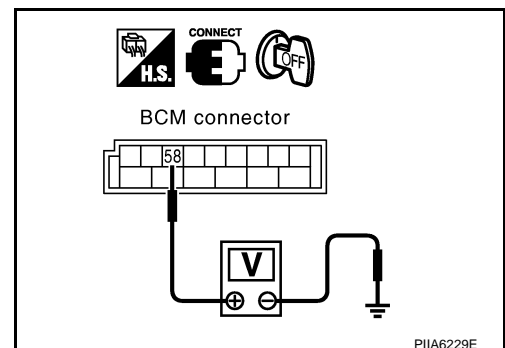
Check voltage between BCM connector and ground.

Connector	Terminals (Wire color)		Condition	Voltage (V) (Approx.)
	(+)	(-)		
B14	58 (L)	Ground	OPEN	0
			CLOSE	9

OK or NG

OK >> Back door switch circuit is OK.

NG >> GO TO 2.



2. CHECK HARNESS CONTINUITY

1. Turn ignition switch OFF.
2. Disconnect BCM and back door closure motor connector.

INTELLIGENT KEY SYSTEM

< SERVICE INFORMATION >

- Check continuity between BCM connector B14 terminal 58 and back door closure motor connector D109 terminal 7.

58 (L) – 7 (L) : Continuity should exist.

- Check continuity between BCM connector B14 terminal 58 and ground.

58 (L) – Ground : Continuity should not exist.

OK or NG

- OK >> GO TO 3.
- NG >> Repair or replace harness.

3.CHECK GROUND CIRCUIT

- Check continuity between back door closure motor connector D109 terminal 8 and ground.

8 (B) – Ground : Continuity should exist.

OK or NG

- OK >> GO TO 4.
- NG >> Repair or replace harness.

4.CHECK BACK DOOR SWITCH

- Check continuity between back door closure motor D109 terminals 7 and 8.

Terminals		Back door condition	Continuity
7	8	Open	Yes
		Close	No

OK or NG

- OK >> GO TO 5.
- NG >> Replace back door closure motor.

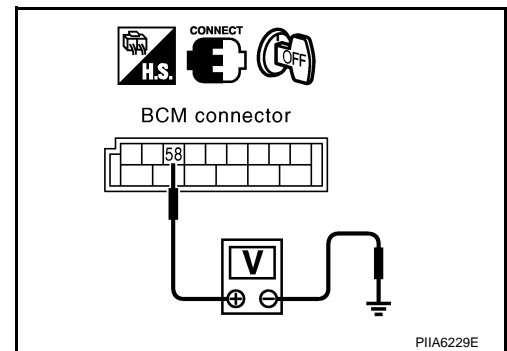
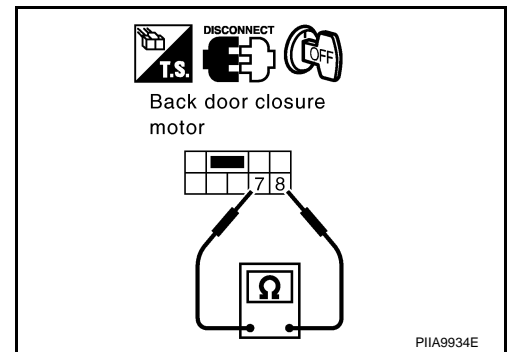
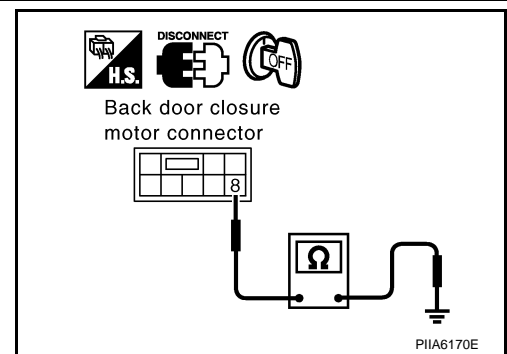
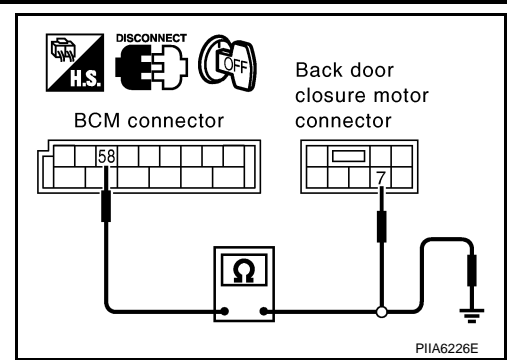
5.CHECK BCM OUTPUT SIGNAL

- Connect BCM connector.
- Check voltage between BCM connector and ground.

58 (L) – Ground : Approx. 9V

OK or NG

- OK >> Check condition of harness and connector.
- NG >> Replace BCM.



Check Unlock Sensor

INFOID:000000001327858

1.CHECK UNLOCK SENSOR POWER SUPPLY

- Check voltage between Intelligent Key unit connector and ground.

INTELLIGENT KEY SYSTEM

< SERVICE INFORMATION >

Connector	Terminals (Wire color)		Condition	Voltage (V) (Approx.)
	(+)	(-)		
M34	28 (W/B)	Ground	Driver side door lock is locked	5
			Driver side door lock is un-locked	0

OK or NG

- OK >> Unlock sensor is OK.
 NG >> GO TO 2.

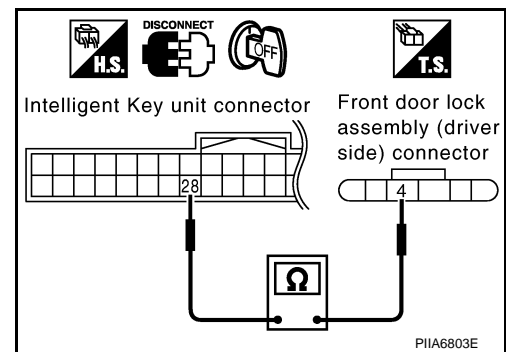
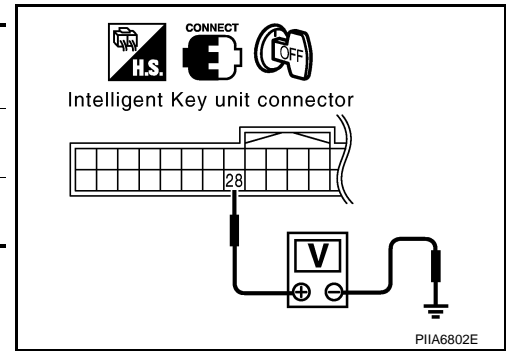
2. CHECK UNLOCK SENSOR CIRCUIT

- Turn ignition knob LOCK position.
- Disconnect Intelligent Key unit and front door lock assembly (driver side) connector.
- Check continuity between Intelligent Key unit connector M34 terminal 28 (W/B) and front door lock assembly (driver side) connector D10 terminal 4 (W).

28 (W/B) – 4 (W) : Continuity should exist.

OK or NG

- OK >> GO TO 3.
 NG >> Repair or replace harness between Intelligent Key unit and front door lock assembly (driver side).



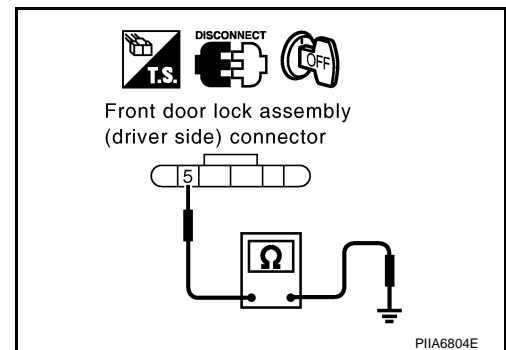
3. CHECK UNLOCK SENSOR GROUND CIRCUIT

Check continuity between front door lock assembly (driver side) connector D10 terminal 5 (B) and ground.

5 (B) – Ground : Continuity should exist.

OK or NG

- OK >> GO TO 4.
 NG >> Repair or replace harness.



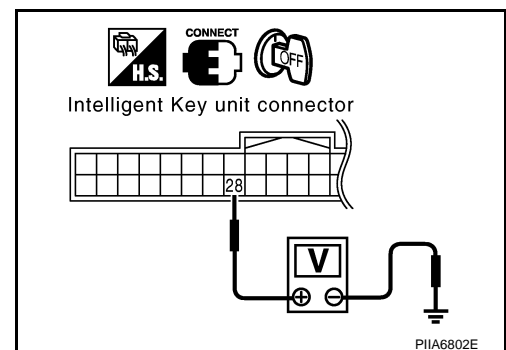
4. CHECK INTELLIGENT KEY UNIT OUTPUT SIGNAL

- Connect Intelligent Key unit connector.
- Driver side door lock is locked.
- Check voltage between Intelligent Key unit connector M34 terminal 28 (W/B) and ground.

28 (W/B) – Ground : Approx. 5V

OK or NG

- OK >> Replace front door lock assembly (driver side).
 NG >> Replace Intelligent Key unit.



INTELLIGENT KEY SYSTEM

< SERVICE INFORMATION >

Check Door Request Switch

INFOID:000000001327859

1. CHECK DOOR REQUEST SWITCH

With CONSULT-III

Display "DR REQ SW" (driver door), "AS REQ SW" (passenger door) and "BD/TR REQ SW" (back door) on DATA MONITOR screen, and check if ON-OFF display is linked to door request switch operation.

Press door request switch. : ON

Release door request switch. : OFF

OK or NG

OK >> Door request switch is OK.

NG >> GO TO 2.

2. CHECK DOOR REQUEST SWITCH SIGNAL

1. Turn ignition knob LOCK position.
2. Disconnect door request switch connector.
3. Check voltage between door request switch connector D12 (driver door), D42 (passenger door), D113 (back door) terminal 1 and ground.

Driver 1 (SB) - Ground : Approx. 5V

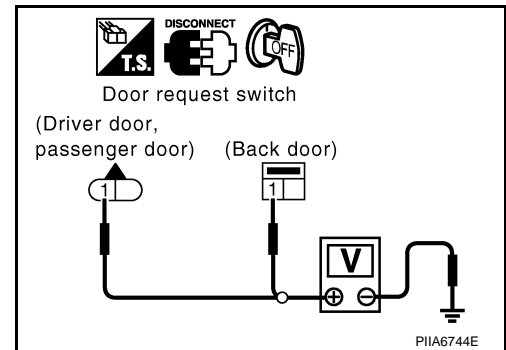
Passenger 1 (GY) - Ground : Approx. 5V

Back door 1 (GY) - Ground : Approx. 5V

OK or NG

OK >> GO TO 3.

NG >> GO TO 5.



3. CHECK DOOR REQUEST SWITCH OPERATION

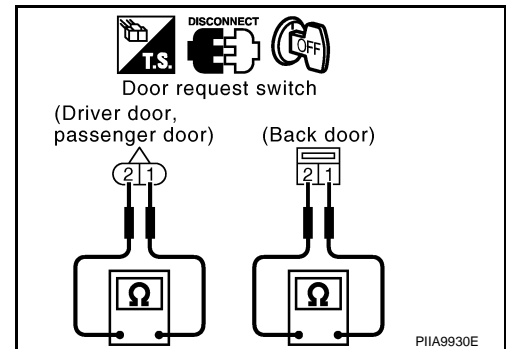
Check continuity between door request switch D12 (driver door), D42 (passenger door), D113 (back door) terminals 1 and 2.

Terminal		Condition	Continuity
1	2	Press door request switch	Yes
		Return door request switch	No

OK or NG

OK >> GO TO 4.

NG >> Replace door request switch.



4. CHECK DOOR REQUEST SWITCH GROUND CIRCUIT

Check continuity between door request switch connector D12 (driver side), D42 (passenger side), D113 (back door) terminal 2 (B) and ground.

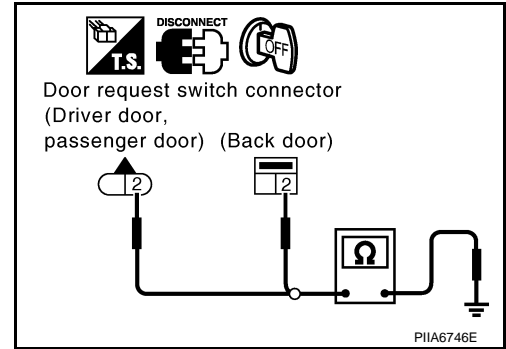
INTELLIGENT KEY SYSTEM

< SERVICE INFORMATION >

2 (B) - Ground : Continuity should exist.

OK or NG

- OK >> Check harness connection.
- NG >> Repair or replace door request switch ground circuit.



5. CHECK DOOR REQUEST SWITCH CIRCUIT

1. Disconnect Intelligent Key unit connector.
2. Check continuity between Intelligent Key unit connector M34 terminals 5 (driver door), 25 (passenger door), and 29 (back door) and door request switch connector D12 (driver door), D42 (passenger door), D113 (back door) terminal 1.

Driver 5 (W/L) - 1 (SB) : Continuity should exist.

Passenger 25 (W/R) - 1 (GY) : Continuity should exist.

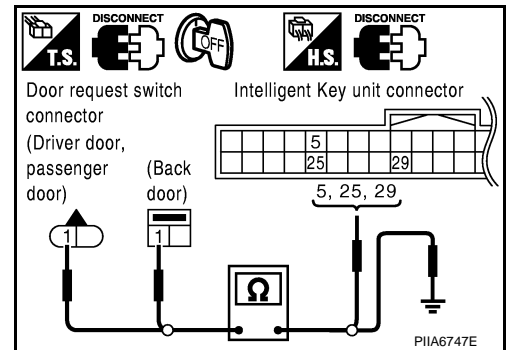
Back door 29 (GY) - 1 (GY) : Continuity should exist.

3. Check continuity between door request switch connector D12 (driver door), D42 (passenger door), D113 (back door) terminal 1 and ground.

1 - Ground : Continuity should not exist.

OK or NG

- OK >> Replace Intelligent Key unit.
- NG >> Repair or replace harness between Intelligent Key unit and door request switch.



Check Intelligent Key Warning Buzzer

INFOID:000000001327860

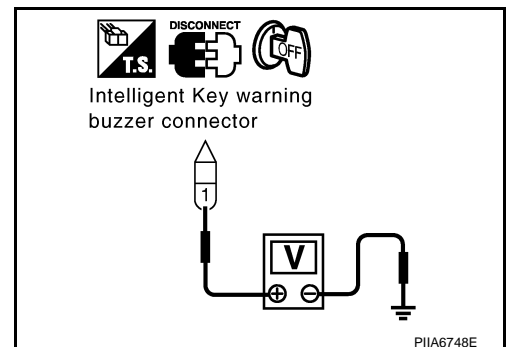
1. CHECK INTELLIGENT KEY WARNING BUZZER POWER SUPPLY CIRCUIT

1. Turn ignition knob LOCK position.
2. Disconnect Intelligent Key warning buzzer connector.
3. Check voltage between Intelligent Key warning buzzer connector D11 (driver side), D41 (passenger side) terminal 1 (L) and ground.

1 (L) - Ground : Battery voltage

OK or NG

- OK >> GO TO 2.
- NG >> Repair or replace Intelligent Key warning buzzer power supply circuit.



2. CHECK INTELLIGENT KEY WARNING BUZZER CIRCUIT

1. Disconnect Intelligent Key unit connector.
2. Check continuity between Intelligent Key unit connector M34 terminal 4 and Intelligent Key warning buzzer connector D11 (driver side), D41 (passenger side) terminal 2 (G).

INTELLIGENT KEY SYSTEM

< SERVICE INFORMATION >

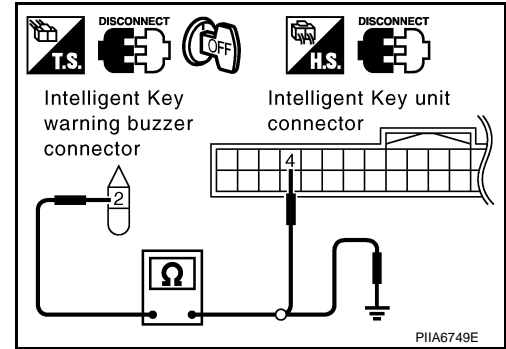
4 (LG) - 2 (G) : Continuity should exist.

3. Check continuity between Intelligent Key warning buzzer connector D11 (driver side), D41 (passenger side) terminal 2 (G) and ground.

2 (G) - Ground : Continuity should not exist.

OK or NG

- OK >> GO TO 3.
- NG >> Repair or replace harness between Intelligent Key warning buzzer and Intelligent Key unit.



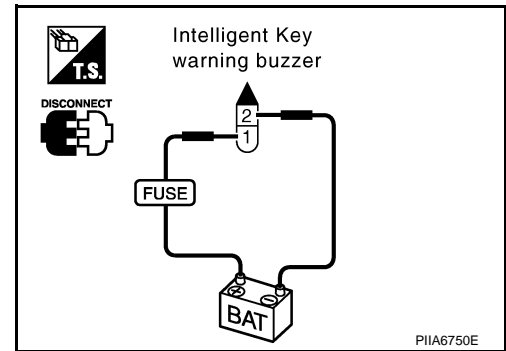
3. CHECK INTELLIGENT KEY WARNING BUZZER OPERATION

Connect battery power supply to Intelligent Key warning buzzer connector D11 (driver side), D41 (passenger side) terminals 1 and 2, and check the operation.

1 (BAT+) - 2 (BAT-) : the buzzer sounds

OK or NG

- OK >> Intelligent Key warning buzzer is OK.
- NG >> Replace Intelligent Key warning buzzer



Check Outside Key Antenna

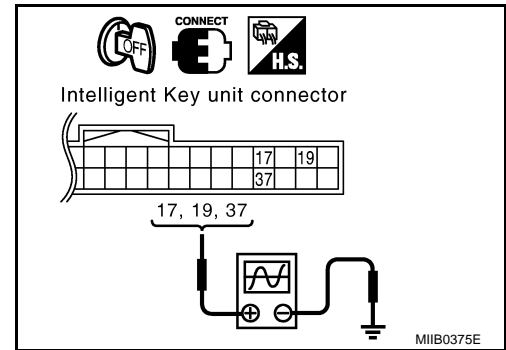
INFOID:000000001327861

1. CHECK OUTSIDE KEY ANTENNA POWER SUPPLY

Push each door request switch, and use an oscilloscope to check voltage waveform of harness between Intelligent Key unit connector M34 terminals 17 (back door), 19 (driver and rear LH door), and 37 (passenger and rear RH door) and ground.

Terminal (Wire color)		Condition	Signal (Reference value)
(+)	(-)		
Back door: 17 (L)	Ground	Push each door request switch	
Driver, rear LH: 19 (SB)			
Passenger, rear RH 37 (G)			

S1IA1910J



OK or NG

- OK >> GO TO 2.
- NG >> GO TO 3.

2. CHECK OUTSIDE KEY ANTENNA OPERATION

1. Disconnect each outside key antenna connector.
2. Check the following.
 - Check continuity between door mirror (outside key antenna) connector D2 (driver side), D32 (passenger side) terminals 14 and 15
 - Check continuity between outside key antenna D62 (rear door LH), D82 (rear door RH), D116 (back door) terminals 1 and 2

INTELLIGENT KEY SYSTEM

< SERVICE INFORMATION >

Driver side, Passenger side

14 - 15 : Continuity should exist.

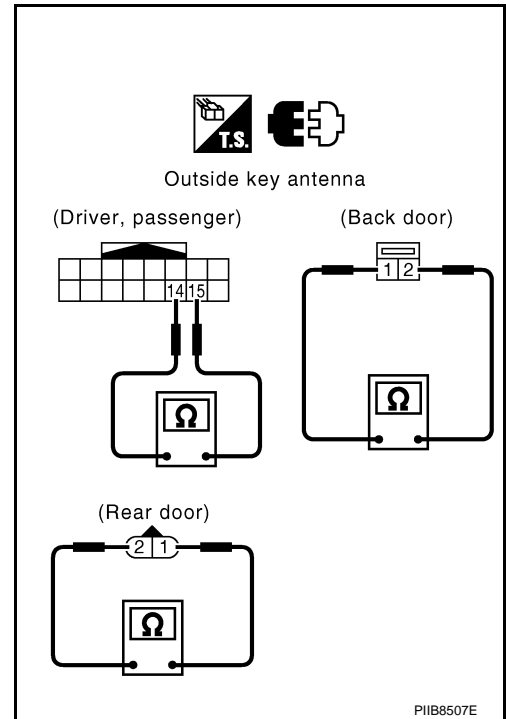
Back door, Rear door

1 - 2 : Continuity should exist.

OK or NG

OK >> GO TO 3.

NG >> Replace outside key antenna.



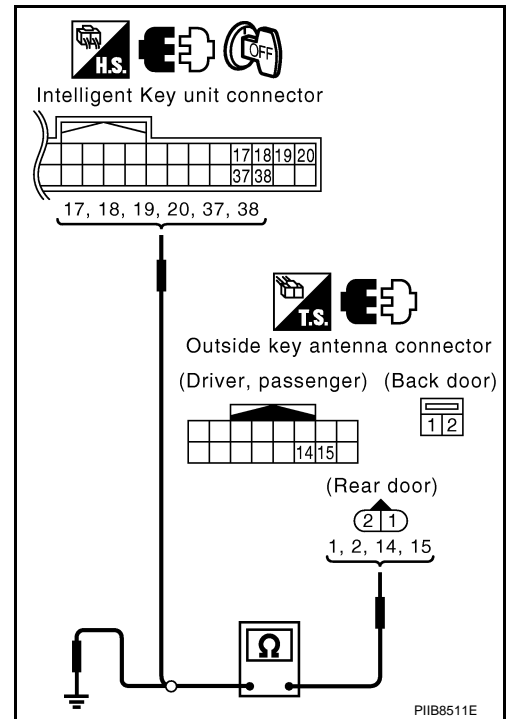
3. CHECK OUTSIDE KEY ANTENNA CIRCUIT

1. Disconnect Intelligent Key unit connector.
2. Check continuity between each outside key antenna connector D2 (driver side), D32 (passenger side), D62 (rear door LH), D82 (rear door RH), D116 (back door) terminals 1, 2, 14, 15 and Intelligent Key unit connector M34 terminals 17, 18, 19, 20, 37, and 38.

Item	Terminal (Wire color)		Continuity
	Back door	1 (L/B)	
	2 (W/B)	18 (W/L)	
Driver side	14 (BR/W)	19 (SB)	
	15 (R/Y)	20 (GY)	
Passenger side	14 (G/Y)	37 (G)	
	15 (L/Y)	38 (G/W)	
Rear door LH	1 (G/Y)	19 (SB)	
	2 (PU/W)	20 (GY)	
Rear door RH	1 (G/Y)	37 (G)	
	2 (PU/W)	38 (G/W)	

3. Check continuity between each out side key antenna connector terminals 1, 2, 6, 7 and ground.

Item	Terminal (Wire color)	Continuity



INTELLIGENT KEY SYSTEM

< SERVICE INFORMATION >

Back door	1 (L/B)	Ground	No
	2 (W/B)		
Rear door (LH, RH)	1 (G/Y)		
	2 (PU/W)		
Driver side	14 (BR/W)		
	15 (R/Y)		
Passenger side	14 (G/Y)		
	15 (L/Y)		

OK or NG

OK >> Replace Intelligent Key unit.

NG >> Replace harness between outside key antenna and Intelligent Key unit.

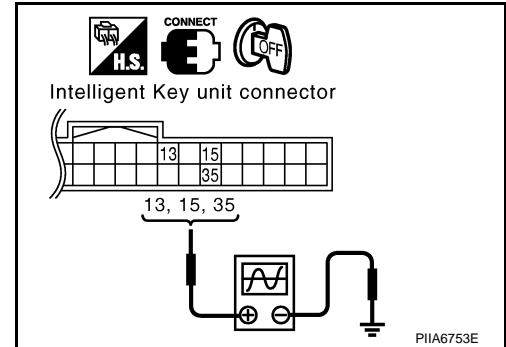
Check Inside Key Antenna

INFOID:000000001327862

1. CHECK INSIDE KEY ANTENNA POWER SUPPLY CIRCUIT

Push ignition knob and use an oscilloscope to check voltage waveform between Intelligent Key unit connector M34 terminals 13 (luggage room), 15 (dash board), 35 (dash board) and ground.

Terminal (Wire color)		Condition	Signal (Reference value)
(+)	(-)		
Luggage room: 13 (P)	Ground	Push ignition knob.	<p>(V) 15 10 5 0</p> <p>10 μs</p> <p>SIIA1910J</p>
Dash board: 15 (G)			
35 (LG)			



OK or NG

OK >> GO TO 2.

NG >> GO TO 3.

2. CHECK INSIDE KEY ANTENNA OPERATION

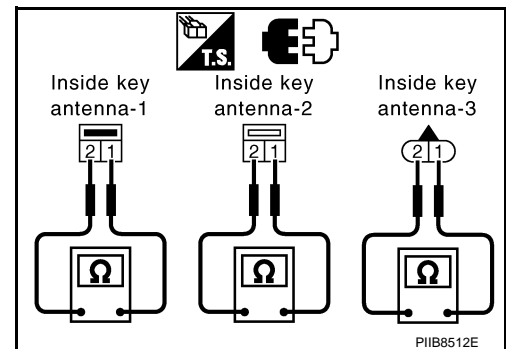
1. Disconnect inside key antenna connector.
2. Check continuity between inside key antenna connector M70, M153 (dash board), B68 (luggage room) terminals 1 and 2.

1 - 2 : Continuity should exist.

OK or NG

OK >> GO TO 3.

NG >> Replace malfunctioning inside key antenna.



3. CHECK INSIDE KEY ANTENNA

1. Disconnect Intelligent Key unit connector.
2. Check continuity between inside key antenna connector M70, M153 (dash board), B68 (luggage room) terminals 1, 2 and Intelligent Key unit connector terminals 13, 14, 15, 16, 35 and 36.

INTELLIGENT KEY SYSTEM

< SERVICE INFORMATION >

Item	Terminal		Continuity
Inside key antenna-3 (Luggage room)	1 (OR/L)	13 (P)	Yes
	2 (W/L)	14 (L)	
Inside key antenna-1 (Dash board)	1 (G)	15 (G)	
	2 (R)	16 (R)	
Inside key antenna-2 (Dash board)	1 (LG)	35 (LG)	
	2 (PU)	36 (PU)	

3. Check continuity between inside key antenna connector M70, M153 (dash board), B68 (luggage room) terminals 1 and 2 and ground.

Item	Terminal		Continuity
Inside key antenna-3 (Luggage room)	1 (OR/L)	Ground	No
	2 (W/L)		
Inside key antenna-1 (Dash board)	1 (G)		
	2 (R)		
Inside key antenna-2 (Dash board)	1 (LG)		
	2 (PU)		

OK or NG

- OK >> Replace Intelligent Key unit.
 NG >> Repair or replace harness between inside key antenna and Intelligent Key unit.

Check Steering Lock Unit

INFOID:000000001327863

1. CHECK STEERING LOCK UNIT POWER SUPPLY

- Turn ignition knob LOCK position.
- Disconnect steering lock unit connector.
- Check voltage between steering lock unit connector M26 terminal 1 (L/R) and ground.

1 (L/R) - Ground : Battery voltage

OK or NG

- OK >> GO TO 2.
 NG >> Repair or replace steering lock unit power supply circuit.

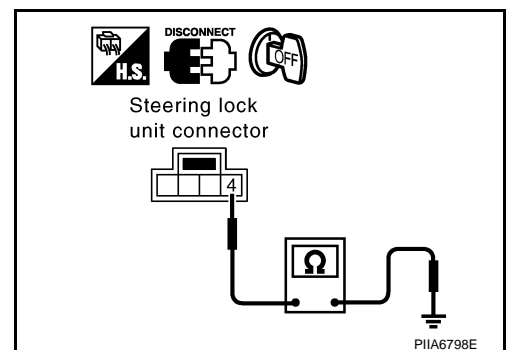
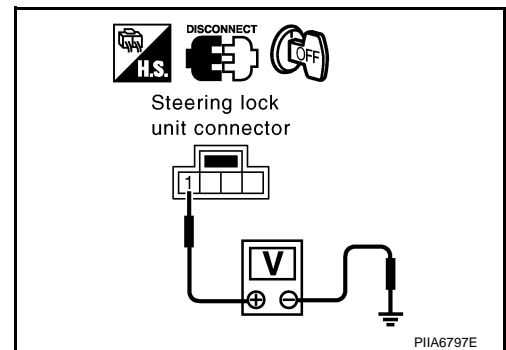
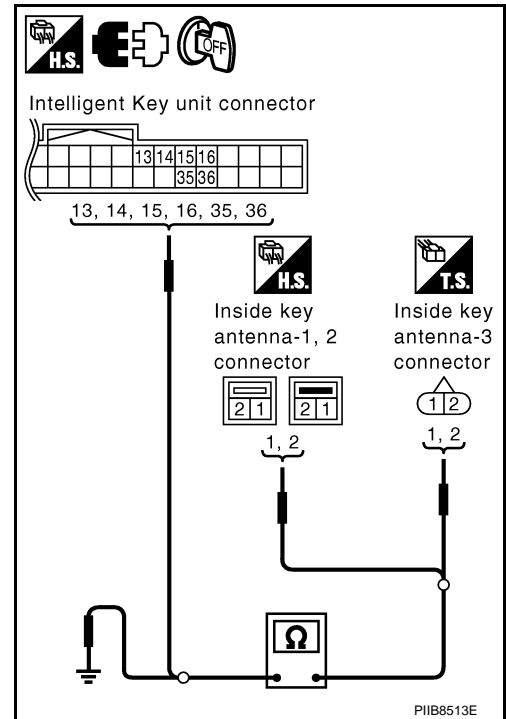
2. CHECK STEERING LOCK UNIT GROUND CIRCUIT

Check continuity between steering lock unit connector M26 terminal 4 (Y/B) and ground.

4 (Y/B) - Ground : Continuity should exist.

OK or NG

- OK >> GO TO 3.
 NG >> GO TO 4.



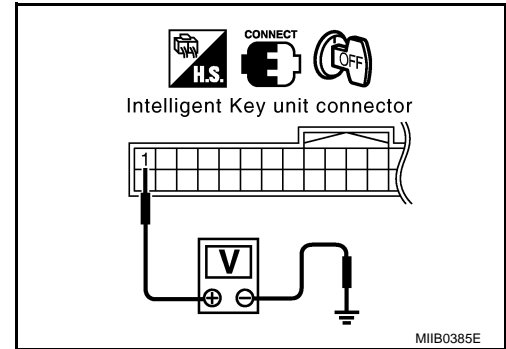
INTELLIGENT KEY SYSTEM

< SERVICE INFORMATION >

3. CHECK STEERING LOCK COMMUNICATION CIRCUIT

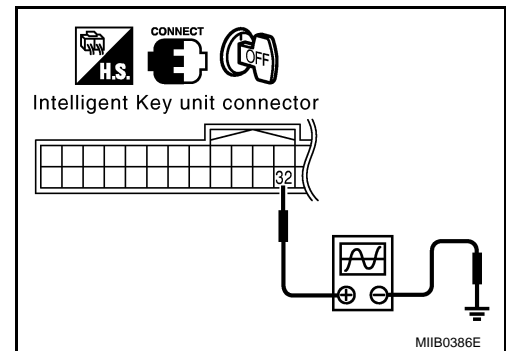
1. Connect steering lock unit connector.
2. Check voltage between Intelligent Key unit connector M34 terminal 1 (R/W) and ground.

1 (R/W) - Ground : Approx. 5V



3. Immediately after pushing ignition knob, use an oscilloscope to check voltage waveform between Intelligent Key unit connector M34 terminal 32 (R/B) and ground.

Terminal (Wire color)		Condition	Signal (Reference value)
(+)	(-)		
32 (R/B)	Ground	Immediately after ignition knob pushing.	



OK or NG

- OK >> GO TO 4.
- NG >> Replace Intelligent Key unit.

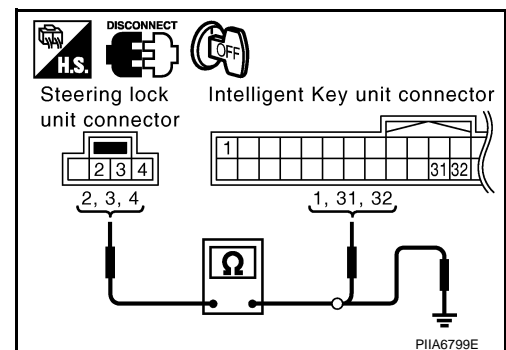
4. CHECK STEERING LOCK UNIT COMMUNICATION CIRCUIT

1. Disconnect Intelligent Key unit and steering lock unit connectors.
2. Check continuity between Intelligent Key unit connector M34 terminals 1, 31, 32 and steering lock unit connector M26 terminals 2, 3, 4.

- 1 (R/W) - 2 (R/W) : Continuity should exist.**
- 31 (Y/B) - 4 (Y/B) : Continuity should exist.**
- 32 (R/B) - 3 (R/B) : Continuity should exist.**

3. Check continuity between steering lock unit connector M26 terminals 2, 3, 4 and ground.

- 2 (R/W) - Ground : Continuity should not exist.**
- 3 (R/B) - Ground : Continuity should not exist.**
- 4 (Y/B) - Ground : Continuity should not exist.**



OK or NG

- OK >> Replace steering lock unit.
 - After replacing steering lock unit, perform registration procedure. Refer to "CONSULT-III Operation Manual NATS-IVIS/NVIS".
- NG >> Repair or replace harness between steering lock unit and Intelligent Key unit.

INTELLIGENT KEY SYSTEM

< SERVICE INFORMATION >

Check Stop Lamp Switch

INFOID:000000001327864

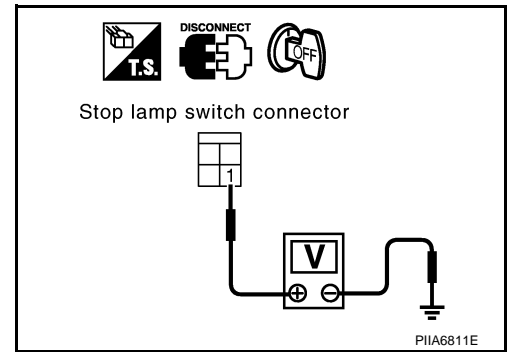
1. CHECK STOP LAMP SWITCH POWER SUPPLY CIRCUIT

1. Disconnect stop lamp switch connector.
2. Check voltage between stop lamp switch connector E210 terminal 1 (GY) and ground.

1 (GY) - Ground : Battery voltage

OK or NG

- OK >> GO TO 2.
NG >> Repair or replace harness between stop lamp switch and fuse.



2. CHECK STOP LAMP SWITCH OPERATION

Check continuity between stop lamp switch connector E210 terminal 1 and 2.

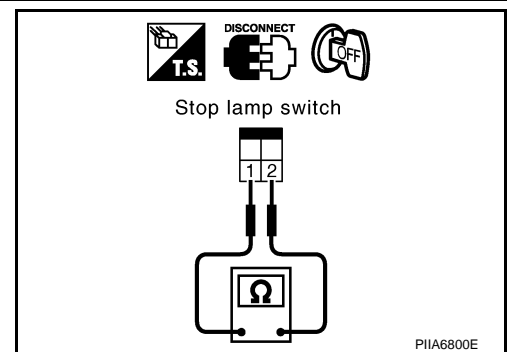
1 - 2

Brake pedal depressed : Continuity should exist.

Brake pedal not depressed : Continuity should not exist.

OK or NG

- OK >> GO TO 3.
NG >> Replace stop lamp switch.



3. CHECK STOP LAMP SWITCH GROUND CIRCUIT

1. Check continuity between stop lamp switch connector E210 terminal 2 (P) and Intelligent Key unit connector M34 terminal 26 (P/L).

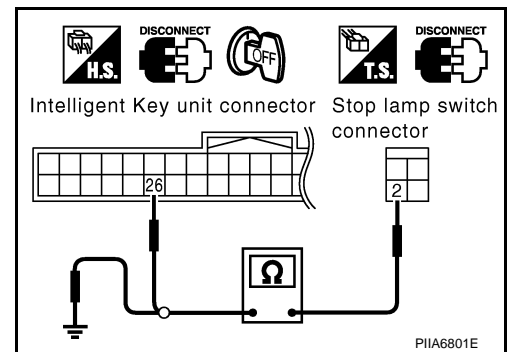
2 (P) - 26 (P/L) : Continuity should exist.

2. Check continuity between stop lamp switch connector E210 terminal 2 (P) and ground.

2 (P) - Ground : Continuity should not exist.

OK or NG

- OK >> Stop lamp switch is OK.
NG >> Repair or replace harness.



Check Park Position Switch

INFOID:000000001327865

1. CHECK PARK POSITION SWITCH INPUT SIGNAL

1. Turn ignition knob LOCK position.
2. Check voltage between Intelligent Key unit connector and ground.

INTELLIGENT KEY SYSTEM

< SERVICE INFORMATION >

Connector	Terminal (Wire color)		Condition	Voltage (V) (Approx.)
	(+)	(-)		
M34	39 (R/Y)	Ground	When selector lever is locked at the "P" position	0
			When selector lever is not locked at the "P" position	Battery voltage

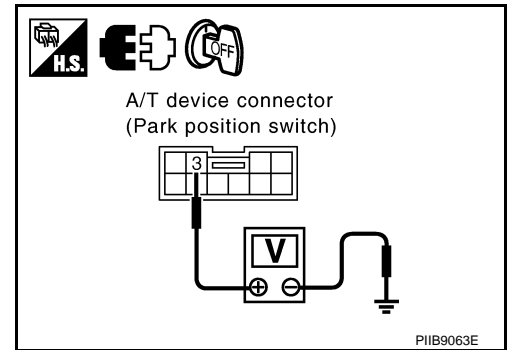
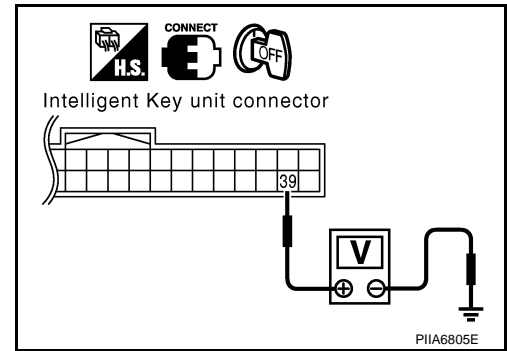
OK or NG

- OK >> Park position switch circuit is OK.
 NG >> GO TO 2.

2. CHECK PARK POSITION SWITCH CIRCUIT

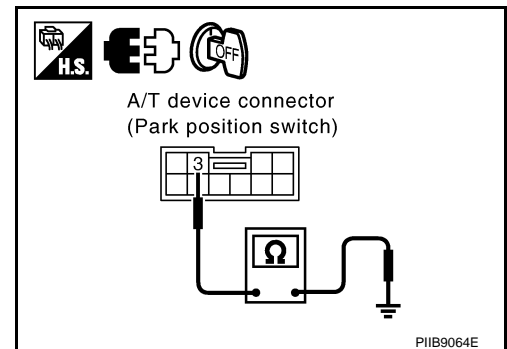
1. Disconnect A/T device (park position switch) connector.
2. Check voltage between A/T device (park position switch) connector M67 terminal 3 (R/Y) and ground. (Check harness for open.)

3 (R/Y) – Ground : Battery voltage



3. Check continuity between A/T device (park position switch) connector M67 terminals 3 (R/Y) and ground. (Check harness for short.)

3 (R/Y) – Ground : Continuity should not exist.



OK or NG

- OK >> GO TO 3.
 NG >> Repair or replace harness.

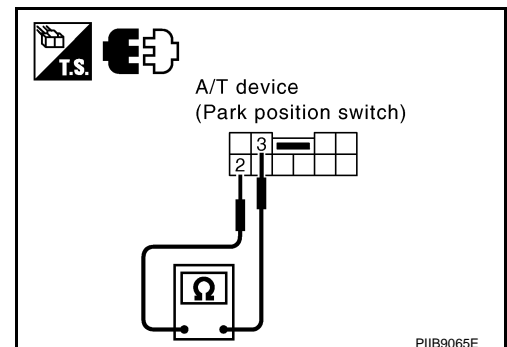
3. CHECK PARK POSITION SWITCH

Check continuity between A/T device (park position switch) terminals 2 and 3.

Terminal	Condition	Continuity
2 3	When selector lever is not locked at the "P" position	No
	When selector lever is locked at the "P" position	Yes

OK or NG

- OK >> GO TO 4.
 NG >> Replace back A/T device (park position switch).



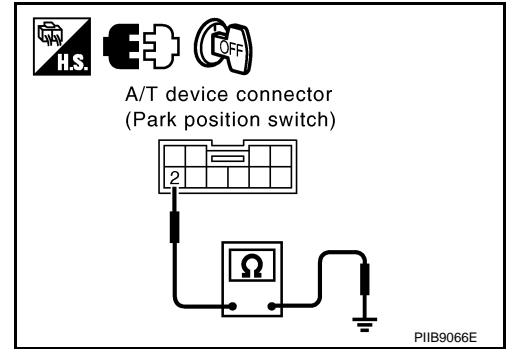
4. PARK POSITION SWITCH GROUND CIRCUIT INSPECTION

INTELLIGENT KEY SYSTEM

< SERVICE INFORMATION >

Check continuity between A/T device (park position switch) connector M67 terminal 2 (B) and ground.

2 (B) – Ground : Continuity should exist.



OK or NG

OK >> Check harness connection.

NG >> Repair or replace harness.

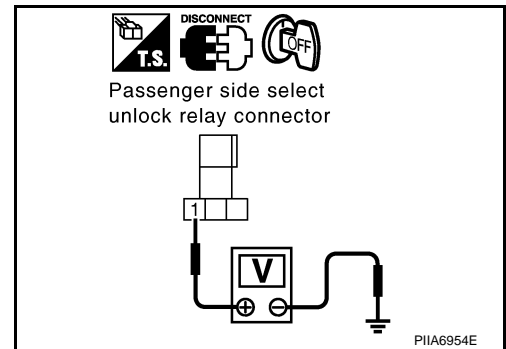
Check Select Unlock Relay

INFOID:000000001327866

1. CHECK SELECT UNLOCK RELAY POWER SUPPLY

1. Turn ignition switch OFF.
2. Disconnect passenger side select unlock relay connector.
3. Check voltage between passenger side select unlock relay connector M30 terminal 1 and ground.

1 (L/R) – Ground : Approx. 12V



OK or NG

OK >> GO TO 2.

NG >> Repair or replace passenger side select unlock relay power supply circuit.

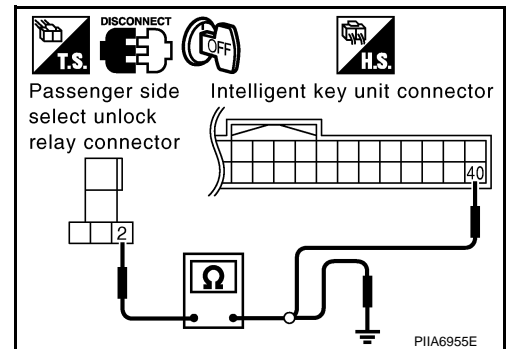
2. CHECK HARNESS

1. Disconnect Intelligent Key unit connector.
2. Check continuity between passenger side select unlock relay connector M30 terminal 2 and Intelligent Key unit connector M34 terminal 40.

2 (BR/W) – 40 (BR/W) : Continuity should exist.

3. Check continuity between passenger side select unlock relay connector M30 terminal 2 and ground.

2 (BR/W) – Ground : Continuity should not exist.



OK or NG

OK >> Replace passenger side select unlock relay.

NG >> Repair or replace harness between passenger side select unlock relay and Intelligent Key unit.

Check Hazard Function

INFOID:000000001327867

1. CHECK HAZARD WARNING LAMP

Does hazard warning lamp flash with hazard switch?

YES or NO

YES >> Hazard warning lamp circuit is OK.

NO >> Check hazard circuit. Refer to [LT-78](#).

INTELLIGENT KEY SYSTEM

< SERVICE INFORMATION >

Check Horn Function

INFOID:000000001327868

First perform the "SELF-DIAG RESULTS" in "BCM" with CONSULT-III, then perform the trouble diagnosis of malfunction system indicated "SELF-DIAG RESULTS" of "BCM". Refer to [BCS-13. "U1000 CAN Communication Circuit"](#).

1. CHECK HORN FUNCTION

Does horn sound with horn switch?

YES or NO

YES >> Horn circuit is OK.

NO >> Check horn circuit. Refer to [WW-48. "Wiring Diagram - HORN -"](#).

Check Headlamp Function

INFOID:000000001327869

First perform the "SELF-DIAG RESULTS" in "BCM" with CONSULT-III, then perform the trouble diagnosis of malfunction system indicated "SELF-DIAG RESULTS" of "BCM". Refer to [BCS-13. "U1000 CAN Communication Circuit"](#).

1. CHECK HEADLAMP OPERATION

Does headlamp come on when turning lighting switch "ON"?

YES or NO

YES >> Headlamp operation circuit is OK.

NO >> Check headlamp system. Refer to [LT-5. "System Description"](#).

Check IPDM E/R Operation

INFOID:000000001327870

1. CHECK IPDM E/R INPUT VOLTAGE

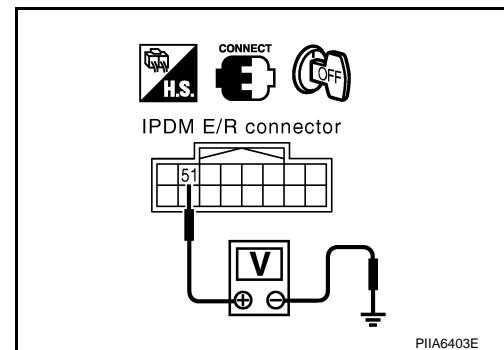
Check voltage between IPDM E/R connector E9 terminal 51 (SB) and ground.

51 (SB) – Ground : Battery voltage

OK or NG

OK >> Replace IPDM E/R.

NG >> GO TO 2.



2. CHECK IPDM E/R HARNESS

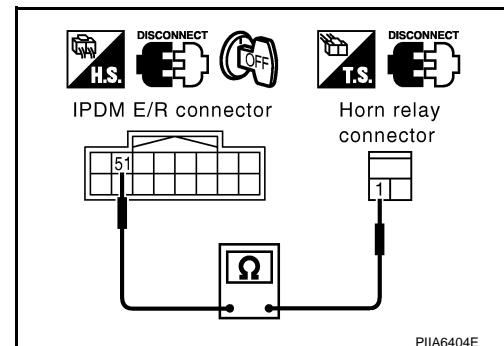
1. Turn ignition switch OFF.
2. Disconnect IPDM E/R and horn relay connector.
3. Check continuity between IPDM E/R connector E9 terminal 51 (SB) and horn relay connector E10 terminal 1 (SB).

51 (SB) – 1 (SB) : Continuity should exist.

OK or NG

OK >> Check harness connection.

NG >> Repair or replace harness.



INTELLIGENT KEY SYSTEM

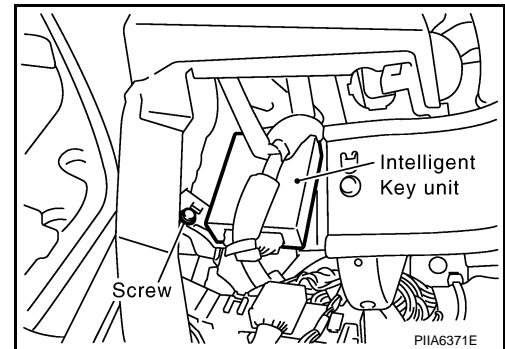
< SERVICE INFORMATION >

Removal and Installation of Intelligent Key Unit

INFOID:000000001327871

REMOVAL

1. Remove the instrument lower driver panel. Refer to [IP-11. "Removal and Installation"](#).
2. Disconnect the Intelligent Key unit connector, remove the screw and Intelligent Key unit.

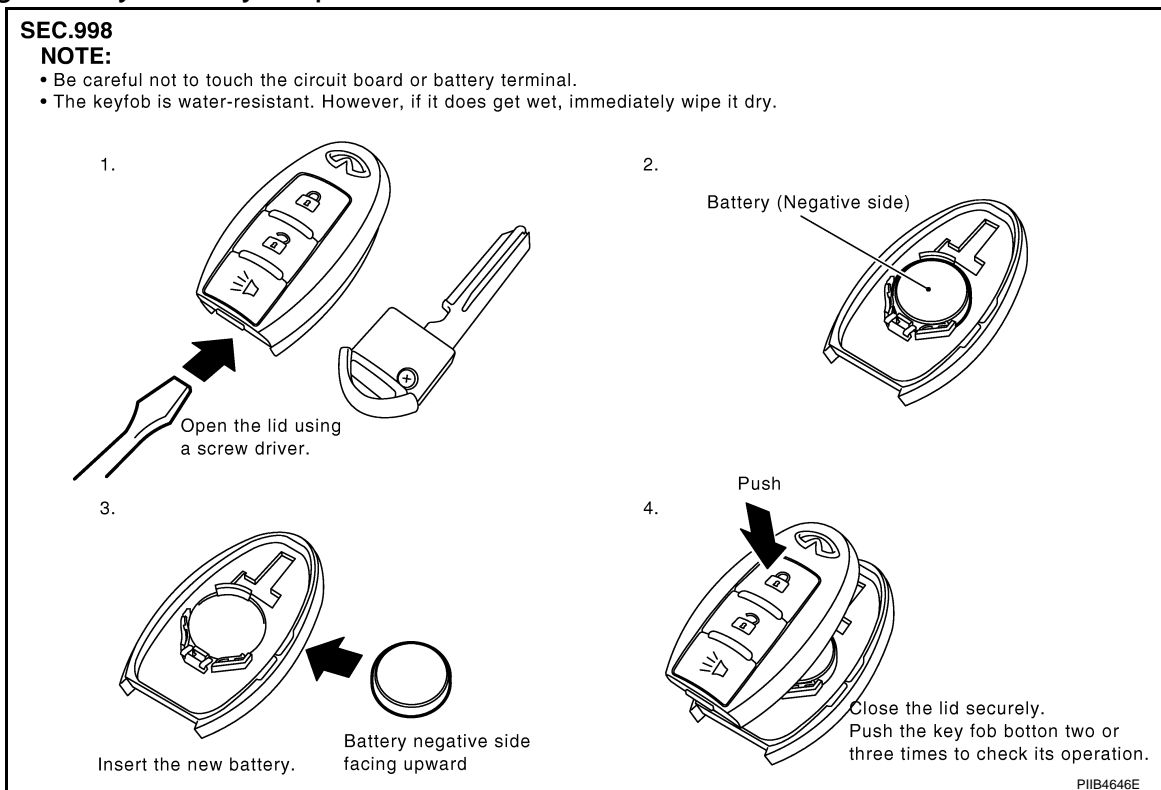


INSTALLATION

Install in the reverse order of removal.

Intelligent Key Battery Replacement

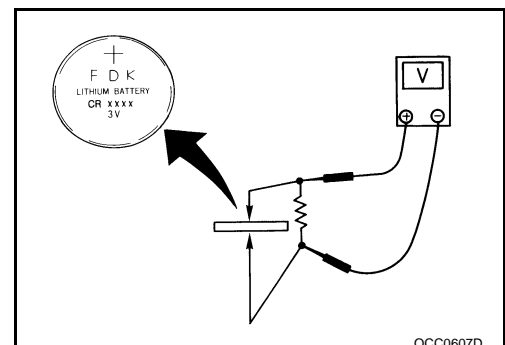
INFOID:000000001327872



INTELLIGENT KEY BATTERY INSPECTION

Check by connecting a resistance (approximately 300Ω) so that the current value becomes about 10 mA.

Standard : Approx. 2.5V - 3.0V



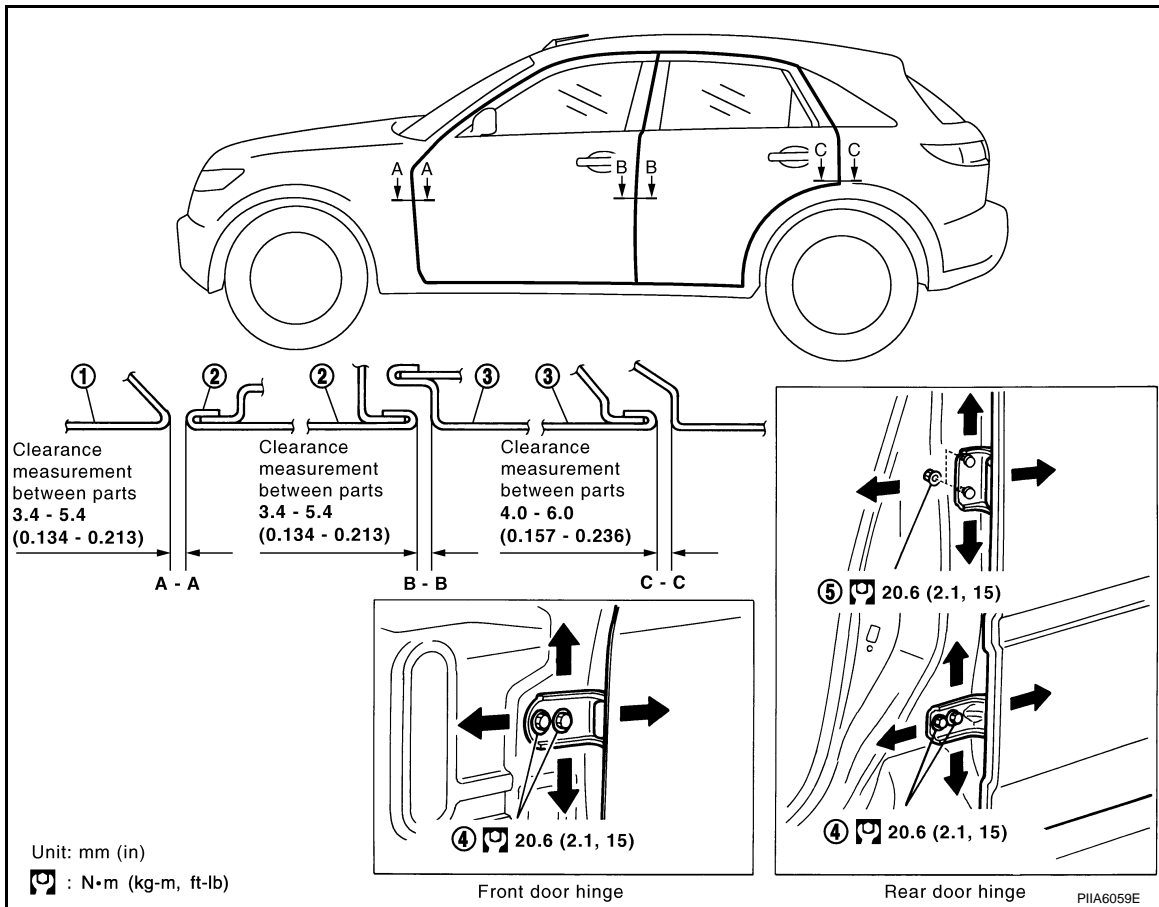
DOOR

< SERVICE INFORMATION >

DOOR

Fitting Adjustment

INFOID:000000001327873



1. Front fender
2. Front door outer
3. Rear door outer
4. Bolt
5. Nut

FRONT DOOR

Longitudinal Clearance and Surface Height Adjustment at Front End.
Loosen the hinge mounting bolts. Raise the front door at rear end to adjust.

REAR DOOR

Longitudinal Clearance and Surface Height Adjustment at Front End.

1. Remove the center pillar upper garnish and center pillar lower garnish. Refer to [EI-38. "Component Parts Location"](#).
2. Accessing from inside the vehicle, loosen the mounting nuts. Open the rear door, and raise the rear door at rear end to adjust.

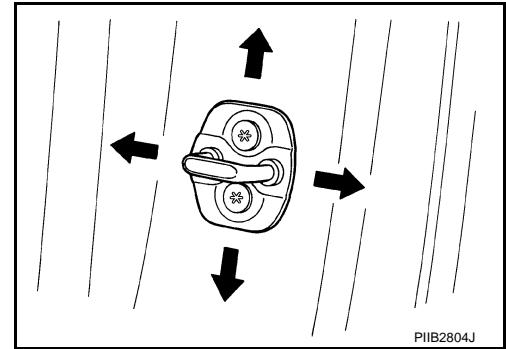
STRIKER ADJUSTMENT

DOOR

< SERVICE INFORMATION >

Adjust the striker so that it becomes parallel with the lock insertion direction.

 : 16.7 N·m (1.7 kg-m, 12.4 ft-lb)



Removal and Installation of Front Door

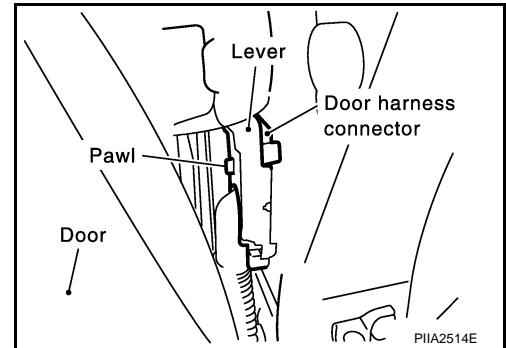
INFOID:000000001327874

CAUTION:

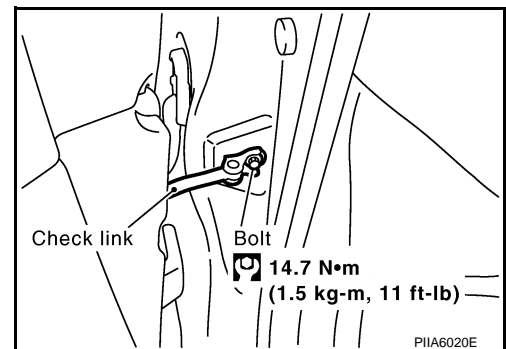
- When removing and installing the front door assembly, support the door with a jack and cloth to protect the door and body.
- When removing and installing front door assembly, be sure to carry out the fitting adjustment Refer to [BL-131, "Fitting Adjustment"](#).
- Check the hinge rotating part for poor lubrication. If necessary, apply "body grease".
- After installing, apply touch-up paint (the body color) onto the head of the hinge mounting nuts.
- Operate with two workers, because of its heavy weight.
- After installing, check operation.

REMOVAL

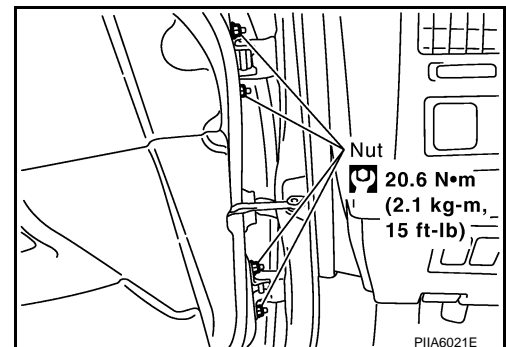
1. Pull the lever and remove the front door harness connector while removing tabs of door harness connector.



2. Remove the mounting bolts of the check link on the vehicle.



3. Remove the door-side hinge mounting nuts, and remove the door assembly.



DOOR

< SERVICE INFORMATION >

INSTALLATION

Install in the reverse order of removal.

Removal and Installation of Rear Door

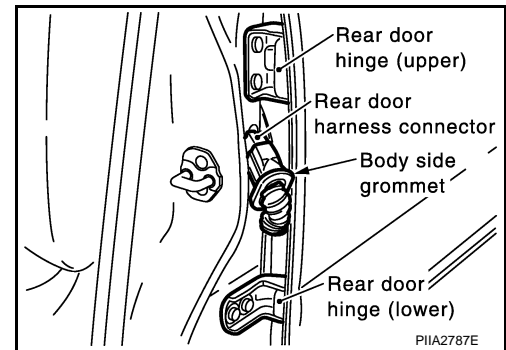
INFOID:000000001327875

CAUTION:

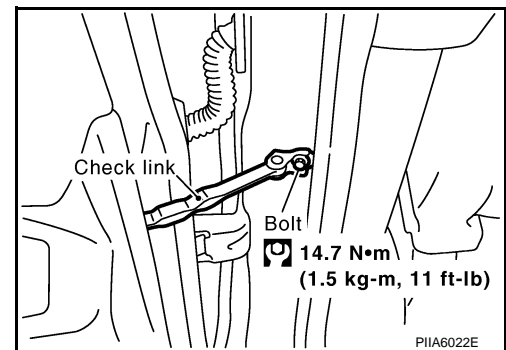
- When removing and installing the rear door assembly, support the door with a jack and cloth to protect the door and body.
- When removing and installing rear door assembly, be sure to carry out the fitting adjustment Refer to [BL-131, "Fitting Adjustment"](#).
- After installing, apply touch-up paint (the body color) onto the head of the hinge mounting nuts.
- Operate with two workers, because of its heavy weight.
- Check the hinge rotating part for poor lubrication. If necessary, apply "body grease".
- After installing, check operation.

REMOVAL

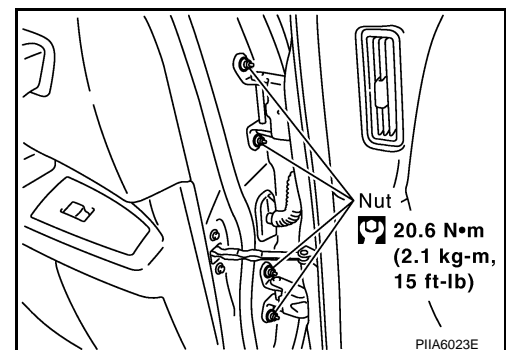
1. Grommet is pulled out, and the Rear door harness connector is detached.



2. Remove the mounting bolts of the check link on the vehicle.



3. Remove the door-side hinge mounting nuts, and remove the door assembly.



INSTALLATION

Install in the reverse order of removal.

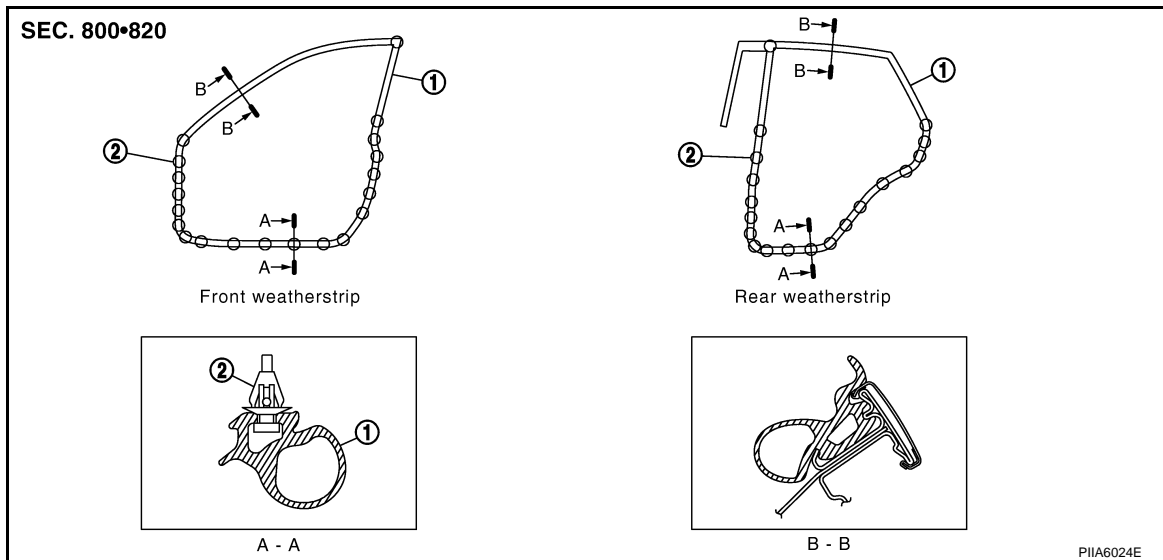
A
B
C
D
E
F
G
H
BL
J
K
L
M
N
O
P

DOOR

< SERVICE INFORMATION >

Removal and Installation of Door Weatherstrip

INFOID:000000001327876



1. Weatherstrip 2. Clip

REMOVAL

1. Remove the mounting bolts of the check link on the vehicle. Refer to [BL-132, "Removal and Installation of Front Door"](#) or [BL-133, "Removal and Installation of Rear Door"](#).
2. Remove the weatherstrip clips and remove weatherstrip.

INSTALLATION

Install in the reverse order of removal.

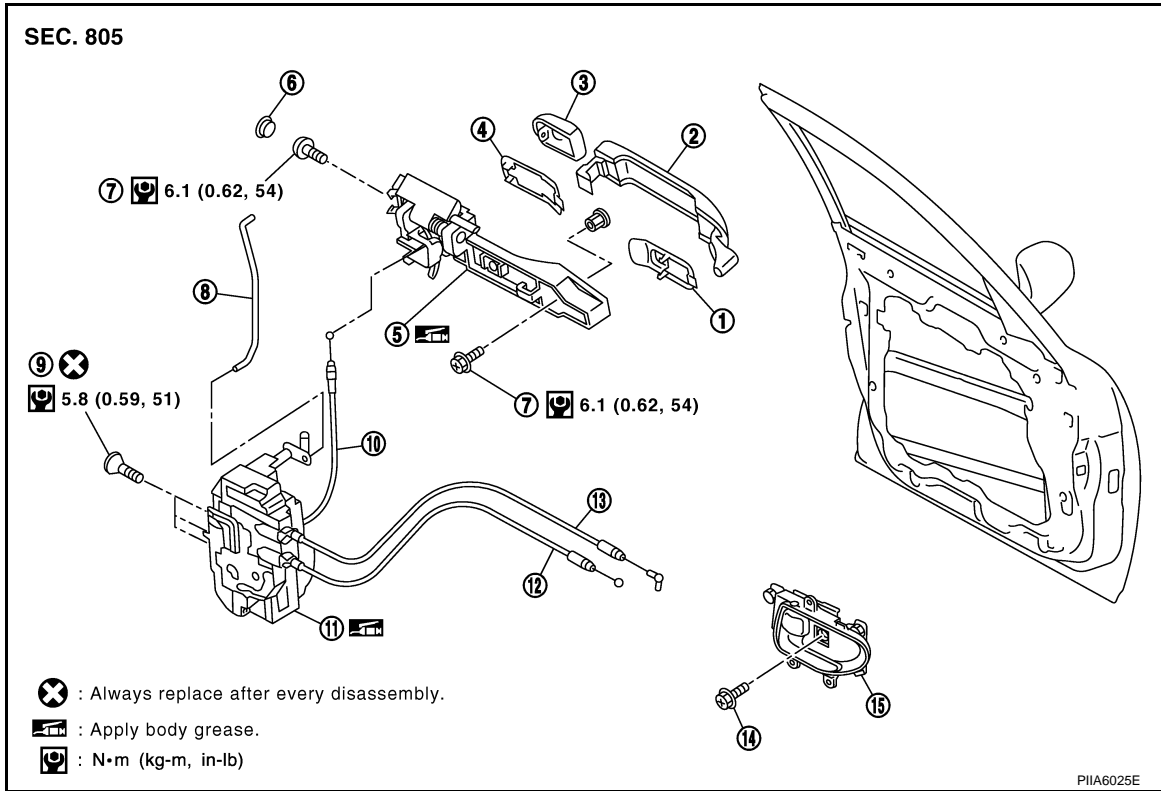
FRONT DOOR LOCK

< SERVICE INFORMATION >

FRONT DOOR LOCK

Removal and Installation

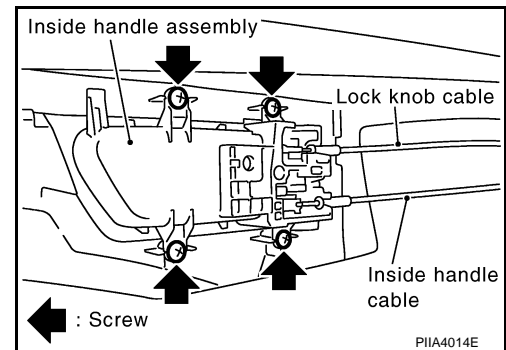
INFOID:000000001327877



- | | | |
|--------------------------|--|---|
| 1. Front gasket | 2. Outside handle | 3. Door key cylinder assembly (Driver side)
Outside handle escutcheon (Passenger side) |
| 4. Rear gasket | 5. Outside handle bracket | 6. Grommet |
| 7. TORX bolt | 8. Key cylinder rod (Driver side only) | 9. TORX bolt |
| 10. Outside handle cable | 11. Door lock assembly | 12. Inside handle knob cable |
| 13. Lock knob cable | 14. Screw | 15. Inside handle |

REMOVAL

- Remove the front door finisher. Refer to [EI-36. "Component Parts Location"](#).
- Disconnect the inside handle knob cable and lock knob cable from the back side of the front door finisher.



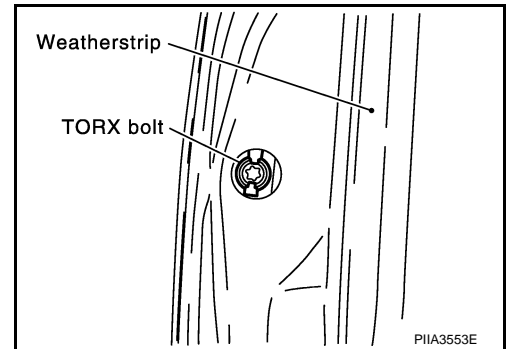
- Remove the front door glass and front door module assembly. Refer to [GW-50. "Removal and Installation"](#).
- Remove door side grommet, and remove door key cylinder assembly (driver side) and outside handle escutcheon (passenger side) TORX bolt from grommet hole.

CAUTION:

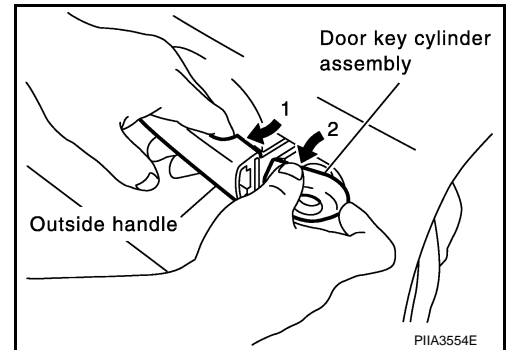
FRONT DOOR LOCK

< SERVICE INFORMATION >

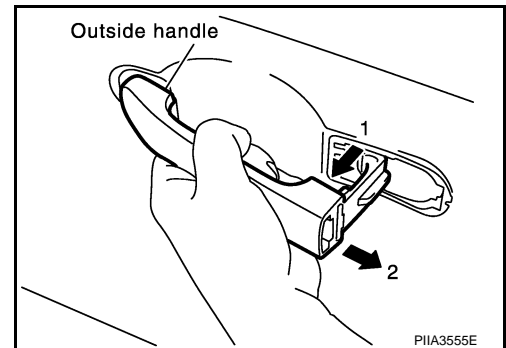
Do not forcibly remove the TORX bolt.



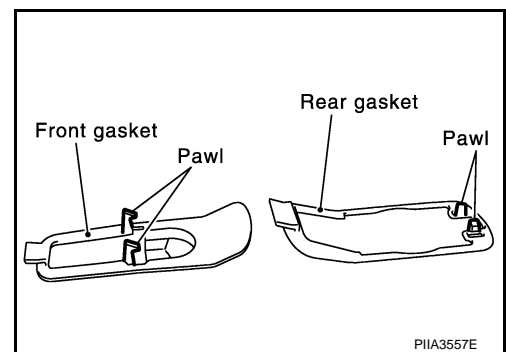
5. Reach to separate the key cylinder rod connection (on the handle).
6. While pulling the outside handle, remove door key cylinder assembly (driver side) and outside handle escutcheon (passenger side).



7. Disconnect the door request switch connector. (Intelligent Key only)
8. While pulling outside handle, slide toward rear of vehicle to remove outside handle.



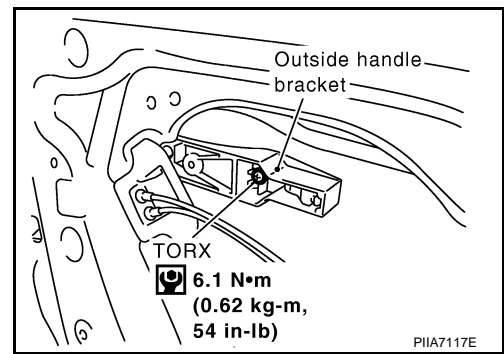
9. Remove the front gasket and rear gasket.



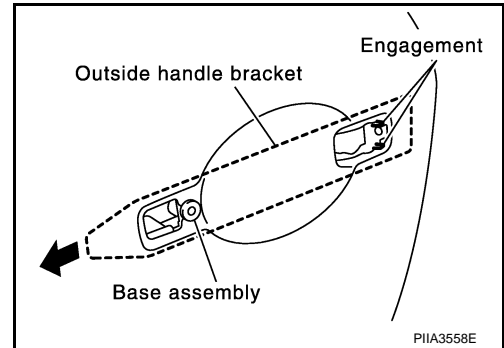
FRONT DOOR LOCK

< SERVICE INFORMATION >

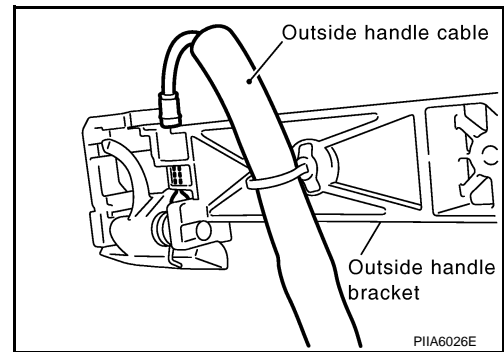
10. Remove the TORX bolt of the outside handle bracket.



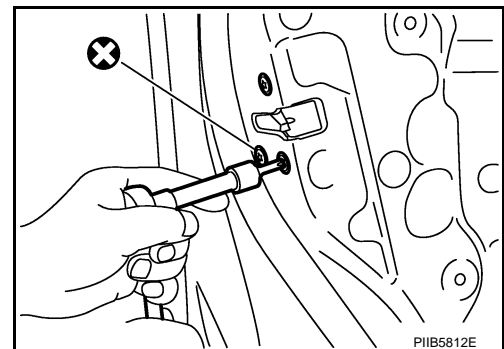
11. While pulling outside handle bracket, slide toward front of vehicle to remove outside handle bracket.



12. Reach to separate outside handle cable connection.



13. Remove the TORX bolts of door lock assembly.



14. Disconnect the door lock actuator connector and remove door lock assembly.

INSTALLATION

Install in the reverse order of removal.

CAUTION:

To install each rod, be sure to rotate the rod holder until a click is felt.

A
B
C
D
E
F
G
H
BL
J
K
L
M
N
O
P

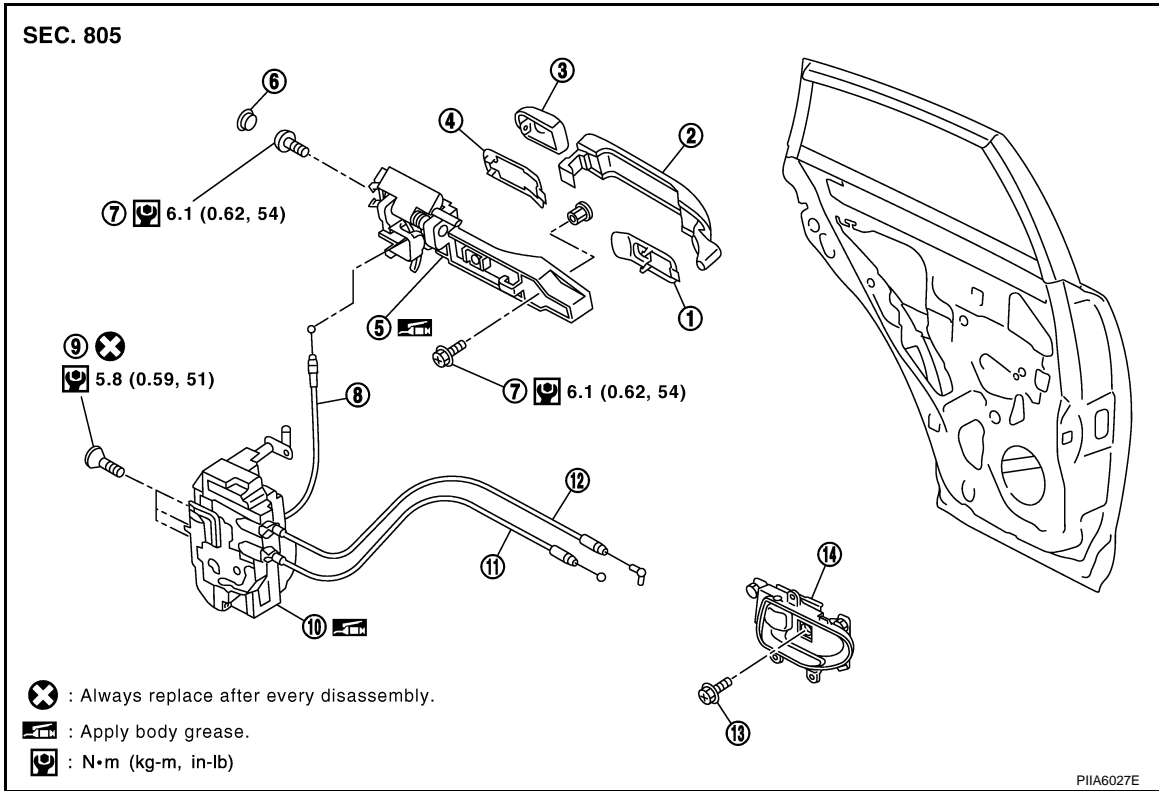
REAR DOOR LOCK

< SERVICE INFORMATION >

REAR DOOR LOCK

Removal and Installation

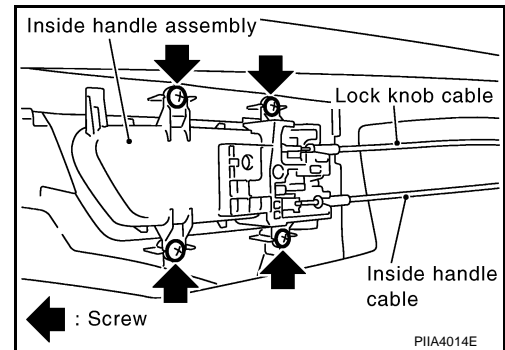
INFOID:000000001327878



- | | | |
|------------------------|------------------------------|------------------------------|
| 1. Front gasket | 2. Outside handle | 3. Outside handle escutcheon |
| 4. Rear gasket | 5. Outside handle bracket | 6. Grommet |
| 7. TORX bolt | 8. Outside handle cable | 9. TORX bolts |
| 10. Door lock assembly | 11. Inside handle knob cable | 12. Lock knob cable |
| 13. Screw | 14. Inside handle | |

REMOVAL

1. Remove the rear door finisher. Refer to [EI-36. "Component Parts Location"](#).
2. Disconnect the inside handle knob cable and lock knob cable from the back side of the front door finisher.



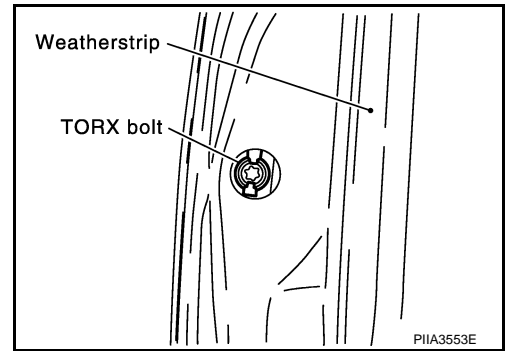
3. Remove the rear door sealing, glass and corner piece assembly. Refer to [GW-54. "Removal and Installation"](#).
4. Remove door side grommet, and remove outside handle escutcheon bolt from grommet hole.

CAUTION:

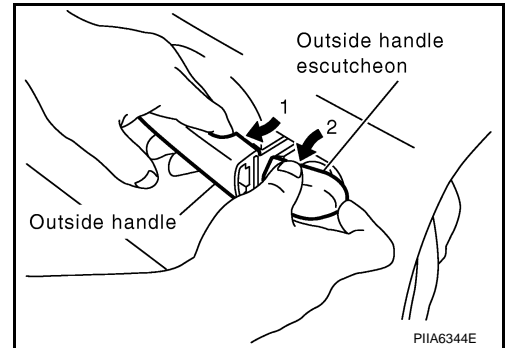
REAR DOOR LOCK

< SERVICE INFORMATION >

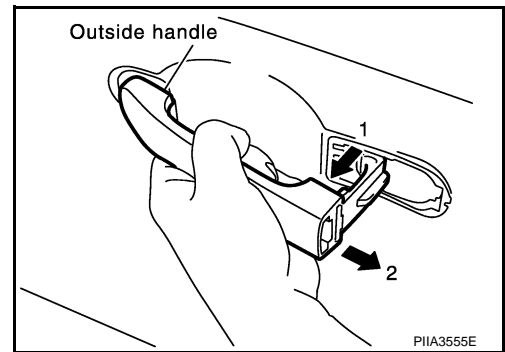
Do not forcibly remove the TORX bolt.



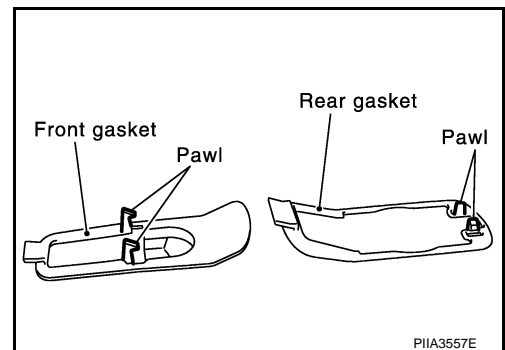
5. While pulling the outside handle, remove outside handle escutcheon.



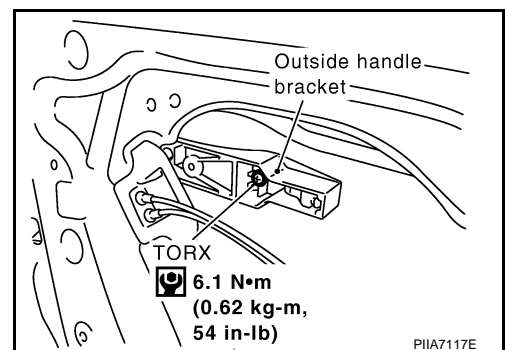
6. While pulling outside handle, slide toward rear of vehicle to remove outside handle.



7. Remove the front gasket and rear gasket.



8. Remove the TORX bolt, and remove the outside handle bracket.

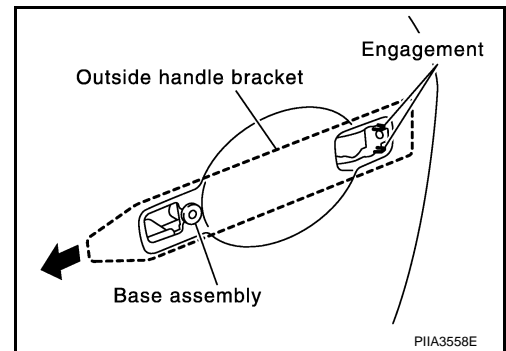


A
B
C
D
E
F
G
H
BL
J
K
L
M
N
O
P

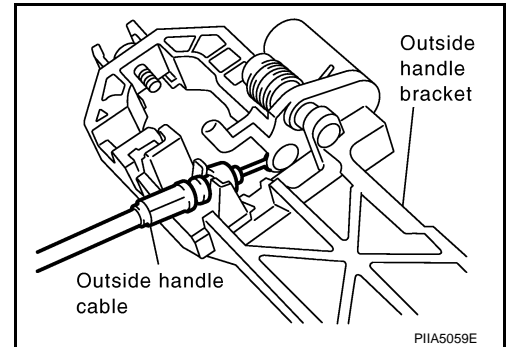
REAR DOOR LOCK

< SERVICE INFORMATION >

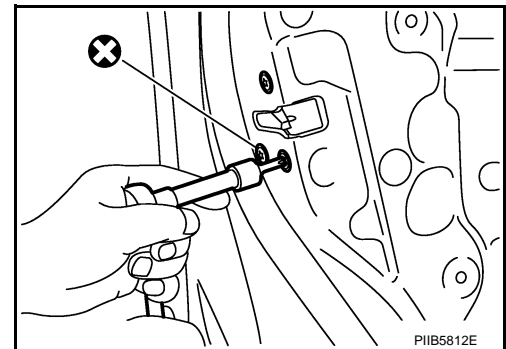
9. While pulling outside handle, slide toward front of vehicle to remove outside handle bracket.



10. Reach to separate outside handle cable connection.



11. Remove the TORX bolts of door lock assembly.



12. Disconnect the door lock actuator connector and remove door lock assembly.

INSTALLATION

Install in the reverse order of removal.

CAUTION:

To install each rod, be sure to rotate the rod holder until a click is felt.

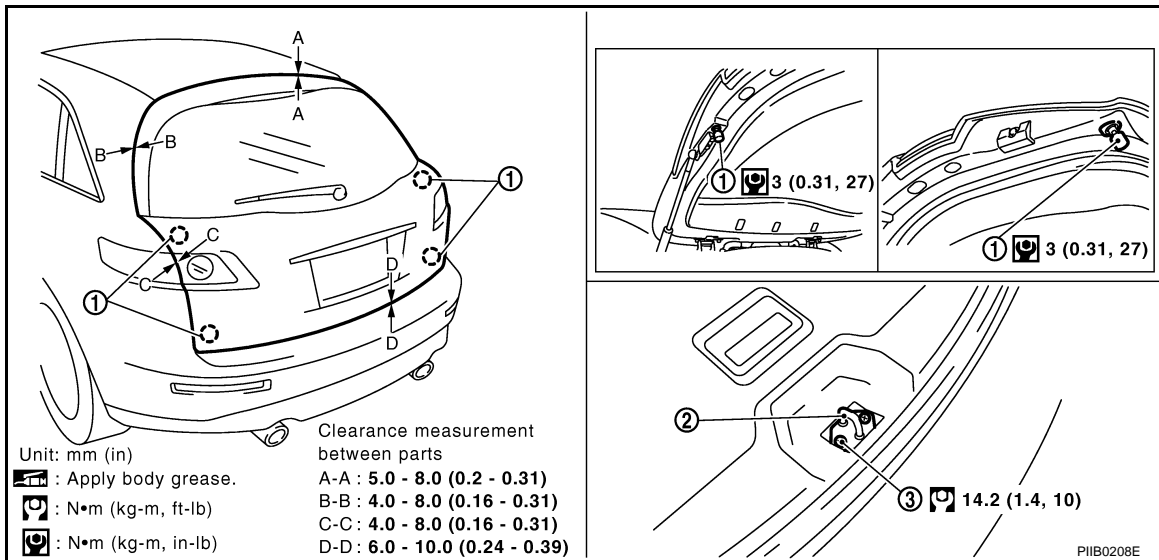
BACK DOOR

< SERVICE INFORMATION >

BACK DOOR

Fitting Adjustment

INFOID:000000001327879



1. Bumper rubber

2. Back door striker

3. Screw

VERTICAL/LATERAL CLEARANCE ADJUSTMENT

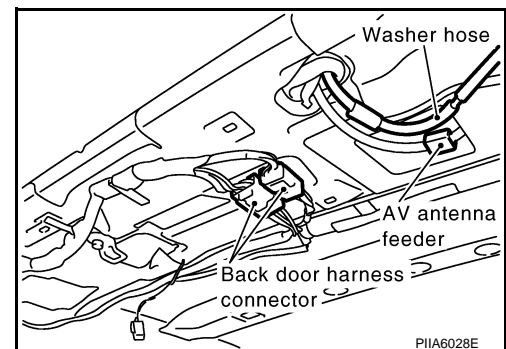
1. With the striker released, loosen the bumper rubber lock nuts.
2. Close the back door lightly and adjust the surface height by rotating the bumper rubber and, then open the back door to finally tighten the back door lock mounting bolts and bumper rubber lock nuts to the specified torque.

Back Door Assembly

INFOID:000000001327880

REMOVAL

1. Remove roof rear garnish assembly. Refer to [EI-45. "Component Parts Location"](#).
2. Disconnect the back door harness connector and AV antenna feeder.



3. Washer hose is separated in the connection part.

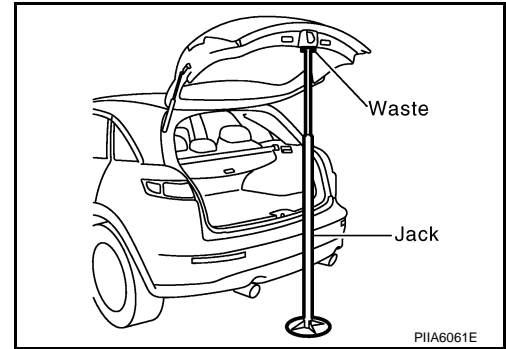
BACK DOOR

< SERVICE INFORMATION >

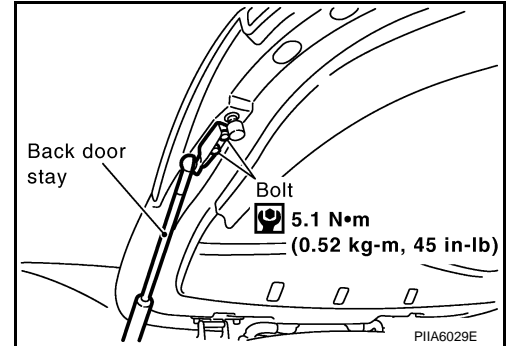
- Support the back door lock with a proper material to prevent it from falling.

WARNING:

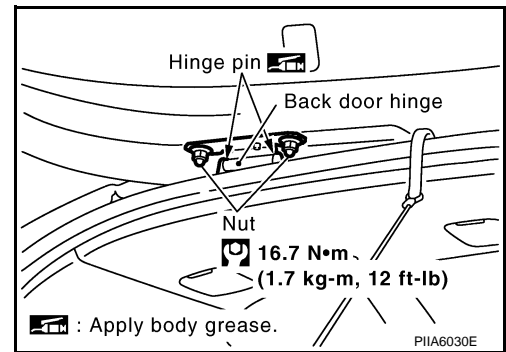
Body injury may occur if no supporting rod is holding the back door open when removing the damper stay.



- Remove back door stay on back door.



- Remove back door hinge mounting nuts on the back door and remove back door assembly.



INSTALLATION

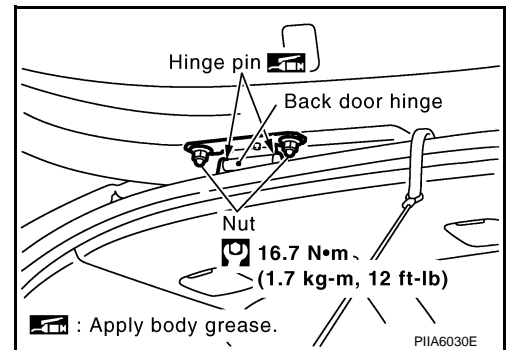
Install in the reverse order of removal.

CAUTION:

- After installing, check operation.
- After installing, perform fitting adjustment. Refer to [BL-141, "Fitting Adjustment"](#).

INSPECTION

- Check back door hinges for the following.
 - Malfunction noise or door closing and opening effort
 - Component wear or damage
- Apply body grease to the rotating part of the back door hinge.



Removal and Installation of Back Door Striker

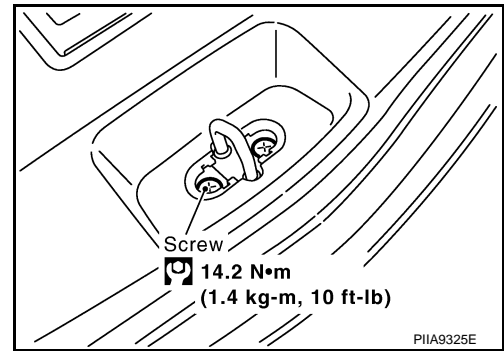
INFOID:000000001327881

REMOVAL

BACK DOOR

< SERVICE INFORMATION >

1. Remove rear plate assembly. Refer to [EI-45, "Component Parts Location"](#).
2. Remove back door striker mounting screws, and remove back door striker from the vehicle.



INSTALLATION

Install in the reverse order of removal.

CAUTION:

After installing, perform fitting adjustment. Refer to [BL-141, "Fitting Adjustment"](#).

Removal and Installation of Back Door Stay

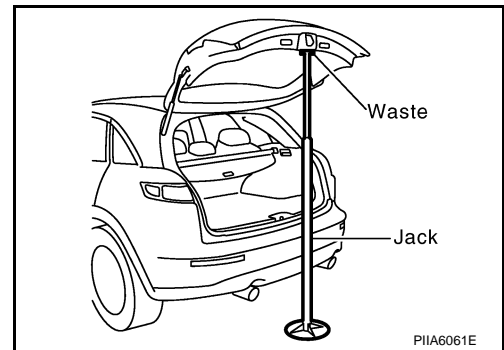
INFOID:000000001327882

REMOVAL

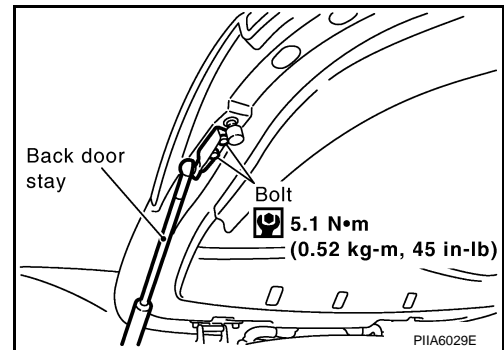
1. Support the back door lock with a proper material to prevent it from falling.

WARNING:

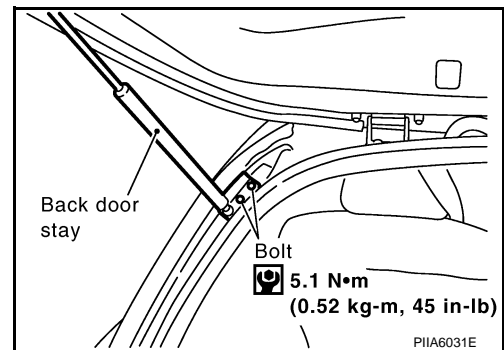
Body injury may occur if no supporting rod is holding the back door open when removing the damper stay.



2. Remove back door stay on back door.



3. Remove back door stay assembly on vehicle.



INSTALLATION

Install in the reverse order of removal.

CAUTION:

After installing, check operation.

A
B
C
D
E
F
G
H
BL
J
K
L
M
N
O
P

BACK DOOR

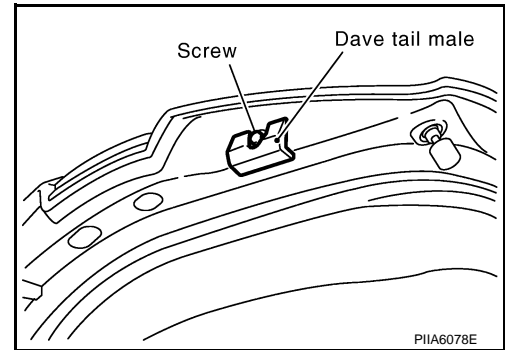
< SERVICE INFORMATION >

Removal and Installation of Dave Tail Male & Female

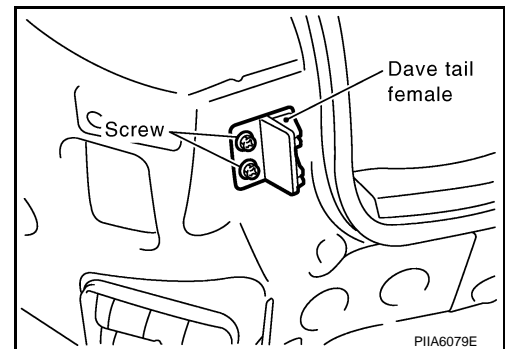
INFOID:000000001327883

REMOVAL

1. Remove the dave tail male.



2. Remove the rear bumper. Refer to [EI-17, "Component Parts Location"](#).
3. Remove the dave tail female.

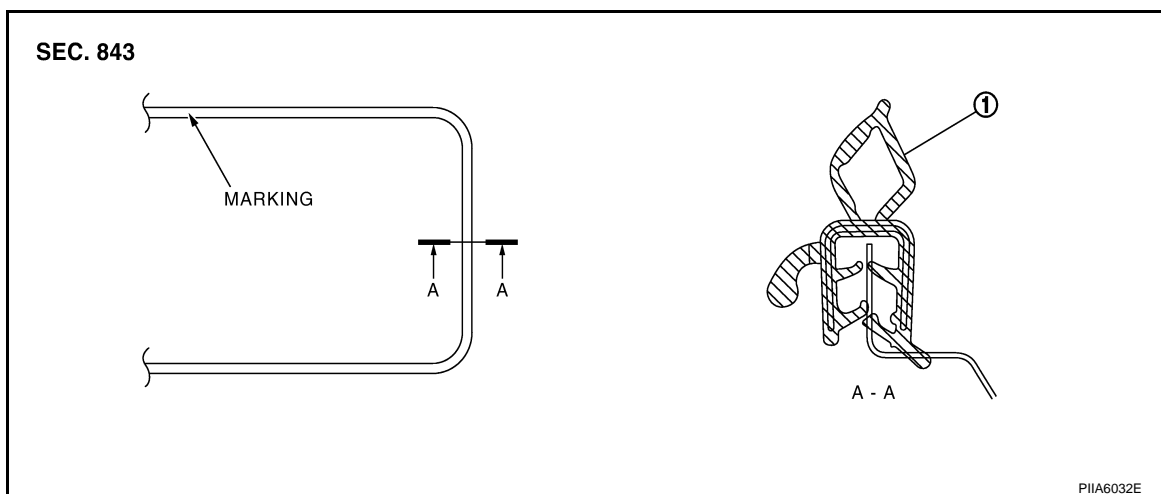


INSTALLATION

Install in the reverse order of removal.

Removal and Installation of Back Door Weather-strip

INFOID:000000001327884



1. Weather-strip

REMOVAL

Pull up and remove engagement with body from weather-strip joint.

CAUTION:

After removal, do not pull strongly on the weather-strip.

INSTALLATION

BACK DOOR

< SERVICE INFORMATION >

1. Working from the upper section, align weather-strip mark with vehicle center position mark and install weather-strip onto the vehicle.
2. For the lower section, align the weather-strip seam with center of the striker.
3. After installation, pull the weather-strip gently to ensure that there is no loose section.

NOTE:

Make sure the weather-strip is fit tightly at each corner and back door rear plate.

A

B

C

D

E

F

G

H

BL

J

K

L

M

N

O

P

BACK DOOR LOCK ASSEMBLY

< SERVICE INFORMATION >

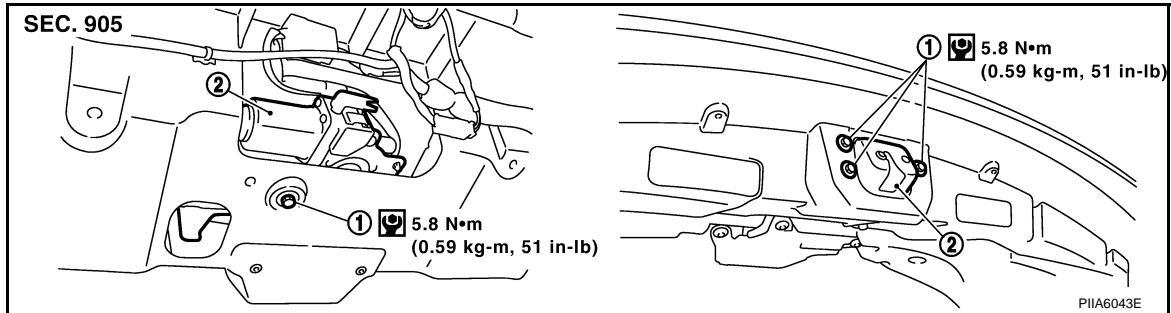
BACK DOOR LOCK ASSEMBLY

Removal and Installation of Back Door Lock & Closure Assembly

INFOID:000000001327885

REMOVAL

1. Remove back door finisher. Refer to [EI-47. "Component Parts Location"](#).
2. Disconnect the connector and the clip of the back door lock & closure assembly.
3. Remove the mounting bolts.



1. Bolt
2. Back door lock & closure assembly

4. Disconnect the connector of the back door opener actuator.
5. Remove the mounting bolts, remove back door lock & closure assembly.

INSTALLATION

Install in the reverse order of removal.

CAUTION:

- After installing, check operation.
- After installing, perform fitting adjustment. Refer to [BL-141. "Fitting Adjustment"](#).

INSPECTION

1. Check back door lock for the following.
 - Malfunction noise or door closing and opening effort
 - Component wear or damage
2. Apply body grease to the rotating part of the back door lock.

Removal and Installation of Back Door Opener Switch

INFOID:000000001327886

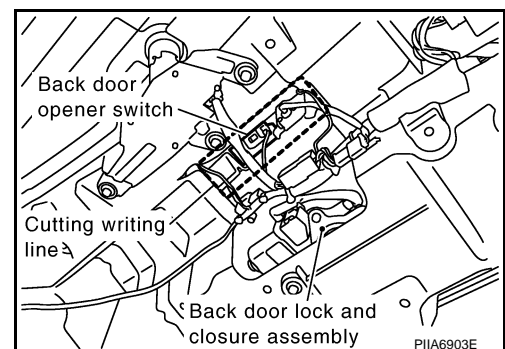
REMOVAL

1. Remove back door finisher. Refer to [EI-47. "Component Parts Location"](#).
2. Remove back door outside finisher. Refer to [EI-47.](#)
3. Remove licence lamp. Refer to [LT-135. "License Plate Lamp"](#).
4. Cut back door inner panel along with cutting groove line.

CAUTION:

When cutting the back door panel, always wear safety glasses, heavy gloves and a dust proof mask to prevent eye and skin irritation from glass fiber splinters.

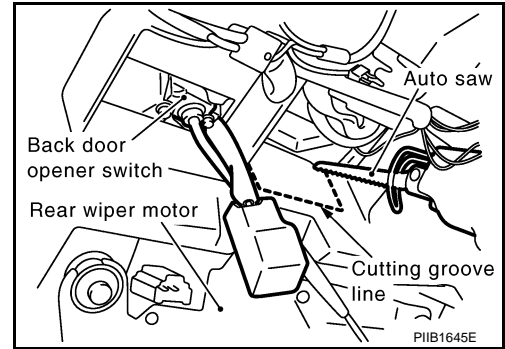
NOTE:



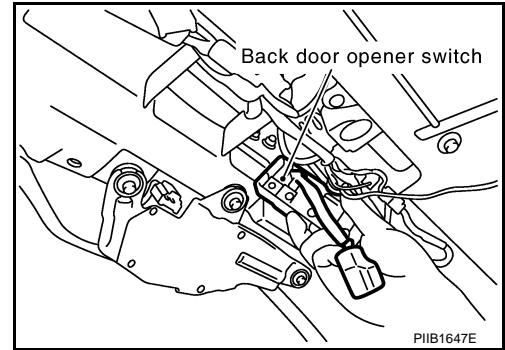
BACK DOOR LOCK ASSEMBLY

< SERVICE INFORMATION >

Through hole is as shown in the figure.



5. Disconnect back door opener switch harness connector (and rear view camera if equipped).
6. Remove opener switch from back door through hole.



INSTALLATION

Install in the reverse order of removal.

CAUTION:

After installing, check operation.

Disassembly and Assembly

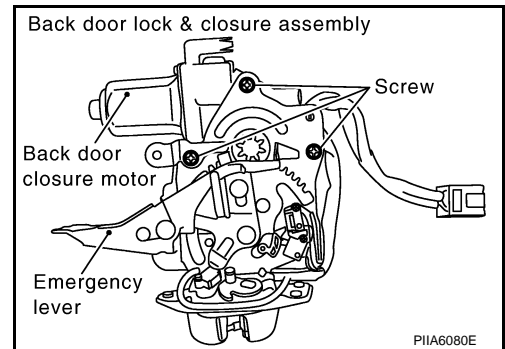
INFOID:000000001327887

BACK DOOR LOCK & CLOSURE ASSEMBLY

CAUTION:

Be sure to remove or install the back door closure motor with the back door lock & closure assembly.

1. Remove the back door closure motor.



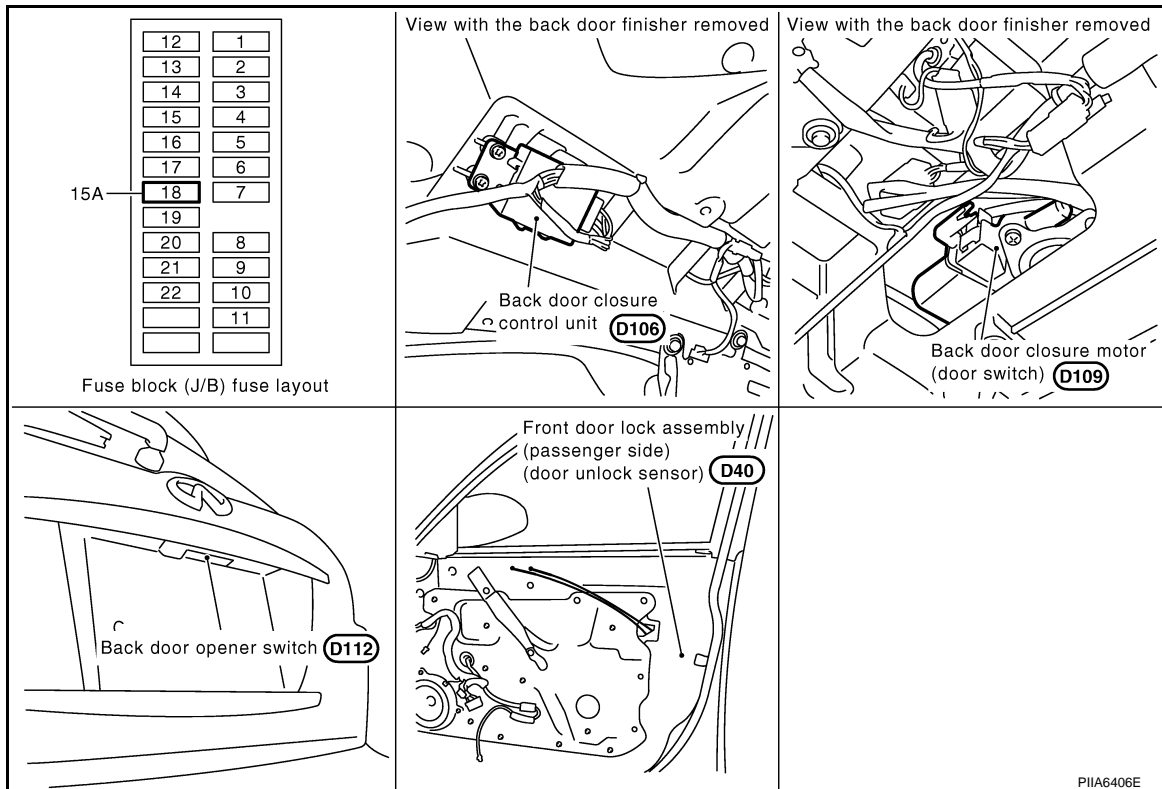
BACK DOOR AUTO CLOSURE SYSTEM

< SERVICE INFORMATION >

BACK DOOR AUTO CLOSURE SYSTEM

Component Parts and Harness Connector Location

INFOID:000000001327888



System Description

INFOID:000000001327889

When back door lock latch engaged with striker, striker is lowered by means of a motor the back door fully closed.

CLOSE OPERATION

- Half-latch is turned off when back door enters the state of a half door and back door closure control unit recognizes it.
- Back door closure control unit by which the signal is recognized operates closure motor in the close direction, and open switch is turned on.
- Close switch is turned on when back door becomes a full latch position by operating closure motor and back door closure control unit operates closure motor in an open direction.
- The operation of closure motor is stopped, and back door enters all close states when back door moves in an open direction, and open switch is turned off.

NON-OPERATION CONDITION

- When you close back door while pushing back door opener switch.
- When closing at once (within about 0.5 seconds) after back door is opened.
- When you do not close back door after back door opener switch is pushed.

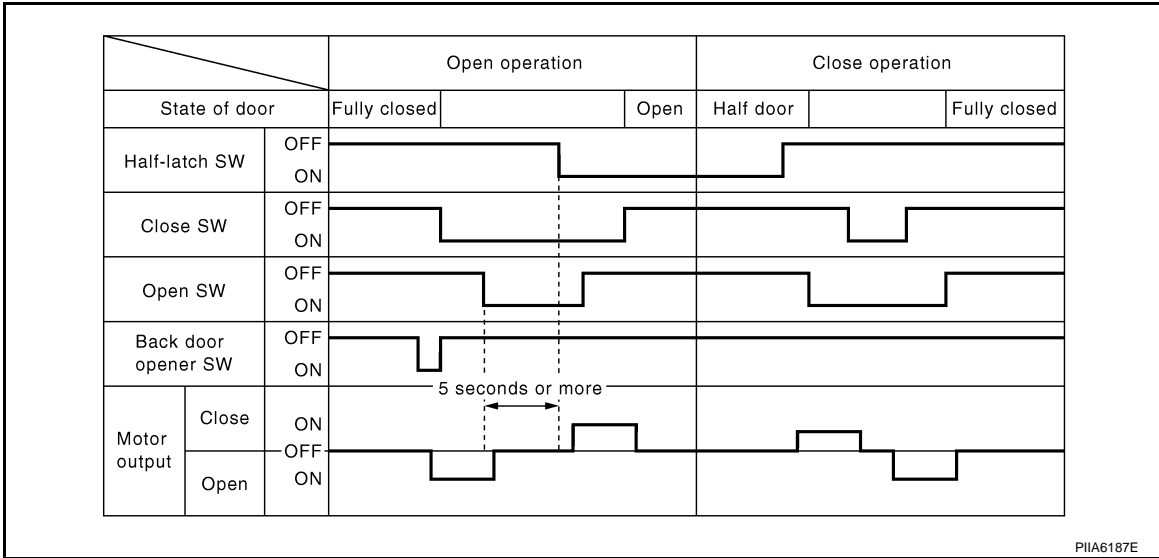
OPEN OPERATION

- When passenger side door unlock and back door shuts, back door opener switch is pushed.
- Back door closure control unit receives the signal, closure motor is operated in an open direction, and back door opens.
- Closure motor is operated in the close direction and stops at a neutral position when the following conditions detected after turning on open switch.
 - When back door is in half-open state, and

BACK DOOR AUTO CLOSURE SYSTEM

< SERVICE INFORMATION >

- 5 seconds past without opening back door.



A
B
C
D
E
F
G
H
I
J
K
L
M
N
O
P

BL

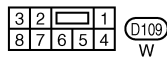
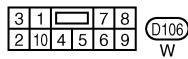
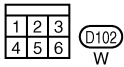
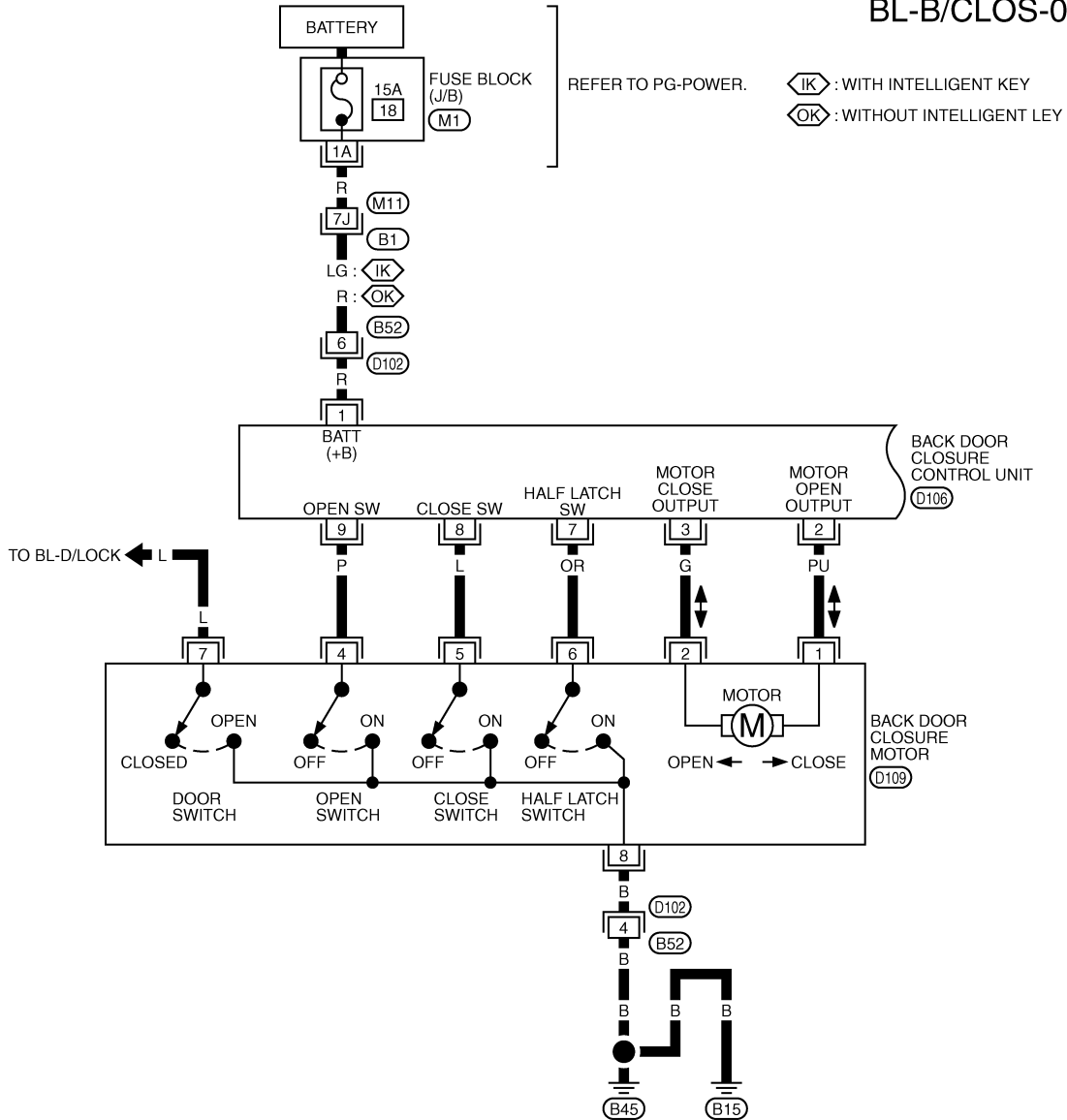
BACK DOOR AUTO CLOSURE SYSTEM

< SERVICE INFORMATION >

Wiring Diagram - B/CLOS -

INFOID:000000001327890

BL-B/CLOS-01



REFER TO THE FOLLOWING.

(B1) -SUPER MULTIPLE JUNCTION (SMJ)

(M1) -FUSE BLOCK-JUNCTION BOX (J/B)

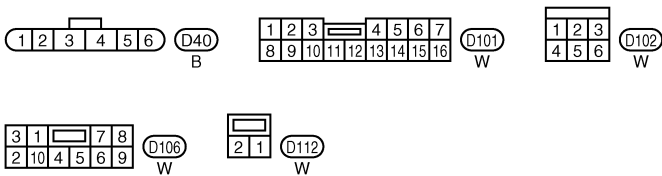
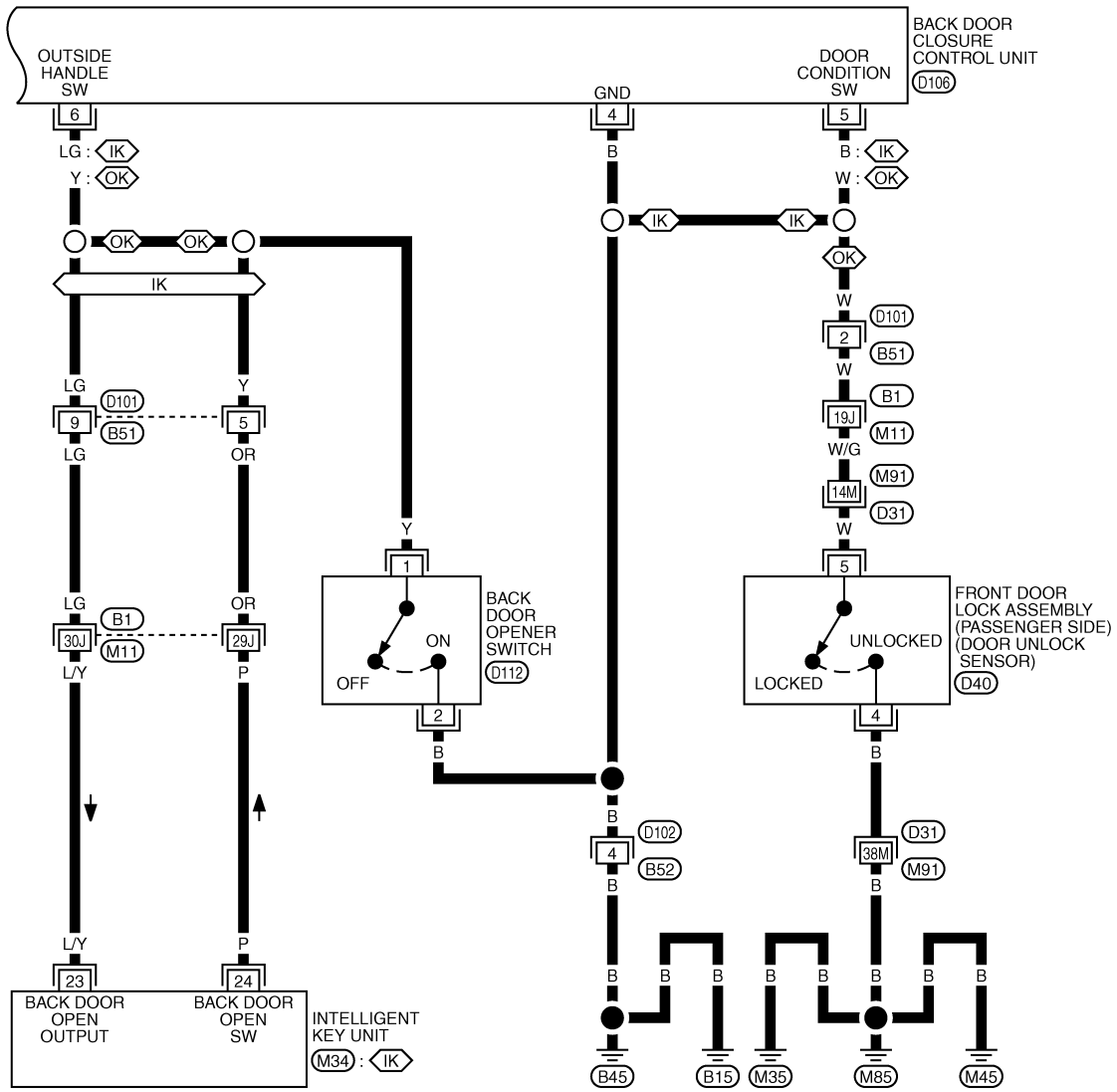
TIWM1712E

BACK DOOR AUTO CLOSURE SYSTEM

< SERVICE INFORMATION >

BL-B/CLOS-02

⊠IK: WITH INTELLIGENT KEY
 ⊠OK: WITHOUT INTELLIGENT KEY



REFER TO THE FOLLOWING.
 (B1), (D31) -SUPER MULTIPLE JUNCTION (SMJ)
 (M34) -ELECTRICAL UNITS

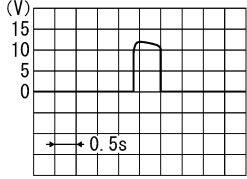
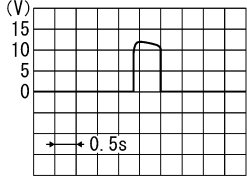
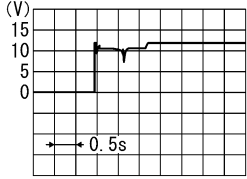
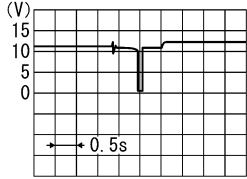
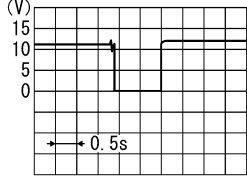
T1WM1672E

BACK DOOR AUTO CLOSURE SYSTEM

< SERVICE INFORMATION >

Terminal and Reference Value for Back Door Closure Control Unit

INFOID:000000001327891

Terminal	Wire color	Item	Signal Input/output	Condition	Voltage (V) (Approx.)
1	R	Power source (Fuse)	Input	—	Battery voltage
2	PU	Closure motor (open) signal	Output	Fully close → fully open	 <p style="text-align: right;">SIA1480J</p>
3	G	Closure motor (close) signal	Output	Fully open → fully close	 <p style="text-align: right;">SIA1480J</p>
4	B	Ground	—	—	0
5	W (B)	Ground*	—	—	0*
		Unlock sensor signal (passenger side)	Input	Passenger side door lock is locked	5
6	Y (LG)	Back door opener switch signal	Input	Back door opener switch is ON	0
				Other than above	5
7	OR	Half-latch switch signal	Input	Fully open → fully close	 <p style="text-align: right;">SIA1479J</p>
8	L	Close switch signal	Input	Fully open → fully close	 <p style="text-align: right;">SIA1478J</p>
9	P	Open switch signal	Input	Fully open → fully close	 <p style="text-align: right;">SIA1481J</p>

*, (): Models with Intelligent Key

BACK DOOR AUTO CLOSURE SYSTEM

< SERVICE INFORMATION >

Work Flow

INFOID:000000001327892

1. Check the symptom and customer's requests.
2. Understand the outline of system. Refer to [BL-148. "System Description"](#).
3. Perform the preliminary check, Refer to [BL-153. "Preliminary Check"](#)
4. According to the trouble diagnosis chart, repair or replace the cause of the malfunction. Refer to [BL-153. "Trouble Diagnosis Chart by Symptom"](#).
5. Does back door auto closure system operate normally? If Yes, GO TO 6, If No, GO TO 4.
6. INSPECTION END

Preliminary Check

INFOID:000000001327893

Remove the fuse No.18 for the back door closure with the back door closure inactive.
Check that the back door can be open / close normally.

CAUTION:

It is judged it is abnormal, discontinues closure operation, and drive lever returns to a neutral position if not becoming full-latch within about three seconds after half-latch.

When this operation is done continuously three times, both back door closure and back door opener switch are not operated because the function of back door closure is stopped.

Thing to reset power supply by pulling out and opening fuse in that case.

Trouble Diagnosis Chart by Symptom

INFOID:000000001327894

Symptom	Diagnostic procedure and repair order	Refer to page
Back door closure does not operate.	1. Check back door closure motor power supply and ground circuit	BL-153
	2. Check half-latch switch	BL-154
	3. Check close switch	BL-155
	4. Check open switch	BL-156
	5. Check closure motor	BL-161
	6. Replace back door closure control unit.	BL-162
Back door does not open (with Intelligent Key system).	1. Check Intelligent Key system	BL-103
	2. Check back door opener switch	BL-157
Back door does not open	1. Check back door opener switch	BL-159
	2. Check unlock sensor	BL-160
	3. Replace back door closure control unit.	BL-162
Back door does not enter fully closed states through back door closure operates.	1. Back door fitting adjustment.	BL-141
	2. Replace back door lock assembly.	BL-146

Check Back Door Closure Control Unit Power Supply and Ground Circuit

INFOID:000000001327895

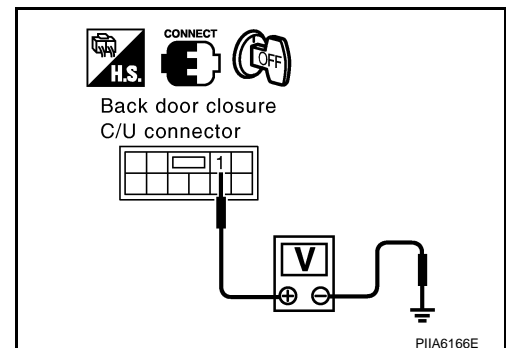
1. CHECK POWER SUPPLY CIRCUIT

1. Turn ignition switch OFF.
2. Check voltage between back door closure control unit connector D106 terminal 1 and ground.

1 (R) – Ground : Battery voltage

OK or NG

- OK >> GO TO 2.
NG >> Check the following.
- 15A fuse [No.18, located in fuse block (J/B)]
 - Harness for open or short between back door closure control unit and fuse.



BACK DOOR AUTO CLOSURE SYSTEM

< SERVICE INFORMATION >

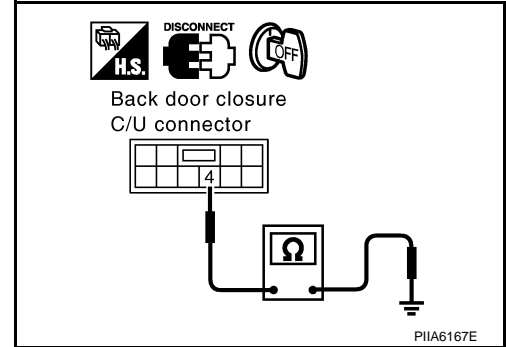
2. CHECK GROUND CIRCUIT

1. Disconnect back door closure control unit connector.
2. Check continuity between back door closure control unit connector D106 terminal 4 and ground.

4 (B) – Ground : Continuity should exist.

OK or NG

- OK >> Power supply and ground circuit are OK.
 NG >> Repair or replace harness.



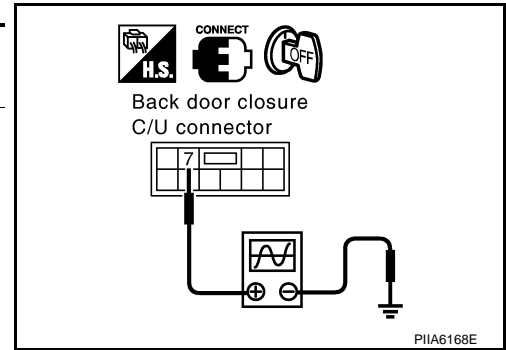
Check Half-Latch Switch

INFOID:000000001327896

1. CHECK HALF-LATCH SWITCH SIGNAL

1. Turn ignition switch OFF.
2. Check the signal between back door closure control unit connector and ground with oscilloscope.

Con- nector	Terminals (Wire color)		Back door condition	Signal (Reference value)
	(+)	(-)		
D106	7 (OR)	Ground	Fully open → fully closed	<p>(V) 15 10 5 0</p> <p>0.5s</p> <p>SIIA1479J</p>



OK or NG

- OK >> Half-latch switch is OK.
 NG >> GO TO 2.

2. CHECK HARNESS CONTINUITY

1. Disconnect back door closure control unit and back door closure motor connector.
2. Check continuity between back door closure control unit connector D106 terminal 7 and back door closure motor connector D109 terminal 6.

7 (OR) – 6 (OR) : Continuity should exist.

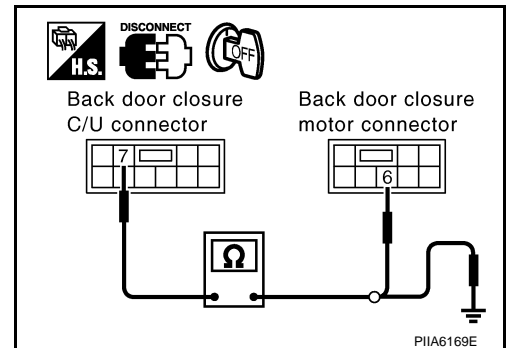
3. Check continuity between back door closure control unit connector D106 terminal 7 and ground.

7 (OR) – Ground : Continuity should not exist.

OK or NG

- OK >> GO TO 3.
 NG >> Repair or replace harness.

3. CHECK GROUND CIRCUIT



BACK DOOR AUTO CLOSURE SYSTEM

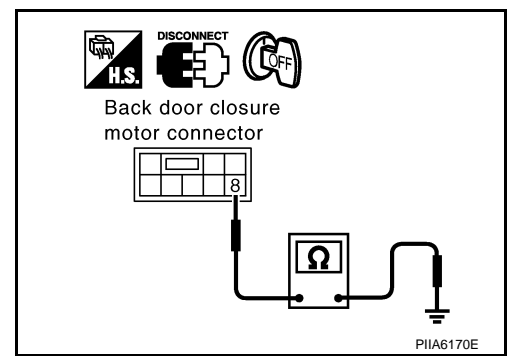
< SERVICE INFORMATION >

Check continuity between back door closure motor connector D109 terminal 8 and ground.

8 (B) – Ground : Continuity should exist.

OK or NG

- OK >> GO TO 4.
- NG >> Repair or replace harness.



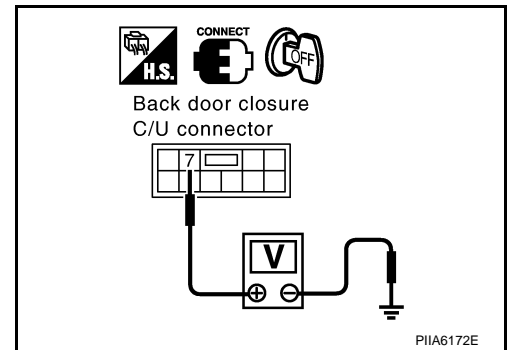
4.CHECK BACK DOOR CLOSURE CONTROL UNIT OUTPUT SIGNAL

1. Connect back door closure control unit connector.
2. Check voltage between back door closure control unit connector D106 terminal 7 and ground.

**Back door is closed
7 (OR) – Ground : Battery voltage**

OK or NG

- OK >> Replace back door lock assembly.
- NG >> Replace back door closure control unit.



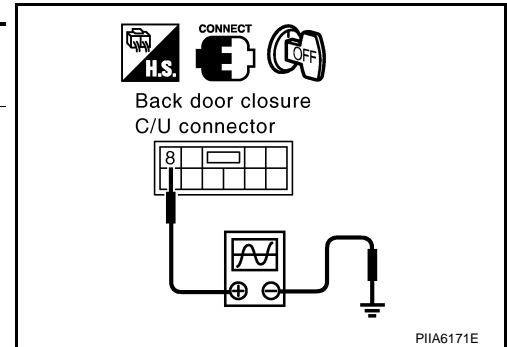
Check Close Switch

INFOID:000000001327897

1.CHECK CLOSE SWITCH SIGNAL

1. Turn ignition switch OFF.
2. Check the signal between back door closure control unit connector and ground with oscilloscope.

Con- nector	Terminals (Wire color)		Back door condition	Signal (Reference value)
	(+)	(-)		
D106	8 (L)	Ground	Fully open → fully closed	<p>SIIA1478J</p>



OK or NG

- OK >> Close switch is OK.
- NG >> GO TO 2.

2.CHECK HARNESS CONTINUITY

1. Disconnect back door closure control unit and back door closure motor connector.

BACK DOOR AUTO CLOSURE SYSTEM

< SERVICE INFORMATION >

- Check continuity between back door closure control unit connector D106 terminal 8 and back door closure motor connector D109 terminal 5.

8 (L) – 5 (L) : Continuity should exist.

- Check continuity between back door closure control unit connector D106 terminal 8 and ground.

8 (L) – Ground : Continuity should not exist.

OK or NG

- OK >> GO TO 3.
- NG >> Repair or replace harness.

3.CHECK GROUND CIRCUIT

- Check continuity between back door closure motor connector D109 terminal 8 and ground.

8 (B) – Ground : Continuity should exist.

OK or NG

- OK >> GO TO 4.
- NG >> Repair or replace harness.

4.CHECK BACK DOOR CLOSURE CONTROL UNIT OUTPUT SIGNAL

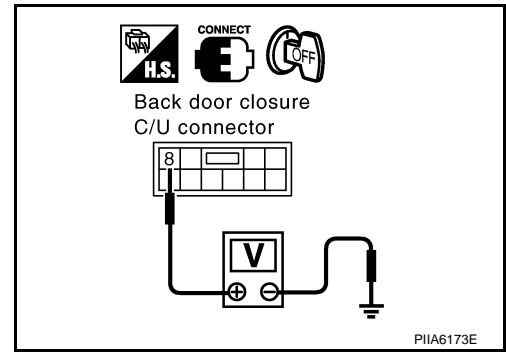
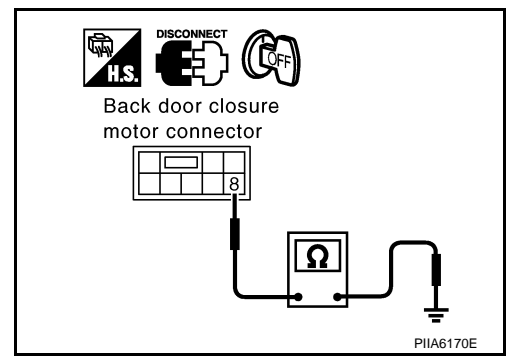
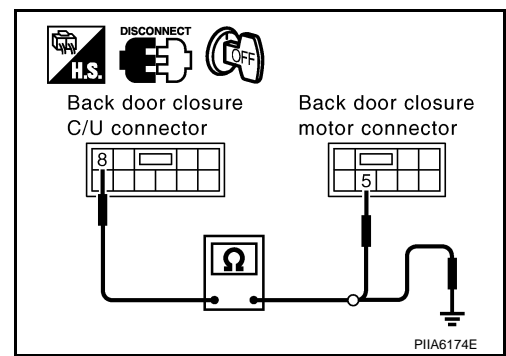
- Connect back door closure control unit connector.
- Check voltage between back door closure control unit connector D106 terminal 8 and ground.

Back door is closed

8 (L) – Ground : Battery voltage

OK or NG

- OK >> Replace back door lock assembly.
- NG >> Replace back door closure control unit.



Check Open Switch

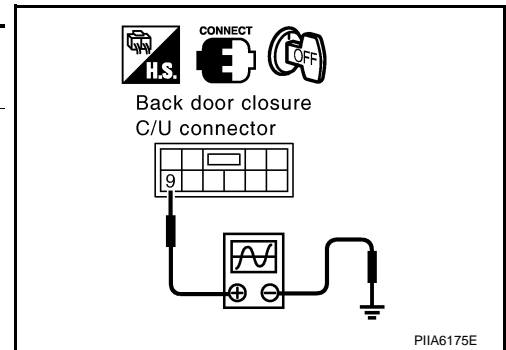
INFOID:000000001327898

1.CHECK OPEN SWITCH SIGNAL

- Turn ignition switch OFF.
- Check the signal between back door closure control unit connector and ground with oscilloscope.

Con- nector	Terminals (Wire color)		Back door condition	Signal (Reference value)
	(+)	(-)		
D106	9 (P)	Ground	Fully open → fully closed	

SIIA1481J



PIIA6175E

OK or NG

BACK DOOR AUTO CLOSURE SYSTEM

< SERVICE INFORMATION >

- OK >> Open switch is OK.
- NG >> GO TO 2.

2.CHECK HARNESS CONTINUITY

1. Disconnect back door closure control unit and back door closure motor connector.
2. Check continuity between back door closure control unit connector D106 terminal 9 and back door closure motor connector D109 terminal 4.

9 (P) – 4 (P) : Continuity should exist.

3. Check continuity between back door closure control unit connector D106 terminal 9 and ground.

9 (P) – Ground : Continuity should not exist.

OK or NG

- OK >> GO TO 3.
- NG >> Repair or replace harness.

3.CHECK GROUND CIRCUIT

Check continuity between back door closure motor connector D109 terminal 8 and ground.

8 (B) – Ground : Continuity should exist.

OK or NG

- OK >> GO TO 4.
- NG >> Repair or replace harness.

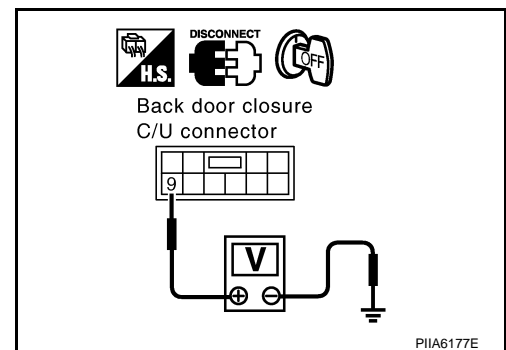
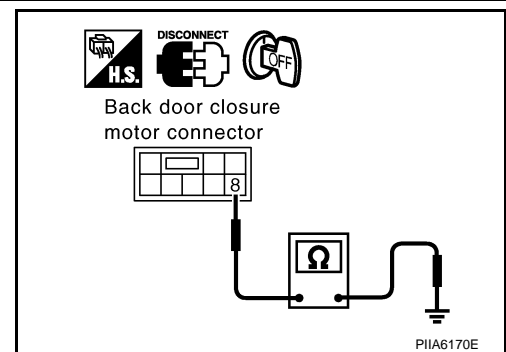
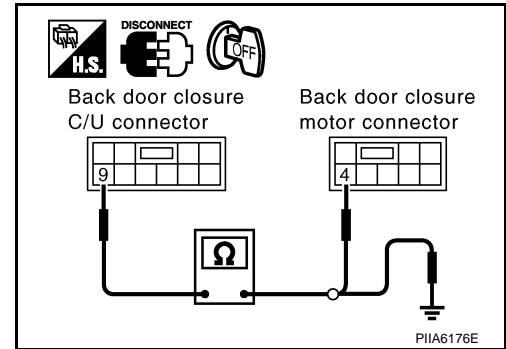
4.CHECK BACK DOOR CLOSURE CONTROL UNIT OUTPUT SIGNAL

1. Connect back door closure control unit connector.
2. Check voltage between back door closure control unit connector D106 terminal 9 and ground.

Back door is closed
9 (P) – Ground : Battery voltage

OK or NG

- OK >> Replace back door lock assembly.
- NG >> Replace back door closure control unit.



Check Back Door Opener Switch (With Intelligent Key)

INFOID:000000001327899

1.CHECK BACK DOOR OPENER SWITCH SIGNAL

1. Turn ignition switch OFF.
2. Check voltage between back door closure control unit connector and ground.

BACK DOOR AUTO CLOSURE SYSTEM

< SERVICE INFORMATION >

Connector	Terminals (Wire color)		Condition	Voltage (V) (Approx.)
	(+)	(-)		
D106	6 (LG)	Ground	Back door opener switch : ON	0
			Back door opener switch : OFF	5

OK or NG

- OK >> Back door opener switch is OK.
 NG >> GO TO 2.

2. CHECK HARNESS 1

1. Disconnect Intelligent Key unit and back door closure control unit connector.
2. Check continuity between Intelligent Key unit connector M34 terminal 23 and back door closure control unit connector D106 terminal 6.

23 (L/Y) – 6 (LG) : Continuity should exist.

3. Check continuity between Intelligent Key unit connector M34 terminal 23 and ground.

23 (L/Y) - Ground : Continuity should not exist.

OK or NG

- OK >> GO TO 3.
 NG >> Replace or repair malfunction harness.

3. CHECK HARNESS 2

1. Disconnect Intelligent Key unit and back door opener switch connector.
2. Check continuity between Intelligent Key unit connector M34 terminal 24 and back door opener switch connector D112 terminal 1.

24 (P) – 1 (Y) : Continuity should exist.

3. Check continuity between Intelligent Key unit connector M34 terminal 24 and ground.

24 (P) - Ground : Continuity should not exist.

OK or NG

- OK >> GO TO 4.
 NG >> Replace or repair malfunction harness.

4. CHECK BACK DOOR OPENER SWITCH GROUND CIRCUIT

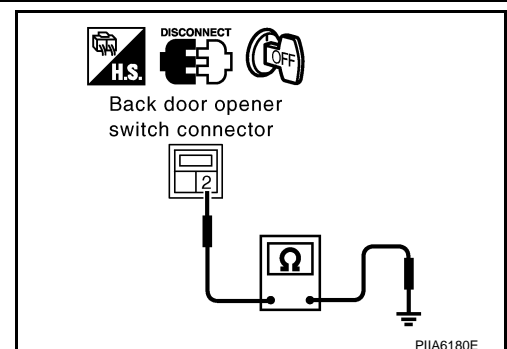
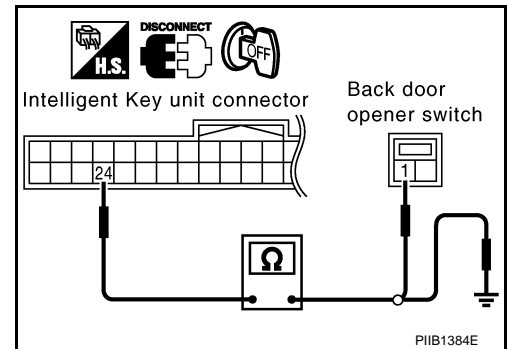
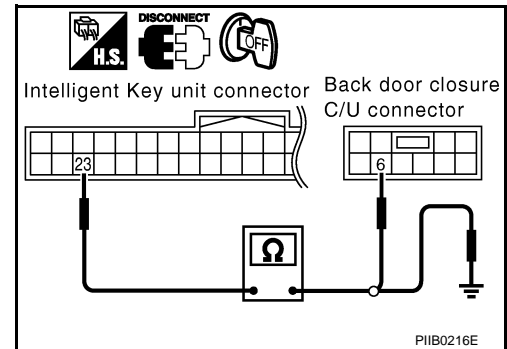
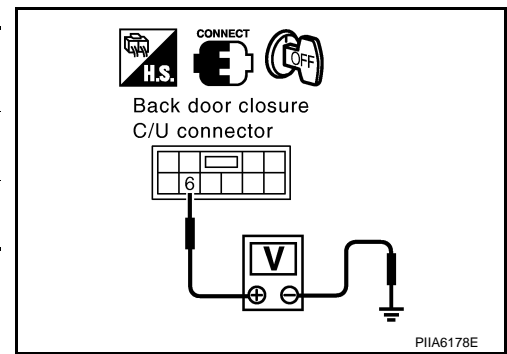
Check continuity between back door opener switch connector D112 terminal 2 and ground.

2 (B) – Ground : Continuity should exist.

OK or NG

- OK >> GO TO 5.
 NG >> Repair or replace harness.

5. CHECK BACK DOOR OPENER SWITCH



BACK DOOR AUTO CLOSURE SYSTEM

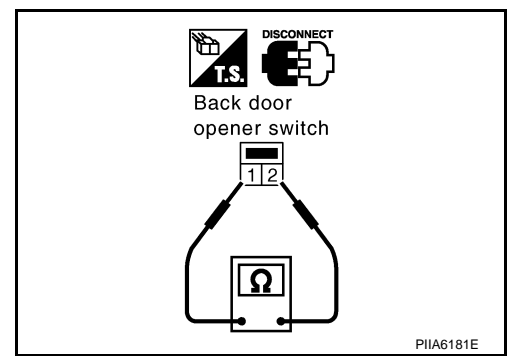
< SERVICE INFORMATION >

Check continuity between back door opener switch terminals 1 and 2.

Terminals		Condition	Continuity
1	2	Back door opener switch: ON	Yes
		Back door opener switch: OFF	No

OK or NG

- OK >> GO TO 6.
- NG >> Replace back door opener switch.



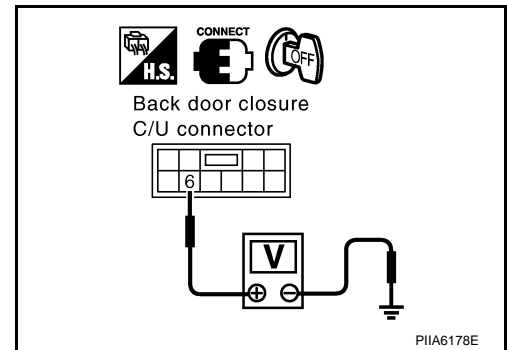
6.CHECK BACK DOOR CLOSURE CONTROL UNIT OUTPUT SIGNAL

- Connect back door closure control unit connector.
- Check voltage between back door closure control unit connector D106 terminal 6 and ground.

6 (LG) – Ground : Approx. 5V

OK or NG

- OK >> Replace Intelligent Key unit.
- NG >> Replace back door closure control unit.



Check Back Door Opener Switch (Without Intelligent Key)

INFOID:000000001327900

1.CHECK BACK DOOR OPENER SWITCH SIGNAL

- Turn ignition switch OFF.
- Check voltage between back door closure control unit connector and ground.

Connector	Terminals (Wire color)		Condition	Voltage (V) (Approx.)
	(+)	(-)		
D106	6 (Y)	Ground	Back door opener switch : ON	0
			Back door opener switch : OFF	5

OK or NG

- OK >> Back door opener switch is OK.
- NG >> GO TO 2.

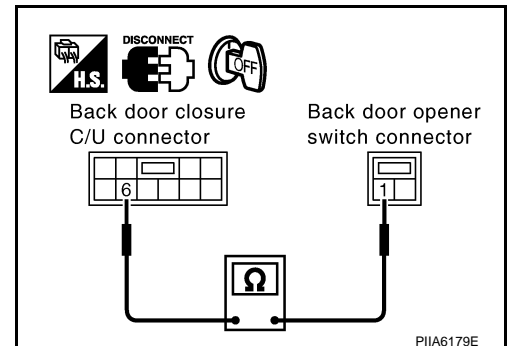
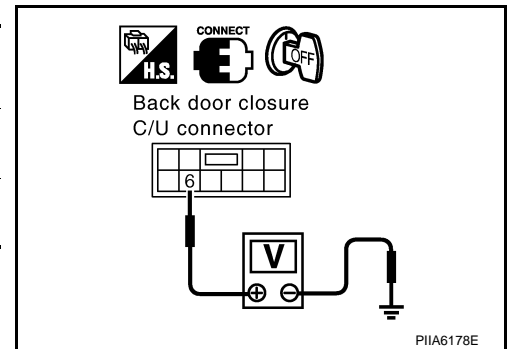
2.CHECK HARNESS CONTINUITY

- Disconnect back door closure control unit and back door opener switch connector.
- Check continuity between back door closure control unit connector D106 terminal 6 and back door opener switch connector D112 terminal 1.

6 (Y) – 1 (Y) : Continuity should exist.

OK or NG

- OK >> GO TO 3.
- NG >> Repair or replace harness between back door closure control unit and back door opener switch.



3.CHECK GROUND CIRCUIT

BACK DOOR AUTO CLOSURE SYSTEM

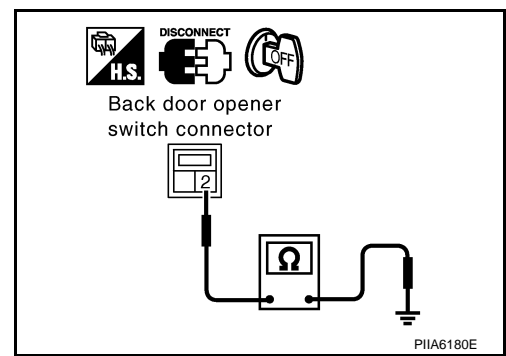
< SERVICE INFORMATION >

Check continuity between back door opener switch connector D112 terminal 2 and ground.

2 (B) – Ground : Continuity should exist.

OK or NG

- OK >> GO TO 4.
- NG >> Repair or replace harness.



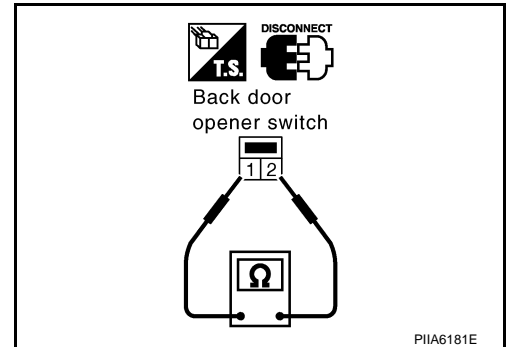
4.CHECK BACK DOOR OPENER SWITCH

Check continuity between back door opener switch terminals 1 and 2.

Terminals		Condition	Continuity
1	2	Back door opener switch: ON	Yes
		Back door opener switch: OFF	No

OK or NG

- OK >> GO TO 5.
- NG >> Replace back door opener switch.



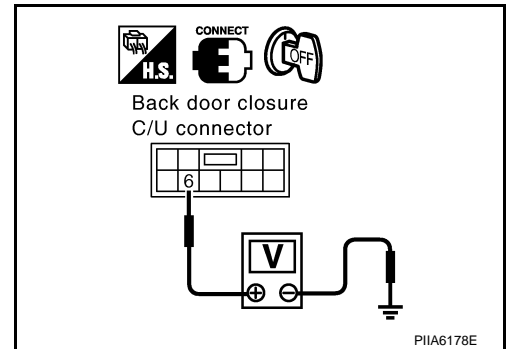
5.CHECK BACK DOOR CLOSURE CONTROL UNIT OUTPUT SIGNAL

1. Connect back door closure control unit connector.
2. Check voltage between back door closure control unit connector D106 terminal 6 and ground.

6 (Y) – Ground : Approx. 5V

OK or NG

- OK >> Check condition of harness and connector.
- NG >> Replace back door closure control unit.



Check Unlock Sensor (Without Intelligent Key)

INFOID:000000001327901

1.CHECK UNLOCK SENSOR SIGNAL

1. Turn ignition switch OFF.
2. Check voltage between back door closure control unit connector and ground.

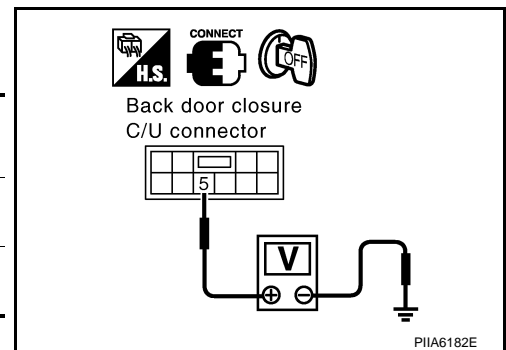
Connector	Terminals (Wire color)		Condition	Voltage (V) (Approx.)
	(+)	(-)		
D106	5 (W)	Ground	Passenger side door lock is locked	5
			Passenger side door lock is unlocked	0

OK or NG

- OK >> Unlock sensor is OK.
- NG >> GO TO 2.

2.CHECK HARNESS CONTINUITY

1. Disconnect back door closure control unit and front door lock assembly (passenger side) connector.



BACK DOOR AUTO CLOSURE SYSTEM

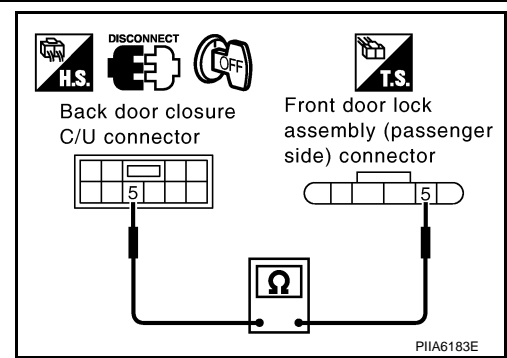
< SERVICE INFORMATION >

- Check continuity between back door closure control unit connector D106 terminal 5 and front door lock assembly (passenger side) connector D40 terminal 5.

5 (W) – 5 (W) : Continuity should exist.

OK or NG

- OK >> GO TO 3.
- NG >> Repair or replace harness between back door closure control unit and front door lock assembly (passenger side).



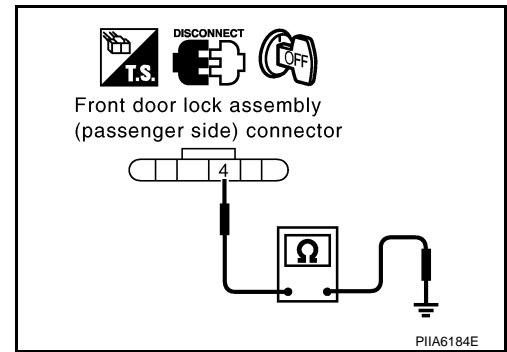
3.CHECK GROUND CIRCUIT

- Check continuity between front door lock assembly (passenger side) connector D40 terminal 4 and ground.

4 (B) – Ground : Continuity should exist.

OK or NG

- OK >> GO TO 4.
- NG >> Repair or replace harness.



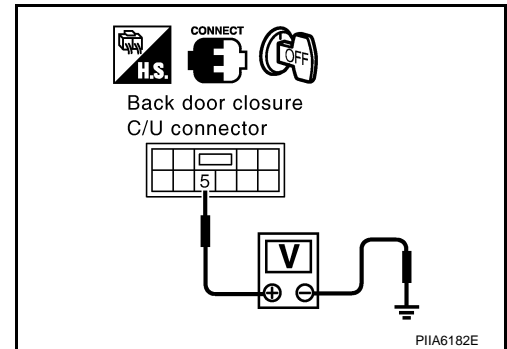
4.CHECK BACK DOOR CLOSURE CONTROL UNIT OUTPUT SIGNAL

- Connect back door closure control unit connector.
- Check voltage between back door closure control unit connector D106 terminal 5 and ground.

5 (W) – Ground : Approx. 5V

OK or NG

- OK >> Replace front door lock assembly (passenger side).
- NG >> Replace back door closure control unit.



Check Closure Motor

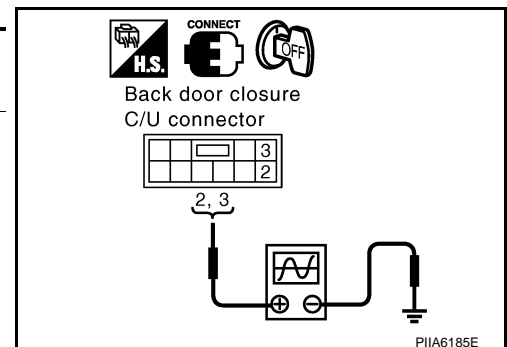
INFOID:000000001327902

1.CHECK BACK DOOR CLOSURE MOTOR

- Turn ignition switch OFF.
- Check the signal between back door closure control unit connector and ground with oscilloscope.

Con- nector	Terminals (Wire color)		Back door condition	Signal (Reference value)
	(+)	(-)		
D106	2 (PU)	Ground	Fully closed → fully open	
	3 (G)		Fully open → fully closed	

SIIA1480J



OK or NG

- OK >> GO TO 2.
- NG >> Replace back door closure control unit.

BACK DOOR AUTO CLOSURE SYSTEM

< SERVICE INFORMATION >

2. CHECK HARNESS CONTINUITY

1. Disconnect back door closure control unit and back door closure motor connector.
2. Check continuity between back door closure control unit connector D106 terminals 2, 3 and back door closure motor connector D109 terminals 1, 2.

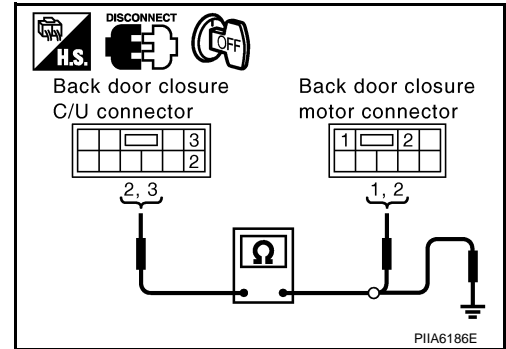
2 (PU) – 1 (PU) : Continuity should exist.

3 (G) – 2 (G) : Continuity should exist.

3. Check continuity between back door closure control unit connector D106 terminals 2, 3 and ground.

2 (PU) – Ground : Continuity should not exist.

3 (G) – Ground : Continuity should not exist.



OK or NG

- OK >> Replace back door closure motor.
- NG >> Repair or replace harness.

Removal and Installation of Back Door Closer Control Unit

INFOID:000000001327903

1. Remove the back door finisher. [EI-47, "Component Parts Location"](#).
2. Disconnect the back door closer control unit harness, remove the screw and back door closer control unit.

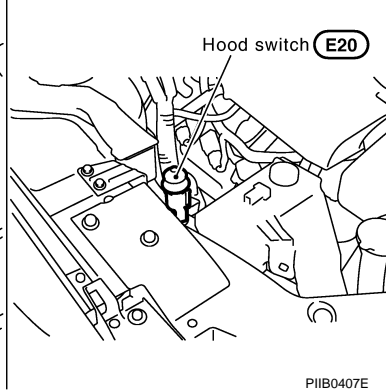
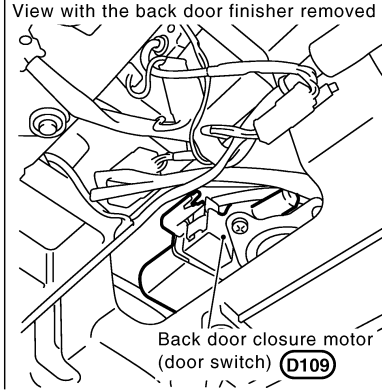
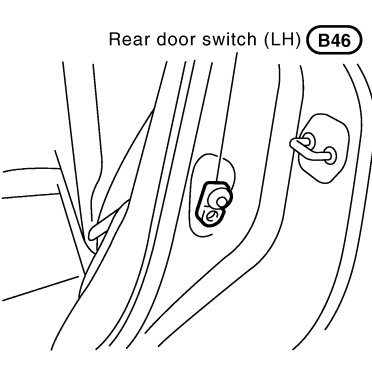
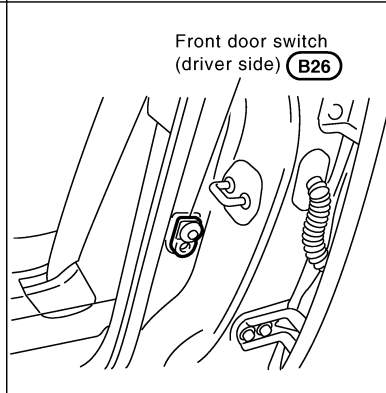
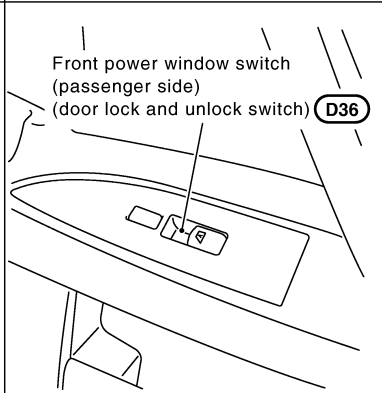
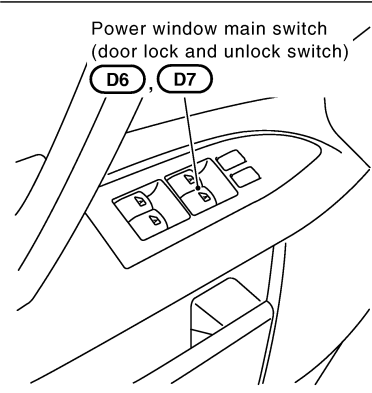
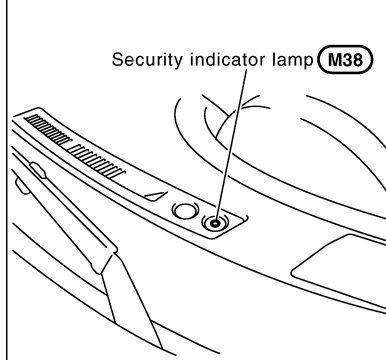
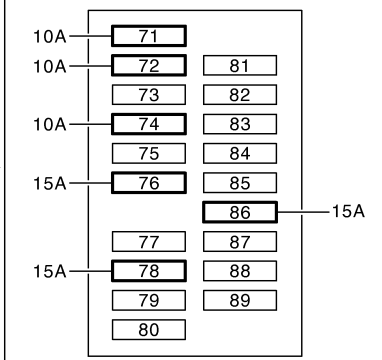
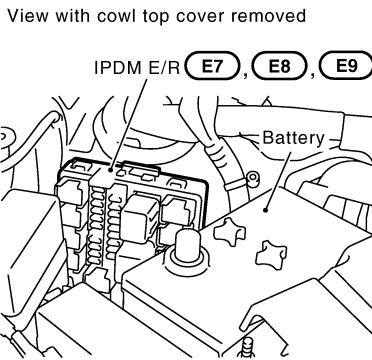
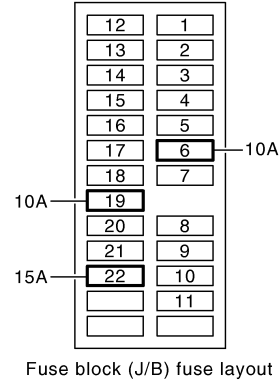
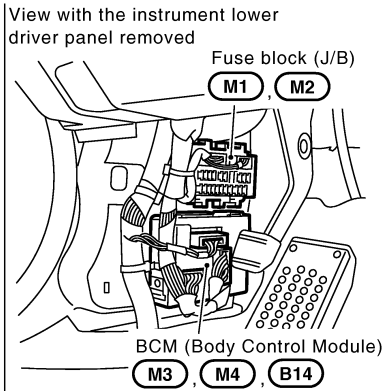
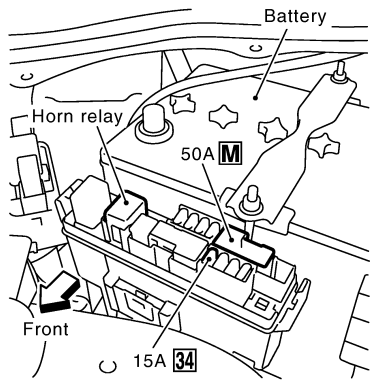
VEHICLE SECURITY (THEFT WARNING) SYSTEM

< SERVICE INFORMATION >

VEHICLE SECURITY (THEFT WARNING) SYSTEM

Component Parts and Harness Connector Location

INFOID:000000001327904



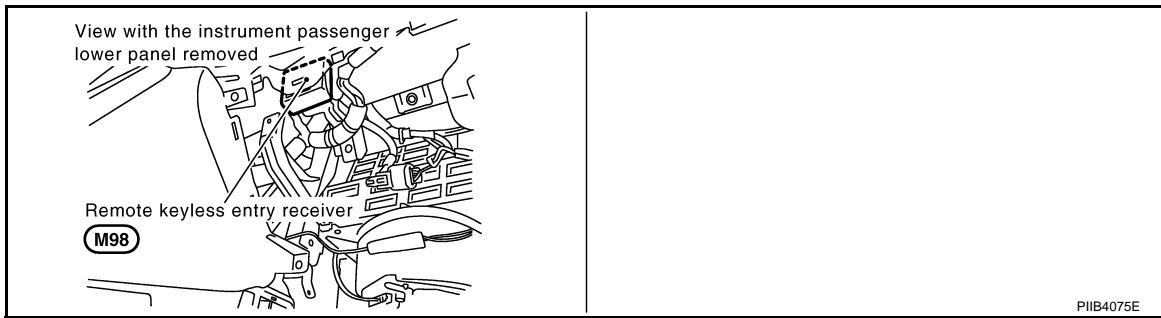
PIIB0407E

A
B
C
D
E
F
G
H
I
J
K
L
M
N
O
P

BL

VEHICLE SECURITY (THEFT WARNING) SYSTEM

< SERVICE INFORMATION >

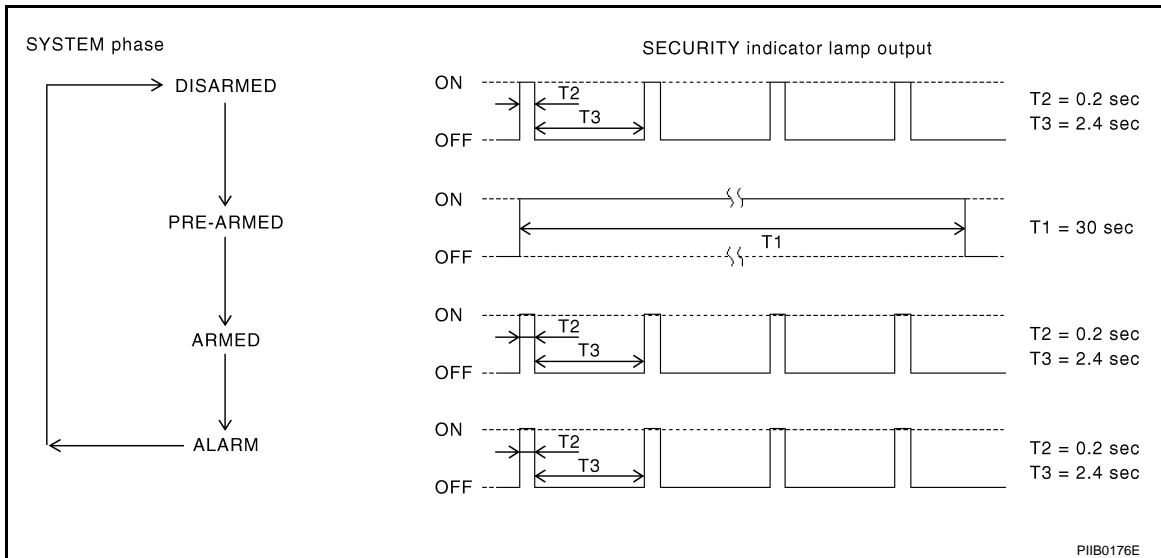


System Description

INFOID:000000001327905

DESCRIPTION

Operation Flow



Setting the Vehicle Security System

Initial condition

- Ignition switch is in OFF position.

Disarmed phase

- When hood, doors or back door is open, the vehicle security system is set in the disarmed phase on the assumption that the owner is inside or near the vehicle.
- When the vehicle security system is in the disarmed phase, the security indicator lamp blinks every 2.4 seconds.

Pre-armed phase and armed phase

When the following operation 1 or 2 is performed, the vehicle security system turns into the “pre-armed” phase. (The security indicator lamp illuminates.)

1. BCM receives LOCK signal from front door key cylinder switch, key fob or Intelligent Key after hood, back door and all doors are closed.
2. Hood, back door and all doors are closed after front doors are locked by key or door lock and unlock switch.
The security indicator lamp illuminates for 30 seconds. then, the system automatically shifts into the “armed” phase.

Canceling the Set Vehicle Security System

When one of the following operations is performed, the armed phase is canceled.

1. Unlock the doors with the key, key fob or Intelligent Key.
2. Turn ignition switch “ON” or “ACC” position.

Canceling the Alarm Operation of the Vehicle Security System

When unlock the door with the key, key fob or Intelligent Key the alarm operation is canceled.

Activating the Alarm Operation of the Vehicle Security System

VEHICLE SECURITY (THEFT WARNING) SYSTEM

< SERVICE INFORMATION >

Make sure the system is in the armed phase. (The security indicator lamp blinks every 2.4 seconds.)
When the following operation 1 or 2 is performed, the system sounds the horns and flashes the headlamps for about 50 seconds.

1. Hood, back door or any door is opened during armed phase.
2. Disconnecting and connecting the battery connector before canceling armed phase.

POWER SUPPLY

Power is supplied at all times

- through 10A fuse [No.19, located in the fuse block (J/B)]
- to security indicator lamp terminal 1.
- through 50A fusible link (letter **M**, located in the fuse and fusible link box)
- to BCM terminal 55.
- through 15A fuse [No.22, located in the fuse block (J/B)]
- to BCM terminal 42.
- through 15A fuse [No.34, located in the fuse and fusible link box]
- to horn relay terminal 2.
- through 10A fuse [No.71, located in the IPDM E/R]
- to IPDM E/R internal CPU.
- through 15A fuse [No.78, located in the IPDM E/R]
- to IPDM E/R internal CPU.

With the ignition switch in the ACC or ON position, power is supplied

- through 10A fuse [No. 6, located in the fuse block (J/B)]
- to BCM terminal 11.

INITIAL CONDITION TO ACTIVATE THE SYSTEM

The operation of the vehicle security system is controlled by the doors, hood and back door.

To activate the vehicle security system, BCM must receive signals indicating the doors, hood and back door are closed and the doors are locked by key fob, Intelligent Key or ignition key.

When a door is open, BCM terminal 12 (passenger side door), 13 (rear RH door), 62 (driver side door), 63 (rear LH door) receives a ground signal from each door switch.

When front door LH is unlocked by power window main switch (door lock and unlock switch), BCM terminal 22 receives a signal from terminal 14 of power window main switch with power window serial link.

When front door RH is unlocked by front power window switch (passenger side) (door lock and unlock switch), BCM terminal 22 receives a signal from terminal 16 of front power window switch (passenger side) with power window serial link.

When the hood is open, IPDM E/R receives a ground signal

- to IPDM E/R terminal 56
- through hood switch terminal 2
- through hood switch terminal 1
- through body grounds E21, E50 and E51.

The IPDM E/R then sends a signal to the BCM through the CAN SYSTEM.

When the back door is open,

- to BCM terminal 58
- through back door closure motor terminal 7
- through back door closure motor terminal 8
- through body grounds B15 and B45.

VEHICLE SECURITY SYSTEM ALARM OPERATION

The vehicle security system is triggered by

- opening a door
- opening the back door
- opening the hood
- detection of battery disconnect and connect.

The vehicle security system will be triggered once the system is in armed phase,

When BCM receives a ground signal at terminals 12 (passenger side door), 13 (rear RH door), 58 (back door), 62 (driver side door), 63 (rear LH door), or receives a signal from the IPDM E/R (hood switch).

When the vehicle security system is triggered,

ground is supplied intermittently from IPDM E/R terminals 38 and 60.

VEHICLE SECURITY (THEFT WARNING) SYSTEM

< SERVICE INFORMATION >

When headlamp high relay (with built-in IPDM E/R) and horn relay are energized and then power is supplied to headlamps (LH and RH) and horns (HIGH and LOW).

The headlamps flash and the horn sounds intermittently.

The alarm automatically turns off after 50 seconds, but will reactivate if the vehicle is tampered with again.

VEHICLE SECURITY SYSTEM DEACTIVATION

To deactivate the vehicle security system, a door or the back door must be unlocked with the key, key fob or Intelligent Key.

When the key is used to unlock a door, BCM terminal 22 receives signal

- from terminal 14 of the power window main switch (door lock and unlock switch).

When the BCM receives either one of these signals or unlock signal from key cylinder switch, key fob or Intelligent Key, the vehicle security system is deactivated. (Disarmed phase)

PANIC ALARM OPERATION

Remote keyless entry system may or may not operate vehicle security system (horn and headlamps) as required.

When the remote keyless entry system is triggered, ground is supplied intermittently from IPDM E/R terminals 38 and 60.

When headlamp relay (which built-in IPDM E/R) and horn relay are energized and then power is supplied to headlamps (LH and RH) and horns (HIGH and LOW).

The headlamp flashes and the horn sounds intermittently.

The alarm automatically turns off after 25 seconds or when BCM receives any signal from key fob or Intelligent Key.

CAN Communication System Description

INFOID:000000001327906

CAN (Controller Area Network) is a serial communication line for real time application. It is an on-vehicle multiplex communication line with high data communication speed and excellent error detection ability. Many electronic control units are equipped onto a vehicle, and each control unit shares information and links with other control units during operation (not independent). In CAN communication, control units are connected with 2 communication lines (CAN H line, CAN L line) allowing a high rate of information transmission with less wiring. Each control unit transmits/receives data but selectively reads required data only.

CAN Communication Unit

INFOID:000000001327907

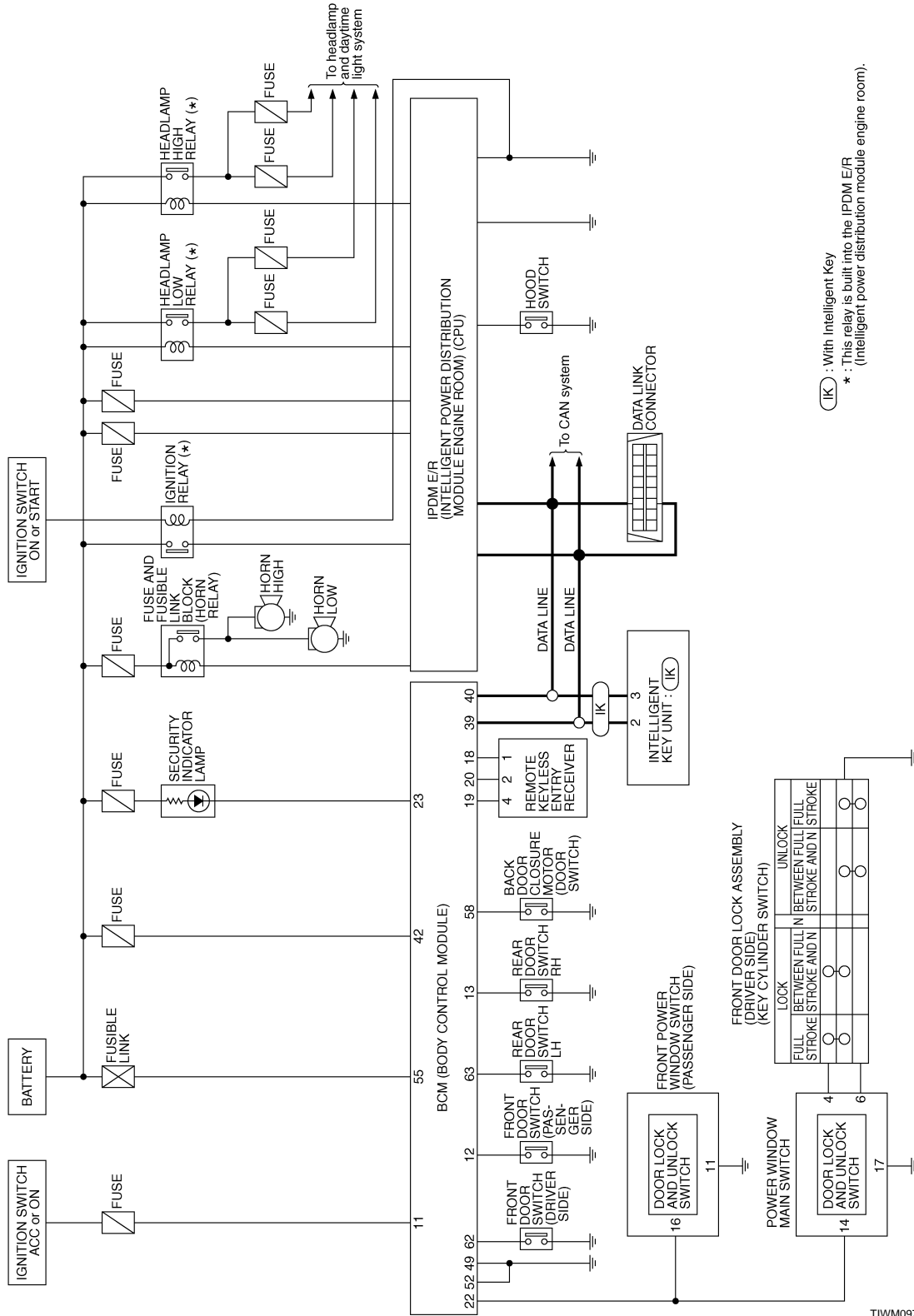
Refer to [LAN-43, "CAN System Specification Chart"](#).

VEHICLE SECURITY (THEFT WARNING) SYSTEM

< SERVICE INFORMATION >

Schematic

INFOID:000000001327908



T1WM0978E

A
B
C
D
E
F
G
H
I
J
K
L
M
N
O
P

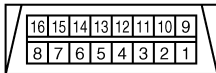
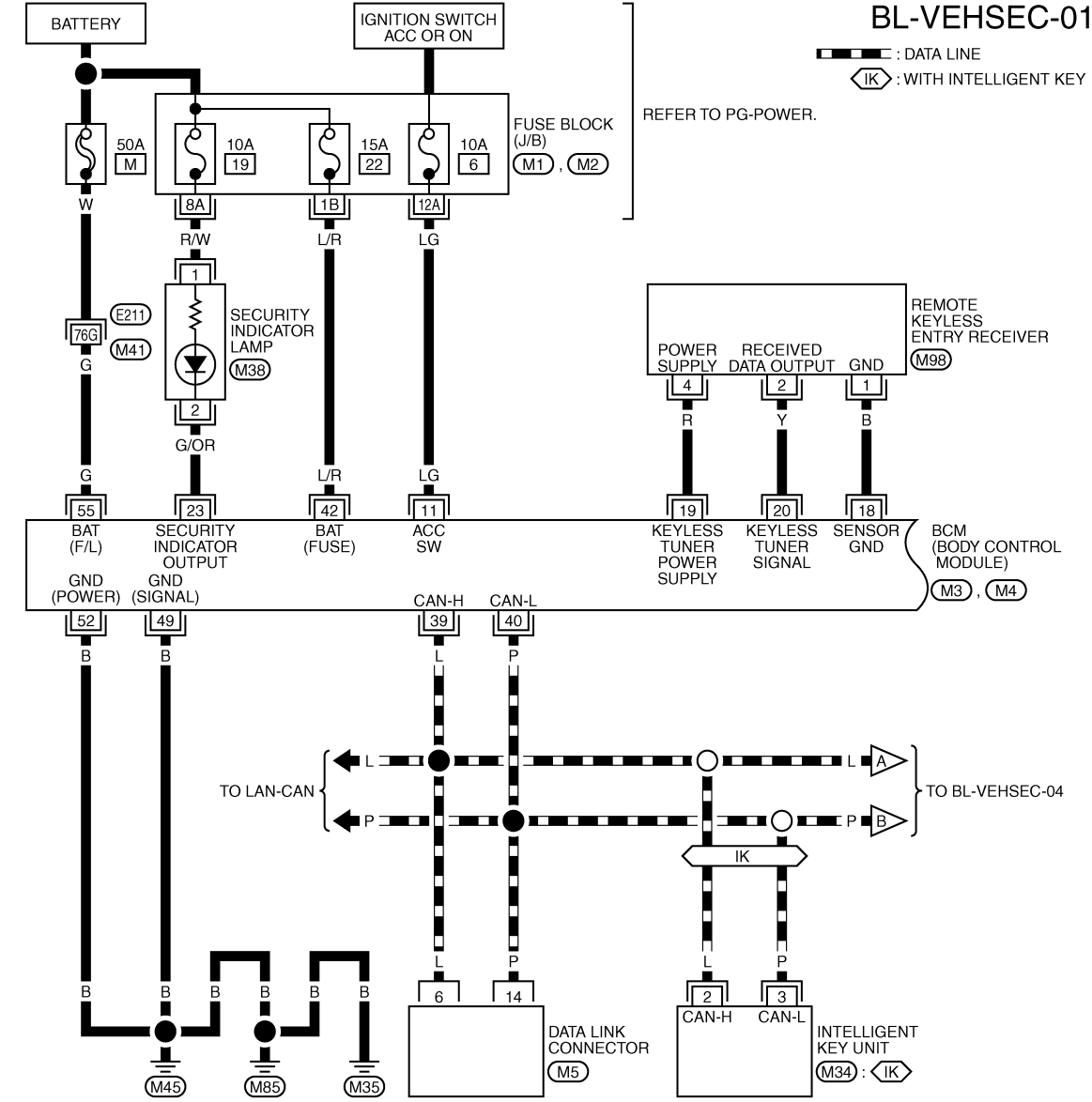
BL

VEHICLE SECURITY (THEFT WARNING) SYSTEM

< SERVICE INFORMATION >

Wiring Diagram - VEHSEC -

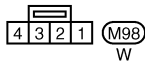
INFOID:000000001327909



(M5) W



(M38) BR



(M98) W

REFER TO THE FOLLOWING.

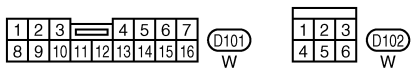
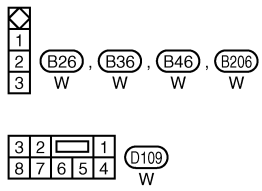
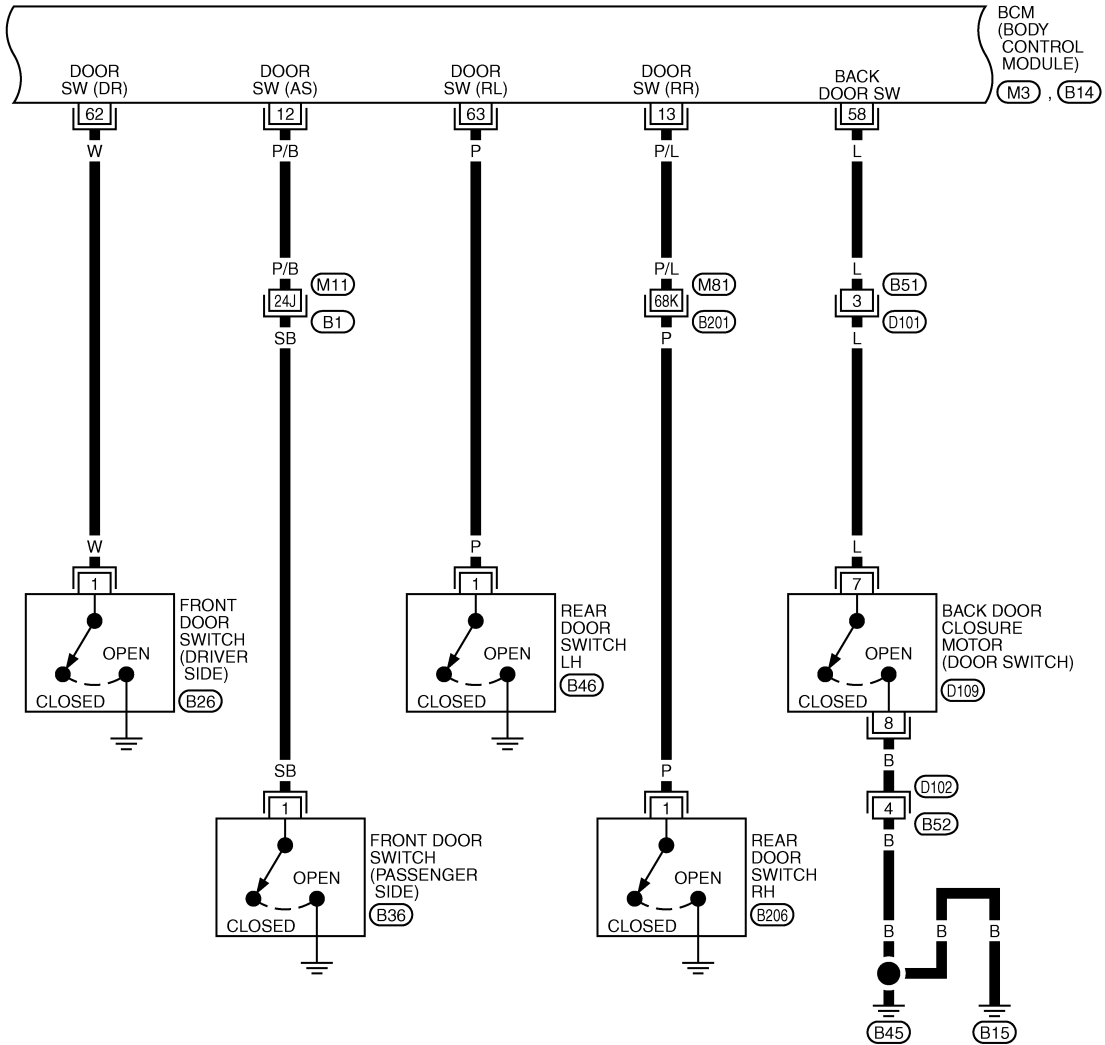
- (E21) -SUPER MULTIPLE JUNCTION (SMJ)
- (M1), (M2) -FUSE BLOCK-JUNCTION BOX (J/B)
- (M3), (M4), (M34) -ELECTRICAL UNITS

TIWM1673E

VEHICLE SECURITY (THEFT WARNING) SYSTEM

< SERVICE INFORMATION >

BL-VEHSEC-02



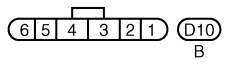
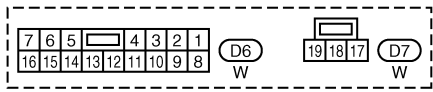
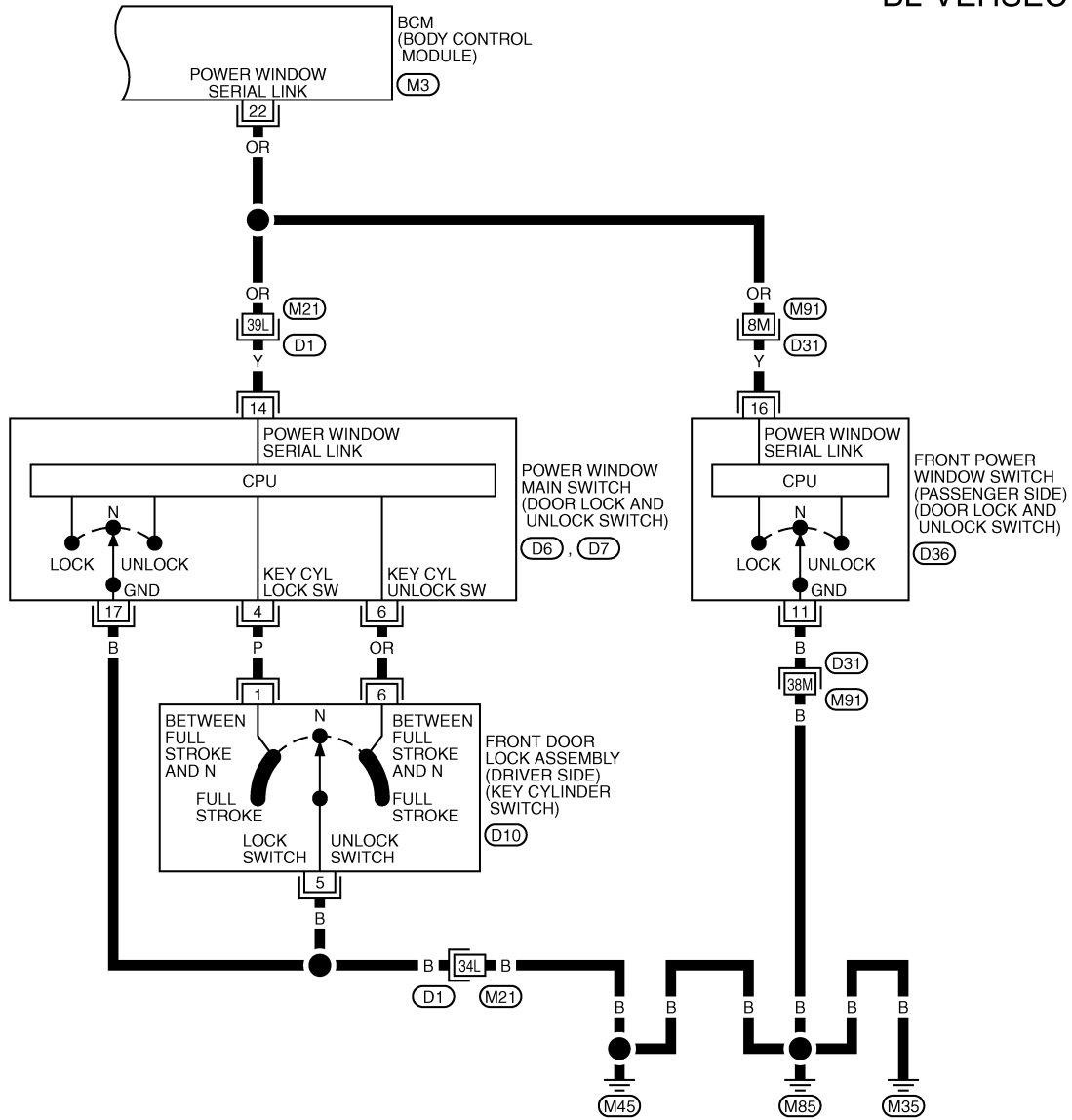
REFER TO THE FOLLOWING.
 (B1), (B201) -SUPER MULTIPLE JUNCTION (SMJ)
 (M3), (B14) -ELECTRICAL UNITS

TIWM1674E

VEHICLE SECURITY (THEFT WARNING) SYSTEM

< SERVICE INFORMATION >

BL-VEHSEC-03



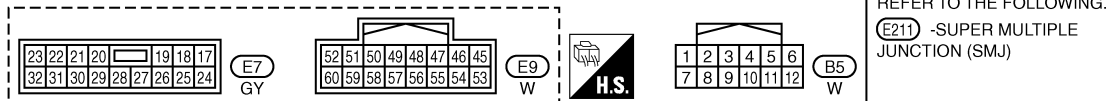
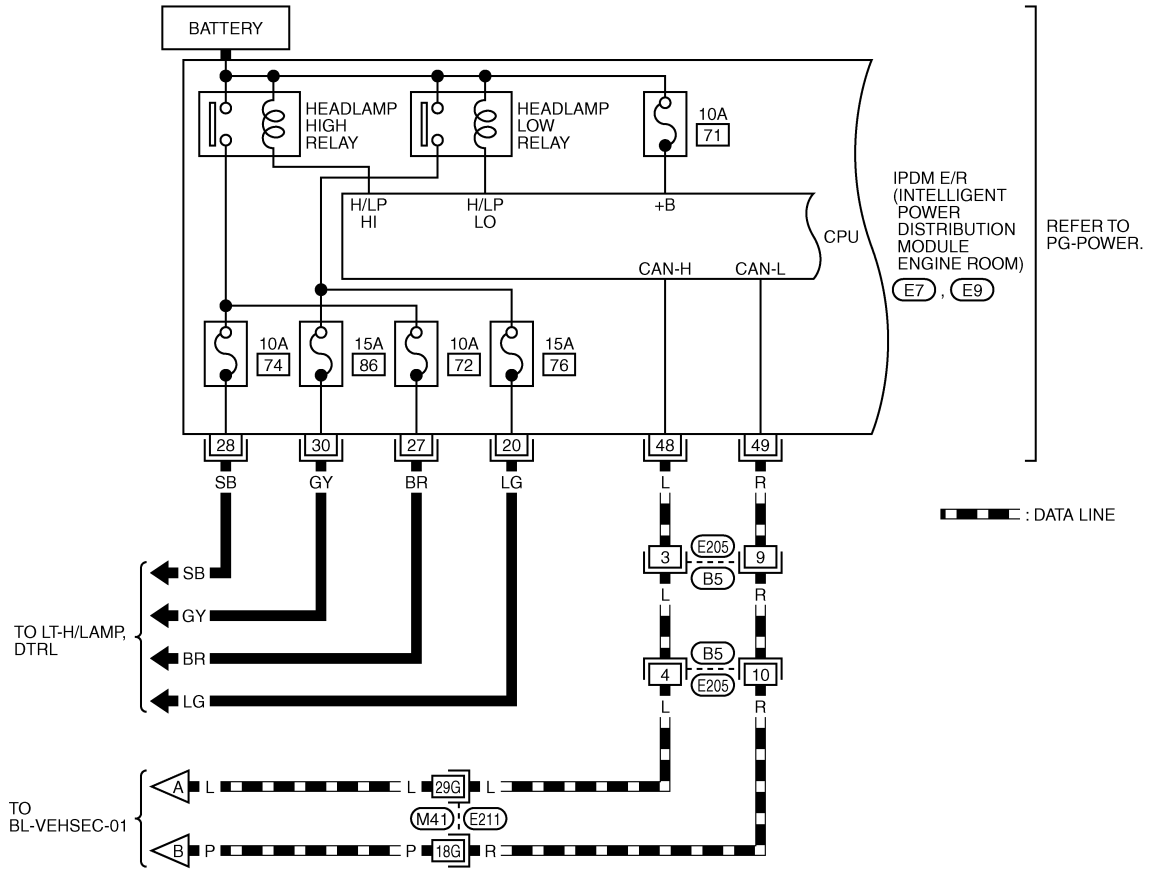
REFER TO THE FOLLOWING.
 (D1), (D31) -SUPER MULTIPLE JUNCTION (SMJ)
 (M3) -ELECTRICAL UNITS

T1WM1675E

VEHICLE SECURITY (THEFT WARNING) SYSTEM

< SERVICE INFORMATION >

BL-VEHSEC-04

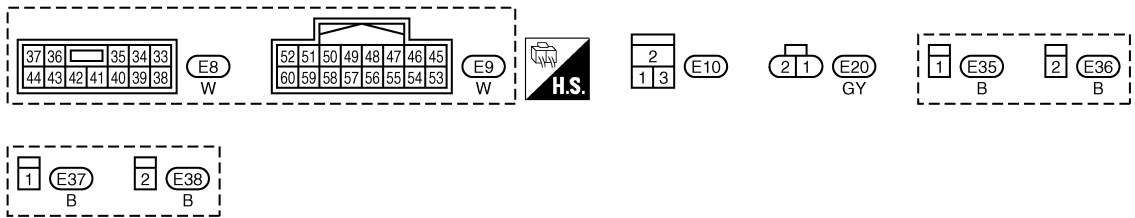
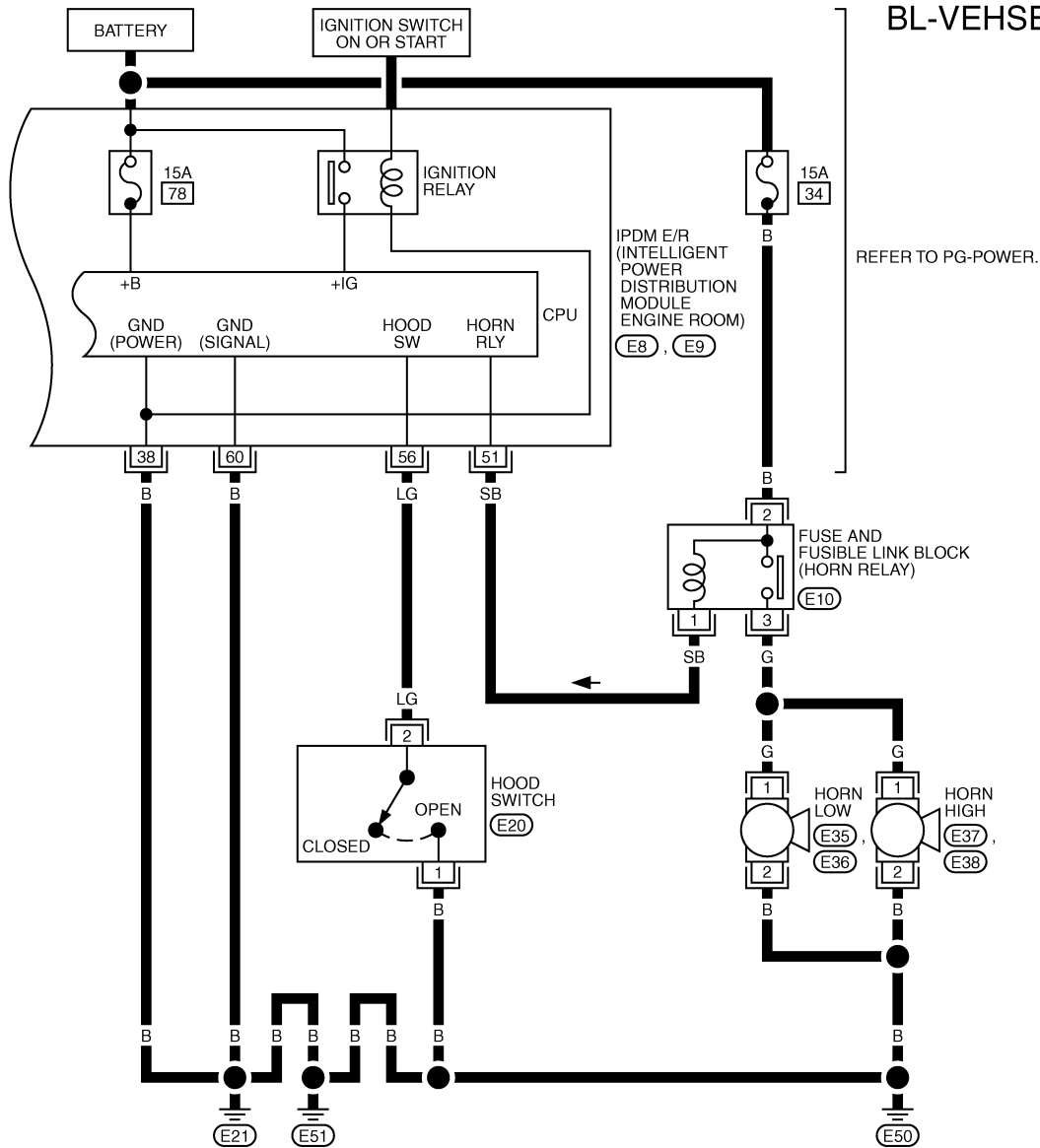


TIWM1676E

VEHICLE SECURITY (THEFT WARNING) SYSTEM

< SERVICE INFORMATION >

BL-VEHSEC-05



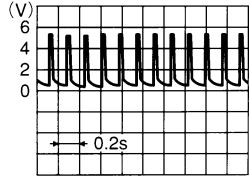
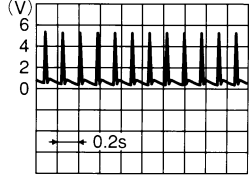
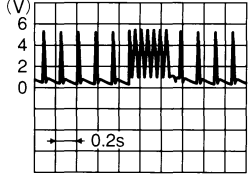
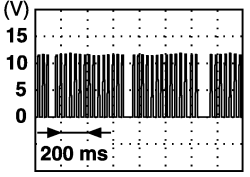
TIWM0551E

VEHICLE SECURITY (THEFT WARNING) SYSTEM

< SERVICE INFORMATION >

Terminal and Reference Value for BCM

INFOID:000000001327910

Terminal	Wire color	Item	Signal Input/output	Condition	Voltage (V) (Approx.)
11	LG	ACC power supply (ACC or ON)	Input	Ignition switch (ACC or ON position)	Battery voltage
12	P/B	Front door switch passenger side signal	Input	ON (Open) → OFF (Closed)	0 → Battery voltage
13	P/L	Rear door (RH) switch signal	Input	ON (Open) → OFF (Closed)	0 → Battery voltage
18	B	Remote keyless entry receiver (Ground)	—	—	0
19	R	Remote keyless entry receiver (Power supply)	Output	—	 <p style="text-align: right;">OCC3881D</p>
20	Y	Remote keyless entry receiver (Signal)	Input	Stand-by	 <p style="text-align: right;">OCC3879D</p>
				When remote keyless entry receiver receives signal from keyfob.	 <p style="text-align: right;">OCC3880D</p>
22	OR	Power window serial link	Input/Output	IGN SW ON or power window timer operating	 <p style="text-align: right;">PIIA2344J</p>
23	G/OR	Security indicator lamp	Output	Goes off → Illuminates	Battery voltage → 0
39	L	CAN-H	Input/Output	—	—
40	P	CAN-L	Input/Output	—	—
42	L/R	Power source (Fuse)	Input	—	Battery voltage
49	B	Ground (signal)	—	—	0
52	B	Ground (power)	—	—	0
55	G	Power source (Fusible link)	Input	—	Battery voltage
58	L	Back door switch signal	Input	ON (Open) → OFF (Closed)	0 → 9

A
B
C
D
E
F
G
H
J
K
L
M
N
O
P

BL

VEHICLE SECURITY (THEFT WARNING) SYSTEM

< SERVICE INFORMATION >

Terminal	Wire color	Item	Signal Input/output	Condition	Voltage (V) (Approx.)
62	W	Front door switch driver side signal	Input	ON (Open) → OFF (Closed)	0 → Battery voltage
63	P	Rear door (LH) switch signal	Input	ON (Open) → OFF (Closed)	0 → Battery voltage

Terminal and Reference Value for IPDM E/R

INFOID:000000001327911

Terminal	Wire color	Item	Signal Input/output	Condition	Voltage (V) (Approx.)
20	LG	Headlamp low (RH)	Output	Lighting switch 2ND position ON → OFF	Battery voltage → 0
27	BR	Headlamp high (RH)	Output	Lighting switch HIGH or PASS position ON → OFF	Battery voltage → 0
28	SB	Headlamp high (LH)	Output	Lighting switch HIGH or PASS position ON → OFF	Battery voltage → 0
30	GY	Headlamp low (LH)	Output	Lighting switch 2ND position ON → OFF	Battery voltage → 0
38	B	Ground (power)	—	—	0
48	L	CAN-H	Input/Output	—	—
49	R	CAN-L	Input/Output	—	—
51	SB	Horn relay control signal	Output	Panic alarm is operating	0
				Other than above	Battery voltage
56	LG	Hood switch signal	Input	ON (Open) → OFF (closed)	0 → Battery voltage
60	B	Ground (signal)	—	—	0

CONSULT-III Function

INFOID:000000001327912

BCM diagnosis test item	Check item diagnosis test mode	Content
Theft alm	WORK SUPPORT	Change setting of each function.
	DATA MONITOR	Displays the input data of BCM real time.
	ACTIVE TEST	Gives a drive signal to a load to check the operation.

WORK SUPPORT

Test Item	Description
SECURITY ALARM SET	This mode is able to confirm and change security alarm ON-OFF setting.
THEFT ALM TRG	The switch which triggered vehicle security alarm is recorded. This mode is able to confirm and erase the record of vehicle security alarm. The trigger data can be erased by touching "CLEAR" on CONSULT-III screen.

DATA MONITOR

VEHICLE SECURITY (THEFT WARNING) SYSTEM

< SERVICE INFORMATION >

Monitored Item	Description	
IGN ON SW	Indicates [ON/OFF] condition of ignition switch.	A
ACC ON SW	Indicates [ON/OFF] condition of ignition switch in ACC position.	
KEY ON SW	Indicates [ON/OFF] condition of key switch.	B
TRUNK OPNR SW	This is displayed even when it is not equipped.	
TRUNK CYL SW	This is displayed even when it is not equipped.	C
TRUNK OPN MNTR	This is displayed even when it is not equipped.	
KEYLESS LOCK	Indicates [ON/OFF] condition of lock signal from key fob.	D
KEYLESS UNLOCK	Indicates [ON/OFF] condition of unlock signal from key fob.	
KEYLESS TRUNK	Indicates [ON/OFF] condition of trunk opener signal from key fob.	E
HOOD SW	Indicates [ON/OFF] condition of hood switch.	
DOOR SW-DR	Indicates [ON/OFF] condition of front door switch LH.	F
DOOR SW-AS	Indicates [ON/OFF] condition of front door switch RH.	
DOOR SW-RR	Indicates [ON/OFF] condition of rear door switch RH.	G
DOOR SW-RL	Indicates [ON/OFF] condition of rear door switch LH.	
BACK DOOR SW	Indicates [ON/OFF] condition of back door switch.	H
KEY CYL LK SW	Indicates [ON/OFF] condition of lock signal from key cylinder switch.	
KEY CYL UN SW	Indicates [ON/OFF] condition of unlock signal from key cylinder switch.	
CDL LOCK SW	Indicates [ON/OFF] condition of lock signal from door lock/unlock switch LH and RH.	
CDL UNLOCK SW	Indicates [ON/OFF] condition of unlock signal from door lock/unlock switch LH and RH.	

ACTIVE TEST

Test Item	Description	
THEFT IND	This test is able to check security indicator lamp operation. The lamp will be turned on when "ON" on CONSULT-III screen is touched.	J
ANTI THEFT HORN	This test is able to check vehicle security horn operation. The horns will be activated for 0.5 seconds after "ON" on CONSULT-III screen is touched.	K
HEADLAMP(HI)	This test is able to check vehicle security lamp operation. The headlamps will be activated for 0.5 seconds after "ON" on CONSULT-III screen is touched.	L

BL

J

K

L

M

N

O

P

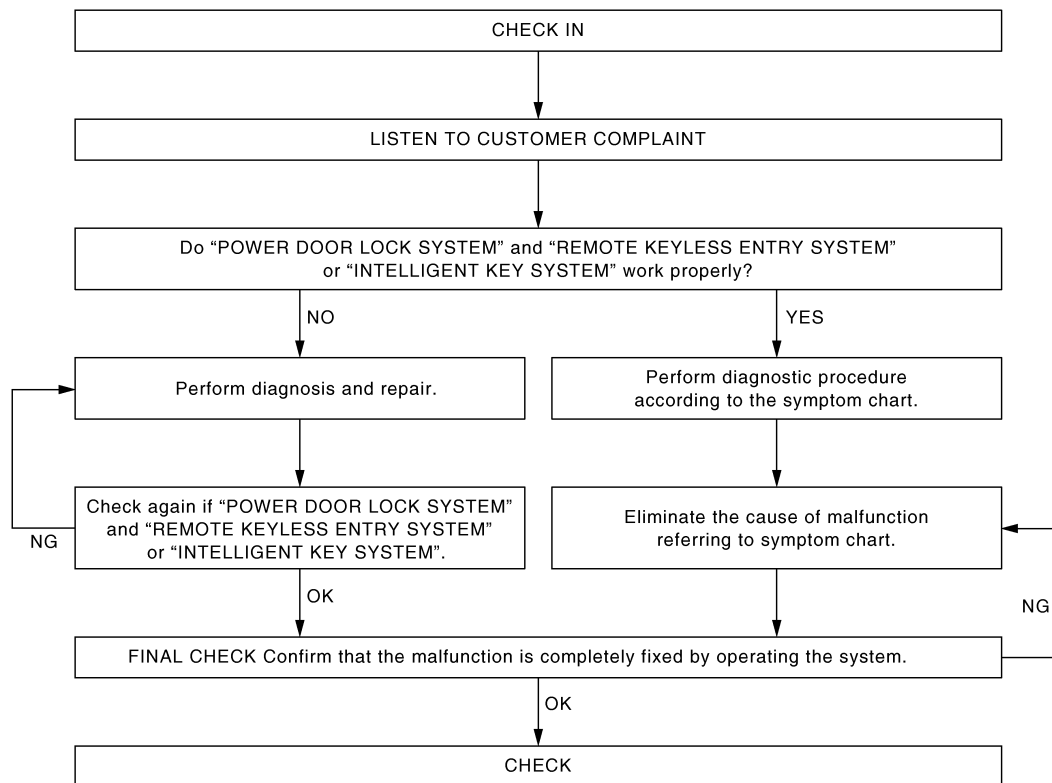
VEHICLE SECURITY (THEFT WARNING) SYSTEM

< SERVICE INFORMATION >

Trouble Diagnosis

INFOID:000000001327913

WORK FLOW



PIIA6909E

- "POWER DOOR LOCK SYSTEM" Diagnosis; refer to [BL-36. "Work Flow"](#).
- "REMOTE CONTROL SYSTEM" Diagnosis; refer to [BL-62. "Work Flow"](#).
- "INTELLIGENT KEY SYSTEM" Diagnosis; refer to [BL-103. "Diagnosis Procedure"](#).

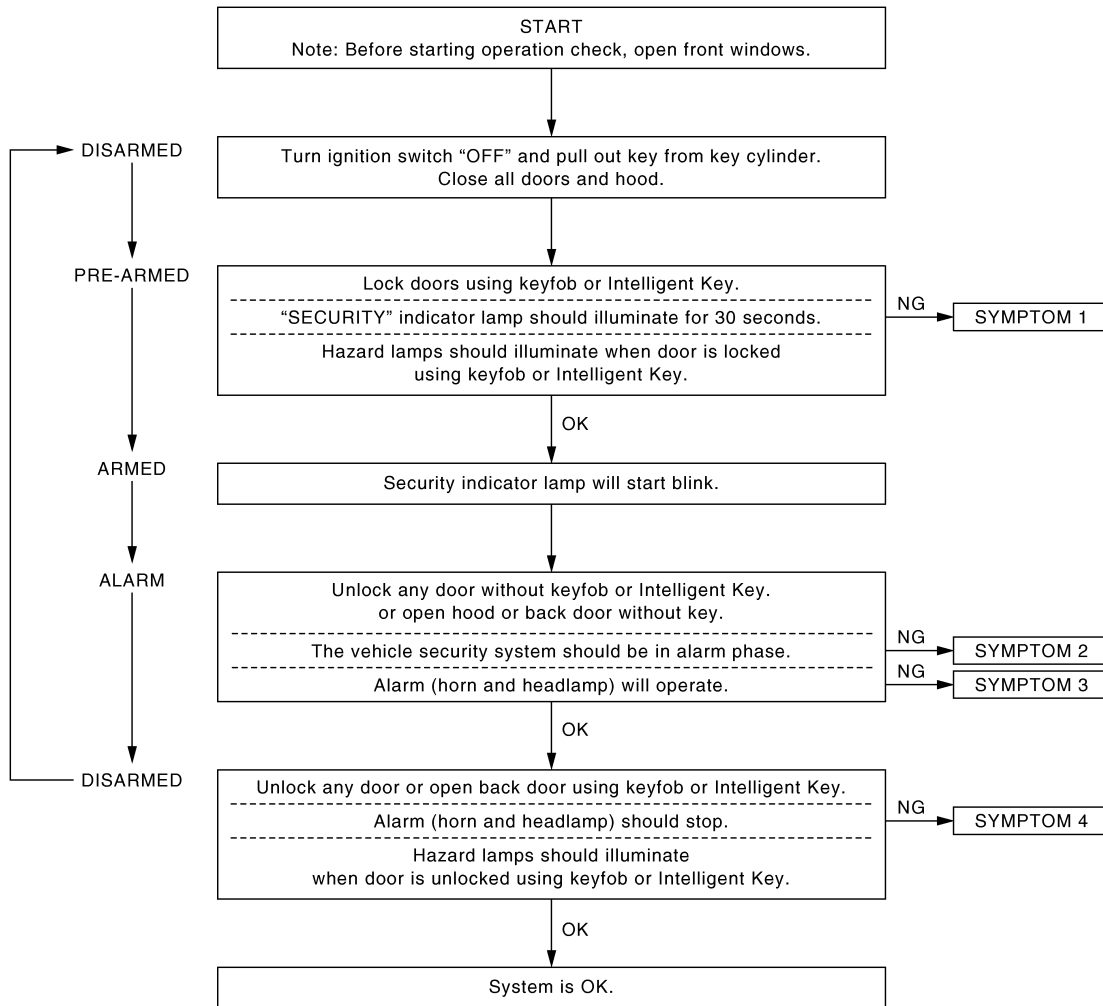
VEHICLE SECURITY (THEFT WARNING) SYSTEM

< SERVICE INFORMATION >

Preliminary Check

INFOID:000000001327914

The system operation is canceled by turning ignition switch to "ACC" at any step between START and ARMED in the following flow chart.



PIIA6910E

After performing preliminary check, go to symptom chart. Refer to [BL-177. "Trouble Diagnosis Symptom Chart"](#).

Trouble Diagnosis Symptom Chart

INFOID:000000001327915

Procedure		Diagnostic procedure	Refer to page
Symptom			
1	Vehicle security system cannot be set by	Door switch	Diagnostic Procedure 1 (Check door, hood and back door switch) BL-178
		Lock / unlock switch	Diagnostic Procedure 6 (Check door lock / unlock switch) BL-184
		Door outside key	Diagnostic Procedure 3 (Check door key cylinder switch) BL-183
		Key fob	Check remote keyless entry. BL-50
		Intelligent Key	Check Intelligent Key. BL-76
		—	If the above systems are "OK", replace BCM. BCS-13
	Security indicator does not turn "ON".	Diagnostic Procedure 2 (Check security indicator lamp) BL-182	
		If the above systems are "OK", replace BCM. BCS-13	

VEHICLE SECURITY (THEFT WARNING) SYSTEM

< SERVICE INFORMATION >

Procedure		Diagnostic procedure	Refer to page	
Symptom				
2	*1 Vehicle security system does not alarm when	Any door is opened.	Diagnostic Procedure 1 (Check door, hood and back door switch)	BL-178
			If the above systems are "OK", replace BCM.	BCS-13
3	Vehicle security alarm does not activate.	Horn alarm	Diagnostic Procedure 4 (Check vehicle security horn alarm)	BL-183
			Check horn function.	BL-72
		Head lamp alarm	If the above systems are "OK", replace BCM.	BCS-13
			Diagnostic Procedure 5 (Check head lamp alarm)	BL-183
4	Vehicle security system cannot be canceled by	Door outside key	If the above systems are "OK", replace BCM.	BCS-13
			Diagnostic Procedure 3 (Check door key cylinder switch)	BL-183
		Key fob	If the above systems are "OK", check power window main switch.	EI-36
			Check remote keyless entry function.	BL-50
		Intelligent Key	If the above systems are "OK", replace BCM.	BCS-13
			Check Intelligent Key	BL-78
If the above systems are "OK", replace BCM.	BCS-13			

*1: Make sure the system is in the armed phase.

Diagnosis Procedure 1

INFOID:000000001327916

1 – 1 CHECK DOOR SWITCH

First perform the "SELF-DIAG RESULTS" in "BCM" with CONSULT-III, when perform the each trouble diagnosis. Refer to [BCS-13](#). "[U1000 CAN Communication Circuit](#)".

1. CHECK DOOR SWITCH INPUT SIGNAL

With CONSULT-III

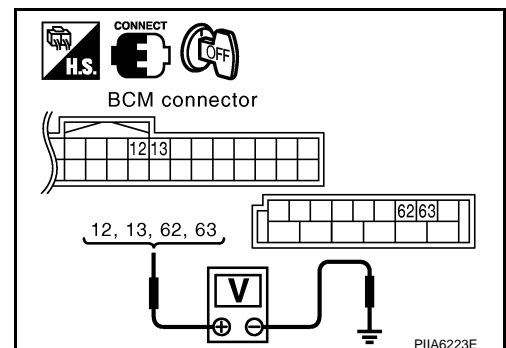
Check ("DOOR SW-DR", "DOOR SW-AS", "DOOR SW-RR" and "DOOR SW-RL") in "DATA MONITOR" mode with CONSULT-III.

Monitor item	Condition	
DOOR SW-DR	OPEN	: ON
	CLOSE	: OFF
DOOR SW-AS	OPEN	: ON
	CLOSE	: OFF
DOOR SW-RR	OPEN	: ON
	CLOSE	: OFF
DOOR SW-RL	OPEN	: ON
	CLOSE	: OFF

Without CONSULT-III

Check voltage between BCM connector M3, B14 terminals and ground.

Item	Terminals (Wire color)		Condition	Voltage (V) (Approx.)
	(+)	(-)		



VEHICLE SECURITY (THEFT WARNING) SYSTEM

< SERVICE INFORMATION >

Front door switch driver side	62 (W)	Ground	OPEN	0
			CLOSE	Battery voltage
Front door switch passenger side	12 (P/B)		OPEN	0
			CLOSE	Battery voltage
Rear door switch LH	63 (P)		OPEN	0
			CLOSE	Battery voltage
Rear door switch RH	13 (P/L)	OPEN	0	
		CLOSE	Battery voltage	

OK or NG

- OK >> Door switch circuit is OK, and go to "1 – 2 HOOD SWITCH CHECK".
 NG >> GO TO 2.

2.CHECK HARNESS CONTINUITY

- Turn ignition switch OFF.
- Disconnect BCM and door switches connector.
- Check continuity between BCM connector B14 terminals 62, 63 and door switch connector B26, B46 terminal 1, and ground.

BCM – Front door switch (driver side)

62 (W) – 1 (W) : Continuity should exist.

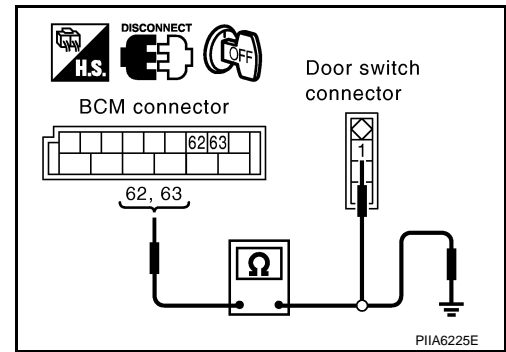
BCM – Rear door switch LH

63 (P) – 1 (P) : Continuity should exist.

BCM – Ground

62 (W) – Ground : Continuity should not exist.

63 (P) – Ground : Continuity should not exist.



- Check continuity between BCM connector M3 terminals 12, 13 and door switch connector B36, B206 terminal 1, and ground.

BCM – Front door switch (passenger side)

12 (P/B) – 1 (SB) : Continuity should exist.

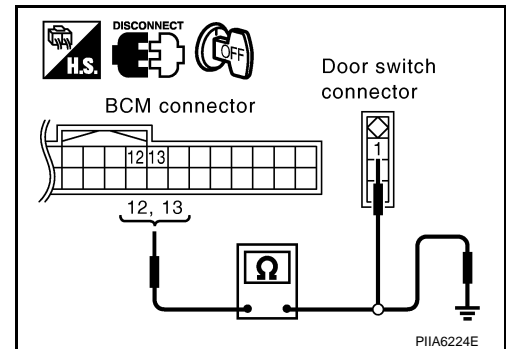
BCM – Rear door switch RH

13 (P/L) – 1 (P) : Continuity should exist.

BCM – Ground

12 (P/B) – Ground : Continuity should not exist.

13 (P/L) – Ground : Continuity should not exist.



OK or NG

- OK >> GO TO 3.
 NG >> Repair or replace harness.

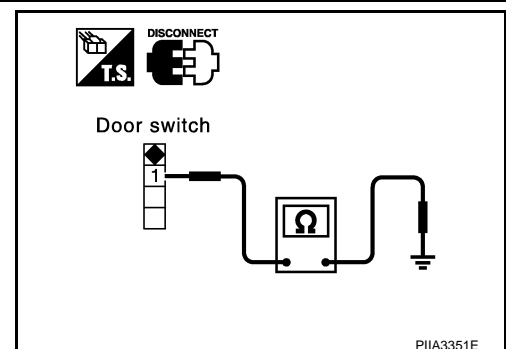
3.CHECK DOOR SWITCH

Check continuity between each door switch terminal 1 and ground part of door switch.

Terminal		Condition	Continuity
1	Ground part of door switch	Pushed	No
		Released	Yes

OK or NG

- OK >> GO TO 4.
 NG >> Replace malfunctioning door switch.



VEHICLE SECURITY (THEFT WARNING) SYSTEM

< SERVICE INFORMATION >

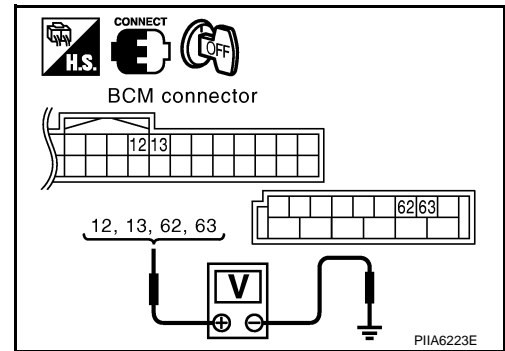
4. CHECK BCM OUTPUT SIGNAL

1. Connect BCM connector.
2. Check voltage between BCM connector M3, B14 terminals 12, 13, 62, 63 and ground.

12 (P/B) – Ground : Battery voltage
13 (P/L) – Ground : Battery voltage
62 (W) – Ground : Battery voltage
63 (P) – Ground : Battery voltage

OK or NG

- OK >> Check condition of harness and connector.
 NG >> Replace BCM.



1 – 2 HOOD SWITCH CHECK

1. CHECK HOOD SWITCH

Check hood switch and hood fitting condition.

OK or NG

- OK >> GO TO 2.
 NG >> Adjust installation of hood switch.

2. CHECK HOOD SWITCH INPUT SIGNAL

Ⓢ With CONSULT-III

Check (“HOOD SW”) in “DATA MONITOR” mode with CONSULT-III.

Monitor item	Condition
HOOD SW	OPEN : ON
	CLOSE : OFF

ⓧ Without CONSULT-III

Check voltage between IPDM E/R connector and ground.

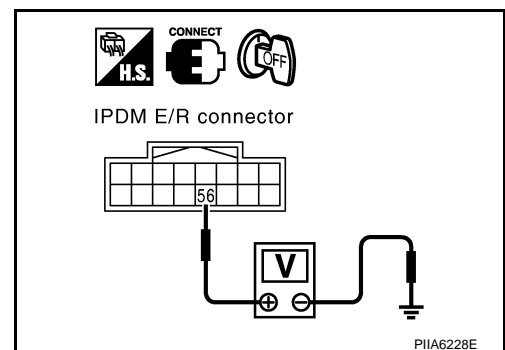
Connector	Terminals (Wire color)		Condition	Voltage (V) (Approx.)
	(+)	(-)		
E9	56 (LG)	Ground	OPEN	0
			CLOSE	Battery voltage

OK or NG

- OK >> Hood switch is OK, and go to “1 – 3 BACK DOOR SWITCH CHECK”.
 NG >> GO TO 3.

3. CHECK HOOD SWITCH

1. Turn ignition switch OFF.
2. Disconnect hood switch connector.



VEHICLE SECURITY (THEFT WARNING) SYSTEM

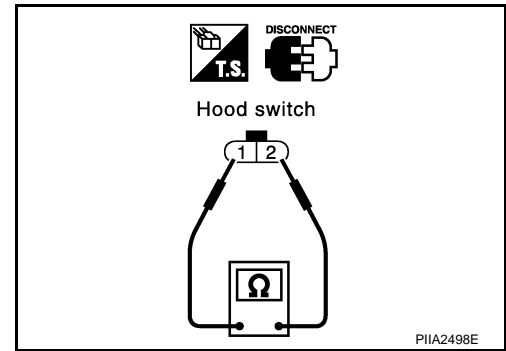
< SERVICE INFORMATION >

3. Check continuity between hood switch terminals 1 and 2.

Terminals		Condition	Continuity
1	2	Pressed	No
		Released	Yes

OK or NG

- OK >> GO TO 4.
 NG >> Replace hood switch.



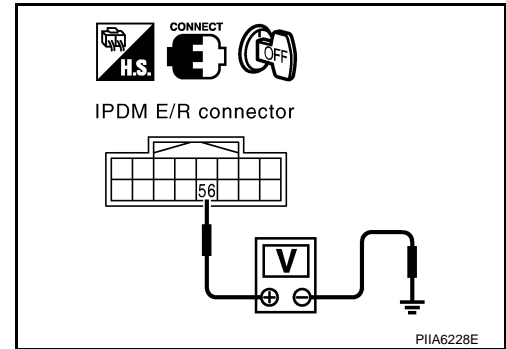
4.CHECK IPDM E/R OUTPUT SIGNAL

Check voltage between IPDM E/R connector and ground.

56 (LG) – Ground : Battery voltage

OK or NG

- OK >> Check the following.
- Hood switch ground circuit.
 - Harness for open or short between hood switch and IPDM E/R.
- NG >> Replace IPDM E/R



1 – 3 BACK DOOR SWITCH CHECK

1.CHECK BACK DOOR SWITCH INPUT SIGNAL

Ⓜ With CONSULT-III

Check ("BACK DOOR SW") in "DATA MONITOR" mode with CONSULT-III.

Monitor item	Condition
BACK DOOR SW	OPEN : ON
	CLOSE : OFF

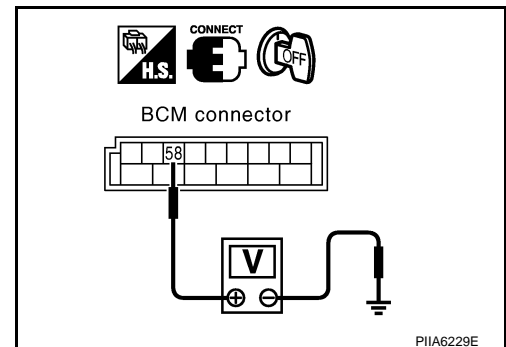
ⓧ Without CONSULT-III

Check voltage between BCM connector and ground.

Connector	Terminals (Wire color)		Condition	Voltage (V) (Approx.)
	(+)	(-)		
B14	58 (L)	Ground	OPEN	0
			CLOSE	9

OK or NG

- OK >> Back door switch circuit is OK.
 NG >> GO TO 2.



2.CHECK HARNESS CONTINUITY

1. Turn ignition switch OFF.
2. Disconnect BCM and back door closure motor connector.

VEHICLE SECURITY (THEFT WARNING) SYSTEM

< SERVICE INFORMATION >

- Check continuity between BCM connector B14 terminal 58 and back door closure motor connector D109 terminal 7.

58 (L) – 7 (L) : Continuity should exist.

- Check continuity between BCM connector B14 terminal 58 and ground.

58 (L) – Ground : Continuity should not exist.

OK or NG

- OK >> GO TO 3.
- NG >> Repair or replace harness.

3.CHECK GROUND CIRCUIT

- Check continuity between back door closure motor connector D109 terminal 8 and ground.

8 (B) – Ground : Continuity should exist.

OK or NG

- OK >> GO TO 4.
- NG >> Repair or replace harness.

4.CHECK BACK DOOR SWITCH

- Check continuity between back door closure motor D109 terminals 7 and 8.

Terminals		Back door condition	Continuity
7	8	Open	Yes
		Close	No

OK or NG

- OK >> GO TO 5.
- NG >> Replace back door closure motor.

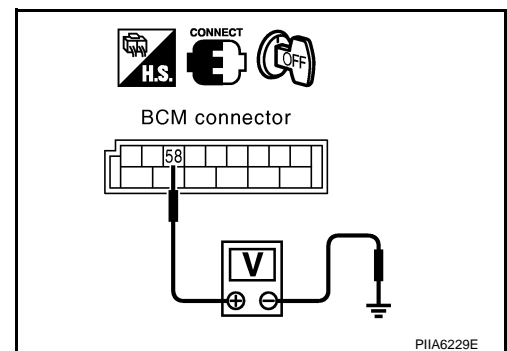
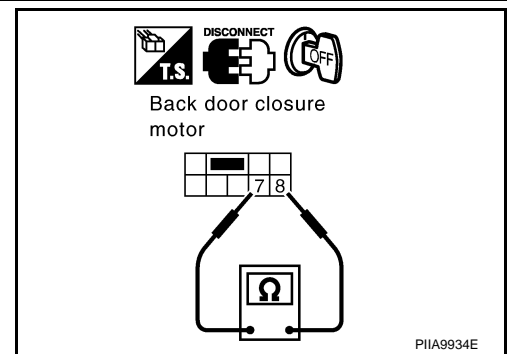
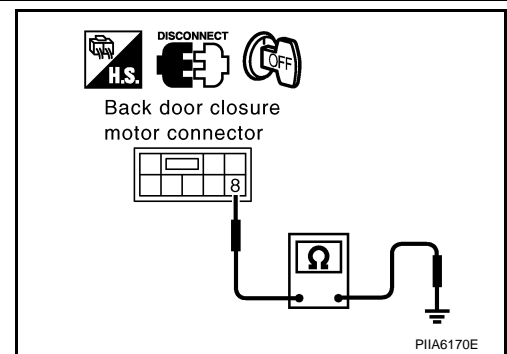
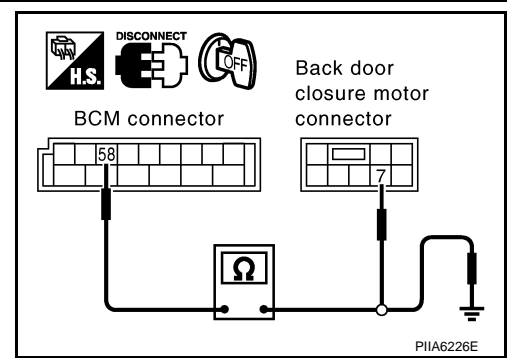
5.CHECK BCM OUTPUT SIGNAL

- Connect BCM connector.
- Check voltage between BCM connector B14 terminal 58 and ground.

58 (L) – Ground : Approx. 9V

OK or NG

- OK >> Check condition of harness and connector.
- NG >> Replace BCM.



Diagnosis Procedure 2

INFOID:000000001327917

SECURITY INDICATOR LAMP CHECK

1.SECURITY INDICATOR LAMP ACTIVE TEST

VEHICLE SECURITY (THEFT WARNING) SYSTEM

< SERVICE INFORMATION >

With CONSULT-III

Check ("THEFT IND") in "ACTIVE TEST" mode with CONSULT-III.

Perform operation shown on display indicator lamp should illuminate.

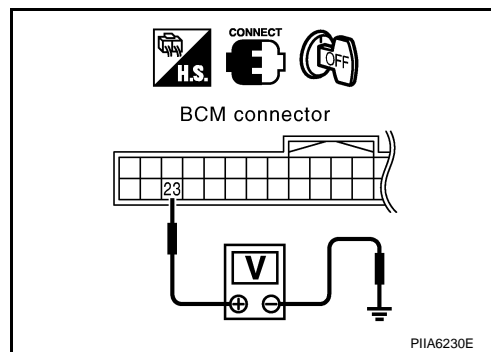
Without CONSULT-III

Check voltage between BCM connector and ground.

Connector	Terminals (Wire color)		Condition	Voltage (V) (Approx.)
	(+)	(-)		
M3	23 (G/OR)	Ground	Illuminates	0
			Goes off	Battery voltage

OK or NG

- OK >> Security indicator lamp is OK.
 NG >> GO TO 2.



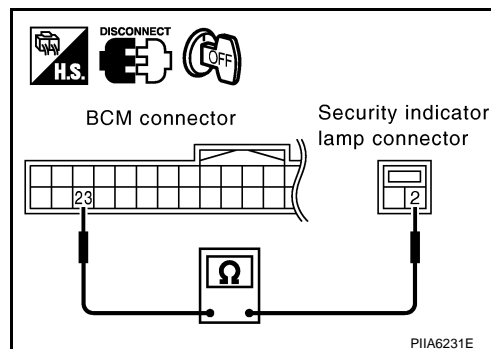
2.CHECK HARNESS CONTINUITY

- Turn ignition switch OFF.
- Disconnect BCM and security indicator lamp connector.
- Check continuity between BCM connector M3 terminal 23 and security indicator lamp connector M38 terminal 2.

23 (G/OR) – 2 (G/OR) : Continuity should exist.

OK or NG

- OK >> Check the following.
- Harness for open or short between BCM and security indicator lamp.
 - 10A fuse [No.19, located in fuse block (J/B)]
- NG >> Repair or replace harness between BCM and security indicator lamp.



Diagnosis Procedure 3

INFOID:000000001327918

FRONT DOOR KEY CYLINDER SWITCH CHECK

1.CHECK KEY CYLINDER SWITCH OPERATION

Check door key cylinder switch using key.

Do doors lock / unlock when using the key?

- YES >> Front door key cylinder switch operation is OK.
 NO >> Check door key cylinder switch circuit. Refer to [GW-43, "Check Front Door Key Cylinder Switch"](#).

Diagnosis Procedure 4

INFOID:000000001327919

VEHICLE SECURITY HORN ALARM CHECK

1.CHECK HORN OPERATION

Check if horn sounds with horn switch.

Does horn operate?

- YES >> Check harness for open or short between IPDM E/R and horn relay.
 NO >> Check horn circuit. Refer to [WW-48](#).

Diagnosis Procedure 5

INFOID:000000001327920

VEHICLE SECURITY HEADLAMP ALARM CHECK

VEHICLE SECURITY (THEFT WARNING) SYSTEM

< SERVICE INFORMATION >

1. CHECK HEADLAMP OPERATION

Check if headlamp operates by lighting switch.

Does headlamp come on when turning switch "ON"?

- YES >> Headlamp alarm circuit is OK.
- NO >> Check headlamp system. Refer to [LT-5](#) or [LT-32](#).

Diagnosis Procedure 6

INFOID:000000001327921

DOOR LOCK AND UNLOCK SWITCH CHECK

1. CHECK DOOR LOCK AND UNLOCK SWITCH INPUT SIGNAL

Check if power door lock operated by door lock and unlock switch.

Do doors lock / unlock when using each door lock and unlock switches?

- YES >> Door lock and unlock switch is OK.
- NO >> Check door lock and unlock switch. Refer to [BL-43](#). "[Check Door Lock and Unlock Switch](#)".

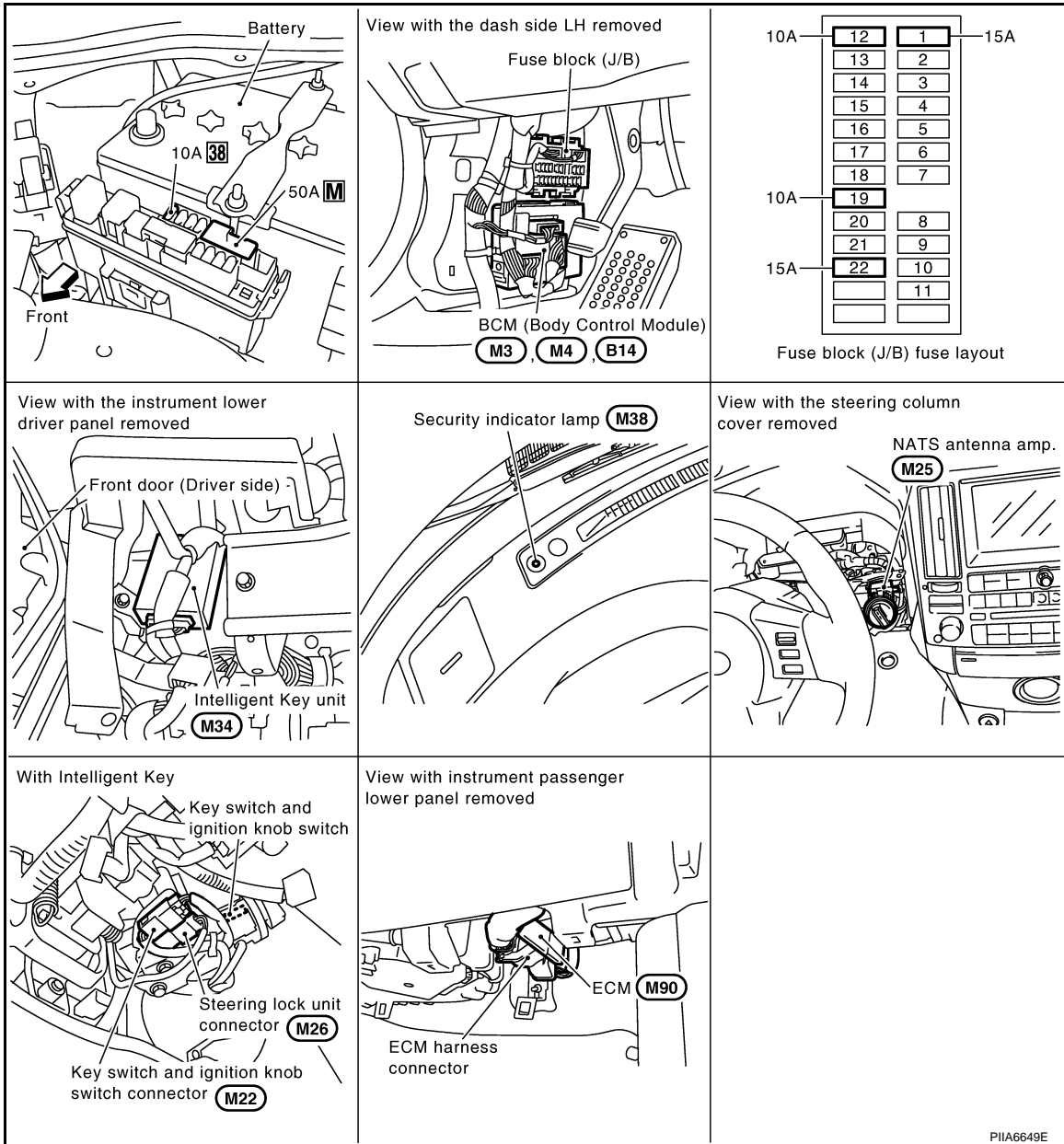
IVIS (INFINITI VEHICLE IMMOBILIZER SYSTEM-NATS)

< SERVICE INFORMATION >

IVIS (INFINITI VEHICLE IMMOBILIZER SYSTEM-NATS)

Component Parts and Harness Connector Location

INFOID:000000001327922



A

B

C

D

E

F

G

H

BL

J

K

L

M

N

O

P

NOTE:

If customer reports a “NO START” condition, request ALL ignition key (without intelligent key system) or mechanical key (with intelligent key system) to be brought to the dealer to check for a NATS malfunction.

System Description

INFOID:000000001327923

DESCRIPTION

IVIS (Infinity Vehicle Immobilizer System – NATS) has the following immobilizer functions:

- Engine immobilizer shows high anti-theft performance to prevent engine start by other than the owner (registered key: ignition key, mechanical key and Intelligent Key).
- Only a key with key ID registered in BCM and ECM can start engine, and shows high anti-theft performance to prevent key from being copied or stolen.
- In the vehicle without Intelligent Key system, security indicator always flashes with other than ignition switch ON or START position.

IVIS (INFINITI VEHICLE IMMOBILIZER SYSTEM-NATS)

< SERVICE INFORMATION >

- In the vehicle with Intelligent Key system, security indicator always flashes with mechanical key removed condition (key switch OFF) and ignition knob released condition on LOCK position (ignition knob switch OFF).
- Therefore, IVIS (NATS) warns outsiders that the vehicle is equipped with the anti-theft system.
- If system detects malfunction, it turns on security indicator in ignition switch ON position.
- If the owner requires, mechanical key ID can be registered for up to 5 keys.
- During trouble diagnosis or when the following parts have been replaced, and if ignition key or mechanical key is added, registration* is required.

*: All keys kept by the owner of the vehicle should be registered with ignition key or mechanical key.

- ECM
- BCM
- Ignition key (models without Intelligent Key system)
- Mechanical key (models with Intelligent Key system)
- IVIS (NATS) trouble diagnoses, system initialization and additional registration of other IVIS (NATS) ignition key or mechanical key IDs must be carried out using CONSULT-III hardware and CONSULT-III IVIS (NATS) software. When IVIS (NATS) initialization has been completed, the ID of the inserted ignition key or mechanical key or mechanical key IDs can be carried out.

Regarding the procedures of IVIS (NATS) initialization and ignition key or mechanical key ID registration, refer to CONSULT-III operation manual, NATS-IVIS/NVIS.

SECURITY INDICATOR

- Warns that the vehicle has IVIS (NATS).
- In the vehicle without Intelligent Key system, security indicator always flashes with other than ignition switch ON or START position. In the vehicle with Intelligent Key system, security indicator always flashes with mechanical key removed condition (key switch OFF) and ignition knob released condition on LOCK position (ignition knob switch OFF).

NOTE:

Because security indicator is highly efficient, the battery is barely affected.

Condition of Security Indicator

WITHOUT INTELLIGENT KEY SYSTEM

Security indicator condition	Ignition key	Operation or condition of ignition key			
		Ignition switch: ON position	Ignition switch: ACC position	Ignition switch: OFF position (Key is inserted.)	Ignition switch: OFF position (Remove key.)
	Register key	OFF	Flashing	Flashing	Flashing
	Ignition key not registered	ON	Flashing	Flashing	Flashing

WITH INTELLIGENT KEY SYSTEM

- In ignition knob operation with Intelligent Key, it always turns on with pushing ignition knob, and always flashes with ignition knob released (ignition knob switch OFF) condition on ignition knob "LOCK" position.
- In ignition knob operation with mechanical key, it turns off on the condition that mechanical key is inserted in key cylinder, and always flashes with ignition knob released (ignition knob switch OFF) condition on mechanical key removed condition.

System Composition

INFOID:000000001327924

The immobilizer function of the IVIS (NATS) consists of the following:

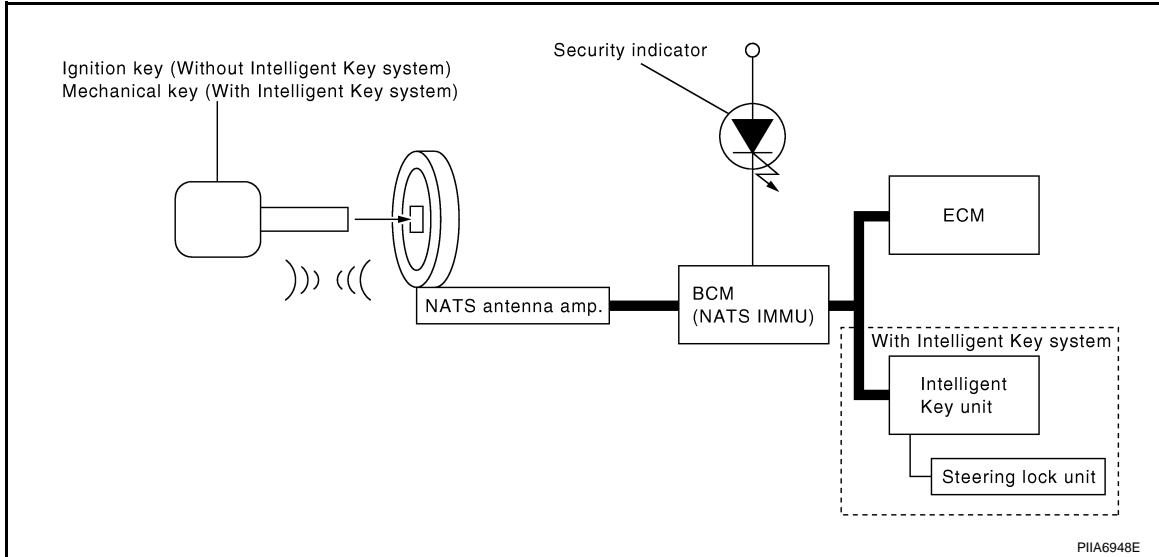
- Ignition key (models without Intelligent Key system)
- Mechanical key (models with Intelligent Key system)
- NATS antenna amp.
- Steering lock unit. (models with Intelligent Key system)
- BCM
- Intelligent Key unit (models with Intelligent Key system)
- Engine control module (ECM)
- Security indicator

NOTE:

IVIS (INFINITI VEHICLE IMMOBILIZER SYSTEM-NATS)

< SERVICE INFORMATION >

The communication between ECM, BCM and/or Intelligent Key unit uses the CAN communication system.



ECM Re-Communicating Function

INFOID:000000001327925

Performing following procedure can automatically perform re-communication of ECM and BCM or Intelligent Key unit, but only when the ECM has been replaced with a new one (*1).

*1: New one means a virgin ECM which has never been energized on-board.

(In this step, initialization procedure by CONSULT-III is not necessary)

NOTE:

- When registering new Key IDs or replacing the ECM other than brand new, refer to CONSULT-III Operation Manual NATS-IVIS/NVIS.
- If multiple keys are attached to the key holder, separate them before work.
- Distinguish keys with unregistered key ID from those with registered ID.

1. Install ECM.
2. Using a registered key (*2), turn ignition switch to "ON".
*2: To perform this step, use the key that has been used before performing ECM replacement.
3. Maintain ignition switch in "ON" position for at least 5 seconds.
4. Turn ignition switch to "OFF".
5. Start engine.
If engine can be started, procedure is completed.
If engine cannot be started, refer to CONSULT-III Operation Manual NATS-IVIS/NVIS and initialize control unit.

IVIS (INFINITI VEHICLE IMMOBILIZER SYSTEM-NATS)

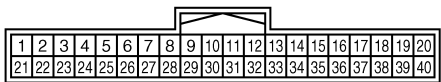
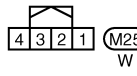
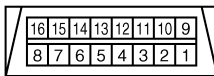
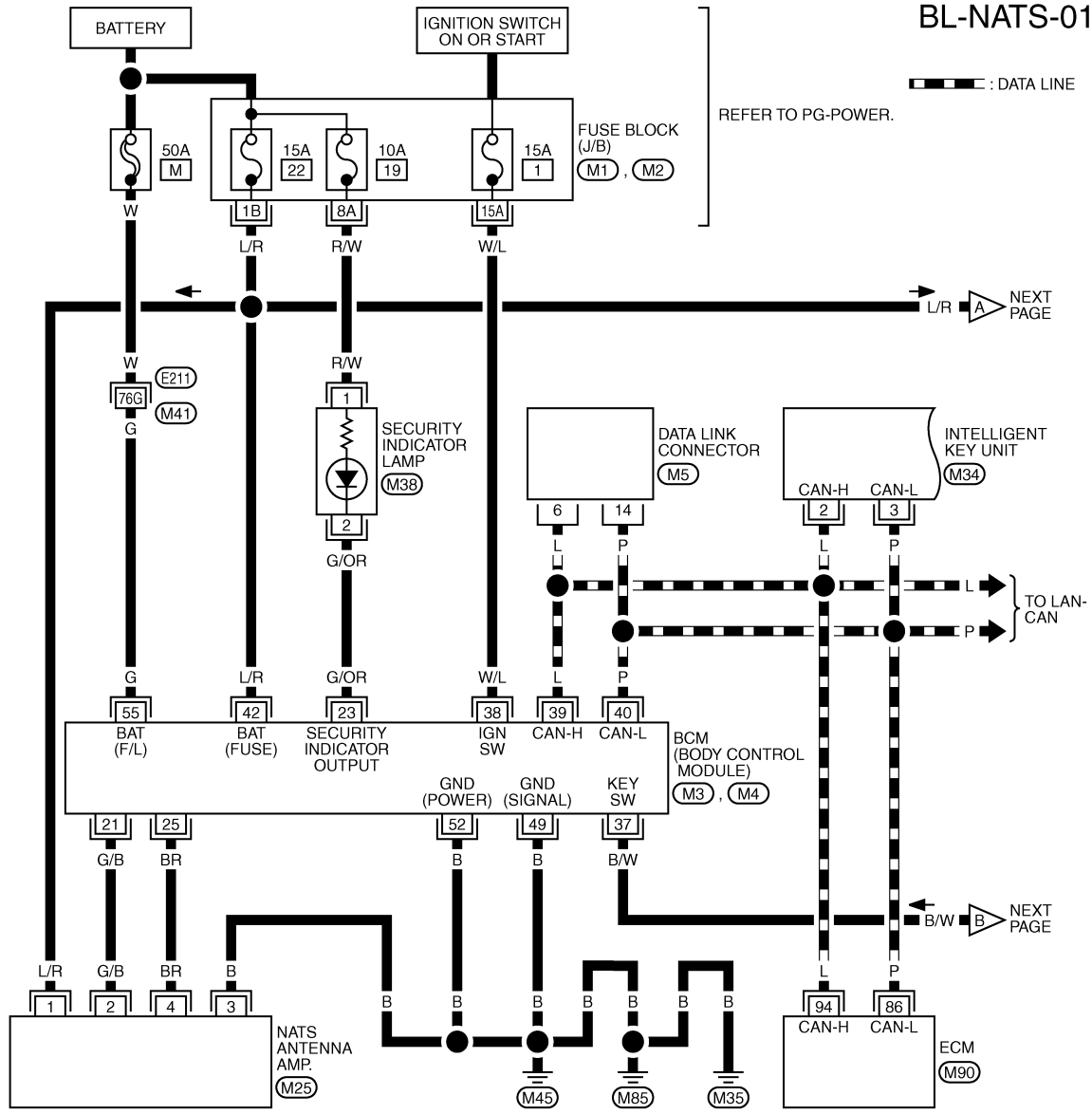
< SERVICE INFORMATION >

Wiring Diagram - NATS -

INFOID:000000001327926

MODELS WITH INTELLIGENT KEY SYSTEM

BL-NATS-01



REFER TO THE FOLLOWING.

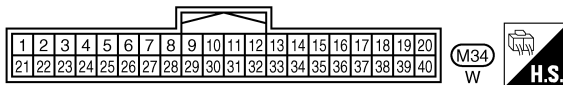
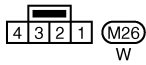
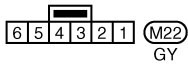
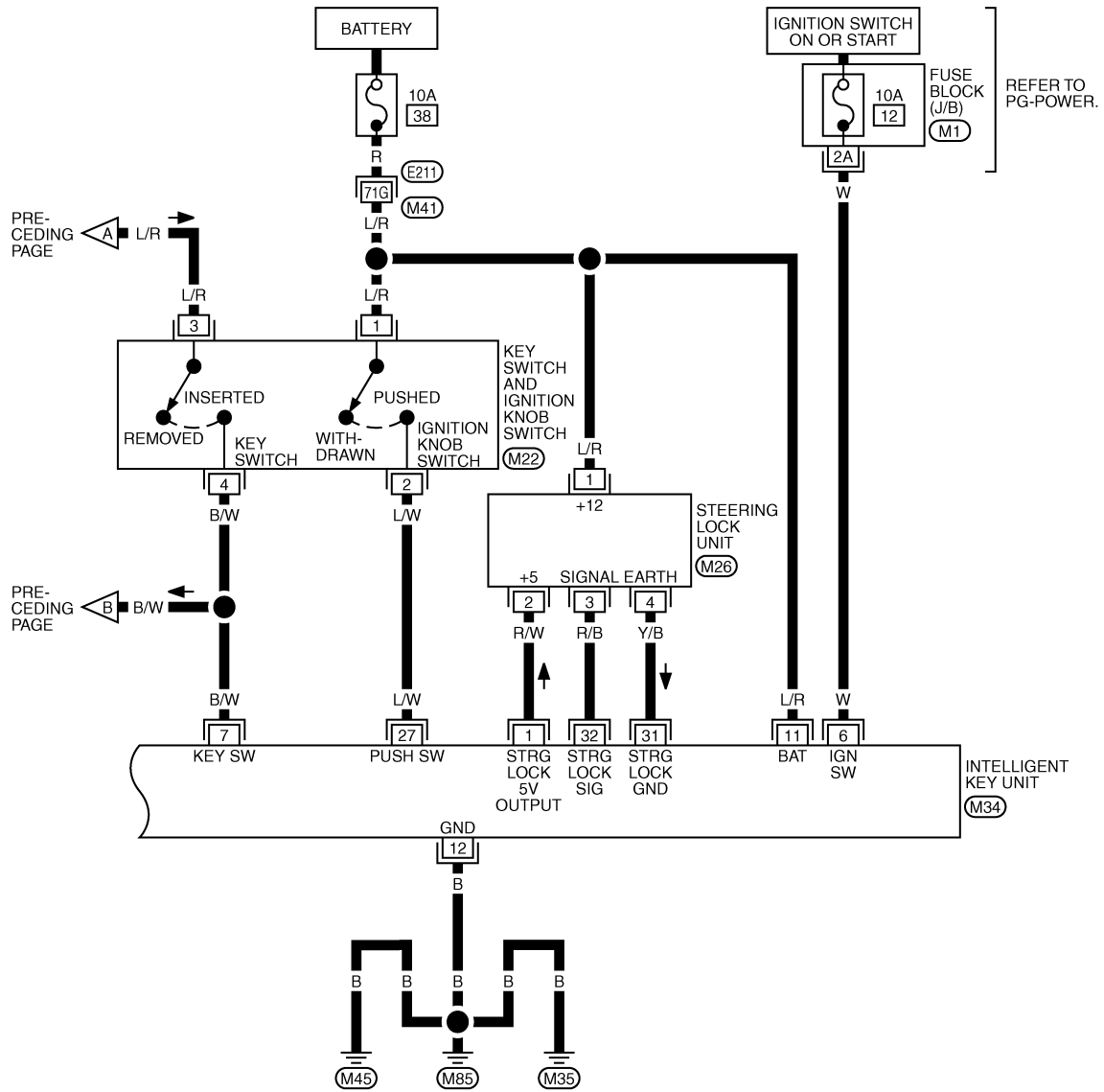
- (E21) -SUPER MULTIPLE JUNCTION (SMJ)
- (M1), (M2) -FUSE BLOCK-JUNCTION BOX (J/B)
- (M3), (M4), (M90) -ELECTRICAL UNITS

TIWM1677E

IVIS (INFINITI VEHICLE IMMOBILIZER SYSTEM-NATS)

< SERVICE INFORMATION >

BL-NATS-02



REFER TO THE FOLLOWING.
 (E21) -SUPER MULTIPLE JUNCTION (SMJ)
 (M1) -FUSE BLOCK-JUNCTION BOX (J/B)

TIWM1678E

A
B
C
D
E
F
G
H
I
J
K
L
M
N
O
P

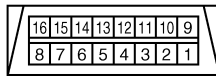
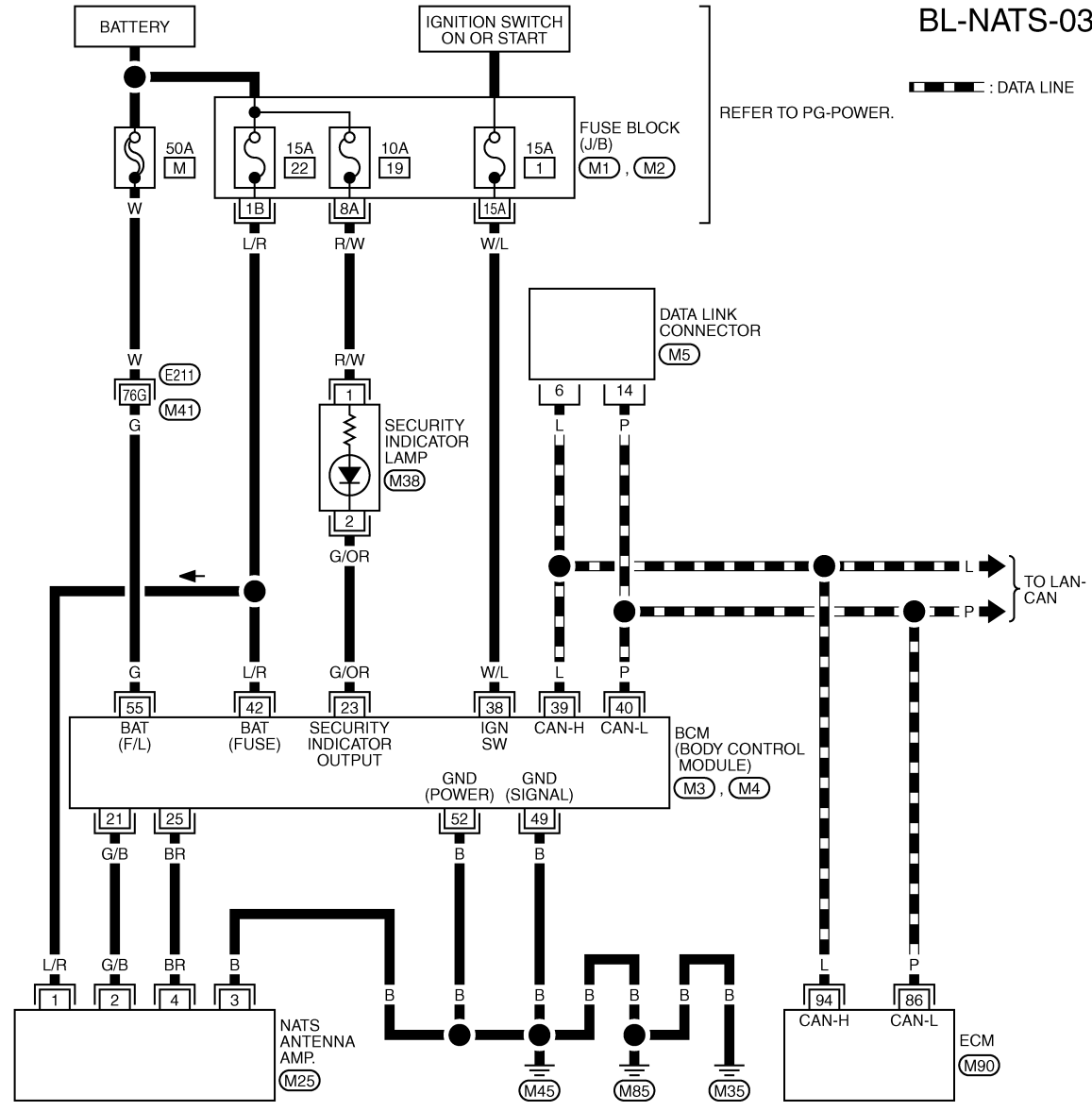
BL

IVIS (INFINITI VEHICLE IMMOBILIZER SYSTEM-NATS)

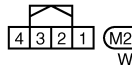
< SERVICE INFORMATION >

MODELS WITHOUT INTELLIGENT KEY SYSTEM

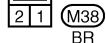
BL-NATS-03



(M5)
W



(M25)
W



(M38)
BR

REFER TO THE FOLLOWING.

- (E21) -SUPER MULTIPLE JUNCTION (SMJ)
- (M1), (M2) -FUSE BLOCK-JUNCTION BOX (J/B)
- (M3), (M4), (M90) -ELECTRICAL UNITS

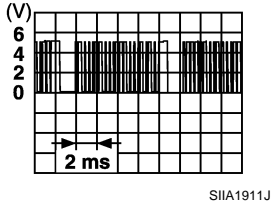
TIWM1679E

IVIS (INFINITI VEHICLE IMMOBILIZER SYSTEM-NATS)

< SERVICE INFORMATION >

Terminal and Reference Value for Steering Lock Unit/with Intelligent Key System

INFOID:000000001327927

Terminal	Wire color	Signal Designation	Signal Input/output	Measuring condition		Voltage (V) (Approx.)
				Ignition knob position	Operation or conditions	
1	L/R	Power source (Fuse)	Input	LOCK	—	Battery voltage
2	R/W	Steering lock unit power supply	Input	LOCK	—	5
3	R/B	Steering lock unit communication signal	Input	LOCK	Press ignition knob with Intelligent Key inside vehicle.	
					Other than the above	
4	Y/B	Steering lock unit ground	—	—	—	0

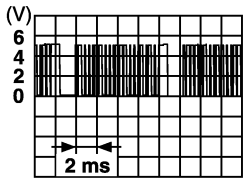
Terminal and Reference Value for Intelligent Key Unit/with Intelligent Key System

INFOID:000000001327928

Terminal	Wire color	Signal designation	Signal Input/output	Measuring condition		Voltage (V) (Approx.)
				Ignition knob position	Operation or conditions	
1	R/W	Steering lock unit power supply	Output	LOCK	—	5
2	L	CAN-H	Input/Output	—	—	—
3	P	CAN-L	Input/Output	—	—	—
6	W	Ignition power supply (ON)	Input	ON	Ignition knob ON or START position	Battery voltage
7	B/W	Key switch	Input	LOCK	Insert mechanical key into ignition key cylinder.	Battery voltage
					Remove mechanical key from ignition key cylinder.	0
11	L/R	Power source (Fuse)	Input	—	—	Battery voltage
12	B	Ground	—	—	—	0
27	L/W	Ignition knob switch	Input	—	Press ignition knob.	Battery voltage
					Return ignition knob to LOCK position.	0
31	Y/B	Steering lock unit ground	—	—	—	0

IVIS (INFINITI VEHICLE IMMOBILIZER SYSTEM-NATS)

< SERVICE INFORMATION >

Terminal	Wire color	Signal designation	Signal Input/output	Measuring condition		Voltage (V) (Approx.)
				Ignition knob position	Operation or conditions	
32	R/B	Steering lock unit communication signal	Output	LOCK	Press ignition knob with Intelligent Key inside vehicle.	
				Other than the above		5

Terminal and Reference Value for BCM

INFOID:000000001327929

Terminal	Wire color	Signal designation	Signal Input/output	Measuring condition		Voltage (V) (Approx.)
				Ignition knob position	Operation or conditions	
21	G/B	NATS antenna amp.	Input/Output	—	Ignition knob OFF → ON position	Tester pointer should move just after turning ignition knob "ON"
23	G/OR	Security indicator lamp	Output	LOCK	Goes OFF → illuminates (Every 2.4 seconds)	Battery voltage → 0
25	BR	NATS antenna amp.	Input/Output	—	Ignition knob or switch OFF → ON position	Tester pointer should move just after turning ignition knob "ON"
37*	B/W	Key switch	Input	—	Insert mechanical key into ignition key cylinder	Battery voltage
					Remove mechanical key from ignition key cylinder	0
38	W/L	Ignition power supply (ON)	Input	ON	Ignition knob ON or START position	Battery voltage
39	L	CAN-H	Input/Output	—	—	—
40	P	CAN-L	Input/Output	—	—	—
42	L/R	Power source (Fuse)	Input	—	—	Battery voltage
49	B	Ground	—	—	—	0
52	B	Ground	—	—	—	0
55	G	Power source (Fuse)	Input	—	—	Battery voltage

*: With Intelligent Key system

CONSULT-III Function

INFOID:000000001327930

CONSULT-III DIAGNOSTIC TEST MODE FUNCTION

CONSULT-III DIAGNOSTIC TEST MODE	Description
C/U INITIALIZATION	When replacing any of the following three components, C/U initialization is necessary. [IVIS (NATS) ignition key/ BCM/ ECM]
SELF- DIAGNOSTIC RESULTS	Detected items (screen terms) are as shown in the chart.
PIN READ	Individual control unit number can be read. For future information, refer to operation manual NATS-IVIS/NVIS

NATS SELF-DIAGNOSTIC RESULT ITEM CHART

IVIS (INFINITI VEHICLE IMMOBILIZER SYSTEM-NATS)

< SERVICE INFORMATION >

Detected items (Screen terms)	P No.Code (Self-diagnostic result of "ENGINE")	Description	Diagnostic procedure
CHAIN OF ECM-IMMU	P1612	Communication impossible between ECM and BCM.	Refer to BL-195, "Diagnosis Procedure 1" .
DIFFERENCE OF KEY	P1615	BCM can receive the key ID signal but the result of ID verification between key ID and BCM is NG.	Refer to BL-197, "Diagnosis Procedure 2" .
CHAIN OF IMMU-KEY	P1614	BCM cannot receive the key ID signal.	Refer to BL-198, "Diagnosis Procedure 5" .
ID DISCORD, IMM-ECM	P1611	The result of ID verification between BCM and ECM is NG. System initialization is required.	Refer to BL-197, "Diagnosis Procedure 3" .
LOCK MODE	P1610	When the starting operation is carried out 5 or more times consecutively under the following conditions, IVIS(NATS) will shift the mode to prevent the engine start. <ul style="list-style-type: none"> • unregistered ignition key is used (without intelligent key system) • BCM or ECM malfunctioning 	Refer to BL-197, "Diagnosis Procedure 4" .
DON'T ERASE BEFORE CHECKING ENG DIAG	—	Engine trouble data and IVIS (NATS) trouble data have been detected in ECM.	Refer to BL-194, "Diagnosis Procedure" .

A
B
C
D
E
F
G
H
J
K
L
M
N
O
P

BL

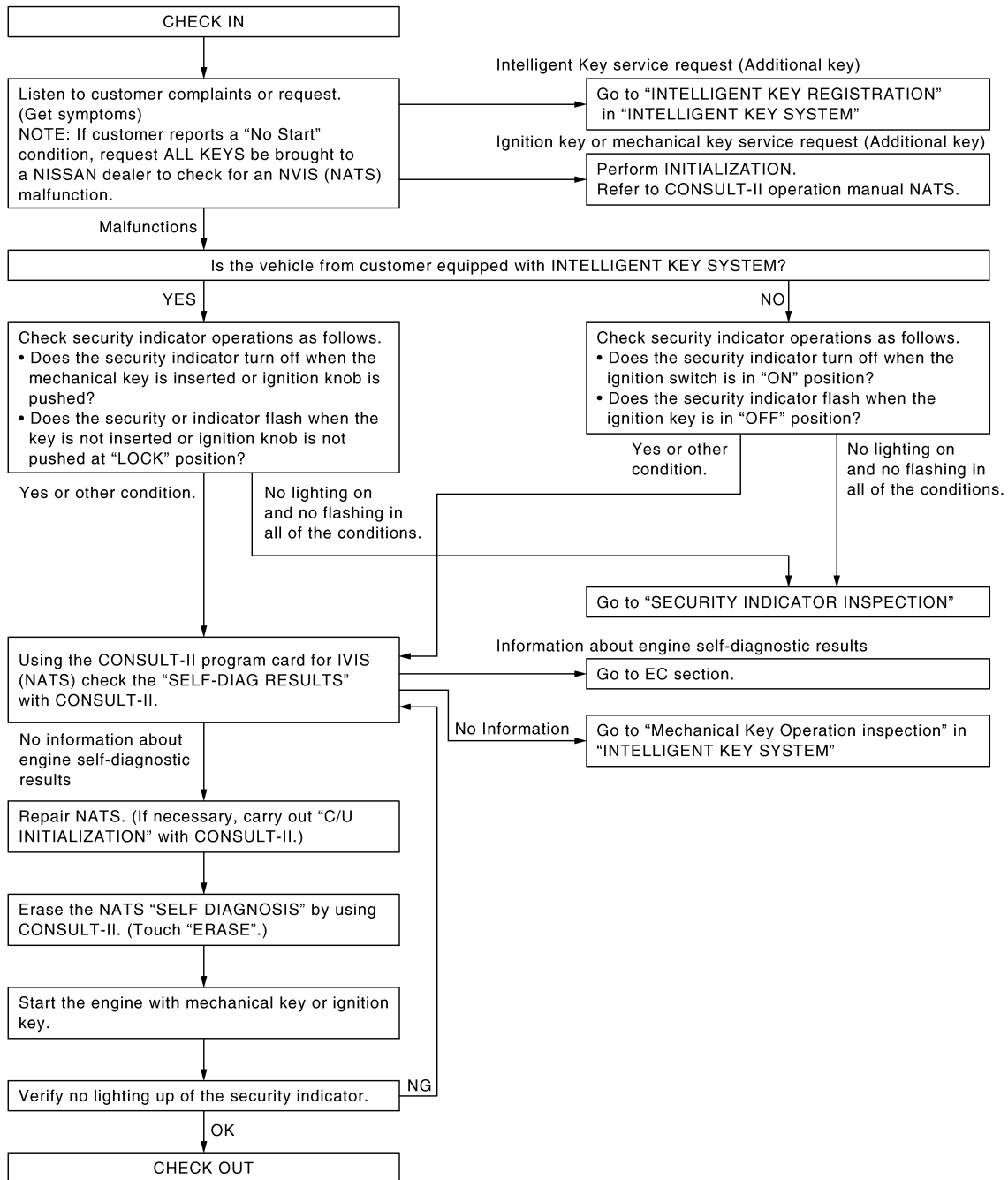
IVIS (INFINITI VEHICLE IMMOBILIZER SYSTEM-NATS)

< SERVICE INFORMATION >

Diagnosis Procedure

INFOID:000000001327931

WORK FLOW



MIB0391E

IVIS (INFINITI VEHICLE IMMOBILIZER SYSTEM-NATS)

< SERVICE INFORMATION >

Trouble Diagnosis Symptom Chart

INFOID:000000001327932

SYMPTOM	Displayed "SELF-DIAG RESULTS" on CONSULT-III screen.	DIAGNOSTIC PROCEDURE	SYSTEM (Malfunctioning part or mode)
<ul style="list-style-type: none"> Security indicator lighting up* Engine hard to start 	CHAIN OF ECM-IMMU [P1612]	Refer to BL-195. "Diagnosis Procedure 1" .	Open circuit in battery voltage line to BCM (NATS IMMU) circuit
			Open circuit in ignition line to BCM (NATS IMMU) circuit
			Open circuit in ground line to BCM (NATS IMMU) circuit
			Open or short circuit between BCM (NATS IMMU) and ECM communication line.
			ECM
			BCM (NATS IMMU)
	DIFFERENCE OF KEY [P1615]	Refer to BL-197. "Diagnosis Procedure 2" .	Unregistered key
			NATS IMMU
	CHAIN OF IMMU-KEY [P1614]	Refer to BL-198. "Diagnosis Procedure 5" .	Open or short circuit between BCM (NATS IMMU) and NATS antenna amp.
			Malfunction of key ID chip
BCM (NATS IMMU)			
Antenna amp.			
ID DISCORD, IMM-ECM [P1611]	Refer to BL-197. "Diagnosis Procedure 3" .	System initialization has not yet been completed.	
		ECM	
LOCK MODE [P1610]	Refer to BL-197. "Diagnosis Procedure 4" .	LOCK MODE	
<ul style="list-style-type: none"> MIL staying ON Security indicator lighting up* 	DON'T ERASE BEFORE CHECKING ENG DIAG	Refer to BL-194. "Diagnosis Procedure" .	Engine trouble data and IVIS (NATS) trouble data have been detected in ECM

*: When IVIS (NATS) detects trouble, the security indicator lights up while electronic key is in the "ON" position.

Security Indicator Inspection

INFOID:000000001327933

SYMPTOM	SYSTEM (Malfunctioning part or mode)	DIAGNOSTIC PROCEDURE
Security indicator does not operate*	Security indicator	Refer to BL-200. "Diagnosis Procedure 6" .
	Open circuit between Fuse and BCM (NATS IMMU)	
	Continuation of initialization mode	
	BCM (NATS IMMU)	

*: CONSULT-III self-diagnostic results display screen "no malfunction is detected".

Diagnosis Procedure 1

INFOID:000000001327934

Self-diagnostic results:

"CHAIN OF ECM-IMMU" is display on CONSULT-III screen

First perform the "SELF-DIAG RESULTS" in "BCM" with CONSULT-III, then perform the trouble diagnosis of malfunction system indicated "SELF-DIAG RESULTS" of "BCM". Refer to [BCS-13. "U1000 CAN Communication Circuit"](#).

1. CONFIRM SELF-DIAGNOSTIC RESULTS

Confirm that SELF-DIAGNOSTIC RESULTS "CHAIN OF ECM-IMMU" is displayed on the screen?

Does CONSULT-III screen display as shown in figure?

IVIS (INFINITI VEHICLE IMMOBILIZER SYSTEM-NATS)

< SERVICE INFORMATION >

- YES >> GO TO 2.
NO >> Refer to [BL-195, "Trouble Diagnosis Symptom Chart"](#).

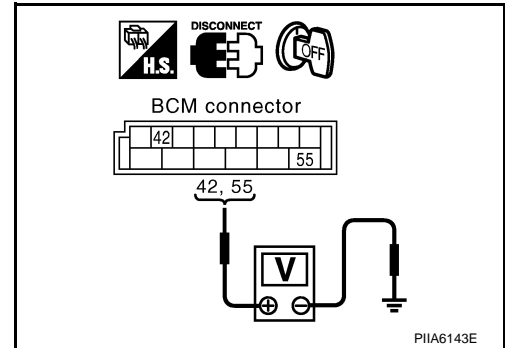
2. CHECK POWER SUPPLY CIRCUIT FOR BCM

1. Turn ignition switch OFF.
2. Disconnect BCM connector M4.
3. Check voltage between BCM connector M4 terminals and ground.

- 42 (L/R) – Ground : Battery voltage**
55 (G) – Ground : Battery voltage

OK or NG

- OK >> GO TO 3.
NG >> Check the following.
- 50A fusible link [Letter **M**, located in fuse block (J/B)]
 - 15A fuse [No.22, located in fuse block (J/B)]
 - Harness for open or short between fusible link or fuse and BCM.



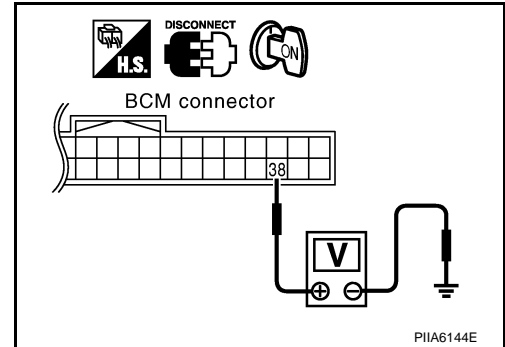
3. CHECK IGNITION SWITCH ON SIGNAL

1. Turn ignition switch ON.
2. Check voltage between BCM connector M3 terminal and ground.

- 38 (W/L) – Ground : Battery voltage**

OK or NG

- OK >> GO TO 4.
NG >> Check the following.
- 15A fuse [No.1, located in fuse block (J/B)]
 - Harness for open or short between fuse and BCM.



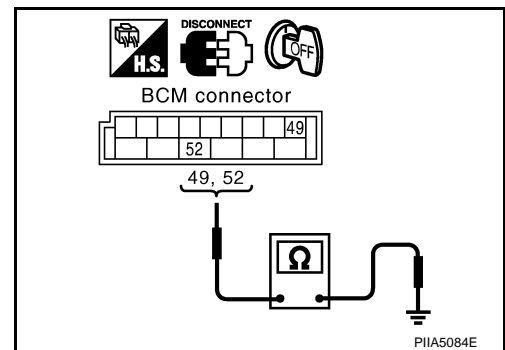
4. CHECK GROUND CIRCUIT FOR BCM

1. Turn ignition switch OFF.
2. Check continuity between BCM connector M4 terminals 49 (B), 52 (B) and ground.

- 49 (B) – Ground : Continuity should exist.**
52 (B) – Ground : Continuity should exist.

OK or NG

- OK >> GO TO 5.
NG >> Repair or replace harness between BCM and ground.



5. REPLACE BCM

1. Replace BCM.
2. Perform initialization with CONSULT-III.
For initialization, refer to "CONSULT-III Operation Manual NATS-IVIS/NVIS".

Does the engine start?

- YES >> BCM is malfunctioning.
- Replace BCM.
 - Perform initialization with CONSULT-III.
 - For initialization, refer to "CONSULT-III Operation Manual NATS-IVIS/NVIS".
- NO >> ECM is malfunctioning.

IVIS (INFINITI VEHICLE IMMOBILIZER SYSTEM-NATS)

< SERVICE INFORMATION >

- Replace ECM.
- Perform initialization or re-communicating function.
- For re-communicating function, refer to [BL-187, "ECM Re-Communicating Function"](#).
- For initialization, refer to "CONSULT-III Operation Manual NATS-IVIS/NVIS".

Diagnosis Procedure 2

INFOID:000000001327935

Self-diagnostic results:

"DIFFERENCE OF KEY" is displayed on CONSULT-III screen

1. CONFIRM SELF-DIAGNOSTIC RESULTS

Confirm that SELF-DIAGNOSTIC RESULTS "DIFFERENCE OF KEY" is displayed on CONSULT-III screen.

Does CONSULT-III screen display as shown in figure?

YES >> GO TO 2.

NO >> Refer to [BL-195, "Trouble Diagnosis Symptom Chart"](#).

2. PERFORM INITIALIZATION WITH CONSULT-III

Perform initialization with CONSULT-III. Re-register all ignition key or mechanical key IDs.

For initialization and registration of ignition key or mechanical key IDs, refer to "CONSULT-III Operation Manual NATS-IVIS/NVIS".

NOTE:

If the initialization is not completed or malfunction, CONSULT-III shows message on the screen.

Can the system be initialized and can the engine be started with re-registered ignition key or mechanical key?

YES >> Ignition key ID was unregistered.

NO >> BCM is malfunctioning.

- Replace BCM.
- Perform initialization with CONSULT-III.
- For initialization, refer to "CONSULT-III Operation Manual NATS-IVIS/NVIS".

Diagnosis Procedure 3

INFOID:000000001327936

Self-diagnostic results:

"ID DISCORD, IMM-ECM" is displayed on CONSULT-III screen

1. CONFIRM SELF-DIAGNOSTIC RESULTS

Confirm that SELF-DIAGNOSTIC RESULTS "ID DISCORD, IMM-ECM" is displayed on CONSULT-III screen.

NOTE:

"ID DISCORD IMM-ECM":

Registered ID of BCM is in discord with that of ECM.

Does CONSULT-III screen display as shown in figure?

YES >> GO TO 2.

NO >> Refer to [BL-195, "Trouble Diagnosis Symptom Chart"](#).

2. PERFORM INITIALIZATION WITH CONSULT-III

Perform initialization with CONSULT-III. Re-register all ignition key or mechanical key IDs.

For initialization, refer to "CONSULT-III Operation Manual NATS-IVIS/NVIS".

NOTE:

If the initialization is not completed or malfunction, CONSULT-III shows message on the screen.

Can the system be initialized?

YES >> Start engine. (END)

- System initialization had not been completed.

NO >> ECM is malfunctioning.

- Replace ECM.
- Perform initialization or re-communicating function.
- For initialization, refer to "CONSULT-III Operation Manual NATS-IVIS/NVIS".
- For re-communicating function, refer to [BL-187, "ECM Re-Communicating Function"](#).

Diagnosis Procedure 4

INFOID:000000001327937

Self-diagnostic results:

IVIS (INFINITI VEHICLE IMMOBILIZER SYSTEM-NATS)

< SERVICE INFORMATION >

“LOCK MODE” displayed on CONSULT-III screen

1. CONFIRM SELF-DIAGNOSTIC RESULTS

Confirm SELF-DIAGNOSTIC RESULTS “LOCK MODE” is displayed on CONSULT-III screen.

Does CONSULT-III screen display as shown in figure?

YES >> GO TO 2.

NO >> Refer to [BL-195, "Trouble Diagnosis Symptom Chart"](#).

2. ESCAPE FROM LOCK MODE

1. Turn ignition switch OFF.
2. Turn ignition switch ON with registered key. (Do not start engine.) Wait 5 seconds.
3. Return the key to OFF position. Wait 5 seconds.
4. Repeat steps 2 and 3 twice (total of three cycles).
5. Start the engine.

Does engine start?

YES >> System is OK (Now system is escaped from “LOCK MODE”).

NO >> GO TO 3.

3. PERFORM INITIALIZATION WITH CONSULT-III

Perform initialization with CONSULT-III.

For initialization, refer to “CONSULT-III Operation Manual NATS-IVIS/NVIS”.

NOTE:

If the initialization is not completed or malfunction, CONSULT-III shows the message on the screen.

Can the system be initialized?

YES >> System is OK.

NO >> GO TO 4.

4. PERFORM INITIALIZATION WITH CONSULT-III AGAIN

1. Replace BCM.
2. Perform initialization with CONSULT-III.
For initialization, refer to “CONSULT-III Operation Manual NATS-IVIS/NVIS”.

NOTE:

If the initialization is not completed or malfunctions, CONSULT-III shows the message on the screen.

Can the system be initialized?

YES >> System is OK. BCM is malfunctioning.

- Replace BCM.
- Perform initialization with CONSULT-III.
- For initialization, refer to “CONSULT-III Operation Manual NATS-IVIS/NVIS”.

NO >> ECM is malfunctioning.

- Replace ECM.
- Perform initialization or re-communicating function.
- For initialization, refer to “CONSULT-III Operation Manual NATS-IVIS/NVIS”.
- For re-communicating function, refer to [BL-187, "ECM Re-Communicating Function"](#).

Diagnosis Procedure 5

INFOID:000000001327938

Self-diagnostic results:

“CHAIN OF IMMU-KEY” is displayed on CONSULT-III screen

1. CONFIRM SELF-DIAGNOSTIC RESULTS

Confirm self-diagnostic results “CHAIN OF IMMU-KEY” is displayed on CONSULT-III screen.

Does CONSULT-III screen display as shown?

YES >> GO TO 2.

NO >> Refer to [BL-195, "Trouble Diagnosis Symptom Chart"](#).

2. CHECK NATS ANTENNA AMP. INSTALLATION

Check NATS antenna amp. installation. Refer to [BL-201, "Removal and Installation NATS Antenna Amp"](#).

OK or NG

OK >> GO TO 3.

IVIS (INFINITI VEHICLE IMMOBILIZER SYSTEM-NATS)

< SERVICE INFORMATION >

NG >> Reinstall NATS antenna amp. correctly.

3. CHECK KEY ID CHIP

Start engine with another registered ignition key or mechanical key.

Does the engine start?

YES >> Ignition key or mechanical key ID chip is malfunctioning.

- Replace the ignition key or mechanical key.
- Perform initialization with CONSULT-III.
For initialization, refer to "CONSULT-III Operation Manual NATS-IVIS/NVIS".

NO >> GO TO 4.

4. CHECK POWER SUPPLY FOR NATS ANTENNA AMP.

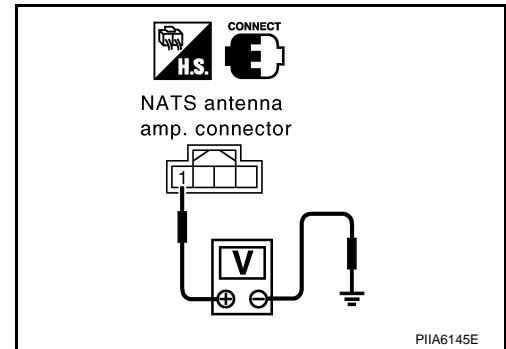
Check voltage between NATS antenna amp. connector M25 terminal 1 (L/R) and ground with CONSULT-III or tester.

1 (L/R) – Ground : Battery voltage

OK or NG

OK >> GO TO 5.

NG >> Check harness for open or short between NATS antenna amp. and fuse.



5. CHECK NATS ANTENNA AMP. SIGNAL LINE- 1

Check voltage between NATS antenna amp. connector M25 terminal 2 (G/B) and ground with analogue tester.

Before inserting mechanical key in ignition knob

Voltage: 0V

Just after inserting mechanical key in ignition knob

: Pointer of tester should move.

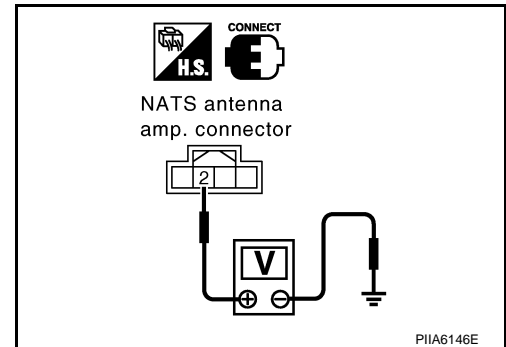
OK or NG

OK >> GO TO 6.

NG >> • Check harness for open or short between NATS antenna amp. and BCM.

NOTE:

If harness is OK, replace BCM, perform initialization with CONSULT-III. For initialization, refer to "CONSULT-III Operation Manual NATS-IVIS/NVIS".



6. CHECK NATS ANTENNA AMP. SIGNAL LINE- 2

Check voltage between NATS antenna amp. connector M25 terminal 4 (BR) and ground with analogue tester.

Before inserting mechanical key in ignition knob

Voltage: 0V

Just after inserting mechanical key in ignition knob

: Pointer of tester should move.

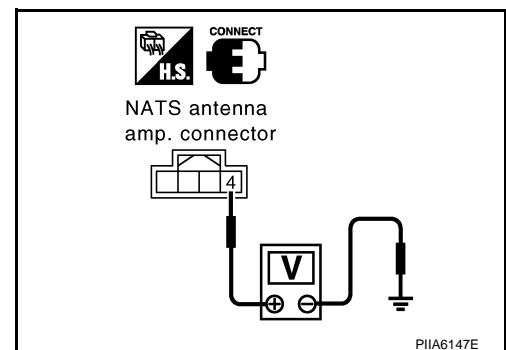
OK or NG

OK >> GO TO 7.

NG >> • Check harness for open or short between NATS antenna amp. and BCM.

NOTE:

If harness is OK, replace BCM, perform initialization with CONSULT-III. For initialization, refer to "CONSULT-III Operation Manual NATS-IVIS/NVIS".



IVIS (INFINITI VEHICLE IMMOBILIZER SYSTEM-NATS)

< SERVICE INFORMATION >

7. CHECK NATS ANTENNA AMP. GROUND LINE CIRCUIT

1. Turn ignition switch OFF.
2. Check continuity between NATS antenna amp. connector M25 terminal 3 (B) and ground.

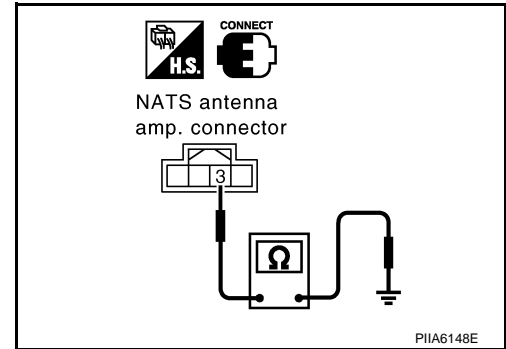
3 (B) – Ground : Continuity should exist.

OK or NG

- OK >> NATS antenna amp. is malfunctioning.
NG >> • Check harness for open or short between NATS antenna amp. and ground.

NOTE:

If harness is OK, replace BCM, perform initialization with CONSULT-III. For initialization, refer to "CONSULT-III Operation Manual NATS-IVIS/NVIS".



Diagnosis Procedure 6

“SECURITY INDICATOR LAMP DOES NOT LIGHT UP”

1. CHECK FUSE

- Check 10A fuse [No.19, located in the fuse block (J/B)]

NOTE:

Refer to [BL-185. "Component Parts and Harness Connector Location"](#).

OK or NG

- OK >> GO TO 2.
NG >> Replace fuse.

2. CHECK SECURITY INDICATOR LAMP

1. Install 10A fuse [No.19, located in the fuse block (J/B)]
2. Start engine and turn ignition switch OFF.
3. Check the security indicator lamp lights up.

Security indicator lamp should light up.

OK or NG

- OK >> Inspection END.
NG >> GO TO 3.

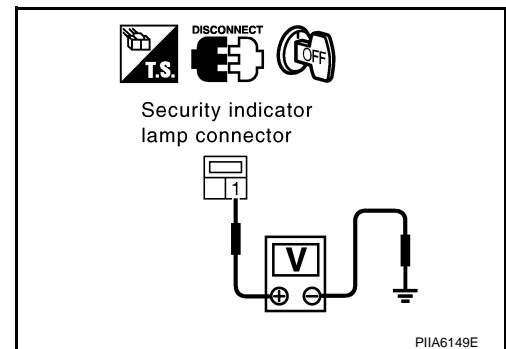
3. CHECK SECURITY INDICATOR LAMP POWER SUPPLY CIRCUIT

1. Disconnect security indicator lamp connector.
2. Check voltage between security indicator lamp connector M38 terminal 1 (R/W) and ground.

1 (R/W) – Ground : Battery voltage

OK or NG

- OK >> GO TO 4.
NG >> Check harness for open or short between fuse and security indicator lamp.



4. CHECK BCM FUNCTION

1. Connect security indicator lamp connector.
2. Disconnect BCM connector M3.

IVIS (INFINITI VEHICLE IMMOBILIZER SYSTEM-NATS)

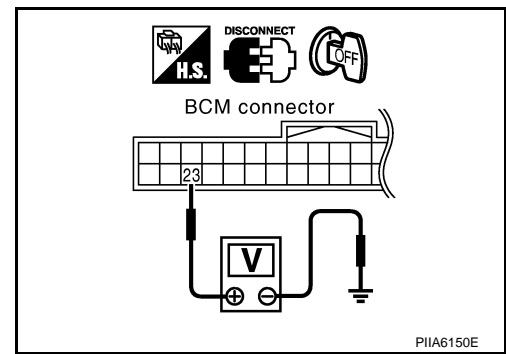
< SERVICE INFORMATION >

3. Check voltage between BCM connector M3 terminal 23 (G/OR) and ground.

23 (G/OR) – Ground : Battery voltage

OK or NG

- OK >> BCM is malfunctioning.
- Replace BCM.
 - Perform initialization with CONSULT-III.
 - For initialization, refer to "CONSULT-III Operation Manual NATS-IVIS/NVIS".
- NG >> Check the following.
- Harness for open or short between security indicator lamp and BCM.
 - Indicator lamp condition



Removal and Installation NATS Antenna Amp

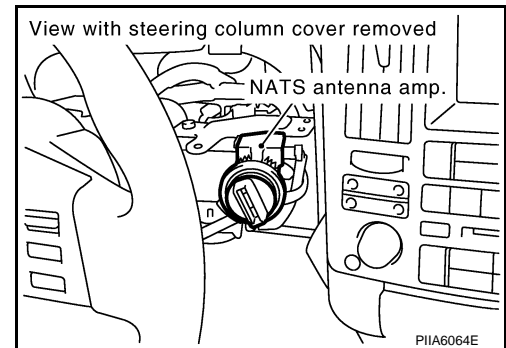
INFOID:000000001327940

REMOVAL

CAUTION:

Before servicing SRS, turn ignition switch OFF, disconnect both battery cables and wait at least 3 minutes.

1. Remove the steering column cover. Refer to [IP-11, "Removal and Installation"](#).
2. Disconnect the NATS antenna amp. connect, remove the screw and NATS antenna amp.



INSTALLATION

Install in the reverse order of removal.

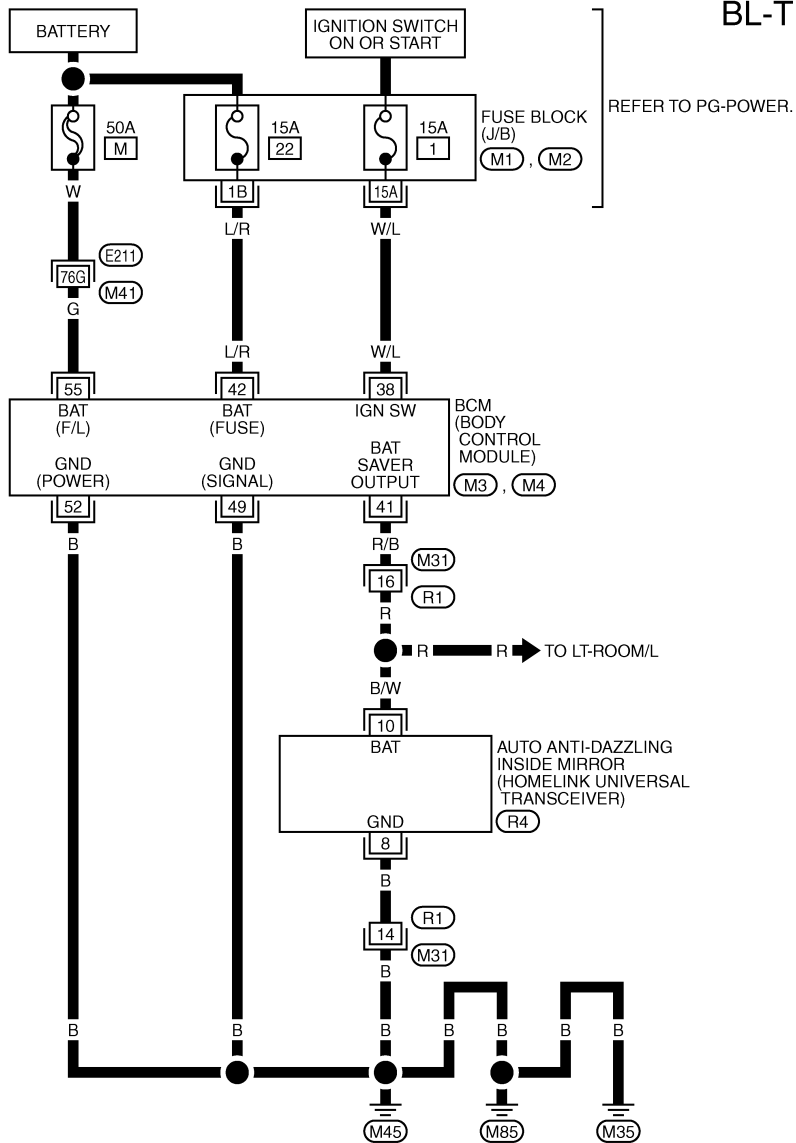
INTEGRATED HOMELINK TRANSMITTER

< SERVICE INFORMATION >

INTEGRATED HOMELINK TRANSMITTER

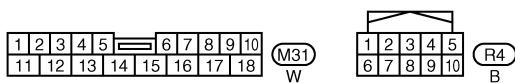
Wiring Diagram - TRNSCV -

INFOID:000000001327941



BL-TRNSCV-01

REFER TO PG-POWER.



REFER TO THE FOLLOWING.

- (E211) -SUPER MULTIPLE JUNCTION (SMJ)
- (M1), (M2) -FUSE BLOCK-JUNCTION BOX (J/B)
- (M3), (M4) -ELECTRICAL UNITS

TIWM1680E

Trouble Diagnosis

DIAGNOSTIC PROCEDURE

SYMPTOM: Transmitter Does Not Activate Receiver.

Revision: 2007 April

BL-202

2008 FX35/FX45

INFOID:000000001327942

INTEGRATED HOMELINK TRANSMITTER

< SERVICE INFORMATION >

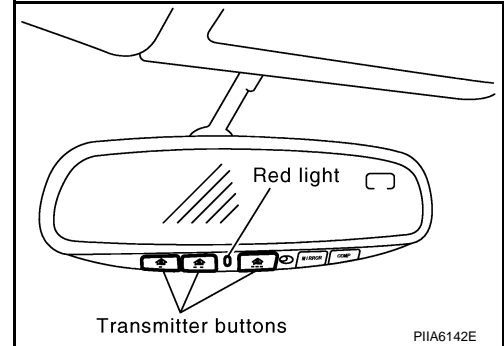
Before conducting the procedure given below, make sure that system receiver (garage door opener, etc.) operates with original, hand-held transmitter. If NG, receiver or hand-held transmitter is malfunctioning, not vehicle related.

1.CHECK ILLUMINATION

1. Turn ignition switch "OFF".
2. Does red light (LED) of transmitter illuminate when any transmitter button is pressed?

YES or NO

- YES >> GO TO 2.
NO >> GO TO 3.



2.CHECK TRANSMITTER

Check transmitter with Tool*.

*:For details, refer to Technical Service Bulletin.

OK or NG

- OK >> Receiver or hand-held transmitter malfunction, not vehicle related.
NG >> Replace inside mirror assembly.

3.CHECK BCM OUTPUT POWER SUPPLY

Does room lamp come on when driver side door opened. Refer to [LT-138](#).

Does room lamp illumination?

- YES >> GO TO 4.
NO >> Repair or replace the malfunction part.

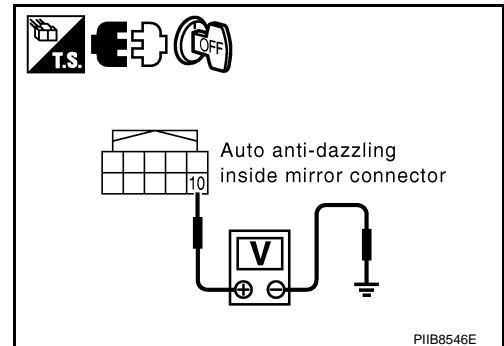
4.CHECK POWER SUPPLY

1. Disconnect transmitter connector.
2. Turn ignition switch "OFF".
3. Check voltage between auto anti-dazzling inside mirror (homelink universal transceiver) connector R4 terminal 10 (B/W) and ground.

10 (B/W) – Ground : Battery voltage

OK or NG

- OK >> GO TO 5.
NG >> Repair or replace harness between BCM and anti-dazzling inside mirror (homelink universal transceiver).



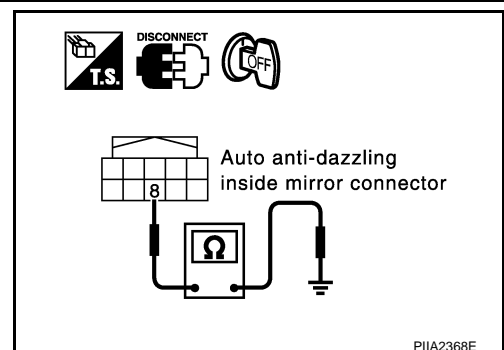
5.CHECK GROUND CIRCUIT

Check continuity between anti-dazzling inside mirror (homelink universal transceiver) connector R4 terminal 8 (B) and ground.

8 (B) – Ground :Continuity should exist.

OK or NG

- OK >> Replace inside mirror assembly.
NG >> Harness for open or short between anti-dazzling inside mirror (homelink universal transceiver) ground.



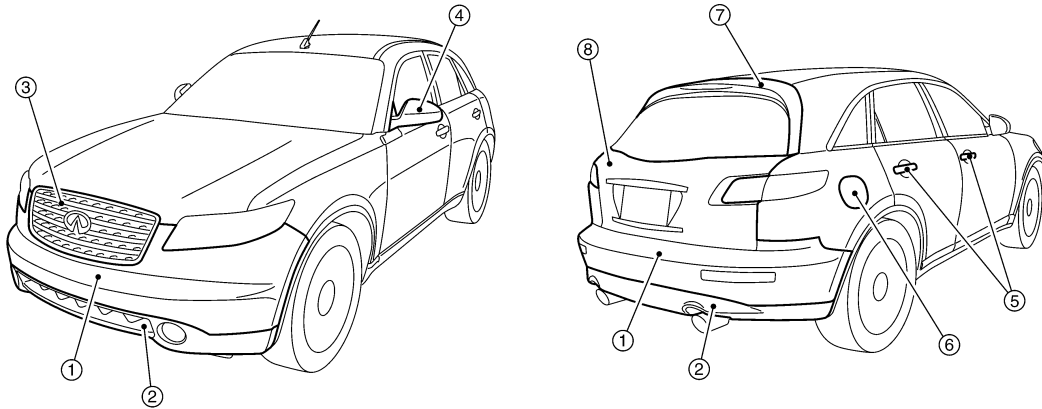
BODY REPAIR

< SERVICE INFORMATION >

BODY REPAIR

Body Exterior Paint Color

INFOID:000000001327943



SIIA2248E

Component			Color code	BA50	BBW9	BC16	BKH3	BK23	BK25	BK32	BQX1	BWV2
			Description	Orange	Dark Blue	Grayish Brown	Black	Silver	Silver	Yellowish Silver	White	Silver
			Paint type	M	2P	PM	2S	M	3M	TM	3P	M
			Hard clear coat	×	×	×	×	-	-	-	-	-
1	Bumper fascia		Body color	BA50	BBW9	BC16	BKH3	BK23	BK25	BK32	BQX1	BWV2
2	Bumper finisher		Black	G01-1	G01-1	G01-1	G01-1	G01-1	G01-1	G01-1	G01-1	G01-1
3	Front grille		Chromium-plate + Color clear coat	Cr2p	Cr2p	Cr2p	Cr2p	Cr2p	Cr2p	Cr2p	Cr2p	Cr2p
4	Door outside mirror	Housing	Body color	BA50	BBW9	BC16	BKH3	BK23	BK25	BK32	BQX1	BWV2
		Base	Black	G01-2	G01-2	G01-2	G01-2	G01-2	G01-2	G01-2	G01-2	G01-2
5	Door outside handle		Chromium-plate	Cr2p	Cr2p	Cr2p	Cr2p	Cr2p	Cr2p	Cr2p	Cr2p	Cr2p
6	Fuel filler lid		Body color	BA50	BBW9	BC16	BKH3	BK23	BK25	BK32	BQX1	BWV2
7	Rear spoiler		Body color	BA50	BBW9	BC16	BKH3	BK23	BK25	BK32	BQX1	BWV2
8	Back door		Body color	BA50	BBW9	BC16	BKH3	BK23	BK25	BK32	BQX1	BWV2

2S: Solid + Clear, 2P: 2-Coat pearl, 3P: 3-Coat pearl, M: Metallic, 3M: 3-Coat Metallic, FPM: Iron oxide pearl, RPM: Multi flex color, TM: Micro titanium metallic, PM: Pearl metallic

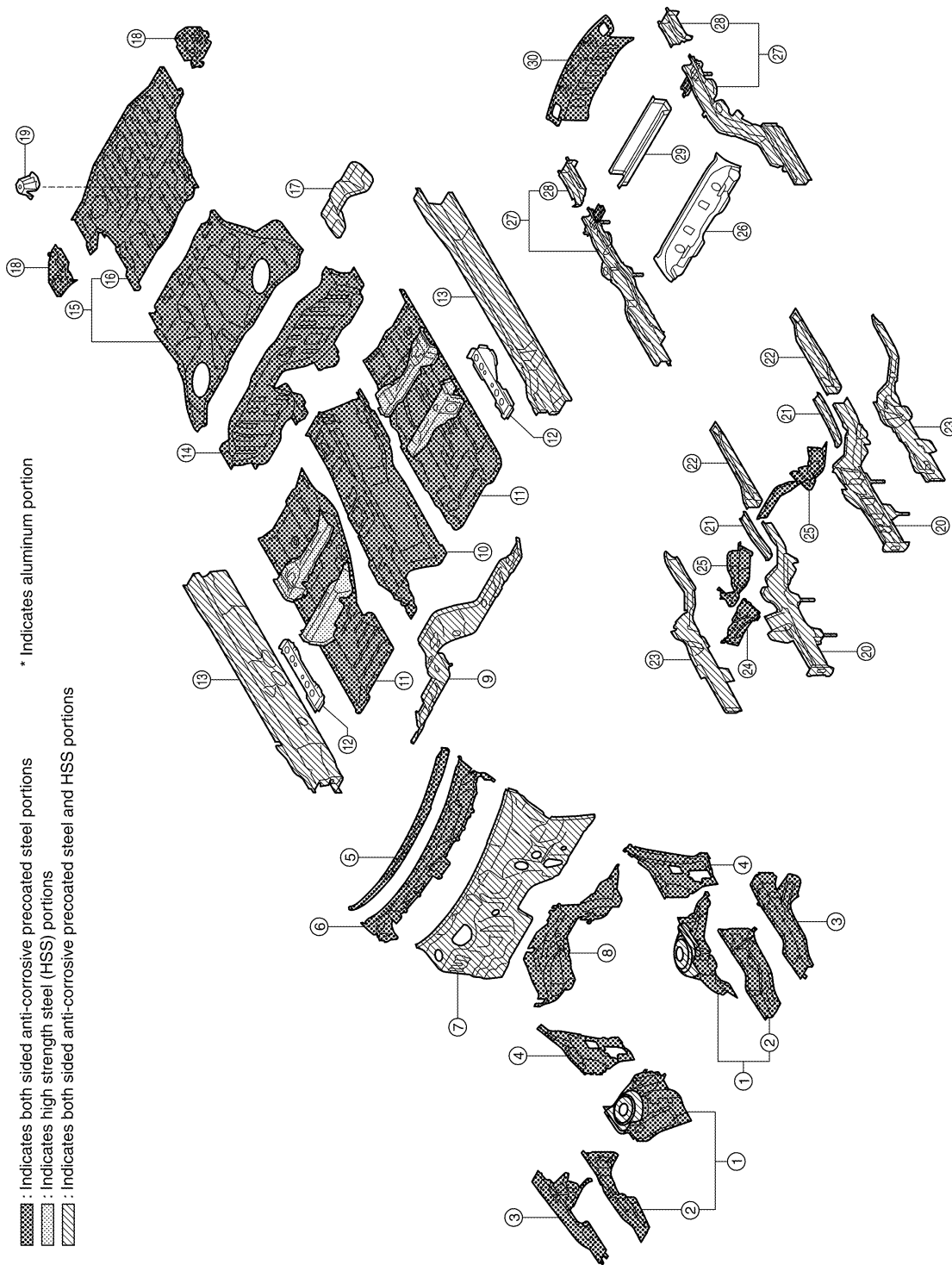
BODY REPAIR

< SERVICE INFORMATION >

Body Component Parts

INFOID:000000001327944

UNDERBODY COMPONENT PARTS



- | | |
|----------------------------|---|
| 1. Hoodledge assembly | 16. Rear floor rear |
| 2. Upper front hoodledge | 17. Rear floor seat belt anchor reinforcement |
| 3. Hoodledge reinforcement | 18. Rear floor side |
| 4. Upper hoodledge | 19. Spare tire clamp bracket |
| 5. Upper dash extension | 20. Front side member |

SIIA2386E

A
B
C
D
E
F
G
H
BL
J
K
L
M
N
O
P

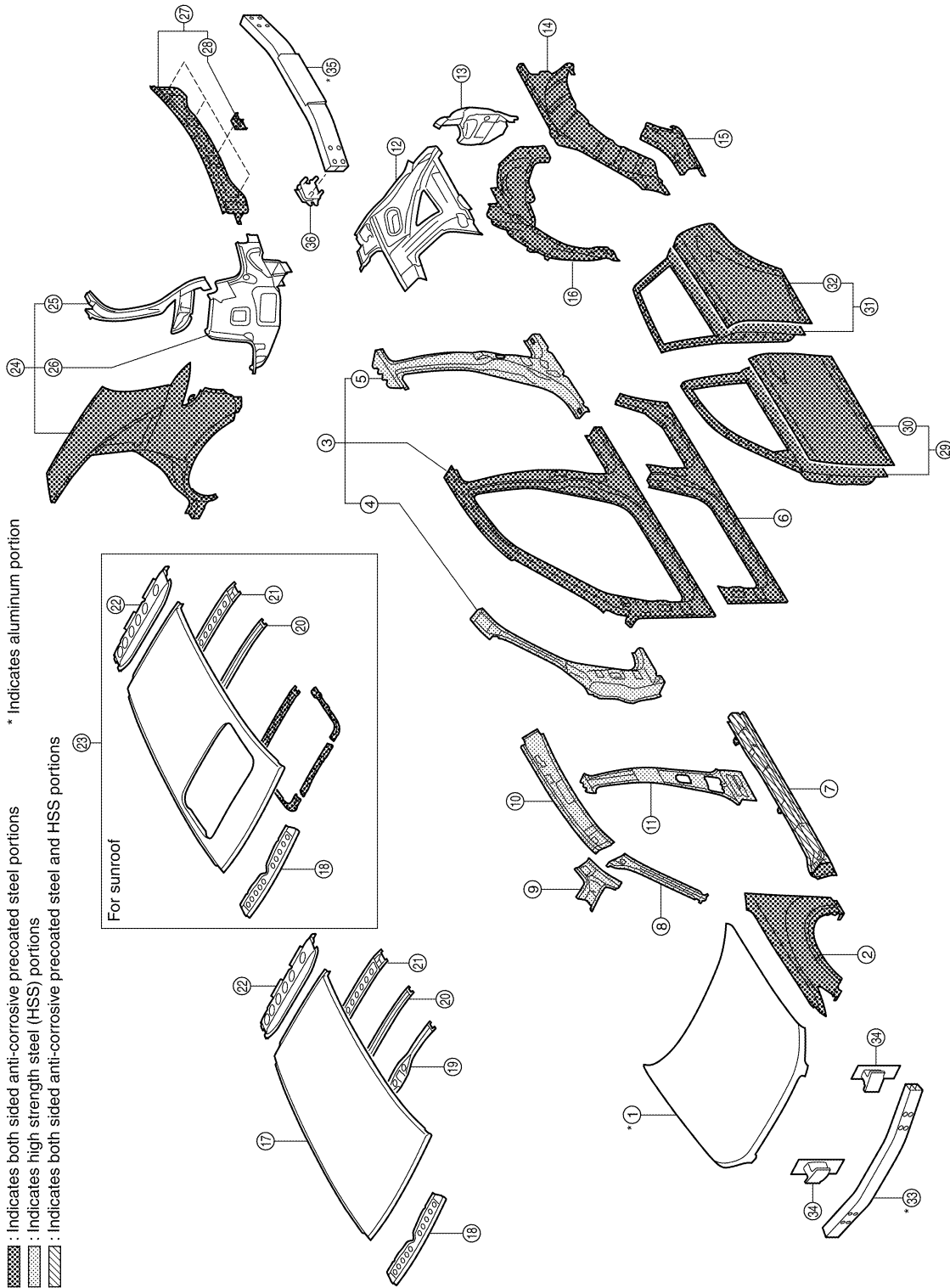
BODY REPAIR

< SERVICE INFORMATION >

- | | |
|------------------------------------|--|
| 6. Upper dash crossmember assembly | 21. Front side member rear reinforcement |
| 7. Upper dash assembly | 22. Front side member front extension |
| 8. Front cowl top assembly | 23. Front side member closing plate |
| 9. Lower dash | 24. Front side member outrigger assembly (RH&LH) |
| 10. Front floor center | 25. Front crossmember |
| 11. Front floor | 26. 2ND rear crossmember |
| 12. Front floor reinforcement | 27. Rear side member assembly |
| 13. Inner sill | 28. Rear side member extension |
| 14. Lower rear seat crossmember | 29. Rear center crossmember assembly |
| 15. Rear floor front | 30. Rear end crossmember assembly |

BODY REPAIR

< SERVICE INFORMATION > BODY COMPONENT PARTS



- | | |
|--|---------------------------------|
| 1. Hood | 19. Roof bow No.1 |
| 2. Front fender (RH&LH) | 20. Roof bow No.2 |
| 3. Side body assembly (RH&LH) | 21. Roof bow No.3 |
| 4. Outer front pillar reinforcement (RH&LH) | 22. Rear roof rail assembly |
| 5. Outer center pillar reinforcement (RH&LH) | 23. Roof assembly (for sunroof) |

SIIA2387E

BODY REPAIR

< SERVICE INFORMATION >

- | | |
|--|--|
| 6. Outer sill (RH&LH) | 24. Rear fender assembly (RH&LH) |
| 7. Outer sill reinforcement assembly (RH&LH) | 25. Upper back pillar assembly (RH&LH) |
| 8. Upper inner front pillar assembly (RH&LH) | 26. Back pillar assembly (RH&LH) |
| 9. Front roof rail brace (RH&LH) | 27. Rear panel assembly |
| 10. Inner side roof rail (RH&LH) | 28. Upper rear bumper retainer |
| 11. Inner center pillar (RH&LH) | 29. Front door assembly (RH&LH) |
| 12. Inner rear pillar (RH&LH) | 30. Outer front door panel (RH&LH) |
| 13. Lower inner rear pillar (RH&LH) | 31. Rear door assembly (RH&LH) |
| 14. Outer rear wheelhouse (RH&LH) | 32. Outer rear door panel (RH&LH) |
| 15. Outer rear wheelhouse extension (RH&LH) | 33. Front bumper reinforcement |
| 16. Inner rear wheelhouse (RH&LH) | 34. Front bumper stay |
| 17. Roof | 35. Rear bumper reinforcement |
| 18. Front roof rail assembly | 36. Rear bumper stay (RH&LH) |

Corrosion Protection

INFOID:000000001327945

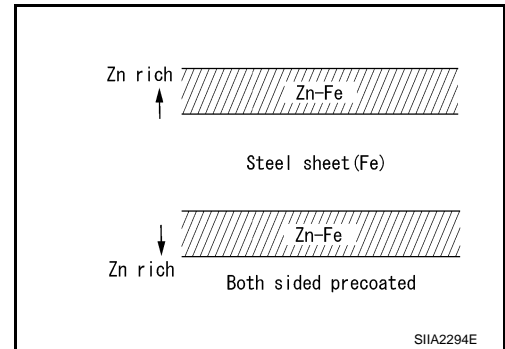
DESCRIPTION

To provide improved corrosion prevention, the following anti-corrosive measures have been implemented in NISSAN production plants. When repairing or replacing body panels, it is necessary to use the same anti-corrosive measures.

Anti-Corrosive Precoated Steel (Galvannealed Steel)

To improve repairability and corrosion resistance, a new type of anti-corrosive precoated steel sheet has been adopted replacing conventional zinc-coated steel sheet.

Galvannealed steel is electroplated and heated to form Zinc-iron alloy, which provides excellent and long term corrosion resistance with cationic electrodeposition primer.



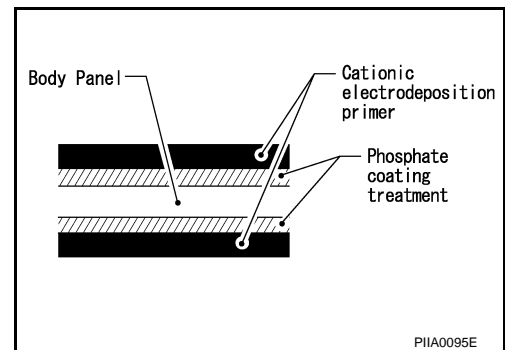
Nissan Genuine Service Parts are fabricated from galvannealed steel. Therefore, it is recommended that GENUINE NISSAN PARTS or equivalent be used for panel replacement to maintain the anti-corrosive performance built into the vehicle at the factory.

Phosphate Coating Treatment and Cationic Electrodeposition Primer

A phosphate coating treatment and a cationic electrodeposition primer, which provide excellent corrosion protection, are employed on all body components.

CAUTION:

Confine paint removal during welding operations to an absolute minimum.



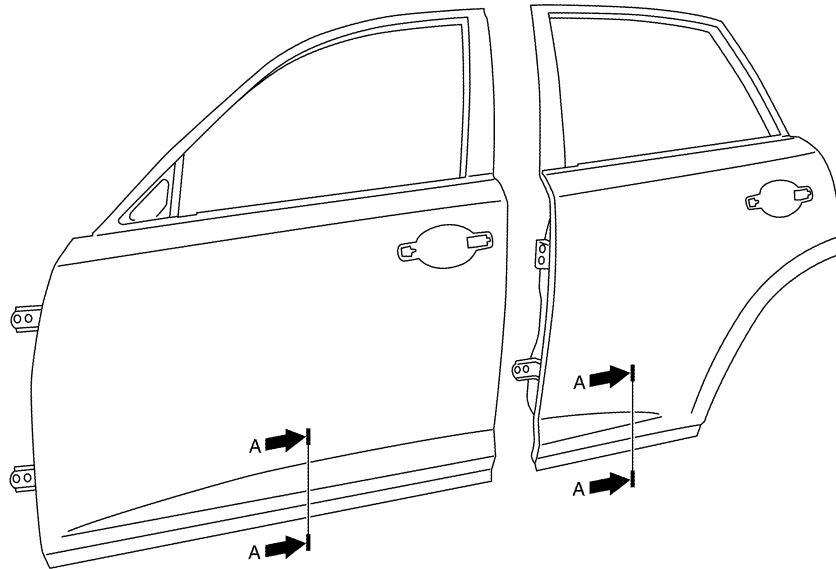
Nissan Genuine Service Parts are also treated in the same manner. Therefore, it is recommended that GENUINE NISSAN PARTS or equivalent be used for panel replacement to maintain anti-corrosive performance built into the vehicle at the factory.


BODY REPAIR

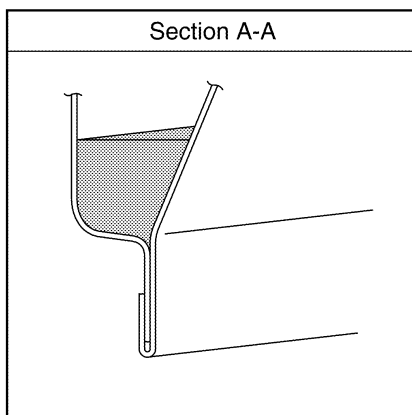
< SERVICE INFORMATION >

ANTI-CORROSIVE WAX

To improve corrosion resistance, anti-corrosive wax is applied inside the body sill and inside other closed sections. Accordingly, when replacing these parts, be sure to apply anti-corrosive wax to the appropriate areas of the new parts. Select an excellent anti-corrosive wax which will penetrate after application and has a long shelf life.



 : Indicates anti-corrosive wax coated portions.



SIIA2251E

UNDERCOATING

The underside of the floor and wheelhouse are undercoated to prevent rust, vibration, noise and stone chipping. Therefore, when such a panel is replaced or repaired, apply undercoating to that part. Use an undercoating which is rust preventive, soundproof, vibration-proof, shock-resistant, adhesive, and durable.

Precautions in Undercoating

1. Do not apply undercoating to any place unless specified (such as the areas above the muffler and three way catalyst which are subjected to heat).


A
B
C
D
E
F
G
H
J
K
L
M
N
O
P


BL

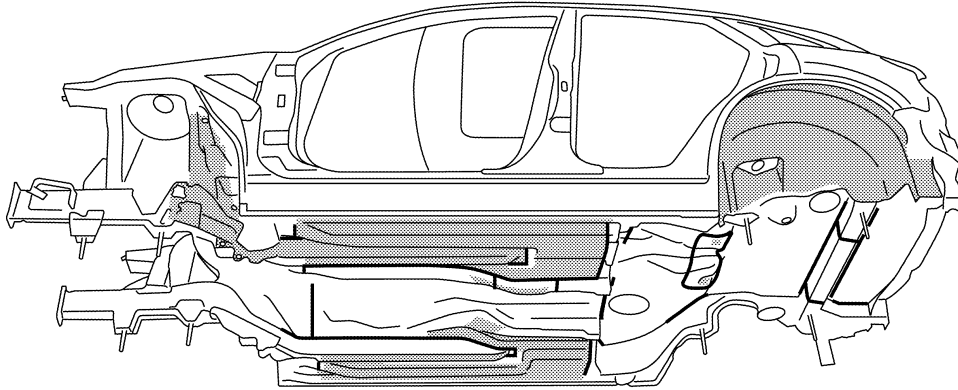
BODY REPAIR

< SERVICE INFORMATION >

2. Do not undercoat the exhaust pipe or other parts which become hot.
3. Do not undercoat rotating parts.
4. Apply bitumen wax after applying undercoating.
5. After putting seal on the vehicle, put undercoating on it.

 : Indicates undercoated portions.

 : Indicates sealed portions.



SIA2252E

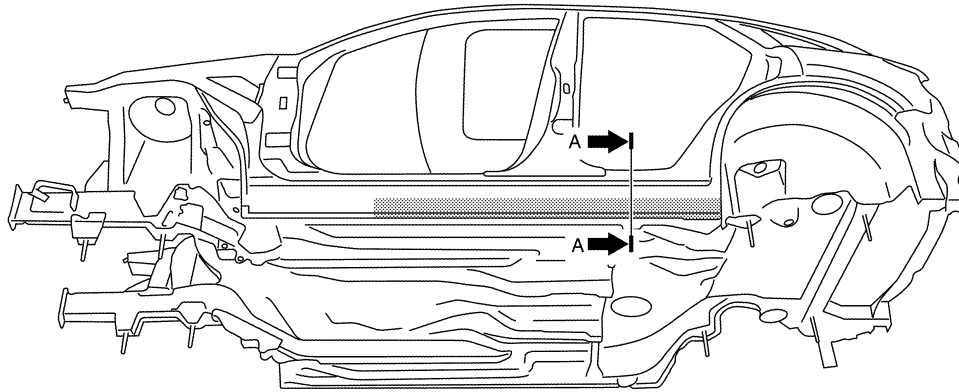
STONE GUARD COAT

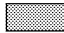
To prevent damage caused by stones, the lower outer body panel (fender, door, etc.) have an additional layer of Stone Guard Coating over the ED primer coating. When replacing or repairing these panels, apply Stone

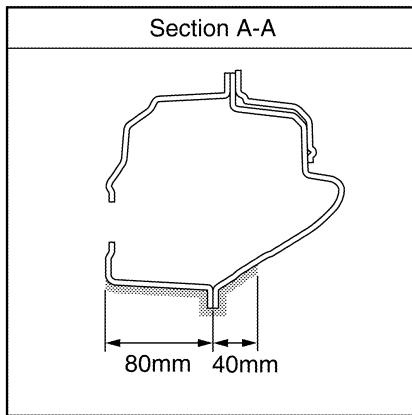
BODY REPAIR

< SERVICE INFORMATION >

Guard coating to the same portions as before. Use a coating which is rust preventive, durable, shock-resistant and has a long shelf life.



 : Indicates stone guard coated portions.



Body Sealing

DESCRIPTION

SIIA2253E

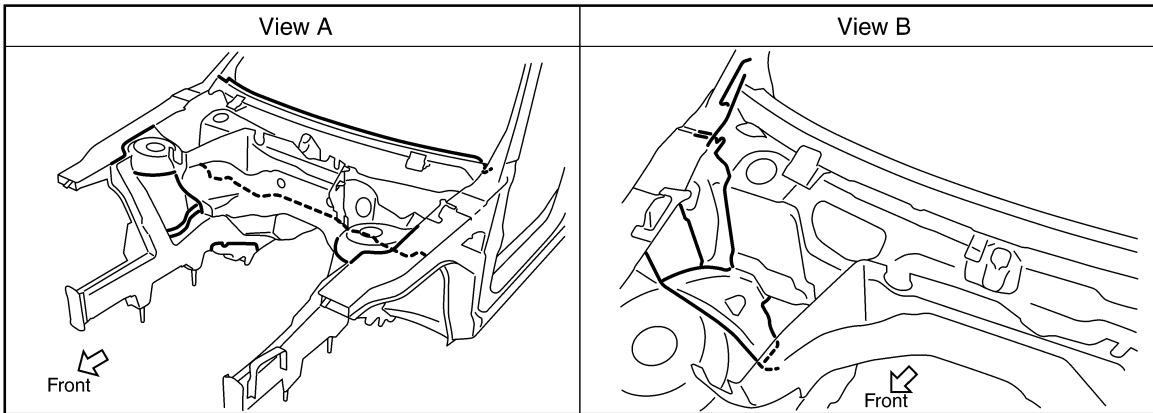
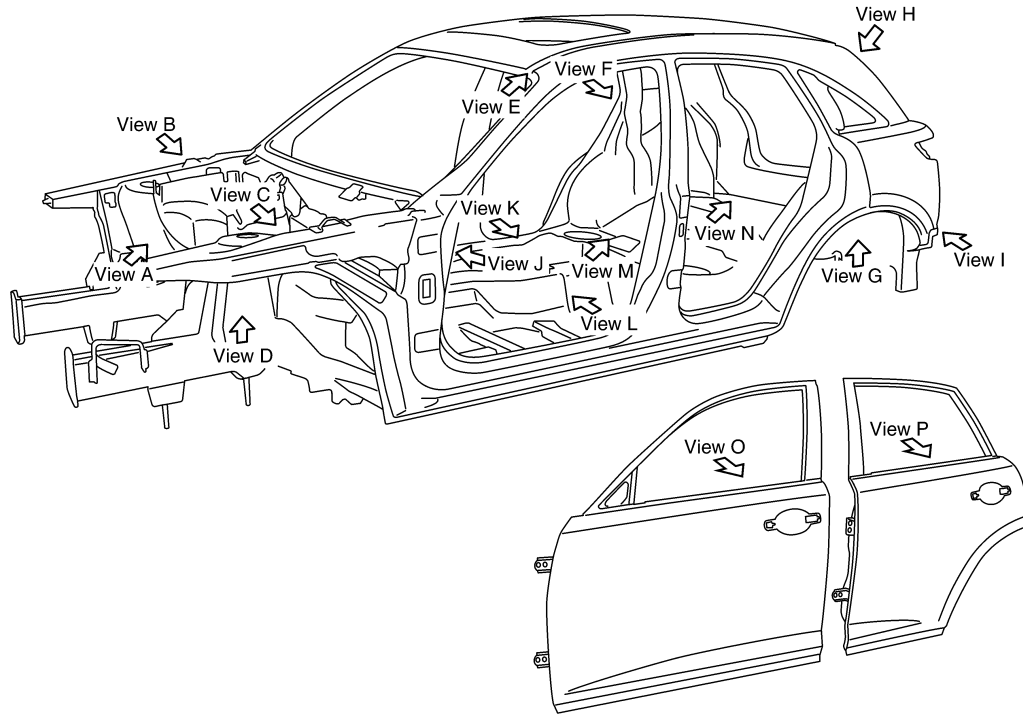
INFOID:000000001327946

A
B
C
D
E
F
G
H
BL
J
K
L
M
N
O
P

BODY REPAIR

< SERVICE INFORMATION >

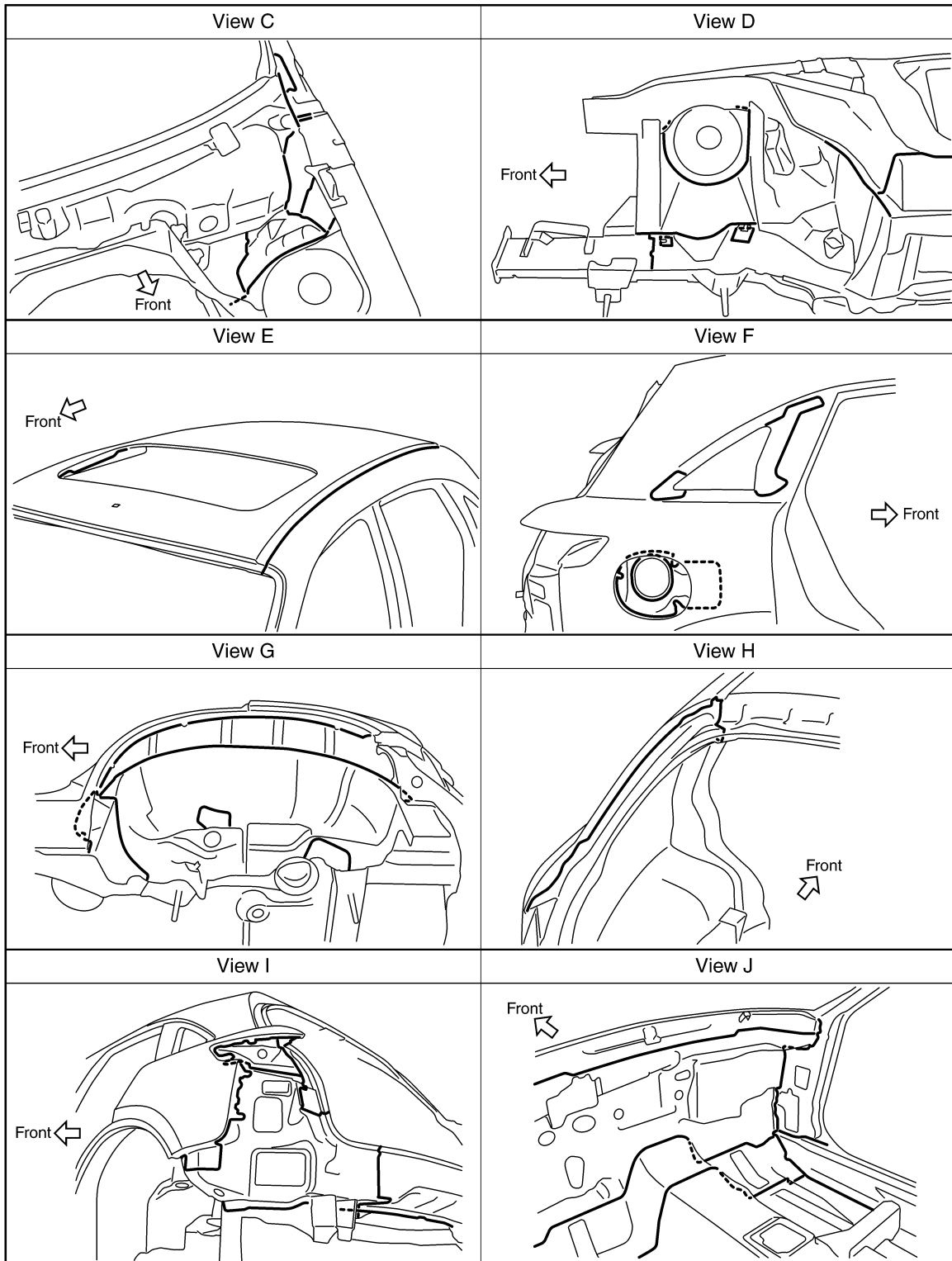
The following figure shows the areas which are sealed at the factory. Sealant which has been applied to these areas should be smooth and free from cuts or gaps. Care should be taken not to apply an excess amount of sealant and not to allow other unaffected parts to come into contact with the sealant.



SIIA2254E

BODY REPAIR

< SERVICE INFORMATION >

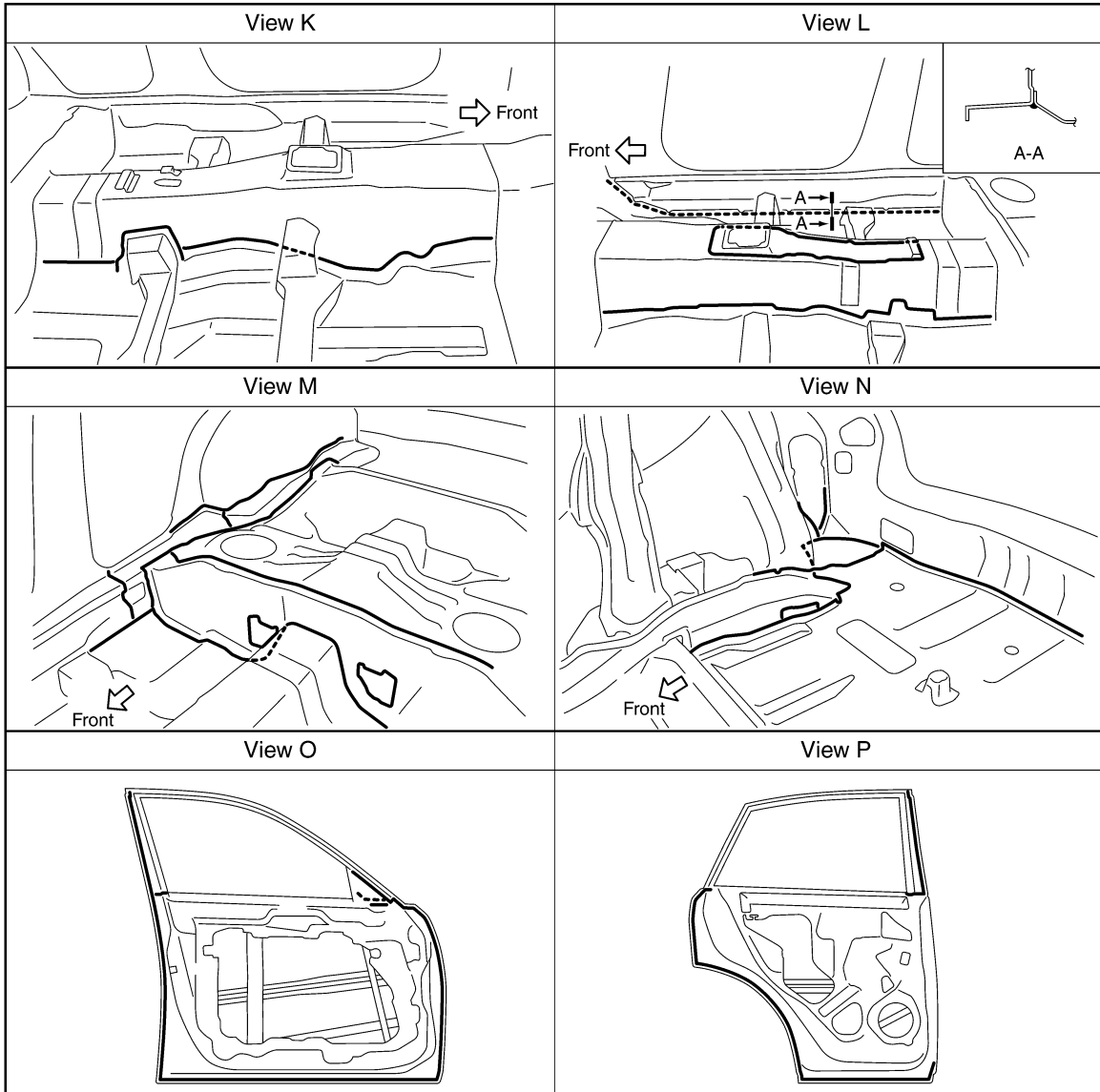


A
B
C
D
E
F
G
H
BL
J
K
L
M
N
O
P

SIIA2255E

BODY REPAIR

< SERVICE INFORMATION >



SIA2256E

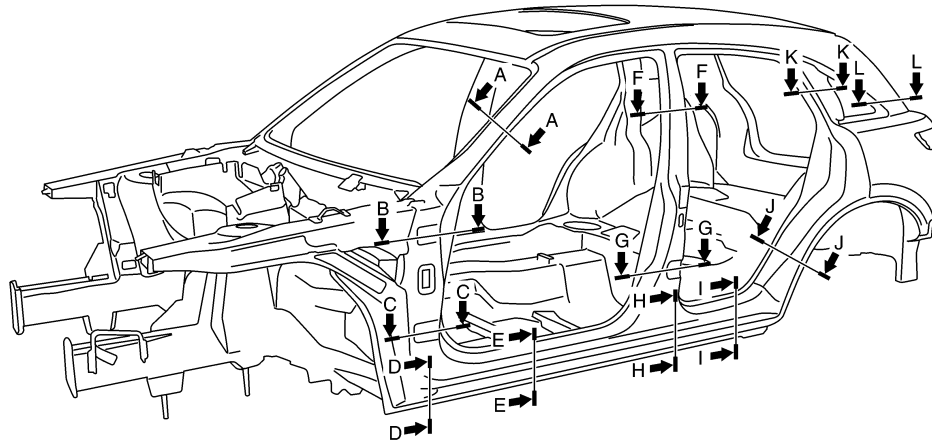
BODY REPAIR

< SERVICE INFORMATION >

Body Construction

INFOID:000000001327947

BODY CONSTRUCTION



Section A-A	Section B-B	Section C-C	Section D-D
Section E-E	Section F-F	Section G-G	Section H-H
Section I-I	Section J-J	Section K-K	Section L-L

A
B
C
D
E
F
G
H
J
K
L
M
N
O
P

BL

Body Alignment

BODY CENTER MARKS

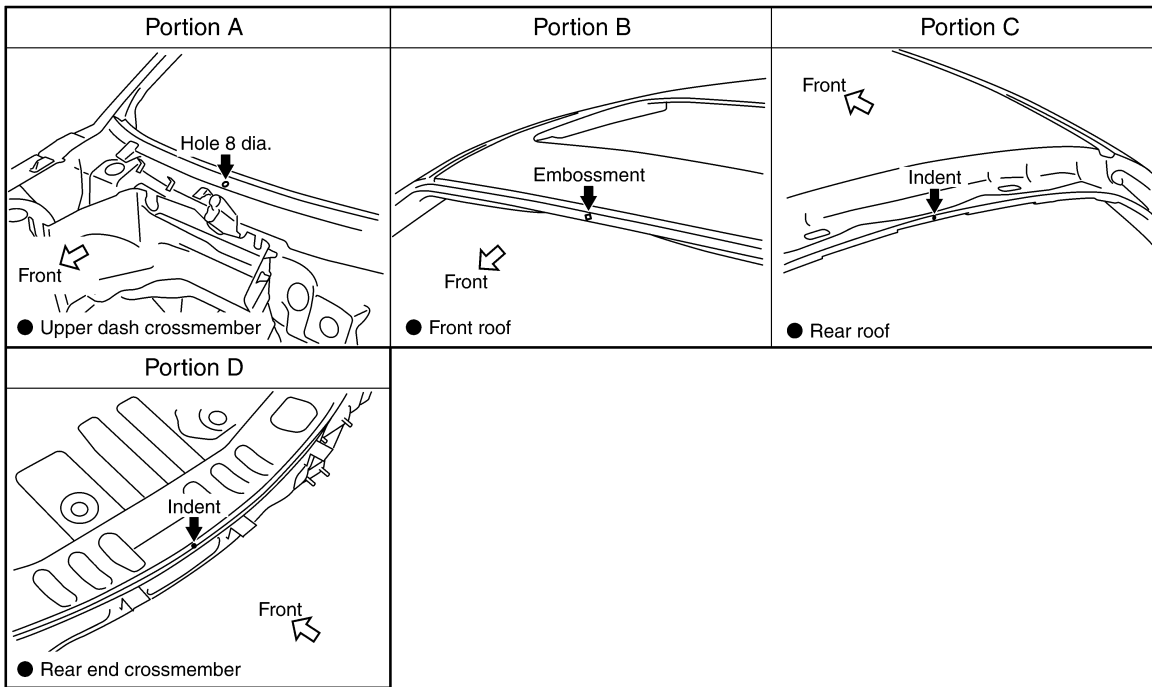
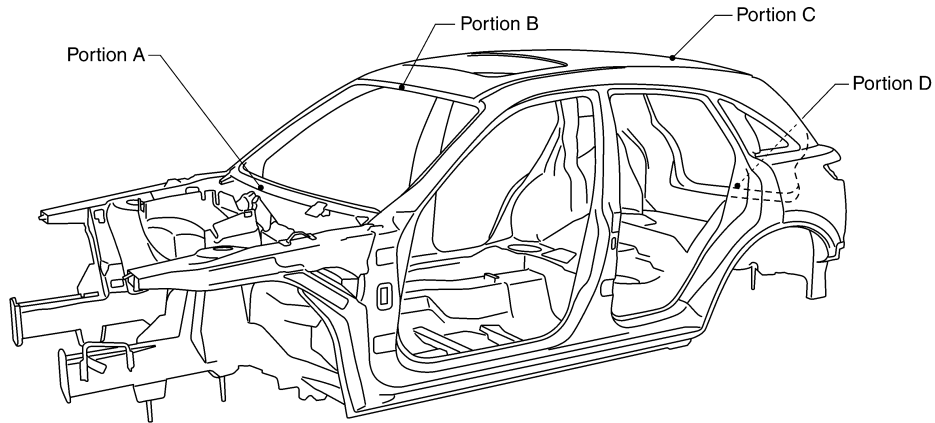
SIA2257E

INFOID:000000001327948

BODY REPAIR

< SERVICE INFORMATION >

A mark has been placed on each part of the body to indicate the vehicle center. When repairing parts damaged by an accident which might affect the vehicle frame (members, pillars, etc.), more accurate and effective repair will be possible by using these marks together with body alignment specifications.



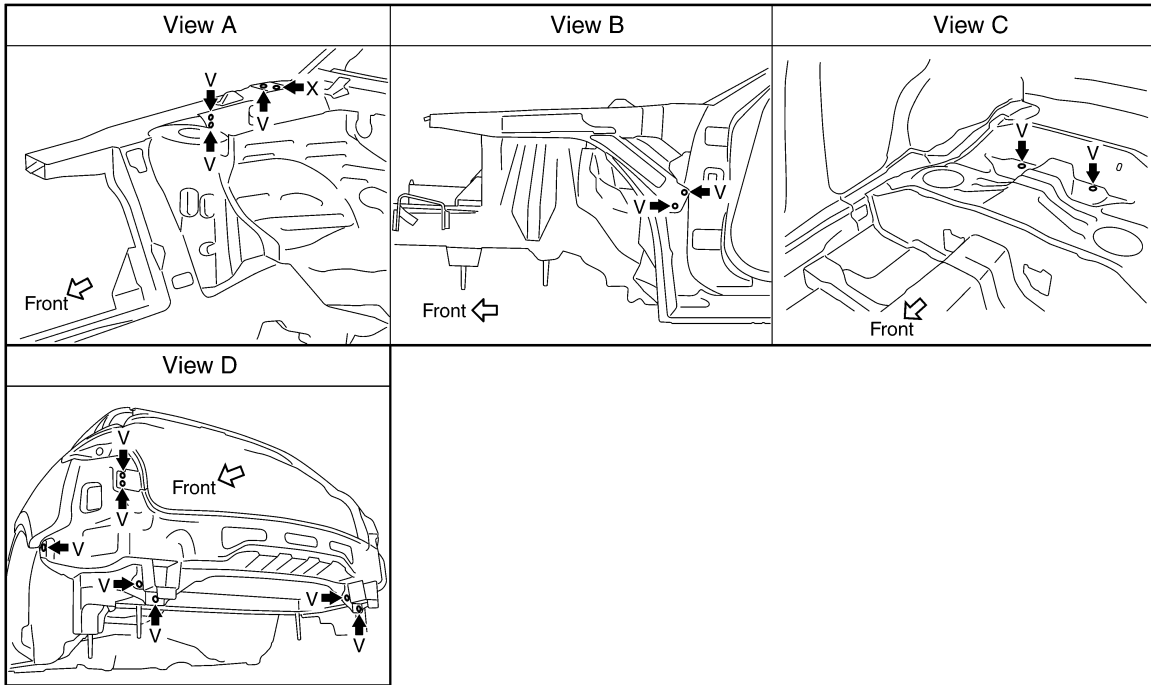
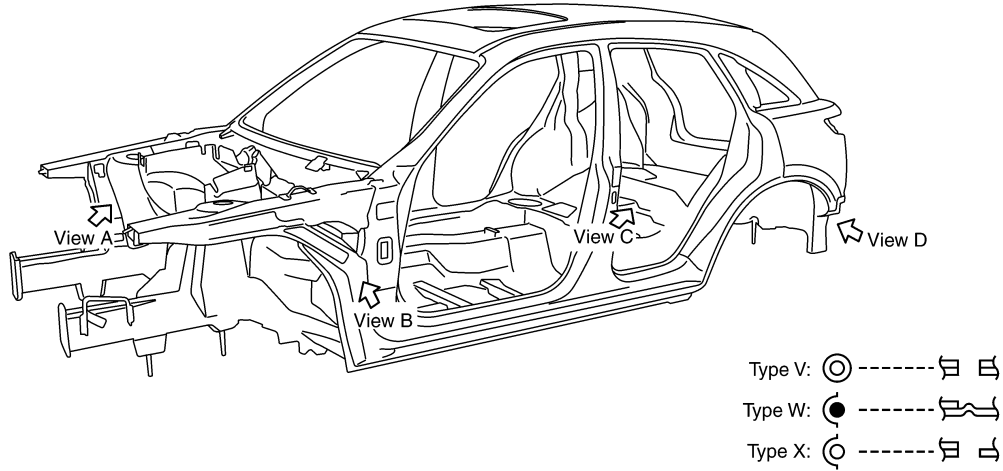
SIA2258E

PANEL PARTS MATCHING MARKS

BODY REPAIR

< SERVICE INFORMATION >

A mark has been placed on each body panel to indicate the parts matching positions. When repairing parts damaged by an accident which might affect the vehicle structure (members, pillars, etc.), more accurate and effective repair will be possible by using these marks together with body alignment specifications.



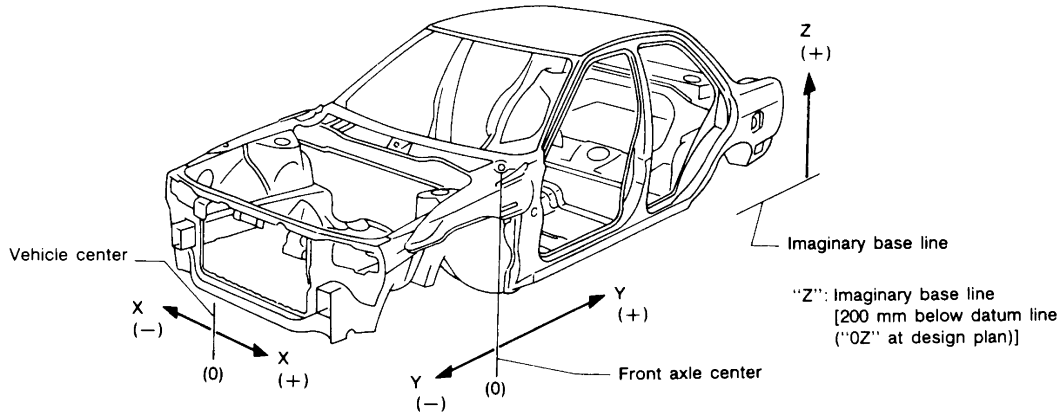
SIIA2259E

DESCRIPTION

- All dimensions indicated in the figures are actual.
- When using a tracking gauge, adjust both pointers to equal length. Then check the pointers and gauge itself to make sure there is no free play.
- When a measuring tape is used, check to be sure there is no elongation, twisting or bending.
- Measurements should be taken at the center of the mounting holes.
- An asterisk (*) following the value at the measuring point indicates that the measuring point on the other side is symmetrically the same value.
- The coordinates of the measurement points are the distances measured from the standard line of "X", "Y" and "Z".

BODY REPAIR

< SERVICE INFORMATION >



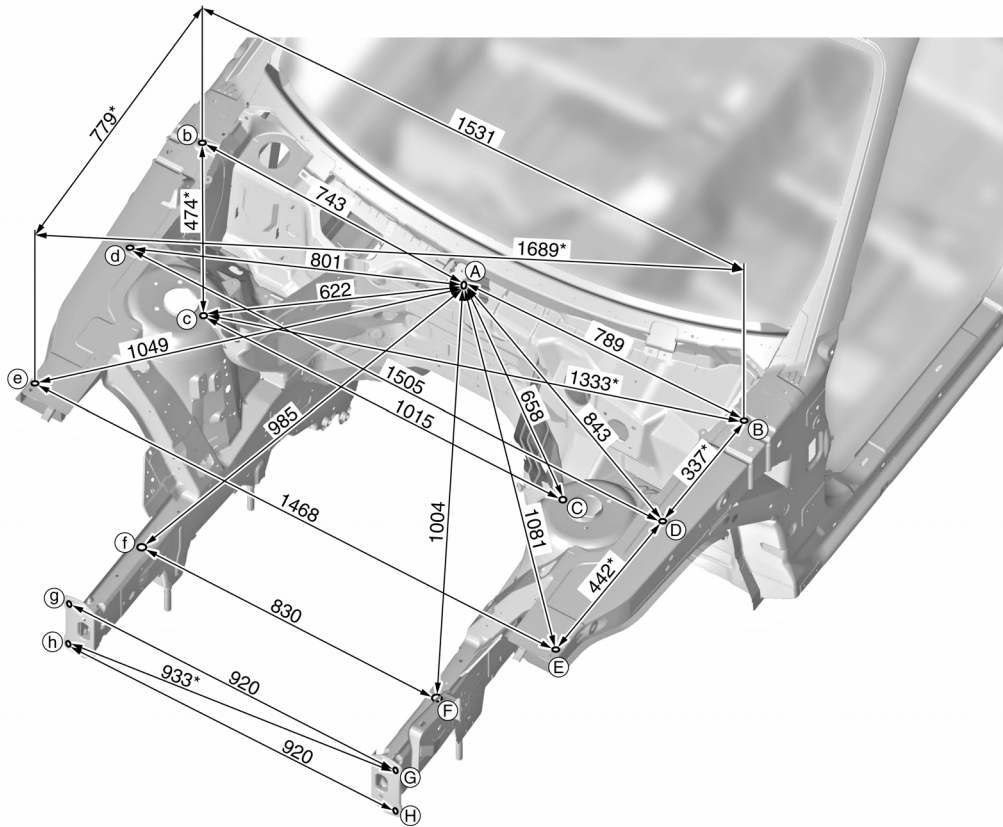
PIIA0104E

ENGINE COMPARTMENT

Measurement

Figures marked with a (*) indicate symmetrically identical dimensions on both right and left hand sides of the vehicle.

Unit : mm

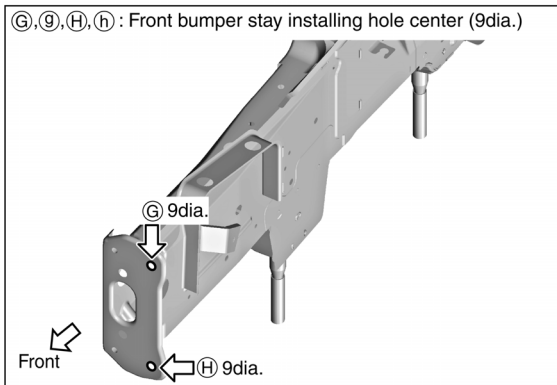
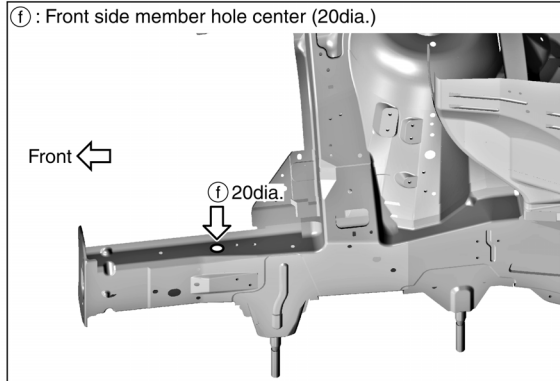
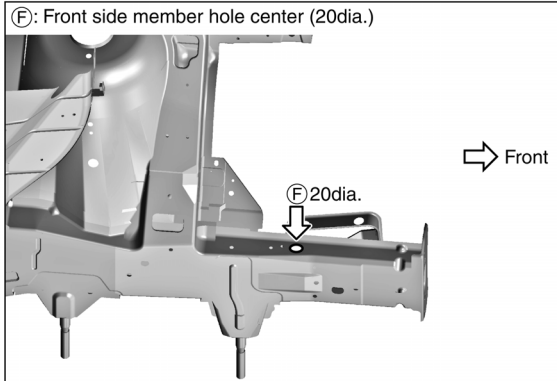
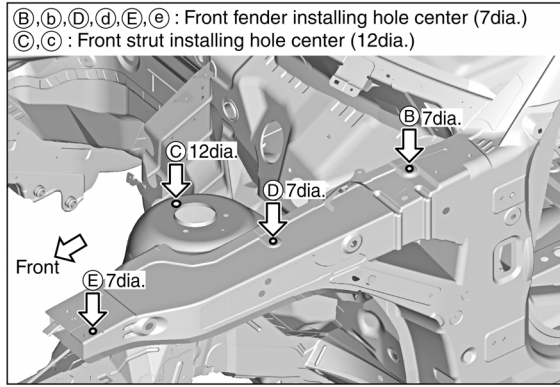
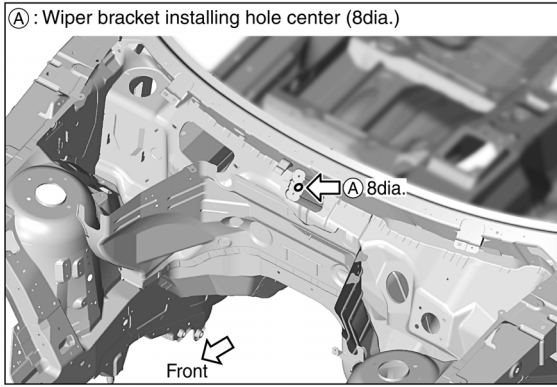


SIIA2260E

BODY REPAIR

< SERVICE INFORMATION >

Measurement Points



A
B
C
D
E
F
G
H
BL
J
K
L
M
N
O
P

UNDERBODY

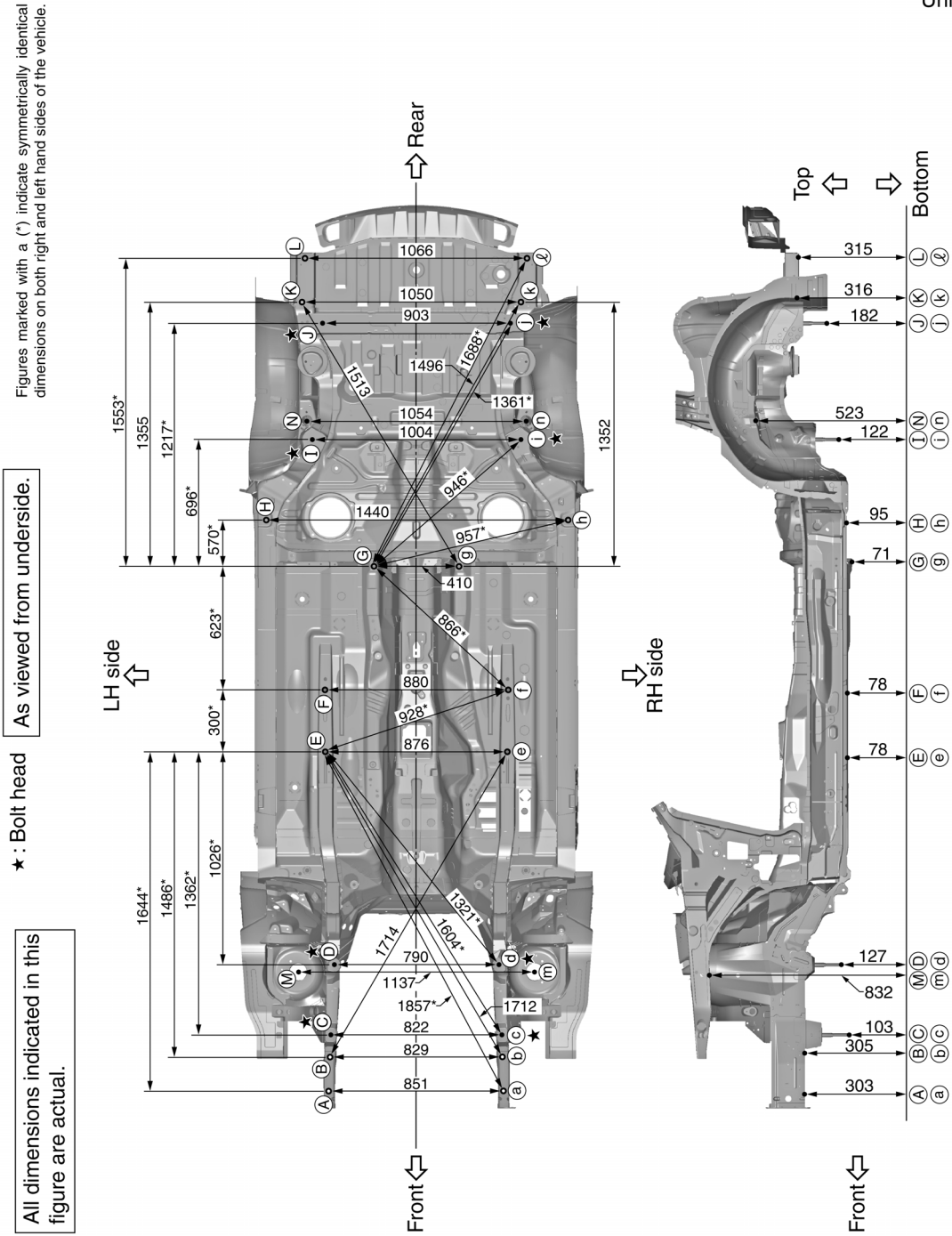
SIIA2261E

BODY REPAIR

< SERVICE INFORMATION >

Measurement

Unit : mm



SIIA2262E

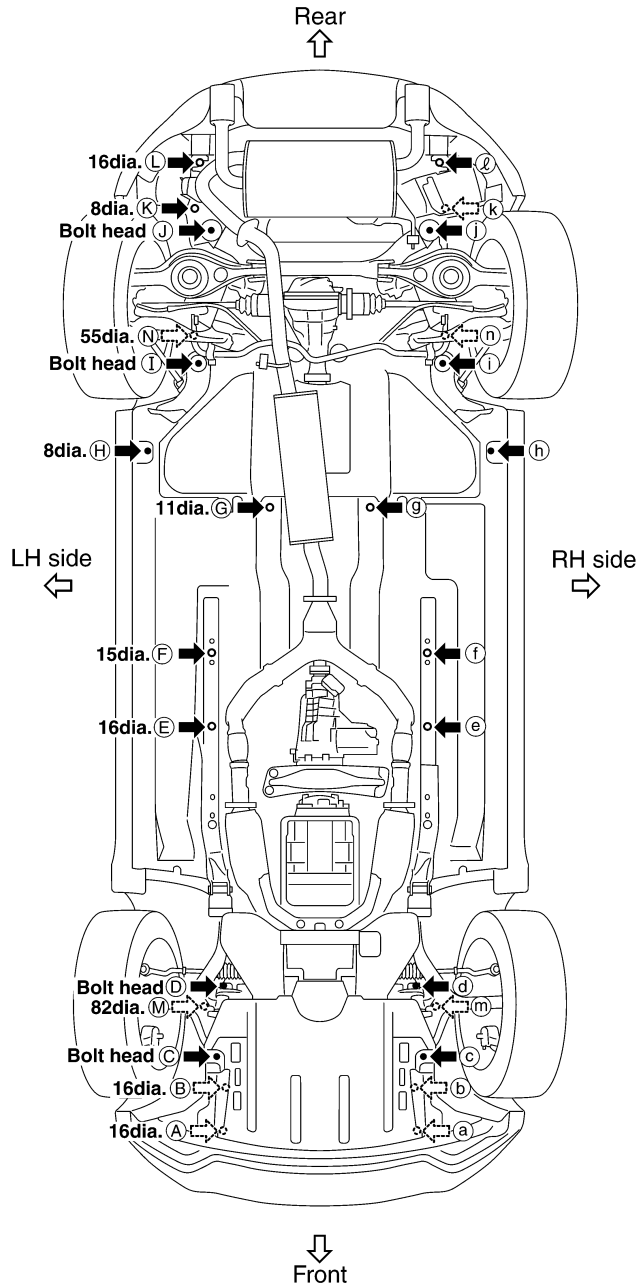
BODY REPAIR

< SERVICE INFORMATION >

Measurement Points

Unit : mm

As viewed from underside.



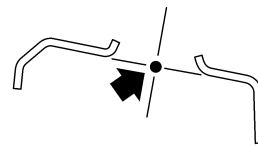
Coordinates:

(A), (a)	(H), (h)
X:426	X:720
Y:-528	Y:2220
Z:303	Z:95
(B)	(I), (i)
X:416	X:502
Y:-368	Y:2604
Z:305	Z:122
(b)	(J), (j)
X:-413	X:452
Y:-368	Y:3164
Z:305	Z:182
(C), (c)	(K)
X:411	X:550
Y:-261	Y:3265
Z:103	Z:316
(D), (d)	(k)
X:395	X:-500
Y:76	Y:3273
Z:127	Z:316
(E), (e)	(L), (l)
X:438	X:533
Y:1100	Y:3475
Z:78	Z:315
(F), (f)	
X:440	
Y:1400	
Z:78	
(G), (g)	
X:205	
Y:1977	
Z:71	

Front and rear strut tower centers

Coordinates:

(M), (m)
X:568
Y:43
Z:832
(N), (n)
X:527
Y:2691
Z:523



Front: (M), (m) 82dia.
Front: (N), (n) 55dia.

SIIA2263E

PASSENGER COMPARTMENT

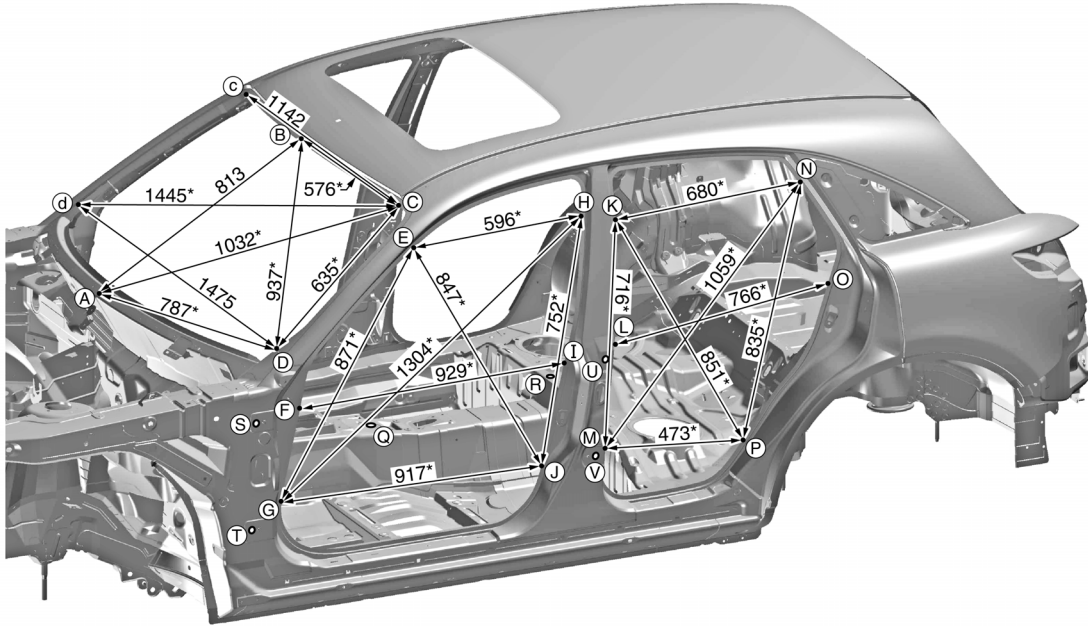
BODY REPAIR

< SERVICE INFORMATION >

Measurement

Unit : mm

Figures marked with a (*) indicate symmetrically identical dimensions on both right and left hand sides of the vehicle.



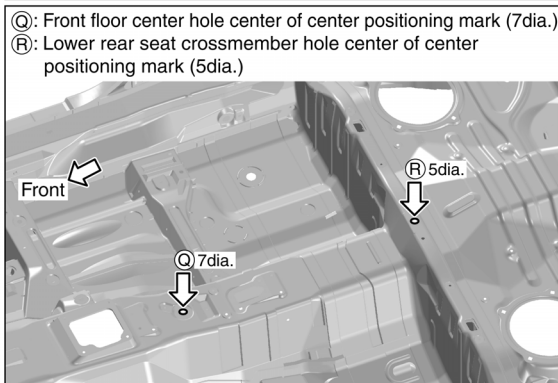
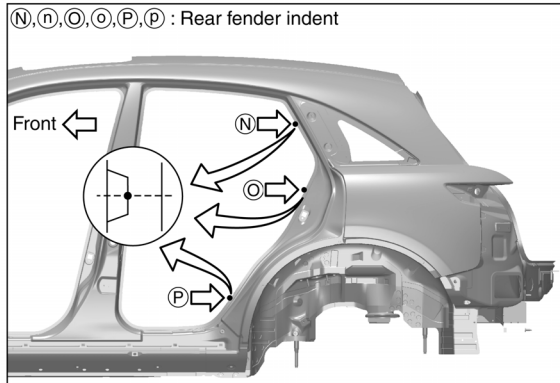
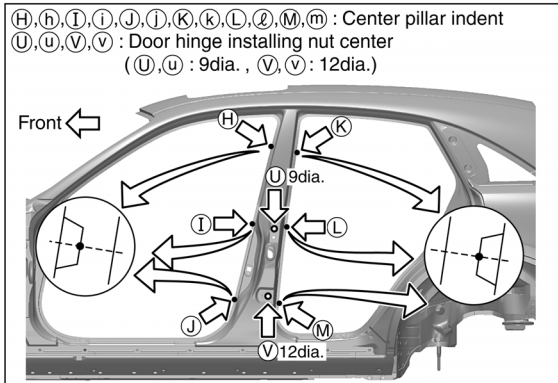
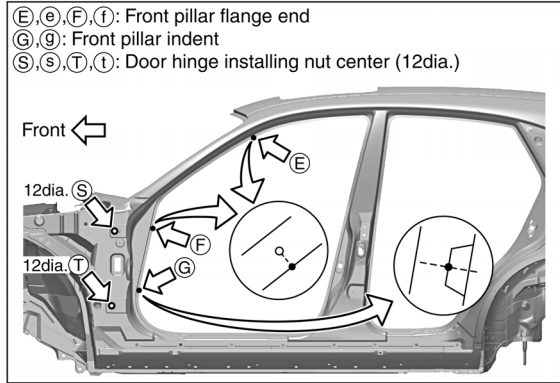
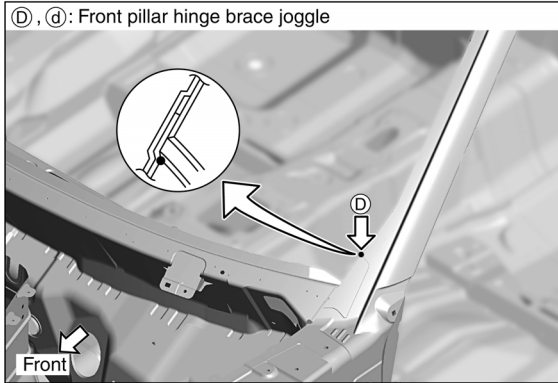
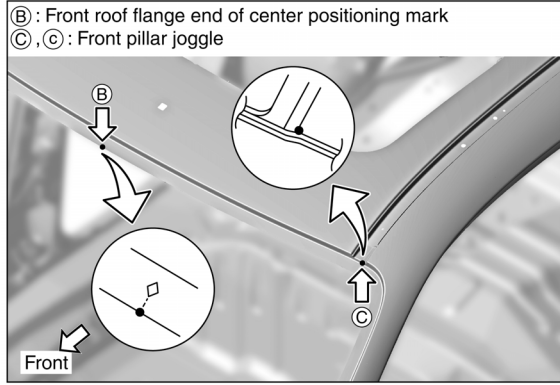
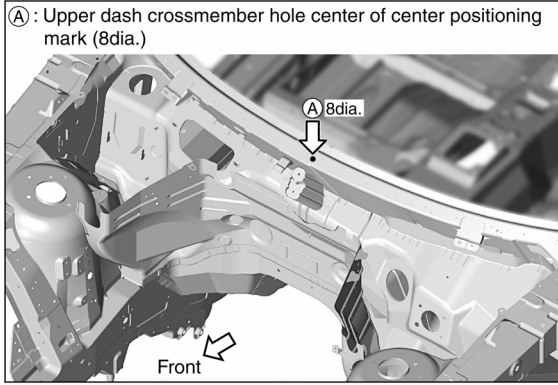
Point	Dimension	Point	Dimension	Point	Dimension
E~e	1,352	K~k	1,524*	Q~q	950*
E~g	1,692*	K~p	1,719*	Q~j	820*
E~h	1,485*	L~l	1,556	R~k	1,035*
E~j	1,680*	M~m	1,556	R~l	885*
F~f	1,556	M~n	1,788*	R~m	805*
G~g	1,556	M~p	1,647*	R~n	1,168*
G~h	1,957*	N~n	1,334	R~o	1,077*
G~j	1,807*	N~p	1,682*	R~p	845*
H~h	1,369	O~o	1,516	S~u	1,218*
H~j	1,642*	P~p	1,599	S~v	1,220*
I~i	1,556	Q~e	1,097*	T~u	1,294*
J~j	1,556	Q~f	1,081*	T~v	1,204*
K~k	1,395	Q~g	1,046*		
K~m	1,638*	Q~h	1,157*		

SIIA2264E

BODY REPAIR

< SERVICE INFORMATION >

Measurement Points



SIIA2265E

REAR BODY

A
B
C
D
E
F
G
H
BL
J
K
L
M
N
O
P

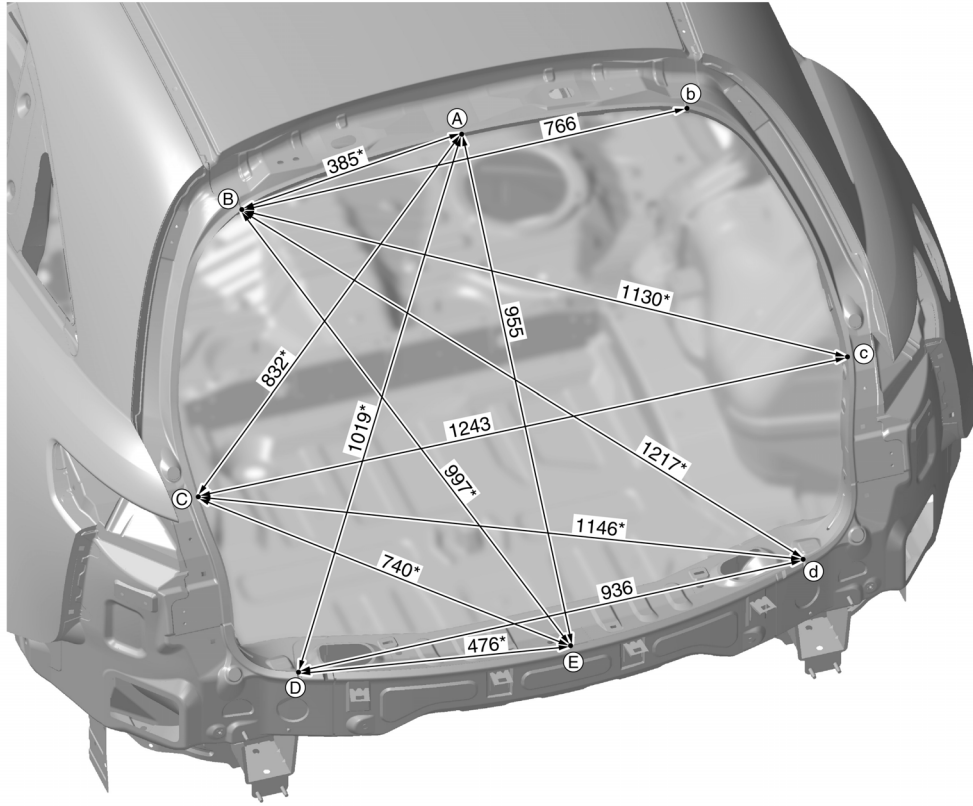
BODY REPAIR

< SERVICE INFORMATION >

Measurement

Figures marked with a (*) indicate symmetrically identical dimensions on both right and left hand sides of the vehicle.

Unit : mm

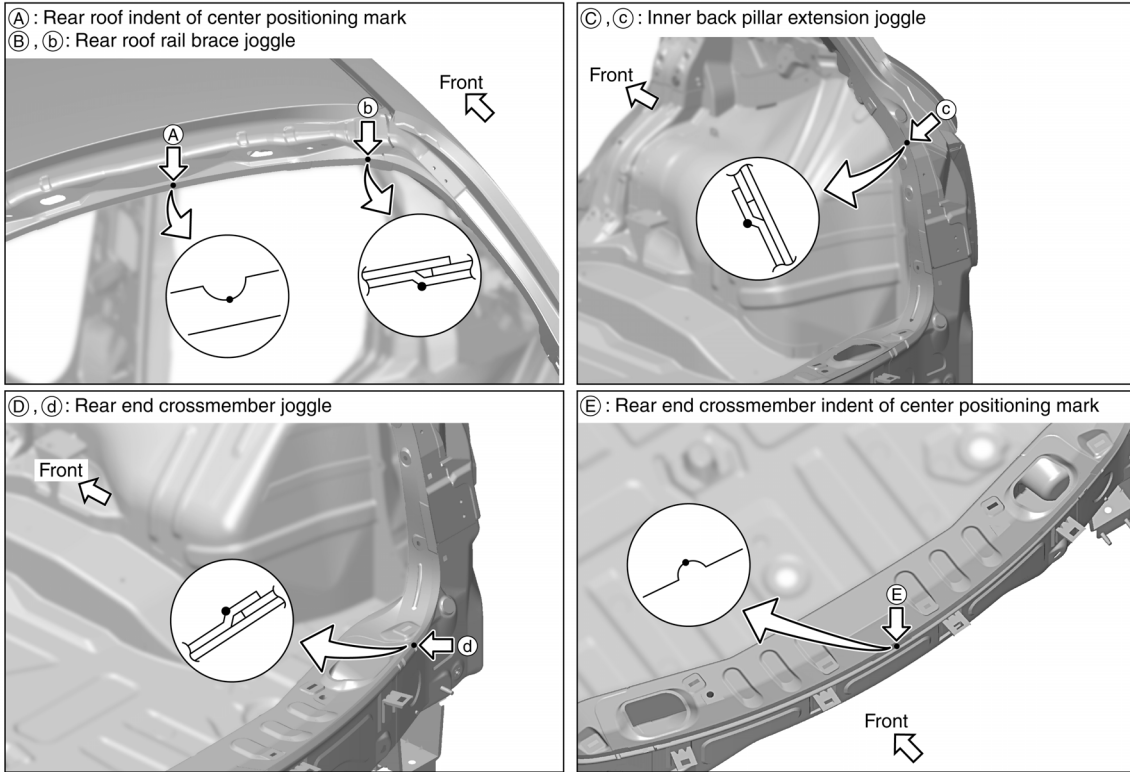


SIIA2266E

BODY REPAIR

< SERVICE INFORMATION >

Measurement Points



A
B
C
D
E
F
G
H

BL

J
K
L
M
N
O
P

Handling Precaution for Plastics

HANDLING PRECAUTIONS FOR PLASTICS

SIIA2390E

INFOID:000000001327949

BODY REPAIR

< SERVICE INFORMATION >

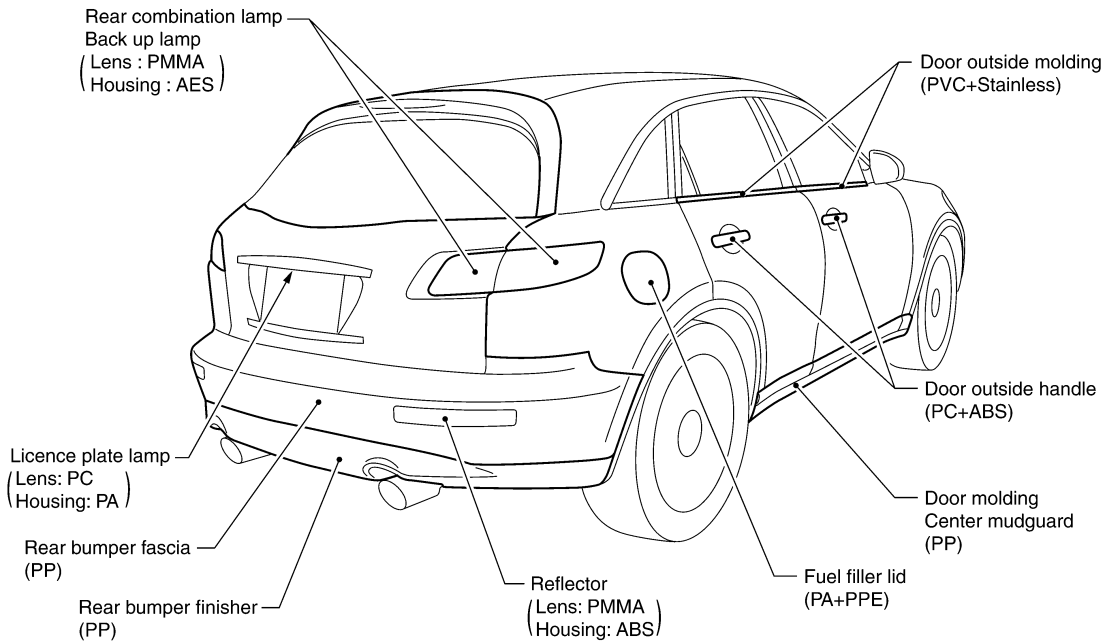
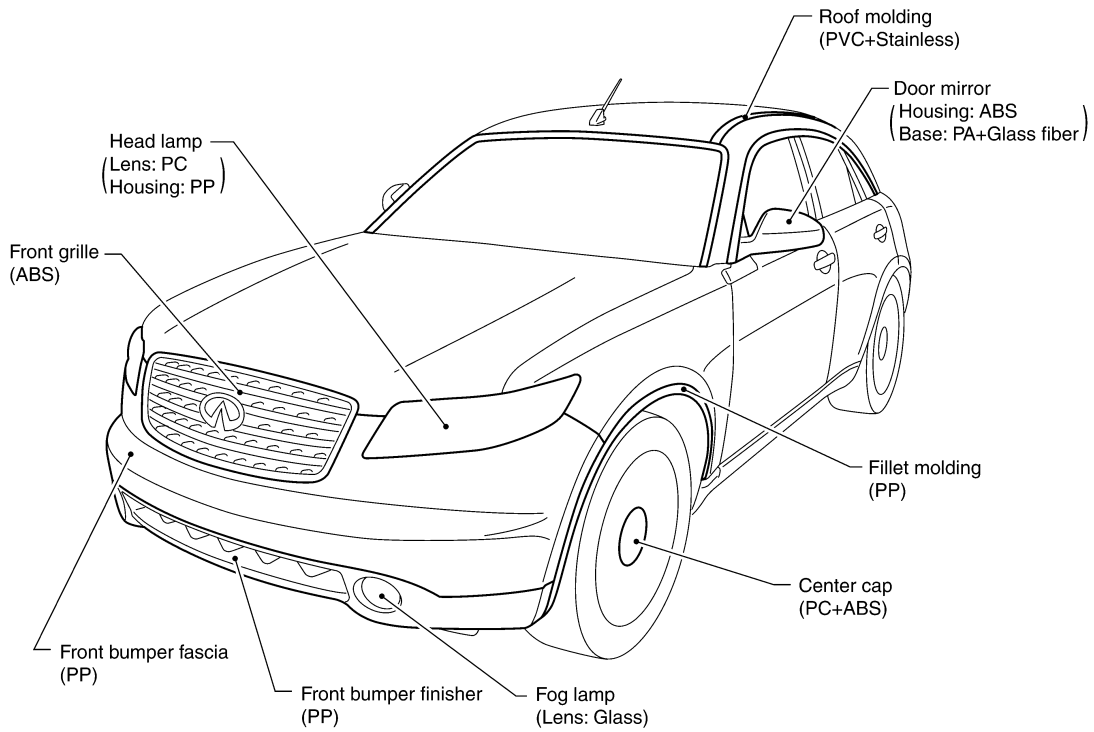
Abbre- viation	Material name	Heat resisting temperature °C(°F)	Resistance to gasoline and solvents	Other cautions
PE	Polyethylene	60(140)	Gasoline and most solvents are harmless if applied for a very short time (wipe up quickly).	Flammable
PVC	Poly Vinyl Chloride	80(176)	Same as above.	Poison gas is emitted when burned.
EPM/ EPDM	Ethylene Propylene (Diene) co-polymer	80(176)	Same as above.	Flammable
PP	Polypropylene	90(194)	Same as above.	Flammable, avoid battery acid.
UP	Unsaturated Polyester	90(194)	Same as above.	Flammable
PS	Polystyrene	80(176)	Avoid solvents.	Flammable
ABS	Acrylonitrile Butadiene Styrene	80(176)	Avoid gasoline and solvents.	
AES	Acrylonitrile Ethylene Styrene	80(176)	Same as above.	
PMMA	Poly Methyl Methacrylate	85(185)	Same as above.	
EVAC	Ethylene Vinyl Acetate	90(194)	Same as above.	
ASA	Acrylonitrile Styrene Acrylate	100(222)	Same as above.	Flammable
PPE	Poly Phenylene Ether	110(230)	Same as above.	
PC	Polycarbonate	120(248)	Same as above.	
PAR	Polyarylate	180(356)	Same as above.	
PUR	Polyurethane	90(194)	Same as above.	
POM	Poly Oxymethylene	120(248)	Same as above.	Avoid battery acid.
PBT+ PC	Poly Butylene Terephthalate + Polycarbonate	120(248)	Same as above.	Flammable
PA	Polyamide	140(284)	Same as above.	Avoid immersing in water.
PBT	Poly Butylene Terephthalate	140(284)	Same as above.	
PET	Polyester	180(356)	Same as above.	
PEI	Polyetherimide	200(392)	Same as above.	

1. When repairing and painting a portion of the body adjacent to plastic parts, consider their characteristics (influence of heat and solvent) and remove them if necessary or take suitable measures to protect them.
2. Plastic parts should be repaired and painted using methods suiting the materials' characteristics.

BODY REPAIR

< SERVICE INFORMATION >

LOCATION OF PLASTIC PARTS

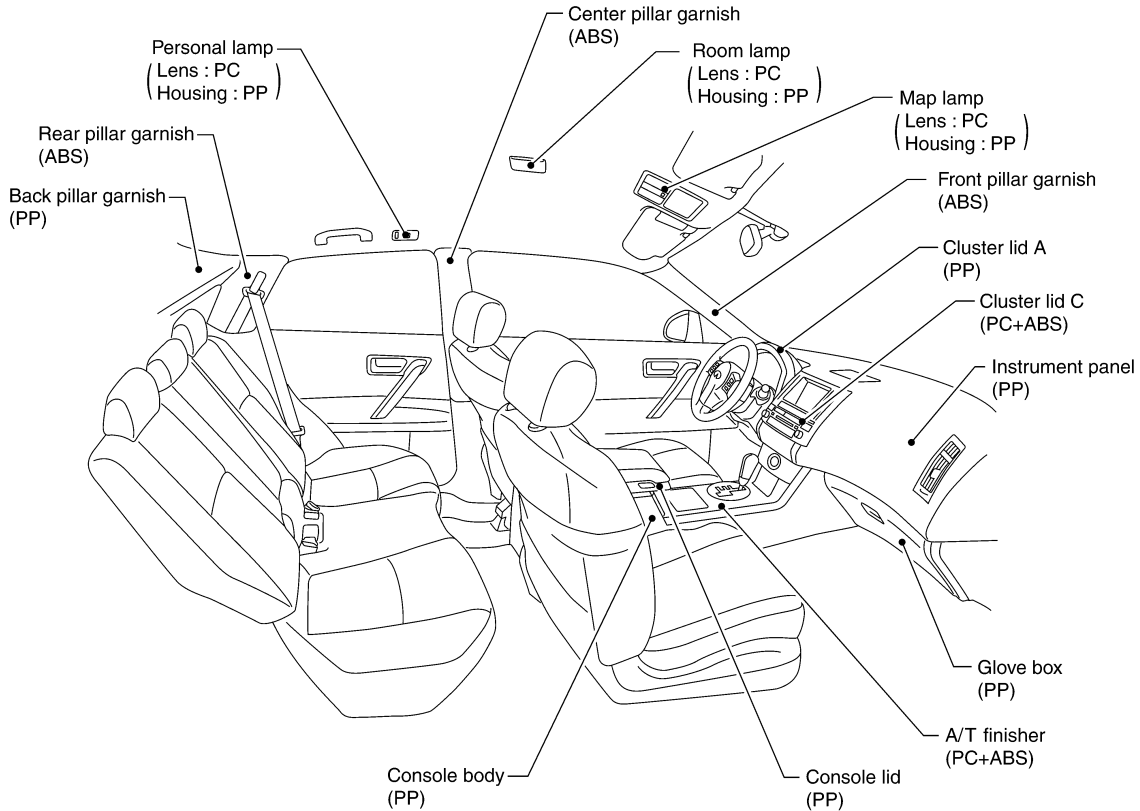


SIIA2268E

A
B
C
D
E
F
G
H
BL
J
K
L
M
N
O
P

BODY REPAIR

< SERVICE INFORMATION >



SIAA2269E

INFOID:000000001327950

Precaution in Repairing High Strength Steel

High strength steel is used for body panels in order to reduce vehicle weight. Accordingly, precautions in repairing automotive bodies made of high strength steel are described below:

HIGH STRENGTH STEEL (HSS) USED IN NISSAN VEHICLES

Tensile strength	Nissan/Infiniti designation	Major applicable parts
373 N/mm ² (38kg/mm ² , 54klb/sq in)	SP130	<ul style="list-style-type: none"> • Front & rear side member assembly • Hoodledge assembly • Lower dash • Hood • Other reinforcements

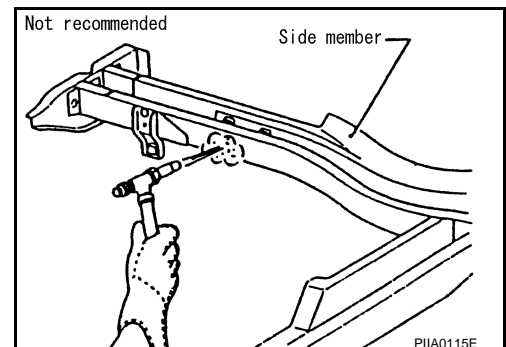
SP130 is the most commonly used HSS.

SP150 HSS is used only on parts that require much more strength.

Read the Following Precautions When Repairing HSS:

1. Additional points to consider

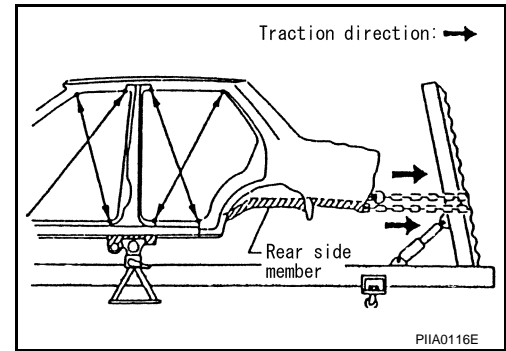
- The repair of reinforcements (such as side members) by heating is not recommended since it may weaken the component. When heating is unavoidable, do not heat HSS parts above 550°C (1,022°F). Verify heating temperature with a thermometer. (Crayon-type and other similar type thermometer are appropriate.)



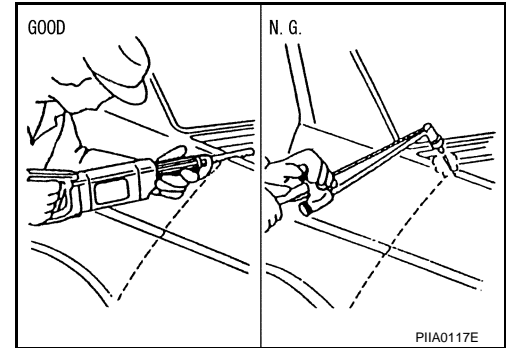
BODY REPAIR

< SERVICE INFORMATION >

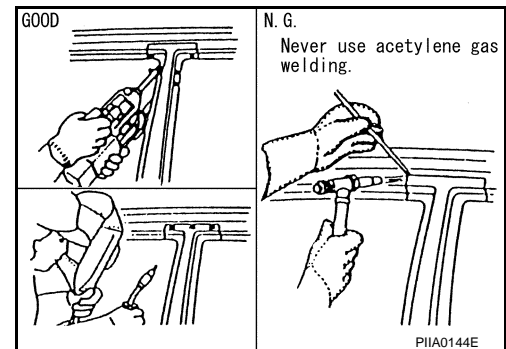
- When straightening body panels, use caution in pulling any HSS panel. Because HSS is very strong, pulling may cause deformation in adjacent portions of the body. In this case, increase the number of measuring points, and carefully pull the HSS panel.



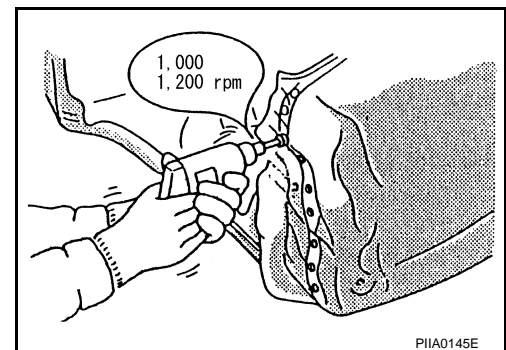
- When cutting HSS panels, avoid gas (torch) cutting if possible. Instead, use a saw to avoid weakening surrounding areas due to heat. If gas (torch) cutting is unavoidable, allow a minimum margin of 50 mm (1.97in).



- When welding HSS panels, use spot welding whenever possible in order to minimize weakening surrounding areas due to heat. If spot welding is impossible, use M.I.G. welding. Do not use gas (torch) welding because it is inferior in welding strength.



- The spot weld on HSS panels is harder than that of an ordinary steel panel. Therefore, when cutting spot welds on a HSS panel, use a low speed high torque drill (1,000 to 1,200 rpm) to increase drill bit durability and facilitate the operation.



A
B
C
D
E
F
G
H
BL
J
K
L
M
N
O
P

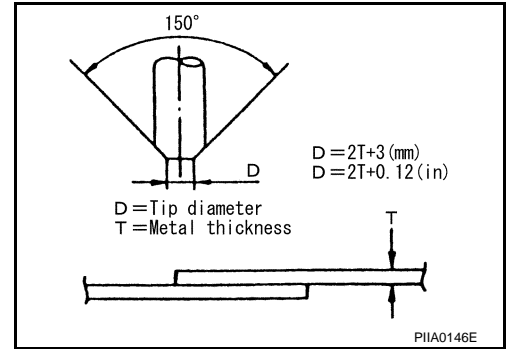
BODY REPAIR

< SERVICE INFORMATION >

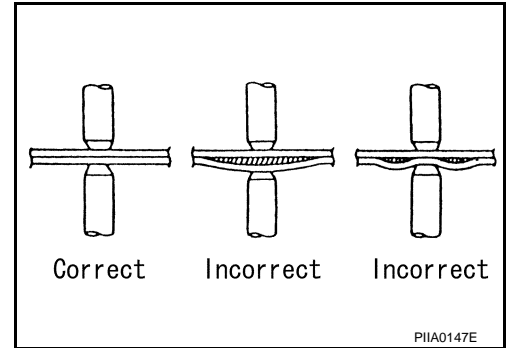
2. Precautions in spot welding HSS

This work should be performed under standard working conditions. Always note the following when spot welding HSS:

- The electrode tip diameter must be sized properly according to the metal thickness.



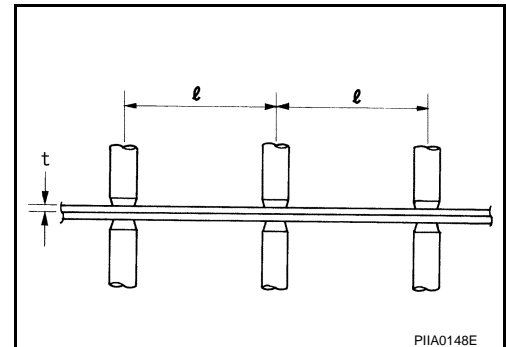
- The panel surfaces must fit flush to each other, leaving no gaps.



- Follow the specifications for the proper welding pitch.

Thickness (t)	Minimum pitch (l)
0.6 (0.024)	10 (0.39) or over
0.8 (0.031)	12 (0.47) or over
1.0 (0.039)	18 (0.71) or over
1.2 (0.047)	20 (0.79) or over
1.6 (0.063)	27 (1.06) or over
1.8 (0.071)	31 (1.22) or over

Unit:mm



Replacement Operation

INFOID:000000001327951

DESCRIPTION

This section is prepared for technicians who have attained a high level of skill and experience in repairing collision-damaged vehicles and also use modern service tools and equipment. Persons unfamiliar with body repair techniques should not attempt to repair collision-damaged vehicles by using this section.


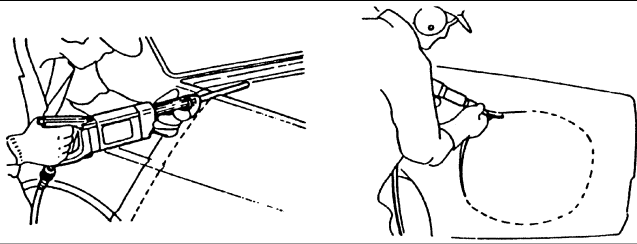


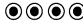
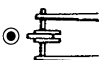


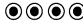
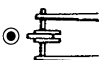

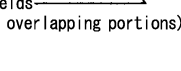
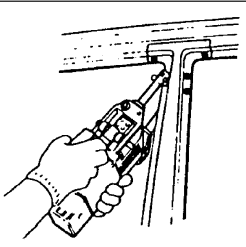


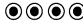
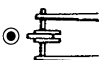








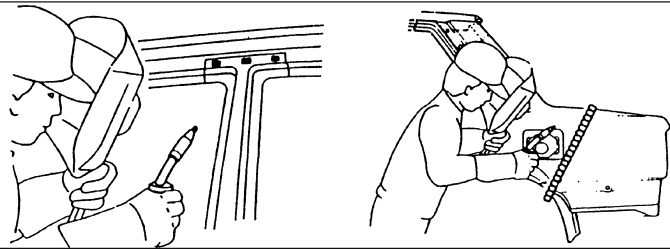






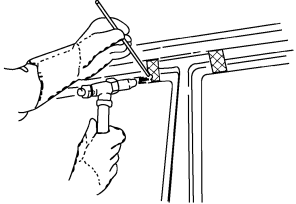
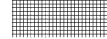

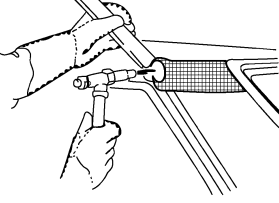

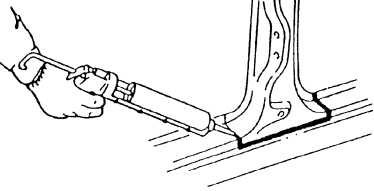
Technicians are also encouraged to read Body Repair Manual (Fundamentals) in order to ensure that the original functions and quality of the vehicle can be maintained. The Body Repair Manual (Fundamentals) contains additional information, including cautions and warning, that are not including in this manual. Technicians should refer to both manuals to ensure proper repairs.

Please note that these information are prepared for worldwide usage, and as such, certain procedures might not apply in some regions or countries.

BODY REPAIR

< SERVICE INFORMATION >

The symbols used in this section for cutting and welding / brazing operations are shown below.

 Saw cut or air chisel cut							
<table border="0"> <tr> <td data-bbox="305 562 354 611" rowspan="2">Spot weld</td> <td data-bbox="386 485 467 562">  2-spot welds </td> <td data-bbox="532 510 630 569">  </td> </tr> <tr> <td data-bbox="386 604 467 682">  3-spot welds </td> <td data-bbox="532 625 630 684">  </td> </tr> </table>	Spot weld	 2-spot welds		 3-spot welds		<p>2-spot welds (2-panel overlapping portions)</p>  <p>3-spot welds (3-panel overlapping portions)</p> 	
Spot weld		 2-spot welds					
	 3-spot welds						
<table border="0"> <tr> <td data-bbox="280 730 345 787">  MIG plug weld </td> <td data-bbox="532 751 630 810">  </td> </tr> <tr> <td data-bbox="280 846 435 940">  MIG seam weld/ Point weld </td> <td data-bbox="532 867 630 926">  </td> </tr> </table>	 MIG plug weld		 MIG seam weld/ Point weld				
 MIG plug weld							
 MIG seam weld/ Point weld							
<p>Brazing</p>  							
<p>Soldering</p>  							
<p>Sealing</p> 							

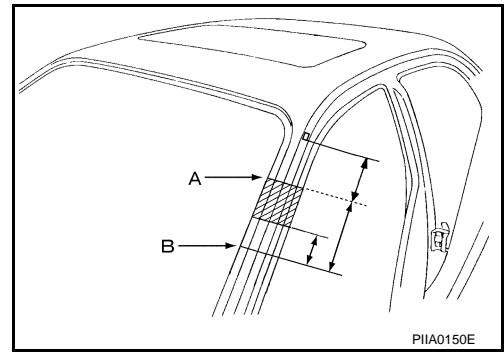
A
B
C
D
E
F
G
H
BL
J
K
L
M
N
O
P

PIIA0149E

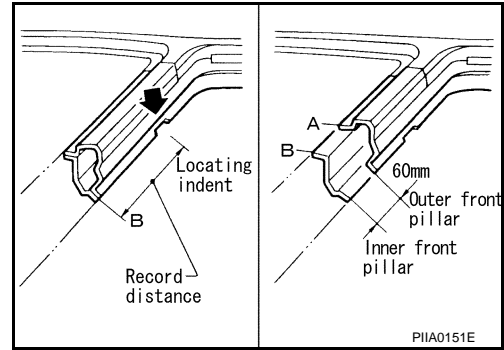
BODY REPAIR

< SERVICE INFORMATION >

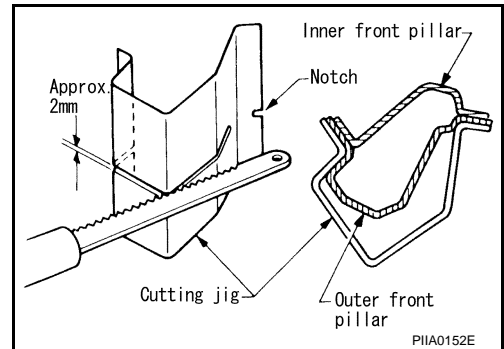
- Front pillar butt joint can be determined anywhere within shaded area as shown in the figure. The best location for the butt joint is at position A due to the construction of the vehicle. Refer to the front pillar section.



- Determine cutting position and record distance from the locating indent. Use this distance when cutting the service part. Cut outer front pillar over 60 mm above inner front pillar cut position.

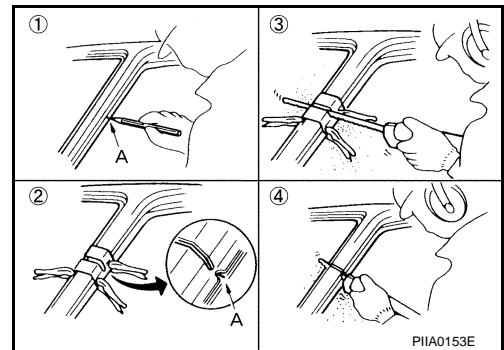


- Prepare a cutting jig to make outer pillar easier to cut. Also, this will permit service part to be accurately cut at joint position.



- An example of cutting operation using a cutting jig is as follows.

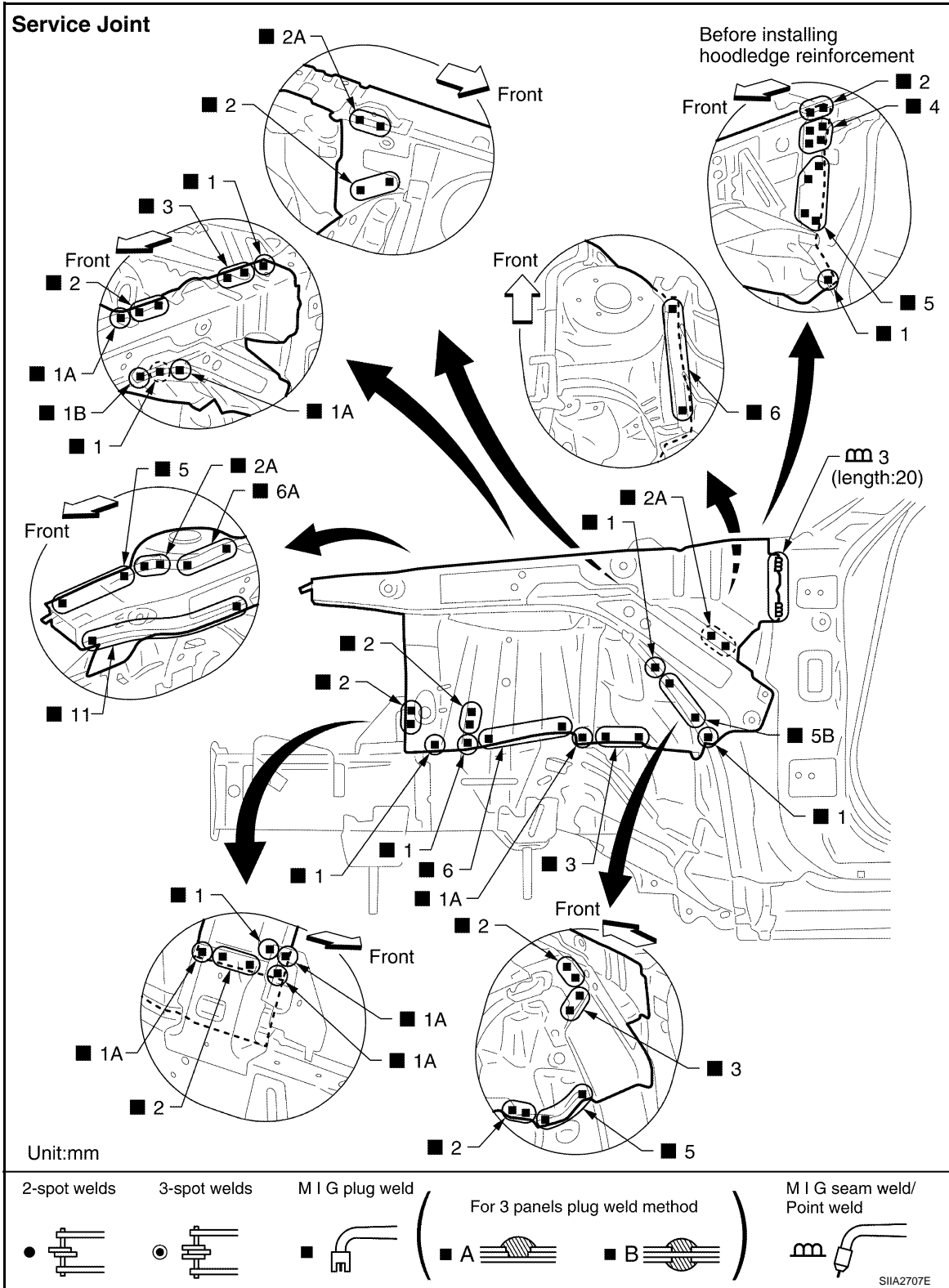
1. Mark cutting lines.
A: Cut position of outer pillar
B: Cut position of inner pillar
2. Align cutting line with notch on jig. Clamp jig to pillar.
3. Cut outer pillar along groove of jig. (At position A)
4. Remove jig and cut remaining portions.
5. Cut inner pillar at position B in same manner.



BODY REPAIR

< SERVICE INFORMATION >

HOODLEDGE



Change parts

● Hoodledge assembly (LH)

● Hoodledge reinforcement (LH)

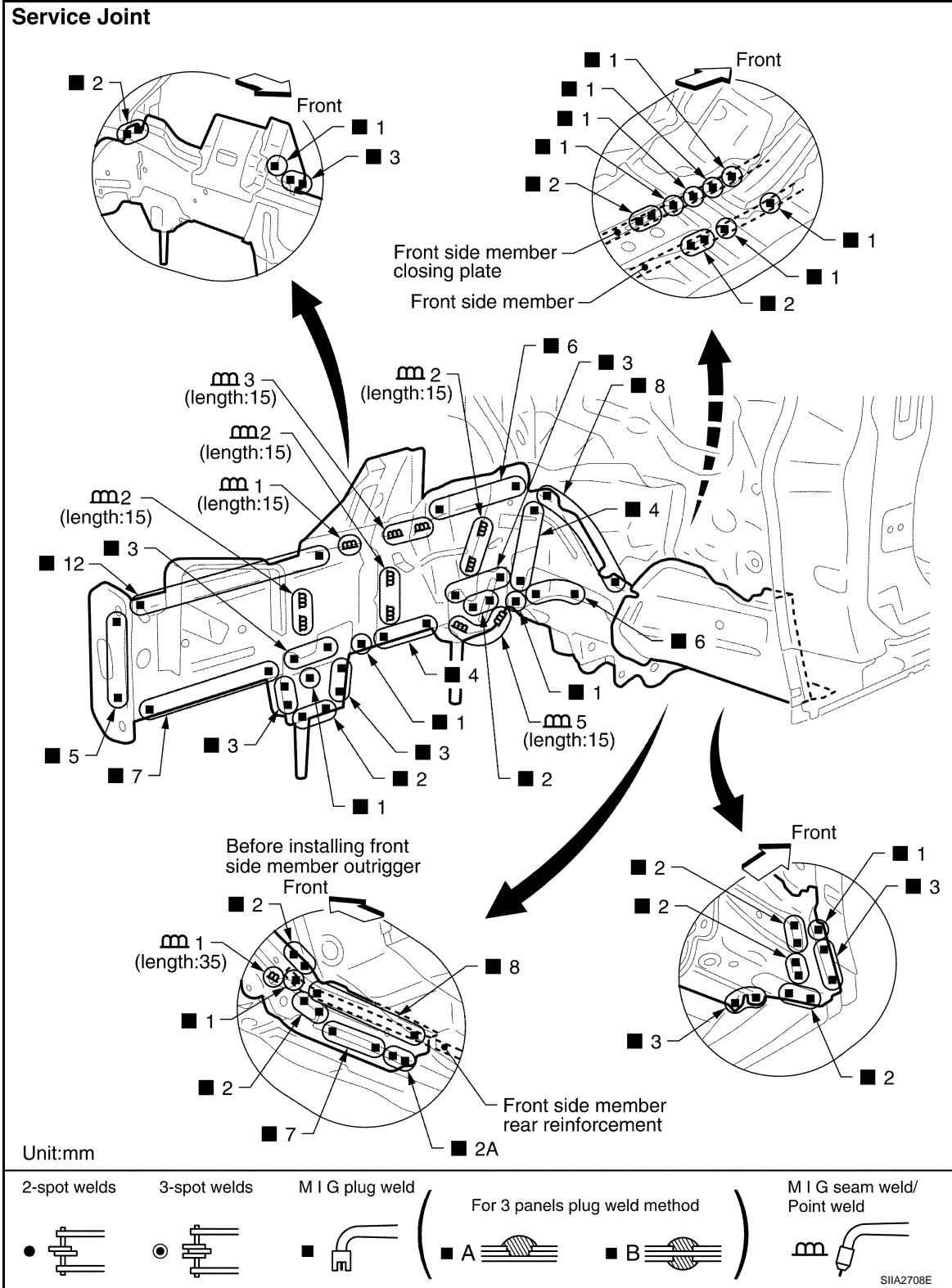
FRONT SIDE MEMBER

A
B
C
D
E
F
G
H
BL
J
K
L
M
N
O
P

BODY REPAIR

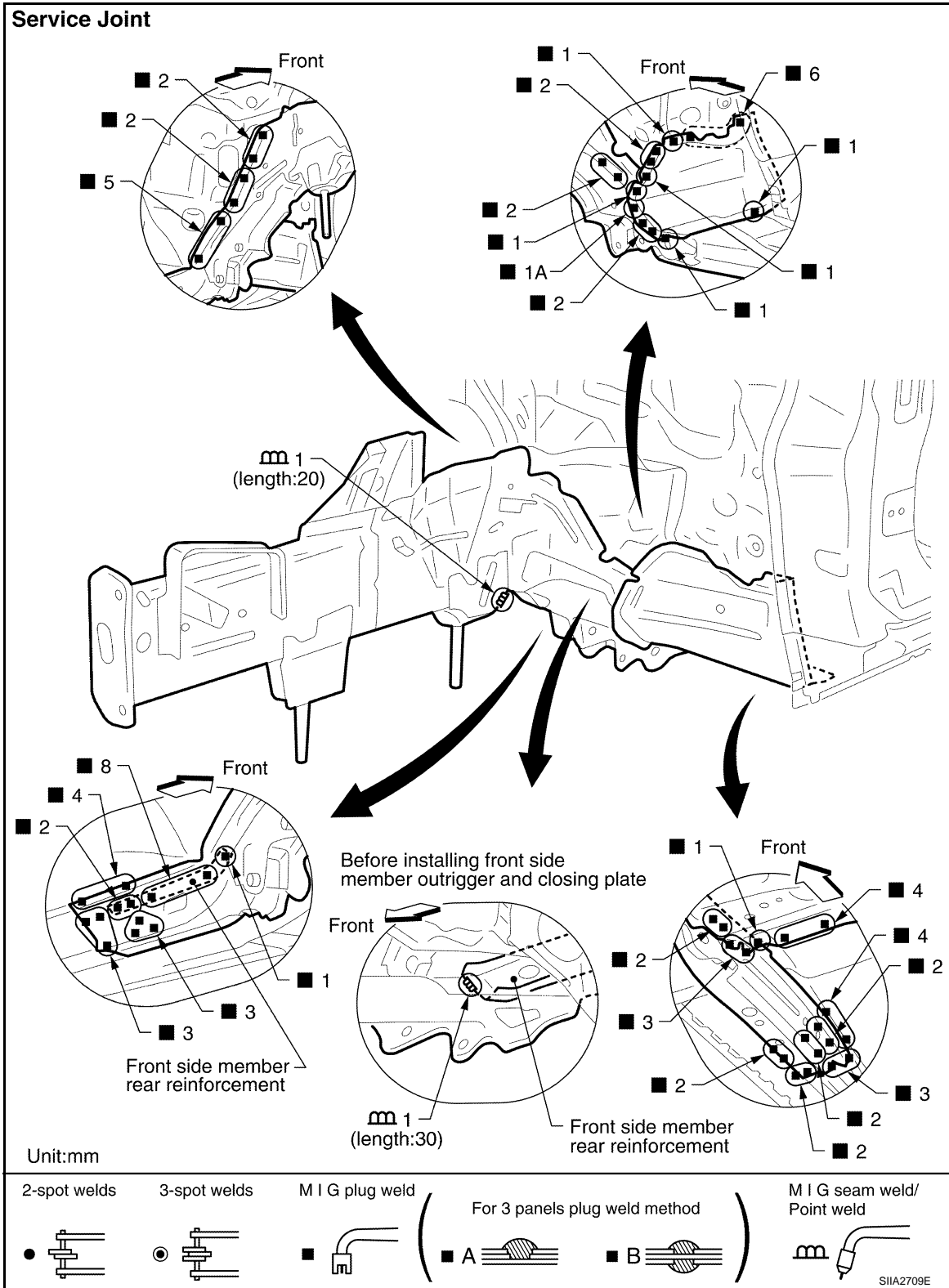
< SERVICE INFORMATION >

- Work after hoodledge has been removed.



BODY REPAIR

< SERVICE INFORMATION >



Change parts

- Front side member (LH)
- Front side member closing plate (LH)
- Front side member outrigger assembly (LH)

A
B
C
D
E
F
G
H
BL
J
K
L
M
N
O
P

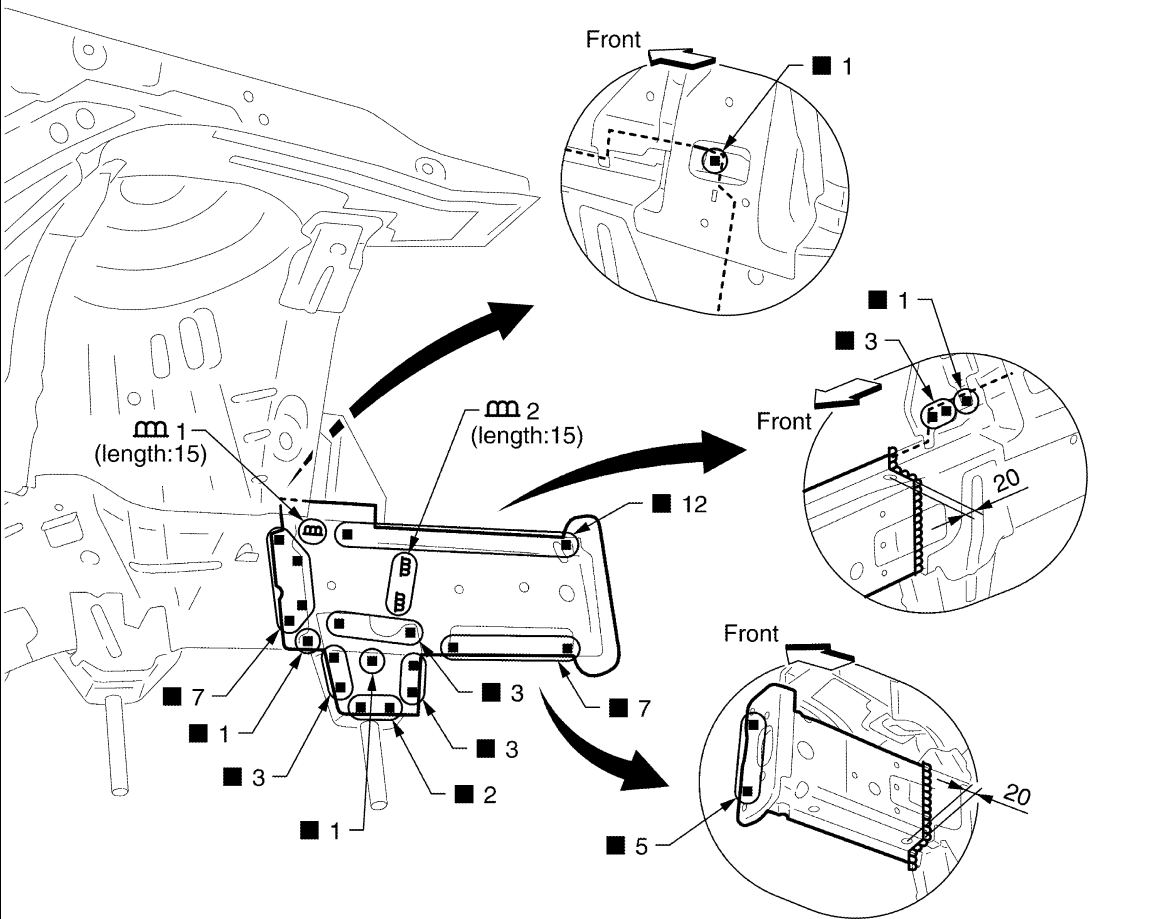
BODY REPAIR

< SERVICE INFORMATION >

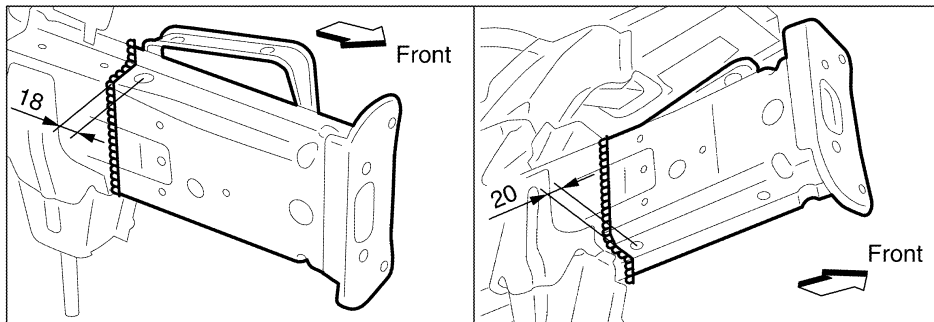
FRONT SIDE MEMBER (PARTIAL REPLACEMENT)

Service Joint

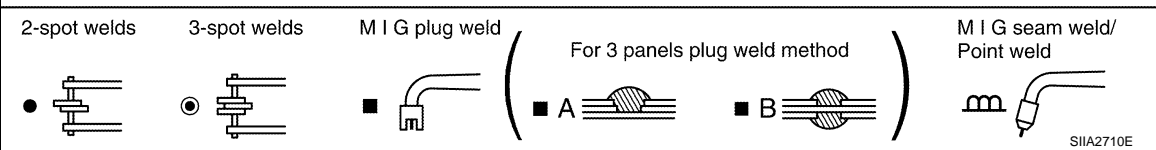
(This figure shows right front side member)



• Left front side member cut portion.



Unit:mm



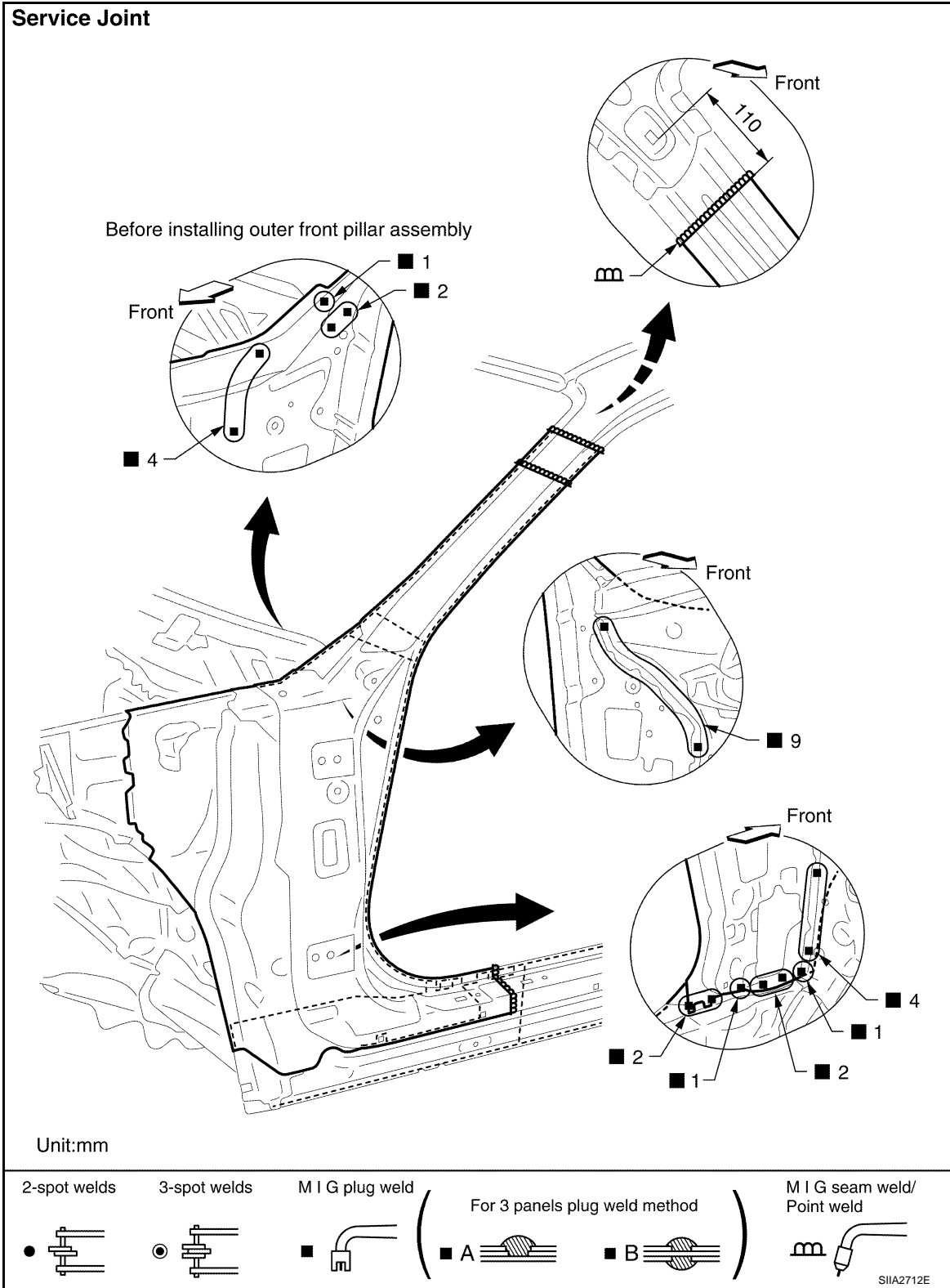
Change parts

- Front side member (LH)
- Front side member closing plate (LH)
- Front side member outrigger assembly (LH)

FRONT PILLAR

BODY REPAIR

< SERVICE INFORMATION >



Change parts

● Side body assembly (LH)

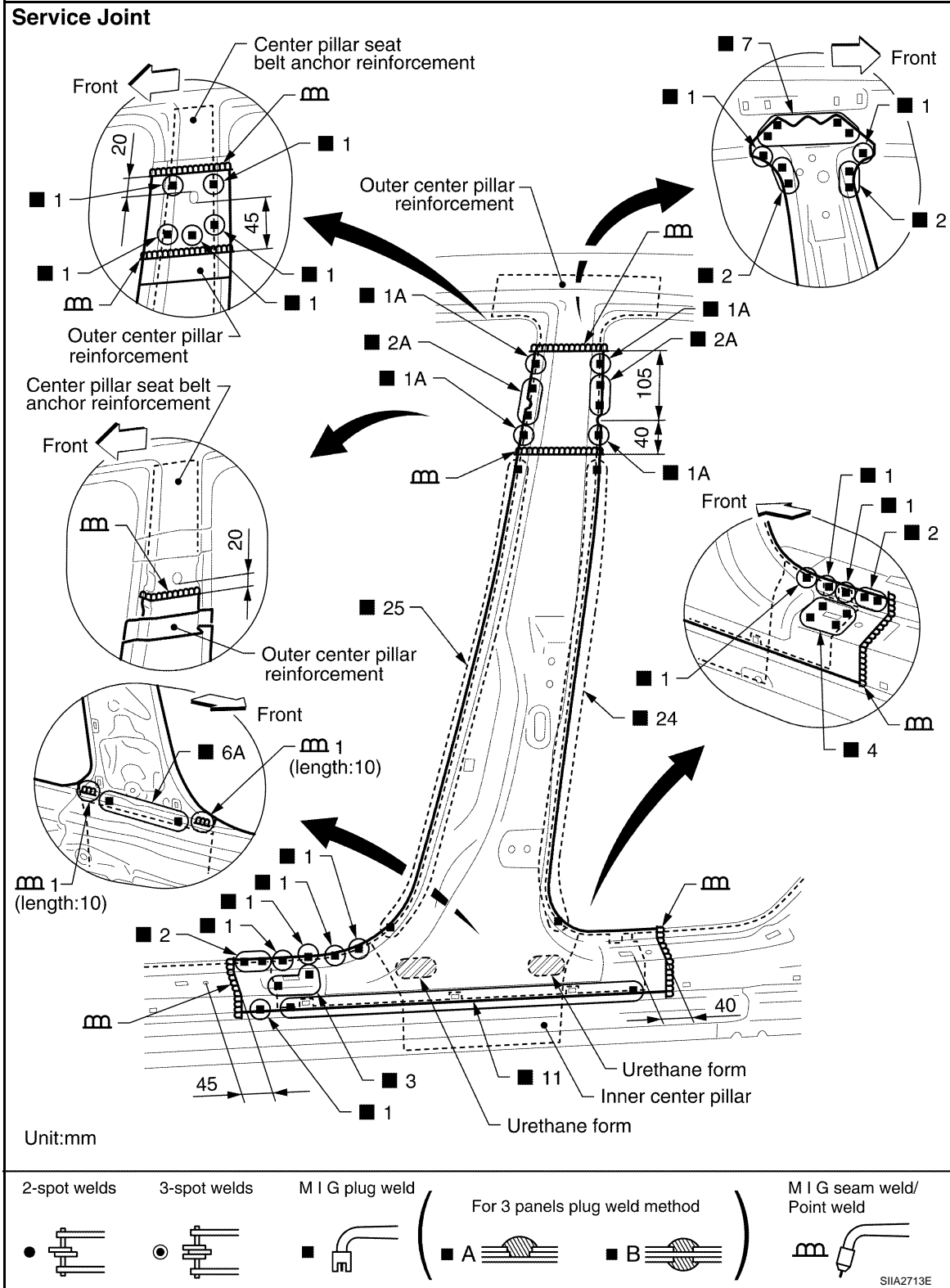
● Upper inner front pillar assembly (LH)

● Upper hoodledge (LH)

BODY REPAIR

< SERVICE INFORMATION >

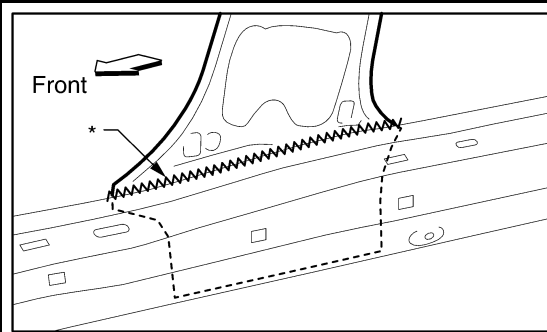
CENTER PILLAR



A
B
C
D
E
F
G
H
BL
J
K
L
M
N
O
P

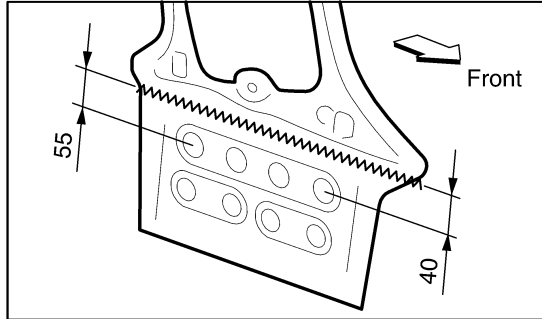
BODY REPAIR

< SERVICE INFORMATION >



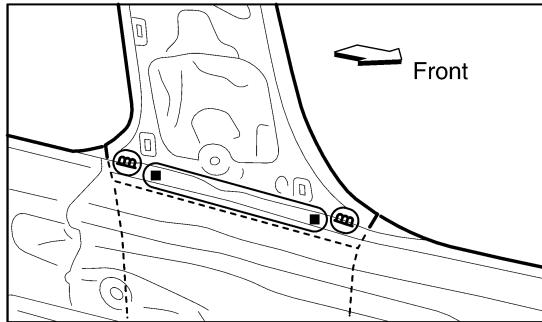
REMOVAL NOTES

- Cut off inner center pillar along with outer sill reinforcement frange end (Portion "*" as shown in the left figure.)



INSTALLATION NOTES

- Cut off inner center pillar service part as shown in the left figure.



- Position inner center pillar service part as overlapped old part, then M.I.G seam and plug weld.

Unit:mm

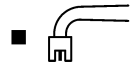
2-spot welds



3-spot welds



M I G plug weld



For 3 panels plug weld method



M I G seam weld/
Point weld



SIIA2277E

Change parts

- Side body assembly (LH)

- Inner center pillar (LH)

BODY REPAIR

< SERVICE INFORMATION >

Service Joint

Unit:mm

Rear fender

Back pillar

INSTALLATION NOTES

- As shown in the left figure, make "V" shape with rear fender and back pillar by using an air grinder or air belt sander.
- Weld surface on rear fender assembly service parts in M.I.G seam welding.

2-spot welds

3-spot welds

M I G plug weld

For 3 panels plug weld method

■ A

■ B

M I G seam weld/
Point weld

SIIA2716E

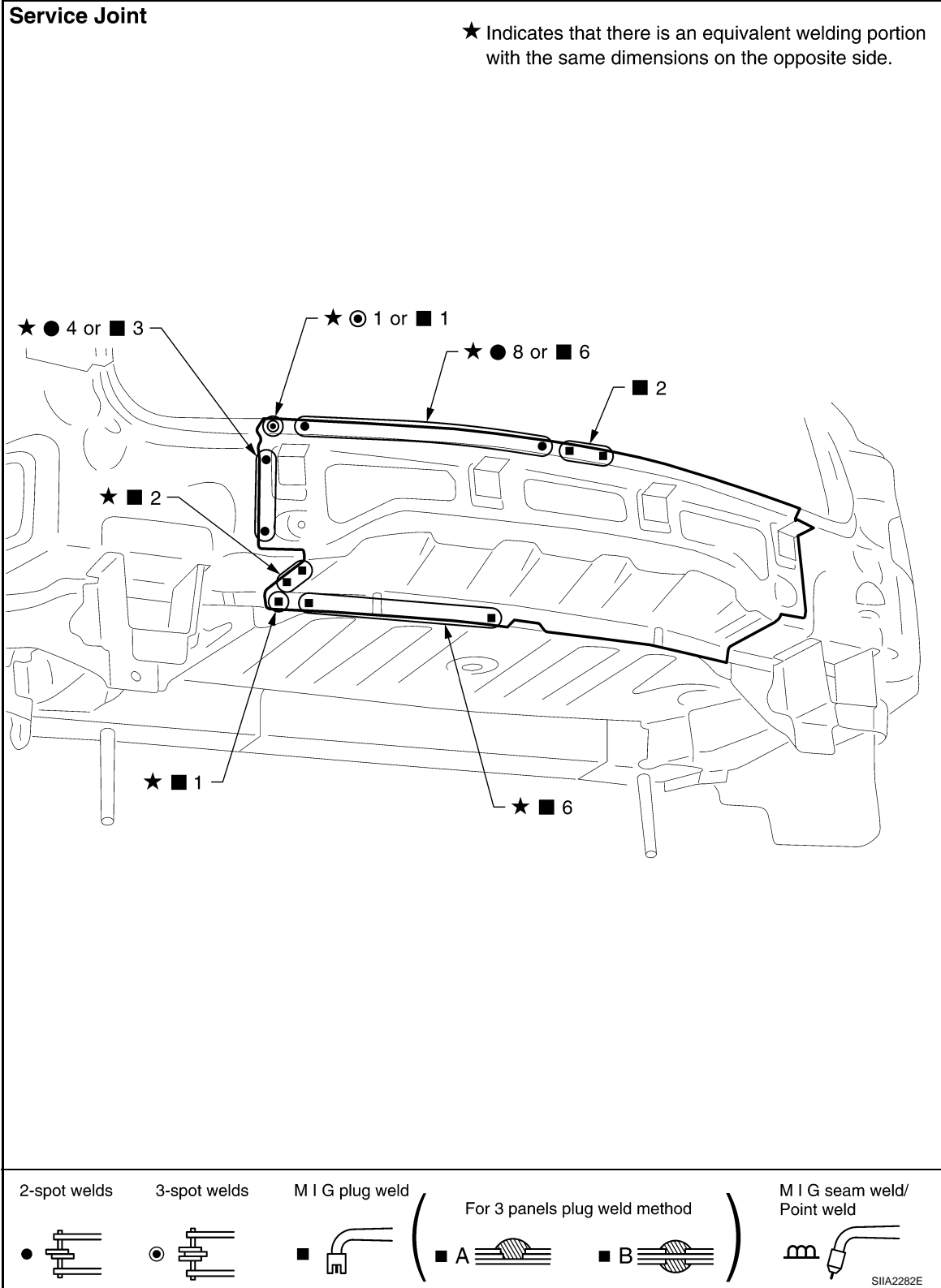
Change parts

- Rear fender assembly (LH)

BODY REPAIR

< SERVICE INFORMATION >

REAR PANEL



Change parts

- Rear panel assembly

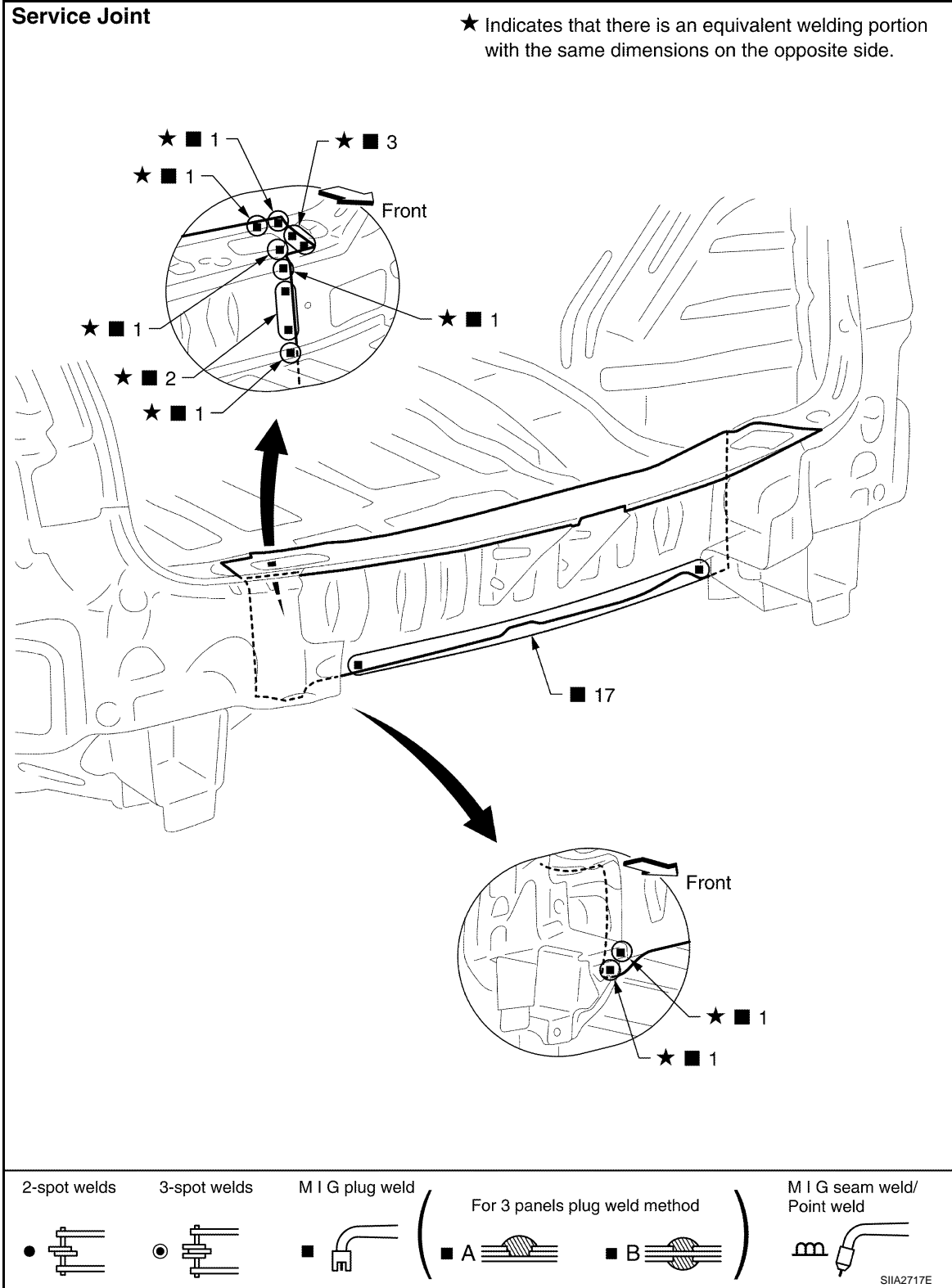
REAR END CROSSMEMBER

A
B
C
D
E
F
G
H
BL
J
K
L
M
N
O
P

BODY REPAIR

< SERVICE INFORMATION >

- Work after rear panel assembly has been removed.



Change parts

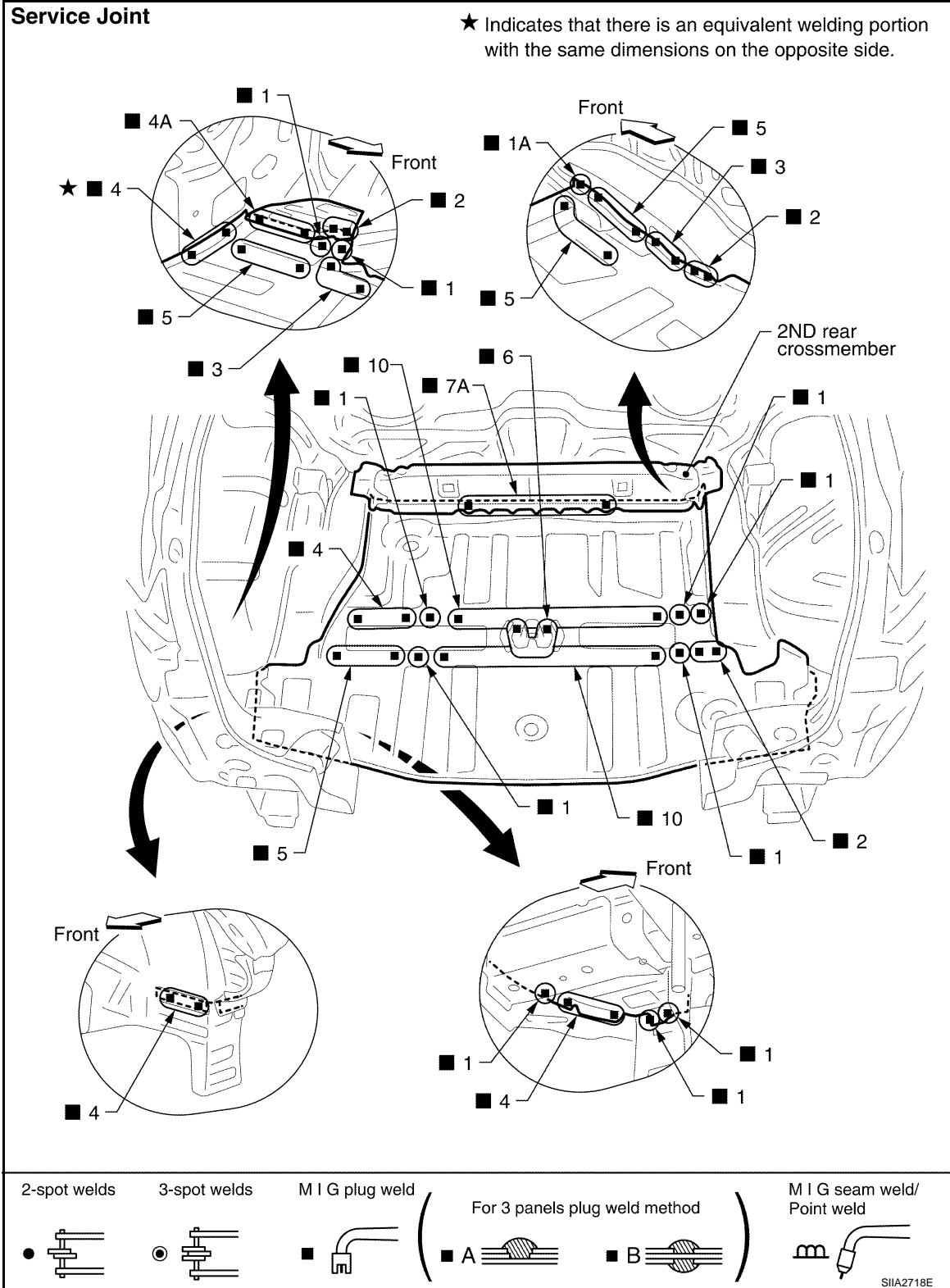
- Rear end crossmember assembly

REAR FLOOR REAR

BODY REPAIR

< SERVICE INFORMATION >

- Work after rear panel assembly and rear end crossmember assembly have been removed.



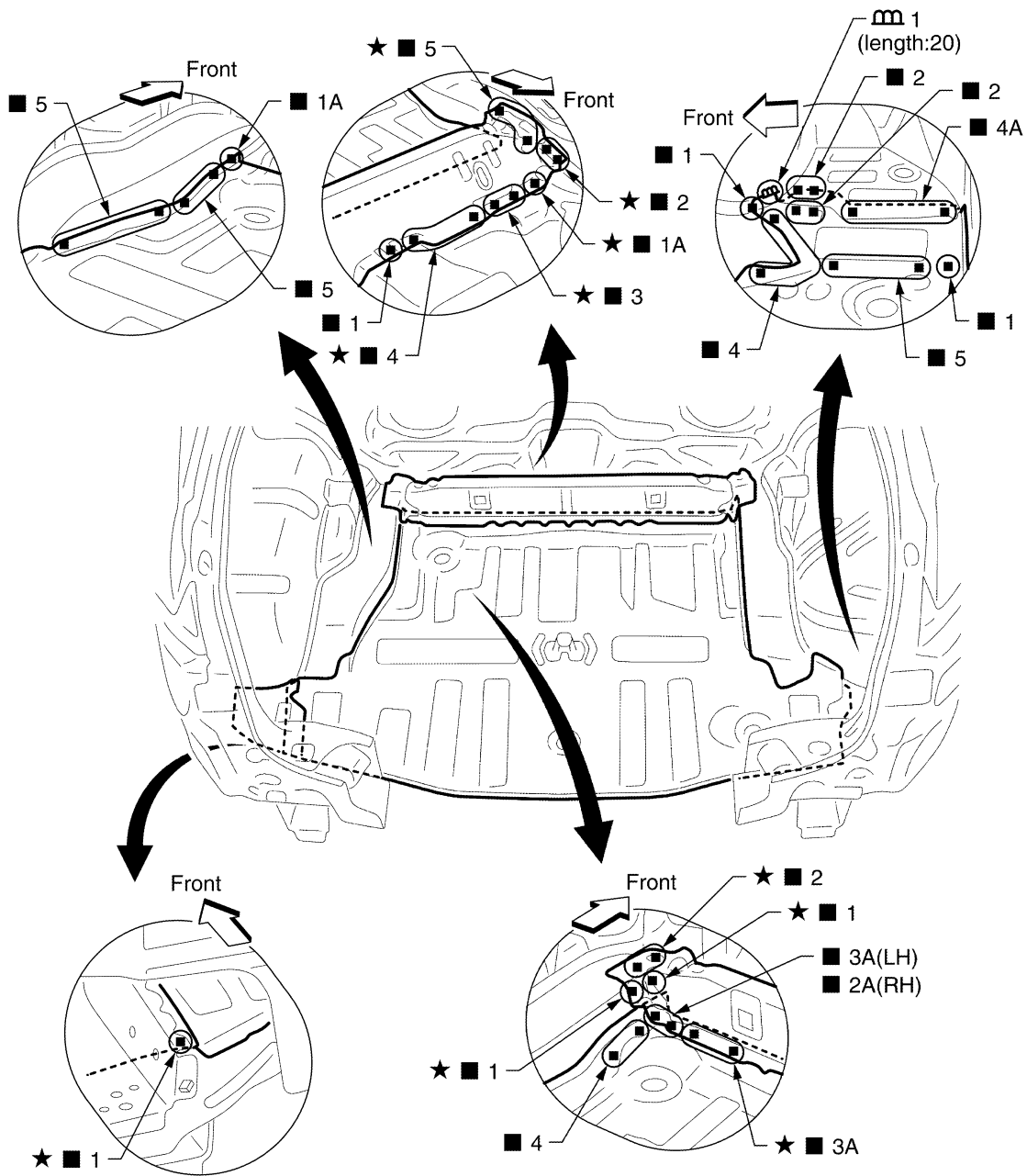
A
B
C
D
E
F
G
H
BL
J
K
L
M
N
O
P

BODY REPAIR

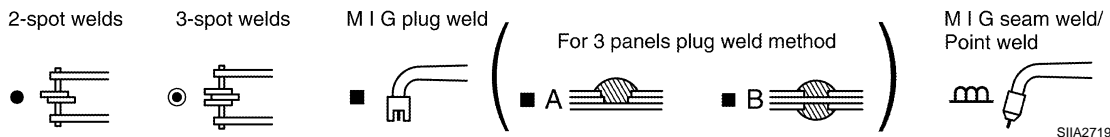
< SERVICE INFORMATION >

Service Joint

★ Indicates that there is an equivalent welding portion with the same dimensions on the opposite side.



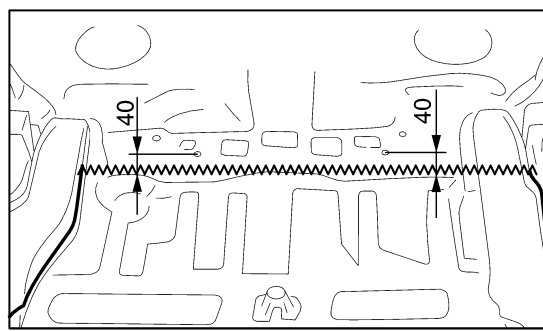
Unit:mm



SIIA2719E

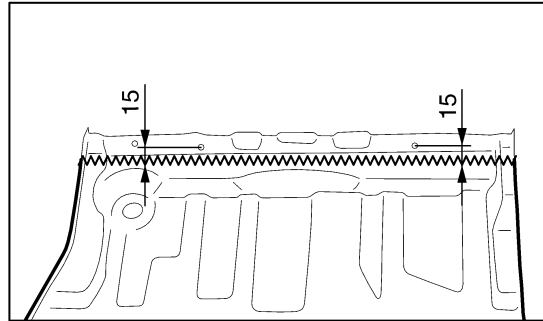
BODY REPAIR

< SERVICE INFORMATION >



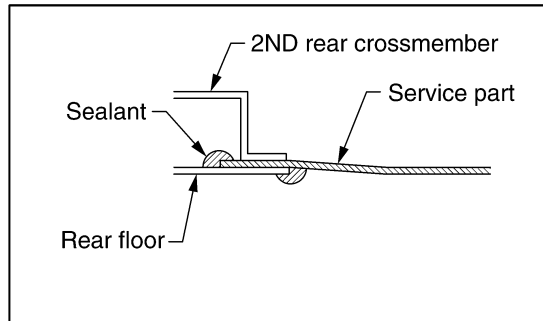
REMOVAL NOTES

- Remove 2ND rear crossmember for easier installation.
- Cut off rear floor at the portion as shown in the left figure.



INSTALLATION NOTES

- Cut off rear floor rear (service part) at the portion as shown in the left figure.



- Position rear floor rear service part as overlapped old part, then weld them.
- Apply sealant as shown in the left figure.
- Then, re-weld 2ND rear crossmember.

Unit:mm

2-spot welds



3-spot welds



M I G plug weld



For 3 panels plug weld method



M I G seam weld/
Point weld



SIIA2286E

Change parts

- Rear floor rear
- Spare tire clamp bracket

REAR SIDE MEMBER EXTENSION

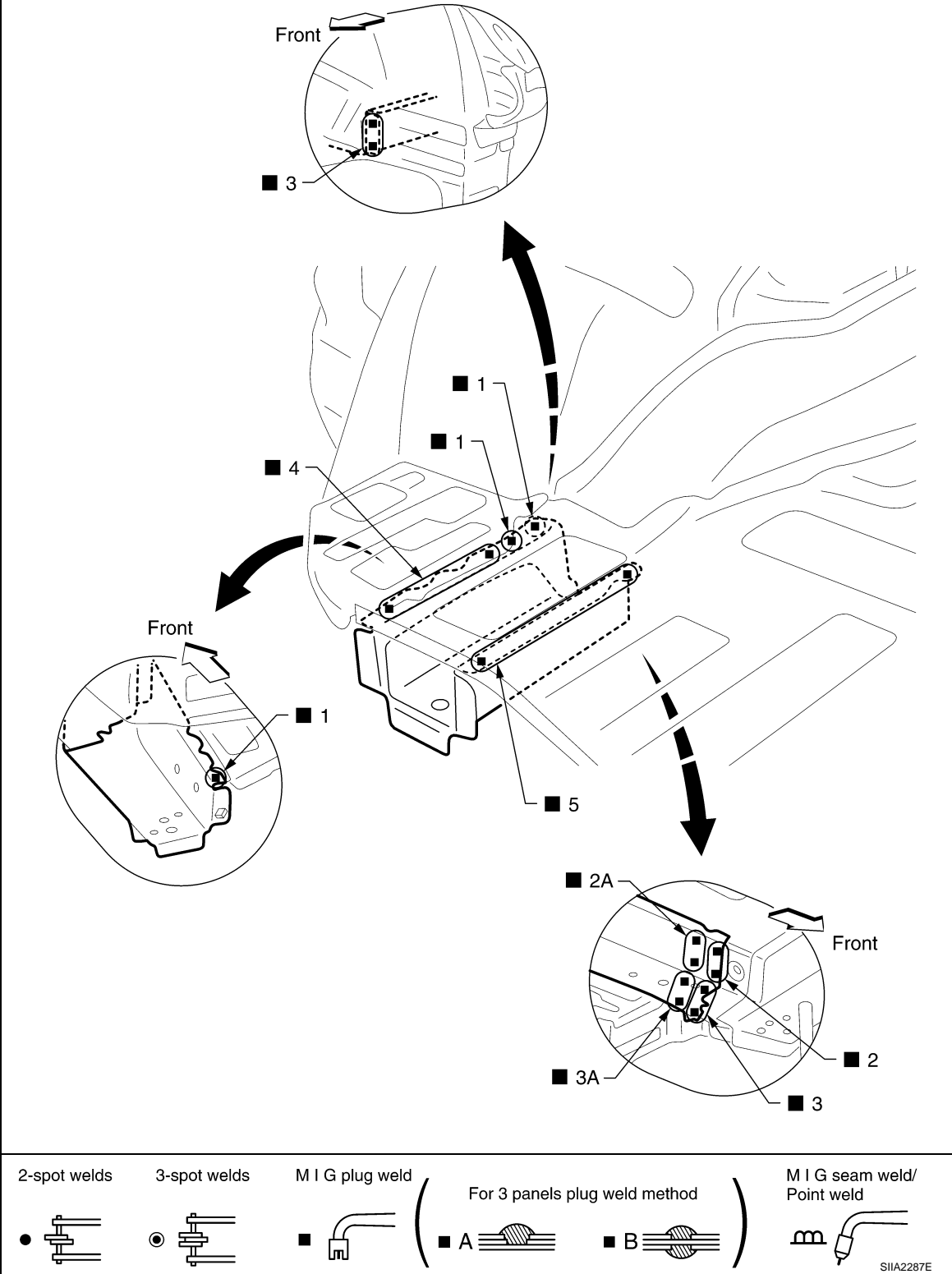
A
B
C
D
E
F
G
H
BL
J
K
L
M
N
O
P

BODY REPAIR

< SERVICE INFORMATION >

- Work after rear panel assembly and rear end crossmember assembly have been removed.

Service Joint



Change parts

- Rear side member extension (LH)