

SECTION **FAX**
FRONT AXLE

A
B
C

FAX

CONTENTS

E
F
G
H
I
J
K
L
M

2WD

PREPARATION 2
 Special Service Tools 2
 Commercial Service Tools 2

NOISE, VIBRATION AND HARSHNESS (NVH)

TROUBLESHOOTING 3
 NVH Troubleshooting Chart 3

FRONT WHEEL HUB AND KNUCKLE 4
 On-Vehicle Inspection 4
 WHEEL BEARING INSPECTION 4
 Removal and Installation 4
 COMPONENTS 4
 REMOVAL 4
 INSPECTION AFTER REMOVAL 5
 INSTALLATION 5

SERVICE DATA AND SPECIFICATIONS (SDS) 6
 Wheel Bearing 6

AWD

PRECAUTIONS 7
 Caution 7

PREPARATION 8
 Special Service Tools 8
 Commercial Service Tools 8

NOISE, VIBRATION AND HARSHNESS (NVH)

TROUBLESHOOTING 9
 NVH Troubleshooting Chart 9

FRONT WHEEL HUB AND KNUCKLE 10
 On-Vehicle Inspection 10

WHEEL BEARING INSPECTION 10
 Removal and Installation 10

COMPONENTS 10
 REMOVAL 10
 INSPECTION AFTER REMOVAL 11
 INSTALLATION 11

FRONT DRIVE SHAFT 12
 On-Vehicle Inspection 12
 DRIVE SHAFT BOOT REPLACEMENT 12
 Removal and Installation (Left Side) 15
 COMPONENTS 15
 REMOVAL 15
 INSPECTION AFTER REMOVAL 15
 INSTALLATION 15
 Removal and Installation (Right Side) 16
 COMPONENTS 16
 REMOVAL 16
 INSPECTION AFTER REMOVAL 16
 INSTALLATION 17
 Disassembly and Assembly (Left Side) 18
 COMPONENTS 18
 DISASSEMBLY 18
 INSPECTION AFTER DISASSEMBLY 19
 ASSEMBLY 20
 Disassembly and Assembly (Right Side) 22
 COMPONENTS 22
 DISASSEMBLY 22
 INSPECTION AFTER DISASSEMBLY 23
 ASSEMBLY 24

SERVICE DATA AND SPECIFICATIONS (SDS) 26
 Wheel Bearing 26
 Drive Shaft 26

PREPARATION

[2WD]

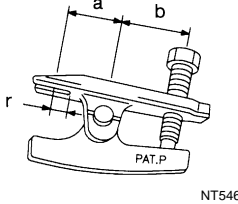
PREPARATION

PFP:00002

Special Service Tools

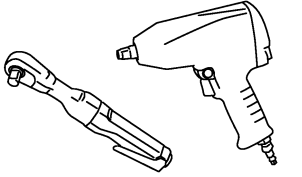
NDS000BU

The actual shapes of Kent-Moore tools may differ from those of special service tools illustrated here.

Tool number (Kent-Moore No.) Tool name	Description
<p>HT72520000 (J-25730-A) Ball joint remover a: 33 mm (1.30 in) b: 50 mm (1.97 in) r: 11.5 mm (0.453 in)</p> 	<ul style="list-style-type: none">● Removing steering outer socket● Removing transverse link

Commercial Service Tools

NDS000BV

Tool name	Description
<p>Power tool</p> 	<p>Loosening bolts and nuts</p>

NOISE, VIBRATION AND HARSHNESS (NVH) TROUBLESHOOTING

[2WD]

NOISE, VIBRATION AND HARSHNESS (NVH) TROUBLESHOOTING

PFP:00003

NVH Troubleshooting Chart

NDS000BW

Use chart below to help you find the cause of the symptom. If necessary, repair or replace these parts.

Reference page		FAX-4	I	FAX-4	NVH in WT section	NVH in WT section	NVH in PS section
Possible cause and SUSPECTED PARTS		Improper installation, looseness	Parts interference	Wheel bearing damage	TIRES	ROAD WHEEL	STEERING
Symptom	FRONT AXLE	Noise	x	x		x	x
		Shake	x	x		x	x
		Vibration	x	x		x	
		Shimmy	x	x		x	x
		Judder	x			x	x
		Poor quality ride or handling	x	x	x	x	x

x: Applicable

A
B
C
FAX
E
F
G
H
I
J
K
L
M

FRONT WHEEL HUB AND KNUCKLE

PFP:40202

On-Vehicle Inspection

NDS000BX

Make sure the mounting conditions (looseness, back lash) of each component and component status (wear, damage) are normal.

WHEEL BEARING INSPECTION

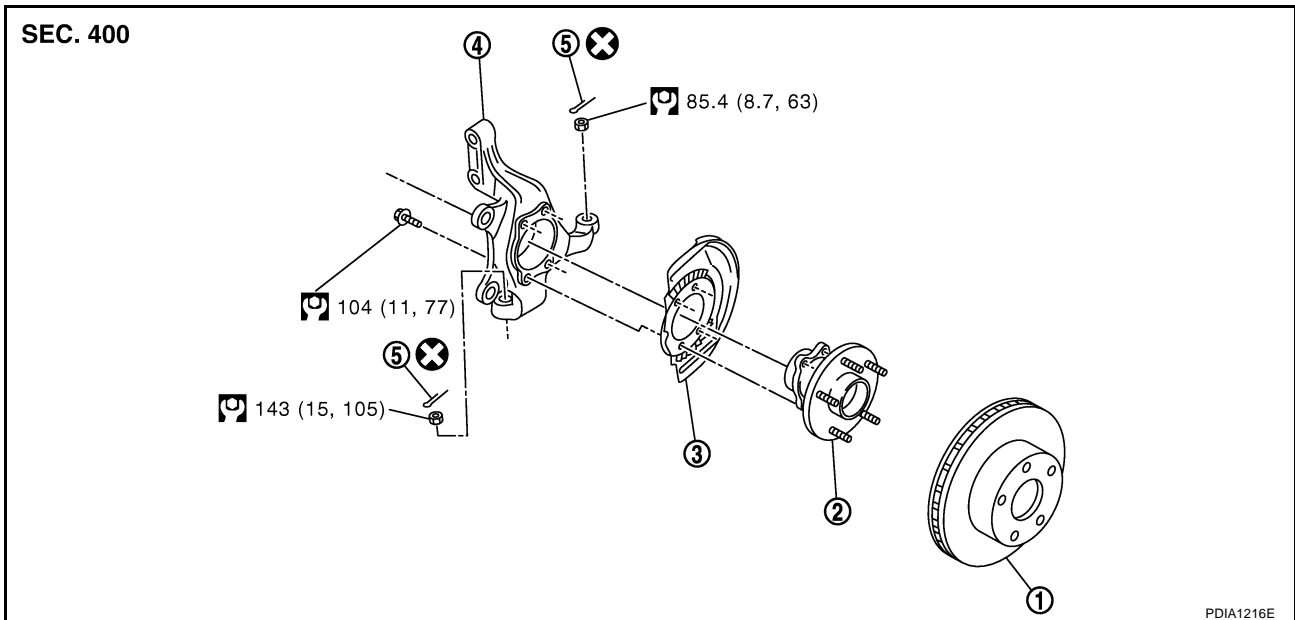
- Move wheel hub in the axial direction by hand. Check that there is no looseness of front wheel bearing.

Axial end play : 0.05 mm (0.002 in) or less

- Rotate wheel hub and make sure there is no unusual noise or other irregular conditions. If there are any irregular conditions, replace wheel hub and bearing assembly.

Removal and Installation COMPONENTS

NDS000BY



- | | | |
|---------------------|-----------------------------------|-----------------|
| 1. Disc rotor | 2. Wheel hub and bearing assembly | 3. Splash guard |
| 4. Steering knuckle | 5. Cotter pin | |

Refer to [GI-11, "Components"](#), for the symbols in the figure.

REMOVAL

1. Remove tires from vehicle with power tool.
2. Remove brake caliper with power tool. Hang it in a place where it will not interfere with work. Refer to [BR-19, "FRONT DISC BRAKE"](#).

NOTE:

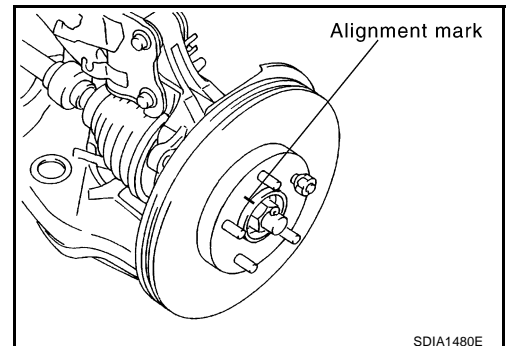
Avoid depressing brake pedal while brake caliper is removed.

3. Put alignment marks on disc rotor and wheel hub and bearing assembly, then remove disc rotor.
4. Remove wheel sensor from wheel hub and bearing assembly. Refer to [BRC-57, "WHEEL SENSORS"](#).

CAUTION:

Do not pull on wheel sensor harness.

5. Remove cotter pin at steering outer socket, then loosen mounting nut.



FRONT WHEEL HUB AND KNUCKLE

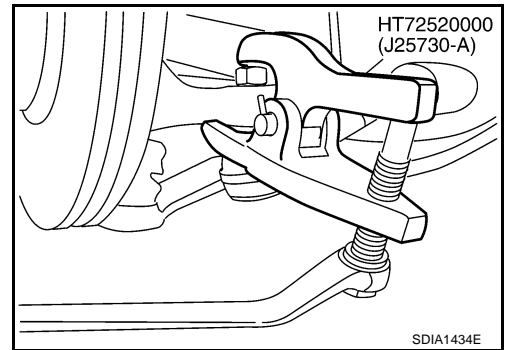
[2WD]

6. Use a ball joint remover (SST) to remove steering outer socket from steering knuckle. Be careful not to damage ball joint boot.

CAUTION:

Tighten temporarily mounting nut to prevent damage to threads and to prevent ball joint remover (SST) from coming off.

7. Remove cotter pin at transverse link, then loosen mounting nut.

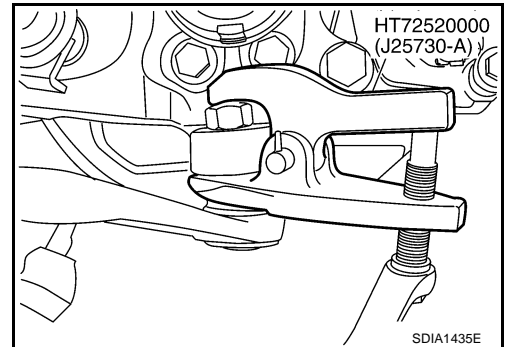


8. Use a ball joint remover (SST) to remove transverse link from steering knuckle. Be careful not to damage ball joint boot.

CAUTION:

Tighten temporarily mounting nut to prevent damage to threads and to prevent ball joint remover (SST) from coming off.

9. Remove fixing bolts and nuts between strut assembly and steering knuckle with power tool.
10. Remove steering knuckle from vehicle.
11. Remove fixing bolts between steering knuckle and wheel hub and bearing assembly with power tool.



12. Remove splash guard and wheel hub and bearing assembly from steering knuckle.

INSPECTION AFTER REMOVAL

Check for deformity, cracks and damage on each parts, replace if necessary.

Ball Joint Inspection

- Check for boot breakage, axial looseness, and torque of transverse link and steering outer socket ball joint. Refer to [FSU-14, "TRANSVERSE LINK"](#) , [PS-18, "POWER STEERING GEAR AND LINKAGE"](#) .

INSTALLATION

- Refer to [FAX-4, "Removal and Installation"](#) for tightening torque. Install in the reverse order of removal.

NOTE:

Refer to component parts location and do not reuse non-reusable parts.

- After removing/installing or replacing axle components, check wheel alignment. Refer to [FSU-6, "Wheel Alignment Inspection"](#) .
- After adjusting wheel alignment, adjust neutral position of steering angle sensor. Refer to [BRC-6, "Adjustment of Steering Angle Sensor Neutral Position"](#) .
- Check the following item after service
 - Installation condition of wheel sensor harness

A
B
C
FAX
E
F
G
H
I
J
K
L
M

SERVICE DATA AND SPECIFICATIONS (SDS)

[2WD]

SERVICE DATA AND SPECIFICATIONS (SDS)

PFP:00030

Wheel Bearing

NDS000BZ

Axial end play	0.05 mm (0.002 in) or less
----------------	----------------------------

PRECAUTIONS

[AWD]

PRECAUTIONS

PPF:00001

Caution

NDS000C0

Observe the following precautions when disassembling and servicing drive shaft.

- Joint sub-assembly does not disassemble because it is non-overhaul parts.
- Perform work in a location which is as dust-free as possible.
- Before disassembling and servicing, clean the outside of parts.
- Prevention of the entry of foreign objects must be taken into account during disassembly of the service location.
- Disassembled parts must be carefully reassembled in the correct order. If work is interrupted, a clean cover must be placed over parts.
- Paper shop cloths must be used. Fabric shop cloths must not be used because of the danger of lint adhering to parts.
- Disassembled parts (except for rubber parts) should be cleaned with kerosene which shall be removed by blowing with air or wiping with paper shop cloths.

A

B

C

FAX

E

F

G

H

I

J

K

L

M

PREPARATION

[AWD]

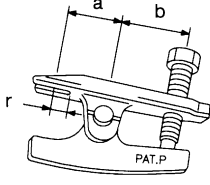
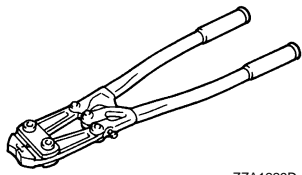
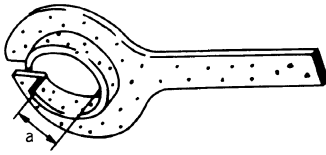
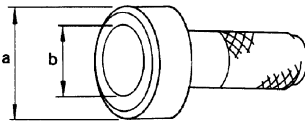
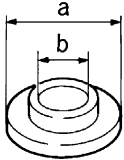
PFP:00002

NDS000C1

PREPARATION

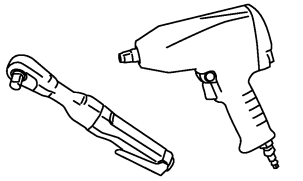
Special Service Tools

The actual shapes of Kent-Moore tools may differ from those of special service tools illustrated here.

Tool number (Kent-Moore No.) Tool name	Description
HT72520000 (J-25730-A) Ball joint remover a: 33 mm (1.30 in) b: 50 mm (1.97 in) r: 11.5 mm (0.453 in)	 <p style="text-align: center;">NT546</p> <ul style="list-style-type: none"> ● Removing steering outer socket ● Removing transverse link
KV40107300 (-) Boot band crimping tool	 <p style="text-align: center;">ZZA1229D</p> <p>Installing boot band</p>
KV38107900 (-) Protector a: 32 mm (1.26 in) dia.	 <p style="text-align: center;">ZZA0835D</p> <p>Installing drive shaft</p>
KV38100500 (-) Drift a: 80 mm (3.15 in) dia. b: 60 mm (2.36 in) dia.	 <p style="text-align: center;">ZZA0701D</p> <p>Installing drive shaft plug</p>
KV38102200 (-) Drift a: 90 mm (3.54 in) dia. b: 31 mm (1.22 in) dia.	 <p style="text-align: center;">ZZA0920D</p> <p>Installing drive shaft plug</p>

Commercial Service Tools

NDS000C2

Tool name	Description
Power tool	 <p style="text-align: center;">PBIC0190E</p> <p>Loosening bolt and nuts</p>

NOISE, VIBRATION AND HARSHNESS (NVH) TROUBLESHOOTING

[AWD]

NOISE, VIBRATION AND HARSHNESS (NVH) TROUBLESHOOTING

PFP:00003

NVH Troubleshooting Chart

NDS000C3

Use chart below to help you find the cause of the symptom. If necessary, repair or replace these parts.

Reference page			—	FAX-19	—	FAX-10	—	FAX-10	NVH in FFD section	NVH in FAX and FSU section	Refer to FRONT AXLE in this chart.	NVH in WT section	NVH in WT section	Refer to DRIVE SHAFT in this chart.	NVH in BR section	NVH in PS section	
Possible cause and SUSPECTED PARTS			Excessive joint angle	Joint sliding resistance	Imbalance	Improper installation, looseness	Parts interference	Wheel bearing damage	FRONT DIFFERENTIAL	FRONT AXLE AND FRONT SUSPENSION	FRONT AXLE	TIRES	ROAD WHEEL	DRIVE SHAFT	BRAKES	STEERING	
Symptom	DRIVE SHAFT	Noise	x	x				x	x	x	x	x	x		x	x	
		Shake	x		x			x		x	x	x	x		x	x	
	FRONT AXLE	Noise				x	x	x	x		x	x	x	x	x	x	x
		Shake				x	x	x			x	x	x	x	x	x	x
		Vibration				x	x	x			x	x		x		x	x
		Shimmy				x	x				x	x	x		x	x	x
		Judder				x					x	x	x		x	x	x
		Poor quality ride or handling				x	x				x	x	x				

x: Applicable

A
B
C
D
E
F
G
H
I
J
K
L
M

FAX

FRONT WHEEL HUB AND KNUCKLE

[AWD]

FRONT WHEEL HUB AND KNUCKLE

PFP:40202

On-Vehicle Inspection

NDS000D0

Make sure the mounting conditions (looseness, back lash) of each component and component status (wear, damage) are normal.

WHEEL BEARING INSPECTION

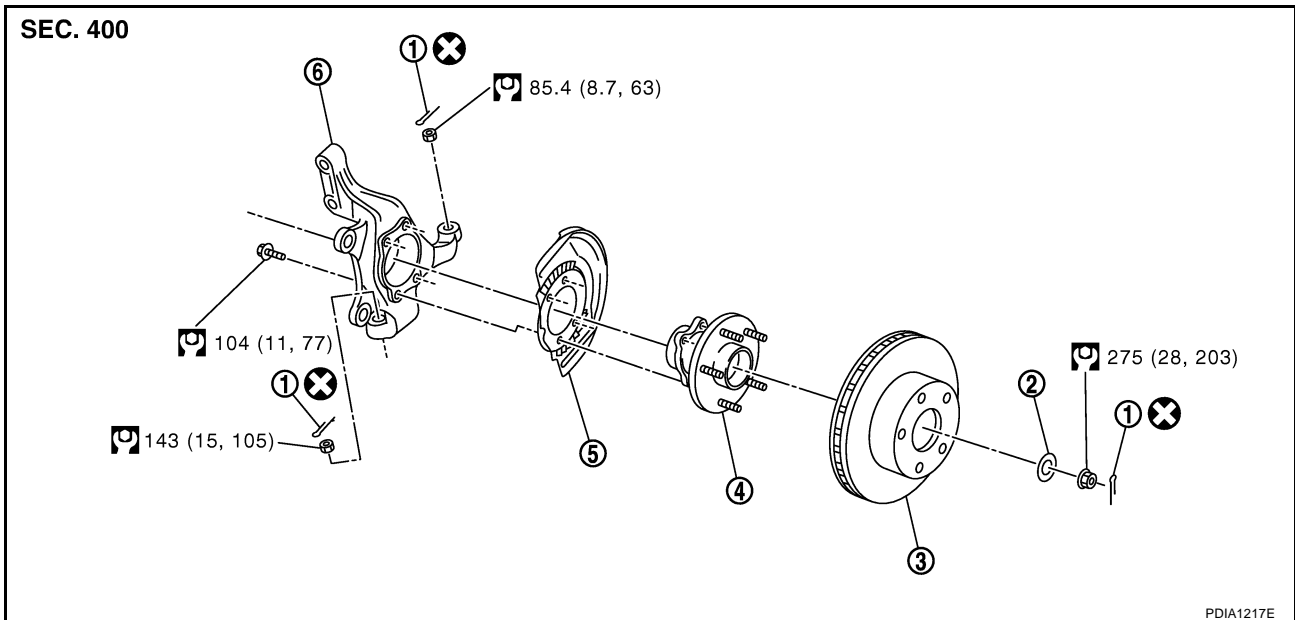
- Move wheel hub in the axial direction by hand. Check that there is no looseness of front wheel bearing.

Axial end play : 0.05 mm (0.002 in) or less

- Rotate wheel hub and make sure there is no unusual noise or other irregular conditions. If there are any irregular conditions, replace wheel hub and bearing assembly.

Removal and Installation COMPONENTS

NDS000C5



- | | | |
|-----------------------------------|-----------------|---------------------|
| 1. Cotter pin | 2. Washer | 3. Disc rotor |
| 4. Wheel hub and bearing assembly | 5. Splash guard | 6. Steering knuckle |

Refer to [GI-11, "Components"](#), for the symbols in the figure.

REMOVAL

1. Remove tires from vehicle with power tool.
2. Remove brake caliper with power tool. Hang it in a place where it will not interfere with work. Refer to [BR-20, "Removal and Installation of Brake Caliper Assembly"](#).

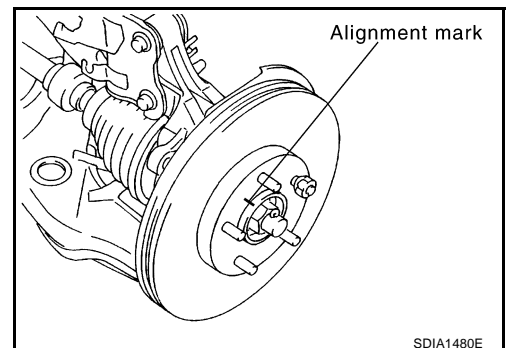
NOTE:

Avoid depressing brake pedal while brake caliper is removed.

3. Put alignment marks on disc rotor and wheel hub and bearing assembly, then remove disc rotor.
4. Remove wheel sensor from steering knuckle. Refer to [BRC-57, "WHEEL SENSORS"](#)

CAUTION:

Do not pull on wheel sensor harness.



5. Remove cotter pin, then remove lock nut from drive shaft.
6. Remove steering outer socket and cotter pin at steering knuckle, then loosen mounting nut.

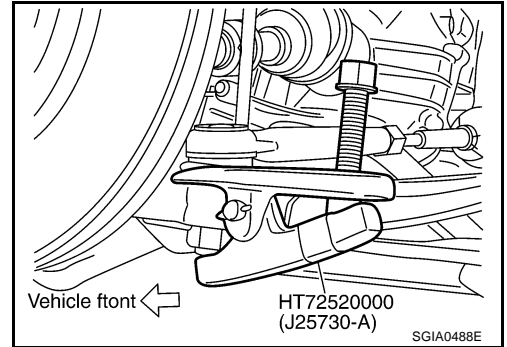
FRONT WHEEL HUB AND KNUCKLE

[AWD]

7. Use a ball joint remover (SST) to remove steering outer socket from steering knuckle. Be careful not to damage ball joint boot.

CAUTION:

To prevent damage to threads and to prevent ball joint remover (SST) from coming off suddenly, temporarily tighten mounting nut.



8. Using a puller (suitable tool), remove wheel hub and bearing assembly from drive shaft.

NOTE:

- When removing wheel hub and bearing assembly, do not apply an excessive angle to drive shaft joint. Also be careful not to excessively extend slide joint.
- Do not hang over drive shaft with out support.

9. Remove wheel hub and bearing assembly fixing bolt.
10. Remove splash guard and wheel hub and bearing assembly from steering knuckle.
11. Remove strut assembly and steering knuckle fixing bolts and nuts.
12. Remove transverse link and steering knuckle fixing bolt and nut.
13. Remove steering knuckle from vehicle.

INSPECTION AFTER REMOVAL

Check for deformity, cracks and damage on each parts, replace if necessary.

Ball Joint Inspection

Check for boot breakage, axial looseness, and torque of transverse link and steering outer socket ball joint. Refer to [FSU-14, "TRANSVERSE LINK"](#) , [PS-18, "POWER STEERING GEAR AND LINKAGE"](#) .

INSTALLATION

CAUTION:

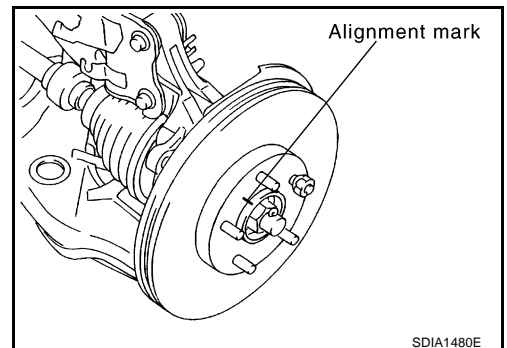
Be sure to replace the new differential side oil seal every removal of drive shaft. Refer to [FFD-11, "SIDE OIL SEAL"](#) .

- Refer to [FAX-10, "Removal and Installation"](#) for tightening torque. Install in the reverse order of removal.

NOTE:

Refer to component parts location and do not reuse non-reusable parts.

- To assemble disc rotor and wheel hub and bearing assembly, align the marks.
(When not using the alignment mark, refer to [BR-20, "Removal and Installation of Brake Caliper Assembly"](#) .)



FRONT DRIVE SHAFT

On-Vehicle Inspection

- Check drive shaft mounting point and joint for looseness and other damage.
- Check boot for cracks and other damage.

CAUTION:

Replace entire drive shaft assembly when noise or vibration occur from drive shaft.

DRIVE SHAFT BOOT REPLACEMENT

1. Remove tires from vehicle with power tool.
2. Remove undercover with power tool.
3. Remove cotter pin. Then remove lock nut from drive shaft with power tool.

CAUTION:

Do not depress brake pedal while brake caliper is removed.

4. Remove wheel sensor harness from strut assembly. Refer to [BRC-57, "WHEEL SENSORS"](#).

CAUTION:

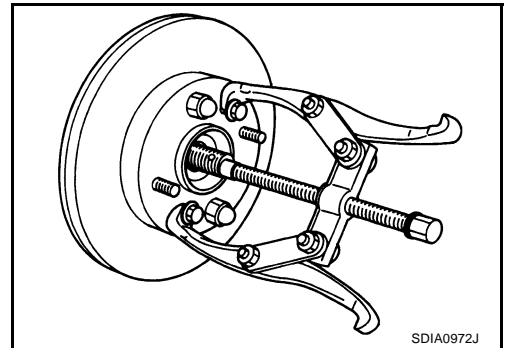
Do not pull on wheel sensor harness.

5. Remove brake hose lock plate. Then remove brake hose from strut assembly. Refer to [BR-11, "BRAKE TUBE AND HOSE"](#).

6. Remove fixing bolts and nuts between strut assembly and steering knuckle with power tool.
7. Remove drive shaft from wheel hub and bearing assembly.
8. Using a puller (suitable tool), remove drive shaft from steering knuckle.

CAUTION:

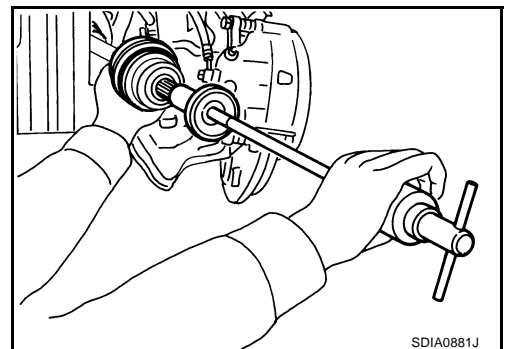
When removing drive shaft, do not apply an excessive angle to drive shaft joint. Also be careful not to excessively extend slide joint.



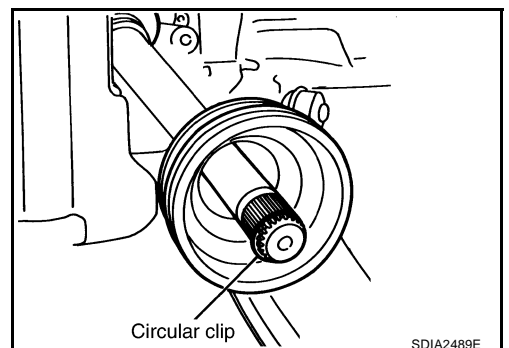
9. Remove boot bands, and then remove boot from joint sub-assembly.
10. Screw a drive shaft puller (suitable tool) into joint sub-assembly screw part to a length of 30 mm (1.18 in) or more. Support drive shaft with one hand and pull out joint sub-assembly with a sliding hammer (suitable tool) from shaft.

CAUTION:

- Align a sliding hammer and drive shaft and remove them by pulling firmly and uniformly.
- If joint sub-assembly cannot be pulled out, try after removing drive shaft from vehicle.



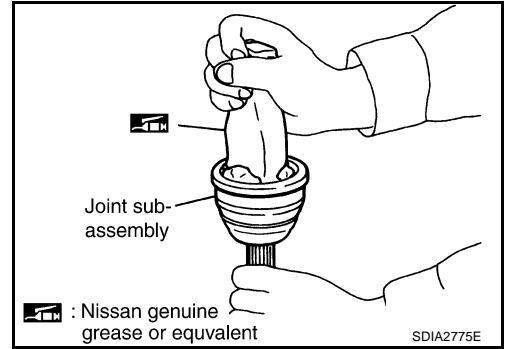
11. Remove the circular clip from shaft.
12. Remove boot from shaft.
13. Clean the old grease on joint sub-assembly with paper towels.



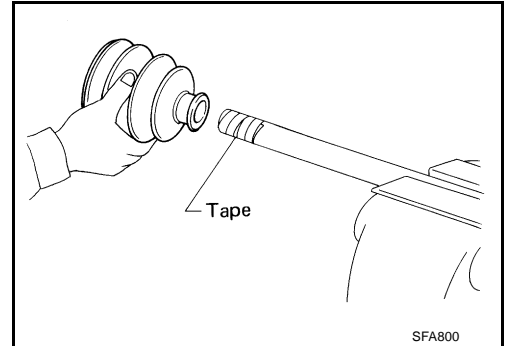
FRONT DRIVE SHAFT

[AWD]

14. Apply the specified amount of grease (NISSAN genuine grease or equivalent) inside joint sub-assembly serration hole until grease begins to ooze from ball groove and serration hole. After applying grease, use a shop cloth to wipe off old grease that has oozed out.



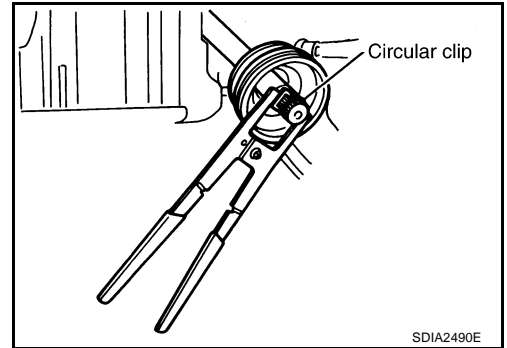
15. Wrap serration on shaft with tape to protect the boot from damage. Install new boot and boot bands to shaft.
16. Remove the tape wrapped around the serration on shaft.



17. Position circular clip on groove at the shaft edge. Align both counter axes of the shaft edge and joint sub-assembly. Then, assemble shaft with circular clip onto joint sub-assembly.

NOTE:

Drive joint inserter (suitable tool) is recommended when installing circular clip.



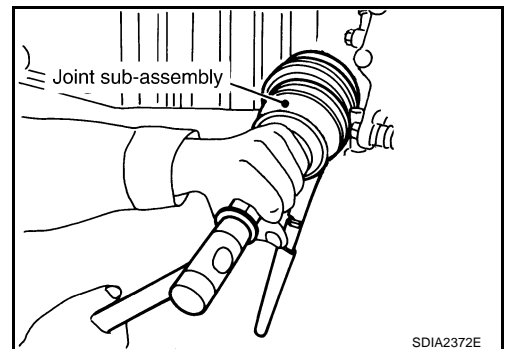
18. Install joint sub-assembly to shaft using plastic hammer.

CAUTION:

Confirm that joint sub-assembly is correctly engaged while rotating drive shaft.

19. Apply the balance of the specified amount of grease (NISSAN genuine grease or equivalent) into the boot inside from large diameter side of boot.

Grease amount : 77 – 97 g (2.71 – 3.42 oz)

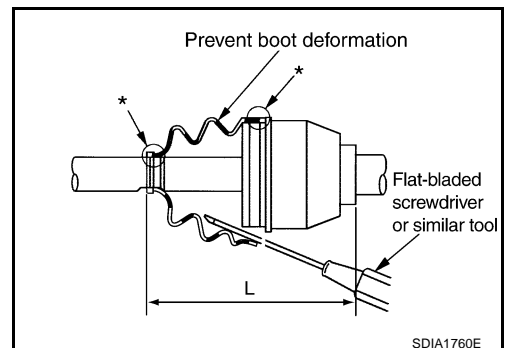


20. Install the boot securely into grooves (indicated by *marks) shown in the figure.

CAUTION:

If grease adheres to the boot mounting surface (with *mark) on the shaft and joint sub-assembly, boot may come off. Remove all grease from the surface.

21. To prevent from the deformation of the boot, adjust the boot installation length to the specified value shown below (L) by inserting the flat-bladed screwdriver into inside of the boot from the large diameter side of the boot and discharging the inside air.



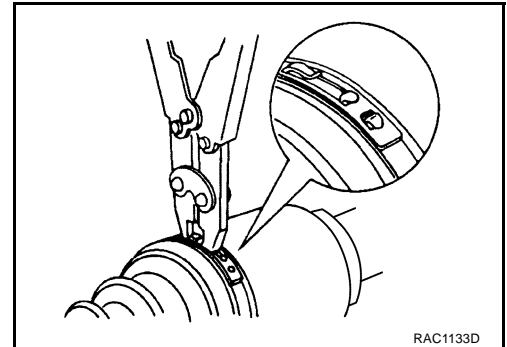
A
B
C
FAX
E
F
G
H
I
J
K
L
M

Boot installation length (L) : 136 mm (5.35 in)

CAUTION:

- If the boot mounting length is outside the standard, it may cause breakage in the boot.
- Be careful not to touch the inside of the boot with a tip of a flat-bladed screwdriver.

22. Secure the large and small ends of the boot with new boot bands using the boot band crimping tool [SST: KV40107300 (-)] as shown in the figure.

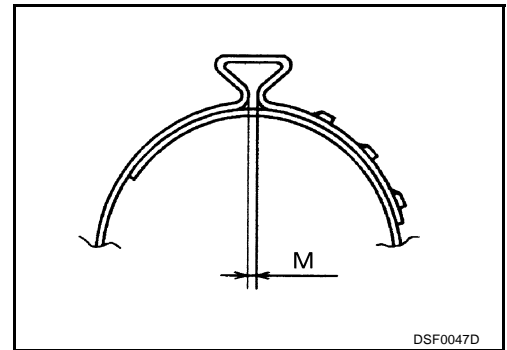


NOTE:

Secure boot band so that dimension "M" meets the specification as shown.

Dimension "M" : 2.0 – 3.0 mm (0.079 – 0.118 in)

23. Secure joint sub-assembly and shaft, and then make sure that they are in the correct position when rotating boot. Install them with new boot band when boot installation positions become incorrect.
24. Insert drive shaft to wheel hub and bearing assembly, and then temporarily tighten hub lock nut.
25. Install nuts and bolts to steering knuckle and strut.
26. Install break hose bracket to strut assembly. [BR-11, "Removal and Installation of Front Brake Tube and Brake Hose"](#) .
27. Install wheel sensor to strut assembly. Refer to [BRC-57, "WHEEL SENSORS"](#) .
28. Tighten the hub lock nut to the specified torque.
29. Install cotter pin.
30. Install tires to vehicle.



FRONT DRIVE SHAFT

[AWD]

NDS000C6

Removal and Installation (Left Side) COMPONENTS

A

B

C

FAX

E

F

G

H

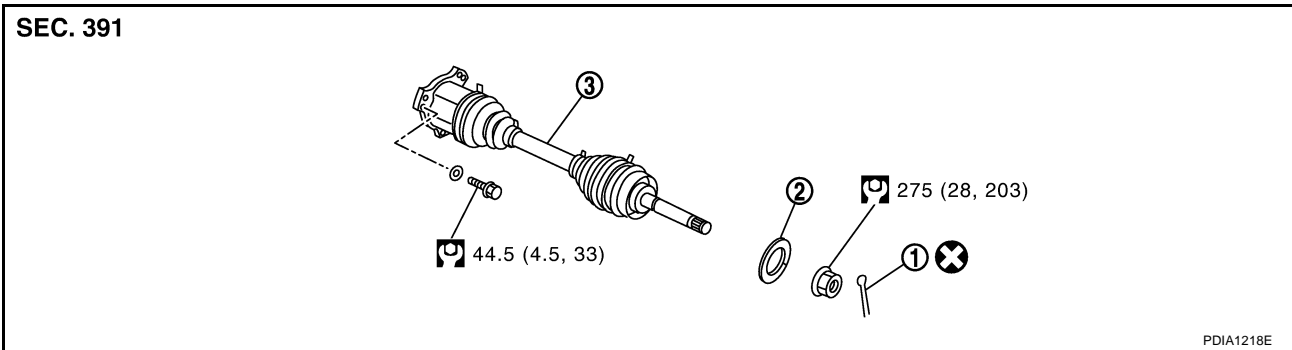
I

J

K

L

M



1. Cotter pin

2. Washer

3. Drive shaft

Refer to [GI-11, "Components"](#), for the symbols in the figure.

REMOVAL

1. Remove tires from vehicle with power tool.
2. Remove undercover with power tool.
3. Remove cotter pin. Then remove lock nut from drive shaft with power tool.
4. Remove wheel sensor harness from strut assembly. Refer to [BRC-57, "WHEEL SENSORS"](#).

CAUTION:

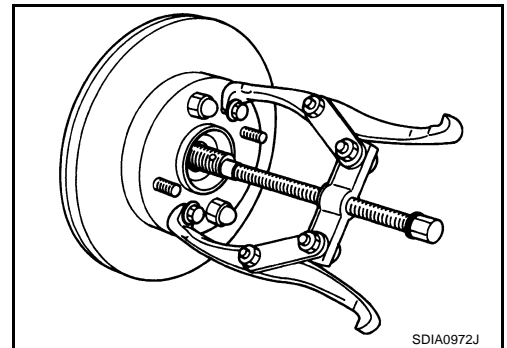
Do not pull on wheel sensor harness.

5. Remove brake hose lock plate. Then remove brake hose from strut assembly. Refer to [BR-11, "BRAKE TUBE AND HOSE"](#).
6. Remove fixing bolts and nuts between strut assembly and steering knuckle with power tool.
7. Using a puller (suitable tool), remove drive shaft from steering knuckle.

CAUTION:

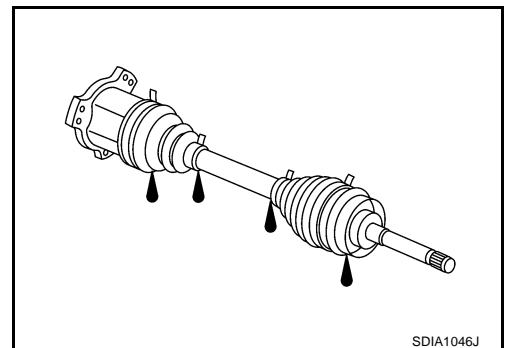
When removing drive shaft, do not apply an excessive angle to drive shaft joint. Also be careful not to excessively extend slide joint.

8. Remove fixing bolt of front final drive side assembly drive shaft with power tool, then remove drive shaft from vehicle.



INSPECTION AFTER REMOVAL

- Move joint up/down, left /right, and in the axial direction. Check for any rough movement or significant looseness.
- Check boot for cracks or other damage, and also for grease leakage.
- If a trouble is found, disassemble drive shaft, and then replace with new one.



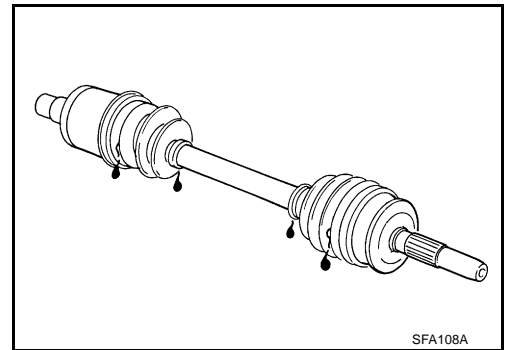
INSTALLATION

- Refer to [FAX-15, "Removal and Installation \(Left Side\)"](#) for tightening torque. Install in the reverse order of removal.

FRONT DRIVE SHAFT

[AWD]

- Check boot for cracks or other damage, and also for grease leakage.
- If a trouble is found, disassemble drive shaft, and then replace with new one.



A
B
C

FAX

INSTALLATION

- Refer to [FAX-16, "Removal and Installation \(Right Side\)"](#) for tightening torque. Install in the reverse order of removal.

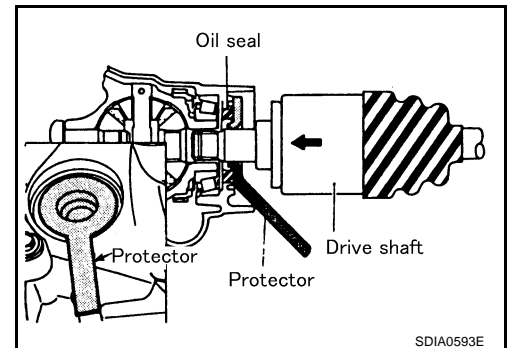
NOTE:

Refer to component parts location and do not reuse non-reusable parts.

- Check the following item after service.
 - Installation condition of wheel sensor harness.
- Place the protector [SST: KV38107900 (-)] onto front final drive assembly to prevent damage to the oil seal while inserting drive shaft. Slide drive shaft sliding joint and tap with a hammer to install securely. (right side)

CAUTION:

Be sure to check that circular clip is securely fastened.



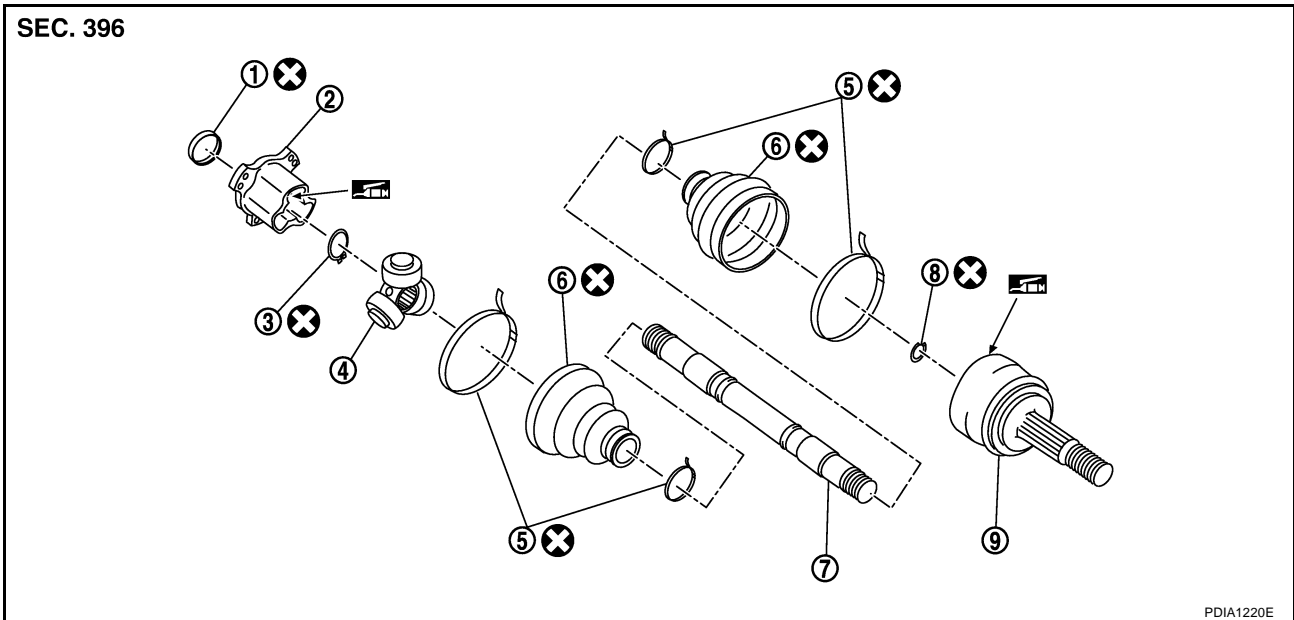
E
F
G
H
I
J
K
L
M

FRONT DRIVE SHAFT

[AWD]


Disassembly and Assembly (Left Side) COMPONENTS

NDS000C8



- | | | |
|--------------------|------------------|-----------------------|
| 1. Plug | 2. Housing | 3. Snap ring |
| 4. Spider assembly | 5. Boot band | 6. Boot |
| 7. Shaft | 8. Circular clip | 9. Joint sub-assembly |

Refer to [GI-11. "Components"](#) and the following for the symbols in the figure.

: Fill Nissan genuine grease or equivalent.

DISASSEMBLY

Front Final Drive Assembly Side

1. Press drive shaft in a vice.

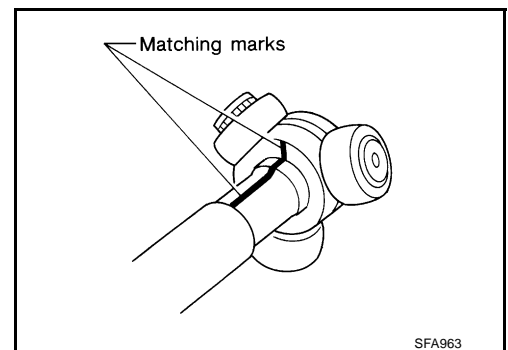
CAUTION:

When retaining shaft in a vice, always use copper or aluminum plates between vise and shaft.

2. Remove boot bands.
3. If plug needs to be removed, move boot to wheel side, and drive it out with a plastic hammer.
4. Put matching marks on spider assembly and shaft.

CAUTION:

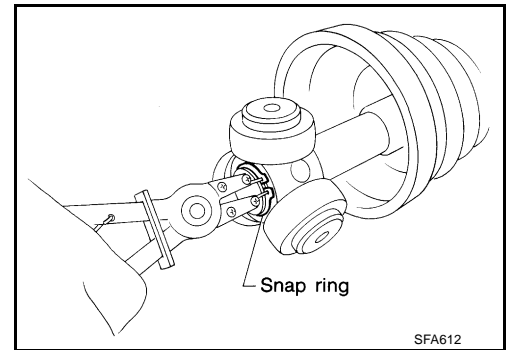
Use paint for matching mark, but don't damage to spider assembly and drive shaft.



FRONT DRIVE SHAFT

[AWD]

5. Remove snap ring, then remove spider assembly from shaft.
6. Remove boot from shaft.
7. Remove old grease on slide joint assembly with paper towels.



A
B
C

FAX

Wheel Side

1. Place drive shaft in a vice.

CAUTION:

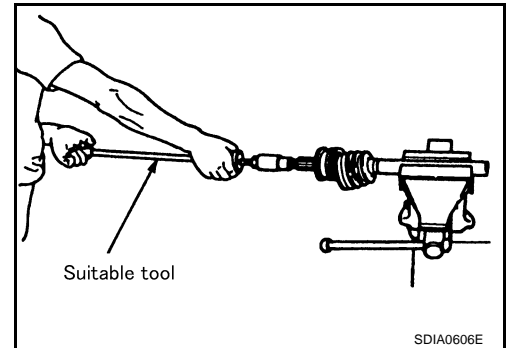
When retaining drive shaft in a vice, always use copper or aluminum plates between a vise and shaft.

2. Remove boot bands. Then remove boot from joint sub-assembly.
3. Screw a drive shaft puller (suitable tool) 30 mm (1.18 in) or more into threaded part of joint sub-assembly. Pull joint sub-assembly out of shaft.

CAUTION:

- If joint sub-assembly cannot be removed after five or more unsuccessful attempts, replace shaft and joint sub-assembly as a set.
- Align sliding hammer and drive shaft and remove them by pulling directly.

4. Remove boot from shaft.
5. Remove circular clip from shaft.
6. While rotating ball cage, remove old grease on joint sub-assembly with paper towels.



E
F
G

H

I

J

INSPECTION AFTER DISASSEMBLY

Shaft

Replace shaft if there is any runout, cracking, or other damage.

Joint Sub-Assembly

- Make sure there is no rough rotation or unusual axial looseness.
- Make sure there is no foreign material inside joint sub-assembly.
- Check joint sub-assembly for compression scar, cracks or fractures.

CAUTION:

If there are any irregular conditions of joint sub-assembly components, replace the entire joint sub-assembly.

Slide Joint Side

Housing and spider assembly

- If roller or roller surface of spider assembly has scratch or wear, replace housing and spider assembly.

NOTE:

Housing and spider assembly are components which are used as a set.

K

L

M

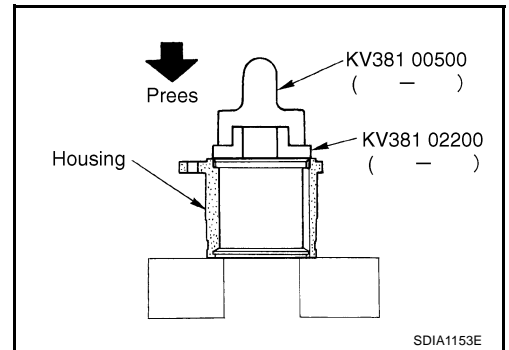
ASSEMBLY

Front Final Drive Assembly Side

1. If plug has been removed, use a drift (SST) to press in a new one.

NOTE:

Discard old plug; replace with new ones.

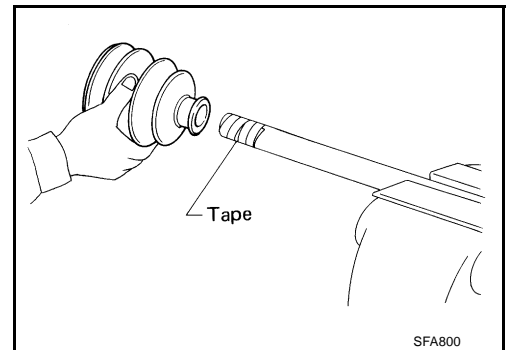


2. Wind serrated part of shaft with tape. Install boot band and boot to shaft. Be careful not to damage boot.

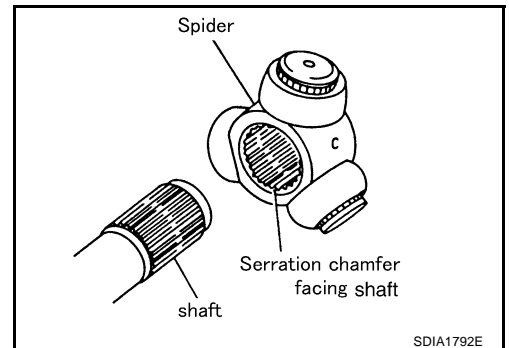
NOTE:

Discard old boot band and boot; replace with each new one.

3. Remove protective tape wound around serrated part of shaft.



4. Line up alignment marks which were made when spider assembly was removed. Install spider assembly, with serration chamfer facing shaft.

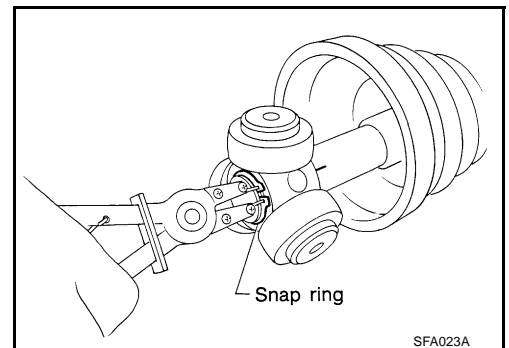


5. Secure spider assembly with snap ring.

NOTE:

Discard old snap ring; replace with new one.

6. Apply Nissan genuine grease or equivalent to spider assembly and sliding surface.

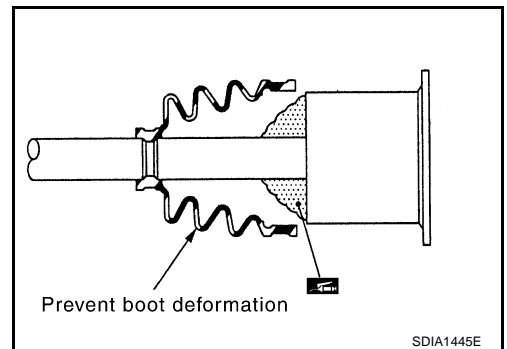


FRONT DRIVE SHAFT

[AWD]

7. Install housing to spider assembly. Apply Nissan genuine grease or equivalent to housing.

Grease amount : 95 – 105 g (3.35 – 3.70 oz)



8. Install boot securely into grooves (indicated by *marks) shown in the figure.

CAUTION:

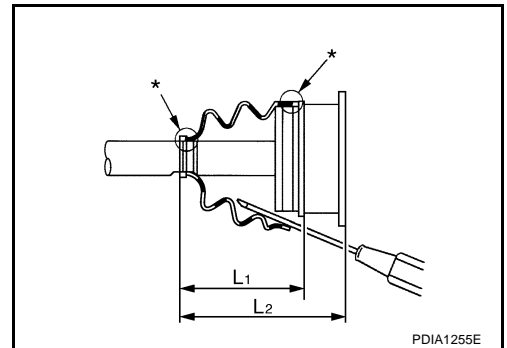
If there is grease on boot mounting surfaces (indicated by * marks) of shaft and housing, boot may come off. Remove all grease from surfaces.

9. Make sure boot installation length “L1 L2 ” is the length indicated below. Insert a flat-bladed screwdriver or similar tool into smaller side of boot. Bleed air from boot to prevent boot deformation.

Boot installation Length “L1 L2 ”:

VQ45DE models (L1) : 95 – 97 mm (3.74 – 3.82 in)

VK35DE models (L2) : 150.9 – 152.9 mm (5.94 – 6.02 in)



CAUTION:

- **Boot may break if boot installation length is less than standard value.**
- **Take care not to touch the tip of screwdriver to inside surface of boot.**

10. Install new larger and smaller boot bands securely.

NOTE:

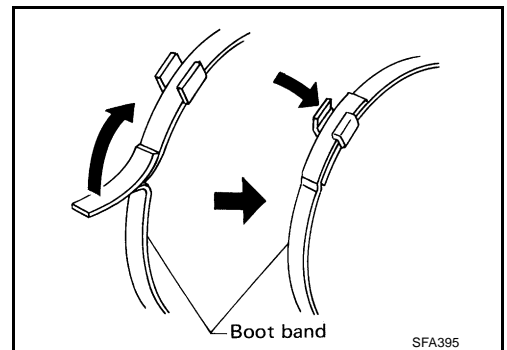
Discard old boot bands; replace with new ones.

11. After installing housing and shaft, rotate boot to check whether or not the actual position is correct. If boot position is not correct, secure boot with new boot bands again.

12. Install circular clip.

NOTE:

Discard old circular clip; replace with new one.



Wheel Side

Assemble in steps 14 to 23 of [FAX-12, "DRIVE SHAFT BOOT REPLACEMENT"](#) .

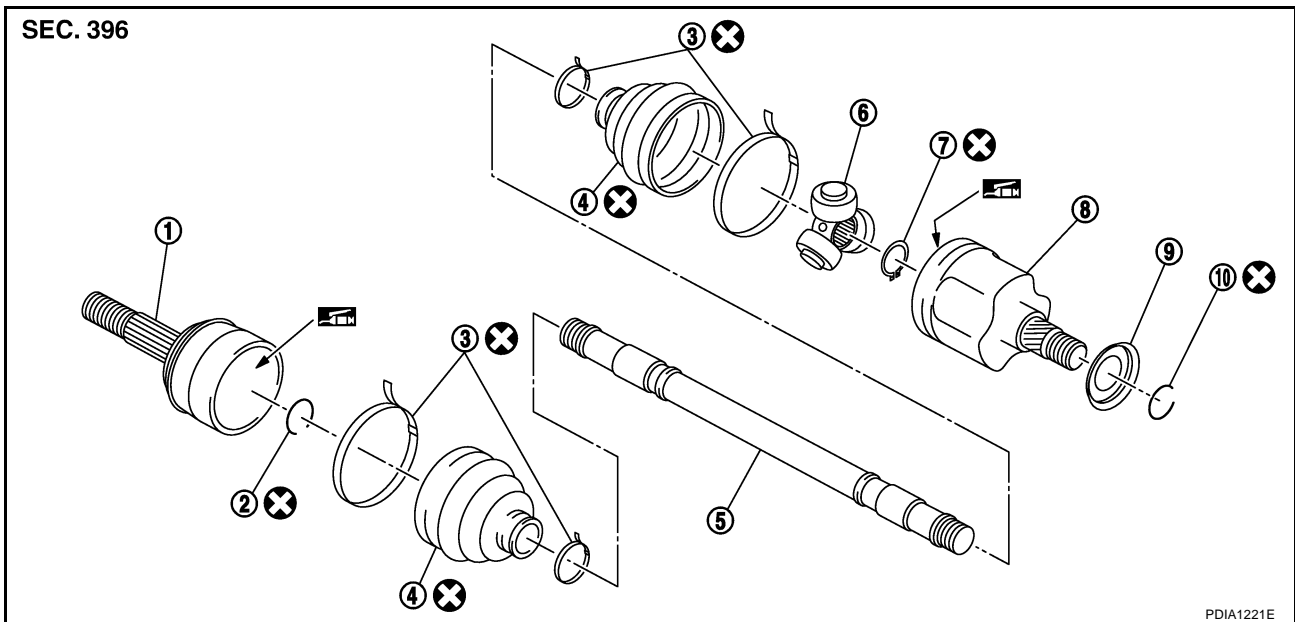
A
B
C
FAX
E
F
G
H
I
J
K
L
M

FRONT DRIVE SHAFT

[AWD]


Disassembly and Assembly (Right Side) COMPONENTS

NDS000C9



- | | | |
|-----------------------|------------------|--------------------|
| 1. Joint sub-assembly | 2. Circular clip | 3. Boot band |
| 4. Boot | 5. Shaft | 6. Spider assembly |
| 7. Snap ring | 8. Housing | 9. Dust shield |
| 10. Circular clip | | |

Refer to [GI-11, "Components"](#) and the following for the symbols in the figure.

: Fill NISSAN genuine grease or equivalent.

DISASSEMBLY

Front Final Drive Assembly Side

1. Press drive shaft in a vice.

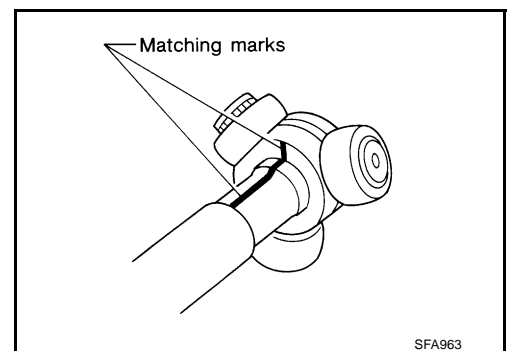
CAUTION:

When retaining drive shaft in a vice, always use copper or aluminum plates between a vise and shaft.

2. Remove boot bands.
3. Put matching marks on spider assembly and shaft.

CAUTION:

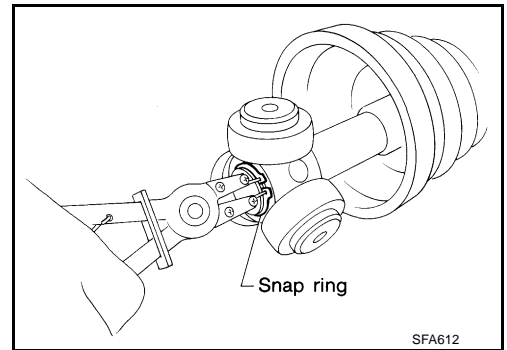
Use paint for matching mark, but don't damage to spider assembly and shaft.



FRONT DRIVE SHAFT

[AWD]

4. Remove snap ring, then remove spider assembly from shaft.
5. Remove boot from shaft.
6. Remove old grease on slide joint assembly with paper towels.



A
B
C

FAX

Wheel Side

1. Place drive shaft in a vice.

CAUTION:

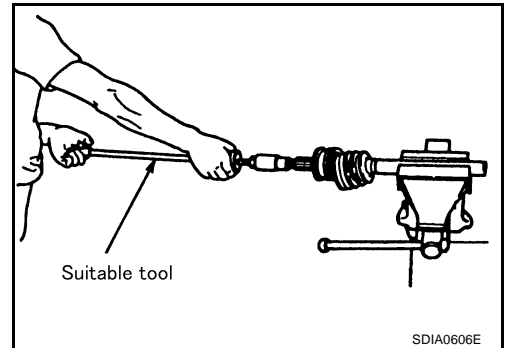
When retaining drive shaft in a vice, always use copper or aluminum plates between vise and shaft.

2. Remove boot bands. Then remove boot from joint sub-assembly.
3. Screw a drive shaft puller (suitable tool) 30 mm (1.18 in) or more into threaded part of joint sub-assembly. Pull joint sub-assembly out of shaft.

CAUTION:

- If joint sub-assembly cannot be removed after five or more unsuccessful attempts, replace shaft and joint sub-assembly as a set.
- Align sliding hammer and drive shaft and remove them by pulling directly.

4. Remove boot from shaft.
5. Remove circular clip from shaft.
6. While rotating ball cage, remove old grease on joint sub-assembly with paper towels.



E
F
G

H

I

J

INSPECTION AFTER DISASSEMBLY

Shaft

Replace shaft if there is any runout, cracking, or other damage.

Joint Sub-Assembly

- Make sure there is no rough rotation or unusual axial looseness.
- Make sure there is no foreign material inside joint sub-assembly.
- Check joint sub-assembly for compression scar, cracks or fractures.
- If there are any irregular conditions of joint sub-assembly components, replace the entire joint sub-assembly.

K

L

M

Slide Joint Side

Housing and spider assembly

- If roller or roller surface of spider assembly has scratch or wear, replace housing and spider assembly.

NOTE:

Housing and spider assembly are components which are used as a set.

ASSEMBLY

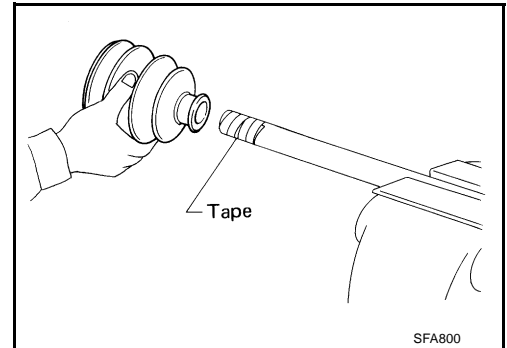
Front Final Drive Assembly Side

1. Wind serrated part of drive shaft with tape. Install boot band and boot to shaft. Be careful not to damage boot.

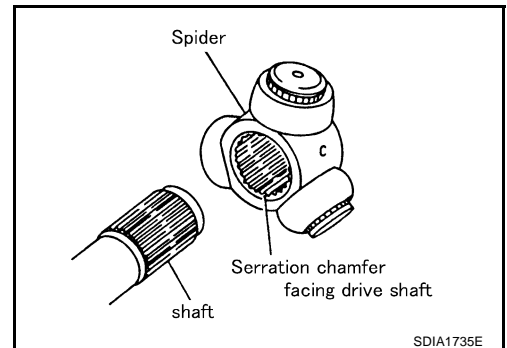
NOTE:

Discard old boot band and boot; replace with each new one.

2. Remove protective tape wound around serrated part of shaft.



3. Line up alignment marks which were made when spider assembly was removed. Install spider assembly, with serration chamfer facing drive shaft.

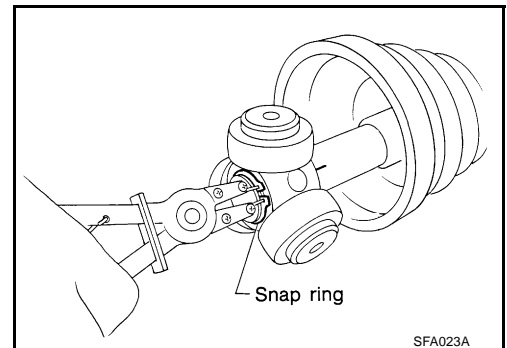


4. Secure spider assembly with snap ring.

NOTE:

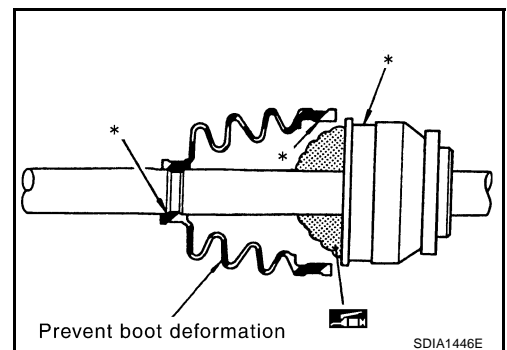
Discard old snap ring; replace with new one.

5. Apply Nissan genuine grease or equivalent to spider assembly and sliding surface.



6. Install housing to spider assembly. Apply Nissan genuine grease or equivalent to housing.

Grease amount : 113 – 123 g (3.99 – 4.34 oz)



FRONT DRIVE SHAFT

[AWD]

7. Install boot securely into grooves (indicated by * marks) shown in the figure.

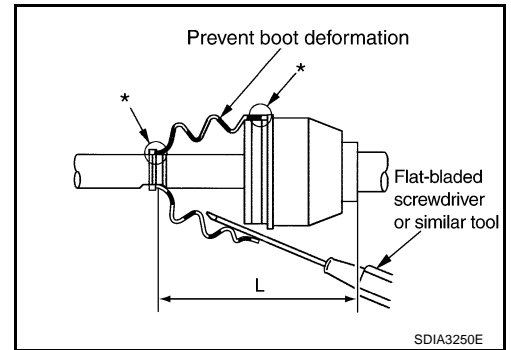
CAUTION:

If there is grease on boot mounting surfaces (indicated by* marks) of shaft and housing, boot may come off. Remove all grease from surfaces.

8. Make sure boot installation length "L" is the length indicated below. Insert a flat-bladed screwdriver or similar tool into smaller side of boot. Bleed air from boot to prevent boot deformation.

Boot installation Length "L":

157.8 – 159.8 mm (6.21 – 6.29 in)



CAUTION:

- Boot may break if boot installation length is less than standard value.
- Take care not to touch the tip of screwdriver to inside surface of boot.

9. Install new larger and smaller boot bands securely.

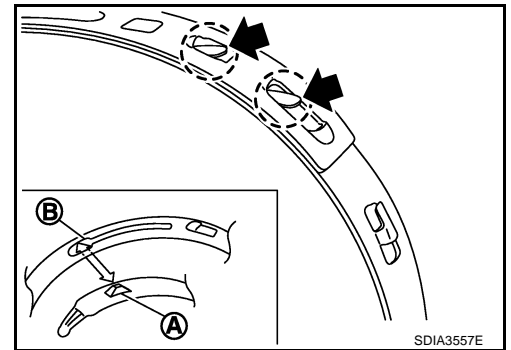
NOTE:

Discard old boot bands; replace with new ones.

10. Put boot band in the groove on drive shaft boot. Then fit pawls (←) into holes to temporary installation.

NOTE:

For the large diameter side, fit projection (A) and guide slit (B) at first.



11. Pinch projection on the band with suitable pliers to tighten band.

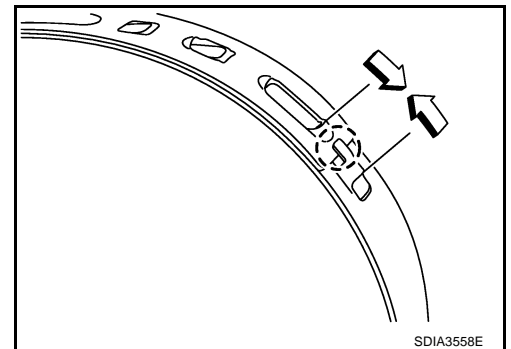
12. Insert tip of band below end of the pawl.

13. After installing housing and shaft, rotate boot to check whether or not the actual position is correct. If boot position is not correct, secure boot with new boot bands again.

14. Install circular clip.

NOTE:

Discard old circular clip; replace with new one.



Wheel Side

Assemble in steps 14 to 23 of [FAX-12, "DRIVE SHAFT BOOT REPLACEMENT"](#) .

SERVICE DATA AND SPECIFICATIONS (SDS)

[AWD]

SERVICE DATA AND SPECIFICATIONS (SDS)

PFP:00030

Wheel Bearing

NDS000CA

Axial end play	0.05 mm (0.002 in) or less
----------------	----------------------------

Drive Shaft

NDS000CB

Joint		Wheel side		Front final drive assembly side	
Engine type		VQ35DE models	VK45DE models	VQ35DE models	VK45DE models
Grease quantity	LH side	77 – 97 g (2.71 – 3.42 oz)		95 – 105 g (3.35 – 3.70 oz)	
	RH side			113 – 123 g (3.99 – 4.34 oz)	
Boots installed length	LH side	136 mm (5.35 in)		150.9 – 152.9 mm (5.94 – 6.02 in)	95 – 97 mm (3.74 – 3.82 in)
	RH side			157.8 – 159.8 mm (6.21 – 6.29 in)	