

# SECTION **BCS**

## BODY CONTROL SYSTEM

### CONTENTS

<b>PRECAUTIONS</b> .....	<b>2</b>	LIGHT KEY UNIT .....	<b>7</b>
Precautions for Supplemental Restraint System (SRS) "AIR BAG" and "SEAT BELT PRE-TENSIONER" .....	2	SYSTEMS CONTROLLED BY BCM, COMBINATION METER AND IPDM E/R .....	7
<b>BCM (BODY CONTROL MODULE)</b> .....	<b>3</b>	MAJOR COMPONENTS AND CONTROL SYSTEM .....	8
System Description .....	3	CAN Communication Unit .....	9
BCM FUNCTION .....	3	Schematic .....	10
COMBINATION SWITCH READING FUNCTION .....	3	CONSULT-II Function (BCM) .....	12
CAN COMMUNICATION CONTROL .....	5	CONSULT-II INSPECTION PROCEDURE .....	12
BCM STATUS CONTROL .....	6	ITEMS OF EACH PART .....	12
SYSTEMS CONTROLLED BY BCM DIRECTLY .....	7	WORK SUPPORT .....	13
SYSTEMS CONTROLLED BY BCM AND IPDM E/R .....	7	CAN Communication Inspection Using CONSULT-II (Self-Diagnosis) .....	13
SYSTEMS CONTROLLED BY BCM AND COMBINATION METER .....	7	Removal and Installation of BCM .....	14
SYSTEMS CONTROLLED BY BCM AND INTEL-		REMOVAL .....	14
		INSTALLATION .....	14

A  
B  
C  
D  
E  
F  
G  
H  
I  
J  
L  
M

**BCS**

# PRECAUTIONS

---

## PRECAUTIONS

PF0:00001

### Precautions for Supplemental Restraint System (SRS) “AIR BAG” and “SEAT BELT PRE-TENSIONER”

NKS0033Y

The Supplemental Restraint System such as “AIR BAG” and “SEAT BELT PRE-TENSIONER”, used along with a front seat belt, helps to reduce the risk or severity of injury to the driver and front passenger for certain types of collision. This system includes seat belt switch inputs and dual stage front air bag modules. The SRS system uses the seat belt switches to determine the front air bag deployment, and may only deploy one front air bag, depending on the severity of a collision and whether the front occupants are belted or unbelted. Information necessary to service the system safely is included in the SRS and SB section of this Service Manual.

#### **WARNING:**

- To avoid rendering the SRS inoperative, which could increase the risk of personal injury or death in the event of a collision which would result in air bag inflation, all maintenance must be performed by an authorized NISSAN/INFINITI dealer.
- Improper maintenance, including incorrect removal and installation of the SRS, can lead to personal injury caused by unintentional activation of the system. For removal of Spiral Cable and Air Bag Module, see the SRS section.
- Do not use electrical test equipment on any circuit related to the SRS unless instructed to in this Service Manual. SRS wiring harnesses can be identified by yellow and/or orange harnesses or harness connectors.

# BCM (BODY CONTROL MODULE)

## BCM (BODY CONTROL MODULE)

PFP:284B2

### System Description

NKS0033Z

BCM (Body Control Module) controls the operation of various electrical units installed on the vehicle.

### BCM FUNCTION

BCM has combination switch reading function for reading the operation of combination switches (light, wiper, washer and turn signal) in addition to a function for controlling the operation of various electrical components. Also it has an interface function allowing it to receive signals from the unified meter and A/C amp., and send signals to ECM using CAN communication.

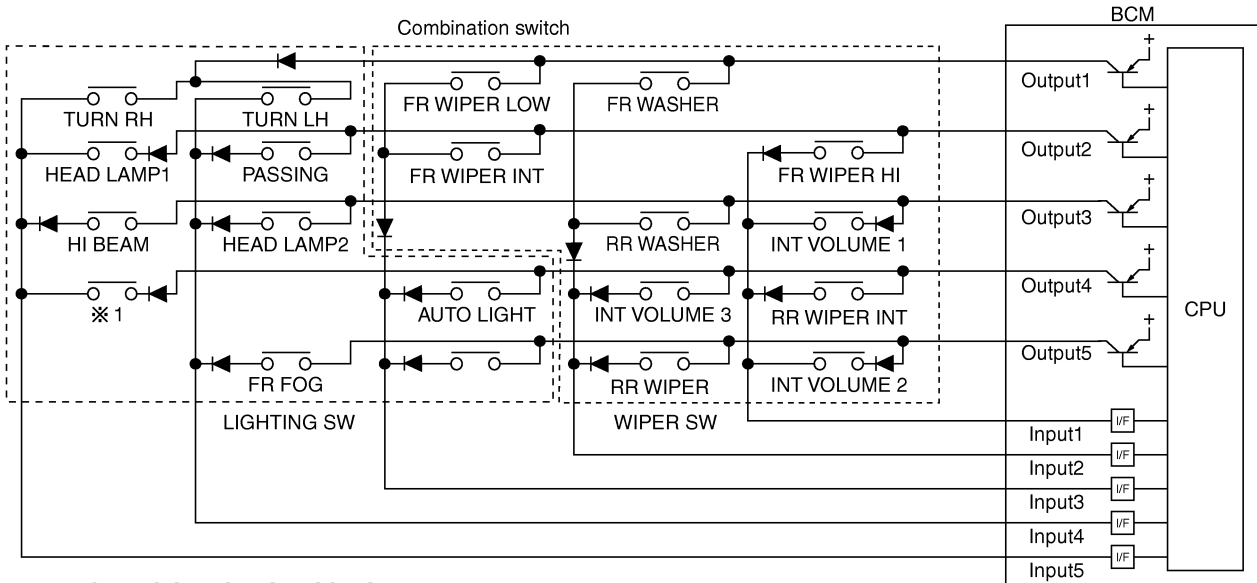
### COMBINATION SWITCH READING FUNCTION

#### Description

- BCM reads combination switch (lighting switch, wiper switch) status, and controls various electrical component according to the result.
- BCM reads information of a maximum of 20 switches by combining five output terminals (OUTPUT 1-5) and five input terminals (INPUT 1-5).

#### Operation Description

- BCM activates transistors of output terminals (OUTPUT 1-5) periodically, and allows current to flow in turn.
- If any (1 or more) switches are turned ON, circuit of output terminals (OUTPUT 1-5) and input terminals (INPUT 1-5) becomes active.
- At this time, transistors of output terminals (OUTPUT 1-5) are activated to allow current to flow. When voltage of input terminals (INPUT 1-5) corresponding to that switch changes, interface in BCM detects voltage change, and BCM determines that switch is ON.



PKID0853E

A  
B  
C  
D  
E  
F  
G  
H  
I  
J  
L  
M

BCS

# BCM (BODY CONTROL MODULE)

## Operation Table Of BCM and Combination Switches

BCM reads operation status of combination switch using combinations shown in table below.

	COMB SW OUTPUT 1		COMB SW OUTPUT 2		COMB SW OUTPUT 3		COMB SW OUTPUT 4		COMB SW OUTPUT 5	
	ON	OFF	ON	OFF	ON	OFF	ON	OFF	ON	OFF
COMB SW INPUT 1	—	—	FR WIPER HI ON	FR WIPER HI OFF	INT VOLUME 1 ON	INT VOLUME 1 OFF	RR WIPER INT ON	RR WIPER INT OFF	INT VOLUME 2 ON	INT VOLUME 2 OFF
COMB SW INPUT 2	FR WASHER ON	FR WASHER OFF	—	—	RR WASHER ON	RR WASHER OFF	INT VOLUME 3 ON	INT VOLUME 3 OFF	RR WIPER ON	RR WIPER OFF
COMB SW INPUT 3	FR WIPER LOW ON	FR WIPER LOW OFF	FR WIPER INT ON	FR WIPER INT OFF	—	—	AUTO LIGHT ON	AUTO LIGHT OFF	—	—
COMB SW INPUT 4	TURN LH ON	TURN LH OFF	PASSING ON	PASSING OFF	HEAD-LAMP 2 ON	HEAD-LAMP 2 OFF	—	—	FR FOG ON	FR FOG OFF
COMB SW INPUT 5	TURN RH ON	TURN RH OFF	HEAD-LAMP 1 ON	HEAD-LAMP 1 OFF	HI BEAM ON	HI BEAM OFF	LIGHTING SW (1st) ON	LIGHTING SW (1st) OFF	—	—

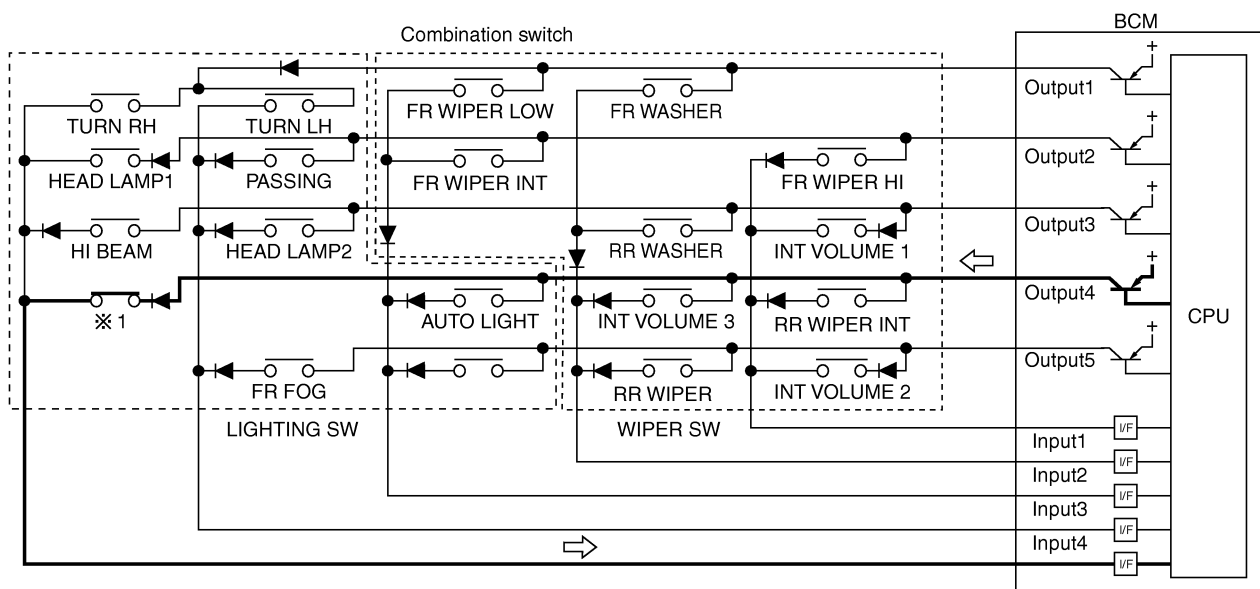
SKIA4959E

### NOTE:

Headlamp system has a dual switch.

### Sample Operation: (When Lighting Switch 1ST Position Turned ON)

- When lighting switch 1ST position is turned ON, contact in combination switch turns ON. At this time if OUTPUT 4 transistor is activated, BCM detects that voltage changes in INPUT 5.
- When OUTPUT 4 transistor is ON, BCM detects that voltage changes in INPUT 5, and judges that lighting switch 1ST position is ON. Then BCM sends tail lamp and clearance lamp request signal to IPDM E/R using CAN communication.
- When OUTPUT 4 transistor is activated again, BCM detects that voltage changes in INPUT 5, and recognizes that lighting switch 1ST position is continuously ON.



※1: LIGHTING SWITCH 1ST POSITION

PKID0854E

### NOTE:

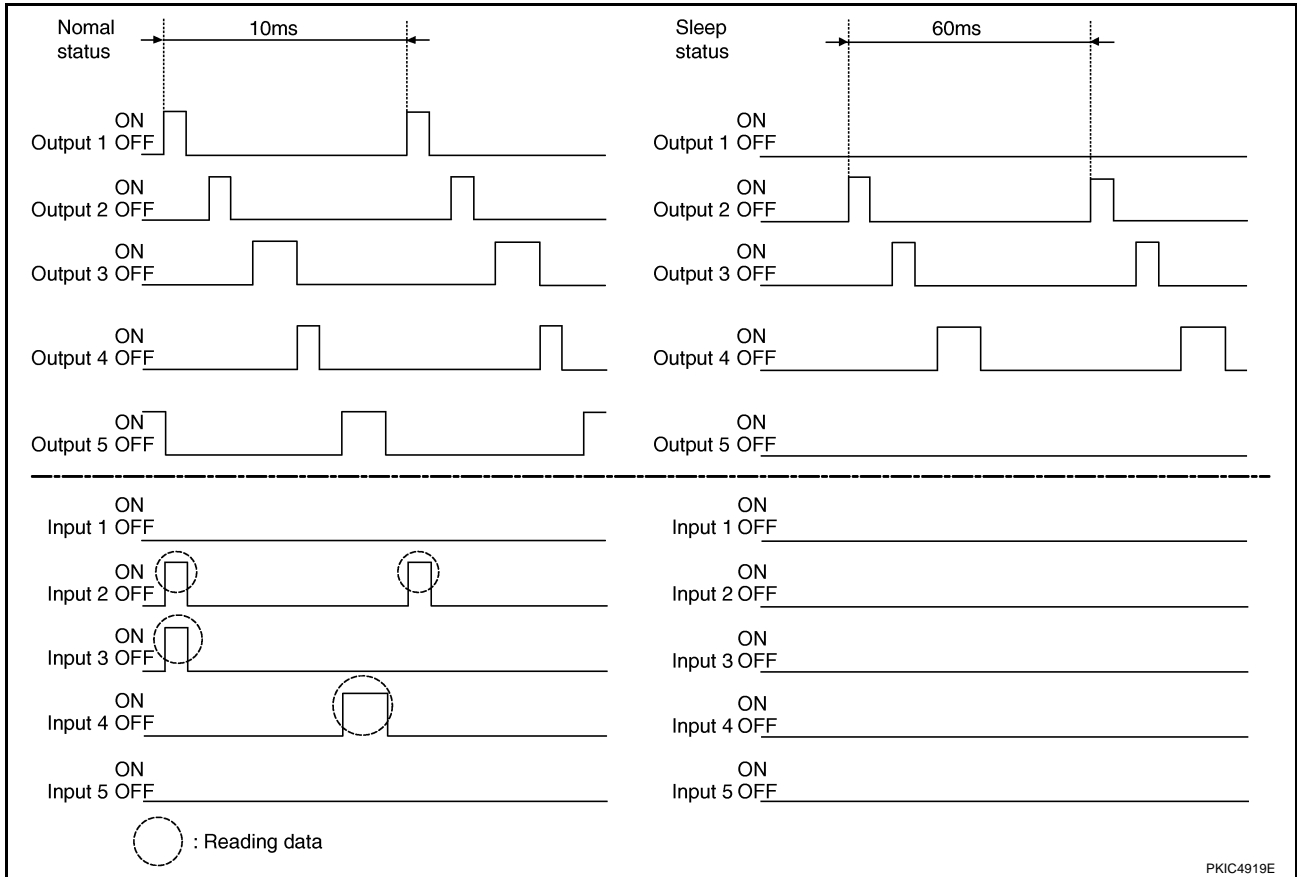
Each OUTPUT terminal transistor is activated at 10 ms intervals. Therefore after switch is turned ON, electrical loads are activated with time delay. But this time delay is so short that it cannot be detected by human senses.

# BCM (BODY CONTROL MODULE)

## Operation Mode

Combination switch reading function has operation modes shown below.

1. Normal status  
When BCM is not in sleep status, OUTPUT terminals (1-5) send out ON signal every 10 ms.
2. Sleep status  
When BCM is in sleep status, transistors of OUTPUT 1 and 5 stop the output, and BCM enters low power mode. Mean while OUTPUT 2, 3, and 4 send out ON signal every 60 ms, and accept input from lighting switch system.



A  
B  
C  
D  
E  
F  
G  
H  
I  
J  
BCS

## CAN COMMUNICATION CONTROL

CAN communication allows a high rate of information transmission through the two communication lines (CAN L line, CAN H line) connecting the various control units in the system. Each control unit transmits/receives data but selectively reads required data only. For details of signals that are transmitted/received by BCM via CAN communication, refer to [LAN-49, "CAN System Specification Chart"](#) .

L  
M

# BCM (BODY CONTROL MODULE)

---

## BCM STATUS CONTROL

BCM changes its status depending on the operation status in order to save power consumption.

1. CAN communication status
  - With ignition switch ON, CAN communicates with other control units normally.
  - Control by BCM is being operated properly.
  - When ignition switch is OFF, switching to sleep mode is possible.
  - Even when ignition switch is OFF, if CAN communication with IPDM E/R and combination meter is active, CAN communication status is active.
2. Sleep transient status
  - This status shuts down CAN communication when ignition switch is turned OFF.
  - It transmits sleep request signal to IPDM E/R and combination meter.
  - 2 seconds after CAN communication of all control units stops, sleep transient status is switched to CAN communication inactive status.
3. CAN communication inactive status
  - With ignition switch OFF, CAN communication is not active.
  - With ignition switch OFF, control performed only by BCM is active.
  - 3 seconds after CAN communication of all control units stops, CAN communication inactive status is switched to sleep status.
4. Sleep status
  - BCM is activated with low power mode.
  - CAN communication is not active.
  - When CAN communication operation is detected, it switches to CAN communication status.
  - When a state of the following switches changes, it switches to CAN communication state.
    - Key switch
    - Hazard switch
    - Door lock/unlock switch
    - Front door switch (driver side, passenger side)
    - Rear door switch (LH, RH)
    - Back door opener switch
    - Combination switch (passing, lighting switch 1ST position, front fog lamp)
    - Key fob (lock/unlock signal)
    - Key cylinder switch
  - When control performed only by BCM is required by switch, it shifts to CAN communication inactive mode.
  - Operation mode of combination switch reading function is changed.

# BCM (BODY CONTROL MODULE)

## SYSTEMS CONTROLLED BY BCM DIRECTLY

System	Reference
Power door lock system	<a href="#">BL-21, "POWER DOOR LOCK SYSTEM"</a>
Remote keyless entry system	<a href="#">BL-54, "REMOTE KEYLESS ENTRY SYSTEM"</a>
Power window system <sup>NOTE</sup>	<a href="#">GW-15, "POWER WINDOW SYSTEM"</a>
Sunroof <sup>NOTE</sup>	<a href="#">RF-10, "SUNROOF"</a>
Room lamp timer	<a href="#">LT-152, "INTERIOR ROOM LAMP"</a>
Rear wiper and washer system	<a href="#">WW-39, "REAR WIPER AND WASHER SYSTEM"</a>

### NOTE:

Power supply only. No system control.

## SYSTEMS CONTROLLED BY BCM AND IPDM E/R

System	Reference
Panic alarm	<ul style="list-style-type: none"> <li>• <a href="#">BL-54, "REMOTE KEYLESS ENTRY SYSTEM"</a></li> <li>• <a href="#">BL-86, "INTELLIGENT KEY SYSTEM"</a></li> </ul>
Theft warning system	<a href="#">BL-180, "VEHICLE SECURITY (THEFT WARNING) SYSTEM"</a>
IVIS (NATS)	<a href="#">BL-205, "IVIS (INFINITI VEHICLE IMMOBILIZER SYSTEM-NATS)"</a>
Headlamp	<a href="#">LT-6, "HEADLAMP - XENON TYPE -"</a>
Daytime light system	<a href="#">LT-38, "DAYTIME LIGHT SYSTEM"</a>
Auto light system	<a href="#">LT-55, "AUTO LIGHT SYSTEM"</a>
Front fog lamp	<a href="#">LT-78, "FRONT FOG LAMP"</a>
<ul style="list-style-type: none"> <li>• Parking, license plate, side marker and tail lamps</li> <li>• Exterior lamp battery saver control</li> </ul>	<a href="#">LT-131, "PARKING, LICENSE PLATE AND TAIL LAMPS"</a>
Front wiper and washer system	<a href="#">WW-4, "FRONT WIPER AND WASHER SYSTEM"</a>
Rear window defogger	<a href="#">GW-67, "REAR WINDOW DEFOGGER"</a>

## SYSTEMS CONTROLLED BY BCM AND COMBINATION METER

System	Reference
Warning chime	<a href="#">DI-56, "WARNING CHIME"</a>
Turn signal and hazard warning lamps	<a href="#">LT-90, "TURN SIGNAL AND HAZARD WARNING LAMPS"</a>
Tire pressure monitoring system	<a href="#">WT-11, "TIRE PRESSURE MONITORING SYSTEM"</a>

## SYSTEMS CONTROLLED BY BCM AND INTELLIGENT KEY UNIT

System	Reference
Intelligent Key system	<a href="#">BL-86, "INTELLIGENT KEY SYSTEM"</a>

## SYSTEMS CONTROLLED BY BCM, COMBINATION METER AND IPDM E/R

System	Reference
Oil pressure warning lamp	<a href="#">DI-38, "WARNING LAMPS"</a>

## BCM (BODY CONTROL MODULE)

### MAJOR COMPONENTS AND CONTROL SYSTEM

System	Input	Output
Remote control entry system	Key fob	<ul style="list-style-type: none"> <li>● All-door locking actuator</li> <li>● Fuel lid Lock actuator</li> <li>● Turn signal lamp (LH, RH)</li> <li>● Combination meter</li> </ul>
Intelligent key system	Intelligent key unit	<ul style="list-style-type: none"> <li>● All-door locking actuator</li> <li>● Fuel lid Lock actuator</li> <li>● Turn signal lamp (LH, RH)</li> <li>● Combination meter</li> </ul>
Power door lock system	<ul style="list-style-type: none"> <li>● Power window main switch (door lock and unlock switch)</li> <li>● Power window sub switch (passenger side) (door lock and unlock switch)</li> </ul>	All-door locking actuator
Power supply (IGN) to power window, sunroof	Ignition power supply	Power window and sunroof system
Power supply (BAT) to power window, sunroof and power seat	Battery power supply	Power window, sunroof system and power seat
Panic alarm	<ul style="list-style-type: none"> <li>● Key switch</li> <li>● Key fob</li> </ul>	IPDM E/R
Theft warning system	<ul style="list-style-type: none"> <li>● All-door switch</li> <li>● Hood switch</li> <li>● Key fob</li> <li>● Power window main switch (door lock and unlock switch)</li> <li>● Power window sub switch (passenger side) (door lock and unlock switch)</li> </ul>	<ul style="list-style-type: none"> <li>● IPDM E/R</li> <li>● Security indicator lamp</li> </ul>
Auto light system	<ul style="list-style-type: none"> <li>● Optical sensor</li> <li>● Combination switch</li> <li>● Ignition switch</li> </ul>	IPDM E/R
Exterior lamp battery saver control	<ul style="list-style-type: none"> <li>● Ignition switch</li> <li>● Combination switch</li> </ul>	IPDM E/R
Headlamp	Combination switch	IPDM E/R
Daytime light system	<ul style="list-style-type: none"> <li>● Combination meter</li> <li>● ECM</li> <li>● Combination switch</li> <li>● Ignition switch</li> </ul>	IPDM E/R
Parking, license plate, side marker and tail lamps	Combination switch	IPDM E/R
Front fog lamp	Combination switch	IPDM E/R
Turn signal lamp	<ul style="list-style-type: none"> <li>● Combination switch</li> <li>● Ignition switch</li> </ul>	<ul style="list-style-type: none"> <li>● Turn signal lamp</li> <li>● Combination meter</li> </ul>
Hazard lamp	Hazard switch	<ul style="list-style-type: none"> <li>● Turn signal lamp</li> <li>● Combination meter</li> </ul>
Room lamp timer	<ul style="list-style-type: none"> <li>● Key switch</li> <li>● Key fob</li> <li>● Power window main switch (door lock and unlock switch)</li> <li>● Front door switch driver side</li> <li>● All-door switch</li> </ul>	Interior room lamp



## BCM (BODY CONTROL MODULE)

System	Input	Output
Key warning chime	<ul style="list-style-type: none"> <li>● Key switch</li> <li>● Front door switch driver side</li> </ul>	Combination meter (warning buzzer)
Light warning chime	<ul style="list-style-type: none"> <li>● Combination switch</li> <li>● Key switch</li> <li>● Front door switch driver side</li> </ul>	Combination meter (warning buzzer)
Seat belt warning chime	<ul style="list-style-type: none"> <li>● Combination meter [Seat belt buckle (driver side) switch]</li> <li>● Ignition switch</li> </ul>	Combination meter (warning buzzer)
Front wiper and washer system	<ul style="list-style-type: none"> <li>● Combination switch</li> <li>● Combination meter</li> <li>● Ignition switch</li> </ul>	IPDM E/R
Rear wiper and washer system	<ul style="list-style-type: none"> <li>● Combination switch</li> <li>● Ignition switch</li> </ul>	Rear wiper motor
Rear window defogger	<ul style="list-style-type: none"> <li>● Rear window defogger switch</li> <li>● Ignition switch</li> </ul>	IPDM E/R
A/C switch signal	Unified meter and A/C amp.	ECM
Blower fan switch signal	Unified meter and A/C amp.	ECM
Low tire pressure warning system	Remote keyless entry receiver	Combination meter

### CAN Communication Unit

NKS00340

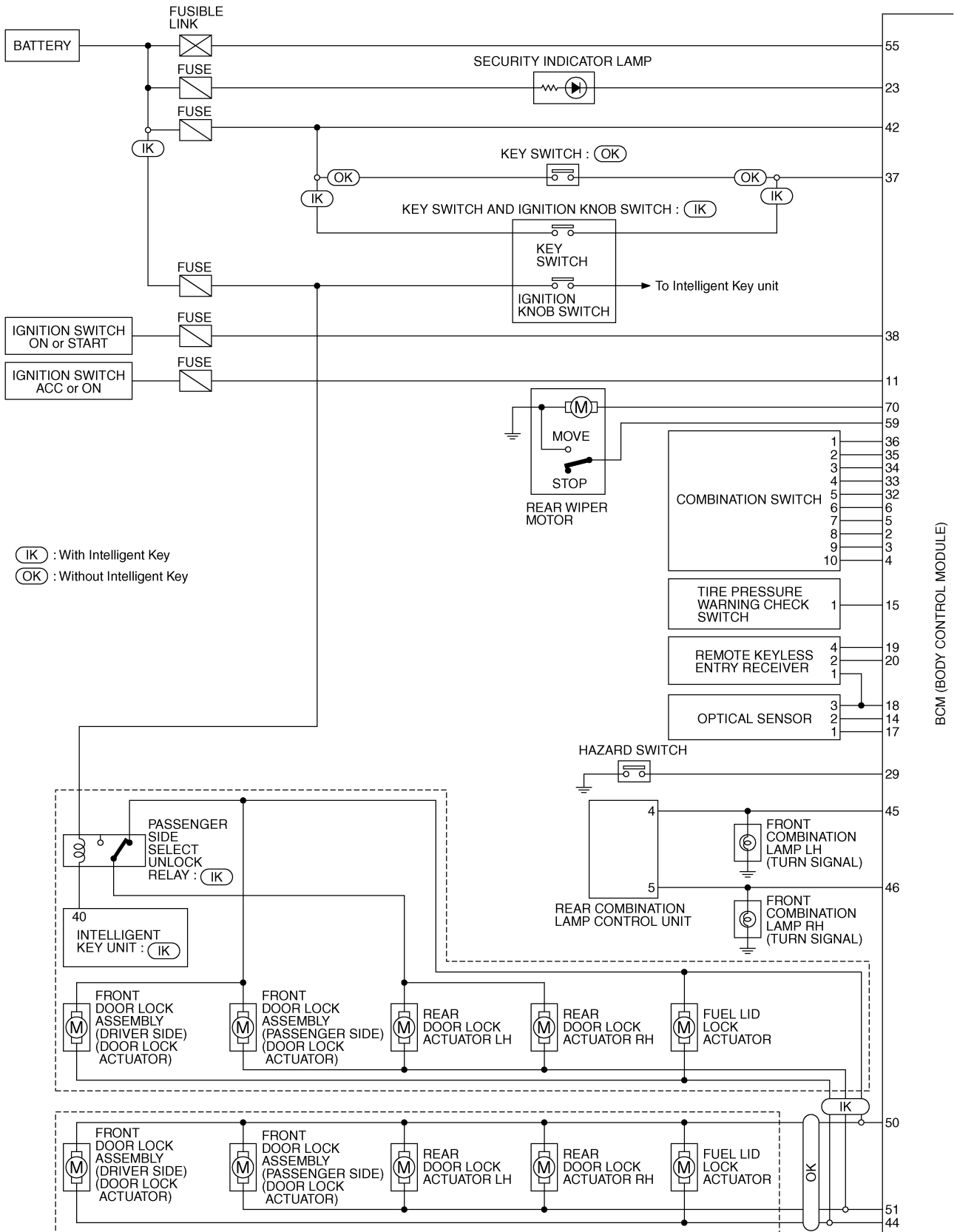
Refer to [LAN-49, "CAN System Specification Chart"](#) .

BCS

# BCM (BODY CONTROL MODULE)

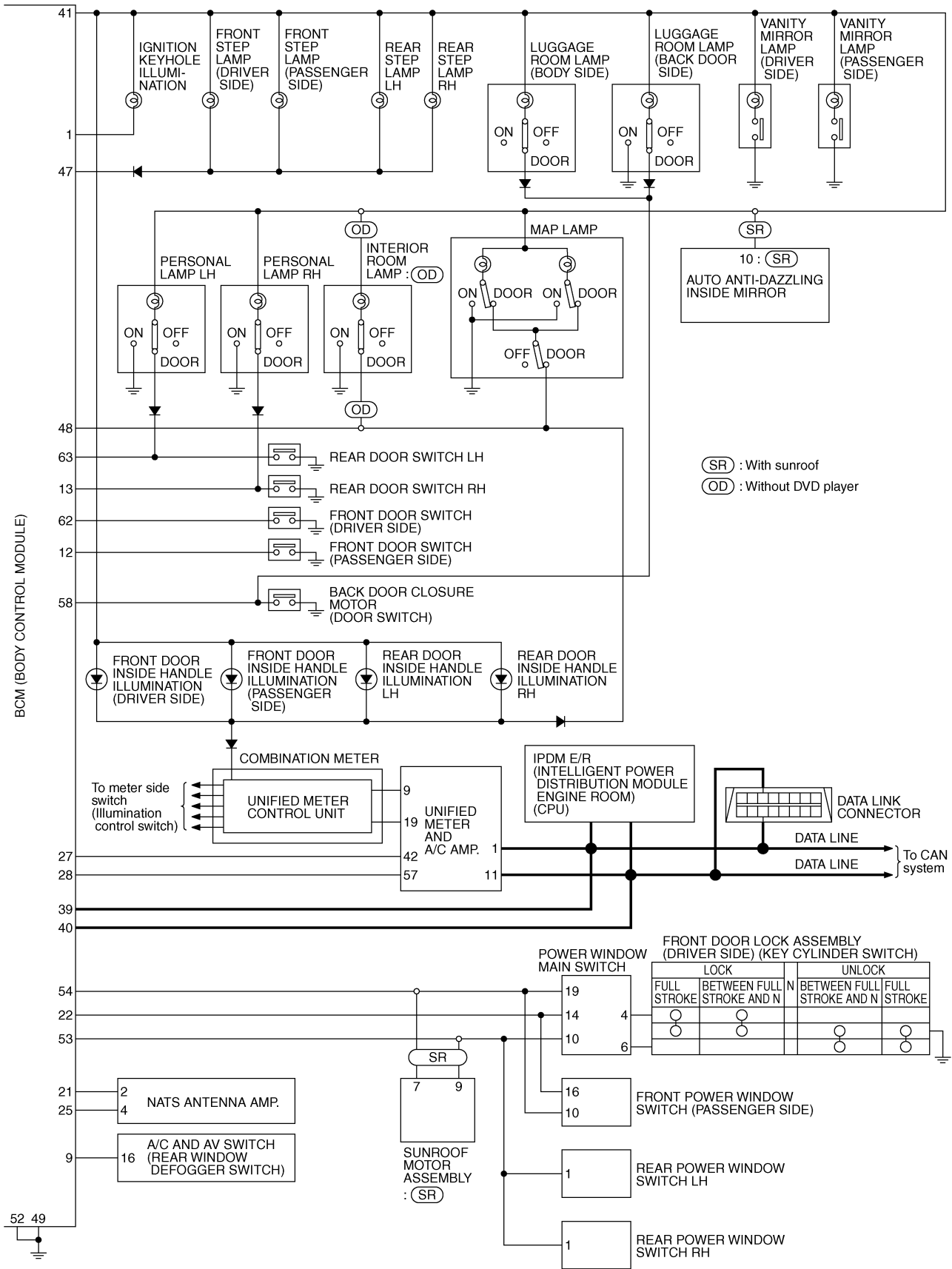
## Schematic

NKS00341



TKWM4487E

# BCM (BODY CONTROL MODULE)



A  
B  
C  
D  
E  
F  
G  
H  
I  
J  
K  
L  
M

BCS

TKWM4453E

# BCM (BODY CONTROL MODULE)

## CONSULT-II Function (BCM)

NKS00342

CONSULT-II can display each diagnostic item using the diagnostic test mode shown following.

BCM Diagnostic test item	Check item, diagnostic test mode	Content
Inspection by part	WORK SUPPORT	Changes setting of each function.
	SELF-DIAG RESULTS	BCM performs self-diagnosis of CAN communication.
	DATA MONITOR	Displays the input data of BCM in real time.
	CAN DIAG SUPPORT MNTR	The transmit/receive diagnosis result of CAN communication can be read.
	ACTIVE TEST	Gives a drive signal to a load to check the operation.
	ECU PART NUMBER	ECM part number can be read.
	CONFIGURATION	(Not be used)

## CONSULT-II INSPECTION PROCEDURE

Refer to [GI-38, "CONSULT-II Start Procedure"](#) .

### CAUTION:

If CONSULT-II is used with no connection of CONSULT-II CONVERTER, malfunctions might be detected in self-diagnosis depending on control unit which carry out CAN communication.

## ITEMS OF EACH PART

### NOTE:

CONSULT-II displays systems equipped in the vehicle.

×:Applicable

System and item	CONSULT-II display	Diagnostic test mode (Inspection by part)						
		WORK SUP-PORT	SELF-DIAG RESULTS	DATA MONI-TOR	CAN DIAG SUP-PORT MNTR	ACTIVE TEST	ECU PART NUM-BER	CONFIG-URATION
BCM	BCM	×	×		×		×	× NOTE 1
Power door lock system	DOOR LOCK	×		×		×		
Rear window defogger	REAR DEFOGGER			×		×		
Warning chime	BUZZER			×		×		
Room lamp timer	INT LAMP	×		×		×		
Remote keyless entry sys-tem NOTE 2	MULTI REMOTE ENT	×		×		×		
Headlamp	HEAD LAMP	×		×		×		
Wiper	WIPER	×		×		×		
Turn signal lamp Hazard lamp	FLASHER			×		×		
Blower fan switch signal A/C switch signal	AIR CONDITONER			×				
Intelligent Key system NOTE 3	INTELLIGENT KEY			×				
Combination switch	COMB SW			×				
NVIS	IMMU			×		×		
Room lamp battery saver	BATTERY SAVER	×		×		×		
Trunk lid	TRUNK NOTE 4			×		×		
Vehicle security system	THEFT ALM	×		×		×		
Retained power control	RETAINED PWR	×		×		×		
Oil pressure switch	SIGNAL BUFFER			×		×		

# BCM (BODY CONTROL MODULE)

System and item	CONSULT-II display	Diagnostic test mode (Inspection by part)						
		WORK SUP-PORT	SELF-DIAG RESULTS	DATA MONI-TOR	CAN DIAG SUP-PORT MNTR	ACTIVE TEST	ECU PART NUM-BER	CONFIG-URATION
Low tire pressure warning system	AIR PRESSURE MONITOR	×	×	×		×		
Panic system	PANIC ALARM					×		

## NOTE:

- 1: This item is displayed, but should not be used.
- 2: Vehicle with remote keyless entry system display this item.
- 3: Vehicle with Intelligent Key system display this item.
- 4: This item is displayed, but does not function.

## WORK SUPPORT

### Operation Procedure

1. Touch "BCM" on "SELECT TEST ITEM" screen.
2. Touch "WORK SUPPORT" on "SELECT DIAG MODE" screen.
3. Touch item on "SELECT WORK ITEM" screen.
4. Touch "START".
5. Touch "CHANGE SET".
6. The setting will be changed and "RESETTING COMPLETED" will be displayed.
7. Touch "END".

### Display Item List

Item	Description
RESET SETTING VALUE	Return a value set with WORK SUPPORT of each system to a default value in factory shipment.

## CAN Communication Inspection Using CONSULT-II (Self-Diagnosis)

NKS00343

### 1. CHECK SELF-DIAGNOSTIC RESULT

#### CAUTION:

If CONSULT-II is used with no connection of CONSULT-II CONVERTER, malfunctions might be detected in self-diagnosis depending on control unit which carry out CAN communication.

1. Connect to CONSULT-II, and select "BCM" on "SELECT SYSTEM" screen.
2. Select "BCM control unit" on "SELECT WORK ITEM" screen, and select "SELF-DIAG RESULTS".
3. Check display content in self-diagnostic results.

CONSULT-II display code	Diagnosis item
U1000	INITIAL DIAG
	TRANSMIT DIAG
	ECM
	IPDM E/R
	METER/M&A
	I-KEY

#### Contents displayed

No malfunction>> INSPECTION END

Malfunction in CAN communication system>> After printing the monitor items, go to "CAN System". Refer to [LAN-49. "CAN System Specification Chart"](#).

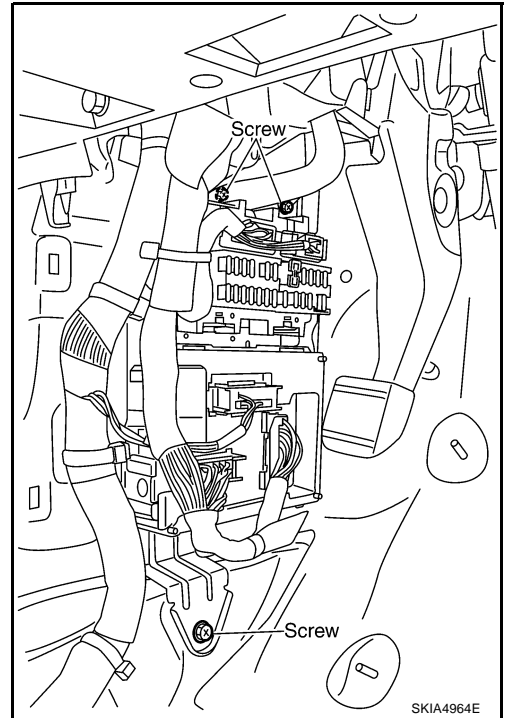
# BCM (BODY CONTROL MODULE)

NKS00344

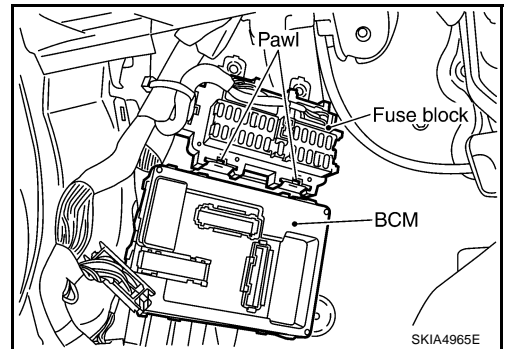
## Removal and Installation of BCM

### REMOVAL

1. Remove the dash side finisher (LH). Refer to [EI-38, "BODY SIDE TRIM"](#) .
2. Disconnect BCM connector.
3. Remove bracket mounting screws (3) to remove BCM and fuse block with bracket.



4. Raise the pawl of fuse block and remove bracket from fuse block to remove BCM.



### INSTALLATION

Installation is the reverse order of removal.

#### NOTE:

When replacing BCM perform initialization of NATS system and registration of all NATS ignition key IDs.