

SECTION IP
INSTRUMENT PANEL

A
B
C
D
E
F
G
H
IP
J
K
L
M

CONTENTS

PRECAUTIONS	2	INSTRUMENT PANEL	6
Precautions for Supplemental Restraint System (SRS) "AIR BAG" and "SEAT BELT PRE-TENSIONER"	2	CENTER CONSOLE	6
Precautions	2	DOORS	6
PREPARATION	3	TRUNK	7
Special Service Tools	3	SUNROOF/HEADLINING	7
Commercial Service Tools	3	SEATS	7
SQUEAK AND RATTLE TROUBLE DIAGNOSES	4	UNDERHOOD	7
Work Flow	4	Diagnostic Worksheet	8
CUSTOMER INTERVIEW	4	INSTRUMENT PANEL ASSEMBLY	10
DUPLICATE THE NOISE AND TEST DRIVE	5	Component Parts Drawing	10
CHECK RELATED SERVICE BULLETINS	5	Removal and Installation	11
LOCATE THE NOISE AND IDENTIFY THE ROOT CAUSE	5	WORK STEP	11
REPAIR THE CAUSE	5	REMOVAL	12
CONFIRM THE REPAIR	6	INSTALLATION	16
Generic Squeak and Rattle Troubleshooting	6	Disassembly and Assembly	16
		A/T CONSOLE FINISHER	16
		CENTER CONSOLE	17
		INSTRUMENT PASSENGER LOWER PANEL ...	18

PRECAUTIONS

PRECAUTIONS

PFP:00001

Precautions for Supplemental Restraint System (SRS) “AIR BAG” and “SEAT BELT PRE-TENSIONER”

AIS003CB

The Supplemental Restraint System such as “AIR BAG” and “SEAT BELT PRE-TENSIONER”, used along with a front seat belt, helps to reduce the risk or severity of injury to the driver and front passenger for certain types of collision. This system includes seat belt switch inputs and dual stage front air bag modules. The SRS system uses the seat belt switches to determine the front air bag deployment, and may only deploy one front air bag, depending on the severity of a collision and whether the front occupants are belted or unbelted. Information necessary to service the system safely is included in the SRS and SB section of this Service Manual.

WARNING:

- **To avoid rendering the SRS inoperative, which could increase the risk of personal injury or death in the event of a collision which would result in air bag inflation, all maintenance must be performed by an authorized NISSAN/INFINITI dealer.**
- **Improper maintenance, including incorrect removal and installation of the SRS, can lead to personal injury caused by unintentional activation of the system. For removal of Spiral Cable and Air Bag Module, see the SRS section.**
- **Do not use electrical test equipment on any circuit related to the SRS unless instructed to in this Service Manual. SRS wiring harnesses can be identified by yellow and/or orange harnesses or harness connectors.**

Precautions

AIS003CC

- Disconnect both battery cables in advance.
- Disconnect air bag system line in advance.
- Never tamper with or force air bag lid open, as this may adversely affect air bag performance.
- Be careful not to scratch pad and other parts.
- When removing or disassembling any part, be careful not to damage or deform it. Protect parts, which may get in the way with cloth.
- When removing parts with a screwdriver or other tool, protect parts by wrapping them with vinyl or tape.
- Keep removed parts protected with cloth.
- If a clip is deformed or damaged, replace it.
- If an un reusable part is removed, replace it with a new one.
- Tighten bolts and nuts firmly to the specified torque.
- After re-assembly has been completed, make sure each part functions correctly.
- Remove stains in the following way.

Water-soluble stains:

Dip a soft cloth in warm water, and then squeeze it tightly. After wiping the stain, wipe with a soft dry cloth.

Oil stain:

Dissolve a synthetic detergent in warm water (density of 2 to 3% or less), dip the cloth, then clean off the stain with the cloth. Next, dip the cloth in fresh water and squeeze it tightly. Then clean off the detergent completely. Then wipe the area with a soft dry cloth.

- Do not use any organic solvent, such as thinner or benzene.

PREPARATION

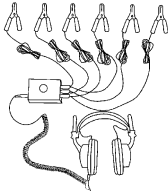
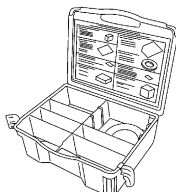
PREPARATION

PF00002

Special Service Tools

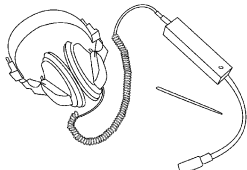

AIS003CD

The actual shapes of Kent-Moore tools may differ from those of special service tools illustrated here.

Tool number (Kent-Moore No.) Tool name	Description
(J-39570) Chassis ear  SIIA0993E	Locating the noise
(J-43980) NISSAN Squeak and Rattle Kit  SIIA0994E	Repairing the cause of noise

Commercial Service Tools

AIS003CE

Tool name	Description
Engine ear  SIIA0995E	Locating the noise
Power tool  PIIB1407E	

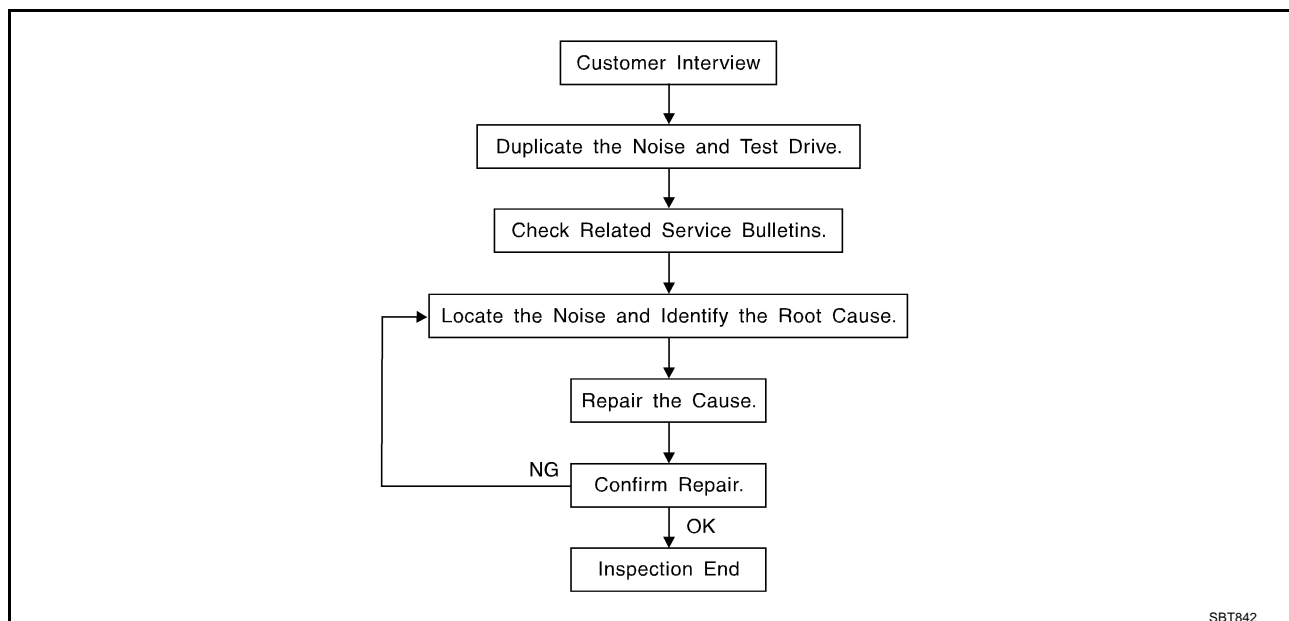
SQUEAK AND RATTLE TROUBLE DIAGNOSES

SQUEAK AND RATTLE TROUBLE DIAGNOSES

PFP:00000

Work Flow

AIS003CF



CUSTOMER INTERVIEW

Interview the customer if possible, to determine the conditions that exist when the noise occurs. Use the Diagnostic Worksheet during the interview to document the facts and conditions when the noise occurs and any customer's comments; refer to [IP-8, "Diagnostic Worksheet"](#). This information is necessary to duplicate the conditions that exist when the noise occurs.

- The customer may not be able to provide a detailed description or the location of the noise. Attempt to obtain all the facts and conditions that exist when the noise occurs (or does not occur).
- If there is more than one noise in the vehicle, be sure to diagnose and repair the noise that the customer is concerned about. This can be accomplished by test driving the vehicle with the customer.
- After identifying the type of noise, isolate the noise in terms of its characteristics. The noise characteristics are provided so the customer, service adviser and technician are all speaking the same language when defining the noise.
- Squeak —(Like tennis shoes on a clean floor)
Squeak characteristics include the light contact/fast movement/brought on by road conditions/hard surfaces=higher pitch noise/softer surfaces=lower pitch noises/edge to surface=chirping
- Creak—(Like walking on an old wooden floor)
Creak characteristics include firm contact/slow movement/twisting with a rotational movement/pitch dependent on materials/often brought on by activity.
- Rattle—(Like shaking a baby rattle)
Rattle characteristics include the fast repeated contact/vibration or similar movement/loose parts/missing clip or fastener/incorrect clearance.
- Knock —(Like a knock on a door)
Knock characteristics include hollow sounding/sometimes repeating/often brought on by driver action.
- Tick—(Like a clock second hand)
Tick characteristics include gentle contacting of light materials/loose components/can be caused by driver action or road conditions.
- Thump—(Heavy, muffled knock noise)
Thump characteristics include softer knock/dead sound often brought on by activity.
- Buzz—(Like a bumble bee)
Buzz characteristics include high frequency rattle/firm contact.
- Often the degree of acceptable noise level will vary depending upon the person. A noise that you may judge as acceptable may be very irritating to the customer.
- Weather conditions, especially humidity and temperature, may have a great effect on noise level.

SQUEAK AND RATTLE TROUBLE DIAGNOSES

DUPLICATE THE NOISE AND TEST DRIVE

If possible, drive the vehicle with the customer until the noise is duplicated. Note any additional information on the Diagnostic Worksheet regarding the conditions or location of the noise. This information can be used to duplicate the same conditions when you confirm the repair.

If the noise can be duplicated easily during the test drive, to help identify the source of the noise, try to duplicate the noise with the vehicle stopped by doing one or all of the following:

- 1) Close a door.
 - 2) Tap or push/pull around the area where the noise appears to be coming from.
 - 3) Rev the engine.
 - 4) Use a floor jack to recreate vehicle "twist".
 - 5) At idle, apply engine load (electrical load, half-clutch on M/T model, drive position on A/T model).
 - 6) Raise the vehicle on a hoist and hit a tire with a rubber hammer.
- Drive the vehicle and attempt to duplicate the conditions the customer states exist when the noise occurs.
 - If it is difficult to duplicate the noise, drive the vehicle slowly on an undulating or rough road to stress the vehicle body.

CHECK RELATED SERVICE BULLETINS

After verifying the customer concern or symptom, check ASIST for Technical Service Bulletins (TSBs) related to that concern or symptom.

If a TSB relates to the symptom, follow the procedure to repair the noise.

LOCATE THE NOISE AND IDENTIFY THE ROOT CAUSE

1. Narrow down the noise to a general area. To help pinpoint the source of the noise, use a listening tool (Chassis Ear: J-39570, Engine Ear and mechanics stethoscope).
2. Narrow down the noise to a more specific area and identify the cause of the noise by:
 - removing the components in the area that you suspect the noise is coming from.
Do not use too much force when removing clips and fasteners, otherwise clips and fastener can be broken or lost during the repair, resulting in the creation of new noise.
 - tapping or pushing/pulling the component that you suspect is causing the noise.
Do not tap or push/pull the component with excessive force, otherwise the noise will be eliminated only temporarily.
 - feeling for a vibration with your hand by touching the component(s) that you suspect is (are) causing the noise.
 - placing a piece of paper between components that you suspect are causing the noise.
 - looking for loose components and contact marks.
Refer to [IP-6, "Generic Squeak and Rattle Troubleshooting"](#) .

REPAIR THE CAUSE

- If the cause is a loose component, tighten the component securely.
- If the cause is insufficient clearance between components:
 - separate components by repositioning or loosening and retightening the component, if possible.
 - insulate components with a suitable insulator such as urethane pads, foam blocks, felt cloth tape or urethane tape. A NISSAN Squeak and Rattle Kit (J-43980) is available through your authorized NISSAN Parts Department.

CAUTION:

Do not use excessive force as many components are constructed of plastic and may be damaged.

Always check with the Parts Department for the latest parts information.

The following materials are contained in the NISSAN Squeak and Rattle Kit (J-43980). Each item can be ordered separately as needed.

URETHANE PADS [1.5 mm (0.059 in) thick]

Insulates connectors, harness, etc.

76268-9E005: 100 × 135 mm (3.94 × 5.31 in)/76884-71L01: 60 × 85 mm (2.36 × 3.35 in)/76884-71L02: 15 × 25 mm (0.59 × 0.98 in)

INSULATOR (Foam blocks)

Insulates components from contact. Can be used to fill space behind a panel.

73982-9E000: 45 mm (1.77 in) thick, 50 × 50 mm (1.97 × 1.97 in)/73982-50Y00: 10 mm (0.39 in) thick, 50 × 50 mm (1.97 × 1.97 in)

SQUEAK AND RATTLE TROUBLE DIAGNOSES

INSULATOR (Light foam block)

80845-71L00: 30 mm (1.18 in) thick, 30 × 50 mm (1.18 × 1.97 in)

FELT CLOTH TAPE

Used to insulate where movement does not occur. Ideal for instrument panel applications.

68370-4B000: 15 × 25 mm (0.59 × 0.98 in) pad/68239-13E00: 5 mm (0.20 in) wide tape roll

The following materials, not found in the kit, can also be used to repair squeaks and rattles.

UHMW (TEFLON) TAPE

Insulates where slight movement is present. Ideal for instrument panel applications.

SILICONE GREASE

Used in place of UHMW tape that will be visible or not fit.

Note: Will only last a few months.

SILICONE SPRAY

Use when grease cannot be applied.

DUCT TAPE

Use to eliminate movement.

CONFIRM THE REPAIR

Confirm that the cause of a noise is repaired by test driving the vehicle. Operate the vehicle under the same conditions as when the noise originally occurred. Refer to the notes on the Diagnostic Worksheet.

Generic Squeak and Rattle Troubleshooting

AIS003CG

Refer to Table of Contents for specific component removal and installation information.

INSTRUMENT PANEL

Most incidents are caused by contact and movement between:

1. The cluster lid A and instrument panel
2. Acrylic lens and combination meter housing
3. Instrument panel to front pillar garnish
4. Instrument panel to windshield
5. Instrument panel mounting pins
6. Wiring harnesses behind the combination meter
7. A/C defroster duct and duct joint

These incidents can usually be located by tapping or moving the components to duplicate the noise or by pressing on the components while driving to stop the noise. Most of these incidents can be repaired by applying felt cloth tape or silicon spray (in hard to reach areas). Urethane pads can be used to insulate wiring harness.

CAUTION:

Do not use silicone spray to isolate a squeak or rattle. If you saturate the area with silicone, you will not be able to recheck the repair.

CENTER CONSOLE

Components to pay attention to include:

1. Shifter assembly cover to finisher
2. A/C control unit and cluster lid C
3. Wiring harnesses behind audio and A/C control unit

The instrument panel repair and isolation procedures also apply to the center console.

DOORS

Pay attention to the:

1. Finisher and inner panel making a slapping noise
2. Inside handle escutcheon to door finisher
3. Wiring harnesses tapping
4. Door striker out of alignment causing a popping noise on starts and stops

Tapping or moving the components or pressing on them while driving to duplicate the conditions can isolate many of these incidents. You can usually insulate the areas with felt cloth tape or insulator foam blocks from the NISSAN Squeak and Rattle Kit (J-43980) to repair the noise.

SQUEAK AND RATTLE TROUBLE DIAGNOSES

TRUNK

Trunk noises are often caused by a loose jack or loose items put into the trunk by the owner. In addition look for:

1. Trunk lid dumpers out of adjustment
2. Trunk lid striker out of adjustment
3. The trunk lid torsion bars knocking together
4. A loose license plate or bracket

Most of these incidents can be repaired by adjusting, securing or insulating the item(s) or component(s) causing the noise.

SUNROOF/HEADLINING

Noises in the sunroof/headlining area can often be traced to one of the following:

1. Sunroof lid, rail, linkage or seals making a rattle or light knocking noise
2. Sunvisor shaft shaking in the holder
3. Front or rear windshield touching headlining and squeaking

Again, pressing on the components to stop the noise while duplicating the conditions can isolate most of these incidents. Repairs usually consist of insulating with felt cloth tape.

SEATS

When isolating seat noise it's important to note the position the seat is in and the load placed on the seat when the noise is present. These conditions should be duplicated when verifying and isolating the cause of the noise.

Cause of seat noise include:

1. Headrest rods and holder
2. A squeak between the seat pad cushion and frame
3. The rear seatback lock and bracket

These noises can be isolated by moving or pressing on the suspected components while duplicating the conditions under which the noise occurs. Most of these incidents can be repaired by repositioning the component or applying urethane tape to the contact area.

UNDERHOOD

Some interior noise may be caused by components under the hood or on the engine wall. The noise is then transmitted into the passenger compartment.

Causes of transmitted underhood noise include:

1. Any component mounted to the engine wall
2. Components that pass through the engine wall
3. Engine wall mounts and connectors
4. Loose radiator mounting pins
5. Hood bumpers out of adjustment
6. Hood striker out of adjustment

These noises can be difficult to isolate since they cannot be reached from the interior of the vehicle. The best method is to secure, move or insulate one component at a time and test drive the vehicle. Also, engine RPM or load can be changed to isolate the noise. Repairs can usually be made by moving, adjusting, securing, or insulating the component causing the noise.

A

B

C

D

E

F

G

H

IP

J

K

L

M

SQUEAK AND RATTLE TROUBLE DIAGNOSES

Diagnostic Worksheet

AIS003CH



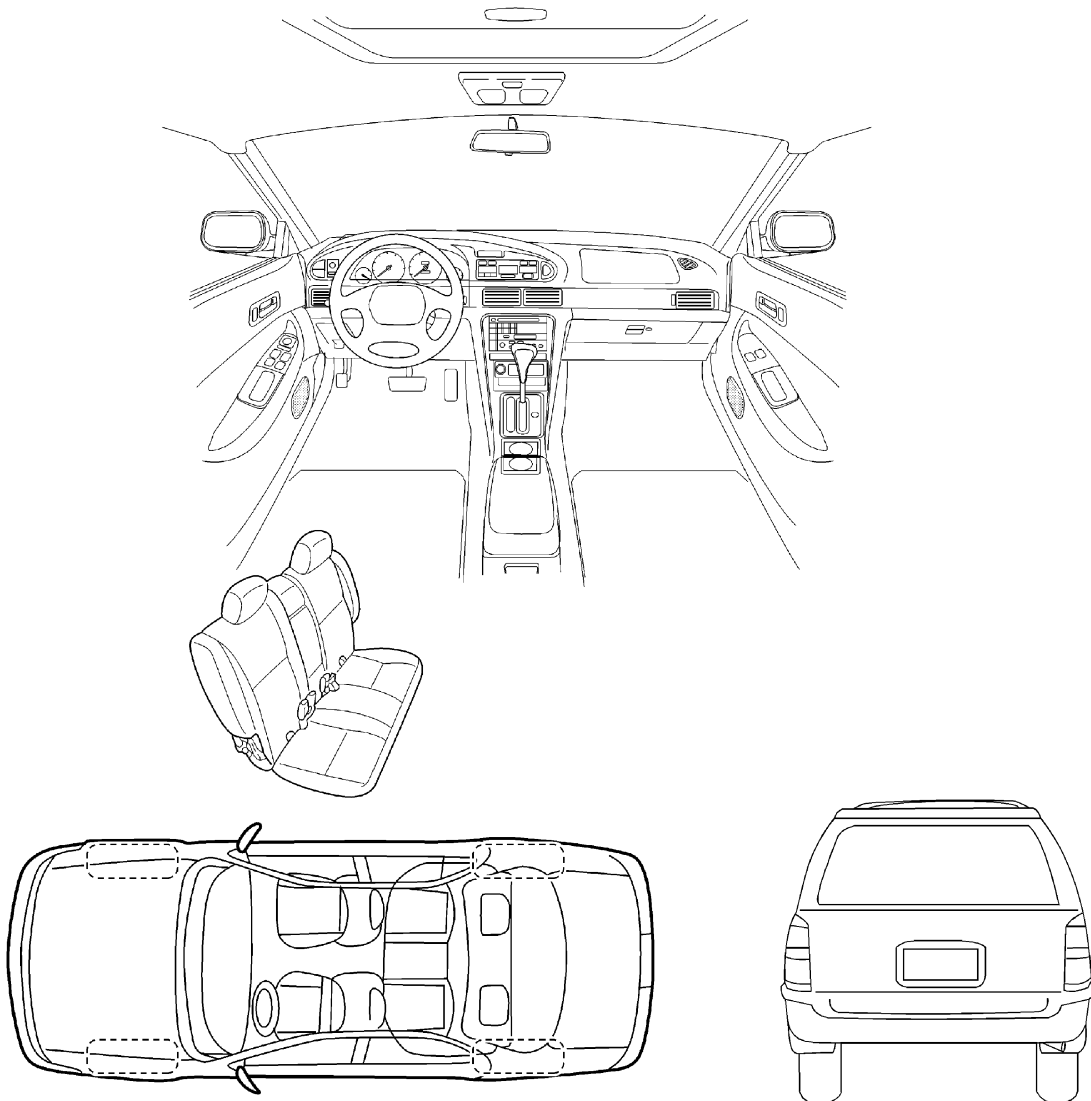
SQUEAK & RATTLE DIAGNOSTIC WORKSHEET

Dear Infiniti Customer:

We are concerned about your satisfaction with your Infiniti vehicle. Repairing a squeak or rattle sometimes can be very difficult. To help us fix your Infiniti right the first time, please take a moment to note the area of the vehicle where the squeak or rattle occurs and under what conditions. You may be asked to take a test drive with a service advisor or technician to ensure we confirm the noise you are hearing.

I. WHERE DOES THE NOISE COME FROM? (circle the area of the vehicle)

The illustrations are for reference only, and may not reflect the actual configuration of your vehicle.



Continue to the back of the worksheet and briefly describe the location of the noise or rattle. In addition, please indicate the conditions which are present when the noise occurs.

SBT860

SQUEAK AND RATTLE TROUBLE DIAGNOSES

SQUEAK & RATTLE DIAGNOSTIC WORKSHEET- page 2

Briefly describe the location where the noise occurs:

II. WHEN DOES IT OCCUR? (check the boxes that apply)

- | | |
|--|---|
| <input type="checkbox"/> anytime | <input type="checkbox"/> after sitting out in the sun |
| <input type="checkbox"/> 1 st time in the morning | <input type="checkbox"/> when it is raining or wet |
| <input type="checkbox"/> only when it is cold outside | <input type="checkbox"/> dry or dusty conditions |
| <input type="checkbox"/> only when it is hot outside | <input type="checkbox"/> other: _____ |

III. WHEN DRIVING:

- through driveways
- over rough roads
- over speed bumps
- only at about ____ mph
- on acceleration
- coming to a stop
- on turns : left, right or either (circle)
- with passengers or cargo
- other: _____
- after driving ____ miles or ____ minutes

IV. WHAT TYPE OF NOISE?

- squeak (like tennis shoes on a clean floor)
- creak (like walking on an old wooden floor)
- rattle (like shaking a baby rattle)
- knock (like a knock on a door)
- tick (like a clock second hand)
- thump (heavy, muffled knock noise)
- buzz (like a bumble bee)

TO BE COMPLETED BY DEALERSHIP PERSONNEL

Test Drive Notes:

	YES	NO	Initials of person performing
Vehicle test driven with customer	<input type="checkbox"/>	<input type="checkbox"/>	_____
- Noise verified on test drive	<input type="checkbox"/>	<input type="checkbox"/>	_____
- Noise source located and repaired	<input type="checkbox"/>	<input type="checkbox"/>	_____
- Follow up test drive performed to confirm repair	<input type="checkbox"/>	<input type="checkbox"/>	_____

VIN: _____ Customer Name: _____

W.O. #: _____ Date: _____

SBT844

This form must be attached to Work Order

INSTRUMENT PANEL ASSEMBLY

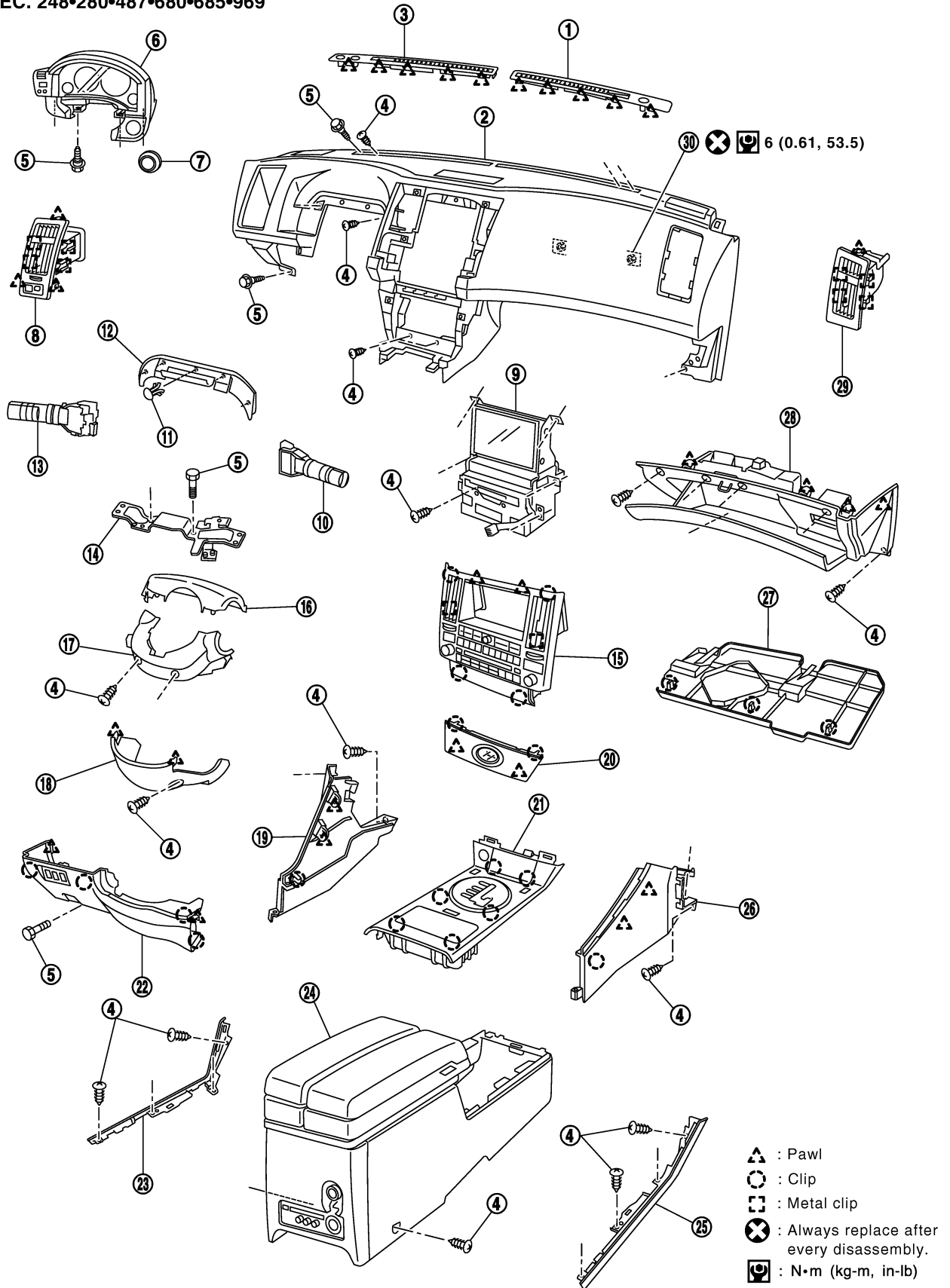
PFP:68200

AIS003CI

INSTRUMENT PANEL ASSEMBLY

Component Parts Drawing

SEC. 248•280•487•680•685•969



PIIA4992E

INSTRUMENT PANEL ASSEMBLY

- | | | |
|--------------------------------------|---------------------------------|---------------------------------------|
| 1. Front defroster grille (RH) | 2. Instrument panel and pad | 3. Front defroster grille (LH) |
| 4. Screw | 5. Bolt | 6. Combination meter assembly |
| 7. Steering lock escutcheon | 8. Side ventilation(LH) | 9. Display unit and audio unit |
| 10. Wiper and washer switch | 11. Clip | 12. Rubber |
| 13. Lighting and turn signal switch | 14. Combination meter bracket | 15. Cluster lid C |
| 16. Steering column upper cover | 17. Steering column lower cover | 18. Steering column front lower cover |
| 19. Instrument side panel (LH) | 20. Instrument clock finisher | 21. A/T console finisher |
| 22. Instrument driver lower panel | 23. Console finisher (LH) | 24. Center console |
| 25. Console finisher (RH) | 26. Instrument side panel (RH) | 27. Instrument lower cover |
| 28. Instrument passenger lower panel | 29. Side ventilation (RH) | 30. Front passenger air bag module |

Removal and Installation WORK STEP

AIS003CJ

When removing instrument panel and pad, combination meter, display unit and audio unit, center console take steps in the order shown by the numbers below.

CAUTION:

- **Disconnect both battery cables in advance.**
- **Disconnect air bag system line in advance.**
- **Never temper with air bag lid or force air bag lid to open, as this may adversely affect air bag performance.**
- **Be careful not to scratch pad and other parts.**

	Parts	Refer to	Instrument panel and pad	Combination meter	Display unit and audio unit	Center console
A	Front kicking plate (LH/RH)	EI-39	(1)	(1)		
B	Dash side finisher (LH/RH)	EI-38	(2)	(2)		
C	Front pillar garnish (LH/RH)	EI-39	(3)			
D	A/T select lever knob	AT-233	(4)			(1)
E	Instrument clock finisher	IP-12	(5)			(2)
F	A/T console finisher	IP-12	(6)			(3)
G	Console finisher (LH/RH)	IP-12	(7)			(4)
H	Center console	IP-12	(8)			(5)
I	Instrument lower cover	IP-13	(9)			
J	Instrument passenger lower panel	IP-13	(10)			
K	Instrument driver lower panel	IP-13	(11)	(3)		
L	Steering column front lower cover	IP-13	(12)	(4)		
M	Steering column lower cover	IP-13	(13)	(5)		
N	Steering column upper cover	IP-14	(14)	(6)		
O	Wiper and washer switch	IP-14	(15)	(7)		
P	Lighting and turn signal switch	IP-14	(16)	(8)		
Q	Steering lock escutcheon	IP-14	(17)	(9)		
R	Combination meter assembly	IP-14	(18)	(10)		
S	Instrument side panel (LH/RH)	IP-14	(19)			
T	Cluster lid C	IP-15	(20)		(1)	
U	Display unit and audio unit	IP-15	(21)		(2)	
V	Front defroster grille (LH/RH)	IP-15	(22)			
W	Combination meter bracket	IP-15	(23)			
X	Side ventilation (LH)	IP-16	(24)			
Y	Instrument panel and pad	IP-16	(25)			

INSTRUMENT PANEL ASSEMBLY

(): Number indicates step in removal procedures.

REMOVAL

(A) Front Kicking Plate (LH/RH)

Remove front kicking plate (LH/RH). Refer to [EI-37, "BODY SIDE TRIM"](#) .

(B) Dash Side Finisher (LH/RH)

1. Remove plastics nut.
2. Remove dash side finisher (LH/RH). Refer to [EI-37, "BODY SIDE TRIM"](#) .

(C) Front Pillar Garnish (LH/RH)

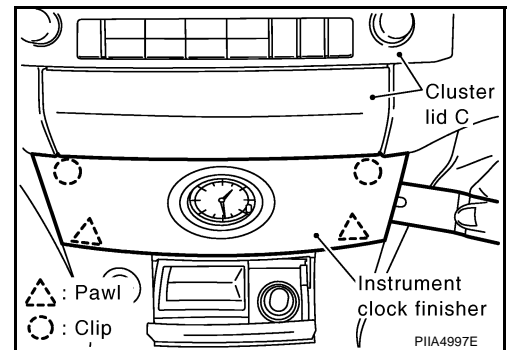
Pull to inside of vehicle, disengage metal clips and remove front pillar garnish. Refer to [EI-37, "BODY SIDE TRIM"](#) .

(D) A/T Select Lever Knob

1. Pull down knob cover.
2. Remove lock-pin of select lever knob.
3. Lift up select lever knob and remove it. Refer to [AT-233, "Control Device Removal and Installation"](#) .

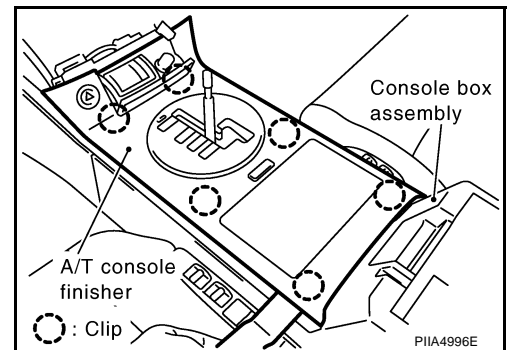
(E) Instrument Clock Finisher

1. Insert a remover into side between gaps of instrument clock finisher and pull back to your side.
2. Disconnect clips and harness connector, and remove instrument clock finisher.



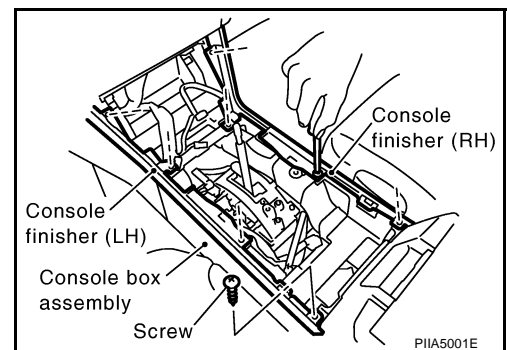
(F) A/T Console Finisher

1. Insert a remover into side between gaps of A/T console finisher and remove by lifting A/T console finisher.
2. Disconnect harness connector.



(G) Console Finisher (LH/RH)

1. Remove screws with power tool.
2. Remove console finisher (LH/RH).



(H) Center Console

1. Remove screws with power tool.
2. Remove console sub-harness

INSTRUMENT PANEL ASSEMBLY

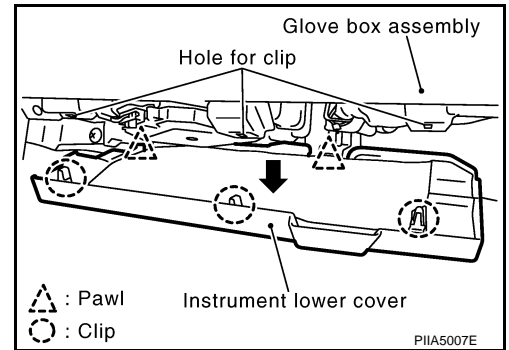
3. After removing, disassemble, each parts.

NOTE:

When removing console, be careful not to pull the harness.

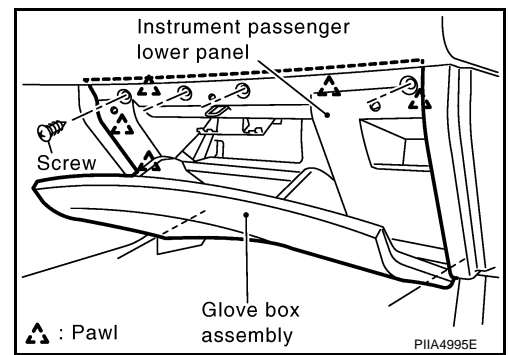
(I) Instrument Lower Cover

1. Pull down front instrument lower cover, and disconnect clips.
2. Pull it horizontally, and remove from lower cover pawls.



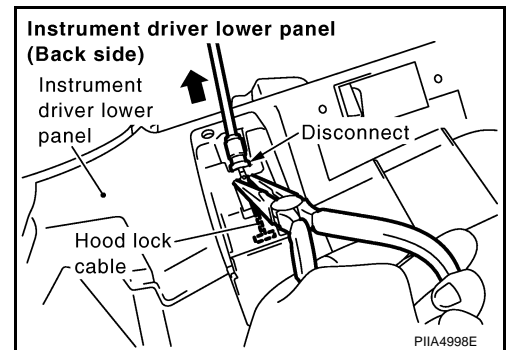
(J) Instrument Passenger Lower Panel

Remove screws with power tool, and disconnect harness connector, and remove instrument passenger lower panel.



(K) Instrument Driver Lower Panel

1. Remove bolt and screws with power tool.
2. Remove data link connector.
3. Pull to disengage clip and pawl by removing panel in horizontal direction.
4. Disconnect in-vehicle sensor and each electrical parts.
5. Remove the grommet, and remove hood lock cable.



(L) Steering Column Front Lower Cover

1. Remove screw with power tool.
2. Disengage the tab, then remove steering column front lower cover.

NOTE:

- Move the steering column telescopic to the rear most position.
- Move the steering column tilt to the top position.

(M) Steering Column Lower Cover

1. Remove screws with power tool.
2. Disengage the tab, then remove steering column lower cover.

A
B
C
D
E
F
G
H
IP
J
K
L
M

INSTRUMENT PANEL ASSEMBLY

(N) Steering Column Upper Cover

Remove the steering column upper cover.

(O) Wiper and Washer Switch

Remove wiper and washer switch. Refer to [WW-48, "Removal and Installation of Front Wiper and Washer Switch"](#).

(P) Lighting and Turn Signal Switch

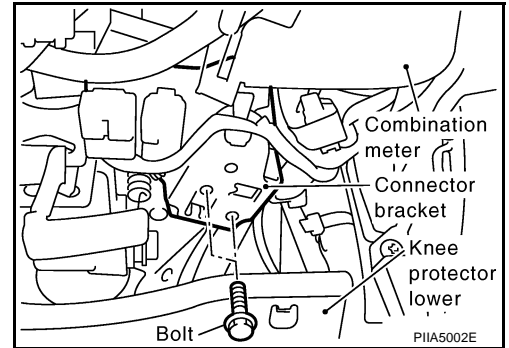
Remove lighting and turn signal switch. Refer to [LT-177, "LIGHTING AND TURN SIGNAL SWITCH"](#).

(Q) Steering Lock Escutcheon

Pull back to your side, and remove steering lock escutcheon.

(R) Combination Meter Assembly

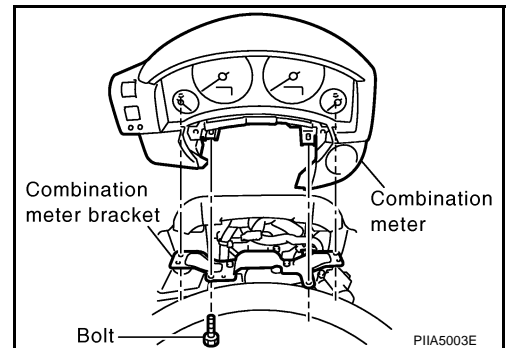
1. Remove bolts with power tool, and then remove connector bracket.



2. Remove bolts with power tool and then disconnect harness connector.

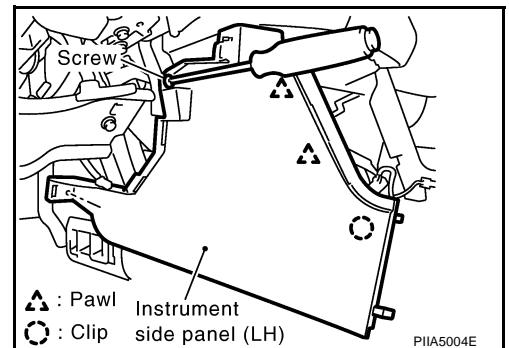
CAUTION:

To prevent it from damaged by interference with the combination meter assembly, protect the combination meter assembly with cloths.



(S) Instrument Side Panel (LH/RH)

1. Remove screws with power tool.
2. Pull to the side, disconnect clip and pawls and remove instrument side panel (LH/RH).



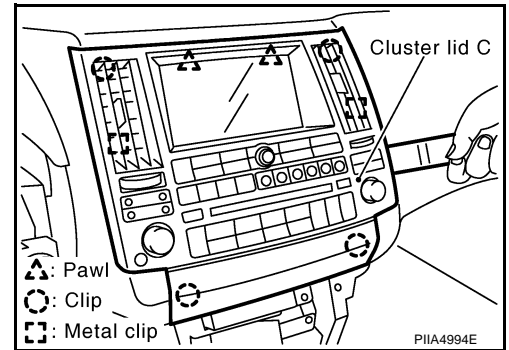
INSTRUMENT PANEL ASSEMBLY

(T) Cluster Lid C

1. Insert a remover into gap between instrument panel and pad, pull back to your side, and disconnect metal clips below.
2. Disconnect harness connectors, and remove cluster lid C.

CAUTION:

Cover surroundings with cloth to avoid scratches or damages.

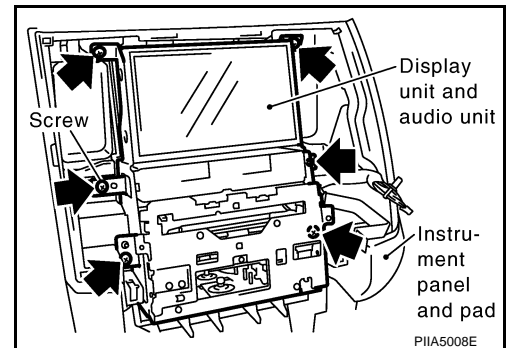


(U) Display Unit and Audio Unit

1. Remove screws with power tool.
2. Disconnect harness connector, and remove display unit and audio unit.

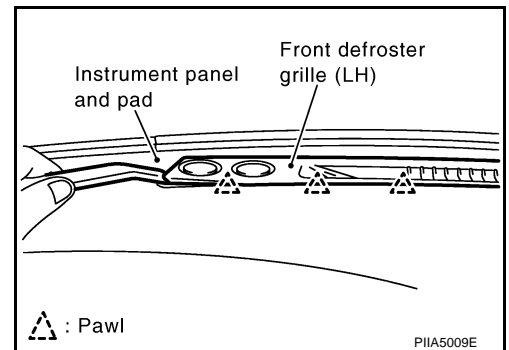
CAUTION:

Unit is heavy, so be careful not to pinch your fingers when working.



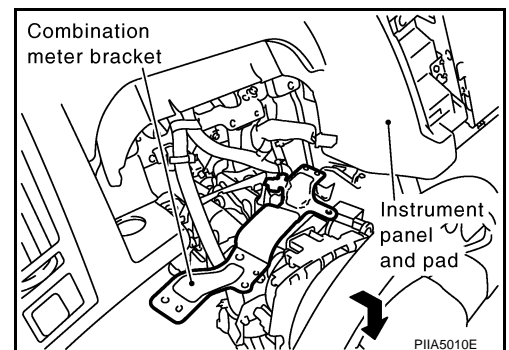
(V) Front Defroster Grille (LH/RH)

Insert a remover into gaps between front defroster grille (LH/RH) and instrument panel and pad, lift front defroster grille up, and remove front defroster grille (LH/RH).



(W) Combination Meter Bracket

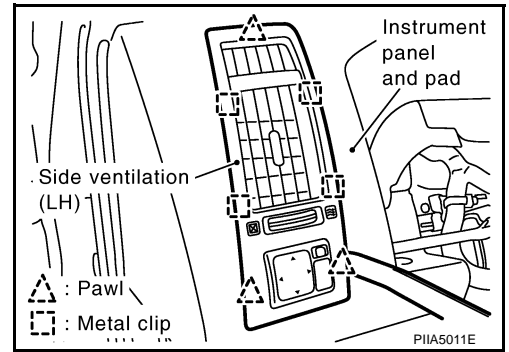
1. Remove bolts.
2. The installation bolts of the harness clip and steering column assembly is removed, steering column assembly is pulled backward, and set combination meter bracket free from the instrument panel and pad. Refer to [PS-12, "STEERING COLUMN"](#).



INSTRUMENT PANEL ASSEMBLY

(X) Side Ventilation (LH/RH)

1. Insert a remover into gaps between instrument panel and pad, pull back to your side, and disconnect metal clips below.
2. Disconnect door mirror switch harness connectors, and remove side ventilation (LH).



(Y) Instrument Panel and Pad

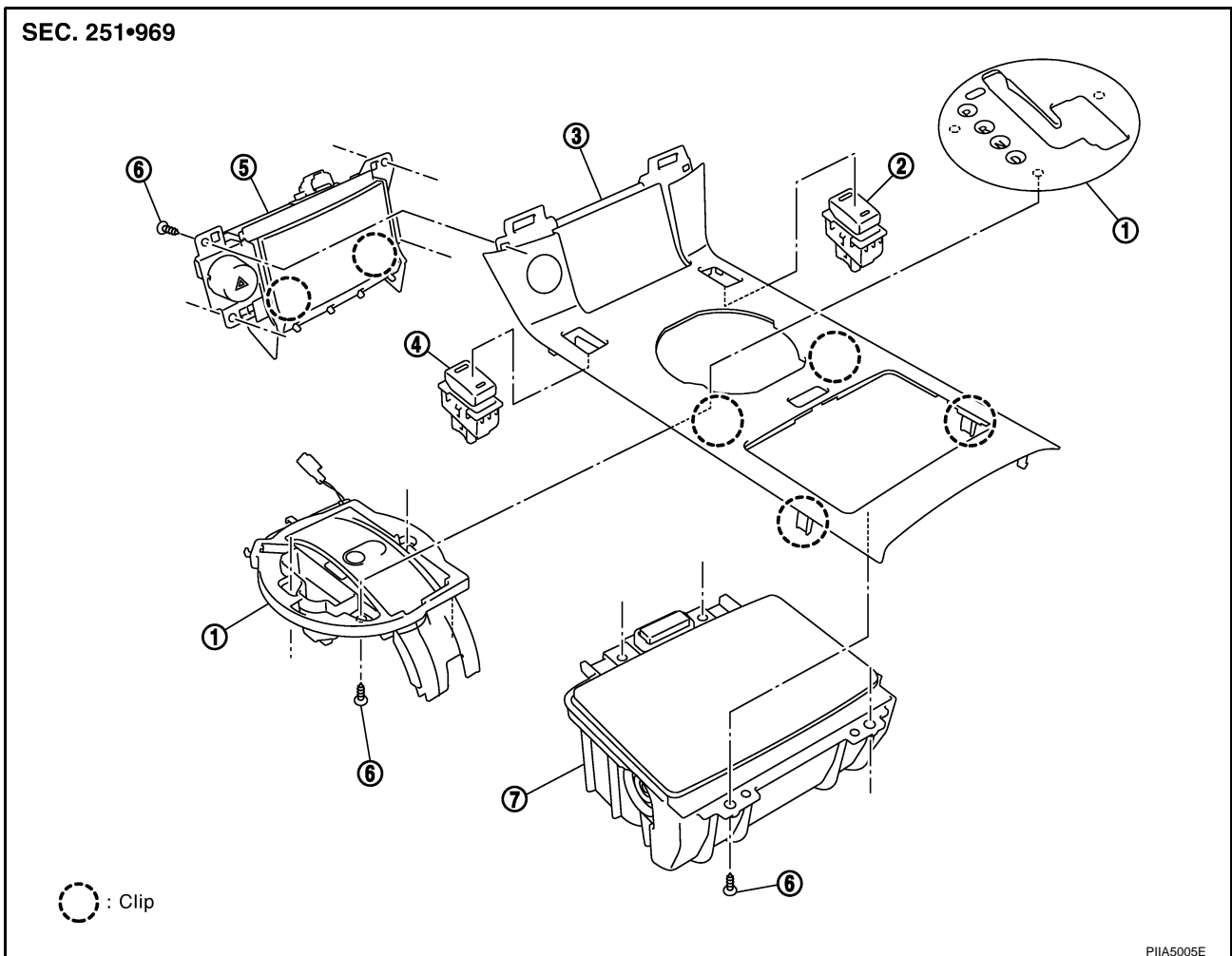
1. Remove bolts and screws.
2. Remove front passenger air bag module. Refer to [SRS-41, "FRONT PASSENGER AIR BAG MODULE"](#).
3. Disconnect harness connectors, and remove instrument panel and pad from passenger door opening portion.

INSTALLATION

Install in the reverse order of removal.
Assemble the following three parts carefully.

Disassembly and Assembly A/T CONSOLE FINISHER

AIS003EZ



INSTRUMENT PANEL ASSEMBLY

- | | | |
|-------------------------------------|---|-------------------------|
| 1. Position indicator plate | 2. Heated seat switch (Passenger side) | 3. A/T console finisher |
| 4. Heated seat switch (Driver side) | 5. Instrument ashtray and hazard switch | 6. Screw |
| 7. Cup holder | | |

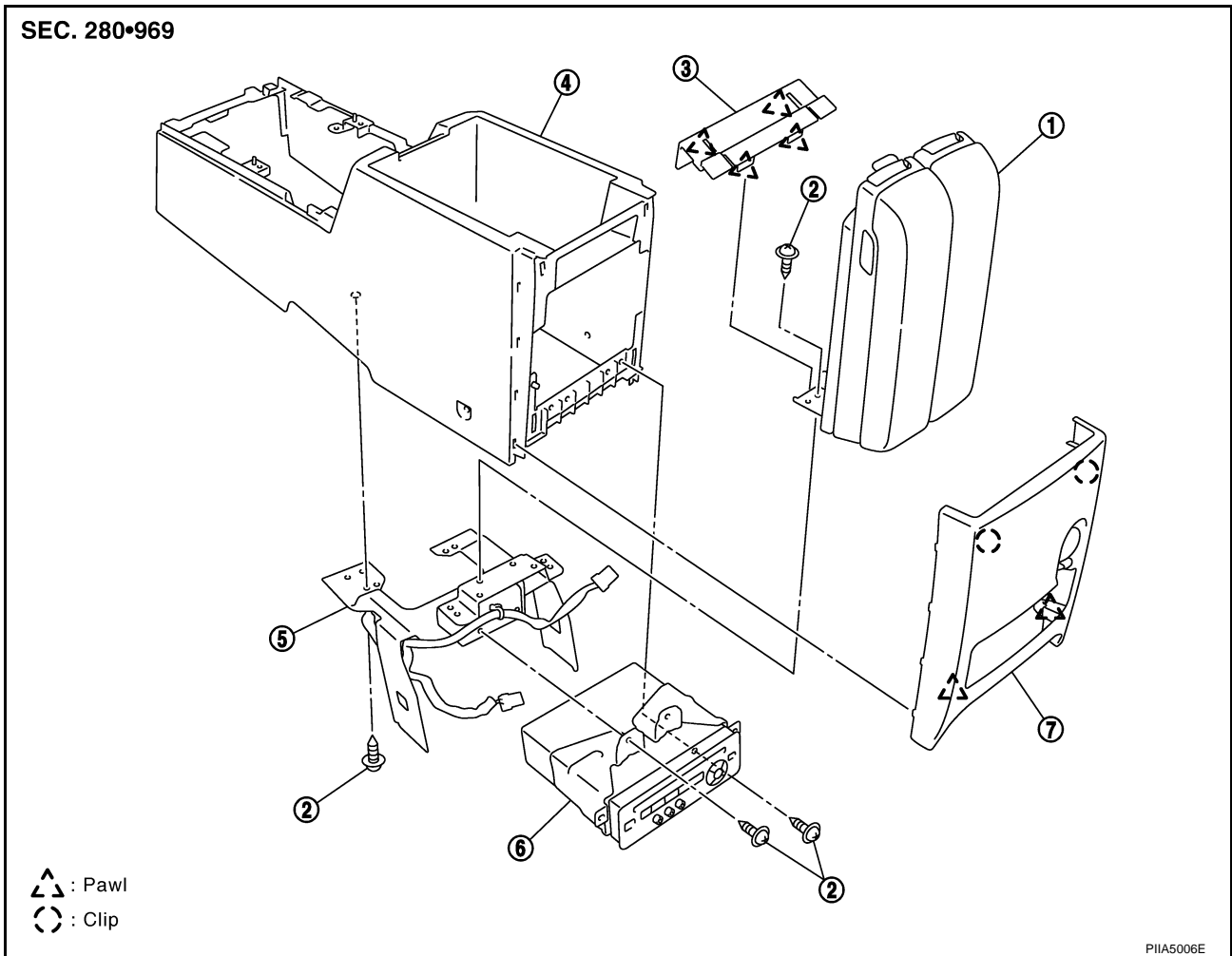
Disassembly

1. Remove screws with power tool and remove instrument ashtray and hazard switch.
2. Remove screws with power tool of back side and remove cup holder.
3. Remove screws of back side and remove position indicator plate.
4. Remove from back side to heated seat switch (passenger side).
5. Remove from back side to heated seat switch (driver side).

Assembly

Assemble in the reverse order of disassembly.

CENTER CONSOLE



- | | | |
|--------------------------|-----------------------|-----------------|
| 1. Console lid | 2. Screw | 3. Console mask |
| 4. Console body | 5. DVD player bracket | 6. DVD player |
| 7. Console rear finisher | | |

Disassembly

1. Insert a remover into side between gaps console rear finisher and pull back to your side, and disconnect pawls below.
2. Disconnect harness connector and remove console rear finisher.
3. Insert a remover into side between gaps of console mask and pull back to your side.

A
B
C
D
E
F
G
H
IP
J
K
L
M

INSTRUMENT PANEL ASSEMBLY

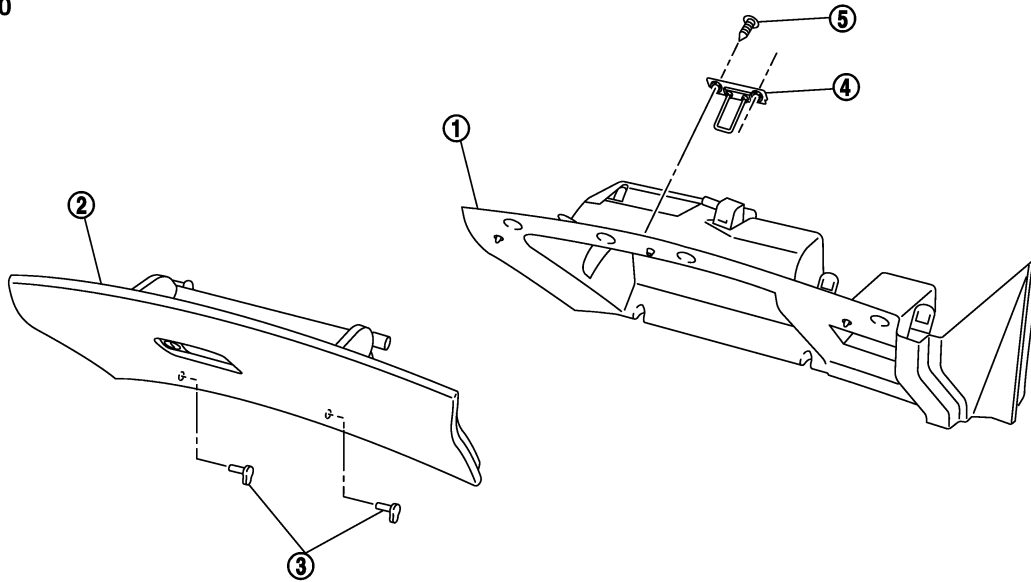
4. Remove screws with power tool and remove console lid.
5. Remove screws fixing DVD player with power tool.
6. Disconnect harness connectors, and remove DVD player.

Assembly

Assemble in the reverse order of disassembly.

INSTRUMENT PASSENGER LOWER PANEL

SEC. 680

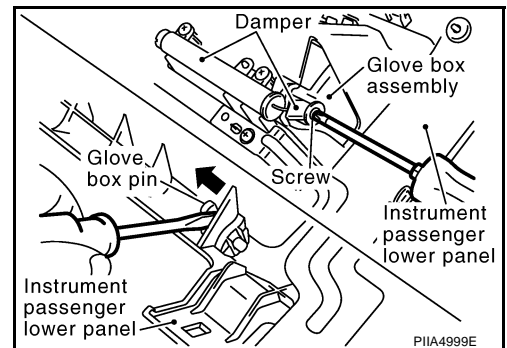


PIIA5012E

- | | | |
|-------------------------------------|--------------|------------------|
| 1. Instrument passenger lower panel | 2. Glove box | 3. Glove box pin |
| 4. Glove box striker | 5. Screw | |

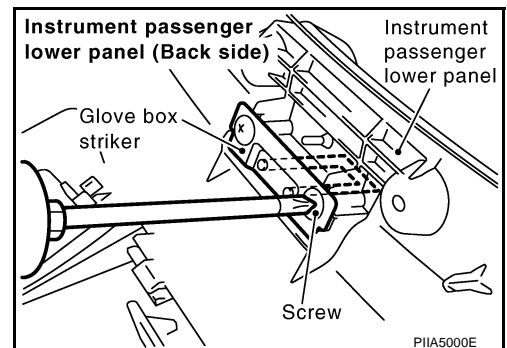
Disassembly

1. Detach the damper from glove box assembly right side.
2. Remove glove box pins and remove glove box assembly.



PIIA4999E

3. Remove screws with power tool and remove glove box striker.



PIIA5000E

Assembly

Assemble in the reverse order of disassembly.