

SECTION **FL**
FUEL SYSTEM

CONTENTS

PREPARATION	2	INSPECTION AFTER INSTALLATION	8	F
Commercial Service Tools	2	Disassembly and Assembly	9	
FUEL SYSTEM	3	DISASSEMBLY	9	
Checking Fuel Lines	3	ASSEMBLY	10	G
General Precautions	3	FUEL TANK	11	
FUEL LEVEL SENSOR UNIT, FUEL FILTER AND		Removal and Installation	11	
FUEL PUMP ASSEMBLY	5	REMOVAL	11	H
Removal and Installation	5	INSTALLATION	12	
REMOVAL	5	INSPECTION AFTER INSTALLATION	12	
INSTALLATION	7	SERVICE DATA AND SPECIFICATIONS (SDS)	13	I
		Standard and Limit	13	

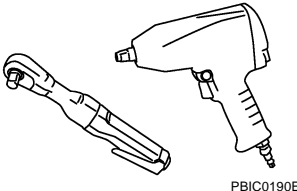
PREPARATION

PREPARATION

PFP:00002

Commercial Service Tools

ABS005YW

Tool name	Description
Power tool  PBIC0190E	Loosening bolts and nuts

FUEL SYSTEM

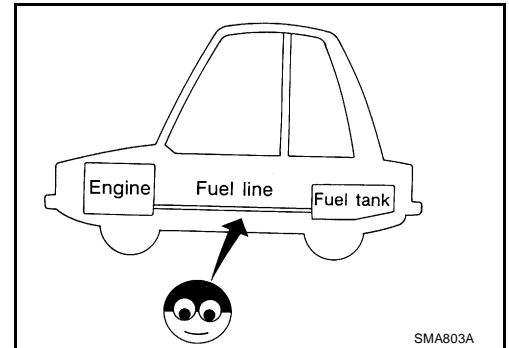
PFP:17503

Checking Fuel Lines

ABS005YX

Inspect fuel lines, fuel filler cap and fuel tank for improper attachment, leaks, cracks, damage, loose connections, chafing or deterioration.

If necessary, repair or replace damaged parts.



ABS005YY

General Precautions

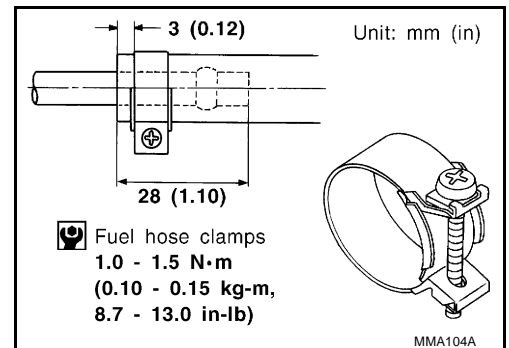
WARNING:

When replacing fuel line parts, be sure to observe the following.

- Put a "CAUTION: INFLAMMABLE" sign in the workshop.
- Be sure to work in a well ventilated area and furnish workshop with a CO₂ fire extinguisher.
- Do not smoke while servicing fuel system. Keep open flames and sparks away from the work area.

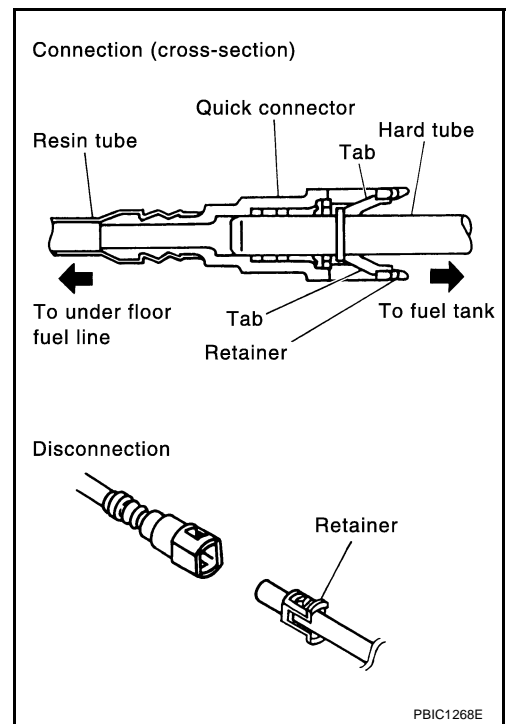
CAUTION:

- Before removing fuel line parts, carry out the following procedures:
 - Put drained fuel in an explosion-proof container and put the lid on securely. Keep the container in safe area.
 - Release fuel pressure from the fuel lines. Refer to [EC-705, "FUEL PRESSURE RELEASE"](#).
 - Disconnect the battery ground cable.
- Always replace O-rings and clamps with new ones.
- Do not kink or twist tubes when they are being installed.
- Do not tighten hose clamps excessively to avoid damaging hoses. Tighten high-pressure rubber hose clamp so that clamp end is 3 mm (0.12 in) from hose end. Tightening torque specifications are the same for all rubber hose clamps. Ensure that screw does not contact adjacent parts.



FUEL SYSTEM

- After connecting the fuel tube quick connectors, make sure the quick connectors are secure. Ensure that the connector and resin tube do not contact any adjacent parts.
- After installing tubes, make sure there is no fuel leakage at connections in the following steps.
- Apply fuel pressure to fuel lines with turning ignition switch ON (with engine stopped). Then check for fuel leaks at connections.
- Start the engine and rev it up and check for fuel leaks at connections.
- Use only a genuine NISSAN fuel filler cap as a replacement. If an incorrect fuel filler cap is used, the MIL may come on.
- For servicing “Evaporative Emission System” parts, refer to [EC-1315, "EVAPORATIVE EMISSION SYSTEM"](#) .
- For servicing “On Board Refueling Vapor Recovery (ORVR)” parts, refer to [EC-1322, "ON BOARD REFUELING VAPOR RECOVERY \(ORVR\)"](#) .

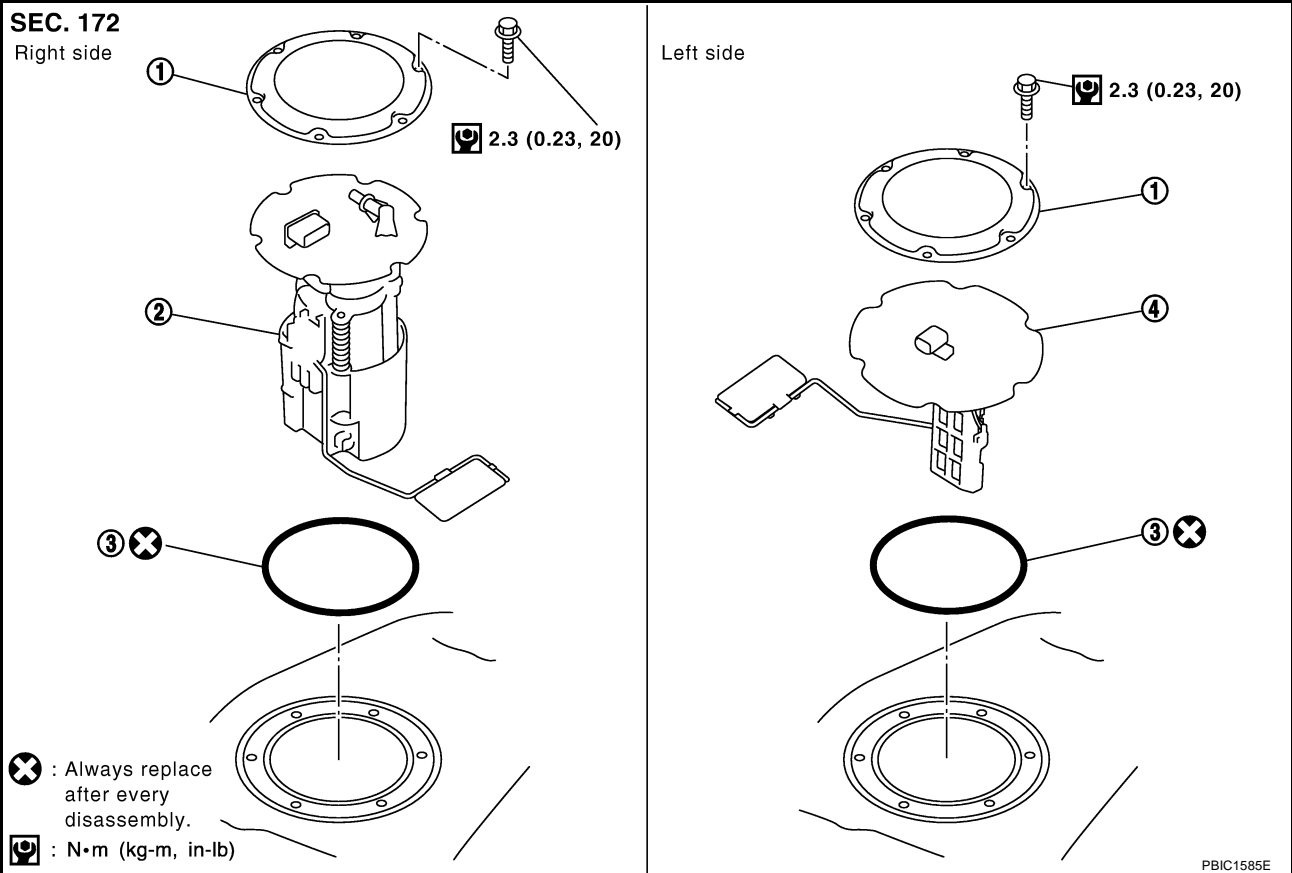


FUEL LEVEL SENSOR UNIT, FUEL FILTER AND FUEL PUMP ASSEMBLY

FUEL LEVEL SENSOR UNIT, FUEL FILTER AND FUEL PUMP ASSEMBLY PFP:17042

Removal and Installation

ABS005YZ



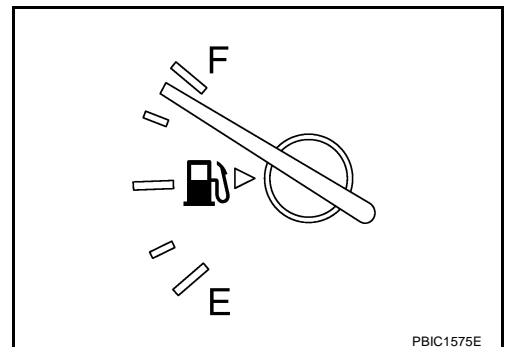
1. Retainer
2. Main fuel level sensor unit, fuel filter - and fuel pump assembly
3. O-ring
4. Sub fuel level sensor unit

REMOVAL

WARNING:

Read "General Precautions" before working on the fuel system. Refer to [FL-3, "General Precautions"](#).

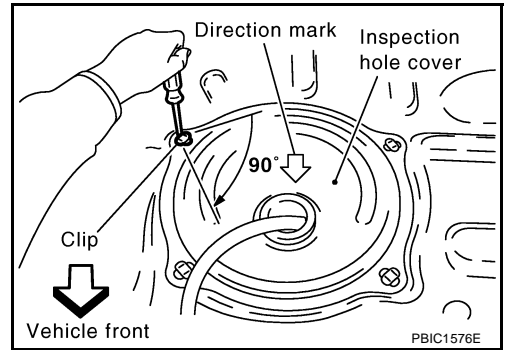
1. Check fuel level on level gauge. If fuel gauge indicates more than the level shown in figure (full or almost full), drain fuel from fuel tank until fuel gauge indicates level shown in figure or below.
 - In case fuel pump does not operate, take following procedure.
 - a. Insert fuel tube of less than 15 mm (0.59 in) in diameter into fuel filler tube through fuel filler opening to draw fuel from fuel filler tube.
 - b. Disconnect fuel filler hose from fuel filler tube. Refer to [FL-11, "FUEL TANK"](#).
 - c. Insert fuel tube into fuel tank through fuel filler hose to draw fuel from fuel tank.
 - As a guide, fuel level becomes the position shown in figure or below when approximately 20 liter (5-1/4 US gal, 4-3/8 Imp gal) of fuel are drained from fuel tank.



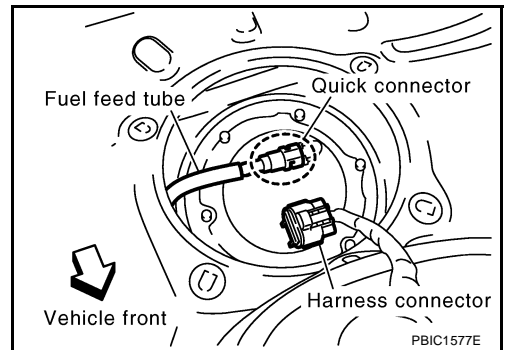
2. Release the fuel pressure from the fuel lines. Refer to [EC-705, "FUEL PRESSURE RELEASE"](#).

FUEL LEVEL SENSOR UNIT, FUEL FILTER AND FUEL PUMP ASSEMBLY

3. Open fuel filler lid.
4. Open the filler cap and release the pressure inside the fuel tank.
5. Remove the rear seat cushion. Refer to [SE-123, "Removal and Installation"](#).
6. Peel off floor carpet, then remove inspection hole cover for main and sub fuel level sensor unit, turning clips by 90 degrees clockwise.

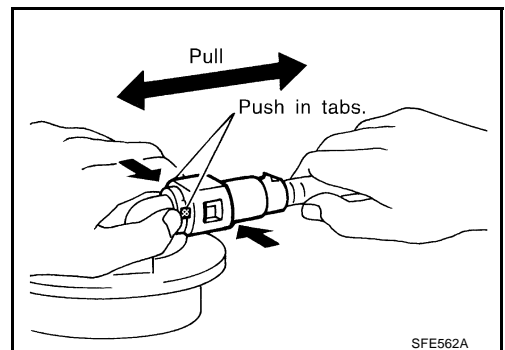


7. Disconnect the harness connector and fuel feed tube.



Disconnect the quick connector as follows:

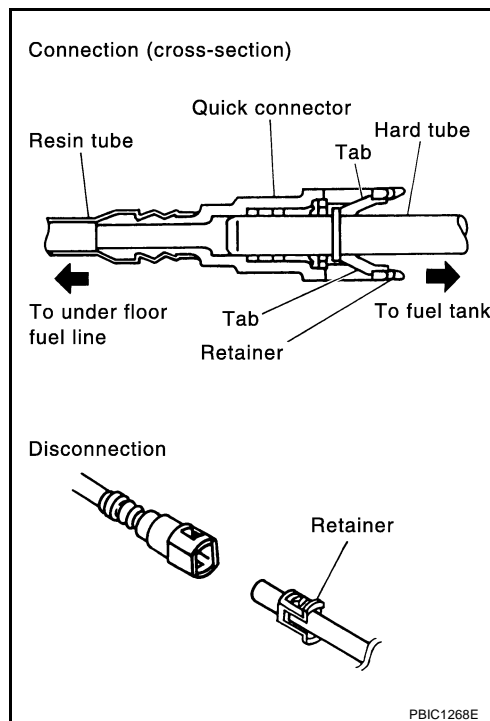
- Hold the sides of the connector, push in tabs and pull out the tube.
- If the connector and the tube are stuck together, push and pull several times until they start to move. Then disconnect them by pulling.



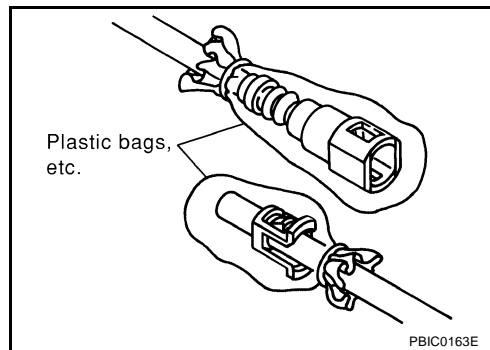
FUEL LEVEL SENSOR UNIT, FUEL FILTER AND FUEL PUMP ASSEMBLY

CAUTION:

- The quick connector can be disconnected when the tabs are completely depressed. Do not twist it more than necessary.
- Do not use any tools to disconnect the quick connector.
- Keep the resin tube away from heat. Be especially careful when welding near the tube.
- Prevent acid liquid such as battery electrolyte, etc. from getting on the resin tube.
- Do not bend or twist the resin tube during installation and disconnection.
- Do not remove the remaining retainer on the hard tube (or the equivalent) except when the resin tube or the retainer is replaced.
- When the resin tube or hard tube (or the equivalent) is replaced, also replace the retainer with a new one (White colored retainer).



- To keep the connecting portion clean and to avoid damage and foreign materials, cover them completely with plastic bags or something similar.



8. Remove main fuel level sensor unit, fuel filter and fuel pump assembly, and sub fuel level sensor unit as follows.

CAUTION:

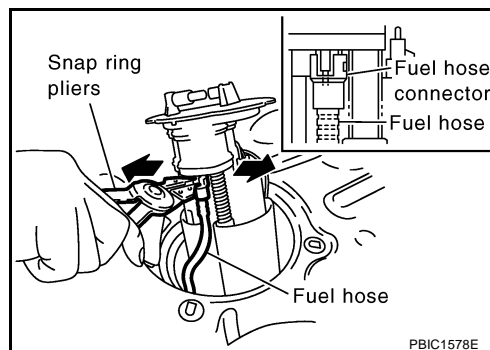
- Do not bend the float arm during removal.
- Avoid impacts such as falling when handling components.

- a. Removal of main fuel level sensor unit, fuel filter and fuel pump assembly:
 - i. Remove retainer.
 - ii. Raise the main fuel level sensor unit, fuel filter and fuel pump assembly, and using a snap ring pliers, remove the fuel hose connector.

CAUTION:

Be careful not to damage fuel hose connector by expanding them excessively.

- b. Removal of sub fuel level sensor unit:
 - i. Remove retainer.
 - ii. Raise and release the sub fuel level sensor unit to remove.

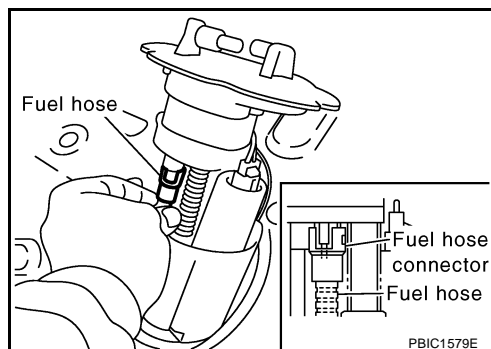


INSTALLATION

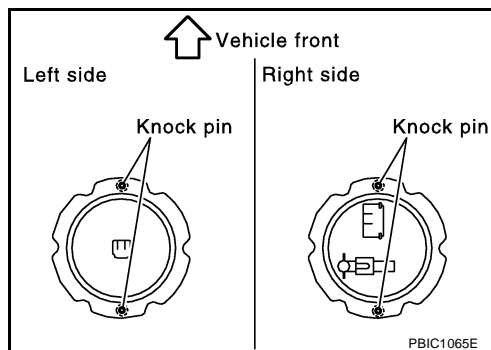
Install in the reverse order of removal paying attention to the following.

FUEL LEVEL SENSOR UNIT, FUEL FILTER AND FUEL PUMP ASSEMBLY

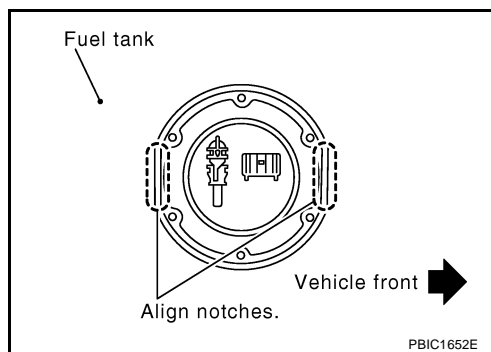
- When installing fuel hose connector, insert them fully until a click sound of full stopper engagement is heard.



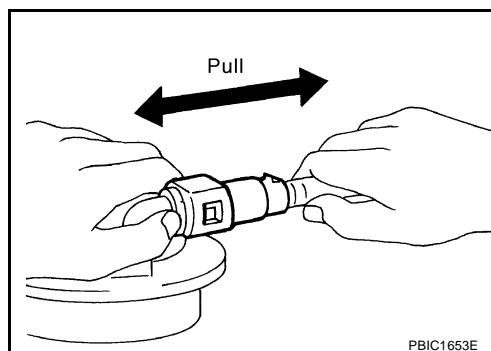
- Face main fuel level sensor unit, fuel filter and fuel pump assembly and sub fuel level sensor unit as shown in figure, and install them with knock pin on back aligned with pin hole on fuel tank.



- Install retainer so that its notch becomes parallel with notch on fuel tank.
- Tighten retainer mounting bolts evenly.



- Connect the quick connector as follows.
 1. Check the connection for damage or any foreign materials.
 2. Align the connector with the tube, then insert the connector straight into the tube until a click is heard.
 3. After connecting, make sure that the connection is secure by following method.
 4. Pull the tube and the connector to make sure they are securely connected.
- Visually confirm that the two retainer tabs are connected to the connector.



INSPECTION AFTER INSTALLATION

- Use the following procedure to check for fuel leaks.
 1. Turn ignition switch ON (do not start engine), then check connections for leaks by applying fuel pressure to fuel piping.
 2. Start the engine and rev it up and make sure there are no fuel leaks at the fuel system connections.

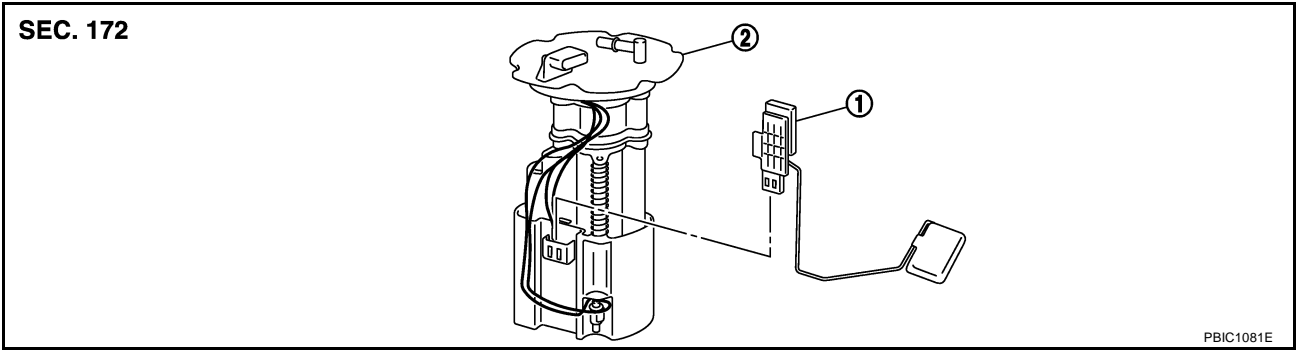
FUEL LEVEL SENSOR UNIT, FUEL FILTER AND FUEL PUMP ASSEMBLY

Disassembly and Assembly

ABS005Z0

A
FL
C
D
E
F
G
H
I
J
K
L
M

SEC. 172



1. Fuel level sensor unit
2. Fuel filter and fuel pump assembly

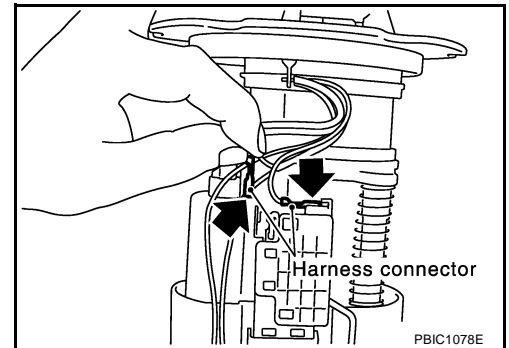
CAUTION:

Sub fuel level sensor unit cannot be disassembled and should be replaced as a unit.

DISASSEMBLY

Remove fuel level sensor unit with the following procedure.

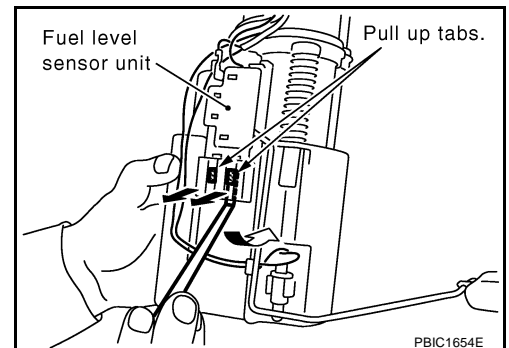
1. Disconnect harness connector.
 - Hold connector by fingers and pull it out, because there is no stopper release tab.



2. Using a suitable tool, pull up tabs as shown in the figure (2 points) to release the lock.

CAUTION:

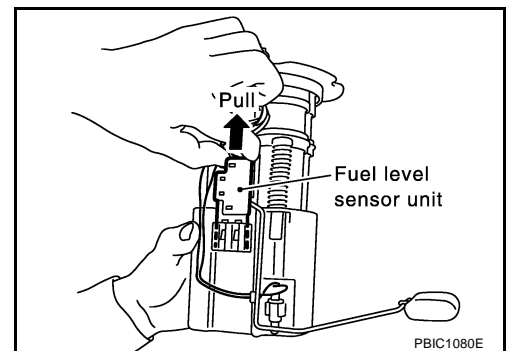
Be careful not to damage it.



3. Slide fuel level sensor unit out in direction shown by the arrow.

CAUTION:

Do not disassemble fuel filter and fuel pump assembly.



FUEL LEVEL SENSOR UNIT, FUEL FILTER AND FUEL PUMP ASSEMBLY

ASSEMBLY

Install in the reverse order of removal paying attention to the following.

1. Check for damage at installation position of the fuel filter and fuel pump assembly side fuel level sensor unit.
2. Slide fuel level sensor unit until it aligns to installation groove, then insert it until stop.
 - After inserting, apply force in reverse direction (removal direction) to ensure it cannot be pulled out.
3. Securely insert harness connector until it stops.

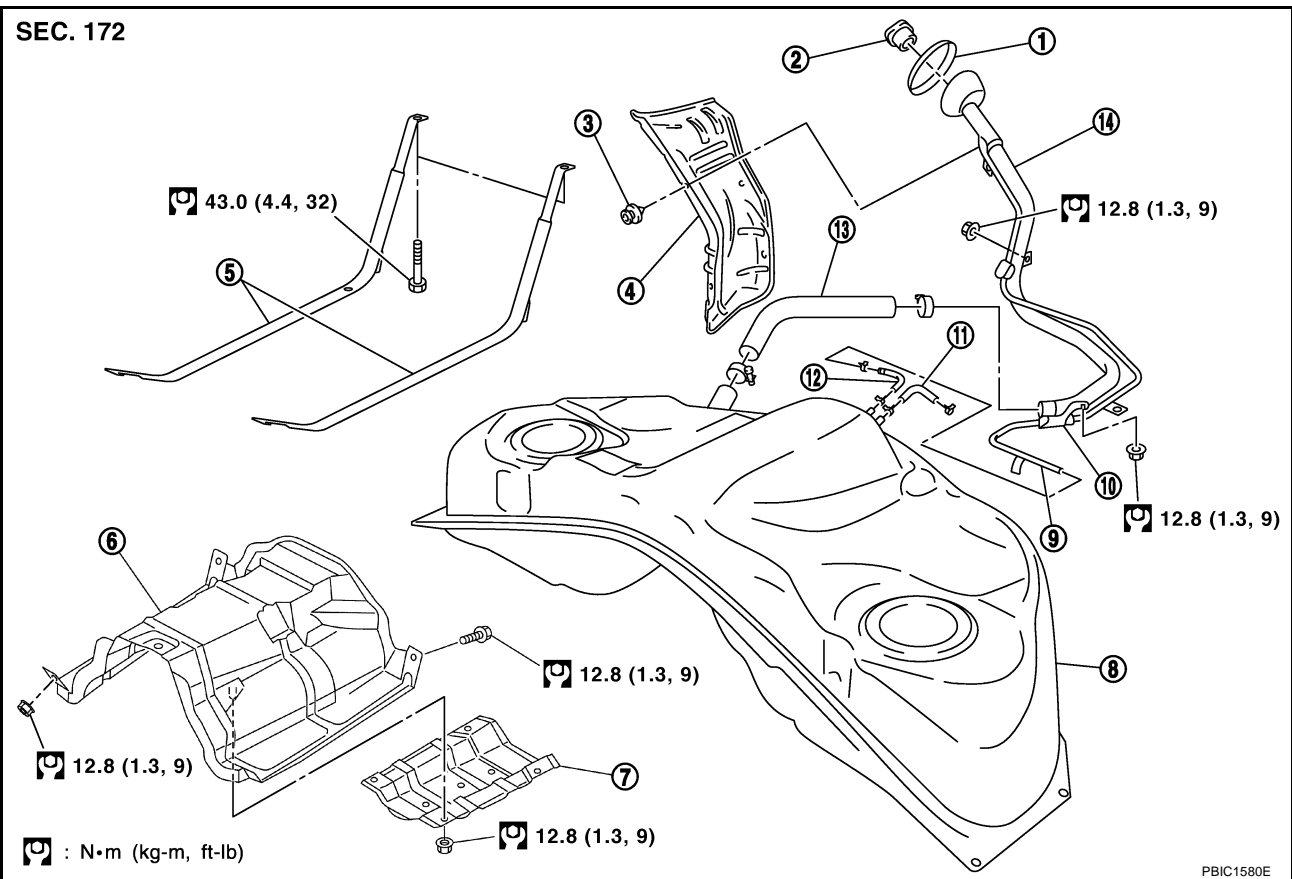
FUEL TANK

PDF:17202

FUEL TANK

Removal and Installation

ABS005Z1



- | | | |
|-------------------------------|----------------------------|------------------------|
| 1. Grommet | 2. Fuel filler cap | 3. Clip |
| 4. Fuel filler tube protector | 5. Fuel tank mounting band | 6. Fuel tank protector |
| 7. Insulator | 8. Fuel tank | 9. Vent tube |
| 10. Vent hose | 11. EVAP hose | 12. Vent hose |
| 13. Fuel filler hose | 14. Fuel filler tube | |

REMOVAL

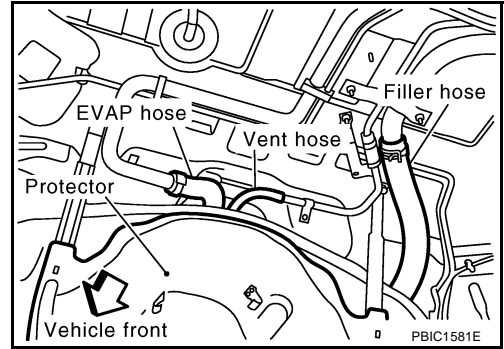
WARNING:

Read "General Precautions" before working on the fuel system. Refer to [FL-3, "General Precautions"](#) .

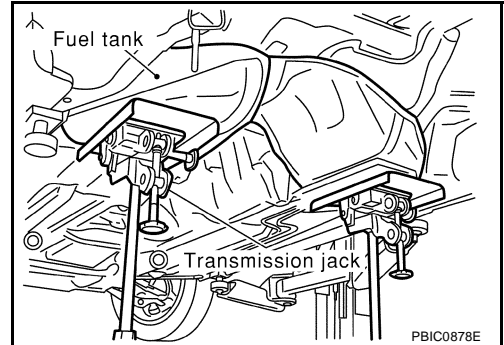
1. Drain fuel from fuel tank if necessary.
 - Perform work on level place.
2. Perform steps 2 to 7 of "REMOVAL" in " FUEL LEVEL SENSOR UNIT, FUEL FILTER AND FUEL PUMP ASSEMBLY" on main and sub fuel level sensor units. Refer to [FL-5, "REMOVAL"](#) .
3. Remove the exhaust front tube, center muffler and main muffler. Refer to [EX-3, "Removal and Installation"](#) .
4. Remove insulator.
5. Remove propeller shaft. Refer to [PR-7, "REAR PROPELLER SHAFT"](#) .
6. Remove parking brake cables. Refer to [PB-3, "PARKING BRAKE CONTROL"](#) .
7. Remove rear suspension assembly. Refer to [RSU-5, "REAR SUSPENSION ASSEMBLY"](#) .
8. Remove fuel tank protector.

FUEL TANK

9. Disconnect fuel filler hose, vent hose and EVAP hoses at fuel tank side.



10. Remove fuel tank mounting band bolts while supporting fuel tank.
11. Remove the fuel tank.



INSTALLATION

Install in the reverse order of removal paying attention to the following.

- Surely clamp fuel hoses and insert hose to the length below.
 - Fuel filler hose : 35 mm (1.38 in)**
 - The other hoses : 25 mm (0.98 in)**
- Be sure hose clamp is not placed on swelled area of fuel tube.
- Tighten each clamp of the filler hose so that the remaining length for tightening becomes 8 to 12 mm (0.31 to 0.47 in) on fuel tank side and 5.7 to 9.7 mm (0.224 to 0.382 in) on fuel filler tube side.
- To connect the quick connector, refer to [FL-5, "FUEL LEVEL SENSOR UNIT, FUEL FILTER AND FUEL PUMP ASSEMBLY"](#) .

INSPECTION AFTER INSTALLATION

Use the following procedure to check for fuel leaks.

1. Turn ignition switch ON (do not start engine), and check connections for leakage by applying fuel pressure to fuel piping.
2. Start the engine and rev it up and check for fuel leaks at the fuel system tube and hose connections.
- After removing/installing rear suspension assembly, make sure to adjust wheel alignment and then, adjust neutral position of steering angle sensor. Refer to [RSU-5, "Wheel Alignment Inspection"](#) and [BRC-6, "Adjustment of Steering Angle Sensor Neutral Position"](#) .

SERVICE DATA AND SPECIFICATIONS (SDS)

SERVICE DATA AND SPECIFICATIONS (SDS)

PFP:00030

Standard and Limit

ABS005Z2

Fuel tank capacity	Approx. 90 ℓ (23-3/4 US gal, 19-3/4 Imp gal)
--------------------	--

A

FL

C

D

E

F

G

H

I

J

K

L

M

SERVICE DATA AND SPECIFICATIONS (SDS)
