

SECTION **SR**
SRS AIRBAG

A
B
C
D
E
F
G
SR
I
J
K
L
M
N
O
P

CONTENTS

PRECAUTION	2	Exploded View	8
PRECAUTIONS	2	Removal and Installation	8
Precaution for Supplemental Restraint System (SRS) "AIR BAG" and "SEAT BELT PRE-TENSIONER"	2	SIDE CURTAIN AIR BAG MODULE	10
Service	2	Exploded View	10
Occupant Classification System	2	Removal and Installation	10
PREPARATION	3	CRASH ZONE SENSOR	12
PREPARATION	3	Exploded View	12
Commercial Service Tools	3	Removal and Installation	12
ON-VEHICLE REPAIR	4	SIDE AIR BAG (SATELLITE) SENSOR	14
DRIVER AIR BAG MODULE	4	Exploded View	14
Exploded View	4	Removal and Installation	14
Removal and Installation	4	DIAGNOSIS SENSOR UNIT	16
SPIRAL CABLE	6	Exploded View	16
Exploded View	6	Removal and Installation	16
Removal and Installation	6	FRONT SEAT BELT PRE-TENSIONER	18
FRONT PASSENGER AIR BAG MODULE	8	Removal and Installation	18
		OCCUPANT CLASSIFICATION SYSTEM CONTROL UNIT	19
		Removal and Installation	19

PRECAUTIONS

< PRECAUTION >

PRECAUTION

PRECAUTIONS

Precaution for Supplemental Restraint System (SRS) "AIR BAG" and "SEAT BELT PRE-TENSIONER"

INFOID:000000003574108

The Supplemental Restraint System such as "AIR BAG" and "SEAT BELT PRE-TENSIONER", used along with a front seat belt, helps to reduce the risk or severity of injury to the driver and front passenger for certain types of collision. This system includes seat belt switch inputs and dual stage front air bag modules. The SRS system uses the seat belt switches to determine the front air bag deployment, and may only deploy one front air bag, depending on the severity of a collision and whether the front occupants are belted or unbelted. Information necessary to service the system safely is included in the "SRS AIRBAG" and "SEAT BELT" of this Service Manual.

WARNING:

- **To avoid rendering the SRS inoperative, which could increase the risk of personal injury or death in the event of a collision which would result in air bag inflation, all maintenance must be performed by an authorized NISSAN/INFINITI dealer.**
- **Improper maintenance, including incorrect removal and installation of the SRS, can lead to personal injury caused by unintentional activation of the system. For removal of Spiral Cable and Air Bag Module, see the "SRS AIRBAG".**
- **Do not use electrical test equipment on any circuit related to the SRS unless instructed to in this Service Manual. SRS wiring harnesses can be identified by yellow and/or orange harnesses or harness connectors.**

Service

INFOID:000000003131579

- Do not use electrical test equipment to check SRS circuits unless instructed to in this Service Manual.
- Before servicing the SRS, turn ignition switch OFF, disconnect battery negative terminal and wait at least 3 minutes.
For approximately 3 minutes after the battery negative terminal is removed, it is still possible for the air bag and seat belt pre-tensioner to deploy. Therefore, do not work on any SRS connectors or wires until at least 3 minutes have elapsed.
- Diagnosis sensor unit must always be installed with their arrow marks "←" pointing towards the front of the vehicle for proper operation. Also check diagnosis sensor unit for cracks, deformities or rust before installation and replace as required.
- The spiral cable must be aligned in the neutral position since its rotations are limited. Do not turn steering wheel and column after removal of steering gear.
- Handle air bag module carefully. Always place driver and front passenger air bag modules with the pad side facing upward and seat mounted front side air bag module standing with the stud bolt side facing down.
- Conduct self-diagnosis to check entire SRS for proper function after replacing any components.
- After air bag inflates, the front instrument panel assembly should be replaced if damaged.
- Always replace instrument panel pad following front passenger air bag deployment.

Occupant Classification System

INFOID:000000003131580

- Replace occupant classification system control unit and passenger front seat cushion as an assembly. Refer to [SE-90, "Removal and Installation"](#).

PREPARATION

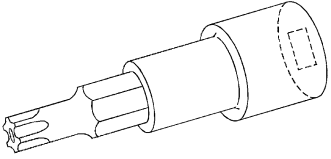
< PREPARATION >

PREPARATION

PREPARATION

Commercial Service Tools

INFOID:000000003131581

Tool name	Description
Tamper resistant TORX bit  S-NT757	Removal tool of driver air bag module and/or Air bag diagnosis sensor unit

A
B
C
D
E
F
G
SR
I
J
K
L
M
N
O
P

SR

DRIVER AIR BAG MODULE

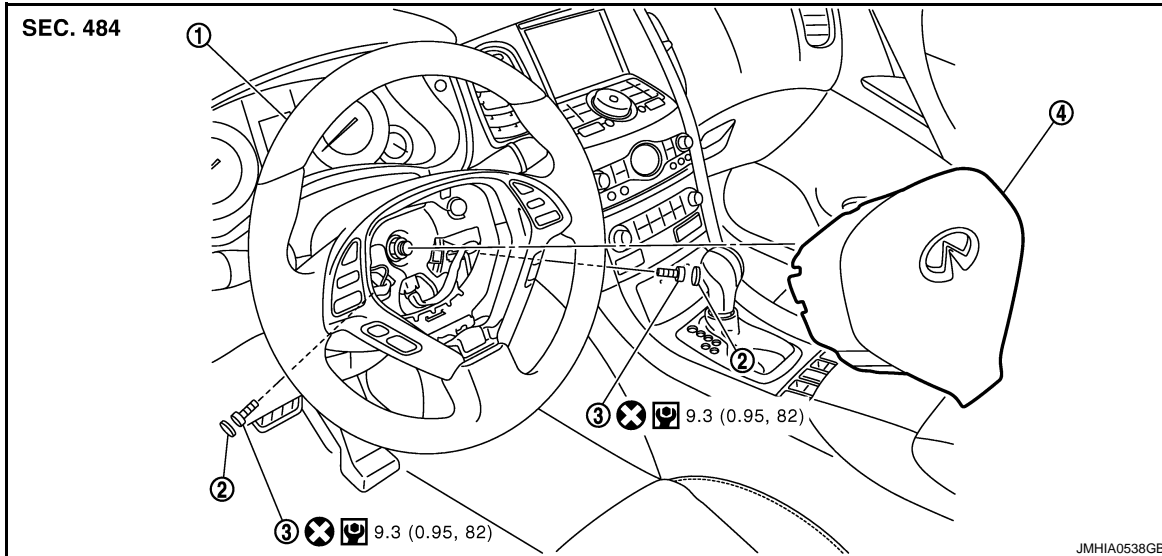
< ON-VEHICLE REPAIR >

ON-VEHICLE REPAIR

DRIVER AIR BAG MODULE

Exploded View

INFOID:000000003131582



1. Steering wheel
2. Side lid (LH/RH)
3. TORX bolt (LH/RH)
4. Driver air bag module

Refer to [GI-4, "Components"](#) for symbols in the figure

Removal and Installation

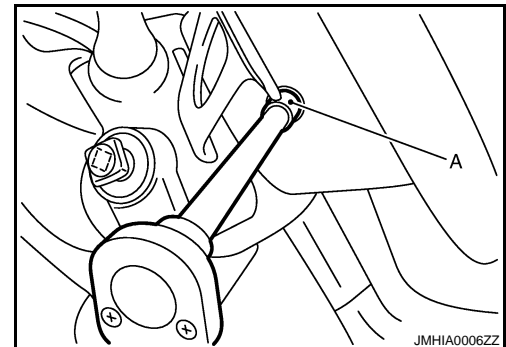
INFOID:000000003131583

WARNING:

- Before servicing, turn ignition switch OFF, disconnect battery negative terminal and wait at least 3 minutes.
- Always work from the side of air bag module. Do not work in front of it.
- Do not use air tools or electric tools for servicing.

REMOVAL

1. Remove the side lids (LH/RH).
2. Using Tamper resistant TORX bit (A), remove the TORX bolts (LH/RH).



3. Pull out driver air bag module.

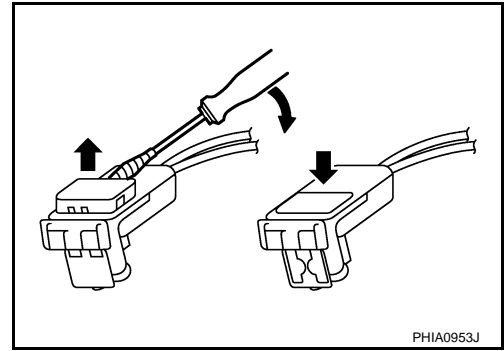
DRIVER AIR BAG MODULE

< ON-VEHICLE REPAIR >

4. Disconnect driver air bag harness connector.

NOTE:

- For installing/removing driver air bag harness connector, insert thin screwdriver wrapped in tape into notch, lift lock and remove connector.
- Install connector with lock raised, and push lock into connector.
- After installing the connector, check that the lock is pushed securely into it.



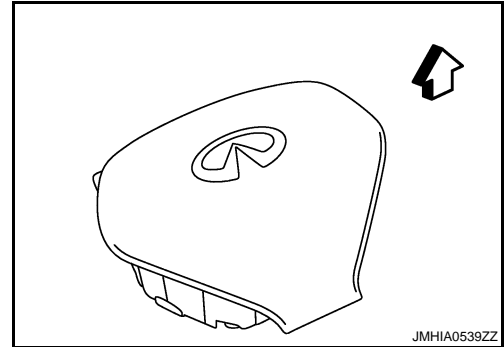
5. Remove the driver air bag module.

CAUTION:

- Always place driver air bag module with pad side facing upward.

↶ : Upward

- Do not insert any foreign objects (screwdriver, etc.) into driver air bag module.
- Do not disassemble driver air bag module.
- Do not expose the driver air bag module to temperatures exceeding 90°C (194°F).
- Do not allow oil, grease or water to come in contact with the driver air bag module.



- Replace the driver air bag module if it has been dropped or sustained an impact.

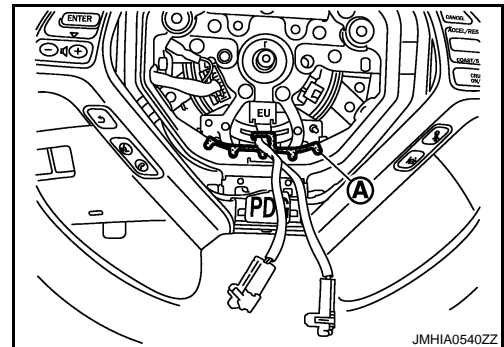


INSTALLATION

Install in the reverse order of removal.

CAUTION:

- Do not use old TORX bolts after removal; replace with new bolts.
- Fix the driver air bag module harness to the harness fixing hook (A).
- Tighten the TORX bolts after completely adjusting the centers of fixing holes on the driver air bag module side and the steering wheel side. If the holes are misaligned, the bolt threads are damaged and the module is not installed securely.



- In the case that a malfunction is detected by the air bag warning lamp, after reparation or replacement of the malfunctioning parts, reset the memory by self-diagnosis or by the CONSULT-III.
- After the work is completed, check that no system malfunction is detected by air bag warning lamp. Refer to [SRC-14, "Diagnosis Description"](#).

A
B
C
D
E
F
G
SR
I
J
K
L
M
N
O
P

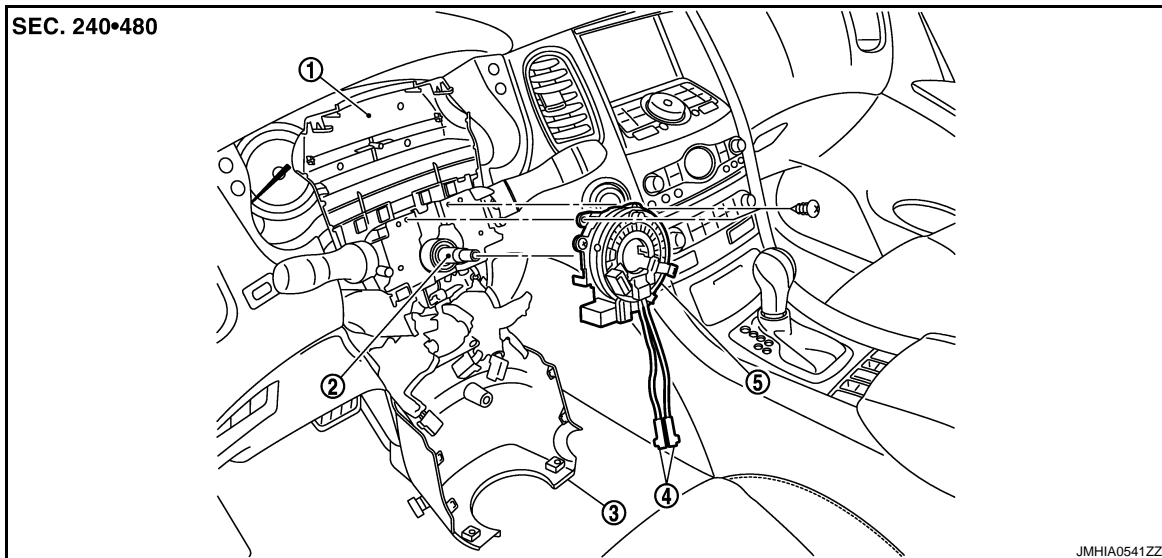
SPIRAL CABLE

< ON-VEHICLE REPAIR >

SPIRAL CABLE

Exploded View

INFOID:000000003131584



- | | | |
|-------------------------------------|-----------------------------|--------------------------------|
| 1. Steering column cover upper | 2. Steering column assembly | 3. Steering column cover lower |
| 4. Driver air bag harness connector | 5. Spiral cable | |

Removal and Installation

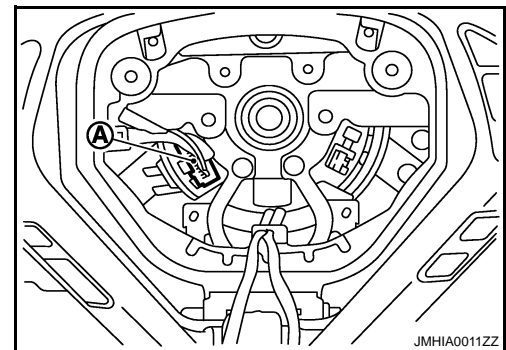
INFOID:000000003131585

WARNING:

- Before servicing, turn ignition switch OFF, disconnect battery negative terminal and wait at least 3 minutes.
- Do not use air tools or electric tools for servicing.

REMOVAL

1. Remove the driver air bag module. Refer to [SR-4. "Removal and Installation"](#).
2. Disconnect steering horn switch harness connector (A).

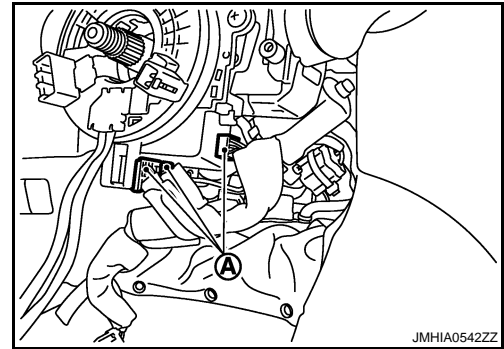


3. Remove the steering wheel. Refer to [ST-16. "Removal and Installation"](#).
4. Remove the steering column cover (upper/lower). Refer to [IP-12. "Removal and Installation"](#).
5. Remove the spiral cable fixing screws.

SPIRAL CABLE

< ON-VEHICLE REPAIR >

6. Disconnect spiral cable body side harness connectors (A).



7. Pull out forward the spiral cable.

CAUTION:

- Do not disassemble the spiral cable.
- Do not apply lubricant to the spiral cable.
- Do not allow oil, grease, detergent or water to come in contact with the spiral cable.
- Do not impact the spiral cable by dropping, etc. Replace the spiral cable if it has been dropped or sustained an impact.

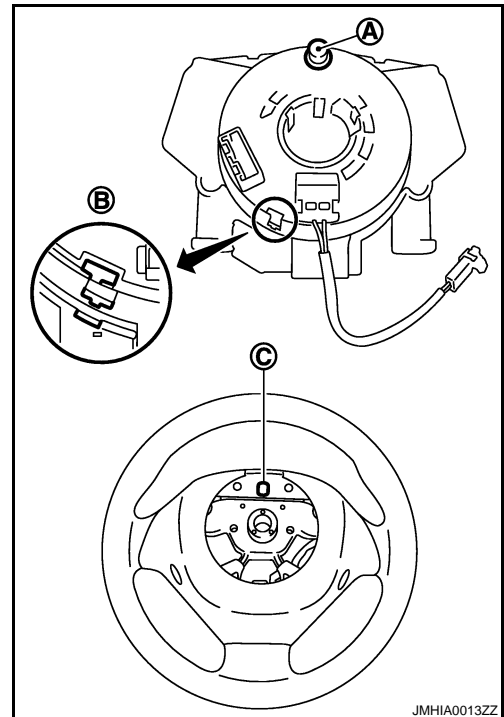


INSTALLATION

Install in the reverse order of removal.

CAUTION:

- The spiral cable may snap during steering operation if the cable is installed in an improper position. The neutral position is set as follows.
- Turn carefully the spiral cable clockwise to the end position. Then turn it counterclockwise (about 2 and a half turns) and stop turning at the point (B) on which the stopper insertion holes are in the same position.
- The service part is installed in the neutral position by the stopper and can be set without adjusting after the stopper is removed.
- Do not over turn the spiral cable or go beyond number of turns required. (These will cause the cable to snap.)
- Adjust the spiral cable locating pin (A) to the steering wheel locating pin hole (C).



- In the case that a malfunction is detected by the air bag warning lamp, after reparation or replacement of the malfunctioning parts, reset the memory by self-diagnosis or by the CONSULT-III.
- After the work is completed, check that no system malfunction is detected by air bag warning lamp. Refer to [SRC-14, "Diagnosis Description"](#).

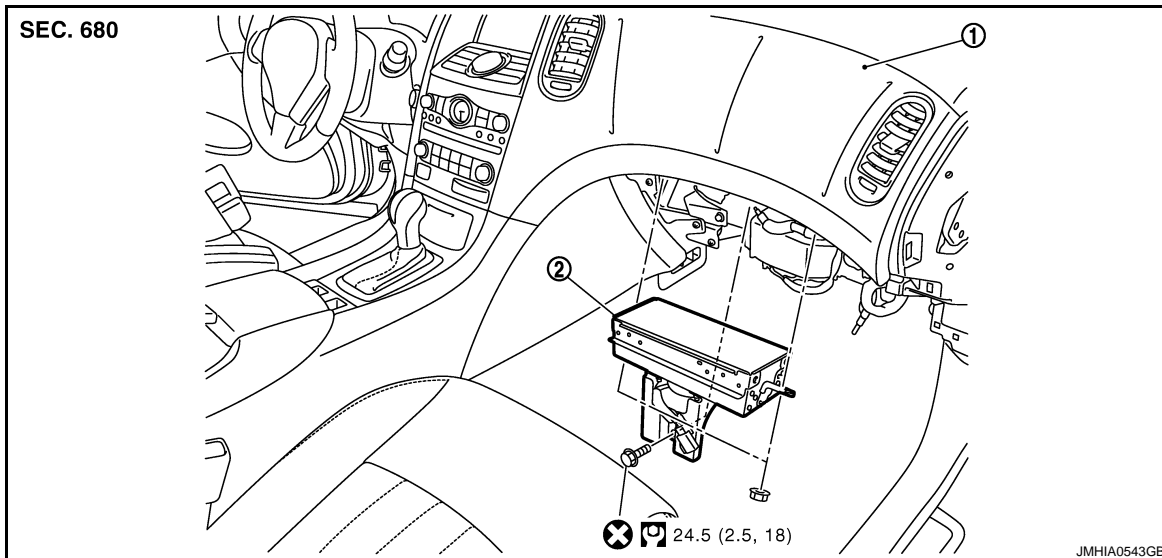
FRONT PASSENGER AIR BAG MODULE

< ON-VEHICLE REPAIR >

FRONT PASSENGER AIR BAG MODULE

Exploded View

INFOID:000000003131586



1. Instrument panel assembly 2. Front passenger air bag module

Refer to [GI-4. "Components"](#) for symbols in the figure

Removal and Installation

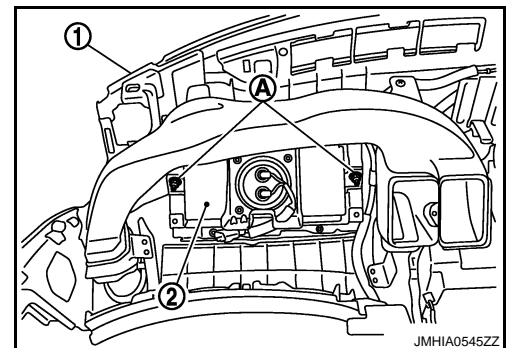
INFOID:000000003131587

WARNING:

- Before servicing, turn ignition switch OFF, disconnect battery negative terminal and wait at least 3 minutes.
- Always work from the side of air bag module. Do not work in front of it.
- Do not use air tools or electric tools for servicing.

REMOVAL

1. Remove the instrument panel assembly. Refer to [IP-12. "Removal and Installation"](#).
2. Remove the front passenger air bag module fixing screws (A).
3. Disconnect pawls, and then remove front passenger air bag module (2) from instrument panel assembly (1).



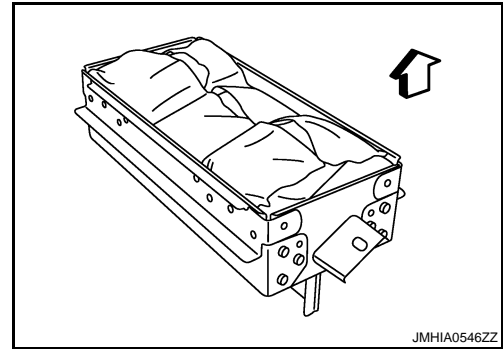
CAUTION:

FRONT PASSENGER AIR BAG MODULE

< ON-VEHICLE REPAIR >

- Always place front passenger air bag module with pad side facing upward.

↶ : Upward



- Do not insert any foreign objects (screwdriver, etc.) into front passenger air bag module.
- Do not disassemble front passenger air bag module.
- Do not expose the front passenger air bag module to temperatures exceeding 90°C (194°F).
- Do not allow oil, grease or water to come in contact with the front passenger air bag module.
- Replace the front passenger air bag module if it has been dropped or sustained an impact.



INSTALLATION

Install in the reverse order of removal.

CAUTION:

- Do not use old fixing bolt after removal; replace with new bolt.
- In the case that a malfunction is detected by the air bag warning lamp, after reparation or replacement of the malfunctioning parts, reset the memory by self-diagnosis or by the CONSULT-III.
- After the work is completed, check that no system malfunction is detected by air bag warning lamp. Refer to [SRC-14, "Diagnosis Description"](#).

A
B
C
D
E
F
G
SR
I
J
K
L
M
N
O
P

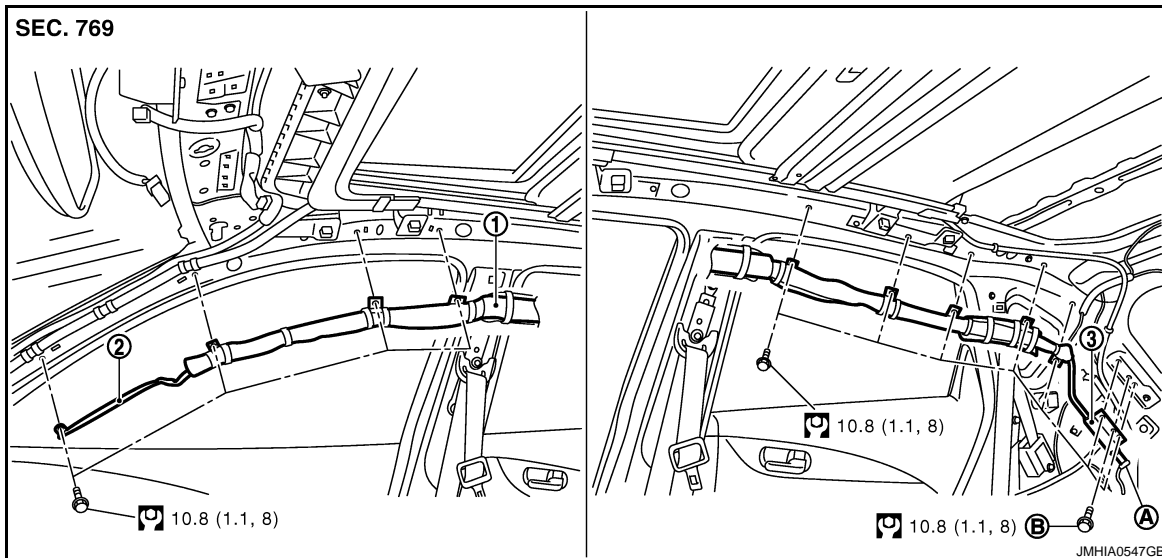
SIDE CURTAIN AIR BAG MODULE

< ON-VEHICLE REPAIR >

SIDE CURTAIN AIR BAG MODULE

Exploded View

INFOID:000000003131588



- | | | |
|---|----------------|----------------------------------|
| 1. Side curtain air bag | 2. Strap | 3. Side curtain air bag inflator |
| A. Side curtain air bag harness connector | B. Ground bolt | |

Refer to [GI-4, "Components"](#) for symbols in the figure.

Removal and Installation

INFOID:000000003131589

WARNING:

- Before servicing, turn ignition switch OFF, disconnect battery negative terminal and wait at least 3 minutes.
- Do not use air tools or electric tools for servicing.

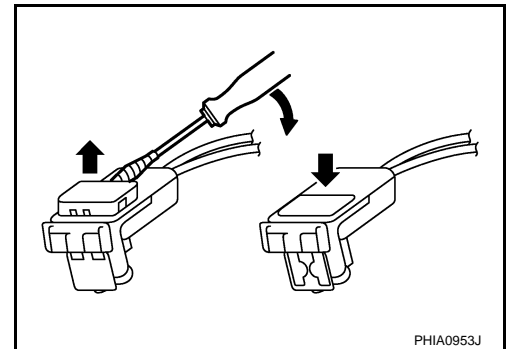
REMOVAL

1. Remove the headlining. Refer to normal roof [INT-27, "NORMAL ROOF : Removal and Installation"](#) or sun-roof [INT-30, "SUNROOF : Removal and Installation"](#).

2. Remove the side curtain air bag harness connector.

NOTE:

- For installing/removing side curtain air bag harness connector, insert thin screwdriver wrapped in tape into notch, lift lock and remove connector.
- Install connector with lock raised, and push lock into connector.
- After installing the connector, check that the lock is pushed securely into it.



3. Remove fixing bolts, and then remove side curtain air bag module.

CAUTION:

- Do not insert any foreign objects (screwdriver, etc.) into side curtain air bag module.
- Do not disassemble side curtain air bag module.
- Do not expose the side curtain air bag module to temperatures exceeding 90°C (194°F).
- Do not allow oil, grease or water to come in contact with the side curtain air bag module.

SIDE CURTAIN AIR BAG MODULE

< ON-VEHICLE REPAIR >

- Replace the side curtain air bag module if it has been dropped or sustained an impact.



INSTALLATION

Install in the reverse order of removal.

CAUTION:

- In the case that a malfunction is detected by the air bag warning lamp, after reparation or replacement of the malfunctioning parts, reset the memory by self-diagnosis or by the CONSULT-III.
- After the work is completed, check that no system malfunction is detected by air bag warning lamp. Refer to [SRC-14, "Diagnosis Description"](#).

A
B
C
D
E
F
G
SR
I
J
K
L
M
N
O
P

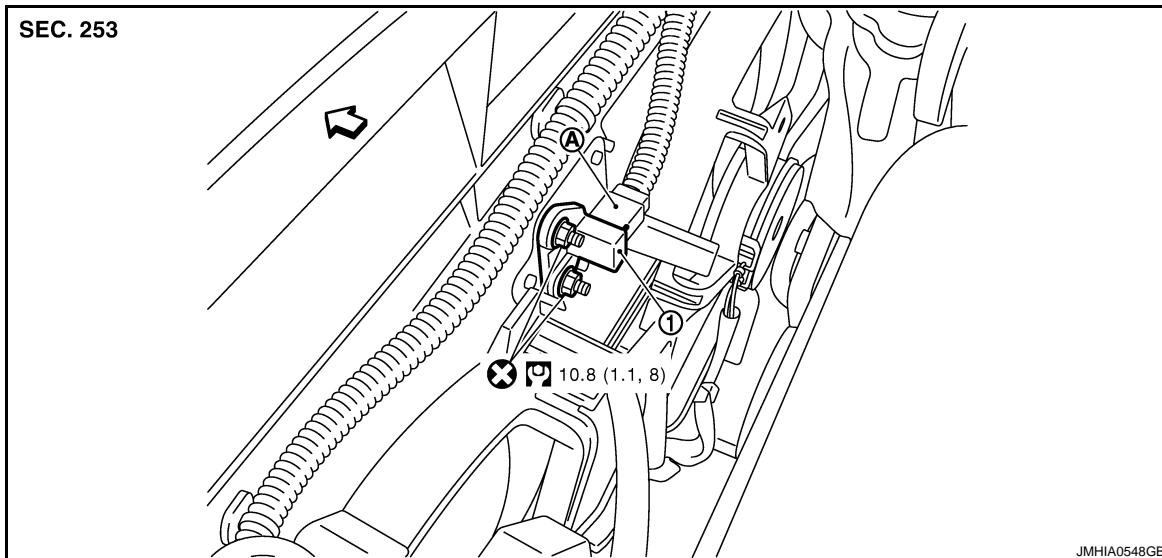
CRASH ZONE SENSOR

< ON-VEHICLE REPAIR >

CRASH ZONE SENSOR

Exploded View

INFOID:000000003131590



- 1. Crash zone sensor
 - A. Crash zone sensor harness connector
- ↔ : Vehicle front

Refer to [GI-4, "Components"](#) for symbols in the figure

Removal and Installation

INFOID:000000003131591

WARNING:

- Before servicing, turn ignition switch OFF, disconnect battery negative terminal and wait at least 3 minutes.
- Do not use air tools or electric tools for servicing.

REMOVAL

1. Remove the reservoir tank. Refer to [CO-13, "Removal and Installation"](#).
2. Remove the crash zone sensor fixing nuts.
3. Disconnect crash zone sensor harness connector.

CAUTION:

- Do not use old fixing nuts after removal; replace with new nuts.
- Replace the crash zone sensor if it has been dropped or sustained an impact.
- Replace the crash zone sensor of deployed driver air bag and deployed front passenger air bag.



INSTALLATION

Install in the reverse order of removal.

CAUTION:

CRASH ZONE SENSOR

< ON-VEHICLE REPAIR >

- In the case that a malfunction is detected by the air bag warning lamp, after reparation or replacement of the malfunctioning parts, reset the memory by self-diagnosis or by the CONSULT-III.
- After the work is completed, check that no system malfunction is detected by air bag warning lamp. Refer to [SRC-14, "Diagnosis Description"](#).

A
B
C
D
E
F
G
SR
I
J
K
L
M
N
O
P

SR

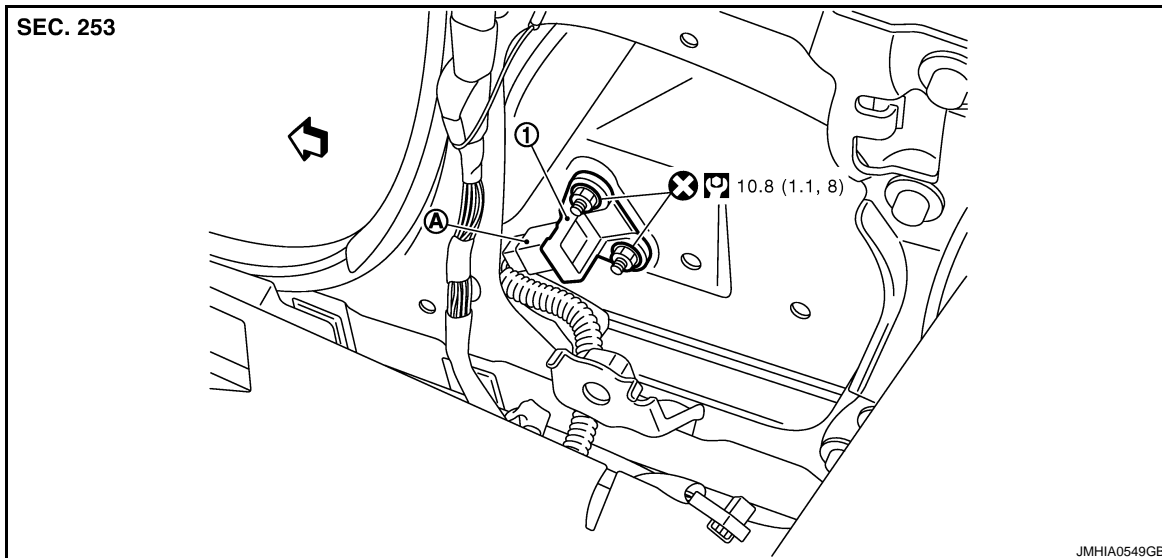
SIDE AIR BAG (SATELLITE) SENSOR

< ON-VEHICLE REPAIR >

SIDE AIR BAG (SATELLITE) SENSOR

Exploded View

INFOID:000000003131592



1. Side air bag (satellite) sensor
- A. Side air bag (satellite) sensor harness connector

↩ : Vehicle front

Refer to [GI-4, "Components"](#) for symbols in the figure

Removal and Installation

INFOID:000000003131593

WARNING:

- Before servicing, turn ignition switch OFF, disconnect both battery terminals and wait at least 3 minutes.
- Do not use air tools or electric tools for servicing.

REMOVAL

1. Remove the front seat belt. Refer to [SB-5, "SEAT BELT RETRACTOR : Removal and Installation"](#).
2. Remove the side air bag (satellite) sensor fixing nuts.
3. Disconnect harness connector and then remove side air bag (satellite) sensor.

CAUTION:

- Replace the satellite sensor if it has been dropped or sustained an impact.
- Replace the satellite sensor of deployed SRS front side air bag module and deployed SRS side curtain air bag module.



INSTALLATION

Install in the reverse order of removal.

CAUTION:

- Do not use old fixing nuts after removal; replace with new nuts.

SIDE AIR BAG (SATELLITE) SENSOR

< ON-VEHICLE REPAIR >

- In the case that a malfunction is detected by the air bag warning lamp, after reparation or replacement of the malfunctioning parts, reset the memory by self-diagnosis or by the CONSULT-III.
- After the work is completed, check that no system malfunction is detected by air bag warning lamp. Refer to [SRC-14, "Diagnosis Description"](#).

A

B

C

D

E

F

G

SR

I

J

K

L

M

N

O

P

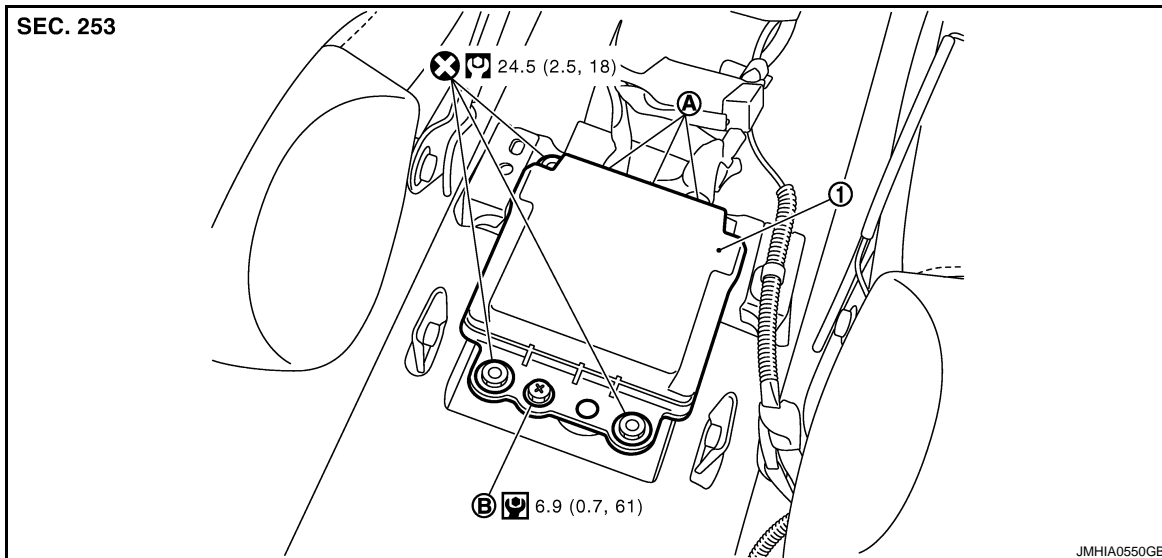
DIAGNOSIS SENSOR UNIT

< ON-VEHICLE REPAIR >

DIAGNOSIS SENSOR UNIT

Exploded View

INFOID:000000003131594



1. Diagnosis sensor unit
- A. Diagnosis sensor unit harness connector
- B. Ground bolt

Refer to [GI-4, "Components"](#) for symbols in the figure

Removal and Installation

INFOID:000000003131595

WARNING:

- Before servicing, turn ignition switch OFF, disconnect battery negative terminal and wait at least 3 minutes.
- Before disconnecting the air bag diagnosis sensor unit harness connectors, be sure to disconnect the each harness connector of the air bag module and seat belt pre-tensioner to prevent air bag deployment by static electricity and seat belt pre-tensioner operation.
- Do not use air tools or electric tools for servicing.

REMOVAL

1. Disconnect each connector of all air bag modules and pre-tensioner seat belts.
2. Remove the center console assembly. Refer to [IP-22, "Removal and Installation"](#).
3. Disconnect diagnosis sensor unit harness connector.
4. Remove the fixing bolts, ground bolt, and then remove diagnosis sensor unit.

CAUTION:

- Replace the air bag diagnosis sensor unit if it has been dropped or sustained an impact.
- Replace the air bag diagnosis sensor unit of deployed SRS air bag and deployed front seat belt pre-tensioner.



INSTALLATION

Install in the reverse order of removal.

DIAGNOSIS SENSOR UNIT

< ON-VEHICLE REPAIR >

CAUTION:

- Do not use old fixing bolts after removal; replace with new fixing bolts.
- In the case that a malfunction is detected by the air bag warning lamp, after reparation or replacement of the malfunctioning parts, reset the memory by self-diagnosis or by the CONSULT-III.
- After the work is completed, check that no system malfunction is detected by air bag warning lamp. Refer to [SRC-14, "Diagnosis Description"](#).

ECU DISCRIMINATED NO.

After replacing the diagnosis sensor unit, confirm that the diagnosis sensor unit identification is correct for the vehicle as equipped.

	Specification	ECU DISCRIMINATED No.
2WD	Models with driver air bag, front passenger air bag and front seat belt pre-tensioners, front side air bags, side curtain air bags and rollover	FD10
4WD	Models with driver air bag, front passenger air bag and front seat belt pre-tensioners, front side air bags, side curtain air bags and rollover	FD11

A
B
C
D
E
F
G
I
J
K
L
M
N
O
P

SR

FRONT SEAT BELT PRE-TENSIONER

< ON-VEHICLE REPAIR >

FRONT SEAT BELT PRE-TENSIONER

Removal and Installation

INFOID:000000003131596

For removal and installation procedures, refer to [SB-5. "SEAT BELT RETRACTOR : Removal and Installation"](#).

OCCUPANT CLASSIFICATION SYSTEM CONTROL UNIT

< ON-VEHICLE REPAIR >

OCCUPANT CLASSIFICATION SYSTEM CONTROL UNIT

Removal and Installation

INFOID:000000003131597

For removal and installation

The occupant classification system control unit and seat sensor mat are an integral part of the front passenger seat cushion and are replaced as an assembly. Refer to [SE-90, "Removal and Installation"](#).

A
B
C
D
E
F
G
SR
I
J
K
L
M
N
O
P

