

# SECTION **SRC**

## SRS AIRBAG CONTROL SYSTEM

A  
B  
C  
D  
E  
F  
G  
H  
I  
J  
K  
L  
M  
N  
O  
P

### CONTENTS

<p><b>BASIC INSPECTION</b> ..... 3</p> <p><b>DIAGNOSIS AND REPAIR WORK FLOW</b> ..... 3</p> <p style="padding-left: 20px;">Work Flow .....3</p> <p><b>INTERMITTENTS INCIDENT</b> ..... 5</p> <p style="padding-left: 20px;">Inspection Procedure .....5</p> <p style="padding-left: 20px;">Trouble Diagnosis with CONSULT-III .....5</p> <p><b>FUNCTION DIAGNOSIS</b> ..... 6</p> <p><b>SRS AIR BAG SYSTEM</b> ..... 6</p> <p style="padding-left: 20px;">SRS Configuration .....6</p> <p style="padding-left: 20px;">SRS Component Parts Location .....7</p> <p style="padding-left: 20px;">Driver Air Bag Module .....7</p> <p style="padding-left: 20px;">Front Passenger Air Bag Module .....8</p> <p style="padding-left: 20px;">Front Side Air Bag .....8</p> <p style="padding-left: 20px;">Side Curtain Air Bag .....8</p> <p style="padding-left: 20px;">Front Seat Belt Pre-tensioner with Load Limiter .....8</p> <p style="padding-left: 20px;">Direct-connect SRS Component Connectors .....9</p> <p><b>OCCUPANT CLASSIFICATION SYSTEM</b> .....10</p> <p style="padding-left: 20px;">System Diagram .....10</p> <p style="padding-left: 20px;">Occupant Classification System (OCS) .....10</p> <p><b>PASSENGER SEAT BELT WARNING SYSTEM</b> .....11</p> <p style="padding-left: 20px;">System Diagram .....11</p> <p style="padding-left: 20px;">System Description .....11</p> <p style="padding-left: 20px;">Component Parts Location .....11</p> <p><b>ON BOARD DIAGNOSTIC (OBD) SYSTEM</b> .....12</p> <p style="padding-left: 20px;">Trouble Diagnosis Introduction .....12</p> <p style="padding-left: 20px;">SRS Operation Check .....12</p> <p style="padding-left: 20px;">Trouble Diagnosis without CONSULT-III .....14</p> <p style="padding-left: 20px;">CONSULT-III Function (AIR BAG) .....14</p> <p style="padding-left: 20px;">Self-Diagnosis Function (Without CONSULT-III) ....14</p> <p><b>COMPONENT DIAGNOSIS</b> .....16</p> <p><b>B1049 – B1052, B1054 – B1057 DRIVER AIR-BAG MODULE</b> .....16</p>	<p style="padding-left: 20px;">Description .....16</p> <p style="padding-left: 20px;">DTC Logic .....16</p> <p style="padding-left: 20px;">Diagnosis Procedure (Component Diagnosis) .....17</p> <p><b>B1065 – B1068, B1070 – B1073 PASSENGER AIRBAG MODULE</b> .....19</p> <p style="padding-left: 20px;">Description .....19</p> <p style="padding-left: 20px;">DTC Logic .....19</p> <p style="padding-left: 20px;">Diagnosis Procedure (Component Diagnosis) .....20</p> <p><b>B1134 – B1137 SIDE AIRBAG MODULE LH</b> ...22</p> <p style="padding-left: 20px;">Description .....22</p> <p style="padding-left: 20px;">DTC Logic .....22</p> <p style="padding-left: 20px;">Diagnosis Procedure (Component Diagnosis) .....23</p> <p><b>B1129 – B1132 SIDE AIRBAG MODULE RH</b> ...25</p> <p style="padding-left: 20px;">Description .....25</p> <p style="padding-left: 20px;">DTC Logic .....25</p> <p style="padding-left: 20px;">Diagnosis Procedure (Component Diagnosis) .....26</p> <p><b>B1150 – B1153 SIDE CURTAIN AIR BAG MODULE LH</b> .....28</p> <p style="padding-left: 20px;">Description .....28</p> <p style="padding-left: 20px;">DTC Logic .....28</p> <p style="padding-left: 20px;">Diagnosis Procedure (Component Diagnosis) .....29</p> <p><b>B1145 – B1148 SIDE CURTAIN AIR BAG MODULE RH</b> .....31</p> <p style="padding-left: 20px;">Description .....31</p> <p style="padding-left: 20px;">DTC Logic .....31</p> <p style="padding-left: 20px;">Diagnosis Procedure (Component Diagnosis) .....32</p> <p><b>B1086 – B1089 SEAT BELT PRE-TENSIONER LH</b> .....34</p> <p style="padding-left: 20px;">Description .....34</p> <p style="padding-left: 20px;">DTC Logic .....34</p> <p style="padding-left: 20px;">Diagnosis Procedure (Component Diagnosis) .....35</p> <p><b>B1081 – B1084 SEAT BELT PRE-TENSIONER RH</b> .....37</p> <p style="padding-left: 20px;">Description .....37</p> <p style="padding-left: 20px;">DTC Logic .....37</p>
--	---

SRC

Diagnosis Procedure (Component Diagnosis) .....	38	<b>B1209 – B1210 COLLISION DETECTION</b> .....	57
<b>B1033 – B1035 CRASH ZONE SENSOR</b> .....	40	Description .....	57
Description .....	40	DTC Logic .....	57
DTC Logic .....	40	Diagnosis Procedure (Component Diagnosis) .....	57
Diagnosis Procedure (Component Diagnosis) .....	41	<b>ECU DIAGNOSIS</b> .....	58
<b>B1118 – B1120 SATELLITE SENSOR LH</b> .....	43	<b>DIAGNOSIS SENSOR UNIT</b> .....	58
Description .....	43	Wiring Diagram .....	58
DTC Logic .....	43	Trouble Diagnosis with CONSULT-III .....	67
Diagnosis Procedure (Component Diagnosis) .....	44	Trouble Diagnosis without CONSULT-III .....	70
<b>B1113 – B1115 SATELLITE SENSOR RH</b> .....	46	<b>SYMPTOM DIAGNOSIS</b> .....	74
Description .....	46	<b>SRS AIR BAG SYSTEM</b> .....	74
DTC Logic .....	46	"AIR BAG" Warning Lamp Does Not Turn Off .....	74
Diagnosis Procedure (Component Diagnosis) .....	47	"AIR BAG" Warning Lamp Does Not Turn On .....	74
<b>B1XXX AIR BAG DIAGNOSIS SENSOR UNIT...</b> .....	49	<b>PASSENGER SEAT BELT WARNING SYS-</b>	
Description .....	49	<b>TEM</b> .....	76
DTC Logic .....	49	Seat Belt Warning System Does Not Function .....	76
Diagnosis Procedure (Component Diagnosis) .....	50	<b>PRECAUTION</b> .....	77
<b>B1023 PASSENGER AIR BAG OFF INDICA-</b>		<b>PRECAUTIONS</b> .....	77
<b>TOR</b> .....	51	Precaution for Supplemental Restraint System	
Description .....	51	(SRS) "AIR BAG" and "SEAT BELT PRE-TEN-	
DTC Logic .....	51	SIONER" .....	77
Diagnosis Procedure (Component Diagnosis) .....	52	Precaution for SRS "AIR BAG" and "SEAT BELT	
<b>B1017 – B1022 OCCUPANT CLASSIFICA-</b>		PRE-TENSIONER" Service .....	77
<b>TION SYSTEM</b> .....	54	Occupant Classification System Precaution .....	77
Description .....	54		
DTC Logic .....	54		
Diagnosis Procedure (Component Diagnosis) .....	55		

# DIAGNOSIS AND REPAIR WORK FLOW

< BASIC INSPECTION >

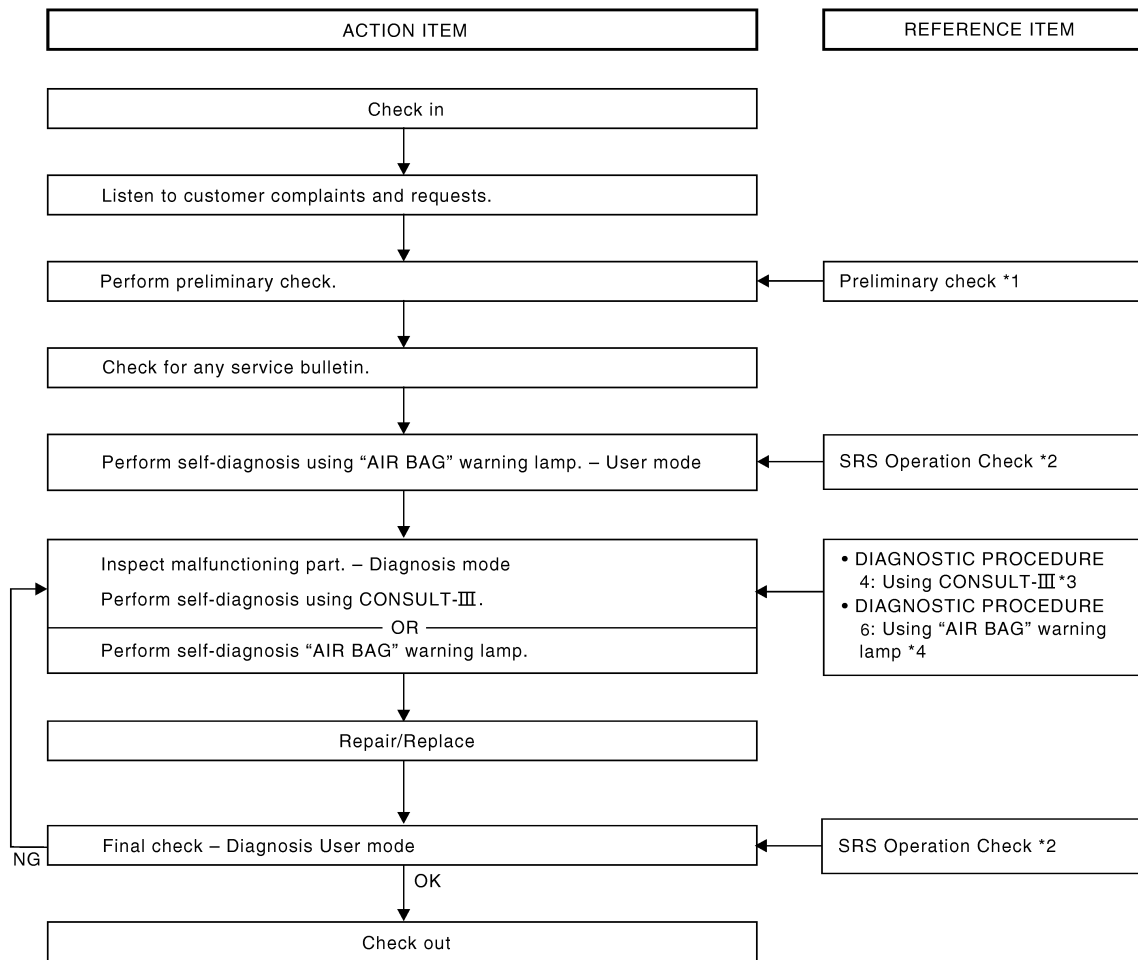
## BASIC INSPECTION

### DIAGNOSIS AND REPAIR WORK FLOW

Work Flow

INFOID:000000004215153

#### OVERALL SEQUENCE



WHIA0348E

\*1 [SRC-12. "Trouble Diagnosis Introduction"](#)

\*2 [SRC-12. "SRS Operation Check"](#)

\*3 [SRC-5. "Trouble Diagnosis with CONSULT-III"](#)

\*4 [SRC-14. "Self-Diagnosis Function \(Without CONSULT-III\)"](#)

#### DETAILED WORK FLOW

##### 1. CUSTOMER INFORMATION

Get detailed information from the customer about the symptom.

>> GO TO 2

##### 2. PRELIMINARY CHECK

Perform preliminary check. Refer to [SRC-12. "Trouble Diagnosis Introduction"](#).

## DIAGNOSIS AND REPAIR WORK FLOW

< BASIC INSPECTION >

---

>> GO TO 3

### 3. TECHNICAL SERVICE BULLETINS

---

Check for technical service bulletins.

>> GO TO 4

### 4. USER MODE

---

Perform self-diagnosis using the "AIR BAG" warning lamp in User mode. Refer to [SRC-12, "SRS Operation Check"](#).

>> GO TO 5

### 5. SELF-DIAGNOSIS

---

Perform SELF-DIAGNOSIS. Refer to [SRC-5, "Trouble Diagnosis with CONSULT-III"](#) (w/CONSULT-III) or [SRC-14, "Self-Diagnosis Function \(Without CONSULT-III\)"](#) (w/o CONSULT- III).

>> GO TO 6

### 6. REPLACE PART

---

Replace the malfunctioning part.

>> GO TO 7

### 7. FINAL CHECK

---

Check SRS using Diagnosis mode and User mode.

Does Diagnosis mode and User mode indicate SRS normal?

YES >> Inspection end.

NO >> GO TO 5

# INTERMITTENTS INCIDENT

< BASIC INSPECTION >

## INTERMITTENTS INCIDENT

### Inspection Procedure

INFOID:000000004215154

### INTERMITTENT TROUBLE

An intermittent incident may have occurred in the past but is not being detected currently. This DTC will not be detected on SELF DIAG [CURRENT], but may be viewed on SELF DIAG [PAST] using CONSULT-III.

### Trouble Diagnosis with CONSULT-III

INFOID:000000004215155

### DIAGNOSTIC PROCEDURE 4

Check SRS Repair History

#### **1**.CONSIDER POSSIBILITY THAT SELF-DIAGNOSTIC RESULT WAS NOT ERASED AFTER REPAIR

Check repair history of the SRS.

Have any previous repairs been made to the SRS?

YES >> Self-diagnostic result "SELF-DIAG [PAST]" (previously stored in the memory) might not be erased after repair. Proceed to "DIAGNOSTIC PROCEDURE 3". Refer to [SRC-14, "Self-Diagnosis Function \(Without CONSULT-III\)".](#)

NO >> Proceed to "DIAGNOSTIC PROCEDURE 2". Refer to [SRC-12, "SRS Operation Check".](#)

A  
B  
C  
D  
E  
F  
G  
I  
J  
K  
L  
M  
N  
O  
P

SRC

# SRS AIR BAG SYSTEM

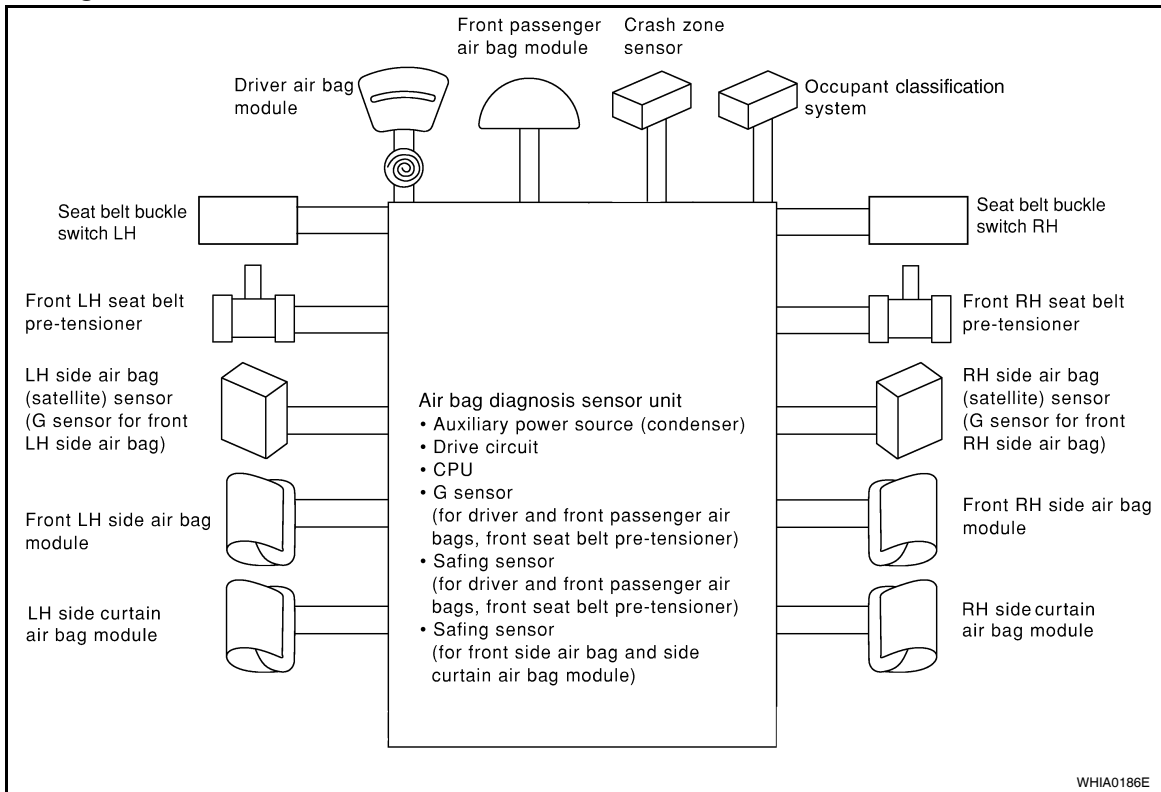
< FUNCTION DIAGNOSIS >

## FUNCTION DIAGNOSIS

### SRS AIR BAG SYSTEM

#### SRS Configuration

INFOID:000000004215156



The air bag deploys if the air bag diagnosis sensor unit is activated while the ignition switch is in the ON or START position.

The collision modes for which supplemental restraint systems are activated are different among the SRS systems. For example, the driver air bag module, front passenger air bag module and front seat belt pre-tensioners are activated in a frontal collision but not in a side collision.

SRS configurations for some collision modes are as follows:

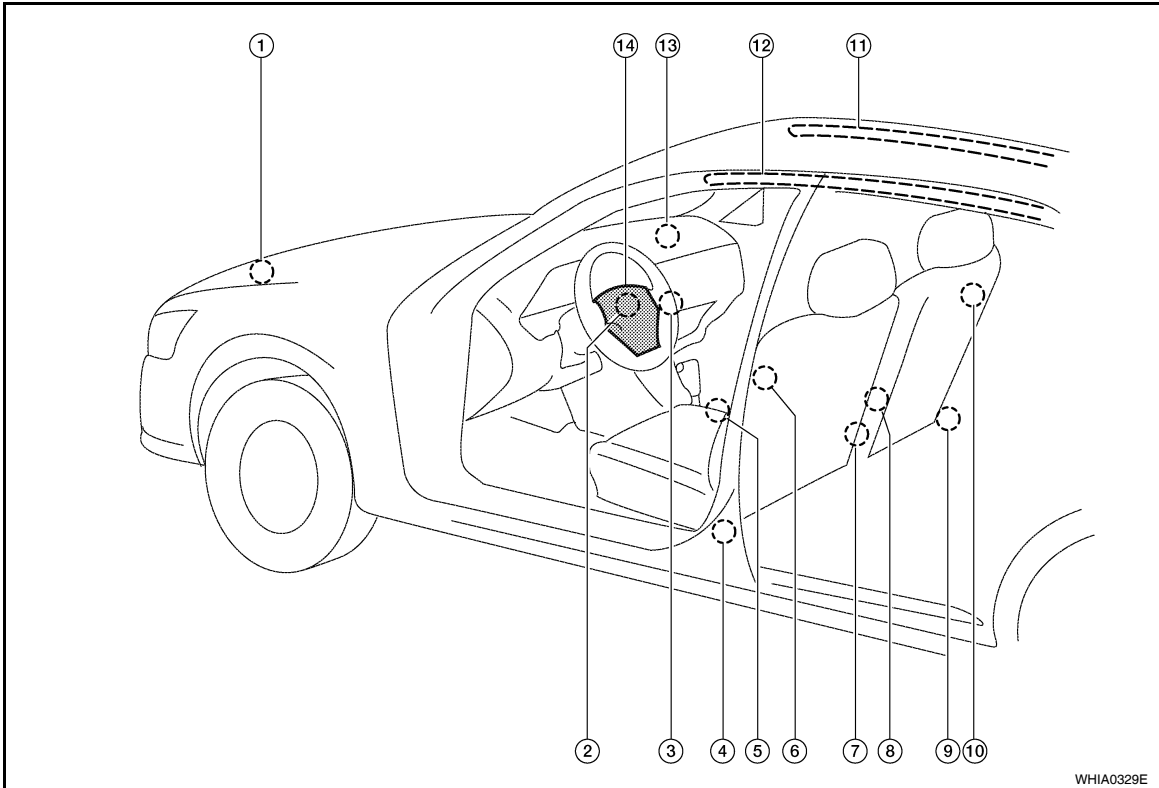
SRS configuration	Frontal collision	Left side collision	Right side collision
Driver air bag module	×	—	—
Front passenger air bag module	×	—	—
Front LH seat belt pre-tensioner	×	—	—
Front RH seat belt pre-tensioner	×	—	—
Front LH side air bag module	—	×	—
Front RH side air bag module	—	—	×
LH side curtain air bag module	—	×	—
RH side curtain air bag module	—	—	×

# SRS AIR BAG SYSTEM

< FUNCTION DIAGNOSIS >

## SRS Component Parts Location

INFOID:000000004215157

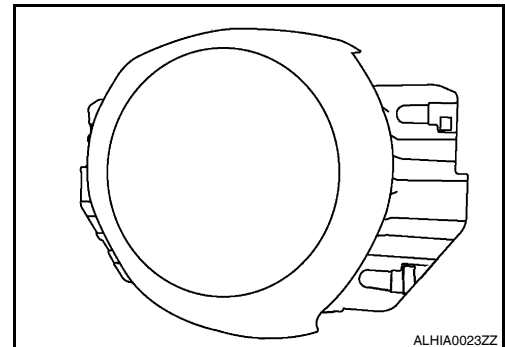


- |  |  |  |
|--|--|--|
| 1. Crash zone sensor   | 2. Spiral cable  | 3. Front passenger air bag off indicator                                 |
| 4. Front LH seatbelt pre-tensioner<br>LH side air bag (satellite) sensor | 5. Air bag diagnosis sensor unit                                 | 6. Front LH side air bag module  |
| 7. Seat belt buckle switch (LH)<br>Seat belt buckle switch (RH)          | 8. Occupant classification system<br>control unit and sensor mat | 9. Front RH seatbelt pre-tensioner<br>RH side air bag (satellite) sensor |
| 10. Front RH side air bag module   | 11. RH side curtain air bag module                               | 12. LH side curtain air bag module                                       |
| 13. Front passenger air bag module                                       | 14. Driver air bag module  |  |

### Driver Air Bag Module

INFOID:000000004215158

The driver air bag module is dual stage and located in the steering wheel assembly. It operates with the SRS system in a frontal collision exceeding a specified level.



A  
B  
C  
D  
E  
F  
G  
SRC  
I  
J  
K  
L  
M  
N  
O  
P

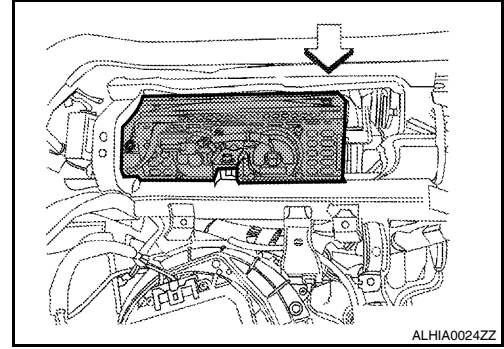
# SRS AIR BAG SYSTEM

## < FUNCTION DIAGNOSIS >

### Front Passenger Air Bag Module

INFOID:000000004215159

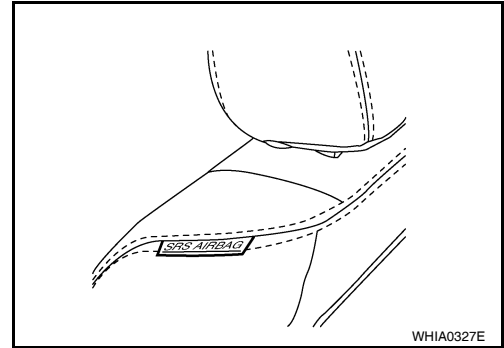
The front passenger air bag module is located behind the instrument panel assembly. It operates with the SRS system in a frontal collision exceeding a specified level. Refer to [SRC-10, "Occupant Classification System \(OCS\)"](#) for more information.



### Front Side Air Bag

INFOID:000000004215160

Front side air bag modules are built into the front seatback assemblies. Vehicles with side air bags are equipped with labels as shown.



### Side Curtain Air Bag

INFOID:000000004215161

Side curtain air bag modules are located above the vehicle headlining. Vehicles with side curtain air bags are equipped with labels as shown.



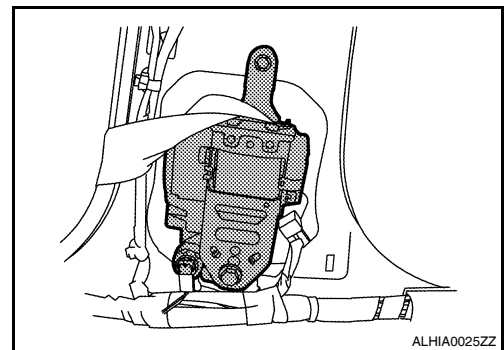
### Front Seat Belt Pre-tensioner with Load Limiter

INFOID:000000004215162

The seat belt pre-tensioner system with load limiter is installed for both the driver's seat and the front passenger's seat. It operates simultaneously with the SRS air bag system in the event of a frontal collision with an impact exceeding a specified level.

When the frontal collision with an impact exceeding a specified level occurs, seat belt slack resulting from clothing or other factors is immediately taken up by the pre-tensioner. Vehicle passengers are securely restrained.

When passengers in a vehicle are thrown forward in a collision and the restraining force of the seat belt exceeds a specified level, the load limiter permits the specified extension of the seat belt by the twisting of the ELR shaft, and a relaxation of the chest-area seat belt web tension while maintaining force.





# SRS AIR BAG SYSTEM

## < FUNCTION DIAGNOSIS >

### Direct-connect SRS Component Connectors

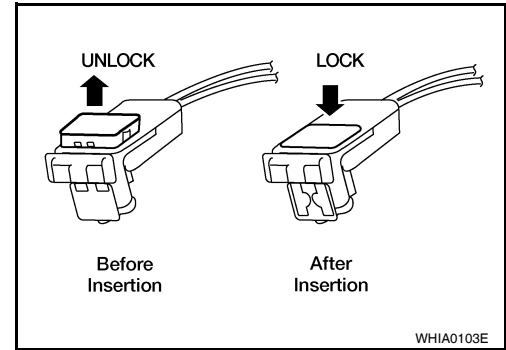
INFOID:000000004215163

The following SRS components use direct-connect style harness connectors.

- Driver front air bag module
- Passenger front air bag module
- LH side curtain air bag module
- RH side curtain air bag module
- Front LH seat belt pre-tensioner
- Front RH seat belt pre-tensioner

Always pull up to release locking tab prior to removing connector from SRS component.

Always push down to lock locking tab after installing connector to SRS component. When locked, the locking tab is level with the connector housing.



A  
B  
C  
D  
E  
F  
G  
I  
J  
K  
L  
M  
N  
O  
P

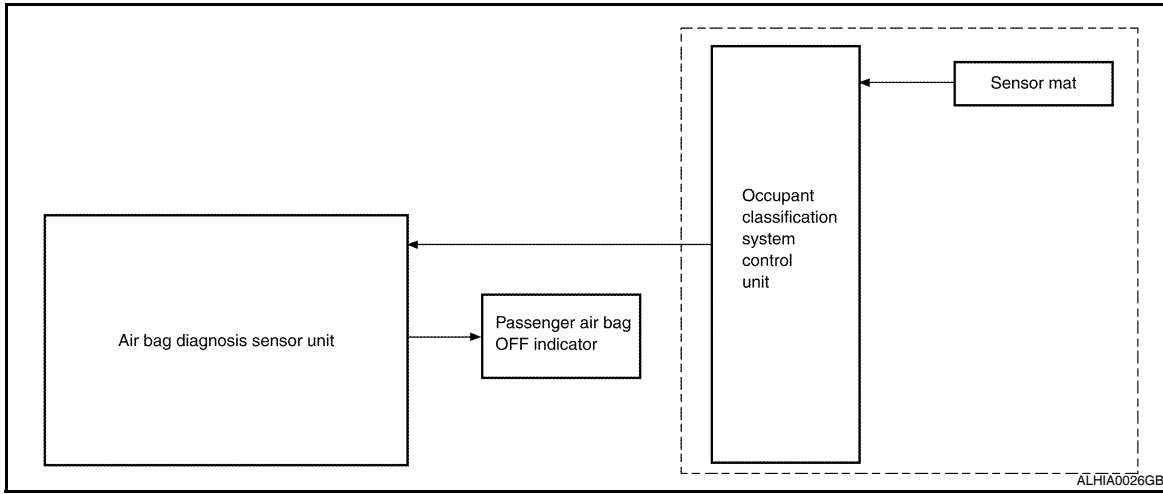
SRC

# OCCUPANT CLASSIFICATION SYSTEM

< FUNCTION DIAGNOSIS >

## OCCUPANT CLASSIFICATION SYSTEM

### System Diagram



### Occupant Classification System (OCS)

INFOID:000000004215165

The occupant classification system (OCS) identifies if a child or child seat is present in the front passenger seat. The OCS receives inputs from the occupant classification sensor mat (located inside the passenger seat cushion assembly). Depending on classification of the passenger, the OCS control unit sends a signal to the air bag diagnosis sensor unit. The air bag diagnosis sensor unit uses this signal and the seat belt buckle switch RH signal to determine deployment or non deployment of the front passenger air bag module in the event of a collision. Depending on the signals received, the air bag diagnosis sensor unit can disable the front passenger air bag module completely.

**NOTE:**

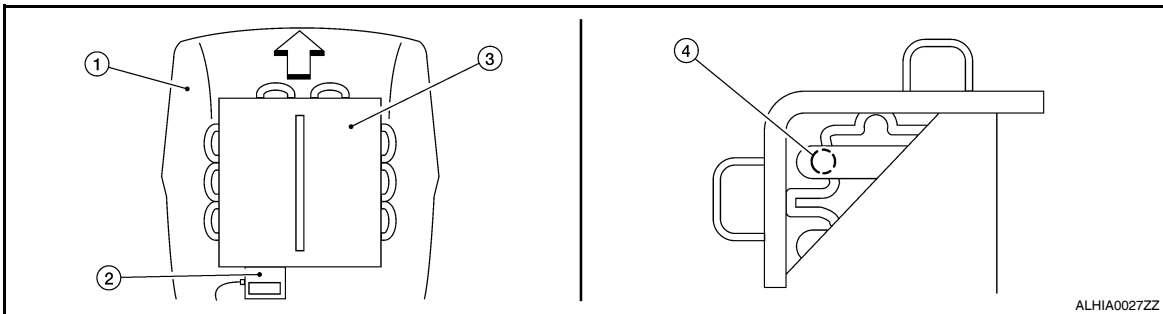
In case of customer concern, CONSULT-III can be used to confirm the front passenger air bag status (readiness).

Front Passenger Air Bag Status Conditions

Front Passenger Seat (Condition)	PASS AIR BAG OFF Indicator (Status)	Front Passenger Air Bag Status (Readiness)	CONSULT-III Display
Seat occupied	OFF	Active (enabled)	ON
Seat occupied <sup>NOTE</sup>	ON	Deactivated (disabled)	OFF
Seat empty	OFF	Deactivated (disabled)	OFF

**NOTE:**

Passenger does not meet Occupant Classification System specifications for passenger air bag activation.



1. Seat cushion foam
2. OCS control unit
3. OCS sensor mat
4. OCS sensor mat cell (internal)

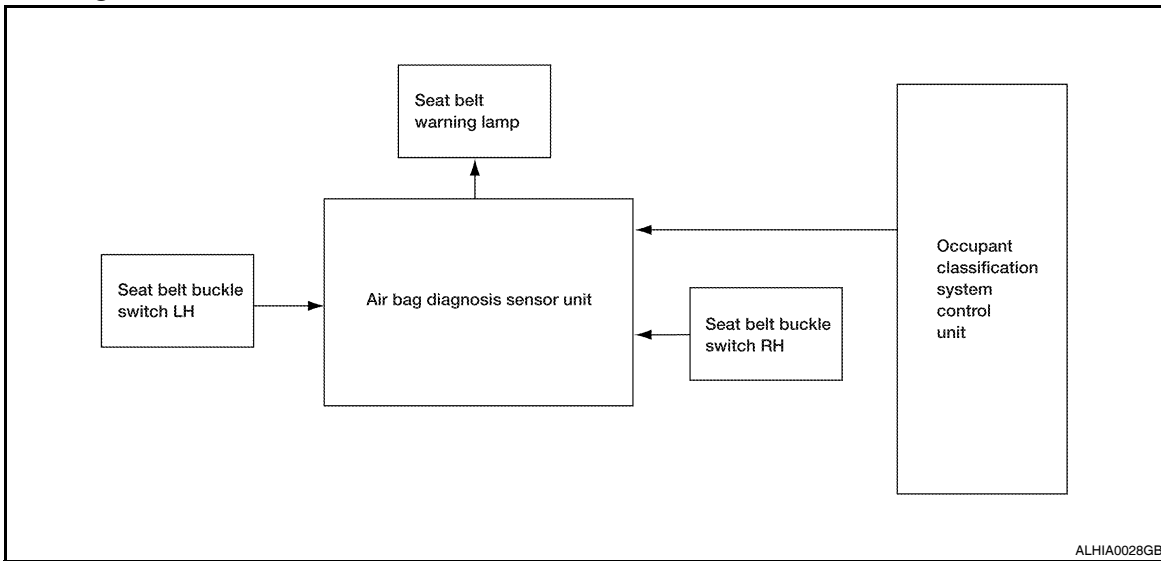
# PASSENGER SEAT BELT WARNING SYSTEM

< FUNCTION DIAGNOSIS >

## PASSENGER SEAT BELT WARNING SYSTEM

### System Diagram

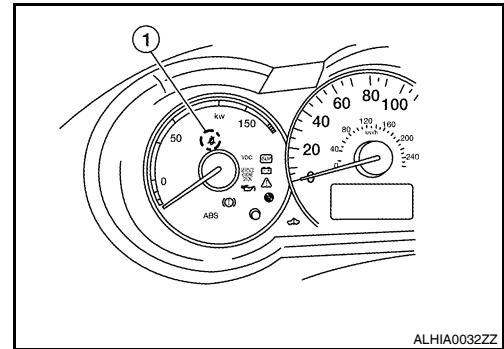
INFOID:000000004215166



### System Description

INFOID:000000004215167

The passenger seat belt warning system will remind the driver if the driver or front passenger seat belt should be buckled. The system works in conjunction with the occupant classification system. Refer to [SRC-10, "Occupant Classification System \(OCS\)"](#).



SRC

### Passenger Seat Belt Warning System Operation

Driver seat status (Ignition switch ON)	Passenger seat status	Seat belt buckle switch LH status	Seat belt buckle switch RH status	Seat belt warning lamp
Seat occupied	Seat occupied	Buckled	Buckled	Off
			Unbuckled	On
	Seat unoccupied	—	—	Off
—	—	Unbuckled	—	On

### Component Parts Location

INFOID:000000004215168

Refer to [SRC-7, "SRS Component Parts Location"](#).

# ON BOARD DIAGNOSTIC (OBD) SYSTEM

< FUNCTION DIAGNOSIS >

## ON BOARD DIAGNOSTIC (OBD) SYSTEM

### Trouble Diagnosis Introduction

INFOID:000000004215169

#### CAUTION:

- Do not use electrical test equipment on any circuit related to the SRS unless instructed to do so in this Service Manual. SRS wiring harnesses can be identified by yellow and/or orange harness connectors.
- Do not attempt to repair, splice or modify SRS wiring harnesses. If a harness is damaged, replace it with a new one.
- Keep ground connections clean.

#### DIAGNOSIS FUNCTION

The SRS self-diagnosis results can be read by using "AIR BAG" warning lamp and/or CONSULT-III.

The User mode is exclusively prepared for the customer (driver). This mode warns the driver of a system malfunction through the operation of the "AIR BAG" warning lamp.

The Diagnosis mode allows the technician to locate and inspect the malfunctioning part.

The mode applications for the "AIR BAG" warning lamp and CONSULT-III are as follows:

	User mode	Diagnosis mode	Display type
"AIR BAG" warning lamp	X	X	ON-OFF operation
CONSULT-III	—	X	Monitoring

#### HOW TO PERFORM TROUBLE DIAGNOSES FOR QUICK AND ACCURATE REPAIR

A good understanding of the malfunction conditions can make troubleshooting faster and more accurate.

In general, each customer feels differently about a malfunction. It is important to fully understand the symptoms or conditions for a customer complaint.

Information From Customer

WHAT - Vehicle model

WHEN - Date, Frequencies

WHERE - Road conditions

HOW - Operating conditions, Symptoms

Preliminary Check

Check that the following parts are in good order.

- Battery (Refer to [PG-2, "How to Handle Battery"](#).)
- Fuse (Refer to [SRC-58, "Wiring Diagram"](#).)
- System component-to-harness connections

#### SRS Operation Check

INFOID:000000004215170

#### DIAGNOSTIC PROCEDURE 1

Checking SRS Operation Using "AIR BAG" Warning Lamp—User Mode

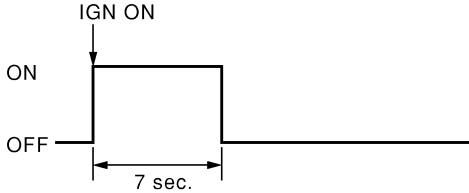
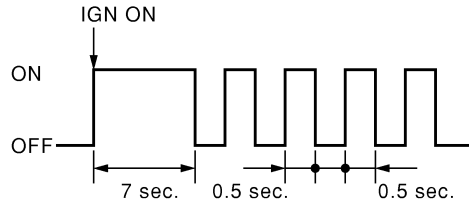
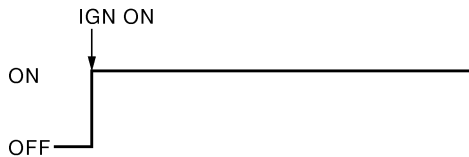

1. Turn the ignition switch from OFF to ON, and check that the air bag warning lamp blinks.
2. Compare the SRS air bag warning lamp blinking pattern with the examples.



# ON BOARD DIAGNOSTIC (OBD) SYSTEM

## < FUNCTION DIAGNOSIS >

### SRS Air bag warning lamp examples

"AIR BAG" warning lamp (User mode)	SRS condition	Reference item
 <p style="text-align: right;">SHIA0011E</p>	<ul style="list-style-type: none"> <li>No malfunction is detected.</li> <li>No further action is necessary.</li> </ul>	—
 <p style="text-align: right;">SHIA0012E</p>	The system is malfunctioning and needs to be repaired as indicated.	Proceed to DIAGNOSTIC PROCEDURE 2 that follows (with CONSULT-III) or <a href="#">SRC-14, "Trouble Diagnosis without CONSULT-III"</a> (without CONSULT-III).
 <p style="text-align: right;">SHIA0013E</p>	<ul style="list-style-type: none"> <li>Air bag is deployed.</li> <li>Seat belt pre-tensioner is deployed.</li> <li>Air bag diagnosis sensor unit is malfunctioning.</li> <li>Air bag power supply circuit is malfunctioning.</li> <li>SRS air bag warning lamp circuit is malfunctioning.</li> </ul>	Proceed to COLLISION DIAGNOSIS <a href="#">SRS-19, "For Frontal Collision"</a> or <a href="#">SRS-20, "For Side and Rollover Collision"</a> .  Refer to <a href="#">SRC-74, ""AIR BAG" Warning Lamp Does Not Turn Off"</a> .
 <p style="text-align: right;">SHIA0014E</p>	<ul style="list-style-type: none"> <li>Air bag diagnosis sensor unit is malfunctioning.</li> <li>Air bag warning lamp circuit is malfunctioning.</li> </ul>	Refer to <a href="#">SRC-74, ""AIR BAG" Warning Lamp Does Not Turn On"</a> .

### DIAGNOSTIC PROCEDURE 2

- Connect CONSULT-III.
- Diagnostic code is displayed on "SELF-DIAG [CURRENT]".  
If no malfunction is detected on "SELF-DIAG [CURRENT]", but malfunction is detected in "SRS Operation Check" using the "AIR BAG" warning lamp, the following cases may exist:
  - "SELF-DIAG [PAST]" memory might not be erased.
  - The SRS system malfunctions intermittently.
 Perform DIAGNOSTIC PROCEDURE 4. Refer to [SRC-14, "Self-Diagnosis Function \(Without CONSULT-III\)"](#).

# ON BOARD DIAGNOSTIC (OBD) SYSTEM

## < FUNCTION DIAGNOSIS >

### Trouble Diagnosis without CONSULT-III

INFOID:000000004215171

#### DIAGNOSTIC PROCEDURE 6

Inspect SRS Malfunction Using "AIR BAG" Warning Lamp—Diagnosis Mode

**NOTE:**

SRS will not enter Diagnosis mode if no malfunction is detected in User mode.

1. Turn ignition switch ON.
2. After "AIR BAG" warning lamp lights for 7 seconds, turn ignition switch OFF within 1 second.
3. Wait more than 3 seconds.
4. Repeat steps 1 to 3 two more times (3 times total).
5. Turn ignition switch ON.

SRS is now in Diagnosis mode. Refer to [SRC-70, "Trouble Diagnosis without CONSULT-III"](#).

#### CONSULT-III Function (AIR BAG)

INFOID:000000004215172

CONSULT-III can display each diagnostic item using the diagnostic test modes shown following.

AIR BAG diagnostic mode	Description
SELF-DIAG [CURRENT]	A current Self-diagnosis result (also indicated by the number of warning lamp flashes in the Diagnosis mode) is displayed on the CONSULT-III screen in real time. This refers to a malfunctioning part requiring repairs.
SELF-DIAG [PAST]	Diagnosis results previously stored in the memory are displayed on the CONSULT-III screen. The stored results will remain until memory erasing is executed.
TROUBLE DIAG RECORD	With TROUBLE DIAG RECORD, diagnosis results previously erased by a reset operation can be displayed on the CONSULT-III screen.
ECU DISCRIMINATED NO.	The air bag diagnosis sensor unit for each vehicle model is assigned with its own, individual classification number. This number will be displayed on the CONSULT-III screen, as shown. When replacing the air bag diagnosis sensor unit, refer to the part number for the compatibility. After installation, replacement with a correct unit can be checked by confirming this classification number on the CONSULT-III screen. <b>The air bag diagnosis sensor unit discriminated number assigned is F669.</b>
PASSENGER AIR BAG	The STATUS (readiness) of the front passenger air bag module is displayed. The STATUS displayed (ON/OFF) depends on the signals supplied to the occupant classification system control unit and air bag diagnosis sensor unit. Refer to <a href="#">SRC-10, "Occupant Classification System (OCS)"</a> for more information.

#### Self-Diagnosis Function (Without CONSULT-III)

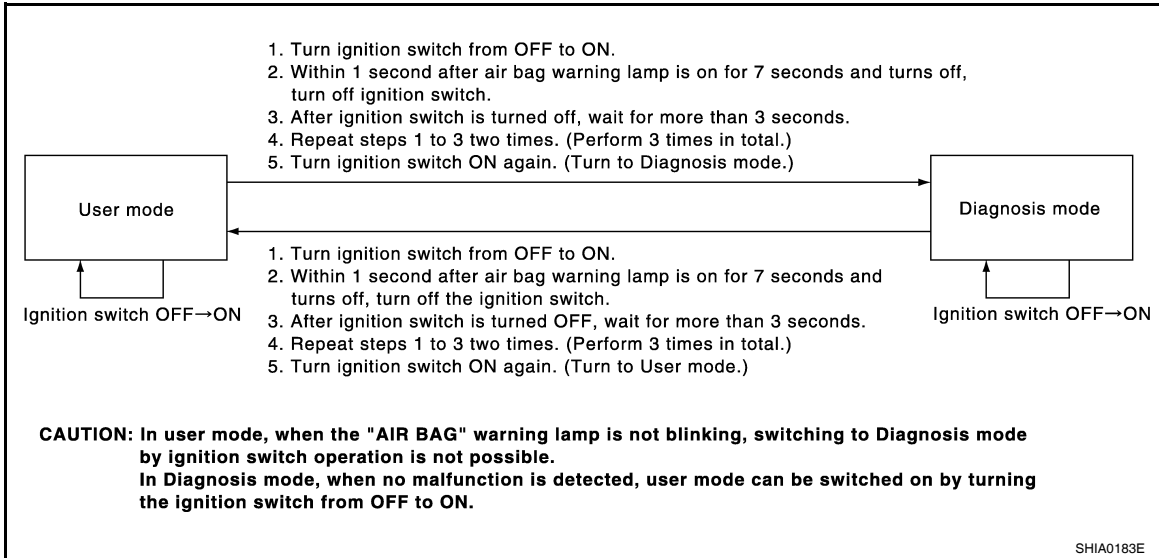
INFOID:000000004215173

- The reading of these results is accomplished using one of two modes —“User mode” and “Diagnosis mode”.
- After a malfunction is repaired, turn the ignition switch OFF for at least one second, then back ON. Diagnosis mode returns to the User mode. At that time, the self-diagnostic result is cleared.

# ON BOARD DIAGNOSTIC (OBD) SYSTEM

## < FUNCTION DIAGNOSIS >

### HOW TO CHANGE SELF-DIAGNOSIS MODE



### DIAGNOSTIC PROCEDURE 3

#### Final Check of SRS Using CONSULT-III—Diagnosis Mode

1. Connect CONSULT-III.
2. If no DTC is detected on "SELF-DIAG [CURRENT]", repair of SRS is completed. Go to step 3.  
If any DTC is detected on "SELF-DIAG [CURRENT]", the malfunctioning part has not been repaired completely or another malfunctioning part is being detected. Perform DIAGNOSTIC PROCEDURE 2. Refer to [SRC-12, "SRS Operation Check"](#).
3. Touch "ERASE".  
**NOTE:**  
**Touch "ERASE" to clear the memory of the malfunction ("SELF-DIAG [PAST]").**  
If the memory of the malfunction in "SELF-DIAG [PAST]" is not erased, the User mode shows the system malfunction by the operation of the warning lamp even if the malfunction is repaired completely.
4. Touch "BACK" key of CONSULT-III. Touch "SELF-DIAG [PAST]".
5. Check that no malfunction is detected on "SELF-DIAG [PAST]".
6. Touch "BACK" key of CONSULT-III to return to User mode from Diagnosis mode.
7. Turn ignition switch OFF and then turn off and disconnect CONSULT-III.
8. Go to [SRC-12, "SRS Operation Check"](#).

### DIAGNOSTIC PROCEDURE 4

#### Check SRS Repair History

#### 1. CONSIDER POSSIBILITY THAT SELF-DIAGNOSTIC RESULT WAS NOT ERASED AFTER REPAIR

#### Check repair history of the SRS.

#### Have any previous repairs been made to the SRS?

- YES >> Self-diagnostic result "SELF-DIAG [PAST]" (previously stored in the memory) might not be erased after repair. Perform DIAGNOSTIC PROCEDURE 3. Refer to [SRC-14, "Self-Diagnosis Function \(Without CONSULT-III\)"](#).
- NO >> Perform DIAGNOSTIC PROCEDURE 2. Refer to [SRC-12, "SRS Operation Check"](#).

# B1049 – B1052, B1054 – B1057 DRIVER AIRBAG MODULE

< COMPONENT DIAGNOSIS >

## COMPONENT DIAGNOSIS

### B1049 – B1052, B1054 – B1057 DRIVER AIRBAG MODULE

#### Description

INFOID:000000004495975

#### DTC B1049 – B1052, B1054 – B1057 DRIVER AIRBAG MODULE

The driver air bag module is dual stage and wired to the air bag diagnosis sensor unit through the spiral cable. The air bag diagnosis sensor unit will monitor for opens and shorts in detected lines to the driver air bag module including the spiral cable.

#### PART LOCATION

Refer to [SRC-7, "SRS Component Parts Location"](#).

#### DTC Logic

INFOID:000000004495976

#### DTC DETECTION LOGIC

With CONSULT-III

CONSULT-III name	DTC	DTC detecting condition	Repair order
DRIVER AIRBAG MODULE [OPEN]	B1049	Driver air bag module circuit (DR1) is open (including the spiral cable).	<ol style="list-style-type: none"> <li>1. Visually check the wiring harness connection.</li> <li>2. Replace the harness if it has visible damage.</li> <li>3. Replace the driver air bag module.</li> <li>4. Replace the spiral cable.</li> <li>5. Replace the air bag diagnosis sensor unit.</li> <li>6. Replace the related harness.</li> </ol>
	B1054	Driver air bag module circuit (DR2) is open (including the spiral cable).	
DRIVER AIRBAG MODULE [VB-SHORT]	B1050	Driver air bag module circuit (DR1) is shorted to a power supply circuit (including the spiral cable).	
	B1055	Driver air bag module circuit (DR2) is shorted to a power supply circuit (including the spiral cable).	
DRIVER AIRBAG MODULE [GND-SHORT]	B1051	Driver air bag module circuit (DR1) is shorted to ground (including the spiral cable).	
	B1056	Driver air bag module circuit (DR2) is shorted to ground (including the spiral cable).	
DRIVER AIRBAG MODULE [SHORT]	B1052	Driver air bag module circuits (DR1) are shorted to each other (including the spiral cable).	
	B1057	Driver air bag module circuits (DR2) are shorted to each other (including the spiral cable).	

Without CONSULT-III

<Driver air bag module>	
Flash pattern	Repair order
<p>a through d are repeated. d: Two flashes indicate malfunctioning driver air bag module circuits.</p>	<ol style="list-style-type: none"> <li>1. Visually check the wiring harness connection.</li> <li>2. Replace the harness if it has visible damage.</li> <li>3. Replace the spiral cable.</li> <li>4. Replace driver air bag module.</li> <li>5. Replace the air bag diagnosis sensor unit.</li> <li>6. Replace the related harness.</li> </ol>

WHIA0260E

DTC CONFIRMATION PROCEDURE (With CONSULT-III)



# B1049 – B1052, B1054 – B1057 DRIVER AIRBAG MODULE

## < COMPONENT DIAGNOSIS >

---

### 1.INSPECTION START

---

Turn ignition switch ON.

>> GO TO 2.

### 2.CHECK SELF-DIAG RESULT

---

Check for the DTC on CONSULT-III.

Is the DTC detected?

- YES >> Refer to [SRC-17. "Diagnosis Procedure \(Component Diagnosis\)".](#)
- NO >> Inspection End.

DTC CONFIRMATION PROCEDURE (Without CONSULT-III)

**NOTE:**

SRS will not enter diagnosis mode if no malfunction is detected in user mode.

### 1.IGNITION SWITCH

---

Turn ignition switch ON.

>> GO TO 2

### 2.IGNITION SWITCH

---

After air bag warning lamp lights for 7 seconds, turn ignition switch OFF within 1 second.

>> GO TO 3

### 3.WAIT TIME

---

Wait more than 3 seconds.

>> GO TO 4

### 4.REPEAT STEPS

---

Repeat steps 1 to 3 twice.

>> GO TO 5

### 5.IGNITION SWITCH

---

Turn ignition switch ON.

>> GO TO 6

### 6.DIAGNOSTIC MODE

---

SRS system is now in diagnostic mode and AIR BAG warning lamp flashes. Refer to [SRC-70. "Trouble Diagnosis without CONSULT-III".](#)

>> **END**

## Diagnosis Procedure (Component Diagnosis)

INFOID:000000004495977

Recheck SRS after each replacement.

### 1.HARNES CONNECTOR

---

Is there any visible damage to the connector?

YES or NO

- YES >> Replace the harness.
- NO >> GO TO 2

## B1049 – B1052, B1054 – B1057 DRIVER AIRBAG MODULE

< COMPONENT DIAGNOSIS >

---

### 2. WIRING HARNESS

---

Is there any visible damage to the harness?

YES or NO

YES >> Replace the harness.

NO >> GO TO 3

### 3. DRIVER AIR BAG MODULE

---

Replace the driver air bag module. Refer to [SRS-5, "Removal and Installation"](#).

>> GO TO 4

### 4. SPIRAL CABLE

---

Replace the spiral cable. Refer to [SRS-8, "Removal and Installation"](#).

>> GO TO 5

### 5. AIR BAG DIAGNOSIS SENSOR UNIT

---

Replace the air bag diagnosis sensor unit. Refer to [SRS-16, "Removal and Installation"](#).

>> GO TO 6

### 6. RELATED HARNESS

---

Replace the related harness.

>> **END**

# B1065 – B1068, B1070 – B1073 PASSENGER AIRBAG MODULE

< COMPONENT DIAGNOSIS >

## B1065 – B1068, B1070 – B1073 PASSENGER AIRBAG MODULE

### Description

INFOID:000000004495978

### DTC B1065 – B1068, B1070 – B1073 PASSENGER AIR BAG MODULE

The passenger air bag module is dual stage and wired to the air bag diagnosis sensor unit. The air bag diagnosis sensor unit will monitor for opens and shorts in detected lines to the passenger air bag module.

### PART LOCATION

Refer to [SRC-7, "SRS Component Parts Location"](#).

### DTC Logic

INFOID:000000004495979

### DTC DETECTION LOGIC

With CONSULT-III

CONSULT-III name	DTC	DTC detecting condition	Repair order
ASSIST A/B MODULE [OPEN]	B1065	Front passenger air bag module circuit (AS1) is open.	<ol style="list-style-type: none"> <li>1. Visually check the wiring harness connection.</li> <li>2. Replace the harness if it has visible damage.</li> <li>3. Replace the front passenger air bag module.</li> <li>4. Replace the air bag diagnosis sensor unit.</li> <li>5. Replace the related harness.</li> </ol>
	B1070	Front passenger air bag module circuit (AS2) is open.	
ASSIST A/B MODULE [VB-SHORT]	B1066	Front passenger air bag module circuit (AS1) is shorted to a power supply circuit.	
	B1071	Front passenger air bag module circuit (AS2) is shorted to a power supply circuit.	
ASSIST A/B MODULE [GND-SHORT]	B1067	Front passenger air bag module circuit (AS1) is shorted to ground.	
	B1072	Front passenger air bag module circuit (AS2) is shorted to ground.	
ASSIST A/B MODULE [SHORT]	B1068	Front passenger air bag module circuits (AS1) are shorted to each other.	
	B1073	Front passenger air bag module circuits (AS2) are shorted to each other.	

Without CONSULT-III

<Front passenger air bag module>	
Flash pattern	Repair order
<p>a through d are repeated. d: Eight flashes indicate malfunctioning front passenger air bag module circuit.</p> <p>ON OFF</p> <p>7 sec. a b c 8 flashes d a b</p> <p>2 sec. 2 sec. 0.5 sec. 2 sec.</p>	<ol style="list-style-type: none"> <li>1. Visually check the wiring harness connection.</li> <li>2. Replace the harness if it has visible damage.</li> <li>3. Replace front passenger air bag module.</li> <li>4. Replace the air bag diagnosis sensor unit.</li> <li>5. Replace the related harness.</li> </ol>

WHIA0261E

### DTC CONFIRMATION PROCEDURE (With CONSULT-III)

#### 1. INSPECTION START

Turn ignition switch ON.

>> GO TO 2.

#### 2. CHECK SELF-DIAG RESULT

Check for the DTC on CONSULT-III.

## B1065 – B1068, B1070 – B1073 PASSENGER AIRBAG MODULE

### < COMPONENT DIAGNOSIS >

---

#### Is the DTC detected?

- YES >> Refer to [SRC-20, "Diagnosis Procedure \(Component Diagnosis\)"](#).  
NO >> Inspection End.

#### DTC CONFIRMATION PROCEDURE (Without CONSULT-III)

##### **NOTE:**

SRS will not enter diagnosis mode if no malfunction is detected in user mode.

#### **1.**IGNITION SWITCH

---

Turn ignition switch ON.

>> GO TO 2

#### **2.**IGNITION SWITCH

---

After air bag warning lamp lights for 7 seconds, turn ignition switch OFF within 1 second.

>> GO TO 3

#### **3.**WAIT TIME

---

Wait more than 3 seconds.

>> GO TO 4

#### **4.**REPEAT STEPS

---

Repeat steps 1 to 3 twice.

>> GO TO 5

#### **5.**IGNITION SWITCH

---

Turn ignition switch ON.

>> GO TO 6

#### **6.**DIAGNOSTIC MODE

---

SRS system is now in diagnostic mode and AIR BAG warning lamp flashes. Refer to [SRC-70, "Trouble Diagnosis without CONSULT-III"](#).

>> **END**

### Diagnosis Procedure (Component Diagnosis)

INFOID:000000004495980

Recheck SRS after each replacement.

#### **1.**HARNESS CONNECTOR

---

Is there any visible damage to the connector?

##### YES or NO

- YES >> Replace the harness.  
NO >> GO TO 2

#### **2.**WIRING HARNESS

---

Is there any visible damage to the harness?

##### YES or NO

- YES >> Replace the harness.  
NO >> GO TO 3

#### **3.**FRONT PASSENGER AIR BAG MODULE

---

Replace the front passenger air bag module. Refer to [SRS-10, "Removal and Installation"](#).

# B1065 – B1068, B1070 – B1073 PASSENGER AIRBAG MODULE

< COMPONENT DIAGNOSIS >

---

>> GO TO 4

## 4. AIR BAG DIAGNOSIS SENSOR UNIT

---

Replace the air bag diagnosis sensor unit. Refer to [SRS-16. "Removal and Installation"](#).

>> GO TO 5

## 5. RELATED HARNESS

---

Replace the related harness.

>> END

A

B

C

D

E

F

G

SRC

I

J

K

L

M

N

O

P

# B1134 – B1137 SIDE AIRBAG MODULE LH

< COMPONENT DIAGNOSIS >

## B1134 – B1137 SIDE AIRBAG MODULE LH

### Description

INFOID:000000004495981

### DTC B1134 – B1137 FRONT LH SIDE AIR BAG MODULE

The front LH side air bag module is wired to the air bag diagnosis sensor unit. The air bag diagnosis sensor unit will monitor for opens and shorts in detected lines to the front LH side air bag module.

### PART LOCATION

Refer to [SRC-7, "SRS Component Parts Location"](#).

### DTC Logic

INFOID:000000004495982

### DTC DETECTION LOGIC

With CONSULT-III

CONSULT-III name	DTC	DTC detecting condition	Repair order
SIDE MODULE LH [OPEN]	B1134	Front LH side air bag module circuit is open.	<ol style="list-style-type: none"> <li>1. Visually check the wiring harness connection.</li> <li>2. Replace the harness if it has visible damage.</li> <li>3. Replace the front LH seat back assembly.</li> <li>4. Replace the air bag diagnosis sensor unit.</li> <li>5. Replace the related harness.</li> </ol>
SIDE MODULE LH [VB-SHORT]	B1135	Front LH side air bag module circuit is shorted to a power supply circuit.	
SIDE MODULE LH [GND-SHORT]	B1136	Front LH side air bag module circuit is shorted to ground.	
SIDE MODULE LH [SHORT]	B1137	Front LH side air bag module circuits are shorted to each other.	

Without CONSULT-III

<Front LH side air bag module>	
Flash pattern	Repair order
<p>a through f are repeated. f: Two flashes indicate malfunctioning front LH side air bag module circuit.</p>	<ol style="list-style-type: none"> <li>1. Visually check the wiring harness connection.</li> <li>2. Replace the harness if it has visible damage.</li> <li>3. Replace front LH seat back assembly.</li> <li>4. Replace the air bag diagnosis sensor unit.</li> <li>5. Replace the related harness.</li> </ol>

WHIA0265E

### DTC CONFIRMATION PROCEDURE (With CONSULT-III)

#### 1.INSPECTION START

Turn ignition switch ON.

>> GO TO 2.

#### 2.CHECK SELF-DIAG RESULT

Check for the DTC on CONSULT-III.

#### Is the DTC detected?

- YES >> Refer to [SRC-23, "Diagnosis Procedure \(Component Diagnosis\)"](#).  
NO >> Inspection End.

### DTC CONFIRMATION PROCEDURE (Without CONSULT-III)

#### NOTE:

SRS will not enter diagnosis mode if no malfunction is detected in user mode.

#### 1.IGNITION SWITCH

## B1134 – B1137 SIDE AIRBAG MODULE LH

### < COMPONENT DIAGNOSIS >

---

Turn ignition switch ON.

>> GO TO 2

### 2.IGNITION SWITCH

---

After air bag warning lamp lights for 7 seconds, turn ignition switch OFF within 1 second.

>> GO TO 3

### 3.WAIT TIME

---

Wait more than 3 seconds.

>> GO TO 4

### 4.REPEAT STEPS

---

Repeat steps 1 to 3 twice.

>> GO TO 5

### 5.IGNITION SWITCH

---

Turn ignition switch ON.

>> GO TO 6

### 6.DIAGNOSTIC MODE

---

SRS system is now in diagnostic mode and AIR BAG warning lamp flashes. Refer to [SRC-70, "Trouble Diagnosis without CONSULT-III"](#).

>> END

## Diagnosis Procedure (Component Diagnosis)

INFOID:000000004495983

Recheck SRS after each replacement.

### 1.HARNES CONNECTOR

---

Is there any visible damage to the connector?

YES or NO

YES >> Replace the harness.

NO >> GO TO 2

### 2.WIRING HARNESS

---

Is there any visible damage to the harness?

YES or NO

YES >> Replace the harness.

NO >> GO TO 3

### 3.FRONT LH SIDE AIR BAG MODULE

---

Replace the front LH seat back assembly. Refer to [SE-21, "Removal and Installation"](#).

>> GO TO 4

### 4.AIR BAG DIAGNOSIS SENSOR UNIT

---

Replace the air bag diagnosis sensor unit. Refer to [SRS-16, "Removal and Installation"](#).

>> GO TO 5

### 5.RELATED HARNESS

---

A

B

C

D

E

F

G

SRC

I

J

K

L

M

N

O

P

## **B1134 – B1137 SIDE AIRBAG MODULE LH**

**< COMPONENT DIAGNOSIS >**

---

Replace the related harness.

**>> END**



# B1129 – B1132 SIDE AIRBAG MODULE RH

< COMPONENT DIAGNOSIS >

## B1129 – B1132 SIDE AIRBAG MODULE RH

### Description

INFOID:000000004495984

### DTC B1129 – B1132 FRONT RH SIDE AIR BAG MODULE

The front RH side air bag module is wired to the air bag diagnosis sensor unit. The air bag diagnosis sensor unit will monitor for opens and shorts in detected lines to the front RH side air bag module.

### PART LOCATION

Refer to [SRC-7, "SRS Component Parts Location"](#).

### DTC Logic

INFOID:000000004495985

### DTC DETECTION LOGIC

With CONSULT-III

CONSULT-III name	DTC	DTC detecting condition	Repair order
SIDE MODULE RH [OPEN]	B1129	Front RH side air bag module circuit is open.	<ol style="list-style-type: none"> <li>1. Visually check the wiring harness connection.</li> <li>2. Replace the harness if it has visible damage.</li> <li>3. Replace the front RH seat back assembly.</li> <li>4. Replace the air bag diagnosis sensor unit.</li> <li>5. Replace the related harness.</li> </ol>
SIDE MODULE RH [VB-SHORT]	B1130	Front RH side air bag module circuit is shorted to a power supply circuit.	
SIDE MODULE RH [GND-SHORT]	B1131	Front RH side air bag module circuit is shorted to ground.	
SIDE MODULE RH [SHORT]	B1132	Front RH side air bag module circuits are shorted to each other.	

Without CONSULT-III

<Front RH side air bag module>	
Flash pattern	Repair order
<p>a through f are repeated. f: One flash indicate malfunctioning front RH side air bag module circuit.</p>	<ol style="list-style-type: none"> <li>1. Visually check the wiring harness connection.</li> <li>2. Replace the harness if it has visible damage.</li> <li>3. Replace front RH seat back assembly.</li> <li>4. Replace the air bag diagnosis sensor unit.</li> <li>5. Replace the related harness.</li> </ol>

WHIA0264E

### DTC CONFIRMATION PROCEDURE (With CONSULT-III)

#### 1.INSPECTION START

Turn ignition switch ON.

>> GO TO 2.

#### 2.CHECK SELF-DIAG RESULT

Check for the DTC on CONSULT-III.

Is the DTC detected?

YES >> Refer to [SRC-26, "Diagnosis Procedure \(Component Diagnosis\)"](#).

NO >> Inspection End.

### DTC CONFIRMATION PROCEDURE (Without CONSULT-III)

#### NOTE:

SRS will not enter diagnosis mode if no malfunction is detected in user mode.

#### 1.IGNITION SWITCH

## B1129 – B1132 SIDE AIRBAG MODULE RH

### < COMPONENT DIAGNOSIS >

---

Turn ignition switch ON.

>> GO TO 2

### 2.IGNITION SWITCH

---

After air bag warning lamp lights for 7 seconds, turn ignition switch OFF within 1 second.

>> GO TO 3

### 3.WAIT TIME

---

Wait more than 3 seconds.

>> GO TO 4

### 4.REPEAT STEPS

---

Repeat steps 1 to 3 twice.

>> GO TO 5

### 5.IGNITION SWITCH

---

Turn ignition switch ON.

>> GO TO 6

### 6.DIAGNOSTIC MODE

---

SRS system is now in diagnostic mode and AIR BAG warning lamp flashes. Refer to [SRC-70, "Trouble Diagnosis without CONSULT-III"](#).

>> **END**

## Diagnosis Procedure (Component Diagnosis)

INFOID:000000004495986

Recheck SRS after each replacement.

### 1.HARNESS CONNECTOR

---

Is there any visible damage to the connector?

YES or NO

YES >> Replace the harness.

NO >> GO TO 2

### 2.WIRING HARNESS

---

Is there any visible damage to the harness?

YES or NO

YES >> Replace the harness.

NO >> GO TO 3

### 3.FRONT RH SIDE AIR BAG MODULE

---

Replace the front RH seat back assembly. Refer to [SE-21, "Removal and Installation"](#).

>> GO TO 4

### 4.AIR BAG DIAGNOSIS SENSOR UNIT

---

Replace the air bag diagnosis sensor unit. Refer to [SRS-16, "Removal and Installation"](#).

>> GO TO 5

### 5.RELATED HARNESS

---

## B1129 – B1132 SIDE AIRBAG MODULE RH

< COMPONENT DIAGNOSIS >

---

Replace the related harness.

>> END

A

B

C

D

E

F

G

**SRC**

I

J

K

L

M

N

O

P

# B1150 – B1153 SIDE CURTAIN AIR BAG MODULE LH

< COMPONENT DIAGNOSIS >

## B1150 – B1153 SIDE CURTAIN AIR BAG MODULE LH

### Description

INFOID:000000004495987

### DTC B1150 – B1153 LH SIDE CURTAIN AIR BAG MODULE

The LH side curtain air bag module is wired to the air bag diagnosis sensor unit. The air bag diagnosis sensor unit will monitor for opens and shorts in detected lines to the LH side curtain air bag module.

### PART LOCATION

Refer to [SRC-7, "SRS Component Parts Location"](#).

### DTC Logic

INFOID:000000004495988

### DTC DETECTION LOGIC

With CONSULT-III

CONSULT-III name	DTC	DTC detecting condition	Repair order
CURTAIN MODULE LH [OPEN]	B1150	LH side curtain air bag module circuit is open.	<ol style="list-style-type: none"> <li>1. Visually check the wiring harness connection.</li> <li>2. Replace the harness if it has visible damage.</li> <li>3. Replace the LH side curtain air bag module.</li> <li>4. Replace the air bag diagnosis sensor unit.</li> <li>5. Replace the related harness.</li> </ol>
CURTAIN MODULE LH [VB-SHORT]	B1151	LH side curtain air bag module circuit is shorted to a power supply circuit.	
CURTAIN MODULE LH [GND-SHORT]	B1152	LH side curtain air bag module circuit is shorted to ground.	
CURTAIN MODULE LH [SHORT]	B1153	LH side curtain air bag module circuits are shorted to each other.	

Without CONSULT-III

<LH side curtain air bag module>	
Flash pattern	Repair order
<p>a through f are repeated. f: Six flashes indicate malfunctioning LH side curtain air bag module circuit.</p> <p>ON OFF</p> <p>7 sec.</p> <p>2 sec.</p> <p>1.5 sec.</p> <p>1.5 sec.</p> <p>0.5 sec.</p> <p>0.5 sec.</p> <p>0.5 sec.</p> <p>2 sec.</p> <p>2 sec.</p> <p>2 sec.</p> <p>2 sec.</p> <p>6 flashes</p> <p>a b c d e f a b c d</p>	<ol style="list-style-type: none"> <li>1. Visually check the wiring harness connection.</li> <li>2. Replace the harness if it has visible damage.</li> <li>3. Replace LH side curtain air bag module.</li> <li>4. Replace the air bag diagnosis sensor unit.</li> <li>5. Replace the related harness.</li> </ol>

WHIA0267E

### DTC CONFIRMATION PROCEDURE (With CONSULT-III)

#### 1.INSPECTION START

Turn ignition switch ON.

>> GO TO 2.

#### 2.CHECK SELF-DIAG RESULT

Check for the DTC on CONSULT-III.

#### Is the DTC detected?

- YES >> Refer to [SRC-29, "Diagnosis Procedure \(Component Diagnosis\)"](#).  
NO >> Inspection End.

### DTC CONFIRMATION PROCEDURE (Without CONSULT-III)

#### NOTE:

SRS will not enter diagnosis mode if no malfunction is detected in user mode.

#### 1.IGNITION SWITCH

# B1150 – B1153 SIDE CURTAIN AIR BAG MODULE LH

## < COMPONENT DIAGNOSIS >

---

Turn ignition switch ON.

>> GO TO 2

### 2.IGNITION SWITCH

---

After air bag warning lamp lights for 7 seconds, turn ignition switch OFF within 1 second.

>> GO TO 3

### 3.WAIT TIME

---

Wait more than 3 seconds.

>> GO TO 4

### 4.REPEAT STEPS

---

Repeat steps 1 to 3 twice.

>> GO TO 5

### 5.IGNITION SWITCH

---

Turn ignition switch ON.

>> GO TO 6

### 6.DIAGNOSTIC MODE

---

SRS system is now in diagnostic mode and AIR BAG warning lamp flashes. Refer to [SRC-70, "Trouble Diagnosis without CONSULT-III"](#).

>> END

## Diagnosis Procedure (Component Diagnosis)

INFOID:000000004495989

Recheck SRS after each replacement.

### 1.HARNES CONNECTOR

---

Is there any visible damage to the connector?

YES or NO

YES >> Replace the harness.

NO >> GO TO 2

### 2.WIRING HARNESS

---

Is there any visible damage to the harness?

YES or NO

YES >> Replace the harness.

NO >> GO TO 3

### 3.LH SIDE CURTAIN AIR BAG MODULE

---

Replace the LH side curtain air bag module. Refer to [SRS-12, "Removal and Installation"](#).

>> GO TO 4

### 4.AIR BAG DIAGNOSIS SENSOR UNIT

---

Replace the air bag diagnosis sensor unit. [SRS-16, "Removal and Installation"](#).

>> GO TO 5

### 5.RELATED HARNESS

---

A

B

C

D

E

F

G

SRC

I

J

K

L

M

N

O

P

## **B1150 – B1153 SIDE CURTAIN AIR BAG MODULE LH**

**< COMPONENT DIAGNOSIS >**

---

Replace the related harness.

**>> END**

# B1145 – B1148 SIDE CURTAIN AIR BAG MODULE RH

< COMPONENT DIAGNOSIS >

## B1145 – B1148 SIDE CURTAIN AIR BAG MODULE RH

### Description

INFOID:000000004495990

### DTC B1145 – B1148 RH SIDE CURTAIN AIR BAG MODULE

The RH side curtain air bag module is wired to the air bag diagnosis sensor unit. The air bag diagnosis sensor unit will monitor for opens and shorts in detected lines to the RH side curtain air bag module.

### PART LOCATION

Refer to [SRC-7, "SRS Component Parts Location"](#).

### DTC Logic

INFOID:000000004495991

### DTC DETECTION LOGIC

With CONSULT-III

CONSULT-III name	DTC	DTC detecting condition	Repair order
CURTAIN MODULE RH [OPEN]	B1145	RH side curtain air bag module circuit is open.	<ol style="list-style-type: none"> <li>1. Visually check the wiring harness connection.</li> <li>2. Replace the harness if it has visible damage.</li> <li>3. Replace the RH side curtain air bag module.</li> <li>4. Replace the air bag diagnosis sensor unit.</li> <li>5. Replace the related harness.</li> </ol>
CURTAIN MODULE RH [VB-SHORT]	B1146	RH side curtain air bag module circuit is shorted to a power supply circuit.	
CURTAIN MODULE RH [GND-SHORT]	B1147	RH side curtain air bag module circuit is shorted to ground.	
CURTAIN MODULE RH [SHORT]	B1148	RH side curtain air bag module circuits are shorted to each other.	

Without CONSULT-III

<RH side curtain air bag module>	
Flash pattern	Repair order
<p>a through f are repeated. f: Five flashes indicate malfunctioning RH side curtain air bag module circuit.</p>	<ol style="list-style-type: none"> <li>1. Visually check the wiring harness connection.</li> <li>2. Replace the harness if it has visible damage.</li> <li>3. Replace RH side curtain air bag module.</li> <li>4. Replace the air bag diagnosis sensor unit.</li> <li>5. Replace the related harness.</li> </ol>

WHIA0266E

### DTC CONFIRMATION PROCEDURE (With CONSULT-III)

#### 1.INSPECTION START

Turn ignition switch ON.

>> GO TO 2.

#### 2.CHECK SELF-DIAG RESULT

Check for the DTC on CONSULT-III.

Is the DTC detected?

- YES >> Refer to [SRC-32, "Diagnosis Procedure \(Component Diagnosis\)"](#).  
NO >> Inspection End.

### DTC CONFIRMATION PROCEDURE (Without CONSULT-III)

#### NOTE:

SRS will not enter diagnosis mode if no malfunction is detected in user mode.

#### 1.IGNITION SWITCH

## B1145 – B1148 SIDE CURTAIN AIR BAG MODULE RH

### < COMPONENT DIAGNOSIS >

---

Turn ignition switch ON.

>> GO TO 2

### 2.IGNITION SWITCH

---

After air bag warning lamp lights for 7 seconds, turn ignition switch OFF within 1 second.

>> GO TO 3

### 3.WAIT TIME

---

Wait more than 3 seconds.

>> GO TO 4

### 4.REPEAT STEPS

---

Repeat steps 1 to 3 twice.

>> GO TO 5

### 5.IGNITION SWITCH

---

Turn ignition switch ON.

>> GO TO 6

### 6.DIAGNOSTIC MODE

---

SRS system is now in diagnostic mode and AIR BAG warning lamp flashes. Refer to [SRC-70, "Trouble Diagnosis without CONSULT-III"](#).

>> **END**

## Diagnosis Procedure (Component Diagnosis)

INFOID:000000004495992

Recheck SRS after each replacement.

### 1.HARNESS CONNECTOR

---

Is there any visible damage to the connector?

YES or NO

YES >> Replace the harness.

NO >> GO TO 2

### 2.WIRING HARNESS

---

Is there any visible damage to the harness?

YES or NO

YES >> Replace the harness.

NO >> GO TO 3

### 3.RH SIDE CURTAIN AIR BAG MODULE

---

Replace the RH side curtain air bag module. Refer to [SRS-12, "Removal and Installation"](#).

>> GO TO 4

### 4.AIR BAG DIAGNOSIS SENSOR UNIT

---

Replace the air bag diagnosis sensor unit. Refer to [SRS-16, "Removal and Installation"](#).

>> GO TO 5

### 5.RELATED HARNESS

---



# B1145 – B1148 SIDE CURTAIN AIR BAG MODULE RH

< COMPONENT DIAGNOSIS >

---

Replace the related harness.

>> END

A

B

C

D

E

F

G

**SRC**

I

J

K

L

M

N

O

P

# B1086 – B1089 SEAT BELT PRE-TENSIONER LH

< COMPONENT DIAGNOSIS >

## B1086 – B1089 SEAT BELT PRE-TENSIONER LH

### Description

INFOID:000000004495993

### DTC B1086 – B1089 SEAT BELT PRE-TENSIONER LH

The seat belt pre-tensioner LH is wired to the air bag diagnosis sensor unit. The air bag diagnosis sensor unit will monitor for opens and shorts in detected lines to the seat belt pre-tensioner LH.

### PART LOCATION

Refer to [SRC-7, "SRS Component Parts Location"](#).

### DTC Logic

INFOID:000000004495994

### DTC DETECTION LOGIC

With CONSULT-III

CONSULT-III name	DTC	DTC detecting condition	Repair order
PRE-TEN FRONT LH [OPEN]	B1086	LH seat belt pre-tensioner circuit is open.	<ol style="list-style-type: none"> <li>1. Visually check the wiring harness connection.</li> <li>2. Replace the harness if it has visible damage.</li> <li>3. Replace the front LH seat belt pre-tensioner.</li> <li>4. Replace the air bag diagnosis sensor unit.</li> <li>5. Replace the related harness.</li> </ol>
PRE-TEN FRONT LH [VB-SHORT]	B1087	LH seat belt pre-tensioner circuit is shorted to a power supply circuit.	
PRE-TEN FRONT LH [GND-SHORT]	B1088	LH seat belt pre-tensioner circuit is shorted to ground.	
PRE-TEN FRONT LH [SHORT]	B1089	LH seat belt pre-tensioner circuits are shorted to each other.	

Without CONSULT-III

<Front LH seat belt pre-tensioner>	
Flash pattern	Repair order
<p>a through d are repeated. d: Three flashes indicate malfunctioning front LH seat belt pre-tensioner circuit.</p> <p>ON OFF</p> <p>7 sec. a b c d a b</p> <p>2 sec. 2 sec. 0.5 sec. 2 sec.</p> <p>3 flashes</p>	<ol style="list-style-type: none"> <li>1. Visually check the wiring harness connections.</li> <li>2. Replace the harness if it has visible damage.</li> <li>3. Replace front LH seat belt pre-tensioner.</li> <li>4. Replace the air bag diagnosis sensor unit.</li> <li>5. Replace the related harness.</li> </ol>

WHIA0263E

### DTC CONFIRMATION PROCEDURE (With CONSULT-III)

#### 1.INSPECTION START

Turn ignition switch ON.

>> GO TO 2.

#### 2.CHECK SELF-DIAG RESULT

Check for the DTC on CONSULT-III.

#### Is the DTC detected?

- YES >> Refer to [SRC-35, "Diagnosis Procedure \(Component Diagnosis\)"](#).  
NO >> Inspection End.

### DTC CONFIRMATION PROCEDURE (Without CONSULT-III)

#### NOTE:

SRS will not enter diagnosis mode if no malfunction is detected in user mode.

#### 1.IGNITION SWITCH

# B1086 – B1089 SEAT BELT PRE-TENSIONER LH

## < COMPONENT DIAGNOSIS >

---

Turn ignition switch ON.

>> GO TO 2

### 2.IGNITION SWITCH

---

After air bag warning lamp lights for 7 seconds, turn ignition switch OFF within 1 second.

>> GO TO 3

### 3.WAIT TIME

---

Wait more than 3 seconds.

>> GO TO 4

### 4.REPEAT STEPS

---

Repeat steps 1 to 3 twice.

>> GO TO 5

### 5.IGNITION SWITCH

---

Turn ignition switch ON.

>> GO TO 6

### 6.DIAGNOSTIC MODE

---

SRS system is now in diagnostic mode and AIR BAG warning lamp flashes. Refer to [SRC-70, "Trouble Diagnosis without CONSULT-III"](#).

>> END

## Diagnosis Procedure (Component Diagnosis)

INFOID:000000004495995

Recheck SRS after each replacement.

### 1.HARNES CONNECTOR

---

Is there any visible damage to the connector?

YES or NO

YES >> Replace the harness.

NO >> GO TO 2

### 2.WIRING HARNESS

---

Is there any visible damage to the harness?

YES or NO

YES >> Replace the harness.

NO >> GO TO 3

### 3.FRONT LH SEAT BELT PRE-TENSIONER

---

Replace the front LH seat belt pre-tensioner. Refer to [SB-7, "Removal and Installation"](#).

>> GO TO 4

### 4.AIR BAG DIAGNOSIS SENSOR UNIT

---

Replace the air bag diagnosis sensor unit. Refer to [SRS-16, "Removal and Installation"](#).

>> GO TO 5

### 5.RELATED HARNESS

---

A

B

C

D

E

F

G

SRC

I

J

K

L

M

N

O

P

## **B1086 – B1089 SEAT BELT PRE-TENSIONER LH**

< COMPONENT DIAGNOSIS >

---

Replace the related harness.

>> **END**

# B1081 – B1084 SEAT BELT PRE-TENSIONER RH

< COMPONENT DIAGNOSIS >

## B1081 – B1084 SEAT BELT PRE-TENSIONER RH

### Description

INFOID:000000004495996

### DTC B1081 – B1084 SEAT BELT PRE-TENSIONER RH

The seat belt pre-tensioner RH is wired to the air bag diagnosis sensor unit. The air bag diagnosis sensor unit will monitor for opens and shorts in detected lines to the seat belt pre-tensioner RH.

### PART LOCATION

Refer to [SRC-7, "SRS Component Parts Location"](#).

### DTC Logic

INFOID:000000004495997

### DTC DETECTION LOGIC

With CONSULT-III

CONSULT-III name	DTC	DTC detecting condition	Repair order
PRE-TEN FRONT RH [OPEN]	B1081	RH seat belt pre-tensioner circuit is open.	<ol style="list-style-type: none"> <li>1. Visually check the wiring harness connection.</li> <li>2. Replace the harness if it has visible damage.</li> <li>3. Replace the front RH seat belt pre-tensioner.</li> <li>4. Replace the air bag diagnosis sensor unit.</li> <li>5. Replace the related harness.</li> </ol>
PRE-TEN FRONT RH [VB-SHORT]	B1082	RH seat belt pre-tensioner circuit is shorted to a power supply circuit.	
PRE-TEN FRONT RH [GND-SHORT]	B1083	RH seat belt pre-tensioner circuit is shorted to ground.	
PRE-TEN FRONT RH [SHORT]	B1084	RH seat belt pre-tensioner circuits are shorted to each other.	

Without CONSULT-III

<Front RH seat belt pre-tensioner>	
Flash pattern	Repair order
<p>a through d are repeated. d: One flash indicates malfunctioning front RH seat belt pre-tensioner circuit.</p>	<ol style="list-style-type: none"> <li>1. Visually check the wiring harness connections.</li> <li>2. Replace the harness if it has visible damage.</li> <li>3. Replace front RH seat belt pre-tensioner.</li> <li>4. Replace the air bag diagnosis sensor unit.</li> <li>5. Replace the related harness.</li> </ol>

WHIA0262E

### DTC CONFIRMATION PROCEDURE (With CONSULT-III)

#### 1.INSPECTION START

Turn ignition switch ON.

>> GO TO 2.

#### 2.CHECK SELF-DIAG RESULT

Check for the DTC on CONSULT-III.

Is the DTC detected?

- YES >> Refer to [SRC-38, "Diagnosis Procedure \(Component Diagnosis\)"](#).  
NO >> Inspection End.

### DTC CONFIRMATION PROCEDURE (Without CONSULT-III)

#### NOTE:

SRS will not enter diagnosis mode if no malfunction is detected in user mode.

#### 1.IGNITION SWITCH

# B1081 – B1084 SEAT BELT PRE-TENSIONER RH

## < COMPONENT DIAGNOSIS >

---

Turn ignition switch ON.

>> GO TO 2

### 2.IGNITION SWITCH

---

After air bag warning lamp lights for 7 seconds, turn ignition switch OFF within 1 second.

>> GO TO 3

### 3.WAIT TIME

---

Wait more than 3 seconds.

>> GO TO 4

### 4.REPEAT STEPS

---

Repeat steps 1 to 3 twice.

>> GO TO 5

### 5.IGNITION SWITCH

---

Turn ignition switch ON.

>> GO TO 6

### 6.DIAGNOSTIC MODE

---

SRS system is now in diagnostic mode and AIR BAG warning lamp flashes. Refer to [SRC-70, "Trouble Diagnosis without CONSULT-III"](#).

>> **END**

## Diagnosis Procedure (Component Diagnosis)

INFOID:000000004495998

Recheck SRS after each replacement.

### 1.HARNESS CONNECTOR

---

Is there any visible damage to the connector?

YES or NO

YES >> Replace the harness.

NO >> GO TO 2

### 2.WIRING HARNESS

---

Is there any visible damage to the harness?

YES or NO

YES >> Replace the harness.

NO >> GO TO 3

### 3.FRONT RH SEAT BELT PRE-TENSIONER

---

Replace the front RH seat belt pre-tensioner. Refer to [SB-7, "Removal and Installation"](#).

>> GO TO 4

### 4.AIR BAG DIAGNOSIS SENSOR UNIT

---

Replace the air bag diagnosis sensor unit. Refer to [SRS-16, "Removal and Installation"](#).

>> GO TO 5

### 5.RELATED HARNESS

---

# B1081 – B1084 SEAT BELT PRE-TENSIONER RH

< COMPONENT DIAGNOSIS >

---

Replace the related harness.

>> END

A

B

C

D

E

F

G

**SRC**

I

J

K

L

M

N

O

P

# B1033 – B1035 CRASH ZONE SENSOR

< COMPONENT DIAGNOSIS >

## B1033 – B1035 CRASH ZONE SENSOR

### Description

INFOID:000000004495999

### DTC B1033 – B1035 CRASH ZONE SENSOR

The crash zone sensor is wired to the air bag diagnosis sensor unit. The air bag diagnosis sensor unit will monitor for opens and shorts in detected lines to the crash zone sensor.

### PART LOCATION

Refer to [SRC-7, "SRS Component Parts Location"](#).

### DTC Logic

INFOID:000000004496000

### DTC DETECTION LOGIC

With CONSULT-III

CONSULT-III name	DTC	DTC detecting condition	Repair order
CRASH ZONE SEN [UNIT FAIL]	B1033	Crash zone sensor has malfunctioned.	1. Visually check the wiring harness connection. 2. Replace the harness if it has visible damage. 3. Replace the crash zone sensor.
	B1034		
CRASH ZONE SEN [COMM FAIL]	B1035	Crash zone sensor communication error.	4. Replace the air bag diagnosis sensor unit. 5. Replace the related harness.

Without CONSULT-III

<Crash zone sensor>	
Flash pattern	Repair order
<p>a through d are repeated. d: Six flashes indicate malfunctioning crash zone sensor circuit.</p> <p>ON OFF</p> <p>7 sec. 3 sec. 2 sec. 0.5 sec. 2 sec. 3 sec.</p> <p>a b c d a b</p> <p>6 flashes</p>	<ol style="list-style-type: none"> <li>1. Visually check the wiring harness connection.</li> <li>2. Replace the harness if it has visible damage.</li> <li>3. Replace the crash zone sensor.</li> <li>4. Replace the air bag diagnosis sensor unit.</li> <li>5. Replace the related harness.</li> </ol>

WHIA0200E

### DTC CONFIRMATION PROCEDURE (With CONSULT-III)

#### 1.INSPECTION START

Turn ignition switch ON.

>> GO TO 2.

#### 2.CHECK SELF-DIAG RESULT

Check for the DTC on CONSULT-III.

Is the DTC detected?

- YES >> Refer to [SRC-41, "Diagnosis Procedure \(Component Diagnosis\)"](#).  
NO >> Inspection End.

### DTC CONFIRMATION PROCEDURE (Without CONSULT-III)

#### NOTE:

SRS will not enter diagnosis mode if no malfunction is detected in user mode.

#### 1.IGNITION SWITCH

Turn ignition switch ON.

>> GO TO 2



## B1033 – B1035 CRASH ZONE SENSOR

< COMPONENT DIAGNOSIS >

---

### 2.IGNITION SWITCH

---

After air bag warning lamp lights for 7 seconds, turn ignition switch OFF within 1 second.

>> GO TO 3

---

### 3.WAIT TIME

---

Wait more than 3 seconds.

>> GO TO 4

---

### 4.REPEAT STEPS

---

Repeat steps 1 to 3 twice.

>> GO TO 5

---

### 5.IGNITION SWITCH

---

Turn ignition switch ON.

>> GO TO 6

---

### 6.DIAGNOSTIC MODE

---

SRS system is now in diagnostic mode and AIR BAG warning lamp flashes. Refer to [SRC-70, "Trouble Diagnosis without CONSULT-III"](#).

>> **END**

## Diagnosis Procedure (Component Diagnosis)

INFOID:000000004496001

Recheck SRS after each replacement.

---

### 1.HARNESS CONNECTOR

---

Is there any visible damage to the connector?

YES or NO

YES >> Replace the harness.

NO >> GO TO 2

---

### 2.WIRING HARNESS

---

Is there any visible damage to the harness?

YES or NO

YES >> Replace the harness.

NO >> GO TO 3

---

### 3.CRASH ZONE SENSOR

---

Replace the crash zone sensor. Refer to [SRS-14, "Removal and Installation"](#).

>> GO TO 4

---

### 4.AIR BAG DIAGNOSIS SENSOR UNIT

---

Replace the air bag diagnosis sensor unit. Refer to [SRS-16, "Removal and Installation"](#).

>> GO TO 5

---

### 5.RELATED HARNESS

---

Replace the related harness.

A

B

C

D

E

F

G

SRC

I

J

K

L

M

N

O

P

## **B1033 – B1035 CRASH ZONE SENSOR**

< COMPONENT DIAGNOSIS >

---

>> **END**

# B1118 – B1120 SATELLITE SENSOR LH

< COMPONENT DIAGNOSIS >

## B1118 – B1120 SATELLITE SENSOR LH

### Description

INFOID:000000004496002

### DTC B1118 – B1120 SATELLITE SENSOR LH

The satellite sensor LH is wired to the air bag diagnosis sensor unit. The air bag diagnosis sensor unit will monitor the satellite sensor LH for internal failures and it's circuits for communication errors.

### PART LOCATION

Refer to [SRC-7, "SRS Component Parts Location"](#).

### DTC Logic

INFOID:000000004496003

### DTC DETECTION LOGIC

With CONSULT-III

CONSULT-III name	DTC	DTC detecting condition	Repair order
SATELLITE SENS LH [UNIT FAIL]	B1118	LH side air bag satellite sensor has mal- functioned.	<ol style="list-style-type: none"> <li>1. Visually check the wiring harness connection.</li> <li>2. Replace the harness if it has visible damage.</li> <li>3. Replace the LH side air bag satellite sensor.</li> </ol>
	B1119		
SATELLITE SENS LH [COMM FAIL]	B1120	LH side air bag satellite sensor communi- cation error.	<ol style="list-style-type: none"> <li>4. Replace the air bag diagnosis sensor unit.</li> <li>5. Replace the related harness.</li> </ol>

Without CONSULT-III

<LH side air bag (Satellite) sensor>	
Flash pattern	Repair order
<p>a through f are repeated. f: Four flashes indicate malfunctioning LH side air bag (Satellite) sensor.</p>	<ol style="list-style-type: none"> <li>1. Visually check the wiring harness connection.</li> <li>2. Replace the harness if it has visible damage.</li> <li>3. Replace the LH side air bag (Satellite) sensor.</li> <li>4. Replace the air bag diagnosis sensor unit.</li> <li>5. Replace the related harness.</li> </ol>

WHIA0204E

### DTC CONFIRMATION PROCEDURE (With CONSULT-III)

#### 1.INSPECTION START

Turn ignition switch ON.

>> GO TO 2.

#### 2.CHECK SELF-DIAG RESULT

Check for the DTC on CONSULT-III.

Is the DTC detected?

- YES >> Refer to [SRC-44, "Diagnosis Procedure \(Component Diagnosis\)"](#).  
NO >> Inspection End.

### DTC CONFIRMATION PROCEDURE (Without CONSULT-III)

#### NOTE:

SRS will not enter diagnosis mode if no malfunction is detected in user mode.

#### 1.IGNITION SWITCH

Turn ignition switch ON.

>> GO TO 2

## B1118 – B1120 SATELLITE SENSOR LH

< COMPONENT DIAGNOSIS >

---

### 2.IGNITION SWITCH

---

After air bag warning lamp lights for 7 seconds, turn ignition switch OFF within 1 second.

>> GO TO 3

### 3.WAIT TIME

---

Wait more than 3 seconds.

>> GO TO 4

### 4.REPEAT STEPS

---

Repeat steps 1 to 3 twice.

>> GO TO 5

### 5.IGNITION SWITCH

---

Turn ignition switch ON.

>> GO TO 6

### 6.DIAGNOSTIC MODE

---

SRS system is now in diagnostic mode and AIR BAG warning lamp flashes. Refer to [SRC-70. "Trouble Diagnosis without CONSULT-III"](#).

>> **END**

## Diagnosis Procedure (Component Diagnosis)

INFOID:000000004496004

Recheck SRS after each replacement.

### 1.HARNES CONNECTOR

---

Is there any visible damage to the connector?

YES or NO

YES >> Replace the harness.

NO >> GO TO 2

### 2.WIRING HARNESS

---

Is there any visible damage to the harness?

YES or NO

YES >> Replace the harness.

NO >> GO TO 3

### 3.LH SIDE AIR BAG SATELLITE SENSOR

---

Replace the LH side air bag satellite sensor. Refer to [SRS-15. "Removal and Installation"](#).

>> GO TO 4

### 4.AIR BAG DIAGNOSIS SENSOR UNIT

---

Replace the air bag diagnosis sensor unit. Refer to [SRS-16. "Removal and Installation"](#).

>> GO TO 5

### 5.RELATED HARNESS

---

Replace the related harness.

# B1118 – B1120 SATELLITE SENSOR LH

< COMPONENT DIAGNOSIS >

---

>> END

A

B

C

D

E

F

G

**SRC**

I

J

K

L

M

N

O

P

# B1113 – B1115 SATELLITE SENSOR RH

< COMPONENT DIAGNOSIS >

## B1113 – B1115 SATELLITE SENSOR RH

### Description

INFOID:000000004496005

### DTC B1113 – B1115 SATELLITE SENSOR RH

The satellite sensor RH is wired to the air bag diagnosis sensor unit. The air bag diagnosis sensor unit will monitor the satellite sensor RH for internal failures and it's circuits for communication errors.

### PART LOCATION

Refer to [SRC-7, "SRS Component Parts Location"](#).

### DTC Logic

INFOID:000000004496006

### DTC DETECTION LOGIC

With CONSULT-III

CONSULT-III name	DTC	DTC detecting condition	Repair order
SATELLITE SENS RH [UNIT FAIL]	B1113	RH side air bag satellite sensor has mal- functioned.	<ol style="list-style-type: none"> <li>1. Visually check the wiring harness connection.</li> <li>2. Replace the harness if it has visible damage.</li> <li>3. Replace the RH side air bag satellite sensor.</li> <li>4. Replace the air bag diagnosis sensor unit.</li> <li>5. Replace the related harness.</li> </ol>
	B1114		
SATELLITE SENS RH [COMM FAIL]	B1115	RH side air bag satellite sensor communi- cation error.	

Without CONSULT-III

<RH side air bag (Satellite) sensor>	
Flash pattern	Repair order
<p>a through f are repeated. f: Three flashes indicate malfunctioning RH side air bag (Satellite) sensor circuit.</p>	<ol style="list-style-type: none"> <li>1. Visually check the wiring harness connection.</li> <li>2. Replace the harness if it has visible damage.</li> <li>3. Replace the RH side air bag (Satellite) sensor.</li> <li>4. Replace the air bag diagnosis sensor unit.</li> <li>5. Replace the related harness.</li> </ol>

WHIA0203E

### DTC CONFIRMATION PROCEDURE (With CONSULT-III)

#### 1.INSPECTION START

Turn ignition switch ON.

>> GO TO 2.

#### 2.CHECK SELF-DIAG RESULT

Check for the DTC on CONSULT-III.

Is the DTC detected?

- YES >> Refer to [SRC-47, "Diagnosis Procedure \(Component Diagnosis\)"](#).  
 NO >> Inspection End.

### DTC CONFIRMATION PROCEDURE (Without CONSULT-III)

#### NOTE:

SRS will not enter diagnosis mode if no malfunction is detected in user mode.

#### 1.IGNITION SWITCH

Turn ignition switch ON.

>> GO TO 2

# B1113 – B1115 SATELLITE SENSOR RH

< COMPONENT DIAGNOSIS >

---

## 2.IGNITION SWITCH

---

After air bag warning lamp lights for 7 seconds, turn ignition switch OFF within 1 second.

>> GO TO 3

## 3.WAIT TIME

---

Wait more than 3 seconds.

>> GO TO 4

## 4.REPEAT STEPS

---

Repeat steps 1 to 3 twice.

>> GO TO 5

## 5.IGNITION SWITCH

---

Turn ignition switch ON.

>> GO TO 6

## 6.DIAGNOSTIC MODE

---

SRS system is now in diagnostic mode and AIR BAG warning lamp flashes. Refer to [SRC-70, "Trouble Diagnosis without CONSULT-III"](#).

>> **END**

## Diagnosis Procedure (Component Diagnosis)

INFOID:000000004496007

Recheck SRS after each replacement.

## 1.HARNES CONNECTOR

---

Is there any visible damage to the connector?

YES or NO

YES >> Replace the harness.

NO >> GO TO 2

## 2.WIRING HARNESS

---

Is there any visible damage to the harness?

YES or NO

YES >> Replace the harness.

NO >> GO TO 3

## 3.RH SIDE AIR BAG SATELLITE SENSOR

---

Replace the RH side air bag satellite sensor. Refer to [SRS-15, "Removal and Installation"](#).

>> GO TO 4

## 4.AIR BAG DIAGNOSIS SENSOR UNIT

---

Replace the air bag diagnosis sensor unit. Refer to [SRS-16, "Removal and Installation"](#).

>> GO TO 5

## 5.RELATED HARNESS

---

Replace the related harness.

A

B

C

D

E

F

G

SRC

I

J

K

L

M

N

O

P

## **B1113 – B1115 SATELLITE SENSOR RH**

< COMPONENT DIAGNOSIS >

---

>> **END**



# B1XXX AIR BAG DIAGNOSIS SENSOR UNIT

< COMPONENT DIAGNOSIS >

## B1XXX AIR BAG DIAGNOSIS SENSOR UNIT

### Description

INFOID:000000004496008

### DTC B1XXX AIR BAG DIAGNOSIS SENSOR UNIT

The air bag diagnosis sensor unit will run self diagnostics when the ignition switch is turned ON. It has the potential to set many diagnostic trouble codes which will conform to the B1XXX format, but will not match any other SRS diagnostic trouble codes. Refer to [SRC-67, "Trouble Diagnosis with CONSULT-III"](#).

### PART LOCATION

Refer to [SRC-7, "SRS Component Parts Location"](#).

### DTC Logic

INFOID:000000004496009

### DTC DETECTION LOGIC

With CONSULT-III

CONSULT-III name	DTC	DTC detecting condition	Repair order
CONTROL UNIT	B1XXX	Air bag diagnosis sensor unit is malfunctioning.	<ol style="list-style-type: none"> <li>1. Visually check the wiring harness connection.</li> <li>2. Replace the harness if it has visible damage.</li> <li>3. Replace the air bag diagnosis sensor unit.</li> <li>4. Replace the related harness.</li> </ol>

Without CONSULT-III

<Air bag diagnosis sensor unit>	
Flash pattern	Repair order
<p>a through d are repeated. d: Seven flashes indicate malfunctioning diagnosis sensor unit circuit.</p>	<ol style="list-style-type: none"> <li>1. Visually check the wiring harness connections.</li> <li>2. Replace the harness if it has visible damage.</li> <li>3. Replace the air bag diagnosis sensor unit.</li> <li>4. Replace the related harness.</li> </ol>

WHIA0198E

### DTC CONFIRMATION PROCEDURE (With CONSULT-III)

#### 1.INSPECTION START

Turn ignition switch ON.

>> GO TO 2.

#### 2.CHECK SELF-DIAG RESULT

Check for the DTC on CONSULT-III.

Is the DTC detected?

- YES >> Refer to [SRC-50, "Diagnosis Procedure \(Component Diagnosis\)"](#).  
NO >> Inspection End.

### DTC CONFIRMATION PROCEDURE (Without CONSULT-III)

#### NOTE:

SRS will not enter diagnosis mode if no malfunction is detected in user mode.

#### 1.IGNITION SWITCH

Turn ignition switch ON.

>> GO TO 2

# B1XXX AIR BAG DIAGNOSIS SENSOR UNIT

< COMPONENT DIAGNOSIS >

---

## 2.IGNITION SWITCH

---

After air bag warning lamp lights for 7 seconds, turn ignition switch OFF within 1 second.

>> GO TO 3

## 3.WAIT TIME

---

Wait more than 3 seconds.

>> GO TO 4

## 4.REPEAT STEPS

---

Repeat steps 1 to 3 twice.

>> GO TO 5

## 5.IGNITION SWITCH

---

Turn ignition switch ON.

>> GO TO 6

## 6.DIAGNOSTIC MODE

---

SRS system is now in diagnostic mode and AIR BAG warning lamp flashes. Refer to [SRC-70, "Trouble Diagnosis without CONSULT-III"](#).

>> **END**

## Diagnosis Procedure (Component Diagnosis)

INFOID:000000004496010

Recheck SRS after each replacement.

## 1.HARNESS CONNECTOR

---

Is there any visible damage to the connector?

YES or NO

YES >> Replace the harness.

NO >> GO TO 2

## 2.WIRING HARNESS

---

Is there any visible damage to the harness?

YES or NO

YES >> Replace the harness.

NO >> GO TO 3

## 3.AIR BAG DIAGNOSIS SENSOR UNIT

---

Replace the air bag diagnosis sensor unit. Refer to [SRS-16, "Removal and Installation"](#).

>> GO TO 4

## 4.RELATED HARNESS

---

Replace the related harness.

>> **END**

# B1023 PASSENGER AIR BAG OFF INDICATOR

< COMPONENT DIAGNOSIS >

## B1023 PASSENGER AIR BAG OFF INDICATOR

### Description

INFOID:000000004496011

### DTC B1023 FRONT PASSENGER AIR BAG OFF INDICATOR

The front passenger air bag off indicator is wired to the air bag diagnosis sensor unit. The air bag diagnosis sensor unit monitors the front passenger air bag off indicator and circuit for failures.

### PART LOCATION

Refer to [SRC-7, "SRS Component Parts Location"](#).

### DTC Logic

INFOID:000000004496012

### DTC DETECTION LOGIC

With CONSULT-III

CONSULT-III name	DTC	DTC detecting condition	Repair order
PASS A/B INDCTR CKT	B1023	Front passenger air bag off indicator is malfunctioning.	<ol style="list-style-type: none"> <li>1. Visually check the wiring harness connection.</li> <li>2. Replace the harness if it has visible damage.</li> <li>3. Replace the front passenger air bag off indicator.</li> <li>4. Replace the air bag diagnosis sensor unit.</li> <li>5. Replace the related harness.</li> </ol>

Without CONSULT-III

<Front passenger air bag off indicator>	
Flash pattern	Repair order
<p>a through d are repeated.                      d: Eleven flashes indicate malfunctioning front passenger air bag off indicator.</p>	<ol style="list-style-type: none"> <li>1. Visually check the wiring harness connection.</li> <li>2. Replace the harness if it has visible damage.</li> <li>3. Replace front passenger air bag off indicator.</li> <li>4. Replace the air bag diagnosis sensor unit.</li> <li>5. Replace the related harness.</li> </ol>

WHIA0212E

### DTC CONFIRMATION PROCEDURE (With CONSULT-III)

#### 1.INSPECTION START

Turn ignition switch ON.

>> GO TO 2.

#### 2.CHECK SELF-DIAG RESULT

Check for the DTC on CONSULT-III.

Is the DTC detected?

- YES >> Refer to [SRC-52, "Diagnosis Procedure \(Component Diagnosis\)"](#).  
 NO >> Inspection End.

### DTC CONFIRMATION PROCEDURE (Without CONSULT-III)

#### NOTE:

SRS will not enter diagnosis mode if no malfunction is detected in user mode.

#### 1.IGNITION SWITCH

Turn ignition switch ON.

# B1023 PASSENGER AIR BAG OFF INDICATOR

< COMPONENT DIAGNOSIS >

---

>> GO TO 2

## 2.IGNITION SWITCH

---

After air bag warning lamp lights for 7 seconds, turn ignition switch OFF within 1 second.

>> GO TO 3

## 3.WAIT TIME

---

Wait more than 3 seconds.

>> GO TO 4

## 4.REPEAT STEPS

---

Repeat steps 1 to 3 twice.

>> GO TO 5

## 5.IGNITION SWITCH

---

Turn ignition switch ON.

>> GO TO 6

## 6.DIAGNOSTIC MODE

---

SRS system is now in diagnostic mode and AIR BAG warning lamp flashes. Refer to [SRC-70. "Trouble Diagnosis without CONSULT-III"](#).

>> **END**

## Diagnosis Procedure (Component Diagnosis)

INFOID:000000004496013

Recheck SRS after each replacement.

## 1.HARNES CONNECTOR

---

Is there any visible damage to the connector?

YES or NO

YES >> Replace the harness.  
NO >> GO TO 2

## 2.WIRING HARNESS

---

Is there any visible damage to the harness?

YES or NO

YES >> Replace the harness.  
NO >> GO TO 3

## 3.FRONT PASSENGER AIR BAG OFF INDICATOR

---

Replace the front passenger air bag off indicator. [IP-12. "Removal and Installation"](#).

>> GO TO 4

## 4.AIR BAG DIAGNOSIS SENSOR UNIT

---

Replace the air bag diagnosis sensor unit. Refer to [SRS-16. "Removal and Installation"](#).

>> GO TO 5

## 5.RELATED HARNESS

---

Replace the related harness.

# B1023 PASSENGER AIR BAG OFF INDICATOR

< COMPONENT DIAGNOSIS >

---

>> END

A

B

C

D

E

F

G

**SRC**

I

J

K

L

M

N

O

P

# B1017 – B1022 OCCUPANT CLASSIFICATION SYSTEM

< COMPONENT DIAGNOSIS >

## B1017 – B1022 OCCUPANT CLASSIFICATION SYSTEM

### Description

INFOID:000000004496014

#### DTC B1017 – B1022 OCCUPANT CLASSIFICATION SYSTEM (OCS)

The occupant classification system control unit is wired to the air bag diagnosis sensor unit. The air bag diagnosis sensor unit will monitor the occupant classification system for control unit and sensor mat failures and interruptions in communication between the OCS control unit and the air bag diagnosis sensor unit.

#### PART LOCATION

Refer to [SRC-7, "SRS Component Parts Location"](#).

### DTC Logic

INFOID:000000004496015

#### DTC DETECTION LOGIC

With CONSULT-III

CONSULT-III name	DTC	DTC detecting condition	Repair order
OCCUPANT SENS C/U [UNIT FAIL]	B1017	The OCS control unit is malfunctioning.	1. Replace the RH front seat cushion assembly. Do not disassemble the seat cushion assembly.
	B1020		
	B1021		
OCCUPANT SENS [UNIT FAIL]	B1018	The OCS sensor mat is malfunctioning.	
OCCUPANT SENS [OTHER FAIL]	B1019	The OCS is malfunctioning.	
OCCUPANT SENS C/U [COMM FAIL]	B1022	Communication between the OCS control unit and the air bag diagnosis sensor unit is interrupted.	1. Visually check the wiring harness connection. 2. Replace the harness if it has visible damage. 3. Replace the RH front seat cushion assembly. Do not disassemble the seat cushion assembly. 4. Replace the air bag diagnosis sensor unit.

Without CONSULT-III

<Occupant classification system> Flash pattern	Repair order
<p>a through d are repeated. d: Five flashes indicate malfunctioning occupant classification system control unit.</p>	<ol style="list-style-type: none"> <li>1. Visually check the wiring harness connection.</li> <li>2. Replace the harness if it has visible damage.</li> <li>3. Replace the RH front seat cushion occupant classification system control unit assembly.</li> <li>4. Replace the air bag diagnosis sensor unit.</li> </ol>

WHIA0211E

#### DTC CONFIRMATION PROCEDURE (With CONSULT-III)

##### 1. INSPECTION START

Turn ignition switch ON.

>> GO TO 2.

##### 2. CHECK SELF-DIAG RESULT

Check for the DTC on CONSULT-III.

Is the DTC detected?

YES >> Refer to [SRC-55, "Diagnosis Procedure \(Component Diagnosis\)"](#).

# B1017 – B1022 OCCUPANT CLASSIFICATION SYSTEM

## < COMPONENT DIAGNOSIS >

NO >> Inspection End.

### DTC CONFIRMATION PROCEDURE (Without CONSULT-III)

#### NOTE:

SRS will not enter diagnosis mode if no malfunction is detected in user mode.

#### 1.IGNITION SWITCH

Turn ignition switch ON.

>> GO TO 2

#### 2.IGNITION SWITCH

After air bag warning lamp lights for 7 seconds, turn ignition switch OFF within 1 second.

>> GO TO 3

#### 3.WAIT TIME

Wait more than 3 seconds.

>> GO TO 4

#### 4.REPEAT STEPS

Repeat steps 1 to 3 twice.

>> GO TO 5

#### 5.IGNITION SWITCH

Turn ignition switch ON.

>> GO TO 6

#### 6.DIAGNOSTIC MODE

SRS system is now in diagnostic mode and AIR BAG warning lamp flashes. Refer to [SRC-70, "Trouble Diagnosis without CONSULT-III"](#).

>> **END**

### Diagnosis Procedure (Component Diagnosis)

INFOID:000000004496016

Recheck SRS after each replacement.

#### 1.DTC

Does CONSULT-III indicate B1022?

YES or NO

YES >> GO TO 2

NO >> GO TO 4

#### 2.HARNES CONNECTOR

Is there any visible damage to the connector?

YES or NO

YES >> Replace the harness.

NO >> GO TO 3

#### 3.WIRING HARNESS

Is there any visible damage to the harness?

YES or NO

YES >> Replace the harness.

A

B

C

D

E

F

G

SRC

I

J

K

L

M

N

O

P

## B1017 – B1022 OCCUPANT CLASSIFICATION SYSTEM

< COMPONENT DIAGNOSIS >

---

NO >> GO TO 4

### 4. RH FRONT SEAT CUSHION ASSEMBLY

---

Replace the RH front seat cushion assembly. Refer to [SE-21, "Removal and Installation"](#).

>> GO TO 5

### 5. AIR BAG DIAGNOSIS SENSOR UNIT

---

Replace the air bag diagnosis sensor unit. Refer to [SRS-16, "Removal and Installation"](#).

>> **END.**



# B1209 – B1210 COLLISION DETECTION

< COMPONENT DIAGNOSIS >

## B1209 – B1210 COLLISION DETECTION

### Description

INFOID:000000004528719

### DTC B1209 - B1210 COLLISION DETECTION

The air bag diagnosis sensor unit will set this DTC if it has detected a collision which has resulted in a frontal or side deployment of one or more air bags or pre-tensioners. If this DTC is detected after a SRS repair, the air bag diagnosis sensor unit has not yet been replaced. This DTC can not be erased. If the air bag diagnosis sensor unit detects a frontal collision, it will send an air bag deployment signal to the hybrid vehicle control ECU. The hybrid vehicle control ECU will then shut down the entire high voltage power supply.

### PART LOCATION

Refer to [SRC-7, "SRS Component Parts Location"](#).

### DTC Logic

INFOID:000000004496018

### DTC DETECTION LOGIC

With CONSULT-III

CONSULT-III name	DTC	DTC detecting condition	Repair order
FRONTAL COLLISION DETECTION	B1209	Driver and/or front passenger air bag modules are deployed.	Refer to <a href="#">SRS-19, "For Frontal Collision"</a> .
SIDE COLLISION DETECTION	B1210	Side and/or curtain air bag modules are deployed.	Refer to <a href="#">SRS-20, "For Side and Rollover Collision"</a> .

SRC

### DTC CONFIRMATION PROCEDURE (With CONSULT-III)

#### 1.INSPECTION START

Turn ignition switch ON.

>> GO TO 2.

#### 2.CHECK SELF-DIAG RESULT

Check for the DTC on CONSULT-III.

Is the DTC detected?

- YES >> Refer to [SRC-57, "Diagnosis Procedure \(Component Diagnosis\)"](#).
- NO >> Inspection End.

### Diagnosis Procedure (Component Diagnosis)

INFOID:000000004496019

Refer to [SRS-19, "For Frontal Collision"](#) or [SRS-20, "For Side and Rollover Collision"](#).

# DIAGNOSIS SENSOR UNIT

< ECU DIAGNOSIS >

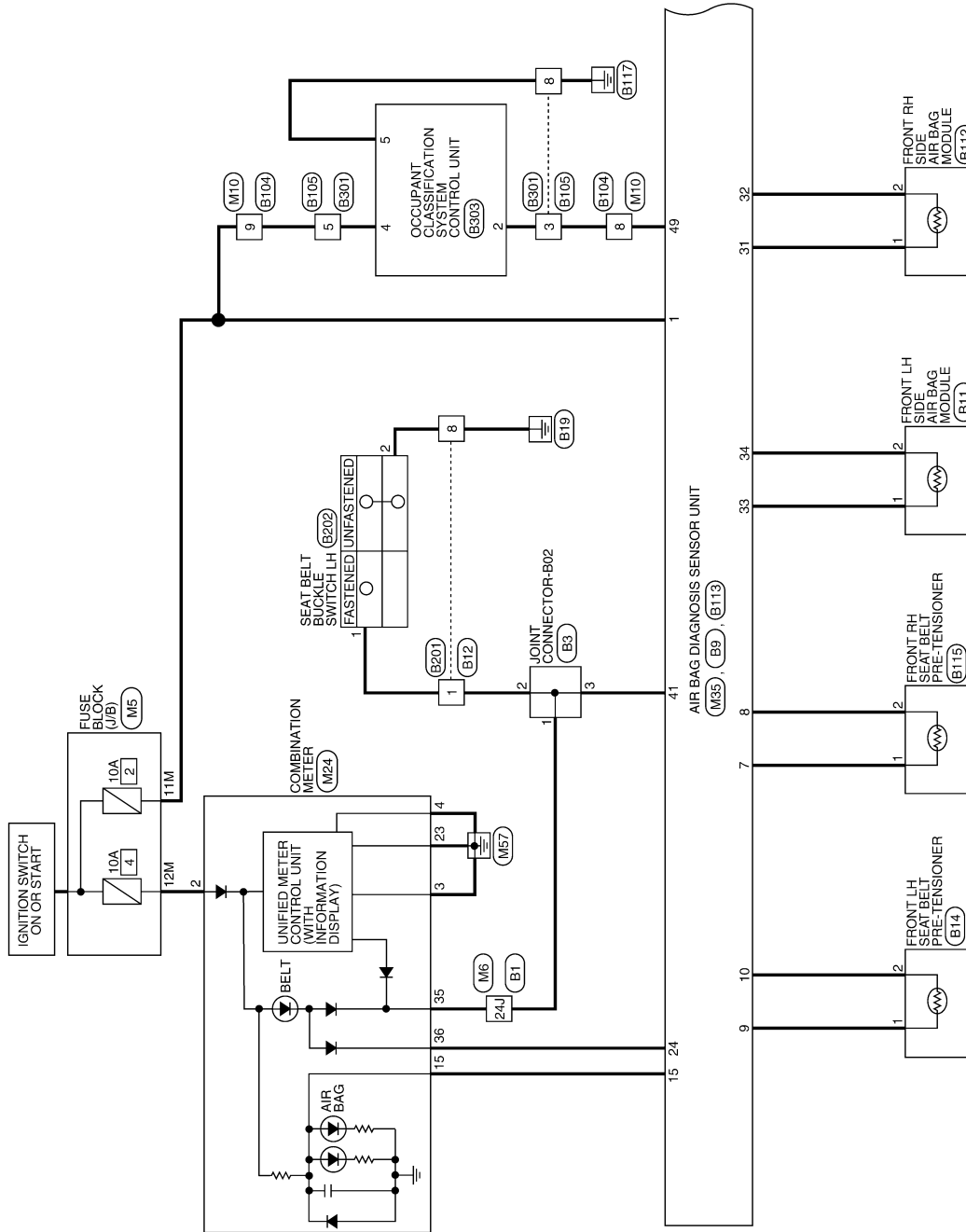
## ECU DIAGNOSIS

### DIAGNOSIS SENSOR UNIT

#### Wiring Diagram

INFOID:000000004215219

#### SRS AIR BAG CONTROL SYSTEM

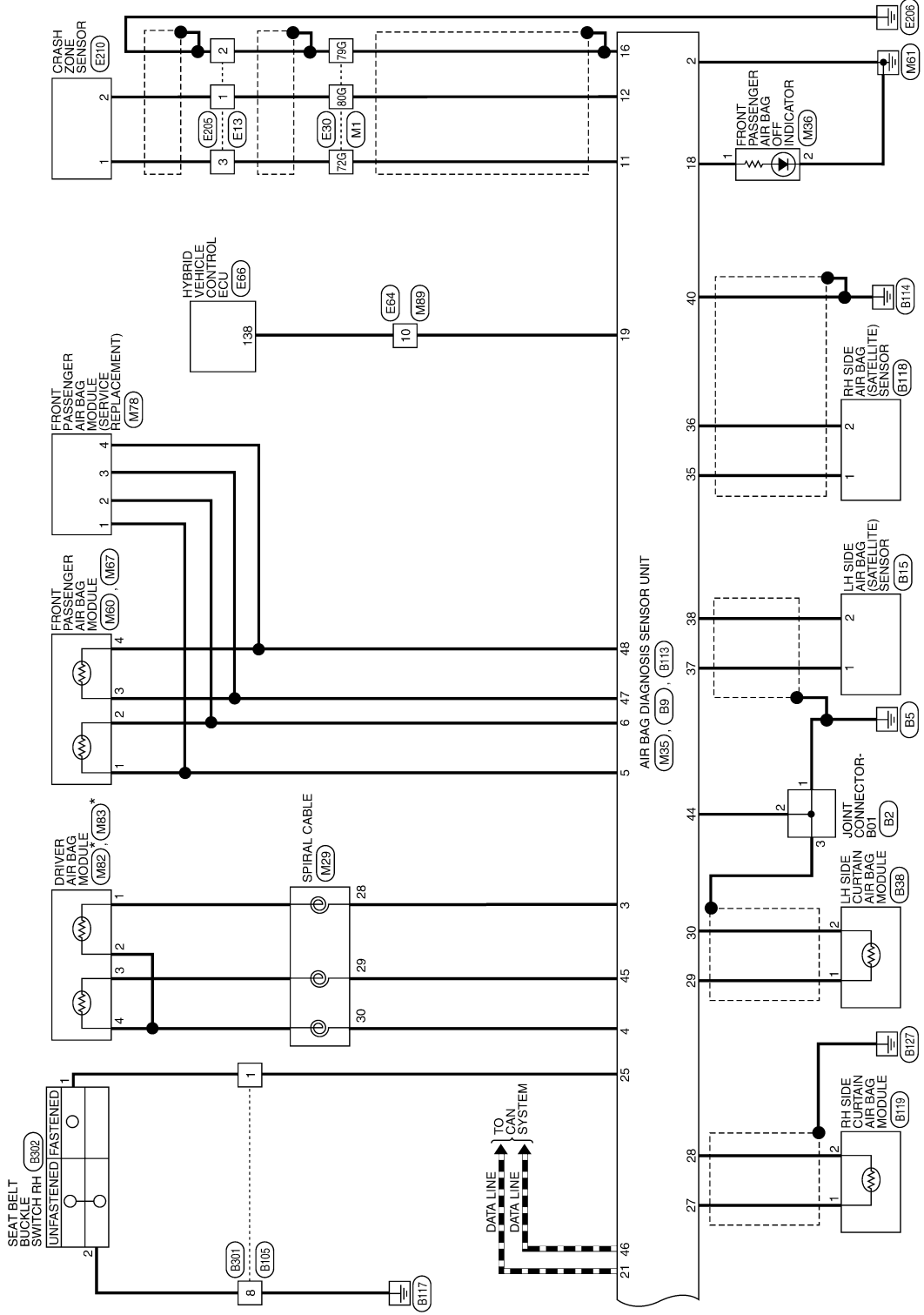


AWHWA0023G

# DIAGNOSIS SENSOR UNIT

< ECU DIAGNOSIS >

DATA LINE



\* : THIS CONNECTOR IS NOT SHOWN IN "HARNES LAYOUT" OF PG SECTION.

ABHWA0028G1

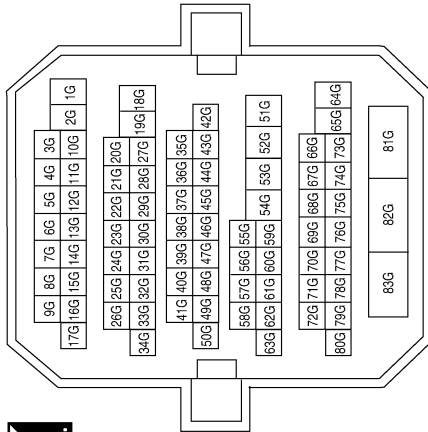
A  
B  
C  
D  
E  
F  
G  
SRC  
I  
J  
K  
L  
M  
N  
O  
P

# DIAGNOSIS SENSOR UNIT

< ECU DIAGNOSIS >

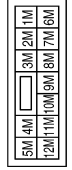
## SRS AIR BAG CONTROL SYSTEM CONNECTORS

Connector No.	M1
Connector Name	WIRE TO WIRE
Connector Color	WHITE



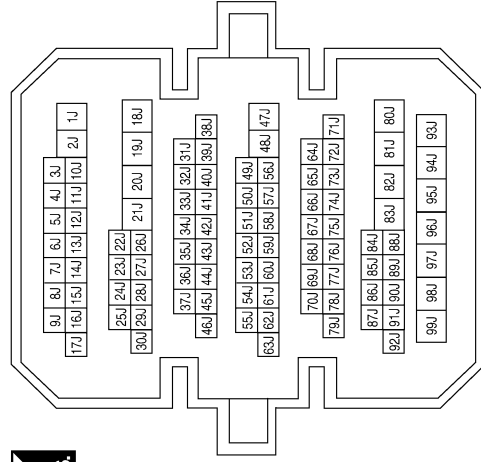
Terminal No.	Color of Wire	Signal Name
72G	L/G	-
79G	SHIELD	-
80G	L/R	-

Connector No.	M5
Connector Name	FUSE BLOCK (J/B)
Connector Color	WHITE



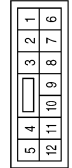
Terminal No.	Color of Wire	Signal Name
11M	R/L	-
12M	O	-

Connector No.	M6
Connector Name	WIRE TO WIRE
Connector Color	WHITE



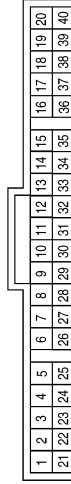
Terminal No.	Color of Wire	Signal Name
24J	W/B	-

Connector No.	M10
Connector Name	WIRE TO WIRE
Connector Color	BROWN



Terminal No.	Color of Wire	Signal Name
8	L/B	-
9	R/L	-

Connector No.	M24
Connector Name	COMBINATION METER
Connector Color	WHITE



Terminal No.	Color of Wire	Signal Name
2	O	IGN
3	B	GND
4	B	GND
15	BR/W	AIR_BAG
23	B	GND
35	W/B	DR_BELT
36	L/W	AS_BELT

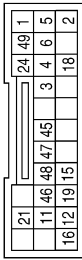
ABHIA0105GB

# DIAGNOSIS SENSOR UNIT

< ECU DIAGNOSIS >

Terminal No.	Color of Wire	Signal Name
6	Y/G	AS1(-)
11	L/G	ECZS (+)
12	L/R	ECZS (-)
15	BR/W	AIRBAG W/L
16	SHIELD	-
18	V	CUTOFF TELLTALE
19	G/O	IVCS
21	L	CAN-H
24	L/W	SEAT BELT REMINDER
45	Y/V	DR2(+)
46	P	CAN-L
47	Y	AS2(+)
48	Y/B	AS2(-)
49	L/B	ODS INPUT

Connector No.	M35
Connector Name	AIR BAG DIAGNOSIS SENSOR UNIT
Connector Color	YELLOW



Terminal No.	Color of Wire	Signal Name
1	R/L	IGN
2	B	GND
3	Y/R	DR1(+)
4	Y	DR1(-),DR2(-)
5	Y/BR	AS1(+)

Connector No.	M29
Connector Name	SPIRAL CABLE
Connector Color	YELLOW



Terminal No.	Color of Wire	Signal Name
28	Y/R	INFLATOR_DR1+
29	Y/V	INFLATOR_DR1+
30	Y	INFLATOR_DR1&DR2-

Connector No.	M67
Connector Name	FRONT PASSENGER AIR BAG MODULE
Connector Color	ORANGE



Terminal No.	Color of Wire	Signal Name
3	Y	AS2 (+)
4	Y/B	AS2 (-)

Connector No.	M60
Connector Name	FRONT PASSENGER AIR BAG MODULE
Connector Color	YELLOW



Terminal No.	Color of Wire	Signal Name
1	Y/BR	AS1 (+)
2	Y/G	AS1 (-)

Connector No.	M36
Connector Name	FRONT PASSENGER AIR BAG OFF INDICATOR
Connector Color	WHITE



Terminal No.	Color of Wire	Signal Name
1	V	SIGNAL INPUT
2	B	GND

ABHIA0106GB

A  
B  
C  
D  
E  
F  
G  
H  
I  
J  
K  
L  
M  
N  
O  
P

SRC

# DIAGNOSIS SENSOR UNIT

< ECU DIAGNOSIS >

Connector No.	M83
Connector Name	DRIVER AIR BAG MODULE
Connector Color	ORANGE



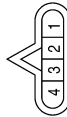
Terminal No.	Color of Wire	Signal Name
3	Y	DR2(+)
4	Y	DR2(-)

Connector No.	M82
Connector Name	DRIVER AIR BAG MODULE
Connector Color	YELLOW



Terminal No.	Color of Wire	Signal Name
1	Y	DR1(+)
2	Y	DR1(-)

Connector No.	M78
Connector Name	FRONT PASSENGER AIR BAG MODULE (SERVICE REPLACEMENT)
Connector Color	YELLOW



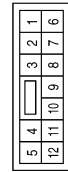
Terminal No.	Color of Wire	Signal Name
1	Y/BR	AS1 (+)
2	Y/G	AS1 (-)
3	Y	AS2 (+)
4	Y/B	AS2 (-)

Connector No.	E13
Connector Name	WIRE TO WIRE
Connector Color	BLACK



Terminal No.	Color of Wire	Signal Name
1	B/W	-
2	SHIELD	-
3	L	-

Connector No.	M89
Connector Name	WIRE TO WIRE
Connector Color	WHITE



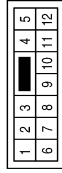
Terminal No.	Color of Wire	Signal Name
10	G/O	-

ABHIA0107GB

# DIAGNOSIS SENSOR UNIT

< ECU DIAGNOSIS >

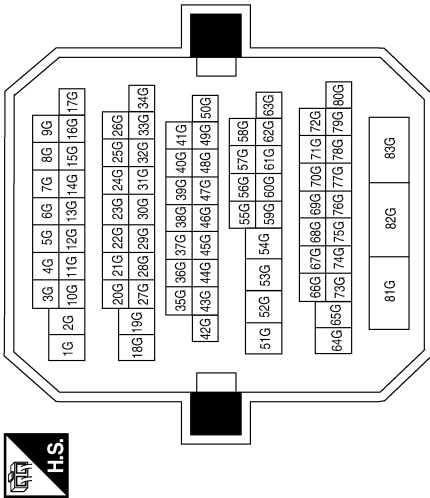
Connector No.	E64
Connector Name	WIRE TO WIRE
Connector Color	WHITE



Terminal No.	Color of Wire	Signal Name
10	G/O	-

Terminal No.	Color of Wire	Signal Name
72G	L	-
79G	SHIELD	-
80G	B/W	-

Connector No.	E30
Connector Name	WIRE TO WIRE
Connector Color	WHITE



Connector No.	E205
Connector Name	WIRE TO WIRE
Connector Color	BLACK



Terminal No.	Color of Wire	Signal Name
1	L/R	-
2	SHIELD	-
3	L/G	-

Terminal No.	Color of Wire	Signal Name
138	G/O	IVCS

Connector No.	E66
Connector Name	HYBRID VEHICLE CONTROL ECU
Connector Color	BLACK



188	167	166	165	164	163	77	76	75	74	73	72	71	70	69	68	67	66	65	64	63	62	61
174	173	172	171	170	169	111	110	109	108	107	106	105	104	103	102	101	100	99	98	97	96	95
180	179	178	177	176	175	128	127	126	125	124	123	122	121	120	119	118	117	116	115	114	113	112
186	185	184	183	182	181	162	161	160	159	158	157	156	155	154	153	152	151	150	149	148	147	146

A  
B  
C  
D  
E  
F  
G  
H  
I  
J  
K  
L  
M  
N  
O  
P

SRC

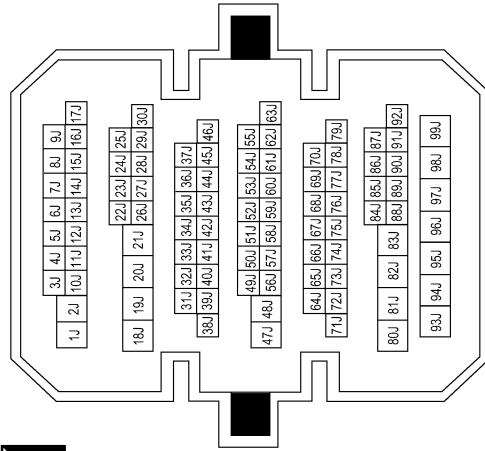
ABHIA0108GB

# DIAGNOSIS SENSOR UNIT

< ECU DIAGNOSIS >

Terminal No.	Color of Wire	Signal Name
24J	W/B	-

Connector No.	B1
Connector Name	WIRE TO WIRE
Connector Color	WHITE



Connector No.	E210
Connector Name	CRASH ZONE SENSOR
Connector Color	YELLOW



Terminal No.	Color of Wire	Signal Name
1	L/G	(+)
2	L/R	(-)

Connector No.	B3
Connector Name	JOINT CONNECTOR-B02
Connector Color	WHITE



Terminal No.	Color of Wire	Signal Name
1	W/B	-
2	W/B	-
3	W/B	-

Connector No.	B2
Connector Name	JOINT CONNECTOR-B01
Connector Color	WHITE



Terminal No.	Color of Wire	Signal Name
1	SHIELD	-
2	GR	-
3	SHIELD	-

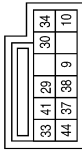
ABHIA0109GB



# DIAGNOSIS SENSOR UNIT

< ECU DIAGNOSIS >

Connector No.	B9
Connector Name	AIR BAG DIAGNOSIS SENSOR UNIT
Connector Color	YELLOW



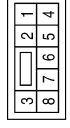
Terminal No.	Color of Wire	Signal Name
9	Y/G	PLH1(+)
10	Y/R	PLH1(-)
29	Y	CLH1(+)
30	BR	CLH1(-)
33	Y/G	SLH(+)
34	Y/R	SLH(-)
37	BR	SATELLITE LH(+)
38	Y	SATELLITE LH(-)
41	W/B	LH BUCKLE SW INPUT
44	GR	GND

Connector No.	B11
Connector Name	FRONT LH SIDE AIR BAG MODULE
Connector Color	YELLOW



Terminal No.	Color of Wire	Signal Name
1	Y/G	(+)
2	Y/R	(-)

Connector No.	B12
Connector Name	WIRE TO WIRE
Connector Color	WHITE



Terminal No.	Color of Wire	Signal Name
1	W/B	-
8	B/Y	-

Connector No.	B14
Connector Name	FRONT LH SEAT BELT PRE-TENSIONER
Connector Color	YELLOW



Terminal No.	Color of Wire	Signal Name
1	Y/G	(+)
2	Y/R	(-)

Connector No.	B15
Connector Name	LH SIDE AIR BAG (SATELLITE) SENSOR
Connector Color	YELLOW



Terminal No.	Color of wire	Signal Name
1	BR	(+)
2	Y	(-)

Connector No.	B38
Connector Name	LH SIDE CURTAIN AIR BAG MODULE
Connector Color	YELLOW



Terminal No.	Color of wire	Signal Name
1	Y	(+)
2	BR	(-)

ABHIA0110GB

A  
B  
C  
D  
E  
F  
G  
H  
I  
J  
K  
L  
M  
N  
O  
P

SRC

# DIAGNOSIS SENSOR UNIT

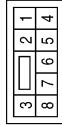
< ECU DIAGNOSIS >

Connector No.	B112
Connector Name	FRONT RH SIDE AIR BAG MODULE
Connector Color	YELLOW



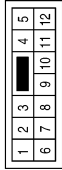
Terminal No.	Color of Wire	Signal Name
1	Y/R	(+)
2	Y/B	(-)

Connector No.	B105
Connector Name	WIRE TO WIRE
Connector Color	WHITE



Terminal No.	Color of Wire	Signal Name
1	L/B	-
3	L	-
5	R/L	-
8	B/Y	-

Connector No.	B104
Connector Name	WIRE TO WIRE
Connector Color	BROWN



Terminal No.	Color of Wire	Signal Name
8	L	-
9	R/L	-

Connector No.	B118
Connector Name	RH SIDE AIR BAG (SATELLITE) SENSOR
Connector Color	YELLOW



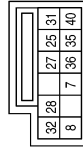
Terminal No.	Color of Wire	Signal Name
1	R	SENS +
2	G	SENS -

Connector No.	B115
Connector Name	FRONT RH SEAT BELT PRE-TENSIONER
Connector Color	YELLOW



Terminal No.	Color of Wire	Signal Name
1	Y/G	(+)
2	Y/V	(-)

Connector No.	B113
Connector Name	AIR BAG DIAGNOSIS SENSOR UNIT
Connector Color	YELLOW



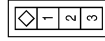
Terminal No.	Color of Wire	Signal Name
7	Y/G	PRH1(+)
8	Y/V	PRH1(-)
25	L/B	RH BUCKLE SW INPUT
27	Y	CRH1(+)
28	O	CRH1(-)
31	Y/R	SRH(+)
32	Y/B	SRH(-)
35	R	SATELLITE RH(+)
36	G	SATELLITE RH(-)
40	-	GND

ABHIA0111GB

# DIAGNOSIS SENSOR UNIT

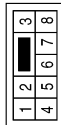
< ECU DIAGNOSIS >

Connector No.	B202
Connector Name	SEAT BELT BUCKLE SWITCH LH
Connector Color	WHITE



Terminal No.	Color of Wire	Signal Name
1	W/B	SIGNAL
2	B/Y	GND

Connector No.	B201
Connector Name	WIRE TO WIRE
Connector Color	WHITE



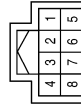
Terminal No.	Color of Wire	Signal Name
1	W/B	-
8	B/Y	-

Connector No.	B119
Connector Name	RH SIDE CURTAIN AIR BAG MODULE
Connector Color	YELLOW



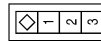
Terminal No.	Color of Wire	Signal Name
1	Y	(+)
2	O	(-)

Connector No.	B303
Connector Name	OCCUPANT CLASSIFICATION SYSTEM CONTROL UNIT
Connector Color	WHITE



Terminal No.	Color of Wire	Signal Name
2	L	SIGNAL
4	R/L	POWER SUPPLY(+)
5	B	GND

Connector No.	B302
Connector Name	SEAT BELT BUCKLE SWITCH RH
Connector Color	WHITE



Terminal No.	Color of Wire	Signal Name
1	L	SIGNAL
2	B	GND

Connector No.	B301
Connector Name	WIRE TO WIRE
Connector Color	WHITE



Terminal No.	Color of Wire	Signal Name
1	L/B	-
3	L	-
5	R/L	-
8	B	-

ABHIA0112GB

INFOID:000000004215220

## Trouble Diagnosis with CONSULT-III

### DIAGNOSTIC CODE CHART

#### NOTE:

Follow the procedures in numerical order when repairing malfunctioning parts. Confirm whether malfunction is eliminated using air bag warning lamp or CONSULT-III each time repair is finished. If malfunction is still observed, proceed to the next step. When malfunction is eliminated, further repair work is not required.

A  
B  
C  
D  
E  
F  
G  
H  
I  
J  
K  
L  
M  
N  
O  
P

SRC

## DIAGNOSIS SENSOR UNIT

### < ECU DIAGNOSIS >

CONSULT-III name	DTC	DTC detecting condition	Repair order
DRIVER AIRBAG MODULE [OPEN]	B1049	Driver air bag module circuit (DR1) is open (including the spiral cable).	<ol style="list-style-type: none"> <li>1. Visually check the wiring harness connection.</li> <li>2. Replace the harness if it has visible damage.</li> <li>3. Replace the driver air bag module.</li> <li>4. Replace the spiral cable.</li> <li>5. Replace the air bag diagnosis sensor unit.</li> <li>6. Replace the related harness.</li> </ol>
	B1054	Driver air bag module circuit (DR2) is open (including the spiral cable).	
DRIVER AIRBAG MODULE [VB-SHORT]	B1050	Driver air bag module circuit (DR1) is shorted to a power supply circuit (including the spiral cable).	
	B1055	Driver air bag module circuit (DR2) is shorted to a power supply circuit (including the spiral cable).	
DRIVER AIRBAG MODULE [GND-SHORT]	B1051	Driver air bag module circuit (DR1) is shorted to ground (including the spiral cable).	
	B1056	Driver air bag module circuit (DR2) is shorted to ground (including the spiral cable).	
DRIVER AIRBAG MODULE [SHORT]	B1052	Driver air bag module circuits (DR1) are shorted to each other (including the spiral cable).	
	B1057	Driver air bag module circuits (DR2) are shorted to each other (including the spiral cable).	
ASSIST A/B MODULE [OPEN]	B1065	Front passenger air bag module circuit (AS1) is open.	
	B1070	Front passenger air bag module circuit (AS2) is open.	
ASSIST A/B MODULE [VB-SHORT]	B1066	Front passenger air bag module circuit (AS1) is shorted to a power supply circuit.	
	B1071	Front passenger air bag module circuit (AS2) is shorted to a power supply circuit.	
ASSIST A/B MODULE [GND-SHORT]	B1067	Front passenger air bag module circuit (AS1) is shorted to ground.	
	B1072	Front passenger air bag module circuit (AS2) is shorted to ground.	
ASSIST A/B MODULE [SHORT]	B1068	Front passenger air bag module circuits (AS1) are shorted to each other.	
	B1073	Front passenger air bag module circuits (AS2) are shorted to each other.	
SIDE MODULE LH [OPEN]	B1134	Front LH side air bag module circuit is open.	<ol style="list-style-type: none"> <li>1. Visually check the wiring harness connection.</li> <li>2. Replace the harness if it has visible damage.</li> <li>3. Replace the front LH seat back assembly.</li> <li>4. Replace the air bag diagnosis sensor unit.</li> <li>5. Replace the related harness.</li> </ol>
SIDE MODULE LH [VB-SHORT]	B1135	Front LH side air bag module circuit is shorted to a power supply circuit.	
SIDE MODULE LH [GND-SHORT]	B1136	Front LH side air bag module circuit is shorted to ground.	
SIDE MODULE LH [SHORT]	B1137	Front LH side air bag module circuits are shorted to each other.	

## DIAGNOSIS SENSOR UNIT

### < ECU DIAGNOSIS >

CONSULT-III name	DTC	DTC detecting condition	Repair order
SIDE MODULE RH [OPEN]	B1129	Front RH side air bag module circuit is open.	<ol style="list-style-type: none"> <li>1. Visually check the wiring harness connection.</li> <li>2. Replace the harness if it has visible damage.</li> <li>3. Replace the front RH seat back assembly.</li> <li>4. Replace the air bag diagnosis sensor unit.</li> <li>5. Replace the related harness.</li> </ol>
SIDE MODULE RH [VB-SHORT]	B1130	Front RH side air bag module circuit is shorted to a power supply circuit.	
SIDE MODULE RH [GND-SHORT]	B1131	Front RH side air bag module circuit is shorted to ground.	
SIDE MODULE RH [SHORT]	B1132	Front RH side air bag module circuits are shorted to each other.	
CURTAIN MODULE LH [OPEN]	B1150	LH side curtain air bag module circuit is open.	<ol style="list-style-type: none"> <li>1. Visually check the wiring harness connection.</li> <li>2. Replace the harness if it has visible damage.</li> <li>3. Replace the LH side curtain air bag module.</li> <li>4. Replace the air bag diagnosis sensor unit.</li> <li>5. Replace the related harness.</li> </ol>
CURTAIN MODULE LH [VB-SHORT]	B1151	LH side curtain air bag module circuit is shorted to a power supply circuit.	
CURTAIN MODULE LH [GND-SHORT]	B1152	LH side curtain air bag module circuit is shorted to ground.	
CURTAIN MODULE LH [SHORT]	B1153	LH side curtain air bag module circuits are shorted to each other.	
CURTAIN MODULE RH [OPEN]	B1145	RH side curtain air bag module circuit is open.	<ol style="list-style-type: none"> <li>1. Visually check the wiring harness connection.</li> <li>2. Replace the harness if it has visible damage.</li> <li>3. Replace the RH side curtain air bag module.</li> <li>4. Replace the air bag diagnosis sensor unit.</li> <li>5. Replace the related harness.</li> </ol>
CURTAIN MODULE RH [VB-SHORT]	B1146	RH side curtain air bag module circuit is shorted to a power supply circuit.	
CURTAIN MODULE RH [GND-SHORT]	B1147	RH side curtain air bag module circuit is shorted to ground.	
CURTAIN MODULE RH [SHORT]	B1148	RH side curtain air bag module circuits are shorted to each other.	
PRE-TEN FRONT LH [OPEN]	B1086	LH seat belt pre-tensioner circuit is open.	<ol style="list-style-type: none"> <li>1. Visually check the wiring harness connection.</li> <li>2. Replace the harness if it has visible damage.</li> <li>3. Replace the front LH seat belt pre-tensioner.</li> <li>4. Replace the air bag diagnosis sensor unit.</li> <li>5. Replace the related harness.</li> </ol>
PRE-TEN FRONT LH [VB-SHORT]	B1087	LH seat belt pre-tensioner circuit is shorted to a power supply circuit.	
PRE-TEN FRONT LH [GND-SHORT]	B1088	LH seat belt pre-tensioner circuit is shorted to ground.	
PRE-TEN FRONT LH [SHORT]	B1089	LH seat belt pre-tensioner circuits are shorted to each other.	
PRE-TEN FRONT RH [OPEN]	B1081	RH seat belt pre-tensioner circuit is open.	<ol style="list-style-type: none"> <li>1. Visually check the wiring harness connection.</li> <li>2. Replace the harness if it has visible damage.</li> <li>3. Replace the front RH seat belt pre-tensioner.</li> <li>4. Replace the air bag diagnosis sensor unit.</li> <li>5. Replace the related harness.</li> </ol>
PRE-TEN FRONT RH [VB-SHORT]	B1082	RH seat belt pre-tensioner circuit is shorted to a power supply circuit.	
PRE-TEN FRONT RH [GND-SHORT]	B1083	RH seat belt pre-tensioner circuit is shorted to ground.	
PRE-TEN FRONT RH [SHORT]	B1084	RH seat belt pre-tensioner circuits are shorted to each other.	
CRASH ZONE SEN [UNIT FAIL]	B1033	Crash zone sensor has malfunctioned.	<ol style="list-style-type: none"> <li>1. Visually check the wiring harness connection.</li> <li>2. Replace the harness if it has visible damage.</li> <li>3. Replace the crash zone sensor.</li> <li>4. Replace the air bag diagnosis sensor unit.</li> <li>5. Replace the related harness.</li> </ol>
	B1034		
CRASH ZONE SEN [COMM FAIL]	B1035	Crash zone sensor communication error.	<ol style="list-style-type: none"> <li>4. Replace the air bag diagnosis sensor unit.</li> <li>5. Replace the related harness.</li> </ol>
SATELLITE SENS LH [UNIT FAIL]	B1118	LH side air bag satellite sensor has malfunctioned.	<ol style="list-style-type: none"> <li>1. Visually check the wiring harness connection.</li> <li>2. Replace the harness if it has visible damage.</li> <li>3. Replace the LH side air bag satellite sensor.</li> <li>4. Replace the air bag diagnosis sensor unit.</li> <li>5. Replace the related harness.</li> </ol>
	B1119		
SATELLITE SENS LH [COMM FAIL]	B1120	LH side air bag satellite sensor communication error.	<ol style="list-style-type: none"> <li>4. Replace the air bag diagnosis sensor unit.</li> <li>5. Replace the related harness.</li> </ol>
SATELLITE SENS RH [UNIT FAIL]	B1113	RH side air bag satellite sensor has malfunctioned.	<ol style="list-style-type: none"> <li>1. Visually check the wiring harness connection.</li> <li>2. Replace the harness if it has visible damage.</li> <li>3. Replace the RH side air bag satellite sensor.</li> <li>4. Replace the air bag diagnosis sensor unit.</li> <li>5. Replace the related harness.</li> </ol>
	B1114		
SATELLITE SENS RH [COMM FAIL]	B1115	RH side air bag satellite sensor communication error.	<ol style="list-style-type: none"> <li>4. Replace the air bag diagnosis sensor unit.</li> <li>5. Replace the related harness.</li> </ol>

A

B

C

D

E

F

G

SRC

I

J

K

L

M

N

O

P

# DIAGNOSIS SENSOR UNIT

## < ECU DIAGNOSIS >

CONSULT-III name	DTC	DTC detecting condition	Repair order
CONTROL UNIT	B1XXX	Air bag diagnosis sensor unit is malfunctioning.	<ol style="list-style-type: none"> <li>1. Visually check the wiring harness connection.</li> <li>2. Replace the harness if it has visible damage.</li> <li>3. Replace the air bag diagnosis sensor unit.</li> <li>4. Replace the related harness.</li> </ol>
PASS A/B INDCTR CKT	B1023	Front passenger air bag OFF indicator is malfunctioning.	<ol style="list-style-type: none"> <li>1. Visually check the wiring harness connection.</li> <li>2. Replace the harness if it has visible damage.</li> <li>3. Replace the front passenger air bag OFF indicator.</li> <li>4. Replace the air bag diagnosis sensor unit.</li> <li>5. Replace the related harness.</li> </ol>
OCCUPANT SENS C/U [UNIT FAIL]	B1017	The OCS control unit is malfunctioning.	1. Replace the RH front seat cushion assembly. Do not disassemble the seat cushion assembly.
	B1020		
	B1021		
OCCUPANT SENS [UNIT FAIL]	B1018	The OCS sensor mat is malfunctioning.	
OCCUPANT SENS [OTHER FAIL]	B1019	The OCS is malfunctioning.	
OCCUPANT SENS C/U [COMM FAIL]	B1022	Communication between the OCS control unit and the air bag diagnosis sensor unit is interrupted.	<ol style="list-style-type: none"> <li>1. Visually check the wiring harness connection.</li> <li>2. Replace the harness if it has visible damage.</li> <li>3. Replace the RH front seat cushion assembly. Do not disassemble the seat cushion assembly.</li> <li>4. Replace the air bag diagnosis sensor unit.</li> </ol>
FRONTAL COLLISION DETECTION	B1209	Driver and/or front passenger air bag modules are deployed.	Refer to <a href="#">SRS-19, "For Frontal Collision"</a> .
SIDE COLLISION DETECTION	B1210	Side and/or curtain air bag modules are deployed.	Refer to <a href="#">SRS-20, "For Side and Rollover Collision"</a> .

## Trouble Diagnosis without CONSULT-III

INFOID:000000004215221

### WARNING LAMP FLASH CODE CHART

#### NOTE:

Follow the procedures in numerical order when repairing malfunctioning parts. Confirm whether malfunction is eliminated using air bag warning lamp each time repair is finished. If malfunction is still observed, proceed to the next step. When malfunction is eliminated, further repair work is not required.

<Diagnosis results (previously stored in the memory) might not be erased after repair or intermittent malfunctions have been detected in the past.>	
Flash pattern	Repair order
a through b are repeated.	1. Go to DIAGNOSTIC PROCEDURES 2 and 3.
<p>IGN ON ON OFF</p> <p>7 sec. 3 sec. 2 sec. 2 sec.</p>	
<Driver air bag module>	
Flash pattern	Repair order
a through d are repeated. d: Two flashes indicate malfunctioning driver air bag module circuits.	<ol style="list-style-type: none"> <li>1. Visually check the wiring harness connection.</li> <li>2. Replace the harness if it has visible damage.</li> <li>3. Replace the spiral cable.</li> <li>4. Replace driver air bag module.</li> <li>5. Replace the air bag diagnosis sensor unit.</li> <li>6. Replace the related harness.</li> </ol>
<p>ON OFF</p> <p>7 sec. 3 sec. 2 sec. 2 sec. 0.5 sec. 2 sec.</p> <p>2 flashes</p>	

SHIA0026E

WHIA0260E

# DIAGNOSIS SENSOR UNIT

## < ECU DIAGNOSIS >

<Air bag diagnosis sensor unit>	
Flash pattern	Repair order
<p>a through d are repeated. d: Seven flashes indicate malfunctioning diagnosis sensor unit circuit.</p>	<ol style="list-style-type: none"> <li>1. Visually check the wiring harness connections.</li> <li>2. Replace the harness if it has visible damage.</li> <li>3. Replace the air bag diagnosis sensor unit.</li> <li>4. Replace the related harness.</li> </ol>

WHIA0198E

<Front passenger air bag module>	
Flash pattern	Repair order
<p>a through d are repeated. d: Eight flashes indicate malfunctioning front passenger air bag module circuit.</p>	<ol style="list-style-type: none"> <li>1. Visually check the wiring harness connection.</li> <li>2. Replace the harness if it has visible damage.</li> <li>3. Replace front passenger air bag module.</li> <li>4. Replace the air bag diagnosis sensor unit.</li> <li>5. Replace the related harness.</li> </ol>

WHIA0261E

<Crash zone sensor>	
Flash pattern	Repair order
<p>a through d are repeated. d: Six flashes indicate malfunctioning crash zone sensor circuit.</p>	<ol style="list-style-type: none"> <li>1. Visually check the wiring harness connection.</li> <li>2. Replace the harness if it has visible damage.</li> <li>3. Replace the crash zone sensor.</li> <li>4. Replace the air bag diagnosis sensor unit.</li> <li>5. Replace the related harness.</li> </ol>

WHIA0200E

<Front RH seat belt pre-tensioner>	
Flash pattern	Repair order
<p>a through d are repeated. d: One flash indicates malfunctioning front RH seat belt pre-tensioner circuit.</p>	<ol style="list-style-type: none"> <li>1. Visually check the wiring harness connections.</li> <li>2. Replace the harness if it has visible damage.</li> <li>3. Replace front RH seat belt pre-tensioner.</li> <li>4. Replace the air bag diagnosis sensor unit.</li> <li>5. Replace the related harness.</li> </ol>

WHIA0262E

<Front LH seat belt pre-tensioner>	
Flash pattern	Repair order
<p>a through d are repeated. d: Three flashes indicate malfunctioning front LH seat belt pre-tensioner circuit.</p>	<ol style="list-style-type: none"> <li>1. Visually check the wiring harness connections.</li> <li>2. Replace the harness if it has visible damage.</li> <li>3. Replace front LH seat belt pre-tensioner.</li> <li>4. Replace the air bag diagnosis sensor unit.</li> <li>5. Replace the related harness.</li> </ol>

WHIA0263E

A

B

C

D

E

F

G

SRC

I

J

K

L

M

N

O

P

# DIAGNOSIS SENSOR UNIT

## < ECU DIAGNOSIS >

<RH side air bag (Satellite) sensor>	
Flash pattern	Repair order
<p>a through f are repeated. f: Three flashes indicate malfunctioning RH side air bag (Satellite) sensor circuit.</p>	<ol style="list-style-type: none"> <li>1. Visually check the wiring harness connection.</li> <li>2. Replace the harness if it has visible damage.</li> <li>3. Replace the RH side air bag (Satellite) sensor.</li> <li>4. Replace the air bag diagnosis sensor unit.</li> <li>5. Replace the related harness.</li> </ol>

WHIA0203E

<LH side air bag (Satellite) sensor>	
Flash pattern	Repair order
<p>a through f are repeated. f: Four flashes indicate malfunctioning LH side air bag (Satellite) sensor.</p>	<ol style="list-style-type: none"> <li>1. Visually check the wiring harness connection.</li> <li>2. Replace the harness if it has visible damage.</li> <li>3. Replace the LH side air bag (Satellite) sensor.</li> <li>4. Replace the air bag diagnosis sensor unit.</li> <li>5. Replace the related harness.</li> </ol>

WHIA0204E

<Front RH side air bag module>	
Flash pattern	Repair order
<p>a through f are repeated. f: One flash indicate malfunctioning front RH side air bag module circuit.</p>	<ol style="list-style-type: none"> <li>1. Visually check the wiring harness connection.</li> <li>2. Replace the harness if it has visible damage.</li> <li>3. Replace front RH seat back assembly.</li> <li>4. Replace the air bag diagnosis sensor unit.</li> <li>5. Replace the related harness.</li> </ol>

WHIA0264E

<Front LH side air bag module>	
Flash pattern	Repair order
<p>a through f are repeated. f: Two flashes indicate malfunctioning front LH side air bag module circuit.</p>	<ol style="list-style-type: none"> <li>1. Visually check the wiring harness connection.</li> <li>2. Replace the harness if it has visible damage.</li> <li>3. Replace front LH seat back assembly.</li> <li>4. Replace the air bag diagnosis sensor unit.</li> <li>5. Replace the related harness.</li> </ol>

WHIA0265E

<RH side curtain air bag module>	
Flash pattern	Repair order
<p>a through f are repeated. f: Five flashes indicate malfunctioning RH side curtain air bag module circuit.</p>	<ol style="list-style-type: none"> <li>1. Visually check the wiring harness connection.</li> <li>2. Replace the harness if it has visible damage.</li> <li>3. Replace RH side curtain air bag module.</li> <li>4. Replace the air bag diagnosis sensor unit.</li> <li>5. Replace the related harness.</li> </ol>

WHIA0266E



# DIAGNOSIS SENSOR UNIT

## < ECU DIAGNOSIS >

<LH side curtain air bag module>	
Flash pattern	Repair order
<p>a through f are repeated. f: Six flashes indicate malfunctioning LH side curtain air bag module circuit.</p> <p>ON OFF</p> <p>7 sec. 2 sec. 1.5 sec. 1.5 sec. 7 0.5 sec. 2 sec.</p> <p>a b c d e f 6 flashes a b c d</p>	<ol style="list-style-type: none"> <li>1. Visually check the wiring harness connection.</li> <li>2. Replace the harness if it has visible damage.</li> <li>3. Replace LH side curtain air bag module.</li> <li>4. Replace the air bag diagnosis sensor unit.</li> <li>5. Replace the related harness.</li> </ol>

WHIA0267E

<Occupant classification system>	
Flash pattern	Repair order
<p>a through d are repeated. d: Five flashes indicate malfunctioning occupant classification system control unit.</p> <p>ON OFF</p> <p>7 sec. 2 sec. 3 sec. 2 sec. 0.5 sec. 2 sec.</p> <p>a b c d 5 flashes a b</p>	<ol style="list-style-type: none"> <li>1. Visually check the wiring harness connection.</li> <li>2. Replace the harness if it has visible damage.</li> <li>3. Replace the RH front seat cushion occupant classification system control unit assembly.</li> <li>4. Replace the air bag diagnosis sensor unit.</li> </ol>

WHIA0211E

<Front passenger air bag off indicator>	
Flash pattern	Repair order
<p>a through d are repeated. d: Eleven flashes indicate malfunctioning front passenger air bag off indicator.</p> <p>ON OFF</p> <p>7 sec. 2 sec. 3 sec. 2 sec. 0.5 sec. 2 sec.</p> <p>a b c d 11 flashes a b</p>	<ol style="list-style-type: none"> <li>1. Visually check the wiring harness connection.</li> <li>2. Replace the harness if it has visible damage.</li> <li>3. Replace front passenger air bag off indicator.</li> <li>4. Replace the air bag diagnosis sensor unit.</li> <li>5. Replace the related harness.</li> </ol>

WHIA0212E

A

B

C

D

E

F

G

SRC

I

J

K

L

M

N

O

P

# SRS AIR BAG SYSTEM

< SYMPTOM DIAGNOSIS >

## SYMPTOM DIAGNOSIS

### SRS AIR BAG SYSTEM

#### "AIR BAG" Warning Lamp Does Not Turn Off

INFOID:000000004215222

##### DIAGNOSTIC PROCEDURE 7

###### 1.CHECK CONDITION OF AIR BAG MODULE

Inspect for any deployed air bag modules or seat belt pre-tensioners.

Are any air bag modules or seat belt pre-tensioners deployed?

- YES >> Refer to [SRS-19. "For Frontal Collision"](#) or [SRS-20. "For Side and Rollover Collision"](#).
- NO >> GO TO 2

###### 2.CHECK THE AIR BAG FUSE

Check 10A fuse [No. 2, located in the fuse block (J/B)].

Is the fuse blown?

- YES >> GO TO 3
- NO >> GO TO 4

###### 3.CHECK AIR BAG FUSE AGAIN

Replace 10A fuse [No. 2, located in the fuse block (J/B)] and turn ignition switch ON.

Does the fuse blow again?

- YES >> Replace harness.
- NO >> Inspection End.

###### 4.CHECK AIR BAG DIAGNOSIS SENSOR UNIT

Connect CONSULT-III.

Is "AIR BAG" displayed on CONSULT-III?

- YES >> GO TO 5
- NO >> Visually inspect the air bag diagnosis sensor unit harness connections. If the connections are OK, replace the air bag diagnosis sensor unit. Refer to [SRS-16. "Removal and Installation"](#).

###### 5.CHECK HARNESS CONNECTION

Check for loose connections between the combination meter and the air bag diagnosis sensor unit.

Are there any loose connections?

- YES >> Properly connect the combination meter and air bag diagnosis sensor unit harness connectors. If "AIR BAG" warning lamp still does not turn off, replace the wiring harness.
- NO >> Replace air bag diagnosis sensor unit.

#### "AIR BAG" Warning Lamp Does Not Turn On

INFOID:000000004215223

##### DIAGNOSTIC PROCEDURE 8

###### 1.CHECK METER FUSE

Check the 10A fuse [No. 4, located in the fuse block (J/B)] .

Is the fuse blown?

- YES >> GO TO 2
- NO >> GO TO 3

###### 2.REPLACE METER FUSE AND CHECK AGAIN

Replace 10A fuse [No. 4, located in the fuse block (J/B)] and turn ignition switch ON.

Does the fuse blow again?

- YES >> Replace harness.
- NO >> Inspection End.

###### 3.CHECK HARNESS CONNECTIONS BETWEEN AIR BAG DIAGNOSIS SENSOR UNIT AND COMBINA-

# SRS AIR BAG SYSTEM

< SYMPTOM DIAGNOSIS >

TION METER

Inspect the harness and connectors between the air bag diagnosis sensor unit and the combination meter.

Do the harness or connectors have any visible damage?

YES >> Replace harness.

NO >> GO TO 4

## 4. CHECK COMBINATION METER

Disconnect the air bag diagnosis sensor unit harness connectors and turn ignition switch ON.

Does "AIR BAG" warning lamp turn on?

YES >> Replace the air bag diagnosis sensor unit. Refer to [SRS-16, "Removal and Installation"](#).

NO >> Replace the combination meter. Refer to [MWI-135, "Removal and Installation"](#).

A  
B  
C  
D  
E  
F  
G  
I  
J  
K  
L  
M  
N  
O  
P

SRC

# PASSENGER SEAT BELT WARNING SYSTEM

< SYMPTOM DIAGNOSIS >

---

## PASSENGER SEAT BELT WARNING SYSTEM

### Seat Belt Warning System Does Not Function

INFOID:000000004215224

#### 1. SEAT BELT WARNING LIGHT

---

Turn ignition switch ON.

Does the seat belt warning lamp come ON?

YES >> GO TO 2

- NO >> • Check 10A fuse [No. 4, located in the fuse block (J/B)].
- Check seat belt buckle switch LH.
  - Check harness between combination meter and seat belt buckle switch LH.
  - Check combination meter. Refer to [MWI-71, "Fail Safe"](#).

#### 2. SEAT BELT BUCKLE LH

---

Fasten the seat belt buckle LH.

Does the seat belt warning lamp go OFF?

YES >> GO TO 3

- NO >> • Check seat belt buckle switch LH.
- Check harness between combination meter and seat belt buckle switch LH.

#### 3. OCCUPANT CLASSIFICATION SYSTEM

---

Have a helper sit in the passenger seat.

Does the seat belt warning lamp go ON?

YES >> GO TO 4

- NO >> • Check occupant classification system. Refer to [SRC-10, "Occupant Classification System \(OCS\)"](#).
- Check harness between occupant classification control unit and air bag diagnosis sensor unit.

#### 4. SEAT BELT BUCKLE RH

---

Fasten the seat belt buckle RH.

Does the seat belt warning lamp go OFF?

YES >> System OK.

- NO >> • Check seat belt buckle switch RH.
- Check harness between seat belt buckle switch RH and air bag diagnosis sensor unit.
  - Replace air bag diagnosis sensor unit. Refer to [SRS-16, "Removal and Installation"](#).

# PRECAUTIONS

< PRECAUTION >

## PRECAUTION

### PRECAUTIONS

#### Precaution for Supplemental Restraint System (SRS) "AIR BAG" and "SEAT BELT PRE-TENSIONER"

INFOID:000000004215225

The Supplemental Restraint System such as "AIR BAG" and "SEAT BELT PRE-TENSIONER", used along with a front seat belt, helps to reduce the risk or severity of injury to the driver and front passenger for certain types of collision. This system includes seat belt switch inputs and dual stage front air bag modules. The SRS system uses the seat belt switches to determine the front air bag deployment, and may only deploy one front air bag, depending on the severity of a collision and whether the front occupants are belted or unbelted. Information necessary to service the system safely is included in the SRS and SB section of this Service Manual.

#### **WARNING:**

- To avoid rendering the SRS inoperative, which could increase the risk of personal injury or death in the event of a collision which would result in air bag inflation, all maintenance must be performed by an authorized NISSAN/INFINITI dealer.
- Improper maintenance, including incorrect removal and installation of the SRS, can lead to personal injury caused by unintentional activation of the system. For removal of Spiral Cable and Air Bag Module, see the SRS section.
- Do not use electrical test equipment on any circuit related to the SRS unless instructed to in this Service Manual. SRS wiring harnesses can be identified by yellow and/or orange harnesses or harness connectors.

#### Precaution for SRS "AIR BAG" and "SEAT BELT PRE-TENSIONER" Service

INFOID:000000004215226

- Do not use electrical test equipment to check SRS circuits unless instructed to in this Service Manual.
- Before servicing the SRS, turn ignition switch OFF, disconnect both battery cables and wait at least 3 minutes.  
For approximately 3 minutes after the cables are removed, it is still possible for the air bag and seat belt pretensioner to deploy. Therefore, do not work on any SRS connectors or wires until at least 3 minutes have passed.
- The air bag diagnosis sensor unit must always be installed with the arrow mark "←" pointing toward the front of the vehicle for proper operation. Also check air bag diagnosis sensor unit for cracks, deformities or rust before installation and replace as required.
- The spiral cable must be aligned with the neutral position since its rotations are limited. Do not attempt to turn steering wheel or column after removal of steering gear.
- Handle air bag module carefully. Always place driver and front passenger air bag modules with the pad side facing upward and seat mounted front side air bag module standing with the stud bolt side facing down.
- Conduct self-diagnosis to check entire SRS for proper function after replacing any components.
- After air bag inflates, the front instrument panel assembly should be replaced if damaged.

#### Occupant Classification System Precaution

INFOID:000000004215227

Replace occupant classification system control unit and passenger front seat cushion as an assembly.